

- WARRANTY INFORMATION SERVICE INFORMATION
 PARTS INFORMATION

Bulletin No. 2003-03

Circulate to: Sales Manager Accounting Service Manager Technician Parts Manager

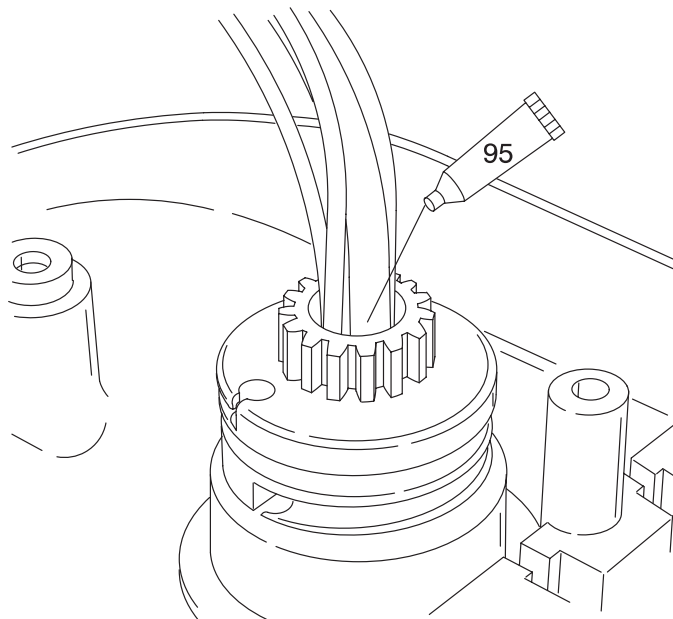
Drum Coupling Wire Contact - Tour Edition SE motors

Models Affected


TR109P FB, TR109 FB, TR82P FB, TR82 FB

Situation

The low current wires on Smart Electronic units may show signs of abrasion due to contact inside the drum control coupling located in the head unit.



ob00771

Tube Ref. No.	Description	Mercury Part Number	Quicksilver Part Number
 95	2-4-C with Teflon	92-802859A1	92-802859Q1

THE INFORMATION IN THIS DOCUMENT IS CONFIDENTIAL AND PROTECTED BY COPYRIGHT AND IS THE PROPERTY OF MOTORGUIDE.

This document is provided for the sole and exclusive use of the original recipient as prescribed by MotorGuide and may not be distributed or copied, digitally or otherwise, without the prior written consent of MotorGuide.

Correction

In the control housing, remove the cable retainer. Lift the cable assembly off of the drum control coupling. Using a small brush, liberally apply lithium-based grease to the wires extending from the column. The grease application should extend ½" above and ½" below the bottom of the coupling. Reinstall the drum controller over the drum control coupling and secure the cables with the cable retainer.

Warranty

If Tour Edition models in stock, or received from customers do not have the proper grease application, correct and submit a warranty claim.

MotorGuide Marine will credit the dealer for the cost of labor until March 31, 2006.

Complete warranty claims listing:

- Model/Serial number
- One-half (0.5) hour labor
- Warranty Flat Rate Code – SB05
- Part Code – 331
- Failure Code – 30

THE INFORMATION IN THIS DOCUMENT IS CONFIDENTIAL AND PROTECTED BY COPYRIGHT AND IS THE PROPERTY OF MOTORGUIDE.

This document is provided for the sole and exclusive use of the original recipient as prescribed by MotorGuide and may not be distributed or copied, digitally or otherwise, without the prior written consent of MotorGuide.