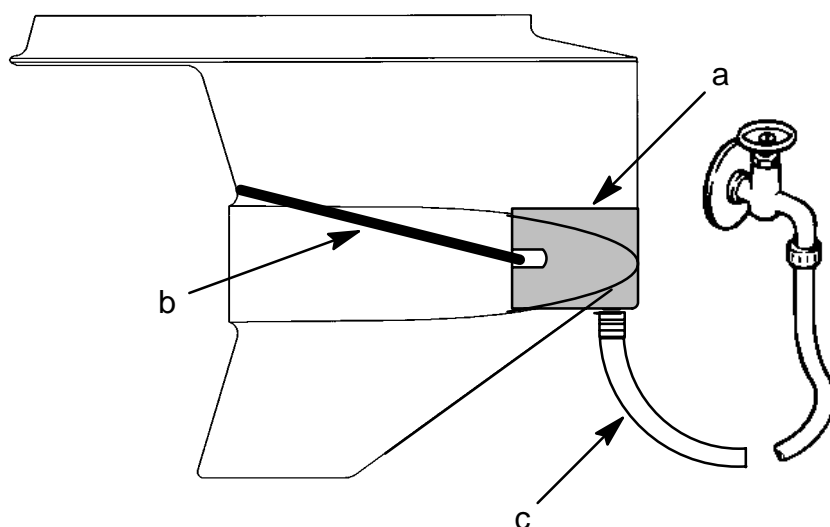


TO: SERVICE MANAGER  MECHANICS   
PARTS MANAGER

## BRAVO ONE PERFORMANCE DRIVE FLUSHING ATTACHMENT KIT

Flushing attachment kit P/N 849996A1 is now available for Bravo One Performance drives with low water pickups.

Flushing attachment can be ordered through Quicksilver Parts and Accessories.



- a - Flushing Attachment
- b - Bungy Cord
- c - Water Supply