

Circulate to:  Sales Manager  Accounting  Service Manager  Technician  Parts Manager

## Huber Transmission Service/Warranty Replacement

### Models Affected

HP850 SCi S/N Prior to 0M953493  
HP1075 SCi S/N Prior to 0M950625  
Huber Transmissions have P/N 842978A05  
B.A.M. Transmissions have P/N 841918A05

### Situation

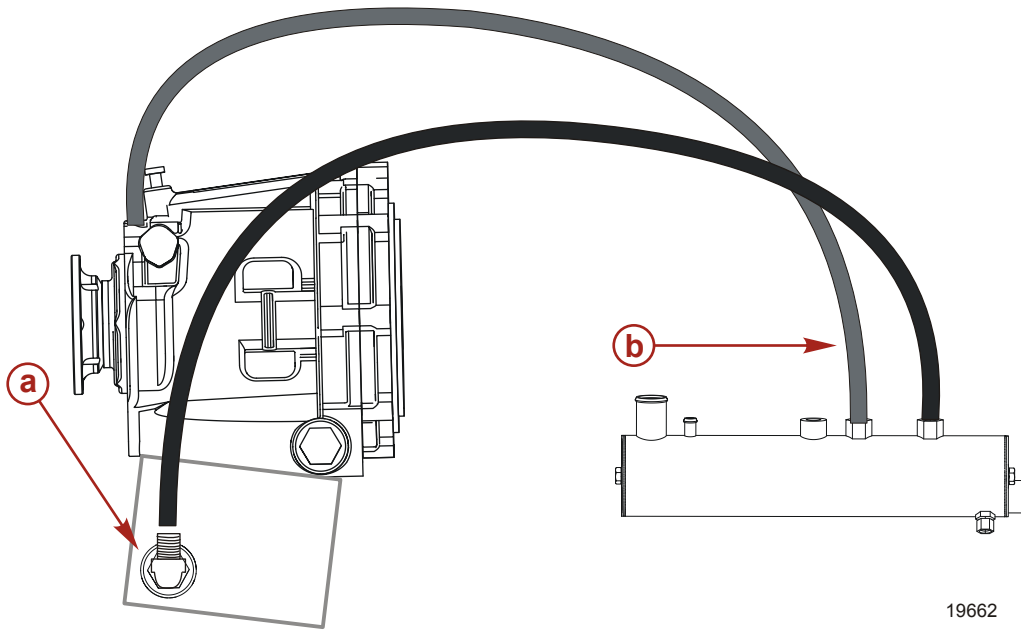
The Huber transmission used on the HP850 and HP1075 SCi will be replaced with the B.A.M. transmission for service or warranty repairs. In addition to the transmission replacement, two oil lines and two hydraulic fittings (not supplied) will have to be replaced.

Part Number	Description
32-47516 9 Hose assy, (37.0 in.)	Replaces the transmission cooler hose that is routed to the sump of the transmission
32-821284A36 Hose assy, (17.5 in.)	Replaces the oil cooler hose that is routed underneath the transmission
22-847731 12 Fitting, (45 Degree)	Replaces the lower straight fitting on the Starboard oil cooler T-fitting
22-847732 12 Fitting, (120 Degree)	Replaces the lower 90 Degree fitting on the Port oil cooler

THE INFORMATION IN THIS DOCUMENT IS CONFIDENTIAL AND PROTECTED BY COPYRIGHT AND IS THE PROPERTY OF MERCURY MARINE.

This document is provided for the sole and exclusive use of the original recipient as prescribed by Mercury Marine and may not be distributed or copied, digitally or otherwise, without the prior written consent of Mercury Marine.

### Transmission Hose Routing



**a** - 32-47516 9 Hose assy, (37.0 in.)      **b** - Pressure

THE INFORMATION IN THIS DOCUMENT IS CONFIDENTIAL AND PROTECTED BY COPYRIGHT AND IS THE PROPERTY OF MERCURY MARINE.

This document is provided for the sole and exclusive use of the original recipient as prescribed by Mercury Marine and may not be distributed or copied, digitally or otherwise, without the prior written consent of Mercury Marine.