

Circulate to: Sales Manager Accounting Service Manager Technician Parts Manager

Mercury Racing X-Haust, Exhaust Elbows

Models Affected

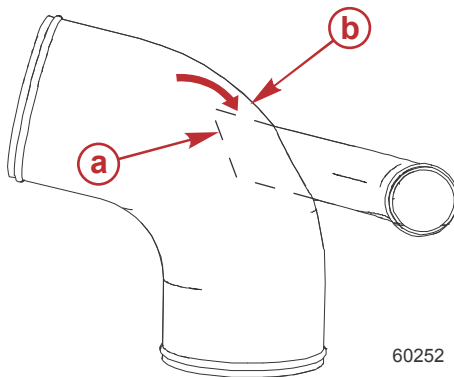
Models Covered	Serial Number Or Year
X-Haust assemblies	Sold before August 24, 2015

Scope

Worldwide

Situation

The X-Haust kits sold before August 24, 2015 contain an elbow where the tube for the idle relief extended into the main exhaust passage. The restriction could limit the amount of cooling water entering the idle relief passage, putting the idle relief exhaust hose at risk of overheating.



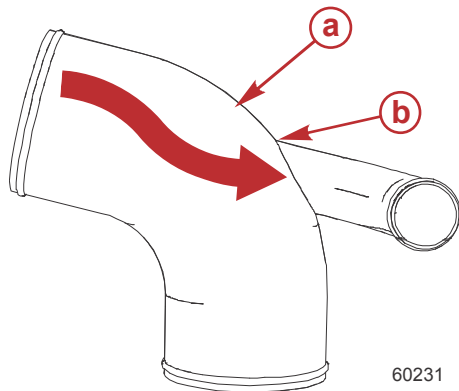
Previous design
a - Extended elbow
b - Hot spot from restriction

THE INFORMATION IN THIS DOCUMENT IS CONFIDENTIAL AND PROTECTED BY COPYRIGHT AND IS THE PROPERTY OF MERCURY MARINE.

This document is provided for the sole and exclusive use of the original recipient as prescribed by Mercury Marine and may not be distributed or copied, digitally or otherwise, without the prior written consent of Mercury Marine.

Correction

Replace the exhaust elbows with the current exhaust elbow that has the leading edge of the idle relief tube ground flush with the inside diameter of the elbow.



Current design
a - Paint dot
b - Flush

Exhaust elbows with the current design idle relief tube can be identified by a white paint dot on the top of the idle relief tube.

Qty.	Description	Part Number
1	Starboard exhaust elbow	8M0111180
1	Port exhaust elbow	8M0111179
1	Exhaust hose, 1.5" x 26"	8M0113388

Warranty

Mercury Marine will credit the dealer for the parts and labor. Complete a warranty claim listing:

- Sterndrive engine serial number
- Indicate parts and accessories (P & A) claim
- Part number used for each engine

Warranty Time and Codes

- Labor: 1.0 hour
- Warranty flat rate code: SB1.0
- Part code: 503
- Failure code: 00

U.S. and Canada

Complete and process the claim via MercNET or return a warranty claim form.

International

Follow the instructions issued by the Marine Power international office or by an authorized Marine Power distributor.

THE INFORMATION IN THIS DOCUMENT IS CONFIDENTIAL AND PROTECTED BY COPYRIGHT AND IS THE PROPERTY OF MERCURY MARINE.

This document is provided for the sole and exclusive use of the original recipient as prescribed by Mercury Marine and may not be distributed or copied, digitally or otherwise, without the prior written consent of Mercury Marine.