

Circulate to:  Sales Manager  Accounting  Service Manager  Technician  Parts Manager

## Gearcase Comparison—Identification, Performance, and Application Information

### Models Affected

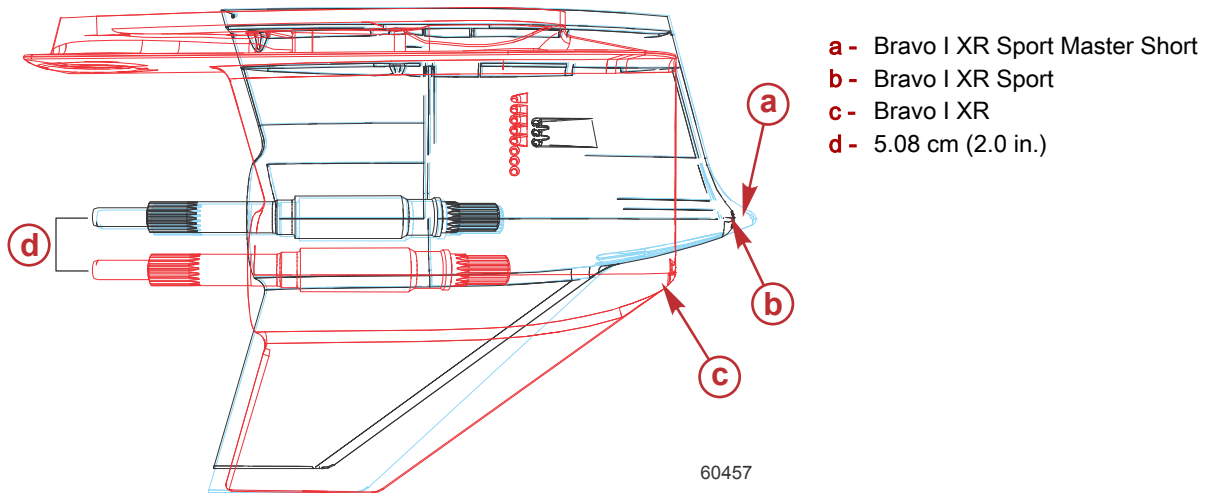
Models Covered	Serial Number Or Year
All models 600 hp or below. Read bulletin for vessel applications.	—

### Scope

Worldwide

### Situation

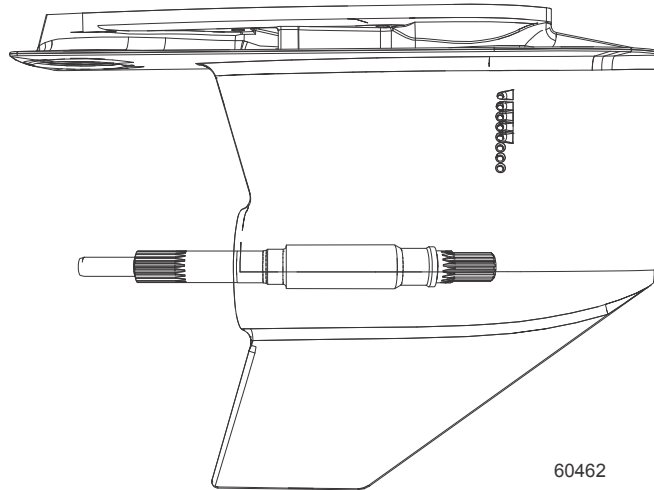
Mercury Racing offers four different Bravo gearcases, each with different performance characteristics (Bravo I XR, Bravo I XR Sport, Bravo I XR Sport Master Short, and the Bravo I XR Sport Master). This bulletin provides information regarding the application and performance for each of the four drives.



THE INFORMATION IN THIS DOCUMENT IS CONFIDENTIAL AND PROTECTED BY COPYRIGHT AND IS THE PROPERTY OF MERCURY MARINE.

This document is provided for the sole and exclusive use of the original recipient as prescribed by Mercury Marine and may not be distributed or copied, digitally or otherwise, without the prior written consent of Mercury Marine.

## Bravo I XR



### Vessel Application

Pontoon, cruisers, deck boats, V-bottom, stepped V-bottom, single and multiengine

### Speed Range

60–85 mph

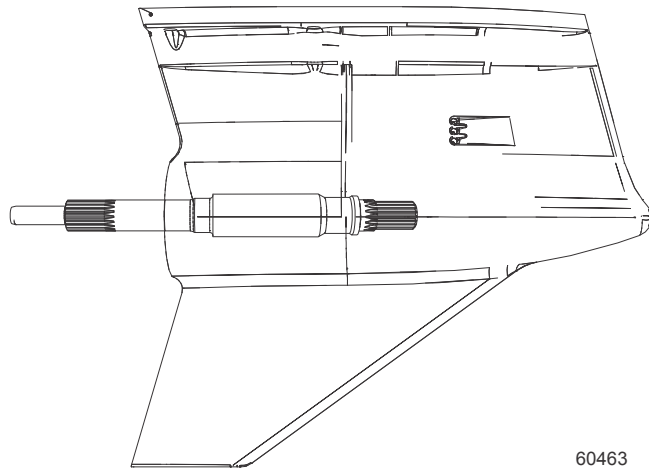
### Water Pickups

Dual water pickups

### Engine

Mercury Racing 520-540-565-600 and MerCruiser models

## Bravo I XR Sport



The drive is 5.08 cm (2.0 in.) shorter than the standard dual water pickup. The water pickups are located lower on the case than the standard dual water pickup.

### Vessel Application

Pontoon, cruisers, deck boats, V-bottom, stepped V-bottom, modified tunnel hull, single and multiengine, used to get proper X dimension on short transoms

THE INFORMATION IN THIS DOCUMENT IS CONFIDENTIAL AND PROTECTED BY COPYRIGHT AND IS THE PROPERTY OF MERCURY MARINE.

This document is provided for the sole and exclusive use of the original recipient as prescribed by Mercury Marine and may not be distributed or copied, digitally or otherwise, without the prior written consent of Mercury Marine.

## Speed Range

60–110 mph

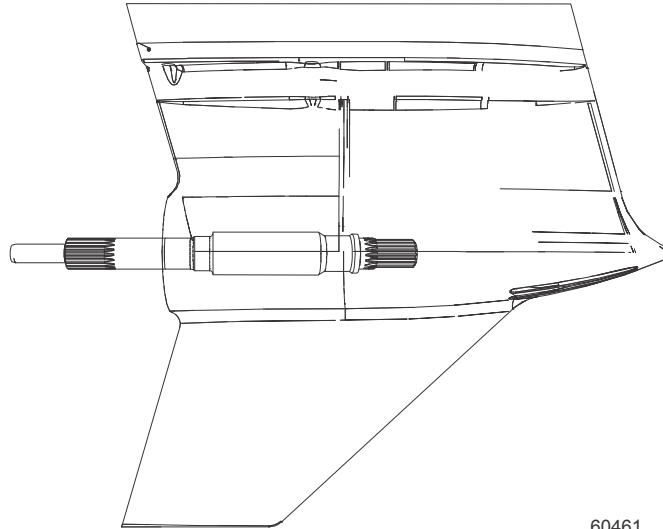
## Water Pickups

Dual water pickups

## Engine

Mercury Racing 520-540-565-600 and MerCruiser models

## Bravo I XR Sport Master



The Bravo I XR Sport Master is 5.08 cm (2 in.) taller than the Sport Master Short.

## Vessel Application

V-bottom, stepped V-bottom, modified tunnel hull, tunnel hull, single and multiengine

## Speed Range

80–125 mph

## Water Pickups

Low water pickups

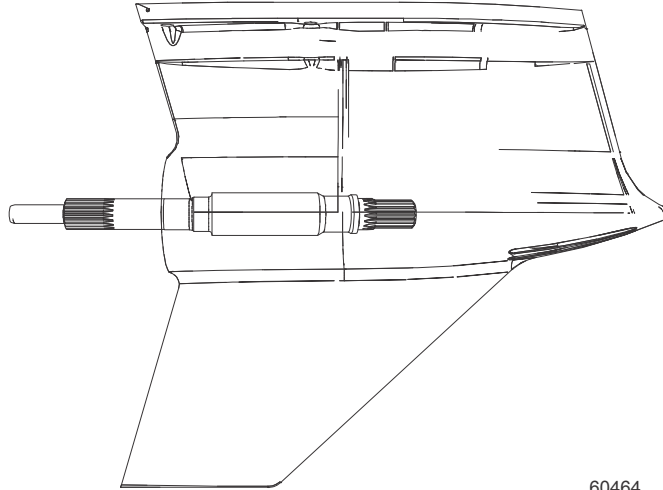
## Engine

Mercury Racing 520-540-565-600 and MerCruiser models

THE INFORMATION IN THIS DOCUMENT IS CONFIDENTIAL AND PROTECTED BY COPYRIGHT AND IS THE PROPERTY OF MERCURY MARINE.

This document is provided for the sole and exclusive use of the original recipient as prescribed by Mercury Marine and may not be distributed or copied, digitally or otherwise, without the prior written consent of Mercury Marine.

## Bravo I XR Sport Master Short



60464

The Bravo I XR Sport Master Short is 5.08 cm (2 in.) shorter than the standard Sport Master.

### Vessel Application

V-bottom, stepped V-bottom, modified tunnel hull, tunnel hull, single and multiengine

### Speed Range

80–125 mph

### Water Pickups

Low water pickups

### Engine

**Mercury Racing** 520-540-565-600 and **MerCruiser** models

THE INFORMATION IN THIS DOCUMENT IS CONFIDENTIAL AND PROTECTED BY COPYRIGHT AND IS THE PROPERTY OF MERCURY MARINE.

This document is provided for the sole and exclusive use of the original recipient as prescribed by Mercury Marine and may not be distributed or copied, digitally or otherwise, without the prior written consent of Mercury Marine.