

## Top Cowl with Tachometer

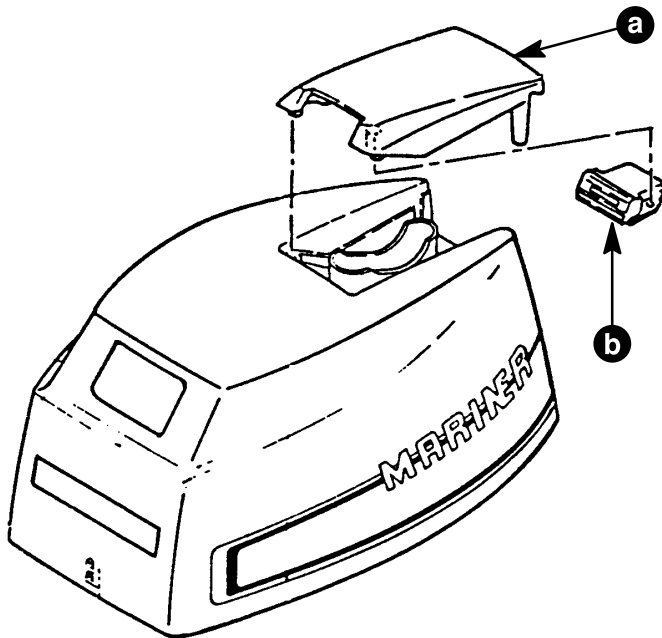
### MODEL

Mariner W40 (6F6)  
Mariner K40 (6F5)

### CHANGE

The **Design I** top cowl (2168-9389M) that included a tachometer is **NO LONGER AVAILABLE**.

The **Design II** top cowl (2168-808564M) can replace the **Design I** cowl part for part if the tachometer is not used. If you use the tachometer, you must reuse the old air duct and tachometer from your old cowl or order replacement air duct (95444M) and replacement tachometer (79-95443M).



- a - Air Duct for Tachometer P/N 95444M
- b - Reed Tachometer P/N 79-95443M