

**NOTICE**

Revised May 1999. Destroy original February 1999 Bulletin. Information underlined is new.

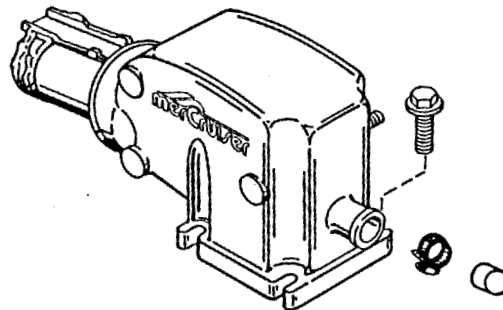
## Converting From Stainless Steel Exhaust Elbows to Cast Iron Exhaust Elbows

### Models

All MerCruiser V8 gasoline engines equipped with stainless steel exhaust elbows.

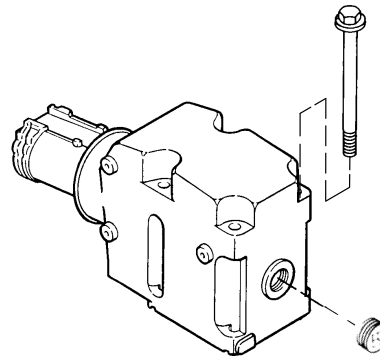
### Conversion

Replacement stainless steel exhaust elbows are not available from our supplier anymore. If a replacement one is needed, the current cast iron exhaust elbow must be used. We could not supersede the stainless steel elbows to a cast iron elbow because there were 3 different types of stainless steel elbows. There is only 1 type of cast iron elbow. Order the required parts from the following pages.



76226

**Stainless Steel Exhaust Elbow**



76227

**Cast Iron Exhaust Elbow**

## V8 305/350 cid Engines

A: Exhaust Elbow without Remote Oil Filter bracket.

B: Exhaust Elbow with Remote Oil Filter bracket.

Quantities given are for one exhaust elbow. Order the same type of elbow gasket to match the gasket that was used with the stainless steel exhaust elbow.

Quantities		Part Number	Description
A	B		
1	1	807988A 2	Exhaust Elbow: Port or starboard side.
3	3	10-24323	Screw: Threaded into exhaust elbow for mounting components. Same thread size as studs on stainless steel exhaust elbows.
Gaskets. Order the same type of gasket that was used with the stainless steel exhaust elbow.			
1	1	27-860233	Gasket-Restrictor: Has 2 slots and 2 holes in it.
1	1	27-860232	Gasket-Slotted: Has 4 slots in it.
1	1	27-860231	Gasket-Separator: No slots in this gasket.
Fittings. Order from this list if the exhaust elbow has a water hose going to it.			
1	1	22-45084	Fitting, Exhaust Elbow-Straight.
1	1	22-92499	Fitting, Exhaust Elbow-45°: This fitting may be required instead of the straight fitting on some remote oil filter models.
Bracket. Order this part when the engine has a Remote Oil Filter and either the exhaust elbow mounts directly to the exhaust manifold or it has a single 3 in. (76 mm) riser under it.			
0	1	814420A 5	Bracket, Remote Oil Filter: This mounts oil filter to the exhaust elbow.
Fasteners. Order these parts if the exhaust elbow mounts directly to the exhaust manifold or if it has a single 6 in. (152 mm) riser under it.			
4	<u>2</u>	10-43749	Screw: 3/8-16 X 5-3/4 in. (146 mm) long.
<u>0</u>	<u>2</u>	10-44387	Screw: 3/8-16 X 6-3/4 in. (171 mm) long.
Fasteners. Order from this list if the exhaust elbow has a single 3 in. (76 mm) riser under it.			
4	2	16-11375	Stud: 3/8 X 9-9/16 in. (243 mm) long.
0	2	16-11376	Stud: 3/8 X 10-9/16 in. (268 mm) long, for filter bracket.
4	4	12-46132	Washer: 3/8 in. (9.5 mm) ID.
4	4	11-46335	Nut: 3/8-24.

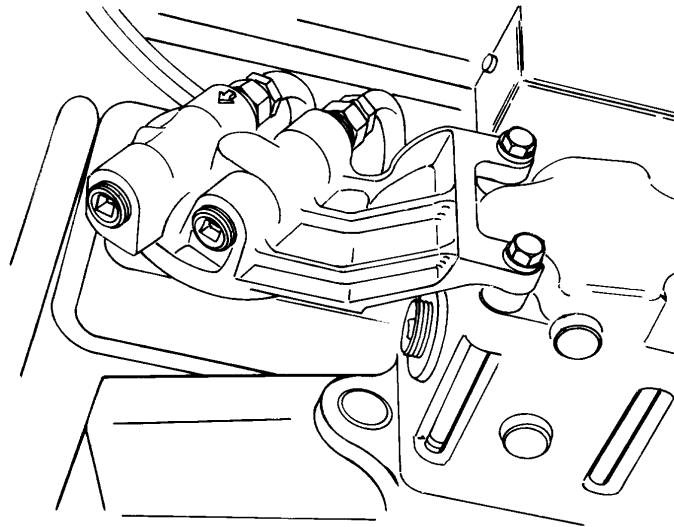
## V8 454/502 cid Engines

A: Exhaust Elbow without Remote Oil Filter bracket.

B: Exhaust Elbow with Remote Oil Filter bracket.

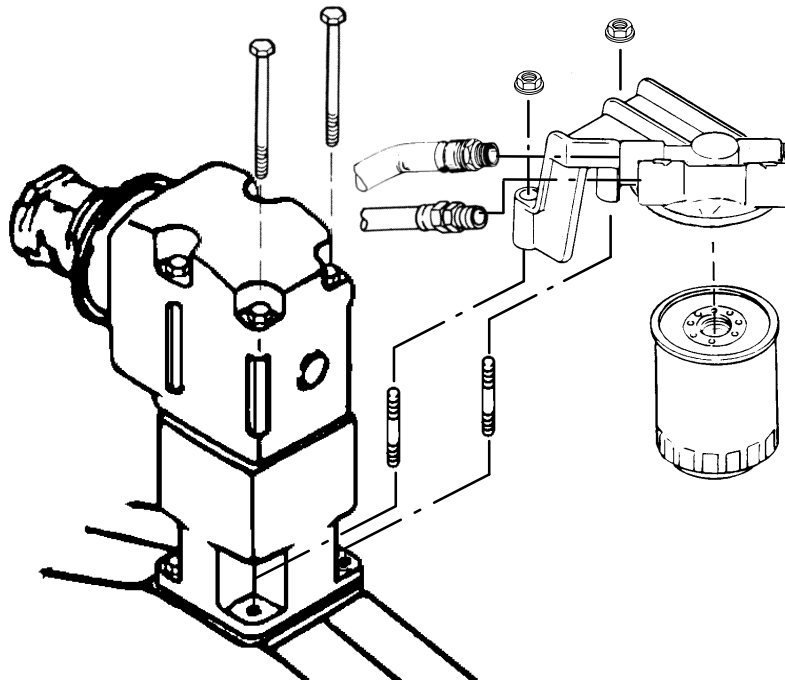
Quantities given are for one exhaust elbow. Order the same type of elbow gasket to match the gasket that was used with the stainless steel exhaust elbow.

Quantities		Part Number	Description
A	B		
1	1	807988A 2	Exhaust Elbow: Port or starboard side.
3	3	10-24323	Screw: Threaded into exhaust elbow for mounting components. Same thread size as studs on stainless steel exhaust elbows.
Gaskets. Order the same type of gasket that was used with the stainless steel exhaust elbow.			
1	1	27-860233	Gasket-Restrictor: Has 2 slots and 2 holes in it.
1	1	27-860232	Gasket-Slotted: Has 4 slots in it.
1	1	27-860231	Gasket-Separator: No slots in this gasket.
Fittings. Order from this list if the exhaust elbow has a water hose going to it.			
1	1	22-45084	Fitting, Exhaust Elbow-Straight.
1	1	22-92499	Fitting, Exhaust Elbow-45°: This fitting may be required instead of the straight fitting on some remote oil filter models.
Bracket. Order this part when the engine has a Remote Oil Filter and either the exhaust elbow mounts directly to the exhaust manifold or it has a single 3 in. (76 mm) riser under it.			
0	1	814420A 5	Bracket, Remote Oil Filter: This mounts oil filter to the exhaust elbow.
Fasteners. Order these parts if the exhaust elbow mounts directly to the exhaust manifold or if it has a single 6 in. (152 mm) riser under it.			
4	2	10-43749	Screw: 3/8-16 X 5-3/4 in. (146 mm) long.
0	2	10-44387	Screw: 3/8-16 X 6-3/4 in. (171 mm) long.
Fasteners. Order from this list if the exhaust elbow has a single 3 in. (76 mm) riser under it.			
4	2	16-11375	Stud: 3/8 X 9-9/16 in. (243 mm) long.
0	2	16-11376	Stud: 3/8 X 10-9/16 in. (268 mm) long, for filter bracket.
4	4	12-46132	Washer: 3/8 in. (9.5 mm) ID.
4	4	11-46335	Nut: 3/8-24.
Order from this list if the exhaust elbow has two 3 in. (76 mm) risers under it. Two 3 in. risers were used in some early 6 in. (152 mm) Riser Kits.			
1	1	93322A 7	Riser Kit: 6 in. (152 mm), used in place of the two 3 in. risers.
0	2	16-805978	Stud: 3/8 X 2-3/4 in. (70 mm) long. Used to mount Remote Oil Filter Bracket to the lower fastener location at the bottom of 6 in. Riser Kit.
0	2	12-46132	Washer: 3/8 in. (9.5 mm) ID.
0	2	11-46335	Nut: 3/8-24.



74518

Remote Oil Filter Bracket Location on V8 Engines with Cast Iron Exhaust Elbow Mounted Directly on Exhaust Manifold or With a Single 3 in. (76 mm) Riser.



75982

70587

Remote Oil Filter Bracket Location on V8 Engines with Cast Iron Exhaust Elbow Mounted to Single 6 in. (152 mm) Riser.