



PARTS CATALOG

FORMULA 1 (CARBURETOR)

SERIAL NUMBER

MERC FORMULA I (CARB) 77J603 AND UP

TABLE OF CONTENTS:

CARBURETOR ASSEMBLY	14
COWLS	2
CRANKSHAFT, PISTONS AND CONNECTING RODS	24
CYLINDER BLOCK AND END CAPS	18
DRIVE SHAFT HOUSING	26
EXHAUST MANIFOLD	22
FLYWHEEL, STARTER MOTOR AND IGNITION COILS	4
FUEL PUMP AND CARBURETOR	12
GEAR HOUSING (DRIVE SHAFT)	32
GEAR HOUSING (PROPELLER SHAFT)	36
HYDRAULIC PUMP AND BRACKET	38
HYDRAULIC PUMP ASSEMBLY (PLASTIC RESERVOIR)	30
MISCELLANEOUS PARTS/ACCESSORIES	1
PARTS INDEX	42
PRIMER SOLENOID	16
REED BLOCK AND CYLINDER HEAD	20
STEERING PLATES	40
THROTTLE LEVER AND LINKAGE	10
WIRING HARNESS, STARTER SOLENOID AND RECTIFIER	6

NOTE: Indented description indicate that these parts are included in preceeding assembly.

AR = As Required

NSS = Not Sold Separate

OPT = Optional

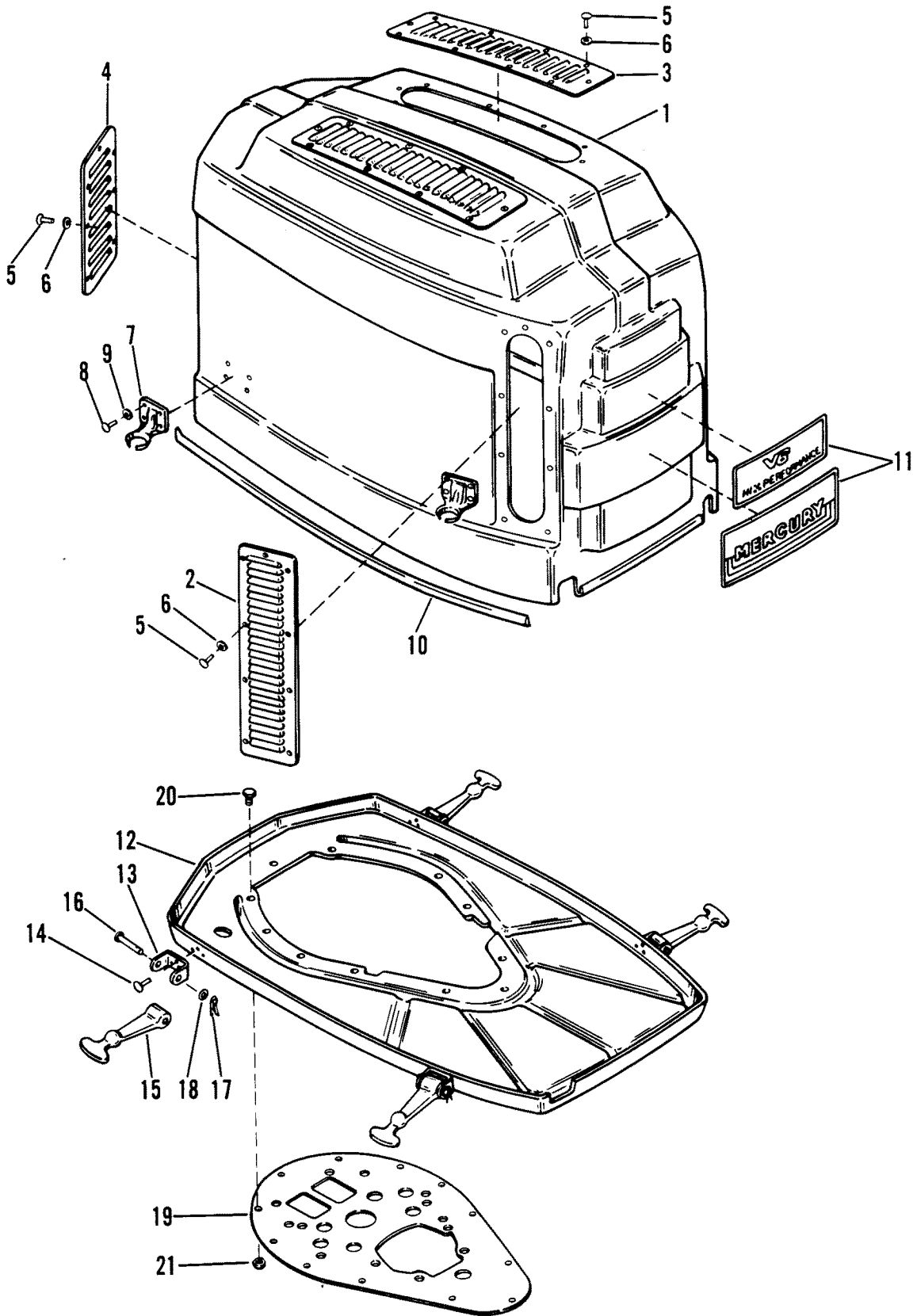
NS = Not Shown

THESE PARTS BOOKS/FICHE CARD ARE COPYRIGHTED AND MAY NOT BE DISTRIBUTED OR REPRODUCED IN ANY OTHER FORMAT BY ANYONE OTHER THAN MERCURY MARINE WITHOUT THE PRIOR WRITTEN CONSENT OF MERCURY MARINE.

MISCELLANEOUS PARTS/ACCESSORIES

REF. NO.	PART NO.	SYM.	QTY.	DESCRIPTION
-	90-14422		0	FORMULA I (CARBURATOR) PARTS MANUEL
-	37-91879A1		0	DECAL SET
-	27-77053A1		0	GASKET SET
-	90-12768		0	OWNER'S GUIDE

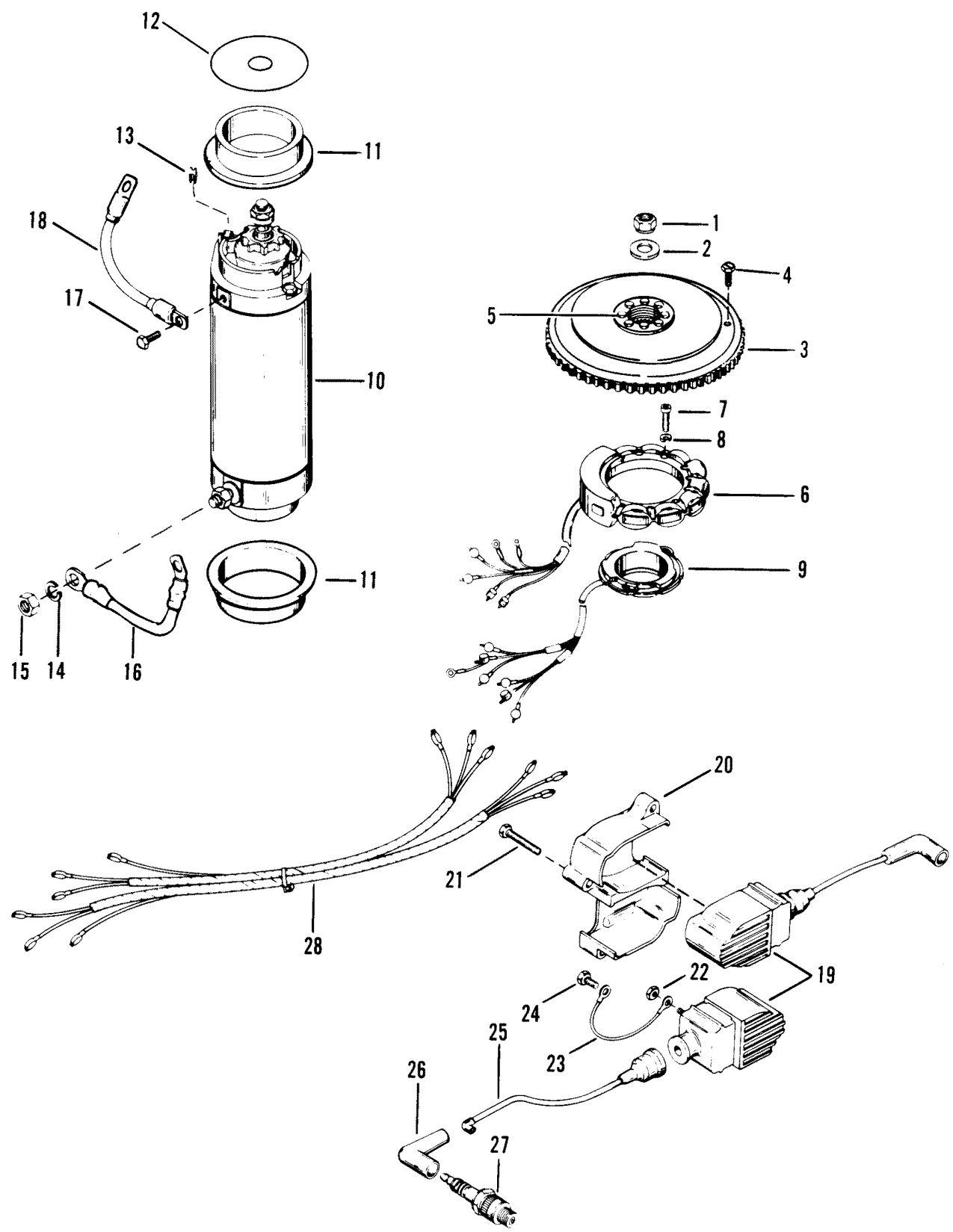
COWLS



COWLS

REF. NO.	PART NO.	SYM.	QTY.	DESCRIPTION
1	2167-6539A7		1	TOP COWL ASSEMBLY
2	78857--1		2	SHIELD, AIR INLET
3	78858--2		2	SHIELD, AIR INLET
4	77376--2		2	SHIELD, AIR INLET
5	17-12147		52	POP RIVET, SHIELD
6	12-57238		52	WASHER, SHIELD RIVET
7	61364		4	RETAINER, COWL HOLD DOWN
8	17-12146		16	POP RIVET, RETAINER
9	12-20128		16	WASHER, RETAINER RIVET
10	58809--6		1	TRIM MOLDING
11	37-91879A1		1	DECAL SET
12	77980A8		1	BOTTOM COWL ASSEMBLY
13	71602		4	YOKE, COWL HOLD DOWN
14	17-57629		12	RIVET, YOKE TO PAN
15	58707		4	HOLD DOWN, COWL (BUNGY CORD)
16	17-58712		4	CLEVIS PIN, HOLD DOWN
17	18-21071		4	COTTER PIN, CLEVIS PIN
18	12-20128		4	WASHER, CLEVIS PIN
19	77377		1	PLATE, COWL BASE
20	10-98256		14	SCREW, PLATE TO BOTTOM COWL
21	11-20586		14	NUT, PLATE SCREW

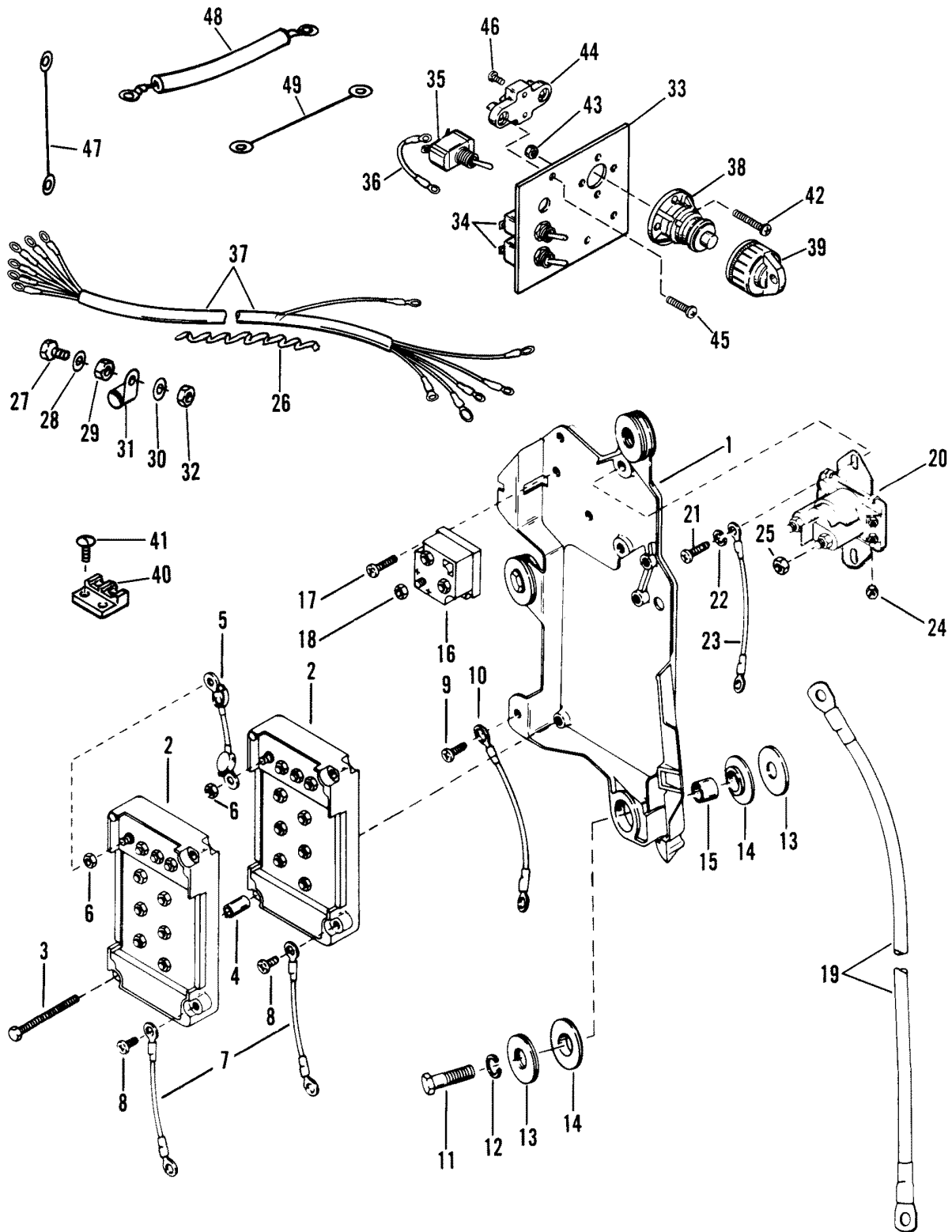
FLYWHEEL, STARTER MOTOR AND IGNITION COILS



FLYWHEEL, STARTER MOTOR AND IGNITION COILS

REF. NO.	PART NO.	SYM.	QTY.	DESCRIPTION
1	11-52901		1	NUT, FLYWHEEL
2	12-68229		1	WASHER, FLYWHEEL
3	249-6080A6		1	FLYWHEEL ASSEMBLY, COMPLETE
4	10-32417		8	SCREW, FLYWHEEL PLATE
5	10-68997		8	SCREW, FLYWHEEL HUB
6	398-5454A7		1	STATOR ASSEMBLY
7	10-90417		4	SCREW, STATOR
8	13-26996		4	LOCKWASHER, STATOR SCREW
9	96455A9		1	TRIGGER PLATE ASSEMBLY
10	50-60594A1		1	STARTER MOTOR
11	56703		2	COLLAR, STARTER MOTOR
12	23-56774		AR	SPACER, STARTER MOTOR
13	68042		2	STOP, RUBBER - STARTER MOTOR
14	13-26992		1	LOCKWASHER, STARTER MOTOR TERMINAL
15	11-20890		1	NUT, STARTER MOTOR TERMINAL
16	84-93389A5		1	WIRE, SOLENOID TO STARTER MOTOR (YELLOW)
17	10-69035		1	SCREW, CABLE TO STARTER MOTOR
18	84-93388A1		1	WIRE, PLATE TO STARTER MOTOR (BLACK)
19	339-7370A13		6	COIL ASSEMBLY, IGNITION
20	67614		3	COVER, IGNITION COIL
21	10-88447		12	SCREW, IGNITION COIL COVER (1-5/8")
22	11-45076		12	NUT, IGNITION COIL TERMINAL
23	84-88807A6		6	GROUND STRAP, IGNITION COIL (BLACK)
24	10-68513		6	SCREW, GROUND STRAP
25	84-99215A25		6	CABLE, HIGH TENSION
26	85-63709A1		6	PROTECTOR, HIGH TENSION CABLE
27	33-97180		6	SPARK PLUG (NGK-BUHW)
28	84-69738A1		1	HARNESS ASSEMBLY, COIL TO SWITCH BOX (#2,4 AND 6)
	84-69739A2		1	HARNESS ASSEMBLY, COIL TO SWITCH BOX (#1,3 AND 5)

WIRING HARNESS, STARTER SOLENOID AND RECTIFIER

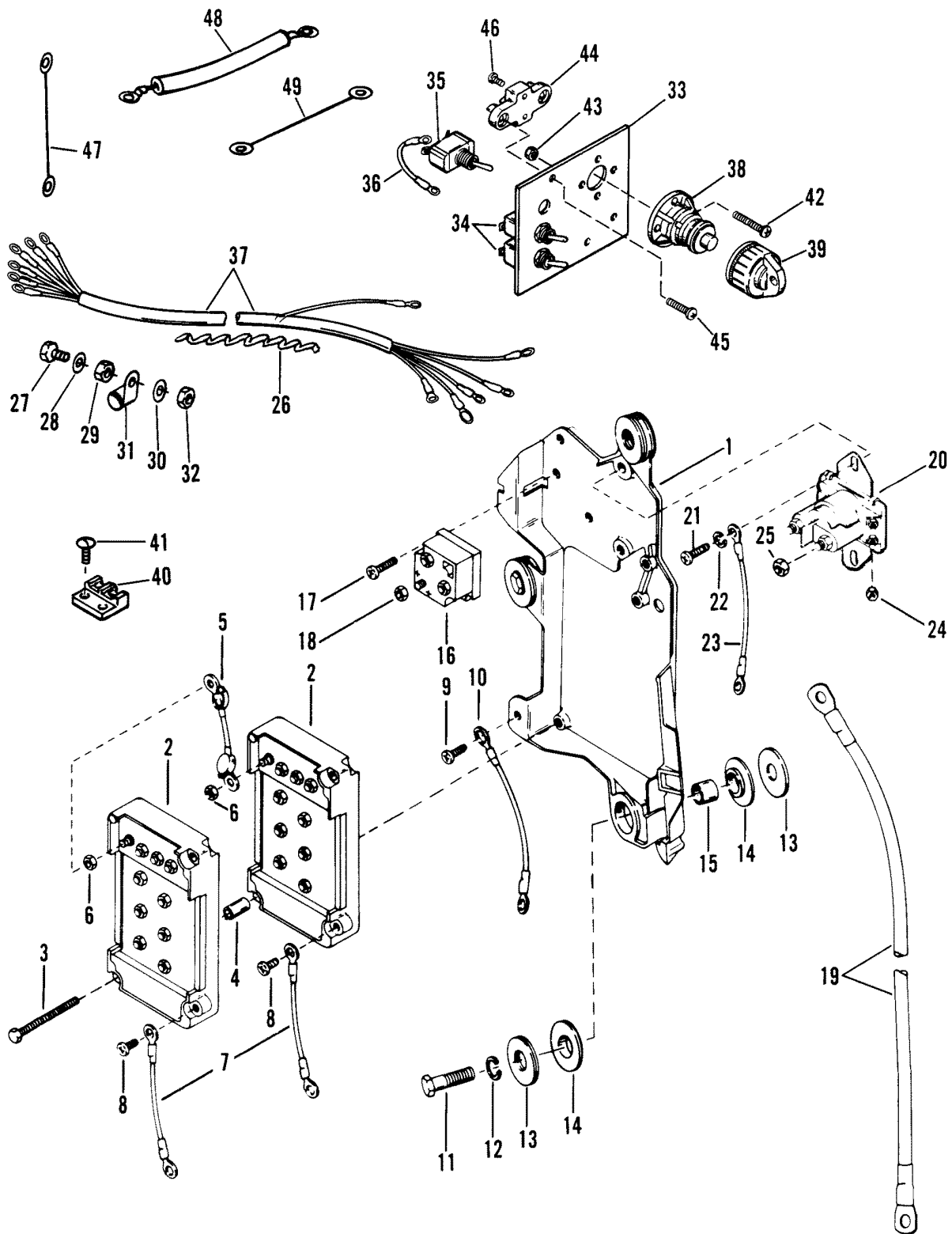


WIRING HARNESS, STARTER SOLENOID AND RECTIFIER

REF. NO.	PART NO.	SYM.	QTY.	DESCRIPTION
1	13624		1	PLATE, IGNITION
2	332-7778A4		2	SWITCH BOX
3	10-12666		2	SCREW, SWITCH BOX TO IGNITION PLATE
4	23-94453		2	BUSHING, SWITCH BOX SCREW
5	84-62310A2		1	CABLE ASSEMBLY, SWITCH BOX TO SWITCH BOX
6	11-45076		8	NUT, SWITCH BOX TERMINAL
7	84-60871A10		2	WIRE, SWITCH BOX
8	10-69079		2	SCREW, WIRE ATTACHING
9	10-20646		1	SCREW, CABLE TO IGNITION PLATE (5/8")
10	84-65999A3		1	CABLE ASSEMBLY, BLACK
11	10-69092		3	SCREW, IGNITION PLATE (1-1/4")
12	13-26993		3	LOCKWASHER, IGNITION PLATE SCREW
13	12-36042		6	WASHER, IGNITION PLATE SCREW
14	12-67264		6	WASHER, IGNITION PLATE SCREW (RUBBER)
15	23-67268		3	BUSHING, IGNITION PLATE SCREW
16	62351A2		1	RECTIFIER
17	10-20646		2	SCREW, RECTIFIER TO IGNITION PLATE (5/8")
18	11-45076		3	NUT, RECTIFIER TERMINALS
19	84-62862A1		1	BATTERY CABLE
20	89-68258		1	STARTER SOLENOID
21	10-20540		2	SCREW, SOLENOID TO IGNITION PLATE (5/8")
22	13-26992		2	LOCKWASHER, SOLENOID TO IGNITION PLATE SCREW
23	84-65999A2		1	CABLE ASSEMBLY, UPPER MOUNT (BLACK)
24	11-68219		2	NUT, SOLENOID TERMINALS (10-32)
25	11-26484		2	NUT, SOLENOID TERMINALS (5/16-18)
26	32-77690		1	WRAPPING (1/4")
27	10-59702		1	SCREW, HARNESS CLAMP
28	163-26992		1	LOCKWASHER, CLAMP SCREW
29	11-28941		1	NUT, CLAMP SCREW
30	12-69056		2	WASHER, CLAMP SCREW
31	54-13637		1	CLAMP, HARNESS
32	11-20361		1	NUT
33	76366		1	PLATE, IGNITION PANEL
34	87-66582		2	SWITCH, STARTER AND PRIMER
35	87-66581		1	SWITCH, IGNITION
36	84-61393A8		2	WIRE ASSEMBLY, SWITCH TO SWITCH
37	84-93940A1		1	HARNESS ASSEMBLY, IGNITION PANEL
38	65503A4		1	HOUSING ASSEMBLY, STOP SWITCH
39	75095A1		1	CAP ASSEMBLY, STOP SWITCH
40	45559		1	TERMINAL BLOCK
41	10-62568		2	SCREW, TERMINAL BLOCK
42	10-29072		3	SCREW, STOP SWITCH HOUSING (5/8")
	10-24637		1	SCREW, STOP SWITCH HOUSING (7/8")

CONTINUED ON NEXT PAGE ➡

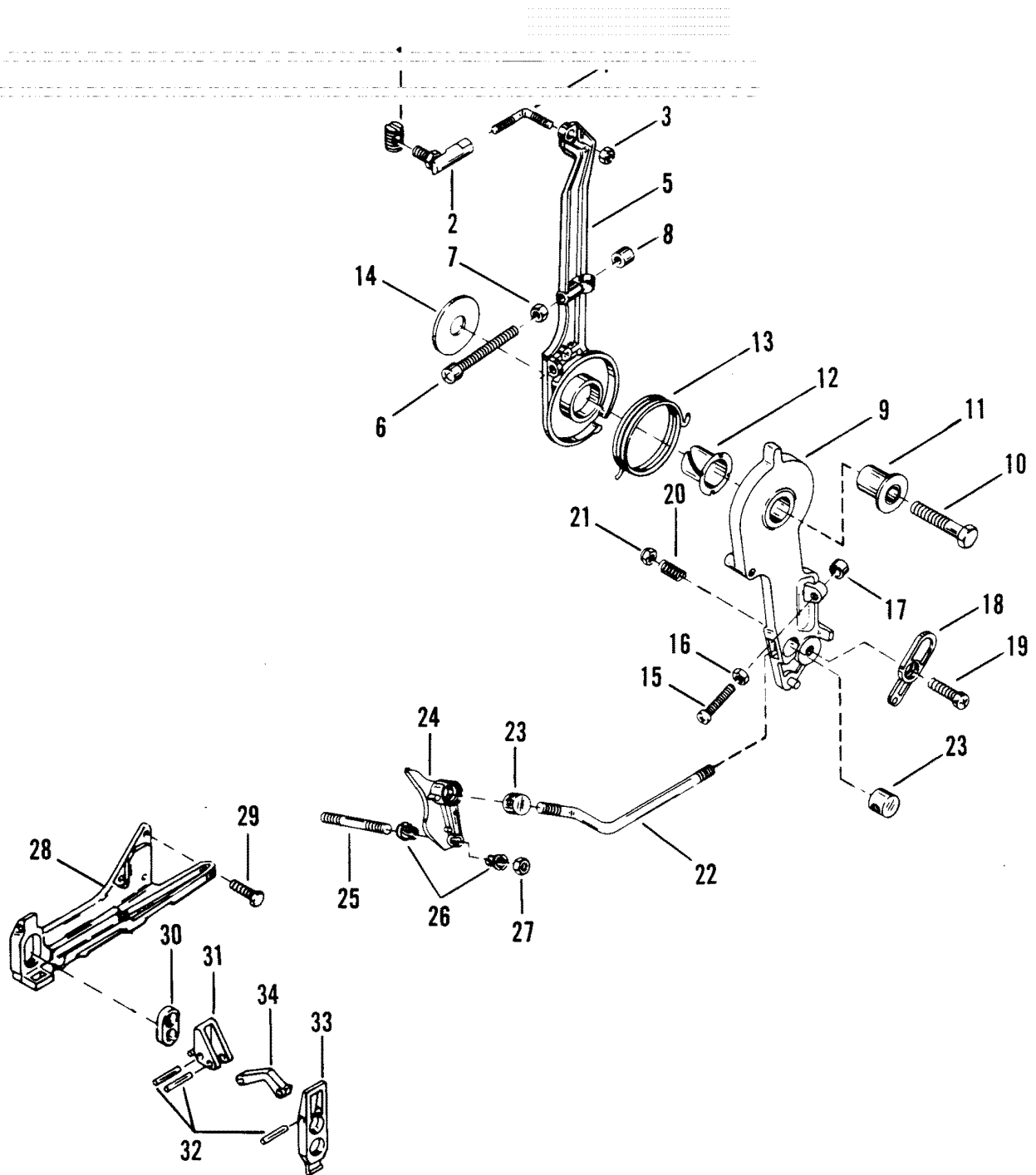
WIRING HARNESS, STARTER SOLENOID AND RECTIFIER



WIRING HARNESS, STARTER SOLENOID AND RECTIFIER

REF. NO.	PART NO.	SYM.	QTY.	DESCRIPTION
43	11-45812		3	NUT, HOUSING SCREW (NYLON INSERT)
	11-68219		1	NUT, HOUSING SCREW
44	86-66986		1	TERMINAL BLOCK
45	10-22523		1	SCREW, TERMINAL BLOCK TO PLATE (3/4")
46	10-22028		1	SCREW, LEAD TO TERMINAL BLOCK
47	84-60466A10		1	WIRE ASSEMBLY (BLACK)
48	84-62824A1		1	CABLE, SOLENOID TO RECTIFIER (RED)
49	84-62189A1		2	WIRE, TERMINAL BLOCK TO SWITCH BOX (SALMON)

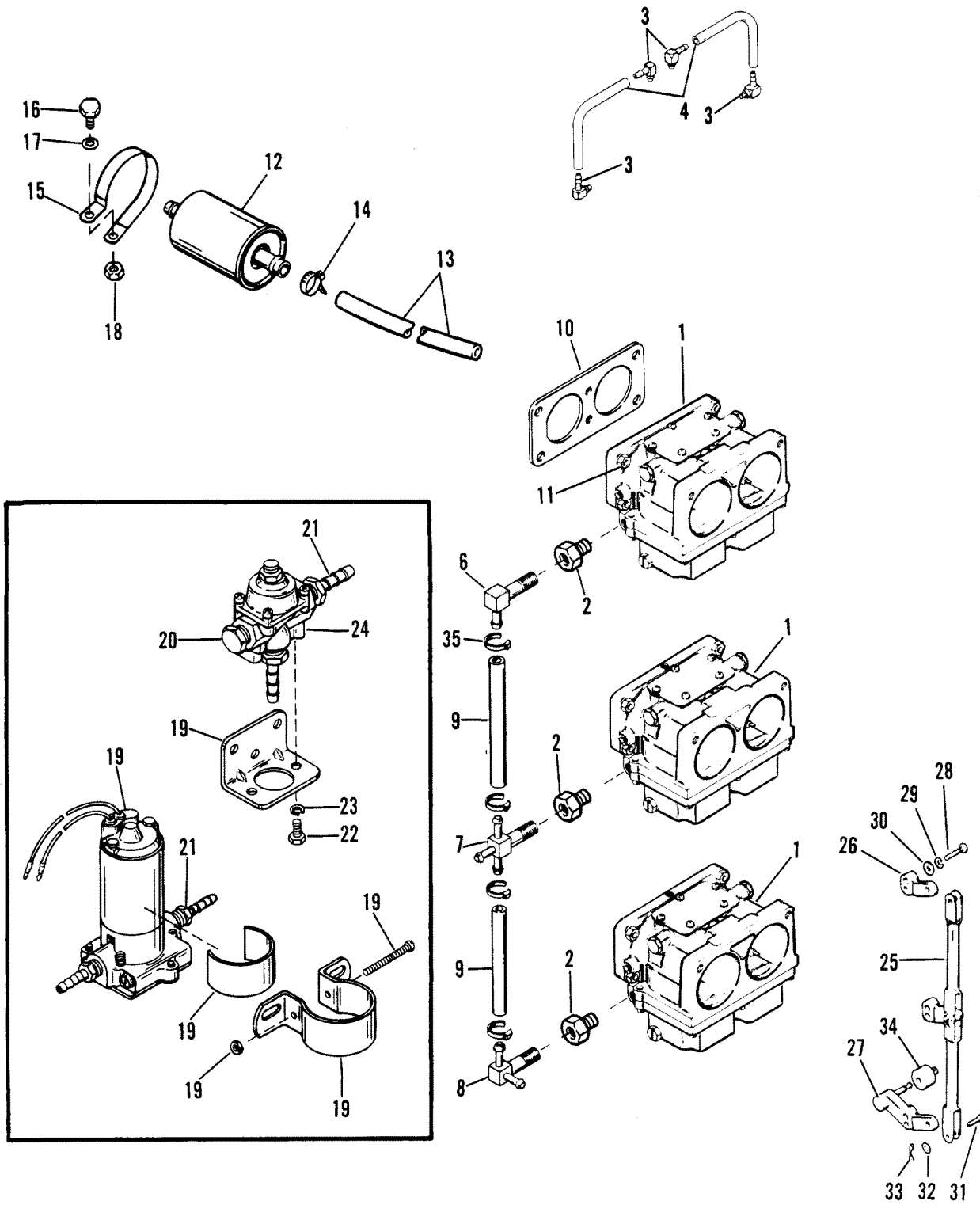
THROTTLE LEVER AND LINKAGE



THROTTLE LEVER AND LINKAGE

REF. NO.	PART NO.	SYM.	QTY.	DESCRIPTION
1	74897		1	PIVOT, TRIGGER PLATE
2	89279		1	SWIVEL, TRIGGER PLATE
3	11-68219		1	NUT, LINK ROD
4	76035		1	LINK ROD, TRIGGER PLATE
5	78441		1	LEVER, SPARK ADVANCE
6	10-64022		1	SCREW, SPARK ADVANCE LEVER - STOP
7	11-64015		1	NUT, SPARK ADVANCE STOP SCREW
8	52023		1	CAP, SPARK ADVANCE LEVER STOP SCREW
9	41095		1	LEVER, THROTTLE CONTROL
10	10-55337		1	SCREW, THROTTLE LEVER/ADVANCE LEVER (1-3/4")
11	23-55164		1	BUSHING, THROTTLE LEVER
12	23-55171		1	BUSHING, SPARK ADVANCE LEVER
13	24-68784		1	SPRING, THROTTLE AND SPARK ADVANCE LEVER
14	12-68410		1	WASHER, SPARK ADVANCE LEVER
15	10-64022		1	SCREW, THROTTLE LEVER - STOP (2-1/8")
16	101-64015		1	NUT, THROTTLE LEVER STOP SCREW
17	52023		1	CAP, THROTTLE LEVER STOP SCREW
18	39483		1	LATCH, CABLE
19	10-22486		1	SCREW, CABLE LATCH TO THROTTLE LEVER
20	24-20099		1	SPRING, CABLE LATCH TO THROTTLE LEVER
21	11-20586		1	NUT, CABLE LATCH SCREW
22	79949		1	ROD, THROTTLE CONTROL
23	60572		2	BARREL, THROTTLE CONTROL ROD
24	78442		1	THROTTLE CAM
25	16-20353		1	STUD, THROTTLE CAM ATTACHING
26	23-26856		2	BUSHING, THROTTLE CAM
27	11-36069		1	NUT, THROTTLE CAM STUD
28	76365		1	BRACKET, ANCHOR - CONTROL CABLES
29	10-53167		3	SCREW, ANCHOR BRACKET ATTACHING
30	39519		1	CAP, BARREL RETAINER - ANCHOR BAR
31	87609		1	LEVER, NYLON - SHIFT CABLE LOCKING
32	17-47175		3	LOCATING PIN, LEVER AND COVER FASTENING
33	90211		1	COVER, NYLON - SHIFT CABLE
34	65799		1	LINK, LOCKING LEVER TO COVER

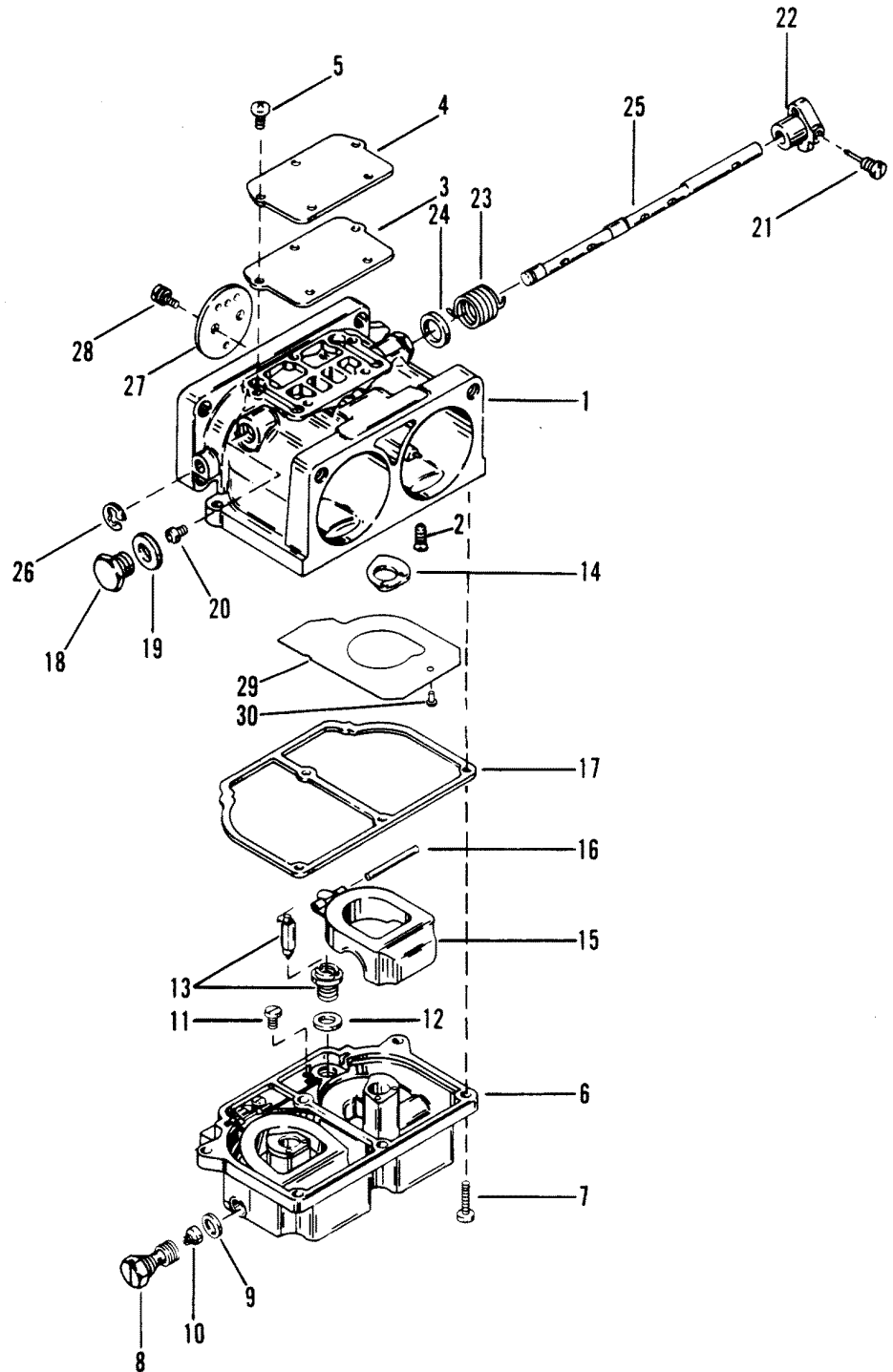
FUEL PUMP AND CARBURETOR



FUEL PUMP AND CARBURETOR

REF. NO.	PART NO.	SYM.	QTY.	DESCRIPTION
1	1374-5643A69		3	CARBURETOR ASSEMBLY
2	1222-28586		3	FITTING, STRAIGHT
3	22-94090		12	ELBOW (90 DEGREES)
4	32-66285--4		1	HOSE, OVERFLOW
6	22-64704		1	ELBOW, CARBURETOR (UPPER)
7	22-53492		1	TEE, CARBURETOR (CENTER)
8	22-64706		1	ELBOW, CARBURETOR (BOTTOM)
9	32-49471		1	FUEL LINE, CARBURETOR TO CARBURETOR
10	27-90430		3	GASKET, CARBURETOR
11	11-20184		12	NUT, CARBURETOR STUD
12	35-93011		1	FUEL FILTER
13	32-68894--1		1	FUEL LINE
14	54-54428		2	CLAMP, FUEL LINE
15	54-53020		1	CLIP, FUEL FILTER
16	10-60300		1	SCREW, CLIP TO BOTTOM COWL
17	12-29245		1	WASHER, CLIP SCREW
18	111-20361		1	NUT, CLIP SCREW
19	70844A1		1	FUEL PUMP KIT
20	22-32803		1	PIPE PLUG
21	22-70834		4	BAYONET
22	10-98253		2	SCREW
23	13-26992		2	LOCKWASHER
24	77604A1		1	REGULATOR
25	67760		1	THROTTLE LINK
26	67759		2	THROTTLE LEVER, UPPER
27	67749		1	THROTTLE LEVER, LOWER
28	10-22523		3	SCREW, THROTTLE LEVERS TO THROTTLE LINK (3/4")
29	13-26996		3	LOCKWASHER, THROTTLE LEVERS SCREW
30	12-24676		3	WASHER, THROTTLE LEVERS SCREW
31	17-67297		3	CLEVIS PIN, THROTTLE LEVERS TO THROTTLE LINK
32	12-27736		3	WASHER, CLEVIS PIN
33	18-26953		3	COTTER PIN, CLEVIS PIN
34	67748		1	ROLLER, LOWER THROTTLE LEVER
35	54-68424		4	CLAMP, FUEL LINE

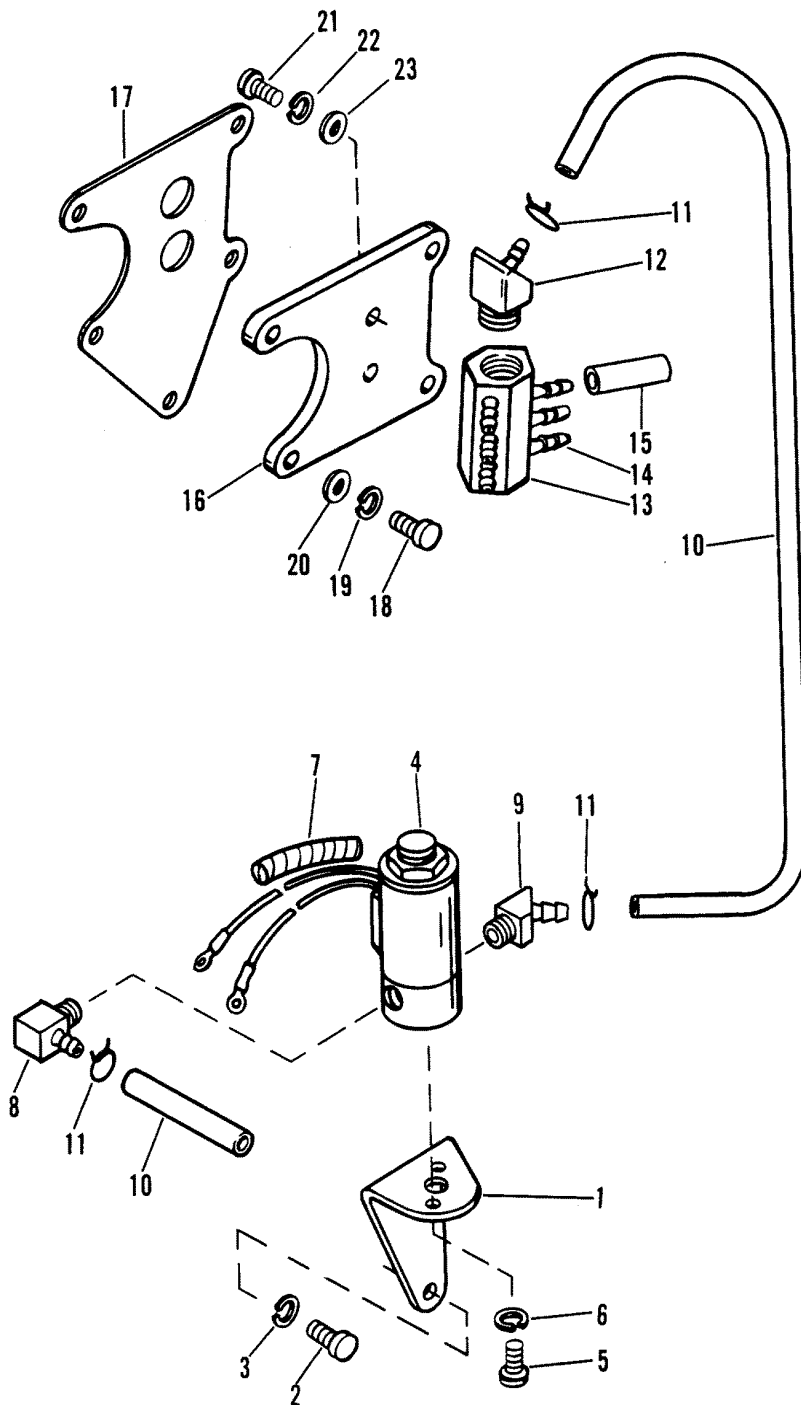
CARBURETOR ASSEMBLY



CARBURETOR ASSEMBLY

REF. NO.	PART NO.	SYM.	QTY.	DESCRIPTION
1	1374-5643A69		3	CARBURETOR ASSEMBLY
2	1399-5225		6	JET, VENT BOWL (.054)
3			3	GASKET, COVER PLATE
4	1395-6032		3	PLATE, COVER
5			15	SCREW, COVER PLATE
6	1395-7822		3	FUEL BOWL
7			18	SCREW, FUEL BOWL
8	1395-6025		6	PLUG, MAIN JET
9			6	GASKET, MAIN JET
10	1399-3520		6	JET, MAIN FUEL (.0785)
11			6	SCREW, FLOAT PIN
12			6	GASKET, INLET NEEDLE AND SEAT
13	1395-7824		6	INLET NEEDLE AND SEAT ASSEMBLY
14			6	GASKET, NOZZLE BOSS
15	1395-9267		6	FLOAT
16			6	PIN, FLOAT LEVER
17			3	GASKET, FUEL BOWL
18	1395-4541		6	PLUG, IDLE AIR BLEED JET
19			6	GASKET, BLEED JET PLUG
20	1395-7394		6	JET, IDLE AIR BLEED (.044)
21	1395-6027		3	SCREW, THROTTLE LEVER
22	67752		3	LEVER, THROTTLE
23			3	SPRING, THROTTLE RETURN
24	1395-6031		3	SPACER, THROTTLE LEVER
25	1395-6022		3	SHAFT, THROTTLE
26			3	RING, RETAINER-THROTTLE SHAFT
27	1395-6023		6	THROTTLE VALVE
28			12	SCREW, THROTTLE VALVE
29	88369		6	BAFFLE
30	17-88457		6	RIVET, BAFFLE

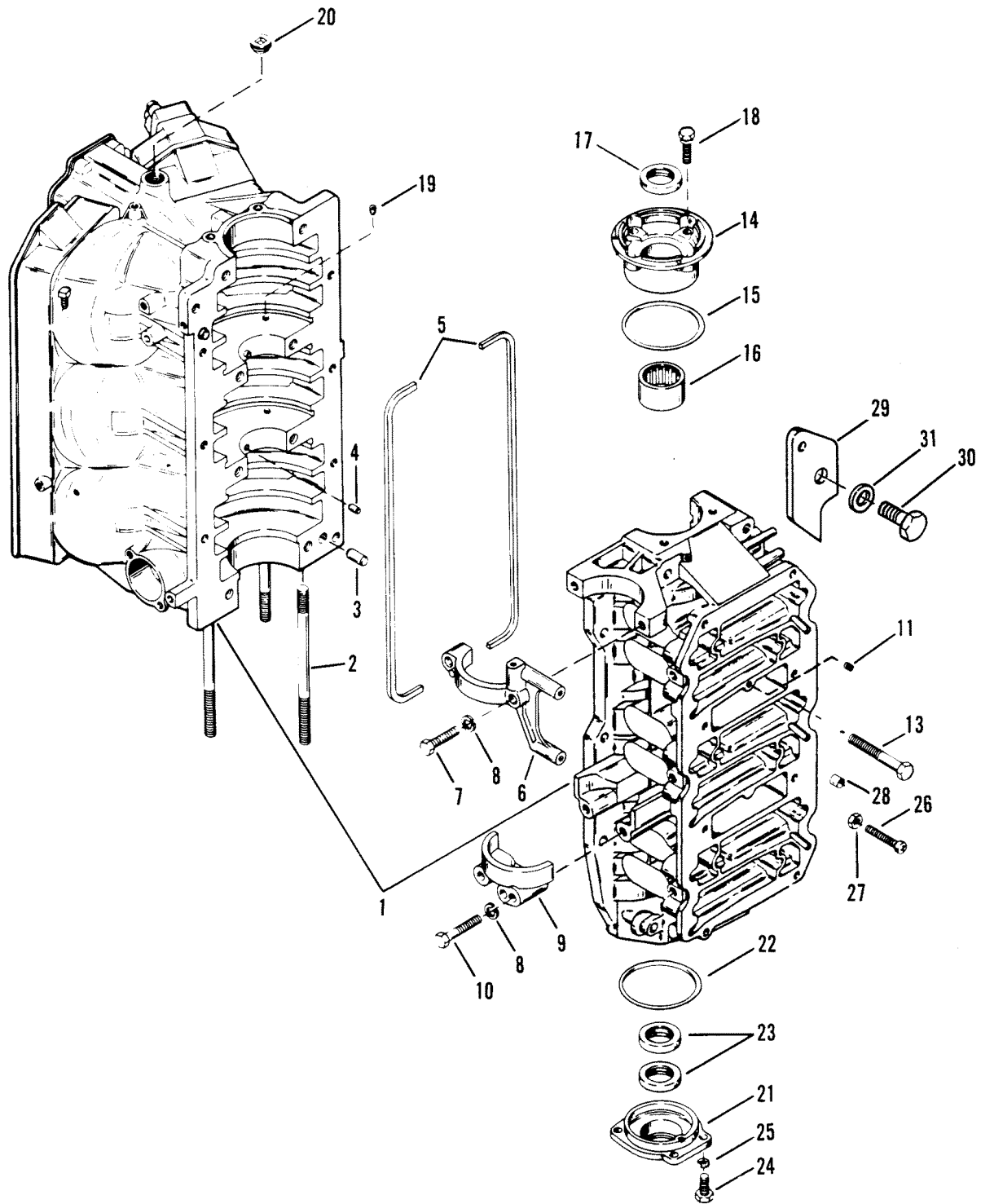
PRIMER SOLENOID



PRIMER SOLENOID

REF. NO.	PART NO.	SYM.	QTY.	DESCRIPTION
1	90345		1	BRACKET, PRIMER SOLENOID
2	10-98253		2	SCREW, SOLENOID BRACKET
3	13-26992		2	LOCKWASHER, BRACKET SCREW
4	89-76886A2		1	PRIMER SOLENOID ASSEMBLY
5	10-52195		2	SCREW, SOLENOID TO BRACKET
6	13-26995		2	LOCKWASHER, SOLENOID SCREW
7	32-77690		1	WRAPPING (1/4")
8	22-62006		1	ELBOW, SOLENOID (90 DEGREES)
9	22-77059		1	FITTING, SOLENOID (45 DEGREES)
10	32-66285--4		1	HOSE, SOLENOID
11	54-60564		3	CLAMP, HOSE
12	22-77059		1	FITTING, DISTRIBUTION BLOCK (45 DEGREES)
13	77051A1		1	BLOCK ASSEMBLY, DISTRIBUTION
14	22-56759		6	BARB FITTING
15	32-99130122		1	HOSE, PRIMER (BLACK)
16	87545A1		1	COVER PLATE ASSEMBLY
17	27-77053		1	GASKET, COVER PLATE
18	10-32228		4	SCREW, PLATE TO CRANKCASE
19	13-26996		4	LOCKWASHER, PLATE SCREW
20	12-24676		4	WASHER, PLATE SCREW
21	10-69022		2	SCREW, BLOCK TO COVER
22	13-26996		2	LOCKWASHER, BLOCK SCREW
23	12-24676		2	WASHER, BLOCK SCREW

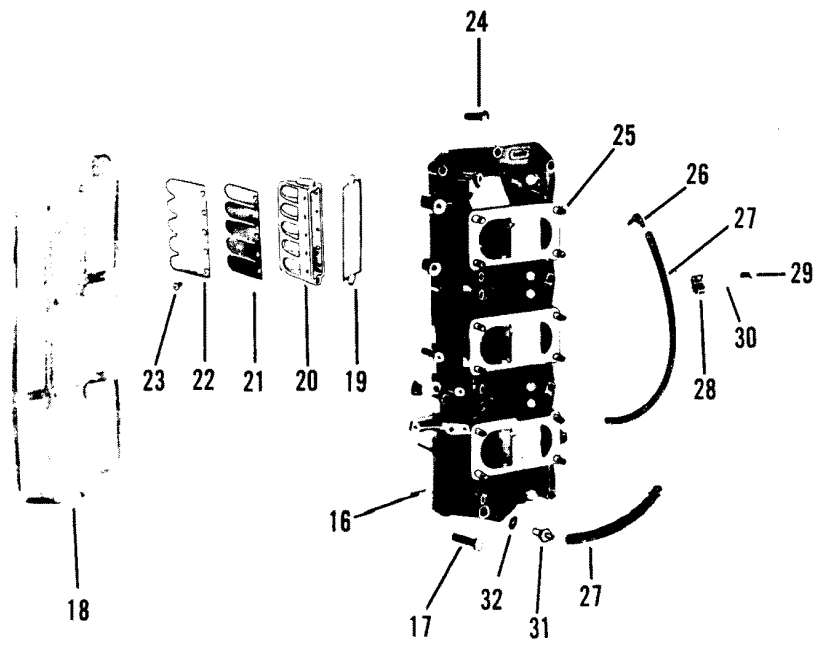
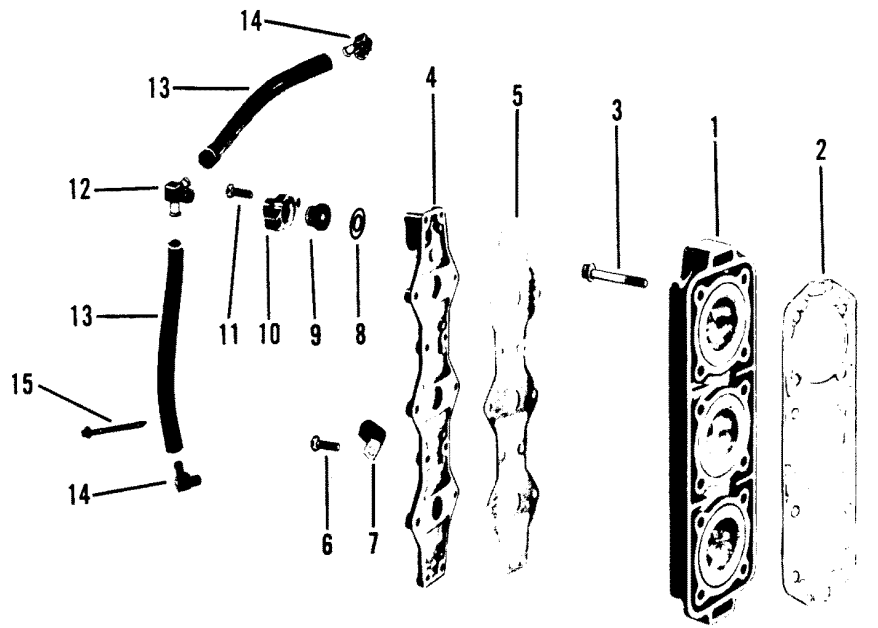
CYLINDER BLOCK AND END CAPS



CYLINDER BLOCK AND END CAPS

REF. NO.	PART NO.	SYM.	QTY.	DESCRIPTION
1	858-8134A6		1	CYLINDER BLOCK & CRANDCASE ASSEMBLY
2	16-37653		8	STUD, POWERHEAD (2-11/16")
3	17-20033		2	DOWEL PIN, LOCATING
4	17-67296		2	DOWEL PIN, CYLINDER BLOCK (BEARING RACE)
5	27-11338		2	GASKET, SEALING
6	42249		1	COVER, STARTER MOTOR (UPPER)
7	10-73657		2	SCREW, COVER TO CRANKCASE (1-1/2")
8	13-26993		4	LOCKWASHER, STARTER MOTOR COVER SCREW
9	76867		1	COVER, STARTER MOTOR (LOWER)
10	10-77065		2	SCREW, COVER TO CRANKCASE (2")
11	21-42657A1		3	CHECK VALVE ASSEMBLY
13	10-66717		8	SCREW, CRANKCASE TO CYLINDER BLOCK (3-1/4")
	10-53016		6	SCREW, CRANKCASE TO CYLINDER BLOCK (1-1/4")
14	1159-8454A1		1	END CAP ASSEMBLY, UPPER
15	25-54029		1	"O" RINGE, END CAP
16	31-74248		1	ROLLER BEARING, END CAP
17	26-41953		1	OIL SEAL, END CAP
18	10-69034		4	SCREW, UPPER END CAP TO CYLINDER BLOCK (1")
19	10-24220		2	SCREW, SET-CYLINDER BLOCK (3/16")
20	22-38407		1	PLUG, CYLINDER BLOCK (WATER JACKET)
21	1156-8120A1		1	END CAP ASSEMBLY, LOWER
22	25-62700		1	"O" RING, END CAP (3-1/4" I.D.)
23	26-41953		2	OIL SEAL, END CAP
24	10-39669		2	SCREW, LOWER END CAP (3/4")
	10-28636		2	SCREW, LOWER END CAP (3/4")
25	13-26992		2	LOCKWASHER, LOWER END CAP SCREW
26	10-64022		1	SCREW, ADJUSTING-CYLINDER BLOCK
27	11-64015		1	NUT, JAM-ADJUSTING SCREW
28	52023		1	CAP, NYLON-ADJUSTING SCREW
29	86985		1	BRACKET, TIMING
30	10-28636		2	SCREW, TIMING BRACKET
31	13-26992		2	WASHER, BRACKET SCREW

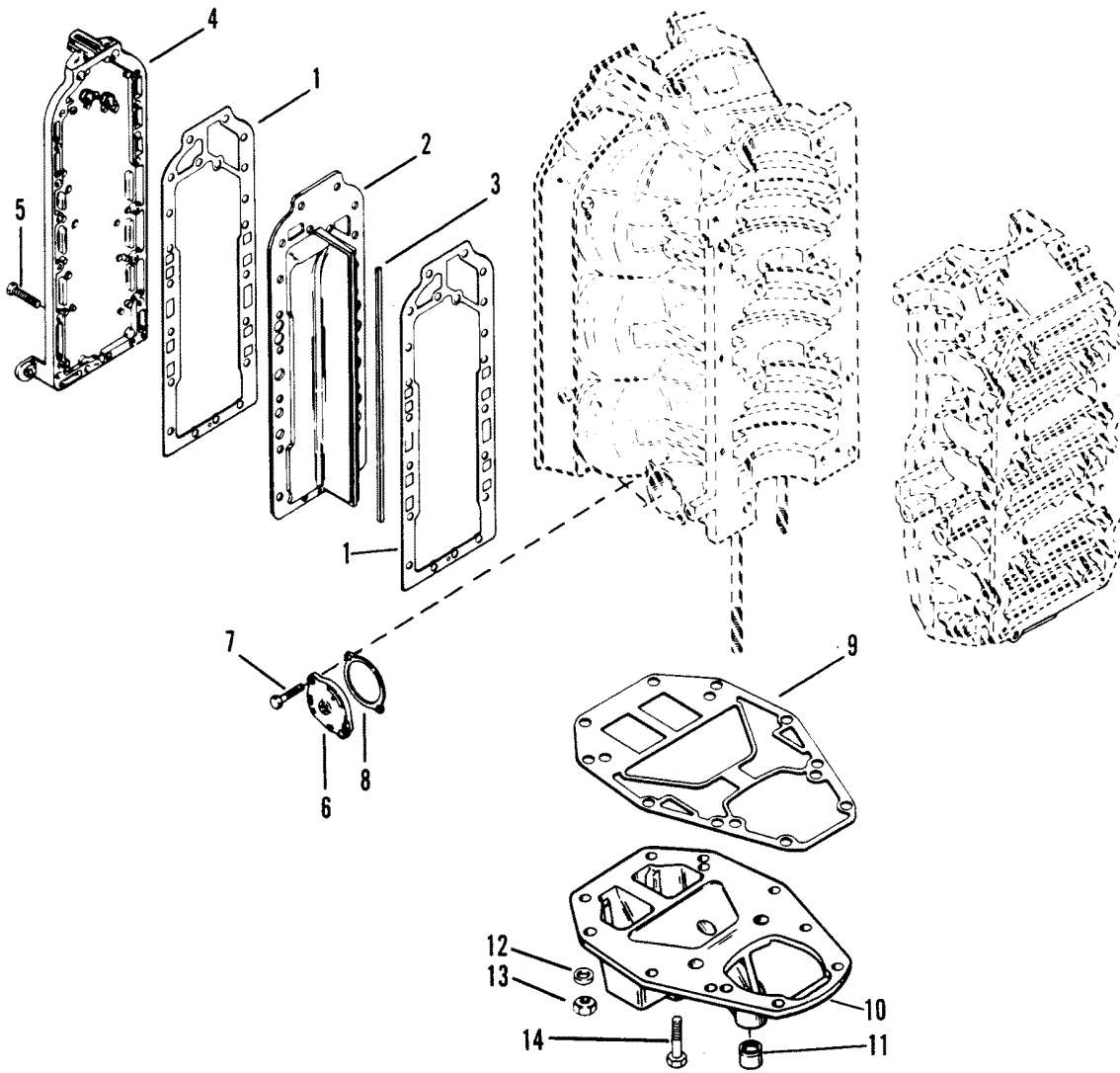
REED BLOCK AND CYLINDER HEAD



REED BLOCK AND CYLINDER HEAD

REF. NO.	PART NO.	SYM.	QTY.	DESCRIPTION
1	79715		2	CYLINDER HEAD
2	27-79583		2	GASKET, CYLINDER HEAD
3	10-66863		24	SCREW, CYLINDER HEAD ATTACHING (2 1/2")
4	1026-7270A1		2	COVER, CYLINDER
5	27-65788		2	GASKET, CYLINDER COVER
6	10-74824		26	SCREW, CYLINDER COVER TO CYLINDER HEAD
7	54-46997		1	"J" CLIP, CYLINDER COVER SCREW
8	12-47533		2	WASHER, SUBSTITUTE FOR THERMOSTAT
9	27-77050		2	GASKET, THERMOSTAT
10	90390A1		2	COVER, THERMOSTAT
11	10-66023		2	SCREW, THERMOSTAT COVER ATTACHING (2")
	10-35386		2	SCREW, THERMOSTAT COVER ATTACHING (1")
12	22-68728		1	FITTING, THERMOSTAT COVER TO WATER HOSES
13	32-99387-79		2	HOSE, WATER DISTRIBUTION (10" AND 14")
14	22-68727		2	FITTING, ELBOW - WATER HOSES
15	61990		4	STA-STRAP, WATER HOSES
16	N.S.S.		1	HOUSING, REED BLOCK
17	10-69093		10	SCREW, REED BLOCK ATTACHING
18	27-93536		1	GASKET, REED BLOCK HOUSING
19	27-65744		6	GASKET, REED BLOCK
20	75953		6	REED BLOCK
21	34-77887A1		6	REED ASSEMBLY
22	34-67298		12	REED STOP
23	10-76497		60	SCREW, REED AND REED STOPS TO REED BLOCK (3/8")
24	10-65746		12	SCREW, REED BLOCK ATTACHING (3/4")
25	16-27037		12	STUD, CARBURETOR MOUNTING
26	22-71191		6	FITTING, BLEED HOSE TO CYLINDER BLOCK (90)
27	32-99387-79		2	HOSE, BLEED LINE
28	54-23567		2	CLAMP, BLEED HOSE
29	10-62568		2	SCREW, BLEED HOSE CLAMP
30	69205		2	"C" WASHER, BLEED HOSE CLAMP
31	22-79790		1	FITTING, BLEED HOSE
32	12-73473		1	WASHER, BLEED HOSE FITTING

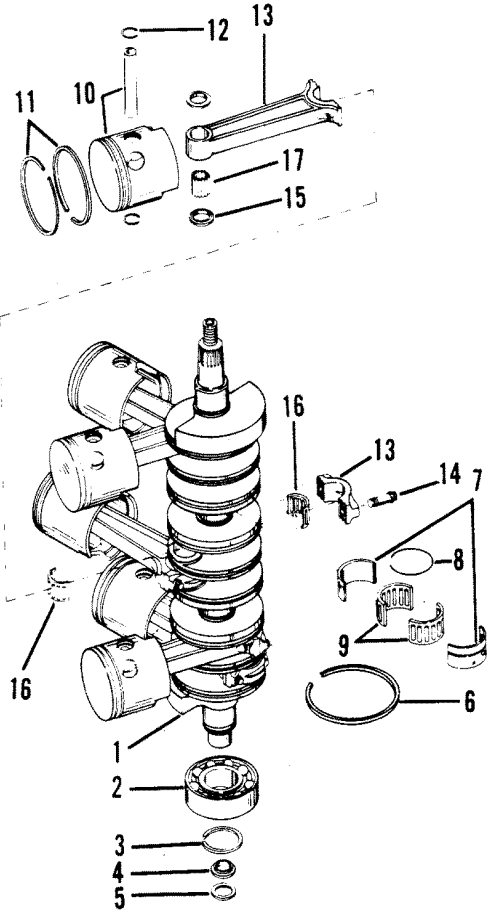
EXHAUST MANIFOLD



EXHAUST MANIFOLD

REF. NO.	PART NO.	SYM.	QTY.	DESCRIPTION
1	27-90484		2	GASKET, DIVIDER PLATE
2	99169		1	PLATE, DIVIDER
3	69668		1	SEAL, DIVIDER PLATE
4	95067		1	COVER, EXHAUST MANIFOLD
5	10-74824		21	SCREW, COVER AND PLATE TO CYLINDER BLOCK (1-1/4")
6	78443		1	COVER, RELIEF VALVE
7	10-37562		4	SCREW, COVER TO CYLINDER BLOCK (1")
8	27-78690		1	GASKET, RELIEF VALVE PLATE
9	27-75909		1	GASKET, EXHAUST PLATE
10	78446A1		1	PLATE ASSEMBLY, EXHAUST
11	26-38970		1	SEAL, WATER TUBE
12	12-25970		8	WASHER, POWERHEAD STUDS
13	11-23161		8	NUT, POWERHEAD STUDS
14	10-77526		2	SCREW

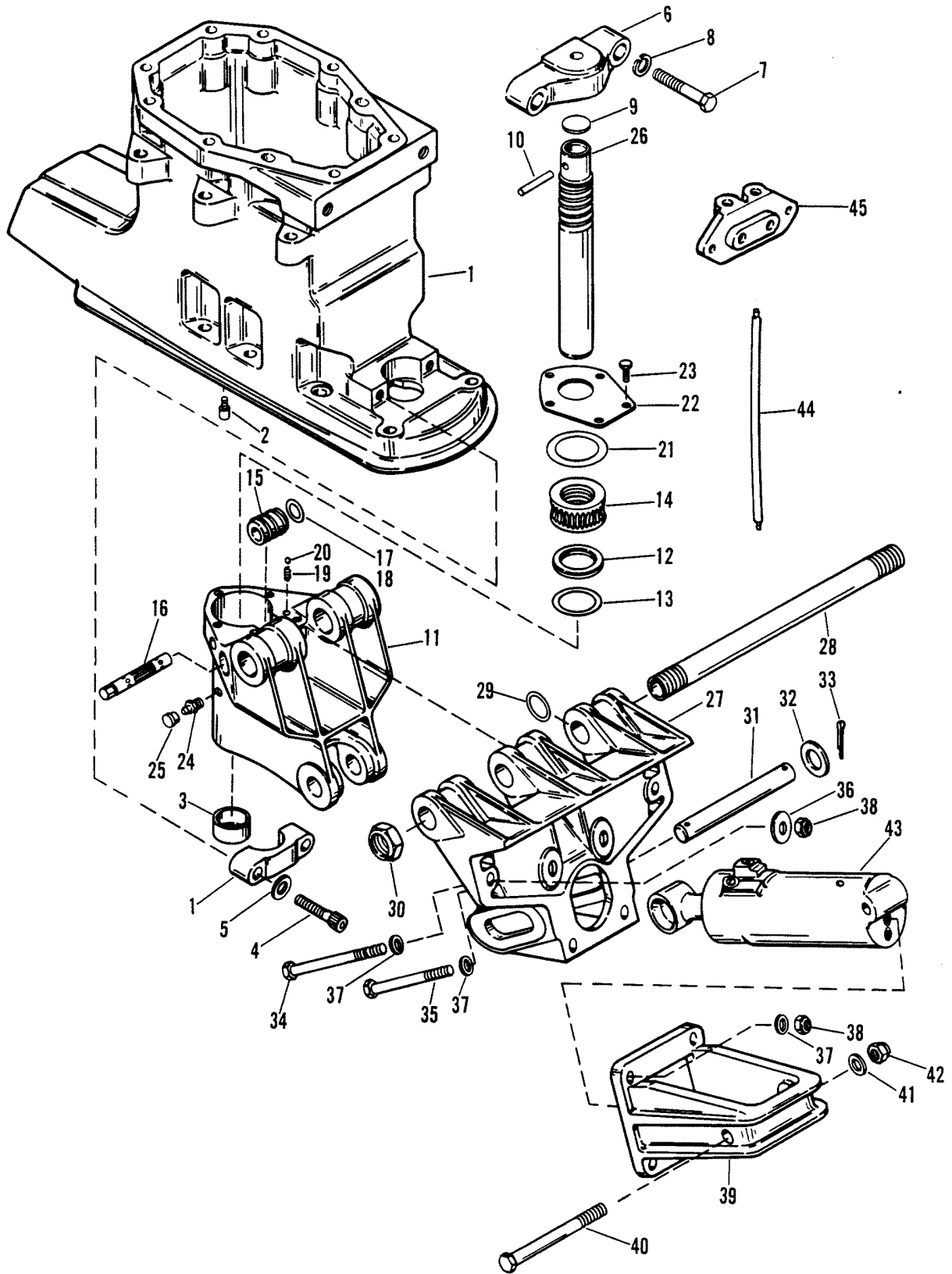
CRANKSHAFT, PISTONS AND CONNECTING RODS



CRANKSHAFT, PISTONS AND CONNECTING RODS

REF. NO.	PART NO.	SYM.	QTY.	DESCRIPTION
1	455-7251A6		1	CRANKSHAFT ASSEMBLY
2	30-41421		1	BALL BEARING, CRANKSHAFT (LOWER)
3	53-67446		1	RETAINING RING, BALL BEARING
4	54196A6		1	CARRIER ASSEMBLY, SEAL
5	65800		1	SEAL, CARRIER
6	39-67377		9	RING, SEALING- CRANKSHAFT (.124 THICK)
7	31-88903		2	BEARING RACE, CRANKSHAFT
8	53-67444		2	RETAINING RING, BEARING RACE
9	31-67445		2	ROLLER BEARING, RACE
10	765-8685A2		3	PISTON ASSEMBLY (STARBOARD)
	765-8684A2		3	PISTON ASSEMBLY (PORT)
11	39-88685A12		1	PISTON RING ASSEMBLY (.0395 THICK)
	39-99284A12		1	PISTON RING ASSEMBLY (.0385 THICK)
12	40-52035		12	LOCK RING,PISTON
13	625-7209A6		6	CONNECTING ROD ASSEMBLY
14	10-91995		12	SCREW, CONNECTING ROD
15	12-47247		12	WASHER, NEEDLE LOCATING
16	31-67526A1		6	ROLLER BEARING ASSEMBLY
17	29-67483		174	NEEDLE BEARING, PISTON END

DRIVE SHAFT HOUSING

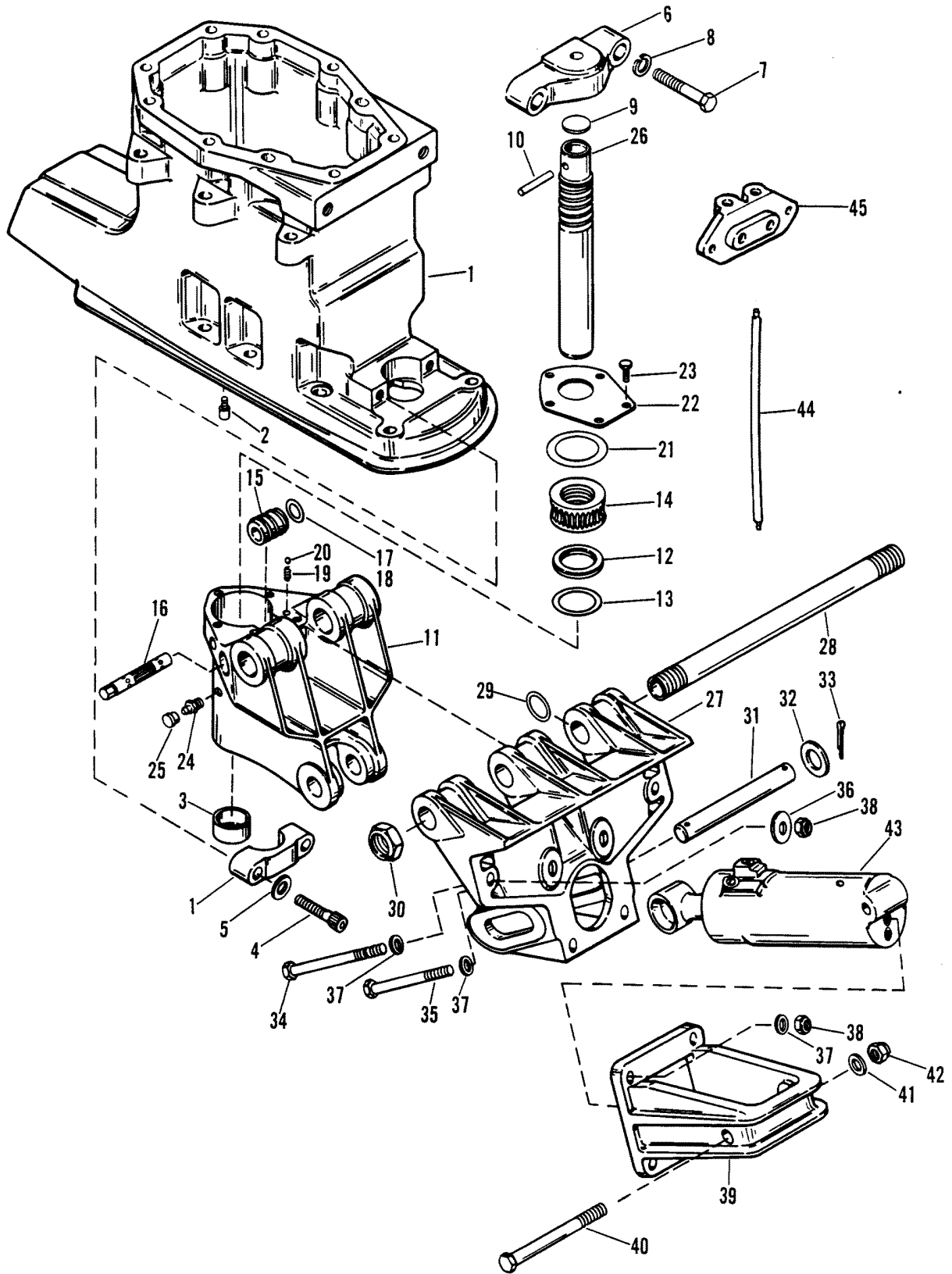


DRIVE SHAFT HOUSING

REF. NO.	PART NO.	SYM.	QTY.	DESCRIPTION
1	1581-7320A9		1	DRIVE SHAFT HOUSING ASSEMBLY
2	17-85993		2	DOWEL PIN
3	23-71583		1	SLEEVE (BOTTOM)
4	10-99524		2	SCREW
5	12-27025		2	WASHER
6	74768		1	TOP YOKE
7	10-71582		2	SCREW
8	13-71580		2	LOCKWASHER
9	23-77743		1	SPACER (DISC)
10	17-85755		1	PIN
11	71609		1	SWIVEL BRACKET
12	12-71586		1	THRUST BEARING
13	15-71585A1		1	SHIM ASSEMBLY
14	43-71601		1	WORM GEAR
15	43-71584		1	WORM
16	71591		1	WORM SHAFT
17	12-92721		1	WASHER
18	12-28121		2	WASHER
19	24-48917		2	SPRING,DETENT
20	38204		2	BALL
21	15-67831A1		AR	SHIM ASSEMBLY
22	71590		1	COVER
23	10-98253		5	SCREW
24	22-23612		2	GREASE FITTING
25	19-77633		2	LUBRICAP
26	17-71598		1	SWIVEL PIN
27	71608		1	TRANSOM BRACKET
28	71599		1	TILT TUBE
29	15-21158A1		AR	SHIM ASSEMBLY
30	11-34862		2	NUT
31	17-71592		1	TRIM PIN
32	12-59378		2	WASHER
33	18-34212		2	COTTER PIN
34	10-46196		4	SCREW
35	10-70832		2	SCREW
36	12-70833		2	WASHER
37	12-45176		10	WASHER
38	11-34933		6	NUT
39	69337		1	BRACKET, TRIM CYLINDER
40	10-97934		1	SCREW, TRIM CYLINDER
41	12-20959		1	WASHER

CONTINUED ON NEXT PAGE ➡

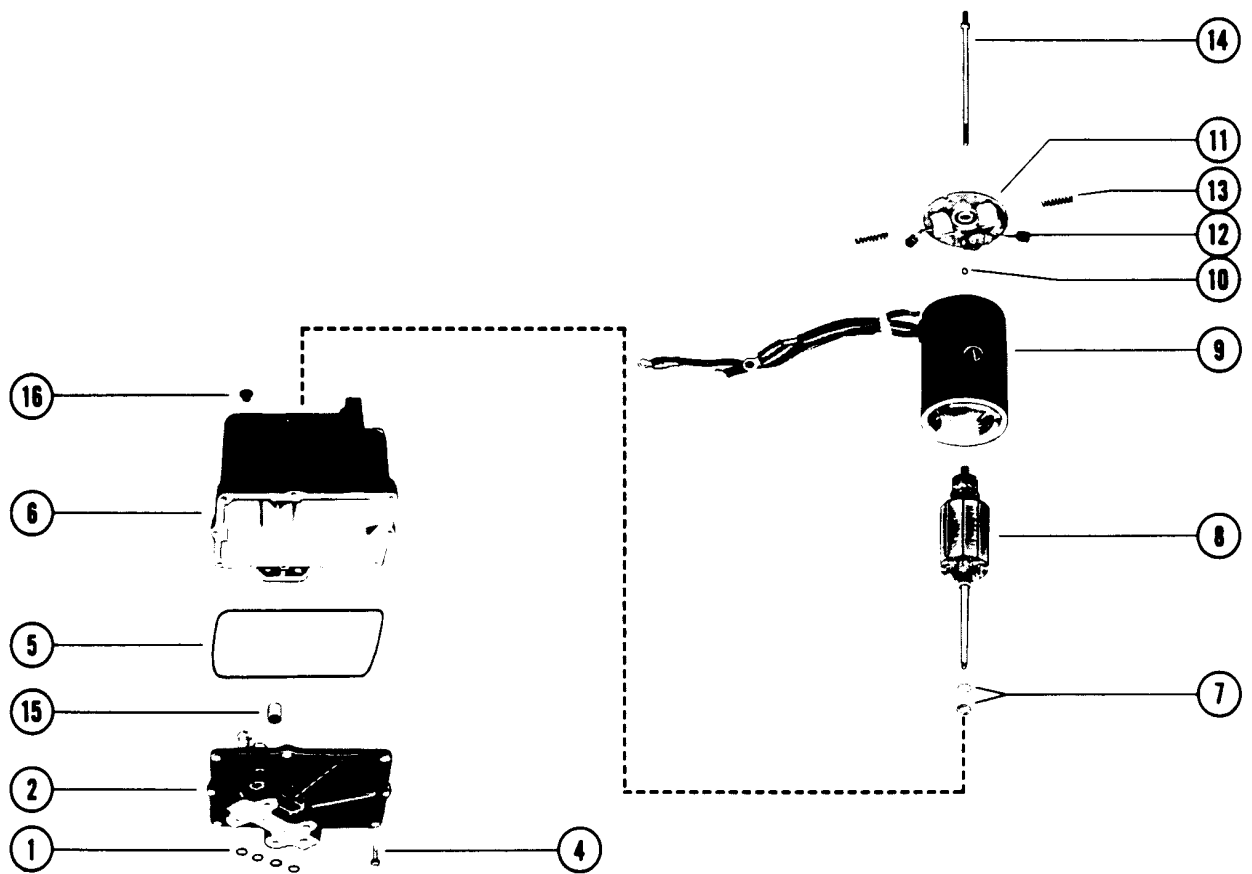
DRIVE SHAFT HOUSING



DRIVE SHAFT HOUSING

REF. NO.	PART NO.	SYM.	QTY.	DESCRIPTION
42	11-35000		1	NUT
43	45194A20		1	TRIM CYLINDER ASSEMBLY
44	32-70069		2	TRIM HOSE (18")
	32-67033		2	TRIM HOSE (8')
45	47347		1	CONNECTOR, TRIM HOSE

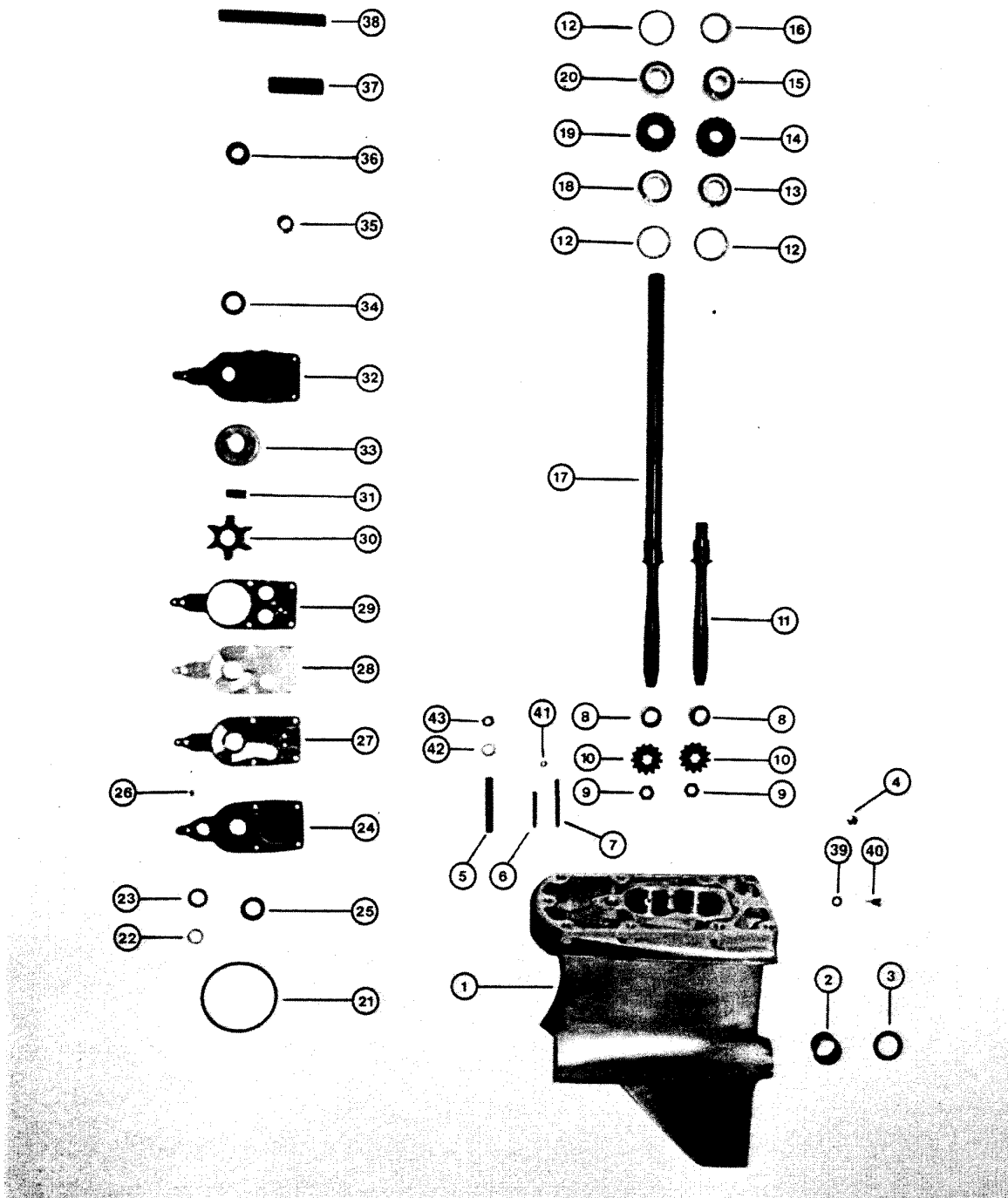
HYDRAULIC PUMP ASSEMBLY (PLASTIC RESERVOIR)



HYDRAULIC PUMP ASSEMBLY (PLASTIC RESERVOIR)

REF. NO.	PART NO.	SYM.	QTY.	DESCRIPTION
-	92975A6		1	HYDRAULIC PUMP ASSEMBLY
1	25-48171		4	"O" RING, HYDRAULIC PUMP
2	392-8317		1	VALVE BODY AND GEAR ASSEMBLY
4	10-69570		8	SCREW, VALVE BODY TO RESERVOIR
5	392-7735		1	SEAL, RESERVOIR TO VALVE BODY AND GEAR
6	392-7731		1	RESERVOIR ASSEMBLY (PLASTIC)
7	392-7732		AR	WASHER, THRUST - ARMATURE
8	392-7729		1	ARMATURE, FIELD AND FRAME
9	392-8261		1	FIELD AND FRAME ASSEMBLY
10	392-7730		1	BALL, COMMUTATOR END PLATE
11	392-8262		1	PLATE ASSEMBLY, COMMUTATOR END
12	392-2941		1	BRUSH SET, COMMUTATOR END PLATE
13	392-2529		1	SPRING SET, BRUSH TENSION
14	392-7733		1	BOLT SET, THRU - PLATE AND FRAME TO RESERVOIR
15	392-7727		1	COUPLER AND SHAFT
16	392-7728		1	FILL PLUG, RESERVOIR

GEAR HOUSING (DRIVE SHAFT)

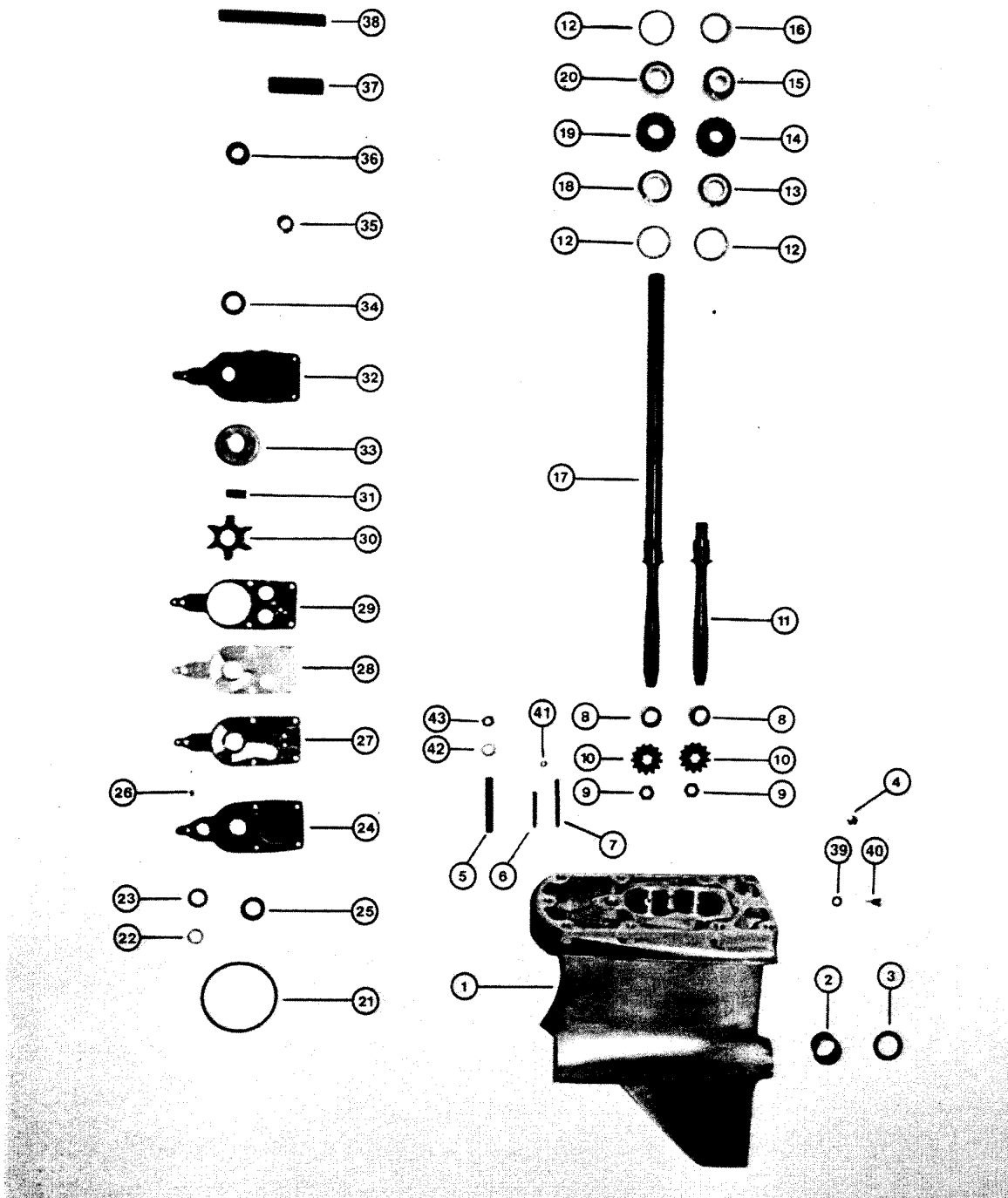


GEAR HOUSING (DRIVE SHAFT)

REF. NO.	PART NO.	SYM.	QTY.	DESCRIPTION
-	1657-7461A11		1	GEAR HOUSING ASSEMBLY, COMPLETE
1	1657-7461A1		1	GEARCASE HOUSING ASSEMBLY
2	31-87013		1	ROLLER BEARING, PROPELLER SHAFT
3	26-96435		2	OIL SEAL, PROPELLER SHAFT
4	22-73379		AR	PLUG, BRASS
	21-44546		AR	PRESSURE RELIEF VALVE
5	16-57935		8	STUD, GEARCASE TO DRIVE SHAFT HOUSING (7/16")
6	16-20990		3	STUD, WATER PUMP (1/4 X 1-13/16)
7	16-33778		2	STUD, WATER PUMP (1/4 X 2-5/8)
8	31-31524		2	ROLLER BEARING, DRIVE SHAFT
9	11-30932		2	NUT, PINION GEAR
10	43-62943A1		2	PINION GEAR (14 TOOTH)
11	45-87015		1	DRIVE SHAFT, REAR
12	15-38657A1		AR	SHIM ASSEMBLY, DRIVE SHAFT BEARING
13	31-38678A1		1	BEARING ASSEMBLY, DRIVE SHAFT (LOWER)
14	43-60928		1	GEAR, HELICAL (DRIVE SHAFT)
15	31-38681A1		1	BEARING ASSEMBLY, DRIVE SHAFT (UPPER)
16	15-38668A1		AR	SHIM ASSEMBLY, DRIVE SHAFT BEARING
17	45-87014		1	DRIVE SHAFT, FRONT
18	31-38680A1		1	BEARING ASSEMBLY, DRIVE SHAFT (LOWER)
19	43-60929		1	GEAR, HELICAL (DRIVE SHAFT)
20	31-38678A1		1	BEARING ASSEMBLY, DRIVE SHAFT (UPPER)
21	25-32069		1	"O" RING, WATER PUMP BASE TO GEARCASE (LARGE)
22	23-59386		1	SPACER, "O" RING - WATER PUMP
23	25-35276		1	"O" RING, WATER PUMP BASE TO GEARCASE (SMALL)
24	46-38631A1		1	WATER PUMP BASE ASSEMBLY
25	26-55905		2	OIL SEAL, WATER PUMP BASE
26	17-29596		2	DOWEL PIN, WATER PUMP BASE
27	27-60926		1	GASKET, WATER PUMP BASE TO FACE PLATE
28	60927		1	FACE PLATE, WATER PUMP
29	27-38659		1	GASKET, WATER PUMP BODY TO FACE PLATE
30	47-89984		1	IMPELLER, WATER PUMP
31	28-56654		1	KEY, WATER PUMP IMPELLER
32	46-70090A1		1	WATER PUMP BODY ASSEMBLY
33	30915		1	INSERT, WATER PUMP BODY
34	26-79884		1	OIL SEAL, WATER PUMP BODY
35	26-36557		1	SEAL, WATER INLET TUBE
36	25-30271		1	RING, RUBBER
37	23-29804		1	SLEEVE, WATER TUBE GUIDE
38	32-57456		1	WATER TUBE

CONTINUED ON NEXT PAGE ➡

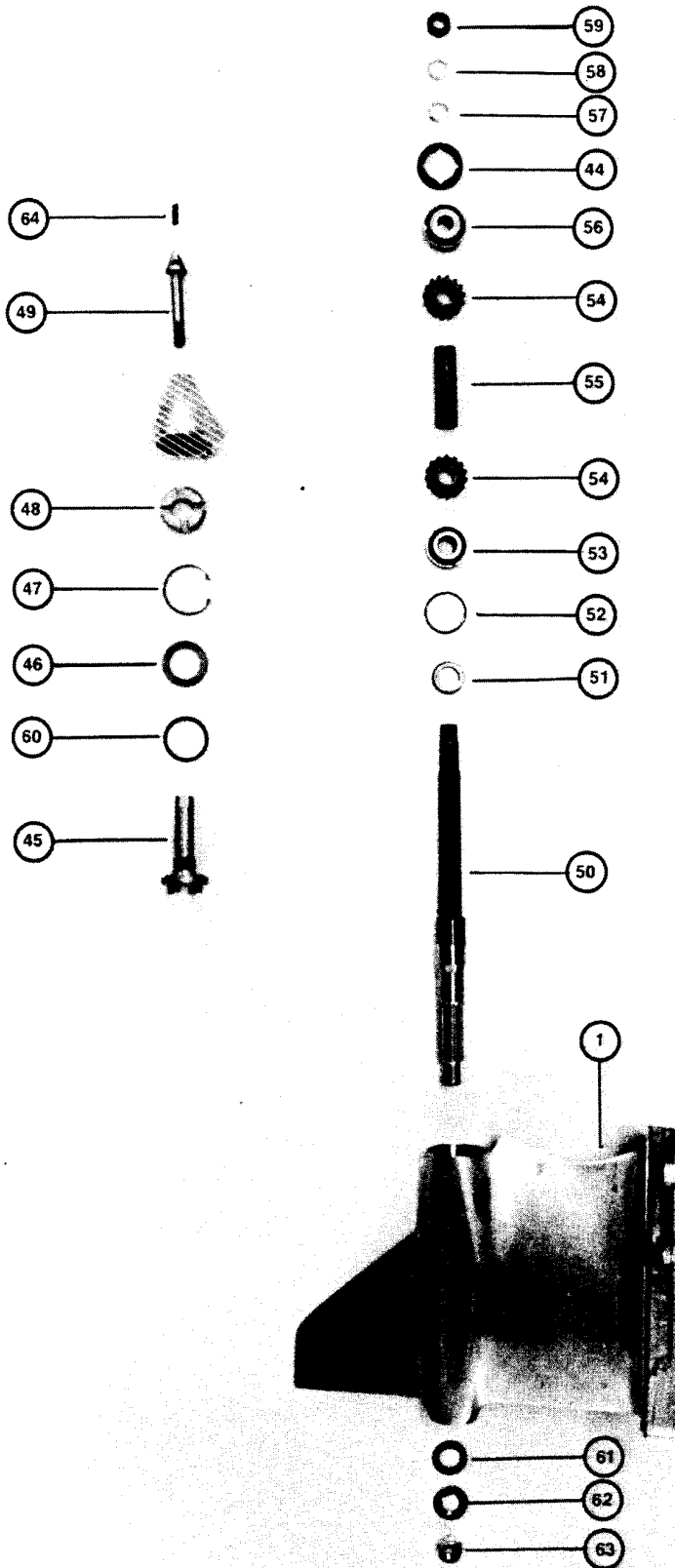
GEAR HOUSING (DRIVE SHAFT)



GEAR HOUSING (DRIVE SHAFT)

REF. NO.	PART NO.	SYM.	QTY.	DESCRIPTION
39	12-20260		2	WASHER, SEALING - FILLER SCREW
40	22-67892		2	SCREW, FILLER
41	11-30506		5	NUT, WATER PUMP STUD (1/4")
42	12-45176		8	WASHER, DRIVE SHAFT HOUSING STUD
43	11-34933		8	NUT, DRIVE SHAFT HOUSING (7/16")

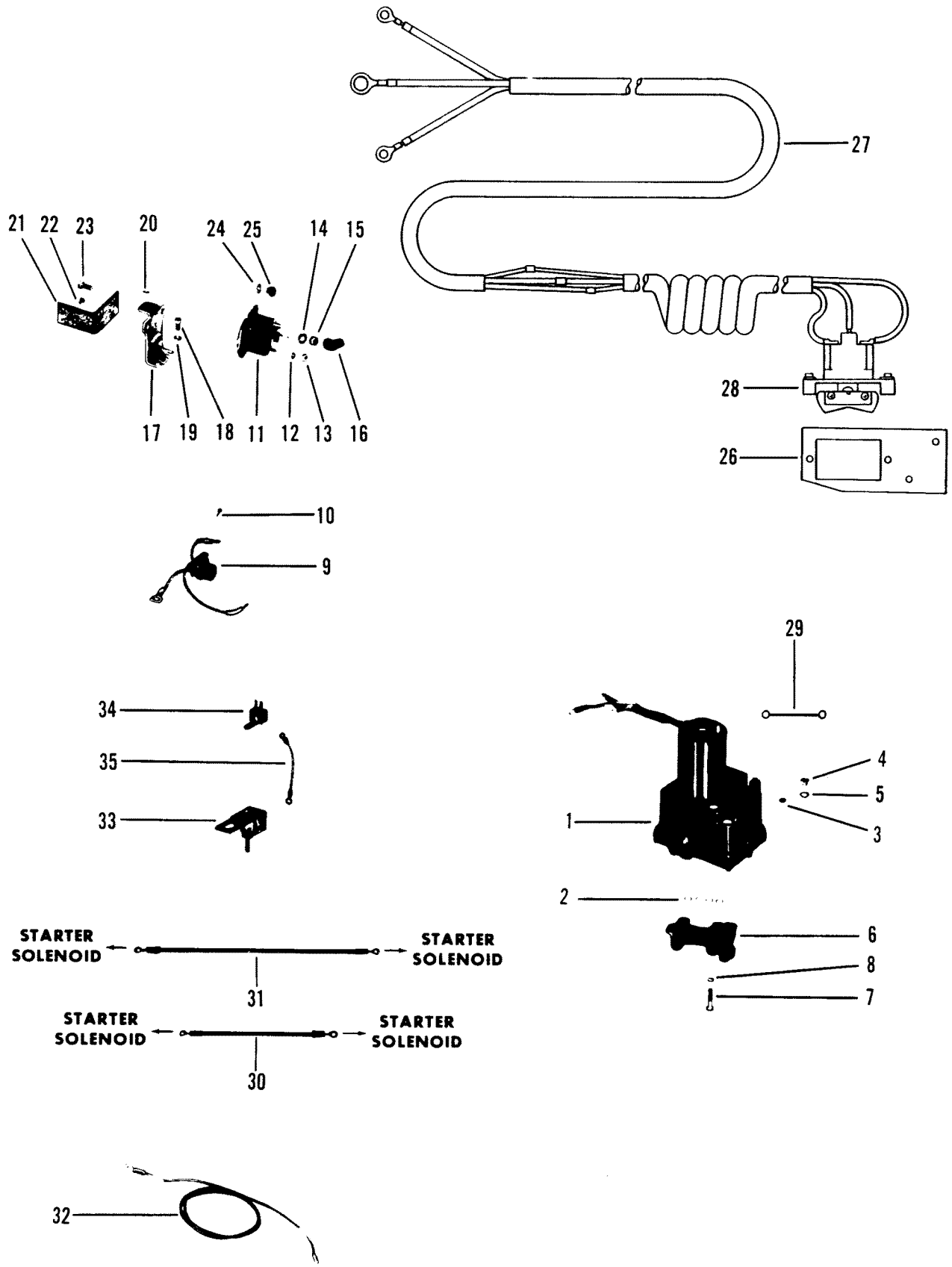
GEAR HOUSING (PROPELLER SHAFT)



GEAR HOUSING (PROPELLER SHAFT)

REF. NO.	PART NO.	SYM.	QTY.	DESCRIPTION
-	1657-7461A11		1	GEAR HOUSING ASSEMBLY, COMPLETE
1	1657-7461A1		1	GEARCASE HOUSING ASSEMBLY
44	53-28576		1	NUT, BEARING RETAINER
45	38652		1	ANCHOR STUD
46	12-28565		1	WASHER, SEALING
47	53-28562		1	SNAP RING
48	34195		1	COVER, GEARCASE
49	10-34150		1	SCREW, NOSE CONE RETAINING
50	44-78432		1	PROPELLER SHAFT
51	12-38688		1	WASHER, SPECIAL (PROPELLER SHAFT)
52	15-32563A1		AR	SHIM ASSEMBLY, REAR PROPELLER SHAFT BEARING
53	31-32575A1		1	BEARING ASSEMBLY, PROPELLER SHAFT (REAR)
54	N.S.S.		2	GEAR, PROPELLER SHAFT (PART OF 43-62943A1)
55	23-38661		1	SPACER, PROPELLER SHAFT GEAR
56	31-70087A1		1	BEARING ASSEMBLY, PROPELLER SHAFT (FRONT)
57	12-90405		1	WASHER, CONVEX
58	12-90404		1	WASHER, CONCAVE
59	11-22339		1	NUT, PROPELLER SHAFT RETAINING
60	25-26855		1	"O" RING
61	12-39701		1	WASHER, PROPELLER SHAFT (SPLINED)
62	12-39698		1	WASHER, PROPELLER SHAFT (PLAIN)
63	11-49252		1	NUT, PROPELLER SHAFT
64	65700		1	PLUG, NOSE CONE SCREW

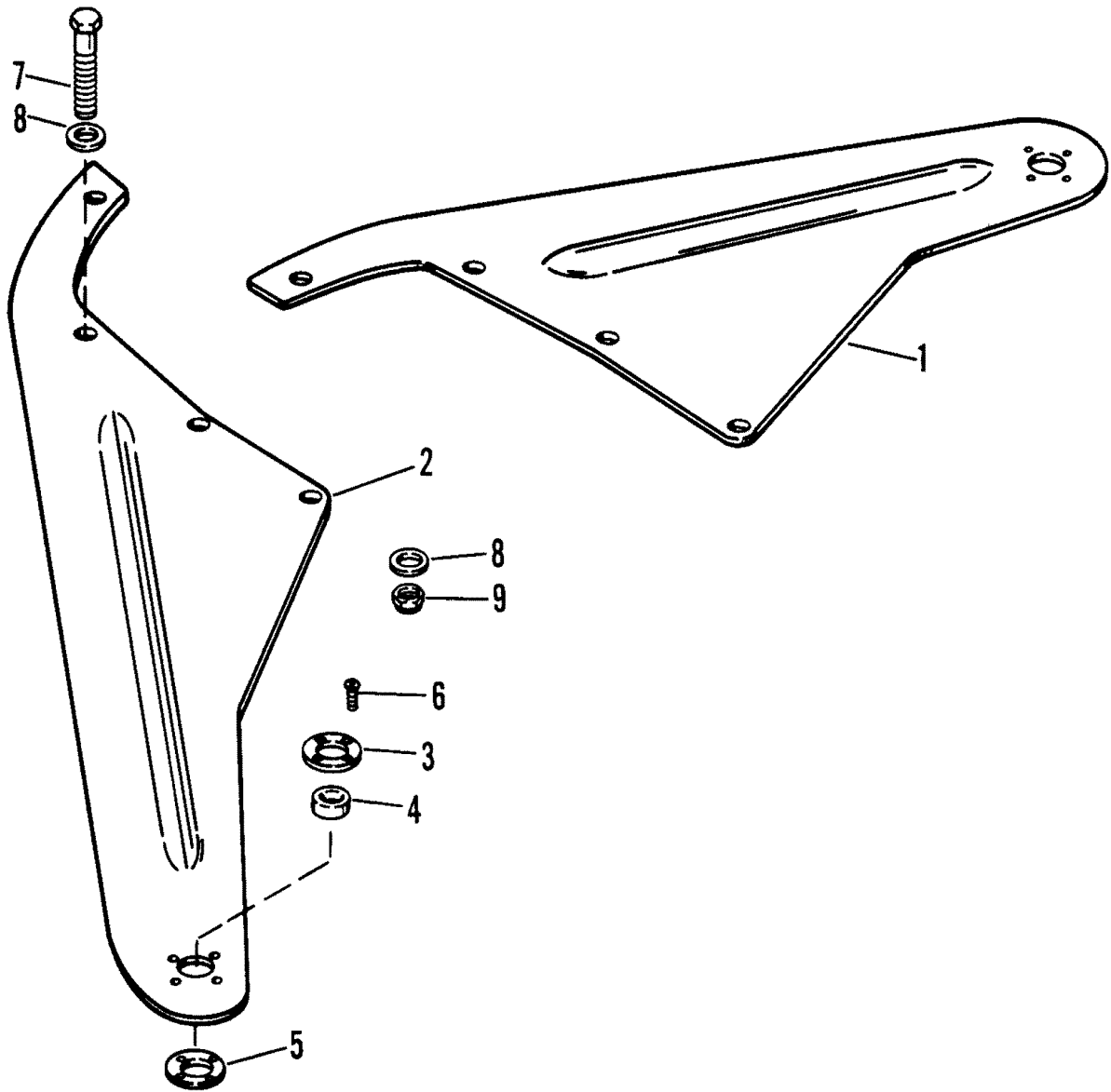
HYDRAULIC PUMP AND BRACKET



HYDRAULIC PUMP AND BRACKET

REF. NO.	PART NO.	SYM.	QTY.	DESCRIPTION
1	92975A6		1	HYDRAULIC PUMP ASSEMBLY
2	25-48171		4	"O" RING, HYDRAULIC PUMP
3	10-62269		1	VENT SCREW
4	10-79953		1	SCREW, FILLER
5	12-20260		1	SEALING WASHER
6	90762A2		1	CONTROL VALVE ASSEMBLY
-	25-48171		4	"O" RING (SAME AS REF. NO. 2)
7	10-21091		4	SCREW, CONTROL VALVE TO PUMP
8	13-26992		4	LOCKWASHER, CONTROL VALVE SCREW
9	84-74023A1		1	CONNECTOR AND HARNESS (W/O FUSE)
	84-79147A3		1	CONNECTOR AND HARNESS (WITH FUSE)
10	10-62568		1	SCREW, HARNESS ATTACHING
11	89-68258		2	STARTER SOLENOID
12	13-26996		4	LOCKWASHER (#10)
13	11-20110		4	NUT (#10)
14	12-22753		4	WASHER (5/16")
15	11-26484		4	NUT (5/16")
16	46265		3	BOOT, RUBBER
17	74407		1	BRACKET, MOUNTING - SOLENOID
18	10-48063		2	SCREW, BRACKET TO PUMP
19	13-26992		2	LOCKWASHER, MOUNTING SCREW
20	11-20110		1	NUT, PUMP BOLT
21	74406		1	BRACKET, SOLENOID MOUNTING
22	26901		1	BUMPER, PUMP TO BRACKET
23	10-32417		2	SCREW, SOLENOID TO BRACKET (5/8")
	10-60300		2	SCREW, SOLENOID TO BRACKET (3/4")
24	13-26992		4	LOCKWASHER, SOLENOID SCREW
25	11-20361		4	NUT, SOLENOID SCREW
26	61626A1		1	PLATE ASSEMBLY, TRIM SWITCH
27	84-61703A4		1	HARNESS ASSEMBLY, TRIM SWITCH
28	87-61691		1	ROCKER SWITCH
29	84-65999A4		1	CABLE ASSEMBLY (BLACK - SHORT)
	84-65999A10		1	CABLE ASSEMBLY (BLACK - LONG)
30	84-79139A2		1	JUMPER WIRE, SOLENOID (RED)
31	84-65999A6		1	JUMPER WIRE, SOLENOID (BLACK)
32	84-79139A9		1	BATTERY LEAD (POSITIVE)
	84-79138A1		1	BATTERY LEAD (NEGATIVE)
33	88-79023A90		1	FUSE ASSEMBLY (90 AMP)
34	88-79137--1		1	CIRCUIT BREAKER
35	84-79148A1		1	JUMPER WIRE (RED)

STEERING PLATES



STEERING PLATES

REF. NO.	PART NO.	SYM.	QTY.	DESCRIPTION
1	69333A1		1	STEERING PLATE ASSEMBLY (STARBOARD)
2	69332A1		1	STEERING PLATE ASSEMBLY (PORT)
3	67022		2	STEERING PLATE, UPPER
4	23-67023		2	BUSHING
5	67024		2	STEERING PLATE, LOWER
6	10-66676		8	SCREW
7	10-56393		8	SCREW, PLATE TO DRIVE SHAFT HOUSING
8	12-34567		16	WASHER, PLATE SCREW
9	11-35053		8	NUT, PLATE SCREW

PARTS INDEX

Part Number	Description	Pg.	Ref. No.	Part Number	Description	Pg.	Ref. No.
13624	PLATE, IGNITION	7	1	69333A1	STEERING PLATE		
26901	BUMPER, PUMP TO BRACKET	39	22	69337	ASSEMBLY (STARBOARD)	41	1
30915	INSERT, WATER PUMP BODY	33	33	69668	BRACKET, TRIM CYLINDER	27	39
34195	COVER, GEARCASE	37	48	70844A1	SEAL, DIVIDER PLATE	23	3
38204	BALL	27	20	71591	FUEL PUMP KIT	13	19
38652	ANCHOR STUD	37	45	71599	COVER	27	22
39483	LATCH, CABLE	11	18	71602	WORM SHAFT	27	16
39519	CAP, BARREL RETAINER - ANCHOR BAR	11	30	71599	TILT TUBE	27	28
41095	LEVER, THROTTLE CONTROL	11	9	71602	YOKE, COWL HOLD DOWN	3	13
42249	COVER, STARTER MOTOR (UPPER)	19	6	71608	TRANSOM BRACKET	27	27
45194A20	TRIM CYLINDER ASSEMBLY	29	43	71609	SWIVEL BRACKET	27	11
45559	TERMINAL BLOCK	7	40	74406	BRACKET, SOLENOID MOUNTING	39	21
46265	BOOT, RUBBER	39	16	74407	BRACKET, MOUNTING - SOLENOID	39	17
47347	CONNECTOR, TRIM HOSE	29	45	74768	TOP YOKE	27	6
52023	CAP, NYLON-ADJUSTING SCREW	19	28	74897	PIVOT, TRIGGER PLATE	11	1
52023	CAP, SPARK ADVANCE LEVER STOP SCREW	11	8	75095A1	CAP ASSEMBLY, STOP SWITCH	7	39
52023	CAP, THROTTLE LEVER STOP SCREW	11	17	75953	REED BLOCK	21	20
54196A6	CARRIER ASSEMBLY, SEAL	25	4	76035	LINK ROD, TRIGGER PLATE	11	4
56703	COLLAR, STARTER MOTOR	5	11	76365	BRACKET, ANCHOR - CONTROL CABLES	11	28
58707	HOLD DOWN, COWL (BUNGY CORD)	3	15	76366	PLATE, IGNITION PANEL	7	33
58809--6	TRIM MOLDING	3	10	76867	COVER, STARTER MOTOR (LOWER)	19	9
60572	BARREL, THROTTLE CONTROL ROD	11	23	77051A1	BLOCK ASSEMBLY, DISTRIBUTION	17	13
60927	FACE PLATE, WATER PUMP	33	28	77376--2	SHIELD, AIR INLET	3	4
61364	RETAINER, COWL HOLD DOWN	3	7	77377	PLATE, COWL BASE	3	19
61626A1	PLATE ASSEMBLY, TRIM SWITCH	39	26	77604A1	REGULATOR	13	24
61990	STA-STRAP, WATER HOSES	21	15	77980A8	BOTTOM COWL ASSEMBLY	3	12
62351A2	RECTIFIER	7	16	78441	LEVER, SPARK ADVANCE	11	5
65503A4	HOUSING ASSEMBLY, STOP SWITCH	7	38	78442	THROTTLE CAM	11	24
65700	PLUG, NOSE CONE SCREW	37	64	78443	COVER, RELIEF VALVE	23	6
65799	LINK, LOCKING LEVER TO COVER	11	34	78446A1	PLATE ASSEMBLY, EXHAUST	23	10
65800	SEAL, CARRIER	25	5	78857--1	SHIELD, AIR INLET	3	2
67022	STEERING PLATE, UPPER	41	3	78858--2	SHIELD, AIR INLET	3	3
67024	STEERING PLATE, LOWER	41	5	79715	CYLINDER HEAD	21	1
67614	COVER, IGNITION COIL	5	20	79949	ROD, THROTTLE CONTROL	11	22
67748	ROLLER, LOWER THROTTLE LEVER	13	34	86985	BRACKET, TIMING	19	29
67749	THROTTLE LEVER, LOWER	13	27	87545A1	COVER PLATE ASSEMBLY	17	16
67752	LEVER, THROTTLE	15	22	87609	LEVER, NYLON - SHIFT CABLE LOCKING	11	31
67759	THROTTLE LEVER, UPPER	13	26	88369	BAFFLE	15	29
67760	THROTTLE LINK	13	25	89279	SWIVEL, TRIGGER PLATE	11	2
68042	STOP, RUBBER - STARTER MOTOR	5	13	90211	COVER, NYLON - SHIFT CABLE	11	33
69205	"C" WASHER, BLEED HOSE CLAMP	21	30	90345	BRACKET, PRIMER SOLENOID	17	1
69332A1	STEERING PLATE ASSEMBLY (PORT)	41	2	90390A1	COVER, THERMOSTAT	21	10
				90762A2	CONTROL VALVE ASSEMBLY	39	6
				92975A6	HYDRAULIC PUMP ASSEMBLY	31	-
				92975A6	HYDRAULIC PUMP ASSEMBLY	39	1
				95067	COVER, EXHAUST MANIFOLD	23	4

PARTS INDEX

Part Number	Description	Pg.	Ref. No.	Part Number	Description	Pg.	Ref. No.
96455A9	TRIGGER PLATE ASSEMBLY	5	9	10-60300	SCREW, CLIP TO BOTTOM		
99169	PLATE, DIVIDER	23	2		COWL	13	16
N.S.S.	GEAR, PROPELLER SHAFT			10-60300	SCREW, SOLENOID TO		
	(PART OF 43-62943A1)	37	54		BRACKET (3/4")	39	23
N.S.S.	HOUSING, REED BLOCK	21	16	10-62269	VENT SCREW	39	3
10-12666	SCREW, SWITCH BOX TO			10-62568	SCREW, BLEED HOSE		
	IGNITION PLATE	7	3		CLAMP	21	29
10-20540	SCREW, SOLENOID TO			10-62568	SCREW, HARNESS		
	IGNITION PLATE (5/8")	7	21		ATTACHING	39	10
10-20646	SCREW, CABLE TO			10-62568	SCREW, TERMINAL BLOCK	7	41
	IGNITION PLATE (5/8")	7	9	10-64022	SCREW, ADJUSTING-		
10-20646	SCREW, RECTIFIER TO				CYLINDER BLOCK	19	26
	IGNITION PLATE (5/8")	7	17	10-64022	SCREW, SPARK ADVANCE		
10-21091	SCREW, CONTROL VALVE				LEVER - STOP	11	6
	TO PUMP	39	7	10-64022	SCREW, THROTTLE LEVER -		
10-22028	SCREW, LEAD TO				STOP (2-1/8")	11	15
	TERMINAL BLOCK	9	46	10-65746	SCREW, REED BLOCK		
10-22486	SCREW, CABLE LATCH TO				ATTACHING (3/4")	21	24
	THROTTLE LEVER	11	19	10-66023	SCREW, THERMOSTAT		
10-22523	SCREW, TERMINAL BLOCK				COVER ATTACHING (2")	21	11
	TO PLATE (3/4")	9	45	10-66676	SCREW	41	6
10-22523	SCREW, THROTTLE LEVERS			10-66717	SCREW, CRANKCASE TO		
	TO THROTTLE LINK (3/4")	13	28		CYLINDER BLOCK (3-1/4")	19	13
10-24220	SCREW, SET-CYLINDER			10-66863	SCREW, CYLINDER HEAD		
	BLOCK (3/16")	19	19		ATTACHING (2 1/2")	21	3
10-24637	SCREW, STOP SWITCH			10-68513	SCREW, GROUND STRAP	5	24
	HOUSING (7/8")	7	42	10-68997	SCREW, FLYWHEEL HUB	5	5
10-28636	SCREW, LOWER END CAP			10-69022	SCREW, BLOCK TO COVER	17	21
	(3/4")	19	24	10-69034	SCREW, UPPER END CAP		
10-28636	SCREW, TIMING BRACKET	19	30		TO CYLINDER BLOCK (1")	19	18
10-29072	SCREW, STOP SWITCH			10-69035	SCREW, CABLE TO		
	HOUSING (5/8")	7	42		STARTER MOTOR	5	17
10-32228	SCREW, PLATE TO			10-69079	SCREW, WIRE ATTACHING	7	8
	CRANKCASE	17	18	10-69092	SCREW, IGNITION PLATE (1-		
10-32417	SCREW, FLYWHEEL PLATE	5	4		1/4")	7	11
10-32417	SCREW, SOLENOID TO			10-69093	SCREW, REED BLOCK		
	BRACKET (5/8")	39	23		ATTACHING	21	17
10-34150	SCREW, NOSE CONE			10-69570	SCREW, VALVE BODY TO		
	RETAINING	37	49		RESERVOIR	31	4
10-35386	SCREW, THERMOSTAT			10-70832	SCREW	27	35
	COVER ATTACHING (1")	21	11	10-71582	SCREW	27	7
10-37562	SCREW, COVER TO			10-73657	SCREW, COVER TO		
	CYLINDER BLOCK (1")	23	7		CRANKCASE (1-1/2")	19	7
10-39669	SCREW, LOWER END CAP			10-74824	SCREW, COVER AND PLATE		
	(3/4")	19	24		TO CYLINDER BLOCK (1-		
10-46196	SCREW	27	34		1/4")	23	5
10-48063	SCREW, BRACKET TO			10-74824	SCREW, CYLINDER COVER		
	PUMP	39	18		TO CYLINDER HEAD	21	6
10-52195	SCREW, SOLENOID TO			10-76497	SCREW, REED AND REED		
	BRACKET	17	5		STOPS TO REED BLOCK		
10-53016	SCREW, CRANKCASE TO				(3/8")	21	23
	CYLINDER BLOCK (1-1/4")	19	13	10-77065	SCREW, COVER TO		
10-53167	SCREW, ANCHOR BRACKET				CRANKCASE (2")	19	10
	ATTACHING	11	29	10-77526	SCREW	23	14
10-55337	SCREW, THROTTLE			10-79953	SCREW, FILLER	39	4
	LEVER/ADVANCE LEVER			10-88447	SCREW, IGNITION COIL		
	(1-3/4")	11	10		COVER (1-5/8")	5	21
10-56393	SCREW, PLATE TO DRIVE			10-90417	SCREW, STATOR	5	7
	SHAFT HOUSING	41	7	10-91995	SCREW, CONNECTING ROD	25	14
10-59702	SCREW, HARNESS CLAMP	7	27	10-97934	SCREW, TRIM CYLINDER	27	40

PARTS INDEX

Part Number	Description	Pg.	Ref. No.	Part Number	Description	Pg.	Ref. No.
10-98253	SCREW	13	22	12-24676	WASHER, THROTTLE LEVERS SCREW	13	30
10-98253	SCREW	27	23				
10-98253	SCREW, SOLENOID BRACKET	17	2	12-25970	WASHER, POWERHEAD STUDS	23	12
10-98256	SCREW, PLATE TO BOTTOM COWL	3	20	12-27025	WASHER	27	5
10-99524	SCREW	27	4	12-27736	WASHER, CLEVIS PIN	13	32
11-20110	NUT (#10)	39	13	12-28121	WASHER	27	18
11-20110	NUT, PUMP BOLT	39	20	12-28565	WASHER, SEALING	37	46
11-20184	NUT, CARBURETOR STUD	13	11	12-29245	WASHER, CLIP SCREW	13	17
11-20361	NUT	7	32	12-34567	WASHER, PLATE SCREW	41	8
11-20361	NUT, SOLENOID SCREW	39	25	12-36042	WASHER, IGNITION PLATE SCREW	7	13
11-20586	NUT, CABLE LATCH SCREW	11	21	12-38688	WASHER, SPECIAL (PROPELLER SHAFT)	37	51
11-20586	NUT, PLATE SCREW	3	21	12-39698	WASHER, PROPELLER SHAFT (PLAIN)	37	62
11-20890	NUT, STARTER MOTOR TERMINAL	5	15	12-39701	WASHER, PROPELLER SHAFT (SPLINED)	37	61
11-22339	NUT, PROPELLER SHAFT RETAINING	37	59	12-45176	WASHER	27	37
11-23161	NUT, POWERHEAD STUDS	23	13	12-45176	WASHER, DRIVE SHAFT HOUSING STUD	35	42
11-26484	NUT (5/16")	39	15	12-47247	WASHER, NEEDLE LOCATING	25	15
11-26484	NUT, SOLENOID TERMINALS (5/16-18)	7	25	12-47533	WASHER, SUBSTITUTE FOR THERMOSTAT	21	8
11-28941	NUT, CLAMP SCREW	7	29	12-57238	WASHER, SHIELD RIVET	3	6
11-30506	NUT, WATER PUMP STUD (1/4")	35	41	12-59378	WASHER	27	32
11-30932	NUT, PINION GEAR	33	9	12-67264	WASHER, IGNITION PLATE SCREW (RUBBER)	7	14
11-34862	NUT	27	30	12-68229	WASHER, FLYWHEEL	5	2
11-34933	NUT	27	38	12-68410	WASHER, SPARK ADVANCE LEVER	11	14
11-34933	NUT, DRIVE SHAFT HOUSING (7/16")	35	43	12-69056	WASHER, CLAMP SCREW	7	30
11-35000	NUT	29	42	12-70833	WASHER	27	36
11-35053	NUT, PLATE SCREW	41	9	12-71586	THRUST BEARING	27	12
11-36069	NUT, THROTTLE CAM STUD	11	27	12-73473	WASHER, BLEED HOSE FITTING	21	32
11-45076	NUT, IGNITION COIL TERMINAL	5	22	12-90404	WASHER, CONCAVE	37	58
11-45076	NUT, RECTIFIER TERMINALS	7	18	12-90405	WASHER, CONVEX	37	57
11-45076	NUT, SWITCH BOX TERMINAL	7	6	12-92721	WASHER	27	17
11-45812	NUT, HOUSING SCREW (NYLON INSERT)	9	43	13-26992	LOCKWASHER	13	23
11-49252	NUT, PROPELLER SHAFT	37	63	13-26992	LOCKWASHER, BRACKET SCREW	17	3
11-52901	NUT, FLYWHEEL	5	1	13-26992	LOCKWASHER, CONTROL VALVE SCREW	39	8
11-64015	NUT, JAM-ADJUSTING SCREW	19	27	13-26992	LOCKWASHER, LOWER END CAP SCREW	19	25
11-64015	NUT, SPARK ADVANCE STOP SCREW	11	7	13-26992	LOCKWASHER, MOUNTING SCREW	39	19
11-68219	NUT, HOUSING SCREW	9	43	13-26992	LOCKWASHER, SOLENOID SCREW	39	24
11-68219	NUT, LINK ROD	11	3	13-26992	LOCKWASHER, SOLENOID TO IGNITION PLATE SCREW	7	22
11-68219	NUT, SOLENOID TERMINALS (10-32)	7	24	13-26992	LOCKWASHER, STARTER MOTOR TERMINAL	5	14
12-20128	WASHER, CLEVIS PIN	3	18	13-26992	WASHER, BRACKET SCREW	19	31
12-20128	WASHER, RETAINER RIVET	3	9	13-26993	LOCKWASHER, IGNITION PLATE SCREW	7	12
12-20260	SEALING WASHER	39	5				
12-20260	WASHER, SEALING - FILLER SCREW	35	39				
12-20959	WASHER	27	41				
12-22753	WASHER (5/16")	39	14				
12-24676	WASHER, BLOCK SCREW	17	23				
12-24676	WASHER, PLATE SCREW	17	20				

PARTS INDEX

Part Number	Description	Pg.	Ref. No.	Part Number	Description	Pg.	Ref. No.
13-26995	LOCKWASHER, SOLENOID			22-23612	GREASE FITTING	27	24
	SCREW	17	6	22-32803	PIPE PLUG	13	20
13-26996	LOCKWASHER (#10)	39	12	22-38407	PLUG, CYLINDER BLOCK		
13-26996	LOCKWASHER, BLOCK				(WATER JACKET)	19	20
	SCREW	17	22	22-53492	TEE, CARBURETOR		
13-26996	LOCKWASHER, PLATE				(CENTER)	13	7
	SCREW	17	19	22-56759	BARB FITTING	17	14
13-26996	LOCKWASHER, STATOR			22-62006	ELBOW, SOLENOID (90		
	SCREW	5	8		DEGREES)	17	8
13-26996	LOCKWASHER, THROTTLE			22-64704	ELBOW, CARBURETOR		
	LEVERS SCREW	13	29		(UPPER)	13	6
13-71580	LOCKWASHER	27	8	22-64706	ELBOW, CARBURETOR		
15-21158A1	SHIM ASSEMBLY	27	29		(BOTTOM)	13	8
15-32563A1	SHIM ASSEMBLY, REAR			22-67892	SCREW, FILLER	35	40
	PROPELLER SHAFT			22-68727	FITTING, ELBOW - WATER		
	BEARING	37	52		HOSES	21	14
15-38657A1	SHIM ASSEMBLY, DRIVE			22-68728	FITTING, THERMOSTAT		
	SHAFT BEARING	33	12		COVER TO WATER		
15-38668A1	SHIM ASSEMBLY, DRIVE				HOSES	21	12
	SHAFT BEARING	33	16	22-70834	BAYONET	13	21
15-67831A1	SHIM ASSEMBLY	27	21	22-71191	FITTING, BLEED HOSE TO		
15-71585A1	SHIM ASSEMBLY	27	13		CYLINDER BLOCK (90)	21	26
16-20353	STUD, THROTTLE CAM			22-73379	PLUG, BRASS	33	4
	ATTACHING	11	25	22-77059	FITTING, DISTRIBUTION		
16-20990	STUD, WATER PUMP (1/4 X				BLOCK (45 DEGREES)	17	12
	1-13/16)	33	6	22-77059	FITTING, SOLENOID (45		
16-27037	STUD, CARBURETOR				DEGREES)	17	9
	MOUNTING	21	25	22-79790	FITTING, BLEED HOSE	21	31
16-33778	STUD, WATER PUMP (1/4 X			22-94090	ELBOW (90 DEGREES)	13	3
	2-5/8)	33	7	23-26856	BUSHING, THROTTLE CAM	11	26
16-37653	STUD, POWERHEAD (2-			23-29804	SLEEVE, WATER TUBE		
	11/16")	19	2		GUIDE	33	37
16-57935	STUD, GEARCASE TO			23-38661	SPACER, PROPELLER		
	DRIVE SHAFT HOUSING				SHAFT GEAR	37	55
	(7/16")	33	5	23-55164	BUSHING, THROTTLE		
17-12146	POP RIVET, RETAINER	3	8		LEVER	11	11
17-12147	POP RIVET, SHIELD	3	5	23-55171	BUSHING, SPARK ADVANCE		
17-20033	DOWEL PIN, LOCATING	19	3		LEVER	11	12
17-29596	DOWEL PIN, WATER PUMP			23-56774	SPACER, STARTER MOTOR	5	12
	BASE	33	26	23-59386	SPACER, "O" RING - WATER		
17-47175	LOCATING PIN, LEVER AND				PUMP	33	22
	COVER FASTENING	11	32	23-67023	BUSHING	41	4
17-57629	RIVET, YOKE TO PAN	3	14	23-67268	BUSHING, IGNITION PLATE		
17-58712	CLEVIS PIN, HOLD DOWN	3	16		SCREW	7	15
17-67296	DOWEL PIN, CYLINDER			23-71583	SLEEVE (BOTTOM)	27	3
	BLOCK (BEARING RACE)	19	4	23-77743	SPACER (DISC)	27	9
17-67297	CLEVIS PIN, THROTTLE			23-94453	BUSHING, SWITCH BOX		
	LEVERS TO THROTTLE				SCREW	7	4
	LINK	13	31	24-20099	SPRING, CABLE LATCH TO		
17-71592	TRIM PIN	27	31		THROTTLE LEVER	11	20
17-71598	SWIVEL PIN	27	26	24-48917	SPRING, DETENT	27	19
17-85755	PIN	27	10	24-68784	SPRING, THROTTLE AND		
17-85993	DOWEL PIN	27	2		SPARK ADVANCE LEVER	11	13
17-88457	RIVET, BAFFLE	15	30	25-26855	"O" RING	37	60
18-21071	COTTER PIN, CLEVIS PIN	3	17	25-30271	RING, RUBBER	33	36
18-26953	COTTER PIN, CLEVIS PIN	13	33	25-32069	"O" RING, WATER PUMP		
18-34212	COTTER PIN	27	33		BASE TO GEARCASE		
19-77633	LUBRICAP	27	25		(LARGE)	33	21
21-42657A1	CHECK VALVE ASSEMBLY	19	11				
21-44546	PRESSURE RELIEF VALVE	33	4				

PARTS INDEX

Part Number	Description	Pg.	Ref. No.	Part Number	Description	Pg.	Ref. No.
25-48171	"O" RING (SAME AS REF. NO. 2)	39	-	31-74248	ROLLER BEARING, END CAP	19	16
25-48171	"O" RING, HYDRAULIC PUMP	31	1	31-87013	ROLLER BEARING, PROPELLER SHAFT	33	2
25-48171	"O" RING, HYDRAULIC PUMP	39	2	31-88903	BEARING RACE, CRANKSHAFT	25	7
25-54029	"O" RINGE, END CAP	19	15	32-49471	FUEL LINE, CARBURETOR TO CARBURETOR	13	9
25-62700	"O" RING, END CAP (3-1/4" I.D.)	19	22	32-57456	WATER TUBE	33	38
26-36557	SEAL, WATER INLET TUBE	33	35	32-66285--4	HOSE, OVERFLOW	13	4
26-38970	SEAL, WATER TUBE	23	11	32-66285--4	HOSE, SOLENOID	17	10
26-41953	OIL SEAL, END CAP	19	17	32-67033	TRIM HOSE (8')	29	44
26-41953	OIL SEAL, END CAP	19	23	32-68894--1	FUEL LINE	13	13
26-55905	OIL SEAL, WATER PUMP BASE	33	25	32-70069	TRIM HOSE (18")	29	44
26-79884	OIL SEAL, WATER PUMP BODY	33	34	32-77690	WRAPPING (1/4")	7	26
26-96435	OIL SEAL, PROPELLER SHAFT	33	3	32-77690	WRAPPING (1/4")	17	7
27-11338	GASKET, SEALING	19	5	32-99130122	HOSE, PRIMER (BLACK)	17	15
27-38659	GASKET, WATER PUMP BODY TO FACE PLATE	33	29	32-99387-79	HOSE, BLEED LINE	21	27
27-60926	GASKET, WATER PUMP BASE TO FACE PLATE	33	27	32-99387-79	HOSE, WATER DISTRIBUTION (10" AND 14")	21	13
27-65744	GASKET, REED BLOCK	21	19	33-97180	SPARK PLUG (NGK-BUHW)	5	27
27-65788	GASKET, CYLINDER COVER	21	5	34-67298	REED STOP	21	22
27-75909	GASKET, EXHAUST PLATE	23	9	34-77887A1	REED ASSEMBLY	21	21
27-77050	GASKET, THERMOSTAT	21	9	35-93011	FUEL FILTER	13	12
27-77053	GASKET, COVER PLATE	17	17	37-91879A1	DECAL SET	1	-
27-77053A1	GASKET SET	1	-	37-91879A1	DECAL SET	3	11
27-78690	GASKET, RELIEF VALVE PLATE	23	8	39-67377	RING, SEALING-CRANKSHAFT (.124 THICK)	25	6
27-79583	GASKET, CYLINDER HEAD	21	2	39-88685A12	PISTON RING ASSEMBLY (.0395 THICK)	25	11
27-90430	GASKET, CARBURETOR	13	10	39-99284A12	PISTON RING ASSEMBLY (.0385 THICK)	25	11
27-90484	GASKET, DIVIDER PLATE	23	1	40-52035	LOCK RING, PISTON	25	12
27-93536	GASKET, REED BLOCK HOUSING	21	18	43-60928	GEAR, HELICAL (DRIVE SHAFT)	33	14
28-56654	KEY, WATER PUMP IMPELLER	33	31	43-60929	GEAR, HELICAL (DRIVE SHAFT)	33	19
29-67483	NEEDLE BEARING, PISTON END	25	17	43-62943A1	PINION GEAR (14 TOOTH)	33	10
30-41421	BALL BEARING, CRANKSHAFT (LOWER)	25	2	43-71584	WORM	27	15
31-31524	ROLLER BEARING, DRIVE SHAFT	33	8	43-71601	WORM GEAR	27	14
31-32575A1	BEARING ASSEMBLY, PROPELLER SHAFT (REAR)	37	53	44-78432	PROPELLER SHAFT	37	50
31-38678A1	BEARING ASSEMBLY, DRIVE SHAFT (LOWER)	33	13	45-87014	DRIVE SHAFT, FRONT	33	17
31-38678A1	BEARING ASSEMBLY, DRIVE SHAFT (UPPER)	33	20	45-87015	DRIVE SHAFT, REAR	33	11
31-38680A1	BEARING ASSEMBLY, DRIVE SHAFT (LOWER)	33	18	46-38631A1	WATER PUMP BASE ASSEMBLY	33	24
31-38681A1	BEARING ASSEMBLY, DRIVE SHAFT (UPPER)	33	15	46-70090A1	WATER PUMP BODY ASSEMBLY	33	32
31-67445	ROLLER BEARING, RACE	25	9	47-89984	IMPELLER, WATER PUMP	33	30
31-67526A1	ROLLER BEARING ASSEMBLY	25	16	50-60594A1	STARTER MOTOR	5	10
				53-28562	SNAP RING	37	47
				53-28576	NUT, BEARING RETAINER	37	44
				53-67444	RETAINING RING, BEARING RACE	25	8
				53-67446	RETAINING RING, BALL BEARING	25	3
				54-13637	CLAMP, HARNESS	7	31
				54-23567	CLAMP, BLEED HOSE	21	28

PARTS INDEX

Part Number	Description	Pg.	Ref. No.	Part Number	Description	Pg.	Ref. No.
54-53020	CLIP, FUEL FILTER	13	15	89-68258	STARTER SOLENOID	7	20
54-54428	CLAMP, FUEL LINE	13	14	89-68258	STARTER SOLENOID	39	11
54-60564	CLAMP, HOSE	17	11	89-76886A2	PRIMER SOLENOID		
54-68424	CLAMP, FUEL LINE	13	35		ASSEMBLY	17	4
84-60466A10	WIRE ASSEMBLY (BLACK)	9	47	90-12768	OWNER'S GUIDE	1	-
84-60871A10	WIRE, SWITCH BOX	7	7	90-14422	FORMULA I (CARBURATOR)		
84-61393A8	WIRE ASSEMBLY, SWITCH				PARTS MANUAL	1	-
	TO SWITCH	7	36	101-64015	NUT, THROTTLE LEVER		
84-61703A4	HARNESS ASSEMBLY, TRIM				STOP SCREW	11	16
	SWITCH	39	27	111-20361	NUT, CLIP SCREW	13	18
84-62189A1	WIRE, TERMINAL BLOCK TO			163-26992	LOCKWASHER, CLAMP		
	SWITCH BOX (SALMON)	9	49		SCREW	7	28
84-62310A2	CABLE ASSEMBLY, SWITCH			249-6080A6	FLYWHEEL ASSEMBLY,		
	BOX TO SWITCH BOX	7	5		COMPLETE	5	3
84-62824A1	CABLE, SOLENOID TO			332-7778A4	SWITCH BOX	7	2
	RECTIFIER (RED)	9	48	339-7370A13	COIL ASSEMBLY, IGNITION	5	19
84-62862A1	BATTERY CABLE	7	19	392-2529	SPRING SET, BRUSH		
84-65999A10	CABLE ASSEMBLY (BLACK -				TENSION	31	13
	LONG)	39	29	392-2941	BRUSH SET, COMMUTATOR		
84-65999A2	CABLE ASSEMBLY, UPPER				END PLATE	31	12
	MOUNT (BLACK)	7	23	392-7727	COUPLER AND SHAFT	31	15
84-65999A3	CABLE ASSEMBLY, BLACK	7	10	392-7728	FILL PLUG, RESERVOIR	31	16
84-65999A4	CABLE ASSEMBLY (BLACK -			392-7729	ARMATURE, FIELD AND		
	SHORT)	39	29		FRAME	31	8
84-65999A6	JUMPER WIRE, SOLENOID			392-7730	BALL, COMMUTATOR END		
	(BLACK)	39	31		PLATE	31	10
84-69738A1	HARNESS ASSEMBLY, COIL			392-7731	RESERVOIR ASSEMBLY		
	TO SWITCH BOX (#2,4				(PLASTIC)	31	6
	AND 6)	5	28	392-7732	WASHER, THRUST -		
84-69739A2	HARNESS ASSEMBLY, COIL				ARMATURE	31	7
	TO SWITCH BOX (#1,3				BOLT SET, THRU - PLATE		
	AND 5)	5	28	392-7733	AND FRAME TO		
84-74023A1	CONNECTOR AND				RESERVOIR	31	14
	HARNESS (W/O FUSE)	39	9	392-7735	SEAL, RESERVOIR TO		
84-79138A1	BATTERY LEAD (NEGATIVE)	39	32		VALVE BODY AND GEAR	31	5
84-79139A2	JUMPER WIRE, SOLENOID			392-8261	FIELD AND FRAME		
	(RED)	39	30		ASSEMBLY	31	9
84-79139A9	BATTERY LEAD (POSITIVE)	39	32	392-8262	PLATE ASSEMBLY,		
84-79147A3	CONNECTOR AND				COMMUTATOR END	31	11
	HARNESS (WITH FUSE)	39	9	392-8317	VALVE BODY AND GEAR		
84-79148A1	JUMPER WIRE (RED)	39	35		ASSEMBLY	31	2
84-88807A6	GROUND STRAP, IGNITION			398-5454A7	STATOR ASSEMBLY	5	6
	COIL (BLACK)	5	23	455-7251A6	CRANKSHAFT ASSEMBLY	25	1
84-93388A1	WIRE, PLATE TO STARTER			625-7209A6	CONNECTING ROD		
	MOTOR (BLACK)	5	18		ASSEMBLY	25	13
84-93389A5	WIRE, SOLENOID TO			765-8684A2	PISTON ASSEMBLY (PORT)	25	10
	STARTER MOTOR			765-8685A2	PISTON ASSEMBLY		
	(YELLOW)	5	16		(STARBOARD)	25	10
84-93940A1	HARNESS ASSEMBLY,			858-8134A6	CYLINDER BLOCK &		
	IGNITION PANEL	7	37		CRANDCASE ASSEMBLY	19	1
84-99215A25	CABLE, HIGH TENSION	5	25	1026-7270A1	COVER, CYLINDER	21	4
85-63709A1	PROTECTOR, HIGH			1156-8120A1	END CAP ASSEMBLY,		
	TENSION CABLE	5	26		LOWER	19	21
86-66986	TERMINAL BLOCK	9	44	1159-8454A1	END CAP ASSEMBLY,		
87-61691	ROCKER SWITCH	39	28		UPPER	19	14
87-66581	SWITCH, IGNITION	7	35	1222-28586	FITTING, STRAIGHT	13	2
87-66582	SWITCH, STARTER AND			1374-5643A69	CARBURETOR ASSEMBLY	13	1
	PRIMER	7	34	1374-5643A69	CARBURETOR ASSEMBLY	15	1
88-79023A90	FUSE ASSEMBLY (90 AMP)	39	33	1395-4541	PLUG, IDLE AIR BLEED JET	15	18
88-79137--1	CIRCUIT BREAKER	39	34	1395-6022	SHAFT, THROTTLE	15	25

PARTS INDEX

Part Number	Description	Pg.	Ref. No.	Part Number	Description	Pg.	Ref. No.
1395-6023	THROTTLE VALVE	15	27				
1395-6025	PLUG, MAIN JET	15	8				
1395-6027	SCREW, THROTTLE LEVER	15	21				
1395-6031	SPACER, THROTTLE LEVER	15	24				
1395-6032	PLATE, COVER	15	4				
1395-7394	JET, IDLE AIR BLEED (.044)	15	20				
1395-7822	FUEL BOWL	15	6				
1395-7824	INLET NEEDLE AND SEAT ASSEMBLY	15	13				
1395-9267	FLOAT	15	15				
1399-3520	JET, MAIN FUEL (.0785)	15	10				
1399-5225	JET, VENT BOWL (.054)	15	2				
1581-7320A9	DRIVE SHAFT HOUSING ASSEMBLY	27	1				
1657-7461A1	GEARCASE HOUSING ASSEMBLY	33	1				
1657-7461A1	GEARCASE HOUSING ASSEMBLY	37	1				
1657-7461A11	GEAR HOUSING ASSEMBLY, COMPLETE	33	-				
1657-7461A11	GEAR HOUSING ASSEMBLY, COMPLETE	37	-				
2167-6539A7	TOP COWL ASSEMBLY	3	1				