



PARTS CATALOG

320 H.P. E.F.I ALPHA ONE ENGINE

SERIAL NUMBER

320 (EFI) GM 350 V-8 19870A543604 THRU 0B157602

REPLACEMENT PARTS ! WARNING !

Electrical, ignition and fuel system components on MerCruiser Engines and Stern Drives are designed and manufactured to comply with U.S. Coast Guard Rules and Regulations to minimize risks of fire or explosion. Use of replacement electrical, ignition or fuel system components, which do not comply to these rules and regulations, could result in a fire or explosion hazard and should be voided.

When servicing the electrical, ignition and fuel systems, it is extremely important that all components are properly installed and tightened. If not, any electrical or ignition component opening would permit sparks to ignite fuel vapors from fuel system leaks, if they existed.

ENGINE MECHANICAL COMPONENTS

Many of the engine mechanical components are designed for marine applications. Unlike automotive engines, marine engines are subjected to extended periods of heavy load and wide- open-throttle operation, therefore, require heavy-duty components. Special marine engine parts have design and manufacturing specifications, which are required to provide long life and dependable performance. Marine engine parts also must be able to resist the corrosive action of salt or brackish water that will rust or corrode standard automotive parts within a short period of time.

Failure to use recommended Mercury Precision Parts OR Quicksilver service replacement parts can result in poor engine performance and/or durability, rapid corrosion of parts subjected to salt water and possibly complete failure of the engine.

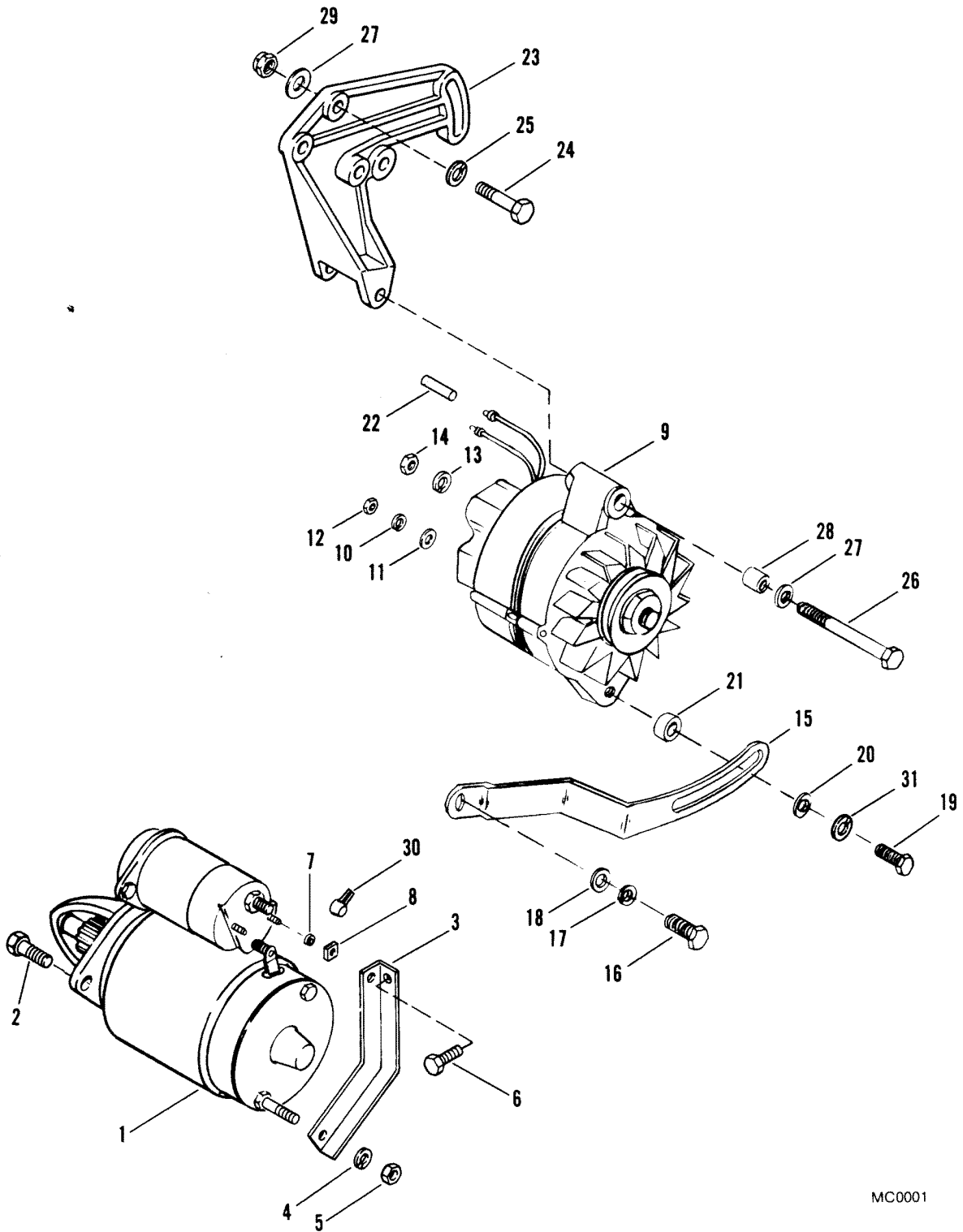
Use of parts other than recommended service replacement parts will void the warranty on those parts which are damaged as a result of the use of other than recommended parts.

MISCELLANEOUS PARTS/ACCESSORIES

REF. NO.	PART NO.	SYM.	QTY.	DESCRIPTION
-	90-15399		-	PARTS MANUAL
-	90-14350870		-	OWNERS GUIDE
-	27-13745A86		-	GASKET SET

THIS PAGE INTENTIONALLY LEFT BLANK

STARTER MOTOR AND ALTERNATOR

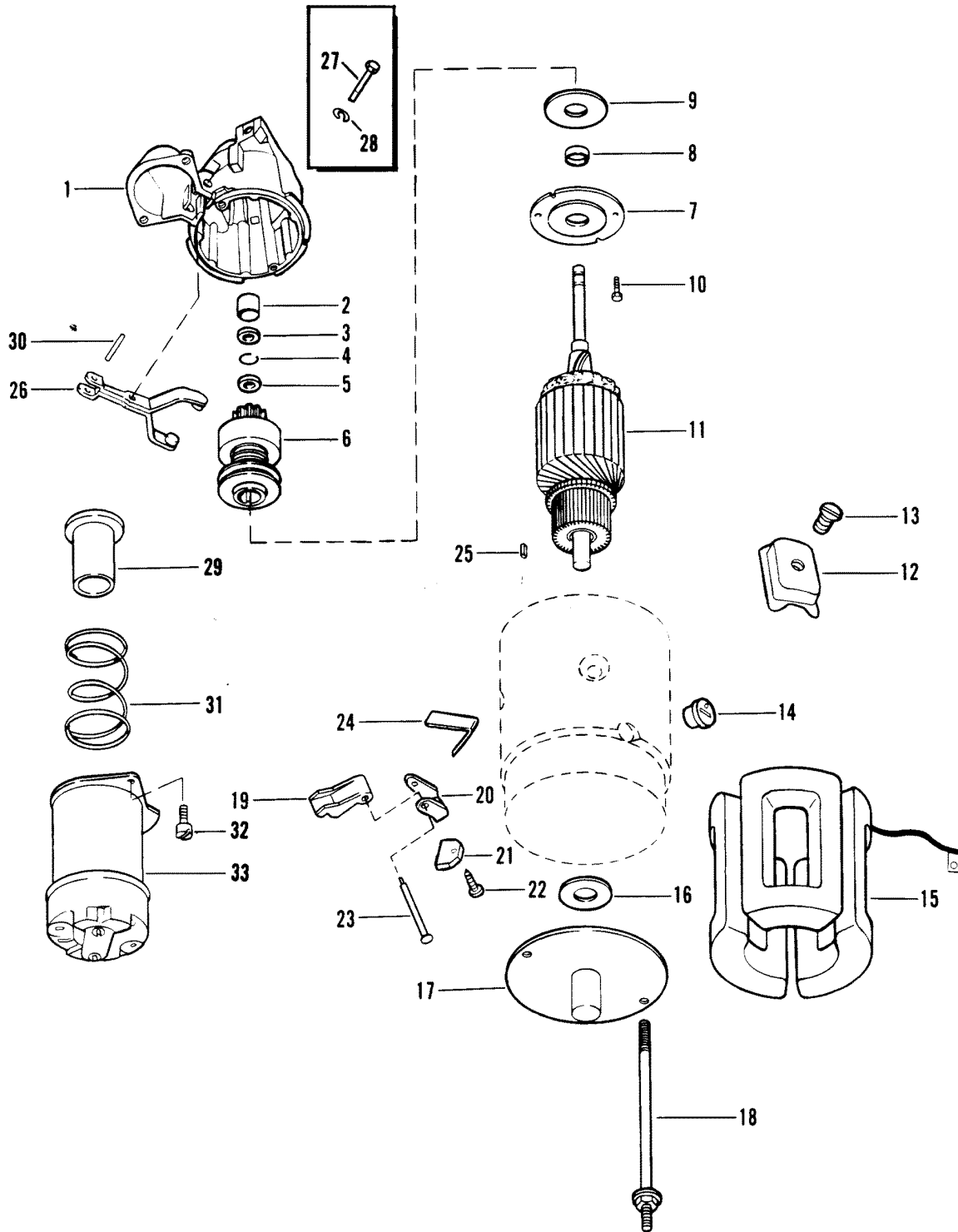


MC0001

STARTER MOTOR AND ALTERNATOR

REF. NO.	PART NO.	SYM.	QTY.	DESCRIPTION
1	50-12177A2		1	STARTER MOTOR ASSEMBLY
2	10-94435		2	SCREW, STARTER TO BLOCK (4-21/32")
3	12404		1	BRACE, STARTER MOTOR
4	12-29245		2	WASHER, STARTER MOTOR STUD
5	11-56374		1	NUT, STARTER MOTOR STUD
6	10-35765		1	SCREW, BRACE TO ENGINE (5/8")
7	13-26995		2	LOCKWASHER, STARTER TERMINAL (#8)
8	11-26419		2	NUT, STARTER TERMINAL (#8)
9	92497A3		1	ALTERNATOR (55 AMP)
10	13-26996		1	LOCKWASHER, ALTERNATOR TERMINAL
11	12-96457		1	WASHER, ALTERNATOR TERMINAL
12	11-30968		1	NUT, ALTERNATOR TERMINAL (10-24)
13	13-21272		1	LOCKWASHER, ALTERNATOR TERMINAL
14	11-20890		1	NUT, ALTERNATOR TERMINAL (1/4-20)
15	85013		1	BRACE, ALTERNATOR ADJUSTING
16	10-26487		1	SCREW, ALTERNATOR BRACE
17	13-35048		1	LOCKWASHER, ALTERNATOR BRACE SCREW
18	12-34714		1	WASHER, ALTERNATOR BRACE SCREW
19	10-74824		1	SCREW, ALTERNATOR BRACE
20	12-26168		1	WASHER, ALTERNATOR BRACE SCREW
21	23-52095		1	SPACER, ALTERNATOR BRACE SCREW
22	57908-11		2	TUBING, ALTERNATOR LEADS
23	87115A1		1	BRACKET, ALTERNATOR
24	10-37612		3	SCREW, ALTERNATOR BRACKET (1-1/4")
25	13-35048		3	LOCKWASHER, ALTERNATOR BRACKET SCREW
26	10-48308		1	SCREW, ALTERNATOR (3-3/4")
27	12-25970		3	WASHER, ALTERNATOR BRACKET SCREW
28	23-33186		1	BUSHING, ALTERNATOR BRACKET SCREW
29	11-23161		1	NUT, ALTERNATOR BRACKET SCREW
30	85-79695		1	INSULATOR, BOOT - STARTER TERMINAL
31	13-39107		1	LOCKWASHER, ALTERNATOR BRACE SCREW

STARTER MOTOR

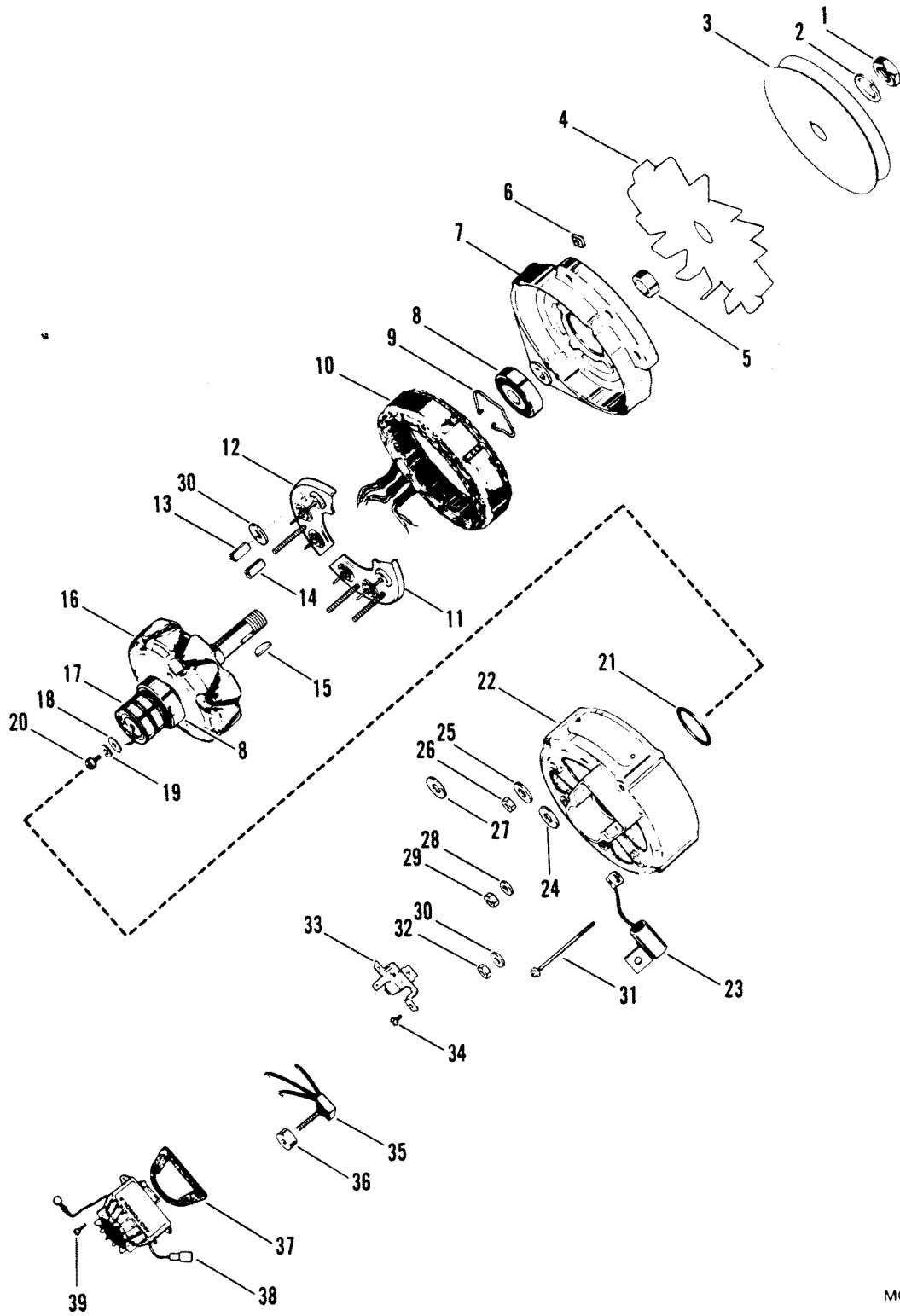


MC0002

STARTER MOTOR

REF. NO.	PART NO.	SYM.	QTY.	DESCRIPTION
-	50-12177A2		1	STARTER
1	13754		1	HOUSING, DRIVE END
2	23-33369		1	BUSHING, DRIVE END HOUSING
3	33292		1	COLLAR, THRUST
4	53-33290		1	RING, RETAINING - PINION STOP COLLAR
5	33291		1	COLLAR, PINION STOP
6	79205		1	DRIVE ASSEMBLY, CLUTCH
7	79396		1	PLATE, BEARING
8	23-71694		1	BUSHING, BEARING PLATE
9	12-68614		1	WASHER, BEARING PLATE
10	N.S.S.		2	SCREW, BEARING PLATE (DELCO REMY #1984000)
11	75665		1	ARMATURE
12	N.S.S.		4	SHOE, POLE - FIELD COIL (DELCO REMY #810601)
13	N.S.S.		4	SCREW, POLE SHOE TO FIELD COIL (DELCO REMY #1968396)
14	25-79208		1	GROMMET, FIELD COIL
15	75664		1	FIELD COIL ASSEMBLY
16	12-33258		1	WASHER, LEATHER - COMMUTATOR END FRAME
17	79211		1	FRAME, COMMUTATOR END
18	N.S.S.		1	BOLT, THRU (DELCO REMY #1941111)
	N.S.S.		1	BOLT, THRU (DELCO REMY #1939970)
19	33284		2	HOLDER, INSULATED - FIELD FRAME BRUSH
20	33283		2	HOLDER, FIELD FRAME BRUSH GROUND
21	33270		4	BRUSH, FIELD FRAME
22	N.S.S.		2	SCREW, BRUSH LEAD (DELCO REMY #1967747)
	N.S.S.		2	SCREW, BRUSH LEAD (DELCO REMY #443527)
23	33294		2	SUPPORT PACKAGE, GROUND AND INSULATED HOLDERS
24	24-33285		4	SPRING, FIELD FRAME BRUSH
25	N.S.S.		1	PIN DOWEL - FIELD FRAME (DELCO REMY #1985696)
26	71698		1	LEVER, SHIFT
27	N.S.S.		1	STUD, SHIFT LEVER (DELCO REMY #1945804)
28	N.S.S.		1	RETAINING RING, STUD (DELCO REMY #11505767)
29	33317		1	PLUNGER, SHIFT LEVER
30	N.S.S.		1	PIN, PLUNGER TO SHIFT LEVER (DELCO REMY #1987049)
31	N.S.S.		1	SPRING, PLUNGER RETURN (DELCO REMY #1978281)
32	N.S.S.		2	SCREW, SOLENOID SWITCH (DELCO REMY #9413260)
33	13037		1	SOLENOID SWITCH (4-1/4" LONG)
	89-18080		1	SOLENOID SWITCH (3-5/8" LONG)

ALTERNATOR (55 AMPS)

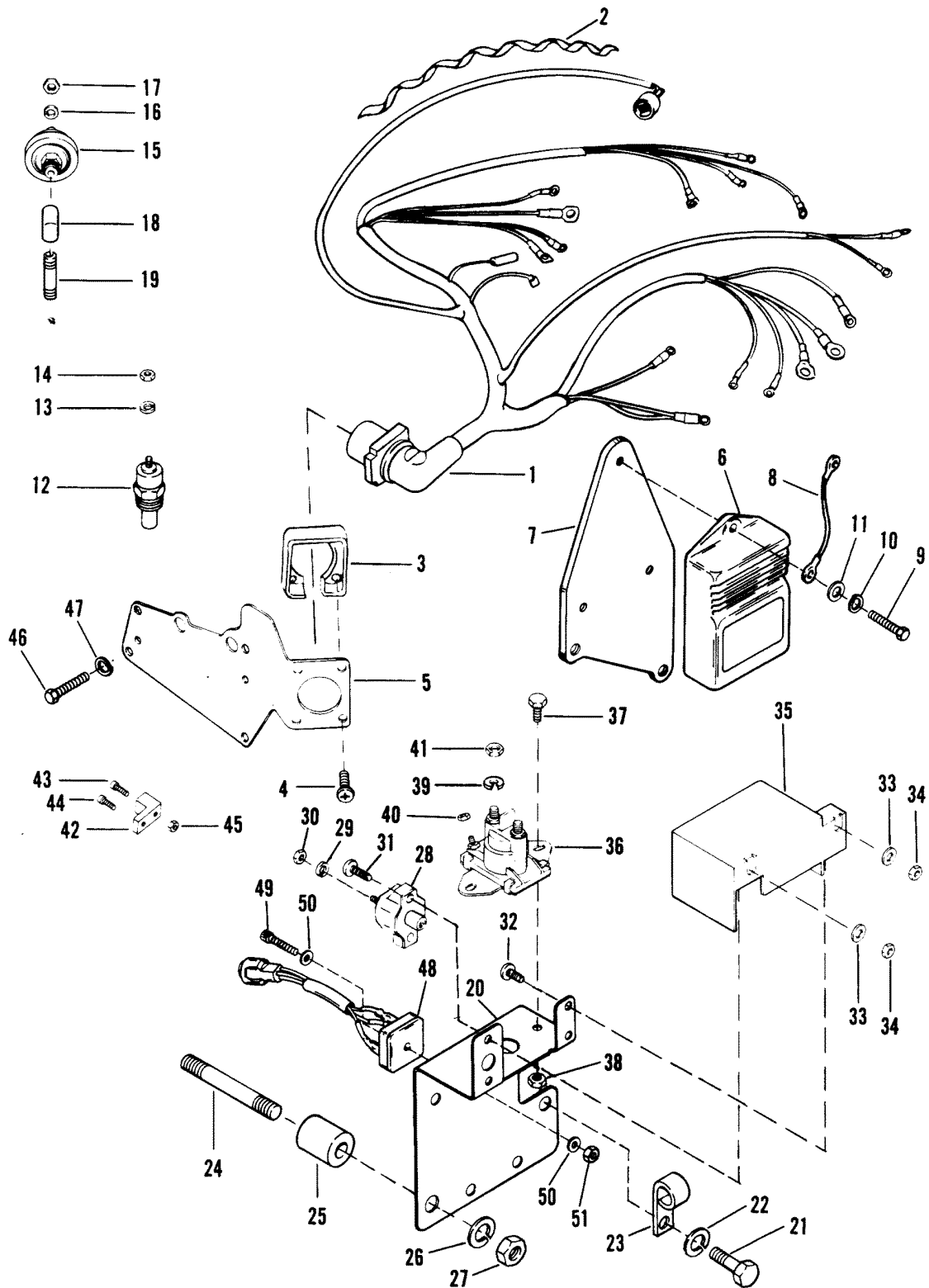


MC0003

ALTERNATOR (55 AMPS)

REF. NO.	PART NO.	SYM.	QTY.	DESCRIPTION
-	92497A3		1	ALTERNATOR ASSEMBLY (55 AMP)
1	390-7027		1	NUT, FAN AND PULLEY TO ROTOR
2	390-7033		1	LOCKWASHER, FAN AND PULLEY NUT
3	11637		1	PULLEY (MR)
4	390-7004		1	FAN, DRIVE END FRAME
5	390-7012		1	SPACER, FAN TO DRIVE END FRAME
6	390-7028		4	NUT, THRU BOLT ATTACHING
7	390-7000		1	COVER ASSEMBLY, FRONT
8	390-7005		2	BALL BEARING, DRIVE END
9	390-7006		1	RETAINER DRIVE END BALL BEARING
10	390-8636		1	STATOR ASSEMBLY
11	390-7009		1	DIODE RECTIFIER,NEGATIVE
12	390-7010		1	HEAT SINK, POSITIVE
13	390-7020		1	SLEEVE,INSULATOR
14	390-7018		1	SLEEVE,INSULATOR
15	390-7034		1	KEY,ROTOR
16	390-8635		1	ROTOR ASSEMBLY
17	390-7014		1	SLIP RING
18	390-7206		1	WASHER, ROTOR SCREW
19	390-7207		1	LOCKWASHER, ROTOR SCREW
20	390-7029		1	SCREW, ROTOR SHAFT (5/8")
21	390-7007		1	RETAINER, ROTOR SHAFT BEARING
22	390-7003		1	COVER ASSEMBLY, REAR
23	390-7035		1	CONDENSOR
24	390-7023		1	WASHER, REGULATOR TERMINAL STUD
25	390-7024		1	WASHER, CONDENSOR TERMINAL STUD
26	390-7025		1	NUT, TERMINAL STUD
27	390-7208		1	WASHER, TERMINAL STUD
28	390-7032		2	LOCKWASHER, TERMINAL STUD
29	390-7026		1	NUT, TERMINAL ATTACHING
30	390-7022		1	WASHER, CONDENSOR TERMINAL STUD
31	390-8638		4	THRU BOLT
32	390-7021		1	NUT, CONDENSOR TERMINAL ATTACHING
33	390-7011		1	BRUSH HOLDER ASSEMBLY
34	390-7030		2	SCREW, BRUSH HOLDER (1/2")
35	390-7008		1	DIODE TRIO
36	390-7019		1	SPACER, DIODE TRIO
37	390-7013		1	GASKET, VOLTAGE REGULATOR
38	390-7036		1	VOLTAGE REGULATOR
39	390-7015		4	SCREW, VOLTAGE REGULATOR ATTACING

WIRING HARNESS AND ELECTRICAL COMPONENTS

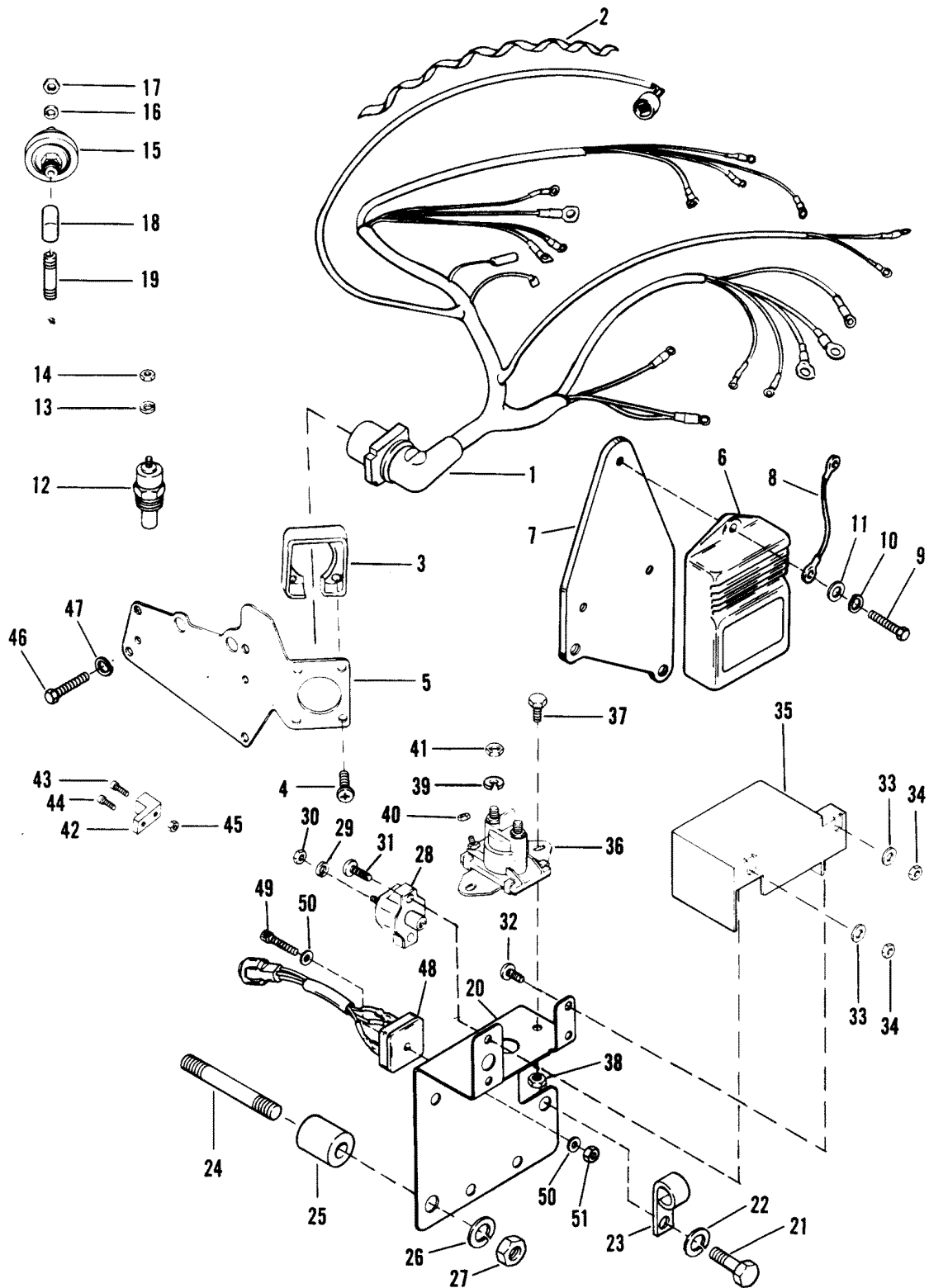


WIRING HARNESS AND ELECTRICAL COMPONENTS

REF. NO.	PART NO.	SYM.	QTY.	DESCRIPTION
1	84-98423A8		1	WIRING HARNESS (MR)
2	32-77690		2	WRAPPING, PLASTIC (1/4")
3	26079		1	PLATE, WIRING HARNESS METAL
4	10-34696		4	SCREW, WIRING HARNESS PLATE (3/4") METAL
3	26079A2		1	PLATE, WIRING HARNESS PLASTIC
4	10-15001		4	SCREW, PLATE PLASTIC
5	98493A2		1	BRACKET, MOUNTING
6	390-7804A5		1	IGNITION AMPLIFIER
7	13406		1	BRACKET, IGNITION AMPLIFIER
8	84-60871A10		1	WIRE ASSEMBLY
9	10-28635		3	SCREW, IGNITION AMPLIFIER
10	13-26992		33	LOCKWASHER
11	12-20533		3	WASHER
12	97257A1		1	WATER TEMPERATURE SENDER
	49734A1		OPT	WATER TEMPERATURE SENDER (DUAL)
13	13-26996		1	LOCKWASHER, WATER TEMPERATURE SENDER TERMINAL (#10)
14	11-68219		1	NUT, WATER TEMPERATURE SENDER TERMINAL (#10)
15	90806		1	OIL PRESSURE SENDER
	37293		OPT	OIL PRESSURE SENDER (DUAL)
16	13-26996		1	LOCKWASHER, OIL PRESSURE SENDER TERMINAL (#10)
17	11-68219		1	NUT, OIL PRESSURE SENDER TERMINAL (#10)
18	22-46932		1	ELBOW, OIL PRESSURE SENDER
19	22-42554		1	NIPPLE, OIL PRESSURE SENDER
20	14464		1	BRACKET, MOUNTING
21	10-27165		1	SCREW, MOUNTING BRACKET (5/8")
22	13-35048		1	LOCKWASHER, BRACKET SCREW
23	54-78945		1	CLAMP, BRACKET SCREW
24	16-24585--1		1	STUD, MOUNTING BRACKET
25	23-15895		1	SPACER, MOUNTING BRACKET STUD
26	13-35048		1	LOCKWASHER, MOUNTING BRACKET STUD
27	11-24883		1	NUT, MOUNTING BRACKET STUD
28	88-11178		1	CIRCUIT BREAKER (50 AMP)
29	13-26996		2	LOCKWASHER, CIRCUIT BREAKER TERMINAL
30	11-68219		2	NUT, CIRCUIT BREAKER TERMINAL
31	10-45862		2	SCREW, CIRCUIT BREAKER (7/8")
32	10-71405		1	SCREW, INSULATOR (3/8")
33	12-56681		2	WASHER, CIRCUIT BREAKER SCREW
34	11-46438		4	NUT, INSULATOR SCREW
35	85-96819		1	INSULATOR, CIRCUIT BREAKER
36	89-96054		1	STARTER SOLENOID
37	10-47910		2	SCREW, STARTER SOLENOID (5/8")
38	11-35888		2	NUT, STARTER SOLENOID SCREW

CONTINUED ON NEXT PAGE ➡

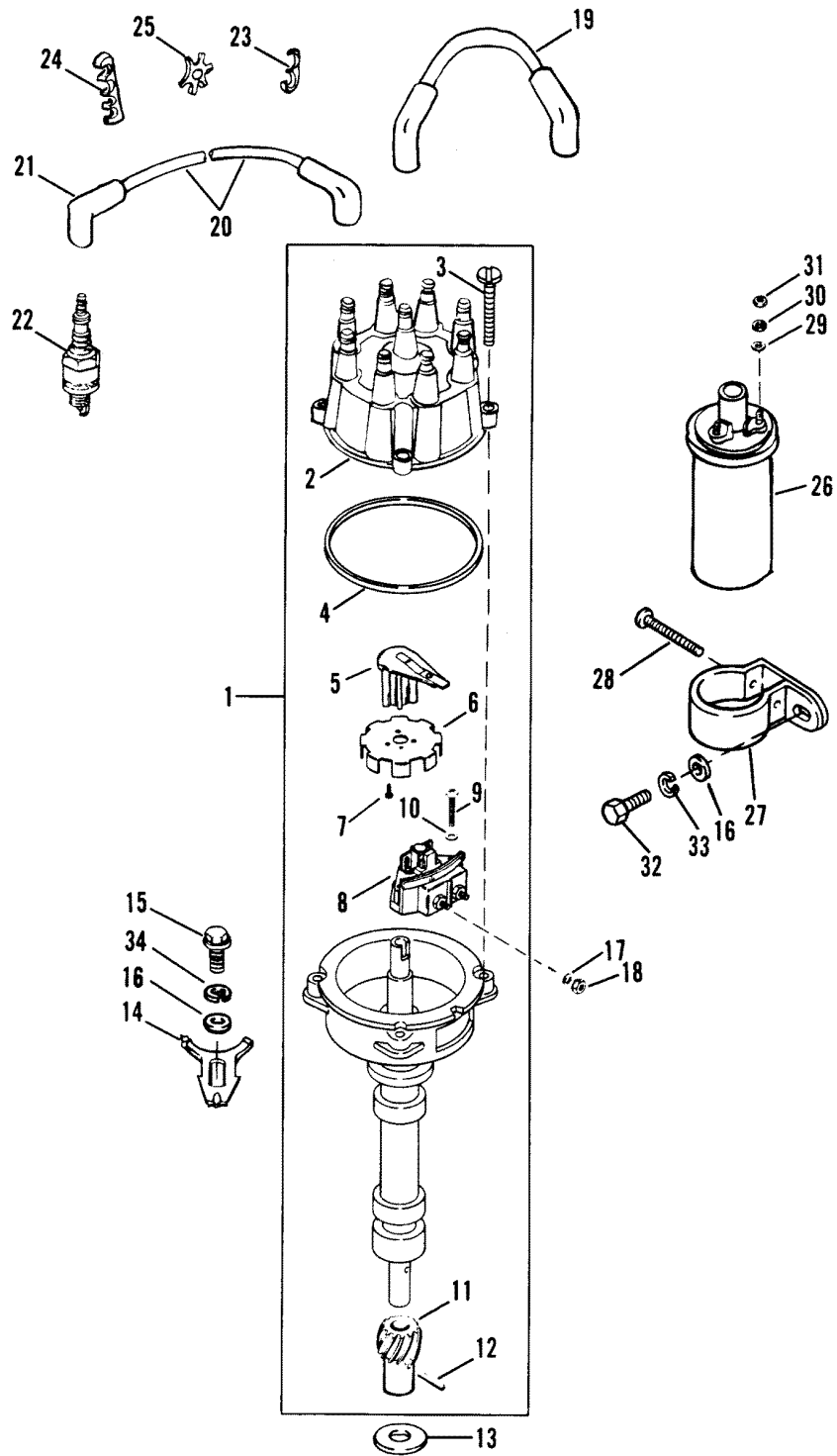
WIRING HARNESS AND ELECTRICAL COMPONENTS



WIRING HARNESS AND ELECTRICAL COMPONENTS

REF. NO.	PART NO.	SYM.	QTY.	DESCRIPTION
39	13-26992		2	LOCKWASHER, STARTER SOLENOID TERMINAL
40	11-26419		2	NUT, STARTER SOLENOID TERMINAL (10-32)
41	11-94330		2	NUT, STARTER SOLENOID TERMINAL (1/4-20)
42	45915		1	TERMINAL BLOCK
43	10-62568		1	SCREW, TERMINAL BLOCK LEADS
44	10-87926		1	SCREW, TERMINAL BLOCK
45	11-46438		1	NUT, TERMINAL BLOCK SCREW
46	10-49668		3	SCREW, BRACKET AND SHIFT BRACKET (3/4")
	10-98253		1	SCREW, BRACKET AND SHIFT BRACKET (1/2")
47	13-26992		4	LOCKWASHER, BRACKET SCREW
48	83-14744		2	RECTIFIER/RELAY
49	10-99452		2	SCREW
50	12-27736		4	WASHER
51	11-20190		2	NUT

DISTRIBUTOR AND IGNITION COMPONENTS

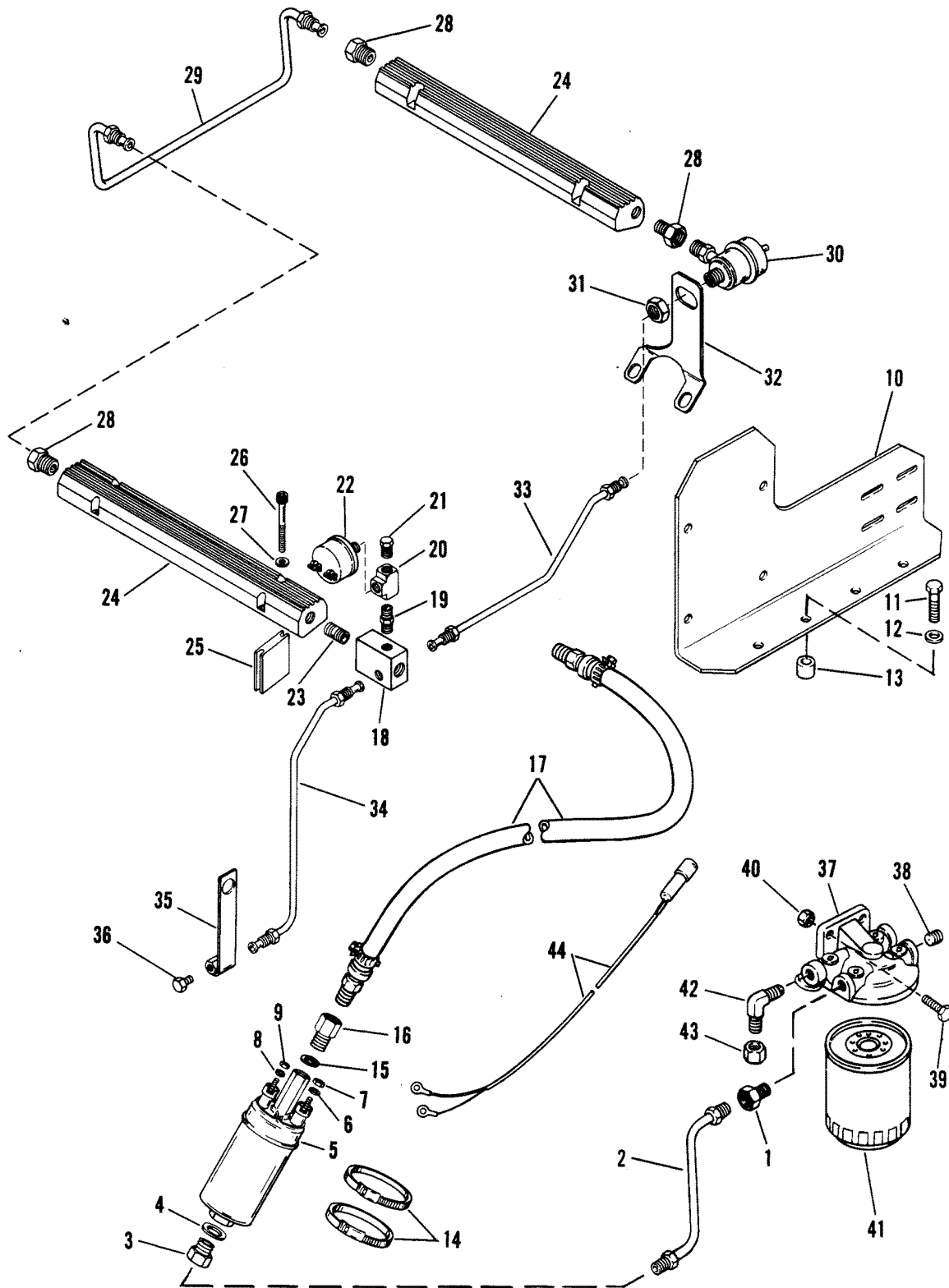


DISTRIBUTOR AND IGNITION COMPONENTS

REF. NO.	PART NO.	SYM.	QTY.	DESCRIPTION
1	90747A3		1	DISTRIBUTOR ASSEMBLY
2	16457A4		1	CAP, DISTRIBUTOR
3	10-90926		4	SCREW, DISTRIBUTOR CAP
4	27-98242		1	GASKET, DISTRIBUTOR CAP
5	13524A3		1	ROTOR
6	42862		1	SENSOR WHEEL
7	10-11252		3	SCREW, SENSOR WHEEL
8	87-91019A3		1	SENSOR ASSEMBLY
9	10-47618		2	SCREW, SENSOR
10	12-27736		2	WASHER, SENSOR SCREW
11	43-47619--1		1	GEAR, DRIVE
12	17-47617		1	PIN, DRIVE GEAR
13	27-34486--1	■	1	GASKET, DISTRIBUTOR
14	52185		1	CLAMP, DISTRIBUTOR TO INTAKE MANIFOLD
15	10-34353		1	SCREW, DISTRIBUTOR
16	12-20553		2	WASHER, DISTRIBUTOR AND BRACKET SCREW
17	13-26996		2	LOCKWASHER, DISTRIBUTOR TERMINAL
18	11-68219		2	NUT, DISTRIBUTOR TERMINAL (10-32)
19	84-42841A51		1	LEAD ASSEMBLY, DISTRIBUTOR TO COIL
20	84-43376A4		1	SPARK PLUG WIRE KIT
21	85-63709A1		8	BOOT ASSEMBLY, SPARK PLUG
22	33-59571		8	SPARK PLUG
23	54676		2	RETAINER, HIGH TENSION LEADS (2 WIRE)
24	32783		2	RETAINER, HIGH TENSION LEADS (3 WIRE)
25	32784		4	RETAINER, HIGH TENSION LEADS (4 WIRE)
26	392-7803A4		1	COIL, IGNITION
27	65970		1	BRACKET, IGNITION COIL
28	10-41408		1	SCREW, BRACKET (1-1/2")
29	12-30164		2	WASHER, IGNITION COIL TERMINAL
30	13-26996		2	LOCKWASHER, IGNITION COIL TERMINAL
31	11-68219		2	NUT, IGNITION COIL TERMINAL (#10-32)
32	10-27165		1	SCREW, IGNITION COIL BRACKET
33	13-35048		1	LOCKWASHER, BRACKET SCREW
34	13-35048		1	LOCKWASHER, DISTRIBUTOR SCREW

■ = NOTE: FOR EXHAUST ELBOW EXTENSION KITS, ORDER THE FOLLOWING:

FUEL SYSTEMS

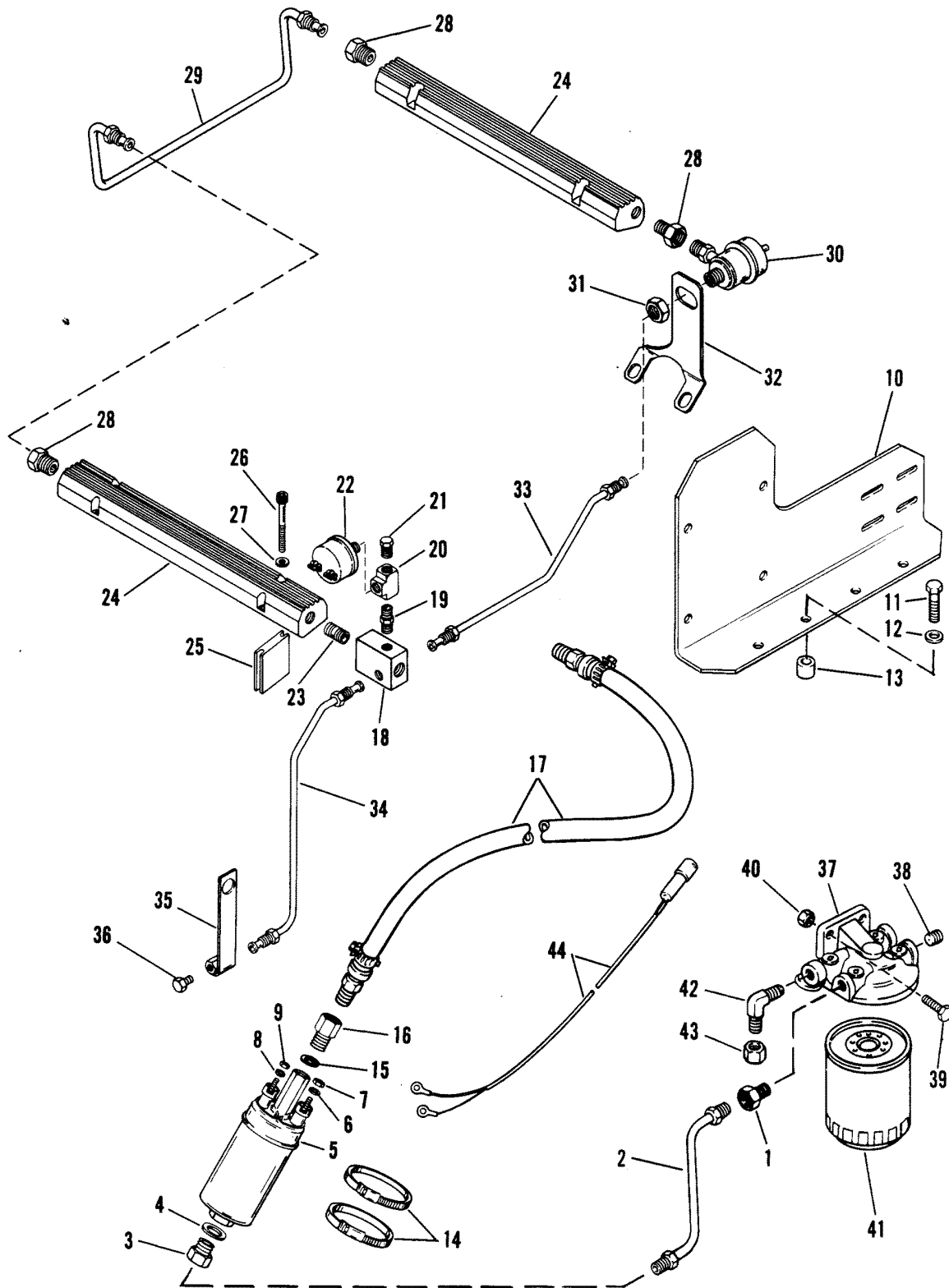


FUEL SYSTEMS

REF. NO.	PART NO.	SYM.	QTY.	DESCRIPTION
1	22-33821		1	CONNECTOR, FUEL LINE
2	32-15937		1	FUEL LINE, FILTER TO PUMP
3	22-14384		1	CONNECTOR, FUEL LINE TO FUEL PUMP
4	12-14470		1	WASHER, FUEL LINE CONNECTOR
5	14351		1	FUEL PUMP
6	12-20128		1	WASHER, FUEL PUMP STUD
7	11-40063--3		1	NUT, FUEL PUMP STUD (5 MM)
8	12-20670		1	WASHER, FUEL PUMP STUD
9	11-40063--2		1	NUT, FUEL PUMP STUD (4 MM)
10	15938		1	BRACKET, FILTER AND FUEL PUMP
11	10-42113		4	SCREW, BRACKET
12	12-26168		4	WASHER, BRACKET SCREW
13	23-90523		4	SPACER, BRACKET SCREW
14	54-93384		2	CLAMP, FUEL PUMP
15	12-22886		1	WASHER, FUEL LINE CONNECTOR
16	22-14383		1	CONNECTOR, FUEL LINE TO FUEL PUMP
17	32-15939A1		1	FUEL LINE (4')
18	22-14382A1		1	FUEL FITTING ASSEMBLY
19	22-32876		1	NIPPLE
20	22-52930		1	TEE
21	16516		1	TANK VALVE
22	87-14355		1	SWITCH, OIL PRESSURE
23	22-14475		1	NIPPLE
24	13516--1		2	FUEL RAIL
25	13518--1		4	SUPPORT, FUEL RAIL
26	10-13684		8	SCREW, FUEL RAIL
27	12-46101		8	WASHER, FUEL RAIL SCREW
28	22-33821		3	CONNECTOR
29	32-13601		1	FUEL LINE
30	12026		1	REGULATOR, FUEL PRESSURE
31	12026		1	NUT, FUEL PRESSURE REGULATOR
32	14302		1	BRACKET, REGULATOR
33	32-14474		1	FUEL LINE
34	32-14473		1	FUEL LINE
35	22-14472		1	FITTING (90 DEGREES)
36	22-36382		1	PLUG
37	89876A3		1	BASE, FUEL FILTER
38	22-73379		2	PIPE PLUG, BASE
39	10-26065		2	SCREW, BASE

CONTINUED ON NEXT PAGE ➡

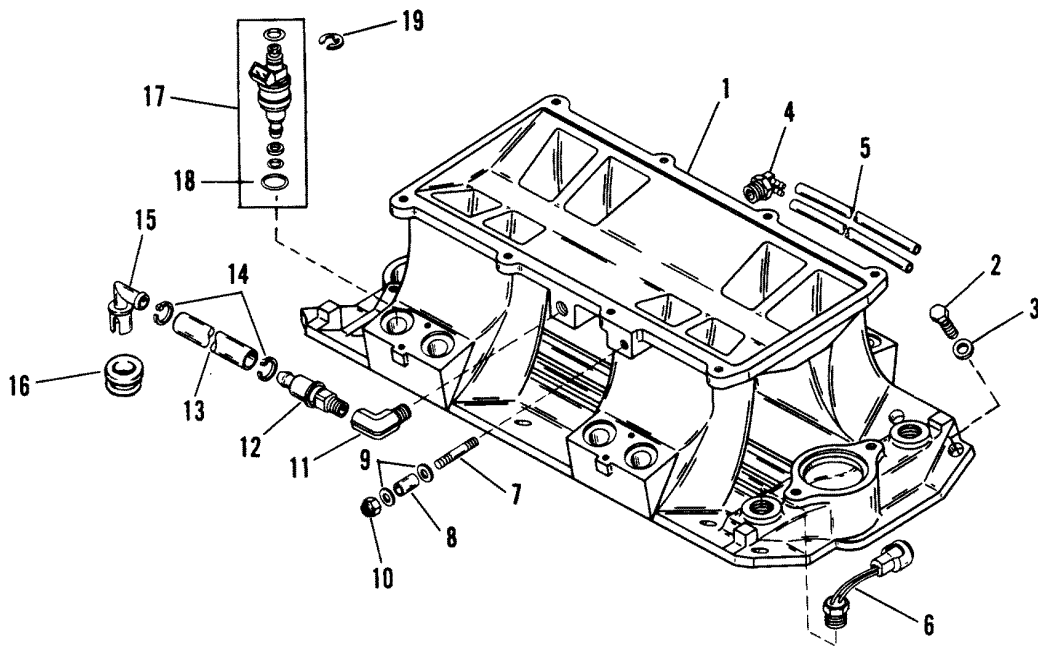
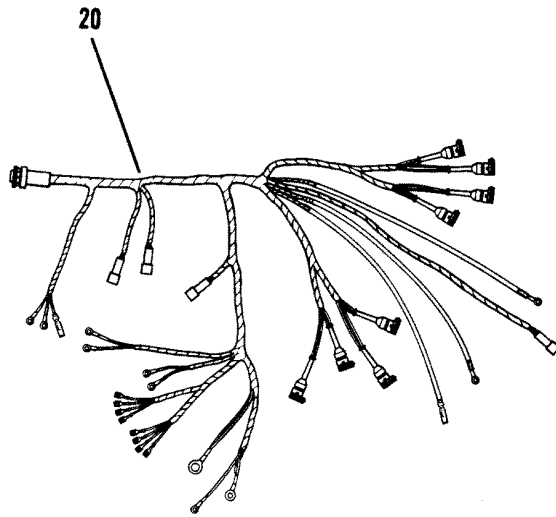
FUEL SYSTEMS



FUEL SYSTEMS

REF. NO.	PART NO.	SYM.	QTY.	DESCRIPTION
40	11-35814		2	NUT, BASE SCREW
41	35-60494--1		1	FUEL FILTER
42	22-69395		1	FITTING (90 DEGREES)
43	22-79484		1	CAP, FITTING
44	84-16278A1		1	HARNES ASSEMBLY, FUEL PUMP

INTAKE MANIFOLD/FUEL INJECTORS

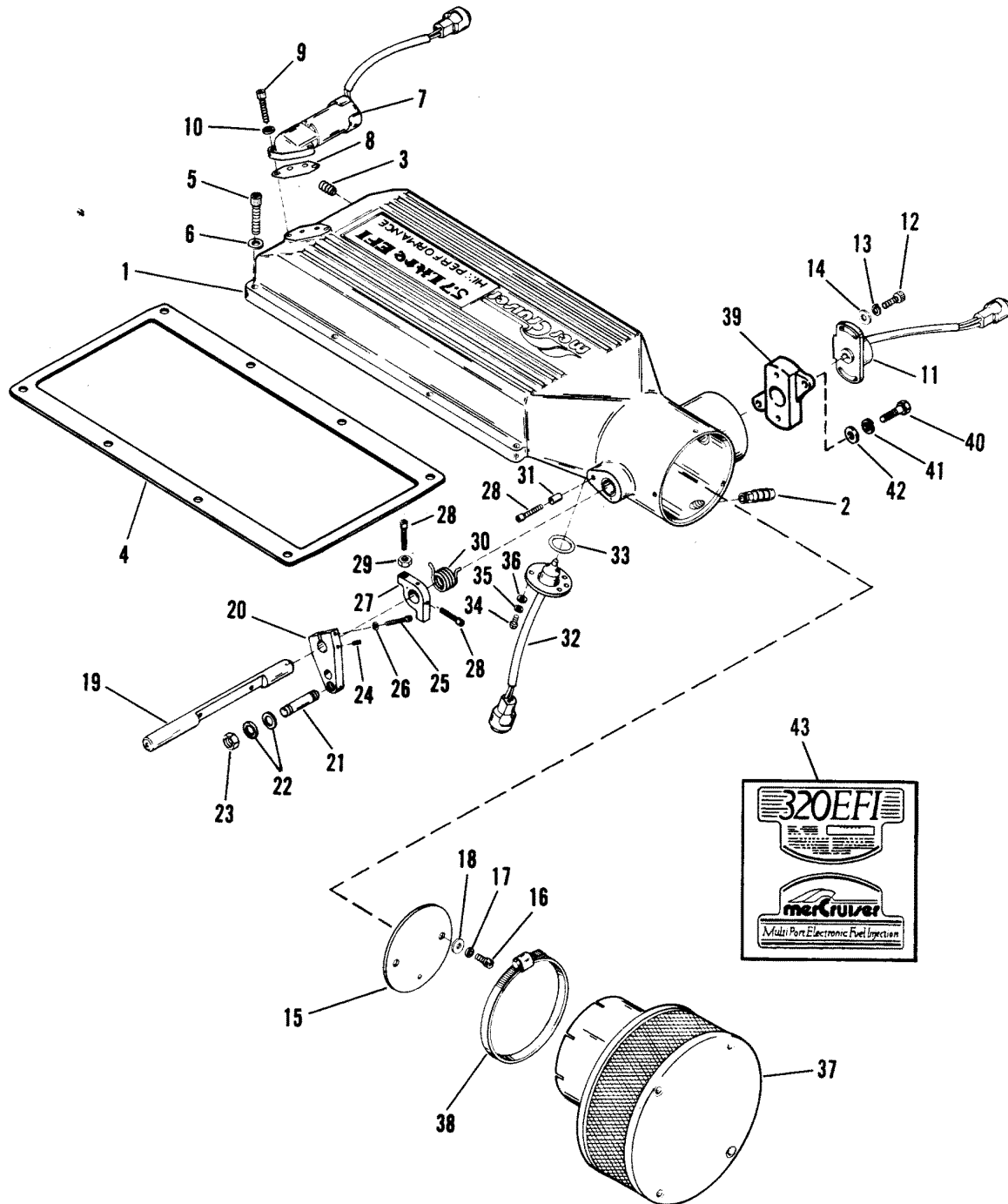


INTAKE MANIFOLD/FUEL INJECTORS

REF. NO.	PART NO.	SYM.	QTY.	DESCRIPTION
1	13539		1	INTAKE MANIFOLD
2	10-37612		2	SCREW, INTAKE MANIFOLD (1-1/4")
	10-26487		10	SCREW, INTAKE MANIFOLD (1-1/8")
3	12-45175		12	WASHER, INTAKE MANIFOLD SCREW
4	22-36382A1		1	FITTING ASSEMBLY
5	32-66285--4		2	HOSE
6	87-14172A2		1	SENSOR ASSEMBLY
7	16-72809		1	STUD
8	23-31866		1	SPACER
9	12-21631		2	WASHER
10	11-20586		1	NUT
11	22-46982		1	ELBOW (90 DEGREES)
12	13712		1	PCV VALVE
13	32-93315-12		2	HOSE
14	54-53101		4	CLAMP
15	97850		2	ELBOW, BREATHER (90 DEGREES)
16	25-52188		2	GROMMET
17	13746		8	FUEL INJECTOR
18	25-45711	●	8	"O" RING, FUEL INJECTOR
19	53-90916		8	"E" RING, FUEL INJECTOR
20	84-13793A3		1	WIRING HARNESS, INJECTORS

● = [27-13745A86] GASKET SET - REQUIRED FOR COMPLETE OVERHAUL

PLENUM ASSEMBLY



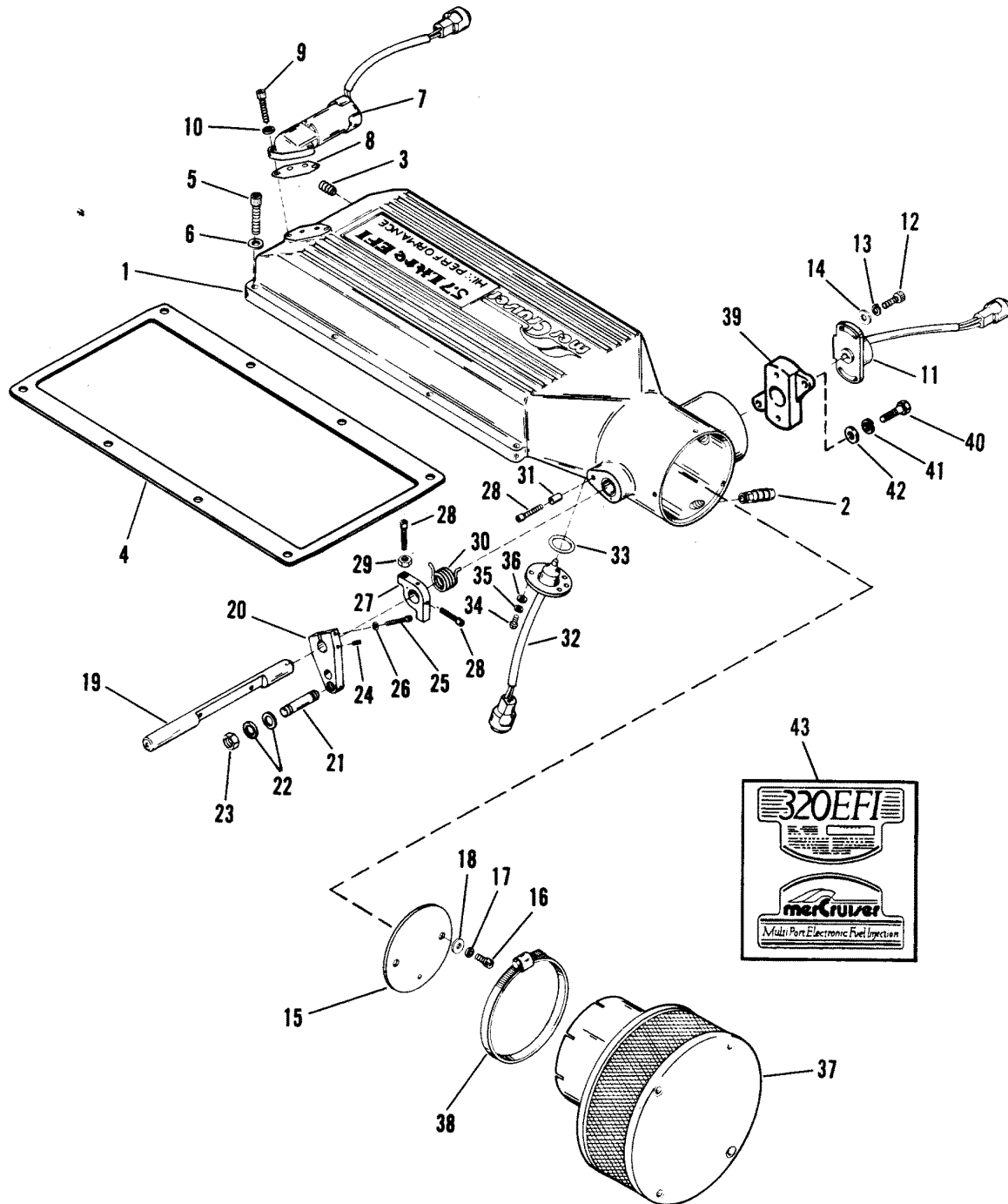
PLENUM ASSEMBLY

REF. NO.	PART NO.	SYM.	QTY.	DESCRIPTION
1	12987A2		1	PLENUM ASSEMBLY
2	22-13757		1	NIPPLE
3	22-32561		1	PLUG
4	27-13745	●	1	GASKET, PLENUM
5	10-70084		8	SCREW, PLENUM TO INTAKE MANIFOLD
6	12-29245		8	WASHER, PLENUM SCREW
7	89-14561A1		1	AIR VALVE
8	27-14527	●	1	GASKET
9	10-76566		2	SCREW
10	13-26996		2	LOCKWASHER
11	14882A2		1	INDICATOR, THROTTLE POSITION
12	10-86509		2	SCREW
13	13-26995		2	LOCKWASHER
14	12-30164		2	WASHER
15	13721		1	THROTTLE SHUTTER
16	10-41354		2	SCREW, THROTTLE SHUTTER TO SHAFT
17	13-26996		2	LOCKWASHER
18	12-24676		2	WASHER
19	13521		1	THROTTLE SHAFT
20	13520		1	PIVOT, SHUTTER SHAFT
21	16-98851		1	STUD
22	12-29245		2	WASHER
23	11-20361		1	NUT
24	10-41355		1	SET SCREW
25	10-41089		1	SCREW
26	13-26995		1	LOCKWASHER
27	13519		1	STOP, SHUTTER SHAFT
28	10-76566		3	SCREW
29	11-30968		1	NUT
30	24-13938		1	SPRING, THROTTLE RETURN
31	23-13720		1	BUSHING
32	96718A2		1	SENSOR ASSEMBLY
33	25-45711		1	"O" RING
34	10-57583		3	SCREW
35	13-26995		3	LOCKWASHER
36	12-20670		3	WASHER
37	15175		1	FLAME ARRESTOR
38	54-33683		1	CLAMP

● = [27-13745A86] GASKET SET - REQUIRED FOR COMPLETE OVERHAUL

CONTINUED ON NEXT PAGE ➡

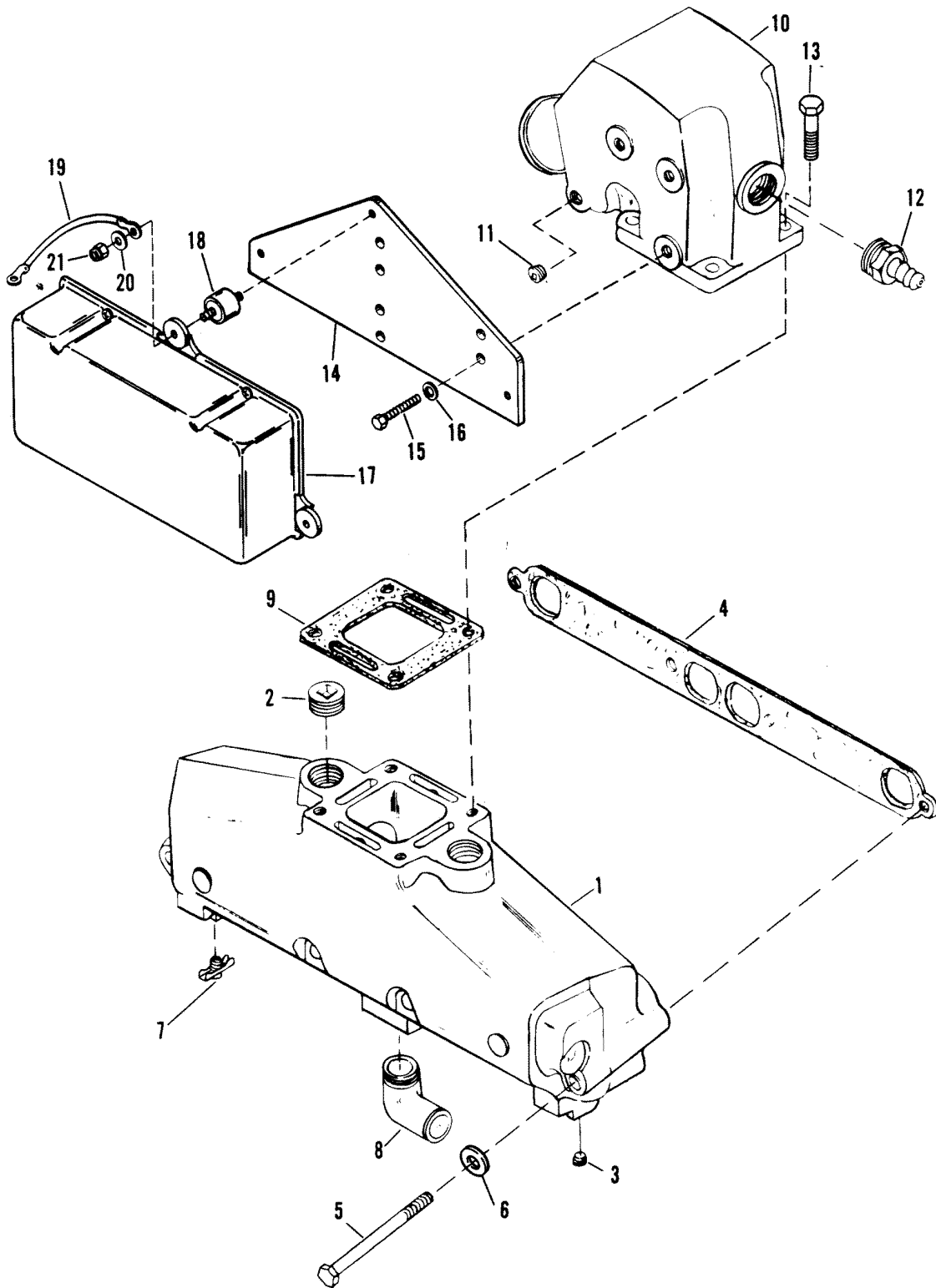
PLENUM ASSEMBLY



PLENUM ASSEMBLY

REF. NO.	PART NO.	SYM.	QTY.	DESCRIPTION
39	16435		1	ADAPTOR, THROTTLE POSITION INDICATOR
40	10-76290		2	SCREW, ADAPTOR
41	13-26996		2	LOCKWASHER, ADAPTOR SCREW
42	12-21273		2	WASHER, ADAPTOR SCREW
43	37-16672A1		1	DECAL SET

EXHAUST MANIFOLD AND EXHAUST ELBOW



EXHAUST MANIFOLD AND EXHAUST ELBOW

REF. NO.	PART NO.	SYM.	QTY.	DESCRIPTION
1	87114A19		2	EXHAUST MANIFOLD ASSEMBLY
2	22-33198A1		AR	PLUG, EXHAUST MANIFOLD
3	22-36382		4	PLUG, PIPE - EXHAUST MANIFOLD
4	27-33395	●	2	GASKET, EXHAUST MANIFOLD TO CYLINDER HEAD
5	10-53728		8	SCREW, EXHAUST MANIFOLD
6	12-20553		8	WASHER, EXHAUST MANIFOLD SCREW
7	22-87238		2	DRAIN COCK, EXHAUST MANIFOLD
8	22-36305		2	ELBOW, EXHAUST MANIFOLD
9	27-87105	●	2	GASKET, ELBOW
10	44354A3		2	EXHAUST ELBOW ASSEMBLY (7 DEGREES)
11	22-36382		2	PLUG, PIPE - EXHAUST ELBOW
12	22-33198A1		2	PLUG, EXHAUST ELBOW
13	10-43749		6	SCREW, MANIFOLD
	10-44387		2	SCREW, MANIFOLD
14	13515		1	BRACKET, E.F.I. CONTROL BOX
15	10-49668		2	SCREW, BRACKET TO ELBOW
16	13-26993		2	LOCKWASHER, BRACKET SCREW
17	11350A3		1	E.F.I. CONTROL BOX ASSEMBLY
18	12234--1		3	MOUNT, RUBBER
19	84-65999A10		1	WIRE ASSEMBLY
20	12-21631		3	WASHER, RUBBER MOUNT
21	11-56374		3	NUT, RUBBER MOUNT

FOR EXHAUST ELBOW EXTENSION KITS, ORDER THE FOLLOWING: [93320A3] RISER KIT (3")--EACH KIT;
[93322A3] RISER KIT (6")--CONTAINS 2 RISERS

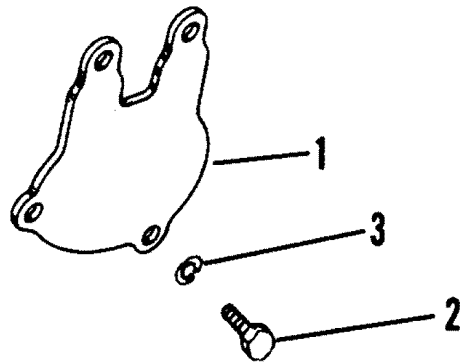
● = [27-13745A86] GASKET SET - REQUIRED FOR COMPLETE OVERHAUL

THERMOSTAT HOUSING (STANDARD COOLING)

REF. NO.	PART NO.	SYM.	QTY.	DESCRIPTION
1	87110A2		1	THERMOSTAT HOUSING ASSEMBLY
2	23-47511		1	SLEEVE, THERMOSTAT HOUSING
3	22-33198A1		1	PLUG, THERMOSTAT HOUSING
4	27-53045	●	1	GASKET, THERMOSTAT HOUSING
5	59137		1	THERMOSTAT (143 DEGREES)
6	27-47510	●	1	GASKET, THERMOSTAT
7	23-47508		1	SLEEVE, THERMOSTAT
8	27-48818	●	1	GASKET, THERMOSTAT COVER
9	47441A1		1	COVER, THERMOSTAT
10	10-72094		2	SCREW, THERMOSTAT HOUSING TO INTAKE MANIFOLD
11	12-20553		2	WASHER, THERMOSTAT HOUSING SCREW
12	32-88794		1	HOSE, THERMOSTAT HOUSING TO OIL COOLER
13	32-96246A4		1	HOSE, FLUID COOLER TO DRIVE UNIT
14	54-32780		8	CLAMP, HOSE ATTACHING
15	32-87108		1	HOSE, THERMOSTAT HOUSING TO WATER PUMP
16	54-32781		2	CLAMP, HOSE ATTACHING
17	32-87116		1	HOSE, THERMOSTAT COVER TO EXHAUST MANIFOLD (PORT)
18	32-87117		1	HOSE, THERMOSTAT COVER TO EXHAUST MANIFOLD (STARBOARD)

● = [27-13745A86] GASKET SET - REQUIRED FOR COMPLETE OVERHAUL

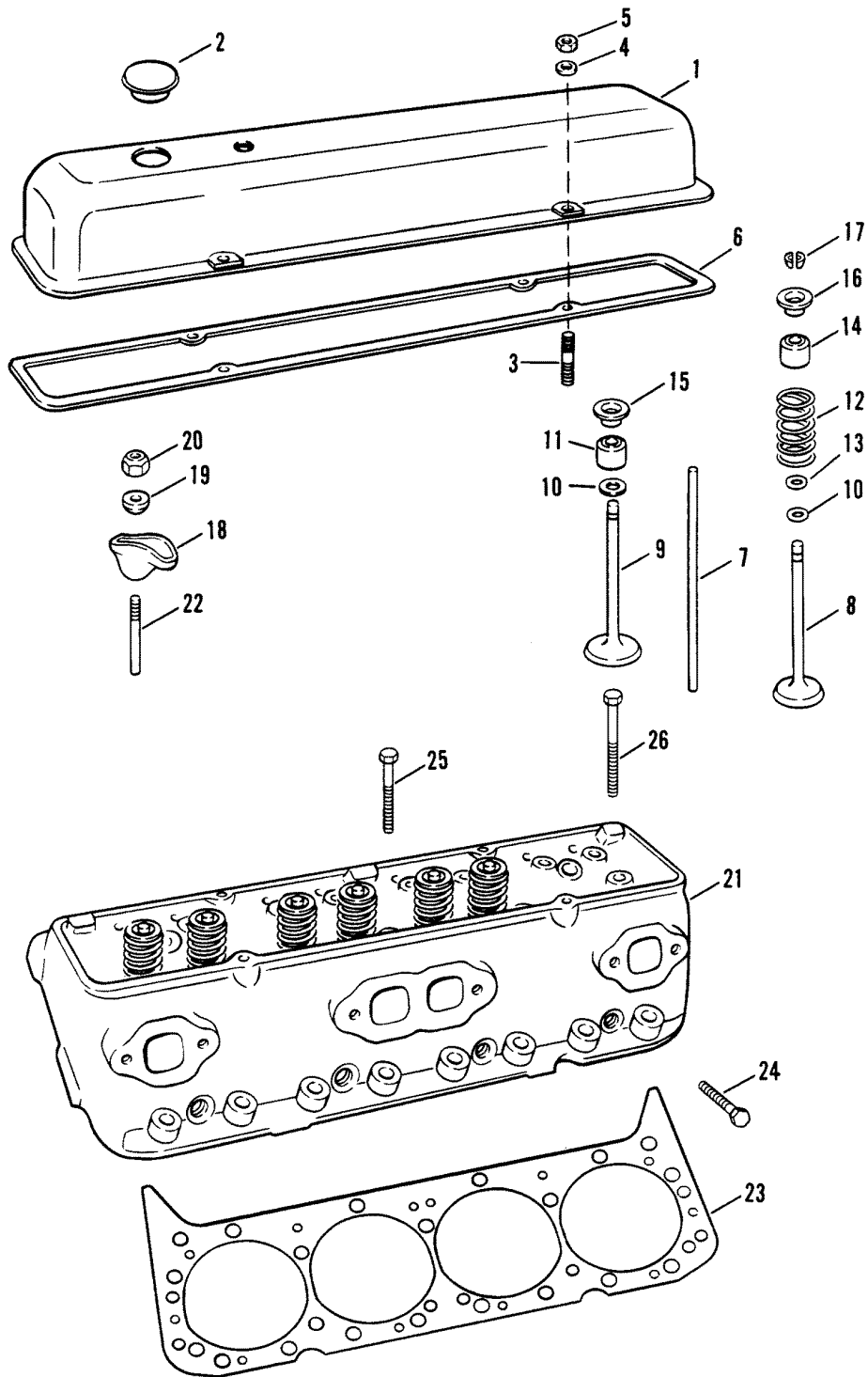
EXHAUST PLATE



EXHAUST PLATE

REF. NO.	PART NO.	SYM.	QTY.	DESCRIPTION
1	11395		1	PLATE, EXHAUST
2	10-34353		4	SCREW, EXHAUST PLATE
3	13-35048		4	LOCKWASHER, EXHAUST PLATE SCREW

CYLINDER HEAD AND ROCKER COVER



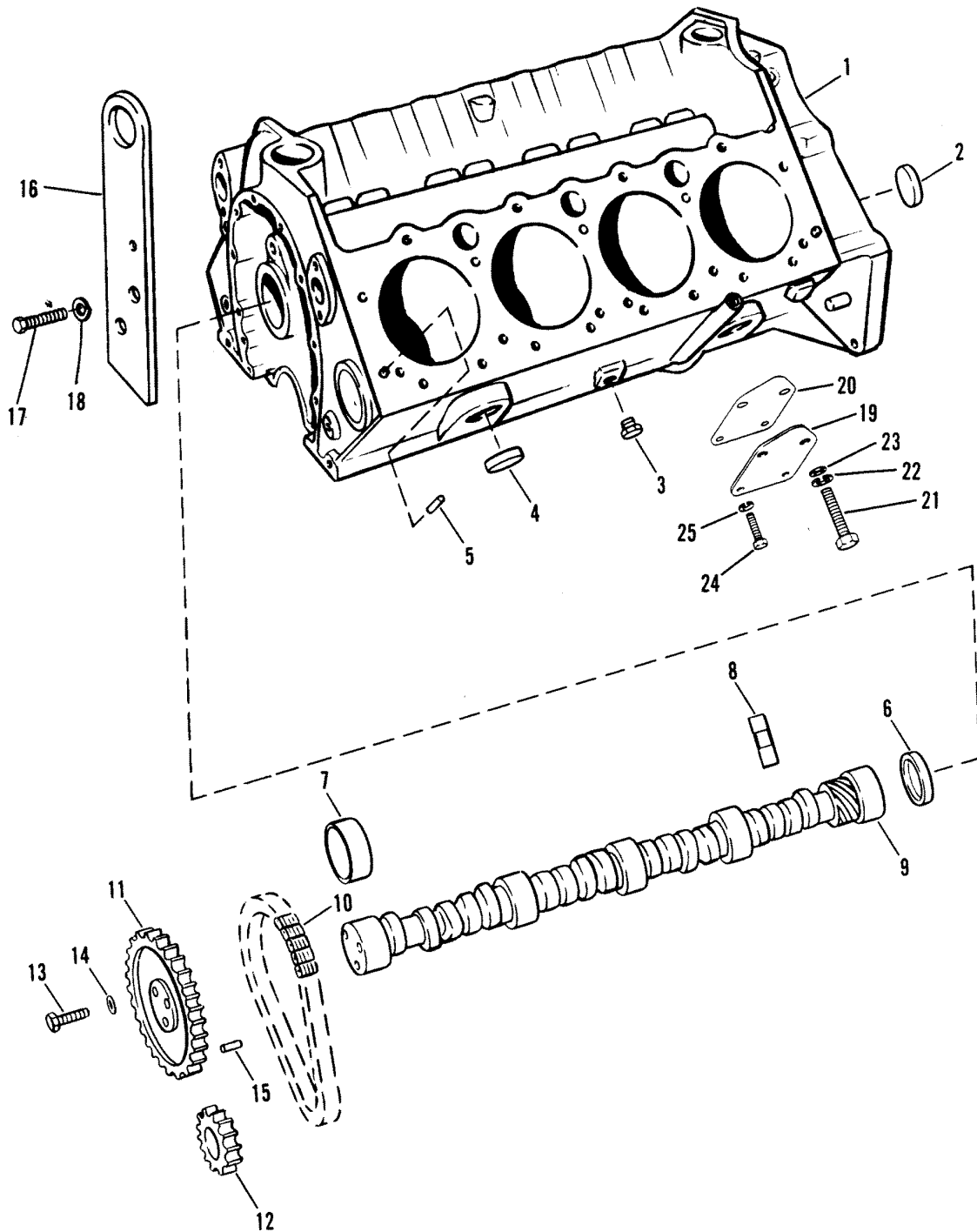
CYLINDER HEAD AND ROCKER COVER

REF. NO.	PART NO.	SYM.	QTY.	DESCRIPTION
1	13470		1	COVER, ROCKER (STARBOARD)
	13469		1	COVER, ROCKER (PORT)
2	13468		1	CAP, OIL FILLER
3	16-72809		8	STUD, ROCKER COVER
4	12-20553		8	WASHER, ROCKER COVER STUD
5	11-20361		8	NUT, ROCKER COVER STUD
6	27-44204	●	2	GASKET, ROCKER VALVE COVER
7	99948		16	ROD, VALVE PUSH
8	87284		8	VALVE, EXHAUST (STANDARD)
	87301		AR	VALVE, EXHAUST (.015 O.S.)
9	97661		8	VALVE, INLET (STANDARD)
	97662		AR	VALVE, INLET (.015 O.S.)
10	26-4217	●	16	SEAL, VALVE (INLET AND EXHAUST)
11	26-97664	■	8	SEAL, INLET VALVE
12	24-48347		16	SPRING, VALVE (INLET AND EXHAUST)
13	N.S.S.		AR	SHIM, VALVE SPRING (GM #3731058)
14	34518		16	SHIELD, VALVE SPRING CAP
15	48348		8	CAP, INLET VALVE
16	11965		8	ROTATOR, VALVE SPRING - EXHAUST VALVE
17	28-54797		32	KEY, VALVE STEM
18	35329		16	ARM, ROCKER VALVE
19	35331		16	BALL UNIT, ROCKER VALVE ARM
20	11-34516		16	NUT, ROCKER VALVE ARM STUD
21	938-7499		2	CYLINDER ASSEMBLY
22	16-34522		AR	STUD, ROCKER VALVE ARM (.003 O.S.)
	16-34521		AR	STUD, ROCKER VALVE ARM (.013 O.S.)
23	27-75611	●	2	GASKET, CYLINDER HEAD
24	10-11968		16	BOLT, CYLINDER HEAD TO CYLINDER BLOCK (1-3/4")
25	10-11967		4	BOLT, CYLINDER HEAD TO CYLINDER BLOCK (3")
26	10-11966		14	BOLT, CYLINDER HEAD TO CYLINDER BLOCK (3-3/4")

● = [27-13745A86] GASKET SET - REQUIRED FOR COMPLETE OVERHAUL

■ = NOTE: FOR EXHAUST ELBOW EXTENSION KITS, ORDER THE FOLLOWING:

CYLINDER BLOCK AND CAMSHAFT

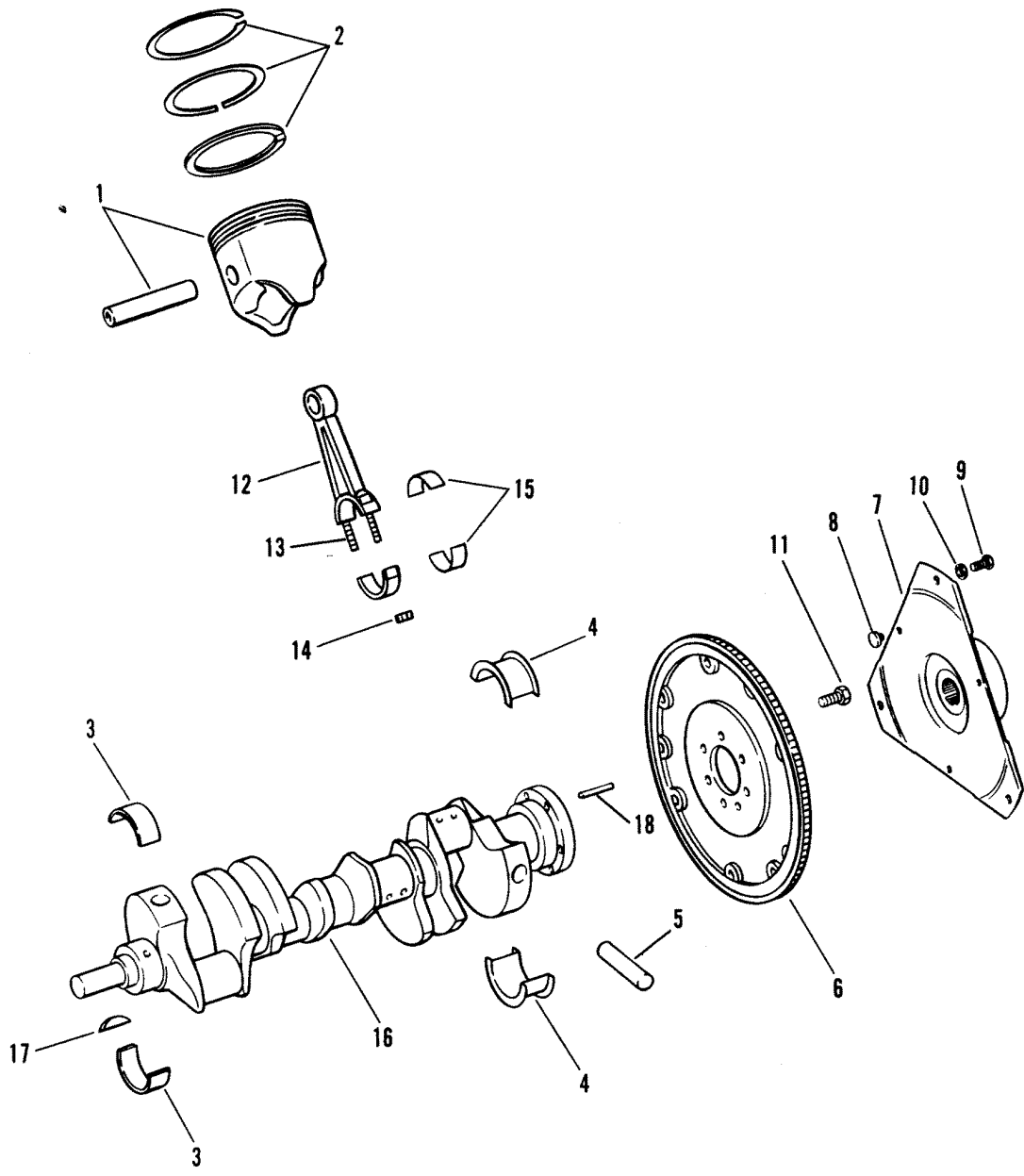


CYLINDER BLOCK AND CAMSHAFT

REF. NO.	PART NO.	SYM.	QTY.	DESCRIPTION
1	841-9605		1	CYLINDER BLOCK ASSEMBLY
2	22-48340		AR	PLUG, EXPANSION - CYLINDER BLOCK
3	22-87238		2	DRAIN COCK, CYLINDER BLOCK
4	19-34270		8	PLUG, EXPANSION - CYLINDER BLOCK (1-5/8" DIA.)
5	17-35465		4	PIN, DOWEL - BLOCK TO HEAD (5/16" DIA.)
6	22-72640		1	PLUG, EXPANSION - CAMSHAFT BEARING HOLE
7	23-85674		1	BEARING UNIT, CAMSHAFT (SET)
8	72638		16	LIFTER, HYDRAULIC VALVE - TAPPET
9	431-5952		1	CAMSHAFT
10	35378		1	CHAIN, CAMSHAFT TIMING
11	43-35338		1	SPROCKET, CAMSHAFT
12	43-48338		1	SPROCKET, CAMSHAFT TIMING
13	10-34505		3	BOLT, CAMSHAFT TIMING SPROCKETS (3/4")
14	12-39167		3	WASHER, CAMSHAFT TIMING SPROCKET BOLT
15	17-35312		1	PIN, DOWEL - CAMSHAFT SPROCKET (1/4" DIA.)
16	13405		2	LIFTING EYE
17	10-34354		4	SCREW, LIFTING EYE
18	13-35048		4	LOCKWASHER
19	14069		1	PLATE, FUEL PUMP BLOCK OFF
20	27-14613	●	1	GASKET, PLATE
21	10-27165		2	SCREW, PLATE (UPPER)
22	13-35048		2	LOCKWASHER, PLATE SCREW
23	12-20553		2	WASHER, PLATE SCREW
24	10-28635		2	SCREW, PLATE (LOWER)
25	13-26992		2	LOCKWASHER, PLATE

● = [27-13745A86] GASKET SET - REQUIRED FOR COMPLETE OVERHAUL

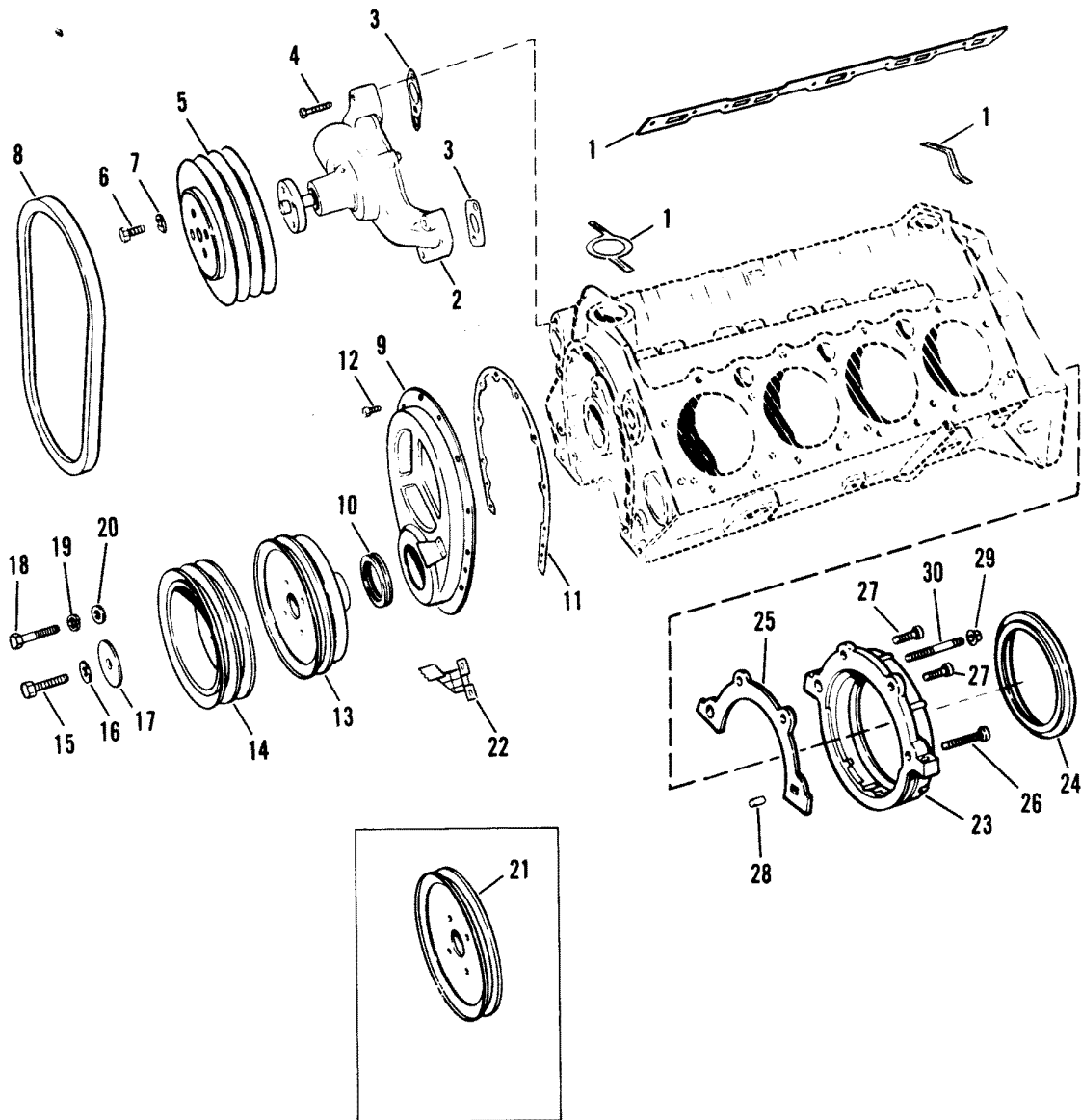
CRANKSHAFT, PISTONS AND CONN. RODS



CRANKSHAFT, PISTONS AND CONN. RODS

REF. NO.	PART NO.	SYM.	QTY.	DESCRIPTION
1	735-5949		8	PISTON AND PISTON PIN ASSEMBLY (.001 O.S.)
	735-5950		AR	PISTON AND PISTON PIN ASSEMBLY (.030 O.S.)
2	39-65153		8	RING, PISTON - 8 SETS (STANDARD)
	39-67126		AR	RING, PISTON - 8 SETS (.030 O.S.)
3/4	23-15960		1	BEARING SET, CRANKSHAFT (STD.)
	23-15960-10		1	BEARING SET, CRANKSHAFT (.010 U.S.)
	23-15960-20		1	BEARING SET, CRANKSHAFT (.020 U.S.)
5	17-35312		1	PIN, DOWEL - REAR BEARING CAP (1/4" DIA.)
6	222-9520		1	FLYWHEEL (14" DIA.)
7	12632A4		1	COUPLING ASSEMBLY
8	26901		3	RUBBER BUMPER
9	10-14883		3	SCREW, COUPLING
10	12-13510		3	WASHER, COUPLING SCREW
11	10-49845		6	SCREW, FLYWHEEL TO CRANKSHAFT
12	614-5951		8	CONNECTING ROD ASSEMBLY
13	10-85802		16	BOLT, CONNECTING ROD CAP
14	11-37493		16	NUT, CONNECTING ROD CAP BOLT
15	23-15961		1	BEARING SET, CONNECTING ROD (STD.)
	23-15961-10		1	BEARING SET, CONNECTING ROD (.010 U.S.)
	23-15961-20		1	BEARING SET, CONNECTING ROD (.020 U.S.)
16	429-9601		1	CRANKSHAFT
17	28-34466		2	KEY, CRANKSHAFT PULLEY AND BALANCER
18	17-43504		1	DOWEL PIN, CRANKSHAFT

WATER PUMP AND FRONT COVER

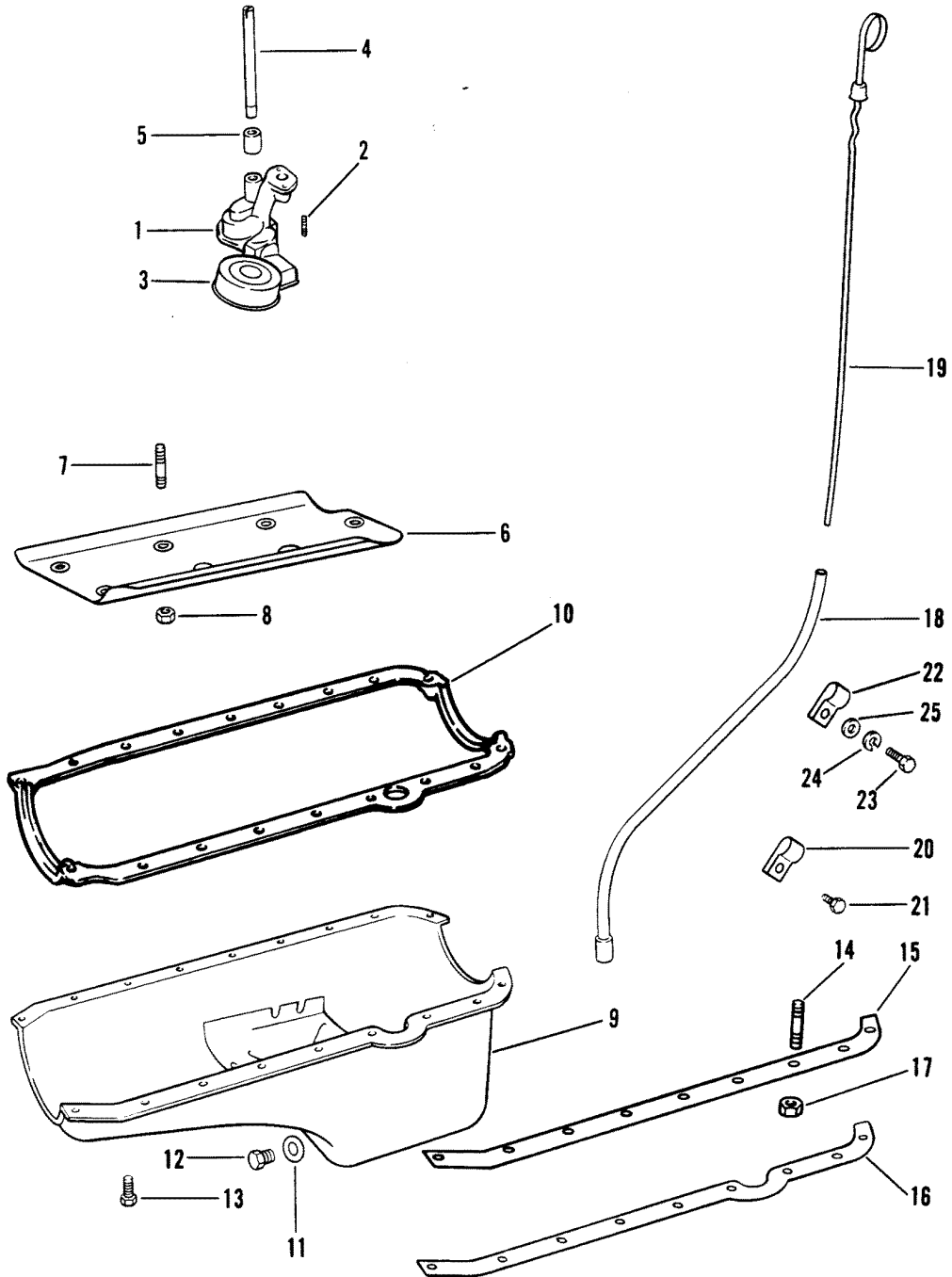


WATER PUMP AND FRONT COVER

REF. NO.	PART NO.	SYM.	QTY.	DESCRIPTION
1	27-72637	●	1	GASKET SET, INTAKE MANIFOLD
2	17437		1	WATER PUMP ASSEMBLY
3	27-34897	●	2	GASKET, WATER PUMP MOUNTING
4	10-32132		2	SCREW, WATER PUMP TO CYLINDER BLOCK (1-3/4")
	10-47688		1	SCREW, WATER PUMP TO CYLINDER BLOCK (2-3/4")
	10-52200		1	SCREW, WATER PUMP TO CYLINDER BLOCK (1-1/2")
5	15120T		1	PULLEY, WATER PUMP (3 GROOVE)
6	10-47277		4	SCREW, PULLEY TO WATER PUMP (3/4")
7	13-39107		4	LOCKWASHER, WATER PUMP PULLEY SCREW
8	57-49213A1		1	BELT, ALTERNATOR
9	14249A2		1	COVER, CRANKCASE FRONT
10	26-97335	●	1	OIL SEAL, COVER
11	27-14250	●	1	GASKET, COVER
12	10-35366		10	SCREW, COVER
13	72650		1	BALANCER, HARMONIC - CRANKSHAFT
14	33863		1	PULLEY
15	10-72626		1	BOLT, PULLEY AND HARMONIC BALANCER
16	13-39131		1	LOCKWASHER PULLEY AND HARMONIC BALANCER BOLT
17	12-35332		1	WASHER, PULLEY AND HARMONIC BALANCER BOLT
18	10-34352		3	SCREW, PULLEY (7/8")
19	13-35048		3	LOCKWASHER, PULLEY SCREW
20	12-20553		3	WASHER, PULLEY SCREW
21	90841A1		1	PULLEY (1 GROOVE) (W/POWER STEERING)
22	60661		1	POINTER, TIMING
23	14239		1	RETAINER, OIL SEAL (REAR)
24	26-14240	●	1	OIL SEAL, CRANKSHAFT (REAR)
25	27-14241	●	1	GASKET, OIL SEAL RETAINER
26	10-14243		1	BOLT, OIL SEAL RETAINER
27	10-14242		2	BOLT, OIL SEAL RETAINER
28	17-14263		1	DOWEL PIN
29	11-11996		1	NUT
30	16-14827		1	STUD

● = [27-13745A86] GASKET SET - REQUIRED FOR COMPLETE OVERHAUL

OIL PAN AND OIL PUMP

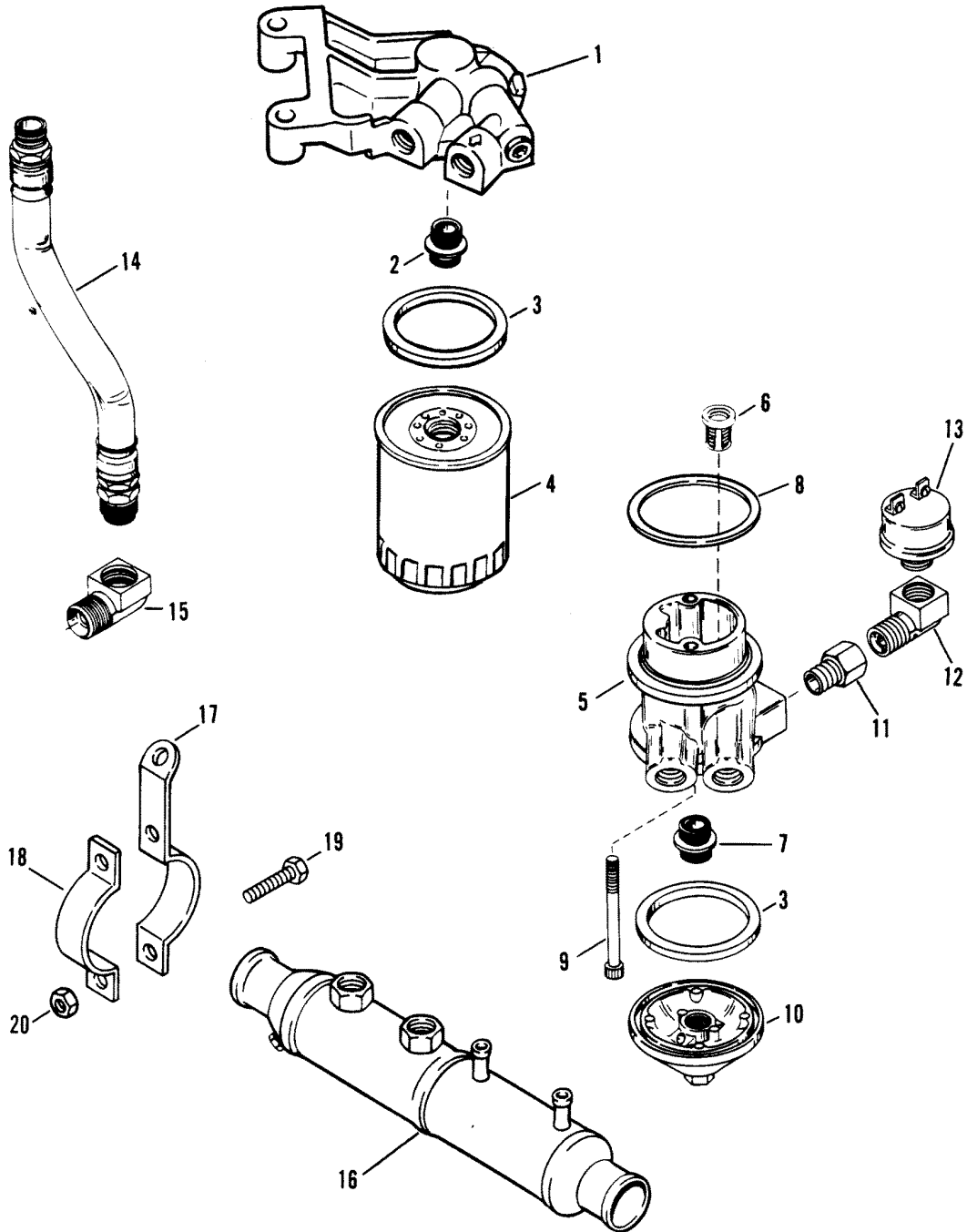


OIL PAN AND OIL PUMP

REF. NO.	PART NO.	SYM.	QTY.	DESCRIPTION
1	35352		1	OIL PUMP
2	10-48333		1	BOLT, OIL PUMP TO CYLINDER BLOCK (2")
3	35354		1	SCREEN ASSEMBLY, OIL PUMP
4	36184		1	SHAFT, OIL PUMP TO DISTRIBUTOR
5	23-36183		1	RETAINER, OIL PUMP SHAFT
6	98602		1	BAFFLE, OIL PAN (CYLINDER BLOCK)
7	16-54790		5	STUD, OIL PAN BAFFLE
8	11-37500		5	NUT, OIL PAN BAFFLE STUD
9	14259		1	OIL PAN
10	27-13865	●	1	GASKET, OIL PAN
11	27-49955	●	1	GASKET, DRAIN SCREW
12	10-49956		1	SCREW, OIL PAN DRAIN
13	10-14070		14	SCREW, OIL PAN
14	16-11989		4	STUD, OIL PAN
15	14257		1	REINFORCEMENT, OIL PAN (PORT)
16	14256		1	REINFORCEMENT, OIL PAN (STBD.)
17	11-11971		4	NUT, OIL PAN STUD
18	92163A2		1	TUBE, OIL LEVEL GAUGE
19	14840		1	GAUGE, OIL LEVEL (DIPSTICK)
20	54-43239		1	CLIP, OIL LEVEL TUBE
21	10-98253		1	SCREW, CLIP TO CYLINDER BLOCK
22	54-42046		1	CLIP, OIL LEVEL TUBE (UPPER)
23	10-27165		1	SCREW, CLIP
24	13-35048		1	LOCKWASHER, CLIP SCREW
25	12-20553		1	WASHER, CLIP SCREW

● = [27-13745A86] GASKET SET - REQUIRED FOR COMPLETE OVERHAUL

OIL FILTER AND ADAPTOR

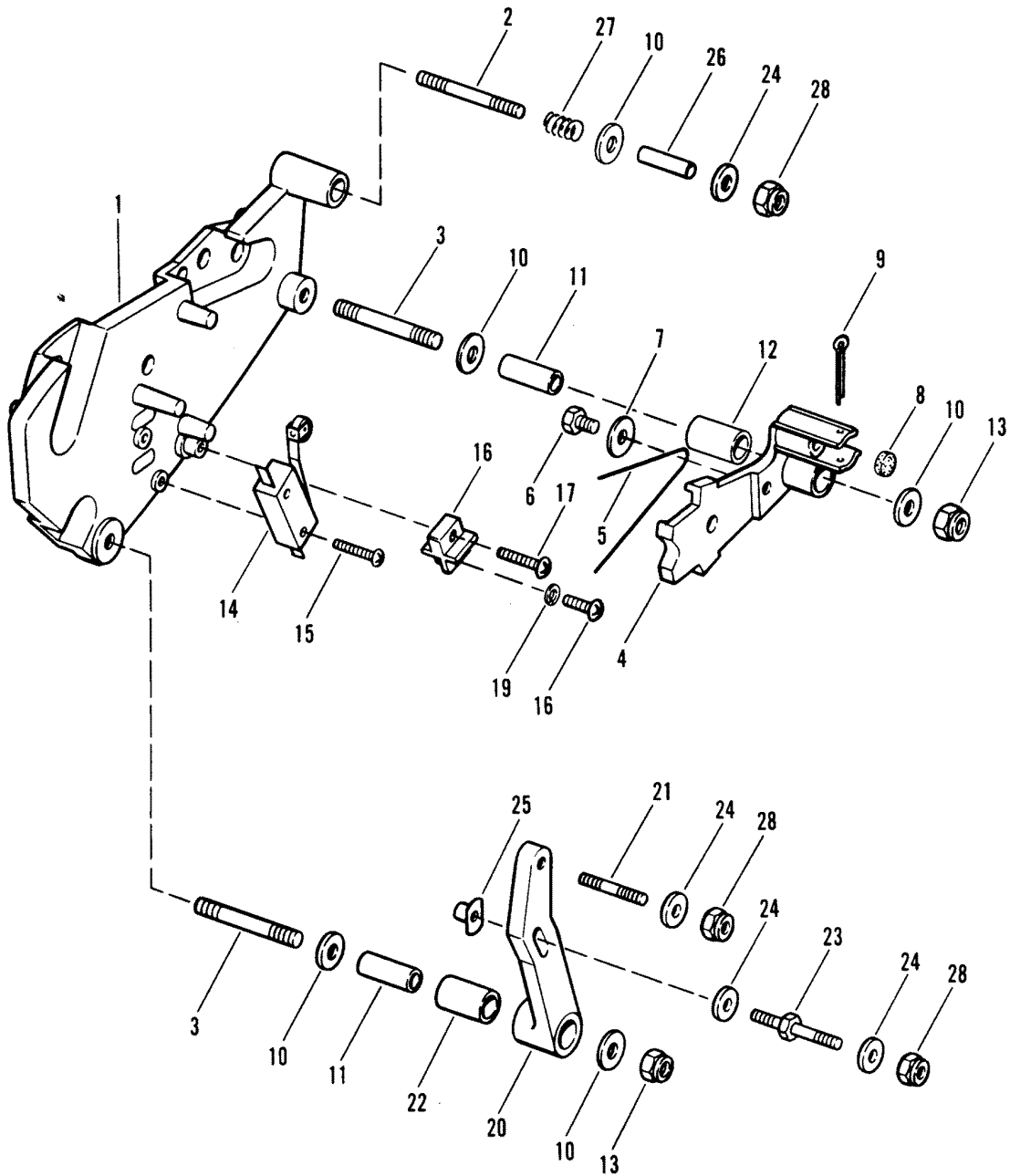


OIL FILTER AND ADAPTOR

REF. NO.	PART NO.	SYM.	QTY.	DESCRIPTION
1	44393A2		1	BRACKET, OIL FILTER
2	32720		1	ADAPTOR
3	27-91892	●	2	GASKET, ADAPTOR COVER AND OIL FILTER
4	14957		1	OIL FILTER
5	90783A13		1	ADAPTOR ASSEMBLY, OIL FILTER
6	34344		1	VALVE, BY-PASS
7	32720		1	ADAPTOR
8	27-99893	●	1	GASKET, OIL FILTER ADAPTOR
9	10-91966		1	SCREW, OIL FILTER ADAPTOR (4")
	10-91967		1	SCREW, OIL FILTER ADAPTOR (3-1/4")
10	91830		1	COVER, ADAPTOR
11	22-15156		1	REDUCER
12	22-46982		1	ELBOW
13	87-14356		1	SWITCH, OIL PRESSURE
14	32-92357-70		1	HOSE, OIL - ADAPTOR (45") MR
	32-92357--9		1	HOSE, OIL - ADAPTOR (7") MR
	32-92357-61		1	HOSE, OIL - ADAPTOR (36") MR
15	22-63825		3	FITTING, HOSE TO OIL COOLER (90 DEGREES)
16	89690T		1	OIL COOLER, ENGINE MR
17	63820--1		1	BRACKET, OIL COOLER (LONG) MR
18	56328A1		1	BRACKET, OIL COOLER (SHORT) MR
19	10-60300		2	SCREW, OIL COOLER BRACKET (3/4") MR
20	11-30506		2	NUT, OIL COOLER BRACKET SCREW MR

● = [27-13745A86] GASKET SET - REQUIRED FOR COMPLETE OVERHAUL

SHIFT BRACKET

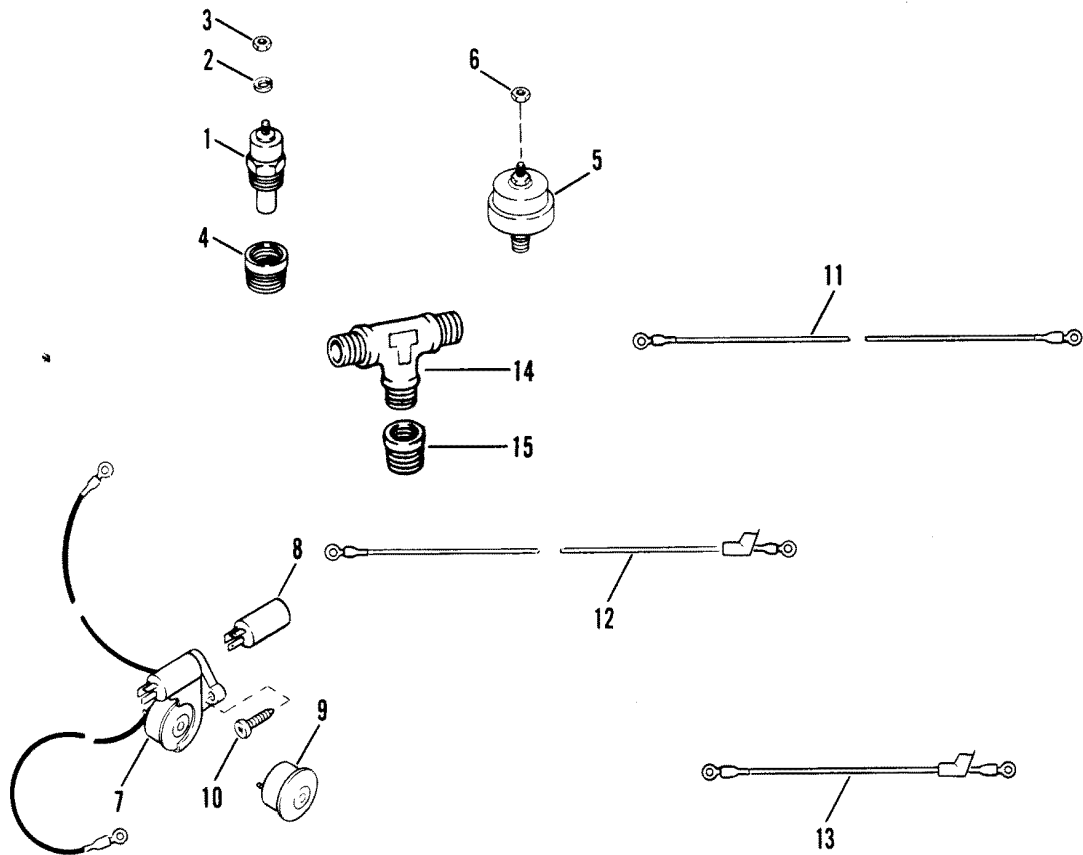


MC0018

SHIFT BRACKET

REF. NO.	PART NO.	SYM.	QTY.	DESCRIPTION
1	99237A2		1	SHIFT BRACKET ASSEMBLY
2	16-98798		1	STUD, SHIFT CABLE
3	16-96108		2	STUD, SHIFT BRACKET
4	13051A4		1	LEVER ASSEMBLY, ACTUATING
5	24-45599		1	SPRING, ACTUATING LEVER
6	10-88743		1	SCREW, SPRING TO LEVER
7	12-56720		1	WASHER, SPRING SCREW
8	23-98828		1	SPACER, RUBBER PAD
9	18-32857		1	COTTER PIN, SHIFT CABLE RETAINING
10	12-56720		5	WASHER, SHIFT BRACKET STUD
11	23-37981		2	SPACER, SHIFT BRACKET STUD
12	23-45600		1	SLEEVE, ACTUATING LEVER
13	11-35814		2	NUT, SHIFT BRACKET STUD
14	39670A28		1	SWITCH ASSEMBLY, CUT-OUT
15	10-30902		2	SCREW, SWITCH TO SHIFT BRACKET
16	86-66986		1	TERMINAL BLOCK
17	10-96113		1	SCREW, TERMINAL BLOCK (7/8")
18	10-73287		1	SCREW, TERMINAL BLOCK (3/8")
19	13-26996		2	LOCKWASHER, TERMINAL BLOCK SCREW
20	95854A3		1	SHIFT LEVER ASSEMBLY
21	16-98851		1	STUD, SHIFT CABLE
22	23-45600		1	SLEEVE, SHIFT LEVER
23	16-96112		1	STUD, SHIFT CABLE
24	12-35462		4	WASHER, SHIFT CABLE STUD
25	11-63341		1	TEE NUT, SHIFT CABLE STUD
26	23-98820		1	SPACER, SHIFT CABLE STUD
27	24-98880		1	SPRING, SHIFT CABLE STUD
28	11-35888		3	NUT, SHIFT CABLE STUD

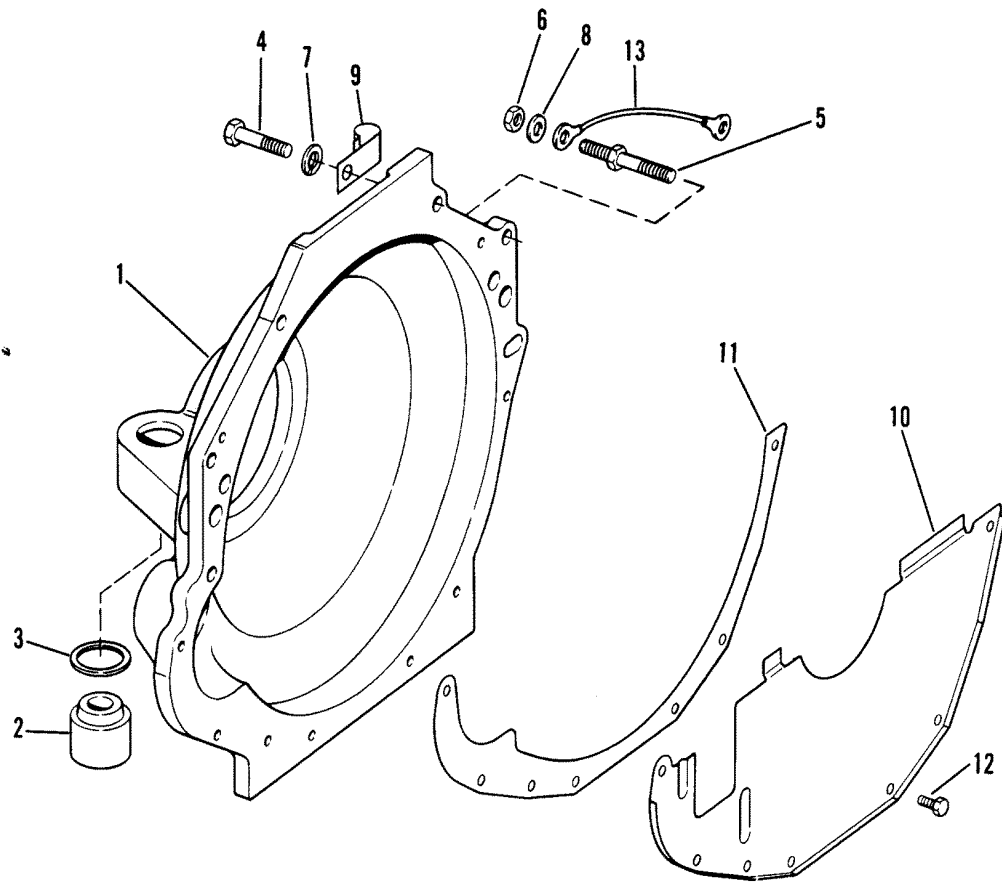
AUDIO WARNING SYSTEM



AUDIO WARNING SYSTEM

REF. NO.	PART NO.	SYM.	QTY.	DESCRIPTION
1	48952		1	SWITCH, WATER TEMPERATURE
2	13-26996		1	LOCKWASHER, TEMPERATURE SWITCH (#10)
3	11-45076		1	NUT, TEMPERATURE SWITCH (10-32)
4	22-92949		1	BUSHING, REDUCER - TEMPERATURE SWITCH
5	38559		1	SWITCH PRESSURE
6	11-45076		1	NUT, PRESSURE SWITCH TERMINAL (10-32)
7	86047A11		1	BUZZER HOUSING ASSEMBLY
8	86045		1	TIMER, TEMPERATURE BUZZER
9	68878A2		1	HORN
10	10-69013		2	SCREW, HORN ATTACHING
11	84-86044A4		1	WIRE ASSEMBLY, TAN/BLUE (36")
12	84-88032A1		1	WIRE ASSEMBLY, TAN/BLUE (20")
13	84-86322A8		1	WIRE ASSEMBLY, BLACK (8")
14	22-52930		1	TEE
15	22-38992		1	BUSHING, TEMPERATURE SWITCH

FLYWHEEL HOUSING

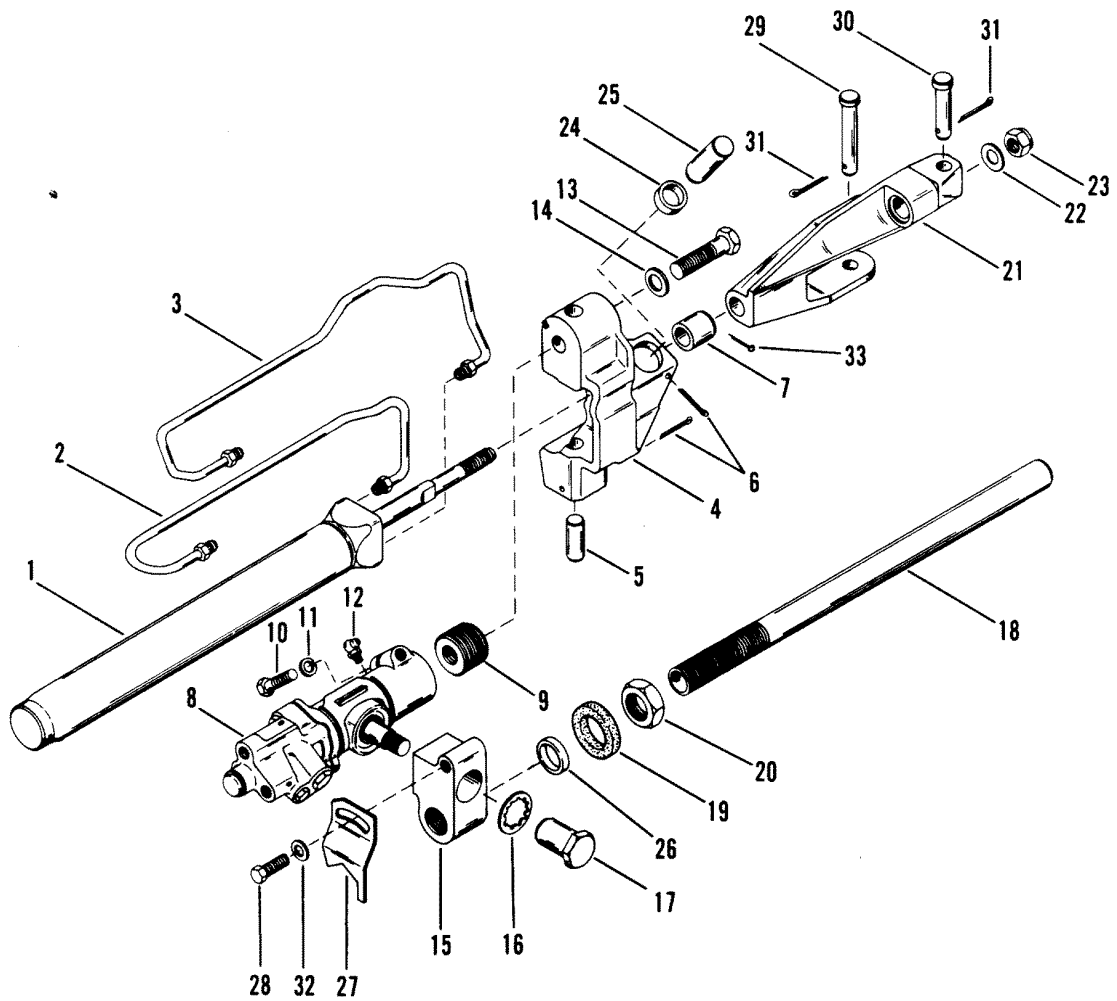


FLYWHEEL HOUSING

REF. NO.	PART NO.	SYM.	QTY.	DESCRIPTION
1	12675A4		1	FLYWHEEL HOUSING
2	99297A1		2	MOUNT, RUBBER - FLYWHEEL HOUSING
3	23-99322		2	SPACER, RUBBER MOUNT - FLYWHEEL HOUSING
4	10-37612		3	SCREW, FLYWHEEL HOUSING (1-1/4")
	10-34354		1	SCREW, FLYWHEEL HOUSING (1-1/2")
	10-32132		1	SCREW, FLYWHEEL HOUSING (1-3/4")
5	16-64066		1	STUD, FLYWHEEL HOUSING (2-1/4")
6	11-32219		1	NUT, FLYWHEEL HOUSING STUD
7	13-35048		7	LOCKWASHER, FLYWHEEL HOUSING SCREW (3/8")
8	12-20572		1	WASHER, FLYWHEEL HOUSING SCREW - SPECIAL (3/8")
10	13930A3		1	COVER ASSEMBLY
11	27-96274	●	1	GASKET, FLYWHEEL HOUSING SCREW
12	10-32773		7	SCREW, COVER TO FLYWHEEL HOUSING
13	84-62826A6		1	WIRE, FLYWHEEL HOUSING STUD

● = [27-13745A86] GASKET SET - REQUIRED FOR COMPLETE OVERHAUL

POWER STEERING CYLINDER



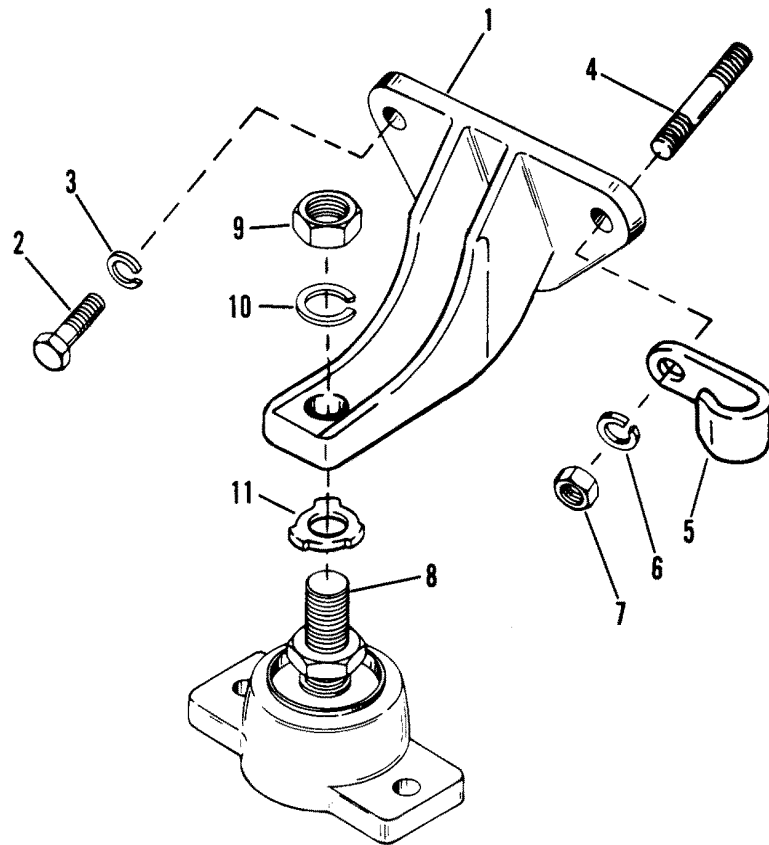
POWER STEERING CYLINDER

REF. NO.	PART NO.	SYM.	QTY.	DESCRIPTION
-	8964A15		1	POWER STEERING CYLINDER ASSEMBLY
1	57969A12		1	CYLINDER, BOOSTER (25-58224A1 SEAL REPAIR KIT)
2	32-92054		1	TUBE, EXTENDING
3	32-92055		1	TUBE, RETRACTING
4	94953A1		1	BRACKET ASSEMBLY, ADAPTOR
5	17-88283		2	RETAINING PIN, BOOSTER CYLINDER
6	18-36377		3	COTTER PIN, RETAINING PIN
7	23-88282		1	SLEEVE, ADAPTOR BRACKET
8	52779A2		1	VALVE, POWER STRG. (25-58226A1 SEAL REPAIR KIT)
9	88280		1	ADAPTOR, BOOSTER VALVE
10	10-37612		1	SCREW, CLAMPING
11	13-35048		1	LOCKWASHER, CLAMPING SCREW
12	22-67305		1	GREASE FITTING
13	10-88281		1	SCREW, ADAPTOR
14	12-20959		1	WASHER, ADAPTOR SCREW
15	88285		1	ADAPTOR, STEERING TUBE
16	13-76629		1	LOCKWASHER, STEERING TUBE ADAPTOR
17	11-55111		1	NUT, STEERING TUBE ADAPTOR
18	96511A1		1	TUBE ASSEMBLY, STEERING
19	88287		1	GUIDE, STEERING TUBE
20	11-32882		1	NUT, STEERING TUBE
21	95848A1		1	CLEVIS ASSEMBLY, ROD END
22	12-20086		1	WASHER, ROD END
23	11-53300		1	NUT, ROD END
24	23-95803		2	BUSHING, PIVOT
25	17-99938		2	PIN
26	23-88286		1	BUSHING, STEERING TUBE
27	92766		1	LOCK, COUPLER NUT
28	10-41209		1	SCREW, COUPLER NUT LOCK
29	17-89229		1	CLEVIS PIN
30	17-52798		1	CLEVIS PIN
31	18-46950		2	COTTER PIN, CLEVIS PIN
32	12-35462		1	WASHER, COUPLER NUT LOCK SCREW
33	18-34212		1	COTTER PIN, SLEEVE

POWER STEERING COMPONENTS

REF. NO.	PART NO.	SYM.	QTY.	DESCRIPTION
1	16792A1		1	PUMP ASSEMBLY, POWER STEERING
1A	16-41877		1	STUD, POWER STEERING PUMP
2	36-95805		1	CAP, POWER STEERING PUMP
3	73873A1		1	PULLEY, POWER STEERING PUMP
4	12-34567		1	WASHER, PUMP STUD (BRACE SLOT)
5	11-90517		2	NUT, MOUNTING STUD
6	98644A1		1	BRACE, PUMP MOUNTING
7	10-40001192		1	SCREW, PUMP MOUNTING BRACE
8	13-40024--8		1	LOCKWASHER, BRACE SCREW
9	57-37619T		1	V-BELT, POWER STEERING PUMP
10	32-90494		1	HOSE, PRESSURE (FITTINGS ON BOTH ENDS)
11	25-89879		1	"O" RING, PRESSURE HOSE END
12	32-98843-39		1	HOSE, RETURN (FITTINGS ON ONE END)
13	32-68894--1		1	HOSE, PUMP TO OIL COOLER
14	54-35830		3	CLAMP, HOSE ATTACHING
15	10-32132		1	SCREW, BRACE TO BRACKET

ENGINE MOUNTING



ENGINE MOUNTING

REF. NO.	PART NO.	SYM.	QTY.	DESCRIPTION
1	79550A1		2	BRACKET, MOUNTING - ENGINE (FRONT)
2	10-86517		3	SCREW, MOUNTING BRACKET TO ENGINE (1-1/4") PORT
3	13-35048		3	LOCKWASHER, MOUNTING BRACKET SCREW PORT
2	10-86517		2	SCREW, MOUNTING BRACKET TO ENGINE (1-1/4") STARBOARD
3	13-35048		3	LOCKWASHER, MOUNTING BRACKET SCREW STARBOARD
4	16-64066		1	STUD, MOUNTING BRACKET TO ENGINE STARBOARD
5	54-90204		1	CLIP, WIRING HARNESS STARBOARD
6	13-35048		1	LOCKWASHER, MOUNTING BRACKET STUD STARBOARD
7	11-32219		1	NUT, MOUNTING BRACKET STUD STARBOARD
8	66284A2		2	BASE, ENGINE MOUNT
9	11-20739		4	NUT, JAM - ENGINE MOUNT BASE
10	13-68102		2	LOCKWASHER, MOUNTING BRACKET
11	14-12657		2	TAB WASHER

PARTS INDEX

Part Number	Description	Pg.	Ref. No.	Part Number	Description	Pg.	Ref. No.
11350A3	E.F.I. CONTROL BOX ASSEMBLY	27	17	15175	FLAME ARRESTOR	23	37
11395	PLATE, EXHAUST	31	1	15938	BRACKET, FILTER AND FUEL PUMP	17	10
11637	PULLEY (MR)	9	3	16435	ADAPTOR, THROTTLE POSITION INDICATOR	25	39
11965	ROTATOR, VALVE SPRING - EXHAUST VALVE	33	16	16457A4	CAP, DISTRIBUTOR	15	2
12026	NUT, FUEL PRESSURE REGULATOR	17	31	16516	TANK VALVE	17	21
12026	REGULATOR, FUEL PRESSURE	17	30	16792A1	PUMP ASSEMBLY, POWER STEERING	53	1
12234--1	MOUNT, RUBBER	27	18	17437	WATER PUMP ASSEMBLY	39	2
12404	BRACE, STARTER MOTOR	5	3	26079	PLATE, WIRING HARNESS	11	3
12632A4	COUPLING ASSEMBLY	37	7	26079A2	PLATE, WIRING HARNESS	11	3
12675A4	FLYWHEEL HOUSING	49	1	26901	RUBBER BUMPER	37	8
12987A2	PLENUM ASSEMBLY	23	1	32720	ADAPTOR	43	2
13037	SOLENOID SWITCH (4-1/4" LONG)	7	33	32720	ADAPTOR	43	7
13051A4	LEVER ASSEMBLY, ACTUATING	45	4	32783	RETAINER, HIGH TENSION LEADS (3 WIRE)	15	24
13405	LIFTING EYE	35	16	32784	RETAINER, HIGH TENSION LEADS (4 WIRE)	15	25
13406	BRACKET, IGNITION AMPLIFIER	11	7	33270	BRUSH, FIELD FRAME	7	21
13468	CAP, OIL FILLER	33	2	33283	HOLDER, FIELD FARME BRUSH GROUND	7	20
13469	COVER, ROCKER (PORT)	33	1	33284	HOLDER, INSULATED - FIELD FRAME BRUSH	7	19
13470	COVER, ROCKER (STARBOARD)	33	1	33291	COLLAR, PINION STOP	7	5
13515	BRACKET, E.F.I. CONTROL BOX	27	14	33292	COLLAR, THRUST	7	3
13516--1	FUEL RAIL	17	24	33294	SUPPORT PACKAGE,	7	23
13518--1	SUPPORT, FUEL RAIL	17	25	33317	PLUNGER, SHIFT LEVER	7	29
13519	STOP, SHUTTER SHAFT	23	27	33863	PULLEY	39	14
13520	PIVOT, SHUTTER SHAFT	23	20	34344	VALVE, BY-PASS	43	6
13521	THROTTLE SHAFT	23	19	34518	SHIELD, VALVE SPRING CAP	33	14
13524A3	ROTOR	15	5	35329	ARM, ROCKER VALVE	33	18
13539	INTAKE MANIFOLD	21	1	35331	BALL UNIT, ROCKER VALVE ARM	33	19
13712	PCV VALVE	21	12	35352	OIL PUMP	41	1
13721	THROTTLE SHUTTER	23	15	35354	SCREEN ASSEMBLY, OIL PUMP	41	3
13746	FUEL INJECTOR	21	17	35378	CHAIN, CAMSHAFT TIMING SHAFT, OIL PUMP TO DISTRIBUTOR	41	4
13754	HOUSING, DRIVE END	7	1	36184	OIL PRESSURE SENDER (DUAL)	11	15
13930A3	COVER ASSEMBLY	49	10	37293	SWITCH PRESSURE	47	5
14069	PLATE, FUEL PUMP BLOCK OFF	35	19	39670A28	SWITCH ASSEMBLY, CUT-OUT	45	14
14239	RETAINER, OIL SEAL (REAR)	39	23	42862	SENSOR WHEEL	15	6
14249A2	COVER, CRANKCASE FRONT	39	9	44354A3	EXHAUST ELBOW ASSEMBLY (7 DEGREES)	27	10
14256	REINFORCEMENT, OIL PAN (STBD.)	41	16	44393A2	BRACKET, OIL FILTER	43	1
14257	REINFORCEMENT, OIL PAN (PORT)	41	15	45915	TERMINAL BLOCK	13	42
14259	OIL PAN	41	9	47441A1	COVER, THERMOSTAT	29	9
14302	BRACKET, REGULATOR	17	32	48348	CAP, INLET VALVE	33	15
14351	FUEL PUMP	17	5	48952	SWITCH, WATER TEMPERATURE	47	1
14464	BRACKET, MOUNTING	11	20	49734A1	WATER TEMPERATURE SENDER (DUAL)	11	12
14840	GAUGE, OIL LEVEL (DIPSTICK)	41	19	52185	CLAMP, DISTRIBUTOR TO INTAKE MANIFOLD	15	14
14882A2	INDICATOR, THROTTLE POSITION	23	11	52779A2	VALVE, POWER STRG.	51	8
14957	OIL FILTER	43	4				

PARTS INDEX

Part Number	Description	Pg.	Ref. No.	Part Number	Description	Pg.	Ref. No.
54676	RETAINER, HIGH TENSION LEADS (2 WIRE)	15	23	92163A2	TUBE, OIL LEVEL GAUGE . .	41	18
56328A1	BRACKET, OIL COOLER (SHORT)	43	18	92497A3	ALTERNATOR (55 AMP) . . .	5	9
57908-11	TUBING, ALTERNATOR LEADS	5	22	92497A3	ALTERNATOR ASSEMBLY (55 AMP)	9	-
57969A12	CYLINDER, BOOSTER (25-58224A1 SEAL REPAIR KIT)	51	1	92766	LOCK, COUPLER NUT	51	27
59137	THERMOSTAT (143 DEGREES)	29	5	94953A1	BRACKET ASSEMBLY, ADAPTOR	51	4
60661	POINTER, TIMING	39	22	95848A1	CLEVIS ASSEMBLY, ROD END	51	21
63820--1	BRACKET, OIL COOLER (LONG)	43	17	95854A3	SHIFT LEVER ASSEMBLY . .	45	20
65970	BRACKET, IGNITION COIL .	15	27	96511A1	TUBE ASSEMBLY, STEERING	51	18
66284A2	BASE, ENGINE MOUNT	55	8	96718A2	SENSOR ASSEMBLY	23	32
68878A2	HORN	47	9	97257A1	WATER TEMPERATURE SENDER	11	12
71698	LEVER, SHIFT	7	26	97661	VALVE, INLET (STANDARD)	33	9
72638	LIFTER, HYDRAULIC VALVE - TAPPET	35	8	97662	VALVE, INLET (.015 O.S.) . .	33	9
72650	BALANCER, HARMONIC - CRANKSHAFT	39	13	97850	ELBOW, BREATHER (90 DEGREES)	21	15
73873A1	PULLEY, POWER STEERING PUMP	53	3	98493A2	BRACKET, MOUNTING	11	5
75664	FIELD COIL ASSEMBLY	7	15	98602	BAFFLE, OIL PAN (CYLINDER BLOCK)	41	6
75665	ARMATURE	7	11	98644A1	BRACE, PUMP MOUNTING . .	53	6
79205	DRIVE ASSEMBLY, CLUTCH	7	6	99237A2	SHIFT BRACKET ASSEMBLY	45	1
79211	FRAME, COMMUNTATOR END	7	17	99297A1	MOUNT, RUBBER - FLYWHEEL HOUSING	49	2
79396	PLATE, BEARING	7	7	99948	ROD, VALVE PUSH	33	7
79550A1	BRACKET, MOUNTING - ENGINE (FRONT)	55	1	N.S.S.	BOLT, THRU (DELCO REMY #1939970)	7	18
85013	BRACE, ALTERNATOR ADJUSTING	5	15	N.S.S.	BOLT, THRU (DELCO REMY #1941111)	7	18
86045	TIMER, TEMPERATURE BUZZER	47	8	N.S.S.	PIN DOWEL - FIELD FRAME (DELCO REMY #1985696)	7	25
86047A11	BUZZER HOUSING ASSEMBLY	47	7	N.S.S.	PIN, PLUNGER TO SHIFT LEVER	7	30
87110A2	THERMOSTAT HOUSING ASSEMBLY	29	1	N.S.S.	RETAINING RING, STUD (DELCO REMY #11505767)	7	28
87114A19	EXHAUST MANIFOLD ASSEMBLY	27	1	N.S.S.	SCREW, BEARING PLATE (DELCO REMY #1984000)	7	10
87115A1	BRACKET, ALTERNATOR . . .	5	23	N.S.S.	SCREW, BRISH LEAD (DELCO REMY #443527) .	7	22
87284	VALVE, EXHAUST (STANDARD)	33	8	N.S.S.	SCREW, BRUSH LEAD (DELCO REMY #1967747)	7	22
87301	VALVE, EXHAUST (.015 O.S.)	33	8	N.S.S.	SCREW, POLE SHOE TO FIELD COIL	7	13
88280	ADAPTOR, BOOSTER VALVE	51	9	N.S.S.	SCREW, SOLENOIDE SWITCH	7	32
88285	ADAPTOR, STEERING TUBE	51	15	N.S.S.	SHIM, VALVE SPRING (GM #3731058)	33	13
88287	GUIDE, STEERING TUBE . . .	51	19	N.S.S.	SHOE, POLE - FIELD COIL (DELCO REMY #810601) .	7	12
8964A15	POWER STEERING CYLINDER ASSEMBLY . . .	51	-	N.S.S.	SPRING, PLUNGER RETURN	7	31
89690T	OIL COOLER, ENGINE	43	16	N.S.S.	STUD, SHIFT LEVER (DELCO REMY #1945804)	7	27
89876A3	BASE, FUEL FILTER	17	37	N.S.S.	SCREW, SENSOR WHEEL . .	15	7
90747A3	DISTRIBUTOR ASSEMBLY . . .	15	1	N.S.S.	BOLT, CYLINDER HEAD TO CYLINDER BLOCK (3-3/4")	33	26
90783A13	ADAPTOR ASSEMBLY, OIL FILTER	43	5	10-11252	BOLT, CYLINDER HEAD TO CYLINDER BLOCK (3") . . .	33	25
90806	OIL PRESSURE SENDER	11	15	10-11966			
90841A1	PULLEY (1 GROOVE) (W/POWER STEERING) . . .	39	21	10-11967			
91830	COVER, ADAPTOR	43	10				

PARTS INDEX

Part Number	Description	Pg.	Ref. No.	Part Number	Description	Pg.	Ref. No.
10-13684	SCREW, FUEL RAIL	17	26	10-43749	SCREW, MANIFOLD	27	13
10-14070	SCREW, OIL PAN	41	13	10-44387	SCREW, MANIFOLD	27	13
10-14242	BOLT, OIL SEAL RETAINER	39	27	10-45862	SCREW, CIRCUIT BREAKER (7/8")	11	31
10-14243	BOLT, OIL SEAL RETAINER	39	26	10-47277	SCREW, PULLEY TO WATER PUMP (3/4")	39	6
10-14883	SCREW, COUPLING	37	9	10-47618	SCREW, SENSOR	15	9
10-15001	SCREW, PLATE	11	4	10-47688	SCREW, WATER PUMP TO CYLINDER BLOCK (2-3/4")	39	4
10-26065	SCREW, BASE	17	39	10-47910	SCREW, STARTER SOLENOID (5/8")	11	37
10-26487	SCREW, ALTERNATOR BRACE	5	16	10-48308	SCREW, ALTERNATOR (3-3/4")	5	26
10-26487	SCREW, INTAKE MANIFOLD (1-1/8")	21	2	10-48333	BOLT, OIL PUMP TO CYLINDER BLOCK (2")	41	2
10-27165	SCREW, CLIP	41	23	10-49668	SCREW, BRACKET AND SHIFT BRACKET (3/4")	13	46
10-27165	SCREW, IGNITION COIL BRACKET	15	32	10-49668	SCREW, BRACKET TO ELBOW	27	15
10-27165	SCREW, MOUNTING BRACKET (5/8")	11	21	10-49845	SCREW, FLYWHEEL TO CRANKSHAFT	37	11
10-27165	SCREW, PLATE (UPPER)	35	21	10-49956	SCREW, OIL PAN DRAIN	41	12
10-28635	SCREW, IGNITION AMPLIFIER	11	9	10-52200	SCREW, WATER PUMP TO CYLINDER BLOCK (1-1/2")	39	4
10-28635	SCREW, PLATE (LOWER)	35	24	10-53728	SCREW, EXHAUST MANIFOLD	27	5
10-30902	SCREW, SWITCH TO SHIFT BRACKET	45	15	10-57583	SCREW	23	34
10-32132	SCREW, BRACE TO BRACKET	53	15	10-60300	SCREW, OIL COOLER BRACKET (3/4")	43	19
10-32132	SCREW, FLYWHEEL HOUSING (1-3/4")	49	4	10-62568	SCREW, TERMINAL BLOCK LEADS	13	43
10-32132	SCREW, WATER PUMP TO CYLINDER BLOCK (1-3/4")	39	4	10-69013	SCREW, HORN ATTACHING	47	10
10-32773	SCREW, COVER TO FLYWHEEL HOUSING	49	12	10-70084	SCREW, PLENUM TO INTAKE MANIFOLD	23	5
10-34352	SCREW, PULLEY (7/8")	39	18	10-71405	SCREW, INSULATOR (3/8")	11	32
10-34353	SCREW, DISTRIBUTOR	15	15	10-72094	SCREW, THERMOSTAT HOUSING TO INTAKE MANIFOLD	29	10
10-34353	SCREW, EXHAUST PLATE	31	2	10-72626	BOLT, PULLEY AND HARMONIC BALANCER	39	15
10-34354	SCREW, FLYWHEEL HOUSING (1-1/2")	49	4	10-73287	SCREW, TERMINAL BLOCK (3/8")	45	18
10-34354	SCREW, LIFTING EYE	35	17	10-74824	SCREW, ALTERNATOR BRACE	5	19
10-34505	BOLT, CAMSHAFT TIMING SPROCKETS (3/4")	35	13	10-76290	SCREW, ADAPTOR	25	40
10-34696	SCREW, WIRING HARNESS PLATE (3/4")	11	4	10-76566	SCREW	23	28
10-35366	SCREW, COVER	39	12	10-76566	SCREW	23	9
10-35765	SCREW, BRACE TO ENGINE (5/8")	5	6	10-85802	BOLT, CONNECTING ROD CAP	37	13
10-37612	SCREW, ALTERNATOR BRACKET (1-1/4")	5	24	10-86509	SCREW	23	12
10-37612	SCREW, CLAMPING	51	10	10-86517	SCREW, MOUNTING BRACKET TO ENGINE (1-1/4")	55	2
10-37612	SCREW, FLYWHEEL HOUSING (1-1/4")	49	4	10-86517	SCREW, MOUNTING BRACKET TO ENGINE (1-1/4")	55	2
10-37612	SCREW, INTAKE MANIFOLD (1-1/4")	21	2	10-87926	SCREW, TERMINAL BLOCK	13	44
10-40001192	SCREW, PUMP MOUNTING BRACE	53	7	10-88281	SCREW, ADAPTOR	51	13
10-41089	SCREW	23	25	10-88743	SCREW, SPRING TO LEVER	45	6
10-41209	SCREW, COUPLER NUT LOCK	51	28	10-90926	SCREW, DISTRIBUTOR CAP	15	3
10-41354	SCREW, THROTTLE SHUTTER TO SHAFT	23	16				
10-41355	SET SCREW	23	24				
10-41408	SCREW, BRACKET (1-1/2")	15	28				
10-42113	SCREW, BRACKET	17	11				

PARTS INDEX

Part Number	Description	Pg.	Ref. No.	Part Number	Description	Pg.	Ref. No.
10-91966	SCREW, OIL FILTER ADAPTOR (4")	43	9	11-46438	NUT, TERMINAL BLOCK SCREW	13	45
10-91967	SCREW, OIL FILTER ADAPTOR (3-1/4")	43	9	11-53300	NUT, ROD END	51	23
10-94435	SCREW, STARTER TO BLOCK (4-21/32")	5	2	11-55111	NUT, STEERING TUBE ADAPTOR	51	17
10-96113	SCREW, TERMINAL BLOCK (7/8")	45	17	11-56374	NUT, RUBBER MOUNT	27	21
10-98253	SCREW, BRACKET AND SHIFT BRACKET (1/2")	13	46	11-56374	NUT, STARTER MOTOR STUD	5	5
10-98253	SCREW, CLIP TO CYLINDER BLOCK	41	21	11-63341	TEE NUT, SHIFT CABLE STUD	45	25
10-99452	SCREW	13	49	11-68219	NUT, CIRCUIT BREAKER TERMINAL	11	30
11-11971	NUT, OIL PAN STUD	41	17	11-68219	NUT, DISTRIBUTOR TERMINAL (10-32)	15	18
11-11996	NUT	39	29	11-68219	NUT, IGNITION COIL TERMINAL (#10-32)	15	31
11-20190	NUT	13	51	11-68219	NUT, OIL PRESSURE SENDER TERMINAL (#10)	11	17
11-20361	NUT	23	23	11-68219	NUT, WATER TEMPERATURE	11	14
11-20361	NUT, ROCKER COVER STUD	33	5	11-90517	NUT, MOUNTING STUD	53	5
11-20586	NUT	21	10	11-94330	NUT, STARTER SOLENOID TERMINAL (1/4-20)	13	41
11-20739	NUT, JAM - ENGINE MOUNT BASE	55	9	12-13510	WASHER, COUPLING SCREW	37	10
11-20890	NUT, ALTERNATOR TERMINAL (1/4-20)	5	14	12-14470	WASHER, FUEL LINE CONNECTOR	17	4
11-23161	NUT, ALTERNATOR BRACKET SCREW	5	29	12-20086	WASHER, ROD END	51	22
11-24883	NUT, MOUNTING BRACKET STUD	11	27	12-20128	WASHER, FUEL PUMP STUD	17	6
11-26419	NUT, STARTER SOLENOID TERMINAL (10-32)	13	40	12-20533	WASHER	11	11
11-26419	NUT, STARTER TERMINAL (#8)	5	8	12-20553	WASHER, CLIP SCREW	41	25
11-30506	NUT, OIL COOLER BRACKET SCREW	43	20	12-20553	WASHER, DISTRIBUTOR AND BRACKET SCREW	15	16
11-30968	NUT	23	29	12-20553	WASHER, EXHAUST MANIFOLD SCREW	27	6
11-30968	NUT, ALTERNATOR TERMINAL (10-24)	5	12	12-20553	WASHER, PLATE SCREW	35	23
11-32219	NUT, FLYWHEEL HOUSING STUD	49	6	12-20553	WASHER, PULLEY SCREW	39	20
11-32219	NUT, MOUNTING BRACKET STUD	55	7	12-20553	WASHER, ROCKER COVER STUD	33	4
11-32882	NUT, STEERING TUBE	51	20	12-20553	WASHER, THERMOSTAT HOUSING SCREW	29	11
11-34516	NUT, ROCKER VALVE ARM STUD	33	20	12-20572	WASHER, FLYWHEEL HOUSING SCREW -	49	8
11-35814	NUT, BASE SCREW	19	40	12-20670	WASHER	23	36
11-35814	NUT, SHIFT BRACKET STUD	45	13	12-20670	WASHER, FUEL PUMP STUD	17	8
11-35888	NUT, SHIFT CABLE STUD	45	28	12-20959	WASHER, ADAPTOR SCREW	51	14
11-35888	NUT, STARTER SOLENOID SCREW	11	38	12-21273	WASHER, ADAPTOR SCREW	25	42
11-37493	NUT, CONNECTING ROD CAP BOLT	37	14	12-21631	WASHER	21	9
11-37500	NUT, OIL PAN BAFFLE STUD	41	8	12-21631	WASHER, RUBBER MOUNT	27	20
11-40063--2	NUT, FUEL PUMP STUD (4 MM)	17	9	12-22886	WASHER, FUEL LINE CONNECTOR	17	15
11-40063--3	NUT, FUEL PUMP STUD (5 MM)	17	7	12-24676	WASHER	23	18
11-45076	NUT, PRESSURE SWITCH TERMINAL (10-32)	47	6	12-25970	WASHER, ALTERNATOR BRACKET SCREW	5	27
11-45076	NUT, TEMPERATURE SWITCH (10-32)	47	3	12-26168	WASHER, ALTERNATOR BRACE SCREW	5	20
11-46438	NUT, INSULATOR SCREW	11	34	12-26168	WASHER, BRACKET SCREW	17	12
				12-27736	WASHER	13	50
				12-27736	WASHER, SENSOR SCREW	15	10
				12-29245	WASHER	23	22

PARTS INDEX

Part Number	Description	Pg.	Ref. No.	Part Number	Description	Pg.	Ref. No.
12-29245	WASHER, PLENUM SCREW	23	6	13-26996	LOCKWASHER, OIL PRESSURE	11	16
12-29245	WASHER, STARTER MOTOR STUD	5	4	13-26996	LOCKWASHER, TEMPERATURE SWITCH (#10)	47	2
12-30164	WASHER	23	14	13-26996	LOCKWASHER, TERMINAL BLOCK SCREW	45	19
12-30164	WASHER, IGNITION COIL TERMINAL	15	29	13-26996	LOCKWASHER, WATER TEMPERATURE	11	13
12-33258	WASHER, LEATHER - COMMUTATOR END FRAME	7	16	13-35048	LOCKWASHER	35	18
12-34567	WASHER, PUMP STUD (BRACE SLOT)	53	4	13-35048	LOCKWASHER, ALTERNATOR BRACE SCREW	5	17
12-34714	WASHER, ALTERNATOR BRACE SCREW	5	18	13-35048	LOCKWASHER, ALTERNATOR BRACKET SCREW	5	25
12-35332	WASHER, PULLEY AND HARMONIC BALANCER BOLT	39	17	13-35048	LOCKWASHER, BRACKET SCREW	11	22
12-35462	WASHER, COUPLER NUT LOCK SCREW	51	32	13-35048	LOCKWASHER, BRACKET SCREW	15	33
12-35462	WASHER, SHIFT CABLE STUD	45	24	13-35048	LOCKWASHER, CLAMPING SCREW	51	11
12-39167	WASHER, CAMSHAFT TIMING SPROCKET BOLT	35	14	13-35048	LOCKWASHER, CLIP SCREW	41	24
12-45175	WASHER, INTAKE MANIFOLD SCREW	21	3	13-35048	LOCKWASHER, DISTRIBUTOR SCREW	15	34
12-46101	WASHER, FUEL RAIL SCREW	17	27	13-35048	LOCKWASHER, EXHAUST PLATE SCREW	31	3
12-56681	WASHER, CIRCUIT BREAKER SCREW	11	33	13-35048	LOCKWASHER, FLYWHEEL HOUSING SCREW (3/8")	49	7
12-56720	WASHER, SHIFT BRACKET STUD	45	10	13-35048	LOCKWASHER, MOUNTING BRACKET SCREW	55	3
12-56720	WASHER, SPRING SCREW	45	7	13-35048	LOCKWASHER, MOUNTING BRACKET SCREW	55	3
12-68614	WASHER, BEARING PLATE	7	9	13-35048	LOCKWASHER, MOUNTING BRACKET STUD	11	26
12-96457	WASHER, ALTERNATOR TERMINAL	5	11	13-35048	LOCKWASHER, MOUNTING BRACKET STUD	55	6
13-21272	LOCKWASHER, ALTERNATOR TERMINAL	5	13	13-35048	LOCKWASHER, PLATE SCREW	35	22
13-26992	LOCKWASHER	11	10	13-35048	LOCKWASHER, PULLEY SCREW	39	19
13-26992	LOCKWASHER, BRACKET SCREW	13	47	13-39107	LOCKWASHER, ALTERNATOR BRACE SCREW	5	31
13-26992	LOCKWASHER, PLATE	35	25	13-39107	LOCKWASHER, WATER PUMP PULLEY SCREW	39	7
13-26992	LOCKWASHER, STARTER SOLENOID TERMINAL	13	39	13-39131	LOCKWASHER	39	16
13-26993	LOCKWASHER, BRACKET SCREW	27	16	13-40024--8	LOCKWASHER, BRACE SCREW	53	8
13-26995	LOCKWASHER	23	13	13-68102	LOCKWASHER, MOUNTING BRACKET	55	10
13-26995	LOCKWASHER	23	26	13-76629	LOCKWASHER, STEERING TUBE ADAPTOR	51	16
13-26995	LOCKWASHER	23	35	14-12657	TAB WASHER	55	11
13-26995	LOCKWASHER, STARTER TERMINAL (#8)	5	7	16-11989	STUD, OIL PAN	41	14
13-26996	LOCKWASHER	23	10	16-14827	STUD	39	30
13-26996	LOCKWASHER	23	17	16-24585--1	STUD, MOUNTING BRACKET	11	24
13-26996	LOCKWASHER, ADAPTOR SCREW	25	41	16-34521	STUD, ROCKER VALVE ARM (.013 O.S.)	33	22
13-26996	LOCKWASHER, ALTERNATOR TERMINAL	5	10				
13-26996	LOCKWASHER, CIRCUIT BREAKER TERMINAL	11	29				
13-26996	LOCKWASHER, DISTRIBUTOR TERMINAL	15	17				

PARTS INDEX

Part Number	Description	Pg.	Ref. No.	Part Number	Description	Pg.	Ref. No.
16-34522	STUD, ROCKER VALVE ARM (.003 O.S.)	33	22	22-36382	PLUG, PIPE - EXHAUST MANIFOLD	27	3
16-41877	STUD, POWER STEERING PUMP	53	1A	22-36382A1	FITTING ASSEMBLY	21	4
16-54790	STUD, OIL PAN BAFFLE	41	7	22-38992	BUSHING, TEMPERATURE SWITCH	47	15
16-64066	STUD, FLYWHEEL HOUSING (2-1/4")	49	5	22-42554	NIPPLE, OIL PRESSURE SENDER	11	19
16-64066	STUD, MOUNTING BRACKET TO ENGINE	55	4	22-46932	ELBOW, OIL PRESSURE SENDER	11	18
16-72809	STUD	21	7	22-46982	ELBOW	43	12
16-72809	STUD, ROCKER COVER	33	3	22-46982	ELBOW (90 DEGREES)	21	11
16-96108	STUD, SHIFT BRACKET	45	3	22-48340	PLUG, EXPANSION - CYLINDER BLOCK	35	2
16-96112	STUD, SHIFT CABLE	45	23	22-52930	TEE	17	20
16-98798	STUD, SHIFT CABLE	45	2	22-52930	TEE	47	14
16-98851	STUD	23	21	22-63825	FITTING, HOSE TO OIL COOLER (90 DEGREES)	43	15
16-98851	STUD, SHIFT CABLE	45	21	22-67305	GREASE FITTING	51	12
17-14263	DOWEL PIN	39	28	22-69395	FITTING (90 DEGREES)	19	42
17-35312	PIN, DOWEL - CAMSHAFT SPROCKET (1/4" DIA.)	35	15	22-72640	PLUG, EXPANSION - CAMSHAFT BEARING HOLE	35	6
17-35312	PIN, DOWEL - REAR BEARING CAP (1/4" DIA.)	37	5	22-73379	PIPE PLUG, BASE	17	38
17-35465	PIN, DOWEL - BLOCK TO HEAD (5/16" DIA.)	35	5	22-79484	CAP, FITTING	19	43
17-43504	DOWEL PIN, CRANKSHAFT	37	18	22-87238	DRAIN COCK, CYLINDER BLOCK	35	3
17-47617	PIN, DRIVE GEAR	15	12	22-87238	DRAIN COCK, EXHAUST MANIFOLD	27	7
17-52798	CLEVIS PIN	51	30	22-92949	BUSHING, REDUCER - TEMPERATURE SWITCH	47	4
17-88283	RETAINING PIN, BOOSTER CYLINDER	51	5	23-13720	BUSHING	23	31
17-89229	CLEVIS PIN	51	29	23-15895	SPACER, MOUNTING BRACKET STUD	11	25
17-99938	PIN	51	25	23-15960	BEARING SET, CRANKSHAFT (STD.)	37	3/4
18-32857	COTTER PIN, SHIFT CABLE RETAINING	45	9	23-15960-10	BEARING SET, CRANKSHAFT (.010 U.S.)	37	3/4
18-34212	COTTER PIN, SLEEVE	51	33	23-15960-20	BEARING SET, CRANKSHAFT (.020 U.S.)	37	3/4
18-36377	COTTER PIN, RETAINING PIN	51	6	23-15961	BEARING SET, CONNECTING ROD (STD.)	37	15
18-46950	COTTER PIN, CLEVIS PIN	51	31	23-15961-10	BEARING SET, CONNECTING ROD (.010 U.S.)	37	15
19-34270	PLUG, EXPANSION - CYLINDER BLOCK (1-5/8" DIA.)	35	4	23-15961-20	BEARING SET, CONNECTING ROD (.020 U.S.)	37	15
22-13757	NIPPLE	23	2	23-31866	SPACER	21	8
22-14382A1	FUEL FITTING ASSEMBLY	17	18	23-33186	BUSHING, ALTERNATOR BRACKET SCREW	5	28
22-14383	CONNECTOR, FUEL LINE TO FUEL PUMP	17	16	23-33369	BUSHING, DRIVE END HOUSING	7	2
22-14384	CONNECTOR, FUEL LINE TO FUEL PUMP	17	3	23-36183	RETAINER, OIL PUMP SHAFT	41	5
22-14472	FITTING (90 DEGREES)	17	35	23-37981	SPACER, SHIFT BRACKET STUD	45	11
22-14475	NIPPLE	17	23	23-45600	SLEEVE, ACTUATING LEVER	45	12
22-15156	REDUCER	43	11	23-45600	SLEEVE, SHIFT LEVER	45	22
22-32561	PLUG	23	3	23-47508	SLEEVE, THERMOSTAT	29	7
22-32876	NIPPLE	17	19				
22-33198A1	PLUG, EXHAUST ELBOW	27	12				
22-33198A1	PLUG, EXHAUST MANIFOLD	27	2				
22-33198A1	PLUG, THERMOSTAT HOUSING	29	3				
22-33821	CONNECTOR	17	28				
22-33821	CONNECTOR, FUEL LINE	17	1				
22-36305	ELBOW, EXHAUST MANIFOLD	27	8				
22-36382	PLUG	17	36				

PARTS INDEX

Part Number	Description	Pg.	Ref. No.	Part Number	Description	Pg.	Ref. No.
23-52095	SPACER, ALTERNATOR BRACE SCREW	5	21	27-75611	GASKET, CYLINDER HEAD	33	23
23-71694	BUSHING, BEARING PLATE	7	8	27-87105	GASKET, ELBOW	27	9
23-85674	BEARING UNIT, CAMSHAFT (SET)	35	7	27-91892	GASKET, ADAPTOR COVER AND OIL FILTER	43	3
23-88282	SLEEVE, ADAPTOR BRACKET	51	7	27-96274	GASKET, FLYWHEEL HOUSING SCREW	49	11
23-88286	BUSHING, STEERING TUBE	51	26	27-98242	GASKET, DISTRIBUTOR CAP	15	4
23-90523	SPACER, BRACKET SCREW	17	13	27-99893	GASKET, OIL FILTER ADAPTOR	43	8
23-95803	BUSHING, PIVOT	51	24	28-34466	KEY, CRANKSHAFT PULLEY AND BALANCER	37	17
23-98820	SPACER, SHIFT CABLE STUD	45	26	28-54797	KEY, VALVE STEM	33	17
23-98828	SPACER, RUBBER PAD	45	8	32-13601	FUEL LINE	17	29
23-99322	SPACER, RUBBER MOUNT - FLYWHEEL HOUSING	49	3	32-14473	FUEL LINE	17	34
24-13938	SPRING, THROTTLE RETURN	23	30	32-14474	FUEL LINE	17	33
24-33285	SPRING, FIELD FRAME BRUSH	7	24	32-15937	FUEL LINE, FILTER TO PUMP	17	2
24-45599	SPRING, ACTUATING LEVER	45	5	32-15939A1	FUEL LINE (4')	17	17
24-48347	SPRING, VALVE (INLET AND EXHAUST)	33	12	32-66285--4	HOSE	21	5
24-98880	SPRING, SHIFT CABLE STUD	45	27	32-68894--1	HOSE, PUMP TO OIL COOLER	53	13
25-45711	"O" RING	23	33	32-77690	WRAPPING, PLASTIC (1/4")	11	2
25-45711	"O" RING, FUEL INJECTOR	21	18	32-87108	HOSE, THERMOSTAT HOUSING TO WATER PUMP	29	15
25-52188	GROMMET	21	16	32-87116	HOSE, THERMOSTAT COVER TO EXHAUST MANIFOLD	29	17
25-79208	GROMMET, FIELD COIL	7	14	32-87117	HOSE, THERMOSTAT COVER TO EXHAUST MANIFOLD	29	18
25-89879	"O" RING, PRESSURE HOSE END	53	11	32-88794	HOSE, THERMOSTAT HOUSING TO OIL COOLER	29	12
26-14240	OIL SEAL, CRANKSHAFT (REAR)	39	24	32-90494	HOSE, PRESSURE (FITTINGS ON BOTH ENDS)	53	10
26-4217	SEAL, VALVE (INLET AND EXHAUST)	33	10	32-92054	TUBE, EXTENDING	51	2
26-97335	OIL SEAL, COVER	39	10	32-92055	TUBE, RETRACTING	51	3
26-97664	SEAL, INLET VALVE	33	11	32-92357--9	HOSE, OIL - ADAPTOR (7")	43	14
27-13745	GASKET, PLENUM	23	4	32-92357-61	HOSE, OIL - ADAPTOR (36")	43	14
27-13745A86	GASKET SET	2	-	32-92357-70	HOSE, OIL - ADAPTOR (45")	43	14
27-13865	GASKET, OIL PAN	41	10	32-93315-12	HOSE	21	13
27-14241	GASKET, OIL SEAL RETAINER	39	25	32-96246A4	HOSE, FLUID COOLER TO DRIVE UNIT	29	13
27-14250	GASKET, COVER	39	11	32-98843-39	HOSE, RETURN (FITTINGS ON ONE END)	53	12
27-14527	GASKET	23	8	33-59571	SPARK PLUG	15	22
27-14613	GASKET, PLATE	35	20	35-60494--1	FUEL FILTER	19	41
27-33395	GASKET, EXHAUST MANIFOLD TO CYLINDER HEAD	27	4	36-95805	CAP, POWER STEERING PUMP	53	2
27-34486--1	GASKET, DISTRIBUTOR	15	13	37-16672A1	DECAL SET	25	43
27-34897	GASKET, WATER PUMP MOUNTING	39	3	39-65153	RING, PISTON - 8 SETS (STANDARD)	37	2
27-44204	GASKET, ROCKER VALVE COVER	33	6	39-67126	RING, PISTON - 8 SETS (.030 O.S.)	37	2
27-47510	GASKET, THERMOSTAT	29	6	43-35338	SPROCKET, CAMSHAFT	35	11
27-48818	GASKET, THERMOSTAT COVER	29	8	43-47619--1	GEAR, DRIVE	15	11
27-49955	GASKET, DRAIN SCREW	41	11	43-48338	SPROCKET, CAMSHAFT TIMING	35	12
27-53045	GASKET, THERMOSTAT HOUSING	29	4				
27-72637	GASKET SET, INTAKE MANIFOLD	39	1				

PARTS INDEX

Part Number	Description	Pg.	Ref. No.	Part Number	Description	Pg.	Ref. No.
50-12177A2	STARTER	7	-	390-7004	FAN, DRIVE END FRAME	9	4
50-12177A2	STARTER MOTOR ASSEMBLY	5	1	390-7005	BALL BEARING, DRIVE END	9	8
53-33290	RING, RETAINING - PINION STOP COLLAR	7	4	390-7006	RETAINER DRIVE END BALL BEARING	9	9
53-90916	"E" RING, FUEL INJECTOR	21	19	390-7007	RETAINER, ROTOR SHAFT BEARING	9	21
54-32780	CLAMP, HOSE ATTACHING	29	14	390-7008	DIODE TRIO	9	35
54-32781	CLAMP, HOSE ATTACHING	29	16	390-7009	DIODE RECTIFIER,NEGATIVE	9	11
54-33683	CLAMP	23	38	390-7010	HEAT SINK, POSITIVE	9	12
54-35830	CLAMP, HOSE ATTACHING	53	14	390-7011	BRUSH HOLDER ASSEMBLY	9	33
54-42046	CLIP, OIL LEVEL TUBE (UPPER)	41	22	390-7012	SPACER, FAN TO DRIVE END FRAME	9	5
54-43239	CLIP, OIL LEVEL TUBE	41	20	390-7013	GASKET, VOLTAGE REGULATOR	9	37
54-53101	CLAMP	21	14	390-7014	SLIP RING	9	17
54-78945	CLAMP, BRACKET SCREW	11	23	390-7015	SCREW, VOLTAGE REGULATOR ATTACING	9	39
54-90204	CLIP, WIRING HARNESS	55	5	390-7018	SLEEVE,INSULATOR	9	14
54-93384	CLAMP, FUEL PUMP	17	14	390-7019	SPACER, DIODE TRIO	9	36
57-37619T	V-BELT, POWER STEERING PUMP	53	9	390-7020	SLEEVE,INSULATOR	9	13
57-49213A1	BELT, ALTERNATOR	39	8	390-7021	NUT, CONDENSOR TERMINAL ATTACHING	9	32
83-14744	RECTIFIER/RELAY	13	48	390-7022	WASHER, CONDENSOR TERMINAL STUD	9	30
84-13793A3	WIRING HARNESS, INJECTORS	21	20	390-7023	WASHER, REGULATOR TERMINAL STUD	9	24
84-16278A1	HARNESS ASSEMBLY, FUEL PUMP	19	44	390-7024	WASHER, CONDENSOR TERMINAL STUD	9	25
84-42841A51	LEAD ASSEMBLY, DISTRIBUTOR TO COIL	15	19	390-7025	NUT, TERMINAL STUD	9	26
84-43376A4	SPARK PLUG WIRE KIT	15	20	390-7026	NUT, TERMINAL ATTACHING	9	29
84-60871A10	WIRE ASSEMBLY	11	8	390-7027	NUT, FAN AND PULLEY TO ROTOR	9	1
84-62826A6	WIRE, FLYWHEEL HOUSING STUD	49	13	390-7028	NUT, THRU BOLT ATTACHING	9	6
84-65999A10	WIRE ASSEMBLY	27	19	390-7029	SCREW, ROTOR SHAFT (5/8")	9	20
84-86044A4	WIRE ASSEMBLY, TAN/BLUE (36")	47	11	390-7030	SCREW, BRUSH HOLDER (1/2")	9	34
84-86322A8	WIRE ASSEMBLY, BLACK (8")	47	13	390-7032	LOCKWASHER, TERMINAL STUD	9	28
84-88032A1	WIRE ASSEMBLY, TAN/BLUE (20")	47	12	390-7033	LOCKWASHER, FAN AND PULLEY NUT	9	2
84-98423A8	WIRING HARNESS (MR)	11	1	390-7034	KEY,ROTOR	9	15
85-63709A1	BOOT ASSEMBLY, SPARK PLUG	15	21	390-7035	CONDENSOR	9	23
85-79695	INSULATOR, BOOT - STARTER TERMINAL	5	30	390-7036	VOLTAGE REGULATOR	9	38
85-96819	INSULATOR, CIRCUIT BREAKER	11	35	390-7206	WASHER, ROTOR SCREW	9	18
86-66986	TERMINAL BLOCK	45	16	390-7207	LOCKWASHER, ROTOR SCREW	9	19
87-14172A2	SENSOR ASSEMBLY	21	6	390-7208	WASHER, TERMINAL STUD	9	27
87-14355	SWITCH, OIL PRESSURE	17	22	390-7804A5	IGNITION AMPLIFIER	11	6
87-14356	SWITCH, OIL PRESSURE	43	13	390-8635	ROTOR ASSEMBLY	9	16
87-91019A3	SENSOR ASSEMBLY	15	8	390-8636	STATOR ASSEMBLY	9	10
88-11178	CIRCUIT BREAKER (50 AMP)	11	28	390-8638	THRU BOLT	9	31
89-14561A1	AIR VALVE	23	7	392-7803A4	COIL, IGNITION	15	26
89-18080	SOLENOID SWITCH (3-5/8" LONG)	7	33	429-9601	CRANKSHAFT	37	16
89-96054	STARTER SOLENOID	11	36	431-5952	CAMSHAFT	35	9
90-14350870	OWNERS GUIDE	2	-	614-5951	CONNECTING ROD ASSEMBLY	37	12
90-15399	PARTS MANUAL	2	-				
222-9520	FLYWHEEL (14" DIA.)	37	6				
390-7000	COVER ASSEMBLY, FRONT	9	7				
390-7003	COVER ASSEMBLY, REAR	9	22				

PARTS INDEX

Part Number	Description	Pg.	Ref. No.	Part Number	Description	Pg.	Ref. No.
735-5950	PISTON AND PISTON PIN ASSEMBLY (.030 O.S.) . . .	37	1				
841-9605	CYLINDER BLOCK ASSEMBLY	35	1				
938-7499	CYLINDER ASSEMBLY	33	21				