



PARTS CATALOG

10 XS

SERIAL NUMBER

MERC 10XS B135221 AND UP

TABLE OF CONTENTS:

CARBURETOR ASSEMBLY	10
CLAMP BRACKET/SWIVEL BRACKET	20
COWLS	2
CRANKSHAFT, PISTONS AND FLYWHEEL	16
CYLINDER BLOCK AND COVERS	12
DRIVE SHAFT HOUSING ASSEMBLY	18
FUEL FILTER ASSEMBLY	8
GEAR HOUSING	22
IGNITION COMPONENTS	6
MANUAL STARTER	4
MISCELLANEOUS PARTS/ACCESSORIES	1
PARTS INDEX	24

NOTE: *Indented description indicate that these parts are included in preceeding assembly.*

AR = As Required

NSS = Not Sold Separate

OPT = Optional

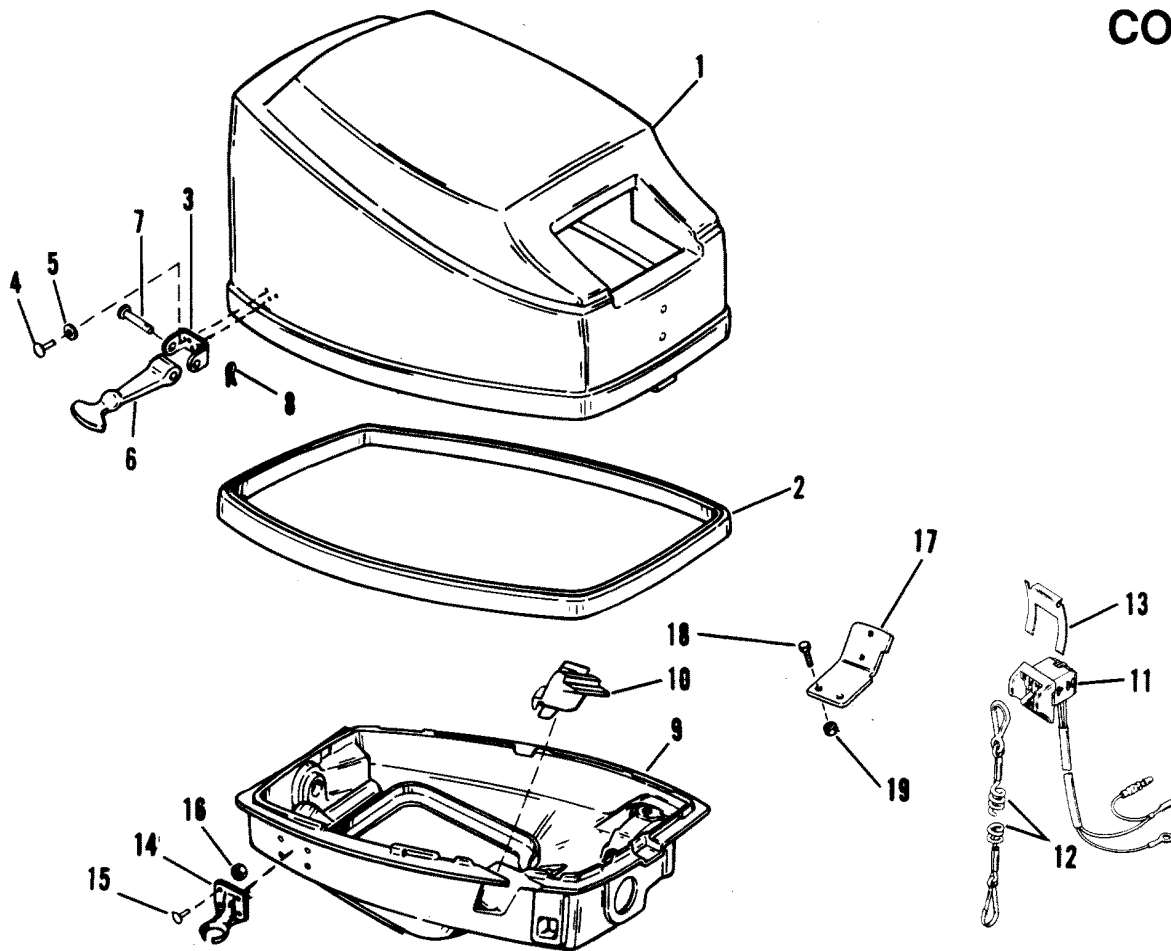
NS = Not Shown

THESE PARTS BOOKS/FICHE CARD ARE COPYRIGHTED AND MAY NOT BE DISTRIBUTED OR REPRODUCED IN ANY OTHER FORMAT BY ANYONE OTHER THAN MERCURY MARINE WITHOUT THE PRIOR WRITTEN CONSENT OF MERCURY MARINE.

MISCELLANEOUS PARTS/ACCESSORIES

REF. NO.	PART NO.	SYM.	QTY.	DESCRIPTION
-	90-18100		0	10XS PARTS LIST
-	27-42370A87		0	GASKET SET
-	37-14501A87		0	DECAL SET
-	90-15795870		0	OWNERS GUIDE

COWLS

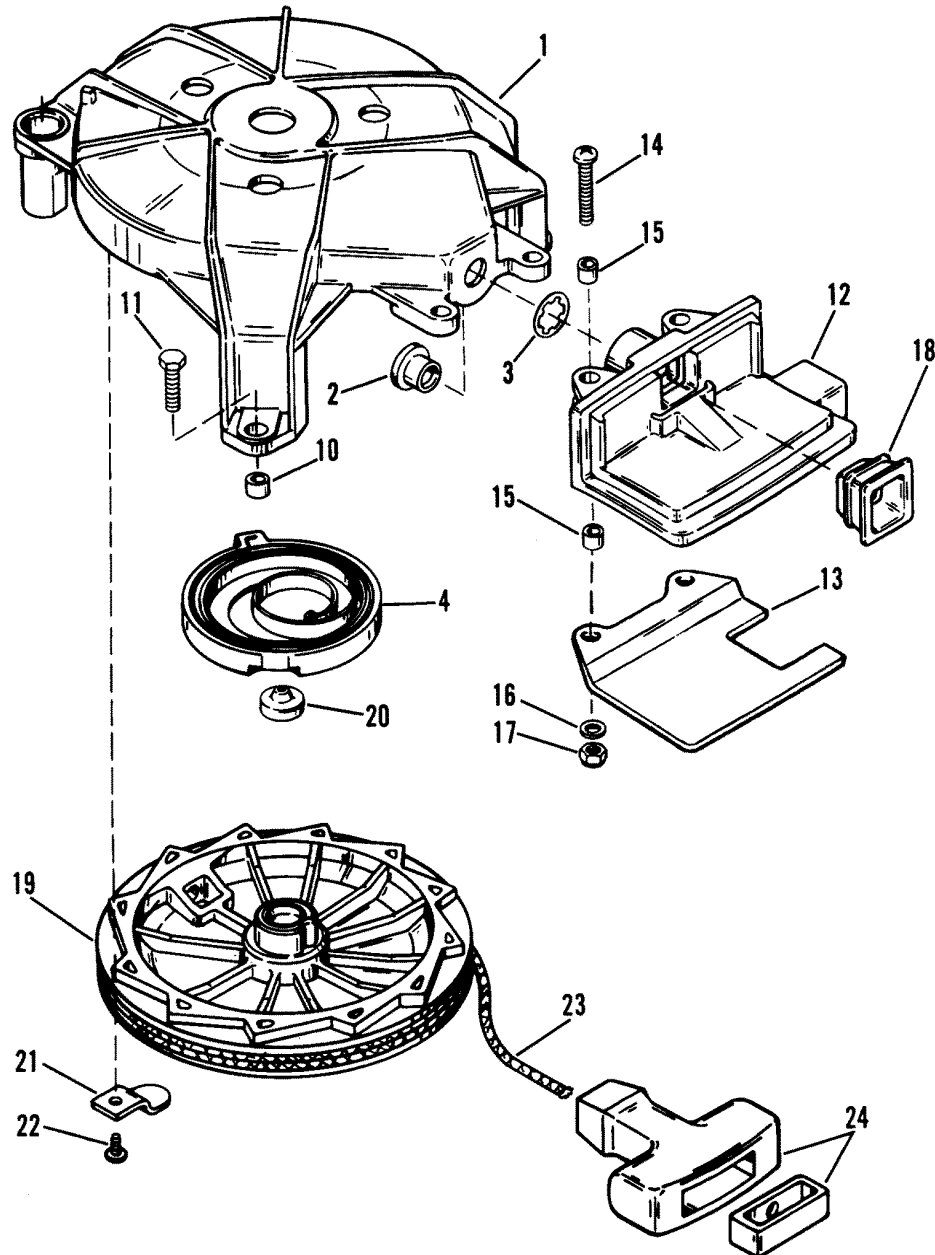


COWLS

COWLS

REF. NO.	PART NO.	SYM.	QTY.	DESCRIPTION
1	2191-9205A5		1	TOP COWL (WITHOUT DECALS)
2	44462		1	SEAL
3	71602		1	YOKE
4	17-57629		3	RIVET, YOKE
5	12-20128		3	WASHER, YOKE RIVET
6	58707		1	HOLD DOWN (BUNGY CORD)
7	17-58712		1	CLEVIS PIN
8	18-21071		1	COTTER PIN
9	2192-9204A1		1	BOTTOM COWL (WITHOUT DECALS)
10	12154		1	PLUG, BOTTOM COWL
11	87-11083A6		1	STOP SWITCH ASSEMBLY
12	15920A54		1	LANYARD ASSEMBLY
13	12044		1	RETAINER, STOP SWITCH
14	61364		1	RETAINTER
15	10-40003--5		2	SCREW
16	11-40063--3		2	NUT
17	14537A1		1	THROTTLE BRACKET
18	10-40057107		2	SCREW
19	11-40063--3		2	NUT

MANUAL STARTER

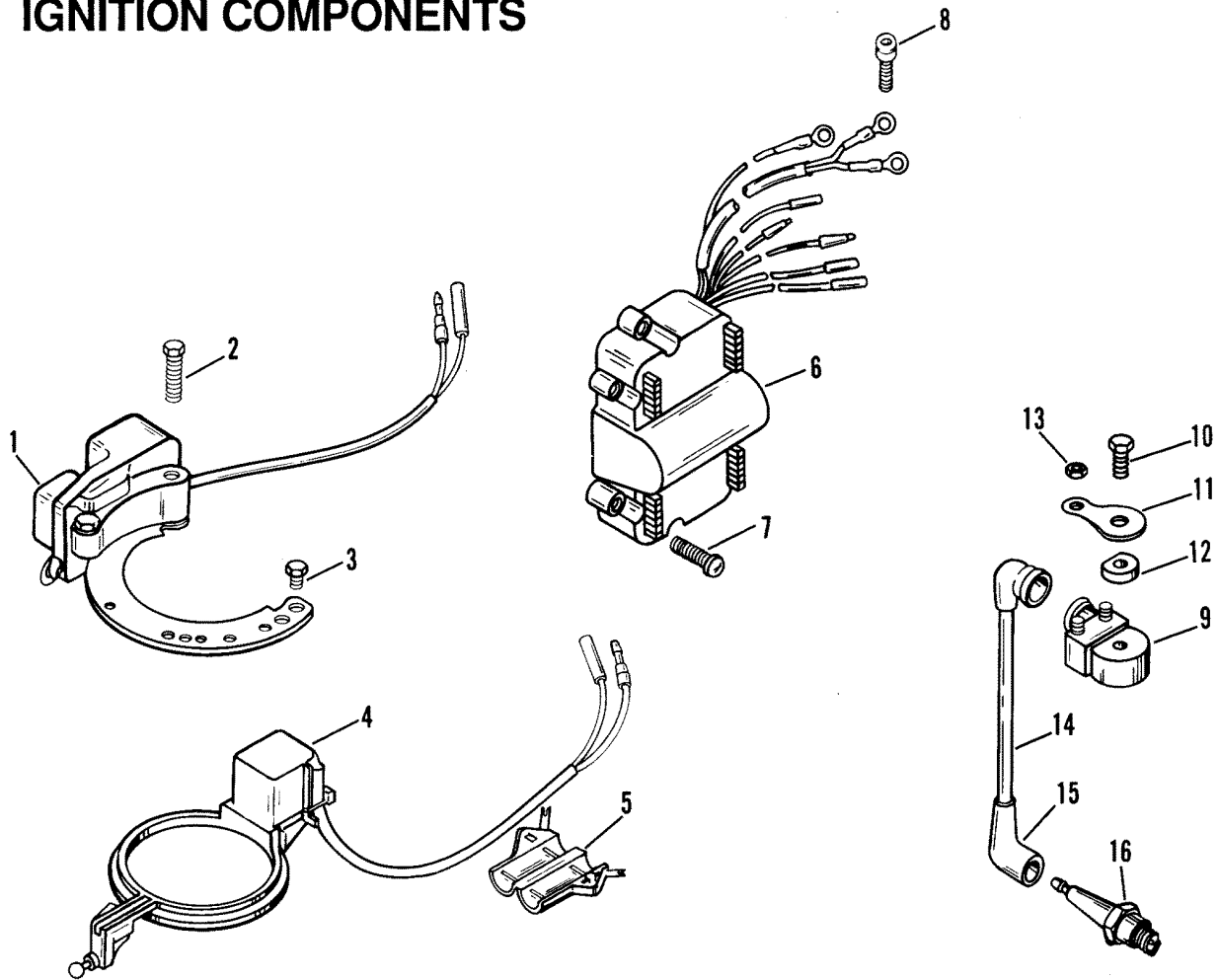


MANUAL STARTER

REF. NO.	PART NO.	SYM.	QTY.	DESCRIPTION
1	42207A1		1	HOUSING ASSEMBLY, STARTER
2	42690		1	BUSHING, STARTER ROPE
3	53-42689		1	RETAINING RING
4	42194A2		1	RECOIL SPRING ASSEMBLY
10	23-43787		3	SPACER, STARTER HOUSING SCREW
11	10-40011128		3	SCREW, STARTER HOUSING ATTACHING
12	42094		1	REST, STARTER HANDLE
13	12674		1	SUPPORT
14	10-40057111		2	SCREW, REST TO STARTER HOUSING
15	23-30977		4	SPACER, REST SCREW
16	12-40022-13		2	WASHER, REST SCREW
17	11-40063--3		2	NUT, REST SCREW
18	44180		1	BUSHING, STARTER ROPE
19	42034A1		1	SHEAVE, STARTER
20	19-42707--1		1	CAP, STARTER SHEAVE
21	42209		3	TAB, STARTER SHEAVE
22	10-48408		3	SCREW, TAB
23	50-12066A9		1	ROPE, STARTER
24	85174A1		1	HANDLE ASSEMBLY, STARTER ROPE

IGNITION COMPONENTS

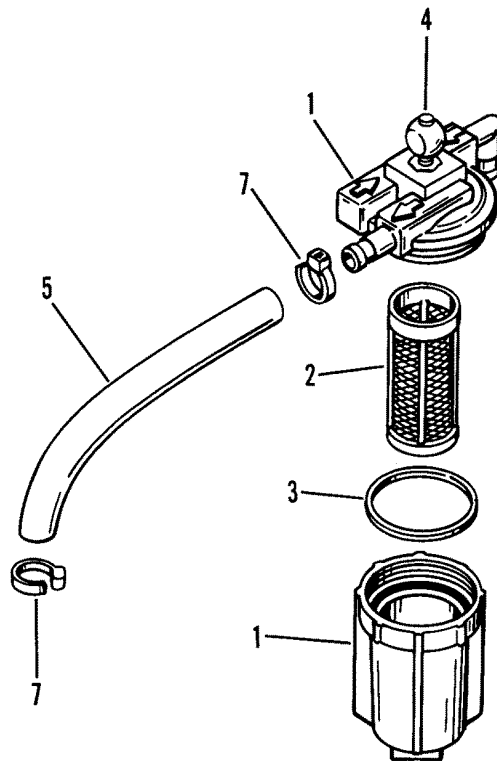
IGNITION COMPONENTS



IGNITION COMPONENTS

REF. NO.	PART NO.	SYM.	QTY.	DESCRIPTION
1	86617A13		1	STATOR ASSEMBLY
2	10-40001-20		2	SCREW, STATOR ATTACHING
3	10-40001--5		2	SCREW, STATOR ATTACHING (MANUAL)
4	98450A5		1	TRIGGER ASSEMBLY
5	11100		1	CLIP, TRIGGER LEAD
6	339-7452A9		1	SWITCH BOX
7	10-40057108		3	SCREW, SWITCH BOX TO CYLINDER BLOCK (22MM)
8	10-43394		1	SCREW, GROUND WIRE
9	339-7370A13		2	IGNITION COIL ASSEMBLY
10	10-40112		2	SCREW, IGNITION COIL
11	88173		2	TAB WASHER
12	23-88171		2	BUSHING,COIL
13	11-45076		4	NUT, COIL TERMINAL
14	84-99215A25		2	LEAD ASSEMBLY, HIGH TENSION
15	85-63709A1		2	BOOT ASSEMBLY, SPARK PLUG
16	33-12343		2	SPARK PLUG

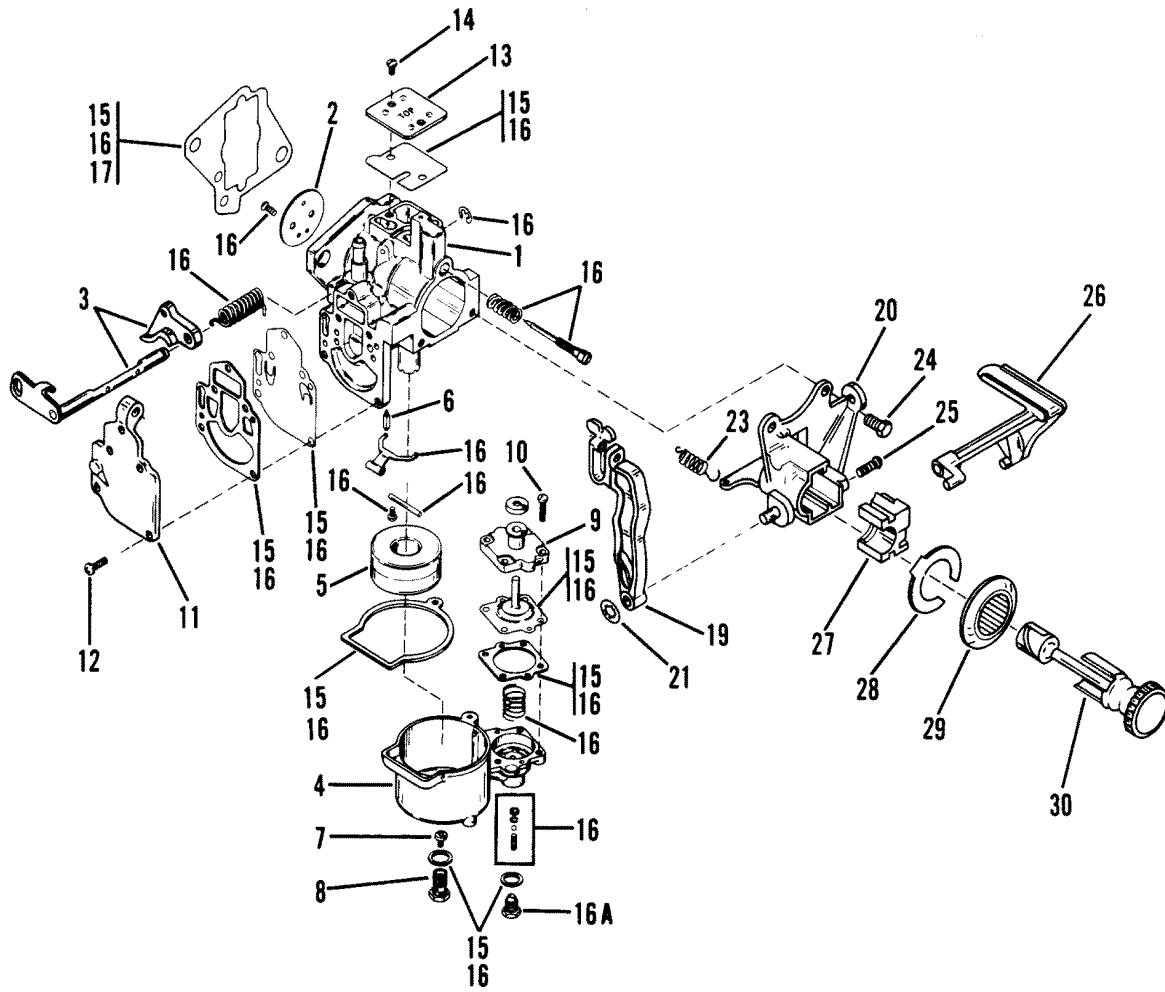
FUEL FILTER ASSEMBLY



FUEL FILTER ASSEMBLY

REF. NO.	PART NO.	SYM.	QTY.	DESCRIPTION
1	35-87946A13		1	FUEL FILTER ASSEMBLY
2	35-87946A3		1	FILTER ASSEMBLY
3	25-98277		1	SEAL,FUEL FILTER
4	91935		1	BALL,FUEL FILTER
5	32-99127109		1	FUEL LINE,FILTER TO CARBURETOR
7	73498		2	CLAMP,FUEL LINE

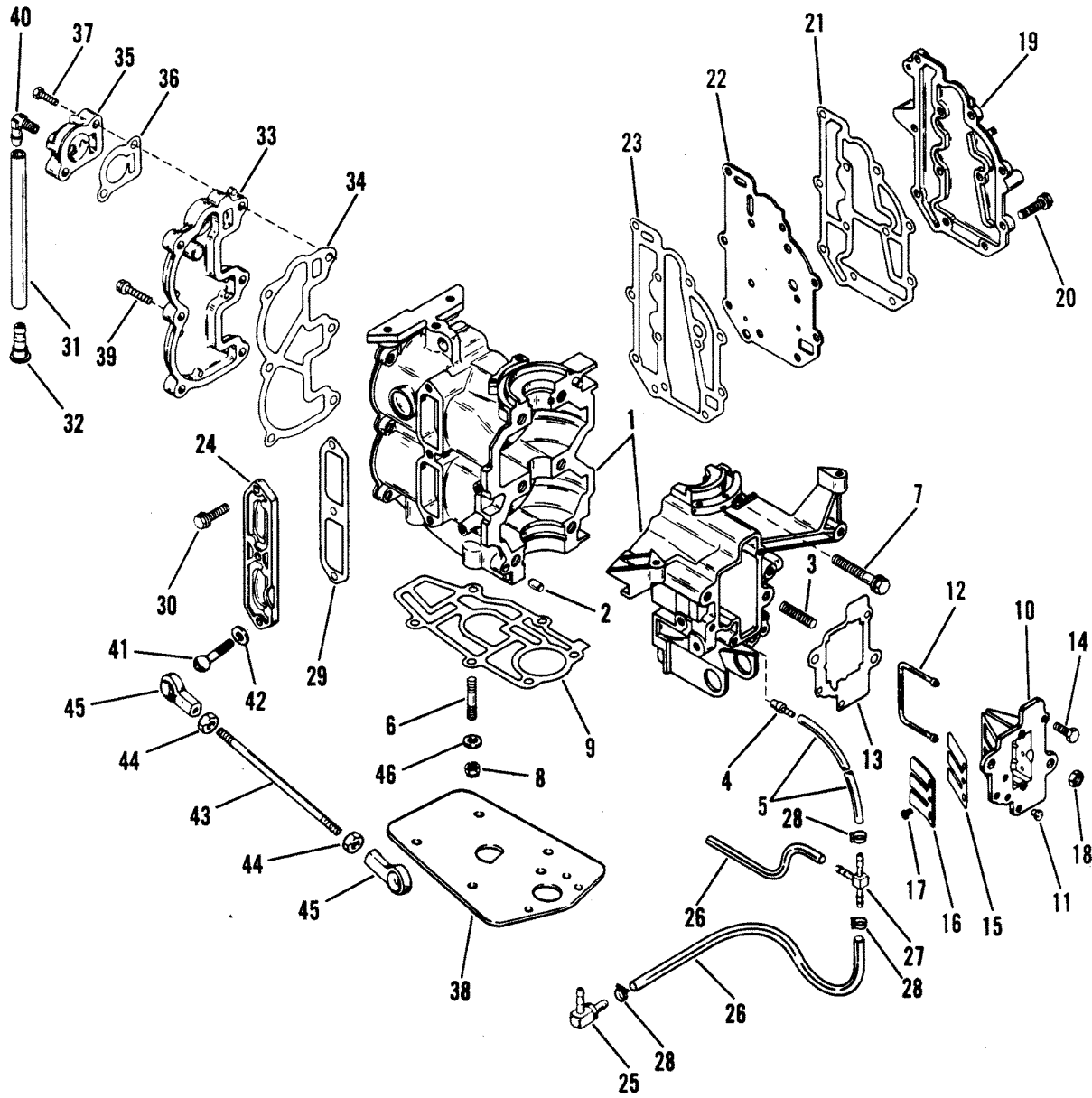
CARBURETOR ASSEMBLY



CARBURETOR ASSEMBLY

REF. NO.	PART NO.	SYM.	QTY.	DESCRIPTION
1	1392-8846A5		1	CARBURETOR ASSEMBLY
2	12905		1	THROTTLE VALVE
3	12914A1		1	THROTTLE SHAFT
4	1395-9164		1	FUEL BOWL
5	1395-9169		1	FLOAT
6	1395-9170		1	VALVE,INLET NEEDLE
7	1395-7831		1	JET, MAIN FUEL (.058)
8	1395-9171		1	PLUG, JET RETAINER
9	1395-9165		1	COVER,DIAPHRAGM
10	1395-9174		1	SCREW,DIAPHRAGM COVER
11	1395-9471		1	COVER,FEUL PUMP
12	1395-9173		4	SCREW, FUEL PUMP COVER
13	1395-9177		1	PLATE, COVER
14	1395-9172		5	SCREW, COVER PLATE
15	1395-9377		1	GASKET/DIAPHRAM KIT
16	1395-9475		2	REPAIR PARTS KIT
16A	1395-9535		1	PLUG
17	27-42178		1	GASKET,CARBURETOR
19	12805--1		1	LEVER,FAST IDLE
20	12803		1	BRACKET,PRIMER
21	11-97877		1	PUSHNUT,FAST IDLE LEVER
23	24-11277		1	SPRING
24	10-40001--8		2	SCREW,PRIMER BRACKET
25	10-79965		1	SCREW,PRIMER BRACKET
26	11273		1	LEVER,PRIMER
27	11280		1	CAM BLOCK
28	53-11278		1	RETAINING CLIP
29	12804		1	CHOKE BEZEL
30	12802		1	KNOB,PRIMER

CYLINDER BLOCK AND COVERS

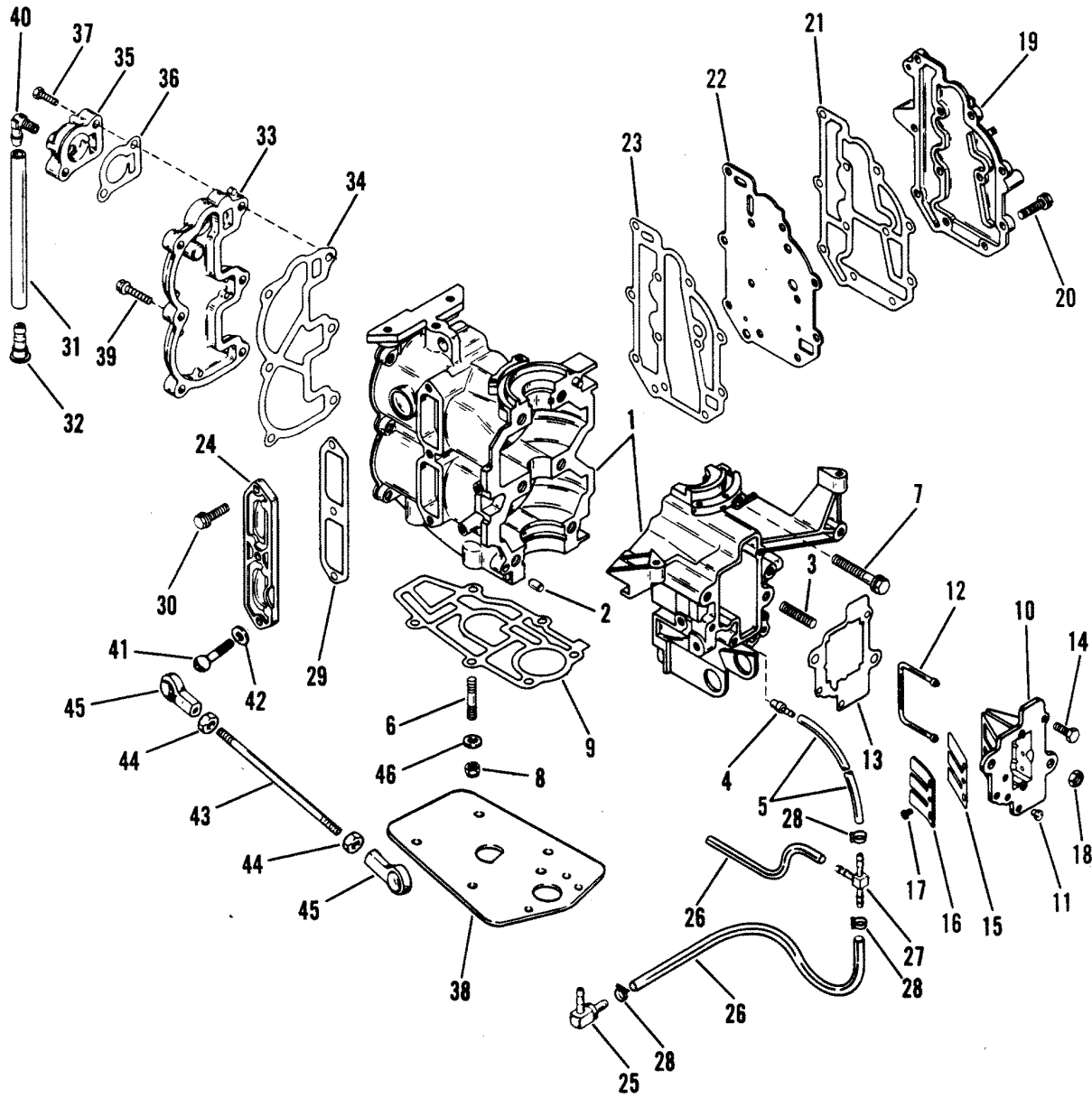


CYLINDER BLOCK AND COVERS

REF. NO.	PART NO.	SYM.	QTY.	DESCRIPTION
1	875-8473A2		1	CYLINDER BLOCK/CRANKCASE
2	17-85171		2	DOWEL PIN,CYLINDER BLOCK
3	16-42463		2	STUD,CARBURETOR
4	21-42698		1	CHECK VALVE, BLEED HOSE
5	32-13835-56		1	HOSE, BLEED
6	16-14804		6	STUD, CYLINDER BLOCK
7	10-42125		6	SCREW, CRANKCASE TO CYLINDER BLOCK
8	11-40063--4		6	NUT, CYLINDER BLOCK STUD
9	27-42370--2		1	GASKET, POWERHEAD
10	42381A2		1	REED BLOCK ASSEMBLY
11	21-42657A1		1	CHECK VALVE ASSEMBLY
12	26-42137		1	SEAL, REED BLOCK
13	27-42203--1		1	GASKET, REED BLOCK
14	10-40001-71		3	SCREW, REED BLOCK
15	34-42044		2	REED
16	42187		1	REED STOP
17	10-40057-64		6	SCREW, REED ATTACHING
18	11-40021--3		2	NUT, CARBURETOR STUD
19	42521		1	COVER, EXHAUST
20	10-40062129		11	SCREW, EXHAUST COVER TO CYLINDER BLOCK
21	27-42367		1	GASKET, EXHAUST COVER
22	42365		1	BAFFLE PLATE
23	27-42364		1	GASKET, BAFFLE PLATE
24	42368A1		1	COVER, INTAKE
25	22-15133		1	ELBOW
26	32-13835-56		2	TUBING
27	22-59169		1	TEE
28	56762		AR	STA-STRAP
29	27-42369		1	GASKET, INTAKE COVER
30	10-40062129		2	SCREW, COVER TO CYLINDER BLOCK
31	32-99127109		1	HOSE, TELL TALE
32	22-94848		1	FITTING, TELL TALE HOSE - BOTTOM COWL
33	1033-8906A1		1	COVER ASSEMBLY
34	27-42120--1		1	GASKET
35	14673--2		1	COVER
36	27-14672		1	GASKET
37	10-40062129		2	SCREW, COVER
38	14541		1	PLATE
39	10-40062129		6	SCREW, COVER ATTACHING
40	22-29111		1	FITTING (STRAIGHT)
41	10-F14538		1	BALL SCREW

CONTINUED ON NEXT PAGE ➡

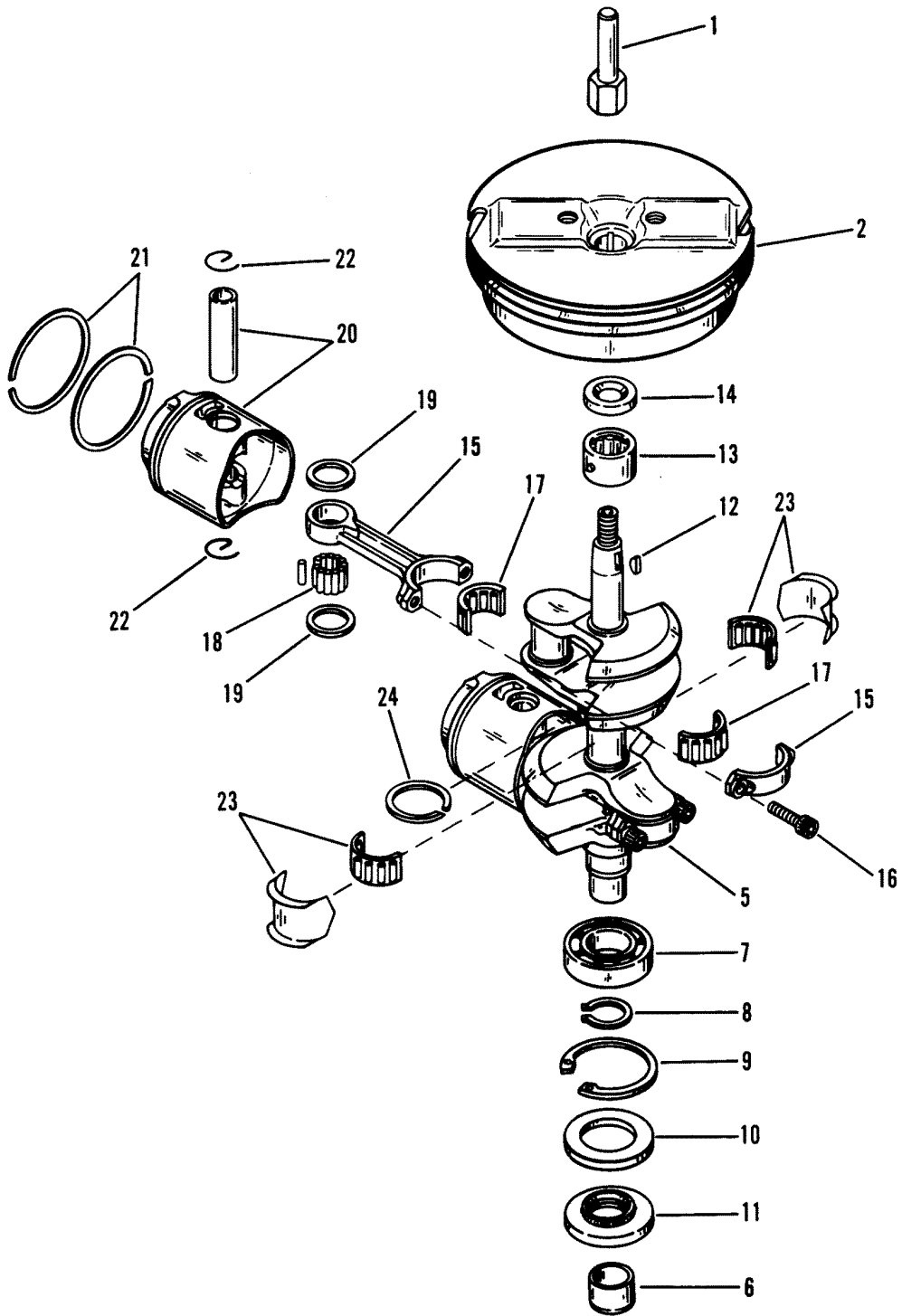
CYLINDER BLOCK AND COVERS



CYLINDER BLOCK AND COVERS

REF. NO.	PART NO.	SYM.	QTY.	DESCRIPTION
42	12-40023-15		1	WASHER
43	96255-13		1	LINK
44	11-68219		2	NUT
45	98465		2	BALL SOCKET
46	12-40023-15		6	WASHER, CYLINDER BLOCK STUD

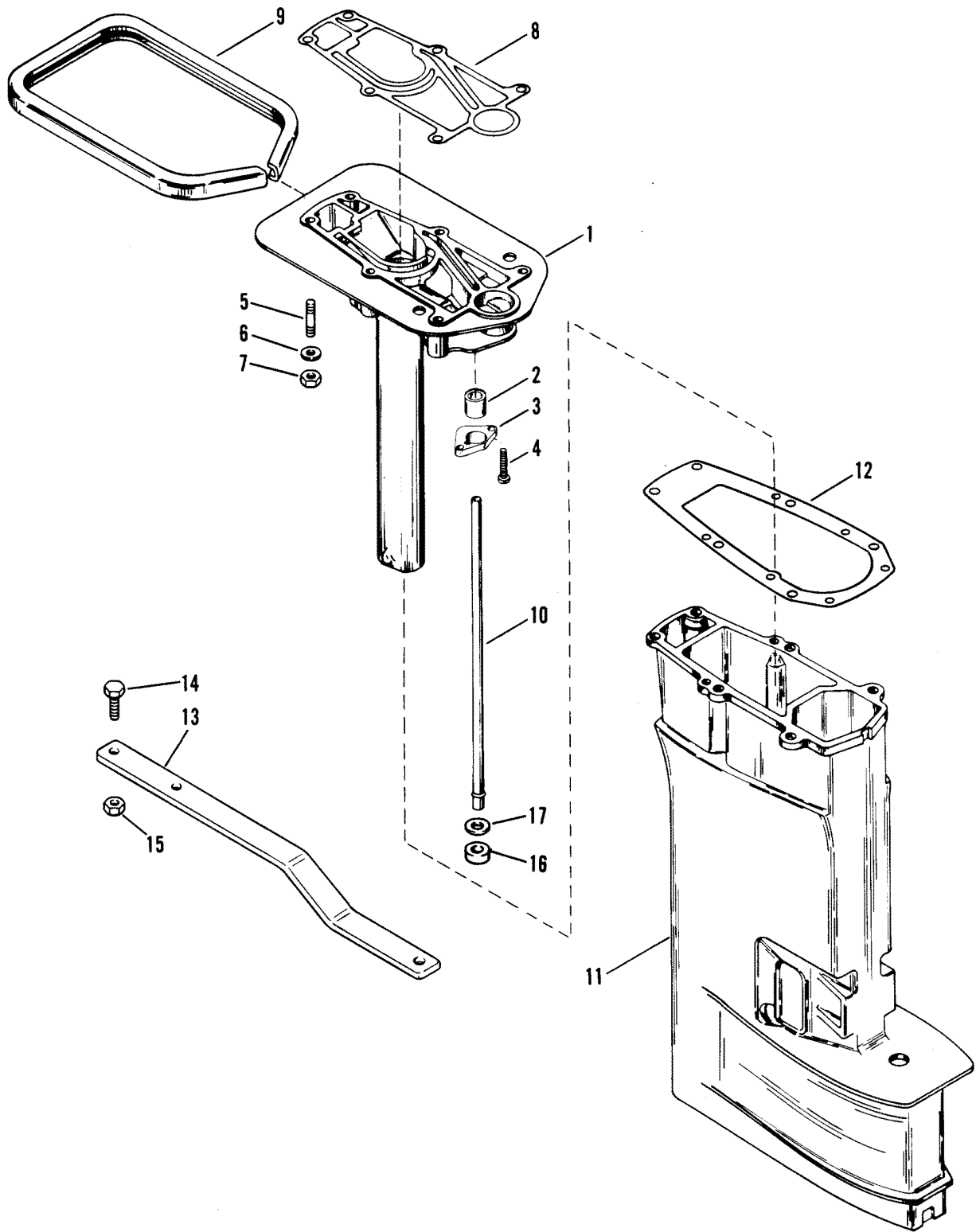
CRANKSHAFT, PISTONS AND FLYWHEEL



CRANKSHAFT, PISTONS AND FLYWHEEL

REF. NO.	PART NO.	SYM.	QTY.	DESCRIPTION
1	42691		1	SHAFT, FLYWHEEL
2	260-8908A2		1	FLYWHEEL ASSEMBLY
5	468-8471A2		1	CRANKSHAFT ASSEMBLY
6	26-42890		1	OIL SEAL, CRANKSHAFT
7	30-41341		1	BALL BEARING, CRANKSHAFT - LOWER
8	53-20940		1	SNAP RING, BALL BEARING (SMALL)
9	53-42132		1	RETAINING RING, BALL BEARING
10	12-13031		1	WASHER, LOWER
11	26-12566		1	OIL SEAL, CRANKSHAFT - LOWER
12	28-20094		1	KEY, FLYWHEEL DRIVE
13	31-41342		1	ROLLER BEARING, CRANKSHAFT - UPPER
14	26-12567		1	OIL SEAL, CRANKSHAFT - UPPER
15	637-8477A2		2	CONNECTING ROD ASSEMBLY
16	10-40081-16		4	SCREW, CONNECTING ROD
17	31-42076A1		2	ROLLER BEARING ASSEMBLY
18	29-42186		48	NEEDLE BEARING, PISTON END
19	43348		4	THRUST BEARING
20	773-8890A3		2	PISTON AND PIN ASSEMBLY
21	39-42079A4		1	PISTON RING ASSEMBLY
22	40-42202		4	LOCK RING, PISTON PIN
23	41373A1		1	LINER ASSEMBLY, MAIN BEARING
24	26-42197		1	SEAL, MAIN BEARING

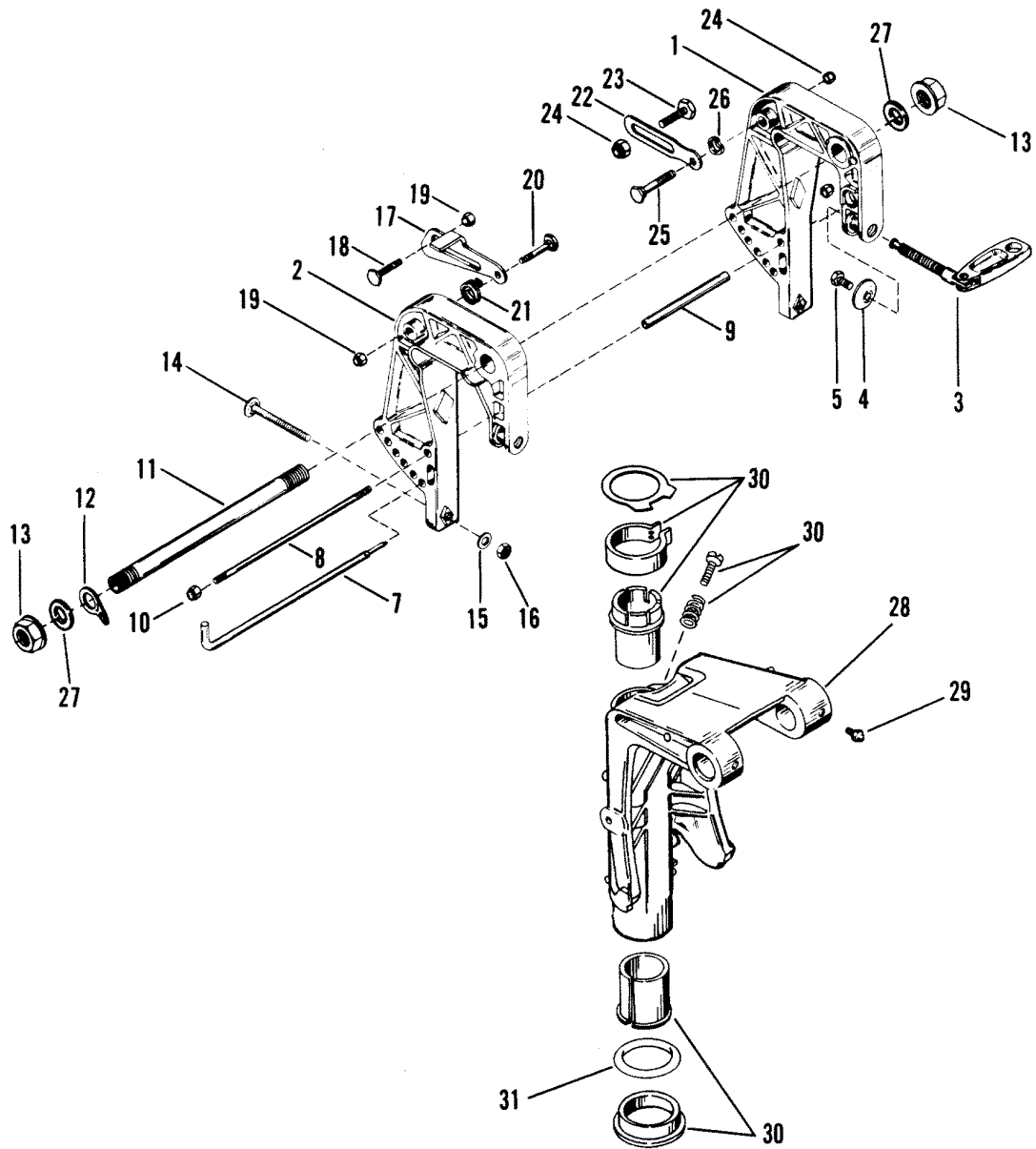
DRIVE SHAFT HOUSING ASSEMBLY



DRIVE SHAFT HOUSING ASSEMBLY

REF. NO.	PART NO.	SYM.	QTY.	DESCRIPTION
1	14547A1		1	ADAPTOR PLATE ASSEMBLY
2	26-85090		1	SEAL, WATER TUBE
3	44260		1	RETAINER
4	10-40010127		1	SCREW, RETAINER
5	16-42917		2	STUD
6	12-70132		2	WASHER
7	11-40063--5		2	NUT
8	27-42370--2		1	GASKET, ADAPTOR PLATE
9	26-11287		1	SEAL, ADAPTOR PLATE
10	32-85116--1		1	WATER TUBE
11	3501-9544A5		1	HOUSING ASSEMBLY
12	27-14539		1	GASKET, DRIVE SHAFT HOUSING
13	16405A1		1	STEERING BAR ASSEMBLY
14	10-13402		4	SCREW
15	11-40063--5		4	NUT
16	12-20684		1	SEAL, WATER TUBE
17	12-20683		1	WASHER, WATER TUBE SEAL

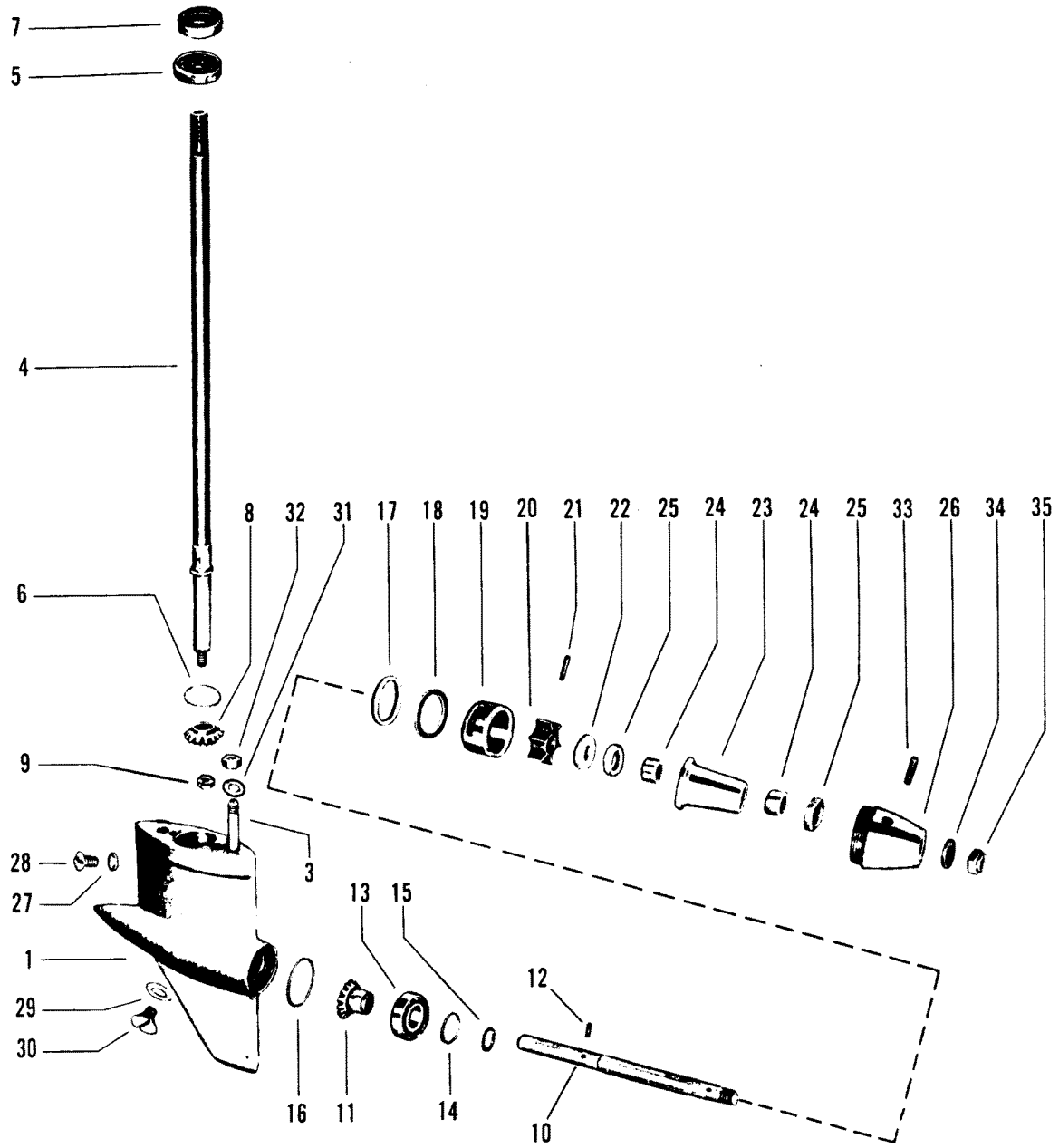
CLAMP BRACKET/SWIVEL BRACKET



CLAMP BRACKET/SWIVEL BRACKET

REF. NO.	PART NO.	SYM.	QTY.	DESCRIPTION
1	1497-8794A1		1	CLAMP BRACKET (PORT)
2	1497-8796A1		1	CLAMP BRACKET (STARBOARD)
3	10-92767A1		2	THUMB SCREW ASSEMBLY
4	12-73719		2	WASHER, THUMB SCREW
5	10-76804		2	SCREW, WASHER ATTACHING
7	17-99929A1		1	TILT PIN ASSEMBLY
8	16-99928		1	STUD, CLAMP BRACKET
9	23-41041		1	SPACER, CLAMP BRACKET STUD
10	11-40063--5		2	NUT, CLAMP BRACKET STUD
11	41171		1	TILT TUBE
12	54-30954		1	CLIP, SAFETY
13	11-93164		2	NUT, TILT TUBE
14	10-69064		2	BOLT, CLAMP BRACKET TO TRANSOM
15	12-67981		2	WASHER, CLAMP BRACKET BOLT
16	11-67980		2	NUT, CLAMP BRACKET BOLT
17	96965		1	LEVER, TILT STOP - STARBOARD SIDE
18	10-41523		1	SCREW, LEVER TO SWIVEL BRACKET
19	11-36069		2	NUT, TILT STOP LEVER SCREW
20	10-41524		1	SCREW, LEVER TO CLAMP BRACKET
21	24-44581		1	SPRING, TILT STOP LEVER SCREW
22	90901		1	STRAP, TILT STOP - PORT SIDE
23	10-41523		1	SCREW, STRAP TO SWIVEL BRACKET
24	11-36069		2	NUT, TILT STOP STRAP SCREW
25	10-41524		1	SCREW, STRAP TO CLAMP BRACKET
26	13-31030		2	WAVE WASHER, TILT STOP STRAP SCREW
27	12-71421		2	WASHER, TILT TUBE
28	1487-9543A2		1	SWIVEL BRACKET
29	22-74036		3	GREASE FITTING
30	54-11139A1		1	CLAMP ASSEMBLY
31	25-86993		1	O-RING

GEAR HOUSING



GEAR HOUSING

REF. NO.	PART NO.	SYM.	QTY.	DESCRIPTION
-	1604-1116A16		1	GEAR HOUSING ASSEMBLY, COMPLETE
1	1604-1116A2		1	GEAR HOUSING ASSEMBLY
-	31-20904		1	ROLLER BEARING, PROPELLER SHAFT
-	31-20908		1	ROLLER BEARING, DRIVE SHAFT
-	10-21048		1	PLUG, HEADLESS
3	16-20313		2	STUD, GEAR HOUSING
4	45-14543		1	DRIVE SHAFT
5	30-25728		1	BALL BEARING, DRIVE SHAFT
6	15-20919A1		AR	SHIM, BALL BEARING TO GEAR HOUSING
7	47947A1		1	PILOT AND OIL SEAL ASSEMBLY
-	26-20070		1	OIL SEAL
8	43-29490		1	PINION GEAR
9	11-65562		1	NUT, PINION GEAR LOCKING
10	44-20923		1	PROPELLER SHAFT
11	43-29491		1	GEAR, PROPELLER SHAFT
12	17-20937		1	PIN, PROPELLER GEAR TO SHAFT
13	30-20938		1	BALL BEARING, PROPELLER SHAFT
14	15-20939A1		AR	SHIM, BALL BEARING TO SNAP RING
15	53-20940		1	SNAP RING
16	15-20941A1		AR	SHIM, BALL BEARING TO GEAR HOUSING
17	12-20942		1	WASHER, SEALING - WATER PUMP CARTRIDGE
18	25-20812		1	SEAL, RUBBER - WATER PUMP CARTRIDGE
19	46-20943A1		1	WATER PUMP CARTRIDGE ASSEMBLY
-	26-20903		1	OIL SEAL
20	47-20945		1	IMPELLER, WATER PUMP
21	17-20946		1	PIN, IMPELLER DRIVE
22	20947		1	PLATE, WATER PUMP COVER
23	46-20905A1		1	WATER PUMP COVER ASSEMBLY
24	31-20904		2	ROLLER BEARING
25	26-20903		2	OIL SEAL, WATER PUMP COVER
26	20902		1	COVER, GEAR HOUSING
27	12-20262		1	WASHER, GEAR HOUSING VENT SCREW
28	10-28653		1	SCREW, GEAR HOUSING VENT
29	12-20260		1	WASHER, GREASE FILLER HOLE SCREW
30	10-79953		1	SCREW, GREASE FILLER HOLE
31	12-20086		2	WASHER, GEAR HOUSING STUDS
32	11-34932		2	NUT, GEAR HOUSING STUD
33	17-25971		1	PIN, SHEAR
34	12-20959		1	WASHER, PROPELLER NUT
35	11-20958		1	PROPELLER NUT

PARTS INDEX

Part Number	Description	Pg.	Ref. No.	Part Number	Description	Pg.	Ref. No.
11100	CLIP, TRIGGER LEAD	7	5	98450A5	TRIGGER ASSEMBLY	7	4
11273	LEVER,PRIMER	11	26	98465	BALL SOCKET	15	45
11280	CAM BLOCK	11	27	10-13402	SCREW	19	14
12044	RETAINER, STOP SWITCH	3	13	10-21048	PLUG, HEADLESS	23	-
12154	PLUG, BOTTOM COWL	3	10	10-28653	SCREW, GEAR HOUSING VENT	23	28
12674	SUPPORT	5	13	10-40001--5	SCREW, STATOR ATTACHING (MANUAL)	7	3
12802	KNOB,PRIMER	11	30	10-40001--8	SCREW,PRIMER BRACKET	11	24
12803	BRACKET,PRIMER	11	20	10-40001-20	SCREW, STATOR ATTACHING	7	2
12804	CHOKE BEZEL	11	29	10-40001-71	SCREW, REED BLOCK	13	14
12805--1	LEVER,FAST IDLE	11	19	10-40003--5	SCREW	3	15
12905	THROTTLE VALVE	11	2	10-40010127	SCREW, RETAINER	19	4
12914A1	THROTTLE SHAFT	11	3	10-40011128	SCREW, STARTER HOUSING ATTACHING	5	11
14537A1	THROTTLE BRACKET	3	17	10-40057-64	SCREW, REED ATTACHING	13	17
14541	PLATE	13	38	10-40057107	SCREW	3	18
14547A1	ADAPTOR PLATE ASSEMBLY	19	1	10-40057108	SCREW, SWITCH BOX TO CYLINDER BLOCK (22MM)	7	7
14673--2	COVER	13	35	10-40057111	SCREW, REST TO STARTER HOUSING	5	14
15920A54	LANYARD ASSEMBLY	3	12	10-40062129	SCREW, COVER	13	37
16405A1	STEERING BAR ASSEMBLY	19	13	10-40062129	SCREW, COVER ATTACHING	13	39
20902	COVER, GEAR HOUSING	23	26	10-40062129	SCREW, COVER TO CYLINDER BLOCK	13	30
20947	PLATE, WATER PUMP COVER	23	22	10-40062129	SCREW, EXHAUST COVER TO CYLINDER BLOCK	13	20
41171	TILT TUBE	21	11	10-40081-16	SCREW, CONNECTING ROD	17	16
41373A1	LINER ASSEMBLY, MAIN BEARING	17	23	10-40112	SCREW, IGNITION COIL	7	10
42034A1	SHEAVE, STARTER	5	19	10-41523	SCREW, LEVER TO SWIVEL BRACKET	21	18
42094	REST, STARTER HANDLE	5	12	10-41523	SCREW, STRAP TO SWIVEL BRACKET	21	23
42187	REED STOP	13	16	10-41524	SCREW, LEVER TO CLAMP BRACKET	21	20
42194A2	RECOIL SPRING ASSEMBLY	5	4	10-41524	SCREW, STRAP TO CLAMP BRACKET	21	25
42207A1	HOUSING ASSEMBLY, STARTER	5	1	10-42125	SCREW, CRANKCASE TO CYLINDER BLOCK	13	7
42209	TAB, STARTER SHEAVE	5	21	10-43394	SCREW, GROUND WIRE	7	8
42365	BAFFLE PLATE	13	22	10-48408	SCREW, TAB	5	22
42368A1	COVER, INTAKE	13	24	10-69064	BOLT, CLAMP BRACKET TO TRANSOM	21	14
42381A2	REED BLOCK ASSEMBLY	13	10	10-76804	SCREW, WASHER ATTACHING	21	5
42521	COVER, EXHAUST	13	19	10-79953	SCREW, GREASE FILLER HOLE	23	30
42690	BUSHING, STARTER ROPE	5	2	10-79965	SCREW,PRIMER BRACKET	11	25
42691	SHAFT, FLYWHEEL	17	1	10-92767A1	THUMB SCREW ASSEMBLY	21	3
43348	THRUST BEARING	17	19	10-F14538	BALL SCREW	13	41
44180	BUSHING, STARTER ROPE	5	18	11-20958	PROPELLER NUT	23	35
44260	RETAINER	19	3	11-34932	NUT, GEAR HOUSING STUD	23	32
44462	SEAL	3	2	11-36069	NUT, TILT STOP LEVER SCREW	21	19
47947A1	PILOT AND OIL SEAL ASSEMBLY	23	7	11-36069	NUT, TILT STOP STRAP SCREW	21	24
56762	STA-STRAP	13	28	11-40021--3	NUT, CARBURETOR STUD	13	18
58707	HOLD DOWN (BUNGY CORD)	3	6	11-40063--3	NUT	3	16
61364	RETAINTER	3	14				
71602	YOKE	3	3				
73498	CLAMP,FUEL LINE	9	7				
85174A1	HANDLE ASSEMBLY, STARTER ROPE	5	24				
86617A13	STATOR ASSEMBLY	7	1				
88173	TAB WASHER	7	11				
90901	STRAP, TILT STOP - PORT SIDE	21	22				
91935	BALL,FUEL FILTER	9	4				
96255-13	LINK	15	43				
96965	LEVER, TILT STOP - STARBOARD SIDE	21	17				

PARTS INDEX

Part Number	Description	Pg.	Ref. No.	Part Number	Description	Pg.	Ref. No.
11-40063--3	NUT	3	19	17-99929A1	TILT PIN ASSEMBLY	21	7
11-40063--3	NUT, REST SCREW	5	17	18-21071	COTTER PIN	3	8
11-40063--4	NUT, CYLINDER BLOCK			19-42707--1	CAP, STARTER SHEAVE	5	20
	STUD	13	8	21-42657A1	CHECK VALVE ASSEMBLY	13	11
11-40063--5	NUT	19	15	21-42698	CHECK VALVE, BLEED		
11-40063--5	NUT	19	7		HOSE	13	4
11-40063--5	NUT, CLAMP BRACKET			22-15133	ELBOW	13	25
	STUD	21	10	22-29111	FITTING (STRAIGHT)	13	40
11-45076	NUT, COIL TERMINAL	7	13	22-59169	TEE	13	27
11-65562	NUT, PINION GEAR			22-74036	GREASE FITTING	21	29
	LOCKING	23	9	22-94848	FITTING, TELL TALE HOSE -		
11-67980	NUT, CLAMP BRACKET				BOTTOM COWL	13	32
	BOLT	21	16	23-30977	SPACER, REST SCREW	5	15
11-68219	NUT	15	44	23-41041	SPACER, CLAMP BRACKET		
11-93164	NUT, TILT TUBE	21	13		STUD	21	9
11-97877	PUSHNUT,FAST IDLE LEVER	11	21	23-43787	SPACER, STARTER		
12-13031	WASHER, LOWER	17	10		HOUSING SCREW	5	10
12-20086	WASHER, GEAR HOUSING			23-88171	BUSHING,COIL	7	12
	STUDS	23	31	24-11277	SPRING	11	23
12-20128	WASHER, YOKE RIVET	3	5	24-44581	SPRING, TILT STOP LEVER		
12-20260	WASHER, GREASE FILLER				SCREW	21	21
	HOLE SCREW	23	29	25-20812	SEAL, RUBBER - WATER		
12-20262	WASHER, GEAR HOUSING				PUMP CARTRIDGE	23	18
	VENT SCREW	23	27	25-86993	O-RING	21	31
12-20683	WASHER, WATER TUBE			25-98277	SEAL,FUEL FILTER	9	3
	SEAL	19	17	26-11287	SEAL, ADAPTOR PLATE	19	9
12-20684	SEAL, WATER TUBE	19	16	26-12566	OIL SEAL, CRANKSHAFT -		
12-20942	WASHER, SEALING -				LOWER	17	11
	WATER PUMP			26-12567	OIL SEAL, CRANKSHAFT -		
	CARTRIDGE	23	17		UPPER	17	14
12-20959	WASHER, PROPELLER NUT	23	34	26-20070	OIL SEAL	23	-
12-40022-13	WASHER, REST SCREW	5	16	26-20903	OIL SEAL	23	-
12-40023-15	WASHER	15	42	26-20903	OIL SEAL, WATER PUMP		
12-40023-15	WASHER, CYLINDER BLOCK				COVER	23	25
	STUD	15	46	26-42137	SEAL, REED BLOCK	13	12
12-67981	WASHER, CLAMP BRACKET			26-42197	SEAL, MAIN BEARING	17	24
	BOLT	21	15	26-42890	OIL SEAL, CRANKSHAFT	17	6
12-70132	WASHER	19	6	26-85090	SEAL, WATER TUBE	19	2
12-71421	WASHER, TILT TUBE	21	27	27-14539	GASKET, DRIVE SHAFT		
12-73719	WASHER, THUMB SCREW	21	4		HOUSING	19	12
13-31030	WAVE WASHER, TILT STOP			27-14672	GASKET	13	36
	STRAP SCREW	21	26	27-42120--1	GASKET	13	34
15-20919A1	SHIM, BALL BEARING TO			27-42178	GASKET,CARBURETOR	11	17
	GEAR HOUSING	23	6	27-42203--1	GASKET, REED BLOCK	13	13
15-20939A1	SHIM, BALL BEARING TO			27-42364	GASKET, BAFFLE PLATE	13	23
	SNAP RING	23	14	27-42367	GASKET, EXHAUST COVER	13	21
15-20941A1	SHIM, BALL BEARING TO			27-42369	GASKET, INTAKE COVER	13	29
	GEAR HOUSING	23	16	27-42370--2	GASKET, ADAPTOR PLATE	19	8
16-14804	STUD, CYLINDER BLOCK	13	6	27-42370--2	GASKET, POWERHEAD	13	9
16-20313	STUD, GEAR HOUSING	23	3	27-42370A87	GASKET SET	1	-
16-42463	STUD,CARBURETOR	13	3	28-20094	KEY, FLYWHEEL DRIVE	17	12
16-42917	STUD	19	5	29-42186	NEEDLE BEARING, PISTON		
16-99928	STUD, CLAMP BRACKET	21	8		END	17	18
17-20937	PIN, PROPELLER GEAR TO			30-20938	BALL BEARING, PROPELLER		
	SHAFT	23	12		SHAFT	23	13
17-20946	PIN, IMPELLER DRIVE	23	21	30-25728	BALL BEARING, DRIVE		
17-25971	PIN, SHEAR	23	33		SHAFT	23	5
17-57629	RIVET, YOKE	3	4	30-41341	BALL BEARING,		
17-58712	CLEVIS PIN	3	7		CRANKSHAFT - LOWER	17	7
				31-20904	ROLLER BEARING	23	24

PARTS INDEX

Part Number	Description	Pg.	Ref. No.	Part Number	Description	Pg.	Ref. No.
31-20904	ROLLER BEARING, PROPELLER SHAFT	23	-	1395-9165	COVER,DIAPHRAGM	11	9
31-20908	ROLLER BEARING, DRIVE SHAFT	23	-	1395-9169	FLOAT	11	5
31-41342	ROLLER BEARING, CRANKSHAFT - UPPER . .	17	13	1395-9170	VALVE,INLET NEEDLE	11	6
31-42076A1	ROLLER BEARING ASSEMBLY	17	17	1395-9171	PLUG, JET RETAINER	11	8
32-13835-56	HOSE, BLEED	13	5	1395-9172	SCREW, COVER PLATE	11	14
32-13835-56	TUBING	13	26	1395-9173	SCREW, FUEL PUMP COVER	11	12
32-85116--1	WATER TUBE	19	10	1395-9174	SCREW,DIAPHRAGM COVER	11	10
32-99127109	FUEL LINE,FILTER TO CARBURETOR	9	5	1395-9177	PLATE, COVER	11	13
32-99127109	HOSE, TELL TALE	13	31	1395-9377	GASKET/DIAPHRAM KIT	11	15
33-12343	SPARK PLUG	7	16	1395-9471	COVER,FEUL PUMP	11	11
34-42044	REED	13	15	1395-9475	REPAIR PARTS KIT	11	16
35-87946A13	FUEL FILTER ASSEMBLY . .	9	1	1395-9535	PLUG	11	16A
35-87946A3	FILTER ASSEMBLY	9	2	1487-9543A2	SWIVEL BRACKET	21	28
37-14501A87	DECAL SET	1	-	1497-8794A1	CLAMP BRACKET (PORT) . .	21	1
39-42079A4	PISTON RING ASSEMBLY . .	17	21	1497-8796A1	CLAMP BRACKET (STARBOARD)	21	2
40-42202	LOCK RING, PISTON PIN . .	17	22	1604-1116A16	GEAR HOUSING ASSEMBLY, COMPLETE	23	-
43-29490	PINION GEAR	23	8	1604-1116A2	GEAR HOUSING ASSEMBLY	23	1
43-29491	GEAR, PROPELLER SHAFT	23	11	2191-9205A5	TOP COWL (WITHOUT DECALS)	3	1
44-20923	PROPELLER SHAFT	23	10	2192-9204A1	BOTTOM COWL (WITHOUT DECALS)	3	9
45-14543	DRIVE SHAFT	23	4	3501-9544A5	HOUSING ASSEMBLY	19	11
46-20905A1	WATER PUMP COVER ASSEMBLY	23	23				
46-20943A1	WATER PUMP CARTRIDGE ASSEMBLY	23	19				
47-20945	IMPELLER, WATER PUMP . .	23	20				
50-12066A9	ROPE, STARTER	5	23				
53-11278	RETAINING CLIP	11	28				
53-20940	SNAP RING	23	15				
53-20940	SNAP RING, BALL BEARING (SMALL)	17	8				
53-42132	RETAINING RING, BALL BEARING	17	9				
53-42689	RETAINING RING	5	3				
54-11139A1	CLAMP ASSEMBLY	21	30				
54-30954	CLIP, SAFETY	21	12				
84-99215A25	LEAD ASSEMBLY, HIGH TENSION	7	14				
85-63709A1	BOOT ASSEMBLY, SPARK PLUG	7	15				
87-11083A6	STOP SWITCH ASSEMBLY . .	3	11				
90-15795870	OWNERS GUIDE	1	-				
90-18100	10XS PARTS LIST	1	-				
260-8908A2	FLYWHEEL ASSEMBLY	17	2				
339-7370A13	IGNITION COIL ASSEMBLY . .	7	9				
339-7452A9	SWITCH BOX	7	6				
468-8471A2	CRANKSHAFT ASSEMBLY . .	17	5				
637-8477A2	CONNECTING ROD ASSEMBLY	17	15				
773-8890A3	PISTON AND PIN ASSEMBLY	17	20				
875-8473A2	CYLINDER BLOCK/CRANKCASE	13	1				
1033-8906A1	COVER ASSEMBLY	13	33				
1392-8846A5	CARBURETOR ASSEMBLY . .	11	1				
1395-7831	JET, MAIN FUEL (.058)	11	7				
1395-9164	FUEL BOWL	11	4				