



PARTS CATALOG

300 TEMPEST (MR/TR) ENGINE

SERIAL NUMBER

300 TEMPEST GM 350 V-8 1985-19866668677 THRU 0B430367

TABLE OF CONTENTS:

ALTERNATOR (55 AMPS)	16
AUDIO WARNING SYSTEM	56
CARBURETOR	28
CARBURETOR AND THROTTLE LINKAGE	26
CRANKSHAFT, PISTONS AND CONN. RODS	42
CYLINDER BLOCK AND CAMSHAFT	40
CYLINDER HEAD AND ROCKER COVER	38
DISTRIBUTOR AND IGNITION COMPONENTS	22
DRIVE SHAFT AND TAILSTOCK (TR) LT HAND STAGGERED INSTALLTION	66
ENGINE MOUNTING (MR)	58
EXHAUST MANIFOLD AND EXHAUST ELBOW	32
FLYWHEEL HOUSING (DUAL COOLER) (TR)	52
FLYWHEEL HOUSING (MR)	54
FUEL PUMP AND FUEL LINES	24
INTAKE MANIFOLD AND FRONT COVER	44
MISCELLANEOUS PARTS/ACCESSORIES	2
MOUNTING PLATE (SIDE BY SIDE ENGINES)	70
MOUNTING PLATE (STAGGERED ENGINES)	72
OIL FILTER AND ADAPTOR	48
OIL PAN AND OIL PUMP	46
PARTS INDEX	80
POWER STEERING COMPONENTS	78
POWER STEERING CYLINDER (MR)	74
POWER STEERING CYLINDER (TR)	76
SEA WATER PUMP ASSEMBLY (TR)	36
SHIFT BRACKET (MR)	50
STARTER MOTOR MR - 14" FLYWHEEL	12
STARTER MOTOR (MR- 12-3/4" FLYWHEEL)	8
STARTER MOTOR (TR)	10
STARTER MOTOR AND ALTERNATOR	4
THERMOSTAT HOUSING (STANDARD COOLING)	34
TRANSMISSION AND RELATED PARTS (TR) - LT HAND STGED INSTALL	68
TRANSMISSION AND SHIFT LINKAGE (TR)	64
TRANSMISSION ASSEMBLY (TR)	62
TRANSOM PLATE	60
WIRING HARNESS AND ELECTRICAL COMPONENTS	18

NOTE: Indented description indicate that these parts are included in preceding assembly.

AR = As Required

NSS = Not Sold Separate

OPT = Optional

NS = Not Shown

NOTE: Following symbols are located in **SYM** column.

● = NOTE: PARTS LISTED N.S.S. (NOT SOLD SEPARATELY) SHOULD BE ORDERED FROM A LOCAL SUPPLIER

■ = USE WITH 2 PIECE REAR SEAL.

▣ = USE WITH 1 PIECE REAR SEAL (FULL CIRCLE).

◇ = DELCO REMY STARTER #1998513

▲ = [27-44204A1] GASKET SET

⊕ = DELCO REMY STARTER # 1998566

† = DELCO REMY STATER #1998568

○ = PARTS INCLUDED WITH [1397-5635] OFF ENGINE KIT.

♣ = PARTS INCLUDED WITH [1397-7539] OVERHAUL KIT.

❖ = PARTS INCLUDED WITH [1397-3309] GASKET KIT.

THESE PARTS BOOKS/FICHE CARD ARE COPYRIGHTED AND MAY NOT BE DISTRIBUTED OR REPRODUCED IN ANY OTHER FORMAT BY ANYONE OTHER THAN MERCURY MARINE WITHOUT THE PRIOR WRITTEN CONSENT OF MERCURY MARINE.

REPLACEMENT PARTS ! WARNING !

Electrical, ignition and fuel system components on MerCruiser Engines and Stern Drives are designed and manufactured to comply with U.S. Coast Guard Rules and Regulations to minimize risks of fire or explosion. Use of replacement electrical, ignition or fuel system components, which do not comply to these rules and regulations, could result in a fire or explosion hazard and should be voided.

When servicing the electrical, ignition and fuel systems, it is extremely important that all components are properly installed and tightened. If not, any electrical or ignition component opening would permit sparks to ignite fuel vapors from fuel system leaks, if they existed.

ENGINE MECHANICAL COMPONENTS

Many of the engine mechanical components are designed for marine applications. Unlike automotive engines, marine engines are subjected to extended periods of heavy load and wide- open-throttle operation, therefore, require heavy-duty components. Special marine engine parts have design and manufacturing specifications, which are required to provide long life and dependable performance. Marine engine parts also must be able to resist the corrosive action of salt or brackish water that will rust or corrode standard automotive parts within a short period of time.

Failure to use recommended Mercury Precision Parts OR Quicksilver service replacement parts can result in poor engine performance and/or durability, rapid corrosion of parts subjected to salt water and possibly complete failure of the engine.

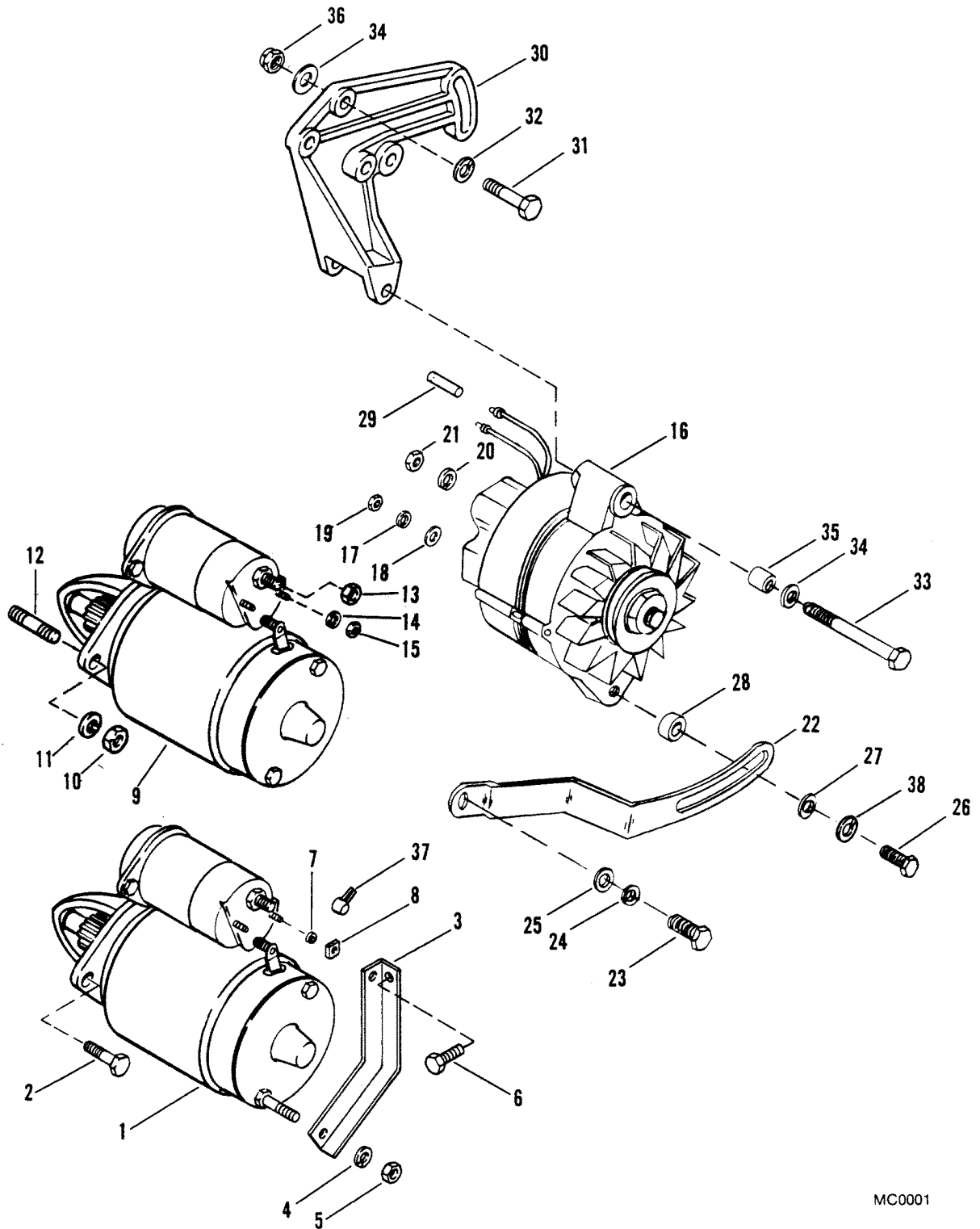
Use of parts other than recommended service replacement parts will void the warranty on those parts which are damaged as a result of the use of other than recommended parts.

MISCELLANEOUS PARTS/ACCESSORIES

REF. NO.	PART NO.	SYM.	QTY.	DESCRIPTION
-	90-13459		0	PARTS MANUAL
-	90-11123		0	OWNERS GUIDE

THIS PAGE INTENTIONALLY LEFT BLANK

STARTER MOTOR AND ALTERNATOR



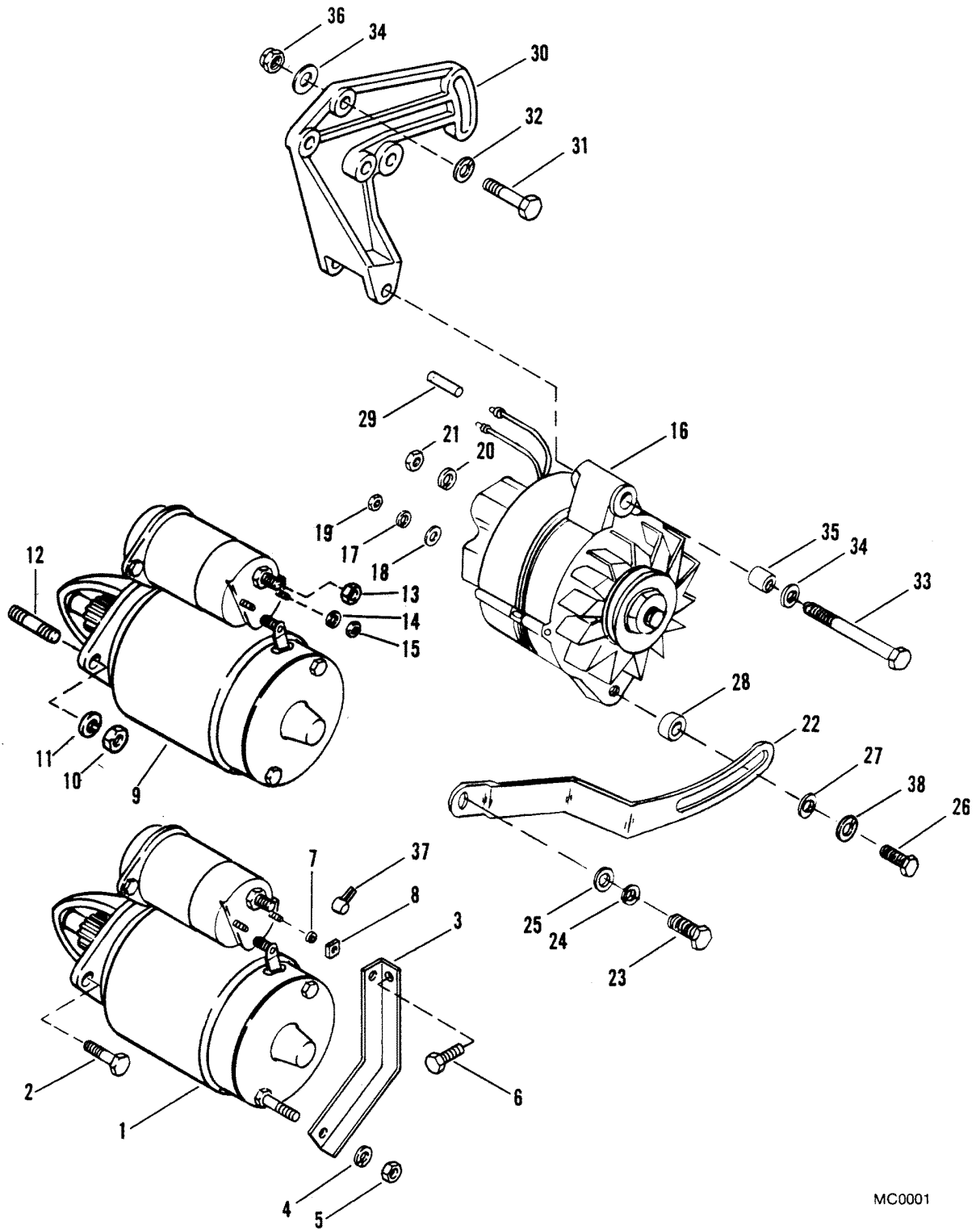
MC0001

STARTER MOTOR AND ALTERNATOR

REF. NO.	PART NO.	SYM.	QTY.	DESCRIPTION
1	50-99417A2		1	STARTER MOTOR ASSEMBLY MR 12-3/4" FLYWHEEL
2	10-94435		1	SCREW, STARTER TO BLOCK (4-21/32") MR 12-3/4" FLYWHEEL
	10-34544		1	SCREW, STARTER TO BLOCK (1-15/16") MR 12-3/4" FLYWHEEL
3	35363		1	BRACE, STARTER MOTOR MR 12-3/4" FLYWHEEL
4	12-29245		1	WASHER, STARTER MOTOR STUD MR 12-3/4" FLYWHEEL
5	11-56374		1	NUT, STARTER MOTOR STUD MR 12-3/4" FLYWHEEL
6	10-35765		1	SCREW, BRACE TO ENGINE (5/8") MR 12-3/4" FLYWHEEL
7	13-26995		2	LOCKWASHER, STARTER TERMINAL (#8) MR 12-3/4" FLYWHEEL
8	11-26419		2	NUT, STARTER TERMINAL (#8) MR 12-3/4" FLYWHEEL
1	50-12177A2		1	STARTER MOTOR ASSEMBLY MR 14" FLYWHEEL
2	10-94435		2	SCREW, STARTER TO BLOCK (4-21/32") MR 14" FLYWHEEL
3	12404		1	BRACE, STARTER MOTOR MR 14" FLYWHEEL
4	12-29245		2	WASHER, STARTER MOTOR STUD MR 14" FLYWHEEL
5	11-56374		2	NUT, STARTER MOTOR STUD MR 14" FLYWHEEL
6	10-35765		1	SCREW, BRACE TO ENGINE (5/8") MR 14" FLYWHEEL
7	13-26995		2	LOCKWASHER, STARTER TERMINAL (#8) MR 14" FLYWHEEL
8	11-26419		2	NUT, STARTER TERMINAL (#8) MR 14" FLYWHEEL
9	50-99419A3		1	STARTER MOTOR ASSEMBLY (TR)
10	11-34933		2	NUT, STARTER MOTOR STUD (TR)
11	12-45176		2	LOCKWASHER, STARTER MOTOR STUD (TR)
12	16-57982		2	STUD, STARTER MOTOR (TR)
13	11-32219		1	NUT, STARTER TERMINAL (3/8") (TR)
14	13-26995		2	LOCKWASHER, STARTER TERMINAL (#8) (TR)
15	11-26419		2	NUT, STARTER TERMINAL (#8) (TR)
16	92497A3		1	ALTERNATOR (55 AMP)
17	13-26996		1	LOCKWASHER, ALTERNATOR TERMINAL
18	12-96457		1	WASHER, ALTERNATOR TERMINAL
19	11-30968		1	NUT, ALTERNATOR TERMINAL (10-24)
20	13-21272		1	LOCKWASHER, ALTERNATOR TERMINAL
21	11-20890		1	NUT, ALTERNATOR TERMINAL (1/4-20)
22	85013		1	BRACE, ALTERNATOR ADJUSTING
23	10-26487		1	SCREW, ALTERNATOR BRACE
24	13-35048		1	LOCKWASHER, ALTERNATOR BRACE SCREW
25	12-34714		1	WASHER, ALTERNATOR BRACE SCREW
26	10-74824		1	SCREW, ALTERNATOR BRACE
27	12-26168		1	WASHER, ALTERNATOR BRACE SCREW
28	23-52095		1	SPACER, ALTERNATOR BRACE SCREW
29	57908-11		2	TUBING, ALTERNATOR LEADS
30	87115A1		1	BRACKET, ALTERNATOR
31	10-37612		3	SCREW, ALTERNATOR BRACKET (1-1/4")
32	13-35048		3	LOCKWASHER, ALTERNATOR BRACKET SCREW

CONTINUED ON NEXT PAGE ➡

STARTER MOTOR AND ALTERNATOR

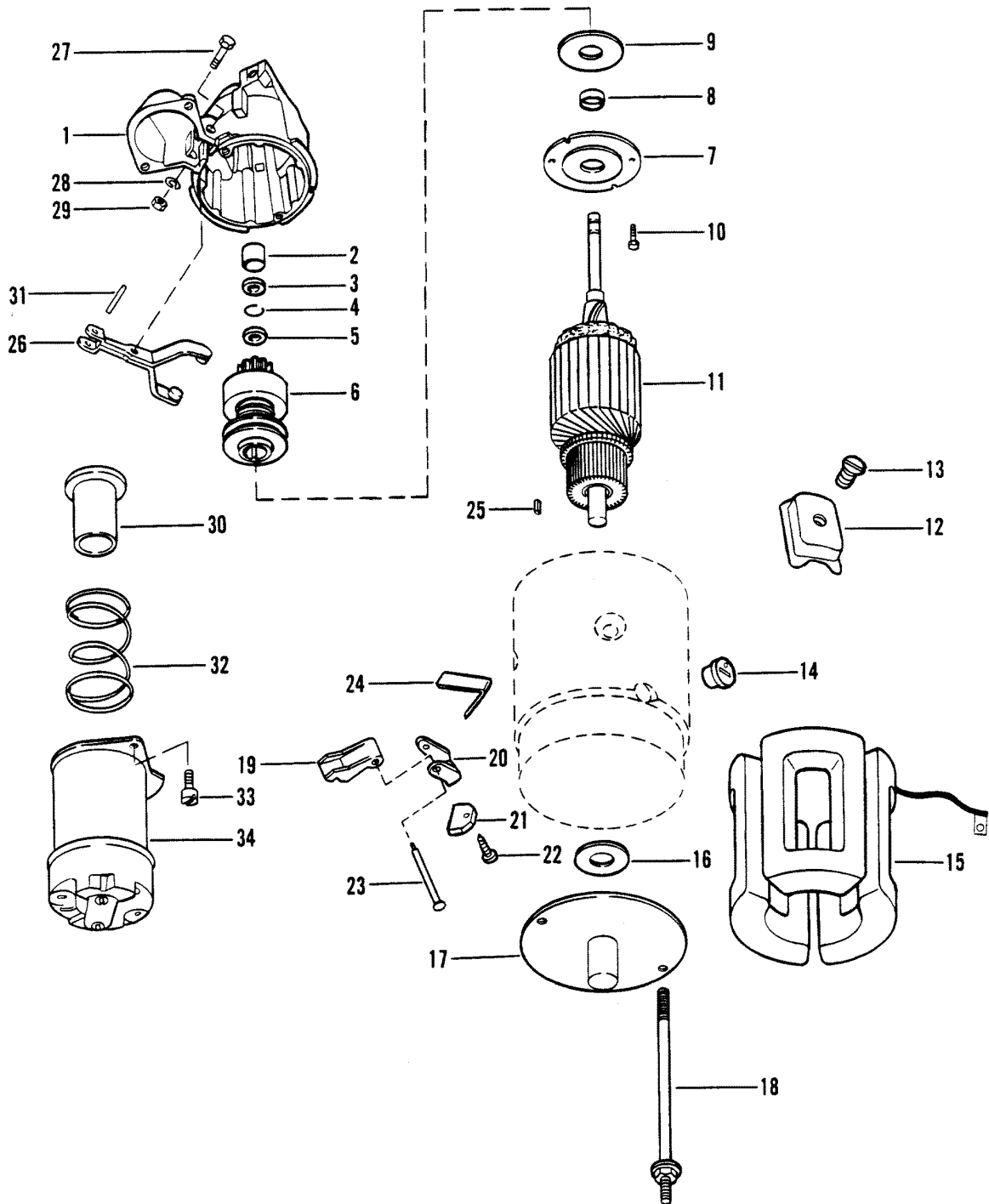


MC0001

STARTER MOTOR AND ALTERNATOR

REF. NO.	PART NO.	SYM.	QTY.	DESCRIPTION
33	10-48308		1	SCREW, ALTERNATOR (3-3/4")
34	12-20553		2	WASHER, ALTERNATOR BRACKET SCREW
35	23-33186		1	BUSHING, ALTERNATOR BRACKET SCREW
36	11-23161		1	NUT, ALTERNATOR BRACKET SCREW
37	85-79695		1	INSULATOR, BOOT - STARTER TERMINAL
38	13-39107		1	LOCKWASHER, ALTERNATOR BRACE SCREW

STARTER MOTOR (MR- 12-3/4" FLYWHEEL)



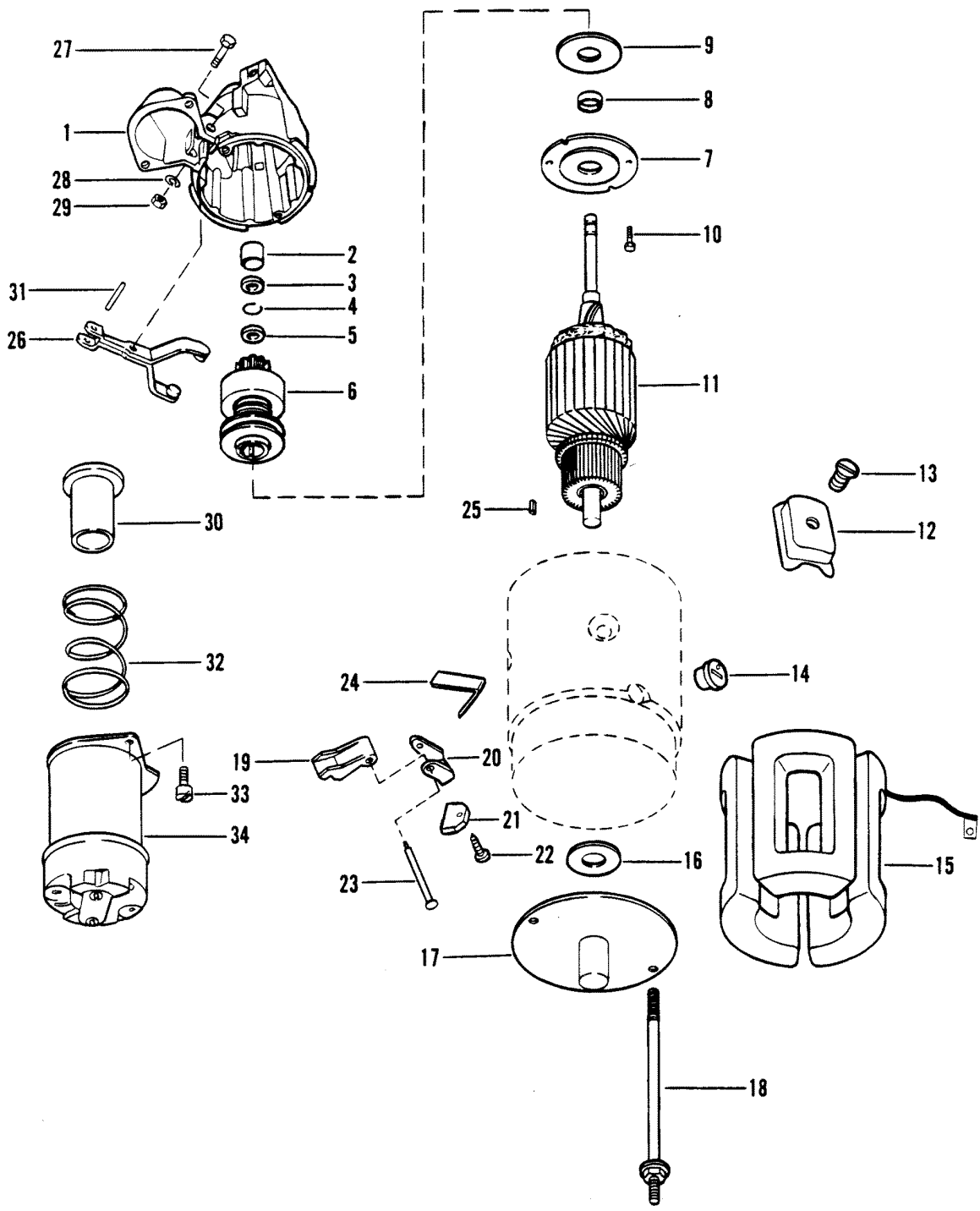
MC0002

STARTER MOTOR (MR- 12-3/4" FLYWHEEL)

REF. NO.	PART NO.	SYM.	QTY.	DESCRIPTION
-	50-99417A2		1	STARTER MOTOR ASSEMBLY
1	71696		1	HOUSING, DRIVE END
2	23-33369		1	BUSHING, DRIVE END HOUSING
3	33292		1	COLLAR, THRUST
4	53-33290		1	RING, RETAINING - PINION STOP COLLAR
5	33291		1	COLLAR, PINION STOP
6	79205		1	DRIVE ASSEMBLY, CLUTCH
7	N.S.S.	●	1	PLATE, BEARING (DELCO REMY #1956939)
8	23-71694		1	BUSHING, BEARING PLATE
9	12-68614		1	WASHER, BEARING PLATE
10	10-79209		2	SCREW, BEARING PLATE
11	75665		1	ARMATURE
12	N.S.S.	●	4	SHOE, POLE - FIELD COIL (DELCO REMY #810601)
13	N.S.S.	●	4	SCREW, POLE SHOE TO FIELD COIL (DELCO REMY #1968396)
14	25-79208		1	GROMMET, FIELD COIL - FIELD FRAME
15	75664		1	FIELD COIL ASSEMBLY
16	12-33258		1	WASHER, LEATHER - COMMUTATOR END FRAME
17	79211		1	FRAME, COMMUTATOR END - LOWER
18	N.S.S.	●	1	BOLT, THRU (DELCO REMY #1941111)
	N.S.S.	●	1	BOLT, THRU (DELCO REMY #1939970)
19	33284		2	HOLDER, INSULATED - FIELD FRAME BRUSH
20	33283		2	HOLDER, FIELD FRAME BRUSH GROUND
21	33270		4	BRUSH, FIELD FRAME
22	N.S.S.	●	2	SCREW, BRUSH LEAD (DELCO REMY #1967747)
	N.S.S.	●	2	SCREW, BRUSH LEAD (DELCO REMY #443527)
23	33294		2	SUPPORT PACKAGE GROUND AND INSULATED HOLDERS
24	24-33285		4	SPRING, FIELD FRAME BRUSH
25	N.S.S.	●	1	PIN, DOWEL - FIELD FRAME (DELCO REMY #809593)
26	71698		1	LEVER, SHIFT
27	N.S.S.	●	1	STUD, SHIFT LEVER (DELCO REMY #1945804)
28	12-68615		1	WASHER, SHIFT LEVER STUD
29	11-26484		1	NUT, SHIFT LEVER STUD
30	33317		1	PLUNGER, SHIFT LEVER
31	17-79207		1	PIN, PLUNGER TO SHIFT LEVER
32	N.S.S.	●	1	SPRING, PLUNGER RETURN (DELCO REMY #1958679)
33	N.S.S.	●	2	SCREW, SOLENOID SWITCH (DELCO REMY #9413260)
34	15382		1	SOLENOID SWITCH ASSEMBLY

● = NOTE: PARTS LISTED N.S.S. (NOT SOLD SEPARATELY) SHOULD BE ORDERED FROM A LOCAL SUPPLIER

STARTER MOTOR (TR)

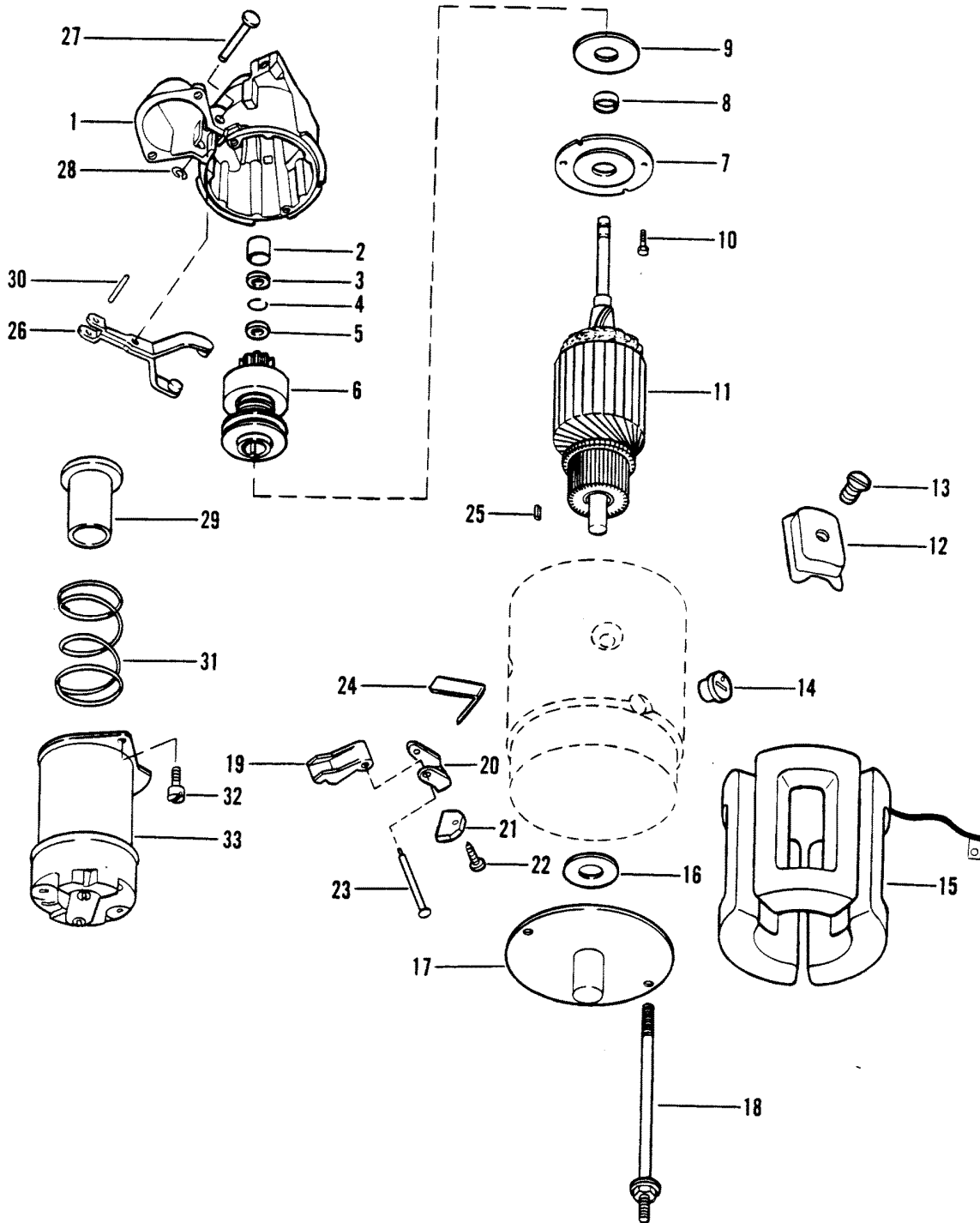


STARTER MOTOR (TR)

REF. NO.	PART NO.	SYM.	QTY.	DESCRIPTION
-	50-99419A3		1	STARTER MOTOR ASSEMBLY
1	79206		1	HOUSING, DRIVE END
2	23-33369		1	BUSHING, DRIVE END HOUSING
3	33292		1	COLLAR, THRUST
4	53-33290		1	RING, RETAINING - PINION STOP COLLAR
5	33291		1	COLLAR, PINION STOP
6	68608		1	DRIVE ASSEMBLY, CLUTCH
7	79396		1	PLATE, BEARING
8	23-71694		1	BUSHING, BEARING PLATE
9	12-68614		1	WASHER, BEARING PLATE
10	10-79209		2	SCREW, BEARING PLATE
11	68606		1	ARMATURE
12	N.S.S.	●	4	SHOE, POLE - FIELD COIL (DELCO REMY #810601)
13	N.S.S.	●	4	SCREW, POLE SHOE TO FIELD COIL (DELCO REMY #1968396)
14	N.S.S.	●	1	GROMMET, FIELD COIL (DELCO REMY #1846097)
15	48272		1	FIELD COIL ASSEMBLY
16	N.S.S.	●	1	WASHER, LEATHER (DELCO REMY #1985617)
17	79211		1	FRAME, COMMUTATOR END - LOWER
18	N.S.S.	●	2	BOLT, THRU (DELCO REMY #1939970)
19	33284		2	HOLDER, INSULATED - FIELD FRAME BRUSH
20	33283		2	HOLDER, FIELD FRAME BRUSH GROUND
21	33270		4	BRUSH, FIELD FRAME
22	N.S.S.	●	2	SCREW, BRUSH LEAD (DELCO REMY #1967747)
	N.S.S.	●	2	SCREW, BRUSH LEAD (DELCO REMY #443527)
23	33294		2	SUPPORT PACKAGE, GROUND AND INSULATED HOLDERS
24	24-33285		4	SPRING, FIELD FRAME BRUSH
25	N.S.S.	●	1	PIN, DOWEL - FIELD FRAME (DELCO REMY #1985696)
26	33297		1	LEVER, SHIFT
27	N.S.S.	●	1	STUD, SHIFT LEVER (DELCO REMY #1814529)
28	12-68615		1	WASHER, SHIFT LEVER STUD
29	11-26484		1	NUT, SHIFT LEVER STUD
30	33317		1	PLUNGER, SHIFT LEVER
31	17-79207		1	PIN, PLUNGER TO SHIFT LEVER
32	24-46889		1	SPRING, PLUNGER RETURN
33	N.S.S.	●	2	SCREW, SOLENOID SWITCH (DELCO REMY #132255)
34	15382		1	SOLENOID SWITCH ASSEMBLY

● = NOTE: PARTS LISTED N.S.S. (NOT SOLD SEPARATELY) SHOULD BE ORDERED FROM A LOCAL SUPPLIER

STARTER MOTOR MR - 14" FLYWHEEL

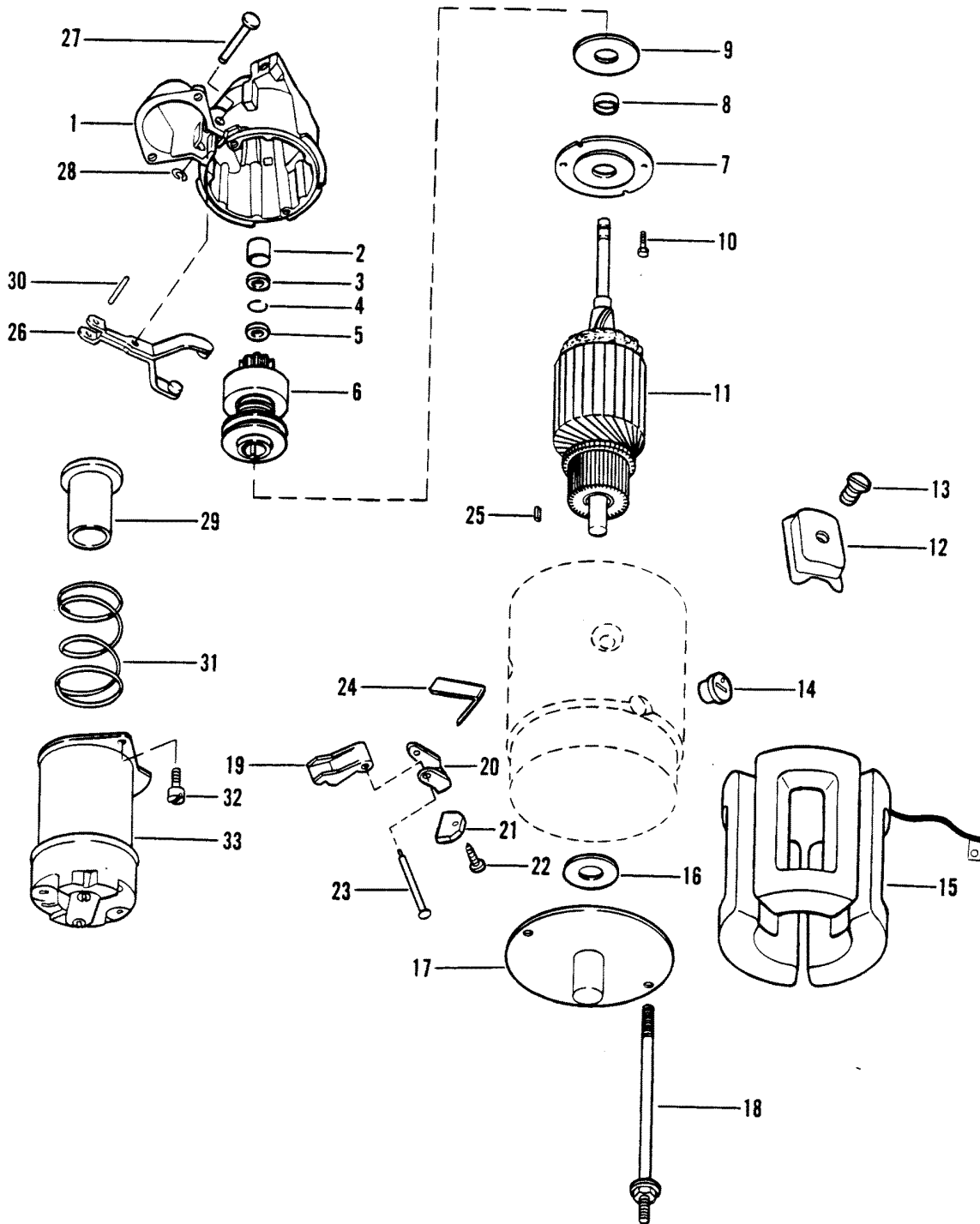


STARTER MOTOR MR - 14" FLYWHEEL

REF. NO.	PART NO.	SYM.	QTY.	DESCRIPTION
-	50-12177A2		1	STARTER MOTOR ASSEMBLY
1	75666	◇	1	HOUSING, DRIVE END
	13754	++	1	HOUSING, DRIVE END
2	23-33369		1	BUSHING, DRIVE END HOUSING
3	33292		1	COLLAR, THRUST
4	53-33290		1	RING, RETAINING - PINION STOP COLLAR
5	33291		1	COLLAR, PINION STOP
6	79205		1	DRIVE ASSEMBLY, CLUTCH
7	79396		1	PLATE, BEARING
8	23-71694		1	BUSHING, BEARING PLATE
9	12-68614		1	WASHER, BEARING PLATE
10	N.S.S.	+	2	SCREW, BEARING PLATE (DELCO REMY #1972786)
11	71693	+	1	ARMATURE
12	N.S.S.	●+	4	SHOE, POLE - FIELD COIL (DELCO REMY #1931129)
10	N.S.S.	●+	2	SCREW, BEARING PLATE (DELCO REMY #1984000)
11	75665	+	1	ARMATURE
12	N.S.S.	+	4	SHOE, POLE - FIELD COIL (DELCO REMY #810601)
13	N.S.S.	●	4	SCREW, POLE SHOE TO FIELD COIL (DELCO REMY #1968396)
14	25-79208		1	GROMMET, FIELD COIL - FIELD FRAME
15	79212	+	1	FIELD COIL ASSEMBLY
	75664	+	1	FIELD COIL ASSEMBLY
16	12-33258		1	WASHER, LEATHER - COMMUTATOR END FRAME
17	79211		1	FRAME, COMMUTATOR END - LOWER
18	N.S.S.	●	1	BOLT, THRU (DELCO REMY #1941111)
	N.S.S.	●	1	BOLT, THRU (DELCO REMY #1939970)
19	N.S.S.	●	2	HOLDER, INSULATED (DELCO REMY #800091)
20	33283		2	HOLDER, FIELD FRAME BRUSH GROUND
21	33270		4	BRUSH, FIELD FRAME
22	N.S.S.	●	2	SCREW, BRUSH LEAD (DELCO REMY #1967747)
	N.S.S.	●	2	SCREW, BRUSH LEAD (DELCO REMY #443527)
23	33294		2	SUPPORT PACKAGE, GROUND AND INSULATED HOLDERS
24	24-33285		4	SPRING, FIELD FRAME BRUSH
25	N.S.S.	●	1	PIN, DOWEL - FIELD FRAME (DELCO REMY #1985696)
26	71698		1	LEVER, SHIFT
27	N.S.S.	●	1	STUD, SHIFT LEVER (DELCO REMY #1945804)
28	N.S.S.	●	1	RETAINING RING (DELCO REMY #11505767)

- = NOTE: PARTS LISTED N.S.S. (NOT SOLD SEPARATELY) SHOULD BE ORDERED FROM A LOCAL SUPPLIER
- ◇ = DELCO REMY STARTER #1998513
- ++ = DELCO REMY STARTER # 1998566
- +

STARTER MOTOR MR - 14" FLYWHEEL

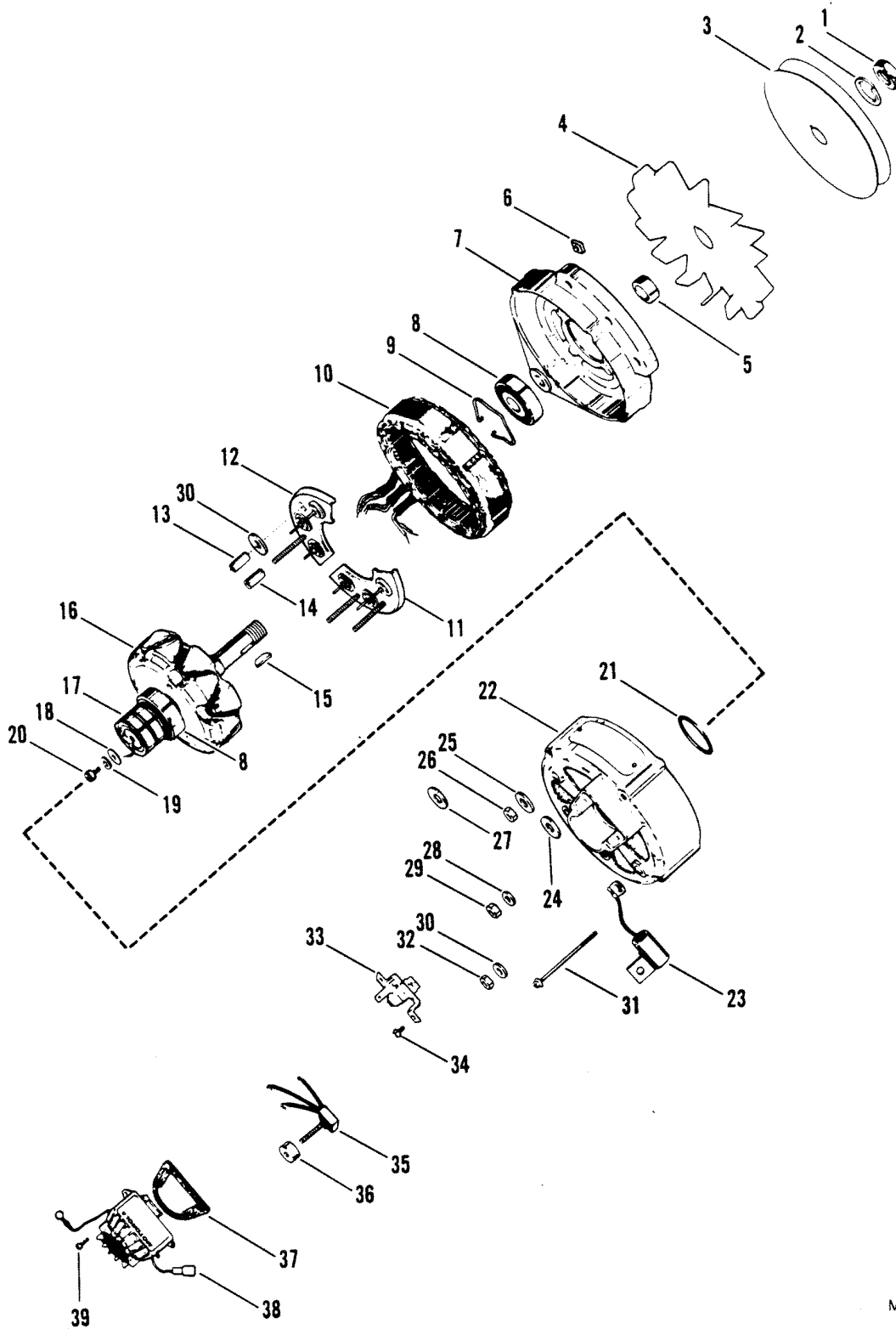


STARTER MOTOR MR - 14" FLYWHEEL

REF. NO.	PART NO.	SYM.	QTY.	DESCRIPTION
29	33317		1	PLUNGER, SHIFT LEVER
30	N.S.S.	●	1	PIN, PLUNGER TO SHIFT LEVER (DELCO REMY #1987049)
31	N.S.S.	●	1	SPRING, PLUNGER RETURN (DELCO REMY #1978281)
32	N.S.S.	●	2	SCREW, SOLENOID SWITCH (DELCO REMY #9413260)
33	13037		1	SOLENOID SWITCH ASSEMBLY

● = NOTE: PARTS LISTED N.S.S. (NOT SOLD SEPARATELY) SHOULD BE ORDERED FROM A LOCAL SUPPLIER

ALTERNATOR (55 AMPS)

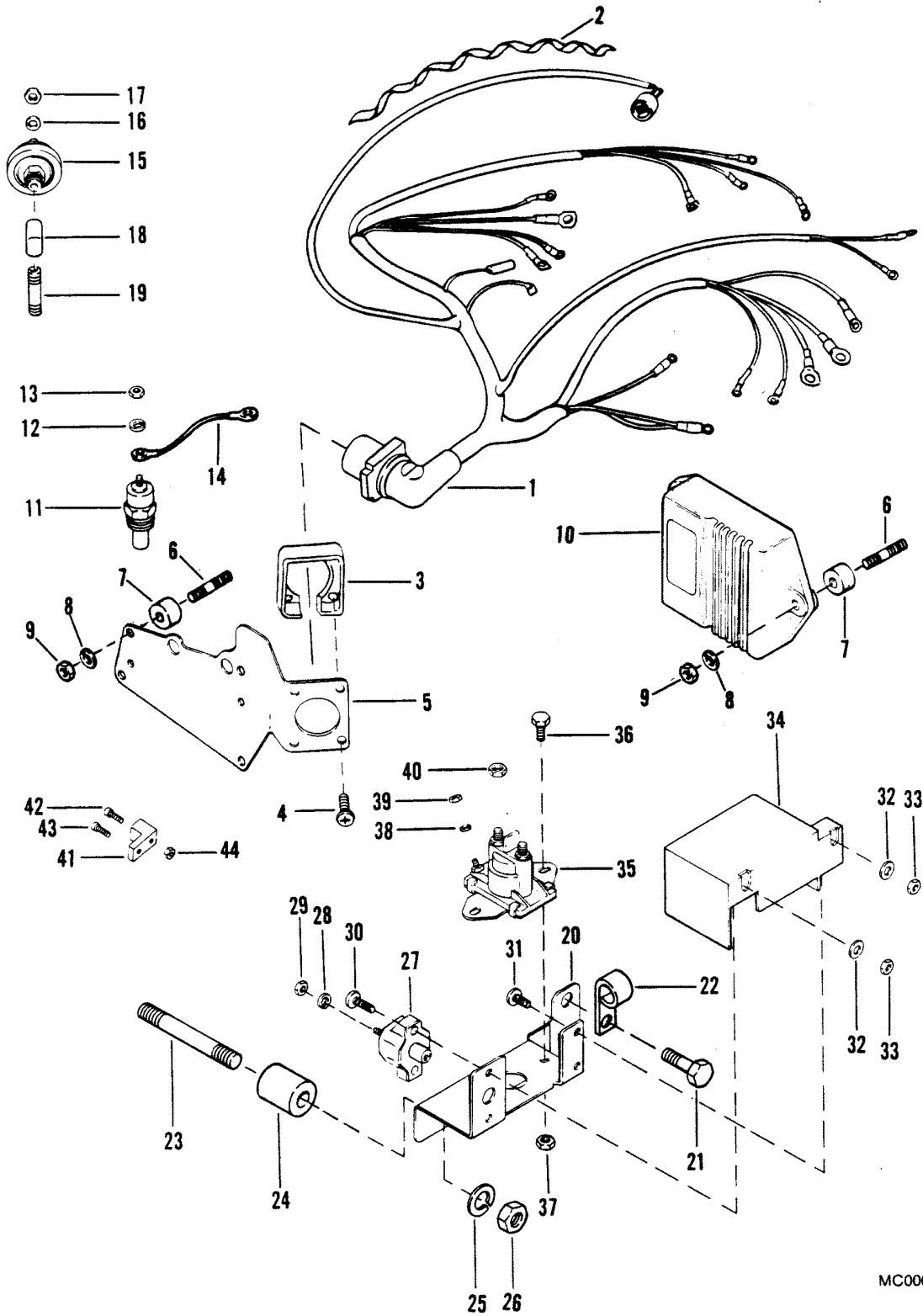


MC0003

ALTERNATOR (55 AMPS)

REF. NO.	PART NO.	SYM.	QTY.	DESCRIPTION
-	92497A3		1	ALTERNATOR ASSEMBLY (55 AMP)
1	390-7027		1	NUT, FAN AND PULLEY TO ROTOR
2	390-7033		1	LOCKWASHER, FAN AND PULLEY NUT
3	11637		1	PULLEY (MR)
	390-8637		1	PULLEY (TR)
4	390-7004		1	FAN, DRIVE END FRAME
5	390-7012		1	SPACER, FAN TO DRIVE END FRAME
6	390-7028		4	NUT, THRU BOLT ATTACHING
7	390-7000		1	COVER ASSEMBLY, FRONT
8	390-7005		2	BALL BEARING, DRIVE END
9	390-7006		1	RETAINER, DRIVE END BALL BEARING
10	390-8636		1	STATOR ASSEMBLY
11	390-7009		1	DIODE RECTIFIER, NEGATIVE
12	390-7010		1	HEAT SINK, POSITIVE
13	390-7020		1	SLEEVE, INSULATOR
14	390-7018		1	SLEEVE, INSULATOR
15	390-7034		1	KEY, ROTOR
16	390-8635		1	ROTOR ASSEMBLY
17	390-7014		1	SLIP RING
18	390-7206		1	WASHER, ROTOR SCREW
19	390-7207		1	LOCKWASHER, ROTOR SCREW
20	390-7029		1	SCREW, ROTOR SHAFT (5/8")
21	390-7007		1	RETAINER, ROTOR SHAFT BEARING
22	390-7003		1	COVER ASSEMBLY, REAR
23	390-7035		1	CONDENSOR
24	390-7023		1	WASHER, REGULATOR TERMINAL STUD
25	390-7024		1	WASHER, CONDENSOR TERMINAL STUD
26	390-7025		1	NUT, TERMINAL STUD
27	390-7208		1	WASHER, TERMINAL STUD
28	390-7032		2	LOCKWASHER, TERMINAL STUD
29	390-7026		1	NUT, TERMINAL ATTACHING
30	390-7022		1	WASHER, CONDENSOR TERMINAL STUD
31	390-8638		4	THRU BOLT
32	390-7021		1	NUT, CONDENSOR TERMINAL ATTACHING
33	390-7011		1	BRUSH HOLDER ASSEMBLY
34	390-7030		2	SCREW, BRUSH HOLDER (1/2")
35	390-7008		1	DIODE TRIO
36	390-7019		1	SPACER, DIODE TRIO
37	390-7013		1	GASKET, VOLTAGE REGULATOR
38	390-7036		1	VOLTAGE REGULATOR
39	390-7015		4	SCREW, VOLTAGE REGULATOR ATTACHING

WIRING HARNESS AND ELECTRICAL COMPONENTS



MC0004

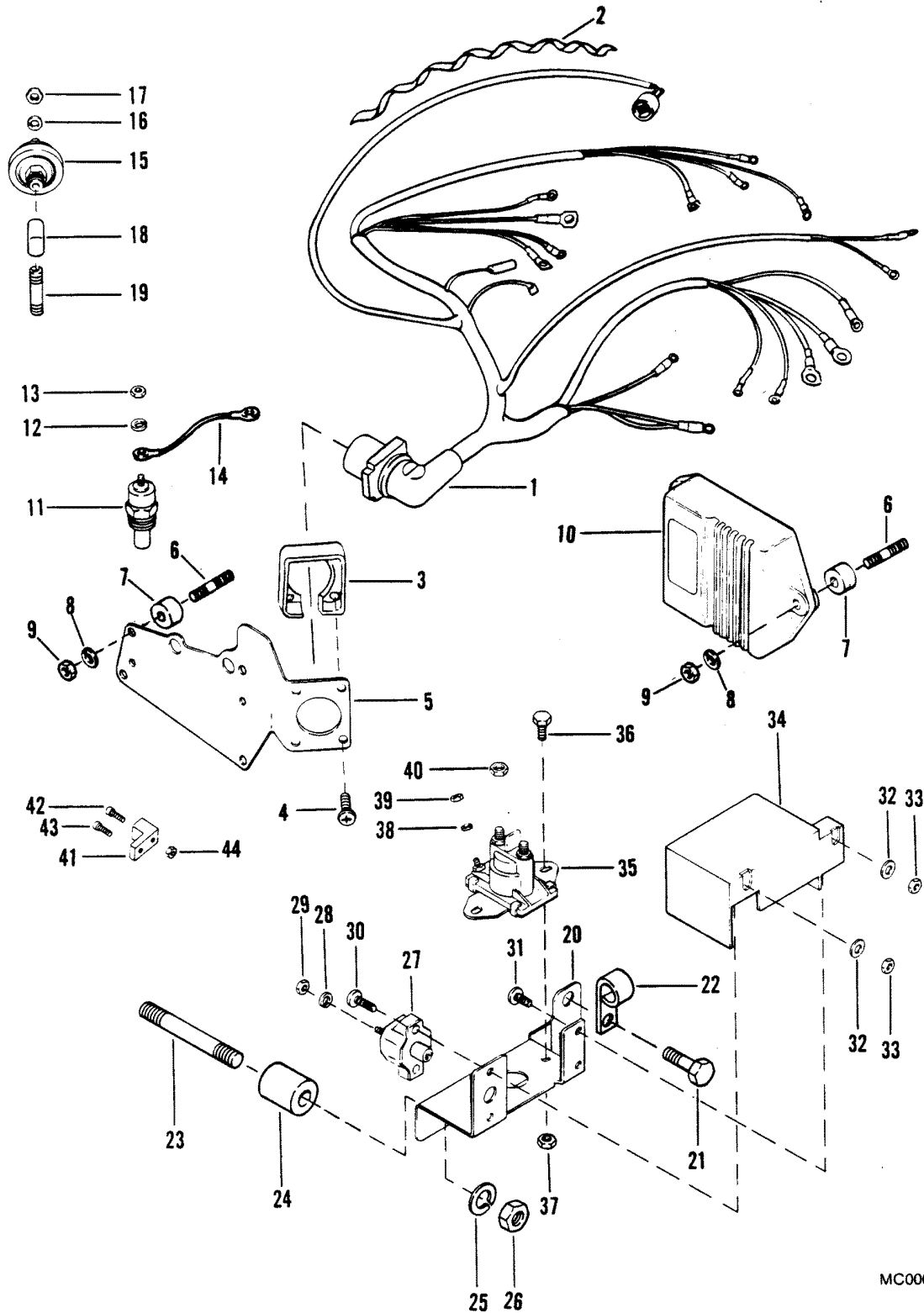
WIRING HARNESS AND ELECTRICAL COMPONENTS

REF. NO.	PART NO.	SYM.	QTY.	DESCRIPTION
1	84-98423A8		1	WIRING HARNESS (MR)
	84-93947A6		1	WIRING HARNESS (TR)
2	32-77690		1	WRAPPING, PLASTIC (1/4")
	32-77760		1	WRAPPING, PLASTIC (1/2")
3	26079		1	PLATE, WIRING HARNESS OT MOUNTING BRACKET
4	10-34696		4	SCREW, WIRING HARNESS PLATE (3/4")
5	98493A2		1	BRACKET, MOUNTING
6	16-66021		1	STUD, BRACKET (1-3/8")
	16-20353		6	STUD, BRACKET AND AMPLIFIER (1-3/4")
7	23-92152		7	SPACER, STUD
8	13-26992		7	LOCKWASHER, STUD
9	11-29598		7	NUT, STUD
10	390-7804A3		1	IGNITION AMPLIFIER
11	97257A1		1	WATER TEMPERATURE SENDER
	49734A1	●	OPT.	WATER TEMPERATURE SENDER (DUAL)
12	13-26996		1	LOCKWASHER, WATER TEMPERATURE SENDER TERMINAL (#10)
13	11-68219		1	NUT, WATER TEMPERATURE SENDER TERMINAL (#10)
14	84-86307A1		1	WIRE, TEMPERATURE SENDER
15	90806		1	OIL PRESSURE SENDER
	37293	●	OPT.	OIL PRESSURE SENDER (DUAL)
16	13-26996		1	LOCKWASHER, OIL PRESSURE SENDER TERMINAL (#10)
17	11-68219		1	NUT, OIL PRESSURE SENDER TERMINAL (#10)
18	22-46932		1	ELBOW, OIL PRESSURE SENDER
19	22-42554		1	NIPPLE, OIL PRESSURE SENDER
20	41170A2		1	BRACKET, MOUNTING
21	10-98260		1	SCREW, MOUNTING BRACKET (5/8")
22	54-78945		1	CLAMP, BRACKET SCREW
23	16-24585--1		1	STUD, MOUNTING BRACKET
24	23-88275		1	SPACER, MOUNTING BRACKET STUD
25	13-35048		1	LOCKWASHER, MOUNTING BRACKET STUD
26	11-24883		1	NUT, MOUNTING BRACKET STUD
27	88-11178		1	CIRCUIT BREAKER (50 AMP)
28	13-26996		2	LOCKWASHER, CIRCUIT BREAKER TERMINAL
29	11-68219		2	NUT, CIRCUIT BREAKER TERMINAL
30	10-45862		2	SCREW, CIRCUIT BREAKER (7/8")
31	10-45218		1	SCREW, INSULATOR (3/8")
32	12-56681		3	WASHER, CIRCUIT BREAKER SCREW
33	11-46438		3	NUT, INSULATOR SCREW
34	85-96819		1	INSULATOR, CIRCUIT BREAKER
35	89-96054		1	STARTER SOLENOID
36	10-47910		2	SCREW, STARTER SOLENOID (5/8")
37	11-20088		2	NUT, STARTER SOLENOID SCREW

● = NOTE: PARTS LISTED N.S.S. (NOT SOLD SEPARATELY) SHOULD BE ORDERED FROM A LOCAL SUPPLIER

CONTINUED ON NEXT PAGE ➡

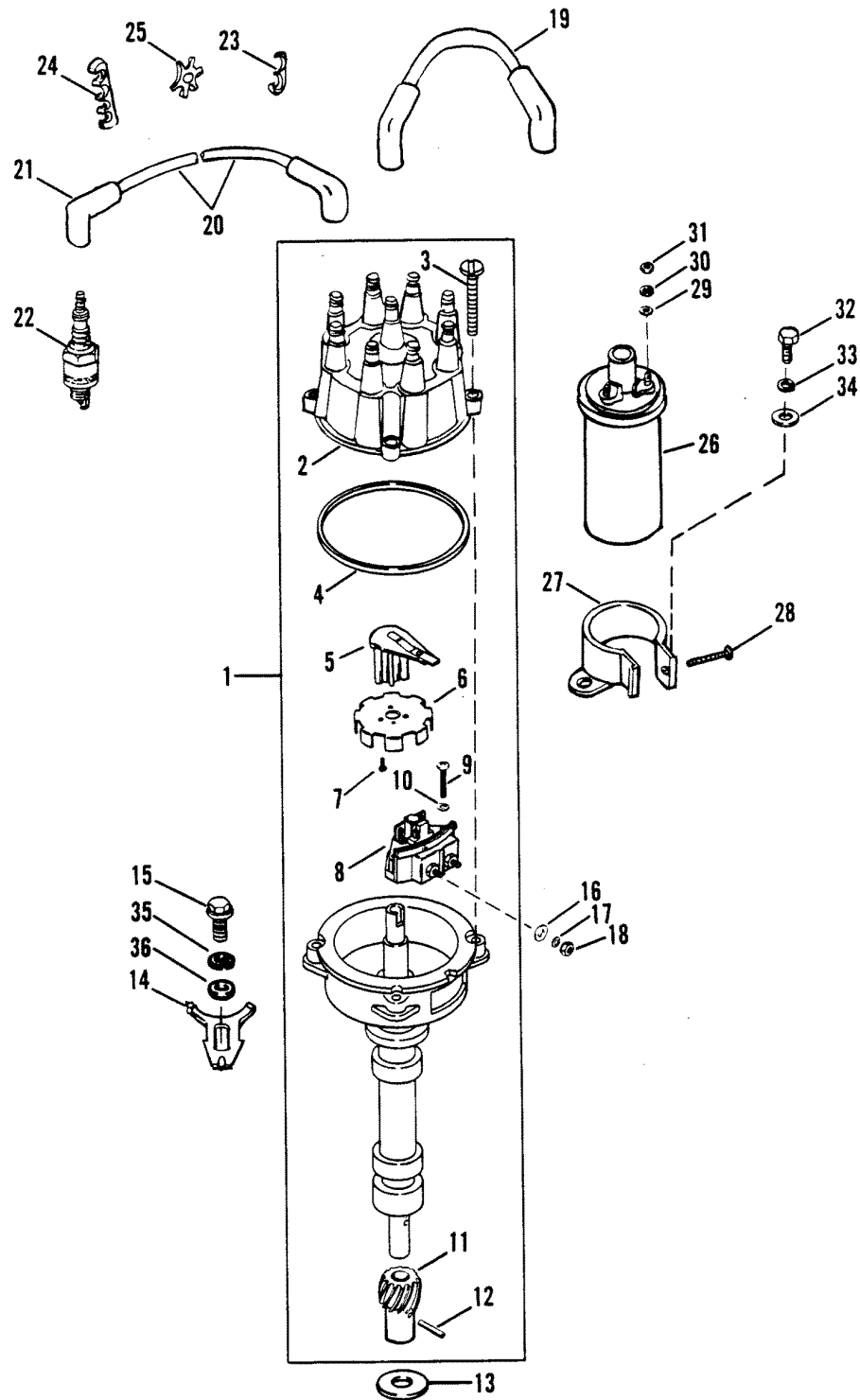
WIRING HARNESS AND ELECTRICAL COMPONENTS



WIRING HARNESS AND ELECTRICAL COMPONENTS

REF. NO.	PART NO.	SYM.	QTY.	DESCRIPTION
38	13-26992		2	LOCKWASHER, STARTER SOLENOID TERMINAL
39	11-26419		2	NUT, STARTER SOLENOID TERMINAL (10-32)
40	11-94330		2	NUT, STARTER SOLENOID TERMINAL (1/4-20)
41	45915		1	TERMINAL BLOCK
42	10-62568		1	SCREW, TERMINAL BLOCK LEADS
43	10-22028		1	SCREW, TERMINAL BLOCK
44	11-46438		1	NUT, TERMINAL BLOCK SCREW

DISTRIBUTOR AND IGNITION COMPONENTS

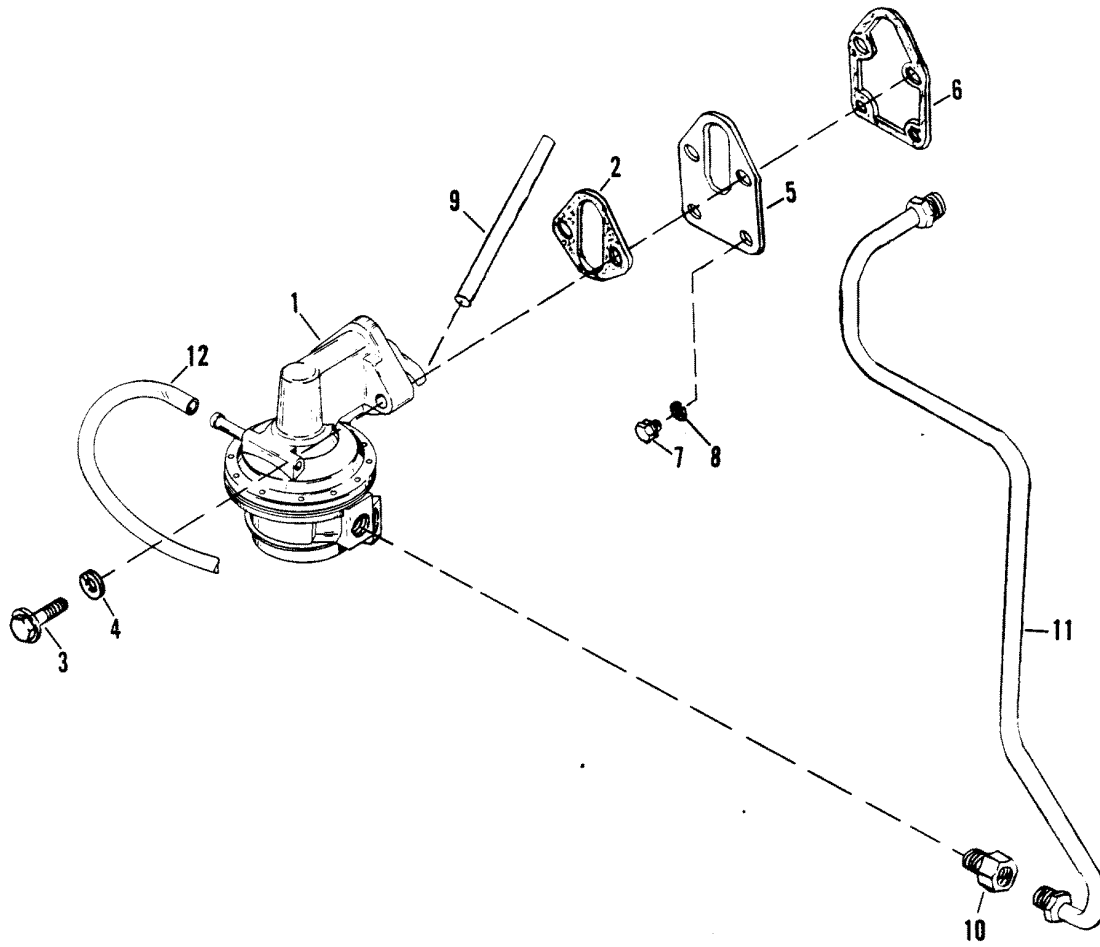


DISTRIBUTOR AND IGNITION COMPONENTS

REF. NO.	PART NO.	SYM.	QTY.	DESCRIPTION
1	90747A3		1	DISTRIBUTOR ASSEMBLY
2	43557A1		1	CAP, DISTRIBUTOR
3	10-90926		4	SCREW, DISTRIBUTOR CAP
4	27-98242		1	GASKET, DISTRIBUTOR CAP
5	13524A3		1	ROTOR
6	42862		1	SENSOR WHEEL
7	10-11252		3	SCREW, SENSOR WHEEL
8	87-91019A3		1	SENSOR ASSEMBLY
9	10-47618		2	SCREW, SENSOR
10	12-27736		2	WASHER, SENSOR SCREW
11	43-47619		1	GEAR, DRIVE
12	17-47617		1	PIN, DRIVE GEAR
13	27-52184	○	1	GASKET, DISTRIBUTOR
14	52185		1	CLAMP, DISTRIBUTOR TO INTAKE MANIFOLD
15	10-27165		1	SCREW, DISTRIBUTOR (7/8")
16	12-30164		2	WASHER, DISTRIBUTOR TERMINAL
17	13-26996		2	LOCKWASHER, DISTRIBUTOR TERMINAL
18	11-68219		2	NUT, DISTRIBUTOR TERMINAL (10-32)
19	84-42841A10		1	LEAD ASSEMBLY, DISTRIBUTOR TO COIL
20	84-43376A4		1	SPARK PLUG WIRE KIT
21	85-63709A1		8	BOOT ASSEMBLY, SPARK PLUG
22	33-59571		8	SPARK PLUG (NGK-BR6FS)
23	54676		2	RETAINER, HIGH TENSION LEADS (2 WIRE)
24	32783		2	RETAINER, HIGH TENSION LEADS (3 WIRE)
25	32784		2	RETAINER, HIGH TENSION LEADS (4 WIRE)
26	392-7803A4		1	COIL, IGNITION
27	77294		1	BRACKET, IGNITION COIL
28	10-41408		1	SCREW, BRACKET (1-1/2")
29	12-30164		2	WASHER, IGNITION COIL TERMINAL
30	13-26996		2	LOCKWASHER, IGNITION COIL TERMINAL
31	11-68219		2	NUT, IGNITION COIL TERMINAL (#10-32)
32	10-34500		2	SCREW, IGNITION COIL (3/4")
33	13-26993		2	LOCKWASHER, IGNITION COIL SCREW
34	12-20084		2	WASHER, IGNITION COIL SCREW
35	13-35048		1	LOCKWASHER, DISTRIBUTOR SCREW
36	12-20553		1	WASHER, DISTRIBUTOR SCREW

○ = PARTS INCLUDED WITH [1397-5635] OFF ENGINE KIT.

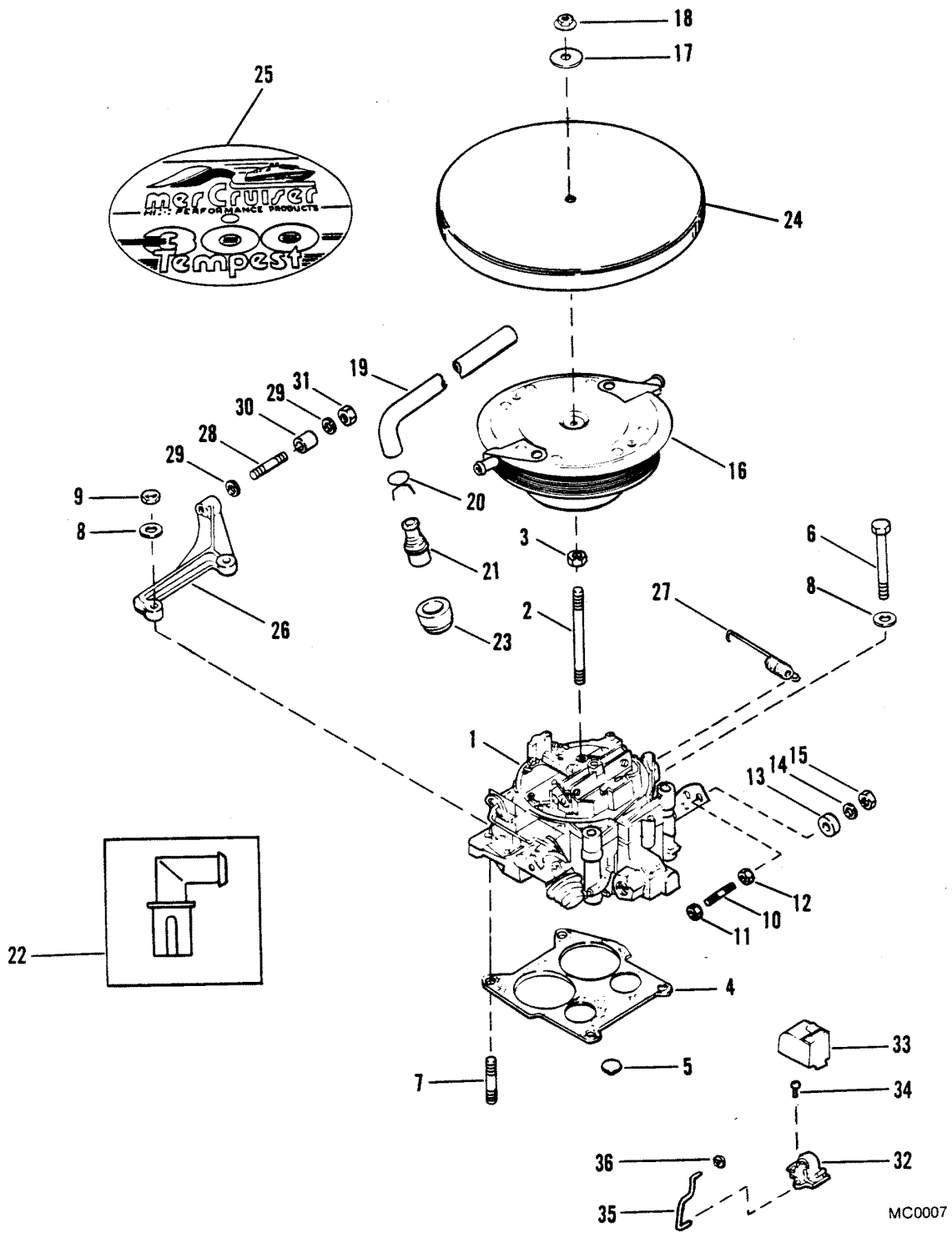
FUEL PUMP AND FUEL LINES



FUEL PUMP AND FUEL LINES

REF. NO.	PART NO.	SYM.	QTY.	DESCRIPTION
1	97401A2		1	FUEL PUMP
2	27-34213		1	GASKET, FUEL PUMP TO CYLINDER BLOCK
3	10-34354		2	SCREW, FUEL PUMP (1-1/2")
4	13-35048		2	LOCKWASHER, FUEL PUMP SCREW
5	35373		1	PLATE, FUEL PUMP
6	27-34898		1	GASKET, FUEL PUMP PLATE
7	10-28635		2	SCREW, FUEL PUMP PLATE
8	13-26992		2	LOCKWASHER, PLATE SCREW
9	35377		1	ROD, PUSH - FUEL PUMP
10	22-33821		1	ELBOW, FUEL LINE TO PUMP AND FUEL FILTER
11	32-96081A1		1	FUEL PUMP TO CARBURETOR
12	32-93370-70		1	HOSE, PLASTIC - FUEL PUMP TO CARBURETOR

CARBURETOR AND THROTTLE LINKAGE

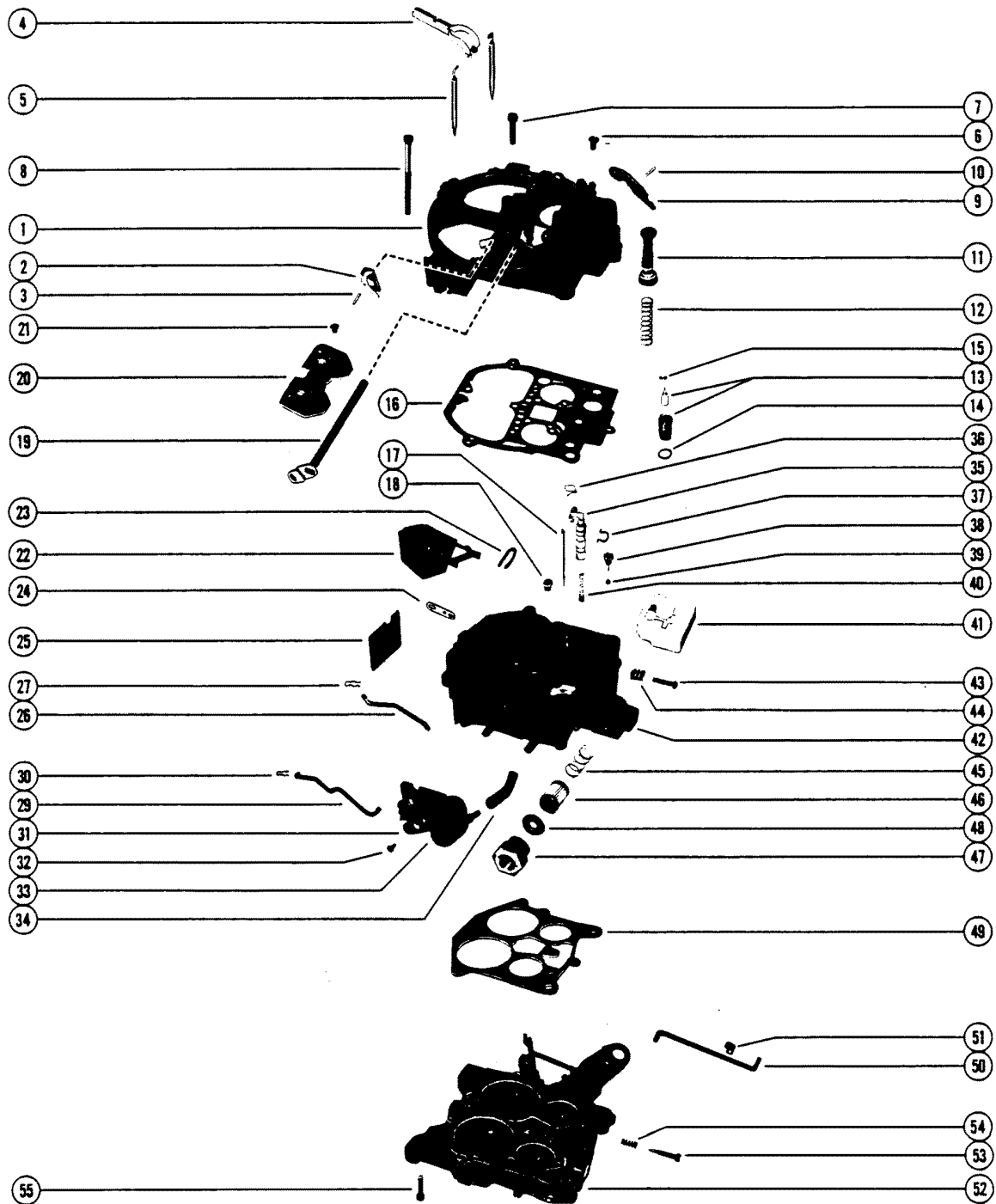


CARBURETOR AND THROTTLE LINKAGE

REF. NO.	PART NO.	SYM.	QTY.	DESCRIPTION
1	1347-7498A7		1	CARBURETOR ASSEMBLY
2	16-95117		1	STUD, FLAME ARRESTOR (5.40")
3	11-28941		1	NUT, JAM - FLAME ARRESTOR
4	27-52457--1	○	1	GASKET, CARBURETOR
5	22-36373		1	PLUG, INTAKE MANIFOLD VACUUM HOLE
6	10-28701		2	SCREW, CARBURETOR MOUNTING (3-1/2")
7	16-46857		2	STUD, CARBURETOR MOUNTING (1-7/8")
8	12-20084		4	WASHER, CARBURETOR MOUNTING
9	11-29250		2	NUT, CARBURETOR MOUNTING STUD
10	16-72809		1	STUD, THROTTLE CABLE TO CARBURETOR
11	11-20586		1	NUT, STUD TO THROTTLE LEVER
12	11-21825		1	NUT, STUD TO THROTTLE LEVER
13	23-52811		1	SPACER, THROTTLE CABLE STUD
14	12-29245		2	WASHER, THROTTLE CABLE STUD
15	11-56374		1	NUT, THROTTLE CABLE STUD
16	95950		1	FLAME ARRESTOR
17	12-22937		1	WASHER, FLAME ARRESTOR STUD
18	11-20361		1	NUT, FLAME ARRESTOR STUD
19	32-93315-12		2	HOSE, VENT - CARBURETOR (11")
20	54-53101		4	CLAMP, VENT HOSE ATTACHING
21	47957		1	CONNECTOR, VENT HOSE (PORT) MR
22	97850		1	ELBOW, VENT HOSE (STARBOARD) MR
21	47957		2	CONNECTOR, VENT HOSE - TR
23	25-52188		2	GROMMET, ROCKER COVER
24	12608		1	COVER, CARBURETOR
25	37-41764A4		1	DECAL SET
26	47502A2		1	BRACKET, MOUNTING - THROTTLE CABLE
27	24-32817		1	SPRING, THROTTLE RETURN
28	16-35897		1	STUD, THROTTLE CABLE TO MOUNTING BRACKET (1-11/16")
29	12-21631		2	WASHER, THROTTLE CABLE STUD
30	23-31866		1	SPACER, THROTTLE CABLE STUD
31	11-20586		1	NUT, THROTTLE CABLE STUD
32	72625		1	CHOKE, AUTOMATIC - CARBURETOR
33	66198		1	COVER, AUTOMATIC CHOKE
34	10-59994		1	SCREW, AUTOMATIC CHOKE THERMOSTAT (5/8")
35	12138		1	ROD, AUTOMATIC CHOKE
36	54-59989		1	CLIP, AUTOMATIC CHOKE ROD

○ = PARTS INCLUDED WITH [1397-5635] OFF ENGINE KIT.

CARBURETOR



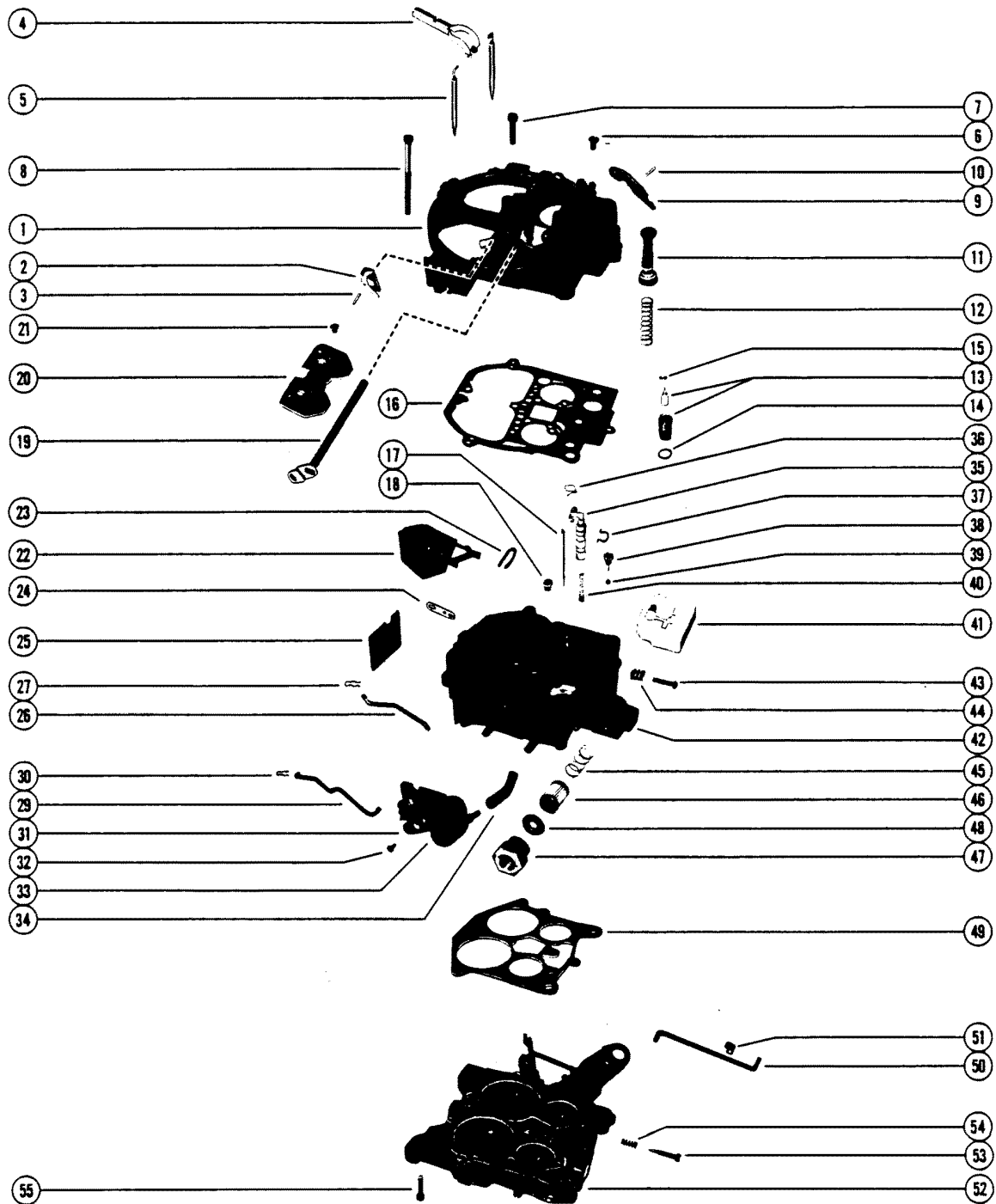
CARBURETOR

REF. NO.	PART NO.	SYM.	QTY.	DESCRIPTION
-	1347-7498A7		1	CARBURETOR ASSEMBLY, COMPLETE
1	N.S.S.	●	1	AIR HORN ASSEMBLY ROCHESTER #17151603
2	N.S.S.	●	1	LEVER, AIR VALVE LOCKOUT (ROCHESTER #7037968)
3		○♣	1	ROLL PIN, LOCKOUT LEVER
4	N.S.S.	●	1	HOLDER KIT, SEC. METERING ROD ROCHESTER #7034522
5	N.S.S.	●	2	METERING ROD, SECONDARY ROCHESTER #7046010
6	N.S.S.	●	2	SCREW, AIR HORN TO FLOAT BOWL (3/8") ROCHESTER #7031105
7	N.S.S.	●	5	SCREW, AIR HORN FLOAT BOWL (1") ROCHESTER #7014699
8	N.S.S.	●	2	SCREW, AIR HORN TO FLOAT BOWL (3") ROCHESTER #7029912
9	N.S.S.	●	1	LEVER, ACTUATING - PUMP ROCHESTER #7048169
10		○♣	1	ROLL PIN, HINGE - PUMP LEVER
11		○♣	1	PUMP ASSEMBLY
12		♣	1	SPRING, PUMP RETURN
13		○♣	1	NEEDLE AND SEAT ASSEMBLY
14		○♣	1	GASKET, NEEDLE AND SEAT
15		♣	1	PULL CLIP, FLOAT NEEDLE
16		❖○♣	1	GASKET, AIR HORN
17		♣	2	METERING ROD, PRIMARY
18		♣	2	JET, PRIMARY
19	N.S.S.	●	1	CHOKE SHAFT & LEVER ASS'Y (ROCHESTER #7036059)
20	N.S.S.	●	1	VALVE, CHOKE - CHOKE SHAFT (ROCHESTER #7036021)
21	N.S.S.	●	2	SCREW, CHOKE VALVE TO CHOKE SHAFT (ROCHESTER #7029866)
22	1397-3327		1	FLOAT ASSEMBLY
23	N.S.S.	●	1	PIN, HINGE - FLOAT (ROCHESTER #7029856)
24	N.S.S.	●	1	LEVER, INTERMEDIATE CHOKE (ROCHESTER #7031231)
25	N.S.S.	●	1	BAFFLE, FLOAT BOWL (ROCHESTER #7031365)
26	N.S.S.	●	1	ROD, CHOKE (ROCHESTER #7031394)
27		○♣	1	CLIP, CHOKE ROD
29	N.S.S.	●	1	ROD, VACUUM CONTROL (ROCHESTER #7038167)
30		○♣	1	CLIP, VACUUM CONTROL ROD
31	N.S.S.	●	1	BRACKET ASS'Y, VACUUM CONTROL (ROCHESTER #17060265)
32	N.S.S.	●	1	SCREW, VAC. CONT. BRCK./FLOAT BOWL (ROCHESTER #7031925)
33	1397-3317		1	CONTROL ASSEMBLY, VACUUM
34	N.S.S.	●	1	HOSE, VACUUM (ROCHESTER #7026339)
35	N.S.S.	●	1	POWER PISTON ASSEMBLY (ROCHESTER #7034637)

- = NOTE: PARTS LISTED N.S.S. (NOT SOLD SEPARATELY) SHOULD BE ORDERED FROM A LOCAL SUPPLIER
- = PARTS INCLUDED WITH [1397-5635] OFF ENGINE KIT.
- ♣ = PARTS INCLUDED WITH [1397-7539] OVERHAUL KIT.
- ❖ = PARTS INCLUDED WITH [1397-3309] GASKET KIT.

CONTINUED ON NEXT PAGE ➡

CARBURETOR

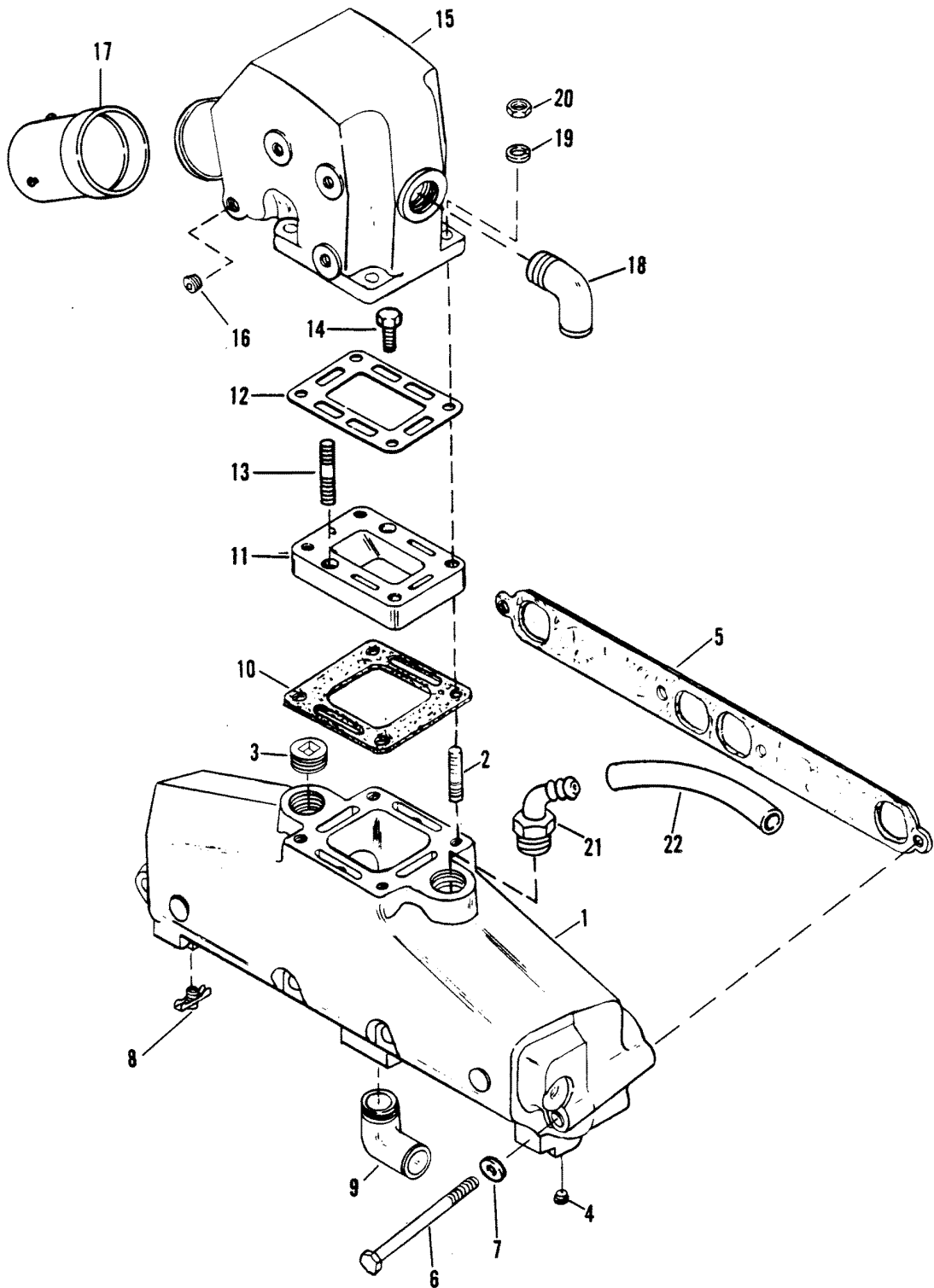


CARBURETOR

REF. NO.	PART NO.	SYM.	QTY.	DESCRIPTION
36	N.S.S.	●	1	SPRING, METERING ROD - PRIMARY (ROCHESTER #7029862)
37	N.S.S.	●	1	RETAINER, POWER PISTON (ROCHESTER #7034339)
38	N.S.S.	●	1	RETAINER, PUMP DISCHARGE BALL (ROCHESTER #7029849)
39		○♣	1	BALL, PUMP DISCHARGE
40	N.S.S.	●	1	SPRING, POWER PISTON (ROCHESTER #7034361)
41	N.S.S.	●	1	INSERT, FLOAT BOWL (ROCHESTER #7034361)
42	N.S.S.	●	1	FLOAT BOWL ASSEMBLY (ROCHESTER #7041584)
43	N.S.S.	●	1	SCREW, IDLE STOP (ROCHESTER #7002121)
44	N.S.S.	●	1	SPRING, IDLE STOP SCREW (ROCHESTER #7003176)
45	24-48143		1	SPRING, FILTER NUT
46	35-53336		1	FILTER, FUEL INLET
47	1397-3330		1	NUT, FILTER - FUEL INLET
48		○♣	1	GASKET, FILTER NUT
49		❖○♣	1	GASKET, THROTTLE BODY
50	N.S.S.	●	1	ROD, PUMP (ROCHESTER #7026138)
51		♣	1	CLIP, PUMP ROD
52	N.S.S.	●	1	THROTTLE BODY ASSEMBLY (ROCHESTER #7044819)
53		♣	2	IDLE NEEDLE, THROTTLE BODY
54	24-87734		2	SPRING, IDLE NEEDLE
55	N.S.S.	●	3	SCREW, THROTTLE BODY TO FLOAT BOWL (ROCHESTER #7035790)
-	N.S.S.	●	1	SPRING AND CAM KIT, AIR VALVE (ROCHESTER #7035344)
-	1397-7539		1	OVERHAUL KIT
-	1397-3309		1	GASKET SET
-	1397-5635		1	OFF ENGINE KIT

- = NOTE: PARTS LISTED N.S.S. (NOT SOLD SEPARATELY) SHOULD BE ORDERED FROM A LOCAL SUPPLIER
- = PARTS INCLUDED WITH [1397-5635] OFF ENGINE KIT.
- ♣ = PARTS INCLUDED WITH [1397-7539] OVERHAUL KIT.
- ❖ = PARTS INCLUDED WITH [1397-3309] GASKET KIT.

EXHAUST MANIFOLD AND EXHAUST ELBOW

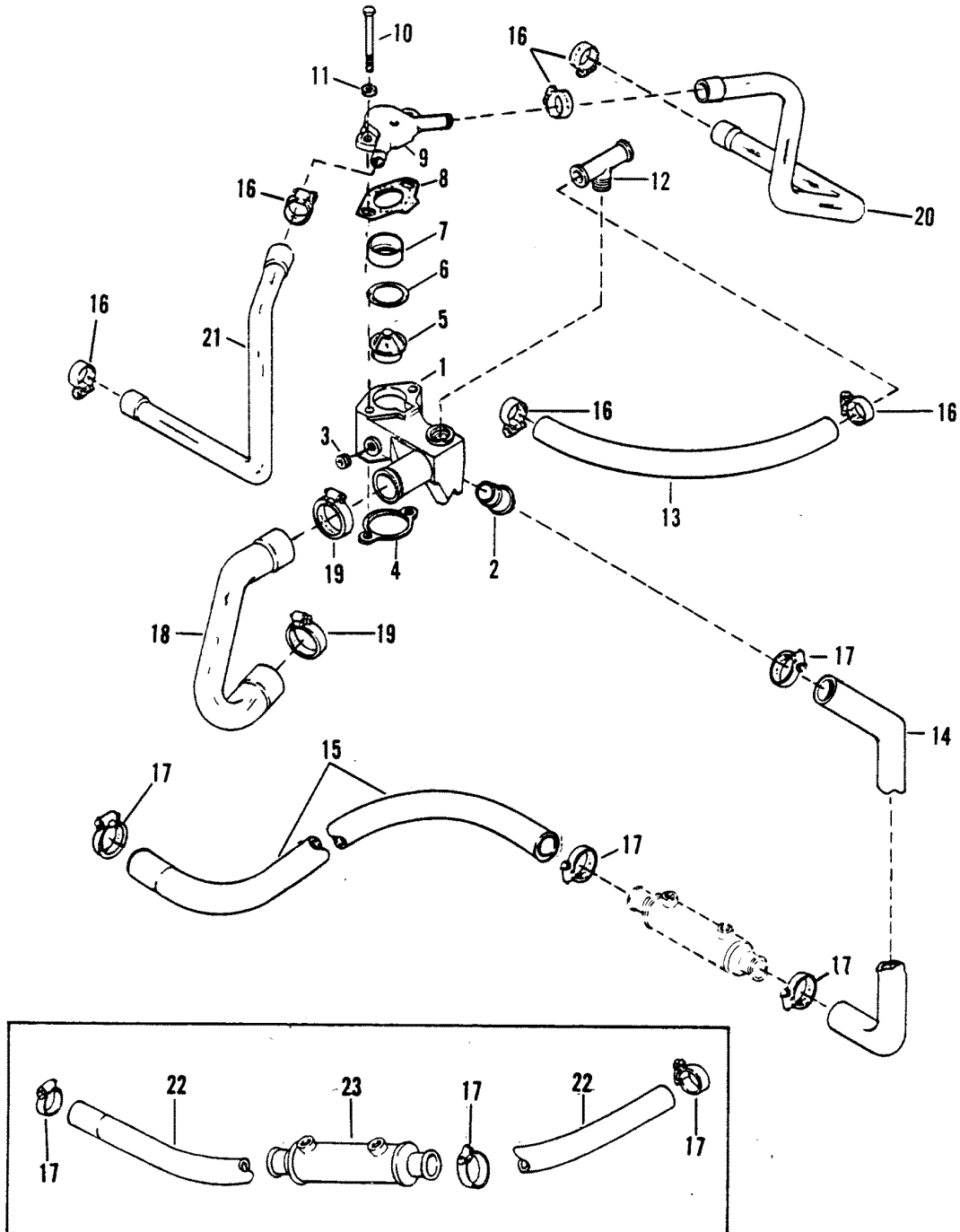


EXHAUST MANIFOLD AND EXHAUST ELBOW

REF. NO.	PART NO.	SYM.	QTY.	DESCRIPTION
1	87114A8		2	EXHAUST MANIFOLD ASSEMBLY
2	16-49545		4	STUD, EXHAUST MANIFOLD TO ELBOW (1-3/4")
3	22-33198A1		4	PLUG, EXHAUST MANIFOLD
4	22-48118		4	PLUG, PIPE -M EXHAUST MANIFOLD
5	27-33395	○	2	GASKET, EXHAUST MANIFOLD TO CYLINDER HEAD
6	10-53728		8	SCREW, EXHAUST MANIFOLD (4-5/8")
7	12-20553		8	WASHER, EXHAUST MANIFOLD SCREW
8	22-87238		2	DRAIN COCK, EXHAUST MANIFOLD
9	22-36305		2	ELBOW, EXHAUST MANIFOLD (90 DEGREES)
10	27-87105	○	2	GASKET, ELBOW
11	44194		2	ADAPTOR, EXHAUST ELBOW
12	27-48042	○	2	GASKET, ADAPTOR TO ELBOW
13	16-93431		2	STUD, ADAPTOR TO EXHAUST ELBOW (4-1/2")
	16-57981		2	STUD, ADAPTOR TO EXHAUST ELBOW (3")
14	10-60992		4	SCREW, ADAPTOR
15	72963A7		1	EXHAUST ELBOW ASSEMBLY (PORT)
	72963A8		1	EXHAUST ELBOW ASSEMBLY (STARBOARD)
16	22-32802		2	PLUG, PIPE - EXHAUST ELBOW
17	32-58616A2		2	TUBE, WATER SEPARATION
18	22-36305		1	FITTING, EXHAUST ELBOW (90 DEGREES)
19	13-35048		8	LOCKWASHER, EXHAUST MANIFOLD STUD
20	11-49838		8	NUT, EXHAUST MANIFOLD STUD
21	22-92499		2	ELBOW, EXHAUST MANIFOLD (45 DEGREES) (TR)
22	32-98090--4		2	HOSE, EXHAUST (TR)

○ = PARTS INCLUDED WITH [1397-5635] OFF ENGINE KIT.

THERMOSTAT HOUSING (STANDARD COOLING)

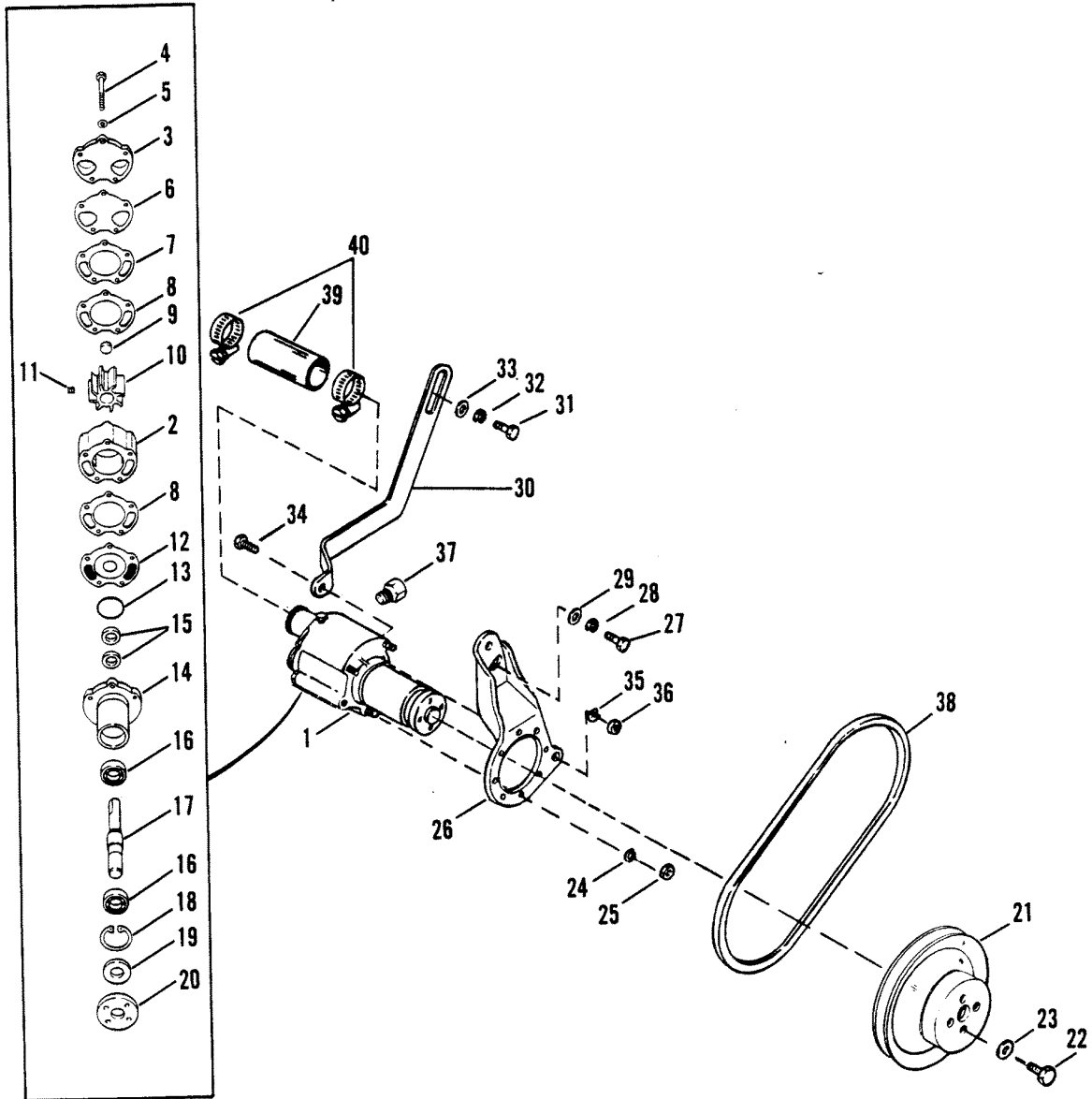


THERMOSTAT HOUSING (STANDARD COOLING)

REF. NO.	PART NO.	SYM.	QTY.	DESCRIPTION
1	87290A4		1	THERMOSTAT HOUSING ASSEMBLY
2	23-47511		1	SLEEVE, THERMOSTAT HOUSING
3	22-32803		2	PIPE PLUG
4	27-53045	○	1	GASKET, THERMOSTAT HOUSING
5	59137		1	THERMOSTAT (143 DEGREES)
6	27-47510	○	1	GASKET, THERMOSTAT
7	23-47508		1	SLEEVE, THERMOSTAT
8	27-41812	○	1	GASKET, THERMOSTAT COVER
9	47441A1		1	COVER, THERMOSTAT
10	10-60410		2	SCREW, THERMOSTAT HOUSING TO INTAKE MANIFOLD (4-1/4")
11	12-20553		1	WASHER, THERMOSTAT HOUSING SCREW MR
13	32-98090--4		2	TEE TO EXHAUST ELBOWS MR
14	32-88794		1	HOSE, THERMOSTAT HOUSING TO OIL COVER MR
15	32-96246A4		1	HOSE, FLUID COOLER TO DRIVE UNIT MR
16	54-32780		8	CLAMP, HOSE ATTACHING
17	54-43510		4	CLAMP, HOSE ATTACHING
18	32-87108		1	HOSE, THERMOSTAT HOUSING TO WATER PUMP
19	54-32781		2	CLAMP, HOSE ATTACHING
20	32-87116		1	HOSE, THERMOSTAT COVER TO EXHAUST MANIFOLD (PORT)
21	32-87117		1	HOSE, THERMOSTAT COVER TO EXHAUST MANIFOLD (STARBOARD)
22	32-61226--8		2	HOSE, THEMROSTAT HOUSING TO FLYWHEEL HSG. TR
23	99356A2		1	OIL COOLER (TR)

○ = PARTS INCLUDED WITH [1397-5635] OFF ENGINE KIT.

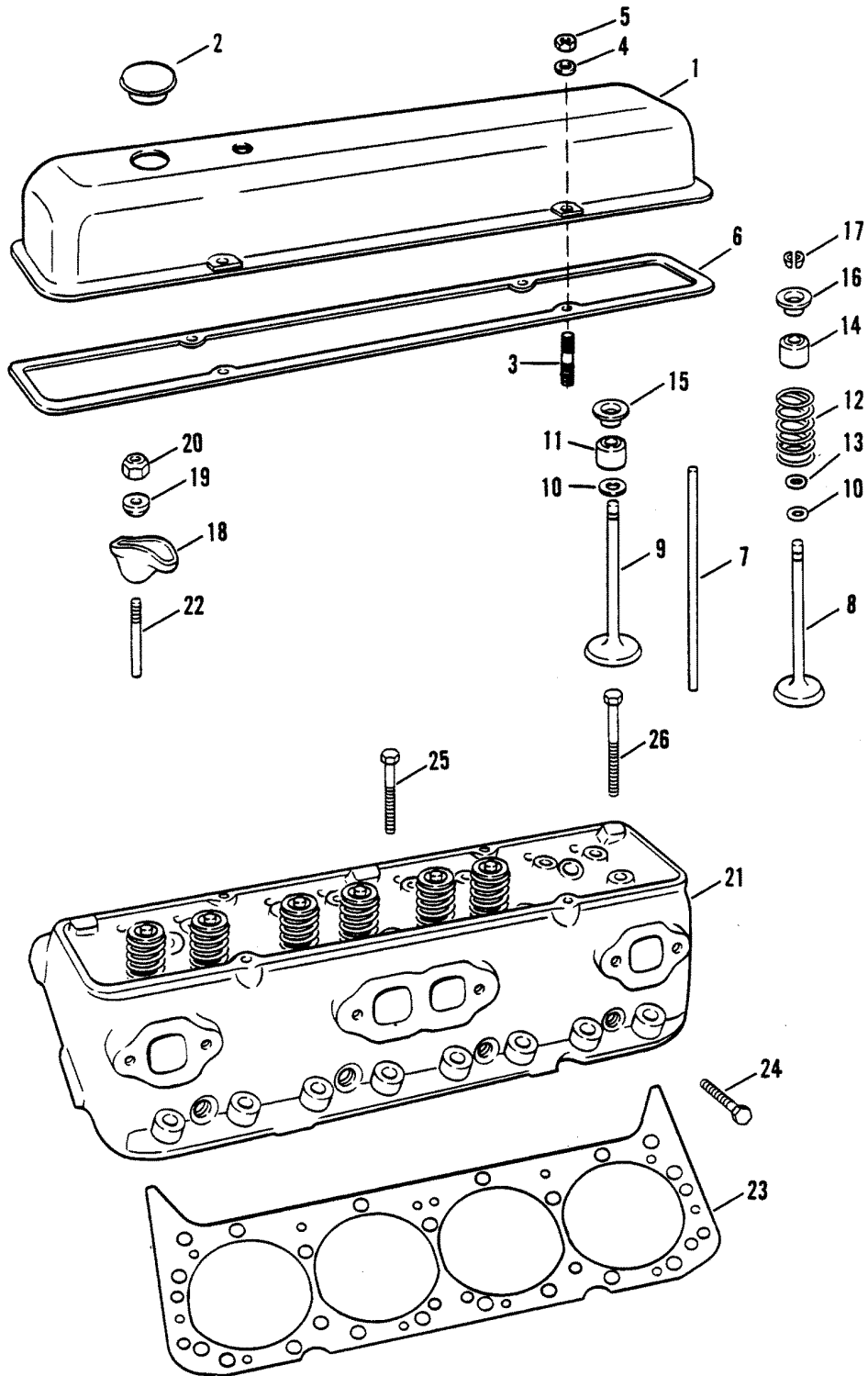
SEA WATER PUMP ASSEMBLY (TR)



SEA WATER PUMP ASSEMBLY (TR)

REF. NO.	PART NO.	SYM.	QTY.	DESCRIPTION
1	46-72774A32		1	WATER PUMP ASSEMBLY
2	46-72774A40		1	BODY, WATER PUMP
3	87631A1		1	COVER, WATER PUMP
4	10-73275		5	SCREW, WATER PUMP (2-7/8")
5	12-20084		5	WASHER, COVER SCREW
6	27-94915		1	GASKET, COVER TO OUTER WEAR PLATE
7	94916		1	WEAR PLATE, OUTER
8	27-94914		2	GASKET, BODY TO WEAR PLATE
9	19-59504		1	PLUG, IMPELLER
10	47-59362		1	IMPELLER
11	28-56662		1	KEY, IMPELLER DRIVE
12	94576		1	WEAR PLATE, INNER
13	25-94288		1	QUAD RING, PUMP HOUSING
14	46-94913A1		1	PUMP HOUSING ASSEMBLY
15	26-90562		2	OIL SEAL, WATER PUMP SHAFT
16	30-72961		2	BALL BEARING, WATER PUMP SHAFT
17	59501A1		1	SHAFT, WATER PUMP
18	53-23720		1	SNAP RING, BALL BEARING RETAINING
19	26-72785		1	OIL SEAL, WATER PUMP SHAFT
20	47530		1	HUB, WATER PUMP PULLEY
21	73798A1		1	PULLEY, WATER PUMP
22	10-47277		4	SCREW, PULLEY (3/4")
23	13-39107		4	LOCKWASHER, PULLEY SCREW
24	13-39107		3	LOCKWASHER, WATER PUMP SCREW
25	11-21908		3	NUT, WATER PUMP SCREW
26	89535		1	BRACKET, WATER PUMP
27	10-34353		2	SCREW, WATER PUMP BRACKET (1")
28	13-35048		2	LOCKWASHER, WATER PUMP BRACKET SCREW
29	12-34714		1	WASHER, WATER PUMP BRACKET SCREW
30	89609		1	BRACE, WATER PUMP ADJUSTING
31	10-26487		1	SCREW, ADJUSTING BRACE
32	13-35048		1	LOCKWASHER, ADJUSTING BRACE SCREW
33	12-34714		1	WASHER, ADJUSTING BRACE SCREW
34	10-35786		1	SCREW, ADJUSTING BRACE (1")
35	13-35048		1	LOCKWASHER, ADJUSTING BRACE SCREW
36	11-24883		1	NUT, ADJUSTING BRACE SCREW
37	22-32802		1	PLUG, PIPE (FOR WATER PUMP BODY)
38	57-44207		1	BELT, WATER PUMP
39	32-61226--8		1	HOSE, PUMP TO FLYWHEEL HOUSING
40	54-43510		2	CLAMP, HOSE

CYLINDER HEAD AND ROCKER COVER

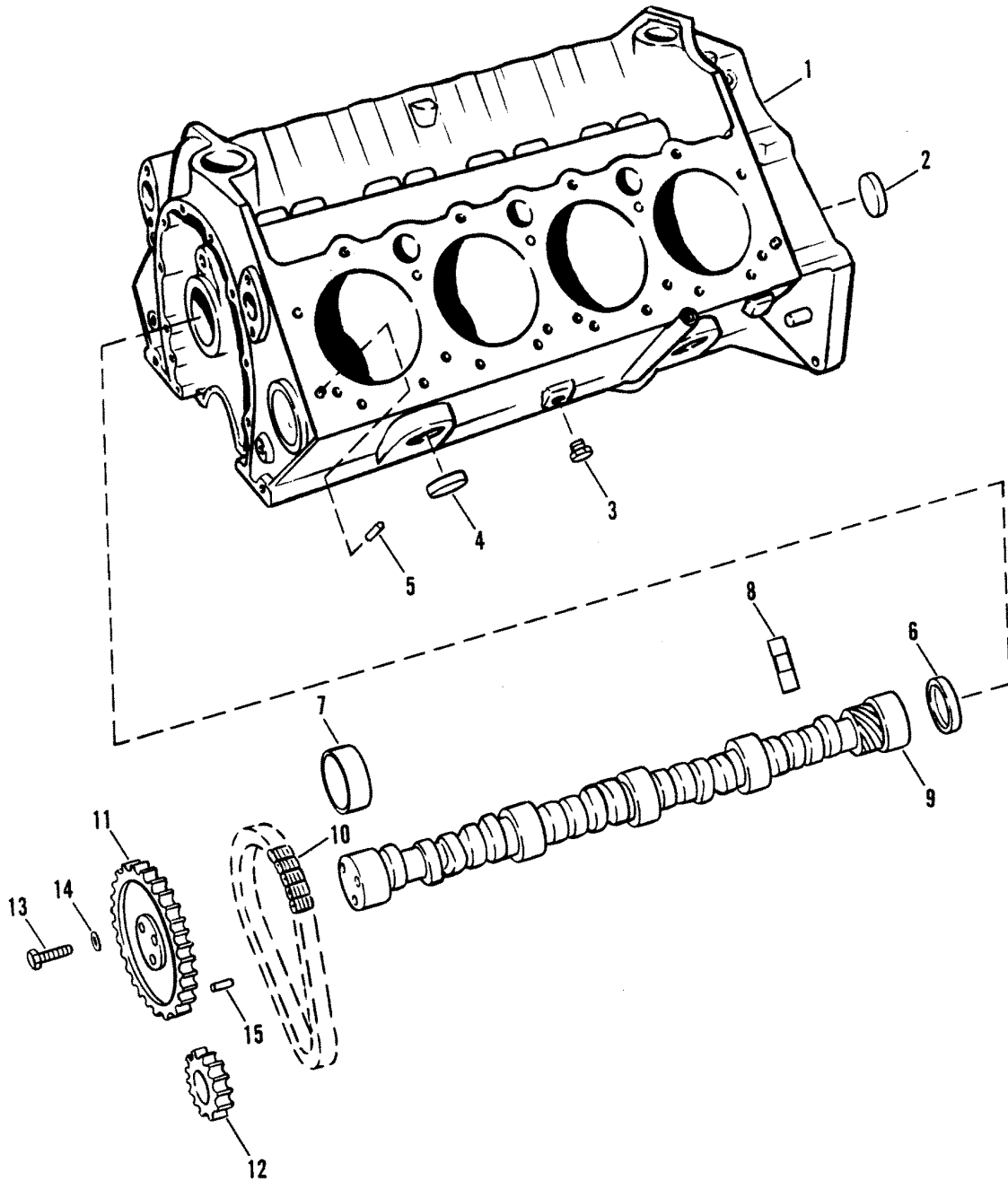


CYLINDER HEAD AND ROCKER COVER

REF. NO.	PART NO.	SYM.	QTY.	DESCRIPTION
1	13470		1	COVER, ROCKER (STARBOARD)
	13469		1	COVER, ROCKER (PORT)
2	13468		1	CAP, OIL FILLER
3	16-72809		8	STUD, ROCKER COVER
4	12-20553		8	WASHER, ROCKER COVER STUD
5	11-20361		8	NUT, ROCKER COVER STUD
6	27-44204	○	2	GASKET, ROCKER VALUE COVER
7	99948		16	ROD, VALUE PUSH
8	87284		8	VALVE, EXHAUST (STANDARD)
	87301		AR	VALVE, EXHAUST (.015 O.S.)
9	97661		8	VALVE, INLET (STANDARD)
	97662		AR	VALVE, INLET (.015 O.S.)
10	26-34217	○	16	SEAL, VALUE (INLET AND EXHAUST)
11	26-97664	○	1	SEAL, INLET VALUE
12	24-48347		16	SPRING, VALVE (INLET AND EXHAUST)
13	N.S.S.		AR	SHIM, VALVE SPRING (GM #3731058)
14	34518		16	SHIELD, VALVE SPRING CAP
15	48348		8	CAP, INLET VALVE
16	11965		8	ROTATOR, VALVE SPRING-EXHAUST VALVE
17	28-54797		32	KEY, VALVE STEM
18	35329		16	ARM, ROCKER VALVE
19	35331		16	BALL UNIT, ROCKER VALVE ARM
20	11-34516		16	NUT, ROCKER VALVE ARM STUD
21	938-7499		2	CYLINDER ASSEMBLY
22	16-34522		AR	STUD, ROCKER VALVE ARM (.003 O.S.)
	16-34521		AR	STUD, ROCKER VALVE ARM (.013 O.S.)
23	27-75611	○	2	GASKET, CYLINDER HEAD
24	10-11968		16	BOLT, CYLINDER HEAD TO CYLINDER BLOCK (1-3/4")
25	10-11967		4	BOLT, CYLINDER HEAD TO CYLINDER BLOCK(3")
26	10-11966		14	BOLT, CYLINDER HEAD TO CYLINDER BLOCK(3-3/4")

○ = PARTS INCLUDED WITH [1397-5635] OFF ENGINE KIT.

CYLINDER BLOCK AND CAMSHAFT



CYLINDER BLOCK AND CAMSHAFT

REF. NO.	PART NO.	SYM.	QTY.	DESCRIPTION
1	N.S.S.	●■	1	CYLINDER BLOCK ASSEMBLY (GM#14019870)
	841-9605	■	1	CYLINDER BLOCK ASSEMBLY
2	22-48340		AR	PLUG, EXPANSION-CYLINDER BLOCK
3	22-87238		2	DRAIN COCK, CYLINDER BLOCK
4	19-34270		8	PLUG, EXPANSION-CYLINDER BLOCK (1-5/8" DIA.)
5	17-35465		4	PIN, DOWEL-BLOCK TO HEAD (5/16" DIA.)
6	22-72640		1	PLUG, EXPANSION-CAMSHAFT BEARING HOLE
7	23-85674		1	BEARING UNIT, CAMSHAFT (SET)
8	72638		16	LIFTER, HYDRAULIC VALUE-TAPPET
9	431-5952		1	CAMSHAFT
10	35378		1	CHAIN, CAMSHAFT TIMING
11	43-35338		1	SPROCKET, CAMSHAFT
12	43-48338		1	SPROCKET,CAMSHAFT TIMING
13	10-34505		3	BOLT, CAMSHAFT TIMING SPROCKETS (3/4")
14	12-39167		3	WASHER, CAMSHAFT TIMING SPROCKET BOLT
15	17-35312		1	PIN, DOWEL-CAMSHAFT SPROCKET (1/4" DIA.)
16	42675A20		0	MARINE 300 SHORT BLOCK SEE INDEX FOR PROPER TERMINOLOGY
17	27-44204A1		-	GASKET SET (REQUIRED FOR COMPLETE OVERHAUL)

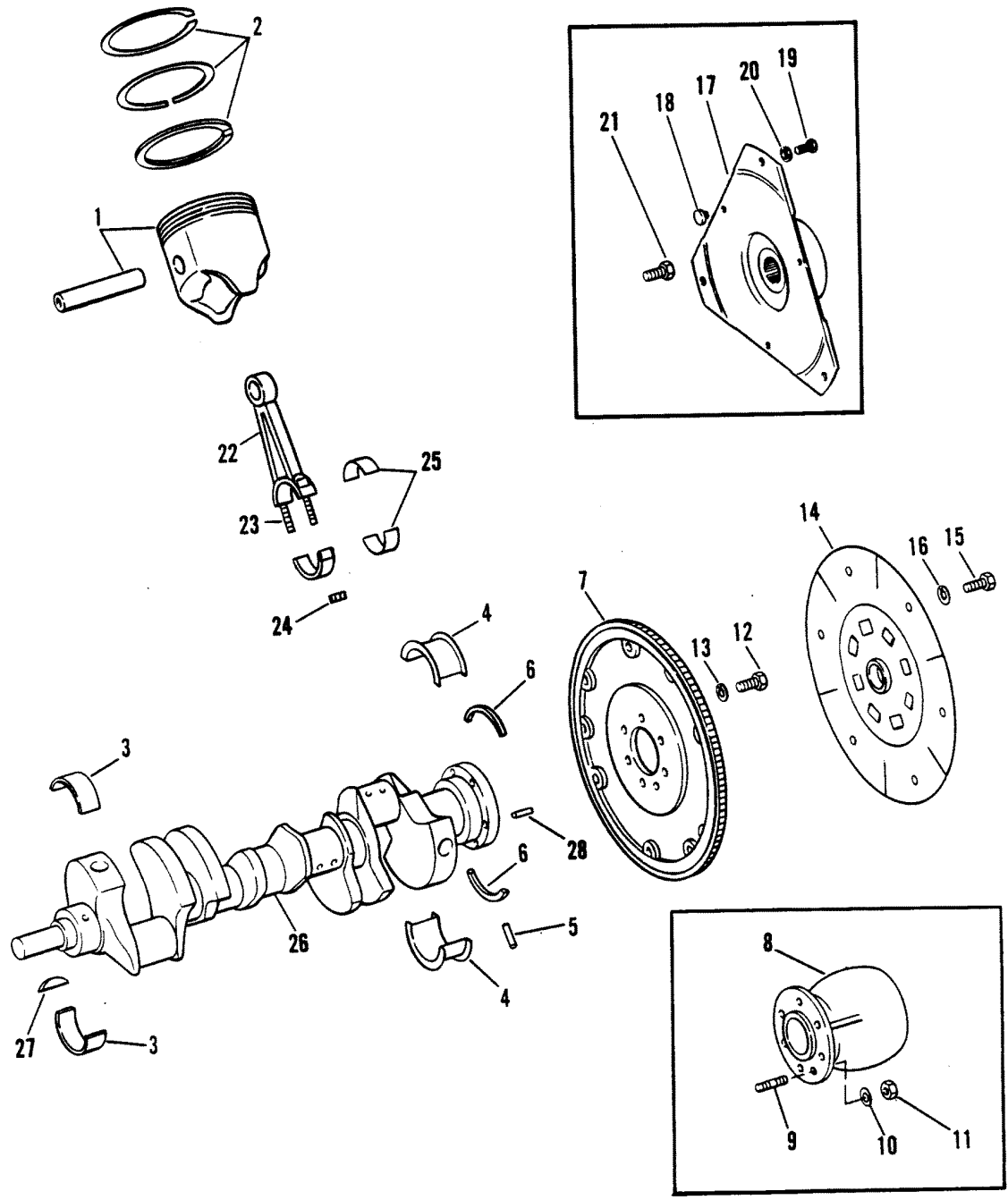
MARINE 300 SHORT BLOCK (SEE INDEX FOR PROPER TERMINOLOGY [43675A20])

● = NOTE: PARTS LISTED N.S.S. (NOT SOLD SEPARATELY) SHOULD BE ORDERED FROM A LOCAL SUPPLIER

■ = USE WITH 2 PIECE REAR SEAL.

■ = USE WITH 1 PIECE REAR SEAL (FULL CIRCLE).

CRANKSHAFT, PISTONS AND CONN. RODS



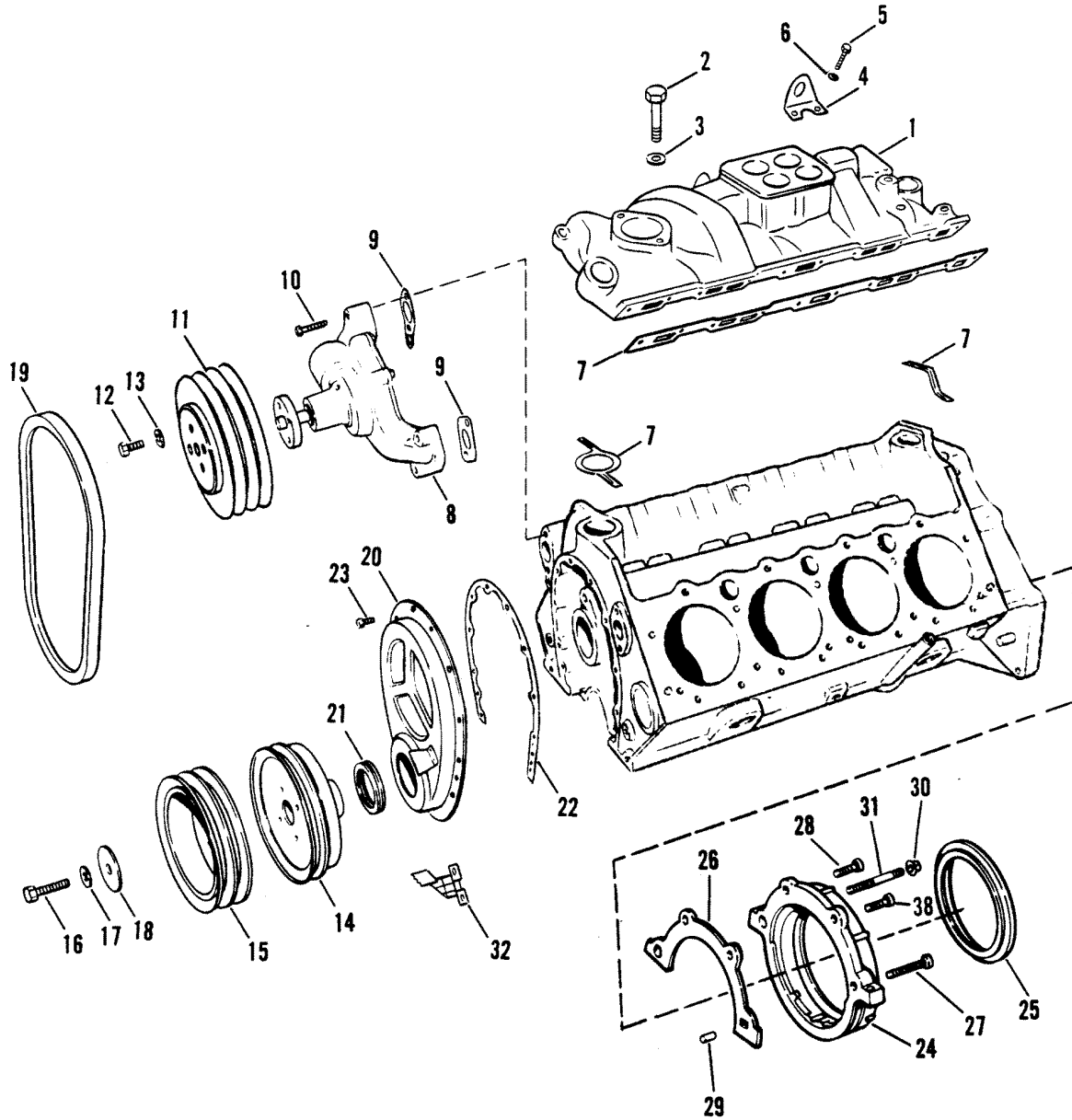
CRANKSHAFT, PISTONS AND CONN. RODS

REF. NO.	PART NO.	SYM.	QTY.	DESCRIPTION
1	735-5949		AR	PISTON AND PISTON PIN ASSEMBLY (.001 O.S.)
	735-5950		AR	PISTON AND PISTON PIN ASSEMBLY (.030 O.S.)
2	39-65153		8	RING, PISTON-8 SETS (STANDARD)
	39-67126		AR	RING, PISTON-8 SETS (.030 O.S.)
3/4	23-15960		1	BEARING SET, CRANKSHAFT (STANDARD)
	23-15960-10		1	BEARING SET, CRANKSHAFT (.010 U.S.)
	23-15960-20		1	BEARING SET, CRANKSHAFT (.020 U.S.)
5	17-35312		1	PIN, DOWEL-REAR BEARING CAP (1/4" DIA.)
6	26-58203	■	2	OIL SEAL, REAR BEARING CAP(2-PIECE)
7	222-6355		1	FLYWHEEL (12-3/4" DIA.) MR
	230-9425	■	1	FLYWHEEL (14" DIA.) MR
	222-9520	■	1	FLYWHEEL (14" DIA.) MR
	230-4614	■	1	FLYWHEEL TR
	222-9558	■	1	FLYWHEEL TR
8	76850A2		1	ENGINE COUPLING ASSEMBLY MR CAST COUPLING
9	16-98532A1		6	STUD, COUPLING TO FLYWHEEL MR CAST COUPLING
10	12-34567		6	WASHER, COUPLING STUD MR CAST COUPLING
11	11-98533		6	NUT, COUPLING STUD MR CAST COUPLING
12	10-49845		6	SCREW, FLYWHEEL TO CRANKSHAFT (TR)
13	13-39131		6	LOCKWASHER, FLYWHEEL SCREW (TR)
14	47607A1		1	DRIVE PLATE, FLYWHEEL (TR)
15	10-35091		6	SCREW, DRIVE PLATE TO FLYWHEEL (TR)
16	13-35048		6	LOCKWASHER, DRIVE PLATE SCREW (TR)
17	12632A4		1	COUPLING ASSEMBLY MR STAMPED COUPLING
18	26901		3	RUBBER BUMPER MR STAMPED COUPLING
19	10-14883		3	SCREW, COUPLING MR STAMPED COUPLING
20	12-13510		3	WASHER, COUPLING SCREW MR STAMPED COUPLING
21	10-49845		6	SCREW, FLYWHEEL TO CRANKSHAFT MR STAMPED COUPLING
22	614-5951		8	CONNECTING ROD ASSEMBLY
23	10-85802		16	BOLT, CONNECTING ROD CAP
24	11-37493		16	NUT, CONNECTING ROD CAP BOLY
25	23-15961		1	BEARING SET, CONNECTING ROD (STANDARD)
	23-15961-10		1	BEARING SET, CONNECTING ROD (.010 U.S.)
	23-15961-20		1	BEARING SET, CONNECTING ROD (.020 U.S.)
26	429-6541	■	1	CRANKSHAFT
	429-9601	■	1	CRANKSHAFT
27	28-34466		2	KEY, CRANKSHAFT PULLEY AND BALANCER
28	17-43504		1	DOWEL PIN, CRANKSHAFT

■ = USE WITH 2 PIECE REAR SEAL.

■ = USE WITH 1 PIECE REAR SEAL (FULL CIRCLE).

INTAKE MANIFOLD AND FRONT COVER



INTAKE MANIFOLD AND FRONT COVER

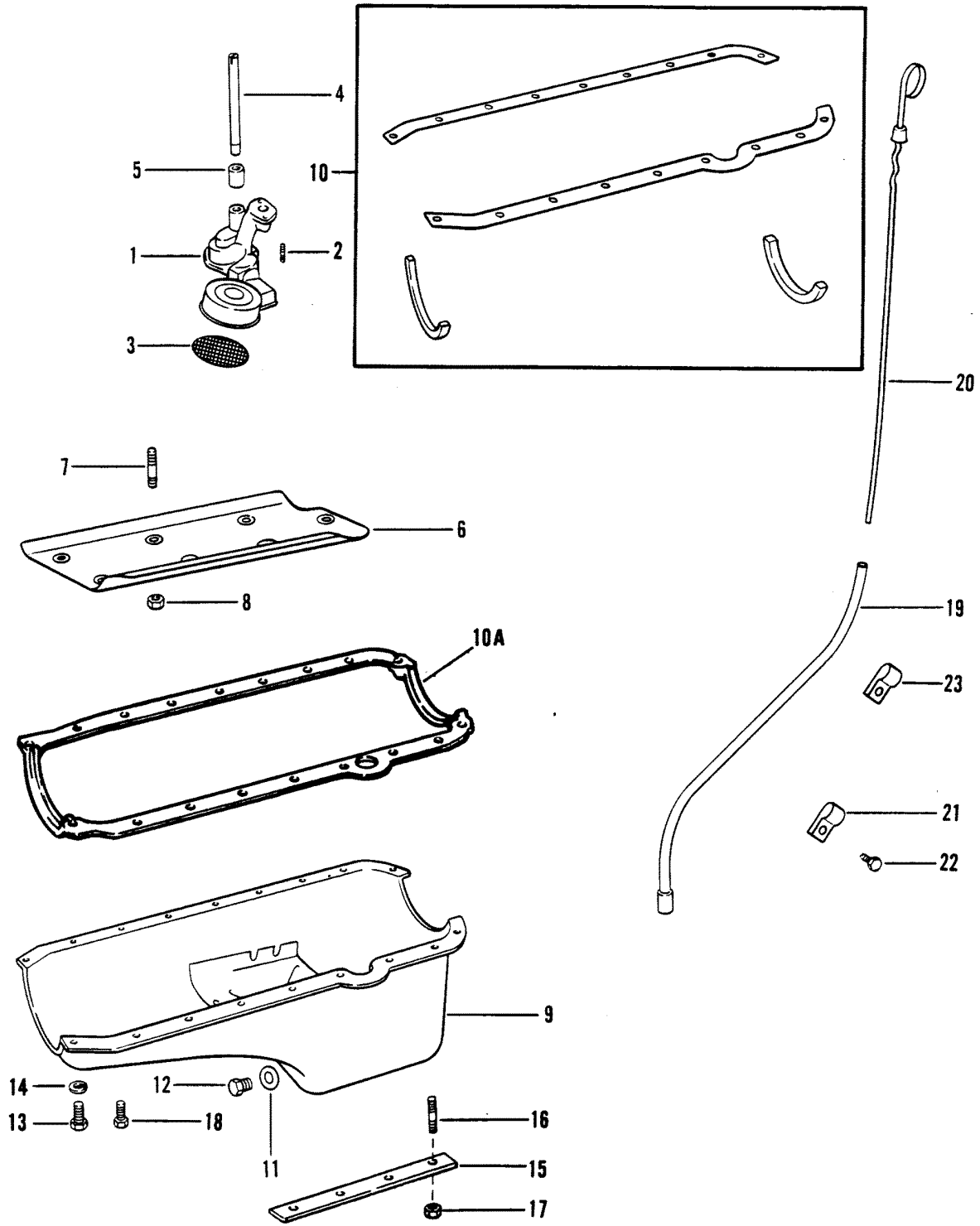
REF. NO.	PART NO.	SYM.	QTY.	DESCRIPTION
1	43268		1	INTAKE MANIFOLD
2	10-11976		8	BOLT, INTAKE MANIFOLD TO CYLINDER BLOCK (1-1/8")
3	12-45175		8	WASHER, INTAKE MANIFOLD BOLT
4	54-47512		2	EYE, LIFTING
5	10-37612		4	SCREW, LIFTING EYE AND INTAKE MANIFOLD
6	13-35048		4	LOCKWASHER, LIFTING EYE/MANIFOLD SCREW
7	27-72637	▲	1	GASKET SET, INTAKE MANIFOLD
8	60658		1	WATER PUMP ASSEMBLY
9	27-34897		2	GASKET, WATER PUMP MOUNTING
10	10-32132		2	SCREW, WATER PUMP TO CYLINDER BLOCK (1-3/4")
	10-47688		1	SCREW, WATER PUMP TO CYLINDER BLOCK (2-3/4")
	10-52200		1	SCREW, WATER PUMP TO CYLINDER BLOCK (1-1/2")
11	90840A1		1	PULLEY, WATER PUMP (3 GROOVE)
12	10-47277		4	SCREW, PULLEY TO WATER PUMP (3/4")
13	13-39107		4	LOCKWASHER, WATER PUMP PULLEY SCREW
14	72650		1	BALANCER, HARMONIC-CRANKSHAFT
15	43341		1	PULLEY (INCLUDES ATTACHING SCREWS)
16	10-37388		1	BOLT, PULLEY AND HARMONIC BALANCER
17	13-39131		1	LOCKWASHER, PULLEY AND HARMONIC BALANCER BOLT
18	12-35332		1	WASHER, PULLEY AND HARMONIC BALANCER BOLT
19	57-44206		1	BELT, ALTERNATOR (QUAN. OF 2 ON MR)
20	60660A1	■	1	COVER ASSEMBLY, CRANKCASE FRONT
21	26-97335	■	1	OIL SEAL, CRANKCASE FRONT COVER
22	27-34895	■	1	GASKET, CRANKCASE FRONT END COVER
20	14249A1	■	1	COVER, CRANKCASE FRONT
21	26-97335	■	1	OIL SEAL, COVER
22	27-14250	■	1	GASKET, COVER
23	10-35366		10	SCREW, COVER
24	14239	■	1	RETAINER, OIL SEAL (REAR)
25	26-14240	■	1	OIL SEAL, CRANKSHAFT (REAR)
26	27-14241	■	1	GASKET, OIL SEAL RETAINER
27	10-14243	■	1	BOLT, OIL SEAL RETAINER
28	10-14242	■	2	BOLT, OIL SEAL RETAINER
29	17-14263	■	1	DOWEL PIN
30	11-11996	■	1	NUT
31	16-14827	■	1	STUD
32	60661		1	POINTER, TIMING

■ = USE WITH 2 PIECE REAR SEAL.

■ = USE WITH 1 PIECE REAR SEAL (FULL CIRCLE).

▲ = [27-44204A1] GASKET SET

OIL PAN AND OIL PUMP



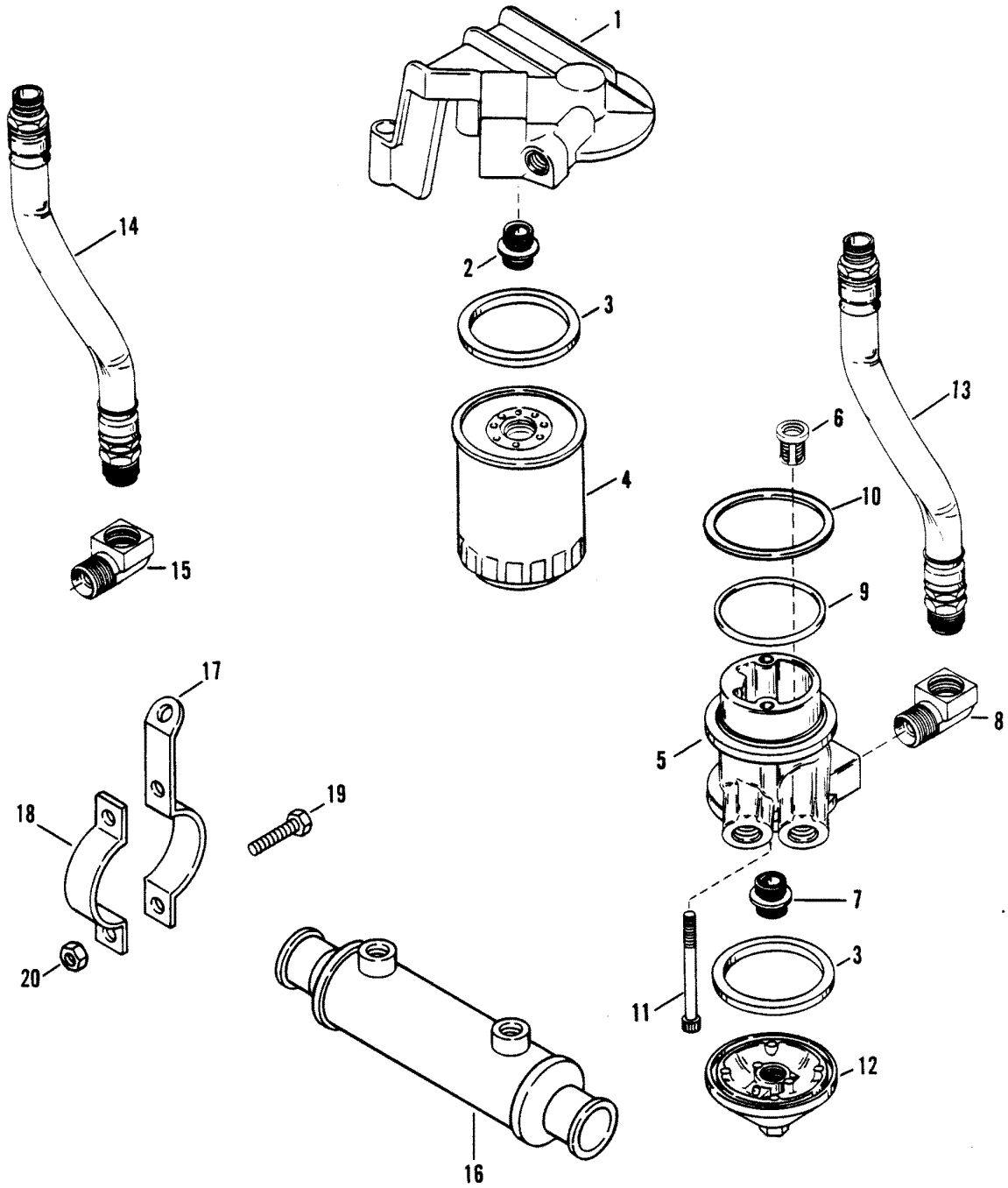
MC0017

OIL PAN AND OIL PUMP

REF. NO.	PART NO.	SYM.	QTY.	DESCRIPTION
1	35352		1	OIL PUMP
2	N.S.S.	●	1	BOLT, OIL PUMP TO CYLINDER BLOCK (2")(GM #3892678)
3	35354		1	SCREEN ASSEMBLY, OIL PUMP
4	36184		1	SHAFT, OIL PUMP TO DISTRIBUTOR
5	23-36183		1	RETAINER, OIL PUMP SHAFT
6	98602		1	BAFFLE, OIL PAN (CYLINDER BLOCK)
7	16-54790		5	STUD, OIL PAN BAFFLE
8	11-37500		5	NUT, OIL PAN BAFFLE STUD
9	93476	■	1	OIL PAN
10	27-90458A1	■	1	GASKET SET, OIL PAN
9	14259	■	1	OIL PAN
10A	27-13865	■	1	GASKET, OIL PAN
11	27-49955		1	GASKET, DRAIN SCREW
12	10-49956		1	SCREW, OIL PAN DRAIN
13	10-72644		4	SCREW, OIL PAN (5/16-18X7/8") EARLY MODELS
14	13-39107		4	LOCKWASHER, OIL PAN SCREW EARLY MODELS
15	13276	■	1	REINFORCEMENT (RIGHT) LATER MODELS
	13277	■	1	REINFORCEMENT (LEFT) LATER MODELS
	14256	■	1	REINFORCEMENT (RIGHT) LATER MODELS
	14256	■	1	REINFORCEMENT (LEFT) LATER MODELS
16	16-11989		4	STUD, OIL PAN LATER MODELS
17	11-11971		4	NUT, OIL PAN STUD LATER MODELS
18	10-35366	■	14	SCREW, OIL PAN
	10-14070	■	14	SCREW, OIL PAN
19	92163A2		1	TUBE, OIL LEVEL GAUGE
20	96418A1		1	GAUGE, OIL LEVEL (DIPSTICK)
21	54-43239		1	CLIP, OIL LEVEL TUBE
22	10-98253		1	SCREW, CLIP TO CYLINDER BLOCK
23	54-42046		1	CLIP, OIL LEVEL TUBE (UPPER)

- = NOTE: PARTS LISTED N.S.S. (NOT SOLD SEPARATELY) SHOULD BE ORDERED FROM A LOCAL SUPPLIER
- = USE WITH 2 PIECE REAR SEAL.
- = USE WITH 1 PIECE REAR SEAL (FULL CIRCLE).

OIL FILTER AND ADAPTOR

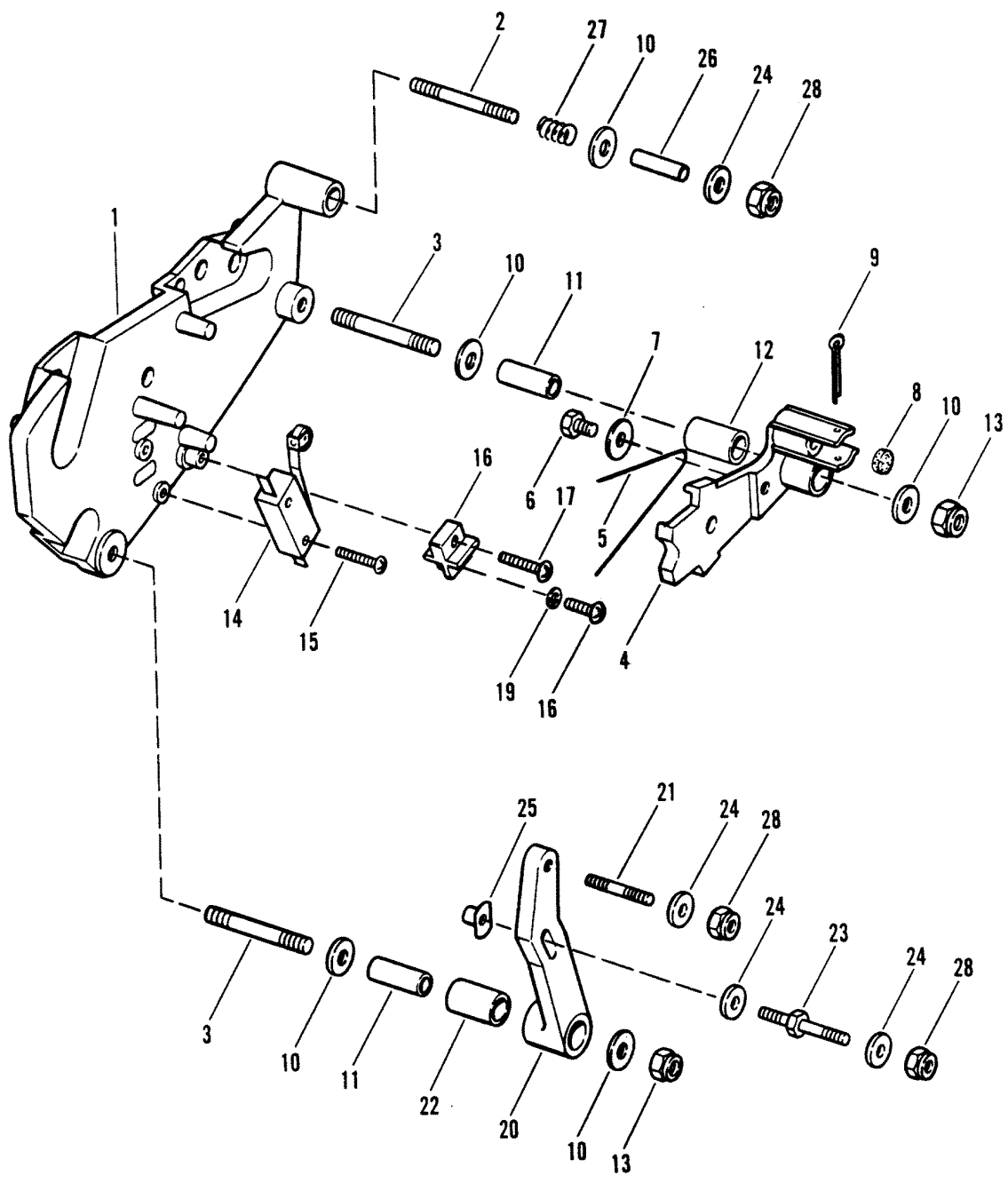


OIL FILTER AND ADAPTOR

REF. NO.	PART NO.	SYM.	QTY.	DESCRIPTION
1	92043A3		1	BRACKET, OIL FILTER
2	32720		1	ADAPTOR
3	27-91892	▲	2	GASKET, ADAPTOR COVER AND OIL FILTER
4	35-99884		1	OIL FILTER
5	90783A13		1	ADAPTOR ASSEMBLY, OIL FILTER
6	34344		1	VALVE, BY-PASS
7	32720		1	ADAPTOR
8	22-48246		1	ELBOW, OIL HOSE
	22-63825		1	ELBOW, OIL HOSE
9	25-62700	▲	1	"O" RING, OIL FILTER ADAPTOR
10	27-99893	▲	1	GASKET, OIL FILTER ADAPTOR
11	10-91966		1	SCREW, OIL FILTER ADAPTOR (4")
	10-91967		1	SCREW, OIL FILTER ADAPTOR (3-1/4")
12	91830		1	COVER, ADAPTOR
13	32-92357-59		1	HOSE, OIL-ADAPTOR (34") MR
14	32-92357--9		1	HOSE, OIL-ADAPTOR (7") MR
	32-92357-69		1	HOSE, OIL-ADAPTOR (44") MR
13	32-92357-59		2	HOSE, OIL-ADAPTOR (34") TR
14	32-92357-49		1	HOSE, OIL-ADAPTOR (24") TR
15	22-63825		2	FITTING, HOSE TO OIL COOLER-L.H. SIDE (90 DEGREES)
	22-47630		2	FITTING, HOSE TO OIL COOLER-R.H. SIDE
16	89690T		1	OIL COOLER, ENGINE MR
17	63820--1		1	BRACKET, OIL COOLER (LONG) MR
18	56328A1		1	BRACKET, OIL COOLER (SHORT) MR
19	10-69028		2	SCREW, OIL COOLER BRACKET (3/4") MR
20	11-20361		2	NUT, OIL COOLER BRACKET SCREW MR

▲ = [27-44204A1] GASKET SET

SHIFT BRACKET (MR)

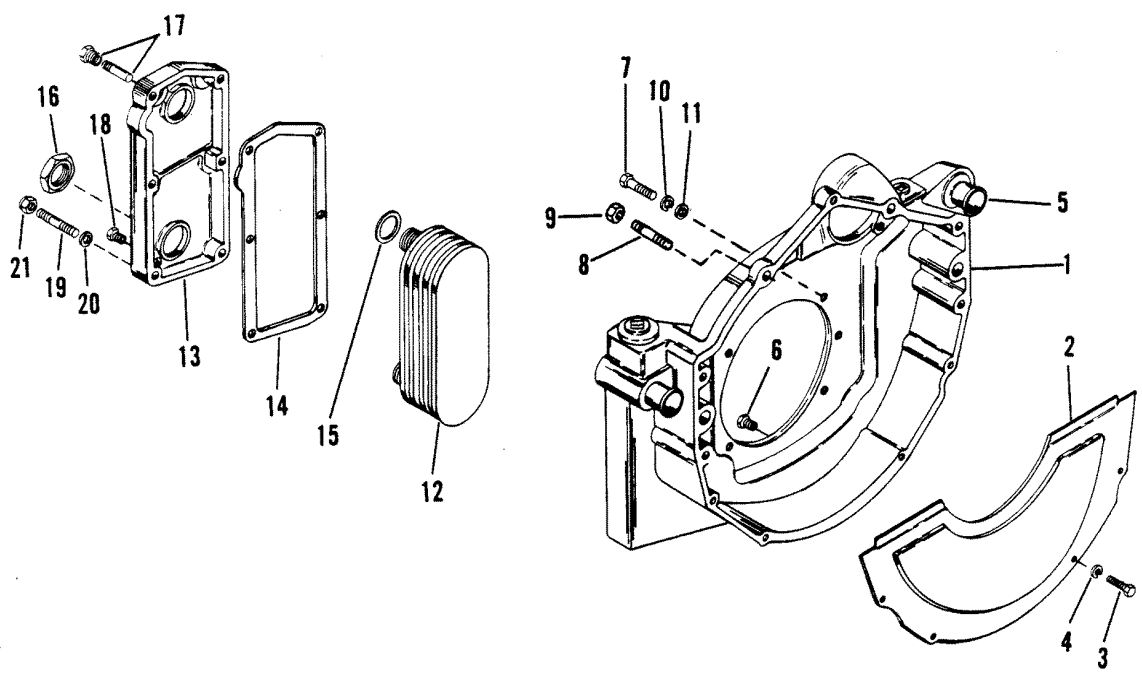


MC0018

SHIFT BRACKET (MR)

REF. NO.	PART NO.	SYM.	QTY.	DESCRIPTION
1	99237A2		1	SHIFT BRACKET ASSEMBLY
2	16-98798		1	STUD, SHIFT CABLE
3	16-96108		2	STUD, SHIFT BRACKET
4	45517A2		1	LEVER ASSEMBLY, ACTUATING
5	24-45599		1	SPRING, ACTUATING LEVER
6	10-88743		1	SCREW, SPRING TO LEVER
7	12-56720		1	WASHER, SPRING SCREW
8	23-98828		1	SPACER, RUBBER PAD
9	18-32857		1	COTTER PIN, SHIFT CABLE RETAINING
10	12-56720		5	WASHER, SHIFT BRACKET STUD
11	23-37981		2	SPACER, SHIFT BRACKET STUD
12	23-45600		1	SLEEVE, ACTUATING LEVER
13	11-35814		2	NUT, SHIFT BRACKET STUD
14	39670A28		1	SWITCH ASSEMBLY, CUT-OUT
15	10-30902		2	SCREW, SWITCH TO SHIFT BRACKET
16	86-66986		1	TERMINAL BLOCK
17	10-96113		1	SCREW, TERMINAL BLOCK (7/8")
18	10-73287		1	SCREW, TERMINAL BLOCK (3/8")
19	13-26996		2	LOCKWASHER, TERMINAL BLOCK SCREW
20	95854A3		1	SHIFT LEVER ASSEMBLY
21	16-98851		1	STUD, SHIFT CABLE
22	23-45600		1	SLEEVE, SHIFT LEVER
23	16-96112		1	STUD, SHIFT CABLE
24	12-35462		4	WASHER, SHIFT CABLE STUD
25	11-63341		1	TEE NUT, SHIFT CABLE STUD
26	23-98820		1	SPACER, SHIFT CABLE STUD
27	24-98880		1	SPRING, SHIFT CABLE STUD
28	11-20361		3	NUT, SHIFT CABLE STUD

FLYWHEEL HOUSING (DUAL COOLER) (TR)

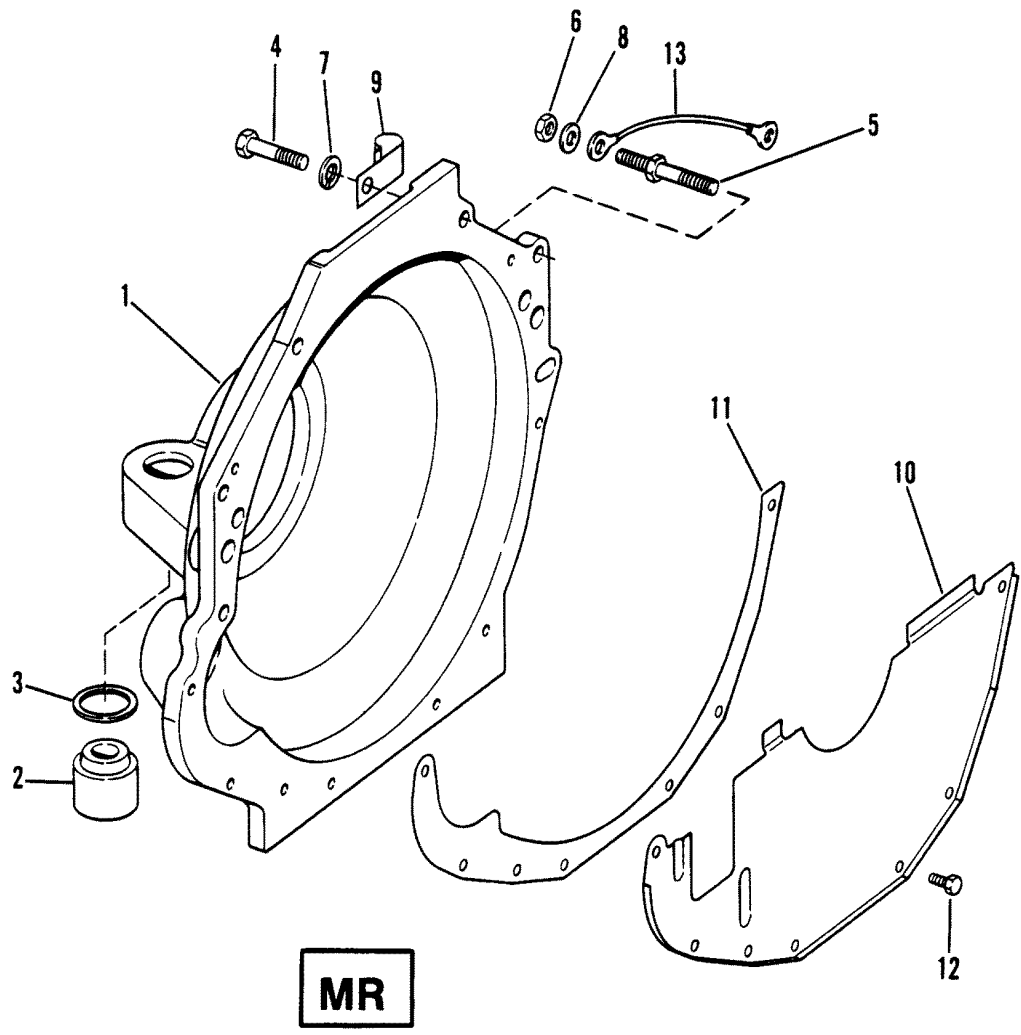


FLYWHEEL HOUSING (DUAL COOLER) (TR)

REF. NO.	PART NO.	SYM.	QTY.	DESCRIPTION
1	98096		1	FLYWHEEL HOUSING
2	47542		1	COVER,FLYWHEEL HOUSING NOT USED ON STAGGERED INSTALLATION
3	10-28635		3	SCREW, COVER TO HOUSING NOT USED ON STAGGERED INSTALLATION
	10-85486		1	SCREW (1/4"-20X3/8") NOT USED ON STAGGERED INSTALLATION
4	13-26992		4	LOCKWASHER, COVER SCREW NOT USED ON STAGGERED INSTALLATION
5	23-47511		2	SLEEVE, CONNECTING-FLYWHEEL HOUSING
6	22-32802		1	PLUG, DRAIN-FLYWHEEL HOUSING
7	10-37612		1	SCREW (3/8"X1-1/4")
	10-63826		4	SCREW (3/8" X2-1/2")
	10-98260		1	SCREW (3/8" X5/8")
8	16-64066		1	STUD, FLYWHEEL HOUSING
9	11-32219		1	NUT, FLYWHEEL HOUSING STUD
10	13-35048		2	LOCKWASHER,HOUSING SCREW
	12-20553		3	WASHER, HOUSING SCREW
11	12-33181	▲	4	WASHER, SEALING-HOUSING SCREW
12	47610		1	COOLER, OIL RIGHT SIDE
13	94911A2		1	COVER, OIL COOLER RIGHT SIDE
14	27-47495	▲	1	GASKET, OIL COOLER COVER RIGHT SIDE
15	25-47632	▲	2	"O" RING, SEAL - OIL COOLER RIGHT SIDE
16	11-47521		2	NUT, JAM-OIL COOLER RIGHT SIDE
17	22-47917		1	ELECTRODE, OIL COOLER RIGHT SIDE
18	22-32802		1	PLUG, 1/8 " PIPE RIGHT SIDE
12	47610		1	COOLER, OIL LEFT SIDE
13	94910	▲	1	COVER, OIL COOLER LEFT SIDE
14	27-47496	▲	1	GASKET, OIL COOLER COVER LEFT SIDE
15	25-47632		2	"O" RING, SEALING -OIL COOLER LEFT SIDE
16	11-47521		2	NUT, JAM - OIL COOLER LEFT SIDE
17	22-47917		1	ELECTRODE, OIL COOLER LEFT SIDE
18	22-32802		1	PLUG, 1/8" PIPE LEFT SIDE
19	16-46857		12	STUD, COOLER COVER
20	12-36533		4	WASHER, SEALING
	12-22753		8	WASHER, COOLER COVER NUT
21	11-35814		12	NUT, COOLER COVER

▲ = [27-44204A1] GASKET SET

FLYWHEEL HOUSING (MR)



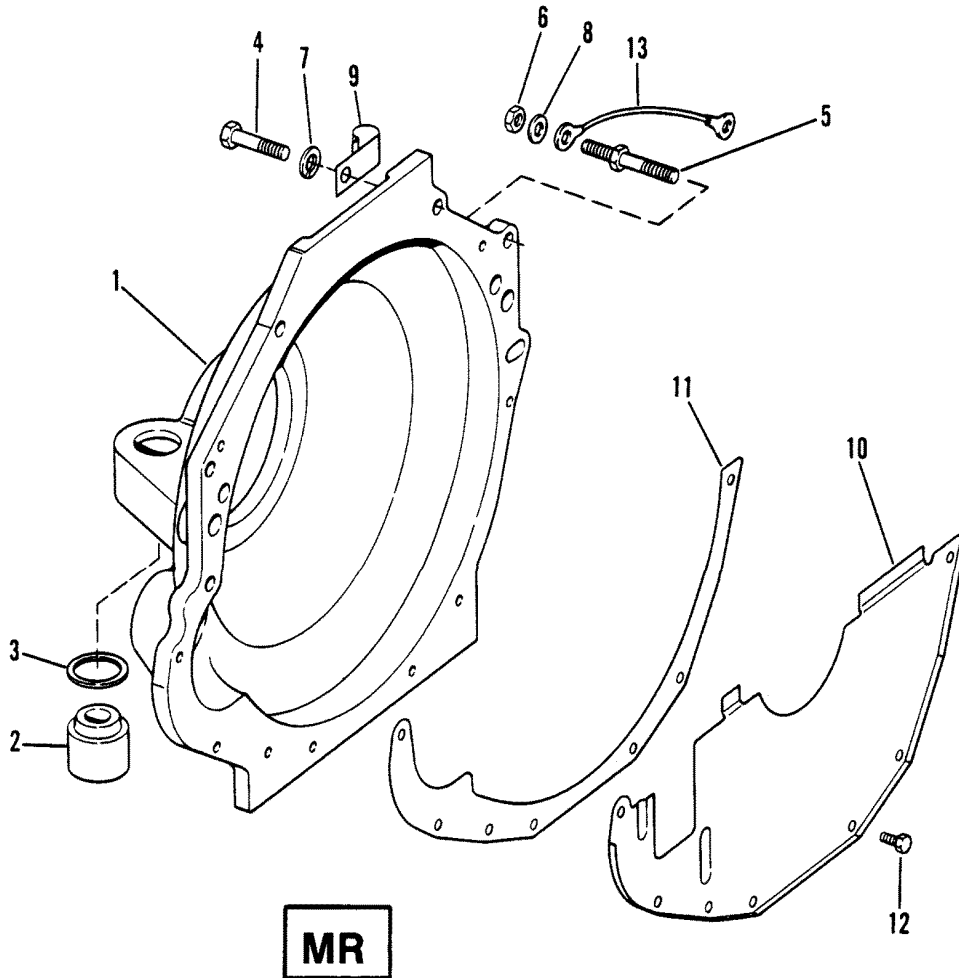
MR

MC0020

FLYWHEEL HOUSING (MR)

REF. NO.	PART NO.	SYM.	QTY.	DESCRIPTION
1	12675A4		1	FLYWHEEL HOUSING ASSEMBLY
2	99297A1		2	MOUNT, RUBBER- FLYWHEEL HOUSING
3	23-99322		2	SPACER, RUBBER MOUNT-FLYWHEEL HOUSING
4	10-37612		4	SCREW, FLYWHEEL HOUSING ATTACHING (1-1/4")
	10-45754		1	SCREW, FLYWHEEL HOUSING ATTACHING (2")
5	16-64066		1	STUB, FLYWHEEL HOUSING ATTACHING (2-1/4")
6	11-32219		1	NUT, FLYWHEEL HOUSING ATTACHING STUD
7	13-35048		7	LOCKWASHER, FLYWHEEL HOUSING SCREW (3/8")
8	12-20572		1	WASHER, FLYWHEEL HOUSING SCREW- SPECIAL (3/8")
9	54-78945		1	"J" CLAMP, FLYWHEEL HOUSING STUD
10	13929A2		1	COVER ASSEMBLY, FLYWHEEL HOUSING
11	27-96274		1	GASKET, FLYWHEEL HOUSING SCREW
12	10-28668		7	SCREW, COVER TO FLYWHEEL HOUSING
13	84-62826A6		1	WIRE, FLYWHEEL HOUSING STUD

AUDIO WARNING SYSTEM

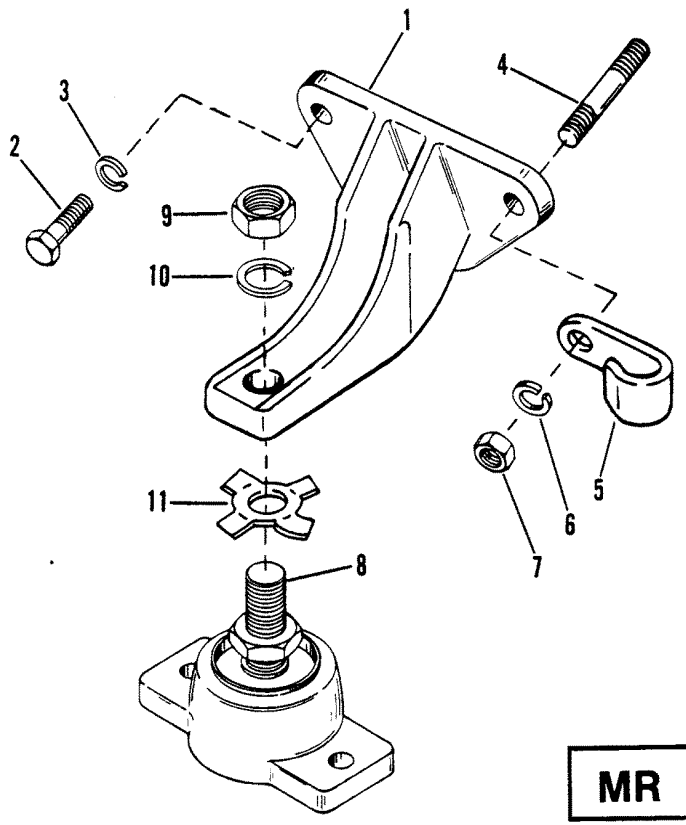


MC0020

AUDIO WARNING SYSTEM

REF. NO.	PART NO.	SYM.	QTY.	DESCRIPTION
1	48952		1	SWITCH, WATER TEMPERATURE
2	13-26996		1	LOCKWASHER, TEMPERATURE SWITCH (#10)
3	11-45076		1	NUT, TEMPERATURE SWITCH (10-32)
4	22-92949		1	BUSHING, REDUCER-TEMPERATURE SWITCH
5	38559		1	SWITCH PRESSURE
6	11-45076		1	NUT, PRESSURE SWITCH TERMINAL (10-32)
7	86047A11		1	BUZZER HOUSING ASSEMBLY
8	86045		1	TIMER, TEMPERATURE BUZZER
9	68878A2		1	HORN
10	10-69013		2	SCREW, HORN ATTACHING
11	84-86044A4		1	WIRE ASSEMBLY, TAN/BLUE (36")
12	84-88032A1		1	WIRE ASSEMBLY, TAN/BLUE (20")
13	84-86322A8		1	WIRE ASSEMBLY, BLACK (8")
14	22-52930		1	TEE
15	22-38992		1	BUSHING, TEMPERATURE SWITCH

ENGINE MOUNTING (MR)

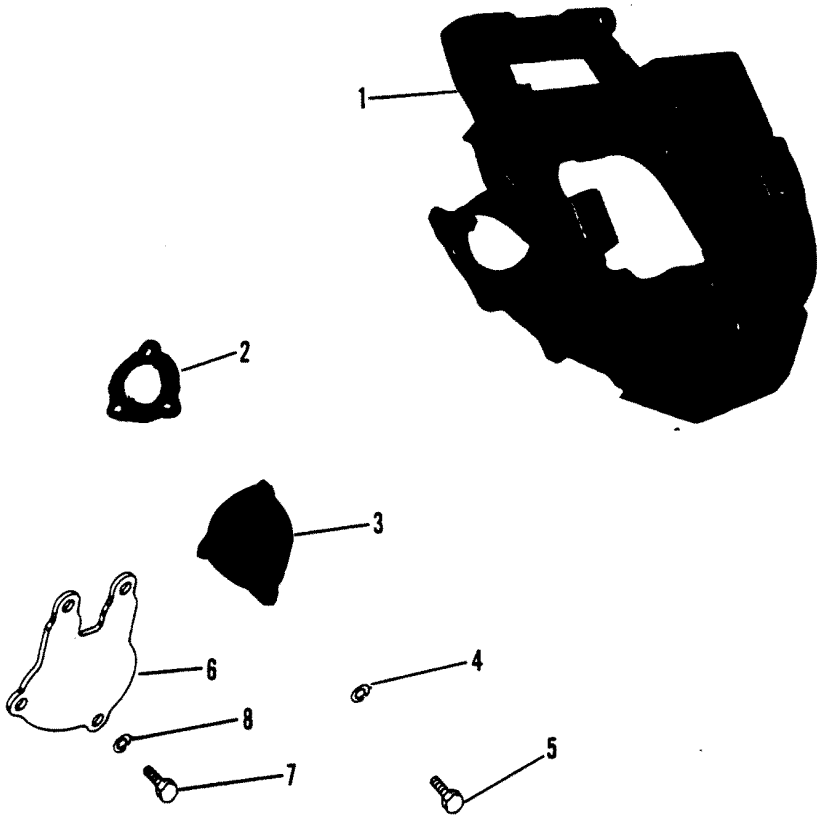


MC0022

ENGINE MOUNTING (MR)

REF. NO.	PART NO.	SYM.	QTY.	DESCRIPTION
1	44364A1		2	BRACKET, MOUNTING-ENGINE (FRONT)
2	10-86517		5	SCREW, MOUNTING BRACKET TO ENGINE (1-1/4") PORT
3	13-35048		5	LOCKWASHER, MOUNTING BRACKET SCREW PORT
4	16-64066		1	STUD, MOUNTING BRACKET TO ENGINE STARBOARD
5	54-90204		1	CLIP, WIRING HARNESS STARBOARD
6	13-35048		1	LOCKWASHER, MOUNTING BRACKET STUD STARBOARD
7	11-32219		1	NUT, MOUNTING BRACKET STUD STARBOARD
8	66284A2		2	BASE, ENGINE MOUNT
9	11-20739		4	NUT,JAM-ENGINE MOUNT BASE
10	13-68102		2	LOCKWASHER, MOUNTING BRACKET
11	14-12657		2	TAB WASHER

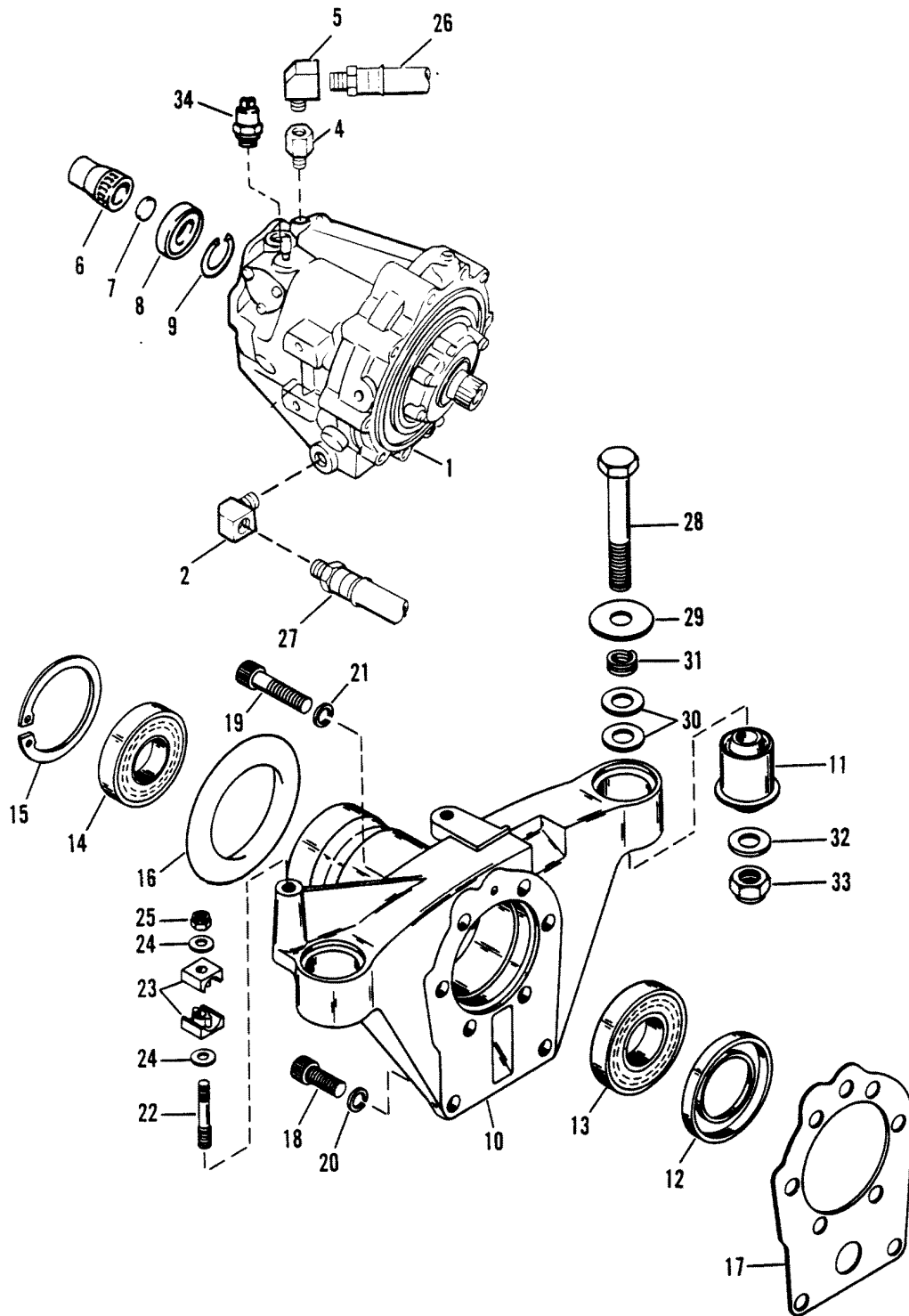
TRANSOM PLATE



TRANSOM PLATE

REF. NO.	PART NO.	SYM.	QTY.	DESCRIPTION
1	62952T		1	TRANSOM PLATE TR
	86693		1	TRANSOM PLATE (LH-STAGGERED ONLY) TR
2	27-68483		2	GASKET, EXHAUST COVER TR
3	79430		2	COVER, EXHAUST TR
4	13-35048		6	LOCKWASHER, EXHAUST COVER SCREW TR
5	10-34353		6	SCREW, EXHAUST COVER (1") TR
6	11395		1	PLATE, EXHAUST MR
7	10-34353		4	SCREW, EXHAUST PLATE MR
8	13-35048		4	LOCKWASHER, EXHAUST PLATE SCREW MR

TRANSMISSION ASSEMBLY (TR)

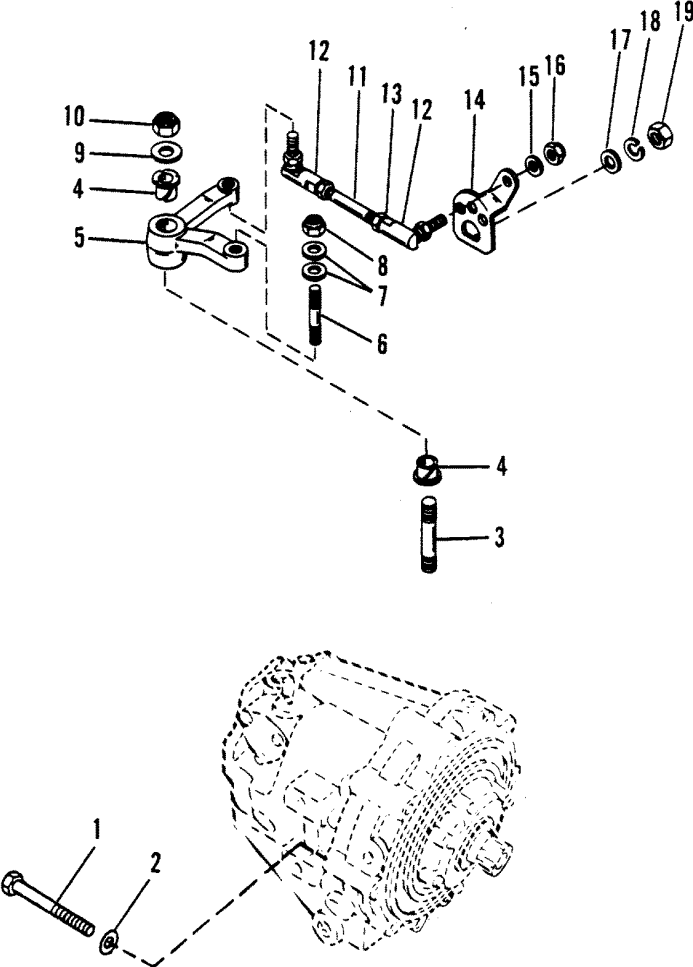


TRANSMISSION ASSEMBLY (TR)

REF. NO.	PART NO.	SYM.	QTY.	DESCRIPTION
1	47754A9		1	TRANSMISSION ASSEMBLY
2	22-47629		1	ELBOW, TRANSMISSION TO OIL HOSE
4	22-88517		1	FITTING
5	22-47631		1	ELBOW, TRANSMISSION TO OIL HOSE
6	57758A2		1	ENGINE COUPLING ASSEMBLY TRANSMISSION
7	19-47463		1	PLUG, EXPANSION-ENGINE COUPLING
8	30-47470		1	BALL BEARING, ENGINE COUPLING
9	53-47469		1	RING, SNAP-BALL BEARING TO ENGINE COUPLING
10	98322A2		1	TAILSTOCK ASSEMBLY, BEARING SUPPORT
11	35852		2	MOUNT, RUBBER-TAILSTOCK
12	26-47465		1	OIL SEAL, TAILSTOCK
13	30-57762		1	BALL BEARING, TAILSTOCK (3-5/32" O.D.)
14	30-32537		1	BALL BEARING, TAILSTOCK (2-27/32" O.D.)
15	53-54481		1	RING,SNAP-BALL BEARING TO TAILSTOCK
16	25-54067		1	SEAL, TAILSTOCK
17	27-47903		1	GASKET, TAILSTOCK
18	10-29081		6	SCREW, TAILSTOCK TO TRANSMISSION (1-1/4")
19	10-99524		2	SCREW, TAILSTOCK TO TRANSMISSION (2")
20	13-30381		6	LOCKWASHER, TAILSTOCK SCREW
21	13-32993		2	LOCKWASHER, TAILSTOCK SCREW
22	16-99801		1	STUD, CLAMP BLOCK
23	41058		2	CLAMP BLOCK, SHIFT CABLE
24	12-69056		2	WASHER, CLAMP BLOCK STUD
25	11-20361		1	NUT, CLAMP BLOCK STUD
26	32-47516-12		1	HOSE, TRANSMISSION TO OIL COOLER (16-3/4")
27	32-47516--3		1	HOSE, TRANSMISSION TO OIL COOLER (7-7/8")
28	10-47467		2	SCREW, TAILSTK - INNER TRANSOM PLATE (5-1/2")
29	12-47475		2	WASHER, TAILSTK- INNER TRANSOM PLATE SCREWS
30	12-47466		4	WASHER, TAILSTK/INNER TRANS. PLATE SCREWS (NEOPRENE)
31	13-34846		2	LOCKWASHER, TAILSTK - INNER TRANSOM PLATE SCREWS
32	12-33171		2	WASHER, TAILSTK - INNER TRANSOM PLATE SCREWS
33	11-22339		2	NUT, TAILSTK - INNER TRANSOM PLATE SCREWS
34	87-88031		1	SWITCH, TEMPERATURE

NOT USED WITH L.H. STAGGERED ENGINES

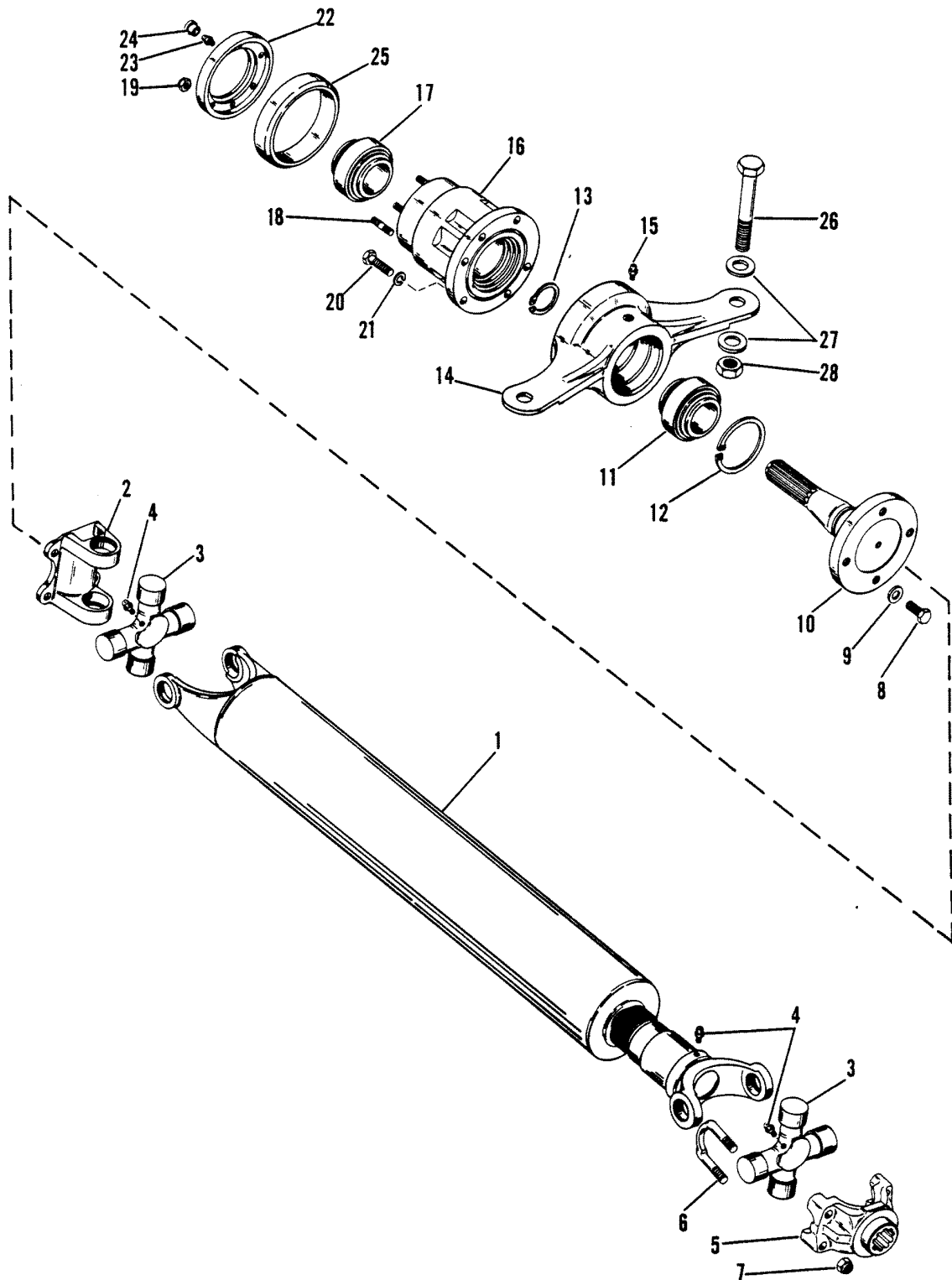
TRANSMISSION AND SHIFT LINKAGE (TR)



TRANSMISSION AND SHIFT LINKAGE (TR)

REF. NO.	PART NO.	SYM.	QTY.	DESCRIPTION
1	10-60179		6	SCREW, TRANSMISSION TO ENGINE (3-1/2")
2	13-32993		6	LOCKWASHER, TRANSMISSION SCREW
3	16-87163		1	STUD, SHIFT CRANK TO TAILSTOCK
4	23-26954		2	BUSHING, SHIFT CRANK STUD
5	98301A3		1	SHIFT CRANK ASSEMBLY
6	16-72809		1	STUD, SHIFT CRANK
7	12-69056		2	WASHER, SHIFT CRANK STUD
8	11-20361		1	NUT,SHIFT CRANK STUD
9	12-34931		1	WASHER, SHIFT CRANK STUD
10	11-34932		1	NUT, SHIFT CRANK STUD
11	98299A2		1	SHIFT ROD ASSEMBLY
12	73393		2	BALL JOINT
13	11-25168		2	LOCKNUT, SHIFT ROD
14	12128		1	LEVER, SHIFT-TRANSMISSION
15	12-29245		1	WASHER, SHIFT ROD
16	11-20361		1	NUT, SHIFT ROD
17	12-20722		1	WASHER, SHIFT LEVER TO TRANSMISSION
18	13-26993		1	LOCKWASHER, SHIFT LEVER TO TRANSMISSION
19	11-22053		1	NUT, SHIFT LEVER TO TRANSMISSION

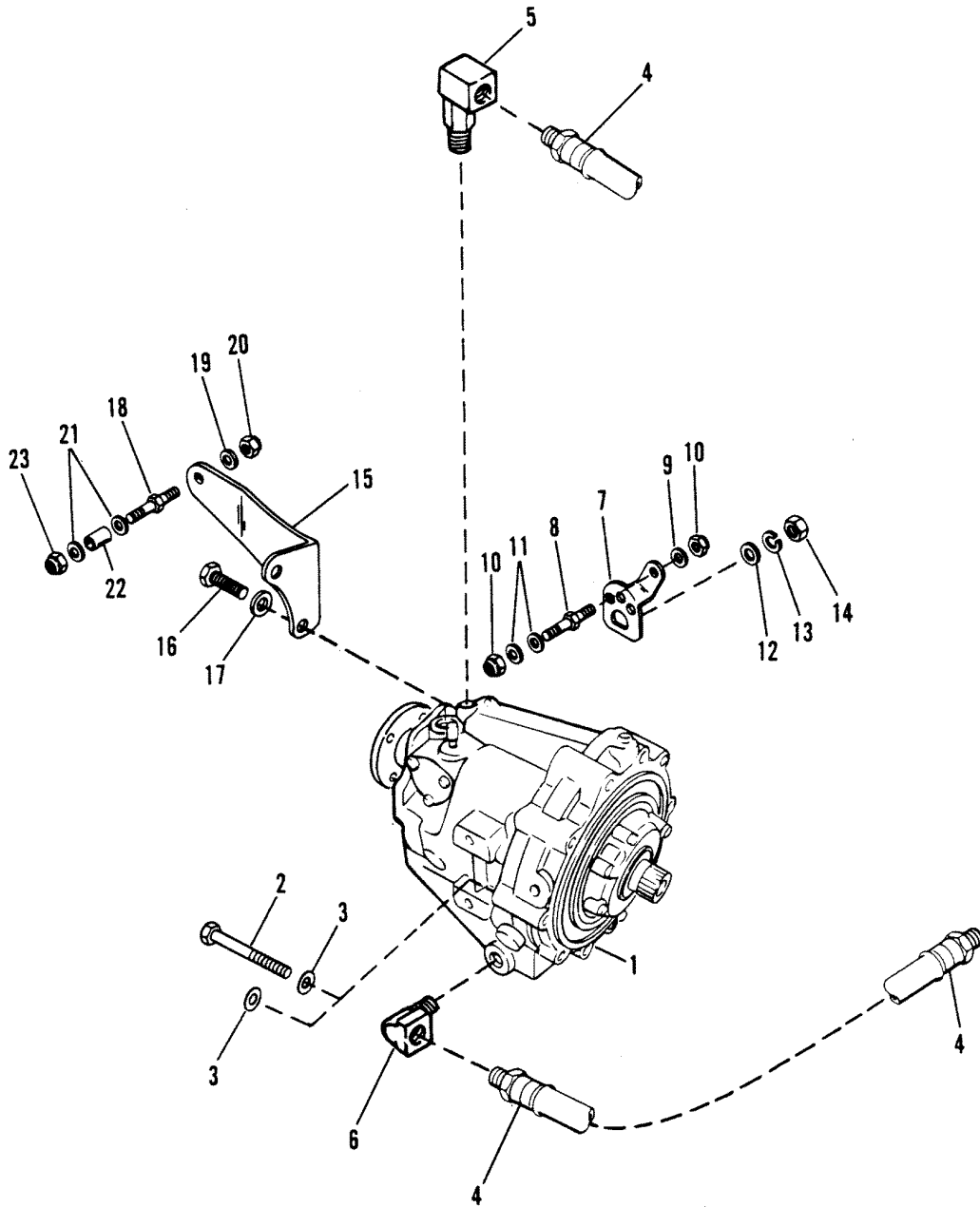
DRIVE SHAFT AND TAILSTOCK (TR) LT HAND STAGGERED INSTALLTION



DRIVE SHAFT AND TAILSTOCK (TR) LT HAND STAGGERED INSTALLTION

REF. NO.	PART NO.	SYM.	QTY.	DESCRIPTION
1	45-86978A1		1	DRIVE SHAFT ASSEMBLY
2	61218		1	FLANGE DRIVE SHAFT
3	61221		2	CROSS AND BEARING
4	22-74036		2	GREASE FITTING
5	86692		1	YOKE
6	61219		2	U-BOLT, DRIVE SHAFT TO TRANSMISSION
7	11-23161		4	NUT, U-BOLT
8	10-92154		4	SCREW, DRIVE SHAFT TO TAILSTOCK
9	12-45176		4	WASHER, DRIVE SHAFT SCREW
10	68488		1	SHAFT, TAILSTOCK
11	30-62780A1		1	BALL BEARING
12	53-68487		1	SNAP RING
13	53-68486		1	SNAP RING
14	68485A2		1	TAILSTOCK HOUSING
15	22-74036		1	GREASE FITTING
16	62739A2		1	HOUSING, OUTPUT
17	30-62780A1		1	BALL BEARING
18	16-32027		6	STUD
19	11-24652		6	NUT
20	10-74824		6	SCREW
21	13-39107		6	LOCKWASHER
22	65989		1	RETAINER, BALL BEARING
23	22-74036		1	GREASE FITTING
24	19-77633		1	LUBRICAP, GREASE FITTING
25	62734		1	MOUNT, RUBBER-OUTPUT HOUSING
26	10-67630		2	SCREW, TAILSTOCK TO TRANSOM PLATE
27	12-36258		4	WASHER, TAILSTOCK SCREW
28	11-52901		2	NUT, TAILSTOCK SCREW

TRANSMISSION AND RELATED PARTS (TR) - LT HAND STGED INSTALL



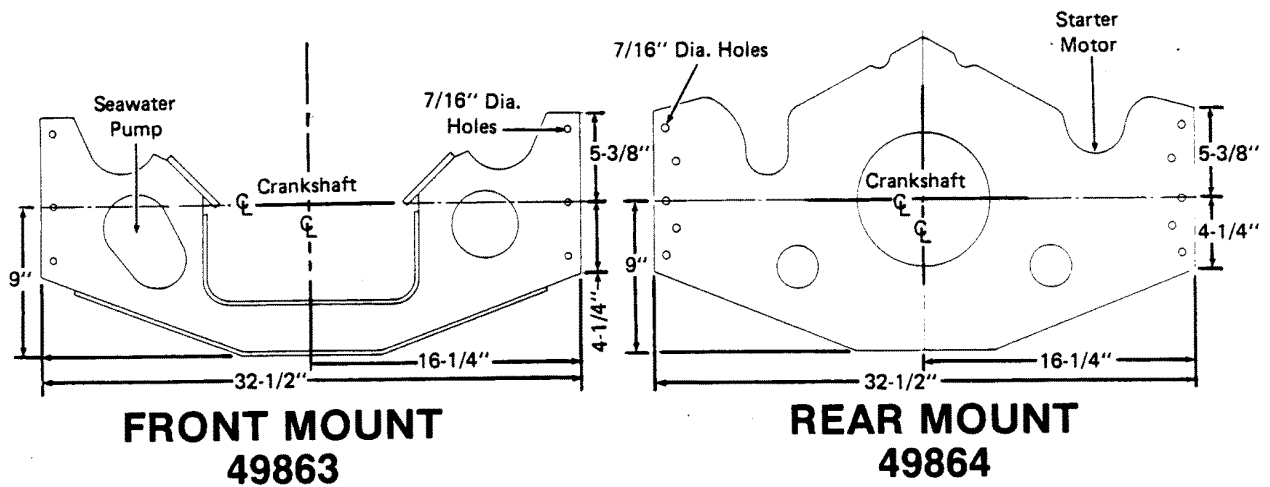
TRANSMISSION AND RELATED PARTS (TR) - LT HAND STGED INSTALL

REF. NO.	PART NO.	SYM.	QTY.	DESCRIPTION
1	47810A19		1	TRANSMISSION (DIRECT DRIVE)
2	10-60179		6	SCREW, TRANSMISSION TO ENGINE (3-1/2")
3	13-32993		6	LOCKWASHER, SCREW AND STUD
4	32-47516-12		1	HOSE, TRANSMISSION/COOLER (16-3/4")
	32-47516--3		1	HOSE, TRANSMISSION/COOLER (7-7/8")
5	22-63824		1	ELBOW, HOSE (90 DEGREES EXTENDED)
6	22-47629		1	ELBOW, HOSE (90 DEGREES)
7	12128		1	LEVER, SHIFT TRANSMISSION
8	16-63335		1	STUD, SHIFT LEVER
9	12-39143		1	WASHER, SHIFT LEVER STUD
10	11-20361		1	NUT, SHIFT LEVER STUD
11	12-29245		2	WASHER, SHIFT
12	12-20722		1	WASHER, TRNASMISSION LEVER STUD
13	13-26993		1	LOCKWASHER, TRANSMISSION LEVER STUD
14	11-22053		1	NUT, TRANSMISSION LEVER STUD
15	41603		1	BRACKET, SHIFT
16	10-34350		2	SCREW, SHIFT BRACKET TO TRANSMISSION
17	12-45176		2	WASHER, SHIFT BRACKET SCREW
18	16-63335		1	STUD, SHIFT BRACKET
19	12-39143		1	WASHER, SHIFT BRACKET STUD
20	11-20361		1	NUT, SHIFT BRACKET STUD
21	12-21631		2	WASHER, SHIFT BRACKET STUD
22	23-31866		1	SPACER, SHIFT BRACKET STUD
23	11-20586		2	NUT, SHIFT BRACKET STUD

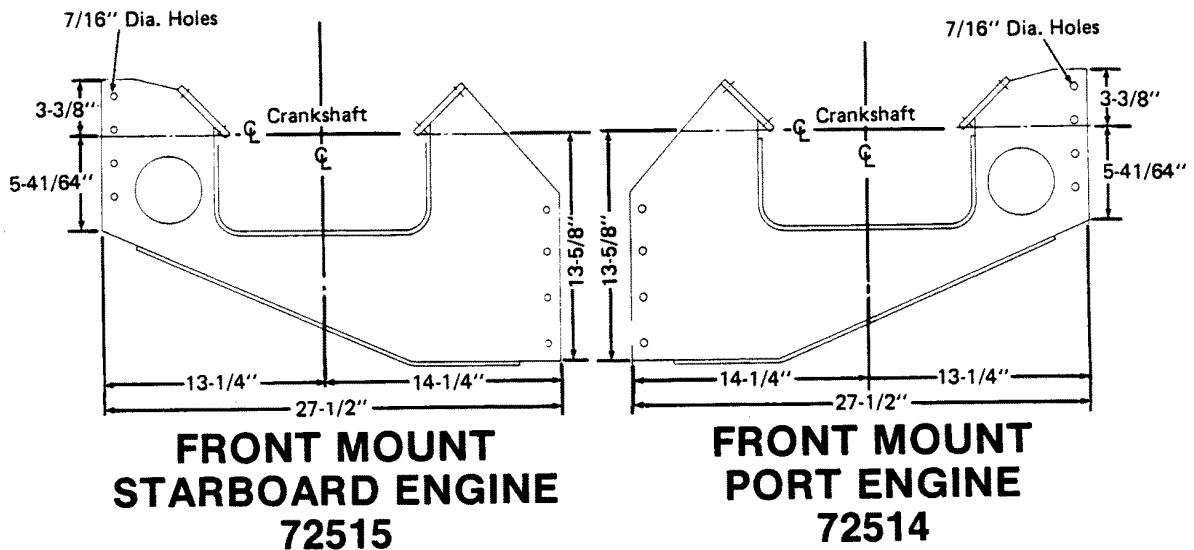
MOUNTING PLATE (SIDE BY SIDE ENGINES)

Mounting Hardware

10-86518	Screw	6
12-20553	Washer	6



SINGLE ENGINES



SIDE BY SIDE ENGINES

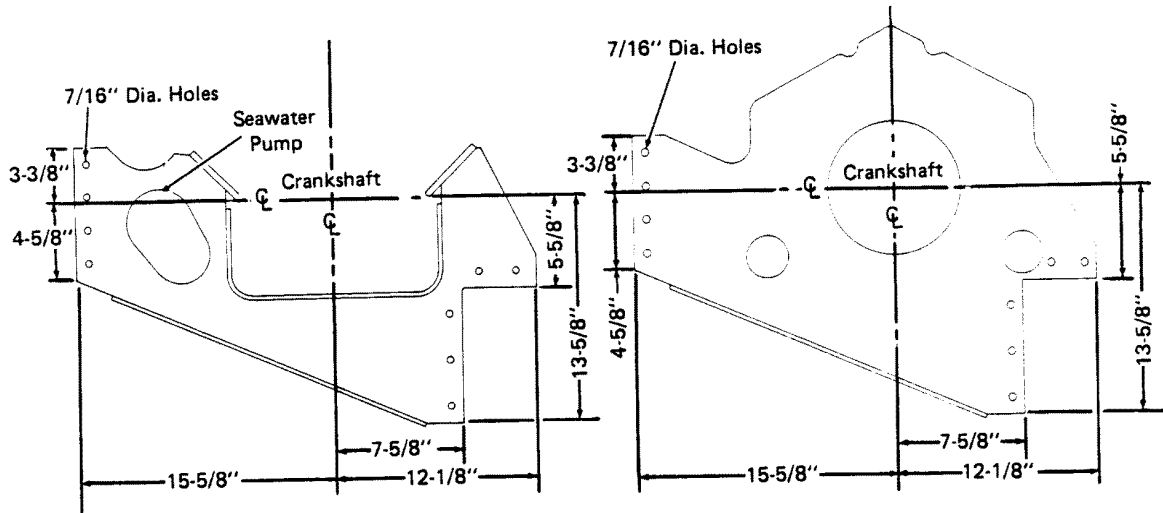
MOUNTING PLATE (SIDE BY SIDE ENGINES)

REF. NO.	PART NO.	SYM.	QTY.	DESCRIPTION
-	10-86518		6	SCREW MOUNTING HARDWARE
-	12-20553		6	WASHER MOUNTING HARDWARE
-	49863		0	FRONT MOUNT SINGLE ENGINE
-	49864		0	REAR MOUNT SINGLE ENGINE
-	72515		0	FRONT MOUNT STARBOARD ENGINE SIDE BY SIDE ENGINE
-	72514		0	FRONT MOUNT PORT ENGINE SIDE BY SIDE ENGINE

MOUNTING PLATE (STAGGERED ENGINES)

Mounting Hardware

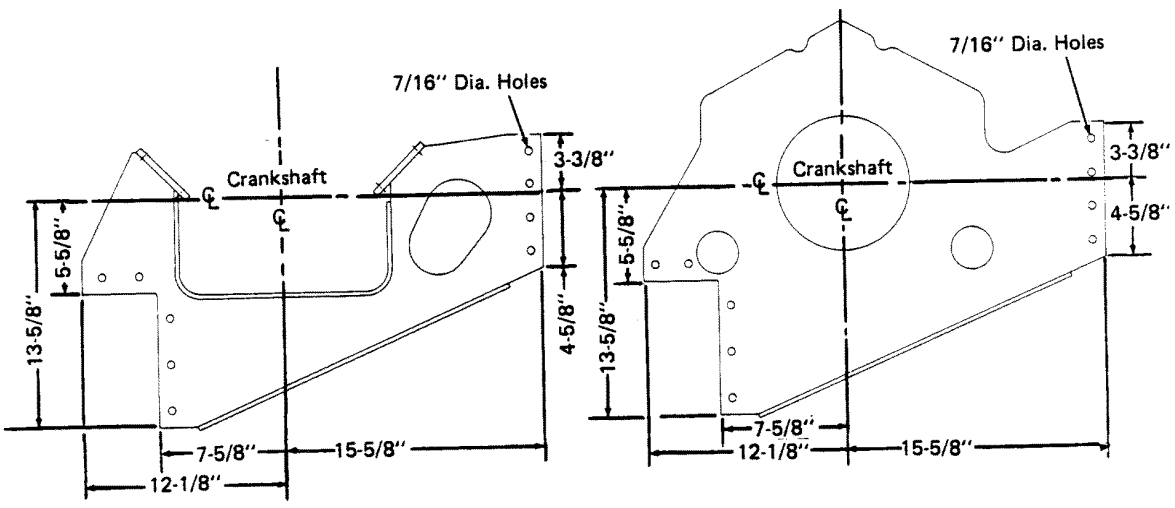
10-86518	Screw	6
12-20553	Washer	6



**FRONT MOUNT
49865**

**REAR MOUNT
49866**

STAGGERED ENGINE (STARBOARD)



**FRONT MOUNT
88665**

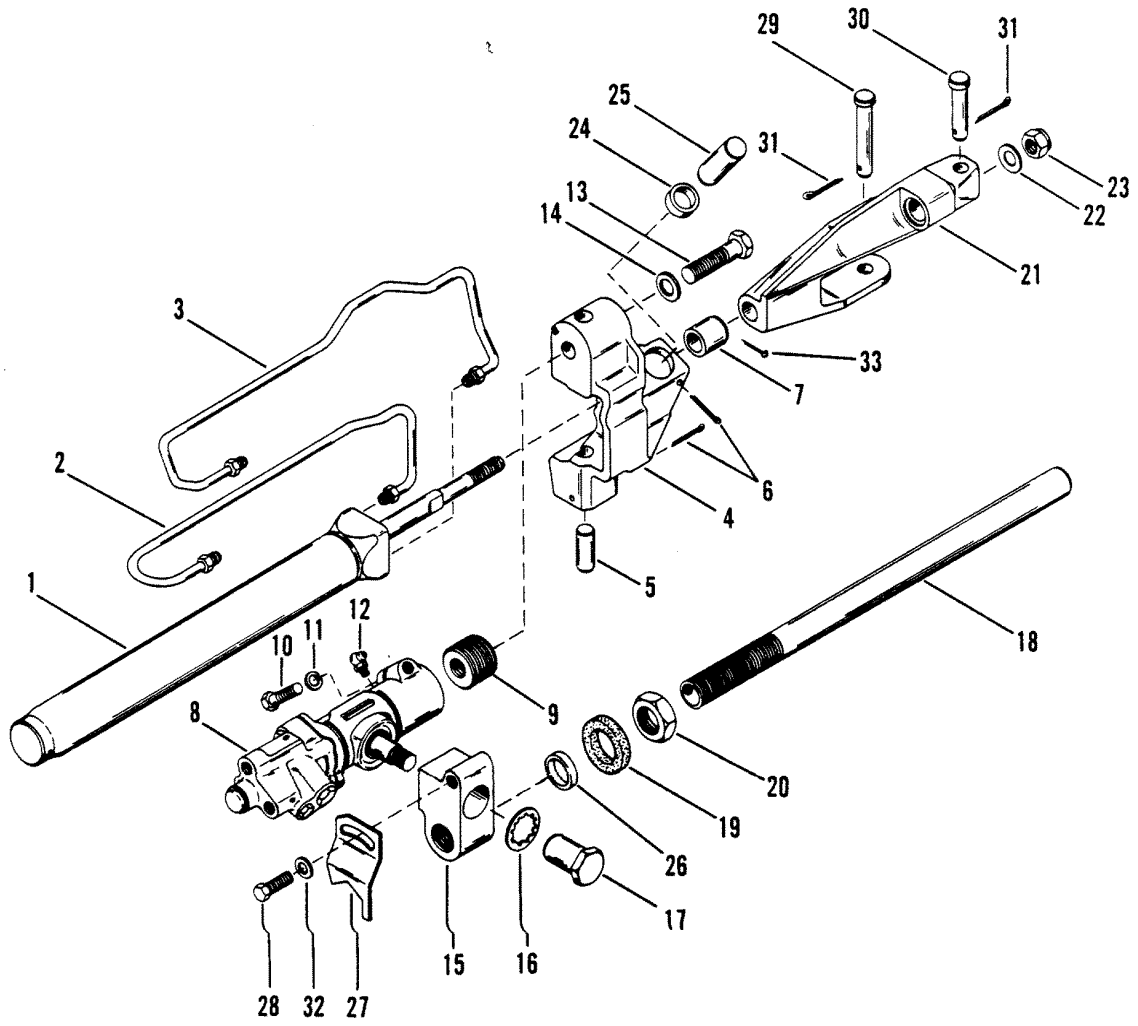
**REAR MOUNT
49866**

STAGGERED ENGINE (PORT)

MOUNTING PLATE (STAGGERED ENGINES)

REF. NO.	PART NO.	SYM.	QTY.	DESCRIPTION
-	10-86518		6	SCREW
-	12-20553		6	WASHER
-	49865		0	FRONT MOUNT STAGGERED ENGINE(STARBOARD)
-	49866		0	REAR MOUNT STAGGERED ENGINE(STARBOARD)
-	88665		0	FRONT MOUNT STAGGERED ENGINE(PORT)
-	49866		0	REAR MOUNT STAGGERED ENGINE(PORT)

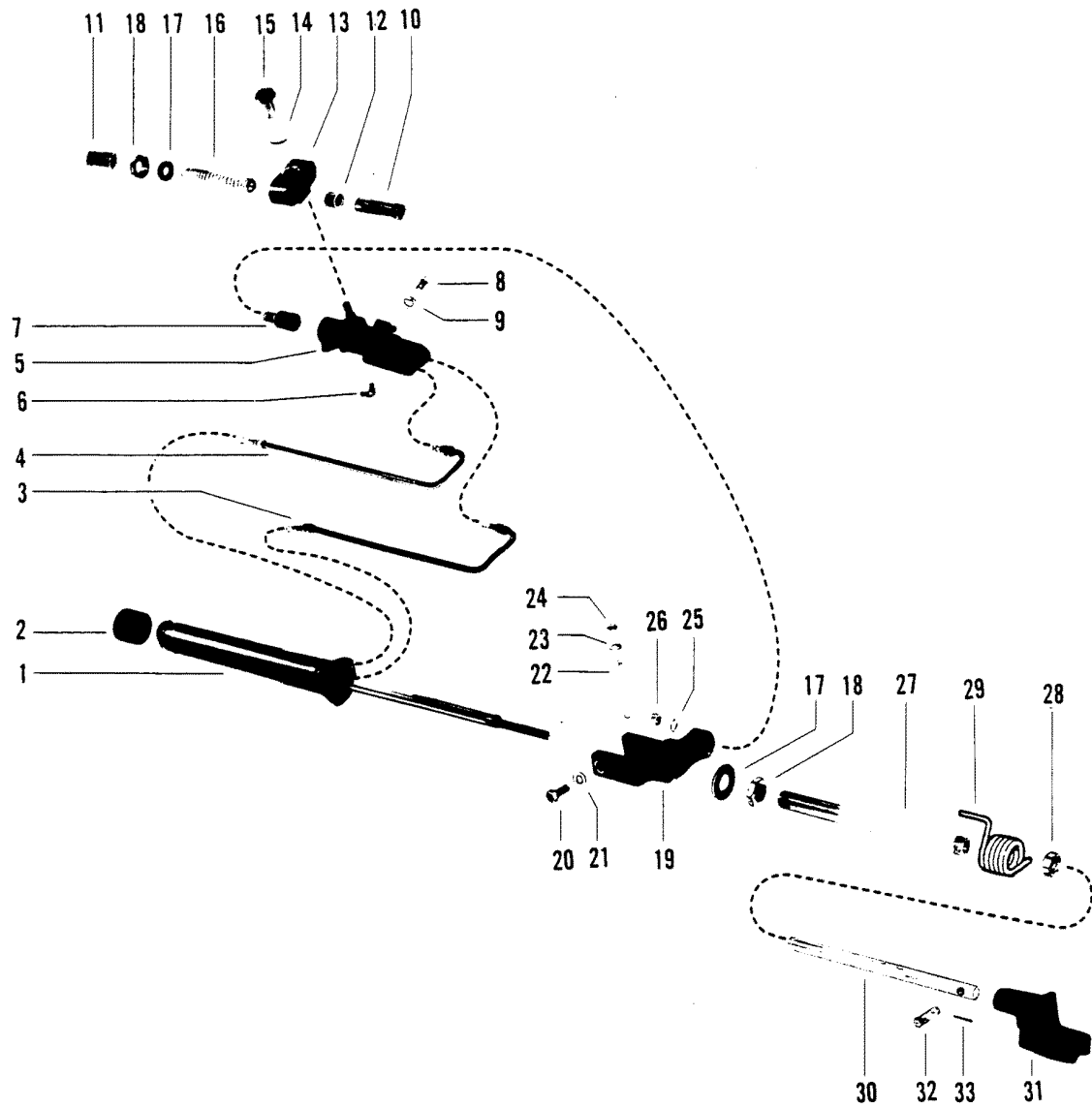
POWER STEERING CYLINDER (MR)



POWER STEERING CYLINDER (MR)

REF. NO.	PART NO.	SYM.	QTY.	DESCRIPTION
-	89645A15		1	POWER STEERING CYLINDER ASSEMBLY
1	57969A12		1	CYLINDER, BOOSTER (25-58224A1 SEAL REPAIR KIT)
2	32-92054		1	TUBE, EXTENDING
3	32-92055		1	TUBE, RETRACTING
4	94953A1		1	BRACKET ASSEMBLY, ADAPTOR
5	17-88283		2	RETAINING PIN, BOOSTER CYLINDER
6	18-36377		3	COTTER PIN, RETAINING PIN
7	23-88282		1	SLEEVE, ADAPTOR BRACKET
8	52779A2		1	VALVE, POWER STRG. (25-58226A1 SEAL REPAIR KIT)
9	88280		1	ADAPTOR, BOOSTER VALVE
10	10-37612		1	SCREW, CLAMPING
11	13-35048		1	LOCKWASHER, CLAMPING SCREW
12	22-67305		1	GREASE FITTING
13	10-88281		1	SCREW, ADAPTOR
14	12-20959		1	WASHER, ADAPTOR SCREW
15	88285		1	ADAPTOR, STEERING TUBE
16	13-76629		1	LOCKWASHER, STEERING TUBE ADAPTOR
17	11-55111		1	NUT, STEERING TUBE ADAPTOR
18	96511A1		1	TUBE ASSEMBLY, STEERING
19	88287		1	GUIDE, STEERING TUBE
20	11-32882		1	NUT STEERING TUBE
21	95848A1		1	CLEVIS ASSEMBLY, ROD END
22	12-20086		1	WASHER, ROD END
23	11-53300		1	NUT, ROD END
24	23-95803		2	BUSHING, PIVOT
25	17-99938		2	PIN
26	23-88286		1	BUSHING, STEERING TUDE
27	92766		1	LOCK, COUPLER NUT
28	10-41209		1	SCREW, COUPLER NUT LOCK
29	17-89229		1	CLEVIS PIN
30	17-52798		1	CLEVIS PIN
31	18-46950		2	COTTER PIN, CLEVIS PIN
32	12-35462		1	WASHER, COUPLER NUT LOCK SCREW
33	18-34212		1	COTTER PIN, SLEEVE

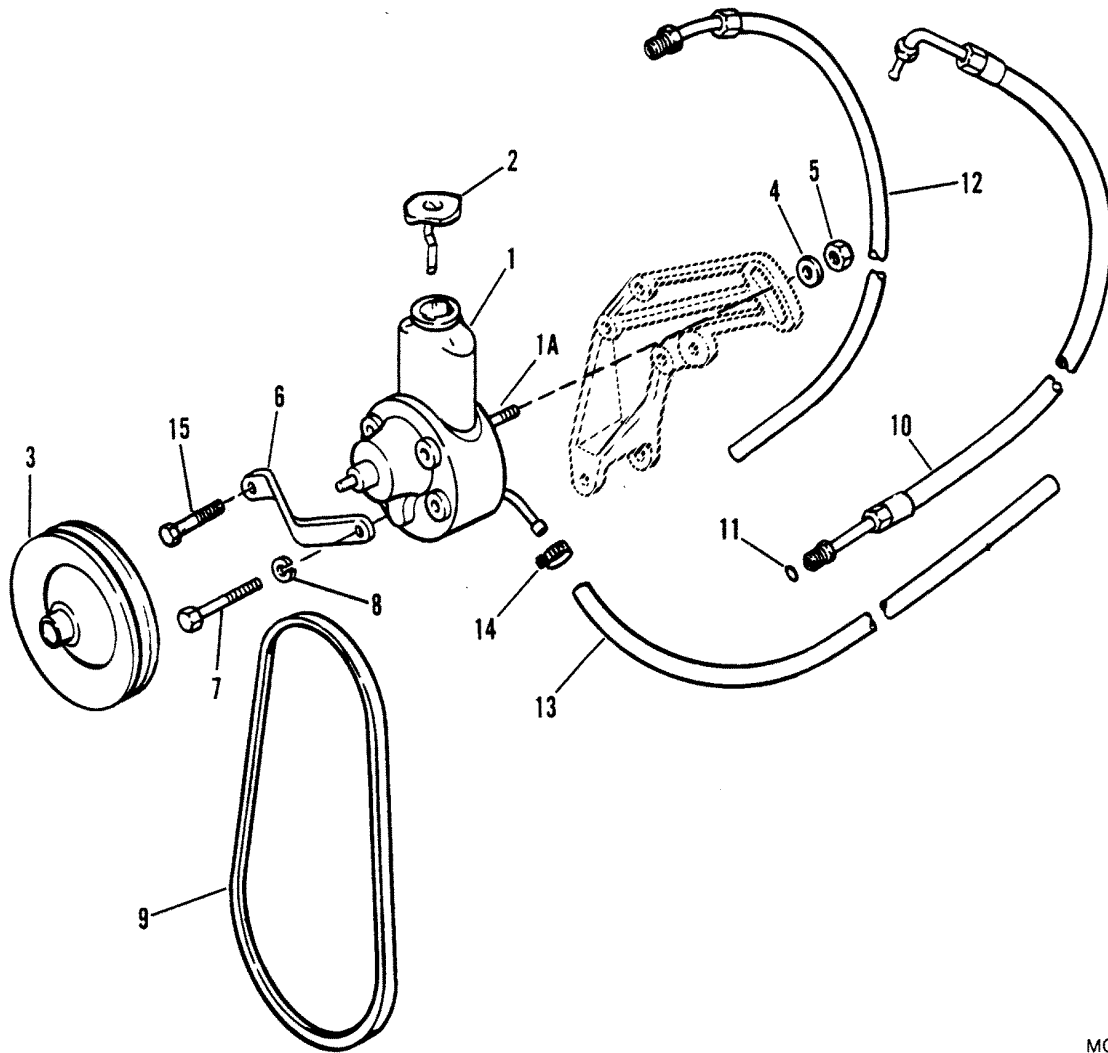
POWER STEERING CYLINDER (TR)



POWER STEERING CYLINDER (TR)

REF. NO.	PART NO.	SYM.	QTY.	DESCRIPTION
-	55110A1		1	POWER STEERING CYLINDER ASSEMBLY
1	57969A12		1	CYLINDER, BOOSTER-POWER STEERING
2	26059		1	CAP, RUBBER-BOOSTER CYLINDER
3	32-57633		1	TUBE, EXTENDING-POWER STEERING
4	32-57634		1	TUBE, RETRACTING-POWER STEERING
5	52779A2		1	VALVE, POWER STEERING
6	22-67305		1	FITTING, GREASE-POWER VALVE
7	16-55109T		1	STUD, ADAPTER-POWER STEERING VALVE
8	10-37612		1	SCREW, CLAMPING (1-1/4")
9	13-35048		1	LOCKWASHER, CLAMPING SCREW
10	23-60652		1	SLEEVE, ADJUSTING- CABLE GUIDE TUBE
11	64414		1	GUIDE, CABLE GUIDE TUBE
12	23-60773		1	SLEEVE, CABLE GUIDE TUBE
13	55110		1	ADAPTER, CABLE GUIDE TUBE (DUAL)
14	13-20897		1	LOCKWASHER, DUAL ADAPTER NUT
15	11-55111		1	NUT, DUAL ADAPTER TO POWER STEERING VALVE
16	32-55112		1	TUBE, CABLE GUIDE
17	12-37985		2	WASHER, CABLE GUIDE TUBE AND MOUNTING TUBE
18	11-37984		2	NUT, CABLE GUIDE TUBE AND MOUNTING TUBE
19	57286		1	BRACKET, MOUNTING - TRANSOM PLATE
20	10-31832		2	SCREW, MOUNTING BRACKET - TRANSOM PLATE (1")
21	13-31848		2	LOCKWASHER, MOUNTING BRACKET SCREW
22	10-57968		1	SCREW, ADJUSTING - MOUNTING BRACKET (3")
23	13-35048		1	LOCKWASHER, ADJUSTING SCREW
24	11-24883		1	NUT, ADJUSTING SCREW
25	12-20959		1	WASHER, VALVE ADAPTER STUD
26	11-28040		1	NUT, VALVE ADAPTER STUD
27	57971		1	TUBE, MOUNTING-BOOSTER ROD EXTENSION
28	11-55983		1	NUT, JAM-MOUNTING TUBE
29	24-78498		1	SPRING, TORSION-MOUNTING TUBE
30	57970		1	EXTENSION, CYLINDER BOOSTER ROD
31	87854		1	ADAPTER, ROD END
32	17-52798		2	PIN, CLEVIS STEERING CABLE AND CLEVIS ATTACHING
33	18-46950		2	COTTER PIN, CLEVIS PIN RETAINING

POWER STEERING COMPONENTS



MC0021

POWER STEERING COMPONENTS

REF. NO.	PART NO.	SYM.	QTY.	DESCRIPTION
1	90496A5		1	PUMP ASSEMBLY, POWER STEERING
1A	16-41877		1	STUD, POWER STEERING PUMP
2	36-95805		1	CAP, POWER STEERING PUMP
3	73873A1		1	PULLEY, POWER STEERING PUMP
4	12-34567		1	WASHER, PUMP STUD (BRACE SLOT)
5	11-90517		2	NUT, MOUNTING STUD
6	98644A1		1	BRACE, PUMP MOUNTING
7	10-40001188		1	SCREW, POMP MOUNTING BRACE
8	13-40024--8		1	LOCKWASHER, BRACE SCREW
9	57-44205		1	V-BELT, POWER STEERING PUMP
10	32-90494		1	HOSE, PRESSURE (FITTINGS ON BOTH ENDS)
11	25-89879		1	"O" RING, PRESSURE HOSE END
12	32-98843-39		1	HOSE, RETURN (FITTINGS ON ONE END)
13	32-68894--1		1	HOSE, PUMP TO OIL COOLER
14	54-35830		3	CLAMP, HOSE ATTACHING
15	10-34354		1	SCREW, BRACE TO BRACKET

PARTS INDEX

Part Number	Description	Pg.	Ref. No.	Part Number	Description	Pg.	Ref. No.
11395	PLATE, EXHAUST MR	61	6	33291	COLLAR, PINION STOP	9	5
11637	PULLEY (MR)	17	3	33291	COLLAR, PINION STOP	11	5
11965	ROTATOR, VALVE SPRING- EXHAUST VALVE	39	16	33291	COLLAR, PINION STOP	13	5
12128	LEVER, SHIFT			33292	COLLAR, THRUST	9	3
	TRANSMISSION	69	7	33292	COLLAR, THRUST	11	3
12128	LEVER, SHIFT- TRANSMISSION	65	14	33292	COLLAR, THRUST	13	3
12138	ROD, AUTOMATIC CHOKE	27	35	33294	SUPPORT PACKAGE	9	23
12404	BRACE, STARTER MOTOR	5	3	33294	SUPPORT PACKAGE,	11	23
12608	COVER, CARBURETOR	27	24	33294	SUPPORT PACKAGE,	13	23
12632A4	COUPLING ASSEMBLY	43	17	33297	LEVER, SHIFT	11	26
12675A4	FLYWHEEL HOUSING ASSEMBLY	55	1	33317	PLUNGER, SHIFT LEVER	9	30
13037	SOLENOID SWITCH ASSEMBLY	15	33	33317	PLUNGER, SHIFT LEVER	11	30
13276	REINFORCEMENT (RIGHT)	47	15	33317	PLUNGER, SHIFT LEVER	15	29
13277	REINFORCEMENT (LEFT)	47	15	34344	VALVE, BY-PASS	49	6
13468	CAP, OIL FILLER	39	2	34518	SHIELD, VALVE SPRING CAP	39	14
13469	COVER, ROCKER (PORT)	39	1	35329	ARM, ROCKER VALVE	39	18
13470	COVER, ROCKER (STARBOARD)	39	1	35331	BALL UNIT, ROCKER VALVE ARM	39	19
13524A3	ROTOR	23	5	35352	OIL PUMP	47	1
13754	HOUSING, DRIVE END	13	1	35354	SCREEN ASSEMBLY, OIL PUMP	47	3
13929A2	COVER ASSEMBLY, FLYWHEEL HOUSING	55	10	35363	BRACE, STARTER MOTOR	5	3
14239	RETAINER, OIL SEAL (REAR)	45	24	35373	PLATE, FUEL PUMP	25	5
14249A1	COVER, CRANKCASE FRONT	45	20	35377	ROD, PUSH - FUEL PUMP	25	9
14256	REINFORCEMENT (LEFT)	47	15	35378	CHAIN, CAMSHAFT TIMING	41	10
14256	REINFORCEMENT (RIGHT)	47	15	35852	MOUNT, RUBBER- TAILSTOCK	63	11
14259	OIL PAN	47	9	36184	SHAFT, OIL PUMP TO DISTRIBUTOR	47	4
15382	SOLENOID SWITCH ASSEMBLY	9	34	37293	OIL PRESSURE SENDER (DUAL)	19	15
15382	SOLENOID SWITCH ASSEMBLY	11	34	38559	SWITCH PRESSURE	57	5
26059	CAP, RUBBER-BOOSTER CYLINDER	77	2	39670A28	SWITCH ASSEMBLY, CUT- OUT	51	14
26079	PLATE, WIRING HARNESS OT MOUNTING BRACKET	19	3	41058	CLAMP BLOCK, SHIFT CABLE	63	23
26901	RUBBER BUMPER	43	18	41170A2	BRACKET, MOUNTING	19	20
32720	ADAPTOR	49	2	41603	BRACKET, SHIFT	69	15
32720	ADAPTOR	49	7	42675A20	MARINE 300 SHORT BLOCK	41	16
32783	RETAINER, HIGH TENSION LEADS (3 WIRE)	23	24	42862	SENSOR WHEEL	23	6
32784	RETAINER, HIGH TENSION LEADS (4 WIRE)	23	25	43268	INTAKE MANIFOLD	45	1
33270	BRUSH, FIELD FRAME	9	21	43341	PULLEY (INCLUDES ATTACHING SCREWS)	45	15
33270	BRUSH, FIELD FRAME	11	21	43557A1	CAP, DISTRIBUTOR	23	2
33270	BRUSH, FIELD FRAME	13	21	44194	ADAPTOR, EXHAUST ELBOW	33	11
33283	HOLDER, FIELD FRAME BRUSH GROUND	9	20	44364A1	BRACKET, MOUNTING- ENGINE (FRONT)	59	1
33283	HOLDER, FIELD FRAME BRUSH GROUND	11	20	45517A2	LEVER ASSEMBLY, ACTUATING	51	4
33283	HOLDER, FIELD FRAME BRUSH GROUND	13	20	45915	TERMINAL BLOCK	21	41
33284	HOLDER, INSULATED - FIELD FRAME BRUSH	9	19	47441A1	COVER, THERMOSTAT	35	9
				47502A2	BRACKET, MOUNTING - THROTTLE CABLE	27	26
				47530	HUB, WATER PUMP PULLEY	37	20
				47542	COVER, FLYWHEEL HOUSING	53	2
				47607A1	DRIVE PLATE, FLYWHEEL (TR)	43	14

PARTS INDEX

Part Number	Description	Pg.	Ref. No.	Part Number	Description	Pg.	Ref. No.
47610	COOLER, OIL LEFT SIDE ..	53	12	62734	MOUNT, RUBBER-OUTPUT HOUSING	67	25
47610	COOLER, OIL RIGHT SIDE .	53	12	62739A2	HOUSING, OUTPUT	67	16
47754A9	TRANSMISSION ASSEMBLY	63	1	62952T	TRANSOM PLATE TR	61	1
47810A19	TRANSMISSION (DIRECT DRIVE)	69	1	63820--1	BRACKET, OIL COOLER (LONG) MR	49	17
47957	CONNECTOR, VENT HOSE (PORT) MR	27	21	64414	GUIDE, CABLE GUIDE TUBE	77	11
47957	CONNECTOR, VENT HOSE - TR	27	21	65989	RETAINER, BALL BEARING .	67	22
48272	FIELD COIL ASSEMBLY ...	11	15	66198	COVER, AUTOMATIC CHOKE	27	33
48348	CAP, INLET VALVE	39	15	66284A2	BASE, ENGINE MOUNT	59	8
48952	SWITCH, WATER TEMPERATURE	57	1	68485A2	TAILSTOCK HOUSING	67	14
49734A1	WATER TEMPERATURE SENDER (DUAL)	19	11	68488	SHAFT, TAILSTOCK	67	10
49863	FRONT MOUNT	71	-	68606	ARMATURE	11	11
49864	REAR MOUNT	71	-	68608	DRIVE ASSEMBLY, CLUTCH	11	6
49865	FRONT MOUNT	73	-	68878A2	HORN	57	9
49866	REAR MOUNT	73	-	71693	ARMATURE	13	11
49866	REAR MOUNT	73	-	71696	HOUSING, DRIVE END	9	1
52185	CLAMP, DISTRIBUTOR TO INTAKE MANIFOLD	23	14	71698	LEVER, SHIFT	9	26
52779A2	VALVE, POWER STEERING	77	5	71698	LEVER, SHIFT	13	26
52779A2	VALVE, POWER STRG.	75	8	72514	FRONT MOUNT PORT ENGINE	71	-
54676	RETAINER, HIGH TENSION LEADS (2 WIRE)	23	23	72515	FRONT MOUNT STARBOARD ENGINE ...	71	-
55110	ADAPTER, CABLE GUIDE TUBE (DUAL)	77	13	72625	CHOKE, AUTOMATIC - CARBURETOR	27	32
55110A1	POWER STEERING CYLINDER ASSEMBLY ..	77	-	72638	LIFTER, HYDRAULIC VALUE-TAPPET	41	8
56328A1	BRACKET, OIL COOLER (SHORT) MR	49	18	72650	BALANCER, HARMONIC-CRANKSHAFT	45	14
57286	BRACKET, MOUNTING - TRANSOM PLATE	77	19	72963A7	EXHAUST ELBOW ASSEMBLY (PORT)	33	15
57758A2	ENGINE COUPLING ASSEMBLY TRANSMISSION	63	6	72963A8	EXHAUST ELBOW ASSEMBLY (STARBOARD)	33	15
57908-11	TUBING, ALTERNATOR LEADS	5	29	73393	BALL JOINT	65	12
57969A12	CYLINDER, BOOSTER (25-58224A1 SEAL REPAIR KIT)	75	1	73798A1	PULLEY, WATER PUMP ...	37	21
57969A12	CYLINDER, BOOSTER-POWER STEERING	77	1	73873A1	PULLEY, POWER STEERING PUMP	79	3
57970	EXTENSION, CYLINDER BOOSTER ROD	77	30	75664	FIELD COIL ASSEMBLY ...	9	15
57971	TUBE, MOUNTING-BOOSTER ROD EXTENSION	77	27	75664	FIELD COIL ASSEMBLY ...	13	15
59137	THERMOSTAT (143 DEGREES)	35	5	75665	ARMATURE	9	11
59501A1	SHAFT, WATER PUMP	37	17	75665	ARMATURE	13	11
60658	WATER PUMP ASSEMBLY .	45	8	75666	HOUSING, DRIVE END	13	1
60660A1	COVER ASSEMBLY, CRANKCASE FRONT	45	20	76850A2	ENGINE COUPLING ASSEMBLY	43	8
60661	POINTER, TIMING	45	32	77294	BRACKET, IGNITION COIL .	23	27
61218	FLANGE DRIVE SHAFT	67	2	79205	DRIVE ASSEMBLY, CLUTCH	9	6
61219	U-BOLT, DRIVE SHAFT TO TRANSMISSION	67	6	79205	DRIVE ASSEMBLY, CLUTCH	13	6
61221	CROSS AND BEARING	67	3	79206	HOUSING, DRIVE END	11	1
				79211	FRAME, COMMUTATOR END - LOWER	13	17
				79211	FRAME, COMMUTATOR END - LOWER	9	17
				79211	FRAME, COMMUTATOR END - LOWER	11	17
				79212	FIELD COIL ASSEMBLY ...	13	15
				79396	PLATE, BEARING	11	7
				79396	PLATE, BEARING	13	7
				79430	COVER, EXHAUST TR	61	3

PARTS INDEX

Part Number	Description	Pg.	Ref. No.	Part Number	Description	Pg.	Ref. No.
86045	TIMER, TEMPERATURE BUZZER	57	8	97401A2	FUEL PUMP	25	1
86047A11	BUZZER HOUSING ASSEMBLY	57	7	97661	VALVE, INLET (STANDARD)	39	9
86692	YOKE	67	5	97662	VALVE, INLET (.015 O.S.)	39	9
86693	TRANSOM PLATE (LH-STAGGERED ONLY) TR	61	1	97850	ELBOW, VENT HOSE (STARBOARD) MR	27	22
87114A8	EXHAUST MANIFOLD ASSEMBLY	33	1	98096	FLYWHEEL HOUSING	53	1
87115A1	BRACKET, ALTERNATOR	5	30	98299A2	SHIFT ROD ASSEMBLY	65	11
87284	VALVE, EXHAUST (STANDARD)	39	8	98301A3	SHIFT CRANK ASSEMBLY	65	5
87290A4	THERMOSTAT HOUSING ASSEMBLY	35	1	98322A2	TAILSTOCK ASSEMBLY, BEARING SUPPORT	63	10
87301	VALVE, EXHAUST (.015 O.S.)	39	8	98493A2	BRACKET, MOUNTING	19	5
87631A1	COVER, WATER PUMP	37	3	98602	BAFFLE, OIL PAN (CYLINDER BLOCK)	47	6
87854	ADAPTER, ROD END	77	31	98644A1	BRACE, PUMP MOUNTING	79	6
88280	ADAPTOR, BOOSTER VALVE	75	9	99237A2	SHIFT BRACKET ASSEMBLY	51	1
88285	ADAPTOR, STEERING TUBE	75	15	99297A1	MOUNT, RUBBER-FLYWHEEL HOUSING	55	2
88287	GUIDE, STEERING TUBE	75	19	99356A2	OIL COOLER (TR)	35	23
88665	FRONT MOUNT	73	-	99948	ROD, VALUE PUSH	39	7
89535	BRACKET, WATER PUMP	37	26	N.S.S.	AIR HORN ASSEMBLY	29	1
89609	BRACE, WATER PUMP ADJUSTING	37	30	N.S.S.	BAFFLE, FLOAT BOWL (ROCHESTER #7031365)	29	25
89645A15	POWER STEERING CYLINDER ASSEMBLY	75	-	N.S.S.	BOLT, OIL PUMP TO CYLINDER BLOCK (2")(GM #3892678)	47	2
89690T	OIL COOLER, ENGINE MR	49	16	N.S.S.	BOLT, THRU (DELCO REMY #1939970)	9	18
90496A5	PUMP ASSEMBLY, POWER STEERING	79	1	N.S.S.	BOLT, THRU (DELCO REMY #1939970)	11	18
90747A3	DISTRIBUTOR ASSEMBLY	23	1	N.S.S.	BOLT, THRU (DELCO REMY #1939970)	13	18
90783A13	ADAPTOR ASSEMBLY, OIL FILTER	49	5	N.S.S.	BOLT, THRU (DELCO REMY #1941111)	9	18
90806	OIL PRESSURE SENDER	19	15	N.S.S.	BOLT, THRU (DELCO REMY #1941111)	13	18
90840A1	PULLEY, WATER PUMP (3 GROOVE)	45	11	N.S.S.	BRACKET ASS'Y, VACUUM CONTROL (ROCHESTER #17060265)	29	31
91830	COVER, ADAPTOR	49	12	N.S.S.	CHOKE SHAFT & LEVER ASS'Y (ROCHESTER #7036059)	29	19
92043A3	BRACKET, OIL FILTER	49	1	N.S.S.	CYLINDER BLOCK ASSEMBLY (GM#14019870)	41	1
92163A2	TUBE, OIL LEVEL GAUGE	47	19	N.S.S.	FLOAT BOWL ASSEMBLY (ROCHESTER #7041584)	31	42
92497A3	ALTERNATOR (55 AMP)	5	16	N.S.S.	GROMMET, FIELD COIL (DELCO REMY #1846097)	11	14
92497A3	ALTERNATOR ASSEMBLY (55 AMP)	17	-	N.S.S.	HOLDER KIT, SEC. METERING ROD	29	4
92766	LOCK, COUPLER NUT	75	27	N.S.S.	HOLDER, INSULATED (DELCO REMY #800091)	13	19
93476	OIL PAN	47	9	N.S.S.	HOSE, VACUUM (ROCHESTER #7026339)	29	34
94576	WEAR PLATE, INNER	37	12	N.S.S.	INSERT, FLOAT BOWL (ROCHESTER #7034361)	31	41
94910	COVER, OIL COOLER LEFT SIDE	53	13	N.S.S.	LEVER, ACTUATING - PUMP	29	9
94911A2	COVER, OIL COOLER RIGHT SIDE	53	13	N.S.S.	LEVER, AIR VALVE LOCKOUT (ROCHESTER #7037968)	29	2
94916	WEAR PLATE, OUTER	37	7	N.S.S.			
94953A1	BRACKET ASSEMBLY, ADAPTOR	75	4	N.S.S.			
95848A1	CLEVIS ASSEMBLY, ROD END	75	21	N.S.S.			
95854A3	SHIFT LEVER ASSEMBLY	51	20	N.S.S.			
95950	FLAME ARRESTOR	27	16	N.S.S.			
96418A1	GAUGE, OIL LEVEL (DIPSTICK)	47	20	N.S.S.			
96511A1	TUBE ASSEMBLY, STEERING	75	18	N.S.S.			

PARTS INDEX

Part Number	Description	Pg.	Ref. No.	Part Number	Description	Pg.	Ref. No.
N.S.S.	LEVER, INTERMEDIATE CHOKE (ROCHESTER #7031231)	29	24	N.S.S.	SCREW, POLE SHOE TO FIELD COIL (DELCO REMY #1968396)	13	13
N.S.S.	METERING ROD, SECONDARY	29	5	N.S.S.	SCREW, SOLENOID SWITCH	9	33
N.S.S.	PIN, DOWEL - FIELD FRAME	13	25	N.S.S.	SCREW, SOLENOID SWITCH (DELCO REMY #132255) .	11	33
N.S.S.	PIN, DOWEL - FIELD FRAME (DELCO REMY #1985696)	11	25	N.S.S.	SCREW, SOLENOID SWITCH (DELCO REMY #9413260)	15	32
N.S.S.	PIN, DOWEL - FIELD FRAME (DELCO REMY #809593) .	9	25	N.S.S.	SCREW, THROTTLE BODY TO FLOAT BOWL (ROCHESTER #7035790) .	31	55
N.S.S.	PIN, HINGE - FLOAT (ROCHESTER #7029856) .	29	23	N.S.S.	SCREW, VAC. CONT. BRCK./FLOAT BOWL (ROCHESTER #7031925) .	29	32
N.S.S.	PIN, PLUNGER TO SHIFT LEVER (DELCO REMY #1987049)	15	30	N.S.S.	SHIM, VALVE SPRING (GM #3731058)	39	13
N.S.S.	PLATE, BEARING (DELCO REMY #1956939)	9	7	N.S.S.	SHOE, POLE - FIELD COIL (DELCO REMY #1931129)	13	12
N.S.S.	POWER PISTON ASSEMBLY (ROCHESTER #7034637) .	29	35	N.S.S.	SHOE, POLE - FIELD COIL (DELCO REMY #810601) .	9	12
N.S.S.	RETAINER, POWER PISTON (ROCHESTER #7034339) .	31	37	N.S.S.	SHOE, POLE - FIELD COIL (DELCO REMY #810601) .	11	12
N.S.S.	RETAINER, PUMP DISCHARGE BALL (ROCHESTER #7029849) .	31	38	N.S.S.	SHOE, POLE - FIELD COIL (DELCO REMY #810601) .	13	12
N.S.S.	RETAINING RING	13	28	N.S.S.	SPRING AND CAM KIT, AIR VALVE (ROCHESTER #7035344)	31	--
N.S.S.	ROD, CHOKE (ROCHESTER #7031394)	29	26	N.S.S.	SPRING, IDLE STOP SCREW (ROCHESTER #7003176) .	31	44
N.S.S.	ROD, PUMP (ROCHESTER #7026138)	31	50	N.S.S.	SPRING, METERING ROD - PRIMARY (ROCHESTER #7029862)	31	36
N.S.S.	ROD, VACUUM CONTROL (ROCHESTER #7038167) .	29	29	N.S.S.	SPRING, PLUNGER RETURN	9	32
N.S.S.	SCREW, AIR HORN FLOAT BOWL (1")	29	7	N.S.S.	SPRING, PLUNGER RETURN (DELCO REMY #1978281)	15	31
N.S.S.	SCREW, AIR HORN TO FLOAT BOWL (3")	29	8	N.S.S.	SPRING, POWER PISTON (ROCHESTER #7034361) .	31	40
N.S.S.	SCREW, AIR HORN TO FLOAT BOWL (3/8")	29	6	N.S.S.	STUD, SHIFT LEVER	13	27
N.S.S.	SCREW, BEARING PLATE . .	13	10	N.S.S.	STUD, SHIFT LEVER (DELCO REMY #1814529)	11	27
N.S.S.	SCREW, BEARING PLATE (DELCO REMY #1972786)	13	10	N.S.S.	STUD, SHIFT LEVER (DELCO REMY #1945804)	9	27
N.S.S.	SCREW, BRUSH LEAD (DELCO REMY #1967747)	9	22	N.S.S.	THROTTLE BODY ASSEMBLY (ROCHESTER #7044819)	31	52
N.S.S.	SCREW, BRUSH LEAD (DELCO REMY #1967747)	11	22	N.S.S.	VALVE, CHOKE - CHOKE SHAFT (ROCHESTER #7036021)	29	20
N.S.S.	SCREW, BRUSH LEAD (DELCO REMY #1967747)	13	22	N.S.S.	WASHER, LEATHER (DELCO REMY #1985617)	11	16
N.S.S.	SCREW, BRUSH LEAD (DELCO REMY #443527) .	9	22	10-11252	SCREW, SENSOR WHEEL .	23	7
N.S.S.	SCREW, BRUSH LEAD (DELCO REMY #443527) .	11	22	10-11966	BOLT, CYLINDER HEAD TO CYLINDER BLOCK(3-3/4")	39	26
N.S.S.	SCREW, BRUSH LEAD (DELCO REMY #443527) .	13	22	10-11967	BOLT, CYLINDER HEAD TO CYLINDER BLOCK(3") . . .	39	25
N.S.S.	SCREW, CHOKE VALVE TO CHOKE SHAFT (ROCHESTER #7029866) .	29	21	10-11968	BOLT, CYLINDER HEAD TO CYLINDER BLOCK (1-3/4")	39	24
N.S.S.	SCREW, IDLE STOP (ROCHESTER #7002121) .	31	43	10-11976	BOLT, INTAKE MANIFOLD TO CYLINDER BLOCK . . .	45	2
N.S.S.	SCREW, POLE SHOE TO FIELD COIL	9	13	10-14070	SCREW, OIL PAN	47	18

PARTS INDEX

Part Number	Description	Pg.	Ref. No.	Part Number	Description	Pg.	Ref. No.
10-14242	BOLT, OIL SEAL RETAINER	45	28	10-37612	SCREW, FLYWHEEL HOUSING ATTACHING (1-1/4")	55	4
10-14243	BOLT, OIL SEAL RETAINER	45	27				
10-14883	SCREW, COUPLING	43	19	10-37612	SCREW, LIFTING EYE AND INTAKE MANIFOLD	45	5
10-22028	SCREW, TERMINAL BLOCK	21	43				
10-26487	SCREW, ADJUSTING BRACE	37	31	10-40001188	SCREW, POMP MOUNTING BRACE	79	7
10-26487	SCREW, ALTERNATOR BRACE	5	23				
10-27165	SCREW, DISTRIBUTOR (7/8")	23	15	10-41209	SCREW, COUPLER NUT LOCK	75	28
10-28635	SCREW, COVER TO HOUSING	53	3	10-41408	SCREW, BRACKET (1-1/2")	23	28
10-28635	SCREW, FUEL PUMP PLATE	25	7	10-45218	SCREW, INSULATOR (3/8")	19	31
10-28668	SCREW, COVER TO FLYWHEEL HOUSING	55	12	10-45754	SCREW, FLYWHEEL HOUSING ATTACHING (2")	55	4
10-28701	SCREW, CARBURETOR MOUNTING (3-1/2")	27	6	10-45862	SCREW, CIRCUIT BREAKER (7/8")	19	30
10-29081	SCREW, TAILSTOCK TO TRANSMISSION (1-1/4")	63	18	10-47277	SCREW, PULLEY (3/4")	37	22
10-30902	SCREW, SWITCH TO SHIFT BRACKET	51	15	10-47277	SCREW, PULLEY TO WATER PUMP (3/4")	45	12
10-31832	SCREW, MOUNTING BRACKET - TRANSOM PLATE	77	20	10-47467	SCREW, TAILSTK - INNER TRANSOM PLATE	63	28
10-32132	SCREW, WATER PUMP TO CYLINDER BLOCK (1-3/4")	45	10	10-47618	SCREW, SENSOR	23	9
10-34350	SCREW, SHIFT BRACKET TO TRANSMISSION	69	16	10-47688	SCREW, WATER PUMP TO CYLINDER BLOCK (2-3/4")	45	10
10-34353	SCREW, EXHAUST COVER (1") TR	61	5	10-47910	SCREW, STARTER SOLENOID (5/8")	19	36
10-34353	SCREW, EXHAUST PLATE MR	61	7	10-48308	SCREW, ALTERNATOR (3-3/4")	7	33
10-34353	SCREW, WATER PUMP BRACKET (1")	37	27	10-49845	SCREW, FLYWHEEL TO CRANKSHAFT	43	21
10-34354	SCREW, BRACE TO BRACKET	79	15	10-49845	SCREW, FLYWHEEL TO CRANKSHAFT (TR)	43	12
10-34354	SCREW, FUEL PUMP (1-1/2")	25	3	10-49956	SCREW, OIL PAN DRAIN	47	12
10-34500	SCREW, IGNITION COIL (3/4")	23	32	10-52200	SCREW, WATER PUMP TO CYLINDER BLOCK (1-1/2")	45	10
10-34505	BOLT, CAMSHAFT TIMING SPROCKETS (3/4")	41	13	10-53728	SCREW, EXHAUST MANIFOLD (4-5/8")	33	6
10-34544	SCREW, STARTER TO BLOCK (1-15/16")	5	2	10-57968	SCREW, ADJUSTING - MOUNTING BRACKET (3")	77	22
10-34696	SCREW, WIRING HARNESS PLATE (3/4")	19	4	10-59994	SCREW, AUTOMATIC CHOKE THERMOSTAT (5/8")	27	34
10-35091	SCREW, DRIVE PLATE TO FLYWHEEL (TR)	43	15	10-60179	SCREW, TRANSMISSION TO ENGINE (3-1/2")	65	1
10-35366	SCREW, COVER	45	23	10-60179	SCREW, TRANSMISSION TO ENGINE (3-1/2")	69	2
10-35366	SCREW, OIL PAN	47	18	10-60410	SCREW, THERMOSTAT HOUSING TO INTAKE MANIFOLD	35	10
10-35765	SCREW, BRACE TO ENGINE (5/8")	5	6	10-60992	SCREW, ADAPTOR	33	14
10-35765	SCREW, BRACE TO ENGINE (5/8")	5	6	10-62568	SCREW, TERMINAL BLOCK LEADS	21	42
10-35786	SCREW, ADJUSTING BRACE (1")	37	34	10-63826	SCREW (3/8" X2-1/2")	53	7
10-37388	BOLT, PULLEY AND HARMONIC BALANCER	45	16	10-67630	SCREW, TAILSTOCK TO TRANSOM PLATE	67	26
10-37612	SCREW (3/8"X1-1/4")	53	7	10-69013	SCREW, HORN ATTACHING	57	10
10-37612	SCREW, ALTERNATOR BRACKET (1-1/4")	5	31	10-69028	SCREW, OIL COOLER BRACKET (3/4") MR	49	19
10-37612	SCREW, CLAMPING	75	10	10-72644	SCREW, OIL PAN (5/16-18X7/8")	47	13
10-37612	SCREW, CLAMPING (1-1/4")	77	8				

PARTS INDEX

Part Number	Description	Pg.	Ref. No.	Part Number	Description	Pg.	Ref. No.
10-73287	SCREW, TERMINAL BLOCK (3/8")	51	18	11-21825	NUT, STUD TO THROTTLE LEVER	27	12
10-74824	SCREW	67	20	11-21908	NUT, WATER PUMP SCREW	37	25
10-74824	SCREW, ALTERNATOR BRACE	5	26	11-22053	NUT, SHIFT LEVER TO TRANSMISSION	65	19
10-79209	SCREW, BEARING PLATE	9	10	11-22053	NUT, TRANSMISSION LEVER STUD	69	14
10-79209	SCREW, BEARING PLATE	11	10	11-22339	NUT, TAILSTK - INNER TRANSOM PLATE SCREWS	63	33
10-85486	SCREW (1/4"-20X3/8")	53	3	11-23161	NUT, ALTERNATOR BRACKET SCREW	7	36
10-85802	BOLT, CONNECTING ROD CAP	43	23	11-23161	NUT, U-BOLT	67	7
10-86517	SCREW, MOUNTING BRACKET TO ENGINE	59	2	11-24652	NUT	67	19
10-86518	SCREW	71	-	11-24883	NUT, ADJUSTING BRACE SCREW	37	36
10-86518	SCREW	73	-	11-24883	NUT, ADJUSTING SCREW	77	24
10-88281	SCREW, ADAPTOR	75	13	11-24883	NUT, MOUNTING BRACKET STUD	19	26
10-88743	SCREW, SPRING TO LEVER	51	6	11-25168	LOCKNUT, SHIFT ROD	65	13
10-90926	SCREW, DISTRIBUTOR CAP	23	3	11-26419	NUT, STARTER SOLENOID TERMINAL (10-32)	21	39
10-91966	SCREW, OIL FILTER ADAPTOR (4")	49	11	11-26419	NUT, STARTER TERMINAL (#8)	5	8
10-91967	SCREW, OIL FILTER ADAPTOR (3-1/4")	49	11	11-26419	NUT, STARTER TERMINAL (#8)	5	8
10-92154	SCREW, DRIVE SHAFT TO TAILSTOCK	67	8	11-26419	NUT, STARTER TERMINAL (#8) (TR)	5	15
10-94435	SCREW, STARTER TO BLOCK (4-21/32")	5	2	11-26484	NUT, SHIFT LEVER STUD	9	29
10-94435	SCREW, STARTER TO BLOCK (4-21/32")	5	2	11-26484	NUT, SHIFT LEVER STUD	11	29
10-96113	SCREW, TERMINAL BLOCK (7/8")	51	17	11-28040	NUT, VALVE ADAPTER STUD	77	26
10-98253	SCREW, CLIP TO CYLINDER BLOCK	47	22	11-28941	NUT, JAM - FLAME ARRESTOR	27	3
10-98260	SCREW (3/8" X5/8")	53	7	11-29250	NUT, CARBURETOR MOUNTING STUD	27	9
10-98260	SCREW, MOUNTING BRACKET (5/8")	19	21	11-29598	NUT, STUD	19	9
10-99524	SCREW, TAILSTOCK TO TRANSMISSION (2")	63	19	11-30968	NUT, ALTERNATOR TERMINAL (10-24)	5	19
11-11971	NUT, OIL PAN STUD	47	17	11-32219	NUT, FLYWHEEL HOUSING ATTACHING STUD	55	6
11-11996	NUT	45	30	11-32219	NUT, FLYWHEEL HOUSING STUD	53	9
11-20088	NUT, STARTER SOLENOID SCREW	19	37	11-32219	NUT, MOUNTING BRACKET STUD	59	7
11-20361	NUT, CLAMP BLOCK STUD	63	25	11-32219	NUT, STARTER TERMINAL (3/8") (TR)	5	13
11-20361	NUT, FLAME ARRESTOR STUD	27	18	11-32882	NUT STEERING TUBE	75	20
11-20361	NUT, OIL COOLER BRACKET SCREW MR	49	20	11-34516	NUT, ROCKER VALVE ARM STUD	39	20
11-20361	NUT, ROCKER COVER STUD	39	5	11-34932	NUT, SHIFT CRANK STUD	65	10
11-20361	NUT, SHIFT BRACKET STUD	69	20	11-34933	NUT, STARTER MOTOR STUD (TR)	5	10
11-20361	NUT, SHIFT CABLE STUD	51	28	11-35814	NUT, COOLER COVER	53	21
11-20361	NUT, SHIFT LEVER STUD	69	10	11-35814	NUT, SHIFT BRACKET STUD	51	13
11-20361	NUT, SHIFT ROD	65	16	11-37493	NUT, CONNECTING ROD CAP BOLY	43	24
11-20361	NUT,SHIFT CRANK STUD	65	8	11-37500	NUT, OIL PAN BAFFLE STUD	47	8
11-20586	NUT, SHIFT BRACKET STUD	69	23	11-37984	NUT, CABLE GUIDE TUBE AND MOUNTING TUBE	77	18
11-20586	NUT, STUD TO THROTTLE LEVER	27	11				
11-20586	NUT, THROTTLE CABLE STUD	27	31				
11-20739	NUT,JAM-ENGINE MOUNT BASE	59	9				
11-20890	NUT, ALTERNATOR TERMINAL (1/4-20)	5	21				

PARTS INDEX

Part Number	Description	Pg.	Ref. No.	Part Number	Description	Pg.	Ref. No.
11-45076	NUT, PRESSURE SWITCH TERMINAL (10-32)	57	6	12-20553	WASHER, ROCKER COVER STUD	39	4
11-45076	NUT, TEMPERATURE SWITCH (10-32)	57	3	12-20553	WASHER, THERMOSTAT HOUSING SCREW MR . . .	35	11
11-46438	NUT, INSULATOR SCREW . . .	19	33	12-20572	WASHER, FLYWHEEL HOUSING SCREW-	55	8
11-46438	NUT, TERMINAL BLOCK SCREW	21	44	12-20722	WASHER, SHIFT LEVER TO TRANSMISSION	65	17
11-47521	NUT, JAM - OIL COOLER LEFT SIDE	53	16	12-20722	WASHER, TRNASSMISSION LEVER STUD	69	12
11-47521	NUT, JAM-OIL COOLER RIGHT SIDE	53	16	12-20959	WASHER, ADAPTOR SCREW	75	14
11-49838	NUT, EXHAUST MANIFOLD STUD	33	20	12-20959	WASHER, VALVE ADAPTER STUD	77	25
11-52901	NUT, TAILSTOCK SCREW . . .	67	28	12-21631	WASHER, SHIFT BRACKET STUD	69	21
11-53300	NUT, ROD END	75	23	12-21631	WASHER, THROTTLE CABLE STUD	27	29
11-55111	NUT, DUAL ADAPTER TO POWER STEERING VALVE	77	15	12-22753	WASHER, COOLER COVER NUT	53	20
11-55111	NUT, STEERING TUBE ADAPTOR	75	17	12-22937	WASHER, FLAME ARRESTOR STUD	27	17
11-55983	NUT, JAM-MOUNTING TUBE	77	28	12-26168	WASHER, ALTERNATOR BRACE SCREW	5	27
11-56374	NUT, STARTER MOTOR STUD	5	5	12-27736	WASHER, SENSOR SCREW	23	10
11-56374	NUT, STARTER MOTOR STUD	5	5	12-29245	WASHER, SHIFT	69	11
11-56374	NUT, THROTTLE CABLE STUD	27	15	12-29245	WASHER, SHIFT ROD	65	15
11-63341	TEE NUT, SHIFT CABLE STUD	51	25	12-29245	WASHER, STARTER MOTOR STUD	5	4
11-68219	NUT, CIRCUIT BREAKER TERMINAL	19	29	12-29245	WASHER, STARTER MOTOR STUD	5	4
11-68219	NUT, DISTRIBUTOR TERMINAL (10-32)	23	18	12-29245	WASHER, THROTTLE CABLE STUD	27	14
11-68219	NUT, IGNITION COIL TERMINAL (#10-32)	23	31	12-30164	WASHER, DISTRIBUTOR TERMINAL	23	16
11-68219	NUT, OIL PRESSURE SENDER TERMINAL (#10)	19	17	12-30164	WASHER, IGNITION COIL TERMINAL	23	29
11-68219	NUT, WATER TEMPERATURE SENDER TERMINAL	19	13	12-33171	WASHER, TAILSTK - INNER TRANSOM PLATE SCREWS	63	32
11-90517	NUT, MOUNTING STUD	79	5	12-33181	WASHER, SEALING- HOUSING SCREW	53	11
11-94330	NUT, STARTER SOLENOID TERMINAL (1/4-20)	21	40	12-33258	WASHER, LEATHER - COMMUTATOR END FRAME	9	16
11-98533	NUT, COUPLING STUD	43	11	12-33258	WASHER, LEATHER - COMMUTATOR END FRAME	13	16
12-13510	WASHER, COUPLING SCREW	43	20	12-34567	WASHER, COUPLING STUD	43	10
12-20084	WASHER, CARBURETOR MOUNTING	27	8	12-34567	WASHER, PUMP STUD (BRACE SLOT)	79	4
12-20084	WASHER, COVER SCREW . . .	37	5	12-34714	WASHER, ADJUSTING BRACE SCREW	37	33
12-20084	WASHER, IGNITION COIL SCREW	23	34	12-34714	WASHER, ALTERNATOR BRACE SCREW	5	25
12-20086	WASHER, ROD END	75	22	12-34714	WASHER, WATER PUMP BRACKET SCREW	37	29
12-20553	WASHER	71	-	12-34931	WASHER, SHIFT CRANK STUD	65	9
12-20553	WASHER	73	-				
12-20553	WASHER, ALTERNATOR BRACKET SCREW	7	34				
12-20553	WASHER, DISTRIBUTOR SCREW	23	36				
12-20553	WASHER, EXHAUST MANIFOLD SCREW	33	7				
12-20553	WASHER, HOUSING SCREW	53	10				

PARTS INDEX

Part Number	Description	Pg.	Ref. No.	Part Number	Description	Pg.	Ref. No.
12-35462	WASHER, COUPLER NUT			13-26993	LOCKWASHER, SHIFT LEVER TO TRANSMISSION	65	18
	LOCK SCREW	75	32				
12-35462	WASHER, SHIFT CABLE STUD	51	24	13-26993	LOCKWASHER, TRANSMISSION LEVER	69	13
12-36258	WASHER, TAILSTOCK SCREW	67	27				
12-36533	WASHER, SEALING	53	20	13-26995	LOCKWASHER, STARTER TERMINAL (#8)	5	7
12-37985	WASHER, CABLE GUIDE TUBE AND MOUNTING TUBE	77	17	13-26995	LOCKWASHER, STARTER TERMINAL (#8)	5	7
12-39143	WASHER, SHIFT BRACKET STUD	69	19	13-26995	LOCKWASHER, STARTER TERMINAL (#8) (TR)	5	14
12-39143	WASHER, SHIFT LEVER STUD	69	9	13-26996	LOCKWASHER, ALTERNATOR TERMINAL	5	17
12-39167	WASHER, CAMSHAFT TIMING SPROCKET BOLT	41	14	13-26996	LOCKWASHER, CIRCUIT BREAKER TERMINAL	19	28
12-45175	WASHER, INTAKE MANIFOLD BOLT	45	3	13-26996	LOCKWASHER, DISTRIBUTOR TERMINAL	23	17
12-45176	LOCKWASHER, STARTER MOTOR STUD (TR)	5	11	13-26996	LOCKWASHER, IGNITION COIL TERMINAL	23	30
12-45176	WASHER, DRIVE SHAFT SCREW	67	9	13-26996	LOCKWASHER, OIL PRESSURE SENDER TERMINAL (#10)	19	16
12-45176	WASHER, SHIFT BRACKET SCREW	69	17	13-26996	LOCKWASHER, TEMPERATURE SWITCH (#10)	57	2
12-47466	WASHER, TAILSTK/INNER TRANS. PLATE SCREWS	63	30	13-26996	LOCKWASHER, TERMINAL BLOCK SCREW	51	19
12-47475	WASHER, TAILSTK- INNER TRANSOM PLATE SCREWS	63	29	13-26996	LOCKWASHER, WATER TEMPERATURE SENDER TERMINAL (#10)	19	12
12-56681	WASHER, CIRCUIT BREAKER SCREW	19	32	13-30381	LOCKWASHER, TAILSTOCK SCREW	63	20
12-56720	WASHER, SHIFT BRACKET STUD	51	10	13-31848	LOCKWASHER, MOUNTING BRACKET SCREW	77	21
12-56720	WASHER, SPRING SCREW	51	7	13-32993	LOCKWASHER, SCREW AND STUD	69	3
12-68614	WASHER, BEARING PLATE	9	9	13-32993	LOCKWASHER, TRANSMISSION SCREW	65	2
12-68614	WASHER, BEARING PLATE	11	9	13-32993	LOCKWASHER, TAILSTOCK SCREW	63	21
12-68614	WASHER, BEARING PLATE	13	9	13-34846	LOCKWASHER, TAILSTK - INNER TRANSOM PLATE SCREWS	63	31
12-68615	WASHER, SHIFT LEVER STUD	9	28	13-35048	LOCKWASHER, ADJUSTING BRACE SCREW	37	32
12-68615	WASHER, SHIFT LEVER STUD	11	28	13-35048	LOCKWASHER, ADJUSTING BRACE SCREW	37	35
12-69056	WASHER, CLAMP BLOCK STUD	63	24	13-35048	LOCKWASHER, ADJUSTING SCREW	77	23
12-69056	WASHER, SHIFT CRANK STUD	65	7	13-35048	LOCKWASHER, ALTERNATOR BRACE SCREW	5	24
12-96457	WASHER, ALTERNATOR TERMINAL	5	18	13-35048	LOCKWASHER, ALTERNATOR BRACKET SCREW	5	32
13-20897	LOCKWASHER, DUAL ADAPTER NUT	77	14	13-35048	LOCKWASHER, CLAMPING SCREW	75	11
13-21272	LOCKWASHER, ALTERNATOR TERMINAL	5	20	13-35048	LOCKWASHER, CLAMPING SCREW	77	9
13-26992	LOCKWASHER, COVER SCREW	53	4				
13-26992	LOCKWASHER, PLATE SCREW	25	8				
13-26992	LOCKWASHER, STARTER SOLENOID TERMINAL	21	38				
13-26992	LOCKWASHER, STUD	19	8				
13-26993	LOCKWASHER, IGNITION COIL SCREW	23	33				

PARTS INDEX

Part Number	Description	Pg.	Ref. No.	Part Number	Description	Pg.	Ref. No.
13-35048	LOCKWASHER, DISTRIBUTOR SCREW	23	35	16-41877	STUD, POWER STEERING PUMP	79	1A
13-35048	LOCKWASHER, DRIVE PLATE SCREW (TR)	43	16	16-46857	STUD, CARBURETOR MOUNTING (1-7/8")	27	7
13-35048	LOCKWASHER, EXHAUST COVER SCREW TR	61	4	16-46857	STUD, COOLER COVER	53	19
13-35048	LOCKWASHER, EXHAUST MANIFOLD STUD	33	19	16-49545	STUD, EXHAUST MANIFOLD TO ELBOW (1-3/4")	33	2
13-35048	LOCKWASHER, EXHAUST PLATE SCREW MR	61	8	16-54790	STUD, OIL PAN BAFFLE	47	7
13-35048	LOCKWASHER, FLYWHEEL HOUSING SCREW (3/8")	55	7	16-55109T	STUD, ADAPTER-POWER STEERING VALVE	77	7
13-35048	LOCKWASHER, FUEL PUMP SCREW	25	4	16-57981	STUD, ADAPTOR TO EXHAUST ELBOW (3")	33	13
13-35048	LOCKWASHER, LIFTING EYE/MANIFOLD SCREW	45	6	16-57982	STUD, STARTER MOTOR (TR)	5	12
13-35048	LOCKWASHER, MOUNTING BRACKET SCREW	59	3	16-63335	STUD, SHIFT BRACKET	69	18
13-35048	LOCKWASHER, MOUNTING BRACKET STUD	19	25	16-63335	STUD, SHIFT LEVER	69	8
13-35048	LOCKWASHER, MOUNTING BRACKET STUD	59	6	16-64066	STUB, FLYWHEEL HOUSING ATTACHING (2-1/4")	55	5
13-35048	LOCKWASHER, WATER PUMP BRACKET SCREW	37	28	16-64066	STUD, FLYWHEEL HOUSING	53	8
13-35048	LOCKWASHER,HOUSING SCREW	53	10	16-64066	STUD, MOUNTING BRACKET TO ENGINE	59	4
13-39107	LOCKWASHER	67	21	16-66021	STUD, BRACKET (1-3/8")	19	6
13-39107	LOCKWASHER, ALTERNATOR BRACE SCREW	7	38	16-72809	STUD, ROCKER COVER	39	3
13-39107	LOCKWASHER, OIL PAN SCREW	47	14	16-72809	STUD, SHIFT CRANK	65	6
13-39107	LOCKWASHER, PULLEY SCREW	37	23	16-72809	STUD, THROTTLE CABLE TO CARBURETOR	27	10
13-39107	LOCKWASHER, WATER PUMP PULLEY SCREW	45	13	16-87163	STUD, SHIFT CRANK TO TAILSTOCK	65	3
13-39107	LOCKWASHER, WATER PUMP SCREW	37	24	16-93431	STUD, ADAPTOR TO EXHAUST ELBOW (4-1/2")	33	13
13-39131	LOCKWASHER,	45	17	16-95117	STUD, FLAME ARRESTOR (5.40")	27	2
13-39131	LOCKWASHER, FLYWHEEL SCREW (TR)	43	13	16-96108	STUD, SHIFT BRACKET	51	3
13-40024--8	LOCKWASHER, BRACE SCREW	79	8	16-96112	STUD, SHIFT CABLE	51	23
13-68102	LOCKWASHER, MOUNTING BRACKET	59	10	16-98532A1	STUD, COUPLING TO FLYWHEEL	43	9
13-76629	LOCKWASHER, STEERING TUBE ADAPTOR	75	16	16-98798	STUD, SHIFT CABLE	51	2
14-12657	TAB WASHER	59	11	16-98851	STUD, SHIFT CABLE	51	21
16-11989	STUD, OIL PAN	47	16	16-99801	STUD,CLAMP BLOCK	63	22
16-14827	STUD	45	31	17-14263	DOWEL PIN	45	29
16-20353	STUD, BRACKET AND AMPLIFIER (1-3/4")	19	6	17-35312	PIN, DOWEL-CAMSHAFT SPROCKET (1/4" DIA.)	41	15
16-24585--1	STUD, MOUNTING BRACKET	19	23	17-35312	PIN, DOWEL-REAR BEARING CAP (1/4" DIA.)	43	5
16-32027	STUD	67	18	17-35465	PIN, DOWEL-BLOCK TO HEAD (5/16" DIA.)	41	5
16-34521	STUD, ROCKER VALVE ARM (.013 O.S.)	39	22	17-43504	DOWEL PIN, CRANKSHAFT	43	28
16-34522	STUD, ROCKER VALVE ARM (.003 O.S.)	39	22	17-47617	PIN, DRIVE GEAR	23	12
16-35897	STUD, THROTTLE CABLE TO MOUNTING BRACKET	27	28	17-52798	CLEVIS PIN	75	30
				17-52798	PIN, CLEVIS	77	32
				17-79207	PIN, PLUNGER TO SHIFT LEVER	9	31
				17-79207	PIN, PLUNGER TO SHIFT LEVER	11	31
				17-88283	RETAINING PIN, BOOSTER CYLINDER	75	5
				17-89229	CLEVIS PIN	75	29
				17-99938	PIN	75	25
				18-32857	COTTER PIN, SHIFT CABLE RETAINING	51	9

PARTS INDEX

Part Number	Description	Pg.	Ref. No.	Part Number	Description	Pg.	Ref. No.
18-34212	COTTER PIN, SLEEVE	75	33	22-63825	FITTING, HOSE TO OIL		
18-36377	COTTER PIN, RETAINING				COOLER-L.H. SIDE (90		
	PIN	75	6		DEGREES)	49	15
18-46950	COTTER PIN, CLEVIS PIN . .	75	31	22-67305	FITTING, GREASE-POWER		
18-46950	COTTER PIN, CLEVIS PIN				VALVE	77	6
	RETAINING	77	33	22-67305	GREASE FITTING	75	12
19-34270	PLUG, EXPANSION-			22-72640	PLUG, EXPANSION-		
	CYLINDER BLOCK (1-5/8"				CAMSHAFT BEARING		
	DIA.)	41	4		HOLE	41	6
19-47463	PLUG, EXPANSION-ENGINE			22-74036	GREASE FITTING	67	15
	COUPLING	63	7	22-74036	GREASE FITTING	67	23
19-59504	PLUG, IMPELLER	37	9	22-74036	GREASE FITTING	67	4
19-77633	LUBRICAP, GREASE			22-87238	DRAIN COCK, CYLINDER		
	FITTING	67	24		BLOCK	41	3
22-32802	PLUG, 1/8 " PIPE RIGHT			22-87238	DRAIN COCK, EXHAUST		
	SIDE	53	18		MANIFOLD	33	8
22-32802	PLUG, 1/8" PIPE LEFT SIDE	53	18	22-88517	FITTING	63	4
22-32802	PLUG, DRAIN-FLYWHEEL			22-92499	ELBOW, EXHAUST		
	HOUSING	53	6		MANIFOLD (45 DEGREES)		
22-32802	PLUG, PIPE (FOR WATER				(TR)	33	21
	PUMP BODY)	37	37	22-92949	BUSHING, REDUCER-		
22-32802	PLUG, PIPE - EXHAUST				TEMPERATURE SWITCH .	57	4
	ELBOW	33	16	23-15960	BEARING SET,		
22-32803	PIPE PLUG	35	3		CRANKSHAFT		
22-33198A1	PLUG, EXHAUST MANIFOLD	33	3		(STANDARD)	43	3/4
22-33821	ELBOW, FUEL LINE TO			23-15960-10	BEARING SET,		
	PUMP AND FUEL FILTER	25	10		CRANKSHAFT (.010 U.S.)	43	3/4
22-36305	ELBOW, EXHAUST			23-15960-20	BEARING SET,		
	MANIFOLD (90 DEGREES)	33	9		CRANKSHAFT (.020 U.S.)	43	3/4
22-36305	FITTING, EXHAUST ELBOW			23-15961	BEARING SET,		
	(90 DEGREES)	33	18		CONNECTING ROD		
22-36373	PLUG, INTAKE MANIFOLD				(STANDARD)	43	25
	VACUUM HOLE	27	5	23-15961-10	BEARING SET,		
22-38992	BUSHING, TEMPERATURE				CONNECTING ROD (.010		
	SWITCH	57	15		U.S.)	43	25
22-42554	NIPPLE, OIL PRESSURE			23-15961-20	BEARING SET,		
	SENDER	19	19		CONNECTING ROD (.020		
22-46932	ELBOW, OIL PRESSURE				U.S.)	43	25
	SENDER	19	18	23-26954	BUSHING, SHIFT CRANK		
22-47629	ELBOW, HOSE (90				STUD	65	4
	DEGREES)	69	6	23-31866	SPACER, SHIFT BRACKET		
22-47629	ELBOW, TRANSMISSION TO				STUD	69	22
	OIL HOSE	63	2	23-31866	SPACER, THROTTLE CABLE		
22-47630	FITTING, HOSE TO OIL				STUD	27	30
	COOLER-R.H. SIDE	49	15	23-33186	BUSHING, ALTERNATOR		
22-47631	ELBOW, TRANSMISSION TO				BRACKET SCREW	7	35
	OIL HOSE	63	5	23-33369	BUSHING, DRIVE END		
22-47917	ELECTRODE, OIL COOLER				HOUSING	9	2
	LEFT SIDE	53	17	23-33369	BUSHING, DRIVE END		
22-47917	ELECTRODE, OIL COOLER				HOUSING	11	2
	RIGHT SIDE	53	17	23-33369	BUSHING, DRIVE END		
22-48118	PLUG, PIPE -M EXHAUST				HOUSING	13	2
	MANIFOLD	33	4	23-36183	RETAINER, OIL PUMP		
22-48246	ELBOW, OIL HOSE	49	8		SHAFT	47	5
22-48340	PLUG, EXPANSION-			23-37981	SPACER, SHIFT BRACKET		
	CYLINDER BLOCK	41	2		STUD	51	11
22-52930	TEE	57	14	23-45600	SLEEVE, ACTUATING LEVER	51	12
22-63824	ELBOW, HOSE (90			23-45600	SLEEVE, SHIFT LEVER	51	22
	DEGREES EXTENDED) . .	69	5	23-47508	SLEEVE, THERMOSTAT . . .	35	7
22-63825	ELBOW, OIL HOSE	49	8				

PARTS INDEX

Part Number	Description	Pg.	Ref. No.	Part Number	Description	Pg.	Ref. No.
23-47511	SLEEVE, THERMOSTAT HOUSING	35	2	25-94288	QUAD RING, PUMP HOUSING	37	13
23-52095	SPACER, ALTERNATOR BRACE SCREW	5	28	26-14240	OIL SEAL, CRANKSHAFT (REAR)	45	25
23-52811	SPACER, THROTTLE CABLE STUD	27	13	26-34217	SEAL, VALVE (INLET AND EXHAUST)	39	10
23-60652	SLEEVE, ADJUSTING-CABLE GUIDE TUDE	77	10	26-47465	OIL SEAL, TAILSTOCK	63	12
23-60773	SLEEVE, CABLE GUIDE TUBE	77	12	26-58203	OIL SEAL, REAR BEARING CAP(2-PIECE)	43	6
23-71694	BUSHING, BEARING PLATE	9	8	26-72785	OIL SEAL, WATER PUMP SHAFT	37	19
23-71694	BUSHING, BEARING PLATE	11	8	26-90562	OIL SEAL, WATER PUMP SHAFT	37	15
23-71694	BUSHING, BEARING PLATE	13	8	26-97335	OIL SEAL, COVER	45	21
23-85674	BEARING UNIT, CAMSHAFT (SET)	41	7	26-97335	OIL SEAL, CRANKCASE FRONT COVER	45	21
23-88275	SPACER, MOUNTING BRACKET STUD	19	24	26-97664	SEAL, INLET VALVE	39	11
23-88282	SLEEVE, ADAPTOR BRACKET	75	7	27-13865	GASKET, OIL PAN	47	10A
23-88286	BUSHING, STEERING TUDE	75	26	27-14241	GASKET, OIL SEAL RETAINER	45	26
23-92152	SPACER, STUD	19	7	27-14250	GASKET, COVER	45	22
23-95803	BUSHING, PIVOT	75	24	27-33395	GASKET, EXHAUST MANIFOLD TO CYLINDER HEAD	33	5
23-98820	SPACER, SHIFT CABLE STUD	51	26	27-34213	GASKET, FUEL PUMP TO CYLINDER BLOCK	25	2
23-98828	SPACER, RUBBER PAD	51	8	27-34895	GASKET, CRANKCASE FRONT END COVER	45	22
23-99322	SPACER, RUBBER MOUNT-FLYWHEEL HOUSING	55	3	27-34897	GASKET, WATER PUMP MOUNTING	45	9
24-32817	SPRING, THROTTLE RETURN	27	27	27-34898	GASKET, FUEL PUMP PLATE	25	6
24-33285	SPRING, FIELD FRAME BRUSH	9	24	27-41812	GASKET, THERMOSTAT COVER	35	8
24-33285	SPRING, FIELD FRAME BRUSH	11	24	27-44204	GASKET, ROCKER VALVE COVER	39	6
24-33285	SPRING, FIELD FRAME BRUSH	13	24	27-44204A1	GASKET SET (REQUIRED FOR COMPLETE OVERHAUL)	41	17
24-45599	SPRING, ACTUATING LEVER	51	5	27-47495	GASKET, OIL COOLER COVER RIGHT SIDE	53	14
24-46889	SPRING, PLUNGER RETURN	11	32	27-47496	GASKET, OIL COOLER COVER LEFT SIDE	53	14
24-48143	SPRING, FILTER NUT	31	45	27-47510	GASKET, THERMOSTAT	35	6
24-48347	SPRING, VALVE (INLET AND EXHAUST)	39	12	27-47903	GASKET, TAILSTOCK	63	17
24-78498	SPRING, TORSION-MOUNTING TUBE	77	29	27-48042	GASKET, ADAPTOR TO ELBOW	33	12
24-87734	SPRING, IDLE NEEDLE	31	54	27-49955	GASKET, DRAIN SCREW	47	11
24-98880	SPRING, SHIFT CABLE STUD	51	27	27-52184	GASKET, DISTRIBUTOR	23	13
25-47632	"O" RING, SEAL - OIL COOLER RIGHT SIDE	53	15	27-52457--1	GASKET, CARBURETOR	27	4
25-47632	"O" RING, SEALING -OIL COOLER LEFT SIDE	53	15	27-53045	GASKET, THERMOSTAT HOUSING	35	4
25-52188	GROMMET, ROCKER COVER	27	23	27-68483	GASKET, EXHAUST COVER TR	61	2
25-54067	SEAL, TAILSTOCK	63	16	27-72637	GASKET SET, INTAKE MANIFOLD	45	7
25-62700	"O" RING, OIL FILTER ADAPTOR	49	9	27-75611	GASKET, CYLINDER HEAD	39	23
25-79208	GROMMET, FIELD COIL - FIELD FRAME	9	14	27-87105	GASKET, ELBOW	33	10
25-79208	GROMMET, FIELD COIL - FIELD FRAME	13	14	27-90458A1	GASKET SET, OIL PAN	47	10
25-89879	"O" RING, PRESSURE HOSE END	79	11				

PARTS INDEX

Part Number	Description	Pg.	Ref. No.	Part Number	Description	Pg.	Ref. No.
27-94914	GASKET, BODY TO WEAR PLATE	37	8	32-90494	HOSE, PRESSURE (FITTINGS ON BOTH ENDS)	79	10
27-94915	GASKET, COVER TO OUTER WEAR PLATE	37	6	32-92054	TUBE, EXTENDING	75	2
27-96274	GASKET, FLYWHEEL HOUSING SCREW	55	11	32-92055	TUBE, RETRACTING	75	3
27-98242	GASKET, DISTRIBUTOR CAP	23	4	32-92357--9	HOSE, OIL-ADAPTOR (7") MR	49	14
27-99893	GASKET, OIL FILTER ADAPTOR	49	10	32-92357-49	HOSE, OIL-ADAPTOR (24") TR	49	14
28-34466	KEY, CRANKSHAFT PULLEY AND BALANCER	43	27	32-92357-59	HOSE, OIL-ADAPTOR (34") MR	49	13
28-54797	KEY, VALVE STEM	39	17	32-92357-59	HOSE, OIL-ADAPTOR (34") TR	49	13
28-56662	KEY, IMPELLER DRIVE	37	11	32-92357-69	HOSE,OIL-ADAPTOR (44") MR	49	14
30-32537	BALL BEARING, TAILSTOCK (2-27/32" O.D.)	63	14	32-93315-12	HOSE, VENT - CARBURETOR (11")	27	19
30-47470	BALL BEARING, ENGINE COUPLING	63	8	32-93370-70	HOSE, PLASTIC - FUEL PUMP TO CARBURETOR	25	12
30-57762	BALL BEARING, TAILSTOCK (3-5/32" O.D.)	63	13	32-96081A1	FUEL PUMP TO CARBURETOR	25	11
30-62780A1	BALL BEARING	67	11	32-96246A4	HOSE, FLUID COOLER TO DRIVE UNIT MR	35	15
30-62780A1	BALL BEARING	67	17	32-98090--4	HOSE, EXHAUST (TR)	33	22
30-72961	BALL BEARING, WATER PUMP SHAFT	37	16	32-98090--4	TEE TO EXHAUST ELBOWS MR	35	13
32-47516--3	HOSE, TRANSMISSION TO OIL COOLER (7-7/8")	63	27	32-98843-39	HOSE, RETURN (FITTINGS ON ONE END)	79	12
32-47516--3	HOSE, TRANSMISSION/COOLER (7-7/8")	69	4	33-59571	SPARK PLUG (NGK-BR6FS)	23	22
32-47516-12	HOSE, TRANSMISSION TO OIL COOLER (16-3/4")	63	26	35-53336	FILTER, FUEL INLET	31	46
32-47516-12	HOSE, TRANSMISSION/COOLER (16-3/4")	69	4	35-99884	OIL FILTER	49	4
32-55112	TUBE, CABLE GUIDE	77	16	36-95805	CAP, POWER STEERING PUMP	79	2
32-57633	TUBE, EXTENDING-POWER STEERING	77	3	37-41764A4	DECAL SET	27	25
32-57634	TUBE, RETRACTING-POWER STEERING	77	4	39-65153	RING, PISTON-8 SETS (STANDARD)	43	2
32-58616A2	TUBE, WATER SEPARATION	33	17	39-67126	RING, PISTON-8 SETS (.030 O.S.)	43	2
32-61226--8	HOSE, PUMP TO FLYWHEEL HOUSING	37	39	43-35338	SPROCKET, CAMSHAFT	41	11
32-61226--8	HOSE, THERMOSTAT HOUSING TO FLYWHEEL HSG.	35	22	43-47619	GEAR, DRIVE	23	11
32-68894--1	HOSE, PUMP TO OIL COOLER	79	13	43-48338	SPROCKET,CAMSHAFT TIMING	41	12
32-77690	WRAPPING, PLASTIC (1/4")	19	2	45-86978A1	DRIVE SHAFT ASSEMBLY	67	1
32-77760	WRAPPING, PLASTIC (1/2")	19	2	46-72774A32	WATER PUMP ASSEMBLY	37	1
32-87108	HOSE, THERMOSTAT HOUSING TO WATER PUMP	35	18	46-72774A40	BODY, WATER PUMP	37	2
32-87116	HOSE, THERMOSTAT COVER TO EXHAUST MANIFOLD	35	20	46-94913A1	PUMP HOUSING ASSEMBLY	37	14
32-87117	HOSE, THERMOSTAT COVER TO EXHAUST MANIFOLD	35	21	47-59362	IMPELLER	37	10
32-88794	HOSE, THERMOSTAT HOUSING TO OIL COVER MR	35	14	50-12177A2	STARTER MOTOR ASSEMBLY	5	1
				50-12177A2	STARTER MOTOR ASSEMBLY	13	-
				50-99417A2	STARTER MOTOR ASSEMBLY	9	-
				50-99417A2	STARTER MOTOR ASSEMBLY MR 12-3/4" FLYWHEEL	5	1
				50-99419A3	STARTER MOTOR ASSEMBLY	11	-
				50-99419A3	STARTER MOTOR ASSEMBLY (TR)	5	9

PARTS INDEX

Part Number	Description	Pg.	Ref. No.	Part Number	Description	Pg.	Ref. No.
53-23720	SNAP RING, BALL BEARING RETAINING	37	18	88-11178	CIRCUIT BREAKER (50 AMP)	19	27
53-33290	RING, RETAINING - PINION STOP COLLAR	9	4	89-96054	STARTER SOLENOID	19	35
53-33290	RING, RETAINING - PINION STOP COLLAR	11	4	90-11123	OWNERS GUIDE	2	-
53-33290	RING, RETAINING - PINION STOP COLLAR	13	4	90-13459	PARTS MANUAL	2	-
53-47469	RING, SNAP-BALL BEARING TO ENGINE COUPLING	63	9	222-6355	FLYWHEEL (12-3/4" DIA.) MR	43	7
53-54481	RING, SNAP-BALL BEARING TO TAILSTOCK	63	15	222-9520	FLYWHEEL (14" DIA.) MR	43	7
53-68486	SNAP RING	67	13	222-9558	FLYWHEEL TR	43	7
53-68487	SNAP RING	67	12	230-4614	FLYWHEEL TR	43	7
54-32780	CLAMP, HOSE ATTACHING	35	16	230-9425	FLYWHEEL (14" DIA.) MR	43	7
54-32781	CLAMP, HOSE ATTACHING	35	19	390-7000	COVER ASSEMBLY, FRONT	17	7
54-35830	CLAMP, HOSE ATTACHING	79	14	390-7003	COVER ASSEMBLY, REAR	17	22
54-42046	CLIP, OIL LEVEL TUBE (UPPER)	47	23	390-7004	FAN, DRIVE END FRAME	17	4
54-43239	CLIP, OIL LEVEL TUBE	47	21	390-7005	BALL BEARING, DRIVE END	17	8
54-43510	CLAMP, HOSE	37	40	390-7006	RETAINER, DRIVE END BALL BEARING	17	9
54-43510	CLAMP, HOSE ATTACHING	35	17	390-7007	RETAINER, ROTOR SHAFT BEARING	17	21
54-47512	EYE, LIFTING	45	4	390-7008	DIODE TRIO	17	35
54-53101	CLAMP, VENT HOSE ATTACHING	27	20	390-7009	DIODE RECTIFIER, NEGATIVE	17	11
54-59989	CLIP, AUTOMATIC CHOKE ROD	27	36	390-7010	HEAT SINK, POSITIVE	17	12
54-78945	"J" CLAMP, FLYWHEEL HOUSING STUD	55	9	390-7011	BRUSH HOLDER ASSEMBLY	17	33
54-78945	CLAMP, BRACKET SCREW	19	22	390-7012	SPACER, FAN TO DRIVE END FRAME	17	5
54-90204	CLIP, WIRING HARNESS	59	5	390-7013	GASKET, VOLTAGE REGULATOR	17	37
57-44205	V-BELT, POWER STEERING PUMP	79	9	390-7014	SLIP RING	17	17
57-44206	BELT, ALTERNATOR (QUAN. OF 2 ON MR)	45	19	390-7015	SCREW, VOLTAGE REGULATOR ATTACHING	17	39
57-44207	BELT, WATER PUMP	37	38	390-7018	SLEEVE, INSULATOR	17	14
84-42841A10	LEAD ASSEMBLY, DISTRIBUTOR TO COIL	23	19	390-7019	SPACER, DIODE TRIO	17	36
84-43376A4	SPARK PLUG WIRE KIT	23	20	390-7020	SLEEVE, INSULATOR	17	13
84-62826A6	WIRE, FLYWHEEL HOUSING STUD	55	13	390-7021	NUT, CONDENSOR TERMINAL ATTACHING	17	32
84-86044A4	WIRE ASSEMBLY, TAN/BLUE (36")	57	11	390-7022	WASHER, CONDENSOR TERMINAL STUD	17	30
84-86307A1	WIRE, TEMPERATURE SENDER	19	14	390-7023	WASHER, REGULATOR TERMINAL STUD	17	24
84-86322A8	WIRE ASSEMBLY, BLACK (8")	57	13	390-7024	WASHER, CONDENSOR TERMINAL STUD	17	25
84-88032A1	WIRE ASSEMBLY, TAN/BLUE (20")	57	12	390-7025	NUT, TERMINAL STUD	17	26
84-93947A6	WIRING HARNESS (TR)	19	1	390-7026	NUT, TERMINAL ATTACHING	17	29
84-98423A8	WIRING HARNESS (MR)	19	1	390-7027	NUT, FAN AND PULLEY TO ROTOR	17	1
85-63709A1	BOOT ASSEMBLY, SPARK PLUG	23	21	390-7028	NUT, THRU BOLT ATTACHING	17	6
85-79695	INSULATOR, BOOT - STARTER TERMINAL	7	37	390-7029	SCREW, ROTOR SHAFT (5/8")	17	20
85-96819	INSULATOR, CIRCUIT BREAKER	19	34	390-7030	SCREW, BRUSH HOLDER (1/2")	17	34
86-66986	TERMINAL BLOCK	51	16	390-7032	LOCKWASHER, TERMINAL STUD	17	28
87-88031	SWITCH, TEMPERATURE	63	34	390-7033	LOCKWASHER, FAN AND PULLEY NUT	17	2
87-91019A3	SENSOR ASSEMBLY	23	8	390-7034	KEY, ROTOR	17	15
				390-7035	CONDENSOR	17	23
				390-7036	VOLTAGE REGULATOR	17	38
				390-7206	WASHER, ROTOR SCREW	17	18
				390-7207	LOCKWASHER, ROTOR SCREW	17	19

PARTS INDEX

Part Number	Description	Pg.	Ref. No.	Part Number	Description	Pg.	Ref. No.
390-7208	WASHER, TERMINAL STUD	17	27				
390-7804A3	IGNITION AMPLIFIER	19	10				
390-8635	ROTOR ASSEMBLY	17	16				
390-8636	STATOR ASSEMBLY	17	10				
390-8637	PULLEY (TR)	17	3				
390-8638	THRU BOLT	17	31				
392-7803A4	COIL, IGNITION	23	26				
429-6541	CRANKSHAFT	43	26				
429-9601	CRANKSHAFT	43	26				
431-5952	CAMSHAFT	41	9				
614-5951	CONNECTING ROD ASSEMBLY	43	22				
735-5949	PISTON AND PISTON PIN ASSEMBLY (.001 O.S.) . . .	43	1				
735-5950	PISTON AND PISTON PIN ASSEMBLY (.030 O.S.) . . .	43	1				
841-9605	CYLINDER BLOCK ASSEMBLY	41	1				
938-7499	CYLINDER ASSEMBLY	39	21				
1347-7498A7	CARBURETOR ASSEMBLY .	27	1				
1347-7498A7	CARBURETOR ASSEMBLY, COMPLETE	29	-				
1397-3309	GASKET SET	31	--				
1397-3317	CONTROL ASSEMBLY, VACUUM	29	33				
1397-3327	FLOAT ASSEMBLY	29	22				
1397-3330	NUT, FILTER - FUEL INLET .	31	47				
1397-5635	OFF ENGINE KIT	31	--				
1397-7539	OVERHAUL KIT	31	--				