



PARTS CATALOG

MARK 25

SERIAL NUMBER

MARK 25, 25E ALL

TABLE OF CONTENTS:

CARBURETOR ASSEMBLY	12
CARBURETOR LINKAGE AND ELECTRIC CHOKE SOLENOID	18
CLAMP AND SWIVEL BRACKET	38
COWLING AND FRONT COVER	2
CRANKCASE	24
CRANKSHAFT AND CENTER MAIN BEARING	28
CYLINDER BLOCK	22
DRIVE SHAFT HOUSING AND SADDLE	42
DRIVE SHAFT HOUSING MK 25L & MK 25EL (5" LONGER LOWER UNIT)	44
ELECTRIC STARTER SOLENOID	52
ELECTRIC WIRING HARNESS (INTERNAL)	54
FLYWHEEL AND MAGNETO	8
FUEL FILTER AND THROTTLE LEVER	16
FUEL PUMP	20
GEAR HOUSING & DRIVE MK 25L & MK 25EL (5" LONGER LOWER UNIT)	50
GEAR HOUSING AND DRIVE SHAFT	48
GEAR HOUSING AND PROPELLER	46
INSIDE STEERING BAR	36
MISCELLANEOUS PARTS/ACCESSORIES	1
PARTS INDEX	56
PISTONS AND CONNECTING RODS	26
STEERING HANDLE	34
THROTTLE AND SHIFT MECHANISM	30
TOP COWL AND STARTER	6

NOTE: *Indented description indicate that these parts are included in preceding assembly.*

AR = As Required

NSS = Not Sold Separate

OPT = Optional

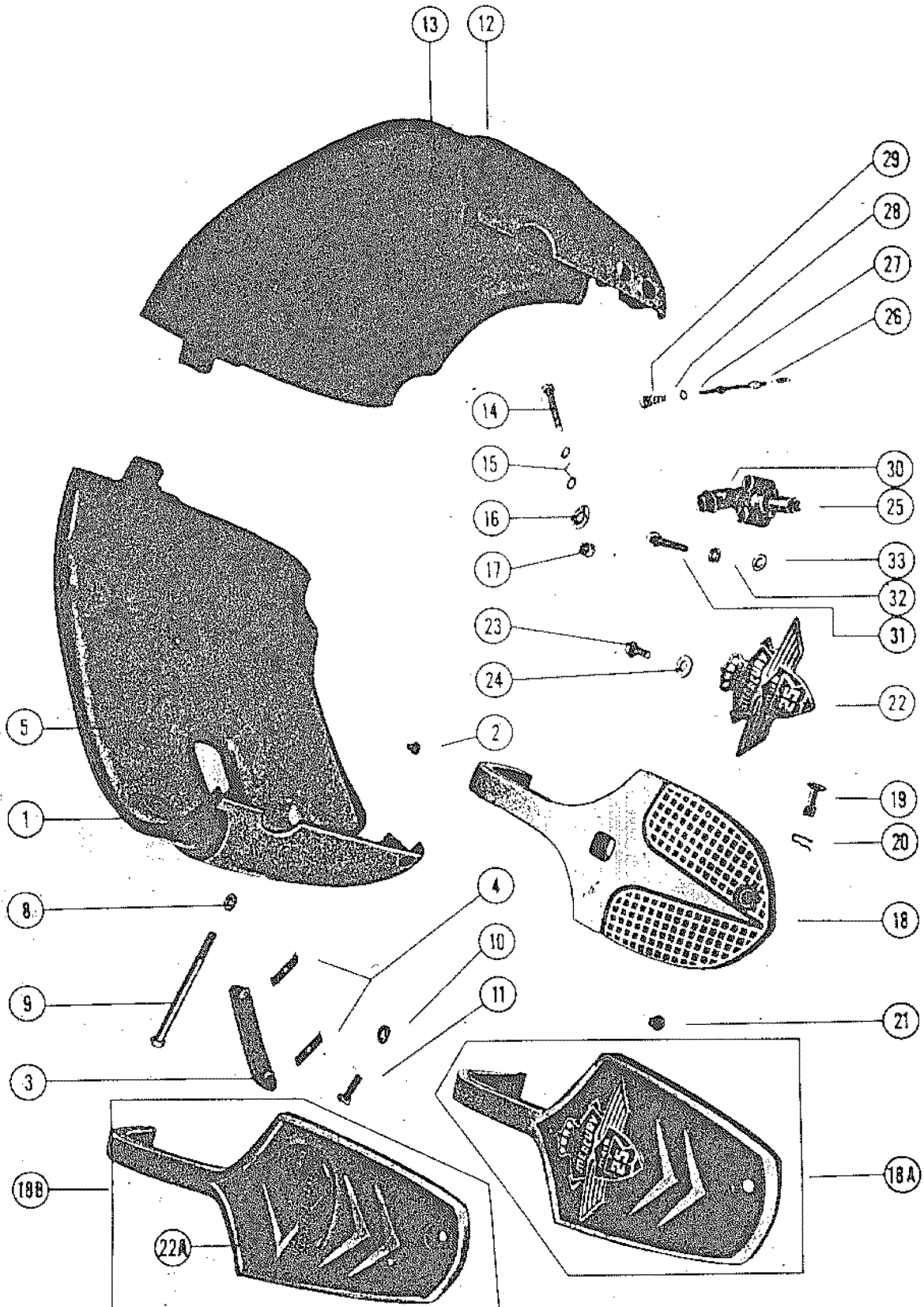
NS = Not Shown

THESE PARTS BOOKS/FICHE CARD ARE COPYRIGHTED AND MAY NOT BE DISTRIBUTED OR REPRODUCED IN ANY OTHER FORMAT BY ANYONE OTHER THAN MERCURY MARINE WITHOUT THE PRIOR WRITTEN CONSENT OF MERCURY MARINE.

MISCELLANEOUS PARTS/ACCESSORIES

REF. NO.	PART NO.	SYM.	QTY.	DESCRIPTION
-	90-25402		AR	MK25 & MK25E PARTS LIST, COMPLETE
-	27-25111		AR	GASKET SET (MOTOR OVERHAUL)
-	1399-961		AR	GASKET & PACKING SET (CARBURATOR 1326-869)
-	1399-1145		AR	GASKET & PACKING SET (CARBURATOR 1326-1119)
-	1399-962		AR	REPAIR PARTS KIT (CRBURATOR 1326-869)
-	1399-1146		AR	REPAIR PARTS KIT (CARBURATOR 1326-1119)
-	92-25234		AR	GLUE (BLANKET ADHESIVE)
-	23909		AR	SHIPPING CARTON (ENGINE)
-	25463		AR	SHIPPING CARTON (FUEL TANK)
-	24789A1		AR	FLUSHING ATTACHMENT (ENGINE WITH FLUSHING HOLE)
-	24011		AR	FLUSHING ATTACHMENT (ENGINE WITHOUT FLUSHING HOLE)

COWLING AND FRONT COVER

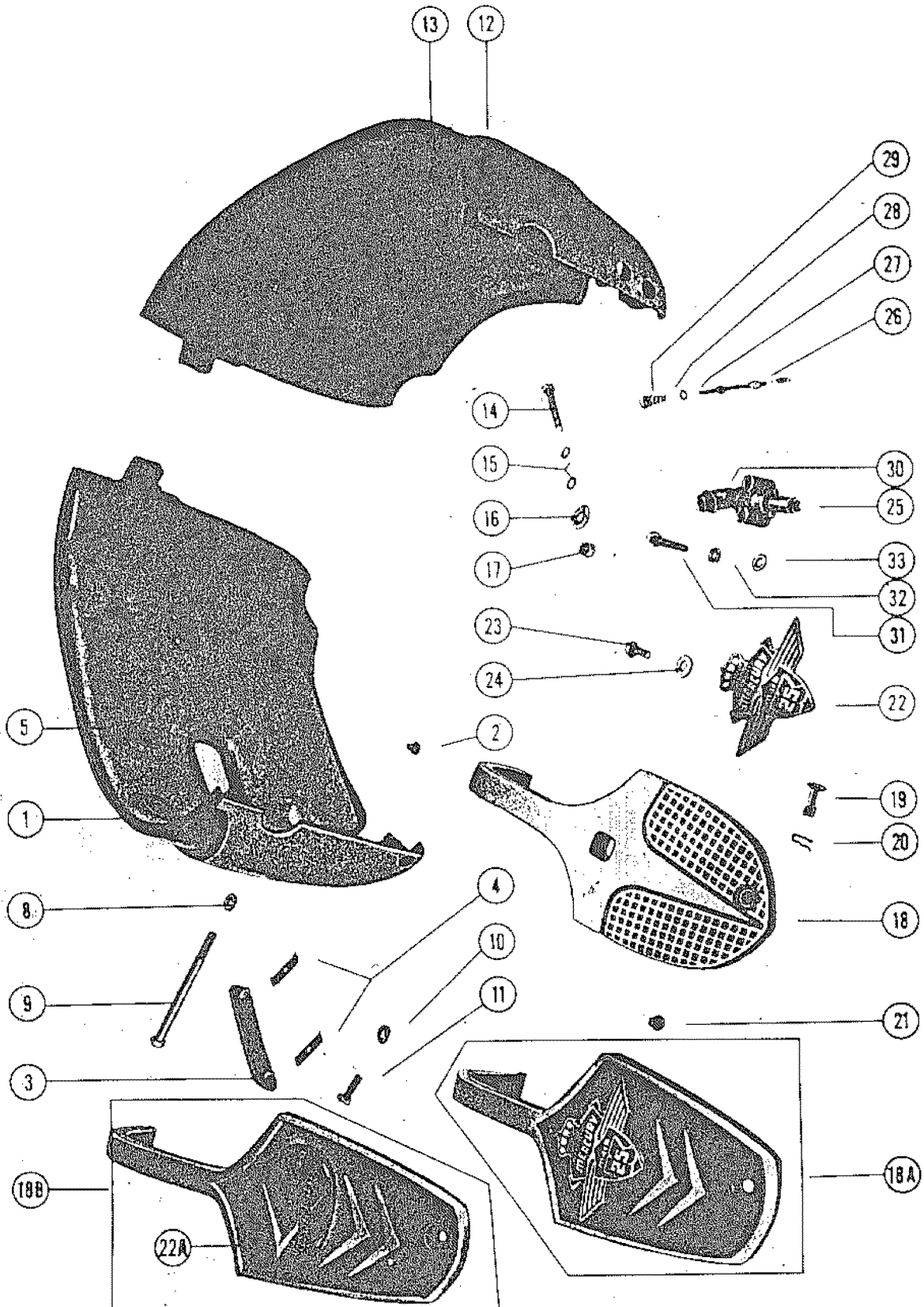


COWLING AND FRONT COVER

REF. NO.	PART NO.	SYM.	QTY.	DESCRIPTION
1	149-857A1		1,,,,,	STARBOARD COWL ASSEMBLY
	149-857A2		1,1,1,1,1	STARBOARD COWL ASSEMBLY
2	20721		2,2,2,2,2	BUMPER, RUBER -B STARBOARD COWL
3	22122		1,1,1,1,1,	COVER, COWL CUT-OUT
4	11-22425		2,2,2,2,2,	NUT, SPEED - COWL CUT-OUT COVER FASTENING
5	25035		1,,,,,	BLANKET, STARBOARD COWL
	25044		1,1,1,1,1	BLANKET, STARBOARD COWL
8	12-20722		1,1,1,1,1,	WASHER, HANDLE CLAMPING SCREW
9	10-20724		1,1,1,1,1,	SCREW, COWL HANDLE
10	12-20533		2,2,2,2,2,	WASHER, STARBOARD COWL FASTENING SCREW
11	10-25918		2,2,2,2,2,	SCREW, STARBOARD COWL FASTENING
12	150-858A1		1,,1,,1,1	PORT COWL ASSEMBLY
	151-875A1		,1,,,,,	PORT COWL ASSEMBLY
	151-1045A1		,,,1,,	PORT COWL ASSEMBLY
-	20779		1,1,1,1,1,	SLEEVE, COWL RETAINING (THREADED)
-	23764		1,1,1,1,1,	INSERT, TAP LOCK
13	25034		1,,1,,1,1	BLANKET, PORT COWL
	25043		,1,,1,,	BLANKET, PORT COWL
-	37-23076		,2,,2,,	DECAL, MERCELECTRIC (PORT & STARBOARD COWL)
14	10-20784		3,3,3,3,3,	SCREW, PORT COWL MOUNTING
15	12-20028		6,6,6,6,6,	WASHER, COWL MOUNTING SCREW
-	12-20028		2,2,2,2,2,	WASHER, COWL MOUNTING SCREW (SPACER)
16	12-20346		3,3,3,3,3,	WASHER, COWL MOUNTING SCREW
17	11-20361		3,3,3,3,3,	NUT, PORT COWL MOUNTING SCREW
18	147-834		1,1,,,,,	COVER, COWL FRONT
18A	158-1074A1		,,1,1,,	COWL FRONT COVER ASSEMBLY
18B	159-1187A1		,,,1,1	COWL FRONT COVER ASSEMBLY
19	10-23874		1,1,1,1,1,	SCREW, FRONT COWL ATTACHING
20	18-23765		1,1,1,1,1,	COTTER PIN, FRONT COWL SCREW
-	12-27894		,,,,,1	WASHER, NYLON - FRONT COWL SCREW
21	20721		4,4,4,4,4,	BUMPER, RUBBER - FRONT COWL
-	25199		1,1,1,1,1,	BUMPER, RUBBER - FRONT COWL (7/8")
22A	26183A_		,,,1,1	EMBLEM, FRONT COVER COWL
22	23098		1,1,,,,,	EMBLEM, FRONT COVER COWL
23	10-20031		1,1,,,,,	SCREW, EMBLEM FASTENING
24	12-20346		1,1,,,,,	WASHER, EMBLEM FASTENING SCREW
25	22833		1,1,1,1,1,	ADAPTOR, FUEL LINE (MALE)
26	23069		1,1,1,1,1,	STEM, FUEL LINE ADAPTOR
27	25-20415		1,1,1,1,1,	"O" RING, ADAPTOR STEM
28	24-23067		1,1,1,1,1,	SPRING , FUEL LINE ADAPTOR
29	23068		1,1,1,1,1,	CUP WASHER, FUEL LINE ADAPTOR
30	22-22994		1,1,1,1,1,	FITTING, FLEX - FUEL LINE ADAPTOR
-	22-22946		1,1,1,1,1,	SLEEVE, FLEX FITTING

CONTINUED ON NEXT PAGE ➡

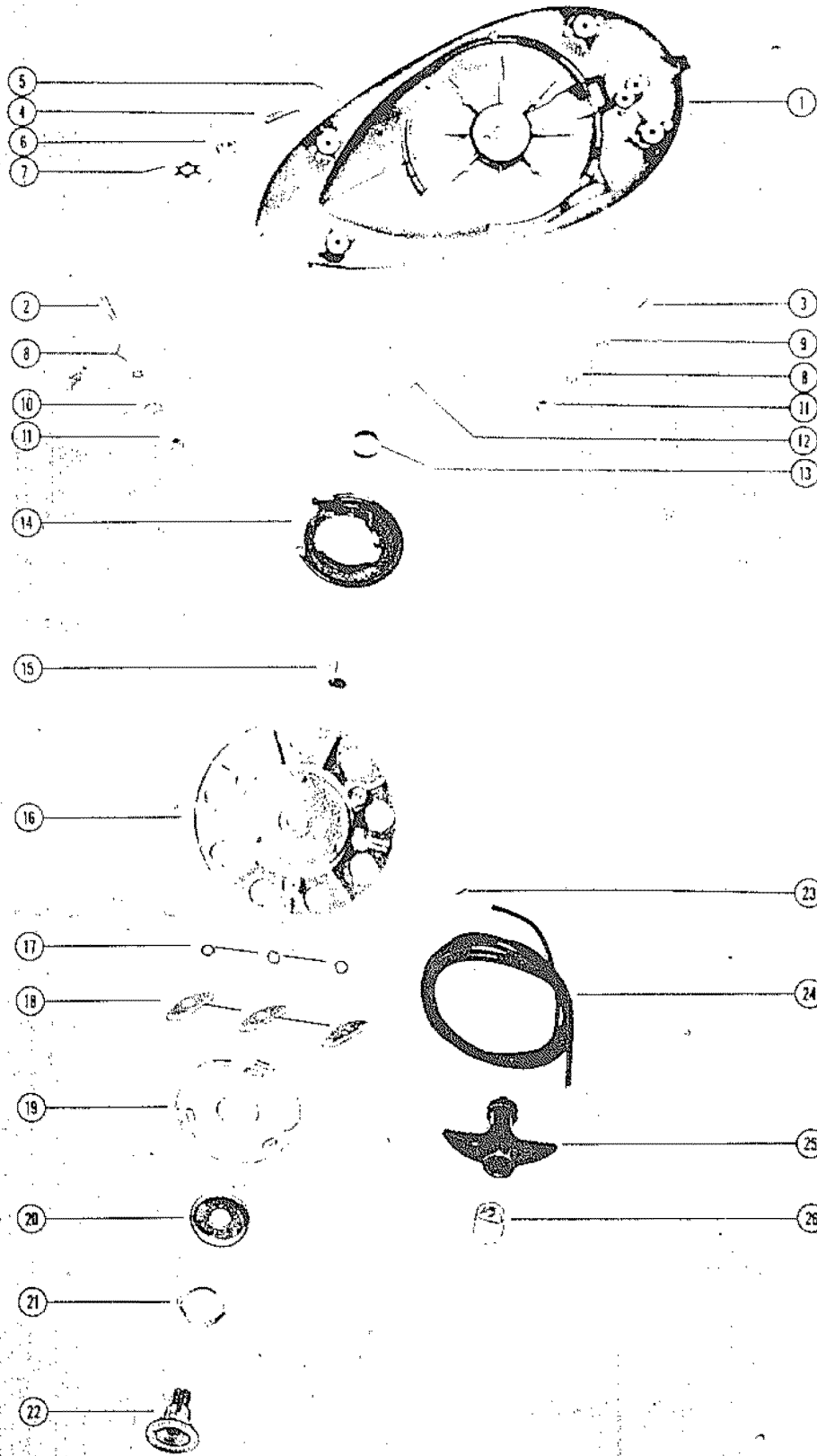
COWLING AND FRONT COVER



COWLING AND FRONT COVER

REF. NO.	PART NO.	SYM.	QTY.	DESCRIPTION
-	11-22948		1,1,1,1,1,	NUT, FLEX FITTING
31	10-24878		2,2,2,2,2,	SCREW, ADAPTOR TO PORT COWL
32	13-20147		2,2,2,2,2,	LOCKWASHER, ADAPTOR SCREW
33	12-20583		2,2,2,2,2,	WASHER, ADAPTOR SCREW
-	92-25234		1,1,1,1,1,	GLUE, ADHESIVE - BLANKET FASTENING

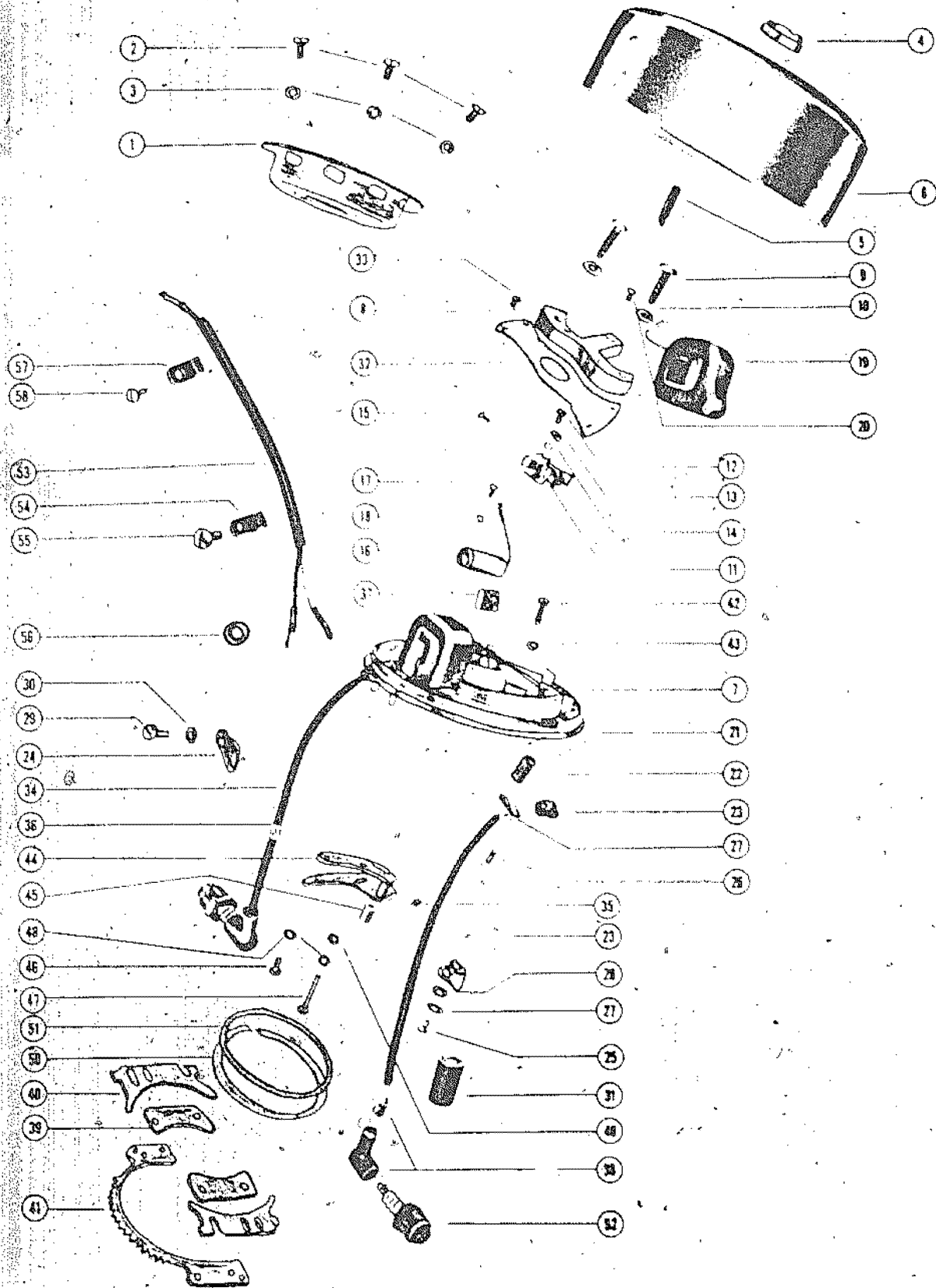
TOP COWL AND STARTER



TOP COWL AND STARTER

REF. NO.	PART NO.	SYM.	QTY.	DESCRIPTION
1	121-420A2		1,1,1,1	TOP COWL ASSEMBLY
	121-1075A2		,1,,	TOP COWL ASSEMBLY
2	16-20761		2,2,2,2	STUD, TOP COWL MOUNTING (STARBOARD SIDE)
3	16-20075		2,2,2,2	STUD, TOP COWL MOUNTING (PORT SIDE)
4	22942		1,1,1,1	PLUG, TOP COWL
5	10-23618		1,1,1,1	SCREW, TOP COWL PLUG FASTENING
6	11-20166		1,1,1,1	NUT, SHEAVE SHAFT (LEFT HAND THREAD)
7	14-20165		1,1,1,1	TAB WASHER, SHEAVE SHAFT NUT
8	12-20028		6,6,6,6	WASHER, TOP COWL MOUNTING STUD
9	12-20583		2,2,2,	WASHER, TOP COWL MOUNTING STUD (THIN)
	12-20583		,,4	WASHER, TOP COWL MOUNTING STUD (THIN)
10	12-20346		2,2,2,2	WASHER, TOP COWL MOUNTING STUD
11	11-20361		4,4,4,4	NUT, TOP COWL MOUNTING STUD
12	20155		1,1,1,1	RETAINER, SPRING
13	23-20159		1,1,1,1	BUSHING SPRING GUIDE
14	24-23714		1,1,1,1	SPRING, STARTER REWIND
15	23-20158		1,1,1,1	SPACER, SHEAVE SHAFT
16	50-20149		1,1,1,1	SHEAVE, STARTER
17	13-20163		3,3,3,3	WASHER, WAVE - STARTER PAWL
18	20162		3,3,3,3	PAWL, STARTER
19	20164		1,1,1,1	PLATE, RETAINER, - STARTER PAWL
20	20161		1,1,,	RETAINER, WAVE WASHER
-	26179		,,1,1	RETAINER, WAVE WASHER (NOT SHOWN)
-	12-26180		,,1,1	WASHER, WAVE WASHER, RETAINER (NOT SHOWN)
21	13-20160		1,1,1,1	WASHER, WAVE
22	20157		1,1,1,1	SHAFT, SHEAVE
-	50-22791A1		1,1,1,1	STARTER CABLE ASSEMBLY
23	N.S.S.		1,1,1,1	ANCHORK, STARTER CABLE
24	N.S.S.		1,1,1,1	CABLE, STARTER
25	20662		1,1,1,1	HANDLE, STARTER CABLE
26	20172		1,1,1,1	END CAP, STARTER HANDLE

FLYWHEEL AND MAGNETO

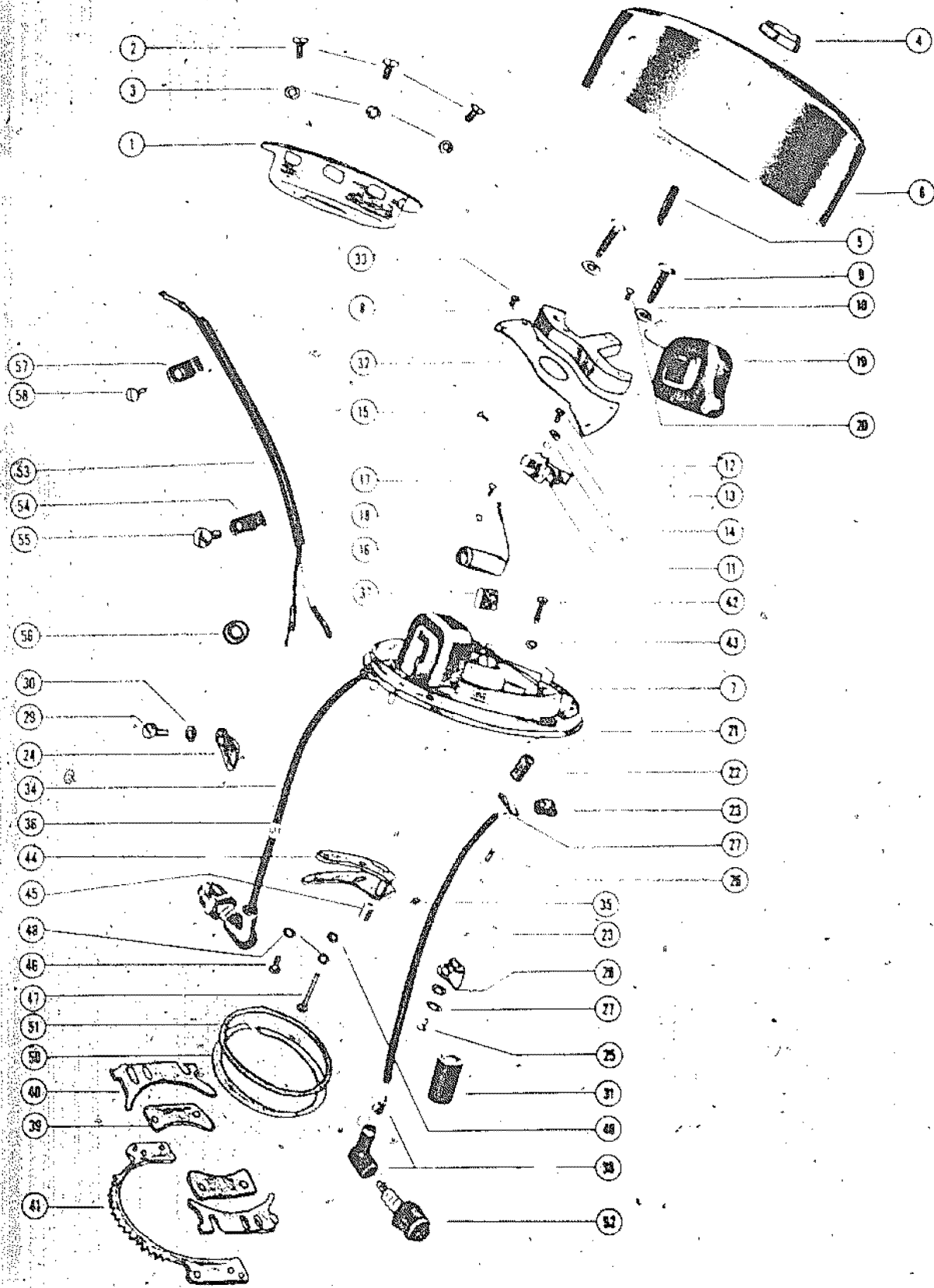


FLYWHEEL AND MAGNETO

REF. NO.	PART NO.	SYM.	QTY.	DESCRIPTION
1	20144		1,1,1,1,1,	PLATE, AUXILIARY STARTER
2	10-24222		3,3,3,3,3,	SCREW, AUXILIARY PLATE TO FLYWHEEL
3	13-20147		3,3,3,3,3,	LOCKWASHER, AUXILIARY PLATE SCREW
4	11-22339		1,1,1,1,1,	NUT, FLYWHEEL
5	28-20907		1,1,1,1,1,	KEY, FLYWHEEL
-	307-423		1,,1,,1,1	MAGNETO ASSEMBLY, COMPLETE
-	323-890		,1,,1,,	MAGNETO ASSEMBLY, COMPLETE (USE WITH 23713A1 STARTER MOTOR)
-	326-1048		,,,1,,	MAGNETO ASSEMBLY, COMPLETE (USE WITH 25444 AND 25942 STARTER)
6	398-1336		1,,1,,1,1	FLYWHEEL
	398-979		,1,,,,	FLYWHEEL
	398-1120		,,,1,,	FLYWHEEL
-	398-175A2		1,,1,,1,1	STATOR ASSEMBLY, COMPLETE
-	398-175A3		,1,,1,,	STATOR ASSEMBLY, COMPLETE
7 8	398-175		1,,1,,1,1	STATOR & CORE
	398-1097		,1,,1,,	STATOR & CORE
9	398-963		4,4,4,4,4,	SCREW, CORE FASTENING
10	13-21144		4,4,4,4,4,	LOCKWASHER, CORE FASTENING SCREW
11	398-174		2,2,2,2,2,	BREAKER POINT ASSEMBLY
12	10-21133		2,2,2,2,2,	SCREW, FIXED CONTACT
13	13-21134		2,2,2,2,2,	LOCKWASHER, FIXED CONTACT SCREW
14	12-21135		2,2,2,2,2,	WASHER, FIXED CONTACT SCREW
15	10-23976		2,2,2,2,2,	SCREW, BREAKER CONNECTION
16	398-693		2,2,2,2,2,	CONDENSER
17	10-21136		2,2,2,2,2,	SCREW, CONDENSER
18	13-21134		2,2,2,2,2,	LOCKWASHER, CONDENSER SCREW
19	398-173		2,2,2,2,2,	COIL, IGNITION
20	10-21130		2,2,2,2,2,	SCREW, GROUND TERMINAL
21	32-21137		2,2,2,2,2,	TUBE, LEAD WIRE
22	398-179		2,,2,,2,2	CLAMP, LEAD WIRE TUBE
23	398-182		2,2,2,2,2,	CLAMP, LEAD WIRE PLASTIC (8 SCREW)
25	10-21138		2,2,2,2,2,	SCREW, LEAD WIRE CLAMP (8 SHORT)
26	10-21139		1,1,1,1,1,	SCREW, LEAD WIRE CLAMP (8 LONG)
27	13-21134		3,3,3,3,3,	LOCKWASHER, LEAD WIRE CLAMP (8 SCREW)
28	12-21135		1,1,1,1,1,	WASHER, LEAD WIRE CLAMP (8 SCREW)
30	12-23972		,2,,2,,	WASHER, LEAD WIRE CLAMP SCREW (1/4)
31	23-20622		1,1,1,1,1,	BUSHING, RUBBER (LEAD WIRE)
32	398-190		1,1,1,1,1,	COVER, BREAKER COMPARTMENT SEALING
33	10-21143		4,4,4,4,4,	SCREW, SEALING COVER FASTENING
34	398-965		1,1,1,1,1,	WIRE, LEAD - TOP
35	398-965		1,1,1,1,1,	WIRE, LEAD - BOTTOM
36	20623		1,1,1,1,1,	MARKER, "TOP" - LEAD WIRE
37	398-192		1,1,1,1,1,	WICK, FELT

CONTINUED ON NEXT PAGE ➡

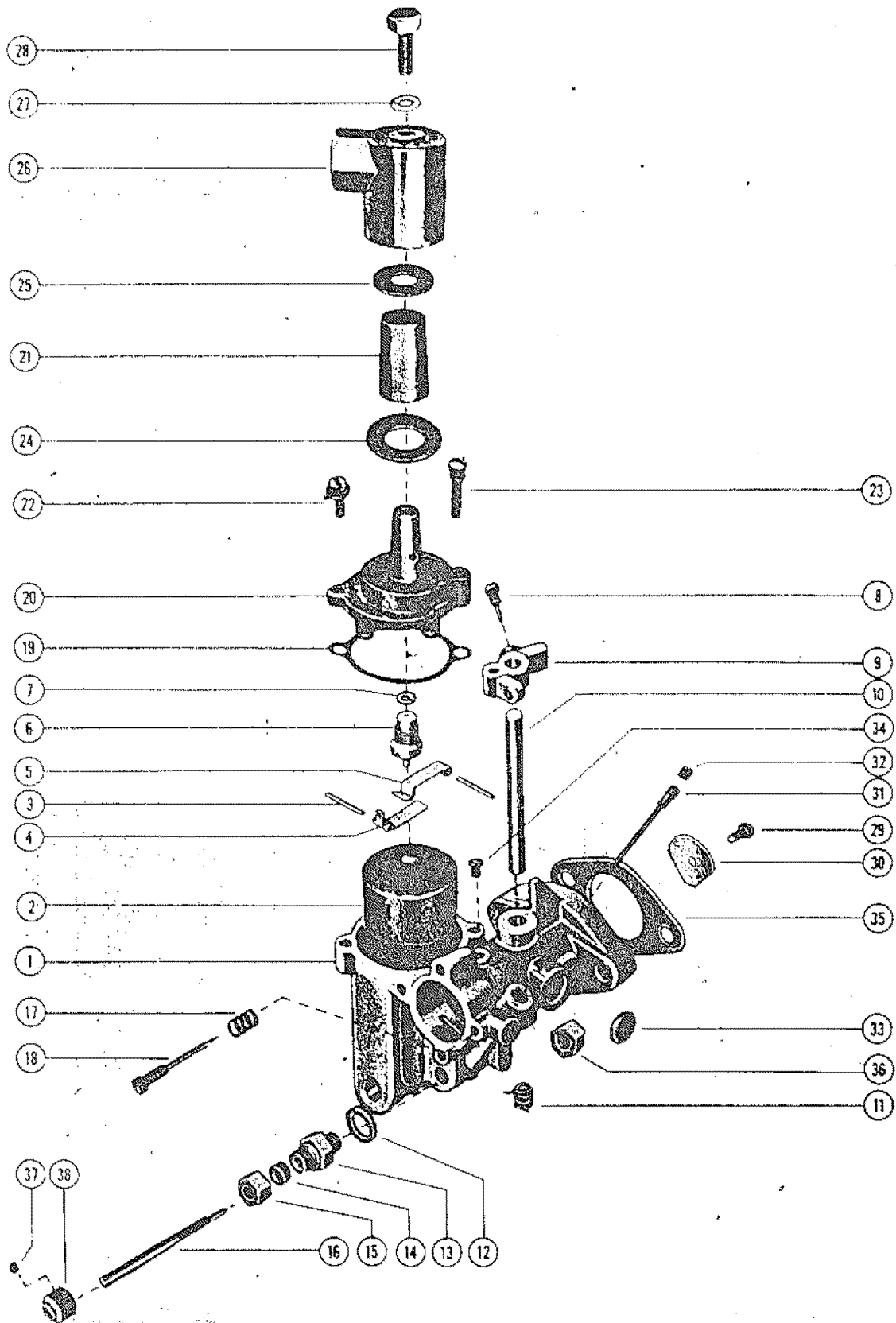
FLYWHEEL AND MAGNETO



FLYWHEEL AND MAGNETO

REF. NO.	PART NO.	SYM.	QTY.	DESCRIPTION
-	23-25217		,1,,1,,	BUSHING, RUBBER (LEAD WIRE)
53	25113		,1,,1,,	HARNESS, MAGNETO GROUND
54	398-189		,1,,1,,	CLAMP, MAGNETO GROUND HARNESS
55	10-21140		,1,,1,,	SCREW, HARNESS CLAMP
-	12-20028		,1,,1,,	WASHER, HARNESS CLAMP SCREW
56	25-25144		,1,,1,,	GROMMET, STATOR PLATE
38	20119		2,2,2,2,2,	PROTECTOR, SPARK PLUG
39	15-21390		2,2,2,2,2,	SHIM, MAGNETO CLAMPING SPRING (.031)
40	24-20569		2,2,2,2,2,	SPRING, MAGNETO HOLD DOWN
41	43-20611		1,1,1,1,1,	GEAR, SECTOR - DRIVEN
42	10-25157		4,4,4,4,4,	SCREW, SECTOR GEAR AND SPRING FASTENING
43	13-26996		4,4,4,4,4,	LOCKWASHER, SECTOR GEAR SCREW
44	22930A2		1,1,1,1,1,	THROTTLE CONTROL CAM ASSEMBLY
45	23-23569		1,1,1,1,1,	SPACER, THROTTLE CAM
46	10-20616		1,1,1,1,1,	SCREW, THROTTLE CAM MOUNTING (SHORT)
47	10-20619		1,1,1,1,1,	SCREW, THROTTLE CAM MOUNTING (LONG)
48	13-26991		2,2,2,2,2,	LOCKWASHER, THROTTLE MOUNTING SCREW
49	12-20028		1,1,1,1,1,	WASHER, THROTTLE MOUNTING
50	15-20626		1,1,1,1,1,	SHIM, MAGNETO STATOR PLATE TO CRANKCASE (.015)
51	15-20627		1,1,1,1,1,	SHIM, CLAMP SPRING TO CRANKCASE (.015)
52	33-20127		2,2,2,2,2,	SPARK PLUG
57	398-182		,1,,1,,	CLAMP, HARNESS TO CYLINDER BLOCK COVER
58	10-25960		,1,,1,,	SCREW, HARNESS CLAMP FASTENING
-	12-22450		,1,,1,,	WASHER, HARNESS CLAMP SCREW

CARBURETOR ASSEMBLY

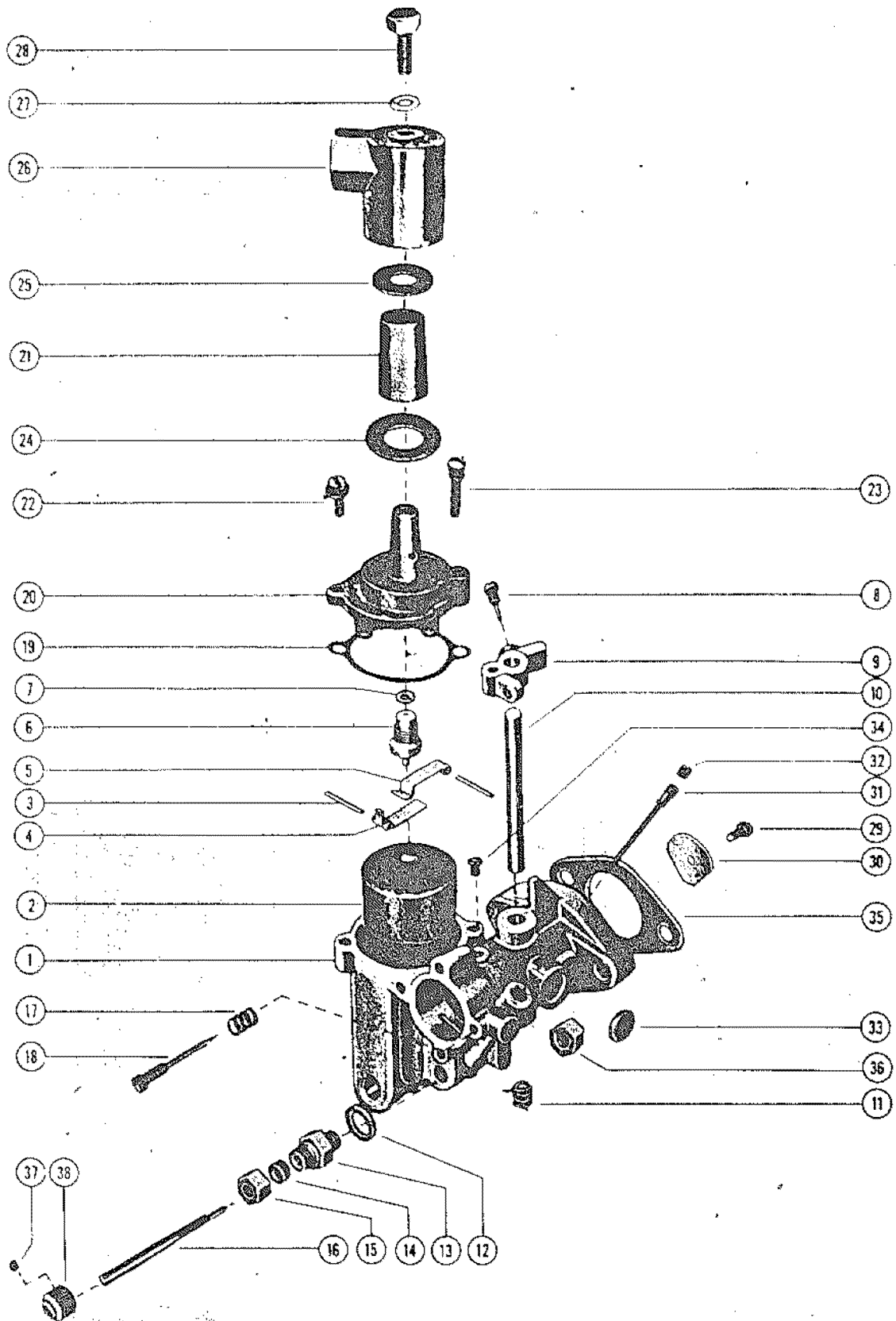


CARBURETOR ASSEMBLY

REF. NO.	PART NO.	SYM.	QTY.	DESCRIPTION
1	1326-869		1,1,,	CARBURETOR ASSEMBLY
	1326-1119		,1,1,1	CARBURETOR ASSEMBLY
2	1399-110A1		1,1,1,1	FLOAT ASSEMBLY
3	17-20853		2,2,2,2	PIN, FLOAT LEVER PINION
4	1399-102		1,1,1,1	LEVER, FLOAT (LOWER)
5	1399-101		1,1,1,1	LEVER, FLOAT (UPPER)
6	1399-1138		1,1,1,1	INLET NEEDLE, SEAT & GASKET
7	27-25033		1,1,1,1	GASKET, INLET SEAT
8	10-20847		1,1,1,1	SCREW, THROTTLE STOP LEVER
9	1399-97		1,1,1,1	LEVER, THROTTLE STOP
10	1399-933		1,1,1,1	SHAFT, THROTTLE
11	24-20869		1,1,1,1	SPRING, THROTTLE SHAFT RETURN
12	27-20848		1,1,1,1	GASKET, MAIN ADJUSTMENT SCREW GLAND
13	1399-94		1,1,1,1	GLAND, MAIN ADJUSTMENT SCREW
14	1399-108		1,1,1,1	PACKING, MAIN ADJUSTMENT SCREW
15	11-20849		1,1,1,1	NUT, MAIN ADJUSTMENT SCREW
16	1399-932		1,1,1,1	SCREW , MAIN ADJUSMENT
17	24-27160		1,1,1,1	SPRING, IDLE ADJUSTMENT SCREW
18	1399-931		1,1,1,1	SCREW, IDLE ADJUSTMENT
19	1399-99		1,1,1,1	GASKET, FLOAT BOWL COVER
20	1399-927		1,1,,	COVER, FLOAT BOWL (1326-869 CARBURETOR)
	1399-1133		,1,1,1	COVER, FLOAT BOWL (1326-1119 CARBURETOR)
21	1399-1136		,1,1,1	ELEMENT, FILTER
22	10-20854		1,1,1,1	SCREW, FLOAT BOWL COVER (SHORT)
23	10-20857		1,1,,	SCREW, FLOAT BOWL COVER (LONG) (1326-869)
	10-25850		,1,1,1	SCREW, FLOAT BOWL COVER (LONG) (1326-1119)
24	27-25851		,1,1,1	GASKET, STRAINER COVER (LARGE)
25	27-25849		,1,1,1	GASKET, STRAINER COVER (SMALL)
26	1399-1135		,1,1,1	COVER, STRAINER
27	27-25848		,1,1,1	GASKET, STRAINER COVER SCREW
28	10-25822		,1,1,1	SCREW, STRAINER COVER FASTENING
29	10-23035		1,1,1,1	SCREW & LOCKWASHER, THROTTLE SHUTTER
30	1399-107		1,1,1,1	SHUTTER, THROTTLE
31	1399-960		1,1,1,1	TUBE, BY-PASS
32	10-23030		1,1,1,1	SCREW, PLUG - BY-PASS TUBE
33	19-20011		1,1,1,1	WELCH PLUG, BODY CHANNEL
34	10-20870		1,1,1,1	SCREW, PLUG - BODY CHANNEL
-	1399-961		1,1,,	GASKET & PACKING SET (1326-869)
-	1399-1145		,1,1,1	GASKET & PACKING SET (1326-1119)
-	1399-962		1,1,,	REPAIR PARTS KIT (1326-869)
-	1399-1146		,1,1,1	REPAIR PARTS KIT (1326-1119)

CONTINUED ON NEXT PAGE ➡

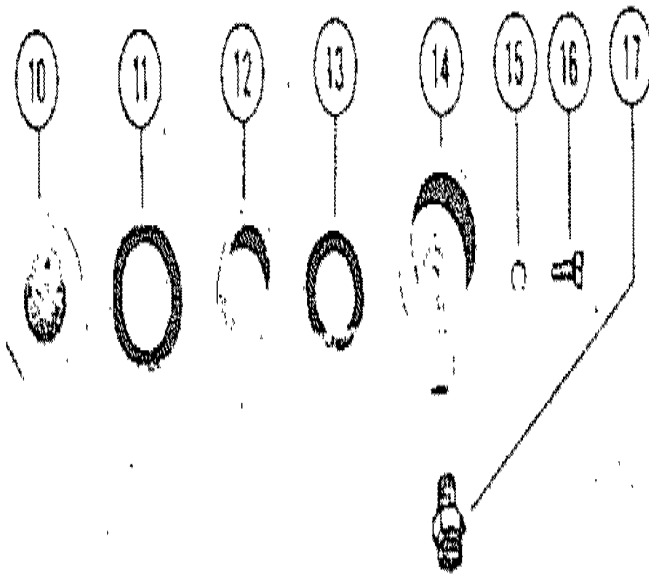
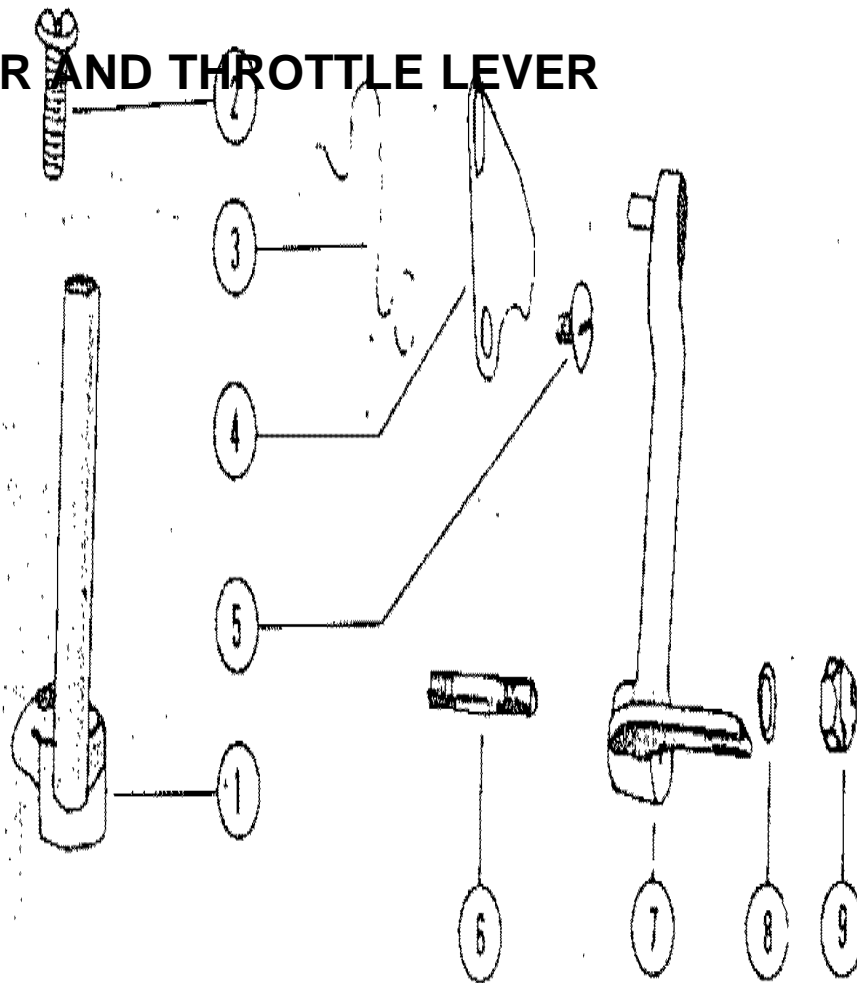
CARBURETOR ASSEMBLY



CARBURETOR ASSEMBLY

REF. NO.	PART NO.	SYM.	QTY.	DESCRIPTION
35	27-20183		1,1,1,1	GASKET, CARBURETOR FLANGE
36	11-20184		2,2,2,2	NUT, CARBURETOR MOUNTING STUD
37	24823A1		1,1,1,1	KNOB ASSEMBLY, MAIN ADJUSTMENT SCREW
38	10-22928		,1,1,1	SCREW, KNOB FASTENING (10)
	10-20014		1,,,	SCREW, KNOB FASTENING (8)

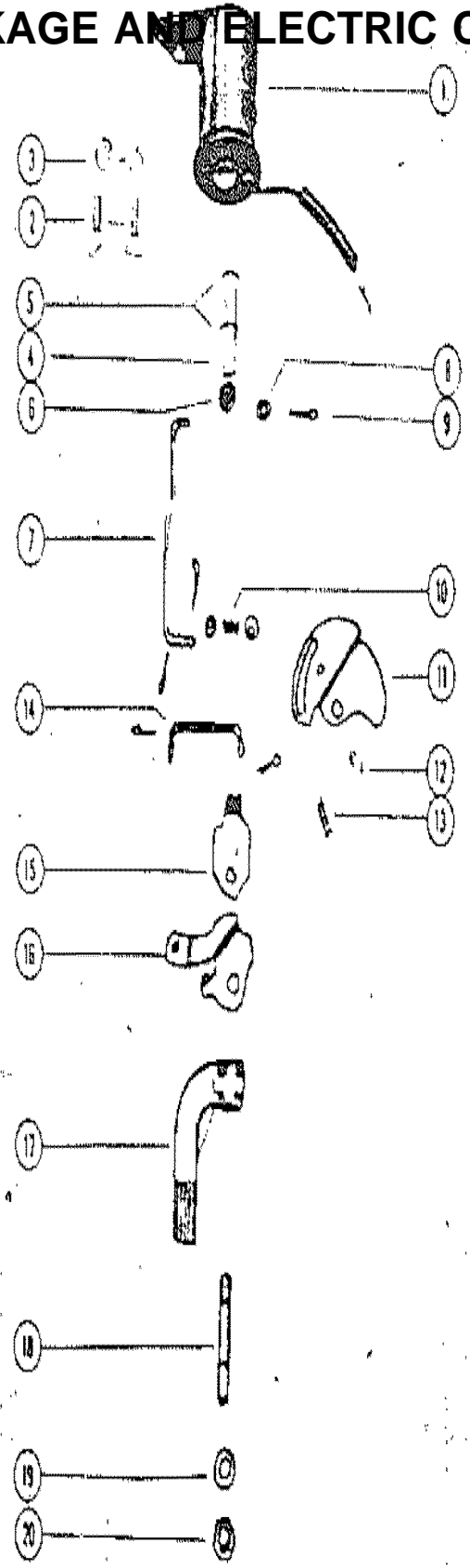
FUEL FILTER AND THROTTLE LEVER



FUEL FILTER AND THROTTLE LEVER

REF. NO.	PART NO.	SYM.	QTY.	DESCRIPTION
1	22931A1		1,1,1,1,1,	THROTTLE LEVER ASSEMBLY
2	10-20597		1,1,1,1,1,	SCREW, THROTTLE LEVER
3	24-20579		1,,1,,1,1	SPRING, CHOKE LEVER
4	20173		1,,1,,1,1	SHUTTER, CHOKE
5	10-20578		1,,1,,1,1	SCREW, CHOKE SHUTTER
6	16-20581		1,,1,,1,1	STUD, CHOKE LEVER
7	23754		1,,1,,1,1	LEVER, CHOKE
8	13-20770		1,,1,,1,	WASHER, WAVE - CHOKE LEVER STUD
	13-20511		,,,,,1	WASHER, WAVE - CHOKE LEVER STUD
-	12-20533		,,,,,1	WASHER, CHOKE LEVER STUD
9	11-20586		1,,1,,1,1	NUT, CHOKE LEVER STUD
-	35-23719A1		1,1,1,1,,	FUEL FILTER ASSEMBLY (USED WITH 1326-869 CARBURATOR)
10	23715		1,1,1,1,,	BASE, FUEL FILTER
11	27-23717		1,1,1,1,,	GASKET, FUEL FILTER BASE
12	35-23719		1,1,1,1,,	ELEMENT, FUEL FILTER
13	27-23718		1,1,1,1,,	GASKET, FUEL FILTER CAP
14	23716		1,1,1,1,,	CAP, FUEL FILTER
15	12-25316		1,1,1,1,,	WASHER, FUEL FILTER CAP SCREW
16	10-25315		1,1,1,1,,	SCREW, FUEL FILTER CAP
17	22-22993		1,,1,,1,1	FITTING, FILTER TO FUEL LINE
-	22-22995		,1,,1,,	FITTING, FILTER TO FUEL LINE
-	22-22946		1,1,1,1,1,	SLEEVE, RUBBER
-	11-22948		1,1,1,1,1,	NUT, FITTING

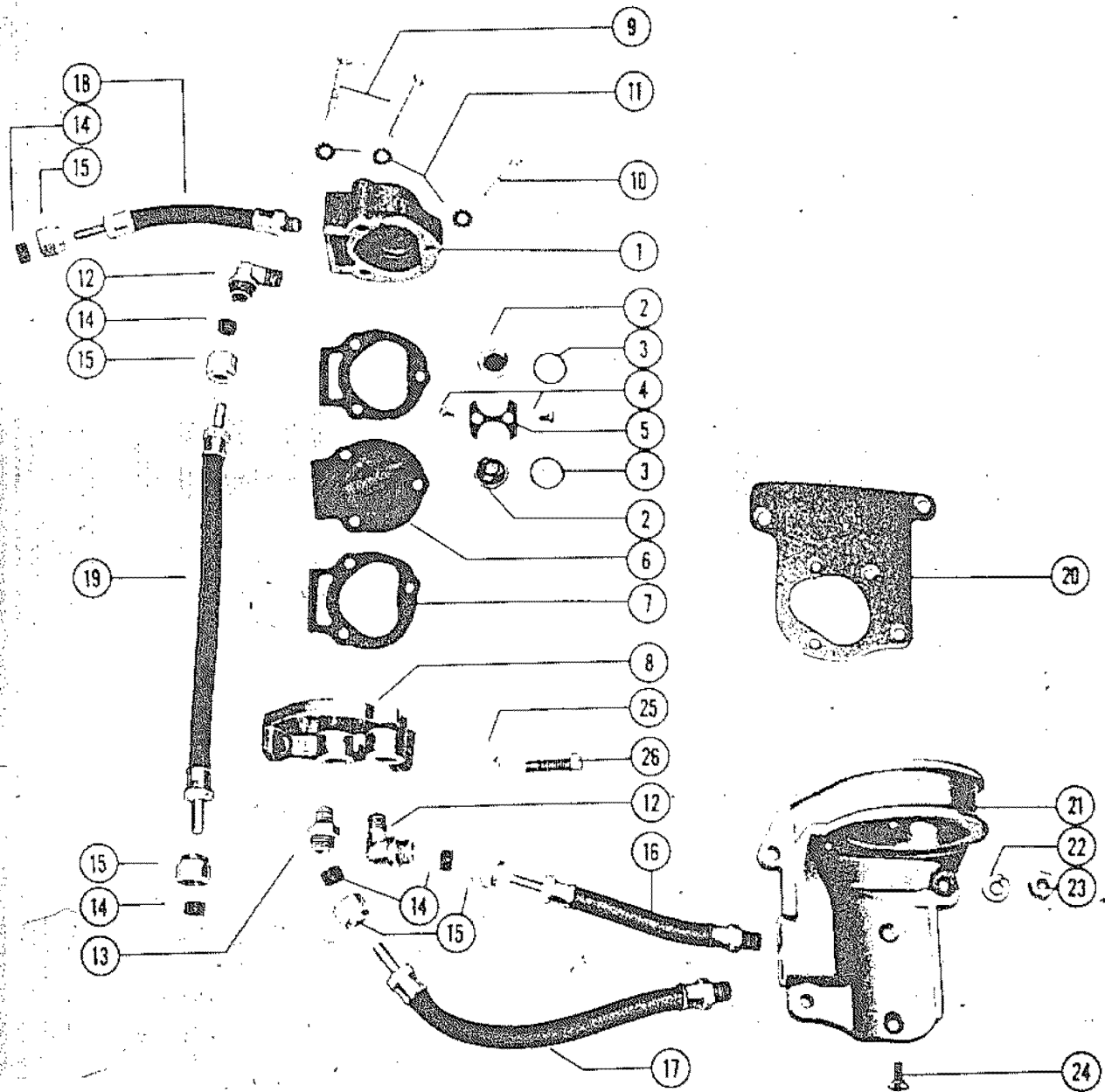
CARBURETOR LINKAGE AND ELECTRIC CHOKE SOLENOID



CARBURETOR LINKAGE AND ELECTRIC CHOKE SOLENOID

REF. NO.	PART NO.	SYM.	QTY.	DESCRIPTION
1	25208		1,1	SOLENOID, CHOKE
-	10-24773		1,1	SCREW, CHOKE SOLENOID TO TOP COWL
2	10-20146		2,2	SCREW, CHOKE SOLENOID TO TOP COWL
-	13-26991		1,1	LOCKWASHER, CHOKE SOLENOID SCREW
3	13-20147		2,2	LOCKWASHER, CHOKE SOLENOID SCREW
4	25116A1		1,1	PLUNGER ASSEMBLY
5	25-21706		2,2	"O" RING, CHOKE PLUNGER
6	25-25130		1,1	GROMMET, CHOKE PLUNGER
7	24954		1,1	ROD, SOLENOID TO CHOKE SHUTTER
8	12-20670		3,3	WASHER, SOLENOID ROD
9	18-20180		1,1	COTTER PIN, SOLENOID ROD TO PLUNGER
10	24-24952		1,1	SPRING, COMPRESSION
11	24953		1,1	SHUTTER, CHOKE
12	10-24957		1,1	SCREW, CHOKE SHUTTER
13	24-24959		1,1	SPRING, CHOKE SHUTTER
14	24955		1,1	LINK, ADAPTOR TO SHUTTER
8	12-20670		2,2	WASHER, ADAPTOR LINK
9	18-20180		5,5	COTTER PIN, ADAPTOR LINK
15	24-24958		1,1	SPRING, DETENT
16	24951		1,1	ADAPTOR, CHOKE LEVER
17	24956		1,1	LEVER, CHOKE
18	16-21868		1,1	STUD, ADAPTOR AND CHOKE LEVER MOUNTING
19	12-20583		2,2	WASHER, CHOKE LEVER STUD
20	11-20586		1,1	NUT, CHOKE LEVER STUD
-	10-20650		1,1	SCREW, SHUTTER STOP

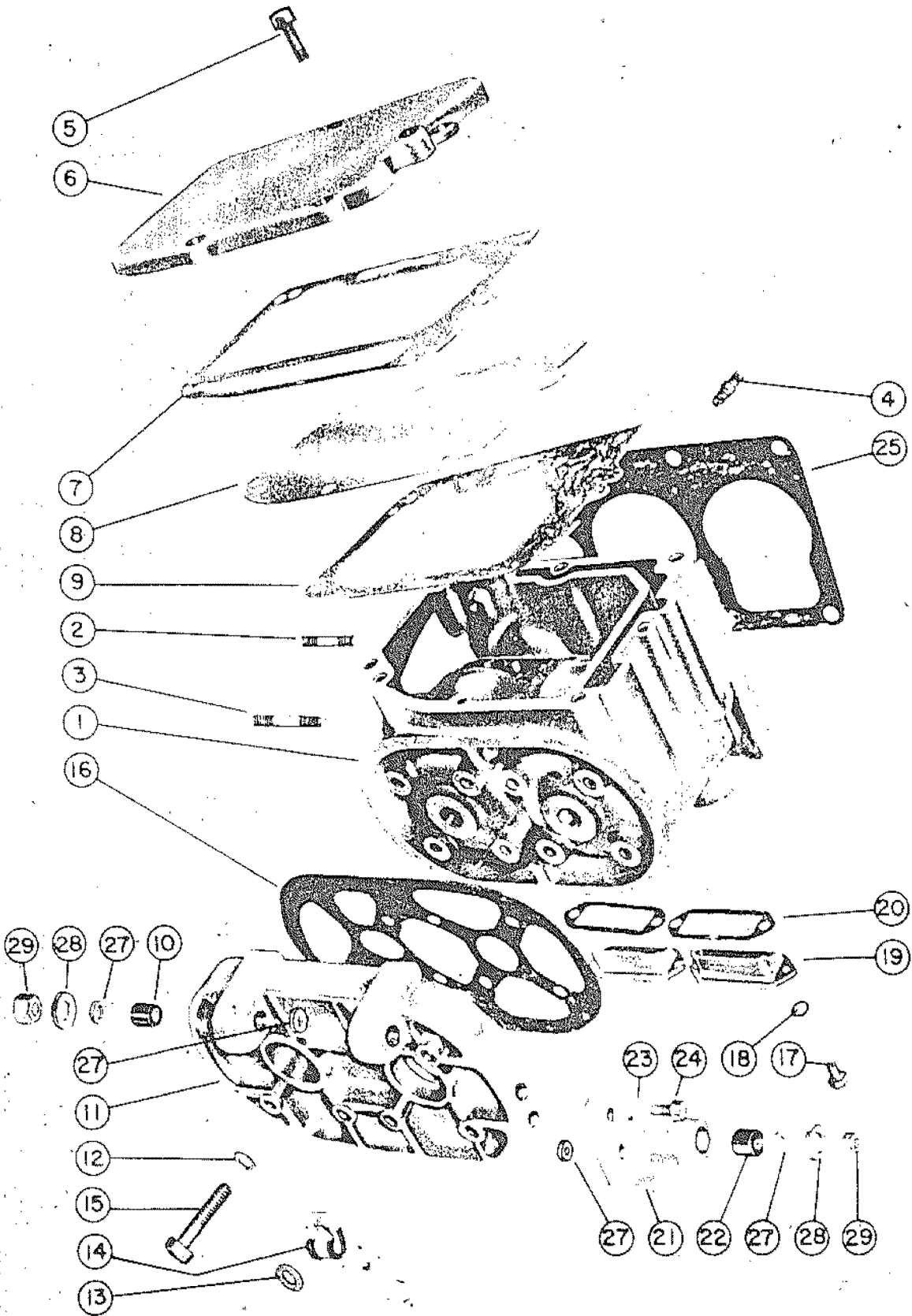
FUEL PUMP



FUEL PUMP

REF. NO.	PART NO.	SYM.	QTY.	DESCRIPTION
1	23009A1		1,1,1,1,1,	FUEL PUMP ASSEMBLY
2	21-20963		2,2,2,2,2,	VALVE, CHECK
3	27-23005		2,2,2,2,2,	GASKET, CHECK VALVE
4	10-20037		2,2,2,2,2,	SCREW, CHECK VALVE RETAINER TO HOUSING
5	23004		1,1,1,1,1,	RETAINER, CHECK VALVE
6	23014		1,1,1,1,1,	DIAPHRAGM, FUEL PUMP
7	27-24863		2,2,2,2,2,	GASKET, FUEL PUMP
8	23885		,1,,1,,	COVER, FUEL PUMP
9	10-25207		2,2,2,2,2,	SCREW, FUEL PUMP HOUSING (1 1/2")
10	10-22411		1,1,1,1,1,	SCREW, FUEL PUMP HOUSING (1")
11	13-20554		3,3,3,3,3,	LOCKWASHER, FUEL PUMP HOUSING SCREW
12	22-22995		,1,,1,,	FITTING, PRESSURE LINE
14	22-22946		,1,,1,,	SLEEVE, FITTING
15	11-22948		,1,,1,,	NUT, FITTING
13	22-22993		,1,,1,,	FITTING, PRESSURE LINE
14	22-22946		,1,,1,,	SLEEVE, FITTING
15	11-22948		,1,,1,,	NUT, FITTING
16	32-24818		,1,,1,,	LINE, PRESSURE - FUEL PUMP TO BRACKET
17	32-23731		,1,,1,,	LINE, PRESSURE - FUEL PUMP TO BRACKET
18	32-23732		1,,1,,1,1	LINE, FUEL - FUEL PUMP TO FILTER
	32-25209		,1,,1,,	LINE, FUEL - FUEL PUMP TO FILTER
-	24-25106		,1,,1,,	SPRING, FUEL LINE
19	32-23731		1,,1,,1,1	LINE, FUEL - FUEL PUMP TO ADAPTOR
-	24-24950		1,,1,,1,1	SPRING, FUEL LINE
	32-24819		,1,,1,,	LINE, FUEL - FUEL PUMP TO ADAPTOR
12	22995		,1,,1,,	FITTING, FUEL LINE
14	22-22946		,1,,1,,	SLEEVE, FITTING
15	11-22948		,1,,1,,	NUT, FITTING
20	27-23880		,1,,1,,	GASKET, CRANKCASE TO MOTOR BRACKET
21	23766		,1,,1,,	BRACKET, STARTER MOTOR MOUNTING
-	16-20789		,2,,2,,	STUD, MOTOR BRACKET TO C/CASE (1 3/8)
-	16-23150		,1,,,,	STUD, MOTOR BRACKET TO C/CASE (1 1/16)
-	16-23207		,,,2,,	STUD, MOTOR BRACKET TO C/CASE (15/16)
22	10-21424		,2,,,,	SCREW, MOTOR MOUNTING BRACKET (1/2")
-	10-25205		,1,,,,	SCREW, MOTOR MOUNTING BRACKET (3/4")
23	13-20147		,3,,,,	LOCKWASHER, MOUNTING BRACKET STUD
	13-20147		,,,2,,	LOCKWASHER, MOUNTING BRACKET STUD
24	11-20088		,3,,,,	NUT, MOUNTING BRACKET STUD
	11-20088		,,,2,,	NUT, MOUNTING BRACKET STUD
	11-20184		,,,2,,	NUT, MOUNTING BRACKET STUD
25	13-20147		,2,,2,,	LOCKWASHER, FUEL PUMP COVER SCREW
26	10-24963		,2,,2,,	SCREW, FUEL PUMP COVER TO COWL

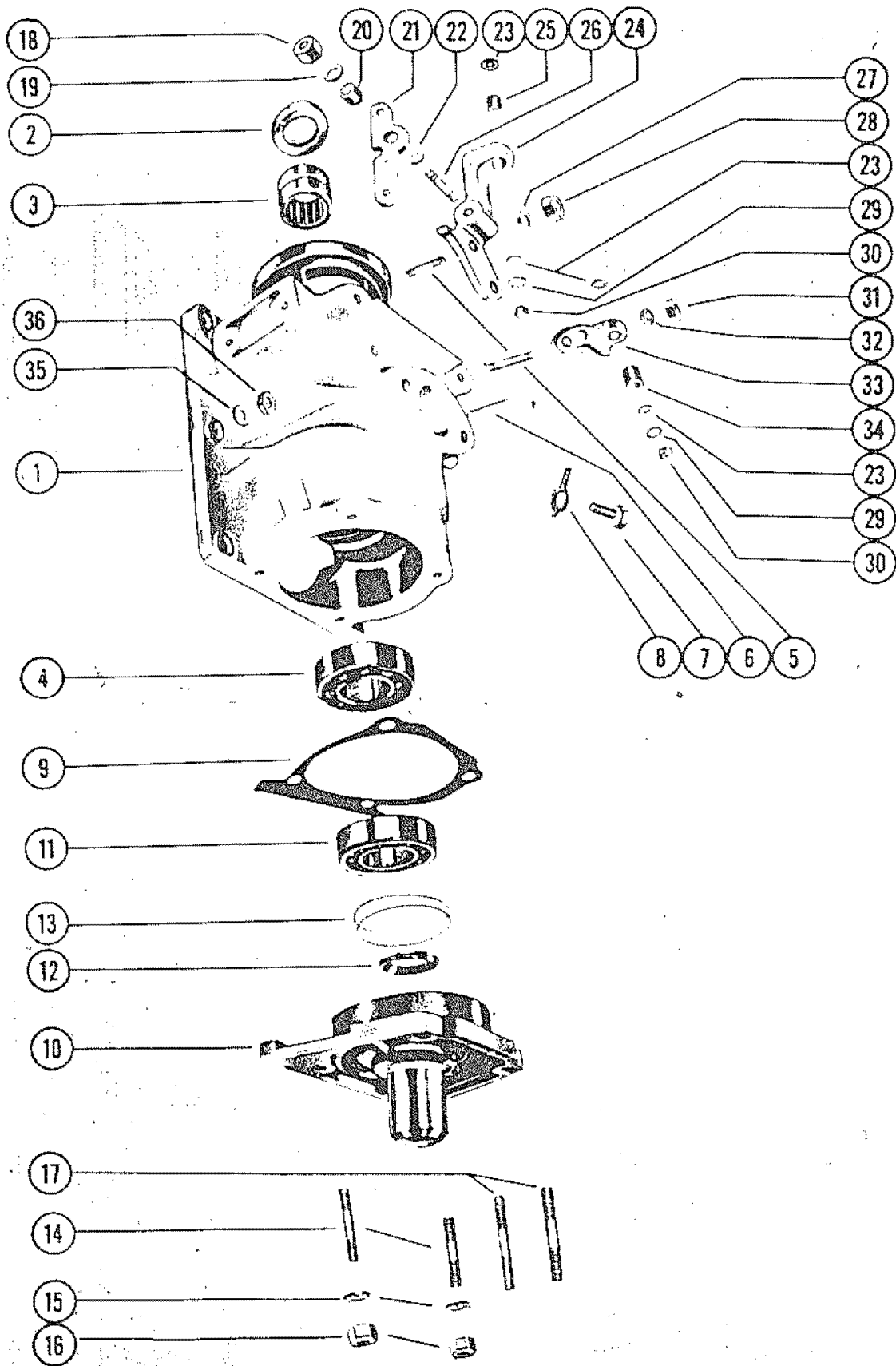
CYLINDER BLOCK



CYLINDER BLOCK

REF. NO.	PART NO.	SYM.	QTY.	DESCRIPTION
1	811-467A1		1,1,1,1,1,	CYLINDER BLOCK ASSEMBLY
4	16-23740		1,1,1,1,1,	STUD, CYLINDER BLOCK TO CRANKCASE (1 3/32)
2 & 3	16-20956		4,4,4,4,4,	STUD, DRIVE SHAFT HOUSING TO POWERHEAD
4	16-20525		5,5,5,5,5,	STUD, CYLINDER BLOCK TO CRANKCASE (1 5/16)
5	10-24222		7,7,7,7,7,	SCREW, MANIFOLD COVER
6	20539		1,,1,,1,1	COVER, EXHAUST MANIFOLD
	25141		,1,,1,,	COVER, EXHAUST MANIFOLD
7	27-20538		1,1,1,1,1,	GASKET, MANIFOLD COVER TO BAFFLE PLATE
8	20537		1,1,1,1,1,	PLATE, MANIFOLD BAFFLE
9	27-20536		1,1,1,1,1,	GASKET, CYLINDER BLOCK TO MANIFOLD PLATE
11	1002-63A1		1,1,1,1,1,	CYLINDER BLOCK COVER ASSEMBLY
10	23-20528		2,2,2,2,2,	BUSHING, COWL MOUNTING
12	12-20028		7,,7,,7,7	WASHER, CYLINDER BLOCK COVER SCREW (7/16)
	12-20028		,8,,8,,	WASHER, CYLINDER BLOCK COVER SCREW (7/16)
13	12-20533		1,1,1,1,1,	WASHER, CYLINDER BLOCK COVER SCREW (9/16)
14	54-20534		1,1,1,1,1,	CLIP, HIGH TENSION LEAD
15	10-20532		8,8,8,8,8,	SCREW, COVER TO CYLINDER BLOCK
16	27-20531		1,1,1,1,1,	GASKET, CYLINDER BLOCK COVER
17	10-24222		4,,4,,4,4	SCREW, TRANSFER PORT COVER
	10-24222		,3,,3,,	SCREW, TRANSFER PORT COVER
18	12-20028		4,,4,,4,4	WASHER, TRANSFER PORT COVER SCREW
	12-20028		,3,,3,,	WASHER, TRANSFER PORT COVER SCREW
19	25206		2,2,2,2,2,	COVER, TRANSFER PORT
20	27-20030		2,2,2,2,2,	GASKET, TRANSFER PORT COVER
21	20543A1		1,1,1,1,1,	REAR BRACKET ASSEMBLY, TOP COWL MOUNTING
22	23-20528		1,1,1,1,1,	BUSHING
23	13-20147		2,,2,,2,2	LOCKWASHER, REAR BRACKET MOUNTING SCREW
24	10-20542		2,,2,,2,2	SCREW, REAR BRACKET MOUNTING
25	27-21173		1,1,1,1,1,	GASKET, CYLINDER BLOCK TO CRANKCASE
27	12-20028		6,6,6,6,6,	WASHER, TOP COWL MOUNTING STUD (SMALL)
28	12-20346		2,2,2,2,2,	WASHER, TOP COWL MOUNTING STUD (LARGE)
-	12-20583		2,2,2,2,2,	WASHER, TOP COWL MOUNTING STUD (SPACER)
-	12-20583		,,,,,4	WASHER, TOP COWL MOUNTING STUD (SPACER)
29	11-20361		4,4,4,4,4,	NUT, TOP COWL MOUNTING STUD

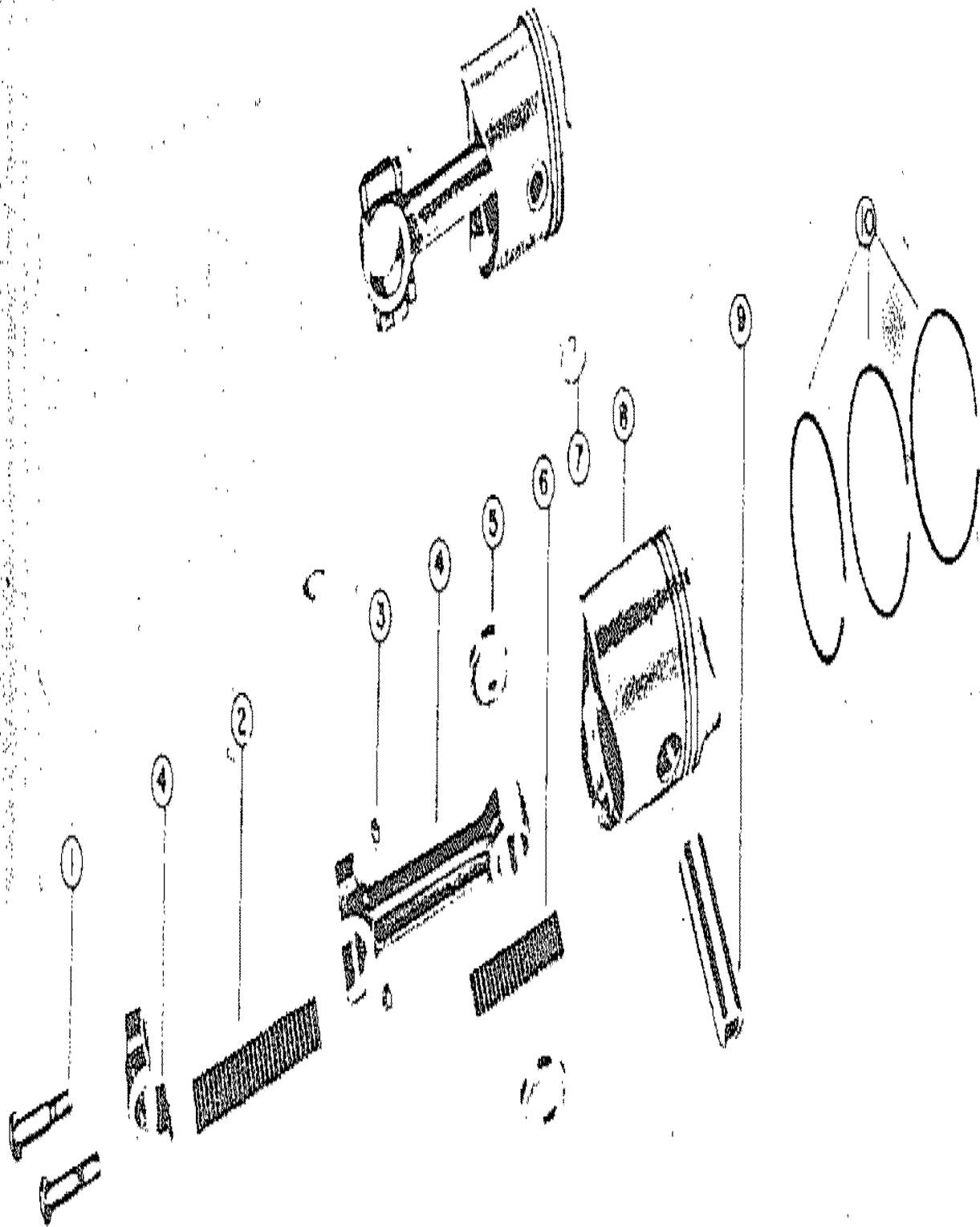
CRANKCASE



CRANKCASE

REF. NO.	PART NO.	SYM.	QTY.	DESCRIPTION
1	912-870A1		1,1,1,1	CRANKCASE ASSEMBLY (STANDARD ENGINES)
	912-876A1		1,1,,	CRANKCASE ASSEMBLY (ELECTRIC ENGINES)
2	26-20530		1,1,1,1	OIL SEAL
3	31-20594		1,1,1,1	BEARING, ROLLER
4	30-20464		1,1,1,1	BEARING, BALL
5	16-20469		4,4,4,4	STUD, CRANKCASE TO MOUNTING BRACKET
6	16-22806		2,2,2,2	STUD, CRANKCASE TO CARBURETOR
14	16-20467		2,2,2,2	STUD, CRANKCASE TO CRANKCASE BOTTOM
17	16-25932		2,2,2,2	STUD, CRANKCASE TO DRIVE SHAFT HOUSING
7	10-20090		1,1,1,1	SCREW, MAIN BEARING LOCKING
8	14-20091		1,1,1,1	TAB WASHER, MAIN BEARING LOCKING SCREW
9	27-20501		1,1,1,1	GASKET, CRANKCASE BOTTOM TO CRANKCASE
10	1122-840A1		1,1,1,1	CRANKCASE BOTTOM ASSEMBLY
11	30-20464		1,1,1,1	BEARING, BALL
12	26-20948		1,1,1,1	OIL SEAL
13	15-20514		AR,AR,AR,A	SHIM, STEEL (.002-3-5-10)
15	13-20147		2,2,2,2	LOCKWASHER, CRANKCASE BOTTOM STUD
16	11-20184		2,2,2,2	NUT, CRANKCASE BOTTOM STUD
18	11-20509		1,1,1,1	NUT, COWL MOUNTING PLATE STUD
19	12-20572		1,1,1,1	WASHER, COWL MOUNTING PLATE STUD
20	23-20571		1,1,1,1	BUSHING, RUBBER TAPERED
21	20570		1,1,1,1	PLATE, COWL MOUNTING
	24964		1,,,	PLATE, COWL MOUNTING
22	12-20551		1,1,1,1	WASHER, RUBBER - PLATE TO STBD. BRACKET
23	12-20028		4,4,4,4	WASHER, COWL MOUNTING STUD
24	20549A1		1,1,1,1	FRONT STARBOARD BRACKET ASSEMBLY
	23884A1		1,,,	FRONT STARBOARD BRACKET ASSEMBLY
25	23-20528		1,1,1,1	BUSHING
26	16-20550		1,1,1,1	STUD, COWL MOUNTING PLATE
27	12-20028		2,,,	WASHER, BRACKET MOUNTING STUD (STARBORAD)
28	11-20184		2,2,2,2	NUT, BRACKET MOUNTING STUD (STARBOARD)
29	12-20346		2,2,2,2	WASHER, COWL MOUNTING STUD
30	11-20361		2,2,2,2	NUT, COWL MOUNTING STUD
31	11-20184		2,2,2,2	NUT, BRACKET MOUNTING STUD (PORT)
32	12-20028		2,,,	WASHER, BRACKET MOUNTING STUD (PORT)
33	20573A1		1,1,1,1	FRONT PORT BRACKET ASSEMBLY
34	23-20528		1,1,1,1	BUSHING
35	12-20546		6,,,	WASHER, CRANKCASE TO CYLINDER BLOCK STUD
36	11-20083		6,6,6,6	NUT, CRANKCASE TO CYLINDER BLOCK STUD

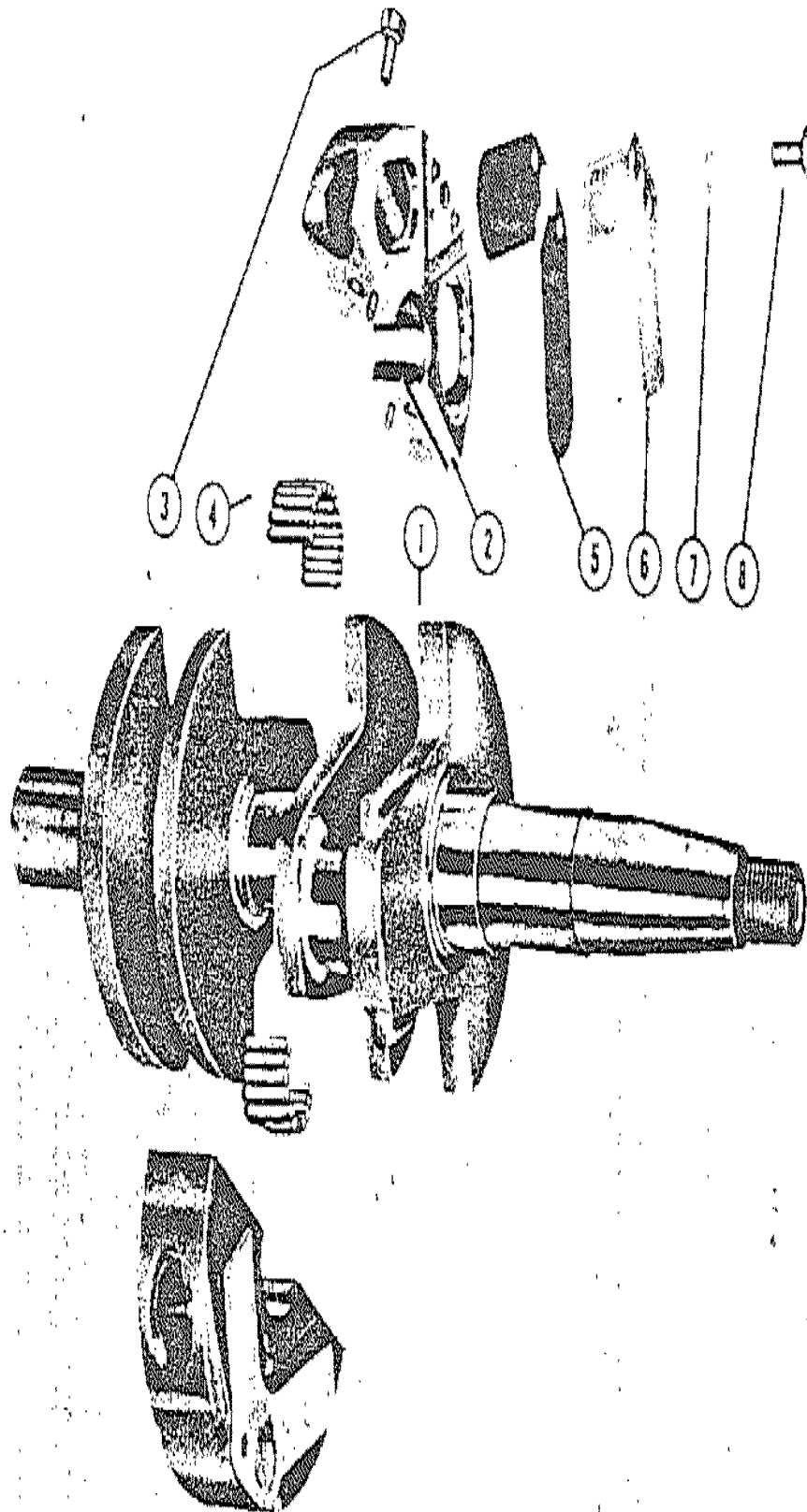
PISTONS AND CONNECTING RODS



PISTONS AND CONNECTING RODS

REF. NO.	PART NO.	SYM.	QTY.	DESCRIPTION
-	600-7A1		2,2,2,2	CONNECTING ROD ASSEMBLY
1	10-20060		4,4,4,4	SCREW, CONNECTING ROD
2	29-20046		50,50,50,5	BEARING, NEEDLE - CRANKPIN
3	11-20061		4,4,4,4	NUT, CONNECTING ROD SCREW
4	N.S.S.		2,2,2,2	ROD AND CAP, CONNECTING
5	12-20064		4,4,4,4	WASHER, NEEDLE BEARING RETAINING
6	29-20063		44,44,44,4	BEARING, NEEDLE - PISTON PIN
-	718-1193A2		2,2,2,2	PISTON & PISTON PIN ASSEMBLY
7	40-20057		4,4,4,4	RING, LOCK - PISTON PIN
8	N.S.S.		2,2,2,2	PISTON
9	N.S.S.		2,2,2,2	PIN, PISTON
10	39-20058		6,6,6,6	RING, PISTON
-	718-1313A1		2,2,2,2	PISTON & PISTON PIN ASSEMBLY (.015 OVERSIZE)
-	39-20992		6,6,6,6	RINGS, PISTON (.015 OVERSIZE)

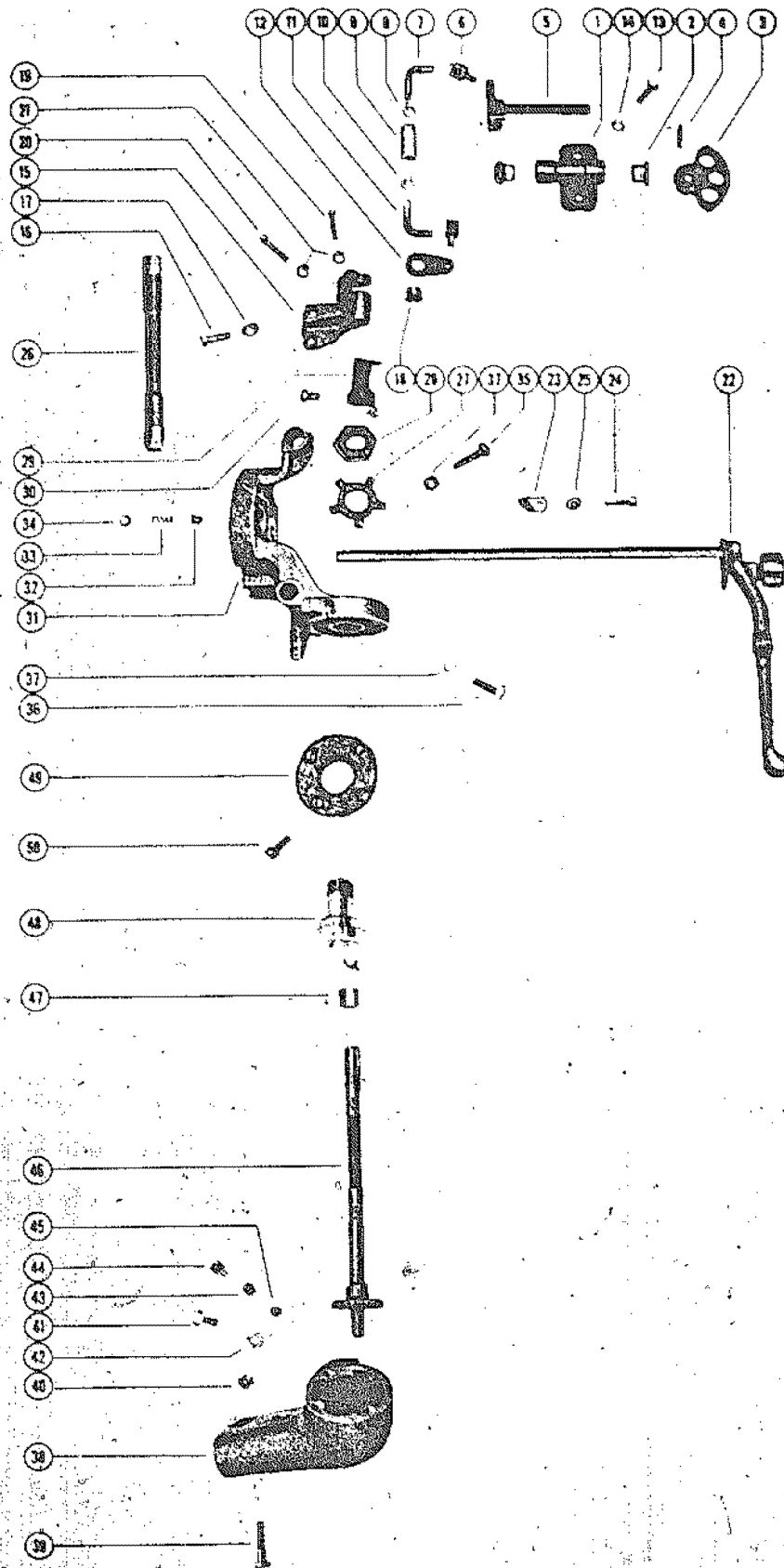
CRANKSHAFT AND CENTER MAIN BEARING



CRANKSHAFT AND CENTER MAIN BEARING

REF. NO.	PART NO.	SYM.	QTY.	DESCRIPTION
1	401-896		1,,,	CRANKSHAFT
	401-950		1,1,1,1	CRANKSHAFT
2	516-895A3		1,,,	CENTER MAIN BEARING ASSEMBLY
-	17-20032		10,,,	PIN, DOWEL
3	10-20049		2,,,	SCREW, CENTER MAIN BEARING CLAMPING
4	29-24900		22,,,	BEARING, NEEDLE - CENTER MAIN BRG.
2	524-1309A1		1,1,1,	CENTER MAIN BEARING ASSEMBLY
-	17-20032		10,10,10,	PIN, DOWEL
3	10-20049		2,2,2,	SCREW, CENTER MAIN BEARING CLAMPING
-	25103		1,1,1,	INSERT, CENTER MAIN BERING (PAIR)
2	523-1416A1		,,,1	CENTER MAIN BEARING ASSEMBLY
-	17-20032		,,, 10	PIN, DOWEL
3	10-20049		,,,2	SCREW, CENTER MAIN BEARING CLAMPING
5	34-20888		1,1,1,1	REED SET, MATCHED (.012)
6	34-20053		4,4,4,4	STOP, REED
7	12-26014		4,4,4,4	WASHER, REED FASTENING SCREW
8	10-20055		4,4,4,4	SCREW, REED FASTENING

THROTTLE AND SHIFT MECHANISM

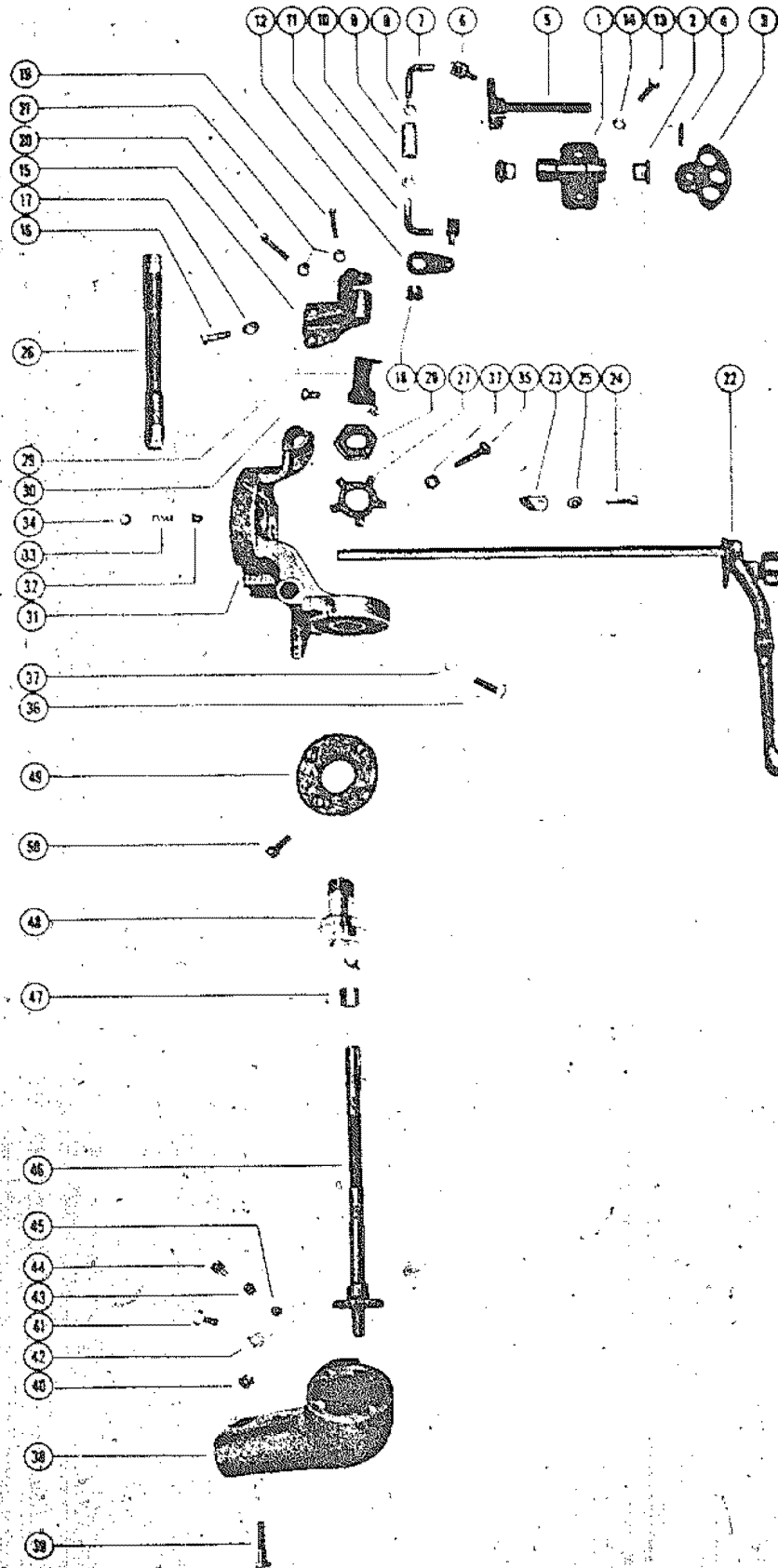


THROTTLE AND SHIFT MECHANISM

REF. NO.	PART NO.	SYM.	QTY.	DESCRIPTION
-	22689A2		1,1,1,1	VERTICAL SHAFT BRACKET ASSEMBLY, COMPLETE
1	22689A1		1,1,1,1	VERTICAL SHAFT BRACKET ASSEMBLY
2	23-22571		2,2,2,2	BUSHING, VERTICAL SHAFT BRACKET
3	43-20471		1,1,1,1	GEAR, SECTOR - DRIVE
4	17-20000		1,1,1,1	GROOVE PIN , SECTOR GEAR
5	20022A1		1,1,1,1	VERTICAL SHAFT ASSEMBLY
-	15-20473		AR,AR,AR,A	SHIM, VERTICAL SHAFT TO BRACKET (.010-20)
6	20752		2,2,2,2	SWIVEL, THROTTLE CONTROL LINKAGE
7	20753		1,,,	ROD, LEFT HAND THREAD (N.I.A. - ORDER ONE PIECE ROD PART #25)
8	11-20754		1,,,	NUT, CONTROL ROD CONNECTOR SLEEVE (LEFT HAND THREAD)
9	20755		1,,,	SLEEVE, CONTROL ROD CONNECTOR
10	11-20013		1,,,	NUT, CONTROL ROD CONNECTOR SLEEVE (RIGHT HAND THREAD)
11	20756		1,,,	ROD, RIGHT HAND THREAD
-	25543		,1,1,1	ROD, LINK - THROTTLE CONTROL LINKAGE
12	23605		1,1,1,1	LEVER, CROSS SHAFT
13	10-20146		2,2,2,2	SCREW, VERTICAL SHAFT BRACKET MOUNTING
14	12-20028		2,2,2,2	WASHER, VERTICAL BRACKET MOUNTING SCREW
-	15-20475		AR,AR,AR,A	SHIM, VERTICAL BRACKET TO CRANKCASE (.005-10)
15	23625		1,1,1,1	BRACKET, THROTTLE SHAFT BEARING
16	10-20723		2,2,2,2	SCREW, BEARING BRACKET TO CRANKCASE
17	12-20028		2,2,2,2	WASHER, THROTTLE BEARING BRACKET SCREW
18	23-25063		1,1,1,1	BUSHING, THROTTLE SHAFT BEARING BRACKET
19	10-21335		1,1,1,1	SCREW, THROTTLE ADJUSTING (7/8")
20	10-20644		1,1,1,1	SCREW, THROTTLE ADJUSTING (1")
21	11-20645		2,2,2,2	NUT, THROTTLE ADJUSTING SCREW
22	23622A3		1,,,	SHIFT CONTROL LEVER ASSEMBLY
	25765A1		,1,,	SHIFT CONTROL LEVER ASSEMBLY
	25765A3		,,1,1	SHIFT CONTROL LEVER ASSEMBLY
-	11-20184		1,,,	NUT, INTERLOCK TIGHTENING
23	23620		1,1,1,1	LUG, DETENT PLATE HOLD DOWN
24	10-22657		1,1,1,1	SCREW, HOLD DOWN LUG TO STEERING BRACKET
25	12-26014		1,1,1,1	WASHER, HOLD DOWN LUG SCREW
26	23609A1		1,1,,	SHIFT SHAFT ASSEMBLY (FLEXIBLE)
-	20797		,,1,1	COUPLING, SHIFT CONTROL LEVER (USE WITH 2576543 LEVER ASSEMBLY)
27	14-20745		1,1,1,1	TAB WASHER, CROSS SHAFT BUSHING NUT
28	11-20739		1,1,1,1	NUT, CROSS SHAFT BUSHING
29	23624		1,1,1,1	DRUM, THROTTLE AND SHIFT LOCK
30	10-20716		1,1,1,1	SCREW, SET - THROTTLE AND SHIFT LOCK DRUM
31	23626A1		1,1,,	STEERING BRACKET ASSEMBLY
	23626A2		,,1,1	STEERING BRACKET ASSEMBLY

CONTINUED ON NEXT PAGE ➡

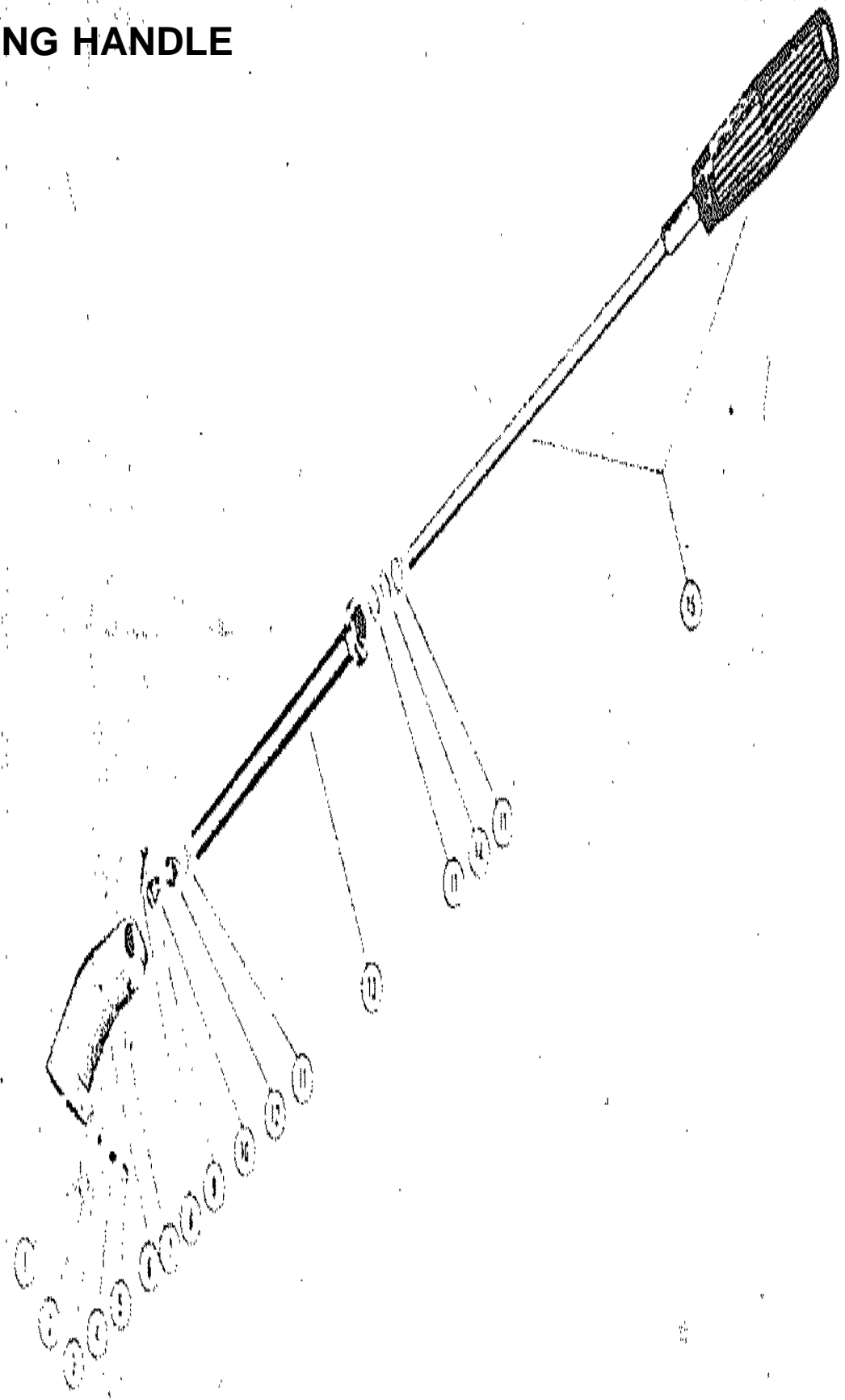
THROTTLE AND SHIFT MECHANISM



THROTTLE AND SHIFT MECHANISM

REF. NO.	PART NO.	SYM.	QTY.	DESCRIPTION
-	17-24813		2,2,2,2	PIN, SADDLE LOCATING
32	17-23648		1,1,,	PIN, DETENT
	17-26070		,,1,1	PIN, DETENT
33	24-23706		1,1,,	SPRING, DETENT PIN
	24-26069		,,1,1	SPRING, DETENT PIN
34	19-20011		1,1,,	WELCH PLUG, DETENT SPRING HOLDING
35	10-28667		1,1,1,1	SCREW, STEERING BRACKET TO HOUSING (1")
36	10-20474		2,2,2,2	SCREW, STEERING BRACKET TO HOUSING (3/4")
37	13-20147		3,3,3,3	LOCKWASHER, STEERING BRACKET SCREW
38	20735		1,1,1,1	ELBOW, STEERING HANDLE
39	10-21091		1,1,1,1	SCREW, STEERING HANDLE CLAMP
40	11-20361		1,1,1,1	NUT, STEERING HANDLE CLAMP SCREW
41	10-20031		1,1,1,1	SCREW, STEERING HANDLE LOCATING
42	13-20147		1,1,1,1	LOCKWASHER, STEERING HANDLE LOCATING SCREW
43	24-20609		1,1,1,1	SRPING, FRICTION PLUG
44	10-20608		1,1,1,1	SCREW, FRICTION PLUG
45	20737		1,1,1,1	PLUG, FRICTION
46	23606A2		1,1,1,1	CROSS SHAFT ASSEMBLY
47	23-25326		1,1,1,1	TUBE, SPACER
48	23-23912		1,1,1,1	BUSHING, CROSS SHAFT
49	20744		1,1,1,1	PLATE, ELBOW COVER
50	10-20738		4,4,4,4	SCREW, ELBOW COVER PLATE TO ELBOW

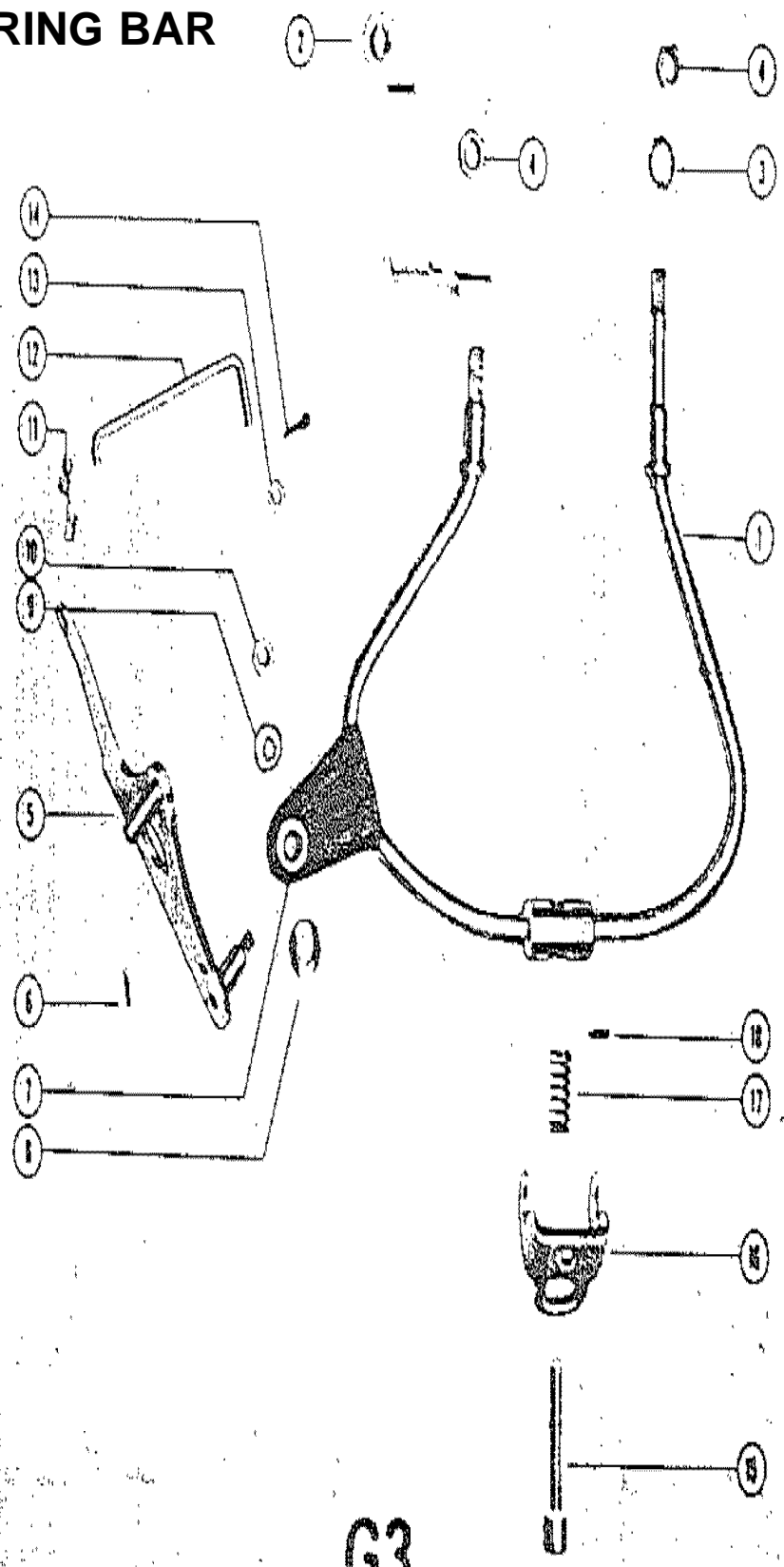
STEERING HANDLE



STEERING HANDLE

REF. NO.	PART NO.	SYM.	QTY.	DESCRIPTION
1	10-20031		1,1,1,1	SCREW, STEERING HANDLE LOCATING
2	13-20147		1,1,1,1	LOCKWASHER, STEERING HANDLE LOCATING SCREW
3	20737		1,1,1,1	PLUG, FRICTION
4	24-20609		1,1,1,1	SPRING, FRICTION PLUG
5	10-20608		1,1,1,1	SCREW, FRICTION PLUG
6	20735		1,1,1,1	ELBOW, STEERING HANDLE
7	11-20361		1,1,1,1	NUT, STEERING HANDLE CLAMP SCREW
8	10-21091		1,1,1,1	SCREW, STEERING HANDLE CLAMP
-	20591A2		1,1,1,1	STEERING HANDLE ASSEMBLY
9	17-24865		1,1,1,1	PIN, PINION GEAR
10	43-23221		1,1,1,1	GEAR, PINION - STEERING HANDLE SHAFT
11	15-20729		2,2,2,2	SHIM, STEELE (.010)
13	20731A1		1,1,1,1	TUBE ASSEMBLY, STEERING HANDLE
12	23-20733		1,1,1,1	BUSHING, STEERING HANDLE TUBE
-	20732		1,1,1,1	TUBE, STEERING HANDLE
-	20732		1,1,1,1	RING, POINTER - STEERING HANDLE TUBE
14	13-20730		1,1,1,1	WASHER, WAVE (STEEL)
15	20591A1		1,1,1,1	HANDLE GRIP & SHAFT ASSEMBLY
-	17-20728		1,1,1,1	PIN, STEERING HANDLE SHAFT

INSIDE STEERING BAR

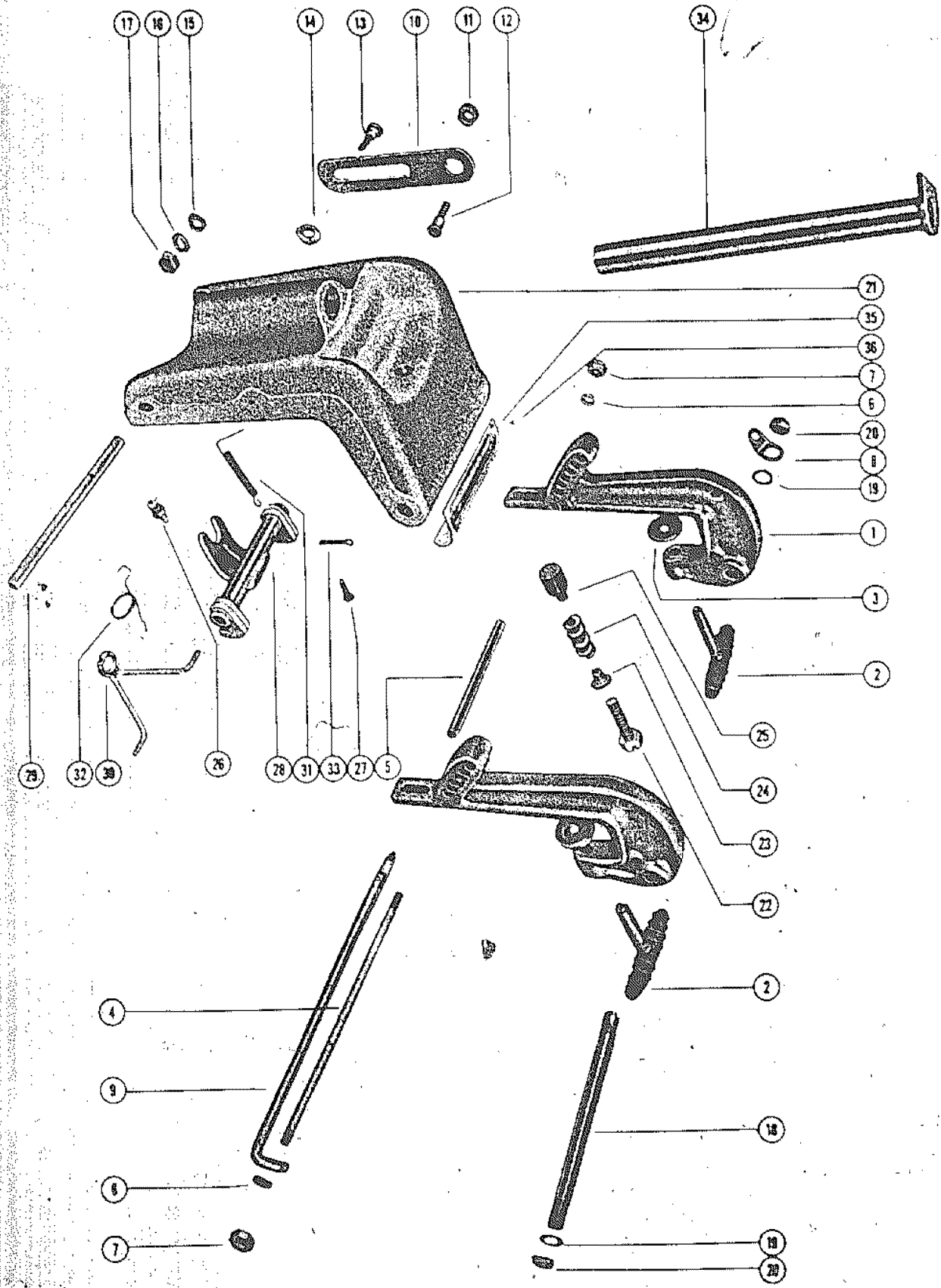


G3

INSIDE STEERING BAR

REF. NO.	PART NO.	SYM.	QTY.	DESCRIPTION
-	25882A2		1,1,1,1	INSIDE STEERING BAR ASSEMBLY, COMPLETE
1	25882		1,1,1,1	STEERING BAR ASSEMBLY
2	23859A1		1,1,1,1	CABLE ANCHOR BRACKET ASSEMBLY
3	12-20553		1,1,1,1	WASHER, STEERING BAR
4	11-20509		2,2,2,2	NUT, STEERING BAR TO STEERING BRACKET
5	25114		1,1,1,1	BELL CRANK
6	17-23928		1,1,1,1	ROL PIN, BELL CRANK PIVOT PIN
7	23-23845		1,1,,	BUSHING, FLANGE - SUPORT BRACKET
	23-26954		,,2,2	BUSHING, FLANGE - SUPORT BRACKET
8	13-23644		1,1,,	WASHER, WAVE - BELL CRANK SHOULDER SCREW
9	12-22937		1,1,1,1	WASHER, BELL CRANK SHOULDER SCREW
10	11-20664		1,1,1,1	NUT, BELL CRANK SHOULDER SCREW
11	54-23856		1,1,,	CLIP, CLEVIS - LINK TO BELL CRANK
12	23855		1,1,1,1	LINK, BELL CRANK TO SHIFT CONTROL LEVER
13	12-26014		1,1,1,1	WASHER, LINK FASTENING TO CONTROL LEVER
14	18-26953		1,1,,	COTTER PIN, LINK FASTENING
	18-26953		,,2,2	COTTER PIN, LINK FASTENING
-	20502A1		1,1,1,1	SWIVEL ASSEMBLY
15	17-20503		1,1,1,1	PIN, SWIVEL TO STEERING BAR
16	20502		1,1,1,1	SWIVEL
17	24-20510		1,1,1,1	SPRING, SWIVEL PIN
18	17-23928		1,1,1,1	ROLL PIN, SWIVEL PIN

CLAMP AND SWIVEL BRACKET

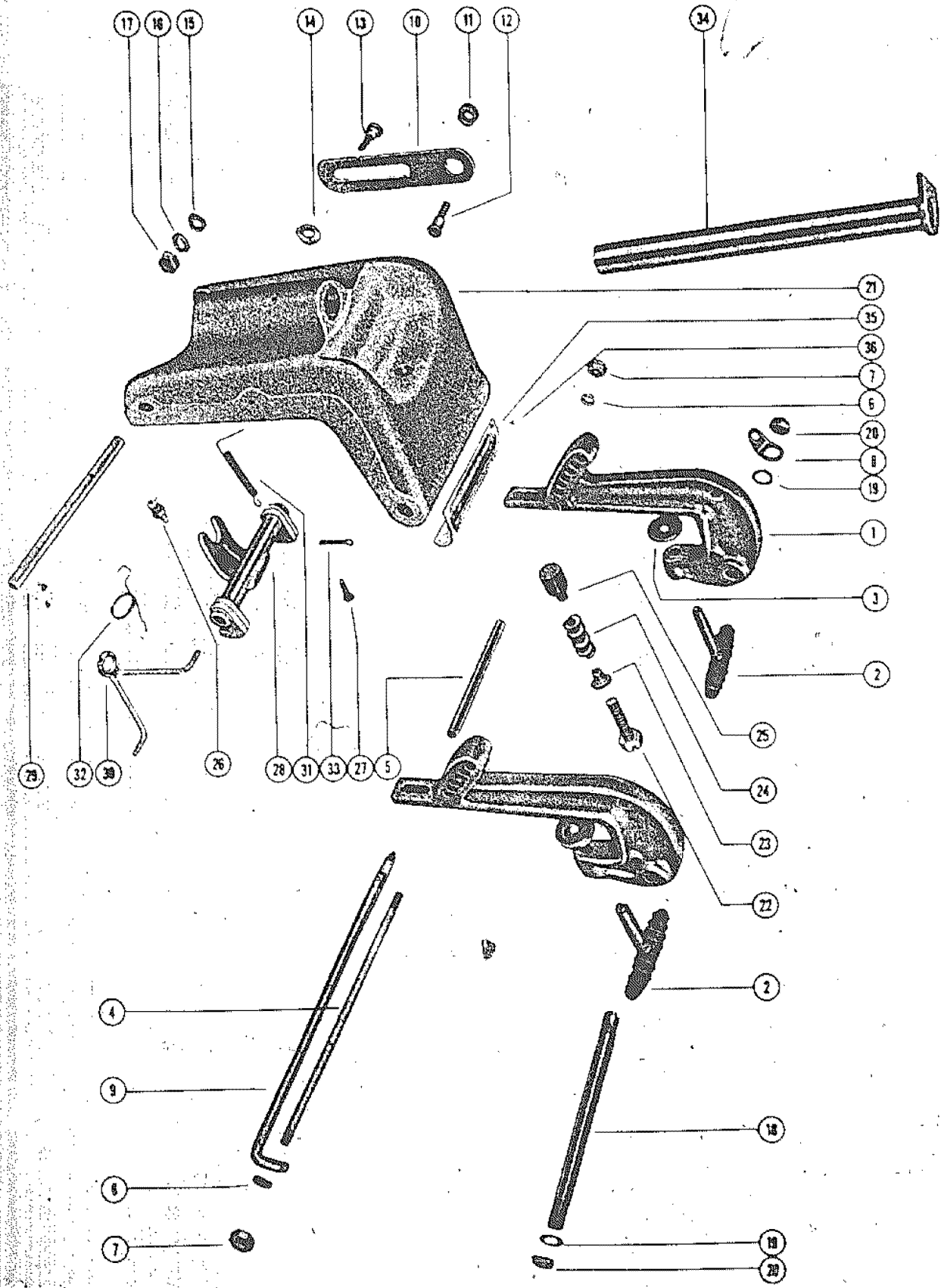


CLAMP AND SWIVEL BRACKET

REF. NO.	PART NO.	SYM.	QTY.	DESCRIPTION
1	1400-21A1		2,,	CLAMP BRACKET ASSEMBLY
	1427-1081A1		,2,2,2	CLAMP BRACKET ASSEMBLY
2	22477		2,2,2,2	THUMB SCREW ASSEMBLY
3	12-20214		2,2,2,2	WASHER, THUMB SCREW
4	16-20657		1,1,1,1	STUD, CLAMP BRACKET
5	23-20658		1,1,1,1	SPACER, CLAMP BRACKET STUD
6	13-20223		2,2,2,2	LOCKWASHER, CLAMP BRACKET STUD NUT
7	11-20083		2,2,2,2	NUT, CLAMP BRACKET STUD
8	54-20284		1,,	CLIP, SAFETY CHAIN
	54-25735		,1,1,1	CLIP, SAFETY CHAIN
9	17-25696		1,1,1,1	TILT LOCK PIN
10	20693		1,1,1,1	LEVER, TILT STOP
11	23-20216		1,1,1,1	SPACER, TILT STOP LEVER
12	10-20217		1,1,1,1	SCREW, ANCHOR - STOP LEVER
13	10-27790		1,1,1,1	SCREW, RETAINING
14	13-20846		1,1,1,1	WASHER, WAVE - RETAINING SCREW
15	12-20028		2,,	WASHER, LEVER ANCHOR SCREW
16	13-20147		2,2,2,2	LOCKWASHER, LEVER ANCHOR SCREW
17	11-20361		2,2,2,2	NUT, LEVER ANCHOR SCREW
18	16-20694		1,,	STUD, CLAMP BRACKET TO SWIVEL BRACKET
	16-25674		,1,1,1	STUD, CLAMP BRACKET TO SWIVEL BRACKET
19	15-20695		2,,	SHIM, CLAMP BRACKET TO SWIVEL BRACKET (.010)
	15-25600		,2,2,2	SHIM, CLAMP BRACKET TO SWIVEL BRACKET (.010)
20	11-20696		2,,	NUT, CLAMP BRACKET STUD
	11-25599		,2,2,2	NUT, CLAMP BRACKET STUD
21	1428-841A1		1,,	SWIVEL BRACKET ASSEMBLY
	1428-1089A1		,1,,	SWIVEL BRACKET ASSEMBLY
	1436-1185A1		,,1,1	SWIVEL BRACKET ASSEMBLY
22	10-21077		1,1,1,1	SCREW, TENSION ADJUSTING
23	23614		1,1,1,1	BUTTON, CO-PILOT SPRING
24	24-23705		1,1,1,1	SPRING, CO-PILOT
25	23613		1,1,1,1	BUTTON, FRICTION - CO-PILOT
26	22-23612		1,1,1,1	FITTING, GREASE - SWIVEL BRACKET
27	10-20697		1,1,,	SCREW, DRIVE - SPRING ATTACHING
28	20974		1,1,,	REVERSE LOCK LEVER
	26093A1		,,1,1	REVERSE LOCK LEVER ASSEMBLY
29	20709		1,1,,	ROD, REVERSE LOCK LEVER
	26092		,,1,1	ROD, REVERSE LOCK LEVER
30	26094		,,1,1	FORK, ACTUATOR - REVERSE LOCK LEVER
31	24-20210		1,1,,	SPRING, REVERSE LOCK LEVER
32	24-26182		,,1,1	SPRING, REVERSE LOCK LEVER
33	18-20209		1,1,1,1	COTTER PIN, REVERSE LOCK LEVER
34	17-23617A1		1,1,,	SWIVEL PIN ASSEMBLY

CONTINUED ON NEXT PAGE ➡

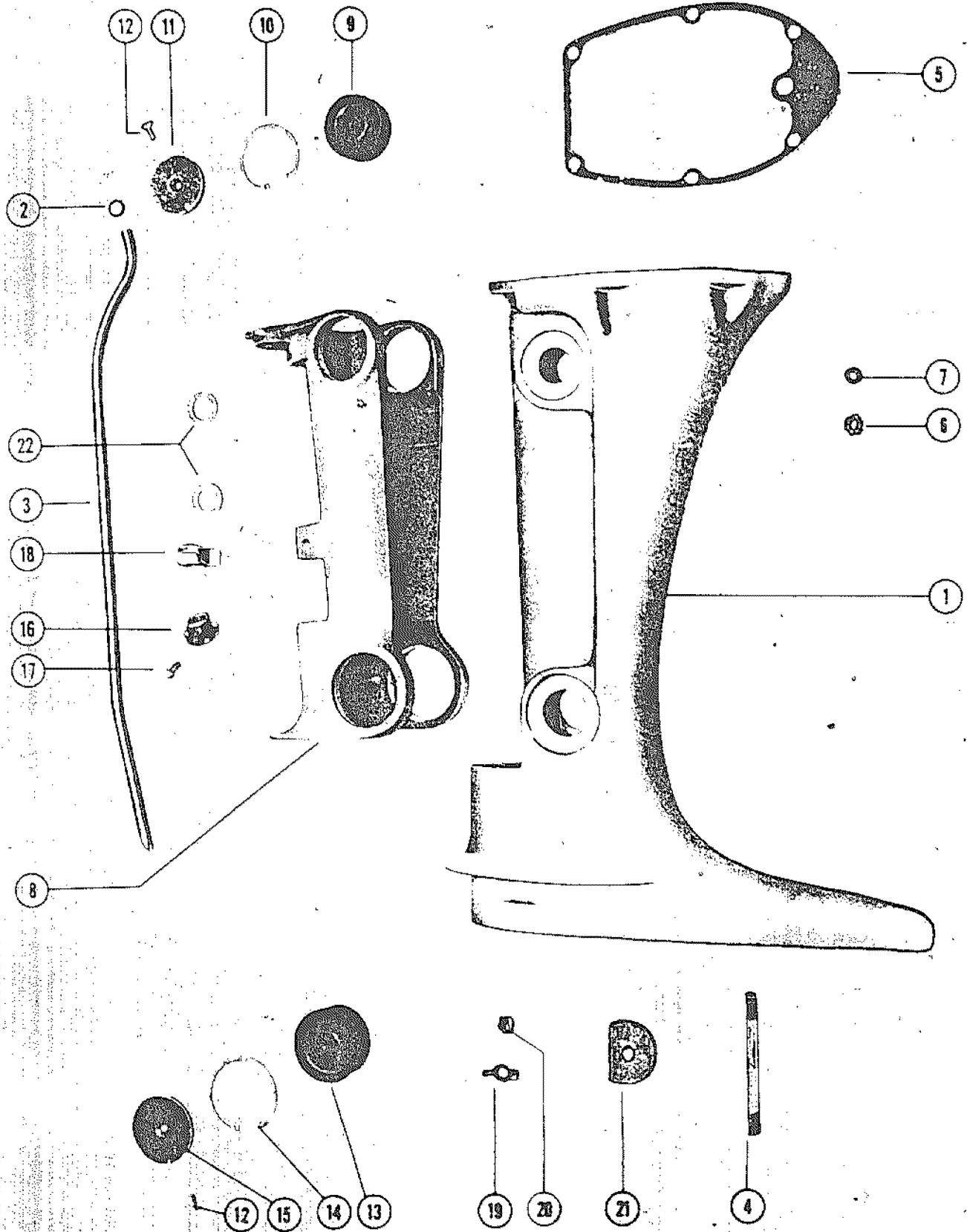
CLAMP AND SWIVEL BRACKET



CLAMP AND SWIVEL BRACKET

REF. NO.	PART NO.	SYM.	QTY.	DESCRIPTION
34	17-26090A1		,,1,1	SWIVEL PIN ASSEMBLY
35	38-23746		1,,	SERIAL PLATE
	38-24824		1,,	SERIAL PLACE (MARK 25H)
	38-25680		,1,1,1	SERIAL PLATE
	38-25708		,1,,	SERIAL PLATE (MARK 25E-1)
36	10-20314		4,4,4,4	SCREW, DRIVE - SERIAL PLATE

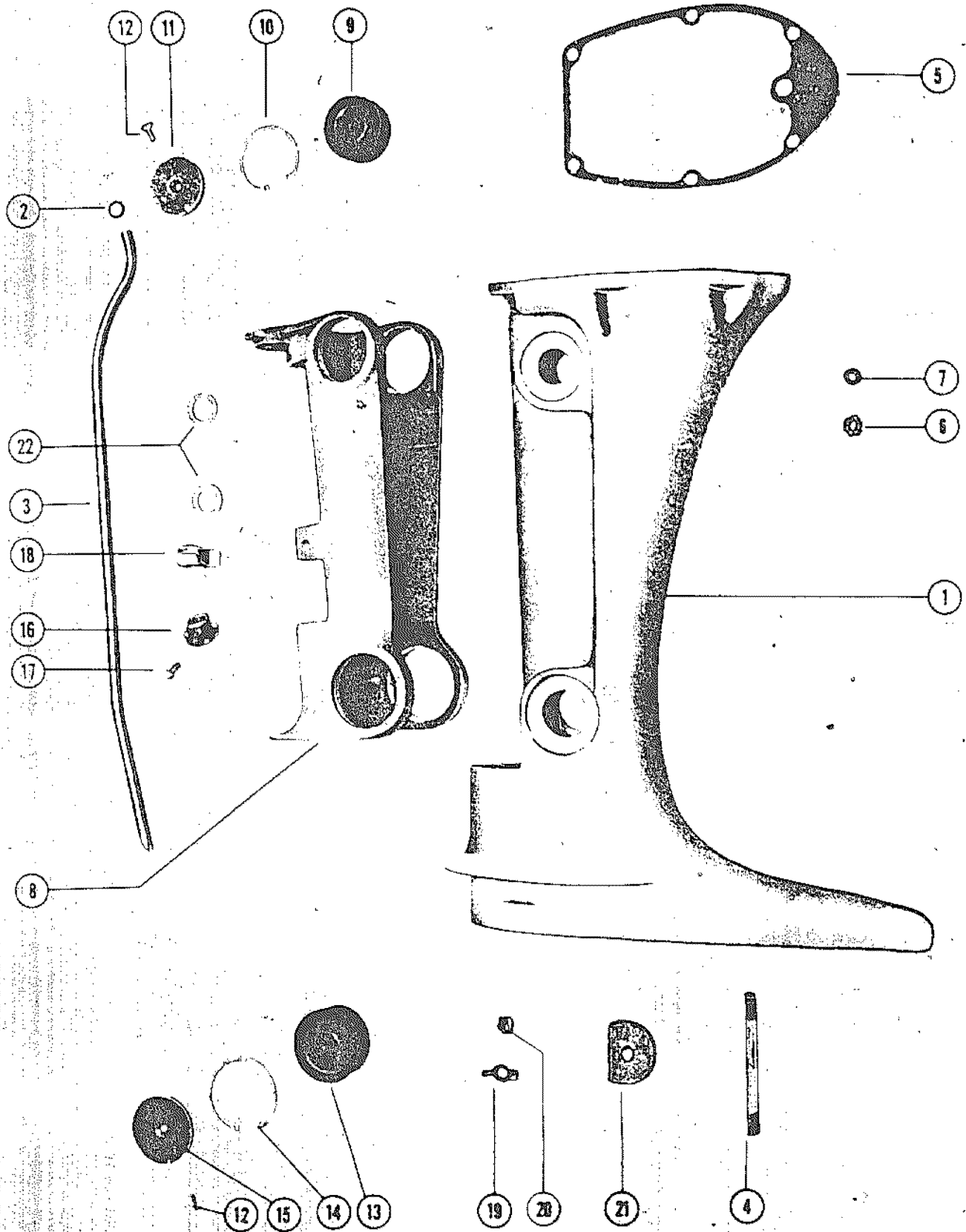
DRIVE SHAFT HOUSING AND SADDLE



DRIVE SHAFT HOUSING AND SADDLE

REF. NO.	PART NO.	SYM.	QTY.	DESCRIPTION
1	1527-1157A1		1,,	DRIVE SHAFT HOUSING ASSEMBLY
	1525-1047A1		,1,1,1	DRIVE SHAFT HOUSING ASSEMBLY
2	25-20633		1,1,1,1	"O" RING
3	32-20634		1,1,1,1	TUBE, WATER INLET
4	16-23659		1,,	STUD, DRIVE SHAFT HOUSING TO GEAR HOUSING
	16-25452		,1,1,1	STUD, DRIVE SHAFT HOUSING TO GEAR HOUSING
8	1526-974		1,,	SADDLE
5	27-25502		1,1,1,1	GASKET, DRIVE SHAFT HOUSING TO POWERHEAD
6	11-20184		6,6,6,6	NUT, DRIVE SHAFT HOUSING TO POWERHEAD
7	12-20028		6,,	WASHER, DRIVE SHAFT HOUSING TO POWERHEAD
8	1521-843		1,,	SADDLE (USE WITH 1520-842A1 DRIVE SHAFT HOUSING ASSEMBLY)
	1526-974		,1,,	SADDLE
	1528-1184		,,1,1	SADDLE
9	25150		2,,	RUBBER MOUNT (UPPER)
	25678		,2,2,2	RUBBER MOUNT (UPPER)
10	53-23720		2,2,2,2	RING, RETAINING - UPPER MOUNT
11	25155		2,2,2,2	COVER, UPPER MOUNT
12	10-25156		2,2,2,2	SCREW, UPPER MOUNT COVER FASTENING
13	25151		2,,	RUBBER MOUNT (LOWER)
	25682		,2,2,2	RUBBER MOUNT (LOWER)
14	53-23721		2,2,2,2	RING, RETAINING - LOWER MOUNT
15	25154		2,2,2,2	COVER, LOWER MOUNT
12	10-25156		2,2,2,2	SCREW, LOWER MOUNT COVER FASTENING
16	20715		1,1,1,1	CAM, LOWER - REVERSE LOCK
17	10-20716		1,1,1,1	SCREW, SET - REVERSE CAM LOCK
18	20717		1,1,1,1	CAM, UPPER - REVERSE LOCK
20	11-25594		2,2,2,2	NUT, GEAR HOUSING TO DRIVE SHAFT HOUSING STUD
21	20746		1,1,1,1	PLATE, WATER TUBE
22	12-23619		2,2,,	WASHER, THRUST - SWIVEL PIN
	12-26156		,,2,2	WASHER, THRUST - SWIVEL PIN

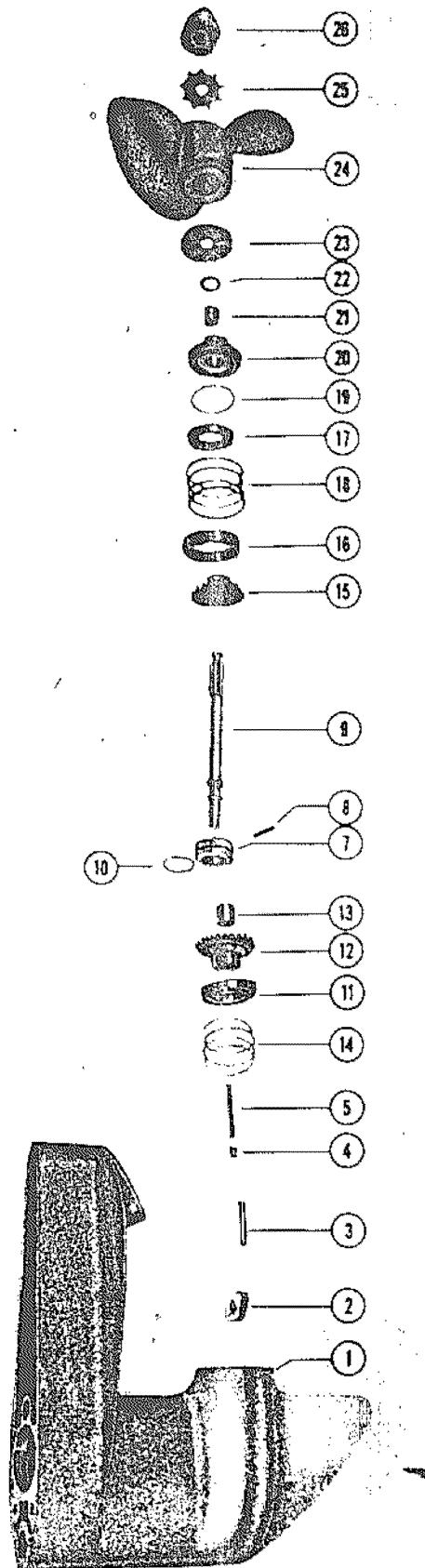
DRIVE SHAFT HOUSING MK 25L & MK 25EL (5" LONGER LOWER UNIT)



DRIVE SHAFT HOUSING MK 25L & MK 25EL (5" LONGER LOWER UNIT)

REF. NO.	PART NO.	SYM.	QTY.	DESCRIPTION
1	1523-972A1		1	DRIVE SHAFT HOUSING ASSEMBLY
2	25-20633		1	"O" RING
3	32-25050		1	TUBE, WATER INLET
4	16-23659		1	STUD, DRIVE SHAFT HOUSING TO GEAR HOUSING
8	1526-974		1	SADDLE

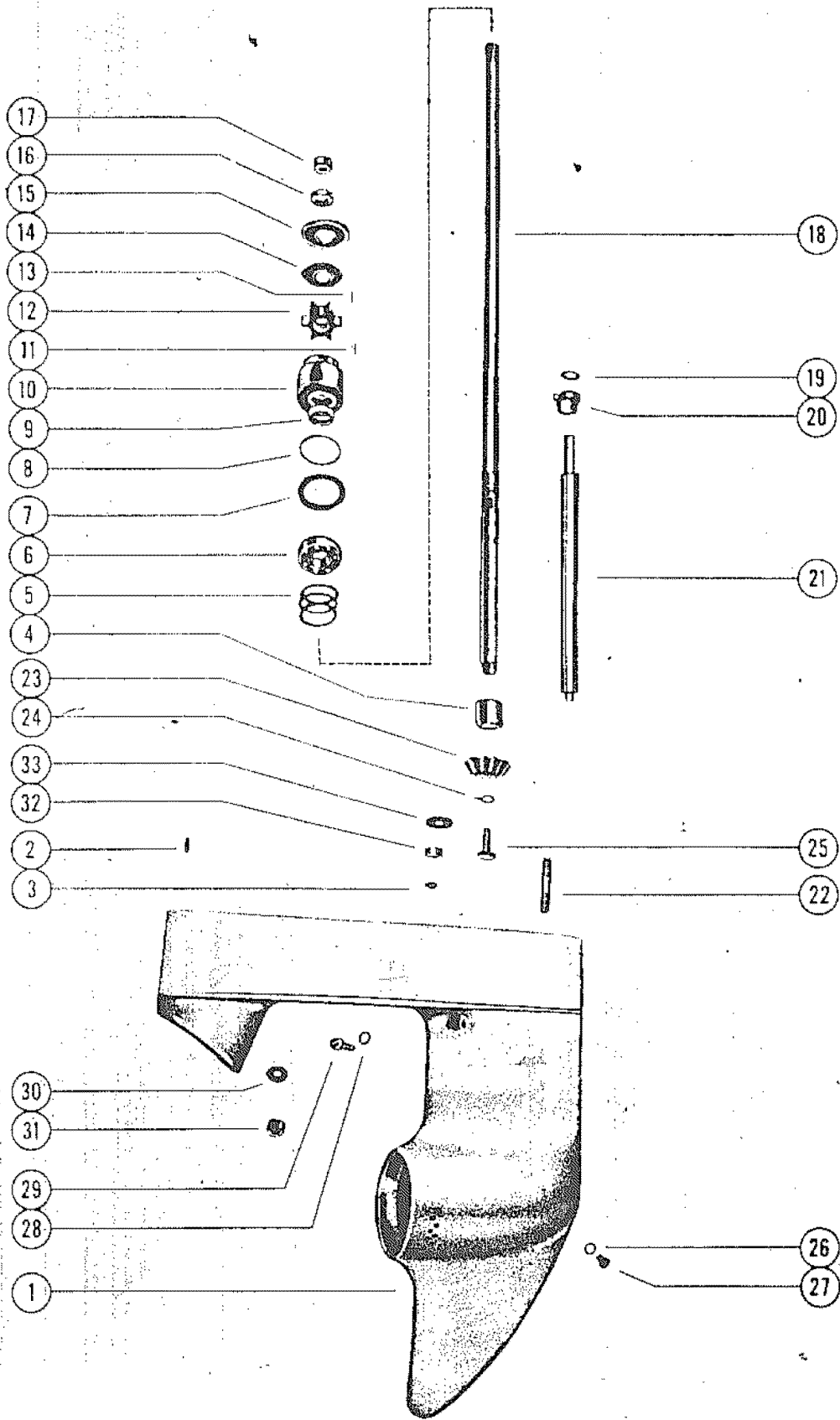
GEAR HOUSING AND PROPELLER



GEAR HOUSING AND PROPELLER

REF. NO.	PART NO.	SYM.	QTY.	DESCRIPTION
1	1602-994A11		1,,,	GEAR HOUSING ASSEMBLY, COMPLETE
	1602-994A12		,1,1,1	GEAR HOUSING ASSEMBLY, COMPLETE
2	20794		1,1,1,1	CAM, SHIFT
3	20818		1,1,1,1	CAM FOLLOWER
4	20255		1,1,1,1	SLIDE, CROSS PIN
5	24-20254		1,1,1,1	SPRING, CAM FOLLOWER PIN
6	12-20817		2,2,2,2	WASHER, THRUST (.170 .175 .180)
7	52-25609		1,1,1,1	CLUTCH, SLIDING
8	17-20819		1,1,1,1	PIN, CROSS
9	44-20828		1,1,1,1	SHAFT, PROPELLER
10	53-20820		1,1,1,1	RING, RETAINING - CROSS PIN
-	43-20976A1		1,1,1,1	FORWARD GEAR ASSEMBLY, COMPLETE
11	30-25398		1,1,1,1	BEARING, BALL - FORWARD GEAR
12	43-20976		1,1,1,1	GEAR ASSEMBLY, FORWARD
13	31-20069		1,1,1,1	BEARING, ROLLER - FORWARD GEAR
14	15-20788		AR,AR,AR,A	SHIM, BALL BEARING TO GEAR HOUSING (.002-3-5-10)
-	43-20977A1		1,1,1,1	REVERSE GEAR ASSEMBLY, COMPLETE
15	43-20977		1,1,1,1	GEAR ASSEMBLY, REVERSE
16	20823		1,1,1,1	RING, ADAPTOR - BALL BEARING
17	30-20824		1,1,1,1	BEARING, BALL - REVERSE GEAR
-	15-20822		AR,AR,AR,A	SHIM, BALL BEARING TO GEAR (.002-3-5-10)
18	15-24592		AR,AR,AR,A	SHIM, BALL BEARING TO ADAPTOR RING (.002-3-5-10)
19	25-20826		1,1,1,1	RING, SEALING (RUBBER)
20	20825A2		1,1,1,1	SEALING RING ASSEMBLY
21	31-20069		1,1,1,1	BEARING, ROLLER
22	26-20070		1,,,	OIL SEAL (1" O.D.)
	26-25431		,1,1,1	OIL SEAL (1 1/8" O.D.)
23	20827		1,1,1,1	COVER, GEAR HOUSING
24	48-23647A1		1,1,1,1	PROPELLER ASSMEBLY
-	48-25551A1		1,1,1,1	PROPELLER ASSEMBLY (HEAVY-DUTY BRONZE)
-	12-20750		1,1,1,1	WASHER, BACKING
25	14-20749		1,1,1,1	TAB WASHER
26	20950A1		1,1,1,1	NUT, PROPELLER

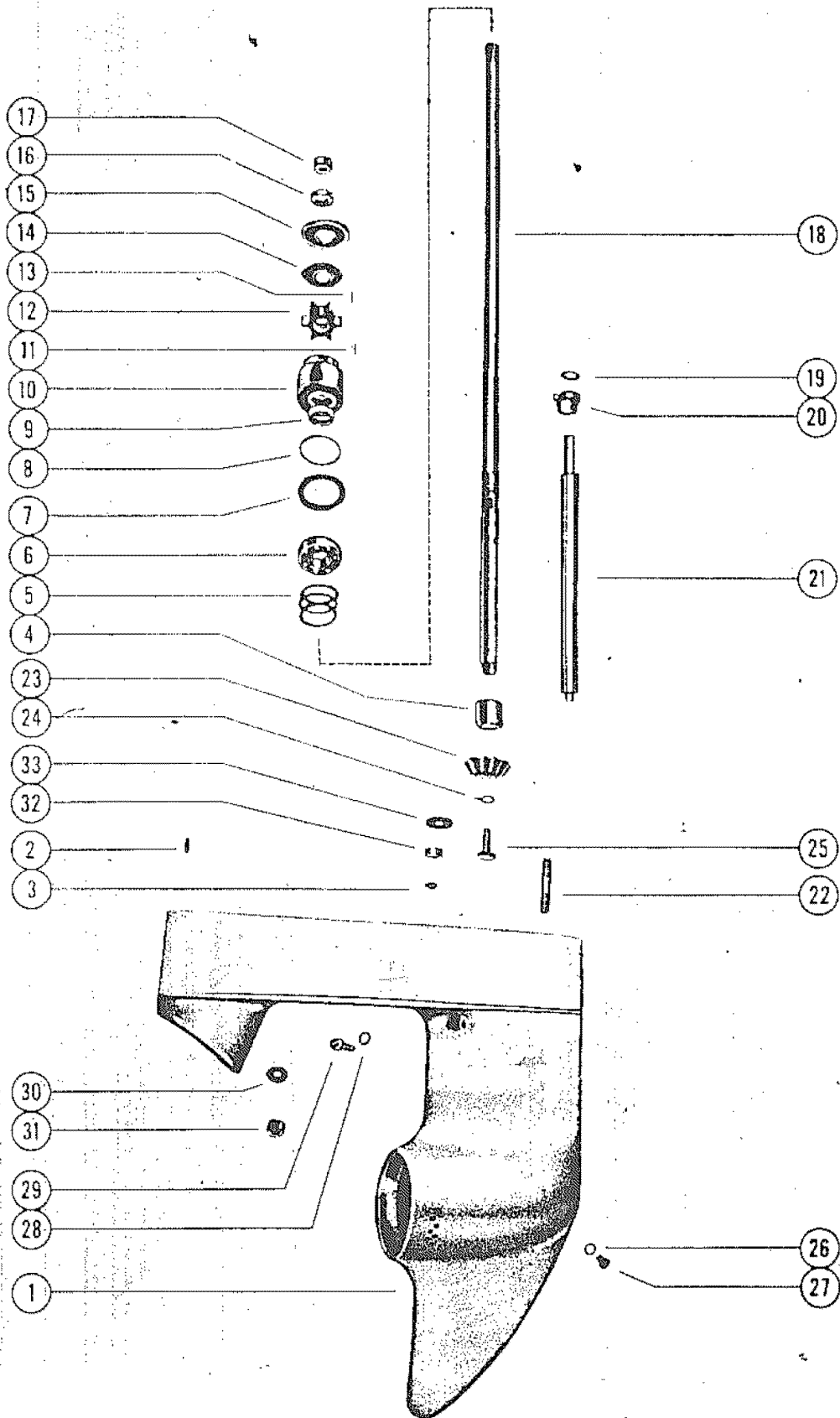
GEAR HOUSING AND DRIVE SHAFT



GEAR HOUSING AND DRIVE SHAFT

REF. NO.	PART NO.	SYM.	QTY.	DESCRIPTION
-	1602-994A11		1,,,	GEAR HOUSING ASSEMBLY, COMPLETE
-	1602-994A12		,1,1,1	GEAR HOUSING ASSEMBLY, COMPLETE
1	1602-994A5		1,1,1,1	GEAR HOUSING ASSEMBLY
2	17-20032		1,1,1,1	DOWEL, LOCATING
3	19-20791		1,1,1,1	WELCH PLUG
4	31-20790		1,1,1,1	BEARING, ROLLER - DRIVE SHAFT
22	16-20991		2,2,2,2	STUD, GEAR HOUSING
5	15-20804		AR,AR,AR,A	SHIM, BEARING TO GEAR HOUSING (.002-3-5-10)
6	30-20802		1,1,1,1	BEARING, BALL - DRIVE SHAFT
7	12-20808		1,1,1,1	"L" WASHER, WATER PUMP CARTRIDGE
8	25-20812		1,1,1,1	RING, RUBBER - SEALING
10	46-20809A2		1,1,1,1	WATER PUMP CARTRIDGE ASSEMBLY
9	26-20070		1,1,1,1	OIL SEAL
-	20810		1,1,1,1	PLATE, BOTTOM
-	20811		1,1,1,1	SLEEVE, WATER PUMP
11	17-20265		1,1,,	PIN, WATER PUMP CARTRIDGE
12	47-20813		1,1,,	IMPELLER, WATER PUMP
13	17-23733		1,1,1,1	PIN, IMPELLER DRIVE
14	20815		1,1,1,1	PLATE, OUTLET
15	20816A1		1,1,1,1	WATER PUMP COVER ASSEMBLY
16	26-20070		1,1,1,1	OIL SEAL
17	12-20684		1,1,1,1	SLINGER, CENTRIFUGAL
18	45-23730		1,1,1,1	DRIVE SHAFT
20	23-20796A1		1,,,	SHIFT SHAFT BUSHING ASSEMBLY
	23-25775A1		,1,1,1	SHIFT SHAFT BUSHING ASSEMBLY
19	26-20236		1,,,	OIL SEAL
	26-25776		,1,1,1	OIL SEAL
21	20795		1,1,1,1	SHAFT, SHIFT - LOWER HALF
23	43-20805		1,1,1,1	GEAR, PINION
24	14-20806		1,1,1,1	TAB WASHER, PINOIN GEAR
25	10-20807		1,1,1,1	SCREW, PINOIN GEAR RETAINING
26	12-20260		1,1,1,	WASHER, GREASE FILLER AND FLUSHING HOLE SCREW
	12-20260		,,,2	WASHER, GREASE FILLER AND FLUSHING HOLE SCREW
27	10-28634		1,1,1,	SCREW, GREASE FILLER AND FLUSHING HOLE
	10-28634		,,,2	SCREW, GREASE FILLER AND FLUSHING HOLE
28	12-20262		1,1,1,1	WASHER, GEAR HOUSING VENT SCREW
29	10-28653		1,1,1,1	SCREW, GEAR HOUSING VENT
30	12-20553		1,1,1,1	WASHER, DRIVE SHAFT HOUSING STUD
31	11-25269		1,1,1,1	NUT, DRIVE SHAFT HOUSING STUD
32	12-20683		1,1,1,1	WASHER, WATER TUBE SEAL
33	12-20684		1,1,1,1	SEAL, RUBBER - WATER TUBE

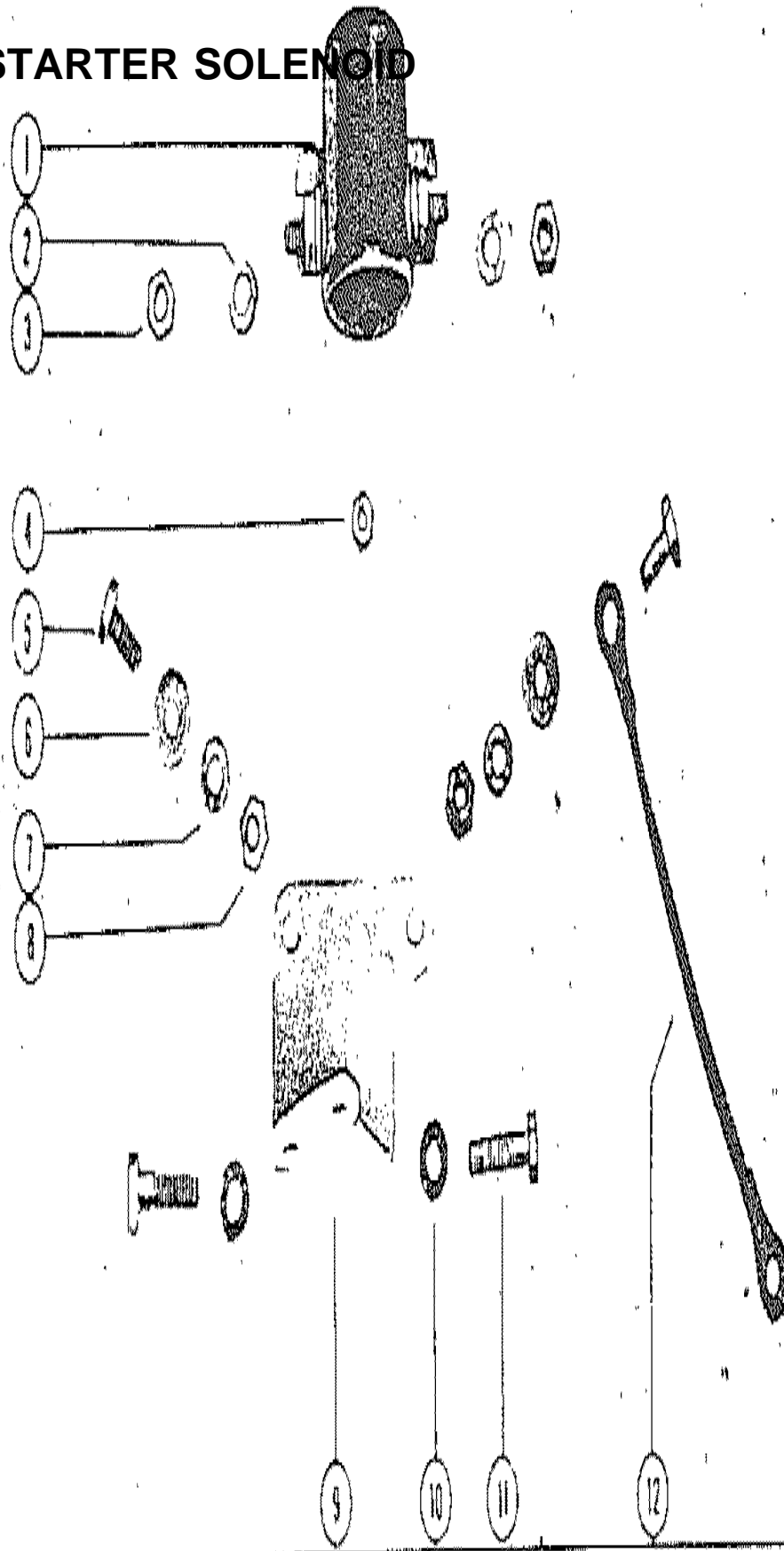
GEAR HOUSING & DRIVE MK 25L & MK 25EL (5" LONGER LOWER UNIT)



GEAR HOUSING & DRIVE MK 25L & MK 25EL (5" LONGER LOWER UNIT)

REF. NO.	PART NO.	SYM.	QTY.	DESCRIPTION
-	45-25048		1	DRIVE SHAFT
-	25077A1		1	SHIFT SHAFT ASSEMBLY, LOWER EXTENSION
-	38-25079		1	SERIAL PLATE

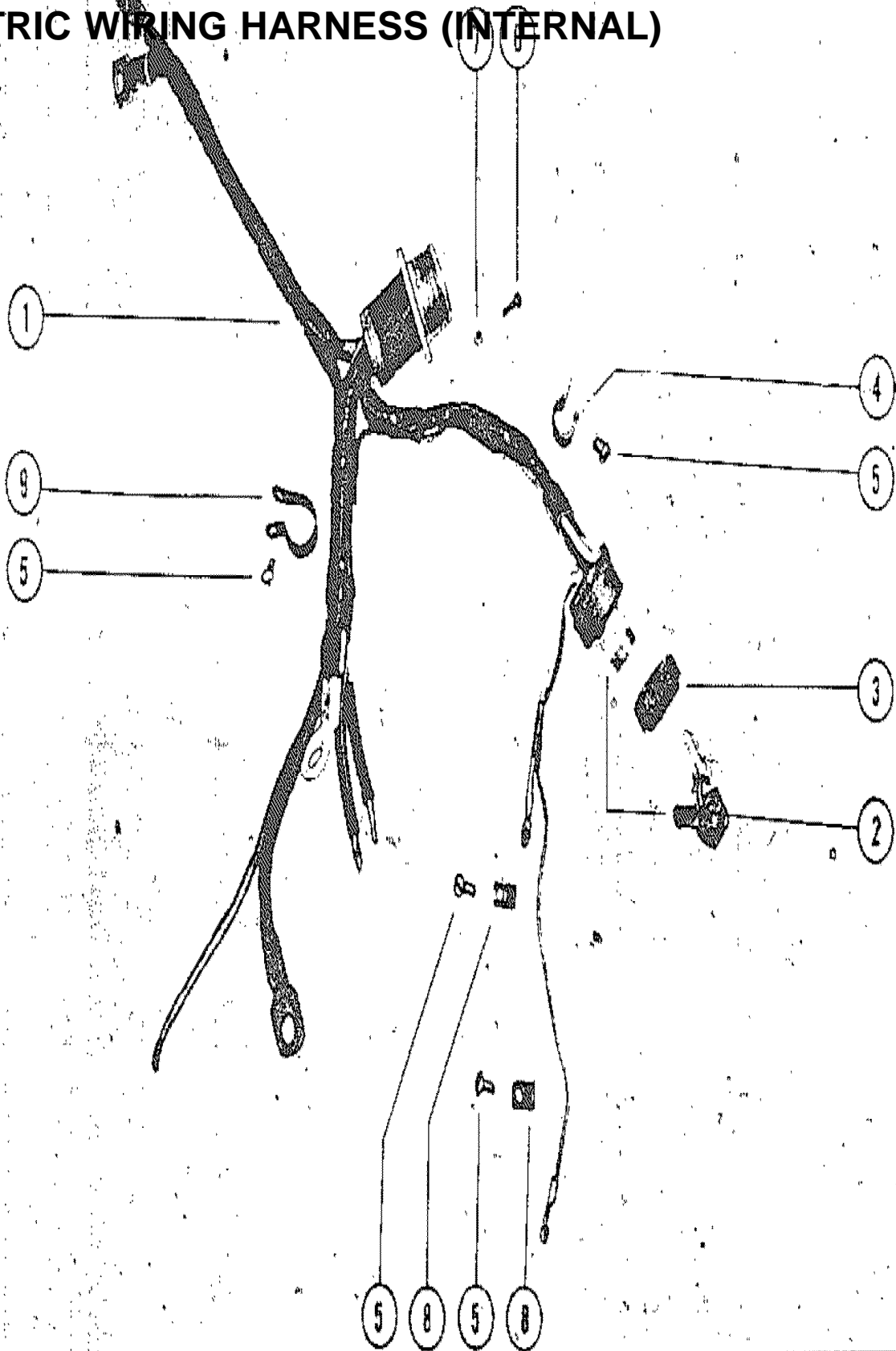
ELECTRIC STARTER SOLENOID



ELECTRIC STARTER SOLENOID

REF. NO.	PART NO.	SYM.	QTY.	DESCRIPTION
1	25215		1,	SOLENOID, STARTER
-	25661		,1	SOLENOID, STARTER
2	13-20223		2,2	LOCKWASHER, SOLENOID TERMINAL
3	11-21929		2,2	NUT, SOLENOID TERMINAL
4	11-20645		1,1	NUT, SOLENOID TERMINAL
5	10-20776		2,2	SCREW, STARTER SOLENOID TO BRACKET
6	12-20533		2,2	WASHER, STARTER SOLENOID SCREW
7	13-20147		2,2	LOCKWASHER, STARTER SOLENOID SCREW
8	11-21825		2,2	NUT, STARTER SOLENOID SCREW
9	23875		1,1	BRACKET, STARTER SOLENOID
10	13-20147		2,2	LOCKWASHER, BRACKET SCREW
11	10-28667		2,2	SCREW, BRACKET TO CYLINDER BLOCK COVER
12	24834A1		1,1	GROUND STRAP ASSEMBLY

ELECTRIC WIRING HARNESS (INTERNAL)



ELECTRIC WIRING HARNESS (INTERNAL)

REF. NO.	PART NO.	SYM.	QTY.	DESCRIPTION
1	23929		1,	WIRING HARNESS (INTERNAL)
	25505		,1	WIRING HARNESS (INTERNAL)
2	25105		1,1	SWITCH, STARTER
-	25304		2,2	KEY, STARTER SWITCH (# _____)
3	22628		1,1	BEZEL, STARTER SWITCH
4	54-25261		1,1	CLIP, CABLE - STARTER LEAD
5	10-25236		1,1	SCREW, CABLE CLIP TO COWL
6	10-24831		4,4	SCREW, CANNON PLUG TO COWL
7	11-24832		4,4	NUT, CANNON PLUG SCREW
8	54-25231		2,2	CLIP, CABLE - CHOKE WIRE
5	10-25236		2,2	SCREW, CABLE CLIP TO COWL
9	54-24871		1,1	CLIP, CABLE - WIRING HARNESS TO COWL
5	10-25236		1,1	SCREW, CABLE CLIP TO COWL

PARTS INDEX

Part Number	Description	Pg.	Ref. No.	Part Number	Description	Pg.	Ref. No.
20022A1	VERTICAL SHAFT ASSEMBLY	31	5	20755	SLEEVE, CONTROL ROD CONNECTOR	31	9
20119	PROTECTOR, SPARK PLUG	11	38	20756	ROD, RIGHT HAND THREAD	31	11
20144	PLATE, AUXILIARY STARTER	9	1	20779	SLEEVE, COWL RETAINING (THREADED)	3	-
20155	RETAINER, SPRING	7	12	20794	CAM, SHIFT	47	2
20157	SHAFT, SHEAVE	7	22	20795	SHAFT, SHIFT - LOWER HALF	49	21
20161	RETAINER, WAVE WASHER	7	20	20797	COUPLING, SHIFT CONTROL LEVER (USE WITH 2576543 LEVER ASSEMB)	31	--
20162	PAWL, STARTER	7	18	20810	PLATE, BOTTOM	49	-
20164	PLATE, RETAINER, - STARTER PAWL	7	19	20811	SLEEVE, WATER PUMP	49	-
20172	END CAP, STARTER HANDLE	7	26	20815	PLATE, OUTLET	49	14
20173	SHUTTER, CHOKE	17	4	20816A1	WATER PUMP COVER ASSEMBLY	49	15
20255	SLIDE, CROSS PIN	47	4	20818	CAM FOLLOWER	47	3
20502	SWIVEL	37	16	20823	RING, ADAPTOR - BALL BEARING	47	16
20502A1	SWIVEL ASSEMBLY	37	--	20825A2	SEALING RING ASSEMBLY	47	20
20537	PLATE, MANIFOLD BAFFLE	23	8	20827	COVER, GEAR HOUSING	47	23
20539	COVER, EXHAUST MANIFOLD	23	6	20950A1	NUT, PROPELLER	47	26
20543A1	REAR BRACKET ASSEMBLY, TOP COWL MOUNTING	23	21	20974	REVERSE LOCK LEVER	39	28
20549A1	FRONT STARBOARD BRACKET ASSEMBLY	25	24	22122	COVER, COWL CUT-OUT	3	3
20570	PLATE, COWL MOUNTING	25	21	22477	THUMB SCREW ASSEMBLY	39	2
20573A1	FRONT PORT BRACKET ASSEMBLY	25	33	22628	BEZEL, STARTER SWITCH	55	3
20591A1	HANDLE GRIP & SHAFT ASSEMBLY	35	15	22689A1	VERTICAL SHAFT BRACKET ASSEMBLY	31	1
20591A2	STEERING HANDLE ASSEMBLY	35	-	22689A2	VERTICAL SHAFT BRACKET ASSEMBLY, COMPLETE	31	-
20623	MARKER, "TOP" - LEAD WIRE	9	36	22833	ADAPTOR, FUEL LINE (MALE)	3	25
20662	HANDLE, STARTER CABLE	7	25	22930A2	THROTTLE CONTROL CAM ASSEMBLY	11	44
20693	LEVER, TILT STOP	39	10	22931A1	THROTTLE LEVER ASSEMBLY	17	1
20709	ROD, REVERSE LOCK LEVER	39	29	22942	PLUG, TOP COWL	7	4
20715	CAM, LOWER - REVERSE LOCK	43	16	22995	FITTING, FUEL LINE	21	12
20717	CAM, UPPER - REVERSE LOCK	43	18	23004	RETAINER, CHECK VALVE	21	5
20721	BUMPER, RUBBER - FRONT COWL	3	21	23009A1	FUEL PUMP ASSEMBLY	21	1
20721	BUMPER, RUBER -B STARBOARD COWL	3	2	23014	DIAPHRAGM, FUEL PUMP	21	6
20731A1	TUBE ASSEMBLY, STEERING HANDLE	35	13	23068	CUP WASHER, FUEL LINE ADAPTOR	3	29
20732	RING, POINTER - STEERING HANDLE TUBE	35	--	23069	STEM, FUEL LINE ADAPTOR	3	26
20732	TUBE, STEERING HANDLE	35	--	23098	EMBLEM, FRONT COVER COWL	3	22
20735	ELBOW, STEERING HANDLE	33	38	23605	LEVER, CROSS SHAFT	31	12
20735	ELBOW, STEERING HANDLE	35	6	23606A2	CROSS SHAFT ASSEMBLY	33	46
20737	PLUG, FRICTION	33	45	23609A1	SHIFT SHAFT ASSEMBLY (FLEXIBLE)	31	26
20737	PLUG, FRICTION	35	3	23613	BUTTON, FRICTION - CO-PILOT	39	25
20744	PLATE, ELBOW COVER	33	49	23614	BUTTON, CO-PILOT SPRING	39	23
20746	PLATE, WATER TUBE	43	21	23620	LUG, DETENT PLATE HOLD DOWN	31	23
20752	SWIVEL, THROTTLE CONTROL LINKAGE	31	6	23622A3	SHIFT CONTROL LEVER ASSEMBLY	31	22
				23624	DRUM, THROTTLE AND SHIFT LOCK	31	29

PARTS INDEX

Part Number	Description	Pg.	Ref. No.	Part Number	Description	Pg.	Ref. No.
23625	BRACKET, THROTTLE			25151	RUBBER MOUNT (LOWER)	43	13
	SHAFT BEARING	31	15	25154	COVER, LOWER MOUNT	43	15
23626A1	STEERING BRACKET			25155	COVER, UPPER MOUNT	43	11
	ASSEMBLY	31	31	25199	BUMPER, RUBBER - FRONT		
23626A2	STEERING BRACKET				COWL (7/8")	3	-
	ASSEMBLY	31	31	25206	COVER, TRANSFER PORT	23	19
23715	BASE, FUEL FILTER	17	10	25208	SOLENOID, CHOKE	19	1
23716	CAP, FUEL FILTER	17	14	25215	SOLENOID, STARTER	53	1
23754	LEVER, CHOKE	17	7	25304	KEY, STARTER SWITCH		
23764	INSERT, TAP LOCK	3	-		(#_____)	55	-
23766	BRACKET, STARTER			25463	SHIPPING CARTON (FUEL		
	MOTOR MOUNTING	21	21		TANK)	1	-
23855	LINK, BELL CRANK TO			25505	WIRING HARNESS		
	SHIFT CONTROL LEVER	37	12		(INTERNAL)	55	1
23859A1	CABLE ANCHOR BRACKET			25543	ROD, LINK - THROTTLE		
	ASSEMBLY	37	2		CONTROL LINKAGE	31	--
23875	BRACKET, STARTER			25661	SOLENOID, STARTER	53	-
	SOLENOID	53	9	25678	RUBBER MOUNT (UPPER)	43	9
23884A1	FRONT STARBOARD			25682	RUBBER MOUNT (LOWER)	43	13
	BRACKET ASSEMBLY	25	24	25765A1	SHIFT CONTROL LEVER		
23885	COVER, FUEL PUMP	21	8		ASSEMBLY	31	22
23909	SHIPPING CARTON			25765A3	SHIFT CONTROL LEVER		
	(ENGINE)	1	-		ASSEMBLY	31	22
23929	WIRING HARNESS			25882	STEERING BAR ASSEMBLY	37	1
	(INTERNAL)	55	1	25882A2	INSIDE STEERING BAR		
24011	FLUSHING ATTACHMENT				ASSEMBLY, COMPLETE	37	-
	(ENGINE WITHOUT			26092	ROD, REVERSE LOCK		
	FLUSHING HOLE)	1	-		LEVER	39	29
24789A1	FLUSHING ATTACHMENT			26093A1	REVERSE LOCK LEVER		
	(ENGINE WITH FLUSHING				ASSEMBLY	39	28
	HOLE)	1	-	26094	FORK, ACTUATOR -		
24823A1	KNOB ASSEMBLY, MAIN				REVERSE LOCK LEVER	39	30
	ADJUSTMENT SCREW	15	37	26179	RETAINER, WAVE WASHER		
24834A1	GROUND STRAP ASSEMBLY	53	12		(NOT SHOWN)	7	-
24951	ADAPTOR, CHOKE LEVER	19	16	26183A_	EMBLEM, FRONT COVER		
24953	SHUTTER, CHOKE	19	11		COWL	3	22A
24954	ROD, SOLENOID TO CHOKE			N.S.S.	ANCHORK, STARTER CABLE	7	23
	SHUTTER	19	7	N.S.S.	CABLE, STARTER	7	24
24955	LINK, ADAPTOR TO			N.S.S.	PIN, PISTON	27	9
	SHUTTER	19	14	N.S.S.	PISTON	27	8
24956	LEVER, CHOKE	19	17	N.S.S.	ROD AND CAP,		
24964	PLATE, COWL MOUNTING	25	21		CONNECTING	27	4
25034	BLANKET, PORT COWL	3	13	10-20014	SCREW, KNOB FASTENING		
25035	BLANKET, STARBOARD				(8)	15	38
	COWL	3	5	10-20031	SCREW, EMBLEM		
25043	BLANKET, PORT COWL	3	13		FASTENING	3	23
25044	BLANKET, STARBOARD			10-20031	SCREW, STEERING HANDLE		
	COWL	3	5		LOCATING	33	41
25077A1	SHIFT SHAFT ASSEMBLY,			10-20031	SCREW, STEERING HANDLE		
	LOWER EXTENSION	51	--		LOCATING	35	1
25103	INSERT, CENTER MAIN			10-20037	SCREW, CHECK VALVE		
	BERING (PAIR)	29	-		RETAINER TO HOUSING	21	4
25105	SWITCH, STARTER	55	2	10-20049	SCREW, CENTER MAIN		
25113	HARNES, MAGNETO				BEARING CLAMPING	29	3
	GROUND	11	53	10-20049	SCREW, CENTER MAIN		
25114	BELL CRANK	37	5		BEARING CLAMPING	29	3
25116A1	PLUNGER ASSEMBLY	19	4	10-20049	SCREW, CENTER MAIN		
25141	COVER, EXHAUST				BEARING CLAMPING	29	3
	MANIFOLD	23	6	10-20055	SCREW, REED FASTENING	29	8
25150	RUBBER MOUNT (UPPER)	43	9	10-20060	SCREW, CONNECTING ROD	27	1

PARTS INDEX

Part Number	Description	Pg.	Ref. No.	Part Number	Description	Pg.	Ref. No.
10-20090	SCREW, MAIN BEARING LOCKING	25	7	10-21133	SCREW, FIXED CONTACT	9	12
10-20146	SCREW, CHOKE SOLENOID TO TOP COWL	19	2	10-21136	SCREW, CONDENSER	9	17
10-20146	SCREW, VERTICAL SHAFT BRACKET MOUNTING	31	13	10-21138	SCREW, LEAD WIRE CLAMP (8 SHORT)	9	25
10-20217	SCREW, ANCHOR - STOP LEVER	39	12	10-21139	SCREW, LEAD WIRE CLAMP (8 LONG)	9	26
10-20314	SCREW, DRIVE - SERIAL PLATE	41	36	10-21140	SCREW, HARNESS CLAMP	11	55
10-20474	SCREW, STEERING BRACKET TO HOUSING (3/4")	33	36	10-21143	SCREW, SEALING COVER FASTENING	9	33
10-20532	SCREW, COVER TO CYLINDER BLOCK	23	15	10-21335	SCREW, THROTTLE ADJUSTING (7/8")	31	19
10-20542	SCREW, REAR BRACKET MOUNTING	23	24	10-21424	SCREW, MOTOR MOUNTING BRACKET (1/2")	21	22
10-20578	SCREW, CHOKE SHUTTER	17	5	10-22411	SCREW, FUEL PUMP HOUSING (1")	21	10
10-20597	SCREW, THROTTLE LEVER	17	2	10-22657	SCREW, HOLD DOWN LUG TO STEERING BRACKET	31	24
10-20608	SCREW, FRICTION PLUG	33	44	10-22928	SCREW, KNOB FASTENING (10)	15	38
10-20608	SCREW, FRICTION PLUG	35	5	10-23030	SCREW, PLUG - BY-PASS TUBE	13	32
10-20616	SCREW, THROTTLE CAM MOUNTING (SHORT)	11	46	10-23035	SCREW & LOCKWASHER, THROTTLE SHUTTER	13	29
10-20619	SCREW, THROTTLE CAM MOUNTING (LONG)	11	47	10-23618	SCREW, TOP COWL PLUG FASTENING	7	5
10-20644	SCREW, THROTTLE ADJUSTING (1")	31	20	10-23874	SCREW, FRONT COWL ATTACHING	3	19
10-20650	SCREW, SHUTTER STOP	19	--	10-23976	SCREW, BREAKER CONNECTION	9	15
10-20697	SCREW, DRIVE - SPRING ATTACHING	39	27	10-24222	SCREW, AUXILIARY PLATE TO FLYWHEEL	9	2
10-20716	SCREW, SET - REVERSE CAM LOCK	43	17	10-24222	SCREW, MANIFOLD COVER	23	5
10-20716	SCREW, SET - THROTTLE AND SHIFT LOCK DRUM	31	30	10-24222	SCREW, TRANSFER PORT COVER	23	17
10-20723	SCREW, BEARING BRACKET TO CRANKCASE	31	16	10-24222	SCREW, TRANSFER PORT COVER	23	17
10-20724	SCREW, COWL HANDLE	3	9	10-24773	SCREW, CHOKE SOLENOID TO TOP COWL	19	-
10-20738	SCREW, ELBOW COVER PLATE TO ELBOW	33	50	10-24831	SCREW, CANNON PLUG TO COWL	55	6
10-20776	SCREW, STARTER SOLENOID TO BRACKET	53	5	10-24878	SCREW, ADAPTOR TO PORT COWL	5	31
10-20784	SCREW, PORT COWL MOUNTING	3	14	10-24957	SCREW, CHOKE SHUTTER	19	12
10-20807	SCREW, PINOIN GEAR RETAINING	49	25	10-24963	SCREW, FUEL PUMP COVER TO COWL	21	26
10-20847	SCREW, THROTTLE STOP LEVER	13	8	10-25156	SCREW, LOWER MOUNT COVER FASTENING	43	12
10-20854	SCREW, FLOAT BOWL COVER (SHORT)	13	22	10-25156	SCREW, UPPER MOUNT COVER FASTENING	43	12
10-20857	SCREW, FLOAT BOWL COVER (LONG) (1326-869)	13	23	10-25157	SCREW, SECTOR GEAR AND SPRING FASTENING	11	42
10-20870	SCREW, PLUG - BODY CHANNEL	13	34	10-25205	SCREW, MOTOR MOUNTING BRACKET (3/4")	21	--
10-21077	SCREW, TENSION ADJUSTING	39	22	10-25207	SCREW, FUEL PUMP HOUSING (1 1/2")	21	9
10-21091	SCREW, STEERING HANDLE CLAMP	33	39	10-25236	SCREW, CABLE CLIP TO COWL	55	5
10-21091	SCREW, STEERING HANDLE CLAMP	35	8	10-25236	SCREW, CABLE CLIP TO COWL	55	5

PARTS INDEX

Part Number	Description	Pg.	Ref. No.	Part Number	Description	Pg.	Ref. No.
10-25315	SCREW, FUEL FILTER CAP	17	16	11-20361	NUT, STEERING HANDLE		
10-25822	SCREW, STRAINER COVER			11-20361	CLAMP SCREW	35	7
	FASTENING	13	28	11-20361	NUT, TOP COWL MOUNTING		
10-25850	SCREW, FLOAT BOWL				STUD	7	11
	COVER (LONG) (1326-			11-20361	NUT, TOP COWL MOUNTING		
	1119)	13	23		STUD	23	29
10-25918	SCREW, STARBOARD COWL			11-20509	NUT, COWL MOUNTING		
	FASTENING	3	11		PLATE STUD	25	18
10-25960	SCREW, HARNESS CLAMP			11-20509	NUT, STEERING BAR TO		
	FASTENING	11	58		STEERING BRACKET . . .	37	4
10-27790	SCREW, RETAINING	39	13	11-20586	NUT, CHOKE LEVER STUD .	17	9
10-28634	SCREW, GREASE FILLER			11-20586	NUT, CHOKE LEVER STUD .	19	20
	AND FLUSHING HOLE . . .	49	27	11-20645	NUT, SOLENOID TERMINAL	53	4
10-28634	SCREW, GREASE FILLER			11-20645	NUT, THROTTLE		
	AND FLUSHING HOLE . . .	49	27		ADJUSTING SCREW	31	21
10-28653	SCREW, GEAR HOUSING			11-20664	NUT, BELL CRANK		
	VENT	49	29		SHOULDER SCREW	37	10
10-28667	SCREW, BRACKET TO			11-20696	NUT, CLAMP BRACKET		
	CYLINDER BLOCK COVER	53	11		STUD	39	20
10-28667	SCREW, STEERING			11-20739	NUT, CROSS SHAFT		
	BRACKET TO HOUSING				BUSHING	31	28
	(1")	33	35	11-20754	NUT, CONTROL ROD		
11-20013	NUT, CONTROL ROD				CONNECTOR SLEEVE		
	CONNECTOR SLEEVE				(LEFT HAND THREAD) . .	31	8
	(RIGHT HAND THREAD) .	31	10	11-20849	NUT, MAIN ADJUSTMENT		
11-20061	NUT, CONNECTING ROD				SCREW	13	15
	SCREW	27	3	11-21825	NUT, STARTER SOLENOID		
11-20083	NUT, CLAMP BRACKET				SCREW	53	8
	STUD	39	7	11-21929	NUT, SOLENOID TERMINAL	53	3
11-20083	NUT, CRANKCASE TO			11-22339	NUT, FLYWHEEL	9	4
	CYLINDER BLOCK STUD .	25	36	11-22425	NUT, SPEED - COWL CUT-		
11-20088	NUT, MOUNTING BRACKET				OUT COVER FASTENING	3	4
	STUD	21	24	11-22948	NUT, FITTING	17	--
11-20088	NUT, MOUNTING BRACKET			11-22948	NUT, FITTING	21	15
	STUD	21	24	11-22948	NUT, FITTING	21	15
11-20166	NUT, SHEAVE SHAFT (LEFT			11-22948	NUT, FITTING	21	15
	HAND THREAD)	7	6	11-22948	NUT, FLEX FITTING	5	-
11-20184	NUT, BRACKET MOUNTING			11-24832	NUT, CANNON PLUG		
	STUD (PORT)	25	31		SCREW	55	7
11-20184	NUT, BRACKET MOUNTING			11-25269	NUT, DRIVE SHAFT		
	STUD (STARBOARD)	25	28		HOUSING STUD	49	31
11-20184	NUT, CARBURETOR			11-25594	NUT, GEAR HOUSING TO		
	MOUNTING STUD	15	36		DRIVE SHAFT HOUSING		
11-20184	NUT, CRANKCASE BOTTOM				STUD	43	20
	STUD	25	16	11-25599	NUT, CLAMP BRACKET		
11-20184	NUT, DRIVE SHAFT				STUD	39	20
	HOUSING TO			12-20028	WASHER, BRACKET		
	POWERHEAD	43	6		MOUNTING STUD (PORT)	25	32
11-20184	NUT, INTERLOCK			12-20028	WASHER, BRACKET		
	TIGHTENING	31	--		MOUNTING STUD		
11-20184	NUT, MOUNTING BRACKET				(STARBORAD)	25	27
	STUD	21	24	12-20028	WASHER, COWL MOUNTING		
11-20361	NUT, COWL MOUNTING				SCREW	3	15
	STUD	25	30	12-20028	WASHER, COWL MOUNTING		
11-20361	NUT, LEVER ANCHOR				SCREW (SPACER)	3	-
	SCREW	39	17	12-20028	WASHER, COWL MOUNTING		
11-20361	NUT, PORT COWL				STUD	25	23
	MOUNTING SCREW	3	17	12-20028	WASHER, CYLINDER BLOCK		
11-20361	NUT, STEERING HANDLE				COVER SCREW (7/16) . . .	23	12
	CLAMP SCREW	33	40				

PARTS INDEX

Part Number	Description	Pg.	Ref. No.	Part Number	Description	Pg.	Ref. No.
12-20028	WASHER, DRIVE SHAFT HOUSING TO POWERHEAD	43	7	12-20553	WASHER, STEERING BAR	37	3
12-20028	WASHER, HARNESS CLAMP SCREW	11	--	12-20572	WASHER, COWL MOUNTING PLATE STUD	25	19
12-20028	WASHER, LEVER ANCHOR SCREW	39	15	12-20583	WASHER, ADAPTOR SCREW	5	33
12-20028	WASHER, THROTTLE BEARING BRACKET SCREW	31	17	12-20583	WASHER, CHOKE LEVER STUD	19	19
12-20028	WASHER, THROTTLE MOUNTING	11	49	12-20583	WASHER, TOP COWL MOUNTING STUD (SPACER)	23	--
12-20028	WASHER, TOP COWL MOUNTING STUD	7	8	12-20583	WASHER, TOP COWL MOUNTING STUD (SPACER)	23	--
12-20028	WASHER, TOP COWL MOUNTING STUD (SMALL)	23	27	12-20583	WASHER, TOP COWL MOUNTING STUD (THIN)	7	9
12-20028	WASHER, TRANSFER PORT COVER SCREW	23	18	12-20583	WASHER, TOP COWL MOUNTING STUD (THIN)	7	9
12-20028	WASHER, TRANSFER PORT COVER SCREW	23	18	12-20670	WASHER, ADAPTOR LINK	19	8
12-20028	WASHER, VERTICAL BRACKET MOUNTING SCREW	31	14	12-20670	WASHER, SOLENOID ROD	19	8
12-20064	WASHER, NEEDLE BEARING RETAINING	27	5	12-20683	WASHER, WATER TUBE SEAL	49	32
12-20214	WASHER, THUMB SCREW	39	3	12-20684	SEAL, RUBBER - WATER TUBE	49	33
12-20260	WASHER, GREASE FILLER AND FLUSHING HOLE SCREW	49	26	12-20684	SLINGER, CENTRIFUGAL	49	17
12-20260	WASHER, GREASE FILLER AND FLUSHING HOLE SCREW	49	26	12-20722	WASHER, HANDLE CLAMPING SCREW	3	8
12-20262	WASHER, GEAR HOUSING VENT SCREW	49	28	12-20750	WASHER, BACKING	47	--
12-20346	WASHER, COWL MOUNTING SCREW	3	16	12-20808	"L" WASHER, WATER PUMP CARTRIDGE	49	7
12-20346	WASHER, COWL MOUNTING STUD	25	29	12-20817	WASHER, THRUST (.170 .175 .180)	47	6
12-20346	WASHER, EMBLEM FASTENING SCREW	3	24	12-21135	WASHER, FIXED CONTACT SCREW	9	14
12-20346	WASHER, TOP COWL MOUNTING STUD	7	10	12-21135	WASHER, LEAD WIRE CLAMP (8 SCREW)	9	28
12-20346	WASHER, TOP COWL MOUNTING STUD (LARGE)	23	28	12-22450	WASHER, HARNESS CLAMP SCREW	11	--
12-20533	WASHER, CHOKE LEVER STUD	17	-	12-22937	WASHER, BELL CRANK SHOULDER SCREW	37	9
12-20533	WASHER, CYLINDER BLOCK COVER SCREW (9/16)	23	13	12-23619	WASHER, THRUST - SWIVEL PIN	43	22
12-20533	WASHER, STARBOARD COWL FASTENING SCREW	3	10	12-23972	WASHER, LEAD WIRE CLAMP SCREW (1/4)	9	30
12-20533	WASHER, STARTER SOLENOID SCREW	53	6	12-25316	WASHER, FUEL FILTER CAP SCREW	17	15
12-20546	WASHER, CRANKCASE TO CYLINDER BLOCK STUD	25	35	12-26014	WASHER, HOLD DOWN LUG SCREW	31	25
12-20551	WASHER, RUBBER - PLATE TO STBD. BRACKET	25	22	12-26014	WASHER, LINK FASTENING TO CONTROL LEVER	37	13
12-20553	WASHER, DRIVE SHAFT HOUSING STUD	49	30	12-26014	WASHER, REED FASTENING SCREW	29	7
				12-26156	WASHER, THRUST - SWIVEL PIN	43	22
				12-26180	WASHER, WAVE WASHER, RETAINER (NOT SHOWN)	7	-
				12-27894	WASHER, NYLON - FRONT COWL SCREW	3	-
				13-20147	LOCKWASHER, ADAPTOR SCREW	5	32
				13-20147	LOCKWASHER, AUXILIARY PLATE SCREW	9	3

PARTS INDEX

Part Number	Description	Pg.	Ref. No.	Part Number	Description	Pg.	Ref. No.
13-20147	LOCKWASHER, BRACKET SCREW	53	10	14-20091	TAB WASHER, MAIN BEARING LOCKING SCREW	25	8
13-20147	LOCKWASHER, CHOKE SOLENOID SCREW	19	3	14-20165	TAB WASHER, SHEAVE SHAFT NUT	7	7
13-20147	LOCKWASHER, CRANKCASE BOTTOM STUD	25	15	14-20745	TAB WASHER, CROSS SHAFT BUSHING NUT ...	31	27
13-20147	LOCKWASHER, FUEL PUMP COVER SCREW	21	25	14-20749	TAB WASHER	47	25
13-20147	LOCKWASHER, LEVER ANCHOR SCREW	39	16	14-20806	TAB WASHER, PINOIN GEAR	49	24
13-20147	LOCKWASHER, MOUNTING BRACKET STUD	21	23	15-20473	SHIM, VERTICAL SHAFT TO BRACKET (.010-20)	31	-
13-20147	LOCKWASHER, MOUNTING BRACKET STUD	21	23	15-20475	SHIM, VERTICAL BRACKET TO CRANKCASE (.005-10)	31	--
13-20147	LOCKWASHER, REAR BRACKET MOUNTING SCREW	23	23	15-20514	SHIM, STEEL (.002-3-5-10)	25	13
13-20147	LOCKWASHER, STARTER SOLENOID SCREW	53	7	15-20626	SHIM, MAGNETO STATOR PLATE TO CRANKCASE (.015)	11	50
13-20147	LOCKWASHER, STEERING BRACKET SCREW	33	37	15-20627	SHIM, CLAMP SPRING TO CRANKCASE (.015)	11	51
13-20147	LOCKWASHER, STEERING HANDLE LOCATING SCREW	33	42	15-20695	SHIM, CLAMP BRACKET TO SWIVEL BRACKET (.010)	39	19
13-20147	LOCKWASHER, STEERING HANDLE LOCATING SCREW	35	2	15-20729	SHIM, STEELE (.010)	35	11
13-20160	WASHER, WAVE	7	21	15-20788	SHIM, BALL BEARING TO GEAR HOUSING (.002-3-5-10)	47	14
13-20163	WASHER, WAVE - STARTER PAWL	7	17	15-20804	SHIM, BEARING TO GEAR HOUSING (.002-3-5-10) ..	49	5
13-20223	LOCKWASHER, CLAMP BRACKET STUD NUT ...	39	6	15-20822	SHIM, BALL BEARING TO GEAR (.002-3-5-10)	47	--
13-20223	LOCKWASHER, SOLENOID TERMINAL	53	2	15-21390	SHIM, MAGNETO CLAMPING SPRING (.031)	11	39
13-20511	WASHER, WAVE - CHOKE LEVER STUD	17	8	15-24592	SHIM, BALL BEARING TO ADAPTOR RING (.002-3-5-10)	47	18
13-20554	LOCKWASHER, FUEL PUMP HOUSING SCREW	21	11	15-25600	SHIM, CLAMP BRACKET TO SWIVEL BRACKET (.010)	39	19
13-20730	WASHER, WAVE (STEEL) ..	35	14	16-20075	STUD, TOP COWL MOUNTING (PORT SIDE)	7	3
13-20770	WASHER, WAVE - CHOKE LEVER STUD	17	8	16-20467	STUD, CRANKCASE TO CRANKCASE BOTTOM ..	25	14
13-20846	WASHER, WAVE - RETAINING SCREW	39	14	16-20469	STUD, CRANKCASE TO MOUNTING BRACKET ...	25	5
13-21134	LOCKWASHER, CONDENSER SCREW ...	9	18	16-20525	STUD, CYLINDER BLOCK TO CRANKCASE (1 5/16) ...	23	4
13-21134	LOCKWASHER, FIXED CONTACT SCREW	9	13	16-20550	STUD, COWL MOUNTING PLATE	25	26
13-21134	LOCKWASHER, LEAD WIRE CLAMP (8 SCREW)	9	27	16-20581	STUD, CHOKE LEVER	17	6
13-21144	LOCKWASHER, CORE FASTENING SCREW	9	10	16-20657	STUD, CLAMP BRACKET ..	39	4
13-23644	WASHER, WAVE - BELL CRANK SHOULDER SCREW	37	8	16-20694	STUD, CLAMP BRACKET TO SWIVEL BRACKET	39	18
13-26991	LOCKWASHER, CHOKE SOLENOID SCREW	19	-	16-20761	STUD, TOP COWL MOUNTING (STARBOARD SIDE)	7	2
13-26991	LOCKWASHER, THROTTLE MOUNTING SCREW	11	48	16-20789	STUD, MOTOR BRACKET TO C/CASE (1 3/8)	21	--
				16-20956	STUD, DRIVE SHAFT HOUSING TO POWERHEAD	23	2 & 3
				16-20991	STUD, GEAR HOUSING	49	22

PARTS INDEX

Part Number	Description	Pg.	Ref. No.	Part Number	Description	Pg.	Ref. No.
16-22806	STUD, CRANKCASE TO CARBURETOR	25	6	19-20011	WELCH PLUG, DETENT SPRING HOLDING	33	34
16-23150	STUD, MOTOR BRACKET TO C/CASE (1 1/16)	21	--	19-20791	WELCH PLUG	49	3
16-23207	STUD, MOTOR BRACKET TO C/CASE (15/16)	21	--	21-20963	VALVE, CHECK	21	2
16-23659	STUD, DRIVE SHAFT HOUSING TO GEAR HOUSING	43	4	22-22946	SLEEVE, FITTING	21	14
16-23659	STUD, DRIVE SHAFT HOUSING TO GEAR HOUSING	45	4	22-22946	SLEEVE, FITTING	21	14
16-23740	STUD, CYLINDER BLOCK TO CRANKCASE (1 3/32) ...	23	4	22-22946	SLEEVE, FLEX FITTING ...	3	-
16-25452	STUD, DRIVE SHAFT HOUSING TO GEAR HOUSING	43	4	22-22946	SLEEVE, RUBBER	17	--
16-25674	STUD, CLAMP BRACKET TO SWIVEL BRACKET	39	18	22-22993	FITTING, FILTER TO FUEL LINE	17	17
16-25932	STUD, CRANKCASE TO DRIVE SHAFT HOUSING .	25	17	22-22993	FITTING, PRESSURE LINE .	21	13
17-20000	GROOVE PIN , SECTOR GEAR	31	4	22-22994	FITTING, FLEX - FUEL LINE ADAPTOR	3	30
17-20032	DOWEL, LOCATING	49	2	22-22995	FITTING, FILTER TO FUEL LINE	17	--
17-20032	PIN, DOWEL	29	-	22-22995	FITTING, PRESSURE LINE .	21	12
17-20032	PIN, DOWEL	29	-	22-23612	FITTING, GREASE - SWIVEL BRACKET	39	26
17-20032	PIN, DOWEL	29	-	23-20158	SPACER, SHEAVE SHAFT .	7	15
17-20265	PIN, WATER PUMP CARTRIDGE	49	11	23-20159	BUSHING SPRING GUIDE ..	7	13
17-20503	PIN, SWIVEL TO STEERING BAR	37	15	23-20216	SPACER, TILT STOP LEVER	39	11
17-20728	PIN, STEERING HANDLE SHAFT	35	--	23-20528	BUSHING	23	22
17-20819	PIN, CROSS	47	8	23-20528	BUSHING	25	25
17-20853	PIN, FLOAT LEVER PINION .	13	3	23-20528	BUSHING	25	34
17-23617A1	SWIVEL PIN ASSEMBLY ...	39	34	23-20528	BUSHING, COWL MOUNTING	23	10
17-23648	PIN, DETENT	33	32	23-20571	BUSHING, RUBBER TAPERED	25	20
17-23733	PIN, IMPELLER DRIVE	49	13	23-20622	BUSHING, RUBBER (LEAD WIRE)	9	31
17-23928	ROL PIN, BELL CRANK PIVOT PIN	37	6	23-20658	SPACER, CLAMP BRACKET STUD	39	5
17-23928	ROLL PIN, SWIVEL PIN	37	18	23-20733	BUSHING, STEERING HANDLE TUBE	35	12
17-24813	PIN, SADDLE LOCATING ...	33	--	23-20796A1	SHIFT SHAFT BUSHING ASSEMBLY	49	20
17-24865	PIN, PINION GEAR	35	9	23-22571	BUSHING, VERTICAL SHAFT BRACKET	31	2
17-25696	TILT LOCK PIN	39	9	23-23569	SPACER, THROTTLE CAM .	11	45
17-26070	PIN, DETENT	33	32	23-23845	BUSHING, FLANGE - SUPORT BRACKET	37	7
17-26090A1	SWIVEL PIN ASSEMBLY ...	41	34	23-23912	BUSHING, CROSS SHAFT ..	33	48
18-20180	COTTER PIN, ADAPTOR LINK	19	9	23-25063	BUSHING, THROTTLE SHAFT BEARING BRACKET	31	18
18-20180	COTTER PIN, SOLENOID ROD TO PLUNGER	19	9	23-25217	BUSHING, RUBBER (LEAD WIRE)	11	--
18-20209	COTTER PIN, REVERSE LOCK LEVER	39	33	23-25326	TUBE, SPACER	33	47
18-23765	COTTER PIN, FRONT COWL SCREW	3	20	23-25775A1	SHIFT SHAFT BUSHING ASSEMBLY	49	20
18-26953	COTTER PIN, LINK FASTENING	37	14	23-26954	BUSHING, FLANGE - SUPORT BRACKET	37	7
18-26953	COTTER PIN, LINK FASTENING	37	14	24-20210	SPRING, REVERSE LOCK LEVER	39	31
19-20011	WELCH PLUG, BODY CHANNEL	13	33	24-20254	SPRING, CAM FOLLOWER PIN	47	5
				24-20510	SPRING, SWIVEL PIN	37	17
				24-20569	SPRING, MAGNETO HOLD DOWN	11	40

PARTS INDEX

Part Number	Description	Pg.	Ref. No.	Part Number	Description	Pg.	Ref. No.
24-20579	SPRING, CHOKE LEVER . . .	17	3	27-24863	GASKET, FUEL PUMP	21	7
24-20609	SPRING, FRICTION PLUG . .	35	4	27-25033	GASKET, INLET SEAT	13	7
24-20609	SRPING, FRICTION PLUG . .	33	43	27-25111	GASKET SET (MOTOR		
24-20869	SPRING, THROTTLE SHAFT				OVERHAUL)	1	-
	RETURN	13	11	27-25502	GASKET, DRIVE SHAFT		
24-23067	SPRING , FUEL LINE				HOUSING TO		
	ADAPTOR	3	28		POWERHEAD	43	5
24-23705	SPRING, CO-PILOT	39	24	27-25848	GASKET, STRAINER COVER		
24-23706	SPRING, DETENT PIN	33	33		SCREW	13	27
24-23714	SPRING, STARTER REWIND	7	14	27-25849	GASKET, STRAINER COVER		
24-24950	SPRING, FUEL LINE	21	--		(SMALL)	13	25
24-24952	SPRING, COMPRESSION . .	19	10	27-25851	GASKET, STRAINER COVER		
24-24958	SPRING, DETENT	19	15		(LARGE)	13	24
24-24959	SPRING, CHOKE SHUTTER	19	13	28-20907	KEY, FLYWHEEL	9	5
24-25106	SPRING, FUEL LINE	21	--	29-20046	BEARING, NEEDLE -		
24-26069	SPRING, DETENT PIN	33	33		CRANKPIN	27	2
24-26182	SPRING, REVERSE LOCK			29-20063	BEARING, NEEDLE - PISTON		
	LEVER	39	32		PIN	27	6
24-27160	SPRING, IDLE ADJUSTMENT			29-24900	BEARING, NEEDLE -		
	SCREW	13	17		CENTER MAIN BRG.	29	4
25-20415	"O" RING, ADAPTOR STEM .	3	27	30-20464	BEARING, BALL	25	11
25-20633	"O" RING	43	2	30-20464	BEARING, BALL	25	4
25-20633	"O" RING	45	2	30-20802	BEARING, BALL - DRIVE		
25-20812	RING, RUBBER - SEALING .	49	8		SHAFT	49	6
25-20826	RING, SEALING (RUBBER) .	47	19	30-20824	BEARING, BALL - REVERSE		
25-21706	"O" RING, CHOKE PLUNGER	19	5		GEAR	47	17
25-25130	GROMMET, CHOKE			30-25398	BEARING, BALL - FORWARD		
	PLUNGER	19	6		GEAR	47	11
25-25144	GROMMET, STATOR PLATE	11	56	31-20069	BEARING, ROLLER	47	21
26-20070	OIL SEAL	49	16	31-20069	BEARING, ROLLER -		
26-20070	OIL SEAL	49	9		FORWARD GEAR	47	13
26-20070	OIL SEAL (1" O.D.)	47	22	31-20594	BEARING, ROLLER	25	3
26-20236	OIL SEAL	49	19	31-20790	BEARING, ROLLER - DRIVE		
26-20530	OIL SEAL	25	2		SHAFT	49	4
26-20948	OIL SEAL	25	12	32-20634	TUBE, WATER INLET	43	3
26-25431	OIL SEAL (1 1/8" O.D.)	47	22	32-21137	TUBE, LEAD WIRE	9	21
26-25776	OIL SEAL	49	19	32-23731	LINE, FUEL - FUEL PUMP TO		
27-20030	GASKET, TRANSFER PORT				ADAPTOR	21	19
	COVER	23	20	32-23731	LINE, PRESSURE - FUEL		
27-20183	GASKET, CARBURETOR				PUMP TO BRACKET	21	17
	FLANGE	15	35	32-23732	LINE, FUEL - FUEL PUMP TO		
27-20501	GASKET, CRANKCASE				FILTER	21	18
	BOTTOM TO CRANKCASE	25	9	32-24818	LINE, PRESSURE - FUEL		
27-20531	GASKET, CYLINDER BLOCK				PUMP TO BRACKET	21	16
	COVER	23	16	32-24819	LINE, FUEL - FUEL PUMP TO		
27-20536	GASKET, CYLINDER BLOCK				ADAPTOR	21	19
	TO MANIFOLD PLATE . . .	23	9	32-25050	TUBE, WATER INLET	45	3
27-20538	GASKET, MANIFOLD COVER			32-25209	LINE, FUEL - FUEL PUMP TO		
	TO BAFFLE PLATE	23	7		FILTER	21	18
27-20848	GASKET, MAIN			33-20127	SPARK PLUG	11	52
	ADJUSTMENT SCREW			34-20053	STOP, REED	29	6
	GLAND	13	12	34-20888	REED SET, MATCHED (.012)	29	5
27-21173	GASKET, CYLINDER BLOCK			35-23719	ELEMENT, FUEL FILTER . . .	17	12
	TO CRANKCASE	23	25	35-23719A1	FUEL FILTER ASSEMBLY		
27-23005	GASKET, CHECK VALVE . . .	21	3		(USED WITH 1326-869		
27-23717	GASKET, FUEL FILTER				CARBURATOR)	17	-
	BASE	17	11	37-23076	DECAL, MERCELECTRIC		
27-23718	GASKET, FUEL FILTER CAP	17	13		(PORT & STARBOARD		
27-23880	GASKET, CRANKCASE TO				COWL)	3	-
	MOTOR BRACKET	21	20	38-23746	SERIAL PLATE	41	35

PARTS INDEX

Part Number	Description	Pg.	Ref. No.	Part Number	Description	Pg.	Ref. No.
38-24824	SERIAL PLATE (MARK 25H)	41	35	149-857A2	STARBOARD COWL ASSEMBLY	3	1
38-25079	SERIAL PLATE	51	--	150-858A1	PORT COWL ASSEMBLY	3	12
38-25680	SERIAL PLATE	41	35	151-1045A1	PORT COWL ASSEMBLY	3	12
38-25708	SERIAL PLATE (MARK 25E-1)	41	35	151-875A1	PORT COWL ASSEMBLY	3	12
39-20058	RING, PISTON	27	10	158-1074A1	COWL FRONT COVER ASSEMBLY	3	18A
39-20992	RINGS, PISTON (.015 OVERSIZE)	27	--	159-1187A1	COWL FRONT COVER ASSEMBLY	3	18B
40-20057	RING, LOCK - PISTON PIN	27	7	307-423	MAGNETO ASSEMBLY, COMPLETE	9	-
43-20471	GEAR, SECTOR - DRIVE	31	3	323-890	MAGNETO ASSEMBLY, COMPLETE (USE WITH 23713A1 STARTER MOTOR)	9	-
43-20611	GEAR, SECTOR - DRIVEN	11	41	326-1048	MAGNETO ASSEMBLY, COMPLETE (USE WITH 25444 AND 25942 STARTER)	9	-
43-20805	GEAR, PINION	49	23	398-1097	STATOR & CORE	9	7 8
43-20976	GEAR ASSEMBLY, FORWARD	47	12	398-1120	FLYWHEEL	9	6
43-20976A1	FORWARD GEAR ASSEMBLY, COMPLETE	47	--	398-1336	FLYWHEEL	9	6
43-20977	GEAR ASSEMBLY, REVERSE	47	15	398-173	COIL, IGNITION	9	19
43-20977A1	REVERSE GEAR ASSEMBLY, COMPLETE	47	--	398-174	BREAKER POINT ASSEMBLY	9	11
43-23221	GEAR, PINION - STEERING HANDLE SHAFT	35	10	398-175	STATOR & CORE	9	7 8
44-20828	SHAFT, PROPELLER	47	9	398-175A2	STATOR ASSEMBLY, COMPLETE	9	-
45-23730	DRIVE SHAFT	49	18	398-175A3	STATOR ASSEMBLY, COMPLETE	9	-
45-25048	DRIVE SHAFT	51	--	398-179	CLAMP, LEAD WIRE TUBE	9	22
46-20809A2	WATER PUMP CARTRIDGE ASSEMBLY	49	10	398-182	CLAMP, HARNESS TO CYLINDER BLOCK COVER	11	57
47-20813	IMPELLER, WATER PUMP	49	12	398-182	CLAMP, LEAD WIRE PLASTIC (8 SCREW)	9	23
48-23647A1	PROPELLER ASSEMBLY	47	24	398-189	CLAMP, MAGNETO GROUND HARNESS	11	54
48-25551A1	PROPELLER ASSEMBLY (HEAVY-DUTY BRONZE)	47	--	398-190	COVER, BREAKER COMPARTMENT SEALING	9	32
50-20149	SHEAVE, STARTER	7	16	398-192	WICK, FELT	9	37
50-22791A1	STARTER CABLE ASSEMBLY	7	-	398-693	CONDENSER	9	16
52-25609	CLUTCH, SLIDING	47	7	398-963	SCREW, CORE FASTENING	9	9
53-20820	RING, RETAINING - CROSS PIN	47	10	398-965	WIRE, LEAD - BOTTOM	9	35
53-23720	RING, RETAINING - UPPER MOUNT	43	10	398-965	WIRE, LEAD - TOP	9	34
53-23721	RING, RETAINING - LOWER MOUNT	43	14	398-979	FLYWHEEL	9	6
54-20284	CLIP, SAFETY CHAIN	39	8	401-896	CRANKSHAFT	29	1
54-20534	CLIP, HIGH TENSION LEAD	23	14	401-950	CRANKSHAFT	29	1
54-23856	CLIP, CLEVIS - LINK TO BELL CRANK	37	11	516-895A3	CENTER MAIN BEARING ASSEMBLY	29	2
54-24871	CLIP, CABLE - WIRING HARNESS TO COWL	55	9	523-1416A1	CENTER MAIN BEARING ASSEMBLY	29	2
54-25231	CLIP, CABLE - CHOKE WIRE	55	8	524-1309A1	CENTER MAIN BEARING ASSEMBLY	29	2
54-25261	CLIP, CABLE - STARTER LEAD	55	4	600-7A1	CONNECTING ROD ASSEMBLY	27	-
54-25735	CLIP, SAFETY CHAIN	39	8	718-1193A2	PISTON & PISTON PIN ASSEMBLY	27	-
90-25402	MK25 & MK25E PARTS LIST, COMPLETE	1	-	718-1313A1	PISTON & PISTON PIN ASSEMBLY (.015 OVERSIZE)	27	--
92-25234	GLUE (BLANKET ADHESIVE)	1	-				
92-25234	GLUE, ADHESIVE - BLANKET FASTENING	5	-				
121-1075A2	TOP COWL ASSEMBLY	7	1				
121-420A2	TOP COWL ASSEMBLY	7	1				
147-834	COVER, COWL FRONT	3	18				

PARTS INDEX

Part Number	Description	Pg.	Ref. No.	Part Number	Description	Pg.	Ref. No.
912-870A1	CRANKCASE ASSEMBLY (STANDARD ENGINES) ..	25	1	1523-972A1	DRIVE SHAFT HOUSING ASSEMBLY	45	1
912-876A1	CRANKCASE ASSEMBLY (ELECTRIC ENGINES) ...	25	1	1525-1047A1	DRIVE SHAFT HOUSING ASSEMBLY	43	1
1002-63A1	CYLINDER BLOCK COVER ASSEMBLY	23	11	1526-974	SADDLE	43	8
1122-840A1	CRANKCASE BOTTOM ASSEMBLY	25	10	1526-974	SADDLE	43	8
1326-1119	CARBURETOR ASSEMBLY .	13	1	1526-974	SADDLE	45	8
1326-869	CARBURETOR ASSEMBLY .	13	1	1527-1157A1	DRIVE SHAFT HOUSING ASSEMBLY	43	1
1399-101	LEVER, FLOAT (UPPER) ...	13	5	1528-1184	SADDLE	43	8
1399-102	LEVER, FLOAT (LOWER) ...	13	4	1602-994A11	GEAR HOUSING ASSEMBLY, COMPLETE	47	1
1399-107	SHUTTER, THROTTLE	13	30	1602-994A11	GEAR HOUSING ASSEMBLY, COMPLETE	49	-
1399-108	PACKING, MAIN ADJUSTMENT SCREW ..	13	14	1602-994A12	GEAR HOUSING ASSEMBLY, COMPLETE	47	1
1399-110A1	FLOAT ASSEMBLY	13	2	1602-994A12	GEAR HOUSING ASSEMBLY, COMPLETE	49	-
1399-1133	COVER, FLOAT BOWL (1326- 1119 CARBURETOR)	13	20	1602-994A5	GEAR HOUSING ASSEMBLY	49	1
1399-1135	COVER, STRAINER	13	26				
1399-1136	ELEMENT, FILTER	13	21				
1399-1138	INLET NEEDLE, SEAT & GASKET	13	6				
1399-1145	GASKET & PACKING SET (CARBURATOR 1326-1119)	1	-				
1399-1145	GASKET & PACKING SET (1326-1119)	13	--				
1399-1146	REPAIR PARTS KIT (CARBURATOR 1326-1119)	1	-				
1399-1146	REPAIR PARTS KIT (1326- 1119)	13	--				
1399-927	COVER, FLOAT BOWL (1326- 869 CARBURETOR)	13	20				
1399-931	SCREW, IDLE ADJUSTMENT	13	18				
1399-932	SCREW, MAIN ADJUSTMENT	13	16				
1399-933	SHAFT, THROTTLE	13	10				
1399-94	GLAND, MAIN ADJUSTMENT SCREW	13	13				
1399-960	TUBE, BY-PASS	13	31				
1399-961	GASKET & PACKING SET (1326-869)	13	--				
1399-961	GASKET & PACKING SET (CARBURATOR 1326-869)	1	-				
1399-962	REPAIR PARTS KIT (CRBURATOR 1326-869) ..	1	-				
1399-962	REPAIR PARTS KIT (1326- 869)	13	--				
1399-97	LEVER, THROTTLE STOP ..	13	9				
1399-99	GASKET, FLOAT BOWL COVER	13	19				
1400-21A1	CLAMP BRACKET ASSEMBLY	39	1				
1427-1081A1	CLAMP BRACKET ASSEMBLY	39	1				
1428-1089A1	SWIVEL BRACKET ASSEMBLY	39	21				
1428-841A1	SWIVEL BRACKET ASSEMBLY	39	21				
1436-1185A1	SWIVEL BRACKET ASSEMBLY	39	21				