



PARTS CATALOG

KE4 MARK 7

SERIAL NUMBER

MARK 7, KE4 ALL

TABLE OF CONTENTS:

ACCESSORIES	1
CARBURATOR ASSEMBLY	12
CLAMP AND SWIVEL BRACKET	26
CRANKCASE	20
CRANKSHAFT & CENTER MAIN BEARING	22
CYLINDER	16
DRIVE SHAFT HOUSING	28
EXHAUST MANIFOLD	24
FUEL TANK	8
GEAR HOUSING	32
MAGNETO ASSEMBLY AND FLYWHEEL (PHELON)	4
MAGNETO ASSEMBLY AND FLYWHEEL (SCINTILLA)	36
PARTS INDEX	37
PISTON AND CONNECTING ROD	18
STARTER COVER	2
STEERING HANDLE	30

NOTE: Indented description indicate that these parts are included in preceding assembly.

AR = As Required

NSS = Not Sold Separate

OPT = Optional

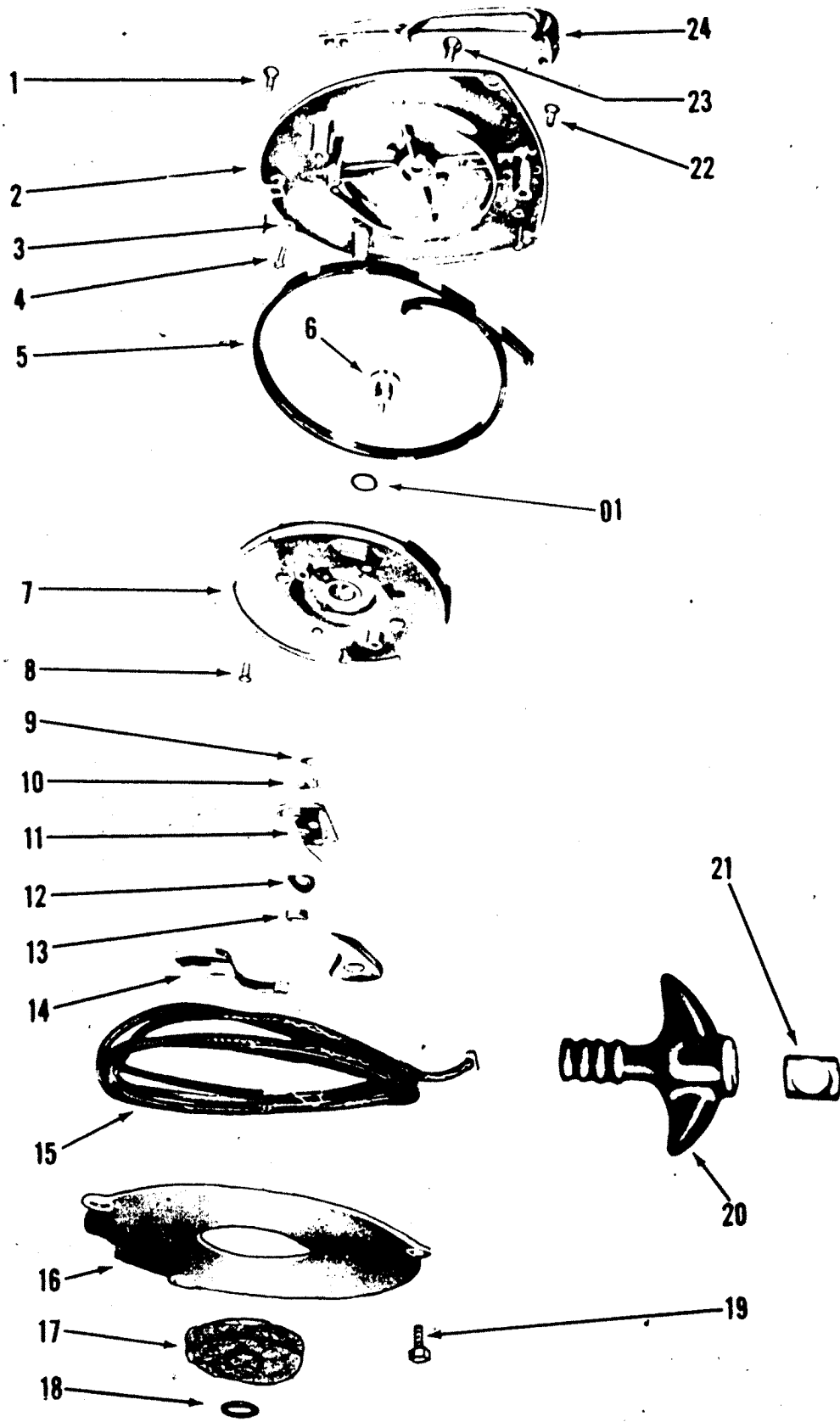
NS = Not Shown

THESE PARTS BOOKS/FICHE CARD ARE COPYRIGHTED AND MAY NOT BE DISTRIBUTED OR REPRODUCED IN ANY OTHER FORMAT BY ANYONE OTHER THAN MERCURY MARINE WITHOUT THE PRIOR WRITTEN CONSENT OF MERCURY MARINE.

ACCESSORIES

REF. NO.	PART NO.	SYM.	QTY.	DESCRIPTION
-	24733		AR	FLUSHING DEVICE
-	36-23455A1		AR	FUEL TRANSFER CAP ASSEMBLY (KE4)
-	36-23454A1		AR	FUEL TRANSFER CAP ASSEMBLY (MARK 7)
-	27-24713		AR	GASKET SET
-	1399-606		AR	GASKET & PACKING SET, CARBURATOR (AJ-23A)
-	1399-575		AR	REPAIR PARTS KIT, CARBURATOR (AJ-23A)
-	24731		AR	STEERING BAR

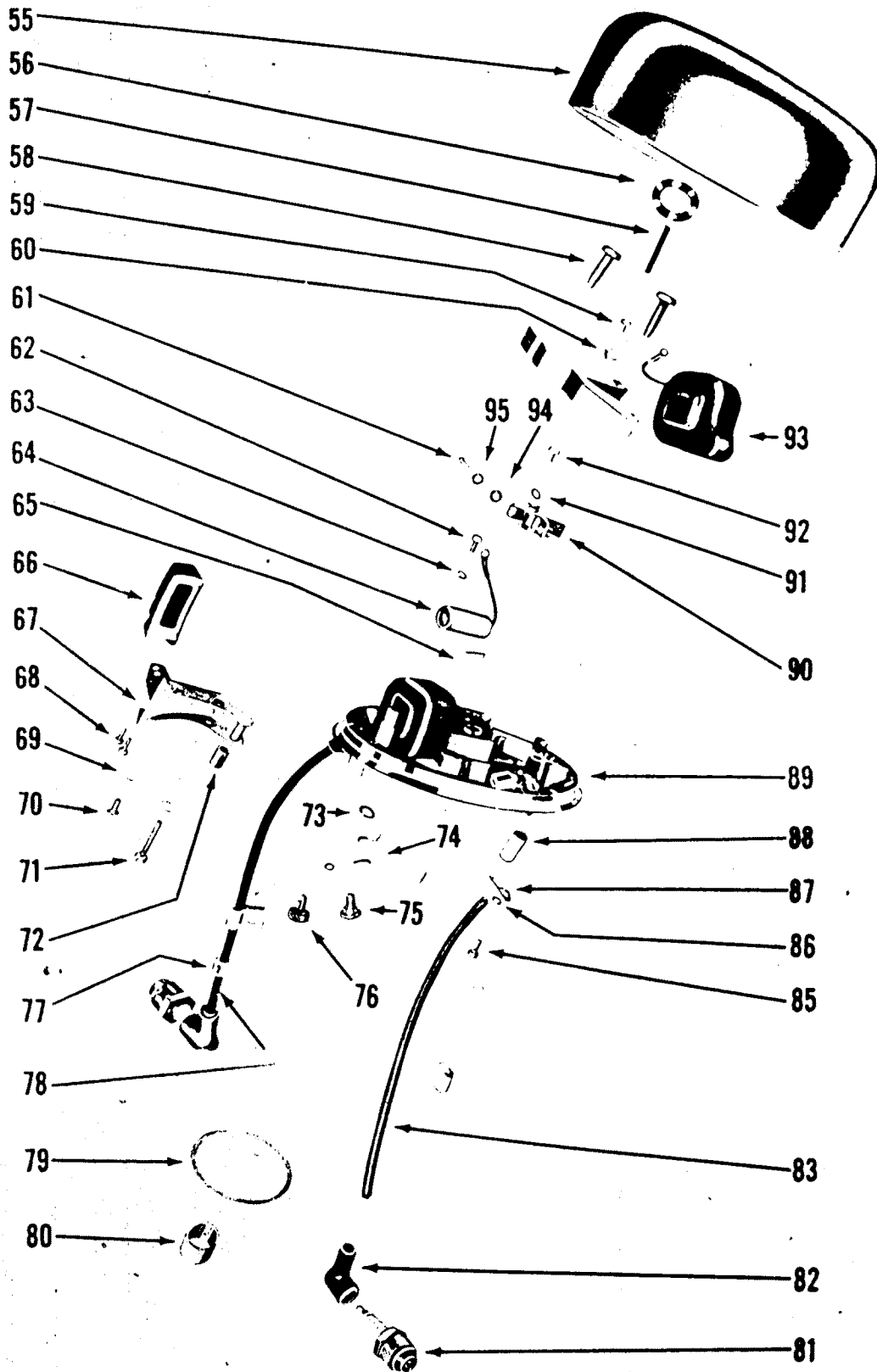
STARTER COVER



STARTER COVER

REF. NO.	PART NO.	SYM.	QTY.	DESCRIPTION
1	10-22484		1,,,,,,	SCREW, STARTER COVER TO TANK (REAR)
	10-22390		1,1,1,1,1,	SCREW< STARTER COVER TO TANK (REAR)
-	142-767A2		1,1,1,1,1,	STARTER ASSEMBLY
2	142-767A1		1,1,1,1,1,	STARTER COVER ASSEMBLY
-	17-24198		1,1,1,1,1,	PIN, ROLL-SPRING ANCHOR
5	17-20775		1,1,1,1,1,	SPRING, STARTER
6	20765		1,1,1,1,1,	SHAFT, STARTER SHEAVE
7	20762A2		1,1,1,1,1,	STARTER SHEAVE ASSEMBLY
-	31-24079		1,1,1,1,1,	BEARING, SHEAVE HUB
-	NSS		,,,,,,1	BUSHING, SHEAVE HUB
8	10-20774		4,4,4,4,4,	SCREW, SHEAVE REINFORCING
-	17-20564		1,1,1,1,1,	PIN, SPRING ANCHOR
-	17-20764		1,1,1,1,1,	PIN, RETAINER
9	15-20767		2,2,2,2,2,	SHIM, SHEAVE SHAFT
10	12-20768		1,1,1,1,1,	WASHER, PAWL RETAINER SPACER
11	20769		1,1,1,1,1,	RETAINER, PAWL
12	13-20770		1,1,1,1,1,	LOCKWASHER, PAWL RETAINER TENSION
13	20771		1,1,1,1,1,	COLLAR, SLEEVE SHAFT
14	20772A1		2,2,2,2,2,	STARTER PAWL ASSEMBLY
-	20773		2,2,2,2,2,	MAGNET, STARTER PAWL
15	50-22791A1		1,1,1,1,1,	STARTER CABLE ASSEMBLY
16	20777		1,1,1,1,1,	PLATE, FRICTION
19	10-22038		3,3,3,3,3,	SCREW, FRICTION PLATE TO COVER
20	20662		1,1,1,1,1,	HANDLE, STARTER CABLE
21	20172		1,1,1,1,1,	END CAP, STARTER HANDLE
23	10-20778		1,1,1,1,1,	SCREW, SHEAVE SHAFT
24	24732		1,1,1,1,1,	AUXILIARY HANDLE
3	13-26996		4,4,4,4,4,	LOCKWASHER, HANDLE SCREW
4	10-20411		4,4,4,4,4,	SCREW, HANDLE
17	22437		,,1,1,1,1,	RATCHET, STARTER
18	12-20411		,,1,1,1,1,	WASHER, STARTER RATCHET
22	10-24646		2,2,2,2,2,	SCREW, STARTER COVER TO TANK (FRONT)
	10-24636		2,,,,,,	SCREW, STARTER COVER TO TANK (FRONT)
-	24086		1,1,,,,,,	PLATE, AUXILIARY STARTER
-	20401		3,3,,,,,,	SCREW, AUXILIARY STARTER PLATE
-	13-26996		3,3,,,,,,	LOCKWASHER, AUXILIARY STARTER PLATE

MAGNETO ASSEMBLY AND FLYWHEEL (PHELON)

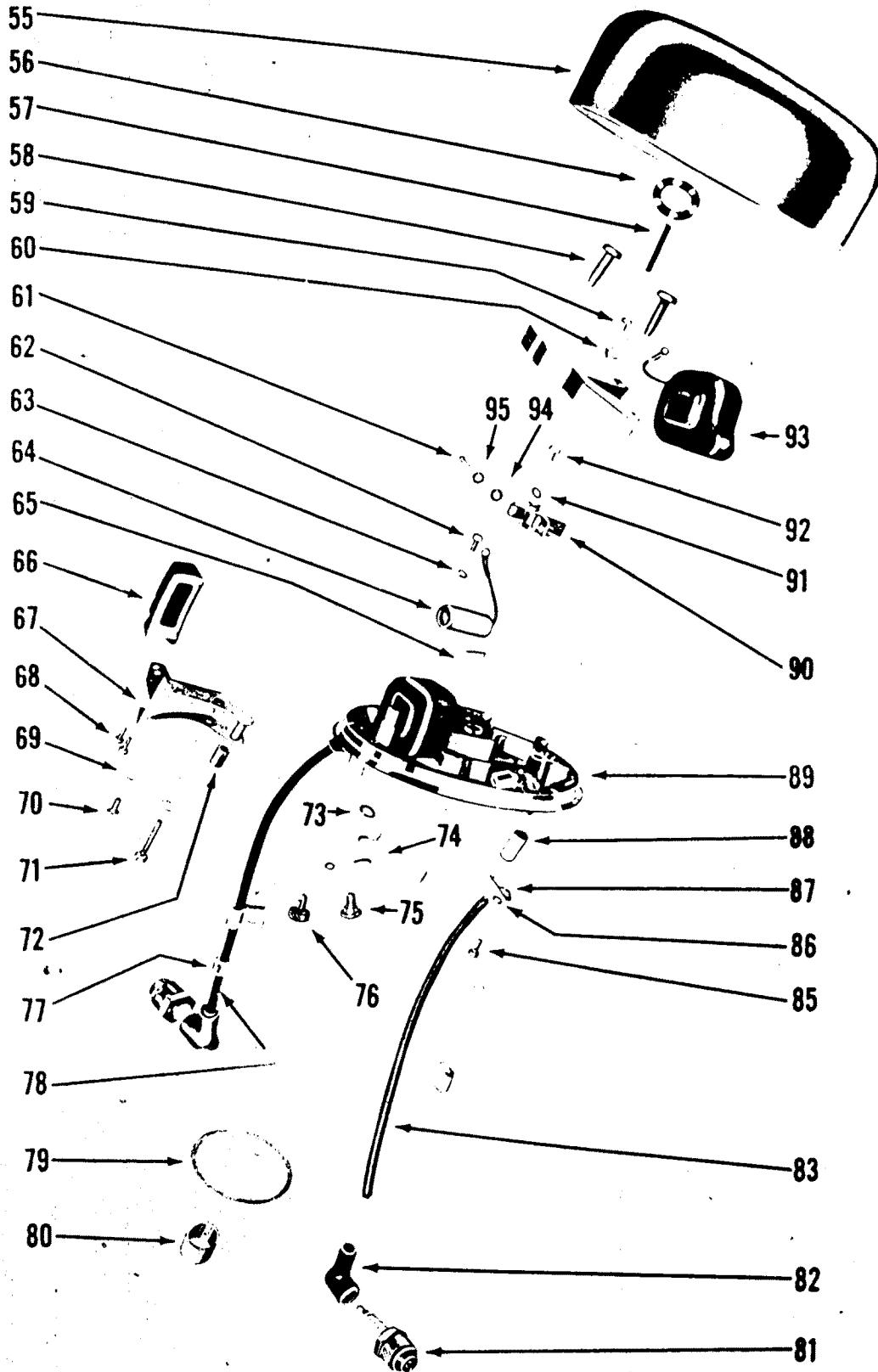


MAGNETO ASSEMBLY AND FLYWHEEL (PHELON)

REF. NO.	PART NO.	SYM.	QTY.	DESCRIPTION
-	303-256		,1,1,1,1,	MAGNETO ASSEMBLY, COMPLETE (PHELON)
89	398-712A1		,1,1,1,1,	STARTER & CORE
58	10-23556		,4,4,4,4,	SCREW, CORE FASTENING
59	10-21130		,2,2,2,2,	SCREW, GROUND TERMINAL
60	398-732		,2,2,2,2,	CLIP, GROUND WIRE
61	10-23976		,2,2,2,2,	SCREW, BREAKER CONNECTION
62	10-23977		,2,2,2,2,	SCREW, CONDENSER ATTACHING
63	13-21134		,2,2,2,2,	LOCKWASHER, CONDENSER ATTACHING SCREW
64	398-713		,2,2,2,2,	CONDENSER
65	398-723		,1,1,1,1,	WIPER, CAM (FELT)
73	13-21144		,2,2,2,2,	LOCKWASHER, FRICTION CLAMP STUD
74	398-717		,2,2,2,2,	CLAMP, FRICTION
75	16-24450		,2,2,2,2,	STUD, FRICTION CLAMP
76	10-23992		,2,2,2,2,	SCREW, FRICTION CLAMP
85	10-21138		,2,2,2,2,	SCREW, LEAD WIRE CLAMP
86	13-21134		,2,2,2,2,	LOCKWASHER, LEAD WIRE CLAMP SCREW
87	398-720		,2,2,2,2,	CLAMP, LEAD WIRE TUBE
88	32-21137		,2,2,2,2,	TUBE, LEAD WIRE
90	398-174		,2,2,2,2,	BREAKER POINT ASSEMBLY
91	13-23965		,2,2,2,2,	LOCKWASHER, FIXED CONTACT SCREW
92	10-23977		,2,2,2,2,	SCREW, FIXED CONTACT
93	398-716		,2,2,2,2,	COIL, IGNITION
94	398-733		,2,2,2,2,	INSULATOR, BREAKER CONNECTOR SCREW
95	12-23993		,2,2,2,2,	WASHER, BREAKER CONNECTER SCREW
55	398-732		,1,1,1,1,	FLYWHEEL
77	20623		1,1,1,1,1,	MARKER "TOP", LEAD WIRE
78	398-965		,1,1,1,1,1,	LEAD, HIGH TENSION
80	398-722		,1,1,1,1,1,	CAM, BREAKER
83	398-965		,1,1,1,1,1,	LEAD, HIGH TENSION
56	13-22027		,1,1,1,1,1,	WAVE WASHER, FLYWHEEL
57	28-22026		,1,1,1,1,1,	KEY, FLYWHEEL
79	15-20626		1,1,1,1,1,1,	SHIM, MAGNETO PILOT
66	22501		1,1,1,1,1,1,	KNOB, CONTROL HANDLE
67	22497A1		1,1,1,1,1,1,	THROTTLE CONTROL HANDLE ASSEMBLY
68	10-22028		2,2,2,2,2,	SCREW, CONTROL HANDLE KNOB ATTACHING
69	13-26991		2,2,2,2,2,	LOCKWASHER, CONTROL HANDLE ATTACHING SCREW
70	10-20616		1,1,1,1,1,1,	SCREW, CONTROL HANDLE ATTACHING (SHORT)
71	10-22031		1,1,1,1,1,1,	SCREW, CONTROL HANDLE ATTACHING (LONG)
72	23-20618		1,1,1,1,1,1,	SPACER, THROTTLE CAM
81	33-22805		2,2,2,2,2,	SPARK PLUG
82	20119		2,2,2,2,2,	PROTECTOR, SPARK PLUG
-	23-22457		1,1,,,,,	SLEEVE, PLUG WIRE (RUBBER)
-	54-20830		1,1,,,,,	CLAMP, IGNITION CABLE

CONTINUED ON NEXT PAGE ➡

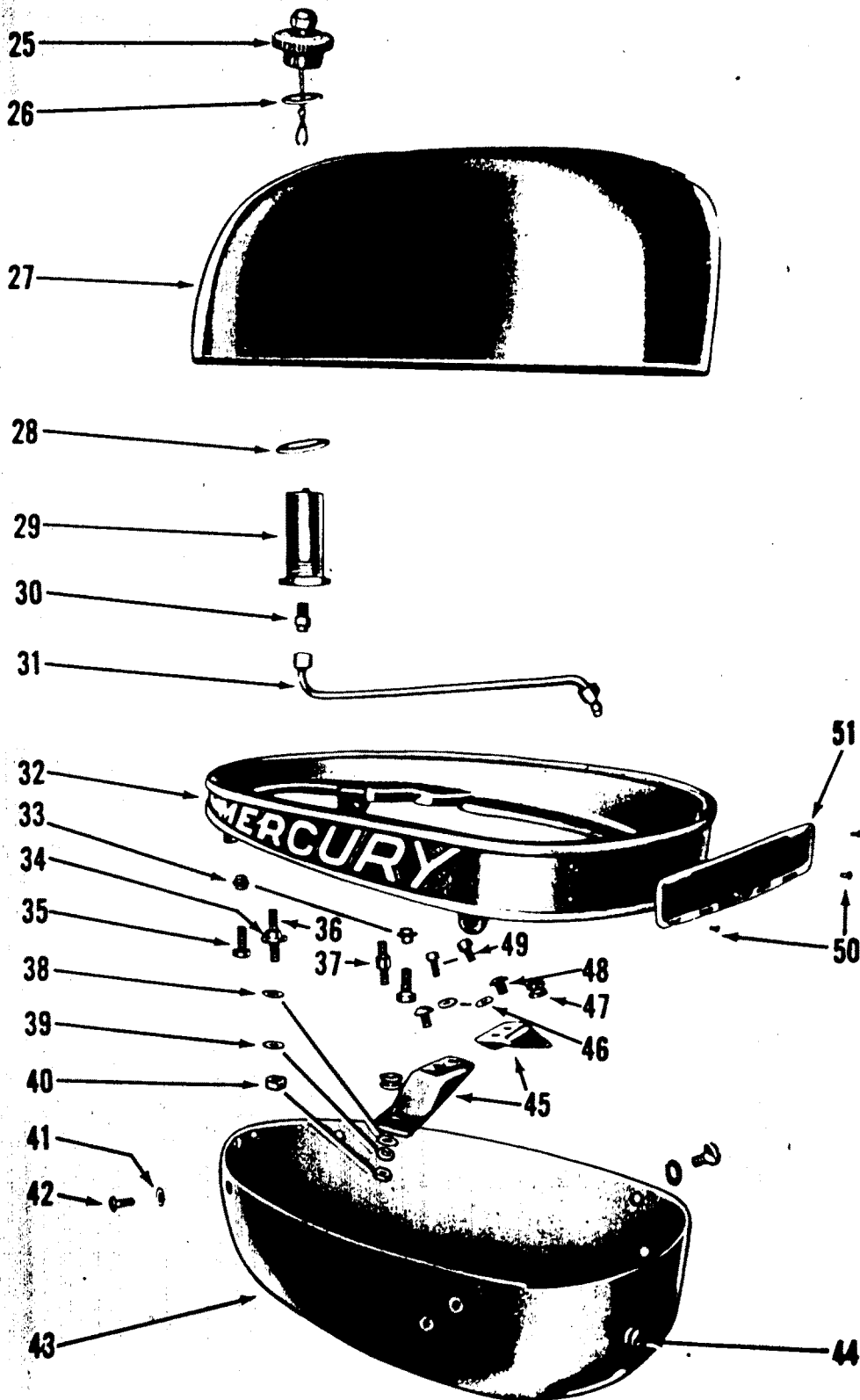
MAGNETO ASSEMBLY AND FLYWHEEL (PHELON)



MAGNETO ASSEMBLY AND FLYWHEEL (PHELON)

REF. NO.	PART NO.	SYM.	QTY.	DESCRIPTION
-	10-20646		1,1,,,,,	SCREW, CLAMP ATTACHING
-	11-20190		1,1,,,,,	NUT, CLAMP ATTACHING SCREW
-	54-22595		,2,2,2,2,	NUT, IGNITION CABLE
-	10-20646		,2,2,2,2,	SCREW, CLIP FASTENING
-	11-20645		,2,2,2,2,	NUT, CLIP FASTENING SCREW
-	13-26996		,2,2,2,2,	LOCKWASHER, CLIP FASTENING SCREW

FUEL TANK

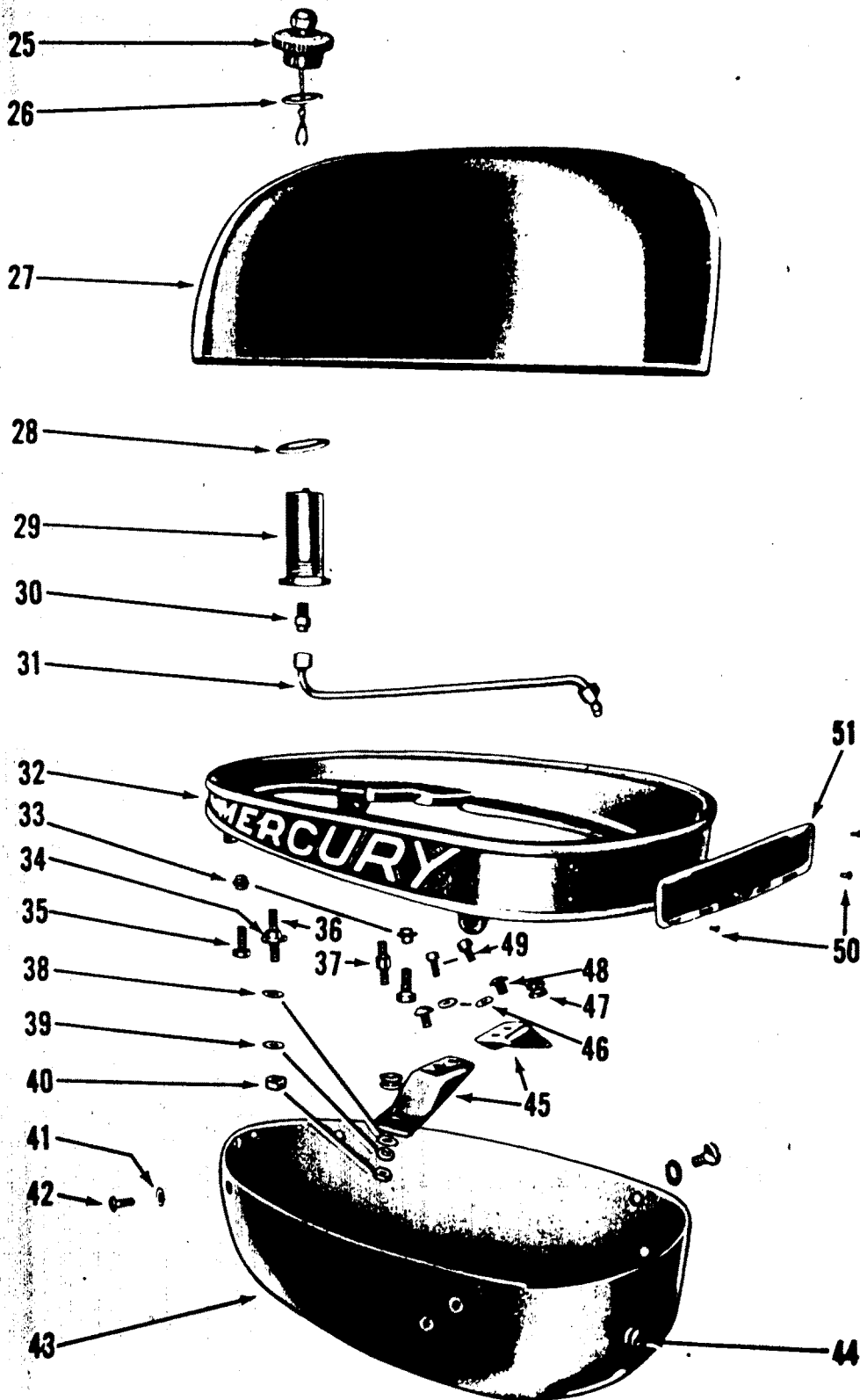


FUEL TANK

REF. NO.	PART NO.	SYM.	QTY.	DESCRIPTION
25	36-23338A1		1,1,1,1	FILLER CAP ASSEMBLY
	36-21317A2		1,1,1,1	FUEL TANK CAP ASSEMBLY
26	27-23331		1,1,1,1	GASKET, FUEL TANK CAP
	27-21544		1,1,1,1	GASKET, FUEL TANK CAP
27	1204-551		1,1,1,1	FUEL TANK
	1214-624		1,1,1,1	FUEL TANK
29	35-23262		1,1,1,1	FUEL FILTER
-	11-23263		1,1,1,1	ADAPTOR NUT
-	35-21463		1,1,1,1	FILTER ELEMENT
-	21460		1,1,1,1	END CAP
-	12-21464		2,2,2,2	WASHER, RUBBER
-	11-20190		1,1,1,1	NUT, ELASTIC STOP
-	16-21451		1,1,1,1	STUD
28	27-23211		1,1,1,1	GASKET, FILTER TO TANK
30	22-23216		1,1,1,1	CONNECTOR, FUEL FILTER TO FUEL LINE
-	22-23314A2		1,1,1,1	FUEL FILTER ASSEMBLY
-	23248		1,1,1,1	FILTER, FUEL
31	32-23217A1		1,1,1,1	FUEL LINE ASSEMBLY
	32-23293A1		1,1,1,1	FUEL LINE ASSEMBLY
-	23-21309		2,2,2,2	SLEEVE, COMPRESSION
-	11-21310		2,2,2,2	NUT, COMPRESSION
32	23317A1		1,1,1,1	PROTECTOR RIM ASSEMBLY
-	10-22968		1,1,1,1	SCREW, PROTECTOR RIM TO COWL
-	12-21249		1,1,1,1	WASHER, PROTECTOR RIM SCREW
33	13-24669		4,4,4,4	LOCKWASHER, FUEL TANK TO PROTECTOR RIM SCREW
34	23-23326		2,2,2,2	BUSHING, PROTECTOR RIM TO TANK BRACKET (REAR)
35	10-24963		4,4,4,4	SCREW, FUEL TANK TO PROTECTOR RIM
36	16-23325		2,2,2,2	STUD, PROTECTOR RIM TO TANK BRACKET (REAR)
37	16-23301		2,2,2,2	STUD, PROTECTOR RIM TO TANK BRACKET (FRONT)
38	12-23327		4,4,4,4	WASHER, PROTECTRO RIM TO TANK BRACKET STUD
39	12-22937		4,4,4,4	WASHER, FUEL TANK BRACKET TO PROTECTOR RIM STUD
40	11-20361		4,4,4,4	NUT, PROTECTRO RIM TO BRACKET STUD
-	10-24638		4,4,4,4	SCREW, BRACKET TO PROTECTOR RIM SERIAL 0000(1)-00221341
41	12-24668		7,7,7,7	WASHER, COWL TO PROTECTOR RIM SCREW
42	10-24640		1,1,1,1	SCREW, COWL TO COWL - REAR
	10-24640		6,6,6,6	SCREW, COWL TO PROTECTOR RIM
43	125-554		1,1,1,1	COWL
	148-839		1,1,1,1	COWL
44	25-22683		1,1,1,1	GROMMET, CHOKE ROD HOLE
45	21704		2,2,2,2	BRACKET, FUEL TANK
46	13-26992		2,2,2,2	LOCKWASHER, TANK BRACKET TO CRANKCASE SCREW
47	25-20116		2,2,2,2	GROMMET, PROTECTOR RIM TO TANK BRACKET

CONTINUED ON NEXT PAGE ➡

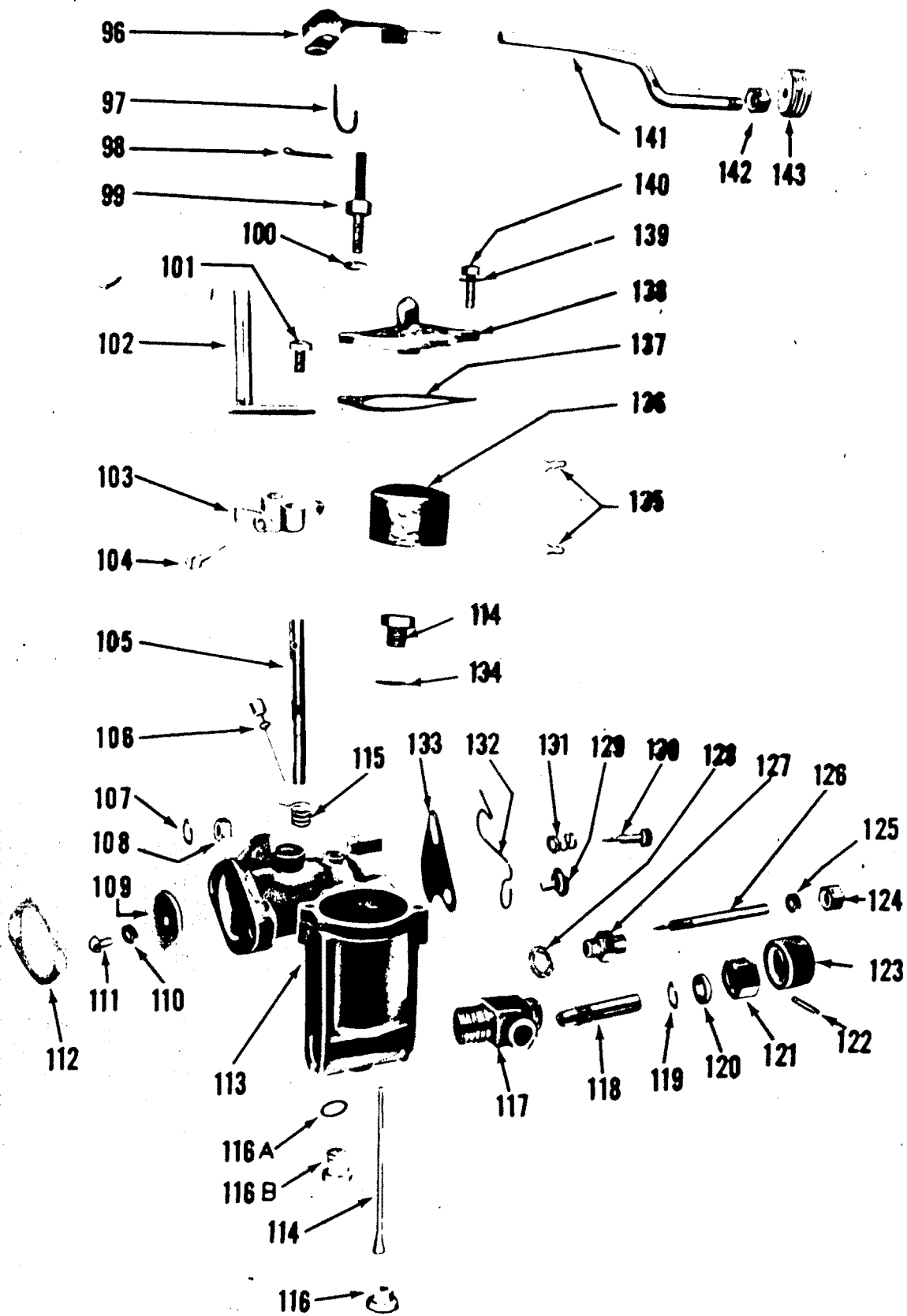
FUEL TANK



FUEL TANK

REF. NO.	PART NO.	SYM.	QTY.	DESCRIPTION
48	10-24640		2,2,2,2,2,	SCREW, TANK BRACKET TO CRANKCASE
	10-21140		2,2,2,2,2,	SCREW, TANK BRACKET TO CRANKCASE
49	10-21140		2,2,2,2,2,	SCREW, TANK BRACKET TO CRANKCASE
-	21705		1 ,,,,,,	BRACKET, FUEL TANK - REAR
-	10-22485		2 ,,,,,,	SCREW, FUEL TANK BRACKET
-	13-26992		2 ,,,,,,	LOCKWASHER, FUEL TANK BRACKET SCREW
50	10-20314		4,4,4,4,4,	DRIVE SCREW, SERIAL PLATE
51	38-23488		,,,,,,1	SERIAL PLATE
	38-23330		0	SERIAL PLATE (KE4A ONLY)
	38-23313		1,1,1,1,1,	SERIAL PLATE

CARBURATOR ASSEMBLY

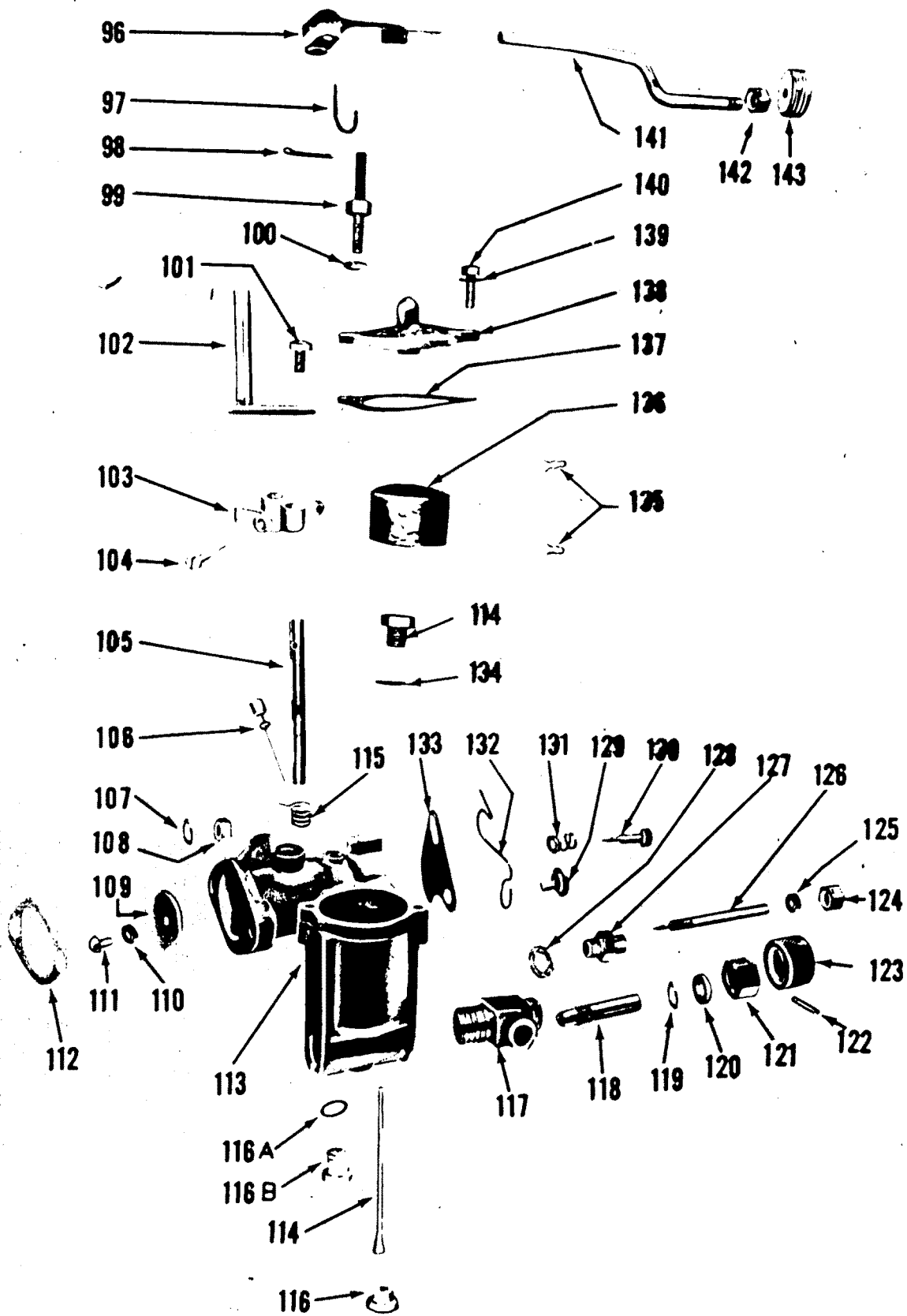


CARBURATOR ASSEMBLY

REF. NO.	PART NO.	SYM.	QTY.	DESCRIPTION
113	1311-569		1,1,1,1,1,	CARBURETOR ASSEMBLY, COMPLETE (TILLOTSON AJ-23A)
103	1399-97		1,1,1,1,1,	LEVER, THROTTLE STOP
104	10-20847		1,1,1,1,1,	SCREW, THROTTLE STOP LEVER
105	1399-531		1,1,1,1,1,	SHAFT, THROTTLE
106	1399-572		1,1,1,1,1,	JET, IDLE
109	1399-573		1,1,1,1,1,	SHUTTER, THROTTLE
110	13-20378		1,1,1,1,1,	LOCKWASHER, SHUTTER SCREW
111	10-21281		1,1,1,1,1,	SCREW, THROTTLE SCREW
114	1399-521		1,1,1,1,1,	INLET NEEDLE & SEAL
115	24-23191		1,1,1,1,1,	SPRING, THROTTLE SHAFT RETURN
116	10-23030		1,1,1,1,1,	SCREW, INLET VALVE CHANNEL PLUG
124	11-20849		1,1,1,1,1,	NUT, MAIN ADJUSTMENT SCREW PACKING
125	1399-108		1,1,1,1,1,	PACKING, ADJUSTMENT SCREW
126	1399-583		1,1,1,1,1,	MAIN ADJUSTMENT SCREW
127	1399-94		1,1,1,1,1,	GLAND, ADJUSTMENT SCREW
128	27-20848		1,1,1,1,1,	GASKET, ADJUSTMENT SCREW GLAND
130	10-23179		1,1,1,1,1,	SCREW, IDLE ADJUSTMENT
131	24-20856		1,1,1,1,1,	SPRING, IDLE ADJUSTMENT SCREW
134	27-23167		1,1,1,1,1,	GASKET, INLET VALVE SEAT
135	18-21579		2,2,2,2,2,	CLIP, FLOAT RETAINER
136	1399-570		1,1,1,1,1,	FLOAT, CARBURETOR
137	1399-99		1,1,1,1,1,	GASKET, FLOAT BOWL COVER
138	1399-598		1,1,1,1,1,	COVER, FLOAT BOWL
139	13-20193		1,1,1,1,1,	LOCKWASHER, BOWL COVER SCREW
140	10-20854		1,1,1,1,1,	SCREW, FLOAT BOWL COVER
-	19-20011		1,1,1,1,1,	WELCH PLUG
116B	10-22567		1,1,1,1,1,	SCREW, FLOAT BOWL DRAIN
116A	27-23184		1,1,1,1,1,	GASKET, FLOAT BOWL DRAIN SCREW
-	1399-536		1,1,1,1,1,	PIN, THROTTLE SHAFT STOP
117	22665A1		1,1,1,1,1,	FUEL SHUT-OFF VALVE ASSEMBLY
118	NSS		1,1,1,1,1,	STEM, FUEL SHUT-OFF VALVE
119	12-22668		1,1,1,1,1,	WASHER, PACKING GLAND
120	22669		3,3,3,3,3,	PACKING GLAND
121	11-22667		1,1,1,1,1,	NUT, GLAND
122	17-20685		1,1,1,1,1,	PIN, KNOB RETAINING
	17-22672		,,,,,,1	PIN, KNOB RETAINING
123	NSS		1,1,1,1,1,	KNOB, FUEL SHUT-OFF VALVE
-	22456A2		1,1,1,1,1,	CHOKE LEVER & ROD ASSEMBLY
96	22456A1		1,1,1,1,1,	CHOKE LEVER ASSEMBLY
97	17-20648		1,1,1,1,1,	PIN, CHOKE ROD RETAINING
98	18-23294		1,1,1,1,1,	COTTER PIN, CHOKE LEVER STUD
99	22454		1,1,1,1,1,	STUD, CHOKE LEVER
100	13-20193		1,1,1,1,1,	LOCKWASHER, CHOKE LEVER STUD

CONTINUED ON NEXT PAGE ➡

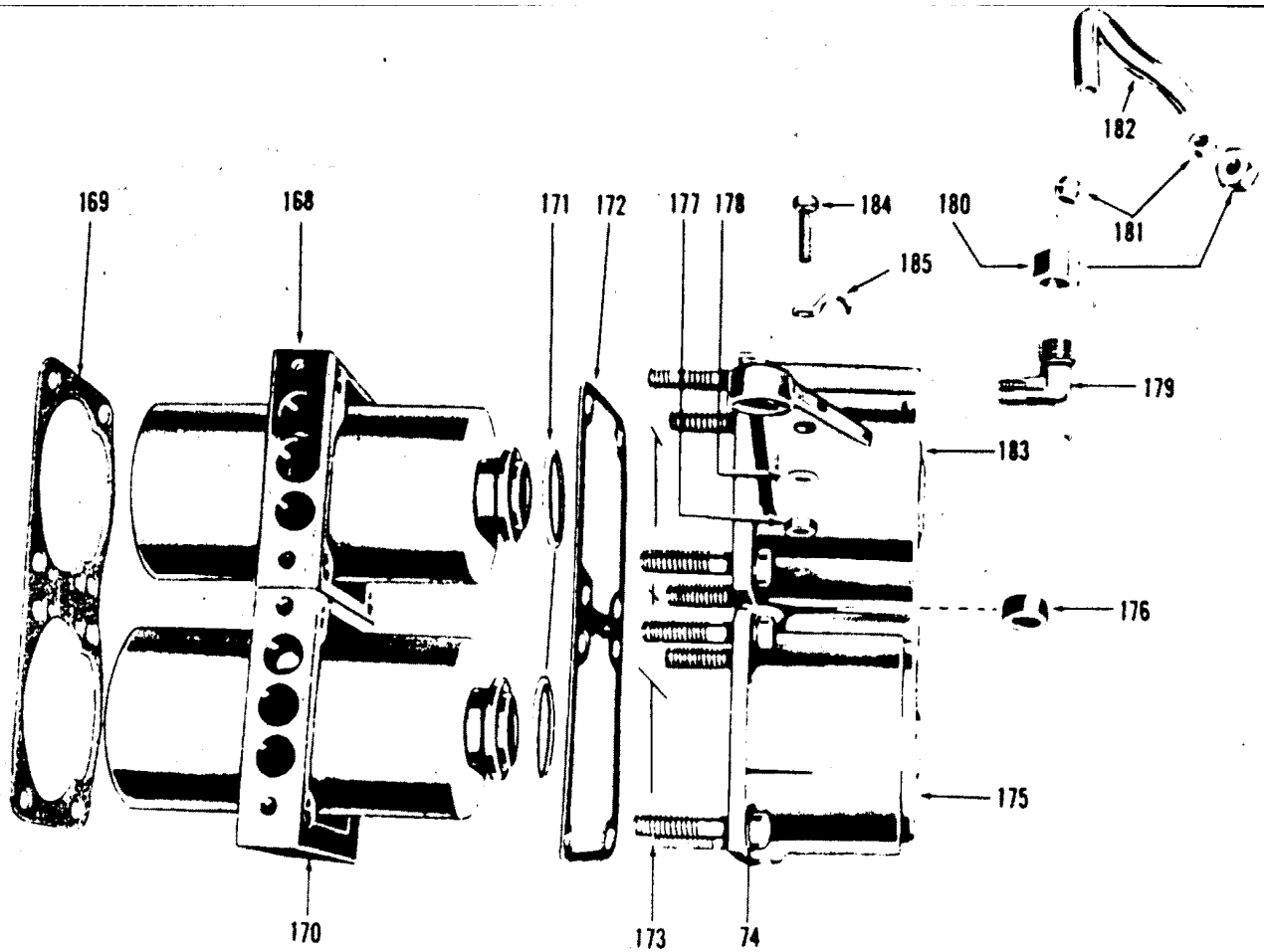
CARBURATOR ASSEMBLY



CARBURATOR ASSEMBLY

REF. NO.	PART NO.	SYM.	QTY.	DESCRIPTION
141	22451		1,1,1,1,1,	ROD, CHOKE
129	10-20578		1,1,1,1,1,	SCREW, CHOKE SHUTTER
132	24-23295		1,1,1,1,1,	SPRING, CHOKE SHUTTER
133	22453		1,1,1,1,1,	SHUTTER, CHOKE
142	11-20645		1,1,1,1,1,	NUT, CHOKE ROD STOP
143	23298		1,1,1,1,1,	KNOB, CHOKE
102	17-20588A1		1,1,1,1,1,	THROTTLE LEVER ASSEMBLY
-	12-20286		,,,,,,1	WASHER, THROTTLE LEVER SPACER
101	10-20566		1,1,1,1,1,	SCREW, THROTTLE LEVER TO CARBURETOR
107	12-20583		2,2,2,2,2,	WASHER, CARBURETOR STUD
108	11-21825		2,2,2,2,2,	NUT, CARBURETOR STUD
112	27-20183		1,1,1,1,1,	GASKET, CARBURETOR FLANGE
-	1399-575		1,1,1,1,1,	REPAIR PARTS KIT, CARBURETOR (AJ-23A)
-	1399-606		1,1,1,1,1,	GASKET & PACKING SET, CARBURETOR (AJ-23A)

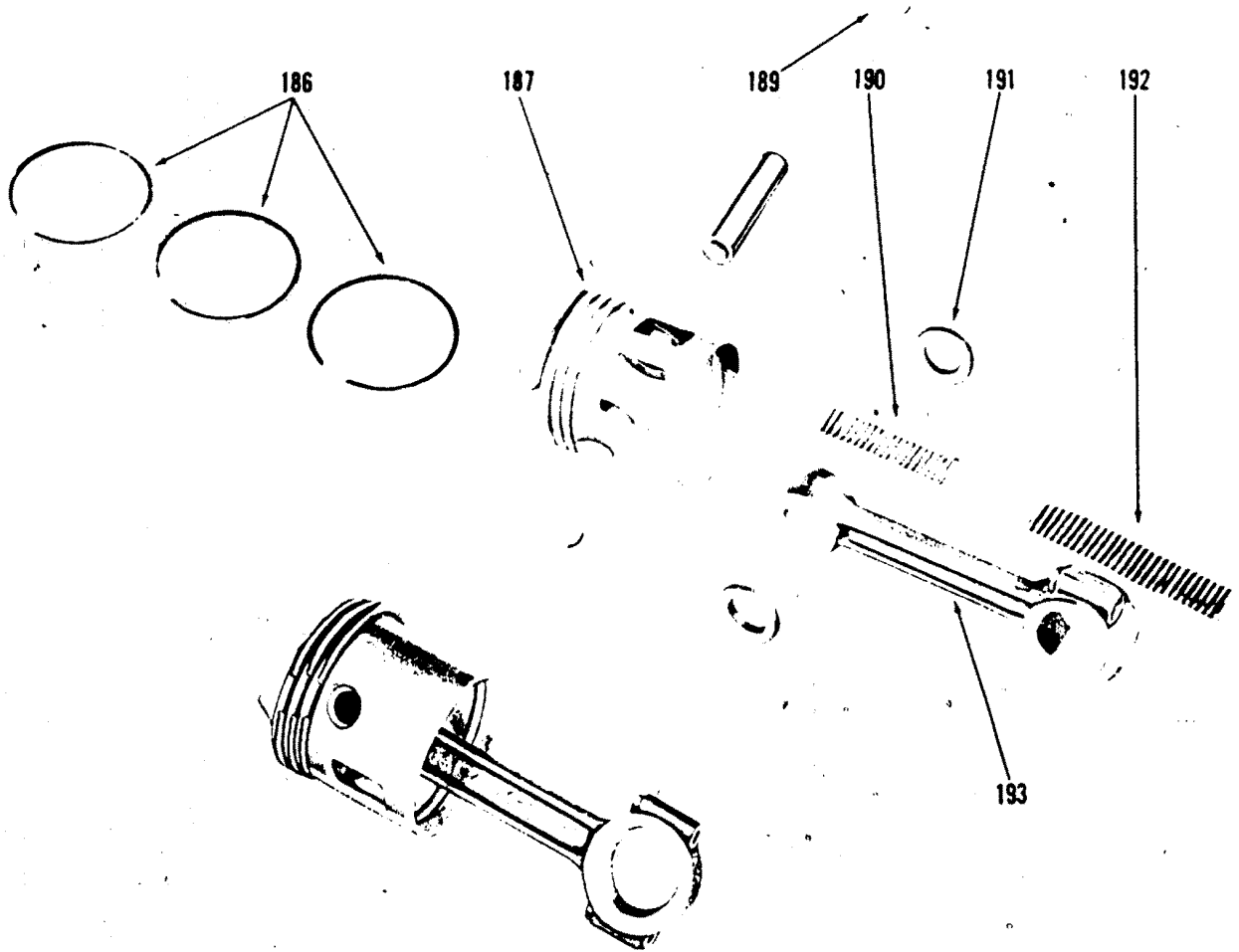
CYLINDER



CYLINDER

REF. NO.	PART NO.	SYM.	QTY.	DESCRIPTION
168	810-500		1,,,,,,	CYLINDER, UPPER
	805-259		1,1,1,1,1	CYLINDER, UPPER
169	27-21681		1,1,1,1,1	GASKET, CYLINDER TO CRANKCASE
170	810-258		1,,,,,,	CYLINDER, LOWER
	805-258		1,1,1,1,1	CYLINDER, LOWER
171	27-21682		2,2,2,2,2	GASKET, WATER JACKET TO SPARK PLUG FLANGE
172	27-23140		1,1,1,1,1	GASKET, WATER JACKET TO CYLINDER
173	10-21365		8,8,8,8,8	SCREW, WATER JACKET TO CRANKCASE
174	12-20583		8,8,8,8,8	WASHER, WATER JACKET TO CRANKCASE SCREW
175	23039A1		1,1,1,1,1	WATER JACKET ASSEMBLY, LOWER
-	22-21290		1,1,1,1,1	PLUG, WATER JACKET TUBE HOLE
176	27-21683		1,1,1,1,1	GASKET, WATER JACKET TO WATER JACKET
177	11-20645		,,,,,,1	NUT, CLIP FASTENING SCREW
178	13-26996		,,,,,,1	LOCKWASHER, CLIP FASTENING SCREW
180	11-21113		2,2,2,2,2	NUT, WATER OUTLET TUBE
181	22-21685		2,2,2,2,2	SLEEVE, WATER OUTLET TUBE
182	32-23133		1,,,,,,	TUBE, WATER OUTLET SERIAL 00000(1)-0#221341
	32-23138		1,1,1,1,1	TUBE, WATER OUTLET
	32-21692		,,,,,,1,1	CONNECTOR, WATER OUTLET
-	22-21686		1,1,1,1,1	CONNECTOR, WATER TUBE TO MANIFOLD
183	23137A1		1,1,1,1,1	WATER JACKET ASSEMBLY, UPPER
179	22-21684		1,1,1,1,1	ELBOW, WATER OUTLET TUBE TO WATER JACKET
184	10-20646		,,,,,,2	SCREW, CLIP FASTENING
185	54-22595		,,,,,,2	CLIP, IGNITION CALBE

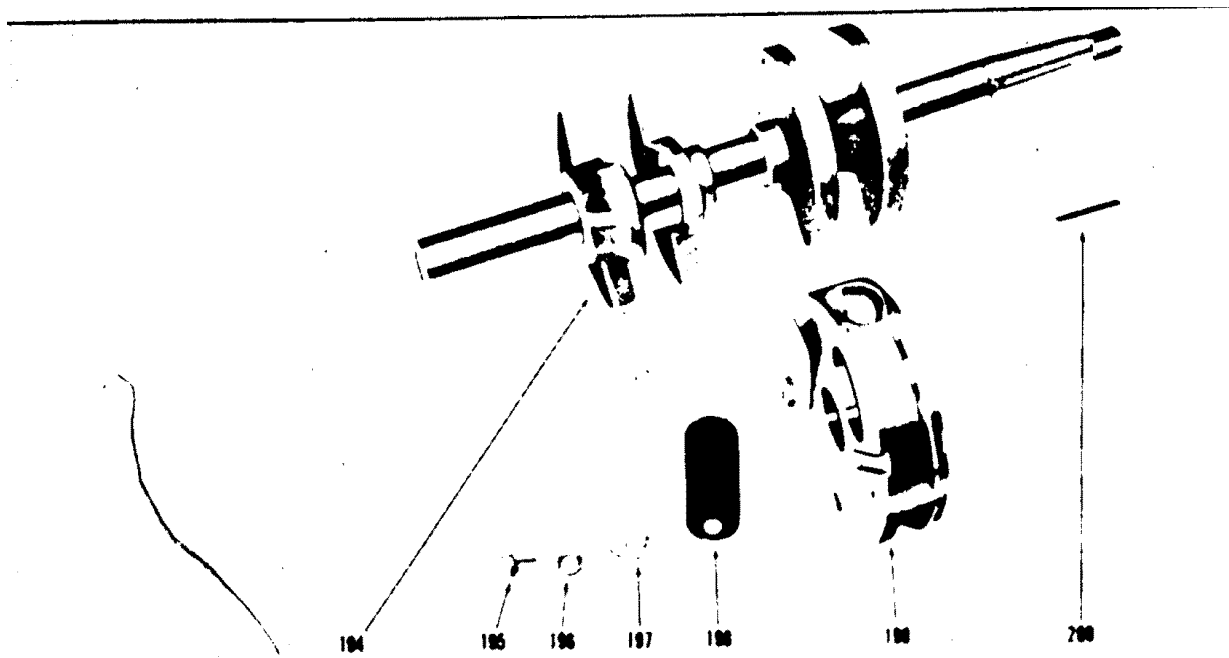
PISTON AND CONNECTING ROD



PISTON AND CONNECTING ROD

REF. NO.	PART NO.	SYM.	QTY.	DESCRIPTION
187	706-445A1		2,2,2,2,2	PISTON & PISTON PIN ASSEMBLY
	709-488A1		2,,,,,,	PISTON & PISTON PIN ASSEMBLY
189	40-21666		4,4,4,4,4	RING, PISTON PIN LOCK
186	39-21665		6,6,6,6,6	RING, PISTON
193	604-337A1		2,2,2,2,2	CONNECTING ROD ASSEMBLY
	604-338A1		2,,,,,,	CONNECTING ROD ASSEMBLY
190	29-21667		40,40,40	BEARING, NEEDLE - PISTON PIN
-	31-21664		2,,,,,,	BEARING, ROLLER - PISTON PIN
-	10-22391		4,4,4,4,4	SCREW, CONNECTING ROD AND CAP
191	12-24667		4,4,4,4,4	WASHER, NEEDLE BEARING RETAINING
192	29-21663		56,56,56,5	BEARING, NEEDLE - CRANKPIN

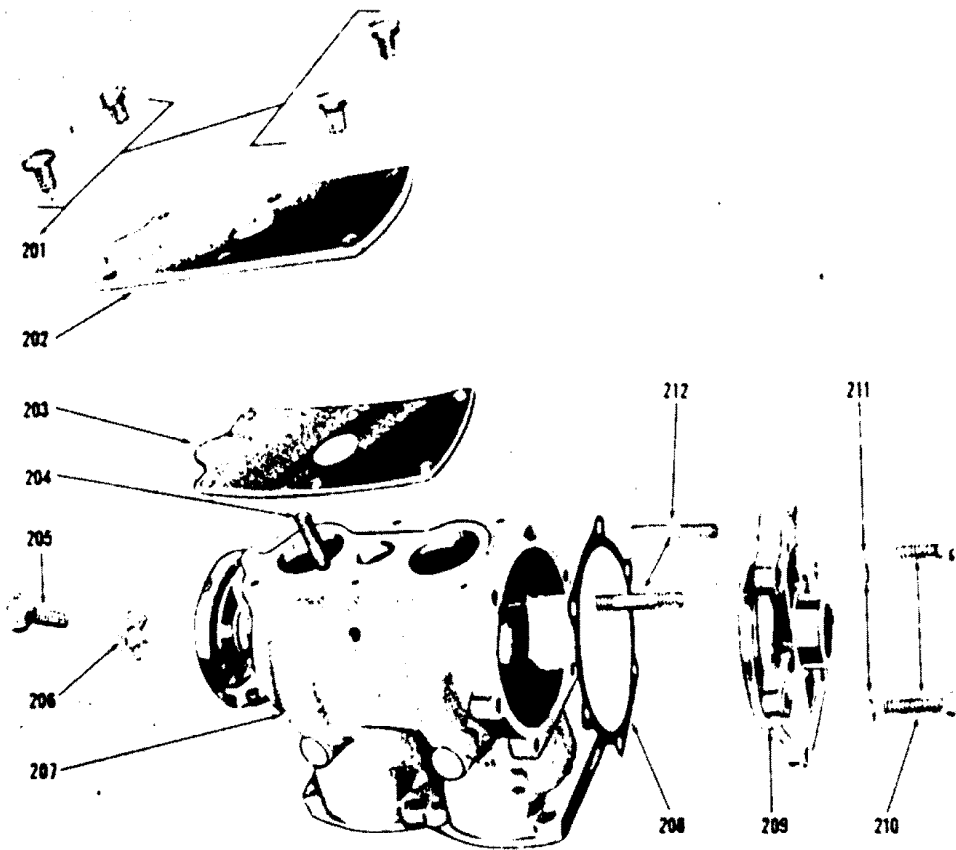
CRANKCASE



CRANKCASE

REF. NO.	PART NO.	SYM.	QTY.	DESCRIPTION
194	403-69		1,1,1,1,1,	CRANKSHAFT
195	10-21296		4,4,4,4,4,	SCREW, REED PLATE
196	12-20128		4,4,4,4,4,	WASHER, REED PLATE SCREW
197	34-25454		4,4,4,4,4,	PLATE, REED STOP
198	34-21662		4,4,4,4,4,	REED, INLET VALVE
199	513-465		1,1,1,1,1,	CENTER, MAIN BEARING
-	10-21341		2,2,2,2,2,	SCREW, MAIN BEARING CLAMPING
200	28-22026		1,1,1,1,1,	KEY, FLYWHEEL

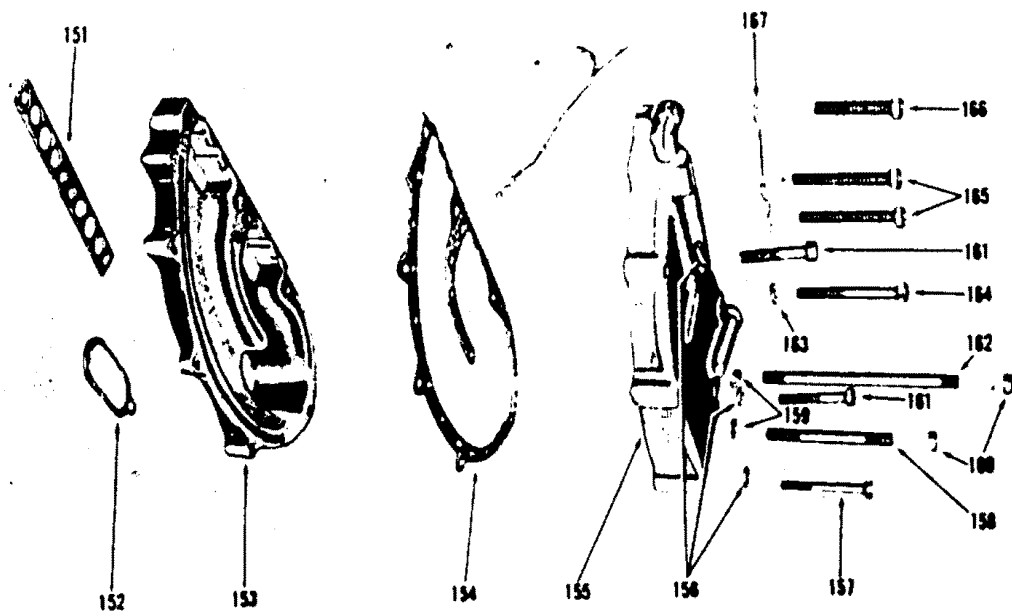
CRANKSHAFT & CENTER MAIN BEARING



CRANKSHAFT & CENTER MAIN BEARING

REF. NO.	PART NO.	SYM.	QTY.	DESCRIPTION
201	10-21562		4,4,4,4,4	SCREW, CRANKCASE COVER PLATE
202	23073		1,1,1,1,1	COVER PLATE, CRANKCASE
203	27-23077		1,1,1,1,1	GASKET, CRANKCASE COVER PLATE
204	16-21660		2,2,2,2,2	STUD, CARBURETOR MOUNTING
205	10-21548		1,1,1,1,1	SCREW, CENTER MAIN BEARING LOCK
206	13-24661		1,1,1,1,1	TAB WASHER, MAIN BEARING LOCK SCREW
207	916-472A1		1,1,1,1,1	CRANKCASE ASSEMBLY
-	26-26782		1,1,1,1,1	OIL SEAL
-	31-21638		1,1,1,1,1	BEARING, UPPER ROLLER
-	21656		2,2,2,2,2	JET, BLEEDER
208	27-21674		1,1,1,1,1	GASKET, CRANKCASE BOTTOM TO CRANKCASE
-	15-21820		1,1,1,1,1	SHIM, CRANKCASE BOTTOM (OPTIONAL)
-	1114-303A1		1,1,1,1,1	BEARING, LOWER ROLLER
-	26-21818A1		1,1,1,1,1	OIL SEAL ASSEMBLY
-	26-21818		1,1,1,1,1	OIL SEAL
-	21675		1,1,1,1,1	RETAINER
210	10-20098		2,2,2,2,2	SCREW, CRANKCASE BOTTOM
211	12-20583		2,2,2,2,2	WASHER, CRANKCASE BOTTOM SCREW
212	16-21868		2,2,2,2,2	STUD, CRANKCASE TO DRIVE SHAFT HOUSING

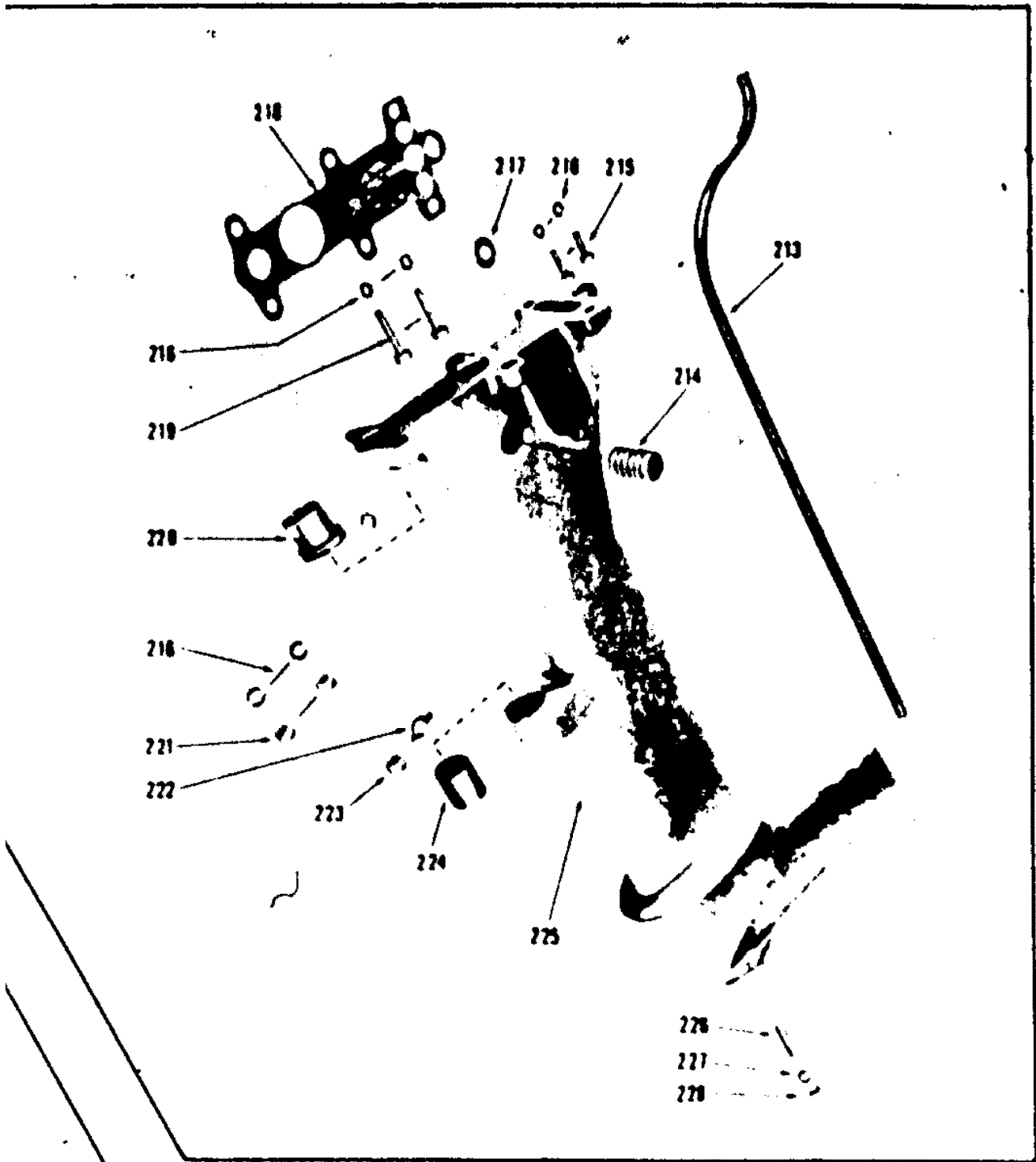
EXHAUST MANIFOLD



EXHAUST MANIFOLD

REF. NO.	PART NO.	SYM.	QTY.	DESCRIPTION
151	27-21696		,, ,, ,, 1,1	GASKET, MANIFOLD TO CYLINDER
152	27-23049		,, ,, ,, 1,1	GASKET, MANIFOLD TO DRIVE SHAFT HOUSING
153	21694		,, ,, ,, 1,1	EXHAUST MNAIFOLD (ENGINE HALF)
154	27-21695		,, ,, ,, 1,1	GASKET, EXHAUST MANIFOLD
155	21693		,, ,, ,, 1,1	EXHAUST MANIFOLD ASSEMBLY (OUTER HALF)
-	22-21684		,, ,, ,, ,, 1	ELBOW, EXHAUST MANIFOLD
-	19-21699		,, ,, ,, ,, 1	WELCH PLUG, EXHAUST MANIFOLD
156	12-20286		,, ,, ,, 3,3	WASHER, MANIFOLD ATTACHING SCREW
157	10-23017		,, ,, ,, 1,1	SCREW, MANIFOLD ATTACHING
158	16-21698		,, ,, ,, 1,1	STUD, MANIFOLD TO DRIVE SHAFT HOUSING (SHORT)
159	12-21249		2,2,2,2,2,	WASHE, MANIFOLD STUD
160	11-21825		2,2,2,2,2,	NUT, MANIFOLD STUD
161	10-23003		,, ,, ,, 2,2	SCREW, MANIFOLD ATTACHING
162	16-21697		,, ,, ,, 1,1	STUD, MANIFOLD TO DRIVE SHAFT HOUSING (LONG)
163	12-20583		,, ,, ,, ,, 1	WASHER, MANIFOLD TO CYLINDER SCREW
164	10-24227		,, ,, ,, ,, 1,1	SCREW, MANIFOLD TO CYLINDER (2 1/2 LONG)
165	10-24228		,, ,, ,, ,, 2,2	SCREW, MANIFOLD TO CYLINDER (1 7/8 LONG)
166	10-24770		,, ,, ,, ,, 1,1	SCREW, MANIFOLD TO CYLINDER (1 3/8 LONG)
167	12-21249		4,4,4,4,4,	WASHER, MANIFOLD TO CYLINDER SCREWS
	12-21249		,, ,, ,, ,, 3	WASHER, MANIFOLD TO CYLINDER SCREWS
-	23139		1,1,1,1,1,1,	EXHAUST MANIFOLD
-	27-21687		1,1,1,1,1,1,	GASKET, EXHAUST MANIFOLD FLANGE
152	27-23049		1,1,1,1,1,1,	GASKET, EXHAUST MANIFOLD TO DRIVE SHAFT HOUSING
-	16-23130		1,1,1,1,1,1,	STUD, EXHAUST MANIFOLD (SHORT)
-	16-23131		1,1,1,1,1,1,	STUD, EXHAUST MANIFOLD (LONG)
-	19-21688		2,2,2,2,2,2,	WELCH PLUB, EXHAUST MANIFOLD
-	10-21365		2,2,2,2,2,2,	SCREW, MANIFOLD TO CYLINDER
-	10-22378		1,1,1,1,1,1,	SCREW, MANIFOLD TO CYLINDER
-	10-24623		1,1,1,1,1,1,	SCREW, MANIFOLD TO CYLINDER

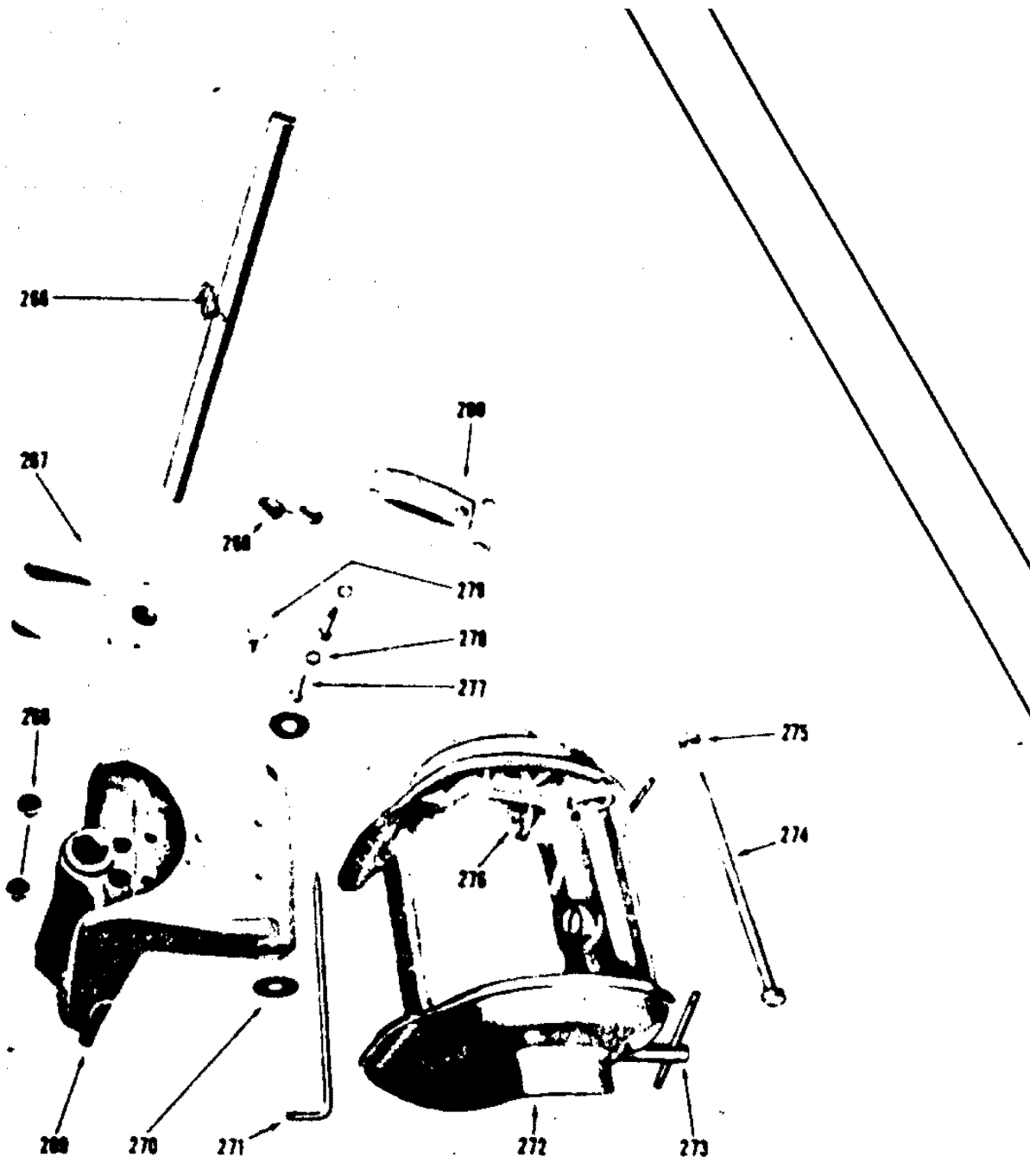
CLAMP AND SWIVEL BRACKET



CLAMP AND SWIVEL BRACKET

REF. NO.	PART NO.	SYM.	QTY.	DESCRIPTION
225	1513-781A1		1,1,1,1,1,	DRIVE SHAFT HOUSING ASSEMBLY
213	32-24328		1,1,1,1,1,	TUBE, WATER INLET
220	23-20973		1,1,1,1,1,	BUSHING, (UPPER)
224	23-22054		1,1,1,1,1,	BUSHING (LOWER)
214	24-20229		2,2,2,2,2,	SPRING, CO-PILOT TO DRIVE SHAFT HOUSING
215	10-20098		2,2,2,2,2,	SCREW, DRIVE SHAFT HOUSING TO CRANKCASE (SHORT)
216	13-22773		6,6,6,6,6,	LOCKWASHER, DRIVE SHAFT HOUSING TO CRANKCASE SCREW
217	27-24203		1,1,1,1,1,	GASKET, WATER INLET TUBE
218	27-24204		1,1,1,1,1,	GASKET, DRIVE SHAFT HOUSING TO POWERHEAD
219	10-22378		2,2,2,2,2,	SCREW, DRIVE SHAFT HOUSING TO CRAKCASE (LONG)
221	11-21869		2,2,2,2,2,	NUT, CRANKCASE TO DRIVE SHAFT HOUSING STUD
222	14-20747		1,1,1,1,1,	TAB WASHR, DRIVE SHAFT HOUSING TO GEAR HOUSING STUD
223	11-20083		1,1,1,1,1,	NUT, DRIVE SHAFT HOUSING TO GEAR HOUSING STUD
226	16-20985		1,1,1,1,1,	STUD, DRIVE SHAFT HOUSING TO GEAR CASE (SHORT)
227	13-20202		1,1,1,1,1,	LOCKWASHER, DRIVE SHAFT HOUSING TO GEAR HOUSING STUD
228	11-20083		1,1,1,1,1,	NUT, DRIVE SHAFT HOUSING TO GEAR HOUSING STUD

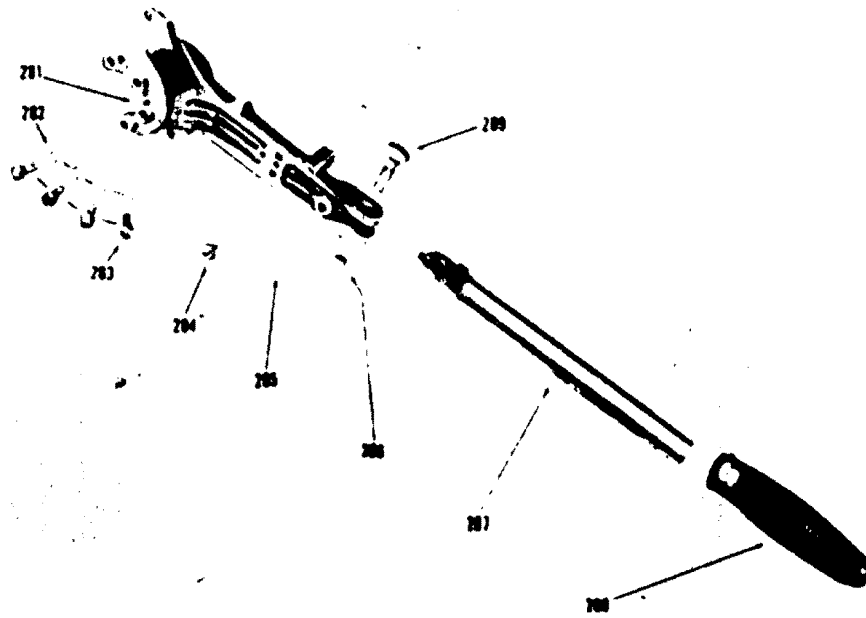
DRIVE SHAFT HOUSING



DRIVE SHAFT HOUSING

REF. NO.	PART NO.	SYM.	QTY.	DESCRIPTION
266	17-20891		1,1,1,1,1,	PIN, SWIVEL BRACKET TO DRIVE SHAFT HOUSING
267	24325A1		1,1,1,1,1,	CO-PILOT DISC ASSEMBLY
-	1405-255A1		,,,1,1,1,1	SWIVEL BRACKET ASSEMBLY
-	1418-789A1		1,1,1,,,,	SWIVEL BRACKET ASSEMBLY
269	1405-255		,,,1,1,1,1	BRACKET, SWIVEL
268	20203		,,,2,2,2,2	DISC, FRICTION
	24354		2,2,2,,,,	DISC, FRICTION
270	15-24351		,,,2,2,2,2	SHIM, CLAMP BRACKET TO SWIVEL BRACKET
271	17-22061		,,,1,1,1,1	PIN, TILT LOCK
	17-24353		1,1,1,,,,	PIN, TILT LOCK
272	1413-714A1		,,,1,1,1,1	CLAMP BRACKET ASSEMBLY
	1431-856A1		1,1,1,,,,	CLAMP BRACKET ASSEMBLY
273	22468A2		2,2,2,2,2,	THUMB SCREW ASSEMBLY
276	12-20214		2,2,2,2,2,	WASHER, THUMB SCREW
274	16-22426		,,,1,1,1,1	STUD, CLAMP BRACKET TO SWIVEL BRACKET
	10-23666		1,1,1,,,,	BOLT, CLAMP BRACKET TO SWIVEL BRACKET
275	11-20509		1,1,1,,,,	NUT, CLAMP BRACKET TO SWIVEL BRACKET BOLT & STUD
	11-20509		,,,2,2,2,2	NUT, CLAMP BRACKET TO SWIVEL BRACKET BOLT & STUD
277	10-21625		2,2,2,2,2,	SCREW, CLAMP PLATE TO SWIVEL BRACKET
278	13-26992		2,2,2,2,2,	LOCKWASHER, CLAMP PLATE TO SWIVEL BRACKET SCREW
279	10-20705		1,1,1,1,1,	SCREW, CO-PILOT ADJUSTING
280	24350A1		1,1,1,,,,	CLAMP PLATE ASSEMBLY
	20701A1		,,,1,1,1,1	CLAMP PLATE ASSEMBLY
268	20203		,,,2,2,2,2	DISC, FRICTION
	24354		2,2,2,,,,	DISC, FRICTION

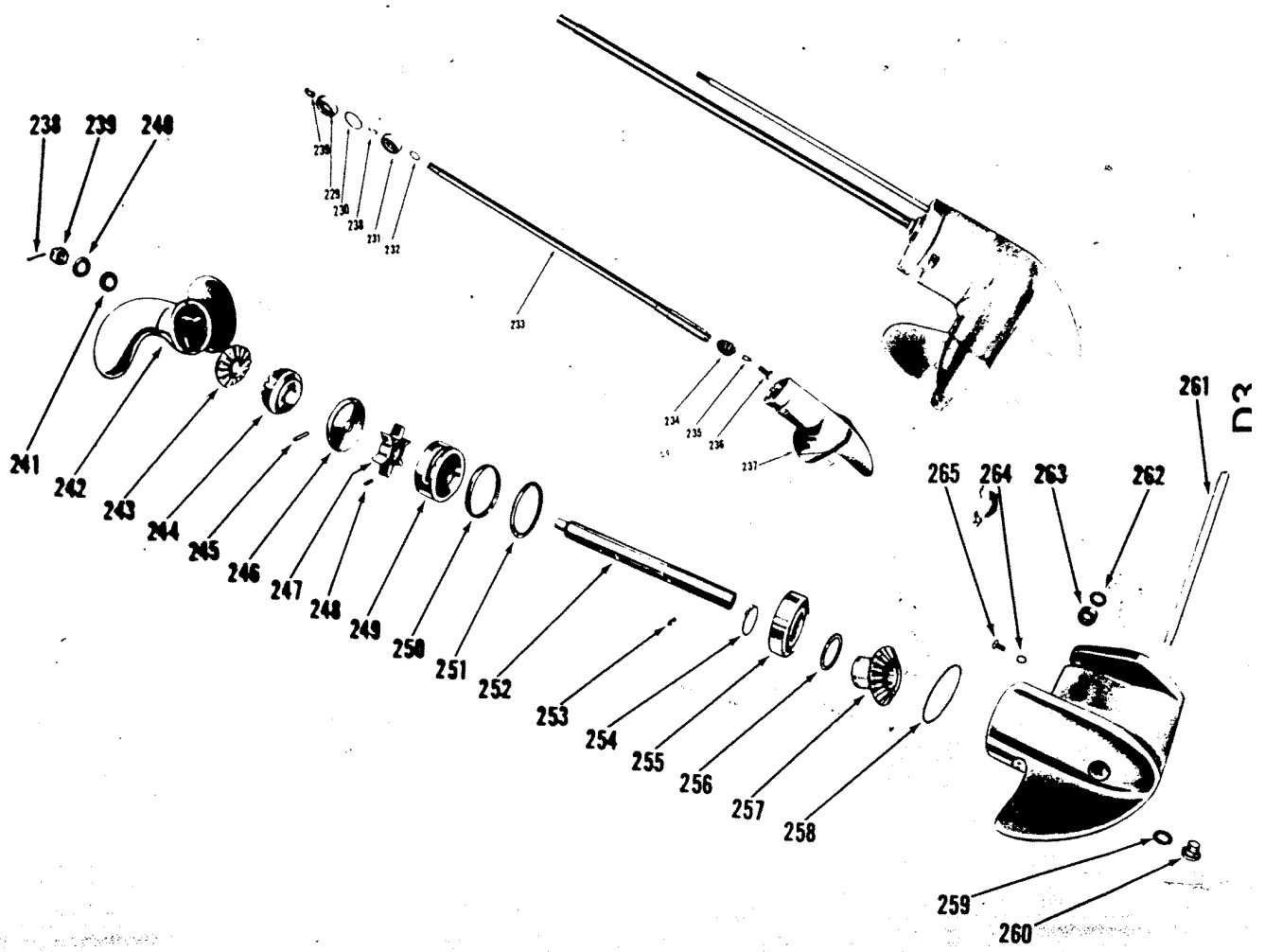
STEERING HANDLE



STEERING HANDLE

REF. NO.	PART NO.	SYM.	QTY.	DESCRIPTION
281	21743A1		1,1,1,1,1,	STEERING HANDLE BRACKET ASSEMBLY
-	17-21632		1,1,1,1,1,	RIVET, SPRING RELEASE
-	24-21634		1,1,1,1,1,	SPRING, ANTI-RATTLE
-	12-21631		1,1,1,1,1,	WASHER, ANTI-RATTLE SPRING
284	10-22038		1,1,1,1,1,	SCREW, HANDLE BRACKET SPRING
-	13-26992		1,1,1,1,1,	LOCKWASHER, HANDLE BRACKET SPRING SCREW
285	24-21630		1,1,1,1,1,	SPRING, STEERING HANDLE BRACKET (3 3/4" LONG)
	24-24302		1,1,1,1,1,	SPRING, STEERING HANDLE BRACKET (3" LONG)
282	13-26992		4,4,4,4,4,	LOCKWASHER, BRACKET TO CO-PILOT DISC SCREW
283	10-21722		4,4,4,4,4,	SCREW, BRACKET TO CO-PILOT DISC
287	21627		1,1,1,1,1,	HANDLE, STEERING
288	24324		1,1,1,1,1,	GRIP, STEERING HANDLE
286	11-20509		1,1,1,1,1,	NUT, BRACKET TO STEERING HANDLE BOLT
289	10-21628		1,1,1,1,1,	BOLT, BRACKET TO STEERING HANDLE

GEAR HOUSING

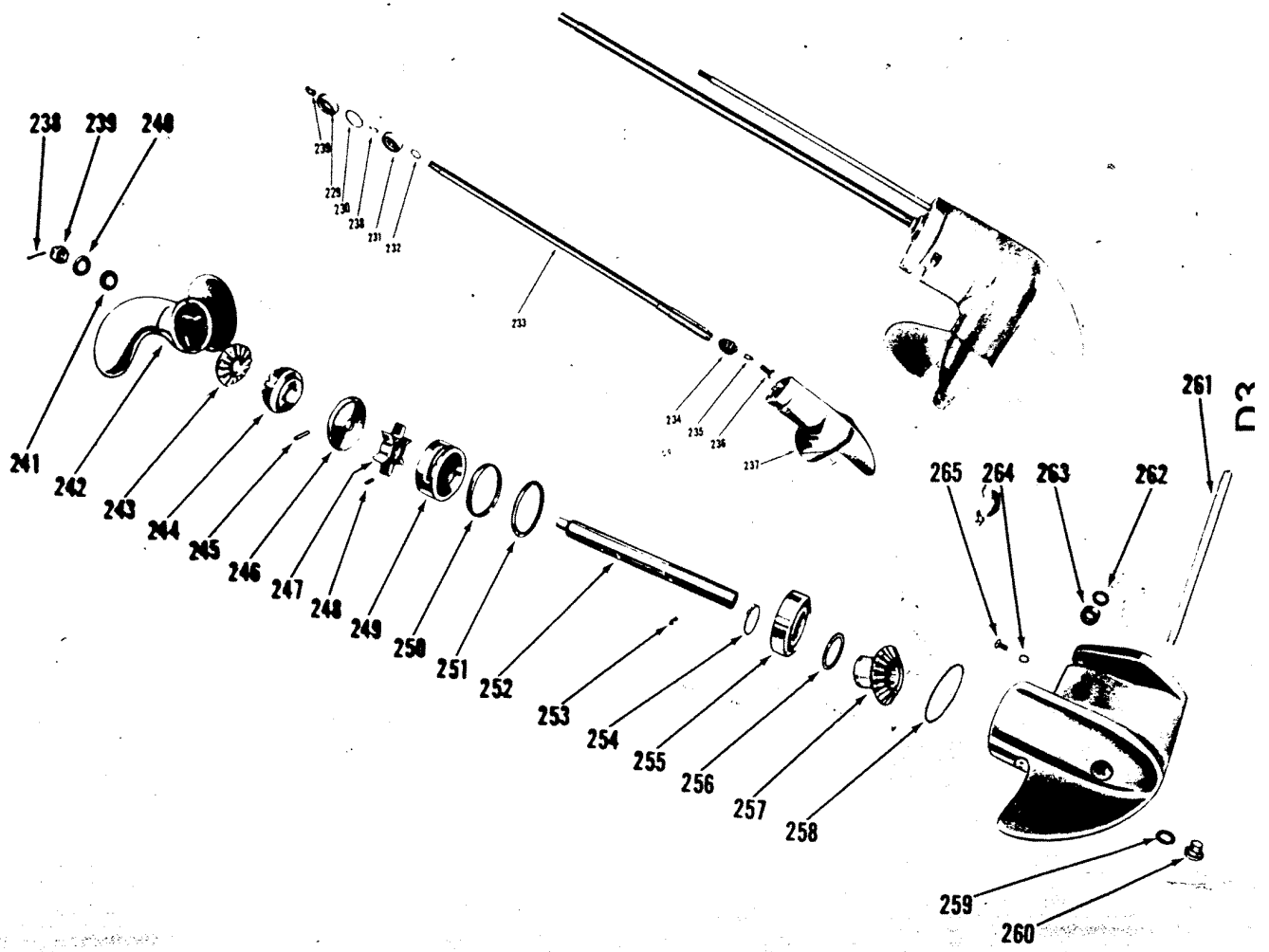


GEAR HOUSING

REF. NO.	PART NO.	SYM.	QTY.	DESCRIPTION
-	1601-83A1		,,,,,,1	GEAR HOUSING ASSEMBLY, COMPLETE
-	1601-83A4		1,1,1,1,1,	GEAR HOUSING ASSEMBLY, COMPLETE
237	1601-83A2		1,1,1,1,1,	GEAR HOUSING ASSEMBLY
-	31-22458		1,1,1,1,1,	BEARING, ROLLER-PROPELLER SHAFT
-	31-21146		1,1,1,1,1,	BEARING, ROLLER-DRIVE SHAFT
229	26-20590A1		1,1,1,1,1,	PILOT & OIL SEAL ASSEMBLY
-	26-20590		1,1,1,1,1,	OIL SEAL
230	15-20919		AR,AR,AR,A	SHIM, DRIVE SHAFT BEARING (.005)
	15-20919		AR,AR,AR,A	SHIM, DRIVE SHAFT BEARING (.002)
	15-20919		AR,AR,AR,A	SHIM, DRIVE SHAFT BEARING (.003)
231	30-21149		1,1,1,1,1,	BEARING, BALL-DRIVE SHAFT
-	15-22813		,,,,,,AR	SHIM, DRIVE SHAFT BEARING (.003 .005 .010)
-	53-20560		,,,,,,1	SNAP RING, BEARING RETAINING
232	15-21158		AR,AR,AR,A	SHIM, BEARING TO SNAP RING
233	45-20561		,,,,,,1	DRIVE SHAFT
	45-24475		1,1,1,1,1,	DRIVE SHAFT
-	25-20587		,,,,,,1	"O" RING, DRIVE SHAFT
234	43-22427		1,1,1,1,1,	GEAR, PINION
235	14-20806		1,1,1,1,1,	TAB WASHER, PINION GEAR SCREW
236	10-20807		1,1,1,1,1,	SCREW, PINION GEAR RETAINING
246	22397		1,1,1,1,1,	COVER, WATER PUMP
247	47-24472		1,1,1,1,1,	IMPELLER, WATER PUMP
248	28-20946		1,1,1,1,1,	KEY, IMPELLER DRIVE
249	46-21163A2		1,1,1,1,1,	WATER PUMP HOUSING ASSEMBLY
-	26-20590		1,1,1,1,1,	OIL SEAL
250	12-21161		1,1,1,1,1,	WASHER, SEALING - WATER PUMP HOUSING
251	12-21160		1,1,1,1,1,	WASHER, WATER PUMP HOUSING
-	44-22399A1		,,,,,,1	PROPELLER SHAFT ASSEMBLY
252	44-22399		1,1,1,1,1,	SHAFT, PROPELLER
253	17-21156		1,1,1,1,1,	PIN, PROPELLER GEAR DRIVE
254	53-21159		1,1,1,1,1,	SNAP RING, PROPELLER GEAR
-	15-21158		AR,AR,AR,A	SHIM, BEARING TO SNAP RING
255	30-20464		1,1,1,1,1,	BEARING, BALL-PROPELLER GEAR
256	12-21157		1,1,1,1,1,	WASHER, THRUST-PROPELLER GEAR
257	43-22443		1,1,1,1,1,	GEAR, PROPELLER
258	15-22401		AR,AR,AR,A	SHIM, PROPELLER GEAR (.002 .005 .010)
259	12-20260		1,1,1,1,1,	WASHER, GREASE FILLER HOLE SCREW
260	10-22066		1,1,1,1,1,	SCREW, GREASE FILLER HOLE
261	16-24476		1,1,1,1,1,	STUD, GEAR HOUSING TO DRIVE SHAFT HOUSING (LONG)
262	12-20683		1,1,1,1,1,	WASHER, WATER TUBE
263	12-20684		1,1,1,1,1,	WASHER, SEALING - WATER TUBE
264	12-20262		1,1,1,1,1,	WASHER, GEAR CASE VENT SCREW
265	10-28653		1,1,1,1,1,	SCREW, GEAR CASE VENT

CONTINUED ON NEXT PAGE ➡

GEAR HOUSING



GEAR HOUSING

REF. NO.	PART NO.	SYM.	QTY.	DESCRIPTION
238	18-22374		1,1,1,1,1,	COTTER PIN, PROPELLER NUT
239	11-24420		1,1,1,1,1,	NUT, PROPELLER
240	12-24482		1,1,1,1,1,	WASHER, SHOCK ABSORBER RETAINING
241	24478		1,1,1,1,1,	SHOCK ABSORBER
242	48-24477		1,1,1,1,1,	PROPELLER
	48-24481		0	PROPELLER (KE4A ONLY)
-	52-22475		1,1,1,1,1,	CLUTCH ASSEMBLY
243	52-22478		1,1,1,1,1,	DRIVEN MEMBER, CLUTCH
244	52-22479		1,1,1,1,1,	DRIVE MEMBER, CLUTCH
245	17-20957		1,1,1,1,1,	PIN, CLUTCH DRIVE

MAGNETO ASSEMBLY AND FLYWHEEL (SCINTILLA)

REF. NO.	PART NO.	SYM.	QTY.	DESCRIPTION
-	313-674A1		1,1	MAGNETO ASSEMBLY, COMPLETE (SCINTILLA)
-	313-674		1,1	STATOR PLATE ASSEMBLY
-	399-664		1,1	STATOR PLATE
-	399-756		2,2	COIL, IGNITION
-	399-126		4,4	COIL, COIL CORE FASTENING
-	399-129		2,2	INSULATOR, HIGH TENSION LEAD
-	399-665		1,1	LEAD, HIGH TENSION (SHORT)
-	399-666		1,1	LEAD, HIGH TENSION (LONG)
-	399-130		2,2	CLAMP, HIGH TENSION LEAD
-	10-20884		2,2	SCREW, HIGH TENSION LEAD CLAMP
-	13-20193		2,2	LOCKWASHER, HIGH TENSION LEAD CLAMP SCREW
-	399-123		2,2	CONDENSER
-	10-20884		2,2	SCREW, CONDENSER ATTACHING
-	13-20193		2,2	LOCKWASHER, CONDENSER ATTACHING SCREW
-	399-675		2,2	BREAKER ASSEMBLY
-	10-20884		4,4	SCREW, BREAKER ATTACHING & ADJUSTING
-	13-20193		4,4	LOCKWASHER, BREAKER ATTACHING & ADJUSTING SCREW
-	12-20878		2,2	WASHER, BREAKER ADJUSTING SCREW
-	11-20881		2,2	NUT, PRIMARY CONNECTOR TO BREAKER
-	13-24658		2,2	LOCKWASHER, PRIMARY CONNECTOR TO BREAKER NUT
-	399-370		1,1	MAGNETO, ROTATING
-	24-23518		2,2	SPRING, STATOR PLATE TENSION
-	399-671		2,2	PLATE, STATOR PLATE TENSION SPRING
-	10-24621		4,4	SCREW, STATOR PLATE TENSION SPRING
-	13-26996		4,4	LOCKWASHER, STATOR PALTE TENSION SPRING SCREW
-	20737A1		2,2	TENSIONING ASSEMBLY
-	10-20608		2,2	SHOE FRICTION
-	24-20609		2,2	SPRING, FRICTION SHOE
-	20737		2,2	PLUG, FRICTION SHOE SPRING
-	206-750A2		1,1	FLYWHEEL ASSEMBLY
-	28-22440		1,1	KEY, FLYWHEEL
-	15-20626		1,1	SHIM, MAGNETO PILOT
-	23519		1,1	PLATE, MAGNETO WIRE PROTECTOR
-	10-20668		4,4	SCREW, MAGNETO WIRE PROTECTOR PLATE
-	13-20193		4,4	LOCKWASHER, MAGNETO WIRE PROTECTOR PLATE SCREW
-	399-673		0	SEALING COMPOUND (SCINTILLA #47)

PARTS INDEX

Part Number	Description	Pg.	Ref. No.	Part Number	Description	Pg.	Ref. No.
20119	PROTECTOR, SPARK PLUG	5	82	24086	PLATE, AUXILIARY		
20172	END CAP, STARTER				STARTER	3	--
	HANDLE	3	21	24324	GRIP, STEERING HANDLE	31	288
20203	DISC, FRICTION	29	268	24325A1	CO-PILOT DISC ASSEMBLY	29	267
20203	DISC, FRICTION	29	268	24350A1	CLAMP PLATE ASSEMBLY	29	280
20401	SCREW, AUXILIARY			24354	DISC, FRICTION	29	268
	STARTER PLATE	3	--	24354	DISC, FRICTION	29	268
20623	MARKER "TOP", LEAD WIRE	5	77	24478	SHOCK ABSORBER	35	241
20662	HANDLE, STARTER CABLE	3	20	24731	STEERING BAR	1	--
20701A1	CLAMP PLATE ASSEMBLY	29	280	24732	AUXILIARY HANDLE	3	24
20737	PLUG, FRICTION SHOE			24733	FLUSHING DEVICE	1	--
	SPRING	36	--	10-20098	SCREW, CRANKCASE		
20737A1	TENSIONING ASSEMBLY	36	--		BOTTOM	23	210
20762A2	STARTER SHEAVE			10-20098	SCREW, DRIVE SHAFT		
	ASSEMBLY	3	7		HOUSING TO		
20765	SHAFT, STARTER SHEAVE	3	6		CRANKCASE (SHORT)	27	215
20769	RETAINER, PAWL	3	11	10-20314	DRIVE SCREW, SERIAL		
20771	COLLAR, SLEEVE SHAFT	3	13		PLATE	11	50
20772A1	STARTER PAWL ASSEMBLY	3	14	10-20411	SCREW, HANDLE	3	4
20773	MAGNET, STARTER PAWL	3	--	10-20566	SCREW, THROTTLE LEVER		
20777	PLATE, FRICTION	3	16		TO CARBURETOR	15	101
21460	END CAP	9	--	10-20578	SCREW, CHOKE SHUTTER	15	129
21627	HANDLE, STEERING	31	287	10-20608	SHOE FRICTION	36	--
21656	JET, BLEEDER	23	--	10-20616	SCREW, CONTROL HANDLE		
21675	RETAINER	23	--		ATTACHING (SHORT)	5	70
21693	EXHAUST MANIFOLD			10-20646	SCREW, CLAMP ATTACHING	7	--
	ASSEMBLY (OUTER HALF)	25	155	10-20646	SCREW, CLIP FASTENING	7	--
21694	EXHAUST MANIFOLD			10-20646	SCREW, CLIP FASTENING	17	184
	(ENGINE HALF)	25	153	10-20668	SCREW, MAGNETO WIRE		
21704	BRACKET, FUEL TANK	9	45		PROTECTOR PLATE	36	--
21705	BRACKET, FUEL TANK -			10-20705	SCREW, CO-PILOT		
	REAR	11	--		ADJUSTING	29	279
21743A1	STEERING HANDLE			10-20774	SCREW, SHEAVE		
	BRACKET ASSEMBLY	31	281		REINFORCING	3	8
22397	COVER, WATER PUMP	33	246	10-20778	SCREW, SHEAVE SHAFT	3	23
22437	RATCHET, STARTER	3	17	10-20807	SCREW, PINION GEAR		
22451	ROD, CHOKE	15	141		RETAINING	33	236
22453	SHUTTER, CHOKE	15	133	10-20847	SCREW, THROTTLE STOP		
22454	STUD, CHOKE LEVER	13	99		LEVER	13	104
22456A1	CHOKE LEVER ASSEMBLY	13	96	10-20854	SCREW, FLOAT BOWL		
22456A2	CHOKE LEVER & ROD				COVER	13	140
	ASSEMBLY	13	--	10-20884	SCREW, BREAKER		
22468A2	THUMB SCREW ASSEMBLY	29	273		ATTACHING & ADJUSTING	36	--
22497A1	THROTTLE CONTROL			10-20884	SCREW, CONDENSER		
	HANDLE ASSEMBLY	5	67		ATTACHING	36	--
22501	KNOB, CONTROL HANDLE	5	66	10-20884	SCREW, HIGH TENSION		
22665A1	FUEL SHUT-OFF VALVE				LEAD CLAMP	36	--
	ASSEMBLY	13	117	10-21130	SCREW, GROUND		
22669	PACKING GLAND	13	120		TERMINAL	5	59
23039A1	WATER JACKET ASSEMBLY,			10-21138	SCREW, LEAD WIRE CLAMP	5	85
	LOWER	17	175	10-21140	SCREW, TANK BRACKET TO		
23073	COVER PLATE, CRANKCASE	23	202		CRANKCASE	11	48
23137A1	WATER JACKET ASSEMBLY,			10-21140	SCREW, TANK BRACKET TO		
	UPPER	17	183		CRANKCASE	11	49
23139	EXHAUST MANIFOLD	25	--	10-21281	SCREW, THROTTLE SCREW	13	111
23248	FILTER, FUEL	9	--	10-21296	SCREW, REED PLATE	21	195
23298	KNOB, CHOKE	15	143	10-21341	SCREW, MAIN BEARING		
23317A1	PROTECTOR RIM				CLAMPING	21	--
	ASSEMBLY	9	32	10-21365	SCREW, MANIFOLD TO		
					CYLINDER	25	--

PARTS INDEX

Part Number	Description	Pg.	Ref. No.	Part Number	Description	Pg.	Ref. No.
10-21365	SCREW, WATER JACKET TO CRANKCASE	17	173	10-24623	SCREW, MANIFOLD TO CYLINDER	25	--
10-21548	SCREW, CENTER MAIN BEARING LOCK	23	205	10-24636	SCREW, STARTER COVER TO TANK (FRONT)	3	22
10-21562	SCREW, CRANKCASE COVER PLATE	23	201	10-24638	SCREW, BRACKET TO PROTECTOR RIM	9	--
10-21625	SCREW, CLAMP PLATE TO SWIVEL BRACKET	29	277	10-24640	SCREW, COWL TO COWL - REAR	9	42
10-21628	BOLT, BRACKET TO STEERING HANDLE	31	289	10-24640	SCREW, COWL TO PROTECTOR RIM	9	42
10-21722	SCREW, BRACKET TO CO-PILOT DISC	31	283	10-24640	SCREW, TANK BRACKET TO CRANKCASE	11	48
10-22028	SCREW, CONTROL HANDLE KNOB ATTACHING	5	68	10-24646	SCREW, STARTER COVER TO TANK (FRONT)	3	22
10-22031	SCREW, CONTROL HANDLE ATTACHING (LONG)	5	71	10-24770	SCREW, MANIFOLD TO CYLINDER (1 3/8 LONG)	25	166
10-22038	SCREW, FRICTION PLATE TO COVER	3	19	10-24963	SCREW, FUEL TANK TO PROTECTOR RIM	9	35
10-22038	SCREW, HANDLE BRACKET SPRING	31	284	10-28653	SCREW, GEAR CASE VENT	33	265
10-22066	SCREW, GREASE FILLER HOLE	33	260	11-20083	NUT, DRIVE SHAFT HOUSING TO GEAR HOUSING STUD	27	223
10-22378	SCREW, DRIVE SHAFT HOUSING TO CRANKCASE (LONG)	27	219	11-20083	NUT, DRIVE SHAFT HOUSING TO GEAR HOUSING STUD	27	228
10-22378	SCREW, MANIFOLD TO CYLINDER	25	--	11-20190	NUT, CLAMP ATTACHING SCREW	7	--
10-22390	SCREW, STARTER COVER TO TANK (REAR)	3	1	11-20190	NUT, ELASTIC STOP	9	--
10-22391	SCREW, CONNECTING ROD AND CAP	19	--	11-20361	NUT, PROTECTOR RIM TO BRACKET STUD	9	40
10-22484	SCREW, STARTER COVER TO TANK (REAR)	3	1	11-20509	NUT, BRACKET TO STEERING HANDLE BOLT	31	286
10-22485	SCREW, FUEL TANK BRACKET	11	--	11-20509	NUT, CLAMP BRACKET TO SWIVEL BRACKET BOLT & STUD	29	275
10-22567	SCREW, FLOAT BOWL DRAIN	13	116B	11-20509	NUT, CLAMP BRACKET TO SWIVEL BRACKET BOLT & STUD	29	275
10-22968	SCREW, PROTECTOR RIM TO COWL	9	--	11-20645	NUT, CHOKE ROD STOP	15	142
10-23003	SCREW, MANIFOLD ATTACHING	25	161	11-20645	NUT, CLIP FASTENING SCREW	7	--
10-23017	SCREW, MANIFOLD ATTACHING	25	157	11-20645	NUT, CLIP FASTENING SCREW	17	177
10-23030	SCREW, INLET VALVE CHANNEL PLUG	13	116	11-20849	NUT, MAIN ADJUSTMENT SCREW PACKING	13	124
10-23179	SCREW, IDLE ADJUSTMENT	13	130	11-20881	NUT, PRIMARY CONNECTOR TO BREAKER	36	--
10-23556	SCREW, CORE FASTENING	5	58	11-21113	NUT, WATER OUTLET TUBE	17	180
10-23666	BOLT, CLAMP BRACKET TO SWIVEL BRACKET	29	274	11-21310	NUT, COMPRESSION	9	--
10-23976	SCREW, BREAKER CONNECTION	5	61	11-21825	NUT, CARBURETOR STUD	15	108
10-23977	SCREW, CONDENSER ATTACHING	5	62	11-21825	NUT, MANIFOLD STUD	25	160
10-23977	SCREW, FIXED CONTACT	5	92	11-21869	NUT, CRANKCASE TO DRIVE SHAFT HOUSING STUD	27	221
10-23992	SCREW, FRICTION CLAMP	5	76	11-22667	NUT, GLAND	13	121
10-24227	SCREW, MANIFOLD TO CYLINDER (2 1/2 LONG)	25	164	11-23263	ADAPTOR NUT	9	--
10-24228	SCREW, MANIFOLD TO CYLINDER (1 7/8 LONG)	25	165	11-24420	NUT, PROPELLER	35	239
				12-20128	WASHER, REED PLATE SCREW	21	196

PARTS INDEX

Part Number	Description	Pg.	Ref. No.	Part Number	Description	Pg.	Ref. No.
12-20214	WASHER, THUMB SCREW .	29	276	13-20193	LOCKWASHER, CHOKE		
12-20260	WASHER, GREASE FILLER HOLE SCREW	33	259	13-20193	LEVER STUD	13	100
12-20262	WASHER, GEAR CASE VENT SCREW	33	264	13-20193	LOCKWASHER, CONDENSER ATTACHING SCREW	36	--
12-20286	WASHER, MANIFOLD ATTACHING SCREW	25	156	13-20193	LOCKWASHER, HIGH TENSION LEAD CLAMP SCREW	36	--
12-20286	WASHER, THROTTLE LEVER SPACER	15	--	13-20193	LOCKWASHER, MAGNETO WIRE PROTECTOR PLATE SCREW	36	--
12-20411	WASHER, STARTER RATCHET	3	18	13-20202	LOCKWASHER, DRIVE SHAFT HOUSING TO GEAR HOUSING STUD . .	27	227
12-20583	WASHER, CARBURETOR STUD	15	107	13-20378	LOCKWASHER, SHUTTER SCREW	13	110
12-20583	WASHER, CRANKCASE BOTTOM SCREW	23	211	13-20770	LOCKWASHER, PAWL RETAINER TENSION	3	12
12-20583	WASHER, MANIFOLD TO CYLINDER SCREW	25	163	13-21134	LOCKWASHER, CONDENSER ATTACHING SCREW	5	63
12-20583	WASHER, WATER JACKET TO CRANKCASE SCREW	17	174	13-21134	LOCKWASHER, LEAD WIRE CLAMP SCREW	5	86
12-20683	WASHER, WATER TUBE . . .	33	262	13-21134	LOCKWASHER, FRICTION CLAMP STUD	5	73
12-20684	WASHER, SEALING - WATER TUBE	33	263	13-21144	WAVE WASHER, FLYWHEEL	5	56
12-20768	WASHER, PAWL RETAINER SPACER	3	10	13-22027	LOCKWASHER, DRIVE SHAFT HOUSING TO CRANKCASE SCREW	27	216
12-20878	WASHER, BREAKER ADJUSTING SCREW	36	--	13-22773	LOCKWASHER, FIXED CONTACT SCREW	5	91
12-21157	WASHER, THRUST- PROPELLER GEAR	33	256	13-23965	LOCKWASHER, PRIMARY CONNECTOR TO BREAKER NUT	36	--
12-21160	WASHER, WATER PUMP HOUSING	33	251	13-24658	TAB WASHER, MAIN BEARING LOCK SCREW . .	23	206
12-21161	WASHER, SEALING - WATER PUMP HOUSING .	33	250	13-24661	LOCKWASHER, FUEL TANK TO PROTECTOR RIM SCREW	9	33
12-21249	WASHE, MANIFOLD STUD .	25	159	13-24669	LOCKWASHER, CONTROL HANDLE ATTACHING SCREW	5	69
12-21249	WASHER, MANIFOLD TO CYLINDER SCREWS	25	167	13-26991	LOCKWASHER, BRACKET TO CO-PILOT DISC SCREW	31	282
12-21249	WASHER, MANIFOLD TO CYLINDER SCREWS	25	167	13-26992	LOCKWASHER, CLAMP PLATE TO SWIVEL BRACKET SCREW	29	278
12-21249	WASHER, PROTECTOR RIM SCREW	9	--	13-26992	LOCKWASHER, FUEL TANK BRACKET SCREW	11	--
12-21464	WASHER, RUBBER	9	--	13-26992	LOCKWASHER, HANDLE BRACKET SPRING SCREW	31	--
12-21631	WASHER, ANTI-RATTLE SPRING	31	--	13-26992	LOCKWASHER, TANK BRACKET TO CRANKCASE SCREW	9	46
12-22668	WASHER, PACKING GLAND	13	119	13-26996	LOCKWASHER, AUXILIARY STARTER PLATE	3	--
12-22937	WASHER, FUEL TANK BRACKET TO PROTECTOR RIM STUD .	9	39	13-26996	LOCKWASHER, CLIP FASTENING SCREW	7	--
12-23327	WASHER, PROTECTRO RIM TO TANK BRACKET STUD	9	38				
12-23993	WASHER, BREAKER CONNECTER SCREW	5	95				
12-24482	WASHER, SHOCK ABSORBER RETAINING .	35	240				
12-24667	WASHER, NEEDLE BEARING RETAINING	19	191				
12-24668	WASHER, COWL TO PROTECTOR RIM SCREW	9	41				
13-20193	LOCKWASHER, BOWL COVER SCREW	13	139				

PARTS INDEX

Part Number	Description	Pg.	Ref. No.	Part Number	Description	Pg.	Ref. No.
13-26996	LOCKWASHER, CLIP FASTENING SCREW	17	178	17-20588A1	THROTTLE LEVER ASSEMBLY	15	102
13-26996	LOCKWASHER, HANDLE SCREW	3	3	17-20648	PIN, CHOKE ROD RETAINING	13	97
13-26996	LOCKWASHER, STATOR PALTE TENSION SPRING SCREW	36	--	17-20685	PIN, KNOB RETAINING	13	122
14-20747	TAB WASHR, DRIVE SHAFT HOUSING TO GEAR HOUSING STUD	27	222	17-20764	PIN, RETAINER	3	--
14-20806	TAB WASHER, PINION GEAR SCREW	33	235	17-20775	SPRING, STARTER	3	5
15-20626	SHIM, MAGNETO PILOT . . .	5	79	17-20891	PIN, SWIVEL BRACKET TO DRIVE SHAFT HOUSING .	29	266
15-20626	SHIM, MAGNETO PILOT . . .	36	--	17-20957	PIN, CLUTCH DRIVE	35	245
15-20767	SHIM, SHEAVE SHAFT	3	9	17-21156	PIN, PROPELLER GEAR DRIVE	33	253
15-20919	SHIM, DRIVE SHAFT BEARING (.002)	33	230	17-21632	RIVET, SPRING RELEASE . .	31	--
15-20919	SHIM, DRIVE SHAFT BEARING (.003)	33	230	17-22061	PIN, TILT LOCK	29	271
15-20919	SHIM, DRIVE SHAFT BEARING (.005)	33	230	17-22672	PIN, KNOB RETAINING	13	122
15-21158	SHIM, BEARING TO SNAP RING	33	--	17-24198	PIN, ROLL-SPRING ANCHOR	3	--
15-21158	SHIM, BEARING TO SNAP RING	33	232	17-24353	PIN, TILT LOCK	29	271
15-21820	SHIM, CRANKCASE BOTTOM (OPTIONAL) . . .	23	--	18-21579	CLIP, FLOAT RETAINER . . .	13	135
15-22401	SHIM, PROPELLER GEAR (.002 .005 .010)	33	258	18-22374	COTTER PIN, PROPELLER NUT	35	238
15-22813	SHIM, DRIVE SHAFT BEARING (.003 .005 .010)	33	--	18-23294	COTTER PIN, CHOKE LEVER STUD	13	98
15-24351	SHIM, CLAMP BRACKET TO SWIVEL BRACKET	29	270	19-20011	WELCH PLUG	13	--
16-20985	STUD, DRIVE SHAFT HOUSING TO GEAR CASE (SHORT)	27	226	19-21688	WELCH PLUG, EXHAUST MANIFOLD	25	--
16-21451	STUD	9	--	19-21699	WELCH PLUG, EXHAUST MANIFOLD	25	--
16-21660	STUD, CARBURETOR MOUNTING	23	204	22-21290	PLUG, WATER JACKET TUBE HOLE	17	--
16-21697	STUD, MANIFOLD TO DRIVE SHAFT HOUSING (LONG)	25	162	22-21684	ELBOW, EXHAUST MANIFOLD	25	--
16-21698	STUD, MANIFOLD TO DRIVE SHAFT HOUSING (SHORT)	25	158	22-21684	ELBOW, WATER OUTLET TUBE TO WATER JACKET	17	179
16-21868	STUD, CRANKCASE TO DRIVE SHAFT HOUSING .	23	212	22-21685	SLEEVE, WATER OUTLET TUBE	17	181
16-22426	STUD, CLAMP BRACKET TO SWIVEL BRACKET	29	274	22-21686	CONNECTOR, WATER TUBE TO MANIFOLD	17	--
16-23130	STUD, EXHAUST MANIFOLD (SHORT)	25	--	22-23216	CONNECTOR, FUEL FILTER TO FUEL LINE	9	30
16-23131	STUD, EXHAUST MANIFOLD (LONG)	25	--	22-23314A2	FUEL FILTER ASSEMBLY . .	9	--
16-23301	STUD, PROTECTOR RIM TO TANK BRACKET (FRONT)	9	37	23-20618	SPACER, THROTTLE CAM . .	5	72
16-23325	STUD, PROTECTOR RIM TO TANK BRACKET (REAR) .	9	36	23-20973	BUSHING, (UPPER)	27	220
16-24450	STUD, FRICTION CLAMP . .	5	75	23-21309	SLEEVE, COMPRESSION . .	9	--
16-24476	STUD, GEAR HOUSING TO DRIVE SHAFT HOUSING (LONG)	33	261	23-22054	BUSHING (LOWER)	27	224
17-20564	PIN, SPRING ANCHOR	3	--	23-22457	SLEEVE, PLUG WIRE (RUBBER)	5	--
				23-23326	BUSHING, PROTECTOR RIM TO TANK BRACKET (REAR)	9	34
				24-20229	SPRING, CO-PILOT TO DRIVE SHAFT HOUSING .	27	214
				24-20609	SPRING, FRICTION SHOE . .	36	--
				24-20856	SPRING, IDLE ADJUSTMENT SCREW	13	131
				24-21630	SPRING, STEERING HANDLE BRACKET (3 3/4" LONG)	31	285
				24-21634	SPRING, ANTI-RATTLE	31	--
				24-23191	SPRING, THROTTLE SHAFT RETURN	13	115

PARTS INDEX

Part Number	Description	Pg.	Ref. No.	Part Number	Description	Pg.	Ref. No.
24-23295	SPRING, CHOKE SHUTTER	15	132	28-22026	KEY, FLYWHEEL	21	200
24-23518	SPRING, STATOR PLATE TENSION	36	--	28-22440	KEY, FLYWHEEL	36	--
24-24302	SPRING, STEERING HANDLE BRACKET (3" LONG)	31	285	29-21663	BEARING, NEEDLE - CRANKPIN	19	192
25-20116	GROMMET, PROTECTOR RIM TO TANK BRACKET	9	47	29-21667	BEARING, NEELDE - PISTON PIN	19	190
25-20587	"O" RING, DRIVE SHAFT	33	--	30-20464	BEARING, BALL-PROPELLER GEAR	33	255
25-22683	GROMMET, CHOKE ROD HOLE	9	44	30-21149	BEARING, BALL-DRIVE SHAFT	33	231
26-20590	OIL SEAL	33	--	31-21146	BEARING, ROLLER-DRIVE SHAFT	33	--
26-20590	OIL SEAL	33	--	31-21638	BEARING, UPPER ROLLER	23	--
26-20590A1	PILOT & OIL SEAL ASSEMBLY	33	229	31-21664	BEARING, ROLLER - PISTON PIN	19	--
26-21818	OIL SEAL	23	--	31-22458	BEARING, ROLLER-PROPELLER SHAFT	33	--
26-21818A1	OIL SEAL ASSEMBLY	23	--	31-24079	BEARING, SHEAVE HUB	3	--
26-26782	OIL SEAL	23	--	32-21137	TUBE, LEAD WIRE	5	88
27-20183	GASKET, CARBURETOR FLANGE	15	112	32-21692	CONNECTOR, WATER OUTLET	17	182
27-20848	GASKET, ADJUSTMENT SCREW GLAND	13	128	32-23133	TUBE, WATER OUTLET	17	182
27-21544	GASKET, FUEL TANK CAP	9	26	32-23138	TUBE, WATER OUTLET	17	182
27-21674	GASKET, CRANKCASE BOTTOM TO CRANKCASE	23	208	32-23217A1	FUEL LINE ASSEMBLY	9	31
27-21681	GASKET, CYLINDER TO CRANKCASE	17	169	32-23293A1	FUEL LINE ASSEMBLY	9	31
27-21682	GASKET, WATER JACKET TO SPARK PLUG FLANGE	17	171	32-24328	TUBE, WATER INLET	27	213
27-21683	GASKET, WATER JACKET TO WATER JACKET	17	176	33-22805	SPARK PLUG	5	81
27-21687	GASKET, EXHAUST MANIFOLD FLANGE	25	--	34-21662	REED, INLET VALVE	21	198
27-21695	GASKET, EXHAUST MANIFOLD	25	154	34-25454	PLATE, REED STOP	21	197
27-21696	GASKET, MANIFOLD TO CYLINDER	25	151	35-21463	FILTER ELEMENT	9	--
27-23049	GASKET, EXHAUST MANIFOLD TO DRIVE SHAFT HOUSING	25	152	35-23262	FUEL FILTER	9	29
27-23049	GASKET, MANIFOLD TO DRIVE SHAFT HOUSING	25	152	36-21317A2	FUEL TANK CAP ASSEMBLY	9	25
27-23077	GASKET, CRANKCASE COVER PLATE	23	203	36-23338A1	FILLER CAP ASSEMBLY	9	25
27-23140	GASKET, WATER JACKET TO CYLINDER	17	172	36-23454A1	FUEL TRANSFER CAP ASSEMBLY (MARK 7)	1	--
27-23167	GASKET, INLET VALVE SEAT	13	134	36-23455A1	FUEL TRANSFER CAP ASSEMBLY (KE4)	1	--
27-23184	GASKET, FLOAT BOWL DRAIN SCREW	13	116A	38-23313	SERIAL PLATE	11	51
27-23211	GASKET, FILTER TO TANK	9	28	38-23330	SERIAL PLATE (KE4A ONLY)	11	51
27-23331	GASKET, FUEL TANK CAP	9	26	38-23488	SERIAL PLATE	11	51
27-24203	GASKET, WATER INLET TUBE	27	217	39-21665	RING, PISTON	19	186
27-24204	GASKET, DRIVE SHAFT HOUSING TO POWERHEAD	27	218	40-21666	RING, PISTON PIN LOCK	19	189
27-24713	GASKET SET	1	--	43-22427	GEAR, PINION	33	234
28-20946	KEY, IMPELLER DRIVE	33	248	43-22443	GEAR, PROPELLER	33	257
28-22026	KEY, FLYWHEEL	5	57	44-22399	SHAFT, PROPELLER	33	252
				44-22399A1	PROPELLER SHAFT ASSEMBLY	33	--
				45-20561	DRIVE SHAFT	33	233
				45-24475	DRIVE SHAFT	33	233
				46-21163A2	WATER PUMP HOUSING ASSEMBLY	33	249
				47-24472	IMPELLER, WATER PUMP	33	247
				48-24477	PROPELLER	35	242
				48-24481	PROPELLER (KE4A ONLY)	35	242
				50-22791A1	STARTER CABLE ASSEMBLY	3	15
				52-22475	CLUTCH ASSEMBLY	35	--
				52-22478	DRIVEN MEMBER, CLUTCH	35	243
				52-22479	DRIVE MEMBER, CLUTCH	35	244

PARTS INDEX

Part Number	Description	Pg.	Ref. No.	Part Number	Description	Pg.	Ref. No.
53-21159	SNAP RING, PROPELLER			805-259	CYLINDER, UPPER	17	168
	GEAR	33	254	810-258	CYLINDER, LOWER	17	170
54-20830	CLAMP, IGNITION CABLE	5	--	810-500	CYLINDER, UPPER	17	168
54-22595	CLIP, IGNITION CALBE	17	185	916-472A1	CRANKCASE ASSEMBLY	23	207
54-22595	NUT, IGNITION CABLE	7	--	1114-303A1	BEARING, LOWER ROLLER	23	--
125-554	COWL	9	43	1204-551	FUEL TANK	9	27
142-767A1	STARTER COVER			1214-624	FUEL TANK	9	27
	ASSEMBLY	3	2	1311-569	CARBURETOR ASSEMBLY, COMPLETE (TILLOTSON AJ-23A)	13	113
142-767A2	STARTER ASSEMBLY	3	--		PACKING, ADJUSTMENT SCREW	13	125
148-839	COWL	9	43	1399-108	INLET NEEDLE & SEAL	13	114
206-750A2	FLYWHEEL ASSEMBLY	36	--	1399-521	SHAFT, THROTTLE	13	105
303-256	MAGNETO ASSEMBLY, COMPLETE (PHELON)	5	--	1399-531	PIN, THROTTLE SHAFT STOP	13	--
313-674	STATOR PLATE ASSEMBLY	36	--	1399-536	FLOAT, CARBURETOR	13	136
313-674A1	MAGNETO ASSEMBLY, COMPLETE (SCINTILLA)	36	--	1399-570	JET, IDLE	13	106
398-174	BREAKER POINT ASSEMBLY	5	90	1399-572	SHUTTER, THROTTLE	13	109
398-712A1	STARTER & CORE	5	89	1399-573	REPAIR PARTS KIT, CARBURATOR (AJ-23A)	1	--
398-713	CONDENSER	5	64	1399-575	REPAIR PARTS KIT, CARBURETOR (AJ-23A)	15	--
398-716	COIL, IGNITION	5	93	1399-575	MAIN ADJUSTMENT SCREW	13	126
398-717	CLAMP, FRICTION	5	74		COVER, FLOAT BOWL	13	138
398-720	CLAMP, LEAD WIRE TUBE	5	87	1399-583	GASKET & PACKING SET, CARBURATOR (AJ-23A)	1	--
398-722	CAM, BREAKER	5	80	1399-598	GASKET & PACKING SET, CARBURETOR (AJ-23A)	15	--
398-723	WIPER, CAM (FELT)	5	65	1399-606	GLAND, ADJUSTMENT SCREW	13	127
398-732	CLIP, GROUND WIRE	5	60		LEVER, THROTTLE STOP	13	103
398-732	FLYWHEEL	5	55	1399-97	GASKET, FLOAT BOWL COVER	13	137
398-733	INSULATOR, BREAKER CONNECTOR SCREW	5	94	1399-99	BRACKET, SWIVEL	29	269
398-965	LEAD, HIGH TENSION	5	78		SWIVEL BRACKET ASSEMBLY	29	--
398-965	LEAD, HIGH TENSION	5	83	1405-255	CLAMP BRACKET ASSEMBLY	29	272
399-123	CONDENSER	36	--	1405-255A1	SWIVEL BRACKET ASSEMBLY	29	--
399-126	COIL, COIL CORE FASTENING	36	--	1413-714A1	CLAMP BRACKET ASSEMBLY	29	272
399-129	INSULATOR, HIGH TENSION LEAD	36	--	1418-789A1	SWIVEL BRACKET ASSEMBLY	29	--
399-130	CLAMP, HIGH TENSION LEAD	36	--	1431-856A1	CLAMP BRACKET ASSEMBLY	29	272
399-370	MAGNETO, ROTATING	36	--	1513-781A1	DRIVE SHAFT HOUSING ASSEMBLY	27	225
399-664	STATOR PLATE	36	--	1601-83A1	GEAR HOUSING ASSEMBLY, COMPLETE	33	--
399-665	LEAD, HIGH TENSION (SHORT)	36	--	1601-83A2	GEAR HOUSING ASSEMBLY	33	237
399-666	LEAD, HIGH TENSION (LONG)	36	--	1601-83A4	GEAR HOUSING ASSEMBLY, COMPLETE	33	--
399-671	PLATE, STATOR PLATE TENSION SPRING	36	--				
399-673	SEALING COMPOUND (SCINTILLA #47)	36	--				
399-675	BREAKER ASSEMBLY	36	--				
399-756	COIL, IGNITION	36	--				
403-69	CRANKSHAFT	21	194				
513-465	CENTER, MAIN BEARING	21	199				
604-337A1	CONNECTING ROD ASSEMBLY	19	193				
604-338A1	CONNECTING ROD ASSEMBLY	19	193				
706-445A1	PISTON & PISTON PIN ASSEMBLY	19	187				
709-488A1	PISTON & PISTON PIN ASSEMBLY	19	187				
805-258	CYLINDER, LOWER	17	170				