



PARTS CATALOG

MERC 350

SERIAL NUMBER

350 1812754 THRU 1960826

TABLE OF CONTENTS:

BOTTOM COWL ASSEMBLY	24
CARBURETOR ASSEMBLY	10
CARBURETOR LINKAGE	8
CLAMP AND SWIVEL BRACKET ASSEMBLY	34
COWLING AND FRONT COVER	6
CRANKSHAFT, PISTON AND CONNECTING ROD ASSEMBLY	22
CYLINDER BLOCK AND CRANKCASE ASSEMBLY	18
DRIVE SHAFT HOUSING ASSEMBLY	30
FLYWHEEL ASSEMBLY AND THROTTLE CONTROL LINKAGE	12
FUEL PUMP ASSEMBLY	16
GEAR HOUSING ASSEMBLY, COMPLETE (PAGE 1)	38
GEAR HOUSING ASSEMBLY, COMPLETE (PAGE 2)	42
MISCELLANEOUS PARTS/ACCESSORIES	1
PARTS INDEX	48
STARTER MOTOR, STARTER SOLENOID AND WIRING HARNESS	46
STATOR PLATE ASSEMBLY	14
THROTTLE AND SHIFT LINKAGE	26
TOP COWL AND STARTER ASSEMBLY	2

NOTE: *Indented description indicate that these parts are included in preceeding assembly.*

AR = As Required

NSS = Not Sold Separate

OPT = Optional

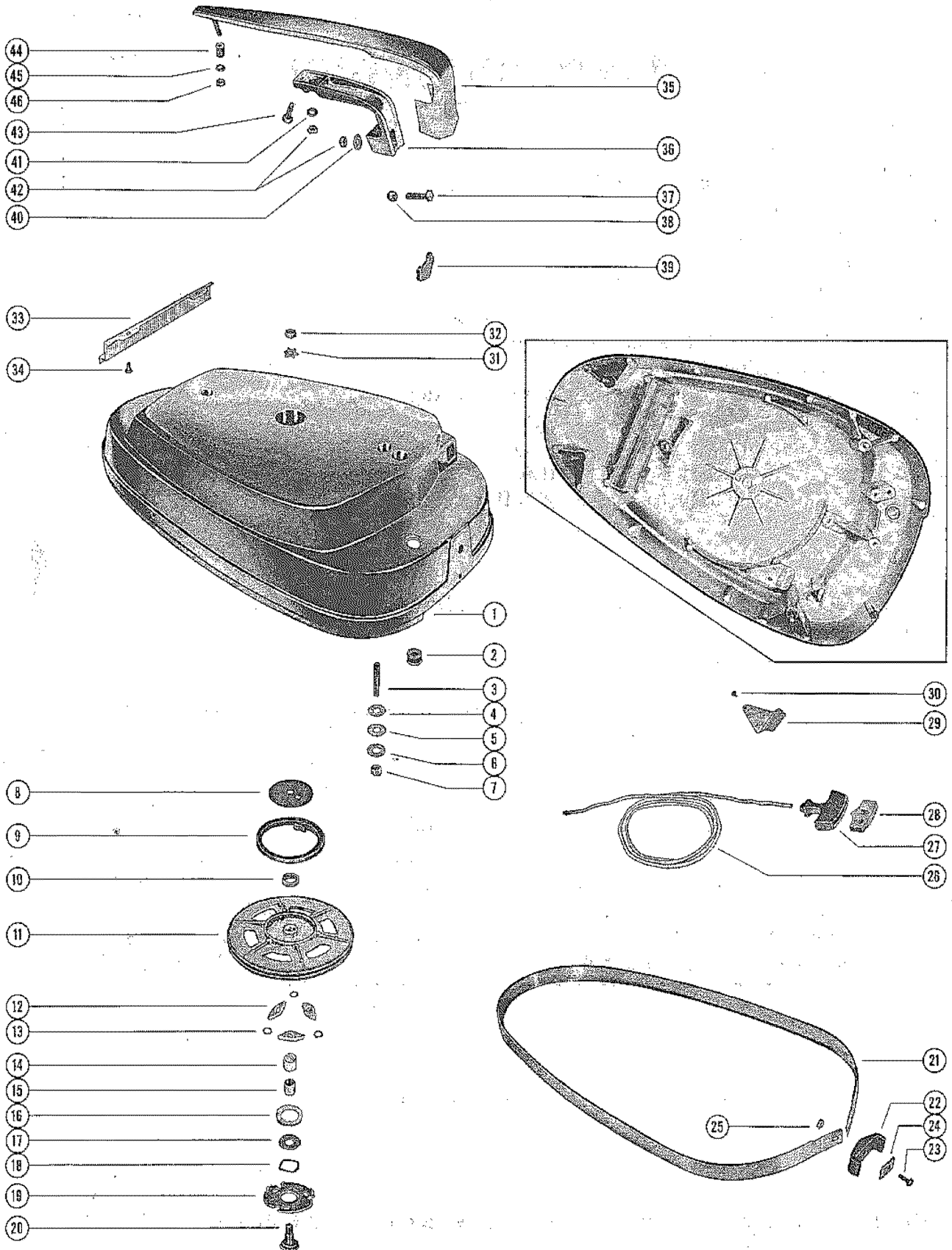
NS = Not Shown

THESE PARTS BOOKS/FICHE CARD ARE COPYRIGHTED AND MAY NOT BE DISTRIBUTED OR REPRODUCED IN ANY OTHER FORMAT BY ANYONE OTHER THAN MERCURY MARINE WITHOUT THE PRIOR WRITTEN CONSENT OF MERCURY MARINE.

MISCELLANEOUS PARTS/ACCESSORIES

REF. NO.	PART NO.	SYM.	QTY.	DESCRIPTION
-	90-38748		0	MERC 350-2 PARTS LIST, COMPLETE
-	27-37949A1		0	GASKET SET (MOTOR OVERHAUL)
-	94-37879		0	SHIPPING CARTON (MOTOR)
-	94-29616		0	SHIPPING CARTON (FUEL TANK)

TOP COWL AND STARTER ASSEMBLY

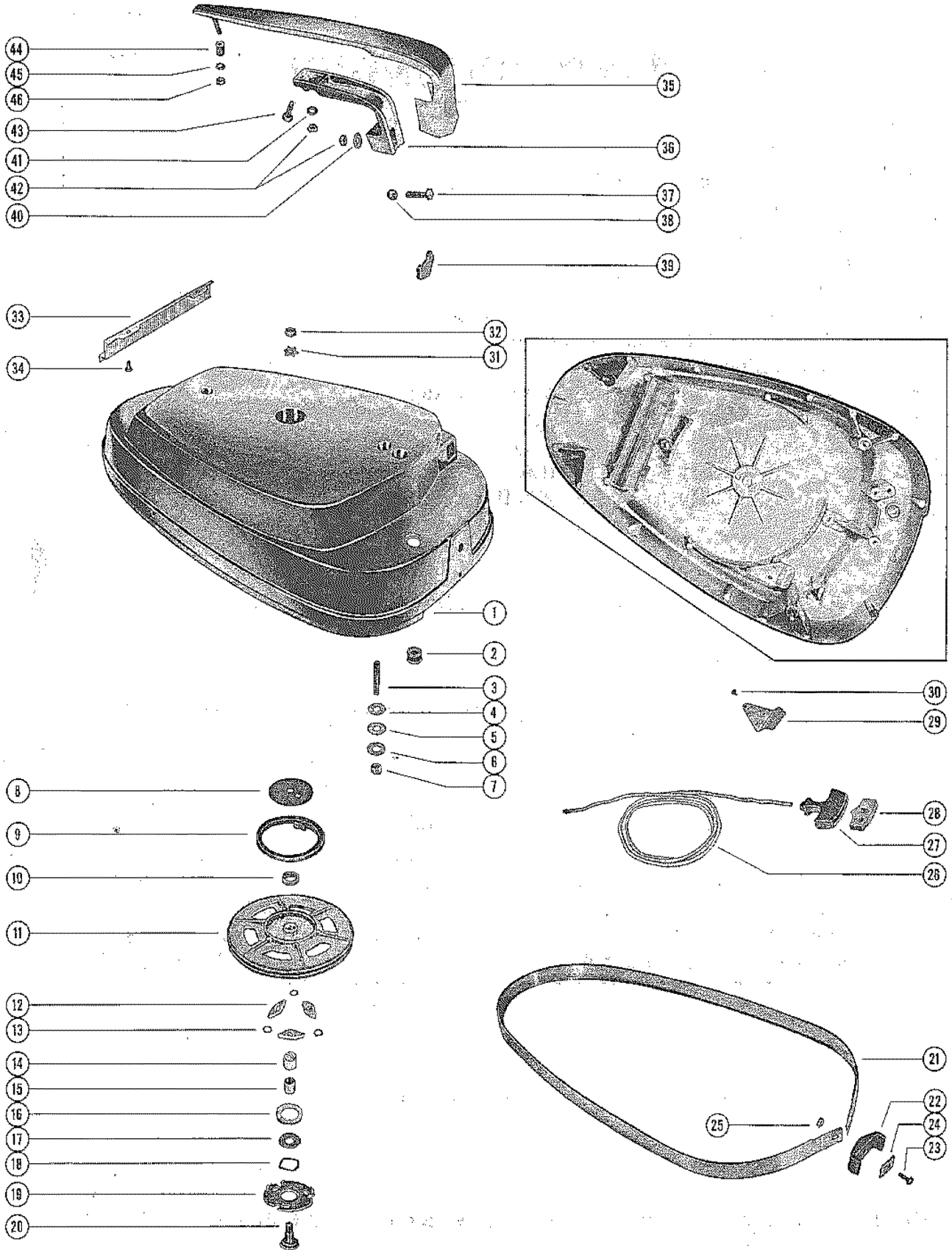


TOP COWL AND STARTER ASSEMBLY

REF. NO.	PART NO.	SYM.	QTY.	DESCRIPTION
1	2100-2172A2		1	TOP COWL ASSEMBLY
2	25-20116		1	GROMMET, CHOCK KNOB
3	16-20353		4	STUD, FRONT AND REAR - TOP COWL TO CYLINDER BLOCK
4	12-20028		4	WASHER, TOP COWL STUD (1/16")
5	12-20346		4	WASHER, TOP COWL STUD (3/4"OD)
6	12-20583		OPT.	WASHER, TOP COWL STUD (1/32")
7	11-20361		4	NUT, TOP COWL FASTENING STUD
8	20155		1	RETAINER, STARTER SPRING
9	24-29340A1		1	SPRING, STARTER REWIND
10	23-28912		1	BUSHING, SPRING GUIDE
11	50-30994		1	SHEAVE ASSEMBLY
12	30596		3	PAWL, STARTER
13	13-36206		3	WASHER, WAVE - STARTER PAWL
14	23-28919		1	BUSHING, NYLON - SHEAVE SHAFT SPACER
15	23-28911		1	SPACER, SHEAVE SHAFT
16	26179		1	RETAINER, WAVE WASHER
17	12-26180		1	WASHER, WAVE WASHER RETAINER
18	13-20160		1	WASHER, WAVE - RETAINER TENSION
19	30595		1	PLATE, RETAINER - STARTER PAWL
20	28913		1	SHAFT, SHEAVE
21	34735A1		1	TRIM MOLDING ASSEMBLY, TOP COWL
22	34433		1	BRACKET, TRIM MOULDING TENSION
23	10-37892		1	SCREW, BRACKET AND MOULDING TO TOP COWL
24	12-34434		1	WASHER, BRACKET AND MOULDING TO TOP COWL SCREW
25	11-20110		1	NUT , BRACKET AND MOULDING TO TOP COWL SCREW
26	50-28985A1		1	STARTER CABLE ASSEMBLY
27	28747		1	HANDLE, STARTER CABLE
28	28748		1	RETAINER, STARTER CABLE AND HANDLE
29	30045		1	PLATE, ROPE GUIDE
30	10-28642		3	SCREW, DRIVER - ROPE GUIDE PLATE TO TOP COWL
31	14-20165		1	TAB WASHER, SHEAVE SHAFT NUT
32	11-20166		1	NUT, SHEAVE SHAFT (LEFT HAND THREAD)
33	33952		1	SCREEN, VENT - TOP COWL
34	10-35193		4	SCREW, VENT SCREEN TO TOP COWL
35	31875		1	HANDLE, CHROME - TO COWL
36	31003		1	HANDLE, INSIDE - TOP COWL
37	10-22421		1	SCREW, FRONT - HANDLE TO TOP COWL (1 1/4")
38	11-20361		1	NUT, FRONT HANDLE FASTENING SCREW
39	35496		1	PAD, BUMPER - TOP COWL HANDLE
40	12-20346		1	WASHER, LOWER HANDLE STUD (3/4"OD)
41	12-29245		1	WASHER, CENTER HANDLE STUD (1/2"OD)

CONTINUED ON NEXT PAGE ➡

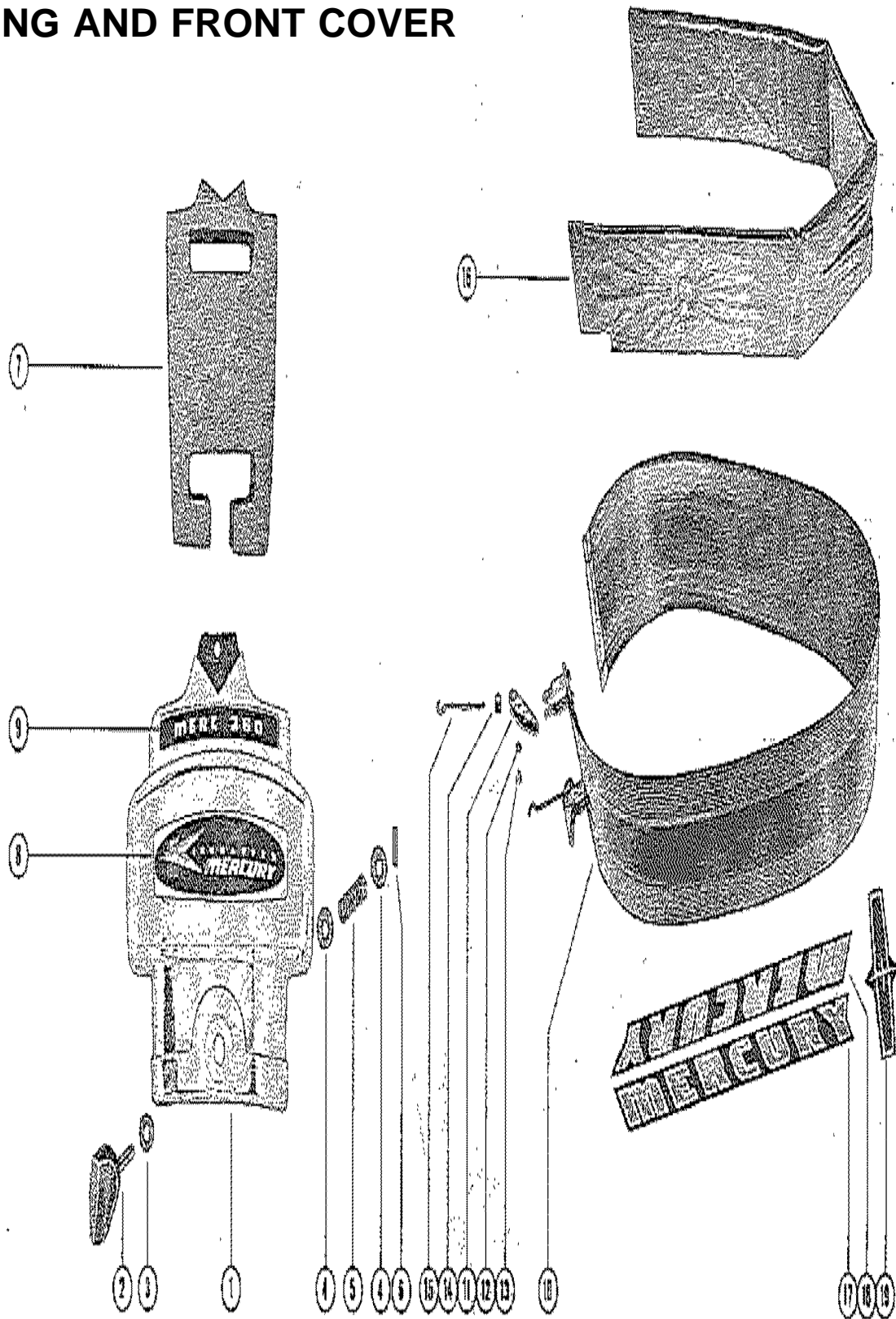
TOP COWL AND STARTER ASSEMBLY



TOP COWL AND STARTER ASSEMBLY

REF. NO.	PART NO.	SYM.	QTY.	DESCRIPTION
42	11-21825		2	NUT, INSIDE HANDLE TO CHROME HANDLE STUDS
43	10-29199		1	SCREW, CENTER - HANDLE TO TOP COWL (1")
44	23-29561		1	BUSHING, REAR HANDLE STUD
45	13-26992		1	LOCKWASHER, REAR HANDLE STUD
46	11-21825		1	NUT, REAR HANDLE STUD

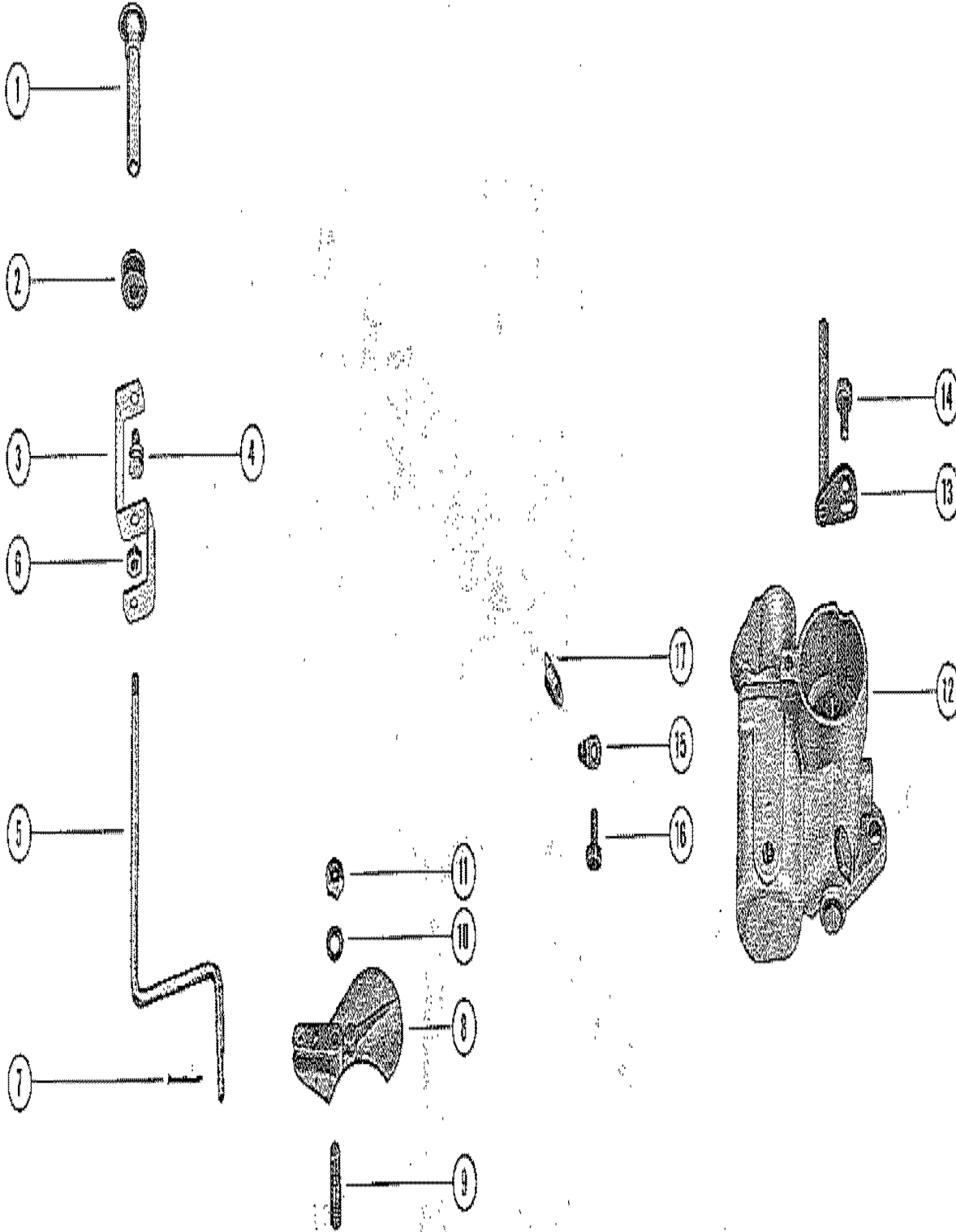
COWLING AND FRONT COVER



COWLING AND FRONT COVER

REF. NO.	PART NO.	SYM.	QTY.	DESCRIPTION
1	2102-2191A3		1	COWL FRONT COVER ASSEMBLY
2	32361		1	KNOB, COWL FRONT COVER FASTENING
3	12-26702		1	WASHER, COVER FASTEING KNOB (NYLON)
4	12-26825		2	WASHER, COVER FASTENING KNOB (STEEL)
5	24-31353		1	SPRING, TENSION - FASTENING KNOB
6	17-29077		1	PIN, ROLL - TENSION SPRING TO KNOB
7	34242		1	BLANKET, SOUND ABSORBING - COWL FRONT COVER
8	37-37834		1	DECAL, COWL FRONT COVER
9	37-37835		1	DECAL, COWL FRONT COVER - "MERC 350"
10	2122-2512A2		1	WRAP AROUND COWL ASSEMBLY
11	21060		2	HANDLE, COWL LATCH
12	53-21058		4	"E" RING, COWL LATCH HINGE PIN
13	17-21057		4	PIN, HINGE - COWL LATCH HANDLE
14	25690		2	SWIVEL, COWL LATCH
15	25691		1	HOOK, COWL LATCH FASTENING
16	33908		1	BLANKET, SOUND ABSORBING - WRAP AROUND COWL
17	37-37791		1	DECAL, WRAP AROUND COWL - STARBOARD
18	37-37790		1	DECAL, WRAP AROUND COWL - PORT
19	37-37865		1	DECAL, WRAP AROUND COWL - REAR
-	92-25234		1	GLUE, ADHESIVE - BLANKET FASTENING

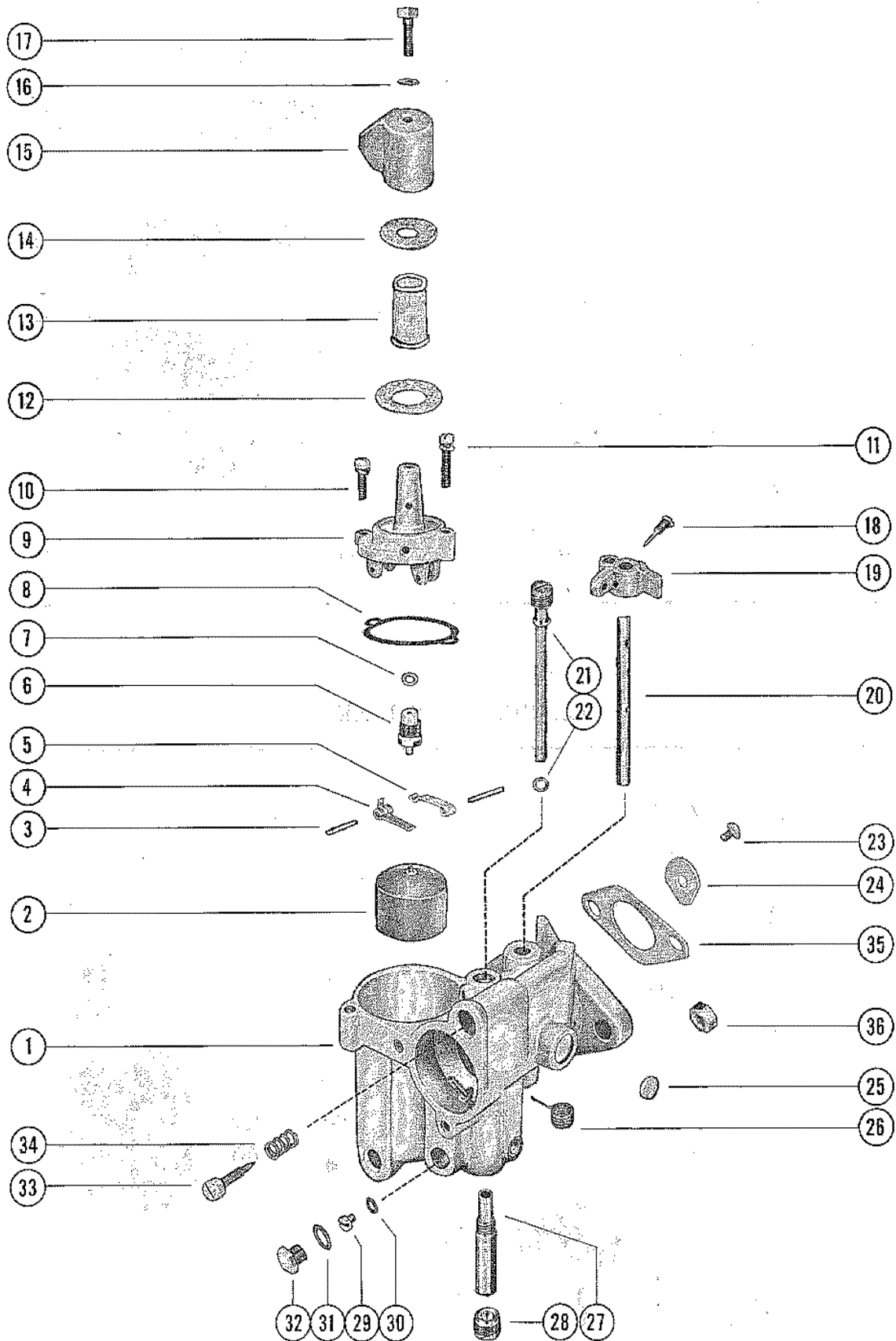
CARBURETOR LINKAGE



CARBURETOR LINKAGE

REF. NO.	PART NO.	SYM.	QTY.	DESCRIPTION
1	22463		1	KNOB, CHOKE ROD
2	25-20116		1	GROMMET, CHOKE ROD
3	33954		1	"S" LINK, CHOKE ROD TO CHOKE KNOB
4	10-30097		1	SCREW, "S" LINK TO CHOKE KNOB
5	34000		1	ROD, CHOKE
6	11-20110		1	NUT, CHOKE ROD TO "S" LINK
7	17-25391		1	RIVET, CHOKE ROD TO CHOKE SHUTTER
8	31404		1	SHUTTER, CHOKE - CARBURETOR
9	16-30172		1	STUD, CARBURETOR - CHOKE SHUTTER PIVOT
10	12-30164		1	WASHER, CHOKE SHUTTER CARBURETOR STUD
11	11-20110		1	NUT, CHOKE SHUTTER TO CARBURETOR STUD
12	1335-2472		1	CARBURETOR ASSEMBLY, COMPLETE
13	33900A1		1	THROTTLE LEVER ASSEMBLY
14	10-29239		1	SCREW, THROTTLE LEVER TO CARBURETOR
15	27711		1	RETAINER, CHOKE ROD SPRING
16	10-28713		1	SCREW, RETAINER TO CARBURETOR
17	24-28965		1	SPRING, TENSION - CHOKE ROD

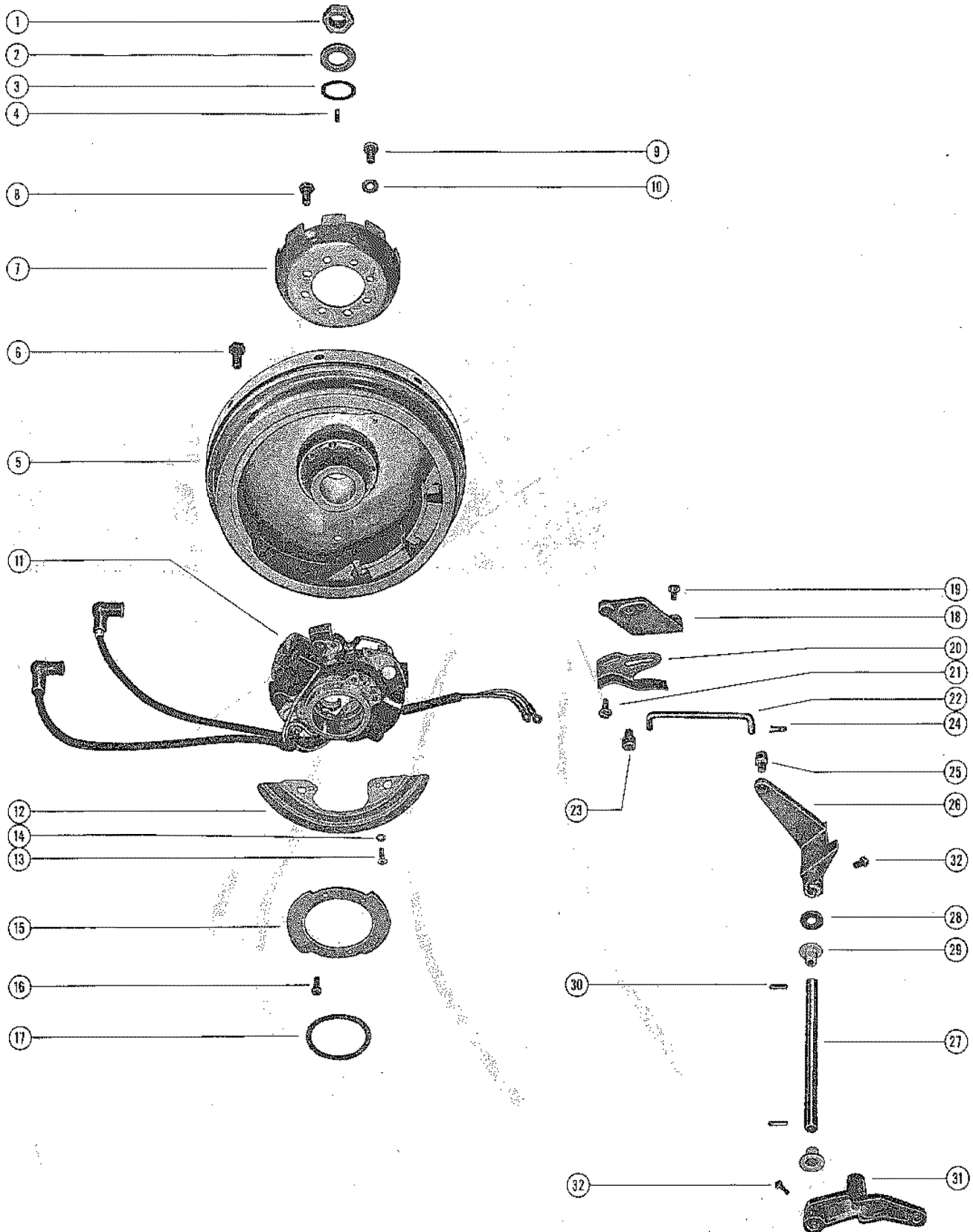
CARBURETOR ASSEMBLY



CARBURETOR ASSEMBLY

REF. NO.	PART NO.	SYM.	QTY.	DESCRIPTION
1	1335-2472		1	CARBURETOR ASSEMBLY, COMPLETE (KC-8A)
2	1399-110A1		1	FLOAT ASSEMBLY
3	17-20853		2	PIN, FLOAT LEVER PINION
4	1399-102		1	LEVER, FLOAT (LOWER)
5	1399-101		1	LEVER, FLOAT (UPPER)
6	1399-1473		1	INLET NEEDLE, SEAT AND GASKET
7	27-25033		1	GASKET, INLET SEAT
8	1399-99		1	GASKET, FLOAT BOWL COVER
9	1399-1133		1	COVER, FLOAT BOWL
10	10-20854		1	SCREW, FLOAT BOWL COVER (SHORT)
11	10-25850		1	SCREW, FLOAT BOWL COVER (LONG)
12	27-25851		1	GASKET, STRAINER COVER (LARGE)
13	1399-1754		1	SCREEN, FILTER
14	27-25849		1	GASKET, STRAINER COVER (SMALL)
15	1399-2371		1	COVER, STRAINER
16	27-25848		1	GASKET, STRAINER COVER SCREW
17	10-25822		1	SCREW, STRAINER COVER
18	10-20847		1	SCREW, THROTTLE STOP LEVER
19	1399-97		1	LEVER, THROTTLE STOP
20	1399-2012		1	SHAFT, THROTTLE
21	1399-2558		1	TUBE, IDLE
22	27-23180		1	GASKET, IDLE TUBE
23	10-23035		2	SCREW AND LOCKWASHER, THROTTLE SHUTTER
24	1399-2014		1	SHUTTER, THROTTLE
25	19-32299		1	WELCH PLUG, BODY CHANNEL
26	24-26890		1	SPRING, THROTTLE SHAFT RETURN
27	1399-2535		1	MAIN NOZZLE
28	10-28846		1	SCREW, PLUG - MAIN NOZZLE
29	1399-2011		OPT.	JET, MAIN FUEL (.071)
	1399-1962		1	JET, MAIN FUEL (.069) - STANDARD
	1399-1467		OPT.	JET, MAIN FUEL (.067)
	1399-1465		OPT.	JET, MAIN FUEL (.065)
30	27-28409		1	GASKET, MAIN FUEL JET
31	27-28406		1	GASKET, MAIN FUEL JET
32	10-28405		1	SCREW, PLUG - MAIN FUEL JET CHANNEL
33	1399-1713		1	SCREW, IDLE ADJUSTMENT
34	24-27160		1	SPRING, IDLE ADJUSTMENT SCREW
-	1399-2015		1	GASKET AND PACKING SET
-	1399-2559		1	REPAIR PARTS KIT
35	27-31402		1	GASKET, CARBURETOR FLANGE
36	11-29250		2	NUT, CARBURETOR MOUNTING STUDS

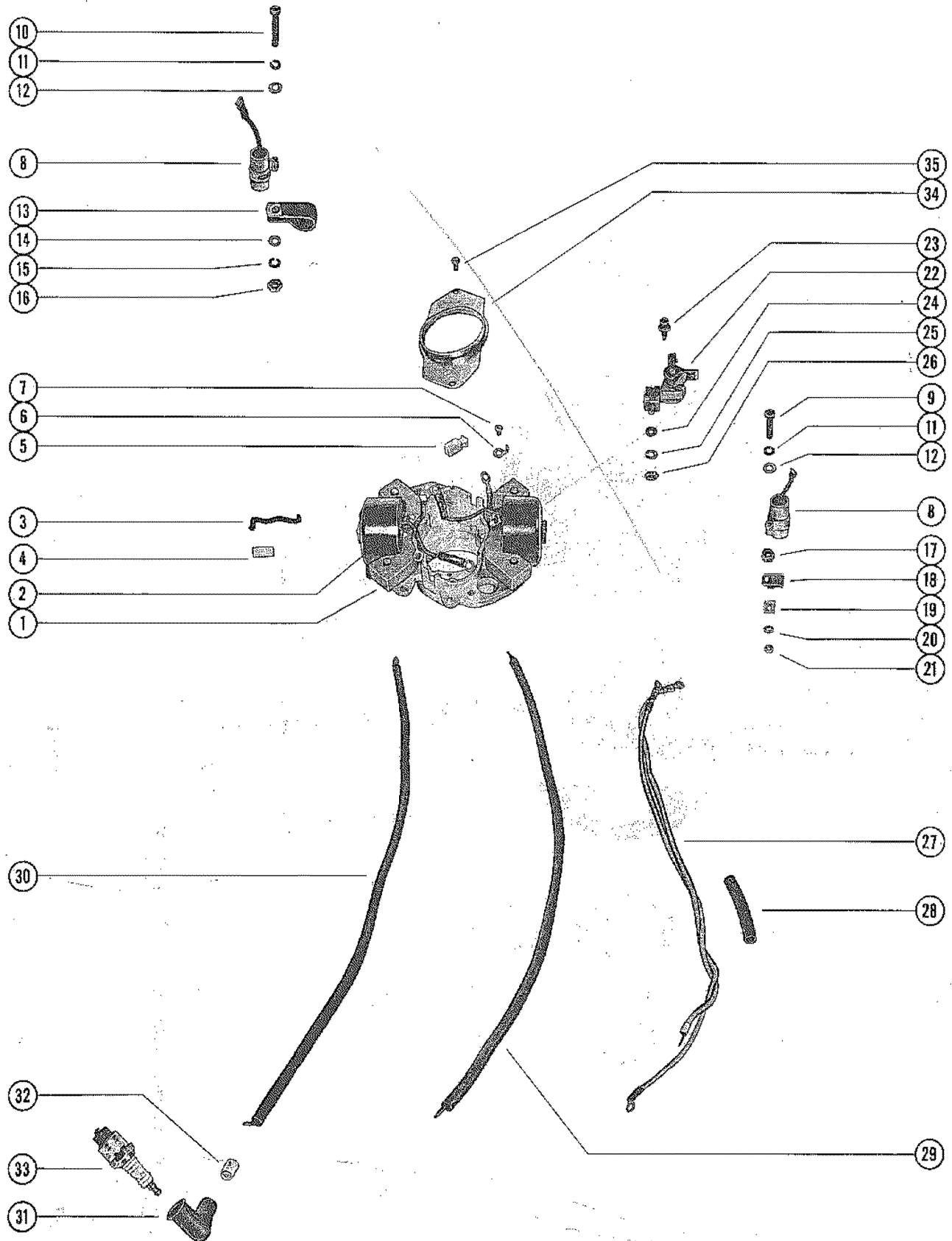
FLYWHEEL ASSEMBLY AND THROTTLE CONTROL LINKAGE



FLYWHEEL ASSEMBLY AND THROTTLE CONTROL LINKAGE

REF. NO.	PART NO.	SYM.	QTY.	DESCRIPTION
1	11-22339		1	NUT, FLYWHEEL
2	12-36281		1	WASHER, FLYWHEEL NUT
3	25-37340		1	"O" RING, FLYWHEEL HUB
4	28-30250		1	KEY, FLYWHEEL DRIVE
5	218-2241A1		1	FLYWHEEL ASSEMBLY, COMPLETE
6	10-35562		8	SCREW< FLEXIBLE PLATE TO FLYWHEEL
7	50-33000A1		1	RATCHET ASSEMBLY, FLYWHEEL
8	10-32417		6	SCREW, RATCHET TO FLYWHEEL
9	10-34290		2	SCREW, RACHET TO FLYWHEEL
10	13-26992		2	LOCKWASHER, RATCHET TO FLYWHEEL SCREW
11	398-2574A3		1	STATOR PLATE ASSEMBLY, COMPLETE (SEE NOTE BELOW)
12	36442A1		1	SHIELD ASSEMBLY, STATOR PLATE
13	10-34695		2	SCREW, SHIELD TO STATOR PLATE
14	13-26996		2	LOCKWASHER, SHIELD FASTENING SCREW
15	33904		1	RING, HOLD DOWN - STATOR PLATE
16	10-35400		4	SCREW, HOLD DOWN RING TO STATOR PLATE
17	15-33910		1	SHIM, STATOR PLATE TO UPPER END CAP (.015)
18	33974		1	BRACKET, THROTTLE CAM
19	10-34436		2	SCREW, THROTTLE CAM BRACKET TO STATOR PLATE
20	34068		1	CAM, ADJUSTMENT - THROTTLE
21	10-31903		2	SCREW, ADJUSTINGG CAM TO BRACKET
22	33970		1	ROD, THROTTLE CONTROL
23	28232		1	TOGGLE BOLT, THROTTLE CONTROL ROD
24	18-27769		2	COTTER PIN, THROTTLE CONTROL ROD
25	33973		1	SWIVEL, THROTTLE CONTROL ROD TO ACTUATING LEVER
26	33842		1	LEVER, THROTTLE ACTUATING (UPPER)
27	33902		1	ROD, VERTICAL
28	12-26825		1	WASHER, VERTICAL ROD
29	23-22981		2	BUSHING, NYLON - VERTICAL ROD
30	17-25870		2	PIN, ROLL - VERTICAL ROD
31	33833		1	LEVER, THROTTLE ACTUATING (LOWER)
32	10-25781		2	SCREW, SET - THROTTLE ACTUATING LEVERS

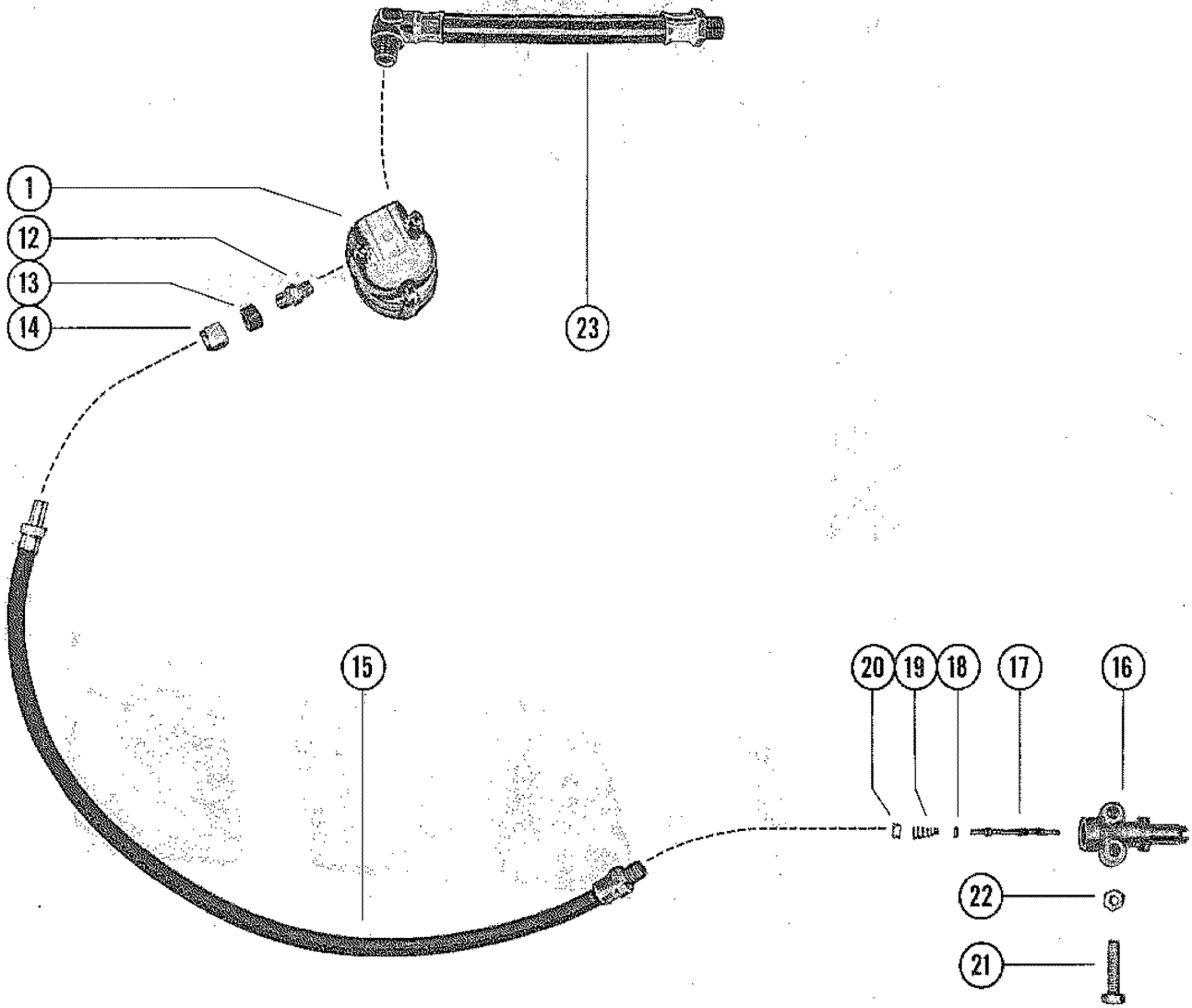
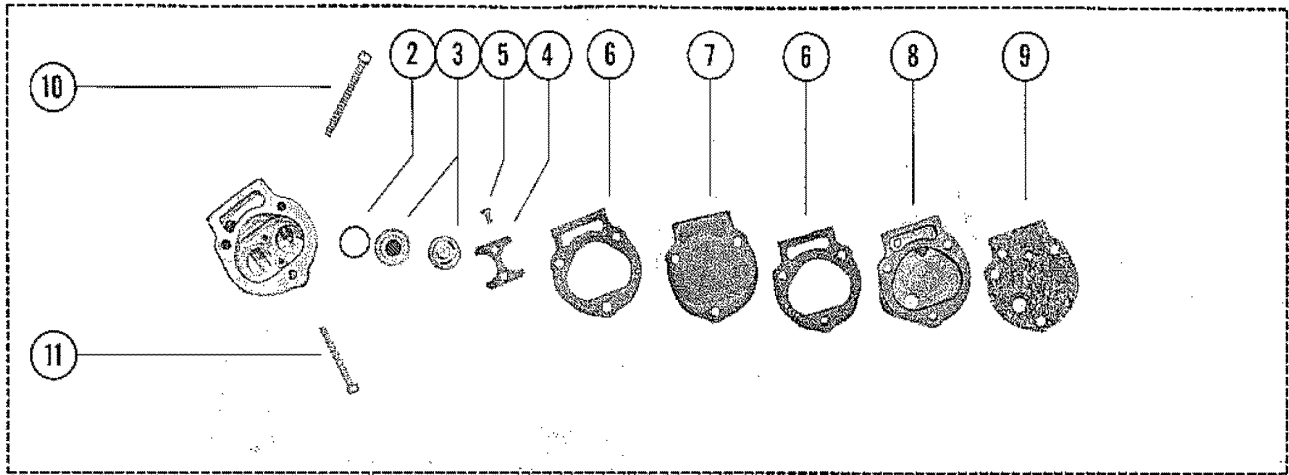
STATOR PLATE ASSEMBLY



STATOR PLATE ASSEMBLY

REF. NO.	PART NO.	SYM.	QTY.	DESCRIPTION
-	398-2574A3		1	STATOR PLATE ASSEMBLY, COMPLETE (SEE NOTE BELOW)
1	398-2221		1	STATOR PLATE AND CORE
2	398-2568A1		2	COIL ASSEMBLY
3	398-2321		1	CLIP, COIL RETAINING
4	398-2413		1	CLIP, COIL RETAINING
5	398-2207		1	FELT, CAM - BREAKER
6	398-732		2	CLIP, GROUND WIRE LEAD
7	10-21130		2	SCREW, GROUND TERMINAL
8	398-2203		2	CONDENSER ASSEMBLY
9	10-38395		1	SCREW, CONDENSER FASTENING (1 1/4")
10	10-33990		1	SCREW, CONDENSER FASTENING (1 1/4")
11	13-21134		2	LOCKWASHER, CONDENSER FASTENING SCREW
12	12-21135		2	WASHER, CONDENSER FASTENING SCREW
13	54-39844A1		1	CLAMP, LEAD WIRE
14	12-21135		1	WASHER, LEAD WIRE CLAMP SCREW
15	13-21134		1	LOCKWASHER, LEAD WIRE CLAMP SCREW
16	11-21923		1	NUT, LEAD WIRE CLAMP SCREW
17	11-21825		1	NUT, COIL LEAD WIRE CLIP SCREW (SPACER)
18	54-24836		1	CLIP, NYLON - COIL LEAD WIRE
19	22789		1	"D" WASHER, COIL LEAD WIRE CLIP
20	13-26995		1	LOCKWASHER, COIL LEAD WIRE CLIP SCREW
21	11-26419		1	NUT, COIL LEAD WIRE CLIP SCREW
22	398-2202		2	BREAKER ASSEMBLY
23	10-33988		2	SCREW AND LOCKWASHER, BREAKER FASTENING
24	12-21135		2	WASHER, TERMINAL SCREW
25	13-21134		2	LOCKWASHER, TERMINAL SCREW
26	11-21923		2	NUT, TERMINAL SCREW
27	398-2206		1	GROUND LEAD, STATOR TO TERMINAL BLOCK
28	23-30419		1	SLEEVE, INSULATION - GROUND LEAD
29	398-2205		1	LEAD WIRE
30	398-2204		1	LEAD WIRE - TOP
31	20119		2	PROTECTOR, SPARK PLUG
32	20623		1	MARKER, "TOP" - LEAD WIRE
33	33-20127		2	SPARK PLUG, (CHAMPION J6J)
34	398-2208		1	COVER, DUST - STATOR PLATE
35	10-36455		2	SCREW, DUST COVER TO STATOR PLATE

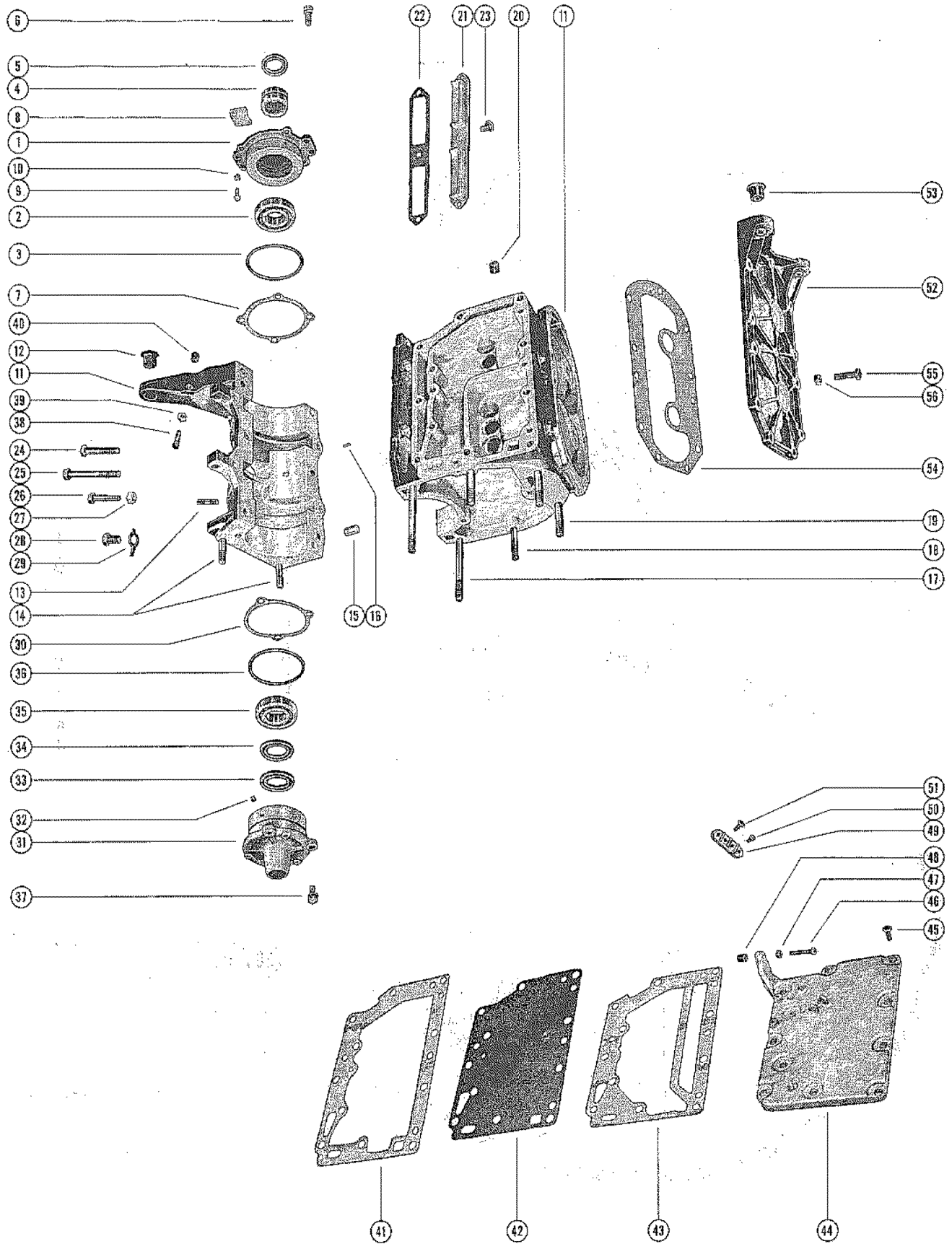
FUEL PUMP ASSEMBLY



FUEL PUMP ASSEMBLY

REF. NO.	PART NO.	SYM.	QTY.	DESCRIPTION
1	30269A2		1	FUEL PUMP ASSEMBLY
2	27-23005		2	GASKET, CHECK VALVE TO HOUSING
3	21-30430		2	VALVE, CHECK
4	23004		1	RETAINER, CHECK VALVE
5	10-20037		2	SCREW, RETAINER TO HOUSING
6	27-24863		2	GASKET, FUEL PUMP
7	23014		1	DIAPHRAGM, FUEL PUMP
8	30275		1	COVER, FUEL PUMP
9	27-30276		1	GASKET, FUEL PUMP COVER
10	10-30274		2	SCREW, FUEL PUMP MOUNTING (1 3/4")
11	10-29878		1	SCREW, FUEL PUMP MOUNTING (1 1/2")
12	22-22949		1	CONNECTOR, PUMP INLET TO FUEL LINE
13	22-22946		1	SLEEVE, RUBBER - CONNECTOR
14	11-22948		1	NUT, CONNECTOR TO FUEL LINE
15	32-34066		1	FUEL LINE, FUEL PUMP TTO ADAPTOR
16	22833		1	ADAPTOR, CHECK UNIT (FUEL PUMP)
17	23069		1	STEM, CHECK UNIT ADAPTOR
18	25-20415		1	"O" RING, ADAPTOR STEM
19	24-23067		1	SPRING, ADAPTOR STEM
20	30188		1	CUP WASHER, ADAPTOR
21	10-22421		2	SCREW, ADAPTOR TO BOTTOM COWL
22	11-24652		2	NUT, ADAPTOR SCREW
23	32-34243		1	FUEL LINE, FUEL PUMP TO CARBURETOR (7 1/8")

CYLINDER BLOCK AND CRANKCASE ASSEMBLY

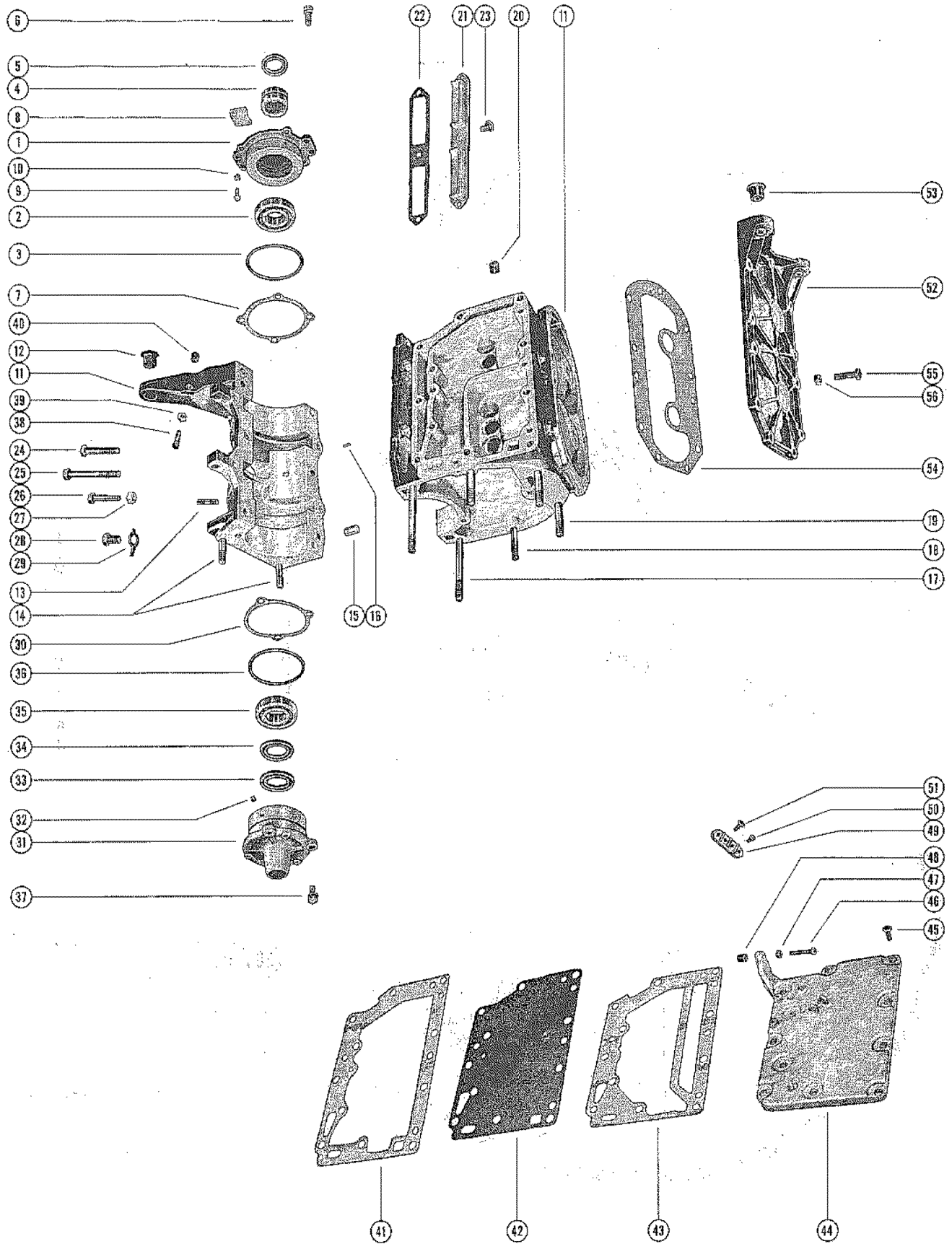


CYLINDER BLOCK AND CRANKCASE ASSEMBLY

REF. NO.	PART NO.	SYM.	QTY.	DESCRIPTION
1	1130-2177A2		1	END CAP ASSEMBLY, UPPER
2	30-20080		1	BALL BEARING, UPPER END CAP
3	25-31305		1	"O" RING, UPPER END CAP
4	31-33958		1	BEARING, ROLLER - UPPER END CAP
5	26-33995		1	OIL SEAL, UPPER END CAP
6	10-29198		4	SCREW, UPPER END CAP MOUNTING
7	15-33903A1		AR	SHIM, UPPER END CAP TO CRANKCASE AND BLOCK
8	33899		2	CLAMP, HOLD DOWN RING - STATOR PLATE
9	10-20456		4	SCREW, HOLD DOWN RING CLAMP TO UPPER END CAP
10	24-27087		4	SPRING, HOLD DOWN RING CLAMP SCREW
11	838-2504A2		1	CYLINDER BLOCK AND CRANKCASE ASSEMBLY
12	23-26348		2	BUSHING, CRANKCASE
13	16-35099		2	STUD, CARBURETOR MOUNTING (1 3/16")
14	16-29988		2	STUD, CRANKCASE TO DRIVE SHAFT HOUSING (1 9/16")
15	17-23784		2	DOWEL PIN, CRANKCASE TO CYLINDER BLOCK
16	17-20032		1	DOWEL PIN, CYLINDER BLOCK TO MAIN BEARING
17	16-24886		2	STUD, CYLINDER BLOCK TO DRIVE SHAFT HOUSING (3 7/16")
18	16-29989		2	STUD, CYLINDER BLOCK TO DRIVE SHAFT HOUSING (1 15/16")
19	16-37986		2	STUD, CYLINDER BLOCK TO DRIVE SHAFT HOUSING (2 15/16")
20	22-30139		1	PLUG, PIPE - WATER PRESSURE HOLE
21	33758		1	COVER, TRANSFER PORT
22	27-33955		1	GASKET, TRANSFER PORT COVER
23	10-20540		3	SCREW, TRANSFER PORT COVER MOUNTING
24	10-22040		7	SCREW, CRANKCASE TO CYLINDER BLOCK (1 1/2")
25	10-22039		2	SCREW, CRANKCASE TO CYLINDER BLOCK (2 3/4")
26	10-26066		1	SCREW, CRANKCASE TO CYLINDER BLOCK (1 1/4")
27	11-29250		10	NUT, CRANKCASE FASTENING SCREW
28	10-27165		1	SCREW, MAIN BEARING LOCKING
29	14-20091		1	TAB WASHER, BEARING LOCKING
30	15-20085A1		AR	SHIM, LOWER END CAP TO CRANKCASE AND BLOCK
31	1126-2187A1		1	END CAP ASSEMBLY, LOWER
32	21-28481A1		1	CHECK VALVE ASSEMBLY, LOWER AND CAP
33	26-29478		1	OIL SEAL, LOWER
34	26-29476		1	OIL SEAL, UPPER
35	30-20080		1	BALL BEARING, LOWER AND CAP
36	25-20081		1	"O" RING, LOWER END CAP
37	10-30225		3	SCREW, LOWER END CAP MOUNTING
38	10-21365		1	SCREW, IDLE STOP - CRANKCASE
39	11-20890		1	NUT, IDLE STOP SCREW
40	26852		1	CAP, NYLON - IDLE STOP SCREW
41	27-37949		1	GASKET, CYLINDER BLOCK TO BAFFLE PLATE

CONTINUED ON NEXT PAGE ➡

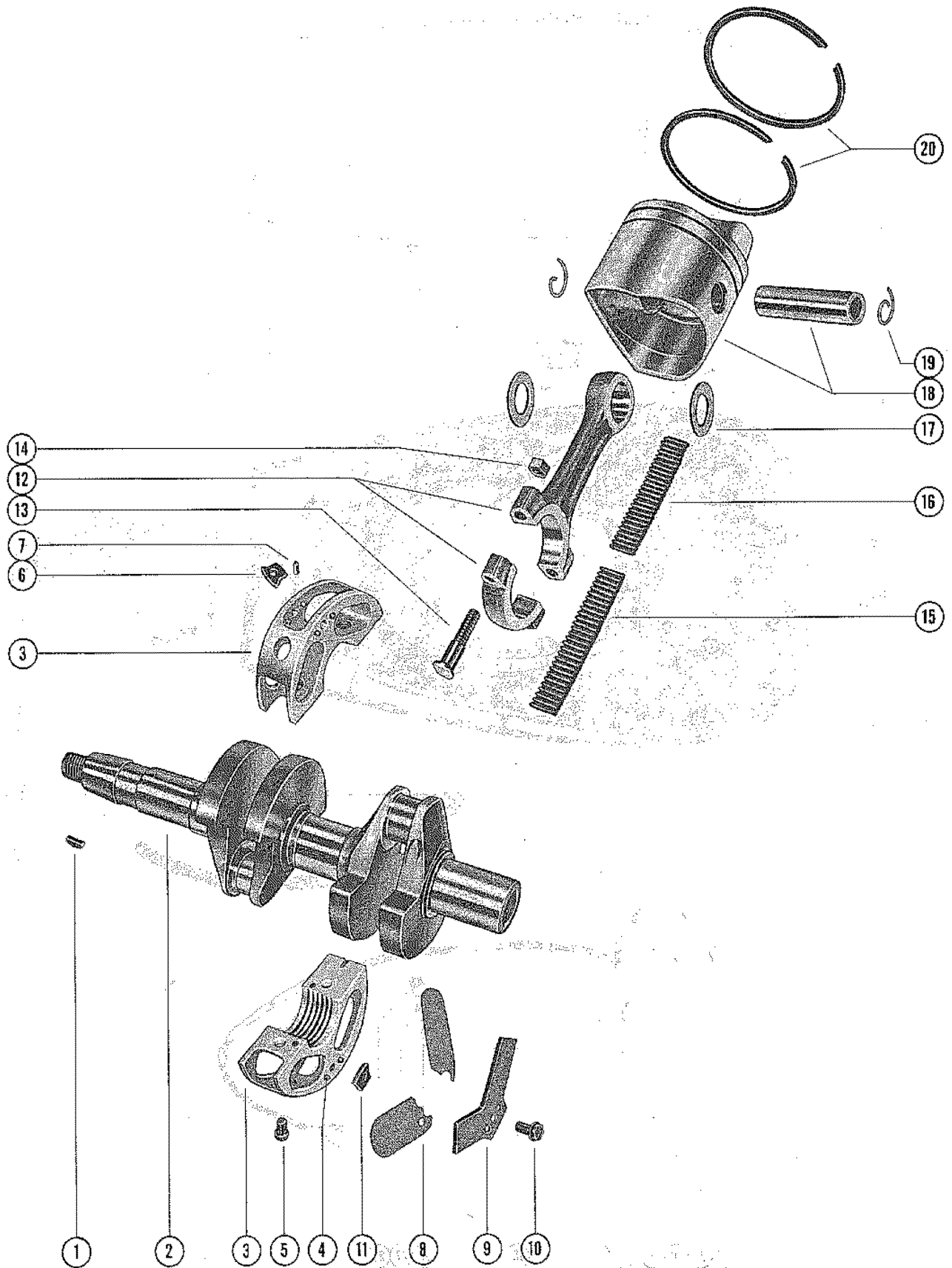
CYLINDER BLOCK AND CRANKCASE ASSEMBLY



CYLINDER BLOCK AND CRANKCASE ASSEMBLY

REF. NO.	PART NO.	SYM.	QTY.	DESCRIPTION
42	37930		1	PLATE, BAFFLE - EXHAUSTING MANIFOLD
43	27-37956		1	GASKET, BAFFLE PLATE TO EXHAUST COVER
44	37936		1	COVER, EXHAUST MANIFOLD
45	10-28782		11	SCREW, MANIFOLD COVER TO CYLINDER BLOCK
46	10-21365		1	SCREW, SPARK ADVANCE - EXHAUST COVER
47	11-20890		1	NUT, SPARK ADVANCE SCREW
48	26852		1	CAP, NYLON - SPARK ADVANCE SCREW
49	30212		1	TERMINAL BLOCK, EXHAUST MANIFOLD COVER
50	10-28192		2	SCREW, TERMINAL BLOCK TO EXHAUST MANIFOLD COVER
51	10-30663		2	SCREW, HARNESS LEADS TO TERMINAL BLOCK
52	1015-2175A1		1	CYLINDER BLOCK COVER ASSEMBLY
53	23-26348		2	BUSHING, CYLINDER BLOCK COVER
54	27-33951		1	GASKET, CYLINDER BLOCK COVER
55	10-20653		11	SCREW, CYLINDER BLOCK COVER MOUNTING
56	11-24652		11	NUT, COVER MOUNTING SCREW SERIAL 00000000-01898815
	11-20184		11	NUT, COVER MOUNTING SCREW SERIAL 01898816-09999999

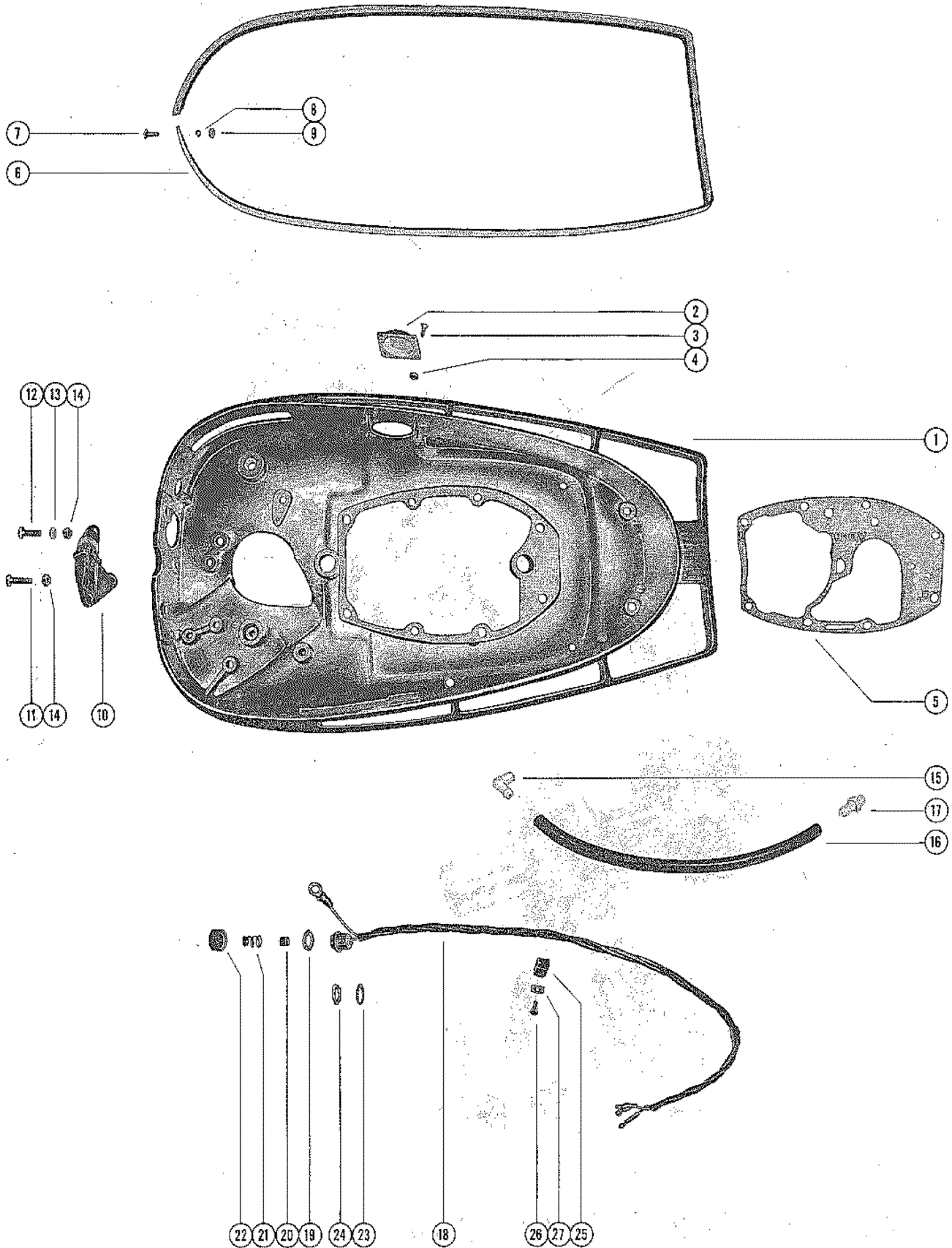
CRANKSHAFT, PISTON AND CONNECTING ROD ASSEMBLY



CRANKSHAFT, PISTON AND CONNECTING ROD ASSEMBLY

REF. NO.	PART NO.	SYM.	QTY.	DESCRIPTION
1	28-30250		1	KEY, FLYWHEEL
2	422-2186		1	CRANKSHAFT
3	533-2034A2		1	MAIN BEARING ASSEMBLY, VALVE TYPE
4	17-20032		10	DOWEL PINE, MAIN BEARING
5	10-25313		2	SCREW, MAIN BEARING CLAMPING
6	11-29469		2	NUT, MAIN BEARING CLAMPING SCREW
7	17-20032		1	DOWEL PIN, MAIN BEARING TO CYLINDER BLOCK
8	34-32203A1		1	REED SET, MAIN BEARING (MATCHED)
9	34-31240		4	REED STOP, MAIN BEARING REED VALVES
10	10-29465		4	SCREW, REED STOP MOUNTING
11	11-29469		4	NUT, REED STOP MOUNTING SCREW
12	611-1885A2		2	CONNECTING ROD ASSEMBLY SERIAL 00000000-01898815
13	10-20060		4	SCREW, CONNECTING ROD SERIAL 00000000-01898815
14	11-20061		4	NUT, CONNECTING ROD SCREW SERIAL 00000000-01898815
15	29-30403		64	BEARING, NEEDLE - CRANKPIN SERIAL 00000000-01898815
16	29-30401		50	BEARING, NEEDLE - PISTON PIN SERIAL 00000000-01898815
17	12-29681		4	WASHER, NEEDLE BEARING RETAINING SERIAL 00000000-01898815
12	611-1885A3		2	CONNECTING ROD ASSEMBLY SERIAL 01898816-09999999
13	10-20060		4	SCREW, CONNECTING ROD SCREW SERIAL 01898816-09999999
14	11-20061		4	NUT, CONNECTING ROD SCREW SERIAL 01898816-09999999
15	29-38586		64	BEARING, NEEDLE - CRANKPIN SERIAL 01898816-09999999
16	29-30401		50	BEARING, NEEDLE - PISTON PIN SERIAL 01898816-09999999
17	12-29681		4	WASHER, NEEDLE BEARING RETAINING SERIAL 01898816-09999999
18	732-2045A4		2	PISTON AND PISTON PIN ASSEMBLY
19	40-32118		4	LOCK RING, PISTON PIN
20	39-32921		4	RING, PISTON
-	732-2194A1		2	PISTON AND PISTON PIN ASSEMBLY(.015 OVERSIZE)
-	39-33945		4	RING, PISTON (.015 OVERSIZE)

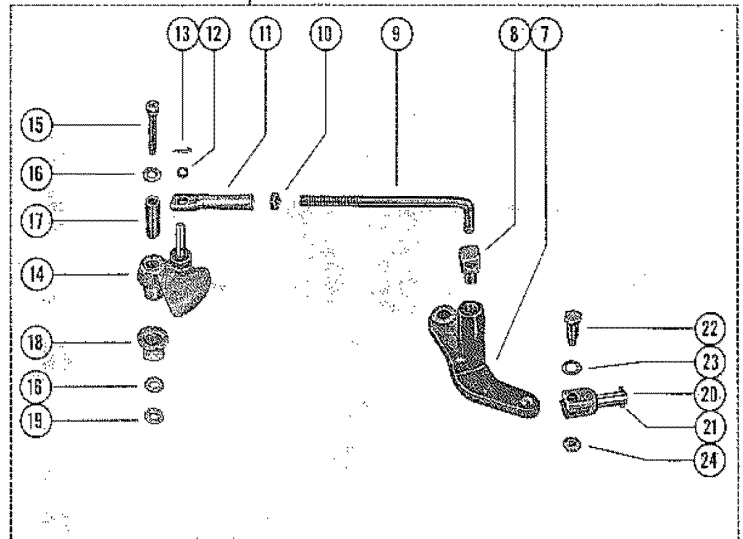
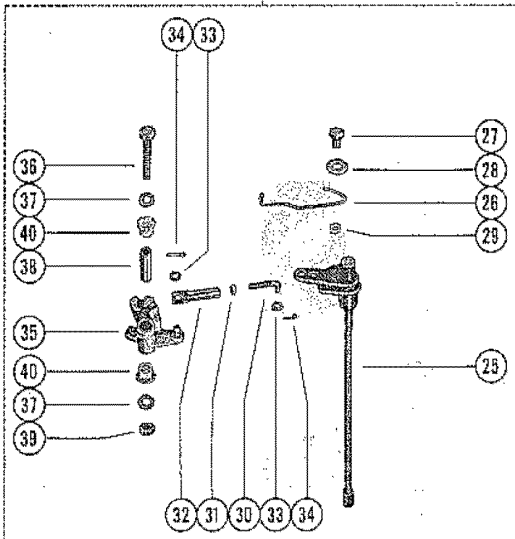
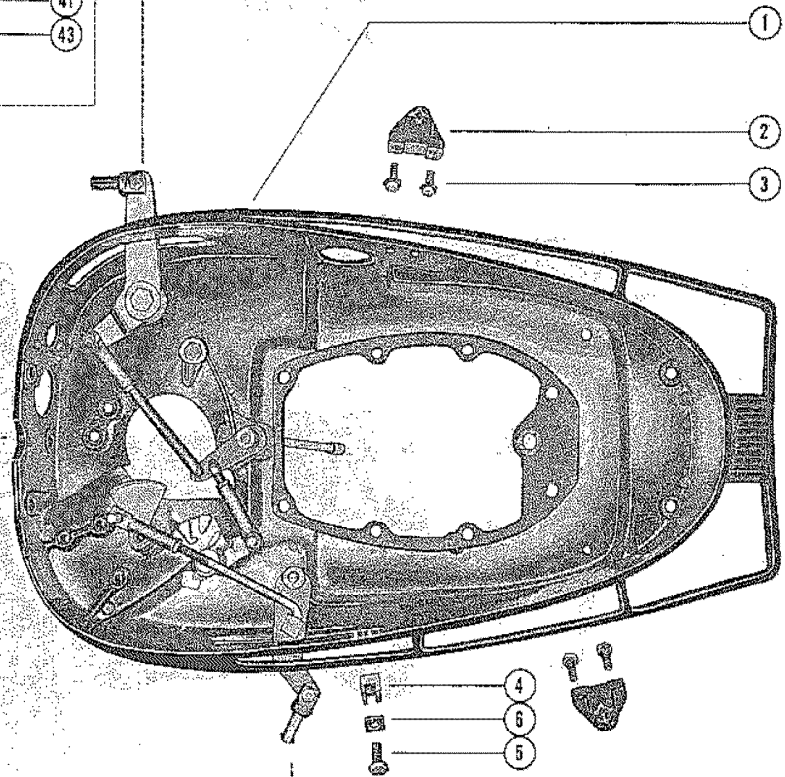
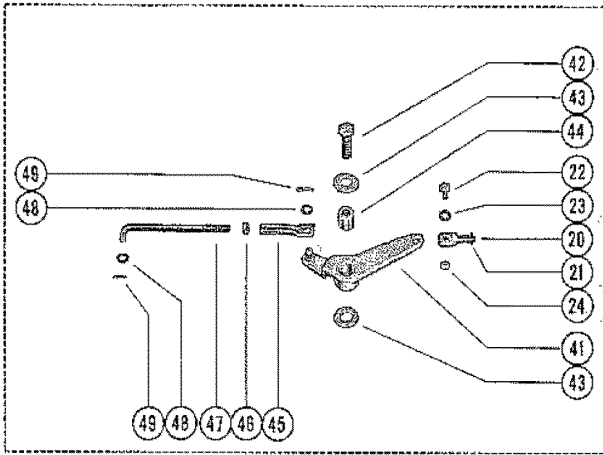
BOTTOM COWL ASSEMBLY



BOTTOM COWL ASSEMBLY

REF. NO.	PART NO.	SYM.	QTY.	DESCRIPTION
1	2121-2510A2		1	BOTTOM COWL ASSEMBLY
2	29206		1	COVER, PLUG - BOTTOM COWL HARNESS HOLE
3	10-34090		4	SCREW, PLUG COVER TO BOTTOM COWL
4	11-28656		4	NUT, PLUG COVER TO BOTTOM COWL SCREW
5	27-37976		1	GASKET, POWERHEAD TO BOTTOM COWL
6	33896		1	MOULDING, TRIM - BOTTOM COWL
7	10-29226		1	SCREW, DECORATIVE - MOULDING TO BOTTOM COWL
8	13-26995		1	LOCKWASHER, MOULDING FASTENING CREW
9	11-26419		1	NUT, MOULDING FASTENING SCREW
10	33946		1	BRACKET, LOCK KNOB - COWL FRONT COVER
11	10-20653		2	SCREW, BRACKET TO BOTTOM COWL (1")
12	10-22956		1	SCREW, BRACKET TO BOTTOM COWL (7/8")
13	12-27985		1	WASHER, BRACKET TO BOTTOM COWL SCREW
14	11-24652		3	NUT, BRACKET TO BOTTOM COWL SCREW
15	22-25885		1	ELBOW, EXHAUST COVER - TELL TALE TUBE
16	32-38442		1	TUBE, TELL TALE _ EXHAUST COVER TO BOTTOM COWL (14 1/2")
17	22-29111		1	CONNECTOR, BOTTOM COWL - TELL TALE TUBE
-	33474A1		1	STOP SWITCH ASSEMBLY
18	33474		1	HARNESS, STOP SWITCH
19	12-30856		1	WASHER, SEALING - STOP SWITCH
20	30859		1	INSULATOR, SLEEVE - INNER SWITCH TERMINALS
21	24-30858A1		1	SPRING AND CONTRACT ASSEMBLY
22	30854		1	COVER, STOP SWITCH
23	13-21972		1	LOCKWASHER, STOP SWITCH CONNECTOR
24	11-21971		1	NUT, STOP SWITCH CONNECTOR TO BOTTOM COWL
25	54-26550		2	CLIP, STOP SWITCH LEADS
26	10-31206		1	SCREW, STOP SWITCH LEADS CLIP TO EXHAUST COVER (7/16")
	10-30663		1	SCREW, STOP SWITCH LEADS CLIP TO LOCK KNOB BRACKET (3/8")
27	22789		2	"D" WASHER, STOP SWITCH LEADS CLIP SCREW

THROTTLE AND SHIFT LINKAGE

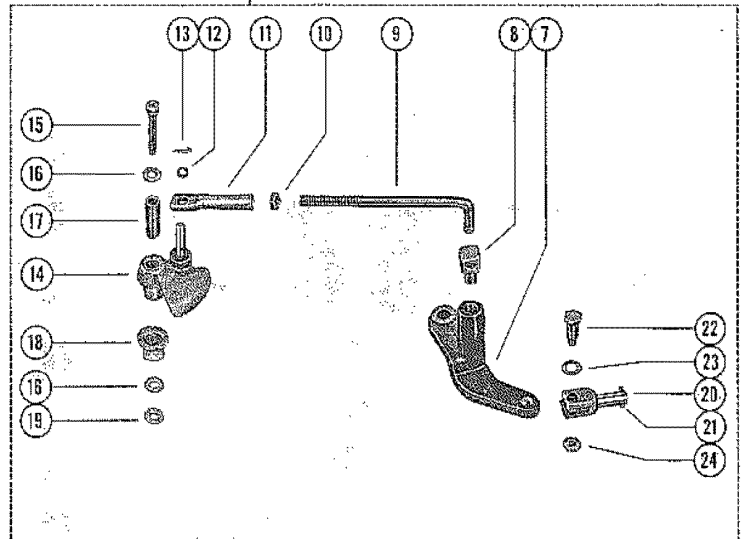
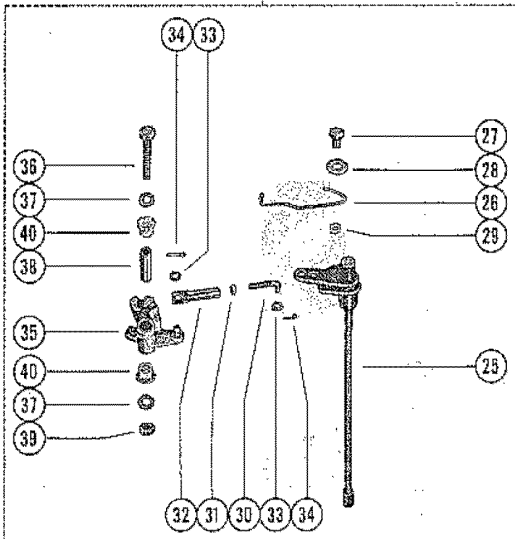
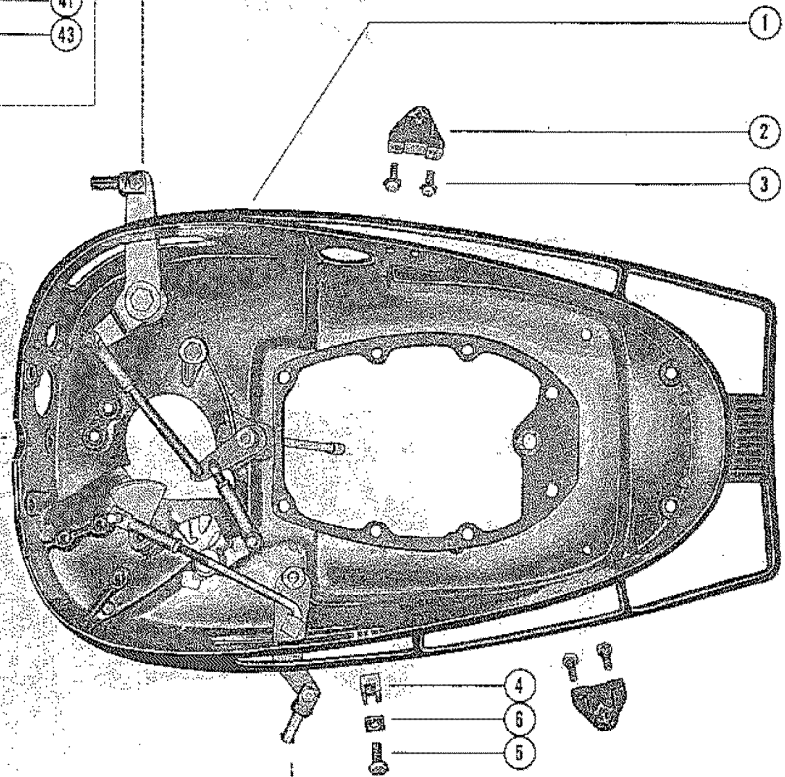
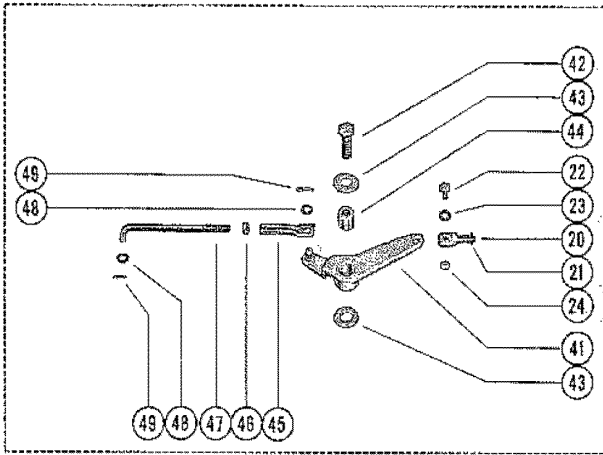


THROTTLE AND SHIFT LINKAGE

REF. NO.	PART NO.	SYM.	QTY.	DESCRIPTION
1	2121-2510A2		1	BOTTOM COWL ASSEMBLY (SEE PAGE 18 FOR PARTS BREAKDOWN)
2	20557		2	BRACKET, CABLE END ANCHOR
3	10-29200		4	SCREW, CABLE END ANCHOR BRACKET TO BOTTOM COWL
4	21968		1	STOP BLOCK, THROTTLE LEVER
5	10-28636		1	SCREW, STOP BLOCK TO BOTTOM COWL
6	12-21967		1	WASHER, STOP BLOCK TO BOTTOM COWL SCREW
7	33833		1	LEVER, THROTTLE ACTUATING - BOTTOM COWL
8	27947		1	SWIVEL, THROTTLE CONTROL
9	33898		1	ROD, THROTTLE CONTROL
10	11-25168		1	NUT, ADJUSTING - THROTTLE CONTROL ROD
11	33953		1	ROD (SLEEVE), THROTTLE CONTROL ROD TO THROTTLE CONTROL LEVER
12	12-20583		1	WASHER, THROTTLE CONTROL LEVER
13	18-20180		1	COTTER PIN, THROTTLE CONTROL LEVER
14	33835		1	LEVER, THROTTLE CONTROL
15	10-29246		1	SCREW, THROTTLE CONTROL LEVER TO BOTTOM COWL
16	12-38832		1	WASHER, THROTTLE CONTROL LEVER FASTENING CREW
17	23-33906		1	SPACER, THROTTLE CONTROL LEVER FASTENING SCREW
18	23-26850		1	BUSHING, THROTTLE CONTROL LEVER TO BOTTOM COWL
19	12-20286		1	WASHER, THROTTLE CONTROL LEVER FASTENING SCREW
20	17-30978A1		2	PIN ASSEMBLY, CLEVIS YOKE
21	17-23928		2	ROLL PIN, CLEVIS YOKE PIN
22	10-20584		2	SCREW, CLEVIS YOKE PIN FASTENING
23	13-29402		2	WASHER, WAVE - CLEVIS YOKE PIN FASTENING SCREW
24	11-29488		2	NUT, CLEVIS YOKE PIN FASTENING SCREW
25	33901A1		1	SHIFT SHAFT ASSEMBLY, UPPER
26	24-30621		1	SPRING, DETENE - SHIFT SHAFT
27	10-20776		1	SCREW, DETENT SPRING TO BOTTOM COWL
28	12-20346		1	WASHER, DETENT SPRING FASTENING SCREW
29	11-20013		1	NUT, DETENT SPRING FASTENING SCREW
30	33837		1	ROD, THROTTLE STOP CONTROL
31	11-25168		1	NUT, ADJUSTING - THROTTLE STOP CONTROL ROD
32	33953		1	ROD (SLEEVE), THROTTLE STOP CONTROL ROD TO THROTTLE STOP LEV
33	12-20583		2	WASHER, THROTTLE STOP LEVER
34	18-20180		2	COTTER PIN, THROTTLE STOP LEVER
35	33834		1	LEVER, THROTTLE STOP
36	10-34438		1	SCREW, THROTTLE STOP LEVER TO BOTTOM COWL (2 3/8")
37	12-34437		2	WASHER, THROTTLE STOP LEVER FASTENING SCREW
38	23-34440		1	BUSHING, THROTTLE STOP LEVER FASTENING SCREW
39	11-29250		1	NUT, THROTTLE STOP LEVER FASTENING SCREW
40	23-34103		2	BUSHING, THROTTLE STOP LEVER FASTENING SCREW
41	33841		1	LEVER, SHIFT CONTROL

CONTINUED ON NEXT PAGE ➡

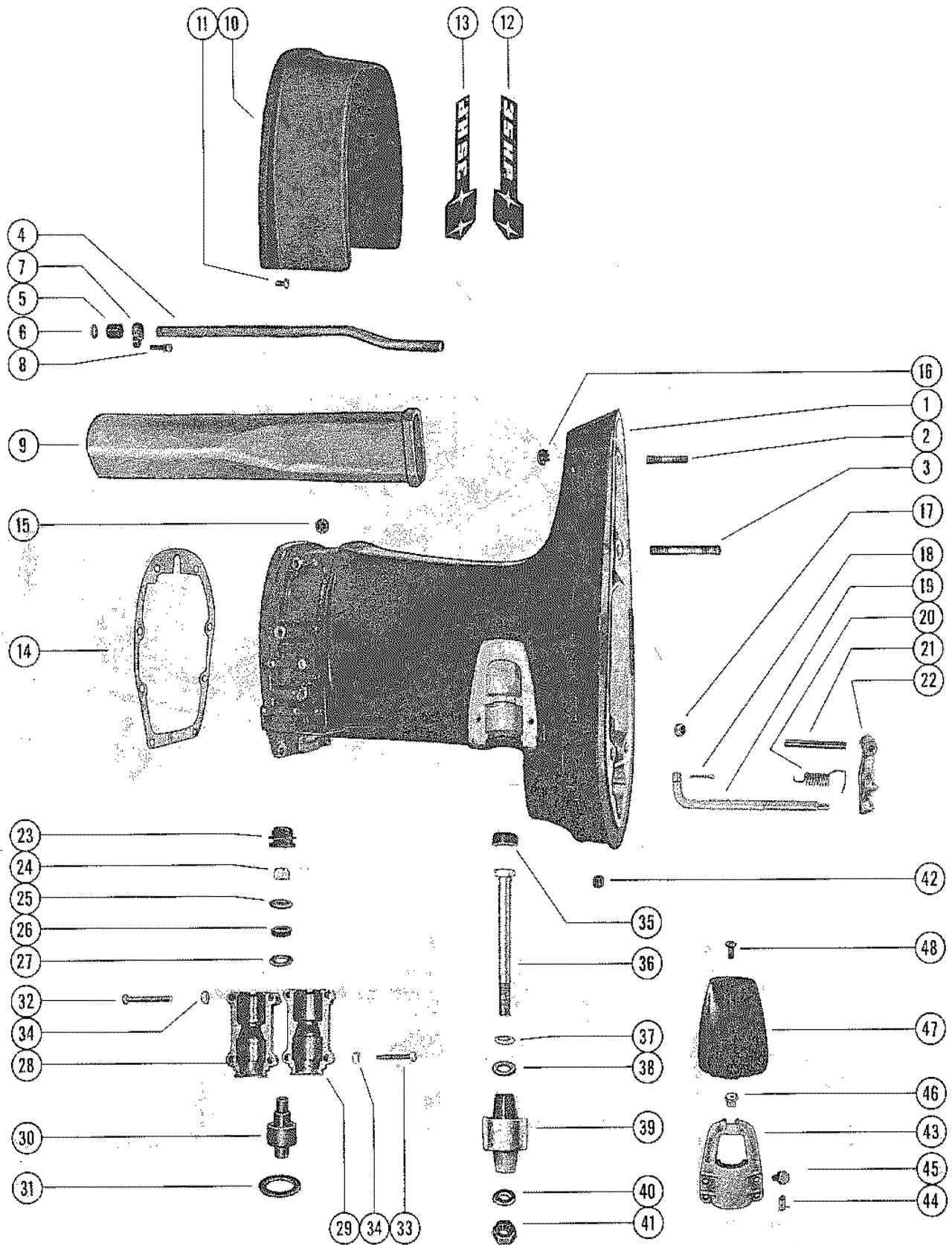
THROTTLE AND SHIFT LINKAGE



THROTTLE AND SHIFT LINKAGE

REF. NO.	PART NO.	SYM.	QTY.	DESCRIPTION
42	10-30620		1	SCREW, SHIFT CONTROL LEVER TO BOTTOM COWL
43	12-29395		2	WASHER, SHIFT CONTROL LEVER FASTENING SCREW
44	23-29529		1	BUSHING, SHIFT CONTROL LEVER FASTENING SCREW
45	33953		1	ROD (SLEEVE), SHIFT CONTROL END
46	11-25168		1	NUT, ADJUSTING - SHIFT SHAFT END
47	33982		1	ROD, LINK - SHIFT SHAFT END
48	12-20583		2	WASHER, SHIFT CONTROL END ROD
49	18-20180		2	COTTER PIN, SHIFT CONTROL END ROD

DRIVE SHAFT HOUSING ASSEMBLY

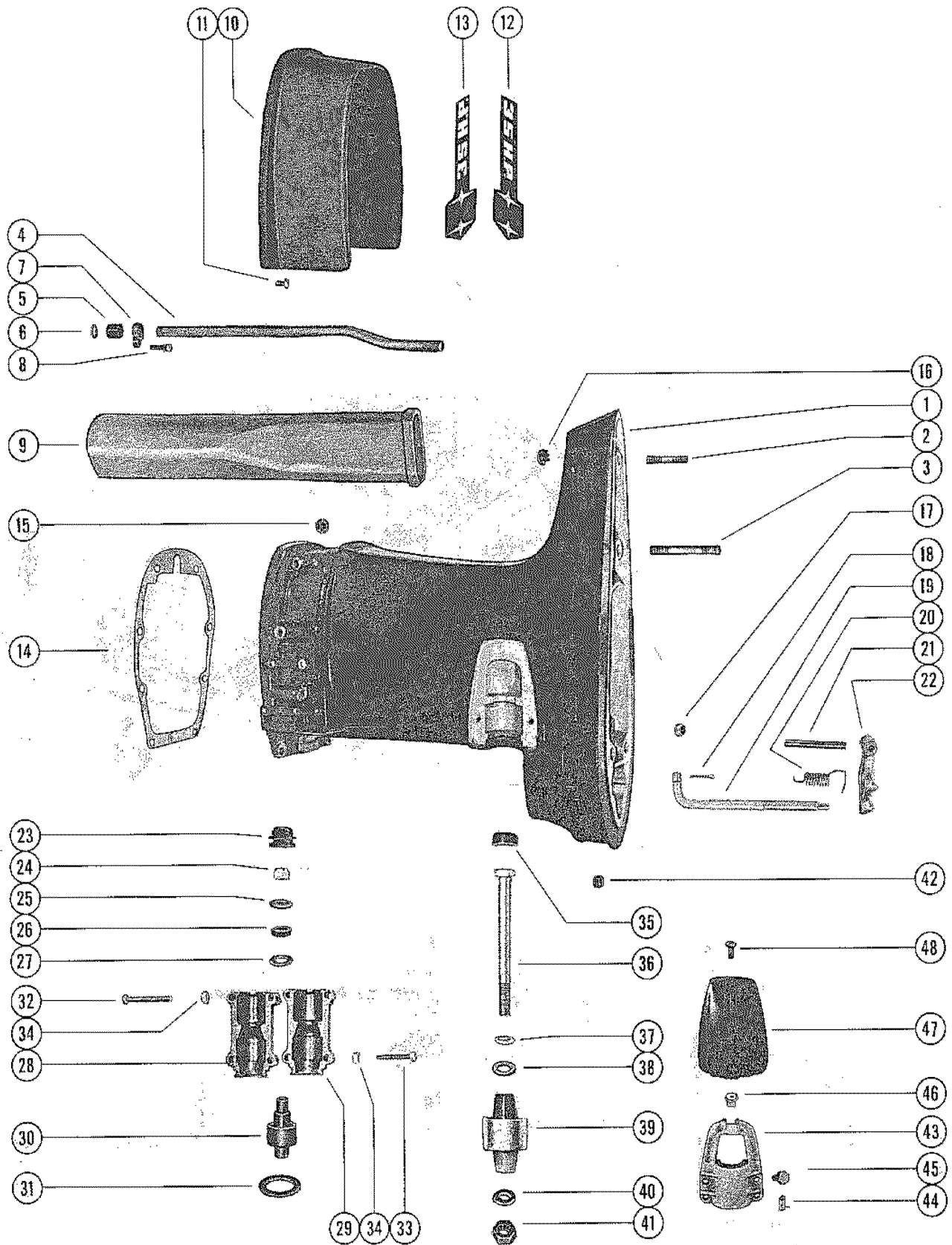


DRIVE SHAFT HOUSING ASSEMBLY

REF. NO.	PART NO.	SYM.	QTY.	DESCRIPTION
1	1554-2506A2		1	DRIVE SHAFT HOUSING ASSEMBLY
2	16-32028		1	STUD, DRIVE SHAFT HOUSING TO GEAR HOUSING (1 3/4")
3	16-29079		1	STUD, DRIVE SHAFT HOUSING TO GEAR HOUSING (3")
4	32-37727		1	TUBE, WATER INLET
5	26-20232		1	SEAL, WATER INLET TUPE SERIAL 00000000-01835753
	26-38452		1	SEAL, WATER INLET TUPE SERIAL 01835754-09999999
6	12-38453		1	WASHER, WATER TUBE SCREW SERIAL 01835754-09999999
7	38500		1	RETAINER - WATER TUBE SEAL SERIAL 01835754-09999999
8	10-34439		1	SCREW, WATER TUBE TO BOTTOM COWL SERIAL 01835754-09999999
9	37720		1	TUBE, EXHAUST
10	38109		1	COVER, TRIM - DRIVE SHAFT HOUSING
11	10-37571		4	SCREW, TRIM COVER TO DRIVE SHAFT HOUSING
12	37-37837		1	DECAL, TRIM COVER - STARBOARD
13	37-37836		1	DECAL, TRIM COVER - PORT
14	27-38501		1	GASLET, DRIVE SHAFT HOUSING TO BOTTOM COWL
15	11-25594		8	NUT, POWERHEAD STUDS
16	19-32298		1	PLUG, PLASTIC - WATER PICK-UP SCREW HOLE
17	11-22178		2	NUT, GEAR HOUSING TO DRIVE SHAFT HOUSING STUDS
18	18-25191		1	COTTER PIN, PUSH ROD TO REVERSE LOCK
19	32102		1	ROD, PUS - REVERSE LOCK
20	24-25122		1	SPRING, TENSION - PUSH ROD
21	17-24887		1	PIN, REVERSE LOCK LEVER
22	25140		1	LEVER, REVERSE LOCK
23	25305		2	CAP, RUBBER - UPPER MOUNT BOLT NUT
24	11-23161		2	NUT, UPPER MOUNT BOLT
25	12-30519		2	WASHER, UPPER MOUNT BOLT (3/8 ID)
26	12-30521		2	WASHER, RUBBER - UPPER MOUNT BOLT
27	12-30520		2	WASHER, UPPER MOUNT BOLT (37/64 ID)
28	24935		2	COVER, UPPER MOUNT - OUTSIDE HALF
29	31120		2	COVER, UPPER MOUNT - INSIDE HALF
30	37392		2	MOUNT, RUBBER - UPPER
31	24929		2	PACKING, "U" CUP - UPPER MOUNT COVERS
32	10-31114		4	SCREW, UPPER MOUNT COVER - REAR (1 3/4")
33	10-28772		4	SCREW, SUPPER MOUNT COVER - FRONT (1 1/2")
34	11-29322		8	NUT, UPPER MOUNT COVER FASTENING SCREW
35	25067		2	BUMPER, RUPPER - LOWER MOUNT SCREW
36	10-30452		2	SCREW, LOWER MOUNT (5 1/2")
37	12-28051		2	WASHER, LOWER MOUNT SCREW
38	12-28053		2	WASHER, RUBBER - LOWER MOUNT SCREW
39	37393		2	MOUNT, RUBBER - LOWER
40	12-30119		2	WASHER, LOWER MOUNT SCREW (1/8")
41	11-25096		2	NUT, LOWER MOUNT SCREW

CONTINUED ON NEXT PAGE ➡

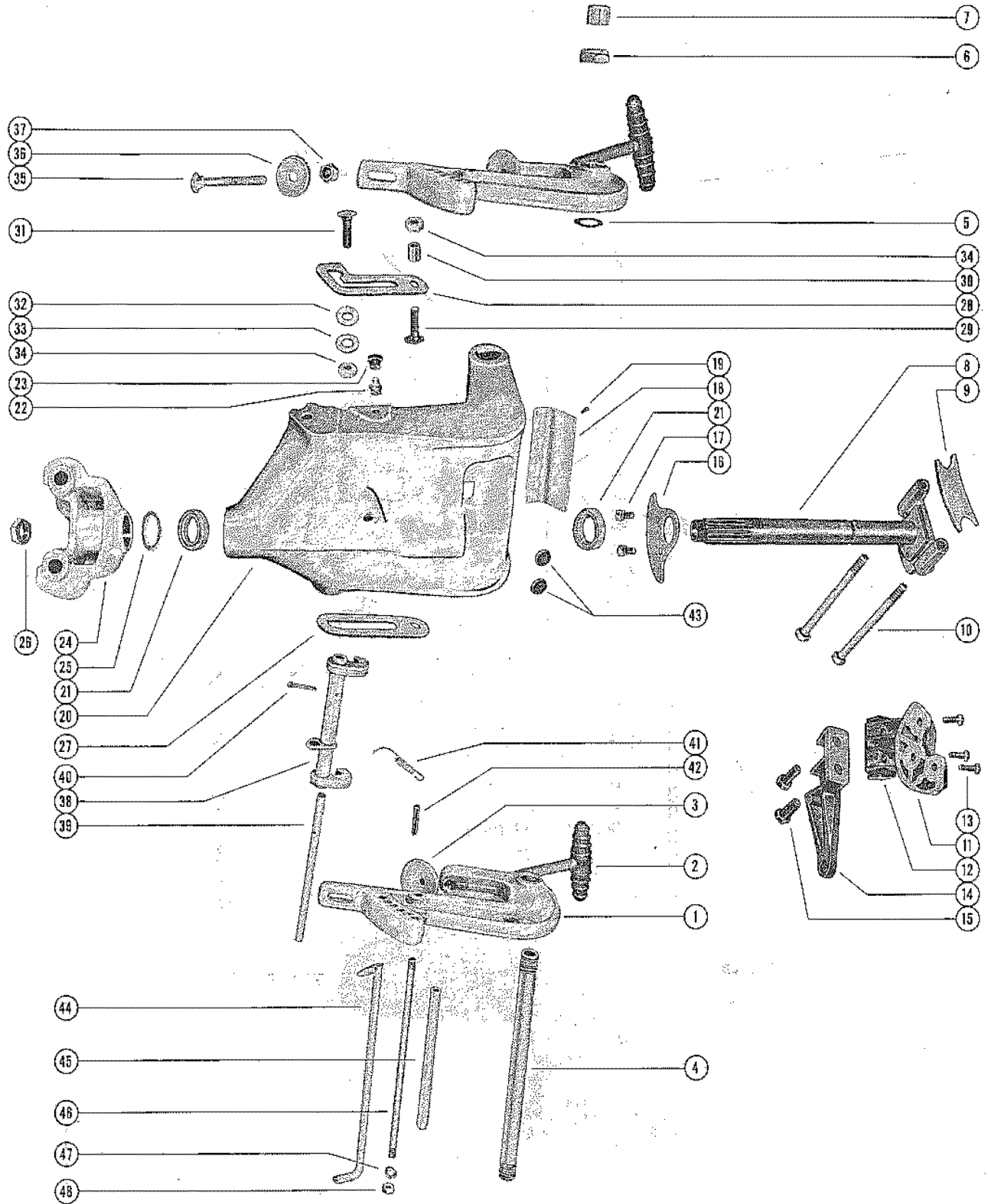
DRIVE SHAFT HOUSING ASSEMBLY



DRIVE SHAFT HOUSING ASSEMBLY

REF. NO.	PART NO.	SYM.	QTY.	DESCRIPTION
42	22-21290		1	PLUG, GREASE - REVERSE LOCK HOLE
43	35473		2	CLAMP, LOWER MOUNT TO DRIVE SHAFT HOUSING
44	24-35522		4	SPRING, TENSION - LOWER MOUNT CLAMP
45	10-29256		4	SCREW, LOWER MOUNT CLAMP TO DRIVE SHAFT HOUSING
46	11-35521		2	NUT, LOWER MOUNT CLAMP COVER
47	35474		2	COVER, LOWER MOUNT CLAMP
48	10-29722		2	SCREW, COVER TO LOWER CLAMP

CLAMP AND SWIVEL BRACKET ASSEMBLY

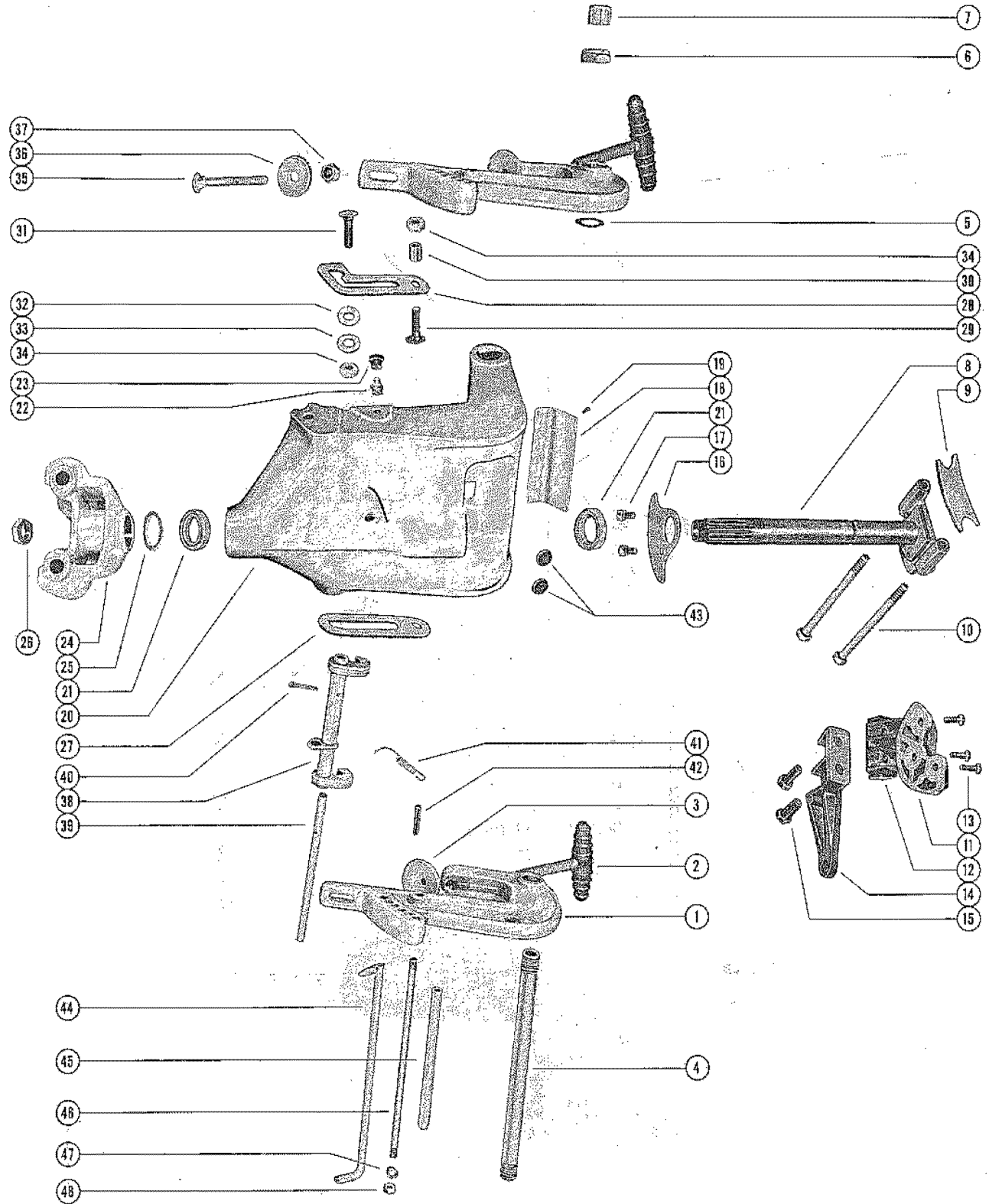


CLAMP AND SWIVEL BRACKET ASSEMBLY

REF. NO.	PART NO.	SYM.	QTY.	DESCRIPTION
1	1427-1810A1		2	CLAMP BRACKET ASSEMBLY
2	22477A1		2	THUMB SCREW ASSEMBLY
3	12-26227		2	WASHER, THUMB SCREW
4	30664		1	TUBE, TILT - CLAMP BRACKET TO SWIVEL BRACKET
5	15-30497A1		2	SHIM, CLAMP BRACKET TO SWIVEL BRACKET (.010)
6	11-30499		2	NUT, TILT TUBE
7	30498		2	CAP, PLASTIC - TILT TUBE
8	17-33985A1		1	SWIVEL PIN AND TOP YOKE ASSEMBLY
9	30711		1	BUMPER, TOP YOKE
10	10-33986		2	SCREW, UPPER MOUNT TO SWIVEL PIN
11	33840		1	BRACKET, STEERING ARM - SWIVEL PIN
12	34255		1	BUMPER, STEERING ARM BRACKET
13	10-21625		3	SCREW, STEERING ARM BRACKET TO SWIVEL PIN
14	33963		1	BRACKET, REMOTE STEERING
15	10-26632		2	SCREW, REMOTE BRACKET TO ARM BRACKET (1 1/4")
16	33969		1	PLATE, FRICTION - CO-PILOT (SWIVEL BRACKET)
17	10-34439		2	SCREW, FRICTION PLATE TO SWIVEL PIN
18	38-31061		1	SERIAL PLATE
19	10-25612		4	SCREW, DRIVE - SERIAL PLATE TO SWIVEL BRACKET
20	1455-2211A3		1	SWIVEL BRACKET ASSEMBLY
21	26-32911		2	OIL SEAL, SWIVEL BRACKET
22	22-23612		1	FITTING, PREASE - SWIVEL BRACKET
23	29359		1	LUBRICAP, SWIVEL BRACKET REASE FITTING
24	35402		1	YOKE, BOTTOM
25	12-25176		1	WASHER, SWIVEL PIN TO BOTTOM YOKE (.060)
	12-26837		AR	WASHER, SWIVEL PIN TO BOTTOM YORK (.065)
26	11-28202		1	NUT, RETAINING - SWIVEL PIN
27	20215		1	LEVER, TILT STOP - STARBOARD SIDE
28	26864		1	LEVER, TILT STOP - PORT SIDE
29	10-20217		2	SCREW, ANCHOR - TILT STOP LEVER
30	23-20216		2	SPACER, TILT STOP LEVER
31	10-29237		2	SCREW, RETAINING - TILT STOP LEVER
32	15-37711		1	SHIM, RETAINING SCREW - PORT SIDE
33	13-36076		1	WASHER, WAVE _ RETAINING SCREW - PORT SIDE
	13-20846		1	WASHER, WAVE - RETAINING SCREW - STARBOARD SIDE
34	11-24652		4	NUT, ANCHOR AND RETAINING SCREW
35	10-26483		2	BOLT, CLAMP BRACKET TO BOAT TRANSOM
36	12-26485		2	WASHER, CLUMP BRACKET BOLT
37	11-26484		2	NUT, CLAMP BRACKET BOLT
38	26903A2		1	REVERSE LOCK ASSEMBLY
39	20208		1	SHAFT, REVERSE LOCK TO SWIVEL BRACKET
40	18-20209		1	COTTER PIN, REVERSE LOCK TO SHAFT
41	24-29821		1	SPRING, REVERSE LOCK TENSION

CONTINUED ON NEXT PAGE ➡

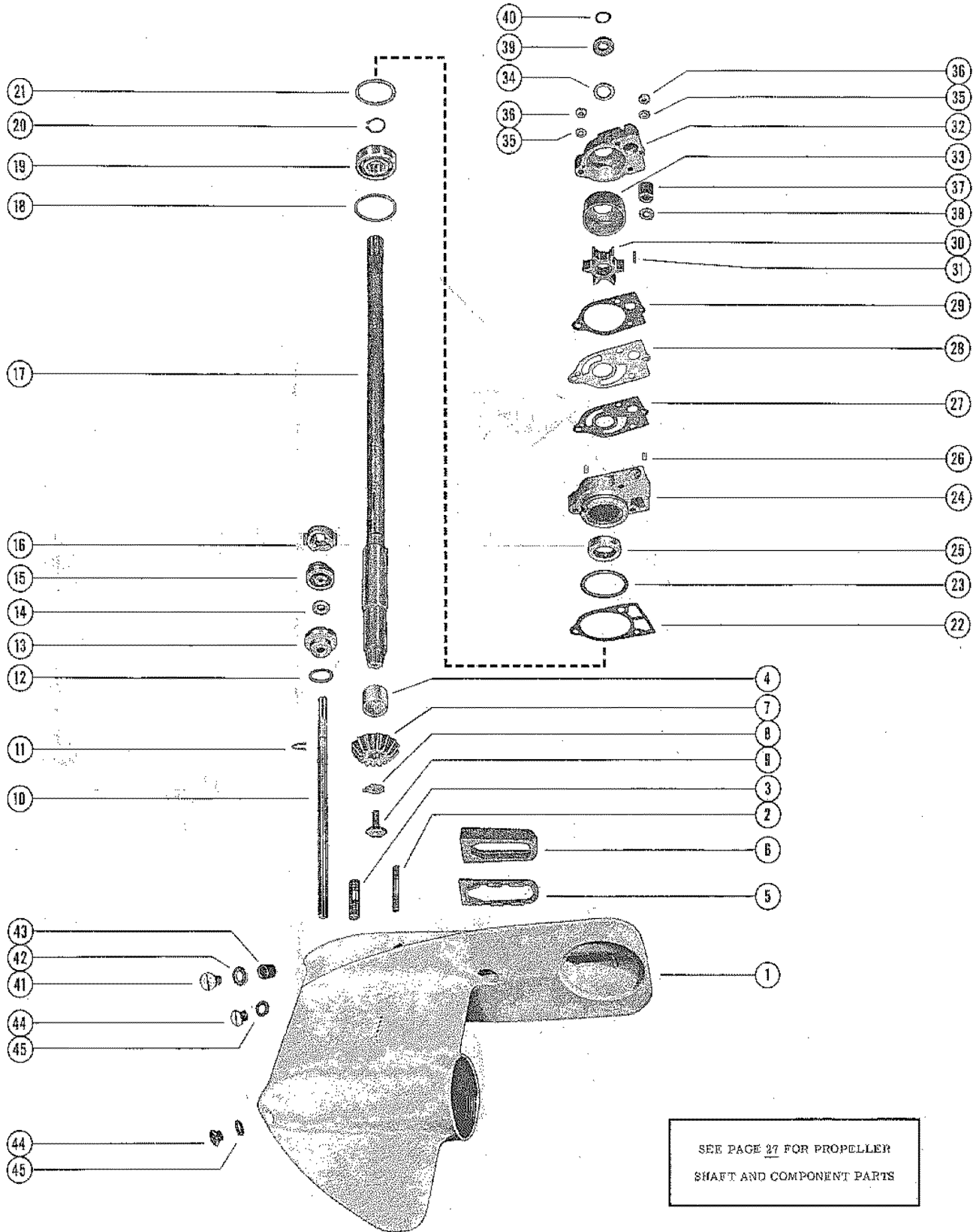
CLAMP AND SWIVEL BRACKET ASSEMBLY



CLAMP AND SWIVEL BRACKET ASSEMBLY

REF. NO.	PART NO.	SYM.	QTY.	DESCRIPTION
42	17-25598		1	ROLL PIN, REVERSE LOCK SPRING ATTACHING
43	23026		2	DISC, FRICTION _ SWIVEL BRACKET
44	17-30687A1		1	TILT LOCK PIN ASSEMBLY
45	23-20222		1	SPACER, CLAMP BRACKET STUD
46	16-20221		1	STUD, CLAMP BRACKET
47	13-26993		2	LOCKWASHER, CLAMP BRACKET STUD
48	11-20083		2	NUT, CLAMP BRACKET STUD

GEAR HOUSING ASSEMBLY, COMPLETE (PAGE 1)

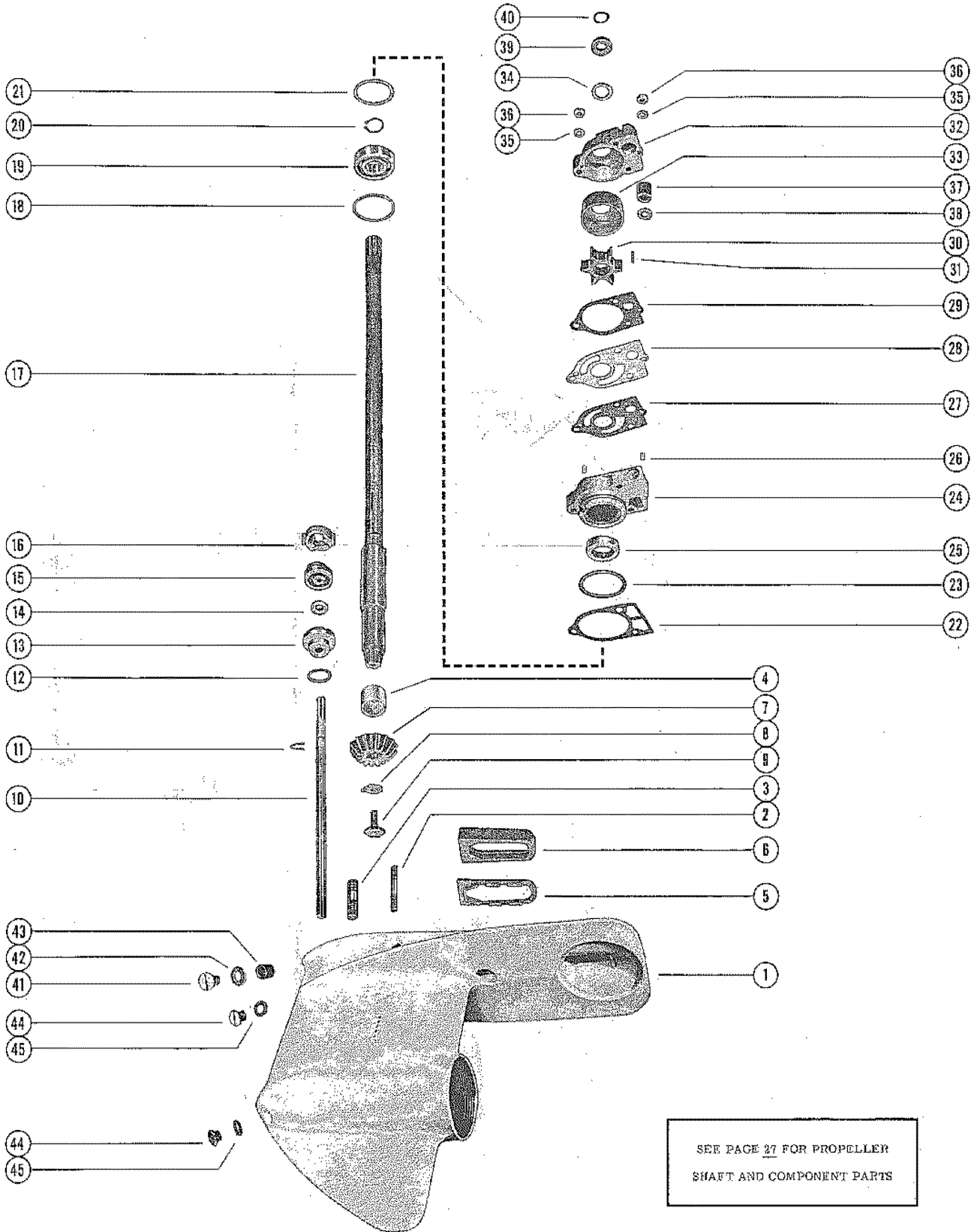


GEAR HOUSING ASSEMBLY, COMPLETE (PAGE 1)

REF. NO.	PART NO.	SYM.	QTY.	DESCRIPTION
-	1626-2470A6		1	GEAR HOUSING ASSEMBLY, COMPLETE (STANDARD)-SEE NOTE BELOW
1	1626-2470A1		1	GEAR HOUSING ASSEMBLY
2	16-37728		3	STUD, WATER PUMP BODY AND BASE TO GEAR HOUSING
3	16-32017		2	STUD, GEAR HOUSING TO DRIVE SHAFT HOUSING
4	31-20231		1	BEARING, ROLLER - DRIVE SHAFT
5	38071		1	PLATE, SUPPORT - EXHAUST TUBE
6	37721		1	SEAL, EXHAUST TUBE
7	43-33843		1	GEAR, PINION - DRIVE SHAFT
8	14-29163		1	TAB WASHER, PINION GEAR FASTENING SCREW
9	10-20925		1	SCREW, PINION GEAR TO DRIVE SHAFT
10	32008		1	SHAFT, SHIFT - LOWER
11	18-20233		1	CLIP, RETAINING - SHIFT SHAFT
12	25-25439		1	"O" RING, SHIFT SHAFT BUSHING
13	23-28374A1		1	BUSHING ASSEMBLY, SHIFT SHAFT
14	26-31249		1	OIL SEAL, SHIFT SHAFT BUSHING
15	25138		1	CAM, LOWER - REVERSE LOCKING
16	29823		1	CAM, UPPER - REVERSE LOCKING
17	45-38466		1	DRIVE SHAFT (STANDARD)
18	15-20929A1		AR	SHIM, BALL BEARING TO GEAR HOUSING
19	30-20861		1	BEARING, BALL - DRIVE SHAFT
20	53-29116		1	RING, SNAP - BALL BEARING RETAINING
21	15-20929A1		AR	SHIM, BALL BEARING TO WATER PUMP BASE
22	27-32771		1	GASKET, WATER PUMP BASE TO GEAR HOUSING
23	25-26855		1	"O" RING, WATER PUMP BASE
24	46-32766A1		1	WATER PUMP BASE ASSEMBLY
25	26-23300		1	OIL SEAL, WATER PUMP BASE
26	17-35973		2	DOWEL PIN, WATER PUMP BASE TO WATER PUMP BODY
27	27-32769		1	GASKET, LOWER - WATER PUMP BASE TO FACE PLATE
28	32768		1	PLATE, FACE - WATER PUMP BASE TO WATER PUMP BODY
29	27-32770		1	GASKET, UPPER - FACE PLATE TO WATER PUMP BODY
30	47-20268		1	IMPELLER, WATER PUMP
31	17-23733		1	PIN, IMPELLER DRIVE
32	46-32767A1		1	WATER PUMP BODY ASSEMBLY
33	32001		1	INSERT, WATER PUMP BODY
34	26-32121		1	OIL SEAL, WATER PUMP BODY
35	13-26992		3	LOCKWASHER, WATER PUMP BODY AND BASE STUDS
36	11-29598		3	NUT, WATER PUMP BODY AND BASE FASTENING STUDS
37	26-38452		1	SEAL, WATER PUMP BODY TO WATER INLET TUBE
38	12-38453		1	WASHER, NYLON _ WATER PUMP BODY
39	25-20273		1	RING, RUBBER _ CENTRIFUGAL SLINGER (DRIVE SHAFT)

CONTINUED ON NEXT PAGE ➡

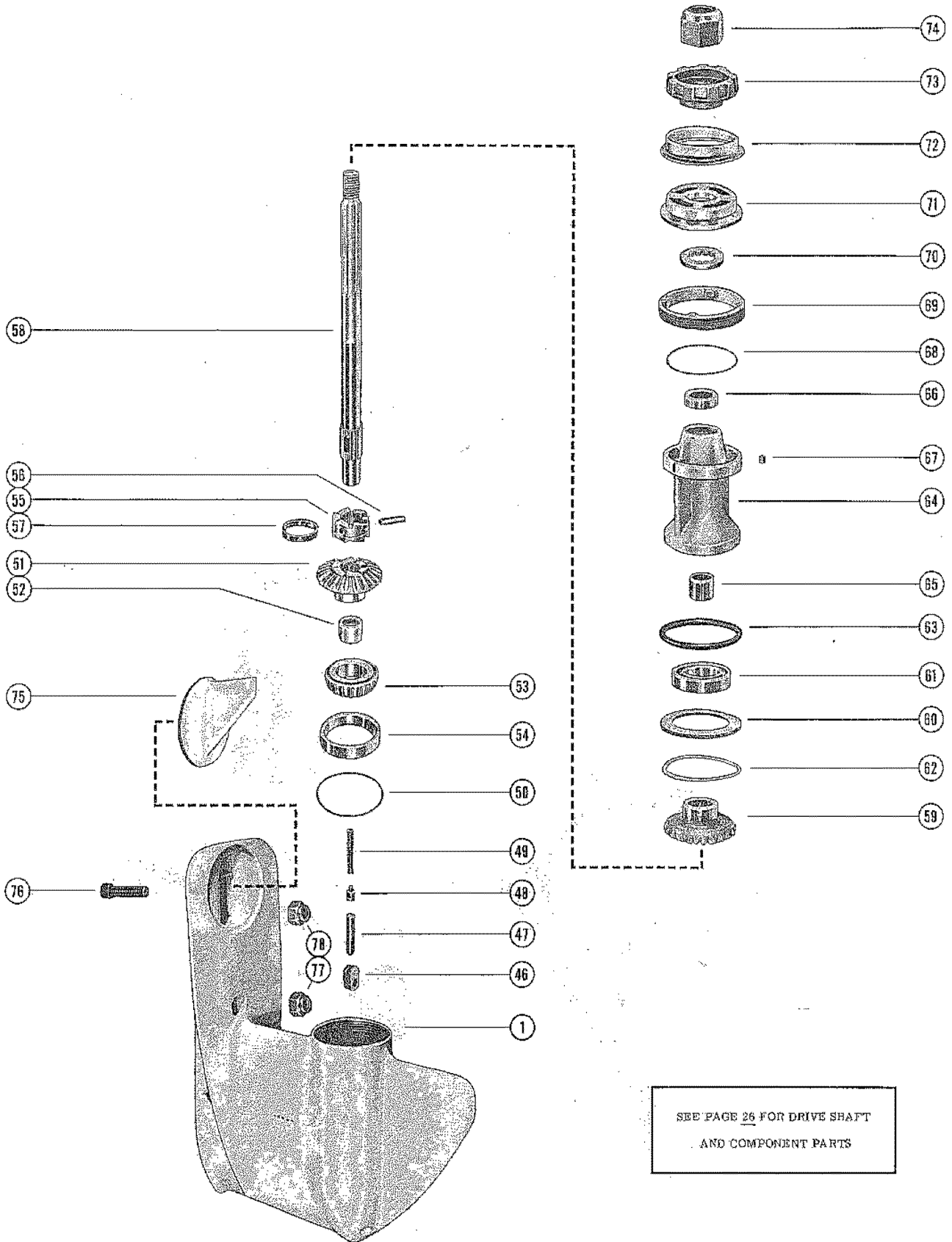
GEAR HOUSING ASSEMBLY, COMPLETE (PAGE 1)



GEAR HOUSING ASSEMBLY, COMPLETE (PAGE 1)

REF. NO.	PART NO.	SYM.	QTY.	DESCRIPTION
40	25-29619		1	"O" RING, UPPER - DRIVE SHAFT
41	10-29608		1	SCREW, REAR HOUSING FLUSHING HOLE
42	27-29586		1	GASKET, GEAR HOUSING FLUSHING HOLE SCREW
43	26-29612		1	SEAL, GEAR HOUSING FLUSHING HOLE
44	10-28634		2	SCREW, GREASE FILLER AND VENT HOLE
45	12-20260		2	WASHER, GREASE FILLER AND VENT HOLE SCREW

GEAR HOUSING ASSEMBLY, COMPLETE (PAGE 2)



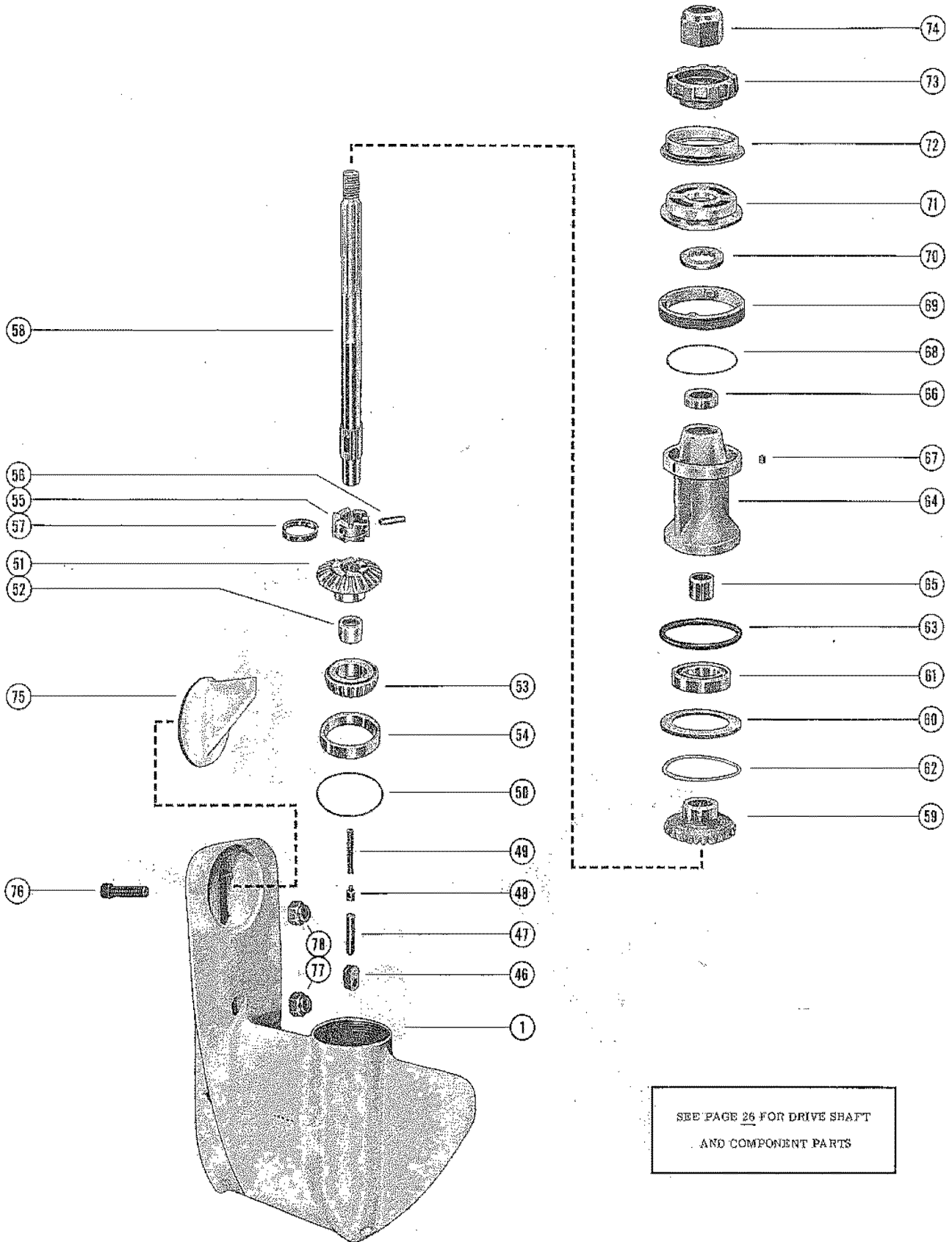
SEE PAGE 26 FOR DRIVE SHAFT
AND COMPONENT PARTS

GEAR HOUSING ASSEMBLY, COMPLETE (PAGE 2)

REF. NO.	PART NO.	SYM.	QTY.	DESCRIPTION
-	1626-2470A6		1	GEAR HOUSING ASSEMBLY, COMPLETE (STANDARD) - SEE NOTE BELOW
1	1626-2470A1		1	GEAR HOUSING ASSEMBLY(SEE PAGE 26 FOR PARTS BREAKDOWN)
46	36288		1	CAM, SHIFT
47	20930		1	FOLLOWER, CAM
48	20843		1	SLIDE, CROSS PIN
49	24-20254		1	SPRING, COMPRESSION - CAM FOLLOWER
50	15-31154A1		AR	SHIM, BEARING CUP TO GEAR HOUSING
-	43-33844A1		1	FORWARD GEAR ASSEMBLY, COMPLETE
51	43-33844		1	FORWARD GEAR ASSEMBLY
52	31-20249		1	BEARING, ROLLER - FORWARD GEAR
53	31-31215A1		1	TAPERED ROLLER BEARING ASSEMBLY
54	31-31216		1	CUP, TAPERED ROLLER BEARING
55	52-32189		1	RATCHET, SLIDING CLUTCH
56	17-20841		1	PIN, CROSS - RATCHET TO PROPELLER SHAFT
57	53-20842		1	RING, RETAINING - CROSS PIN
58	44-32000		1	SHAFT, PROPELLER
-	43-33844A2		1	REVERSE GEAR ASSEMBLY, COMPLETE
59	43-33844		1	REVERSE GEAR ASSEMBLY
60	12-32004		1	WASHER, TRUST - REVERSE GEAR
61	30-20839		1	BEARING, BALL - REVERSE GEAR
62	15-20927A1		AR	SHIM, THRUST WASHER TO GEAR HOUSING
63	25-31986		1	"O" RING, BEARING CARRIER
64	32015A1		1	BEARING CARRIER ASSEMBLY SERIAL 00000000-01835753
65	31-20249		1	BEARING, ROLLER - BEARING CARRIER SERIAL 00000000-01835753
66	26-23300		1	OIL SEAL, BEARING CARRIER SERIAL 00000000-01835753
64	38130A1		1	BEARING CARRIER ASSEMBLY SERIAL 01835754-09999999
65	31-20249		1	BEARING, ROLLER - BEARING CARRIER SERIAL 01835754-09999999
66	26-23300		1	OIL SEAL, BEARING CARRIER SERIAL 01835754-09999999
	26-23517		1	OIL SEAL, BEARING CARRIER SERIAL 01835754-09999999
67	28-30281		1	KEY, LOCATING - BEARING CARRIER
68	12-31993		1	WASHER, GEAR HOUSING COVER
69	32014		1	COVER, GEAR HOUSING
70	12-25251		1	WASHER, BACKING - PROPELLER SHAFT (1/8)
71	32002A1		1	THRUST HUB AND WASHER ASSEMBLY
72	12-31992		1	WASHER, CUPPED - THRUST HUB
73	12-32007		1	WASHER< SPLINDER - PROPELLER SHAFT

CONTINUED ON NEXT PAGE ➡

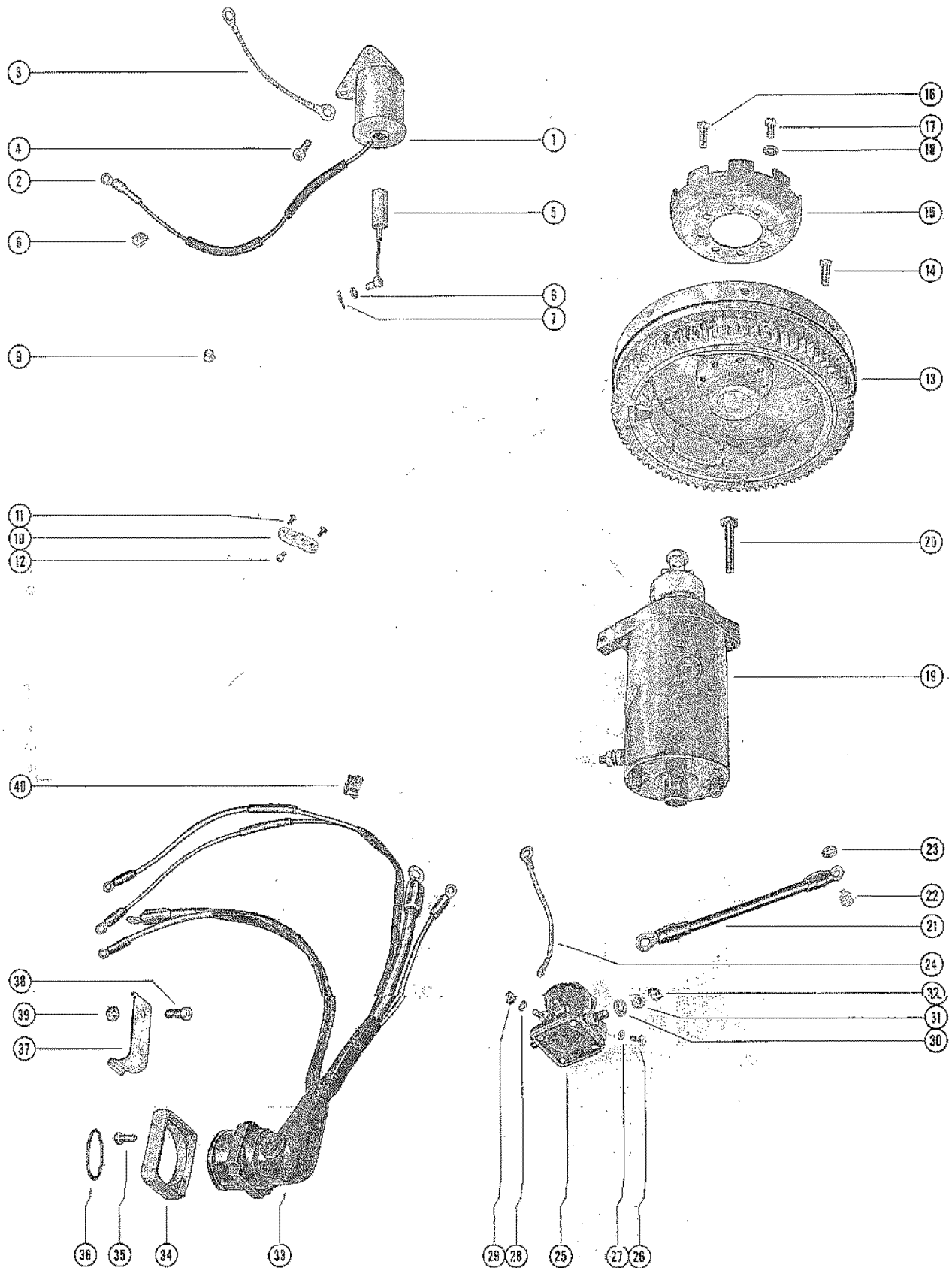
GEAR HOUSING ASSEMBLY, COMPLETE (PAGE 2)



GEAR HOUSING ASSEMBLY, COMPLETE (PAGE 2)

REF. NO.	PART NO.	SYM.	QTY.	DESCRIPTION
74	11-31990		1	NUT, PROPELLER
75	31640		1	TRIM TAB, GEAR HOUSING
76	10-32470		1	SCREW, TRIM TAB TO GEAR HOUSING
77	11-22178		1	NUT, DRIVE SHAFT HOUSING TO GEAR HOUSING STUD (7/16)
78	11-23161		1	NUT, DRIVE SHAFT HOUSING TO GEAR HOUSING STUD (3/8)

STARTER MOTOR, STARTER SOLENOID AND WIRING HARNESS



STARTER MOTOR, STARTER SOLENOID AND WIRING HARNESS

REF. NO.	PART NO.	SYM.	QTY.	DESCRIPTION
1	31041		1	CHOKE SOLENOID, TOP COWL
2	30050		2	DISCONNECT, CHOKE SOLENOID TERMINALS
3	28016A1		1	GROUND STRAP ASSEMBLY
4	10-35194		3	SCREW, CHOKE SOLENOID TO TOP COWL (5/8")
5	27031A4		1	PLUNGER ASSEMBLY, CHOKE SOLENOID
6	12-30164		1	WASHER, CHOKE SOLENOID LINK
7	18-26953		1	COTTER PIN, CHOKE SOLENOID LINK FASTENING
8	54-22783		3	"S" CLIP, CHOKE SOLENOID LEADS TO TOP COWL
9	23-30438		1	BUSHING, NYLON - CHOKE SBHUTTER
10	30212		1	TERMINAL BLOCK, CYLINDER BLOCK
11	10-28192		2	SCREW, TERMINAL BLOCK TO CYLINDER BLOCK
12	10-30663		1	SCREW, WIRING HARNESS LEADS TO TERMINAL BLOCK
13	218-2242A1		1	FLYWHEEL ASSEMBLY, COMPLETE
14	10-35562		8	SCREW, FLEXIBLE PLATE TO FLYWHEEL
15	50-33000A1		1	RATCHET ASSEMBLY, FLYWHEEL
16	10-32417		6	SCREW, RATCHET TO FLYWHEEL
17	10-34290		2	SCREW, RATCHET TO FLYWHEEL
18	13-26992		2	LOCKWASHER, RATCHET TO FLYWHEEL SCREW
19	50-37345A1		1	STARTER MOTOR ASSEMBLY SERIAL 00000000-01900115
	50-38890A1		1	STARTER MOTOR ASSEMBLY SERIAL 01900116-09999999
20	10-35213		2	SCREW, STARTER MOTOR TO CRANKCASE
21	26511		1	WIRE, STARTER MOTOR TO STARTER SOLENOID
22	10-29197		1	SCREW, GROUND WIRE TO STARTER MOTOR
23	13-26992		1	LOCKWASHER, GROUND WIRE FASTENING SCREW
24	28016A1		2	GROUND STRAP ASS'Y, STARTER SOLENOID AND CYLINDER BLOCK
25	32445		1	SOLENOID, STARTER
26	10-31208		2	SCREW, STARTER SOLENOID TO STARTER MOTOR
27	12-37998		1	WASHER, STARTER SOLENOID SCREW
28	13-26996		2	LOCKWASHER, STARTER SOLENOID TERMINAL (#10)
29	11-20645		2	NUT, STARTER SOLENOID TERMINAL (#10)
30	13-26993		2	LOCKWASHER, STARTER SOLENOID TERMINAL (5/16)
31	11-20083		1	NUT, STARTER SOLENOID TERMINAL (5/16)
32	11-26062		1	NUT, CAP - STARTER SOLENOID TERMINAL - OUTSIDE (5/16)
33	34229		1	WIRING HARNESS (INTERNAL)
34	26079		1	PLATE, BACKING - WIRING HARNESS
35	10-26128		4	SCREW, BACKING PLATE TO BOTTOM COWL
36	24-28975		1	SPRING, GARTER - INTERNAL WIRING HARNESS
37	34228		1	SUPPORT, EXTERNAL WIRING HARNESS
38	10-35092		1	SCREW, SUPPORT TO BOTTOM COWL
39	11-24652		1	NUT, SUPPORT FASTENING SCREW
40	54-22740		1	CLIP, WIRING HARNESS LEADS

PARTS INDEX

Part Number	Description	Pg.	Ref. No.	Part Number	Description	Pg.	Ref. No.
20119	PROTECTOR, SPARK PLUG	15	31	27947	SWIVEL, THROTTLE		
20155	RETAINER, STARTER				CONTROL	27	8
	SPRING	3	8	28016A1	GROUND STRAP ASS'Y,		
20208	SHAFT, REVERSE LOCK TO				STARTER SOLENOID AND		
	SWIVEL BRACKET	35	39		CYLINDER BLOCK	47	24
20215	LEVER, TILT STOP -			28016A1	GROUND STRAP ASSEMBLY	47	3
	STARBOARD SIDE	35	27	28232	TOGGLE BOLT, THROTTLE		
20557	BRACKET, CABLE END				CONTROL ROD	13	23
	ANCHOR	27	2	28747	HANDLE, STARTER CABLE	3	27
20623	MARKER, "TOP" - LEAD			28748	RETAINER, STARTER		
	WIRE	15	32		CABLE AND HANDLE	3	28
20843	SLIDE, CROSS PIN	43	48	28913	SHAFT, SHEAVE	3	20
20930	FOLLOWER, CAM	43	47	29206	COVER, PLUG - BOTTOM		
21060	HANDLE, COWL LATCH	7	11		COWL HARNESS HOLE	25	2
21968	STOP BLOCK, THROTTLE			29359	LUBRICAP, SWIVEL		
	LEVER	27	4		BRACKET REASE FITTING	35	23
22463	KNOB, CHOKE ROD	9	1	29823	CAM, UPPER - REVERSE		
22477A1	THUMB SCREW ASSEMBLY	35	2		LOCKING	39	16
22789	"D" WASHER, COIL LEAD			30045	PLATE, ROPE GUIDE	3	29
	WIRE CLIP	15	19	30050	DISCONNECT, CHOKE		
22789	"D" WASHER, STOP SWITCH				SOLENOID TERMINALS	47	2
	LEADS CLIP SCREW	25	27	30188	CUP WASHER, ADAPTOR	17	20
22833	ADAPTOR, CHECK UNIT			30212	TERMINAL BLOCK,		
	(FUEL PUMP)	17	16		CYLINDER BLOCK	47	10
23004	RETAINER, CHECK VALVE	17	4	30212	TERMINAL BLOCK,		
23014	DIAPHRAGM, FUEL PUMP	17	7		EXHAUST MANIFOLD		
23026	DISC, FRICTION _ SWIVEL				COVER	21	49
	BRACKET	37	43	30269A2	FUEL PUMP ASSEMBLY	17	1
23069	STEM, CHECK UNIT			30275	COVER, FUEL PUMP	17	8
	ADAPTOR	17	17	30498	CAP, PLASTIC - TILT TUBE	35	7
24929	PACKING, "U" CUP - UPPER			30595	PLATE, RETAINER -		
	MOUNT COVERS	31	31		STARTER PAWL	3	19
24935	COVER, UPPER MOUNT -			30596	PAWL, STARTER	3	12
	OUTSIDE HALF	31	28	30664	TUBE, TILT - CLAMP		
25067	BUMPER, RUPPER - LOWER				BRACKET TO SWIVEL		
	MOUNT SCREW	31	35		BRACKET	35	4
25138	CAM, LOWER - REVERSE			30711	BUMPER, TOP YOKE	35	9
	LOCKING	39	15	30854	COVER, STOP SWITCH	25	22
25140	LEVER, REVERSE LOCK	31	22	30859	INSULATOR, SLEEVE -		
25305	CAP, RUBBER - UPPER				INNER SWITCH		
	MOUNT BOLT NUT	31	23		TERMINALS	25	20
25690	SWIVEL, COWL LATCH	7	14	31003	HANDLE, INSIDE - TOP		
25691	HOOK, COWL LATCH				COWL	3	36
	FASTENING	7	15	31041	CHOKE SOLENOID, TOP		
26079	PLATE, BACKING - WIRING				COWL	47	1
	HARNESS	47	34	31120	COVER, UPPER MOUNT -		
26179	RETAINER, WAVE WASHER	3	16		INSIDE HALF	31	29
26511	WIRE, STARTER MOTOR TO			31404	SHUTTER, CHOKE -		
	STARTER SOLENOID	47	21		CARBURETOR	9	8
26852	CAP, NYLON - IDLE STOP			31640	TRIM TAB, GEAR HOUSING	45	75
	SCREW	19	40	31875	HANDLE, CHROME - TO		
26852	CAP, NYLON - SPARK				COWL	3	35
	ADVANCE SCREW	21	48	32001	INSERT, WATER PUMP		
26864	LEVER, TILT STOP - PORT				BODY	39	33
	SIDE	35	28	32002A1	THRUST HUB AND WASHER		
26903A2	REVERSE LOCK ASSEMBLY	35	38		ASSEMBLY	43	71
27031A4	PLUNGER ASSEMBLY,			32008	SHAFT, SHIFT - LOWER	39	10
	CHOKE SOLENOID	47	5	32014	COVER, GEAR HOUSING	43	69
27711	RETAINER, CHOKE ROD			32015A1	BEARING CARRIER		
	SPRING	9	15		ASSEMBLY	43	64

PARTS INDEX

Part Number	Description	Pg.	Ref. No.	Part Number	Description	Pg.	Ref. No.
32102	ROD, PUS - REVERSE LOCK	31	19	33974	BRACKET, THROTTLE CAM	13	18
32361	KNOB, COWL FRONT COVER FASTENING	7	2	33982	ROD, LINK - SHIFT SHAFT END	29	47
32445	SOLENOID, STARTER	47	25	34000	ROD, CHOKE	9	5
32768	PLATE, FACE - WATER PUMP BASE TO WATER PUMP BODY	39	28	34068	CAM, ADJUSTMENT - THROTTLE	13	20
33474	HARNESS, STOP SWITCH	25	18	34228	SUPPORT, EXTERNAL WIRING HARNESS	47	37
33474A1	STOP SWITCH ASSEMBLY	25	--	34229	WIRING HARNESS (INTERNAL)	47	33
33758	COVER, TRANSFER PORT	19	21	34242	BLANKET, SOUND ABSORBING - COWL FRONT COVER	7	7
33833	LEVER, THROTTLE ACTUATING (LOWER)	13	31	34255	BUMPER, STEERING ARM BRACKET	35	12
33833	LEVER, THROTTLE ACTUATING - BOTTOM COWL	27	7	34433	BRACKET, TRIM MOULDING TENSION	3	22
33834	LEVER, THROTTLE STOP	27	35	34735A1	TRIM MOLDING ASSEMBLY, TOP COWL	3	21
33835	LEVER, THROTTLE CONTROL	27	14	35402	YOKE, BOTTOM	35	24
33837	ROD, THROTTLE STOP CONTROL	27	30	35473	CLAMP, LOWER MOUNT TO DRIVE SHAFT HOUSING	33	43
33840	BRACKET, STEERING ARM - SWIVEL PIN	35	11	35474	COVER, LOWER MOUNT CLAMP	33	47
33841	LEVER, SHIFT CONTROL	27	41	35496	PAD, BUMPER - TOP COWL HANDLE	3	39
33842	LEVER, THROTTLE ACTUATING (UPPER)	13	26	36288	CAM, SHIFT	43	46
33896	MOULDING, TRIM - BOTTOM COWL	25	6	36442A1	SHIELD ASSEMBLY, STATOR PLATE	13	12
33898	ROD, THROTTLE CONTROL	27	9	37392	MOUNT, RUBBER - UPPER	31	30
33899	CLAMP, HOLD DOWN RING - STATOR PLATE	19	8	37393	MOUNT, RUBBER - LOWER	31	39
33900A1	THROTTLE LEVER ASSEMBLY	9	13	37720	TUBE, EXHAUST	31	9
33901A1	SHIFT SHAFT ASSEMBLY, UPPER	27	25	37721	SEAL, EXHAUST TUBE	39	6
33902	ROD, VERTICAL	13	27	37930	PLATE, BAFFLE - EXHAUSTING MANIFOLD	21	42
33904	RING, HOLD DOWN - STATOR PLATE	13	15	37936	COVER, EXHAUST MANIFOLD	21	44
33908	BLANKET, SOUND ABSORBING - WRAP AROUND COWL	7	16	38071	PLATE, SUPPORT - EXHAUST TUBE	39	5
33946	BRACKET, LOCK KNOB - COWL FRONT COVER	25	10	38109	COVER, TRIM - DRIVE SHAFT HOUSING	31	10
33952	SCREEN, VENT - TOP COWL	3	33	38130A1	BEARING CARRIER ASSEMBLY	43	64
33953	ROD (SLEEVE), SHIFT CONTROL END	29	45	38500	RETAINER - WATER TUBE SEAL	31	7
33953	ROD (SLEEVE), THROTTLE CONTROL ROD TO THROTTLE CONTROL LEVER	27	11	10-20037	SCREW, RETAINER TO HOUSING	17	5
33953	ROD (SLEEVE), THROTTLE STOP CONTROL ROD TO THROTTLE STOP LEV	27	32	10-20060	SCREW, CONNECTING ROD	23	13
33954	"S" LINK, CHOKE ROD TO CHOKE KNOB	9	3	10-20060	SCREW, CONNECTING ROD SCREW	23	13
33963	BRACKET, REMOTE STEERING	35	14	10-20217	SCREW, ANCHOR - TILT STOP LEVER	35	29
33969	PLATE, FRICTION - CO- PILOT (SWIVEL BRACKET)	35	16	10-20456	SCREW, HOLD DOWN RING CLAMP TO UPPER END CAP	19	9
33970	ROD, THROTTLE CONTROL	13	22	10-20540	SCREW, TRANSFER PORT COVER MOUNTING	19	23
				10-20584	SCREW, CLEVIS YOKE PIN FASTENING	27	22

PARTS INDEX

Part Number	Description	Pg.	Ref. No.	Part Number	Description	Pg.	Ref. No.
10-20653	SCREW, CYLINDER BLOCK COVER MOUNTING	21	55	10-28642	SCREW, DRIVER - ROPE GUIDE PLATE TO TOP COWL	3	30
10-20776	SCREW, DETENT SPRING TO BOTTOM COWL	27	27	10-28713	SCREW, RETAINER TO CARBURETOR	9	16
10-20847	SCREW, THROTTLE STOP LEVER	11	18	10-28772	SCREW, SUPPER MOUNT COVER - FRONT (1 1/2")	31	33
10-20854	SCREW, FLOAT BOWL COVER (SHORT)	11	10	10-28782	SCREW, MANIFOLD COVER TO CYLINDER BLOCK	21	45
10-20925	SCREW, PINION GEAR TO DRIVE SHAFT	39	9	10-28846	SCREW, PLUG - MAIN NOZZLE	11	28
10-21130	SCREW, GROUND TERMINAL	15	7	10-29197	SCREW, GROUND WIRE TO STARTER MOTOR	47	22
10-21365	SCREW, IDLE STOP - CRANKCASE	19	38	10-29198	SCREW, UPPER END CAP MOUNTING	19	6
10-21365	SCREW, SPARK ADVANCE - EXHAUST COVER	21	46	10-29199	SCREW, CENTER - HANDLE TO TOP COWL (1")	5	43
10-21625	SCREW, STEERING ARM BRACKET TO SWIVEL PIN	35	13	10-29200	SCREW, CABLE END ANCHOR BRACKET TO BOTTOM COWL	27	3
10-22039	SCREW, CRANKCASE TO CYLINDER BLOCK (2 3/4")	19	25	10-29226	SCREW, DECORATIVE - MOULDING TO BOTTOM COWL	25	7
10-22040	SCREW, CRANKCASE TO CYLINDER BLOCK (1 1/2")	19	24	10-29237	SCREW, RETAINING - TILT STOP LEVER	35	31
10-22421	SCREW, ADAPTOR TO BOTTOM COWL	17	21	10-29239	SCREW, THROTTLE LEVER TO CARBURETOR	9	14
10-22421	SCREW, FRONT - HANDLE TO TOP COWL (1 1/4")	3	37	10-29246	SCREW, THROTTLE CONTROL LEVER TO BOTTOM COWL	27	15
10-22956	SCREW, BRACKET TO BOTTOM COWL (7/8")	25	12	10-29256	SCREW, LOWER MOUNT CLAMP TO DRIVE SHAFT HOUSING	33	45
10-23035	SCREW AND LOCKWASHER, THROTTLE SHUTTER	11	23	10-29465	SCREW, REED STOP MOUNTING	23	10
10-25313	SCREW, MAIN BEARING CLAMPING	23	5	10-29608	SCREW, REAR HOUSING FLUSHING HOLE	41	41
10-25612	SCREW, DRIVE - SERIAL PLATE TO SWIVEL BRACKET	35	19	10-29722	SCREW, COVER TO LOWER CLAMP	33	48
10-25781	SCREW, SET - THROTTLE ACTUATING LEVERS	13	32	10-29878	SCREW, FUEL PUMP MOUNTING (1 1/2")	17	11
10-25822	SCREW, STRAINER COVER	11	17	10-30097	SCREW, "S" LINK TO CHOKE KNOB	9	4
10-25850	SCREW, FLOAT BOWL COVER (LONG)	11	11	10-30225	SCREW, LOWER END CAP MOUNTING	19	37
10-26066	SCREW, CRANKCASE TO CYLINDER BLOCK (1 1/4")	19	26	10-30274	SCREW, FUEL PUMP MOUNTING (1 3/4")	17	10
10-26128	SCREW, BACKING PLATE TO BOTTOM COWL	47	35	10-30452	SCREW, LOWER MOUNT (5 1/2")	31	36
10-26483	BOLT, CLAMP BRACKET TO BOAT TRANSOM	35	35	10-30620	SCREW, SHIFT CONTROL LEVER TO BOTTOM COWL	29	42
10-26632	SCREW, REMOTE BRACKET TO ARM BRACKET (1 1/4")	35	15	10-30663	SCREW, HARNESS LEADS TO TERMINAL BLOCK	21	51
10-27165	SCREW, MAIN BEARING LOCKING	19	28	10-30663	SCREW, STOP SWITCH LEADS CLIP TO LOCK KNOB BRACKET (3/8")	25	26
10-28192	SCREW, TERMINAL BLOCK TO CYLINDER BLOCK	47	11	10-30663	SCREW, WIRING HARNESS LEADS TO TERMINAL BLOCK	47	12
10-28192	SCREW, TERMINAL BLOCK TO EXHAUST MANIFOLD COVER	21	50				
10-28405	SCREW, PLUG - MAIN FUEL JET CHANNEL	11	32				
10-28634	SCREW, GREASE FILLER AND VENT HOLE	41	44				

PARTS INDEX

Part Number	Description	Pg.	Ref. No.	Part Number	Description	Pg.	Ref. No.
10-31114	SCREW, UPPER MOUNT COVER - REAR (1 3/4") ..	31	32	10-38395	SCREW, CONDENSER FASTENING (1 1/4")	15	9
10-31206	SCREW, STOP SWITCH LEADS CLIP TO EXHAUST COVER (7/16")	25	26	11-20013	NUT, DETENT SPRING FASTENING SCREW	27	29
10-31208	SCREW, STARTER SOLENOID TO STARTER MOTOR	47	26	11-20061	NUT, CONNECTING ROD SCREW	23	14
10-31903	SCREW, ADJUSTINGG CAM TO BRACKET	13	21	11-20061	NUT, CONNECTING ROD SCREW	23	14
10-32417	SCREW, RATCHET TO FLYWHEEL	13	8	11-20083	NUT, CLAMP BRACKET STUD	37	48
10-32417	SCREW, RATCHET TO FLYWHEEL	47	16	11-20083	NUT, STARTER SOLENOID TERMINAL (5/16)	47	31
10-32470	SCREW, TRIM TAB TO GEAR HOUSING	45	76	11-20110	NUT , BRACKET AND MOULDING TO TOP COWL SCREW	3	25
10-33986	SCREW, UPPER MOUNT TO SWIVEL PIN	35	10	11-20110	NUT, CHOKE ROD TO "S" LINK	9	6
10-33988	SCREW AND LOCKWASHER, BREAKER FASTENING ..	15	23	11-20110	NUT, CHOKE SHUTTER TO CARBURETOR STUD	9	11
10-33990	SCREW, CONDENSER FASTENING (1 1/4")	15	10	11-20166	NUT, SHEAVE SHAFT (LEFT HAND THREAD)	3	32
10-34090	SCREW, PLUG COVER TO BOTTOM COWL	25	3	11-20184	NUT, COVER MOUNTING SCREW	21	56
10-34290	SCREW, RACHET TO FLYWHEEL	13	9	11-20361	NUT, FRONT HANDLE FASTENING SCREW	3	38
10-34290	SCREW, RATCHET TO FLYWHEEL	47	17	11-20361	NUT, TOP COWL FASTENING STUD	3	7
10-34436	SCREW, THROTTLE CAM BRACKET TO STATOR PLATE	13	19	11-20645	NUT, STARTER SOLENOID TERMINAL (#10)	47	29
10-34438	SCREW, THROTTLE STOP LEVER TO BOTTOM COWL (2 3/8")	27	36	11-20890	NUT, IDLE STOP SCREW ..	19	39
10-34439	SCREW, FRICTION PLATE TO SWIVEL PIN	35	17	11-20890	NUT, SPARK ADVANCE SCREW	21	47
10-34439	SCREW, WATER TUBE TO BOTTOM COWL	31	8	11-21825	NUT, COIL LEAD WIRE CLIP SCREW (SPACER)	15	17
10-34695	SCREW, SHIELD TO STATOR PLATE	13	13	11-21825	NUT, INSIDE HANDLE TO CHROME HANDLE STUDS	3	42
10-35092	SCREW, SUPPORT TO BOTTOM COWL	47	38	11-21825	NUT, REAR HANDLE STUD .	5	46
10-35193	SCREW, VENT SCREEN TO TOP COWL	3	34	11-21923	NUT, LEAD WIRE CLAMP SCREW	15	16
10-35194	SCREW, CHOKE SOLENOID TO TOP COWL (5/8")	47	4	11-21923	NUT, TERMINAL SCREW ...	15	26
10-35213	SCREW, STARTER MOTOR TO CRANKCASE	47	20	11-21971	NUT, STOP SWITCH CONNECTOR TO BOTTOM COWL	25	24
10-35400	SCREW, HOLD DOWN RING TO STATOR PLATE	13	16	11-22178	NUT, DRIVE SHAFT HOUSING TO GEAR HOUSING STUD (7/16) ...	45	77
10-35562	SCREW, FLEXIBLE PLATE TO FLYWHEEL	47	14	11-22178	NUT, GEAR HOUSING TO DRIVE SHAFT HOUSING STUDS	31	17
10-35562	SCREW< FLEXIBLE PLATE TO FLYWHEEL	13	6	11-22339	NUT, FLYWHEEL	13	1
10-36455	SCREW, DUST COVER TO STATOR PLATE	15	35	11-22948	NUT, CONNECTOR TO FUEL LINE	17	14
10-37571	SCREW, TRIM COVER TO DRIVE SHAFT HOUSING .	31	11	11-23161	NUT, DRIVE SHAFT HOUSING TO GEAR HOUSING STUD (3/8) ...	45	78
				11-23161	NUT, UPPER MOUNT BOLT	31	24
				11-24652	NUT, ADAPTOR SCREW ...	17	22
				11-24652	NUT, ANCHOR AND RETAINING SCREW	35	34

PARTS INDEX

Part Number	Description	Pg.	Ref. No.	Part Number	Description	Pg.	Ref. No.
11-24652	NUT, COVER MOUNTING SCREW	21	56	12-20346	WASHER, LOWER HANDLE STUD (3/4"OD)	3	40
11-24652	NUT, SUPPORT FASTENING SCREW	47	39	12-20346	WASHER, TOP COWL STUD (3/4"OD)	3	5
11-25096	NUT, LOWER MOUNT SCREW	31	41	12-20583	WASHER, SHIFT CONTROL END ROD	29	48
11-25168	NUT, ADJUSTING - SHIFT SHAFT END	29	46	12-20583	WASHER, THROTTLE CONTROL LEVER	27	12
11-25168	NUT, ADJUSTING - THROTTLE CONTROL ROD	27	10	12-20583	WASHER, THROTTLE STOP LEVER	27	33
11-25168	NUT, ADJUSTING - THROTTLE STOP CONTROL ROD	27	31	12-20583	WASHER, TOP COWL STUD (1/32")	3	6
11-25594	NUT, POWERHEAD STUDS	31	15	12-21135	WASHER, CONDENSER FASTEING SCREW	15	12
11-26062	NUT, CAP - STARTER SOLENOID TERMINAL - OUTSIDE (5/16)	47	32	12-21135	WASHER, LEAD WIRE CLAMP SCREW	15	14
11-26419	NUT, COIL LEAD WIRE CLIP SCREW	15	21	12-21135	WASHER, TERMINAL SCREW	15	24
11-26419	NUT, MOULDING FASTENING SCREW	25	9	12-21967	WASHER, STOP BLOCK TO BOTTOM COWL SCREW	27	6
11-26484	NUT, CLAMP BRACKET BOLT	35	37	12-25176	WASHER, SWIVEL PIN TO BOTTOM YOKE (.060)	35	25
11-28202	NUT, RETAINING - SWIVEL PIN	35	26	12-25251	WASHER, BACKING - PROPELLER SHAFT (1/8)	43	70
11-28656	NUT, PLUG COVER TO BOTTOM COWL SCREW	25	4	12-26180	WASHER, WAVE WASHER RETAINER	3	17
11-29250	NUT, CARBURETOR MOUNTING STUDS	11	36	12-26227	WASHER, THUMB SCREW	35	3
11-29250	NUT, CRANKCASE FASTENING SCREW	19	27	12-26485	WASHER, CLUMP BRACKET BOLT	35	36
11-29250	NUT, THROTTLE STOP LEVER FASTENING SCREW	27	39	12-26702	WASHER, COVER FASTEING KNOB (NYLON)	7	3
11-29322	NUT, UPPER MOUNT COVER FASTENING SCREW	31	34	12-26825	WASHER, COVER FASTENING KNOB (STEEL)	7	4
11-29469	NUT, MAIN BEARING CLAMPING SCREW	23	6	12-26825	WASHER, VERTICAL ROD	13	28
11-29469	NUT, REED STOP MOUNTING SCREW	23	11	12-26837	WASHER, SWIVEL PIN TO BOTTOM YORK (.065)	35	25
11-29488	NUT, CLEVIS YOKE PIN FASTENING SCREW	27	24	12-27985	WASHER, BRACKET TO BOTTOM COWL SCREW	25	13
11-29598	NUT, WATER PUMP BODY AND BASE FASTENING STUDS	39	36	12-28051	WASHER, LOWER MOUNT SCREW	31	37
11-30499	NUT, TILT TUBE	35	6	12-28053	WASHER, RUBBER - LOWER MOUNT SCREW	31	38
11-31990	NUT, PROPELLER	45	74	12-29245	WASHER, CENTER HANDLE STUD (1/2"OD)	3	41
11-35521	NUT, LOWER MOUNT CLAMP COVER	33	46	12-29395	WASHER, SHIFT CONTROL LEVER FASTENING SCREW	29	43
12-20028	WASHER, TOP COWL STUD (1/16")	3	4	12-29681	WASHER, NEEDLE BEARING RETAINING	23	17
12-20260	WASHER, GREASE FILLER AND VENT HOLE SCREW	41	45	12-29681	WASHER, NEEDLE BEARING RETAINING	23	17
12-20286	WASHER, THROTTLE CONTROL LEVER FASTENING SCREW	27	19	12-30119	WASHER, LOWER MOUNT SCREW (1/8")	31	40
12-20346	WASHER, DETENT SPRING FASTENING SCREW	27	28	12-30164	WASHER, CHOKE SHUTTER CARBURETOR STUD	9	10
				12-30164	WASHER, CHOKE SOLENOID LINK	47	6
				12-30519	WASHER, UPPER MOUNT BOLT (3/8 ID)	31	25

PARTS INDEX

Part Number	Description	Pg.	Ref. No.	Part Number	Description	Pg.	Ref. No.
12-30520	WASHER, UPPER MOUNT BOLT (37/64 ID)	31	27	13-26995	LOCKWASHER, COIL LEAD WIRE CLIP SCREW	15	20
12-30521	WASHER, RUBBER - UPPER MOUNT BOLT	31	26	13-26995	LOCKWASHER, MOULDING FASTENING CREW	25	8
12-30856	WASHER, SEALING - STOP SWITCH	25	19	13-26996	LOCKWASHER, SHIELD FASTENING SCREW	13	14
12-31992	WASHER, CUPPED - THRUST HUB	43	72	13-26996	LOCKWASHER, STARTER SOLENOID TERMINAL (#10)	47	28
12-31993	WASHER, GEAR HOUSING COVER	43	68	13-29402	WASHER, WAVE - CLEVIS YOKE PIN FASTENING SCREW	27	23
12-32004	WASHER, TRUST - REVERSE GEAR	43	60	13-36076	WASHER, WAVE _ RETAINING SCREW - PORT SIDE	35	33
12-32007	WASHER< SPLINDER - PROPELLER SHAFT	43	73	13-36206	WASHER, WAVE - STARTER PAWL	3	13
12-34434	WASHER, BRACKET AND MOULDING TO TOP COWL SCREW	3	24	14-20091	TAB WASHER, BEARING LOCKING	19	29
12-34437	WASHER, THROTTLE STOP LEVER FASTENING SCREW	27	37	14-20165	TAB WASHER, SHEAVE SHAFT NUT	3	31
12-36281	WASHER, FLYWHEEL NUT	13	2	14-29163	TAB WASHER, PINION GEAR FASTENING SCREW	39	8
12-37998	WASHER, STARTER SOLENOID SCREW	47	27	15-20085A1	SHIM, LOWER END CAP TO CRANKCASE AND BLOCK	19	30
12-38453	WASHER, NYLON _ WATER PUMP BODY	39	38	15-20927A1	SHIM, THRUST WASHER TO GEAR HOUSING	43	62
12-38453	WASHER, WATER TUBE SCREW	31	6	15-20929A1	SHIM, BALL BEARING TO GEAR HOUSING	39	18
12-38832	WASHER, THROTTLE CONTROL LEVER FASTENING CREW	27	16	15-20929A1	SHIM, BALL BEARING TO WATER PUMP BASE	39	21
13-20160	WASHER, WAVE - RETAINER TENSION	3	18	15-30497A1	SHIM, CLAMP BRACKET TO SWIVEL BRACKET (.010)	35	5
13-20846	WASHER, WAVE - RETAINING SCREW - STARBOARD SIDE	35	33	15-31154A1	SHIM, BEARING CUP TO GEAR HOUSING	43	50
13-21134	LOCKWASHER, CONDENSER FASTENING SCREW	15	11	15-33903A1	SHIM, UPPER END CAP TO CRANKCASE AND BLOCK	19	7
13-21134	LOCKWASHER, LEAD WIRE CLAMP SCREW	15	15	15-33910	SHIM, STATOR PLATE TO UPPER END CAP (.015)	13	17
13-21134	LOCKWASHER, TERMINAL SCREW	15	25	15-37711	SHIM, RETAINING SCREW - PORT SIDE	35	32
13-21972	LOCKWASHER, STOP SWITCH CONNECTOR	25	23	16-20221	STUD, CLAMP BRACKET	37	46
13-26992	LOCKWASHER, GROUND WIRE FASTENING SCREW	47	23	16-20353	STUD, FRONT AND REAR - TOP COWL TO CYLINDER BLOCK	3	3
13-26992	LOCKWASHER, RATCHET TO FLYWHEEL SCREW	13	10	16-24886	STUD, CYLINDER BLOCK TO DRIVE SHAFT HOUSING (3 7/16")	19	17
13-26992	LOCKWASHER, RATCHET TO FLYWHEEL SCREW	47	18	16-29079	STUD, DRIVE SHAFT HOUSING TO GEAR HOUSING (3")	31	3
13-26992	LOCKWASHER, REAR HANDLE STUD	5	45	16-29988	STUD, CRANKCASE TO DRIVE SHAFT HOUSING (1 9/16")	19	14
13-26992	LOCKWASHER, WATER PUMP BODY AND BASE STUDS	39	35	16-29989	STUD, CYLINDER BLOCK TO DRIVE SHAFT HOUSING (1 15/16")	19	18
13-26993	LOCKWASHER, CLAMP BRACKET STUD	37	47	16-30172	STUD, CARBURETOR - CHOKE SHUTTER PIVOT	9	9
13-26993	LOCKWASHER, STARTER SOLENOID TERMINAL (5/16)	47	30				

PARTS INDEX

Part Number	Description	Pg.	Ref. No.	Part Number	Description	Pg.	Ref. No.
16-32028	STUD, DRIVE SHAFT HOUSING TO GEAR HOUSING (1 3/4")	31	2	19-32299	WELCH PLUG, BODY CHANNEL	11	25
16-35099	STUD, CARBURETOR MOUNTING (1 3/16")	19	13	21-28481A1	CHECK VALVE ASSEMBLY, LOWER AND CAP	19	32
16-37728	STUD, WATER PUMP BODY AND BASE TO GEAR HOUSING	39	2	21-30430	VALVE, CHECK	17	3
16-37986	STUD, CYLINDER BLOCK TO DRIVE SHAFT HOUSING (2 15/16")	19	19	22-21290	PLUG, GREASE - REVERSE LOCK HOLE	33	42
17-20032	DOWEL PIN, CYLINDER BLOCK TO MAIN BEARING	19	16	22-22946	SLEEVE, RUBBER - CONNECTOR	17	13
17-20032	DOWEL PIN, MAIN BEARING TO CYLINDER BLOCK	23	7	22-22949	CONNECTOR, PUMP INLET TO FUEL LINE	17	12
17-20032	DOWEL PINE, MAIN BEARING	23	4	22-23612	FITTING, PREASE - SWIVEL BRACKET	35	22
17-20841	PIN, CROSS - RATCHET TO PROPELLER SHAFT	43	56	22-25885	ELBOW, EXHAUST COVER - TELL TALE TUBE	25	15
17-20853	PIN, FLOAT LEVER PINION	11	3	22-29111	CONNECTOR, BOTTOM COWL - TELL TALE TUBE	25	17
17-21057	PIN, HINGE - COWL LATCH HANDLE	7	13	22-30139	PLUG, PIPE - WATER PRESSURE HOLE	19	20
17-23733	PIN, IMPELLER DRIVE	39	31	23-20216	SPACER, TILT STOP LEVER	35	30
17-23784	DOWEL PIN, CRANKCASE TO CYLINDER BLOCK	19	15	23-20222	SPACER, CLAMP BRACKET STUD	37	45
17-23928	ROLL PIN, CLEVIS YOKE PIN	27	21	23-22981	BUSHING, NYLON - VERTICAL ROD	13	29
17-24887	PIN, REVERSE LOCK LEVER	31	21	23-26348	BUSHING, CRANKCASE BLOCK COVER	19	12
17-25391	RIVET, CHOKE ROD TO CHOKE SHUTTER	9	7	23-26348	BUSHING, CYLINDER BLOCK COVER	21	53
17-25598	ROLL PIN, REVERSE LOCK SPRING ATTACHING	37	42	23-26850	BUSHING, THROTTLE CONTROL LEVER TO BOTTOM COWL	27	18
17-25870	PIN, ROLL - VERTICAL ROD	13	30	23-28374A1	BUSHING ASSEMBLY, SHIFT SHAFT	39	13
17-29077	PIN, ROLL - TENSION SPRING TO KNOB	7	6	23-28911	SPACER, SHEAVE SHAFT	3	15
17-30687A1	TILT LOCK PIN ASSEMBLY	37	44	23-28912	BUSHING, SPRING GUIDE	3	10
17-30978A1	PIN ASSEMBLY, CLEVIS YOKE	27	20	23-28919	BUSHING, NYLON - SHEAVE SHAFT SPACER	3	14
17-33985A1	SWIVEL PIN AND TOP YOKE ASSEMBLY	35	8	23-29529	BUSHING, SHIFT CONTROL LEVER FASTENING SCREW	29	44
17-35973	DOWEL PIN, WATER PUMP BASE TO WATER PUMP BODY	39	26	23-29561	BUSHING, REAR HANDLE STUD	5	44
18-20180	COTTER PIN, SHIFT CONTROL END ROD	29	49	23-30419	SLEEVE, INSULATION - GROUND LEAD	15	28
18-20180	COTTER PIN, THROTTLE CONTROL LEVER	27	13	23-30438	BUSHING, NYLON - CHOKE SBHUTTER	47	9
18-20180	COTTER PIN, THROTTLE STOP LEVER	27	34	23-33906	SPACER, THROTTLE CONTROL LEVER FASTENING SCREW	27	17
18-20209	COTTER PIN, REVERSE LOCK TO SHAFT	35	40	23-34103	BUSHING, THROTTLE STOP LEVER FASTENING SCREW	27	40
18-20233	CLIP, RETAINING - SHIFT SHAFT	39	11	23-34440	BUSHING, THROTTLE STOP LEVER FASTENING SCREW	27	38
18-25191	COTTER PIN, PUSH ROD TO REVERSE LOCK	31	18	24-20254	SPRING, COMPRESSION - CAM FOLLOWER	43	49
18-26953	COTTER PIN, CHOKE SOLENOID LINK FASTENING	47	7	24-23067	SPRING, ADAPTOR STEM	17	19
18-27769	COTTER PIN, THROTTLE CONTROL ROD	13	24	24-25122	SPRING, TENSION - PUSH ROD	31	20

PARTS INDEX

Part Number	Description	Pg.	Ref. No.	Part Number	Description	Pg.	Ref. No.
24-27087	SPRING, HOLD DOWN RING CLAMP SCREW	19	10	27-23005	GASKET, CHECK VALVE TO HOUSING	17	2
24-27160	SPRING, IDLE ADJUSTMENT SCREW	11	34	27-23180	GASKET, IDLE TUBE	11	22
24-28965	SPRING, TENSION - CHOKE ROD	9	17	27-24863	GASKET, FUEL PUMP	17	6
24-28975	SPRING, GARTER - INTERNAL WIRING HARNESS	47	36	27-25033	GASKET, INLET SEAT	11	7
24-29340A1	SPRING, STARTER REWIND	3	9	27-25848	GASKET, STRAINER COVER SCREW	11	16
24-29821	SPRING, REVERSE LOCK TENSION	35	41	27-25849	GASKET, STRAINER COVER (SMALL)	11	14
24-30621	SPRING, DETENE - SHIFT SHAFT	27	26	27-25851	GASLET, STRAINER COVER (LARGE)	11	12
24-30858A1	SPRING AND CONTRACT ASSEMBLY	25	21	27-28406	GASKET, MAIN FUEL JET	11	31
24-31353	SPRING, TENSION - FASTENING KNOB	7	5	27-28409	GASKET, MAIN FUEL JET	11	30
24-35522	SPRING, TENSION - LOWER MOUNT CLAMP	33	44	27-29586	GASKET, GEAR HOUSING FLUSHING HOLE SCREW	41	42
25-20081	"O" RING, LOWER END CAP	19	36	27-30276	GASKET, FUEL PUMP COVER	17	9
25-20116	GROMMET, CHOCK KNOB	3	2	27-31402	GASKET, CARBURETOR FLANGE	11	35
25-20116	GROMMET, CHOKE ROD	9	2	27-32769	GASKET, LOWER - WATER PUMP BASE TO FACE PLATE	39	27
25-20273	RING, RUBBER CENTRIFUGAL SLINGER (DRIVE SHAFT)	39	39	27-32770	GASKET, UPPER - FACE PLATE TO WATER PUMP BODY	39	29
25-20415	"O" RING, ADAPTOR STEM	17	18	27-32771	GASKET, WATER PUMP BASE TO GEAR HOUSING	39	22
25-25439	"O" RING, SHIFT SHAFT BUSHING	39	12	27-33951	GASKET, CYLINDER BLOCK COVER	21	54
25-26855	"O" RING, WATER PUMP BASE	39	23	27-33955	GASKET, TRANSFER PORT COVER	19	22
25-29619	"O" RING, UPPER - DRIVE SHAFT	41	40	27-37949	GASKET, CYLINDER BLOCK TO BAFFLE PLATE	19	41
25-31305	"O" RING, UPPER END CAP	19	3	27-37949A1	GASKET SET (MOTOR OVERHAUL)	1	-
25-31986	"O" RING, BEARING CARRIER	43	63	27-37956	GASKET, BAFFLE PLATE TO EXHAUST COVER	21	43
25-37340	"O" RING, FLYWHEEL HUB	13	3	27-37976	GASKET, POWERHEAD TO BOTTOM COWL	25	5
26-20232	SEAL, WATER INLET TUPE	31	5	27-38501	GASLET, DRIVE SHAFT HOUSING TO BOTTOM COWL	31	14
26-23300	OIL SEAL, BEARING CARRIER	43	66	28-30250	KEY, FLYWHEEL	23	1
26-23300	OIL SEAL, BEARING CARRIER	43	66	28-30250	KEY, FLYWHEEL DRIVE	13	4
26-23300	OIL SEAL, WATER PUMP BASE	39	25	28-30281	KEY, LOCATING - BEARING CARRIER	43	67
26-23517	OIL SEAL, BEARING CARRIER	43	66	29-30401	BEARING, NEEDLE - PISTON PIN	23	16
26-29476	OIL SEAL, UPPER	19	34	29-30401	BEARING, NEEDLE - PISTON PIN	23	16
26-29478	OIL SEAL, LOWER	19	33	29-30403	BEARING, NEEDLE - CRANKPIN	23	15
26-29612	SEAL, GEAR HOUSING FLUSHING HOLE	41	43	29-38586	BEARING, NEEDLE - CRANKPIN	23	15
26-31249	OIL SEAL, SHIFT SHAFT BUSHING	39	14	30-20080	BALL BEARING, LOWER AND CAP	19	35
26-32121	OIL SEAL, WATER PUMP BODY	39	34	30-20080	BALL BEARING, UPPER END CAP	19	2
26-32911	OIL SEAL, SWIVEL BRACKET	35	21	30-20839	BEARING, BALL - REVERSE GEAR	43	61
26-33995	OIL SEAL, UPPER END CAP	19	5				
26-38452	SEAL, WATER INLET TUPE	31	5				
26-38452	SEAL, WATER PUMP BODY TO WATER INLET TUBE	39	37				

PARTS INDEX

Part Number	Description	Pg.	Ref. No.	Part Number	Description	Pg.	Ref. No.
30-20861	BEARING, BALL - DRIVE SHAFT	39	19	46-32766A1	WATER PUMP BASE ASSEMBLY	39	24
31-20231	BEARING, ROLLER - DRIVE SHAFT	39	4	46-32767A1	WATER PUMP BODY ASSEMBLY	39	32
31-20249	BEARING, ROLLER - BEARING CARRIER	43	65	47-20268	IMPELLER, WATER PUMP	39	30
31-20249	BEARING, ROLLER - BEARING CARRIER	43	65	50-28985A1	STARTER CABLE ASSEMBLY	3	26
31-20249	BEARING, ROLLER - FORWARD GEAR	43	52	50-30994	SHEAVE ASSEMBLY	3	11
31-31215A1	TAPERED ROLLER BEARING ASSEMBLY	43	53	50-33000A1	RATCHET ASSEMBLY, FLYWHEEL	13	7
31-31216	CUP, TAPERED ROLLER BEARING	43	54	50-33000A1	RATCHET ASSEMBLY, FLYWHEEL	47	15
31-33958	BEARING, ROLLER - UPPER END CAP	19	4	50-37345A1	STARTER MOTOR ASSEMBLY	47	19
32-34066	FUEL LINE, FUEL PUMP TTO ADAPTOR	17	15	50-38890A1	STARTER MOTOR ASSEMBLY	47	19
32-34243	FUEL LINE, FUEL PUMP TO CARBURETOR (7 1/8")	17	23	52-32189	RATCHET, SLIDING CLUTCH	43	55
32-37727	TUBE, WATER INLET	31	4	53-20842	RING, RETAINING - CROSS PIN	43	57
32-38442	TUBE, TELL TALE _ EXHAUST COVER TO BOTTOM COWL (14 1/2")	25	16	53-21058	"E" RING, COWL LATCH HINGE PIN	7	12
33-20127	SPARK PLUG, (CHAMPION J6J)	15	33	53-29116	RING, SNAP - BALL BEARING RETAINING	39	20
34-31240	REED STOP, MAIN BEARING REED VALVES	23	9	54-22740	CLIP, WIRING HARNESS LEADS	47	40
34-32203A1	REED SET, MAIN BEARING (MATCHED)	23	8	54-22783	"S" CLIP, CHOKE SOLENOID LEADS TO TOP COWL	47	8
37-37790	DECAL, WRAP AROUND COWL - PORT	7	18	54-24836	CLIP, NYLON - COIL LEAD WIRE	15	18
37-37791	DECAL, WRAP AROUND COWL - STARBOARD	7	17	54-26550	CLIP, STOP SWITCH LEADS	25	25
37-37834	DECAL, COWL FRONT COVER	7	8	54-39844A1	CLAMP, LEAD WIRE	15	13
37-37835	DECAL, COWL FRONT COVER - "MERC 350"	7	9	90-38748	MERC 350-2 PARTS LIST, COMPLETE	1	-
37-37836	DECAL, TRIM COVER - PORT	31	13	92-25234	GLUE, ADHESIVE - BLANKET FASTENING	7	--
37-37837	DECAL, TRIM COVER - STARBOARD	31	12	94-29616	SHIPPING CARTON (FUEL TANK)	1	-
37-37865	DECAL, WRAP AROUND COWL - REAR	7	19	94-37879	SHIPPING CARTON (MOTOR)	1	-
38-31061	SERIAL PLATE	35	18	218-2241A1	FLYWHEEL ASSEMBLY, COMPLETE	13	5
39-32921	RING, PISTON	23	20	218-2242A1	FLYWHEEL ASSEMBLY, COMPLETE	47	13
39-33945	RING, PISTON (.015 OVERSIZE)	23	-	398-2202	BREAKER ASSEMBLY	15	22
40-32118	LOCK RING, PISTON PIN	23	19	398-2203	CONDENSER ASSEMBLY	15	8
43-33843	GEAR, PINION - DRIVE SHAFT	39	7	398-2204	LEAD WIRE - TOP	15	30
43-33844	FORWARD GEAR ASSEMBLY	43	51	398-2205	LEAD WIRE	15	29
43-33844	REVERSE GEAR ASSEMBLY	43	59	398-2206	GROUND LEAD, STATOR TO TERMINAL BLOCK	15	27
43-33844A1	FORWARD GEAR ASSEMBLY, COMPLETE	43	--	398-2207	FELT, CAM - BREAKER	15	5
43-33844A2	REVERSE GEAR ASSEMBLY, COMPLETE	43	--	398-2208	COVER, DUST - STATOR PLATE	15	34
44-32000	SHAFT, PROPELLER	43	58	398-2221	STATOR PLATE AND CORE	15	1
45-38466	DRIVE SHAFT (STANDARD)	39	17	398-2321	CLIP, COIL RETAINING	15	3
				398-2413	CLIP, COIL RETAINING	15	4
				398-2568A1	COIL ASSEMBLY	15	2
				398-2574A3	STATOR PLATE ASSEMBLY, COMPLETE (SEE NOTE BELOW)	13	11

PARTS INDEX

Part Number	Description	Pg.	Ref. No.	Part Number	Description	Pg.	Ref. No.
398-732	CLIP, GROUND WIRE LEAD	15	6	1626-2470A6	GEAR HOUSING ASSEMBLY, COMPLETE (STANDARD) - SEE NOTE BELOW	43	-
422-2186	CRANKSHAFT	23	2		TOP COWL ASSEMBLY	3	1
533-2034A2	MAIN BEARING ASSEMBLY, VALVE TYPE	23	3	2100-2172A2	COWL FRONT COVER ASSEMBLY	7	1
611-1885A2	CONNECTING ROD ASSEMBLY	23	12	2102-2191A3	BOTTOM COWL ASSEMBLY	25	1
611-1885A3	CONNECTING ROD ASSEMBLY	23	12	2121-2510A2	BOTTOM COWL ASSEMBLY (SEE PAGE 18 FOR PARTS BREAKDOWN)	27	1
732-2045A4	PISTON AND PISTON PIN ASSEMBLY	23	18	2122-2512A2	WRAP AROUND COWL ASSEMBLY	7	10
732-2194A1	PISTON AND PISTON PIN ASSEMBLY(.015 OVERSIZE)	23	-				
838-2504A2	CYLINDER BLOCK AND CRANKCASE ASSEMBLY	19	11				
1015-2175A1	CYLINDER BLOCK COVER ASSEMBLY	21	52				
1126-2187A1	END CAP ASSEMBLY, LOWER	19	31				
1130-2177A2	END CAP ASSEMBLY, UPPER	19	1				
1335-2472	CARBURETOR ASSEMBLY, COMPLETE	9	12				
1335-2472	CARBURETOR ASSEMBLY, COMPLETE (KC-8A)	11	1				
1399-101	LEVER, FLOAT (UPPER)	11	5				
1399-102	LEVER, FLOAT (LOWER)	11	4				
1399-110A1	FLOAT ASSEMBLY	11	2				
1399-1133	COVER, FLOAT BOWL	11	9				
1399-1465	JET, MAIN FUEL (.065)	11	29				
1399-1467	JET, MAIN FUEL (.067)	11	29				
1399-1473	INLET NEEDLE, SEAT AND GASKET	11	6				
1399-1713	SCREW, IDLE ADJUSTMENT	11	33				
1399-1754	SCREEN, FILTER	11	13				
1399-1962	JET, MAIN FUEL (.069) - STANDARD	11	29				
1399-2011	JET, MAIN FUEL (.071)	11	29				
1399-2012	SHAFT, THROTTLE	11	20				
1399-2014	SHUTTER, THROTTLE	11	24				
1399-2015	GASKET AND PACKING SET	11	--				
1399-2371	COVER, STRAINER	11	15				
1399-2535	MAIN NOZZLE	11	27				
1399-2558	TUBE, IDLE	11	21				
1399-2559	REPAIR PARTS KIT	11	--				
1399-97	LEVER, THROTTLE STOP	11	19				
1399-99	GASKET, FLOAT BOWL COVER	11	8				
1427-1810A1	CLAMP BRACKET ASSEMBLY	35	1				
1455-2211A3	SWIVEL BRACKET ASSEMBLY	35	20				
1554-2506A2	DRIVE SHAFT HOUSING ASSEMBLY	31	1				
1626-2470A1	GEAR HOUSING ASSEMBLY	39	1				
1626-2470A1	GEAR HOUSING ASSEMBLY(SEE PAGE 26 FOR PARTS BREAKDOWN)	43	1				