



PARTS CATALOG

1A-1B-1C (E-Z SHIFT)

SERIAL NUMBER

1A/1B/1C (EZ-SHIFT) 1965-1966 1776349 THRU 2065189

TABLE OF CONTENTS:

DRIVE SHAFT HOUSING ASSEMBLY AND BELL HOUSING ASSEMBLY	18
DRIVE SHAFT HOUSING ASSEMBLY AND GEAR ASSEMBLY	22
GEAR HOUSING ASSEMBLY	30
GEAR HOUSING ASSEMBLY, COMPLETE	26
GIMBAL HOUSING ASSEMBLY AND EXHAUST HOSE	8
GIMBAL RING ASSEMBLY AND STEERING LEVER	14
MERCURISER IA,IB AND IC (E-Z SHIFT WITH FULL POWER TILT PART	34
PARTS INDEX	36
TRANSOM PLATE AND SHIFT CABLE	2

NOTE: *Indented description indicate that these parts are included in preceeding assembly.*

AR = As Required

NSS = Not Sold Separate

OPT = Optional

NS = Not Shown

THESE PARTS BOOKS/FICHE CARD ARE COPYRIGHTED AND MAY NOT BE DISTRIBUTED OR REPRODUCED IN ANY OTHER FORMAT BY ANYONE OTHER THAN MERCURY MARINE WITHOUT THE PRIOR WRITTEN CONSENT OF MERCURY MARINE.

REPLACEMENT PARTS ! WARNING !

Electrical, ignition and fuel system components on MerCruiser Engines and Stern Drives are designed and manufactured to comply with U.S. Coast Guard Rules and Regulations to minimize risks of fire or explosion. Use of replacement electrical, ignition or fuel system components, which do not comply to these rules and regulations, could result in a fire or explosion hazard and should be voided.

When servicing the electrical, ignition and fuel systems, it is extremely important that all components are properly installed and tightened. If not, any electrical or ignition component opening would permit sparks to ignite fuel vapors from fuel system leaks, if they existed.

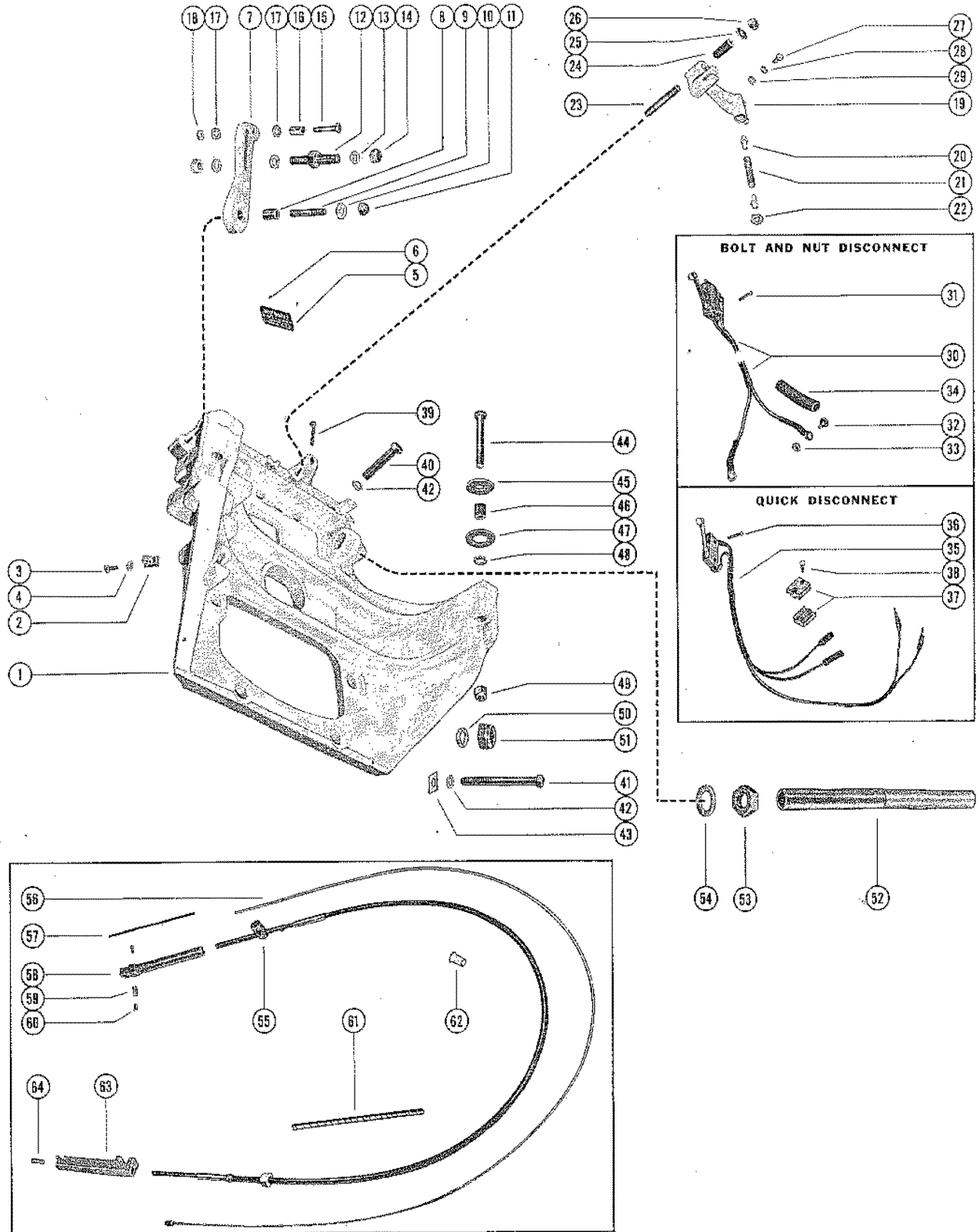
ENGINE MECHANICAL COMPONENTS

Many of the engine mechanical components are designed for marine applications. Unlike automotive engines, marine engines are subjected to extended periods of heavy load and wide- open-throttle operation, therefore, require heavy-duty components. Special marine engine parts have design and manufacturing specifications, which are required to provide long life and dependable performance. Marine engine parts also must be able to resist the corrosive action of salt or brackish water that will rust or corrode standard automotive parts within a short period of time.

Failure to use recommended Mercury Precision Parts OR Quicksilver service replacement parts can result in poor engine performance and/or durability, rapid corrosion of parts subjected to salt water and possibly complete failure of the engine.

Use of parts other than recommended service replacement parts will void the warranty on those parts which are damaged as a result of the use of other than recommended parts.

TRANSOM PLATE AND SHIFT CABLE

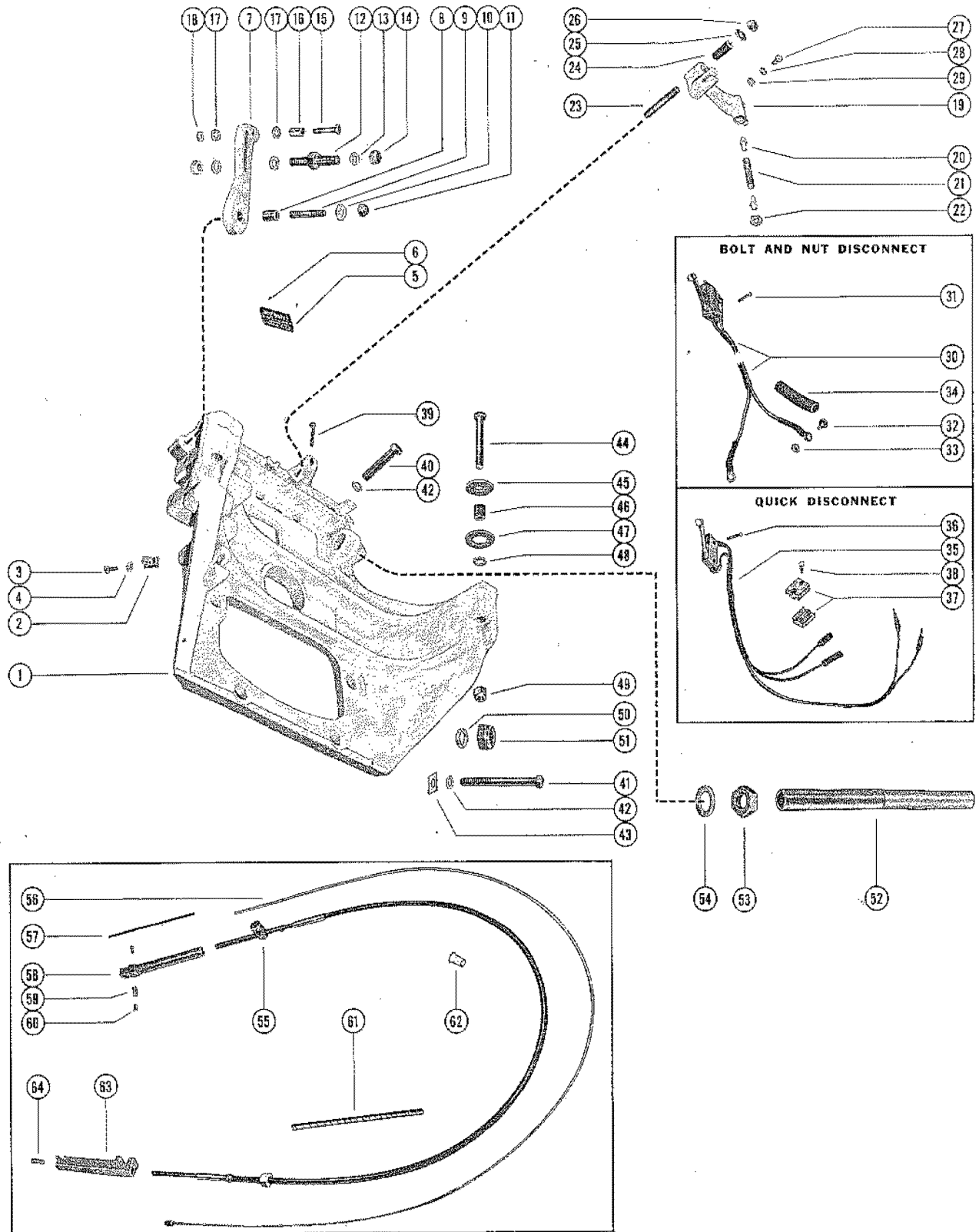


TRANSOM PLATE AND SHIFT CABLE

REF. NO.	PART NO.	SYM.	QTY.	DESCRIPTION
1	37974		1	PLATE,TRANSOM
2	54-37282		1	CLAMP,CUT-OUT SWITCH LEADS AND TILT SWITCH LEAD TO TR. PLATE USE WITH BOLT AND NUT DISCONNECT ONLY
3	10-28635		1	SCREW, LEADS CLAMP TO TRANSOM PLATE USE WITH BOLT AND NUT DISCONNECT ONLY
4	37281		1	"D" WASHER, LEADS CLAMP SCREW USE WITH BOLT AND NUT DISCONNECT ONLY
5	38-32738		1	SERIAL PLATE EARLY STYLE
6	10-22290		2	SCREW, DRIVE-SERIAL PLATE TO TRANSOM PLATE EARLY STYLE
-	37-39395		1	DECAL, SERIAL NUMBER LATE STYLE
7	32585		1	LEAVER, SHIFT CONTROL-TRANSOM PLATE
8	23-31758		1	SPACER, SHIFT CONTROL LEVER STUD
9	16-32698		1	STUD, SHIFT CONTROL LEVER TO TRANSOM PLATE
10	12-26825		2	WASHER, SHIFT CONTROL LEVER STUD
11	11-21528		1	NUT, SHIFT CONTROL LEVER TO TRANSOM PLATE STUD
12	16-34069		1	STUD, SHIFT ACTUATING CABLE TO SHIFT CONTROL LEVER
13	12-39143		3	WASHER, SHIFT ACTUATING CABLE STUD
14	11-20361		2	NUT, SHIFT ACTUATING CABLE TO SHIFT CONTROL LEVER
15	10-22659		1	SCREW, SHIRT CABLE ASSEMBLY TO SHIFT CONTROL LEVER
16	23-31866		1	SPACER, SHIFT CABLE ASSEMBLY SCREW
17	12-39143		2	WASHER, SHIFT CABLE ASSEMBLY SCREW
18	11-20361		1	NUT, SHIFT CABLE ASSEMBLY TO SHIFT CONTROL LEVER SCREW
19	37979A1		1	ARM ASSEMBLY, SWITCH ACTUATING
20	32464		2	PLUNGER, SWITCH ACTUATING ARM
21	24-39426		1	SPRING, COMPRESSION-SWITCH ACTUATING ARM PLUNGER
22	33501		1	RETAINER, SPRING AND PLUNGER TO SWITCH ACTUSTING ARM
23	16-32467		1	STUD, SWITCH ACTUATING ARM TO TRANSOM PLATE
24	23-37981		1	SPACER, SWITCH ACTUATING ARM TO TRANSOM PLATE
25	12-26825		2	WASHER, SWITCH ACTUATING ARM STUD
26	11-35814		1	NUT, SWITCH ACTUATING ARM STUD
27	10-25299		1	SCREW, SWITCH ACTUATING ARM THE ENCLOSED PARTS ARE USED TO LOCK OUT SWITCH ACTUATING ARM WHEN USED ON MERCUISEROVER INSTALLATIONS
28	13-26993		1	LOCKWASHER, SWITCH ACTUATING ARM SCREW THE ENCLOSED PARTS ARE USED TO LOCK OUT SWITCH ACTUATING ARM WHEN USED ON MERCUISEROVER INSTALLATIONS
29	12-22753		1	WASHER, SWITCH ACTUATING ARM SCREW THE ENCLOSED PARTS ARE USED TO LOCK OUT SWITCH ACTUATING ARM WHEN USED ON MERCUISEROVER INSTALLATIONS
30	30866A3		1	SWITCH ASSEMBLY, CUT-OUT-TRANSOM PLATE BOLT AND NUT DISCONNECT

CONTINUED ON NEXT PAGE ➡

TRANSOM PLATE AND SHIFT CABLE

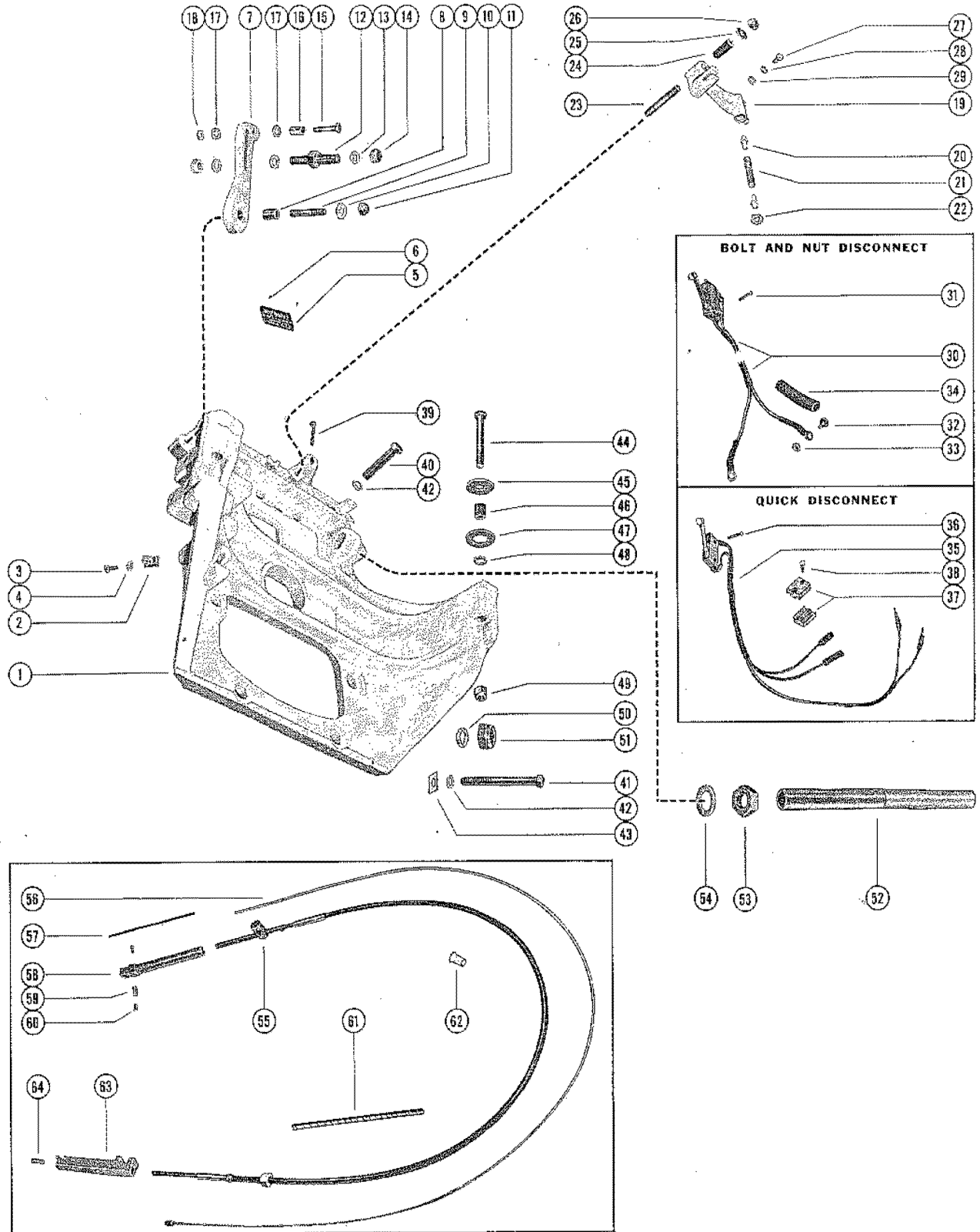


TRANSOM PLATE AND SHIFT CABLE

REF. NO.	PART NO.	SYM.	QTY.	DESCRIPTION
31	10-30902		2	SCREW, SWITCH ASSEMBLY TO TRANSOM PLATE (3/4") BOLT AND NUT DISCONNECT
32	10-34695		2	SCREW, SWITCH ASSEMBLY LEADS CONNECTING BOLT AND NUT DISCONNECT
33	11-20645		2	NUT, SWITCH ASSEMBLY LEADS CONNECTING SCREW BOLT AND NUT DISCONNECT
34	23-32914		2	SLEEVE, SWITCH ASSEMBLY LEADS BOLT AND NUT DISCONNECT
35	39671A1		1	SWITCH ASSEMBLY, CUT-OUT-TRANSOM PLATE QUICK-DISCONNECT
36	10-30902		2	SCREW, SWITCH ASSEMBLY TO TRANSOM PLATE (3/4") QUICK-DISCONNECT
37	39974		2	CONNECTOR, CUT-OUT SWITCH LEADS QUICK-DISCONNECT
38	10-37892		2	SCREW, CONNECTOR TO TRANSOM PLATE (1") QUICK-DISCONNECT
39	18-32857		1	COTTER PIN, SHIFT ACTUATING CABLE TO TRANSOM PLATE
40	10-37269		2	SCREW, TRANSOM PLATE TO GIMBAL HOUSING (2") THE ENCLOSED PARTS ARE INCLUDED WITH EACH GIMBAL HOUSING ASSEMBLY WHICH IS LISTED ON PAGE 3
41	10-37268		2	SCREW, TRANSOM PLATE TO GIMBAL HOUSING (4 1/4") THE ENCLOSED PARTS ARE INCLUDED WITH EACH GIMBAL HOUSING ASSEMBLY WHICH IS LISTED ON PAGE 3
42	13-37272		4	LOCKWASHER, TRANSOM PLATE SCREW THE ENCLOSED PARTS ARE INCLUDED WITH EACH GIMBAL HOUSING ASSEMBLY WHICH IS LISTED ON PAGE 3
43	12-37271		2	WASHER, SQUARE-TRANSOM PLATE SCREW THE ENCLOSED PARTS ARE INCLUDED WITH EACH GIMBAL HOUSING ASSEMBLY WHICH IS LISTED ON PAGE 3
44	10-36289		2	SCREW, TRANSOM PLATE TO ENGINE FLYWHEEL HOUSING (4 3/4")
45	12-28421		2	WASHER, TRANSOM PLATE SCREW
46	23-36290		2	SPACER, TRANSOM PLATE SCREW
47	12-32834		2	WASHER, TRANSOM PLATE SCREW
48	13-33734		2	LOCKWASHER, TRANSOM PLATE SCREW
49	11-20220		2	NUT, TRANSOM PLATE TO ENGINE FLYWHEEL HOUSING SCREW
50	12-21900		2	WASHER, GIMBAL HOUSING TO TRANSOM PLATE BOLT
51	11-34087		2	NUT, GIMBAL HOUSING TO TRANSOM PLATE BOLT
52	32-35015		1	TUBE, STEERING CABLE GUIDE (7/8"O.D.)
53	11-37984		2	NUT, JAM-STEERING CABLE GUIDE TUBE
54	12-37985		2	WASHER, STEERING CABLE GUIDE TUBE
55	35187A4		1	CABLE ASSEMBLY, SHIFT ACTUATING
56	38399A2		1	CORE WIRE AND ANCHOR ASSEMBLY, INNER SHIFT CABLE ALSO INCLUDED WITH EACH B-1623-2511A3 AND B-1623-2511A5 GEAR HOUSING ASSEMBLIES, COMPLETE
57	32-38377		1	TUBE, SUPPORT-SHIFT ACTUATING CABLE ALSO INCLUDED WITH EACH B-1623-2511A3 AND B-1623-2511A5 GEAR HOUSING ASSEMBLIES, COMPLETE
58	29880		1	GUIDE, SHIFT ACTUATING CABLE END

CONTINUED ON NEXT PAGE ➡

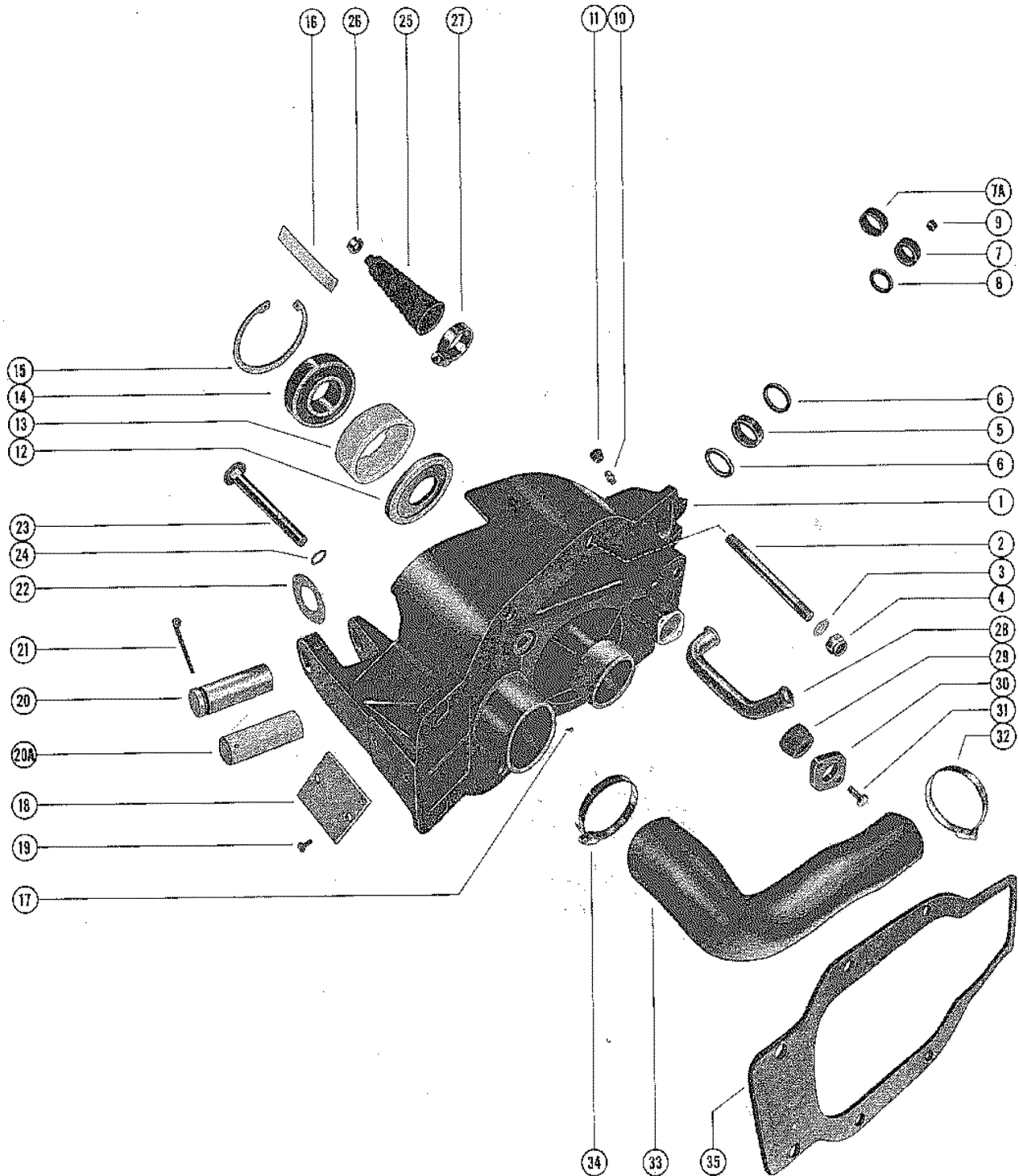
TRANSOM PLATE AND SHIFT CABLE



TRANSOM PLATE AND SHIFT CABLE

REF. NO.	PART NO.	SYM.	QTY.	DESCRIPTION
59	20007		1	ANCHOR, SHIFT ACTUATING CABLE END GUIDE
60	10-20518		2	SCREW, SET-ANCHOR TO SHIFT ACTUATING CABLE END GUIDE
61	38473		1	WRAPPING, SHIFT ACTUATING CABLE
62	32-34049		1	TUBE, NYLON-SHIFT ACTUATING CABLE GUIDE
63	33981		1	SLIDE, SHIFT ACTUATING CABLE
64	10-31700		1	SCREW, SET-SHIFT ACTUATING CABLE TO SLIDE
-	91-32555		1	ROD, ALIGNMENT-TRANSOM PLATE TO ENGINE

GIMBAL HOUSING ASSEMBLY AND EXHAUST HOSE

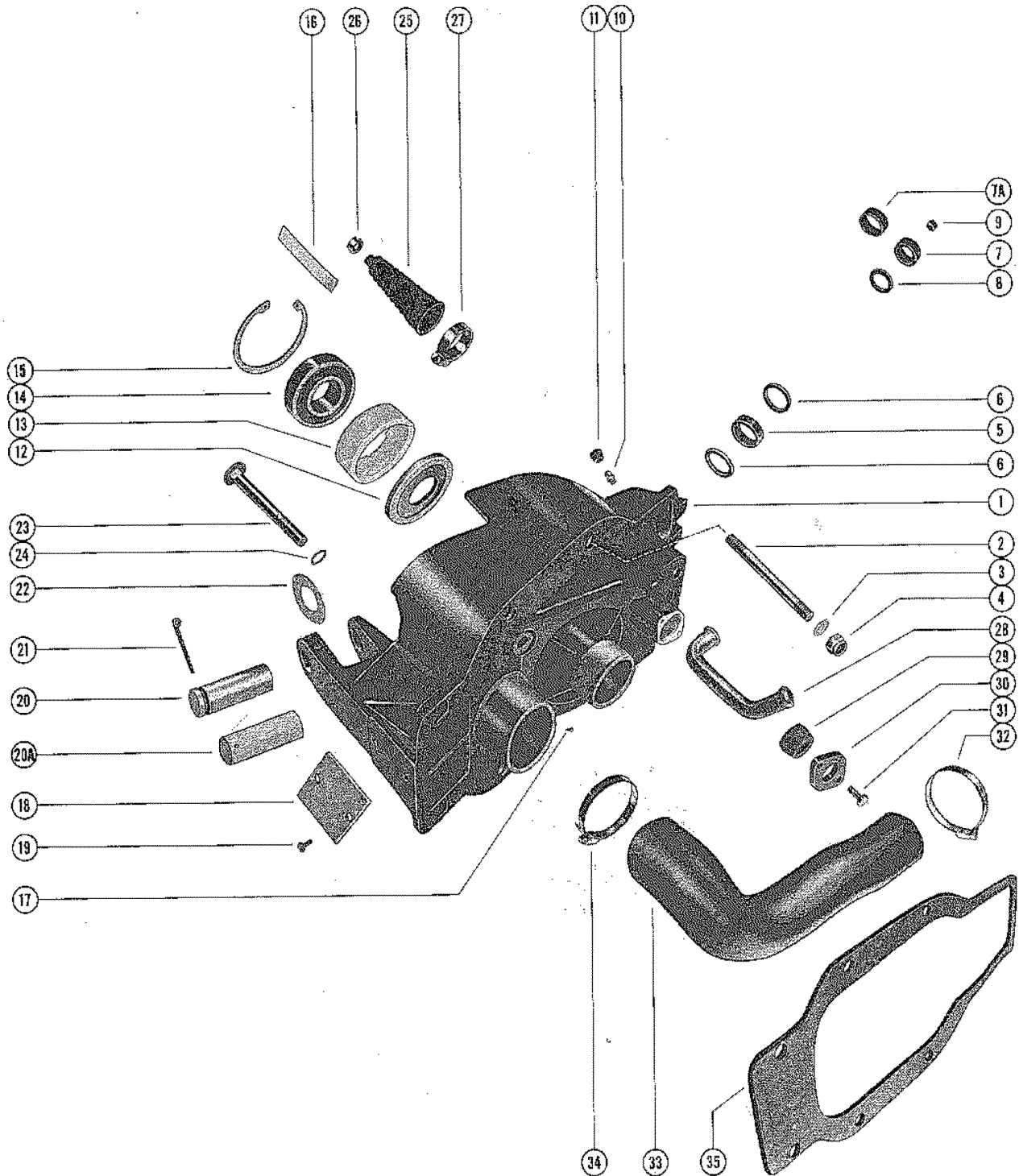


GIMBAL HOUSING ASSEMBLY AND EXHAUST HOSE

REF. NO.	PART NO.	SYM.	QTY.	DESCRIPTION
1	37279A5		1	GIMBAL HOUSING ASSEMBLY (USE WITHOUT FULL POWER TILT) EARLY STYLE (ROLLER BUSHINGAREF. #7A IN UPPER GIMBAL HOUSING)
	37283A9		1	GIMBAL HOUSING ASSEMBLY (USE WITH FULL POWER TILT) EARLY STYLE (ROLLER BUSHINGAREF. #7A IN UPPER GIMBAL HOUSING)
2	16-37270		2	STUD, GIMBAL HOUSING TO TRANSOM PLATE (4 3/4") EARLY STYLE (ROLLER BUSHINGAREF. #7A IN UPPER GIMBAL HOUSING)
3	12-22248		2	WASHER, GIMBAL HOUSING STUD EARLY STYLE (ROLLER BUSHINGAREF. #7A IN UPPER GIMBAL HOUSING)
4	11-34933		2	NUT, GIMBAL HOUSING STUD EARLY STYLE (ROLLER BUSHINGAREF. #7A IN UPPER GIMBAL HOUSING)
5	31-32536		1	BEARING, ROLLER-GIMBAL HOUSING (LOWER) EARLY STYLE (ROLLER BUSHINGAREF. #7A IN UPPER GIMBAL HOUSING)
6	26-32911		2	OIL SEAL, LOWER GIMBAL HOUSING ROLLER BEARING EARLY STYLE (ROLLER BUSHINGAREF. #7A IN UPPER GIMBAL HOUSING)
7	31-32535		1	BEARING, ROLLER-GIMBAL HOUSING (UPPER) EARLY STYLE (ROLLER BUSHINGAREF. #7A IN UPPER GIMBAL HOUSING)
8	26-32540		1	OIL SEAL, UPPER GIMBAL HOUSING ROLLER BEARING EARLY STYLE (ROLLER BUSHINGAREF. #7A IN UPPER GIMBAL HOUSING)
9	22-21290		1	PLUG, PIPE-GIMBAL HOUSING EARLY STYLE (ROLLER BUSHINGAREF. #7A IN UPPER GIMBAL HOUSING)
10	22-31345		1	FITTING, GREASE-GIMBAL HOUSING EARLY STYLE (ROLLER BUSHINGAREF. #7A IN UPPER GIMBAL HOUSING)
11	29359		1	LUBRICAP, GIMBAL HOUSING GREASE FITTING EARLY STYLE (ROLLER BUSHINGAREF. #7A IN UPPER GIMBAL HOUSING)
12	26-36143		1	SEAL, GREASE-GIMBAL HOUSING EARLY STYLE (ROLLER BUSHINGAREF. #7A IN UPPER GIMBAL HOUSING)
13	23-35130		1	ADAPTOR, BEARING CARRIER EARLY STYLE (ROLLER BUSHINGAREF. #7A IN UPPER GIMBAL HOUSING)
14	30-36418		1	BEARING, BALL-GIMBAL HOUSING EARLY STYLE (ROLLER BUSHINGAREF. #7A IN UPPER GIMBAL HOUSING)
15	53-35128		1	RING, RETAINING-BEARING CARRIER (LARGE) EARLY STYLE (ROLLER BUSHINGAREF. #7A IN UPPER GIMBAL HOUSING)
16	15-35244A1		AR	SHIM, GIMBAL HOUSING BALL BEARING EARLY STYLE (ROLLER BUSHINGAREF. #7A IN UPPER GIMBAL HOUSING)
17	10-25612		10	SCREW, DRIVE-GIMBAL HOUSING EXHAUST FLANGE EARLY STYLE (ROLLER BUSHINGAREF. #7A IN UPPER GIMBAL HOUSING)
1	38707A5		1	GIMBAL HOUSING ASSEMBLY USE WITHOUT FULL POWER TILT LATE STYLE (SYNTHANE BUSHING AREF. #7A IN UPPER GIMBAL HOUSING)

CONTINUED ON NEXT PAGE ➡

GIMBAL HOUSING ASSEMBLY AND EXHAUST HOSE

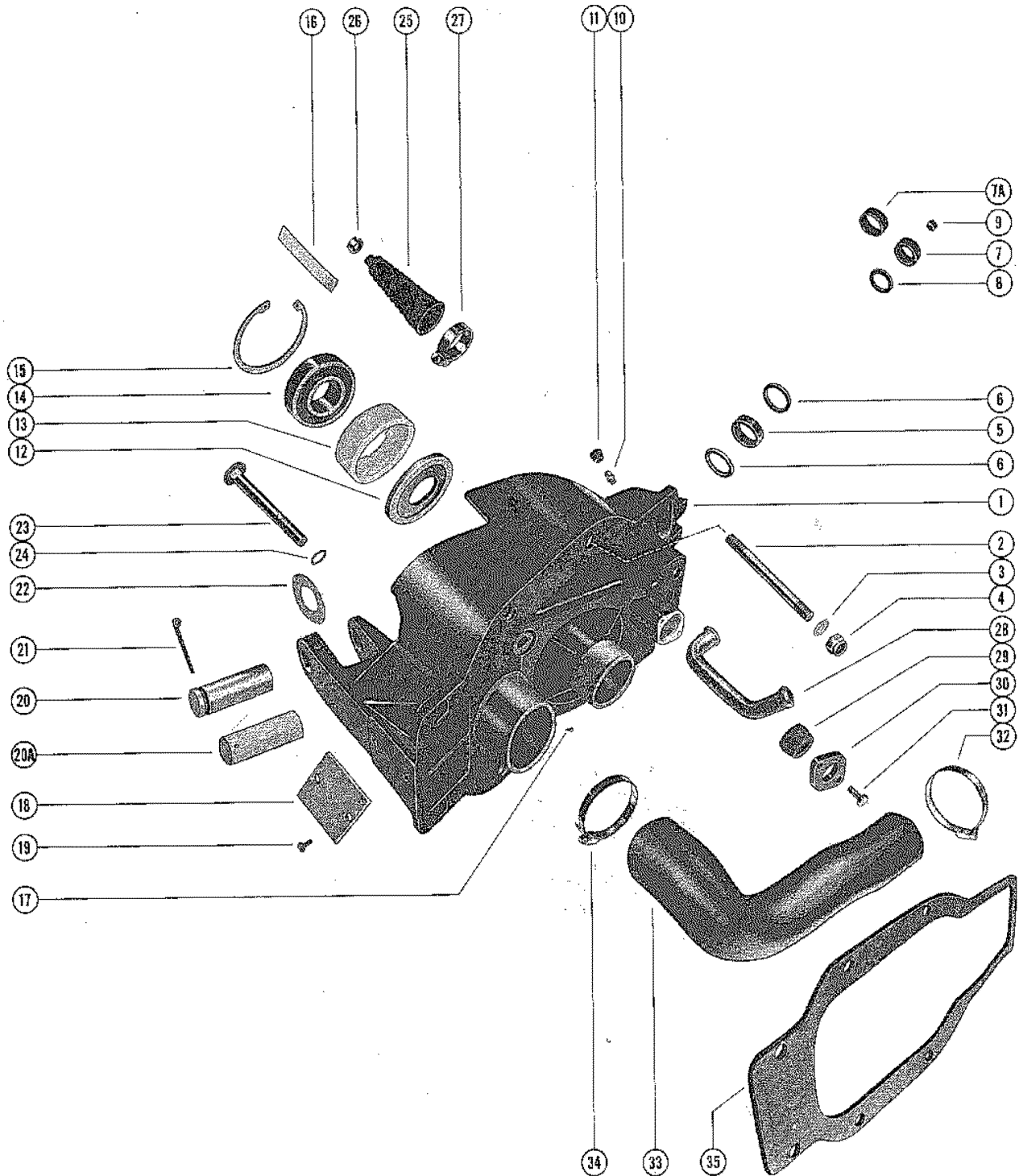


GIMBAL HOUSING ASSEMBLY AND EXHAUST HOSE

REF. NO.	PART NO.	SYM.	QTY.	DESCRIPTION
1	38707A9		1	GIMBAL HOUSING ASSEMBLY USE WITHOUT FULL POWER TILT LATE STYLE (SYNTHANE BUSHING AREF. #7A IN UPPER GIMBAL HOUSING)
	38885A5		1	GIMBAL HOUSING ASSEMBLY USE WITH FULL POWER TILT LATE STYLE (SYNTHANE BUSHING AREF. #7A IN UPPER GIMBAL HOUSING)
	38885A10		1	GIMBAL HOUSING ASSEMBLY USE WITH FULL POWER TILT LATE STYLE (SYNTHANE BUSHING AREF. #7A IN UPPER GIMBAL HOUSING)
2	16-37270		2	STUD, GIMBAL HOUSING TO TRANSOM PLATE (4 3/4") LATE STYLE (SYNTHANE BUSHING AREF. #7A IN UPPER GIMBAL HOUSING)
3	12-22248		2	WASHER, GIMBAL HOUSING STUD LATE STYLE (SYNTHANE BUSHING AREF. #7A IN UPPER GIMBAL HOUSING)
4	11-34933		2	NUT, GIMBAL HOUSING STUD LATE STYLE (SYNTHANE BUSHING AREF. #7A IN UPPER GIMBAL HOUSING)
5	31-32536		1	BEARING, ROLLER-GIMBAL HOUSING (LOWER) LATE STYLE (SYNTHANE BUSHING AREF. #7A IN UPPER GIMBAL HOUSING)
6	26-32911		2	OIL SEAL, LOWER GIMBAL HOUSING ROLLER BEARING LATE STYLE (SYNTHANE BUSHING AREF. #7A IN UPPER GIMBAL HOUSING)
7A	23-38634		1	BUSHING, SYNTHANE-GIMBAL HOUSING (UPPER) LATE STYLE (SYNTHANE BUSHING AREF. #7A IN UPPER GIMBAL HOUSING)
8	26-32540		1	OIL SEAL, UPPER GIMBAL HOUSING BUSHING LATE STYLE (SYNTHANE BUSHING AREF. #7A IN UPPER GIMBAL HOUSING)
9	22-21290		1	PLUG, PIPE-GIMBAL HOUSING LATE STYLE (SYNTHANE BUSHING AREF. #7A IN UPPER GIMBAL HOUSING)
10	22-31345		1	FITTING, GREASE-GIMBAL HOUSING LATE STYLE (SYNTHANE BUSHING AREF. #7A IN UPPER GIMBAL HOUSING)
11	29359		1	LUBRICAP, GIMBAL HOUSING GREASE FITTING LATE STYLE (SYNTHANE BUSHING AREF. #7A IN UPPER GIMBAL HOUSING)
12	26-36143		1	SEAL, GREASE-GIMBAL HOUSING LATE STYLE (SYNTHANE BUSHING AREF. #7A IN UPPER GIMBAL HOUSING)
14	30-36418		1	BEARING, BALL-GIMBAL HOUSING LATE STYLE (SYNTHANE BUSHING AREF. #7A IN UPPER GIMBAL HOUSING)
15	53-35128		1	RING, RETAINING-BEARING CARRIER (LARGE) LATE STYLE (SYNTHANE BUSHING AREF. #7A IN UPPER GIMBAL HOUSING)
16	15-35244A1		AR	SHIM, GIMBAL HOUSING BALL BEARING- LATE STYLE (SYNTHANE BUSHING AREF. #7A IN UPPER GIMBAL HOUSING)
17	10-25612		13	SCREW, DRIVE-GIMBAL HOUSING EXHAUST FLANGE LATE STYLE (SYNTHANE BUSHING AREF. #7A IN UPPER GIMBAL HOUSING)

CONTINUED ON NEXT PAGE ➡

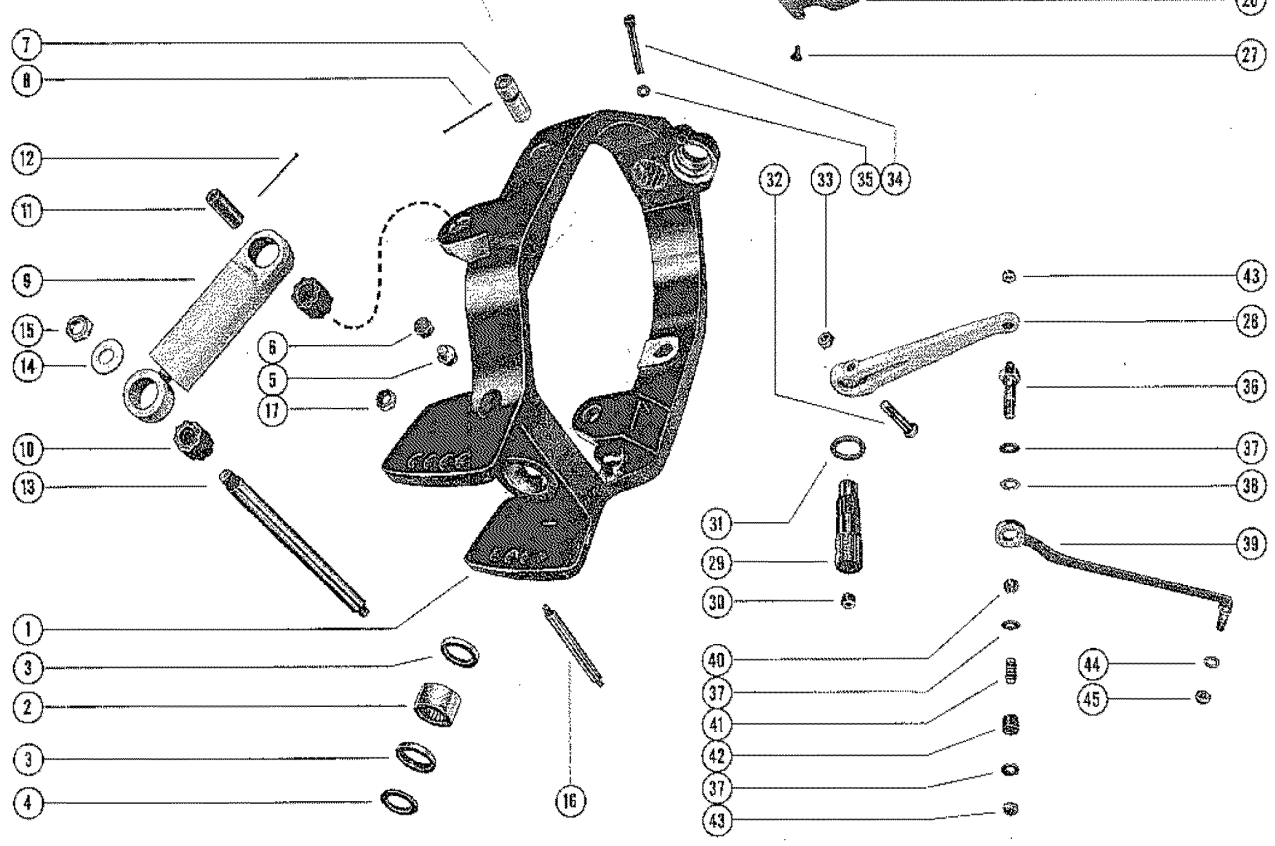
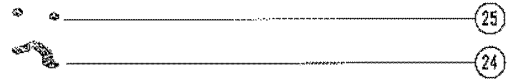
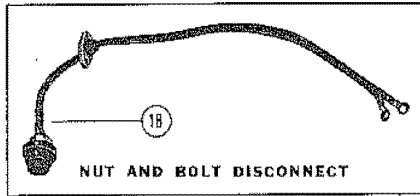
GIMBAL HOUSING ASSEMBLY AND EXHAUST HOSE



GIMBAL HOUSING ASSEMBLY AND EXHAUST HOSE

REF. NO.	PART NO.	SYM.	QTY.	DESCRIPTION
18	34762A1		1	PLATE ASSEMBLY, INHIBITOR-GIMBAL HOUSING
19	10-34763		2	SCREW, INHIBITOR PLATE TO GIMBAL HOUSING
20	17-32508		1	PIN, SWIVEL-GIMBAL HOUSING TO GIMBAL RING(LOWER)-EARLY STYLE
20A	17-45212		1	PIN, SWIVEL-GIMBAL HOUSING TO GIMBAL RING (LOWER)-LATE STYLE
21	18-34159		1	COTTER PIN, RETAINING-LOWER SWIVEL PIN
22	12-32518		1	WASHER, GIMBAL HOUSING TO LOWER SWIVEL PIN
23	10-35624		2	BOLT, GIMBAL HOUSING TO TRANSOM PLATE (4")
24	12-32620		2	WASHER, GIMBAL HOUSING BOLT
25	31659		1	BELLOWS, SHIFT ACTUATING CABLE
26	54-20386		1	CLAMP, ACTUATING CABLE BELLOWS TO SHIFT ACTUATING CABLE
27	54-31766		1	CLAMP, SHIFT ACTUATING CABLE BELLOWS TO GIMBAL HOUSING
28	32-32631		1	TUBE, WATER-GIMBAL HOUSING
29	23-28055		1	BUSHING, RUBBER-WATER TUBE SEALING
30	32517		1	COVER, WATER TUBE SEALING BUSHING-GIMBAL HOUSING
31	10-28635		2	SCREW, WATER TUBE SEALING COVER TO GIMBAL HOUSING
32	54-32739		2	CLAMP, EXHAUST HOSE TO ENGINE
33	32-32787		1	HOSE, EXHAUST-GIMBAL HOUSING
34	54-32739		2	CLAMP, EXHAUST HOSE TO GIMBAL HOUSING
35	27-32658		1	GASKET, GIMBAL HOUSING TO TRANSOM
-	92-33749-1		1	SEALER, EXHAUST HOSE TO GIMBAL HOUSING

GIMBAL RING ASSEMBLY AND STEERING LEVER

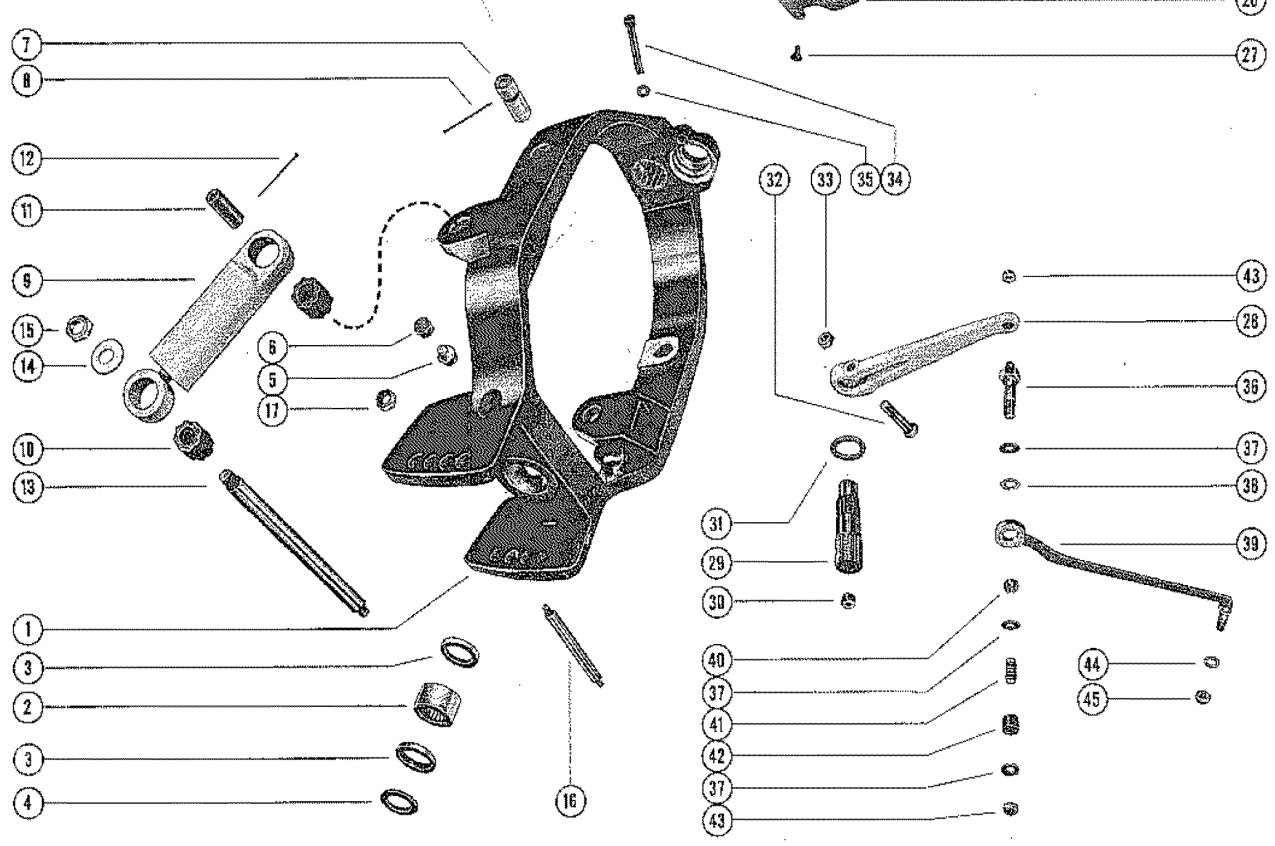
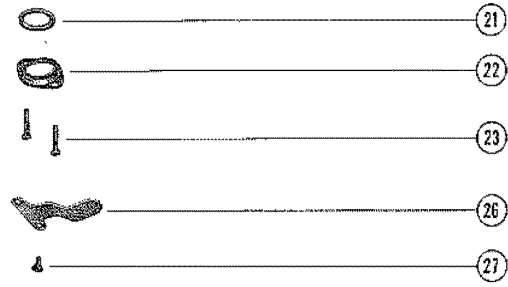
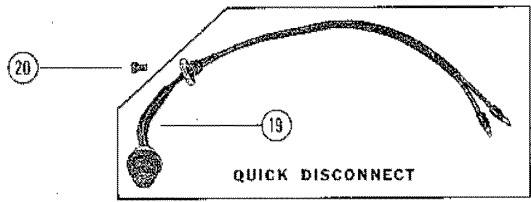
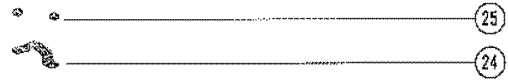
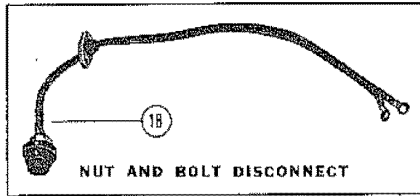


GIMBAL RING ASSEMBLY AND STEERING LEVER

REF. NO.	PART NO.	SYM.	QTY.	DESCRIPTION
1	38003A2		1	GIMBAL RING ASSEMBLY
2	31-32538		1	BEARING, ROLLER-GIMBAL RING
3	26-32541		2	OIL SEAL, GIMBAL RING
4	23-39273		1	SPACER, GIMBAL RING
5	22-23612		1	FITTING, GREASE-GIMBAL RING
6	29359		1	LUBRICAP, GIMBAL RING GREASE FITTING
7	17-38031		2	PIN, HINGE-GIMBAL RING TO BELL HOUSING
8	17-35571		2	PIN, HINGE PIN RETAINING-GIMBAL RING
9	55-35998		2	SHOCK ABSORBER
10	23-32848		4	BUSHING, RUBBER-SHOCK ABSORBER
11	55-32607		2	PIN, SHOCK ABSORBER TO GIMBAL RING
12	17-35571		2	PIN, SHOCK ABSORBER PIN REATAINING-GIMBAL RING
13	17-35779A1		1	PIN ASSEMBLY, SHOCK ABSOBER TO DRIVE SHAFT HOUSING
14	12-35777		2	WASHER, SHOCK ABSORBER TO DRIVE SHAFT HOUSING PIN
15	11-35778		2	NUT, SHOCK ABSORBER TO DRIVE SHAFT HOUSING PIN
16	17-35813A1		1	TILT PIN ASSEMBLY, GIMBAL RING NOT USED WITH FULL POWER TILT
17	11-35814		2	NUT, TILT ADJUSTMENT PIN NOT USED WITH FULL POWER TILT
18	32688A1		1	TILT STOP SWITCH ASSEMBLY, GIMBAL RING (BOLT AND NUT DISCONNECT
19	39672A1		1	TILT STOP SWITCH ASSEMBLY, GIMBAL RING (QUICK-DISCONNECT)
20	10-20367		2	SCREW, TILT STOP SWITCH COVER TO GIMBAL RING
21	23-31902		1	SPACER, TILT STOP SWITCH TO RETAINING PLATE
22	31899		1	PLATE, RETAINING-TILT STOP SWITCH TO GIMBAL RING
23	10-22387		2	SCREW, RETAINING PLATE AND STRAP TO GIMBAL RING
24	32637		1	STRAP, TILT STOP SWITCH RETAINING
25	11-20110		2	NUT, RETAINING PLATE AND STRAP SCREW
26	31897		1	LEVER, TILT STOP SWITCH ACTUATING-GIMBAL RING
27	10-31903		2	SCREW, TILT STOP SWITCH ACTUATING LEVER TO GIMBAL RING
28	32630		1	LEVER, STEERING-UPPER SWIVEL SHAFT
29	32582		1	SHAFT, UPPER SWIVEL-GIMBAL RING TO GIMBAL HOUSING
30	22-32561		1	PLUG, PIPE-UPPER SWIVEL SHAFT
31	12-32996		AR	WASHER, UPPER SWIVEL SHAFT (.015)
	12-32997		AR	WASHER, UPPER SWIVEL SHAFT (.063)
32	10-32995		1	SCREW, STEERING LEVER TO UPPER SWIVEL SHAFT
33	11-20696		1	NUT, STEERING LEVER TO UPPER SWIVEL SHAFT SCREW
34	10-33022		1	SCREW, UPPER SWIVEL SHAFT RETAINING-GIMBAL RING
35	12-20546		1	WASHER, UPPER SWIVEL SHAFT RETAINING SCREW
36	16-32568		1	STUD, PIVOT-STEERING LEVER
37	12-25909		3	WASHER, STEERING LEVER PIVOT STUD

CONTINUED ON NEXT PAGE ➡

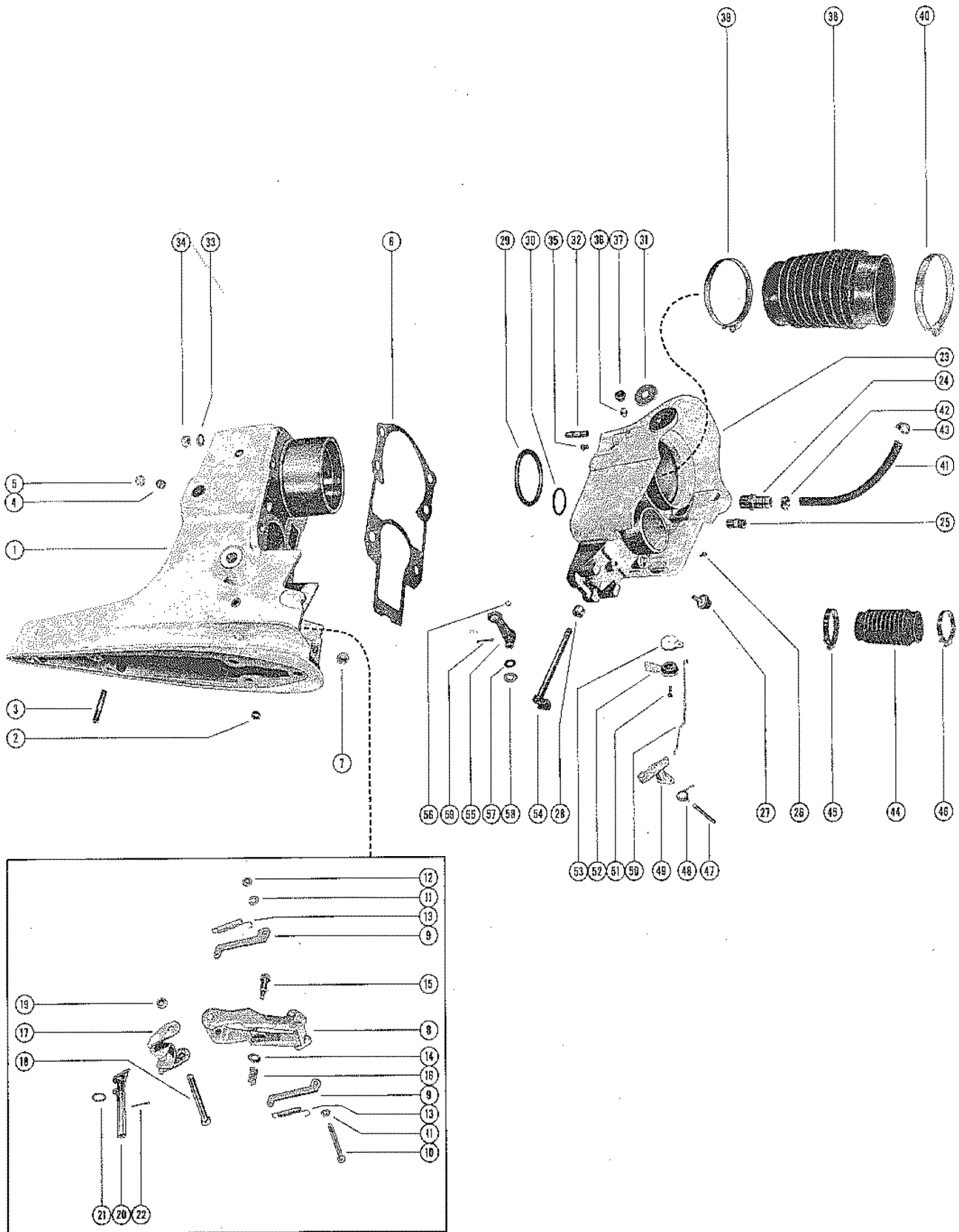
GIMBAL RING ASSEMBLY AND STEERING LEVER



GIMBAL RING ASSEMBLY AND STEERING LEVER

REF. NO.	PART NO.	SYM.	QTY.	DESCRIPTION
38	12-29330		1	WASHER, NYLON-STEERING LEVER PIVOT STUD
39	29332A1		1	ROD, STEERING LINK-STEERING LEVER PIVOT STUD
40	29698		1	BALL, STEEL-STEERING LEVER PIVOT STUD
41	24-20510		1	SPRING, STEERING LEVER PIVOT STUD
42	23-25915		1	BUSHING, STEERING LEVER PIVOT STUD
43	11-20509		2	NUT, STEERING LEVER PIVOT STUD
44	12-20086		1	WASHER, STEERING LINK ROD
45	11-20509		1	NUT, STEERING LINK ROD

DRIVE SHAFT HOUSING ASSEMBLY AND BELL HOUSING ASSEMBLY

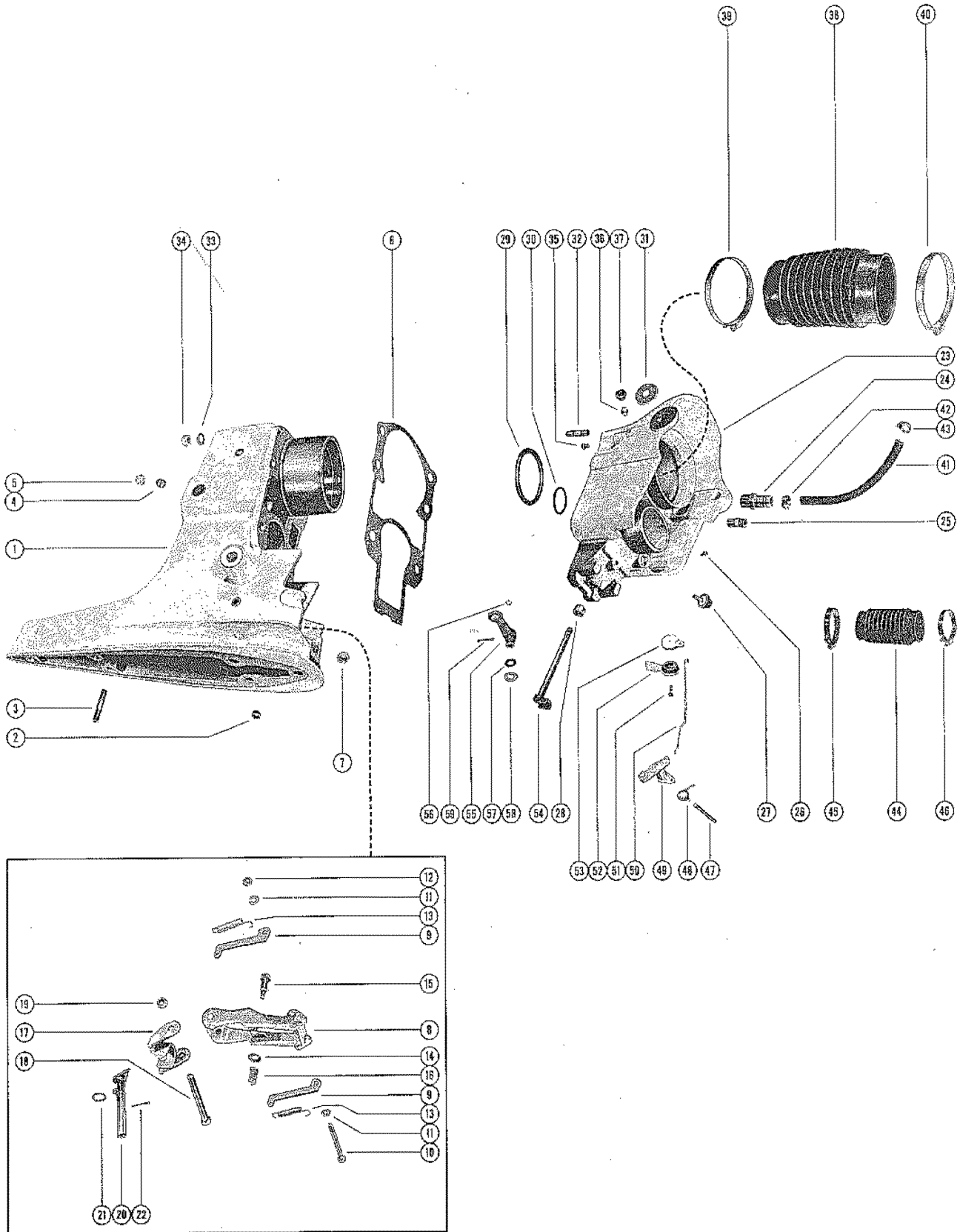


DRIVE SHAFT HOUSING ASSEMBLY AND BELL HOUSING ASSEMBLY

REF. NO.	PART NO.	SYM.	QTY.	DESCRIPTION
1	1547-2411A17		1	DRIVE SHAFT HOUSING ASSEMBLY
2	23-32632		1	BUSHING, DRIVE SHAFT HOUSING
3	16-30929		2	STUD, DRIVE SHAFT HOUSING TO GEAR HOUSING
4	22-31704		1	PLUG, PIPE-DRIVE SHAFT HOUSING (WATER POCKET)
5	19-32652		1	WELCH PLUG, DRIVE SHAFT HOUSING
6	27-35996		1	GASKET, DRIVE SHAFT HOUSING TO BELL HOUSING
7	11-34933		3	NUT, GEAR HOUSING TO DRIVE SHAFT HOUSING STUD
8	37829A1		1	ARM ASSEMBLY, REVERSE HOOK-DRIVE SHAFT HOUSING
9	32520		2	HOOK, REVERSE
10	10-32527		1	SCREW, REVERSE HOOKS TO REVERSE HOOK ARM
11	12-29245		4	WASHER, REVERSE HOOKS TO REVERSE HOOK ARM SCREW
12	11-33825		1	NUT, REVERSE HOOKS TO REVERSE HOOK ARM SCREW
13	24-37827		2	SPRING, TENSION-REVERSE HOOK TO REVERSE HOOK ARM
14	12-34931		1	WASHER, REVERSE HOOK ARM TO DRIVE SHAFT HOUSING SCREW
15	10-32694		1	SCREW, REVERSE HOOK ARM TO DRIVE SHAFT HOUSING
16	24-32659		1	SPRING, TENSION-REVERSE HOOK ARM TO DRIVE SHAFT HOUSING SCREW
17	32588A1		1	STOP ASSEMBLY, REVERSE HOOK ARM
18	10-32524		1	SCREW, REVERSE HOOK ARM STOP TO REVERSE HOOK ARM
19	11-33826		1	NUT, REVERSE HOOK ARM STOP TO REVERSE HOOK ARM SCREW
20	32628		1	SHAFT, SHIFT-INTERMEDIATE
21	12-32666		1	WASHER, INTERMEDIATE SHIFT SHAFT
22	18-32665		1	COTTER PIN, INTERMEDIATE SHIFT SHAFT RETAINING
23	38002A1		1	BELL HOUSING ASSEMBLY
-	27-35996		1	GASKET, DRIVE SHAFT HOUSING TO BELL HOUSING (SEE REFERENCE #6)
24	22-33066		1	CONNECTOR, WATER HOSE TO BELL HOUSING
25	22-32125		1	CONNECTOR, SHIFT ACTUATING CABLE-BELL HOUSING
26	10-25612		8	SCREW, DRIVE-BELL HOUSING FLANGE
27	31014		1	BUMPER, BELL HOUSING
28	23-35088		1	BUSHING, UPPER SHIFT SHAFT-BELL HOUSING
29	27-35982		1	GASKET, RUBBER-BELL HOUSING
30	25-33504		1	"O" RING, BELL HOUSING
31	12-38000		2	WASHER, SYNTHANE-BELL HOUSING
32	16-35937		6	STUD, BELL HOUSING TO DRIVE SHAFT HOUSING
33	12-35935		6	WASHER, BELL HOUSING TO DRIVE SHAFT HOUSING STUD
34	11-34933		6	NUT, BELL HOUSING TO DRIVE SHAFT HOUSING STUD
35	10-36398		2	SCREW, PLUG-BELL HOUSING (1/4")
36	22-31345		2	FITTING, GREASE-BELL HOUSING
37	29359		2	LUBRICAP, BELL HOUSING GREASE FITTING

CONTINUED ON NEXT PAGE ➡

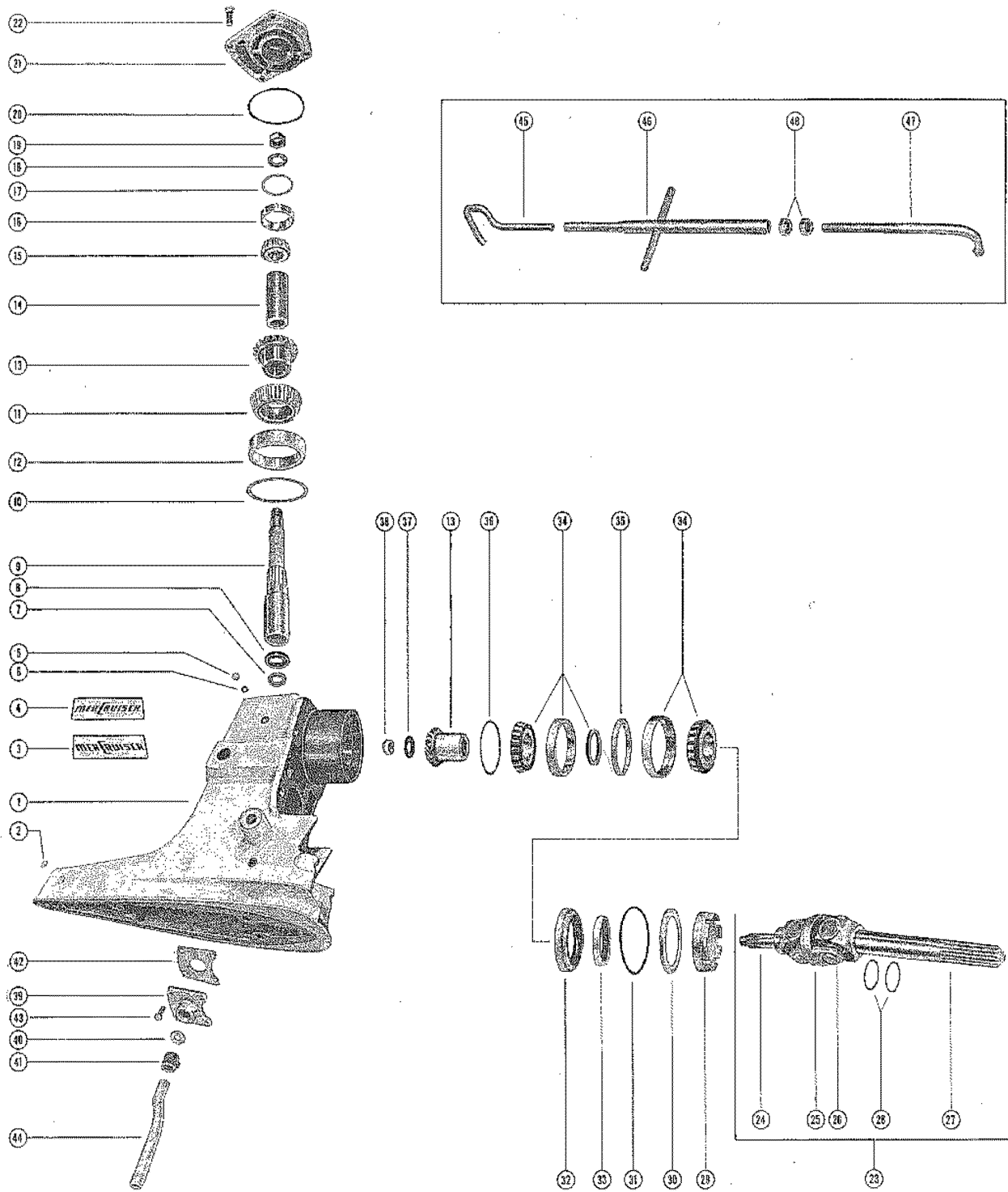
DRIVE SHAFT HOUSING ASSEMBLY AND BELL HOUSING ASSEMBLY



DRIVE SHAFT HOUSING ASSEMBLY AND BELL HOUSING ASSEMBLY

REF. NO.	PART NO.	SYM.	QTY.	DESCRIPTION
38	36223A1		1	BELLOWS ASSEMBLY, UNIVERSAL JOINT
39	54-31765		1	CLAMP, UNIVERSAL JOINT BELLOWS TO BELL HOUSING
40	54-31765		1	CLAMP, UNIVERSAL JOINT BELLOWS TO GIMBAL HOUSING
41	32-32461		1	HOSE, WATER-BELL HOUSING TO GIMBAL HOUSING
42	54-32523		1	CLAMP, WATER HOSE TO BELL HOUSING CONNECTOR
43	54-32523		1	CLAMP, WATER HOSE TO GIMBAL HOUSING WATER TUBE
44	32734		1	BELLOWSM EXHAUST-BELL HOUSING TO GIMBAL HOUSING
45	54-32533		1	CLAMP, EXHAUST BELLOWS TO BELL HOUSING
46	54-32533		1	CLAMP, EXHAUST BELLOWS TO GIMBAL HOUSING
47	17-20302		1	PIN, PIVOT-REVERSE HOOK RELEASE LEVER TO BELL HOUSING
48	24-36102		1	SPRING, TORSION-REVERSE HOOK RELEASE LEVER
49	32629A1		1	LEVER ASSEMBLY, REVERSE HOOK RELEASE-BELL HOUSING
50	32745		1	LINK ROD, REVERSE HOOK RELEASE HANDLE TO REVERSE HOOK RELEASE
51	10-32651		1	SCREW, BELL CRANK AND HANDLE TO BELL HOUSING
52	32626		1	HANDLE, REVERSE HOOK RELEASE-BELL HOUSING
53	32625		1	CRANK, BELL-REVERSE HOOK RELEASE LINK ROD
54	36097A1		1	SHAFT ASSEMBLY, SHIFT-UPPER
55	38897A1		1	LEVER ASSEMBLY, UPPER SHIFT SHAFT
56	19-32525		1	WELCH PLUG, UPPER SHIFT SHAFT LEVER
57	12-38358		1	WASHER, UPPER SHIFT SHAFT LEVER SEALING
58	12-32510		1	WASHER, UPPER SHIFT SHAFT LEVER
59	18-32857		1	COTTER PIN, UPPER SHIFT SHAFT TO UPPER SHIFT SHAFT LEVER

DRIVE SHAFT HOUSING ASSEMBLY AND GEAR ASSEMBLY

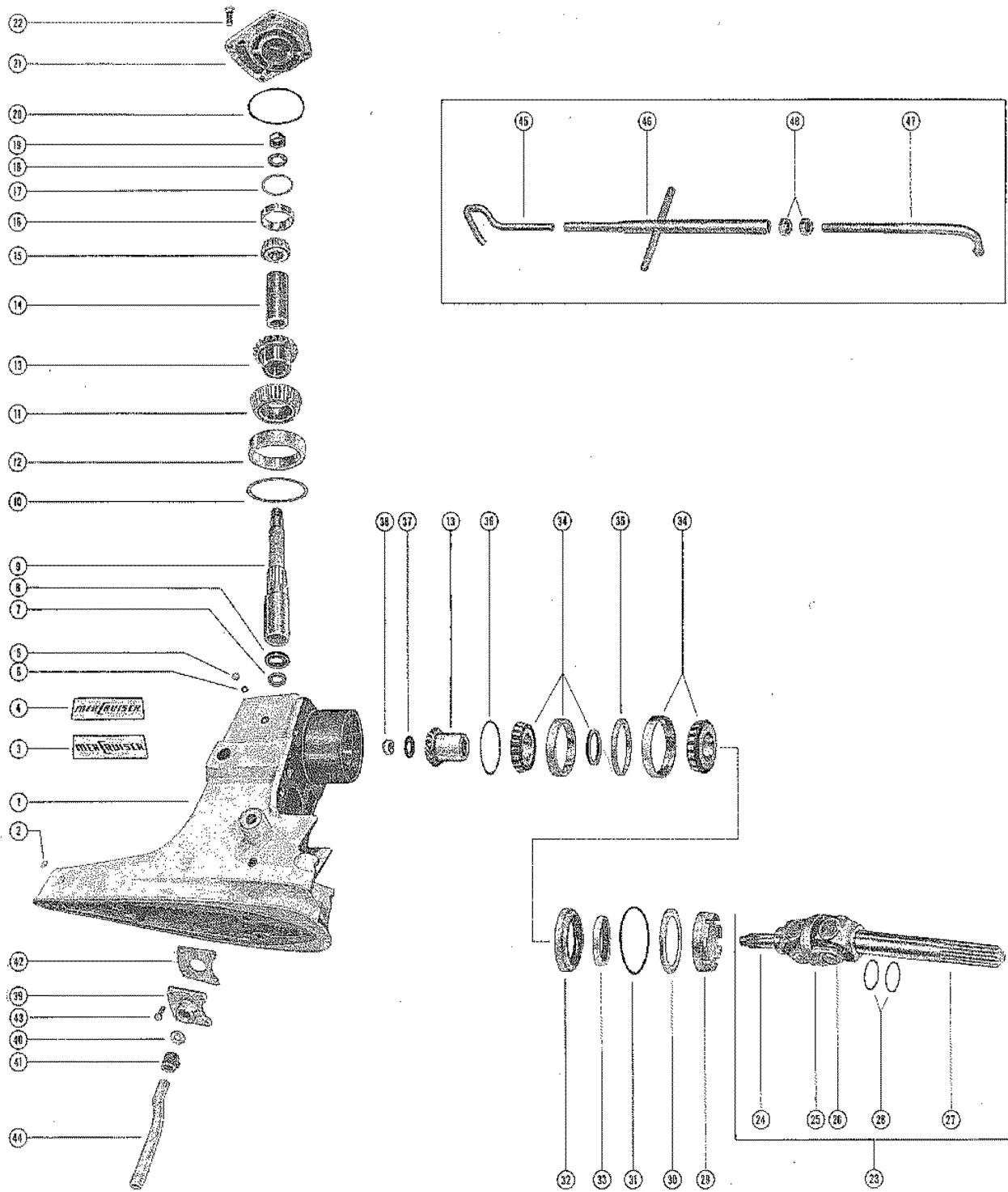


DRIVE SHAFT HOUSING ASSEMBLY AND GEAR ASSEMBLY

REF. NO.	PART NO.	SYM.	QTY.	DESCRIPTION
1	1547-2411A17		1	DRIVE SHAFT HOUSING ASSEMBLY (SEE PAGE 7 FOR PARTS BREAKDOWN)
2	19-29850		1	PLUG, TRIM TAB HOLE-DRIVE SHAFT HOUSING
3	37-32655		1	DECAL, DRIVE SHAFT HOUSING-PORT EARLY STYLE
4	37-32654		1	DECAL, DRIVE SHAFT HOUSING- STARBOARD EARLY STYLE
3&4	37-39345A1		1	DECAL SET, DRIVE SHAFT HOUSING LATE STYLE
5	10-28634		2	SCREW, DRIVE SHAFT HOUSING GREASE FILLER AND VENT HOLE
6	12-20260		2	WASHER, DRIVE SHAFT HOUSING GREASE FILLER AND VENT HOLE SCRE
7	26-37259		1	OIL SEAL, DRIVE SHAFT HOUSING-LOWER
8	26-32511		1	OIL SEAL, GEAR CHAMBER-DRIVE SHAFT HOUSING
9	45-32583		1	DRIVE SHAFT, UPPER
10	15-36178A1		AR	SHIM, BEARING CUP TO DRIVE SHAFT HOUSING
11	31-35990A1		1	TAPERED ROLLER BEARING ASSEMBLY, PINION GEAR
12	31-35991		1	CUP TAPERED ROLLER BEARING
13	43-36342A1		1	GEAR ASSEMBLY, COMPLETE- MERCUISE IA (21-23 GEAR RATIO)
	43-36219A1		1	GEAR ASSEMBLY, COMPLETE- MERCUISE IB (20-24 GEAR RATIO)
	43-35994A2		1	GEAR ASSEMBLY, COMPLETE- MERCUISE (24-24 GEAR RATIO)
14	23-32591		1	SPACER, UPPER DRIVE SHAFT
15	31-32575A1		1	TAPERED ROLLER BEARING ASSEMBLY, UPPER DRIVE SHAFT
16	31-32576		1	CUP, TAPERED ROLLER BEARING
17	15-32563A1		AR	SHIM, BEARING CUP TO TOP COVER
18	12-32506		1	WASHER, GEAR AND BEARING TO UPPER DRIVE SHAFT
19	11-22339		1	NUT, GEAR AND BEARING TO UPPER DRIVE SHAFT
20	25-32546		1	"O" RING, TOP COVER SEALING
21	32491		1	COVER, TOP-DRIVE SHAFT HOUSING
22	10-32565		4	SCREW, TOP COVER TO DRIVE SHAFT HOUSING
23	35911A1		1	UNIVERSAL JOINT SAAEMBLY
24	39384		1	YORK, UNIVERSAL JOINT-GEAR END (SHORT)
25	39383		1	SOCKET, CENTER-UNIVERSAL JOINT
26	36312		2	CROSS AND BEARING ASSEMBLY, UNIVERSAL JOINT
27	39385A1		1	YORK ASSEMBLY-UNIVERSAL JOINT-COUPLING END (LONG)
28	25-25439		2	"O" RING, UNIVERSAL JOINT
29	35992		1	RETAINER, TAPERED ROLLER BEARING BEARING- UNIVERSAL JOINT
30	35983		1	RING, ROLLER BEARING RETAINER TO OIL SEAL CARRIER
31	25-35984		1	"O" RING, OIL SEAL CARRIER
32	35993A1		1	CARRIER ASSEMBLY, OIL SEAL
33	26-36054		1	OIL SEAL, CARRIER

CONTINUED ON NEXT PAGE ➡

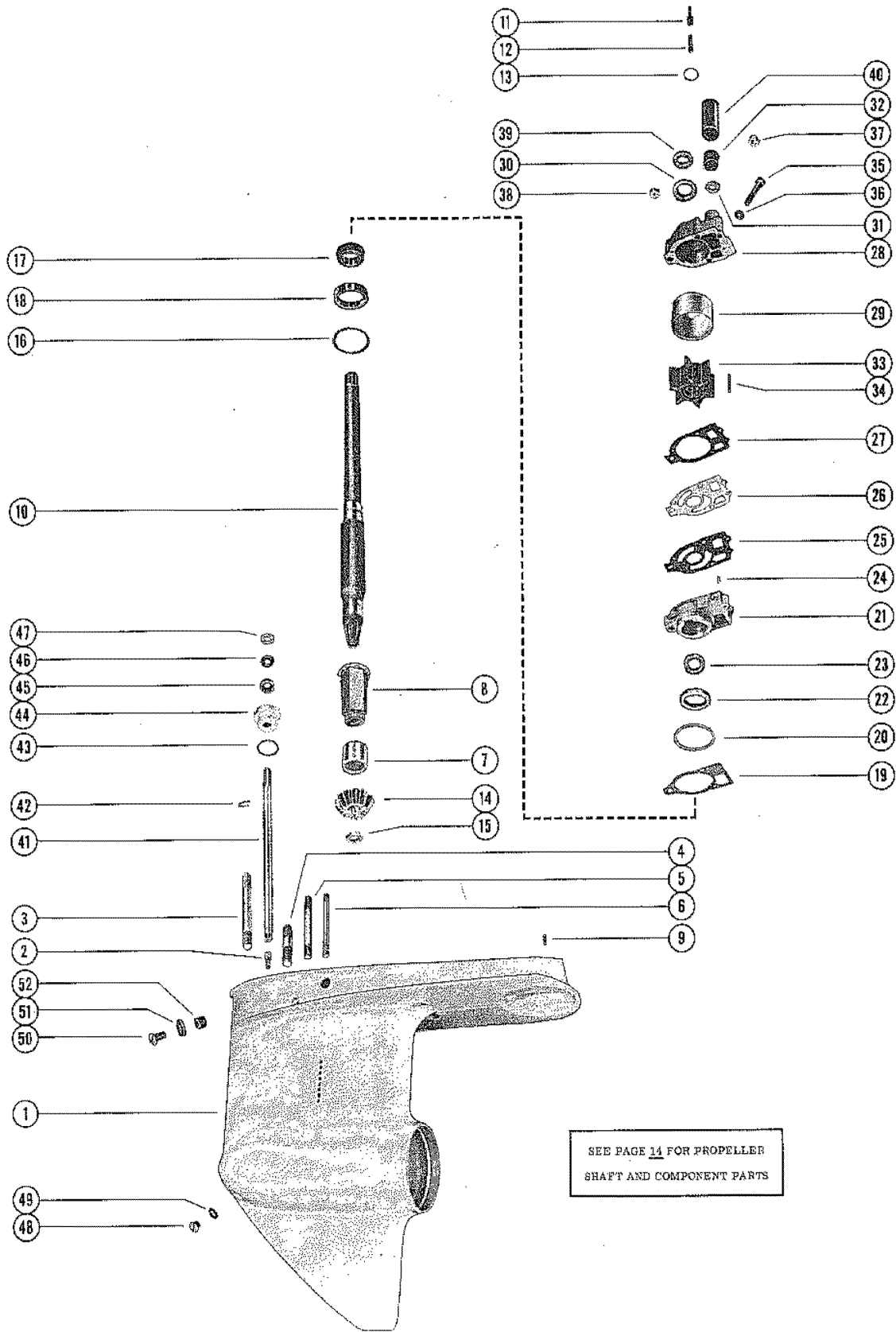
DRIVE SHAFT HOUSING ASSEMBLY AND GEAR ASSEMBLY



DRIVE SHAFT HOUSING ASSEMBLY AND GEAR ASSEMBLY

REF. NO.	PART NO.	SYM.	QTY.	DESCRIPTION
34	31-35988A2		1	TAPERED ROLLER BEARING ASSEMBLY, DRIVE GEAR
35	23-35985		1	SPACER, DRIVE GEAR ROLLER BEARING CUPS
36	15-35980A1		AR	SHIM, BEARING CUP TO DRIVE SHAFT HOUSING
37	12-35981		1	WASHER, DRIVE GEAR TO UNIVERSAL JOINT NUT
38	11-22339		1	NUT, DRIVE GEAR TO UNIVERSAL JOINT
39	32489A2		1	COVER ASSEMBLY, WATER POCKET-DRIVE SHAFT HOUSING
40	12-36446		1	WASHER, WATER POCKET COVER EARLY STYLE
41	26-36557		1	SEAL, RUBBER-WATER POCKET COVER EARLY STYLE
	26-38970		1	SEAL, RUBBER-WATER POCKET COVER LATE STYLE
42	27-32569		1	GASKET, WATER POCKET COVER
43	10-28636		4	SCREW, WATER POCKET COVER TO DRIVE SHAFT HOUSING
44	32-32587		1	TUBE, WATER-WATER POCKET COVER
-	32657A2		1	TURNBUCKLE ASSEMBLY, COMPLETE NOT USED WITH FULL POWER TILT
45	32650		1	HOOK, TURNBUCKLE-LOWER (DRIVE SHAFT HOUSING) NOT USED WITH FULL POWER TILT
46	32657A1		0	TURNBUCKLE - LOWER(DRIVE SHAFT HOUSING) NOT USED WITH FULL POWER TILT
47	32656		1	HOOK, TURNBUCKLE-UPPER (GIMBAL HOUSING) NOT USED WITH FULL POWER TILT
48	11-21612		2	NUT, ADJUSTING-UPPER HOOK NOT USED WITH FULL POWER TILT
-	37-33737		2	DECAL, NAME PLATE (POWERED BY MERCUISE DRIVE)

GEAR HOUSING ASSEMBLY, COMPLETE



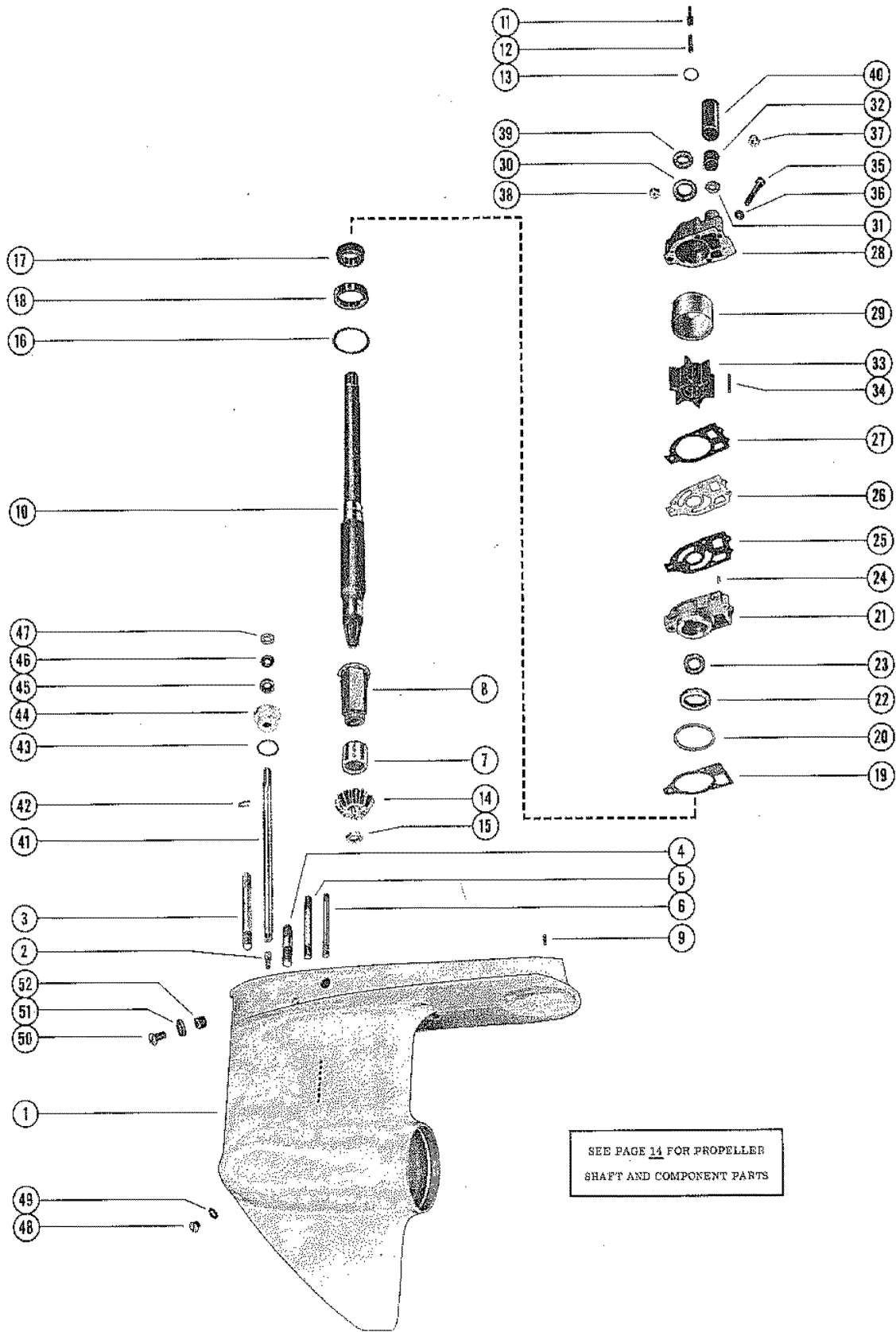
SEE PAGE 14 FOR PROPELLER
SHAFT AND COMPONENT PARTS

GEAR HOUSING ASSEMBLY, COMPLETE

REF. NO.	PART NO.	SYM.	QTY.	DESCRIPTION
-	1623-2511A3		1	GEAR HOUSING ASSEMBLY, COMPLETE SEE NOTE BELOW
-	1623-2511A5		1	GEAR HOUSING ASSEMBLY, COMPLETE SEE NOTE BELOW 8
1	1623-2511A1		1	GEAR HOUSING ASSEMBLY
2	17-37972		1	PIN, SHIFT CRANK - GEAR HOUSING
3	16-29080		1	STUD, GEAR HOUSING TO DRIVE SHAFT HOUSING (3 3/16")
4	16-45198		2	STUD, GEAR HOUSING TO DRIVE SHAFT HOUSING (2")
5	16-36292		1	STUD, WATER PUMP BASE AND BODY TO GEAR HOUSING (3 3/8")
6	16-30667		2	STUD, WATER PUMP BASE AND BODY TO GEAR HOUSING (3 1/8")
7	31-35934		1	BEARING, ROLLER - DRIVE SHAFT
8	39235		1	SLEEVE, THREADED - GEAR HOUSING
9	17-21438		2	PIN, DOWEL - GEAR HOUSING TO DRIVE SHAFT HOUSING
10	45-36386A1		1	DRIVE SHAFT ASSEMBLY
11	17-30545		1	PIN, DRIVE SHAFT
12	24-34576		1	SPRING, COMPRESSION - DRIVE SHAFT
13	25-30613		1	"O" RING, UPPER - DRIVE SHAFT
14	43-35922		1	GEAR, PINION DRIVE - SHAFT
16	15-33143A1		AR	SHIM, DRIVE SHAFT BEARING TO GEAR HOUSING
17	31-36387A1		1	TAPERED ROLLER BEARING ASSEMBLY, DRIVE SHAFT
18	31-35923		1	CUP, TAPERED ROLLER BEARING
19	27-33146		1	GASKET, WATER PUMP BASE TO GEAR HOUSING
20	25-33145		1	"O" RING, WATER PUMP BASE
21	46-34447A1		1	WATER PUMP BASE ASSEMBLY
22	26-33144		1	OILSEAL, WATER PUMP BASE
23	26-31507		1	OIL SEAL, WATER PUMP BASE
24	17-35973		2	DOWEL PIN, WATER PUMP BASE TO WATER PUMP BODY
25	27-32433		1	GASKET, LOWER - WATER PUMP BASE TO FACE PLATE
26	32435		1	PLATE, FACE - WATER PUMP BASE TO WATER PUMP BODY
27	27-32434		1	GASKET, UPPER - FACE PLATE TO WATER PUMP BODY
28	46-37433A1		1	WATER PUMP BODY ASSEMBLY
29	30915		1	INSERT, WATER PUMP BODY
30	26-31507		1	OIL SEAL, WATER PUMP BODY
31	12-36446		1	WASHER, WATER PUMP BODY EARLY STYLE
32	26-36557		1	SEAL, RUBBER - WATER INLET TUBE EARLY STYLE
	26-38970		1	SEAL, RUBBER - WATER INLET TUBE LATE STYLE
33	47-30221		1	IMPELLER, WATER PUMP
34	17-29967		1	PIN, IMPELLER DRIVE
35	10-30720		1	SCREW, WATER PUMP BODY TO GEAR HOUSING (2 1/4)
36	13-26992		1	LOCKWASHER, WATER PUMP BODY SCREW
37	11-35888		2	NUT, WATER PUMP BODY STUDS (1/4)

CONTINUED ON NEXT PAGE ➡

GEAR HOUSING ASSEMBLY, COMPLETE

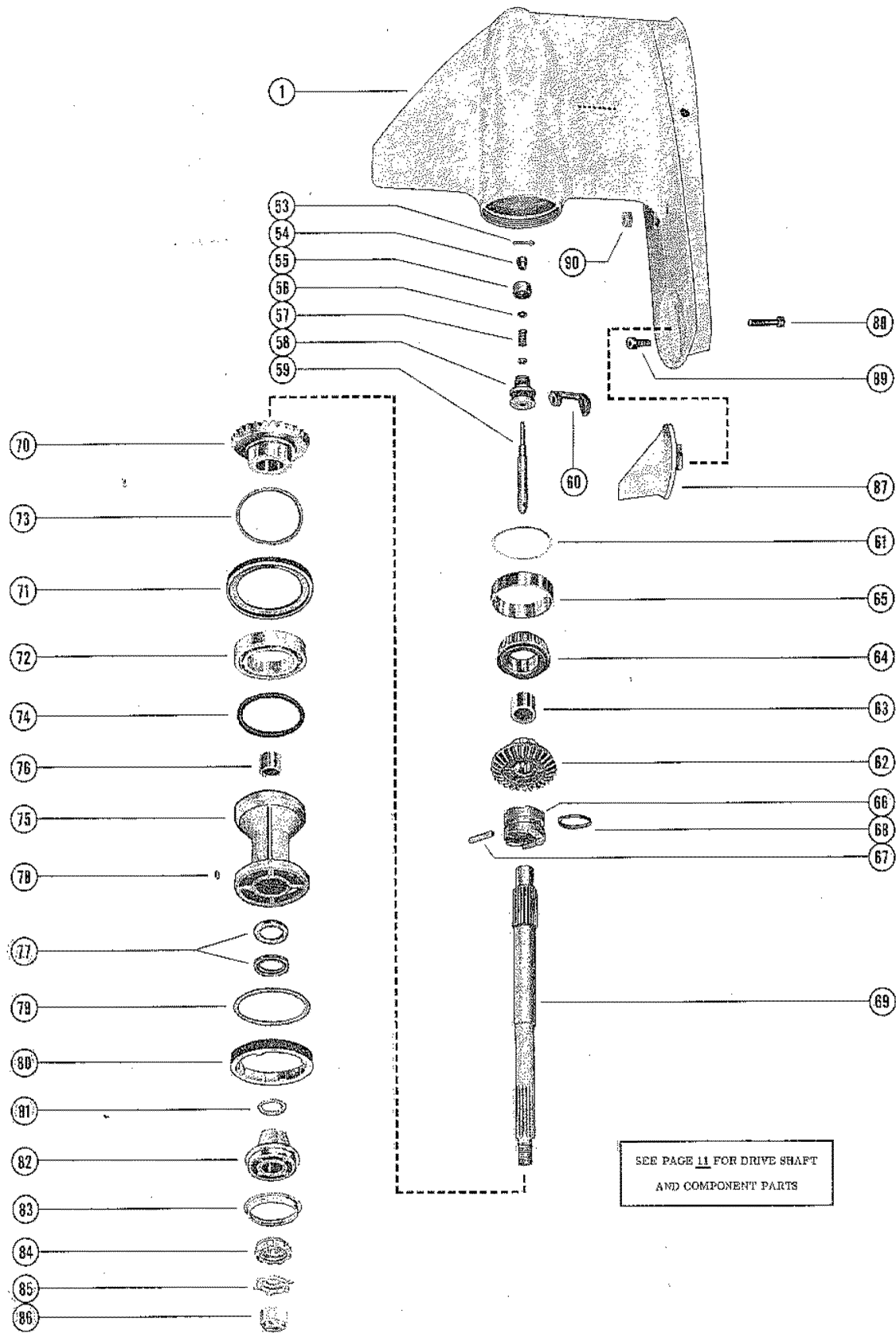


SEE PAGE 14 FOR PROPELLER
SHAFT AND COMPONENT PARTS

GEAR HOUSING ASSEMBLY, COMPLETE

REF. NO.	PART NO.	SYM.	QTY.	DESCRIPTION
38	11-35814		1	NUT, WATER PUMP BODY STUD (5/16)
39	25-30271		1	RING, RUBBER - CENTRIFUGAL SLINGER (DRIVE SHAFT)
40	23-29804		1	SLEEVE, GUIDE - WATER INLET TUBE
41	37973		1	SHAFT, SHIFT - LOWER
42	18-20233		1	CLIP, RETAINING - SHIFT SHAFT
43	25-25439		1	"O" RING, SHIFT SHAFT BUSHING
44	23-30617A1		1	BUSHING ASSEMBLY, SHIFT SHAFT
45	26-31249		1	OIL SEAL, SHIFT SHAFT BUSHING
46	12-31266		1	WASHER, RUBBER - SHIFT SHAFT BUSHING
47	12-29395		1	WASHER, SHIFT SHAFT
48	10-28634		2	SCREW, GEAR HOUSING GREASE FILLER AND VENT HOLE
49	12-20260		2	WASHER, GEAR HOUSING GREASE FILLER AND VENT HOLE SCREW
50	10-29608		1	SCREW, GEAR HOUSING FLUSHING HOLE
51	27-29586		1	GASKET, GEAR HOUSING FLUSHING HOLE SCREW
52	26-29612		1	SEAL, GEAR HOUSING FLUSHING HOLE SCREW

GEAR HOUSING ASSEMBLY

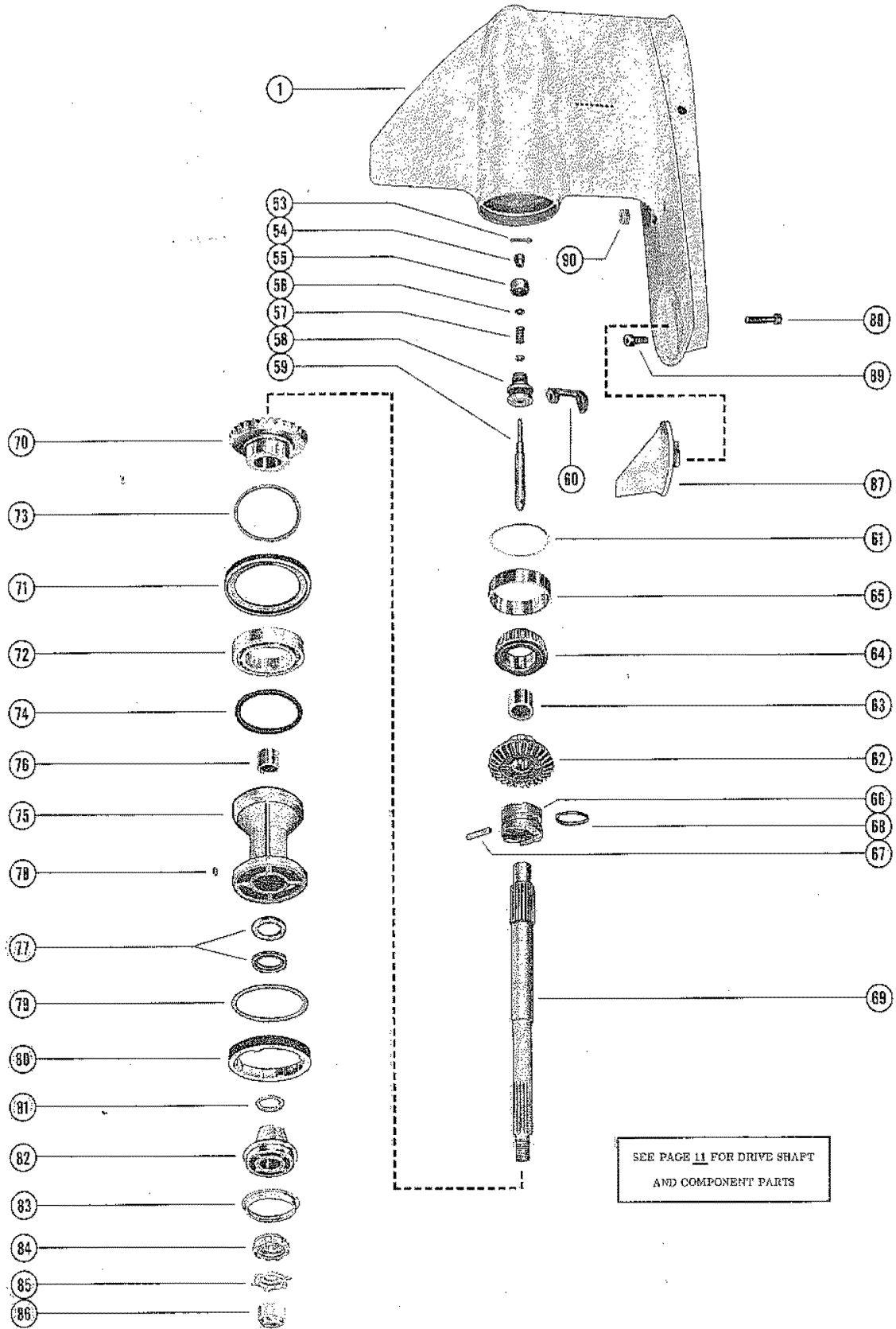


GEAR HOUSING ASSEMBLY

REF. NO.	PART NO.	SYM.	QTY.	DESCRIPTION
-	1623-2511A5		1	GEAR HOUSING ASSEMBLY, COMPLETE
1	1623-2511A1		1	GEAR HOUSING ASSEMBLY
53	18-89212		1	COTTON PIN, CLUTCH ACTUATING SHAFT
54	N.S.S.		1	SLEEVE, ADJUSTING REPLCED BY 19755A4
55	N.S.S.		1	RETAINER, SPRING REPLCED BY 19755A4
56	N.S.S.		2	WASHER REPLCED BY 19755A4
57	N.S.S.		1	SPRING REPLCED BY 19755A4
58	N.S.S.		1	SPOOL REPLCED BY 19755A4
59	N.S.S.		1	SHAFT REPLCED BY 19755A4
60	37966		1	SHIFT CRANK
61	15-35931A1		AR	SHIM
62	43-35930A2		1	FOWARD GEAR ASSEMBLY
63	31-30895		1	ROLLER BEARING
64	31-35928A1		1	TAPERED ROLLER BEARING ASSEMBLY
65	31-35927		1	CUP, TAPERSD ROLLER BEARING
66	52-37963		1	CLUTCH
67	17-30632		1	CROSS PIN
68	24-30893		1	SPRING, RETAINER - CROSS PIN
69	44-45452A2		1	PROP SHAFT
	44-45452		1	PROP SHAFT (STAINLESS STEEL SPLINES)
70	43-37964		1	REVERSE GEAR
71	35915		1	THRUST RING, BEARING GEAR
72	30-17927		1	BALL BEARING, REVERSE GEAR
73	15-31535A1		AR	SHIM
74	25-31534		1	O-RING, BEARING CARRIER
75	52835A2		1	BEARING CARRIER ASSEMBLY
76	31-30956		1	ROLLER BEARING
77	26-76868		2	OIL SEAL
78	28-30281		1	KEY
79	12-31536		1	WASHER, GEAR HOUSING COVER
80	79448		1	COVER, GEAR HOUSING
81	12-31013		1	THRUST WASHER, BEARING CARRIER (SPLIT)
82	45451A2		1	THRUST HUB AND WASHER ASSEMBLY
83	12-35965		1	WASHER, CUPPED
81	12-45450		1	THRUST WASHER (1/4) INCLUDED WITH 1623-2511A5
82	45451A1		1	THRUST HUB AND WASHER INCLUDED WITH 1623-2511A5
83	12-35965		1	WASHER, CUPPED INCLUDED WITH 1623-2511A5
84	12-31211A2		1	WASHER, SPLINED - PROPELLER SHAFT
85	14-31210		1	TAB WASHER, PROPELLER NUT
86	11-29594		1	PROPELLER NUT

CONTINUED ON NEXT PAGE ➡

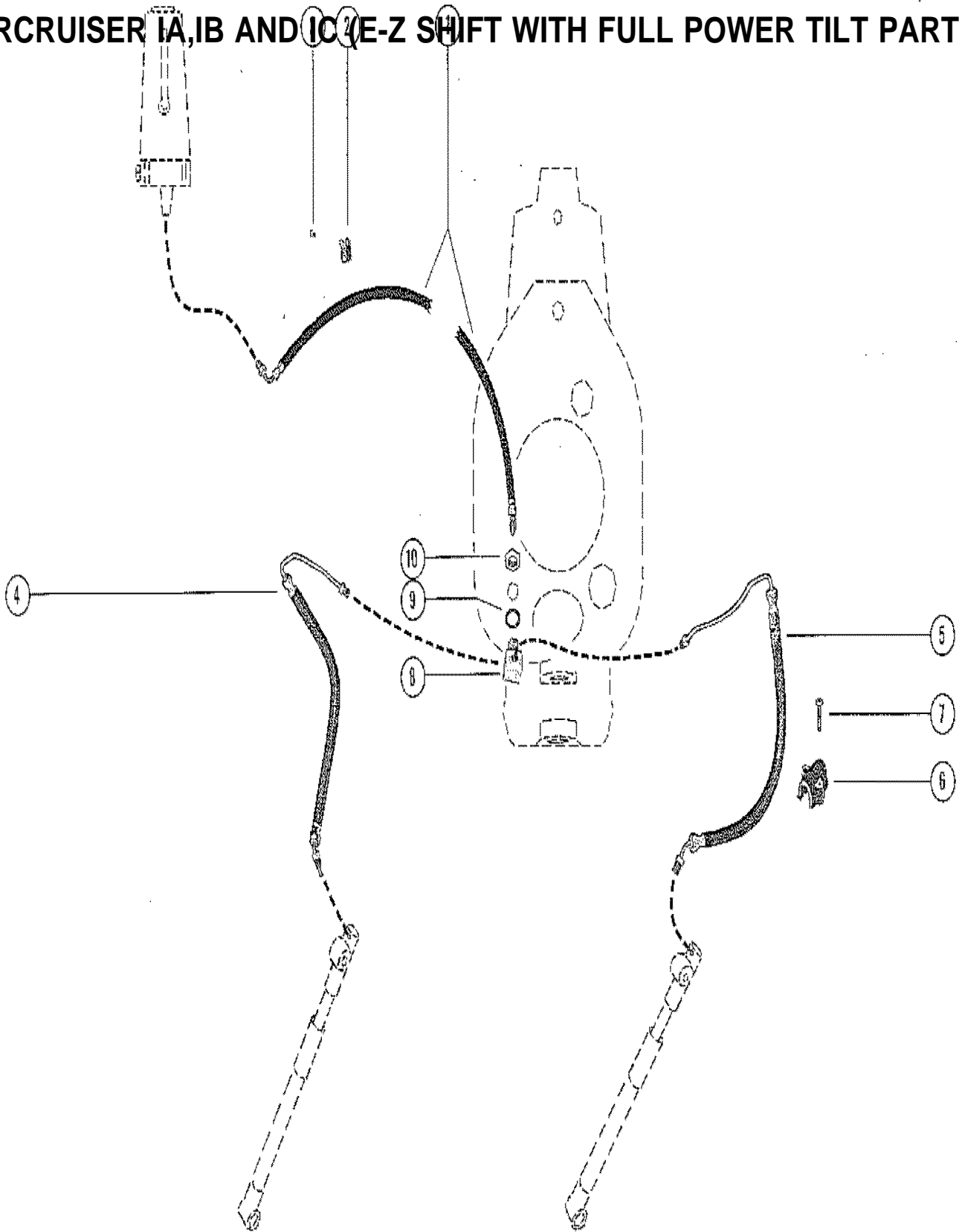
GEAR HOUSING ASSEMBLY



GEAR HOUSING ASSEMBLY

REF. NO.	PART NO.	SYM.	QTY.	DESCRIPTION
87	31640A1		1	TRIM TAB ASSEMBLY, GEAR HOUSING
	34127A1		1	TRIM TAB ASSEMBLY, GEAR HOUSING (LONG)
88	10-32470		1	SCREW, TRIM TAB (1-3/4)
89	10-30206		1	SCREW, GEAR HOUSING TO DRIVE SHAFT HOUSING (1")
90	11-34933		2	NUT, DRIVE SHAFT HOUSING TO GEAR HOUSING STUD

MERCUISER 1A,IB AND 1C (E-Z SHIFT) WITH FULL POWER TILT PART



MERCUISER IA,IB AND IC (E-Z SHIFT WITH FULL POWER TILT PART

REF. NO.	PART NO.	SYM.	QTY.	DESCRIPTION
1	32-37991		1	HOSE, LIFT - HYDRAULIC PUMP TO GIMBAL HOUSING (24")
2	54-22627		1	CLIP, LIFT HOSE TO TRANSOM PLATE
3	10-31903		1	SCREW, LIFT HOSE TO TRANSOM (3/8")
4	32-36085		1	HOSE, COMMECTING - GIMBAL HSG. TO TILT CYLINDER (PORT)
5	32-36086		1	HOSE, COMMECTING - GIMBAL HSG. TO TILT CYLINDER (STARBOARD)
6	36011		2	COVER, CONNECTING HOSE TO GIMBAL HOUSING
7	10-36070		4	SCREW, COVER TO GIMBAL HOUSING (1 1/4")
8	22-36033		1	CONNECTOR, GIMBAL HOUSING
9	27-36043		1	GASKET, GIMBAL HOUSING CONNECTOR
10	11-36084		1	NUT, GIMBAL HOUSING CONNECTOR

PARTS INDEX

Part Number	Description	Pg.	Ref. No.	Part Number	Description	Pg.	Ref. No.
20007	ANCHOR, SHIFT			32628	SHAFT, SHIFT-		
	ACTUATING CABLE END				INTERMEDIATE	19	20
	GUIDE	7	59	32629A1	LEVER ASSEMBLY,		
29332A1	ROD, STEERING LINK-				REVERSE HOOK		
	STEERING LEVER PIVOT				RELEASE-BELL HOUSING	21	49
	STUD	17	39	32630	LEVER, STEERING-UPPER		
29359	LUBRICAP, BELL HOUSING				SWIVEL SHAFT	15	28
	GREASE FITTING	19	37	32637	STRAP, TILT STOP SWITCH		
29359	LUBRICAP, GIMBAL				RETAINING	15	24
	HOUSING GREASE			32650	HOOK, TURNBUCKLE-		
	FITTING	9	11		LOWER (DRIVE SHAFT		
29359	LUBRICAP, GIMBAL				HOUSING)	25	45
	HOUSING GREASE			32656	HOOK, TURNBUCKLE-		
	FITTING	11	11		UPPER (GIMBAL		
29359	LUBRICAP, GIMBAL RING				HOUSING)	25	47
	GREASE FITTING	15	6	32657A1	TURNBUCKLE - LOWER(
29698	BALL, STEEL-STEERING				DRIVE SHAFT HOUSING)	25	46
	LEVER PIVOT STUD	17	40	32657A2	TURNBUCKLE ASSEMBLY,		
29880	GUIDE, SHIFT ACTUATING				COMPLETE	25	--
	CABLE END	5	58	32688A1	TILT STOP SWITCH		
30866A3	SWITCH ASSEMBLY, CUT-				ASSEMBLY, GIMBAL RING	15	18
	OUT-TRANSOM PLATE	3	30	32734	BELLOWSM EXHAUST-BELL		
30915	INSERT, WATER PUMP				HOUSING TO GIMBAL		
	BODY	27	29	32745	HOUSING	21	44
31014	BUMPER, BELL HOUSING	19	27		LINK ROD, REVERSE HOOK		
31640A1	TRIM TAB ASSEMBLY, GEAR				RELEASE HANDLE TO		
	HOUSING	33	87	33501	REVERSE HOOK RELEAS	21	50
31659	BELLOWS, SHIFT				RETAINER, SPRING AND		
	ACTUATING CABLE	13	25		PLUNGER TO SWITCH		
31897	LEVER, TILT STOP SWITCH				ACTUSTING ARM	3	22
	ACTUATING-GIMBAL RING	15	26	33981	SLIDE, SHIFT ACTUATING		
31899	PLATE, RETAINING-TILT				CABLE	7	63
	STOP SWITCH TO			34127A1	TRIM TAB ASSEMBLY, GEAR		
	GIMBAL RING	15	22		HOUSING (LONG)	33	87
32435	PLATE, FACE - WATER			34762A1	PLATE ASSEMBLY,		
	PUMP BASE TO WATER				INHIBITOR-GIMBAL		
	PUMP BODY	27	26		HOUSING	13	18
32464	PLUNGER, SWITCH			35187A4	CABLE ASSEMBLY, SHIFT		
	ACTUATING ARM	3	20		ACTUATING	5	55
32489A2	COVER ASSEMBLY, WATER			35911A1	UNIVERSAL JOINT		
	POCKET-DRIVE SHAFT				SAAEMBLY	23	23
	HOUSING	25	39	35915	THRUST RING, BEARING		
32491	COVER, TOP-DRIVE SHAFT				GEAR	31	71
	HOUSING	23	21	35983	RING, ROLLER BEARING		
32517	COVER, WATER TUBE				RETAINER TO OIL SEAL		
	SEALING BUSHING-				CARRIER	23	30
	GIMBAL HOUSING	13	30	35992	RETAINER, TAPERED		
32520	HOOK, REVERSE	19	9		ROLLER BEARING		
32582	SHAFT, UPPER SWIVEL-				BEARING-UNIVERSAL		
	GIMBAL RING TO GIMBAL				JOINT	23	29
	HOUSING	15	29	35993A1	CARRIER ASSEMBLY, OIL		
32585	LEAVER, SHIFT CONTROL-				SEAL	23	32
	TRANSOM PLATE	3	7	36011	COVER, CONNECTING		
32588A1	STOP ASSEMBLY, REVERSE				HOSE TO GIMBAL		
	HOOK ARM	19	17		HOUSING	35	6
32625	CRANK, BELL-REVERSE			36097A1	SHAFT ASSEMBLY, SHIFT-		
	HOOK RELEASE LINK				UPPER	21	54
	ROD	21	53	36223A1	BELLOWS ASSEMBLY,		
32626	HANDLE, REVERSE HOOK				UNIVERSAL JOINT	21	38
	RELEASE-BELL HOUSING	21	52				

PARTS INDEX

Part Number	Description	Pg.	Ref. No.	Part Number	Description	Pg.	Ref. No.
37279A5	GIMBAL HOUSING ASSEMBLY (USE WITHOUT FULL POWER TILT)	9	1	79448	COVER, GEAR HOUSING ..	31	80
37281	"D" WASHER, LEADS CLAMP SCREW	3	4	N.S.S.	RETAINER, SPRING REPLCED BY 19755A4 ..	31	55
37283A9	GIMBAL HOUSING ASSEMBLY (USE WITH FULL POWER TILT)	9	1	N.S.S.	SHAFT REPLCED BY 19755A4	31	59
37829A1	ARM ASSEMBLY, REVERSE HOOK-DRIVE SHAFT HOUSING	19	8	N.S.S.	SLEEVE, ADJUSTING REPLCED BY 19755A4 ..	31	54
37966	SHIFT CRANK	31	60	N.S.S.	SPOOL REPLCED BY 19755A4	31	58
37973	SHAFT, SHIFT - LOWER ...	29	41	10-20367	SPRING REPLCED BY 19755A4	31	57
37974	PLATE,TRANSOM	3	1	N.S.S.	WASHER REPLCED BY 19755A4	31	56
37979A1	ARM ASSEMBLY, SWITCH ACTUATING	3	19	10-20518	SCREW, TILT STOP SWITCH COVER TO GIMBAL RING	15	20
38002A1	BELL HOUSING ASSEMBLY	19	23	10-22290	SCREW, SET-ANCHOR TO SHIFT ACTUATING CABLE END GUIDE	7	60
38003A2	GIMBAL RING ASSEMBLY ..	15	1	10-22387	SCREW, DRIVE-SERIAL PLATE TO TRANSOM PLATE	3	6
38399A2	CORE WIRE AND ANCHOR ASSEMBLY, INNER SHIFT CABLE	5	56	10-22659	SCREW, RETAINING PLATE AND STRAP TO GIMBAL RING	15	23
38473	WRAPPING, SHIFT ACTUATING CABLE	7	61	10-25299	SCREW, SHIRT CABLE ASSEMBLY TO SHIFT CONTROL LEVER	3	15
38707A5	GIMBAL HOUSING ASSEMBLY USE WITHOUT FULL POWER TILT	9	1	10-25612	SCREW, SWITCH ACTUATING ARM	3	27
38707A9	GIMBAL HOUSING ASSEMBLY USE WITHOUT FULL POWER TILT	11	1	10-25612	SCREW, DRIVE-BELL HOUSING FLANGE	19	26
38885A10	GIMBAL HOUSING ASSEMBLY USE WITH FULL POWER TILT	11	1	10-25612	SCREW, DRIVE-GIMBAL HOUSING EXHAUST FLANGE	9	17
38885A5	GIMBAL HOUSING ASSEMBLY USE WITH FULL POWER TILT	11	1	10-25612	SCREW, DRIVE-GIMBAL HOUSING EXHAUST FLANGE	11	17
38897A1	LEVER ASSEMBLY, UPPER SHIFT SHAFT	21	55	10-28634	SCREW, DRIVE SHAFT HOUSING GREASE FILLER AND VENT HOLE	23	5
39235	SLEEVE, THREADED - GEAR HOUSING	27	8	10-28634	SCREW, GEAR HOUSING GREASE FILLER AND VENT HOLE	29	48
39383	SOCKET, CENTER-UNIVERSAL JOINT	23	25	10-28635	SCREW, LEADS CLAMP TO TRANSOM PLATE	3	3
39384	YORK, UNIVERSAL JOINT-GEAR END (SHORT) ...	23	24	10-28635	SCREW, WATER TUBE SEALING COVER TO GIMBAL HOUSING	13	31
39385A1	YORK ASSEMBLY-UNIVERSAL JOINT-COUPLING END (LONG) .	23	27	10-28636	SCREW, WATER POCKET COVER TO DRIVE SHAFT HOUSING	25	43
39671A1	SWITCH ASSEMBLY, CUT-OUT-TRANSOM PLATE ..	5	35	10-29608	SCREW, GEAR HOUSING FLUSHING HOLE	29	50
39672A1	TILT STOP SWITCH ASSEMBLY, GIMBAL RING	15	19	10-30206	SCREW, GEAR HOUSING TO DRIVE SHAFT HOUSING (1")	33	89
39974	CONNECTOR, CUT-OUT SWITCH LEADS	5	37	10-30720	SCREW, WATER PUMP BODY TO GEAR HOUSING (2 1/4)	27	35
45451A1	THRUST HUB AND WASHER INCLUDED WITH 1623-2511A5	31	82				
45451A2	THRUST HUB AND WASHER ASSEMBLY	31	82				
52835A2	BEARING CARRIER ASSEMBLY	31	75				

PARTS INDEX

Part Number	Description	Pg.	Ref. No.	Part Number	Description	Pg.	Ref. No.
10-30902	SCREW, SWITCH ASSEMBLY TO TRANSOM PLATE (3/4")	5	36	11-20361	NUT, SHIFT CABLE ASSEMBLY TO SHIFT CONTROL LEVER SCREW	3	18
10-31700	SCREW, SET-SHIFT ACTUATING CABLE TO SLIDE	7	64	11-20509	NUT, STEERING LEVER PIVOT STUD	17	43
10-31903	SCREW, LIFT HOSE TO TRANSOM (3/8")	35	3	11-20509	NUT, STEERING LINK ROD	17	45
10-31903	SCREW, TILT STOP SWITCH ACTUATING LEVER TO GIMBAL RING	15	27	11-20645	NUT, SWITCH ASSEMBLY LEADS CONNECTING SCREW	5	33
10-32470	SCREW, TRIM TAB (1-3/4)	33	88	11-20696	NUT, STEERING LEVER TO UPPER SWIVEL SHAFT SCREW	15	33
10-32524	SCREW, REVERSE HOOK ARM STOP TO REVERSE HOOK ARM	19	18	11-21528	NUT, SHIFT CONTROL LEVER TO TRANSOM PLATE STUD	3	11
10-32527	SCREW, REVERSE HOOKS TO REVERSE HOOK ARM	19	10	11-21612	NUT, ADJUSTING-UPPER HOOK	25	48
10-32565	SCREW, TOP COVER TO DRIVE SHAFT HOUSING	23	22	11-22339	NUT, DRIVE GEAR TO UNIVERSAL JOINT	25	38
10-32651	SCREW, BELL CRANK AND HANDLE TO BELL HOUSING	21	51	11-22339	NUT, GEAR AND BEARING TO UPPER DRIVE SHAFT	23	19
10-32694	SCREW, REVERSE HOOK ARM TO DRIVE SHAFT HOUSING	19	15	11-29594	PROPELLER NUT	31	86
10-32995	SCREW, STEERING LEVER TO UPPER SWIVEL SHAFT	15	32	11-33825	NUT, REVERSE HOOKS TO REVESE HOOK ARM SCREW	19	12
10-33022	SCREW, UPPER SWIVEL SHAFT RETAINING-GIMBAL RING	15	34	11-33826	NUT, REVERSE HOOK ARM STOP TO REVERSE HOOK ARM SCREW	19	19
10-34695	SCREW, SWITCH ASSEMBLY LEADS CONNECTING	5	32	11-34087	NUT, GIMBAL HOUSING TO TRANSOM PLATE BOLT	5	51
10-34763	SCREW, INHIBITOR PLATE TO GIMBAL HOUSING	13	19	11-34933	NUT, BELL HOUSING TO DRIVE SHAFT HOUSING STUD	19	34
10-35624	BOLT, GIMBAL HOUSING TO TRANSOM PLATE (4")	13	23	11-34933	NUT, DRIVE SHAFT HOUSING TO GEAR HOUSING STUD	33	90
10-36070	SCREW, COVER TO GIMBAL HOUSING (1 1/4")	35	7	11-34933	NUT, GEAR HOUSING TO DRIVE SHAFT HOUSING STUD	19	7
10-36289	SCREW, TRANSOM PLATE TO ENGINE FLYWHEEL HOUSING (4 3/4")	5	44	11-34933	NUT, GIMBAL HOUSING STUD	9	4
10-36398	SCREW, PLUG-BELL HOUSING (1/4")	19	35	11-34933	NUT, GIMBAL HOUSING STUD	11	4
10-37268	SCREW, TRANSOM PLATE TO GIMBAL HOUSING (4 1/4")	5	41	11-35778	NUT, SHOCK ABSORBER TO DRIVE SHAFT HOUSING PIN	15	15
10-37269	SCREW, TRANSOM PLATE TO GIMBAL HOUSING (2")	5	40	11-35814	NUT, SWITCH ACTUATING ARM STUD	3	26
10-37892	SCREW, CONNECTOR TO TRANSOM PLATE (1")	5	38	11-35814	NUT, TILT ADJUSTMENT PIN NOT USED WITH FULL POWER TILT	15	17
11-20110	NUT, RETAINING PLATE AND STRAP SCREW	15	25	11-35814	NUT, WATER PUMP BODY STUD (5/16)	29	38
11-20220	NUT, TRANSOM PLATE TO ENGINE FLYWHEEL HOUSING SCREW	5	49	11-35888	NUT, WATER PUMP BODY STUDS (1/4)	27	37
11-20361	NUT, SHIFT ACTUATING CABLE TO SHIFT CONTROL LEVER	3	14	11-36084	NUT, GIMBAL HOUSING CONNECTOR	35	10
				11-37984	NUT, JAM-STEERING CABLE GUIDE TUBE	5	53

PARTS INDEX

Part Number	Description	Pg.	Ref. No.	Part Number	Description	Pg.	Ref. No.
12-20260	WASHER, DRIVE SHAFT HOUSING GREASE FILLER AND VENT HOLE SCRE	23	6	12-35777	WASHER, SHOCK ABSORBER TO DRIVE SHAFT HOUSING PIN . . .	15	14
12-20260	WASHER, GEAR HOUSING GREASE FILLER AND VENT HOLE SCREW	29	49	12-35935	WASHER, BELL HOUSING TO DRIVE SHAFT HOUSING STUD	19	33
12-20546	WASHER, UPPER SWIVEL SHAFT RETAINING SCREW	15	35	12-35965	WASHER, CUPPED	31	83
12-21900	WASHER, GIMBAL HOUSING TO TRANSOM PLATE BOLT	5	50	12-35965	WASHER, CUPPED INCLUDED WITH 1623-2511A5	31	83
12-22248	WASHER, GIMBAL HOUSING STUD	9	3	12-35981	WASHER, DRIVE GEAR TO UNIVERSAL JOINT NUT . .	25	37
12-22248	WASHER, GIMBAL HOUSING STUD	11	3	12-36446	WASHER, WATER POCKET COVER EARLY STYLE . . .	25	40
12-22753	WASHER, SWITCH ACTUATING ARM SCREW	3	29	12-36446	WASHER, WATER PUMP BODY EARLY STYLE	27	31
12-25909	WASHER, STEERING LEVER PIVOT STUD	15	37	12-37271	WASHER, SQUARE-TRANSOM PLATE SCREW	5	43
12-26825	WASHER, SHIFT CONTROL LEVER STUD	3	10	12-37985	WASHER, STEERING CABLE GUIDE TUBE	5	54
12-26825	WASHER, SWITCH ACTUATING ARM STUD . .	3	25	12-38000	WASHER, SYNTHANE-BELL HOUSING	19	31
12-28421	WASHER, TRANSOM PLATE SCREW	5	45	12-38358	WASHER, UPPER SHIFT SHAFT LEVER SEALING . .	21	57
12-29245	WASHER, REVERSE HOOKS TO REVERSE HOOK ARM SCREW	19	11	12-39143	WASHER, SHIFT ACTUATING CABLE STUD	3	13
12-29330	WASHER, NYLON-STEERING LEVER PIVOT STUD	17	38	12-39143	WASHER, SHIFT CABLE ASSEMBLY SCREW	3	17
12-29395	WASHER, SHIFT SHAFT . . .	29	47	12-45450	THRUST WASHER (1/4) INCLUDED WITH 1623-2511A5	31	81
12-31013	THRUST WASHER, BEARING CARRIER (SPLIT)	31	81	13-26992	LOCKWASHER, WATER PUMP BODY SCREW . . .	27	36
12-31211A2	WASHER, SPLINED - PROPELLER SHAFT	31	84	13-26993	LOCKWASHER, SWITCH ACTUATING ARM SCREW	3	28
12-31266	WASHER, RUBBER - SHIFT SHAFT BUSHING	29	46	13-33734	LOCKWASHER, TRANSOM PLATE SCREW	5	48
12-31536	WASHER, GEAR HOUSING COVER	31	79	13-37272	LOCKWASHER, TRANSOM PLATE SCREW	5	42
12-32506	WASHER, GEAR AND BEARING TO UPPER DRIVE SHAFT	23	18	14-31210	TAB WASHER, PROPELLER NUT	31	85
12-32510	WASHER, UPPER SHIFT SHAFT LEVER	21	58	15-31535A1	SHIM	31	73
12-32518	WASHER, GIMBAL HOUSING TO LOWER SWIVEL PIN .	13	22	15-32563A1	SHIM, BEARING CUP TO TOP COVER	23	17
12-32620	WASHER, GIMBAL HOUSING BOLT	13	24	15-33143A1	SHIM, DRIVE SHAFT BEARIN TO GEAR HOUSING	27	16
12-32666	WASHER, INTERMEDIATE SHIFT SHAFT	19	21	15-35244A1	SHIM, GIMBAL HOUSING BALL BEARING	9	16
12-32834	WASHER, TRANSOM PLATE SCREW	5	47	15-35244A1	SHIM, GIMBAL HOUSING BALL BEARING-	11	16
12-32996	WASHER, UPPER SWIVEL SHAFT (.015)	15	31	15-35931A1	SHIM	31	61
12-32997	WASHER, UPPER SWIVEL SHAFT (.063)	15	31	15-35980A1	SHIM, BEARING CUP TO DRIVE SHAFT HOUSING .	25	36
				15-36178A1	SHIM, BEARING CUP TO DRIVE SHAFT HOUSING .	23	10
				16-29080	STUD, GEAR HOUSING TO DRIVE SHAFT HOUSING (3 3/16")	27	3

PARTS INDEX

Part Number	Description	Pg.	Ref. No.	Part Number	Description	Pg.	Ref. No.
16-30929	STUD, DRIVE SHAFT HOUSING TO GEAR HOUSING	19	3	18-20233	CLIP, RETAINING - SHIFT SHAFT	29	42
16-32467	STUD, SWITCH ACTUATING ARM TO TRANSOM PLATE	3	23	18-32665	COTTER PIN, INTERMEDIATE SHIFT SHAFT RETAINING	19	22
16-32568	STUD, PIVOT-STEERING LEVER	15	36	18-32857	COTTER PIN, SHIFT ACTUATING CABLE TO TRANSOM PLATE	5	39
16-32698	STUD, SHIFT CONTROL LEVER TO TRANSOM PLATE	3	9	18-32857	COTTER PIN, UPPER SHIFT SHAFT TO UPPER SHIFT SHAFT LEVER	21	59
16-34069	STUD, SHIFT ACTUATING CABLE TO SHIFT CONTROL LEVER	3	12	18-34159	COTTER PIN, RETAINING-LOWER SWIVEL PIN	13	21
16-35937	STUD, BELL HOUSING TO DRIVE SHAFT HOUSING	19	32	18-89212	COTTON PIN, CLUTCH ACTUATING SHAFT	31	53
16-36292	STUD, WATER PUMP BASE AND BODY TO GEAR HOUSING (3 3/8")	27	5	19-29850	PLUG, TRIM TAB HOLE-DRIVE SHAFT HOUSING	23	2
16-37270	STUD, GIMBAL HOUSING TO TRANSOM PLATE (4 3/4")	9	2	19-32525	WELCH PLUG, UPPER SHIFT SHAFT LEVER	21	56
16-37270	STUD, GIMBAL HOUSING TO TRANSOM PLATE (4 3/4")	11	2	19-32652	WELCH PLUG, DRIVE SHAFT HOUSING	19	5
16-45198	STUD, GEAR HOUSING TO DRIVE SHAFT HOUSING (2")	27	4	22-21290	PLUG, PIPE-GIMBAL HOUSING	9	9
17-20302	PIN, PIVOT-REVERSE HOOK RELEASE LEVER TO BELL HOUSING	21	47	22-21290	PLUG, PIPE-GIMBAL HOUSING	11	9
17-21438	PIN, DOWEL - GEAR HOUSING TO DRIVE SHAFT HOUSING	27	9	22-23612	FITTING, GREASE-GIMBAL RING	15	5
17-29967	PIN, IMPELLER DRIVE	27	34	22-31345	FITTING, GREASE-BELL HOUSING	19	36
17-30545	PIN, DRIVE SHAFT	27	11	22-31345	FITTING, GREASE-GIMBAL HOUSING	9	10
17-30632	CROSS PIN	31	67	22-31345	FITTING, GREASE-GIMBAL HOUSING	11	10
17-32508	PIN, SWIVEL-GIMBAL HOUSING TO GIMBAL RING(LOWER)-EARLY STYLE	13	20	22-31704	PLUG, PIPE-DRIVE SHAFT HOUSING (WATER POCKET)	19	4
17-35571	PIN, HINGE PIN RETAINING-GIMBAL RING	15	8	22-32125	CONNECTORM SHIFT ACTUATING CABLE-BELL HOUSING	19	25
17-35571	PIN, SHOCK ABSORBER PIN RETAINING-GIMBAL RING	15	12	22-32561	PLUG, PIPE-UPPER SWIVEL SHAFT	15	30
17-35779A1	PIN ASSEMBLY, SHOCK ABSORBER TO DRIVE SHAFT HOUSING	15	13	22-33066	CONNECTOR, WATER HOSE TO BELL HOUSING	19	24
17-35813A1	TILT PIN ASSEMBLY, GIMBAL RING NOT USED WITH FULL POWER TILT	15	16	22-36033	CONNECTOR, GIMBAL HOUSING	35	8
17-35973	DOWEL PIN, WATER PUMP BASE TO WATER PUMP BODY	27	24	23-25915	BUSHING, STEERING LEVER PIVOT STUD	17	42
17-37972	PIN, SHIFT CRANK - GEAR HOUSING	27	2	23-28055	BUSHING, RUBBER-WATER TUBE SEALING	13	29
17-38031	PIN, HINGE-GIMBAL RING TO BELL HOUSING	15	7	23-29804	SLEEVE, GUIDE - WATER INLET TUBE	29	40
17-45212	PIN, SWIVEL-GIMBAL HOUSING TO GIMBAL RING (LOWER)-LATE STYLE	13	20A	23-30617A1	BUSHING ASSEMBLY, SHIFT SHAFT	29	44
				23-31758	SPACER, SHIFT CONTROL LEVER STUD	3	8
				23-31866	SPACER, SHIFT CABLE ASSEMBLY SCREW	3	16
				23-31902	SPACER, TILT STOP SWITCH TO RETAINING PLATE	15	21

PARTS INDEX

Part Number	Description	Pg.	Ref. No.	Part Number	Description	Pg.	Ref. No.
23-32591	SPACER, UPPER DRIVE SHAFT	23	14	26-31249	OIL SEAL, SHIFT SHAFT BUSHING	29	45
23-32632	BUSHING, DRIVE SHAFT HOUSING	19	2	26-31507	OIL SEAL, WATER PUMP BASE	27	23
23-32848	BUSHING, RUBBER-SHOCK ABSORBER	15	10	26-31507	OIL SEAL, WATER PUMP BODY	27	30
23-32914	SLEEVE, SWITCH ASSEMBLY LEADS	5	34	26-32511	OIL SEAL, GEAR CHAMBER-DRIVE SHAFT HOUSING	23	8
23-35088	BUSHING, UPPER SHIFT SHAFT-BELL HOUSING	19	28	26-32540	OIL SEAL, UPPER GIMBAL HOUSING BUSHING	11	8
23-35130	ADAPTOR, BEARING CARRIER	9	13	26-32540	OIL SEAL, UPPER GIMBAL HOUSING ROLLER BEARING	9	8
23-35985	SPACER, DRIVE GEAR ROLLER BEARING CUPS	25	35	26-32541	OIL SEAL, GIMBAL RING	15	3
23-36290	SPACER, TRANSOM PLATE SCREW	5	46	26-32911	OIL SEAL, LOWER GIMBAL HOUSING ROLLER BEARING	9	6
23-37981	SPACER, SWITCH ACTUATING ARM TO TRANSOM PLATE	3	24	26-32911	OIL SEAL, LOWER GIMBAL HOUSING ROLLER BEARING	11	6
23-38634	BUSHING, SYNTHANE-GIMBAL HOUSING (UPPER)	11	7A	26-33144	OILSEAL, WATER PUMP BASE	27	22
23-39273	SPACER, GIMBAL RING	15	4	26-36054	OIL SEAL, CARRIER	23	33
24-20510	SPRING, STEERING LEVER PIVOT STUD	17	41	26-36143	SEAL, GREASE-GIMBAL HOUSING	9	12
24-30893	SPRING, RETAINER - CROSS PIN	31	68	26-36143	SEAL, GREASE-GIMBAL HOUSING	11	12
24-32659	SPRING, TENSION-REVERSE HOOK ARM TO DRIVE SHAFT HOUSING SCRE	19	16	26-36557	SEAL, RUBBER - WATER INLET TUBE EARLY STYLE	27	32
24-34576	SPRING, COMPRESSION - DRIVE SHAFT	27	12	26-36557	SEAL, RUBBER-WATER POCKET COVER EARLY STYLE	25	41
24-36102	SPRING, TORSION-REVERSE HOOK RELEASE LEVER	21	48	26-37259	OIL SEAL, DRIVE SHAFT HOUSING-LOWER	23	7
24-37827	SPRING, TENSION-REVERSE HOOK TO REVERSE HOOK ARM	19	13	26-38970	SEAL, RUBBER - WATER INLET TUBE LATE STYLE	27	32
24-39426	SPRING, COMPRESSION-SWITCH ACTUATING ARM PLUNGER	3	21	26-38970	SEAL, RUBBER-WATER POCKET COVER LATE STYLE	25	41
25-25439	"O" RING, SHIFT SHAFT BUSHING	29	43	26-76868	OIL SEAL	31	77
25-25439	"O" RING, UNIVERSAL JOINT	23	28	27-29586	GASKET, GEAR HOUSING FLUSHING HOLE SCREW	29	51
25-30271	RING, RUBBER - CENTRIFUGAL SLINGER (DRIVE SHAFT)	29	39	27-32433	GASKET, LOWER - WATER PUMP BASE TO FACE PLATE	27	25
25-30613	"O" RING, UPPER - DRIVE SHAFT	27	13	27-32434	GASKET, UPPER - FACE PLATE TO WATER PUMP BODY	27	27
25-31534	O-RING, BEARING CARRIER	31	74	27-32569	GASKET, WATER POCKET COVER	25	42
25-32546	"O" RING, TOP COVER SEALING	23	20	27-32658	GASKET, GIMBAL HOUSING TO TRANSOM	13	35
25-33145	"O" RING, WATER PUMP BASE	27	20	27-33146	GASKET, WATER PUMP BASE TO GEAR HOUSING	27	19
25-33504	"O" RING, BELL HOUSING	19	30	27-35982	GASKET, RUBBER-BELL HOUSING	19	29
25-35984	"O" RING, OIL SEAL CARRIER	23	31	27-35996	GASKET, DRIVE SHAFT HOUSING TO BELL HOUSING	19	--
26-29612	SEAL, GEAR HOUSING FLUSHING HOLE SCREW	29	52				

PARTS INDEX

Part Number	Description	Pg.	Ref. No.	Part Number	Description	Pg.	Ref. No.
27-35996	GASKET, DRIVE SHAFT HOUSING TO BELL HOUSING	19	6	32-36086	HOSE, COMMECTING - GIMBAL HSG. TO TILT CYLINDER (STARBOARD)	35	5
27-36043	GASKET, GIMBAL HOUSING CONNECTOR	35	9	32-37991	HOSE, LIFT - HYDRAULIC PUMP TO GIMBAL HOUSING (24")	35	1
28-30281	KEY	31	78	32-38377	TUBE, SUPPORT-SHIFT ACTUATING CABLE	5	57
30-17927	BALL BEARING, REVERSE GEAR	31	72	37-32654	DECAL, DRIVE SHAFT HOUSING- STARBOARD EARLY STYLE	23	4
30-36418	BEARING, BALL-GIMBAL HOUSING	9	14	37-32655	DECAL, DRIVE SHAFT HOUSING-PORT EARLY STYLE	23	3
30-36418	BEARING, BALL-GIMBAL HOUSING	11	14	37-33737	DECAL, NAME PLATE (POWERED BY MERCUISE DRIVE)	25	--
31-30895	ROLLER BEARING	31	63	37-39345A1	DECAL SET, DRIVE SHAFT HOUSING LATE STYLE	23	3&4
31-30956	ROLLER BEARING	31	76	37-39395	DECAL, SERIAL NUMBER LATE STYLE	3	-
31-32535	BEARING, ROLLER-GIMBAL HOUSING (UPPER)	9	7	38-32738	SERIAL PLATE	3	5
31-32536	BEARING, ROLLER-GIMBAL HOUSING (LOWER)	9	5	43-35922	GEAR, PINION DRIVE - SHAFT	27	14
31-32536	BEARING, ROLLER-GIMBAL HOUSINH (LOWER)	11	5	43-35930A2	FOWARD GEAR ASSEMBLY	31	62
31-32538	BEARING, ROLLER-GIMBAL RING	15	2	43-35994A2	GEAR ASSEMBLY, COMPLETE- MERCUISE (24-24 GEAR RATIO)	23	13
31-32575A1	TAPERED ROLLER BEARING ASSEMBLY, UPPER DRIVE SHAFT	23	15	43-36219A1	GEAR ASSEMBLY, COMPLETE- MERCUISE IB (20-24 GEAR RATIO)	23	13
31-32576	CUP, TAPERED ROLLER BEARING	23	16	43-36342A1	GEAR ASSEMBLY, COMPLETE- MERCUISE IA (21-23 GEAR RATIO)	23	13
31-35923	CUP, TAPERED ROLLER BEARING	27	18	43-37964	REVERSE GEAR	31	70
31-35927	CUP, TAPERSD ROLLER BEARING	31	65	44-45452	PROP SHAFT (STAINLESS STEEL SPLINES)	31	69
31-35928A1	TAPERED ROLLER BEARING ASSEMBLY	31	64	44-45452A2	PROP SHAFT	31	69
31-35934	BEARING, ROLLER - DRIVE SHAFT	27	7	45-32583	DRIVE SHAFT, UPPER	23	9
31-35988A2	TAPERED ROLLER BERAING ASSEMBLY, DRIVE GEAR	25	34	45-36386A1	DRIVE SHAFT ASSEMBLY	27	10
31-35990A1	TAPERED ROLLER BEARING ASSEMBLY, PINION GEAR	23	11	46-34447A1	WATER PUMP BASE ASSEMBLY	27	21
31-35991	CUP TAPERED ROLLER BEARING	23	12	46-37433A1	WATER PUMP BODY ASSEMBLY	27	28
31-36387A1	TAPERED ROLLER BEARING ASSEMBLY, DRIVE SHAFT	27	17	47-30221	IMPELLER, WATER PUMP	27	33
32-32461	HOSE, WATER-BELL HOUSING TO GIMBAL HOUSING	21	41	52-37963	CLUTCH	31	66
32-32587	TUBE, WATER-WATER POCKET COVER	25	44	53-35128	RING, RETAINING-BEARING CARRIER (LARGE)	9	15
32-32631	TUBE, WATER-GIMBAL HOUSING	13	28	53-35128	RING, RETAINING-BEARING CARRIER (LARGE)	11	15
32-32787	HOSE, EXHAUST-GIMBAL HOUSING	13	33	54-20386	CLAMP, ACTUATING CABLE BELLOWS TO SHIFT ACTUATING CABLE	13	26
32-34049	TUBE, NYLON-SHIFT ACTUATING CABLE GUIDE	7	62	54-22627	CLIP, LIFT HOSE TO TRANSOM PLATE	35	2
32-35015	TUBE, STEERING CABLE GUIDE (7/8"O.D.)	5	52	54-31765	CLAMP, UNIVERSAL JOINT BELLOWS TO BELL HOUSING	21	39
32-36085	HOSE, COMMECTING - GIMBAL HSG. TO TILT CYLINDER (PORT)	35	4				

PARTS INDEX

Part Number	Description	Pg.	Ref. No.	Part Number	Description	Pg.	Ref. No.
54-31766	CLAMP, SHIFT ACTUATING CABLE BELLOWS TO GIMBAL HOUSING	13	27				
54-32523	CLAMP, WATER HOSE TO BELL HOUSING CONNECTOR	21	42				
54-32523	CLAMP, WATER HOSE TO GIMBAL HOUSING WATER TUBE	21	43				
54-32533	CLAMP, EXHAUST BELLOWS TO BELL HOUSING	21	45				
54-32533	CLAMP, EXHAUST BELLOWS TO GIMBAL HOUSING	21	46				
54-32739	CLAMP, EXHAUST HOSE TO ENGINE	13	32				
54-32739	CLAMP, EXHAUST HOSE TO GIMBAL HOUSING	13	34				
54-37282	CLAMP, CUT-OUT SWITCH LEADS AND TILT SWITCH LEAD TO TR. PLATE	3	2				
55-32607	PIN, SHOCK ABSORBER TO GIMBAL RING	15	11				
55-35998	SHOCK ABSORBER	15	9				
91-32555	ROD, ALIGNMENT- TRANSOM PLATE TO ENGINE	7	--				
92-33749-1	SEALER, EXHAUST HOSE TO GIMBAL HOUSING . . .	13	--				
1547-2411A17	DRIVE SHAFT HOUSING ASSEMBLY	19	1				
1547-2411A17	DRIVE SHAFT HOUSING ASSEMBLY (SEE PAGE 7 FOR PARTS BREAKDOWN	23	1				
1623-2511A1	GEAR HOUSING ASSEMBLY	27	1				
1623-2511A1	GEAR HOUSING ASSEMBLY	31	1				
1623-2511A3	GEAR HOUSING ASSEMBLY, COMPLETE SEE NOTE BELOW	27	-				
1623-2511A5	GEAR HOUSING ASSEMBLY, COMPLETE	31	-				
1623-2511A5	GEAR HOUSING ASSEMBLY, COMPLETE SEE NOTE BELOW	27	-				