



3.4 LITRE

TABLE OF CONTENTS:

CARBURETOR ASSEMBLY	25
CARBURETOR PLATE AND REED BLOCK	21
COWLS AND FRONT COVER	5
CRANKSHAFT PISTONS AND CONNECTING RODS	41
CYLINDER BLOCK AND END CAPS	33
DRIVE SHAFT HOUSING AND EXHAUST TUBE	43
ENRICHNER VALVE AND HOSES	31
EXHAUST MANIFOLD AND CYLINDER HEAD	37
EXHAUST PLATE	39
FLYWHEEL STARTER MOTOR AND IGNITION COILS	9
FUEL PUMPS	27
GEAR HOUSING (DRIVE SHAFT)	53
GEAR HOUSING (PROPELLER SHAFT)	57
HYDRASTEER COMPONENTS	61
HYDRAULIC PUMP (DESIGN I)	67
HYDRAULIC PUMP (DESIGN II)	71
HYDRAULIC PUMP AND MOUNTING BRACKETS	63
MISCELLANEOUS PARTS/ACCESSORIES	3
SOUND ATTENUATOR AND COWL BRACKET	7
STARTER MOTOR ASSEMBLY (BOSCH)	13
STARTER MOTOR ASSEMBLY (PRESTOLITE)	11
SWIVEL BRACKET AND STEERING ARM	45
TACHOMETER TRIM GAUGE AND ALARM HORN	69
THROTTLE LEVER	19
TRANSOM BRACKETS	49
WIRING HARNESS STARTER SOLENOID AND RECTIFIER	15
PARTS INDEX	72

NOTE: Indented description indicate that these parts are included in preceding assembly.

AR = As Required **NSS** = Not Sold Separate **OPT** = Optional **NS** = Not Shown

NOTE: Following symbols are located in **SYM** column.

● = NO LONGER AVAILABLE

▮ = AS REQUIRED

◇ = HYDRASTEER LOCKING KIT 93538A 1.

♥ = COMPONENT OF GASKET SET 88605A80.

□ = COMPONENT OF GASKET AND PACKING SET 9062.

» = COMPONENT OF REPAIR PARTS KIT (WO-3) 9063.

♠ = COMPONENT OF REPAIR PARTS KIT (WO-5) 9063.

* = When ordering Basic Gear Housing or Gear Set, order Complete Gear Housing:

→ = 9554A12 (LONG)

← = 9554A 6 (X-LONG)

THESE PARTS BOOKS/FICHE CARD ARE COPYRIGHTED AND MAY NOT BE DISTRIBUTED OR REPRODUCED IN ANY OTHER FORMAT BY ANYONE OTHER THAN MERCURY MARINE WITHOUT THE PRIOR WRITTEN CONSENT OF MERCURY MARINE.

Models covered by this Parts Manual

Model Part No.	Model Name	Year	Country	Starting Serial No.	Ending Serial No.
1300623					9999999999999999
1300625					9999999999999999

CONTINUED ON NEXT PAGE ➡

TABLE OF CONTENTS:

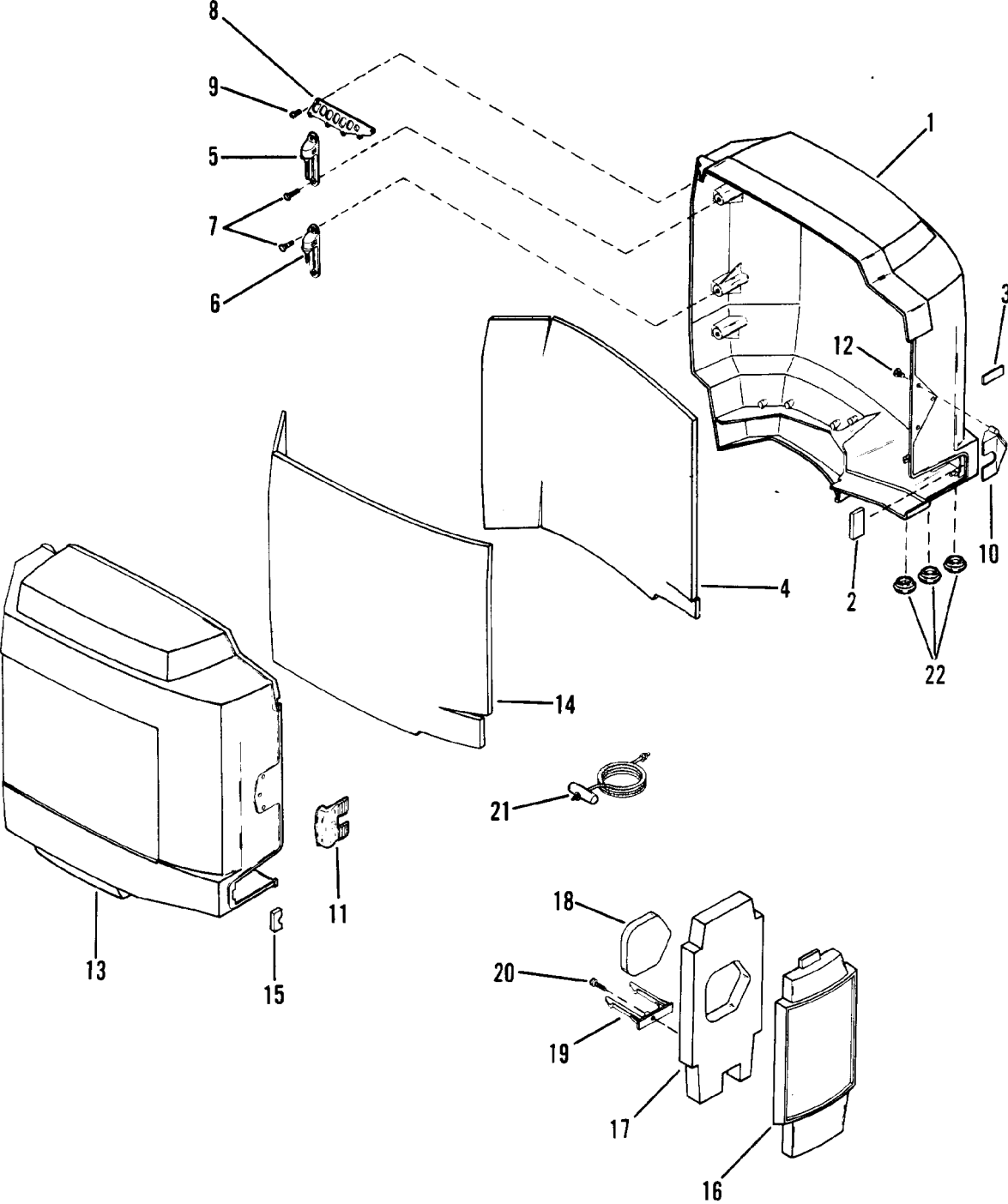
Model Part No.	Model Name	Year	Country	Starting Serial No.	Ending Serial No.
1300645					9999999999999999
1300627					9999999999999999
1300624					9999999999999999
1300626					9999999999999999
1300644					9999999999999999
1300646					9999999999999999
1300647					9999999999999999
1300643					9999999999999999

MISCELLANEOUS PARTS/ACCESSORIES

MISCELLANEOUS PARTS/ACCESSORIES

REF. NO.	PART NO.	SYM.	QTY.	DESCRIPTION
--	90-44507		--	3.4 LITRE
--	37-13487A89		--	DECAL SET
--	90-11227 1		--	OWNERS GUIDE, (BLACK)

COWLS AND FRONT COVER

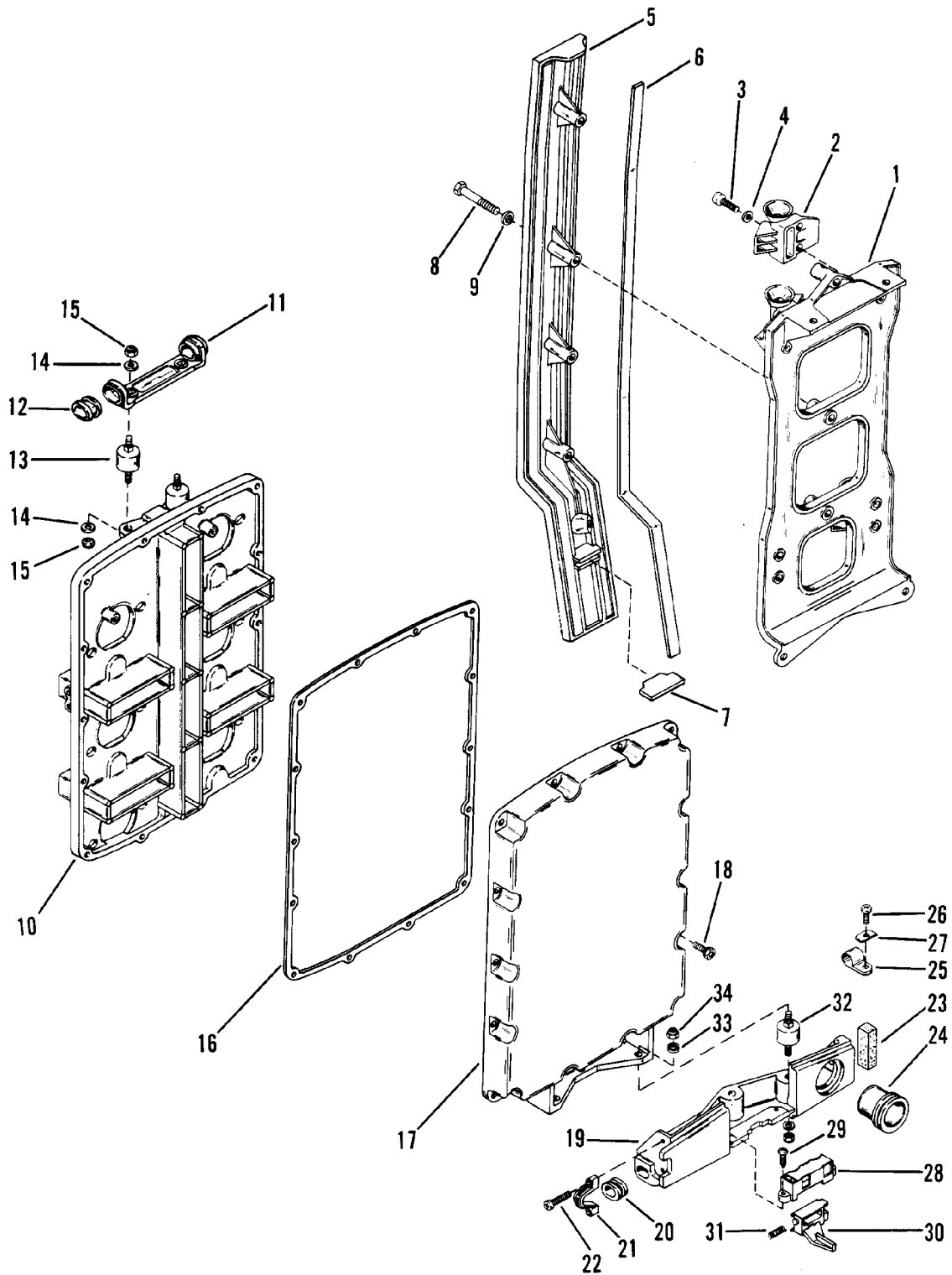


46394

COWLS AND FRONT COVER

REF. NO.	PART NO.	SYM.	QTY.	DESCRIPTION
1	2179-7606A 3		1	COWL ASSEMBLY, PORT (WITHOUT DECALS)
2	88354		1	SEAL, CONTROL CABLE
3	67258		1	PAD, COWL TO FRONT COVER
4	91837		1	BLANKET, SOUND - COWL
5	88351		2	BRACKET, COWL ATTACHING (UPPER)
6	88350		2	BRACKET, COWL ATTACHING (LOWER)
7	10-40003 55		8	SCREW, (M8 x 35), UPPER AND LOWER BRACKETS
8	88477		2	SHIELD, INLET - COWL
9	10-48409		12	SCREW, (#10-16 x .625) Stainless Steel, SHIELD TO COWL
10	88348		1	CATCH, COWL LATCH
11	88349		1	LATCH, COWL - STARBOARD
12	10-48409		6	SCREW, (#10-16 x .625) Stainless Steel, COWL LATCH
13	2180-7607A 2		1	COWL ASSEMBLY, STARBOARD (WITHOUT DECALS)
14	92015		1	BLANKET, SOUND - COWL
15	88359		1	SEAL, HARNESS
16	2181-7613A 3		1	COVER ASSEMBLY, Cowl - Front, (WITHOUT DECALS)
17	95120		1	BLANKET, SOUND - COWL FRONT COVER
18	95711		1	SOUND BLANKET, (INSERT)
19	61158		1	HOOK, COWL FRONT COVER ATTACHING
20	10-75162		1	SCREW, HOOK TO COWL FRONT COVER
21	47341A 1		1	ROPE AND HANDLE KIT, Manual/Emergency Start, (FOR MANUAL STARTING)
22	19-73336		6	PLUG, COWL

SOUND ATTENUATOR AND COWL BRACKET



46396

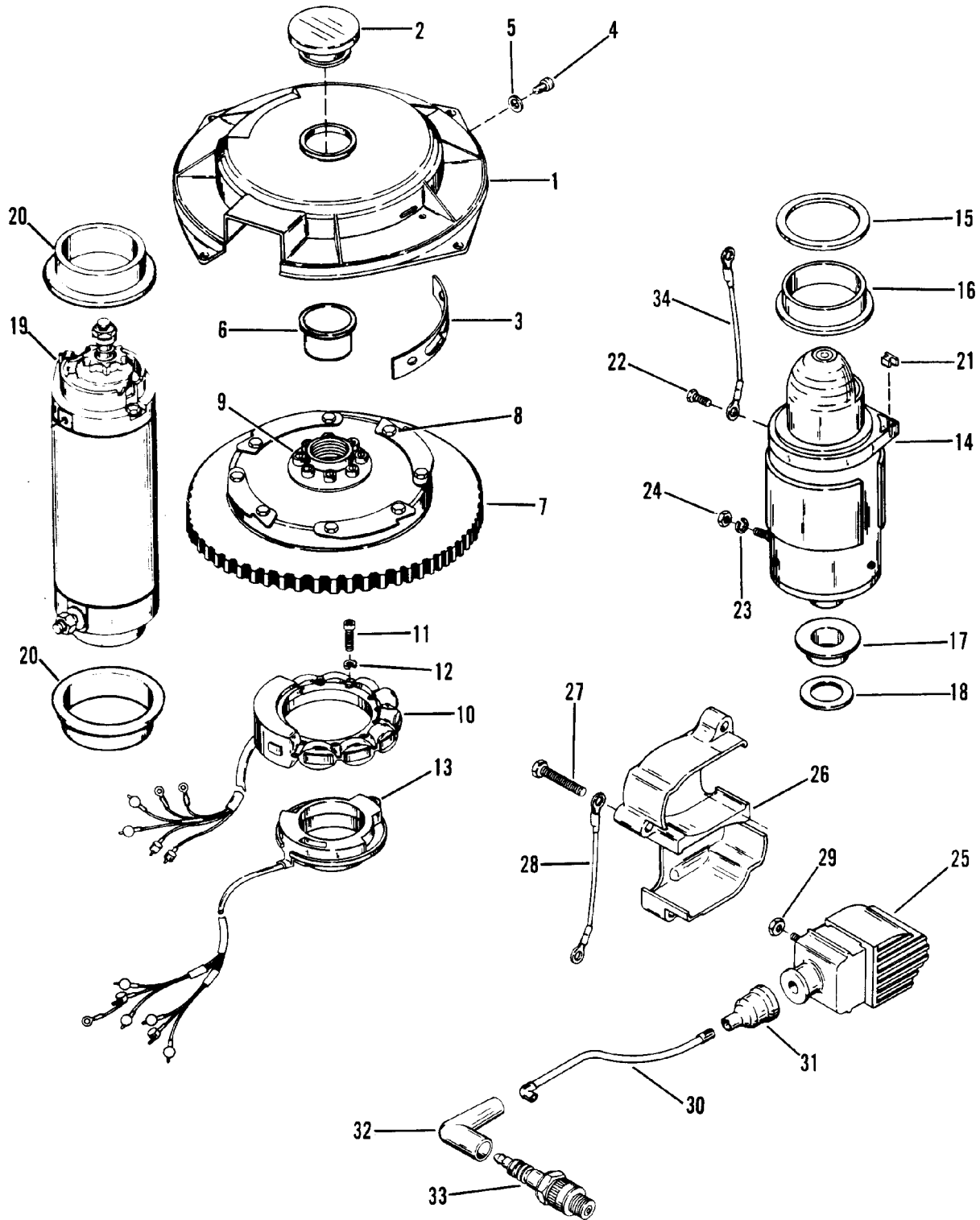
SOUND ATTENUATOR AND COWL BRACKET

REF. NO.	PART NO.	SYM.	QTY.	DESCRIPTION
1	88364		1	BRACKET, COWL SUPPORT
2	85651		2	HOUSING, COWL HINGE (PORT)
	85650		2	HOUSING, COWL HINGE (STARBOARD)
3	10-76621		8	SCREW, COWL HINGE HOUSING
4	12-20583		8	WASHER, HOUSING SCREW
5	88361		1	BRACKET, REAR COWL
6	88358		2	SEAL, REAR COWL BRACKET
7	88356		1	SEAL, REAR COWL BRACKET
8	10-40003 35		4	SCREW, (M6 x 50), REAR COWL BRACKET
9	12-40023 15		4	WASHER, REAR COWL BRACKET SCREW
10	96209		1	PLATE, SOUND ATTENUATOR
11	67245		1	BRACKET, COWL MOUNTING (UPPER)
12	25-67272		2	GROMMET, COWL MOUNTING BRACKET
13	90435		2	MOUNT
14	12-21249		4	WASHER, MOUNT
15	11-20361		4	NUT, (.250-28), MOUNT
16	27-89819	♥	1	GASKET, PLATE
17	88503		1	COVER, SOUND ATTENUATOR
18	10-40062128		14	SCREW, COVER
19	96854		1	BRACKET, COWL SUPPORT - FRONT
20	25-67272		2	GROMMET, FRONT BRACKET
21	88621		1	RETAINER, CABLE
22	10-34994		2	SCREW, (#10-32 x 1.00) Stainless Steel, RETAINER TO FRONT BRACKET
23	88357		1	SEAL, FRONT BRACKET
24	88352		1	BOOT, FUEL ADAPTOR
25	54-26550		1	CLAMP, FRONT BRACKET
26	10-78291		1	SCREW, (.190-24 x .500), CLIP
27	69205		1	C WASHER, CLIP SCREW
28	67241		1	HOUSING, COWL LATCH
29	10-92051		2	SCREW, (10-16 x .75), HOUSING TO FRONT BRACKET
30	76264		1	LATCH
31	24-85367		1	SPRING, COWL LATCH
32	90435		3	MOUNT
33	12-21249		6	WASHER, MOUNT
34	11-20361		6	NUT, (.250-28), MOUNT
--	27-88605A80		--	GASKET SET CONTENTS INDICATED BY FOOTNOTE 11.

♥ = COMPONENT OF GASKET SET 88605A80.

FLYWHEEL

STARTER MOTOR AND IGNITION COILS



46398

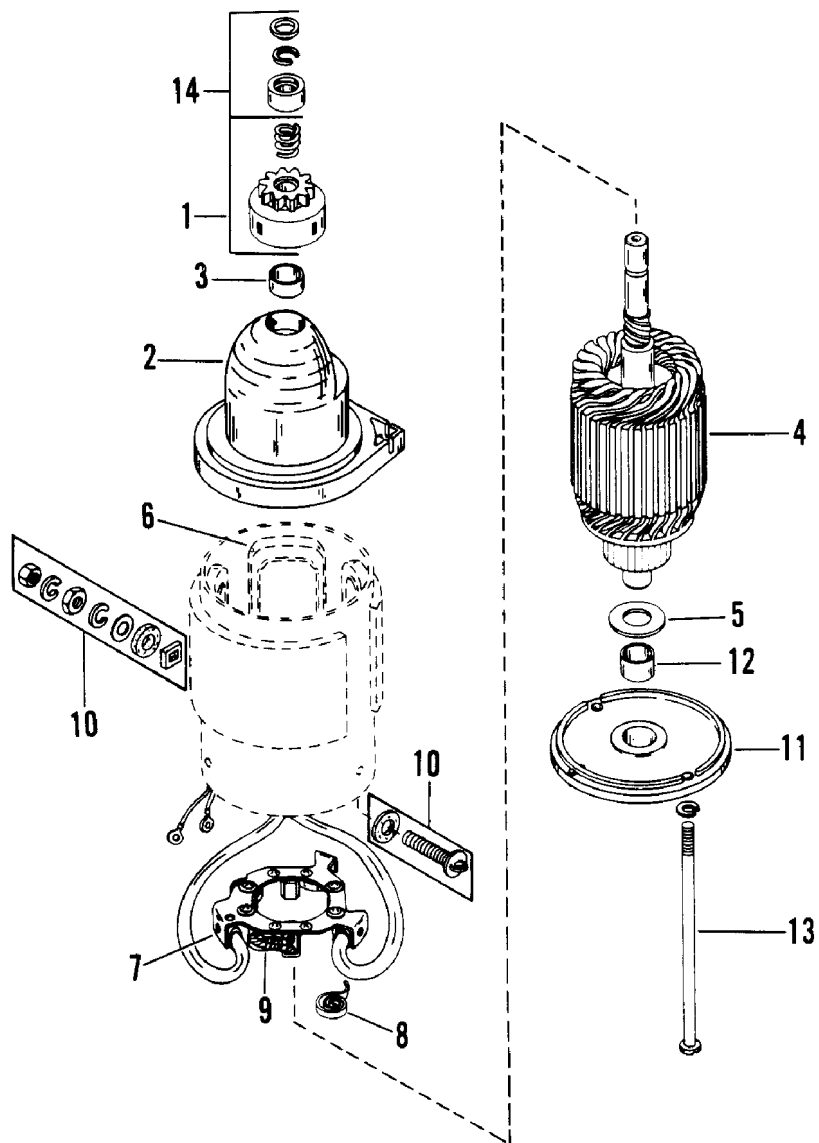
FLYWHEEL

STARTER MOTOR AND IGNITION COILS

REF. NO.	PART NO.	SYM.	QTY.	DESCRIPTION
1	88783		1	COVER, FLYWHEEL
2	19-89219		1	PLUG, FLYWHEEL COVER
3	79022		1	MARKER, TIMING
4	10-37572		2	SCREW, (.190-32 x .380), TIMING MARKER
5	12-72761		2	WASHER, (.203 x .562 x .060) Stainless Steel, TIMING MARKER SCREW
6	19-45907		1	PLUG, Yellow, FLYWHEEL
7	257-7555A11		1	FLYWHEEL ASSEMBLY, COMPLETE
8	10-32417		8	SCREW, (.250-28 x .625), FLYWHEEL PLATE
9	10-89317		8	SCREW, FLYWHEEL HUB
10	398-5454A55		1	STATOR ASSEMBLY
11	10-77363		1	SCREW, (#10-24 x 1.50), STATOR
12	13-26996		4	LOCKWASHER, (#10) Stainless Steel, STATOR SCREW
13	89004A 5		1	TRIGGER PLATE ASSEMBLY
14	50-88656		1	STARTER MOTOR ASSEMBLY, PRESTOLITE
15	12-93900	■	AR	WASHER, STARTER MOTOR (UPPER) (PRESTOLITE)
16	88738		1	COLLAR, STARTER MOTOR (UPPER) (PRESTOLITE)
17	88739		1	COLLAR, STARTER MOTOR (LOWER) (PRESTOLITE)
18	12-93901	■	AR	WASHER, STARTER MOTOR (LOWER) (PRESTOLITE)
19	50-44415		1	STARTER MOTOR ASSEMBLY, (BOSCH)
20	56703		2	COLLAR, STARTER MOTOR (BOSCH)
21	68042		2	STOP, Rubber, RUBBER - STARTER MOTOR
22	10-69035		1	SCREW AND LOCKWASHER, (.250-20 x .625) Stainless Steel, CABLE TO STARTER MOTOR
23	13-39107		1	LOCKWASHER, (.312-24), STARTER MOTOR TERMINAL
24	11-21908		1	NUT, (.312-18) Cad Plated, STARTER MOTOR TERMINAL
25	339-7370A13		6	COIL ASSEMBLY, Ignition, IGNITION
26	67614		3	COVER, IGNITION COIL
27	10-62842		12	SCREW, IGNITION COIL COVER
28	84-60466A 7		6	CABLE ASSEMBLY, Ground, IGNITION COIL (BLACK)
29	11-45076		12	NUT, (#10-32) Brass, IGNITION COIL TERMINAL
30	84-99215A25		6	LEAD ASSEMBLY, HIGH TENSION
31	332-2854		6	BOOT, HIGH TENSION CABLE
32	85-63709A 1		6	BOOT/TERMINAL KIT, HIGH TENSION CABLE
33	33-97180		6	SPARK PLUG, (NGK-BUHW)
34	84-93388A 1		1	CABLE ASSEMBLY, (6.00 Inches) Black, STARTER MOTOR TO GROUND (BLACK)

■ = AS REQUIRED

STARTER MOTOR ASSEMBLY (PRESTOLITE)



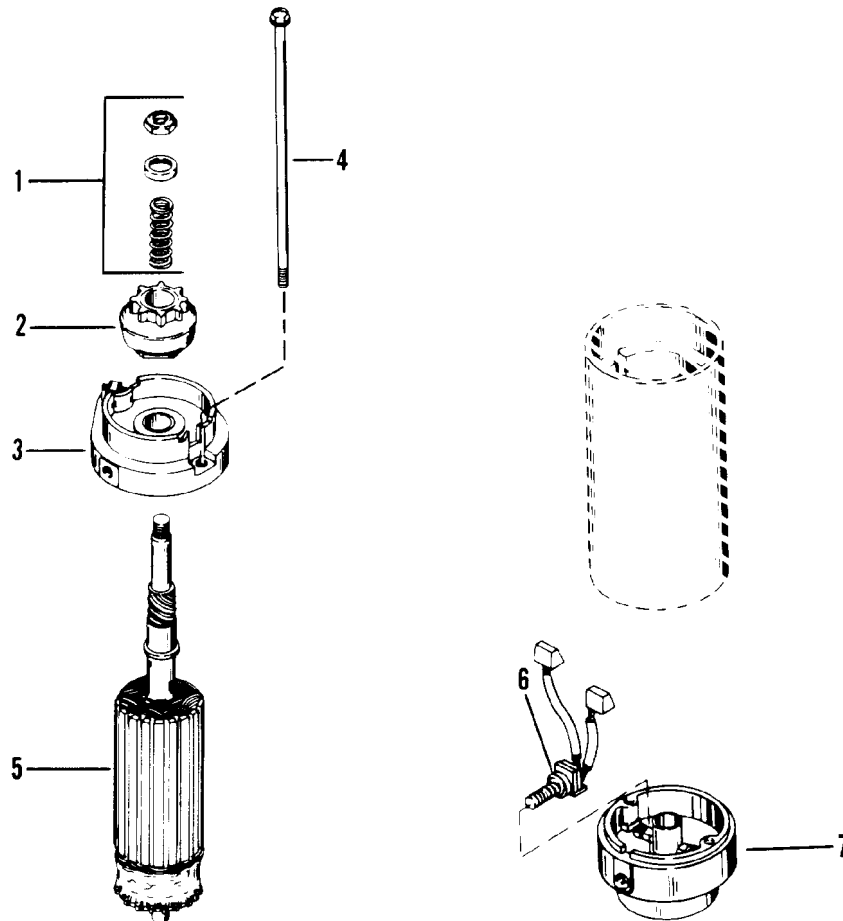
46399

STARTER MOTOR ASSEMBLY

(PRESTOLITE)

REF. NO.	PART NO.	SYM.	QTY.	DESCRIPTION
-	50-88656		1	STARTER MOTOR ASSEMBLY
1	392-9129		1	BENDIX DRIVE
2	392-9133		1	HOUSING ASSEMBLY, DRIVE END
3	392-9134		1	BEARING
4	392-9128		1	ARMATURE
5	392-5730		1	THRUST WASHER PACKAGE
6	392-9130		1	COIL, Field
7	392-5726		1	BRUSH PLATE
8	392-5727		1	SPRING SET
9	392-6181		1	BRUSH SET
10	392-5728		1	TERMINAL STUD PACKAGE
11	392-9131		1	HEAD, COMMUTATOR END
12	392-9132		1	BEARING
13	392-9136		1	THRU BOLT
14	392-9135		1	STOP KIT, Pinion

STARTER MOTOR ASSEMBLY (BOSCH)



46400

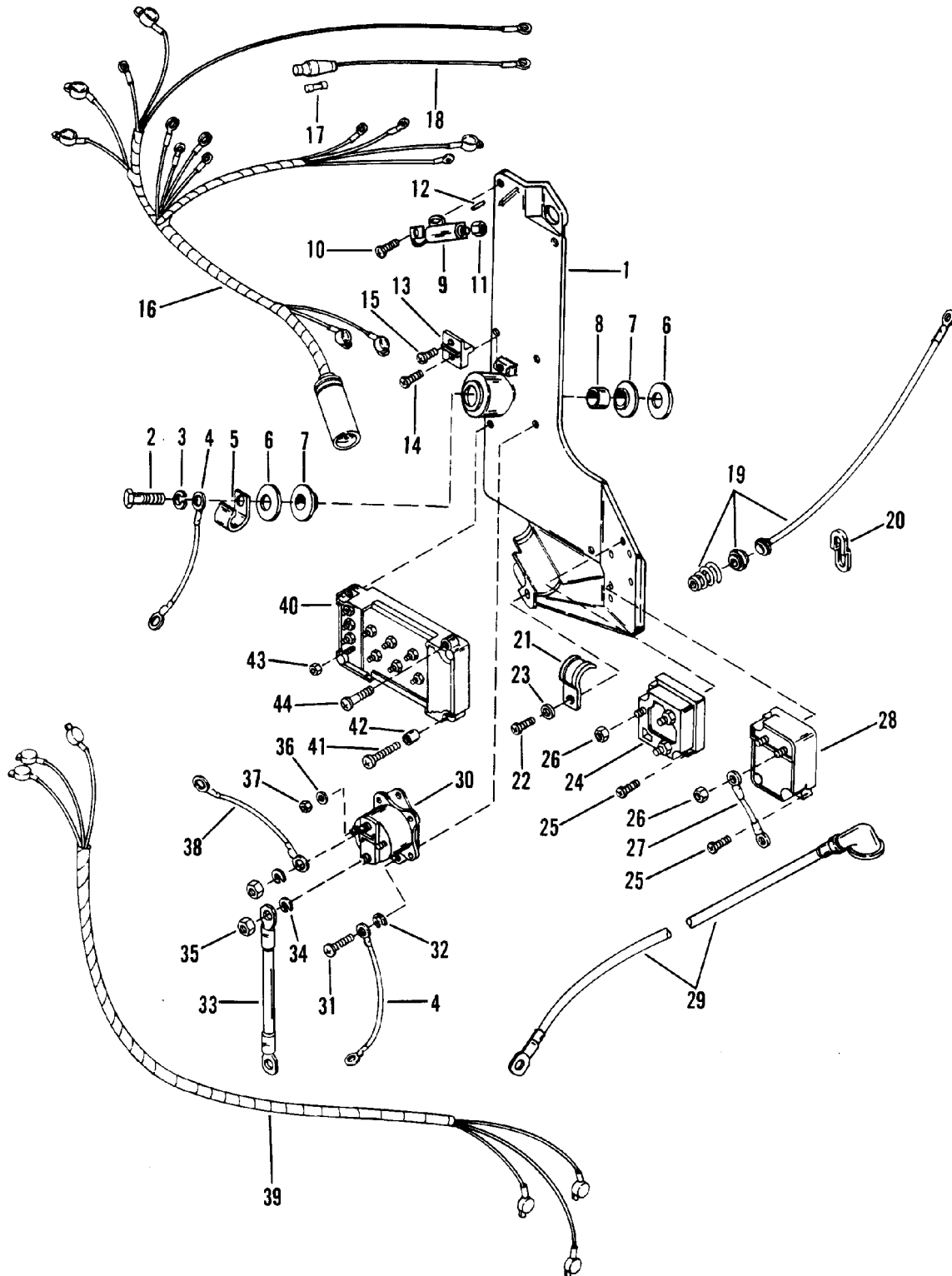
STARTER MOTOR ASSEMBLY

(BOSCH)

REF. NO.	PART NO.	SYM.	QTY.	DESCRIPTION
-	50-44415		1	STARTER MOTOR ASSEMBLY
1	90645		1	DRIVE KIT
2	13310		1	DRIVE
3	13311		1	PLATE, DRIVE END
4	13313		2	BOLT, THRU
5	13312		1	ARMATURE
6	75384		1	BRUSH/SPRING KIT
7	13314		1	END CAP, COMMUTATOR

WIRING HARNESS

STARTER SOLENOID AND RECTIFIER



46407

WIRING HARNESS

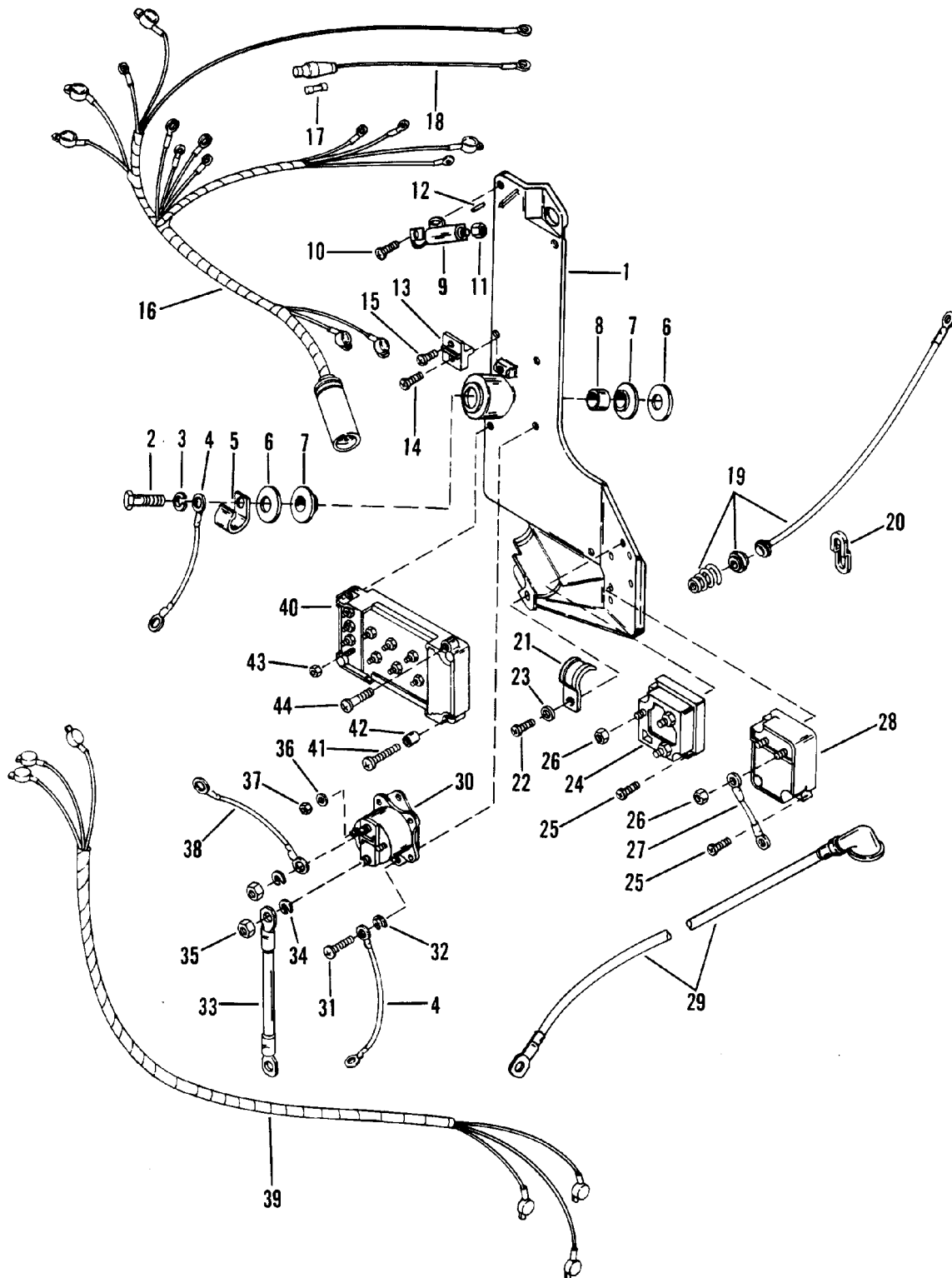
STARTER SOLENOID AND RECTIFIER

REF. NO.	PART NO.	SYM.	QTY.	DESCRIPTION
1	91882		1	PLATE, IGNITION
2	10-40001140		3	SCREW, (M8 x 35), IGNITION PLATE
3	13-26993		3	LOCKWASHER, (.312), IGNITION PLATE SCREW
4	84-65999A 2		2	CABLE ASSEMBLY, Black, GROUND (BLACK)
5	54-47483		1	J CLIP, FUSE HOLDER - PLATE SCREW
6	12-36042		6	WASHER, IGNITION PLATE SCREW
7	12-67264		6	WASHER, (Rubber), IGNITION PLATE SCREW (RUBBER)
8	23-67268		3	BUSHING, IGNITION PLATE SCREW
9	87-33386A 3		1	SWITCH ASSEMBLY
10	10-20646		1	SCREW, (.190-32 x .62), Mercury switch to ignition plate (5/8")
11	11-45076		1	NUT, (#10-32) Brass, MERCURY SWITCH TERMINAL
12	17-36242		2	PIN, Roll, MERCURY SWITCH
13	86-66986		1	TERMINAL BLOCK, IGNITION PLATE
14	10-69079		1	SCREW, (#10-16 x .440), TERMINAL BLOCK ATTACHING
15	10-37572		1	SCREW, (.190-32 x .380), LEADS TO TERMINAL BLOCK
16	84-92432A 1		1	HARNESS ASSEMBLY, ENGINE
17	88-79091		1	FUSE, 20 Ampere
18	84-95084A 2		1	CABLE ASSEMBLY, FUSE
19	78799		1	SENDER, Temperature (19.50 Inch)
20	89565		1	COVER, TEMPERATURE SENDER
21	88751		1	CLAMP, WIRING HARNESS
22	10-28636		1	SCREW, (.250-20 x .750), CLAMP TO IGNITION PLATE
23	12-20533		1	WASHER, CLAMP SCREW
24	62351A 2		1	RECTIFIER ASSEMBLY
25	10-20646		1	SCREW, (.190-32 x .62), RECTIFIER AND REGULATOR
26	11-45076		4	NUT, (#10-32) Brass, RECTIFIER AND REGULATOR TERMINALS
27	84-88808A 4		1	WIRE, REGULATOR TO RECTIFIER (RED)
	84-88809A 4		1	CABLE ASSEMBLY, REGULATOR TO RECTIFIER (YELLOW)
28	88825A 7		1	VOLTAGE REGULATOR
29	84-88439A14		1	CABLE ASSEMBLY, Battery - Positive, POSITIVE
	84-88439A 2		1	CABLE ASSEMBLY, Battery - Negative, NEGATIVE
30	89-68258		1	SOLENOID, Starter
31	10-20540		2	SCREW, (.250-20 x .62), SOLENOID TO IGNITION PLATE (5/8")
32	13-26992		2	LOCKWASHER, (.250) Stainless Steel, Solenoid to ignition plate screw
33	84-93389A 2		1	WIRE, SOLENOID TO STARTER MOTOR (YELLOW)
34	13-39107		2	LOCKWASHER, (.312-24), SOLENOID TERMINALS (5/16")
35	11-21908		2	NUT, (.312-18) Cad Plated, SOLENOID TERMINALS (5/16-18)
36	13-26996		2	LOCKWASHER, (#10) Stainless Steel, SOLENOID TERMINALS (#10)
37	11-68219		2	NUT, (#10-32) Stainless Steel, SOLENOID TERMINALS (10-32)
38	84-79139A15		1	WIRE, SOLENOID TO RECTIFIER (RED)

CONTINUED ON NEXT PAGE ➡

WIRING HARNESS

STARTER SOLENOID AND RECTIFIER



46407

WIRING HARNESS

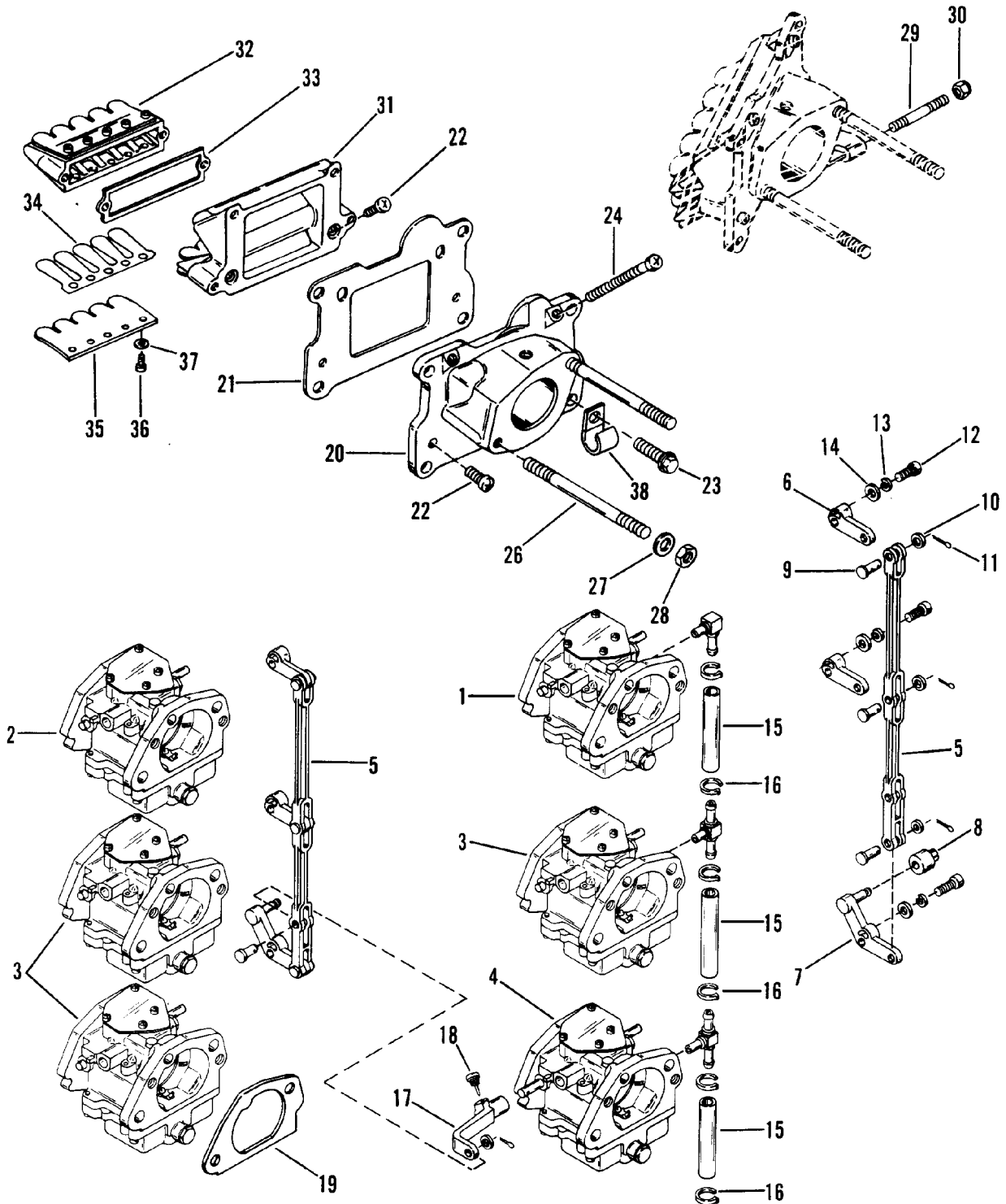
STARTER SOLENOID AND RECTIFIER

REF. NO.	PART NO.	SYM.	QTY.	DESCRIPTION
39	84-92485A 1		1	HARNESS ASSEMBLY, COIL TO SWITCH BOX (#2, 4 AND 6)
	84-92486A 1		1	HARNESS ASSEMBLY, COIL TO SWITCH BOX (#1, 3 AND 5)
40	332-7778A 3		2	SWITCHBOX ASSEMBLY
41	10-90818		4	SCREW, SWITCH BOX TO IGNITION PLATE
42	23-91912		4	BUSHING, SWITCH BOX SCREW
43	11-45076		20	NUT, (#10-32) Brass, SWITCH BOX TERMINAL
44	10-62568		2	SCREW, (#10-16 x .375), WIRE ATTACHING

THROTTLE LEVER

REF. NO.	PART NO.	SYM.	QTY.	DESCRIPTION
1	74897		1	PIVOT, TRIGGER PLATE
2	62459		1	BALL JOINT ASSEMBLY, TRIGGER PLATE
3	11-45076		1	NUT, (#10-32) Brass, LINK ROD
4	76035		1	ROD, TRIGGER PLATE
5	11-46438		1	NUT, (#10-32), BALL JOINT
6	89811		1	LEVER, SPARK ADVANCE
7	10-75168		1	SCREW, SPARK ADVANCE LEVER - STOP
8	11-29598		1	NUT, (.250-28) Stainless Steel, SPARK ADVANCE LEVER STOP SCREW
9	52023		1	CAP, SPARK ADVANCE LEVER STOP SCREW
10	10-12405		1	SCREW, SPARK ADVANCE LEVER - STOP (1-1/4")
11	11-68219		1	NUT, (#10-32) Stainless Steel, SPARK ADVANCE LEVER STOP SCREW
12	48039		1	CAP, SPARK ADVANCE LEVER STOP SCREW
13	94818		1	LEVER, THROTTLE CONTROL
14	10-55337		1	SCREW, (.375-16 x 1.75), THROTTLE LEVER/ADVANCE LEVER (1-3/4")
15	23-55164		1	BUSHING, THROTTLE LEVER
16	23-55171		1	BUSHING, SPARK ADVANCE LEVER
17	24-68784		1	SPRING, THROTTLE AND SPARK ADVNACE LEVER
18	12-68410		1	WASHER, SPARK ADVANCE LEVER
19	10-75168		2	SCREW, THROTTLE LEVER - STOP
20	11-29598		2	NUT, (.250-28) Stainless Steel, THROTTLE LEVER STOP SCREW
21	52023		2	CAP, THROTTLE LEVER STOP SCREW
22	39483		1	LATCH, CABLE
23	10-22486		1	SCREW, (.250-28 x .880), CABLE LATCH TO THROTTLE LEVER
24	12-20346		1	WASHER, CABLE LATCH SCREW
25	24-20099		1	SPRING, CABLE LATCH TO THROTTLE LEVER
26	11-20586		1	NUT, (.250-28), CABLE LATCH SCREW
27	93259		1	ROD, THROTTLE CONTROL
28	60572		2	BARREL, THROTTLE CONTROL ROD
29	93694		1	CAM, Throttle
30	23-26856		2	BUSHING, THROTTLE CAM

CARBURETOR PLATE AND REED BLOCK



46409

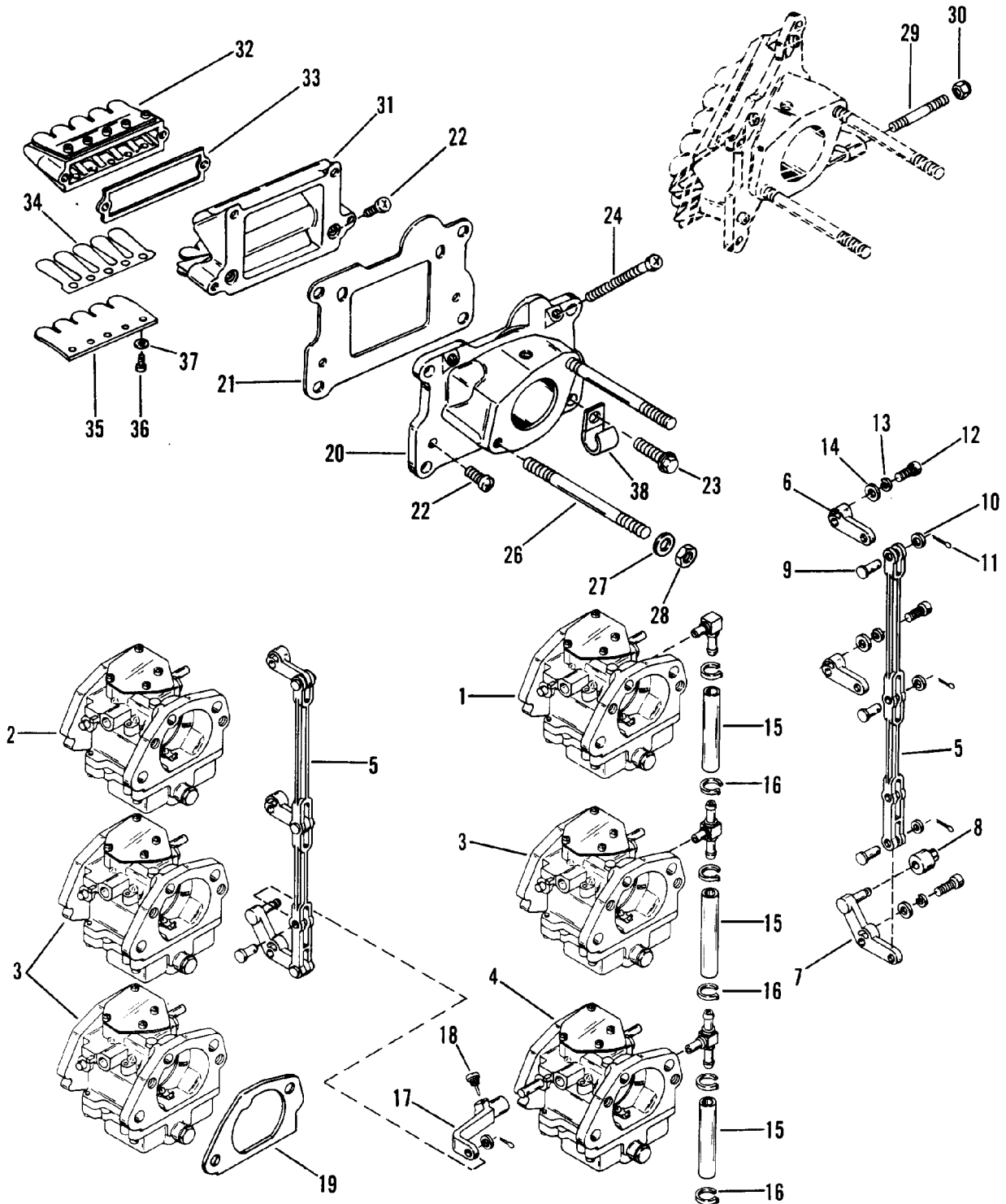
CARBURETOR PLATE AND REED BLOCK

REF. NO.	PART NO.	SYM.	QTY.	DESCRIPTION
1	1387-7785A27		1	CARBURETOR ASSEMBLY, (TOP - PORT) (WO-5-1)
2	1387-7785A28		1	CARBURETOR ASSEMBLY, (TOP - STARBOARD) (WO-5-2)
3	1387-7785A29		3	CARBURETOR ASSEMBLY, (CENTER) (WO-5-3)
4	1387-7785A30		1	CARBURETOR ASSEMBLY, (BOTTOM - PORT) (WO-5-4)
5	88586		2	LINK, Throttle
6	88584		5	LEVER, Throttle
7	88585		1	LEVER, Throttle, LOWER - PORT
8	67748		1	ROLLER, THROTTLE LEVER
9	17-67297		7	PIN, Clevis
10	12-27736		7	WASHER, CLEVIS PIN
11	18-26953		7	COTTER PIN
12	10-22523		7	SCREW, (.190-32 x .75), THROTTLE LEVER TO CARBURETOR
13	13-26996		7	LOCKWASHER, (#10) Stainless Steel, THROTTLE LEVER SCREW
14	12-24676		7	WASHER, (.200 x .440 x .032), THROTTLE LEVER SCREW
15	32-99127109		3	LINE, (57.00 Inches Bulk)
16	54-68424		6	CLAMP, FUEL LINES
17	89598		1	LEVER, Throttle, LOWER CARBURETOR - PORT
18	1395-6027		1	SCREW, THROTTLE LEVER TO CARBURETOR
19	27-93353	♥	6	GASKET, CARBURETOR TO SOUND ATTENUATOR
20	88249		3	PLATE, CARBURETOR - PORT
	88250		3	PLATE, CARBURETOR - STARBOARD
21	27-88625	♥	3	GASKET, CARBURETOR PLATE - PORT
	27-88626	♥	3	GASKET, CARBURETOR PLATE - STARBOARD
22	10-20540		24	SCREW, (.250-20 x .62), REED BLOCK ADAPTOR
23	10-40062149		20	SCREW, CARBURETOR PLATE
24	10-89225		12	SCREW, REED BLOCK ADAPTOR
26	16-90999		12	STUD, CARBURETOR
27	12-40022 17		12	WASHER, CARBURETOR STUD
28	11-40026 5		12	NUT, (M8), CARBURETOR STUD
29	16-20500		1	STUD, PORT CARBURETOR PLATE
30	11-36069		1	NUT, STUD
31	88429		6	ADAPTOR, REED BLOCK
32	75953		12	REED BLOCK
33	27-65744	♥	12	GASKET, REED BLOCK
34	34-75362A 1		12	REED ASSEMBLY
35	34-67298		24	STOP, Reed
36	10-57583		120	SCREW, (#8-32 x .375), REED ATTACHING
37	13-26996		120	LOCKWASHER, (#10) Stainless Steel, REED SCREW
38	54-61001		2	J CLIP, HOSE

♥ = COMPONENT OF GASKET SET 88605A80.

CONTINUED ON NEXT PAGE ➡

CARBURETOR PLATE AND REED BLOCK



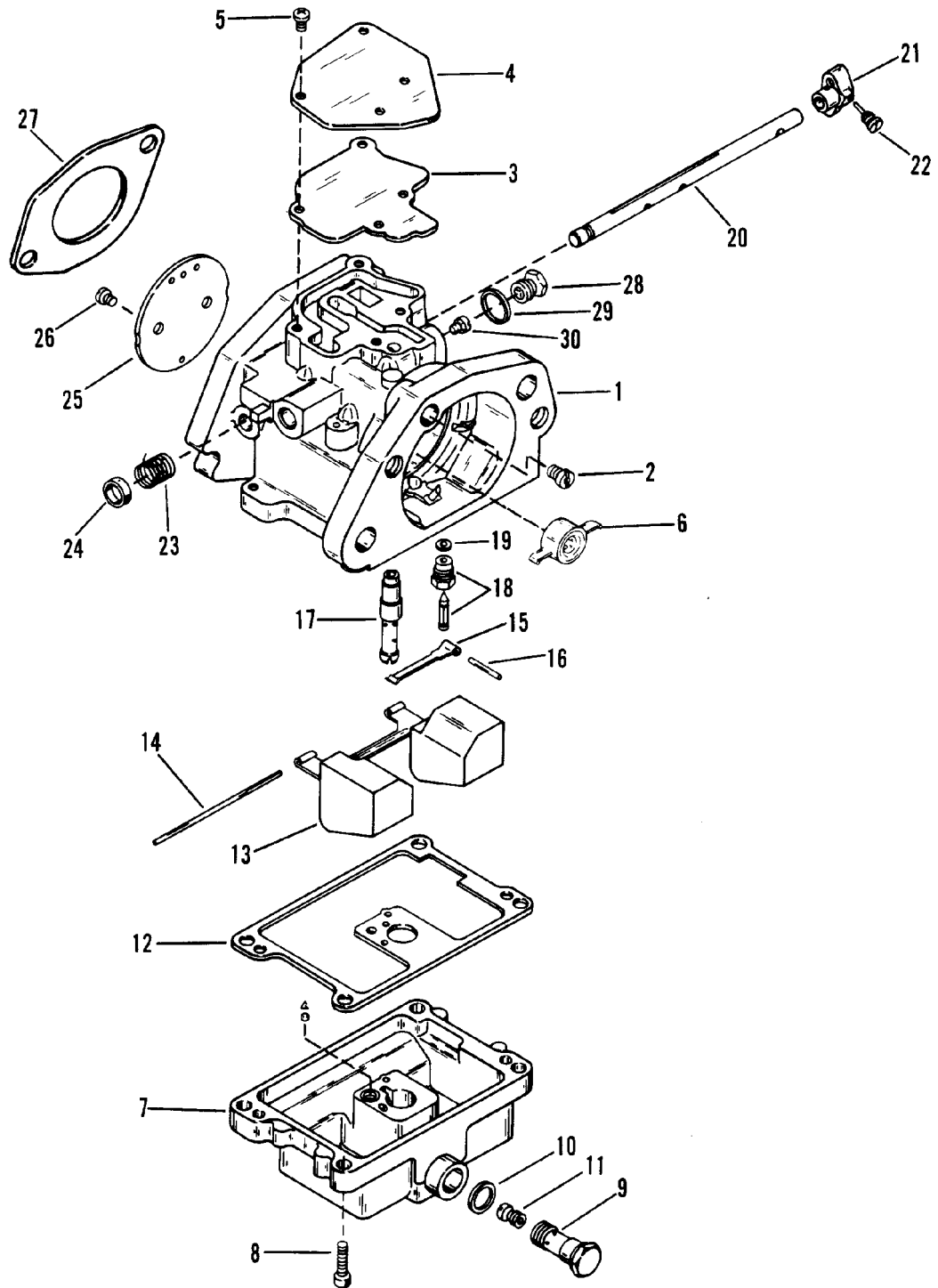
46409

CARBURETOR PLATE AND REED BLOCK

REF. NO.	PART NO.	SYM.	QTY.	DESCRIPTION
--	27-88605A80		--	GASKET SET CONTENTS INDICATED BY FOOTNOTE 11.

♥ = COMPONENT OF GASKET SET 88605A80.

CARBURETOR ASSEMBLY



46410

CARBURETOR ASSEMBLY

REF. NO.	PART NO.	SYM.	QTY.	DESCRIPTION
1	1387-7785A27		1	CARBURETOR ASSEMBLY, (TOP - PORT) WO-5-1
	1387-7785A28		1	CARBURETOR ASSEMBLY, (TOP - STARBOARD) WO-5-2
	1387-7785A29		3	CARBURETOR ASSEMBLY, (CENTER) WO-5-3
	1387-7785A30		1	CARBURETOR ASSEMBLY, (BOTTOM - PORT) WO-5-4
2	1395-6201		6	JET, (.080), VENT BOWL (.080)
4	1395-9122		6	COVER PLATE
6	94963		6	VENTURI WO-3
7	1395-9115		1	BOWL, Fuel WO-3-1 ONLY
	1395-9116		5	BOWL, Fuel WO-3
6	1395-9481		6	VENTURI WO-5
7	1395-9478		1	BOWL, Fuel WO-5-1 ONLY
	1395-9479		5	BOWL, Fuel WO-5
9	1395-6199		6	PLUG, MAIN JET
11	1399-3794		1	JET, (.074), MAIN FUEL (.074) WO-3-4 ONLY
	1395-6207		5	JET, (.072), MAIN FUEL (.072) WO-3
	1399-3796		6	JET, (.076), MAIN FUEL (.076) WO-5
13	1395-9121		6	FLOAT
18	1395-8318	» ♠	6	NEEDLE, Inlet
20	1395-9118		1	SHAFT, Throttle WO-3-4/5-4 ONLY
	1395-9117		5	SHAFT, Throttle
21	67752		6	LEVER
25	1395-9119		6	VALVE, Throttle WO-3
	1395-9480		6	VALVE, Throttle WO-5
27	27-88611	♥ □ » ♠	6	GASKET, CARBURETOR FLANGE
30	1395-6359		6	JET, (.052), IDLE (.052) WO-3
	1399-4217		6	JET, Main (.062), IDLE (.062) WO-5
--	1395-9062		--	GASKET SET, Carburetor CONTENTS INDICATED BY FOOTNOTE 12.
--	1395-9063		--	REPAIR PARTS KIT, (WO-3) CONTENTS INDICATED BY FOOTNOTE 13.
--	1395-9063		--	REPAIR PARTS KIT, (WO-5) CONTENTS INDICATED BY FOOTNOTE 14.
--	27-88605A80		--	GASKET SET CONTENTS INDICATED BY FOOTNOTE 11.

NOTE 1 - For high altitude jets, consult your service manual for correct sizes and part numbers.

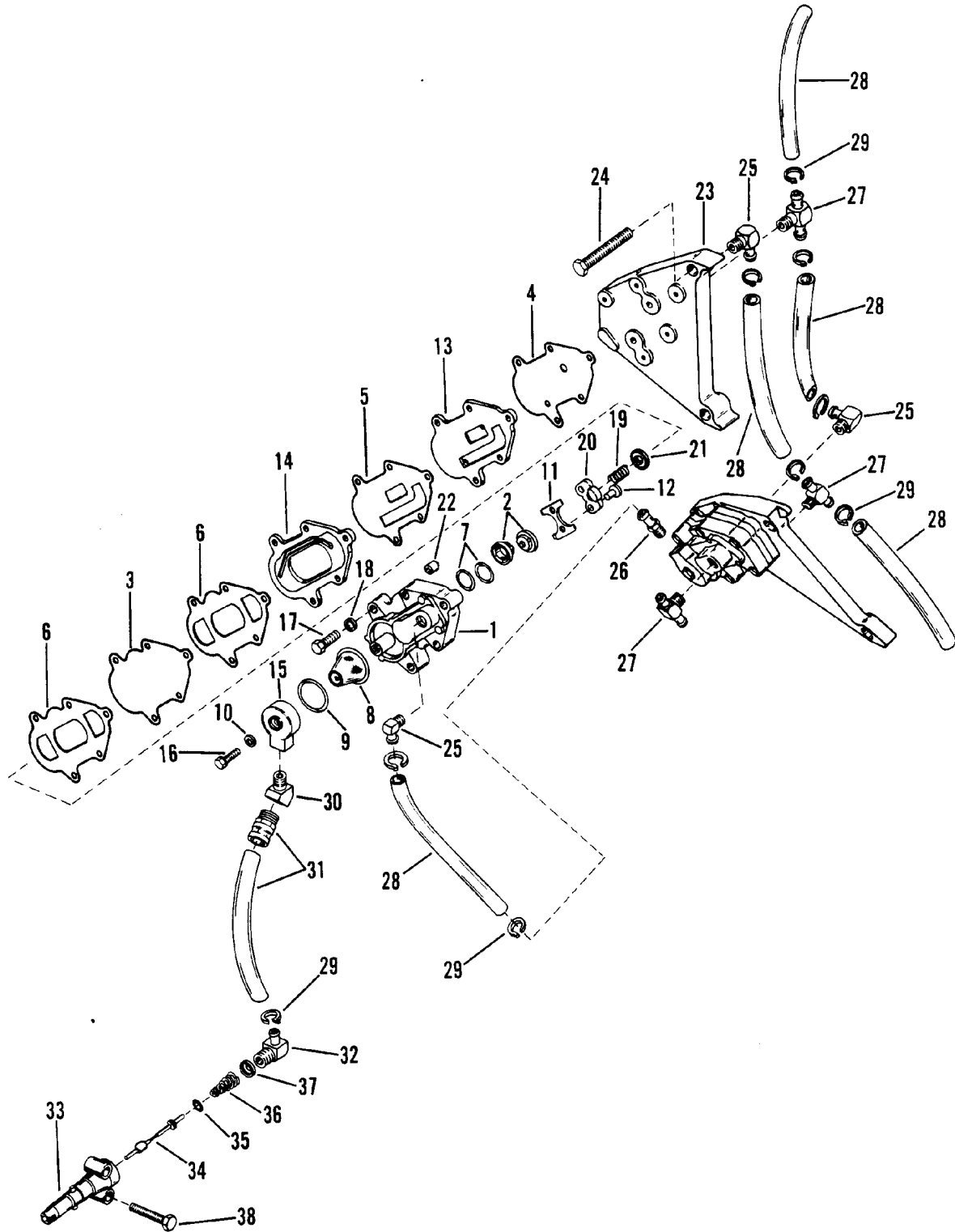
♥ = COMPONENT OF GASKET SET 88605A80.

□ = COMPONENT OF GASKET AND PACKING SET 9062.

» = COMPONENT OF REPAIR PARTS KIT (WO-3) 9063.

♠ = COMPONENT OF REPAIR PARTS KIT (WO-5) 9063.

FUEL PUMPS



46411

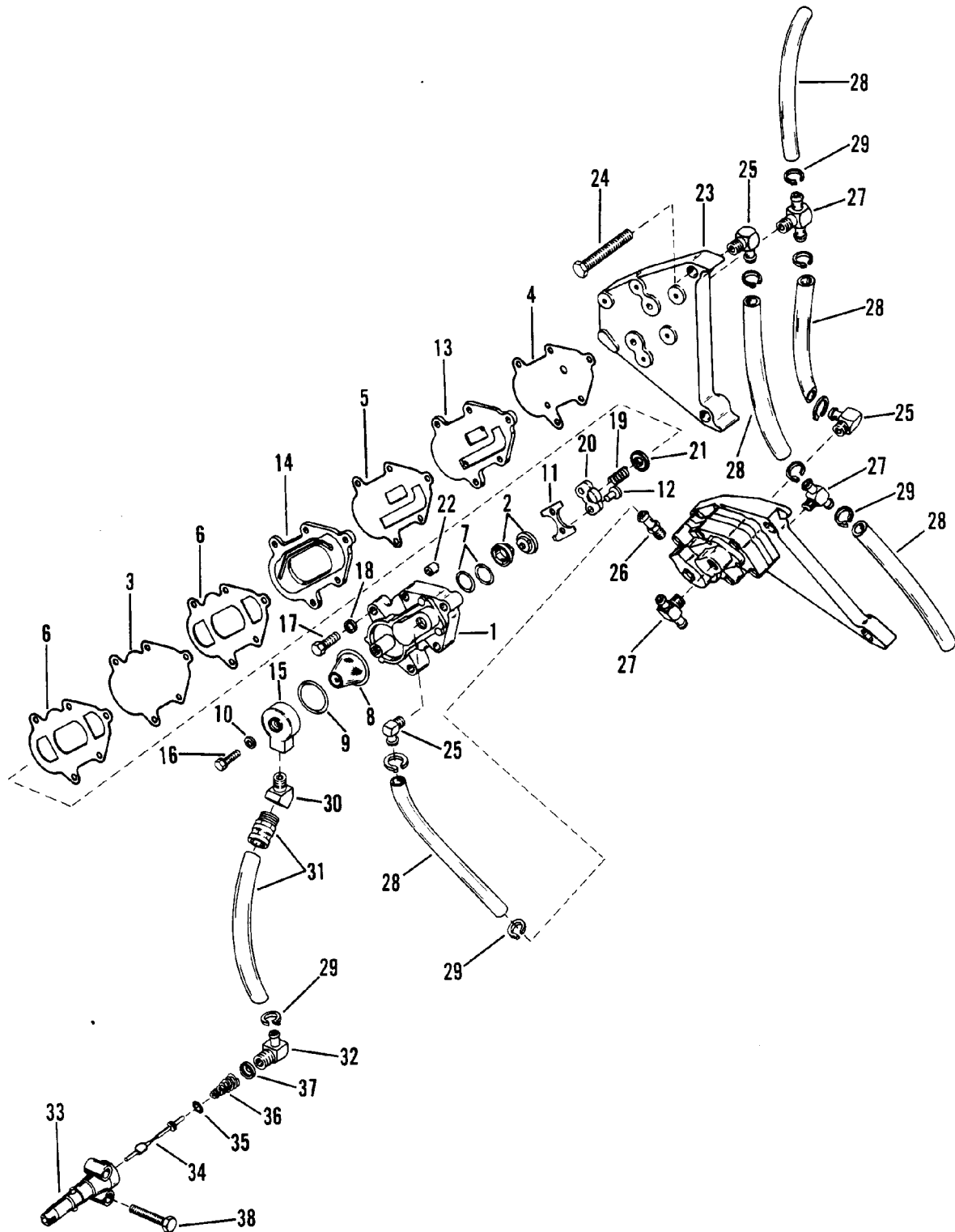
FUEL PUMPS

REF. NO.	PART NO.	SYM.	QTY.	DESCRIPTION
1	88853A 6		2	PUMP ASSEMBLY, Fuel
2	21-30430A 8		2	CHECK VALVE ASSEMBLY
3	89031A 2	♥	2	DIAPHRAGM ASSEMBLY
4	NSS	♥	2	NOT SOLD SEPARATE, FUEL PUMP
5	NSS	♥	2	NOT SOLD SEPARATE, PULSE CHAMBER
6	NSS	♥	4	NOT SOLD SEPARATE, FUEL PUMP
7	NSS	♥	4	NOT SOLD SEPARATE, CHECK VALVE TO HOUSING
8	35-59072	♥	2	SCREEN, FUEL INLET
9	25-35480	♥	2	O-RING, (1.237 x .103), FUEL INLET COVER
10	NSS	♥	2	NOT SOLD SEPARATE, COVER SCREW
11	23004		2	RETAINER, CHECK VALVE
12	10-43723		4	SCREW, (#6-32 x .500), RETAINER ATTACHING
13	67623		2	BASE, FUEL PUMP
14	86449		2	CHAMBER, PULSE - FUEL PUMP
15	35-91078A 1		2	COVER ASSEMBLY, FUEL FILTER
16	10-89766		2	SCREW, (#10-32 x .620) Stainless Steel, FUEL FILTER COVER (5/8")
17	10-88447		10	SCREW, (.190-32 x 1.62), FUEL PUMP (1-1/2")
18	13-26996		10	LOCKWASHER, (#10) Stainless Steel, FUEL PUMP SCREW
19	24-86207		2	SPRING, COMPRESSION
20	86026		2	RETAINER, SPRING
21	86252		2	CAP, SPRING END
22	21-42657A 1		1	CHECK VALVE
23	90486		1	BRACKET, FUEL PUMP (STARBOARD)
	90344		1	BRACKET, FUEL PUMP (PORT)
24	10-40062152		4	SCREW, FUEL PUMP BRACKET
25	22-64704		5	FITTING, FUEL LINE (90?)
26	22-64705		1	FITTING, FUEL LINE (STRAIGHT)
27	22-64706		3	TEE, FUEL LINE (TEE)
28	32-99127109		1	LINE, (57.00 Inches Bulk), (57")
29	54-68424		11	CLAMP, FUEL LINE
30	22-29085		1	FITTING, Elbow (45 Degree) , INLET FUEL LINE (45?)
31	32-89020		1	LINE, Fuel, INLET (6-3/4")
32	22-63981		1	FITTING, CHECK UNIT ADAPTOR (90?)
33	30186		1	ADAPTOR, CHECK UNIT
34	30187		1	STEM, CHECK UNIT ADAPTOR
35	25-20415	♥	1	O-RING, ADAPTOR STEM
36	24-30189		1	SPRING, ADAPTOR STEM

♥ = COMPONENT OF GASKET SET 88605A80.

CONTINUED ON NEXT PAGE ➔

FUEL PUMPS



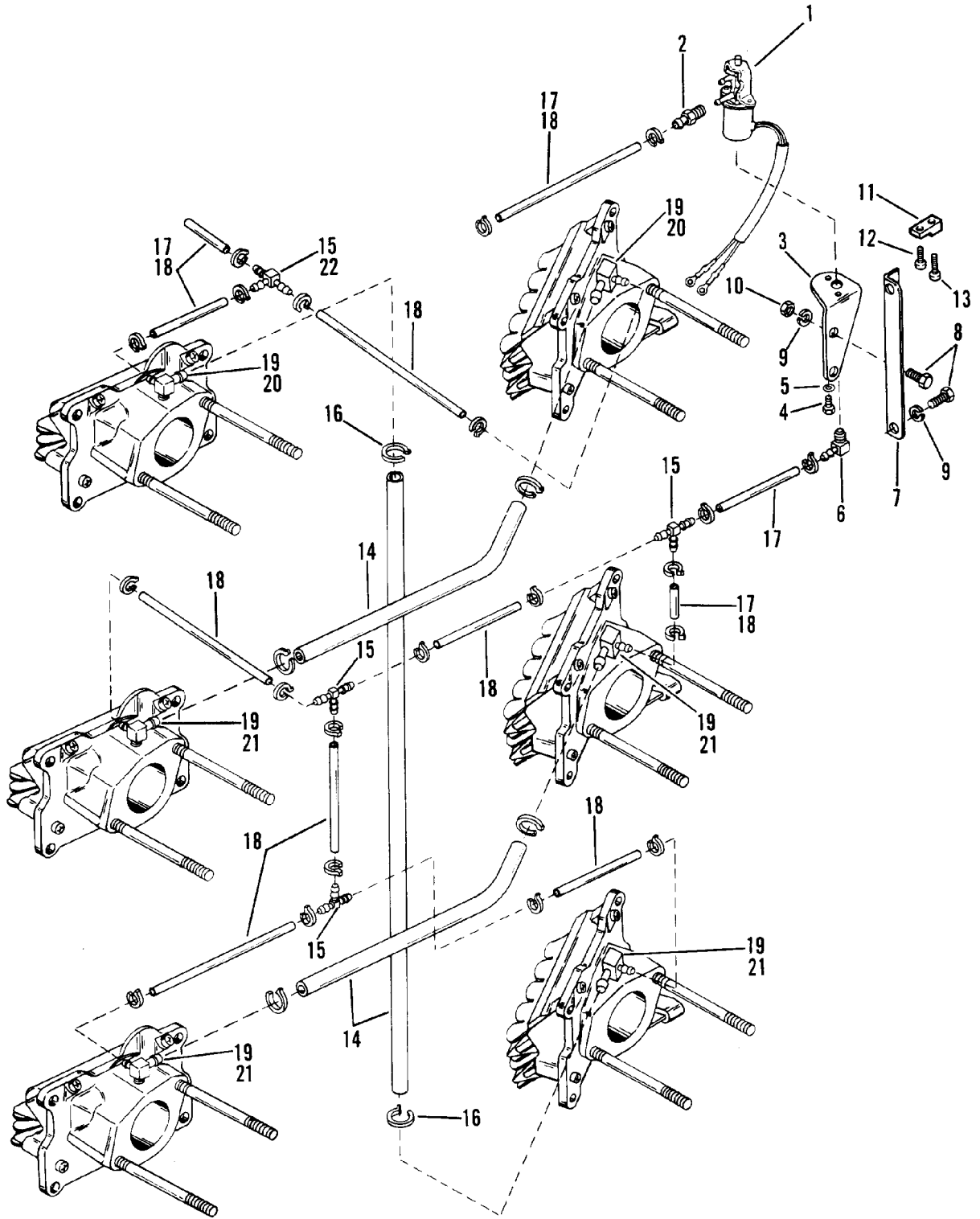
46411

FUEL PUMPS

REF. NO.	PART NO.	SYM.	QTY.	DESCRIPTION
37	30188		1	WASHER, ADAPTOR
38	10-76596		2	SCREW, (.250-20 x 1.250), ADAPTOR LOWER BRACKET
--	27-88605A80		--	GASKET SET CONTENTS INDICATED BY FOOTNOTE 11.

♥ = COMPONENT OF GASKET SET 88605A80.

ENRICHERNER VALVE AND HOSES



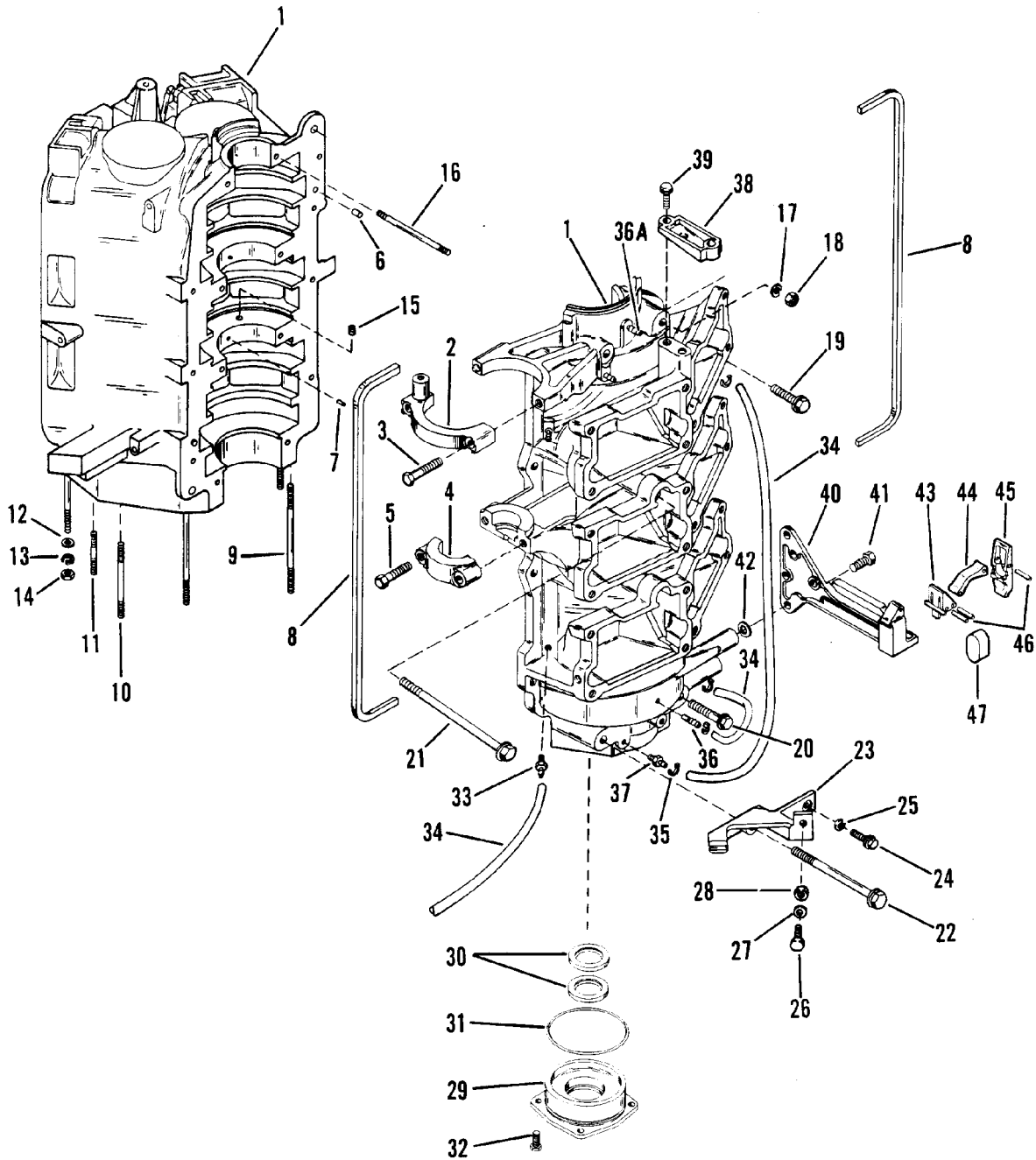
46412

ENRICHNER VALVE AND HOSES

REF. NO.	PART NO.	SYM.	QTY.	DESCRIPTION
1	42859A 2		1	VALVE ASSEMBLY, Enrichner, ENRICHNER
2	22-99320		1	CONNECTOR, ENRICHNER VALVE - SIDE ATTACHES WITH BRACKET
3	90345		1	BRACKET, ENRICHNER VALVE ATTACHES WITH BRACKET
4	10-89075		2	SCREW, VALVE TO BRACKET ATTACHES WITH BRACKET
5	12-20192		2	WASHER, BRACKET SCREW ATTACHES WITH BRACKET
6	22-90275		1	CONNECTOR, ENRICHNER VALVE - BOTTOM ATTACHES WITH BRACKET
7	93573		1	BRACKET, ENRICHNER VALVE
8	10-28635		3	SCREW, (.250-20 x .620) Stainless Steel, ENRICHNER VALVE BRACKET
9	13-26992		3	LOCKWASHER, (.250) Stainless Steel, BRACKET SCREW
10	11-20890		1	NUT, (.250-20), BRACKET SCREW
11	45915		1	TERMINAL BLOCK, ENRICHNER VALVE LEADS
12	10-69079		1	SCREW, (#10-16 x .440), TERMINAL BLOCK (7/16")
13	10-62568		1	SCREW, (#10-16 x .375), LEADS TO TERMINAL BLOCK (3/8")
14	32-99127109		3	LINE, (57.00 Inches Bulk)
15	22-59169		4	FITTING, TEE
16	54-68424	I	AR	CLAMP, HOSES
17	32-99126 88		3	TUBING, (36.00 Inches Bulk), (.125 I.D.)
18	32-99387 79		4	HOSE, (.077 I.D.)
19	22-65348		6	FITTING, TEE (.131 O.D.)
20	22-13034 1		2	FITTING, TEE (.200 O.D.)
21	22-13034 2		4	TEE, TEE (.131 O.D.)
22	22-13033		1	TEE FITTING, TEE (.200 O.D.)

I = AS REQUIRED

CYLINDER BLOCK AND END CAPS



46413

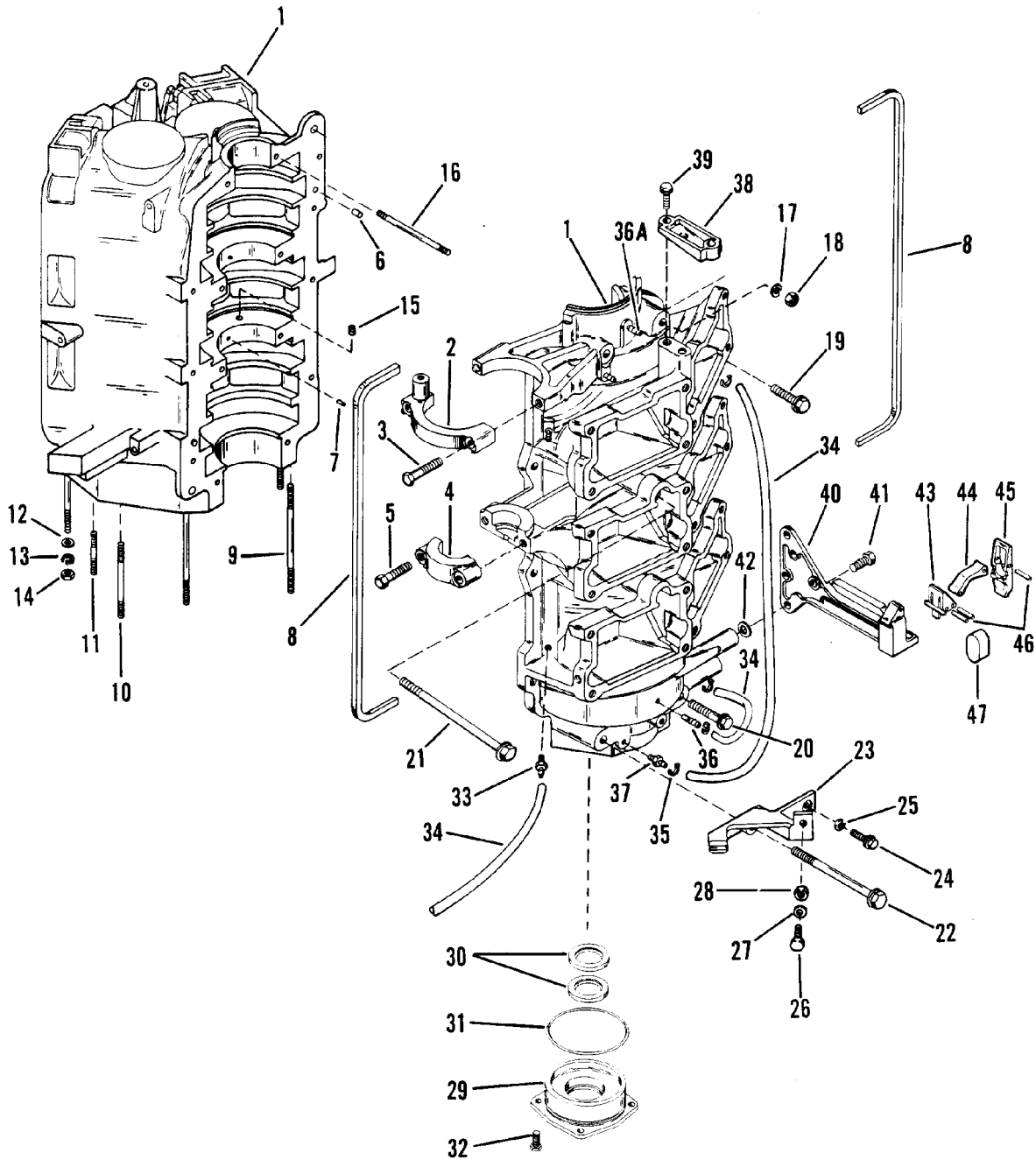
CYLINDER BLOCK AND END CAPS

REF. NO.	PART NO.	SYM.	QTY.	DESCRIPTION
1	873-8303A 5		1	BLOCK, (USE WITH PRESTOLITE STARTER MOTOR)
	873-8303A15		1	BLOCK, (USE WITH BOSCH STARTER MOTOR)
2	88486		1	COVER, STARTER MOTOR - UPPER USE WITH PRESTOLITE STARTER MOTOR
3	10-40062153		2	SCREW, COVER TO CRANKCASE USE WITH PRESTOLITE STARTER MOTOR
4	88484		1	COVER, STARTER MOTOR - LOWER USE WITH PRESTOLITE STARTER MOTOR
5	10-40062152		2	SCREW, COVER TO CRANKCASE USE WITH PRESTOLITE STARTER MOTOR
6	17-40044110		2	PIN, Dowel, LOCATING
7	17-67296		3	PIN, CYLINDER BLOCK (BEARING RACE)
8	27-53862	♥	2	GASKET, SEALING
9	16-91005		6	STUD, CYLINDER BLOCK (162 MM)
10	16-91003		2	STUD, CYLINDER BLOCK (110 MM)
11	16-91000		2	STUD, CYLINDER BLOCK (60 MM)
12	12-40022 19		10	WASHER, POWERHEAD STUDS
13	13-40024 8		10	LOCKWASHER, (M10), POWERHEAD STUDS
14	11-40020 15		10	NUT, POWERHEAD STUDS
15	10-24220		2	SCREW, (.190-24 x .190), SET, CYLINDER BLOCK
16	16-91004		1	STUD, CYLINDER BLOCK TO CRANKCASE
17	13-40024 8		1	LOCKWASHER, (M10), CYLINDER BLOCK STUD
18	11-40020 15		1	NUT, CYLINDER BLOCK STUD
19	10-40062171		6	SCREW, CRANKCASE (35 MM)
20	10-40062180		1	SCREW, CRANKCASE TO CYLINDER BLOCK (90 MM)
21	10-93724		2	SCREW, CRANKCASE TO CYLINDER BLOCK (171 MM)
22	10-91006		4	SCREW, CRANKCASE TO CYLINDER BLOCK (105 MM)
23	96839		1	BRACKET, CABLE ANCHOR
24	10-40010127		1	SCREW, BRACKET TO CRANKCASE
25	13-26992		1	LOCKWASHER, (.250) Stainless Steel, BRACKET SCREW
26	10-78841		1	SCREW, (.312-24 x 1.500), SHIFT CABLE TO BRACKET
27	12-70132		1	WASHER, (.323 x .563 x .063) Stainless Steel, SHIFT CABLE SCREW
28	11-35814		1	NUT, (.312-24) Stainless Steel, SHIFT CABLE SCREW
29	1166-7580A 1		1	END CAP ASSEMBLY, LOWER
30	26-54815		2	SEAL, Oil, END CAP
31	25-88955	♥	1	O-RING, END CAP
32	10-40062149		4	SCREW, END CAP ATTACHING
33	21-42658 1		6	CHECK VALVE, BLEED HOSE STRAIGHT-THREADED
34	32-99126 88		8	TUBING, (36.00 Inches Bulk)
35	54-68424		10	CLAMP, TUBING

♥ = COMPONENT OF GASKET SET 88605A80.

CONTINUED ON NEXT PAGE ➡

CYLINDER BLOCK AND END CAPS



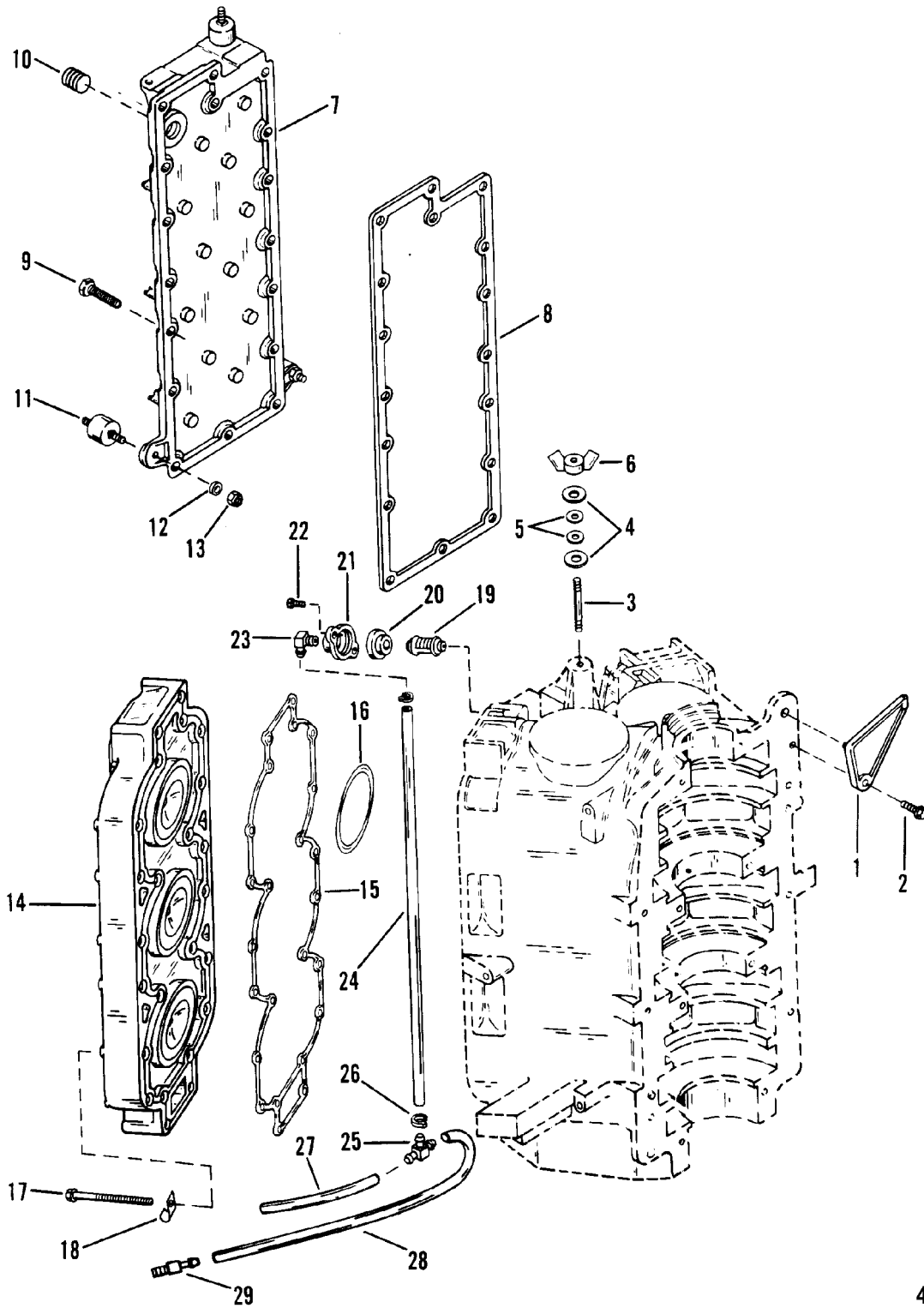
46413

CYLINDER BLOCK AND END CAPS

REF. NO.	PART NO.	SYM.	QTY.	DESCRIPTION
36	22-56759		8	FITTING, Barbed, BLEED HOSE (PRESS-IN)
36A	22-13035		1	FITTING, BLEED HOSE (PRESS-IN)
37	21-96887A 2		2	CHECK VALVE ASSEMBLY
38	88782		1	BRACKET, FLYWHEEL COVER - FRONT
39	10-40062127		2	SCREW, BRACKET TO CRANKCASE
40	96850		1	BRACKET, ANCHOR - CONTROL CABLES EARLY MODELS
41	10-53167		3	SCREW, (.312-18 x .880), ANCHOR BRACKET EARLY MODELS
42	12-53705		3	WASHER, ANCHOR BRACKET SCREW EARLY MODELS
43	39618		1	LEVER, SHIFT CABLE LOCKING EARLY MODELS
44	65799		1	LINK, LEVER TO COVER EARLY MODELS
45	90211		1	COVER, SHIFT CABLE EARLY MODELS
46	17-47175		3	PIN, LEVER AND COVER EARLY MODELS
47	39519		1	CUP, BARREL RETAINER EARLY MODELS
--	92040A80		--	POWERHEAD ASSEMBLY, (Prestolite Starter Motor) INCLUDES CYLINDER BLOCK AND CRANKCASE, PISTONS, CONNECTIONG RODS AND BEARINGS, ETC.
--	92040A86		--	POWERHEAD ASSEMBLY, (Bosch Starter Motor) INCLUDES CYLINDER BLOCK AND CRANKCASE, PISTONS, CONNECTING RODS AND BEARINGS, ETC.
--	27-88605A80		--	GASKET SET CONTENTS INDICATED BY FOOTNOTE 11.

♥ = COMPONENT OF GASKET SET 88605A80.

EXHAUST MANIFOLD AND CYLINDER HEAD



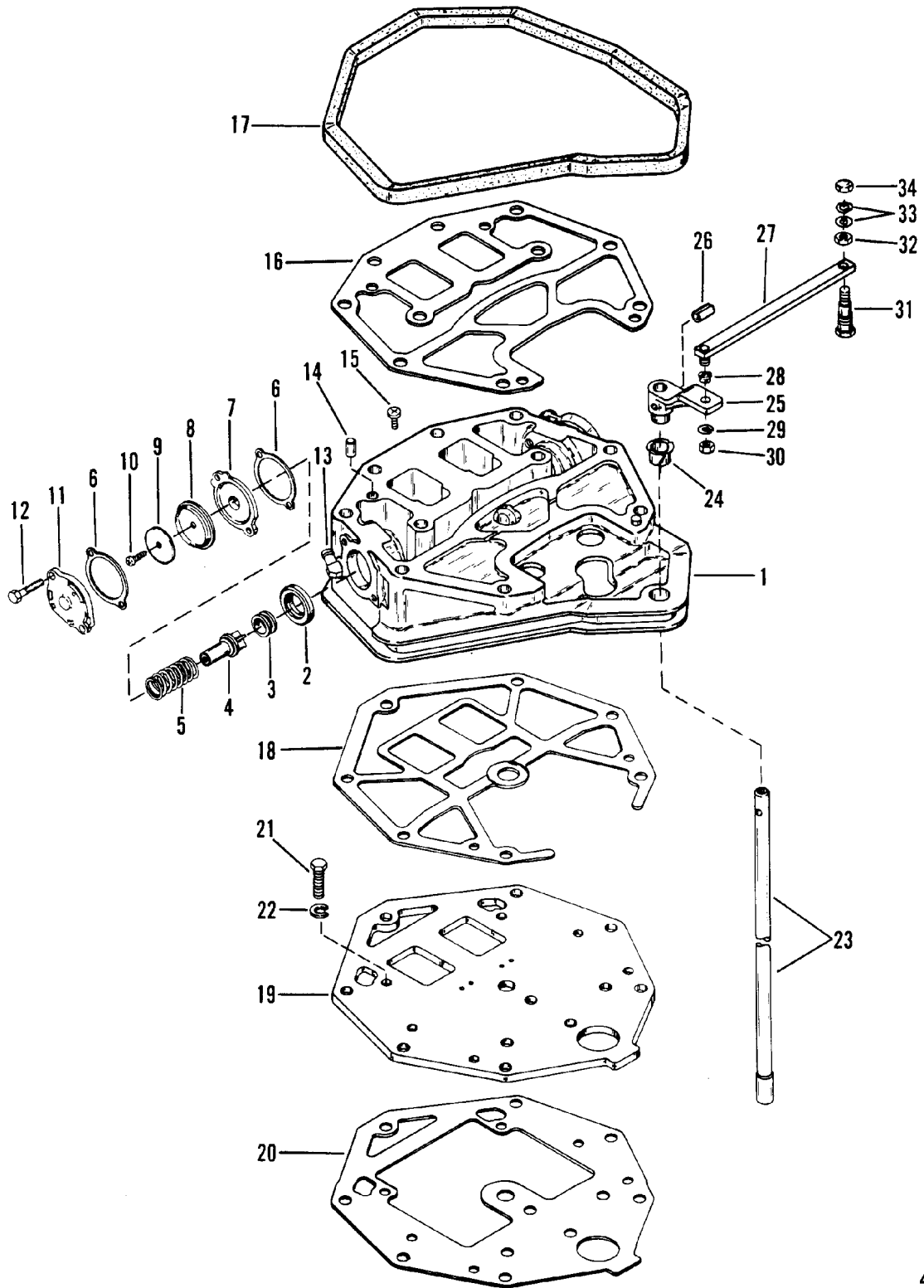
46414

EXHAUST MANIFOLD AND CYLINDER HEAD

REF. NO.	PART NO.	SYM.	QTY.	DESCRIPTION
1	88834		1	BRACKET, FLYWHEEL COVER
2	10-40062150		1	SCREW, FLYWHEEL COVER BRACKET (30 MM)
3	16-66969		4	STUD, FLYWHEEL COVER MOUNTING
4	12-49221 1		8	WASHER, FLYWHEEL COVER STUD (LARGE)
5	12-22887		8	WASHER, FLYWHEEL COVER STUD (SMALL)
6	11-73651		4	NUT, FLYWHEEL COVER STUD
7	94110		1	COVER, EXHAUST MANIFOLD
8	27-94060	♥	1	GASKET, EXHAUST MANIFOLD COVER
9	10-40062149		17	SCREW, EXHAUST MANIFOLD COVER (25 MM)
10	22-38407		1	PLUG, (.500-14), CYLINDER BLOCK COVER
11	90435		4	MOUNT
12	12-21249		8	WASHER, MOUNT
13	11-20361		8	NUT, (.250-28), MOUNT
14	41020		2	CYLINDER HEAD
15	88251	♥	2	SEAL, CYLINDER HEAD
16	25-88923	♥	6	O-RING, CYLINDER HEAD
17	10-40062159		48	SCREW, CYLINDER HEAD (80 MM)
18	54-47483		2	J CLIP, CYLINDER HEAD SCREW
19	75692		2	THERMOSTAT, (143?)
20	27-62386	♥	2	GASKET, THERMOSTAT
21	90390A 1		2	COVER KIT, THERMOSTAT
22	10-74824		4	SCREW, (.312-18 x 1.250), THERMOSTAT COVER (1-1/4")
23	22-68727		2	FITTING, (.250-18) 90 Degree - Brass, ELBOW - THERMOSTAT COVER
24	32-77653 77		2	HOSE, (24.500 Inches Bulk), (21-1/2")
25	22-91836		1	TEE, HOSE
26	54-68424		6	CLAMP, HOSE
27	32-77653 77		1	HOSE, (24.500 Inches Bulk), (3")
28	32-34395A 1		1	HOSE, TELL TAIL
29	22-76256		1	NOZZLE, TELL TAIL HOSE - REAR BRACKET
--	27-88605A80		--	GASKET SET CONTENTS INDICATED BY FOOTNOTE 11.

♥ = COMPONENT OF GASKET SET 88605A80.

EXHAUST PLATE



46415

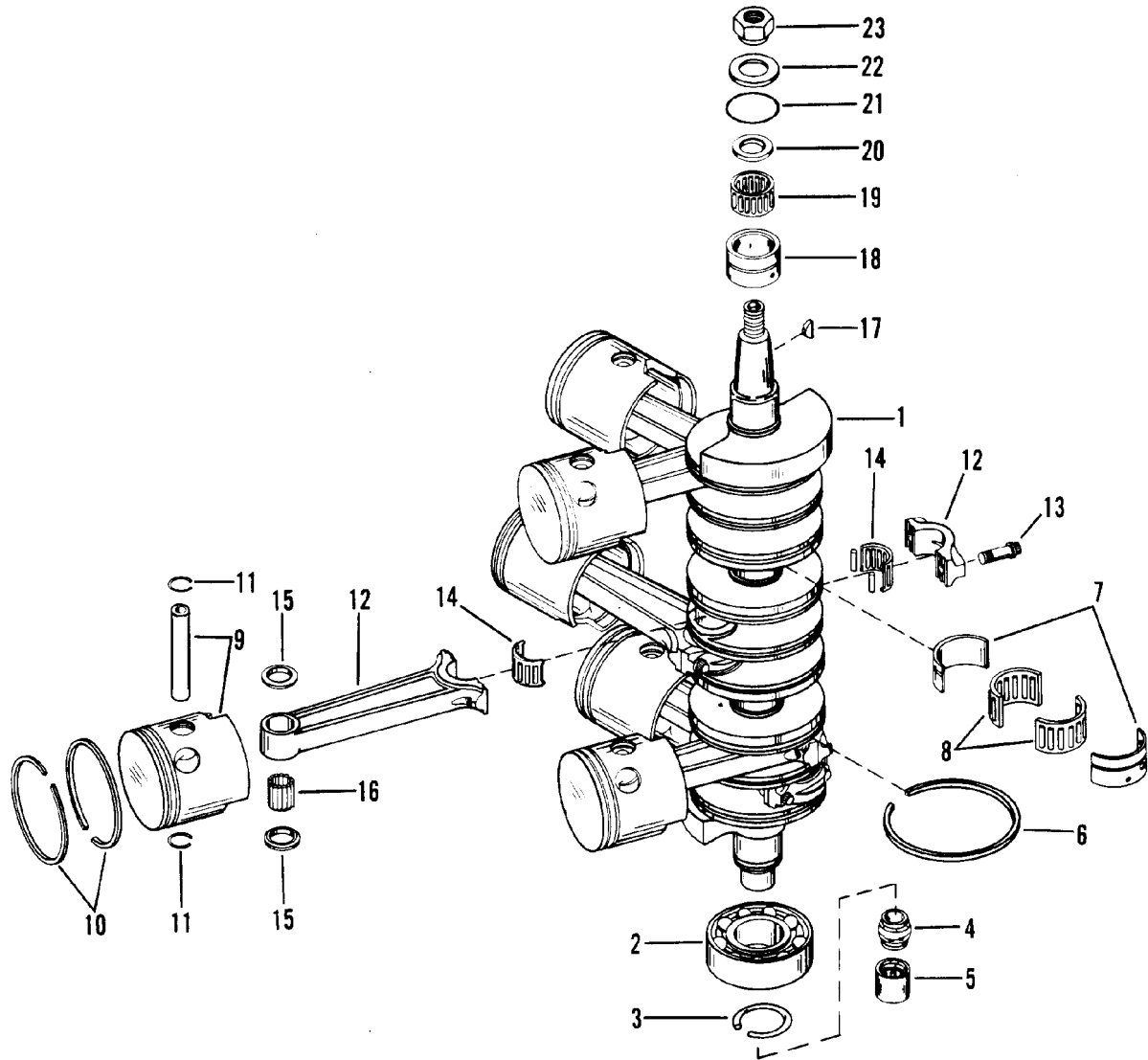
EXHAUST PLATE

REF. NO.	PART NO.	SYM.	QTY.	DESCRIPTION
1	43769		1	PLATE, Exhaust
2	25-64872		2	GROMMET, POPPET VALVE
3	65848		2	CARRIER, POPPET VALVE
4	86596		1	POPPET VALVE
5	24-90392		1	SPRING, POPPET VALVE
6	27-88907	♥	2	GASKET, RELIEF VALVE PLATE
7	65664A 1		1	PLATE ASSEMBLY, RELIEF VALVE
8	64877		1	DIAPHRAGM
9	12-76451		1	WASHER, DIAPHRAGM SCREW
10	10-69570		1	SCREW, (#10-16 x .750), DIAPHRAGM TO PLATE
11	65663A 1		1	COVER, RELIEF VALVE
12	10-40001137		4	SCREW, (M8 x 30), COVER TO EXHAUST PLATE
13	22-68727		2	FITTING, (.250-18) 90 Degree - Brass, EXHAUST PLATE
14	17-20033		2	PIN, Dowel, LOCATING - EXHAUST PLATE
15	10-40062177		1	SCREW, EXHAUST PLATE (65 MM)
16	27-43877	♥	1	GASKET, EXHAUST PLATE - UPPER
17	88355		1	SEAL, EXHAUST PLATE TO COWL
18	27-43878	♥	1	GASKET, EXHAUST PLATE - LOWER
19	88880 1		1	PLATE, EXHAUST TUBE
20	27-89084	♥	1	GASKET, Exhaust Tube
21	10-40001137		3	SCREW, (M8 x 30), PLATE TO DRIVE SHAFT HOUSING
22	13-40024 7		3	LOCKWASHER, (M8), PLATE SCREW
23	96843 1		1	SHIFT SHAFT, UPPER (LONG)
	96843 2		1	SHIFT SHAFT, UPPER (EXTRA LONG)
24	23-27132		1	BUSHING, UPPER SHIFT SHAFT
25	96841		1	LEVER, UPPER SHIFT SHAFT
26	17-96888		1	PIN, Roll, LEVER TO SHIFT SHAFT
27	96848		1	SHIFT LINK
28	23-26856		1	BUSHING, SHIFT LINK
29	13-29720		1	WAVE WASHER, SHIFT LINK
30	11-36069		1	NUT, SHIFT LINK
31	10-96849		1	SCREW, SHIFT LINK
32	11-28770		1	NUT, (.312-24) Stainless Steel, SHIFT LINK SCREW (5/16-24)
33	13-29720		2	WAVE WASHER, SHIFT LINK SCREW
34	11-36069		1	NUT, SHIFT LINK SCREW (1/4-28)
--	27-88605A80			GASKET SET CONTENTS INDICATED BY FOOTNOTE 11.

♥ = COMPONENT OF GASKET SET 88605A80.

CRANKSHAFT

PISTONS AND CONNECTING RODS



46437

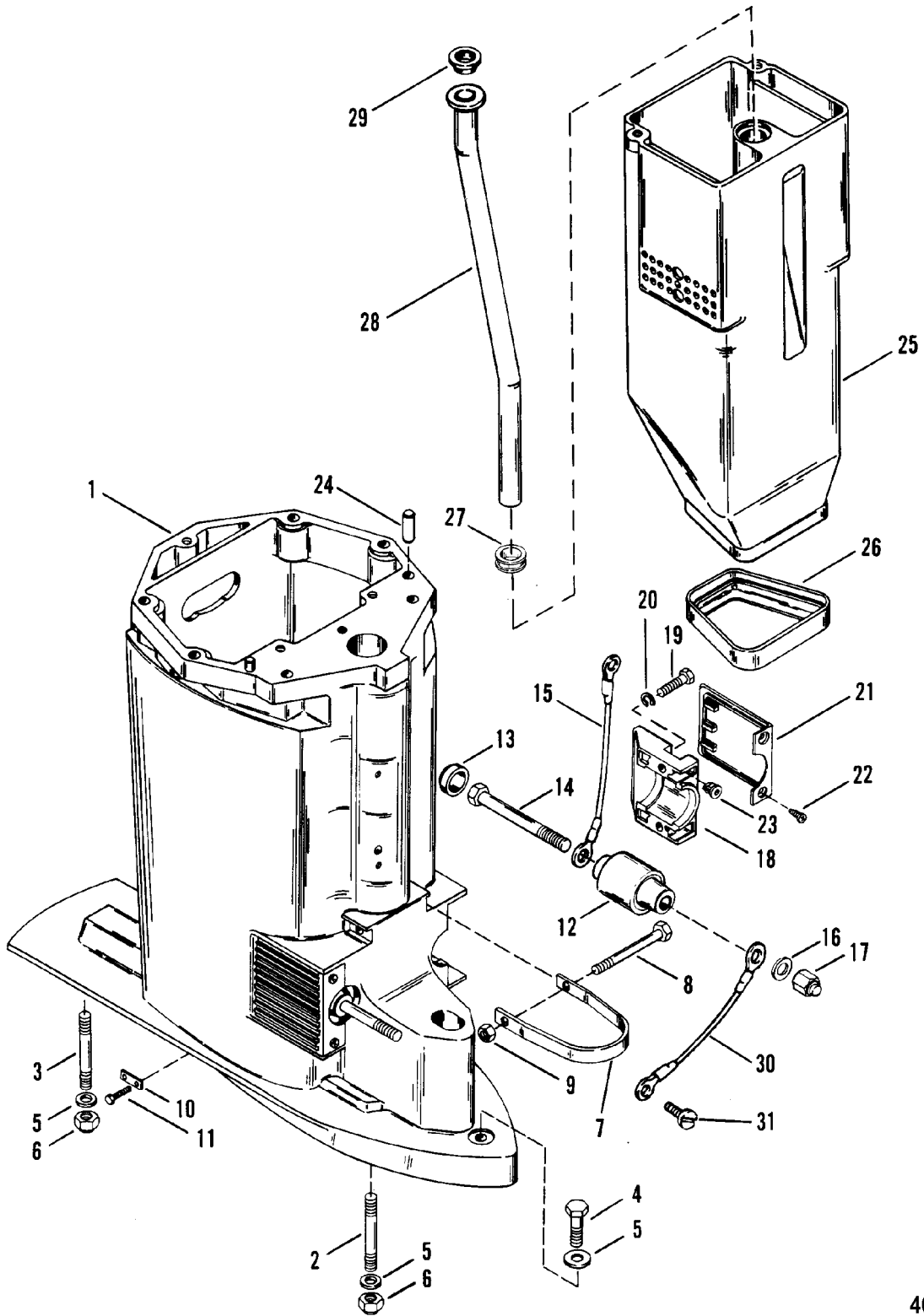
CRANKSHAFT PISTONS AND CONNECTING RODS

REF. NO.	PART NO.	SYM.	QTY.	DESCRIPTION
1	467-7587A 2		1	CRANKSHAFT ASSEMBLY
2	30-88268		1	BEARING, Ball, CRANKSHAFT (LOWER)
3	53-89531		1	RING, Retaining, BALL BEARING
4	89938	♥	1	SEAL, CRANKSHAFT/DRIVESHAFT
5	89939		1	SEAT, CRANKSHAFT/DRIVESHAFT
6	88261		9	RING, SEALING - CRANKSHAFT
7	31-88270		2	RACE, Bearing, CENTER MAIN
8	31-88269		1	BEARING, Roller, CENTER MAIN
9	769-8179A 2		3	PISTON ASSEMBLY, (STARBOARD)
	769-8180A 2		3	PISTON ASSEMBLY, (PORT)
10	39-88256A12		1	RING SET, Piston
11	53-88466		12	LOCK RING, PISTON
12	631-8185A 3		6	CONNECTING ROD ASSEMBLY
13	10-94320	┆	AR	SCREW, (.375-24 x 1.250), CONNECTING ROD (3/8-24 THREAD)
	10-96114	┆	AR	SCREW, CONNECTING ROD (5/16-24 THREAD)
14	31-88259A 1		6	BEARING ASSEMBLY, Roller, CRANKSHAFT END
15	12-88263		12	THRUST WASHER, NEEDLE LOCATING
16	29-88258		204	NEEDLE, Roller Bearing, PISTON END
17	28-91800		1	KEY, Woodruff, CRANKSHAFT
18	88266A 3		1	CARRIER ASSEMBLY
19	31-88267		1	BEARING, Roller
20	26-41953		1	SEAL
21	25-64067	♥	1	O-RING
22	12-68229		1	WASHER, (.641 x 1.250 x .190), FLYWHEEL NUT
23	11-52901		1	NUT, (.625-18), FLYWHEEL
--	27-88605A80		--	GASKET SET CONTENTS INDICATED BY FOOTNOTE 11.

┆ = AS REQUIRED

♥ = COMPONENT OF GASKET SET 88605A80.

DRIVE SHAFT HOUSING AND EXHAUST TUBE



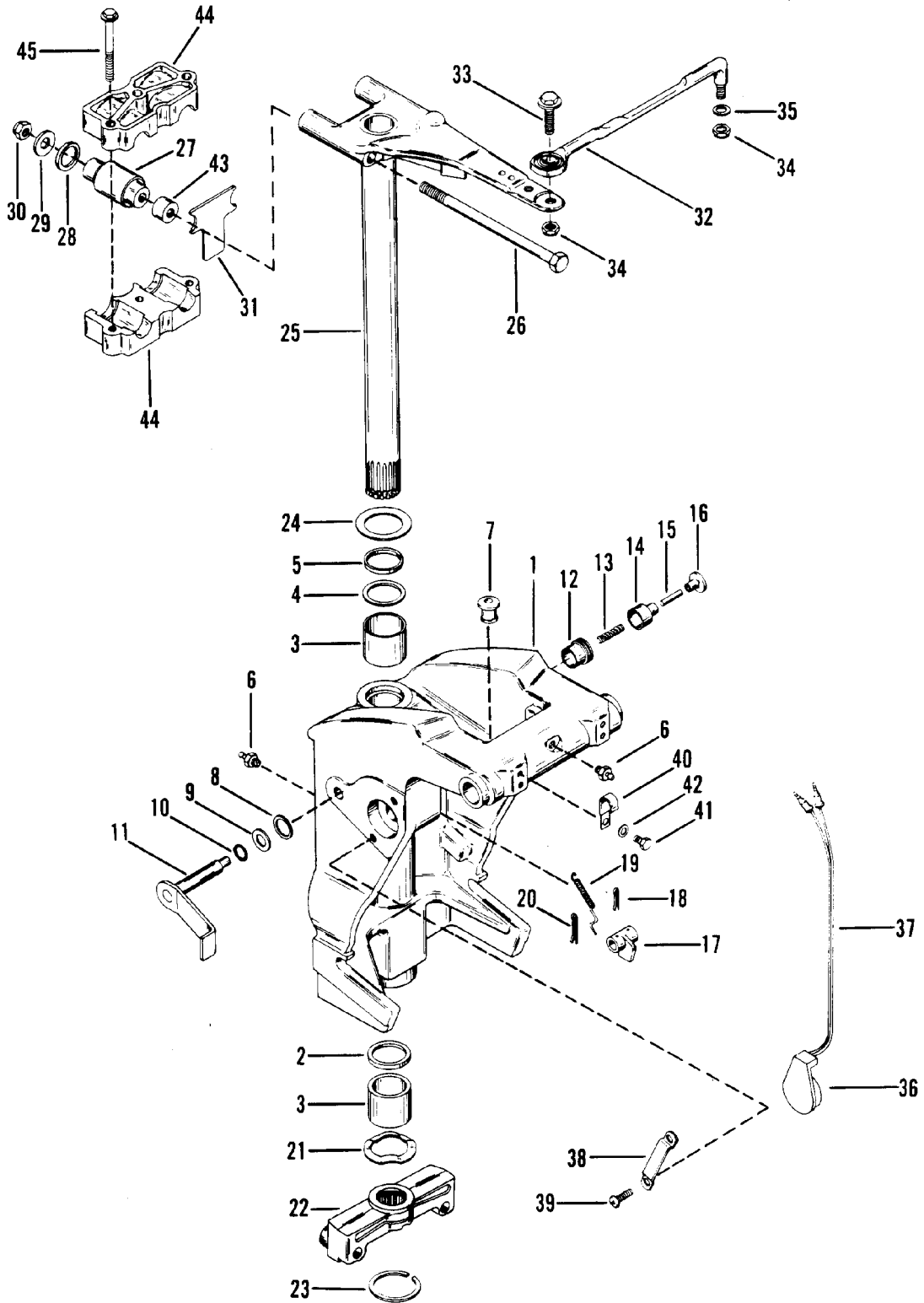
46438

DRIVE SHAFT HOUSING AND EXHAUST TUBE

REF. NO.	PART NO.	SYM.	QTY.	DESCRIPTION
1	1594-8437A 2		1	HOUSING ASSEMBLY, Driveshaft, (LONG)
	1594-8285A 2		1	HOUSING ASSEMBLY, Driveshaft, (EXTRA LONG)
2	16-57933		4	STUD, (.437-14/.437-20 x 2.190), Drive shaft housing/gear housing (2-3/16")
3	16-57984		1	STUD, (.437-14/.437-20 x 2.380), Drive shaft housing/gear housing (2-3/8")
4	10-54493		1	SCREW, (.437-14 x 2.500), DRIVE SHAFT HOUSING
5	12-95703		6	WASHER, DRIVE SHAFT HOUSING STUD
6	11-95702		5	NUT, DRIVE SHAFT HOUSING STUD
7	88758		1	STRAP, SWIVEL BRACKET RETAINING
8	10-67769		1	SCREW, (.375-24 x 4.00), STRAP TO DRIVE SHAFT HOUSING
9	11-25269		1	NUT, (.375-24), STRAP TO DRIVE SHAFT HOUSING SCREW
10	94229		2	TEE WASHER
11	10-68513		4	SCREW, (#10-32 x .375) Stainless Steel, TEE WASHER
12	77327		2	MOUNT, LOWER
13	25067		2	BUMPER, LOWER MOUNT SCREW
14	10-96853		2	SCREW, (.500-20 x 6.380), LOWER MOUNT
15	88238A 1		1	CABLE ASSEMBLY, Ground
16	12-49339		2	WASHER, (.8125), LOWER MOUNT SCREW
17	11-25096		2	NUT, LOWER MOUNT SCREW
18	54-67076		2	CLAMP, LOWER MOUNT
19	10-40001140		4	SCREW, (M8 x 35), LOWER MOUNT CLAMP
20	13-40024 7		4	LOCKWASHER, (M8), LOWER MOUNT CLAMP SCREW
21	67077		2	COVER, LOWER MOUNT CLAMP
22	10-88417		4	SCREW, (#12-24 x .620), COVER ATTACHING (5/8")
23	11-35521		4	NUT, NYLON - COVER TO CLAMP SCREW
24	17-20433		2	PIN, Dowel (.375 x 1.00), DRIVE SHAFT HOUSING
25	94105		1	TUBE, Exhaust, (LONG)
	88887		1	TUBE, Exhaust, (EXTRA LONG)
26	88883		1	SEAL, EXHAUST TUBE - LOWER
27	25-89417		1	GROMMET, WATER TUBE
28	32-88884		1	TUBE, WATER (LONG)
	32-89098		1	TUBE, WATER (EXTRA LONG)
29	26-89419	♥	1	SEAL, WATER TUBE
30	88238A 2		1	CABLE ASSEMBLY, Ground
31	10-73286		1	SCREW, (.250-20 x .500) Stainless Steel, GROUND WIRE
--	27-88605A80		--	GASKET SET CONTENTS INDICATED BY FOOTNOTE 11.

♥ = COMPONENT OF GASKET SET 88605A80.

SWIVEL BRACKET AND STEERING ARM



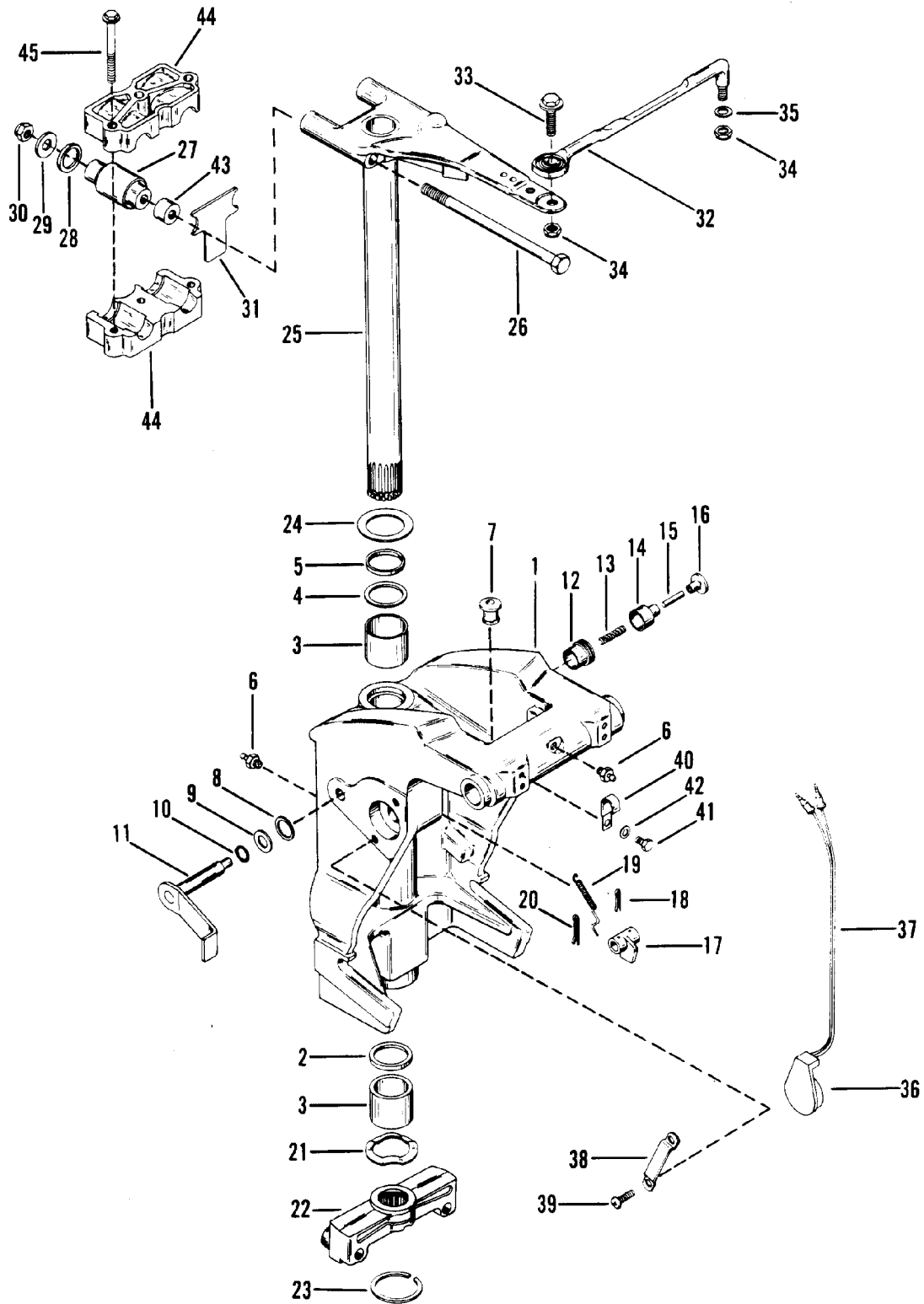
SWIVEL BRACKET AND STEERING ARM

REF. NO.	PART NO.	SYM.	QTY.	DESCRIPTION
1	1491-9225A 2		1	SWIVEL BRACKET ASSEMBLY
2	26-87735		1	SEAL, Oil, SWIVEL BRACKET (LOWER)
3	23-67669		2	BUSHING, SWIVEL BRACKET (LOWER AND UPPER)
4	25-33466	♥	1	O-RING, SWIVEL BRACKET (UPPER)
5	23-67668		1	SPACER, SWIVEL BRACKET (UPPER)
6	22-74036		4	FITTING, Grease, GREASE
7	25-88341		2	GROMMET, SWIVEL BRACKET
8	26-85023		2	SEAL, Oil, SWIVEL BRACKET
9	12-87161		2	WASHER, TILT LOCK LEVER
10	25-48171	♥	2	O-RING, (.364. x .070), TILT LOCK LEVER
11	85030A 1		1	LEVER ASSEMBLY, TILT LOCK (PORT)
	85028A 1		1	LEVER ASSEMBLY, TILT LOCK (STARBOARD)
12	23-86600		1	BUSHING, TILT LEVER RELEASE
13	24-85367		1	SPRING, TILT LEVER RELEASE
14	41052		1	PLUNGER, TILT LEVER RELEASE
15	16-88876		1	STUD, PLUNGER
16	86603		1	KNOB, PLUNGER
17	86475 1		1	COUPLING, TILT LOCK LEVER
18	17-69745		2	PIN, Roll, LEVER TO COUPLING
19	24-88049		1	SPRING, TENSION - COUPLING
20	18-93861		1	COTTER PIN, COUPLING SPRING
21	13-78854		1	WAVE WASHER, BOTTOM YOKE
22	96852		1	YOKE, Bottom
23	53-67684		1	RING, Retaining, BOTTOM YOKE
24	12-67670		1	WASHER, THRUST - SWIVEL BRACKET
25	17-67706A 2		1	SWIVEL PIN ASSEMBLY, Steering Arm
26	10-88659		2	SCREW, STEERING ARM TO UPPER MOUNT
27	77326		2	MOUNT, RUBBER (UPPER)
28	12-66921		2	WASHER, UPPER MOUNT BOLT
29	12-78688		2	WASHER, UPPER MOUNT BOLT
30	11-34933		2	NUT, (.437-20) Stainless Steel, UPPER MOUNT BOLT
31	88882		1	BUMPER, Top Yoke, STEERING ARM
32	92876A 1		1	LINK ASSEMBLY, Steering
33	10-79401		1	SCREW, STEERING LINK TO STEERING ARM (1-1/8")
34	11-33826		2	NUT, STEERING LINK SCREW
35	12-34931		2	WASHER, (.406 x .734 x .063) Stainless Steel, STEERING LINK TO STEERING ARM
36	86485A 5		1	SENDER ASSEMBLY, Trim
37	84-65017A15		1	HARNES ASSEMBLY, TRIM SENDER

♥ = COMPONENT OF GASKET SET 88605A80.

CONTINUED ON NEXT PAGE ➡

SWIVEL BRACKET AND STEERING ARM

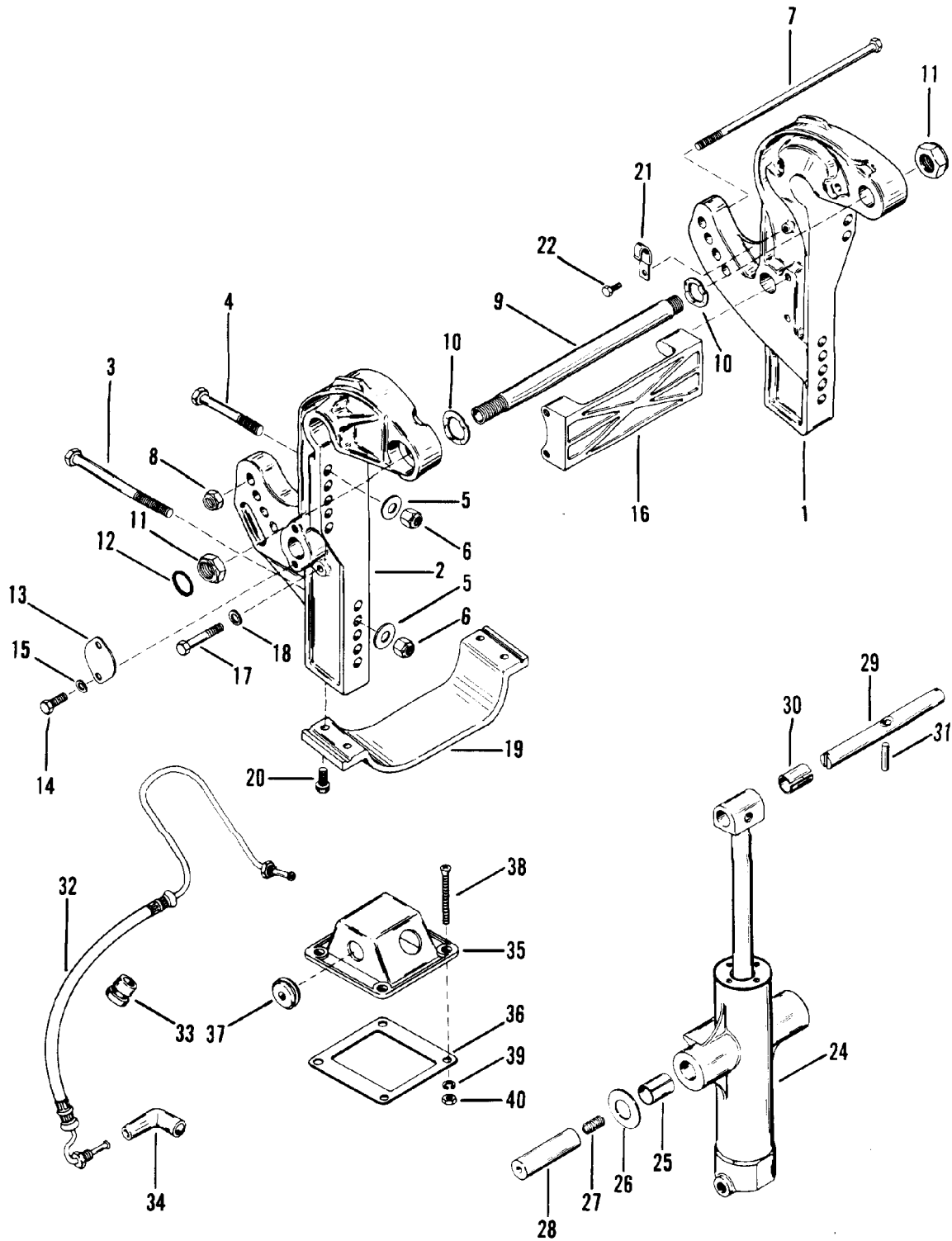


SWIVEL BRACKET AND STEERING ARM

REF. NO.	PART NO.	SYM.	QTY.	DESCRIPTION
36	86485A 6		1	TILT SWITCH ASSEMBLY
37	84-65017A14		1	HARNESS ASSEMBLY, TILT SWITCH
38	88342		2	STRAP, SWITCH AND SENDER
39	10-87926		4	SCREW, (#10-32 x .500), STRAP TO SWIVEL BRACKET
40	54-54457		1	J CLIP, SWITCH AND SENDER LEADS
41	10-98256		1	SCREW, (.250-28 x .500), CLAMP TO SWIVEL BRACKET
42	12-29245		1	WASHER, (.281 x .500 x .060) Stainless Steel, CLAMP SCREW
43	23-96851		2	SPACER, UPPER MOUNT BOLT
44	88910		2	CLAMP, UPPER MOUNT
45	10-40062180		3	SCREW, UPPER MOUNT CLAMP
--	27-88605A80		--	GASKET SET CONTENTS INDICATED BY FOOTNOTE 11.

♥ = COMPONENT OF GASKET SET 88605A80.

TRANSOM BRACKETS



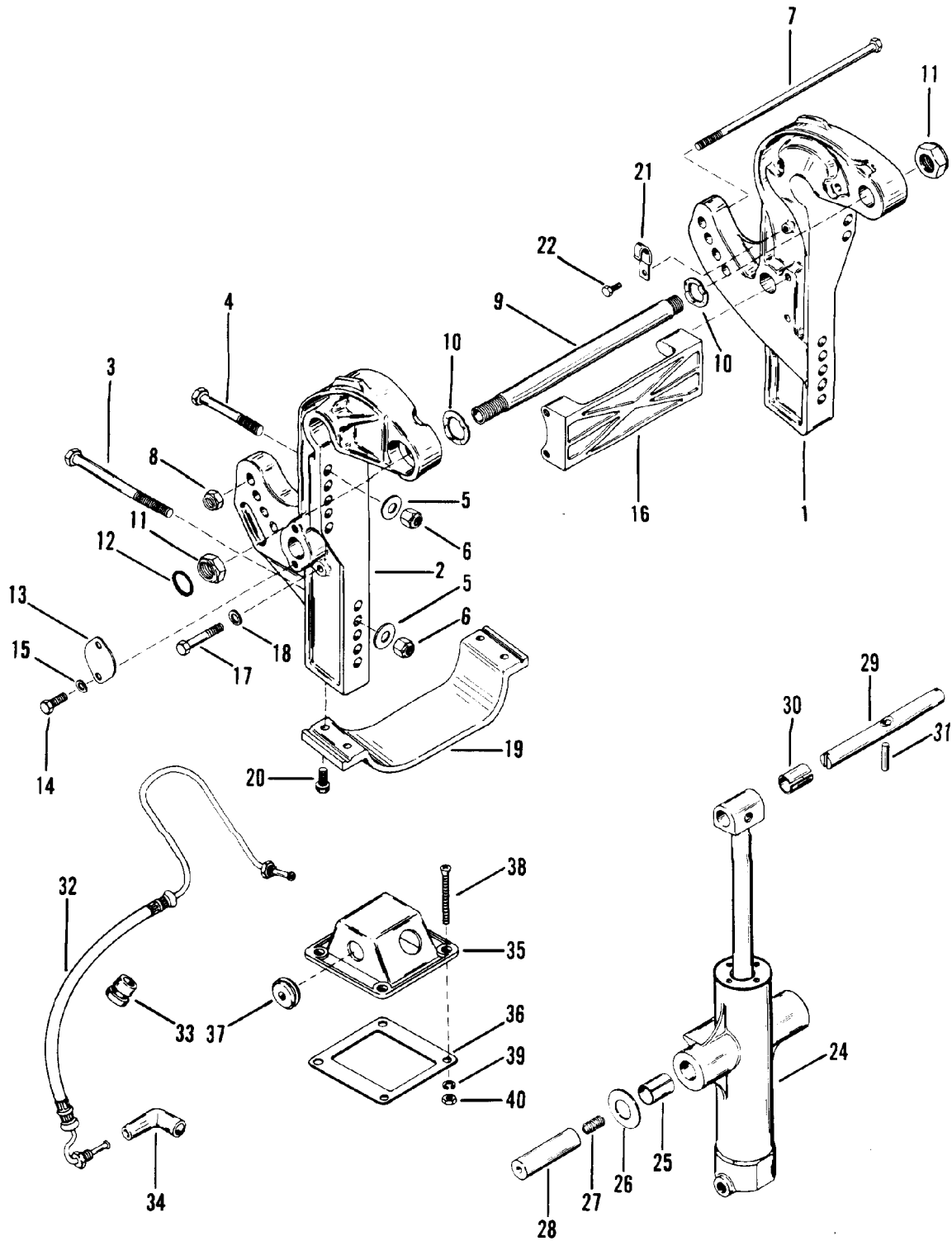
46502

TRANSOM BRACKETS

REF. NO.	PART NO.	SYM.	QTY.	DESCRIPTION
1	1494-7476 1		1	BRACKET, TRANSOM (PORT)
2	1495-7478 1		1	BRACKET, TRANSOM (STARBOARD)
3	10-67755 2		2	SCREW, (.500-20 x 6.500), BRACKET TO TRANSOM (6-1/2")
4	10-67755 1		2	SCREW, (.500-20 x 4.500), BRACKET TO TRANSOM (4-1/2")
5	12-28421		4	WASHER, (1.5 x 3.05 x 0.13) Stainless Steel, BRACKET SCREW
6	11-91962		4	NUT, (.500-20), BRACKET SCREW
7	10-87180		1	BOLT, (.500-20 x 11.00), TILT
8	11-20220		1	NUT, (.500-20), TILT BOLT
9	99170A 1		1	TILT TUBE
10	12-85022		2	WASHER, TILT TUBE
11	11-56041		1	NUT, (.875-14), TILT TUBE (7/8-14)
	11-34862		1	NUT, (1.00-14), TILT TUBE (1"-14)
12	25-45711		1	O-RING, (.612 x .103), TILT TUBE
13	85026		2	PLATE, PIVOT PIN
14	10-28636		4	SCREW, (.250-20 x .750), PLATE TO TRANSOM BRACKET
15	12-29245		4	WASHER, (.281 x .500 x .060) Stainless Steel, PLATE SCREW
16	85035		1	SPACER, TRANSOM BRACKET
17	10-70732		4	SCREW, (.250-20 x 2.00), SPACER TO TRANSOM BRACKET
18	12-29245		4	WASHER, (.281 x .500 x .060) Stainless Steel, SPACER SCREW
19	89949A 1		1	PLATE ASSEMBLY, TRANSOM BRACKET
20	10-89996		4	SCREW, (.250-20 x .875), PLATE TO TRANSOM BRACKET
21	54-88512		4	CLAMP, HYDRAULIC HOSE
	54-75275		2	CLAMP, WIRING HARNESS
22	10-88829		6	SCREW, (#10-24 x .500), CLAMP TO TRANSOM BRACKET
24	79610A 6		1	TRIM CYLINDER ASSEMBLY, (79879A1 REPAIR KIT)
25	23-86489		2	BUSHING, TRIM CYLINDER
26	12-85022		2	WASHER, TRANSOM BRACKET
27	24-30316		2	SPRING, TRIM CYLINDER
28	17-85020		2	PIN, Pivot, TRIM CYLINDER
29	85024		1	SHAFT, TRIM CYLINDER
30	23-86637		2	BEARING, TRIM SHAFT
31	17-91862		1	PIN, TRIM CYLINDER
32	32-89024A 1		1	HOSE, HYDRAULIC (PORT)
	32-89023A 2		1	HOSE, HYDRAULIC (STARBOARD)
33	25-97000		2	GROMMET, HYDRAULIC HOSES
34	22-87207		1	CONNECTOR, HYDRAULIC HOSE
35	87871		1	COVER, INLET - HYDRAULIC HOSE
36	27-87775		1	GASKET, INLET COVER
37	25-45507		1	GROMMET, INLET COVER
38	10-36070		4	SCREW, (#10-32 x 1.250), INLET COVER

CONTINUED ON NEXT PAGE ➡

TRANSOM BRACKETS

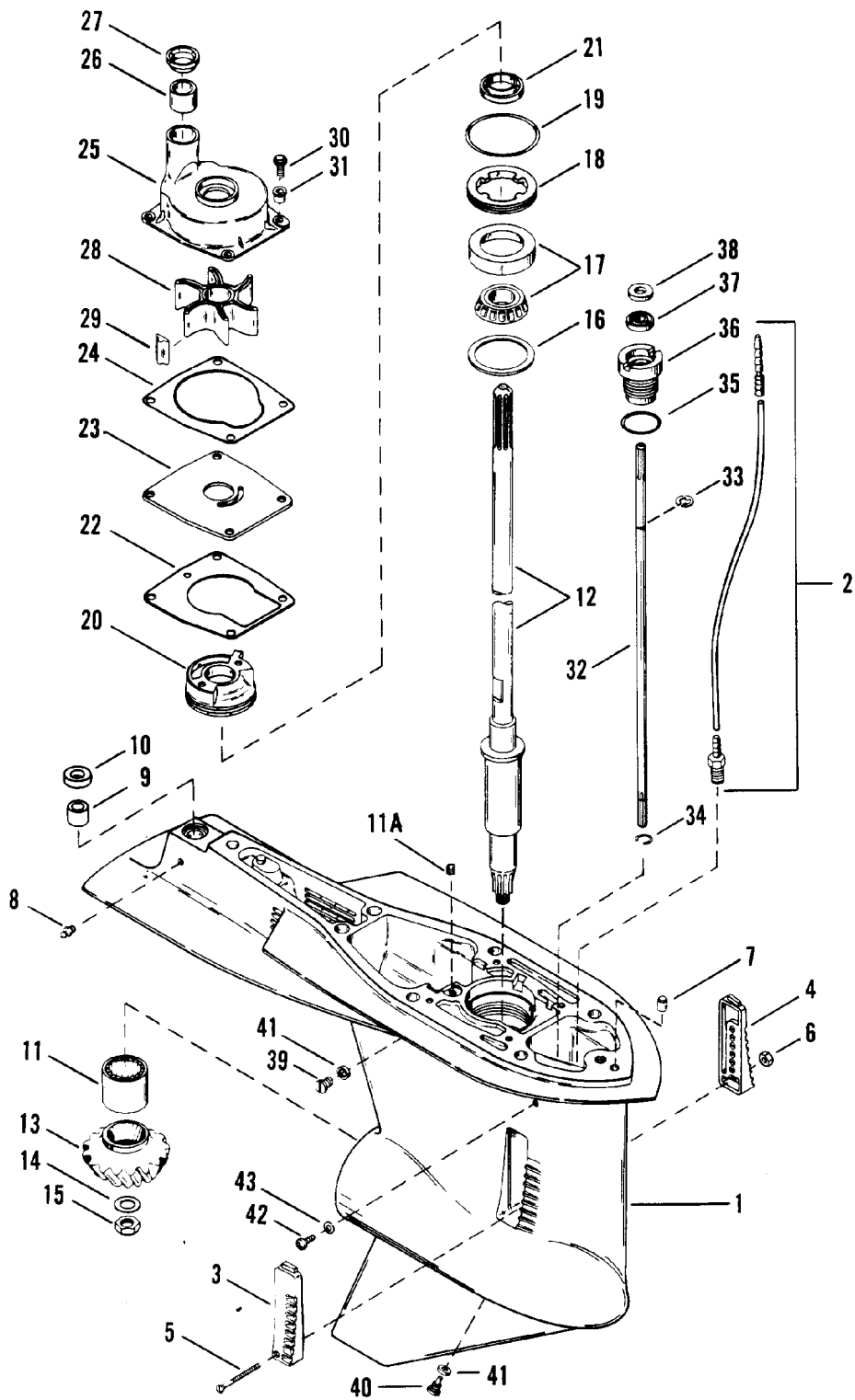


46502

TRANSOM BRACKETS

REF. NO.	PART NO.	SYM.	QTY.	DESCRIPTION
39	13-26996		4	LOCKWASHER, (#10) Stainless Steel, INLET COVER SCREW
40	11-68219		4	NUT, (#10-32) Stainless Steel, INLET COVER SCREW

GEAR HOUSING (DRIVE SHAFT)



46503

GEAR HOUSING (DRIVE SHAFT)

REF. NO.	PART NO.	SYM.	QTY.	DESCRIPTION
-	1659-9554A 3		1	GEAR HOUSING ASSEMBLY, COMPLETE (LONG)
-	1659-9554A 4		1	GEAR HOUSING ASSEMBLY, COMPLETE (EXTRA LONG)
1	NLA	●*→←	1	No Longer Available
2	22-85822A 1		1	CONNECTOR ASSEMBLY, SPEEDOMETER
3	88375		1	INSERT, WATER (STARBOARD) EARLY MODELS
4	88376		1	INSERT, WATER (PORT) EARLY MODELS
5	10-40043 76		1	SCREW, INSERT TO GEAR HOUSING EARLY MODELS
6	11-89019		1	NUT, INSERT TO GEAR HOUSING SCREW EARLY MODELS
7	17-20033		2	PIN, Dowel, GEAR HOUSING LOCATING
8	22-74036		1	FITTING, Grease, GEAR HOUSING
9	23-89525		2	BUSHING, GEAR HOUSING
10	26-54925		2	SEAL, Oil, GEAR HOUSING
11	31-88384		1	BEARING, Roller, DRIVE SHAFT
11A	22-56800		1	PLUG, Pipe (.0625-27), GEAR HOUSING
12	45-14880T		1	DRIVESHAFT ASSEMBLY, (LONG)
	45-14881T		1	DRIVESHAFT ASSEMBLY, (EXTRA LONG)
13	NLA	●*→←	1	No Longer Available
14	12-92721		1	WASHER, PINION GEAR NUT
15	11-35921		1	NUT, (.625-18), PINION GEAR TO DRIVE SHAFT
16	15-88655A 1	I	AR	SHIM ASSEMBLY, Roller bearing to gear housing
17	31-86748A 1		1	BEARING ASSEMBLY, Tapered Roller, DRIVE SHAFT
18	11-88710		1	LOCKNUT, ROLLER BEARING
19	25-88657	♥	1	O-RING, WATER PUMP
20	46-88776A 1		1	BASE ASSEMBLY, Water Pump
21	26-14381		1	SEAL, WATER PUMP BASE
22	27-90756 1	♥	1	GASKET, LOWER - WATER PUMP
23	90755		1	PLATE, FACE - WATER PUMP
24	27-93666 1	♥	1	GASKET, UPPER - WATER PUMP
25	46-90530A 1		1	BODY ASSEMBLY, Water Pump
26	26-88397	♥	1	SEAL, RUBBER - WATER INLET TUBE
27	88581		1	GUIDE, WATER INLET TUBE
28	47-85647		1	IMPELLER, WATER PUMP
29	28-88422		1	KEY, IMPELLER DRIVE

● = NO LONGER AVAILABLE

I = AS REQUIRED

♥ = COMPONENT OF GASKET SET 88605A80.

* = When ordering Basic Gear Housing or Gear Set, order Complete Gear Housing:

→ = 9554A12 (LONG)

← = 9554A 6 (X-LONG)

CONTINUED ON NEXT PAGE ➡

GEAR HOUSING (DRIVE SHAFT)

REF. NO.	PART NO.	SYM.	QTY.	DESCRIPTION
30	10-40011128		4	SCREW, (M6 x 20) Stainless Steel, WATER PUMP
31	90753		4	INSULATOR, WATER PUMP SCREW
32	44197A 2		1	SHAFT, SHIFT (LOWER)
33	53-29641		1	E RING, RETAINING - SHIFT SHAFT
34	53-78907		1	RING, Retaining
35	25-25439	♥	1	O-RING, (.862 x .103), SHIFT SHAFT BUSHING
36	23-77631A 2		1	BUSHING ASSEMBLY, SHIFT SHAFT
37	26-76384		1	SEAL, Oil, SHIFT SHAFT BUSHING
38	12-77674		1	WASHER, RUBBER - SHIFT SHAFT BUSHING
39	10-79953		1	SCREW, (.375-16 x .250), GREASE FILLER
40	22-67892		1	SCREW, Magnetic, DRAIN (MAGNETIC)
41	12-20260		2	WASHER, GREASE FILLER AND DRAIN SCREW
42	10-28653		1	SCREW, (#10-32 x 0.25), GEAR HOUSING
43	12-20262		1	WASHER, GEAR HOUSING
--	1659-9554A12		--	GEAR HOUSING ASSEMBLY, (LONG) ORDER WHEN ORDERING BASIC GEAR HOUSING OR GEAR SET.
--	1659-9554A 6		--	GEAR HOUSING ASSEMBLY, (XLONG) ORDER WHEN ORDERING BASIC GEAR HOUSING OR GEAR SET.
--	27-88605A80		--	GASKET SET CONTENTS INDICATED BY FOOTNOTE 11.

● = NO LONGER AVAILABLE

▮ = AS REQUIRED

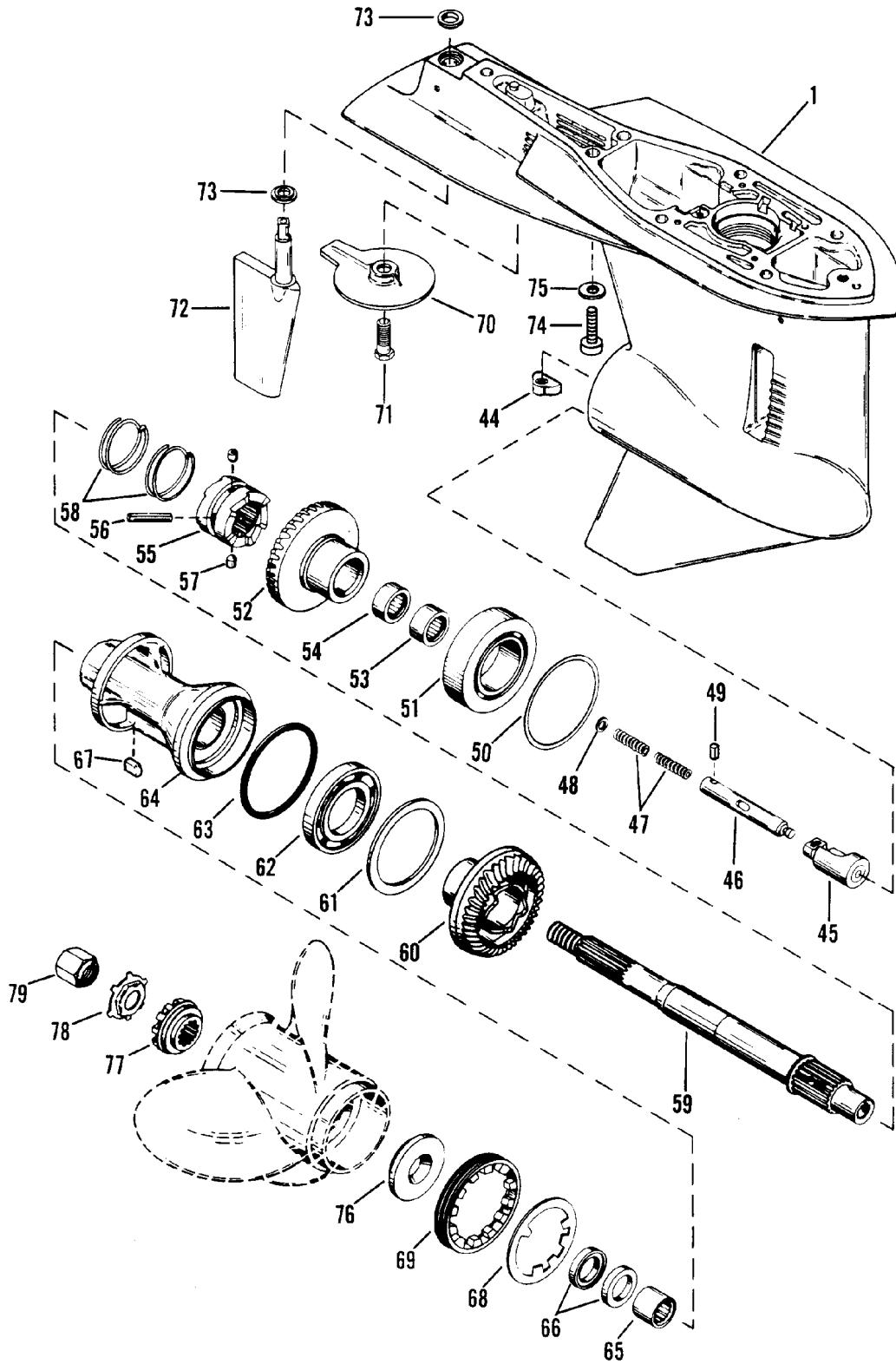
♥ = COMPONENT OF GASKET SET 88605A80.

* = When ordering Basic Gear Housing or Gear Set, order Complete Gear Housing:

→ = 9554A12 (LONG)

← = 9554A 6 (X-LONG)

GEAR HOUSING (PROPELLER SHAFT)



46504

GEAR HOUSING (PROPELLER SHAFT)

REF. NO.	PART NO.	SYM.	QTY.	DESCRIPTION
-	1659-9554A 3		1	GEAR HOUSING ASSEMBLY, COMP. (LONG)
-	1659-9554A 4		1	GEAR HOUSING ASSEMBLY, COMP. (EXTRA LONG)
1	NLA	●*→←	1	No Longer Available
44	78956		1	SHIFT CAM
45	89594A 1		1	FOLLOWER ASSEMBLY, CAM
46	88523		1	ROD, CLUTCH ACTUATOR
47	24-88579		2	SPRING, COMPRESSION
48	12-78910		1	WASHER, COMPRESSION SPRING
49	17-78906		1	PIN, SPRING LOCATOR
50	15-47397A 1	I	AR	SHIM SET, BEARING OUTER RACE (.002-3-5-10)
51	31-78172A 1		1	BEARING ASSEMBLY, Tapered Roller
52	NLA	●*→←	1	No Longer Available
53	31-73363		1	BEARING, Roller, FORWARD GEAR
54	31-88583		1	BEARING, Roller, FORWARD GEAR
55	52-88423		1	RATCHET, SLIDING CLUTCH
56	17-78905		1	PIN, Cross, RATCHET TO PROPELLER SHAFT
57	17-78909		2	PIN, Detent, RATCHET
58	24-78962		2	SPRING, RETAINING - CROSS PIN
59	44-93848		1	PROPELLER SHAFT
60	NLA	●*→←	1	No Longer Available
61	68100		1	RING, THRUST - BEARING CARRIER
62	30-88957A 1		1	BEARING, Ball, - REVERSE GEAR
63	25-31534	♥	1	O-RING, BEARING CARRIER
64	88603A 4		1	CARRIER ASSEMBLY, Bearing
65	31-30956		1	BEARING, Needle, BEARING CARRIER
66	26-76868		2	SEAL, BEARING CARRIER
67	28-30281		1	KEY, LOCATING - BEARING CARRIER
68	14-79447		1	TAB WASHER, GEAR HOUSING COVER
69	79448		1	RETAINER, GEAR HOUSING
70	89026		1	COVER, ANODE
71	10-47658		1	SCREW, (.437-14 x 1.50) Stainless Steel, ANODE COVER
72	95781		1	RUDDER
73	23-89514		2	BUSHING, RUDDER
74	10-95705		2	SCREW, (.437-14 x 3.00), Gear housing to drive shaft housing

● = NO LONGER AVAILABLE

I = AS REQUIRED

♥ = COMPONENT OF GASKET SET 88605A80.

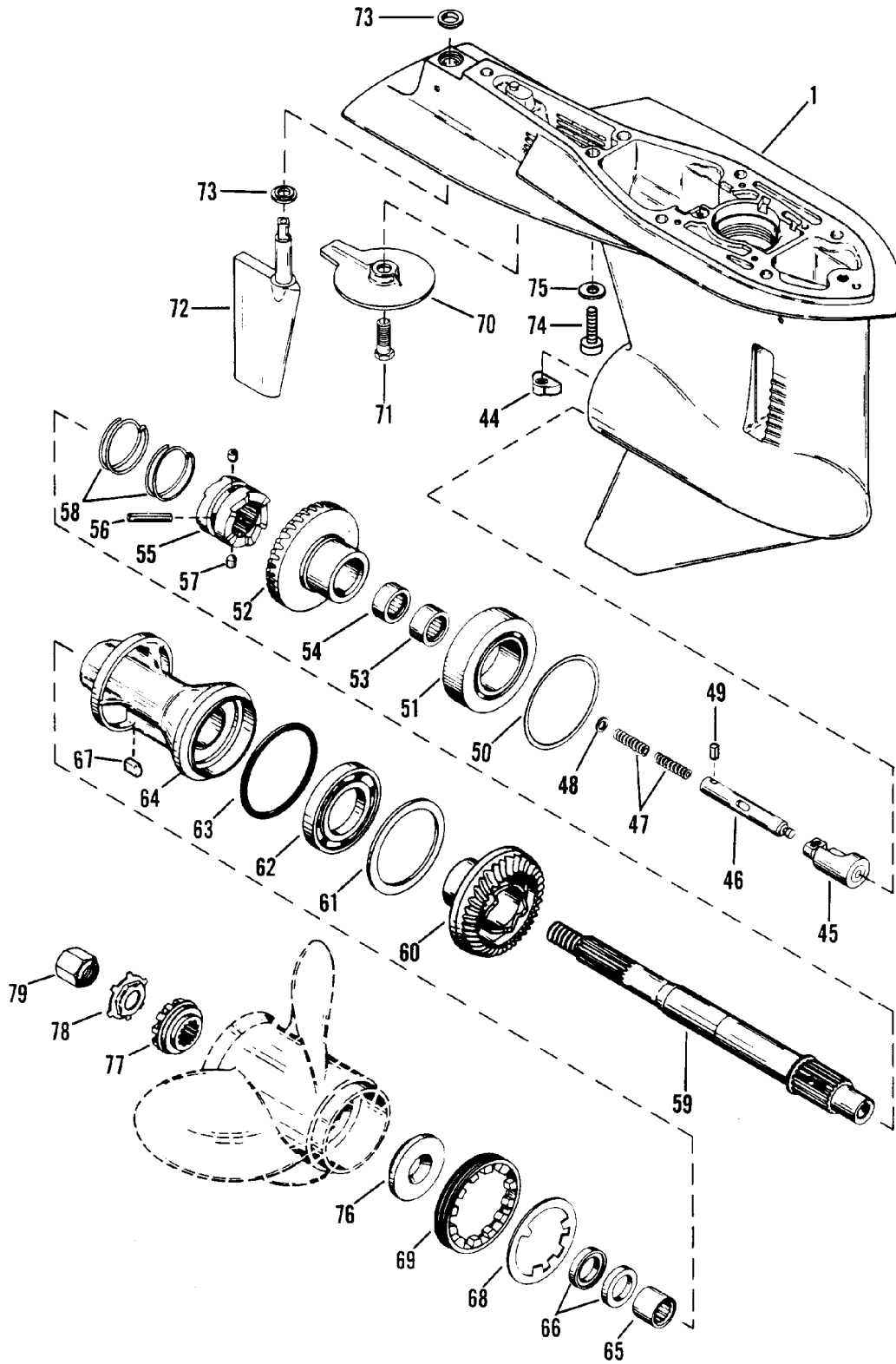
* = When ordering Basic Gear Housing or Gear Set, order Complete Gear Housing:

→ = 9554A12 (LONG)

← = 9554A 6 (X-LONG)

CONTINUED ON NEXT PAGE ➡

GEAR HOUSING (PROPELLER SHAFT)



46504

GEAR HOUSING (PROPELLER SHAFT)

REF. NO.	PART NO.	SYM.	QTY.	DESCRIPTION
75	12-95704		2	WASHER, GEAR HOUSING SCREW
76	13171		1	THRUST HUB
77	12-31211A 2		1	WASHER, Splined, SPLINED - PROPELLER NUT
78	14-31210		1	TAB WASHER, PROPELLER NUT
79	11-52707A 1		1	PROP NUT KIT, (.750-16)
--	1659-9554A12		--	GEAR HOUSING ASSEMBLY, (LONG) ORDER WHEN ORDERING BASIC GEAR HOUSING OR GEAR SET.
--	1659-9554A 6		--	GEAR HOUSING ASSEMBLY, (XLONG) ORDER WHEN ORDERING BASIC GEAR HOUSING OR GEAR SET.
--	27-88605A80		--	GASKET SET CONTENTS INDICATED BY FOOTNOTE 11.

● = NO LONGER AVAILABLE

▮ = AS REQUIRED

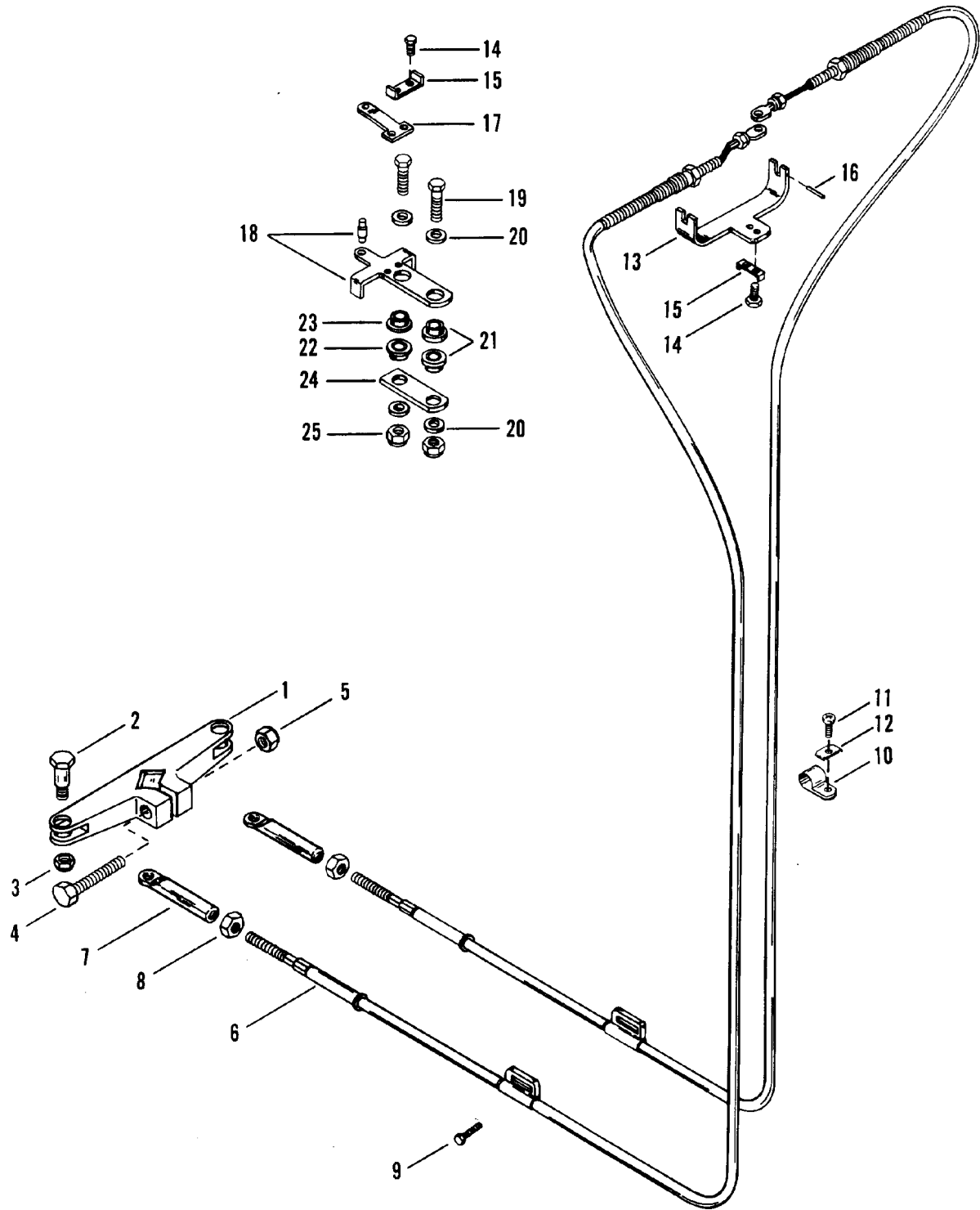
♥ = COMPONENT OF GASKET SET 88605A80.

* = When ordering Basic Gear Housing or Gear Set, order Complete Gear Housing:

→ = 9554A12 (LONG)

← = 9554A 6 (X-LONG)

HYDRASTEER COMPONENTS



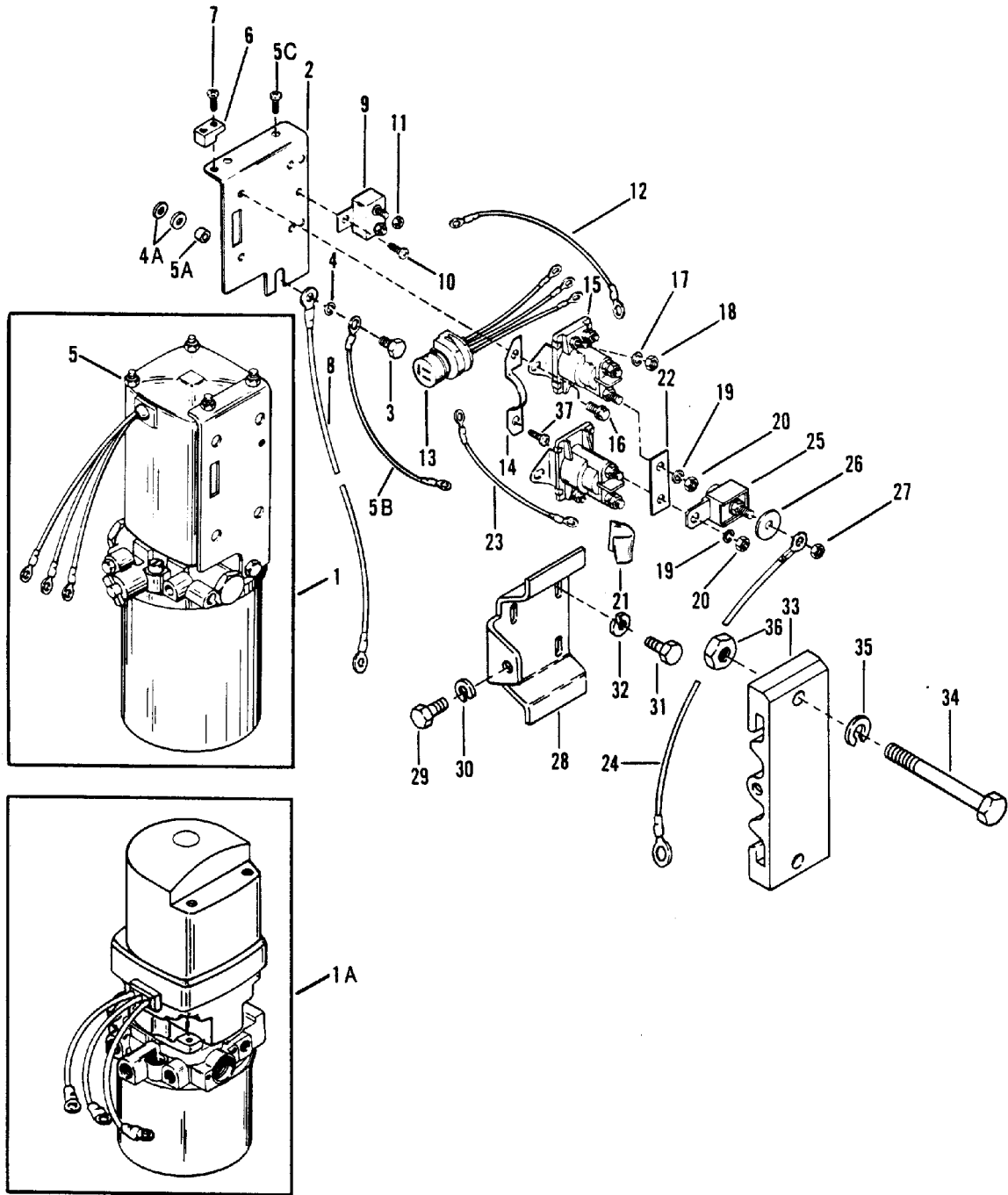
46505

HYDRASTEER COMPONENTS

REF. NO.	PART NO.	SYM.	QTY.	DESCRIPTION
1	95779		1	TILLER ARM
2	10-93348		2	SCREW, TILLER ARM
3	11-45812		2	NUT, (#10-32) Stainless Steel, TILLER ARM SCREW
4	10-69067		1	SCREW, (.250-20 x 1.375), CLAMPING - TILLER ARM
5	11-56374		1	NUT, (.250-20), CLAMPING SCREW
6	89510 2	■	AR	CABLE, Steering, (45")
	89510 3	■	AR	CABLE, Steering, (50")
7	89522		2	END, Cable
8	11-64015		2	NUT, (.250-20), STEERING CABLE
9	10-40003 6		4	SCREW, (M5 x 20), STEERING CABLE ATTACHING
10	54-26550		6	CLAMP, STEERING CABLE ATTACHING
11	10-40019106		6	SCREW, STEERING CABLE CLIP
12	69205		6	C WASHER, CLIP SCREW
13	89508		1	BRACKET, CABLE
14	10-69020		4	SCREW, (#10-32 x .875), CABLE RETAINER STRAP
15	93690		2	STRAP, CABLE RETAINER
16	17-69745		2	PIN, Roll, CABLE BRACKET
17	90733		1	COVER PLATE
18	89509A 1		1	SWIVEL ASSEMBLY
19	10-94319		2	SCREW, (.375-24 x 1.5), CABLE SWIVEL
20	12-34931		4	WASHER, (.406 x .734 x .063) Stainless Steel, CABLE SWIVEL SCREW
21	23-89515A 1		2	BUSHING ASSEMBLY, FLANGED
22	23-89517A 1		1	BUSHING ASSEMBLY, FLANGED
23	23-89516A 1		1	BUSHING ASSEMBLY, FLANGED
24	89513		1	PLATE, SWIVEL
25	11-33826		2	NUT, CABLE SWIVEL SCREW
--	93538A1		--	HYDRASTEER LOCKING KIT

■ = AS REQUIRED

HYDRAULIC PUMP AND MOUNTING BRACKETS



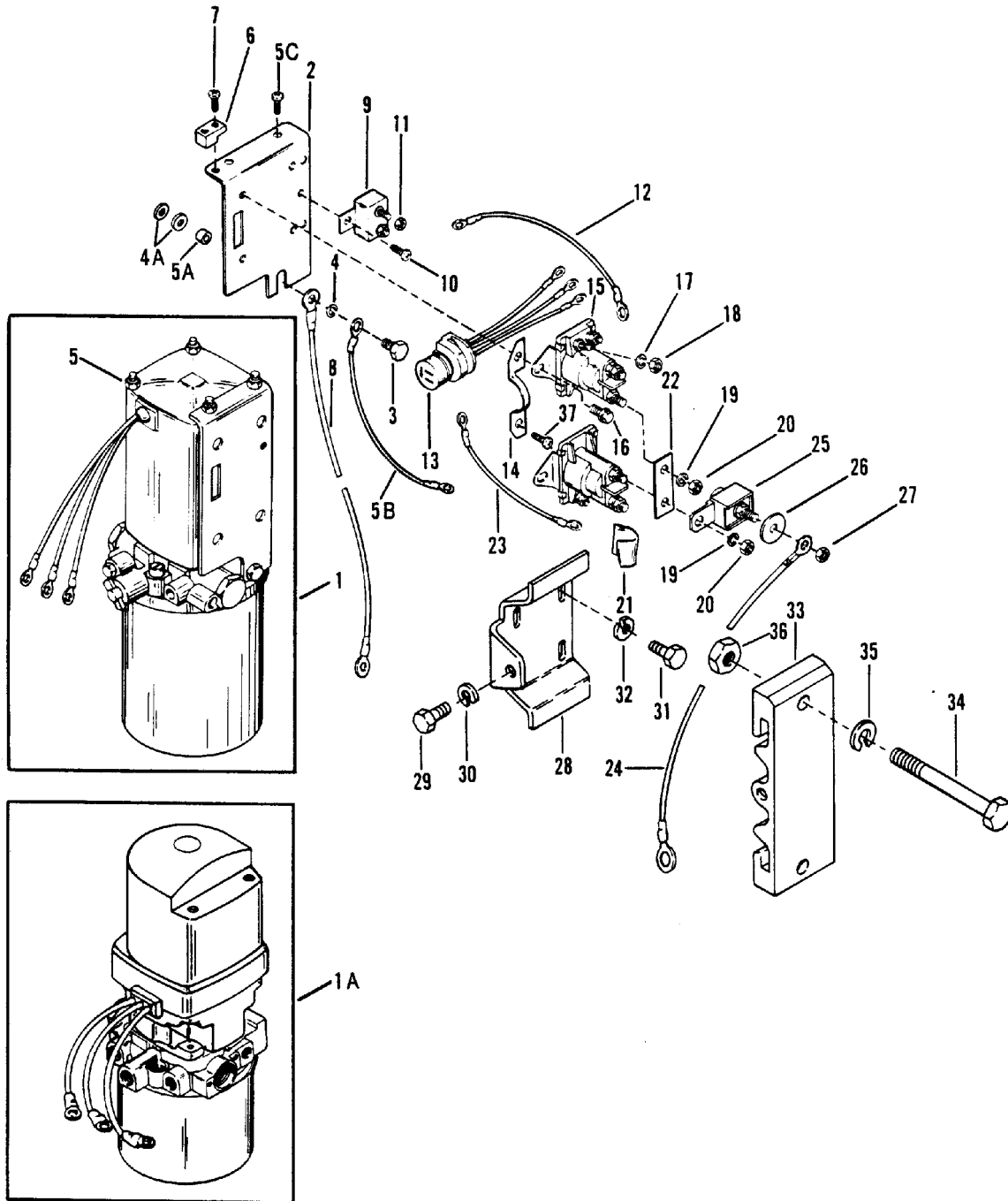
46506

HYDRAULIC PUMP AND MOUNTING BRACKETS

REF. NO.	PART NO.	SYM.	QTY.	DESCRIPTION
1	92459A 4		1	PUMP ASSEMBLY, Hydraulic (DESIGN I)
2	90318		1	BRACKET (DESIGN I)
3	10-90285		1	SCREW, (.312-18 x .625), (5/8") (DESIGN I)
4	12-56720		1	WASHER, (.330 x .750 x .060) Stainless Steel (DESIGN I)
5	11-29488		2	NUT, (#10-32) (DESIGN I)
1A	823653A 5		1	PUMP ASSEMBLY, Hydraulic (DESIGN II)
2	818567		1	BRACKET (DESIGN II)
3	10-38837		1	SCREW, (.312-18 x 1.12), (1-1/8") (DESIGN II)
4A	12-57792		2	WASHER (DESIGN II)
5A	23-34948		1	SPACER (DESIGN II)
5B	84-86322A24		1	CABLE ASSEMBLY, (4.00 Inches) (DESIGN II)
5C	10-92051		2	SCREW, (10-16 x .75), (3/4") (DESIGN II)
6	45915		1	TERMINAL BLOCK
7	10-62568		2	SCREW, (#10-16 x .375), WIRE TO TERMINAL BLOCK (3/8")
8	84-79138A 9		1	CABLE ASSEMBLY, (6.00 Feet) Black-Negative, BLACK (NEGATIVE)
9	88-79149		1	BREAKER, Circuit - 20 Ampere, (20 AMP)
10	10-69014		1	SCREW, (#10-24 x .375), CIRCUIT BREAKER
11	11-45076		2	NUT, (#10-32) Brass, CIRCUIT BREAKER TERMINAL
12	84-87379A 5		1	WIRE, SOLENOID TO SOLENOID (RED)
13	84-79147A 3		1	HARNESS ASSEMBLY, HYDRAULIC PUMP
14	88075		1	RETAINER, HARNESS TO MOUNTING BRACKET
15	89-96158		2	SOLENOID, Starter
16	10-41508		4	SCREW, (.250-20 x .500) Stainless Steel, STARTER SOLENOID TO BRACKET (3/8")
17	13-26995		4	LOCKWASHER, (#8) Stainless Steel, STARTER SOLENOID TERMINAL (#8)
18	11-26419		4	NUT, (#8-32) Brass, STARTER SOLENOID TERMINAL (#8-32)
19	13-26992		4	LOCKWASHER, (.250) Stainless Steel, Starter solenoid terminal (1/4")
20	11-94330		4	NUT, (.250-20) Brass, STARTER SOLENOID TERMINAL (1/4-20)
21	85-96535		4	BOOT, RUBBER - STARTER SOLENOID TERMINAL
22	94275		1	LINK, SOLENOID TO SOLENOID
23	84-86322A15		1	CABLE ASSEMBLY, (5.50 Inches) Black, SOLENOID TO SOLENOID (BLACK)
24	84-79139A12		1	CABLE ASSEMBLY, Red-Positive, (RED) (POSITIVE)
25	88-79023A10		1	FUSE ASSEMBLY, 110 Ampere, (110 AMP)
26	12-96457		1	WASHER, Phenolic (.27 x .81 x .062), FUSE TERMINAL
27	11-21825		1	NUT, (.250-28), FUSE TERMINAL
28	87760		1	PLATE, MOUNTING
29	10-39349		1	SCREW, (.312-18 x .750) Stainless Steel, MOUNTING PLATE TO BRACKET (3/4")
30	13-26993		1	LOCKWASHER, (.312), MOUNTING PLATE SCREW

CONTINUED ON NEXT PAGE ➡

HYDRAULIC PUMP AND MOUNTING BRACKETS

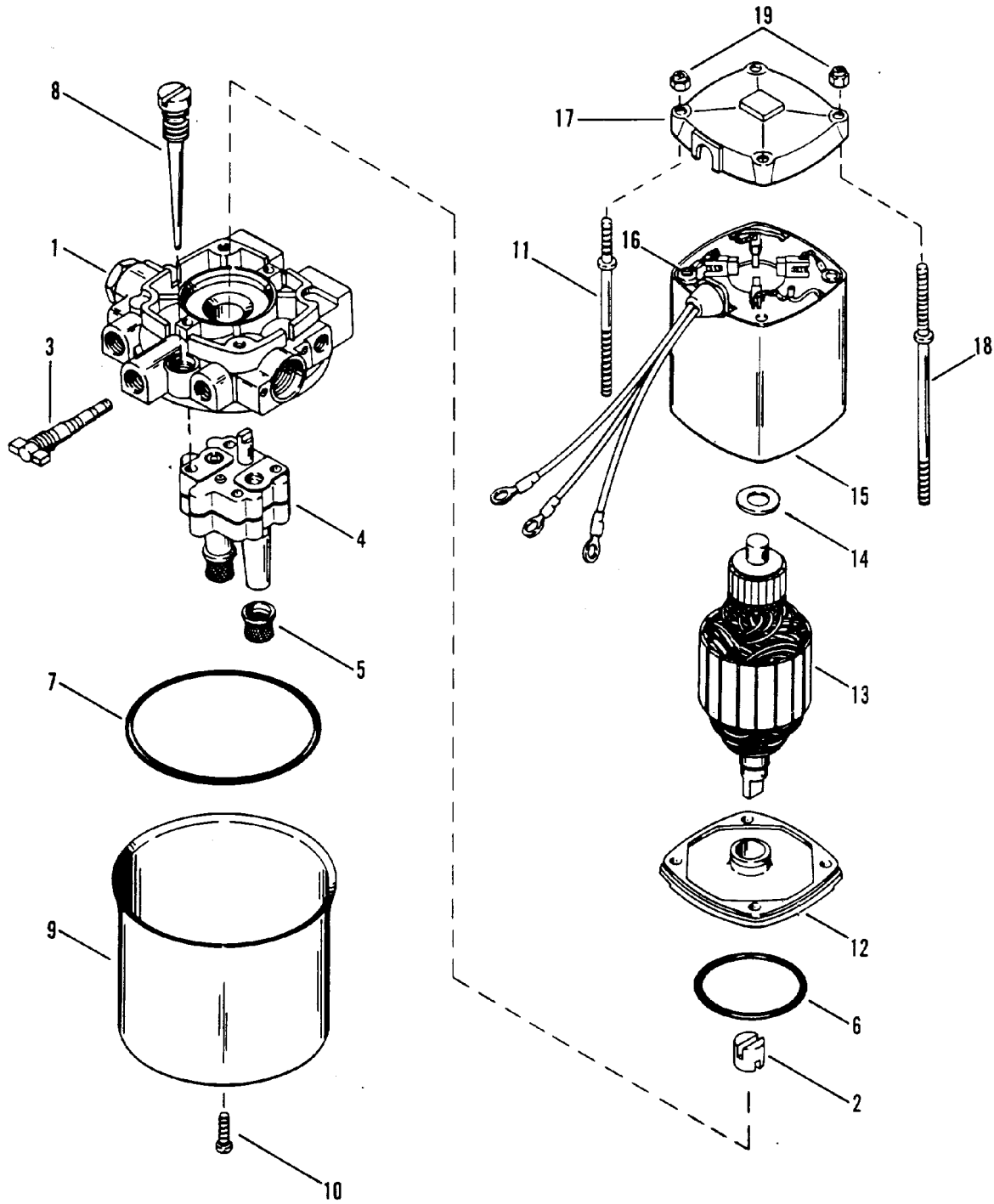


46506

HYDRAULIC PUMP AND MOUNTING BRACKETS

REF. NO.	PART NO.	SYM.	QTY.	DESCRIPTION
31	10-90271		2	SCREW, (.375-16 x .62), HYDRAULIC PUMP (5/8")
32	13-58643		2	LOCKWASHER, (.375), HYDRAULIC PUMP SCREW
33	87762		1	BRACKET, HYDRAULIC PUMP
34	10-31830		2	BOLT, (.375-24 x 1.75), BRACKET TO TRANSOM (3-1/2")
35	13-58643		2	LOCKWASHER, (.375), BRACKET SCREW
36	11-24883		2	NUT, BRACKET SCREW
37	10-32024		1	SCREW, (#10-24 x .625), RETAINER

HYDRAULIC PUMP (DESIGN I)



46507

HYDRAULIC PUMP (DESIGN I)

REF. NO.	PART NO.	SYM.	QTY.	DESCRIPTION
-	92459A 4		1	PUMP ASSEMBLY, Hydraulic
1	89492		1	ADAPTOR
2	89493		1	COUPLING
3	89494	■	AR	MANUAL RELEASE, (INCLUDES 2 "O" RINGS)
	96598	■	AR	MANUAL RELEASE, (INCLUDES 3 "O" RINGS)
4	89495		1	PUMP, (INCLUDES SCREWS)
5	35-89496		2	FILTER
6	25-89498		1	O-RING, MOTOR END
7	25-89497		1	O-RING, RESERVOIR END
8	89499		1	DIPSTICK
9	90587		1	RESERVOIR
10	10-90588		1	SCREW, RESERVOIR (INCLUDES "O" RING)
11	16-90589		1	THRU STUD, (SHORT)
	16-90590		1	THRU STUD, (LONG)
--	87828		1	MOTOR, HYDRAULIC PUMP
12	89484		1	END FRAME, DRIVE END
13	89485		1	ARMATURE
14	12-89482		1	WASHER, THRUST - ARMATURE
15	89486		1	FIELD AND FRAME
16	89487		1	BRUSH CARD
17	89488		1	END FRAME, COMMUTATOR END
18	10-89483		1	THRU BOLT, MOTOR (4-1/4")
	10-89489		1	THRU BOLT, MOTOR (4-9/16")
19	11-89481		6	NUT, THRU BOLT AND STUD
--	812501A 1		--	REPAIR KIT, Relief Valve
--	99073A 1		--	REPAIR KIT, Overhaul

NOTE 1 - DESIGN I

NOTE 2 - REPAIR KITS:

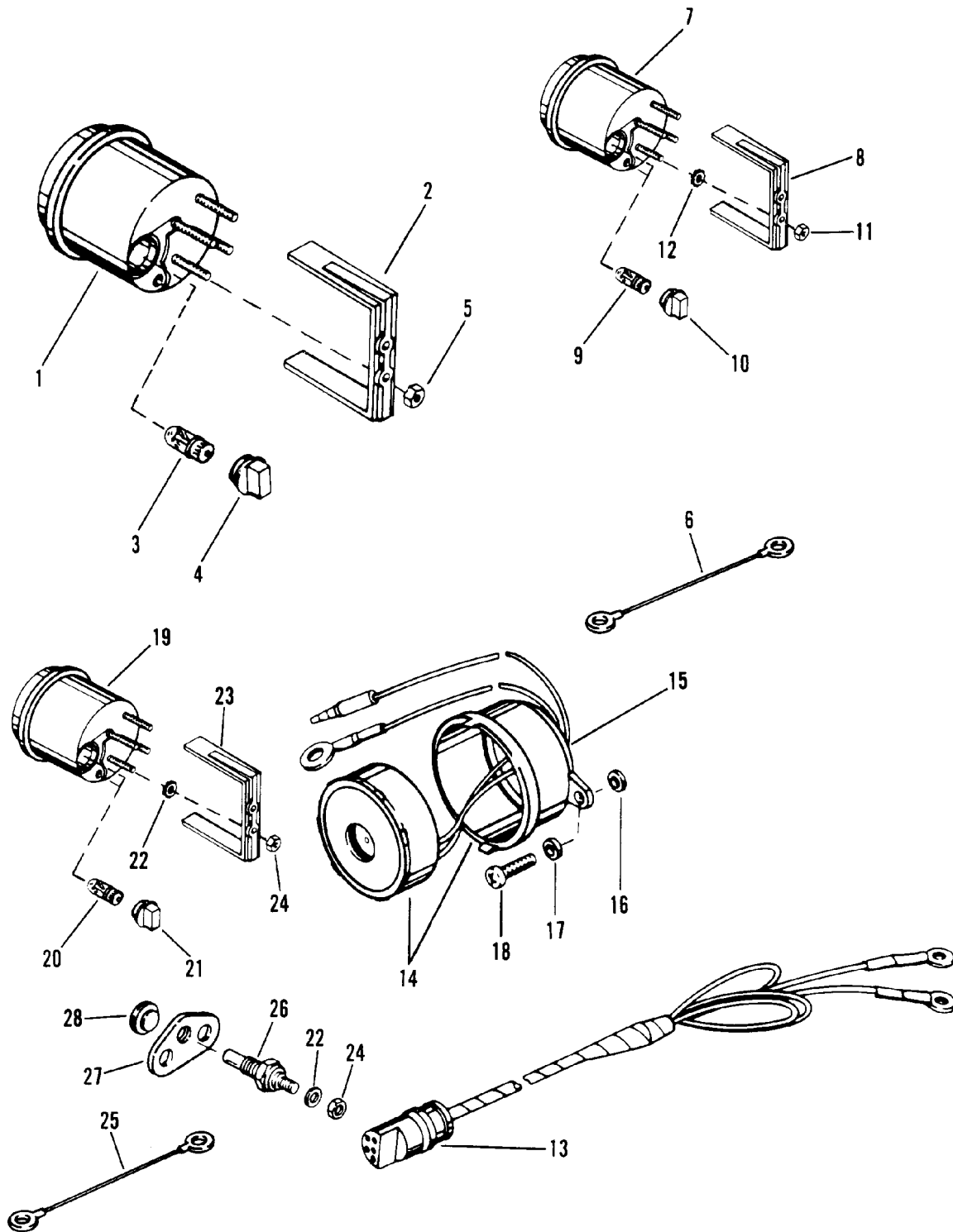
NOTE 3 - Relief Valve Kit

NOTE 4 - Overhaul Repair Kit

■ = AS REQUIRED

TACHOMETER

TRIM GAUGE AND ALARM HORN

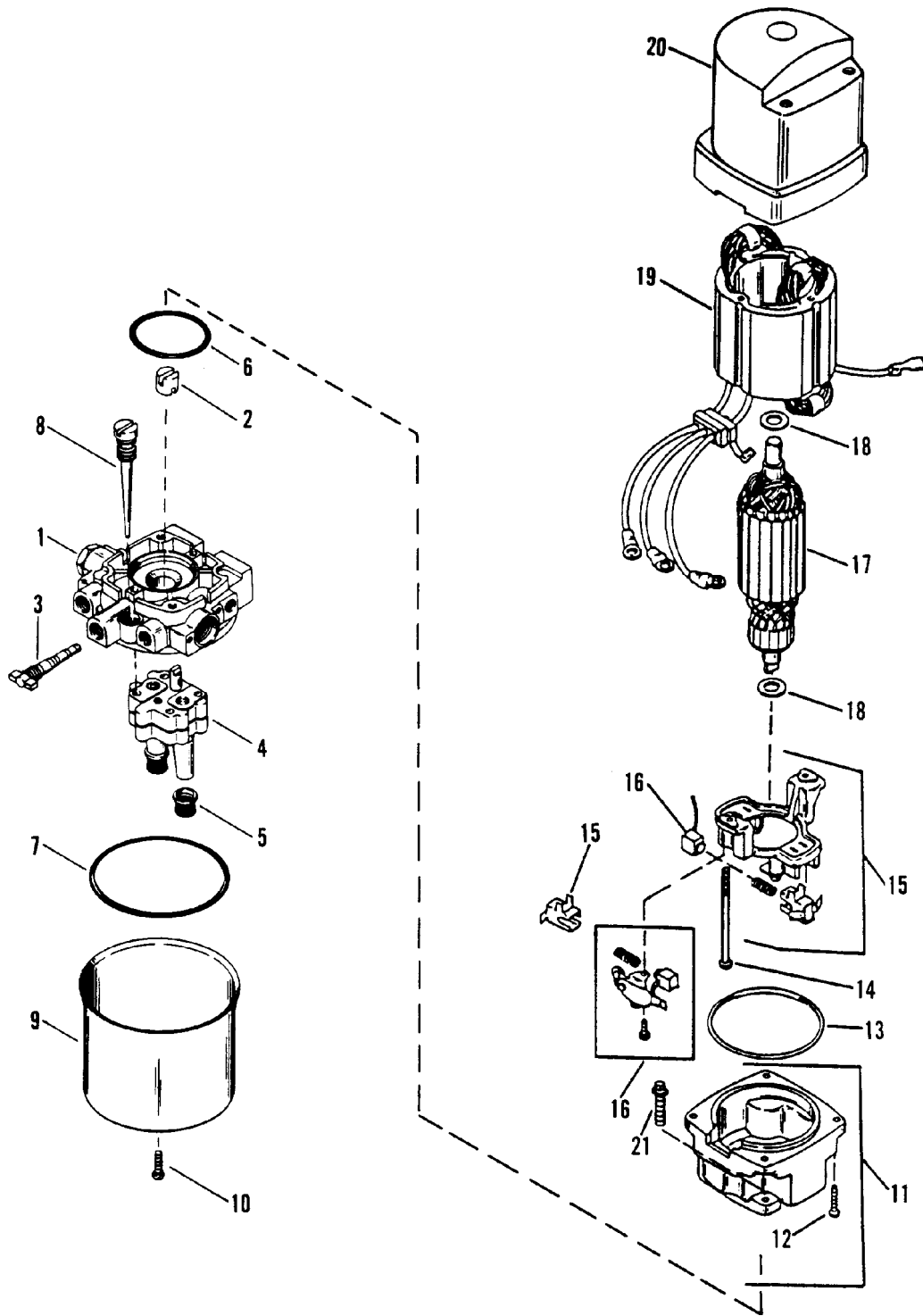


46508

TACHOMETER TRIM GAUGE AND ALARM HORN

REF. NO.	PART NO.	SYM.	QTY.	DESCRIPTION
1	79-90943A 1		1	TACHOMETER
2	79101		1	BRACKET, MOUNTING
3	88-72729		1	LIGHT BULB, Wedge Base (14V - .19W)
4	88-79888		1	SOCKET, Light Bulb
5	11-26419		5	NUT, (#8-32) Brass, (#8-32)
6	84-86322A 7		1	CABLE ASSEMBLY, (1.50 Feet) Black, TRIM GAUGE (BLACK - 1-1/2")
	84-86323A 5		1	CABLE ASSEMBLY, (1.50 Feet) Purple, TRIM GAUGE (PURPLE - 1-1/2")
7	79-90941A 3		1	TRIM GAUGE
8	79480		1	BRACKET, MOUNTING - TRIM GAUGE
9	88-72729		1	LIGHT BULB, Wedge Base (14V - .19W), TRIM GAUGE
10	88-79888		1	SOCKET, Light Bulb, TRIM GAUGE
11	11-26419		1	NUT, (#8-32) Brass, TRIM GAUGE TERMINAL (8-32)
12	13-26995		4	LOCKWASHER, (#8) Stainless Steel, TRIM GAUGE TERMINAL (#8)
13	84-86396A 8		4	HARNESS ASSEMBLY, Tachometer (5.00 Feet)
14	68878A 2		1	HORN ASSEMBLY, Alarm
15	68879		1	COVER, ALARM HORN
16	23-79697		2	SPACER, ALARM HORN
17	12-24676		4	WASHER, (.200 x .440 x .032), ALARM HORN
18	10-35401		2	SCREW, (#10 x 1.00), ALARM HORN
19	79-12236A 1		1	TEMPERATURE GAUGE
20	88-72729		1	LIGHT BULB, Wedge Base (14V - .19W)
21	88-79888		1	SOCKET, Light Bulb
22	12-26427		2	WASHER
23	79480		1	BRACKET
24	11-26419		5	NUT, (#8-32) Brass
25	84-86323A 2		1	CABLE ASSEMBLY, (2.00 Feet) Purple, (PURPLE)
	84-61600A16		1	CABLE ASSEMBLY, (17.00 Inches) Black, (BLACK)
	84-88032A 3		1	CABLE ASSEMBLY, (23.00 Feet) Tan/Blue, (TAN/BLUE) - 23'
26	12415		1	SENDER, Temperature
27	12419		1	COVER, SENDER
28	19-12431		1	PLUG

HYDRAULIC PUMP (DESIGN II)



46509

HYDRAULIC PUMP (DESIGN II)

REF. NO.	PART NO.	SYM.	QTY.	DESCRIPTION
-	823653A 5		1	PUMP ASSEMBLY, Hydraulic
1	801786		1	ADAPTOR
2	89493		1	COUPLING
3	96598	■	AR	MANUAL RELEASE
4	801787		1	PUMP, (INCLUDES SCREWS)
5	35-89496		2	FILTER
6	25-89498		1	O-RING
7	25-89497		1	O-RING
8	89499		1	DIPSTICK
9	90587		1	RESERVOIR
10	10-90588		1	SCREW, (INCLUDES O-RING)
-	17649A 1		1	MOTOR
11	17632		1	END CAP ASSEMBLY, (W/BEARING)
12	10-17626		4	SCREW
13	25-17625		1	O-RING
14	10-17621		2	SCREW
15	17633		1	HOLDER KIT
16	17631A 1		1	BRUSH KIT
17	17623		1	ARMATURE
18	12-17653		2	WASHER
19	17624		1	FIELD AND FRAME ASSEMBLY
20	17622		1	COVER ASSEMBLY, (W/BEARING)
21	10-823444		2	SCREW
--	812501A 1		--	REPAIR KIT, Relief Valve
--	99073A 1		--	REPAIR KIT, Overhaul

NOTE 1 - DESIGN II

NOTE 2 - REPAIR KITS:

NOTE 3 - Relief Valve Kit

NOTE 4 - Overhaul Repair Kit

■ = AS REQUIRED

PARTS INDEX

Part Number	Description	Pg.	Ref. No.	Part Number	Description	Pg.	Ref. No.
12415	SENDER.....	69	26	79448	RETAINER.....	57	69
12419	COVER.....	69	27	79480	BRACKET.....	69	8
13171	THRUST HUB.....	59	76	79480	BRACKET.....	69	23
13310	DRIVE.....	13	2	79610A 6	TRIM CYLINDER ASSEMBLY.....	49	24
13311	PLATE.....	13	3	801786	ADAPTOR.....	71	1
13312	ARMATURE.....	13	5	801787	PUMP.....	71	4
13313	BOLT.....	13	4	812501A 1	REPAIR KIT.....	67	--
13314	END CAP.....	13	7	812501A 1	REPAIR KIT.....	71	--
17622	COVER ASSEMBLY.....	71	20	818567	BRACKET.....	63	2
17623	ARMATURE.....	71	17	823653A 5	PUMP ASSEMBLY.....	63	1A
17624	FIELD AND FRAME ASSEMBLY.....	71	19	823653A 5	PUMP ASSEMBLY.....	71	-
17631A 1	BRUSH KIT.....	71	16	85024	SHAFT.....	49	29
17632	END CAP ASSEMBLY.....	71	11	85026	PLATE.....	49	13
17633	HOLDER KIT.....	71	15	85028A 1	LEVER ASSEMBLY.....	45	11
17649A 1	MOTOR.....	71	-	85030A 1	LEVER ASSEMBLY.....	45	11
23004	RETAINER.....	27	11	85035	SPACER.....	49	16
25067	BUMPER.....	43	13	85650	HOUSING.....	7	2
30186	ADAPTOR.....	27	33	85651	HOUSING.....	7	2
30187	STEM.....	27	34	86026	RETAINER.....	27	20
30188	WASHER.....	29	37	86252	CAP.....	27	21
39483	LATCH.....	19	22	86449	CHAMBER.....	27	14
39519	CUP.....	35	47	86475 1	COUPLING.....	45	17
39618	LEVER.....	35	43	86485A 5	SENDER ASSEMBLY.....	45	36
41020	CYLINDER HEAD.....	37	14	86485A 6	TILT SWITCH ASSEMBLY.....	47	36
41052	PLUNGER.....	45	14	86596	POPPET VALVE.....	39	4
42859A 2	VALVE ASSEMBLY.....	31	1	86603	KNOB.....	45	16
43769	PLATE.....	39	1	87760	PLATE.....	63	28
44197A 2	SHAFT.....	55	32	87762	BRACKET.....	65	33
45915	TERMINAL BLOCK.....	31	11	87828	MOTOR.....	67	--
45915	TERMINAL BLOCK.....	63	6	87871	COVER.....	49	35
47341A 1	ROPE AND HANDLE KIT.....	5	21	88075	RETAINER.....	63	14
48039	CAP.....	19	12	88238A 1	CABLE ASSEMBLY.....	43	15
52023	CAP.....	19	9	88238A 2	CABLE ASSEMBLY.....	43	30
52023	CAP.....	19	21	88249	PLATE.....	21	20
56703	COLLAR.....	9	20	88250	PLATE.....	21	20
60572	BARREL.....	19	28	88251	SEAL.....	37	15
61158	HOOK.....	5	19	88261	RING.....	41	6
62351A 2	RECTIFIER ASSEMBLY.....	15	24	88266A 3	CARRIER ASSEMBLY.....	41	18
62459	BALL JOINT ASSEMBLY.....	19	2	88342	STRAP.....	47	38
64877	DIAPHRAGM.....	39	8	88348	CATCH.....	5	10
65663A 1	COVER.....	39	11	88349	LATCH.....	5	11
65664A 1	PLATE ASSEMBLY.....	39	7	88350	BRACKET.....	5	6
65799	LINK.....	35	44	88351	BRACKET.....	5	5
65848	CARRIER.....	39	3	88352	BOOT.....	7	24
67077	COVER.....	43	21	88354	SEAL.....	5	2
67241	HOUSING.....	7	28	88355	SEAL.....	39	17
67245	BRACKET.....	7	11	88356	SEAL.....	7	7
67258	PAD.....	5	3	88357	SEAL.....	7	23
67614	COVER.....	9	26	88358	SEAL.....	7	6
67623	BASE.....	27	13	88359	SEAL.....	5	15
67748	ROLLER.....	21	8	88361	BRACKET.....	7	5
67752	LEVER.....	25	21	88364	BRACKET.....	7	1
68042	STOP.....	9	21	88375	INSERT.....	53	3
68100	RING.....	57	61	88376	INSERT.....	53	4
68878A 2	HORN ASSEMBLY.....	69	14	88429	ADAPTOR.....	21	31
68879	COVER.....	69	15	88477	SHIELD.....	5	8
69205	C WASHER.....	7	27	88484	COVER.....	33	4
69205	C WASHER.....	61	12	88486	COVER.....	33	2
74897	PIVOT.....	19	1	88503	COVER.....	7	17
75384	BRUSH/SPRING KIT.....	13	6	88523	ROD.....	57	46
75692	THERMOSTAT.....	37	19	88581	GUIDE.....	53	27
75953	REED BLOCK.....	21	32	88584	LEVER.....	21	6
76035	ROD.....	19	4	88585	LEVER.....	21	7
76264	LATCH.....	7	30	88586	LINK.....	21	5
77326	MOUNT.....	45	27	88603A 4	CARRIER ASSEMBLY.....	57	64
77327	MOUNT.....	43	12	88621	RETAINER.....	7	21
78799	SENDER.....	15	19	88738	COLLAR.....	9	16
78956	SHIFT CAM.....	57	44	88739	COLLAR.....	9	17
79022	MARKER.....	9	3	88751	CLAMP.....	15	21
79101	BRACKET.....	69	2	88758	STRAP.....	43	7

PARTS INDEX

Part Number	Description	Pg.	Ref. No.	Part Number	Description	Pg.	Ref. No.
88782	BRACKET	35	38	94818	LEVER	19	13
88783	COVER	9	1	94963	VENTURI	25	6
88825A 7	VOLTAGE REGULATOR	15	28	95120	BLANKET	5	17
88834	BRACKET	37	1	95711	SOUND BLANKET	5	18
88853A 6	PUMP ASSEMBLY	27	1	95779	TILLER ARM	61	1
88880 1	PLATE	39	19	95781	RUDDER	57	72
88882	BUMPER	45	31	96209	PLATE	7	10
88883	SEAL	43	26	96598	MANUAL RELEASE	67	3
88887	TUBE	43	25	96598	MANUAL RELEASE	71	3
88910	CLAMP	47	44	96839	BRACKET	33	23
89004A 5	TRIGGER PLATE ASSEMBLY	9	13	96841	LEVER	39	25
89026	COVER	57	70	96843 1	SHIFT SHAFT	39	23
89031A 2	DIAPHRAGM ASSEMBLY	27	3	96843 2	SHIFT SHAFT	39	23
89484	END FRAME	67	12	96848	SHIFT LINK	39	27
89485	ARMATURE	67	13	96850	BRACKET	35	40
89486	FIELD AND FRAME	67	15	96852	YOKE	45	22
89487	BRUSH CARD	67	16	96854	BRACKET	7	19
89488	END FRAME	67	17	99073A 1	REPAIR KIT	67	--
89492	ADAPTOR	67	1	99073A 1	REPAIR KIT	71	--
89493	COUPLING	67	2	99170A 1	TILT TUBE	49	9
89493	COUPLING	71	2	NLA	No Longer Available	53	1
89494	MANUAL RELEASE	67	3	NLA	No Longer Available	53	13
89495	PUMP	67	4	NLA	No Longer Available	57	1
89499	DIPSTICK	67	8	NLA	No Longer Available	57	52
89499	DIPSTICK	71	8	NLA	No Longer Available	57	60
89508	BRACKET	61	13	NSS	NOT SOLD SEPARATE	27	4
89509A 1	SWIVEL ASSEMBLY	61	18	NSS	NOT SOLD SEPARATE	27	5
89510 2	CABLE	61	6	NSS	NOT SOLD SEPARATE	27	6
89510 3	CABLE	61	6	NSS	NOT SOLD SEPARATE	27	7
89513	PLATE	61	24	NSS	NOT SOLD SEPARATE	27	10
89522	END	61	7	10-12405	SCREW	19	10
89565	COVER	15	20	10-17621	SCREW	71	14
89594A 1	FOLLOWER ASSEMBLY	57	45	10-17626	SCREW	71	12
89598	LEVER	21	17	10-20540	SCREW	15	31
89811	LEVER	19	6	10-20540	SCREW	21	22
89938	SEAL	41	4	10-20646	SCREW	15	10
89939	SEAT	41	5	10-20646	SCREW	15	25
89949A 1	PLATE ASSEMBLY	49	19	10-22486	SCREW	19	23
90211	COVER	35	45	10-22523	SCREW	21	12
90318	BRACKET	63	2	10-24220	SCREW	33	15
90344	BRACKET	27	23	10-28635	SCREW	31	8
90345	BRACKET	31	3	10-28636	SCREW	15	22
90390A 1	COVER KIT	37	21	10-28636	SCREW	49	14
90435	MOUNT	7	13	10-28653	SCREW	55	42
90435	MOUNT	7	32	10-31830	BOLT	65	34
90435	MOUNT	37	11	10-32024	SCREW	65	37
90486	BRACKET	27	23	10-32417	SCREW	9	8
90587	RESERVOIR	67	9	10-34994	SCREW	7	22
90587	RESERVOIR	71	9	10-35401	SCREW	69	18
90645	DRIVE KIT	13	1	10-36070	SCREW	49	38
90733	COVER PLATE	61	17	10-37572	SCREW	9	4
90753	INSULATOR	55	31	10-37572	SCREW	15	15
90755	PLATE	53	23	10-38837	SCREW	63	3
91837	BLANKET	5	4	10-39349	SCREW	63	29
91882	PLATE	15	1	10-40001137	SCREW	39	12
92015	BLANKET	5	14	10-40001137	SCREW	39	21
92040A80	POWERHEAD ASSEMBLY	35	--	10-40001140	SCREW	15	2
92040A86	POWERHEAD ASSEMBLY	35	--	10-40001140	SCREW	43	19
92459A 4	PUMP ASSEMBLY	63	1	10-40003 35	SCREW	7	8
92459A 4	PUMP ASSEMBLY	67	-	10-40003 55	SCREW	5	7
92876A 1	LINK ASSEMBLY	45	32	10-40003 6	SCREW	61	9
93259	ROD	19	27	10-40010127	SCREW	33	24
93538A1	HYDRASTEER LOCKING KIT	61	--	10-40011128	SCREW	55	30
93573	BRACKET	31	7	10-40019106	SCREW	61	11
93690	STRAP	61	15	10-40043 76	SCREW	53	5
93694	CAM	19	29	10-40062127	SCREW	35	39
94105	TUBE	43	25	10-40062128	SCREW	7	18
94110	COVER	37	7	10-40062149	SCREW	21	23
94229	TEE WASHER	43	10	10-40062149	SCREW	33	32
94275	LINK	63	22	10-40062149	SCREW	37	9

PARTS INDEX

Part Number	Description	Pg.	Ref. No.	Part Number	Description	Pg.	Ref. No.
10-40062150	SCREW.....	37	2	10-94319	SCREW.....	61	19
10-40062152	SCREW.....	27	24	10-94320	SCREW.....	41	13
10-40062152	SCREW.....	33	5	10-95705	SCREW.....	57	74
10-40062153	SCREW.....	33	3	10-96114	SCREW.....	41	13
10-40062159	SCREW.....	37	17	10-96849	SCREW.....	39	31
10-40062171	SCREW.....	33	19	10-96853	SCREW.....	43	14
10-40062177	SCREW.....	39	15	10-98256	SCREW.....	47	41
10-40062180	SCREW.....	33	20	11-20220	NUT.....	49	8
10-40062180	SCREW.....	47	45	11-20361	NUT.....	7	15
10-41508	SCREW.....	63	16	11-20361	NUT.....	7	34
10-43723	SCREW.....	27	12	11-20361	NUT.....	37	13
10-47658	SCREW.....	57	71	11-20586	NUT.....	19	26
10-48409	SCREW.....	5	9	11-20890	NUT.....	31	10
10-48409	SCREW.....	5	12	11-21825	NUT.....	63	27
10-53167	SCREW.....	35	41	11-21908	NUT.....	9	24
10-54493	SCREW.....	43	4	11-21908	NUT.....	15	35
10-55337	SCREW.....	19	14	11-24883	NUT.....	65	36
10-57583	SCREW.....	21	36	11-25096	NUT.....	43	17
10-62568	SCREW.....	17	44	11-25269	NUT.....	43	9
10-62568	SCREW.....	31	13	11-26419	NUT.....	63	18
10-62568	SCREW.....	63	7	11-26419	NUT.....	69	5
10-62842	SCREW.....	9	27	11-26419	NUT.....	69	11
10-67755 1	SCREW.....	49	4	11-26419	NUT.....	69	24
10-67755 2	SCREW.....	49	3	11-28770	NUT.....	39	32
10-67769	SCREW.....	43	8	11-29488	NUT.....	63	5
10-68513	SCREW.....	43	11	11-29598	NUT.....	19	8
10-69014	SCREW.....	63	10	11-29598	NUT.....	19	20
10-69020	SCREW.....	61	14	11-33826	NUT.....	45	34
10-69035	SCREW AND LOCKWASHER.....	9	22	11-33826	NUT.....	61	25
10-69067	SCREW.....	61	4	11-34862	NUT.....	49	11
10-69079	SCREW.....	15	14	11-34933	NUT.....	45	30
10-69079	SCREW.....	31	12	11-35521	NUT.....	43	23
10-69570	SCREW.....	39	10	11-35814	NUT.....	33	28
10-70732	SCREW.....	49	17	11-35921	NUT.....	53	15
10-73286	SCREW.....	43	31	11-36069	NUT.....	21	30
10-74824	SCREW.....	37	22	11-36069	NUT.....	39	30
10-75162	SCREW.....	5	20	11-36069	NUT.....	39	34
10-75168	SCREW.....	19	7	11-40020 15	NUT.....	33	14
10-75168	SCREW.....	19	19	11-40020 15	NUT.....	33	18
10-76596	SCREW.....	29	38	11-40026 5	NUT.....	21	28
10-76621	SCREW.....	7	3	11-45076	NUT.....	9	29
10-77363	SCREW.....	9	11	11-45076	NUT.....	15	11
10-78291	SCREW.....	7	26	11-45076	NUT.....	15	26
10-78841	SCREW.....	33	26	11-45076	NUT.....	17	43
10-79401	SCREW.....	45	33	11-45076	NUT.....	19	3
10-79953	SCREW.....	55	39	11-45076	NUT.....	63	11
10-823444	SCREW.....	71	21	11-45812	NUT.....	61	3
10-87180	BOLT.....	49	7	11-46438	NUT.....	19	5
10-87926	SCREW.....	47	39	11-52707A 1	PROP NUT KIT.....	59	79
10-88417	SCREW.....	43	22	11-52901	NUT.....	41	23
10-88447	SCREW.....	27	17	11-56041	NUT.....	49	11
10-88659	SCREW.....	45	26	11-56374	NUT.....	61	5
10-88829	SCREW.....	49	22	11-64015	NUT.....	61	8
10-89075	SCREW.....	31	4	11-68219	NUT.....	15	37
10-89225	SCREW.....	21	24	11-68219	NUT.....	19	11
10-89317	SCREW.....	9	9	11-68219	NUT.....	51	40
10-89483	THRU BOLT.....	67	18	11-73651	NUT.....	37	6
10-89489	THRU BOLT.....	67	18	11-88710	LOCKNUT.....	53	18
10-89766	SCREW.....	27	16	11-89019	NUT.....	53	6
10-89996	SCREW.....	49	20	11-89481	NUT.....	67	19
10-90271	SCREW.....	65	31	11-91962	NUT.....	49	6
10-90285	SCREW.....	63	3	11-94330	NUT.....	63	20
10-90588	SCREW.....	67	10	11-95702	NUT.....	43	6
10-90588	SCREW.....	71	10	12-17653	WASHER.....	71	18
10-90818	SCREW.....	17	41	12-20192	WASHER.....	31	5
10-91006	SCREW.....	33	22	12-20260	WASHER.....	55	41
10-92051	SCREW.....	7	29	12-20262	WASHER.....	55	43
10-92051	SCREW.....	63	5C	12-20346	WASHER.....	19	24
10-93348	SCREW.....	61	2	12-20533	WASHER.....	15	23
10-93724	SCREW.....	33	21	12-20583	WASHER.....	7	4

PARTS INDEX

Part Number	Description	Pg.	Ref. No.	Part Number	Description	Pg.	Ref. No.
12-21249	WASHER	7	14	13-78854	WAVE WASHER	45	21
12-21249	WASHER	7	33	14-31210	TAB WASHER	59	78
12-21249	WASHER	37	12	14-79447	TAB WASHER	57	68
12-22887	WASHER	37	5	15-47397A 1	SHIM SET	57	50
12-24676	WASHER	21	14	15-88655A 1	SHIM ASSEMBLY	53	16
12-24676	WASHER	69	17	16-20500	STUD	21	29
12-26427	WASHER	69	22	16-57933	STUD	43	2
12-27736	WASHER	21	10	16-57984	STUD	43	3
12-28421	WASHER	49	5	16-66969	STUD	37	3
12-29245	WASHER	47	42	16-88876	STUD	45	15
12-29245	WASHER	49	15	16-90589	THRU STUD	67	11
12-29245	WASHER	49	18	16-90590	THRU STUD	67	11
12-31211A 2	WASHER	59	77	16-90999	STUD	21	26
12-34931	WASHER	45	35	16-91000	STUD	33	11
12-34931	WASHER	61	20	16-91003	STUD	33	10
12-36042	WASHER	15	6	16-91004	STUD	33	16
12-40022 17	WASHER	21	27	16-91005	STUD	33	9
12-40022 19	WASHER	33	12	17-20033	PIN	39	14
12-40023 15	WASHER	7	9	17-20033	PIN	53	7
12-49221 1	WASHER	37	4	17-20433	PIN	43	24
12-49339	WASHER	43	16	17-36242	PIN	15	12
12-53705	WASHER	35	42	17-40044110	PIN	33	6
12-56720	WASHER	63	4	17-47175	PIN	35	46
12-57792	WASHER	63	4A	17-67296	PIN	33	7
12-66921	WASHER	45	28	17-67297	PIN	21	9
12-67264	WASHER	15	7	17-67706A 2	SWIVEL PIN ASSEMBLY	45	25
12-67670	WASHER	45	24	17-69745	PIN	45	18
12-68229	WASHER	41	22	17-69745	PIN	61	16
12-68410	WASHER	19	18	17-78905	PIN	57	56
12-70132	WASHER	33	27	17-78906	PIN	57	49
12-72761	WASHER	9	5	17-78909	PIN	57	57
12-76451	WASHER	39	9	17-85020	PIN	49	28
12-77674	WASHER	55	38	17-91862	PIN	49	31
12-78688	WASHER	45	29	17-96888	PIN	39	26
12-78910	WASHER	57	48	18-26953	COTTER PIN	21	11
12-85022	WASHER	49	10	18-93861	COTTER PIN	45	20
12-85022	WASHER	49	26	19-12431	PLUG	69	28
12-87161	WASHER	45	9	19-45907	PLUG	9	6
12-88263	THRUST WASHER	41	15	19-73336	PLUG	5	22
12-89482	WASHER	67	14	19-89219	PLUG	9	2
12-92721	WASHER	53	14	21-30430A 8	CHECK VALVE ASSEMBLY	27	2
12-93900	WASHER	9	15	21-42657A 1	CHECK VALVE	27	22
12-93901	WASHER	9	18	21-42658 1	CHECK VALVE	33	33
12-95703	WASHER	43	5	21-96887A 2	CHECK VALVE ASSEMBLY	35	37
12-95704	WASHER	59	75	22-13033	TEE FITTING	31	22
12-96457	WASHER	63	26	22-13034 1	FITTING	31	20
13-26992	LOCKWASHER	15	32	22-13034 2	TEE	31	21
13-26992	LOCKWASHER	31	9	22-13035	FITTING	35	36A
13-26992	LOCKWASHER	33	25	22-29085	FITTING	27	30
13-26992	LOCKWASHER	63	19	22-38407	PLUG	37	10
13-26993	LOCKWASHER	15	3	22-56759	FITTING	35	36
13-26993	LOCKWASHER	63	30	22-56800	PLUG	53	11A
13-26995	LOCKWASHER	63	17	22-59169	FITTING	31	15
13-26995	LOCKWASHER	69	12	22-63981	FITTING	27	32
13-26996	LOCKWASHER	9	12	22-64704	FITTING	27	25
13-26996	LOCKWASHER	15	36	22-64705	FITTING	27	26
13-26996	LOCKWASHER	21	13	22-64706	TEE	27	27
13-26996	LOCKWASHER	21	37	22-65348	FITTING	31	19
13-26996	LOCKWASHER	27	18	22-67892	SCREW	55	40
13-26996	LOCKWASHER	51	39	22-68727	FITTING	37	23
13-29720	WAVE WASHER	39	29	22-68727	FITTING	39	13
13-29720	WAVE WASHER	39	33	22-74036	FITTING	45	6
13-39107	LOCKWASHER	9	23	22-74036	FITTING	53	8
13-39107	LOCKWASHER	15	34	22-76256	NOZZLE	37	29
13-40024 7	LOCKWASHER	39	22	22-85822A 1	CONNECTOR ASSEMBLY	53	2
13-40024 7	LOCKWASHER	43	20	22-87207	CONNECTOR	49	34
13-40024 8	LOCKWASHER	33	13	22-90275	CONNECTOR	31	6
13-40024 8	LOCKWASHER	33	17	22-91836	TEE	37	25
13-58643	LOCKWASHER	65	32	22-99320	CONNECTOR	31	2
13-58643	LOCKWASHER	65	35	23-26856	BUSHING	19	30

PARTS INDEX

Part Number	Description	Pg.	Ref. No.	Part Number	Description	Pg.	Ref. No.
23-26856	BUSHING	39	28	27-88605A80	GASKET SET	7	--
23-27132	BUSHING	39	24	27-88605A80	GASKET SET	23	--
23-34948	SPACER	63	5A	27-88605A80	GASKET SET	25	--
23-55164	BUSHING	19	15	27-88605A80	GASKET SET	29	--
23-55171	BUSHING	19	16	27-88605A80	GASKET SET	35	--
23-67268	BUSHING	15	8	27-88605A80	GASKET SET	37	--
23-67668	SPACER	45	5	27-88605A80	GASKET SET	39	--
23-67669	BUSHING	45	3	27-88605A80	GASKET SET	41	--
23-77631A 2	BUSHING ASSEMBLY	55	36	27-88605A80	GASKET SET	43	--
23-79697	SPACER	69	16	27-88605A80	GASKET SET	47	--
23-86489	BUSHING	49	25	27-88605A80	GASKET SET	55	--
23-86600	BUSHING	45	12	27-88605A80	GASKET SET	59	--
23-86637	BEARING	49	30	27-88611	GASKET	25	27
23-89514	BUSHING	57	73	27-88625	GASKET	21	21
23-89515A 1	BUSHING ASSEMBLY	61	21	27-88626	GASKET	21	21
23-89516A 1	BUSHING ASSEMBLY	61	23	27-88907	GASKET	39	6
23-89517A 1	BUSHING ASSEMBLY	61	22	27-89084	GASKET	39	20
23-89525	BUSHING	53	9	27-89819	GASKET	7	16
23-91912	BUSHING	17	42	27-90756 1	GASKET	53	22
23-96851	SPACER	47	43	27-93353	GASKET	21	19
24-20099	SPRING	19	25	27-93666 1	GASKET	53	24
24-30189	SPRING	27	36	27-94060	GASKET	37	8
24-30316	SPRING	49	27	28-30281	KEY	57	67
24-68784	SPRING	19	17	28-88422	KEY	53	29
24-78962	SPRING	57	58	28-91800	KEY	41	17
24-85367	SPRING	7	31	29-88258	NEEDLE	41	16
24-85367	SPRING	45	13	30-88268	BEARING	41	2
24-86207	SPRING	27	19	30-88957A 1	BEARING	57	62
24-88049	SPRING	45	19	31-30956	BEARING	57	65
24-88579	SPRING	57	47	31-73363	BEARING	57	53
24-90392	SPRING	39	5	31-78172A 1	BEARING ASSEMBLY	57	51
25-17625	O-RING	71	13	31-86748A 1	BEARING ASSEMBLY	53	17
25-20415	O-RING	27	35	31-88259A 1	BEARING ASSEMBLY	41	14
25-25439	O-RING	55	35	31-88267	BEARING	41	19
25-31534	O-RING	57	63	31-88269	BEARING	41	8
25-33466	O-RING	45	4	31-88270	RACE	41	7
25-35480	O-RING	27	9	31-88384	BEARING	53	11
25-45507	GROMMET	49	37	31-88583	BEARING	57	54
25-45711	O-RING	49	12	32-34395A 1	HOSE	37	28
25-48171	O-RING	45	10	32-77653 77	HOSE	37	24
25-64067	O-RING	41	21	32-77653 77	HOSE	37	27
25-64872	GROMMET	39	2	32-88884	TUBE	43	28
25-67272	GROMMET	7	12	32-89020	LINE	27	31
25-67272	GROMMET	7	20	32-89023A 2	HOSE	49	32
25-88341	GROMMET	45	7	32-89024A 1	HOSE	49	32
25-88657	O-RING	53	19	32-89098	TUBE	43	28
25-88923	O-RING	37	16	32-99126 88	TUBING	31	17
25-88955	O-RING	33	31	32-99126 88	TUBING	33	34
25-89417	GROMMET	43	27	32-99127109	LINE	21	15
25-89497	O-RING	67	7	32-99127109	LINE	27	28
25-89497	O-RING	71	7	32-99127109	LINE	31	14
25-89498	O-RING	67	6	32-99387 79	HOSE	31	18
25-89498	O-RING	71	6	33-97180	SPARK PLUG	9	33
25-97000	GROMMET	49	33	34-67298	STOP	21	35
26-14381	SEAL	53	21	34-75362A 1	REED ASSEMBLY	21	34
26-41953	SEAL	41	20	35-59072	SCREEN	27	8
26-54815	SEAL	33	30	35-89496	FILTER	67	5
26-54925	SEAL	53	10	35-89496	FILTER	71	5
26-76384	SEAL	55	37	35-91078A 1	COVER ASSEMBLY	27	15
26-76868	SEAL	57	66	37-13487A89	DECAL SET	3	--
26-85023	SEAL	45	8	39-88256A12	RING SET	41	10
26-87735	SEAL	45	2	44-93848	PROPELLER SHAFT	57	59
26-88397	SEAL	53	26	45-14880T	DRIVESHAFT ASSEMBLY	53	12
26-89419	SEAL	43	29	45-14881T	DRIVESHAFT ASSEMBLY	53	12
27-43877	GASKET	39	16	46-88776A 1	BASE ASSEMBLY	53	20
27-43878	GASKET	39	18	46-90530A 1	BODY ASSEMBLY	53	25
27-53862	GASKET	33	8	47-85647	IMPELLER	53	28
27-62386	GASKET	37	20	50-44415	STARTER MOTOR ASSEMBLY	9	19
27-65744	GASKET	21	33	50-44415	STARTER MOTOR ASSEMBLY	13	-
27-87775	GASKET	49	36	50-88656	STARTER MOTOR ASSEMBLY	9	14

PARTS INDEX

Part Number	Description	Pg.	Ref. No.	Part Number	Description	Pg.	Ref. No.
50-88656	STARTER MOTOR ASSEMBLY.....	11	-	332-2854	BOOT.....	9	31
52-88423	RATCHET.....	57	55	332-7778A 3	SWITCHBOX ASSEMBLY.....	17	40
53-29641	E RING.....	55	33	339-7370A13	COIL ASSEMBLY.....	9	25
53-67684	RING.....	45	23	392-5726	BRUSH PLATE.....	11	7
53-78907	RING.....	55	34	392-5727	SPRING SET.....	11	8
53-88466	LOCK RING.....	41	11	392-5728	TERMINAL STUD PACKAGE.....	11	10
53-89531	RING.....	41	3	392-5730	THRUST WASHER PACKAGE.....	11	5
54-26550	CLAMP.....	7	25	392-6181	BRUSH SET.....	11	9
54-26550	CLAMP.....	61	10	392-9128	ARMATURE.....	11	4
54-47483	J CLIP.....	15	5	392-9129	BENDIX DRIVE.....	11	1
54-47483	J CLIP.....	37	18	392-9130	COIL.....	11	6
54-54457	J CLIP.....	47	40	392-9131	HEAD.....	11	11
54-61001	J CLIP.....	21	38	392-9132	BEARING.....	11	12
54-67076	CLAMP.....	43	18	392-9133	HOUSING ASSEMBLY.....	11	2
54-68424	CLAMP.....	21	16	392-9134	BEARING.....	11	3
54-68424	CLAMP.....	27	29	392-9135	STOP KIT.....	11	14
54-68424	CLAMP.....	31	16	392-9136	THRU BOLT.....	11	13
54-68424	CLAMP.....	33	35	398-5454A55	STATOR ASSEMBLY.....	9	10
54-68424	CLAMP.....	37	26	467-7587A 2	CRANKSHAFT ASSEMBLY.....	41	1
54-75275	CLAMP.....	49	21	631-8185A 3	CONNECTING ROD ASSEMBLY.....	41	12
54-88512	CLAMP.....	49	21	769-8179A 2	PISTON ASSEMBLY.....	41	9
79-12236A 1	TEMPERATURE GAUGE.....	69	19	769-8180A 2	PISTON ASSEMBLY.....	41	9
79-90941A 3	TRIM GAUGE.....	69	7	873-8303A 5	BLOCK.....	33	1
79-90943A 1	TACHOMETER.....	69	1	873-8303A15	BLOCK.....	33	1
84-60466A 7	CABLE ASSEMBLY.....	9	28	1166-7580A 1	END CAP ASSEMBLY.....	33	29
84-61600A16	CABLE ASSEMBLY.....	69	25	1387-7785A27	CARBURETOR ASSEMBLY.....	21	1
84-65017A14	HARNESS ASSEMBLY.....	47	37	1387-7785A27	CARBURETOR ASSEMBLY.....	25	1
84-65017A15	HARNESS ASSEMBLY.....	45	37	1387-7785A28	CARBURETOR ASSEMBLY.....	21	2
84-65999A 2	CABLE ASSEMBLY.....	15	4	1387-7785A28	CARBURETOR ASSEMBLY.....	25	1
84-79138A 9	CABLE ASSEMBLY.....	63	8	1387-7785A29	CARBURETOR ASSEMBLY.....	21	3
84-79139A12	CABLE ASSEMBLY.....	63	24	1387-7785A29	CARBURETOR ASSEMBLY.....	25	1
84-79139A15	WIRE.....	15	38	1387-7785A30	CARBURETOR ASSEMBLY.....	21	4
84-79147A 3	HARNESS ASSEMBLY.....	63	13	1387-7785A30	CARBURETOR ASSEMBLY.....	25	1
84-86322A 7	CABLE ASSEMBLY.....	69	6	1395-6027	SCREW.....	21	18
84-86322A15	CABLE ASSEMBLY.....	63	23	1395-6199	PLUG.....	25	9
84-86322A24	CABLE ASSEMBLY.....	63	5B	1395-6201	JET.....	25	2
84-86323A 2	CABLE ASSEMBLY.....	69	25	1395-6207	JET.....	25	11
84-86323A 5	CABLE ASSEMBLY.....	69	6	1395-6359	JET.....	25	30
84-86396A 8	HARNESS ASSEMBLY.....	69	13	1395-8318	NEEDLE.....	25	18
84-87379A 5	WIRE.....	63	12	1395-9062	GASKET SET.....	25	--
84-88032A 3	CABLE ASSEMBLY.....	69	25	1395-9063	REPAIR PARTS KIT.....	25	--
84-88439A 2	CABLE ASSEMBLY.....	15	29	1395-9063	REPAIR PARTS KIT.....	25	--
84-88439A14	CABLE ASSEMBLY.....	15	29	1395-9115	BOWL.....	25	7
84-88808A 4	WIRE.....	15	27	1395-9116	BOWL.....	25	7
84-88809A 4	CABLE ASSEMBLY.....	15	27	1395-9117	SHAFT.....	25	20
84-92432A 1	HARNESS ASSEMBLY.....	15	16	1395-9118	SHAFT.....	25	20
84-92485A 1	HARNESS ASSEMBLY.....	17	39	1395-9119	VALVE.....	25	25
84-92486A 1	HARNESS ASSEMBLY.....	17	39	1395-9121	FLOAT.....	25	13
84-93388A 1	CABLE ASSEMBLY.....	9	34	1395-9122	COVER PLATE.....	25	4
84-93389A 2	WIRE.....	15	33	1395-9478	BOWL.....	25	7
84-95084A 2	CABLE ASSEMBLY.....	15	18	1395-9479	BOWL.....	25	7
84-99215A25	LEAD ASSEMBLY.....	9	30	1395-9480	VALVE.....	25	25
85-63709A 1	BOOT/TERMINAL KIT.....	9	32	1395-9481	VENTURI.....	25	6
85-96535	BOOT.....	63	21	1399-3794	JET.....	25	11
86-66986	TERMINAL BLOCK.....	15	13	1399-3796	JET.....	25	11
87-33386A 3	SWITCH ASSEMBLY.....	15	9	1399-4217	JET.....	25	30
88-72729	LIGHT BULB.....	69	3	1491-9225A 2	SWIVEL BRACKET ASSEMBLY.....	45	1
88-72729	LIGHT BULB.....	69	9	1494-7476 1	BRACKET.....	49	1
88-72729	LIGHT BULB.....	69	20	1495-7478 1	BRACKET.....	49	2
88-79023A10	FUSE ASSEMBLY.....	63	25	1594-8285A 2	HOUSING ASSEMBLY.....	43	1
88-79091	FUSE.....	15	17	1594-8437A 2	HOUSING ASSEMBLY.....	43	1
88-79149	BREAKER.....	63	9	1659-9554A 3	GEAR HOUSING ASSEMBLY.....	53	-
88-79888	SOCKET.....	69	4	1659-9554A 3	GEAR HOUSING ASSEMBLY.....	57	-
88-79888	SOCKET.....	69	10	1659-9554A 4	GEAR HOUSING ASSEMBLY.....	53	-
88-79888	SOCKET.....	69	21	1659-9554A 4	GEAR HOUSING ASSEMBLY.....	57	-
89-68258	SOLENOID.....	15	30	1659-9554A 6	GEAR HOUSING ASSEMBLY.....	55	--
89-96158	SOLENOID.....	63	15	1659-9554A 6	GEAR HOUSING ASSEMBLY.....	59	--
90-11227 1	OWNERS GUIDE.....	3	--	1659-9554A12	GEAR HOUSING ASSEMBLY.....	55	--
90-44507	3.4 LITRE.....	3	--	1659-9554A12	GEAR HOUSING ASSEMBLY.....	59	--
257-7555A11	FLYWHEEL ASSEMBLY.....	9	7	2179-7606A 3	COWL ASSEMBLY.....	5	1

PARTS INDEX

Part Number	Description	Pg.	Ref. No.
2180-7607A 2	COWL ASSEMBLY	5	13
2181-7613A 3	COVER ASSEMBLY	5	16