



# PARTS CATALOG

## MERC 500-6

### SERIAL NUMBER

500 ..... CAN 2097445 THRU 2305100  
500 ..... USA 2116318 THRU 2305100

# TABLE OF CONTENTS:

BOTTOM COWL ASSEMBLY AND SHIFT LINKAGE .....	44
CARBURETOR ASSEMBLY .....	30
CARBURETOR LINKAGE AND CHOKE SOLENOID .....	28
CLAMP AND SWIVEL BRACKET ASSEMBLY .....	52
COWLING AND FRONT COVER .....	6
CRANKSHAFT, PISTON AND CONNECTING ROD .....	40
CYLINDER BLOCK AND CRANKCASE ASSEMBLY .....	36
DISTRIBUTOR ADAPTOR AND PILOT ASSEMBLY .....	18
DISTRIBUTOR ASSEMBLY, COMPLETE .....	22
DRIVE SHAFT HOUSING ASSEMBLY .....	48
FLYWHEEL ASSEMBLY AND STATOR .....	8
FUEL PUMP ASSEMBLY .....	34
GEAR HOUSING ASSEMBLY, COMPLETE (PAGE 1) .....	56
GEAR HOUSING ASSEMBLY, COMPLETE (PAGE 2) .....	60
MAGNETO ADAPTOR AND PILOT ASSEMBLY .....	10
MAGNETO ASSEMBLY (INTERNAL PARTS) .....	14
MISCELLANEOUS PARTS/ACCESSORIES .....	1
OVERSIZE PISTON AND RING .....	42
PARTS INDEX .....	62
STARTER MOTOR, STARTER SOLENOID, RECTIFIER & WIRING HARNESS .....	24
TOP COWL ASSEMBLY .....	2

**NOTE:** *Indented description indicate that these parts are included in preceeding assembly.*

**AR** = As Required

**NSS** = Not Sold Separate

**OPT** = Optional

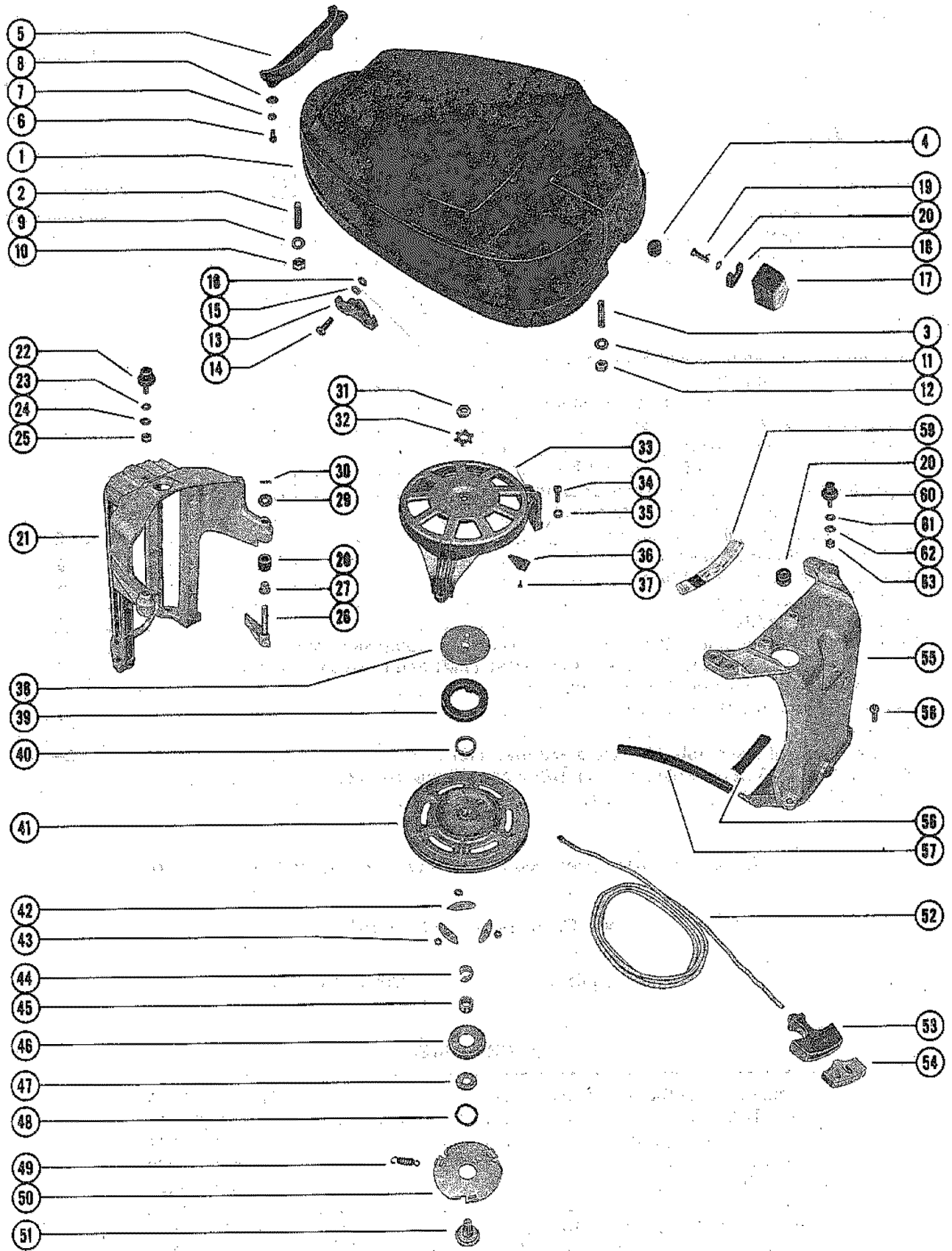
**NS** = Not Shown

**THESE PARTS BOOKS/FICHE CARD ARE COPYRIGHTED AND MAY NOT BE DISTRIBUTED OR REPRODUCED IN ANY OTHER FORMAT BY ANYONE OTHER THAN MERCURY MARINE WITHOUT THE PRIOR WRITTEN CONSENT OF MERCURY MARINE.**

## MISCELLANEOUS PARTS/ACCESSORIES

REF. NO.	PART NO.	SYM.	QTY.	DESCRIPTION
-	27-46110A1		0	GASKET SET (MOTOR OVERHAUL)
-	92-32641-1		0	GEAR LUBRICANT
-	94-29616		0	SHIPPING CARTON (FUEL TANK)
-	94-39393		0	SHIPPING CARTON (MOTOR)
-	90-46389		0	MERC 500-6- PARTS LIST
-	37-46034A1		0	DECAL SET
-	46-37313A2		0	HEAVY DUTY WATER PUMP KIT
-	91-45294A3		0	TACHOMETER ASSEMBLY (MERC 500E-6-SS)

# TOP COWL ASSEMBLY

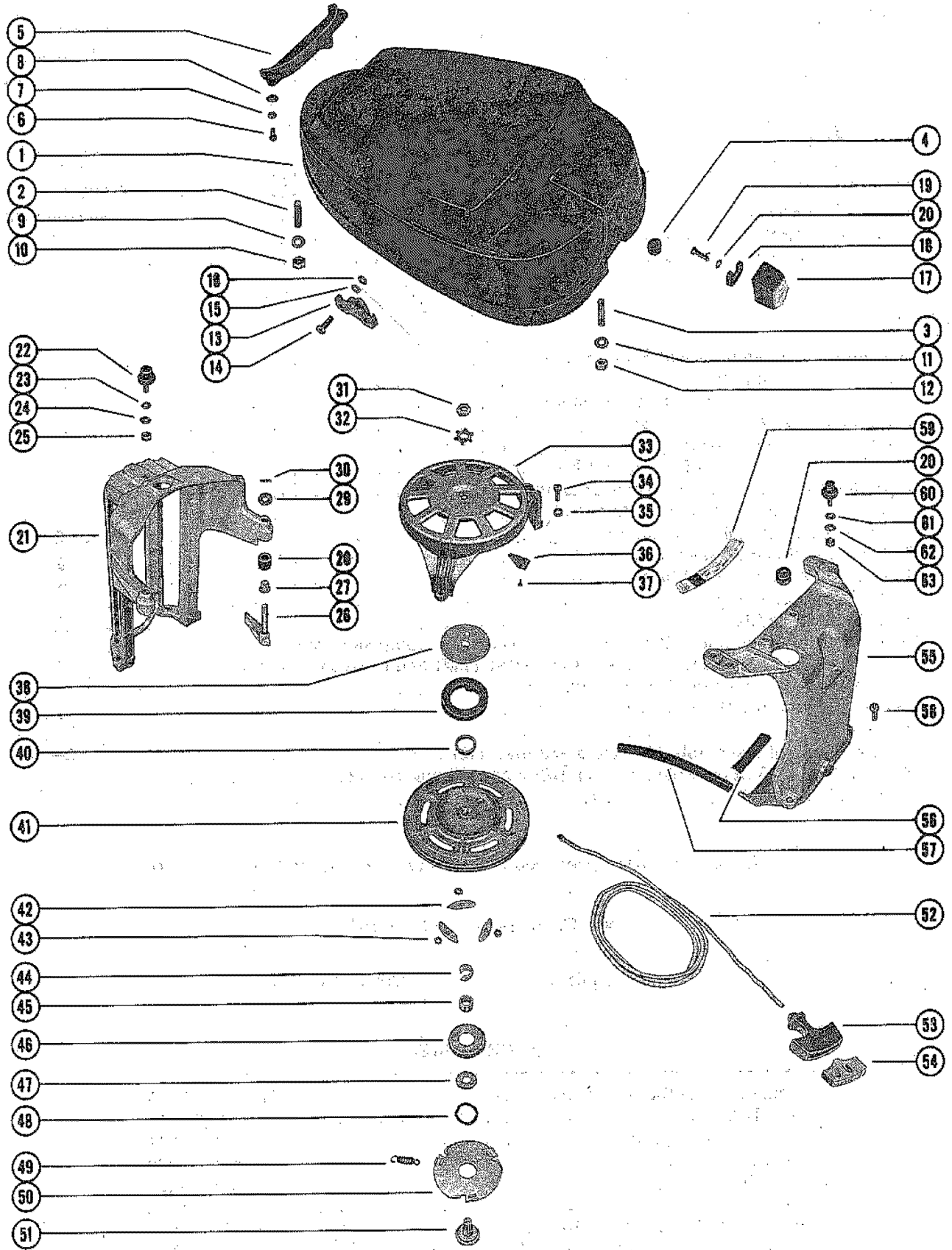


# TOP COWL ASSEMBLY

REF. NO.	PART NO.	SYM.	QTY.	DESCRIPTION
1	2117-2954		,1	TOP COWL
	2117-2959A2		1,	TOP COWL ASSEMBLY
2	16-21550		1,	STUD, REAR - TOP COWL TO REAR SUPPORT BRACKET
3	16-21553		2,	STUD, FRONT - TOP COWL TO FRONT SUPPORT BRACKET
4	25-20116		1,1	GROMMET, CHOKE KNOCK - FRONT SUPPORT BRACKET OR TOP COWL
5	37690		1,1	SHIELD, REAR - TOP COWL
6	10-37370		3,3	SCREW, REAR SHIELD TO TOP COWL
7	13-37371		3,3	LOCKWASHER, REAR SHIELD SCREW
8	12-21631		AR,AR	WASHER, REAR SHIELD SCREW
9	13-35048		1,	LOCKWASHER, TOP COWL STUD (3/8") - USED ON EARLY MODELS ONLY
10	11-23161		1,	NUT, TOP COWL STUD (3/8-24)
11	12-20084		AR,	WASHER, TOP COWL STUD (5/16")
12	11-20102		2,	NUT, TOP COWL STUD (5/16-24)
13	46144		,2	BRACKET, TOP COWL LATCH
14	10-21091		,4	SCREW, LATCH BRACKET TO TOP COWL
15	12-29245		,AR	WASHER, LATCH BRACKET SCREW (1/16" THICK)
16	12-37998		,AR	WASHER, LATCH BRACKET SCREW (1/32" THICK)
17	46142A1		1,	RETAINER ASSEMBLY, TOP COWL (ALSO USED ON STARTER ENGINES)
	46142A2		,1	RETAINER ASSEMBLY, TOP COWL
18	35496		1,1	PAD, BUMPER - TOP COWL HANDLE
19	10-24234		1,1	SCREW, RETAINER TO TOP COWL
20	13-39107		1,1	LOCKWASHER, RETAINER TO TOP COWL SCREW
21	38431		1,1	BRACKET, REAR COWL SUPPORT
22	37640		,1	MOUNT, RUBBER - REAR SUPPORT BRACKET
23	13-26993		,1	LOCKWASHER, REAR SUPPORT BRACKET RUBBER MOUNT
24	12-26825		,1	WASHER, REAR SUPPORT BRACKET RUBBER MOUNT
25	11-22053		,1	NUT, REAR SUPPORT BRACKET RUBBER MOUNT
26	37412		,2-	LEVER, CLAMPING - TOP COWL
27	23-26819		,2	BUSHING, TOP COWL CLAMPING LEVER (NYLON)
28	23-31293		,2	BUSHING, TOP COWL CLAMPING LEVER (RUBBER)
29	53-30428		,2	FASTENER, TOP COWL CLAMPING LEVER
30	17-29077		,2	PIN, ROLL - TOP COWL CLAMPING LEVER
31	11-20166		1,	NUT, SHEAVE SHAFT (LEFT HAND THREAD)
32	14-20165		1,	TAB WASHER, SHEAVE SHAFT NUT
33	37685		1,	HOUSING, STARTER
34	10-32565		3,	SCREW, STARTER HOUSING TO CRANKCASE AND CYLINDER BLOCK (1")
35	13-20202		3,	LOCKWASHER, STARTER HOUSING SCREW
36	37691		1,	PLATE, CABLE GUIDE
37	10-35881		3,	SCREW, DRIVE - CABLE GUIDE PLATE TO STARTER HOUSING

CONTINUED ON NEXT PAGE ➡

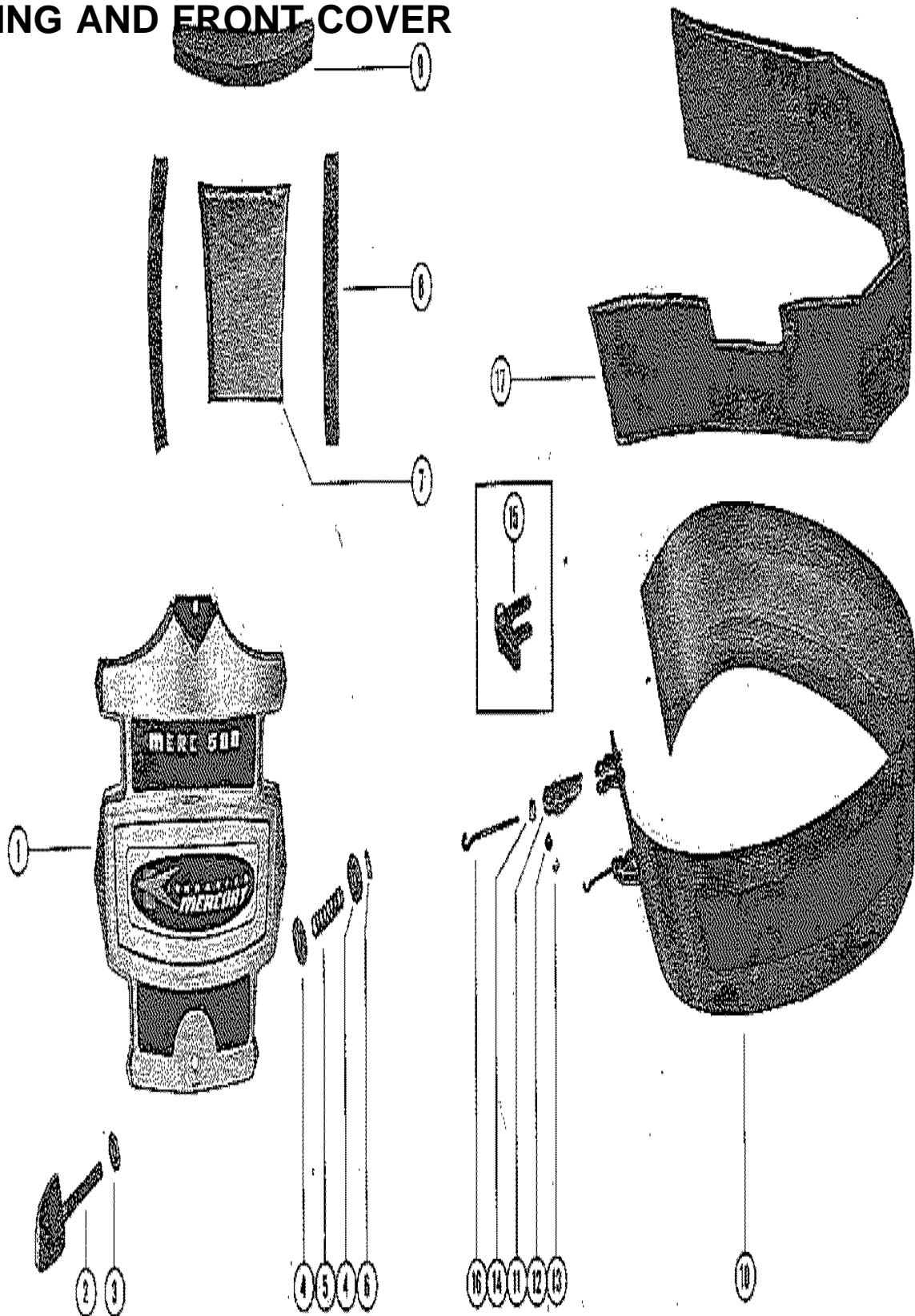
# TOP COWL ASSEMBLY



# TOP COWL ASSEMBLY

REF. NO.	PART NO.	SYM.	QTY.	DESCRIPTION
38	39835		1,	RETAINER, STARTER SPRING
39	24-39502A1		1,	SPRING, STARTER REWIND
40	23-28912		1,	BUSHING, SPRING GUIDE
41	50-39841		1,	SHEAVE ASSEMBLY
42	30596		3,	PAWL, STARTER
43	13-30597		3,	WASHER, WAVE - STARTER PAWL
44	23-28919		1,	BUSHING, NYLON - SHEAVE SHAFT SPACER
45	23-35560		1,	SPACER, SHEAVE SHAFT
46	39840		1,	RETAINER, WAVE WASHER
47	12-35559		1,	WASHER, WAVE WASHER RETAINER
48	13-20160		1,	WASHER, WAVE - RETAINER TENSION
49	24-26068		1,	SPRING, RETAINER PLATE TO STARTER SHEAVE
50	39839		1,	PLATE, RETAINER - STARTER PAWL
51	45477		1,	SHAFT, SHEAVE
52	50-28985A1		1,	STARTER CABLE ASSEMBLY
	50-37901		,1	STARTER CABLE (FOR MANUAL STARTING ONLY)
53	28747		1,	HANDLE, STARTER CABLE
54	28748		1,	RETAINER, STARTER CABLE AND HANDLE
55	46269A1		1,	BRACKET ASSEMBLY, FRONT SUPPORT
	46241A2		,1	BRACKET ASSEMBLY, FRONT SUPPORT (NOT AS SHOWN)
56	37921		1,1	FLANGE, RUBBER - FRONT SUPPORT BRACKET
57	32-37670		1,1	TUBE, DRAIN - FRONT SUPPORT BRACKET TO BOTTOM COWL
58	10-24234		2,2	SCREW, FRONT SUPPORT BRACKET TO BOTTOM COWL (1")
59	37-46397		,1	DECAL, TIMING - FRONT SUPPORT BRACKET
60	31014		,2	MOUNT, RUBBER - FRONT SUPPORT BRACKET
61	13-26992		,2	LOCKWASHER, FRONT SUPPORT BRACKET RUBBER MOUNT
62	12-20346		,2	WASHER, FRONT SUPPORT BRACKET RUBBER MOUNT
63	11-20088		,2	NUT, FRONT SUPPORT BRACKET RUBBER MOUNT

# COWLING AND FRONT COVER

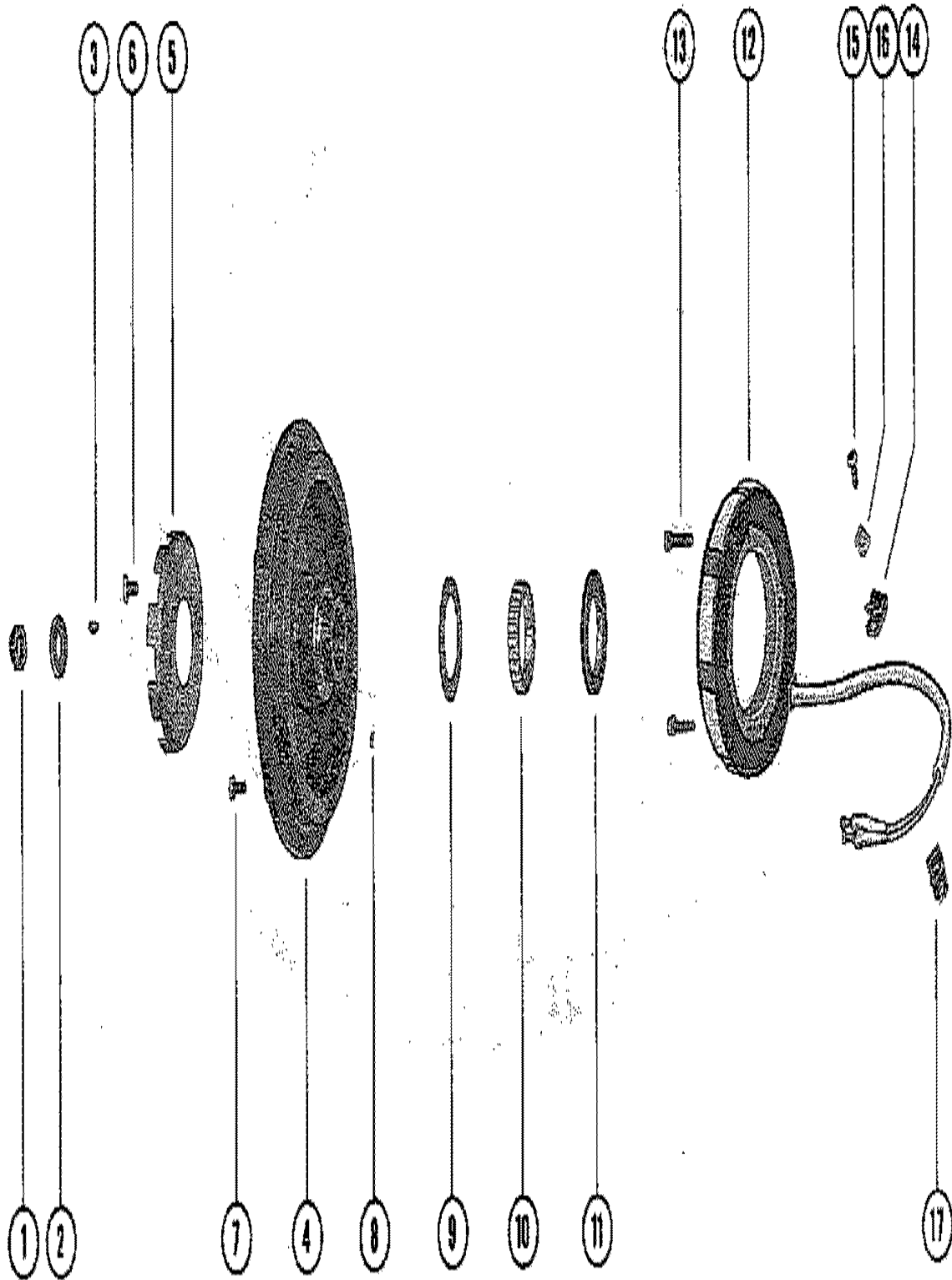




## COWLING AND FRONT COVER

REF. NO.	PART NO.	SYM.	QTY.	DESCRIPTION
1	2104-2654A9		1,1	COWL FRONT COVER ASSEMBLY
2	32361		1,1	KNOB, COWL FRONT COVER FASTENING
3	12-30771		1,1	WASHER, COVER FASTENING KNOB
4	12-27129		2,2	WASHER, COVER FASTENING KNOB
5	24-32271		1,1	SPRING, TENSION - COVER FASTENING KNOB
6	17-29077		1,1	PIN, ROLL - TENSION SPRING TO KNOB
7	38674		1,1	BLANKET, SOUND ABSORBING
8	31095		2,2	SEAL, SOUND - LOWER SECTION
9	38133		1,1	SEAL, SOUND - UPPER SECTION
10	2118-2950A2		1,1	WRAP AROUND COWL ASSEMBLY
11	38961		2,2	HANDLE, COWL LATCH EARLY STYLE
12	17-21057		4,4	PIN, HINGE - COWL LATCH EARLY STYLE
13	53-21058		4,4	"E" RING, COWL LATCH HINGE PIN EARLY STYLE
14	38964		2,2	SWIVEL, COWL LATCH EARLY STYLE
15	46785A1		2,2	COWL LATCH ASSEMBLY (LATE STYLE)
16	30413		2,2	HOOK, COWL LATCH FASTENING
17	37794		1,1	BLANKET, SOUND ABSORBING
-	<b>92-25234--1</b>		<b>1,1</b>	<b>GLUE (BLANKET ADHESIVE)</b>

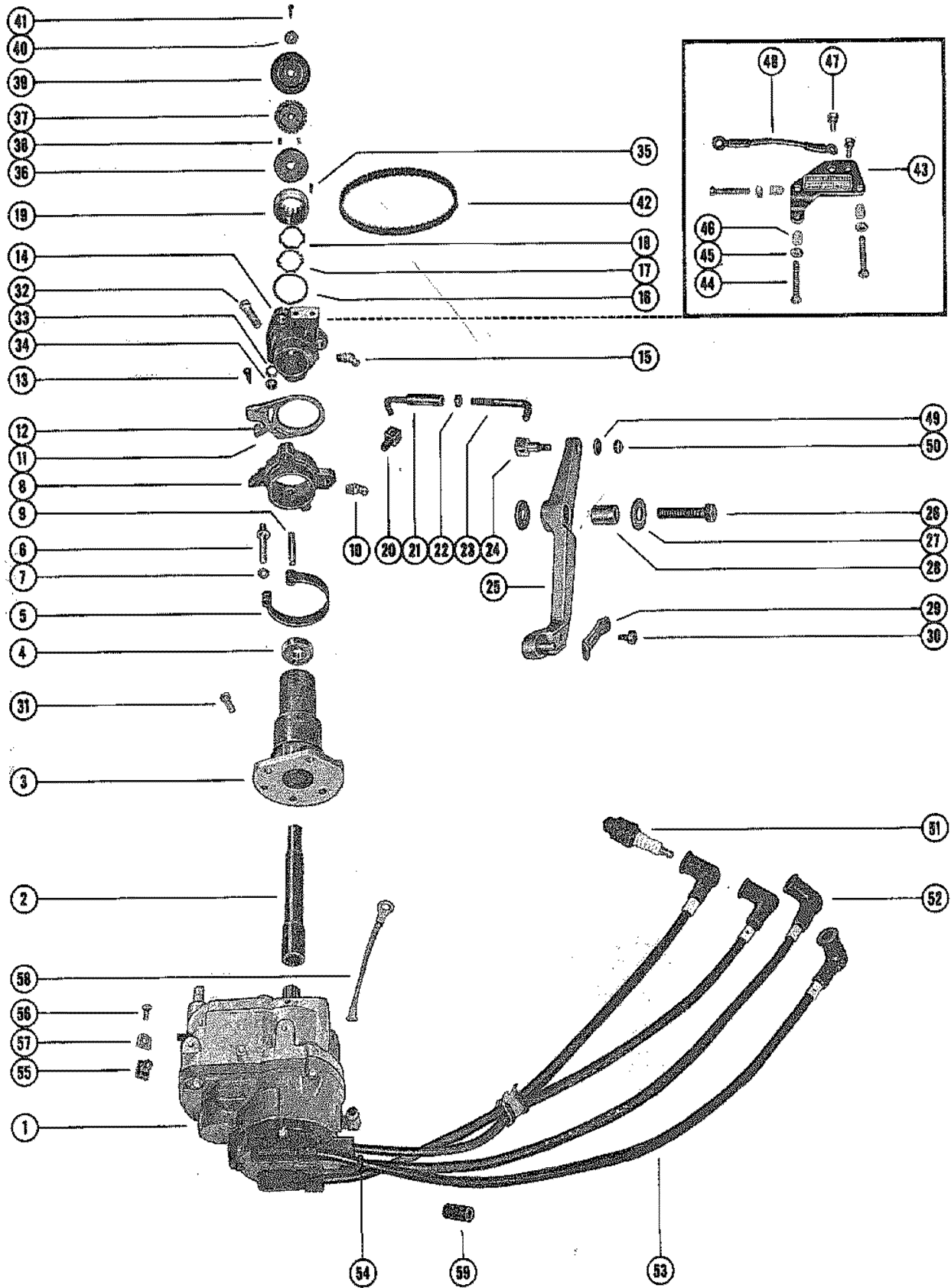
# FLYWHEEL ASSEMBLY AND STATOR



# FLYWHEEL ASSEMBLY AND STATOR

REF. NO.	PART NO.	SYM.	QTY.	DESCRIPTION
1	11-22339		1,1	NUT, FLYWHEEL
2	12-33001		1,1	WASHER, FLYWHEEL NUT
3	28-20094		1,1	KEY, FLYWHEEL DRIVE
4	223-2402A3		1,	FLYWHEEL ASSEMBLY
	223-2427A3		,1	FLYWHEEL ASSEMBLY (USE ON STARTER ENGINES)
	223-2403A5		,1	FLYWHEEL ASSEMBLY
5	50-39837		1,	RATCHET, FLYWHEEL - FLEX PLATE
6	10-32417		8,8	SCREW, PLATE AND RATCHET TO FLYWHEEL HUB
7	10-46467		8,8	SCREW, FLEX PLATE TO FLYWHEEL
8	17-26618		1,1	PIN, DOWEL - UPLLEY TO FLYWHEEL
9	29788		1,1	FLANGE, FLYWHEEL PULLEY
10	30306		1,1	PULLEYF, FLYWHEEL
11	29787		1,1	HUB, FLANGE - FLYWHEEL PULLEY
12	398-2996		,1	STATOR, ALTERNATOR - FLYWHEEL
13	10-32614		,4	SCREW, STATOR TO UPPER END CAP
14	54-24836		,1	CLAMP, STATOR LEAD TO CRANKCASE
15	10-34222		,1	SCREW, STATOR LEAD CLAMP FASTENING
16	22789		,1	"D" WASHER, STATOR LEAD CLAMP SCREW
17	54-46379		,1	CLIP, STATOR LEAD TO CRANKCASE

# MAGNETO ADAPTOR AND PILOT ASSEMBLY

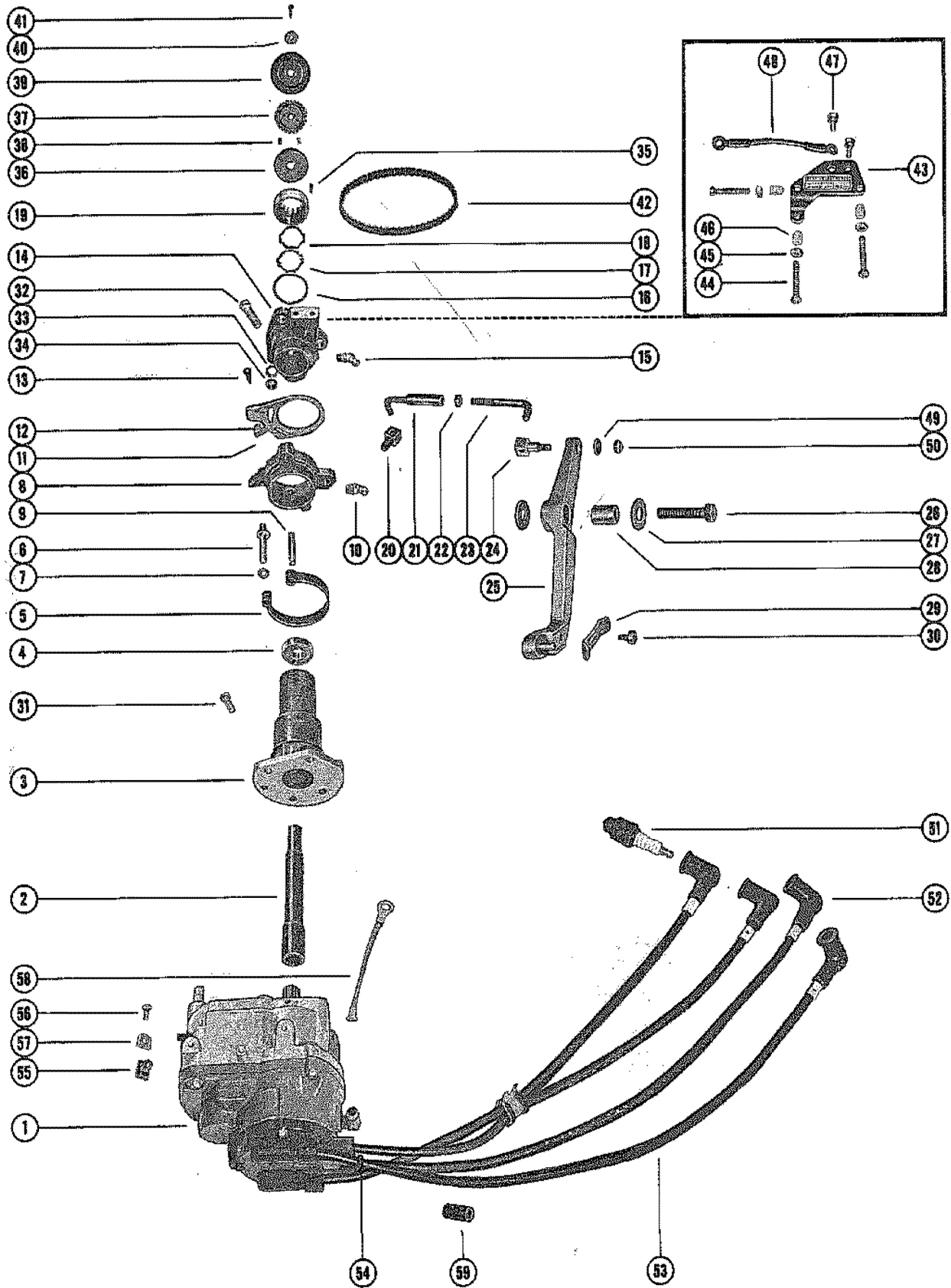


# MAGNETO ADAPTOR AND PILOT ASSEMBLY

REF. NO.	PART NO.	SYM.	QTY.	DESCRIPTION
1	394-2271A2		1	MAGNETO ASSEMBLY, COMPLETE (4D-4)
2	45-27951		1	SHAFT, MAGNETO DRIVE
3	39560A1		1	MAGNETO PILOT ASSEMBLY
4	30-20066		1	BALL BEARING, MAGNETO PILOT
5	24-27944		1	SPRING, HORSESHOE - MAGNETO PILOT
6	17-27962		1	PIN, ANCHOR - HORSESHOE SPRING TO PILOT
7	12-29245		1	WASHER, HORSESHOE SPRING TO ANCHOR PIN
8	27946A1		1	ECONOMIZER COLLAR AND PIN ASSEMBLY
9	17-27961		1	PIN, ECONOMIZER COLLAR - SPRING RETAINER
10	22-25094		1	FITTING, GREASE - ECONOMIZER COLLAR
11	38230A1		1	THROTTLE ACTUATOR ASSEMBLY
12	23-26602		1	BUSHING, NYLON - THROTTLE ACTUATOR
13	10-46420		2	SCRW, THROTTLE ACTUATOR TO ECONOMIZER COLLAR
14	30043		1	ADAPTOR, MAGNETO
15	22-25094		1	FITTING, GREASE - MAGNETO ADAPTOR
16	12-27939		1	WASHER, MAGNETO PILOT
17	14-27960		1	TAB WASHER, ADAPTOR CAP FASTENING
18	13-27959		1	WASHER, WAVE - MAGNETO BALL BEARING TENSION
19	27955		1	CAP, MAGNETO ADAPTOR AND PILOT FASTENING
20	27947		1	SWIVEL, LINKAGE - ECONOMIZER COLLAR
21	25996A1		1	SWIVEL AND LINK ROD ASSEMBLY
22	11-25168		1	NUT, UPPER LINK ROD ADJUSTING
23	37700		1	ROD, LINK - UPPER
24	27948		1	SWIVEL, UPPER LINK ROD TO THROTTLE CONTROL LEVER
25	37688		1	LEVER, THROTTLE CONTROL
26	10-34613		1	SCREW, THROTTLE LEVER TO EXHAUST COVER
27	12-29395		2	WASHER, THROTTLE LEVER SCREW
28	23-29529		1	BUSHING, THROTTLE LEVER SCREW
29	24-37934		1	SPRING, QUICK DISCONNECT - THROTTLE CABLE TO THROTTLE LEVER
30	10-38069		1	SCREW, ANCHOR - QUICK DISCONNECT SPRING TO THROTTLE LEVER
31	10-30110		4	SCREW, ADAPTOR AND PILOT TO MAGNETO
32	10-22040		3	SCREW, ADAPTOR AND PILOT TO CRANKCASE
33	12-20084		3	WASHER, ADAPTOR AND PILOT TO CRANKCASE SCREW
34	11-20083		3	NUT, ADAPTOR AND PILOT TO CRANKCASE SCREW
35	28-28657		1	KEY, MAGNETO DRIVING
36	29784		1	HUB, DRIVEN PULLEY
37	29783A1		1	DRIVEN PULLEY ASSEMBLY
38	17-24873		2	PIN, ROLL - FLANGE LOCATING
39	29785		1	FLANGE, DRIVEN PULLEY
40	12-20138		1	WASHER, PULLEY CLAMPING SCREW
41	10-29240		1	SCREW, PULLEY CLAMPING
42	20140		1	BELT, TIMING

CONTINUED ON NEXT PAGE ➡

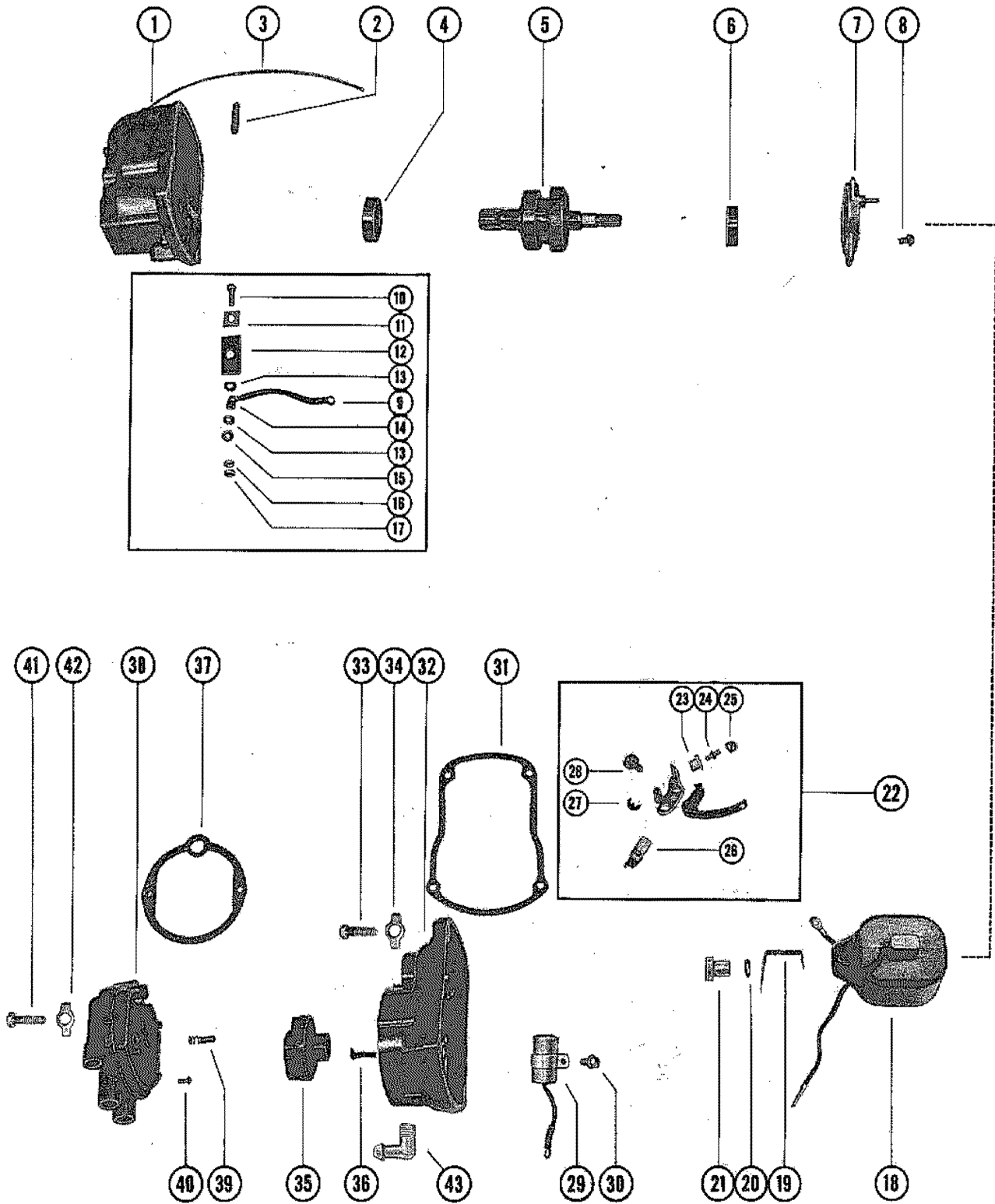
# MAGNETO ADAPTOR AND PILOT ASSEMBLY



## MAGNETO ADAPTOR AND PILOT ASSEMBLY

REF. NO.	PART NO.	SYM.	QTY.	DESCRIPTION
43	29277		1	PLATE, THROTTLE STOP
44	10-24933		2	SCREW, THROTTLE STOP ADJUSTING (1 1/2")
	10-20012		1	SCREW, THROTTLE STOP ADJUSTING (1 5/8")
45	11-20088		2	NUT, THROTTLE STOP ADJUSTING SCREW
	11-20013		1	NUT, THROTTLE STOP ADJUSTING SCREW
46	26852		3	CAP, NYLON - ADJUSTING SCREW
47	10-29197		2	SCREW, THROTTLE STOP PLATE TO ADAPTOR
48	37996		1	GROUND STRAP, THROTTLE STOP PLATE SCREW
49	12-29245		1	WASHER, UPPER SWIVEL TO THROTTLE LEVER
50	11-20586		1	NUT, UPPER SWIVEL TO THROTTLE LEVER
51	33-39635		4	SPARK PLUG
52	20119		4	PROTECTOR, SPARK PLUG
53	23564		4	CABLE, HIGH TENSION LEAD - SPARK PLUG
54	25-25429		4	"O" RING, HIGH TENSION LEAD CABLE TO END CAP COVER
55	54-25231		1	CLIP, HARNESS LEADS TO MAGNETO
56	10-20401		1	SCREW, LEAD CLIP TO MAGNETO
57	22789		1	"D" WASHER, CLIP FASTENING SCREW
58	394-1134A1		1	GROUND STRAP ASSEMBLY, MAGNETO TO CRANKCASE
59	32-37694		2	SLEEVE, HIGH TENSION LEAD (3")

# MAGNETO ASSEMBLY (INTERNAL PARTS)



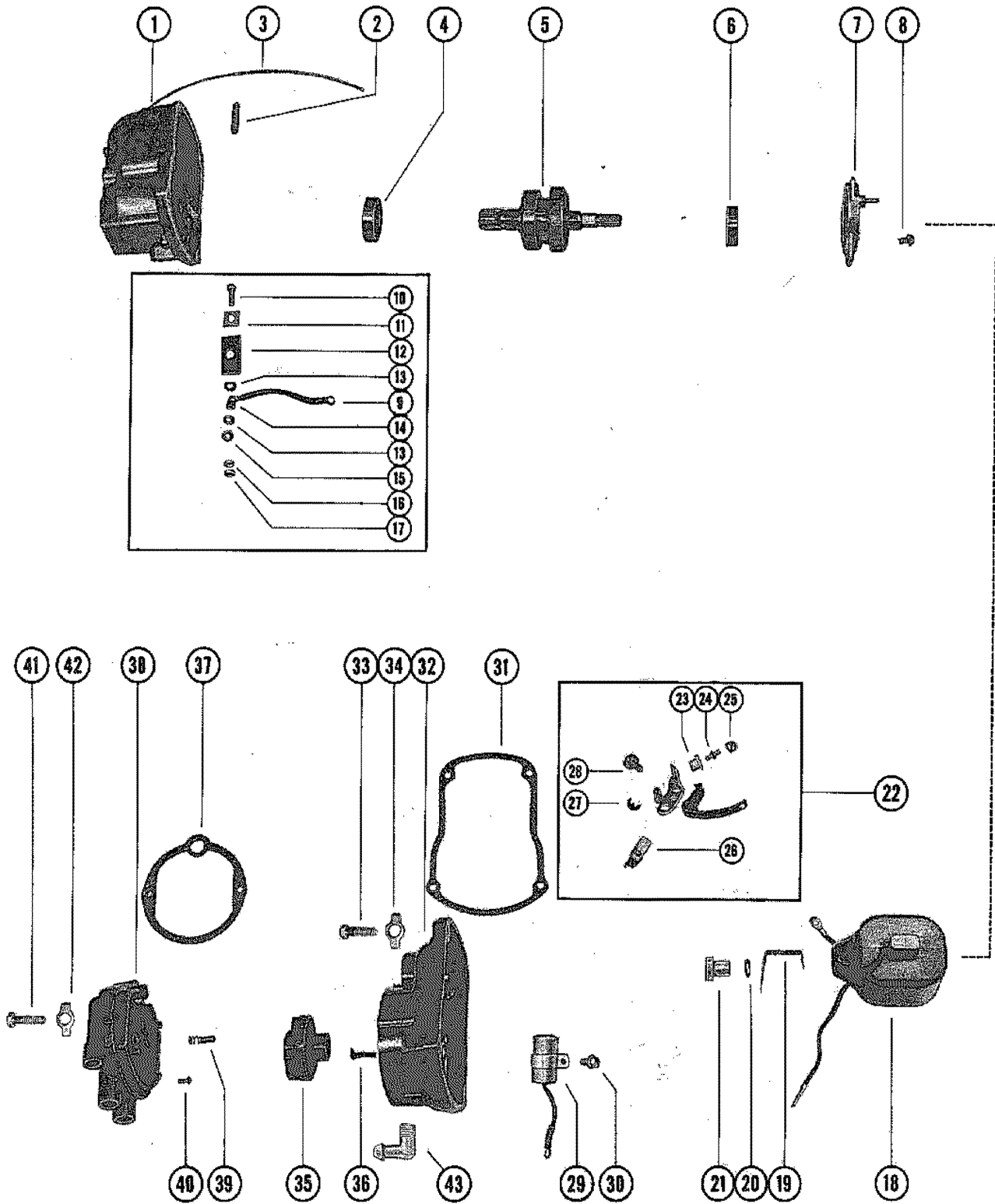


## MAGNETO ASSEMBLY (INTERNAL PARTS)

REF. NO.	PART NO.	SYM.	QTY.	DESCRIPTION
-	394-2271A2		1	MAGNETO ASSEMBLY, COMPLETE
1	394-1570		1	FRAME, MAGNETO HOUSING
2	10-25510		2	SCREW, SET - COIL BRIDGE
3	394-1051		1	LOCKWIRE, COIL BRIDGE SET SCREW
4	30-24998		1	BEARING, BALL (DRIVE END )
5	394-1067		1	MAGNETIC ROTOR AND SHAFT
6	30-24997		1	BEARING, BALL (OPPOSITE DRIVE END)
7	394-1637		1	SUPPORT, BALL BEARING
8	10-25509		3	SCREW AND LOCKWASHER, SUPPORT TO FRAME
9	394-1053A1		1	WIRE ASSEMBLY, PRIMARY GROUND LEAD
10	10-29182		1	SCREW, PRIMARY GROUND (#10)
11	12-30267		1	WASHER, PRIMARY GROUND TERMINAL
12	394-1579		1	INSULATOR, PRIMARY GROUND TERMINAL
13	12-29099		1	WASHER, INSULATING - PRIMARY GROUND SCREW
14	23-29101		1	BUSHING , INSULATING - HOUSING FRAME
15	12-26014		1	WASHER, PRIMARY GROUND SCREW
16	11-24656		1	NUT, LOCK - PRIMARY GROUND SCREW
17	11-20645		1	NUT, PRIMARY GROUND SCREW
18	394-1128A1		1	COIL ASSEMBLY
19	394-1050		1	CLIP, COIL - HIGH TENSION
20	13-23836		1	LOCKWASHER, COIL TERMINAL
21	394-1131		1	NUT, COIL CLIP FASTENING
22	393-1504A6		1	BREAKER ASSEMBLY
23	393-1586		1	GROMMET, PLASTIC - BREAKER BRACKET
24	16-29230		1	STUD, PRIMARY LEAD AND TENSION SPRING
25	11-29236		1	NUT, PRIMARY LEAD FASTENING
26	394-1106A1		1	HOLDER AND CAM WICK ASSEMBLY
27	53-21058		1	"E" RING, BREAKER TO PIVOT PIN
28	10-20597		1	SCREW, BREAKER HOLDER TO HOUSING
29	394-1130		1	CONDENSER
30	10-25509		1	SCREW AND LOCKWASHER, CONDENSER FASTENING
31	27-29166		1	GASKET, MAGNETO COVER
32	394-1577		1	COVER, MAGNETO
33	10-29418		4	SCREW, COVER TO FRAME
34	14-38359		4	TAB WASHER, COVER FASTENING SCREW
35	394-2602A1		1	MAGNETO ROTOR ASSEMBLY
36	394-1110		1	CLIP, SPRING
37	27-25725		1	GASKET, END CAP COVER
38	394-1561A2		1	END CAP COVER ASSEMBLY

CONTINUED ON NEXT PAGE ➡

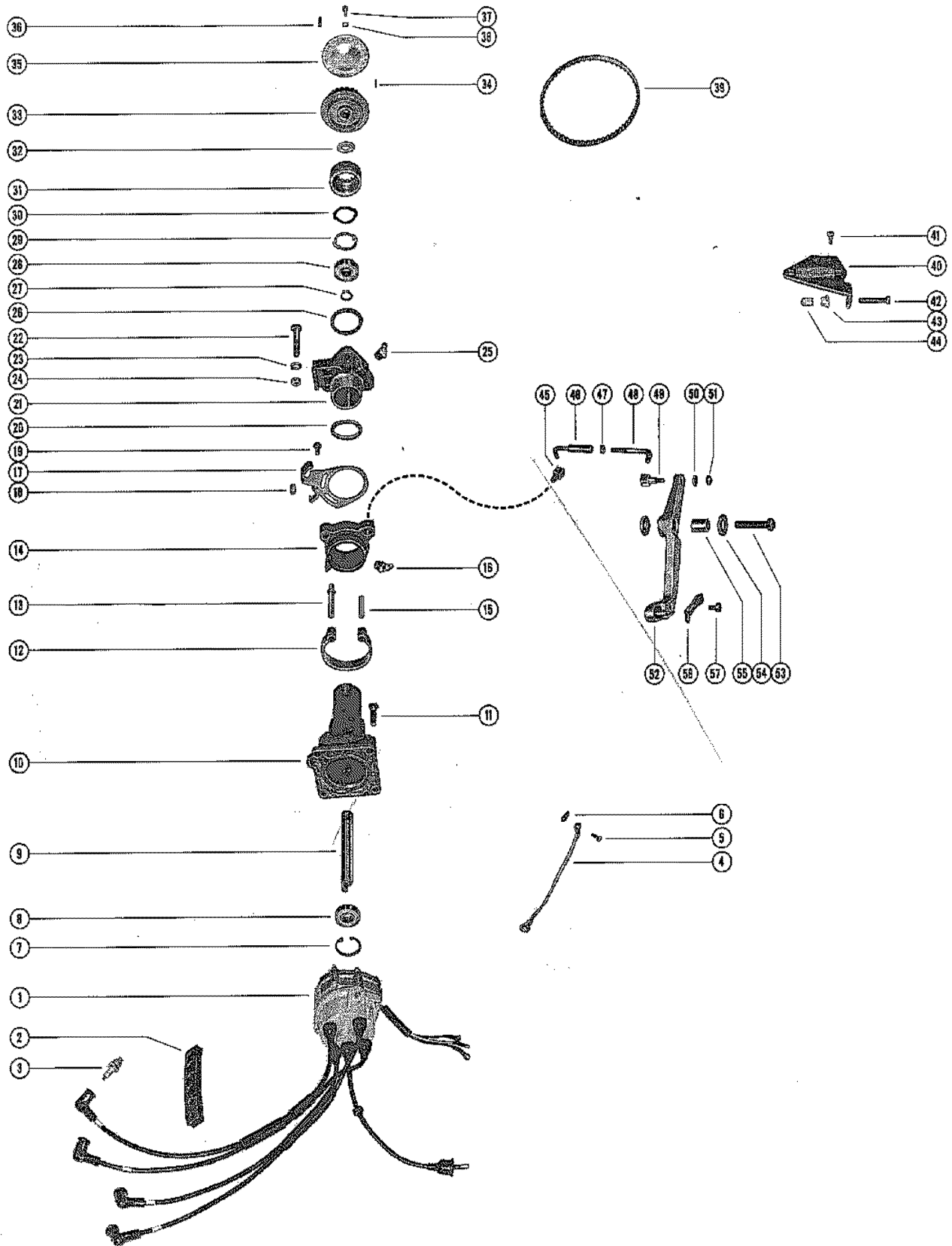
# MAGNETO ASSEMBLY (INTERNAL PARTS)



## MAGNETO ASSEMBLY (INTERNAL PARTS)

REF. NO.	PART NO.	SYM.	QTY.	DESCRIPTION
39	394-1056A1		1	BRUSH AND SPRING ASSEMBLY
40	10-25517		4	SCREW, HIGH TENSION CABLE FASTENING
41	10-29418		2	SCREW, END CAP COVER TO MAGNETO COVER
42	14-38359		2	TAB WASHER, COVER FASTENING SCREW
43	22-25885		1	ELBOW, PLASTIC - MAGNETO COVER VENT

# DISTRIBUTOR ADAPTOR AND PILOT ASSEMBLY

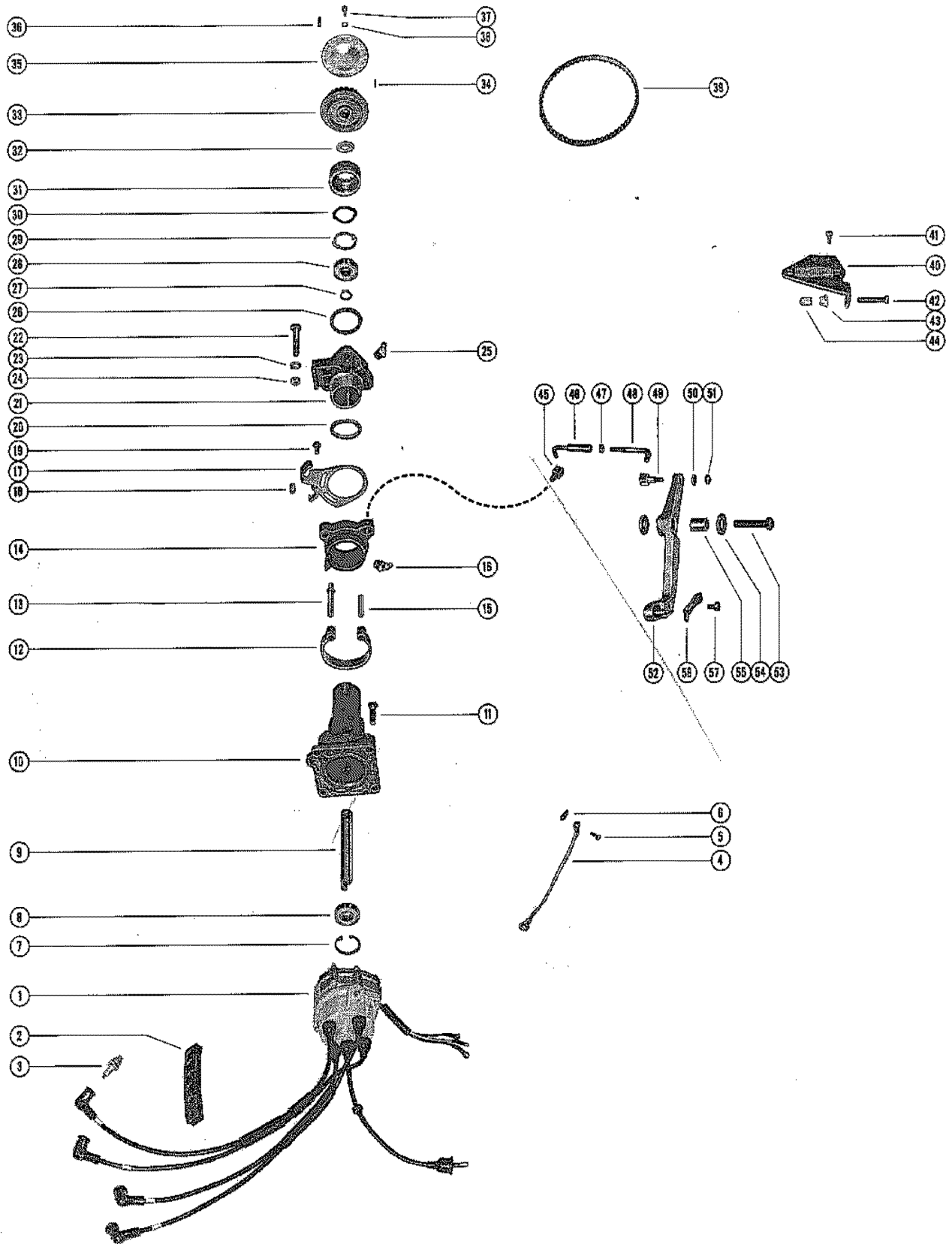


# DISTRIBUTOR ADAPTOR AND PILOT ASSEMBLY

REF. NO.	PART NO.	SYM.	QTY.	DESCRIPTION
1	393-2799A7		1	DISTRIBUTOR ASSEMBLY, COMPLETE (FOR BREAKDOWN, SEE PAGE 11.)
2	45391		1	SPACER, IGNITION WIRE
3	33-45191		4	SPARK PLUG (CHAMPION - L19V)
4	30109		1	GROUND STRAP, DISTRIBUTOR TO CRANKCASE
5	10-26548		1	SCREW, GROUND STRAP TO TAB BRACKET
6	26551		1	BRACKET, TAB - CRANKCASE SCREW
7	53-20067		1	RING, SNAP - BALL BEARING RETAINING
8	30-20066		1	BEARING, BALL - DISTRIBUTOR PILOT
9	45-46247		1	DRIVE SHAFT, DISTRIBUTOR
10	46242A1		1	PILOT ASSEMBLY, DISTRIBUTOR
11	10-29281		4	SCREW, DISTRIBUTOR PILOT TO DISTRIBUTOR
12	24-27944		1	SPRING, HORSESHOE
13	17-27962		1	PIN, SPRING TERMINAL
14	27946A1		1	ECONOMIZER COLLAR AND PIN ASSEMBLY
15	17-27961		1	PIN, SPRING RETAINER
16	22-25094		1	FITTING, GREASE - ECONOMIZER COLLAR
17	38230A1		1	THROTTLE ACTUATOR ASSEMBLY
18	23-26602		1	BUSHING, NYLON - THROTTLE ACTUATOR
19	10-46420		2	SCREW, THROTTLE ACTUATOR TO SECTOR GEAR
20	12-46246		1	WASHER, DISTRIBUTOR PILOT TO DISTRIBUTOR ADAPTOR
21	30043		1	ADAPTOR, DISTRIBUTOR
22	10-22040		3	SCREW, ADAPTOR AND PILOT TO CRANKCASE
23	12-20084		3	WASHER, ADAPTOR AND PILOT TO CRANKCASE SCREW
24	11-20083		3	NUT, ADAPTOR AND PILOT TO CRANKCASE SCREW
25	22-25094		1	FITTING, GREASE - DISTRIBUTOR ADAPTOR
26	12-27939		1	WASHER, THRUST - DISTRIBUTOR ADAPTOR
27	53-46250		1	RING, SNAP - BALL BEARING RETAINING
28	30-20066		1	BEARING, BALL - DISTRIBUTOR ADAPTOR
29	14-27960		1	TAB WASHER, CAP LOCKING
30	13-27959		1	WASHER, WAVE - TAB WASHER TENSION
31	27955		1	CAP, ADAPTOR AND PILOT FASTENING
32	23-29909		1	SPACER, DRIVEN PULLEY
33	29906A1		1	DRIVEN PULLEY ASSEMBLY
34	17-29908		1	PIN, DRIVEN PULLEY
35	29907		1	FLANGE, DRIVEN PULLEY
36	28-29910		1	KEY, DISTRIBUTOR DRIVING
37	10-29911		1	SCREW, PULLEY CLAMPING
38	13-26996		1	LOCKWASHER, PULLEY CLAMPING SCREW
39	20140		1	BELT, TMING
40	46251		1	PLATE, THROTTLE STOP
41	10-29197		2	SCREW, THROTTLE STOP PLATE TO DISTRIBUTOR ADAPTOR
42	10-46311		2	SCRWE, THROTTLE STOP ADJUSTING (1 1/2")

CONTINUED ON NEXT PAGE ➡

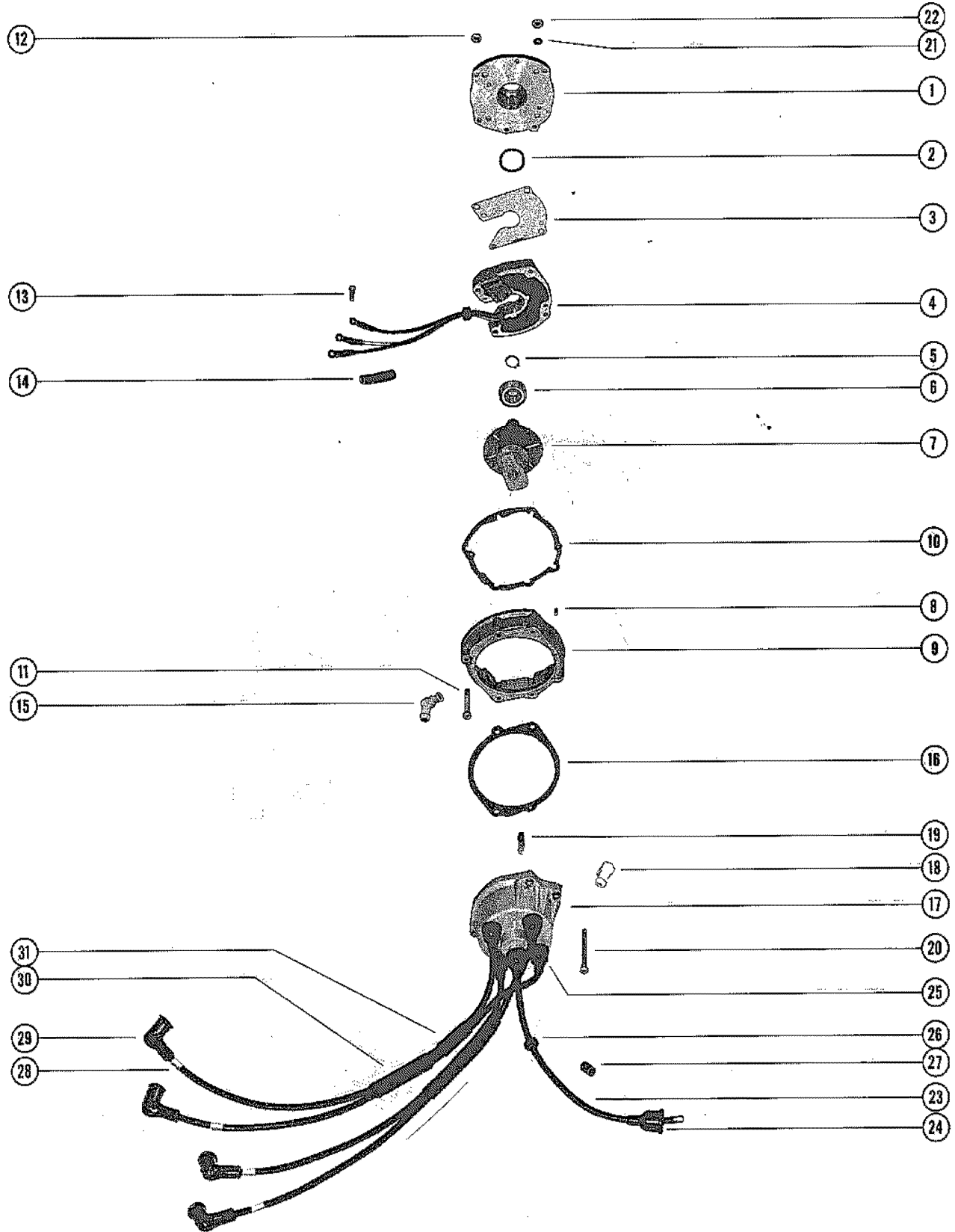
# DISTRIBUTOR ADAPTOR AND PILOT ASSEMBLY



## DISTRIBUTOR ADAPTOR AND PILOT ASSEMBLY

REF. NO.	PART NO.	SYM.	QTY.	DESCRIPTION
42	10-21504		1	SCRWE, THROTTLE STOP ADJUSTING (1 1/4")
43	25-46252		3	GROMMET, THROTTLE STOP ADJUSTING SCREW
44	26852		3	CAP, NYLON - THROTTLE STOP ADJUSTING SCREW
45	27947		1	SWIVEL, LINKAGE - ECONOMIZER COLLAR
46	25996A1		1	SWIVEL AND LINK ROD ASSEMBLY
47	11-25168		1	NUT, UPPER LINK ROD ADJUSTING
48	37700		1	ROD, LINK - UPPER
49	27948		1	SWIVEL, UPPER LINK ROD TO THROTTLE CONTROL LEVER
50	12-29245		1	WASHER, UPPER SWIEL TO THROTTLE LEVER
51	11-20586		1	NUT, UPPER SWIVEL TO THROTTLE LEVER
52	37688		1	LEVER, THROTTLE CONTROL
53	10-34613		1	SCREW, THROTTLE LEVER TO EXHAUST COVER
54	12-29395		2	WASHER, THROTTLE LEVER SCREW
55	23-29529		1	BUSHING, THROTTLE LEVER SCREW
56	24-37934		1	SPRING, QUICK DISCONNECT - THROTTLE CABLE TO THROTTLE LEVER
57	10-38069		1	SCREW, ANCHOR - QUICK DISCONNECT SPRING TO THROTTLE LEVER

# DISTRIBUTOR ASSEMBLY, COMPLETE

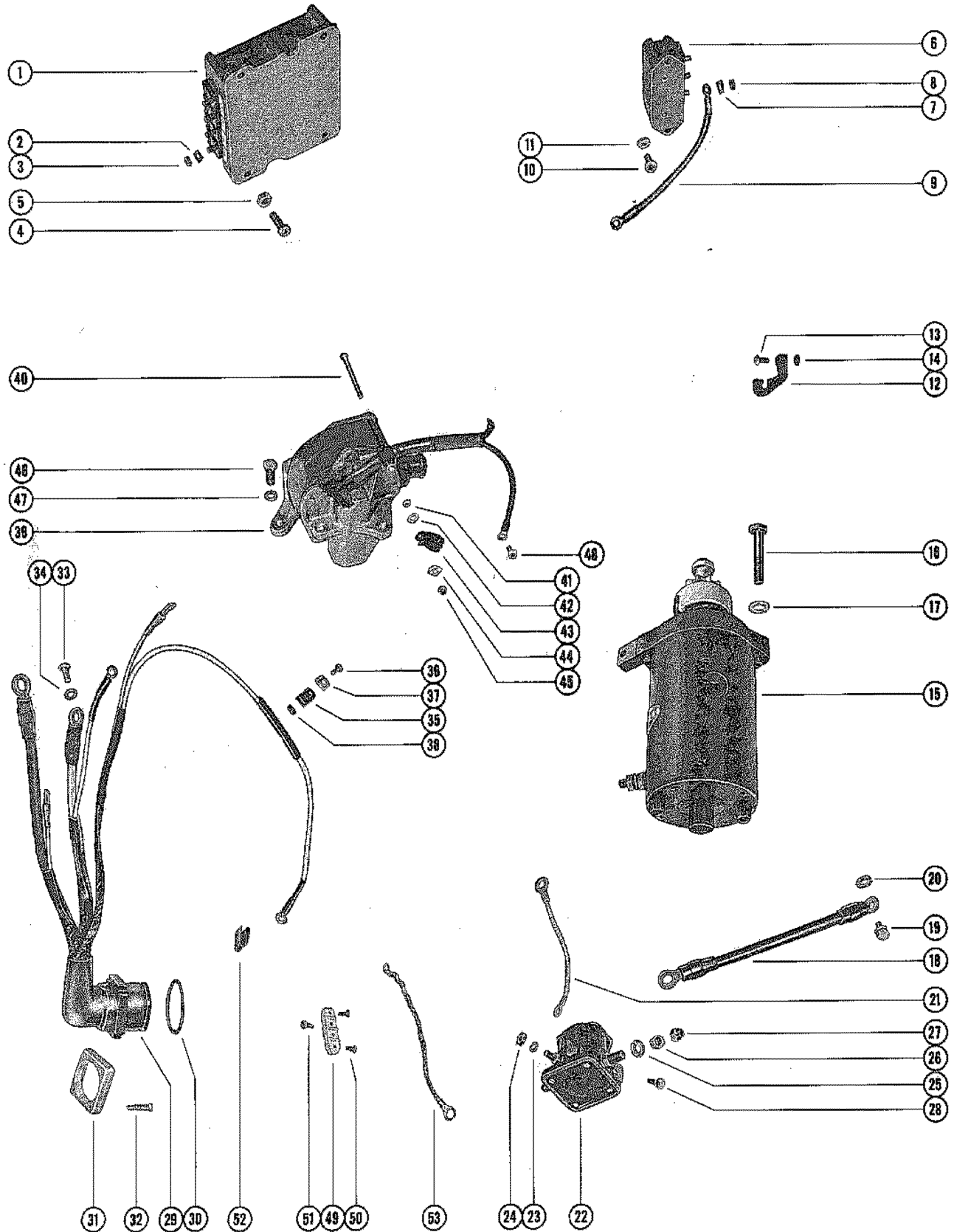




## DISTRIBUTOR ASSEMBLY, COMPLETE

REF. NO.	PART NO.	SYM.	QTY.	DESCRIPTION
-	<b>393-2799A7</b>		1	<b>DISTRIBUTOR ASSEMBLY, COMPLETE</b>
1	393-2799		1	HOUSING, PRIMARY
2	13-26917		2	WASHER, WAVE - PRIMARY HOUSING
3	393-2795		AR	SHIM, TRIGGER HOUSING TO PRIMARY HOUSING
4	393-2918A1		1	TRIGGER HOUSING ASSEMBLY
5	53-45906		2	RING, RETAINER - ROTOR SHAFT BALL BEARING
6	30-26379		2	BEARING, BALL - ROTOR SHAFT
7	393-2921A3		1	ROTOR SHAFT ASSEMBLY
8	17-20032		2	DOWEL PIN, ADAPTOR TO PRIMARY HOUSING
9	393-3014A2		1	ADAPTOR ASSEMBLY, HOUSING TO DISTRIBUTOR CAP
10	27-46351		1	GASKET, ADAPTOR TO PRIMARY HOUSING SEE NOTE BELOW
	27-45910		1	GASKET, ADAPTOR TO PRIMARY HOUSING SEE NOTE BELOW
11	10-32627		2	SCREW, ADAPTOR TO HOUSING
12	11-37806		2	NUT, ADAPTOR TO HOUSING SCREW
13	10-20646		2	SCREW, SHIM AND TRIGGER HOUSING TO PRIMARY HOUSING
14	23-32914		1	SLEEVE, TRIGGER HOUSING CABLES
15	22-31521A1		1	ELBOW ASSEMBLY, VENT HOSE - ADAPTOR HOUSING
16	27-36268		1	GASKET, DISTRIBUTOR CAP TO ADAPTOR
17	393-2955A2		1	DISTRIBUTOR CAP ASSEMBLY
18	22-31521		1	ELBOW, VENT HOSE - DISTRIBUTOR CAP
19	393-1293A1		1	BRUSH AND SPRING ASSEMBLY
20	10-45914		4	SCREW, DISTRIBUTOR CAP TO ADAPTOR TO HOUSING (2")
21	12-26436		4	WASHER, DISTRIBUTOR CAP FASTENING SCREW
22	11-37806		4	NUT, DISTRIBUTOR CAP FASTENING SCREW
23	393-3018A1		1	HIGH TENSION CABLE ASSEMBLY, DISTRIBUTOR TO COIL
-	<b>20121</b>		1	<b>CONNECTOR, HIGH TENSION CABLE (CAP END)</b>
24	332-2854		1	BOOT, HIGH TENSION CABLE TO COIL
25	393-1275		1	SLEEVE, HIGH TENSION CALBE
26	25-26547		1	GROMMET, HIGH TENSION CABLE
27	32-46398		1	SLEEVE, HIGH TENSION CABLE
28	23564A8		1	SPARK PLUG LEAD ASSEMBLY (#3) <b>ORDER 36549A1 FOR REPLACEMENT</b>
	23564A9		3	SPARK PLUG LEAD ASSEMBLY (#1, #2 AND #4) <b>ORDER 36549A1 FOR REPLACEMENT</b>
-	<b>20121</b>		4	<b>CONNECTOR, SPARK PLUG LEAD</b>
25	393-1275		4	SLEEVE, SPARK PLUG LEAD TO DISTRIBUTOR
29	20119A1		4	PROTECTOR, SPARK PLUG LEAD
30	32-46768		2	SLEEVE (LEADS 1, 2, 3, 4) - 6"
31	32-26527		2	SLEEVE, HIGH TENSION LEAD (LEADS 1, 2, 3, 4)

# STARTER MOTOR, STARTER SOLENOID, RECTIFIER & WIRING HARNESS

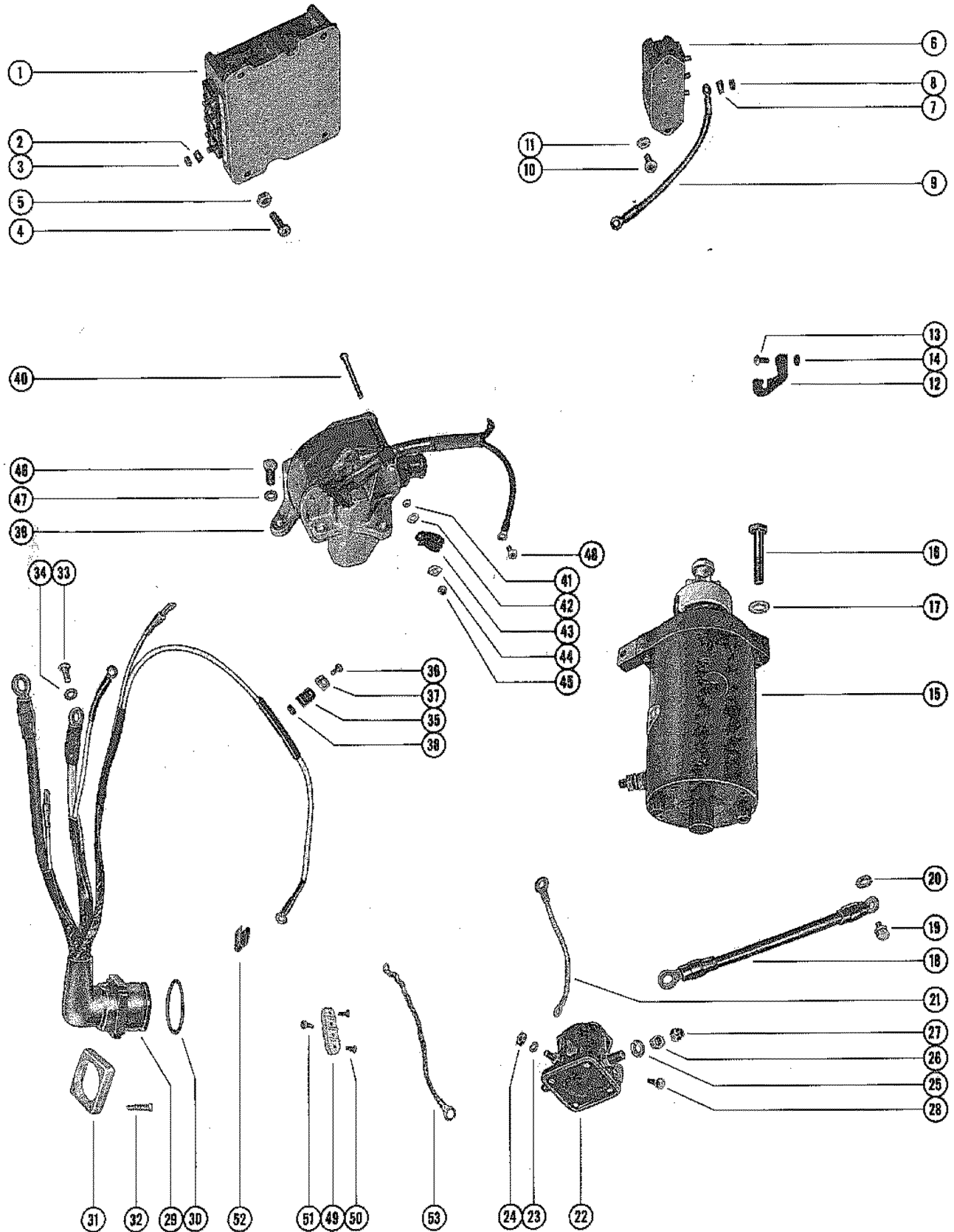


# STARTER MOTOR, STARTER SOLENOID, RECTIFIER & WIRING HARNESS

REF. NO.	PART NO.	SYM.	QTY.	DESCRIPTION
1	332-2986A3		1	SWITCH BOX ASSEMBLY, COMPLETE
2	12-45075		7	WASHER, SWITCH BOX TERMINAL
3	11-45076		7	NUT, SWITCH BOX TERMINAL
4	10-22485		4	SCREW, SWITCH BOX TO FRONT SUPPORT BRACKET (3/4")
5	11-46887		4	NUT, SWITCH BOX TO FRONT SUPPORT BRACKET SCREW
6	332-2910A3		1	RECTIFIER ASSEMBLY, COMPLETE
7	12-45075		3	WASHER, RECTIFIER TERMINAL
8	11-45076		3	NUT, RECTIFIER TERMINAL
9	46286		1	JUMPER WIRE, RECTIFIER TO SWITCH BOX <b>SERIAL 00000000-02167843</b>
10	10-22485		2	SCREW, RECTIFIER TO FRONT SUPPORT BRACKET (3/4")
11	11-46887		2	NUT, RECTIFIER TO FRONT SUPPORT BRACKET SCREW
12	46280		1	BRACKET, RETAINER - HIGH TENSION LEAD
13	10-21722		1	SCREW, RETAINER BRACKET TO FRONT SUPPORT BRACKET (5/8")
14	11-46887		1	NUT, RETAINER BRACKET SCREW
15	50-38890A1		1	STARTER MOTOR ASSEMBLY
16	10-22698		2	SCREW, STARTER MOTOR TO CRANKCASE FLANGE
17	13-26993		2	LOCKWASHER, STARTER MOTOR SCREW
18	25596		2	WIRE, STARTER MOTOR TO STARTER SOLENOID AND TOP MOUNT
19	10-29197		1	SCREW, GROUND WIRE TO STARTER MOTOR
20	13-26992		1	LOCKWASHER, GROUND WIRE FASTENING SCREW
-	<b>11-20890</b>		<b>1</b>	<b>NUT, GROUND WIRE SCREW</b>
21	46287		1	GROUND STRAP ASSEMBLY
22	32445		1	STARTER SOLENOID
23	13-26996		2	LOCKWASHER, SOLENOID TERMINAL (#10)
24	11-20645		2	NUT, SOLENOID TERMINAL (#10)
25	13-26993		2	LOCKWASHER, SOLENOID TERMINAL (5/16")
26	11-20083		1	NUT, SOLENOID TERMINAL - INSIDE (5/16")
27	11-26062		1	NUT, CAP - SOLENOID TERMINAL - OUTSIDE (5/16")
28	10-31208		2	SCREW, STARTER SOLENOID TO STARTER MOTOR
29	46285		1	WIRING HARNESS (INTERNAL) - <b>SERIAL 00000000-02167843</b>
	46905		1	WIRING HARNESS (INTERNAL) - <b>SERIAL 02167844-09999999</b>
	38072		1	WIRING HARNESS (INTERNAL) - USE ON STARTER ENGINES ONLY
30	24-28975		1	SPRING, GARTER - INTERNAL WIRING HARNESS
31	26079		1	PLATE, BACKING - WIRING HARNESS
32	10-26128		4	SCREW, BACKING PLATE TO BOTTOM COWL
33	10-20776		1	SCREW, WIRING HARNESS LEAD TO BOTTO COWL (1/2")
34	13-24669		1	LOCKWASHER, WIRING HARNESS LEAD SCREW
35	54-26550		2	CLIP, WIRING HARNESS LEAD
36	10-29072		2	SCREW, WIRING HARNESS LEAD CLIP ATTACHING (5/8")

CONTINUED ON NEXT PAGE ➡

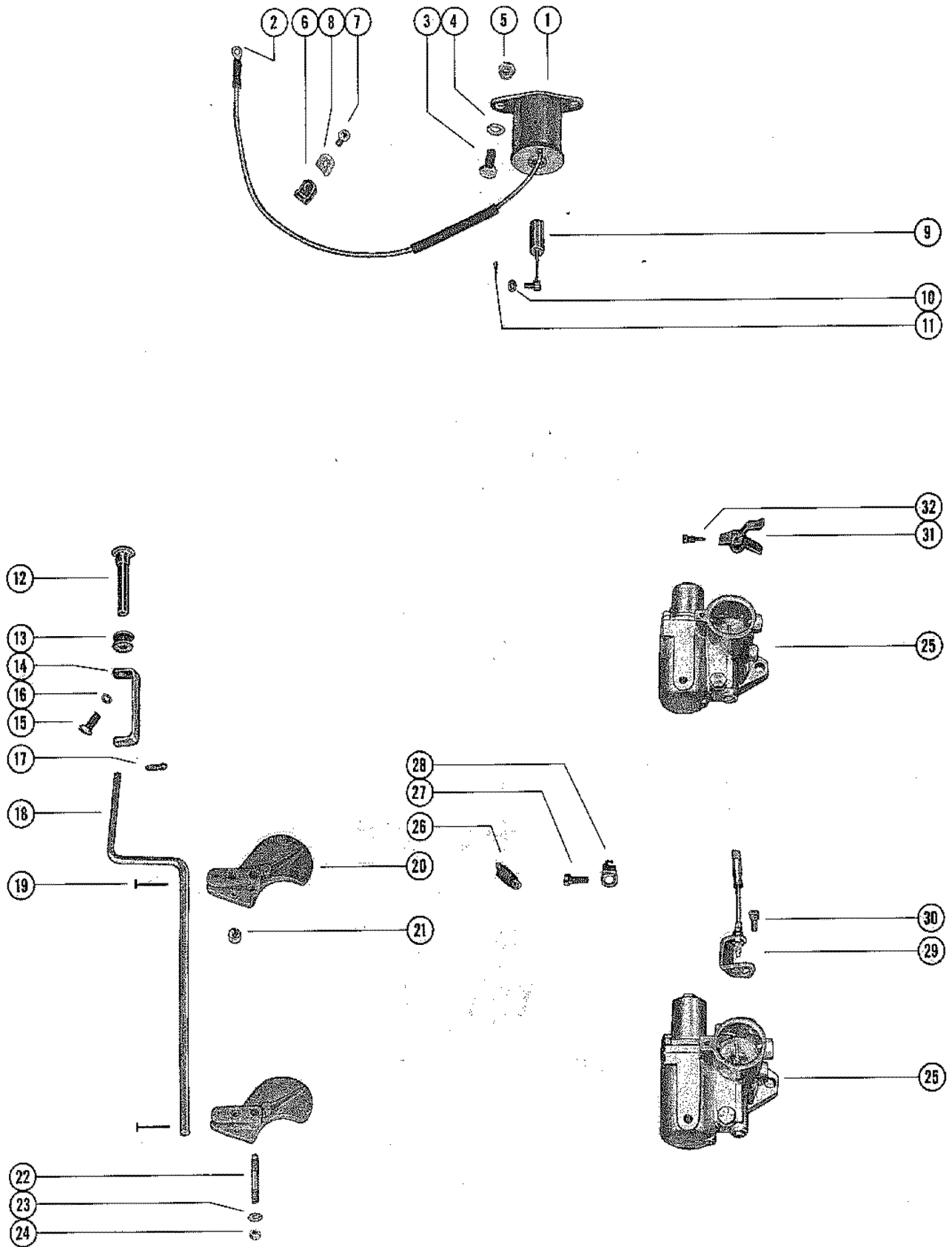
# STARTER MOTOR, STARTER SOLENOID, RECTIFIER & WIRING HARNESS



# STARTER MOTOR, STARTER SOLENOID, RECTIFIER & WIRING HARNESS

REF. NO.	PART NO.	SYM.	QTY.	DESCRIPTION
37	27789		2	"D" WASHER, WIRING HARNESS LEAD CLIP ATTACHING SCREW
38	11-24656		2	NUT, WIRING HARNESS LEAD CLIP ATTACHING SCREW
39	332-2983A2		1	IGNITION COIL ASSEMBLY, COMPLETE
40	10-46368		1	SCREW, IGNITION COIL CLAMPING (2 1/4")
	10-46367		1	SCREW, IGNITION COIL CLAMPING - CLIP ATTACHING (2 1/2")
41	11-20645		1	NUT, IGNITION COIL CLAMPING SCREW
42	12-37407		1	WASHER, IGNITION COIL CLAMPING SCREW
43	54-22740		1	CLIP, LEAD WIRE TO IGNITION COIL
44	22789		1	"D" WASHER, IGNITION COIL CLAMPING SCREW
45	11-20190		2	NUT, IGNITION COIL CLAMPING SCREW
46	10-36137		3	SCREW, IGNITION COIL TO BOTTOM COWL (1")
47	13-26992		3	LOCKWASHER, IGNITION COIL SCREW
48	10-45218		1	SCREW, IGNITION COIL WIRE TO SWITCH BOX (3/8")
49	30212		1	TERMINAL BLOCK USE ON STARTER ENGINES
50	10-28192		2	SCREW, TERMINAL BLOCK ATTACHING USE ON STARTER ENGINES
51	10-30663		2	SCREW, HARNESS LEADS TO TERMINAL BLOCK USE ON START ENGINE
52	54-22783		2	"S" CLIP, WIRING HARNESS TO BOTTOM COWL USE ON START ENGINE
53	46715		1	CABLE, STARTER SOLENOID TO TOP MOUNT USE ON STARTER ENGINES

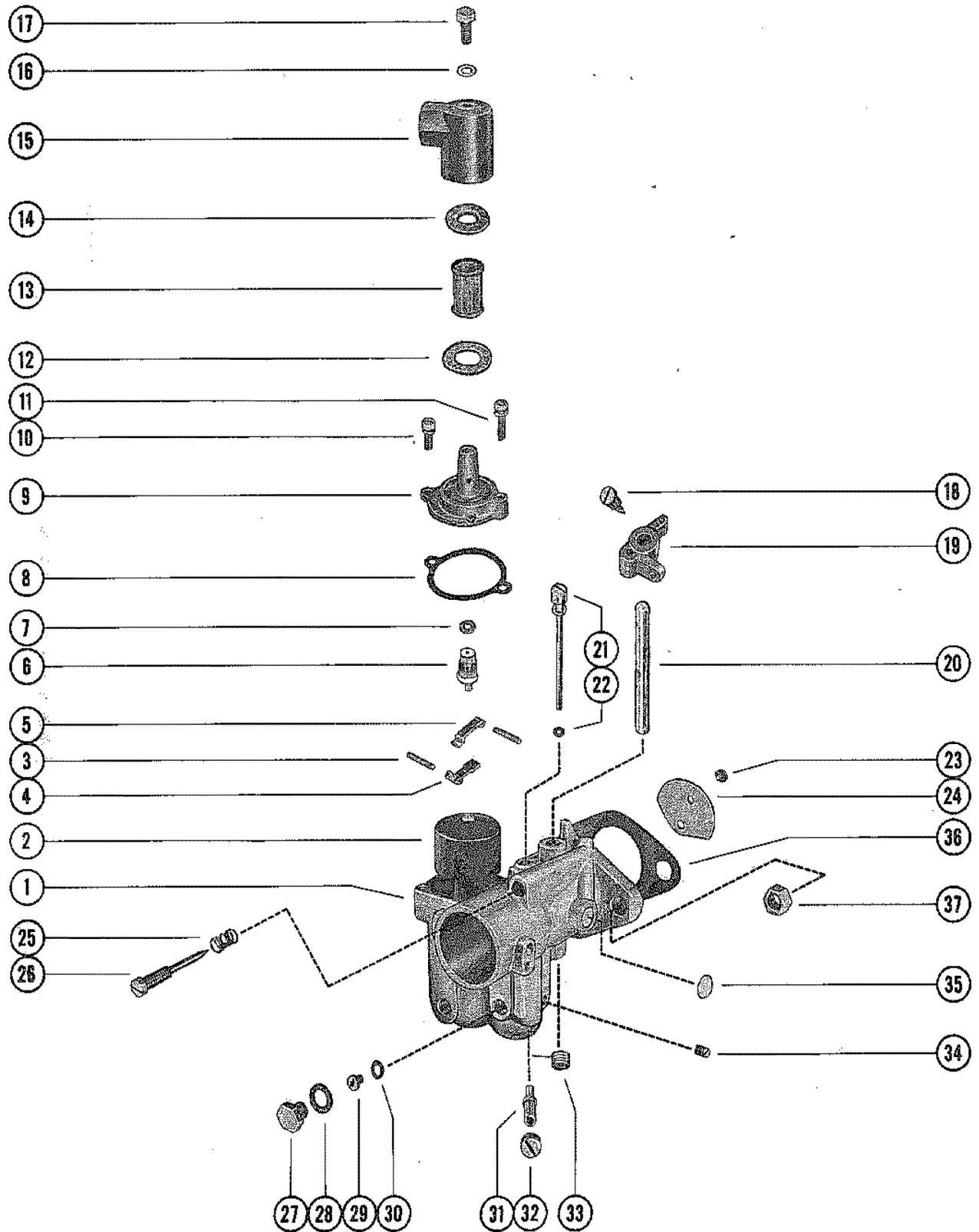
# CARBURETOR LINKAGE AND CHOKE SOLENOID



## CARBURETOR LINKAGE AND CHOKE SOLENOID

REF. NO.	PART NO.	SYM.	QTY.	DESCRIPTION
1	37585		,1	CHOKE SOLENOID, TOP COWL
	45068		,1	CHOKE SOLENOID, TOP COWL
2	30050		,1	TERMINAL, CHOKE SOLENOID LEAD
3	10-26066		,2	SCREW, CHOKE SOLENOID TO FRONT BRACKET
4	13-26993		,2	LOCKWASHER, CHOKE SOLENOID SCREW
5	11-22053		,2	NUT, CHOKE SOLENOID SCREW
6	54-33361		,1	CLIP, CHOKE SOLENOID LEAD
	54-25231		,1	CLIP, CHOKE SOLENOID LEAD
7	10-30009		,1	SCREW, CHOKE SOLENOID CLIP ATTACHING
8	22789		,1	"D" WASHER, CHOKE SOLENOID CLIP SCREW
9	27031A4		,1	PLUNGER AND LINK ASSEMBLY, CHOKE SOLENOID
10	12-30164		,1	WASHER, PLUNGER AND LINK
	12-46101		,1	WASHER, PLUNGER AND LINK
11	18-26953		,1	COTTER PIN, LINK TO UPPER CHOKE SHUTTER
12	22463		1,1	KNOB, CHOKE ROD
13	25-20116		1,1	GROMMET, CHOKE KNOB
14	22462		1,	"U" LINK, CHOKE ROD TO CHOKE KNOB
	37591		,1	"U" LINK, CHOKE ROD TO CHOKE KNOB
	46303		,1	"U" LINK, CHOKE ROD TO CHOKE KNOB
15	10-20100		1,1	SCREW, "U" LINK TO CHOKE KNOB
16	13-26996		1,1	LOCKWASHER, "U" LINK SCREW
17	18-20180		1,1	COTTER PIN, "U" LINK TO CHOKE ROD
18	37796		1,	ROPD, CHOKE
	38458		,1	ROD, CHOKE (NOT AS SHOWN)
	46304		,1	ROD, CHOKE (NOT AS SHOWN)
19	17-25391		2,2	RIVET, CHOKE SHUTTER TO CHOKE ROD
20	38604		2,2	SHUTTER, CHOKE - CARBURETOR
21	23-30438		,1	BUSHING, NYLON - UPPER CHOKE SHUTTER
22	16-30172		2,2	STUD, CARBURETOR - CHOKE SHUTTER PIVOT
23	12-30164		2,2	WASHER, CHOKE SHUTTER CARBURETOR STUD
24	11-20110		2,2	NUT, CHOKE SHUTTER TO CARBURETOR STUD
25	1333-3015		2,2	CARBURETOR ASSEMBLY, COMPLETE
26	24-28965		1,1	SPRING, TENSION - CHOKE ROD TO CARBURETOR
27	10-28713		1,1	SCREW, TENSION SPRING TO CARBURETOR
28	27711		1,1	RETAINER, SPRING
29	28007A5		1,1	THROTTLE PICK-UP BRACKET ASSEMBLY
30	10-29239		1,1	SCREW, THROTTLE PICK-UP BRACKET MOUNTING
31	27917		1,1	CLUSTER, THROTTLE LEVER (UPPER CARBURETOR)
32	10-20847		1,1	SCREW, CLUSTER TO THROTTLE LEVER

# CARBURETOR ASSEMBLY



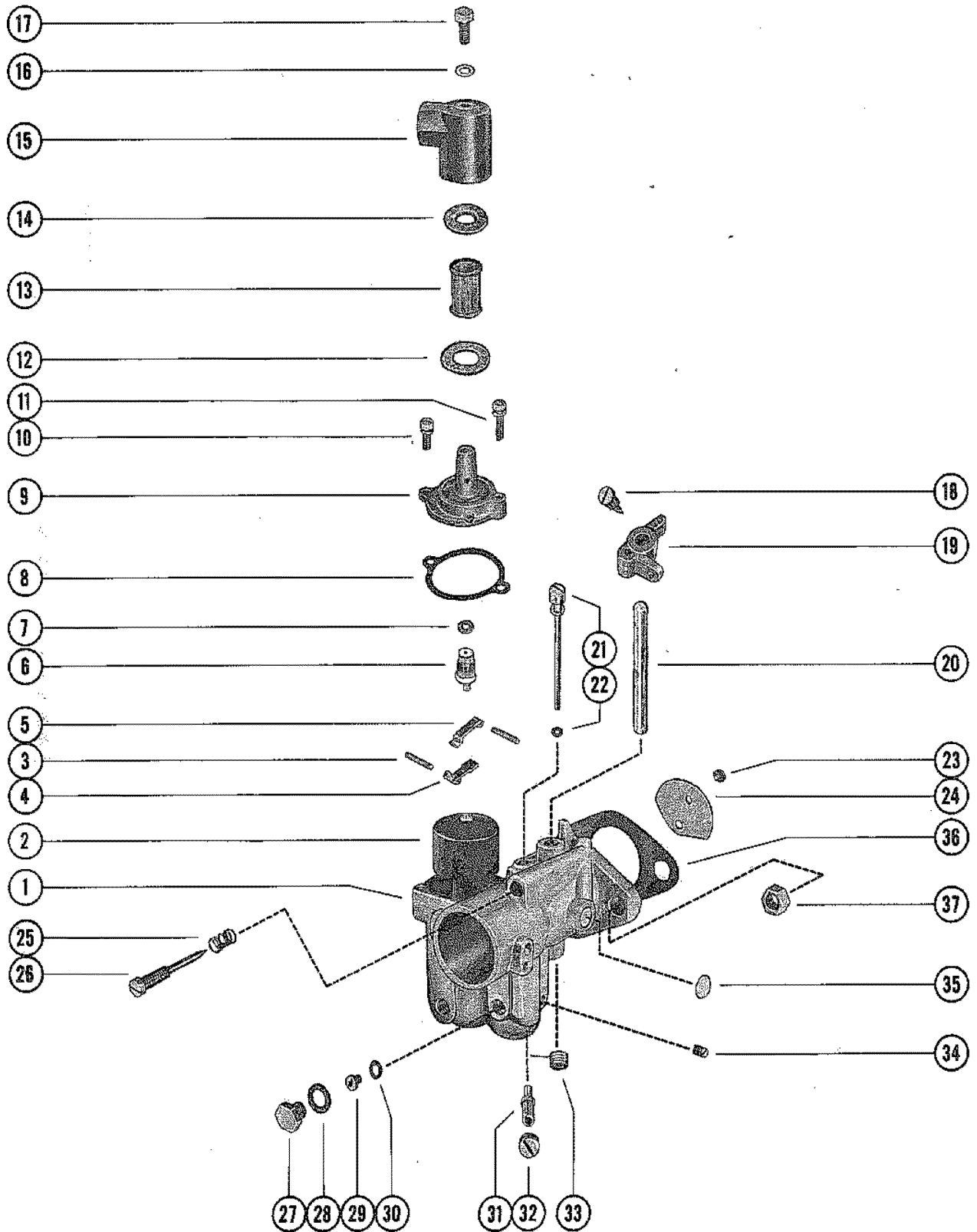


# CARBURETOR ASSEMBLY

REF. NO.	PART NO.	SYM.	QTY.	DESCRIPTION
1	1333-3015		2,2	CARBURETOR ASSEMBLY, COMPLETE (KA-21C)
2	1399-110A1		2,2	FLOAT ASSEMBLY
3	17-20853		4,4	PIN, FLOAT LEVER PINION
4	1399-102		2,2	LEVER, FLOAT (LOWER)
5	1399-101		2,2	LEVER, FLOAT (UPPER)
6	1399-1473		2,2	INLET NEEDLE, SEAT AND GASKET
7	27-25033		2,2	GASKET, INLET SEAT
8	1399-99		2,2	GASKET, FLOAT BOWL COVER
9	1399-1133		2,2	COVER, FLOAT BOWL
10	10-20854		2,2	SCREW, FLOAT BOWL COVER (SHORT)
11	10-25850		2,2	SCREW, FLOAT BOWL COVER (LONG)
12	27-25851		2,2	GASKET, STRAINER COVER (LARGE)
13	1399-1754		2,2	SCREEN, FILTER
14	27-25849		2,2	GASKET, STRAINER COVER (SMALL)
15	1399-1135		2,2	COVER, STRAINER
16	27-25848		2,2	GASKET, STRAINER COVER SCREW
17	10-25822		2,2	SCREW, STRAINER COVER FASTENING
18	10-20847		2,2	SCREW, THROTTLE STOP LEVER
19	1399-97		2,2	LEVER, THROTTLE STOP (SEE NOTE BELOW)
20	1399-2012		2,2	SHAFT, THROTTLE
21	1399-3036		2,2	TUBE, IDLE
22	27-23180		2,2	GASKET, IDLE TUBE
23	10-20858		4,4	SCREW AND LOCKWASHER, THROTTLE SHUTTER
24	1399-3037		2,2	SHUTTER, THROTTLE
25	24-27160		2,2	SPRING, IDLE ADJUSTMENT SCREW
26	1399-1713		2,2	SCREW, IDLE ADJUSTMENT
27	10-28405		2,2	SCREW, PLUG - MAIN FUEL JET CHANNEL
28	27-28406		2,2	GASKET, JET CHANNEL PLUG SCREW
29	1399-1467		2,2	JET, MAIN FUEL (.067)
	1399-1465		2,2	JET, MAIN FUEL (.065) - STANDARD
	1399-1463		OPT.,OPT.	JET, MAIN FUEL (.063)
	1399-1461		OPT.,OPT.	JET, MAIN FUEL (.061)
30	27-28409		2,2	GASKET, MAIN FUEL JET
31	1399-2785		2,2	NOZZLE, MAIN
32	10-23178		2,2	SCREW, PLUG - MAIN NOZZLE
33	24-26890		1,1	SPRING, THROTTLE SHAFT RETURN (LOWER CARBURETOR)
	24-20869		1,1	SPRING, THROTTLE SHAFT RETURN (UPPER CARBURETOR)
34	10-28845		2,2	SCREW, PLUG - BODY CHANNEL

CONTINUED ON NEXT PAGE ➡

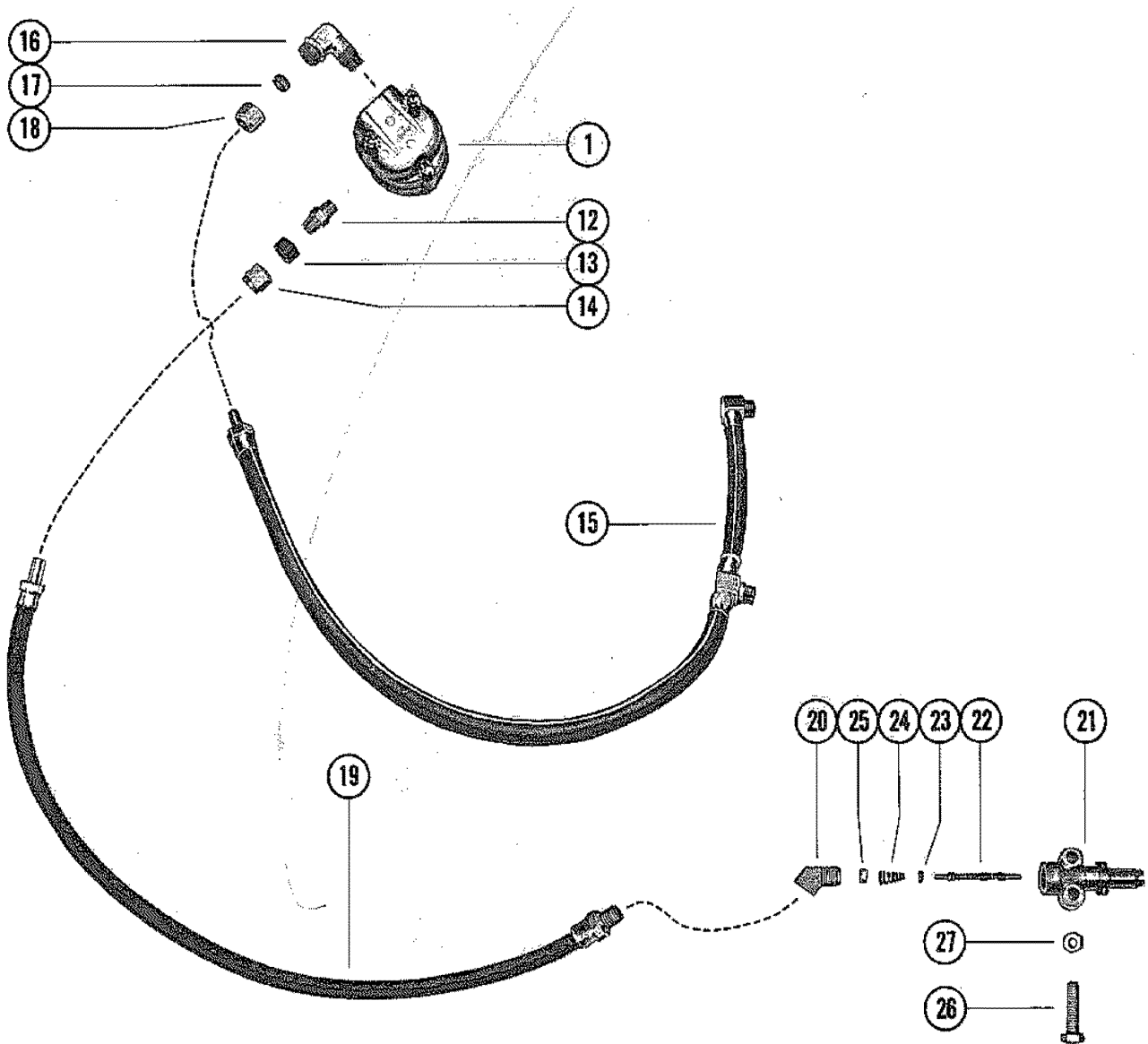
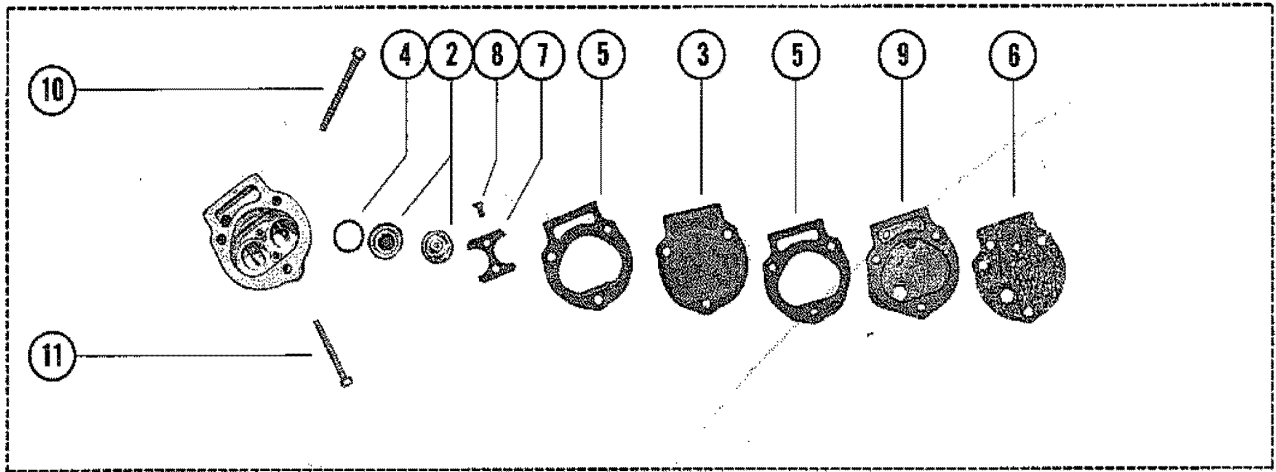
# CARBURETOR ASSEMBLY



# CARBURETOR ASSEMBLY

REF. NO.	PART NO.	SYM.	QTY.	DESCRIPTION
35	19-20011		2,2	WELCH PLUG, BODY CHANNEL
-	<b>1399-1477</b>		<b>2,2</b>	<b>GASKET AND PACKING SET (1 PER CARBURETOR)</b>
-	<b>1399-3038</b>		<b>2,2</b>	<b>REPAIR PARTS KIT (1 PER CARBURETOR)</b>
36	27-26891		2,2	GASKET, CARBURETOR FLANGE
37	11-46793		4,4	NUT, CARBURETOR MOUNTING STUD

# FUEL PUMP ASSEMBLY



# FUEL PUMP ASSEMBLY

REF. NO.	PART NO.	SYM.	QTY.	DESCRIPTION
1	30269A2		1,1	FUEL PUMP ASSEMBLY
2	21-30430A1		1,1	CHECK VALVE ASSEMBLY
3	23014A1		1,1	DIAPHRAGM KIT
4			2,2	GASKET, CHECK VALVE TO HOUSING
5			2,2	GASKET, FUEL PUMP
6			1,1	GASKET, FUEL PUMP COVER
7	23004		1,1	RETAINER, CHECK VALVE
8	10-20037		2,2	SCREW, RETAINER TO HOUSING
9	23008		1,1	COVER, FUEL PUMP
10	10-30274		2,2	SCREW, FUEL PUMP MOUNTING (1 3/4")
11	10-29878		1,1	SCREW, FUEL PUMP MOUNTING (1 1/2")
12	22-22949		1,1	CONNECTOR, PUMP INLET TO FUEL LINE
13	22-22946		1,1	SLEEVE, RUBBER - CONNECTOR
14	11-22948		1,1	NUT, CONNECTOR TO FUEL LINE
15	32-32094		1,1	FUEL LINE, PUMP TO LOWER AND UPPER FILTER
16	22-22995		1,1	ELBOW, FUEL PUMP INLET
17	22-22946		1,1	SLEEVE, RUBBER
18	11-22948		1,1	NUT, ELBOW
19	32-30036		1,1	FUEL LINE, FUEL PUMP TO ADAPTOR
20	22-37682		,1	CONNECTOR, FUEL LINE TO ADAPTOR
21	30186		1,1	ADAPTTOR, CHECK UNIT (FUEL LINE)
22	30187		1,1	STEM, CHECK UNIT ADAPTOR
23	25-20415		1,1	"O" RING, ADAPTOR STEM
24	24-30189		1,1	SPRING, ADAPTOR STEM
25	30188		1,1	CUP WASHER, ADAPTOR
26	10-37990		2,	SCREW, ADAPTOR TO BOTTOM COWL (1 3/4")
	10-21937		,2	SCREW, ADAPTOR TO BOTTOM COWL (2")
27	11-46887		2,2	NUT, ADAPTOR SCREW

# CYLINDER BLOCK AND CRANKCASE ASSEMBLY

\* \* \* \* MISSING ILLUSTRATION \* \* \* \*

# CYLINDER BLOCK AND CRANKCASE ASSEMBLY

REF. NO.	PART NO.	SYM.	QTY.	DESCRIPTION
1	1100-2988A1		1,1	END CAP ASSEMBLY, UPPER
2	26-29476		1,1	OIL SEAL
3	25-20081		1,1	"O" RING, UPPER END CAP
4	30-20080		1,1	BALL BEARING, UPPER END CAP
5	15-20082A1		AR,AR	SHIM, UPPER END CAP TO CYL. BLOCK AND CRANKCASE (.002-3-5-10)
6	10-29198		4,4	SCREW, UPPER END CAP MOUNTING
7	831-2750A2		1,1	CYLINDER BLOCK AND CRANKCASE ASSEMBLY
8	37639		2,2	MOUNT, RUBBER - CRANKCASE
9	11-46887		4,4	NUT, CRANKCASE RUBBER MOUNT
10	17-20032		2,2	DOWEL PIN, CYLINDER BLOCK TO MAIN BEARING
11	17-20323		1,1	DOWEL PIN, CYLINDER BLOCK TO CENTER MAIN BEARING
12	22-30139		1,1	PLUG, PIPE - WATER PRESSURE AND BALANCE TUBE HOLES
13	16-35099		4,4	STUD, CARBURETOR MOUNTING
14	13-29988		2,2	STUD, CRANKCASE TO DRIVE SHAFT HOUSING (1 9/16")
15	17-20033		2,2	DOWEL PIN, CRANKCASE TO CYLINDER BLOCK
16	16-29990		2,2	STUD, CYLINDER BLOCK TO DRIVE SHAFT HOUSING (3 7/16")
17	16-37986		2,2	STUD, CYLINDER BLOCK TO DRIVE SHAFT HOUSING (2 5/16")
18	16-29989		2,2	STUD, CYLINDER BLOCK TO DRIVE SHAFT HOUSING (1 15/16")
19	22-29111		1,1	CONNECTOR, WATER TELL TALE HOLE - CYLINDER BLOCK
20	10-22040		13,13	SCREW, CRANKCASE TO CYLINDER BLOCK (1 1/2")
	10-21574		1,1	SCREW, CRANKCASE TO CYLINDER BLOCK (1 5/8")
21	10-22039		4,4	SCREW, CRANKCASE TO CYLINDER BLOCK (2 3/4")
22	12-20084		1,1	WASHER, CRANKCASE SCREW
23	11-46793		18,18	NUT, CRANKCASE SCREW
24	10-26801		2,2	SCREW, MAIN BEARING LOCKING
25	14-20091		3,3	TAB WASHER, BEARING LOCKING SCREW
26	10-20359		1,1	SCREW, CENTER MAIN BEARING LOCKING
27	1102-1484A1		1,1	END CAP ASSEMBLY, LOWER
28	21-28481A1		1,1	CHECK VALVE ASSEMBLY, LOWER END CAP
29	26-29478		1,1	OIL SEAL, LOWER
30	26-29476		1,1	OIL SEAL, UPPER
31	25-20081		1,1	"O" RING, LOWER END CAP
32	30-20080		1,1	BALL BEARING, LOWER END CAP
33	15-20085A1		AR,AR	SHIM, LOWER END CAP TO CRANKCASE AND CYL. BLOCK (.002-3-5-10)
34	10-29198		3,3	SCREW, LOWER END CAP MOUNTING
35	32-33729		1,1	TUBE, BALANCE - MAIN BEARING
36	22-29111		2,2	CONNECTOR, BALANCE TUBE TO CYLINDER BLOCK

CONTINUED ON NEXT PAGE ➡

# CYLINDER BLOCK AND CRANKCASE ASSEMBLY

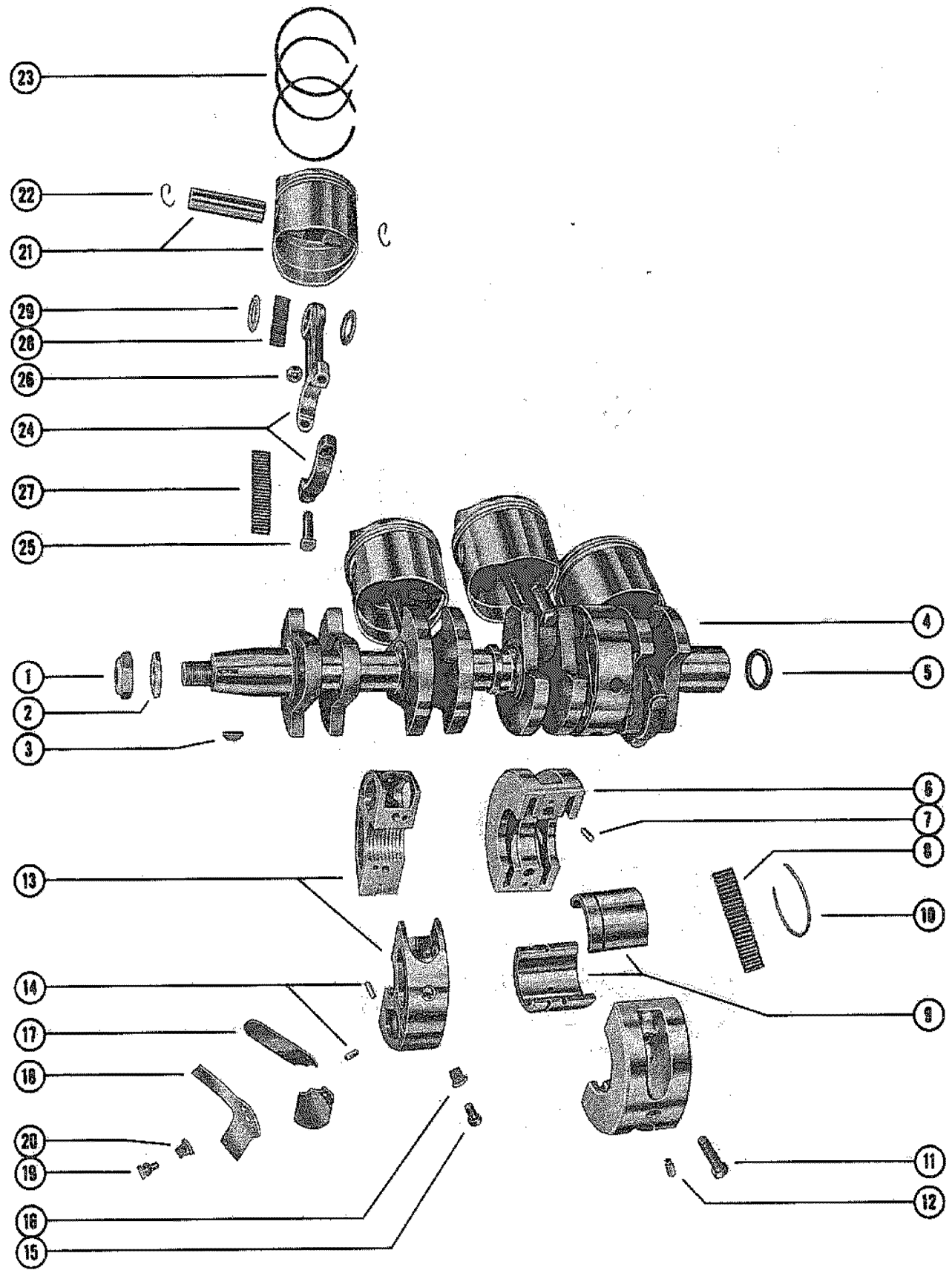
\* \* \* \* MISSING ILLUSTRATION \* \* \* \*



## CYLINDER BLOCK AND CRANKCASE ASSEMBLY

REF. NO.	PART NO.	SYM.	QTY.	DESCRIPTION
37	54-20386		2,2	CLAMP, BALANCE TUBE TO CONNECTORS
38	27-46110		1,1	GASKET, CYLINDER BLOCK TO BAFFLE PLATE
39	46109		1,1	PLATE, BAFFLE - EXHAUST MANIFOLD
40	27-46111		1,1	GASKET, BAFFLE PLATE TO EXHAUST COVER
41	46112		1,1	COVER, EXHAUST MANIFOLD
42	10-37562		13,13	SCREW, MANIFOLD COVER TO CYLINDER BLOCK (1")
43	10-39661		2,2	SCREW, MANIFOLD COVER TO CYLINDER BLOCK - HIGH TENSION CLIP
44	54-37303		2,2	CLIP, HIGH TENSION LEAD
45	1017-2483		1,1	COVER, CYLINDER BLOCK
46	27-37816		1,1	GASKET, CYLINDER BLOCK COVER
47	10-20653		10,10	SCREW, CYLINDER BLOCK COVER MOUNTING
48	11-46887		10,10	NUT, COVER MOUNTING SCREW
49	37639		1,1	MOUNT, RUBBER - CYLINDER BLOCK COVER
50	11-20361		2,2	NUT, CYLINDER BLOCK COVER RUBBER MOUNT
51	27935		2,2	COVER, TRANSFER PORT
52	27-27936		2,2	GASKET, TRANSFER PORT COVER
53	10-20540		4,4	SCREW, TRANSFER PORT COVER MOUNTING (HEX HEAD)
	10-28635		2,2	SCREW, TRANSFER PORT COVER MOUNTING (CAP HEAD)
54	21-28483A1		1,1	CHECK VALVE ASSEMBLY, BLEED HOSE (UPPER
55	21-28481A1		1,1	CHECK VALVE ASSEMBLY, BLEED HOSE VALVE
56	32-28654		1,1	HOSE, CYLINDER BLEED (6 1/2")
57	22-20445		1,1	CONNECTOR, CYLINDER BLEED HOSE (LOWER)
58	54-20387		2,2	CLAMP, BLEED HOSE TO CHECK VALVE AND CONNECTOR

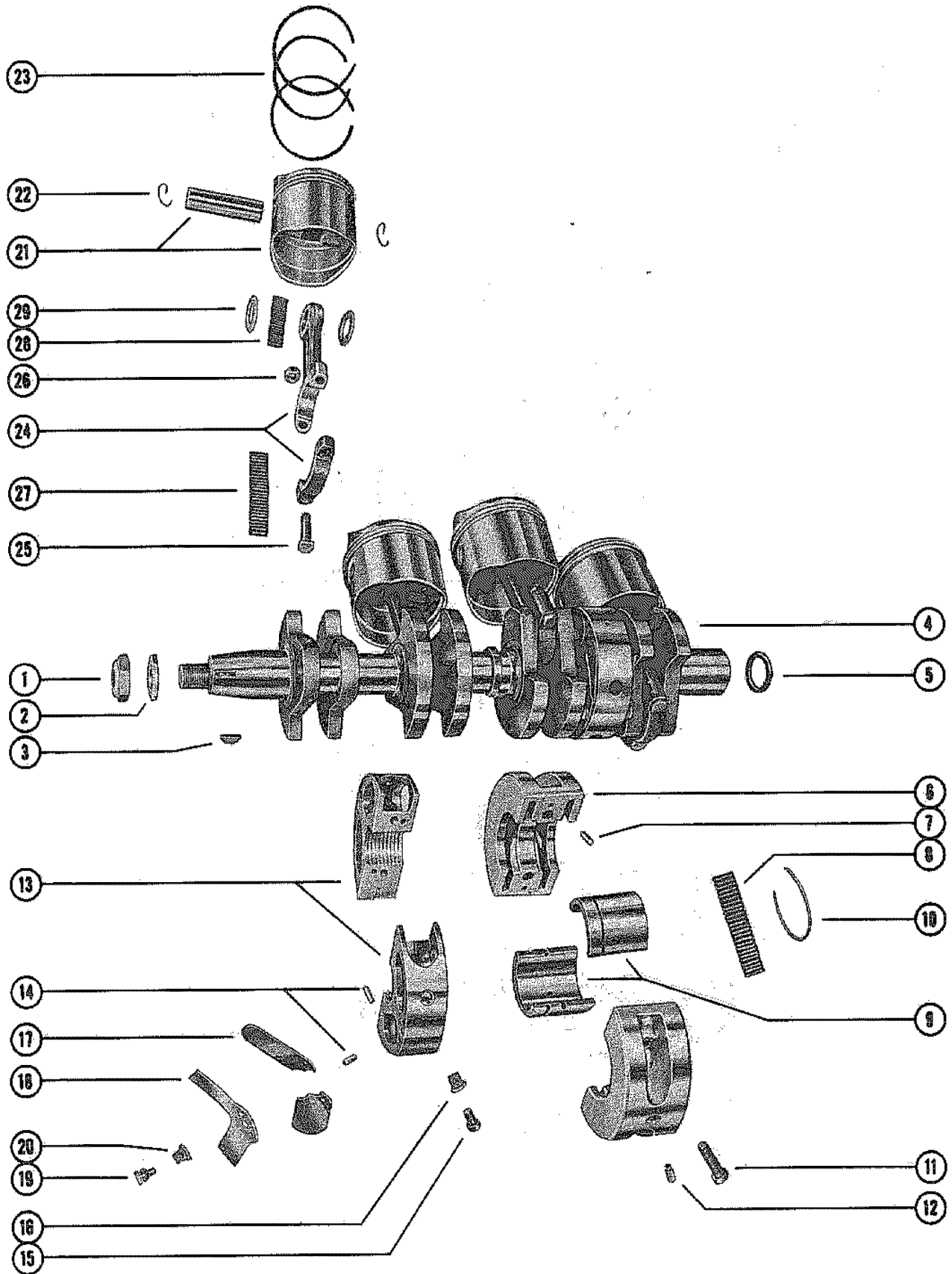
# CRANKSHAFT, PISTON AND CONNECTING ROD



## CRANKSHAFT, PISTON AND CONNECTING ROD

REF. NO.	PART NO.	SYM.	QTY.	DESCRIPTION
1	11-22339		1,1	NUT, FLYWHEEL
2	12-33001		1,1	WASHER, FLYWHEEL NUT
3	28-20094		1,1	KEY, FLYWHEEL DRIVE
4	400-2976		1,1	CRANKSHAFT
5	25-29619		1,1	"O" RING, DRIVE SHAFT SPLINE
6	500-1030A1		1,1	CENTER MAIN BEARING ASSEMBLY
7	17-20032		2,2	DOWEL PIN, CENTER MAIN BEARING
8	29-20046		28,28	BEARING, NEEDLE
9	20047		1,1	RACE, OUTER
10	53-20048		1,1	RING, SNAP - OUTER RACE CLAPING
11	10-28666		2,2	SCREW, CENTER MAIN BEARING CLAMPING
12	17-20379		1,1	DOWEL PIN, (STEPPED)
13	534-2497A2		2,2	MAIN BEARING ASSEMBLY (VALVE TYPE)
14	17-20032		20,20	DOWEL PIN, MAIN BEARING
15	10-25313		4,4	SCREW, MAIN BEARING CLAMPING (1/2")
16	11-29469		4,4	NUT, MAIN BEARING CLAMPING SCREW
17	34-20888A1		2,2	REED SET, MATCHED - MAIN BEARING
18	34-20053		8,8	REED STOP, MAIN BEARING REED VALVES
19	10-29465		8,8	SCREW, REED STOP MOUNTING (1/2")
20	11-29469		8,8	NUT, REED STOP MOUNTING SCREW
21	724-2537A4		4,4	PISTON AND PISTON PIN ASSEMBLY
22	40-20057		8,8	LOCK RING, PISTON PIN
23	39-27841		12,12	RING, PISTON
24	600-2748A2		4,4	CONNECTING ROD AND CAP ASSEMBLY
25	10-45379		8,8	SCREW, CAP TO CONNECTING ROD
26	11-20061		8,8	NUT, CONNECTING ROD SCREW
27	29-20046		100,100	BEARING, NEEDLE - CRANKPIN
28	29-20063		88,88	BEARING, NEEDLE - PISTON PIN
29	12-28121		8,8	WASHER, NEEDLE LOCATING

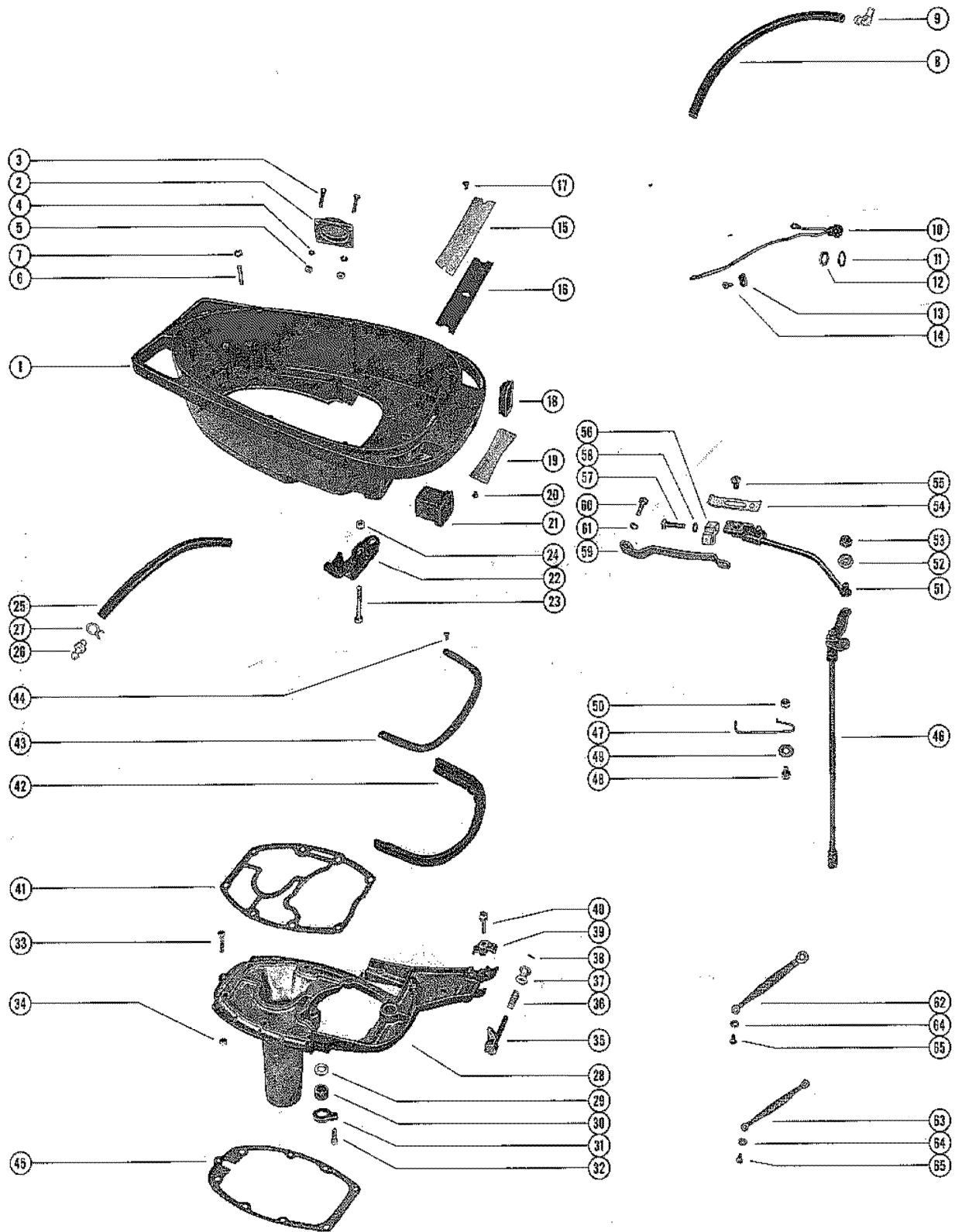
# OVERSIZE PISTON AND RING



# OVERSIZE PISTON AND RING

REF. NO.	PART NO.	SYM.	QTY.	DESCRIPTION
-	724-2553A3		4,4	PISTON AND PISTON PIN ASSEMBLY (.015 OVERSIZE)
-	39-28616A12		12,12	RING, PISTON (.015 OVERSIZE)

# BOTTOM COWL ASSEMBLY AND SHIFT LINKAGE

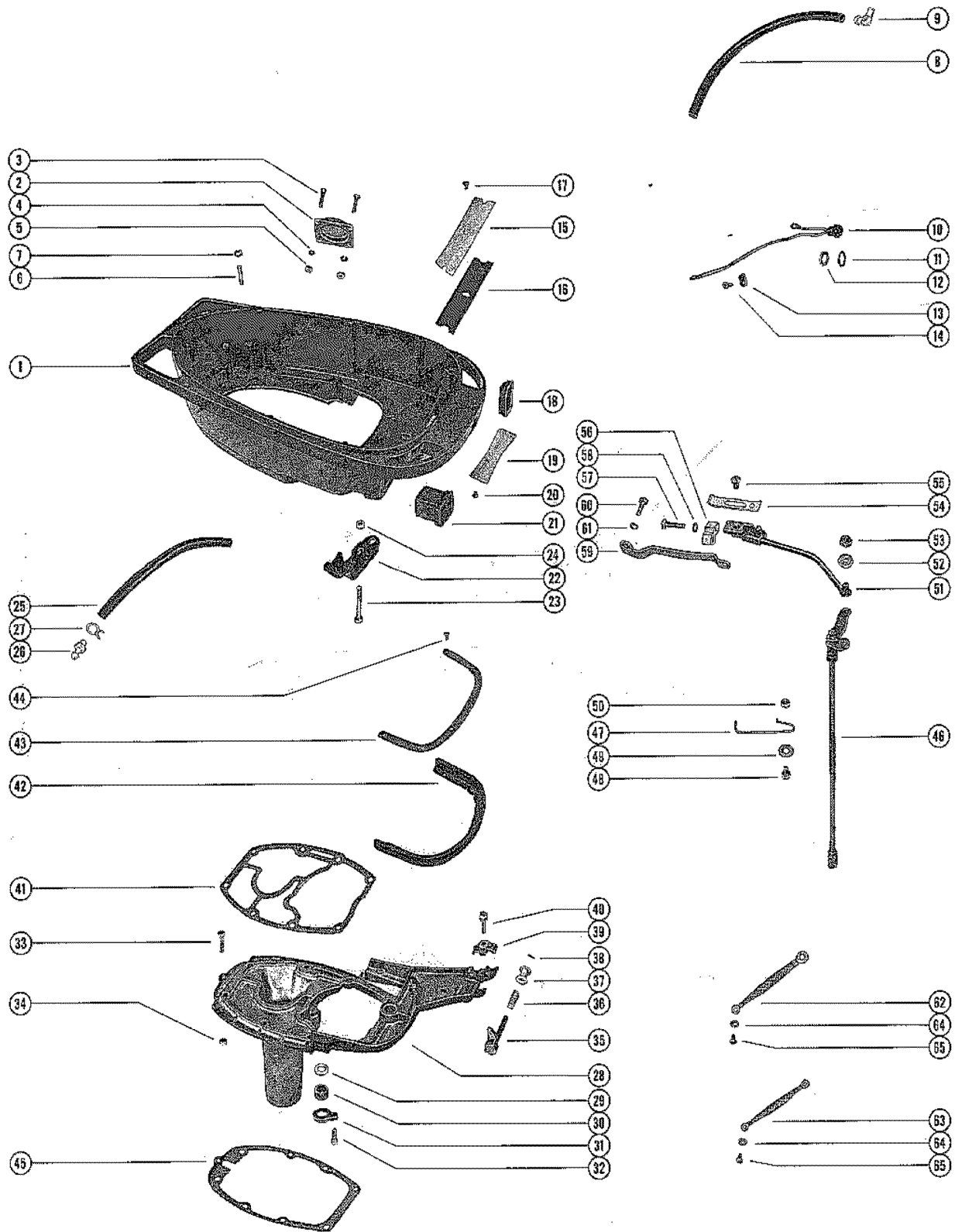


# BOTTOM COWL ASSEMBLY AND SHIFT LINKAGE

REF. NO.	PART NO.	SYM.	QTY.	DESCRIPTION
1	2116-2990A1		1,1	BOTTO COWL ASSEMBLY
2	29206		1,	COVER, PLUG - BOTTOM COWL HARNESS HOLE
3	10-26128		4,	SCREW, PLUG COVER TO BOTTOM COWL (REMOVE - NOT REQUIRED O
4	13-26995		4,	LOCKWASHER, PLUG COVER SCREW
5	11-26419		4,	NUT, PLUG COVER SCREW
6	16-20467		4,4	STUD, BOTTOM COWL TO REAR SUPPORT BRACKET
7	11-20361		4,4	NUT, BOTTOM COWL STUD
8	32-29164		1,	TUBE, VENT - MAGNETO OUTLET (10 1/2") ALSO USED ON STARTER
	32-26955		1,	TUBE, VENT - MAGNETO OUTLET (12 5/8") ALSO USED ON STARTER
	32-26338		,2	TUBE, VENT - MAGNETO OUTLET (8 3/4")
9	22-31521		2,2	ELBOW, MAGNETO VENT TUBE TO BOTTOM COWL
10	21104A2		1,	CONNECTOR BASE ASSEMBLY
11	13-21972		1,	LOCKWASHER, CONNECTOR BASE
12	11-21971		1,	NUT, CONNECTOR BASE TO BOTTOM COWL
13	54-25231		1,	CLIP, CONNECTOR BASE LEAD WIRE
14	10-22815		1,	SCREW, LEAD WIRE CLIP TO BOTTOM COWL
15	37943A1		1,1	COVER PLATE ASSEMBLY
16	37944		1,1	PAD, SOUND - COVER PLATE
17	10-30009		3,3	SCREW, COVER PLATE TO BOTTOM COWL
18	37695		1,1	BOOT, CONTROL CABLE
19	23760		1,1	BAFFLE, BOTTOM COWL
20	10-21106		3,3	SCREW, BAFFLE TO BOTTOM COWL
21	37637		1,1	BOOT, FUEL CONNECTOR
22	37692		,1	SUPPORT, EXTERNAL WIRING HARNESS
23	10-21937		,2	SCREW, HARNESS SUPPORT TO BOTTOM COWL (2")
24	11-46887		,2	NUT, HARNESS SUPPORT SCREW
25	32-26407		1,1	HOSE, WATER TELL TALE - CYLINDER BLOCK TO BOTTOM COWL
26	22-29111		1,1	CONNECTOR, WATER TELL TALE HOSE - BOTTOM COWL
27	54-22976		2,2	CLAMP, WATER TELL TALE HOSE TO CONNECTOR
28	37686A3		1,1	PLATE ASSEMBLY, EXHAUST EXTENSION
29	12-38453		1,1	WASHER, NYLON - WATER INLET TUBE
30	26-38452		1,1	SEAL, RUBBER - WATER TUBE
31	38500		1,1	REATINER - WATER TUBE SEAL
32	10-34439		1,1	SCREW, RETAINER TO EXHAUST EXTENSION PLATE
33	10-22421		1,1	SCREW, EXHAUST EXTENSION PLATE TO DRIVE SHAFT HOUSING
34	11-46887		1,1	NUT, EXHAUST EXTENSION PLATE SCREW
35	37924		2,2	LEVER, QUICK DISCONNECT - THROTTLE AND SHIFT CABLES
36	24-38005		2,2	SPRING, COMPRESSION - QUICK DISCONNECT LEVER
37	23-37927		2,2	BEARING, NYLON - QUICK DISCONNECT LEVER

CONTINUED ON NEXT PAGE ➡

# BOTTOM COWL ASSEMBLY AND SHIFT LINKAGE

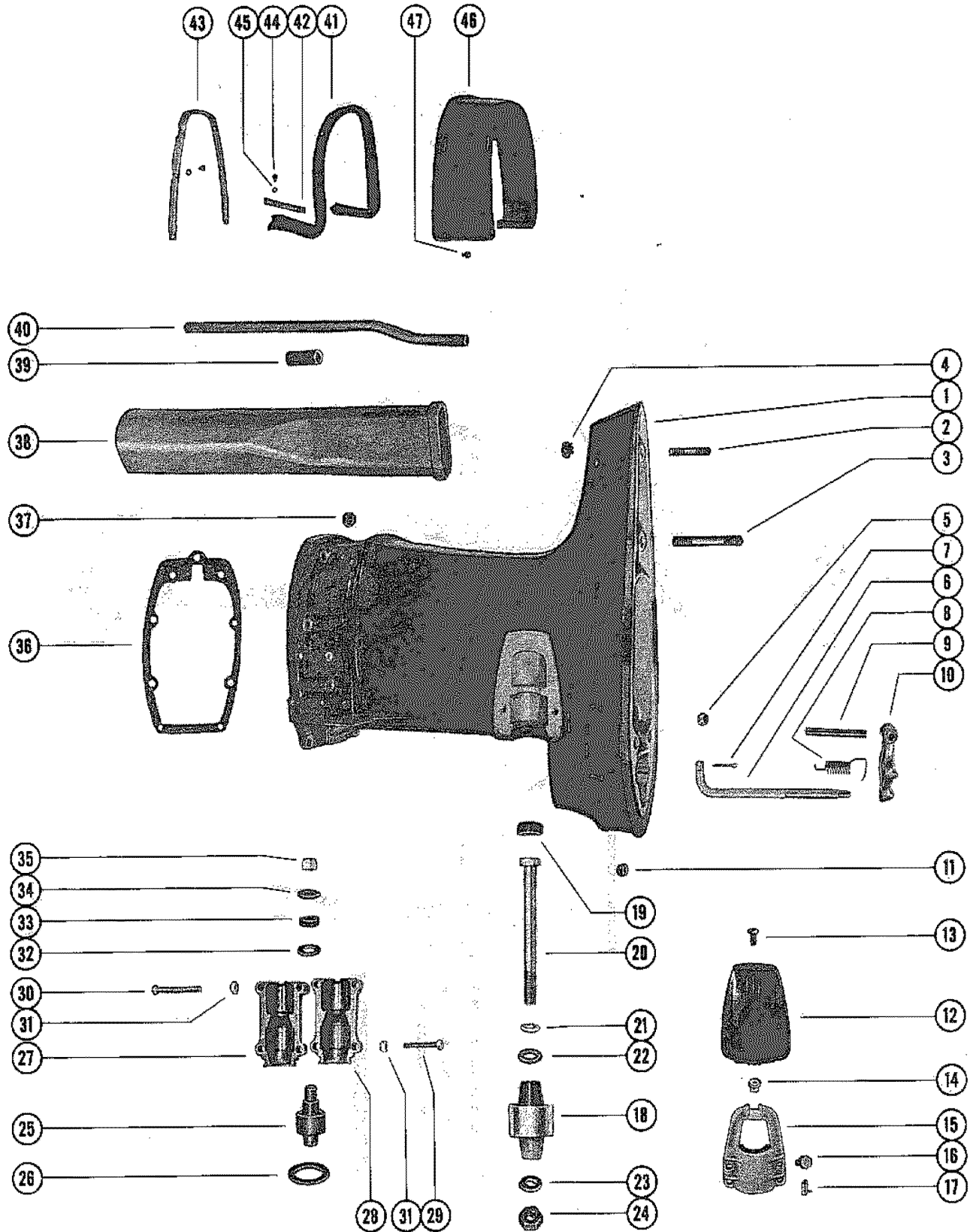




## BOTTOM COWL ASSEMBLY AND SHIFT LINKAGE

REF. NO.	PART NO.	SYM.	QTY.	DESCRIPTION
38	17-23928		2,2	PIN, ROLL - QUICK DISCONNECT LEVER
39	37926		1,1	RETAINER, NYLON BEARING TO EXHAUST EXTENSION PLATE
40	10-37923		1,1	SCREW, BEARING RETAINER TO EXHAUST EXTENSION PLATE
41	27-37725		1,1	GASKET, POWERHEAD TO EXHAUST EXTENSION PLATE
42	38156		1,1	SEAL, RUBBER - EXHAUST EXTENSION PLATE
43	38155		1,1	STRIP, RUBBER SEAL RETAINING
44	10-37571		6,6	SCREW, RETAINING STRIP TO EXHAUST EXTENSION PLATE
45	27-38501		1,1	GASKET, EXHAUST EXTENSION PLATE TO DRIVE SHAFT HOUSING
46	25172A1		1,1	SHIFT SHAFT ASSEMBLY, UPPER (SHORT SHAFT)
	45677A1		1,1	SHIFT SHAFT ASSEMBLY, UPPER (LONG SHAFT)
47	24-37693		1,1	SPRING, DETENT - SHIFT SHAFT
48	10-20776		1,1	SCREW, DETENT SPRING TO EXHAUST EXTENSION PLATE
49	12-20346		1,1	WASHER, DETENT SPRING SCREW
50	11-46887		1,1	NUT, DETENT SPRING SCREW
51	37948		1,1	ACTUATOR, SHIFT CONTROL
52	12-24664		1,1	WASHER, SHIFT CONTROL ACTUATOR
53	11-20361		1,1	NUT, SHIFT CONTROL ACTUATOR TO UPPER SHIFT SHAFT
54	24-37934		1,1	SPRING, QUICK DISCONNECT - SHIFT CABLE
55	10-38069		1,1	SCREW, QUICK DISCONNECT SPRING TO SHIFT CONTROL ACTUATOR
56	37932		1,1	BEARING, NYLON - SHIFT CONTROL ACTUATOR
57	10-36137		1,1	SCREW, BEARING TO SHIFT CONTROL ACTUATOR
58	13-21272		1,1	LOCKWASHER, BEARING SCREW
59	37935		1,1	RAIL, SHIFT CONTROL BEARING
60	10-21625		1,1	SCREW, RAIL TO EXHAUST MANIFOLD COVER
61	13-26992		1,1	LOCKWASHER, RAIL SCREW
62	46933A1		,2	GROUND STRAP ASSEMBLY, CRANKCASE TO BOTTOM COWL (3 5/8") S <b>SERIAL 02167844-09999999</b>
63	46933A2		,2	GROUND STRAP ASSEMBLY, DRIVE SHAFT HOUSING TO BOTTOM COWL (3 <b>SERIAL 02167844-09999999</b>
64	10-45218		,4	SCREW, GROUND STRAP <b>SERIAL 02167844-09999999</b>
65	13-22238		,4	WASHER, GROUND STRAP SCREW <b>SERIAL 02167844-09999999</b>

# DRIVE SHAFT HOUSING ASSEMBLY

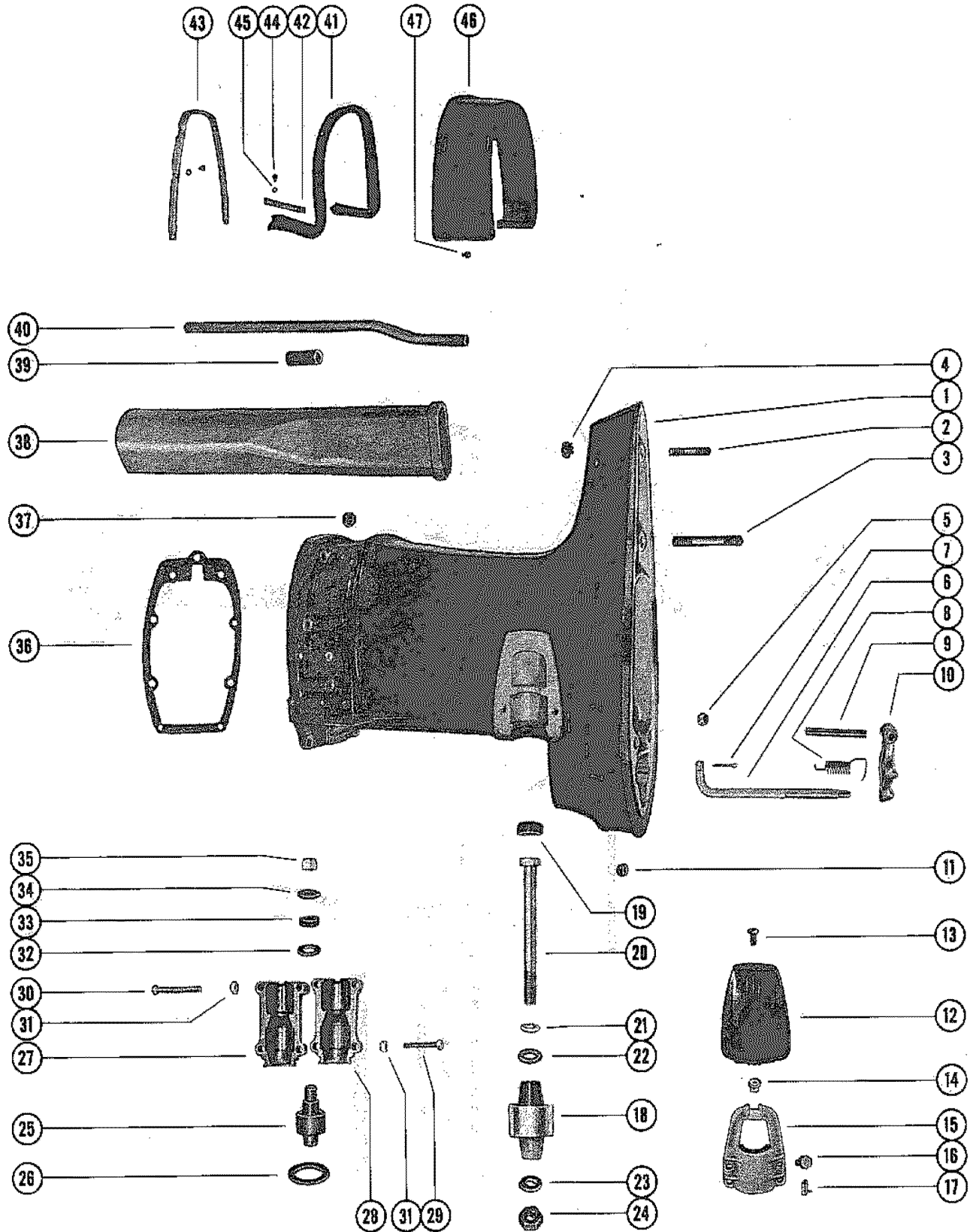


# DRIVE SHAFT HOUSING ASSEMBLY

REF. NO.	PART NO.	SYM.	QTY.	DESCRIPTION
1	1554-2489A2		1,1	DRIVE SHAFT HOUSING ASSEMBLY (SHORT SHAFT)
	1564-2772A1		1,1	DRIVE SHAFT HOUSING ASSEMBLY (LONG SHAFT)
2	16-32028		1,1	STUD, DRIVE SHAFT HOUSING TO GEAR HOUSING (1 3/4")
3	16-29079		1,1	STUD, DRIVE SHAFT HOUSING TO GEAR HOUSING (3")
4	19-32298		1,1	PLUG, PLASTIC - WATER PICK-UP SCREW HOLE
5	11-22178		2,2	NUT, GEAR HOUSING TO DRIVE SHAFT HOUSING STUDS (7/16")
6	28470		1,1	ROD, PUSH - REVERSE LOCK (SHORT SHAFT)
	45678		1,1	ROD, PUSH - REVERSE LOCK (LONG SHAFT)
7	18-25191		1,1	COTTER PIN, PUSH ROD TO REVERSE LOCK
8	24-25122		1,1	SPRING, TENSION - PUSH ROD
9	17-24887		1,1	PIN, REVERSE LOCK LEVER
10	25140		1,1	LEVER, REVERSE LOCK
11	22-21290		1,1	PLUG, GREASE - REVERSE LOCK HOLE
12	35474		2,2	COVER, LOWER MOUNT CLAMP
13	10-29722		2,2	SCREW, COVER TO LOWER MOUNT CLAMP
14	11-35521		2,2	NUT, LOWER MOUNT CLAMP COVER
15	35473		2,2	CLAMP, LOWER MOUNT TO DRIVE SHAFT HOUSING
16	10-29256		4,4	SCREW, LOWER MOUNT CLAMP TO DRIVE SHAFT HOUSING
17	24-35522		4,4	SPRING, TENSION - LOWER MOUNT CLAMP
18	37395		2,2	MOUNT, RUBBER - LOWER
19	25067		2,2	BUMPER, RUBBER - LOWER MOUNT SCREW
20	10-30452		2,2	SCREW, LOWER MOUNT (5 1/2")
21	12-28051		2,2	WASHER, LOWER MOUNT SCREW
22	12-28053		2,2	WASHER, RUBBER - LOWER MOUNT SCREW
23	12-30119		2,2	WASHER, LOWER MOUNT SCREW
24	11-25096		2,2	NUT, LOWER MOUNT SCREW
25	37394		2,2	MOUNT, RUBBER - UPPER
26	24929		2,2	PACKING, "U" CUP - UPPER MOUNT COVERS
27	24935		2,2	COVER, UPPER MOUNT - OUTSIDE HALF
28	31120		2,2	COVER, UPPER MOUNT - INSIDE HALF
29	10-28772		4,4	SCREW, UPPER MOUNT COVER - REAR (1 1/2")
30	10-31114		4,4	SCREW, UPPER MOUNT COVER - FRONT (1 3/4")
31	11-46886		8,8	NUT, UPPER MOUNT COVER FASTENING SCREW
32	12-30520		2,2	WASHER, UPPER MOUNT BOLT (37/64 ID)
33	12-30521		2,2	WASHER, RUBBER - UPPER MOUNT BOLT
34	12-30519		2,2	WASHER, UPPER MOUNT BOLT (3/8 ID)
35	11-23161		2,2	NUT, UPPER MOUNT BOLT
36	27-38501		1,1	GASKET, EXHAUST EXTENSION PLATE TO DRIVE SHAFT HOUSING
37	11-25594		8,8	NUT, POWERHEAD TO DRIVE SHAFT HOUSING STUDS (5/16")
38	37720		1,1	TUBE, EXHAUST (SHORT SHAFT)
	45681		1,1	TUBE, EXHAUST (LONG SHAFT)
39	23-23651		1,1	SLEEVE, WATER INLET TUBE

CONTINUED ON NEXT PAGE ➡

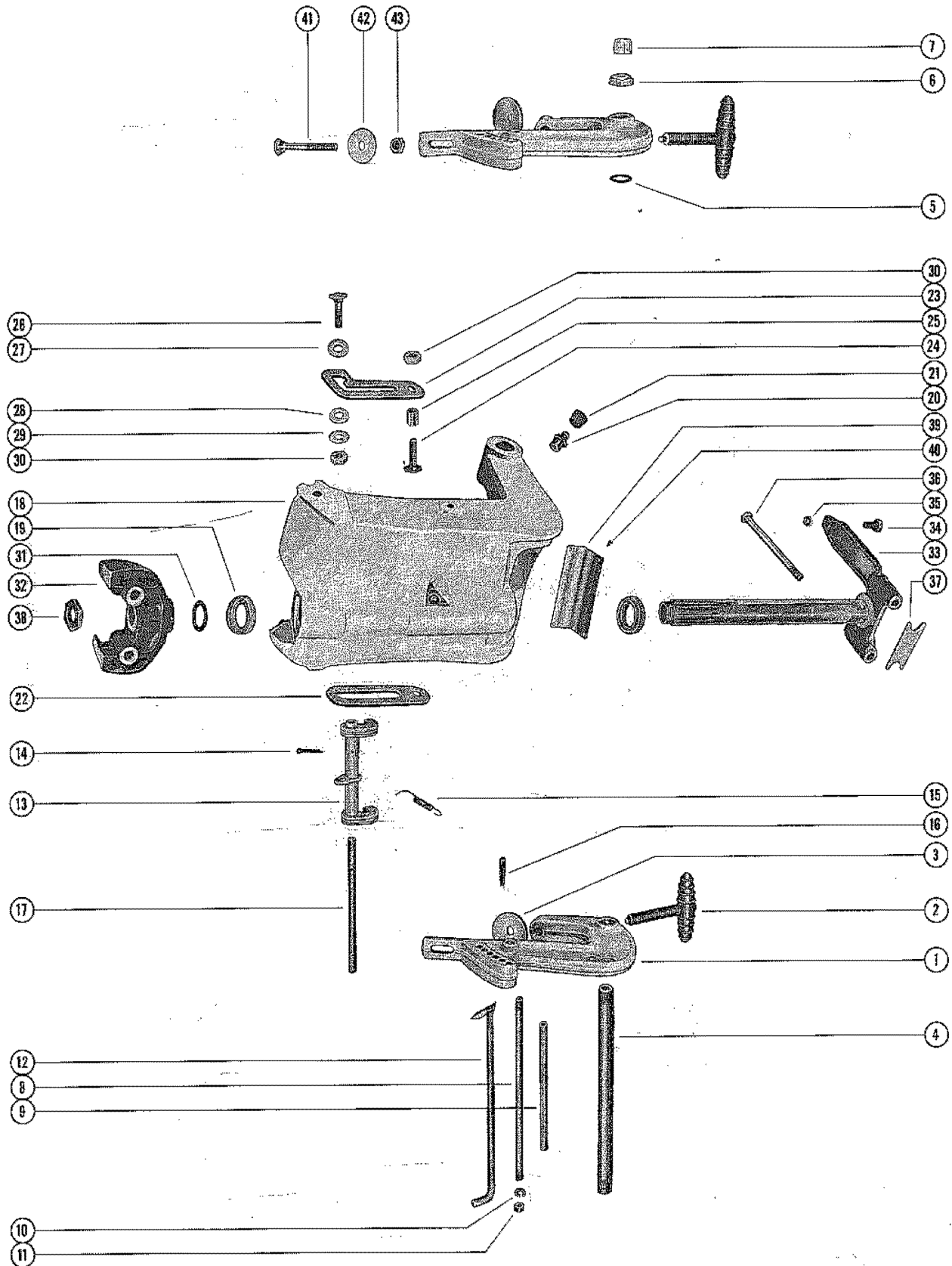
# DRIVE SHAFT HOUSING ASSEMBLY



## DRIVE SHAFT HOUSING ASSEMBLY

REF. NO.	PART NO.	SYM.	QTY.	DESCRIPTION
40	32-37727		1,1	TUBE, WATER INLET (SHORT SHAFT)
	32-45679		1,1	TUBE, WATER INLET (LONG SHAFT)
41	38157		1,1	SEAL, TRIM COVER TO DRIVE SHAFT HOUSING
42	38154		2,2	STRIP, RETAINING - TRIM COVER SEAL (SIDE)
43	38158		1,1	STRIP, RETAINING - TRIM COVER SEAL (REAR)
44	10-37571		10,10	SCREW, RETAINING STRIP TO DRIVE SHAFT HOUSING
45	12-30164		10,10	WASHER, RETAINING STRIP SCREW
46	37687		1,1	COVER, TRIM - DRIVE SHAFT HOUSING
47	10-37571		4,4	SCREW, TRIM COVER TO DRIVE SHAFT HOUSING

# CLAMP AND SWIVEL BRACKET ASSEMBLY

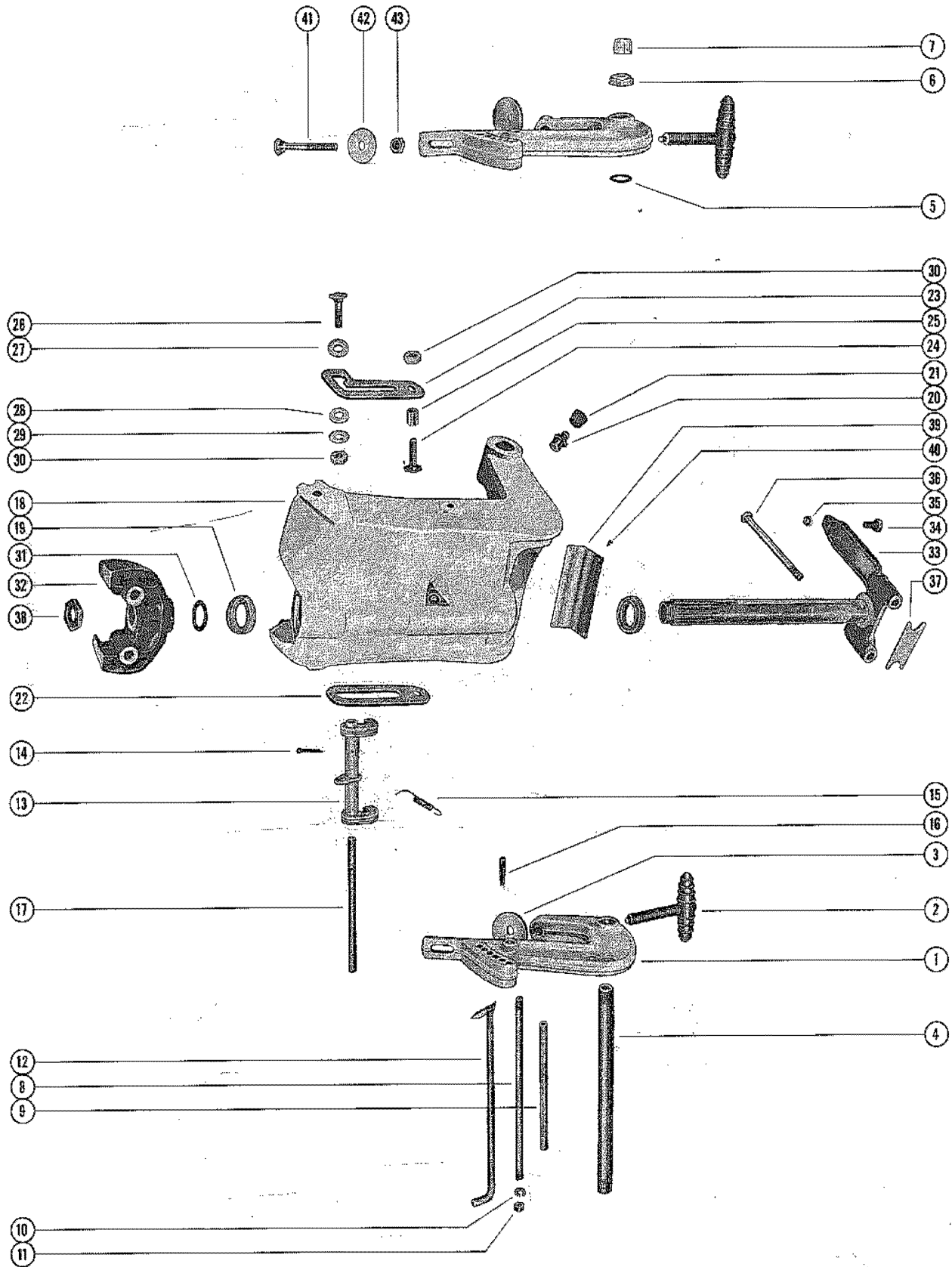


# CLAMP AND SWIVEL BRACKET ASSEMBLY

REF. NO.	PART NO.	SYM.	QTY.	DESCRIPTION
1	1440-1797A1		2,2	CLAMP BRACKET ASSEMBLY
2	28403A3		2,2	THUMB SCREW ASSEMBLY
3	12-28404		2,2	WASHER, THUMB SCREW
4	30664		1,1	TUBE, TILT - CLAMP BRACKET TO SWIVEL BRACKET
5	15-30497A1		2,2	SHIM, CLAMP BRACKET TO SWIVEL BRACKET (.010-.020)
6	11-30499		2,2	NUT, TILT TUBE FASTENING
7	30498		2,2	CAP, PLASTIC - TILT TUBE ENDS
8	16-20221		1,1	STUD, CLAMP BRACKET
9	23-20222		1,1	SPACER, CLAMP BRACKET STUD
10	13-26993		2,2	LOCKWASHER, CLAMP BRACKET STUD
11	11-20083		2,2	NUT, STUD TO CLAMP BRACKET
12	17-30687A1		1,1	TILT LOCK PIN ASSEMBLY
13	26903A3		1,1	REVERSE LOCK ASSEMBLY
14	18-45882		1,1	COTTER PIN, REVERSE LOCK TO SHAFT
15	24-29821		1,1	SPRING, TENSION - REVERSE LOCK
16	17-25598		1,1	ROLL PIN, REVERSE LOCK SPRING ATTACHING
17	20208		1,1	SHAFT, REVERSE LOCK TO SWIVEL BRACKET
18	1442-2501A1		1,1	SWIVEL BRACKET ASSEMBLY (SHORT SHAFT)
	1442-2502A1		1,1	SWIVEL BRACKET ASSEMBLY (LONG SHAFT)
19	26-32911		2,2	OIL SEAL, SWIVEL BRACKET
20	22-23612		1,1	FITTING, GREASE - SWIVEL BRACKET
21	29359		1,1	LUBRICAP, SWIVEL BRACKET GREASE FITTING
23	29056		1,1	LEVER, TILT STOP - PORT SIDE
22	29057		1,1	LEVER, TILT STOP - STARBOARD SIDE
24	10-29054		2,2	SCREW, ANCHOR - TILT STOP LEVER
25	23-29055		2,2	SPACER, TILT STOP LEVER ANCHOR SCREW
26	10-27790		2,2	SCREW, RETAINING - TILT STOP LEVER
27	13-20846		1,1	WASHER, WAVE - RETAINING SCREW (PORT SIDE)
28	15-37711		1,1	SHIM, RETAINING SCREW (.020) - PORT SIDE
29	13-36076		1,1	WASHER, WAVE - RETAINING SCREW (PORT SIDE)
30	11-46887		4,4	NUT, ANCHOR AND RETAINING SCREW
31	12-25176		1,1	WASHER, SWIVEL PIN TO BOTTOM YOKE (.060)
	12-26837		AR,AR	WASHER, SWIVEL PIN TO BOTTOM YOKE (.065)
32	35402		1,1	YOKE, BOTTOM
33	17-28418A5		1,1	SWIVEL PIN AND STEERING ARM ASSY (SHORT SHAFT)
	17-28419A5		1,1	SWIVEL PIN AND STEERING ARM ASSY (LONG SHAFT)
34	10-31830		1,1	SCREW, STEERING ARM TO RIDE GUIDE KIT
35	11-20509		1,1	NUT, STEERING ARM SCREW
36	10-33986		2,2	BOLT, UPPER MOUNT TO SWIVEL PIN
37	30711		1,1	BUMPER, STEERING ARM
38	11-28202		1,1	NUT, RETAINING - SWIVEL PIN

CONTINUED ON NEXT PAGE ➡

# CLAMP AND SWIVEL BRACKET ASSEMBLY

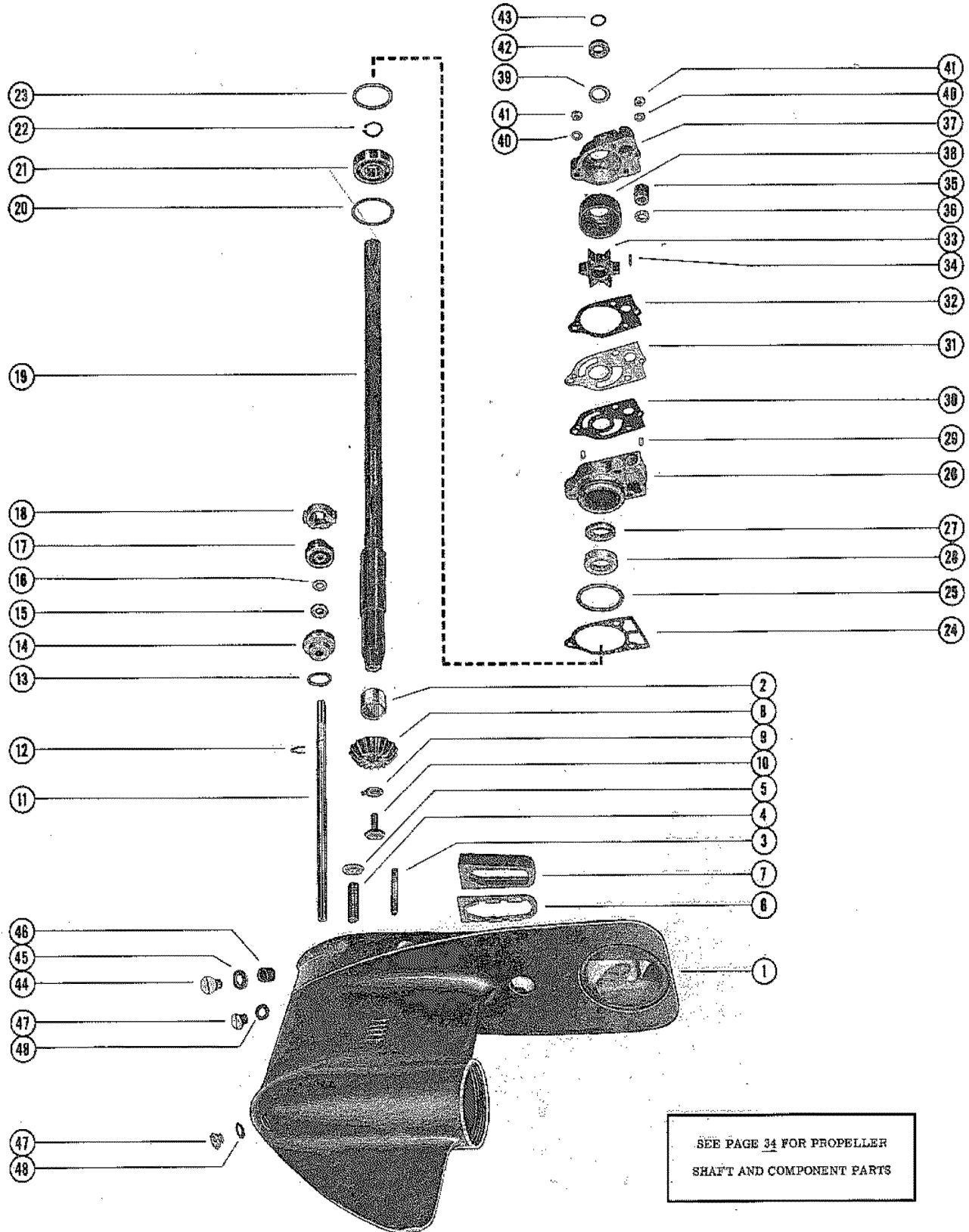




## CLAMP AND SWIVEL BRACKET ASSEMBLY

REF. NO.	PART NO.	SYM.	QTY.	DESCRIPTION
39	38-39784		1,1	SERIAL PLATE
40	10-25612		4,4	SCREW, DRIVE - SERIAL PLATE TO SWIVEL BRACKET
41	10-28009		2,2	BOLT, CLAMP BRACKET TO BOAT TRANSOM
42	12-28008		2,2	WASHER, CLAMP BRACKET TRANSOM BOLT
43	11-28010		2,2	NUT, CLAMP BRACKET TRANSOM BOLT

# GEAR HOUSING ASSEMBLY, COMPLETE (PAGE 1)

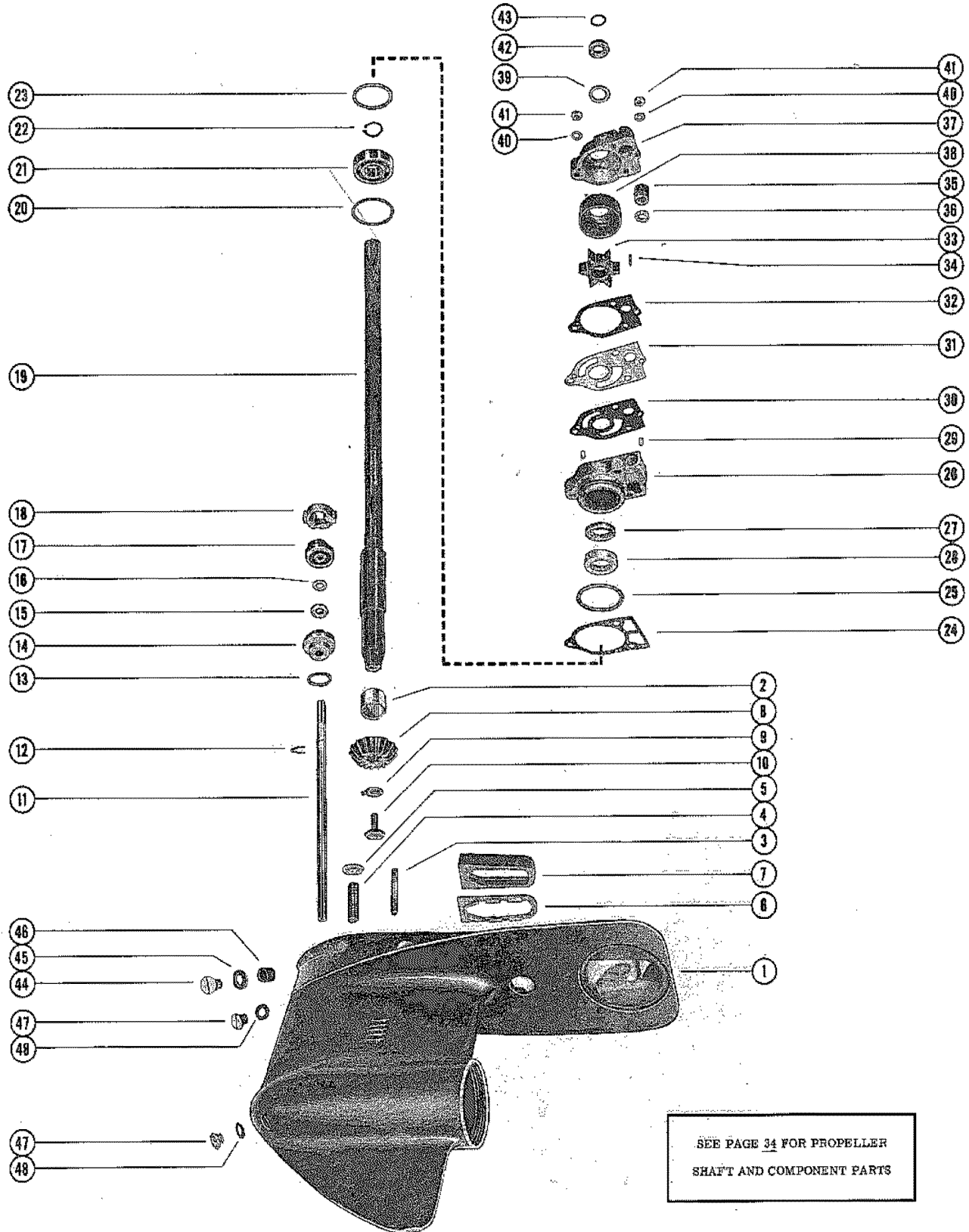


# GEAR HOUSING ASSEMBLY, COMPLETE (PAGE 1)

REF. NO.	PART NO.	SYM.	QTY.	DESCRIPTION
-	1626-2470A18		1,1	GEAR HOUSING ASSEMBLY, COMPLETE (SHORT SHAFT) SEE NOTE BEL
-	1626-2470A20		1,1	GEAR HOUSING ASSEMBLY, COMPLETE (LONG SHAFT) SEE NOTE BEL
1	1626-2470A16		1,1	GEAR HOUSING ASSEMBLY
2	31-20231		1,1	BEARING, ROLLER - DRIVE SHAFT
3	16-37728		3,3	STUD, WATER PUMP BODY AND BASE TO GEAR HOUSING
4	16-45177		2,2	STUD, GEAR HOUSING TO DRIVE SHAFT HOUSING
5	12-45176		2,2	WASHER, GEAR HOUSING STUD
6	38071		1,1	PLATE, SUPPORT - EXHAUST TUBE SEAL
7	37721		1,1	SEAL, EXHAUST TUBE
8	43-20834		1,1	GEAR, PINION - DRIVE SHAFT
9	14-29163		1,1	TAB WASHER, PINION GEAR SCREW
10	10-20925		1,1	SCREW, PINION GEAR TO DRIVE SHAFT
11	32008		1,1	SHAFT, SHIFT - LOWER
12	18-20233		1,1	CLIP, RETAINING - SHIFT SHAFT
13	25-25439		1,1	"O" RING, SHIFT SHAFT BUSHING
14	23-38993A2		1,1	BUSHING ASSEMBLY, SHIFT SHAFT
15	26-31249		1,1	OIL SEAL, SHIFT SHAFT BUSHING
16	12-31266		1,1	WASHER, RUBBER - SHIFT SHAFT BUSHING
17	25138		1,1	CAM, LOWER - REVERSE LOCKING
18	29823		1,1	CAM, UPPER - REVERSE LOCKING
19	45-38466		1,1	DRIVE SHAFT (SHORT SHAFT)
	45-46394		1,1	DRIVE SHAFT (LONG SHAFT)
20	15-20929A1		AR,AR	SHIM, BEARING TO GEAR HOUSING (.002-3-5-10)
21	30-20861		1,1	BEARING, BALL - DRIVE SHAFT
22	53-29116		1,1	RING, SNAP - BALL BEARING RETAINING
23	15-20929A1		AR,AR	SHIM, BEARING TO WATER PUMP BASE (.002-3-5-10)
24	27-32771		1,1	GASKET, WATER PUMP BASE TO GEAR HOUSING
25	25-26855		1,1	"O" RING, WATER PUMP BASE
26	46-39531A1		1,1	WATER PUMP BASE ASSEMBLY
27	26-26782		1,1	OIL SEAL, WATER PUMP BASE
28	26-23300		1,1	OIL SEAL, WATER PUMP BASE
29	17-35973		2,2	DOWEL PIN, WATER PUMP BASE TO WATER PUMP BODY
30	27-32769		1,1	GASKET, LOWER - WATER PUMP BASE TO FACE PLATE
31	32768		1,1	PLATE, FACE - WATER PUMP BASE TO WATER PUMP BODY
32	27-32770		1,1	GASKET, UPPER - FACE PLATE TO WATER PUMP BODY
33	47-20268		1,1	IMPELLER, WATER PUMP
34	17-23733		1,1	PIN, IMPELLER DRIVE
35	26-38452		1,1	SEAL, WATER PUMP BODY TO WATER TUBE
36	12-38453		1,1	WASHER, CUPPED - WATER TUBE SEAL

CONTINUED ON NEXT PAGE ➡

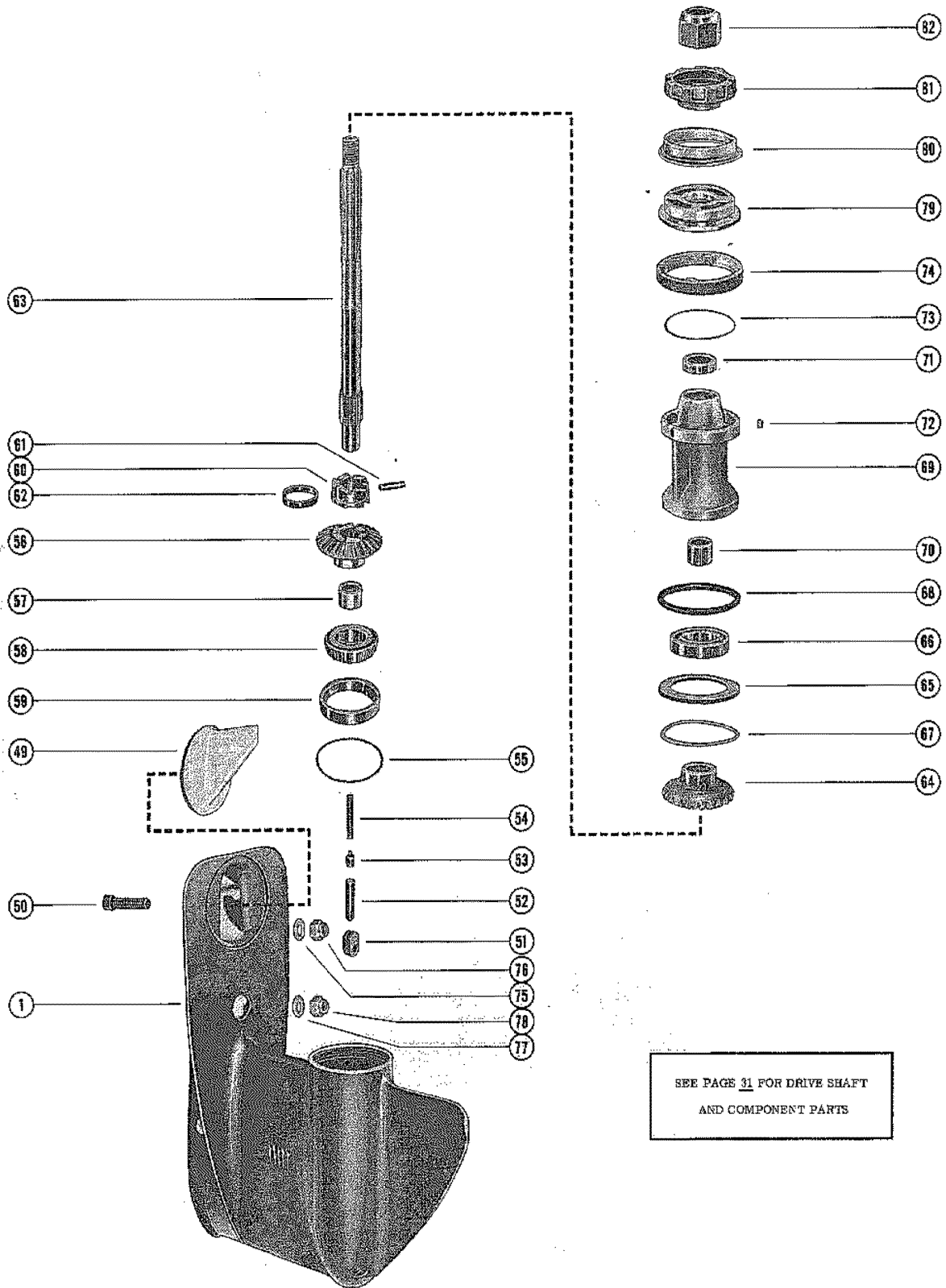
# GEAR HOUSING ASSEMBLY, COMPLETE (PAGE 1)



## GEAR HOUSING ASSEMBLY, COMPLETE (PAGE 1)

REF. NO.	PART NO.	SYM.	QTY.	DESCRIPTION
37	46-32767A1		1,1	WATER PUMP BODY ASSEMBLY
38	32001		1,1	INSERT, WATER PUMP BODY
39	26-32121		1,1	OIL SEAL, WATER PUMP BODY
40	13-26992		3,3	LOCKWASHER, WATER PUMP BODY AND BASE STUDS
41	11-29598		3,3	NUT, WATER PUMP BODY AND BASE STUDS
42	25-20273		1,1	RING, RUBBER - CENTRIFUGAL SLINGER
43	25-29619		1,1	"O" RING, UPPER - DRIVE SHAFT
44	10-29608		1,1	SCREW, GEAR HOUSING FLUSHING HOLE
45	27-29586		1,1	GASKET, GEAR HOUSING FLUSHING HOLE SCREW
46	26-29612		1,1	SEAL, GEAR HOUSING FLUSHING HOLE SCREW
47	10-28634		2,2	SCREW, GREASER FILLER AND VENT HOLE
48	12-20260		2,2	WASHER, GREASE FILLER AND VENT HOLE SCREW

# GEAR HOUSING ASSEMBLY, COMPLETE (PAGE 2)



SEE PAGE 31 FOR DRIVE SHAFT  
AND COMPONENT PARTS

## GEAR HOUSING ASSEMBLY, COMPLETE (PAGE 2)

REF. NO.	PART NO.	SYM.	QTY.	DESCRIPTION
-	1626-2470A18		1,1	GEAR HOUSING ASSEMBLY, COMPLETE (SHORT SHAFT) SEE NOTE BEL
-	1626-2470A20		1,1	GEAR HOUSING ASSEMBLY, COMPLETE (LONG SHAFT SEE NOTE BEL
1	1626-2470A16		1,1	GEAR HOUSING ASSEMBLY (SEE PAGE 31 FOR BREAKDOWN)
49	31640		1,1	TRIM TAB, GEAR HOUSING
50	10-32470		1,1	SCREW, TRIM TAB TO GEAR HOUSING
51	36288		1,1	CAM, SHIFT
52	38441		1,1	FOLLOWER, CAM
53	20843		1,1	SLIDE, CROSS PIN
54	24-39845		1,1	SPRING, COMPRESSION - CAM FOLLOWER
55	15-31154A1		AR,AR	SHIM, BEARING CUP TO GEAR HOUSING (.002-3-5-10)
56	43-39941		1,1	FORWARD GEAR ASSEMBLY
57	31-20249		1,1	BEARING, ROLLER - FORWARD GEAR
58	31-31215A1		1,1	TAPERED ROLLER BEARING ASSEMBLY
59	31-31216		1,1	CUP, TAPERED ROLLER BEARING
60	52-47586		1,1	RATCHET, SLIDING CLUTCH
61	17-38113		1,1	PIN, CROSS - RATCHET TO PROPELLER SHAFT
62	24-38114		1,1	SPRING, RETAINING - CROSS PIN
63	44-38127		1,1	SHAFT, PROPELLER
64	43-39942		1,1	REVERSE GEAR ASSEMBLY
65	12-32004		1,1	WASHER, THRUST - REVERSE GEAR
66	30-20839		1,1	BEARING, BALL - REVERSE GEAR
67	15-20927A1		AR,AR	SHIM, THRUST WASHER TO GEAR HOUSING (.002-3-5-10)
68	25-31986		1,1	"O" RING, BEARING CARRIER
69	38130A1		1,1	BEARING CARRIER ASSEMBLY
70	31-20249		1,1	BEARING, ROLLER - BEARING CARRIER
71	26-23300		1,1	OIL SEAL, BEARING CARRIER
	26-23517		1,1	OIL SEAL, BEARING CARRIER
72	28-30281		1,1	KEY, LOCATING - BEARING CARRIER
73	12-31993		1,1	WASHER, GAER HOUSING COVER
74	32014		1,1	COVER, GEAR HOUSING
75	12-45175		1,1	WASHER, DRIVE SHAFT HOUSING STUD (3/8")
76	11-20509		1,1	NUT, DRIVE SHAFT HOUSING TO GEAR HOUSING (3/8")
77	12-45176		2,2	WASHER, DRIVE SHAFT HOUSING STUD (7/16")
78	11-22178		1,1	NUT, DRIVE SHAFT HOUSING TO GEAR HOUSING (7/16)
79	38859A1		1,1	THRUST HUB AND WASHER ASSEMBLY
80	12-31992		1,1	WASHER, CUPPED - THRUST HUB
81	12-32007		1,1	WASHER, SPLINED - PROPELLER SHAFT
82	11-31990		1,1	NUT, PROPELLER

# PARTS INDEX

Part Number	Description	Pg.	Ref. No.	Part Number	Description	Pg.	Ref. No.
20047	RACE, OUTER . . . . .	41	9	26852	CAP, NYLON - ADJUSTING SCREW . . . . .	13	46
20119	PROTECTOR, SPARK PLUG	13	52	26852	CAP, NYLON - THROTTLE STOP ADJUSTING SCREW	21	44
20119A1	PROTECTOR, SPARK PLUG LEAD . . . . .	23	29	26903A3	REVERSE LOCK ASSEMBLY	53	13
20121	CONNECTOR, HIGH TENSION CABLE (CAP END) . . . . .	23	--	27031A4	PLUNGER AND LINK ASSEMBLY, CHOKE SOLENOID . . . . .	29	9
20121	CONNECTOR, SPARK PLUG LEAD . . . . .	23	--	27711	RETAINER, SPRING . . . . .	29	28
20140	BELT, TIMING . . . . .	11	42	27789	"D" WASHER, WIRING HARNESS LEAD CLIP ATTACHING SCREW . . . . .	27	37
20140	BELT, TMING . . . . .	19	39	27917	CLUSTER, THROTTLE LEVER (UPPER CARBURETOR) . . . . .	29	31
20208	SHAFT, REVERSE LOCK TO SWIVEL BRACKET . . . . .	53	17	27935	COVER, TRANSFER PORT . . . . .	39	51
20843	SLIDE, CROSS PIN . . . . .	61	53	27946A1	ECONOMIZER COLLAR AND PIN ASSEMBLY . . . . .	11	8
21104A2	CONNECTOR BASE ASSEMBLY . . . . .	45	10	27946A1	ECONOMIZER COLLAR AND PIN ASSEMBLY . . . . .	19	14
22462	"U" LINK, CHOKE ROD TO CHOKE KNOB . . . . .	29	14	27947	SWIVEL, LINKAGE - ECONOMIZER COLLAR . . . . .	11	20
22463	KNOB, CHOKE ROD . . . . .	29	12	27947	SWIVEL, LINKAGE - ECONOMIZER COLLAR . . . . .	21	45
22789	"D" WASHER, CHOKE SOLENOID CLIP SCREW . . . . .	29	8	27948	SWIVEL, UPPER LINK ROD TO THROTTLE CONTROL LEVER . . . . .	11	24
22789	"D" WASHER, CLIP FASTENING SCREW . . . . .	13	57	27948	SWIVEL, UPPER LINK ROD TO THROTTLE CONTROL LEVER . . . . .	21	49
22789	"D" WASHER, IGNITION COIL CLAMPING SCREW . . . . .	27	44	27955	CAP, ADAPTOR AND PILOT FASTENING . . . . .	19	31
22789	"D" WASHER, STATOR LEAD CLAMP SCREW . . . . .	9	16	27955	CAP, MAGNETO ADAPTOR AND PILOT FASTENING . . . . .	11	19
23004	RETAINER, CHECK VALVE . . . . .	35	7	28007A5	THROTTLE PICK-UP BRACKET ASSEMBLY . . . . .	29	29
23008	COVER, FUEL PUMP . . . . .	35	9	28403A3	THUMB SCREW ASSEMBLY	53	2
23014A1	DIAPHRAGM KIT . . . . .	35	3	28470	ROD, PUSH - REVERSE LOCK (SHORT SHAFT) . . . . .	49	6
23564	CABLE, HIGH TENSION LEAD - SPARK PLUG . . . . .	13	53	28747	HANDLE, STARTER CABLE . . . . .	5	53
23564A8	SPARK PLUG LEAD ASSEMBLY (#3) . . . . .	23	28	28748	RETAINER, STARTER CABLE AND HANDLE . . . . .	5	54
23564A9	SPARK PLUG LEAD ASSEMBLY (#1, #2 AND #4) . . . . .	23	28	29056	LEVER, TILT STOP - PORT SIDE . . . . .	53	23
23760	BAFFLE, BOTTOM COWL . . . . .	45	19	29057	LEVER, TILT STOP - STARBOARD SIDE . . . . .	53	22
24929	PACKING, "U" CUP - UPPER MOUNT COVERS . . . . .	49	26	29206	COVER, PLUG - BOTTOM COWL HARNESS HOLE . . . . .	45	2
24935	COVER, UPPER MOUNT - OUTSIDE HALF . . . . .	49	27	29277	PLATE, THROTTLE STOP . . . . .	13	43
25067	BUMPER, RUBBER - LOWER MOUNT SCREW . . . . .	49	19	29359	LUBRICAP, SWIVEL BRACKET GREASE FITTING . . . . .	53	21
25138	CAM, LOWER - REVERSE LOCKING . . . . .	57	17	29783A1	DRIVEN PULLEY ASSEMBLY	11	37
25140	LEVER, REVERSE LOCK . . . . .	49	10	29784	HUB, DRIVEN PULLEY . . . . .	11	36
25172A1	SHIFT SHAFT ASSEMBLY, UPPER (SHORT SHAFT) . . . . .	47	46	29785	FLANGE, DRIVEN PULLEY . . . . .	11	39
25596	WIRE, STARTER MOTOR TO STARTER SOLENOID AND TOP MOUNT . . . . .	25	18	29787	HUB, FLANGE - FLYWHEEL PULLEY . . . . .	9	11
25996A1	SWIVEL AND LINK ROD ASSEMBLY . . . . .	11	21	29788	FLANGE, FLYWHEEL PULLEY . . . . .	9	9
25996A1	SWIVEL AND LINK ROD ASSEMBLY . . . . .	21	46				
26079	PLATE, BACKING - WIRING HARNESS . . . . .	25	31				
26551	BRACKET, TAB - CRANKCASE SCREW . . . . .	19	6				



# PARTS INDEX

Part Number	Description	Pg.	Ref. No.	Part Number	Description	Pg.	Ref. No.
29906A1	DRIVEN PULLEY ASSEMBLY	19	33	37637	BOOT, FUEL CONNECTOR	45	21
29907	FLANGE, DRIVEN PULLEY	19	35	37639	MOUNT, RUBBER - CRANKCASE	37	8
30043	ADAPTOR, DISTRIBUTOR	19	21	37639	MOUNT, RUBBER - CYLINDER BLOCK COVER	39	49
30043	ADAPTOR, MAGNETO	11	14	37640	MOUNT, RUBBER - REAR SUPPORT BRACKET	3	22
30050	TERMINAL, CHOKE SOLENOID LEAD	29	2	37685	HOUSING, STARTER	3	33
30109	GROUND STRAP, DISTRIBUTOR TO CRANKCASE	19	4	37686A3	PLATE ASSEMBLY, EXHAUST EXTENSION	45	28
30186	ADAPTOR, CHECK UNIT (FUEL LINE)	35	21	37687	COVER, TRIM - DRIVE SHAFT HOUSING	51	46
30187	STEM, CHECK UNIT ADAPTOR	35	22	37688	LEVER, THROTTLE CONTROL	11	25
30188	CUP WASHER, ADAPTOR	35	25	37688	LEVER, THROTTLE CONTROL	21	52
30212	TERMINAL BLOCK USE ON STARTER ENGINES	27	49	37690	SHIELD, REAR - TOP COWL	3	5
30269A2	FUEL PUMP ASSEMBLY	35	1	37691	PLATE, CABLE GUIDE	3	36
30306	PULLEYF, FLYWHEEL	9	10	37692	SUPPORT, EXTERNAL WIRING HARNESS	45	22
30413	HOOK, COWL LATCH FASTENING	7	16	37695	BOOT, CONTROL CABLE	45	18
30498	CAP, PLASTIC - TILT TUBE ENDS	53	7	37700	ROD, LINK - UPPER	11	23
30596	PAWL, STARTER	5	42	37700	ROD, LINK - UPPER	21	48
30664	TUBE, TILT - CLAMP BRACKET TO SWIVEL BRACKET	53	4	37720	TUBE, EXHAUST (SHORT SHAFT)	49	38
30711	BUMPER, STEERING ARM	53	37	37721	SEAL, EXHAUST TUBE	57	7
31014	MOUNT, RUBBER - FRONT SUPPORT BRACKET	5	60	37794	BLANKET, SOUND ABSORBING	7	17
31095	SEAL, SOUND - LOWER SECTION	7	8	37796	ROPD, CHOKE	29	18
31120	COVER, UPPER MOUNT - INSIDE HALF	49	28	37921	FLANGE, RUBBER - FRONT SUPPORT BRACKET	5	56
31640	TRIM TAB, GEAR HOUSING	61	49	37924	LEVER, QUICK DISCONNECT - THROTTLE AND SHIFT CABLES	45	35
32001	INSERT, WATER PUMP BODY	59	38	37926	RETAINER, NYLON BEARING TO EXHAUST EXTENSION PLATE	47	39
32008	SHAFT, SHIFT - LOWER	57	11	37932	BEARING, NYLON - SHIFT CONTROL ACTUATOR	47	56
32014	COVER, GEAR HOUSING	61	74	37935	RAIL, SHIFT CONTROL BEARING	47	59
32361	KNOB, COWL FRONT COVER FASTENING	7	2	37943A1	COVER PLATE ASSEMBLY	45	15
32445	STARTER SOLENOID	25	22	37944	PAD, SOUND - COVER PLATE	45	16
32768	PLATE, FACE - WATER PUMP BASE TO WATER PUMP BODY	57	31	37948	ACTUATOR, SHIFT CONTROL	47	51
35402	YOKE, BOTTOM	53	32	37996	GROUND STRAP, THROTTLE STOP PLATE SCREW	13	48
35473	CLAMP, LOWER MOUNT TO DRIVE SHAFT HOUSING	49	15	38071	PLATE, SUPPORT - EXHAUST TUBE SEAL	57	6
35474	COVER, LOWER MOUNT CLAMP	49	12	38072	WIRING HARNESS (INTERNAL) - USE ON STARTER ENGINES ONLY	25	29
35496	PAD, BUMPER - TOP COWL HANDLE	3	18	38130A1	BEARING CARRIER ASSEMBLY	61	69
36288	CAM, SHIFT	61	51	38133	SEAL, SOUND - UPPER SECTION	7	9
37394	MOUNT, RUBBER - UPPER	49	25				
37395	MOUNT, RUBBER - LOWER	49	18				
37412	LEVER, CLAMPING - TOP COWL	3	26				
37585	CHOKE SOLENOID, TOP COWL	29	1				
37591	"U" LINK, CHOKE ROD TO CHOKE KNOB	29	14				

# PARTS INDEX

Part Number	Description	Pg.	Ref. No.	Part Number	Description	Pg.	Ref. No.
38155	STRIP, RUBBER SEAL RETAINING	47	43	46242A1	PILOT ASSEMBLY, DISTRIBUTOR	19	10
38156	SEAL, RUBBER - EXHAUST EXTENSION PLATE	47	42	46251	PLATE, THROTTLE STOP	19	40
38157	SEAL, TRIM COVER TO DRIVE SHAFT HOUSING	51	41	46269A1	BRACKET ASSEMBLY, FRONT SUPPORT	5	55
38158	STRIP, RETAINING - TRI COVER SEAL (REAR)	51	43	46280	BRACKET, RETAINER - HIGH TENSION LEAD	25	12
38230A1	THROTTLE ACTUATOR ASSEMBLY	11	11	46285	WIRING HARNESS (INTERNAL) -	25	29
38230A1	THROTTLE ACTUATOR ASSEMBLY	19	17	46286	JUMPER WIRE, RECTIFIER TO SWITCH BOX	25	9
38431	BRACKET, REAR COWL SUPPORT	3	21	46287	GROUND STRAP ASSEMBLY	25	21
38441	FOLLOWER, CAM	61	52	46303	"U" LINK, CHOKE ROD TO CHOKE KNOB	29	14
38458	ROD, CHOKE (NOT AS SHOWN)	29	18	46304	ROD, CHOKE (NOT AS SHOWN)	29	18
38500	REATINER - WATER TUBE SEAL	45	31	46715	CABLE, STARTER SOLENOID TO TOP MOUNT USE ON STARTER ENGINES	27	53
38604	SHUTTER, CHOKE - CARBURETOR	29	20	46785A1	COWL LATCH ASSEMBLY (LATE STYLE)	7	15
38674	BLANKET, SOUND ABSORBING	7	7	46905	WIRING HARNESS (INTERNAL) -	25	29
38859A1	THRUST HUB AND WASHER ASSEMBLY	61	79	46933A1	GROUND STRAP ASSEMBLY, CRANKCASE TO BOTTOM COWL (3 5/8") S	47	62
38961	HANDLE, COWL LATCH EARLY STYLE	7	11	46933A2	GROUND STRAP ASSEMBLY, DRIVE SHAFT HOUSING TO BOTTOM COWL (3	47	63
38964	SWIVEL, COWL LATCH EARLY STYLE	7	14	10-20012	SCREW, THROTTLE STOP ADJUSTING (1 5/8")	13	44
39560A1	MAGNETO PILOT ASSEMBLY	11	3	10-20037	SCREW, RETAINER TO HOUSING	35	8
39835	RETAINER, STARTER SPRING	5	38	10-20100	SCREW, "U" LINK TO CHOKE KNOB	29	15
39839	PLATE, RETAINER - STARTER PAWL	5	50	10-20359	SCREW, CENTER MAIN BEARING LOCKING	37	26
39840	RETAINER, WAVE WASHER	5	46	10-20401	SCREW, LEAD CLIP TO MAGNETO	13	56
45068	CHOKE SOLENOID, TOP COWL	29	1	10-20540	SCREW, TRANSFER PORT COVER MOUNTING (HEX HEAD)	39	53
45391	SPACER, IGNITION WIRE	19	2	10-20597	SCREW, BREAKER HOLDER TO HOUSING	15	28
45477	SHAFT, SHEAVE	5	51	10-20646	SCREW, SHIM AND TRIGGER HOUSING TO PRIMARY HOUSING	23	13
45677A1	SHIFT SHAFT ASSEMBLY, UPPER (LONG SHAFT)	47	46	10-20653	SCREW, CYLINDER BLOCK COVER MOUNTING	39	47
45678	ROD, PUSH - REVERSE LOCK (LONG SHAFT)	49	6	10-20776	SCREW, DETENT SPRING TO EXHAUST EXTENSION PLATE	47	48
45681	TUBE, EXHAUST (LONG SHAFT)	49	38	10-20776	SCREW, WIRING HARNESS LEAD TO BOTTO COWL (1/2")	25	33
46109	PLATE, BAFFLE - EXHAUST MANIFOLD	39	39	10-20847	SCREW, CLUSTER TO THROTTLE LEVER	29	32
46112	COVER, EXHAUST MANIFOLD	39	41				
46142A1	RETAINER ASSEMBLY, TOP COWL (ALSO USED ON STARTER ENGINES)	3	17				
46142A2	RETAINER ASSEMBLY, TOP COWL	3	17				
46144	BRACKET, TOP COWL LATCH	3	13				
46241A2	BRACKET ASSEMBLY, FRONT SUPPORT (NOT AS SHOWN)	5	55				

# PARTS INDEX

Part Number	Description	Pg.	Ref. No.	Part Number	Description	Pg.	Ref. No.
10-20847	SCREW, THROTTLE STOP LEVER . . . . .	31	18	10-25509	SCRWE AND LOCKWASHER, CONDENSER FASTENING	15	30
10-20854	SCREW, FLOAT BOWL COVER (SHORT) . . . . .	31	10	10-25510	SCREW, SET - COIL BRIDGE	15	2
10-20858	SCREW AND LOCKWASHER, THROTTLE SHUTTER . . .	31	23	10-25517	SCREW, HIGH TENSION CABLE FASTENING . . . . .	17	40
10-20925	SCREW, PINION GEAR TO DRIVE SHAFT . . . . .	57	10	10-25612	SCREW, DRIVE - SERIAL PLATE TO SWIVEL BRACKET . . . . .	55	40
10-21091	SCREW, LATCH BRACKET TO TOP COWL . . . . .	3	14	10-25822	SCREW, STRAINER COVER FASTENING . . . . .	31	17
10-21106	SCREW, BAFFLE TO BOTTOM COWL . . . . .	45	20	10-25850	SCREW, FLOAT BOWL COVER (LONG) . . . . .	31	11
10-21504	SCRWE, THROTTLE STOP ADJUSTING (1 1/4") . . . . .	21	42	10-26066	SCREW, CHOKE SOLENOID TO FRONT BRACKET . . .	29	3
10-21574	SCREW, CRANKCASE TO CYLINDER BLOCK (1 5/8")	37	20	10-26128	SCREW, BACKING PLATE TO BOTTOM COWL . . . . .	25	32
10-21625	SCREW, RAIL TO EXHAUST MANIFOLD COVER . . . . .	47	60	10-26128	SCREW, PLUG COVER TO BOTTOM COWL (REMOVE - NOT REQUIRED O . . . . .	45	3
10-21722	SCREW, RETAINER BRACKET TO FRONT SUPPORT BRAK CET (5/8")	25	13	10-26548	SCREW, GROUND STRAP TO TAB BRACKET . . . . .	19	5
10-21937	SCREW, ADAPTOR TO BOTTOM COWL (2") . . . . .	35	26	10-26801	SCREW, MAIN BEARING LOCKING . . . . .	37	24
10-21937	SCREW, HARNESS SUPPORT TO BOTTOM COWL (2") . . . . .	45	23	10-27790	SCREW, RETAINING - TILT STOP LEVER . . . . .	53	26
10-22039	SCREW, CRANKCASE TO CYLINDER BLOCK (2 3/4")	37	21	10-28009	BOLT, CLAMP BRACKET TO BOAT TRANSOM . . . . .	55	41
10-22040	SCREW, ADAPTOR AND PILOT TO CRANKCASE . .	11	32	10-28192	SCREW, TERMINAL BLOCK ATTACHING USE ON STARTER ENGINES . . . . .	27	50
10-22040	SCREW, ADAPTOR AND PILOT TO CRANKCASE . .	19	22	10-28405	SCREW, PLUG - MAIN FUEL JET CHANNEL . . . . .	31	27
10-22040	SCREW, CRANKCASE TO CYLINDER BLOCK (1 1/2")	37	20	10-28634	SCREW, GREASER FILLER AND VENT HOLE . . . . .	59	47
10-22421	SCREW, EXHAUST EXTENSION PLATE TO DRIVE SHAFT HOUSING .	45	33	10-28635	SCREW, TRANSFER PORT COVER MOUNTING (CAP HEAD) . . . . .	39	53
10-22485	SCREW, RECTIFIER TO FRONT SUPPORT BRACKET (3/4") . . . . .	25	10	10-28666	SCREW, CENTER MAIN BEARING CLAMPING . . . . .	41	11
10-22485	SCREW, SWITCH BOX TO FRONT SUPPORT BRACKET (3/4") . . . . .	25	4	10-28713	SCREW, TENSION SPRING TO CARBURETOR . . . . .	29	27
10-22698	SCREW, STARTER MOTOR TO CRANKCASE FLANGE	25	16	10-28772	SCREW, UPPER MOUNT COVER - REAR (1 1/2") . .	49	29
10-22815	SCREW, LEAD WIRE CLIP TO BOTTOM COWL . . . . .	45	14	10-28845	SCREW, PLUG - BODY CHANNEL . . . . .	31	34
10-23178	SCREW, PLUG - MAIN NOZZLE . . . . .	31	32	10-29054	SCREW, ANCHOR - TILT STOP LEVER . . . . .	53	24
10-24234	SCREW, FRONT SUPPORT BRACKET TO BOTTOM COWL (1") . . . . .	5	58	10-29072	SCREW, WIRING HARNESS LEAD CLIP ATTACHING (5/8") . . . . .	25	36
10-24234	SCREW, RETAINER TO TOP COWL . . . . .	3	19	10-29182	SCREW, PRIMARY GROUND (#10) . . . . .	15	10
10-24933	SCREW, THROTTLE STOP ADJUSTING (1 1/2") . . . . .	13	44	10-29197	SCREW, GROUND WIRE TO STARTER MOTOR . . . . .	25	19
10-25313	SCREW, MAIN BEARING CLAMPING (1/2") . . . . .	41	15	10-29197	SCREW, THROTTLE STOP PLATE TO ADAPTOR . . . . .	13	47
10-25509	SCREW AND LOCKWASHER, SUPPOR5T TO FRAME . .	15	8	10-29197	SCREW, THROTTLE STOP PLATE TO DISTRIBUTOR ADAPTOR . . . . .	19	41

# PARTS INDEX

Part Number	Description	Pg.	Ref. No.	Part Number	Description	Pg.	Ref. No.
10-29198	SCREW, UPPER END CAP MOUNTING . . . . .	37	6	10-34613	SCREW, THROTTLE LEVER TO EXHAUST COVER . . .	11	26
10-29239	SCREW, THROTTLE PICK-UP BRACKET MOUNTING	29	30	10-34613	SCREW, THROTTLE LEVER TO EXHAUST COVER . . .	21	53
10-29240	SCREW, PULLEY CLAMPING	11	41	10-35881	SCREW, DRIVE - CABLE GUIDE PLATE TO STARTER HOUSING . . . .	3	37
10-29256	SCREW, LOWER MOUNT CLAMP TO DRIVE SHAFT HOUSING . . . . .	49	16	10-36137	SCREW, BEARING TO SHIFT CONTROL ACTUATOR . .	47	57
10-29281	SCREW, DISTRIBUTOR PILOT TO DISTRIBUTOR .	19	11	10-36137	SCREW, IGNITION COIL TO BOTTOM COWL (1") . . . .	27	46
10-29418	SCREW, COVER TO FRAME	15	33	10-37370	SCREW, REAR SHIELD TO TOP COWL . . . . .	3	6
10-29418	SCREW, END CAP COVER TO MAGNETO COVER . . .	17	41	10-37562	SCREW, MANIFOLD COVER TO CYLINDER BLOCK (1")	39	42
10-29465	SCREW, REED STOP MOUNTING (1/2") . . . . .	41	19	10-37571	SCREW, RETAINING STRIP TO DRIVE SHAFT HOUSING . . . . .	51	44
10-29608	SCREW, GEAR HOUSING FLUSHING HOLE . . . . .	59	44	10-37571	SCREW, RETAINING STRIP TO EXHAUST EXTENSION PLATE . . . . .	47	44
10-29722	SCREW, COVER TO LOWER MOUNT CLAMP . . . . .	49	13	10-37571	SCREW, TRIM COVER TO DRIVE SHAFT HOUSING .	51	47
10-29878	SCREW, FUEL PUMP MOUNTING (1 1/2") . . . . .	35	11	10-37923	SCREW, BEARING RETAINER TO EXHAUST EXTENSION PLATE . . . . .	47	40
10-29911	SCREW, PULLEY CLAMPING	19	37	10-37990	SCREW, ADAPTOR TO BOTTOM COWL (1 3/4") . .	35	26
10-30009	SCREW, CHOKE SOLENOID CLIP ATTACHING . . . . .	29	7	10-38069	SCREW, ANCHOR - QUICK DISCONNECT SPRING TO THROTTLE LEVER . . . . .	11	30
10-30009	SCREW, COVER PLATE TO BOTTOM COWL . . . . .	45	17	10-38069	SCREW, ANCHOR - QUICK DISCONNECT SPRING TO THROTTLE LEVER . . . . .	21	57
10-30110	SCREW, ADAPTOR AND PILOT TO MAGNETO . . . .	11	31	10-38069	SCREW, QUICK DISCONNECT SPRING TO SHIFT CONTROL ACTUATOR . . . . .	47	55
10-30274	SCREW, FUEL PUMP MOUNTING (1 3/4") . . . . .	35	10	10-39661	SCREW, MANIFOLD COVER TO CYLINDER BLOCK - HIGH TENSION CLIP . . . .	39	43
10-30452	SCREW, LOWER MOUNT (5 1/2") . . . . .	49	20	10-45218	SCREW, GROUND STRAP .	47	64
10-30663	SCREW, HARNESS LEADS TO TERMINAL BLOCK USE ON START ENGINE .	27	51	10-45218	SCREW, IGNITION COIL WIRE TO SWITCH BOX (3/8") . . . . .	27	48
10-31114	SCREW, UPPER MOUNT COVER - FRONT (1 3/4") .	49	30	10-45379	SCREW, CAP TO CONNECTING ROD . . . . .	41	25
10-31208	SCREW, STARTER SOLENOID TO STARTER MOTOR . . . . .	25	28	10-45914	SCREW, DISTRIBUTOR CAP TO ADAPTOR TO HOUSING (2") . . . . .	23	20
10-31830	SCREW, STEERING ARM TO RIDE GUIDE KIT . . . . .	53	34	10-46311	SCREW, THROTTLE STOP ADJUSTING (1 1/2") . . . . .	19	42
10-32417	SCREW, PLATE AND RATCHET TO FLYWHEEL HUB . . . . .	9	6	10-46367	SCREW, IGNITION COIL CLAMPING - CLIP ATTACHING (2 1/2") . . . . .	27	40
10-32470	SCREW, TRIM TAB TO GEAR HOUSING . . . . .	61	50	10-46368	SCREW, IGNITION COIL CLAMPING (2 1/4") . . . . .	27	40
10-32565	SCREW, STARTER HOUSING TO CRANKCASE AND CYLINDER BLOCK (1") . .	3	34	10-46420	SCREW, THROTTLE ACTUATOR TO SECTOR GEAR . . . . .	19	19
10-32614	SCREW, STATOR TO UPPER END CAP . . . . .	9	13				
10-32627	SCREW, ADAPTOR TO HOUSING . . . . .	23	11				
10-33986	BOLT, UPPER MOUNT TO SWIVEL PIN . . . . .	53	36				
10-34222	SCREW, STATOR LEAD CLAMP FASTENING . . . .	9	15				

# PARTS INDEX

Part Number	Description	Pg.	Ref. No.	Part Number	Description	Pg.	Ref. No.
10-46420	SCRW, THROTTLE ACTUATOR TO ECONOMIZER COLLAR ..	11	13	11-22178	NUT, DRIVE SHAFT HOUSING TO GEAR HOUSING (7/16) .....	61	78
10-46467	SCREW, FLEX PLATE TO FLYWHEEL .....	9	7	11-22178	NUT, GEAR HOUSING TO DRIVE SHAFT HOUSING STUDS (7/16") .....	49	5
11-20013	NUT, THROTTLE STOP ADJUSTING SCREW .....	13	45	11-22339	NUT, FLYWHEEL .....	9	1
11-20061	NUT, CONNECTING ROD SCREW .....	41	26	11-22339	NUT, FLYWHEEL .....	41	1
11-20083	NUT, ADAPTOR AND PILOT TO CRANKCASE SCREW	11	34	11-22948	NUT, CONNECTOR TO FUEL LINE .....	35	14
11-20083	NUT, ADAPTOR AND PILOT TO CRANKCASE SCREW	19	24	11-22948	NUT, ELBOW .....	35	18
11-20083	NUT, SOLENOID TERMINAL - INSIDE (5/16") .....	25	26	11-23161	NUT, TOP COWL STUD (3/8-24) .....	3	10
11-20083	NUT, STUD TO CLAMP BRACKET .....	53	11	11-23161	NUT, UPPER MOUNT BOLT	49	35
11-20088	NUT, FRONT SUPPORT BRACKET RUBBER MOUNT .....	5	63	11-24656	NUT, LOCK - PRIMARY GROUND SCREW .....	15	16
11-20088	NUT, THROTTLE STOP ADJUSTING SCREW .....	13	45	11-24656	NUT, WIRING HARNESS LEAD CLIP ATTACHING SCREW .....	27	38
11-20102	NUT, TOP COWL STUD (5/16-24) .....	3	12	11-25096	NUT, LOWER MOUNT SCREW .....	49	24
11-20110	NUT, CHOKE SHUTTER TO CARBURETOR STUD .....	29	24	11-25168	NUT, UPPER LINK ROD ADJUSTING .....	11	22
11-20166	NUT, SHEAVE SHAFT (LEFT HAND THREAD) .....	3	31	11-25168	NUT, UPPER LINK ROD ADJUSTING .....	21	47
11-20190	NUT, IGNITION COIL CLAMPING SCREW .....	27	45	11-25594	NUT, POWERHEAD TO DRIVE SHAFT HOUSING STUDS (5/16") .....	49	37
11-20361	NUT, BOTTOM COWL STUD	45	7	11-26062	NUT, CAP - SOLENOID TERMINAL - OUTSIDE (5/16") .....	25	27
11-20361	NUT, CYLINDER BLOCK COVER RUBBER MOUNT	39	50	11-26419	NUT, PLUG COVER SCREW	45	5
11-20361	NUT, SHIFT CONTROL ACTUATOR TO UPPER SHIFT SHAFT .....	47	53	11-28010	NUT, CLAMP BRACKET TRANSOM BOLT .....	55	43
11-20509	NUT, DRIVE SHAFT HOUSING TO GEAR HOUSING (3/8") .....	61	76	11-28202	NUT, RETAINING - SWIVEL PIN .....	53	38
11-20509	NUT, STEERING ARM SCREW .....	53	35	11-29236	NUT, PRIMARY LEAD FASTENING .....	15	25
11-20586	NUT, UPPER SWIVEL TO THROTTLE LEVER .....	13	50	11-29469	NUT, MAIN BEARING CLAMPING SCREW .....	41	16
11-20586	NUT, UPPER SWIVEL TO THROTTLE LEVER .....	21	51	11-29469	NUT, REED STOP MOUNTING SCREW .....	41	20
11-20645	NUT, IGNITION COIL CLAMPING SCREW .....	27	41	11-29598	NUT, WATER PUMP BODY AND BASE STUDS .....	59	41
11-20645	NUT, PRIMARY GROUND SCREW .....	15	17	11-30499	NUT, TILT TUBE FASTENING	53	6
11-20645	NUT, SOLENOID TERMINAL (#10) .....	25	24	11-31990	NUT, PROPELLER .....	61	82
11-20890	NUT, GROUND WIRE SCREW .....	25	--	11-35521	NUT, LOWER MOUNT CLAMP COVER .....	49	14
11-21971	NUT, CONNECTOR BASE TO BOTTOM COWL .....	45	12	11-37806	NUT, ADAPTOR TO HOUSING SCREW .....	23	12
11-22053	NUT, CHOKE SOLENOID SCREW .....	29	5	11-37806	NUT, DISTRIBUTOR CAP FASTENING SCREW .....	23	22
11-22053	NUT, REAR SUPPORT BRACKET RUBBER MOUNT .....	3	25	11-45076	NUT, RECTIFIER TERMINAL	25	8
				11-45076	NUT, SWITCH BOX TERMINAL .....	25	3
				11-46793	NUT, CARBURETOR MOUNTING STUD .....	33	37
				11-46793	NUT, CRANKCASE SCREW	37	23

# PARTS INDEX

Part Number	Description	Pg.	Ref. No.	Part Number	Description	Pg.	Ref. No.
11-46887	NUT, ADAPTOR SCREW . . .	35	27	12-28008	WASHER, CLAMP BRACKET		
11-46887	NUT, ANCHOR AND RETAINING SCREW . . . .	53	30	12-28051	TRANSOM BOLT . . . . .	55	42
11-46887	NUT, COVER MOUNTING SCREW . . . . .	39	48	12-28053	WASHER, LOWER MOUNT SCREW . . . . .	49	21
11-46887	NUT, CRANKCASE RUBBER MOUNT . . . . .	37	9	12-28121	WASHER, RUBBER - LOWER MOUNT SCREW . . . . .	49	22
11-46887	NUT, DETENT SPRING SCREW . . . . .	47	50	12-28404	WASHER, NEEDLE LOCATING . . . . .	41	29
11-46887	NUT, EXHAUST EXTENSION PLATE SCREW . . . . .	45	34	12-29099	WASHER, THUMB SCREW .	53	3
11-46887	NUT, HARNESS SUPPORT SCREW . . . . .	45	24	12-29245	WASHER, INSULATING - PRIMARY GROUND SCREW . . . . .	15	13
11-46887	NUT, RECTIFIER TO FRONT SUPPORT BRACKET SCREW . . . . .	25	11	12-29245	WASHER, HORSESHOE SPRING TO ANCHOR PIN	11	7
11-46887	NUT, RETAINER BRACKET SCREW . . . . .	25	14	12-29245	WASHER, LATCH BRACKET SCREW (1/16" THICK) . . .	3	15
11-46887	NUT, SWITCH BOX TO FRONT SUPPORT BRACKET SCREW . . . . .	25	5	12-29245	WASHER, UPPER SWIEL TO THROTTLE LEVER . . . . .	21	50
12-20084	WASHER, ADAPTOR AND PILOT TO CRANKCASE SCREW . . . . .	11	33	12-29395	WASHER, UPPER SWIVEL TO THROTTLE LEVER . . .	13	49
12-20084	WASHER, ADAPTOR AND PILOT TO CRANKCASE SCREW . . . . .	19	23	12-29395	WASHER, THROTTLE LEVER SCREW . . . . .	11	27
12-20084	WASHER, CRANKCASE SCREW . . . . .	37	22	12-29395	WASHER, THROTTLE LEVER SCREW . . . . .	21	54
12-20084	WASHER, TOP COWL STUD (5/16") . . . . .	3	11	12-30119	WASHER, LOWER MOUNT SCREW . . . . .	49	23
12-20138	WASHER, PULLEY CLAMPING SCREW . . . . .	11	40	12-30164	WASHER, CHOKE SHUTTER CARBURETOR STUD . . . .	29	23
12-20260	WASHER, GREASE FILLER AND VENT HOLE SCREW	59	48	12-30164	WASHER, PLUNGER AND LINK . . . . .	29	10
12-20346	WASHER, DETENT SPRING SCREW . . . . .	47	49	12-30164	WASHER, RETAINING STRIP SCREW . . . . .	51	45
12-20346	WASHER, FRONT SUPPORT BRACKET RUBBER MOUNT . . . . .	5	62	12-30267	WASHER, PRIMARY GROUND TERMINAL . . . .	15	11
12-21631	WASHER, REAR SHIELD SCREW . . . . .	3	8	12-30519	WASHER, UPPER MOUNT BOLT (3/8 ID) . . . . .	49	34
12-24664	WASHER, SHIFT CONTROL ACTUATOR . . . . .	47	52	12-30520	WASHER, UPPER MOUNT BOLT (37/64 ID) . . . . .	49	32
12-25176	WASHER, SWIVEL PIN TO BOTTOM YOKE (.060) . . .	53	31	12-30521	WASHER, RUBBER - UPPER MOUNT BOLT . . . . .	49	33
12-26014	WASHER, PRIMARY GROUND SCREW . . . . .	15	15	12-30771	WASHER, COVER FASTENING KNOB . . . . .	7	3
12-26436	WASHER, DISTRIBUTOR CAP FASTENING SCREW	23	21	12-31266	WASHER, RUBBER - SHIFT SHAFT BUSHING . . . . .	57	16
12-26825	WASHER, REAR SUPPORT BRACKET RUBBER MOUNT . . . . .	3	24	12-31992	WASHER, CUPPED - THRUST HUB . . . . .	61	80
12-26837	WASHER, SWIVEL PIN TO BOTTOM YOKE (.065) . . .	53	31	12-31993	WASHER, GAER HOUSING COVER . . . . .	61	73
12-27129	WASHER, COVER FASTENING KNOB . . . . .	7	4	12-32004	WASHER, THRUST - REVERSE GEAR . . . . .	61	65
12-27939	WASHER, MAGNETO PILOT	11	16	12-32007	WASHER, SPLINED - PROPELLER SHAFT . . . .	61	81
12-27939	WASHER, THRUST - DISTRIBUTOR ADAPTOR	19	26	12-33001	WASHER, FLYWHEEL NUT .	9	2
				12-33001	WASHER, FLYWHEEL NUT .	41	2
				12-35559	WASHER, WAVE WASHER RETAINER . . . . .	5	47
				12-37407	WASHER, IGNITION COIL CLAMPING SCREW . . . . .	27	42
				12-37998	WASHER, LATCH BRACKET SCREW (1/32" THICK) . . .	3	16

# PARTS INDEX

Part Number	Description	Pg.	Ref. No.	Part Number	Description	Pg.	Ref. No.
12-38453	WASHER, CUPPED - WATER TUBE SEAL	57	36	13-26995	LOCKWASHER, PLUG COVER SCREW	45	4
12-38453	WASHER, NYLON - WATER INLET TUBE	45	29	13-26996	LOCKWASHER, "U" LINK SCREW	29	16
12-45075	WASHER, RECTIFIER TERMINAL	25	7	13-26996	LOCKWASHER, PULLEY CLAMPING SCREW	19	38
12-45075	WASHER, SWITCH BOX TERMINAL	25	2	13-26996	LOCKWASHER, SOLENOID TERMINAL (#10)	25	23
12-45175	WASHER, DRIVE SHAFT HOUSING STUD (3/8")	61	75	13-27959	WASHER, WAVE - MAGNETO BALL BEARING TENSION	11	18
12-45176	WASHER, DRIVE SHAFT HOUSING STUD (7/16")	61	77	13-27959	WASHER, WAVE - TAB WASHER TENSION	19	30
12-45176	WASHER, GEAR HOUSING STUD	57	5	13-29988	STUD, CRANKCASE TO DRIVE SHAFT HOUSING (1 9/16")	37	14
12-46101	WASHER, PLUNGER AND LINK	29	10	13-30597	WASHER, WAVE - STARTER PAWL	5	43
12-46246	WASHER, DISTRIBUTOR PILOT TO DISTRIBUTOR ADAPTOR	19	20	13-35048	LOCKWASHER, TOP COWL STUD (3/8") - USED ON EARLY MODELS ONLY	3	9
13-20160	WASHER, WAVE - RETAINER TENSION	5	48	13-36076	WASHER, WAVE - RETAINING SCREW (PORT SIDE)	53	29
13-20202	LOCKWASHER, STARTER HOUSING SCREW	3	35	13-37371	LOCKWASHER, REAR SHIELD SCREW	3	7
13-20846	WASHER, WAVE - RETAINING SCREW (PORT SIDE)	53	27	13-39107	LOCKWASHER, RETAINER TO TOP COWL SCREW	3	20
13-21272	LOCKWASHER, BEARING SCREW	47	58	14-20091	TAB WASHER, BEARING LOCKING SCREW	37	25
13-21972	LOCKWASHER, CONNECTOR BASE	45	11	14-20165	TAB WASHER, SHEAVE SHAFT NUT	3	32
13-22238	WASHER, GROUND STRAP SCREW	47	65	14-27960	TAB WASHER, ADAPTOR CAP FASTENING	11	17
13-23836	LOCKWASHER, COIL TERMINAL	15	20	14-27960	TAB WASHER, CAP LOCKING	19	29
13-24669	LOCKWASHER, WIRING HARNESS LEAD SCREW	25	34	14-29163	TAB WASHER, PINION GEAR SCREW	57	9
13-26917	WASHER, WAVE - PRIMARY HOUSING	23	2	14-38359	TAB WASHER, COVER FASTENING SCREW	15	34
13-26992	LOCKWASHER, FRONT SUPPORT BRACKET RUBBER MOUNT	5	61	14-38359	TAB WASHER, COVER FASTENING SCREW	17	42
13-26992	LOCKWASHER, GROUND WIRE FASTENING SCREW	25	20	15-20082A1	SHIM, UPPER END CAP TO CYL. BLOCK AND CRANKCASE (.002-3-5-10)	37	5
13-26992	LOCKWASHER, IGNITION COIL SCREW	27	47	15-20085A1	SHIM, LOWER END CAP TO CRANKCASE AND CYL. BLOCK (.002-3-5-10)	37	33
13-26992	LOCKWASHER, RAIL SCREW	47	61	15-20927A1	SHIM, THRUST WASHER TO GEAR HOUSING (.002-3-5-10)	61	67
13-26992	LOCKWASHER, WATER PUMP BODY AND BASE STUDS	59	40	15-20929A1	SHIM, BEARING TO GEAR HOUSING (.002-3-5-10)	57	20
13-26993	LOCKWASHER, CHOKE SOLENOID SCREW	29	4	15-20929A1	SHIM, BEARING TO WATER PUMP BASE (.002-3-5-10)	57	23
13-26993	LOCKWASHER, CLAMP BRACKET STUD	53	10	15-30497A1	SHIM, CLAMP BRACKET TO SWIVEL BRACKET (.010-.020)	53	5
13-26993	LOCKWASHER, REAR SUPPORT BRACKET RUBBER MOUNT	3	23				
13-26993	LOCKWASHER, SOLENOID TERMINAL (5/16")	25	25				

# PARTS INDEX

Part Number	Description	Pg.	Ref. No.	Part Number	Description	Pg.	Ref. No.
15-37711	SHIM, RETAINING SCREW (.020) - PORT SIDE	53	28	17-25391	RIVET, CHOKE SHUTTER TO CHOKE ROD	29	19
16-20221	STUD, CLAMP BRACKET	53	8	17-25598	ROLL PIN, REVERSE LOCK SPRING ATTACHING	53	16
16-20467	STUD, BOTTOM COWL TO REAR SUPPORT BRACKET	45	6	17-26618	PIN, DOWEL - UPLEY TO FLYWHEEL	9	8
16-21550	STUD, REAR - TOP COWL TO REAR SUPPORT BRACKET	3	2	17-27961	PIN, ECONOMIZER COLLAR - SPRING RETAINER	11	9
16-21553	STUD, FRONT - TOP COWL TO FRONT SUPPORT BRACKET	3	3	17-27961	PIN, SPRING RETAINER	19	15
16-29079	STUD, DRIVE SHAFT HOUSING TO GEAR HOUSING (3")	49	3	17-27962	PIN, ANCHOR - HORSESHOE SPRING TO PILOT	11	6
16-29230	STUD, PRIMARY LEAD AND TENSION SPRING	15	24	17-28418A5	PIN, SPRING TERMINAL	19	13
16-29989	STUD, CYLINDER BLOCK TO DRIVE SHAFT HOUSING (1 15/16")	37	18	17-28419A5	SWIVEL PIN AND STEERING ARM ASSY (SHORT SHAFT)	53	33
16-29990	STUD, CYLINDER BLOCK TO DRIVE SHAFT HOUSING (3 7/16")	37	16	17-29077	SWIVEL PIN AND STEERING ARM ASSY (LONG SHAFT)	53	33
16-30172	STUD, CARBURETOR - CHOKE SHUTTER PIVOT	29	22	17-29077	PIN, ROLL - TENSION SPRING TO KNOB	7	6
16-32028	STUD, DRIVE SHAFT HOUSING TO GEAR HOUSING (1 3/4")	49	2	17-29077	PIN, ROLL - TOP COWL CLAMPING LEVER	3	30
16-35099	STUD, CARBURETOR MOUNTING	37	13	17-29908	PIN, DRIVEN PULLEY	19	34
16-37728	STUD, WATER PUMP BODY AND BASE TO GEAR HOUSING	57	3	17-30687A1	TILT LOCK PIN ASSEMBLY	53	12
16-37986	STUD, CYLINDER BLOCK TO DRIVE SHAFT HOUSING (2 5/16")	37	17	17-35973	DOWEL PIN, WATER PUMP BASE TO WATER PUMP BODY	57	29
16-45177	STUD, GEAR HOUSING TO DRIVE SHAFT HOUSING	57	4	17-38113	PIN, CROSS - RATCHET TO PROPELLER SHAFT	61	61
17-20032	DOWEL PIN, ADAPTOR TO PRIMARY HOUSING	23	8	18-20180	COTTER PIN, "U" LINK TO CHOKE ROD	29	17
17-20032	DOWEL PIN, CENTER MAIN BEARING	41	7	18-20233	CLIP, RETAINING - SHIFT SHAFT	57	12
17-20032	DOWEL PIN, CYLINDER BLOCK TO MAIN BEARING	37	10	18-25191	COTTER PIN, PUSH ROD TO REVERSE LOCK	49	7
17-20032	DOWEL PIN, MAIN BEARING	41	14	18-26953	COTTER PIN, LINK TO UPPER CHOKE SHUTTER	29	11
17-20033	DOWEL PIN, CRANKCASE TO CYLINDER BLOCK	37	15	18-45882	COTTER PIN, REVERSE LOCK TO SHAFT	53	14
17-20323	DOWEL PIN, CYLINDER BLOCK TO CENTER MAIN BEARING	37	11	19-20011	WELCH PLUG, BODY CHANNEL	33	35
17-20379	DOWEL PIN, (STEPPED)	41	12	19-32298	PLUG, PLASTIC - WATER PICK-UP SCREW HOLE	49	4
17-20853	PIN, FLOAT LEVER PINION	31	3	21-28481A1	CHECK VALVE ASSEMBLY, BLEED HOSE VALVE	39	55
17-21057	PIN, HINGE - COWL LATCH EARLY STYLE	7	12	21-28481A1	CHECK VALVE ASSEMBLY, LOWER END CAP	37	28
17-23733	PIN, IMPELLER DRIVE	57	34	21-28483A1	CHECK VALVE ASSEMBLY, BLEED HOSE (UPPER)	39	54
17-23928	PIN, ROLL - QUICK DISCONNECT LEVER	47	38	21-30430A1	CHECK VALVE ASSEMBLY	35	2
17-24873	PIN, ROLL - FLANGE LOCATING	11	38	22-20445	CONNECTOR, CYLINDER BLEED HOSE (LOWER)	39	57
17-24887	PIN, REVERSE LOCK LEVER	49	9	22-21290	PLUG, GREASE - REVERSE LOCK HOLE	49	11
				22-22946	SLEEVE, RUBBER	35	17
				22-22946	SLEEVE, RUBBER - CONNECTOR	35	13
				22-22949	CONNECTOR, PUMP INLET TO FUEL LINE	35	12
				22-22995	ELBOW, FUEL PUMP INLET	35	16



# PARTS INDEX

Part Number	Description	Pg.	Ref. No.	Part Number	Description	Pg.	Ref. No.
22-23612	FITTING, GREASE - SWIVEL BRACKET	53	20	23-32914	SLEEVE, TRIGGER HOUSING CABLES	23	14
22-25094	FITTING, GREASE - DISTRIBUTOR ADAPTOR	19	25	23-35560	SPACER, SHEAVE SHAFT	5	45
22-25094	FITTING, GREASE - ECONOMIZER COLLAR	11	10	23-37927	BEARING, NYLON - QUICK DISCONNECT LEVER	45	37
22-25094	FITTING, GREASE - ECONOMIZER COLLAR	19	16	23-38993A2	BUSHING ASSEMBLY, SHIFT SHAFT	57	14
22-25094	FITTING, GREASE - MAGNETO ADAPTOR	11	15	24-20869	SPRING, THROTTLE SHAFT RETURN (UPPER CARBURETOR)	31	33
22-25885	ELBOW, PLASTIC - MAGNETO COVER VENT	17	43	24-25122	SPRING, TENSION - PUSH ROD	49	8
22-29111	CONNECTOR, BALANCE TUBE TO CYLINDER BLOCK	37	36	24-26068	SPRING, RETAINER PLATE TO STARTER SHEAVE	5	49
22-29111	CONNECTOR, WATER TELL TALE HOLE - CYLINDER BLOCK	37	19	24-26890	SPRING, THROTTLE SHAFT RETURN (LOWER CARBURETOR)	31	33
22-29111	CONNECTOR, WATER TELL TALE HOSE - BOTTOM COWL	45	26	24-27160	SPRING, IDLE ADJUSTMENT SCREW	31	25
22-30139	PLUG, PIPE - WATER PRESSURE AND BALANCE TUBE HOLES	37	12	24-27944	SPRING, HORSESHOE	19	12
22-31521	ELBOW, MAGNETO VENT TUBE TO BOTTOM COWL	45	9	24-27944	SPRING, HORSESHOE - MAGNETO PILOT	11	5
22-31521	ELBOW, VENT HOSE - DISTRIBUTOR CAP	23	18	24-28965	SPRING, TENSION - CHOKE ROD TO CARBURETOR	29	26
22-31521A1	ELBOW ASSEMBLY, VENT HOSE - ADAPTOR HOUSING	23	15	24-28975	SPRING, GARTER - INTERNAL WIRING HARNESS	25	30
22-37682	CONNECTOR, FUEL LINE TO ADAPTOR	35	20	24-29821	SPRING, TENSION - REVERSE LOCK	53	15
23-20222	SPACER, CLAMP BRACKET STUD	53	9	24-30189	SPRING, ADAPTOR STEM	35	24
23-23651	SLEEVE, WATER INLET TUBE	49	39	24-32271	SPRING, TENSION - COVER FASTENING KNOB	7	5
23-26602	BUSHING, NYLON - THROTTLE ACTUATOR	11	12	24-35522	SPRING, TENSION - LOWER MOUNT CLAMP	49	17
23-26602	BUSHING, NYLON - THROTTLE ACTUATOR	19	18	24-37693	SPRING, DETENT - SHIFT SHAFT	47	47
23-26819	BUSHING, TOP COWL CLAMPING LEVER (NYLON)	3	27	24-37934	SPRING, QUICK DISCONNECT - SHIFT CABLE	47	54
23-28912	BUSHING, SPRING GUIDE	5	40	24-37934	SPRING, QUICK DISCONNECT - THROTTLE CABLE TO THROTTLE LEVER	11	29
23-28919	BUSHING, NYLON - SHEAVE SHAFT SPACER	5	44	24-37934	SPRING, QUICK DISCONNECT - THROTTLE CABLE TO THROTTLE LEVER	21	56
23-29055	SPACER, TILT STOP LEVER ANCHOR SCREW	53	25	24-38005	SPRING, COMPRESSION - QUICK DISCONNECT LEVER	45	36
23-29101	BUSHING, INSULATING - HOUSING FRAME	15	14	24-38114	SPRING, RETAINING - CROSS PIN	61	62
23-29529	BUSHING, THROTTLE LEVER SCREW	11	28	24-39502A1	SPRING, STARTER REWIND	5	39
23-29529	BUSHING, THROTTLE LEVER SCREW	21	55	24-39845	SPRING, COMPRESSION - CAM FOLLOWER	61	54
23-29909	SPACER, DRIVEN PULLEY	19	32	25-20081	"O" RING, LOWER END CAP	37	31
23-30438	BUSHING, NYLON - UPPER CHOKE SHUTTER	29	21	25-20081	"O" RING, UPPER END CAP	37	3
				25-20116	GROMMET, CHOKE KNOB	29	13

# PARTS INDEX

Part Number	Description	Pg.	Ref. No.	Part Number	Description	Pg.	Ref. No.
25-20273	RING, RUBBER - CENTRIFUGAL SLINGER .	59	42	27-29586	GASKET, GEAR HOUSING FLUSHING HOLE SCREW	59	45
25-20415	"O" RING, ADAPTOR STEM .	35	23	27-32769	GASKET, LOWER - WATER PUMP BASE TO FACE PLATE	57	30
25-25429	"O" RING, HIGH TENSION LEAD CABLE TO END CAP COVER	13	54	27-32770	GASKET, UPPER - FACE PLATE TO WATER PUMP BODY	57	32
25-25439	"O" RING, SHIFT SHAFT BUSHING	57	13	27-32771	GASKET, WATER PUMP BASE TO GEAR HOUSING	57	24
25-26547	GROMMET, HIGH TENSION CABLE	23	26	27-36268	GASKET, DISTRIBUTOR CAP TO ADAPTOR	23	16
25-26855	"O" RING, WATER PUMP BASE	57	25	27-37725	GASKET, POWERHEAD TO EXHAUST EXTENSION PLATE	47	41
25-29619	"O" RING, DRIVE SHAFT SPLINE	41	5	27-37816	GASKET, CYLINDER BLOCK COVER	39	46
25-29619	"O" RING, UPPER - DRIVE SHAFT	59	43	27-38501	GASKET, EXHAUST EXTENSION PLATE TO DRIVE SHAFT HOUSING	47	45
25-31986	"O" RING, BEARING CARRIER	61	68	27-38501	GASKET, EXHAUST EXTENSION PLATE TO DRIVE SHAFT HOUSING	49	36
25-46252	GROMMET, THROTTLE STOP ADJUSTING SCREW	21	43	27-45910	GASKET, ADAPTOR TO PRIMARY HOUSING SEE NOTE BELOW	23	10
26-23300	OIL SEAL, BEARING CARRIER	61	71	27-46110	GASKET, CYLINDER BLOCK TO BAFFLE PLATE	39	38
26-23300	OIL SEAL, WATER PUMP BASE	57	28	27-46110A1	GASKET SET (MOTOR OVERHAUL)	1	-
26-23517	OIL SEAL, BEARING CARRIER	61	71	27-46111	GASKET, BAFFLE PLATE TO EXHAUST COVER	39	40
26-26782	OIL SEAL, WATER PUMP BASE	57	27	27-46351	GASKET, ADAPTOR TO PRIMARY HOUSING SEE NOTE BELOW	23	10
26-29476	OIL SEAL	37	2	28-20094	KEY, FLYWHEEL DRIVE	9	3
26-29476	OIL SEAL, UPPER	37	30	28-20094	KEY, FLYWHEEL DRIVE	41	3
26-29478	OIL SEAL, LOWER	37	29	28-28657	KEY, MAGNETO DRIVING	11	35
26-29612	SEAL, GEAR HOUSING FLUSHING HOLE SCREW	59	46	28-29910	KEY, DISTRIBUTOR DRIVING	19	36
26-31249	OIL SEAL, SHIFT SHAFT BUSHING	57	15	28-30281	KEY, LOCATING - BEARING CARRIER	61	72
26-32121	OIL SEAL, WATER PUMP BODY	59	39	29-20046	BEARING, NEEDLE	41	8
26-32911	OIL SEAL, SWIVEL BRACKET	53	19	29-20046	BEARING, NEEDLE - CRANKPIN	41	27
26-38452	SEAL, RUBBER - WATER TUBE	45	30	29-20063	BEARING, NEEDLE - PISTON PIN	41	28
26-38452	SEAL, WATER PUMP BODY TO WATER TUBE	57	35	30-20066	BALL BEARING, MAGNETO PILOT	11	4
27-23180	GASKET, IDLE TUBE	31	22	30-20066	BEARING, BALL - DISTRIBUTOR ADAPTOR	19	28
27-25033	GASKET, INLET SEAT	31	7	30-20066	BEARING, BALL - DISTRIBUTOR PILOT	19	8
27-25725	GASKET, END CAP COVER	15	37	30-20080	BALL BEARING, LOWER END CAP	37	32
27-25848	GASKET, STRAINER COVER SCREW	31	16	30-20080	BALL BEARING, UPPER END CAP	37	4
27-25849	GASKET, STRAINER COVER (SMALL)	31	14	30-20839	BEARING, BALL - REVERSE GEAR	61	66
27-25851	GASKET, STRAINER COVER (LARGE)	31	12	30-20861	BEARING, BALL - DRIVE SHAFT	57	21
27-26891	GASKET, CARBURETOR FLANGE	33	36				
27-27936	GASKET, TRANSFER PORT COVER	39	52				
27-28406	GASKET, JET CHANNEL PLUG SCREW	31	28				
27-28409	GASKET, MAIN FUEL JET	31	30				
27-29166	GASKET, MAGNETO COVER	15	31				

# PARTS INDEX

Part Number	Description	Pg.	Ref. No.	Part Number	Description	Pg.	Ref. No.
30-24997	BEARING, BALL (OPPOSITE DRIVE END) . . . . .	15	6	38-39784	SERIAL PLATE . . . . .	55	39
30-24998	BEARING, BALL (DRIVE END ) . . . . .	15	4	39-27841	RING, PISTON . . . . .	41	23
30-26379	BEARING, BALL - ROTOR SHAFT . . . . .	23	6	39-28616A12	RING, PISTON (.015 OVERSIZE) . . . . .	43	--
31-20231	BEARING, ROLLER - DRIVE SHAFT . . . . .	57	2	40-20057	LOCK RING, PISTON PIN . .	41	22
31-20249	BEARING, ROLLER - BEARING CARRIER . . . . .	61	70	43-20834	GEAR, PINION - DRIVE SHAFT . . . . .	57	8
31-20249	BEARING, ROLLER - FORWARD GEAR . . . . .	61	57	43-39941	FORWARD GEAR ASSEMBLY . . . . .	61	56
31-31215A1	TAPERED ROLLER BEARING ASSEMBLY . . . . .	61	58	43-39942	REVERSE GEAR ASSEMBLY	61	64
31-31216	CUP, TAPERED ROLLER BEARING . . . . .	61	59	44-38127	SHAFT, PROPELLER . . . . .	61	63
32-26338	TUBE, VENT - MAGNETO OUTLET (8 3/4") . . . . .	45	8	45-27951	SHAFT, MAGNETO DRIVE . .	11	2
32-26407	HOSE, WATER TELL TALE - CYLINDER BLOCK TO BOTTOM COWL . . . . .	45	25	45-38466	DRIVE SHAFT (SHORT SHAFT) . . . . .	57	19
32-26527	SLEEVE, HIGH TENSION LEAD (LEADS 1, 2, 3, 4) . .	23	31	45-46247	DRIVE SHAFT, DISTRIBUTOR . . . . .	19	9
32-26955	TUBE, VENT - MAGNETO OUTLET (12 5/8") ALSO USED ON STARTER . . . . .	45	8	45-46394	DRIVE SHAFT (LONG SHAFT) . . . . .	57	19
32-28654	HOSE, CYLINDER BLEED (6 1/2") . . . . .	39	56	46-32767A1	WATER PUMP BODY ASSEMBLY . . . . .	59	37
32-29164	TUBE, VENT - MAGNETO OUTLET (10 1/2") ALSO USED ON STARTER . . . . .	45	8	46-37313A2	HEAVY DUTY WATER PUMP KIT . . . . .	1	-
32-30036	FUEL LINE, FUEL PUMP TO ADAPTOR . . . . .	35	19	46-39531A1	WATER PUMP BASE ASSEMBLY . . . . .	57	26
32-32094	FUEL LINE, PUMP TO LOWER AND UPPER FILTER . . . . .	35	15	47-20268	IMPELLER, WATER PUMP . .	57	33
32-33729	TUBE, BALANCE - MAIN BEARING . . . . .	37	35	50-28985A1	STARTER CABLE ASSEMBLY . . . . .	5	52
32-37670	TUBE, DRAIN - FRONT SUPPORT BRACKET TO BOTTOM COWL . . . . .	5	57	50-37901	STARTER CABLE (FOR MANUAL STARTING ONLY) . . . . .	5	52
32-37694	SLEEVE, HIGH TENSION LEAD (3") . . . . .	13	59	50-38890A1	STARTER MOTOR ASSEMBLY . . . . .	25	15
32-37727	TUBE, WATER INLET (SHORT SHAFT) . . . . .	51	40	50-39837	RATCHET, FLYWHEEL - FLEX PLATE . . . . .	9	5
32-45679	TUBE, WATER INLET (LONG SHAFT) . . . . .	51	40	50-39841	SHEAVE ASSEMBLY . . . . .	5	41
32-46398	SLEEVE, HIGH TENSION CABLE . . . . .	23	27	52-47586	RATCHET, SLIDING CLUTCH	61	60
32-46768	SLEEVE (LEADS 1, 2, 3, 4) - 6" . . . . .	23	30	53-20048	RING, SNAP - OUTER RACE CLAPING . . . . .	41	10
33-39635	SPARK PLUG . . . . .	13	51	53-20067	RING, SNAP - BALL BEARING RETAINING . . .	19	7
33-45191	SPARK PLUG (CHAMPION - L19V) . . . . .	19	3	53-21058	"E" RING, BREAKER TO PIVOT PIN . . . . .	15	27
34-20053	REED STOP, MAIN BEARING REED VALVES . . . . .	41	18	53-21058	"E" RING, COWL LATCH HINGE PIN EARLY STYLE	7	13
34-20888A1	REED SET, MATCHED - MAIN BEARING . . . . .	41	17	53-29116	RING, SNAP - BALL BEARING RETAINING . . .	57	22
37-46034A1	DECAL SET . . . . .	1	-	53-30428	FASTENER, TOP COWL CLAMPING LEVER . . . . .	3	29
				53-45906	RING, RETAINER - ROTOR SHAFT BALL BEARING . .	23	5
				53-46250	RING, SNAP - BALL BEARING RETAINING . . .	19	27
				54-20386	CLAMP, BALANCE TUBE TO CONNECTORS . . . . .	39	37
				54-20387	CLAMP, BLEED HOSE TO CHECK VALVE AND CONNECTOR . . . . .	39	58
				54-22740	CLIP, LEAD WIRE TO IGNITION COIL . . . . .	27	43

# PARTS INDEX

Part Number	Description	Pg.	Ref. No.	Part Number	Description	Pg.	Ref. No.
54-22976	CLAMP, WATER TELL TALE HOSE TO CONNECTOR	45	27	393-3014A2	ADAPTOR ASSEMBLY, HOUSING TO DISTRIBUTOR CAP	23	9
54-24836	CLAMP, STATOR LEAD TO CRANKCASE	9	14	393-3018A1	HIGH TENSION CABLE ASSEMBLY, DISTRIBUTOR TO COIL	23	23
54-25231	CLIP, CHOKE SOLENOID LEAD	29	6	394-1050	CLIP, COIL - HIGH TENSION	15	19
54-25231	CLIP, CONNECTOR BASE LEAD WIRE	45	13	394-1051	LOCKWIRE, COIL BRIDGE SET SCREW	15	3
54-25231	CLIP, HARNESS LEADS TO MAGNETO	13	55	394-1053A1	WIRE ASSEMBLY, PRIMARY GROUND LEAD	15	9
54-26550	CLIP, WIRING HARNESS LEAD	25	35	394-1056A1	BRUSH AND SPRING ASSEMBLY	17	39
54-33361	CLIP, CHOKE SOLENOID LEAD	29	6	394-1067	MAGNETIC ROTOR AND SHAFT	15	5
54-37303	CLIP, HIGH TENSION LEAD	39	44	394-1106A1	HOLDER AND CAM WICK ASSEMBLY	15	26
54-46379	CLIP, STATOR LEAD TO CRANKCASE	9	17	394-1110	CLIP, SPRING	15	36
90-46389	MERC 500-6- PARTS LIST	1	-	394-1128A1	COIL ASSEMBLY	15	18
91-45294A3	TACHOMETER ASSEMBLY (MERC 500E-6-SS)	1	-	394-1130	CONDENSER	15	29
92-25234--1	GLUE (BLANKET ADHESIVE)	7	--	394-1131	NUT, COIL CLIP FASTENING	15	21
92-32641-1	GEAR LUBRICANT	1	-	394-1134A1	GROUND STRAP ASSEMBLY, MAGNETO TO CRANKCASE	13	58
94-29616	SHIPPING CARTON (FUEL TANK)	1	-	394-1561A2	END CAP COVER ASSEMBLY	15	38
94-39393	SHIPPING CARTON (MOTOR)	1	-	394-1570	FRAME, MAGNETO HOUSING	15	1
223-2402A3	FLYWHEEL ASSEMBLY	9	4	394-1577	COVER, MAGNETO	15	32
223-2403A5	FLYWHEEL ASSEMBLY	9	4	394-1579	INSULATOR, PRIMARY GROUND TERMINAL	15	12
223-2427A3	FLYWHEEL ASSEMBLY (USE ON STARTER ENGINES)	9	4	394-1637	SUPPORT, BALL BEARING	15	7
332-2854	BOOT, HIGH TENSION CABLE TO COIL	23	24	394-2271A2	MAGNETO ASSEMBLY, COMPLETE	15	-
332-2910A3	RECTIFIER ASSEMBLY, COMPLETE	25	6	394-2271A2	MAGNETO ASSEMBLY, COMPLETE (4D-4)	11	1
332-2983A2	IGNITION COIL ASSEMBLY, COMPLETE	27	39	394-2602A1	MAGNETO ROTOR ASSEMBLY	15	35
332-2986A3	SWITCH BOX ASSEMBLY, COMPLETE	25	1	398-2996	STATOR, ALTERNATOR - FLYWHEEL	9	12
393-1275	SLEEVE, HIGH TENSION CALBE	23	25	400-2976	CRANKSHAFT	41	4
393-1275	SLEEVE, SPARK PLUG LEAD TO DISTRIBUTOR	23	25	500-1030A1	CENTER MAIN BEARING ASSEMBLY	41	6
393-1293A1	BRUSH AND SPRING ASSEMBLY	23	19	534-2497A2	MAIN BEARING ASSEMBLY (VALVE TYPE)	41	13
393-1504A6	BREAKER ASSEMBLY	15	22	600-2748A2	CONNECTING ROD AND CAP ASSEMBLY	41	24
393-1586	GROMMET, PLASTIC - BREAKER BRACKET	15	23	724-2537A4	PISTON AND PISTON PIN ASSEMBLY	41	21
393-2795	SHIM, TRIGGER HOUSING TO PRIMARY HOUSING	23	3	724-2553A3	PISTON AND PISTON PIN ASSEMBLY (.015 OVERSIZE)	43	--
393-2799	HOUSING, PRIMARY	23	1	831-2750A2	CYLINDER BLOCK AND CRANKCASE ASSEMBLY	37	7
393-2799A7	DISTRIBUTOR ASSEMBLY, COMPLETE	23	-	1017-2483	COVER, CYLINDER BLOCK	39	45
393-2799A7	DISTRIBUTOR ASSEMBLY, COMPLETE (FOR BREAKDOWN, SEE PAGE 11.)	19	1	1100-2988A1	END CAP ASSEMBLY, UPPER	37	1
393-2918A1	TRIGGER HOUSING ASSEMBLY	23	4	1102-1484A1	END CAP ASSEMBLY, LOWER	37	27
393-2921A3	ROTOR SHAFT ASSEMBLY	23	7				

# PARTS INDEX

Part Number	Description	Pg.	Ref. No.	Part Number	Description	Pg.	Ref. No.
1333-3015	CARBURETOR ASSEMBLY, COMPLETE (KA-21C) . . . .	31	1	2116-2990A1	BOTTO COWL ASSEMBLY . .	45	1
1399-101	LEVER, FLOAT (UPPER) . . .	31	5	2117-2954	TOP COWL . . . . .	3	1
1399-102	LEVER, FLOAT (LOWER) . . .	31	4	2117-2959A2	TOP COWL ASSEMBLY . . . .	3	1
1399-110A1	FLOAT ASSEMBLY . . . . .	31	2	2118-2950A2	WRAP AROUND COWL ASSEMBLY . . . . .	7	10
1399-1133	COVER, FLOAT BOWL . . . .	31	9				
1399-1135	COVER, STRAINER . . . . .	31	15				
1399-1461	JET, MAIN FUEL (.061) . . . .	31	29				
1399-1463	JET, MAIN FUEL (.063) . . . .	31	29				
1399-1465	JET, MAIN FUEL (.065) - STANDARD . . . . .	31	29				
1399-1467	JET, MAIN FUEL (.067) . . . .	31	29				
1399-1473	INLET NEEDLE, SEAT AND GASKET . . . . .	31	6				
1399-1477	GASKET AND PACKING SET (1 PER CARBURETOR) . .	33	--				
1399-1713	SCREW, IDLE ADJUSTMENT	31	26				
1399-1754	SCREEN, FILTER . . . . .	31	13				
1399-2012	SHAFT, THROTTLE . . . . .	31	20				
1399-2785	NOZZLE, MAIN . . . . .	31	31				
1399-3036	TUBE, IDLE . . . . .	31	21				
1399-3037	SHUTTER, THROTTLE . . . .	31	24				
1399-3038	REPAIR PARTS KIT (1 PER CARBURETOR) . . . . .	33	--				
1399-97	LEVER, THROTTLE STOP (SEE NOTE BELOW) . . . .	31	19				
1399-99	GASKET, FLOAT BOWL COVER . . . . .	31	8				
1440-1797A1	CLAMP BRACKET ASSEMBLY . . . . .	53	1				
1442-2501A1	SWIVEL BRACKET ASSEMBLY (SHORT SHAFT) . . . . .	53	18				
1442-2502A1	SWIVEL BRACKET ASSEMBLY (LONG SHAFT) . . . . .	53	18				
1554-2489A2	DRIVE SHAFT HOUSING ASSEMBLY (SHORT SHAFT) . . . . .	49	1				
1564-2772A1	DRIVE SHAFT HOUSING ASSEMBLY (LONG SHAFT) . . . . .	49	1				
1626-2470A16	GEAR HOUSING ASSEMBLY	57	1				
1626-2470A16	GEAR HOUSING ASSEMBLY (SEE PAGE 31 FOR BREAKDOWN) . . . . .	61	1				
1626-2470A18	GEAR HOUSING ASSEMBLY, COMPLETE (SHORT SHAFT) SEE NOTE BEL . .	57	-				
1626-2470A18	GEAR HOUSING ASSEMBLY, COMPLETE (SHORT SHAFT) SEE NOTE BEL . .	61	-				
1626-2470A20	GEAR HOUSING ASSEMBLY, COMPLETE (LONG SHAFT SEE NOTE BEL . . . . .	61	-				
1626-2470A20	GEAR HOUSING ASSEMBLY, COMPLETE (LONG SHAFT) SEE NOTE BEL . .	57	-				
2104-2654A9	COWL FRONT COVER ASSEMBLY . . . . .	7	1				