



PARTS CATALOG

80 ENGINE AND 80 STERNDRIVE

SERIAL NUMBER

80 RENAULT 80 I/L4 1966-1969	2049045 THRU 2851423
80 (Sterndrive) 1966-1969	2063741 THRU 2898029

TABLE OF CONTENTS:

ACCESSORIES	66
CAMSHAFT, CRANKSHAFT, PISTONS, FLYWHEEL AND STATOR	30
CARBURETOR ASSEMBLY	18
CYLINDER BLOCK, OIL PAN AND OIL PUMP	26
DISTRIBUTOR ASSEMBLY AND COIL	8
DRIVE SHAFT HOUSING, WATER PUMP & GEAR ASSEMBLY	54
EXHAUST MANIFOLD, INTAKE MANIFOLD AND EXHAUST ELBOW	34
FLYWHEEL HOUSING AND MOUNTING HOUSING	40
FUEL PUMP, FUEL LINES AND CARBURETOR (S/N-2322195 & BELOW)	10
FUEL PUMP, FUEL LINES AND CARBURETOR (S/N-2322196 & UP)	14
GEAR HOUSING ASSEMBLY-DRIVE	58
GEAR HOUSING ASSEMBLY-PROP	60
GIMBAL RING ASSEMBLY, SENDER/RECEIVER HOUSING	50
GIMBAL/BELL HOUSING ASSEMBLY	46
PARTS INDEX	67
STARTER MOTOR ASSEMBLY	6
TILT AND SHOCK CYLINDER ASSEMBLY	64
TOP COVER, ROCKER SHAFT AND CYLINDER HEAD	22
TRANSOM PLATE ASSEMBLY AND MANUAL TILT	42
WIRING HARNESS, STARTER MOTOR, VOLTAGE REGULATOR AND RECTIFI	2

NOTE: Indented description indicate that these parts are included in preceeding assembly.

AR = As Required

NSS = Not Sold Separate

OPT = Optional

NS = Not Shown

THESE PARTS BOOKS/FICHE CARD ARE COPYRIGHTED AND MAY NOT BE DISTRIBUTED OR REPRODUCED IN ANY OTHER FORMAT BY ANYONE OTHER THAN MERCURY MARINE WITHOUT THE PRIOR WRITTEN CONSENT OF MERCURY MARINE.

REPLACEMENT PARTS ! WARNING !

Electrical, ignition and fuel system components on MerCruiser Engines and Stern Drives are designed and manufactured to comply with U.S. Coast Guard Rules and Regulations to minimize risks of fire or explosion. Use of replacement electrical, ignition or fuel system components, which do not comply to these rules and regulations, could result in a fire or explosion hazard and should be voided.

When servicing the electrical, ignition and fuel systems, it is extremely important that all components are properly installed and tightened. If not, any electrical or ignition component opening would permit sparks to ignite fuel vapors from fuel system leaks, if they existed.

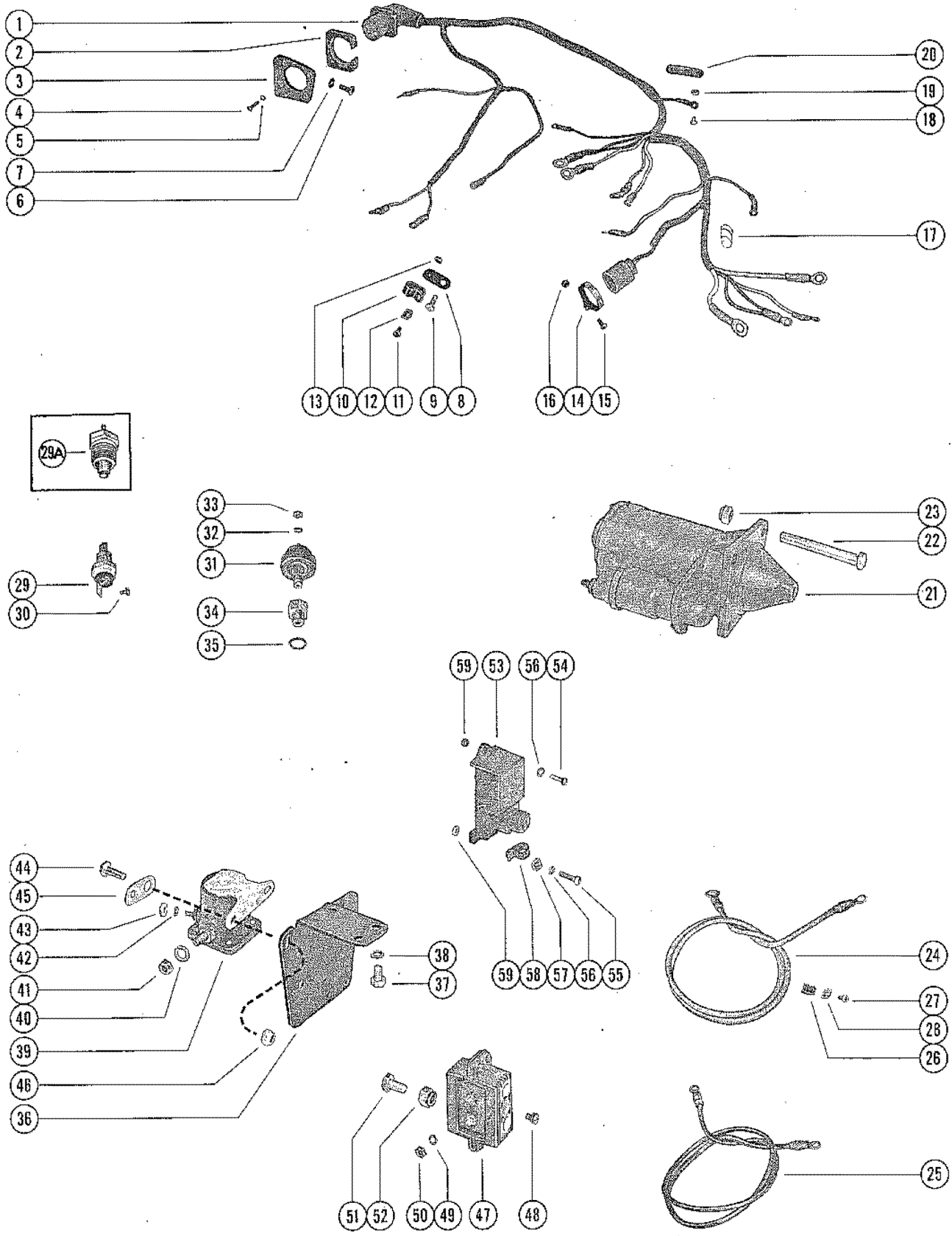
ENGINE MECHANICAL COMPONENTS

Many of the engine mechanical components are designed for marine applications. Unlike automotive engines, marine engines are subjected to extended periods of heavy load and wide- open-throttle operation, therefore, require heavy-duty components. Special marine engine parts have design and manufacturing specifications, which are required to provide long life and dependable performance. Marine engine parts also must be able to resist the corrosive action of salt or brackish water that will rust or corrode standard automotive parts within a short period of time.

Failure to use recommended Mercury Precision Parts OR Quicksilver service replacement parts can result in poor engine performance and/or durability, rapid corrosion of parts subjected to salt water and possibly complete failure of the engine.

Use of parts other than recommended service replacement parts will void the warranty on those parts which are damaged as a result of the use of other than recommended parts.

WIRING HARNESS, STARTER MOTOR, VOLTAGE REGULATOR AND RECTIFI

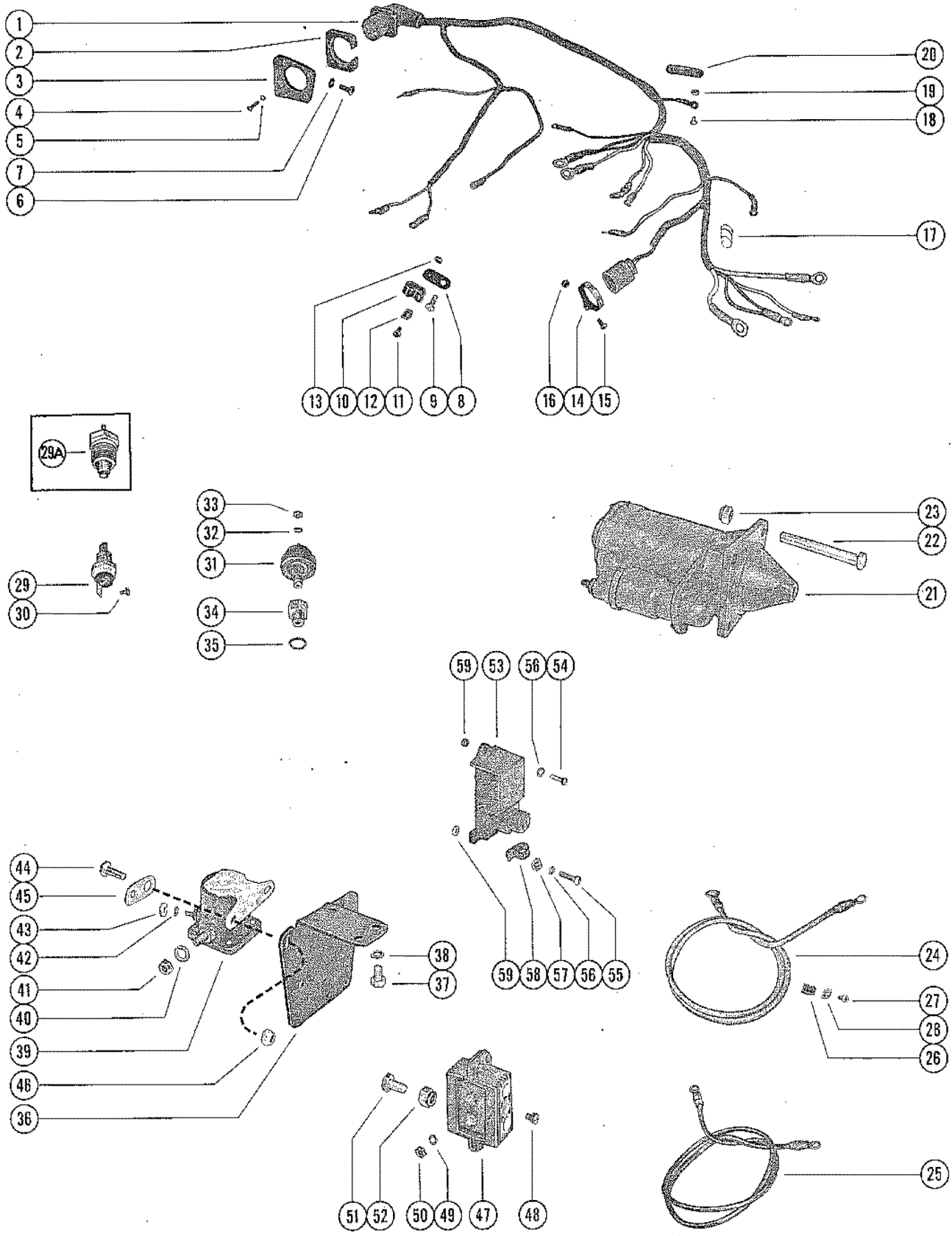


WIRING HARNESS, STARTER MOTOR, VOLTAGE REGULATOR AND RECTIFI

REF. NO.	PART NO.	SYM.	QTY.	DESCRIPTION
1	46009		1	WIRING HARNESS, EXTERNAL
2	26079		1	PLATE, WIRING HARNESS TO MOUNTING BRACKET
3	38532		1	BRACKET, MOUNTING - WIRING HARNESS
4	10-46718		4	SCREW, WIRING HARNESS PLATE TO MOUNTING BRACKET (3/4)
5	13-26995		4	LOCKWASHER,WIRING HARNESS PLATE SCREW
6	10-21548		2	SCREW, MOUNTING BRACKET TO TRANSOM PLATE(5/8)
7	13-26992		2	LOCKWASHER, MOUNTING BRACKET SCREW
8	32786		1	TAB, WIRING HARNESS CLIP
9	10-28524		1	SCREW, WIRING HARNESS CLIP TAB TO CYLINDER BLOCK (15MM)
10	54-22690		1	CLIP, WIRING HARNESS
11	10-20191		1	SCREW, WIRING HARNESS CLIP TO TAB (1/2")
12	22789		1	"D" WASHER, WIRING HARNESS CLIP SCREW
13	11-26419		1	NUT, WIRING HARNESS CLIP SCREW
14	54-46770		1	CLAMP, WIRING HARNESS TO VOLTAGE REGULATOR
15	10-29227		1	SCREW, WIRING HARNESS CLAMP
16	11-26768		1	NUT, WIRING HARNESS CLAMP SCREW
17	33865		2	BINDER, NYLON- WIRING HARNESS
18	10-24231		2	SCREW, WIRING HARNESS LEAD ATTACHING (1/4")
19	11-20645		2	NUT, WIRING HARNESS LEAD SCREW
20	23-32914		2	SLEEVE, WIRING HARNESS LEAD SCREW
21	50-46640		1	STARTER MOTOR ASSEMBLY SEE C2 FOR PARTS BREAKDOWN
22	10-37388		1	SCREW, STARTER MOTOR AND FLYWHEEL HOUSING TO CYLINDER BLOCK
	10-46197		2	SCREW, STARTER MOTOR AND FLYWHEEL HOUSING TO CYLINDER BLOCK
23	11-33962		3	NUT, STARTER MOTER AND FLYWHEEL HOUSING SCREW
24	38540		1	BATTERY CABLE, POSITIVE (RED)
25	38539		1	BATTERY CABLE NEGATIVE (BLACK)
26	54-22627		2	CLAMP, BATTERY CABLE TO BOAT
27	10-22793		2	SCREW, BATTERY CABLE CLAMP TO BOAT (7/8")
28	22789		2	"D" WASHER, BATTERY CABLE CLAMP SCREW
29	38534		1	WATER TEMPERATURE SENDER ASSEMBLY, FRONT MOUNT HOUSING SERIAL 00000000-02322195
30	10-20681		1	SCREW, WATER TEMPERATURE SENDER (3/8") SERIAL 00000000-02322195
29A	48952		1	WATER TEMPERATURE SENDER ASSEMBLY, FRONT MOUNT HOUSING SERIAL 02322196-09999999
-	13-26996		1	LOCKWASHER, WATER TEMPERATURE SENDER TERMINAL (#10) SERIAL 02322196-09999999
	11-20645		1	NUT, WATER TEMPERATURE SENDER TERMINAL (10-32) SERIAL 02322196-09999999
31	38559		1	OIL PRESSURE SENDER ASSEMBLY, CYLINDER BLOCK
32	12-20878		1	WASHER,OIL PRESSURE SENDER TERMINAL (#10)

CONTINUED ON NEXT PAGE ➡

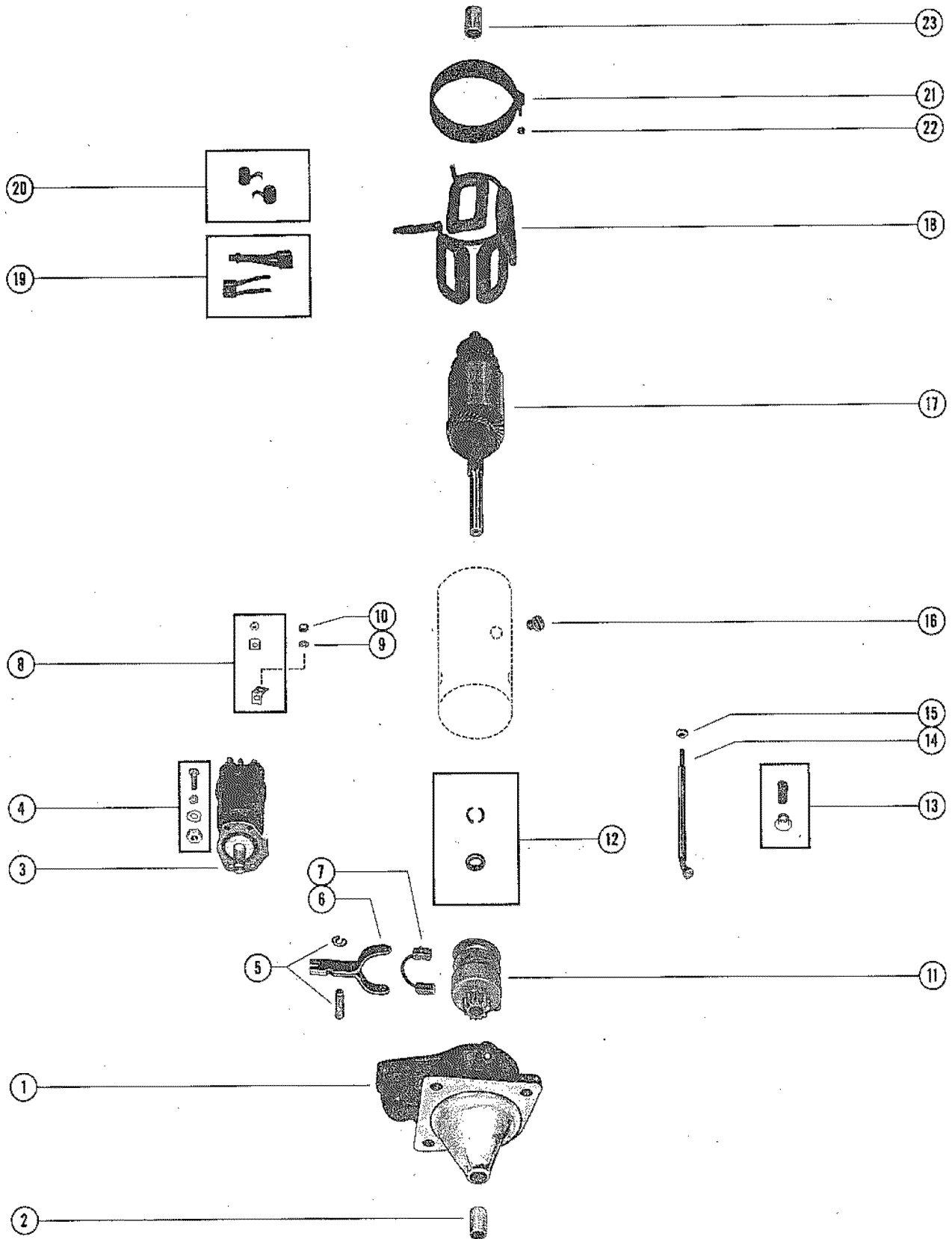
WIRING HARNESS, STARTER MOTOR, VOLTAGE REGULATOR AND RECTIFI



WIRING HARNESS, STARTER MOTOR, VOLTAGE REGULATOR AND RECTIFI

REF. NO.	PART NO.	SYM.	QTY.	DESCRIPTION
33	11-20645		1	NUT, OIL PRESSURE SENDER TERMINAL (10-32)
34	38557		1	ADAPTOR, OIL PRESSURE SENDER TO CYLINDER BLOCK
35	27-38558		1	GASKET, OIL PRESSURE SENDER ADAPTOR
36	45660		1	BRACKET, MOUNTING-STARTER SOLENOID, RECTIFIER AND VOLTAGE REG
37	10-33231		4	SCREW, MOUNTING BRACKET TO EXHAUST MANIFOLD BODY (1/2")
38	13-20202		4	LOCKWASHER, MOUNTING BRACKET SCREW
39	25661		1	STARTER SOLENOID
40	13-20202		2	LOCKWASHER, STARTER SOLENOID TERMINAL (5/16')
41	11-20083		2	NUT, STARTER SOLENOID TERMINAL (5/16")
42	13-26996		2	LOCKWASHER, STARTER SOLENOID TERMINAL (#10)
43	141-20645		2	NUT, STARTER SOLENOID TERMINAL (10-32)
44	10-21625		2	SCREW, STARTER SOLENOID TO MOUNTING BRACKET (3/4")
45	26551		1	TAB, STATER SOLENOID SCREW- THROTTLE RETURN SPRING
46	11-20361		2	NUT, STARTER SOLENOID SCREW
47	32177A1		1	RECTIFIER ASSEMBLY
48	10-29852		1	SCREW, HARNESS LEAD TO RECTIFIER
49	13-26996		1	LOCKWASHER, RECTIFIER TERMINAL
50	11-20645		1	NUT, RECTIFIER TERMINAL
51	10-26065		1	SCREW, RECTIFIER TO MOUNTING BRACKET (1")
52	11-29250		1	NUT RECTIFIER SCREW
53	46011A1		1	VOLTAGE REGULATOR ASSEMBLY
54	10-25764		2	SCREW, VOLTAGE REGULATOR TO MOUNTING BRCAKET (1/2")
55	10-22523		1	SCREW, VOLTAGE REGULATOR TO MOUNTING BRCAKET (3/4")
56	13-26996		3	LOCKWASHER, VOLTAGE REGULATOR SCREW
57	22789		1	"D" WASHER, WIRING HARNESS CLIP SCREW
58	54-22740		1	CLIP, WIRING HARNESS ATTACHING
59	11-20645		3	NUT, VOLTAGE REGULATOR SCREW

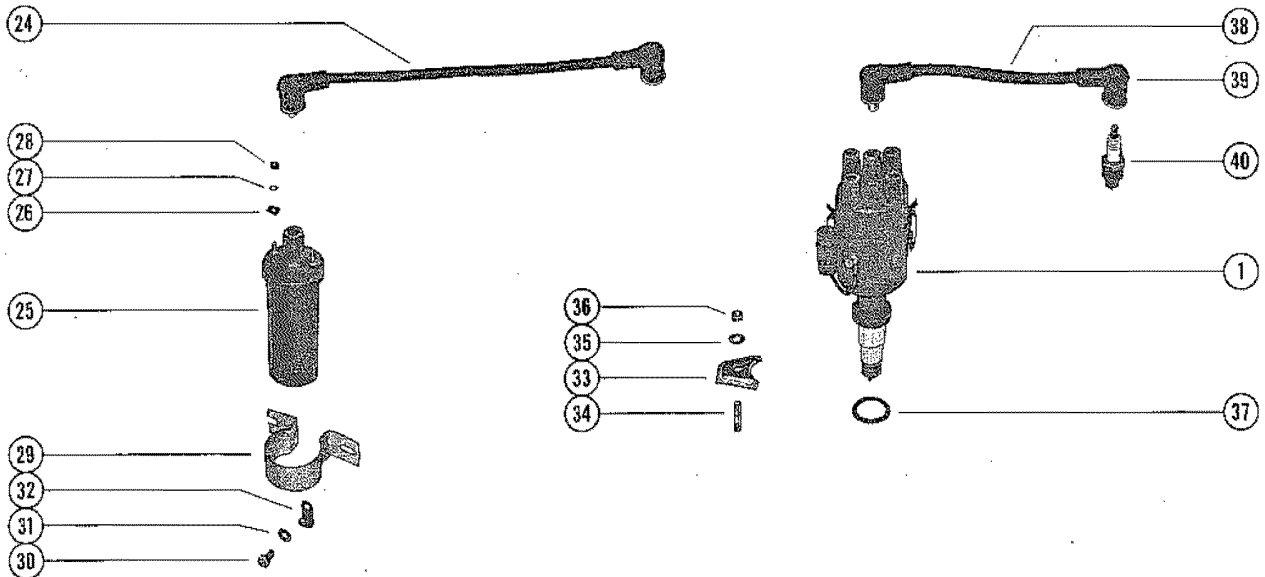
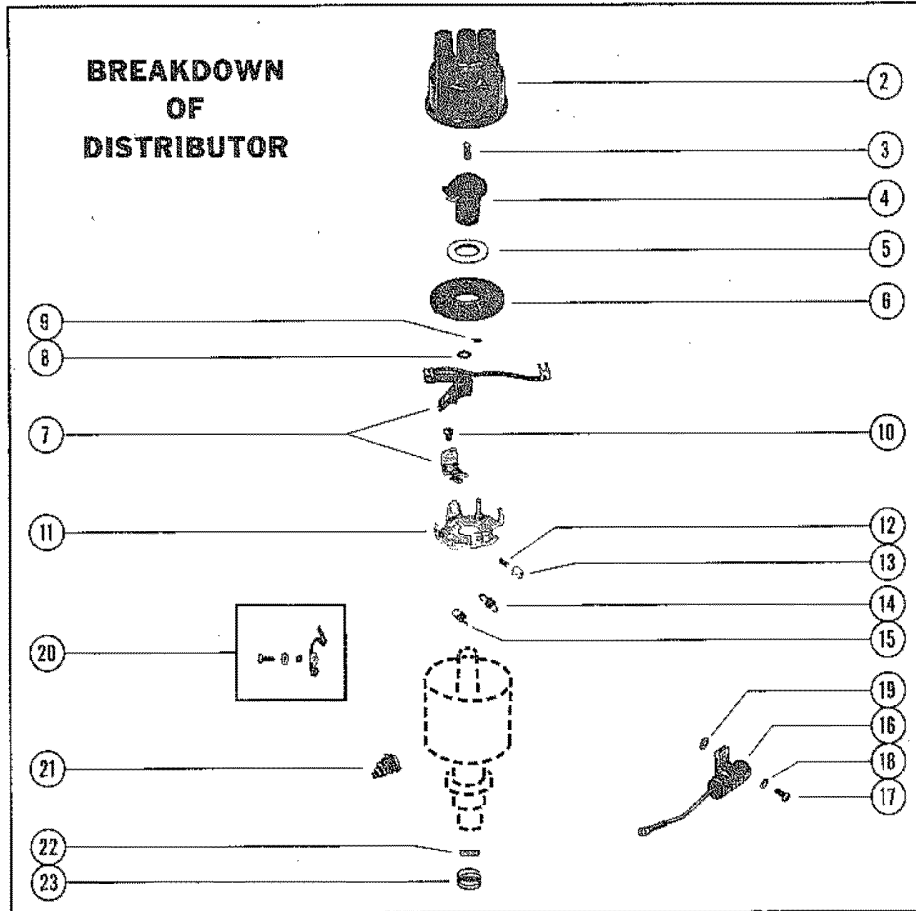
STARTER MOTOR ASSEMBLY



STARTER MOTOR ASSEMBLY

REF. NO.	PART NO.	SYM.	QTY.	DESCRIPTION
-	50-46640		1	STARTER MOTOR ASSEMBLY, COMPLETE
1	46649		1	HOUSING, STARTER
2	23-37154		1	BUSHING, STARTER HOUSING
3	46641		1	STARTER SOLENOID, STARTER HOUSING
4	10-46665		4	SCREW KIT, STARTER SOLENOID TO STARTER HOUSING
5	17-46644		1	PIN ASSEMBLY, SOLENOID ARM TO STARTER HOUSING
6	46645		1	ARM, STARTER SOLENOID
7	46646		1	INSERT, STARTER SOLENOID ARM
8	11-46664		1	NUT AND TERMINAL KIT, STARTER SOLENOID
9	13-46663		1	LOCKWASHER, STARTER SOLENOID TERMINAL
10	11-46648		1	NUT, STARTER SOLENOID TERMINAL
11	46650		1	DRIVE ASSEMBLY, CLUTCH
12	23-46651		1	BUSHING ASSEMBLY, CLUTCH DRIVE RETAINING
13	46655		1	GROMMET KIT, STARTER HOUSING
14	10-46652		2	BOLT, THRU- STARTER HOUSING
15	11-46654		2	NUT, STARTER HOUSING THRU BOLT
16	10-46653		4	SCREW, STARTER FIELD COIL
17	46656		1	ARMATURE
18	46657		1	FIELD COIL ASSEMBLY
19	46661		1	BRUSH KIT, STARTER (POSITIVE AND NEGATIVE)
20	24-46662		1	SPRING KIT, STARTER BRUSH
21	46658		1	BAND, STARTER MOTOR
22	11-46659		1	NUT, STARTER MOTOR BAND SCREW
23	23-37154		1	BUSHING, END COVER

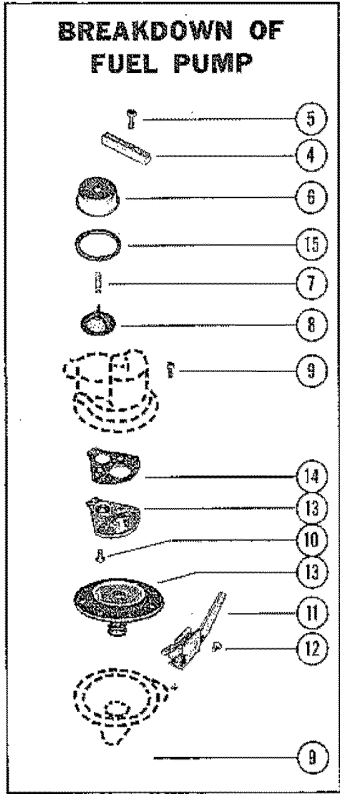
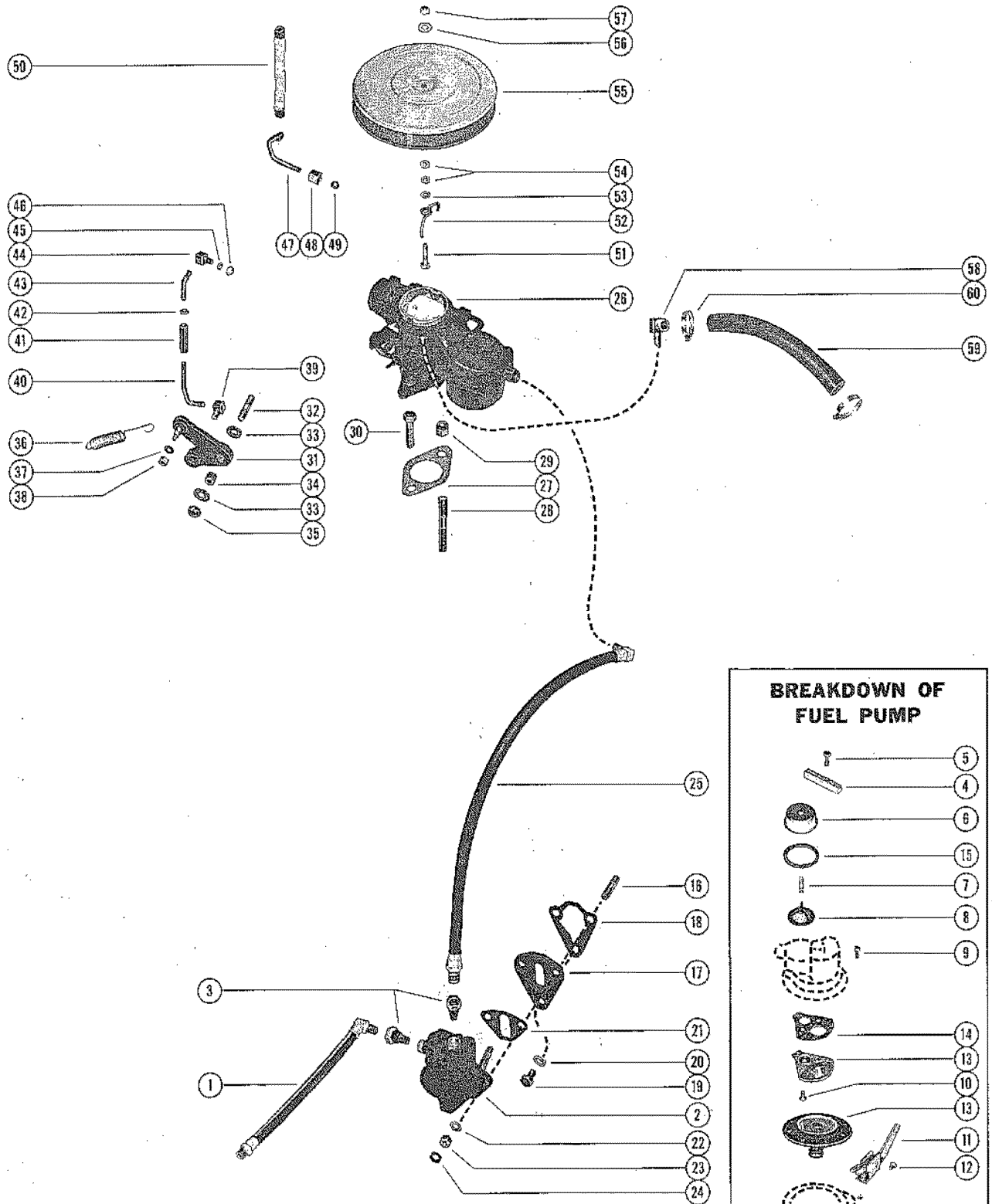
DISTRIBUTOR ASSEMBLY AND COIL



DISTRIBUTOR ASSEMBLY AND COIL

REF. NO.	PART NO.	SYM.	QTY.	DESCRIPTION
1	46619		1	DISTRIBUTOR ASSEMBLY, COMPLETE
2	46630		1	CAP ASSEMBLY, DISTRIBUTOR
3	46631		1	BALL AND SPRING ASSEMBLY, DISTRIBUTOR CAP
4	46632		1	ROTOR, DISTRIBUTOR
5	12-46967		1	WASHER, FELT-DISTRIBUTOR ROTOR
6	46969		1	SHIELD, BREAKER ASSEMBLY
7	46635		1	BREAKER ASSEMBLY, DISTRIBUTOR
8	112-46634		1	BREAKER ASSEMBLY, DISTRIBUTOR
9	18-46633		1	BREAKER ASSEMBLY, DISTRIBUTOR
10	10-46636		1	SCREW, BREAKER ASSEMBLY TO DISTRIBUTOR
	46637		1	BASE, BREAKER ASSEMBLY
11	46968		1	PLATE, MOUNTING- BREAKER ASSEMBLY
12	24-46638		1	SPRING, TENSION- WIPER
13	46639		1	WIPER, DISTRIBUTOR ROTOR
14	24-46620		1	SPRING, CAM BREAKER ADVANCE WEIGHT (LIGHT COIL)
15	24-46621		1	SPRING, CAM BREAKER ADVANCE WEIGHT (HEAVY COIL)
16	46626		1	CONDENSER
17	10-46629		1	SCREW, CONDENSER TO DISTRIBUTOR
18	13-46627		1	LOCKWASHER, CONDENSER SCREW
19	13-46628		1	LOCKWASHER, CONDENSER SCREW (STAR)
20	46625		1	RETAINER KIT, DISTRIBUTOR CAP
21	10-46622		1	SCREW, PRIMARY TERMINAL
22	17-46623		1	PIN, DRIVE- MAIN SHAFT
23	24-46624		1	SPRING, MAIN SHAFT
24	38542		1	LEAD ASSEMBLY, COIL TO DISTRIBUTOR (11 1/2")
25	38547		1	COIL ASSEMBLY, IGNITION
26	54-33271		2	CLAMP, LOCK-COIL TERMINAL
27	13-26996		2	LOCKWASHER, COIL TERMINAL
28	11-33277		2	NUT, COIL TERMINAL
29	46686		1	BRACKET, COIL MOUNTING
30	10-46533		2	SCREW, COIL MOUNTING BRACKET TO CYLINDER BLOCK (15MM)
31	12-37175		2	LOCKWASHER, COIL MOUNTING BRACKET SCREW
32	54-38537		1	CLIP, WIRING HARNESS- COIL MOUNTING BRACKET SCREW
33	37036		1	CLAMP, DISTRIBUTOR TO CYLINDER HEAD
34	16-46566		1	STUD, DISTRIBUTOR CLAMP TO CYLINDER HEAD
35	12-37175		1	WASHER, DISTRIBUTOR CLAMP STUD
36	11-46571		1	NUT, DISTRIBUTOR CLAMP STUD
37	27-37058		1	GASKET, DISTRIBUTOR
38	46010A1		4	LEAD ASSEMBLY, HIGH TENSION- DISTRIKBUTOR
39	47604A1		4	PROTECTOR, HIGH TENSION LEAD
40	33-46685		4	SPARK PLUG (AC-44XL)

FUEL PUMP, FUEL LINES AND CARBURETOR (S/N-2322195 & BELOW)

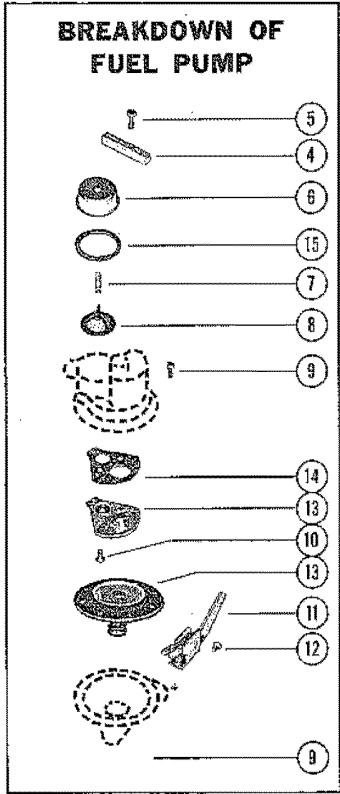
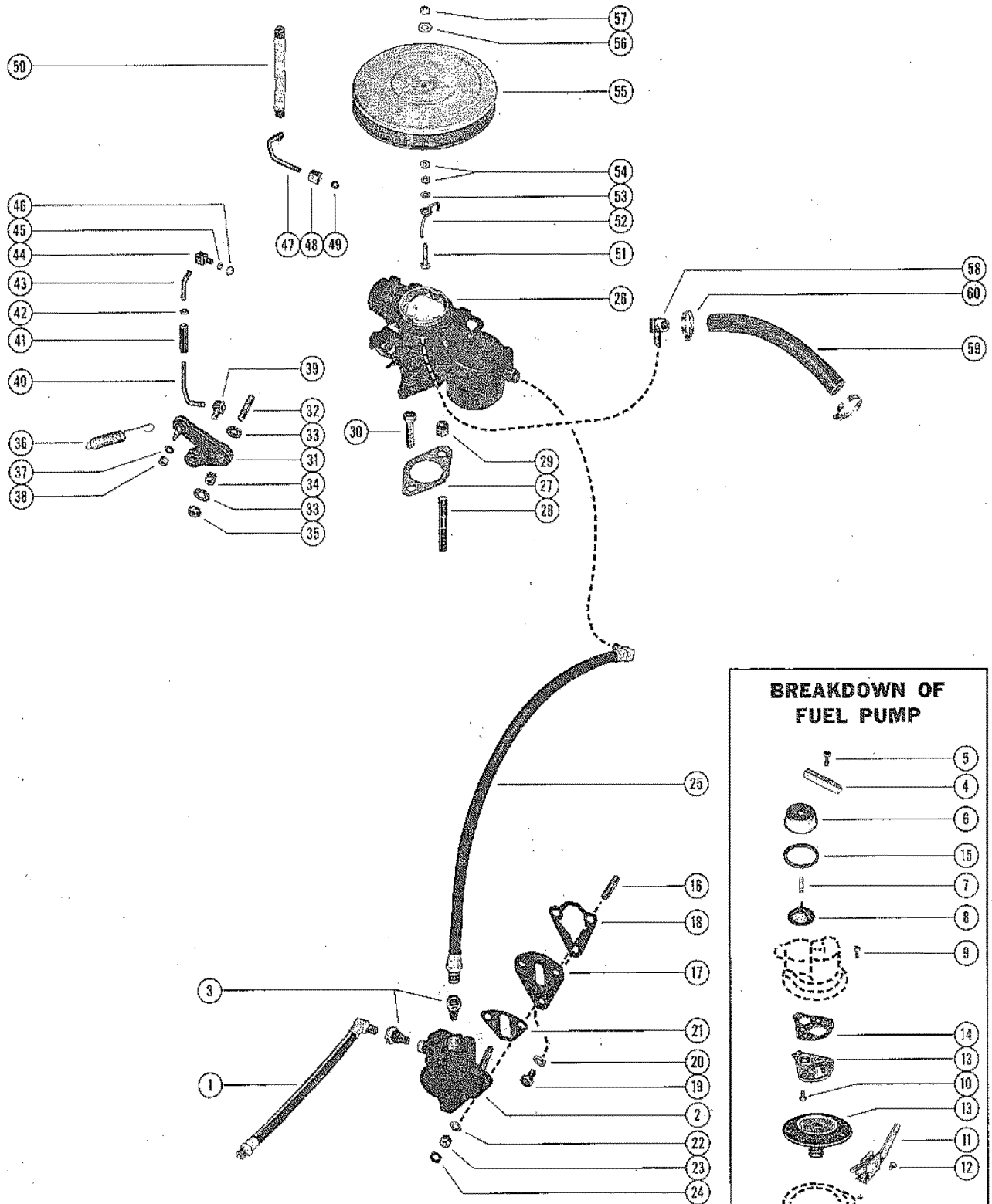


FUEL PUMP, FUEL LINES AND CARBURETOR (S/N-2322195 & BELOW)

REF. NO.	PART NO.	SYM.	QTY.	DESCRIPTION
1	32-46135		1	FUEL LINE, INLET- FUEL TANK TO FUEL PUMP (16 1/2")
2	46666A1		1	FUEL PUMP ASSEMBLY
3	22-46941		2	FITTING, FUEL PUMP INLET AND OUTLET
4	46669		1	CLAMP ASSEMBLY, FUEL PUMP CAP
5	10-46670		1	SCREW, CLAMP TO FUEL PUMP
6	46671		1	CAP, FUEL PUMP FILTER
7	24-46673		1	SPRING, TENSION- FUEL PUMP FILTER
8	46674		1	FILTER, FUEL PUMP
9	10-46675		8	SCREW, FUEL PUMP CLAMPING
10	10-46678		3	SCREW, CHECK VALUE PLATE TO FUEL PUMP
11	46668		1	ARM, FUEL PUMP
12	10-46676		1	SCREW, ARM TO FUEL PUMP
13	27-46667		1	REPAIR KIT, FUEL PUMP
14	27-46677		1	GASKET, CHECK VALUE PLATE TO FUEL PUMP
15	27-46672		1	GASKET, FUEL FUEL PUMP FILTER CAP
16	16-46522		2	STUD, FUEL PUMP TO CYLINDER BLOCK
17	46520		1	PLATE, MOUNTING- FUEL PUMP
18	27-46521		1	GASKET, FUEL PUMP MOUNTING PLATE
19	10-46517		1	SCREW, FUEL PUMP MOUNTING PLATE TO CYLINDER BLOCK (20MM)
20	13-46523		1	LOCKWASHER, FUEL PUMP MOUNTING PLATE SCREW
21	27-37137		1	GASKET, FUEL PUMP
22	12-46680		2	WASHER, FUEL PUMP STUD
23	11-37140		2	NUT, FUEL PUMP STUD
24	11-46679		2	NUT, LOCKING - FUEL PUMP STUD 2
25	32-46135		1	FUEL LINE, FUEL PUMP TO CARBURETOR (16 1/2")
26	1346-2770		1	CARBURETOR ASSEMBLY SEE C10 FOR PARTS BREAKDOWN
27	27-45865		1	GASKET, CARBURETOR
28	16-32908		1	TSUD, CARBURETOR TO INTAKE MANIFOLD COVER (1 5/16")
29	11-23161		1	NUT, CARBURETOR STUD
30	10-34354		1	SCREW, CARBURETOR TO INTAKE MANIFOLD COVER (1 1/2")
31	46130		1	LEVER, THROTTLE
32	16-21553		1	STUD, THROTTLE LEVER TO EXHAUST MANIFOLD BODY (1 1/2)
33	12-26825		2	WASHER, THROTTLE LEVER STUD
34	23-31831		1	SLEEVE, THROTTLE LEVER STUD
35	11-20102		1	NUT, THROTTLE LEVER STUD
36	24-33453		1	SPRING, THROTTLE RETURN- THROTTLE LEVER
37	12-30164		1	WASHER, THROTTLE CABLE TO THROTTLE LEVER
38	11-20110		1	NUT, THROTTLE CABLE TO THROTTLE LEVER
39	27947		1	SWIVEL, LINK ROD TO THROTTLE LEVER
40	46127		1	LINK ROD, THROTTLE LEVER SWIVEL TO ADJUSTING SLEEVE (LOWER)

CONTINUED ON NEXT PAGE ➡

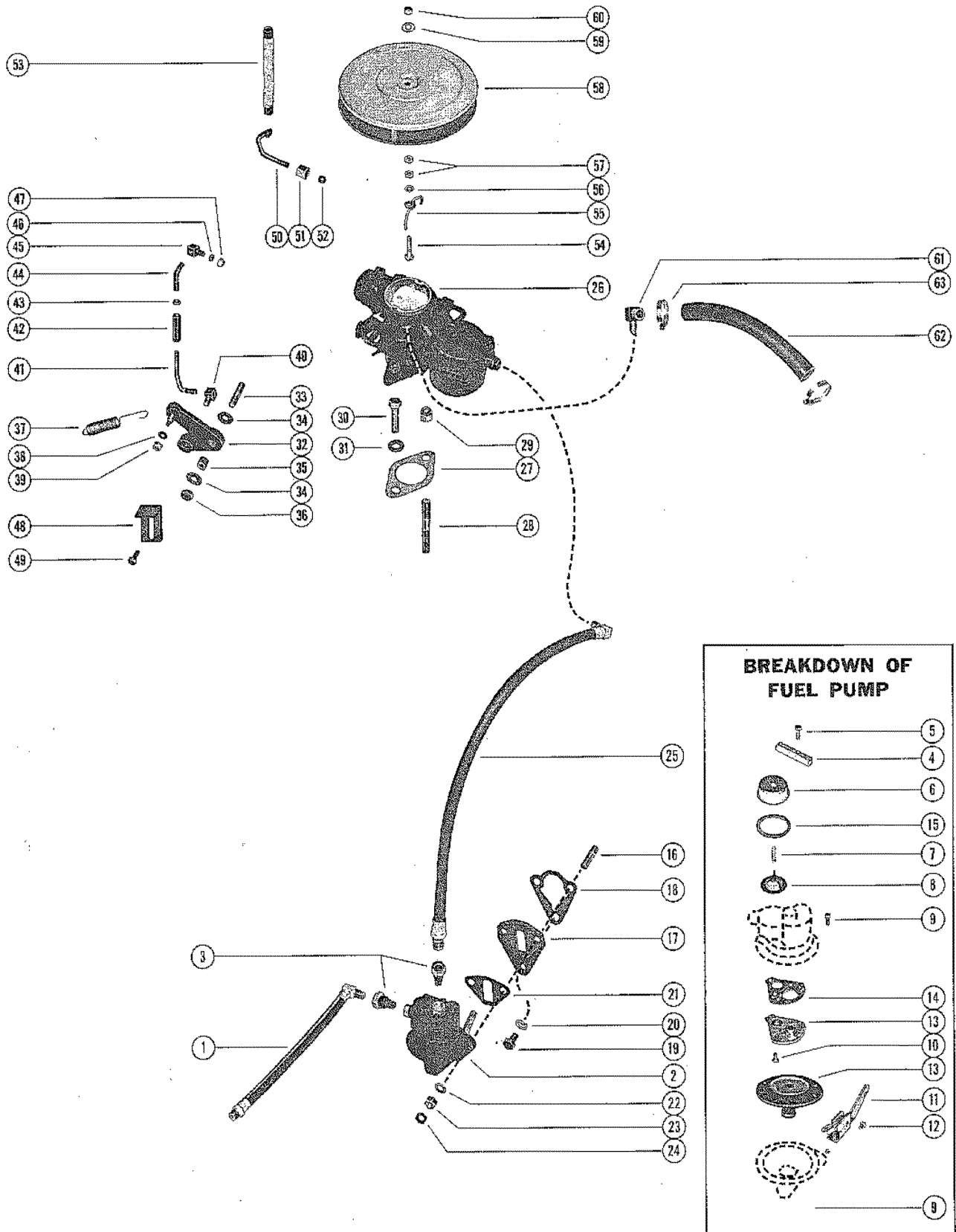
FUEL PUMP, FUEL LINES AND CARBURETOR (S/N-2322195 & BELOW)



FUEL PUMP, FUEL LINES AND CARBURETOR (S/N-2322195 & BELOW)

REF. NO.	PART NO.	SYM.	QTY.	DESCRIPTION
41	33393		1	SLEEVE, ADJUSTING- LINK ROD
42	11-25168		1	NUT, JAM- ADJUSTING SLEEVE TO UPPER LINK ROD
43	46128		1	LINK ROD, CARBURETOR SWIVEL TO ADJUSTING SLEEVE (UPPER)
44	38983		1	SWIVEL, LINK ROD TO CARBURETOR
45	12-30164		1	WASHER, LINK ROD SWIVEL
46	11-20110		1	NUT, LINK ROD SWIVEL TO CARBURETOR
47	32-45872A1		1	PIPE ASSEMBLY, CHOKE - CARBURETOR TO INTAKE MANIFOLD COVER
48	11-21310		2	NUT, CHOKE PIPE TO CARBURETOR
49	23-21309		2	SLEEVE, CHOKE PIPE
50	32-38984		1	COVERING, CHOKE PIPE
51	10-35156		1	SCREW, FLAME ARRESTOR TO CARBURETOR (1 1/4")
52	46129		1	WIRE, MOUNTING- FLAME ARRESTOR
53	12-22937		1	WASHER, FLAME ARRESTOR SCREW (BOTTOM)
54	11-28941		2	NUT, JAM- FLAME ARRESTOR SCREW
55	45630		1	FLAME ARRESTOR, CARBURETOR
56	12-22937		1	WASHER, FLAME ARRESTOR SCREW (TOP)
57	11-20586		1	NUT, FLAME ARRESTOR SCREW
58	22-46126		1	FITTING, CARBURETOR TO VENT HOSE 1
59	32-46751		1	HOSE, VENT - CARBURETOR TO TOP COVER (6 3/4") 1
60	54-32523		2	CLAMP, VENT HOSE TO CARBURETOR AND TOP COVER 2

FUEL PUMP, FUEL LINES AND CARBURETOR (S/N-2322196 & UP)

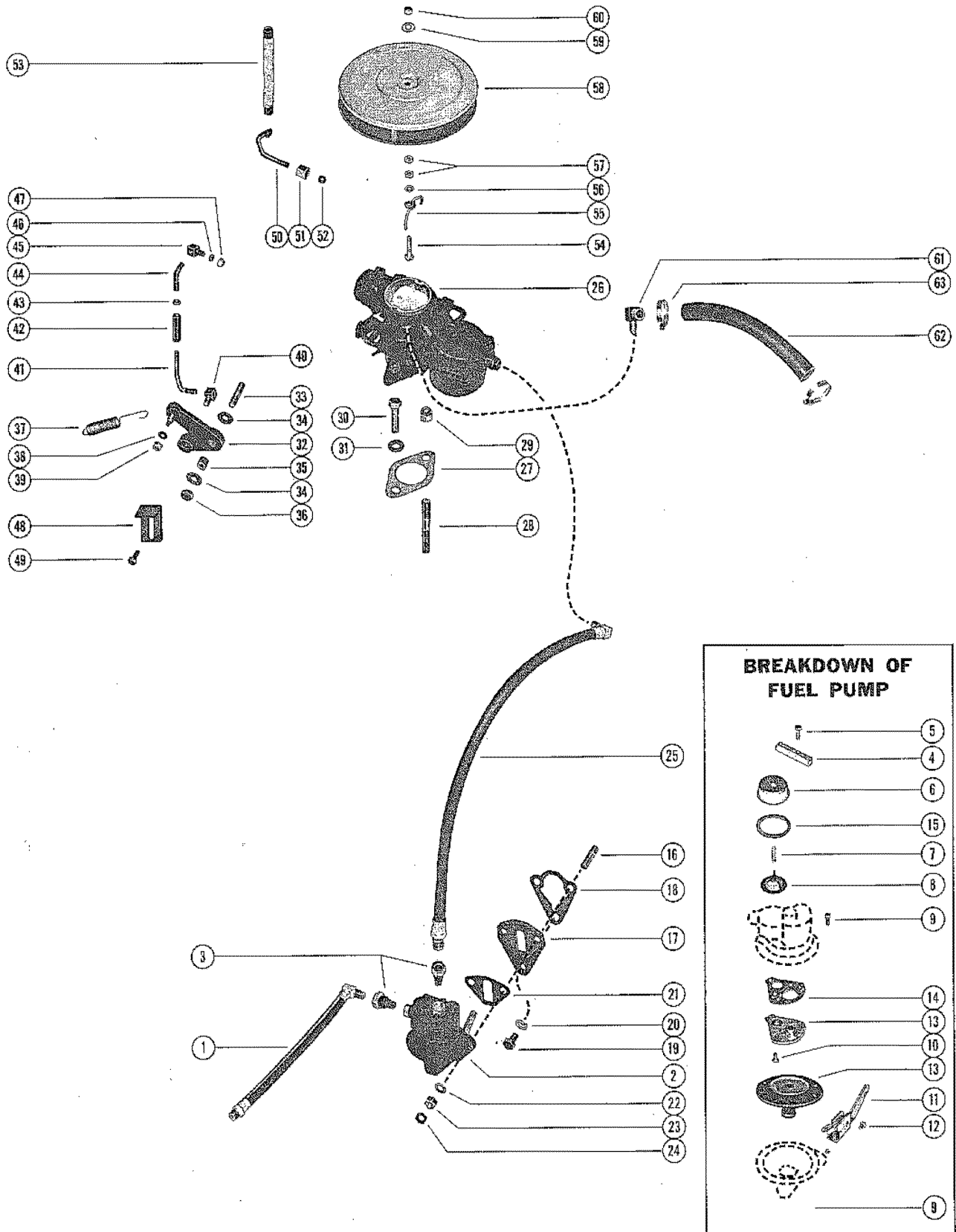


FUEL PUMP, FUEL LINES AND CARBURETOR (S/N-2322196 & UP)

REF. NO.	PART NO.	SYM.	QTY.	DESCRIPTION
1	32-46135		1	FUEL LINE, INLET - FUEL TANK TO FUEL PUMP (16 1/2")
2	46666A1		1	FUEL PUMP ASSEMBLY
3	22-46941		2	FITTING, FUEL PUMP INLET AND OUTLET
4	46669		1	CLAMP ASSEMBLY, FUEL PUMP CAP
5	10-46670		1	SCREW, CLAMP TO FUEL PUMP
6	46671		1	CAP, FUEL PUMP FILTER
7	24-46673		1	SPRING, TENSION - FUEL PUMP FILTER
8	46674		1	FILTER, FUEL PUMP
9	10-46675		8	SCREW, FUEL PUMP CLAMPING
10	10-46678		3	SCREW, CHECK VALUE PLATE TO FUEL PUMP
11	46668		1	ARM, FUEL PUMP
12	10-46676		1	SCREW, ARM TO FUEL PUMP
13	27-46667		1	REPAIR KIT, FUEL PUMP
14	27-46677		1	GASKET, CHECK VALUE PLATE TO FUEL PUMP
15	27-46672		1	GASKET, FUEL PUMP FILTER CAP
16	16-46522		2	STUD, FUEL PUMP TO CYLINDER BLOCK
17	46520		1	PLATE, MOUNTING- FUEL PUMP
18	27-46521		1	GASKET, FUEL PUMP MOUNTING PLATE
19	10-46517		1	SCREW, FUEL PUMP MOUNTING PLATE TO CYLINDER BLOCK (20MM)
20	13-46523		1	LOCKWASHER, FUEL PUMP MOUNTING PLATE SCREW
21	27-37137		1	GASKET, FUEL PUMP
22	12-46680		2	EWASHER, FUEL PUMP STUD
23	11-37140		2	NUT, FUEL LKPUMP STIUD
24	11-46679		2	NUT, LOCKING- FUEL PUMP STUD
25	32-47593		1	FUEL LINE, FUEL PUMP TO CABURETOR (22 1/2")
26	1346-2770		1	CARBURETOR ASSEMBLY SEE C10 FOR PARTS BREAKDOWN
27	27-45865		1	GASKET, CARBURETOR
28	16-32908		1	STUD, CARBURETOR TO INTAKE MANIFOLD COVER (1 5/1 6")
29	11-23161		1	NUT, CARBURETOR STUD
30	10-34354		1	SCREW, CARBURETOR TO INTAKE MANIFOLD COVER (1 1/2")
31	12-38742		1	WASHER, CARBURETOR SCREW
32	47596		1	LEVER, THROTTLE
33	16-21553		1	STUD, THROTTLE LEVER TO EXHAUST MANIFOLD BODY (1 1/2")
34	12-26825		2	WASHER, THROTTLE LEVER STUD
35	23-31831		1	SLEEVE, THROTTLE LEVER STUD
36	11-20102		1	NUT, THROTTLE LEVER STUD
37	24-33453		1	SPRING, THROTTLE RETURN- THROTTLE LEVER
38	12-30164		1	WASHER, THROTTLE CABLE TO THROTTLE LEVER
39	11-20110		1	NUT, THROTTLE CABLE TO THROTTLE LEVEL
40	47599		1	SWIVEL, LINK ROD TO THROTTLE LEVEL

CONTINUED ON NEXT PAGE ➡

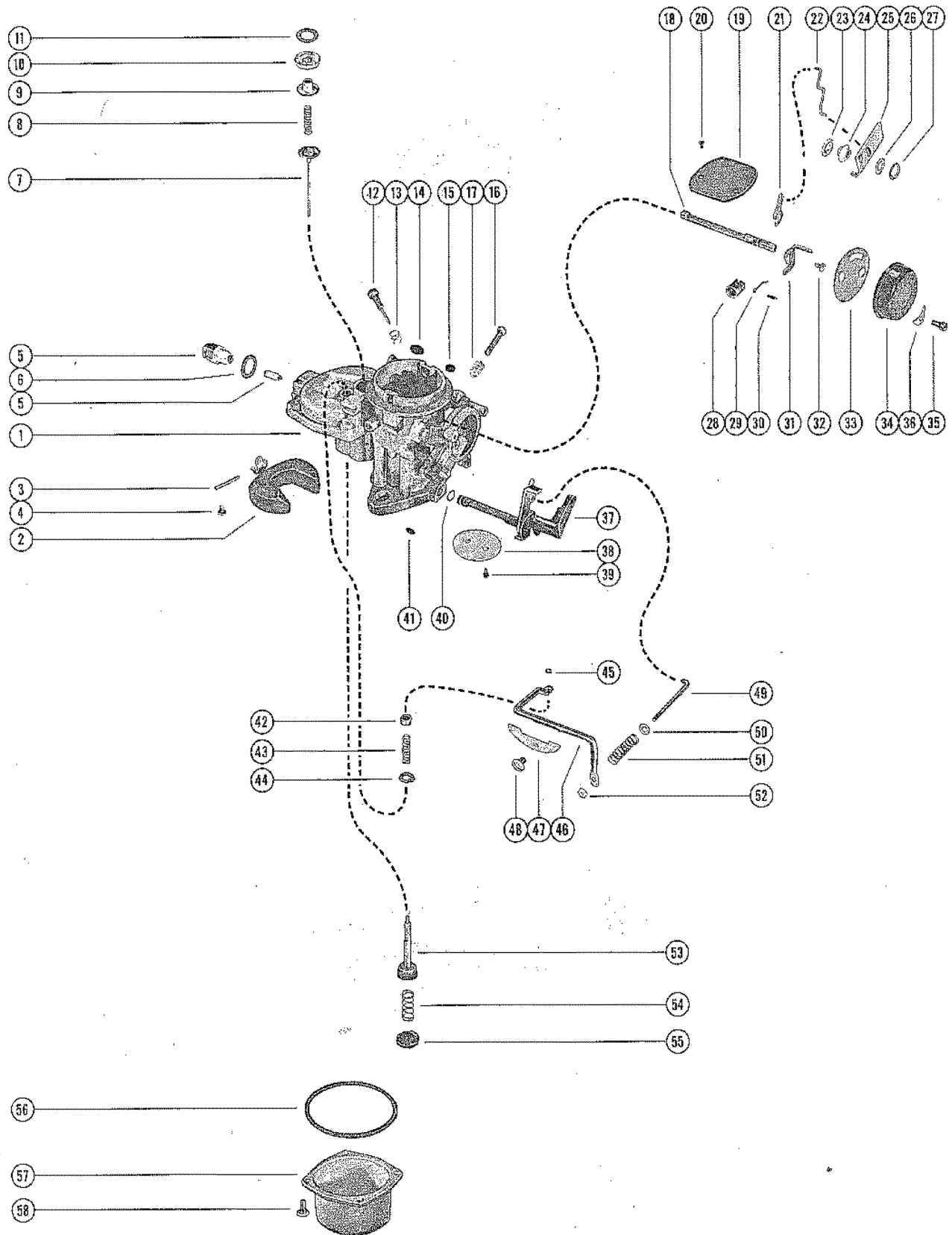
FUEL PUMP, FUEL LINES AND CARBURETOR (S/N-2322196 & UP)



FUEL PUMP, FUEL LINES AND CARBURETOR (S/N-2322196 & UP)

REF. NO.	PART NO.	SYM.	QTY.	DESCRIPTION
41	47597		1	LINK ROD, THROTTLE LEVER SWIVEL TO ADVESTING SLEEVE (LOWER)
42	33393		1	SLEEVE, ADJUSTING- LINK ROD
43	25168		1	NUT, JAM- ADJUSTING SLEEVE TO UPPER LINK ROD
44	47598		1	LINK ROD, CARBURETOR SWIVEL TO ADJUSTING SLEEVE (UPPER)
45	38983		1	SWIVEL, LIKN ROD TO CARBURETOR
46	12-30164		2	WASHER, LINK ROD SWIVEL
47	11-20110		2	NUT, LINK ROD SWIVEL TO CARBURETOR
48	29013		1	IDLE STOP
49	10-38787		1	SCREW, IDLE STOP TO EXHAUSE MANIFOLD (3/4")
50	32-47600A1		1	PIPE ASSEMBLY, CHOKE- CARBURETOR TO INTAKE MANIFOLD COVER
51	11-21310		2	NUT, CHOKE PIPE TO CARBURETOR
52	23-21309		2	SLEEVE, CHOKE PIPE
53	33229		1	COVERING, CHOKE PIPE
54	10-35156		1	SCREW, FLAME ARRESTOR TO CARBURETOR (1 1/4")
55	46129		1	WIRE, MOUNTING- FLAME ARRESTOR
56	12-22937		1	WASHER, FLAME ARRESTOR SCREW (BOTTOM)
57	11-28941		2	NUT, JAM- FLAME ARRESTOR SCREW
58	45630		1	FLAME ARRESTRO CARBURETOR
59	12-22937		1	WASHER, FLAME ARRESTOR SCREW (TOP)
60	11-20586		1	NUT, FLAME ARRESTOR SCREW
61	22-49019		1	FITTING, CARBURETOR TO VENT HOSE
62	32-47605		1	HOSE, VENT- CARBURETOR TO TOP COVER (6 3/4)
63	54-32523		2	CLAMP, VENT HOSE TO CARBURETOR AND TOP COVER

CARBURETOR ASSEMBLY

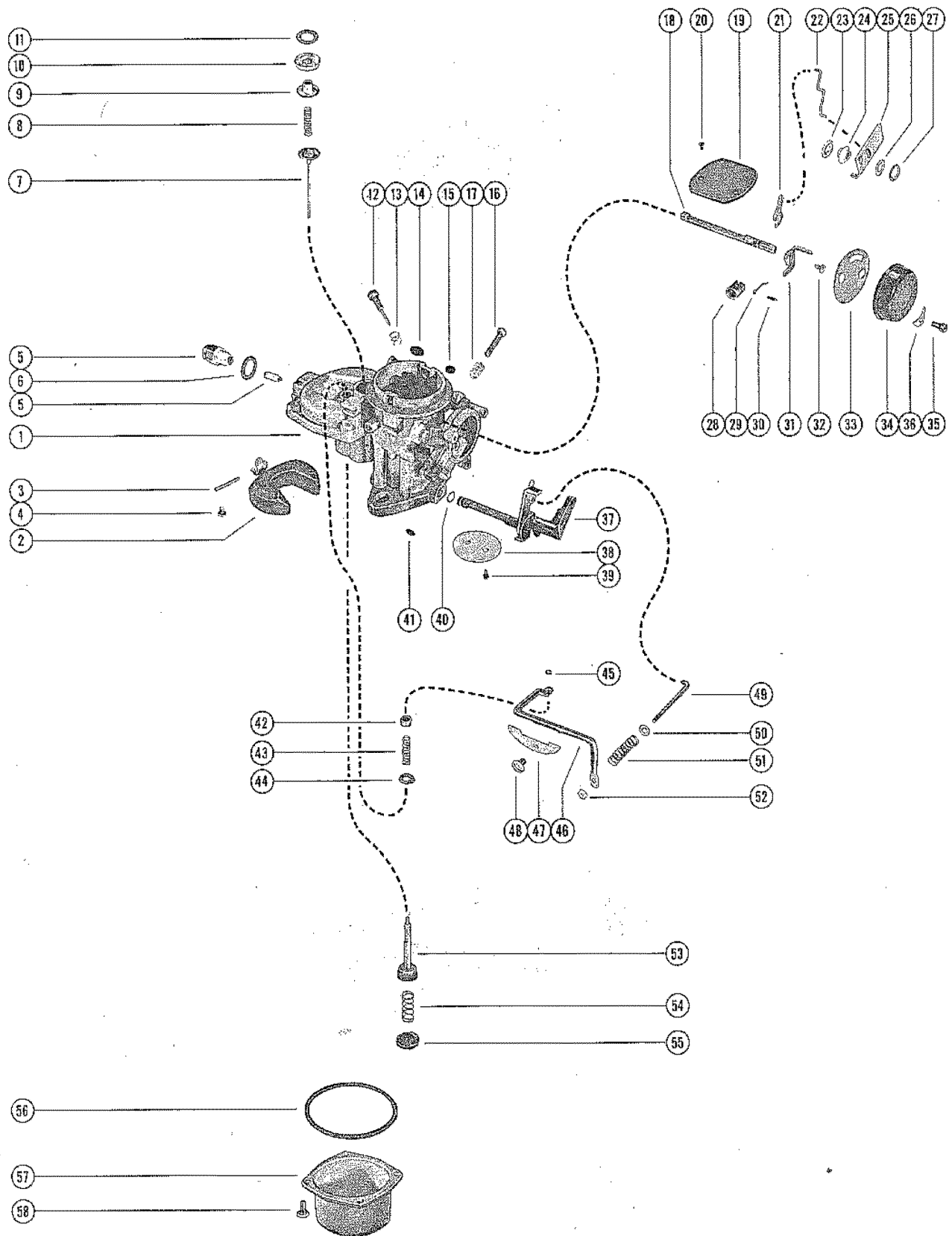


CARBURETOR ASSEMBLY

REF. NO.	PART NO.	SYM.	QTY.	DESCRIPTION
1	1346-2770		1	CARBURETOR ASSEMBLY COMPLETE
2	1398-3096		1	FLOAT ASSEMBLY
3	1398-3098		1	>PIN, FLOAT LEVER
4	1398-3115		2	SCREW, FLOAT LEVER PIN TO CARBURETOR
5	1398-3099		1	*INLET NEEDLE AND SEAT ASSEMBLY
6	N.S.S.		1	*GASKET, INLET NEEDLE AND SEAT
7	N.S.S.		1	*DIAPHRAGM, STEP-UP ROD
8	N.S.S.		1	*SPRING, STEP-UP ROD DIAPHRAGM - UPPER
9	N.S.S.		1	*COVER, STEP-UP ROD DIAPHRAGM
10	N.S.S.		1	*RETAINER, STEP-UP ROD DIAPHRAGM
11	N.S.S.		1	*WASHER, RETAINER- STEP-UP ROD DIAPHRAGM COVER
12	1398-3100		1	SCREW, IDLE ADJUSTMENT
13	1398-3105		1	SPRING, IDLE ADJUSTMENT SCREW
14	1398-3133		1	PLUG, IDLE PORT-CARBURETOR
15	1398-3134		1	WELCH PLUG, FUEL WELL- CARBURETOR
16	1398-3117		1	SCREW, THROTTLE ADJUSTING
17	1398-3104		1	SPRING, THROTTLE ADJUSTING SCREW
18	1398-3093		1	SHAFT,CHOKE
19	1398-3092		1	VALVE, CHOKE-CHOKE SHAFT
20	1398-3119		2	SCREW, CHOKE VALVE TO CHOKE SHAFT
21	1398-3094		1	LEVER, CHOKE- CHOKE SHAFT
22	1398-3123		1	ROD, FAST IDLE CONNECTOR
23	1398-3127		1	WASHER, FAST IDLE CALM COLLAR
24	1398-3102		1	COLLAR, FAST IDLE CALM
25	1398-3132		1	CAM, FAST IDLE
26	1398-3125		1	WASHER, FAST IDLE CAM
27	1398-3114		1	RETAINER, FAST IDLE CAM TO CARBURETOR
28	1398-3129		1	PISTON, CHOKE
29	1398-3124		1	LINK, CHOKE PISTON TO LEVER
30	1398-3128		1	PIN, LINK TO CHOKE PISTON
31	1398-3095		1	LEVER, CHOKE PISTON
32	1398-3113		1	SCREW, CHOKE PISTON LEVER TO CHOKE SHAFT
33	N.S.S.		1	*GASKET, COIL HOUSING
34	1398-3131		1	COIL HOUSING ASSEMBLY
35	1398-3112		3	SCREW, COIL HOUSING TO CARBURETOR
36	1398-3108		3	RETAINER, COIL HOUSING SCREW
37	1398-3091		1	SHAFT AND LOWER ASSEMBLY, THROTTLE
38	1398-3090		1	VALVE, THROTTLE- THROTTLE SHAFT AND LEVER
39	1398-3119		2	SCREW, THROTTLE VALVE TO THROTTLE SHAFT AND LEVER
40	1398-3130		1	"O" RING, THROTTLE SHAFT AND LEVER
41	1398-3101		1	WELCH PLUG, CHOKE PISTON-CARBURETOR
42	1398-3121		1	BUSHING, PUMP

CONTINUED ON NEXT PAGE ➡

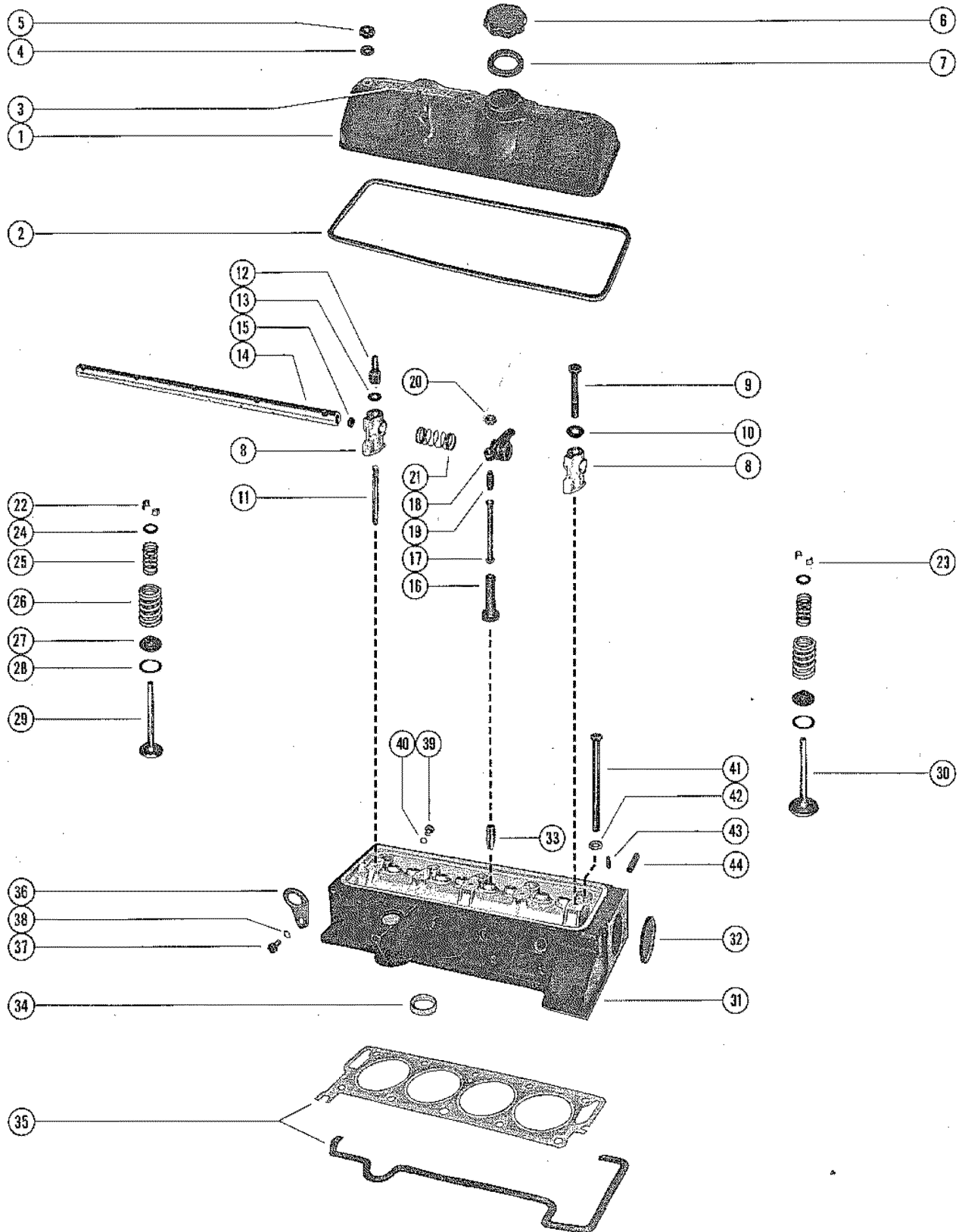
CARBURETOR ASSEMBLY



CARBURETOR ASSEMBLY

REF. NO.	PART NO.	SYM.	QTY.	DESCRIPTION
43	N.S.S.		1	*SPRING, PUMP- UPPER
44	1398-3126		1	WASHER, PUMP (UPPER)
45	1398-3109		1	*RETAINER, PUMP TO PUMP ARM
46	1398-3103		1	ARM, PUMP
47	1398-3110		1	RETAINER, PUMP ARM
48	1398-3116		1	SCREW, PUMP ARM RETAINER TO CARBURETOR
49	1398-3122		1	LINK, PUMP ARM CONNECTOR
50	1398-3111		1	RETAINER, PUMP ARM CONNECTOR LINK
51	1398-3107		1	SPRING, PUMP ARM CONNECTOR LINK
52	1398-3120		1	NUT, PUMP ARM CONNECTOR LINK
53	N.S.S.		1	*PUMP ASSEMBLY, CARBURETOR
54	1398-3106		1	SRPING, PUMP- LOWER
55	N.S.S.		1	*RETAINER, PUMP-LOWER
56	N.S.S.		1	*GASKET, FLOAT BOWL
57	1398-3097		1	BOWL, FLOAT- CARBURETOR
58	1398-3118		4	SCREW, FLOAT BOWL TO CARBURETOR
	1398-3089		1	REPAIR PARTS KIT, CARBURETOR

TOP COVER, ROCKER SHAFT AND CYLINDER HEAD

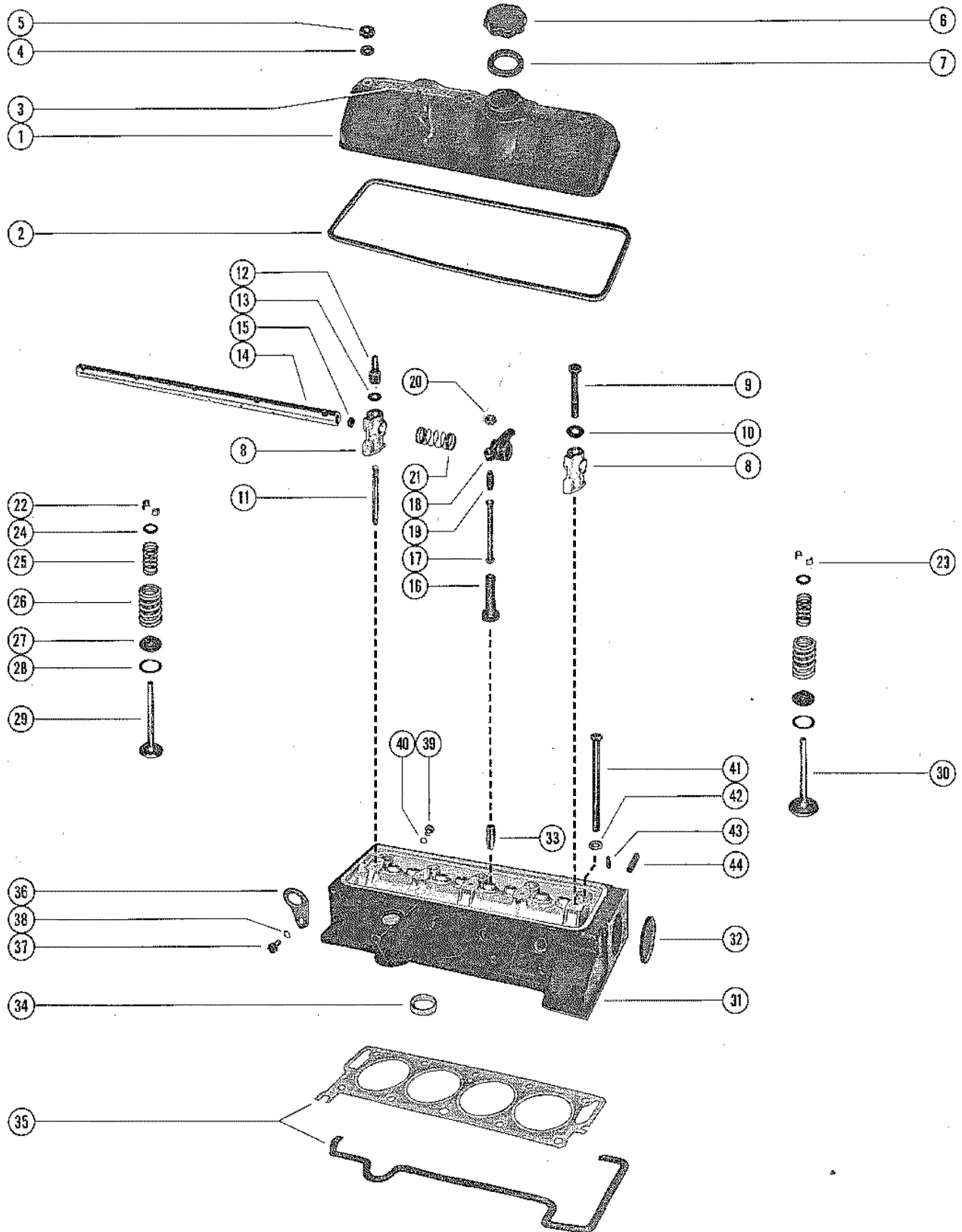


TOP COVER, ROCKER SHAFT AND CYLINDER HEAD

REF. NO.	PART NO.	SYM.	QTY.	DESCRIPTION
1	46558		1	COVER, TOP
2	27-46559		1	GASKET, TOP COVER
3	37-45673		1	DECAL, TOP COVER
	37-46753		1	DECAL, TOP COVER (EXPORT ENGINES ONLY)
4	12-46570		3	WASHER, TOP COVER FASTENING NUT
5	11-46569		3	NUT, TOP COVER FASTENING
6	46556		1	CAP, OIL FILLER
7	27-46557		1	GASKET, OIL FILLER CAP
8	46586		5	SUPPORT, ROCKER SHAFT
9	10-46583		2	SCREW, ROCKER SHAFT SUPPORT TO CYLINDER HEAD (67MM)
10	12-46584		2	WASHER, ROCKER SHAFT SUPPORT SCREW
11	16-46562		3	STUD, ROCKER SHAFT SUPPORT TO CYLINDER HEAD
12	10-46581		3	SCREW, MOUNTING- TOP COVER
13	12-46584		3	WASHER, TOP COVER MOUNTING SCREW
14	46578		1	SHAFT, ROCKER
15	19-46577		1	WELCH PLUG, ROCKER SHAFT
16	46593		AR	LIFTER, PUSH ROD (12MM)
	46594		AR	LIFTER, PUSH ROD (12.2MM)
17	46591		8	ROD, PUSH
18	46582		4	ARM, ROCKER-INLET
	46587		4	ARM, ROCKER- EXHAUST
19	10-46590		8	SCREW, ADJUSTING-PUSH ROD
20	11-46585		8	NUT, LOCK- PUSH ROD ADJUSTING SCREW
21	24-46588		4	SPRING, ROCKER SHAFT
22	28-46580		4	KEY, EXHAUST VALVE (DOUBLE GROOVE)
23	28-46579		4	KEY, INLET VALVE (SINGLE GROOVE)
24	46589		8	CAP, VALVE SPRING (UPPER)
25	24-46683		8	SPRING, VALVE (INNER)
26	24-46684		8	SPRING, VALVE (OUTER)
27	46592		8	VCAP, VALVE SPRING (LOWER)
28	12-46595		8	WASHER, VALVE SPRING (LOWER)
29	46682		4	VALVE, EXHAUST (SMALL HEAD)
30	46681		4	VALVE, INLET (LARGE HEAD)
31	940-3001		1	CYLINDER HEAD ASSEMBLY
32	19-46563		1	PLUG, EXPANSION - CYLINDER HEAD
33	46561		AR	VALVE GUIDE (13.10MM)
	46560		AR	VALVE GUIDE (13.25MM)
34	46697		4	VALVE SEAT, EXHAUST- CYLINDER HEAD
	46698		4	VALVE SEAT, INLET- CYLINDER HEAD
35	27-46564		1	GASKET KIT, CYLINDER HEAD
36	54-34764		1	EYE, LIFTING-CYLINDER HEAD
37	10-45628		1	SCREW, LIFTING EYE TO CYLINDER HEAD (18MM)

CONTINUED ON NEXT PAGE ➡

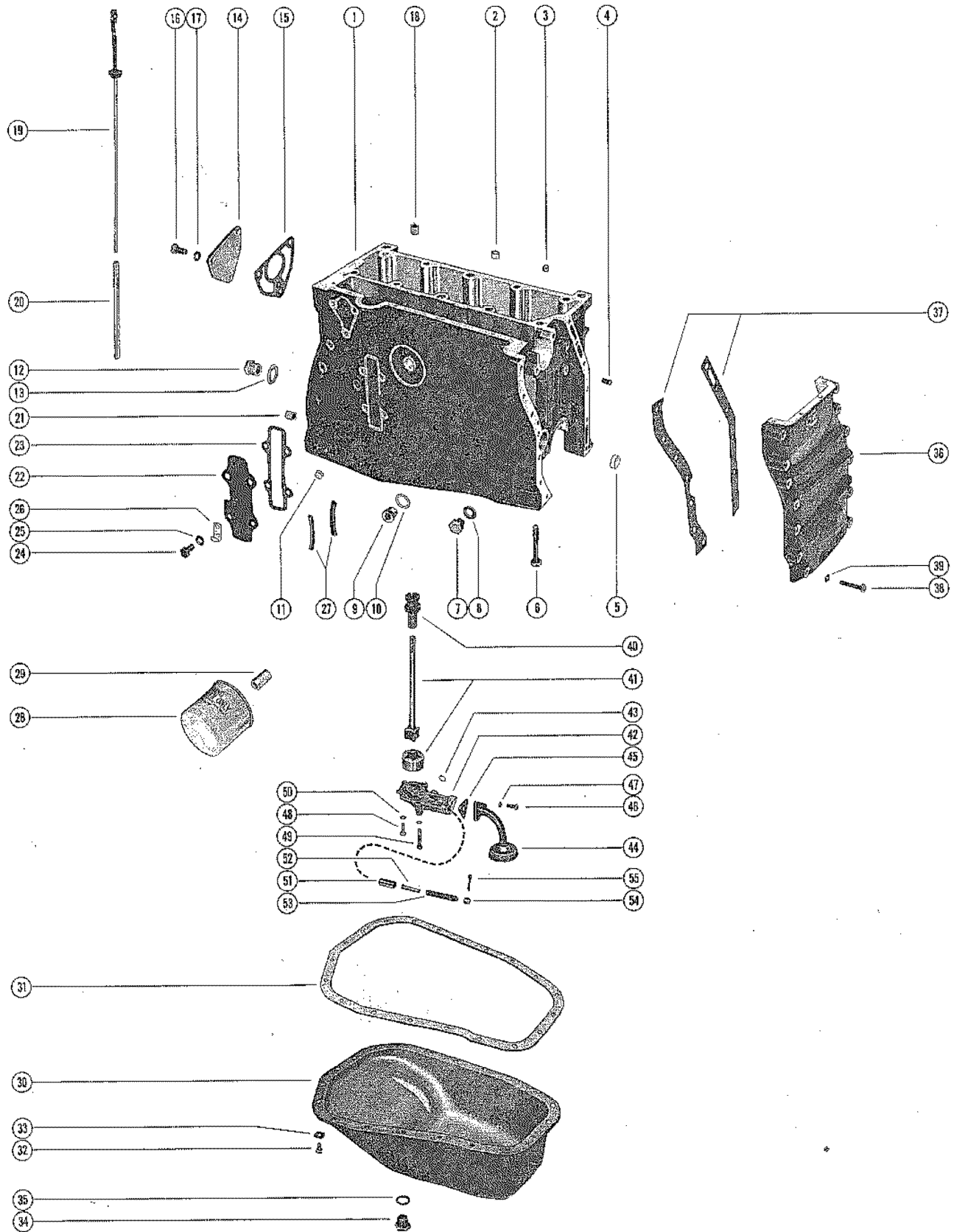
TOP COVER, ROCKER SHAFT AND CYLINDER HEAD



TOP COVER, ROCKER SHAFT AND CYLINDER HEAD

REF. NO.	PART NO.	SYM.	QTY.	DESCRIPTION
38	12-30283		1	WASHER, LIFTING EYE SCREW
39	19-46508		1	PLUG, CYLINDER JHEAD
40	27-37105		1	GASKET, CYLINDER HEAD PLUG
41	10-46568		10	BOLT, CYLINDER BHEAD TO CYLINDER BLOCK (155MM)
42	12-46567		10	WASHER, CYLINDER HEAD BOLT
43	17-46691		2	PIN, LOCATING- CYLINDER HEAD
44	22-46690		1	CONNECTOR, CYLINDER HEAD

CYLINDER BLOCK, OIL PAN AND OIL PUMP

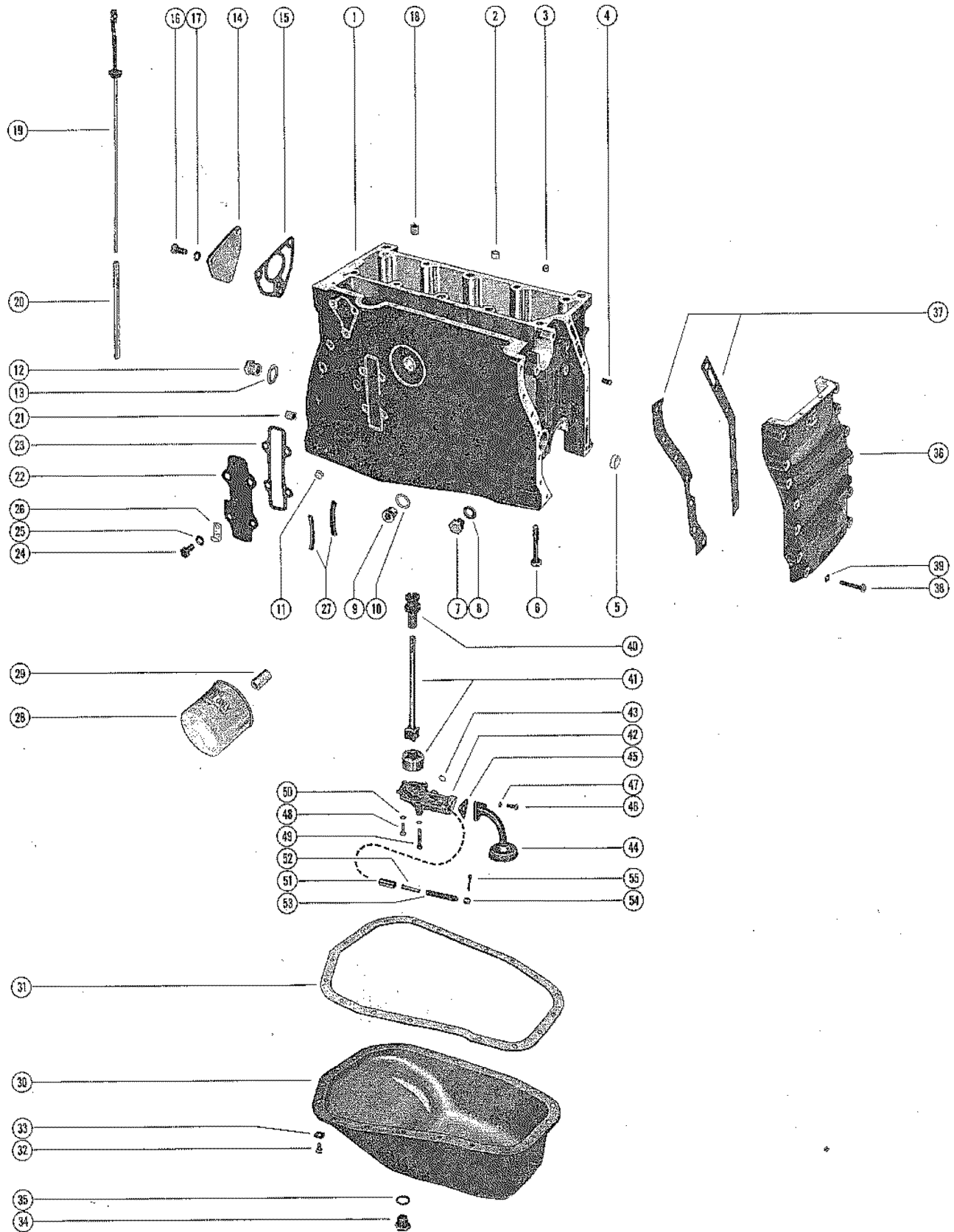


CYLINDER BLOCK, OIL PAN AND OIL PUMP

REF. NO.	PART NO.	SYM.	QTY.	DESCRIPTION
1	845-3002		1	CYLINDER BLOCK ASSEMBLY (SERIAL #2322195 AND BELOW) SERIAL 00000000-02322195
	845-3304A1		1	CYLINDER BLKOCK ASSEMBLY (SERIAL # 2322196 AND UP) SERIAL 02322196-09999999
2	19-46516		1	PLUG, EXPANSION- CYLINDER BLOCK (TOP)
3	19-46515		2	PLUG, EXPANSION- CYLINDER BLOCK (TOP)
4	10-46502		1	SCREW, PLUG- CYLINDER BLOCK
5	19-46503		1	PLUG, EXPANSION- CYLINDER BLOCK (FRONT)
6	10-46504		10	BOLT, ,MAIN BEARING CAP TO CYLINDER BLOCK (67.5MM)
7	10-46506		1	PLUG, CYLINDER BLOCK
8	12-46505		1	WASHER, CYLINDER BLOCK PLUG
9	19-46508		4	PLUG, CYLINDER BLOCK
10	12-46507		4	WASHER, CYLINDER BLOCK PLUG
11	19-46509		1	PLUGM EXPANSION- CYLINDER BLOCK (SIDE)
12	19-46512		1	PLUG, CYLINDER BLOCK- REAR
13	12-46513		1	WASHER, CYLINDER BLOCK REAR PLUG
14	46537		1	COVER, CAMSHAFT HOLE- CYLINDER BLOCK
15	27-46524		1	GASKET, CAMSHAFT HOLE COVER
16	10-46565		3	SCREW, CAMSHAFT HOLE COVER TO CYLINDER BLOCK (20MM)
17	13-37141		3	LOCKWASHER,CAMSHAFT HOLE COVER SCREW
18	23-37127		1	BUSHING, OIL PUMP SHAFT- CYLINDER BLOCK
19	46500		1	GAUGE, OIL LEVEL (DIP STICK)
20	32-46501		1	TUBE, OIL LEVEL GAUGE- CYLINDER BLOCK
21	23-46689		2	SPACER, ALIGNMENT- CYLINDER BLOCK TO FLYWHEEL HOUSING
22	46511		1	COVER, INSPECTION- CYLINDER BLOCK
23	27-46510		1	GASKET, INSPECTION COVER
24	10-46517		4	SCREW, INSPECTION COVER TO CYLONDER BLOCK (20MM)
25	12-46518		4	EWASHER, INSPECTION COVER SCREW
26	54-38537		1	CLIP, INSPECTION COVER SCREW- WIRING HARNESS LEADS
27	23-46527A1		1	SPACER ASSEMBLY, MAIN BEARING CAP
28	46692		1	OILO FILTER
29	37125		1	ADAPTOR, OIL FILTER TO CYLINDER BLOCK
30	46529		1	OIL PAN
31	27-46530		1	GASKET, OIL PAN
32	10-46532		2	SCREW, OIL PAN TO CYLINDER BLOCK (15MM)
	10-46533		18	SCREW, OIL PAN TO CYLINDER BLOCK (12MM)
33	12-46531		20	WASHER, OIL PAN SCREW
34	22-46534		1	PLUG, DRAIN-OIL PAN
35	27-37105		1	GASKET, OIL PAN DRAIN PLUG
36	46535		1	COVER, TIMING
37	27-46536		1	GASKET, TIMING COVER
38	10-46538		3	SCREW, TIMING COVER TO CYLINDER BLOCK (40MM)

CONTINUED ON NEXT PAGE ➡

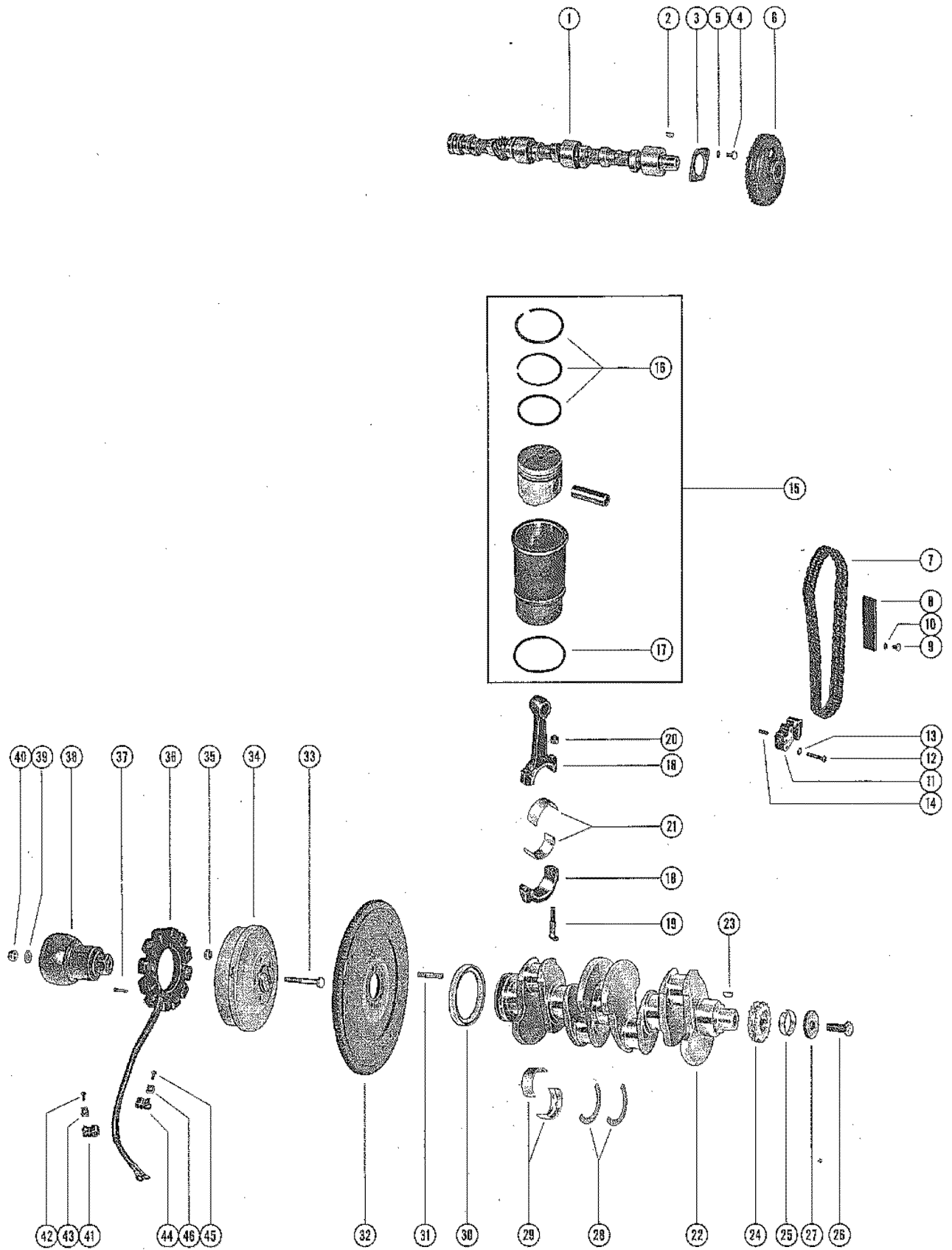
CYLINDER BLOCK, OIL PAN AND OIL PUMP



CYLINDER BLOCK, OIL PAN AND OIL PUMP

REF. NO.	PART NO.	SYM.	QTY.	DESCRIPTION
38	10-46539		10	SCREW, TIMING COVER TO CYLINDER BLOCK (30MM)
39	12-46540		13	WASHER, TIMING COVER SCREW
40	46604		1	SHAFT, PINION-OIL PUMP SHAFT TO DISTRIBUTOR
41	47166		1	SHAFT, OIL PUMMP BVODY TO PINION SHAFT
42	46618		1	BODY, OIL PUMP
43	19-46606		1	PLUG, OIL PUMP BODY
44	46608		1	TUBE, PICK-UP
45	27-46607		1	GASKET, PICK-UP TUBE
46	10-46609		3	SCREW, PICK UP TUBE TO OIL PUMP BODY (20MM)
47	12-46610		3	WASHER, PICK-UP TUBE SCREW
48	10-46617		2	SCREW, OIL PUMP BODY TO CYLINDER BLOCK (25MM)
49	10-46615		4	SCREW, OIL PUMP BODY TO CYLINDER BLOCK (45MM)
50	12-46616		6	WASHER, OIL PUMP BODY SCREW
51	23-46614		1	SLEEVE, OIL PRESSURE RELEASE VALVE
52	17-46613		1	PIN, GUIDE-OIL PRESSURE RELEASE VALVE
53	24-46612		1	SPRING, TENSION-OIL PRESSURE RELEASE VALVE
54	46611		1	CAP, OIL PRESSURE VALVE SPRING
55	18-46605		1	COTTER PIN, OIL PRESSURE RELEASE VALVE CAP

CAMSHAFT, CRANKSHAFT, PISTONS, FLYWHEEL AND STATOR

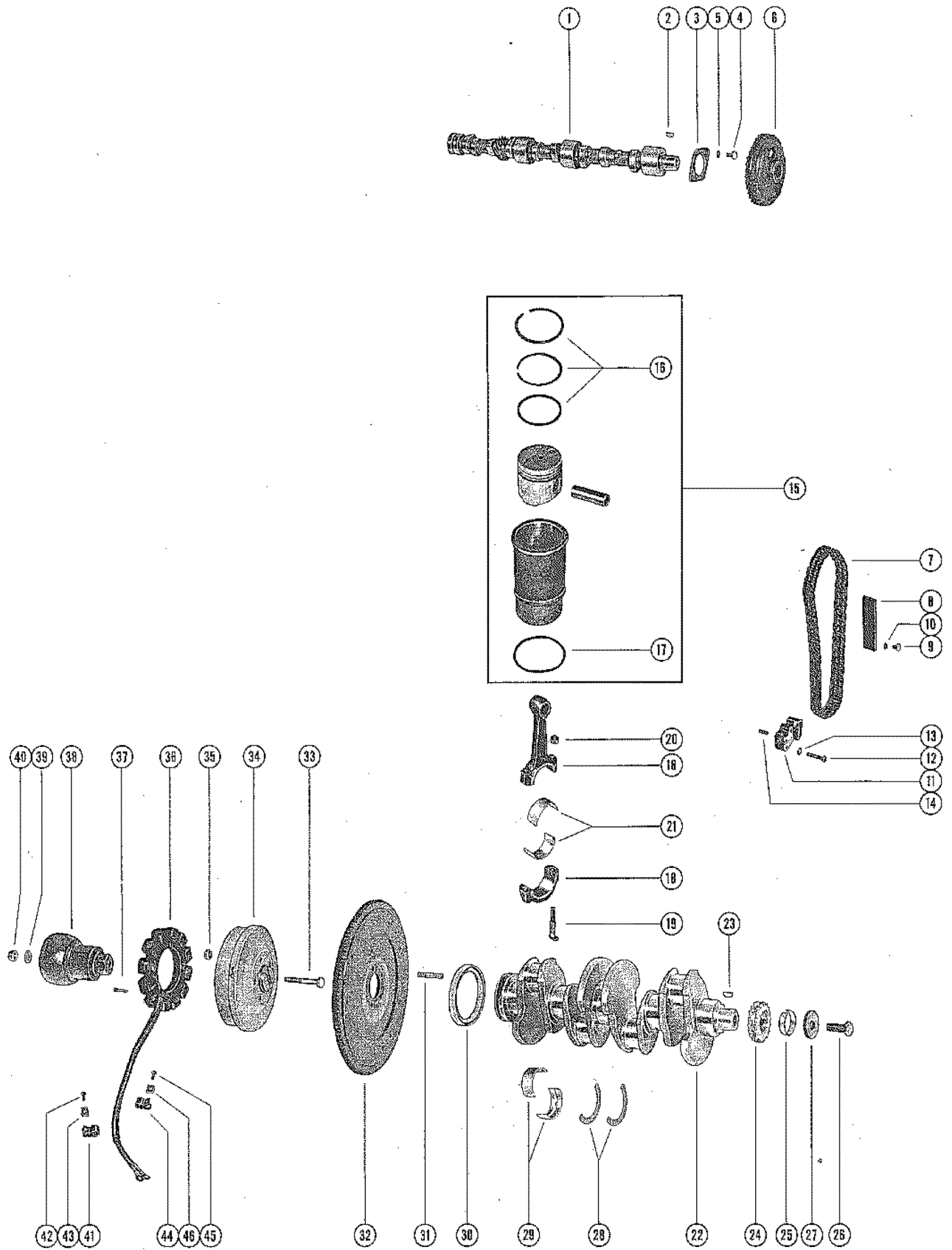


CAMSHAFT, CRANKSHAFT, PISTONS, FLYWHEEL AND STATOR

REF. NO.	PART NO.	SYM.	QTY.	DESCRIPTION
1	435-3007		1	CAMSHAFT
2	28-37047		1	KEY, CAMSHAFT
3	46596		1	PLATE, THRUST-CAMSHAFT
4	10-46532		2	SCREW, THRUST PLATE TO CYLINDER BLOCK (12MM)
5	12-37175		2	WASHER, THRUST PLATE SCREW
6	43-46576		1	GEAR, TIMING-CAMSHAFT
7	46573		1	CHAIN, TIMING-CAMSHAFT AND CRANKSHAFT TIMING GEARS
8	46574		1	PLATE, GUIDE-TIMING CHAIN SERIAL 00000000-02322195
9	10-46575		2	SCREW, GUIDE PLATE TO CYLINDER BLOCK (10MM) SERIAL 00000000-02322195
10	12-37175		2	WASHER, GUIDE PLATE SCREW SERIAL 00000000-02322195
8	48097		2	PALTE, GUIDE-TIMING CHAIN PART OF B-845-3304A1 CYLINDER BLOCK ASSEMBLY SERIAL 02322196-09999999
9	10-48096		4	SCREW, GUIDE PLATE TO CYLINDER BLOCK (10MM) PART OF B-845-3304A1 CYLINDER BLOCK ASSEMBLY SERIAL 02322196-09999999
10	12-46616		4	WASHER, GUIDE PLATE SCREW PART OF B-845-3304A1 CYLINDER BLOCK ASSEMBLY SERIAL 02322196-09999999
11	46598		1	TENSION BLOCK ASSEMBLY, TIMING CHAIN
12	10-46599		2	SCREW, TENSIONER BLOCK TO CYLINDER BLOCK (35MM)
13	13-46600		2	LOCKWASHER, TENSIONER BLOCK SCREW
14	46597		1	FILTER, TENSIONER BLOCK
15	740-3004		4	PISTON AND PISTON LINER ASSEMBLY
16	39-46548A1		4	PISTON RING ASSEMBLY
17	27-46525A1		4	GASKET ASSEMBLY, CYLINDER SLEEVE
18	616-3003		4	CONNECTING ROD ASSEMBLY
19	10-46546		8	SCREW, CONNECTING ROD CAP (55MM)
20	11-46547		8	NUT, CONNECTING ROD CAP SCREW,
21	23-46551		1	BEARING SET (4 PAIRS), CONNECTING ROD (48MM)-STANDARD
	23-46693		1	BEARING SET (4 PAIRS), CONNECTING ROD (47.75MM)
	23-46694		1	BEARING SET (4 PAIRS), CONNECTING ROD (47.50MM)
22	434-3006		1	CRANKSHAFT SERIAL 00000000-02322195
	434-3700		1	CRANKSHAFT, SERIAL 02322196-09999999
23	28-37116		1	KEY, CRANKSHAFT
24	43-46545		1	GEAR, TIMING-CRANKSHAFT
25	23-46544		1	SLEEVE, CRANKSHAFT TIMING GEAR
26	10-46542		1	SCREW, TIMING GEAR TO CRANKSHAFT (30MM)
27	12-46543		1	WASHER, THRUST-TIMING GEAR SCREW
28	15-46554		AR	SHIM, SPACER-MAIN BEARING (2.95MM)
	15-46553		AR	SHIM, SPACER-MAIN BEARING (2.90MM)
	15-46552		AR	SHIM, SPACER-MAIN BEARING (2.80MM)
29	23-46555		1	BEARING SET (5 PAIRS), CRANKSHAFT (54.80MM)-STANDARD
	23-46695		1	BEARING SET (5 PAIRS), CRANKSHAFT (54.55MM)

CONTINUED ON NEXT PAGE ➡

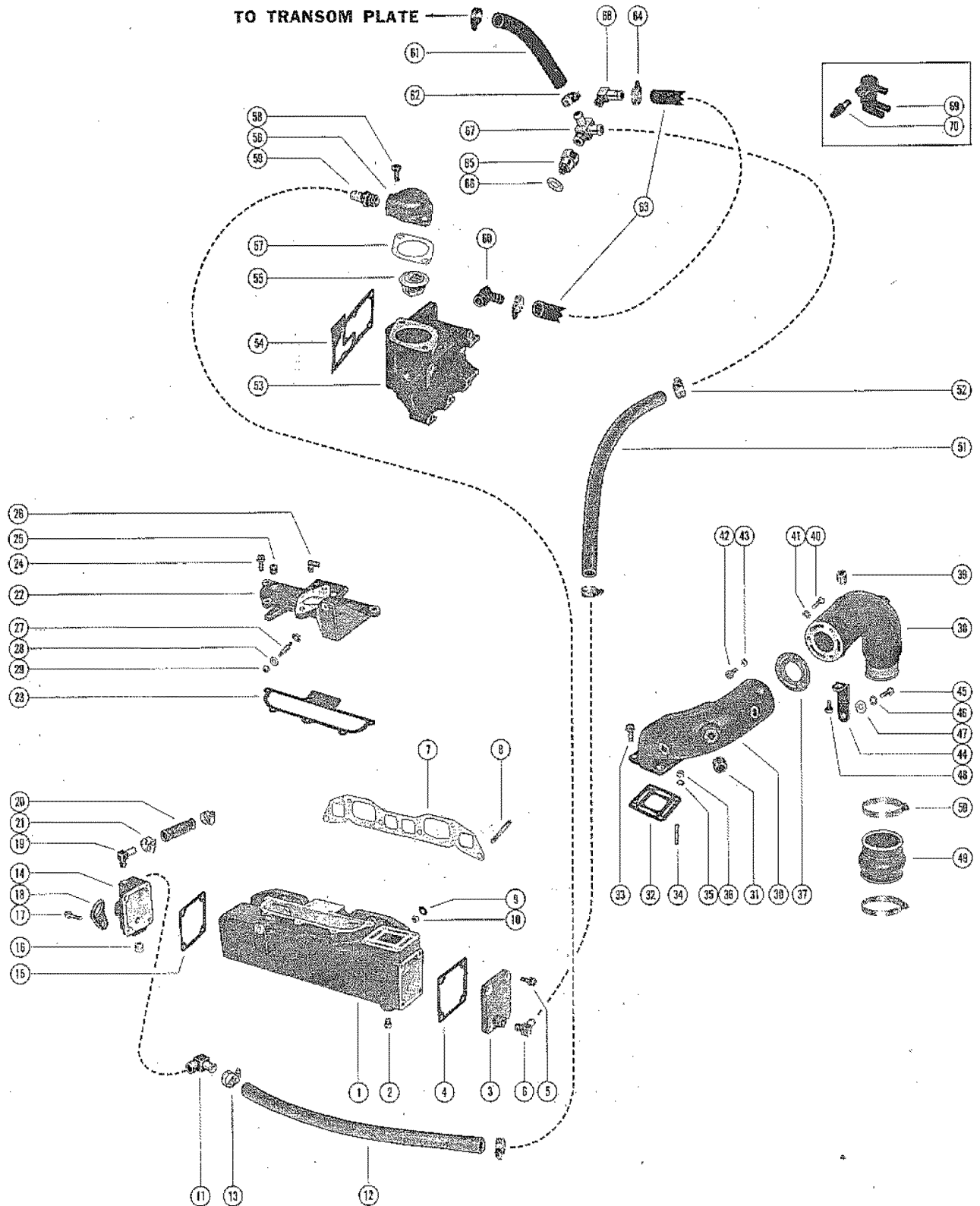
CAMSHAFT, CRANKSHAFT, PISTONS, FLYWHEEL AND STATOR



CAMSHAFT, CRANKSHAFT, PISTONS, FLYWHEEL AND STATOR

REF. NO.	PART NO.	SYM.	QTY.	DESCRIPTION
29	23-46696		1	BEARING SET (5 PAIRS), CRANKSHAFT (54.30MM)
30	26-46541		1	SEAL, REAR MAIN-CRANKSHAFT
31	16-45636		5	STUD, FLYWHEEL TO CRANKSHAFT SERIAL 00000000-02322195
32	228-3005		1	FLYWHEEL ASSEMBLY, CRANKSHAFT SERIAL 00000000-02322195
33	10-29096		1	SCREW, ENGINE COUPLING TO FLYWHEEL (2 1/2") SERIAL 00000000-02322195
34	231-3228A1		1	FLYWHEEL ASSEMBLY, ALTERNATOR SERIAL 00000000-02322195
35	11-38270		5	NUT, FLYWHEEL TO CRANKSHAFT STUD SERIAL 00000000-02322195
31	16-45636		7	STUD, FLYWHEEL TO CRANKSHAFT SERIAL 02322196-09999999
32	228-3699		1	FLYWHEEL ASSEMBLY, CRANKSHAFT SERIAL 02322196-09999999
33	10-29096		1	SCREW, ENGINE COUPLING TO FLYWHEEL (2 1/2") SERIAL 02322196-09999999
34	231-3228A1		1	FLYWHEEL ASSEMBLY, ALTERNATOR SERIAL 02322196-09999999
35	11-38270		7	NUT, FLYWHEEL TO CRANKSHAFT STUD SERIAL 02322196-09999999
36	398-2932		1	STATOR, ALTERNATOR
37	10-29249		4	SCREW, STATOR TO FLYWHEEL HOUSING (1")
38	45621A1		1	ENGINE COUPLING ASSEMBLY
39	12-46132		1	WASHER, ENGIEN COUPLING SCREW
40	11-23161		1	NUT, ENGINE COUPLING SCREW
41	54-22690		1	CLIP, STATOR AND WIRING HARNESS LEADS TO FLYWHEEL HOUSING (1
42	10-20100		1	SCREW, STATOR AND WIRING HARNESS CLIP ATTACHING (1/2")
43	22789		1	"D" WASHER, STATOR AND WIRING HARNESS CLIP SCREW
44	54-39844		1	CLIP, STATOR LEADS TO FLYWHEEL HOUSING
45	10-31903		1	SCREW, STATOR LEADS CLIP ATTACHING (3/8")
46	22789		1	"D" WASHER, STATOR LEADS CLIP SCREW

EXHAUST MANIFOLD, INTAKE MANIFOLD AND EXHAUST ELBOW

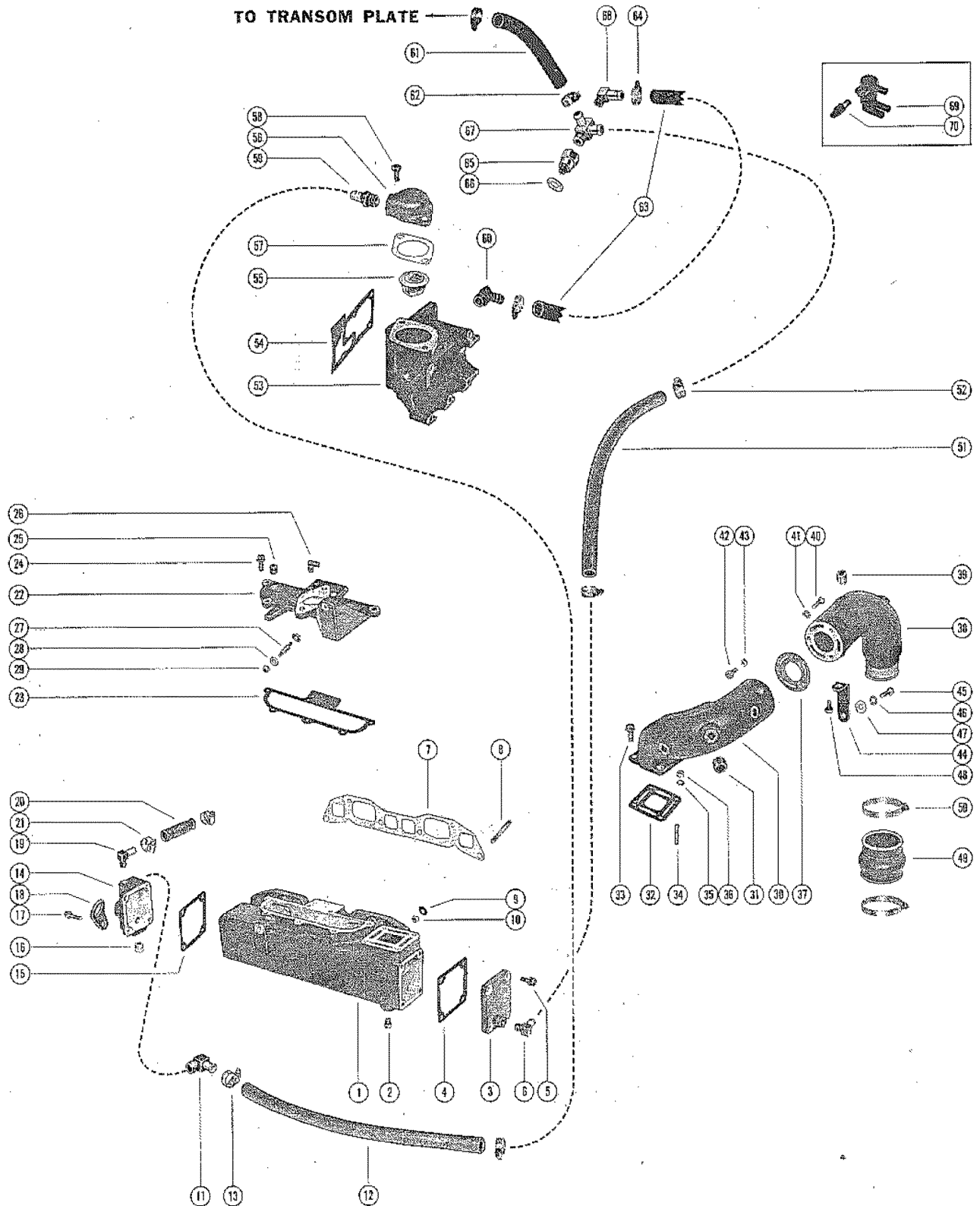


EXHAUST MANIFOLD, INTAKE MANIFOLD AND EXHAUST ELBOW

REF. NO.	PART NO.	SYM.	QTY.	DESCRIPTION
1	45657		1	EXHAUST MANIFOLD SEE NOTE SERIAL 00000000-02322195
	48469		1	EXHAUST MANIFOLD SEE NOTE SERIAL 02322196-09999999
2	22-32802		1	PLUG, DRAIN-EXHAUST-EXHAUST MANIFOLD
3	45631		1	END CAP, EXHAUST MANIFOLD
4	27-45647		1	GASKET, END CAP
5	10-35388		4	SCREW, END CAP TO EXHAUST MANIFOLD (1")
6	22-46131		1	ELBOW, END CAP
7	27-46601		1	GASKET, EXHAUST MANIFOLD TO CYLINDER HEAD
8	16-37087		6	STUD, EXHAUST MANIFOLD TO CYLINDER HEAD (42MM)
9	12-46935		6	WASHER, EXHAUST MAINFOLD STUD
10	11-46603		6	NUT, EXHAUST MANIFOLD STUD
11	22-32715		1	ELBOW, WATER DISTRIBUTION BLOCK
12	32-39315A1		1	HOSE, THERMOSTAT COVER TO WATER DISTRIBUTION BLOCK (19 1/2')
13	54-38819		2	CLAMP, HOSE TO THERMOSTAT COVER AND WATER DISTRIBUTION BLOCK
14	45623		1	BLOCK, WATER DISTRIBUTION - EXHAUST MANIFOLD
15	27-45647		1	GASKET, WATER DISTRIBUTION BLOCK
16	22-37372		1	PLUG, PIPE - WATER DISTRIBUTION BLOCK
17	10-35388		2	SCREW, WATER DISTRIBUTION BLOCK TO EXHAUST MANIFOLD (1")
	10-45979		1	SCREW, WATER DISTRIBUTION BLOCK TO EXHAUST MANIFOLD (2 3/8") SERIAL 00000000-02322195
	10-47174A1		1	SCREW ASSEMBLY, WATER DISTRIBUTION BLOCK TO EXHAUST MANIFOLD SERIAL 02322196-09999999
	10-45981		1	SCREW, WATER DISTRIBUTION BLOCK TO EXHAUST MANIFOLD (1 1/4")
18	54-34764		1	EYE, LIFTING - WATER DISTRIBUTION BLOCK SCREW
19	22-46131		1	ELBOW, WATER DISTRIBUTION BLOCK
20	32-46716A1		1	HOSE, WATER DISTRIBUTION BLOCK TO CYLINDER HEAD (2 3/4")
21	54-35830		1	CLAMP, HOSE TO WATER DISTRIBUTION BLOCK AND CYLINDER HEAD
22	45864		1	COVER, INTAKE MANIFOLD SERIAL 00000000-02322195
23	27-45627		1	GASKET, INTAKE MANIFOLD COVER SERIAL 00000000-02322195
22	47595		1	COVER, INTAKE MANIFOLD SERIAL 02322195-09999999
23	27-49018		1	GASKET, INTAKE MANIFOLD COVER SERIAL 02322195-09999999
24	10-35388		6	SCREW, INTAKE MANIFOLD COVER/EXHAUST MANIFOLD (1")
25	22-36382		1	PLUG, INTAKE MANIFOLD COVER (1/4-28)
26	22-22890		1	CONNECTOR, INTAKE MANIFOLD COVER TO CHOKE PIPE
27	16-38525		1	STUD, THROTTLE CABLE TO INTAKE MANIFOLD COVER
28	12-24664		2	WASHER, THROTTLE CABLE STUD
29	11-20586		1	NUT, THROTTLE CABLE STUD
30	45616		1	ELBOW, MANIFOLD SERIAL 00000000-02322195

CONTINUED ON NEXT PAGE ➡

EXHAUST MANIFOLD, INTAKE MANIFOLD AND EXHAUST ELBOW

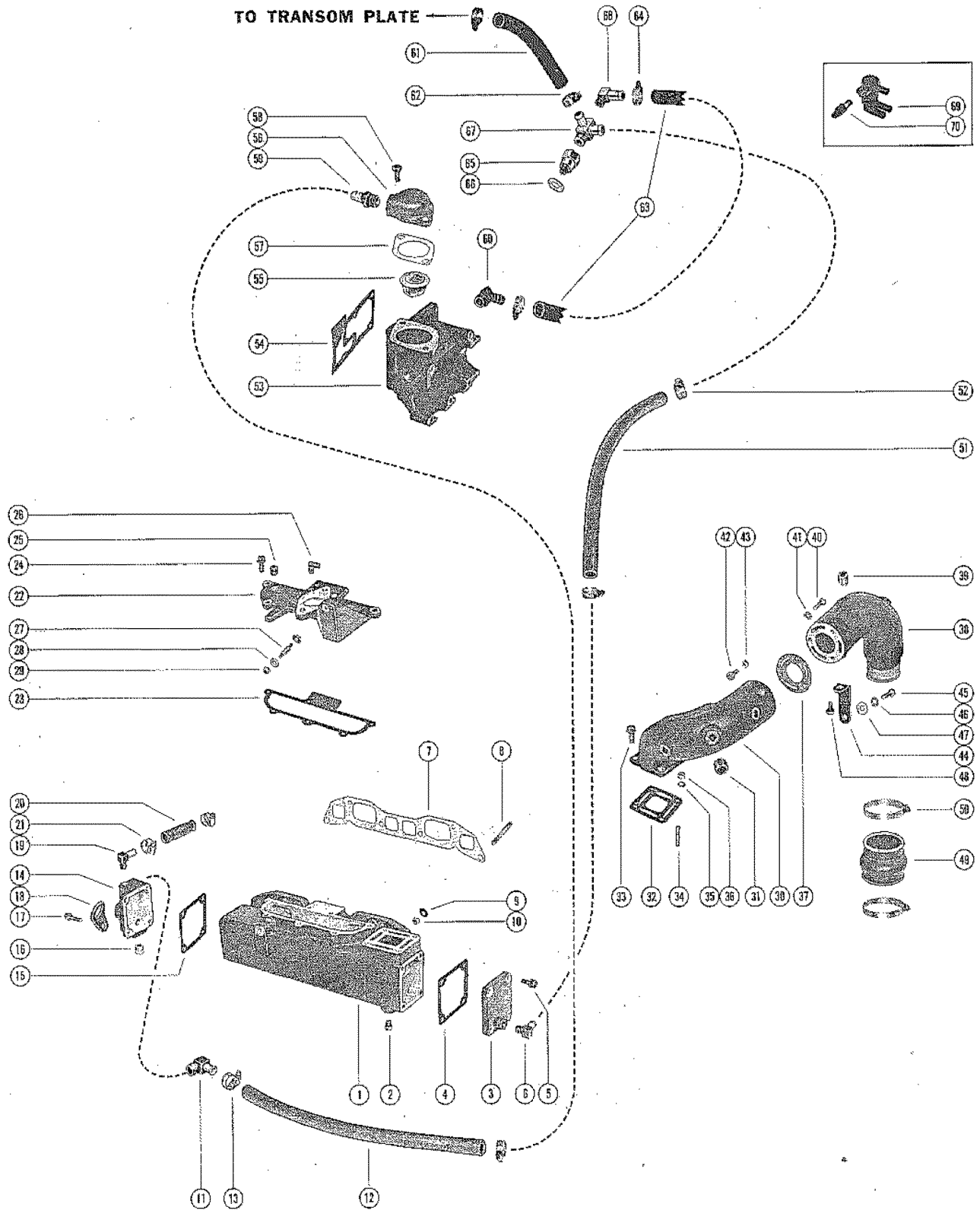


EXHAUST MANIFOLD, INTAKE MANIFOLD AND EXHAUST ELBOW

REF. NO.	PART NO.	SYM.	QTY.	DESCRIPTION
30	48453		1	ELBOW, MANIFOLD SERIAL 02322196-09999999
31	22-33198		5	PLUG, PIPE - MANIFOLD ELBOW (3/4-14)
32	27-45649		1	GASKET, MANIFOLD ELBOW
33	10-45981		2	SCREW, MANIFOLD ELBOW TO EXHAUST MANIFOLD (1 1/4")
34	16-21553		3	STUD, MANIFOLD ELBOW TO EXHAUST MANIFOLD (1 1/2")
35	13-35389		2	LOCKWASHER, MANIFOLD ELBOW STUD
36	11-22053		2	NUT, MANIFOLD ELBOW STUD
37	27-45648		1	GASKET, EXHAUST ELBOW TO MANIFOLD ELBOW
38	45617		1	ELBOW, EXHAUST
39	22-37372		3	PLUG, PIPE - EXHAUST ELBOW (1/2-14)
40	10-24234		1	SCREW, EXHAUST ELBOW TO MANIFOLD ELBOW (1") SERIAL 00000000-02322195
	16-21553		1	STUD, EXHAUST ELBOW TO MANIFOLD ELBOW (1 1/2") SERIAL 02322196-09999999
41	13-35389		3	LOCKWASHER, EXHAUST ELBOW SCREW
42	10-20639		2	SCREW, MANIFOLD ELBOW TO EXHAUST ELBOW (1 1/8")
43	11-20083		3	NUT, MANIFOLD ELBOW SCREW
44	45644		1	BRACKET, MOUNTING - EXHAUST ELBOW
45	10-34353		1	SCREW, MOUNTING BRACKET TO REAR MOUNT HOUSING (1")
46	13-37459		1	LOCKWASHER, MOUNTING BRACKET SCREW
47	12-38622		1	WASHER, MOUNTING BRACKET SCREW
48	10-35765		1	SCREW, MOUNTING BRACKET TO EXHAUST ELBOW (3/4")
49	38184		1	BELLOWS, EXHAUST
50	54-32739		2	CLAMP, EXHAUST BELLOWS TO TRANSOM PLATE AND EXHAUST ELBOW
51	32-46716A1		1	HOSE, END CAP TO CHECK VALVE TEE (16 1/2")
52	54-35830		2	CLAMP, HOSE TO END CAP AND CHECK VALVE TEE
53	45618		1	HOUSING, FRONT MOUNT
54	27-45645		1	GASKET, FRONT MOUNT HOUSING TO CYLINDER HEAD
55	35884		1	THERMOSTAT
56	45629		1	COVER, THERMOSTAT
57	27-38556		1	GASKET, THERMOSTAT COVER
58	10-21077		2	SCREW, THERMOSTAT COVER TO FRONT MOUNT HOUSING (7/8")
59	22-33066		1	FITTING, THERMOSTAT COVER
60	22-38565		1	FITTING, FRONT MOUNT HOUSING
61	32-46716A1		1	HOSE, CHECK VALVE TEE TO TRANSOM (9")
62	54-35830		2	CLAMP, HOSE TO CHECK VALVE TEE AND TRANSOM
63	32-46716A1		1	HOSE, CHECK VALVE ELBOW TO FRONT MOUNT HOUSING (6 3/4") SERIAL 00000000-02640854
64	54-35830		2	CLAMP, HOSE TO CHECK VALVE ELBOW AND FRONT MOUNTING HOUSING SERIAL 00000000-02640854
65	45654		1	CHECK VALVE, CYLINDER BLOCK SERIAL 00000000-02640854
66	12-46519		1	WASHER, CHECK VALVE SERIAL 00000000-02640854

CONTINUED ON NEXT PAGE ➡

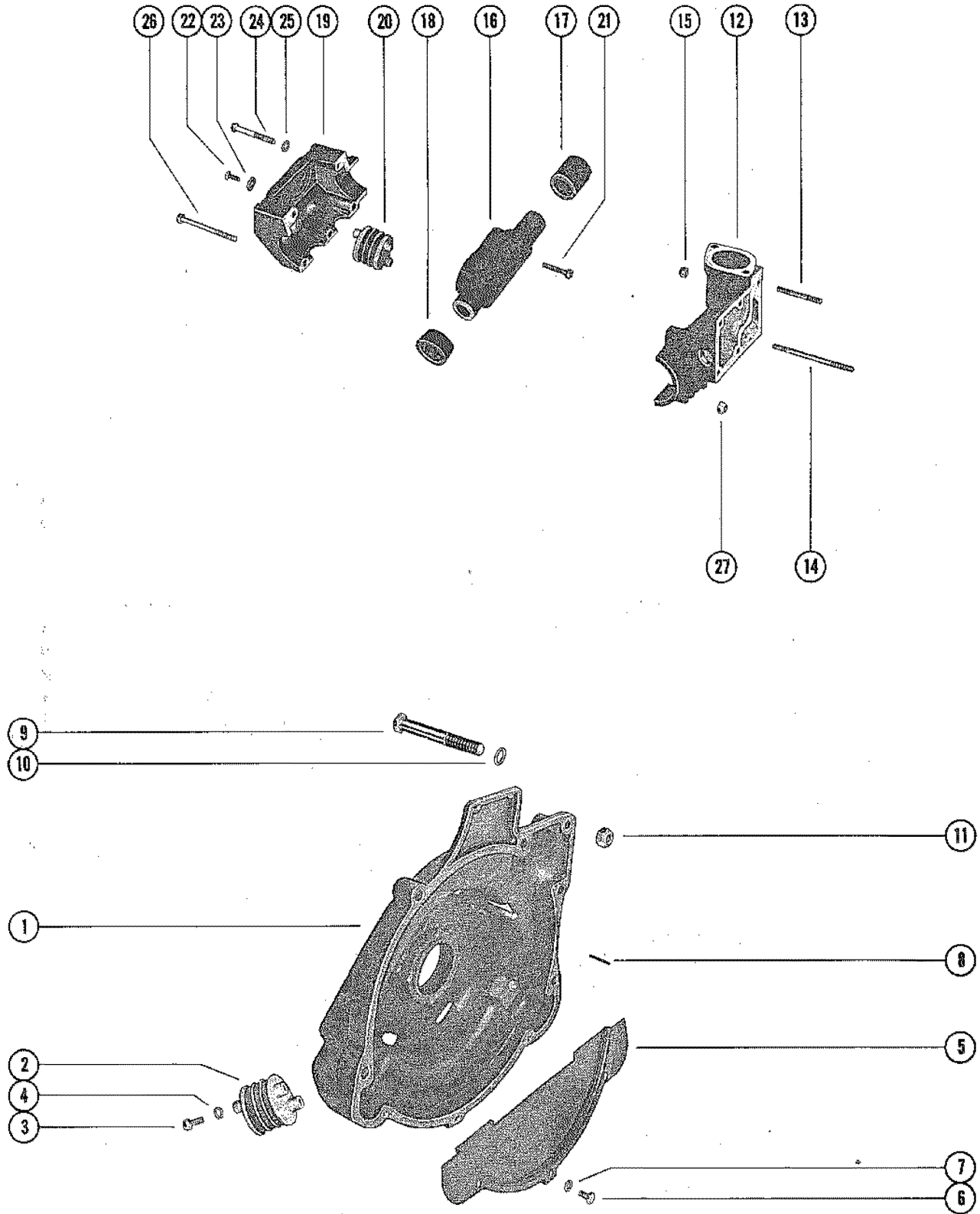
EXHAUST MANIFOLD, INTAKE MANIFOLD AND EXHAUST ELBOW



EXHAUST MANIFOLD, INTAKE MANIFOLD AND EXHAUST ELBOW

REF. NO.	PART NO.	SYM.	QTY.	DESCRIPTION
67	22-45639		1	TEE, CHECK VALVE SERIAL 00000000-02640854
68	22-46131		1	ELBOW, CHECK VALVE TEE SERIAL 00000000-02640854
63	32-54189		1	HOSE, CHECK VALVE ELBOW TO FRONT MOUNT HOUSING (6 3/4") SERIAL 02640855-09999999
64	54-35830		2	CLAMP, HOSE TO CHECK VALVE ELBOW AND FRONT MOUNTING HOUSING SERIAL 02640855-09999999
69	21-54102A1		1	CHECK VALVE ASSEMBLY, CYLINDER BLOCK SERIAL 02640855-09999999
70	22-54107		1	ADAPTOR, CHECK VALVE SERIAL 02640855-09999999
-	27-46564A1		1	GASKET SET (CYLINDER HEAD)
-	27-46601A1		1	GASKET SET (MANIFOLD)
-	27-46536A1		1	GASKET SET (MISCELLANEOUS)

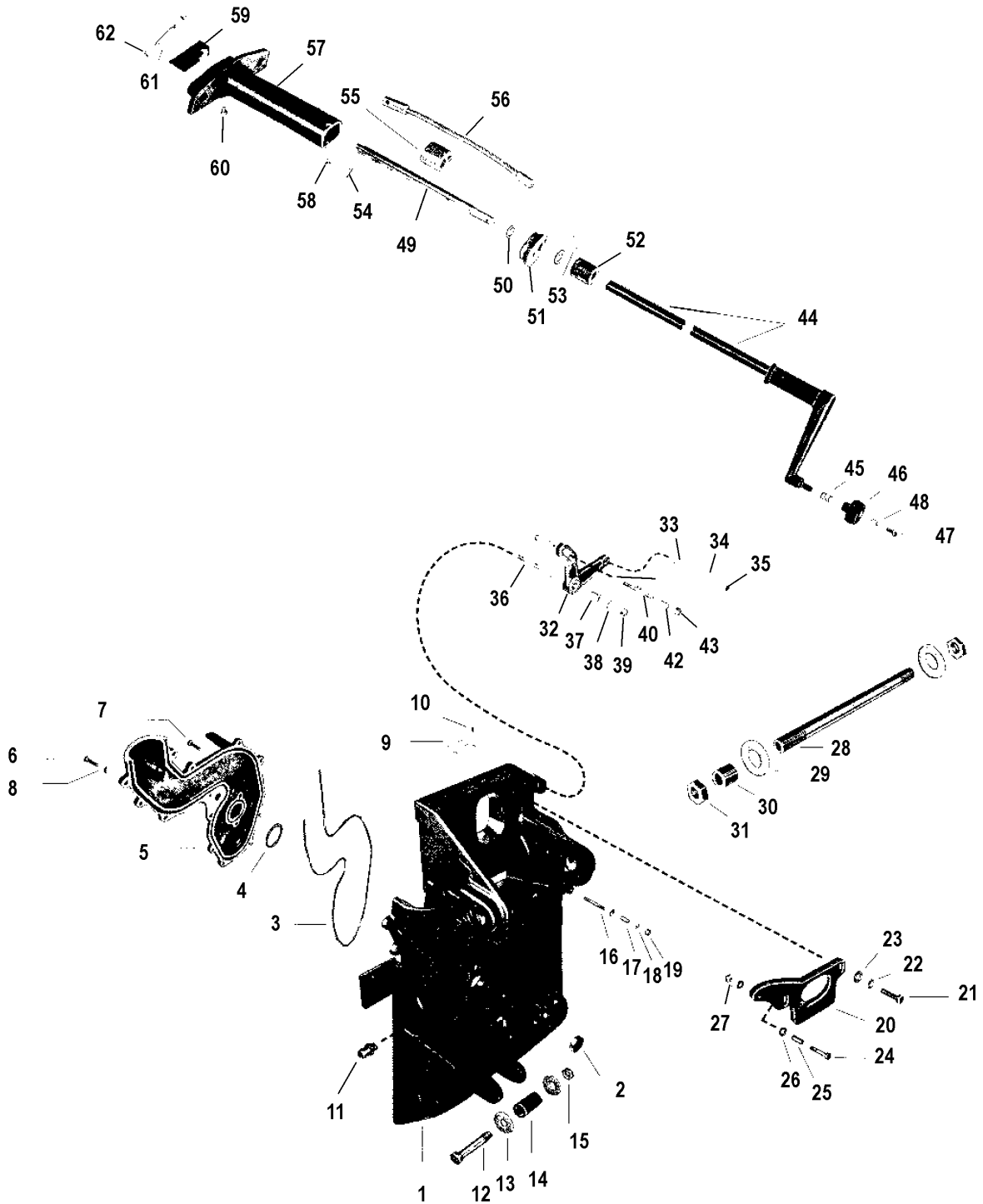
FLYWHEEL HOUSING AND MOUNTING HOUSING



FLYWHEEL HOUSING AND MOUNTING HOUSING

REF. NO.	PART NO.	SYM.	QTY.	DESCRIPTION
1	45658		1	HOUSING, FLYWHEEL
2	38185		2	MOUNT, RUBBER - FLYWHEEL HOUSING
3	10-21722		8	SCREW, MOUNT TO FLYWHEEL HOUSING AND TRANSOM PLATE 5/8")
4	13-26992		8	LOCKWASHER, MOUNT SCREW
5	45625		1	COVER, FLYWHEEL HOUSING
6	10-20776		3	SCREW, FLYWHEEL COVER TO FLYWHEEL HOUSING (1/2")
7	13-26992		3	LOCKWASHER, FLYWHEEL COVER SCREW
8	17-29967		1	PIN, TIMING - FLYWHEEL HOUSING
9	10-32515		2	SCREW, FLYWHEEL HOUSING TO CYLINDER BLOCK (2 1/2")
	10-37388		1	SCREW, FLYWHEEL HOUSING TO CYLINDER BLOCK (2 3/4")
	10-46197		2	SCREW, FLYWHEEL HOUSING TO CYLINDER BLOCK (3 1/2")
	10-46964		1	SCREW, FLYWHEEL HOUSING TO CYLINDER BLOCK (4 1/4")
10	12-32648		10	WASHER, FLYWHEEL HOUSING SCREW
11	11-46138		2	NUT, FLYWHEEL HOUSING SCREW
	11-33962		4	NUT, FLYWHEEL HOUSING SCREW
12	45618		1	HOUSING, FRONT MOUNT
13	16-45642		3	STUD, FRONT/REAR MOUNT HOUSING TO CYLINDER HEAD (1 3/8")
14	16-45641		3	STUD, FRONT/REAR MOUNT HOUSING TO CYLINDER HEAD (2 1/4")
15	11-35814		6	NUT, FRONT AND REAR MOUNT HOUSING STUD
16	46117		1	CARRIER, RUBBER MOUNT
17	23-38307		1	SLEEVE, RUBBER - MOUNT CARRIER (1 11/16")
18	23-38308		1	SLEEVE, RUBBER - MOUNT CARRIER (13/16")
19	45619		1	HOUSING, REAR MOUNT
20	38185		2	MOUNT, RUBBER - REAR MOUNT HOUSING AND MOUNT CARRIER
21	10-22960		4	SCREW, RUBBER MOUNT TO MOUNT CARRIER (1 3/8")
22	10-20776		4	SCREW, RUBBER MOUNT TO REAR MOUNT HOUSING (1/2")
23	12-28426		4	WASHER, RUBBER MOUNT SCREW
24	10-26132		2	SCREW, REAR MOUNT HOUSING TO FRONT MOUNT HOUSING (2 1/2")
25	12-30283		2	WASHER, REAR MOUNT HOUSING SCREW
26	10-33008		3	SCREW, REAR MOUNT HOUSING TO FRONT MOUNT HOUSING (3 1/2")
27	11-21528		3	NUT, REAR MOUNT HOUSING SCREW

TRANSOM PLATE ASSEMBLY AND MANUAL TILT



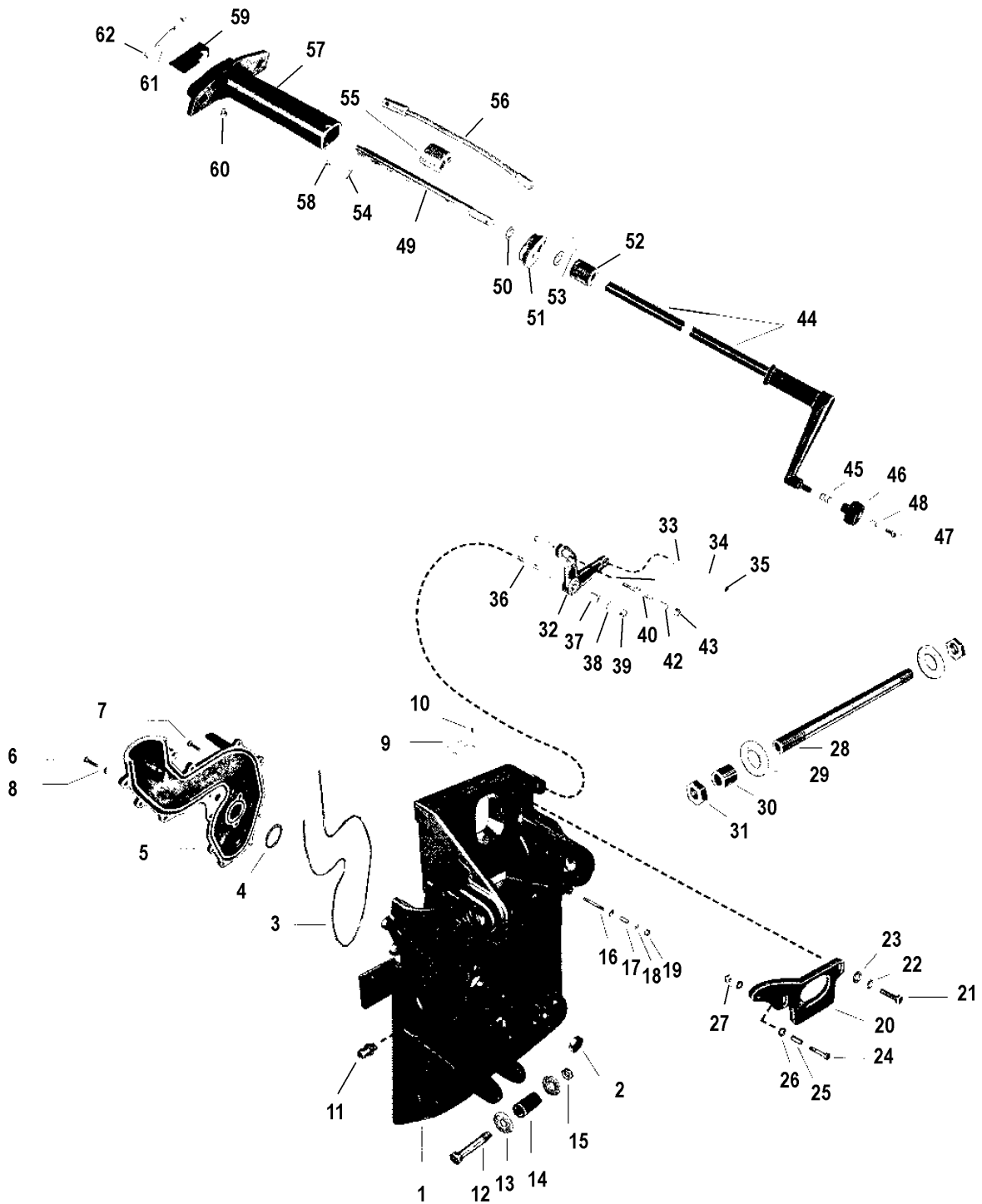
2505

TRANSOM PLATE ASSEMBLY AND MANUAL TILT

REF. NO.	PART NO.	SYM.	QTY.	DESCRIPTION
1	38163A3		1	TRANSOM PLATE ASSEMBLY (S/N-2228315 & Below)
	47154A2		1	TRANSOM PLATE ASSEMBLY (S/N-2228316 & Up)
2	26-38235		1	OIL SEAL (S/N-2228315 & Below)
	26-46970		1	OIL SEAL (S/N-2228316 & Up)
3	38371		1	EXHAUST SEAL (S/N-2228315 & Below)
	38371		1	EXHAUST SEAL (S/N-2228316 & Up)
4	25-31144		1	O RING-Exhaust Cover
5	38165		1	EXHAUST COVER
6	10-38870		13	SCREW-Exhaust Cover to Transom Plate (7/8 IN.)
7	10-38874		2	SCREW-Exhaust Cover to Transom Plate (3/4 IN.)
8	11-34688		14	NUT-Exhaust Cover Screw
9	38-38234		1	NAME PLATE
10	10-22290		2	DRIVE SCREW-Name Plate to Transom Plate
11	22-38939		1	COUPLING-Water Inlet Hose
12	10-38245		1	SCREW-Flywheel Housing to Transom Plate (3-3/4 IN.)
13	12-38246		2	WASHER-Fiber-Flywheel Housing Screw
14	23-38247		1	SLEEVE-Flywheel Housing Screw
15	11-38248		1	NUT-Flywheel Housing Screw
16	16-20353		1	STUD-Shift Cable to Transom Plate (1-3/4 IN.)
17	23-31866		1	SPACER-Shift Cable Stud
18	12-39143		2	WASHER-Shift Cable Stud
19	11-20361		1	NUT-Shift Cable Stud
20	38372		1	ANCHOR-Sender Housing-Transom Plate
21	10-21477		2	SCREW-Sender Housing Anchor to Transom Plate (1-1/4 IN.)
22	13-26993		2	LOCKWASHER-Sender Housing Anchor Screw
23	12-26825		2	WASHER-Sender Housing Anchor Screw
24	10-22659		1	SCREW-Sender Housing to Anchor (1-5/8 IN.)
25	23-31866		1	SPACER-Sender Housing Screw
26	12-39143		2	WASHER-Sender Housing Screw
27	11-20361		1	NUT-Sender Housing Screw
28	32-38186		1	STEERING CABLE GUIDE TUBE
29	12-38239		2	WASHER-Fiber-Steering Cable Guide Tube
30	23-38684		1	SLEEVE-Steering Cable Tube-Transom Plate
31	11-37984		2	NUT-Steering Cable Guide Tube
32	38194		1	SHIFT CABLE LEVER-Transom Plate (S/N-2640854 & Below)
	49704A1		1	SHIFT CABLE LEVER-Transom Plate (S/N-2640855 & Up)
33	16-20789		1	STUD (S/N-2640855 & Up)
34	12-39143		1	WASHER-Shift Lever Stud (S/N-2640855 & Up)
35	11-20361		1	NUT-Shift Lever Stud (S/N-2640855 & Up)
36	16-32698		1	STUD-Shift Cable Lever to Transom Plate
37	23-31758		1	SPACER-Shift Cable Lever Stud
38	12-26825		2	WASHER-Shift Cable Lever Stud
39	11-35814		1	NUT-Shift Cable Lever Stud

CONTINUED ON NEXT PAGE ➡

TRANSOM PLATE ASSEMBLY AND MANUAL TILT

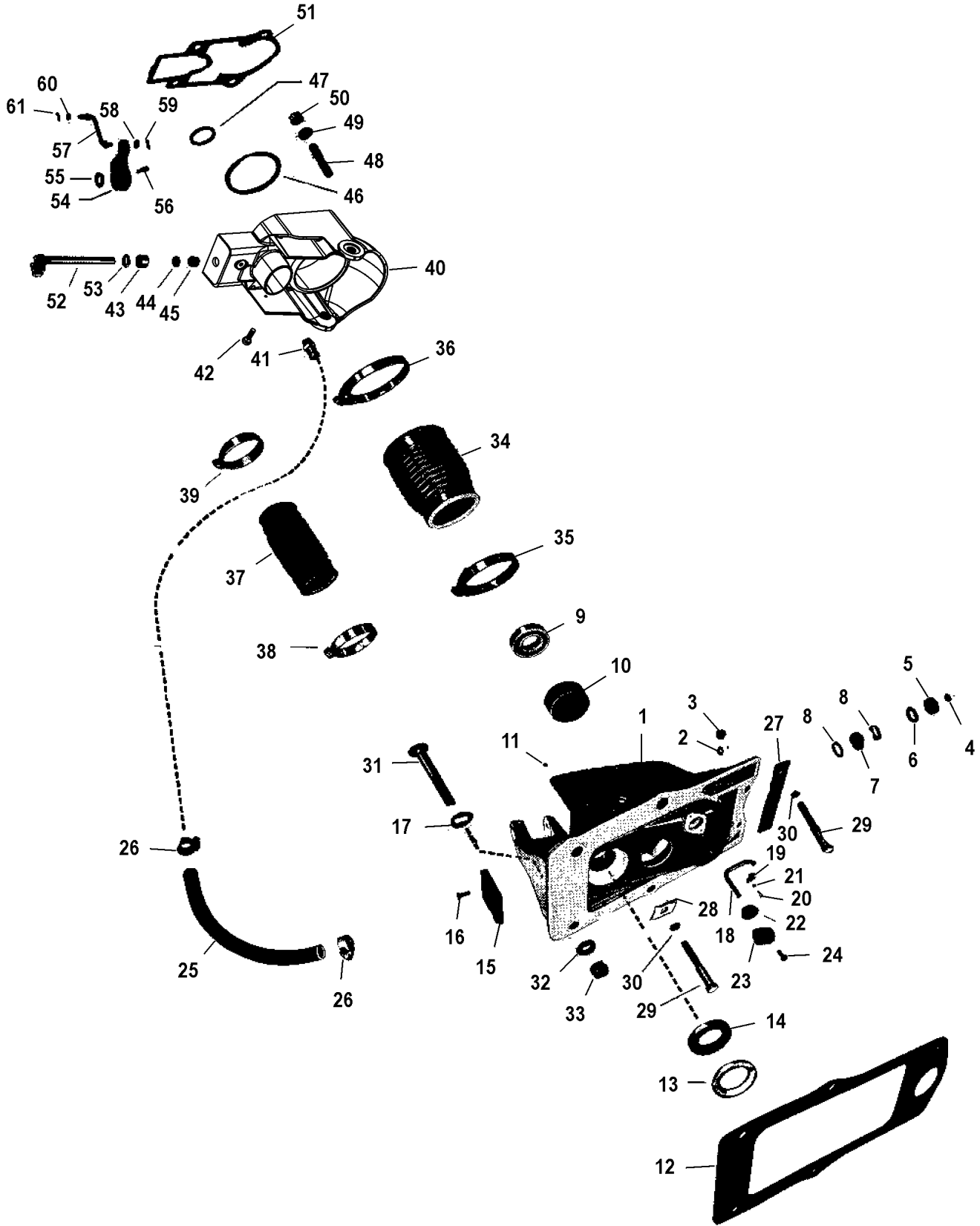


2505

TRANSOM PLATE ASSEMBLY AND MANUAL TILT

REF. NO.	PART NO.	SYM.	QTY.	DESCRIPTION
40	16-34069		1	STUD-Sender Housing to Shift Cable Lever
41	12-39143		2	WASHER-Sender Housing Stud
42	23-31866		1	SPACER-Sender Housing Stud
43	11-20361		2	NUT-Sender Housing Stud
-	49202A2		1	MANUAL TILT ASSEMBLY
44	46292A1		1	MANUAL TILT CRANK ASSEMBLY
45	23-31757		1	BUSHING-Nylon
46	38212		1	KNOB
47	10-34615		1	SCREW-Knob to manual Tilt Crank (15/16 IN.)
48	23-28214		1	SPACER-Manual Tilt Crank
49	10-38183		1	SCREW-Manual Tilt
50	12-24501		2	WASHER-Manual Tilt Screw
51	38159		1	CAP-Manual Tilt Screw
52	38438		1	COUPLING-Manual Tilt Screw
53	17-38444		1	DOWL PIN-Coupling to Manual Tilt Screw
54	17-38825		1	DOWEL PIN-Manual Tilt Screw
55	11-38232		1	NUT-Manual Tilt Screw & Manual Tilt Cable
56	38219A1		1	MANUAL TILT CABLE ASSEMBLY
57	49202A3		1	MANUAL TILT HOUSING ASSEMBLY
NS	12-49199		2	WASHER-Rubber
58	10-45742		2	SCREW-Cap to Manual Tilt Housing (5/16 IN.)
59	38182		1	GUIDE-Manual Tilt Cable
60	10-35092		2	SCREW-Cable Guide to Manual Tilt Housing (1/2 IN.)
61	17-38447		1	PIN-Manual Tilt Cable to Drive Shaft Housing
62	11-29488		2	NUT-Manual Tilt Cable Pin

GIMBAL/BELL HOUSING ASSEMBLY



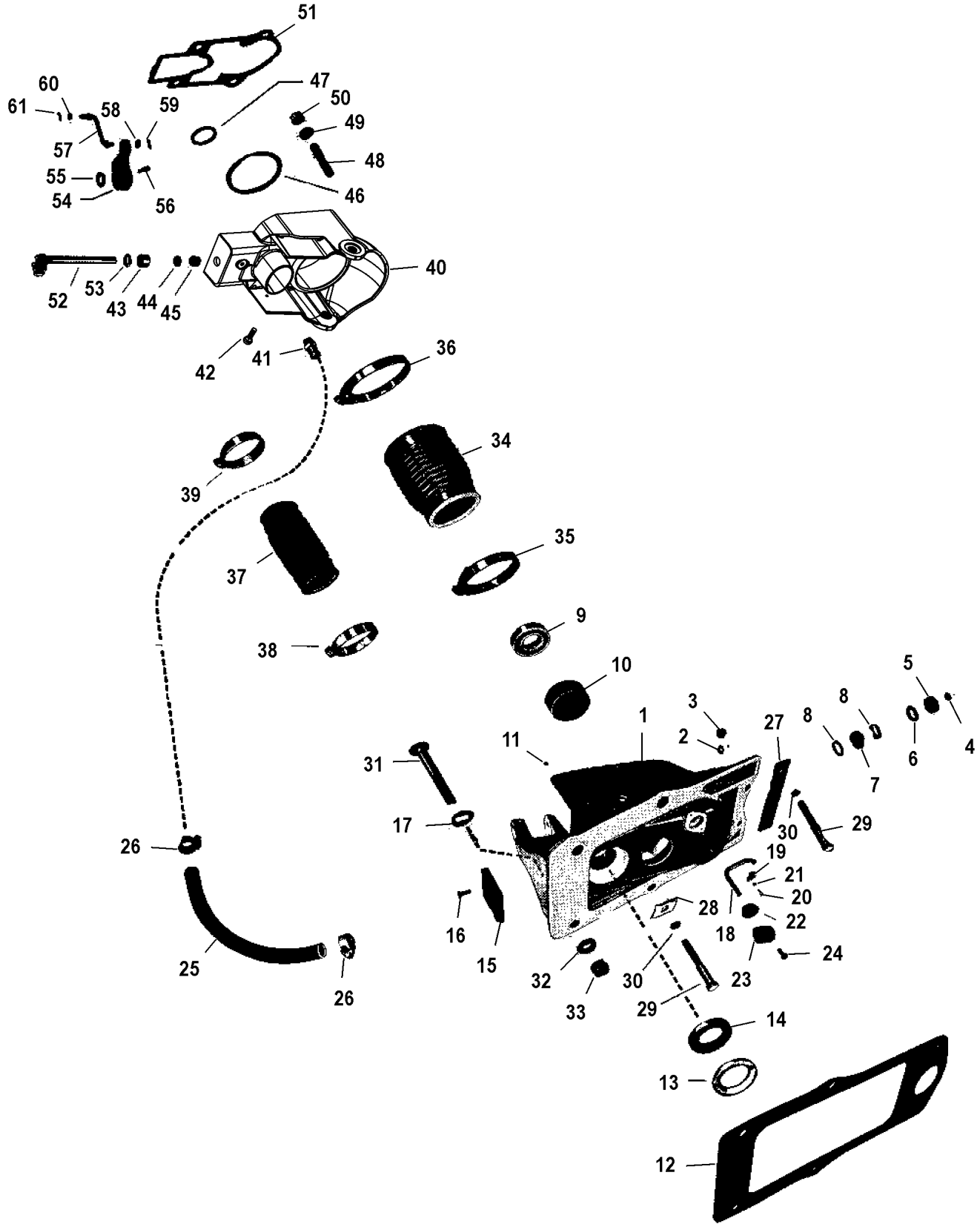
2507

GIMBAL/BELL HOUSING ASSEMBLY

REF. NO.	PART NO.	SYM.	QTY.	DESCRIPTION
1	38160A8		1	GIMBAL HOUSING ASSEMBLY (S/N-238045 & Below)
	49201A4		1	GIMBAL HOUSING ASSEMBLY (S/N-238046 & Up)
2	22-31345		1	GREASE FITTING
3	29359		1	LUBRICAP
4	19-38860		1	WELCH PLUG-Top
5	23-38634		1	BUSHING-Upper
6	26-32540		1	OIL SEAL-Upper Gimbal Housing Bushing
7	23-38196		1	BUSHING-Lower
8	26-32911		2	OIL SEAL-Lower Gimbal Housing Bushing
9	30-31561		1	BALL BEARING
10	38188		1	MOUNT-Rubber-Gimbal Housing Ball Bearing
11	10-35046		8	DRIVE SCREW-Exhaust Flange
12	27-38168		1	GASKET-Gimbal Housing to Transom
13	38413		1	PILOT RING
14	26-38294		1	SEAL-Water
15	34762A1		1	PLATE ASSEMBLY-Inhibitor
16	10-34763		2	SCREW-Inhibitor Plate to Gimbal Housing (3/4 IN.)
17	12-38403		4	WASHER-Rubber-Gimbal Housing Bolt (S/N-238045 & Below)
	12-49199		2	WASHER-Rubber-Gimbal Housing Bolt (S/N-238046 & Up)
18	32-38841		1	WATER TUBE
19	54-38840		1	CLAMP-Water Tube to Gimbal Housing
20	10-38862		1	SCREW-Water Tube Clamp to Gimbal Housing (5/8 IN.)
21	13-26992		1	LOCKWASHER-Water Tube Clamp Screw
22	23-38265		1	BUSHING-Seal-Water Tube
23	38209		1	COVER-Water Tube
24	10-34290		2	SCREW-Water Tube Cover to Gimbal Housing (5/8 IN.)
25	32-38303		1	HOSE-Water-Gimbal Housing to Bell Housing (10-1/4 IN.)
NS	46443		1	EMBLEM-Gimbal Housing
26	54-35830		2	CLAMP-Water Tube to Gimbal Housing & Bell Housing
27	38584		1	PLATE-Supporting-Transom Screw (Top)
28	12-38585		2	WASHER-Square-Transom Screw
29	10-38197		4	SCREW-Transom to Gimbal Housing (3-1/2 IN.)
30	13-30381		4	LOCKWASHER-Transom Screw
31	10-38233		4	BOLT-Gimbal Housing to Transom Plate (4-1/4 IN.) (S/N-2328045 & Below)
	10-48565		4	BOLT-Gimbal Housing to Transom Plate (4-1/2 IN.) (S/N-2328046 & Up)
32	12-36041		4	WASHER-Gimbal Housing Bolt (S/N-2328046 & Up)
	12-21900		4	WASHER-Gimbal Housing Bolt
33	11-34087		4	NUT-Gimbal Housing Bolt
34	38176A1		1	BELLOWS ASSEMBLY-Universal Joint
35	54-32739		1	CLAMP-Universal Joint Bellows to Gimbal Housing
36	54-38889		1	CLAMP-Universal Joint Bellows to Bell Housing
37	38177		1	EXHAUST BELLOWS

CONTINUED ON NEXT PAGE ➡

GIMBAL/BELL HOUSING ASSEMBLY

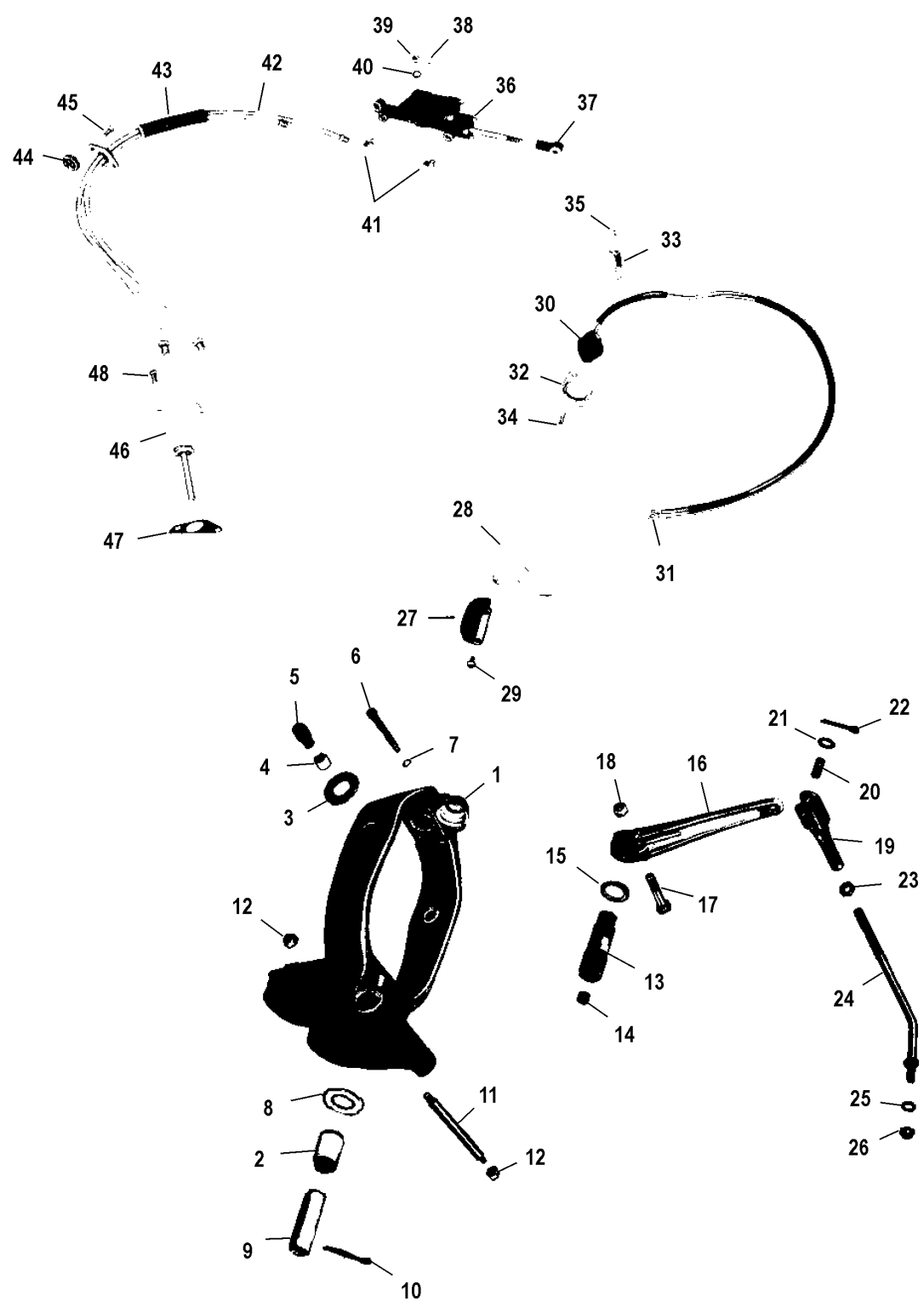


2507

GIMBAL/BELL HOUSING ASSEMBLY

REF. NO.	PART NO.	SYM.	QTY.	DESCRIPTION
38	54-38888		1	CLAMP-Exhaust Bellows to Gimbal Housing
39	54-38888		1	CLAMP-Exhaust Bellows to Bell Housing
40	38162A3		1	BELL HOUSING ASSEMBLY
41	22-38939		1	COUPLING-Water Hose to Bell Housing
42	10-35046		8	DRIVE SCREW-Bell Housing Flange
43	23-35088		1	BUSHING-Upper Shift Shaft-Bell Housing (5/8 IN.)
44	26-45587		1	OIL SEAL
45	23-45588		1	BUSHING-Upper Shift Shaft-Bell Housing (5/16 IN.)
46	25-31305		1	O RING (LARGE)
47	25-22762		1	O RING (SMALL)
48	16-35937		4	STUD-Bell Housing to Drive Shaft Housing (2-7/8 IN.)
49	12-35935		4	WASHER-Bell Housing Stud
50	11-34933		4	NUT-Bell Housing Stud
51	27-45749A1		1	GASKET-Bell Housing to Drive Shaft Housing
52	45696A1		1	UPPER SHIFT SHAFT ASSEMBLY
53	12-29330		1	WASHER-Upper Shift Shaft (13/16 IN. O.D.)
54	45697		1	UPPER SHIFT SHAFT LEVER
55	12-39116		1	WASHER-Upper Shift Lever (1 IN. O.D.)
56	10-45590		1	SCREW-Shift Lever to Shift Shaft
57	38262A1		1	LINK ROD ASSEMBLY
58	12-30164		1	WASHER-Link Rod (3/8 IN. O.D.)
59	18-21071		1	COTTER PIN- Link Rod to Upper Shift Shaft Lever
60	12-30164		1	WASHER-Link Rod (3/8 IN. O.D.)
61	18-21071		1	COTTER PIN-Link Rod to Receiver Housing
NS	37-39395		1	DECAL-Serial Number

GIMBAL RING ASSEMBLY, SENDER/RECEIVER HOUSING



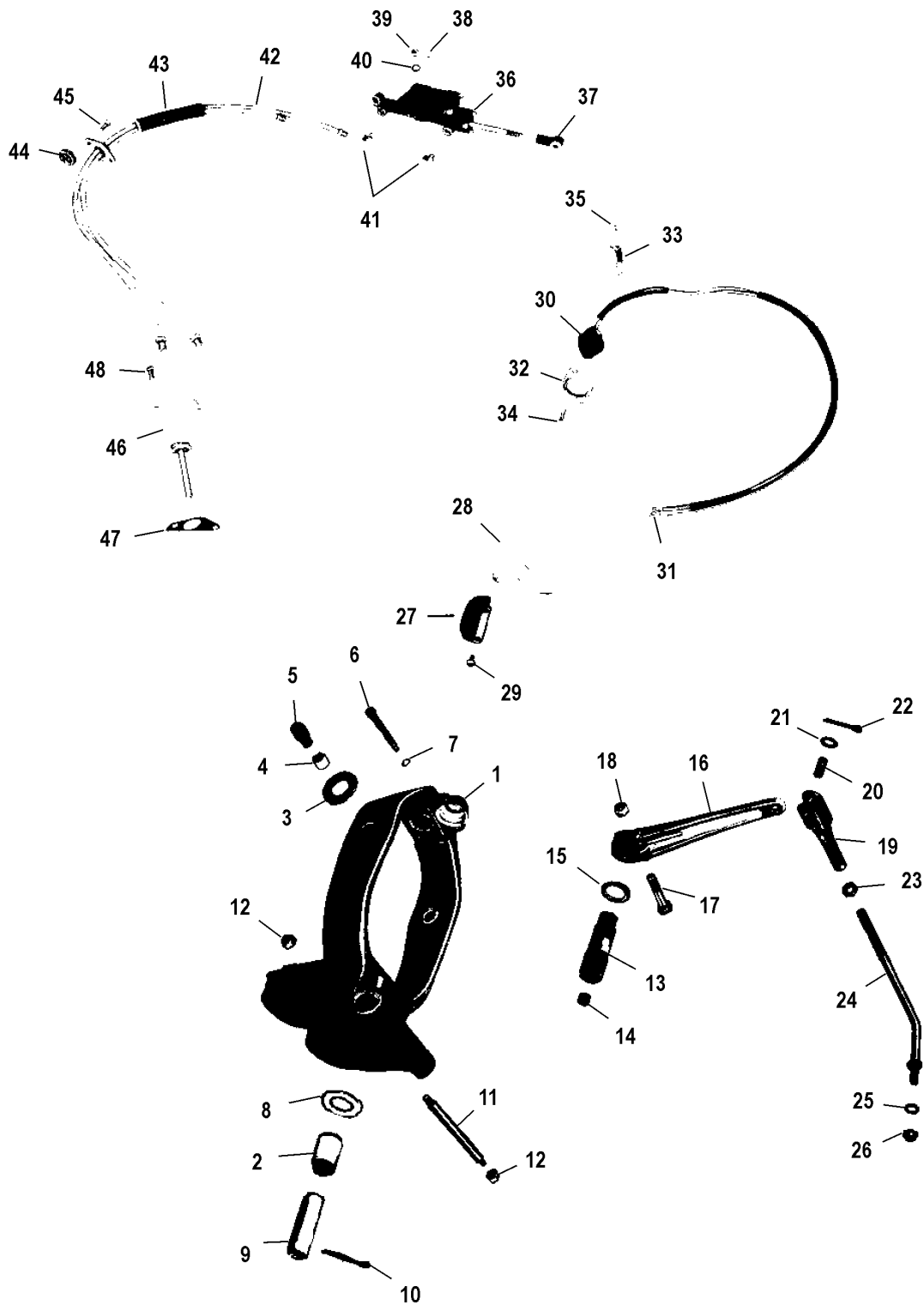
2508

GIMBAL RING ASSEMBLY, SENDER/RECEIVER HOUSING

REF. NO.	PART NO.	SYM.	QTY.	DESCRIPTION
1	38161A2		1	GIMBAL RING ASSEMBLY
2	23-38198		1	BUSHING (Lower)
3	12-38268		2	WASHER
4	23-38267		2	BUSHING-Hinge Pin
5	17-38266		2	HINGE PIN- Gimbal Ring to Bell Housing
6	10-33022		1	SCREW-Upper Swivel Shaft Retaining-Gimbal Ring
7	12-20546		1	WASHER-Upper Swivel Shaft Retaining Screw
8	12-32518		1	WASHER-Gimbal Housing to Gimbal Ring (Lower)
9	17-38199		1	SWIVEL PIN-Gimbal Housing to Gimbal Ring (Lower)
10	18-34159		1	COTTER PIN-Retaining-Lower Swivel Pin
11	17-38269		1	TILT PIN-Gimbal Ring
12	11-35814		2	NUT-Gimbal Ring Tilt Pin
13	32582		1	UPPER SWIVEL SHAFT-Gimbal Ring to Gimbal Housing
14	22-32561		1	PIPE PLUG-Upper Swivel Shaft
15	12-32996		AR	WASHER-Upper Swivel Shaft (.015)
	12-32997		AR	WASHER-Upper Swivel Shaft (.063)
16	38174		1	STEERING LEVER-Upper Swivel Shaft
17	10-32995		1	SCREW-Steering Lever to Upper Swivel Shaft (2 IN.)
18	11-20696		1	NUT-Steering Lever Screw
19	38192		1	YOKE-Steering Link Rod
20	17-38864A1		1	SWIVEL PIN ASSEMBLY-Yoke to Steering Lever
21	12-29629		1	WASHER
22	18-29623		1	COTTER PIN
23	11-20101		1	JAM NUT-Steering Link Rod
24	38187A1		1	STEERING LINK ROD ASSEMBLY
25	12-20086		1	WASHER-Steering Link Rod
26	11-20509		1	NUT-Steering Link Rod to Steering Cable
27	38886		1	BUMPER-Gimbal Ring
28	31897		1	LEVER-Tilt Stop Switch Actuating-Gimbal Ring
29	10-31903		2	SCREW-Actuating Lever and Bumper to Gimbal Ring (3/8 IN.)
30	38296A1		1	TILT STOP SWITCH ASSEMBLY-Gimbal Ring
31	22924		2	TERMINAL-Tilt Stop Switch
32	31899		1	RETAING PLATE-Tilt Stop Switch to Gimbal Ring
33	32637		1	STRAP-Tilt Stop Switch Retaining
34	10-22387		2	SCREW-Retaining Plate & Strap to Gimbal Ring (1 IN.)
35	11-20110		2	NUT-Retaining Plate & Strap Screw
36	38179A2		1	SENDER HOUSING ASSEMBLY
37	38211		1	ROD END-Sender Housing Piston
38	10-38257		1	VENT SCREW-Sender Housing
39	10-28634		1	FILLER SCREW-Sender Housing
40	12-20260		1	WASHER-Filler Screw
41	22-38214		2	ELBOW-Sender Housing

CONTINUED ON NEXT PAGE ➡

GIMBAL RING ASSEMBLY, SENDER/RECEIVER HOUSING

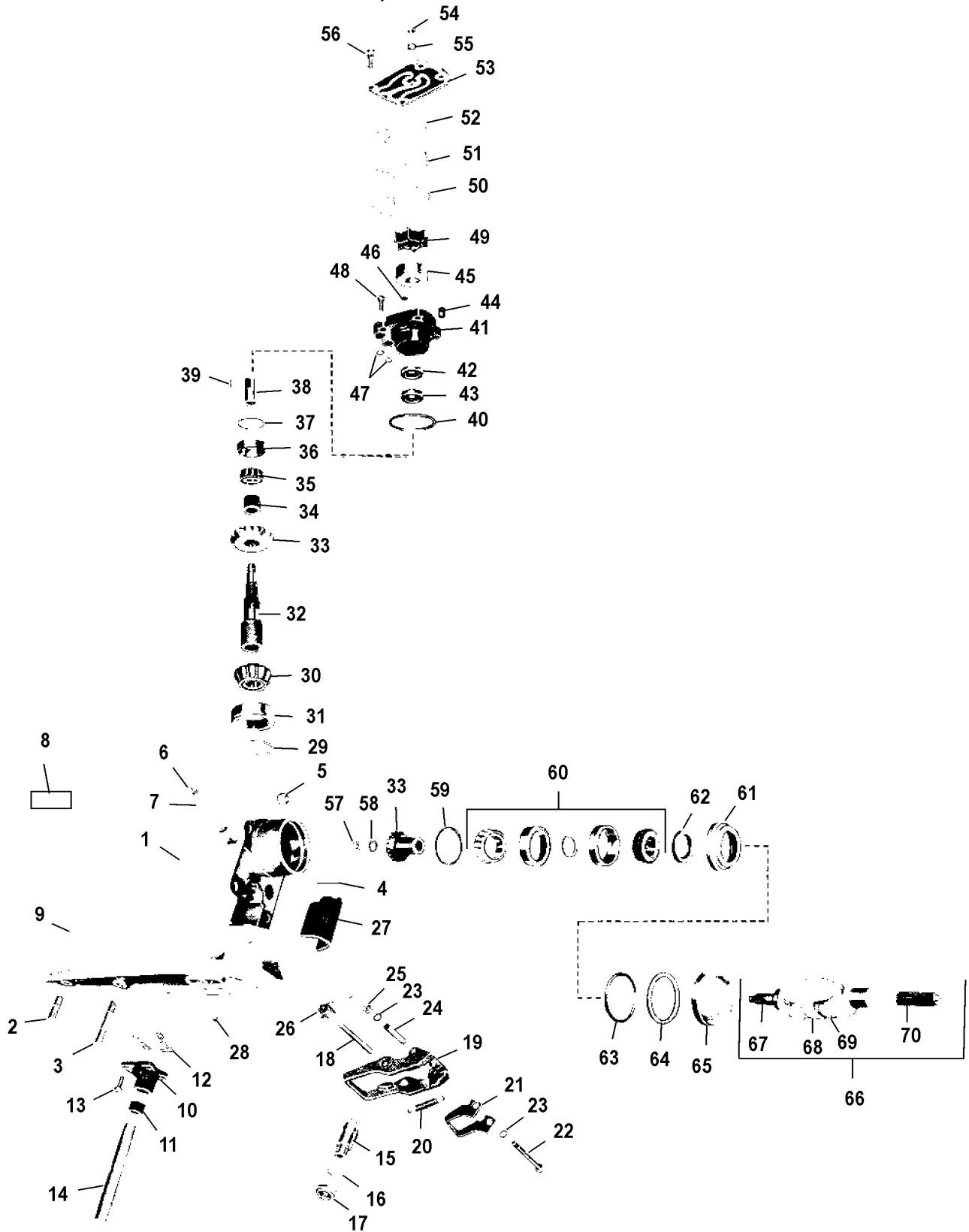


2508

GIMBAL RING ASSEMBLY, SENDER/RECEIVER HOUSING

REF. NO.	PART NO.	SYM.	QTY.	DESCRIPTION
42	32-38300A2		1	HYDRAULIC TUBING ASSEMBLY-Sender Housing to Receiver Housing
43	23-38203		1	SLEEVE-Hydraulic Tubing
44	23-38201		1	BUSHING-Seal-Hydraulic Tubing Cover
45	10-39965		2	SCREW-Hydraulic Tubing Cover to Gimbal Housing (3/4 IN.)
46	38175A2		1	RECEIVER HOUSING ASSEMBLY
47	27-38263		1	GASKET-Receiver Housing
48	10-21722		2	SCREW-Receiver Housing to Bell Housing (5/8 IN.)

DRIVE SHAFT HOUSING, WATER PUMP & GEAR ASSEMBLY



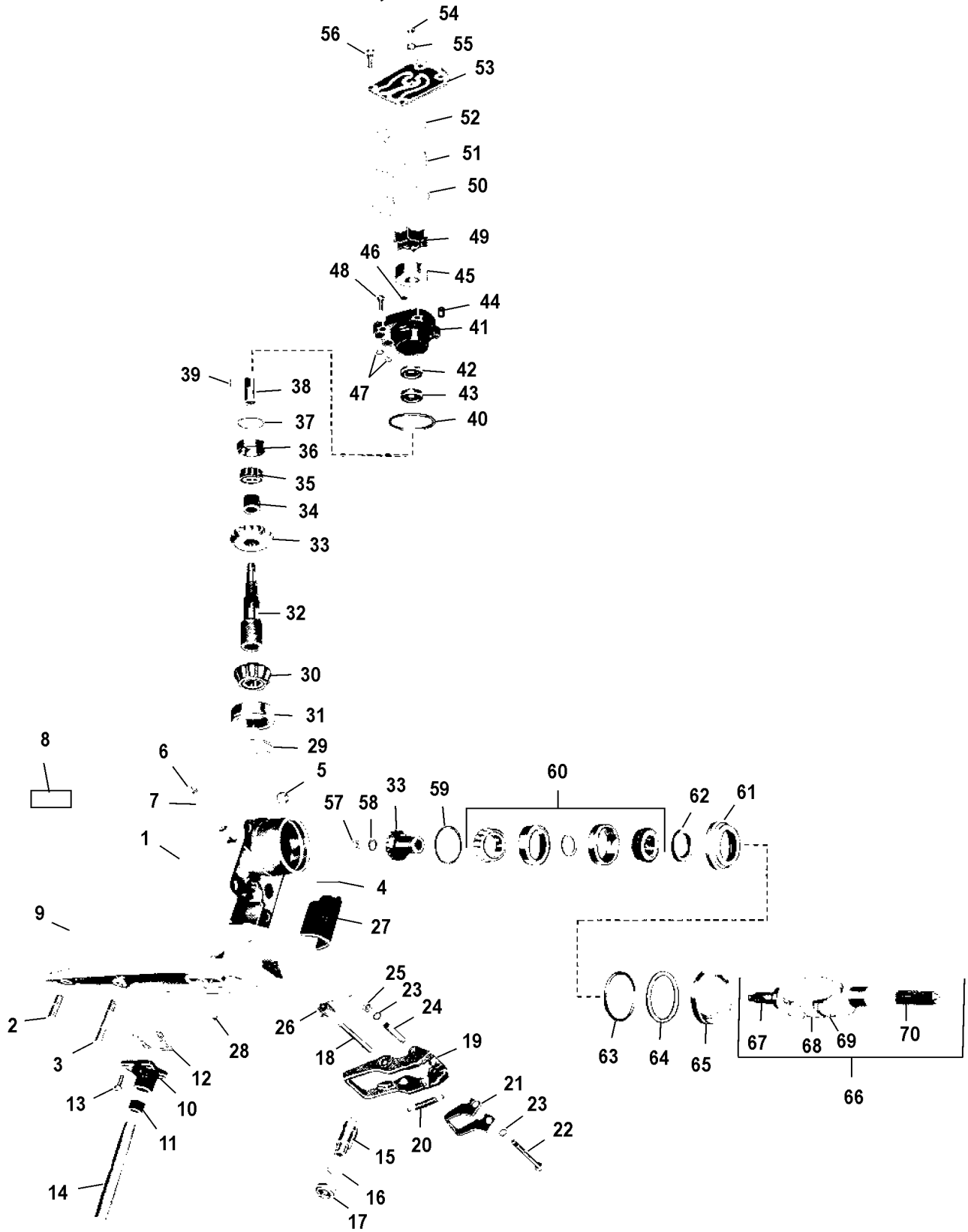
2509

DRIVE SHAFT HOUSING, WATER PUMP & GEAR ASSEMBLY

REF. NO.	PART NO.	SYM.	QTY.	DESCRIPTION
-	1555-2538A13		1	DRIVE SHAFT HOUSING ASSEMBLY-COMplete (Includes Gears, Universal Joint, etc.)
1	1555-2538A1		1	DRIVE SHAFT HOUSING ASSEMBLY
2	16-46914		1	STUD-Drive Shaft Housing to Gear Housing (1/3/4 IN.)
3	16-46913		1	STUD-Drive Shaft Housing to Gear Housing (3 IN.)
4	32-45005		1	DRAIN TUBE-Drive Shaft Housing (1-5/8 IN.)
5	22-31704		1	PIPE PLUG-Drive Shaft Housing
6	10-28634		2	SCREW-Filling & Vent-Drive Shaft Housing
7	12-20260		2	WASHER-Filling & Vent Screw
8	37-46330A1		1	DECAL ASSEMBLY-Drive Shaft Housing
9	19-32298		1	PLUG-Drive Shaft Housing-Trim Tab Hole
10	38119A1		1	COVER ASSEMBLY-Water Pocket
11	26-38970		1	SEAL-Rubber-Water Pocket Cover
12	27-38110		1	GASKET-Water Pocket Cover
13	10-38111		4	SCREW-Water Pocket Cover to Drive Shaft Housing (3/4 IN.)
14	32-45694		1	WATER TUBE-Water Pocket Cover
15	45011A2		1	SHIFT SHAFT-Intermediate
16	12-26617		1	WASHER-Intermediate Shift Shaft
17	11-22339		1	NUT-Intermediate Shift Shaft
18	17-38112		1	PIVOT PIN-Reverse Hook Arm to Drive Shaft Housing
-	39508A1		1	REVERSE HOOK ASSEMBLY
19	39511		1	REVERSE HOOK ARM
20	24-39509		2	SPRING-Reverse Hook to Arm
21	39508		1	HOOK-Reverse Arm
22	10-39510		1	SCREW-Reverse Hook to Arm (2-5/8 IN.)
23	12-35950		2	WASHER-Reverse Hook Screw
24	23-39655		1	SLEEVE-Anti-Galling-Reverse Hook Screw
25	11-33825		1	NUT-Reverse Hook Screw
26	24-39507		1	SPRING-Reverse Hook Pivot Pin
27	38581		1	WATER SHUTTER-Rubber-Drive Shaft Housing
28	11-34933		2	NUT-Gear Housing to Drive Shaft Housing Stud
29	15-38093A1		AR	SHIM SET-Lower Tapered Roller Bearing
30	31-38135A1		1	TAPERED ROLLER BEARING-Lower
31	NSS		1	CUP
32	45-38121		1	UPPER DRIVE SHAFT
33	43-38122A2		1	GEAR ASSEMBLY-Complete
34	23-38089		1	SPACER-Upper Tapered Roller Bearing
35	31-38137A1		1	TAPERED ROLLER BEARING-Upper
36	NSS		1	CUP
37	15-38095A1		AR	SHIM SET-Upper Tapered Roller Bearing
38	45743		1	SHAFT-Impeller Drive
39	17-38102		1	PIN-Impeller Drive
40	25-38099		1	O RING-Water Pump Housing

CONTINUED ON NEXT PAGE ➡

DRIVE SHAFT HOUSING, WATER PUMP & GEAR ASSEMBLY

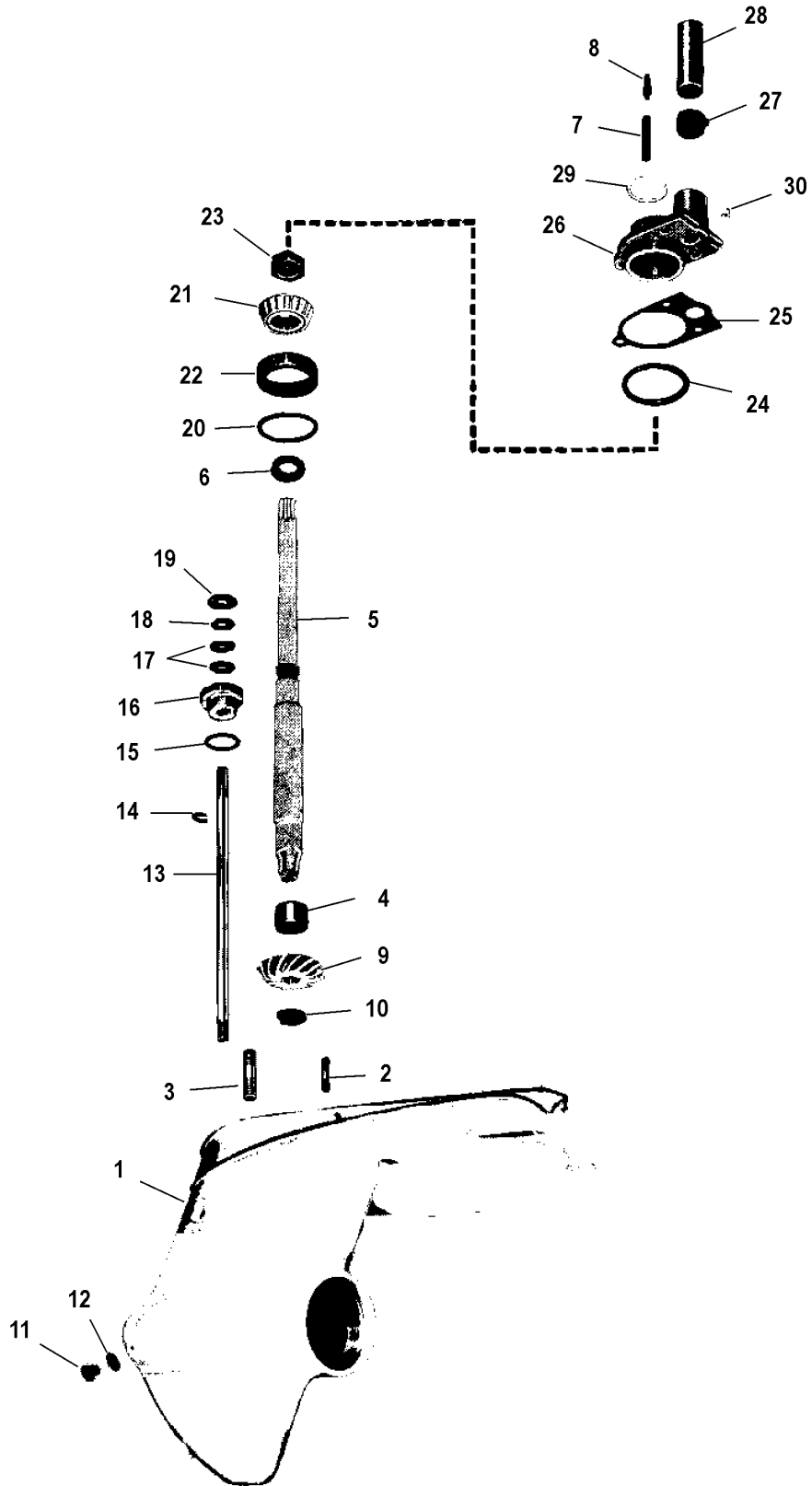


2509

DRIVE SHAFT HOUSING, WATER PUMP & GEAR ASSEMBLY

REF. NO.	PART NO.	SYM.	QTY.	DESCRIPTION
41	46-45609A1		1	WATER PUMP HOUSING ASSEMBLY
42	26-26782		1	OIL SEAL-Upper
43	26-23300		1	OIL SEAL-Lower
44	17-20032		2	DOWEL PIN
45	29104		1	INSERT
46	27-38957		1	GASKET
47	25-38101		2	O RING-Drive Shaft Housing
48	10-32565		4	SCREW-Water Pump Housing to Drive Shaft Housing (1 IN.)
49	47-30041		1	IMPELLER
50	27-45605		1	GASKET-Water Pump Housing to Face Plate
51	45606		1	FACE PLATE
52	27-45604		1	GASKET-Face Plate to Top Cover
53	45608		1	COVER-Top-Drive Shaft Housing
54	10-28634		1	SCREW-Flushing-Top Cover
55	12-20260		1	WASHER-Sealing-Flushing Screw
56	10-32565		4	SCREW-Top Cover to Drive Shaft Housing (1 IN.)
57	11-20220		1	NUT-Drive Gear to Universal Joint
58	12-38108		1	WASHER-Drive Gear to Universal Joint Nut
59	15-20928A1		AR	SHIM SET-Drive Gear Roller Bearing
60	31-38142A2		1	TAPERED ROLLER BEARING ASSEMBLY-Drive Gear
61	38117A1		1	CARRIER ASSEMBLY-Oil Seal
62	26-38105		1	OIL SEAL
63	25-38106		1	O RING-Oil Seal Carrier
64	12-38107		1	WASHER-Roller Bearing Retainer to Oil Seal Carrier
65	38118		1	RETAINER-Tapered Roller Bearing-Drive Shaft Housing
66	38124		1	UNIVERSAL JOINT-Drive Gear
67	39413		1	YOKE-Universal Joint-Gear End (Short)
68	39409		1	SOCKET-Center-Universal Joint
69	36311		2	CROSS & BEARING ASSEMBLY-Universal Joint
70	39412		1	YOKE-Universal Joint-Coupling End (Long)

GEAR HOUSING ASSEMBLY-DRIVE

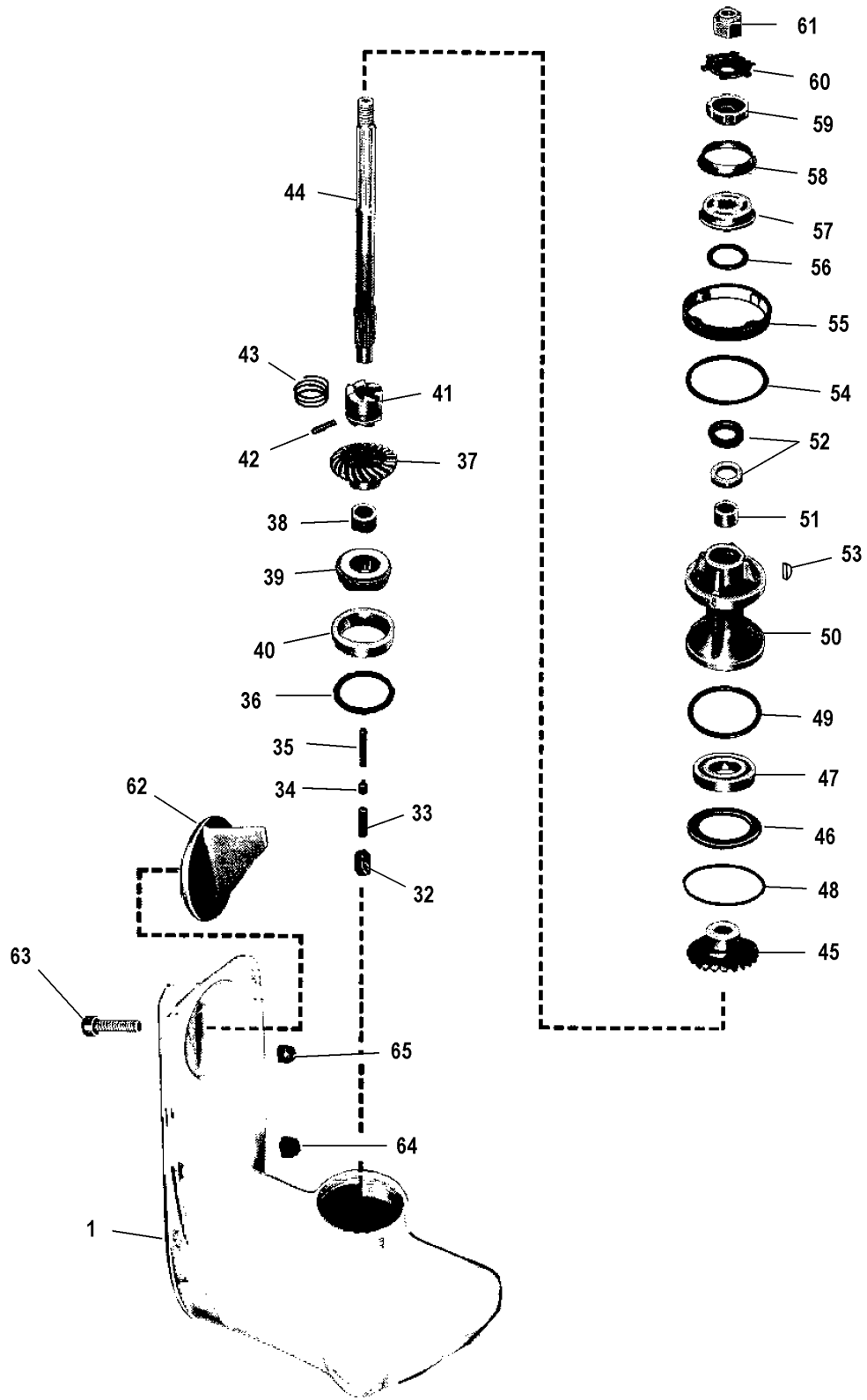


2510

GEAR HOUSING ASSEMBLY-DRIVE

REF. NO.	PART NO.	SYM.	QTY.	DESCRIPTION
0	1634-2766A3		1	GEAR HOUSING-COMPLETE
1	1634-2766A1		1	GEAR HOUSING (BASIC)
2	16-36196		3	STUD-Gear Housing to Water & Oil Adaptor (1-5/16 IN.)
3	16-46909		2	STUD-Gear Housing to Drive Shaft Housing (1-31/32 IN.)
4	31-32898		1	ROLLER BEARING-Drive Shaft
5	45-45695A2		1	DRIVE SHAFT ASSEMBLY
6	12-45698		1	WASHER-Drive Shaft
7	24-20254		1	SPRING-Drive Shaft
8	17-30545		1	PIN-Drive Shaft
9	43-33134		1	PINION GEAR
10	11-30932		1	NUT-Pinion Gear to Drive Shaft
11	10-28634		1	SCREW-Gear Housing Grease Filler & Vent Hole
12	12-20260		1	WASHER-Rubber-Grease Filler & Vent Hole Screw
13	45686		1	SHIFT SHAFT-Lower
14	18-20233		1	COTTER PIN-Shift Shaft
15	25-25439		1	O RING-Shift Shaft Bushing
16	23-46284A1		1	BUSHING ASSEMBY-Shift Shaft
17	26-46021		2	OIL SEAL-Shift Shaft Bushing
18	12-31266		1	WASHER-Shift Shaft Bushing
19	12-29395		1	WASHER-Shift Shaft
20	15-45691A1		AR	SHIM SET-Drive Shaft Bearing Cup to Gear Housing
21	31-45692A1		1	TAPERED ROLLER BEARING ASSEMBLY
22	NSS		1	CUP
23	11-45690		1	NUT-Roller Bearing to Drive Shaft
24	25-26855		1	O RING-Water and Oil Adaptor (Large)
25	27-45689		1	GASKET-Water and Oil Adaptor
26	45685A1		1	ADAPTOR ASSEMBLY-Water and Oil
27	26-38970		1	SEAL-Rubber-Water Inlet Tube
28	23-29804		1	SLEEVE-Guide-Water Inlet Tube
29	25-23145		1	O RING-Water and Oil Adaptor (SMALL)
30	11-30506		3	NUT-Water & Oil Adaptor to Gear Housing Stud

GEAR HOUSING ASSEMBLY-PROP



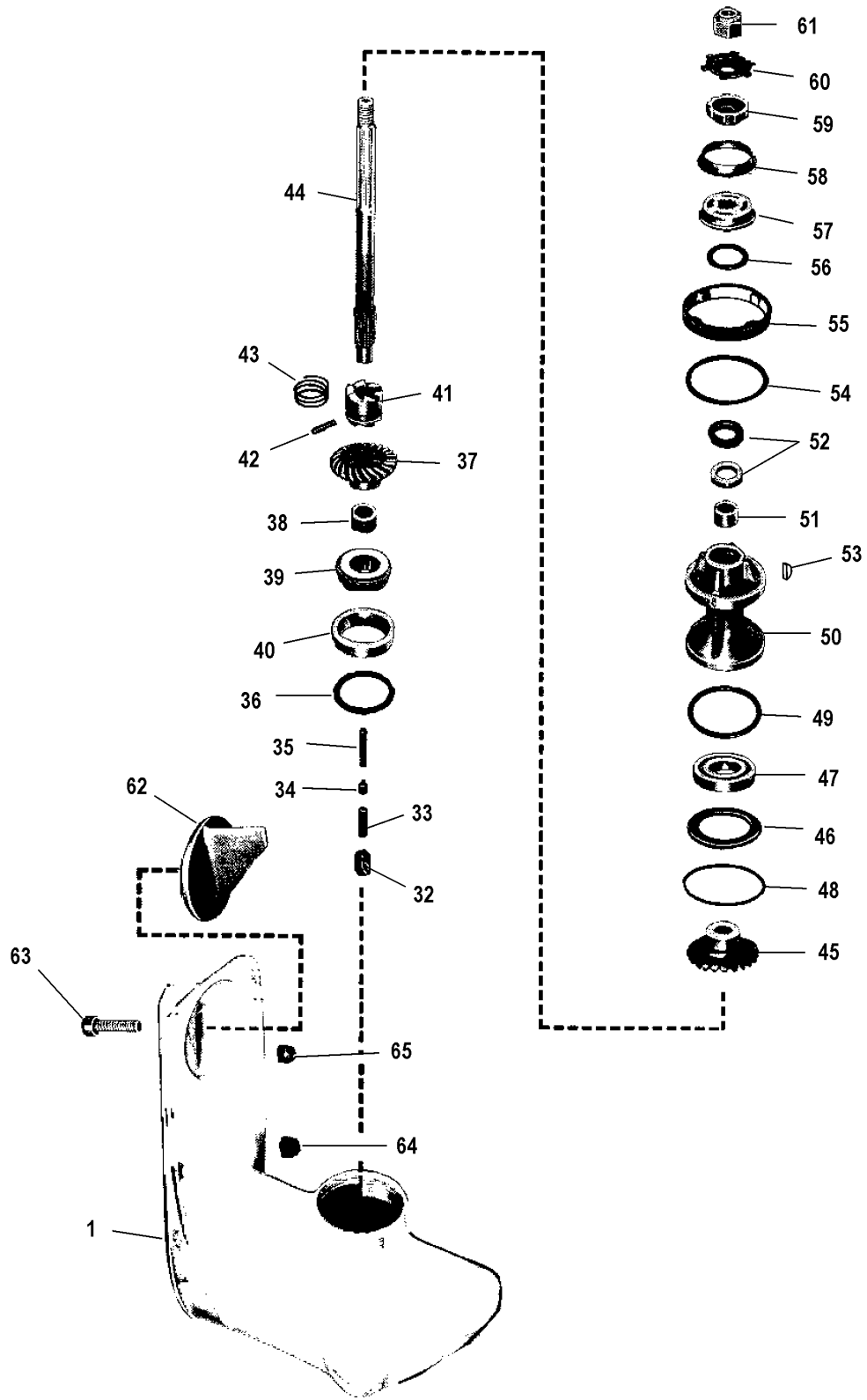
2511

GEAR HOUSING ASSEMBLY-PROP

REF. NO.	PART NO.	SYM.	QTY.	DESCRIPTION
0	1634-2766A3		1	GEAR HOUSING-COMplete
1	1634-2766A1		1	GEAR HOUSING (BASIC)
32	54346		1	SHIFT CAM
33	30625		1	CAM FOLLOWER
34	30624		1	SLIDE-Cross Pin
35	24-30622		1	SPRING-Cam Follower
36	15-30923A1		AR	SHIM SET-Bearing Cup to Gear Housing
37	43-33135		1	FORWARD GEAR
38	31-30895		1	ROLLER BEARING-Forward Gear
39	31-30894A1		1	TAPERED ROLLER BEARING ASSEMBLY
40	NSS		1	CUP
41	52-34239		1	CLUTCH
42	17-30632		1	CROSS PIN-Clutch to Prop Shaft
43	24-30893		1	SPRING-Cross Pin
44	44-45683		1	PROP SHAFT
45	43-33136		1	REVERSE GEAR
46	12-30633		1	THRUST WASHER-Bearing Carrier to Gear Housing
47	30-31265		1	BALL BEARING-Reverse Gear
48	15-29955A1		AR	SHIM SET-Thrust Washer to Gear housing
49	25-29976		1	O RING-Bearing Carrier
50	45607A1		1	BEARING CARRIER ASSEMBLY
51	31-30956		1	ROLLER BEARING
52	26-30550		2	OIL SEAL
53	28-30281		1	KEY-Bearing Carrier
54	12-29957		1	WASHER-Gear Housing Cover
55	52699		1	COVER-Gear Housing
56	12-31013		1	THRUST WASHER-Bearing Carrier
57	30581A1		1	THRUST HUB AND WASHER ASSEMBLY
58	12-29590		1	CUPPED WASHER
59	12-31211		1	SPLINED WASHER-Prop Shaft
60	14-31210		1	TAB WASHER-Prop Shaft
61	11-29594		1	PROP NUT
62	45684A1		1	TRIM TAB
63	10-32470		1	SCREW-Trim Tab to Gear Housing (1-3/4 IN.)
64	11-34933		1	NUT-Drive Shaft Housing to Gear Housing Stud (7/16 IN.)
65	11-34932		1	NUT-Drive Shaft Housing to Gear Housing Stud (3/8 IN.)
0	48-33242A3		1	PROPELLER ASSEMBLY (9-1/2 IN. PITCH)
	48-35936A3		1	PROPELLER ASSEMBLY (11 IN. PITCH)
	48-32392A3		1	PROPELLER ASSEMBLY (13 IN. PITCH)
	48-32390A3		1	PROPELLER ASSEMBLY (15 IN. PITCH)
	48-32264A3		1	PROPELLER ASSEMBLY (17 IN. PITCH)

CONTINUED ON NEXT PAGE ➡

GEAR HOUSING ASSEMBLY-PROP

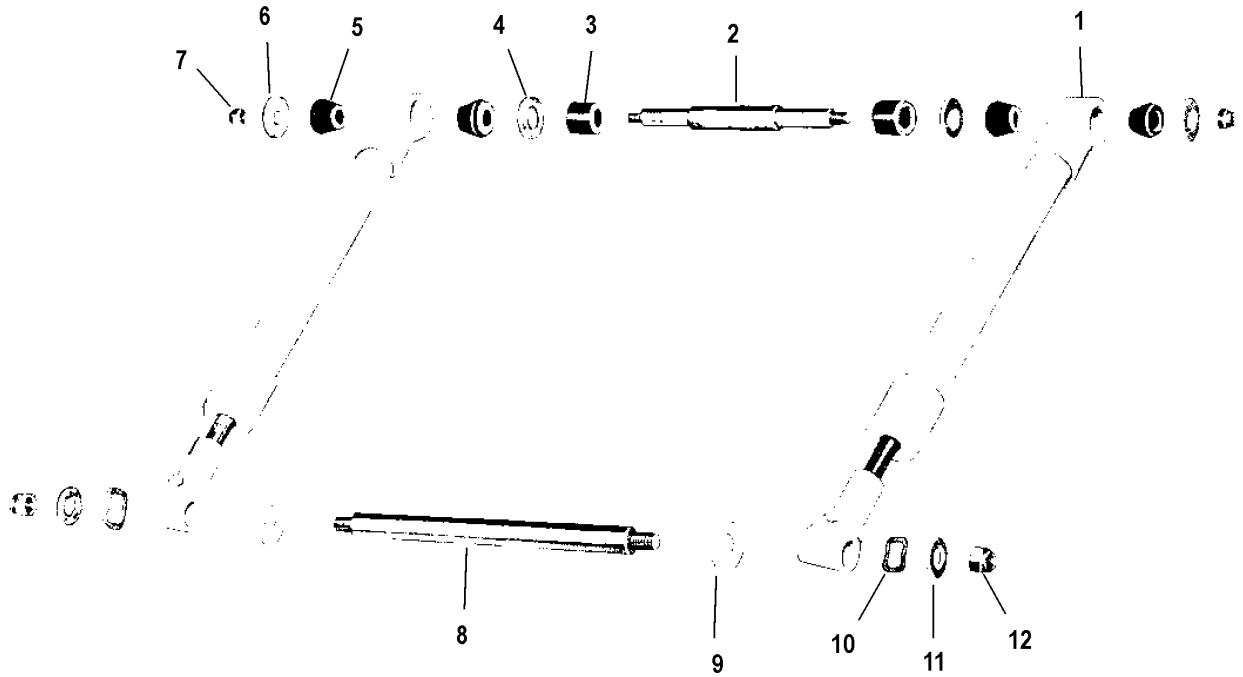


2511

GEAR HOUSING ASSEMBLY-PROP

REF. NO.	PART NO.	SYM.	QTY.	DESCRIPTION
0	48-32750A3		1	PROPELLER ASSEMBLY (19 IN. PITCH)(3 BLADES)
	48-32388A3		1	PROPELLER ASSEMBLY (19 IN. PITCH)(2 BLADES)
	48-32746A3		1	PROPELLER ASSEMBLY (21 IN. PITCH)(3 BLADES)
	48-31454A3		1	PROPELLER ASSEMBLY (21 IN. PITCH)(2 BLADES)
	48-32386A3		1	PROPELLER ASSEMBLY (23 IN. PITCH)

TILT AND SHOCK CYLINDER ASSEMBLY



2504

TILT AND SHOCK CYLINDER ASSEMBLY

REF. NO.	PART NO.	SYM.	QTY.	DESCRIPTION
0	38587A1		1	TILT AND SHOCK CYLINDER ASSEMBLY-COMPLETE
1	38588A1		2	TILT CYLINDER ASSEMBLY
2	17-35290		1	ANCHOR PIN-Tilt Cylinder to Drive Shaft Housing (6-3/4 IN.)
3	23-38320		2	SLEEVE-Rubber-Tilt Cylinder Anchor Pin
4	12-36041		2	WASHER-Tilt Cylinder Anchor Pin (33/64 IN. I.D.)
5	23-35278		4	BUSHING-Tapered-Tilt Cylinder Anchor Pin
6	12-36042		2	WASHER-Tilt Cylinder Anchor Pin (11/32 IN. I.D.)
7	11-35814		2	NUT-Tilt Cylinder Anchor Pin
8	17-38317		1	ANCHOR PIN- Tilt Cylinder to Gimbal Ring (8-7/8 IN.)
9	12-38313		2	WASHR-Fiber-Tilt Cylinder Anchor Pin
10	13-37642		2	WAVE WASHER-Tilt Cylinder Anchor Pin
11	12-29395		2	WASHER-Tilt Cylinder Anchor Pin
12	11-34932		2	NUT-Tilt Cylinder Anchor Pin

ACCESSORIES

REF. NO.	PART NO.	SYM.	QTY.	DESCRIPTION
0	24789A1		1	FLUSHING ATTACHMENT
	46733A1		1	MERCATHODE KIT
	45347A1		1	POWER TILT (Less Tilt Cylinders)
	48567A1		1	CARBURETOR REVERSAL KIT

PARTS INDEX

Part Number	Description	Pg.	Ref. No.	Part Number	Description	Pg.	Ref. No.
22789	"D" WASHER, BATTERY CABLE CLAMP SCREW ..	3	28	38118	RETAINER-Tapered Roller Bearing-Drive Shaft Housing	57	65
22789	"D" WASHER, STATOR AND WIRING HARNESS CLIP SCREW	33	43	38119A1	COVER ASSEMBLY-Water Pocket	55	10
22789	"D" WASHER, STATOR LEADS CLIP SCREW	33	46	38124	UNIVERSAL JOINT-Drive Gear	57	66
22789	"D" WASHER, WIRING HARNESS CLIP SCREW .	3	12	38159	CAP-Manual Tilt Screw	45	51
22789	"D" WASHER, WIRING HARNESS CLIP SCREW .	5	57	38160A8	GIMBAL HOUSING ASSEMBLY	47	1
22924	TERMINAL-Tilt Stop Switch .	51	31	38161A2	GIMBAL RING ASSEMBLY ..	51	1
24789A1	FLUSHING ATTACHMENT ..	66	0	38162A3	BELL HOUSING ASSEMBLY	49	40
25168	NUT, JAM- ADJUSTING SLEEVE TO UPPER LINK ROD	17	43	38163A3	TRANSOM PLATE ASSEMBLY	43	1
25661	STARTER SOLENOID	5	39	38165	EXHAUST COVER	43	5
26079	PLATE, WIRING HARNESS TO MOUNTING BRACKET	3	2	38174	STEERING LEVER-Upper Swivel Shaft	51	16
26551	TAB, STATER SOLENOID SCREW- THROTTLE RETURN SPRING	5	45	38175A2	RECEIVER HOUSING ASSEMBLY	53	46
27947	SWIVEL, LINK ROD TO THROTTLE LEVER	11	39	38176A1	BELLOWS ASSEMBLY-Universal Joint	47	34
29013	IDLE STOP	17	48	38177	EXHAUST BELLOWS	47	37
29104	INSERT	57	45	38179A2	SENDER HOUSING ASSEMBLY	51	36
29359	LUBRICAP	47	3	38182	GUIDE-Manual Tilt Cable ...	45	59
30581A1	THRUST HUB AND WASHER ASSEMBLY	61	57	38184	BELLOWS, EXHAUST	37	49
30624	SLIDE-Cross Pin	61	34	38185	MOUNT, RUBBER - FLYWHEEL HOUSING ...	41	2
30625	CAM FOLLOWER	61	33	38185	MOUNT, RUBBER - REAR MOUNT HOUSING AND MOUNT CARRIER	41	20
31897	LEVER-Tilt Stop Switch Actuating-Gimbal Ring	51	28	38187A1	STEERING LINK ROD ASSEMBLY	51	24
31899	RETAING PLATE-Tilt Stop Switch to Gimbal Ring	51	32	38188	MOUNT-Rubber-Gimbal Housing Ball Bearing	47	10
32177A1	RECTIFIER ASSEMBLY	5	47	38192	YOKE-Steering Link Rod	51	19
32582	UPPER SWIVEL SHAFT- Gimbal Ring to Gimbal Housing	51	13	38194	SHIFT CABLE LEVER-Transom Plate	43	32
32637	STRAP-Tilt Stop Switch Retaining	51	33	38209	COVER-Water Tube	47	23
32786	TAB, WIRING HARNESS CLIP	3	8	38211	ROD END-Sender Housing Piston	51	37
33229	COVERING, CHOKE PIPE ..	17	53	38212	KNOB	45	46
33393	SLEEVE, ADJUSTING- LINK ROD	13	41	38219A1	MANUAL TILT CABLE ASSEMBLY	45	56
33393	SLEEVE, ADJUSTING- LINK ROD	17	42	38262A1	LINK ROD ASSEMBLY	49	57
33865	BINDER, NYLON- WIRING HARNESS	3	17	38296A1	TILT STOP SWITCH ASSEMBLY-Gimbal Ring .	51	30
34762A1	PLATE ASSEMBLY-Inhibitor .	47	15	38371	EXHAUST SEAL	43	3
35884	THERMOSTAT	37	55	38371	EXHAUST SEAL	43	3
36311	CROSS & BEARING ASSEMBLY-Universal Joint	57	69	38372	ANCHOR-Sender Housing-Transom Plate	43	20
37036	CLAMP, DISTRIBUTOR TO CYLINDER HEAD	9	33	38413	PILOT RING	47	13
37125	ADAPTOR, OIL FILTER TO CYLINDER BLOCK	27	29	38438	COUPLING-Manual Tilt Screw	45	52
38117A1	CARRIER ASSEMBLY-Oil Seal	57	61	38532	BRACKET, MOUNTING - WIRING HARNESS	3	3
				38534	WATER TEMPERATURE SENDER ASSEMBLY, FRONT MOUNT HOUSING	3	29
				38539	BATTERY CABLE NEGATIVE (BLACK)	3	25

PARTS INDEX

Part Number	Description	Pg.	Ref. No.	Part Number	Description	Pg.	Ref. No.
38542	LEAD ASSEMBLY, COIL TO DISTRIBUTOR (11 1/2")	9	24	45657	EXHAUST MANIFOLD	35	1
38547	COIL ASSEMBLY, IGNITION	9	25	45658	HOUSING, FLYWHEEL	41	1
38557	ADAPTOR, OIL PRESSURE SENDER TO CYLINDER BLOCK	5	34	45660	BRACKET, MOUNTING-STARTER SOLENOID, RECTIFER AND VOLTAGE REG	5	36
38559	OIL PRESSURE SENDER ASSEMBLY, CYLINDER BLOCK	3	31	45684A1	TRIM TAB	61	62
38581	WATER SHUTTER-Rubber-Drive Shaft Housing	55	27	45685A1	ADAPTOR ASSEMBLY-Water and Oil	59	26
38584	PLATE-Supporting-Transom Screw (Top)	47	27	45686	SHIFT SHAFT-Lower	59	13
38587A1	TILT AND SHOCK CYLINDER ASSEMBLY-COMplete	65	0	45696A1	UPPER SHIFT SHAFT ASSEMBLY	49	52
38588A1	TILT CYLINDER ASSEMBLY	65	1	45697	UPPER SHIFT SHAFT LEVER	49	54
38886	BUMPER-Gimbal Ring	51	27	45743	SHAFT-Impeller Drive	55	38
38983	SWIVEL, LIKN ROD TO CARBURETOR	17	45	45864	COVER, INTAKE MANIFOLD	35	22
38983	SWIVEL, LINK ROD TO CARBURETOR	13	44	46009	WIRING HARNESS, EXTERNAL	3	1
39409	SOCKET-Center-Universal Joint	57	68	46010A1	LEAD ASSEMBLY, HIGH TENSION- DISTRIKBTOR	9	38
39412	YOKE-Universal Joint-Coupling End (Long)	57	70	46011A1	VOLTAGE REGULATOR ASSEMBLY	5	53
39413	YOKE-Universal Joint-Gear End (Short)	57	67	46117	CARRIER, RUBBER MOUNT	41	16
39508	HOOK-Reverse Arm	55	21	46127	LINK ROD, THROTTLE LEVER SWIVEL TO ADJUSTING SLEEVE (LOWER)	11	40
39508A1	REVERSE HOOK ASSEMBLY	55	-	46128	LINK ROD, CARBURETOR SWIVEL TO ADJUSTING SLEEVE (UPPER)	13	43
39511	REVERSE HOOK ARM	55	19	46129	WIRE, MOUNTING- FLAME ARRESTOR	13	52
45011A2	SHIFT SHAFT-Intermediate	55	15	46129	WIRE, MOUNTING- FLAME ARRESTOR	17	55
45347A1	POWER TILT (Less Tilt Cylinders)	66	0	46130	LEVER, THROTTLE	11	31
45606	FACE PLATE	57	51	46292A1	MANUAL TILT CRANK ASSEMBLY	45	44
45607A1	BEARING CARRIER ASSEMBLY	61	50	46443	EMBLEM-Gimbal Housing	47	NS
45608	COVER-Top-Drive Shaft Housing	57	53	46500	GAUGE, OIL LEVEL (DIP STICK)	27	19
45616	ELBOW, MANIFOLD	35	30	46511	COVER, INSPECTION-CYLINDER BLOCK	27	22
45617	ELBOW, EXHAUST	37	38	46520	PLATE, MOUNTING- FUEL PUMP	11	17
45618	HOUSING, FRONT MOUNT	37	53	46520	PLATE, MOUNTING- FUEL PUMP	15	17
45618	HOUSING, FRONT MOUNT	41	12	46529	OIL PAN	27	30
45619	HOUSING, REAR MOUNT	41	19	46535	COVER, TIMING	27	36
45621A1	ENGINE COUPLING ASSEMBLY	33	38	46537	COVER, CAMSHAFT HOLE-CYLINDER BLOCK	27	14
45623	BLOCK, WATER DISTRIBUTION - EXHAUST MANIFOLD	35	14	46556	CAP, OIL FILLER	23	6
45625	COVER, FLYWHEEL HOUSING	41	5	46558	COVER, TOP	23	1
45629	COVER, THERMOSTAT	37	56	46560	VALVE GUIDE (13.25MM)	23	33
45630	FLAME ARRESTOR, CARBURETOR	13	55	46561	VALVE GUIDE (13.10MM)	23	33
45630	FLAME ARRESTRO CARBURETOR	17	58	46573	CHAIN, TIMING-CAMSHAFT AND CRANKSHAFT TIMING GEARS	31	7
45631	END CAP, EXHAUST MANIFOLD	35	3	46574	PLATE, GUIDE-TIMING CHAIN	31	8
45644	BRACKET, MOUNTING - EXHAUST ELBOW	37	44	46578	SHAFT, ROCKER	23	14
				46582	ARM, ROCKER-INLET	23	18

PARTS INDEX

Part Number	Description	Pg.	Ref. No.	Part Number	Description	Pg.	Ref. No.
46586	SUPPORT, ROCKER SHAFT	23	8	46671	CAP, FUEL PUMP FILTER ..	11	6
46587	ARM, ROCKER- EXHAUST .	23	18	46671	CAP, FUEL PUMP FILTER ..	15	6
46589	CAP,VALVE SPRING (UPPER)	23	24	46674	FILTER, FUEL PUMP	11	8
46591	ROD, PUSH	23	17	46674	FILTER, FUEL PUMP	15	8
46592	VCAP, VALVE SPRING (LOWER)	23	27	46681	VALVE, INLET (LARGE HEAD)	23	30
46593	LIFTER, PUSH ROD (12MM)	23	16	46682	VALVE, EXHAUST (SMALL HEAD)	23	29
46594	LIFTER, PUSH ROD (12.2MM)	23	16	46686	BRACKET, COIL MOUNTING	9	29
46596	PLATE, THRUST-CAMSHAFT	31	3	46692	OILO FILTER	27	28
46597	FILTER, TENSIONER BLOCK	31	14	46697	VALVE SEAT, EXHAUST- CYLINDER HEAD	23	34
46598	TENSION BLOCK ASSEMBLY, TIMING CHAIN	31	11	46698	VALVE SEAT, INLET- CYLINDER HEAD	23	34
46604	SHAFT, PINION-OIL PUMP SHAFT TO DISTRIBUTOR	29	40	46733A1	MERCATHODE KIT	66	0
46608	TUBE, PICK-UP	29	44	46968	PLATE, MOUNTING- BREAKER ASSEMBLY ...	9	11
46611	CAP, OIL PRESSURE VALVE SPRING	29	54	46969	SHIELD, BREAKER ASSEMBLY	9	6
46618	BODY, OIL PUMP	29	42	47154A2	TRANSOM PLATE ASSEMBLY	43	1
46619	DISTRIBUTOR ASSEMBLY,COMPLETE ..	9	1	47166	SHAFT, OIL PUMMP BVOIDY TO PINION SHAFT	29	41
46625	RETAINER KIT, DISTRIBUTOR CAP	9	20	47595	COVER, INTAKE MANIFOLD	35	22
46626	CONDENSER	9	16	47596	LEVER, THROTTLE	15	32
46630	CAP ASSEMBLY, DISTRIBUTOR	9	2	47597	LINK ROD, THROTTLE LEVER SWIVEL TO ADVESTING SLEEVE (LOWER)	17	41
46631	BALL AND SPRING ASSEMBLY, DISTRIBUTOR CAP	9	3	47598	LINK ROD, CARBURETOR SWIVEL TO ADJUSTING SLEEVE (UPPER)	17	44
46632	ROTOR, DISTRIBUTOR	9	4	47599	SWIVEL, LINK ROD TO THROTTLE LEVEL	15	40
46635	BREAKER ASSEMBLY, DISTRIBUTOR	9	7	47604A1	PROTECTOR, HIGH TENSION LEAD	9	39
46637	BASE, BREAKER ASSEMBLY	9	10	48097	PALTE, GUIDE-TIMING CHAIN	31	8
46639	WIPER, DISTRIBUTOR ROTOR	9	13	48453	ELBOW, MANIFOLD	37	30
46641	STARTER SOLENOID, STARTER HOUSING	7	3	48469	EXHAUST MANIFOLD	35	1
46645	ARM, STARTER SOLENOID	7	6	48567A1	CARBURETOR REVERSAL KIT	66	0
46646	INSERT, STARTER SOLENOID ARM	7	7	48952	WATER TEMPERATURE SENDER ASSEMBLY, FRONT MOUNT HOUSING	3	29A
46649	HOUSING, STARTER	7	1	49201A4	GIMBAL HOUSING ASSEMBLY	47	1
46650	DRIVE ASSEMBLY, CLUTCH	7	11	49202A2	MANUAL TILT ASSEMBLY ..	45	-
46655	GROMMET KIT, STARTER HOUSING	7	13	49202A3	MANUAL TILT HOUSING ASSEMBLY	45	57
46656	ARMATURE	7	17	49704A1	SHIFT CABLE LEVER- Transom Plate	43	32
46657	FIELD COIL ASSEMBLY ...	7	18	52699	COVER-Gear Housing	61	55
46658	BAND, STARTER MOTOR ..	7	21	54346	SHIFT CAM	61	32
46661	BRUSH KIT, STARTER (POSITIVE AND NEGATIVE)	7	19	N.S.S.	*COVER, STEP-UP ROD DIAPHRAGM	19	9
46666A1	FUEL PUMP ASSEMBLY ...	11	2	N.S.S.	*DIAPHRAGM, STEP-UP ROD	19	7
46666A1	FUEL PUMP ASSEMBLY ...	15	2	N.S.S.	*GASKET, COIL HOUSING .	19	33
46668	ARM, FUEL PUMP	11	11	N.S.S.	*GASKET, FLOAT BOWL ...	21	56
46668	ARM, FUEL PUMP	15	11				
46669	CLAMP ASSEMBLY, FUEL PUMP CAP	11	4				
46669	CLAMP ASSEMBLY, FUEL PUMP CAP	15	4				

PARTS INDEX

Part Number	Description	Pg.	Ref. No.	Part Number	Description	Pg.	Ref. No.
N.S.S.	*GASKET, INLET NEEDLE AND SEAT	19	6	10-22960	SCREW, RUBBER MOUNT TO MOUNT CARRIER (1 3/8")	41	21
N.S.S.	*PUMP ASSEMBLY, CARBURETOR	21	53	10-24231	SCREW, WIRING HARNESS LEAD ATTACHING (1/4")	3	18
N.S.S.	*RETAINER, PUMP-LOWER	21	55	10-24234	SCREW, EXHAUST ELBOW TO MANIFOLD ELBOW (1")	37	40
N.S.S.	*RETAINER, STEP-UP ROD DIAPHRAGM	19	10	10-25764	SCREW, VOLTAGE REGULATOR TO MOUNTING BRACKET (1/2")	5	54
N.S.S.	*SPRING, PUMP- UPPER	21	43	10-26065	SCREW, RECTIFIER TO MOUNTING BRACKET (1")	5	51
N.S.S.	*SPRING, STEP-UP ROD DIAPHRAGM - UPPER	19	8	10-26132	SCREW, REAR MOUNT HOUSING TO FRONT MOUNT HOUSING (2 1/2")	41	24
N.S.S.	*WASHER, RETAINER-STEP-UP ROD DIAPHRAGM COVER	19	11	10-28524	SCREW, WIRING HARNESS CLIP TAB TO CYLINDER BLOCK (15MM)	3	9
10-20100	SCREW, STATOR AND WIRING HARNESS CLIP ATTACHING (1/2")	33	42	10-28634	FILLER SCREW-Sender Housing	51	39
10-20191	SCREW, WIRING HARNESS CLIP TO TAB (1/2")	3	11	10-28634	SCREW-Filling & Vent-Drive Shaft Housing	55	6
10-20639	SCREW, MANIFOLD ELBOW TO EXHAUST ELBOW (1 1/8")	37	42	10-28634	SCREW-Flushing-Top Cover	57	54
10-20681	SCREW, WATER TEMPERATURE SENDER (3/8")	3	30	10-28634	SCREW-Gear Housing Grease Filler & Vent Hole	59	11
10-20776	SCREW, FLYWHEEL COVER TO FLYWHEEL HOUSING (1/2")	41	6	10-29096	SCREW, ENGINE COUPLING TO FLYWHEEL (2 1/2")	33	33
10-20776	SCREW, RUBBER MOUNT TO REAR MOUNT HOUSING (1/2")	41	22	10-29096	SCREW, ENGINE COUPLING TO FLYWHEEL (2 1/2")	33	33
10-21077	SCREW, THERMOSTAT COVER TO FRONT MOUNT HOUSING (7/8")	37	58	10-29227	SCREW, WIRING HARNESS CLAMP	3	15
10-21477	SCREW-Sender Housing Anchor to Transom Plate (1-1/4 IN.)	43	21	10-29249	SCREW, STATOR TO FLYWHEEL HOUSING (1")	33	37
10-21548	SCREW, MOUNTING BRACKET TO TRANSOM PLATE(5/8)	3	6	10-29852	SCREW, HARNESS LEAD TO RECTIFIER	5	48
10-21625	SCREW, STARTER SOLENOID TO MOUNTING BRACKET (3/4")	5	44	10-31903	SCREW, STATOR LEADS CLIP ATTACHING (3/8")	33	45
10-21722	SCREW, MOUNT TO FLYWHEEL HOUSING AND TRANSOM PLATE (5/8")	41	3	10-31903	SCREW-Actuating Lever and Bumper to Gimbal Ring (3/8 IN.)	51	29
10-21722	SCREW-Receiver Housing to Bell Housing (5/8 IN.)	53	48	10-32470	SCREW-Trim Tab to Gear Housing (1-3/4 IN.)	61	63
10-22290	DRIVE SCREW-Name Plate to Transom Plate	43	10	10-32515	SCREW, FLYWHEEL HOUSING TO CYLINDER BLOCK (2 1/2")	41	9
10-22387	SCREW-Retaining Plate & Strap to Gimbal Ring (1 IN.)	51	34	10-32565	SCREW-Top Cover to Drive Shaft Housing (1 IN.)	57	56
10-22523	SCREW, VOLTAGE REGULATOR TO MOUNTING BRACKET (3/4")	5	55	10-32565	SCREW-Water Pump Housing to Drive Shaft Housing (1 IN.)	57	48
10-22659	SCREW-Sender Housing to Anchor (1-5/8 IN.)	43	24	10-32995	SCREW-Steering Lever to Upper Swivel Shaft (2 IN.)	51	17
10-22793	SCREW, BATTERY CABLE CLAMP TO BOAT (7/8")	3	27	10-33008	SCREW, REAR MOUNT HOUSING TO FRONT MOUNT HOUSING (3 1/2")	41	26
				10-33022	SCREW-Upper Swivel Shaft Retaining-Gimbal Ring	51	6

PARTS INDEX

Part Number	Description	Pg.	Ref. No.	Part Number	Description	Pg.	Ref. No.
10-34290	SCREW-Water Tube Cover to Gimbal Housing (5/8 IN.) . .	47	24	10-38870	SCREW-Exhaust Cover to Transom Plate (7/8 IN.) . . .	43	6
10-34353	SCREW, MOUNTING BRACKET TO REAR MOUNT HOUSING (1") . . .	37	45	10-38874	SCREW-Exhaust Cover to Transom Plate (3/4 IN.) . . .	43	7
10-34354	SCREW, CARBURETOR TO INTAKE MANIFOLD COVER (1 1/2")	11	30	10-39510	SCREW-Reverse Hook to Arm (2-5/8 IN.)	55	22
10-34354	SCREW, CARBURETOR TO INTAKE MANIFOLD COVER (1 1/2")	15	30	10-39965	SCREW-Hydraulic Tubing Cover to Gimbal Housing (3/4 IN.)	53	45
10-34615	SCREW-Knob to manual Tilt Crank (15/16 IN.)	45	47	10-45590	SCREW-Shift Lever to Shift Shaft	49	56
10-34763	SCREW-Inhibitor Plate to Gimbal Housing (3/4 IN.) . .	47	16	10-45628	SCREW, LIFTING EYE TO CYLINDER HEAD (18MM)	23	37
10-35046	DRIVE SCREW-Bell Housing Flange	49	42	10-45742	SCREW-Cap to Manual Tilt Housing (5/16 IN.)	45	58
10-35046	DRIVE SCREW-Exhaust Flange	47	11	10-45979	SCREW, WATER DISTRIBUTION BLOCK TO EXHAUST MANIFOLD (2 3/8")	35	17
10-35092	SCREW-Cable Guide to Manual Tilt Housing (1/2 IN.)	45	60	10-45981	SCREW, MANIFOLD ELBOW TO EXHAUST MANIFOLD (1 1/4")	37	33
10-35156	SCREW, FLAME ARRESTOR TO CARBURETOR (1 1/4")	13	51	10-45981	SCREW, WATER DISTRIBUTION BLOCK TO EXHAUST MANIFOLD (1 1/4")	35	17
10-35156	SCREW, FLAME ARRESTOR TO CARBURETOR (1 1/4")	17	54	10-46197	SCREW, FLYWHEEL HOUSING TO CYLINDER BLOCK (3 1/2")	41	9
10-35388	SCREW, END CAP TO EXHAUST MANIFOLD (1")	35	5	10-46197	SCREW, STARTER MOTOR AND FLYWHEEL HOUSING TO CYLINDER BLOCK	3	22
10-35388	SCREW, INTAKE MANIFOLD COVER/EXHAUST MANIFOLD (1")	35	24	10-46502	SCREW, PLUG- CYLINDER BLOCK	27	4
10-35388	SCREW, WATER DISTRIBUTION BLOCK TO EXHAUST MANIFOLD (1")	35	17	10-46504	BOLT, MAIN BEARING CAP TO CYLINDER BLOCK (67.5MM)	27	6
10-35765	SCREW, MOUNTING BRACKET TO EXHAUST ELBOW (3/4")	37	48	10-46506	PLUG, CYLINDER BLOCK . .	27	7
10-37388	SCREW, FLYWHEEL HOUSING TO CYLINDER BLOCK (2 3/4")	41	9	10-46517	SCREW, FUEL PUMP MOUNTING PLATE TO CYLINDER BLOCK (20MM)	11	19
10-37388	SCREW, STARTER MOTOR AND FLYWHEEL HOUSING TO CYLINDER BLOCK	3	22	10-46517	SCREW, FUEL PUMP MOUNTING PLATE TO CYLINDER BLOCK (20MM)	15	19
10-38111	SCREW-Water Pocket Cover to Drive Shaft Housing (3/4 IN.)	55	13	10-46517	SCREW, INSPECTION COVER TO CYLINDER BLOCK (20MM)	27	24
10-38183	SCREW-Manual Tilt	45	49	10-46532	SCREW, OIL PAN TO CYLINDER BLOCK (15MM)	27	32
10-38197	SCREW-Transom to Gimbal Housing (3-1/2 IN.)	47	29	10-46532	SCREW, THRUST PLATE TO CYLINDER BLOCK (12MM)	31	4
10-38233	BOLT-Gimbal Housing to Transom Plate (4-1/4 IN.) .	47	31	10-46533	SCREW, COIL MOUNTING BRACKET TO CYLINDER BLOCK (15MM)	9	30
10-38245	SCREW-Flywheel Housing to Transom Plate (3-3/4 IN.) .	43	12	10-46533	SCREW, OIL PAN TO CYLINDER BLOCK (12MM)	27	32
10-38257	VENT SCREW-Sender Housing	51	38	10-46538	SCREW, TIMING COVER TO CYLINDER BLOCK (40MM)	27	38
10-38787	SCREW, IDLE STOP TO EXHAUSE MANIFOLD (3/4")	17	49				

PARTS INDEX

Part Number	Description	Pg.	Ref. No.	Part Number	Description	Pg.	Ref. No.
10-46542	SCREW, TIMING GEAR TO CRANKSHAFT (30MM) . . .	31	26	10-46718	SCREW, WIRING HARNESS PLATE TO MOUNTING BRACKET (3/4)	3	4
10-46546	SCREW, CONNECTING ROD CAP (55MM)	31	19	10-46964	SCREW, FLYWHEEL HOUSING TO CYLINDER BLOCK (4 1/4")	41	9
10-46565	SCREW, CAMSHAFT HOLE COVER TO CYLINDER BLOCK (20MM)	27	16	10-47174A1	SCREW ASSEMBLY, WATER DISTRIBUTION BLOCK TO EXHAUST MANIFOLD . . .	35	17
10-46568	BOLT, CYLINDER BHEAD TO CYLINDER BLOCK (155MM)	25	41	10-48096	SCREW, GUIDE PLATE TO CYLINDER BLOCK (10MM)	31	9
10-46575	SCREW, GUIDE PLATE TO CYLINDER BLOCK (10MM)	31	9	10-48565	BOLT-Gimbal Housing to Transom Plate (4-1/2 IN.) .	47	31
10-46581	SCREW, MOUNTING- TOP COVER	23	12	11-20083	NUT, MANIFOLD ELBOW SCREW	37	43
10-46583	SCREW, ROCKER SHAFT SUPPORT TO CYLINDER HEAD (67MM)	23	9	11-20083	NUT, STARTER SOLENOID TERMINAL (5/16")	5	41
10-46590	SCREW, ADJUSTING-PUSH ROD	23	19	11-20101	JAM NUT-Steering Link Rod .	51	23
10-46599	SCREW, TENSIONER BLOCK TO CYLINDER BLOCK (35MM)	31	12	11-20102	NUT, THROTTLE LEVER STUD	11	35
10-46609	SCREW, PICK UP TUBE TO OIL PUMP BODY (20MM) .	29	46	11-20102	NUT, THROTTLE LEVER STUD	15	36
10-46615	SCREW, OIL PUMP BODY TO CYLINDER BLOCK (45MM)	29	49	11-20110	NUT, LINK ROD SWIVEL TO CARBURETOR	13	46
10-46617	SCREW, OIL PUMP BODY TO CYLINDER BLOCK (25MM)	29	48	11-20110	NUT, LINK ROD SWIVEL TO CARBURETOR	17	47
10-46622	SCREW, PRIMARY TERMINAL	9	21	11-20110	NUT, THROTTLE CABLE TO THROTTLE LEVEL	15	39
10-46629	SCREW, CONDENSER TO DISTRIBUTOR	9	17	11-20110	NUT, THROTTLE CABLE TO THROTTLE LEVER	11	38
10-46636	SCREW, BREAKER ASSEMBLY TO DISTRIBUTOR	9	10	11-20110	NUT-Retaining Plate & Strap Screw	51	35
10-46652	BOLT, THRU- STARTER HOUSING	7	14	11-20220	NUT-Drive Gear to Universal Joint	57	57
10-46653	SCREW, STARTER FIELD COIL	7	16	11-20361	NUT, STARTER SOLENOID SCREW	5	46
10-46665	SCREW KIT, STARTER SOLENOID TO STARTER HOUSING	7	4	11-20361	NUT-Sender Housing Screw .	43	27
10-46670	SCREW, CLAMP TO FUEL PUMP	11	5	11-20361	NUT-Sender Housing Stud . .	45	43
10-46670	SCREW, CLAMP TO FUEL PUMP	15	5	11-20361	NUT-Shift Cable Stud	43	19
10-46675	SCREW, FUEL PUMP CLAMPING	11	9	11-20361	NUT-Shift Lever Stud	43	35
10-46675	SCREW, FUEL PUMP CLAMPING	15	9	11-20509	NUT-Steering Link Rod to Steering Cable	51	26
10-46676	SCREW, ARM TO FUEL PUMP	11	12	11-20586	NUT, FLAME ARRESTOR SCREW	13	57
10-46676	SCREW, ARM TO FUEL PUMP	15	12	11-20586	NUT, FLAME ARRESTOR SCREW	17	60
10-46678	SCREW, CHECK VALUE PLATE TO FUEL PUMP . .	11	10	11-20586	NUT, THROTTLE CABLE STUD	35	29
10-46678	SCREW, CHECK VALUE PLATE TO FUEL PUMP . .	15	10	11-20645	NUT, OIL PRESSURE SENDER TERMINAL (10-32)	5	33
				11-20645	NUT, RECTIFIER TERMINAL	5	50
				11-20645	NUT, VOLTAGE REGULATOR SCREW . . .	5	59
				11-20645	NUT, WATER TEMPERATURE SENDER TERMINAL (10-32)	3	29A
				11-20645	NUT, WIRING HARNESS LEAD SCREW	3	19
				11-20696	NUT-Steering Lever Screw . .	51	18

PARTS INDEX

Part Number	Description	Pg.	Ref. No.	Part Number	Description	Pg.	Ref. No.
11-21310	NUT, CHOKE PIPE TO CARBURETOR	13	48	11-38248	NUT-Flywheel Housing Screw	43	15
11-21310	NUT, CHOKE PIPE TO CARBURETOR	17	51	11-38270	NUT, FLYWHEEL TO CRANKSHAFT STUD	33	35
11-21528	NUT, REAR MOUNT HOUSING SCREW	41	27	11-38270	NUT, FLYWHEEL TO CRANKSHAFT STUD	33	35
11-22053	NUT, MANIFOLD ELBOW STUD	37	36	11-45690	NUT-Roller Bearing to Drive Shaft	59	23
11-22339	NUT-Intermediate Shift Shaft	55	17	11-46138	NUT, FLYWHEEL HOUSING SCREW	41	11
11-23161	NUT, CARBURETOR STUD	11	29	11-46547	NUT, CONNECTING ROD CAP SCREW	31	20
11-23161	NUT, CARBURETOR STUD	15	29	11-46569	NUT, TOP COVER FASTENING	23	5
11-23161	NUT, ENGINE COUPLING SCREW	33	40	11-46571	NUT, DISTRIBUTOR CLAMP STUD	9	36
11-25168	NUT, JAM- ADJUSTING SLEEVE TO UPPER LINK ROD	13	42	11-46585	NUT, LOCK- PUSH ROD ADJUSTING SCREW	23	20
11-26419	NUT, WIRING HARNESS CLIP SCREW	3	13	11-46603	NUT, EXHAUST MANIFOLD STUD	35	10
11-26768	NUT, WIRING HARNESS CLAMP SCREW	3	16	11-46648	NUT, STARTER SOLENOID TERMINAL	7	10
11-28941	NUT, JAM- FLAME ARRESTOR SCREW	13	54	11-46654	NUT, STARTER HOUSING THRU BOLT	7	15
11-28941	NUT, JAM- FLAME ARRESTOR SCREW	17	57	11-46659	NUT, STARTER MOTOR BAND SCREW	7	22
11-29250	NUT RECTIFIER SCREW	5	52	11-46664	NUT AND TERMINAL KIT, STARTER SOLENOID	7	8
11-29488	NUT-Manual Tilt Cable Pin	45	62	11-46679	NUT, LOCKING - FUEL PUMP STUD 2	11	24
11-29594	PROP NUT	61	61	11-46679	NUT, LOCKING- FUEL PUMP STUD	15	24
11-30506	NUT-Water & Oil Adaptor to Gear Housing Stud	59	30	12-20086	WASHER-Steering Link Rod	51	25
11-30932	NUT-Pinion Gear to Drive Shaft	59	10	12-20260	WASHER-Filler Screw	51	40
11-33277	NUT, COIL TERMINAL	9	28	12-20260	WASHER-Filling & Vent Screw	55	7
11-33825	NUT-Reverse Hook Screw	55	25	12-20260	WASHER-Rubber-Grease Filler & Vent Hole Screw	59	12
11-33962	NUT, FLYWHEEL HOUSING SCREW	41	11	12-20260	WASHER-Sealing-Flushing Screw	57	55
11-33962	NUT, STARTER MOTER AND FLYWHEEL HOUSING SCREW	3	23	12-20546	WASHER-Upper Swivel Shaft Retaining Screw	51	7
11-34087	NUT-Gimbal Housing Bolt	47	33	12-20878	WASHER,OIL PRESSURE SENDER TERMINAL (#10)	3	32
11-34688	NUT-Exhaust Cover Screw	43	8	12-21900	WASHER-Gimbal Housing Bolt	47	32
11-34932	NUT-Drive Shaft Housing to Gear Housing Stud (3/8 IN.)	61	65	12-22937	WASHER, FLAME ARRESTOR SCREW (BOTTOM)	13	53
11-34932	NUT-Tilt Cylinder Anchor Pin	65	12	12-22937	WASHER, FLAME ARRESTOR SCREW (BOTTOM)	17	56
11-34933	NUT-Bell Housing Stud	49	50	12-22937	WASHER, FLAME ARRESTOR SCREW (TOP)	13	56
11-34933	NUT-Drive Shaft Housing to Gear Housing Stud (7/16 IN.)	61	64	12-22937	WASHER, FLAME ARRESTOR SCREW (TOP)	17	59
11-34933	NUT-Gear Housing to Drive Shaft Housing Stud	55	28	12-24501	WASHER-Manual Tilt Screw	45	50
11-35814	NUT, FRONT AND REAR MOUNT HOUSING STUD	41	15	12-24664	WASHER, THROTTLE CABLE STUD	35	28
11-35814	NUT-Gimbal Ring Tilt Pin	51	12	12-26617	WASHER-Intermediate Shift Shaft	55	16
11-35814	NUT-Shift Cable Lever Stud	43	39				
11-35814	NUT-Tilt Cylinder Anchor Pin	65	7				
11-37140	NUT, FUEL LKPUMP STIUD	15	23				
11-37140	NUT, FUEL PUMP STUD	11	23				
11-37984	NUT-Steering Cable Guide Tube	43	31				
11-38232	NUT-Manual Tilt Screw & Manual Tilt Cable	45	55				

PARTS INDEX

Part Number	Description	Pg.	Ref. No.	Part Number	Description	Pg.	Ref. No.
12-26825	WASHER, THROTTLE LEVER STUD	15	34	12-37175	WASHER, THRUST PLATE SCREW	31	5
12-26825	WASHER-Sender Housing Anchor Screw	43	23	12-38107	WASHER-Roller Bearing Retainer to Oil Seal Carrier	57	64
12-26825	WASHER-Shift Cable Lever Stud	43	38	12-38108	WASHER-Drive Gear to Universal Joint Nut	57	58
12-28426	WASHER, RUBBER MOUNT SCREW	41	23	12-38239	WASHER-Fiber-Steering Cable Guide Tube	43	29
12-29330	WASHER-Upper Shift Shaft (13/16 IN. O.D.)	49	53	12-38246	WASHER-Fiber-Flywheel Housing Screw	43	13
12-29395	WASHER-Shift Shaft	59	19	12-38268	WASHER	51	3
12-29395	WASHER-Tilt Cylinder Anchor Pin	65	11	12-38313	WASHER-Fiber-Tilt Cylinder Anchor Pin	65	9
12-29590	CUPPED WASHER	61	58	12-38403	WASHER-Rubber-Gimbal Housing Bolt	47	17
12-29629	WASHER	51	21	12-38585	WASHER-Square-Transom Screw	47	28
12-29957	WASHER-Gear Housing Cover	61	54	12-38622	WASHER, MOUNTING BRACKET SCREW	37	47
12-30164	WASHER, LINK ROD SWIVEL	13	45	12-38742	WASHER, CARBURETOR SCREW	15	31
12-30164	WASHER, LINK ROD SWIVEL	17	46	12-39116	WASHER-Upper Shift Lever (1 IN. O.D.)	49	55
12-30164	WASHER, THROTTLE CABLE TO THROTTLE LEVER	11	37	12-39143	WASHER-Sender Housing Screw	43	26
12-30164	WASHER, THROTTLE CABLE TO THROTTLE LEVER	15	38	12-39143	WASHER-Sender Housing Stud	45	41
12-30164	WASHER-Link Rod (3/8 IN. O.D.)	49	58	12-39143	WASHER-Shift Cable Stud	43	18
12-30164	WASHER-Link Rod (3/8 IN. O.D.)	49	60	12-39143	WASHER-Shift Lever Stud	43	34
12-30283	WASHER, LIFTING EYE SCREW	25	38	12-45698	WASHER-Drive Shaft	59	6
12-30283	WASHER, REAR MOUNT HOUSING SCREW	41	25	12-46132	WASHER, ENGIEN COUPLING SCREW	33	39
12-30633	THRUST WASHER-Bearing Carrier to Gear Housing	61	46	12-46505	WASHER, CYLINDER BLOCK PLUG	27	8
12-31013	THRUST WASHER-Bearing Carrier	61	56	12-46507	WASHER, CYLINDER BLOCK PLUG	27	10
12-31211	SPLINED WASHER-Prop Shaft	61	59	12-46513	WASHER, CYLINDER BLOCK REAR PLUG	27	13
12-31266	WASHER-Shift Shaft Bushing	59	18	12-46518	EWASHER, INSPECTION COVER SCREW	27	25
12-32518	WASHER-Gimbal Housing to Gimbal Ring (Lower)	51	8	12-46519	WASHER, CHECK VALVE	37	66
12-32648	WASHER, FLYWHEEL HOUSING SCREW	41	10	12-46531	WASHER, OIL PAN SCREW	27	33
12-32996	WASHER-Upper Swivel Shaft	51	15	12-46540	WASHER, TIMING COVER SCREW	29	39
12-32997	WASHER-Upper Swivel Shaft	51	15	12-46543	WASHER, THRUST-TIMING GEAR SCREW	31	27
12-35935	WASHER-Bell Housing Stud	49	49	12-46567	WASHER, CYLINDER HEAD BOLT	25	42
12-35950	WASHER-Reverse Hook Screw	55	23	12-46570	WASHER, TOP COVER FASTENING NUT	23	4
12-36041	WASHER-Gimbal Housing Bolt	47	32	12-46584	WASHER, ROCKER SHAFT SUPPORT SCREW	23	10
12-36041	WASHER-Tilt Cylinder Anchor Pin (33/64 IN. I.D.)	65	4	12-46584	WASHER, TOP COVER MOUNTING SCREW	23	13
12-36042	WASHER-Tilt Cylinder Anchor Pin (11/32 IN. I.D.)	65	6	12-46595	WASHER, VALVE SPRING (LOWER)	23	28
12-37175	LOCKWASHER, COIL MOUNTING BRACKET SCREW	9	31	12-46610	WASHER, PICK-UP TUBE SCREW	29	47
12-37175	WASHER, DISTRIBUTOR CLAMP STUD	9	35	12-46616	WASHER, GUIDE PLATE SCREW	31	10
12-37175	WASHER, GUIDE PLATE SCREW	31	10				

PARTS INDEX

Part Number	Description	Pg.	Ref. No.	Part Number	Description	Pg.	Ref. No.
12-46616	WASHER, OIL PUMP BODY SCREW	29	50	13-46627	LOCKWASHER, CONDENSER SCREW	9	18
12-46680	EWASHER, FUEL PUMP STUD	15	22	13-46628	LOCKWASHER, CONDENSER SCREW (STAR)	9	19
12-46680	WASHER, FUEL PUMP STUD	11	22	13-46663	LOCKWASHER, STARTER SOLENOID TERMINAL	7	9
12-46935	WASHER, EXHAUST MAINFOLD STUD	35	9	14-31210	TAB WASHER-Prop Shaft	61	60
12-46967	WASHER, FELT-DISTRIBUTOR ROTOR	9	5	15-20928A1	SHIM SET-Drive Gear Roller Bearing	57	59
12-49199	WASHER-Rubber	45	NS	15-29955A1	SHIM SET-Thrust Washer to Gear housing	61	48
12-49199	WASHER-Rubber-Gimbal Housing Bolt	47	17	15-30923A1	SHIM SET-Bearing Cup to Gear Housing	61	36
13-20202	LOCKWASHER, MOUNTING BRACKET SCREW	5	38	15-38093A1	SHIM SET-Lower Tapered Roller Bearing	55	29
13-20202	LOCKWASHER, STARTER SOLENOID TERMINAL (5/16")	5	40	15-38095A1	SHIM SET-Upper Tapered Roller Bearing	55	37
13-26992	LOCKWASHER, FLYWHEEL COVER SCREW	41	7	15-45691A1	SHIM SET-Drive Shaft Bearing Cup to Gear Housing	59	20
13-26992	LOCKWASHER, MOUNT SCREW	41	4	15-46552	SHIM, SPACER-MAIN BEARING (2.80MM)	31	28
13-26992	LOCKWASHER, MOUNTING BRACKET SCREW	3	7	15-46553	SHIM, SPACER-MAIN BEARING (2.90MM)	31	28
13-26992	LOCKWASHER-Water Tube Clamp Screw	47	21	15-46554	SHIM, SPACER-MAIN BEARING (2.95MM)	31	28
13-26993	LOCKWASHER-Sender Housing Anchor Screw	43	22	16-20353	STUD-Shift Cable to Transom Plate (1-3/4 IN.)	43	16
13-26995	LOCKWASHER,WIRING HARNESS PLATE SCREW	3	5	16-20789	STUD	43	33
13-26996	LOCKWASHER, COIL TERMINAL	9	27	16-21553	STUD, EXHAUST ELBOW TO MANIFOLD ELBOW (1 1/2")	37	40
13-26996	LOCKWASHER, RECTIFIER TERMINAL	5	49	16-21553	STUD, MANIFOLD ELBOW TO EXHAUST MANIFOLD (1 1/2")	37	34
13-26996	LOCKWASHER, STARTER SOLENOID TERMINAL (#10)	5	42	16-21553	STUD, THROTTLE LEVER TO EXHAUST MANIFOLD BODY (1 1/2")	15	33
13-26996	LOCKWASHER, VOLTAGE REGULATOR SCREW	5	56	16-21553	STUD, THROTTLE LEVER TO EXHAUST MANIFOLD BODY (1 1/2)	11	32
13-26996	LOCKWASHER, WATER TEMPERATURE SENDER TERMINAL (#10)	3	-	16-32698	STUD-Shift Cable Lever to Transom Plate	43	36
13-30381	LOCKWASHER-Transom Screw	47	30	16-32908	STUD, CARBURETOR TO INTAKE MANIFOLD COVER (1 5/1 6")	15	28
13-35389	LOCKWASHER, EXHAUST ELBOW SCREW	37	41	16-32908	TSUD, CARBURETOR TO INTAKE MANIFOLD COVER (1 5/16")	11	28
13-35389	LOCKWASHER, MANIFOLD ELBOW STUD	37	35	16-34069	STUD-Sender Housing to Shift Cable Lever	45	40
13-37141	LOCKWASHER,CAMSHAFT HOLE COVER SCREW	27	17	16-35937	STUD-Bell Housing to Drive Shaft Housing (2-7/8 IN.)	49	48
13-37459	LOCKWASHER, MOUNTING BRACKET SCREW	37	46	16-36196	STUD-Gear Housing to Water & Oil Adaptor (1-5/16 IN.)	59	2
13-37642	WAVE WASHER-Tilt Cylinder Anchor Pin	65	10	16-37087	STUD, EXHAUST MANIFOLD TO CYLINDER HEAD (42MM)	35	8
13-46523	LOCKWASHER, FUEL PUMP MOUNTING PLATE SCREW	11	20	16-38525	STUD, THROTTLE CABLE TO INTAKE MANIFOLD COVER	35	27
13-46523	LOCKWASHER, FUEL PUMP MOUNTING PLATE SCREW	15	20				

PARTS INDEX

Part Number	Description	Pg.	Ref. No.	Part Number	Description	Pg.	Ref. No.
16-45636	STUD, FLYWHEEL TO CRANKSHAFT	33	31	18-20233	COTTER PIN-Shift Shaft	59	14
16-45636	STUD, FLYWHEEL TO CRANKSHAFT	33	31	18-21071	COTTER PIN- Link Rod to Upper Shift Shaft Lever . . .	49	59
16-45641	STUD, FRONT/REAR MOUNT HOUSING TO CYLINDER HEAD (2 1/4")	41	14	18-21071	COTTER PIN-Link Rod to Receiver Housing	49	61
16-45642	STUD, FRONT/REAR MOUNT HOUSING TO CYLINDER HEAD (1 3/8")	41	13	18-29623	COTTER PIN	51	22
16-46522	STUD, FUEL PUMP TO CYLINDER BLOCK	11	16	18-34159	COTTER PIN-Retaining-Lower Swivel Pin	51	10
16-46522	STUD, FUEL PUMP TO CYLINDER BLOCK	15	16	18-46605	COTTER PIN, OIL PRESSURE RELEASE VALVE CAP	29	55
16-46562	STUD, ROCKER SHAFT SUPPORT TO CYLINDER HEAD	23	11	18-46633	BREAKER ASSEMBLY, DISTRIBUTOR	9	9
16-46566	STUD, DISTRIBUTOR CLAMP TO CYLINDER HEAD	9	34	19-32298	PLUG-Drive Shaft Housing-Trim Tab Hole	55	9
16-46909	STUD-Gear Housing to Drive Shaft Housing (1-31/32 IN.)	59	3	19-38860	WELCH PLUG-Top	47	4
16-46913	STUD-Drive Shaft Housing to Gear Housing (3 IN.)	55	3	19-46503	PLUG, EXPANSION-CYLINDER BLOCK (FRONT)	27	5
16-46914	STUD-Drive Shaft Housing to Gear Housing (1/3/4 IN.) . .	55	2	19-46508	PLUG, CYLINDER BLOCK	27	9
17-20032	DOWEL PIN	57	44	19-46508	PLUG, CYLINDER JHEAD	25	39
17-29967	PIN, TIMING - FLYWHEEL HOUSING	41	8	19-46509	PLUGM EXPANSION-CYLINDER BLOCK (SIDE)	27	11
17-30545	PIN-Drive Shaft	59	8	19-46512	PLUG, CYLINDER BLOCK-REAR	27	12
17-30632	CROSS PIN-Clutch to Prop Shaft	61	42	19-46515	PLUG, EXPANSION-CYLINDER BLOCK (TOP)	27	3
17-35290	ANCHOR PIN-Tilt Cylinder to Drive Shaft Housing (6-3/4 IN.)	65	2	19-46516	PLUG, EXPANSION-CYLINDER BLOCK (TOP)	27	2
17-38102	PIN-Impeller Drive	55	39	19-46563	PLUG, EXPANSION - CYLINDER HEAD	23	32
17-38112	PIVOT PIN-Reverse Hook Arm to Drive Shaft Housing . . .	55	18	19-46577	WELCH PLUG, ROCKER SHAFT	23	15
17-38199	SWIVEL PIN-Gimbal Housing to Gimbal Ring (Lower) . . .	51	9	19-46606	PLUG, OIL PUMP BODY	29	43
17-38266	HINGE PIN- Gimbal Ring to Bell Housing	51	5	21-54102A1	CHECK VALVE ASSEMBLY, CYLINDER BLOCK	39	69
17-38269	TILT PIN-Gimbal Ring	51	11	22-22890	CONNECTOR, INTAKE MANIFOLD COVER TO CHOKE PIPE	35	26
17-38317	ANCHOR PIN- Tilt Cylinder to Gimbal Ring (8-7/8 IN.) . . .	65	8	22-31345	GREASE FITTING	47	2
17-38444	DOWL PIN-Coupling to Manual Tilt Screw	45	53	22-31704	PIPE PLUG-Drive Shaft Housing	55	5
17-38447	PIN-Manual Tilt Cable to Drive Shaft Housing	45	61	22-32561	PIPE PLUG-Upper Swivel Shaft	51	14
17-38825	DOWEL PIN-Manual Tilt Screw	45	54	22-32715	ELBOW, WATER DISTRIBUTION BLOCK	35	11
17-38864A1	SWIVEL PIN ASSEMBLY-Yoke to Steering Lever	51	20	22-32802	PLUG, DRAIN-EXHAUST-EXHAUST MANIFOLD	35	2
17-46613	PIN, GUIDE-OIL PRESSURE RELEASE VALVE	29	52	22-33066	FITTING, THERMOSTAT COVER	37	59
17-46623	PIN, DRIVE- MAIN SHAFT	9	22	22-33198	PLUG, PIPE - MANIFOLD ELBOW (3/4-14)	37	31
17-46644	PIN ASSEMBLY, SOLENOID ARM TO STARTER HOUSING	7	5	22-36382	PLUG, INTAKE MANIFOLD COVER (1/4-28)	35	25
17-46691	PIN, LOCATING- CYLINDER HEAD	25	43	22-37372	PLUG, PIPE - EXHAUST ELBOW (1/2-14)	37	39
				22-37372	PLUG, PIPE - WATER DISTRIBUTION BLOCK	35	16
				22-38214	ELBOW-Sender Housing	51	41

PARTS INDEX

Part Number	Description	Pg.	Ref. No.	Part Number	Description	Pg.	Ref. No.
22-38939	COUPLING-Water Hose to Bell Housing	49	41	23-38308	SLEEVE, RUBBER - MOUNT CARRIER (13/16")	41	18
22-38939	COUPLING-Water Inlet Hose	43	11	23-38320	SLEEVE-Rubber-Tilt Cylinder Anchor Pin	65	3
22-45639	TEE, CHECK VALVE	39	67	23-38634	BUSHING-Upper	47	5
22-46126	FITTING, CARBURETOR TO VENT HOSE 1	13	58	23-38684	SLEEVE-Steering Cable Tube- Transom Plate	43	30
22-46131	ELBOW, CHECK VALVE TEE	39	68	23-39655	SLEEVE-Anti-Galling-Reverse Hook Screw	55	24
22-46131	ELBOW, END CAP	35	6	23-45588	BUSHING-Upper Shift Shaft- Bell Housing (5/16 IN.)	49	45
22-46131	ELBOW, WATER DISTRIBUTION BLOCK	35	19	23-46284A1	BUSHING ASSEMBY-Shift Shaft	59	16
22-46534	PLUG, DRAIN-OIL PAN	27	34	23-46527A1	SPACER ASSEMBLY, MAIN BEARING CAP	27	27
22-46690	CONNECTOR, CYLINDER HEAD	25	44	23-46544	SLEEVE, CRANKSHAFT TIMING GEAR	31	25
22-46941	FITTING, FUEL PUMP INLET AND OUTLET	11	3	23-46551	BEARING SET (4 PAIRS), CONNECTING ROD (48MM)-STANDARD	31	21
22-46941	FITTING, FUEL PUMP INLET AND OUTLET	15	3	23-46555	BEARING SET (5 PAIRS), CRANKSHAFT (54.80MM)- STANDARD	31	29
22-49019	FITTING, CARBURETOR TO VENT HOSE	17	61	23-46614	SLEEVE, OIL PRESSURE RELEASE VALVE	29	51
22-54107	ADAPTOR, CHECK VALVE	39	70	23-46651	BUSHING ASSEMBLY, CLUTCH DRIVE RETAINING	7	12
23-21309	SLEEVE, CHOKE PIPE	13	49	23-46689	SPACER, ALIGNMENT- CYLINDER BLOCK TO FLYWHEEL HOUSING	27	21
23-21309	SLEEVE, CHOKE PIPE	17	52	23-46693	BEARING SET (4 PAIRS), CONNECTING ROD (47.75MM)	31	21
23-28214	SPACER-Manual Tilt Crank	45	48	23-46694	BEARING SET (4 PAIRS), CONNECTING ROD (47.50MM)	31	21
23-29804	SLEEVE-Guide-Water Inlet Tube	59	28	23-46695	BEARING SET (5 PAIRS), CRANKSHAFT (54.55MM)	31	29
23-31757	BUSHING-Nylon	45	45	23-46696	BEARING SET (5 PAIRS), CRANKSHAFT (54.30MM)	33	29
23-31758	SPACER-Shift Cable Lever Stud	43	37	24-20254	SPRING-Drive Shaft	59	7
23-31831	SLEEVE, THROTTLE LEVER STUD	11	34	24-30622	SPRING-Cam Follower	61	35
23-31831	SLEEVE, THROTTLE LEVER STUD	15	35	24-30893	SPRING-Cross Pin	61	43
23-31866	SPACER-Sender Housing Screw	43	25	24-33453	SPRING, THROTTLE RETURN- THROTTLE LEVER	11	36
23-31866	SPACER-Sender Housing Stud	45	42	24-33453	SPRING, THROTTLE RETURN- THROTTLE LEVER	15	37
23-31866	SPACER-Shift Cable Stud	43	17	24-39507	SPRING-Reverse Hook Pivot Pin	55	26
23-32914	SLEEVE, WIRING HARNESS LEAD SCREW	3	20	24-39509	SPRING-Reverse Hook to Arm	55	20
23-35088	BUSHING-Upper Shift Shaft- Bell Housing (5/8 IN.)	49	43	24-46588	SPRING, ROCLKER SHAFT	23	21
23-35278	BUSHING-Tapered-Tilt Cylinder Anchor Pin	65	5	24-46612	SPRING, TENSION-OIL PRESSURE RELEASE VALVE	29	53
23-37127	BUSHING, OIL PUMP SHAFT- CYLINDER BLOCK	27	18	24-46620	SPRING, CAM BREAKER ADVANCE WEIGHT (LIGHT COIL)	9	14
23-37154	BUSHING, END COVER	7	23				
23-37154	BUSHING, STARTER HOUSING	7	2				
23-38089	SPACER-Upper Tapered Roller Bearing	55	34				
23-38196	BUSHING-Lower	47	7				
23-38198	BUSHING (Lower)	51	2				
23-38201	BUSHING-Seal-Hydraulic Tubing Cover	53	44				
23-38203	SLEEVE-Hydraulic Tubing	53	43				
23-38247	SLEEVE-Flywheel Housing Screw	43	14				
23-38265	BUSHING-Seal-Water Tube	47	22				
23-38267	BUSHING-Hinge Pin	51	4				

PARTS INDEX

Part Number	Description	Pg.	Ref. No.	Part Number	Description	Pg.	Ref. No.
24-46621	SPRING, CAM BREAKER ADVANCE WEIGHT (HEAVY COIL)	9	15	27-45604	GASKET-Face Plate to Top Cover	57	52
24-46624	SPRING, MAIN SHAFT	9	23	27-45605	GASKET-Water Pump Housing to Face Plate	57	50
24-46638	SPRING, TENSION- WIPER	9	12	27-45627	GASKET, INTAKE MANIFOLD COVER	35	23
24-46662	SPRING KIT, STARTER BRUSH	7	20	27-45645	GASKET, FRONT MOUNT HOUSING TO CYLINDER HEAD	37	54
24-46673	SPRING, TENSION - FUEL PUMP FILTER	15	7	27-45647	GASKET, END CAP	35	4
24-46673	SPRING, TENSION- FUEL PUMP FILTER	11	7	27-45647	GASKET, WATER DISTRIBUTION BLOCK	35	15
24-46683	SPRING, VALVE (INNER)	23	25	27-45648	GASKET, EXHAUST ELBOW TO MANIFOLD ELBOW	37	37
24-46684	SPRING, VALVE (OUTER)	23	26	27-45649	GASKET, MANIFOLD ELBOW	37	32
25-22762	O RING (SMALL)	49	47	27-45689	GASKET-Water and Oil Adaptor	59	25
25-23145	O RING-Water and Oil Adaptor (SMALL)	59	29	27-45749A1	GASKET-Bell Housing to Drive Shaft Housing	49	51
25-25439	O RING-Shift Shaft Bushing	59	15	27-45865	GASKET, CARBURETOR	11	27
25-26855	O RING-Water and Oil Adaptor (Large)	59	24	27-45865	GASKET, CARBURETOR	15	27
25-29976	O RING-Bearing Carrier	61	49	27-46510	GASKET, INSPECTION COVER	27	23
25-31144	O RING-Exhaust Cover	43	4	27-46521	GASKET, FUEL PUMP MOUNTING PLATE	11	18
25-31305	O RING (LARGE)	49	46	27-46521	GASKET, FUEL PUMP MOUNTING PLATE	15	18
25-38099	O RING-Water Pump Housing	55	40	27-46524	GASKET, CAMSHAFT HOLE COVER	27	15
25-38101	O RING-Drive Shaft Housing	57	47	27-46525A1	GASKET ASSEMBLY, CYLINDER SLEEVE	31	17
25-38106	O RING-Oil Seal Carrier	57	63	27-46530	GASKET, OIL PAN	27	31
26-23300	OIL SEAL-Lower	57	43	27-46536	GASKET, TIMING COVER	27	37
26-26782	OIL SEAL-Upper	57	42	27-46536A1	GASKET SET (MISCELLANEOUS)	39	-
26-30550	OIL SEAL	61	52	27-46557	GASKET, OIL FILLER CAP	23	7
26-32540	OIL SEAL-Upper Gimbal Housing Bushing	47	6	27-46559	GASKET, TOP COVER	23	2
26-32911	OIL SEAL-Lower Gimbal Housing Bushing	47	8	27-46564	GASKET KIT, CYLINDER HEAD	23	35
26-38105	OIL SEAL	57	62	27-46564A1	GASKET SET (CYLINDER HEAD)	39	-
26-38235	OIL SEAL	43	2	27-46601	GASKET, EXHAUST MANIFOLD TO CYLINDER HEAD	35	7
26-38294	SEAL-Water	47	14	27-46601A1	GASKET SET (MANIFOLD)	39	-
26-38970	SEAL-Rubber-Water Inlet Tube	59	27	27-46607	GASKET, PICK-UP TUBE	29	45
26-38970	SEAL-Rubber-Water Pocket Cover	55	11	27-46667	REPAIR KIT, FUEL PUMP	11	13
26-45587	OIL SEAL	49	44	27-46667	REPAIR KIT, FUEL PUMP	15	13
26-46021	OIL SEAL-Shift Shaft Bushing	59	17	27-46672	GASKET, FUEL FUEL PUMP FILTER CAP	11	15
26-46541	SEAL, REAR MAIN- CRANKSHAFT	33	30	27-46672	GASKET, FUEL PUMP FILTER CAP	15	15
26-46970	OIL SEAL	43	2	27-46677	GASKET, CHECK VALUE PLATE TO FUEL PUMP	11	14
27-37058	GASKET, DISTRIBUTOR	9	37	27-46677	GASKET, CHECK VALUE PLATE TO FUEL PUMP	15	14
27-37105	GASKET, CYLINDER HEAD PLUG	25	40	27-49018	GASKET, INTAKE MANIFOLD COVER	35	23
27-37105	GASKET, OIL PAN DRAIN PLUG	27	35	28-30281	KEY-Bearing Carrier	61	53
27-37137	GASKET, FUEL PUMP	11	21	28-37047	KEY, CAMSHAFT	31	2
27-37137	GASKET, FUEL PUMP	15	21				
27-38110	GASKET-Water Pocket Cover	55	12				
27-38168	GASKET-Gimbal Housing to Transom	47	12				
27-38263	GASKET-Receiver Housing	53	47				
27-38556	GASKET, THERMOSTAT COVER	37	57				
27-38558	GASKET, OIL PRESSURE SENDER ADAPTOR	5	35				
27-38957	GASKET	57	46				

PARTS INDEX

Part Number	Description	Pg.	Ref. No.	Part Number	Description	Pg.	Ref. No.
28-37116	KEY, CRANKSHAFT	31	23	32-46716A1	HOSE, WATER DISTRIBUTION BLOCK TO CYLINDER HEAD (2 3/4")	35	20
28-46579	KEY, INLET VALE (SINGLE GROOVE)	23	23				
28-46580	KEY, EXHAUST VALVE (DOUBLE GROOVE)	23	22	32-46751	HOSE, VENT - CARBURETOR TO TOP COVER (6 3/4")	13	59
30-31265	BALL BEARING-Reverse Gear	61	47				
30-31561	BALL BEARING	47	9	32-47593	FUEL LINE, FUEL PUMP TO CABURETOR (22 1/2")	15	25
31-30894A1	TAPERED ROLLER BEARING ASSEMBLY	61	39	32-47600A1	PIPE ASSEMBLY, CHOKE-CARBURETOR TO INTAKE MANIFOLD COVER	17	50
31-30895	ROLLER BEARING-Forward Gear	61	38	32-47605	HOSE, VENT- CARBURETOR TO TOP COVER (6 3/4)	17	62
31-30956	ROLLER BEARING	61	51	32-54189	HOSE, CHECK VALVE ELBOW TO FRONT MOUNT HOUSING (6 3/4")	39	63
31-32898	ROLLER BEARING-Drive Shaft	59	4	33-46685	SPARK PLUG (AC-44XL)	9	40
31-38135A1	TAPERED ROLLER BEARING-Lower	55	30	37-39395	DECAL-Serial Number	49	NS
31-38137A1	TAPERED ROLLER BEARING-Upper	55	35	37-45673	DECAL, TOP COVER	23	3
31-38142A2	TAPERED ROLLER BEARING ASSEMBLY-Drive Gear	57	60	37-46330A1	DECAL ASSEMBLY-Drive Shaft Housing	55	8
31-45692A1	TAPERED ROLLER BEARING ASSEMBLY	59	21	37-46753	DECAL, TOP COVER (EXPORT ENGINES ONLY)	23	3
32-38186	STEERING CABLE GUIDE TUBE	43	28	38-38234	NAME PLATE	43	9
32-38300A2	HYDRAULIC TUBING ASSEMBLY-Sender Housing to Receiver Housing	53	42	39-46548A1	PISTON RING ASSEMBLY	31	16
32-38303	HOSE-Water-Gimbal Housing to Bell Housing (10-1/4 IN.)	47	25	43-33134	PINION GEAR	59	9
32-38841	WATER TUBE	47	18	43-33135	FORWARD GEAR	61	37
32-38984	COVERING, CHOKE PIPE	13	50	43-33136	REVERSE GEAR	61	45
32-39315A1	HOSE, THERMOSTAT COVER TO WATER DISTRIBUTION BLOCK (19 1/2')	35	12	43-38122A2	GEAR ASSEMBLY-Complete	55	33
32-45005	DRAIN TUBE-Drive Shaft Housing (1-5/8 IN.)	55	4	43-46545	GEAR, TIMING-CRANKSHAFT	31	24
32-45694	WATER TUBE-Water Pocket Cover	55	14	43-46576	GEAR, TIMING-CAMSHAFT	31	6
32-45872A1	PIPE ASSEMBLY, CHOKE - CARBURETOR TO INTAKE MANIFOLD COVER	13	47	44-45683	PROP SHAFT	61	44
32-46135	FUEL LINE, FUEL PUMP TO CARBURETOR (16 1/2")	11	25	45-38121	UPPER DRIVE SHAFT	55	32
32-46135	FUEL LINE, INLET - FUEL TANK TO FUEL PUMP (16 1/2")	15	1	45-45695A2	DRIVE SHAFT ASSEMBLY	59	5
32-46135	FUEL LINE, INLET- FUEL TANK TO FUEL PUMP (16 1/2")	11	1	46-45609A1	WATER PUMP HOUSING ASSEMBLY	57	41
32-46501	TUBE, OIL LEVEL GAUGE-CYLINDER BLOCK	27	20	47-30041	IMPELLER	57	49
32-46716A1	HOSE, CHECK VALVE ELBOW TO FRONT MOUNT HOUSING (6 3/4")	37	63	48-31454A3	PROPELLER ASSEMBLY	63	0
32-46716A1	HOSE, CHECK VALVE TEE TO TRANSOM (9")	37	61	48-32264A3	PROPELLER ASSEMBLY	61	0
32-46716A1	HOSE, END CAP TO CHECK VALVE TEE (16 1/2")	37	51	48-32386A3	PROPELLER ASSEMBLY	63	0
				48-32388A3	PROPELLER ASSEMBLY	63	0
				48-32390A3	PROPELLER ASSEMBLY	61	0
				48-32392A3	PROPELLER ASSEMBLY	61	0
				48-32746A3	PROPELLER ASSEMBLY	63	0
				48-32750A3	PROPELLER ASSEMBLY	63	0
				48-33242A3	PROPELLER ASSEMBLY	61	0
				48-35936A3	PROPELLER ASSEMBLY	61	0
				50-46640	STARTER MOTOR ASSEMBLY	3	21
				50-46640	STARTER MOTOR ASSEMBLY, COMPLETE	7	-
				52-34239	CLUTCH	61	41
				54-22627	CLAMP, BATTERY CABLE TO BOAT	3	26
				54-22690	CLIP, STATOR AND WIRING HARNESS LEADS TO FLYWHEEL HOUSING (1	33	41
				54-22690	CLIP, WIRING HARNESS	3	10

PARTS INDEX

Part Number	Description	Pg.	Ref. No.	Part Number	Description	Pg.	Ref. No.
54-32523	CLAMP, VENT HOSE TO CARBURETOR AND TOP COVER	17	63	112-46634	BREAKER ASSEMBLY, DISTRIBUTOR	9	8
54-32523	CLAMP, VENT HOSE TO CARBURETOR AND TOP COVER 2	13	60	141-20645	NUT, STARTER SOLENOID TERMINAL (10-32)	5	43
54-32739	CLAMP, EXHAUST BELLOWS TO TRANSOM PLATE AND EXHAUST ELBOW	37	50	228-3005	FLYWHEEL ASSEMBLY, CRANKSHAFT	33	32
54-32739	CLAMP-Universal Joint Bellows to Gimbal Housing	47	35	228-3699	FLYWHEEL ASSEMBLY, CRANKSHAFT	33	32
54-33271	CLAMP, LOCK-COIL TERMINAL	9	26	231-3228A1	FLYWHEEL ASSEMBLY, ALTERNATOR	33	34
54-34764	EYE, LIFTING - WATER DISTRIBUTION BLOCK SCREW	35	18	231-3228A1	FLYWHEEL ASSEMBLY, ALTERNATOR	33	34
54-34764	EYE, LIFTING-CYLINDER HEAD	23	36	398-2932	STATOR, ALTERNATOR	33	36
54-35830	CLAMP, HOSE TO CHECK VALVE ELBOW AND FRONT MOUNTING HOUSING	37	64	434-3006	CRANKSHAFT	31	22
54-35830	CLAMP, HOSE TO CHECK VALVE ELBOW AND FRONT MOUNTING HOUSING	39	64	434-3700	CRANKSHAFT,	31	22
54-35830	CLAMP, HOSE TO CHECK VALVE TEE AND TRANSOM	37	62	435-3007	CAMSHAFT	31	1
54-35830	CLAMP, HOSE TO END CAP AND CHECK VALVE TEE	37	52	616-3003	CONNECTING ROD ASSEMBLY	31	18
54-35830	CLAMP, HOSE TO WATER DISTRIBUTION BLOCK AND CYLINDER HEAD	35	21	740-3004	PISTON AND PISTON LINER ASSEMBLY	31	15
54-35830	CLAMP-Water Tube to Gimbal Housing & Bell Housing	47	26	845-3002	CYLINDER BLOCK ASSEMBLY (SERIAL #2322195 AND BELOW)	27	1
54-38537	CLIP, INSPECTION COVER SCREW- WIRING HARNESS LEADS	27	26	845-3304A1	CYLINDER BLKOCK ASSEMBLY (SERIAL # 2322196 AND UP)	27	1
54-38537	CLIP, WIRING HARNESS-COIL MOUNTING BRACKET SCREW	9	32	940-3001	CYLINDER HEAD ASSEMBLY	23	31
54-38819	CLAMP, HOSE TO THERMOSTAT COVER AND WATER DISTRIBUTION BLOCK	35	13	1346-2770	CARBURETOR ASSEMBLY	11	26
54-38840	CLAMP-Water Tube to Gimbal Housing	47	19	1346-2770	CARBURETOR ASSEMBLY	15	26
54-38888	CLAMP-Exhaust Bellows to Bell Housing	49	39	1346-2770	CARBURETOR ASSEMBLY COMPLETE	19	1
54-38888	CLAMP-Exhaust Bellows to Gimbal Housing	49	38	1398-3089	REPAIR PARTS KIT, CARBURETOR	21	58
54-38889	CLAMP-Universal Joint Bellows to Bell Housing	47	36	1398-3090	VALVE, THROTTLE-THROTTLE SHAFT AND LEVER	19	38
54-39844	CLIP, STATOR LEADS TO FLYWHEEL HOUSING	33	44	1398-3091	SHAFT AND LOWER ASSEMBLY, THROTTLE	19	37
54-46770	CLAMP, WIRING HARNESS TO VOLTAGE REGULATOR	3	14	1398-3092	VALVE, CHOKE-CHOKE SHAFT	19	19
				1398-3093	SHAFT,CHOKE	19	18
				1398-3094	LEVER, CHOKE- CHOKE SHAFT	19	21
				1398-3095	LEVER, CHOKE PISTON	19	31
				1398-3096	FLOAT ASSEMBLY	19	2
				1398-3097	BOWL, FLOAT-CARBURETOR	21	57
				1398-3098	>PIN, FLOAT LEVER	19	3
				1398-3099	*INLET NEEDLE AND SEAT ASSEMBLY	19	5
				1398-3100	SCREW, IDLE ADJUSTMENT	19	12
				1398-3101	WELCH PLUG, CHOKE PISTON-CARBURETOR	19	41
				1398-3102	COLLAR, FAST IDLE CALM	19	24
				1398-3103	ARM, PUMP	21	46
				1398-3104	SPRING, THROTTLE ADJUSTING SCREW	19	17
				1398-3105	SPRING, IDLE ADJUSTMENT SCREW	19	13
				1398-3106	SRPING, PUMP- LOWER	21	54

PARTS INDEX

Part Number	Description	Pg.	Ref. No.	Part Number	Description	Pg.	Ref. No.
1398-3107	SPRING, PUMP ARM			1634-2766A3	GEAR HOUSING-COMPLETE	61	0
	CONNECTOR LINK	21	51				
1398-3108	RETAINER, COIL HOUSING						
	SCREW	19	36				
1398-3109	*RETAINER, PUMP TO PUMP						
	ARM	21	45				
1398-3110	RETAINER, PUMP ARM	21	47				
1398-3111	RETAINER, PUMP ARM						
	CONNECTOR LINK	21	50				
1398-3112	SCREW, COIL HOUSING TO						
	CARBURETOR	19	35				
1398-3113	SCREW, CHOKE PISTON						
	LEVER TO CHOKE SHAFT	19	32				
1398-3114	RETAINER, FAST IDLE CAM						
	TO CARBURETOR	19	27				
1398-3115	SCREW, FLOAT LEVER PIN						
	TO CARBURETOR	19	4				
1398-3116	SCREW, PUMP ARM						
	RETAINER TO						
	CARBURETOR	21	48				
1398-3117	SCREW, THROTTLE						
	ADJUSTING	19	16				
1398-3118	SCREW, FLOAT BOWL TO						
	CARBURETOR	21	58				
1398-3119	SCREW, CHOKE VALVE TO						
	CHOKE SHAFT	19	20				
1398-3119	SCREW, THROTTLE VALVE						
	TO THROTTLE SHAFT						
	AND LEVER	19	39				
1398-3120	NUT, PUMP ARM						
	CONNECTOR LINK	21	52				
1398-3121	BUSHING, PUMP	19	42				
1398-3122	LINK, PUMP ARM						
	CONNECTOR	21	49				
1398-3123	ROD, FAST IDLE						
	CONNECTOR	19	22				
1398-3124	LINK, CHOKE PISTON TO						
	LEVER	19	29				
1398-3125	WASHER, FAST IDLE CAM	19	26				
1398-3126	WASHER, PUMP (UPPER)	21	44				
1398-3127	WASHER, FAST IDLE CALM						
	COLLAR	19	23				
1398-3128	PIN, LINK TO CHOKE						
	PISTON	19	30				
1398-3129	PISTON, CHOKE	19	28				
1398-3130	"O" RING, THROTTLE SHAFT						
	AND LEVER	19	40				
1398-3131	COIL HOUSING ASSEMBLY	19	34				
1398-3132	CAM, FAST IDLE	19	25				
1398-3133	PLUG, IDLE PORT-						
	CARBURETOR	19	14				
1398-3134	WELCH PLUG, FUEL WELL-						
	CARBURETOR	19	15				
1555-2538A1	DRIVE SHAFT HOUSING						
	ASSEMBLY	55	1				
1555-2538A13	DRIVE SHAFT HOUSING						
	ASSEMBLY-COMPLETE	55	-				
1634-2766A1	GEAR HOUSING (BASIC)	59	1				
1634-2766A1	GEAR HOUSING (BASIC)	61	1				
1634-2766A3	GEAR HOUSING-COMPLETE	59	0				