



PARTS CATALOG

MERC 500-7/8

SERIAL NUMBER

500 2305101 THRU 2858813

TABLE OF CONTENTS:

BOTTOM COWL ASSEMBLY AND SHIFT LINKAGE	46
CARBURETOR ASSEMBLY	32
CARBURETOR LINKAGE AND CHOKE SOLENOID	30
CLAMP AND SWIVEL BRACKET ASSEMBLY	56
COWLING AND FRONT COVER	6
CRANKSHAFT, PISTON AND CONNECTING ROD	42
CYLINDER BLOCK AND CRANKCASE ASSEMBLY	38
DISTRIBUTOR ADAPTOR AND PILOT ASSEMBLY	18
DISTRIBUTOR ASSEMBLY, COMPLETE	22
DRIVE SHAFT HOUSING ASSEMBLY	52
FLYWHEEL ASSEMBLY AND STATOR	8
FUEL PUMP ASSEMBLY	36
GEAR HOUSING ASSEMBLY, COMPLETE (PAGE 1)	60
GEAR HOUSING ASSEMBLY, COMPLETE (PAGE 2)	64
IGNITION DRIVER AND PILOT ASSEMBLY	10
IGNITION DRIVER ASSEMBLY, COMPLETE	14
MISCELLANEOUS PARTS/ACCESSORIES	1
OVERSIZE PISTON AND RING	44
PARTS INDEX	68
STARTER MOTOR, STARTER SOLENOID, RECTIFIER AND WIRING HARNES	24
TOP COWL ASSEMBLY	2

NOTE: *Indented description indicate that these parts are included in preceeding assembly.*

AR = As Required

NSS = Not Sold Separate

OPT = Optional

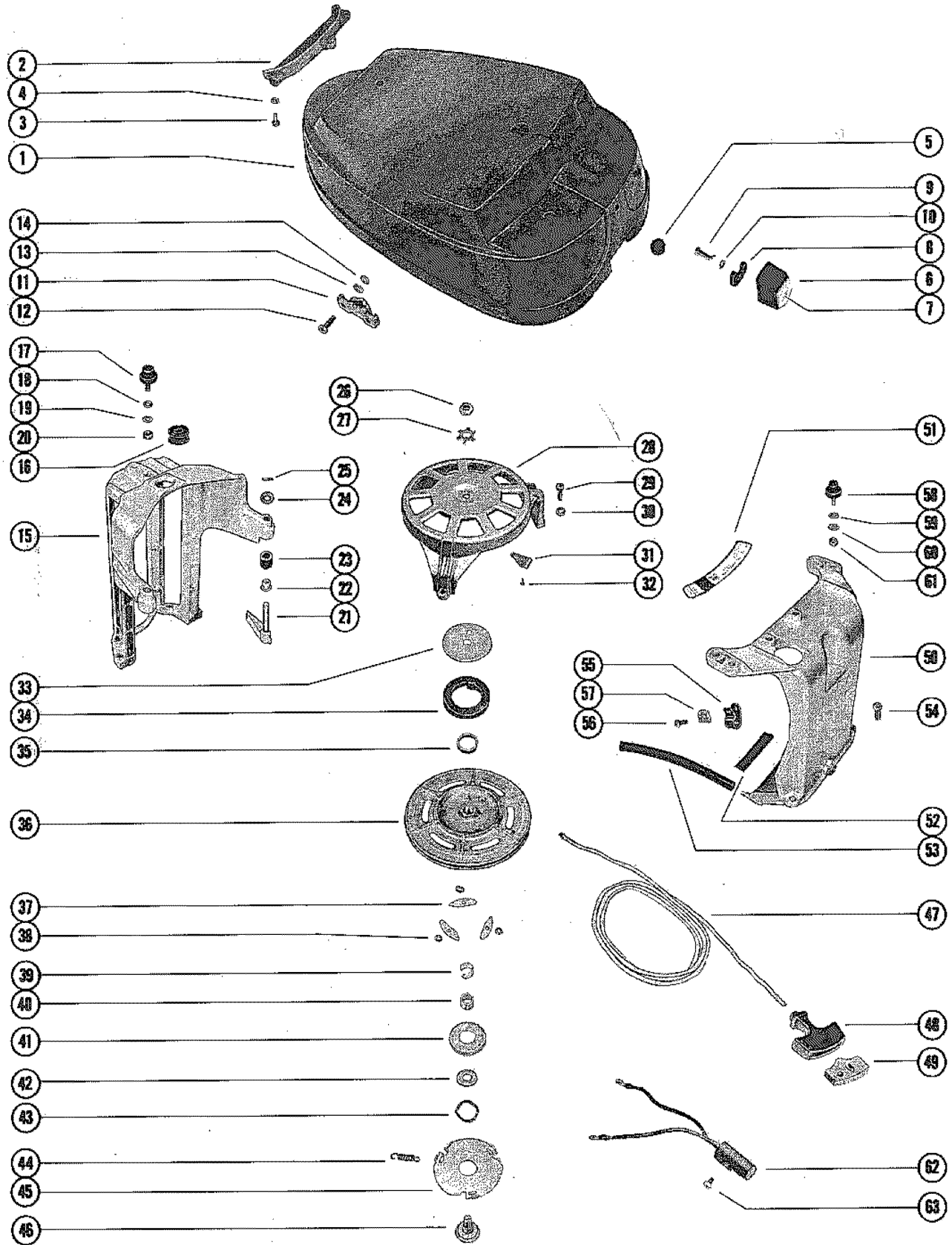
NS = Not Shown

THESE PARTS BOOKS/FICHE CARD ARE COPYRIGHTED AND MAY NOT BE DISTRIBUTED OR REPRODUCED IN ANY OTHER FORMAT BY ANYONE OTHER THAN MERCURY MARINE WITHOUT THE PRIOR WRITTEN CONSENT OF MERCURY MARINE.

MISCELLANEOUS PARTS/ACCESSORIES

REF. NO.	PART NO.	SYM.	QTY.	DESCRIPTION
-	27-46110A2		0	GASKET SET (MOTOR OVERHAUL)
-	92-32641-1		0	GEAR LUBRICANT
-	94-39393		0	SHIPPING CARTON (MOTOR)
-	90-48425		0	MERC 500-7 AND MERC 500-8 PARTS LIST
-	37-47867A1		0	DECAL SET(MERC 500-7)
-	37-52812A1		0	DECAL SET (MERC 500-8)
-	46-37313A2		0	HEAVY DUTY WATER PUMP KIT
-	48168A6		0	TACHOMETER ASSEMBLY

TOP COWL ASSEMBLY

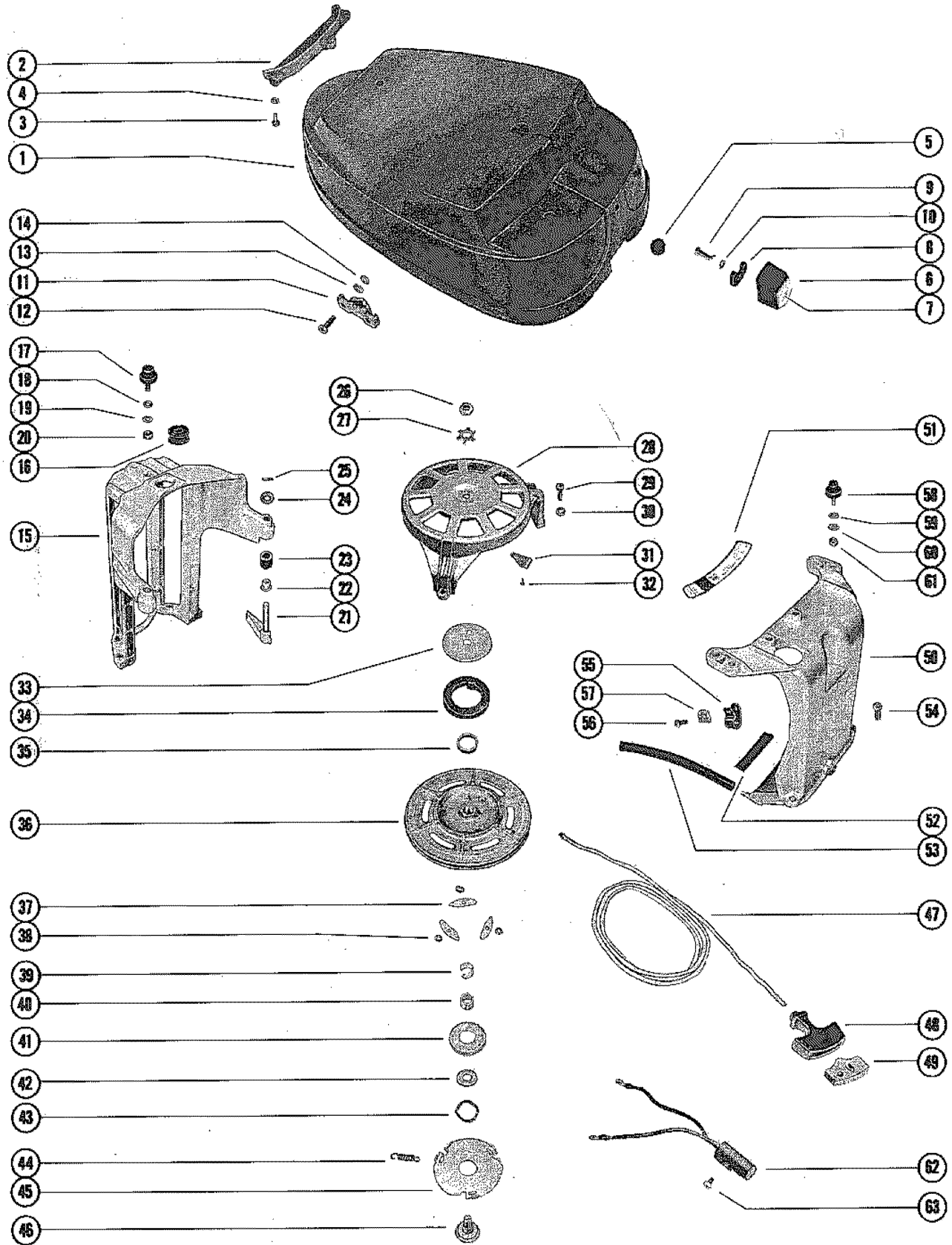


TOP COWL ASSEMBLY

REF. NO.	PART NO.	SYM.	QTY.	DESCRIPTION
1	2117-3348		1,,1,	TOP COWL
	2117-2954		,1,,1	TOP COWL
2	37690		1,1,1,1	SHIELD, REAR - TOP COWL
3	10-37370		3,3,3,3	SCREW, REAR SHIELD TO TOP COWL
4	13-37371		3,3,3,3	LOCKWASHER, REAR SHIELD SCREW
5	25-20116		1,1,1,1	GROMMET, CHOKE KNOB
6	46142A2		1,1,,	RETAINER ASSEMBLY, TOP COWL
	46142A1		,,1,1	RETAINER ASSEMBLY, TOP COWL
7	46141		1,1,1,1	EMBLEM, TOP COWL RETAINER
8	35496		1,1,1,1	PAD, BUMPER - TOP COWL RETAINER
9	10-24234		1,1,1,1	SCREW, RETAINER TO TOP COWL (1")
10	13-39107		1,1,1,1	LOCKWASHER, RETAINER TO TOP COWL SCREW
11	46144		2,2,2,2	BRACKET, TOP COWL LATCH
12	10-21091		4,4,4,4	SCREW, LATCH BRACKET TO TOP COWL (1 1/8")
13	12-29245		AR,AR,AR,A	WASHER, LATCH BRACKET SCREW (1/16" THICK)
14	12-37998		AR,AR,AR,A	WASHER, LATCH BRACKET SCREW (1/32" THICK)
15	38431		1,1,,	BRACKET, REAR COWL SUPPORT
	52899		,,1,1	BRACKET, REAR COWL SUPPORT
16	25-52723		,,1,1	GROMMET, LIMIT STOP - REAR COWL SUPPORT BRACKET
17	37640		1,1,1,1	MOUNT, RUBBER - REAR SUPPORT BRACKET
18	13-26993		1,1,1,1	LOCKWASHER, REAR SUPPORT BRACKET RUBBER MOUNT
19	12-26825		1,1,1,1	WASHER, REAR SUPPORT BRACKET RUBBER MOUNT
20	11-22053		1,1,1,1	NUT, REAR SUPPORT BRACKET RUBBER MOUNT
21	37412		2,2,2,2	LEVER, CLAMPING - TOP COWL
22	23-26819		2,2,2,2	BUSHING, TOP COWL CLAMPING LEVER (NYLON)
23	23-31293		2,2,2,2	BUSHING, TOP COWL CLAMPING LEVER (RUBBER)
24	53-30428		2,2,2,2	FASTENER, TOP COWL CLAMPING LEVER
25	17-29077		2,2,2,2	PIN, ROLL - TOP COWL CLAMPING LEVER
26	11-20166		1,,1,	NUT, SHEAVE SHAFT (LEFT HAND THREAD)
27	14-20165		1,,1,	TAB WASHER, SHEAVE SHAFT NUT
28	37685		1,,1,	HOUSING, STARTER
29	10-32565		3,,3,	SCREW, STARTER HOUSING TO CRANKCASE AND CYLINDER BLOCK (1")
30	13-20202		3,,3,	LOCKWASHER, STARTER HOUSING SCREW
31	37691		1,,1,	PLATE, CABLE GUIDE
32	10-35881		3,,3,	SCREW, DRIVE - CABLE GUIDE PLATE TO STARTER HOUSING
33	39835		1,,1,	RETAINER, STARTER SPRING
34	24-39502A1		1,,1,	SPRING, STARTER REWIND
35	23-28912		1,,1,	BUSHING, SPRING GUIDE
36	50-39841		1,,1,	SHEAVE ASSEMBLY
37	30596		3,,3,	PAWL, STARTER
38	13-30597		3,,3,	WASHER, WAVE - STARTER PAWL
39	23-28919		1,,1,	BUSHING, NYLON - SHEAVE SHAFT SPACER

CONTINUED ON NEXT PAGE ➡

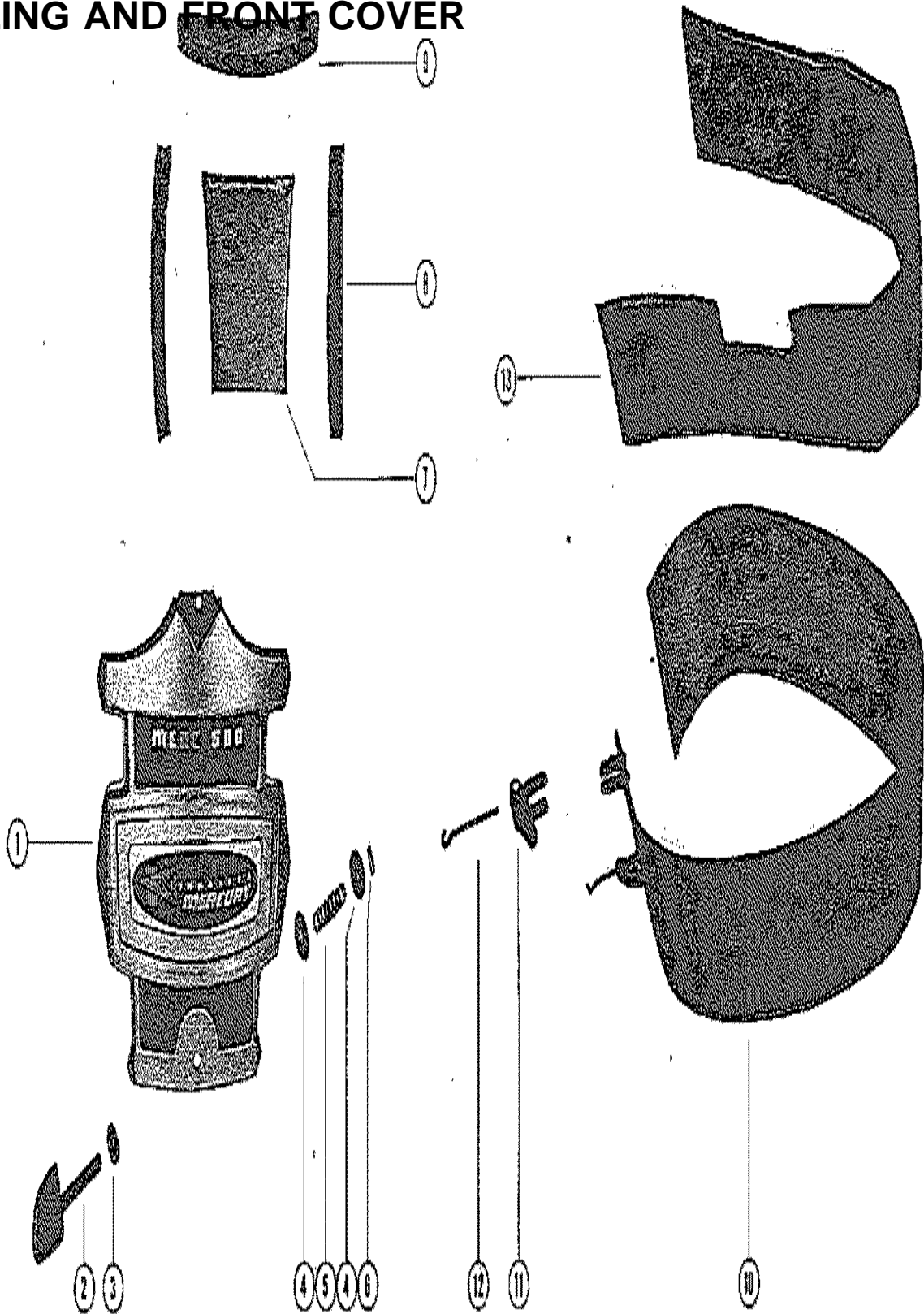
TOP COWL ASSEMBLY



TOP COWL ASSEMBLY

REF. NO.	PART NO.	SYM.	QTY.	DESCRIPTION
40	23-35560		1,,1,	SPACER, SHEAVE SHAFT
41	39840		1,,1,	RETAINER, WAVE WASHER
42	12-35559		1,,1,	WASHER, WAVE WASHER RETAINER
43	13-20160		1,,1,	WASHER, WAVE - RETAINER TENSION
44	24-26068		1,,1,	SPRING, RETAINER PLATE TO STARTER SHEAVE
45	39839		1,,1,	PLATE, RETAINER - STARTER PAWL
46	45477		1,,1,	SHAFT, SHEAVE
47	50-28985A1		1,,1,	STARTER CABLE ASSEMBLY
	47341A1		,1,,1	STARTER CABLE (FORM MANUAL STARTING ONLY)
48	28747		1,,1,	HANDLE, STARTER CABLE
49	28748		1,,1,	RETAINER, STARTER CABLE AND HANDLE
50	47904A2		1,1,1,1	BRACKET ASSEMBLY, FRONT SUPPORT
51	37-46397		1,1,1,1	DECAL, TIMING - FRONT SUPPORT BRACKET
52	37921		1,1,1,1	FLANGE, RUBBER - FRONT SUPPORT BRACKET
53	32-37670		1,1,1,1	TUBE, DRAIN - FRONT SUPPORT BRACKET TO BOTTOM COWL
54	10-24234		2,2,2,2	SCREW, FRONT SUPPORT BRACKET TO BOTTOM COWL (1")
55	54-25231		,1,,1	CLIP, SOLENOID LEAD TO FRONT SUPPORT BRACKET
	54-22740		,1,,	CLIP, SOLENOID LEAD AND HARNESS TO FRONT SUPPORT BRACKET
	54-23568		,,,1	CLIP, SOLENOID LEAD AND HARNESS TO FRONT SUPPORT BRACKET
56	10-31206		,2,,2	SCREW, CHOKE SOLENOID CLIP ATTACHING (7/16")
57	22789		,2,,2	"D" WASHER, CHOKE SOLENOID CLIP SCREW
58	31014		,2,2,2	MOUNT, RUBBER - FRONT SUPPORT BRACKET
59	13-26992		2,2,2,2	LOCKWASHER, FRONT SUPPORT BRACKET RUBBER MOUNT
60	12-20346		2,2,2,2	WASHER, FRONT SUPPORT BRACKET RUBBER MOUNT
61	11-20088		2,2,2,2	NUT, FRONT SUPPORT BRACKET RUBBER MOUNT
62	33385A8		,,1,1	SWITCH ASSEMBLY, MERCURY LATER MODELS
63	10-48409		,,1,1	SCREW, MERCURY SWITCH TO EXHAUST MANIFOLD COVER

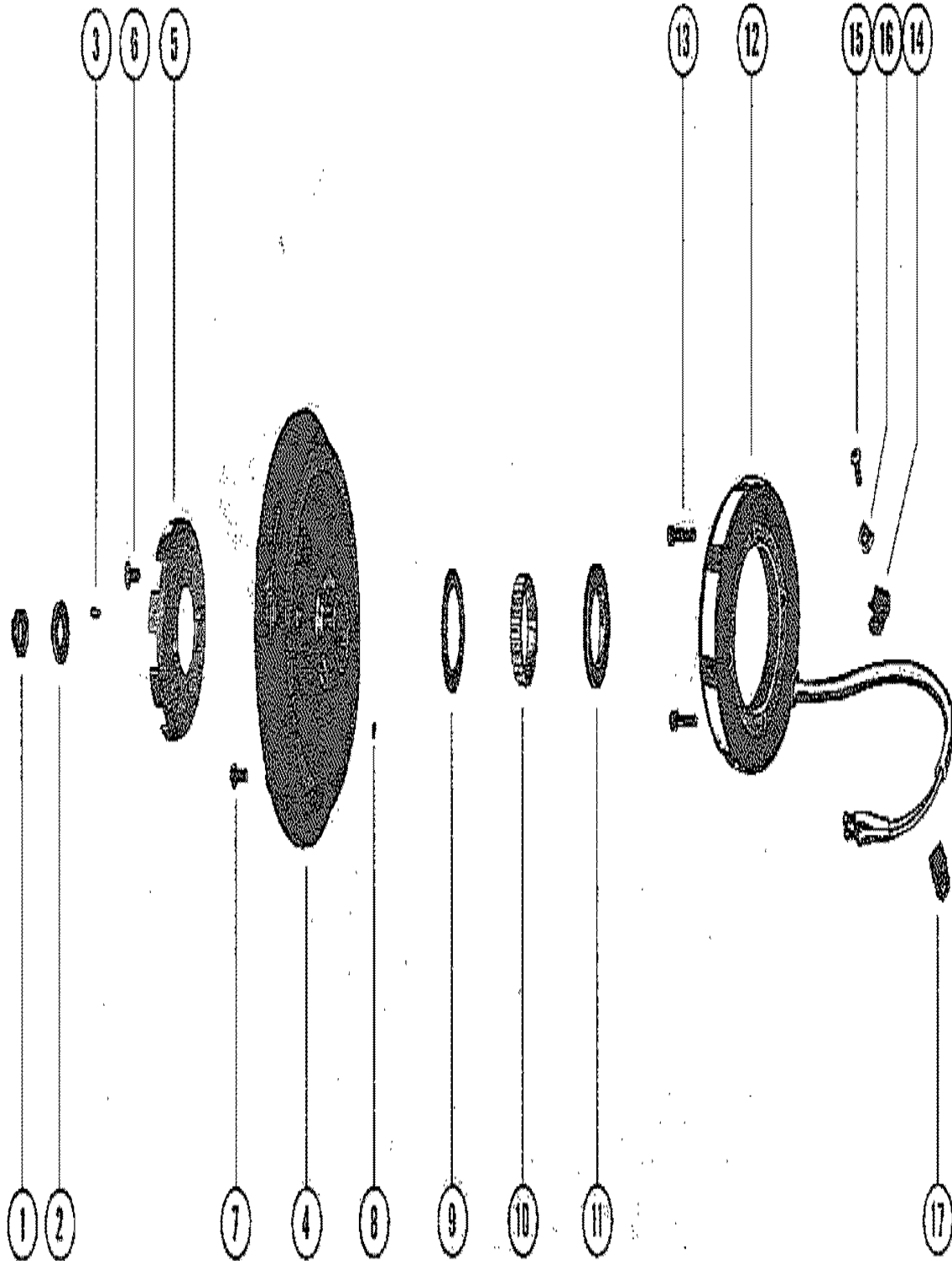
COWLING AND FRONT COVER



COWLING AND FRONT COVER

REF. NO.	PART NO.	SYM.	QTY.	DESCRIPTION
1	2104-2654A14		1,1,,	COWL FRONT COVER ASSEMBLY
	2104-2654A17		,,1,1	COWL FRONT COVER ASSEMBLY
2	32361		1,1,1,1	KNOB, COWL FRONT COVER FASTENING
3	12-30771		1,1,1,1	WASHER, COVER FASTENING KNOB
4	12-27129		2,2,2,2	WASHER, COVER FASTENING KNOB
5	24-32271		1,1,1,1	SPRING, TENSION - COVER FASTENING KNOB
6	17-29077		1,1,1,1	PIN, ROLL - TENSION SPRING TO KNOB
7	38674		1,1,1,1	BLANKET, SOUND ABSORBING
8	31095		2,2,2,2	SEAL, SOUND - LOWER SECTION
9	38133		1,1,1,1	SEAL, SOUND - UPPER SECTION
10	2118-3247A3		1,1,1,1	WRAP AROUND COWL ASSEMBLY
11	46785A1		2,2,2,2	COWL LATCH ASSEMBLY
12	30413		2,2,2,2	HOOK, COWL LATCH FASTENING
13	37794		1,1,1,1	BLANKET, SOUND ABSORBING
-	92-25234--1		1,1,1,1	GLUE (BLANKET ADHESIVE)

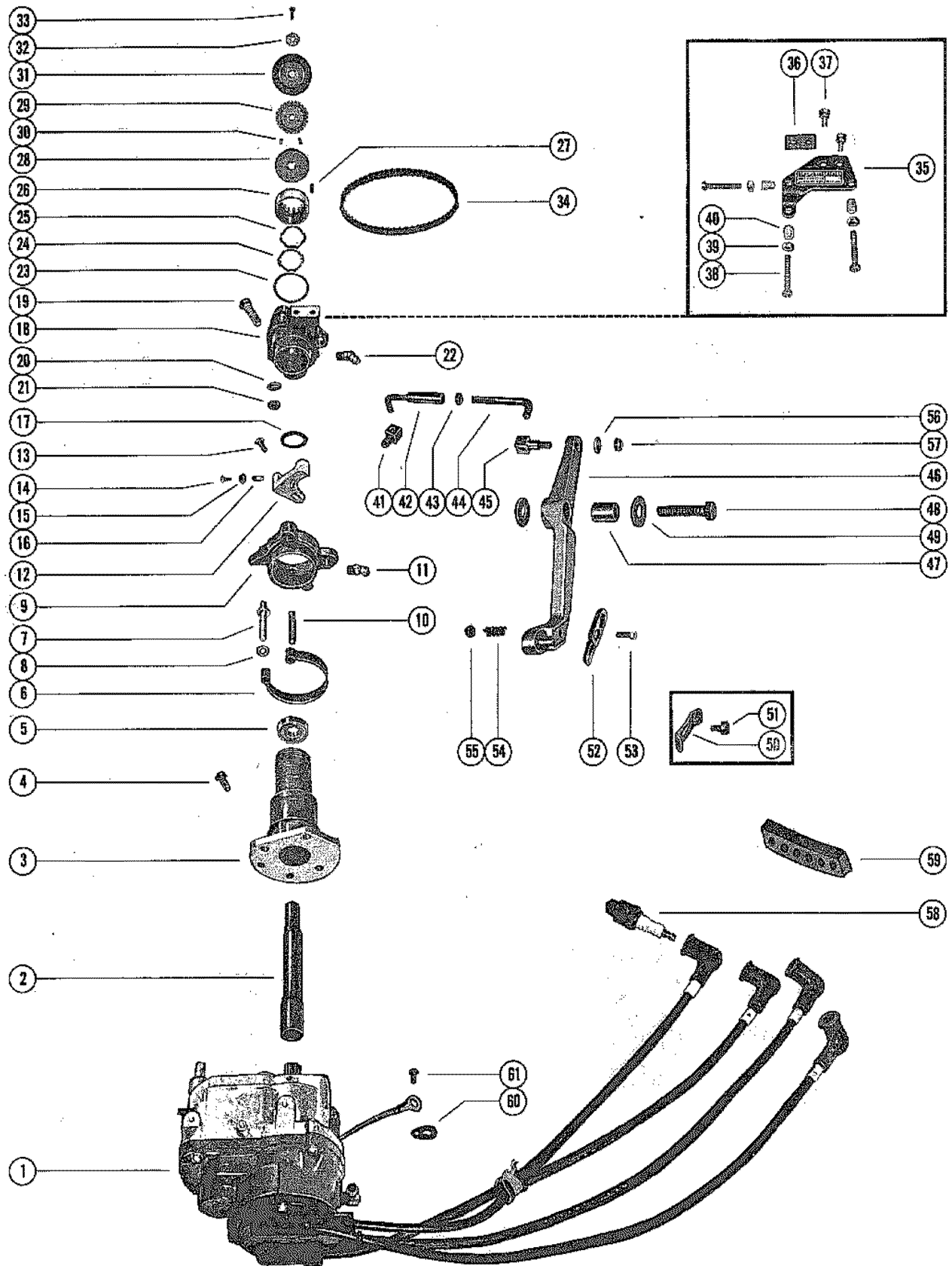
FLYWHEEL ASSEMBLY AND STATOR



FLYWHEEL ASSEMBLY AND STATOR

REF. NO.	PART NO.	SYM.	QTY.	DESCRIPTION
1	11-22339		1,1,1,1	NUT, FLYWHEEL
2	12-33001		1,1,1,1	WASHER, FLYWHEEL NUT
3	28-20094		1,1,1,1	KEY, FLYWHEEL DRIVE
4	223-2402A5		1,,1,	FLYWHEEL ASSEMBLY
	223-2427A5		,1,,	FLYWHEEL ASSEMBLY (USE ON STARTER ENGINES)
	223-2403A5		,1,,	FLYWHEEL ASSEMBLY (USE THRU SERIAL #2406034
	223-2403A8		,1,,1	FLYWHEEL ASSEMBLY (STARTED WITH SERIAL #2406035)
5	50-39837		1,,1,	RATCHET, FLYWHEEL - FLEX PLATE
6	10-32417		8,8,8,8	SCREW, PLATE AND RATCHET TO FLYWHEEL HUB (5/8")
7	10-46467		8,8,8,8	SCREW, FLEX PLATE TO FLYWHEEL (1/2")
8	17-26618		1,1,1,1	PIN, DOWEL - PULLEY TO FLYWHEEL
9	29788		1,1,1,1	FLANGE, FLYWHEEL PULLEY
10	30306		1,1,1,1	PULLEY, FLYWHEEL
11	29787		1,1,1,1	HUB, FLANGE - FLYWHEEL PULLEY
12	398-2996		,1,,1	STATOR, ALTERNATOR - FLYWHEEL
13	10-52720		,4,,4	SCREW, STATOR TO UPPER END CAP (7/8")
14	54-24836		,1,,1	CLAMP, STATOR LEAD TO CRANKCASE
15	10-34222		,1,,1	SCREW, STATOR LEAD CLAMP FASTENING (1/2")
16	22789		,1,,1	"D" WASHER, STATOR LEAD CLAMP SCREW
17	54-46379		,1,,1	CLIP, STATOR LEAD TO CRANKCASE

IGNITION DRIVER AND PILOT ASSEMBLY

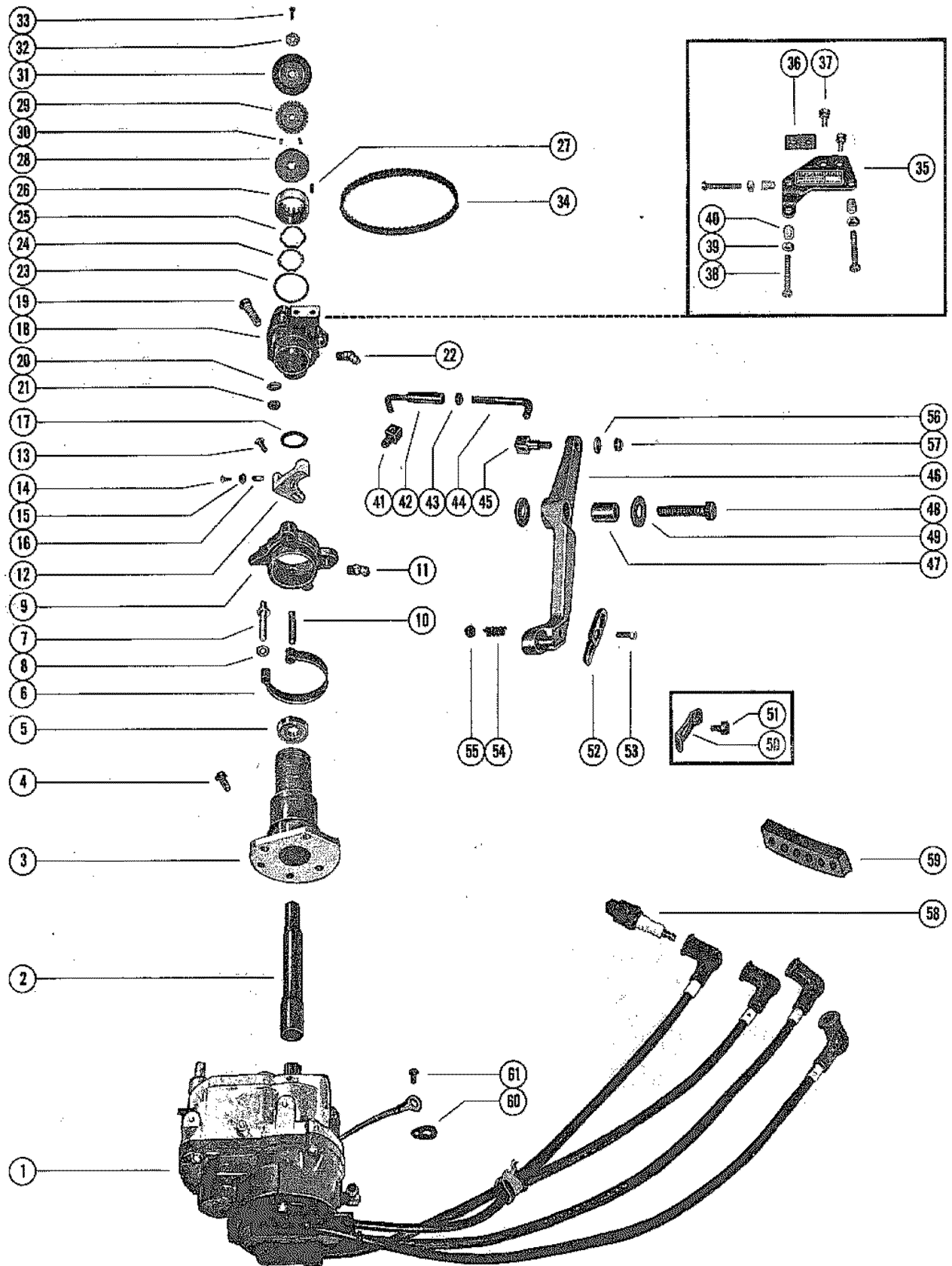


IGNITION DRIVER AND PILOT ASSEMBLY

REF. NO.	PART NO.	SYM.	QTY.	DESCRIPTION
1	333-3144A4		1,1,1	IGNITION DRIVER ASSEMBLY, COMPLETE (SEE PAGE 7 FOR BREAKDOWN)
2	45-27951		1,1,1	SHAFT, IGNITION DRIVER
3	47883A1		1,1,1	PILOT ASSEMBLY, IGNITION DRIVER
4	10-47910		4,4,4	SCREW, ADAPTOR AND PILOT TO IGNITION DRIVER (5/8")
5	30-20066		1,1,1	BALL BEARING, IGNITION DRIVER PILOT
6	24-27944		1,1,1	SPRING, HORSESHOE - IGNITION DRIVER PILOT
7	17-27962		1,1,1	PIN, ANCHOR - HORSESHOE SPRING TO PILOT
8	12-29245		1,1,1	WASHER, HORSESHOE SPRING TO ANCHOR PIN
9	48103A1		1,1,1	ECONOMIZER COLLAR AND PIN ASSEMBLY
10	17-27961		1,1,1	PIN, ECONOMIZER COLLAR - SPRING RETAINER
11	22-25094		1,1,1	FITTING, GREASE - ECONOMIZER COLLAR
12	48038		1,1,1	PLATE, THROTTLE ACTUATOR
13	10-46420		2,2,2	SCREW, THROTTLE ACTUATOR TO ECONOMIZER COLLAR (1/2")
14	10-23015		1,1,1	SCREW, ADJUSTING - THROTTLE ACTUATOR (1")
15	11-20645		1,1,1	NUT, THROTTLE ACTUATOR ADJUSTING SCREW
16	48039		1,1,1	CAP, THROTTLE ACTUATOR ADJUSTING SCREW
17	12-46246		1,1,1	WASHER, IGNITION DRIVER PILOT TO ADAPTOR
18	30043A1		1,1,1	ADAPTOR, IGNITION DRIVER
19	10-22040		3,3,3	SCREW, ADAPTOR AND PILOT TO CRANKCASE (1 1/2")
20	12-20084		3,3,3	WASHER, ADAPTOR AND PILOT TO CRANKCASE SCREW
21	11-20083		3,3,3	NUT, ADAPTOR AND PILOT TO CRANKCASE SCREW
22	22-25094		1,1,1	FITTING, GREASE - IGNITION DRIVER ADAPTOR
23	12-27939		1,1,1	WASHER, IGNITION DRIVER PILOT
24	14-27960		1,1,1	TAB WASHER, ADAPTOR CAP FASTENING
25	13-27959		1,1,1	WASHER, WAVE - IGNITION DRIVER BALL BEARING TENSION
26	27955		1,1,1	CAP, IGNITION DRIVER ADAPTOR AND PILOT FASTENING
27	28-28657		1,1,1	KEY, IGNITION DRIVER
28	29784		1,1,1	HUB, DRIVEN PULLEY
-	23-29909		1,1,1	SPACER, DRIVEN PULLEY
29	29783A1		1,1,1	DRIVEN PULLEY ASSEMBLY
30	17-24873		2,2,2	PIN, ROLL - FLANGE
31	29785		1,1,1	FLANGE, DRIVEN PULLEY
32	12-20138		1,1,1	WASHER, PULLEY SCREW
33	10-29240		1,,	SCREW, PULLEY (5/8")
	10-49989		,1,1	SCREW, PULLEY (5/8")
34	20140		1,1,1	BELT, TIMING
35	29277		1,1,1	PLATE, THROTTLE STOP SERIAL #2623519 AND BELOW
36	23-48456		1,1,1	SPACER, THROTTLE STOP PLATE TO ADAPTOR
35	53458		,1,1	PLATE, THROTTLE STOP (SERIAL #2623520 AND UP)
37	10-31299		2,2,2	SCREW, THROTTLE STOP PLATE TO ADAPTOR (7/8")
38	10-24933		3,3,3	SCREW, THROTTLE STOP ADJUSTING (1 1/2")
39	11-20013		3,3,3	NUT, THROTTLE STOP ADJUSTING SCREW

CONTINUED ON NEXT PAGE ➡

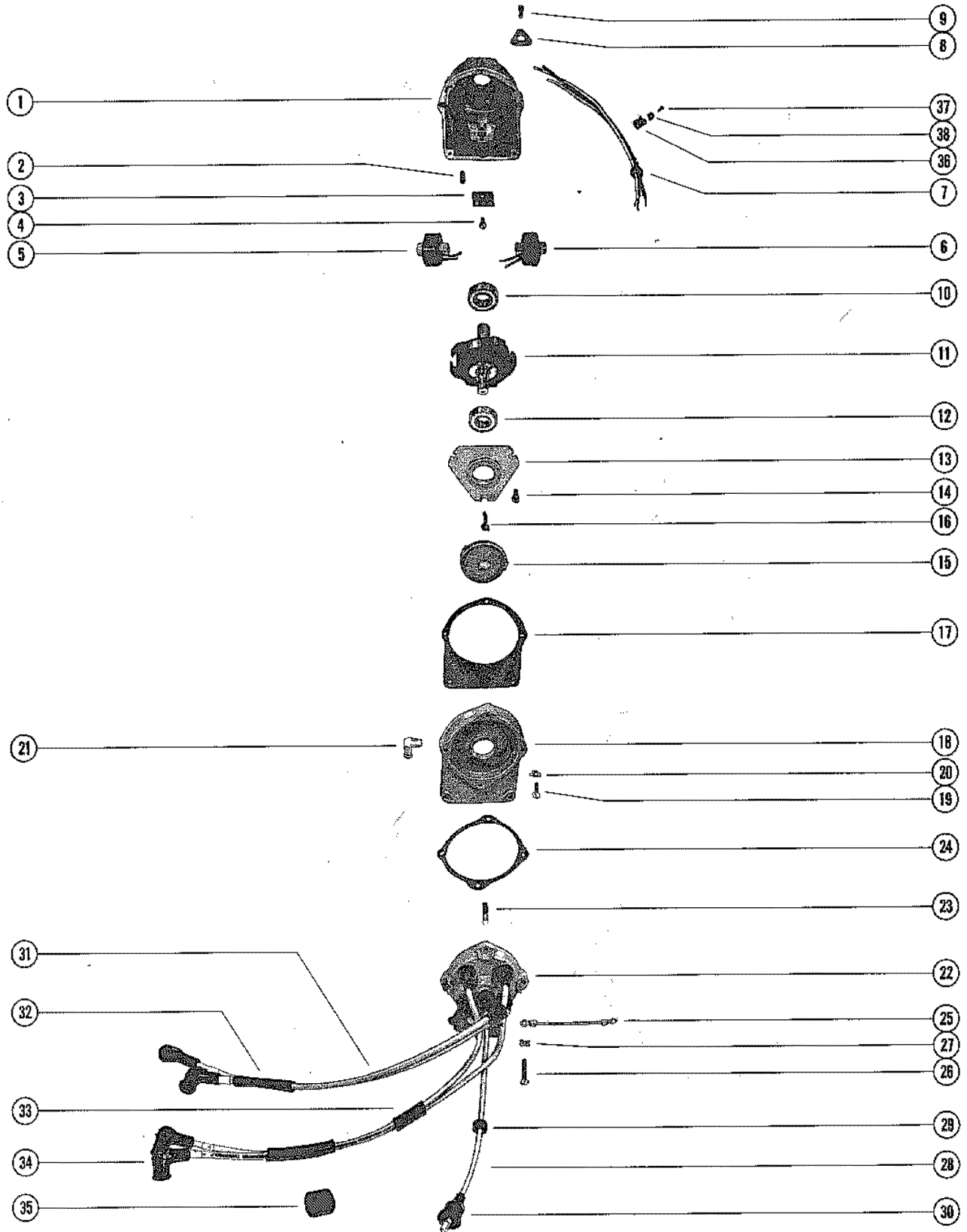
IGNITION DRIVER AND PILOT ASSEMBLY



IGNITION DRIVER AND PILOT ASSEMBLY

REF. NO.	PART NO.	SYM.	QTY.	DESCRIPTION
40	26852		3,3,3	CAP, NYLON - ADJUSTING SCREW
41	27947		1,1,1	SWIVEL, LINKAGE - ECONOMIZER COLLAR
42	25996A1		1,1,1	SWIVEL AND LINK ROD ASSEMBLY
43	11-25168		1,1,1	NUT, UPPER LINK ROD ADJUSTING
44	37700		1,1,1	ROD, LINK - UPPER
45	27948		1,1,1	SWIVEL, UPPER LINK ROD TO THROTTLE CONTROL LEVER
46	48402		1,,	LEVER, THROTTLE CONTROL
47	23-29529		1,,	BUSHING, THROTTLE LEVER SCREW
46	53143		,1,1	LEVER, THROTTLE CONTROL
47	23-45818		,1,1	BUSHING, THROTTLE LEVER SCREW
48	10-47273		1,1,1	SCREW, THROTTLE LEVER TO EXHAUST COVER (1 1/2")
49	12-29395		,1,1	WASHER, THROTTLE LEVER SCREW
	12-29395		2,,	WASHER, THROTTLE LEVER SCREW
50	24-37934		1,,	SPRING, QUICK DISCONNECT - THROTTLE CABLE TO THROTTLE LEVER
51	10-38069		1,,	SCREW, ANCHOR - QUICK DISCONNECT SPRING TO THROTTLE LEVER
52	39483		,1,1	LATCH, THROTTLE CONTROL LEVER (THROTTLE CABLE)
53	10-22486		,1,1	SCREW, LATCH TO THROTTLE CONTROL LEVER (7/8")
54	24-20099		,1,1	SPRING, COMPRESSION - LATCH SCREW
55	11-20586		,1,1	NUT, LATCH SCREW
56	12-29245		1,1,1	WASHER, UPPER SWIVEL TO THROTTLE LEVER
57	11-20586		1,1,1	NUT, UPPER SWIVEL TO THROTTLE LEVER
58	33-45191		4,4,4	SPARK PLUG (CHAMPION - L19V)
59	45391		1,1,1	SPACER, IGNITION WIRE
60	26551		1,1,1	BRACKET, TAB - CRANKCASE SCREW - IGNITION DRIVER GROUND STRA
61	10-26548		1,1,1	SCREW, IGNITION DRIVER GROUND STRAP TO TAB BRACKET (3/8")

IGNITION DRIVER ASSEMBLY, COMPLETE

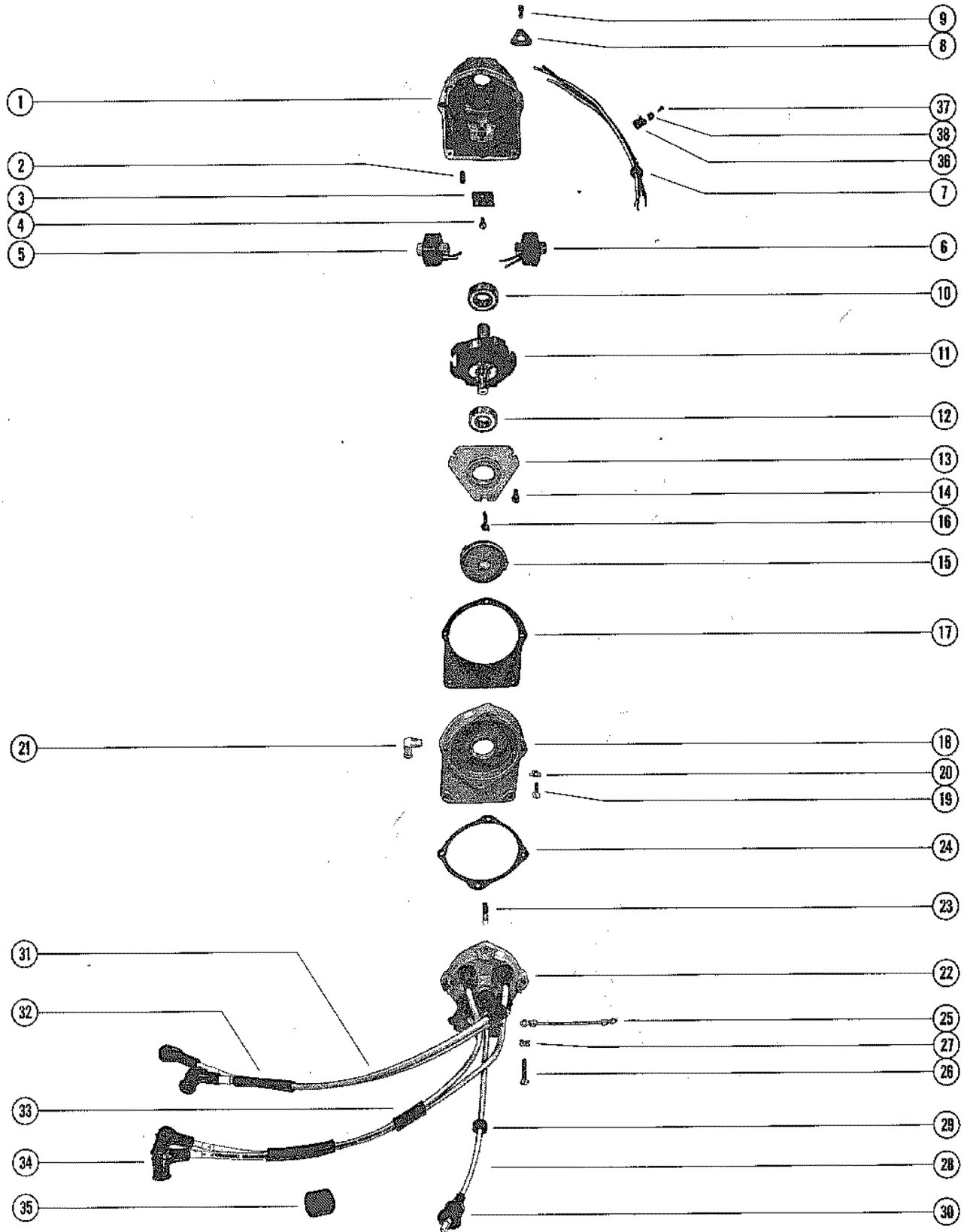


IGNITION DRIVER ASSEMBLY, COMPLETE

REF. NO.	PART NO.	SYM.	QTY.	DESCRIPTION
-	333-3144A4		1,1,1	IGNITION DRIVER ASSEMBLY, COMPLETE
1	333-3144		1,1,1	HOUSING, IGNITION DRIVER
2	10-47183		4,4,4	SCREW, SET - COIL ASSEMBLY FASTENING
3	333-3172A1		1,1,1	TERMINAL BOARD ASSEMBLY, IGNITION DRIVER
4	10-47182		1,1,1	SCREW, TERMINAL BOARD ASSEMBLY FASTENING (1/2")
5	333-3175		1,1,1	COIL ASSEMBLY, IGNITION DRIVER (RED)
6	333-3176		1,1,1	COIL ASSEMBLY, IGNITION DRIVER (BLUE)
7	333-3173		1,1,1	HARNESS, PRIMARY CABLE - IGNITION DRIVER
8	54-47188		1,1,1	CLAMP, PRIMARY HARNESS CABLE - IGNITION DRIVER
9	10-28259		3,3,3	SCREW, PRIMARY HARNESS CABLE CLAMP FASTENING (5/8")
10	30-24998		1,1,1	BEARING, BALL - DRIVER END (1 3/8" O.D.)
11	333-3198A1		1,1,1	SHAFT ASSEMBLY, IGNITION DRIVER
12	30-49090		1,1,1	BEARING, BALL - IGNITION DRIVER END (1 1/4" O.D.)
13	333-3166		1,1,1	CAP, BEARING - IGNITION DRIVER HOUSING
14	10-47194		3,3,3	SCREW, BEARING CAP FASTENING (8=9/16")
15	333-3143A1		1,1,1	ROTOR ASSEMBLY, IGNITION DRIVER
16	54-47187		1,1,1	SPRING CLIP - IGNITION DRIVER ROTOR
17	27-47189		1,1,1	GASKET, IGNITION DRIVER COVER
18	333-3141		1,1,1	COVER, IGNITION DRIVER
19	10-47185		2,2,2	SCREW, IGNITION DRIVER COVER FASTENING (3/4")
20	14-29157		2,2,2	TAB WASHER, IGNITION DRIVER COVER FASTENING SCREW
21	22-31521		1,1,1	ELBOW, VETN - IGNITION DRIVER COVER
22	333-3142A3		1,1,1	CAP ASSEMBLY, IGNITION DRIVER
23	333-3165A1		1,1,1	BRUSH AND SPRING ASSEMBLY
24	27-47190		1,1,1	GASKET, IGNITION DRIVER CAP
25	394-1134A2		1,1,1	GROUND STRAP ASSEMBLY
26	10-47181		3,3,3	SCREW, IGNITION DRIVER CAP FASTENING (1 7/8")
	10-47184		1,1,1	SCREW, IGNITION DRIVER CAP FASTENING (1 1/2")
27	14-29157		4,4,4	TAB WASHER, IGNITION DRIVER CAP FASTENING SCREW
28	393-3250A1		1,1,1	LEAD ASSEMBLY, HIGH TENSION - IGNITION DRIVER TO COIL
-	20121		1,1,1	TERMINAL, HIGH TENSION LEAD
-	393-1275		1,1,1	SLEEVE, HIGH TENSION LEAD TERMINAL COVER
29	25-26547		1,1,1	GROMMET, COIL WIRE BRACKET
30	332-2854		1,1,1	BOOT, HIGH TENSION LEAD CABLE
31	N.S.S.		4,4,4	SPARK PLUG LEAD ASSEMBLY (27 1/2") ORDER A-36549A1 KIT FOR
-	20121		4,4,4	CONNECTOR, SPARK PLUG LEAD
-	393-1275		4,4,4	SLEEVE, SPARK PLUG LEAD TO IGNITION DRIVER
32	32-46768		2,2,2	SLEEVE, SPARK PLUG LEAD (6")
33	32-26527		2,2,2	SLEEVE, SPARK PLUG LEAD (1 1/2")

CONTINUED ON NEXT PAGE ➡

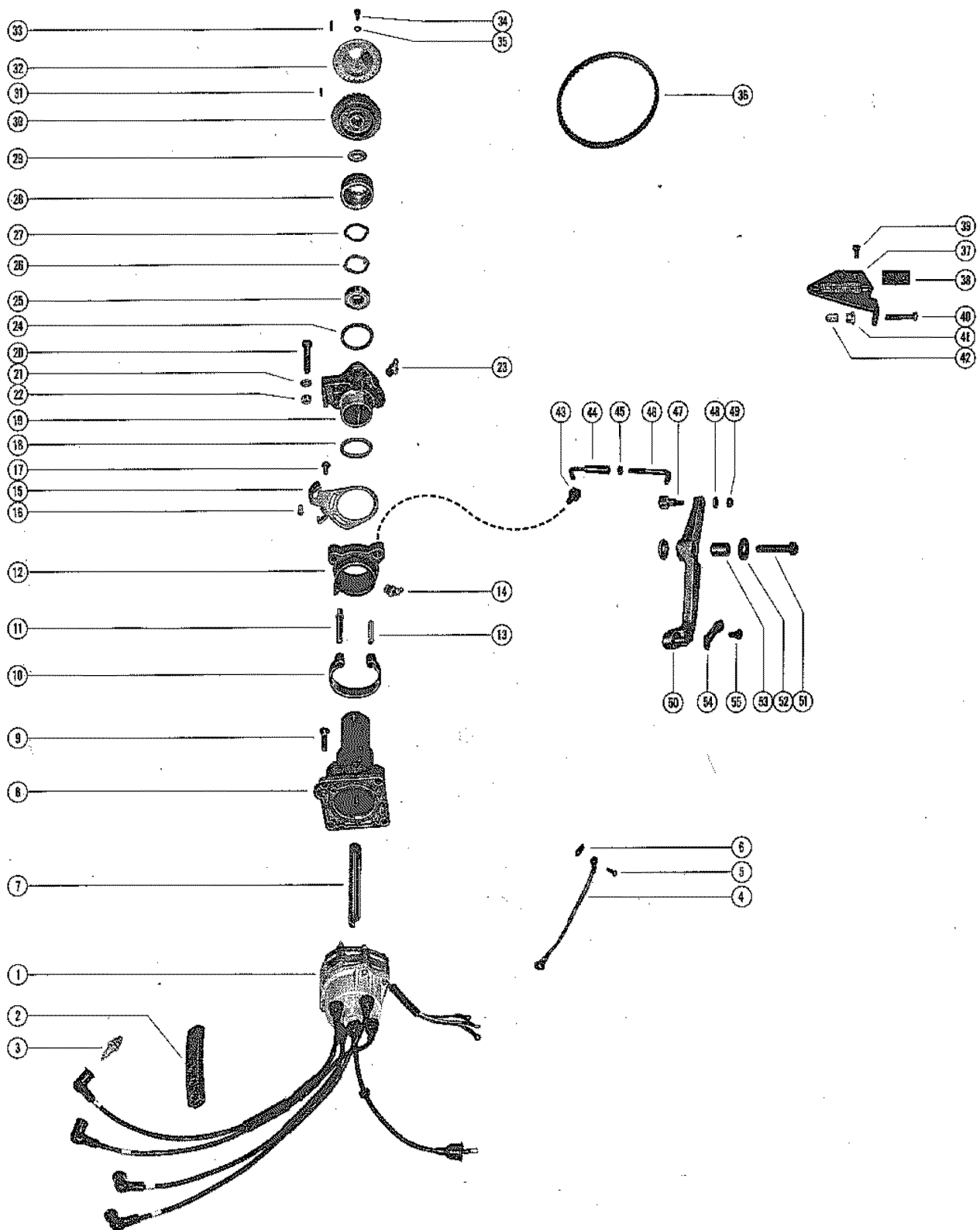
IGNITION DRIVER ASSEMBLY, COMPLETE



IGNITION DRIVER ASSEMBLY, COMPLETE

REF. NO.	PART NO.	SYM.	QTY.	DESCRIPTION
34	47604A1		4,4,4	PROTECTOR ASSEMBLY, SPARK PLUG LEADS
35	32-46398		1,1,1	SLEEVE, HIGH TENSION CABLE (3/4")
36	54-22740		1,1,1	CLIP, IGNITION DRIVER LEAD
37	10-20674		1,1,1	SCREW, IGNITION DRIVE LEAD TO SWITCH BOX (1/2")
38	22789		1,1,1	"D" WASHER, IGNITION DRIVER LEAD SCREW

DISTRIBUTOR ADAPTOR AND PILOT ASSEMBLY

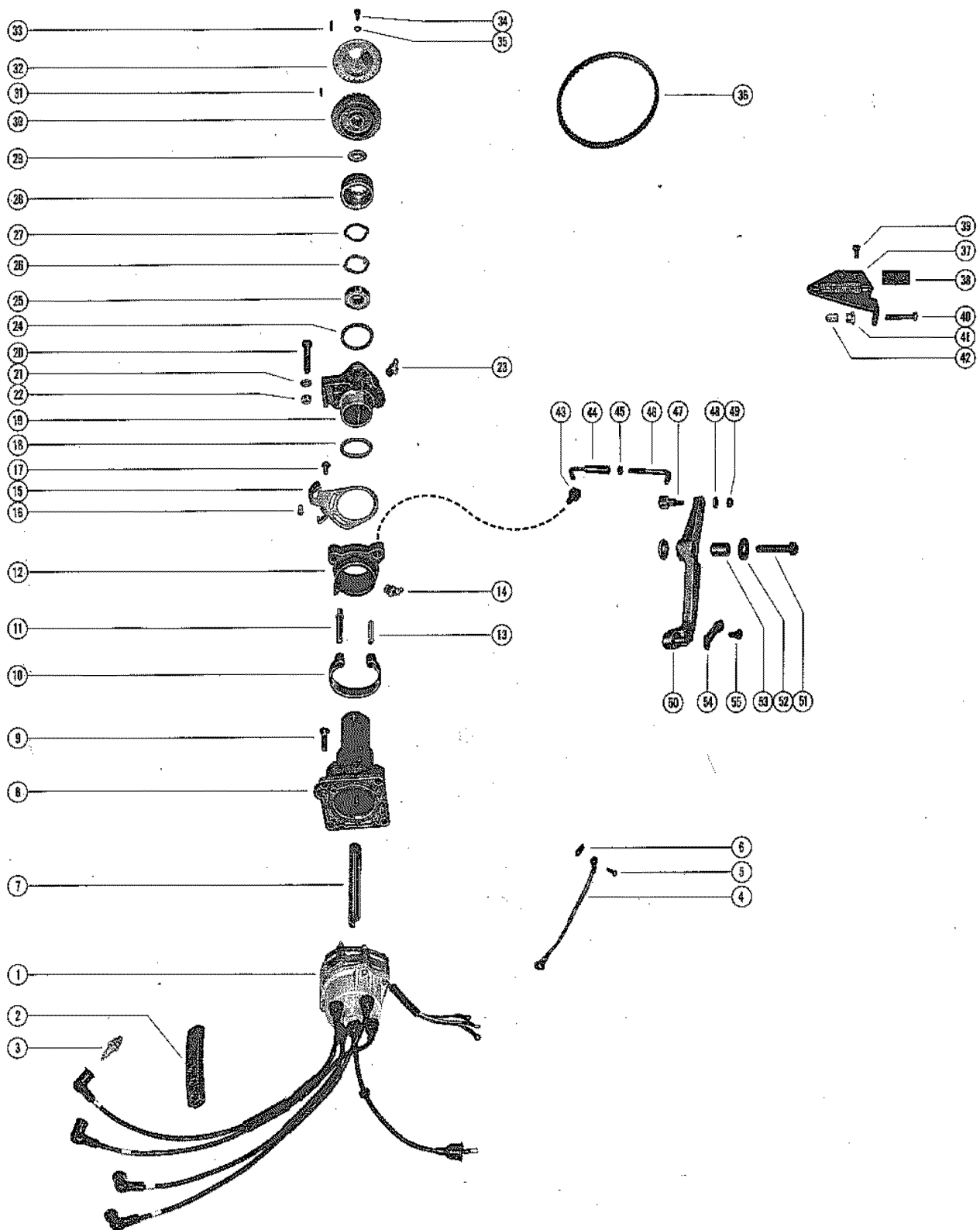


DISTRIBUTOR ADAPTOR AND PILOT ASSEMBLY

REF. NO.	PART NO.	SYM.	QTY.	DESCRIPTION
1	393-2799A19		1	DISTRIBUTOR ASSEMBLY, COMPLETE (SEE PAGE 11 FOR BREAKDOWN)
2	45391		1	SPACER, IGNITION WIRE
3	33-45191		4	SPARK PLUG (CHAMPION - L19V)
4	30109		1	GROUND STRAP, DISTRIBUTOR TO CRANKCASE
5	10-26548		1	SCREW, DISTRIBUTOR GROUND STRAP TO TAB BRACKET (3/8")
6	26551		1	BRACKET, TAB - CRANKCASE SCREW - DISTRIBUTOR GROUND STRAP
7	45-47953		1	DRIVE SHAFT, DISTRIBUTOR
8	46242A1		1	PILOT ASSEMBLY, DISTRIBUTOR
9	10-48291		4	SCREW, DISTRIBUTOR PILOT TO DISTRIBUTOR (1 1/8")
10	24-27944		1	SPRING, HORSESHOE
11	17-27962		1	PIN, SPRING TERMINAL
12	48103A1		1	ECONOMIZER COLLAR AND PIN ASSEMBLY
13	17-27961		1	PIN, SPRING RETAINER
14	22-25094		1	FITTING, GREASE - ECONOMIZER COLLAR
15	38230A1		1	THROTTLE ACTUATOR ASSEMBLY
16	23-26602		1	BUSHING, NYLON - THROTTLE ACTUATOR
17	10-46420		2	SCREW, THROTTLE ACTUATOR TO SECTOR GEAR
18	12-46246		1	WASHER, DISTRIBUTOR PILOT TO DISTRIBUTOR ADAPTOR
19	30043A1		1	ADAPTOR, DISTRIBUTOR
20	10-22040		3	SCREW, ADAPTOR AN PILOT TO CRANKCASE
21	12-20084		3	WASHER, ADAPTOR AND PILOT TO CRANKCASE SCREW
22	11-20083		3	NUT, ADAPTOR AND PILOT TO CRANKCASE SCREW
23	22-25094		1	FITTING, GREASE - DISTRIBUTOR ADAPTOR
24	12-27939		1	WASHER, THRUST - DISTRIBUTOR ADAPTOR
25	30-20066		1	BEARING, BALL - DISTRIBUTOR ADAPTOR
26	14-27960		1	TAB WASHER, CAP LOCKING
27	13-27959		1	WASHER, WAVE - TAB WASHER TENSION
28	27955		1	CAP, ADAPTOR AND PILOT FASTENING
29	23-29909		1	SPACER, DRIVEN PULLEY
30	29906A1		1	DRIVEN PULLEY ASSEMBLY
31	17-29908		1	PIN, DRIVEN PULLEY
32	29907		1	FLANGE, DRIVEN PULLEY
33	28-29910		1	KEY, DISTRIBUTOR DRIVING
34	10-29911		1	SCREW, PULLEY CLAMPING
35	13-26996		1	LOCKWASHER, PULLEY CLAMPING SCREW
36	20140		1	BELT, TIMING
37	46251		1	PLATE, THROTTLE STOP
38	23-48456		1	SPACER, THROTTLE PLATE TO ADAPTOR
39	10-31299		2	SCREW, THROTTLE STOP PLATE TO DISTRIBUTOR ADAPTOR (7/8")
40	10-46311		2	SCREW, THROTTLE STOP ADJUSTING (1 1/2")

CONTINUED ON NEXT PAGE ➡

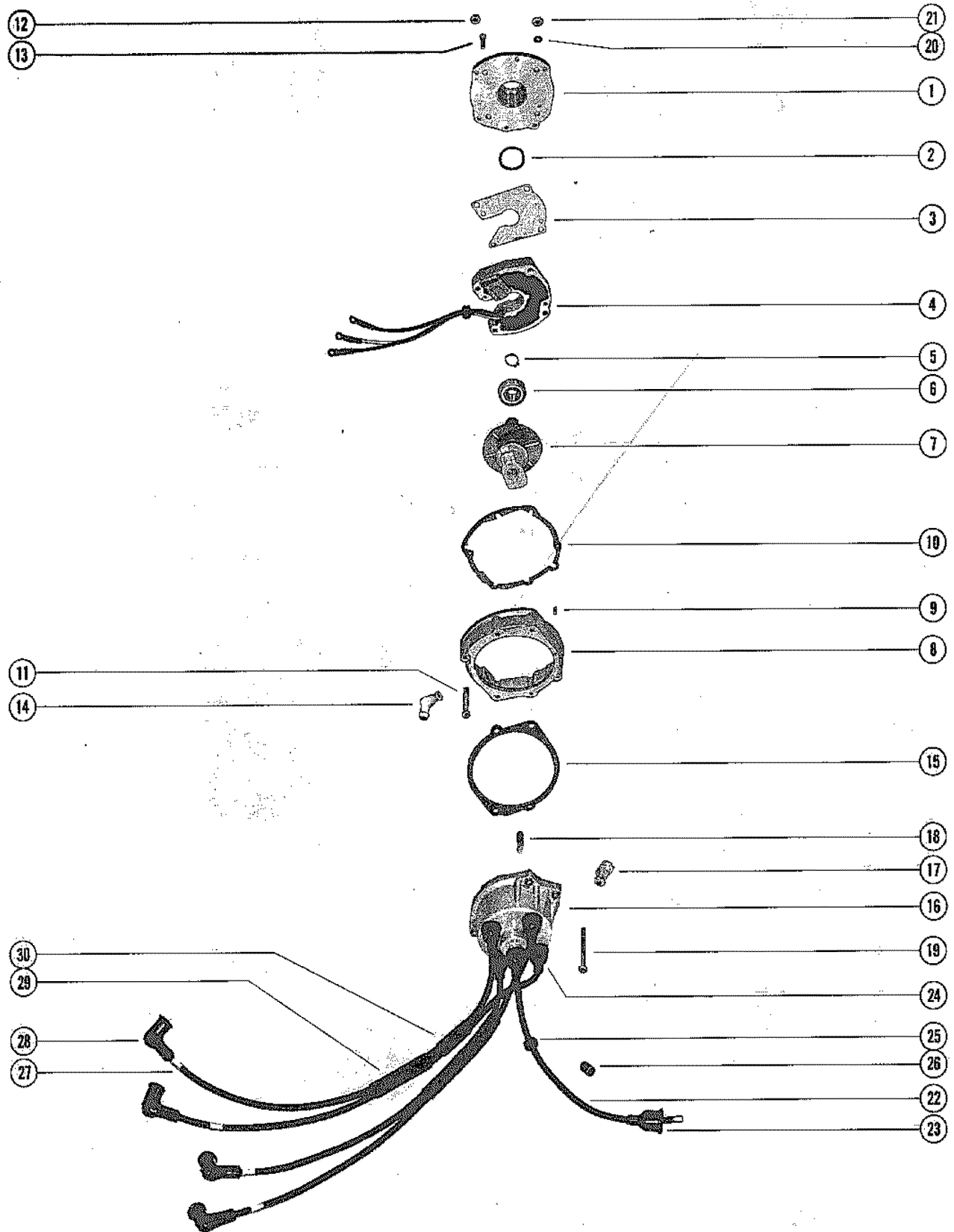
DISTRIBUTOR ADAPTOR AND PILOT ASSEMBLY



DISTRIBUTOR ADAPTOR AND PILOT ASSEMBLY

REF. NO.	PART NO.	SYM.	QTY.	DESCRIPTION
40	10-21504		1	SCREW, THROTTLE STOP ADJUSTING (1 1/4")
41	25-46252		3	GROMMET, THROTTLE STOP ADJUSTING SCREW
42	26852		3	CAP, NYLON - THROTTLE STOP ADJUSTING SCREW
43	27947		1	SWIVEL, LINKAGE - ECONOMIZER COLLAR
44	25996A1		1	SWIVEL AND LINK ROD ASSEMBLY
45	11-25168		1	NUT, UPPER LINK ROD ADJUSTING
46	37700		1	ROD, LINK - UPPER
47	27948		1	SWIVEL, UPPER LINK ROD TO THROTTLE CONTROL LEVER
48	12-29245		1	WASHER, UPPER SWIVEL TO THROTTLE LEVER
49	11-20586		1	NUT, SWIVEL TO THROTTLE LEVER
50	37688		1	LEVER, THROTTLE CONTROL
51	10-34613		1	SCREW, THROTTLE LEVER TO EXHAUST COVER
52	12-29395		2	WASHER, THROTTLE LEVER SCREW
53	23-29529		1	BUSHING, THROTTLE LEVER SCREW
54	24-37934		1	SPRING, QUICK DISCONNECT - THROTTLE CABLE TO THROTTLE LEVER
55	10-38069		1	SCREW, ANCHOR - QUICK DISCONNECT SPRING TO THROTTLE LEVER

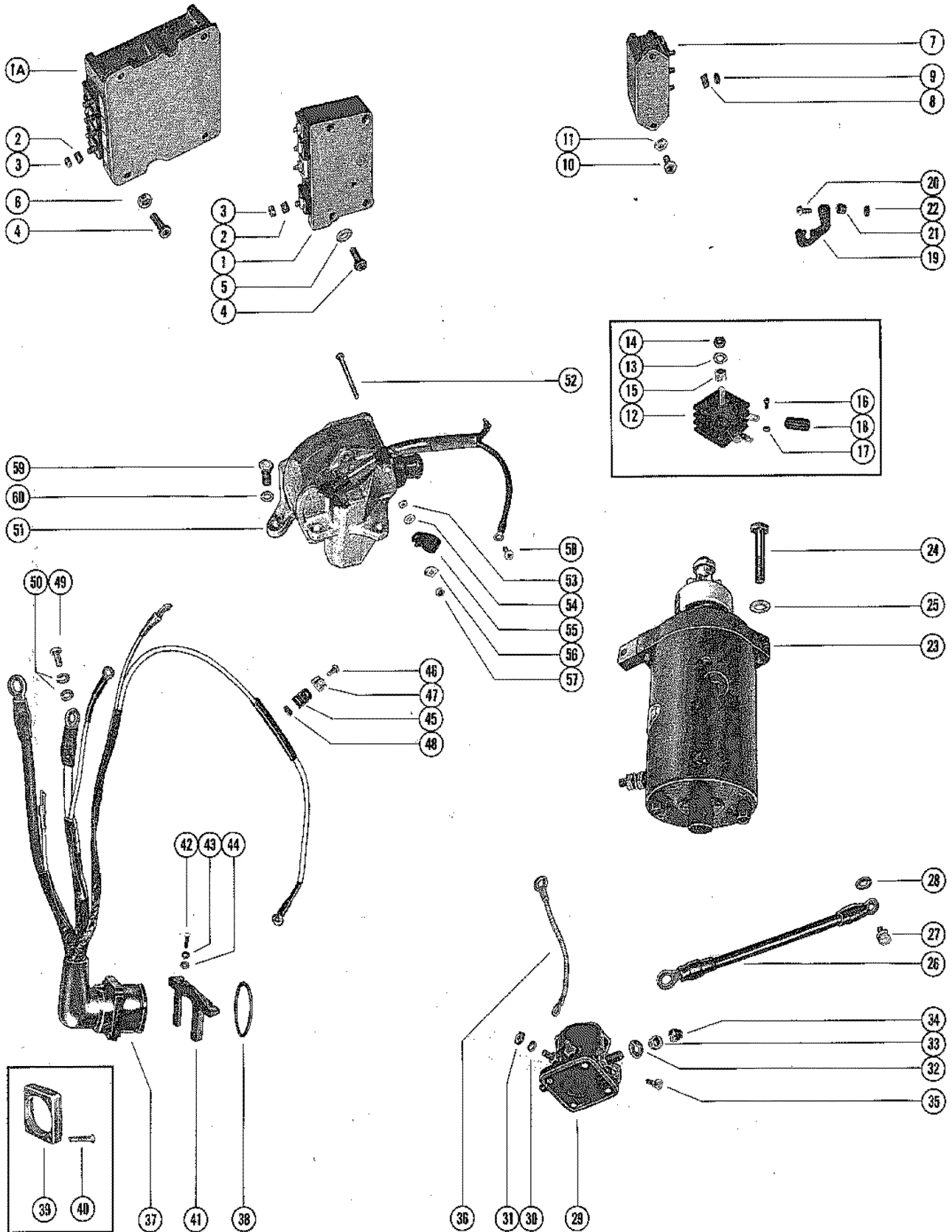
DISTRIBUTOR ASSEMBLY, COMPLETE



DISTRIBUTOR ASSEMBLY, COMPLETE

REF. NO.	PART NO.	SYM.	QTY.	DESCRIPTION
-	393-2799A19		1	DISTRIBUTOR ASSEMBLY, COMPLETE
1	393-2799A21		1	HOUSING ASSEMBLY, PRIMARY (SEE NOTE BELOW)
2	13-26917		2	WASHER, WAVE - PRIMARY HOUSING
3	393-2795		AR	SHIM, TRIGGER HOUSING TO PRIMARY HOUSING
4	393-2918A3		1	TRIGGER HOUSING ASSEMBLY
5	53-45906		2	RING, RETAINER - ROTOR SHAFT BALL BEARING
6	30-26379		2	BEARING, BALL - ROTOR SHAFT
7	393-3269A3		1	ROTOR SHAFT ASSEMBLY
8	393-3014A2		1	ADAPTOR ASSEMBLY, HOUSING TO DISTRIBUTOR CAP
9	17-20032		2	DOWEL PIN, ADAPTOR TO PRIMARY HOUSING
10	27-46351		1	GASKET, ADAPTOR TO PRIMARY HOUSING
11	10-32627		2	SCREW, ADAPTOR TO HOUSING
12	11-46438		2	NUT, ADAPTOR TO HOUSING SCREW
13	10-20646		2	SCREW, SHIM AND TRIGGER HOUSING TO PRIMARY HOUSING (5/8")
	10-45218		2	SCREW, SHIM AND TRIGGER HOUSING TO PRIMARY HOUSING (3/8")
14	22-31521A1		1	ELBOW ASSEMBLY, VENT HOSE - ADAPTOR HOUSING
15	27-36268		1	GASKET, DISTRIBUTOR CAP TO ADAPTOR
16	393-2955A2		1	DISTRIBUTOR CAP ASSEMBLY
17	22-31521		1	ELBOW, VENT HOSE - DISTRIBUTOR CAP
18	393-1293A1		1	BRUSH AND SPRING ASSEMBLY
19	10-45914		4	SCREW, DISTRIBUTOR CAP TO ADAPTOR TO HOUSING (2")
20	12-26436		4	WASHER, DISTRIBUTOR CAP FASTENING SCREW
21	11-46438		4	NUT, DISTRIBUTOR CAP FASTENING SCREW
22	393-3294A1		1	HIGH TENSION CABLE ASSEMBLY, DISTRIBUTOR TO COIL
-	20121		1	CONNECTOR, HIGH TENSION CABLE (CAP END)
23	332-2854		1	BOOT, HIGH TENSION CABLE TO COIL
24	393-1275		1	SLEEVE, HIGH TENSION CABLE
25	25-26547		1	GROMMET, HIGH TENSION CABLE
26	32-46398		1	SLEEVE, HIGH TENSION CABLE
27	47899A9		4	SPARK PLUG ASSEMBLY ORDER 1-36549A1 KIT FOR REPLACEMENT OF
-	20121		4	CONNECTOR, SPARK PLUG LEAD
24	393-1275		4	SLEEVE, SPARK PLUG LEAD
28	47604A1		4	PROTECTOR, SPARK PLUG LEAD
29	32-46768		2	SLEEVE (LEADS 1, 2, 3, 4) - 6"
30	32-26527		2	SLEEVE, HIGH TENSION LEAD (LEADS 1, 2, 3, 4)

STARTER MOTOR, STARTER SOLENOID, RECTIFIER AND WIRING HARNESS

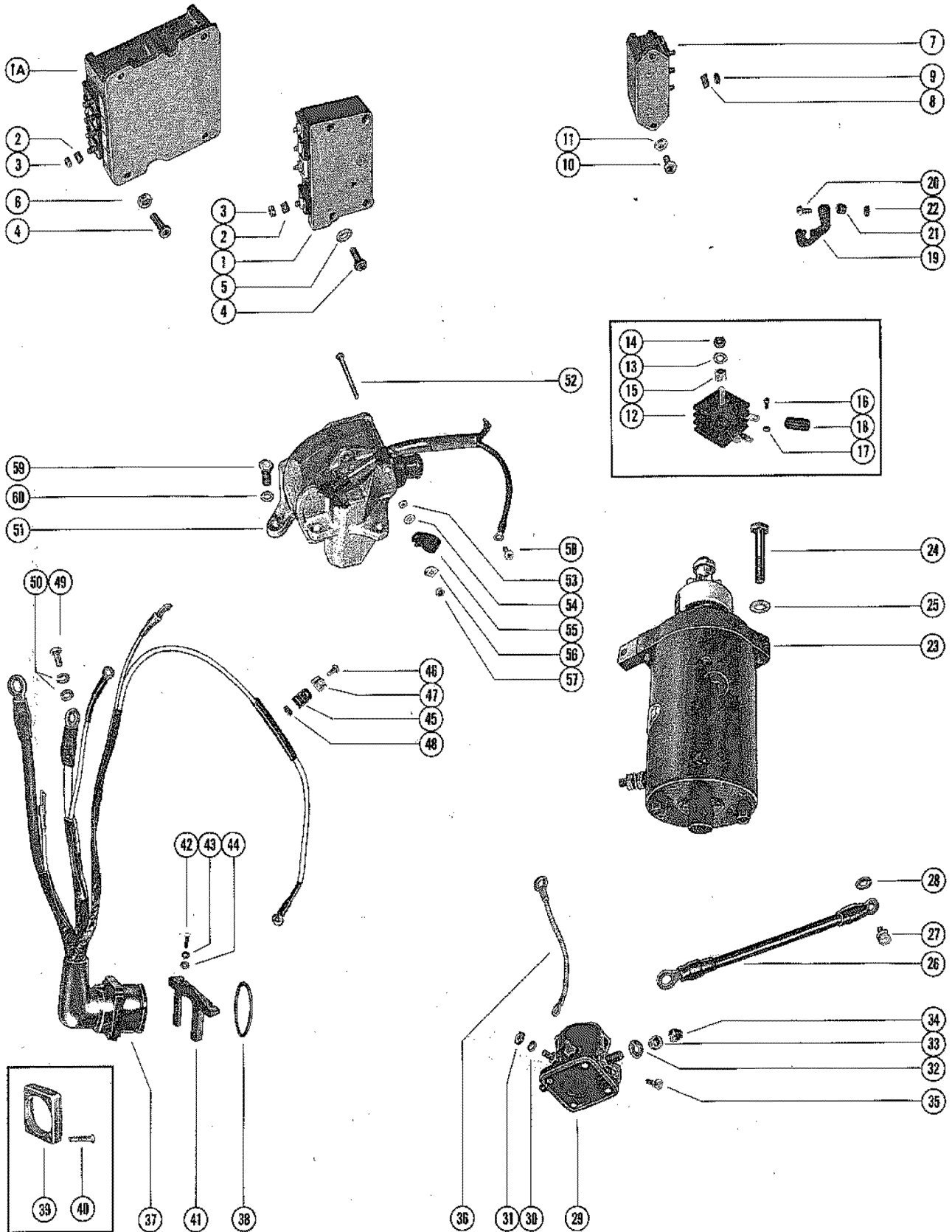


STARTER MOTOR, STARTER SOLENOID, RECTIFIER AND WIRING HARNES

REF. NO.	PART NO.	SYM.	QTY.	DESCRIPTION
1	333-3213A3		1,1,,1,1	SWITCH BOX ASSEMBLY, COMPLETE
	333-3213A3		,,1,,	SWITCH BOX ASSEMBLY, COMPLETE
1A	332-2986A3		,,1,,	SWITCH BOX ASSEMBLY, COMPLETE
2	12-45075		4,4,,4,4	WASHER, SWITCH BOX TERMINAL
	12-45075		,,7(4),,	WASHER, SWITCH BOX TERMINAL
3	11-45076		4,4,,4,4	NUT, SWITCH BOX TERMINAL
	11-45076		,,7(4),,	NUT, SWITCH BOX TERMINAL
4	10-21722		4,4,,4,4	SCREW, SWITCH BOX TO FRONT SUPPORT BRACKET (5/8")
	10-21722		,,4,,	SCREW, SWITCH BOX TO FRONT SUPPORT BRACKET (5/8")
	10-22485		,,4,,	SCREW, SWITCH BOX TO FRONT SUPPORT BRACKET (3/4")
5	13-22773		4,4,,4,4	LOCKWASHER, SWITCH BOX FASTENING SCREW
	13-22773		,,4,,	LOCKWASHER, SWITCH BOX FASTENING SCREW
6	11-46887		,,4,,	NUT, SWITCH BOX TO FRONT SUPPORT BRACKET SCREW
7	332-2910A3		,,1,,	RECTIFIER ASSEMBLY, COMPLETE USE THRU SERIAL #2406034
8	12-45075		,,3,,	WASHER, RECTIFIER TERMINAL
9	11-45076		,,3,,	NUT, RECTIFIER TERMINAL
10	10-22485		,,2,,	SCREW, RECTIFIER TO FRONT SUPPORT BRACKET (3/4")
11	11-46887		,,2,,	NUT, RECTIFIER TO FRONT SUPPORT BRACKET SCREW
12	49184		,,1,,1	RECTIFIER STARTED WITH SERIAL #2406035
13	13-26993		,,1,,1	LOCKWASHER, RECTIFIER TO FRONT BRACKET
14	11-20922		,,1,,1	NUT, RECITIFIER TO FRONT BRACKET
15	23-28458		,,1,,1	SPACER, RECTIFIER TO FRONT BRACKET
16	10-29852		,,3,,3	SCREW, RECTIFIER TERMINALS
17	11-29488		,,3,,3	NUT, RECTIFIER TERMINALS
18	32-28373		,,3,,3	SLEEVE, RECTIFIER TERMINALS
19	46280		1,1,1,1,1	BRACKET, RETAINER - HIGH TENSION LEAD
20	10-24933		1,1,,1,1	SCREW, RETAINER BRACKET TO FRONT SUPPORT BRACKET (1 1/2")
	10-24933		,,1,,	SCREW, RETAINER BRACKET TO FRONT SUPPORT BRACKET (1 1/2")
	10-21722		,,1,,	SCREW, RETAINER BRACKET TO FRONT SUPPORT BRACKET (5/8")
21	23-33070		1,1,,1,1	SPACER, RETAINER BRACKET TO FRONT SUPPORT BRACKET
	23-33070		,,1,,	SPACER, RETAINER BRACKET TO FRONT SUPPORT BRACKET
22	11-46887		1,1,1,1,1	NUT, RETAINER BRACKET SCREW
23	50-38890A1		,1,1,,1	STARTER MOTOR ASSEMBLY
24	10-22698		,2,2,,2	SCREW, STARTER MOTOR TO CRANKCASE FLANGE (1 3/4")
25	13-26993		,2,2,,2	LOCKWASHER, STARTER MOTOR SCREW
26	25596		,1,1,,1	WIRE, STARTER MOTOR TO STARTER SOLENOID AND TOP MOUNT
	25596		,,2(1),,	WIRE, STARTER MOTOR TO STARTER SOLENOID AND TOP MOUNT

CONTINUED ON NEXT PAGE ➡

STARTER MOTOR, STARTER SOLENOID, RECTIFIER AND WIRING HARNESS

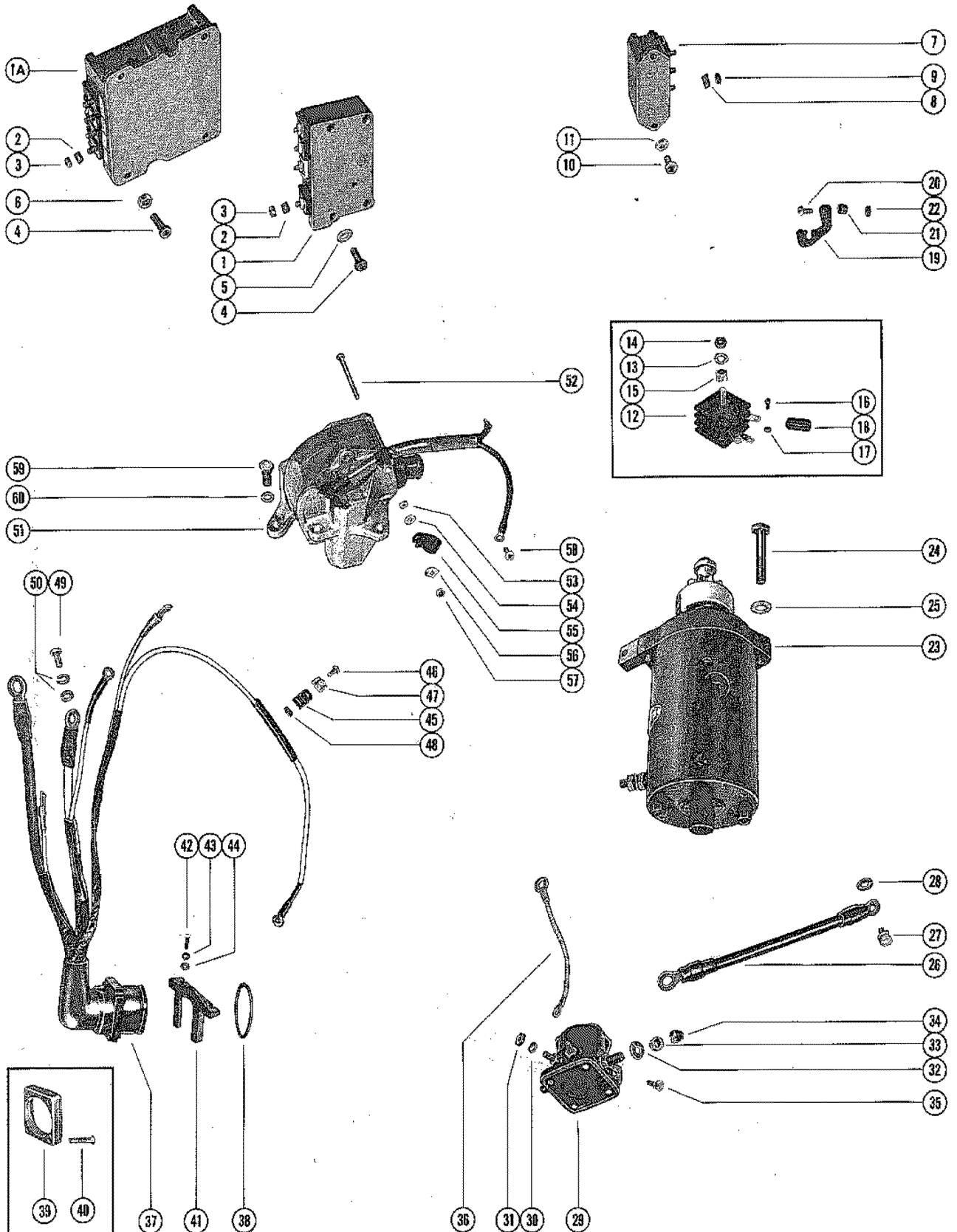


STARTER MOTOR, STARTER SOLENOID, RECTIFIER AND WIRING HARNES

REF. NO.	PART NO.	SYM.	QTY.	DESCRIPTION
27	10-29197		,1,1,,1	SCREW, GROUND WIRE TO STARTER MOTOR (5/8")
28	13-26992		,1,1,,1	LOCKWASHER, GROUND WIRE FASTENING SCREW
-	11-20890		,1,1,,1	NUT, GROUND WIRE SCREW
29	32445		,1,1,,1	STARTER SOLENOID
30	13-26996		,2,2,,2	LOCKWASHER, SOLENOID TERMINAL (#10)
31	11-20645		,2,2,,2	NUT, SOLENOID TERMINAL (#10)
32	13-26993		,2,2,,2	LOCKWASHER, SOLENOID TERMINAL (5/16")
33	11-20083		,1,1,,1	NUT, SOLENOID TERMINAL - INSIDE (5/16")
34	11-26062		,1,1,,1	NUT, CAP - SOLENOID TERMINAL - OUTSIDE (5/16")
35	10-31208		,2,2,,2	SCREW, STARTER SOLENOID TO STARTER MOTOR (5/8")
36	46715		,1,1,,1	GROUND STRAP ASSEMBLY
37	47930		,1,,,	WIRING HARNESS (INTERNAL)
	46905		,,1,,	WIRING HARNESS (INTERNAL)-USE THRU SERIAL #2406034
	49225		,,1,,	WIRING HARNESS (INTERNAL)-STARTED WITH SERIAL #2406035
	52770		,,,1	WIRING HARNESS (INTERNAL)
38	24-28975		,1,1,,1	SPRING, GARTER - INTERNAL WIRING HARNESS
39	26079		,1,1,,	PLATE, BACKING - WIRING HARNESS
40	10-26128		,4,4,,	SCREW, BACKING PLATE TO BOTTOM COWL
41	54-52876		,,,1	CLAMP, WIRING HARNESS
42	10-45862		,,,2	SCREW, WIRING HARNESS CLAMP TO BOTTOM COWL (7/8")
43	13-26996		,,,2	LOCKWASHER, WIRING HARNESS CLAMP SCREW
44	12-20128		,,,2	WASHER, WIRING HARNESS CLAMP SCREW
45	54-24836		,1,,,	CLIP, WIRING HARNESS LEAD
	54-26550		,,1,,1	CLIP, WIRING HARNESS LEAD
46	10-29072		,1,1,,1	SCREW, WIRING HARNESS LEAD CLIP ATTACHING (5/8"0
47	22789		,1,1,,1	"D" WASHER, WIRING HARNESS LEAD CLIP ATTACHING SCREW
48	11-24656		,1,1,,1	NUT, WIRING HARNESS LEAD CLIP ATTACHING SCREW
49	10-20776		,1,1,,	SCREW, WIRING HARNESS LEAD TO BOTTOM COWL (1/2")
	10-20776		,,0,,	SCREW, WIRING HARNESS LEAD TO BOTTOM COWL (1/2")
50	13-24669		,1,1,,	LOCKWASHER, WIRING HARNESS LEAD SCREW
	13-24669		,,0,,	LOCKWASHER, WIRING HARNESS LEAD SCREW
	13-25244		,1,1,,	LOCKWASHER, WIRING HARNESS LEAD SCREW
	13-25244		,,0,,	LOCKWASHER, WIRING HARNESS LEAD SCREW
51	332-2983A8		1,1,1,1	IGNITION COIL ASSEMBLY, COMPLETE
	332-2983A8		,,1,,	IGNITION COIL ASSEMBLY, COMPLETE
	332-2983A2		,,1,,	IGNITION COIL ASSEMBLY, COMPLETE
52	10-46368		2,2,,2,2	SCREW, IGNITION COIL CLAMPING
	10-46368		,,1,,	SCREW, IGNITION COIL CLAMPING
	10-46367		,,1,,	SCREW, IGNITION COIL CLAMPING - CLIP ATTACHING (2 1/2")
53	11-20645		,,1,,	NUT, IGNITION COIL CLAMPING SCREW
54	12-37407		,,1,,	WASHER, IGNITION COIL CLAMPING SCREW

CONTINUED ON NEXT PAGE ➡

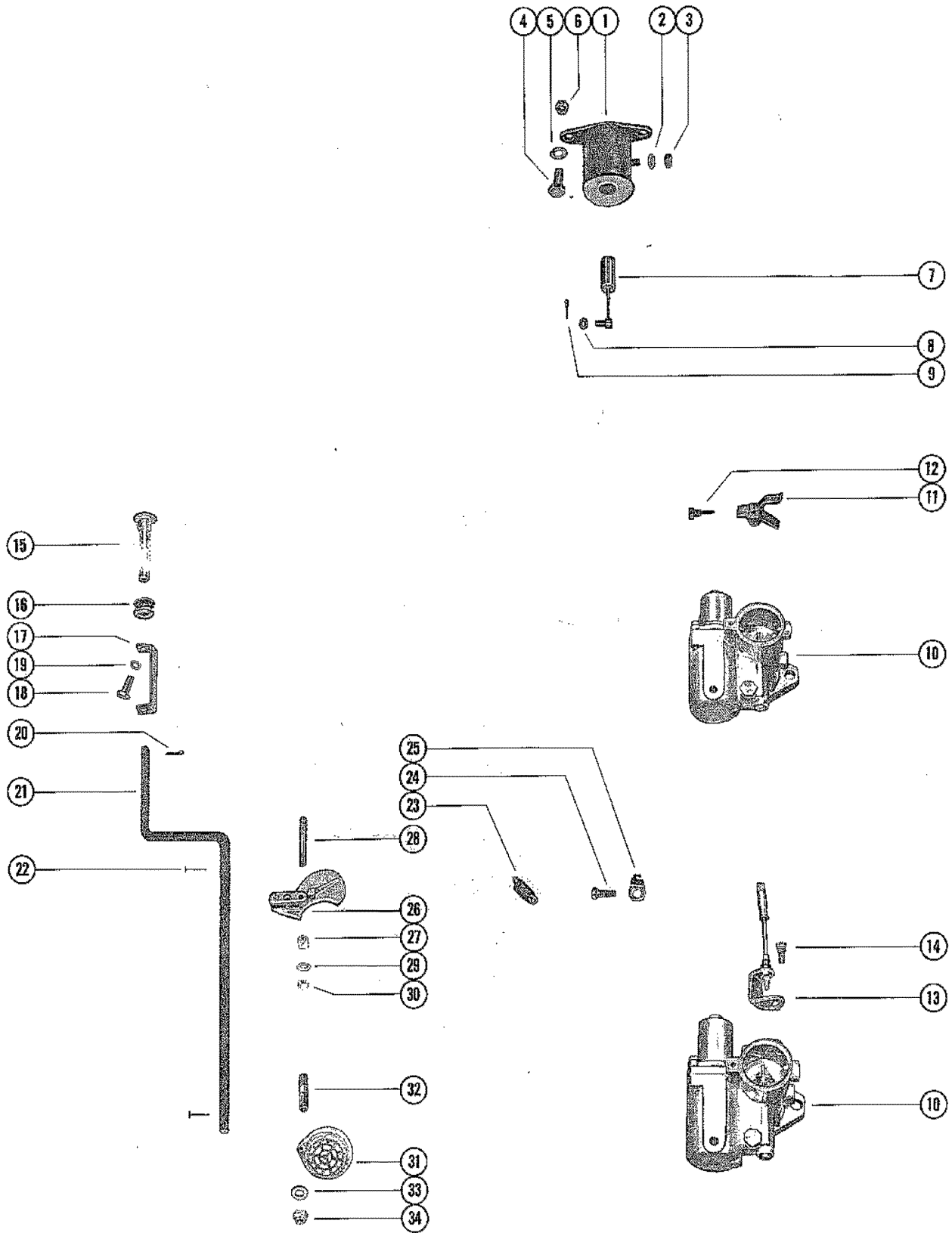
STARTER MOTOR, STARTER SOLENOID, RECTIFIER AND WIRING HARNESS



STARTER MOTOR, STARTER SOLENOID, RECTIFIER AND WIRING HARNES

REF. NO.	PART NO.	SYM.	QTY.	DESCRIPTION
55	54-22740		,,1,,	CLIP, LEAD WIRE TO IGNITION COIL
56	22789		,,1,,	"D" WASHER, IGNITION COIL CLAMPING SCREW
57	11-20190		2,2,2,2,2	NUT, IGNITION COIL CLAMPING SCREW
58	10-45218		1,1,1,1,1	SCREW, IGNITION COIL WIRE TO SWITCH BOX
59	10-36137		3,3,3,3,3	SCREW, IGNITION COIL TO BOTTOM COWL (1")
60	13-26992		3,3,3,3,3	LOCKWASHER, IGNITION COIL SCREW

CARBURETOR LINKAGE AND CHOKE SOLENOID



CARBURETOR LINKAGE AND CHOKE SOLENOID

REF. NO.	PART NO.	SYM.	QTY.	DESCRIPTION
1	45068		,1,,1	CHOKE SOLENOID
2	13-26993		,1,,1	LOCKWASHER, CHOKE SOLENOID TERMINAL
3	11-20645		,1,,1	NUT, CHOKE SOLENOID TERMINAL
4	10-26066		,2,,2	SCREW, CHOKE SOLENOID TO FRONT BRACKET
5	13-26993		,2,,2	LOCKWASHER, CHOKE SOLENOID SCREW
6	11-22053		,2,,2	NUT, CHOKE SOLENOID SCREW
7	27031A4		,1,,	PLUNGER AND LINK ASSEMBLY, CHOKE SOLENOID
	48315A4		,,,1	PLUNGER AND LINK ASSEMBLY, CHOKE SOLENOID
8	12-46101		,1,,1	WASHER, PLUNGER AND LINK
9	18-26953		,1,,1	COTTER PIN, LINK TO UPPER CHOKE SHUTTE
10	1333-3298		2,2,,	CARBURETOR ASSEMBLY, COMPLETE
	1333-3709		,,2,2	CARBURETOR ASSEMBLY, COMPLETE
11	27917		1,1,1,1	CLUSTER, THROTTLE LEVER (UPPER CARBURETOR)
12	10-20847		1,1,1,1	SCREW, CLUSTER TO THROTTLE LEVER
13	28007A5		1,1,1,1	PICKUP-BRACKET ASSEMBLY SERIAL #2623694 AND BELOW
14	10-29239		1,1,1,1	SCREW, PICK-UP BRACKET (1/2")
13	53719A2		,,1,1	PICK-UP BRACKET ASSEMBLY SERIAL #2623695 AND UP
14	10-53651		,,1,1	SCREW, PICK-UP BRACKET (3/4")
15	22463		1,1,1,1	KNOB, CHOKE ROD
16	25-20116		1,1,1,1	GROMMET, CHOKE KNOB
17	22462		1,,1	"U" LINK, CHOKE ROD TO CHOKE KNOB
	46303		,1,,1	"U" LINK, CHOKE ROD TO CHOKE KNOB
18	10-20100		1,1,1,1	SCREW, "U" LINK TO CHOKE KNOB
19	13-26996		1,1,1,1	LOCKWASHER, "U" LINK SCREW
20	18-21071		1,1,1,1	COTTER PIN, "U" LINK TO CHOKE ROD
21	47958		1,,1	ROD, CHOKE
	46304		,1,,1	ROD, CHOKE (NOT AS SHOWN)
22	17-25391		2,2,2,2	RIVET, CHOKE SHUTTER TO CHOKE ROD
23	24-28965		1,1,1,1	SPRING, TENSION - CHOKE ROD TO CARBURETOR
24	10-28713		1,1,1,1	SCREW, TENSION SPRING TO CARBURETOR
25	27711		1,1,1,1	RETAINER, SPRING
26	38604		2,2,2,2	SHUTTER, CHOKE - CARBURETOR
27	23-30438		,1,,1	BUSHING, NYLON - UPPER CHOKE SHUTTER
28	16-30172		2,2,,	STUD, CARBURETOR - CHOKE SHUTTER PIVOT (1 1/4")
	16-52906		,,2,2	STUD, CARBURETOR - CHOKE SHUTTER PIVOT (1 3/8")
29	12-30164		2,2,2,2	WASHER, CHOKE SHUTTER CARBURETOR STUD
30	11-20110		2,2,2,2	NUT, CHOKE SHUTTER TO CARBURETOR STUD
31	35-52896		,,2,2	SCREEN, FILTER - CARBURETOR
32	16-52898		,,2,2	STUD, FILTER SCREEN TO CARBURETOR (1 1/8")
33	12-30164		,,2,2	WASHER, FILTER SCREEN STUD
34	11-20110		,,2,2	NUT, FILTER SCREEN STUD

CARBURETOR ASSEMBLY

* * * * MISSING ILLUSTRATION * * * *

CARBURETOR ASSEMBLY

REF. NO.	PART NO.	SYM.	QTY.	DESCRIPTION
1	1333-3298		2,2,,	CARBURETOR ASSEMBLY, COMPLETE (KA-21D)
	1333-3709		,,2,2	CARBURETOR ASSEMBLY, COMPLETE (KA-24A)
2	1399-110A1		2,2,2,2	FLOAT ASSEMBLY
3			4,4,4,4	PIN, FLOAT LEVER PINION
4			2,2,2,2	LEVER, FLOAT (LOWER)
5			2,2,2,2	LEVER, FLOAT (UPPER)
6	1399-1473		2,2,2,2	INLET NEEDLE, SEAT AND GASKET
7			2,2,2,2	GASKET, INLET SEAT
8			2,2,2,2	GASKET, FLOAT BOWL COVER
9	1399-1133		2,2,2,2	COVER, FLOAT BOWL
10	10-20854		2,2,,	SCREW, FLOAT BOWL COVER
11	10-25850		2,2,,	SCREW, FLOAT BOWL COVER (LONG)
10	10-52195		,,2,2	SCREW, FLOAT BOWL COVER (SHORT)
11	10-52196		,,2,2	SCREW, FLOAT BOWL COVER (LONG)
12	13-52197		,,4,4	LOCKWASHER, FLOAT BOWL COVER SCREW
13			2,2,2,2	GASKET, STRAINER COVER (LARGE)
14	1399-1754		2,2,2,2	SCREEN FILTER
15			2,2,2,2	GASKET, STRAINER COVER (SMALL)
16	1399-1135		2,2,2,2	COVER, STRAINER
17			2,2,2,2	GASKET, STRAINER COVER SCREW
18	10-25822		2,2,2,2	SCREW, STRAINER COVER FASTENING
19	10-20847		2,2,2,2	SCREW, THROTTLE STOP LEVER
20	1399-97		2,2,2,2	LEVER, THROTTLE STOP (SEE NOTE BELOW)
21	1399-2012		2,2,2,2	SHAFT, THROTTLE
22			2,2,2,2	TUBE, IDLE
23			2,2,2,2	GASKET, IDLE TUBE
24			4,4,4,4	SCREW AND LOCKWASHER, THROTTLE SHUTTER
25	1399-3392		2,2,2,2	SHUTTER, THROTTLE
26			2,2,2,2	SPRING, IDLE ADJUSTMENT SCREW
27	1399-1713		2,2,2,2	SCREW, IDLE ADJUSTMENT
28	10-28405		2,2,2,2	SCREW, PLUG - MAIN FUEL JET CHANNEL
29			2,2,2,2	GASKET, JET CHANNEL PLUG SCREW
30	1399-1467		OPT.,OPT.,	JET, MAIN FUEL (.067)
	1399-1465		OPT.,OPT.,	JET, MAIN FUEL (.065)
	1399-1463		2,2,2,2	JET, MAIN FUEL (.063) - STANDARD
	1399-1461		OPT.,OPT.,	JET, MAIN FUEL (.061)
	1399-1459		,,OPT.,OPT	JET, MAIN FUEL (.059)
31			2,2,2,2	GASKET, MAIN FUEL JET
32			2,2,2,2	NOZZLE, MAIN
33	10-23178		2,2,2,2	SCREW, PLUG - MAIN NOZZLE
34			1,1,1,1	SPRING, THROTTLE SHAFT RETURN (LOWER CARBURETOR)
			1,1,1,1	SPRING, THROTTLE SHAFT RETURN (UPPER CARBURETOR)

CONTINUED ON NEXT PAGE ➡

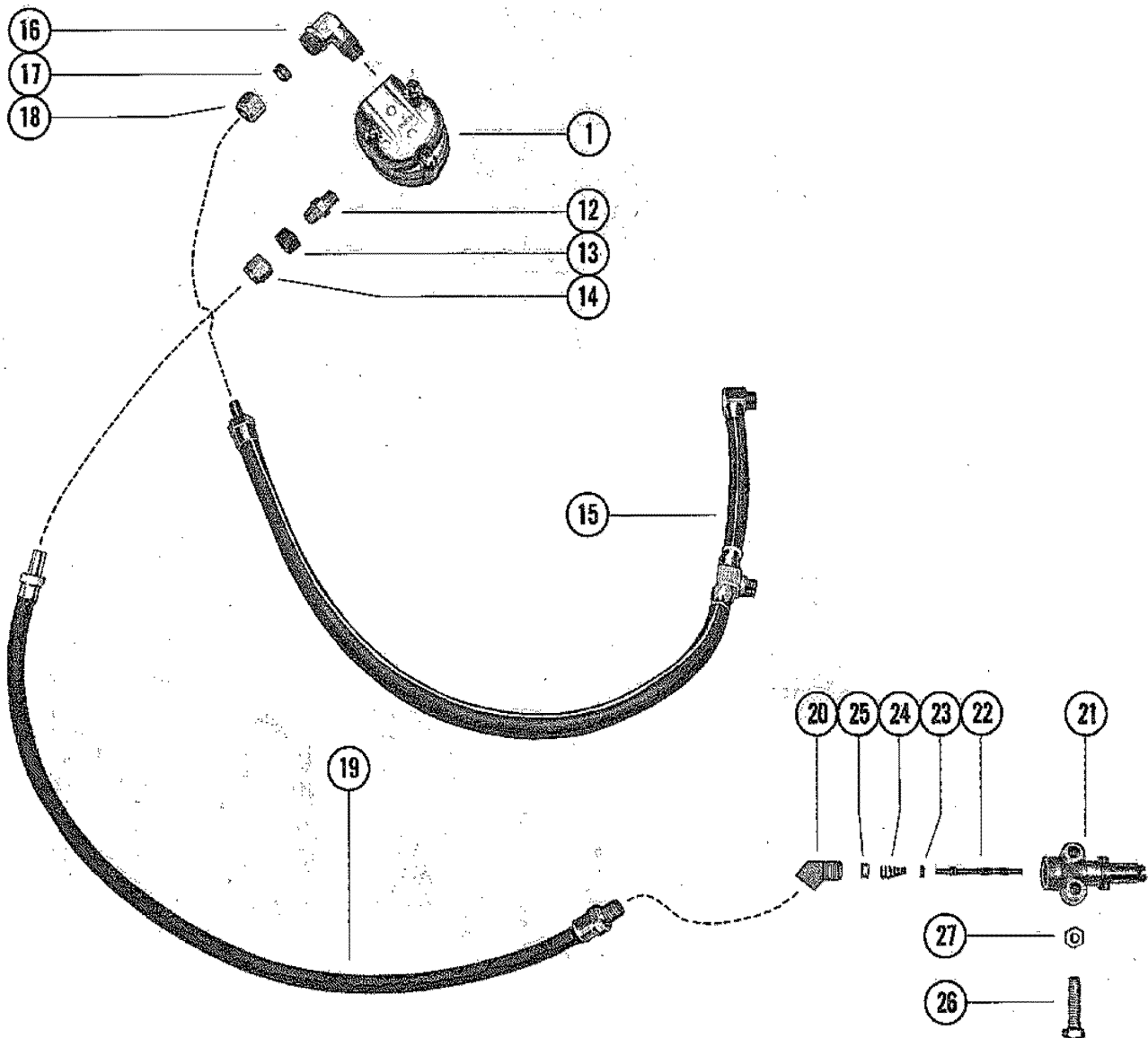
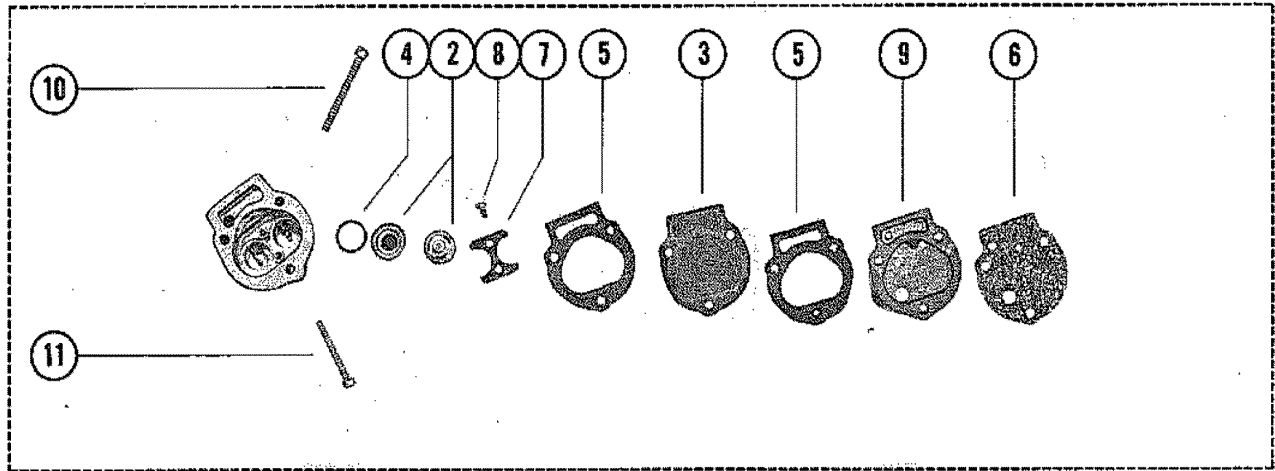
CARBURETOR ASSEMBLY

* * * * MISSING ILLUSTRATION * * * *

CARBURETOR ASSEMBLY

REF. NO.	PART NO.	SYM.	QTY.	DESCRIPTION
35	10-28845		2,2,2,2	SCREW, PLUG - BODY CHANNEL
36			2,2,2,2	WELCH PLUG, BODY CHANNEL
-	1399-2015		2,2,2,2	GASKET AND PACKING SET (1 PER CARBURETOR)
-	1399-3412		2,2,2,2	REPAIR PARTS KIT (1 PER CARBURETOR)
37	27-31402		2,2,2,2	GASKET, CARBURETOR FLANGE
38	11-29250		4,4,4,4	NUT, CARBURETOR MOUNTING STUD

FUEL PUMP ASSEMBLY



FUEL PUMP ASSEMBLY

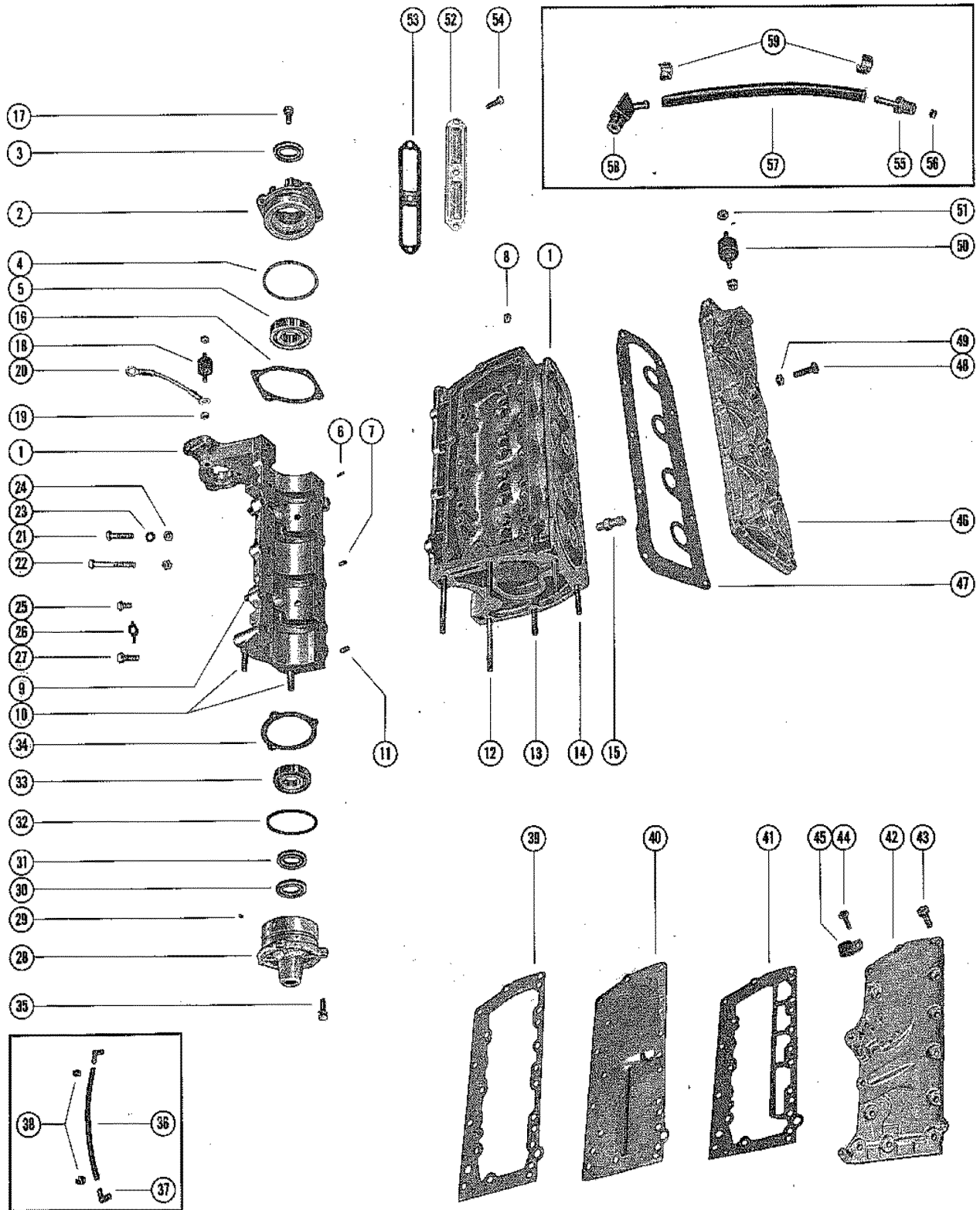
REF. NO.	PART NO.	SYM.	QTY.	DESCRIPTION
1	30269A2		1,1,,	FUEL PUMP ASSEMBLY
	53156A3		,,1,1	FUEL PUMP ASSEMBLY
2	21-30430A1		1,1,1,1	CHECK VALVE ASSEMBLY
3	23014A1		1,1,1,1	DIAPHRAGM KIT
4			2,2,2,2	GASKET, CHECK VALVE TO HOUSING
5			2,2,2,2	GASKET, FUEL PUMP
6			1,1,1,1	GASKET, FUEL PUMP COVER
7	23004		1,1,1,1	RETAINER, CHECK VALVE
8	10-20037		2,2,2,2	SCREW, RETAINER TO HOUSING
9	23008		1,1,1,1	COVER, FUEL PUMP
10	10-30274		2,2,,	SCREW, FUEL PUMP MOUNTING (1 3/4")
11	10-29878		1,1,,	SCREW, FUEL PUMP MOUNTING (1 1/2")
10	10-30273		,,2,2	SCREW, FUEL PUMP MOUNTING (1 7/8")
11	10-38036		,,1,1	SCREW, FUEL PUMP MOUNTING (1 1/2")
12	22-22949		1,1,1,1	CONNECTOR, PUMP INLET TO FUEL LINE
13	22-22946		1,1,1,1	SLEEVE, RUBBER - CONNECTOR
14	22-22948		1,1,1,1	NUT, CONNECTOR TO FUEL LINE
15	32-32094		1,1,1,1	FUEL LINE, PUMP TO LOWER AND UPPER FILTER
16	22-22995		1,1,1,1	ELBOW, FUEL PUMP INLET
17	22-22946		1,1,1,1	SLEEVE, RUBBER
18	22-22948		1,1,1,1	NUT, ELBOW
19	32-30036		1,1,1,1	FUEL LINE, FUEL PUMP TO ADAPTOR
20	22-37682		1,1,1,1	CONNECTOR, FUEL LINE TO ADAPTOR
21	30186		1,1,1,1	ADAPTOR, CHECK UNIT (FUEL LINE)
22	30187		1,1,1,1	STEM, CHECK UNIT ADAPTOR
23	25-20415		1,1,1,1	"O" RING, ADAPTOR STEM
24	24-30189		1,1,1,1	SPRING, ADAPTOR STEM
25	30188		1,1,1,1	CUP WASHER, ADAPTOR
26	10-37990		2,,2	SCREW, ADAPTOR TO BOTTOM COWL (1 3/4")
	10-21937		,2,,2	SCREW, ADAPTOR TO BOTTOM COWL (2")
27	11-46887		2,2,2,2	NUT, ADAPTOR SCREW

CYLINDER BLOCK AND CRANKCASE ASSEMBLY

REF. NO.	PART NO.	SYM.	QTY.	DESCRIPTION
1	831-3244A3		1,1,,	CYLINDER BLOCK AND CRANKCASE ASSEMBLY
	831-3719A3		,,1,1	CYLINDER BLOCK AND CRANKCASE ASSEMBLY
2	1100-3281A1		1,1,1,1	END CAP ASSEMBLY, UPPER
3	26-29476		1,1,1,1	OIL SEAL
4	25-20081		1,1,1,1	"O" RING, UPPER END CAP
5	30-20080		1,1,1,1	BALL BEARING, UPPER END CAP
6	17-20032		2,2,2,2	DOWEL PIN, CYLINDER BLOCK TO MAIN BEARING
7	17-20323		1,1,1,1	DOWEL PIN, CYLINDER BLOCK TO CENTER MAIN BEARING
8	22-32802		1,1,1,1	PLUG, PIPE - WATER PRESSURE AND BALANCE TUBE HOLES
9	16-35099		4,4,4,4	STUD, CARBURETOR MOUNTING (1 3/16")
10	16-29988		2,2,2,2	STUD, CRANKCASE TO DRIVE SHAFT HOUSING (1 9/16")
11	17-20033		2,2,2,2	DOWEL PIN, CRANKCASE TO CYLINDER BLOCK
12	16-29990		2,2,2,2	STUD, CYLINDER BLOCK TO DRIVE SHAFT HOUSING (3 7/16")
13	16-37986		2,2,2,2	STUD, CYLINDER BLOCK TO DRIVE SHAFT HOUSING (2 5/16")
14	16-29989		2,2,2,2	STUD, CYLINDER BLOCK TO DRIVE SHAFT HOUSING (1 15/16")
15	22-29111		1,1,1,1	CONNECTOR, WATER TELL TALE HOLE - CYLINDER BLOCK
16	15-20082A1		AR,AR,AR,A	SHIM, UPPER END CAP TO CYLINDER BLOCK AND CRANKCASE
17	10-29198		4,4,4,4	SCREW, UPPER END CAP MOUNTING (7/8")
18	37639		2,2,2,2	MOUNT, RUBBER - CRANKCASE
19	11-46887		4,4,4,4	NUT, CRANKCASE RUBBER MOUNT
20	37996		1,,1,1	GROUND STRAP, CRANKCASE MOUNT (ALSO USE ON STARTER ENGINES)
21	10-22040		13,13,13,1	SCREW, CRANKCASE TO CYLINDER BLOCK (1 1/2")
	10-21574		1,1,1,1	SCREW, CRANKCASE TO CYLINDER BLOCK (1 5/8")
22	10-22039		4,4,4,4	SCREW, CRANKCASE TO CYLINDER BLOCK (2 3/4")
23	12-20084		1,1,1,1	WASHER, CRANKCASE SCREW
24	11-46793		18,18,18,1	NUT, CRANKCASE SCREW
25	10-26801		2,2,,	SCREW, MAIN BEARING LOCKING
	10-26801		,,1,1	SCREW, MAIN BEARING LOCKING
	10-53904		,,1,1	SCREW, MAIN BEARING LOCKING - REED BALANCE
26	14-20091		3,3,3,3	TAB WASHER, BEARING LOCKING SCREW
27	10-20359		1,1,1,1	SCREW, CENTER MAIN BEARING LOCKING
28	1102-1484A1		1,1,,	END CAP ASSEMBLY, LOWER
	1102-1484A3		,,1,1	END CAP ASSEMBLY, LOWER
29	21-28481A1		1,1,1,1	CHECK VALVE ASSEMBLY, LOWER END CAP
30	26-29478		1,1,,	OIL SEAL, LOWER
31	26-29476		1,1,,	OIL SEAL, UPPER
	26-29476		,,2,2	OIL SEAL, UPPER

CONTINUED ON NEXT PAGE ➡

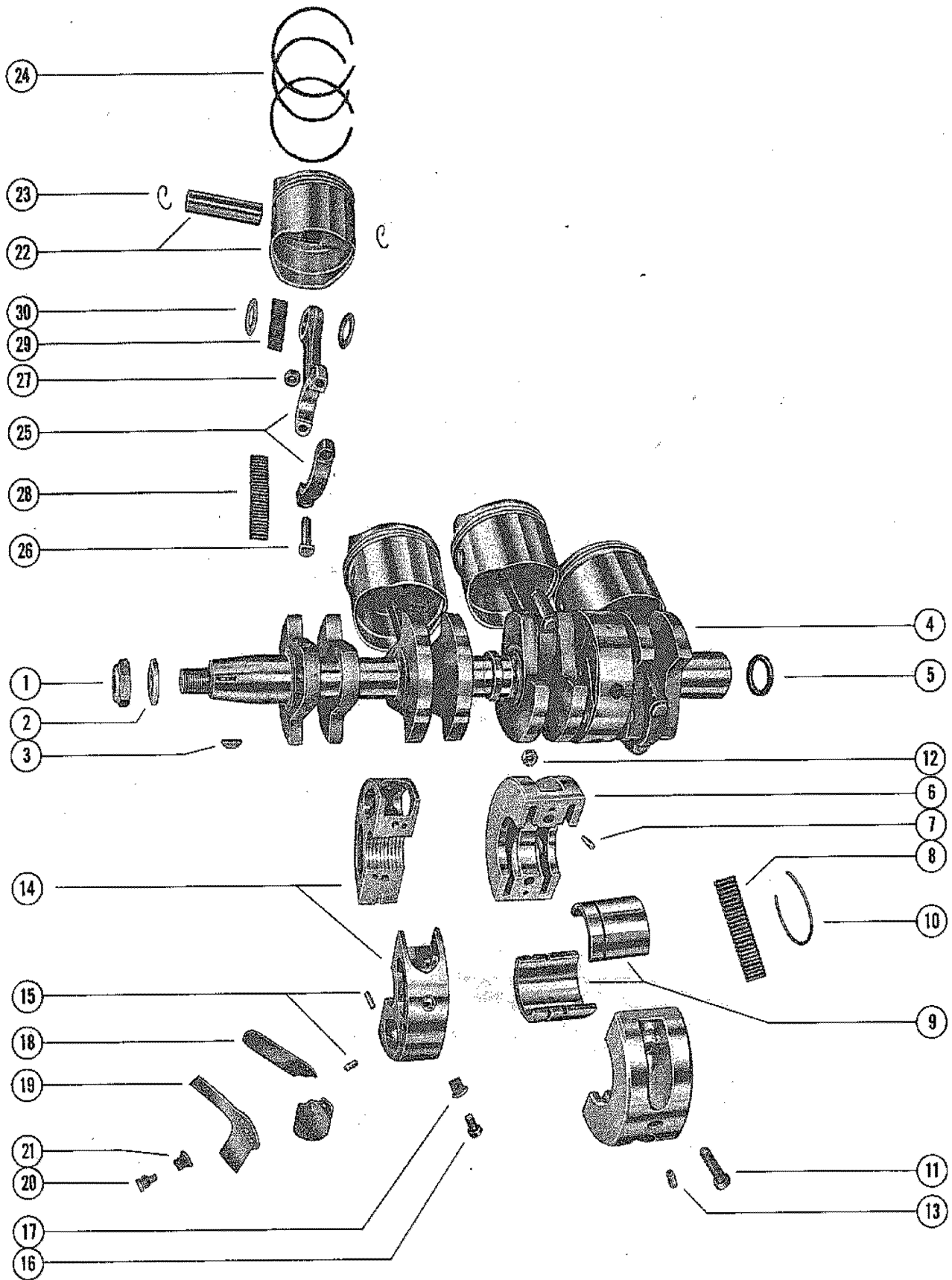
CYLINDER BLOCK AND CRANKCASE ASSEMBLY



CYLINDER BLOCK AND CRANKCASE ASSEMBLY

REF. NO.	PART NO.	SYM.	QTY.	DESCRIPTION
32	25-20081		1,1,1,1	"O" RING, LOWER END CAP
33	30-20080		1,1,1,1	BALL BEARING, LOWER END CAP
34	15-20085A1		AR,AR,AR,A	SHIM, LOWER END CAP TO CRANKCASE AND CYLINDER BLOCK (.002-3-
35	10-29198		3,3,3,3	SCREW, LOWER END CAP MOUNGING (7/8")
36	32-33729		1,1,1,1	TUBE, BALANCE - MAIN BEARING
37	22-29111		2,2,2,2	CONNECTOR, BALANCE TUBE TO CYLINDER BLOCK
38	54-20386		2,2,2,2	CLAMP, BALANCE TUBE TO CONNECTORS
39	27-46110		1,1,1,1	GASKET, CYLINDER BLOCK TO BAFFLE PLATE
40	46109		1,1,1,1	PLATE, BAFFLE - EXHAUST MANIFOLD
41	27-46111		1,1,1,1	GASKET, BAFFLE PLATE TO EXHAUST COVER
42	46112		1,1,1,1	COVER, EXHAUST MANIFOLD
43	10-37562		13,13,13,1	SCREW, MANIFOLD COVER TO CYLINDER BLOCK (1")
44	10-39661		2,2,,	SCREW, MANIFOLD COVER TO CYLINDER BLOCK - HIGH TENSION CLIP
	10-38837		,,2,2	SCREW, MANIFOLD COVER TO CYLINDER BLOCK - HIGH TENSION CLIP
45	54-37303		2,2,,	CLIP, HIGH TENSION LEAD
	54-52905		,,2,2	CLIP, HIGH TENSION LEAD
46	1017-2483		1,1,1,1	COVER, CYLINDER BLOCK
47	27-37816		1,1,1,1	GASKET, CYLINDER BLOCK COVER
48	10-20653		10,10,10,1	SCREW, CYLINDER BLOCK COVER MOUNTING
49	87-		10,10,10,1	NUT, COVER MOUNTING SCREW
50	37639		1,1,1,1	MOUNT, RUBBER - CYLINDER BLOCK COVER
51	11-20361		2,2,2,2	NUT, CYLINDER BLOCK COVER RUBBER MOUNT
52	27935		2,2,2,2	COVER, TRANSFER PORT
53	27-27936		2,2,2,2	GASKET, TRANSFER PORT COVER
54	10-20540		4,4,4,4	SCREW, TRANSFER PORT COVER MOUNTING (HEX HEAD)
	10-28635		2,2,2,2	SCREW, TRANSFER PORT COVER MOUNTING (CAP HEAD)
55	21-28483A1		1,1,,	CHECK VALVE ASSEMBLY, BLEED HOSE (UPPER)
	21-28483A1		,,2,2	CHECK VALVE ASSEMBLY, BLEED HOSE (UPPER)
56	21-28481A1		1,1,,	CHECK VALVE ASSEMBLY, BLEED HOSE VALVE
	21-28481A1		,,2,2	CHECK VALVE ASSEMBLY, BLEED HOSE VALVE
57	32-28654		1,1,,	HOSE, CYLINDER BLEED (6 1/2") EARLY MODELS
	32-28654		,,2,2	HOSE, CYLINDER BLEED (6 1/2") EARLY MODELS
58	22-34579		1,1,,	CONNECTOR, CYLINDER BLEED HOSE (LOWER)
	22-34579		,,2,2	CONNECTOR, CYLINDER BLEED HOSE (LOWER)
57	32-28654		,,1,1	HOSE, CYLINDER BLEED (6 1/2") LATE MODELS
	32-28665		,,1,1	HOSE, CYLINDER BLEED (5 1/2")
58	22-34579		,,1,1	CONNECTOR, CYLINDER BLEED HOSE (LOWER)
	22-33373		,,1,1	CONNECTOR, CYLINDER BLEED HOSE (UPPER)
59	54-20387		2,2,,	CLAMP, BLEED HOSE ATTACHING
	54-20387		,,4,4	CLAMP, BLEED HOSE ATTACHING

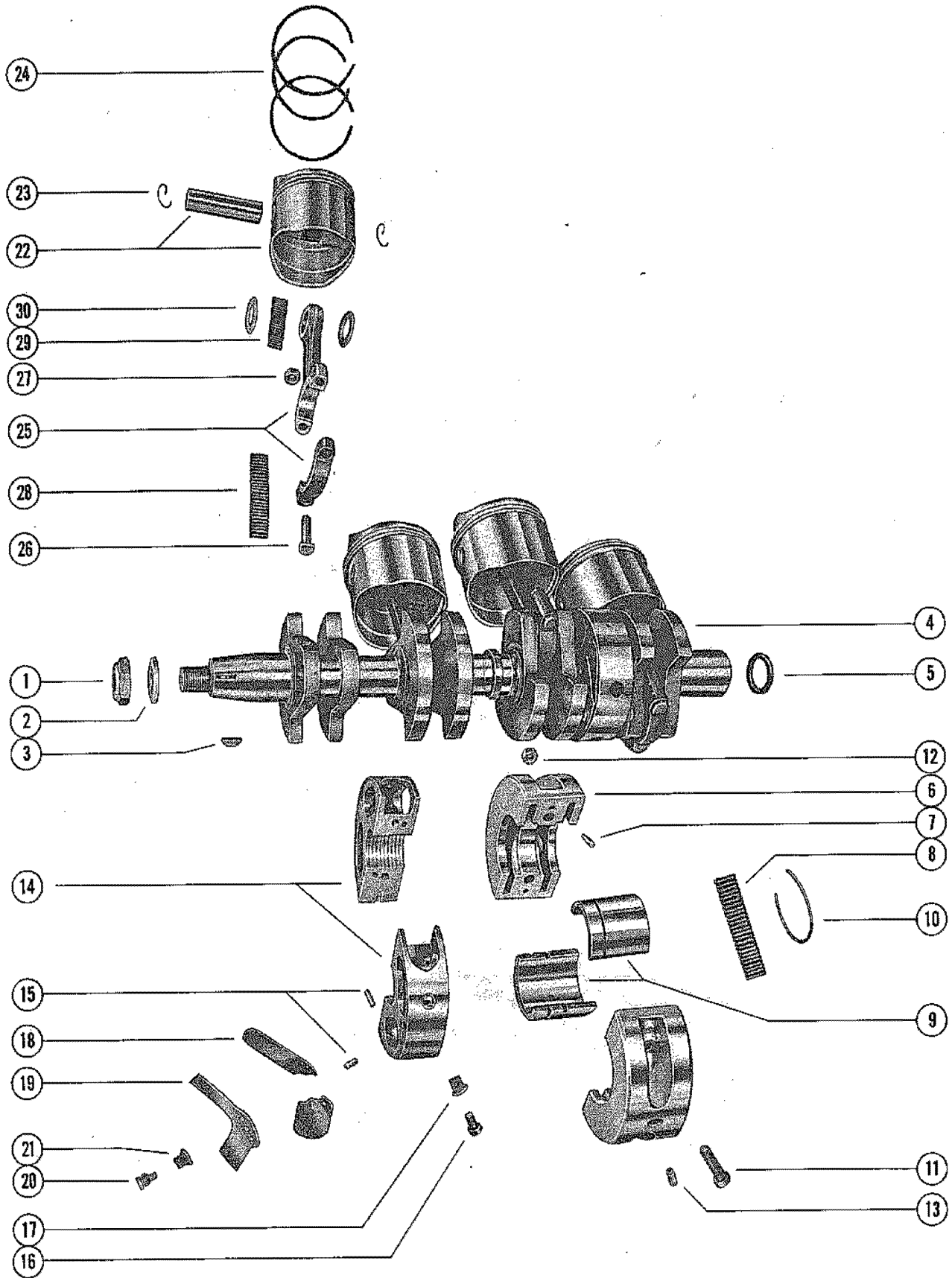
CRANKSHAFT, PISTON AND CONNECTING ROD



CRANKSHAFT, PISTON AND CONNECTING ROD

REF. NO.	PART NO.	SYM.	QTY.	DESCRIPTION
1	11-22339		1,1,1,1	NUT, FLYWHEEL
2	12-33001		1,1,1,1	WASHER, FLYWHEEL NUT
3	28-20094		1,1,1,1	KEY, FLYWHEEL DRIVE
4	400-2976		1,1,1,1	CRANKSHAFT
5	25-29619		1,1,1,1	"O" RING, DRIVE SHAFT SPLINE
6	500-3203A1		1,1,,	CENTER MAIN BEARING ASSEMBLY (USES FILLISTER HEAD SCREW)
	500-3590A1		1,1,1,1	CENTER MAIN BEARING ASSEMBLY (USES HEX HEAD SCREW)
7	17-20032		2,2,2,2	DOWEL PIN, CENTER MAIN BEARING
8	29-20046		28,28,28,2	BEARING, NEEDLE
9	20047		1,1,1,1	RACE, OUTER
10	53-20048		1,1,1,1	RING, SNAP - OUTER RACE CLAMPING
11	10-24933		2,2,,	SCREW, CENTER MAIN BEARING CLAMPING (1 1/2") - FILLISTER HE
	10-20784		2,2,2,2	SCREW, CENTER MAIN BEARING CLAMPING (1 1/2") - HEX HEAD SCR
12	11-46887		2,2,2,2	NUT, CENTER MAIN BEARING CLAMPING SCREW
13	17-20379		1,1,1,1	DOWEL PIN, (STEPPED)
14	534-3267A2		2,2,2,2	MAIN BEARING ASSEMBLY (VALVE TYPE)
15	17-20032		20,20,20,2	DOWEL PIN, MAIN BEARING
16	10-45775		4,4,4,4	SCREW, MAIN BEARING CLAMPING (9/16")
17	11-45774		4,4,4,4	NUT, MAIN BEARING CLAMPING SCREW
18	34-20888A1		2,2,2,2	REED SET, MATCHED - MAIN BEARING
19	34-20053		8,8,8,8	REED STOP, MAIN BEARING REED VALVES
20	10-29465		8,8,,	SCREW, REED STOP MOUNTING (1/2")
	10-53481		,,8,8	SCREW, REED STOP MOUNTING (9/16")
21	11-29469		8,8,8,8	NUT, REED STOP MOUNTING SCREW
22	743-3193A2		4,4,4,4	PISTON AND PISTON PIN ASSEMBLY
23	40-47276		8,8,8,8	LOCK RING, PISTON PIN
24	39-27841A12		1,1,1,1	RING, PISTON
25	619-3195A2		4,4,4,4	CONNECTING ROD AND CAP ASSEMBLY
26	10-45379		8,8,8,8	SCREW, CAP TO CONNECTING ROD
27	11-20061		8,8,8,8	NUT, CONNECTING ROD SCREW
28	29-20046		100,100,10	BEARING, NEEDLE - CRANKPIN
29	29-20063		108,108,10	BEARING, NEEDLE - PISTON PIN
30	12-47275		8,8,8,8	WASHER, NEEDLE LOCATING

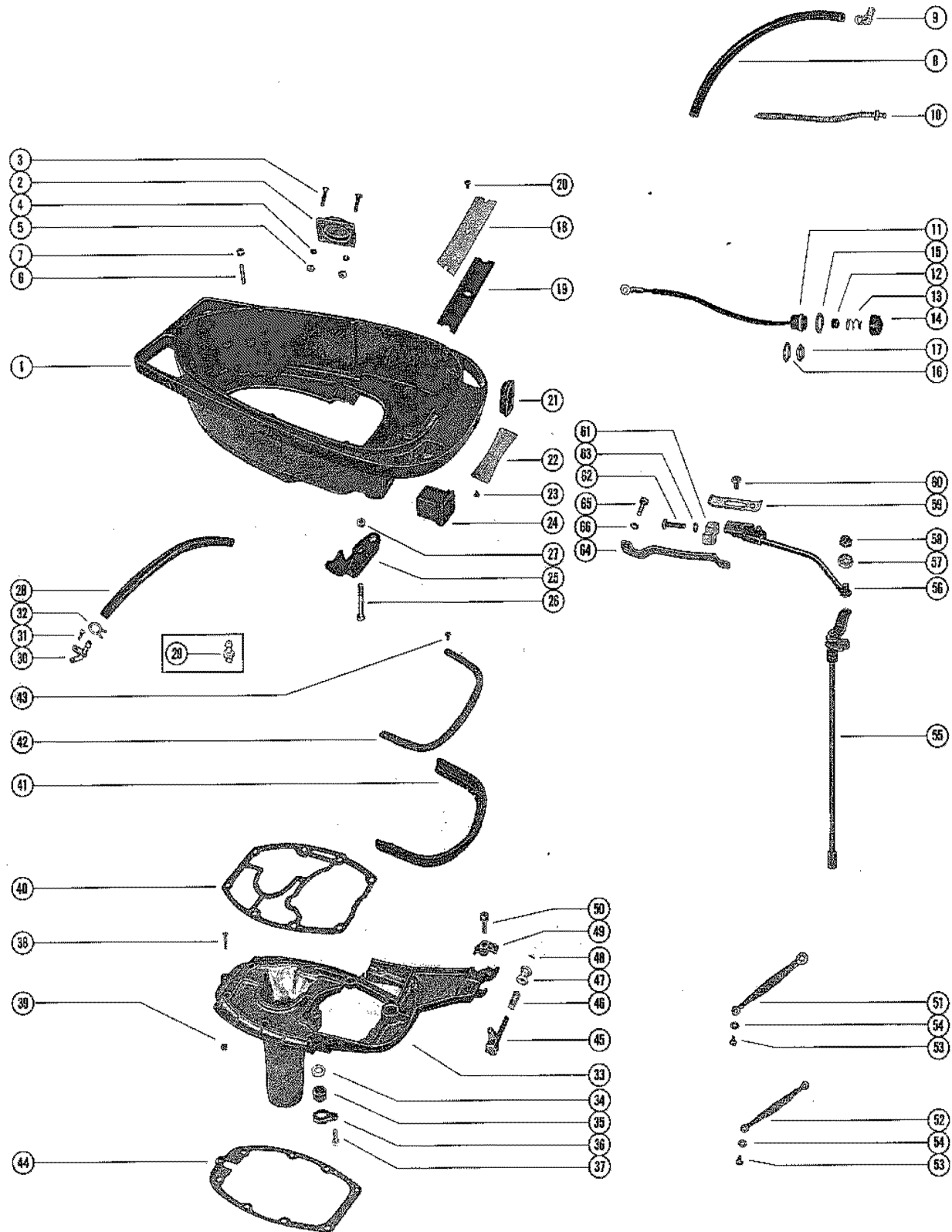
OVERSIZE PISTON AND RING



OVERSIZE PISTON AND RING

REF. NO.	PART NO.	SYM.	QTY.	DESCRIPTION
-	743-3366A2		4,4,4,4	PISTON AND PISTON PIN ASSEMBLY (.015 OVERSIZE)
-	39-28616A12		1,1,1,1	RING, PISTON (.015 OVERSIZE)

BOTTOM COWL ASSEMBLY AND SHIFT LINKAGE

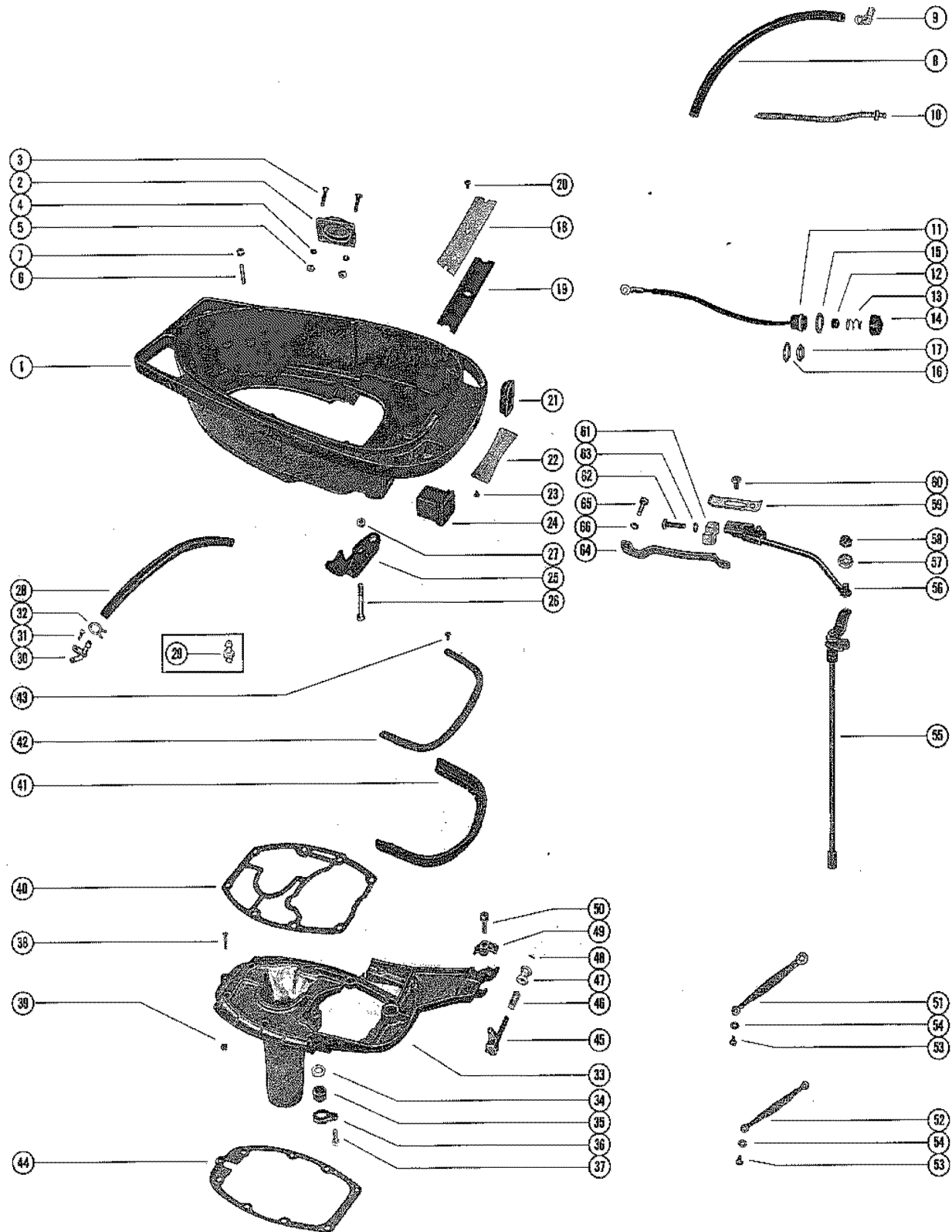


BOTTOM COWL ASSEMBLY AND SHIFT LINKAGE

REF. NO.	PART NO.	SYM.	QTY.	DESCRIPTION
1	2116-3232A2		1,1,,	BOTTOM COWL ASSEMBLY
	2116-3643A1		,,1,1	BOTTOM COWL ASSEMBLY
2	29206		1,,1,	COVER, PLUG - BOTTOM COWL HARNESS HOLE
3	10-26128		4,,4,	SCREW, PLUG COVER TO BOTTOM COWL
4	13-26995		4,,4,	LOCKWASHER, PLUG COVER SCREW
5	11-26419		4,,4,	NUT, PLUG COVER SCREW
6	16-20467		4,4,4,4	STUD, BOTTOM COWL TO REAR SUPPORT BRACKET
7	11-20361		4,4,4,4	NUT, BOTTOM COWL STUD
8	32-34395A1		2,,2,2	TUBE, VENT - IGNITION DIRVER OUTLET (12 5/8") - ALSO USED ON
	32-34395A1		,2,,	TUBE, VENT - IGNITION DIRVER OUTLET (12 5/8") - ALSO USED ON
	32-34395A1		,2,,	TUBE, VENT DISTRIBUTOR OUTLET (8 3/4")
9	22-31521		2,2,2,2	ELBOW, DISTRIBUTOR AND IGNITION DRIVER VENT TUBE TO BOTTOM C
10	47764		1,1,1,1	STRAP, VENT HOSE
-	54-49218		1,1,1,1	CLAMP, VENT HOSE
-	10-21722		1,1,1,1	SCREW, VENT HOSE CLAMP (5/8")
-	11-46887		1,1,1,1	NUT, VENT HOSE CLAMP SCREW
11	48035A1		1,,1,	STOP SWITCH ASSEMBLY
12	30859		1,,1,	INSULATOR, SLEEVE - INNER SWITCH TERMINAL
13	24-30858A1		1,,1,	SPRING AND CONTACT ASSEMBLY
14	38950A1		1,,1,	COVER ASSEMBLY, STOP SWITCH
15	12-38949		1,,1,	WASHER, SEALING - STOP SWITCH
16	13-21972		1,,1,	LOCKWASHER, CONNECTOR BASE
17	11-21971		1,,1,	NUT, CONNECTOR BASE TO BOTTOM COWL
18	37943A1		1,1,1,1	COVER PLATE ASSEMBLY
19	37944		1,1,1,1	PAD, SOUND - COVER PLATE
20	10-30009		3,3,3,3	SCREW, COVER PLATE TO BOTTOM COWL (3/8")
21	37695		1,1,1,1	BOOT, CONTROL CABLE
22	23760		1,1,1,1	BAFFLE, BOTTOM COWL
23	10-21106		3,3,,	SCREW, BAFFLE TO BOTTOM COWL
	10-52867		,,3,3	SCREW, BAFFLE TO BOTTOM COWL
24	37637		1,1,1,1	BOOT, FUEL CONNECTOR
25	37692		,1,,1	SUPPORT, EXTERNAL WIRING HARNESS
26	10-21937		,2,,2	SCREW, HARNESS SUPPORT TO BOTTOM COWL (2")
27	11-46887		,2,,2	NUT, HARNESS SUPPORT SCREW
28	32-26407		1,1,1,1	HOSE, WATER TELL TALE - CYLINDER BLOCK TO BOTTOM COWL (16")
29	22-29111		1,1,,	CONNECTOR, WATER TELL TALE HOSE - BOTTOM COWL
30	52889		,,1,1	NOZZLE, TELL TALE HOSE TO BOTTOM COWL
31	10-34222		,,1,1	SCREW, TELL TALE NOZZLE TO BOTTOM COWL
32	54-48123		2,2,2,2	CLAMP, WATER TELL TALE HOSE TO CONNECTOR
33	47616A2		1,1,1,1	PLATE ASSEMBLY, EXHAUST EXTENSION

CONTINUED ON NEXT PAGE ➡

BOTTOM COWL ASSEMBLY AND SHIFT LINKAGE

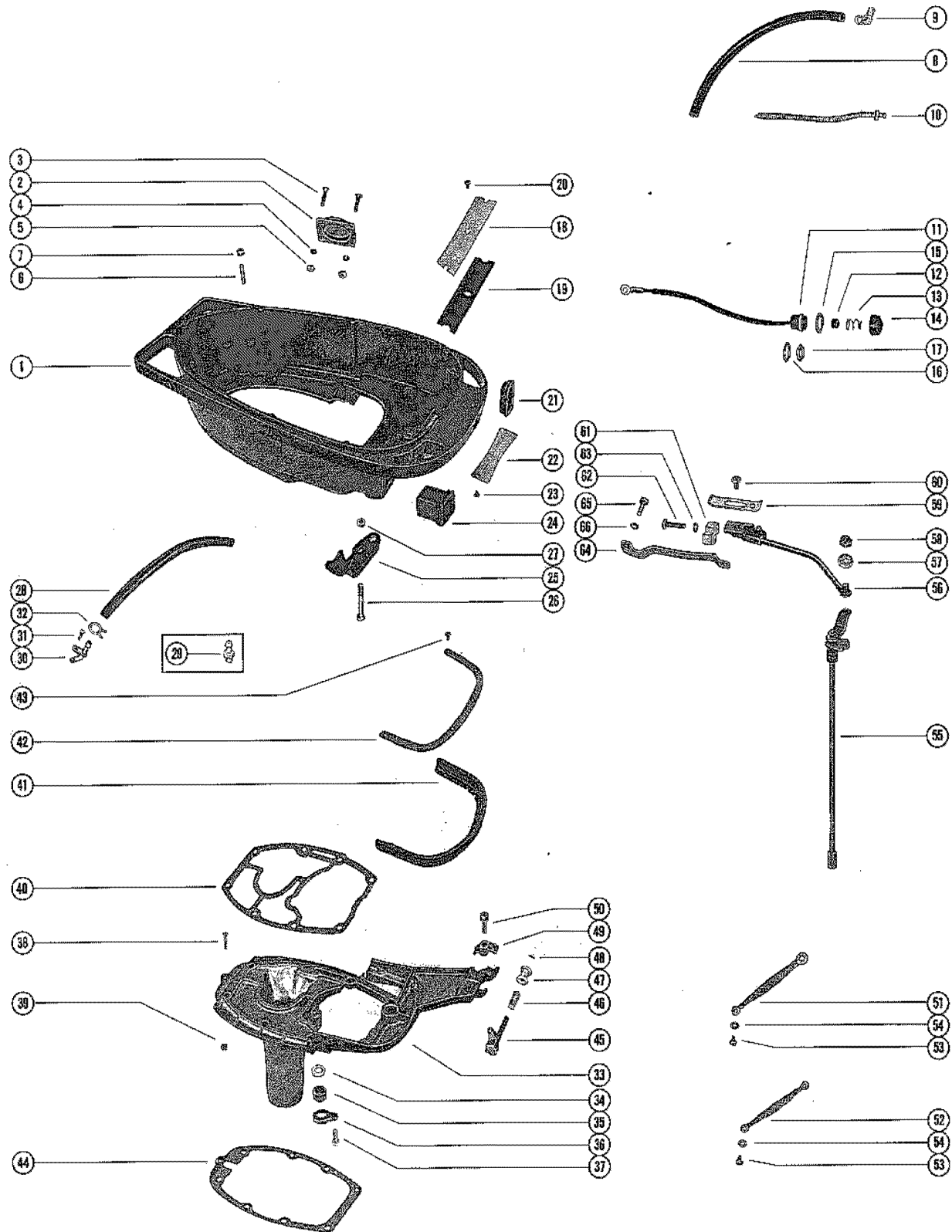


BOTTOM COWL ASSEMBLY AND SHIFT LINKAGE

REF. NO.	PART NO.	SYM.	QTY.	DESCRIPTION
34	12-38453		1,1,1,1	WASHER, NYLON - WATER INLET TUBE
35	26-38452		1,1,1,1	SEAL, RUBBER - WATER TUBE
36	38500		1,1,1,1	RETAINER, WATER TUBE SEAL
37	10-34439		1,1,1,1	SCREW, RETAINER TO EXHAUST EXTENSION PLATE (3/4")
38	10-22421		1,1,1,1	SCREW, EXHAUST EXTENSION PLATE TO DRIVE SHAFT HOUSING (1 1/4)
39	11-46887		1,1,1,1	NUT, EXHAUST EXTENSION PLATE SCREW
40	27-37725		1,1,1,1	GASKET, POWERHEAD TO EXHAUST EXTENSION PLATE
41	38156		1,1,1,1	SEAL, RUBBER - EXHAUST EXTENSION PLATE
42	38155		1,1,1,1	STRIP, RUBBER SEAL RETAINING
43	10-37571		6,6,6,6	SCREW, RETAINING STRIP TO EXHAUST EXTENSION PLATE
44	27-38501		1,1,1,1	GASKET, EXHAUST EXTENSION PLATE TO DRIVE SHAFT HOUSING
45	37924		2,2,2,2	LEVER, QUICK DISCONNECT - THROTTLE AND SHIFT CABLES
46	24-38005		2,2,2,2	SPRING, COMPRESSION - QUICK DISCONNECT LEVER
47	23-37927		2,2,2,2	BUSHING, NYLON - QUICK DISCONNECT LEVER
48	17-23928		2,2,2,2	PIN, ROLL - QUICK DISCONNECT LEVER
49	37926		1,1,1,1	RETAINER, NYLON BEARING TO EXHAUST EXTENSION PLATE
50	10-37923		1,1,1,1	SCREW, BEARING RETAINER TO EXHAUST EXTENSION PLATE (1 1/2")
51	46933A1		2,2,2,2	GROUND STRAP ASSEMBLY, CRANKCASE TO BOTTOM COWL (3 5/8")
52	46933A2		2,2,2,2	GROUND STRAP ASSEMBLY, DRIVE SHAFT HOUSING TO BOTTOM COWL (3)
53	10-45218		4,4,,	SCREW, GROUND STRAP (3/8")
	10-30663		4,4,4,4	SCREW, GROUND STRAP (3/8" SELF TAPPING)
54	13-22238		4,4,4,4	LOCKWASHER, GROUND STRAP SCREW
55	25172A1		1,1,1,1	SHIFT SHAFT ASSEMBLY, UPPER (SHORT SHAFT) SERIAL #2624917 A
	45677A1		1,1,1,1	SHIFT SHAFT ASSEMBLY, UPPER (LONG SHAFT)
	53888A3		„,1,1	SHIFT SHAFT ASSEMBLY, UPPER (SHORT SHAFT)
	53888A4		„,1,1	SHIFT SHAFT ASSEMBLY, UPPER (LONG SHAFT)
-	55692		„,1,1	COUPLING, UPPER SHIFT SHAFT
-	23-26600		„,1,1	BUSHING, NYLON - UPPER SHIFT SHAFT
56	37948		1,1,1,1	ACTUATOR, SHIFT CONTROL
57	12-24664		1,1,1,1	WASHER, SHIFT CONTROL ACTUATOR
58	11-20361		1,1,1,1	NUT, SHIFT CONTROL ACTUATOR TO UPPER SHIFT SHAFT
59	24-37934		1,1,1,1	SPRING, QUICK DISCONNECT - SHIFT CABLE
60	10-38069		1,1,1,1	SCREW, QUICK DISCONNECT SPRING TO SHIFT CONTROL ACTUATOR
61	37932		1,1,1,1	BEARING, NYLON - SHIFT CONTROL ACTUATOR
62	10-36137		1,1,1,1	SCREW, BEARING TO SHIFT CONTROL ACTUATOR (1")
63	13-21272		1,1,1,1	LOCKWASHER, BEARING SCREW
64	37935		1,1,1,1	RAIL, SHIFT CONTROL BEARING

CONTINUED ON NEXT PAGE ➡

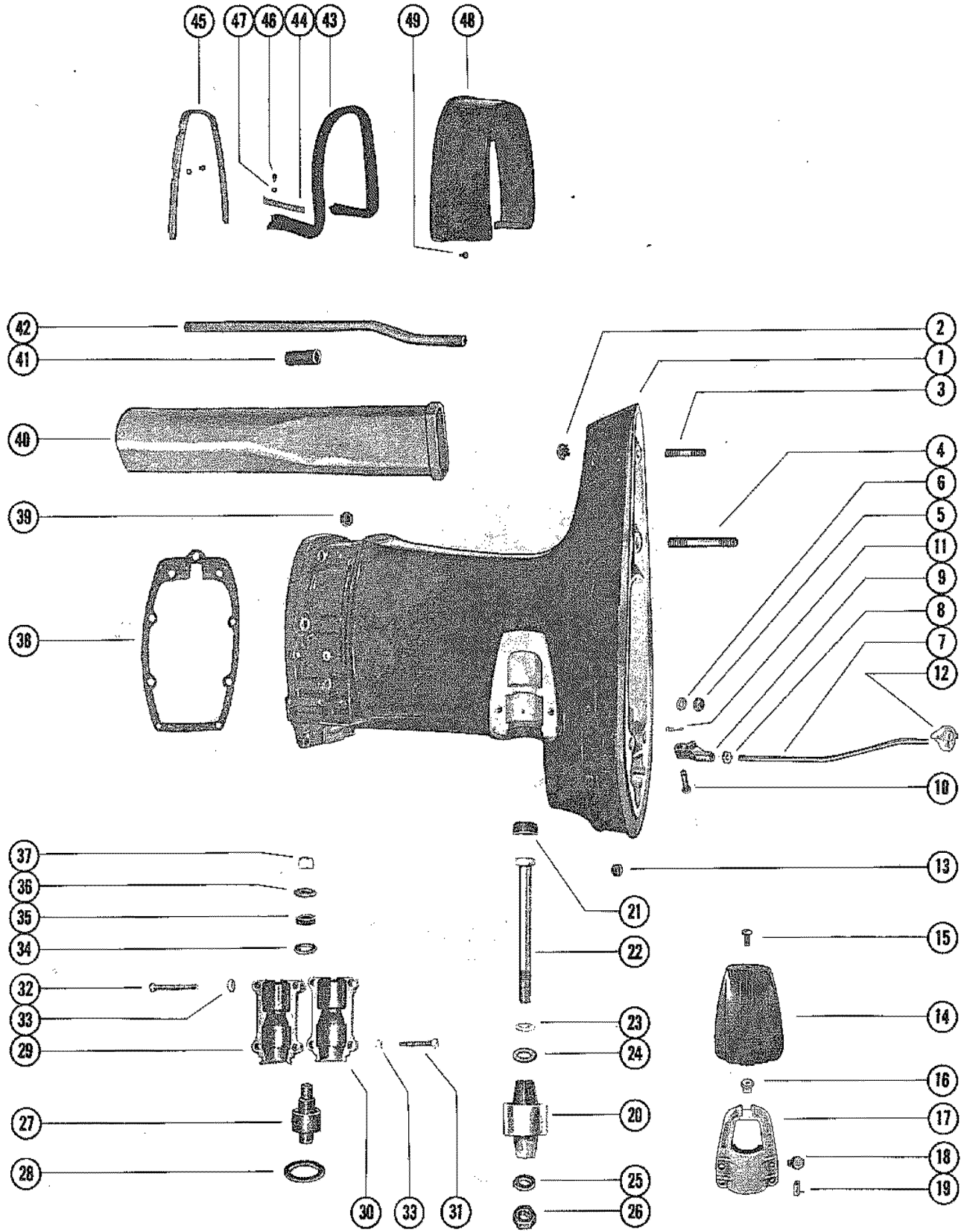
BOTTOM COWL ASSEMBLY AND SHIFT LINKAGE



BOTTOM COWL ASSEMBLY AND SHIFT LINKAGE

REF. NO.	PART NO.	SYM.	QTY.	DESCRIPTION
65	10-21625		1,1,1,1	SCREW, RAIL TO EXHAUST MANIFOLD COVER (3/4")
66	13-26992		1,1,1,1	LOCKWASHER, RAIL SCREW

DRIVE SHAFT HOUSING ASSEMBLY

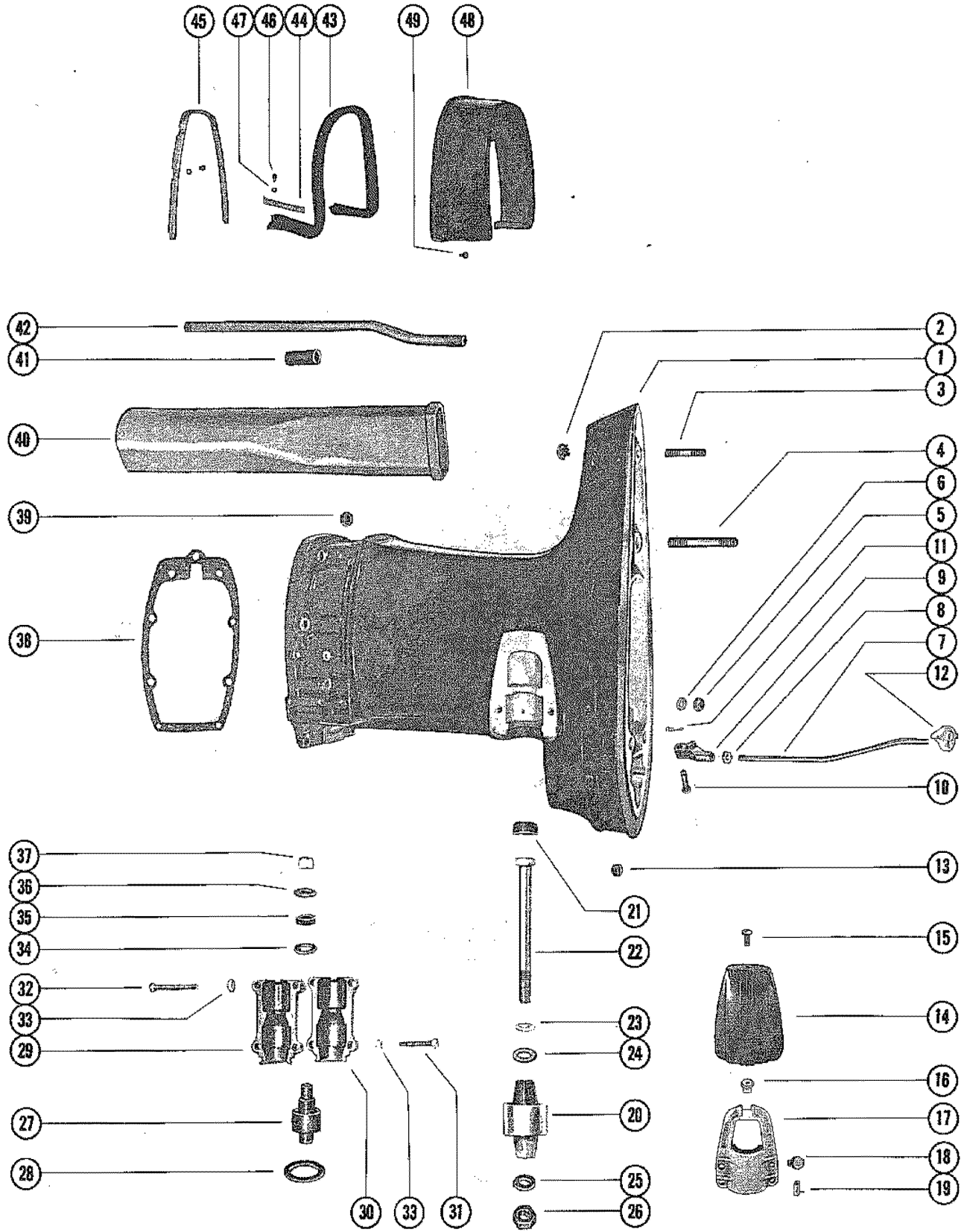


DRIVE SHAFT HOUSING ASSEMBLY

REF. NO.	PART NO.	SYM.	QTY.	DESCRIPTION
1	154-2489A9		1,1,,	DRIVE SHAFT ASSEMBLY (SHORT SHAFT)
	1564-2772A4		1,1,,	DRIVE SHAFT HOUSING ASSEMBLY (LONG SHAFT)
	1554-3638A2		,,1,1	DRIVE SHAFT HOUSING ASSEMBLY (SHORT SHAFT)
	1564-3636A2		,,1,1	DRIVE SHAFT HOUSING ASSEMBLY (LONG SHAFT)
2	19-47579		1,1,1,1	PLUG, PLASTIC - TRIM TAB SCREW HOLE
3	16-46914		1,1,1,1	STUD, DRIVE SHAFT HOUSING TO GEAR HOUSING (1 3/4")
4	16-46913		1,1,1,1	STUD, DRIVE SHAFT HOUSING TO GEAR HOUSING (3")
5	11-34933		2,2,2,2	NUT, GEAR HOUSING TO DRIVE SHAFT HOUSING STUDS (7/16")
6	12-45176		2,2,2,2	WASHER, GEAR HOUSING TO DRIVE SHAFT HOUSING STUDS (7/16")
7	47835		1,1,1,1	ROD, PUSH - REVESE LOCK (SHORT SHAFT)
	47836		1,1,1,1	ROD, PUSH - REVERSE LOCK (LONG SHAFT)
8	11-46794		1,1,1,1	NUT, JAM - PUSH ROD
9	47837		1,1,1,1	ROD END, PUSH ROD
10	17-39023		1,1,1,1	PIN, REVERSE LOCK LEVER
11	18-25191		1,1,1,1	COTTER PIN, PUSH ROD TO REVERSE LOCK
12	47838		1,1,,	GUIDE, PUSH ROD
	52917		,,1,1	GUIDE, PUSH ROD
13	22-52644		1,1,,	PLUG, GREASE - REVERSE LOCK HOLE
14	35474		2,2,2,2	COVER, LOWER MOUNT CLAMP
15	10-29722		2,2,2,2	SCREW, COVER TO LOWER MOUNT CLAMP
16	11-35521		2,2,2,2	NUT, LOWER MOUNT CLAMP COVER
17	35473		2,2,2,2	CLAMP, LOWER MOUNT TO DRIVE SHAFT HOUSING
18	10-29256		4,4,4,4	SCREW, LOWER MOUNT CLAMP TO DRIVE SHAFT HOUSING (7/8")
19	24-35522		4,4,4,4	SPRING, TENSION - LOWER MOUNT CLAMP
20	37395		2,2,2,2	MOUNT, RUBBER - LOWER
21	25067		2,2,2,2	BUMPER, RUBBER - LOWER MOUNT SCREW
22	10-49318		2,2,2,2	SCREW, LOWER MOUNT (5 1/2")
23	12-28051		2,2,2,2	WASHER, LOWER MOUNT SCREW
24	12-28053		2,2,2,2	WASHER, RUBBER - LOWER MOUNT SCREW
25	12-30119		2,2,2,2	WASHER, LOWER MOUNT SCREW
26	11-25096		2,2,2,2	NUT, LOWER MOUNT SCREW
27	37394		2,2,2,2	MOUNT, RUBBER - UPPER
28	24929		2,2,2,2	PACKING, "U" CUP - UPPER MOUNT COVERS
29	24935		2,2,2,2	COVER, UPPER MOUNT - OUTSIDE HALF
30	31120		2,2,2,2	COVER, UPPER MOUNT - INSIDE HALF
31	10-49987		4,4,4,4	SCREW, UPPER MOUNT COVER - REAR (1 1/2")
32	10-49988		4,4,4,4	SCREW, UPPER MOUNT COVER - FRONT (1 3/4")
33	11-46886		8,8,8,8	NUT, UPPER MOUNT COVER FASTENING SCREW
34	12-30520		2,2,2,2	WASHER, UPPER MOUNT BOLT (37/64 ID)
35	12-30521		2,2,2,2	WASHER, RUBBER - UPPER MOUNT BOLT
36	12-30519		2,2,2,2	WASHER, UPPER MOUNT BOLT (3/8 ID)

CONTINUED ON NEXT PAGE ➡

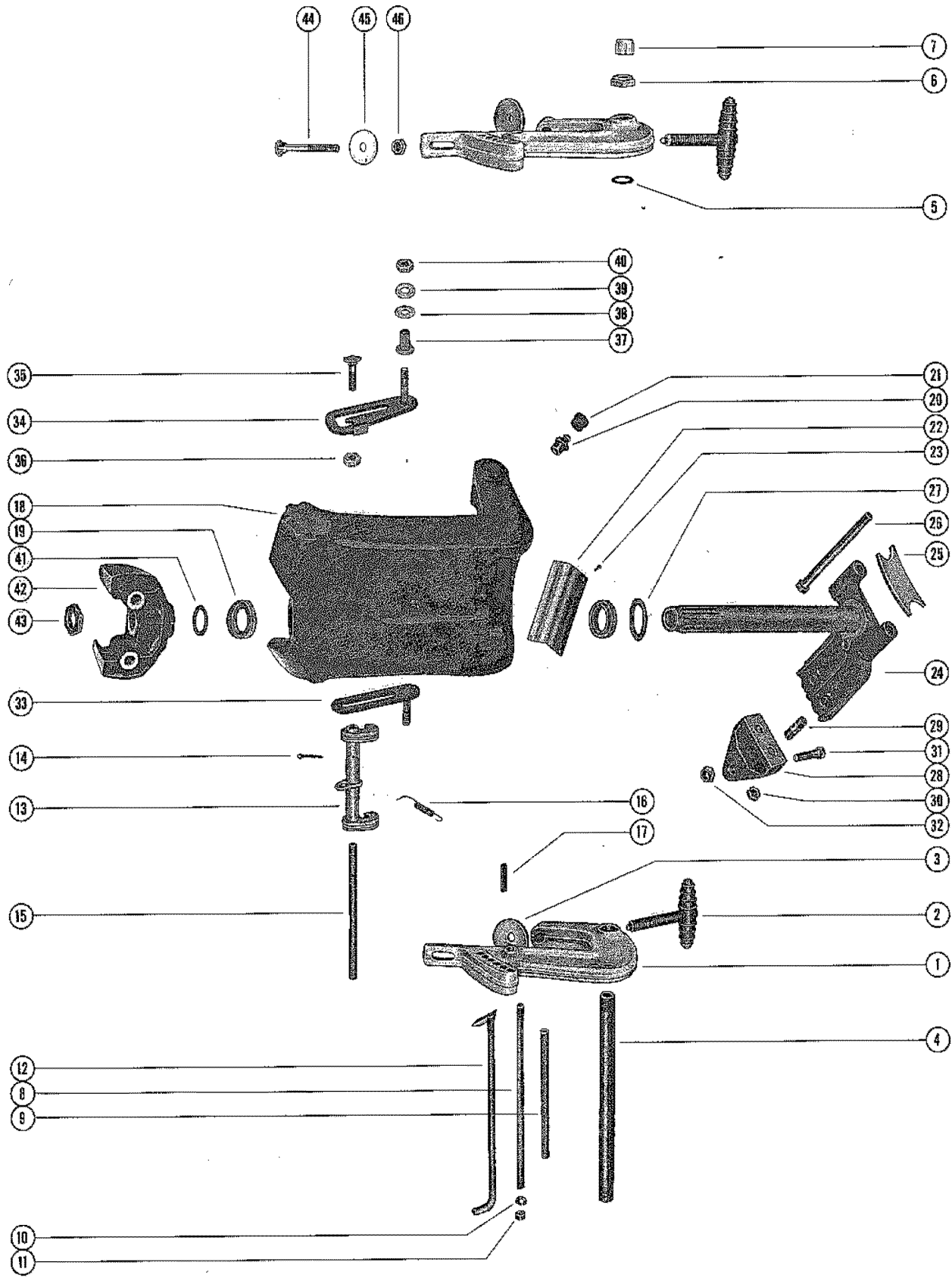
DRIVE SHAFT HOUSING ASSEMBLY



DRIVE SHAFT HOUSING ASSEMBLY

REF. NO.	PART NO.	SYM.	QTY.	DESCRIPTION
37	11-23161		2,2,2,2	NUT, UPPER MOUNT BOLT
38	27-38501		1,1,1,1	GASKET, EXHAUST EXTENSION PLATE TO DRIVE SHAFT HOUSING
39	11-25594		8,8,8,8	NUT, POWERHEAD TO DRIVE SHAFT HOUSING STUDS (5/16")
40	37720		1,1,1,1	TUBE, EXHAUST (SHORT SHAFT)
	45681		1,1,1,1	TUBE, EXHAUST (LONG SHAFT)
41	23-23651		1,1,,	SLEEVE, WATER INLET TUBE
42	32-37727		1,1,1,1	TUBE, WATER INLET (SHORT SHAFT)
	32-45679		1,1,1,1	TUBE, WATER INLET (LONG SHAFT)
43	38157		1,1,1,1	SEAL, TRIM COVER TO DRIVE SHAFT HOUSING
44	38154		2,2,2,2	STRIP, RETAINING - TRIM COVER SEAL (SIDE)
45	38158		1,1,1,1	STRIP, RETAINING - TRIM COVER SEAL (REAR)
46	10-37571		10,10,,	SCREW, RETAINING STRIP TO DRIVE SHAFT HOUSING
	10-48408		10,10,10,1	SCREW, RETAINING STRIP TO DRIVE SHAFT HOUSING (SELF TAPPING)
47	12-30164		10,10,,	WASHER, RETAINING STRIP SCREW
48	37687		1,1,1,1	COVER, TRIM - DRIVE SHAFT HOUSING
49	10-37571		4,4,4,4	SCREW, TRIM COVER TO DRIVE SHAFT HOUSING

CLAMP AND SWIVEL BRACKET ASSEMBLY

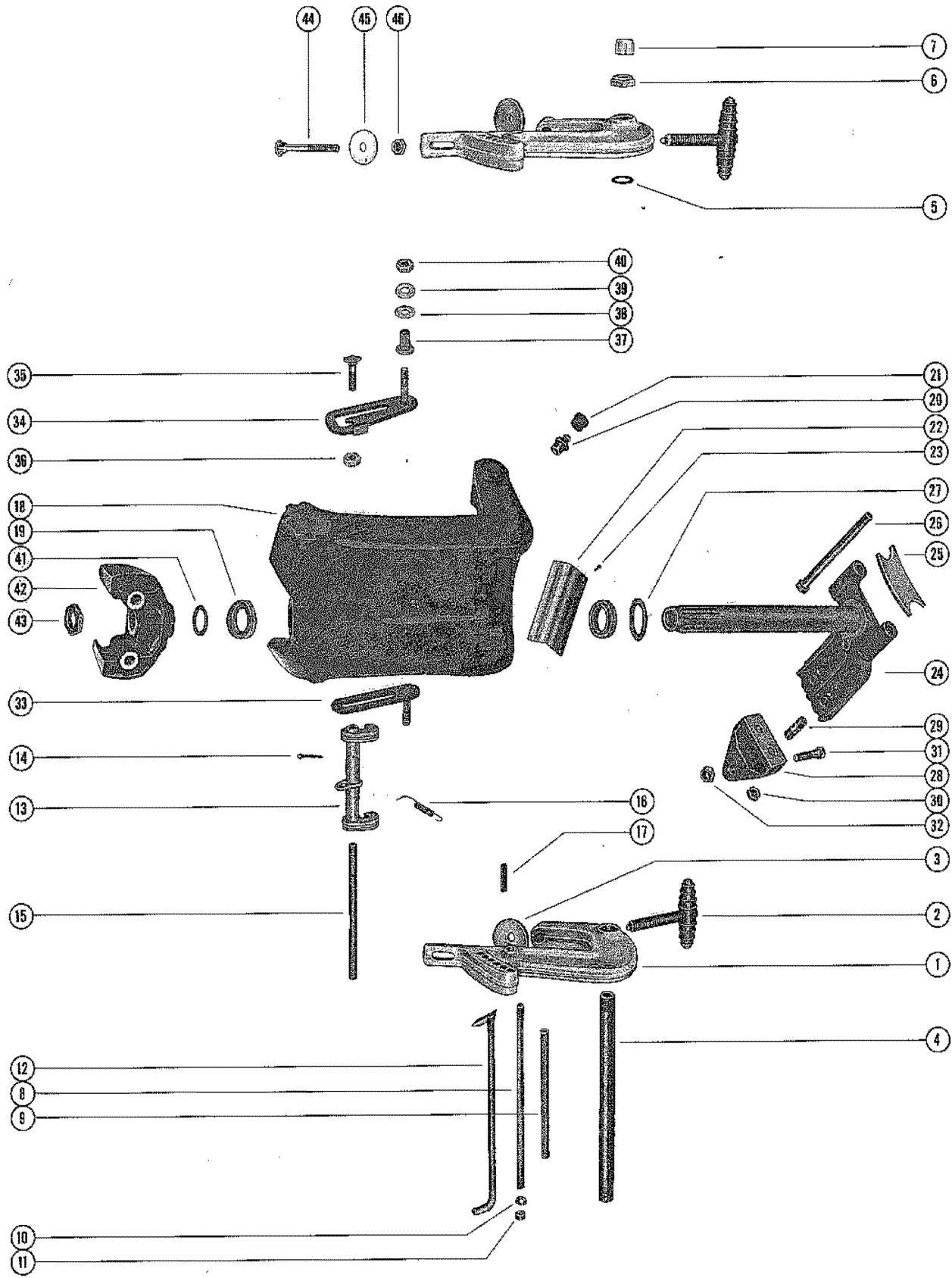


CLAMP AND SWIVEL BRACKET ASSEMBLY

REF. NO.	PART NO.	SYM.	QTY.	DESCRIPTION
1	1440-3290A1		2,2,2,2	CLAMP BRACKET ASSEMBLY
2	28403A3		2,2,2,2	THUMB SCREW ASSEMBLY
3	12-28404		2,2,2,2	WASHER, THUMB SCREW
4	30664		1,1,1,1	TUBE, TILT - CLAMP BRACKET TO SWIVEL BRACKET
5	15-30497A1		2,2,,	SHIM, CLAMP BRACKET TO SWIVEL BRACKET (.010-.020)
	12-52864		,,2,2	WASHER, CLAMP BRACKET TO SWIVEL BRACKET
6	11-30499		2,2,2,2	NUT, TILT TUBE FASTENING
7	30498		2,2,,	CAP, PLASTIC - TILT TUBE ENDS
	53078		,,2,2	CAP, PLASTIC - TILT TUBE ENDS
8	16-20221		1,1,1,1	STUD, CLAMP BRACKET
9	23-20222		1,1,1,1	SPACER, CLAMP BRACKET STUD
10	13-26993		2,2,2,2	LOCKWASHER, CLAMP BRACKET STUD
11	11-20083		2,2,2,2	NUT, STUD TO CLAMP BRACKET
12	17-49930A1		1,1,1,1	TILT LOCK PIN ASSEMBLY
13	39015A4		1,1,1,1	REVERSE LOCK ASSEMBLY
14	18-45882		1,1,1,1	COTTER PIN, REVESE LOCK TO SHAFT
15	20208		1,1,1,1	SHAFT, REVERSE LOCK TO SWIVEL BRACKET
16	24-29821		1,1,1,1	SPRING, TENSION - REVERSE LOCK
17	17-25598		1,1,1,1	ROLL PIN, REVERSE LOCK SPRING ATTACHING
18	1442-3231A1		1,1,1,1	SWIVEL BRACKET ASSEMBLY (SHORT SHAFT)
	1442-3233A1		1,1,1,1	SWIVEL BRACKET ASSEMBLY (LONG SHAFT)
19	26-32911		2,2,2,2	OIL SEAL, SWIVEL BRACKET
20	22-23612		1,1,1,1	FITTING, GREASE - SWIVEL BRACKET
21	53216		1,1,1,1	LUBRICAP, SWIVEL BRACKET GREASE FITTING
22	38-39784		1,1,1,1	SERIAL PLATE
23	10-25612		4,4,4,4	SCREW, DRIVE - SERIAL PLATE TO SWIVEL BRACKET
24	39445A1		1,1,,	SWIVEL PIN AND STEERING ARM ASSEMBLY (SHORT SHAFT)
	39445A2		1,1,,	SWIVEL PIN AND STEERING ARM ASSEMBLY (LONG SHAFT)
	52882A1		,,1,1	SWIVEL PIN AND STEERING ARM ASSEMBLY (SHORT SHAFT)
	52882A2		,,1,1	SWIVEL PIN AND STEERING ARM ASSEMBLY (LONG SHAFT)
25	30711		1,1,1,1	BUMPER, STEERING ARM
26	10-33986		2,2,2,2	BOLT, UPPER MOUNT OT SWIVEL PIN
27	12-47606		1,1,1,1	WASHER, SWIVEL PIN
28	39503		1,1,1,1	BRACKET, RIDE GUIDE ATTACHING
29	16-39781		2,2,2,2	STUD, RIDE GUIDE BRACKET TO STEERING ARM (1 1/4")
30	11-20509		2,2,2,2	NUT, RIDE GUIDE BRACKET STUD
31	10-31830		1,1,1,1	SCREW, STEERING ARM TO RIDE GUIDE KIT
32	11-20509		1,1,1,1	NUT, STEERING ARM SCREW
33	47912A1		1,1,1,1	LEVER ASSEMBLY, TILT STOP - STARBOARD SIDE
34	47913A1		1,1,1,1	LEVER ASSEMBLY, TILT LOCK - PORT SIDE
35	10-47916		2,2,2,2	SCREW, TILT LOCK AND STOP LEVER TO SWIVEL BRACKET
36	11-46793		2,2,2,2	NUT, TILT LOCK AND STOP LEVER SCREW
37	23-47911		2,2,2,2	BUSHING, TILT LOCK AND STOP LEVER

CONTINUED ON NEXT PAGE ➡

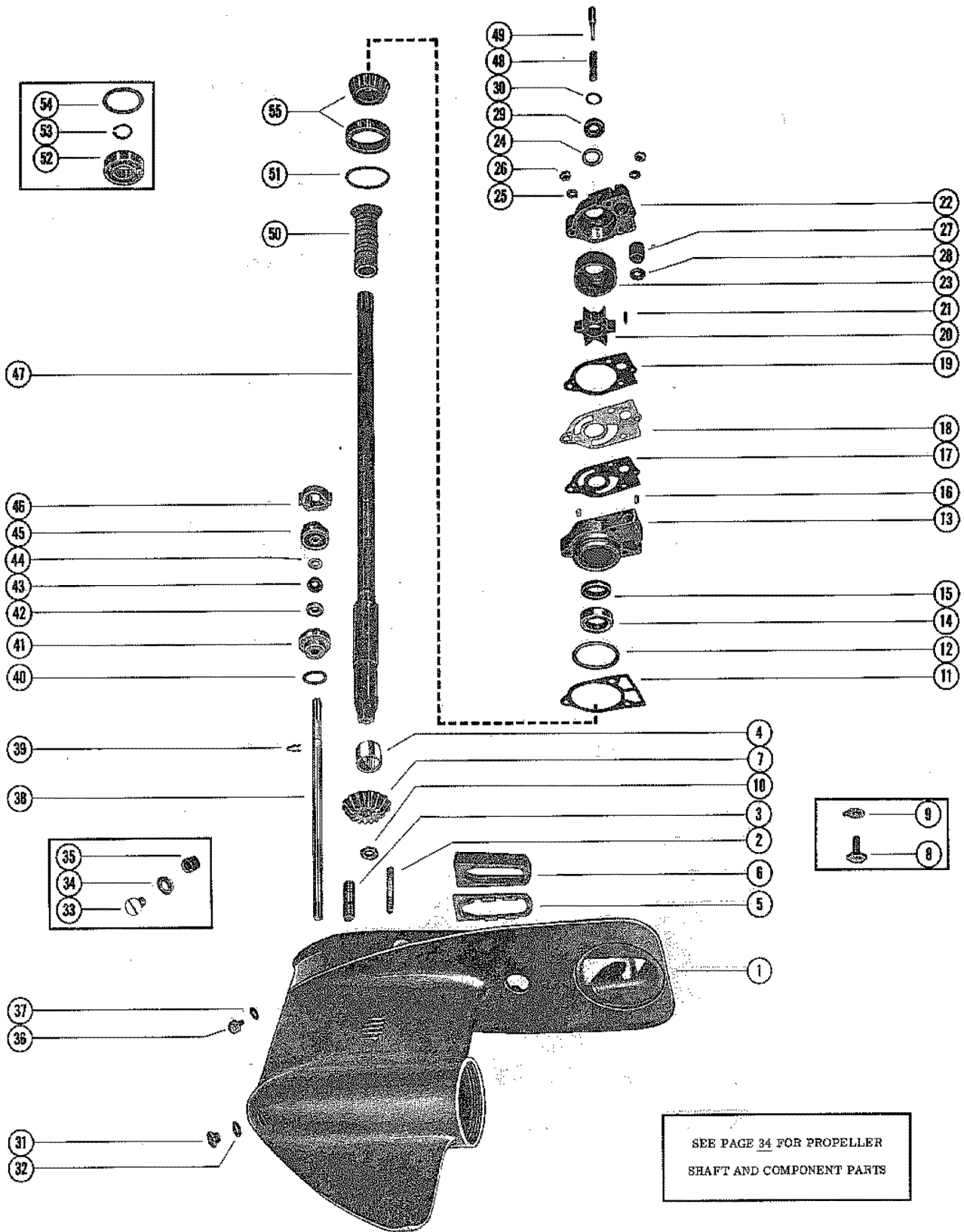
CLAMP AND SWIVEL BRACKET ASSEMBLY



CLAMP AND SWIVEL BRACKET ASSEMBLY

REF. NO.	PART NO.	SYM.	QTY.	DESCRIPTION
38	13-34632		2,2,2,2	WASHER, WAVE - TILT LOCK AND STOP LEVER
39	12-26825		2,2,2,2	WASHER, TILT LOCK AND STOP LEVER
40	11-46793		2,2,2,2	NUT, TILT LOCK AND STOP LEVER TO CLAMP BRACKET
41	12-25176		1,1,1,1	WASHER, SWIVEL PIN TO BOTTOM YOKE (.060)
	12-26837		AR,AR,AR,A	WASHER, SWIVEL PIN TO BOTTOM YOKE (.065)
42	35402		1,1,1,1	YOKE, BOTTOM
43	11-28202		1,1,1,1	NUT, RETAINING - SWIVEL PIN
44	10-28009		2,2,2,2	BOLT, CLAMP BRACKET TO BOAT TRANSOM (3 1/4")
45	12-28008		2,2,2,2	WASHER, CLAMP BRACKET BOLT
44	10-31827		,,2,2	BOLT, CLAMP BRACKET TO BOAT TRANSOM (3")
45	12-21040		,,2,2	WASHER, CLAMP BRACKET BOLT
46	11-28010		2,2,,	NUT, CLAMP BRACKET BOLT
	11-28010		,,4,4	NUT, CLAMP BRACKET BOLT

GEAR HOUSING ASSEMBLY, COMPLETE (PAGE 1)

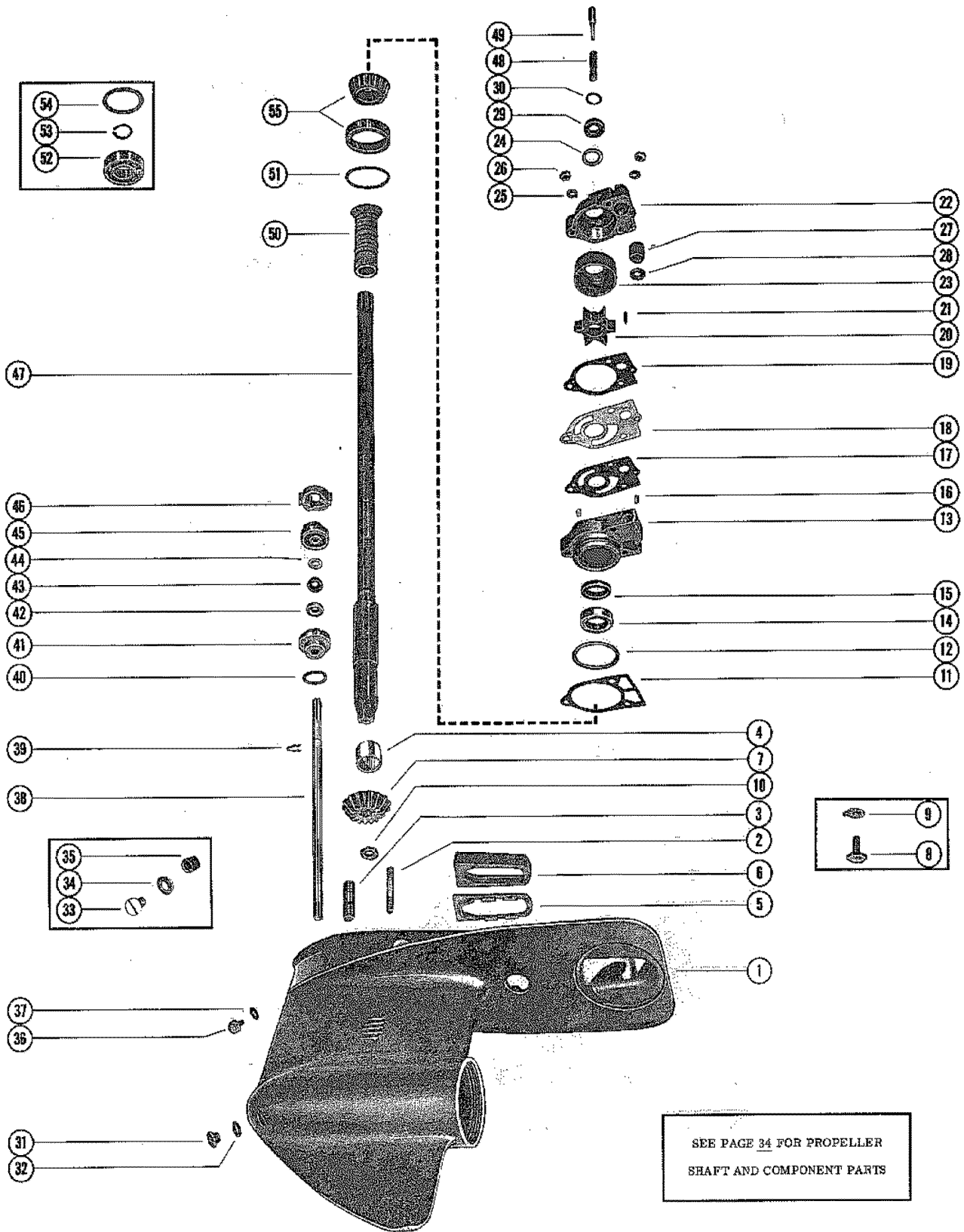


GEAR HOUSING ASSEMBLY, COMPLETE (PAGE 1)

REF. NO.	PART NO.	SYM.	QTY.	DESCRIPTION
-	1626-3238A4		1,1,,	GEAR HOUSING ASSEMBLY, COMPLETE (SHORT SHAFT) SEE NOTE BELO
-	1626-3238A5		1,1,,	GEAR HOUSING ASSEMBLY, COMPLETE (LONG SHAFT)
-	1626-3688A4		,,1,1	GEAR HOUSING ASSEMBLY, COMPLETE (SHORT SHAFT)
-	1626-3688A5		,,1,1	GEAR HOUSING ASSEMBLY, COMPLETE (LONG SHAFT)
1	1626-3238A1		1,1,,	GEAR HOUSING ASSEMBLY (ALUMINUM WATER PUMP AND STRAIGHT GEA
	1626-3502A1		,,1,1	GEAR HOUSING ASSEMBLY (PLASTIC WATER PUMP AND STRAIGHT GEAR
	1626-3688A1		,,1,1	GEAR HOUSING ASSEMBLY (PLASTIC WATER PUMP AND SPIRAL GEARS)
2	16-37728		3,3,3,3	STUD, WATER PUMP BODY AND BASE TO GEAR HOUSING (2 11/16")
3	16-52662		2,2,2,2	STUD, GEAR HOUSING TO DRIVE SHAFT HOUSING (2 3/16")
4	31-20231		1,1,1,1	BEARING, ROLLER - DRIVE SHAFT
5	38071		1,1,1,1	PLATE, SUPPORT - EXHAUST TUBE SEAL
6	37721		1,1,1,1	SEAL, EXHAUST TUBE
7	43-20834		1,1,1,1	GEAR, PINION - DRIVE SHAFT STRAIGHT
8	10-20925		1,1,1,1	SCREW, PINION GEAR TO DRIVE SHAFT
9	14-29163		1,1,1,1	TAB WASHER, PINION GEAR SCREW
7	43-46373		,,1,1	GEAR, PINION - DRIVE SHAFT SPIRAL
10	11-30932		,,1,1	NUT, PINION GEAR TO DRIVE SHAFT
11	27-32771		1,1,1,1	GASKET, WATER PUMP BASE TO GEAR HOUSING
12	25-26855		1,1,1,1	"O" RING, WATER PUMP BASE
13	46-39531A1		1,1,,	WATER PUMP BASE ASSEMBLY (ALUMINUM)
	46-48745A1		,,1,1	WATER PUMP BASE ASSEMBLY (PLASTIC)
14	26-26782		1,1,1,1	OIL SEAL, WATER PUMP BASE
15	26-23300		1,1,1,1	OIL SEAL, WATER PUMP BASE
16	17-35973		2,2,2,2	DOWEL PIN, WATER PUMP BASE TO WATER PUMP BODY
17	27-32769		1,1,1,1	GASKET, LOWER - WATER PUMP BASE TO FACE PLATE
18	32768		1,1,1,1	PLATE, FACE - WATER PUMP BASE TO WATER PUMP BODY
19	27-32770		1,1,1,1	GASKET, UPPER - FACE PLATE TO WATER PUMP BODY
20	47-20268		1,1,1,1	IMPELLER, WATER PUMP
21	17-23733		1,1,1,1	PIN, IMPELLER DRIVE
22	46-32767A1		1,1,,	WATER PUMP BODY ASSEMBLY (ALUMINUM)
	46-48746A1		,,1,1	WATER PUMP BODY ASSEMBLY (PLASTIC)
23	32001		1,1,,	INSERT, WATER PUMP BODY (ALUMINUM)
	48753		,,1,1	INSERT, WATER PUMP BODY (PLASTIC)
24	26-32121		1,1,1,1	OIL SEAL, WATER PUMP BODY
25	13-26992		3,3,,	LOCKWASHER, WATER PUMP BODY AND BASE STUDS
26	11-29598		3,3,,	NUT, WATER PUMP BODY AND BASE STUDS
25	12-38753		,,3,3	WASHER, WATER PUMP BODY AND BASE STUDS

CONTINUED ON NEXT PAGE ➡

GEAR HOUSING ASSEMBLY, COMPLETE (PAGE 1)

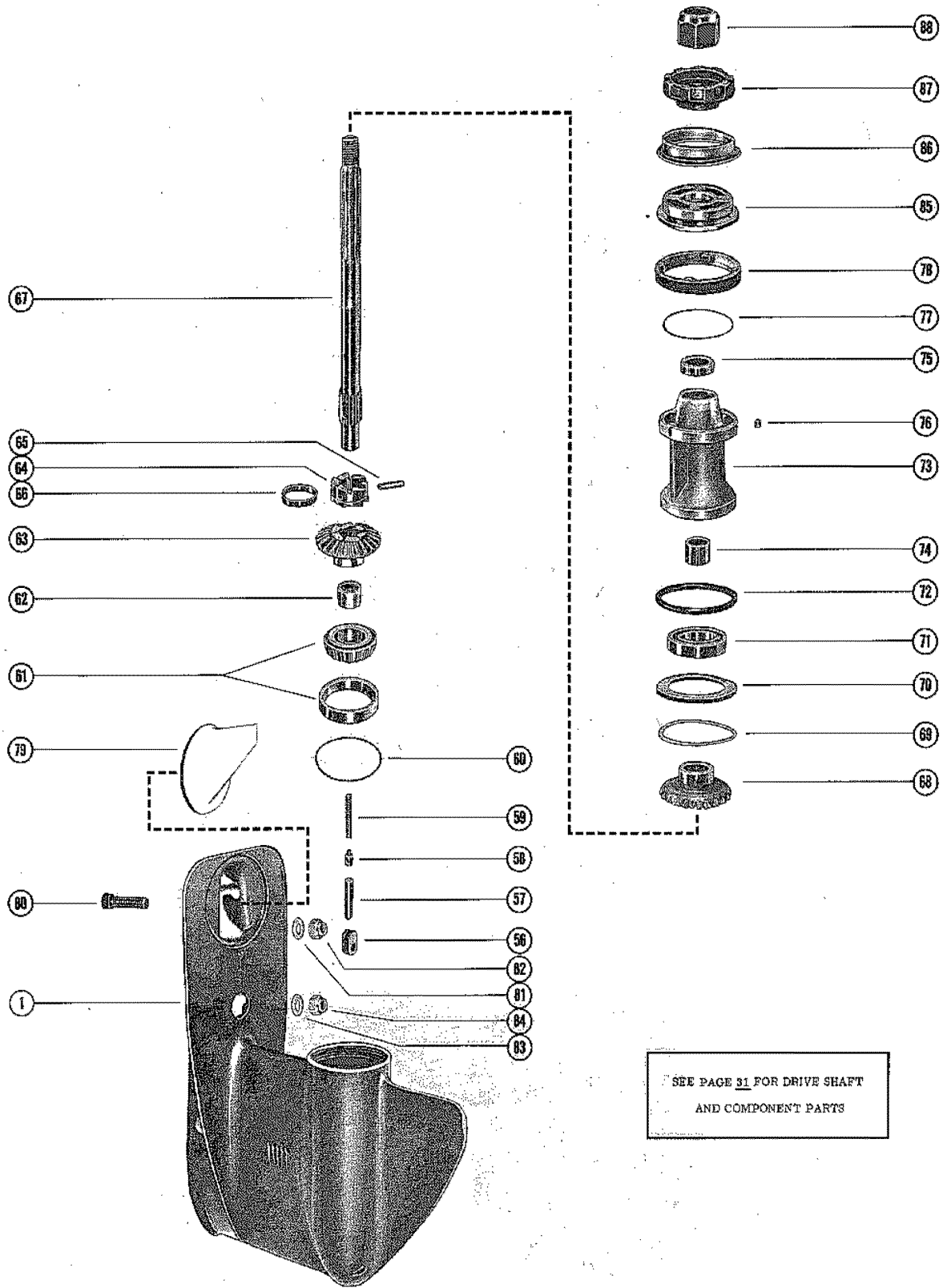


SEE PAGE 34 FOR PROPELLER
SHAFT AND COMPONENT PARTS

GEAR HOUSING ASSEMBLY, COMPLETE (PAGE 1)

REF. NO.	PART NO.	SYM.	QTY.	DESCRIPTION
26	11-35045		„3,3	NUT, WATER PUMP BODY AND BASE STUDS
27	26-38452		1,1,1,1	SEAL, WATER PUMP BODY TO WATER TUBE
28	12-38453		1,1,1,1	WASHER, CUPPED - WATER TUBE SEAL
29	25-20273		1,1,1,1	RING, RUBBER - CENTRIFUGAL SLINGER
30	25-29619		1,1,1,1	"O" RING, UPPER - DRIVE SHAFT
31	10-28634		2,2,2,2	SCREW, GREASE FILLER AND VENT HOLE
32	12-20260		2,2,2,2	WASHER, GREASE FILLER AND VENT HOLE SCREW
33	10-29608		1,1,„	SCREW, GEAR HOUSING FLUSHING HOLE ALUMINUM
34	27-29586		1,1,„	GASKET, GEAR HOUSING FLUSHING HOLE SCREW
35	26-29612		1,1,„	SEAL, GEAR HOUSING FLUSHING HOLE SCREW
36	19-48750		„1,1	PLUG, GEAR HOUSING FLUSHING HOLE PLASTIC
37	12-49221		„1,1	WASHER, GEAR HOUSING FLUSHING HOLE
38	47873		1,1,1,1	SHAFT, SHIFT - LOWER
39	18-20233		1,1,1,1	CLIP, RETAINING - SHIFT SHAFT
40	25-25439		1,1,1,1	"O" RING, SHIFT SHAFT BUSHING
41	23-37428A1		1,1,1,1	BUSHING ASSEMBLY, SHIFT SHAFT
42	26-24590		1,1,1,1	OIL SEAL, SHIFT SHAFT BUSHING (LOWER)
43	26-31249		1,1,1,1	OIL SEAL, SHIFT SHAFT BUSHING (UPPER)
44	12-31266		1,1,1,1	WASHER, RUBBER - SHIFT SHAFT BUSHING
45	39019		1,1,1,1	BASE, LOWER - REVERSE LOCKING
46	39021		1,1,1,1	CAM, REVERSE LOCKING
47	45-38466		1,1,1,1	DRIVE SHAFT (SHORT SHAFT) STRAIGHT
	45-46394		1,1,1,1	DRIVE SHAFT (LONG SHAFT)
	45-53569A1		„1,1	DRIVE SHAFT ASSEMBLY (SHORT SHAFT) SPIRAL
	45-53571A1		„1,1	DRIVE SHAFT ASSEMBLY (LONG SHAFT)
48	24-20254		„1,1	SPRING, COMPRESSION - DRIVE SHAFT
49	17-30545		„1,1	PIN, DRIVE SHAFT
50	23-52709		„1,1	SLEEVE LUBRICATION - DRIVE SHAFT
51	15-20929A1		AR,AR,AR,A	SHIM, BEARING TO GEAR HOUSING (.002-3-5-10)
52	30-20861		1,1,1,1	BEARING, BALL - DRIVE SHAFT STRAIGHT
53	53-29116		1,1,1,1	RING, SNAP - BALL BEARING RETAINING
54	15-20929A1		AR,AR,AR,A	SHIM, BEARING TO WATER PUMP BASE (.002-3-5-10)
55	31-38146A1		„1,1	ROLLER BEARING ASSEMBLY, TAPERED - DRIVE SHAFT (SPIRAL)

GEAR HOUSING ASSEMBLY, COMPLETE (PAGE 2)



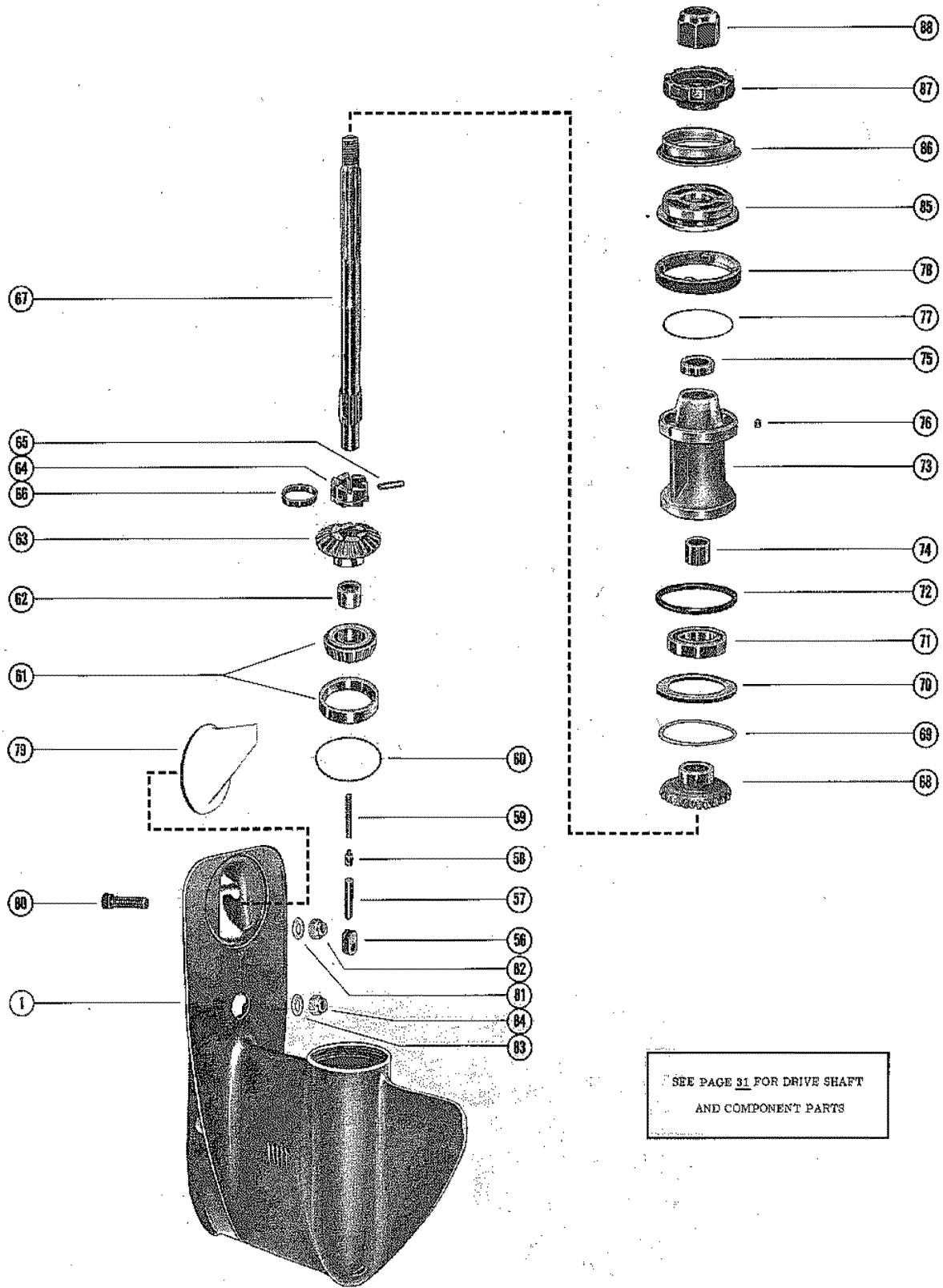
SEE PAGE 31 FOR DRIVE SHAFT
AND COMPONENT PARTS

GEAR HOUSING ASSEMBLY, COMPLETE (PAGE 2)

REF. NO.	PART NO.	SYM.	QTY.	DESCRIPTION
-	1626-3238A4		1,1,,	GEAR HOUSING ASSEMBLY, COMPLETE (SHORT SHAFT) SEE NOTE BELO
-	1626-3238A5		1,1,,	GEAR HOUSING ASSEMBLY, COMPLETE (LONG SHAFT)
-	1626-3688A4		,,1,1	GEAR HOUSING ASSEMBLY, COMPLETE (SHORT SHAFT)
-	1626-3688A5		,,1,1	GEAR HOUSING ASSEMBLY, COMPLETE (LONG SHAFT)
1	1626-3238A1		1,1,,	GEAR HOUSING ASS'Y (ALUMINUM WATER PUMP AND STRAIGHT GEARS)
	1626-3502A1		,,1,1	GEAR HOUSING ASS'Y (PLASTIC WATER PUMP AND STRAIGHT GEARS)
	1626-3688A1		,,1,1	GEAR HOUSING ASS'Y (PLASTIC WATER PUMP AND SPIRAL GEARS)
56	54346		1,1,1,1	CAM, SHIFT
57	38441		1,1,1,1	FOLLOWER, CAM
58	20843		1,1,1,1	SLIDE, CROSS PIN
59	24-39845		1,1,1,1	SPRING, COMPRESSION - CAM FOLLOWER
60	15-31154A1		AR,AR,AR,A	SHIM, BEARING CUP TO GEAR HOUSING (.002-3-5-10)- STRAIGHT
	15-38374A1		,,AR,AR	SHIM, BEARING CUP TO GEAR HOUSING (.002-3-5-10)- SPIRAL
61	31-31215A1		1,1,1,1	TAPERED ROLLER BEARING ASSEMBLY (STRAIGHT)
	31-38356A1		,,1,1	TAPERED ROLLER BEARING ASSEMBLY (SPIRAL)
	31-20249		1,1,1,1	BEARING, ROLLER - FORWARD GEAR
63	43-39941		1,1,1,1	FORWARD GEAR ASSEMBLY (STRAIGHT)
	43-46372		,,1,1	FORWARD GEAR ASSEMBLY (SPIRAL)
64	52-47586		1,1,1,1	RATCHET, SLIDING HUTCH
65	17-38113		1,1,1,1	PIN, CROSS - RATCHET TO PROPELLER SHAFT
66	24-38114		1,1,1,1	SPRING, RETAINING - CROSS PIN
67	44-38127		1,1,1,1	SHAFT, PROPELLER
68	43-39942		1,1,1,1	REVERSE GEAR ASSEMBLY (STRAIGHT)
	43-46374		,,1,1	REVERSE GEAR ASSEMBLY (SPIRAL)
69	15-20927A1		AR,AR,AR,A	SHIM, THRUST WASHER TO GEAR HOUSING (.002-3-5-10)
70	12-32004		1,1,1,1	WASHER, THRUST - REVERSE GEAR
71	30-20839		1,1,1,1	BEARING, BALL - REVERSE GEAR
72	25-31986		1,1,1,1	"O" RING, BEARING CARRIER
73	38130A1		1,1,,	BEARING CARRIER ASSEMBLY
	53014A1		,,1,1	BEARING CARRIER ASSEMBLY
74	31-20249		1,1,1,1	BEARING, ROLLER - BEARING CARRIER
75	26-23300		1,1,1,1	OIL SEAL, BEARING CARRIER
	26-23517		1,1,1,1	OIL SEAL, BEARING CARRIER
76	28-30281		1,1,1,1	KEY LOCATING - BEARING CARRIER
77	12-31993		1,1,,	WASHER, GEAR HOUSING COVER
	14-53012		,,1,1	TAB WASHER, GEAR HOUSING COVER
78	32014		1,1,,	COVER, GEAR HOUSING
	53013		,,1,1	COVER, GEAR HOUSING
79	31640A1		1,1,1,1	TRIM TAB ASSEMBLY, GEAR HOUSING

CONTINUED ON NEXT PAGE ➡

GEAR HOUSING ASSEMBLY, COMPLETE (PAGE 2)



GEAR HOUSING ASSEMBLY, COMPLETE (PAGE 2)

REF. NO.	PART NO.	SYM.	QTY.	DESCRIPTION
80	10-47580		1,1,1,1	SCREW, TRIM TAB TO GEAR HOUSING (1 3/4")
81	12-45175		1,1,1,1	WAHER, DRIVE SHAFT HOUSING STUD (3/8")
82	11-34863		1,1,1,1	NUT, DRIVE SHAFT HOUSING TO GEAR HOUSING (3/8")
83	12-45176		1,1,1,1	WASHER, DRIVE SHAFT HOUSING STUD (7/16")
84	11-34933		1,1,1,1	NUT, DRIVE SHAFT HOUSING TO GEAR HOUSING
85	38859A1		1,1,1,1	THRUST HUB AND WASHER ASSEMBLY
86	12-31992		1,1,1,1	WASHER, CUPPED - THURST HUB
87	12-32007		1,1,1,1	WASHER, SPLINED - PROPELLER SHAFT
88	11-31990		1,1,1,1	NUT, PROPELLER

PARTS INDEX

Part Number	Description	Pg.	Ref. No.	Part Number	Description	Pg.	Ref. No.
20047	RACE, OUTER	43	9	26852	CAP, NYLON - ADJUSTING SCREW	13	40
20121	CONNECTOR, HIGH TENSION CABLE (CAP END)	23	--	26852	CAP, NYLON - THROTTLE STOP ADJUSTING SCREW	21	42
20121	CONNECTOR, SPARK PLUG LEAD	15	--	27031A4	PLUNGER AND LINK ASSEMBLY, CHOKE SOLENOID	31	7
20121	CONNECTOR, SPARK PLUG LEAD	23	--	27711	RETAINER, SPRING	31	25
20121	TERMINAL, HIGH TENSION LEAD	15	--	27917	CLUSTER, THROTTLE LEVER (UPPER CARBURETOR)	31	11
20140	BELT, TIMING	11	34	27935	COVER, TRANSFER PORT	41	52
20140	BELT, TIMING	19	36	27947	SWIVEL, LINKAGE - ECONOMIZER COLLAR	13	41
20208	SHAFT, REVERSE LOCK TO SWIVEL BRACKET	57	15	27947	SWIVEL, LINKAGE - ECONOMIZER COLLAR	21	43
20843	SLIDE, CROSS PIN	65	58	27948	SWIVEL, UPPER LINK ROD TO THROTTLE CONTROL LEVER	13	45
22462	"U" LINK, CHOKE ROD TO CHOKE KNOB	31	17	27948	SWIVEL, UPPER LINK ROD TO THROTTLE CONTROL LEVER	21	47
22463	KNOB, CHOKE ROD	31	15	27955	CAP, ADAPTOR AND PILOT FASTENING	19	28
22789	"D" WASHER, CHOKE SOLENOID CLIP SCREW	5	57	27955	CAP, IGNITION DRIVER ADAPTOR AND PILOT FASTENING	11	26
22789	"D" WASHER, IGNITION COIL CLAMPING SCREW	29	56	28007A5	PICKUP-BRACKET ASSEMBLY SERIAL #2623694 AND BELOW	31	13
22789	"D" WASHER, IGNITION DRIVER LEAD SCREW	17	38	28403A3	THUMB SCREW ASSEMBLY	57	2
22789	"D" WASHER, STATOR LEAD CLAMP SCREW	9	16	28747	HANDLE, STARTER CABLE	5	48
22789	"D" WASHER, WIRING HARNESS LEAD CLIP ATTACHING SCREW	27	47	28748	RETAINER, STARTER CABLE AND HANDLE	5	49
23004	RETAINER, CHECK VALVE	37	7	29206	COVER, PLUG - BOTTOM COWL HARNESS HOLE	47	2
23008	COVER, FUEL PUMP	37	9	29277	PLATE, THROTTLE STOP SERIAL #2623519 AND BELOW	11	35
23014A1	DIAPHRAGM KIT	37	3	29783A1	DRIVEN PULLEY ASSEMBLY	11	29
23760	BAFFLE, BOTTOM COWL	47	22	29784	HUB, DRIVEN PULLEY	11	28
24929	PACKING, "U" CUP - UPPER MOUNT COVERS	53	28	29785	FLANGE, DRIVEN PULLEY	11	31
24935	COVER, UPPER MOUNT - OUTSIDE HALF	53	29	29787	HUB, FLANGE - FLYWHEEL PULLEY	9	11
25067	BUMPER, RUBBER - LOWER MOUNT SCREW	53	21	29788	FLANGE, FLYWHEEL PULLEY	9	9
25172A1	SHIFT SHAFT ASSEMBLY, UPPER (SHORT SHAFT) SERIAL #2624917 A	49	55	29906A1	DRIVEN PULLEY ASSEMBLY	19	30
25596	WIRE, STARTER MOTOR TO STARTER SOLENOID AND TOP MOUNT	25	26	29907	FLANGE, DRIVEN PULLEY	19	32
25596	WIRE, STARTER MOTOR TO STARTER SOLENOID AND TOP MOUNT	25	26	30043A1	ADAPTOR, DISTRIBUTOR	19	19
25996A1	SWIVEL AND LINK ROD ASSEMBLY	13	42	30043A1	ADAPTOR, IGNITION DRIVER	11	18
25996A1	SWIVEL AND LINK ROD ASSEMBLY	21	44	30109	GROUND STRAP, DISTRIBUTOR TO CRANKCASE	19	4
26079	PLATE, BACKING - WIRING HARNESS	27	39	30186	ADAPTOR, CHECK UNIT (FUEL LINE)	37	21
26551	BRACKET, TAB - CRANKCASE SCREW - DISTRIBUTOR GROUND STRAP	19	6	30187	STEM, CHECK UNIT ADAPTOR	37	22
				30188	CUP WASHER, ADAPTOR	37	25
				30269A2	FUEL PUMP ASSEMBLY	37	1

PARTS INDEX

Part Number	Description	Pg.	Ref. No.	Part Number	Description	Pg.	Ref. No.
30306	PULLEY, FLYWHEEL	9	10	37700	ROD, LINK - UPPER	13	44
30413	HOOK, COWL LATCH			37700	ROD, LINK - UPPER	21	46
	FASTENING	7	12	37720	TUBE, EXHAUST (SHORT		
30498	CAP, PLASTIC - TILT TUBE				SHAFT)	55	40
	ENDS	57	7	37721	SEAL, EXHAUST TUBE	61	6
30596	PAWL, STARTER	3	37	37794	BLANKET, SOUND		
30664	TUBE, TILT - CLAMP				ABSORBING	7	13
	BRACKET TO SWIVEL			37921	FLANGE, RUBBER - FRONT		
	BRACKET	57	4		SUPPORT BRACKET	5	52
30711	BUMPER, STEERING ARM	57	25	37924	LEVER, QUICK		
30859	INSULATOR, SLEEVE -				DISCONNECT -		
	INNER SWITCH TERMINAL	47	12		THROTTLE AND SHIFT		
31014	MOUNT, RUBBER - FRONT				CABLES	49	45
	SUPPORT BRACKET	5	58	37926	RETAINER, NYLON		
31095	SEAL, SOUND - LOWER				BEARING TO EXHAUST		
	SECTION	7	8		EXTENSION PLATE	49	49
31120	COVER, UPPER MOUNT -			37932	BEARING, NYLON - SHIFT		
	INSIDE HALF	53	30		CONTROL ACTUATOR	49	61
31640A1	TRIM TAB ASSEMBLY, GEAR			37935	RAIL, SHIFT CONTROL		
	HOUSING	65	79		BEARING	49	64
32001	INSERT, WATER PUMP			37943A1	COVER PLATE ASSEMBLY	47	18
	BODY (ALUMINUM)	61	23	37944	PAD, SOUND - COVER		
32014	COVER, GEAR HOUSING	65	78		PLATE	47	19
32361	KNOB, COWL FRONT			37948	ACTUATOR, SHIFT		
	COVER FASTENING	7	2		CONTROL	49	56
32445	STARTER SOLENOID	27	29	37996	GROUND STRAP,		
32768	PLATE, FACE - WATER				CRANKCASE MOUNT		
	PUMP BASE TO WATER				(ALSO USE ON STARTER		
	PUMP BODY	61	18		ENGINES)	39	20
33385A8	SWITCH ASSEMBLY,			38071	PLATE, SUPPORT -		
	MERCURY LATER				EXHAUST TUBE SEAL	61	5
	MODELS	5	62	38130A1	BEARING CARRIER		
35402	YOKE, BOTTOM	59	42		ASSEMBLY	65	73
35473	CLAMP, LOWER MOUNT TO			38133	SEAL, SOUND - UPPER		
	DRIVE SHAFT HOUSING	53	17		SECTION	7	9
35474	COVER, LOWER MOUNT			38154	STRIP, RETAINING - TRIM		
	CLAMP	53	14		COVER SEAL (SIDE)	55	44
35496	PAD, BUMPER - TOP COWL			38155	STRIP, RUBBER SEAL		
	RETAINER	3	8		RETAINING	49	42
37394	MOUNT, RUBBER - UPPER	53	27	38156	SEAL, RUBBER - EXHAUST		
37395	MOUNT, RUBBER - LOWER	53	20		EXTENSION PLATE	49	41
37412	LEVER, CLAMPING - TOP			38157	SEAL, TRIM COVER TO		
	COWL	3	21		DRIVE SHAFT HOUSING	55	43
37637	BOOT, FUEL CONNECTOR	47	24	38158	STRIP, RETAINING - TRIM		
37639	MOUNT, RUBBER -				COVER SEAL (REAR)	55	45
	CRANKCASE	39	18	38230A1	THROTTLE ACTUATOR		
37639	MOUNT, RUBBER -				ASSEMBLY	19	15
	CYLINDER BLOCK COVER	41	50	38431	BRACKET, REAR COWL		
37640	MOUNT, RUBBER - REAR				SUPPORT	3	15
	SUPPORT BRACKET	3	17	38441	FOLLOWER, CAM	65	57
37685	HOUSING, STARTER	3	28	38500	RETAINER, WATER TUBE		
37687	COVER, TRIM - DRIVE				SEAL	49	36
	SHAFT HOUSING	55	48	38604	SHUTTER, CHOKE -		
37688	LEVER, THROTTLE				CARBURETOR	31	26
	CONTROL	21	50	38674	BLANKET, SOUND		
37690	SHIELD, REAR - TOP COWL	3	2		ABSORBING	7	7
37691	PLATE, CABLE GUIDE	3	31	38859A1	THRUST HUB AND WASHER		
37692	SUPPORT, EXTERNAL				ASSEMBLY	67	85
	WIRING HARNESS	47	25	38950A1	COVER ASSEMBLY, STOP		
37695	BOOT, CONTROL CABLE	47	21		SWITCH	47	14

PARTS INDEX

Part Number	Description	Pg.	Ref. No.	Part Number	Description	Pg.	Ref. No.
39015A4	REVERSE LOCK ASSEMBLY	57	13	47341A1	STARTER CABLE (FORM		
39019	BASE, LOWER - REVERSE				MANUAL STARTING		
	LOCKING	63	45		ONLY)	5	47
39021	CAM, REVERSE LOCKING	63	46	47604A1	PROTECTOR ASSEMBLY,		
39445A1	SWIVEL PIN AND STEERING				SPARK PLUG LEADS	15	34
	ARM ASSEMBLY (SHORT			47604A1	PROTECTOR, SPARK PLUG		
	SHAFT)	57	24		LEAD	23	28
39445A2	SWIVEL PIN AND STEERING			47616A2	PLATE ASSEMBLY,		
	ARM ASSEMBLY (LONG				EXHAUST EXTENSION ..	47	33
	SHAFT)	57	24	47764	STRAP, VENT HOSE	47	10
39483	LATCH, THROTTLE			47835	ROD, PUSH - REVESE LOCK		
	CONTROL LEVER				(SHORT SHAFT)	53	7
	(THROTTLE CABLE)	13	52	47836	ROD, PUSH - REVERSE		
39503	BRACKET, RIDE GUIDE				LOCK (LONG SHAFT) ...	53	7
	ATTACHING	57	28	47837	ROD END, PUSH ROD	53	9
39835	RETAINER, STARTER			47838	GUIDE, PUSH ROD	53	12
	SPRING	3	33	47873	SHAFT, SHIFT - LOWER ...	63	38
39839	PLATE, RETAINER -			47883A1	PILOT ASSEMBLY, IGNITION		
	STARTER PAWL	5	45		DRIVER	11	3
39840	RETAINER, WAVE WASHER	5	41	47899A9	SPARK PLUG ASSEMBLY		
45068	CHOKE SOLENOID	31	1		ORDER 1-36549A1 KIT		
45391	SPACER, IGNITION WIRE ..	13	59		FOR REPLACEMENT OF .	23	27
45391	SPACER, IGNITION WIRE ..	19	2	47904A2	BRACKET ASSEMBLY,		
45477	SHAFT, SHEAVE	5	46		FRONT SUPPORT	5	50
45677A1	SHIFT SHAFT ASSEMBLY,			47912A1	LEVER ASSEMBLY, TILT		
	UPPER (LONG SHAFT) ..	49	55		STOP - STARBOARD SIDE	57	33
45681	TUBE, EXHAUST (LONG			47913A1	LEVER ASSEMBLY, TILT		
	SHAFT)	55	40		LOCK - PORT SIDE	57	34
46109	PLATE, BAFFLE - EXHAUST			47930	WIRING HARNESS		
	MANIFOLD	41	40		(INTERNAL)	27	37
46112	COVER, EXHAUST			47958	ROD, CHOKE	31	21
	MANIFOLD	41	42	48035A1	STOP SWITCH ASSEMBLY .	47	11
46141	EMBLEM, TOP COWL			48038	PLATE, THROTTLE		
	RETAINER	3	7		ACTUATOR	11	12
46142A1	RETAINER ASSEMBLY, TOP			48039	CAP, THROTTLE ACTUATOR		
	COWL	3	6		ADJUSTING SCREW	11	16
46142A2	RETAINER ASSEMBLY, TOP			48103A1	ECONOMIZER COLLAR AND		
	COWL	3	6		PIN ASSEMBLY	11	9
46144	BRACKET, TOP COWL			48103A1	ECONOMIZER COLLAR AND		
	LATCH	3	11		PIN ASSEMBLY	19	12
46242A1	PILOT ASSEMBLY,			48168A6	TACHOMETER ASSEMBLY .	1	-
	DISTRIBUTOR	19	8	48315A4	PLUNGER AND LINK		
46251	PLATE, THROTTLE STOP ..	19	37		ASSEMBLY, CHOKE		
46280	BRACKET, RETAINER - HIGH				SOLENOID	31	7
	TENSION LEAD	25	19	48402	LEVER, THROTTLE		
46303	"U" LINK, CHOKE ROD TO				CONTROL	13	46
	CHOKE KNOB	31	17	48753	INSERT, WATER PUMP		
46304	ROD, CHOKE (NOT AS				BODY (PLASTIC)	61	23
	SHOWN)	31	21	49184	RECTIFIER STARTED WITH		
46715	GROUND STRAP ASSEMBLY	27	36		SERIAL #2406035	25	12
46785A1	COWL LATCH ASSEMBLY ..	7	11	49225	WIRING HARNESS		
46905	WIRING HARNESS				(INTERNAL)-STARTED		
	(INTERNAL)-USE THRU				WITH SERIAL #2406035 ..	27	37
	SERIAL #2406034	27	37	52770	WIRING HARNESS		
46933A1	GROUND STRAP				(INTERNAL)	27	37
	ASSEMBLY, CRANKCASE			52882A1	SWIVEL PIN AND STEERING		
	TO BOTTOM COWL (3				ARM ASSEMBLY (SHORT		
	5/8")	49	51		SHAFT)	57	24

PARTS INDEX

Part Number	Description	Pg.	Ref. No.	Part Number	Description	Pg.	Ref. No.
52889	NOZZLE, TELL TALE HOSE TO BOTTOM COWL	47	30	10-20847	SCREW, THROTTLE STOP LEVER	33	19
52899	BRACKET, REAR COWL SUPPORT	3	15	10-20854	SCREW, FLOAT BOWL COVER	33	10
52917	GUIDE, PUSH ROD	53	12	10-20925	SCREW, PINION GEAR TO DRIVE SHAFT	61	8
53013	COVER, GEAR HOUSING	65	78	10-21091	SCREW, LATCH BRACKET TO TOP COWL (1 1/8")	3	12
53014A1	BEARING CARRIER ASSEMBLY	65	73	10-21106	SCREW, BAFFLE TO BOTTOM COWL	47	23
53078	CAP, PLASTIC - TILT TUBE ENDS	57	7	10-21504	SCREW, THROTTLE STOP ADJUSTING (1 1/4")	21	40
53143	LEVER, THROTTLE CONTROL	13	46	10-21574	SCREW, CRANKCASE TO CYLINDER BLOCK (1 5/8")	39	21
53156A3	FUEL PUMP ASSEMBLY	37	1	10-21625	SCREW, RAIL TO EXHAUST MANIFOLD COVER (3/4")	51	65
53216	LUBRICAP, SWIVEL BRACKET GREASE FITTING	57	21	10-21722	SCREW, RETAINER BRACKET TO FRONT SUPPORT BRACKET (5/8")	25	20
53458	PLATE, THROTTLE STOP (SERIAL #2623520 AND UP)	11	35	10-21722	SCREW, SWITCH BOX TO FRONT SUPPORT BRACKET (5/8")	25	4
53719A2	PICK-UP BRACKET ASSEMBLY SERIAL #2623695 AND UP	31	13	10-21722	SCREW, SWITCH BOX TO FRONT SUPPORT BRACKET (5/8")	25	4
53888A3	SHIFT SHAFT ASSEMBLY, UPPER (SHORT SHAFT)	49	55	10-21722	SCREW, VENT HOSE CLAMP (5/8")	47	--
53888A4	SHIFT SHAFT ASSEMBLY, UPPER (LONG SHAFT)	49	55	10-21937	SCREW, ADAPTOR TO BOTTOM COWL (2")	37	26
54346	CAM, SHIFT	65	56	10-21937	SCREW, HARNESS SUPPORT TO BOTTOM COWL (2")	47	26
55692	COUPLING, UPPER SHIFT SHAFT	49	--	10-22039	SCREW, CRANKCASE TO CYLINDER BLOCK (2 3/4")	39	22
N.S.S.	SPARK PLUG LEAD ASSEMBLY (27 1/2") ORDER A-36549A1 KIT FOR	15	31	10-22040	SCREW, ADAPTOR AN PILOT TO CRANKCASE	19	20
10-20037	SCREW, RETAINER TO HOUSING	37	8	10-22040	SCREW, ADAPTOR AND PILOT TO CRANKCASE (1 1/2")	11	19
10-20100	SCREW, "U" LINK TO CHOKE KNOB	31	18	10-22040	SCREW, CRANKCASE TO CYLINDER BLOCK (1 1/2")	39	21
10-20359	SCREW, CENTER MAIN BEARING LOCKING	39	27	10-22421	SCREW, EXHAUST EXTENSION PLATE TO DRIVE SHAFT HOUSING (1 1/4	49	38
10-20540	SCREW, TRANSFER PORT COVER MOUNTING (HEX HEAD)	41	54	10-22485	SCREW, RECTIFIER TO FRONT SUPPORT BRACKET (3/4")	25	10
10-20646	SCREW, SHIM AND TRIGGER HOUSING TO PRIMARY HOUSING (5/8")	23	13	10-22485	SCREW, SWITCH BOX TO FRONT SUPPORT BRACKET (3/4")	25	4
10-20653	SCREW, CYLINDER BLOCK COVER MOUNTING	41	48	10-22486	SCREW, LATCH TO THROTTLE CONTROL LEVER (7/8")	13	53
10-20674	SCREW, IGNITION DRIVE LEAD TO SWITCH BOX (1/2")	17	37	10-22698	SCREW, STARTER MOTOR TO CRANKCASE FLANGE (1 3/4")	25	24
10-20776	SCREW, WIRING HARNESS LEAD TO BOTTOM COWL (1/2")	27	49	10-23015	SCREW, ADJUSTING - THROTTLE ACTUATOR (1")	11	14
10-20776	SCREW, WIRING HARNESS LEAD TO BOTTOM COWL (1/2")	27	49				
10-20784	SCREW, CENTER MAIN BEARING CLAMPING (1 1/2") - HEX HEAD SCR	43	11				

PARTS INDEX

Part Number	Description	Pg.	Ref. No.	Part Number	Description	Pg.	Ref. No.
10-23178	SCREW, PLUG - MAIN NOZZLE	33	33	10-29197	SCREW, GROUND WIRE TO STARTER MOTOR (5/8")	27	27
10-24234	SCREW, FRONT SUPPORT BRACKET TO BOTTOM COWL (1")	5	54	10-29198	SCREW, LOWER END CAP MOUNGING (7/8")	41	35
10-24234	SCREW, RETAINER TO TOP COWL (1")	3	9	10-29198	SCREW, UPPER END CAP MOUNTING (7/8")	39	17
10-24933	SCREW, CENTER MAIN BEARING CLAMPING (1 1/2") - FILLISTER HE	43	11	10-29239	SCREW, PICK-UP BRACKET (1/2")	31	14
10-24933	SCREW, RETAINER BRACKET TO FRONT SUPPORT BRACKET (1 1/2")	25	20	10-29240	SCREW, PULLEY (5/8")	11	33
10-24933	SCREW, RETAINER BRACKET TO FRONT SUPPORT BRACKET (1 1/2")	25	20	10-29256	SCREW, LOWER MOUNT CLAMP TO DRIVE SHAFT HOUSING (7/8")	53	18
10-24933	SCREW, THROTTLE STOP ADJUSTING (1 1/2")	11	38	10-29465	SCREW, REED STOP MOUNTING (1/2")	43	20
10-25612	SCREW, DRIVE - SERIAL PLATE TO SWIVEL BRACKET	57	23	10-29608	SCREW, GEAR HOUSING FLUSHING HOLE ALUMINUM	63	33
10-25822	SCREW, STRAINER COVER FASTENING	33	18	10-29722	SCREW, COVER TO LOWER MOUNT CLAMP	53	15
10-25850	SCREW, FLOAT BOWL COVER (LONG)	33	11	10-29852	SCREW, RECTIFIER TERMINALS	25	16
10-26066	SCREW, CHOKE SOLENOID TO FRONT BRACKET	31	4	10-29878	SCREW, FUEL PUMP MOUNTING (1 1/2")	37	11
10-26128	SCREW, BACKING PLATE TO BOTTOM COWL	27	40	10-29911	SCREW, PULLEY CLAMPING	19	34
10-26128	SCREW, PLUG COVER TO BOTTOM COWL	47	3	10-30009	SCREW, COVER PLATE TO BOTTOM COWL (3/8")	47	20
10-26548	SCREW, DISTRIBUTOR GROUND STRAP TO TAB BRACKET (3/8")	19	5	10-30273	SCREW, FUEL PUMP MOUNTING (1 7/8")	37	10
10-26548	SCREW, IGNITION DRIVER GROUND STRAP TO TAB BRACKET (3/8")	13	61	10-30274	SCREW, FUEL PUMP MOUNTING (1 3/4")	37	10
10-26801	SCREW, MAIN BEARING LOCKING	39	25	10-30663	SCREW, GROUND STRAP (3/8" SELF TAPPING)	49	53
10-26801	SCREW, MAIN BEARING LOCKING	39	25	10-31206	SCREW, CHOKE SOLENOID CLIP ATTACHING (7/16")	5	56
10-28009	BOLT, CLAMP BRACKET TO BOAT TRANSOM (3 1/4")	59	44	10-31208	SCREW, STARTER SOLENOID TO STARTER MOTOR (5/8")	27	35
10-28259	SCREW, PRIMARY HARNESS CABLE CLAMP FASTENING (5/8")	15	9	10-31299	SCREW, THROTTLE STOP PLATE TO ADAPTOR (7/8")	11	37
10-28405	SCREW, PLUG - MAIN FUEL JET CHANNEL	33	28	10-31299	SCREW, THROTTLE STOP PLATE TO DISTRIBUTOR ADAPTOR (7/8")	19	39
10-28634	SCREW, GREASE FILLER AND VENT HOLE	63	31	10-31827	BOLT, CLAMP BRACKET TO BOAT TRANSOM (3")	59	44
10-28635	SCREW, TRANSFER PORT COVER MOUNTING (CAP HEAD)	41	54	10-31830	SCREW, STEERING ARM TO RIDE GUIDE KIT	57	31
10-28713	SCREW, TENSION SPRING TO CARBURETOR	31	24	10-32417	SCREW, PLATE AND RATCHET TO FLYWHEEL HUB (5/8")	9	6
10-28845	SCREW, PLUG - BODY CHANNEL	35	35	10-32565	SCREW, STARTER HOUSING TO CRANKCASE AND CYLINDER BLOCK (1")	3	29
				10-32627	SCREW, ADAPTOR TO HOUSING	23	11
				10-33986	BOLT, UPPER MOUNT OT SWIVEL PIN	57	26
				10-34222	SCREW, STATOR LEAD CLAMP FASTENING (1/2")	9	15

PARTS INDEX

Part Number	Description	Pg.	Ref. No.	Part Number	Description	Pg.	Ref. No.
10-34439	SCREW, RETAINER TO EXHAUST EXTENSION PLATE (3/4")	49	37	10-45914	SCREW, DISTRIBUTOR CAP TO ADAPTOR TO HOUSING (2")	23	19
10-34613	SCREW, THROTTLE LEVER TO EXHAUST COVER	21	51	10-46311	SCREW, THROTTLE STOP ADJUSTING (1 1/2")	19	40
10-35881	SCREW, DRIVE - CABLE GUIDE PLATE TO STARTER HOUSING	3	32	10-46367	SCREW, IGNITION COIL CLAMPING - CLIP ATTACHING (2 1/2")	27	52
10-36137	SCREW, BEARING TO SHIFT CONTROL ACTUATOR (1")	49	62	10-46368	SCREW, IGNITION COIL CLAMPING	27	52
10-36137	SCREW, IGNITION COIL TO BOTTOM COWL (1")	29	59	10-46368	SCREW, IGNITION COIL CLAMPING	27	52
10-37370	SCREW, REAR SHIELD TO TOP COWL	3	3	10-46420	SCREW, THROTTLE ACTUATOR TO ECONOMIZER COLLAR (1/2")	11	13
10-37562	SCREW, MANIFOLD COVER TO CYLINDER BLOCK (1")	41	43	10-46420	SCREW, THROTTLE ACTUATOR TO SECTOR GEAR	19	17
10-37571	SCREW, RETAINING STRIP TO DRIVE SHAFT HOUSING	55	46	10-46467	SCREW, FLEX PLATE TO FLYWHEEL (1/2")	9	7
10-37571	SCREW, RETAINING STRIP TO EXHAUST EXTENSION PLATE	49	43	10-47181	SCREW, IGNITION DRIVER CAP FASTENING (1 7/8")	15	26
10-37571	SCREW, TRIM COVER TO DRIVE SHAFT HOUSING	55	49	10-47182	SCREW, TERMINAL BOARD ASSEMBLY FASTENING (1/2")	15	4
10-37923	SCREW, BEARING RETAINER TO EXHAUST EXTENSION PLATE (1 1/2")	49	50	10-47183	SCREW, SET - COIL ASSEMBLY FASTENING	15	2
10-37990	SCREW, ADAPTOR TO BOTTOM COWL (1 3/4")	37	26	10-47184	SCREW, IGNITION DRIVER CAP FASTENING (1 1/2")	15	26
10-38036	SCREW, FUEL PUMP MOUNTING (1 1/2")	37	11	10-47185	SCREW, IGNITION DRIVER COVER FASTENING (3/4")	15	19
10-38069	SCREW, ANCHOR - QUICK DISCONNECT SPRING TO THROTTLE LEVER	13	51	10-47194	SCREW, BEARING CAP FASTENING (8=9/16")	15	14
10-38069	SCREW, ANCHOR - QUICK DISCONNECT SPRING TO THROTTLE LEVER	21	55	10-47273	SCREW, THROTTLE LEVER TO EXHAUST COVER (1 1/2")	13	48
10-38069	SCREW, QUICK DISCONNECT SPRING TO SHIFT CONTROL ACTUATOR	49	60	10-47580	SCREW, TRIM TAB TO GEAR HOUSING (1 3/4")	67	80
10-38837	SCREW, MANIFOLD COVER TO CYLINDER BLOCK - HIGH TENSION CLIP	41	44	10-47910	SCREW, ADAPTOR AND PILOT TO IGNITION DRIVER (5/8")	11	4
10-39661	SCREW, MANIFOLD COVER TO CYLINDER BLOCK - HIGH TENSION CLIP	41	44	10-47916	SCREW, TILT LOCK AND STOP LEVER TO SWIVEL BRACKET	57	35
10-45218	SCREW, GROUND STRAP (3/8")	49	53	10-48291	SCREW, DISTRIBUTOR PILOT TO DISTRIBUTOR (1 1/8")	19	9
10-45218	SCREW, IGNITION COIL WIRE TO SWITCH BOX	29	58	10-48408	SCREW, RETAINING STRIP TO DRIVE SHAFT HOUSING (SELF TAPPING)	55	46
10-45218	SCREW, SHIM AND TRIGGER HOUSING TO PRIMARY HOUSING (3/8")	23	13	10-48409	SCREW, MERCURY SWITCH TO EXHAUST MANIFOLD COVER	5	63
10-45379	SCREW, CAP TO CONNECTING ROD	43	26	10-49318	SCREW, LOWER MOUNT (5 1/2")	53	22
10-45775	SCREW, MAIN BEARING CLAMPING (9/16")	43	16	10-49987	SCREW, UPPER MOUNT COVER - REAR (1 1/2")	53	31

PARTS INDEX

Part Number	Description	Pg.	Ref. No.	Part Number	Description	Pg.	Ref. No.
10-49989	SCREW, PULLEY (5/8")	11	33	11-20890	NUT, GROUND WIRE		
10-52195	SCREW, FLOAT BOWL COVER (SHORT)	33	10	11-20922	SCREW	27	--
10-52196	SCREW, FLOAT BOWL COVER (LONG)	33	11	11-21971	NUT, RECTIFIER TO FRONT BRACKET	25	14
10-52720	SCREW, STATOR TO UPPER END CAP (7/8")	9	13	11-22053	NUT, CONNECTOR BASE TO BOTTOM COWL	47	17
10-52867	SCREW, BAFFLE TO BOTTOM COWL	47	23	11-22053	NUT, CHOKE SOLENOID SCREW	31	6
10-53481	SCREW, REED STOP MOUNTING (9/16")	43	20	11-22339	NUT, REAR SUPPORT BRACKET RUBBER MOUNT	3	20
10-53651	SCREW, PICK-UP BRACKET (3/4")	31	14	11-22339	NUT, FLYWHEEL	9	1
10-53904	SCREW, MAIN BEARING LOCKING - REED BALANCE	39	25	11-23161	NUT, FLYWHEEL	43	1
11-20013	NUT, THROTTLE STOP ADJUSTING SCREW	11	39	11-24656	NUT, UPPER MOUNT BOLT	55	37
11-20061	NUT, CONNECTING ROD SCREW	43	27	11-25096	NUT, WIRING HARNESS LEAD CLIP ATTACHING SCREW	27	48
11-20083	NUT, ADAPTOR AND PILOT TO CRANKCASE SCREW	11	21	11-25168	NUT, LOWER MOUNT SCREW	53	26
11-20083	NUT, ADAPTOR AND PILOT TO CRANKCASE SCREW	19	22	11-25168	NUT, UPPER LINK ROD ADJUSTING	13	43
11-20083	NUT, SOLENOID TERMINAL - INSIDE (5/16")	27	33	11-25594	NUT, UPPER LINK ROD ADJUSTING	21	45
11-20083	NUT, STUD TO CLAMP BRACKET	57	11	11-26062	NUT, POWERHEAD TO DRIVE SHAFT HOUSING STUDS (5/16")	55	39
11-20088	NUT, FRONT SUPPORT BRACKET RUBBER MOUNT	5	61	11-26419	NUT, CAP - SOLENOID TERMINAL - OUTSIDE (5/16")	27	34
11-20110	NUT, CHOKE SHUTTER TO CARBURETOR STUD	31	30	11-28010	NUT, PLUG COVER SCREW	47	5
11-20110	NUT, FILTER SCREEN STUD	31	34	11-28010	NUT, CLAMP BRACKET BOLT	59	46
11-20166	NUT, SHEAVE SHAFT (LEFT HAND THREAD)	3	26	11-28202	NUT, CLAMP BRACKET BOLT	59	46
11-20190	NUT, IGNITION COIL CLAMPING SCREW	29	57	11-29250	NUT, RETAINING - SWIVEL PIN	59	43
11-20361	NUT, BOTTOM COWL STUD	47	7	11-29469	NUT, CARBURETOR MOUNTING STUD	35	38
11-20361	NUT, CYLINDER BLOCK COVER RUBBER MOUNT	41	51	11-29488	NUT, REED STOP MOUNTING SCREW	43	21
11-20361	NUT, SHIFT CONTROL ACTUATOR TO UPPER SHIFT SHAFT	49	58	11-29488	NUT, RECTIFIER TERMINALS	25	17
11-20509	NUT, RIDE GUIDE BRACKET STUD	57	30	11-29598	NUT, WATER PUMP BODY AND BASE STUDS	61	26
11-20509	NUT, STEERING ARM SCREW	57	32	11-30499	NUT, TILT TUBE FASTENING	57	6
11-20586	NUT, LATCH SCREW	13	55	11-30932	NUT, PINION GEAR TO DRIVE SHAFT	61	10
11-20586	NUT, SWIVEL TO THROTTLE LEVER	21	49	11-31990	NUT, PROPELLER	67	88
11-20586	NUT, UPPER SWIVEL TO THROTTLE LEVER	13	57	11-34863	NUT, DRIVE SHAFT HOUSING TO GEAR HOUSING (3/8")	67	82
11-20645	NUT, CHOKE SOLENOID TERMINAL	31	3	11-34933	NUT, DRIVE SHAFT HOUSING TO GEAR HOUSING	67	84
11-20645	NUT, IGNITION COIL CLAMPING SCREW	27	53	11-34933	NUT, GEAR HOUSING TO DRIVE SHAFT HOUSING STUDS (7/16")	53	5
11-20645	NUT, SOLENOID TERMINAL (#10)	27	31	11-35045	NUT, WATER PUMP BODY AND BASE STUDS	63	26

PARTS INDEX

Part Number	Description	Pg.	Ref. No.	Part Number	Description	Pg.	Ref. No.
11-45076	NUT, RECTIFIER TERMINAL	25	9	12-25176	WASHER, SWIVEL PIN TO		
11-45076	NUT, SWITCH BOX				BOTTOM YOKE (.060) . . .	59	41
	TERMINAL	25	3	12-26436	WASHER, DISTRIBUTOR		
11-45076	NUT, SWITCH BOX				CAP FASTENING SCREW	23	20
	TERMINAL	25	3	12-26825	WASHER, REAR SUPPORT		
11-45774	NUT, MAIN BEARING				BRACKET RUBBER		
	CLAMPING SCREW	43	17		MOUNT	3	19
11-46438	NUT, ADAPTOR TO			12-26825	WASHER, TILT LOCK AND		
	HOUSING SCREW	23	12		STOP LEVER	59	39
11-46438	NUT, DISTRIBUTOR CAP			12-26837	WASHER, SWIVEL PIN TO		
	FASTENING SCREW	23	21		BOTTOM YOKE (.065) . . .	59	41
11-46793	NUT, CRANKCASE SCREW .	39	24	12-27129	WASHER, COVER		
11-46793	NUT, TILT LOCK AND STOP				FASTENING KNOB	7	4
	LEVER SCREW	57	36	12-27939	WASHER, IGNITION DRIVER		
11-46793	NUT, TILT LOCK AND STOP				PILOT	11	23
	LEVER TO CLAMP			12-27939	WASHER, THRUST -		
	BRACKET	59	40		DISTRIBUTOR ADAPTOR	19	24
11-46794	NUT, JAM - PUSH ROD	53	8	12-28008	WASHER, CLAMP BRACKET		
11-46886	NUT, UPPER MOUNT				BOLT	59	45
	COVER FASTENING			12-28051	WASHER, LOWER MOUNT		
	SCREW	53	33		SCREW	53	23
11-46887	NUT, ADAPTOR SCREW . . .	37	27	12-28053	WASHER, RUBBER - LOWER		
11-46887	NUT, CENTER MAIN				MOUNT SCREW	53	24
	BEARING CLAMPING			12-28404	WASHER, THUMB SCREW .	57	3
	SCREW	43	12	12-29245	WASHER, HORSESHOE		
11-46887	NUT, CRANKCASE RUBBER				SPRING TO ANCHOR PIN	11	8
	MOUNT	39	19	12-29245	WASHER, LATCH BRACKET		
11-46887	NUT, EXHAUST EXTENSION				SCREW (1/16" THICK) . . .	3	13
	PLATE SCREW	49	39	12-29245	WASHER, UPPER SWIVEL		
11-46887	NUT, HARNESS SUPPORT				TO THROTTLE LEVER . . .	13	56
	SCREW	47	27	12-29245	WASHER, UPPER SWIVEL		
11-46887	NUT, RECTIFIER TO FRONT				TO THROTTLE LEVER . . .	21	48
	SUPPORT BRACKET			12-29395	WASHER, THROTTLE LEVER		
	SCREW	25	11		SCREW	13	49
11-46887	NUT, RETAINER BRACKET			12-29395	WASHER, THROTTLE LEVER		
	SCREW	25	22		SCREW	13	49
11-46887	NUT, SWITCH BOX TO			12-29395	WASHER, THROTTLE LEVER		
	FRONT SUPPORT				SCREW	21	52
	BRACKET SCREW	25	6	12-30119	WASHER, LOWER MOUNT		
11-46887	NUT, VENT HOSE CLAMP				SCREW	53	25
	SCREW	47	--	12-30164	WASHER, CHOKE SHUTTER		
12-20084	WASHER, ADAPTOR AND				CARBURETOR STUD	31	29
	PILOT TO CRANKCASE			12-30164	WASHER, FILTER SCREEN		
	SCREW	11	20		STUD	31	33
12-20084	WASHER, ADAPTOR AND			12-30164	WASHER, RETAINING STRIP		
	PILOT TO CRANKCASE				SCREW	55	47
	SCREW	19	21	12-30519	WASHER, UPPER MOUNT		
12-20084	WASHER, CRANKCASE				BOLT (3/8 ID)	53	36
	SCREW	39	23	12-30520	WASHER, UPPER MOUNT		
12-20128	WASHER, WIRING HARNESS				BOLT (37/64 ID)	53	34
	CLAMP SCREW	27	44	12-30521	WASHER, RUBBER - UPPER		
12-20138	WASHER, PULLEY SCREW .	11	32		MOUNT BOLT	53	35
12-20260	WASHER, GREASE FILLER			12-30771	WASHER, COVER		
	AND VENT HOLE SCREW	63	32		FASTENING KNOB	7	3
12-20346	WASHER, FRONT SUPPORT			12-31266	WASHER, RUBBER - SHIFT		
	BRACKET RUBBER				SHAFT BUSHING	63	44
	MOUNT	5	60	12-31992	WASHER, CUPPED -		
12-21040	WASHER, CLAMP BRACKET				THURST HUB	67	86
	BOLT	59	45	12-31993	WASHER, GEAR HOUSING		
					COVER	65	77

PARTS INDEX

Part Number	Description	Pg.	Ref. No.	Part Number	Description	Pg.	Ref. No.
12-32004	WASHER, THRUST - REVERSE GEAR	65	70	13-24669	LOCKWASHER, WIRING HARNESS LEAD SCREW .	27	50
12-32007	WASHER, SPLINED - PROPELLER SHAFT	67	87	13-24669	LOCKWASHER, WIRING HARNESS LEAD SCREW .	27	50
12-33001	WASHER, FLYWHEEL NUT .	9	2	13-25244	LOCKWASHER, WIRING HARNESS LEAD SCREW .	27	50
12-33001	WASHER, FLYWHEEL NUT .	43	2	13-25244	LOCKWASHER, WIRING HARNESS LEAD SCREW .	27	50
12-35559	WASHER, WAVE WASHER RETAINER	5	42	13-26917	WASHER, WAVE - PRIMARY HOUSING	23	2
12-37407	WASHER, IGNITION COIL CLAMPING SCREW	27	54	13-26992	LOCKWASHER, FRONT SUPPORT BRACKET RUBBER MOUNT	5	59
12-37998	WASHER, LATCH BRACKET SCREW (1/32" THICK) . . .	3	14	13-26992	LOCKWASHER, GROUND WIRE FASTENING SCREW	27	28
12-38453	WASHER, CUPPED - WATER TUBE SEAL	63	28	13-26992	LOCKWASHER, IGNITION COIL SCREW	29	60
12-38453	WASHER, NYLON - WATER INLET TUBE	49	34	13-26992	LOCKWASHER, RAIL SCREW	51	66
12-38753	WASHER, WATER PUMP BODY AND BASE STUDS	61	25	13-26992	LOCKWASHER, WATER PUMP BODY AND BASE STUDS	61	25
12-38949	WASHER, SEALING - STOP SWITCH	47	15	13-26993	LOCKWASHER, CHOKE SOLENOID SCREW	31	5
12-45075	WASHER, RECTIFIER TERMINAL	25	8	13-26993	LOCKWASHER, CHOKE SOLENOID TERMINAL . . .	31	2
12-45075	WASHER, SWITCH BOX TERMINAL	25	2	13-26993	LOCKWASHER, CLAMP BRACKET STUD	57	10
12-45075	WASHER, SWITCH BOX TERMINAL	25	2	13-26993	LOCKWASHER, REAR SUPPORT BRACKET RUBBER MOUNT	3	18
12-45175	WASHER, DRIVE SHAFT HOUSING STUD (3/8") . . .	67	81	13-26993	LOCKWASHER, RECTIFIER TO FRONT BRACKET . . .	25	13
12-45176	WASHER, DRIVE SHAFT HOUSING STUD (7/16") . .	67	83	13-26993	LOCKWASHER, SOLENOID TERMINAL (5/16")	27	32
12-45176	WASHER, GEAR HOUSING TO DRIVE SHAFT HOUSING STUDS (7/16") .	53	6	13-26993	LOCKWASHER, STARTER MOTOR SCREW	25	25
12-46101	WASHER, PLUNGER AND LINK	31	8	13-26995	LOCKWASHER, PLUG COVER SCREW	47	4
12-46246	WASHER, DISTRIBUTOR PILOT TO DISTRIBUTOR ADAPTOR	19	18	13-26996	LOCKWASHER, "U" LINK SCREW	31	19
12-46246	WASHER, IGNITION DRIVER PILOT TO ADAPTOR	11	17	13-26996	LOCKWASHER, PULLEY CLAMPING SCREW	19	35
12-47275	WASHER, NEEDLE LOCATING	43	30	13-26996	LOCKWASHER, SOLENOID TERMINAL (#10)	27	30
12-47606	WASHER, SWIVEL PIN	57	27	13-26996	LOCKWASHER, WIRING HARNESS CLAMP SCREW	27	43
12-49221	WASHER, GEAR HOUSING FLUSHING HOLE	63	37	13-27959	WASHER, WAVE - IGNITION DRIVER BALL BEARING TENSION	11	25
12-52864	WASHER, CLAMP BRACKET TO SWIVEL BRACKET . . .	57	5	13-27959	WASHER, WAVE - TAB WASHER TENSION	19	27
13-20160	WASHER, WAVE - RETAINER TENSION	5	43	13-30597	WASHER, WAVE - STARTER PAWL	3	38
13-20202	LOCKWASHER, STARTER HOUSING SCREW	3	30	13-34632	WASHER, WAVE - TILT LOCK AND STOP LEVER .	59	38
13-21272	LOCKWASHER, BEARING SCREW	49	63	13-37371	LOCKWASHER, REAR SHIELD SCREW	3	4
13-21972	LOCKWASHER, CONNECTOR BASE	47	16	13-39107	LOCKWASHER, RETAINER TO TOP COWL SCREW . .	3	10
13-22238	LOCKWASHER, GROUND STRAP SCREW	49	54				
13-22773	LOCKWASHER, SWITCH BOX FASTENING SCREW	25	5				

PARTS INDEX

Part Number	Description	Pg.	Ref. No.	Part Number	Description	Pg.	Ref. No.
13-52197	LOCKWASHER, FLOAT			16-37728	STUD, WATER PUMP BODY		
	BOWL COVER SCREW ..	33	12		AND BASE TO GEAR		
14-20091	TAB WASHER, BEARING				HOUSING (2 11/16")	61	2
	LOCKING SCREW	39	26	16-37986	STUD, CYLINDER BLOCK TO		
14-20165	TAB WASHER, SHEAVE				DRIVE SHAFT HOUSING		
	SHAFT NUT	3	27		(2 5/16")	39	13
14-27960	TAB WASHER, ADAPTOR			16-39781	STUD, RIDE GUIDE		
	CAP FASTENING	11	24		BRACKET TO STEERING		
14-27960	TAB WASHER, CAP				ARM (1 1/4")	57	29
	LOCKING	19	26	16-46913	STUD, DRIVE SHAFT		
14-29157	TAB WASHER, IGNITION				HOUSING TO GEAR		
	DRIVER CAP FASTENING				HOUSING (3")	53	4
	SCREW	15	27	16-46914	STUD, DRIVE SHAFT		
14-29157	TAB WASHER, IGNITION				HOUSING TO GEAR		
	DRIVER COVER				HOUSING (1 3/4")	53	3
	FASTENING SCREW	15	20	16-52662	STUD, GEAR HOUSING TO		
14-29163	TAB WASHER, PINION GEAR				DRIVE SHAFT HOUSING		
	SCREW	61	9		(2 3/16")	61	3
14-53012	TAB WASHER, GEAR			16-52898	STUD, FILTER SCREEN TO		
	HOUSING COVER	65	77		CARBURETOR (1 1/8") ...	31	32
15-20082A1	SHIM, UPPER END CAP TO			16-52906	STUD, CARBURETOR -		
	CYLINDER BLOCK AND				CHOKE SHUTTER PIVOT		
	CRANKCASE	39	16		(1 3/8")	31	28
15-20085A1	SHIM, LOWER END CAP TO			17-20032	DOWEL PIN, ADAPTOR TO		
	CRANKCASE AND				PRIMARY HOUSING	23	9
	CYLINDER BLOCK (.002-3-	41	34	17-20032	DOWEL PIN, CENTER MAIN		
15-20927A1	SHIM, THRUST WASHER TO				BEARING	43	7
	GEAR HOUSING (.002-3-5-			17-20032	DOWEL PIN, CYLINDER		
	10)	65	69		BLOCK TO MAIN BEARING	39	6
15-20929A1	SHIM, BEARING TO GEAR			17-20032	DOWEL PIN, MAIN BEARING	43	15
	HOUSING (.002-3-5-10) ..	63	51	17-20033	DOWEL PIN, CRANKCASE		
15-20929A1	SHIM, BEARING TO WATER				TO CYLINDER BLOCK ...	39	11
	PUMP BASE (.002-3-5-10)	63	54	17-20323	DOWEL PIN, CYLINDER		
15-30497A1	SHIM, CLAMP BRACKET TO				BLOCK TO CENTER MAIN		
	SWIVEL BRACKET (.010-				BEARING	39	7
	.020)	57	5	17-20379	DOWEL PIN, (STEPPED) ...	43	13
15-31154A1	SHIM, BEARING CUP TO			17-23733	PIN, IMPELLER DRIVE	61	21
	GEAR HOUSING (.002-3-5-			17-23928	PIN, ROLL - QUICK		
	10)-STRAIGHT	65	60		DISCONNECT LEVER ...	49	48
15-38374A1	SHIM, BEARING CUP TO			17-24873	PIN, ROLL - FLANGE	11	30
	GEAR HOUSING (.002-3-5-			17-25391	RIVET, CHOKE SHUTTER TO		
	10)-SPIRAL	65	60		CHOKE ROD	31	22
16-20221	STUD, CLAMP BRACKET ..	57	8	17-25598	ROLL PIN, REVERSE LOCK		
16-20467	STUD, BOTTOM COWL TO				SPRING ATTACHING	57	17
	REAR SUPPORT			17-26618	PIN, DOWEL - PULLEY TO		
	BRACKET	47	6		FLYWHEEL	9	8
16-29988	STUD, CRANKCASE TO			17-27961	PIN, ECONOMIZER COLLAR		
	DRIVE SHAFT HOUSING				- SPRING RETAINER	11	10
	(1 9/16")	39	10	17-27961	PIN, SPRING RETAINER ...	19	13
16-29989	STUD, CYLINDER BLOCK TO			17-27962	PIN, ANCHOR -		
	DRIVE SHAFT HOUSING				HORSESHOE SPRING TO		
	(1 15/16")	39	14		PILOT	11	7
16-29990	STUD, CYLINDER BLOCK TO			17-27962	PIN, SPRING TERMINAL ...	19	11
	DRIVE SHAFT HOUSING			17-29077	PIN, ROLL - TENSION		
	(3 7/16")	39	12		SPRING TO KNOB	7	6
16-30172	STUD, CARBURETOR -			17-29077	PIN, ROLL - TOP COWL		
	CHOKE SHUTTER PIVOT				CLAMPING LEVER	3	25
	(1 1/4")	31	28	17-29908	PIN, DRIVEN PULLEY	19	31
16-35099	STUD, CARBURETOR			17-30545	PIN, DRIVE SHAFT	63	49
	MOUNTING (1 3/16")	39	9				

PARTS INDEX

Part Number	Description	Pg.	Ref. No.	Part Number	Description	Pg.	Ref. No.
17-38113	PIN, CROSS - RATCHET TO PROPELLER SHAFT	65	65	22-31521	ELBOW, VENT HOSE - DISTRIBUTOR CAP	23	17
17-39023	PIN, REVERSE LOCK LEVER	53	10	22-31521	ELBOW, VETN - IGNITION DRIVER COVER	15	21
17-49930A1	TILT LOCK PIN ASSEMBLY .	57	12	22-31521A1	ELBOW ASSEMBLY, VENT HOSE - ADAPTOR HOUSING	23	14
18-20233	CLIP, RETAINING - SHIFT SHAFT	63	39	22-32802	PLUG, PIPE - WATER PRESSURE AND BALANCE TUBE HOLES .	39	8
18-21071	COTTER PIN, "U" LINK TO CHOKE ROD	31	20	22-33373	CONNECTOR, CYLINDER BLEED HOSE (UPPER) . .	41	58
18-25191	COTTER PIN, PUSH ROD TO REVERSE LOCK	53	11	22-34579	CONNECTOR, CYLINDER BLEED HOSE (LOWER) . .	41	58
18-26953	COTTER PIN, LINK TO UPPER CHOKE SHUTTE .	31	9	22-34579	CONNECTOR, CYLINDER BLEED HOSE (LOWER) . .	41	58
18-45882	COTTER PIN, REVESE LOCK TO SHAFT	57	14	22-34579	CONNECTOR, CYLINDER BLEED HOSE (LOWER) . .	41	58
19-47579	PLUG, PLASTIC - TRIM TAB SCREW HOLE	53	2	22-37682	CONNECTOR, FUEL LINE TO ADAPTOR	37	20
19-48750	PLUG, GEAR HOUSING FLUSHING HOLE PLASTIC	63	36	22-52644	PLUG, GREASE - REVERSE LOCK HOLE	53	13
21-28481A1	CHECK VALVE ASSEMBLY, BLEED HOSE VALVE	41	56	23-20222	SPACER, CLAMP BRACKET STUD	57	9
21-28481A1	CHECK VALVE ASSEMBLY, BLEED HOSE VALVE	41	56	23-23651	SLEEVE, WATER INLET TUBE	55	41
21-28481A1	CHECK VALVE ASSEMBLY, LOWER END CAP	39	29	23-26600	BUSHING, NYLON - UPPER SHIFT SHAFT	49	--
21-28483A1	CHECK VALVE ASSEMBLY, BLEED HOSE (UPPER) . .	41	55	23-26602	BUSHING, NYLON - THROTTLE ACTUATOR . .	19	16
21-28483A1	CHECK VALVE ASSEMBLY, BLEED HOSE (UPPER) . .	41	55	23-26819	BUSHING, TOP COWL CLAMPING LEVER (NYLON)	3	22
21-30430A1	CHECK VALVE ASSEMBLY .	37	2	23-28458	SPACER, RECTIFIER TO FRONT BRACKET	25	15
22-22946	SLEEVE, RUBBER	37	17	23-28912	BUSHING, SPRING GUIDE .	3	35
22-22946	SLEEVE, RUBBER - CONNECTOR	37	13	23-28919	BUSHING, NYLON - SHEAVE SHAFT SPACER	3	39
22-22948	NUT, CONNECTOR TO FUEL LINE	37	14	23-29529	BUSHING, THROTTLE LEVER SCREW	13	47
22-22948	NUT, ELBOW	37	18	23-29529	BUSHING, THROTTLE LEVER SCREW	21	53
22-22949	CONNECTOR, PUMP INLET TO FUEL LINE	37	12	23-29909	SPACER, DRIVEN PULLEY .	11	--
22-22995	ELBOW, FUEL PUMP INLET	37	16	23-29909	SPACER, DRIVEN PULLEY .	19	29
22-23612	FITTING, GREASE - SWIVEL BRACKET	57	20	23-30438	BUSHING, NYLON - UPPER CHOKE SHUTTER	31	27
22-25094	FITTING, GREASE - DISTRIBUTOR ADAPTOR	19	23	23-31293	BUSHING, TOP COWL CLAMPING LEVER (RUBBER)	3	23
22-25094	FITTING, GREASE - ECONOMIZER COLLAR . .	11	11	23-33070	SPACER, RETAINER BRACKET TO FRONT SUPPORT BRACKET	25	21
22-25094	FITTING, GREASE - ECONOMIZER COLLAR . .	19	14	23-33070	SPACER, RETAINER BRACKET TO FRONT SUPPORT BRACKET	25	21
22-25094	FITTING, GREASE - IGNITION DRIVER ADAPTOR	11	22	23-35560	SPACER, SHEAVE SHAFT .	5	40
22-29111	CONNECTOR, BALANCE TUBE TO CYLINDER BLOCK	41	37	23-37428A1	BUSHING ASSEMBLY, SHIFT SHAFT	63	41
22-29111	CONNECTOR, WATER TELL TALE HOLE - CYLINDER BLOCK	39	15	23-37927	BUSHING, NYLON - QUICK DISCONNECT LEVER . . .	49	47
22-29111	CONNECTOR, WATER TELL TALE HOSE - BOTTOM COWL	47	29				

PARTS INDEX

Part Number	Description	Pg.	Ref. No.	Part Number	Description	Pg.	Ref. No.
23-45818	BUSHING, THROTTLE LEVER SCREW	13	47	25-26547	GROMMET, COIL WIRE BRACKET	15	29
23-47911	BUSHING, TILT LOCK AND STOP LEVER	57	37	25-26547	GROMMET, HIGH TENSION CABLE	23	25
23-48456	SPACER, THROTTLE PLATE TO ADAPTOR	19	38	25-26855	"O" RING, WATER PUMP BASE	61	12
23-48456	SPACER, THROTTLE STOP PLATE TO ADAPTOR	11	36	25-29619	"O" RING, DRIVE SHAFT SPLINE	43	5
23-52709	SLEEVE LUBRICATION - DRIVE SHAFT	63	50	25-29619	"O" RING, UPPER - DRIVE SHAFT	63	30
24-20099	SPRING, COMPRESSION - LATCH SCREW	13	54	25-31986	"O" RING, BEARING CARRIER	65	72
24-20254	SPRING, COMPRESSION - DRIVE SHAFT	63	48	25-46252	GROMMET, THROTTLE STOP ADJUSTING SCREW	21	41
24-26068	SPRING, RETAINER PLATE TO STARTER SHEAVE	5	44	25-52723	GROMMET, LIMIT STOP - REAR COWL SUPPORT BRACKET	3	16
24-27944	SPRING, HORSESHOE	19	10	26-23300	OIL SEAL, BEARING CARRIER	65	75
24-27944	SPRING, HORSESHOE - IGNITION DRIVER PILOT	11	6	26-23300	OIL SEAL, WATER PUMP BASE	61	15
24-28965	SPRING, TENSION - CHOKE ROD TO CARBURETOR	31	23	26-23517	OIL SEAL, BEARING CARRIER	65	75
24-28975	SPRING, GARTER - INTERNAL WIRING HARNESS	27	38	26-24590	OIL SEAL, SHIFT SHAFT BUSHING (LOWER)	63	42
24-29821	SPRING, TENSION - REVERSE LOCK	57	16	26-26782	OIL SEAL, WATER PUMP BASE	61	14
24-30189	SPRING, ADAPTOR STEM	37	24	26-29476	OIL SEAL	39	3
24-30858A1	SPRING AND CONTACT ASSEMBLY	47	13	26-29476	OIL SEAL, UPPER	39	31
24-32271	SPRING, TENSION - COVER FASTENING KNOB	7	5	26-29476	OIL SEAL, UPPER	39	31
24-35522	SPRING, TENSION - LOWER MOUNT CLAMP	53	19	26-29478	OIL SEAL, LOWER	39	30
24-37934	SPRING, QUICK DISCONNECT - SHIFT CABLE	49	59	26-29612	SEAL, GEAR HOUSING FLUSHING HOLE SCREW	63	35
24-37934	SPRING, QUICK DISCONNECT - THROTTLE CABLE TO THROTTLE LEVER	13	50	26-31249	OIL SEAL, SHIFT SHAFT BUSHING (UPPER)	63	43
24-37934	SPRING, QUICK DISCONNECT - THROTTLE CABLE TO THROTTLE LEVER	21	54	26-32121	OIL SEAL, WATER PUMP BODY	61	24
24-38005	SPRING, COMPRESSION - QUICK DISCONNECT LEVER	49	46	26-32911	OIL SEAL, SWIVEL BRACKET	57	19
24-38114	SPRING, RETAINING - CROSS PIN	65	66	26-38452	SEAL, RUBBER - WATER TUBE	49	35
24-39502A1	SPRING, STARTER REWIND	3	34	26-38452	SEAL, WATER PUMP BODY TO WATER TUBE	63	27
24-39845	SPRING, COMPRESSION - CAM FOLLOWER	65	59	27-27936	GASKET, TRANSFER PORT COVER	41	53
25-20081	"O" RING, LOWER END CAP	41	32	27-29586	GASKET, GEAR HOUSING FLUSHING HOLE SCREW	63	34
25-20081	"O" RING, UPPER END CAP	39	4	27-31402	GASKET, CARBURETOR FLANGE	35	37
25-20116	GROMMET, CHOKE KNOB	3	5	27-32769	GASKET, LOWER - WATER PUMP BASE TO FACE PLATE	61	17
25-20116	GROMMET, CHOKE KNOB	31	16	27-32770	GASKET, UPPER - FACE PLATE TO WATER PUMP BODY	61	19
25-20273	RING, RUBBER - CENTRIFUGAL SLINGER	63	29	27-32771	GASKET, WATER PUMP BASE TO GEAR HOUSING	61	11
25-20415	"O" RING, ADAPTOR STEM	37	23	27-36268	GASKET, DISTRIBUTOR CAP TO ADAPTOR	23	15

PARTS INDEX

Part Number	Description	Pg.	Ref. No.	Part Number	Description	Pg.	Ref. No.
27-37816	GASKET, CYLINDER BLOCK COVER	41	47	31-38356A1	TAPERED ROLLER BEARING ASSEMBLY (SPIRAL)	65	61
27-38501	GASKET, EXHAUST EXTENSION PLATE TO DRIVE SHAFT HOUSING	49	44	32-26407	HOSE, WATER TELL TALE - CYLINDER BLOCK TO BOTTOM COWL (16")	47	28
27-38501	GASKET, EXHAUST EXTENSION PLATE TO DRIVE SHAFT HOUSING	55	38	32-26527	SLEEVE, HIGH TENSION LEAD (LEADS 1, 2, 3, 4)	23	30
27-46110	GASKET, CYLINDER BLOCK TO BAFFLE PLATE	41	39	32-26527	SLEEVE, SPARK PLUG LEAD (1 1/2")	15	33
27-46110A2	GASKET SET (MOTOR OVERHAUL)	1	-	32-28373	SLEEVE, RECTIFIER TERMINALS	25	18
27-46111	GASKET, BAFFLE PLATE TO EXHAUST COVER	41	41	32-28654	HOSE, CYLINDER BLEED (6 1/2") EARLY MODELS	41	57
27-46351	GASKET, ADAPTOR TO PRIMARY HOUSING	23	10	32-28654	HOSE, CYLINDER BLEED (6 1/2") EARLY MODELS	41	57
27-47189	GASKET, IGNITION DRIVER COVER	15	17	32-28654	HOSE, CYLINDER BLEED (6 1/2") LATE MODELS	41	57
27-47190	GASKET, IGNITION DRIVER CAP	15	24	32-28665	HOSE, CYLINDER BLEED (5 1/2")	41	57
28-20094	KEY, FLYWHEEL DRIVE	9	3	32-30036	FUEL LINE, FUEL PUMP TO ADAPTOR	37	19
28-20094	KEY, FLYWHEEL DRIVE	43	3	32-32094	FUEL LINE, PUMP TO LOWER AND UPPER FILTER	37	15
28-28657	KEY, IGNITION DRIVER	11	27	32-33729	TUBE, BALANCE - MAIN BEARING	41	36
28-29910	KEY, DISTRIBUTOR DRIVING	19	33	32-34395A1	TUBE, VENT - IGNITION DIRVER OUTLET (12 5/8") - ALSO USED ON	47	8
28-30281	KEY LOCATING - BEARING CARRIER	65	76	32-34395A1	TUBE, VENT - IGNITION DIRVER OUTLET (12 5/8") - ALSO USED ON	47	8
29-20046	BEARING, NEEDLE	43	8	32-34395A1	TUBE, VENT DISTRIBUTOR OUTLET (8 3/4")	47	8
29-20046	BEARING, NEEDLE - CRANKPIN	43	28	32-37670	TUBE, DRAIN - FRONT SUPPORT BRACKET TO BOTTOM COWL	5	53
29-20063	BEARING, NEEDLE - PISTON PIN	43	29	32-37727	TUBE, WATER INLET (SHORT SHAFT)	55	42
30-20066	BALL BEARING, IGNITION DRIVER PILOT	11	5	32-45679	TUBE, WATER INLET (LONG SHAFT)	55	42
30-20066	BEARING, BALL - DISTRIBUTOR ADAPTOR	19	25	32-46398	SLEEVE, HIGH TENSION CABLE	23	26
30-20080	BALL BEARING, LOWER END CAP	41	33	32-46398	SLEEVE, HIGH TENSION CABLE (3/4")	17	35
30-20080	BALL BEARING, UPPER END CAP	39	5	32-46768	SLEEVE (LEADS 1, 2, 3, 4) - 6"	23	29
30-20839	BEARING, BALL - REVERSE GEAR	65	71	32-46768	SLEEVE, SPARK PLUG LEAD (6")	15	32
30-20861	BEARING, BALL - DRIVE SHAFT STRAIGHT	63	52	33-45191	SPARK PLUG (CHAMPION - L19V)	13	58
30-24998	BEARING, BALL - DRIVER END (1 3/8" O.D.)	15	10	33-45191	SPARK PLUG (CHAMPION - L19V)	19	3
30-26379	BEARING, BALL - ROTOR SHAFT	23	6	34-20053	REED STOP, MAIN BEARING REED VALVES	43	19
30-49090	BEARING, BALL - IGNITION DRIVER END (1 1/4" O.D.)	15	12	34-20888A1	REED SET, MATCHED - MAIN BEARING	43	18
31-20231	BEARING, ROLLER - DRIVE SHAFT	61	4	35-52896	SCREEN, FILTER - CARBURETOR	31	31
31-20249	BEARING, ROLLER - BEARING CARRIER	65	74				
31-20249	BEARING, ROLLER - FORWARD GEAR	65	61				
31-31215A1	TAPERED ROLLER BEARING ASSEMBLY (STRAIGHT)	65	61				
31-38146A1	ROLLER BEARING ASSEMBLY, TAPERED - DRIVE SHAFT (SPIRAL)	63	55				

PARTS INDEX

Part Number	Description	Pg.	Ref. No.	Part Number	Description	Pg.	Ref. No.
37-47867A1	DECAL SET(MERC 500-7)	1	-	54-20387	CLAMP, BLEED HOSE		
37-52812A1	DECAL SET (MERC 500-8)	1	-		ATTACHING	41	59
38-39784	SERIAL PLATE	57	22	54-20387	CLAMP, BLEED HOSE		
39-27841A12	RING, PISTON	43	24		ATTACHING	41	59
39-28616A12	RING, PISTON (.015 OVERSIZE)	45	--	54-22740	CLIP, IGNITION DRIVER		
40-47276	LOCK RING, PISTON PIN	43	23		LEAD	17	36
43-20834	GEAR, PINION - DRIVE			54-22740	CLIP, LEAD WIRE TO		
	SHAFT STRAIGHT	61	7		IGNITION COIL	29	55
43-39941	FORWARD GEAR			54-22740	CLIP, SOLENOID LEAD AND		
	ASSEMBLY (STRAIGHT)	65	63		HARNESS TO FRONT		
43-39942	REVERSE GEAR ASSEMBLY			54-23568	SUPPORT BRACKET	5	55
	(STRAIGHT)	65	68		CLIP, SOLENOID LEAD AND		
43-46372	FORWARD GEAR				HARNESS TO FRONT		
	ASSEMBLY (SPIRAL)	65	63	54-24836	SUPPORT BRACKET	5	55
43-46373	GEAR, PINION - DRIVE				CLAMP, STATOR LEAD TO		
	SHAFT SPIRAL	61	7	54-24836	CRANKCASE	9	14
43-46374	REVERSE GEAR ASSEMBLY				CLIP, WIRING HARNESS		
	(SPIRAL)	65	68	54-25231	LEAD	27	45
44-38127	SHAFT, PROPELLER	65	67		CLIP, SOLENOID LEAD TO		
45-27951	SHAFT, IGNITION DRIVER	11	2		FRONT SUPPORT		
45-38466	DRIVE SHAFT (SHORT			54-26550	BRACKET	5	55
	SHAFT) STRAIGHT	63	47		CLIP, WIRING HARNESS		
45-46394	DRIVE SHAFT (LONG			54-37303	LEAD	27	45
	SHAFT)	63	47	54-46379	CLIP, HIGH TENSION LEAD	41	45
45-47953	DRIVE SHAFT,				CLIP, STATOR LEAD TO		
	DISTRIBUTOR	19	7	54-47187	CRANKCASE	9	17
45-53569A1	DRIVE SHAFT ASSEMBLY				SPRING CLIP - IGNITION		
	(SHORT SHAFT) SPIRAL	63	47	54-47188	DRIVER ROTOR	15	16
45-53571A1	DRIVE SHAFT ASSEMBLY				CLAMP, PRIMARY HARNESS		
	(LONG SHAFT)	63	47		CABLE - IGNITION		
46-32767A1	WATER PUMP BODY			54-48123	DRIVER	15	8
	ASSEMBLY (ALUMINUM)	61	22		CLAMP, WATER TELL TALE		
46-37313A2	HEAVY DUTY WATER PUMP			54-49218	HOSE TO CONNECTOR	47	32
	KIT	1	-	54-52876	CLAMP, VENT HOSE	47	--
46-39531A1	WATER PUMP BASE			54-52905	CLAMP, WIRING HARNESS	27	41
	ASSEMBLY (ALUMINUM)	61	13	87-	CLIP, HIGH TENSION LEAD	41	45
46-48745A1	WATER PUMP BASE				NUT, COVER MOUNTING		
	ASSEMBLY (PLASTIC)	61	13	90-48425	SCREW	41	49
46-48746A1	WATER PUMP BODY				MERC 500-7 AND MERC		
	ASSEMBLY (PLASTIC)	61	22	92-25234--1	500-8 PARTS LIST	1	-
47-20268	IMPELLER, WATER PUMP	61	20	92-32641-1	GLUE (BLANKET ADHESIVE)	7	--
50-28985A1	STARTER CABLE			94-39393	GEAR LUBRICANT	1	-
	ASSEMBLY	5	47		SHIPPING CARTON		
50-38890A1	STARTER MOTOR			154-2489A9	(MOTOR)	1	-
	ASSEMBLY	25	23		DRIVE SHAFT ASSEMBLY		
50-39837	RATCHET, FLYWHEEL -			223-2402A5	(SHORT SHAFT)	53	1
	FLEX PLATE	9	5	223-2403A5	FLYWHEEL ASSEMBLY	9	4
50-39841	SHEAVE ASSEMBLY	3	36		FLYWHEEL ASSEMBLY (USE		
52-47586	RATCHET, SLIDING HUTCH	65	64	223-2403A8	THRU SERIAL #2406034	9	4
53-20048	RING, SNAP - OUTER RACE				FLYWHEEL ASSEMBLY		
	CLAMPING	43	10	223-2427A5	(STARTED WITH SERIAL		
53-29116	RING, SNAP - BALL				#2406035)	9	4
	BEARING RETAINING	63	53	332-2854	FLYWHEEL ASSEMBLY (USE		
53-30428	FASTENER, TOP COWL				ON STARTER ENGINES)	9	4
	CLAMPING LEVER	3	24	332-2854	BOOT, HIGH TENSION		
53-45906	RING, RETAINER - ROTOR				CABLE TO COIL	23	23
	SHAFT BALL BEARING	23	5	332-2854	BOOT, HIGH TENSION LEAD		
54-20386	CLAMP, BALANCE TUBE TO				CABLE	15	30
	CONNECTORS	41	38				

PARTS INDEX

Part Number	Description	Pg.	Ref. No.	Part Number	Description	Pg.	Ref. No.
332-2983A2	IGNITION COIL ASSEMBLY, COMPLETE	27	51	393-2955A2	DISTRIBUTOR CAP ASSEMBLY	23	16
332-2983A8	IGNITION COIL ASSEMBLY, COMPLETE	27	51	393-3014A2	ADAPTOR ASSEMBLY, HOUSING TO DISTRIBUTOR CAP	23	8
332-2983A8	IGNITION COIL ASSEMBLY, COMPLETE	27	51	393-3250A1	LEAD ASSEMBLY, HIGH TENSION - IGNITION DRIVER TO COIL	15	28
332-2986A3	SWITCH BOX ASSEMBLY, COMPLETE	25	1A	393-3269A3	ROTOR SHAFT ASSEMBLY	23	7
333-3141	COVER, IGNITION DRIVER	15	18	393-3294A1	HIGH TENSION CABLE ASSEMBLY, DISTRIBUTOR TO COIL	23	22
333-3142A3	CAP ASSEMBLY, IGNITION DRIVER	15	22	394-1134A2	GROUND STRAP ASSEMBLY	15	25
333-3143A1	ROTOR ASSEMBLY, IGNITION DRIVER	15	15	398-2996	STATOR, ALTERNATOR - FLYWHEEL	9	12
333-3144	HOUSING, IGNITION DRIVER	15	1	400-2976	CRANKSHAFT	43	4
333-3144A4	IGNITION DRIVER ASSEMBLY, COMPLETE	15	-	500-3203A1	CENTER MAIN BEARING ASSEMBLY (USES FILLISTER HEAD SCREW)	43	6
333-3144A4	IGNITION DRIVER ASSEMBLY, COMPLETE (SEE PAGE 7 FOR BREAKDOWN)	11	1	500-3590A1	CENTER MAIN BEARING ASSEMBLY (USES HEX HEAD SCREW)	43	6
333-3165A1	BRUSH AND SPRING ASSEMBLY	15	23	534-3267A2	MAIN BEARING ASSEMBLY (VALVE TYPE)	43	14
333-3166	CAP, BEARING - IGNITION DRIVER HOUSING	15	13	619-3195A2	CONNECTING ROD AND CAP ASSEMBLY	43	25
333-3172A1	TERMINAL BOARD ASSEMBLY, IGNITION DRIVER	15	3	743-3193A2	PISTON AND PISTON PIN ASSEMBLY	43	22
333-3173	HARNESS, PRIMARY CABLE - IGNITION DRIVER	15	7	743-3366A2	PISTON AND PISTON PIN ASSEMBLY (.015 OVERSIZE)	45	--
333-3175	COIL ASSEMBLY, IGNITION DRIVER (RED)	15	5	831-3244A3	CYLINDER BLOCK AND CRANKCASE ASSEMBLY	39	1
333-3176	COIL ASSEMBLY, IGNITION DRIVER (BLUE)	15	6	831-3719A3	CYLINDER BLOCK AND CRANKCASE ASSEMBLY	39	1
333-3198A1	SHAFT ASSEMBLY, IGNITION DRIVER	15	11	1017-2483	COVER, CYLINDER BLOCK	41	46
333-3213A3	SWITCH BOX ASSEMBLY, COMPLETE	25	1	1100-3281A1	END CAP ASSEMBLY, UPPER	39	2
333-3213A3	SWITCH BOX ASSEMBLY, COMPLETE	25	1	1102-1484A1	END CAP ASSEMBLY, LOWER	39	28
393-1275	SLEEVE, HIGH TENSION CABLE	23	24	1102-1484A3	END CAP ASSEMBLY, LOWER	39	28
393-1275	SLEEVE, HIGH TENSION LEAD TERMINAL COVER	15	--	1333-3298	CARBURETOR ASSEMBLY, COMPLETE	31	10
393-1275	SLEEVE, SPARK PLUG LEAD	23	24	1333-3298	CARBURETOR ASSEMBLY, COMPLETE (KA-21D)	33	1
393-1275	SLEEVE, SPARK PLUG LEAD TO IGNITION DRIVER	15	--	1333-3709	CARBURETOR ASSEMBLY, COMPLETE	31	10
393-1293A1	BRUSH AND SPRING ASSEMBLY	23	18	1333-3709	CARBURETOR ASSEMBLY, COMPLETE (KA-24A)	33	1
393-2795	SHIM, TRIGGER HOUSING TO PRIMARY HOUSING	23	3	1399-110A1	FLOAT ASSEMBLY	33	2
393-2799A19	DISTRIBUTOR ASSEMBLY, COMPLETE	23	-	1399-1133	COVER, FLOAT BOWL	33	9
393-2799A19	DISTRIBUTOR ASSEMBLY, COMPLETE (SEE PAGE 11 FOR BREAKDOWN)	19	1	1399-1135	COVER, STRAINER	33	16
393-2799A21	HOUSING ASSEMBLY, PRIMARY (SEE NOTE BELOW)	23	1	1399-1459	JET, MAIN FUEL (.059)	33	30
393-2918A3	TRIGGER HOUSING ASSEMBLY	23	4	1399-1461	JET, MAIN FUEL (.061)	33	30
				1399-1463	JET, MAIN FUEL (.063) - STANDARD	33	30
				1399-1465	JET, MAIN FUEL (.065)	33	30
				1399-1467	JET, MAIN FUEL (.067)	33	30

PARTS INDEX

Part Number	Description	Pg.	Ref. No.	Part Number	Description	Pg.	Ref. No.
1399-1713	SCREW, IDLE ADJUSTMENT	33	27	1626-3688A4	GEAR HOUSING ASSEMBLY, COMPLETE (SHORT SHAFT)	65	-
1399-1754	SCREEN FILTER	33	14				
1399-2012	SHAFT, THROTTLE	33	21				
1399-2015	GASKET AND PACKING SET (1 PER CARBURETOR)	35	--	1626-3688A5	GEAR HOUSING ASSEMBLY, COMPLETE (LONG SHAFT)	61	-
1399-3392	SHUTTER, THROTTLE	33	25				
1399-3412	REPAIR PARTS KIT (1 PER CARBURETOR)	35	--	1626-3688A5	GEAR HOUSING ASSEMBLY, COMPLETE (LONG SHAFT)	65	-
1399-97	LEVER, THROTTLE STOP (SEE NOTE BELOW)	33	20	2104-2654A14	COWL FRONT COVER ASSEMBLY	7	1
1440-3290A1	CLAMP BRACKET ASSEMBLY	57	1	2104-2654A17	COWL FRONT COVER ASSEMBLY	7	1
1442-3231A1	SWIVEL BRACKET ASSEMBLY (SHORT SHAFT)	57	18	2116-3232A2	BOTTOM COWL ASSEMBLY	47	1
1442-3233A1	SWIVEL BRACKET ASSEMBLY (LONG SHAFT)	57	18	2116-3643A1	BOTTOM COWL ASSEMBLY	47	1
				2117-2954	TOP COWL	3	1
				2117-3348	TOP COWL	3	1
				2118-3247A3	WRAP AROUND COWL ASSEMBLY	7	10
1554-3638A2	DRIVE SHAFT HOUSING ASSEMBLY (SHORT SHAFT)	53	1				
1564-2772A4	DRIVE SHAFT HOUSING ASSEMBLY (LONG SHAFT)	53	1				
1564-3636A2	DRIVE SHAFT HOUSING ASSEMBLY (LONG SHAFT)	53	1				
1626-3238A1	GEAR HOUSING ASS'Y (ALUMINUM WATER PUMP AND STRAIGHT GEARS)	65	1				
1626-3238A1	GEAR HOUSING ASSEMBLY (ALUMINUM WATER PUMP AND STRAIGHT GEA)	61	1				
1626-3238A4	GEAR HOUSING ASSEMBLY, COMPLETE (SHORT SHAFT) SEE NOTE BELO	61	-				
1626-3238A4	GEAR HOUSING ASSEMBLY, COMPLETE (SHORT SHAFT) SEE NOTE BELO	65	-				
1626-3238A5	GEAR HOUSING ASSEMBLY, COMPLETE (LONG SHAFT)	61	-				
1626-3238A5	GEAR HOUSING ASSEMBLY, COMPLETE (LONG SHAFT)	65	-				
1626-3502A1	GEAR HOUSING ASS'Y (PLASTIC WATER PUMP AND STRAIGHT GEARS)	65	1				
1626-3502A1	GEAR HOUSING ASSEMBLY (PLASTIC WATER PUMP AND STRAIGHT GEAR)	61	1				
1626-3688A1	GEAR HOUSING ASS'Y (PLASTIC WATER PUMP AND SPIRAL GEARS)	65	1				
1626-3688A1	GEAR HOUSING ASSEMBLY (PLASTIC WATER PUMP AND SPIRAL GEARS)	61	1				