



# PARTS CATALOG

## ACCESSORIES OUTBOARD VOLUME I

### SERIAL NUMBER

ELECTRICAL / INSTRUMENTS .....	.OB VOL. 1 (1986 THRU 1993)
EXHAUST/ COOLING .....	.OB VOL. 1 (1986 THRU 1993)
EXTENSION KITS .....	.OB VOL. 1 (1986 THRU 1993)
FUEL TANKS/ FUEL LINES/ CORROSION .....	.OB VOL. 1 (1986 THRU 1993)
POWER STEERING/ TILLER HANDLES/ SHIFT KITS .....	.OB VOL. 1 (1986 THRU 1993)
POWER TRIM-TILT/ K-PLANES/ MANUAL TILT .....	.OB VOL. 1 (1986 THRU 1993)

# TABLE OF CONTENTS:

ADAPTOR ASSEMBLY .....	20
AUTO-BLEND .....	118
BATTERY CHARGING KIT (62351A3, A9, A10) .....	62
BATTERY CHARGING KIT (83-70350A2) .....	26
DUAL ENGINE EXTENSION KIT .....	116
ELECTRIC START KIT (50-44369A2) .....	130
ELECTRIC START KIT (50-90983A3) .....	36
ELECTRIC START KIT (87-95810A6, A8, A9, A2) .....	82
EXTENSION KIT (816696A1, A2) .....	126
EXTENSION KIT(12092A5, A6) .....	86
EXTENSION KIT(12426A1, A2) .....	88
HYDRAULIC PUMP ASSEMBLY (PLASTIC RESERVOIR) .....	54
HYDRAULIC PUMP MOUNTING KIT .....	28
IGNITION AND CHOKE ASSEMBLY (ELECTRIC) .....	22
KEY, CHOKE AND HORN KIT .....	72
LANYARD/DIODE KIT .....	114
LIGHTING COIL KIT .....	64
ON-BOARD BATTERY KIT .....	60
OVERHEAT WARNING KIT .....	68
PARTS INDEX .....	138
POWER TRIM ASSEMBLY (45194A23) (PAGE 1) .....	38
POWER TRIM ASSEMBLY (45194A23) (PAGE 2) .....	42
POWER TRIM ASSEMBLY (45194A23) (PAGE 3) .....	44
POWER TRIM ASSEMBLY (76509A25, A26) (PAGE 1) .....	48
POWER TRIM ASSEMBLY (76509A25, A26) (PAGE 2) .....	50
POWER TRIM ASSEMBLY (99659A47, A48) .....	78
POWER TRIM CYLINDER REPAIR KIT .....	56
POWER TRIM PUMP (RECTANGULAR MOTOR) .....	74
POWER TRIM PUMP ASSEMBLY (ROUND MOTOR) .....	76
REGULATOR LIGHTING KIT .....	34
REMOTE FUEL TANK ADAPTOR KIT .....	90
REMOTE HOLD-DOWN KIT .....	24
REMOTE START ATTACHING KIT .....	32
REVERSE THRUSTER KIT .....	70
SAILBOAT CONVERSION KIT .....	16
SAILBOAT CONVERSION KIT (WITH ARM STEERING HANDLE) .....	18
SHALLOW WATER TILT KIT .....	92
SIDE SHIFT CONVERSION KIT .....	30
SIDE SHIFT KIT .....	134
STEERING HANDLE ASSEMBLY (78551A_) (PAGE 2) .....	98
STEERING HANDLE ASSEMBLY (78551A_) .....	4
STEERING HANDLE ASSEMBLY (78551A_) (PAGE 1) .....	94
STEERING HANDLE KIT (816366A4, A5) .....	120
STEERING HANDLE KIT (816366A4, A5) .....	122
THERMOSTAT ASSEMBLY .....	58
THERMOSTAT KIT (14586A3, A4) .....	128
THERMOSTAT KIT (75692A7, A6) (14586A3) .....	2
TILLER HANDLE KIT (78551A_) (PAGE 1) .....	102
TILLER HANDLE KIT (78551A_) (PAGE 2) .....	106
TILLER HANDLE KIT (94185A18) .....	110
TRIM SWITCH KIT .....	136
VISUAL WARNING KIT .....	66

CONTINUED ON NEXT PAGE 

# TABLE OF CONTENTS:

**NOTE:** Indented description indicate that these parts are included in preceeding assembly.

**AR** = As Required

**NSS** = Not Sold Separate

**OPT** = Optional

**NS** = Not Shown

**NOTE:** Following symbols are located in **SYM** column.

● = DO NOT SUBSTITUTE O-RINGS AS  
THESE ARE MADE OF SPECIAL  
MANUFACTURED MATERIAL.

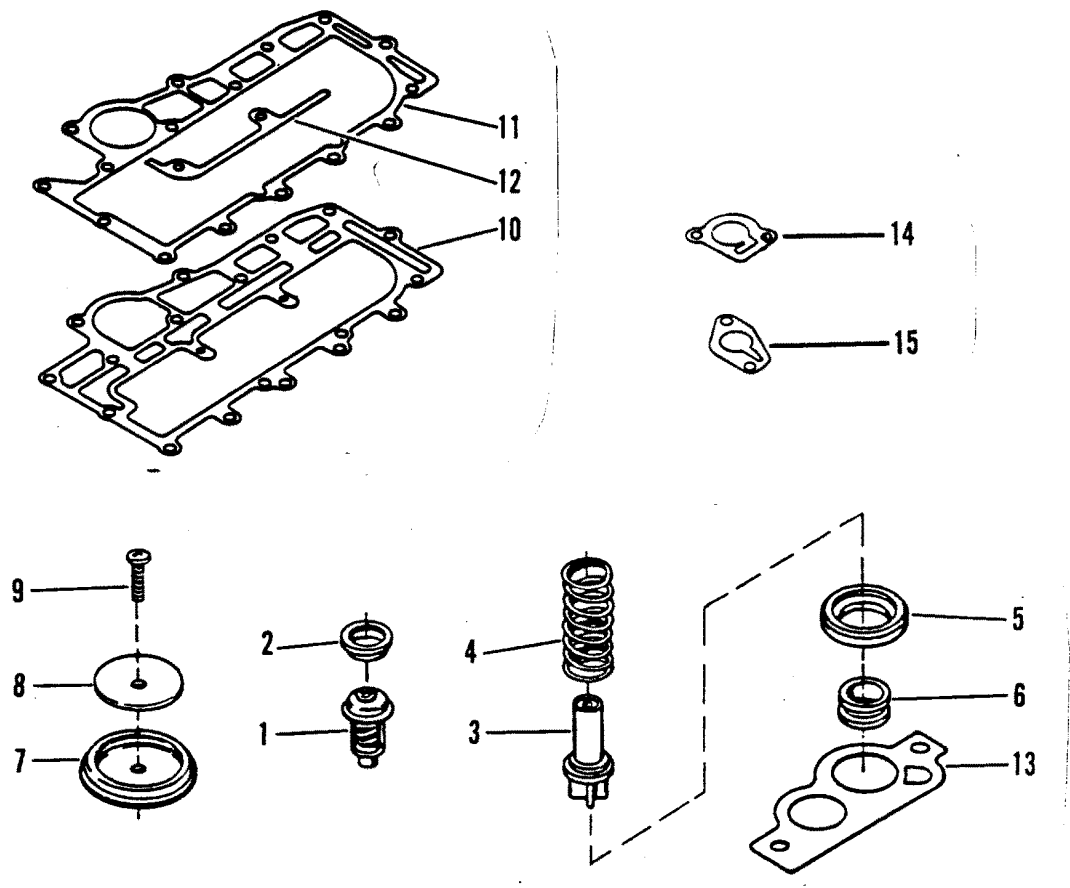
■ = NOT SOLD SEPARATELY  
■ = NO LONGER AVAILABLE

**THESE PARTS BOOKS/FICHE CARD ARE COPYRIGHTED AND MAY NOT BE DISTRIBUTED OR REPRODUCED IN ANY OTHER FORMAT BY ANYONE OTHER THAN MERCURY MARINE WITHOUT THE PRIOR WRITTEN CONSENT OF MERCURY MARINE.**

THIS PAGE INTENTIONALLY LEFT BLANK

THIS PAGE INTENTIONALLY LEFT BLANK

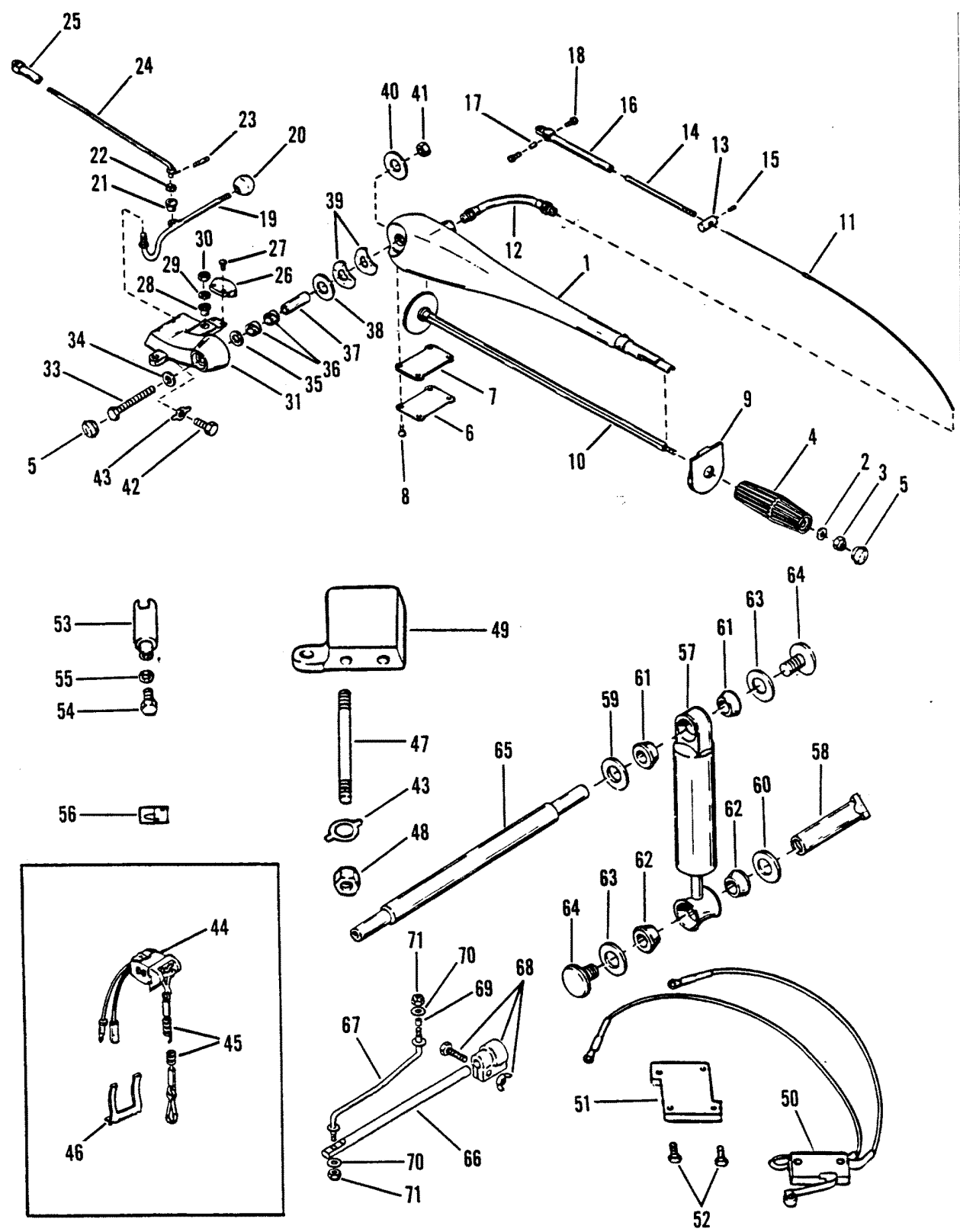
# THERMOSTAT KIT (75692A7, A6) (14586A3)



## THERMOSTAT KIT (75692A7, A6) (14586A3)

REF. NO.	PART NO.	SYM.	QTY.	DESCRIPTION
-	75692A7		0	THERMOSTAT KIT QUANTITIES: (75692A7) - 1, (75692A6) - 0, (14586A3) - 0
-	75692A6		0	THERMOSTAT KIT QUANTITIES: (75692A7) - 0, (75692A6) - 1, (14586A3) - 0
-	14586A3		0	THERMOSTAT KIT QUANTITIES: (75692A7) - 0, (75692A6) - 0, (14586A3) - 1
1	75692		0	THERMOSTAT QUANTITIES: (75692A7) - 1, (75692A6) - 1, (14586A3) - 0
	14586		0	THERMOSTAT QUANTITIES: (75692A7) - 0, (75692A6) - 0, (14586A3) - 1
2	27-62386		0	GASKET QUANTITIES: (75692A7) - 1, (75692A6) - 1, (14586A3) - 1
3	86596		0	POPPET QUANTITIES: (75692A7) - 1, (75692A6) - 1, (14586A3) - 0
4	24-66852		0	SPRING QUANTITIES: (75692A7) - 1, (75692A6) - 1, (14586A3) - 0
5	65848		0	CARRIER QUANTITIES: (75692A7) - 1, (75692A6) - 1, (14586A3) - 0
6	25-64872		0	GROMMET QUANTITIES: (75692A7) - 1, (75692A6) - 1, (14586A3) - 0
7	64877		0	DIAPHRAGM QUANTITIES: (75692A7) - 1, (75692A6) - 1, (14586A3) - 0
8	12-76451		0	WASHER QUANTITIES: (75692A7) - 1, (75692A6) - 1, (14586A3) - 0
9	10-68570		0	SCREW QUANTITIES: (75692A7) - 1, (75692A6) - 1, (14586A3) - 0
10	27-69525-2		0	GASKET, BAFFLE PLATE QUANTITIES: (75692A7) - 1, (75692A6) - 0, (14586A3) - 0
11	27-69524-2		0	GASKET, EXHAUST COVER QUANTITIES: (75692A7) - 1, (75692A6) - 0, (14586A3) - 0
12	27-70335-1		0	GASKET QUANTITIES: (75692A7) - 1, (75692A6) - 0, (14586A3) - 0
13	27-66847		0	GASKET QUANTITIES: (75692A7) - 0, (75692A6) - 1, (14586A3) - 0
14	27-19205		0	GASKET QUANTITIES: (75692A7) - 0, (75692A6) - 0, (14586A3) - 1
15	27-14318-2		0	GASKET QUANTITIES: (75692A7) - 0, (75692A6) - 0, (14586A3) - 1

# STEERING HANDLE ASSEMBLY (78551A\_)



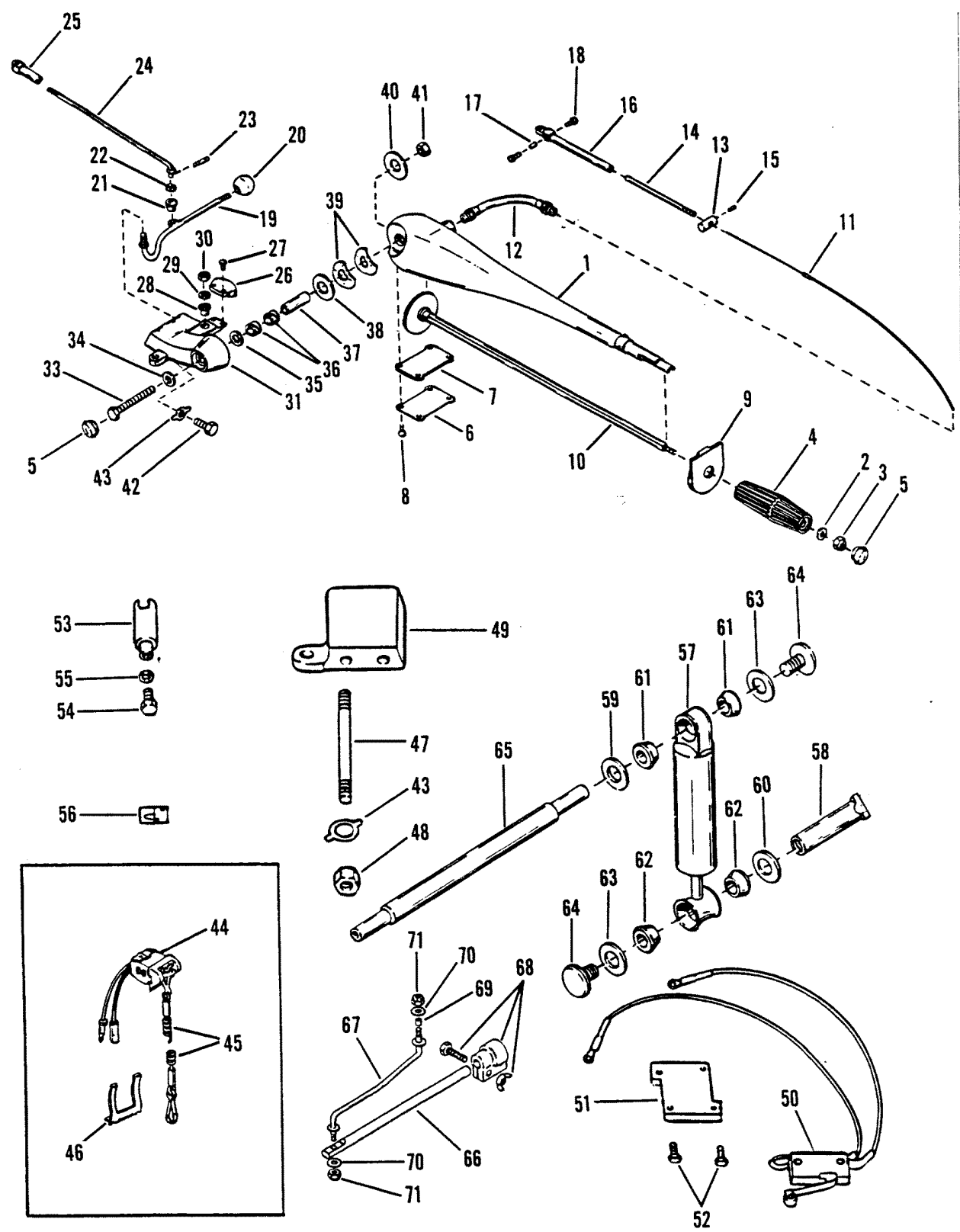


## STEERING HANDLE ASSEMBLY (78551A\_)

REF. NO.	PART NO.	SYM.	QTY.	DESCRIPTION
-	78551A4		-	STEERING HANDLE ASSEMBLY QUANTITIES: (78551A4) - 1, (78551A5) - 0, (78551A22) - 0, (78551A21) - 0, (78551A20) - 0, (78551A14) - 0
-	78551A5		-	STEERING HANDLE ASSEMBLY QUANTITIES: (78551A4) - 0, (78551A5) - 1, (78551A22) - 0, (78551A21) - 0, (78551A20) - 0, (78551A14) - 0
-	78551A22		-	STEERING HANDLE ASSEMBLY QUANTITIES: (78551A4) - 0, (78551A5) - 0, (78551A22) - 1, (78551A21) - 0, (78551A20) - 0, (78551A14) - 0
-	78551A21		-	STEERING HANDLE ASSEMBLY QUANTITIES: (78551A4) - 0, (78551A5) - 0, (78551A22) - 0, (78551A21) - 1, (78551A20) - 0, (78551A14) - 0
-	78551A20		-	STEERING HANDLE ASSEMBLY QUANTITIES: (78551A4) - 0, (78551A5) - 0, (78551A22) - 0, (78551A21) - 0, (78551A20) - 1, (78551A14) - 0
-	78551A14		-	STEERING HANDLE ASSEMBLY QUANTITIES: (78551A4) - 0, (78551A5) - 0, (78551A22) - 0, (78551A21) - 0, (78551A20) - 0, (78551A14) - 1
1	48405A2		-	ARM (BLACK) QUANTITIES: (78551A4) - 1, (78551A5) - 1, (78551A22) - 1, (78551A21) - 1, (78551A20) - 0, (78551A14) - 1
	48405A3		-	ARM (GRAY) QUANTITIES: (78551A4) - 0, (78551A5) - 0, (78551A22) - 0, (78551A21) - 0, (78551A20) - 1, (78551A14) - 0
2	12-21631		-	WASHER QUANTITIES: (78551A4) - 1, (78551A5) - 1, (78551A22) - 1, (78551A21) - 1, (78551A20) - 1, (78551A14) - 1
3	11-35045		-	NUT QUANTITIES: (78551A4) - 1, (78551A5) - 1, (78551A22) - 1, (78551A21) - 1, (78551A20) - 1, (78551A14) - 1
4	58192A1		-	GRIP QUANTITIES: (78551A4) - 1, (78551A5) - 1, (78551A22) - 1, (78551A21) - 1, (78551A20) - 1, (78551A14) - 1
5	48416		-	CAP QUANTITIES: (78551A4) - 2, (78551A5) - 2, (78551A22) - 2, (78551A21) - 2, (78551A20) - 2, (78551A14) - 2
6	48519		-	PLATE QUANTITIES: (78551A4) - 1, (78551A5) - 1, (78551A22) - 1, (78551A21) - 1, (78551A20) - 1, (78551A14) - 1
7	27-48518		-	GASKET QUANTITIES: (78551A4) - 1, (78551A5) - 1, (78551A22) - 1, (78551A21) - 1, (78551A20) - 1, (78551A14) - 1
8	10-28192		-	SCREW (1/2") QUANTITIES: (78551A4) - 4, (78551A5) - 4, (78551A22) - 3, (78551A21) - 3, (78551A20) - 3, (78551A14) - 3
	10-48409		-	SCREW (5/8") QUANTITIES: (78551A4) - 0, (78551A5) - 0, (78551A22) - 1, (78551A21) - 1, (78551A20) - 1, (78551A14) - 1
9	48414		-	HOUSING QUANTITIES: (78551A4) - 1, (78551A5) - 1, (78551A22) - 1, (78551A21) - 1, (78551A20) - 1, (78551A14) - 1
10	48516A1		-	DRIVE WHEEL AND ROD QUANTITIES: (78551A4) - 1, (78551A5) - 1, (78551A22) - 1, (78551A21) - 1, (78551A20) - 1, (78551A14) - 1

CONTINUED ON NEXT PAGE ➡

# STEERING HANDLE ASSEMBLY (78551A\_)

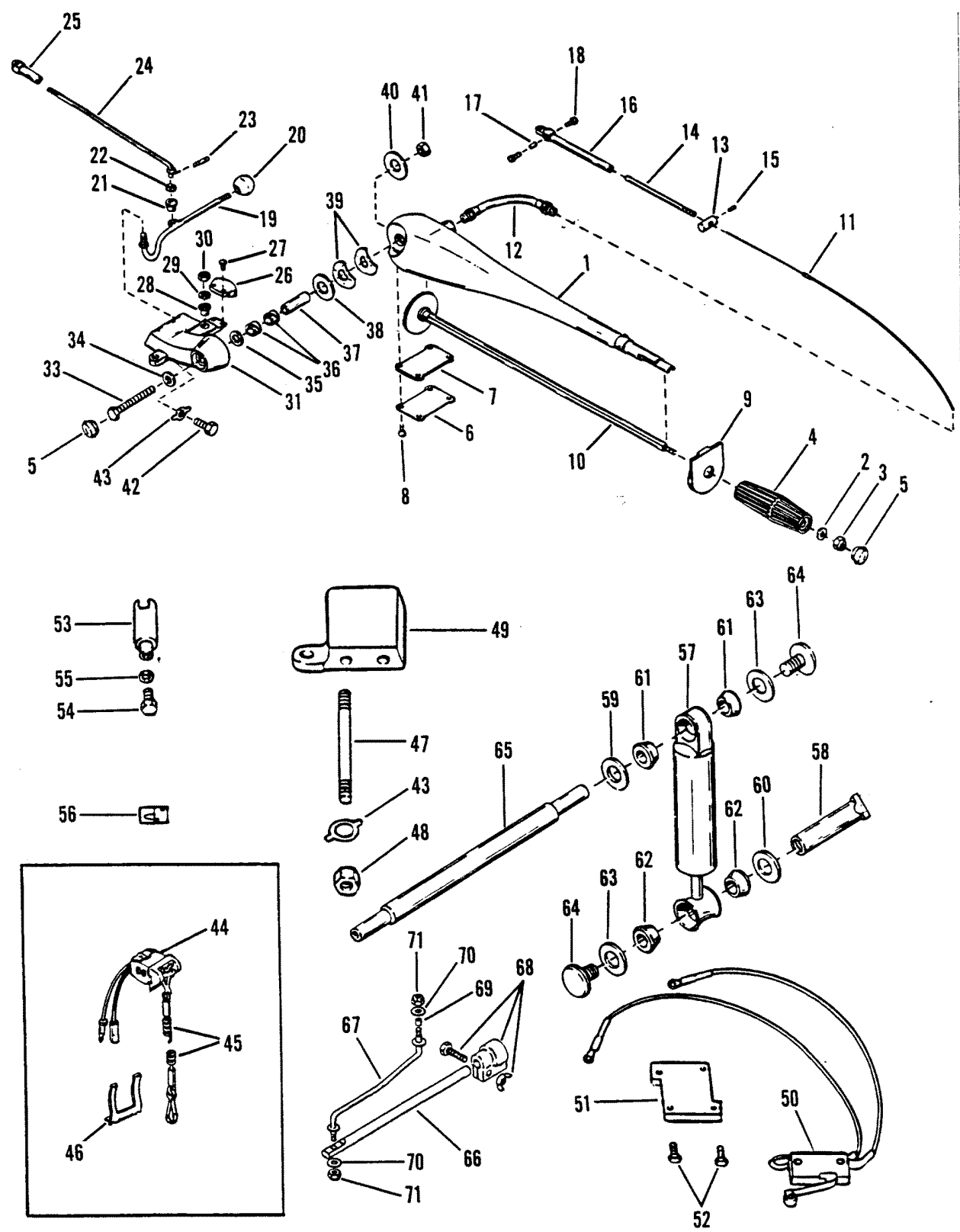


# STEERING HANDLE ASSEMBLY (78551A\_)

REF. NO.	PART NO.	SYM.	QTY.	DESCRIPTION
11	48520		-	CABLE QUANTITIES: (78551A4) - 1, (78551A5) - 1, (78551A22) - 0, (78551A21) - 0, (78551A20) - 0, (78551A14) - 1
	41105		-	CABLE QUANTITIES: (78551A4) - 0, (78551A5) - 0, (78551A22) - 1, (78551A21) - 1, (78551A20) - 1, (78551A14) - 0
12	78551--2		-	CONDUIT QUANTITIES: (78551A4) - 1, (78551A5) - 0, (78551A22) - 1, (78551A21) - 1, (78551A20) - 1, (78551A14) - 1
	78551--1		-	CONDUIT QUANTITIES: (78551A4) - 0, (78551A5) - 1, (78551A22) - 0, (78551A21) - 0, (78551A20) - 0, (78551A14) - 0
13	89578		-	CONNECTOR QUANTITIES: (78551A4) - 1, (78551A5) - 0, (78551A22) - 1, (78551A21) - 1, (78551A20) - 1, (78551A14) - 1
	89613		-	CONNECTOR QUANTITIES: (78551A4) - 0, (78551A5) - 1, (78551A22) - 0, (78551A21) - 0, (78551A20) - 0, (78551A14) - 0
14	89566--1		-	TUBE QUANTITIES: (78551A4) - 1, (78551A5) - 1, (78551A22) - 1, (78551A21) - 1, (78551A20) - 1, (78551A14) - 1
15	10-89601		-	SET SCREW QUANTITIES: (78551A4) - 1, (78551A5) - 1, (78551A22) - 1, (78551A21) - 1, (78551A20) - 1, (78551A14) - 1
16	43433		-	GUIDE QUANTITIES: (78551A4) - 1, (78551A5) - 1, (78551A22) - 1, (78551A21) - 1, (78551A20) - 1, (78551A14) - 1
17	20007		-	ANCHOR QUANTITIES: (78551A4) - 1, (78551A5) - 1, (78551A22) - 1, (78551A21) - 1, (78551A20) - 1, (78551A14) - 1
18	10-20518		-	SCREW QUANTITIES: (78551A4) - 2, (78551A5) - 2, (78551A22) - 2, (78551A21) - 2, (78551A20) - 2, (78551A14) - 2
19	48568--1		-	SHIFT LEVER QUANTITIES: (78551A4) - 1, (78551A5) - 1, (78551A22) - 1, (78551A21) - 1, (78551A20) - 1, (78551A14) - 1
20	98530		-	KNOB QUANTITIES: (78551A4) - 1, (78551A5) - 1, (78551A22) - 1, (78551A21) - 1, (78551A20) - 1, (78551A14) - 1
21	23-48475		-	BUSHING (1/4" I.D.) QUANTITIES: (78551A4) - 1, (78551A5) - 1, (78551A22) - 1, (78551A21) - 1, (78551A20) - 1, (78551A14) - 1
22	12-35950		-	WASHER QUANTITIES: (78551A4) - 1, (78551A5) - 1, (78551A22) - 1, (78551A21) - 1, (78551A20) - 1, (78551A14) - 1
23	18-25191		-	COTTER PIN QUANTITIES: (78551A4) - 2, (78551A5) - 2, (78551A22) - 1, (78551A21) - 1, (78551A20) - 1, (78551A14) - 1
24	812806--1		-	SHIFT ROD QUANTITIES: (78551A4) - 1, (78551A5) - 1, (78551A22) - 1, (78551A21) - 1, (78551A20) - 1, (78551A14) - 1

CONTINUED ON NEXT PAGE ➡

# STEERING HANDLE ASSEMBLY (78551A\_)

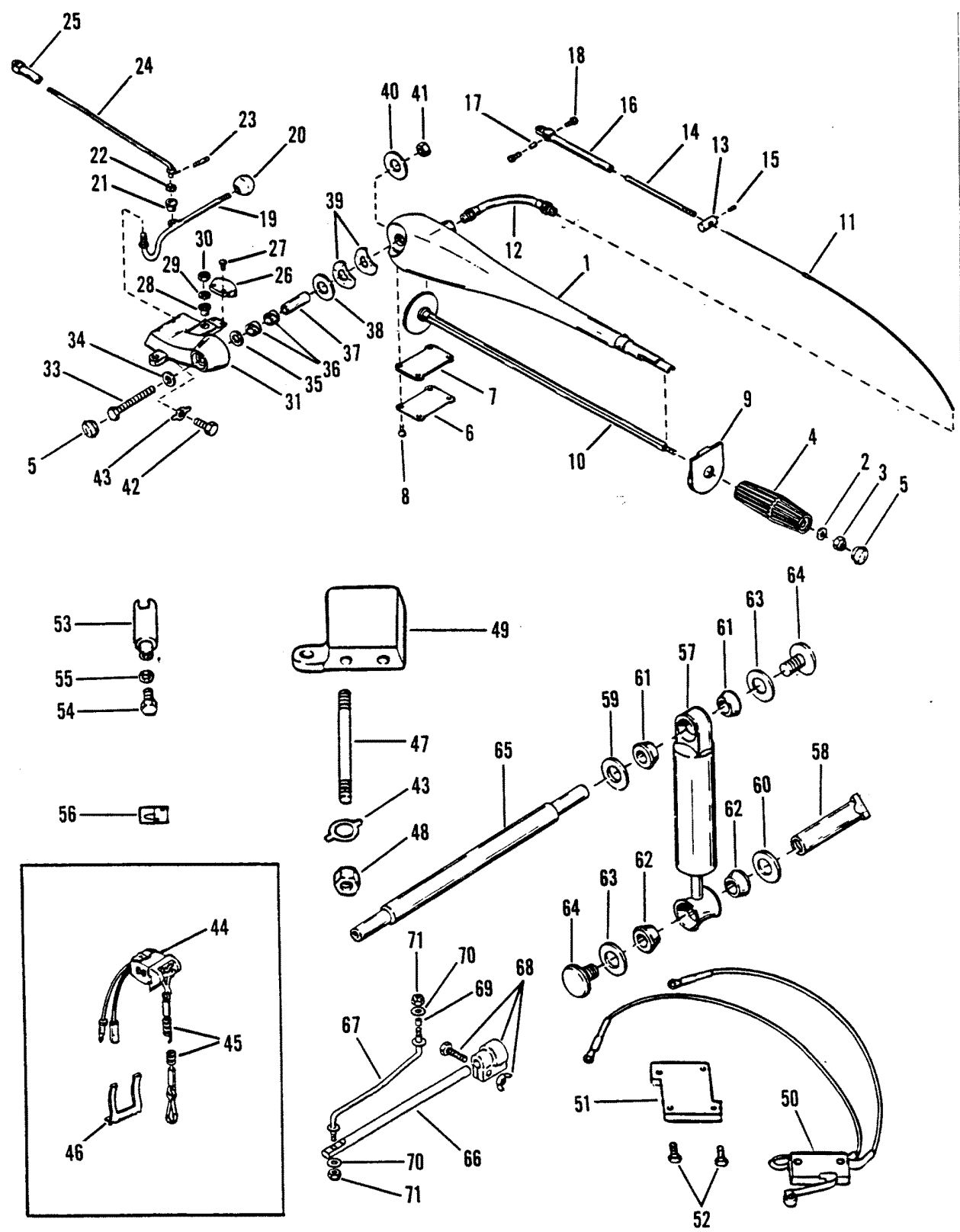


## STEERING HANDLE ASSEMBLY (78551A\_)

REF. NO.	PART NO.	SYM.	QTY.	DESCRIPTION
25	48419		-	ROD END QUANTITIES: (78551A4) - 1, (78551A5) - 1, (78551A22) - 1, (78551A21) - 0, (78551A20) - 0, (78551A14) - 1
	41129		-	ROD END QUANTITIES: (78551A4) - 0, (78551A5) - 0, (78551A22) - 0, (78551A21) - 1, (78551A20) - 1, (78551A14) - 0
26	78812A1		-	DETENT QUANTITIES: (78551A4) - 1, (78551A5) - 1, (78551A22) - 1, (78551A21) - 1, (78551A20) - 1, (78551A14) - 1
27	10-48409		-	SCREW QUANTITIES: (78551A4) - 2, (78551A5) - 2, (78551A22) - 2, (78551A21) - 2, (78551A20) - 2, (78551A14) - 2
28	23-48237		-	BUSHING (3/8" I.D.) QUANTITIES: (78551A4) - 1, (78551A5) - 1, (78551A22) - 1, (78551A21) - 1, (78551A20) - 1, (78551A14) - 1
29	12-34931		-	WASHER QUANTITIES: (78551A4) - 1, (78551A5) - 1, (78551A22) - 1, (78551A21) - 1, (78551A20) - 1, (78551A14) - 1
30	11-34863		-	NUT QUANTITIES: (78551A4) - 1, (78551A5) - 1, (78551A22) - 1, (78551A21) - 1, (78551A20) - 1, (78551A14) - 1
31	48404F3		-	BRACKET (BLACK) QUANTITIES: (78551A4) - 1, (78551A5) - 1, (78551A22) - 1, (78551A21) - 1, (78551A20) - 0, (78551A14) - 1
	48404T6		-	BRACKET (GRAY) QUANTITIES: (78551A4) - 0, (78551A5) - 0, (78551A22) - 0, (78551A21) - 0, (78551A20) - 1, (78551A14) - 0
33	10-48476		-	SCREW QUANTITIES: (78551A4) - 1, (78551A5) - 1, (78551A22) - 1, (78551A21) - 1, (78551A20) - 1, (78551A14) - 1
34	12-48477		-	WASHER (.505 I.D.) QUANTITIES: (78551A4) - 1, (78551A5) - 1, (78551A22) - 1, (78551A21) - 1, (78551A20) - 1, (78551A14) - 1
35	12-48526		-	WASHER (.630 I.D.) QUANTITIES: (78551A4) - 1, (78551A5) - 1, (78551A22) - 1, (78551A21) - 1, (78551A20) - 1, (78551A14) - 1
36	23-28919		-	BUSHING (5/8" I.D.) QUANTITIES: (78551A4) - 2, (78551A5) - 2, (78551A22) - 2, (78551A21) - 2, (78551A20) - 2, (78551A14) - 2
37	23-48525		-	SPACER QUANTITIES: (78551A4) - 1, (78551A5) - 1, (78551A22) - 1, (78551A21) - 1, (78551A20) - 1, (78551A14) - 1
38	12-48527		-	WASHER (1-35/64" O.D.) QUANTITIES: (78551A4) - 1, (78551A5) - 1, (78551A22) - 1, (78551A21) - 1, (78551A20) - 1, (78551A14) - 1
39	13-48478		-	WAVE WASHER QUANTITIES: (78551A4) - 2, (78551A5) - 2, (78551A22) - 2, (78551A21) - 2, (78551A20) - 2, (78551A14) - 2
40	12-49636		-	WASHER (1-3/4" O.D.) QUANTITIES: (78551A4) - 1, (78551A5) - 1, (78551A22) - 1, (78551A21) - 1, (78551A20) - 1, (78551A14) - 1
41	11-20220		-	NUT QUANTITIES: (78551A4) - 1, (78551A5) - 1, (78551A22) - 1, (78551A21) - 1, (78551A20) - 1, (78551A14) - 1

CONTINUED ON NEXT PAGE ➡

# STEERING HANDLE ASSEMBLY (78551A\_)

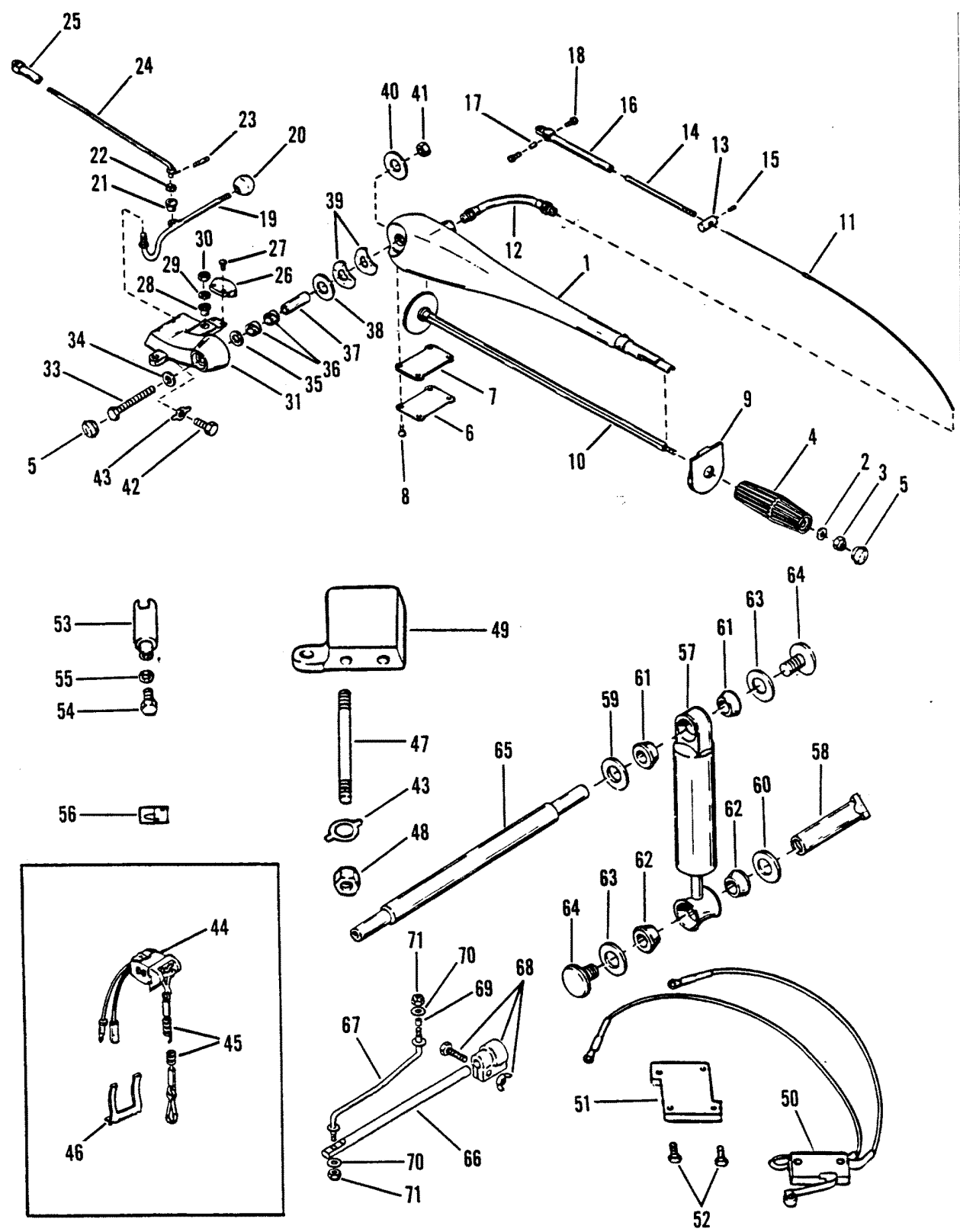


## STEERING HANDLE ASSEMBLY (78551A\_)

REF. NO.	PART NO.	SYM.	QTY.	DESCRIPTION
42	10-35786		-	SCREW (1") QUANTITIES: (78551A4) - 2, (78551A5) - 2, (78551A22) - 2, (78551A21) - 0, (78551A20) - 0, (78551A14) - 2
43	14-43589		-	TAB WASHER QUANTITIES: (78551A4) - 2, (78551A5) - 2, (78551A22) - 2, (78551A21) - 2, (78551A20) - 2, (78551A14) - 2
44	87-11083A10		-	STOP SWITCH QUANTITIES: (78551A4) - 0, (78551A5) - 0, (78551A22) - 1, (78551A21) - 0, (78551A20) - 0, (78551A14) - 1
	87-11083A26		-	STOP SWITCH QUANTITIES: (78551A4) - 0, (78551A5) - 0, (78551A22) - 0, (78551A21) - 1, (78551A20) - 1, (78551A14) - 0
45	15920A54		-	LANYARD QUANTITIES: (78551A4) - 0, (78551A5) - 0, (78551A22) - 1, (78551A21) - 1, (78551A20) - 1, (78551A14) - 1
46	12044--1		-	RETAINER QUANTITIES: (78551A4) - 0, (78551A5) - 0, (78551A22) - 1, (78551A21) - 1, (78551A20) - 1, (78551A14) - 1
47	16-14651		-	STUD QUANTITIES: (78551A4) - 0, (78551A5) - 0, (78551A22) - 0, (78551A21) - 2, (78551A20) - 2, (78551A14) - 0
48	11-34863		-	NUT QUANTITIES: (78551A4) - 0, (78551A5) - 0, (78551A22) - 0, (78551A21) - 2, (78551A20) - 2, (78551A14) - 0
49	41130		-	SPACER (BLACK) QUANTITIES: (78551A4) - 0, (78551A5) - 0, (78551A22) - 0, (78551A21) - 1, (78551A20) - 0, (78551A14) - 0
	41130T6		-	SPACER (GRAY) QUANTITIES: (78551A4) - 0, (78551A5) - 0, (78551A22) - 0, (78551A21) - 0, (78551A20) - 1, (78551A14) - 0
50	87-88096A1		-	SWITCH ASSEMBLY QUANTITIES: (78551A4) - 0, (78551A5) - 0, (78551A22) - 1, (78551A21) - 0, (78551A20) - 0, (78551A14) - 1
	87-88096A2		-	SWITCH ASSEMBLY QUANTITIES: (78551A4) - 0, (78551A5) - 0, (78551A22) - 0, (78551A21) - 1, (78551A20) - 1, (78551A14) - 0
51	14917		-	SWITCH PLATE QUANTITIES: (78551A4) - 0, (78551A5) - 0, (78551A22) - 0, (78551A21) - 1, (78551A20) - 1, (78551A14) - 0
52	10-69022		-	SCREW QUANTITIES: (78551A4) - 0, (78551A5) - 0, (78551A22) - 0, (78551A21) - 2, (78551A20) - 2, (78551A14) - 0
53	14876		-	HOSE HOLDER QUANTITIES: (78551A4) - 0, (78551A5) - 0, (78551A22) - 0, (78551A21) - 1, (78551A20) - 1, (78551A14) - 0
54	10-98253		-	SCREW QUANTITIES: (78551A4) - 0, (78551A5) - 0, (78551A22) - 0, (78551A21) - 1, (78551A20) - 1, (78551A14) - 0
55	12-71055		-	WASHER QUANTITIES: (78551A4) - 0, (78551A5) - 0, (78551A22) - 0, (78551A21) - 1, (78551A20) - 1, (78551A14) - 0

CONTINUED ON NEXT PAGE ➡

# STEERING HANDLE ASSEMBLY (78551A\_)



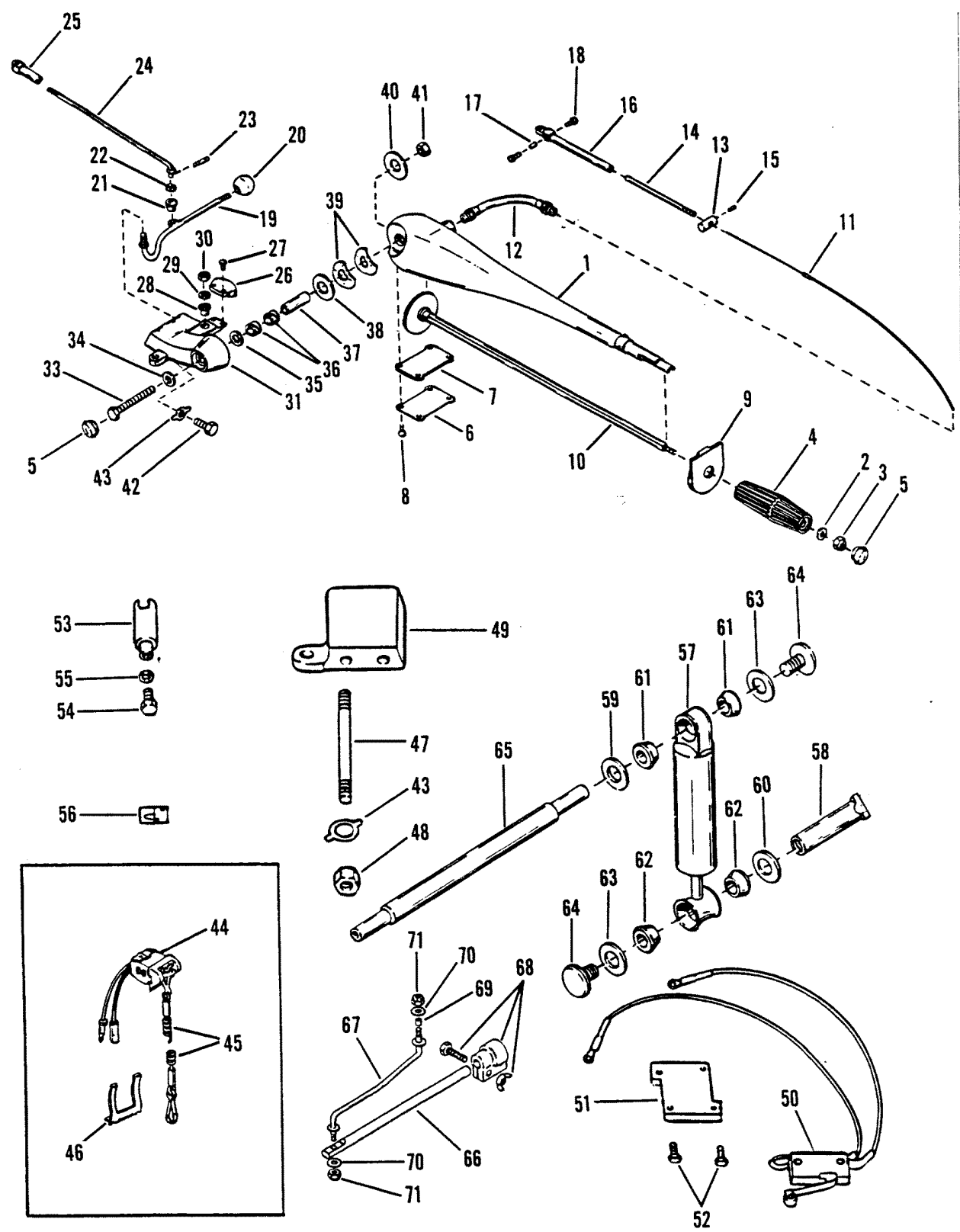


## STEERING HANDLE ASSEMBLY (78551A\_)

REF. NO.	PART NO.	SYM.	QTY.	DESCRIPTION
56	15825		-	RETAINER QUANTITIES: (78551A4) - 0, (78551A5) - 0, (78551A22) - 0, (78551A21) - 1, (78551A20) - 1, (78551A14) - 0
57	55-58780A7		-	SHOCK ABSORBER (BLACK) QUANTITIES: (78551A4) - 0, (78551A5) - 0, (78551A22) - 0, (78551A21) - 2, (78551A20) - 0, (78551A14) - 0
	55-58780A4		-	SHOCK ABSORBER (GRAY) QUANTITIES: (78551A4) - 0, (78551A5) - 0, (78551A22) - 0, (78551A21) - 0, (78551A20) - 2, (78551A14) - 0
58	55-69653--1		-	PIN QUANTITIES: (78551A4) - 0, (78551A5) - 0, (78551A22) - 0, (78551A21) - 2, (78551A20) - 2, (78551A14) - 0
59	12-34937		-	WASHER (UPPER) QUANTITIES: (78551A4) - 0, (78551A5) - 0, (78551A22) - 0, (78551A21) - 2, (78551A20) - 2, (78551A14) - 0
60	12-59378		-	WASHER (LOWER) QUANTITIES: (78551A4) - 0, (78551A5) - 0, (78551A22) - 0, (78551A21) - 2, (78551A20) - 2, (78551A14) - 0
61	23-32171		-	BUSHING (UPPER) QUANTITIES: (78551A4) - 0, (78551A5) - 0, (78551A22) - 0, (78551A21) - 4, (78551A20) - 4, (78551A14) - 0
62	23-28198		-	BUSHING (LOWER) QUANTITIES: (78551A4) - 0, (78551A5) - 0, (78551A22) - 0, (78551A21) - 4, (78551A20) - 4, (78551A14) - 0
63	12-69374		-	WASHER (OUTER) QUANTITIES: (78551A4) - 0, (78551A5) - 0, (78551A22) - 0, (78551A21) - 4, (78551A20) - 4, (78551A14) - 0
64	10-69375A1		-	SCREW QUANTITIES: (78551A4) - 0, (78551A5) - 0, (78551A22) - 0, (78551A21) - 4, (78551A20) - 4, (78551A14) - 0
65	55-28416		-	PIN QUANTITIES: (78551A4) - 0, (78551A5) - 0, (78551A22) - 0, (78551A21) - 1, (78551A20) - 1, (78551A14) - 0
66	52148		-	PILOT/ROD QUANTITIES: (78551A4) - 0, (78551A5) - 0, (78551A22) - 1, (78551A21) - 1, (78551A20) - 1, (78551A14) - 1
67	87349		-	LINK ROD QUANTITIES: (78551A4) - 0, (78551A5) - 0, (78551A22) - 1, (78551A21) - 0, (78551A20) - 0, (78551A14) - 1
	52150		-	LINK ROD QUANTITIES: (78551A4) - 0, (78551A5) - 0, (78551A22) - 0, (78551A21) - 1, (78551A20) - 1, (78551A14) - 0
68	11-52155A1		-	NUT ASSEMBLY QUANTITIES: (78551A4) - 0, (78551A5) - 0, (78551A22) - 1, (78551A21) - 1, (78551A20) - 1, (78551A14) - 1
69	23-52151--2		-	BUSHING QUANTITIES: (78551A4) - 0, (78551A5) - 0, (78551A22) - 1, (78551A21) - 1, (78551A20) - 1, (78551A14) - 1
70	12-20722		-	WASHER QUANTITIES: (78551A4) - 0, (78551A5) - 0, (78551A22) - 2, (78551A21) - 2, (78551A20) - 2, (78551A14) - 2
71	11-45592		-	NUT QUANTITIES: (78551A4) - 0, (78551A5) - 0, (78551A22) - 2, (78551A21) - 2, (78551A20) - 2, (78551A14) - 2

CONTINUED ON NEXT PAGE ➡

# STEERING HANDLE ASSEMBLY (78551A\_)

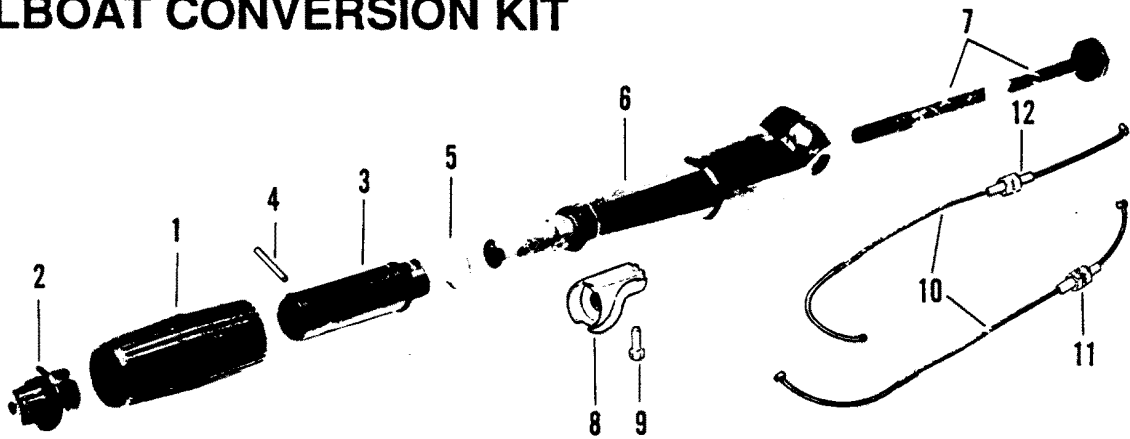


# STEERING HANDLE ASSEMBLY (78551A\_)

REF. NO.	PART NO.	SYM.	QTY.	DESCRIPTION
-	52148A1		-	CO-PILOT ASSEMBLY QUANTITIES: (78551A4) - 1, (78551A5) - 1, (78551A22) - 0, (78551A21) - 0, (78551A20) - 0, (78551A14) - 0

# SAILBOAT CONVERSION KIT

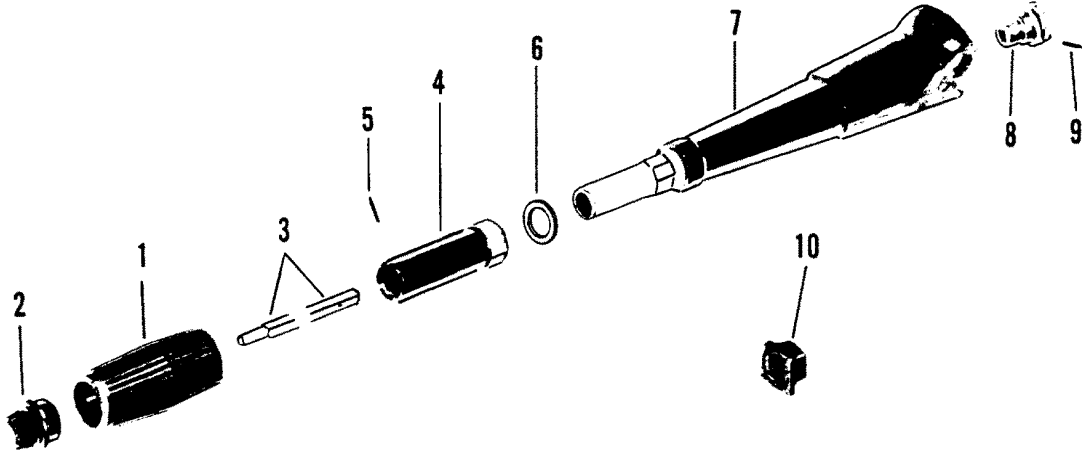
## SAILBOAT CONVERSION KIT



# SAILBOAT CONVERSION KIT

REF. NO.	PART NO.	SYM.	QTY.	DESCRIPTION
-	87144A2		1	SAIL BOAT CONVERSION KIT
1	60854		1	GRIP
2	77237		1	CAP
3	77238A1		1	HANDLE
4	17-31656		1	PIN
5	12-62252		1	WASHER
6	87144		1	ARM
7	97379--1		1	SHAFT
8	77203		1	BLOCK
9	10-69069		1	SCREW
10	86210		2	CABLE
11	12-37998		4	WASHER
12	11-21825		4	NUT

# SAILBOAT CONVERSION KIT (WITH ARM STEERING HANDLE)

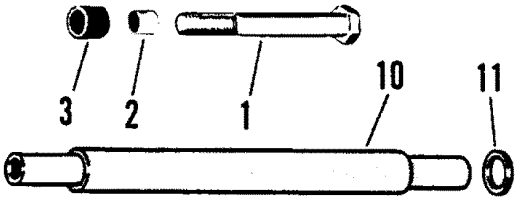
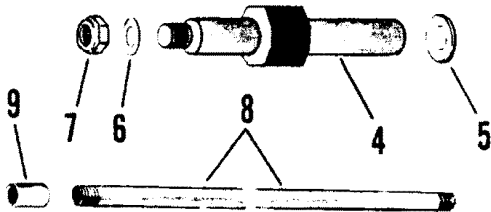


## SAILBOAT CONVERSION KIT (WITH ARM STEERING HANDLE)

REF. NO.	PART NO.	SYM.	QTY.	DESCRIPTION
-	71124A2		1	<b>SAILBOAT CONVERSION KIT</b>
1	60854		1	GRIP
2	62251		1	CAP
3	NLA	■	1	SHAFT
4	66394A1		1	HANDLE
5	17-46152		1	PIN
6	12-62252		1	WASHER
7	NLA	■	1	ARM STEERING HANDLE
8	43-60852		1	GEAR
9	17-27088		1	PIN
10	NLA	■	1	GUIDE

■ = NO LONGER AVAILABLE

# ADAPTOR ASSEMBLY

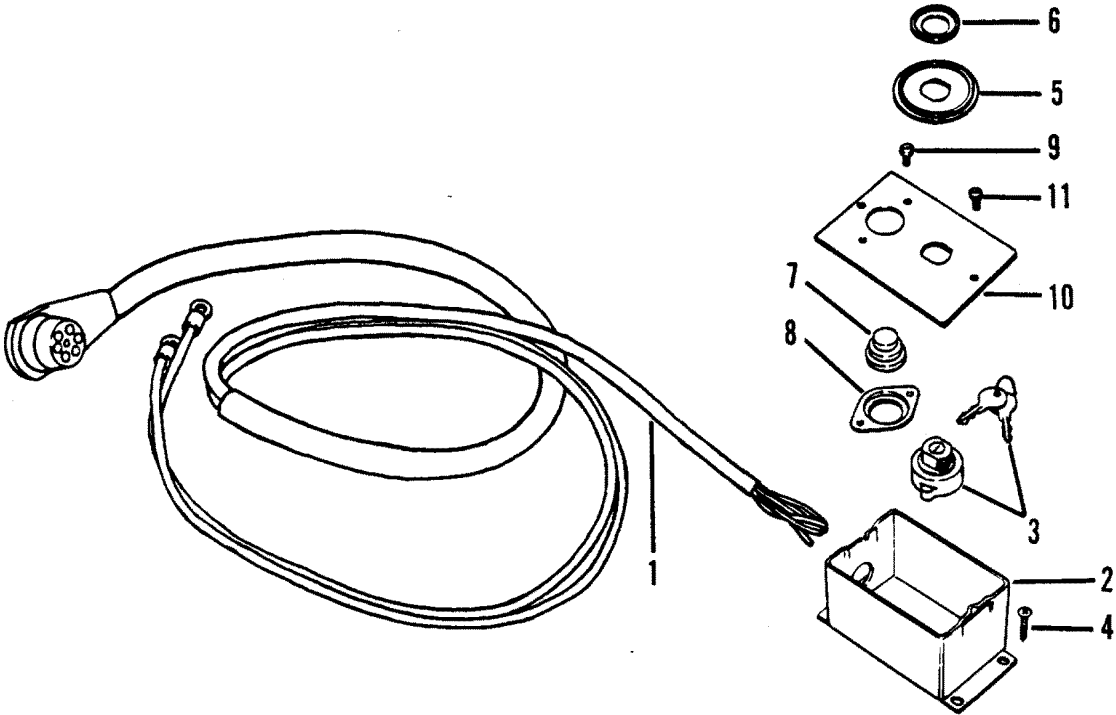




# ADAPTOR ASSEMBLY

REF. NO.	PART NO.	SYM.	QTY.	DESCRIPTION
-	<b>62538A3</b>		<b>1</b>	<b>ADAPTOR ASSEMBLY</b>
1	10-62882		2	SCREW (3-1/4")
2	23-62885		2	SPACER (1/2" I.D.)
	23-89952		2	SPACER (1/3" I.D.)
3	23-62884		2	SPACER (3/4" I.D.)
4	17-62887		2	PIN
5	12-63099		2	WASHER (3/4" I.D.)
6	12-54012		2	WASHER (1/2" I.D.)
7	11-35778		2	NUT
8	16-62888		1	STUD (18-7/8")
9	23-62886		2	SPACER (11/32" I.D.)
10	55-28416		1	PIN
11	12-34937		2	WASHER

# IGNITION AND CHOKE ASSEMBLY (ELECTRIC)

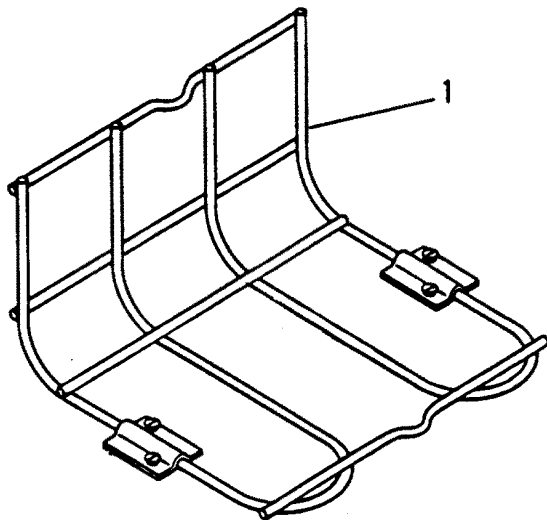


## IGNITION AND CHOKE ASSEMBLY (ELECTRIC)

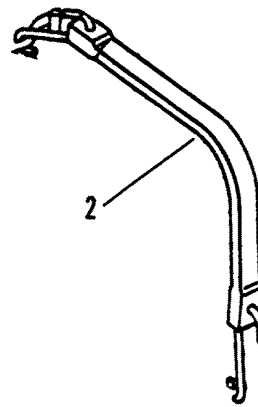
REF. NO.	PART NO.	SYM.	QTY.	DESCRIPTION
-	47974A6		1	IGNITION AND CHOKE ASSEMBLY
-	47974A10		1	IGNITION AND CHOKE ASSEMBLY
1	84-92195A5		1	HARNESS (5") - USE WITH A6 KIT
	84-84711M		1	HARNESS (5") - USE WITH A10 KIT
2	47974		1	HOUSING
3	54211		1	SWITCH (WITH KEYS - PART #30431)
4	10-47994		4	SCREW
5	38-47972		1	PLATE
6	68863		1	BEZEL
7	29759		1	SWITCH
8	47973		1	PLATE
9	10-49597		4	SCREW
10	N.S.S.	■	1	SWITCH COVER ASSEMBLY
11	10-62568		4	SCREW (3/8")

■ = NOT SOLD SEPARATELY

# REMOTE HOLD-DOWN KIT



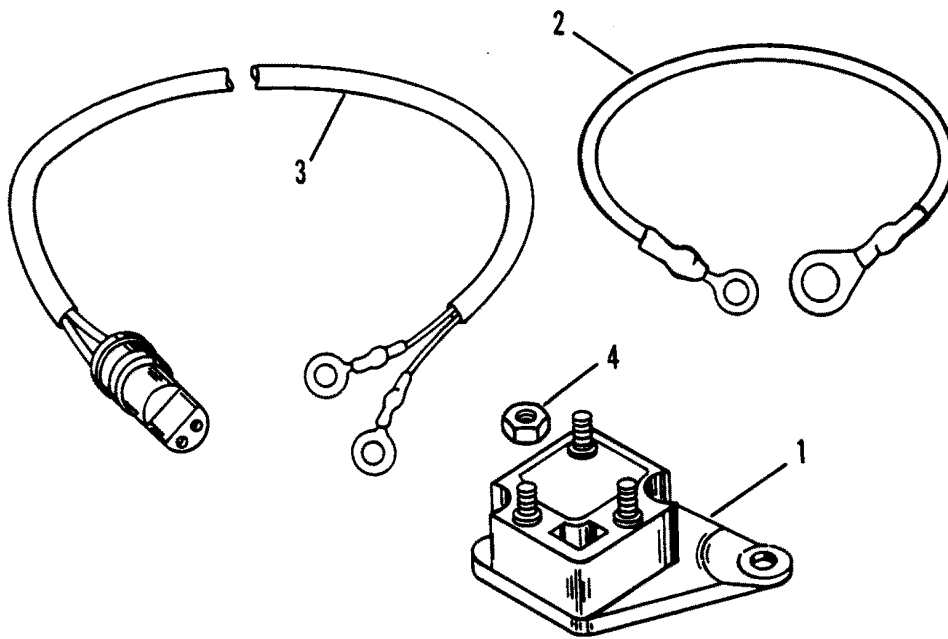
# REMOTE HOLD-DOWN KIT



# REMOTE HOLD-DOWN KIT

REF. NO.	PART NO.	SYM.	QTY.	DESCRIPTION
1	12335A1		1	REMOTE OIL TANK HOLD-DOWN KIT
2	12323A1		1	BUNGY CORD ASSEMBLY

# BATTERY CHARGING KIT (83-70350A2)

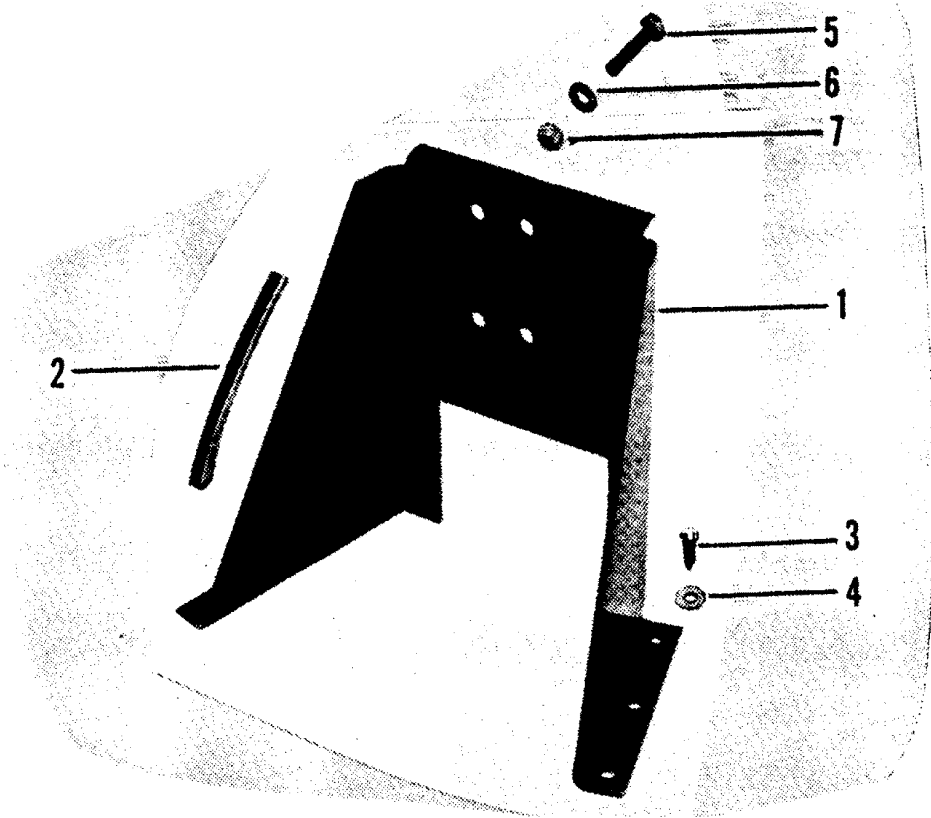


## BATTERY CHARGING KIT (83-70350A2)

REF. NO.	PART NO.	SYM.	QTY.	DESCRIPTION
-	83-70350A2		1	BATTERY CHARGING KIT
1	816770		1	RECTIFIER ASSEMBLY
2	N.S.S.	■	1	CABLE ASSEMBLY
3	84-65017A2		1	HARNESS ASSEMBLY
4	11-68219		3	NUT CABLE AND HARNESS ATTACHING

■ = NOT SOLD SEPARATELY

# HYDRAULIC PUMP MOUNTING KIT

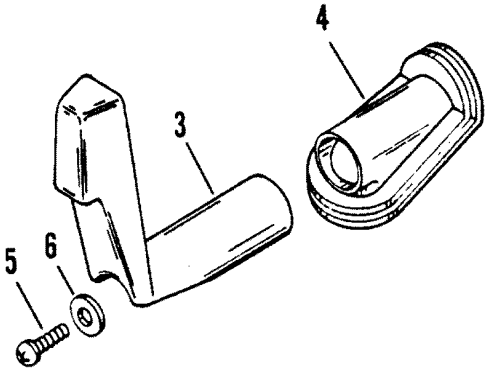
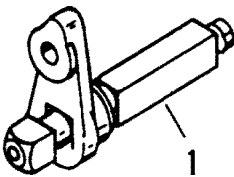




# HYDRAULIC PUMP MOUNTING KIT

REF. NO.	PART NO.	SYM.	QTY.	DESCRIPTION
1	88893A4		1	BRACKET
	88553A1		1	BRACKET (V-6 ONLY)
2	58491		2	BUMPER
3	10-59784		6	SCREW (1")
4	12-29245		6	WASHER
5	10-35386		4	SCREW (1")
6	13-39107		4	LOCKWASHER
7	11-21908		4	NUT

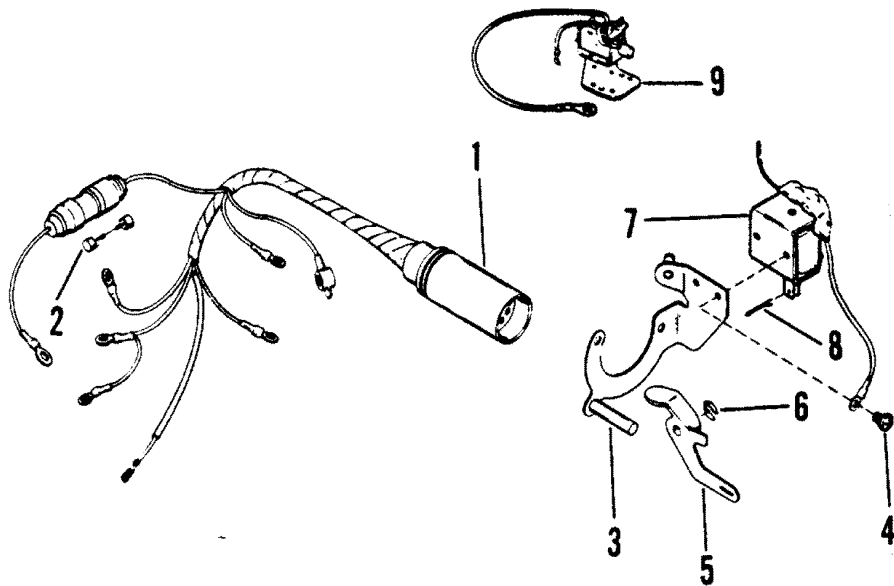
# SIDE SHIFT CONVERSION KIT



## SIDE SHIFT CONVERSION KIT

REF. NO.	PART NO.	SYM.	QTY.	DESCRIPTION
-	821190A1		1	SIDE SHIFT CONVERSION KIT
1	815550--1		1	SHIFT SHAFT
2	821029		1	PLATE
3	42157--1		1	SHIFT HANDLE
4	44459		1	GROMMET
5	10-40056107		1	SCREW
6	12-40023-14		1	WASHER

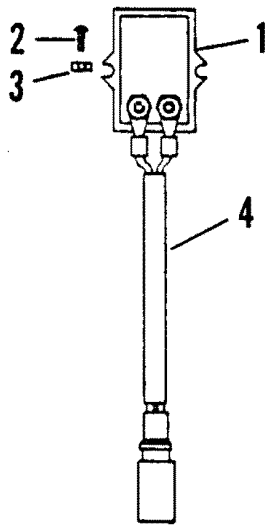
# REMOTE START ATTACHING KIT



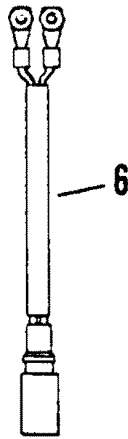
## REMOTE START ATTACHING KIT

REF. NO.	PART NO.	SYM.	QTY.	DESCRIPTION
-	95723A1		-	REMOTE START ATTACHING KIT QUANTITIES: (95723A1) - 1, (95723A4) - 0
-	95723A4		-	REMOTE START ATTACHING KIT QUANTITIES: (95723A1) - 0, (95723A4) - 1
1	84-92436A5		-	WIRING HARNESS ASSEMBLY QUANTITIES: (95723A1) - 1, (95723A4) - 1
2	88-79091		-	FUSE QUANTITIES: (95723A1) - 1, (95723A4) - 1
3	94301A1		-	PLATE ASSEMBLY QUANTITIES: (95723A1) - 1, (95723A4) - 0
4	10-95088		-	SCREW QUANTITIES: (95723A1) - 2, (95723A4) - 0
5	95020		-	CHOKE LEVER QUANTITIES: (95723A1) - 1, (95723A4) - 0
6	53-95019		-	RETAINING RING QUANTITIES: (95723A1) - 1, (95723A4) - 0
7	89-94973A3		-	SOLENOID ASSEMBLY QUANTITIES: (95723A1) - 1, (95723A4) - 0
8	18-21071		-	COTTER PIN QUANTITIES: (95723A1) - 1, (95723A4) - 0
9	1395-9701		-	CHOKE PLATE QUANTITIES: (95723A1) - 0, (95723A4) - 1

# REGULATOR LIGHTING KIT



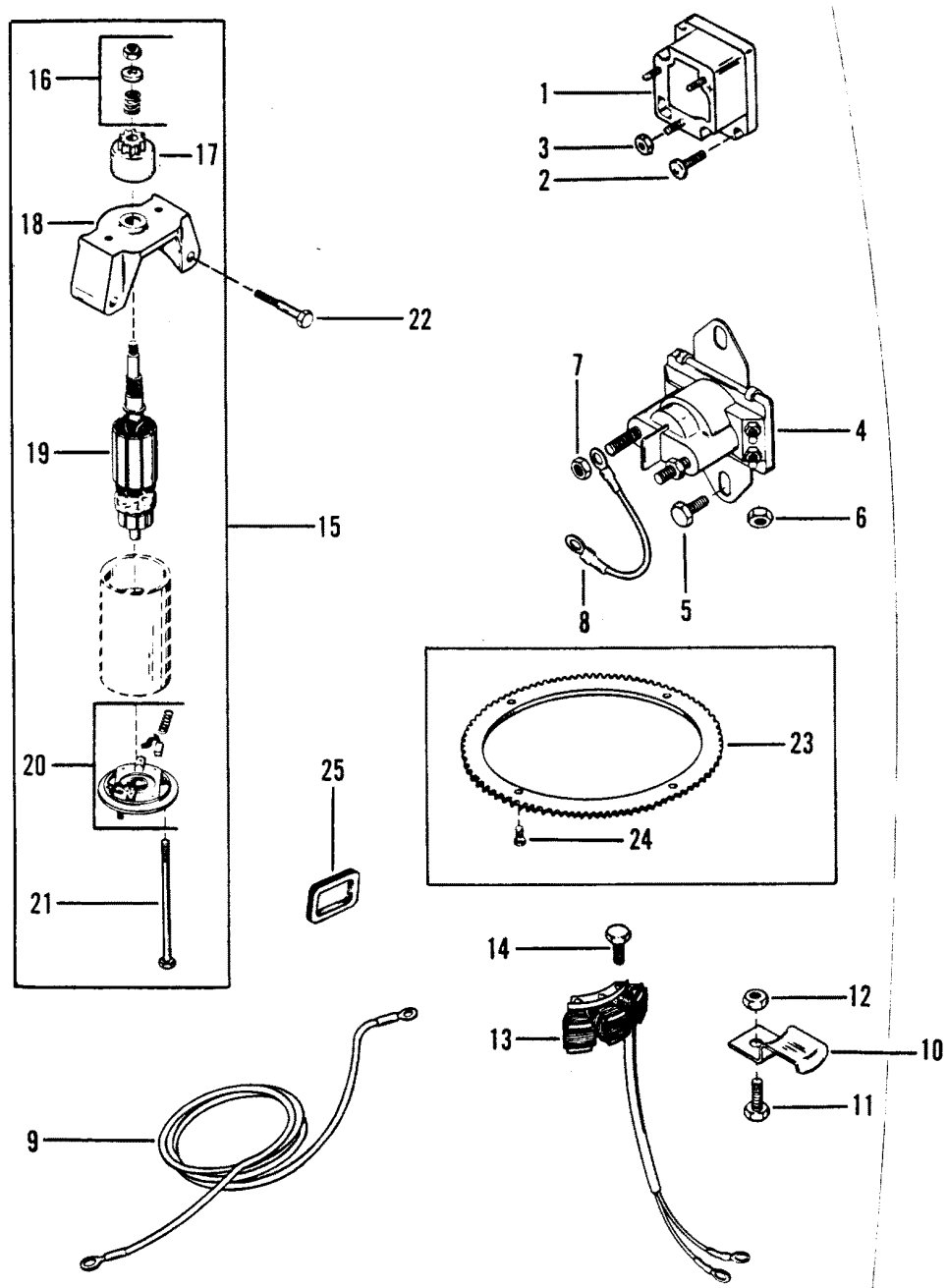
# REGULATOR LIGHTING KIT



# REGULATOR LIGHTING KIT

REF. NO.	PART NO.	SYM.	QTY.	DESCRIPTION
-	95845A5		1	REGULATOR LIGHTING KIT
1	95845		1	VOLTAGE REGULATOR
2	10-92799		2	SCREW (1")
3	11-45076		2	NUT
4	84-74725A2		1	HARNESS ASSEMBLY (BLACK/RED)
5	71663		1	PLUG
6	84-65017A2		1	LIGHTING HARNESS (EXTERNAL)

# ELECTRIC START KIT (50-90983A3)

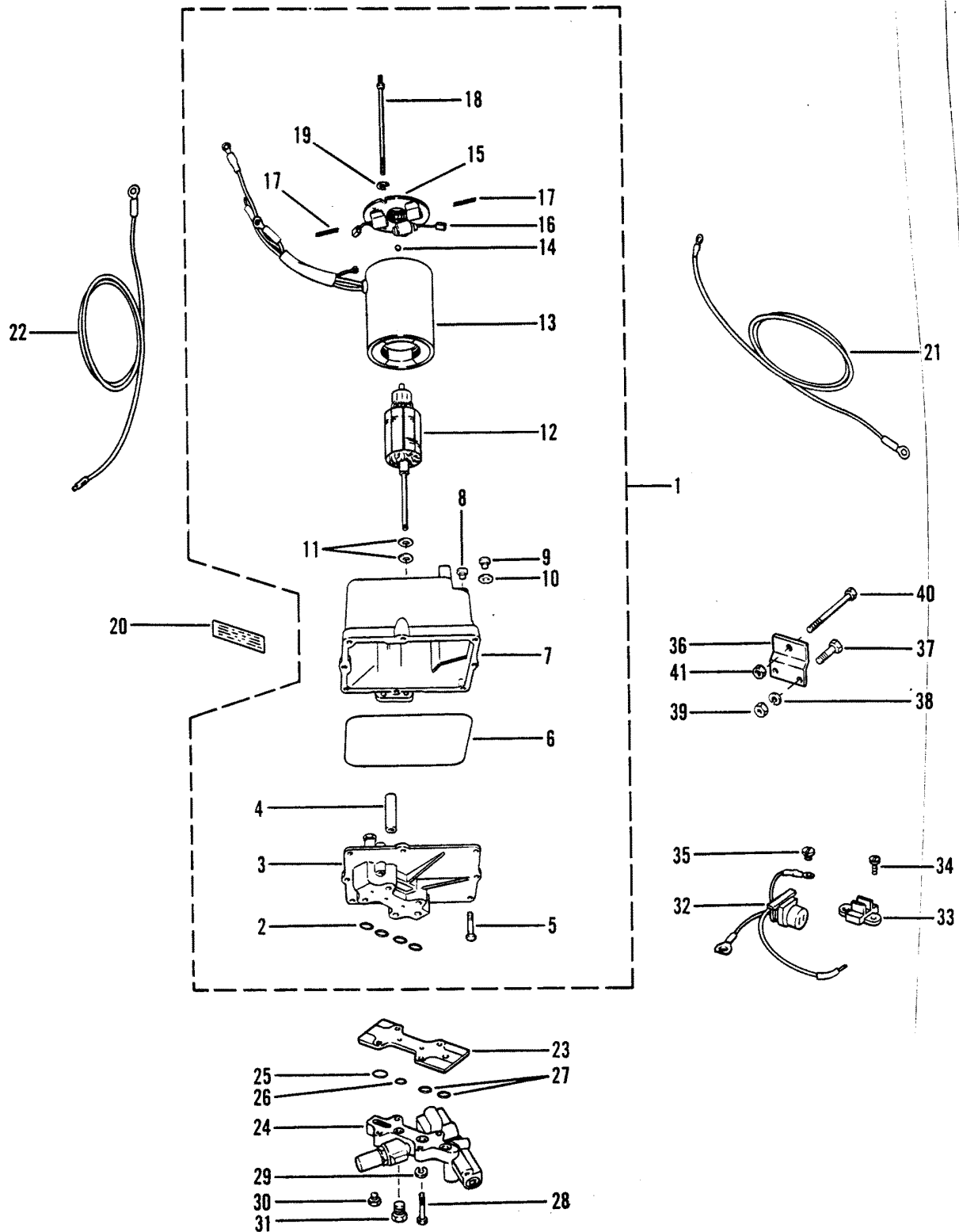




## ELECTRIC START KIT (50-90983A3)

REF. NO.	PART NO.	SYM.	QTY.	DESCRIPTION
-	<b>50-90983A3</b>		1	<b>ELECTRIC START KIT</b>
1	816770		1	RECTIFIER ASSEMBLY
2	10-48409		2	SCREW
3	11-45076		3	NUT
4	89-96054		1	STARTER SOLENOID
5	10-40003-27		2	SCREW (14MM)
6	11-26419		2	NUT (10-32)
7	11-64015		2	NUT (1/4-20)
8	84-88809A5		1	WIRE ASSEMBLY (YELLOW)
9	84-88439A8		1	BATTERY WIRE ASSEMBLY (RED)
	84-88439A6		1	BATTERY WIRE ASSEMBLY (BLACK)
10	92439		1	BRACKET
11	10-40003-27		1	SCREW
12	11-40021--2		1	NUT
13	86704A2		1	STATOR ASSEMBLY
14	10-40001-23		3	SCREW (30MM)
15	50-90983A1		1	STARTER MOTOR ASSEMBLY
16	96561		1	DRIVE KIT
17	96562		1	DRIVE
18	96563		1	END CAP
19	96565		1	ARMATURE
20	96564		1	END CAP (W/SPRINGS AND BRUSHES)
21	10-96566		1	THRU BOLT
22	10-42125--1		2	SCREW
23	43-99301		1	RING GEAR
24	10-40039106		4	SCREW
25	25-93770		1	GROMMET

# POWER TRIM ASSEMBLY (45194A23) (PAGE 1)



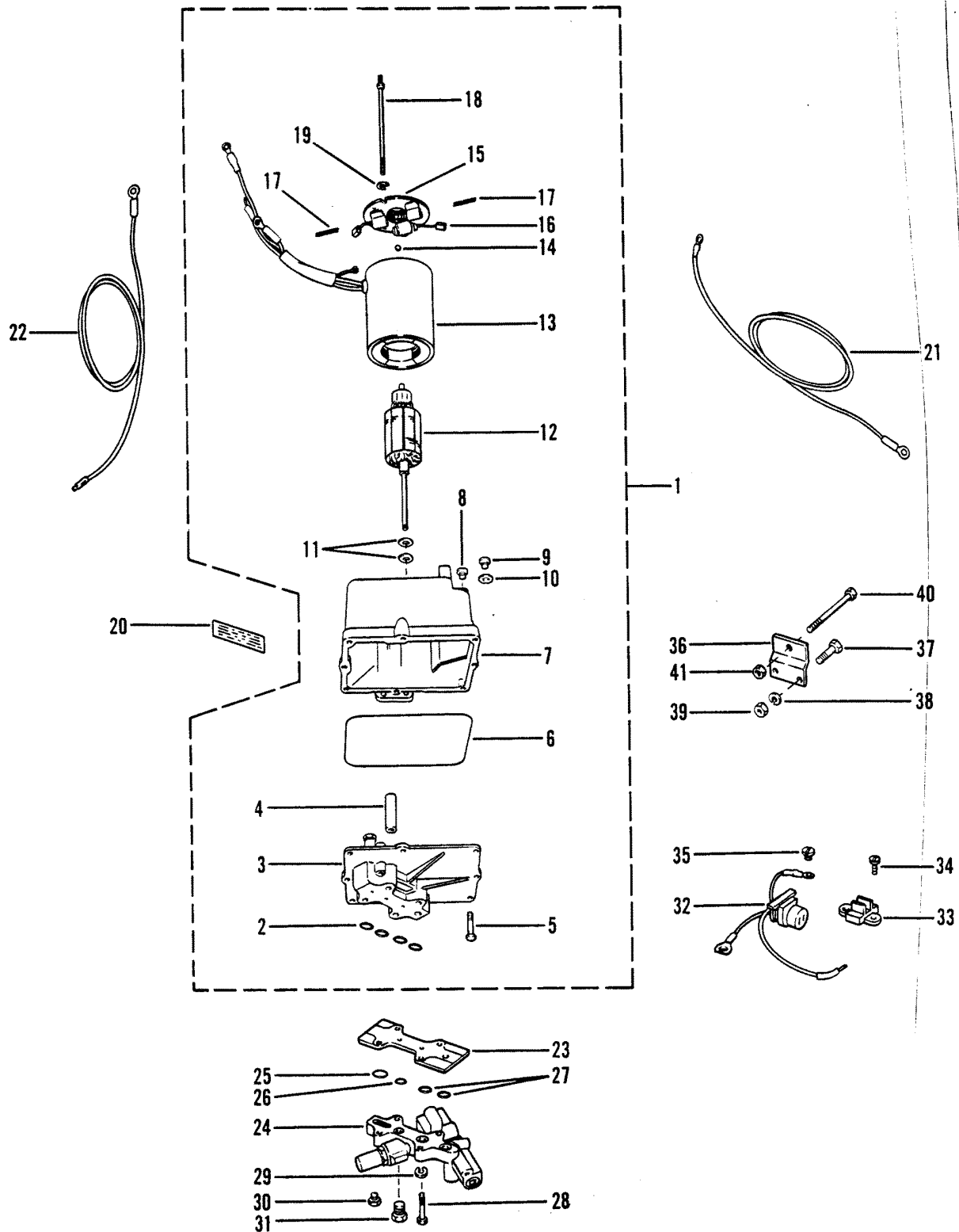
# POWER TRIM ASSEMBLY (45194A23) (PAGE 1)

REF. NO.	PART NO.	SYM.	QTY.	DESCRIPTION
-	<b>45194A23</b>		<b>1</b>	<b>POWER TRIM KIT</b>
1	92975A28		1	HYDRAULIC PUMP ASSEMBLY
2	25-48171		4	O-RING
3	392-7734		1	VALVE BODY AND GEAR ASSEMBLY
4	N.S.S.	■	2	CAN (PRESTOLITE #105019)
5	10-20411		8	SCREW
6	392-7735		1	GASKET
7	NLA-	■	1	RESERVOIR ASSEMBLY
8	10-62269		1	VENT SCREW
9	10-79953		1	FILL SCREW
10	12-19183		1	WASHER
11	392-2623		AR	THRUST WASHER
12	392-2943		1	ARMATURE
13	392-2942		1	FIELD AND FRAME ASSEMBLY
14	392-2944		1	BALL
15	392-2940		1	END PLATE ASSEMBLY
16	392-8989		1	BRUSH SET
17	392-2529		1	SPRING SET
18	NLA-	■	1	THRU-BOLT SET
19	13-26996		2	LOCKWASHER
20	NLA	■	1	DECAL, INSTRUCTION
21	32979		1	BATTERY LEAD (POSITIVE)
22	32988		1	BATTERY LEAD (NEGATIVE)
23	45336		1	PLATE, MANIFOLD
24	45197A2		1	CONTROL VALVE ASSEMBLY
-	<b>25-48171</b>		<b>4</b>	<b>O-RING (SEE REFERENCE 2)</b>
25	25-45254		1	O-RING
26	25-48171		1	O-RING
27	25-45253		2	O-RING
28	10-56500		4	SCREW
29	13-26992		4	LOCKWASHER
30	22-38609		2	PLUG (3/8 INCH)
31	22-46008		2	PLUG (1/2 INCH)
32	84-74023A1		1	CONNECTOR AND HARNESS
33	45559		1	TERMINAL BLOCK
34	10-35519		2	SCREW
35	10-62568		2	SCREW
36	45377T		2	BRACKET

■ = NOT SOLD SEPARATELY  
 ■ = NO LONGER AVAILABLE

CONTINUED ON NEXT PAGE ➡

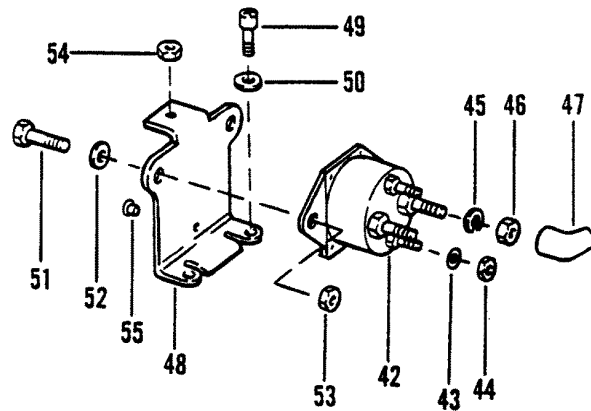
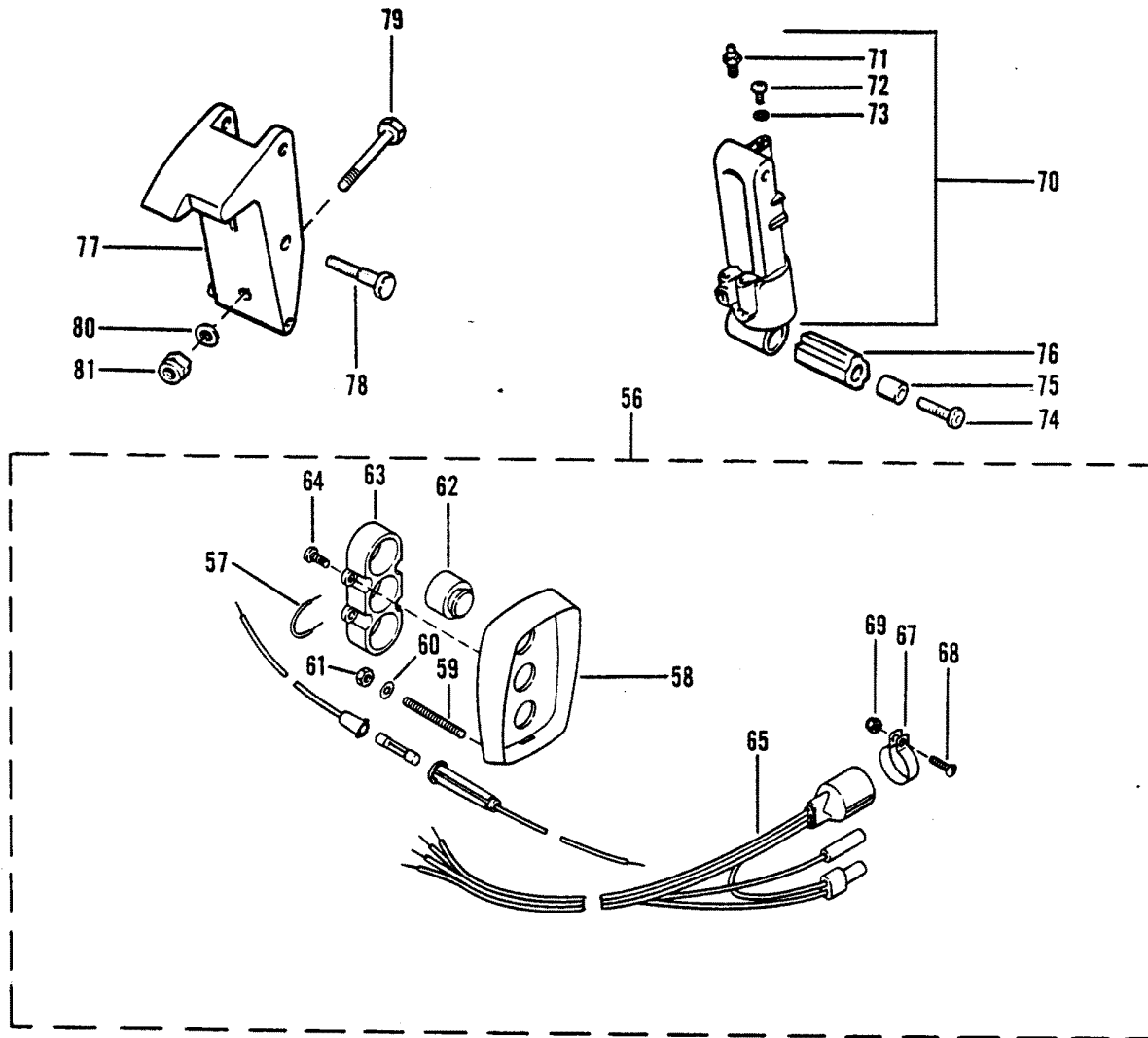
# POWER TRIM ASSEMBLY (45194A23) (PAGE 1)



## POWER TRIM ASSEMBLY (45194A23) (PAGE 1)

REF. NO.	PART NO.	SYM.	QTY.	DESCRIPTION
37	10-35386		4	SCREW
38	13-39107		4	LOCKWASHER
39	11-21908		4	NUT
40	10-68298		2	BOLT
41	11-99405		2	NUT

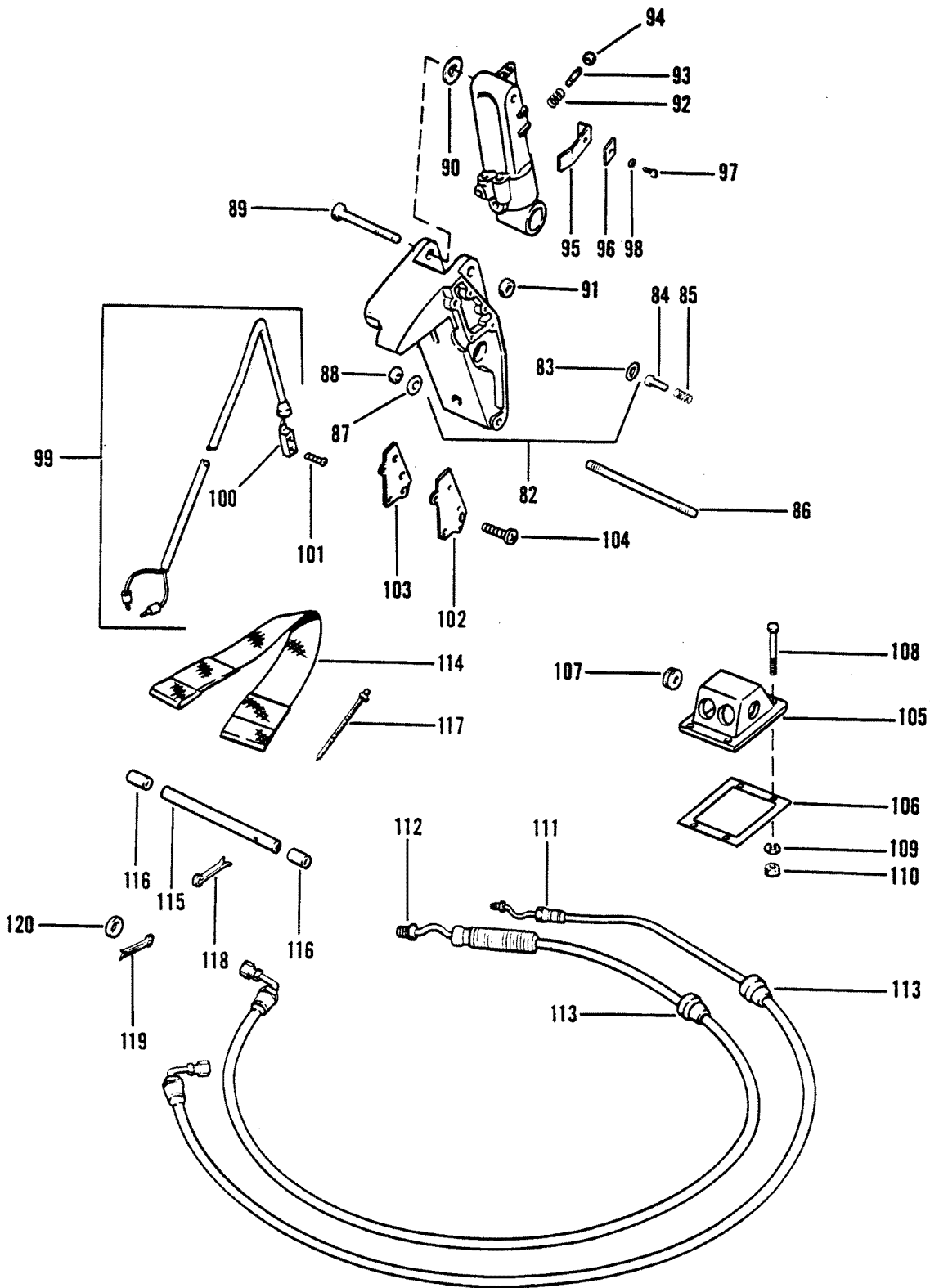
# POWER TRIM ASSEMBLY (45194A23) (PAGE 2)



## POWER TRIM ASSEMBLY (45194A23) (PAGE 2)

REF. NO.	PART NO.	SYM.	QTY.	DESCRIPTION
-	45194A23		1	POWER TRIM KIT
42	89-68258A4		1	STARTER SOLENOID
43	13-26996		2	LOCKWASHER (#10)
44	11-68219		2	NUT (#10)
45	13-26993		2	LOCKWASHER (5/16")
46	11-68292		2	NUT (5/16")
47	46265		2	BOOT
48	74407T		1	BRACKET
49	10-21140		2	SCREW
50	13-26992		2	LOCKWASHER
51	10-98256		2	SCREW
52	13-26992		2	LOCKWASHER
53	11-21825		2	NUT
54	11-24656		1	NUT
55	26901		1	BUMPER
56	55642A13		1	CONTROL PANEL ASSEMBLY
57	53107		1	JUMPER WIRE (PURPLE)
	48078		1	JUMPER WIRE (RED)
58	55642A17		1	CONTROL PANEL
59	16-55422		4	STUD
60	12-24676		4	WASHER
61	11-27164		4	NUT
62	55738A1		3	SWITCH
63	55641		1	RETAINER
64	10-62568		4	SCREW
65	84-87394A20		1	HARNESS (20')
67	54-46770		1	CLAMP
68	10-29227		1	SCREW
69	11-34388		1	NUT
70	92194A14		2	CYLINDER ASSEMBLY
71	22-74036		2	GREASE FITTING
72	10-45265		4	SCREW
73	25-45016		4	O-RING
74	10-71796		2	SCREW
75	23-45280		2	SPACER
76	23-94907A1		2	BUSHING
77	89108A3		1	BRACKET (PORT)
78	10-71797		2	SCREW
79	10-68298		4	BOLT
80	12-68410		4	WASHER
81	11-99405		4	NUT

# POWER TRIM ASSEMBLY (45194A23) (PAGE 3)





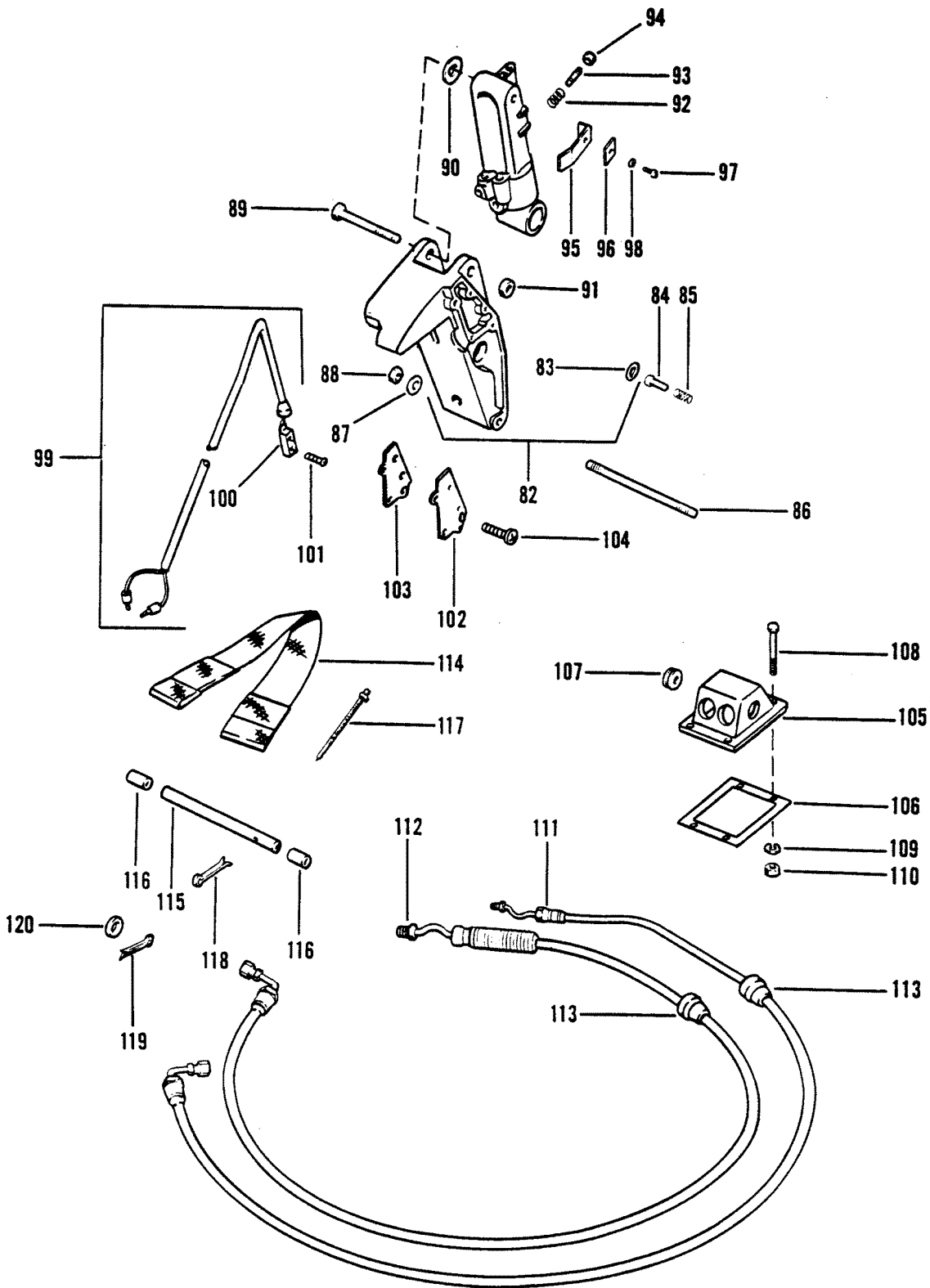
## POWER TRIM ASSEMBLY (45194A23) (PAGE 3)

REF. NO.	PART NO.	SYM.	QTY.	DESCRIPTION
-	45194A23		1	POWER TRIM KIT
82	89807A1		1	BRACKET (STARBOARD)
83	26-70608		1	OIL SEAL
84	89290		1	PLUNGER
85	24-95881		1	SPRING
86	16-71794		1	STUD
87	13-26993		2	LOCKWASHER
88	11-22053		2	NUT
89	10-45328		2	SCREW
90	12-37807		1	WASHER (STARBOARD ONLY)
91	11-20696		2	NUT
92	24-24390		1	SPRING
93	16-21085		1	ADJUSTING STUD
94	11-45812		1	JAM NUT
95	71855		1	CAM
96	86967		1	PLATE
97	10-68513		1	SCREW
98	13-26996		1	LOCKWASHER
99	45326A2		1	LIMIT SWITCH
100	23-45354		1	BUSHING
101	10-47255		2	SCREW
102	45287		1	COVER
103	27-45275		1	GASKET
104	10-24942		5	SCREW
105	87774A1		1	COVER
106	27-45274		1	GASKET
107	25-45507		1	GROMMET
108	10-32866		4	SCREW
109	12-20878		4	WASHER
110	11-29488		4	NUT
111	32-88005		2	HOSE (TRIM - 12/32" O.D.)
112	32-88006		2	HOSE (LIFT - 17/32" O.D.)
113	23-35977		4	GROMMET
114	73519A1		1	TILT STOP
115	77295		1	TUBE
116	NLA	■	2	SPACER
117	NLA	■	1	STA-STRAP

■ = NO LONGER AVAILABLE

CONTINUED ON NEXT PAGE ➡

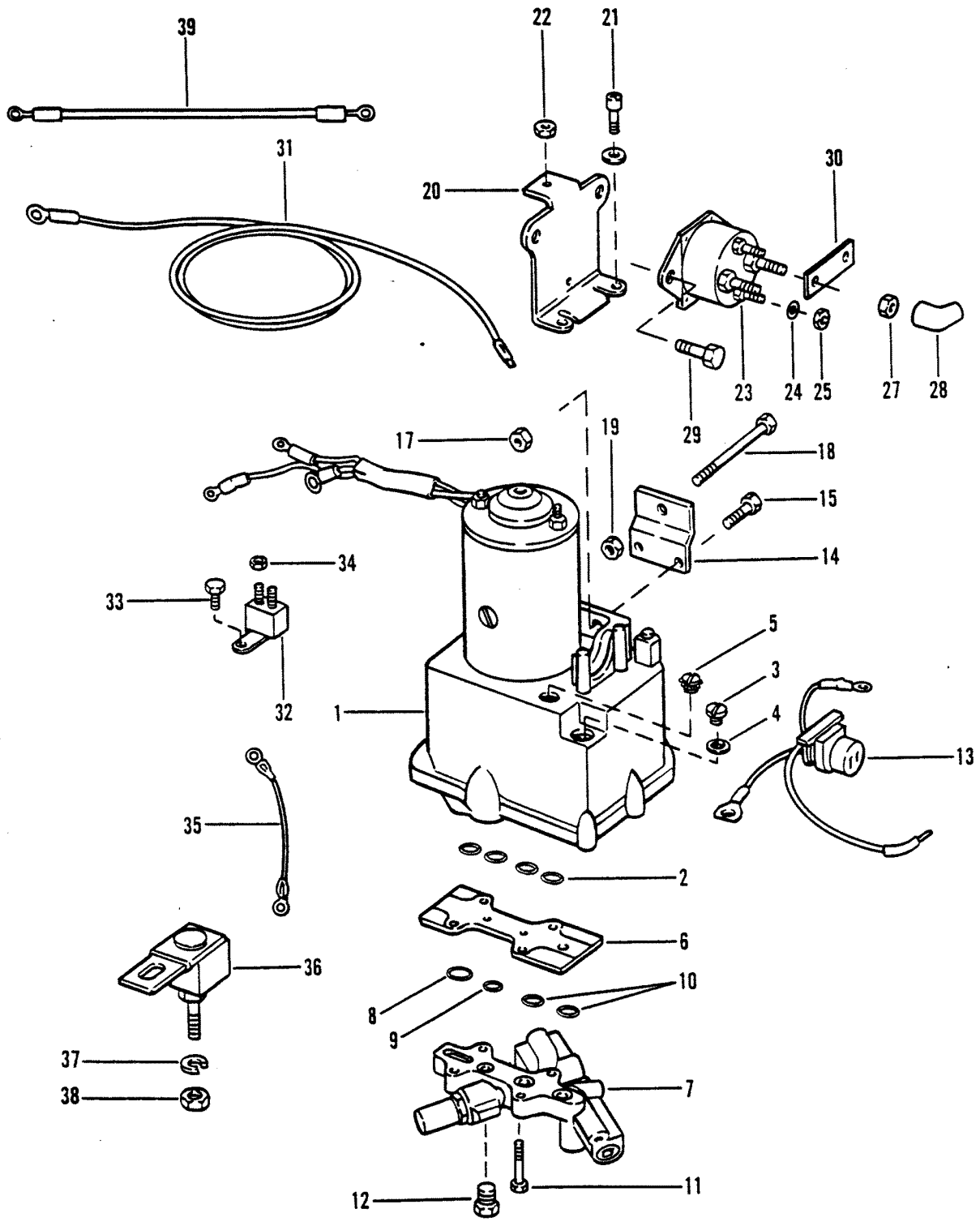
# POWER TRIM ASSEMBLY (45194A23) (PAGE 3)



## POWER TRIM ASSEMBLY (45194A23) (PAGE 3)

REF. NO.	PART NO.	SYM.	QTY.	DESCRIPTION
118	18-36002		1	COTTER PIN
119	18-45882		1	COTTER PIN
120	12-39304		1	WASHER
-	<b>64507A1</b>		1	<b>TRIM CYLINDER REPAIR KIT INCLUDES THE PISTON, SLIPPER SEAL, AND ALL O-RINGS NECESSARY TO REBUILD ONE CYLINDER.</b>
-	<b>64505A1</b>		1	<b>CYLINDER PISTON RETAINER KIT INCLUDES THE CYLINDER ROD RETAINER, ROD SCRAPER, AND SCRAPER RETAINER FOR ONE CYLINDER.</b>

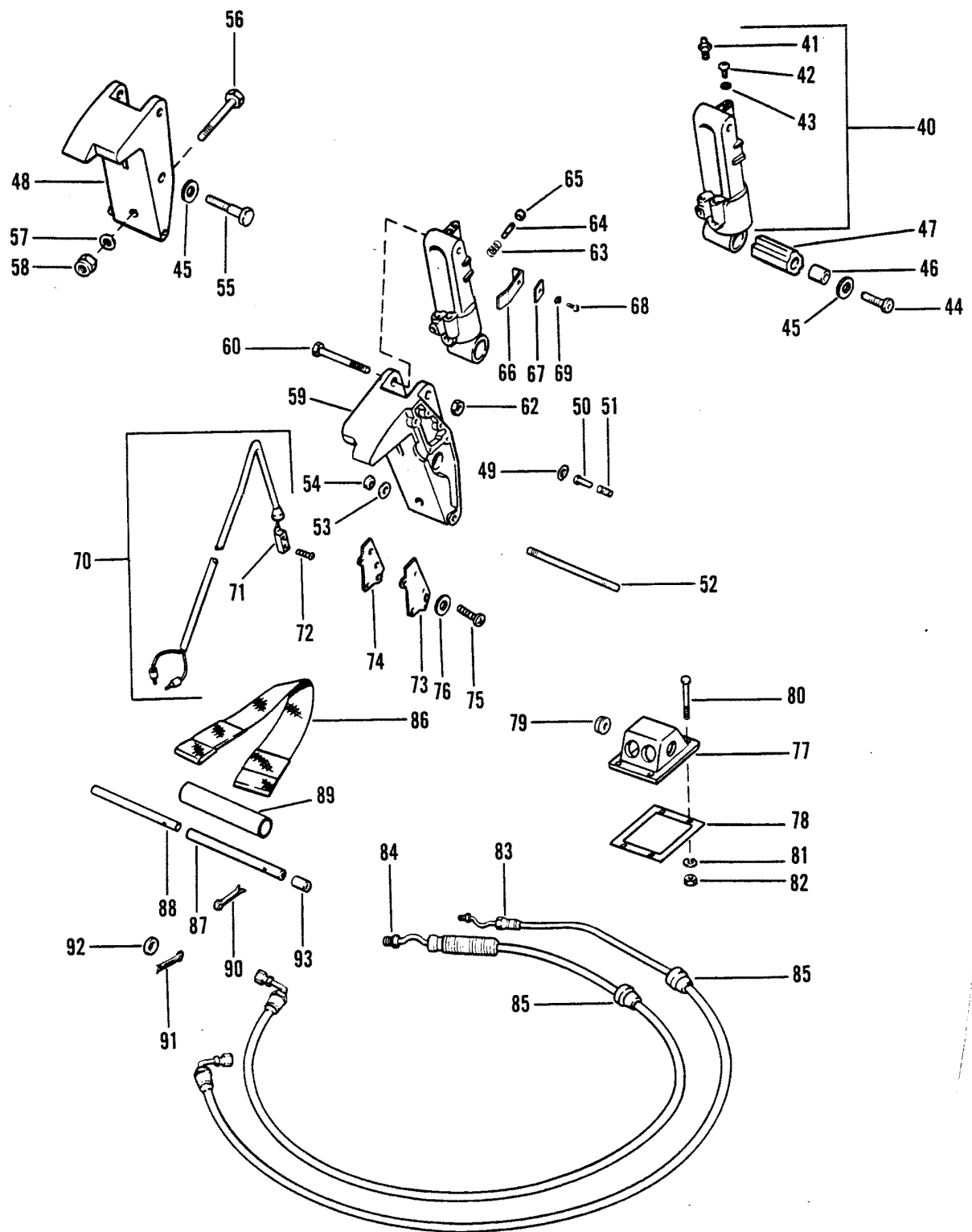
# POWER TRIM ASSEMBLY (76509A25, A26) (PAGE 1)



## POWER TRIM ASSEMBLY (76509A25, A26) (PAGE 1)

REF. NO.	PART NO.	SYM.	QTY.	DESCRIPTION
-	76509A25		1	POWER TRIM KIT (BLACK)
-	76509A26		1	POWER TRIM KIT (GRAY)
1	92975A6		1	HYDRAULIC PUMP SEE HYDRAULIC PUMP ASSEMBLY "PLASTIC RESEVOIR" FOR BREAKDOWN
2	25-48171		4	O-RING
3	10-79953		1	FILLER SCREW
4	12-19183		1	WASHER
5	10-62269		1	VENT SCREW
6	45336		1	PLATE
7	45197A2		1	CONTROL VALVE ASSEMBLY
-	25-48171		4	O-RING (SEE REFERENCE #2)
8	25-45254		1	O-RING (3/4" O.D.)
9	25-48171		1	O-RING (1/2" O.D.)
10	25-45253		2	O-RING (5/8" O.D.)
11	10-56500		4	SCREW (1-1/4")
12	22-46008		2	PLUG (1/2-20")
	22-38609		2	PLUG (3/8-24")
13	84-79147A3		1	CONNECTOR AND HARNESS
14	45377T		2	BRACKET
15	10-35386		4	SCREW (1")
17	11-21908		4	NUT
18	10-31830		2	BOLT (1-3/4")
19	11-46335		2	NUT
20	94279		1	BRACKET
21	10-48060		2	SCREW
22	11-29488		1	NUT
23	89-96158		2	STARTER SOLENOID
24	13-26995		4	LOCKWASHER (#8)
25	11-26419		4	NUT (8-32)
27	11-94330		4	NUT (1/4-20)
28	85-96535		1	BOOT
29	10-41508		4	SCREW
30	94275		1	LINK
31	84-79139A13		1	BATTERY LEAD (POSITIVE)
	84-79138A1		1	BATTERY LEAD (NEGATIVE)
32	88-79149		1	CIRCUIT BREAKER (20 AMP)( EARLY MODELS)
33	10-69014		2	SCREW (EARLY MODELS)
34	11-45076		2	NUT (10-32) (EARLY MODELS)
35	84-87379A5		1	WIRE (RED) (EARLY MODELS)
36	88-79023A90		1	FUSE ASSEMBLY (90 AMP)
37	12-96457		1	WASHER
38	11-21825		1	NUT (1/4-28)
39	84-86322A19		2	WIRE (BLACK)

# POWER TRIM ASSEMBLY (76509A25, A26) (PAGE 2)



PAGE 04

OUTBOARD ACCESSORIES VOLUME I

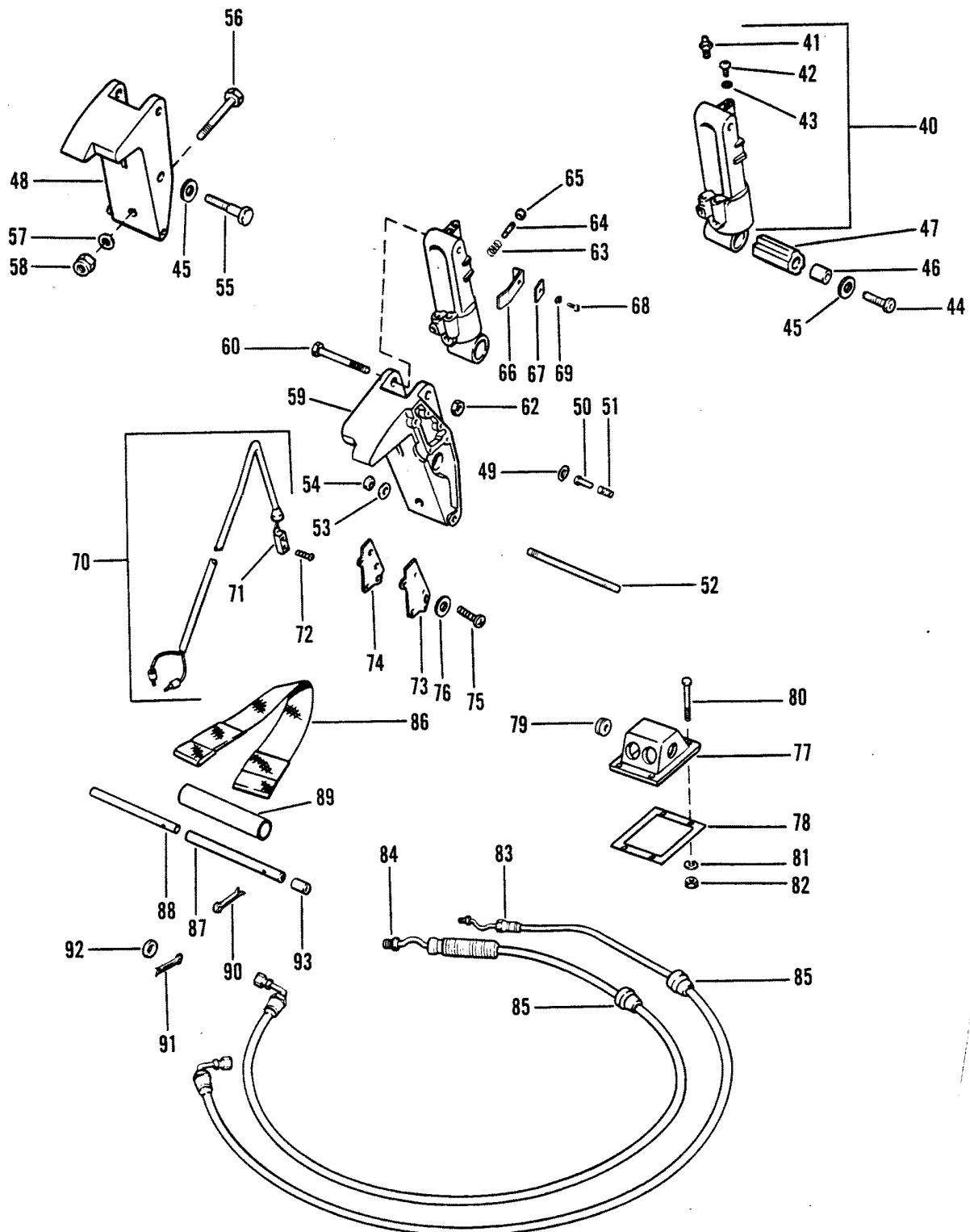
REVISED JUNE 1999

## POWER TRIM ASSEMBLY (76509A25, A26) (PAGE 2)

REF. NO.	PART NO.	SYM.	QTY.	DESCRIPTION
-	76509A25		1	POWER TRIM KIT (BLACK)
-	76509A26		1	POWER TRIM KIT (GRAY)
40	92194A14		2	TRIM CYLINDER ASSEMBLY (BLACK)
	92194A20		2	TRIM CYLINDER ASSEMBLY (GRAY)
41	22-74036		2	GREASE FITTING
42	10-45265		4	SCREW
43	25-45016		4	O-RING
44	10-45264		2	SCREW (1-1/2" - WITH TAPPED HOLE)
	10-92050		2	SCREW (1-1/2" - WITHOUT TAPPED HOLE)
45	12-28421		4	WASHER
46	23-45280		2	SPACER
47	23-94907A1		2	BUSHING
48	89108A3		1	BRACKET (PORT)
49	26-70608		1	OIL SEAL
50	89290		1	PLUNGER
51	24-95881		1	SPRING
52	16-45282		1	STUD
53	13-26993		2	LOCKWASHER
54	11-22053		2	NUT
55	10-45263		2	SCREW (2-1/4")
56	10-68298		4	BOLT (3-1/4")
57	12-68410		4	WASHER
58	11-99405		4	NUT
59	89111T		1	BRACKET (STARBOARD)
60	10-45328		2	SCREW (3-9/16")
62	11-35053		2	NUT
63	24-24390		1	SPRING
64	16-21085		1	ADJUSTING STUD
65	11-45812		1	JAM NUT
66	99897		1	CAM
67	86967		1	PLATE
68	10-68513		1	SCREW
69	13-26996		1	LOCKWASHER
70	45326A2		1	SWITCH ASSEMBLY
71	23-45354		1	BUSHING
72	10-47255		2	SCREW (9/16")
73	89272		1	COVER
74	27-89273--1		1	GASKET
75	10-34994		4	SCREW (7/16")
76	12-38833		4	WASHER
77	87774A1		1	COVER
78	27-87775		1	GASKET
79	25-45507		1	GROMMET

CONTINUED ON NEXT PAGE ➡

# POWER TRIM ASSEMBLY (76509A25, A26) (PAGE 2)



PAGE 04

OUTBOARD ACCESSORIES VOLUME I

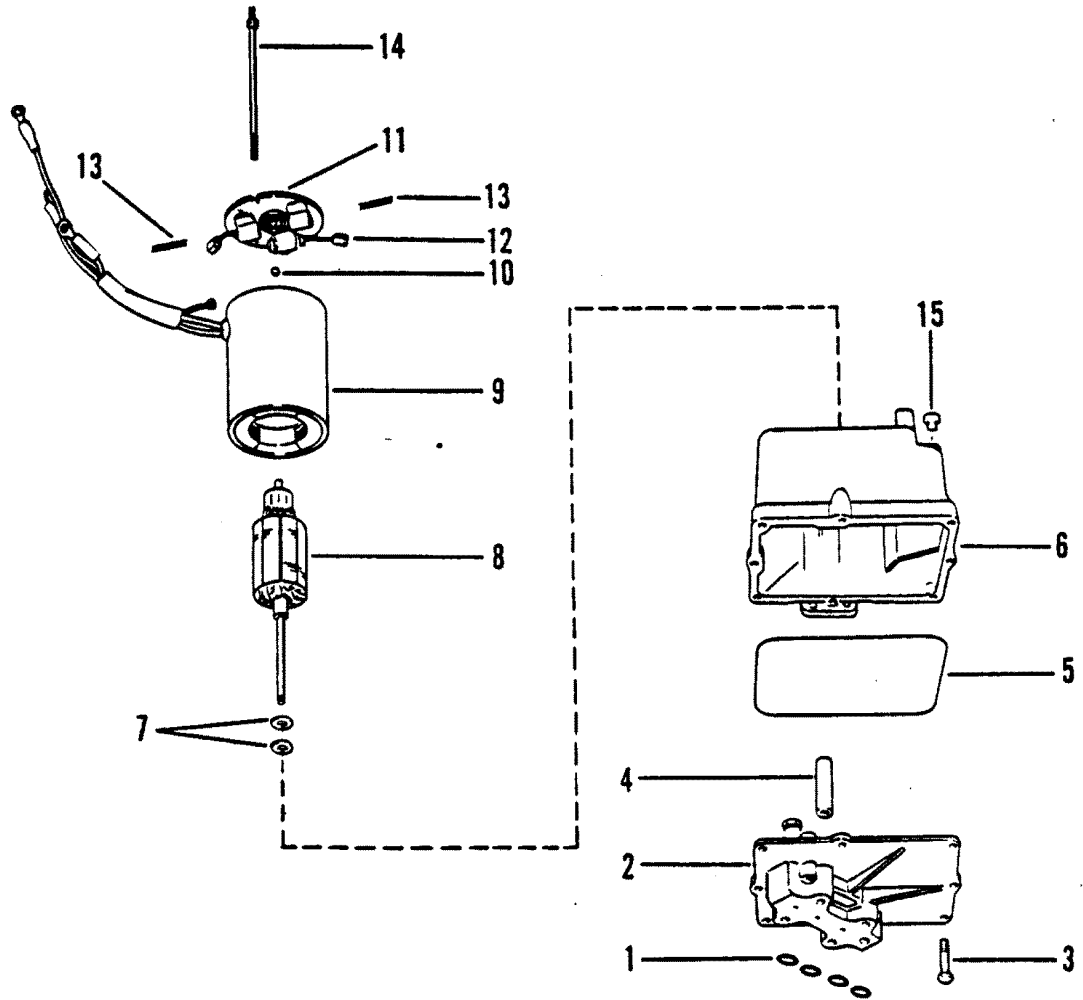
REVISED JUNE 1999



## POWER TRIM ASSEMBLY (76509A25, A26) (PAGE 2)

REF. NO.	PART NO.	SYM.	QTY.	DESCRIPTION
80	10-36070		4	SCREW
81	13-26996		4	LOCKWASHER
82	11-68219		4	NUT
83	32-88005		2	HOSE, TRIM (5' - 12/32" O.D.)
84	32-88006		2	HOSE, LIFT (5' - 17/32"O.D.)
85	23-35977		4	GROMMET (3/8" I.D.- 1" LONG)
	25-97191		2	GROMMET (3/8" I.D. - 7/8" LONG)
	25-12602		2	GROMMET (7/16" I.D. - 7/8" LONG)
86	73519A1		1	TILT STOP
87	69259		1	TUBE, MOUNTING
88	69258		1	PIN
89	63473		1	TUBE, CUSHION
90	18-32857		1	COTTER PIN, MOUNTING TUBE PIN
91	18-45882		1	COTTER PIN, TILT PIN RETAINING
92	12-39304		1	WASHER
93	23-89112		2	BUSHING

# HYDRAULIC PUMP ASSEMBLY (PLASTIC RESERVOIR)

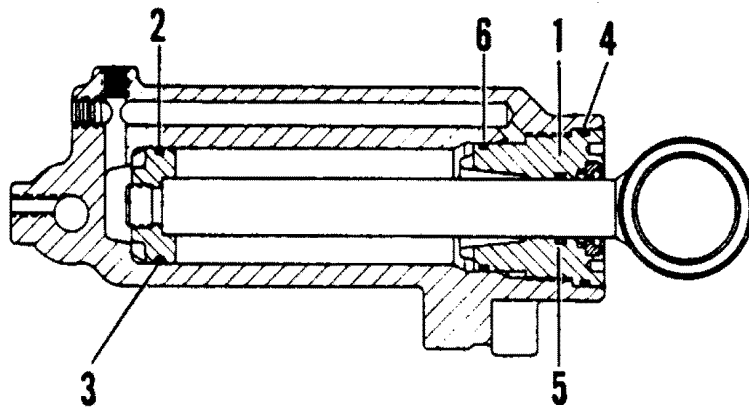


## HYDRAULIC PUMP ASSEMBLY (PLASTIC RESERVOIR)

REF. NO.	PART NO.	SYM.	QTY.	DESCRIPTION
-	92975A6		1	HYDRAULIC PUMP ASSEMBLY
1	25-48171		4	O-RING
2	392-8317		1	VALVE BODY AND GEAR ASSEMBLY
3	10-69570		8	SCREW
4	392-7727		1	COUPLER AND SHAFT
5	392-7735		1	SEAL
6	392-7731		1	RESERVOIR ASSEMBLY (PLASTIC)
7	392-7732		AR	THRUST WASHER
8	392-7729		1	ARMATURE
9	392-8261		1	FIELD AND FRAME ASSEMBLY
10	NLA-	■	1	BALL
11	392-8262		1	PLATE ASSEMBLY
12	392-8989		1	BRUSH SET
13	392-2529		1	SPRING SET
14	392-7733		1	THRU BOLT SET
15	392-7728		1	FILL PLUG

■ = NO LONGER AVAILABLE

# POWER TRIM CYLINDER REPAIR KIT

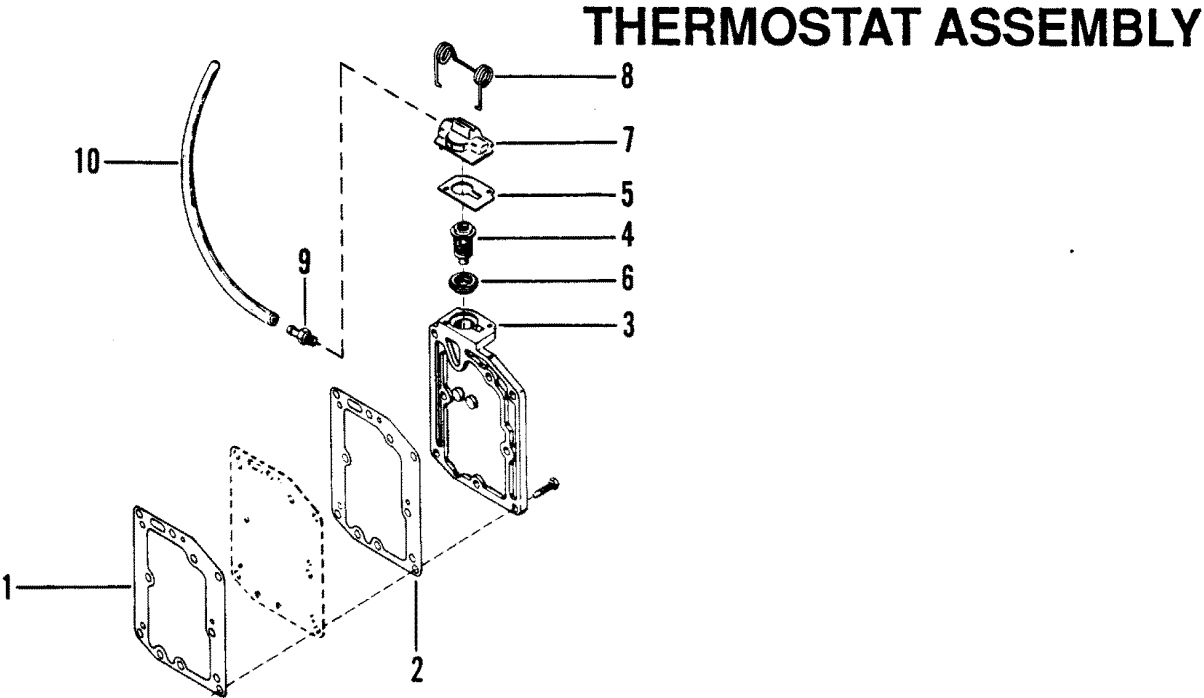


## POWER TRIM CYLINDER REPAIR KIT

REF. NO.	PART NO.	SYM.	QTY.	DESCRIPTION
-	92188A2	●	1	REPAIR KIT
1	N.S.S.	■	1	CYLINDER CAP
2	N.S.S.	■	1	O-RING (1-1/4" X 1-1/2" X 1/8")
3	N.S.S.	■	1	SPACER
4	N.S.S.	■	1	O-RING (1-7/8" X 2-1/16" X 3/32")
5	N.S.S.	■	1	O-RING (3/4" X 15/16" X 3/32")
6	N.S.S.	■	1	O-RING (1-1/2" X 1-3/4" X 3/32")

- = DO NOT SUBSTITUTE O-RINGS AS THESE ARE MADE OF SPECIAL MANUFACTURED MATERIAL.  
 ■ = NOT SOLD SEPARATELY

# THERMOSTAT ASSEMBLY

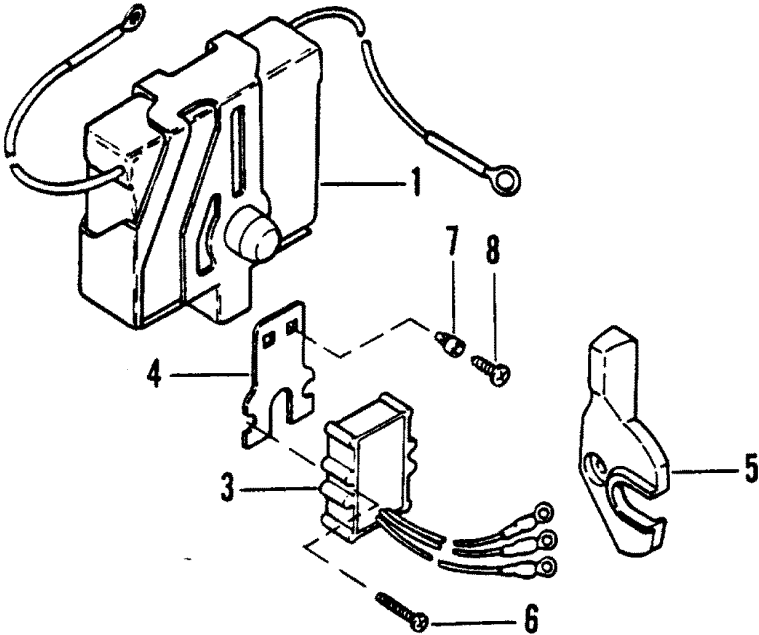


# THERMOSTAT ASSEMBLY

# THERMOSTAT ASSEMBLY

REF. NO.	PART NO.	SYM.	QTY.	DESCRIPTION
-	89013A2		1	THERMOSTAT ASSEMBLY
1	27-41383		1	GASKET
2	27-89014		1	GASKET
3	89013A1		1	COVER
4	75692		1	THERMOSTAT
5	27-88346		1	GASKET
6	27-62386		1	GASKET
7	85920		1	COVER
8	24-88464		1	SPRING
9	22-29111		1	CONNECTOR
10	32-99127109		1	HOSE

# ON-BOARD BATTERY KIT



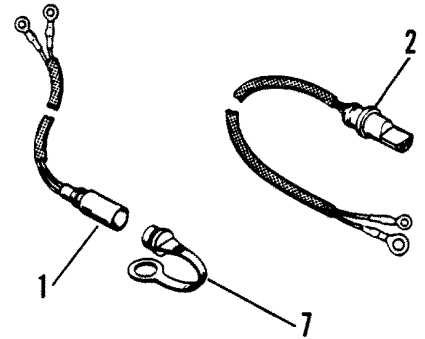
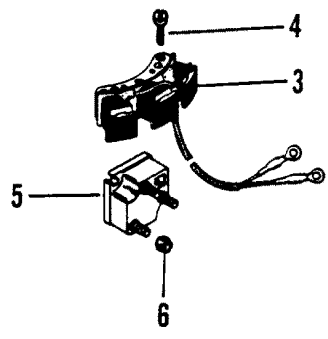


## ON-BOARD BATTERY KIT

REF. NO.	PART NO.	SYM.	QTY.	DESCRIPTION
-	<b>88386A2</b>		1	<b>ON-BOARD BATTERY KIT</b>
1	NLA	■	1	BATTERY
3	NLA	■	1	VOLTAGE REGULATOR
4	NLA	■	1	BRACKET
5	93730		1	HANDLE
6	NLA	■	2	SCREW
7	NLA	■	2	NUT
8	10-48409		2	SCREW

■ = NO LONGER AVAILABLE

# BATTERY CHARGING KIT (62351A3, A9, A10)



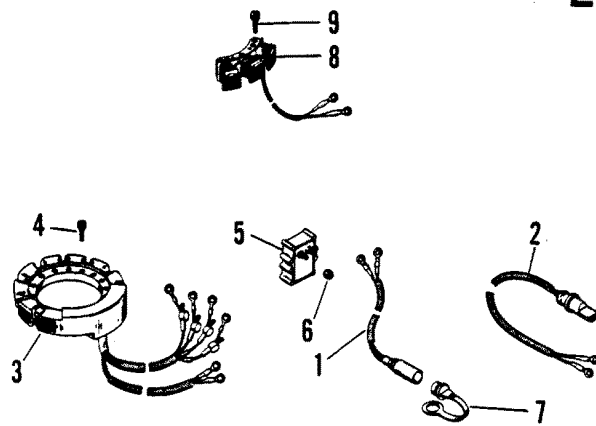
## BATTERY CHARGING KIT (62351A3, A9, A10)

REF. NO.	PART NO.	SYM.	QTY.	DESCRIPTION
-	62351A3		-	BATTERY CHARGING KIT QUANTITIES: (62351A3) - 1, (62351A9) - 0, (62351A10) - 0
-	62351A9		-	BATTERY CHARGING KIT QUANTITIES: (62351A3) - 0, (62351A9) - 1, (62351A10) - 0
-	62351A10		-	BATTERY CHARGING KIT QUANTITIES: (62351A3) - 0, (62351A9) - 0, (62351A10) - 1
1	N.S.S.	■	-	HARNESS ASSEMBLY QUANTITIES: (62351A3) - 1, (62351A9) - 0, (62351A10) - 0
	84-74725A2		-	HARNESS QUANTITIES: (62351A3) - 0, (62351A9) - 1, (62351A10) - 1
2	N.S.S.	■	-	HARNESS ASSEMBLY (5' ) QUANTITIES: (62351A3) - 1, (62351A9) - 0, (62351A10) - 0
	84-65017A10		-	HARNESS (5' ) QUANTITIES: (62351A3) - 0, (62351A9) - 1, (62351A10) - 1
3	86704A2		-	STATOR ASSEMBLY QUANTITIES: (62351A3) - 1, (62351A9) - 0, (62351A10) - 0
4	10-93787		-	SCREW QUANTITIES: (62351A3) - 3, (62351A9) - 0, (62351A10) - 0
5	816770		-	RECTIFIER ASSEMBLY QUANTITIES: (62351A3) - 1, (62351A9) - 1, (62351A10) - 0
6	11-45076		-	NUT QUANTITIES: (62351A3) - 2, (62351A9) - 3, (62351A10) - 3
7	71663		-	PLUG, HARNESS QUANTITIES: (62351A3) - 1, (62351A9) - 1, (62351A10) - 1

■ = NOT SOLD SEPARATELY

# LIGHTING COIL KIT

## LIGHTING COIL KIT

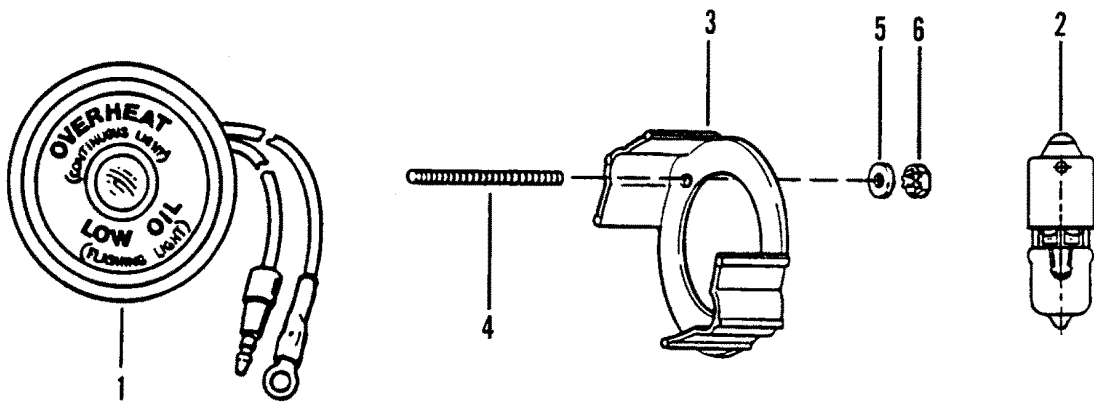


# LIGHTING COIL KIT

REF. NO.	PART NO.	SYM.	QTY.	DESCRIPTION
-	75076A2		-	LIGHTING COIL KIT QUANTITIES: (75076A2) - 1, (42282A3) - 0
-	42282A3		-	LIGHTING COIL KIT QUANTITIES: (75076A2) - 0, (42282A3) - 1
1	N.S.S.	■	-	LIGHTING HARNESS ASSEMBLY QUANTITIES: (75076A2) - 1, (42282A3) - 0
2	84-65017A4		-	WIRING HARNESS ASSEMBLY (5' ) QUANTITIES: (75076A2) - 1, (42282A3) - 0
3	398-5454A62		-	STATOR ASSEMBLY QUANTITIES: (75076A2) - 1, (42282A3) - 0
4	10-76566		-	SCREW QUANTITIES: (75076A2) - 4, (42282A3) - 0
5	95845		-	VOLTAGE REGULATOR QUANTITIES: (75076A2) - 1, (42282A3) - 0
6	11-45076		-	NUT QUANTITIES: (75076A2) - 2, (42282A3) - 0
7	71663		-	PLUG QUANTITIES: (75076A2) - 1, (42282A3) - 0
	94879--1		-	PLUG QUANTITIES: (75076A2) - 0, (42282A3) - 1
8	86704A2		-	STATOR QUANTITIES: (75076A2) - 0, (42282A3) - 1
9	10-93787		-	SCREW (10-24 X 1-3/4") QUANTITIES: (75076A2) - 0, (42282A3) - 3
	10-40001-23		-	SCREW (30MM) QUANTITIES: (75076A2) - 0, (42282A3) - 3

■ = NOT SOLD SEPARATELY

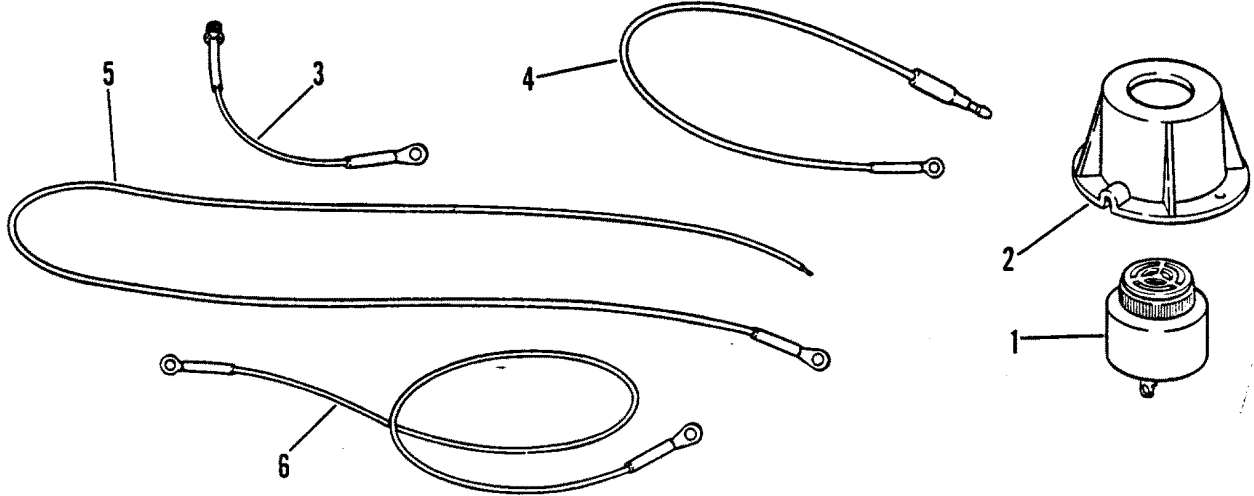
# VISUAL WARNING KIT



# VISUAL WARNING KIT

REF. NO.	PART NO.	SYM.	QTY.	DESCRIPTION
1	17334A2		1	VISUAL WARNING KIT
2	88-17429		1	LAMP
3	76424		1	BRACKET
4	16-55422		2	STUD
5	12-24676		2	WASHER
6	11-68219		2	NUT

# OVERHEAT WARNING KIT



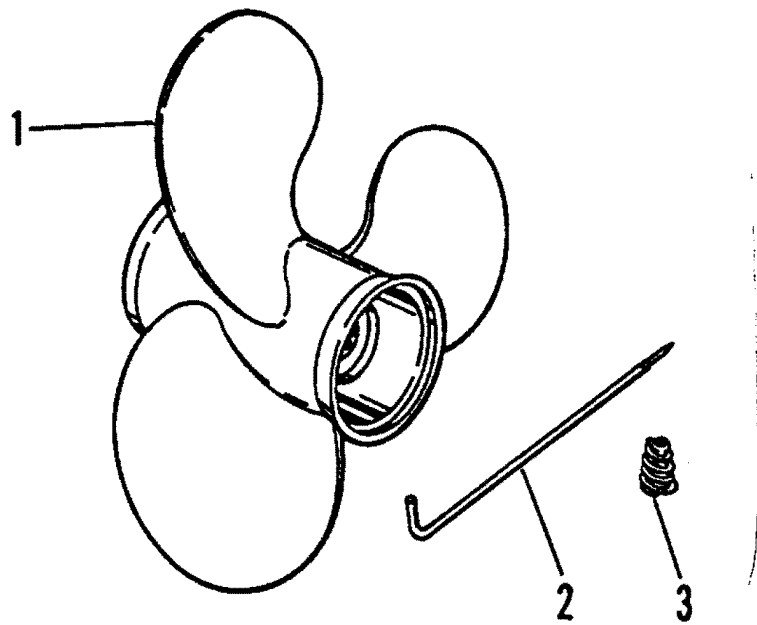


# OVERHEAT WARNING KIT

REF. NO.	PART NO.	SYM.	QTY.	DESCRIPTION
-	<b>87-96829A2</b>		<b>1</b>	<b>OVERHEAT WARNING KIT</b>
1	NLA	■	1	ALARM
2	96927		1	HOUSING, ALARM
3	87-96829A1		1	SWITCH ASSEMBLY, TEMPERATURE
4	84-96857A1		1	WIRE ASSEMBLY (TAN) (12")
5	NLA	■	1	WIRE ASSEMBLY (TAN) (33")
6	NLA	■	1	WIRE ASSEMBLY (PURPLE)

■ = NO LONGER AVAILABLE

# REVERSE THRUSTER KIT

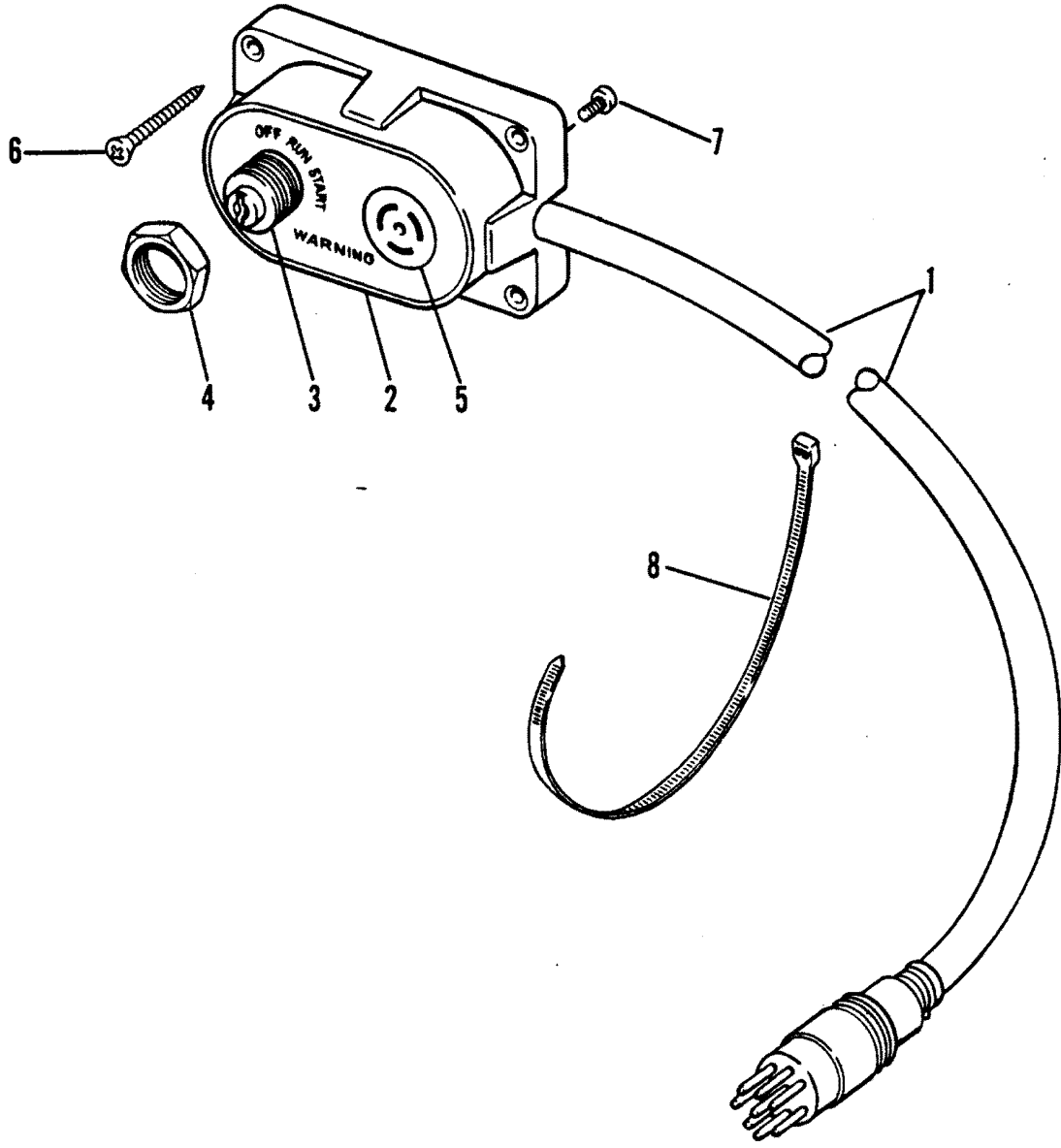


# REVERSE THRUSTER KIT

REF. NO.	PART NO.	SYM.	QTY.	DESCRIPTION
-	48-89848A20		1	REVERSE THRUSTER KIT
1	N.S.S.	■	1	PROPELLER ASSEMBLY
2	17-90381A2		1	TILT PIN ASSEMBLY
3	24-92995		1	SPRING

■ = NOT SOLD SEPARATELY

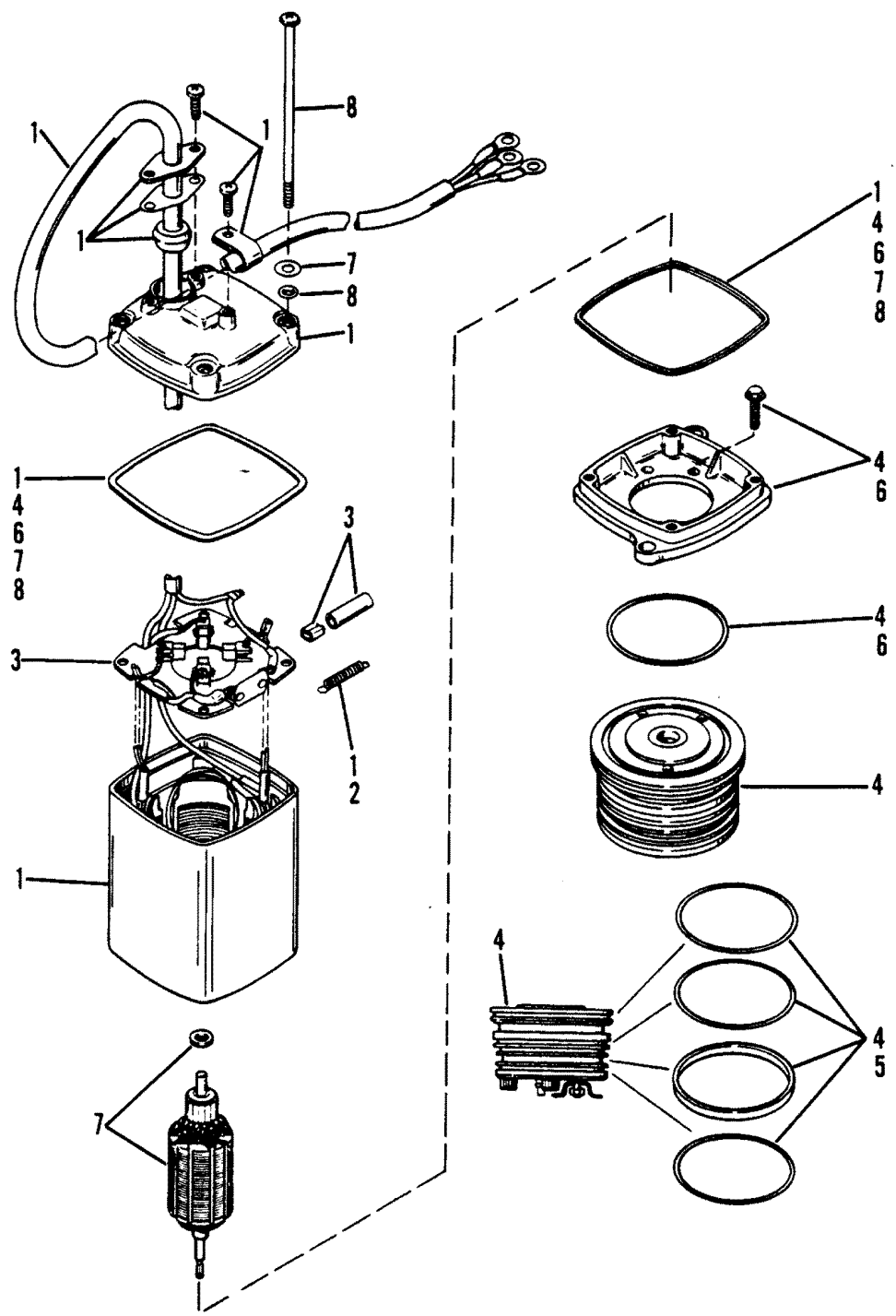
# KEY, CHOKE AND HORN KIT



## KEY, CHOKE AND HORN KIT

REF. NO.	PART NO.	SYM.	QTY.	DESCRIPTION
1	15000A1		1	KEY, CHOKE AND HORN KIT
2	15000		1	HOUSING
3	87-88107		1	KEY SWITCH (SEE BELOW FOR KEY)
4	11-93543		1	NUT, KEY SWITCH
5	16564A1		1	WARNING HORN
6	10-47994		4	SCREW, TOP
7	10-62568		4	SCREW, HOUSING
8	54-816311		AR	STAY STRAP
-	<b>89491-1</b>		<b>AR</b>	<b>KEY 1A</b>
-	<b>89491-2</b>		<b>AR</b>	<b>KEY 1B</b>
-	<b>89491-3</b>		<b>AR</b>	<b>KEY 1C</b>
-	<b>89491-4</b>		<b>AR</b>	<b>KEY 1D</b>
-	<b>89491-5</b>		<b>AR</b>	<b>KEY 1E</b>
-	<b>89491-6</b>		<b>AR</b>	<b>KEY 1F -</b>
-	<b>89491-7</b>		<b>AR</b>	<b>KEY 2A</b>
-	<b>89491-8</b>		<b>AR</b>	<b>KEY 2B</b>
-	<b>89491-9</b>		<b>AR</b>	<b>KEY 2C</b>
-	<b>89491-10</b>		<b>AR</b>	<b>KEY 2D</b>
-	<b>89491-11</b>		<b>AR</b>	<b>KEY 2E</b>
-	<b>89491-12</b>		<b>AR</b>	<b>KEY 2F</b>

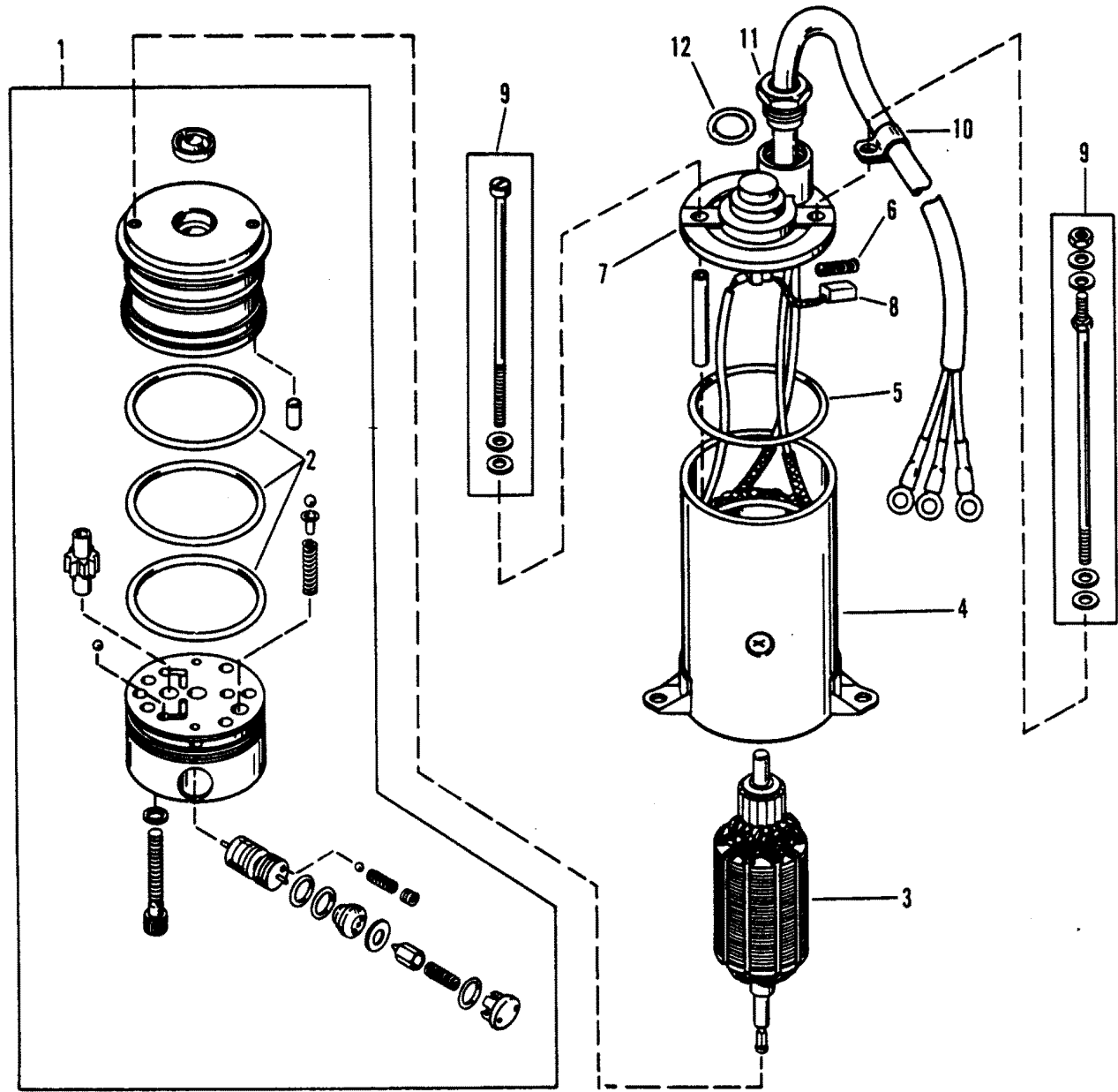
# POWER TRIM PUMP (RECTANGULAR MOTOR)



## POWER TRIM PUMP (RECTANGULAR MOTOR)

REF. NO.	PART NO.	SYM.	QTY.	DESCRIPTION
-	99186T		1	POWER TRIM PUMP
1	12659		1	FRAME AND FIELD KIT
2	12665		1	BRUSH SPRING KIT
3	13506		1	BRUSH CARD KIT
4	12662		1	PUMP AND END FRAME KIT
5	12663--1		1	PUMP SEAL KIT
6	12660		1	END FRAME KIT
7	12661		1	ARMATURE KIT
8	12664		1	THRU BOLT KIT

# POWER TRIM PUMP ASSEMBLY (ROUND MOTOR)



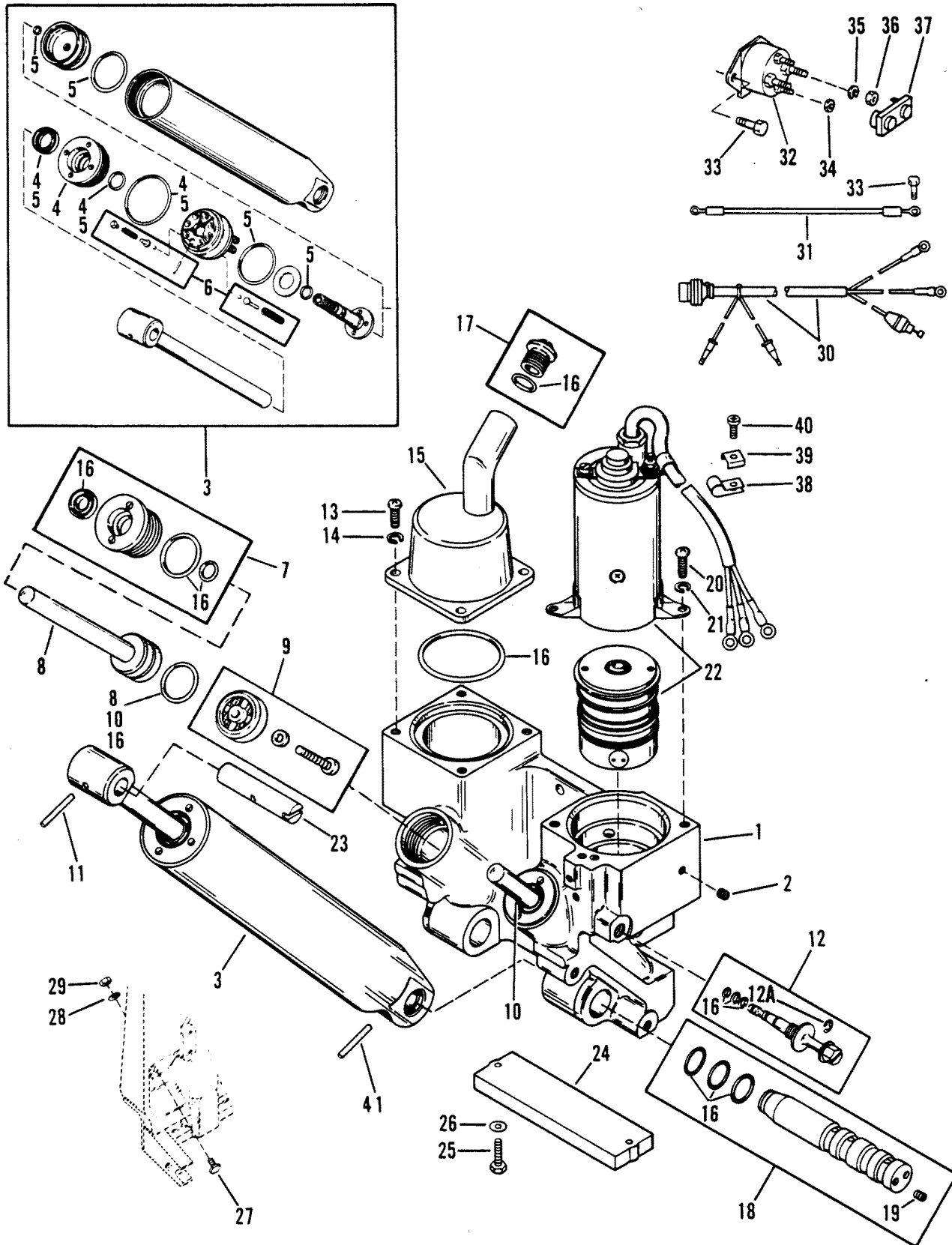


## POWER TRIM PUMP ASSEMBLY (ROUND MOTOR)

REF. NO.	PART NO.	SYM.	QTY.	DESCRIPTION
-	99186		1	POWER TRIM PUMP ASSEMBLY
1	392-8995		1	CARTRIDGE PUMP ASSEMBLY
2	392-8996		1	O-RING KIT
3	392-8986		1	ARMATURE
4	392-8987		1	FRAME AND FIELD
5	392-8992		1	O-RING
6	392-8993		1	SPRING KIT
7	NLA-	■	1	HEAD, COMMUTATOR END
8	392-8989		1	BRUSH KIT
9	392-8994		1	THRU BOLT KIT
10	392-8985		1	CLAMP
11	NLA-	■	1	NUT
12	392-8991		1	O-RING

■ = NO LONGER AVAILABLE

# POWER TRIM ASSEMBLY (99659A47, A48)

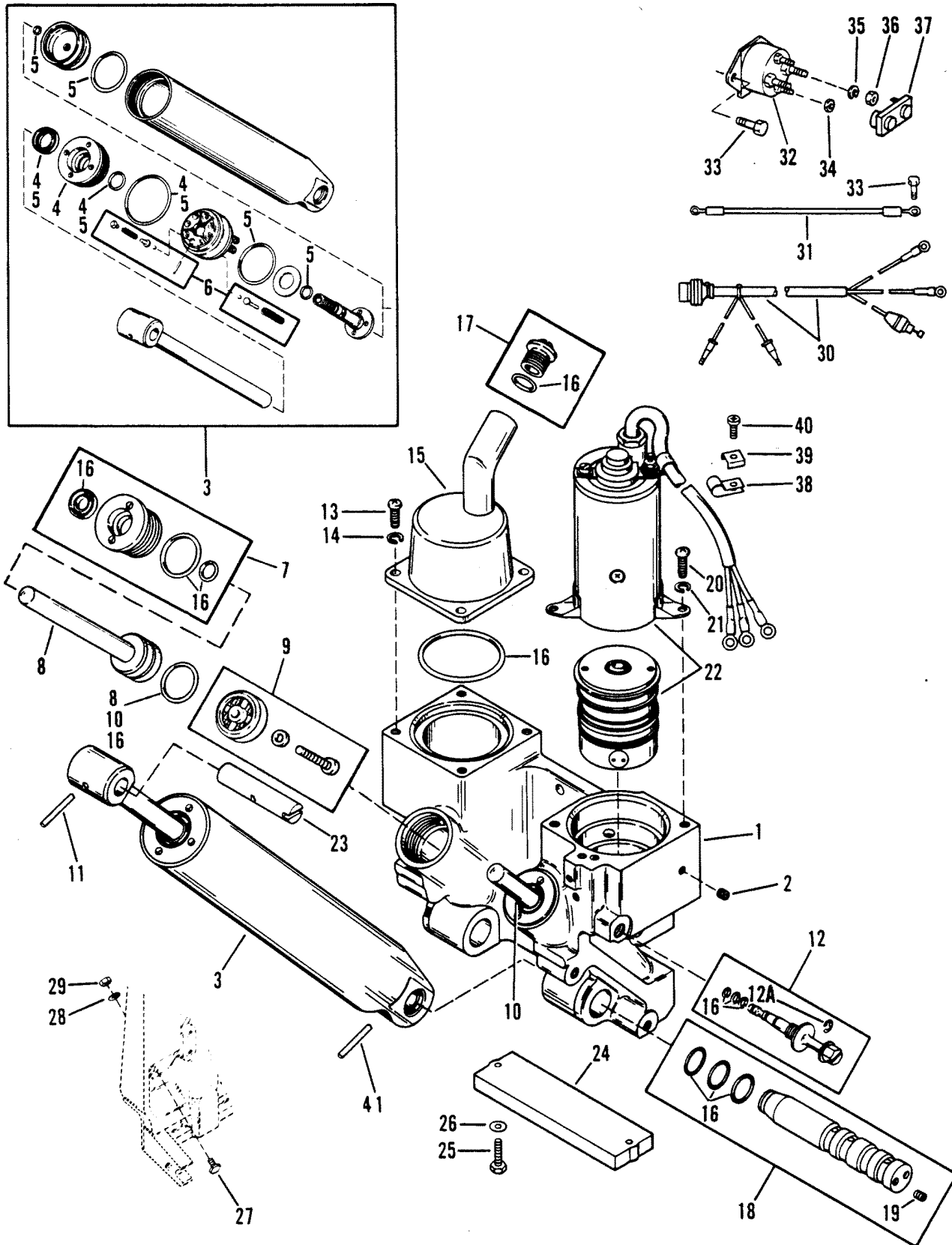


## POWER TRIM ASSEMBLY (99659A47, A48)

REF. NO.	PART NO.	SYM.	QTY.	DESCRIPTION
-	99659A47		1	POWER TRIM KIT (BLACK)
-	99659A48		1	POWER TRIM KIT (GRAY)
1	99659A21		1	MANIFOLD ASSEMBLY (BLACK)
	99659A22		1	MANIFOLD ASSEMBLY (GRAY)
2	22-99616		11	PIPE PLUG
3	41493A7		1	TRIM CYLINDER ASSEMBLY (BLACK)
	41493A4		1	TRIM CYLINDER ASSEMBLY (GRAY)
4	41492A1		1	GUIDE ASSEMBLY
5	25-41478A1		1	REPAIR KIT
6	41482A2		1	CHECK VALVE KIT
7	99638A1		2	GUIDE ASSEMBLY
8	43397A6		1	PISTON AND ROD ASSEMBLY (PORT)
9	35-12184A1		1	TRIM FILTER ASSEMBLY
10	43398A3		1	PISTON AND ROD ASSEMBLY (STARBOARD)
11	17-821539		1	GROOVE PIN (UPPER)
12	812843A1		1	VALVE ASSEMBLY
12A	53-812844		1	E-RING
13	10-40003-27		4	SCREW
14	12-43450		4	WASHER
15	99642		1	COVER
16	25-48462A2		1	O-RING KIT
17	19-99609A1		1	PLUG ASSEMBLY
18	99641A1		1	SHAFT ASSEMBLY
19	22-99616		2	PLUG PIPE
20	10-40088-20		2	SCREW
21	13-40025--6		2	LOCKWASHER
22	99186T		1	PUMP & MOTOR SEE POWER TRIM PUMP "RECTANGULAR MOTOR" FOR BREAKDOWN
23	99625		1	SHAFT
24	818298A1		1	ANODE ASSEMBLY
25	10-40003-30		2	SCREW
26	12-29245		2	WASHER
27	99630--1		2	STRIKER PLATE
28	13-58643		2	LOCKWASHER
29	11-46335		2	NUT
30	84-99695A1		1	CONTROL HARNESS, TRIM (3 WIRE)
	84-17201A1		1	CONTROL HARNESS, TRIM (2 WIRE - 6")
	84-17201A2		1	CONTROL HARNESS, TRIM (2 WIRE - 17")
31	84-79139A17		1	WIRE ASSEMBLY (11-1/2" - RED)
	84-87379A14		2	WIRE ASSEMBLY (2-3/4" - RED)
	84-88807A6		2	WIRE ASSEMBLY (3-1/2" - BLACK)
	84-87379A25		1	WIRE ASSEMBLY (4-3/4" - RED)
32	89-96158		2	STARTER SOLENOID

CONTINUED ON NEXT PAGE ➡

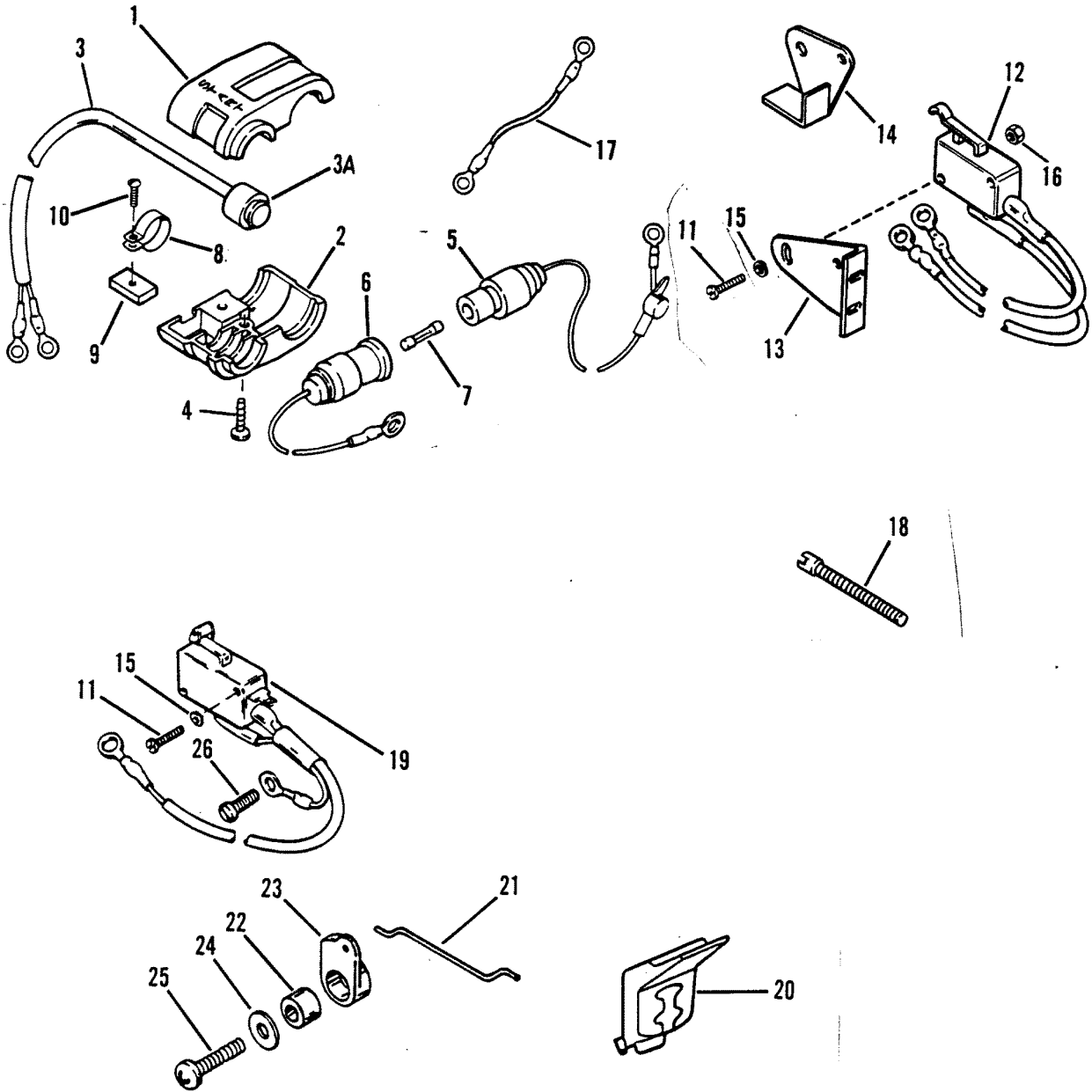
# POWER TRIM ASSEMBLY (99659A47, A48)



## POWER TRIM ASSEMBLY (99659A47, A48)

REF. NO.	PART NO.	SYM.	QTY.	DESCRIPTION
33	10-85486		3	SCREW
34	11-26419		4	NUT (8-32)
35	13-26992		4	LOCKWASHER
36	11-94330		4	NUT (1/4-20)
37	85-97861		2	INSULATOR
38	54-22875		2	CLIP
39	69205		2	D-WASHER
40	10-69079		2	SCREW
41	17-44431		1	GROOVE PIN (LOWER)

# ELECTRIC START KIT (87-95810A6, A8, A9, A2)

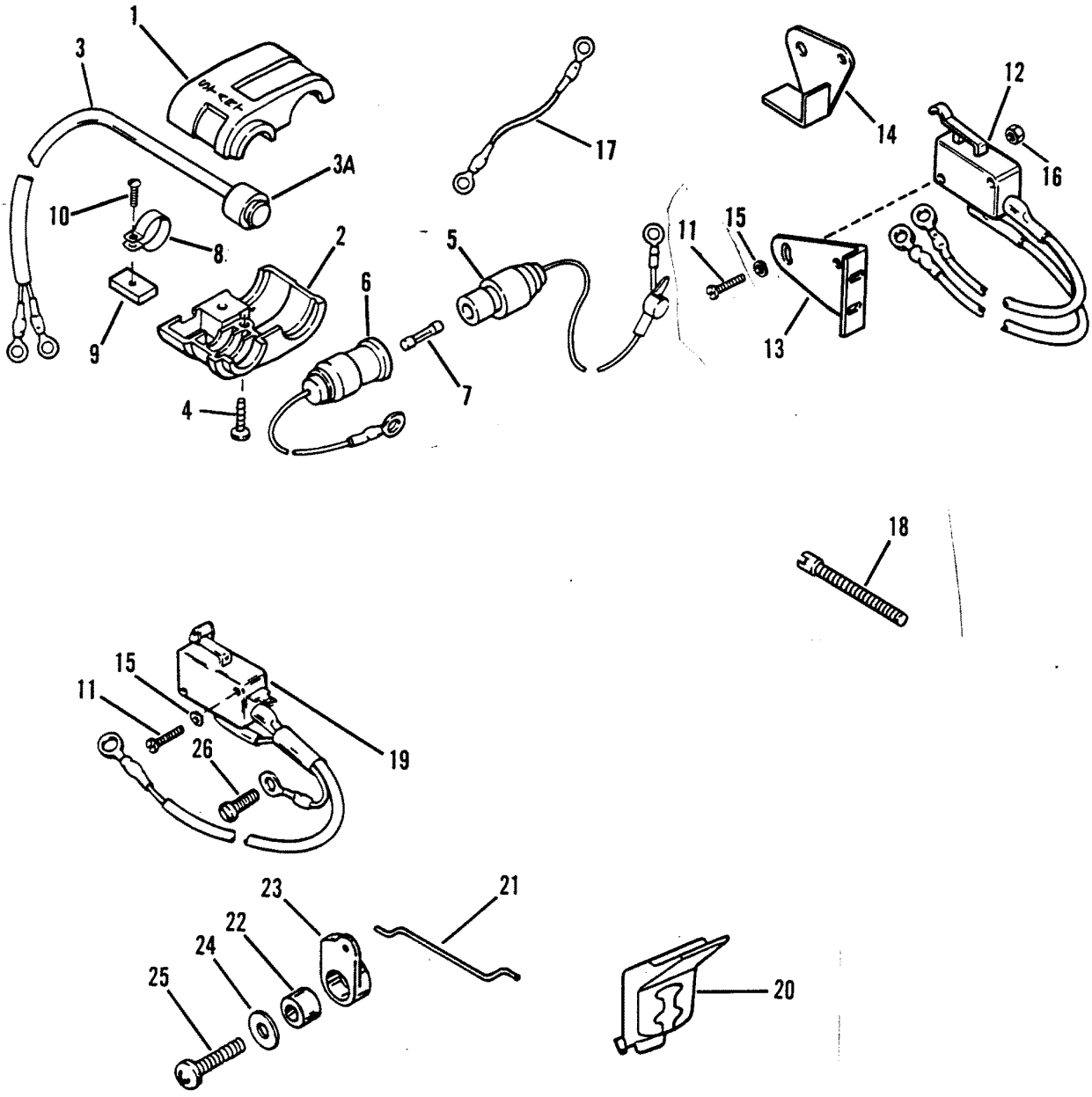


## ELECTRIC START KIT (87-95810A6, A8, A9, A2)

REF. NO.	PART NO.	SYM.	QTY.	DESCRIPTION
-	87-95810A6		-	ELECTRIC START KIT QUANTITIES: (95810A6) - 1, (95810A8) - 0, (95810A9) - 0, (95810A2) - 0
-	87-95810A8		-	ELECTRIC START KIT QUANTITIES: (95810A6) - 0, (95810A8) - 1, (95810A9) - 0, (95810A2) - 0
-	87-95810A9		-	ELECTRIC START KIT QUANTITIES: (95810A6) - 0, (95810A8) - 0, (95810A9) - 1, (95810A2) - 0
-	87-95810A2		-	ELECTRIC START KIT QUANTITIES: (95810A6) - 0, (95810A8) - 0, (95810A9) - 0, (95810A2) - 1
1	95815		-	COVER (TOP) QUANTITIES: (95810A6) - 1, (95810A8) - 1, (95810A9) - 1, (95810A2) - 1
2	95828		-	COVER (BOTTOM) QUANTITIES: (95810A6) - 1, (95810A8) - 1, (95810A9) - 1, (95810A2) - 1
3	87-95810A1		-	START SWITCH ASSEMBLY QUANTITIES: (95810A6) - 1, (95810A8) - 1, (95810A9) - 1, (95810A2) - 1
3A	55741		-	BOOT QUANTITIES: (95810A6) - 1, (95810A8) - 1, (95810A9) - 1, (95810A2) - 1
4	10-69570		-	SCREW (3/4") QUANTITIES: (95810A6) - 1, (95810A8) - 1, (95810A9) - 1, (95810A2) - 1
5	84-95084A2		-	WIRE ASSEMBLY QUANTITIES: (95810A6) - 0, (95810A8) - 0, (95810A9) - 0, (95810A2) - 1
6	84-95084A3		-	WIRE ASSEMBLY QUANTITIES: (95810A6) - 0, (95810A8) - 0, (95810A9) - 0, (95810A2) - 1
7	88-79091		-	FUSE QUANTITIES: (95810A6) - 0, (95810A8) - 0, (95810A9) - 0, (95810A2) - 1
8	95814		-	STRAP QUANTITIES: (95810A6) - 1, (95810A8) - 1, (95810A9) - 1, (95810A2) - 1
9	95813		-	FASTENER QUANTITIES: (95810A6) - 1, (95810A8) - 1, (95810A9) - 1, (95810A2) - 1
10	10-40019108		-	SCREW QUANTITIES: (95810A6) - 1, (95810A8) - 1, (95810A9) - 1, (95810A2) - 1
11	10-90342		-	SCREW QUANTITIES: (95810A6) - 1, (95810A8) - 1, (95810A9) - 1, (95810A2) - 1
	10-40057-27		-	SCREW QUANTITIES: (95810A6) - 2, (95810A8) - 2, (95810A9) - 0, (95810A2) - 2
12	87-93479A4		-	NEUTRAL SWITCH ASSEMBLY QUANTITIES: (95810A6) - 0, (95810A8) - 0, (95810A9) - 1, (95810A2) - 0
13	11036--1		-	BRACKET QUANTITIES: (95810A6) - 0, (95810A8) - 0, (95810A9) - 1, (95810A2) - 0
14	12001		-	CAM QUANTITIES: (95810A6) - 0, (95810A8) - 0, (95810A9) - 1, (95810A2) - 0
15	13-11052		-	LOCKWASHER QUANTITIES: (95810A6) - 0, (95810A8) - 0, (95810A9) - 2, (95810A2) - 0
	12-45771		-	WASHER QUANTITIES: (95810A6) - 2, (95810A8) - 2, (95810A9) - 0, (95810A2) - 0
16	11-63683		-	NUT QUANTITIES: (95810A6) - 0, (95810A8) - 0, (95810A9) - 2, (95810A2) - 0
17	84-79139A20		-	CABLE ASSEMBLY (RED) QUANTITIES: (95810A6) - 1, (95810A8) - 1, (95810A9) - 1, (95810A2) - 0
18	10-11859--1		-	IDLE STOP SCREW QUANTITIES: (95810A6) - 0, (95810A8) - 1, (95810A9) - 0, (95810A2) - 1

CONTINUED ON NEXT PAGE ➡

# ELECTRIC START KIT (87-95810A6, A8, A9, A2)

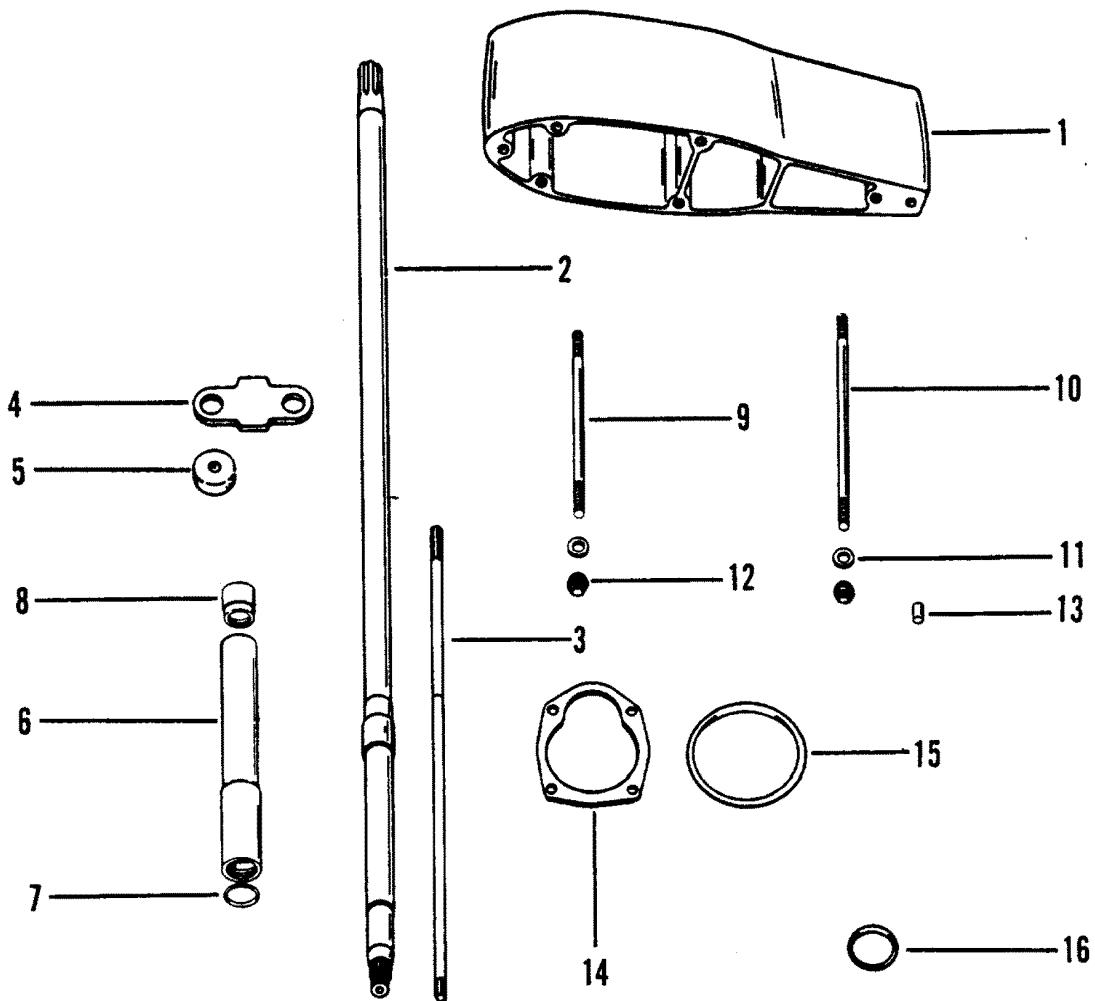




## ELECTRIC START KIT (87-95810A6, A8, A9, A2)

REF. NO.	PART NO.	SYM.	QTY.	DESCRIPTION
19	87-88890A2		-	SWITCH QUANTITIES: (95810A6) - 1, (95810A8) - 1, (95810A9) - 0, (95810A2) - 0
20	12153--2		-	GROMMET QUANTITIES: (95810A6) - 1, (95810A8) - 1, (95810A9) - 0, (95810A2) - 0
21	42184		-	LINK QUANTITIES: (95810A6) - 1, (95810A8) - 0, (95810A9) - 0, (95810A2) - 0
22	23-42182		-	BUSHING QUANTITIES: (95810A6) - 1, (95810A8) - 0, (95810A9) - 0, (95810A2) - 0
23	42183		-	ACTUATOR QUANTITIES: (95810A6) - 1, (95810A8) - 0, (95810A9) - 0, (95810A2) - 0
24	12-40023-16		-	WASHER QUANTITIES: (95810A6) - 1, (95810A8) - 0, (95810A9) - 0, (95810A2) - 0
25	10-40011128		-	SCREW QUANTITIES: (95810A6) - 1, (95810A8) - 0, (95810A9) - 0, (95810A2) - 0
26	10-62568		-	SCREW QUANTITIES: (95810A6) - 1, (95810A8) - 0, (95810A9) - 0, (95810A2) - 0

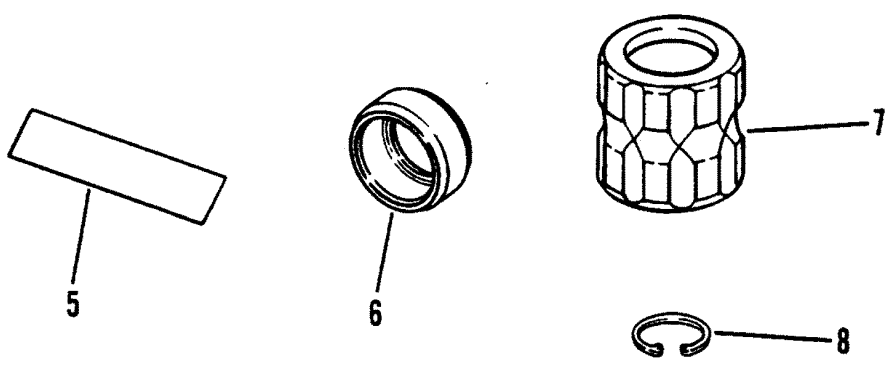
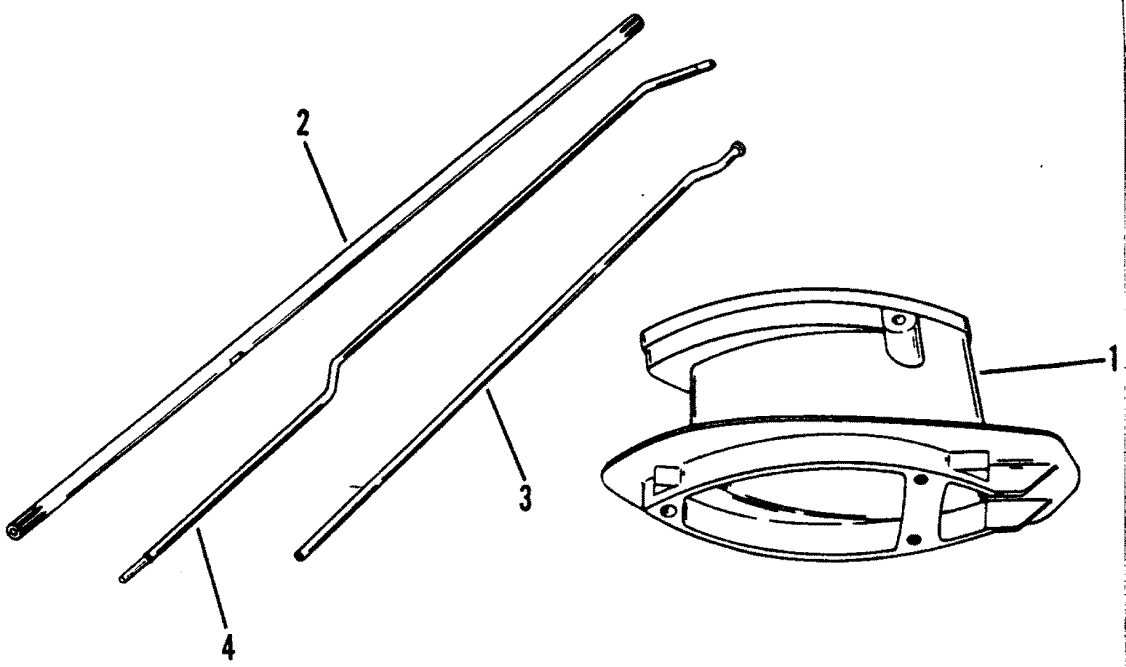
# EXTENSION KIT(12092A5, A6)



## EXTENSION KIT(12092A5, A6)

REF. NO.	PART NO.	SYM.	QTY.	DESCRIPTION
-	12092A5		1	EXTENSION KIT (BLACK)
-	12092A6		1	EXTENSION KIT (GRAY)
1	12092A3		1	SPACER (BLACK)
	12092A4		1	SPACER (GRAY)
2	45-43032A4		1	DRIVE SHAFT
3	43049A1		1	SHIFTSHAFT
4	11288		1	BUMPER
5	23-11289		1	SPACER
6	17243A1		1	WATER TUBE EXTENSION
7	25-21836		1	O-RING
8	26-38970		1	SEAL
9	16-90350--3		4	STUD (190MM)
10	16-90350--2		1	STUD (227MM)
11	12-43042		5	WASHER
12	11-13914		5	NUT
13	17-43044		1	DOWEL PIN
	17-43043		1	DOWEL PIN
14	27-43034--1		1	GASKET
15	25-97386		1	O-RING
16	25-45710		1	O-RING

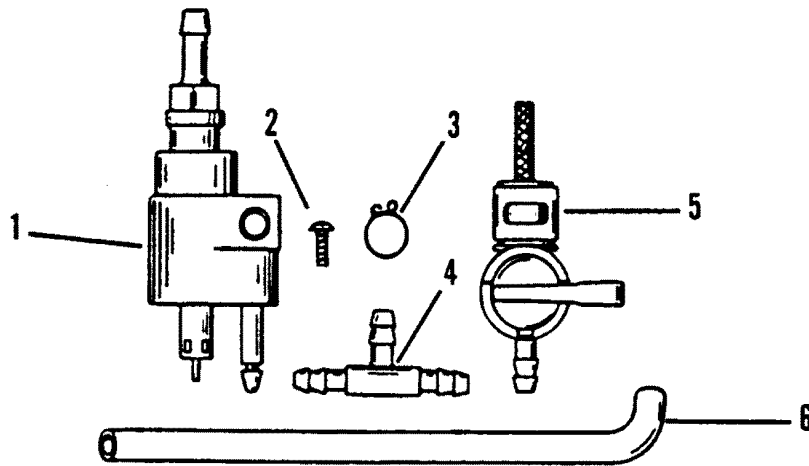
# EXTENSION KIT(12426A1, A2)



## EXTENSION KIT(12426A1, A2)

REF. NO.	PART NO.	SYM.	QTY.	DESCRIPTION
-	12426A1		1	EXTENSION KIT (BLACK)
-	12426A2		1	EXTENSION KIT (GRAY)
1	12426--2		1	EXTENSION HOUSING (BLACK)
	12426T6		1	EXTENSION HOUSING (GRAY)
2	45-12367		1	DRIVE SHAFT
3	32-42123--1		1	WATER TUBE
4	12368		1	SHIFT SHAFT
5	23-12369--1		1	BUSHING
6	12370--2		2	HOUSING
7	14107		1	RETAINER
8	53-14094		1	SNAP RING

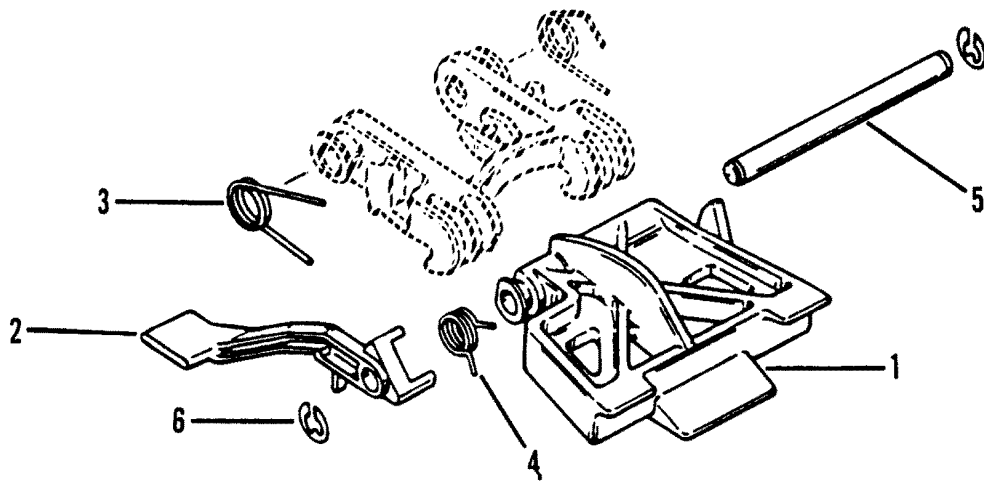
# REMOTE FUEL TANK ADAPTOR KIT



## REMOTE FUEL TANK ADAPTOR KIT

REF. NO.	PART NO.	SYM.	QTY.	DESCRIPTION
-	22-15781A6		1	REMOTE FUEL KIT
1	22-15781A5		1	FUEL CONNECTOR
2	10-40003-33		1	SCREW
3	54-95395		4	CLIP
4	22-73318		1	TEE
5	22-95393		1	FUEL COCK
6	32-16246		1	HOSE

# SHALLOW WATER TILT KIT

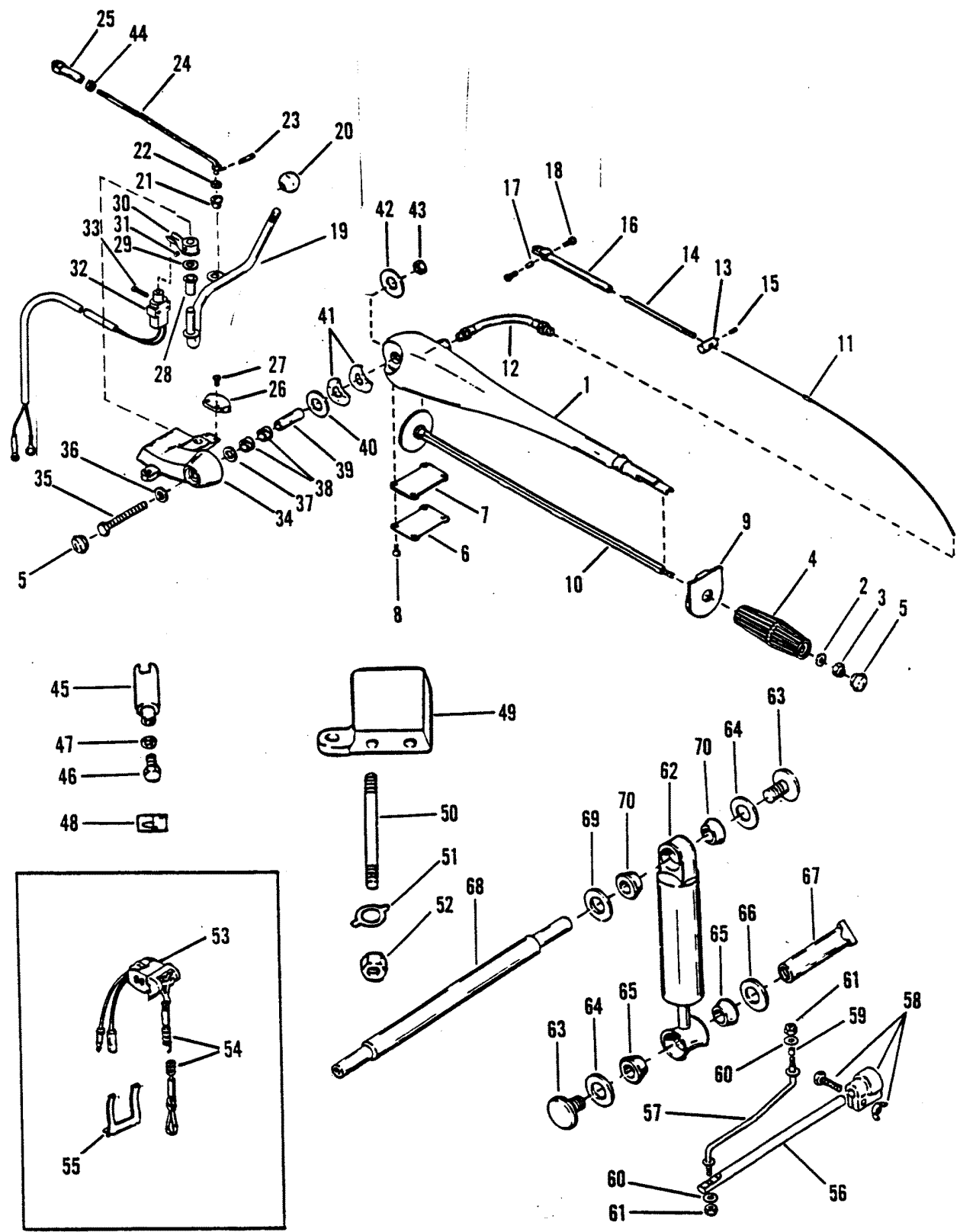




## SHALLOW WATER TILT KIT

REF. NO.	PART NO.	SYM.	QTY.	DESCRIPTION
-	12756A1		1	SHALLOW WATER TILT KIT
1	12756		1	BRACKET
2	12758		1	CONTROL LEVER
3	24-12755		1	SPRING
4	24-12754		1	SPRING
5	17-13195		1	PIN
6	53-13194		3	E-RING

# STEERING HANDLE ASSEMBLY (78551A\_) (PAGE 1)

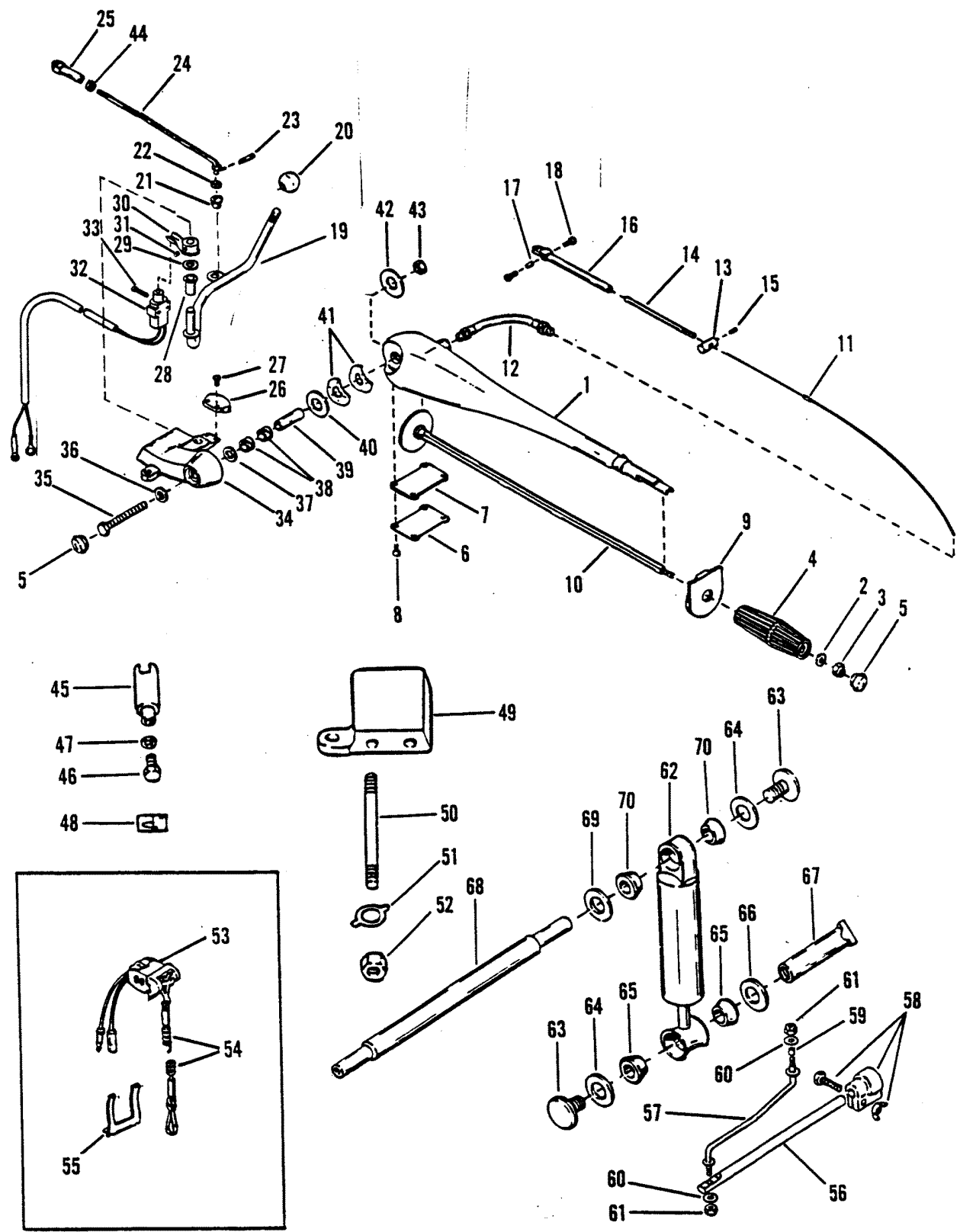


# STEERING HANDLE ASSEMBLY (78551A\_) (PAGE 1)

REF. NO.	PART NO.	SYM.	QTY.	DESCRIPTION
-	78551A25		-	STEERING HANDLE ASSEMBLY QUANTITIES: (78551A25) - 1, (78551A26) - 0, (78551A29) - 0, (78551A28) - 0
-	78551A26		-	STEERING HANDLE ASSEMBLY QUANTITIES: (78551A25) - 0, (78551A26) - 1, (78551A29) - 0, (78551A28) - 0
-	78551A29		-	STEERING HANDLE ASSEMBLY QUANTITIES: (78551A25) - 0, (78551A26) - 0, (78551A29) - 1, (78551A28) - 0
-	78551A28		-	STEERING HANDLE ASSEMBLY QUANTITIES: (78551A25) - 0, (78551A26) - 0, (78551A29) - 0, (78551A28) - 1
1	48405A2		-	ARM (BLACK) QUANTITIES: (78551A25) - 1, (78551A26) - 0, (78551A29) - 1, (78551A28) - 0
	48405A3		-	ARM (GRAY) QUANTITIES: (78551A25) - 0, (78551A26) - 1, (78551A29) - 0, (78551A28) - 1
2	12-21631		-	WASHER QUANTITIES: (78551A25) - 1, (78551A26) - 1, (78551A29) - 1, (78551A28) - 1
3	11-35045		-	NUT QUANTITIES: (78551A25) - 1, (78551A26) - 1, (78551A29) - 1, (78551A28) - 1
4	58192A1		-	GRIP QUANTITIES: (78551A25) - 1, (78551A26) - 1, (78551A29) - 1, (78551A28) - 1
5	48416		-	CAP QUANTITIES: (78551A25) - 2, (78551A26) - 2, (78551A29) - 2, (78551A28) - 2
6	48519		-	PLATE QUANTITIES: (78551A25) - 1, (78551A26) - 1, (78551A29) - 1, (78551A28) - 1
7	27-48518		-	GASKET QUANTITIES: (78551A25) - 1, (78551A26) - 1, (78551A29) - 1, (78551A28) - 1
8	10-48408		-	SCREW (1/2") QUANTITIES: (78551A25) - 3, (78551A26) - 3, (78551A29) - 3, (78551A28) - 3
	10-48409		-	SCREW (5/8") QUANTITIES: (78551A25) - 1, (78551A26) - 1, (78551A29) - 1, (78551A28) - 1
9	48414		-	HOUSING QUANTITIES: (78551A25) - 1, (78551A26) - 1, (78551A29) - 1, (78551A28) - 1
10	48516A1		-	DRIVE WHEEL AND ROD QUANTITIES: (78551A25) - 1, (78551A26) - 1, (78551A29) - 1, (78551A28) - 1
11	41105		-	CABLE QUANTITIES: (78551A25) - 1, (78551A26) - 1, (78551A29) - 1, (78551A28) - 1
12	78551--1		-	CONDUIT QUANTITIES: (78551A25) - 1, (78551A26) - 1, (78551A29) - 0, (78551A28) - 0
	78551--2		-	CONDUIT QUANTITIES: (78551A25) - 0, (78551A26) - 0, (78551A29) - 1, (78551A28) - 1
13	89613		-	BARREL QUANTITIES: (78551A25) - 1, (78551A26) - 1, (78551A29) - 1, (78551A28) - 1
	89578		-	BARREL QUANTITIES: (78551A25) - 0, (78551A26) - 0, (78551A29) - 1, (78551A28) - 1
14	89566--1		-	TUBE QUANTITIES: (78551A25) - 1, (78551A26) - 1, (78551A29) - 1, (78551A28) - 1
15	10-824081		-	SET SCREW QUANTITIES: (78551A25) - 1, (78551A26) - 1, (78551A29) - 1, (78551A28) - 1
16	43433		-	GUIDE QUANTITIES: (78551A25) - 1, (78551A26) - 1, (78551A29) - 1, (78551A28) - 1
17	20007		-	ANCHOR QUANTITIES: (78551A25) - 1, (78551A26) - 1, (78551A29) - 1, (78551A28) - 1

CONTINUED ON NEXT PAGE ➡

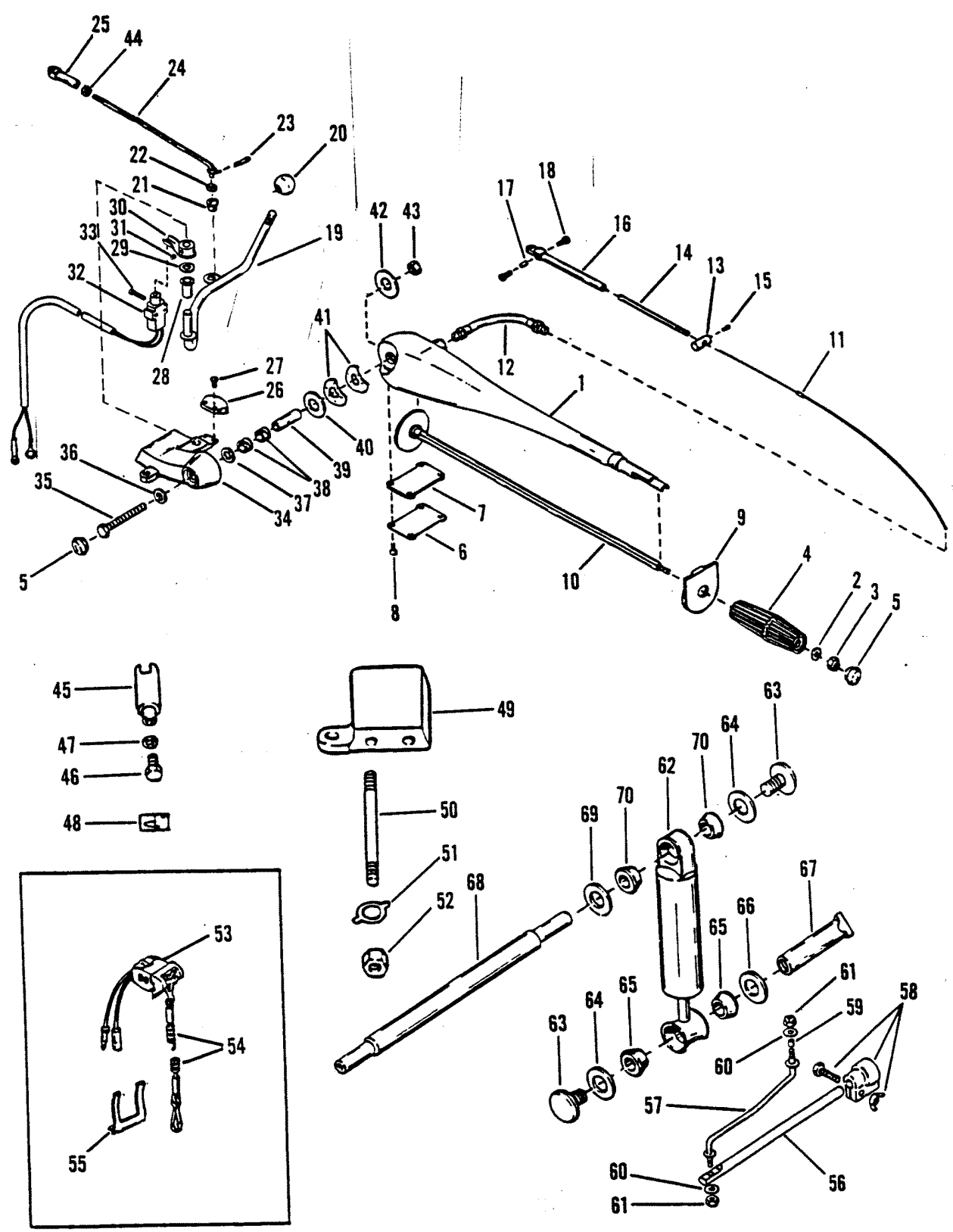
# STEERING HANDLE ASSEMBLY (78551A\_) (PAGE 1)



## STEERING HANDLE ASSEMBLY (78551A\_) (PAGE 1)

REF. NO.	PART NO.	SYM.	QTY.	DESCRIPTION
18	10-20518		-	SCREW QUANTITIES: (78551A25) - 2, (78551A26) - 2, (78551A29) - 2, (78551A28) - 2
19	14690		-	SHIFT LEVER QUANTITIES: (78551A25) - 1, (78551A26) - 1, (78551A29) - 1, (78551A28) - 1
20	98530		-	KNOB QUANTITIES: (78551A25) - 1, (78551A26) - 1, (78551A29) - 1, (78551A28) - 1
21	23-48475		-	BUSHING (1/4" I.D.) QUANTITIES: (78551A25) - 1, (78551A26) - 1, (78551A29) - 1, (78551A28) - 1
22	12-35950		-	WASHER QUANTITIES: (78551A25) - 1, (78551A26) - 1, (78551A29) - 1, (78551A28) - 1
23	18-25191		-	COTTER PIN QUANTITIES: (78551A25) - 1, (78551A26) - 1, (78551A29) - 1, (78551A28) - 1
24	812806--1		-	SHIFT ROD QUANTITIES: (78551A25) - 1, (78551A26) - 1, (78551A29) - 1, (78551A28) - 1
25	41129		-	ROD END QUANTITIES: (78551A25) - 1, (78551A26) - 1, (78551A29) - 0, (78551A28) - 0
	812825		-	ROD END QUANTITIES: (78551A25) - 0, (78551A26) - 0, (78551A29) - 1, (78551A28) - 1
26	78812A1		-	DETENT QUANTITIES: (78551A25) - 1, (78551A26) - 1, (78551A29) - 1, (78551A28) - 1
27	10-48409		-	SCREW QUANTITIES: (78551A25) - 2, (78551A26) - 2, (78551A29) - 2, (78551A28) - 2
28	23-48237		-	BUSHING (3/8" I.D.) QUANTITIES: (78551A25) - 1, (78551A26) - 1, (78551A29) - 1, (78551A28) - 1
29	12-29629		-	WASHER QUANTITIES: (78551A25) - 1, (78551A26) - 1, (78551A29) - 1, (78551A28) - 1
30	17459A2		-	SWITCH ACTUATOR QUANTITIES: (78551A25) - 1, (78551A26) - 1, (78551A29) - 1, (78551A28) - 1
31	10-824081		-	SET SCREW QUANTITIES: (78551A25) - 2, (78551A26) - 2, (78551A29) - 2, (78551A28) - 2
32	87-813960A2		-	SWITCH ASSEMBLY QUANTITIES: (78551A25) - 1, (78551A26) - 1, (78551A29) - 1, (78551A28) - 1
33	10-12110		-	SCREW QUANTITIES: (78551A25) - 2, (78551A26) - 2, (78551A29) - 2, (78551A28) - 2
34	48404F3		-	BRACKET (BLACK) QUANTITIES: (78551A25) - 1, (78551A26) - 0, (78551A29) - 1, (78551A28) - 0
	48404T6		-	BRACKET (GRAY) QUANTITIES: (78551A25) - 0, (78551A26) - 1, (78551A29) - 0, (78551A28) - 1

# STEERING HANDLE ASSEMBLY (78551A\_) (PAGE 2)

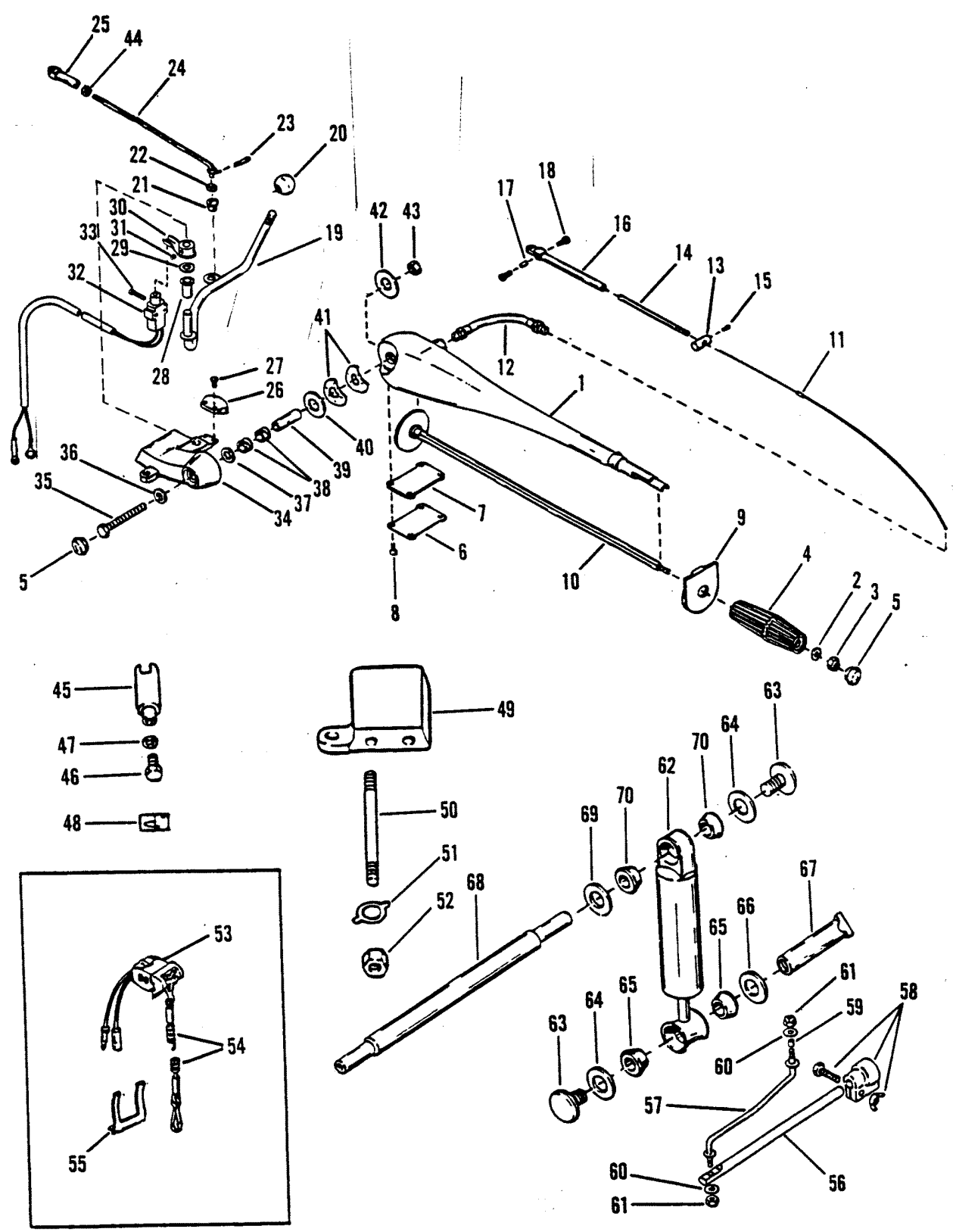


## STEERING HANDLE ASSEMBLY (78551A\_) (PAGE 2)

REF. NO.	PART NO.	SYM.	QTY.	DESCRIPTION
-	78551A25		-	STEERING HANDLE ASSEMBLY QUANTITIES: (78551A25) - 1, (78551A26) - 0, (78551A29) - 0, (78551A28) - 0
-	78551A26		-	STEERING HANDLE ASSEMBLY QUANTITIES: (78551A25) - 0, (78551A26) - 1, (78551A29) - 0, (78551A28) - 0
-	78551A29		-	STEERING HANDLE ASSEMBLY QUANTITIES: (78551A25) - 0, (78551A26) - 0, (78551A29) - 1, (78551A28) - 0
-	78551A28		-	STEERING HANDLE ASSEMBLY QUANTITIES: (78551A25) - 0, (78551A26) - 0, (78551A29) - 0, (78551A28) - 1
35	10-48476		-	SCREW QUANTITIES: (78551A25) - 1, (78551A26) - 1, (78551A29) - 1, (78551A28) - 1
36	12-48477		-	WASHER (.505 I.D.) QUANTITIES: (78551A25) - 1, (78551A26) - 1, (78551A29) - 1, (78551A28) - 1
37	12-48526		-	WASHER (.630 I.D.) QUANTITIES: (78551A25) - 1, (78551A26) - 1, (78551A29) - 1, (78551A28) - 1
38	23-28919		-	BUSHING (5/8" I.D.) QUANTITIES: (78551A25) - 2, (78551A26) - 2, (78551A29) - 2, (78551A28) - 2
39	23-48525		-	SPACER QUANTITIES: (78551A25) - 1, (78551A26) - 1, (78551A29) - 1, (78551A28) - 1
40	12-48527		-	WASHER (1-35/64" O.D.) QUANTITIES: (78551A25) - 1, (78551A26) - 1, (78551A29) - 1, (78551A28) - 1
41	13-48478		-	WAVE WASHER QUANTITIES: (78551A25) - 2, (78551A26) - 2, (78551A29) - 2, (78551A28) - 2
42	12-49636		-	WASHER (1-3/4" O.D.) QUANTITIES: (78551A25) - 1, (78551A26) - 1, (78551A29) - 1, (78551A28) - 1
43	11-20220		-	NUT QUANTITIES: (78551A25) - 1, (78551A26) - 1, (78551A29) - 1, (78551A28) - 1
44	11-64015		-	NUT QUANTITIES: (78551A25) - 0, (78551A26) - 0, (78551A29) - 1, (78551A28) - 1
45	14876		-	HOSE HOLDER QUANTITIES: (78551A25) - 0, (78551A26) - 0, (78551A29) - 1, (78551A28) - 1
46	10-98253		-	SCREW QUANTITIES: (78551A25) - 0, (78551A26) - 0, (78551A29) - 1, (78551A28) - 1
47	12-71055		-	WASHER QUANTITIES: (78551A25) - 0, (78551A26) - 0, (78551A29) - 1, (78551A28) - 1
48	15825		-	RETAINER QUANTITIES: (78551A25) - 0, (78551A26) - 0, (78551A29) - 1, (78551A28) - 1
49	41130		-	SPACER (BLACK) QUANTITIES: (78551A25) - 1, (78551A26) - 0, (78551A29) - 1, (78551A28) - 0
	41130T6		-	SPACER (GRAY) QUANTITIES: (78551A25) - 0, (78551A26) - 1, (78551A29) - 0, (78551A28) - 1
50	16-14651		-	STUD QUANTITIES: (78551A25) - 2, (78551A26) - 2, (78551A29) - 2, (78551A28) - 2
51	14-43589		-	TAB WASHER QUANTITIES: (78551A25) - 2, (78551A26) - 2, (78551A29) - 2, (78551A28) - 2
52	11-34863		-	NUT QUANTITIES: (78551A25) - 2, (78551A26) - 2, (78551A29) - 2, (78551A28) - 2
53	87-11083A11		-	STOP SWITCH QUANTITIES: (78551A25) - 1, (78551A26) - 1, (78551A29) - 0, (78551A28) - 0
	87-11083A26		-	STOP SWITCH QUANTITIES: (78551A25) - 0, (78551A26) - 0, (78551A29) - 1, (78551A28) - 1

CONTINUED ON NEXT PAGE ➡

# STEERING HANDLE ASSEMBLY (78551A\_) (PAGE 2)

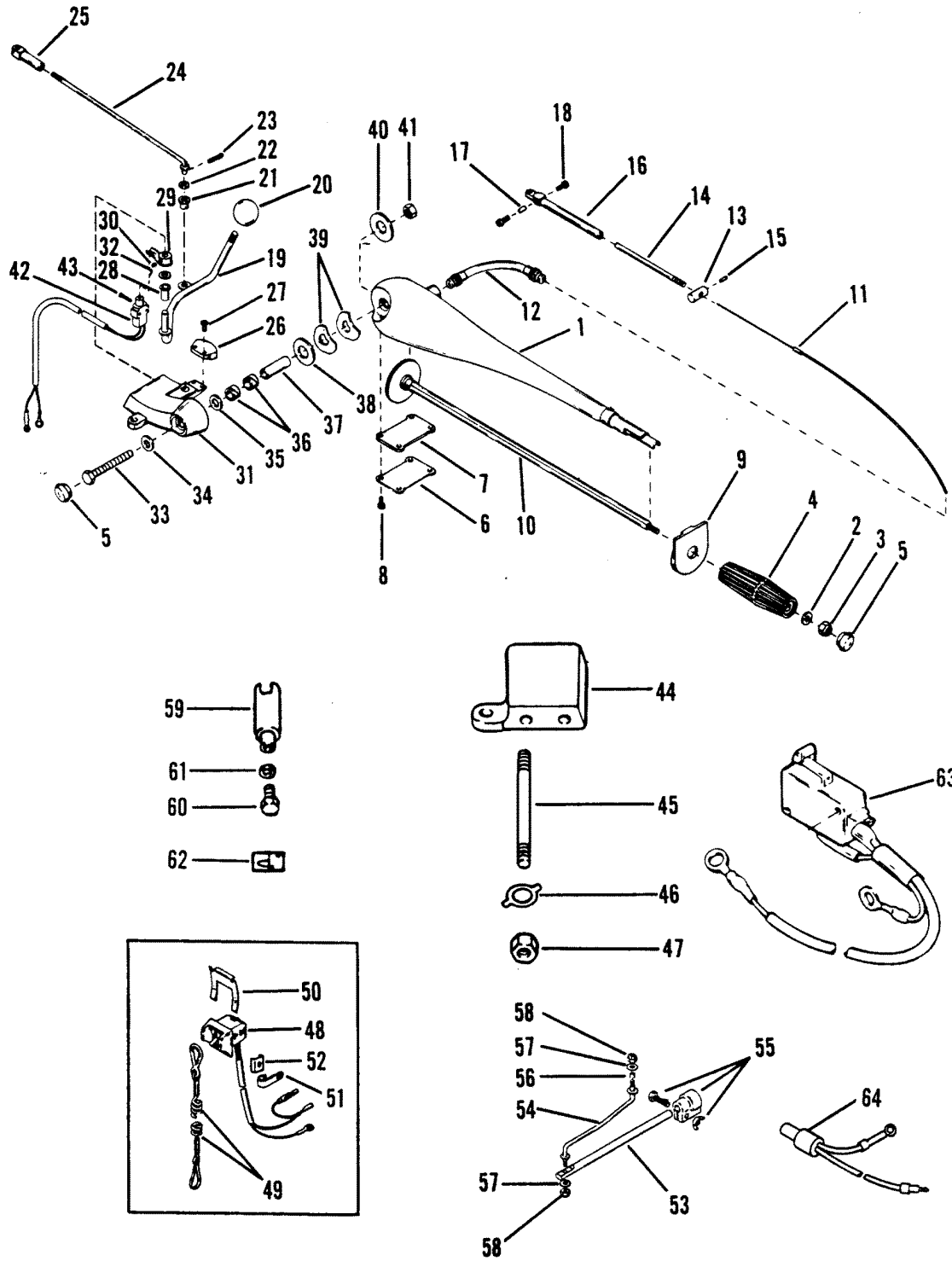




## STEERING HANDLE ASSEMBLY (78551A\_) (PAGE 2)

REF. NO.	PART NO.	SYM.	QTY.	DESCRIPTION
54	15920A54		-	LANYARD QUANTITIES: (78551A25) - 1, (78551A26) - 1, (78551A29) - 1, (78551A28) - 1
55	12044--1		-	RETAINER QUANTITIES: (78551A25) - 1, (78551A26) - 1, (78551A29) - 1, (78551A28) - 1
56	52148		-	PILOT ROD QUANTITIES: (78551A25) - 1, (78551A26) - 1, (78551A29) - 1, (78551A28) - 1
57	52150		-	LINK ROD QUANTITIES: (78551A25) - 1, (78551A26) - 1, (78551A29) - 1, (78551A28) - 1
58	11-52155A1		-	NUT ASSEMBLY QUANTITIES: (78551A25) - 1, (78551A26) - 1, (78551A29) - 1, (78551A28) - 1
59	23-52151--2		-	BUSHING QUANTITIES: (78551A25) - 1, (78551A26) - 1, (78551A29) - 1, (78551A28) - 1
60	12-70132		-	WASHER QUANTITIES: (78551A25) - 2, (78551A26) - 2, (78551A29) - 2, (78551A28) - 2
61	11-45592		-	NUT QUANTITIES: (78551A25) - 2, (78551A26) - 2, (78551A29) - 2, (78551A28) - 2
62	55-58780A7		-	SHOCK ABSORBER (BLACK) QUANTITIES: (78551A25) - 1, (78551A26) - 0, (78551A29) - 1, (78551A28) - 0
	55-58780A4		-	SHOCK ABSORBER (GRAY) QUANTITIES: (78551A25) - 0, (78551A26) - 1, (78551A29) - 0, (78551A28) - 1
63	10-69375A1		-	SCREW QUANTITIES: (78551A25) - 4, (78551A26) - 4, (78551A29) - 4, (78551A28) - 4
64	12-69374		-	WASHER (OUTER) QUANTITIES: (78551A25) - 4, (78551A26) - 4, (78551A29) - 4, (78551A28) - 4
65	23-28198		-	BUSHING (LOWER) QUANTITIES: (78551A25) - 4, (78551A26) - 4, (78551A29) - 4, (78551A28) - 4
66	12-59378		-	WASHER (INNER) QUANTITIES: (78551A25) - 2, (78551A26) - 2, (78551A29) - 2, (78551A28) - 2
67	55-69653--1		-	PIN QUANTITIES: (78551A25) - 2, (78551A26) - 2, (78551A29) - 2, (78551A28) - 2
68	55-28416		-	PIN QUANTITIES: (78551A25) - 1, (78551A26) - 1, (78551A29) - 1, (78551A28) - 1
69	12-34937		-	WASHER (INNER) QUANTITIES: (78551A25) - 2, (78551A26) - 2, (78551A29) - 2, (78551A28) - 2
70	23-32171		-	BUSHING (UPPER) QUANTITIES: (78551A25) - 4, (78551A26) - 4, (78551A29) - 4, (78551A28) - 4

# TILLER HANDLE KIT (78551A\_) (PAGE 1)

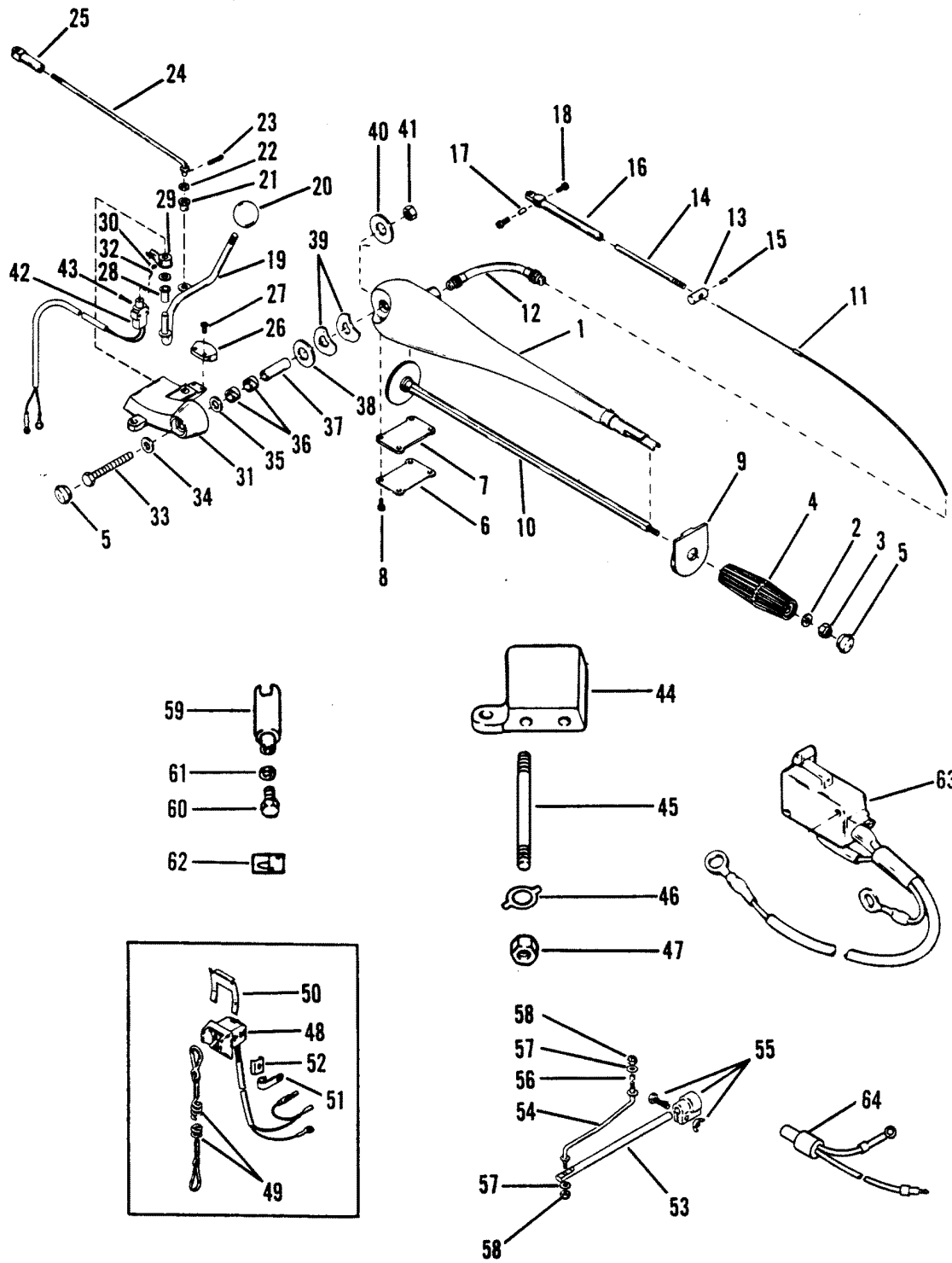


## TILLER HANDLE KIT (78551A\_) (PAGE 1)

REF. NO.	PART NO.	SYM.	QTY.	DESCRIPTION
-	78551A31		-	TILLER HANDLE ASSEMBLY QUANTITIES: (78551A31) - 1, (78551A30) - 0, (78551A33) - 0, (78551A34) - 0
-	78551A30		-	TILLER HANDLE ASSEMBLY QUANTITIES: (78551A31) - 0, (78551A30) - 1, (78551A33) - 0, (78551A34) - 0
-	78551A33		-	TILLER HANDLE ASSEMBLY QUANTITIES: (78551A31) - 0, (78551A30) - 0, (78551A33) - 1, (78551A34) - 0
-	78551A34		-	TILLER HANDLE ASSEMBLY QUANTITIES: (78551A31) - 0, (78551A30) - 0, (78551A33) - 0, (78551A34) - 1
1	48405A2		-	ARM (BLACK) QUANTITIES: (78551A31) - 1, (78551A30) - 0, (78551A33) - 1, (78551A34) - 0
	48405A3		-	ARM (GRAY) QUANTITIES: (78551A31) - 0, (78551A30) - 1, (78551A33) - 0, (78551A34) - 1
2	12-21631		-	WASHER QUANTITIES: (78551A31) - 1, (78551A30) - 1, (78551A33) - 1, (78551A34) - 1
3	11-35045		-	NUT QUANTITIES: (78551A31) - 1, (78551A30) - 1, (78551A33) - 1, (78551A34) - 1
4	58192A1		-	GRIP QUANTITIES: (78551A31) - 1, (78551A30) - 1, (78551A33) - 1, (78551A34) - 1
5	48416		-	CAP QUANTITIES: (78551A31) - 2, (78551A30) - 2, (78551A33) - 2, (78551A34) - 2
6	48519		-	PLATE QUANTITIES: (78551A31) - 1, (78551A30) - 1, (78551A33) - 1, (78551A34) - 1
7	27-48518		-	GASKET QUANTITIES: (78551A31) - 1, (78551A30) - 1, (78551A33) - 1, (78551A34) - 1
8	10-48408		-	SCREW (1/2") QUANTITIES: (78551A31) - 3, (78551A30) - 3, (78551A33) - 3, (78551A34) - 3
	10-48409		-	SCREW (5/8") QUANTITIES: (78551A31) - 1, (78551A30) - 1, (78551A33) - 1, (78551A34) - 1
9	48414		-	HOUSING QUANTITIES: (78551A31) - 1, (78551A30) - 1, (78551A33) - 1, (78551A34) - 1
10	48516A1		-	DRIVE WHEEL AND ROD QUANTITIES: (78551A31) - 1, (78551A30) - 1, (78551A33) - 1, (78551A34) - 1
11	41105		-	CABLE QUANTITIES: (78551A31) - 1, (78551A30) - 1, (78551A33) - 1, (78551A34) - 1
12	78551--1		-	CONDUIT QUANTITIES: (78551A31) - 0, (78551A30) - 0, (78551A33) - 1, (78551A34) - 1
	78551--2		-	CONDUIT QUANTITIES: (78551A31) - 0, (78551A30) - 1, (78551A33) - 0, (78551A34) - 0
13	89578		-	BARREL QUANTITIES: (78551A31) - 1, (78551A30) - 1, (78551A33) - 1, (78551A34) - 1
14	89566--1		-	TUBE QUANTITIES: (78551A31) - 1, (78551A30) - 1, (78551A33) - 1, (78551A34) - 1
15	10-824081		-	SET SCREW QUANTITIES: (78551A31) - 1, (78551A30) - 1, (78551A33) - 1, (78551A34) - 1
16	43433		-	GUIDE QUANTITIES: (78551A31) - 1, (78551A30) - 1, (78551A33) - 1, (78551A34) - 1
17	20007		-	ANCHOR QUANTITIES: (78551A31) - 1, (78551A30) - 1, (78551A33) - 1, (78551A34) - 1
18	10-20518		-	SCREW QUANTITIES: (78551A31) - 2, (78551A30) - 2, (78551A33) - 2, (78551A34) - 2

CONTINUED ON NEXT PAGE ➡

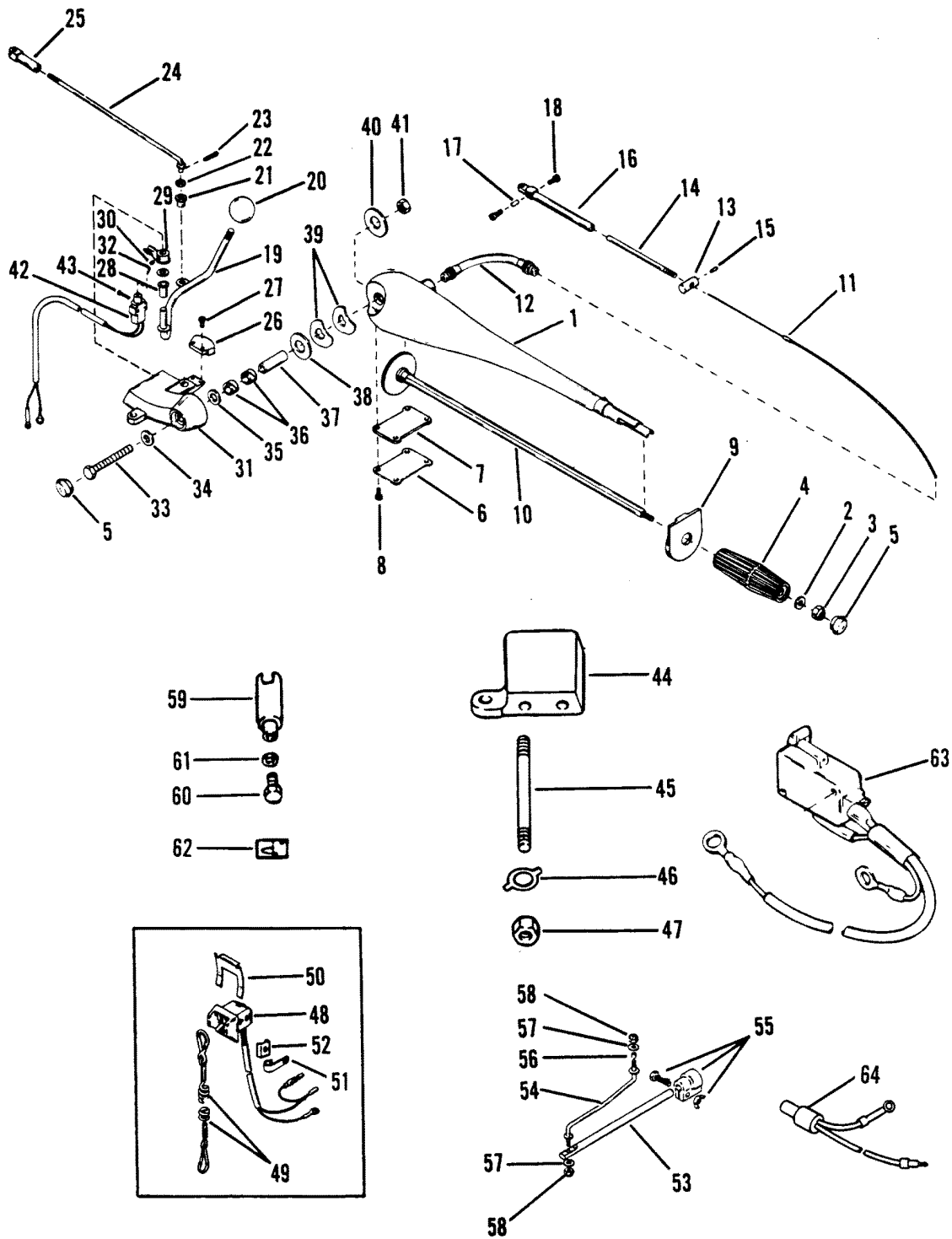
# TILLER HANDLE KIT (78551A\_) (PAGE 1)



## TILLER HANDLE KIT (78551A\_) (PAGE 1)

REF. NO.	PART NO.	SYM.	QTY.	DESCRIPTION
19	14690		-	SHIFT LEVER QUANTITIES: (78551A31) - 1, (78551A30) - 1, (78551A33) - 1, (78551A34) - 1
20	98530		-	KNOB QUANTITIES: (78551A31) - 1, (78551A30) - 1, (78551A33) - 1, (78551A34) - 1
21	23-48475		-	BUSHING (1/4" I.D.) QUANTITIES: (78551A31) - 1, (78551A30) - 1, (78551A33) - 1, (78551A34) - 1
22	12-35950		-	WASHER QUANTITIES: (78551A31) - 1, (78551A30) - 1, (78551A33) - 1, (78551A34) - 1
23	18-25191		-	COTTER PIN QUANTITIES: (78551A31) - 1, (78551A30) - 1, (78551A33) - 1, (78551A34) - 1
24	812806--2		-	SHIFT ROD QUANTITIES: (78551A31) - 0, (78551A30) - 0, (78551A33) - 1, (78551A34) - 1
	812806--1		-	SHIFT ROD QUANTITIES: (78551A31) - 1, (78551A30) - 1, (78551A33) - 0, (78551A34) - 0
25	813565		-	ROD END QUANTITIES: (78551A31) - 0, (78551A30) - 0, (78551A33) - 1, (78551A34) - 1
	812825		-	ROD END QUANTITIES: (78551A31) - 1, (78551A30) - 1, (78551A33) - 0, (78551A34) - 0
26	78812A1		-	DETENT QUANTITIES: (78551A31) - 1, (78551A30) - 1, (78551A33) - 1, (78551A34) - 1
27	10-48409		-	SCREW QUANTITIES: (78551A31) - 2, (78551A30) - 2, (78551A33) - 2, (78551A34) - 2
28	23-48237		-	BUSHING (3/8" I.D.) QUANTITIES: (78551A31) - 1, (78551A30) - 1, (78551A33) - 1, (78551A34) - 1
29	17459A2		-	SWITCH ACTUATOR QUANTITIES: (78551A31) - 1, (78551A30) - 1, (78551A33) - 1, (78551A34) - 1
30	10-824081		-	SET SCREW QUANTITIES: (78551A31) - 2, (78551A30) - 2, (78551A33) - 2, (78551A34) - 2

# TILLER HANDLE KIT (78551A\_) (PAGE 2)

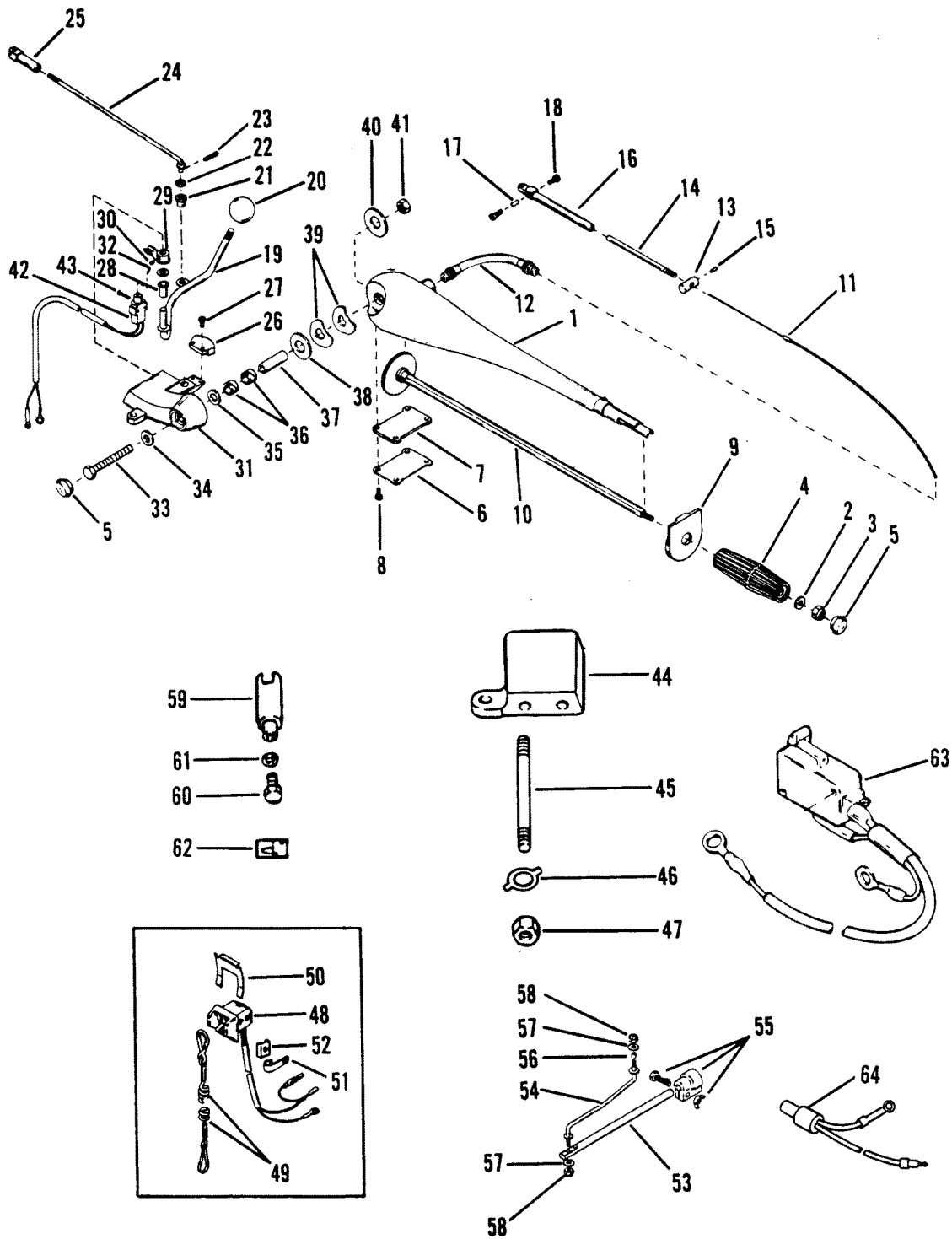


## TILLER HANDLE KIT (78551A\_) (PAGE 2)

REF. NO.	PART NO.	SYM.	QTY.	DESCRIPTION
-	78551A31		-	TILLER HANDLE ASSEMBLY QUANTITIES: (78551A31) - 1, (78551A30) - 0, (78551A33) - 0, (78551A34) - 0
-	78551A30		-	TILLER HANDLE ASSEMBLY QUANTITIES: (78551A31) - 0, (78551A30) - 1, (78551A33) - 0, (78551A34) - 0
-	78551A33		-	TILLER HANDLE ASSEMBLY QUANTITIES: (78551A31) - 0, (78551A30) - 0, (78551A33) - 1, (78551A34) - 0
-	78551A34		-	TILLER HANDLE ASSEMBLY QUANTITIES: (78551A31) - 0, (78551A30) - 0, (78551A33) - 0, (78551A34) - 1
31	48404F3		-	BRACKET (BLACK) QUANTITIES: (78551A31) - 1, (78551A30) - 0, (78551A33) - 1, (78551A34) - 0
	48404T6		-	BRACKET (GRAY) QUANTITIES: (78551A31) - 0, (78551A30) - 1, (78551A33) - 0, (78551A34) - 1
32	12-29629		-	WASHER QUANTITIES: (78551A31) - 1, (78551A30) - 1, (78551A33) - 1, (78551A34) - 1
33	10-48476		-	SCREW QUANTITIES: (78551A31) - 1, (78551A30) - 1, (78551A33) - 1, (78551A34) - 1
34	12-48477		-	WASHER (.505 I.D.) QUANTITIES: (78551A31) - 1, (78551A30) - 1, (78551A33) - 1, (78551A34) - 1
35	12-48526		-	WASHER (.630 I.D.) QUANTITIES: (78551A31) - 1, (78551A30) - 1, (78551A33) - 1, (78551A34) - 1
36	23-28919		-	BUSHING (5/8" I.D.) QUANTITIES: (78551A31) - 2, (78551A30) - 2, (78551A33) - 2, (78551A34) - 2
37	23-48525		-	SPACER QUANTITIES: (78551A31) - 1, (78551A30) - 1, (78551A33) - 1, (78551A34) - 1
38	12-48527		-	WASHER (1-35/64" O.D.) QUANTITIES: (78551A31) - 1, (78551A30) - 1, (78551A33) - 1, (78551A34) - 1
39	13-48478		-	WAVE WASHER QUANTITIES: (78551A31) - 2, (78551A30) - 2, (78551A33) - 2, (78551A34) - 2
40	12-49636		-	WASHER (1-3/4" O.D.) QUANTITIES: (78551A31) - 1, (78551A30) - 1, (78551A33) - 1, (78551A34) - 1
41	11-20220		-	NUT QUANTITIES: (78551A31) - 1, (78551A30) - 1, (78551A33) - 1, (78551A34) - 1
42	87-813960A2		-	SWITCH QUANTITIES: (78551A31) - 1, (78551A30) - 1, (78551A33) - 1, (78551A34) - 1
43	10-12110		-	SCREW QUANTITIES: (78551A31) - 2, (78551A30) - 2, (78551A33) - 2, (78551A34) - 2
44	41130		-	SPACER (BLACK) QUANTITIES: (78551A31) - 1, (78551A30) - 0, (78551A33) - 1, (78551A34) - 0
	41130T6		-	SPACER (GRAY) QUANTITIES: (78551A31) - 0, (78551A30) - 1, (78551A33) - 0, (78551A34) - 1
45	16-14651		-	STUD QUANTITIES: (78551A31) - 2, (78551A30) - 2, (78551A33) - 2, (78551A34) - 2
46	14-43589		-	TAB WASHER QUANTITIES: (78551A31) - 2, (78551A30) - 2, (78551A33) - 2, (78551A34) - 2
47	11-34863		-	NUT QUANTITIES: (78551A31) - 2, (78551A30) - 2, (78551A33) - 2, (78551A34) - 2
48	87-11083A25		-	STOP SWITCH QUANTITIES: (78551A31) - 0, (78551A30) - 0, (78551A33) - 1, (78551A34) - 1
	87-11083A26		-	STOP SWITCH QUANTITIES: (78551A31) - 1, (78551A30) - 1, (78551A33) - 0, (78551A34) - 0

CONTINUED ON NEXT PAGE ➡

# TILLER HANDLE KIT (78551A\_) (PAGE 2)

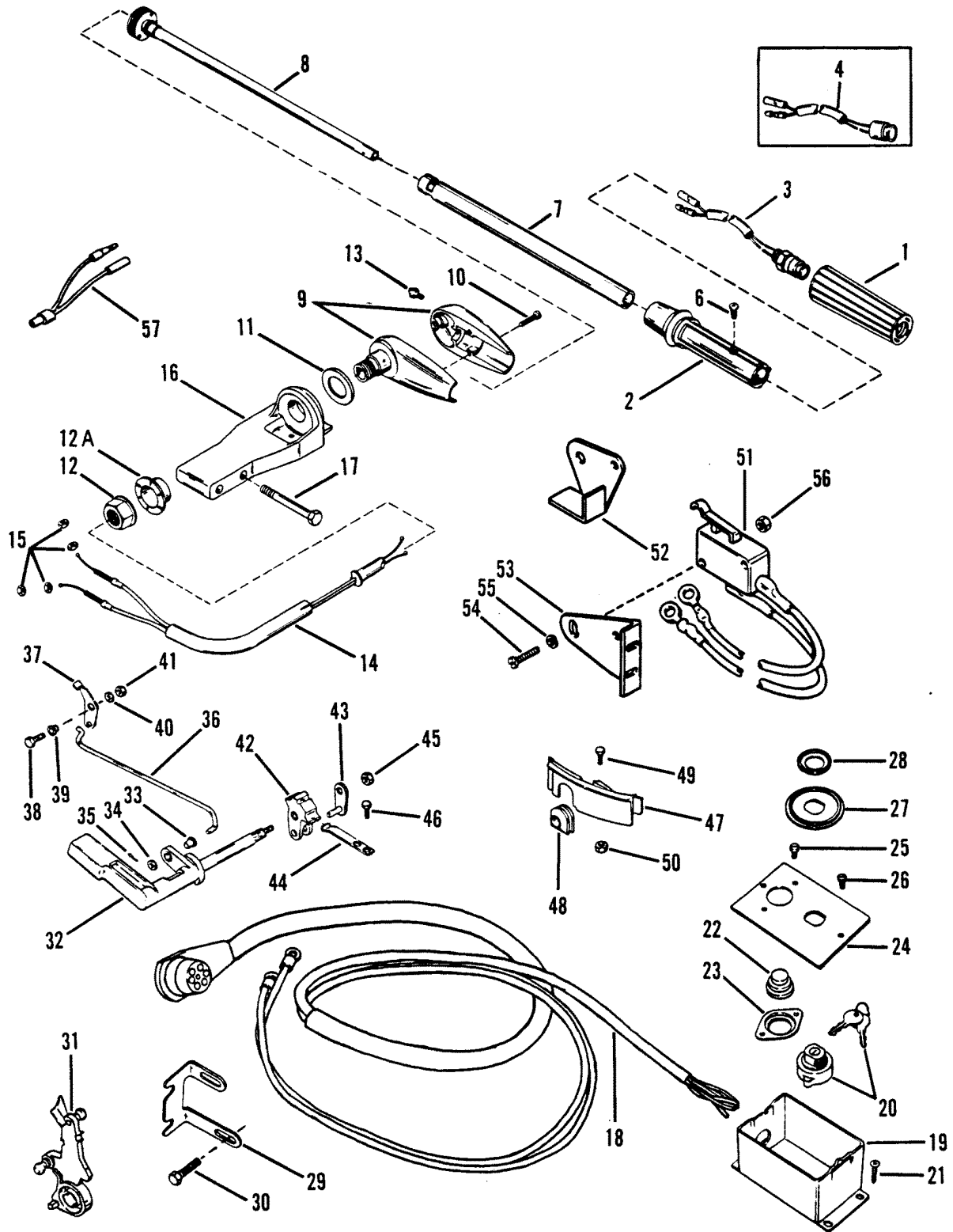




## TILLER HANDLE KIT (78551A\_) (PAGE 2)

REF. NO.	PART NO.	SYM.	QTY.	DESCRIPTION
49	15920A54		-	LANYARD QUANTITIES: (78551A31) - 1, (78551A30) - 1, (78551A33) - 1, (78551A34) - 1
50	12044--1		-	RETAINER QUANTITIES: (78551A31) - 1, (78551A30) - 1, (78551A33) - 1, (78551A34) - 1
51	54-64855		-	CLAMP QUANTITIES: (78551A31) - 1, (78551A30) - 1, (78551A33) - 1, (78551A34) - 1
52	69205		-	C-WASHER QUANTITIES: (78551A31) - 1, (78551A30) - 1, (78551A33) - 1, (78551A34) - 1
53	52148		-	PILOT ROD QUANTITIES: (78551A31) - 1, (78551A30) - 1, (78551A33) - 1, (78551A34) - 1
54	52150		-	LINK ROD QUANTITIES: (78551A31) - 1, (78551A30) - 1, (78551A33) - 1, (78551A34) - 1
55	11-52155A1		-	NUT ASSEMBLY QUANTITIES: (78551A31) - 1, (78551A30) - 1, (78551A33) - 1, (78551A34) - 1
56	23-52151--2		-	BUSHING QUANTITIES: (78551A31) - 1, (78551A30) - 1, (78551A33) - 1, (78551A34) - 1
57	12-70132		-	WASHER QUANTITIES: (78551A31) - 2, (78551A30) - 2, (78551A33) - 2, (78551A34) - 2
58	11-45592		-	NUT QUANTITIES: (78551A31) - 2, (78551A30) - 2, (78551A33) - 2, (78551A34) - 2
59	14876		-	HOSE HOLDER QUANTITIES: (78551A31) - 1, (78551A30) - 1, (78551A33) - 0, (78551A34) - 0
60	10-98253		-	SCREW QUANTITIES: (78551A31) - 1, (78551A30) - 1, (78551A33) - 0, (78551A34) - 0
61	12-71055		-	WASHER QUANTITIES: (78551A31) - 1, (78551A30) - 1, (78551A33) - 0, (78551A34) - 0
62	15825		-	RETAINER QUANTITIES: (78551A31) - 1, (78551A30) - 1, (78551A33) - 0, (78551A34) - 0
63	87-88890A2		-	NEUTRAL START SWITCH QUANTITIES: (78551A31) - 0, (78551A30) - 0, (78551A33) - 1, (78551A34) - 1
64	84-11149A4		-	CABLE QUANTITIES: (78551A31) - 1, (78551A30) - 1, (78551A33) - 0, (78551A34) - 0

# TILLER HANDLE KIT (94185A18)



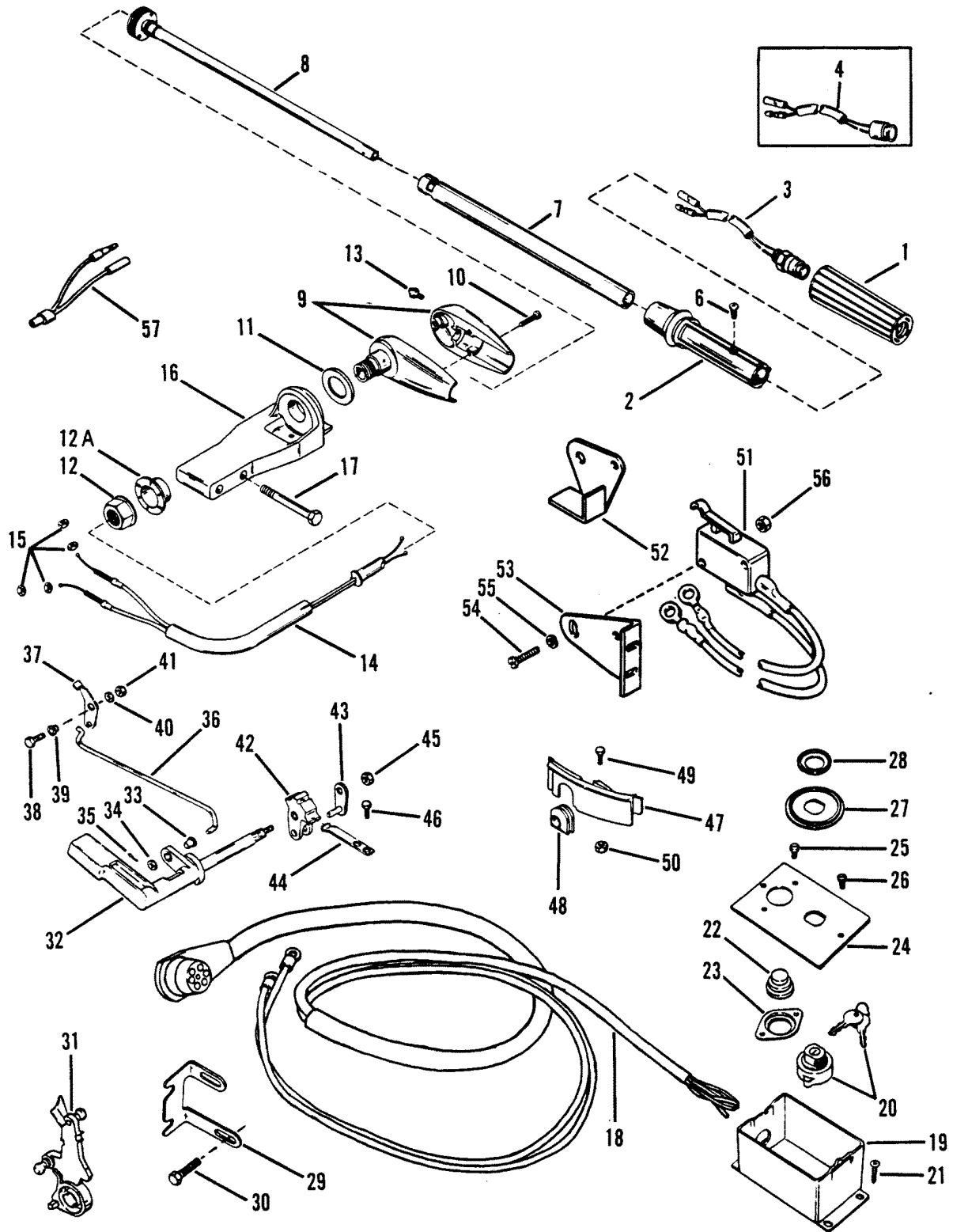
## TILLER HANDLE KIT (94185A18)

REF. NO.	PART NO.	SYM.	QTY.	DESCRIPTION
-	<b>94185A18</b>		1	<b>TILLER HANDLE KIT</b>
1	99589		1	GRIP
2	14170A5		1	HANDLE ASSEMBLY
3	87-823609A1		1	STOP SWITCH (DESIGN II - W/METAL LOCK RING)
4	NLA	■	1	HARNESS (DESIGN I - ORDER 87-823609A10)
6	10-62568		1	SCREW
7	99333A2		1	TUBE ASSEMBLY
8	97550--1		1	TUBE
9	NLA	■	1	BRACKET (ORDER 43447A4) REF. #12 IS 1" - 14
10	10-40019109		3	SCREW REF. #12 IS 1" - 14
11	12-17782--1		1	WASHER REF. #12 IS 1" - 14
12	11-90068F3		1	NUT REF. #12 IS 1" - 14
12A	23-85973		1	BUSHING REF. #12 IS 1" - 14
13	22-74036		1	GREASE FITTING REF. #12 IS 1" - 14
9	44397A16		1	BRACKET REF. #12 IS 1-1/8" - 12
10	10-40011110		3	SCREW REF. #12 IS 1-1/8" - 12
11	12-17782--1		1	WASHER REF. #12 IS 1-1/8" - 12
12	11-816880		1	NUT REF. #12 IS 1-1/8" - 12
12A	23-817026		1	BUSHING REF. #12 IS 1-1/8" - 12
13	22-74036		1	GREASE FITTING REF. #12 IS 1-1/8" - 12
14	43242--2		1	CABLE
15	11-40021--2		4	NUT
16	43447A4		1	BRACKET ASSEMBLY
17	10-40003-84		2	SCREW (75MM)
18	84-92195A5		1	HARNESS (5")
19	47974		1	HOUSING
20	54211		1	SWITCH (WITH KEYS - PART #30431)
21	10-47994		4	SCREW
22	29759		1	SWITCH
23	47973		1	PLATE
24	N.S.S.	■	1	SWITCH COVER ASSEMBLY
25	10-49597		4	SCREW
26	10-62568		4	SCREW (3/8")
27	38-47972		1	PLATE
28	68863		1	BEZEL
29	17848		1	CABLE BRACKET
30	10-40001-78		2	SCREW
31	11038--3		1	LEVER
32	42330--1		1	HANDLE
33	23-96202		1	BUSHING
34	12-89302		2	WASHER
35	18-21071		1	COTTER PIN

■ = NOT SOLD SEPARATELY  
 ■ = NO LONGER AVAILABLE

CONTINUED ON NEXT PAGE ➡

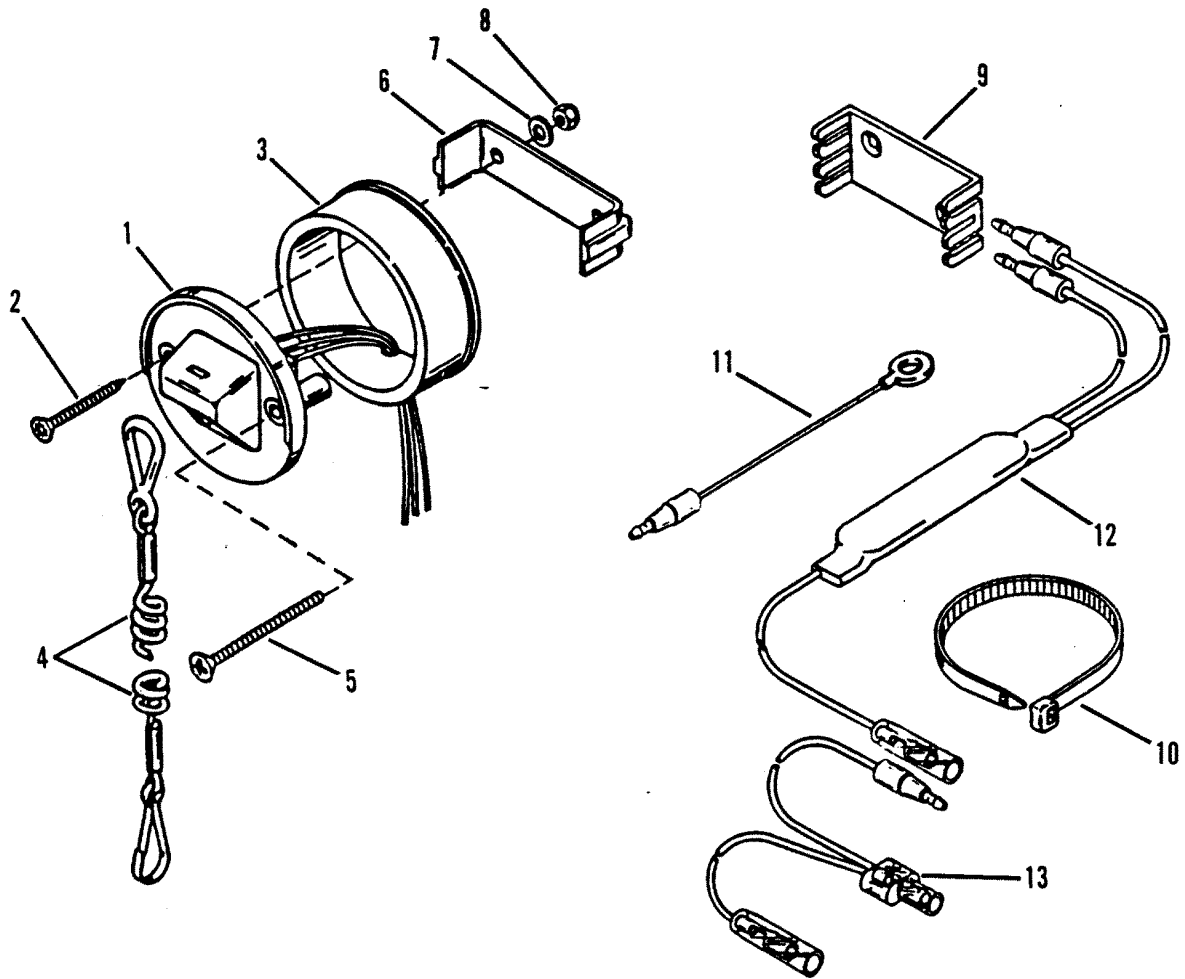
# TILLER HANDLE KIT (94185A18)



## TILLER HANDLE KIT (94185A18)

REF. NO.	PART NO.	SYM.	QTY.	DESCRIPTION
36	11042		1	LINK
37	11050--1		1	LEVER
38	10-40001-17		1	SCREW
39	23-85095		1	BUSHING
40	12-89302		2	WASHER
41	11-40063--3		1	NUT
42	42329--1		1	LEVER
43	42358		1	BACK PLATE
44	24-39627		1	SPRING
45	11-40063--3		1	NUT
46	10-40001--1		2	SCREW
47	17234F2		1	COVER
48	25-17227		1	GROMMET
49	10-40003-29		1	SCREW
50	11-40119--6		1	NUT
51	87-93479A4		1	NEUTRAL SWITCH ASSEMBLY
52	12001		1	CAM
53	11036--1		1	BRACKET
54	10-90342		2	SCREW
55	13-11052		2	LOCKWASHER
56	11-63683		2	NUT
57	84-11149A1		1	CABLE ASSEMBLY
	84-11149A2		1	CABLE ASSEMBLY

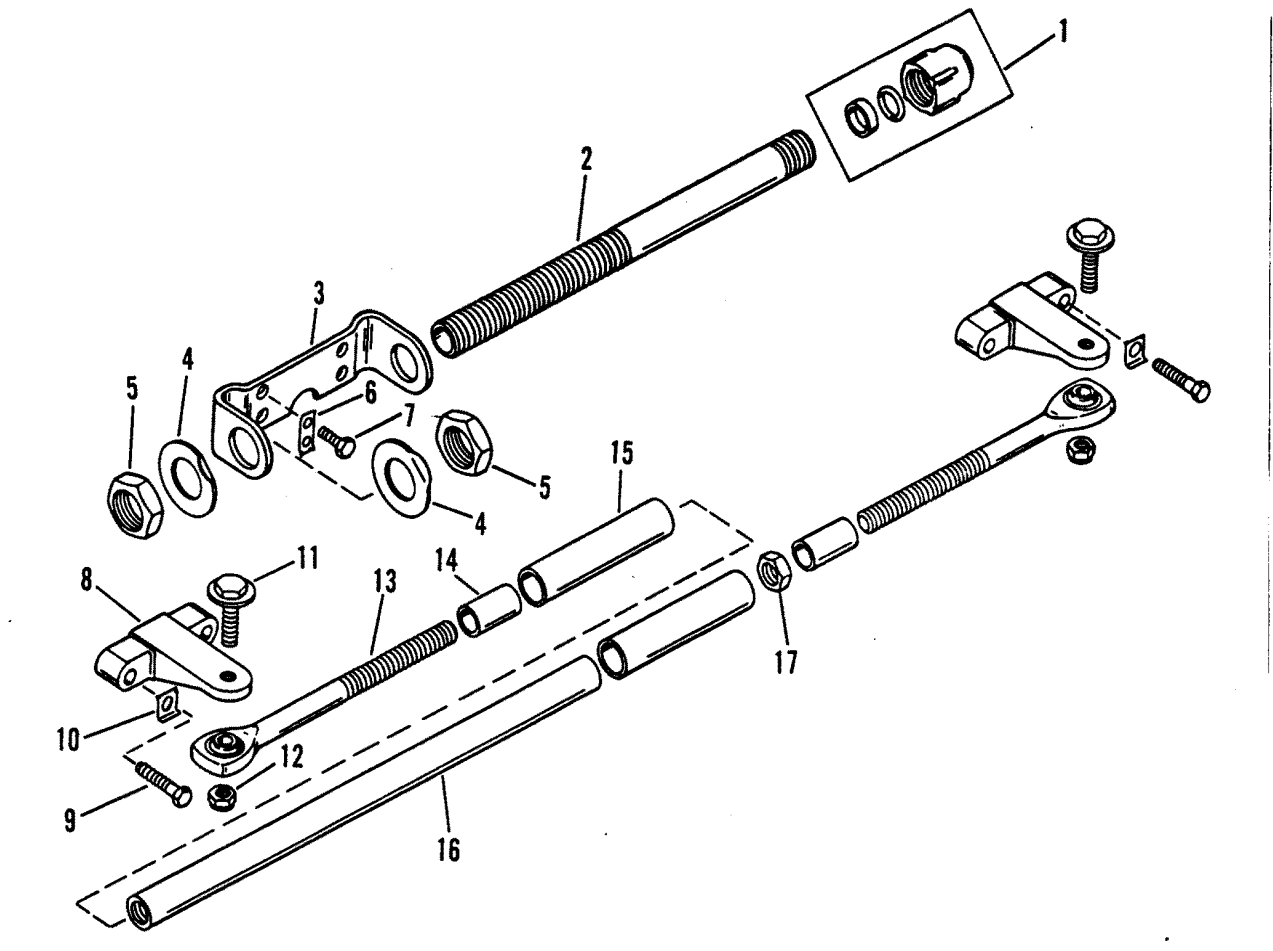
# LANYARD/DIODE KIT



# LANYARD/DIODE KIT

REF. NO.	PART NO.	SYM.	QTY.	DESCRIPTION
-	87-19674A2		1	LANYARD SWITCH KIT
1	87-19674A1		1	LANYARD SWITCH
2	10-18303		2	SCREW
3	813679		1	ADAPTOR
4	15920A54		1	LANYARD
5	10-32866		2	SCREW
6	18321		1	CLAMP
7	12-24676		2	WASHER
8	11-68219		4	NUT
9	79146		3	RETAINER
10	54-816311		9	STA-STRAP
11	84-11149A3		1	CABLE ASSEMBLY
12	812497A2		1	DIODE KIT
13	84-11149A2		1	CABLE ASSEMBLY

# DUAL ENGINE EXTENSION KIT

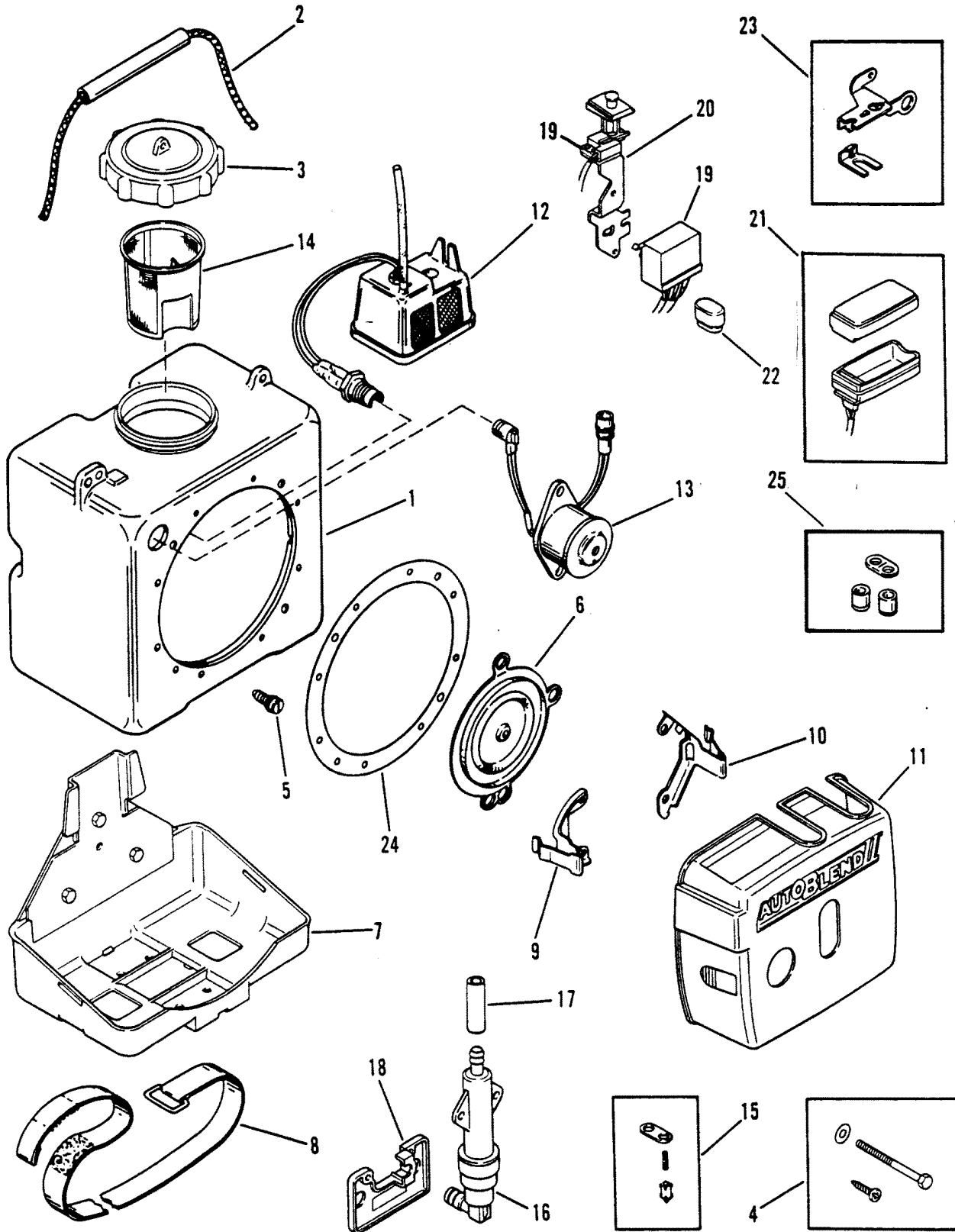




## DUAL ENGINE EXTENSION KIT

REF. NO.	PART NO.	SYM.	QTY.	DESCRIPTION
-	92876A6		1	DUAL ENGINE EXTENSION KIT
1	26-78862A2		1	SEAL KIT
2	71565		1	TUBE, CABLE GUIDE
3	41055A1		1	MOUNT
4	14-42100		2	TAB WASHER
5	11-37984		2	JAM NUT
6	88404		2	TAB WASHER
7	10-38601		4	SCREW
8	17729A1		2	BRACKET
9	10-62055		4	SCREW
10	17728		4	TAB WASHER
11	10-14000		4	SCREW
12	11-34863		4	NUT
13	97933A1		2	STEERING EYE
14	23-23651		2	SLEEVE
15	97931		2	TUBING
16	97932--2		1	TUBE
17	11-42099		1	JAM NUT

# AUTO-BLEND

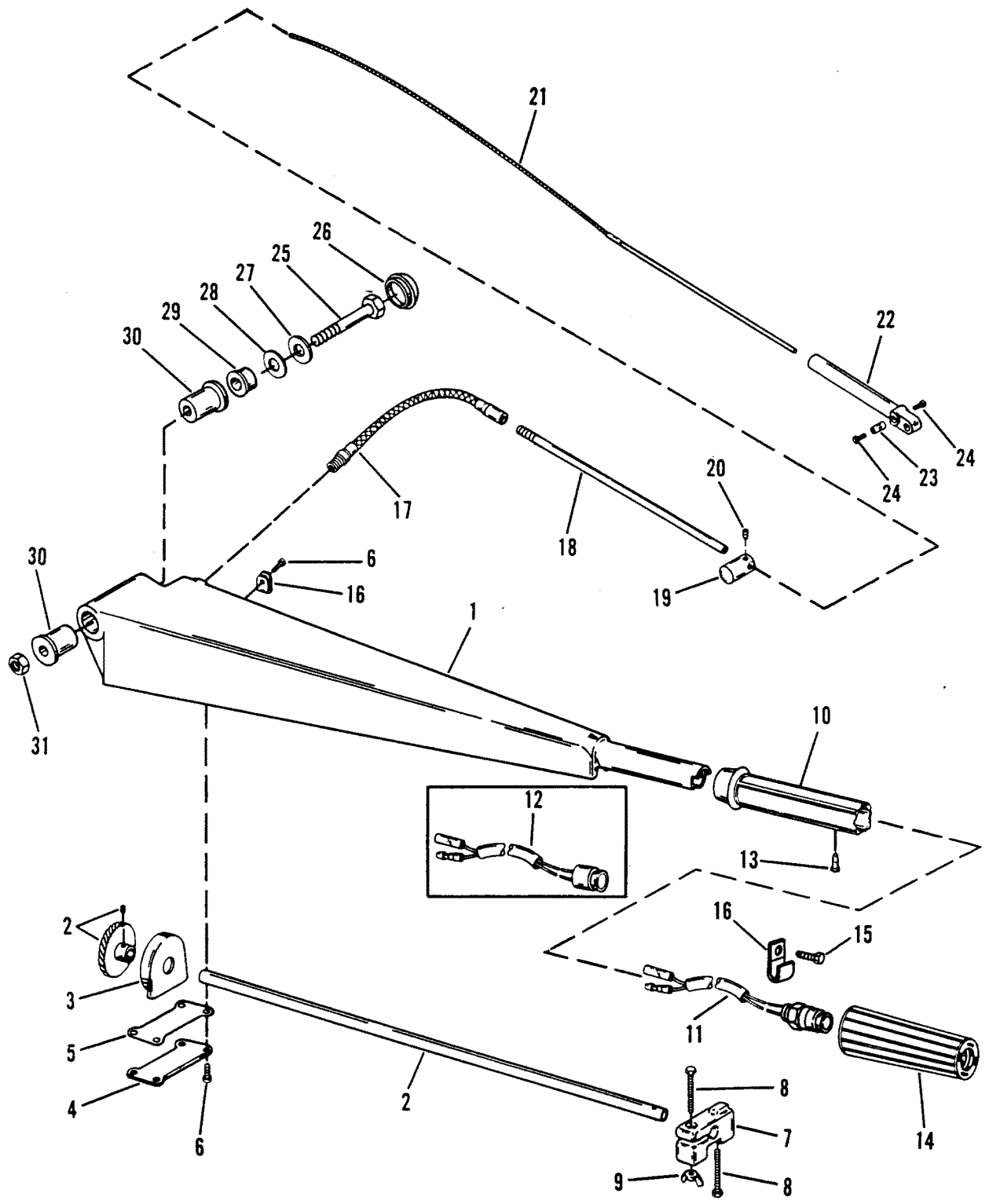


# AUTO-BLEND

REF. NO.	PART NO.	SYM.	QTY.	DESCRIPTION
-	13019--5		1	<b>AUTO-BLEND</b>
1	16612		1	OIL TANK KIT
2	13996		1	HANDLE KIT
3	36-16619		1	CAP
4	16614		1	HARDWARE KIT
5	19-13979		1	DRAIN PLUG KIT
6	16611		1	DIAPHRAGM KIT
7	16620		1	MOUNTING BRACKET KIT
8	13993		1	BAND
9	13983		1	BRACKET (LEFT)
10	13984		1	BRACKET (RIGHT)
11	16626		1	COVER
12	35-16624		1	OIL FILTER & LEVEL SENSOR KIT
13	16625		1	HORN KIT
14	16618		1	OIL STRAINER
15	21-16615		1	CHECK VALVE KIT (OUTLET)
16	35-18576		1	FUEL FILTER KIT
17	32-13992		1	VINYL TUBE
18	16621		1	PLATE
19	NLA	■	1	MODULE KIT
20	16628		1	TEST BUTTON KIT
21	16629		1	BATTERY CASE KIT (USE 9 VOLT BATTERY)
22	16630		1	GROMMET KIT
23	16631		1	BRACKET KIT
24	27-16616		1	GASKET KIT
25	21-811008		2	CHECK VALVE KIT (INLET)

■ = NO LONGER AVAILABLE

# STEERING HANDLE KIT (816366A4, A5)

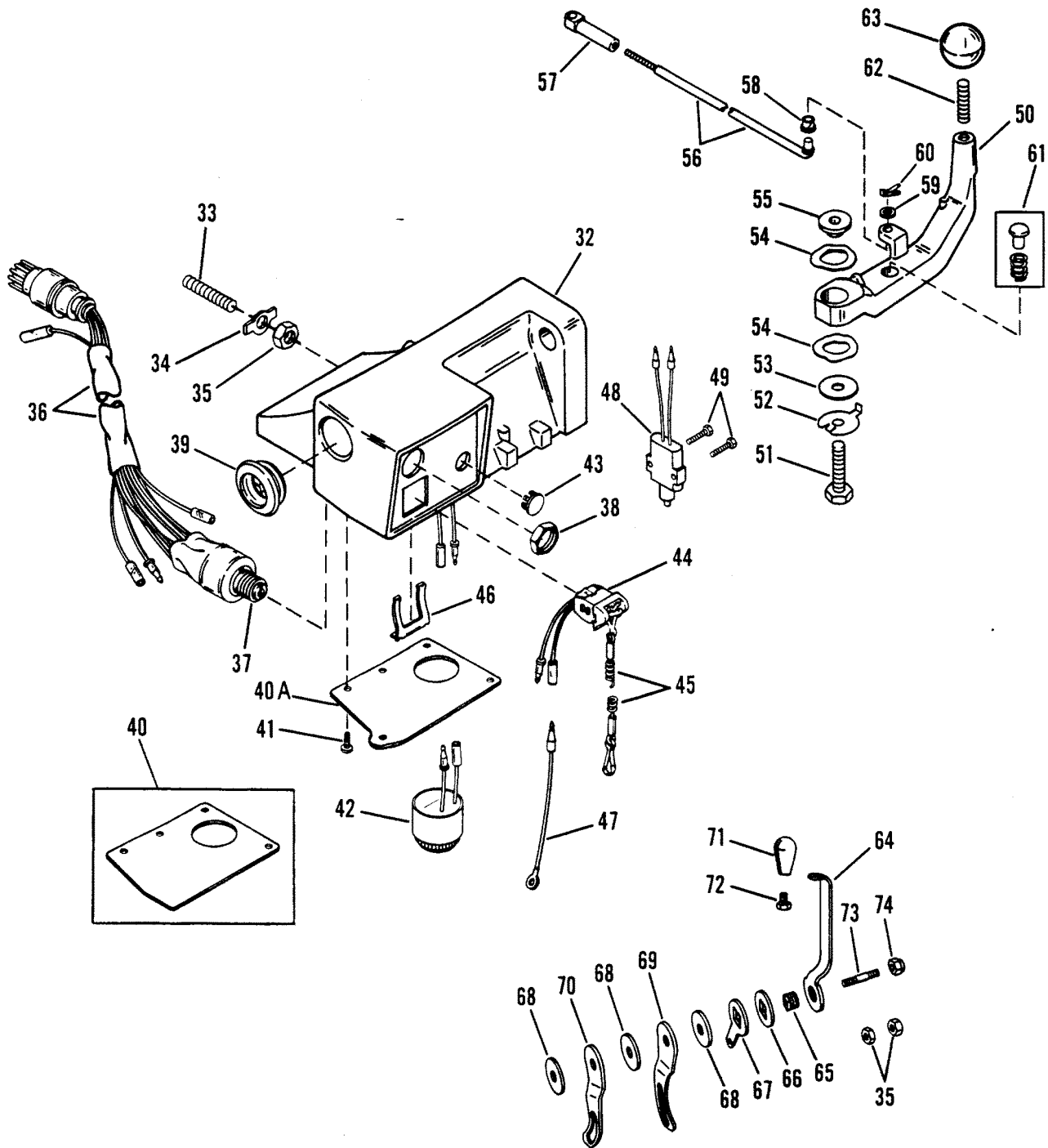


## STEERING HANDLE KIT (816366A4, A5)

REF. NO.	PART NO.	SYM.	QTY.	DESCRIPTION
-	<b>816366A4</b>		1	<b>STEERING HANDLE KIT (BLACK)</b>
-	<b>816366A5</b>		1	<b>STEERING HANDLE KIT (GRAY)</b>
1	12020A1		1	STEERING ARM (BLACK)
	12020A2		1	STEERING ARM (GRAY)
-	<b>22-74036</b>		1	<b>GREASE FITTING</b>
2	12018A2		1	THROTTLE TUBE
3	48414		1	HOUSING
4	48519		1	PLATE
5	27-48518		1	GASKET
6	10-812832		5	SCREW (50MM)
7	54-12013		1	CLAMP
8	10-40007112		2	SCREW
9	11-816873		1	WING NUT
10	87-823609A15		1	THROTTLE HANDLE/STOP SWITCH KIT
11	87-823609A5		1	STOP SWITCH (DESIGN II - W/METAL LOCK RING)
12	NLA	■	1	STOP SWITCH (DESIGN I - ORDER 87-823609A15)
13	10-62568		1	SCREW
14	99589		1	GRIP
15	10-812832--1		1	SCREW (60MM)
16	54-64855		AR	J-CLAMP
17	78551--2		1	CONDUIT
18	89566--1		1	GUIDE TUBE
19	89578		1	BARREL
20	10-824081		1	SET SCREW
21	12019		1	CABLE
22	43433		1	GUIDE
23	20007		1	ANCHOR
24	10-20518		2	SET SCREW
25	10-823567105		1	SCREW
26	48416		1	CAP
27	12-40023-19		1	WASHER
28	12-12024		1	WASHER
29	23-14601		1	SPACER
30	23-812930A1		2	BUSHING
31	11-13914		1	NUT

■ = NO LONGER AVAILABLE

# STEERING HANDLE KIT (816366A4, A5)



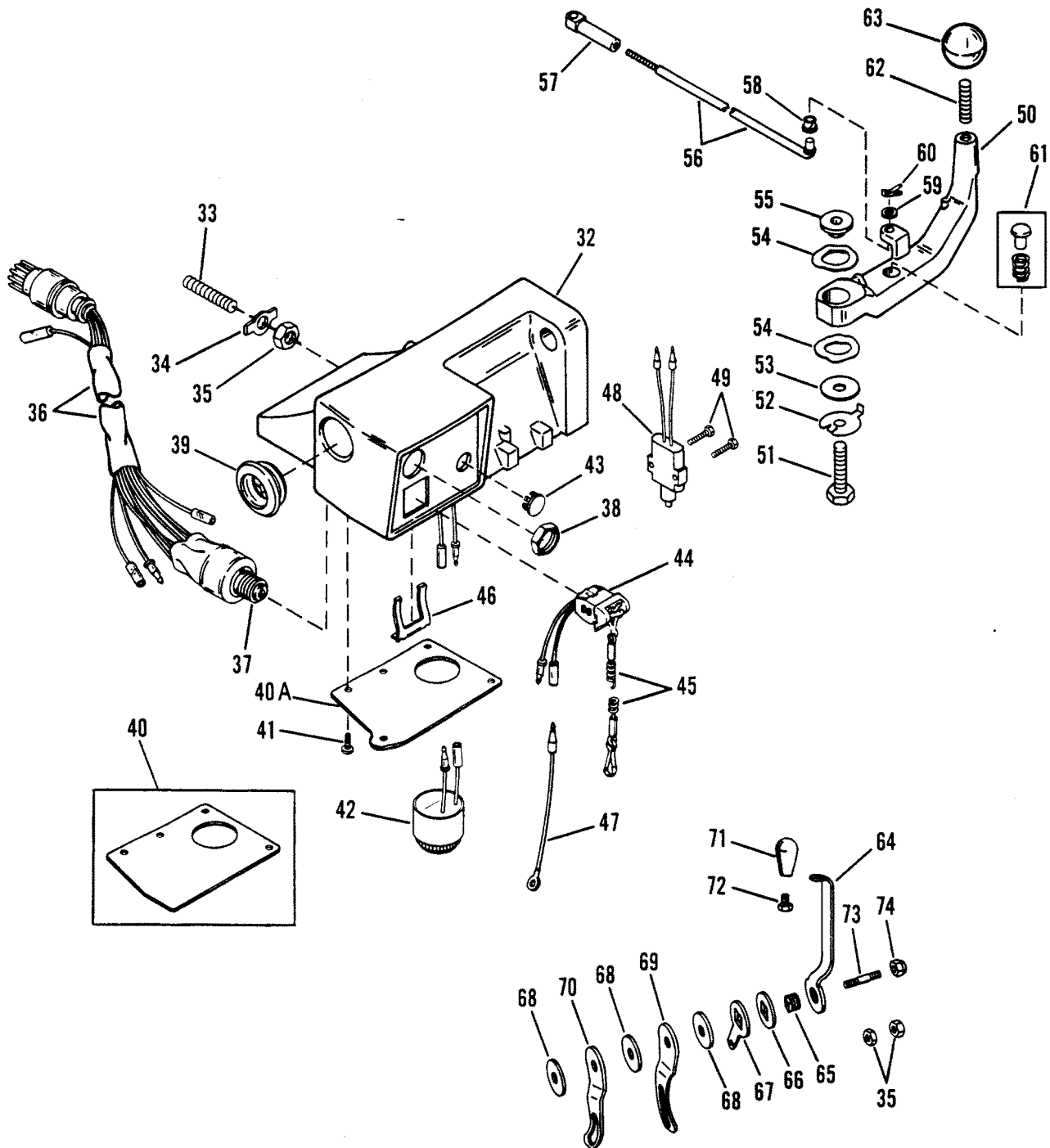
## STEERING HANDLE KIT (816366A4, A5)

REF. NO.	PART NO.	SYM.	QTY.	DESCRIPTION
-	816366A4		1	STEERING HANDLE KIT (BLACK)
-	816366A5		1	STEERING HANDLE KIT (GRAY)
32	816366T		1	BRACKET (BLACK)
	816366T6		1	BRACKET (GRAY)
33	16-815802		2	STUD
34	14-815806		2	TAB WASHER
35	11-40119--6		4	NUT
36	84-12649A4		1	HARNESS ASSEMBLY
37	87-88107		1	KEY SWITCH SEE (KEY, CHOKE AND HORN KIT) FOR KEYS
38	11-93543		1	NUT
39	12105--1		1	GROMMET
40	815804		1	COVER (DESIGN I - W/4 HOLES)
40A	815804--1		1	COVER (DESIGN II - W/5 HOLES)
41	10-812832		4	SCREW
42	816051A2		1	HORN
43	19-12014		1	PLUG
44	87-11083A4		1	STOP SWITCH ASSEMBLY
45	15920A54		1	LANYARD
46	12044--1		1	RETAINER
47	84-11149A3		1	CABLE
48	87-813960A3		1	SWITCH ASSEMBLY
49	10-12110		2	SCREW
50	816367F1		1	SHIFT LEVER BLACK
	816367F2		1	SHIFT LEVER GRAY
51	10-40003-55		1	SCREW
52	14-815805		1	TAB WASHER
53	12-814803		1	WASHER
54	13-86498		2	WAVE WASHER
55	23-815983		1	BUSHING
56	49563--4		1	SHIFT ROD
57	48419		1	ROD END
58	23-26856		1	BUSHING
59	12-35950		1	WASHER
60	18-25191		1	COTTER PIN
61	12016A2		1	DETENT ASSEMBLY
62	16-58152		1	STUD
63	98530		1	KNOB
64	816416A3		1	CO-PILOT LEVER
65	816564		1	CO-PILOT DRIVER
66	12-816576		1	WASHER
67	NLA	■	1	BRAKE (ORDER 816416A3 - REF. #64)
68	816562--1		3	BRAKE DISC

■ = NO LONGER AVAILABLE

CONTINUED ON NEXT PAGE ➡

# STEERING HANDLE KIT (816366A4, A5)



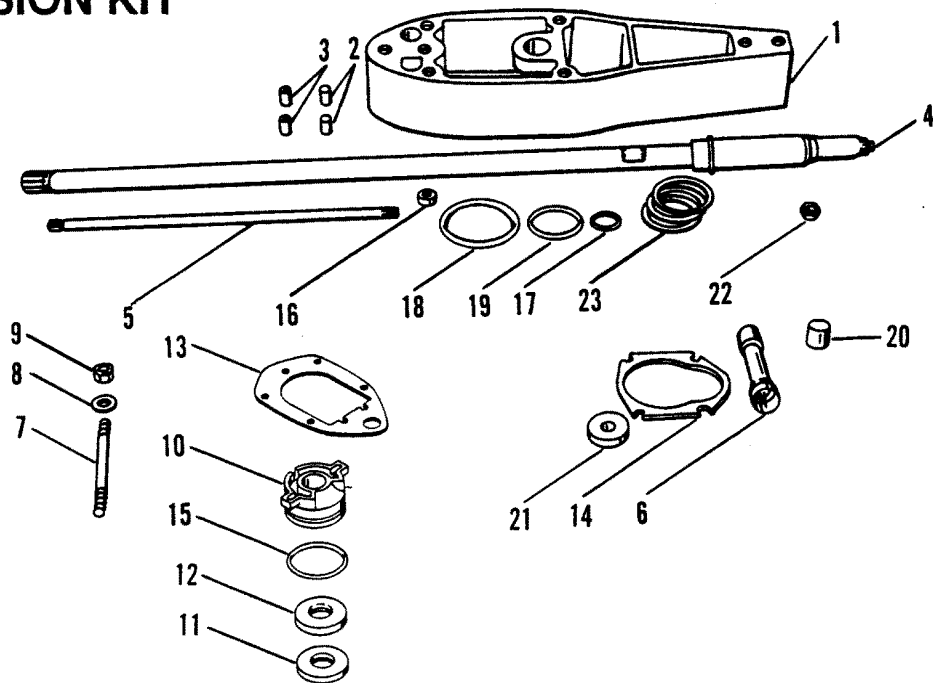


## STEERING HANDLE KIT (816366A4, A5)

REF. NO.	PART NO.	SYM.	QTY.	DESCRIPTION
69	816413		1	ARM (TOP)
70	816414		1	ARM (BOTTOM)
71	816668		1	KNOB
72	10-40003-50		1	SCREW
73	16-816560		1	STUD
74	11-40063--6		1	NUT

# EXTENSION KIT (816696A1, A2)

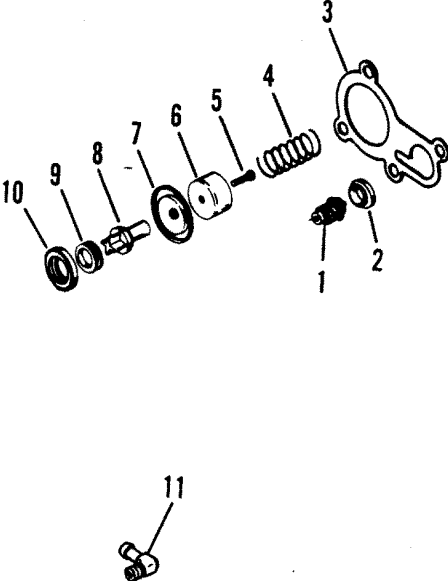
## EXTENSION KIT



## EXTENSION KIT (816696A1, A2)

REF. NO.	PART NO.	SYM.	QTY.	DESCRIPTION
-	<b>816696A1</b>		1	<b>EXTENSION KIT (BLACK)</b>
-	<b>816696A2</b>		1	<b>EXTENSION KIT (GRAY)</b>
1	816696A3		1	SPACER (BLACK)
	816696A4		1	SPACER (GRAY)
2	17-43044		2	DOWEL PIN
3	17-43043		2	DOWEL PIN
4	45-815421		1	DRIVESHAFT
5	815420		1	SHIFT SHAFT
6	817401A1		1	WATER TUBE
7	16-816866--1		5	STUD
8	12-43042		4	WASHER (SPECIAL)
	12-45175		1	WASHER (3/4")
9	11-13914		5	NUT
10	46-812966A3		1	WATER PUMP BASE
11	26-814669		1	OIL SEAL
12	26-814670		1	OIL SEAL
13	27-19701		1	GASKET
14	27-19454--1		1	GASKET
15	25-30224		1	O-RING
16	26-816464--1		1	OIL SEAL
17	25-45258		1	O-RING
18	25-815460		1	O-RING
19	25-21836		1	O-RING
20	26-38970		1	SEAL
21	23-43041		1	SPACER
22	11-55910		1	NUT
23	15-812770A1		1	SHIM SET
-	<b>26-821093</b>		1	<b>SEAL, WATER TUBE</b>

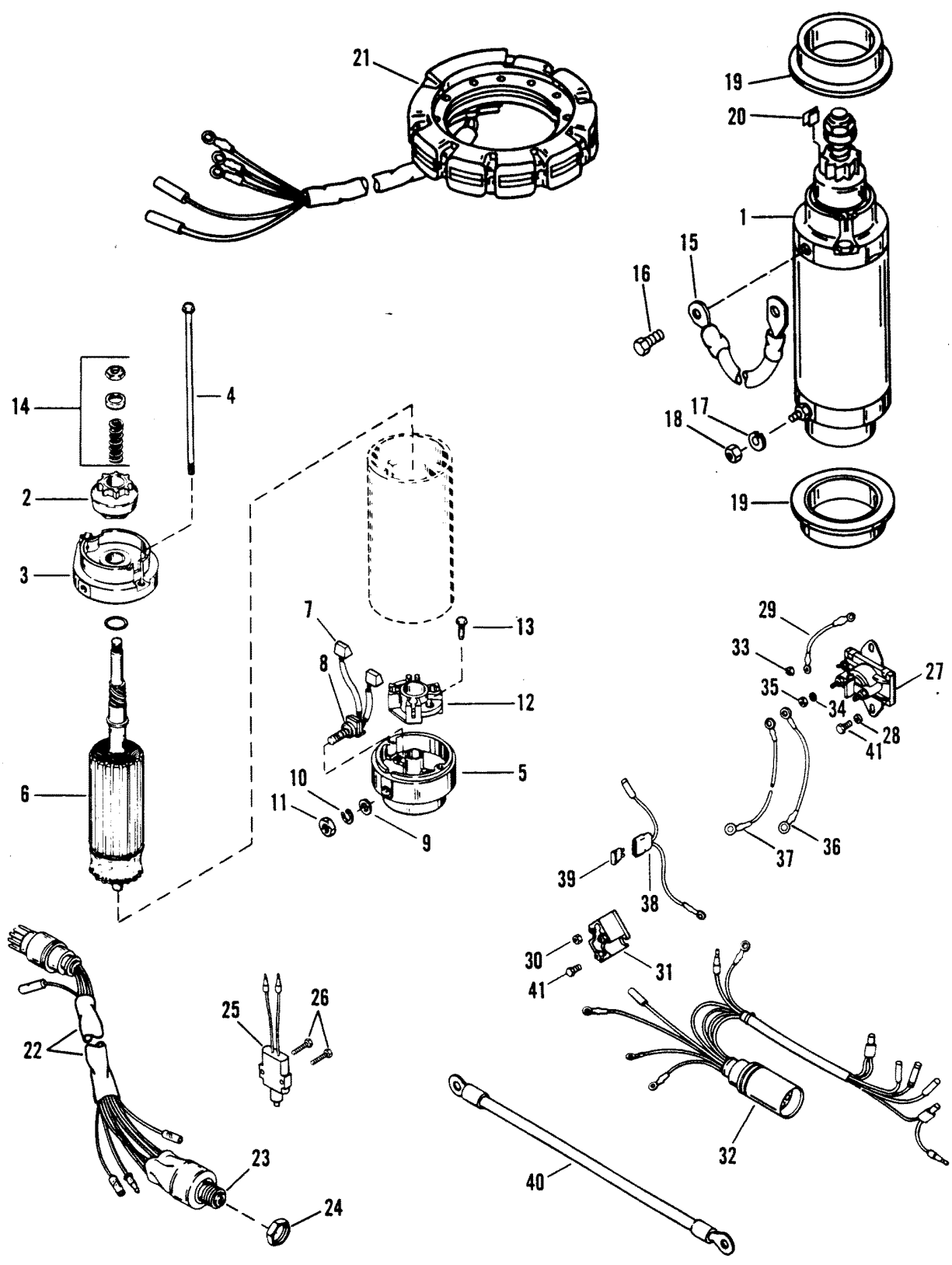
# THERMOSTAT KIT (14586A3, A4)



## THERMOSTAT KIT (14586A3, A4)

REF. NO.	PART NO.	SYM.	QTY.	DESCRIPTION
-	14586A4		1	THERMOSTAT KIT
1	14586		1	THERMOSTAT
2	27-62386		1	GASKET
3	27-812867--1		1	GASKET
4	24-90392		1	SPRING
5	10-69570		1	SCREW
6	12-94182		1	WASHER
7	812887		1	DIAPHRAGM
8	812882--1		1	POPPET VALVE
9	25-64872		1	GROMMET
10	65848		1	CARRIER
11	22-99664		1	ELBOW

# ELECTRIC START KIT (50-44369A2)



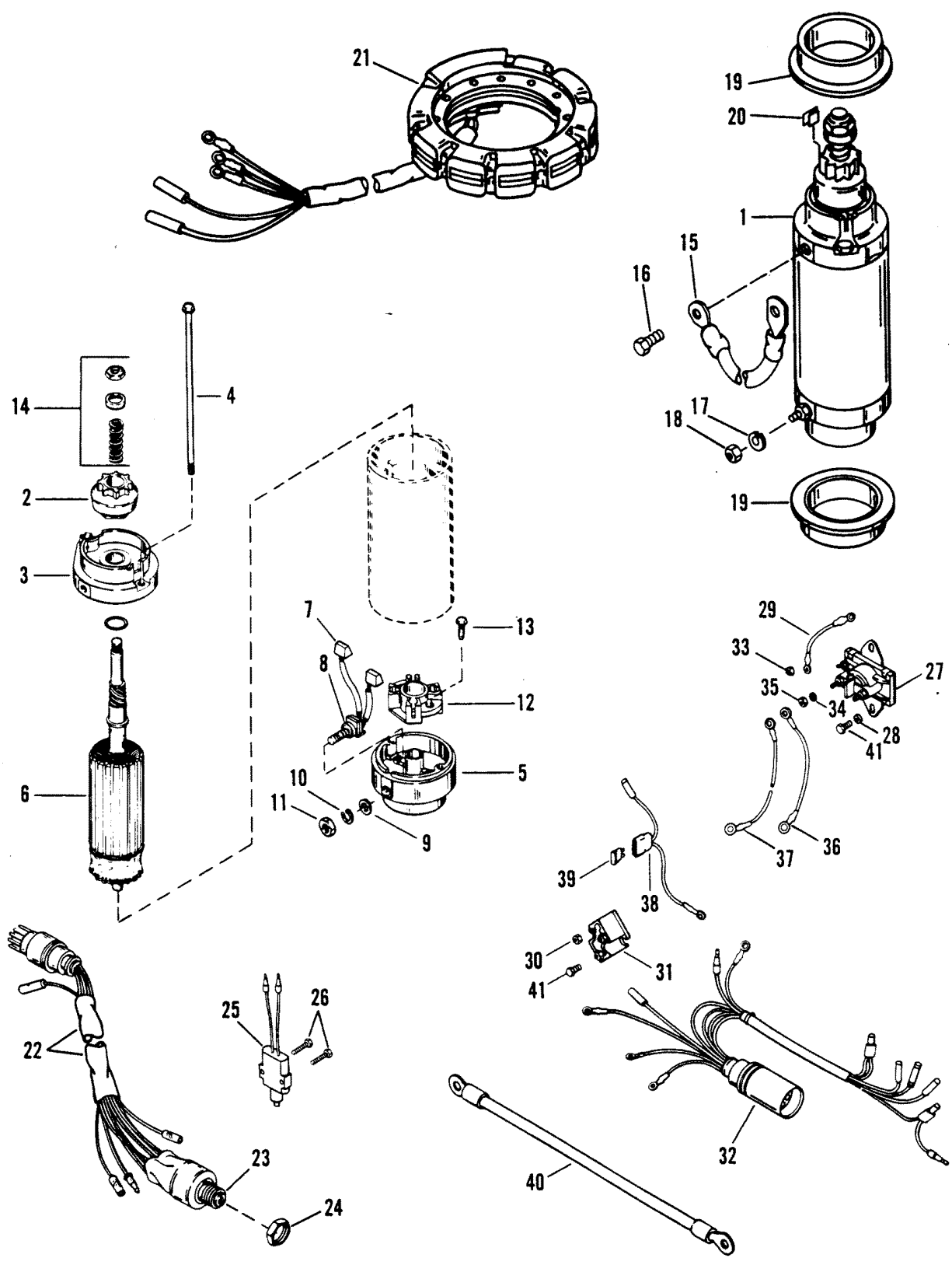
## ELECTRIC START KIT (50-44369A2)

REF. NO.	PART NO.	SYM.	QTY.	DESCRIPTION
-	<b>50-44369A2</b>		1	<b>ELECTRIC START KIT</b>
1	50-44369A1		1	STARTER MOTOR
2	68575		1	DRIVE ASSEMBLY
3	75660		1	DRIVE END PLATE
4	10-95686		2	THRU BOLT
5	75383		1	END CAP
6	11957		1	ARMATURE
7	75384		1	BRUSH SET
8	23-57387		1	BUSHING
9	N.S.S.	■	1	WASHER (AMER. BOSCH #WA1728)
10	13-26992		1	LOCKWASHER
11	11-20890		1	NUT
12	61787		2	BRUSH HOLDER
13	N.S.S.	■	2	SCREW (AMER. BOSCH #02441-22-SC-30SM)
14	90643		1	DRIVE KIT
15	84-88807A31		2	WIRE
16	10-69035		1	SCREW
17	13-26992		2	LOCKWASHER
18	11-64015		1	NUT (1/4-20)
19	56703		2	COLLAR
20	68042		2	STOP
21	398-9710A25		1	STATOR
22	84-12649A4		1	HARNESS ASSEMBLY
23	87-88107		1	KEY SWITCH <b>SEE (KEY CHOKE AND HORN KIT) FOR KEYS</b>
24	11-93543		1	NUT
25	87-813960A3		1	SWITCH ASSEMBLY
26	10-12110		2	SCREW
27	89-96054		1	SOLENOID
28	12-40023-14		2	WASHER
29	84-88807A6		1	CABLE (3-1/2")
30	11-45076		3	NUT
31	816770		1	RECTIFIER
32	84-19061A2		1	HARNESS
33	11-26419		2	NUT (#8-32)
34	13-26992		2	WASHER
35	11-64015		2	NUT (1/4-20)
36	84-79139A24		1	CABLE (9-1/4")

■ = NOT SOLD SEPARATELY

CONTINUED ON NEXT PAGE ➡

# ELECTRIC START KIT (50-44369A2)

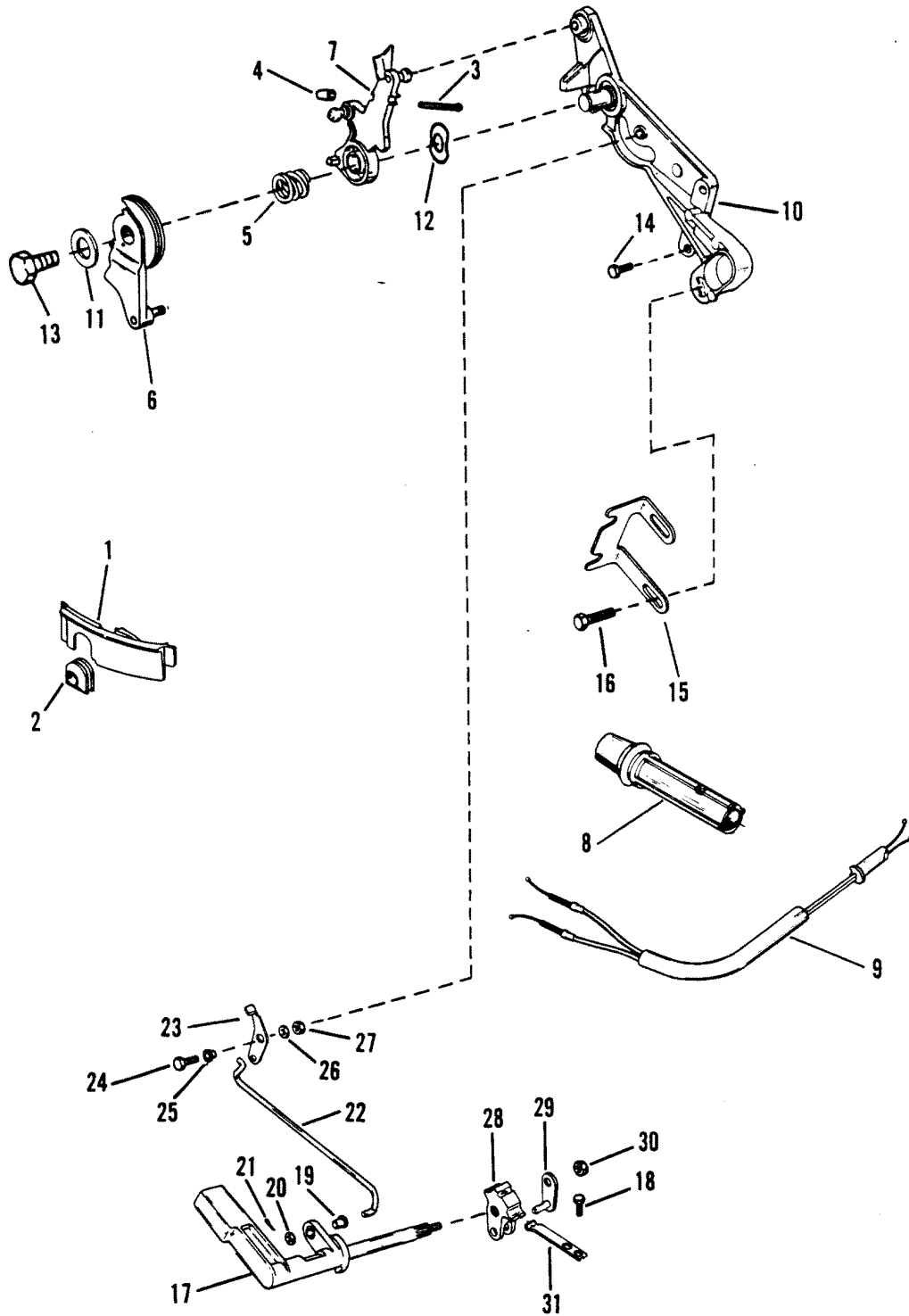




## ELECTRIC START KIT (50-44369A2)

REF. NO.	PART NO.	SYM.	QTY.	DESCRIPTION
37	84-88439A9		1	CABLE (96")
38	88-19637A2		1	FUSE SOCKET
39	88-812619		1	FUSE
40	84-88439A4		1	BATTERY CABLE
41	10-40007107		4	SCREW

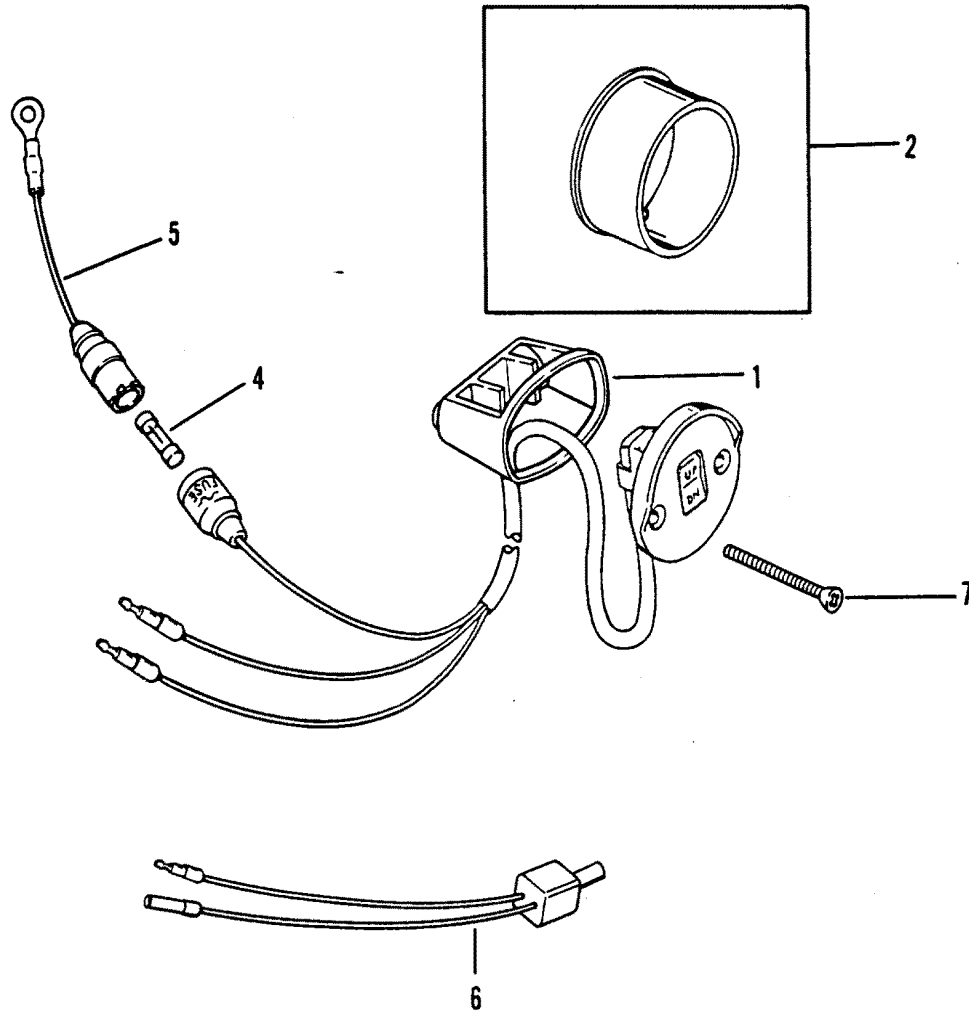
# SIDE SHIFT KIT



# SIDE SHIFT KIT

REF. NO.	PART NO.	SYM.	QTY.	DESCRIPTION
-	42026A6		1	<b>SIDE SHIFT CONVERSION KIT</b>
1	17234F5		1	COVER (BLACK)
	17234F2		1	COVER (GRAY)
2	25-17227		1	GROMMET
3	10-11859--1		1	SCREW
4	48039		1	CAP
5	24-89540		1	SPRING
6	42343		1	ACTUATING LEVER
7	11038--3		1	CONTROL LEVER
8	87-823609A10		1	THROTTLE HANDLE/STOP SWITCH KIT
9	43242--2		1	THROTTLE CABLE
10	42026A2		1	CONTROL PLATFORM
11	12-40023-16		1	WASHER
12	13-69708		1	WAVE WASHER
13	10-16955		1	SCREW
14	10-40019127		1	SCREW
15	17848		1	CABLE BRACKET
16	10-40003-30		2	SCREW
17	42330--1		1	SHIFT HANDLE
18	10-40001--1		2	SCREW
19	23-96202		1	BUSHING
20	12-89302		1	WASHER
21	18-21071		1	COTTER PIN
22	11042		1	SHIFT LINK
23	11050--1		1	THROTTLE LIMIT LEVER
24	10-40003--6		1	SCREW
25	23-85095		1	BUSHING
26	12-89302		2	WASHER
27	11-40063--3		1	NUT
28	42329--1		1	SHIFT LEVER
29	42358		1	BACK PLATE
30	11-40063--3		1	NUT
31	24-39627		1	SPRING

# TRIM SWITCH KIT



# TRIM SWITCH KIT

REF. NO.	PART NO.	SYM.	QTY.	DESCRIPTION
-	87-18286A18		1	TRIM SWITCH KIT
-	87-18286A19		1	TRIM SWITCH KIT
1	18861		1	RETAINER
2	814820		1	ADAPTOR
4	88-79091		1	FUSE
5	84-95084A2		1	CABLE
6	84-11149A2		2	CABLE
7	10-19209		2	SCREW (10-32)
	10-813523		2	SCREW (10-16)

# PARTS INDEX

Part Number	Description	Pg.	Ref. No.	Part Number	Description	Pg.	Ref. No.
11036--1	BRACKET	83	13	14690	SHIFT LEVER	97	19
11036--1	BRACKET	113	53	14690	SHIFT LEVER	105	19
11038--3	CONTROL LEVER	135	7	14876	HOSE HOLDER	11	53
11038--3	LEVER	111	31	14876	HOSE HOLDER	99	45
11042	LINK	113	36	14876	HOSE HOLDER	109	59
11042	SHIFT LINK	135	22	14917	SWITCH PLATE	11	51
11050--1	LEVER	113	37	15000	HOUSING	73	2
11050--1	THROTTLE LIMIT LEVER	135	23	15000A1	KEY, CHOKE AND HORN KIT	73	1
11288	BUMPER	87	4	15825	RETAINER	13	56
11957	ARMATURE	131	6	15825	RETAINER	99	48
12001	CAM	83	14	15825	RETAINER	109	62
12001	CAM	113	52	15920A54	LANYARD	11	45
12016A2	DETENT ASSEMBLY	123	61	15920A54	LANYARD	101	54
12018A2	THROTTLE TUBE	121	2	15920A54	LANYARD	109	49
12019	CABLE	121	21	15920A54	LANYARD	115	4
12020A1	STEERING ARM (BLACK)	121	1	15920A54	LANYARD	123	45
12020A2	STEERING ARM (GRAY)	121	1	16564A1	WARNING HORN	73	5
12044--1	RETAINER	11	46	16611	DIAPHRAGM KIT	119	6
12044--1	RETAINER	101	55	16612	OIL TANK KIT	119	1
12044--1	RETAINER	109	50	16614	HARDWARE KIT	119	4
12044--1	RETAINER	123	46	16618	OIL STRAINER	119	14
12092A3	SPACER (BLACK)	87	1	16620	MOUNTING BRACKET KIT	119	7
12092A4	SPACER (GRAY)	87	1	16621	PLATE	119	18
12092A5	EXTENSION KIT (BLACK)	87	-	16625	HORN KIT	119	13
12092A6	EXTENSION KIT (GRAY)	87	-	16626	COVER	119	11
12105--1	GROMMET	123	39	16628	TEST BUTTON KIT	119	20
12153--2	GROMMET	85	20	16629	BATTERY CASE KIT (USE 9 VOLT BATTERY)	119	21
12323A1	BUNGY CORD ASSEMBLY	25	2	16630	GROMMET KIT	119	22
12335A1	REMOTE OIL TANK HOLD- DOWN KIT	25	1	16631	BRACKET KIT	119	23
12368	SHIFT SHAFT	89	4	17234F2	COVER	113	47
12370--2	HOUSING	89	6	17234F2	COVER (GRAY)	135	1
12426--2	EXTENSION HOUSING (BLACK)	89	1	17234F5	COVER (BLACK)	135	1
12426A1	EXTENSION KIT (BLACK)	89	-	17243A1	WATER TUBE EXTENSION	87	6
12426A2	EXTENSION KIT (GRAY)	89	-	17334A2	VISUAL WARNING KIT	67	1
12426T6	EXTENSION HOUSING (GRAY)	89	1	17459A2	SWITCH ACTUATOR	97	30
12659	FRAME AND FIELD KIT	75	1	17459A2	SWITCH ACTUATOR	105	29
12660	END FRAME KIT	75	6	17728	TAB WASHER	117	10
12661	ARMATURE KIT	75	7	17729A1	BRACKET	117	8
12662	PUMP AND END FRAME KIT	75	4	17848	CABLE BRACKET	111	29
12663--1	PUMP SEAL KIT	75	5	17848	CABLE BRACKET	135	15
12664	THRU BOLT KIT	75	8	18321	CLAMP	115	6
12665	BRUSH SPRING KIT	75	2	18861	RETAINER	137	1
12756	BRACKET	93	1	20007	ANCHOR	7	17
12756A1	SHALLOW WATER TILT KIT	93	-	20007	ANCHOR	95	17
12758	CONTROL LEVER	93	2	20007	ANCHOR	103	17
13019--5	AUTO-BLEND	119	-	20007	ANCHOR	121	23
13506	BRUSH CARD KIT	75	3	26901	BUMPER	43	55
13983	BRACKET (LEFT)	119	9	29759	SWITCH	23	7
13984	BRACKET (RIGHT)	119	10	29759	SWITCH	111	22
13993	BAND	119	8	32979	BATTERY LEAD (POSITIVE)	39	21
13996	HANDLE KIT	119	2	32988	BATTERY LEAD (NEGATIVE)	39	22
14107	RETAINER	89	7	41055A1	MOUNT	117	3
14170A5	HANDLE ASSEMBLY	111	2	41105	CABLE	7	11
14586	THERMOSTAT	3	1	41105	CABLE	95	11
14586	THERMOSTAT	129	1	41105	CABLE	103	11
14586A3	THERMOSTAT KIT	3	-	41129	ROD END	9	25
14586A4	THERMOSTAT KIT	129	-	41129	ROD END	97	25
				41130	SPACER (BLACK)	11	49
				41130	SPACER (BLACK)	99	49

# PARTS INDEX

Part Number	Description	Pg.	Ref. No.	Part Number	Description	Pg.	Ref. No.
41130	SPACER (BLACK)	107	44	47974A6	IGNITION AND CHOKE ASSEMBLY	23	-
41130T6	SPACER (GRAY)	11	49	48039	CAP	135	4
41130T6	SPACER (GRAY)	99	49	48078	JUMPER WIRE (RED)	43	57
41130T6	SPACER (GRAY)	107	44	48404F3	BRACKET (BLACK)	9	31
41482A2	CHECK VALVE KIT	79	6	48404F3	BRACKET (BLACK)	97	34
41492A1	GUIDE ASSEMBLY	79	4	48404F3	BRACKET (BLACK)	107	31
41493A4	TRIM CYLINDER ASSEMBLY (GRAY)	79	3	48404T6	BRACKET (GRAY)	9	31
41493A7	TRIM CYLINDER ASSEMBLY (BLACK)	79	3	48404T6	BRACKET (GRAY)	97	34
42026A2	CONTROL PLATFORM	135	10	48404T6	BRACKET (GRAY)	107	31
42026A6	SIDE SHIFT CONVERSION KIT	135	-	48405A2	ARM (BLACK)	5	1
42157--1	SHIFT HANDLE	31	3	48405A2	ARM (BLACK)	95	1
42183	ACTUATOR	85	23	48405A2	ARM (BLACK)	103	1
42184	LINK	85	21	48405A3	ARM (GRAY)	5	1
42282A3	LIGHTING COIL KIT	65	-	48405A3	ARM (GRAY)	95	1
42329--1	LEVER	113	42	48405A3	ARM (GRAY)	103	1
42329--1	SHIFT LEVER	135	28	48414	HOUSING	5	9
42330--1	HANDLE	111	32	48414	HOUSING	95	9
42330--1	SHIFT HANDLE	135	17	48414	HOUSING	103	9
42343	ACTUATING LEVER	135	6	48414	HOUSING	121	3
42358	BACK PLATE	113	43	48416	CAP	5	5
42358	BACK PLATE	135	29	48416	CAP	5	5
43049A1	SHIFTSHAFT	87	3	48416	CAP	95	5
43242--2	CABLE	111	14	48416	CAP	103	5
43242--2	THROTTLE CABLE	135	9	48416	CAP	121	26
43397A6	PISTON AND ROD ASSEMBLY (PORT)	79	8	48419	ROD END	9	25
43398A3	PISTON AND ROD ASSEMBLY (STARBOARD)	79	10	48419	ROD END	9	25
43433	GUIDE	7	16	48419	ROD END	123	57
43433	GUIDE	95	16	48516A1	DRIVE WHEEL AND ROD	5	10
43433	GUIDE	103	16	48516A1	DRIVE WHEEL AND ROD	95	10
43433	GUIDE	121	22	48516A1	DRIVE WHEEL AND ROD	103	10
43447A4	BRACKET ASSEMBLY	111	16	48519	PLATE	5	6
44397A16	BRACKET	111	9	48519	PLATE	5	6
44459	GROMMET	31	4	48519	PLATE	95	6
45194A23	POWER TRIM KIT	39	-	48519	PLATE	103	6
45194A23	POWER TRIM KIT	43	-	48519	PLATE	121	4
45194A23	POWER TRIM KIT	45	-	48520	CABLE	7	11
45197A2	CONTROL VALVE ASSEMBLY	39	24	48568--1	SHIFT LEVER	7	19
45197A2	CONTROL VALVE ASSEMBLY	49	7	49563--4	SHIFT ROD	123	56
45287	COVER	45	102	52148	PILOT ROD	101	56
45326A2	LIMIT SWITCH	45	99	52148	PILOT ROD	109	53
45326A2	SWITCH ASSEMBLY	51	70	52148	PILOT/ROD	13	66
45336	PLATE	49	6	52148A1	CO-PILOT ASSEMBLY	15	-
45336	PLATE, MANIFOLD	39	23	52150	LINK ROD	13	67
45377T	BRACKET	39	36	52150	LINK ROD	101	57
45377T	BRACKET	49	14	52150	LINK ROD	109	54
45559	TERMINAL BLOCK	39	33	53107	JUMPER WIRE (PURPLE)	43	57
46265	BOOT	43	47	54211	SWITCH (WITH KEYS - PART #30431)	23	3
47973	PLATE	23	8	54211	SWITCH (WITH KEYS - PART #30431)	111	20
47973	PLATE	111	23	55641	RETAINER	43	63
47974	HOUSING	23	2	55642A13	CONTROL PANEL ASSEMBLY	43	56
47974	HOUSING	111	19	55642A17	CONTROL PANEL	43	58
47974A10	IGNITION AND CHOKE ASSEMBLY	23	-	55738A1	SWITCH	43	62
				55741	BOOT	83	3A
				56703	COLLAR	131	19
				58192A1	GRIP	5	4
				58192A1	GRIP	95	4
				58192A1	GRIP	103	4
				58491	BUMPER	29	2
				60854	GRIP	17	1

# PARTS INDEX

Part Number	Description	Pg.	Ref. No.	Part Number	Description	Pg.	Ref. No.
60854	GRIP .....	19	1	78551A21	STEERING HANDLE ASSEMBLY .....	5	-
61787	BRUSH HOLDER .....	131	12	78551A22	STEERING HANDLE ASSEMBLY .....	5	-
62251	CAP .....	19	2	78551A25	STEERING HANDLE ASSEMBLY .....	95	-
62351A10	BATTERY CHARGING KIT ..	63	-	78551A25	STEERING HANDLE ASSEMBLY .....	99	-
62351A3	BATTERY CHARGING KIT ..	63	-	78551A26	STEERING HANDLE ASSEMBLY .....	95	-
62351A9	BATTERY CHARGING KIT ..	63	-	78551A26	STEERING HANDLE ASSEMBLY .....	99	-
62538A3	ADAPTOR ASSEMBLY .....	21	-	78551A28	STEERING HANDLE ASSEMBLY .....	95	-
63473	TUBE, CUSHION .....	53	89	78551A28	STEERING HANDLE ASSEMBLY .....	99	-
64505A1	CYLINDER PISTON RETAINER KIT .....	47	-	78551A29	STEERING HANDLE ASSEMBLY .....	99	-
64507A1	TRIM CYLINDER REPAIR KIT	47	-	78551A30	TILLER HANDLE ASSEMBLY	103	-
64877	DIAPHRAGM .....	3	7	78551A30	TILLER HANDLE ASSEMBLY	107	-
65848	CARRIER .....	3	5	78551A31	TILLER HANDLE ASSEMBLY	103	-
65848	CARRIER .....	129	10	78551A31	TILLER HANDLE ASSEMBLY	107	-
66394A1	HANDLE .....	19	4	78551A33	TILLER HANDLE ASSEMBLY	103	-
68042	STOP .....	131	20	78551A33	TILLER HANDLE ASSEMBLY	107	-
68575	DRIVE ASSEMBLY .....	131	2	78551A34	TILLER HANDLE ASSEMBLY	103	-
68863	BEZEL .....	23	6	78551A34	TILLER HANDLE ASSEMBLY	107	-
68863	BEZEL .....	111	28	78551A4	STEERING HANDLE ASSEMBLY .....	5	-
69205	C-WASHER .....	109	52	78551A5	STEERING HANDLE ASSEMBLY .....	5	-
69205	D-WASHER .....	81	39	78812A1	DETENT .....	9	26
69258	PIN .....	53	88	78812A1	DETENT .....	97	26
69259	TUBE, MOUNTING .....	53	87	78812A1	DETENT .....	105	26
71124A2	SAILBOAT CONVERSION KIT	19	-	79146	RETAINER .....	115	9
71565	TUBE, CABLE GUIDE .....	117	2	812497A2	DIODE KIT .....	115	12
71663	PLUG .....	35	5	812806--1	SHIFT ROD .....	7	24
71663	PLUG .....	65	7	812806--1	SHIFT ROD .....	97	24
71663	PLUG, HARNESS .....	63	7	812806--1	SHIFT ROD .....	105	24
71855	CAM .....	45	95	812806--2	SHIFT ROD .....	105	24
73519A1	TILT STOP .....	45	114	812825	ROD END .....	97	25
73519A1	TILT STOP .....	53	86	812825	ROD END .....	105	25
74407T	BRACKET .....	43	48	812843A1	VALVE ASSEMBLY .....	79	12
75076A2	LIGHTING COIL KIT .....	65	-	812882--1	POPPET VALVE .....	129	8
75383	END CAP .....	131	5	812887	DIAPHRAGM .....	129	7
75384	BRUSH SET .....	131	7	813565	ROD END .....	105	25
75660	DRIVE END PLATE .....	131	3	813679	ADAPTOR .....	115	3
75692	THERMOSTAT .....	3	1	814820	ADAPTOR .....	137	2
75692	THERMOSTAT .....	59	4	815420	SHIFT SHAFT .....	127	5
75692A6	THERMOSTAT KIT .....	3	-	815550--1	SHIFT SHAFT .....	31	1
75692A7	THERMOSTAT KIT .....	3	-	815804	COVER (DESIGN I - W/4 HOLES) .....	123	40
76424	BRACKET .....	67	3	815804--1	COVER (DESIGN II - W/5 HOLES) .....	123	40A
76509A25	POWER TRIM KIT (BLACK) .	49	-	816051A2	HORN .....	123	42
76509A25	POWER TRIM KIT (BLACK) .	51	-	816366A4	STEERING HANDLE KIT (BLACK) .....	121	-
76509A26	POWER TRIM KIT (GRAY) ..	49	-	816366A4	STEERING HANDLE KIT (BLACK) .....	123	-
76509A26	POWER TRIM KIT (GRAY) ..	51	-				
77203	BLOCK .....	17	8				
77237	CAP .....	17	2				
77238A1	HANDLE .....	17	3				
77295	TUBE .....	45	115				
78551--1	CONDUIT .....	7	12				
78551--1	CONDUIT .....	95	12				
78551--1	CONDUIT .....	103	12				
78551--2	CONDUIT .....	7	12				
78551--2	CONDUIT .....	95	12				
78551--2	CONDUIT .....	103	12				
78551--2	CONDUIT .....	121	17				
78551A14	STEERING HANDLE ASSEMBLY .....	5	-				
78551A20	STEERING HANDLE ASSEMBLY .....	5	-				



# PARTS INDEX

Part Number	Description	Pg.	Ref. No.	Part Number	Description	Pg.	Ref. No.
816366A5	STEERING HANDLE KIT (GRAY)	121	-	89491-5	KEY 1E	73	-
816366A5	STEERING HANDLE KIT (GRAY)	123	-	89491-6	KEY 1F	73	-
816366T	BRACKET (BLACK)	123	32	89491-7	KEY 2A	73	-
816366T6	BRACKET (GRAY)	123	32	89491-8	KEY 2B	73	-
816367F1	SHIFT LEVER BLACK	123	50	89491-9	KEY 2C	73	-
816367F2	SHIFT LEVER GRAY	123	50	89566--1	GUIDE TUBE	121	18
816413	ARM (TOP)	125	69	89566--1	TUBE	7	14
816414	ARM (BOTTOM)	125	70	89566--1	TUBE	95	14
816416A3	CO-PILOT LEVER	123	64	89566--1	TUBE	103	14
816562--1	BRAKE DISC	123	68	89578	BARREL	95	13
816564	CO-PILOT DRIVER	123	65	89578	BARREL	103	13
816668	KNOB	125	71	89578	BARREL	121	19
816696A1	EXTENSION KIT (BLACK)	127	-	89578	CONNECTOR	7	13
816696A2	EXTENSION KIT (GRAY)	127	-	89613	BARREL	95	13
816696A3	SPACER (BLACK)	127	1	89613	CONNECTOR	7	13
816696A4	SPACER (GRAY)	127	1	89807A1	BRACKET (STARBOARD)	45	82
816770	RECTIFIER	131	31	90643	DRIVE KIT	131	14
816770	RECTIFIER ASSEMBLY	27	1	92188A2	REPAIR KIT	57	-
816770	RECTIFIER ASSEMBLY	37	1	92194A14	CYLINDER ASSEMBLY	43	70
816770	RECTIFIER ASSEMBLY	63	5	92194A14	TRIM CYLINDER ASSEMBLY (BLACK)	51	40
817401A1	WATER TUBE	127	6	92194A20	TRIM CYLINDER ASSEMBLY (GRAY)	51	40
818298A1	ANODE ASSEMBLY	79	24	92439	BRACKET	37	10
821029	PLATE	31	2	92876A6	DUAL ENGINE EXTENSION KIT	117	-
821190A1	SIDE SHIFT CONVERSION KIT	31	-	92975A28	HYDRAULIC PUMP ASSEMBLY	39	1
85920	COVER	59	7	92975A6	HYDRAULIC PUMP	49	1
86210	CABLE	17	10	92975A6	HYDRAULIC PUMP ASSEMBLY	55	-
86596	POPPET	3	3	93730	HANDLE	61	5
86704A2	STATOR	65	8	94185A18	TILLER HANDLE KIT	111	-
86704A2	STATOR ASSEMBLY	37	13	94275	LINK	49	30
86704A2	STATOR ASSEMBLY	63	3	94279	BRACKET	49	20
86967	PLATE	45	96	94301A1	PLATE ASSEMBLY	33	3
86967	PLATE	51	67	94879--1	PLUG	65	7
87144	ARM	17	6	95020	CHOKE LEVER	33	5
87144A2	SAIL BOAT CONVERSION KIT	17	-	95723A1	REMOTE START ATTACHING KIT	33	-
87349	LINK ROD	13	67	95723A4	REMOTE START ATTACHING KIT	33	-
87774A1	COVER	45	105	95813	FASTENER	83	9
87774A1	COVER	51	77	95814	STRAP	83	8
88386A2	ON-BOARD BATTERY KIT	61	-	95815	COVER (TOP)	83	1
88404	TAB WASHER	117	6	95828	COVER (BOTTOM)	83	2
88553A1	BRACKET (V-6 ONLY)	29	1	95845	VOLTAGE REGULATOR	35	1
88893A4	BRACKET	29	1	95845	VOLTAGE REGULATOR	65	5
89013A1	COVER	59	3	95845A5	REGULATOR LIGHTING KIT	35	-
89013A2	THERMOSTAT ASSEMBLY	59	-	96561	DRIVE KIT	37	16
89108A3	BRACKET (PORT)	43	77	96562	DRIVE	37	17
89108A3	BRACKET (PORT)	51	48	96563	END CAP	37	18
89111T	BRACKET (STARBOARD)	51	59	96564	END CAP (W/SPRINGS AND BRUSHES)	37	20
89272	COVER	51	73	96565	ARMATURE	37	19
89290	PLUNGER	45	84	96927	HOUSING, ALARM	69	2
89290	PLUNGER	51	50	97379--1	SHAFT	17	7
89491-1	KEY 1A	73	-	97550--1	TUBE	111	8
89491-10	KEY 2D	73	-	97931	TUBING	117	15
89491-11	KEY 2E	73	-	97932--2	TUBE	117	16
89491-12	KEY 2F	73	-				
89491-2	KEY 1B	73	-				
89491-3	KEY 1C	73	-				
89491-4	KEY 1D	73	-				

# PARTS INDEX

Part Number	Description	Pg.	Ref. No.	Part Number	Description	Pg.	Ref. No.
97933A1	STEERING EYE .....	117	13	NLA	SCREW .....	61	6
98530	KNOB .....	7	20	NLA	SHAFT .....	19	3
98530	KNOB .....	97	20	NLA	SPACER .....	45	116
98530	KNOB .....	105	20	NLA	STA-STRAP .....	45	117
98530	KNOB .....	123	63	NLA	STOP SWITCH (DESIGN I - ORDER 87-823609A15) ..	121	12
99186	POWER TRIM PUMP ASSEMBLY .....	77	-	NLA	VOLTAGE REGULATOR ...	61	3
99186T	POWER TRIM PUMP .....	75	-	NLA	WIRE ASSEMBLY (PURPLE)	69	6
99186T	PUMP & MOTOR .....	79	22	NLA	WIRE ASSEMBLY (TAN) (33")	69	5
99333A2	TUBE ASSEMBLY .....	111	7	10-11859--1	IDLE STOP SCREW .....	83	18
99589	GRIP .....	111	1	10-11859--1	SCREW .....	135	3
99589	GRIP .....	121	14	10-12110	SCREW .....	97	33
99625	SHAFT .....	79	23	10-12110	SCREW .....	107	43
99630--1	STRIKER PLATE .....	79	27	10-12110	SCREW .....	123	49
99638A1	GUIDE ASSEMBLY .....	79	7	10-12110	SCREW .....	131	26
99641A1	SHAFT ASSEMBLY .....	79	18	10-14000	SCREW .....	117	11
99642	COVER .....	79	15	10-16955	SCREW .....	135	13
99659A21	MANIFOLD ASSEMBLY (BLACK) .....	79	1	10-18303	SCREW .....	115	2
99659A22	MANIFOLD ASSEMBLY (GRAY) .....	79	1	10-19209	SCREW (10-32) .....	137	7
99659A47	POWER TRIM KIT (BLACK) .	79	-	10-20411	SCREW .....	39	5
99659A48	POWER TRIM KIT (GRAY) ..	79	-	10-20518	SCREW .....	7	18
99897	CAM .....	51	66	10-20518	SCREW .....	97	18
N.S.S.	CABLE ASSEMBLY .....	27	2	10-20518	SCREW .....	103	18
N.S.S.	CAN (PRESTOLITE #105019)	39	4	10-20518	SCREW .....	121	24
N.S.S.	CYLINDER CAP .....	57	1	10-21140	SET SCREW .....	43	49
N.S.S.	HARNESS ASSEMBLY .....	63	1	10-21140	SCREW .....	43	49
N.S.S.	HARNESS ASSEMBLY (5' ) .	63	2	10-24942	SCREW .....	45	104
N.S.S.	LIGHTING HARNESS ASSEMBLY .....	65	1	10-28192	SCREW (1/2") .....	5	8
N.S.S.	O-RING (1-1/2" X 1-3/4" X 3/32") .....	57	6	10-29227	SCREW .....	43	68
N.S.S.	O-RING (1-1/4" X 1-1/2" X 1/8") .....	57	2	10-31830	BOLT (1-3/4") .....	49	18
N.S.S.	O-RING (1-7/8" X 2-1/16" X 3/32") .....	57	4	10-32866	SCREW .....	45	108
N.S.S.	O-RING (3/4" X 15/16" X 3/32") .....	57	5	10-32866	SCREW .....	115	5
N.S.S.	PROPELLER ASSEMBLY ...	71	1	10-34994	SCREW (7/16") .....	51	75
N.S.S.	SCREW (AMER. BOSCH #02441-22-SC-30SM) ....	131	13	10-35386	SCREW .....	41	37
N.S.S.	SPACER .....	57	3	10-35386	SCREW (1") .....	29	5
N.S.S.	SWITCH COVER ASSEMBLY	23	10	10-35386	SCREW (1") .....	49	15
N.S.S.	SWITCH COVER ASSEMBLY	111	24	10-35519	SCREW .....	39	34
N.S.S.	WASHER (AMER. BOSCH #WA1728) .....	131	9	10-35786	SCREW (1") .....	11	42
NLA	ALARM .....	69	1	10-36070	SCREW .....	53	80
NLA	ARM STEERING HANDLE ..	19	7	10-38601	SCREW .....	117	7
NLA	BATTERY .....	61	1	10-40001--1	SCREW .....	113	46
NLA	BRACKET .....	61	4	10-40001--1	SCREW .....	135	18
NLA	BRACKET (ORDER 43447A4)	111	9	10-40001-17	SCREW .....	113	38
NLA	BRACKET (ORDER 816416A3 - REF. #64) .....	123	67	10-40001-23	SCREW (30MM) .....	37	14
NLA	DECAL, INSTRUCTION .....	39	20	10-40001-23	SCREW (30MM) .....	65	9
NLA	GUIDE .....	19	10	10-40001-78	SCREW .....	111	30
NLA	HARNESS (DESIGN I - ORDER 87-823609A10) ..	111	4	10-40003--6	SCREW .....	135	24
NLA	MODULE KIT .....	119	19	10-40003-27	SCREW .....	37	11
NLA	NUT .....	61	7	10-40003-27	SCREW .....	79	13
				10-40003-27	SCREW (14MM) .....	37	5
				10-40003-29	SCREW .....	113	49
				10-40003-30	SCREW .....	79	25
				10-40003-30	SCREW .....	135	16
				10-40003-33	SCREW .....	91	2
				10-40003-50	SCREW .....	125	72
				10-40003-55	SCREW .....	123	51
				10-40003-84	SCREW (75MM) .....	111	17
				10-40007107	SCREW .....	133	41
				10-40007112	SCREW .....	121	8
				10-40011110	SCREW .....	111	10
				10-40011128	SCREW .....	85	25

# PARTS INDEX

Part Number	Description	Pg.	Ref. No.	Part Number	Description	Pg.	Ref. No.
10-40019108	SCREW	83	10	10-69035	SCREW	131	16
10-40019109	SCREW	111	10	10-69069	SCREW	17	9
10-40019127	SCREW	135	14	10-69079	SCREW	81	40
10-40039106	SCREW	37	24	10-69375A1	SCREW	13	64
10-40056107	SCREW	31	5	10-69375A1	SCREW	101	63
10-40057-27	SCREW	83	11	10-69570	SCREW	55	3
10-40088-20	SCREW	79	20	10-69570	SCREW	129	5
10-41508	SCREW	49	29	10-69570	SCREW (3/4")	83	4
10-42125--1	SCREW	37	22	10-71796	SCREW	43	74
10-45263	SCREW (2-1/4")	51	55	10-71797	SCREW	43	78
10-45264	SCREW (1-1/2" - WITH TAPPED HOLE)	51	44	10-76566	SCREW	65	4
10-45265	SCREW	43	72	10-79953	FILL SCREW	39	9
10-45265	SCREW	51	42	10-79953	FILLER SCREW	49	3
10-45328	SCREW	45	89	10-812832	SCREW	123	41
10-45328	SCREW (3-9/16")	51	60	10-812832	SCREW (50MM)	121	6
10-47255	SCREW	45	101	10-812832--1	SCREW (60MM)	121	15
10-47255	SCREW (9/16")	51	72	10-813523	SCREW (10-16)	137	7
10-47994	SCREW	23	4	10-823567105	SCREW	121	25
10-47994	SCREW	111	21	10-824081	SET SCREW	95	15
10-47994	SCREW, TOP	73	6	10-824081	SET SCREW	97	31
10-48060	SCREW	49	21	10-824081	SET SCREW	103	15
10-48408	SCREW (1/2")	95	8	10-824081	SET SCREW	105	30
10-48408	SCREW (1/2")	103	8	10-824081	SET SCREW	121	20
10-48409	SCREW	9	27	10-85486	SCREW	81	33
10-48409	SCREW	37	2	10-89601	SET SCREW	7	15
10-48409	SCREW	61	8	10-90342	SCREW	83	11
10-48409	SCREW	97	27	10-90342	SCREW	113	54
10-48409	SCREW	105	27	10-92050	SCREW (1-1/2" - WITHOUT TAPPED HOLE)	51	44
10-48409	SCREW (5/8")	5	8	10-92799	SCREW (1")	35	2
10-48409	SCREW (5/8")	95	8	10-93787	SCREW	63	4
10-48409	SCREW (5/8")	103	8	10-93787	SCREW (10-24 X 1-3/4")	65	9
10-48476	SCREW	9	33	10-95088	SCREW	33	4
10-48476	SCREW	99	35	10-95686	THRU BOLT	131	4
10-48476	SCREW	107	33	10-96566	THRU BOLT	37	21
10-49597	SCREW	23	9	10-98253	SCREW	11	54
10-49597	SCREW	111	25	10-98253	SCREW	99	46
10-56500	SCREW	39	28	10-98253	SCREW	109	60
10-56500	SCREW (1-1/4")	49	11	10-98256	SCREW	43	51
10-59784	SCREW (1")	29	3	11-13914	NUT	87	12
10-62055	SCREW	117	9	11-13914	NUT	121	31
10-62269	VENT SCREW	39	8	11-13914	NUT	127	9
10-62269	VENT SCREW	49	5	11-20220	NUT	9	41
10-62568	SCREW	39	35	11-20220	NUT	99	43
10-62568	SCREW	43	64	11-20220	NUT	107	41
10-62568	SCREW	85	26	11-20696	NUT	45	91
10-62568	SCREW	111	6	11-20890	NUT	131	11
10-62568	SCREW	121	13	11-21825	NUT	17	12
10-62568	SCREW (3/8")	23	11	11-21825	NUT	43	53
10-62568	SCREW (3/8")	111	26	11-21825	NUT (1/4-28)	49	38
10-62568	SCREW, HOUSING	73	7	11-21908	NUT	29	7
10-62882	SCREW (3-1/4")	21	1	11-21908	NUT	41	39
10-68298	BOLT	41	40	11-21908	NUT	49	17
10-68298	BOLT	43	79	11-22053	NUT	45	88
10-68298	BOLT (3-1/4")	51	56	11-22053	NUT	51	54
10-68513	SCREW	45	97	11-24656	NUT	43	54
10-68513	SCREW	51	68	11-26419	NUT (#8-32)	131	33
10-68570	SCREW	3	9	11-26419	NUT (10-32)	37	6
10-69014	SCREW (EARLY MODELS)	49	33	11-26419	NUT (8-32)	49	25
10-69022	SCREW	11	52	11-26419	NUT (8-32)	81	34

# PARTS INDEX

Part Number	Description	Pg.	Ref. No.	Part Number	Description	Pg.	Ref. No.
11-27164	NUT	43	61	11-93543	NUT	131	24
11-29488	NUT	45	110	11-93543	NUT, KEY SWITCH	73	4
11-29488	NUT	49	22	11-94330	NUT (1/4-20)	49	27
11-34388	NUT	43	69	11-94330	NUT (1/4-20)	81	36
11-34863	NUT	9	30	11-99405	NUT	41	41
11-34863	NUT	11	48	11-99405	NUT	43	81
11-34863	NUT	99	52	11-99405	NUT	51	58
11-34863	NUT	107	47	12-12024	WASHER	121	28
11-34863	NUT	117	12	12-17782--1	WASHER	111	11
11-35045	NUT	5	3	12-17782--1	WASHER	111	11
11-35045	NUT	95	3	12-19183	WASHER	39	10
11-35045	NUT	103	3	12-19183	WASHER	49	4
11-35053	NUT	51	62	12-20722	WASHER	13	70
11-35778	NUT	21	7	12-20878	WASHER	45	109
11-37984	JAM NUT	117	5	12-21631	WASHER	5	2
11-40021--2	NUT	37	12	12-21631	WASHER	95	2
11-40021--2	NUT	111	15	12-21631	WASHER	103	2
11-40063--3	NUT	113	41	12-24676	WASHER	43	60
11-40063--3	NUT	113	45	12-24676	WASHER	67	5
11-40063--3	NUT	135	27	12-24676	WASHER	115	7
11-40063--3	NUT	135	30	12-28421	WASHER	51	45
11-40063--6	NUT	125	74	12-29245	WASHER	29	4
11-40119--6	NUT	113	50	12-29245	WASHER	79	26
11-40119--6	NUT	123	35	12-29629	WASHER	97	29
11-42099	JAM NUT	117	17	12-29629	WASHER	107	32
11-45076	NUT	35	3	12-34931	WASHER	9	29
11-45076	NUT	37	3	12-34937	WASHER	21	11
11-45076	NUT	63	6	12-34937	WASHER (INNER)	101	69
11-45076	NUT	65	6	12-34937	WASHER (UPPER)	13	59
11-45076	NUT	131	30	12-35950	WASHER	7	22
11-45076	NUT (10-32) (EARLY MODELS)	49	34	12-35950	WASHER	97	22
11-45592	NUT	13	71	12-35950	WASHER	105	22
11-45592	NUT	101	61	12-35950	WASHER	123	59
11-45592	NUT	109	58	12-37807	WASHER (STARBOARD ONLY)	45	90
11-45812	JAM NUT	45	94	12-37998	WASHER	17	11
11-45812	JAM NUT	51	65	12-38833	WASHER	51	76
11-46335	NUT	49	19	12-39304	WASHER	47	120
11-46335	NUT	79	29	12-39304	WASHER	53	92
11-52155A1	NUT ASSEMBLY	13	68	12-40023-14	WASHER	31	6
11-52155A1	NUT ASSEMBLY	101	58	12-40023-14	WASHER	131	28
11-52155A1	NUT ASSEMBLY	109	55	12-40023-16	WASHER	85	24
11-55910	NUT	127	22	12-40023-16	WASHER	135	11
11-63683	NUT	83	16	12-40023-19	WASHER	121	27
11-63683	NUT	113	56	12-43042	WASHER	87	11
11-64015	NUT	99	44	12-43042	WASHER (SPECIAL)	127	8
11-64015	NUT (1/4-20)	37	7	12-43450	WASHER	79	14
11-64015	NUT (1/4-20)	131	18	12-45175	WASHER (3/4")	127	8
11-64015	NUT (1/4-20)	131	35	12-45771	WASHER	83	15
11-68219	NUT	53	82	12-48477	WASHER (.505 I.D.)	9	34
11-68219	NUT	67	6	12-48477	WASHER (.505 I.D.)	99	36
11-68219	NUT	115	8	12-48477	WASHER (.505 I.D.)	107	34
11-68219	NUT (#10)	43	44	12-48526	WASHER (.630 I.D.)	9	35
11-68219	NUT CABLE AND HARNESS ATTACHING	27	4	12-48526	WASHER (.630 I.D.)	99	37
11-68292	NUT (5/16")	43	46	12-48526	WASHER (.630 I.D.)	107	35
11-816873	WING NUT	121	9	12-48527	WASHER (1-35/64" O.D.)	9	38
11-816880	NUT	111	12	12-48527	WASHER (1-35/64" O.D.)	99	40
11-90068F3	NUT	111	12	12-48527	WASHER (1-35/64" O.D.)	107	38
11-93543	NUT	123	38	12-49636	WASHER (1-3/4" O.D.)	9	40
				12-49636	WASHER (1-3/4" O.D.)	99	42

# PARTS INDEX

Part Number	Description	Pg.	Ref. No.	Part Number	Description	Pg.	Ref. No.
12-49636	WASHER (1-3/4" O.D.)	107	40	16-14651	STUD	99	50
12-54012	WASHER (1/2" I.D.)	21	6	16-14651	STUD	107	45
12-59378	WASHER (INNER)	101	66	16-21085	ADJUSTING STUD	45	93
12-59378	WASHER (LOWER)	13	60	16-21085	ADJUSTING STUD	51	64
12-62252	WASHER	17	5	16-45282	STUD	51	52
12-62252	WASHER	19	6	16-55422	STUD	43	59
12-63099	WASHER (3/4" I.D.)	21	5	16-55422	STUD	67	4
12-68410	WASHER	43	80	16-58152	STUD	123	62
12-68410	WASHER	51	57	16-62888	STUD (18-7/8")	21	8
12-69374	WASHER (OUTER)	13	63	16-71794	STUD	45	86
12-69374	WASHER (OUTER)	101	64	16-815802	STUD	123	33
12-70132	WASHER	101	60	16-816560	STUD	125	73
12-70132	WASHER	109	57	16-816866--1	STUD	127	7
12-71055	WASHER	11	55	16-90350--2	STUD (227MM)	87	10
12-71055	WASHER	99	47	16-90350--3	STUD (190MM)	87	9
12-71055	WASHER	109	61	17-13195	PIN	93	5
12-76451	WASHER	3	8	17-27088	PIN	19	9
12-814803	WASHER	123	53	17-31656	PIN	17	4
12-816576	WASHER	123	66	17-43043	DOWEL PIN	87	13
12-89302	WASHER	111	34	17-43043	DOWEL PIN	127	3
12-89302	WASHER	113	40	17-43044	DOWEL PIN	87	13
12-89302	WASHER	135	20	17-43044	DOWEL PIN	127	2
12-89302	WASHER	135	26	17-44431	GROOVE PIN (LOWER)	81	41
12-94182	WASHER	129	6	17-46152	PIN	19	5
12-96457	WASHER	49	37	17-62887	PIN	21	4
13-11052	LOCKWASHER	83	15	17-821539	GROOVE PIN (UPPER)	79	11
13-11052	LOCKWASHER	113	55	17-90381A2	TILT PIN ASSEMBLY	71	2
13-26992	LOCKWASHER	39	29	18-21071	COTTER PIN	33	8
13-26992	LOCKWASHER	43	50	18-21071	COTTER PIN	111	35
13-26992	LOCKWASHER	43	52	18-21071	COTTER PIN	135	21
13-26992	LOCKWASHER	81	35	18-25191	COTTER PIN	7	23
13-26992	LOCKWASHER	131	10	18-25191	COTTER PIN	97	23
13-26992	LOCKWASHER	131	17	18-25191	COTTER PIN	105	23
13-26992	WASHER	131	34	18-25191	COTTER PIN	123	60
13-26993	LOCKWASHER	45	87	18-32857	COTTER PIN, MOUNTING		
13-26993	LOCKWASHER	51	53		TUBE PIN	53	90
13-26993	LOCKWASHER (5/16")	43	45	18-36002	COTTER PIN	47	118
13-26995	LOCKWASHER (#8)	49	24	18-45882	COTTER PIN	47	119
13-26996	LOCKWASHER	39	19	18-45882	COTTER PIN, TILT PIN		
13-26996	LOCKWASHER	45	98		RETAINING	53	91
13-26996	LOCKWASHER	51	69	19-12014	PLUG	123	43
13-26996	LOCKWASHER	53	81	19-13979	DRAIN PLUG KIT	119	5
13-26996	LOCKWASHER (#10)	43	43	19-99609A1	PLUG ASSEMBLY	79	17
13-39107	LOCKWASHER	29	6	21-16615	CHECK VALVE KIT (OUTLET)	119	15
13-39107	LOCKWASHER	41	38	21-811008	CHECK VALVE KIT (INLET)	119	25
13-40025--6	LOCKWASHER	79	21	22-15781A5	FUEL CONNECTOR	91	1
13-48478	WAVE WASHER	9	39	22-15781A6	REMOTE FUEL KIT	91	-
13-48478	WAVE WASHER	99	41	22-29111	CONNECTOR	59	9
13-48478	WAVE WASHER	107	39	22-38609	PLUG (3/8 INCH)	39	30
13-58643	LOCKWASHER	79	28	22-38609	PLUG (3/8-24")	49	12
13-69708	WAVE WASHER	135	12	22-46008	PLUG (1/2 INCH)	39	31
13-86498	WAVE WASHER	123	54	22-46008	PLUG (1/2-20")	49	12
14-42100	TAB WASHER	117	4	22-73318	TEE	91	4
14-43589	TAB WASHER	11	43	22-74036	GREASE FITTING	43	71
14-43589	TAB WASHER	99	51	22-74036	GREASE FITTING	51	41
14-43589	TAB WASHER	107	46	22-74036	GREASE FITTING	111	13
14-815805	TAB WASHER	123	52	22-74036	GREASE FITTING	111	13
14-815806	TAB WASHER	123	34	22-74036	GREASE FITTING	121	-
15-812770A1	SHIM SET	127	23	22-95393	FUEL COCK	91	5
16-14651	STUD	11	47	22-99616	PIPE PLUG	79	2

# PARTS INDEX

Part Number	Description	Pg.	Ref. No.	Part Number	Description	Pg.	Ref. No.
22-99616	PLUG PIPE	79	19	24-90392	SPRING	129	4
22-99664	ELBOW	129	11	24-92995	SPRING	71	3
23-11289	SPACER	87	5	24-95881	SPRING	45	85
23-12369--1	BUSHING	89	5	24-95881	SPRING	51	51
23-14601	SPACER	121	29	25-12602	GROMMET (7/16" I.D. - 7/8" LONG)	53	85
23-23651	SLEEVE	117	14	25-17227	GROMMET	113	48
23-26856	BUSHING	123	58	25-17227	GROMMET	135	2
23-28198	BUSHING (LOWER)	13	62	25-21836	O-RING	87	7
23-28198	BUSHING (LOWER)	101	65	25-21836	O-RING	127	19
23-28919	BUSHING (5/8" I.D.)	9	36	25-30224	O-RING	127	15
23-28919	BUSHING (5/8" I.D.)	99	38	25-41478A1	REPAIR KIT	79	5
23-28919	BUSHING (5/8" I.D.)	107	36	25-45016	O-RING	43	73
23-32171	BUSHING (UPPER)	13	61	25-45016	O-RING	51	43
23-32171	BUSHING (UPPER)	101	70	25-45253	O-RING	39	27
23-35977	GROMMET	45	113	25-45253	O-RING (5/8" O.D.)	49	10
23-35977	GROMMET (3/8" I.D.- 1" LONG)	53	85	25-45254	O-RING	39	25
23-42182	BUSHING	85	22	25-45254	O-RING (3/4" O.D.)	49	8
23-43041	SPACER	127	21	25-45258	O-RING	127	17
23-45280	SPACER	43	75	25-45507	GROMMET	45	107
23-45280	SPACER	51	46	25-45507	GROMMET	51	79
23-45354	BUSHING	45	100	25-45710	O-RING	87	16
23-45354	BUSHING	51	71	25-48171	O-RING	39	2
23-48237	BUSHING (3/8" I.D.)	9	28	25-48171	O-RING	39	26
23-48237	BUSHING (3/8" I.D.)	97	28	25-48171	O-RING	49	2
23-48237	BUSHING (3/8" I.D.)	105	28	25-48171	O-RING	55	1
23-48475	BUSHING (1/4" I.D.)	7	21	25-48171	O-RING (1/2" O.D.)	49	9
23-48475	BUSHING (1/4" I.D.)	97	21	25-48171	O-RING (SEE REFERENCE #2)	49	--
23-48475	BUSHING (1/4" I.D.)	105	21	25-48171	O-RING (SEE REFERENCE 2)	39	--
23-48525	SPACER	9	37	25-48462A2	O-RING KIT	79	16
23-48525	SPACER	99	39	25-64872	GROMMET	3	6
23-48525	SPACER	107	37	25-64872	GROMMET	129	9
23-52151--2	BUSHING	13	69	25-815460	O-RING	127	18
23-52151--2	BUSHING	101	59	25-93770	GROMMET	37	25
23-52151--2	BUSHING	109	56	25-97191	GROMMET (3/8" I.D. - 7/8" LONG)	53	85
23-57387	BUSHING	131	8	25-97386	O-RING	87	15
23-62884	SPACER (3/4" I.D.)	21	3	26-38970	SEAL	87	8
23-62885	SPACER (1/2" I.D.)	21	2	26-38970	SEAL	127	20
23-62886	SPACER (11/32" I.D.)	21	9	26-70608	OIL SEAL	45	83
23-812930A1	BUSHING	121	30	26-70608	OIL SEAL	51	49
23-815983	BUSHING	123	55	26-78862A2	SEAL KIT	117	1
23-817026	BUSHING	111	12A	26-814669	OIL SEAL	127	11
23-85095	BUSHING	113	39	26-814670	OIL SEAL	127	12
23-85095	BUSHING	135	25	26-816464--1	OIL SEAL	127	16
23-85973	BUSHING	111	12A	26-821093	SEAL, WATER TUBE	127	-
23-89112	BUSHING	53	93	27-14318-2	GASKET	3	15
23-89952	SPACER (1/3" I.D.)	21	2	27-16616	GASKET KIT	119	24
23-94907A1	BUSHING	43	76	27-19205	GASKET	3	14
23-94907A1	BUSHING	51	47	27-19454--1	GASKET	127	14
23-96202	BUSHING	111	33	27-19701	GASKET	127	13
23-96202	BUSHING	135	19	27-41383	GASKET	59	1
24-12754	SPRING	93	4	27-43034--1	GASKET	87	14
24-12755	SPRING	93	3	27-45274	GASKET	45	106
24-24390	SPRING	45	92	27-45275	GASKET	45	103
24-24390	SPRING	51	63	27-48518	GASKET	5	7
24-39627	SPRING	113	44	27-48518	GASKET	95	7
24-39627	SPRING	135	31	27-48518	GASKET	103	7
24-66852	SPRING	3	4				
24-88464	SPRING	59	8				
24-89540	SPRING	135	5				

# PARTS INDEX

Part Number	Description	Pg.	Ref. No.	Part Number	Description	Pg.	Ref. No.
27-48518	GASKET	121	5	55-69653--1	PIN	101	67
27-62386	GASKET	3	2	83-70350A2	BATTERY CHARGING KIT	27	-
27-62386	GASKET	59	6	84-11149A1	CABLE ASSEMBLY	113	57
27-62386	GASKET	129	2	84-11149A2	CABLE	137	6
27-66847	GASKET	3	13	84-11149A2	CABLE ASSEMBLY	113	57
27-69524-2	GASKET, EXHAUST COVER	3	11	84-11149A2	CABLE ASSEMBLY	115	13
27-69525-2	GASKET, BAFFLE PLATE	3	10	84-11149A3	CABLE	123	47
27-70335-1	GASKET	3	12	84-11149A3	CABLE ASSEMBLY	115	11
27-812867--1	GASKET	129	3	84-11149A4	CABLE	109	64
27-87775	GASKET	51	78	84-12649A4	HARNESS ASSEMBLY	123	36
27-88346	GASKET	59	5	84-12649A4	HARNESS ASSEMBLY	131	22
27-89014	GASKET	59	2	84-17201A1	CONTROL HARNESS, TRIM (2 WIRE - 6")	79	30
27-89273--1	GASKET	51	74	84-17201A2	CONTROL HARNESS, TRIM (2 WIRE - 17")	79	30
32-13992	VINYL TUBE	119	17	84-19061A2	HARNESS	131	32
32-16246	HOSE	91	6	84-65017A10	HARNESS (5')	63	2
32-42123--1	WATER TUBE	89	3	84-65017A2	HARNESS ASSEMBLY	27	3
32-88005	HOSE (TRIM - 12/32" O.D.)	45	111	84-65017A2	LIGHTING HARNESS (EXTERNAL)	35	6
32-88005	HOSE, TRIM (5' - 12/32" O.D.)	53	83	84-65017A4	WIRING HARNESS ASSEMBLY (5')	65	2
32-88006	HOSE (LIFT - 17/32" O.D.)	45	112	84-74023A1	CONNECTOR AND HARNESS	39	32
32-88006	HOSE, LIFT (5' - 17/32" O.D.)	53	84	84-74725A2	HARNESS	63	1
32-99127109	HOSE	59	10	84-74725A2	HARNESS ASSEMBLY (BLACK/RED)	35	4
35-12184A1	TRIM FILTER ASSEMBLY	79	9	84-79138A1	BATTERY LEAD (NEGATIVE)	49	31
35-16624	OIL FILTER & LEVEL SENSOR KIT	119	12	84-79139A13	BATTERY LEAD (POSITIVE)	49	31
35-18576	FUEL FILTER KIT	119	16	84-79139A17	WIRE ASSEMBLY (11-1/2" - RED)	79	31
36-16619	CAP	119	3	84-79139A20	CABLE ASSEMBLY (RED)	83	17
38-47972	PLATE	23	5	84-79139A24	CABLE (9-1/4")	131	36
38-47972	PLATE	111	27	84-79147A3	CONNECTOR AND HARNESS	49	13
43-60852	GEAR	19	8	84-84711M	HARNESS (5") - USE WITH A10 KIT	23	1
43-99301	RING GEAR	37	23	84-86322A19	WIRE (BLACK)	49	39
45-12367	DRIVE SHAFT	89	2	84-87379A14	WIRE ASSEMBLY (2-3/4" - RED)	79	31
45-43032A4	DRIVE SHAFT	87	2	84-87379A25	WIRE ASSEMBLY (4-3/4" - RED)	79	31
45-815421	DRIVESHAFT	127	4	84-87379A5	WIRE (RED) (EARLY MODELS)	49	35
46-812966A3	WATER PUMP BASE	127	10	84-87394A20	HARNESS (20')	43	65
48-89848A20	REVERSE THRUSTER KIT	71	-	84-88439A4	BATTERY CABLE	133	40
50-44369A1	STARTER MOTOR	131	1	84-88439A6	BATTERY WIRE ASSEMBLY (BLACK)	37	9
50-44369A2	ELECTRIC START KIT	131	-	84-88439A8	BATTERY WIRE ASSEMBLY (RED)	37	9
50-90983A1	STARTER MOTOR ASSEMBLY	37	15	84-88439A9	CABLE (96")	133	37
50-90983A3	ELECTRIC START KIT	37	-	84-88807A31	WIRE	131	15
53-13194	E-RING	93	6	84-88807A6	CABLE (3-1/2")	131	29
53-14094	SNAP RING	89	8	84-88807A6	WIRE ASSEMBLY (3-1/2" - BLACK)	79	31
53-812844	E-RING	79	12A	84-88809A5	WIRE ASSEMBLY (YELLOW)	37	8
53-95019	RETAINING RING	33	6	84-92195A5	HARNESS (5")	111	18
54-12013	CLAMP	121	7	84-92195A5	HARNESS (5") - USE WITH A6 KIT	23	1
54-22875	CLIP	81	38				
54-46770	CLAMP	43	67				
54-64855	CLAMP	109	51				
54-64855	J-CLAMP	121	16				
54-816311	STA-STRAP	115	10				
54-816311	STAY STRAP	73	8				
54-95395	CLIP	91	3				
55-28416	PIN	13	65				
55-28416	PIN	21	10				
55-28416	PIN	101	68				
55-58780A4	SHOCK ABSORBER (GRAY)	13	57				
55-58780A4	SHOCK ABSORBER (GRAY)	101	62				
55-58780A7	SHOCK ABSORBER (BLACK)	13	57				
55-58780A7	SHOCK ABSORBER (BLACK)	101	62				
55-69653--1	PIN	13	58				

# PARTS INDEX

Part Number	Description	Pg.	Ref. No.	Part Number	Description	Pg.	Ref. No.
84-95084A2	CABLE	137	5	89-68258A4	STARTER SOLENOID	43	42
84-95084A2	WIRE ASSEMBLY	83	5	89-94973A3	SOLENOID ASSEMBLY	33	7
84-95084A3	WIRE ASSEMBLY	83	6	89-96054	SOLENOID	131	27
84-96857A1	WIRE ASSEMBLY (TAN) (12")	69	4	89-96054	STARTER SOLENOID	37	4
84-99695A1	CONTROL HARNESS, TRIM (3 WIRE)	79	30	89-96158	STARTER SOLENOID	49	23
85-96535	BOOT	49	28	89-96158	STARTER SOLENOID	79	32
85-97861	INSULATOR	81	37	392-2529	SPRING SET	39	17
87-11083A10	STOP SWITCH	11	44	392-2529	SPRING SET	55	13
87-11083A11	STOP SWITCH	99	53	392-2623	THRUST WASHER	39	11
87-11083A25	STOP SWITCH	107	48	392-2940	END PLATE ASSEMBLY	39	15
87-11083A26	STOP SWITCH	11	44	392-2942	FIELD AND FRAME ASSEMBLY	39	13
87-11083A26	STOP SWITCH	99	53	392-2943	ARMATURE	39	12
87-11083A26	STOP SWITCH	107	48	392-2944	BALL	39	14
87-11083A4	STOP SWITCH ASSEMBLY	123	44	392-7727	COUPLER AND SHAFT	55	4
87-18286A18	TRIM SWITCH KIT	137	-	392-7728	FILL PLUG	55	15
87-18286A19	TRIM SWITCH KIT	137	-	392-7729	ARMATURE	55	8
87-19674A1	LANYARD SWITCH	115	1	392-7731	RESERVOIR ASSEMBLY (PLASTIC)	55	6
87-19674A2	LANYARD SWITCH KIT	115	-	392-7732	THRUST WASHER	55	7
87-813960A2	SWITCH	107	42	392-7733	THRU BOLT SET	55	14
87-813960A2	SWITCH ASSEMBLY	97	32	392-7734	VALVE BODY AND GEAR ASSEMBLY	39	3
87-813960A3	SWITCH ASSEMBLY	123	48	392-7735	GASKET	39	6
87-813960A3	SWITCH ASSEMBLY	131	25	392-7735	SEAL	55	5
87-823609A1	STOP SWITCH (DESIGN II - W/METAL LOCK RING)	111	3	392-8261	FIELD AND FRAME ASSEMBLY	55	9
87-823609A10	THROTTLE HANDLE/STOP SWITCH KIT	135	8	392-8262	PLATE ASSEMBLY	55	11
87-823609A15	THROTTLE HANDLE/STOP SWITCH KIT	121	10	392-8317	VALVE BODY AND GEAR ASSEMBLY	55	2
87-823609A5	STOP SWITCH (DESIGN II - W/METAL LOCK RING)	121	11	392-8985	CLAMP	77	10
87-88096A1	SWITCH ASSEMBLY	11	50	392-8986	ARMATURE	77	3
87-88096A2	SWITCH ASSEMBLY	11	50	392-8987	FRAME AND FIELD	77	4
87-88107	KEY SWITCH	123	37	392-8989	BRUSH KIT	77	8
87-88107	KEY SWITCH	131	23	392-8989	BRUSH SET	39	16
87-88107	KEY SWITCH (SEE BELOW FOR KEY)	73	3	392-8989	BRUSH SET	55	12
87-88890A2	NEUTRAL START SWITCH	109	63	392-8991	O-RING	77	12
87-88890A2	SWITCH	85	19	392-8992	O-RING	77	5
87-93479A4	NEUTRAL SWITCH ASSEMBLY	83	12	392-8993	SPRING KIT	77	6
87-93479A4	NEUTRAL SWITCH ASSEMBLY	113	51	392-8994	THRU BOLT KIT	77	9
87-95810A1	START SWITCH ASSEMBLY	83	3	392-8995	CARTRIDGE PUMP ASSEMBLY	77	1
87-95810A2	ELECTRIC START KIT	83	-	392-8996	O-RING KIT	77	2
87-95810A6	ELECTRIC START KIT	83	-	398-5454A62	STATOR ASSEMBLY	65	3
87-95810A8	ELECTRIC START KIT	83	-	398-9710A25	STATOR	131	21
87-95810A9	ELECTRIC START KIT	83	-	NLA-	BALL	55	10
87-96829A1	SWITCH ASSEMBLY, TEMPERATURE	69	3	NLA-	HEAD, COMMUTATOR END	77	7
87-96829A2	OVERHEAT WARNING KIT	69	-	NLA-	NUT	77	11
88-17429	LAMP	67	2	NLA-	RESERVOIR ASSEMBLY	39	7
88-19637A2	FUSE SOCKET	133	38	NLA-	THRU-BOLT SET	39	18
88-79023A90	FUSE ASSEMBLY (90 AMP)	49	36	1395-9701	CHOKE PLATE	33	9
88-79091	FUSE	33	2				
88-79091	FUSE	83	7				
88-79091	FUSE	137	4				
88-79149	CIRCUIT BREAKER (20 AMP)( EARLY MODELS)	49	32				
88-812619	FUSE	133	39				