

MERCURY
Precision Parts

QUICKSILVER[®]
Marine Parts & Accessories

PARTS CATALOG

ACCESSORIES OUTBOARD VOLUME II

TABLE OF CONTENTS:

ADAPTOR ASSEMBLY	8
AUTO-BLEND	86
BATTERY CHARGING KIT	38
BATTERY CHARGING KIT (WITH RECTIFIER ASSEMBLY)	10
CO-PILOT REPLACEMENT ASSEMBLY	6
ELECTRIC START KIT	20
ELECTRIC START KIT (WITH RECTIFIER ASSEMBLY)	18
ELECTRIC START KIT (95810A6,95810A8,95810A9)	30
EXTENSION KIT (WITH SPACER AND DOWEL PIN)	90
EXTENSION KIT (WITH EXTENSION HOUSING)	54
EXTENSION KIT (WITH SPACER)	52
HYDRAULIC PUMP ASSEMBLY (PLASTIC RESERVOIR)	34
IGNITION AND CHOKE ASSEMBLY (ELECTRIC)	4
LIGHTING COIL KIT	40
PARTS INDEX	94
POWER TRIM ASSEMBLY (PAGE 1)	24
POWER TRIM ASSEMBLY (PAGE 2)	26
POWER TRIM KIT	32
REGULATOR LIGHTING KIT	16
REMOTE CONTROL ATTACHING KIT	44
REMOTE CONTROL ATTACHING KIT (95722A7,43066A3)	46
REMOTE CONTROL ATTACHING KIT (WITH CONTROL ARM)	48
REMOTE HOLD-DOWN KIT	14
SHALLOW WATER TILT KIT	50
SIDE SHIFT CONVERSION KIT	12
SIDE SHIFT KIT	88
STEERING HANDLE ASSEMBLY	56
STEERING HANDLE BRACKET KIT (PAGE 1)	80
STEERING HANDLE BRACKET KIT (PAGE 2)	82
STEERING HANDLE KIT (PAGE 1)	72
STEERING HANDLE KIT (PAGE 2)	76
THERMOSTAT KIT	2
THERMOSTAT KIT (75692A6,A7)	92
TILLER HANDLE KIT (HARNESS W/METAL LOCK RING)	68
TILLER HANDLE KIT (PAGE 1)	60
TILLER HANDLE KIT (PAGE 1) (WITH STEERING HANDLE)	64
TILLER HANDLE KIT (PAGE 2)	62
TILLER HANDLE KIT (PAGE 2) (WITH STEERING HANDLE)	66
TRIM SWITCH KIT	36
VISUAL WARNING KIT	42

NOTE: Indented description indicate that these parts are included in preceeding assembly.

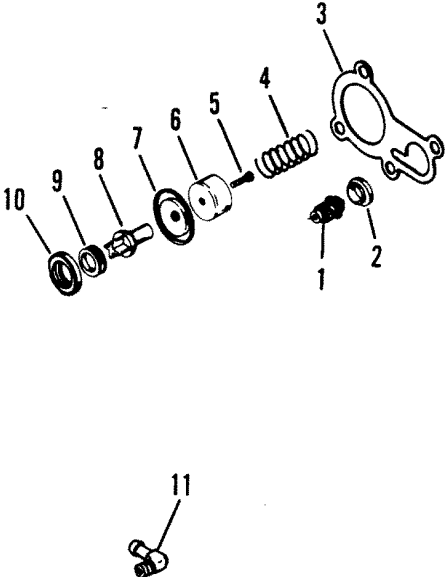
AR = As Required
OPT = Optional

NSS = Not Sold Separate
NS = Not Shown

THESE PARTS BOOKS/FICHE CARD ARE COPYRIGHTED AND MAY NOT BE DISTRIBUTED OR REPRODUCED IN ANY OTHER FORMAT BY ANYONE OTHER THAN MERCURY MARINE WITHOUT THE PRIOR WRITTEN CONSENT OF MERCURY MARINE.

THIS PAGE INTENTIONALLY LEFT BLANK

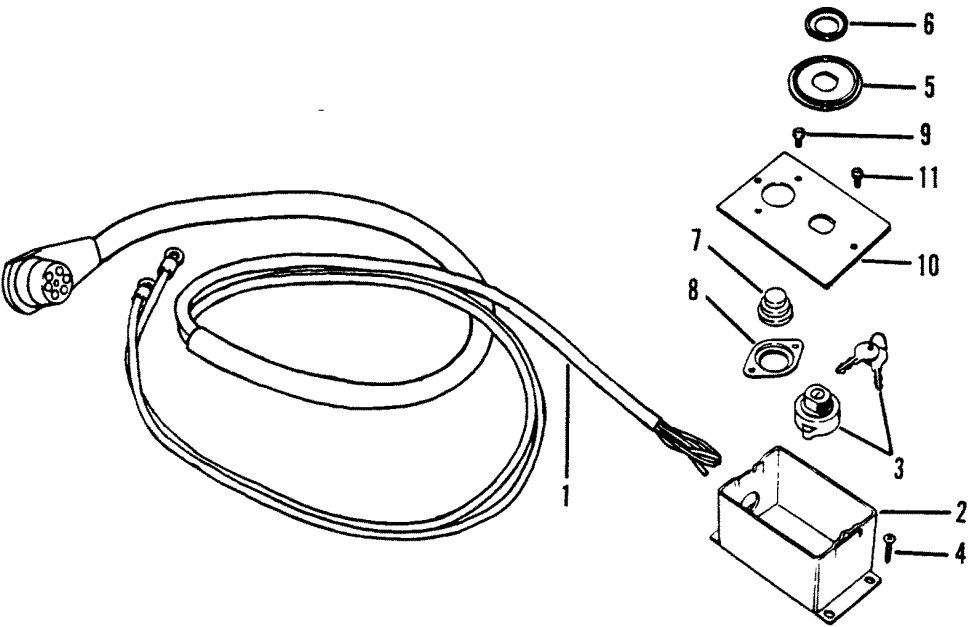
THERMOSTAT KIT



THERMOSTAT KIT

REF. NO.	PART NO.	SYM.	QTY.	DESCRIPTION
-	14586A4		1	THERMOSTAT KIT
1	14586		1	THERMOSTAT
2	27-62386		1	GASKET
3	27-812867--1		1	GASKET
4	24-90392		1	SPRING
5	10-69570		1	SCREW
6	12-94182		1	WASHER
7	812887		1	DIAPHRAGM
8	812882--1		1	POPPET VALVE
9	25-64872		1	GROMMET
10	65848		1	CARRIER
11	22-99664		1	ELBOW

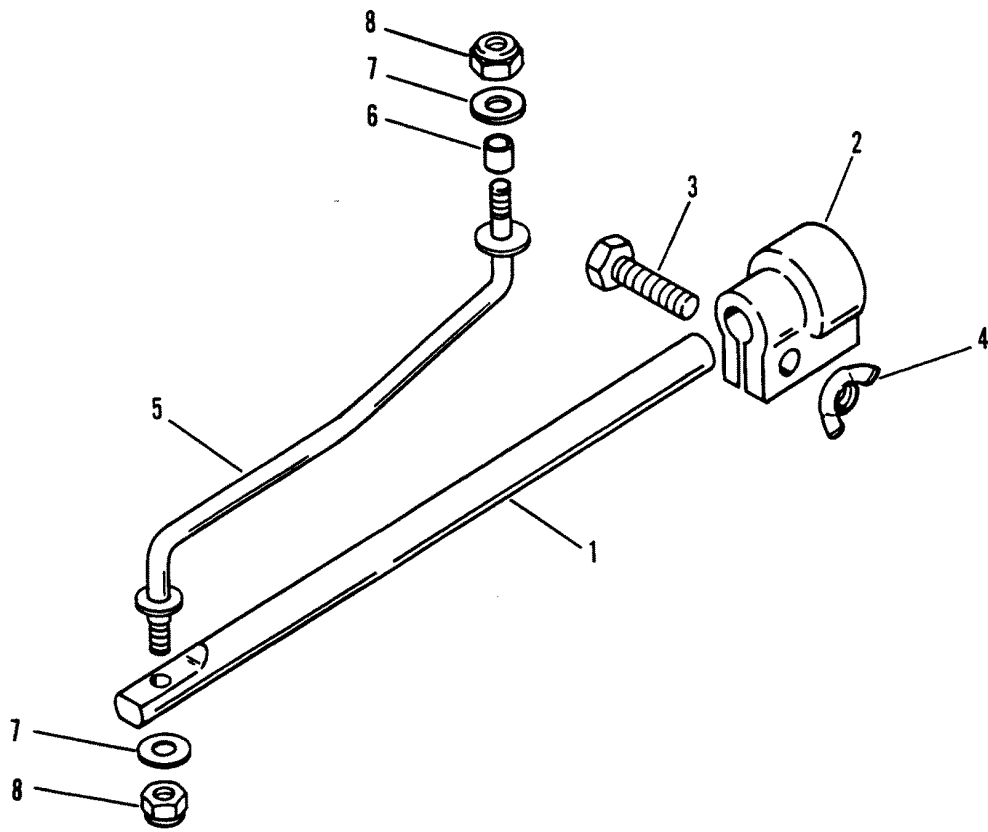
IGNITION AND CHOKE ASSEMBLY (ELECTRIC)



IGNITION AND CHOKE ASSEMBLY (ELECTRIC)

REF. NO.	PART NO.	SYM.	QTY.	DESCRIPTION
-	47974A10		1	IGNITION AND CHOKE ASSEMBLY
1	84-84711M		1	HARNESS (5)
2	47974		1	HOUSING
3	54211		1	SWITCH (WITH KEYS - PART #30431)
4	10-47994		4	SCREW
5	38-47972		1	PLATE
6	68863		1	BEZEL
7	29759		1	SWITCH
8	47973		1	PLATE
9	10-49597		4	SCREW
10	N.S.S.		1	SWITCH COVER ASSEMBLY
11	10-62568		4	SCREW (3/8")

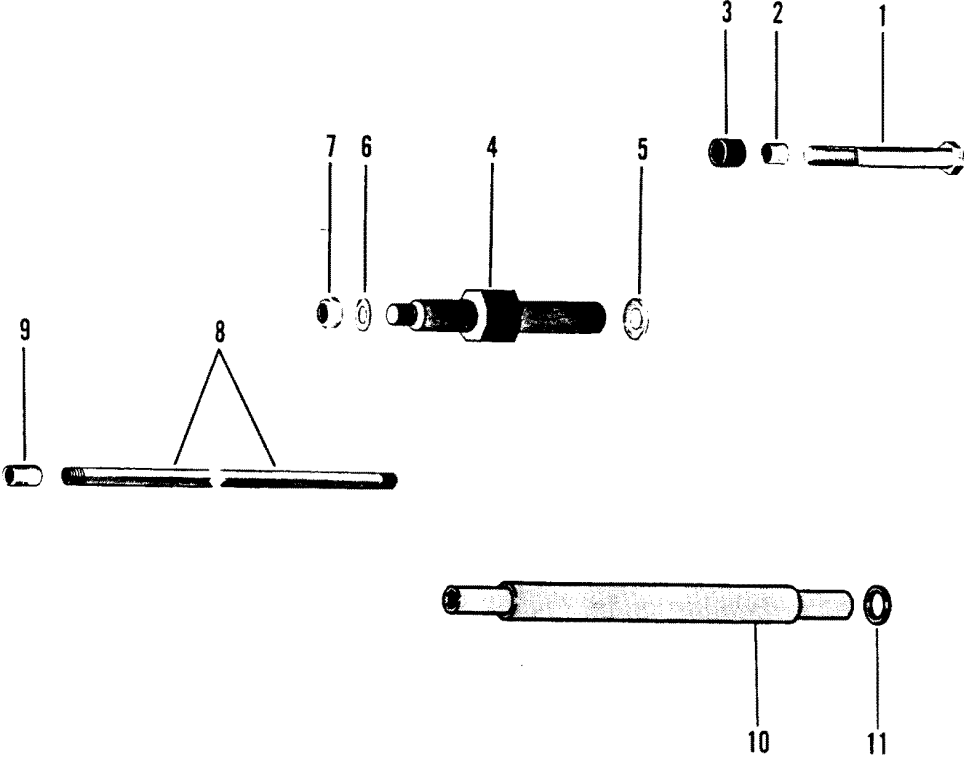
CO-PILOT REPLACEMENT ASSEMBLY



CO-PILOT REPLACEMENT ASSEMBLY

REF. NO.	PART NO.	SYM.	QTY.	DESCRIPTION
-	52148A1		1	CO-PILOT REPLACEMENT ASSEMBLY
1	52148		1	CO-PILOT ROD
2	11-52155A1		1	FRICTION NUT KIT
3	10-36137		1	SCREW
4	11-52152		1	WING NUT
5	87349		1	ROD
6	23-52151--2		1	BUSHING
7	12-70132		2	WASHER
8	11-45592		2	NUT

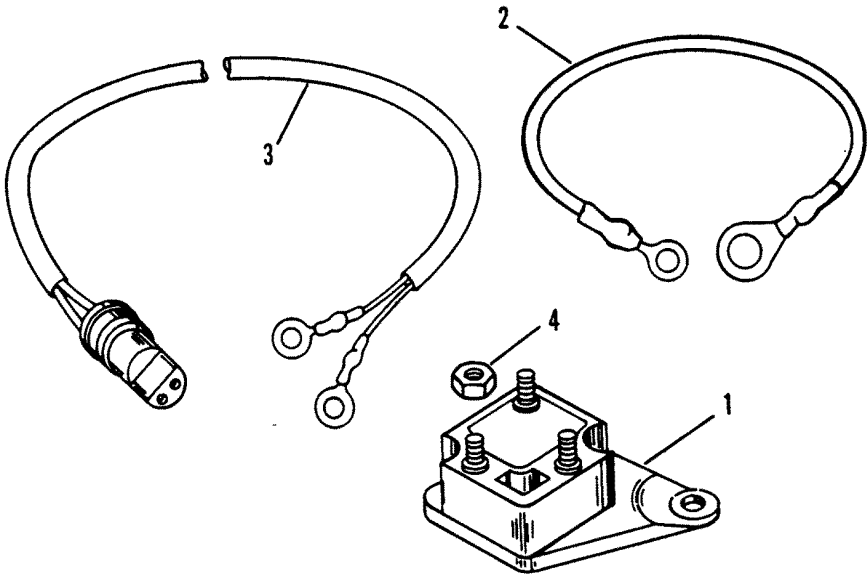
ADAPTOR ASSEMBLY



ADAPTOR ASSEMBLY

REF. NO.	PART NO.	SYM.	QTY.	DESCRIPTION
-	62538A3		1	ADAPTOR ASSEMBLY
1	10-62882		2	SCREW (3-1/4")
2	23-62885		2	SPACER (1/2" I.D.)
	23-89952		2	SPACER (1/3" I.D.)
3	23-62884		2	SPACER (3/4" I.D.)
4	17-62887		2	PIN
5	12-63099		2	WASHER (3/4" I.D.)
6	12-54012		2	WASHER (1/2" I.D.)
7	11-35778		2	NUT
8	16-62888		1	STUD (18-7/8")
9	23-62886		2	SPACER (11/32" I.D.)
10	55-28416		1	PIN
11	12-34937		2	WASHER

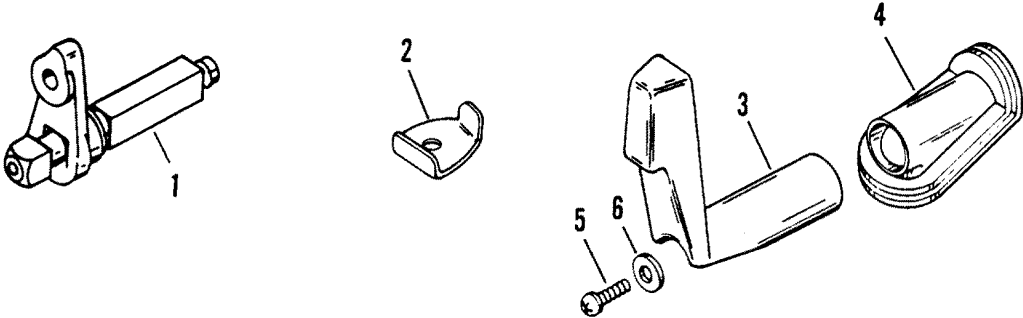
BATTERY CHARGING KIT (WITH RECTIFIER ASSEMBLY)



BATTERY CHARGING KIT (WITH RECTIFIER ASSEMBLY)

REF. NO.	PART NO.	SYM.	QTY.	DESCRIPTION
-	83-70350A2		1	BATTERY CHARGING KIT
1	816770		1	RECTIFIER ASSEMBLY
2	N.S.S.		1	CABLE ASSEMBLY
3	84-65017A2		1	HARNESS ASSEMBLY
4	11-68219		3	NUT, CABLE AND HARNESS ATTACHING

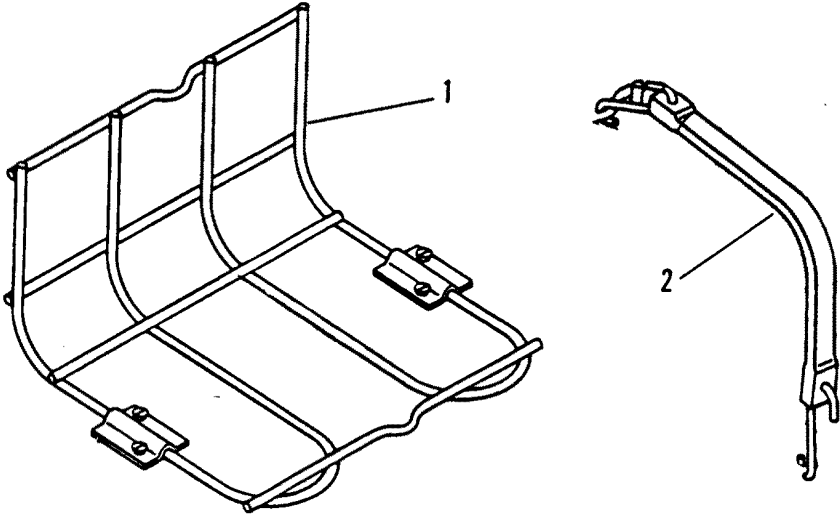
SIDE SHIFT CONVERSION KIT



SIDE SHIFT CONVERSION KIT

REF. NO.	PART NO.	SYM.	QTY.	DESCRIPTION
-	821190A1		1	SIDE SHIFT CONVERSION KIT
1	815550--1		1	SHIFT SHAFT
2	821029		1	PLATE
3	42157--1		1	SHIFT HANDLE
4	44459		1	GROMMET
5	10-40056107		1	SCREW
6	12-40023-14		1	WASHER

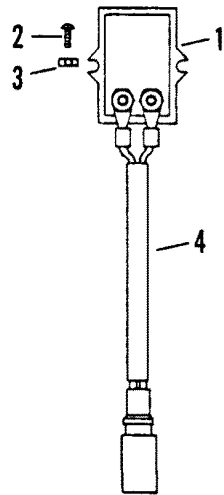
REMOTE HOLD-DOWN KIT



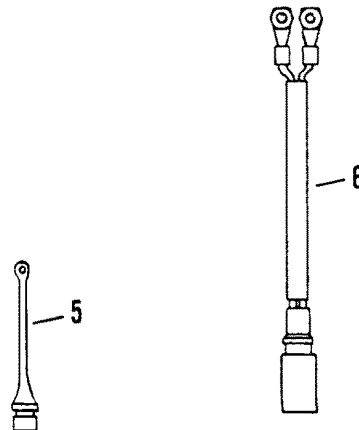
REMOTE HOLD-DOWN KIT

REF. NO.	PART NO.	SYM.	QTY.	DESCRIPTION
1	12335A1		1	REMOTE OIL TANK HOLD-DOWN KIT
2	12323A1		1	BUNGY CORD ASSEMBLY

REGULATOR LIGHTING KIT



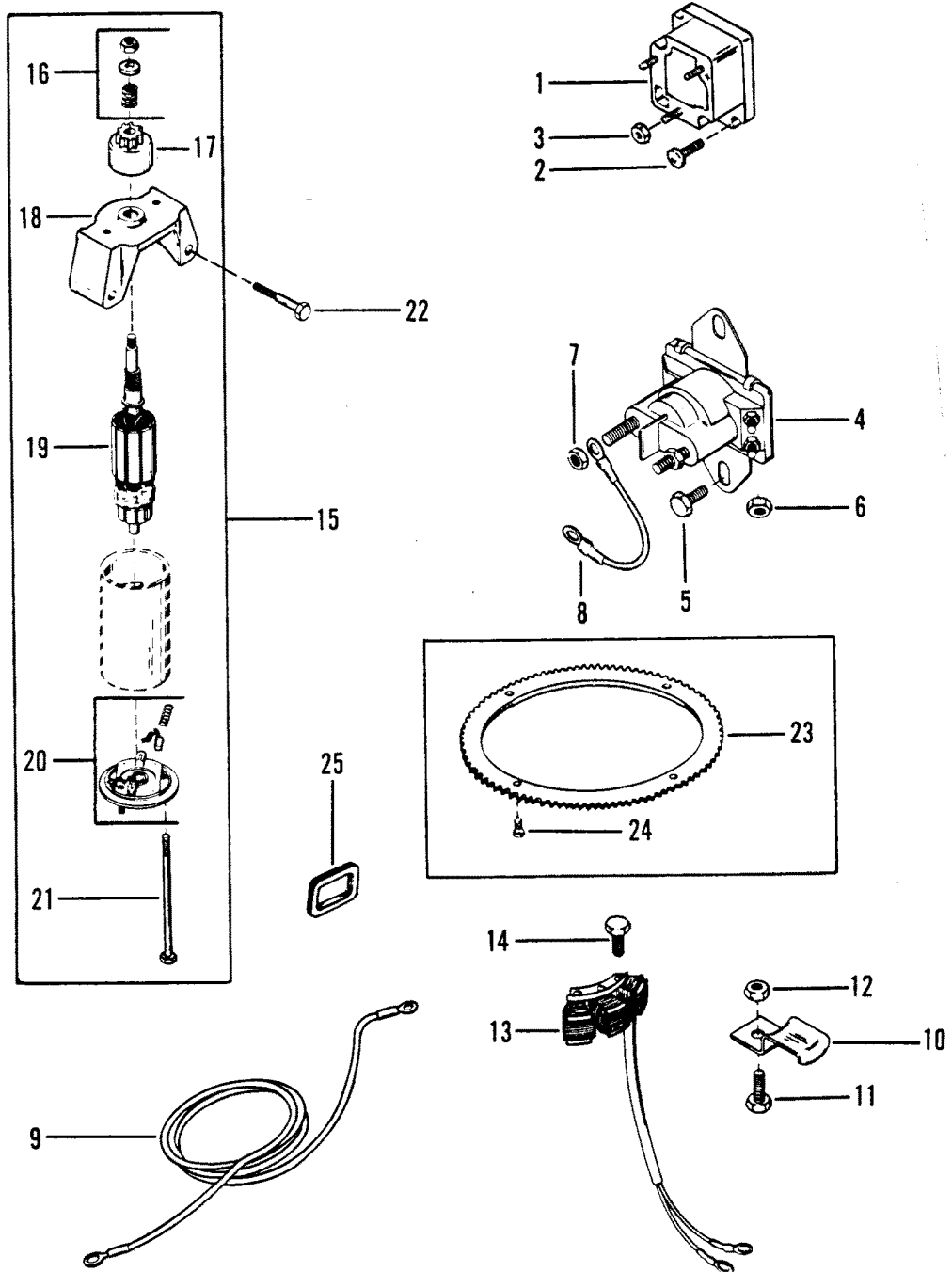
REGULATOR LIGHTING KIT



REGULATOR LIGHTING KIT

REF. NO.	PART NO.	SYM.	QTY.	DESCRIPTION
-	95845A5		1	REGULATOR LIGHTING KIT
1	95845		1	VOLTAGE REGULATOR
2	10-92799		2	SCREW (1")
3	11-45076		2	NUT
4	84-74725A2		1	HARNESS ASSEMBLY (BLACK/RED)
5	71663		1	PLUG
6	84-65017A2		1	LIGHTING HARNESS (EXTERNAL)

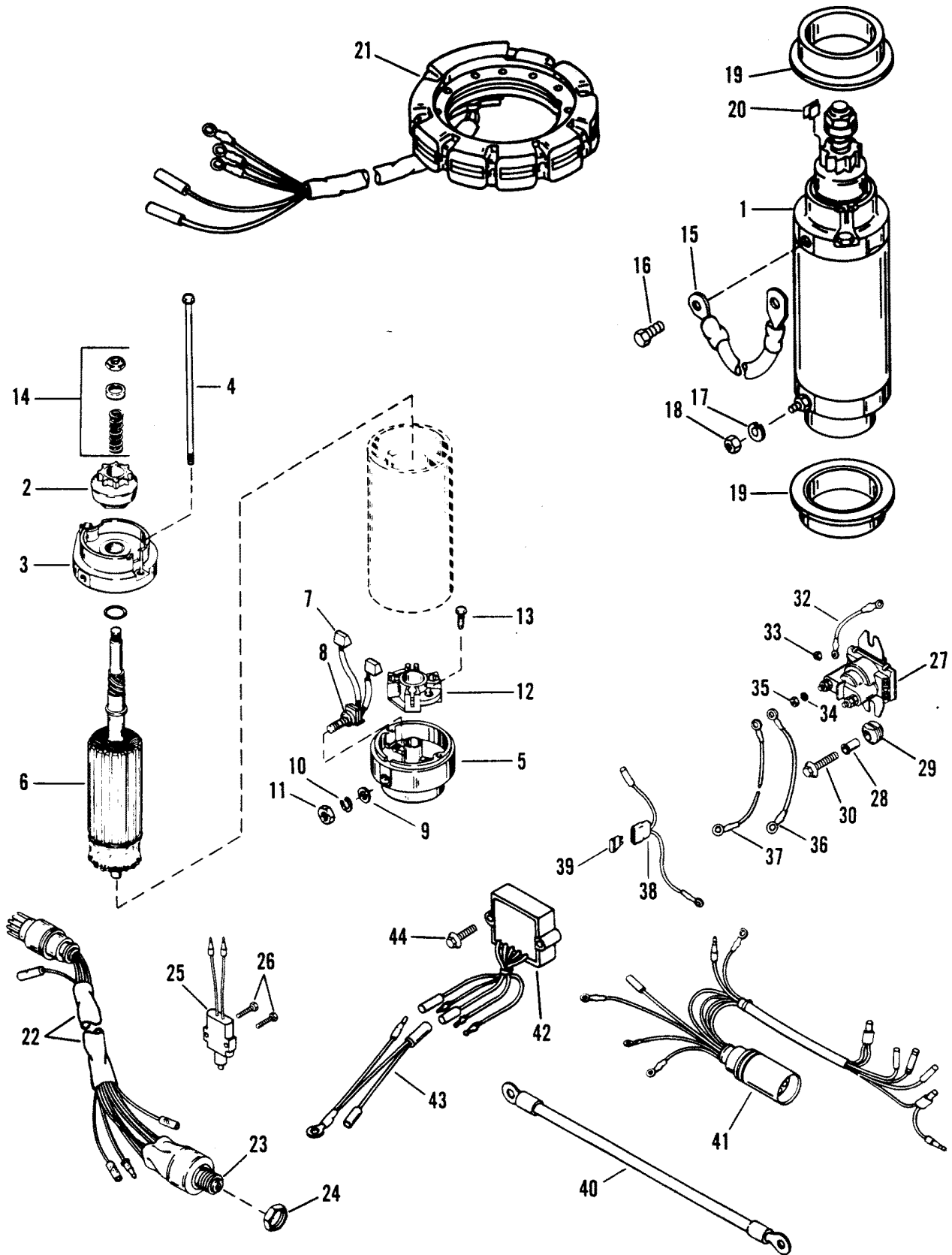
ELECTRIC START KIT (WITH RECTIFIER ASSEMBLY)



ELECTRIC START KIT (WITH RECTIFIER ASSEMBLY)

REF. NO.	PART NO.	SYM.	QTY.	DESCRIPTION
-	50-90983A3		1	ELECTRIC START KIT
1	816770		1	RECTIFIER ASSEMBLY
2	10-48409		2	SCREW
3	11-45076		3	NUT
4	89-96054		1	STARTER SOLENOID
5	10-40003-27		2	SCREW (14MM)
6	11-26419		2	NUT (10-32)
7	11-64015		2	NUT (1/4-20)
8	84-88809A5		1	WIRE ASSEMBLY (YELLOW)
9	84-88439A8		1	BATTERY WIRE ASSEMBLY (RED)
	84-88439A6		1	BATTERY WIRE ASSEMBLY (BLACK)
10	92439		1	BRACKET
11	10-40003-27		1	SCREW
12	11-40021--2		1	NUT
13	86704A2		1	STATOR ASSEMBLY
14	10-40001-23		3	SCREW (30MM)
15	50-90983A1		1	STARTER MOTOR ASSEMBLY
16	96561		1	DRIVE KIT
17	96562		1	DRIVE
18	96563		1	END CAP
19	96565		1	ARMATURE
20	96564		1	END CAP (W/SPRINGS AND BRUSHES)
21	10-96566		1	THRU BOLT
22	10-42125--1		2	SCREW
23	43-99301		1	RING GEAR
24	10-40039106		4	SCREW
25	25-93770		1	GROMMET

ELECTRIC START KIT

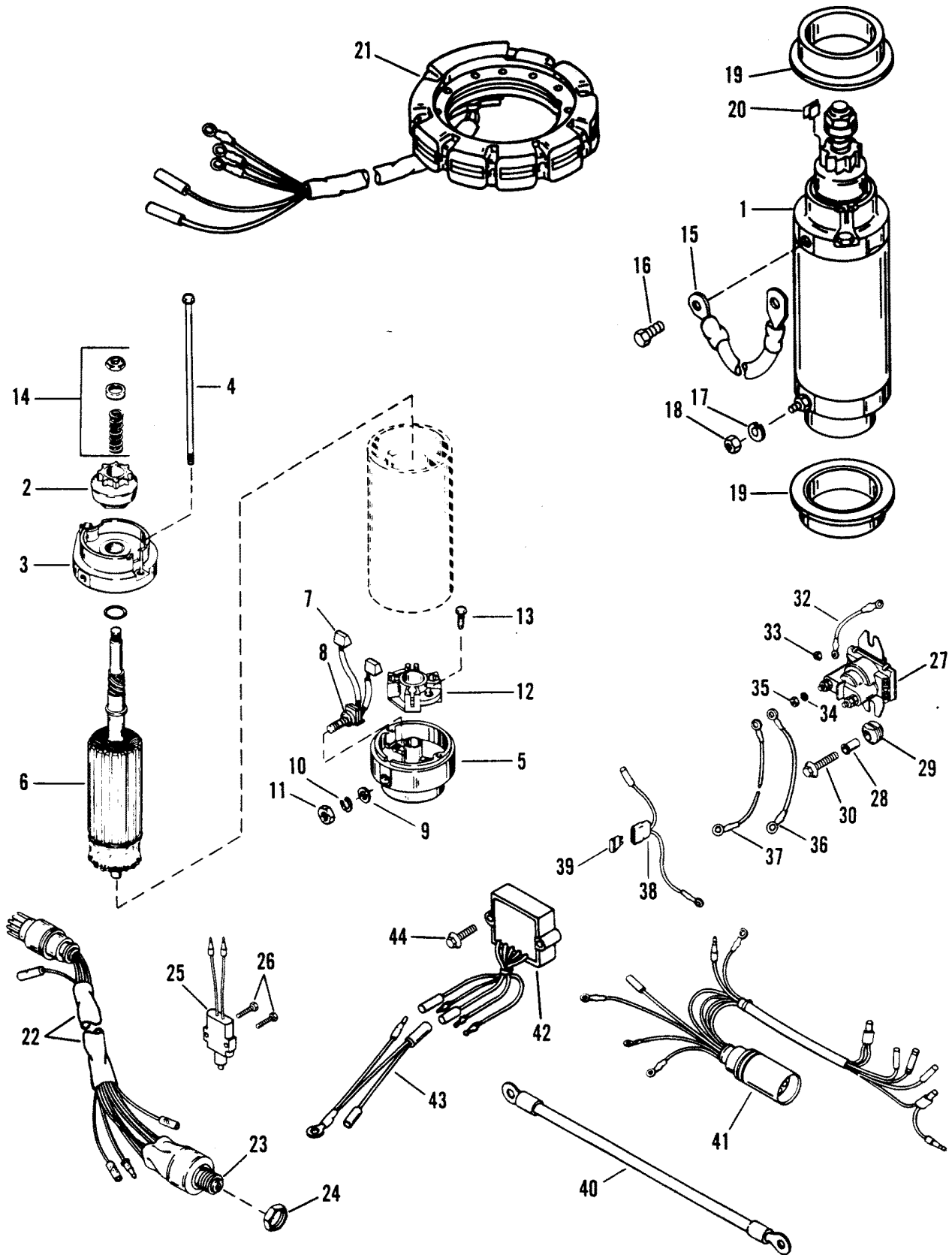


ELECTRIC START KIT

REF. NO.	PART NO.	SYM.	QTY.	DESCRIPTION
-	50-44369A3		1	ELECTRIC START KIT
1	50-44369A1		1	STARTER MOTOR
2	68575		1	DRIVE ASSEMBLY
3	75660		1	DRIVE END PLATE
4	10-95686		2	THRU BOLT
5	75383		1	END CAP
6	11957		1	ARMATURE
7	75384		1	BRUSH SET
8	23-57387		1	BUSHING
9	N.S.S.		1	WASHER (AMER. BOSCH #WA1728)
10	13-26992		1	LOCKWASHER
11	11-20890		1	NUT
12	61787		2	BRUSH HOLDER
13	N.S.S.		2	SCREW (AMER. BOSCH #02441-22-SC-30SM)
14	90643		1	DRIVE KIT
15	84-88807A31		2	WIRE
16	10-69035		1	SCREW
17	13-26992		2	LOCKWASHER
18	11-64015		1	NUT (1/4-20)
19	56703		2	COLLAR
20	57247		2	STOP
21	398-9710A36		1	STATOR (STAMPED 398-9710A34)
22	84-12649A4		1	HARNESS ASSEMBLY
23	87-88107		1	KEY SWITCH SEE KEY CHART ON PAGE 47
24	11-93543		1	NUT
25	87-813960A3		1	SWITCH ASSEMBLY
26	10-12110		2	SCREW
27	89-818999A2		1	SOLENOID
28	23-818968		2	BUSHING
29	25-818967		2	GROMMET
30	10-40011110		2	SCREW (30MM)
32	84-88807A6		1	CABLE (3-1/2")
33	11-26419		2	NUT (#8-32)
34	13-26992		2	LOCKWASHER
35	11-64015		2	NUT (1/4-20)
36	84-79139A24		1	CABLE (9-1/4")
37	84-88439A9		1	CABLE (96")
38	88-19637A3		1	FUSE SOCKET
39	88-812619		1	FUSE
40	84-88439A4		1	BATTERY CABLE

CONTINUED ON NEXT PAGE ➡

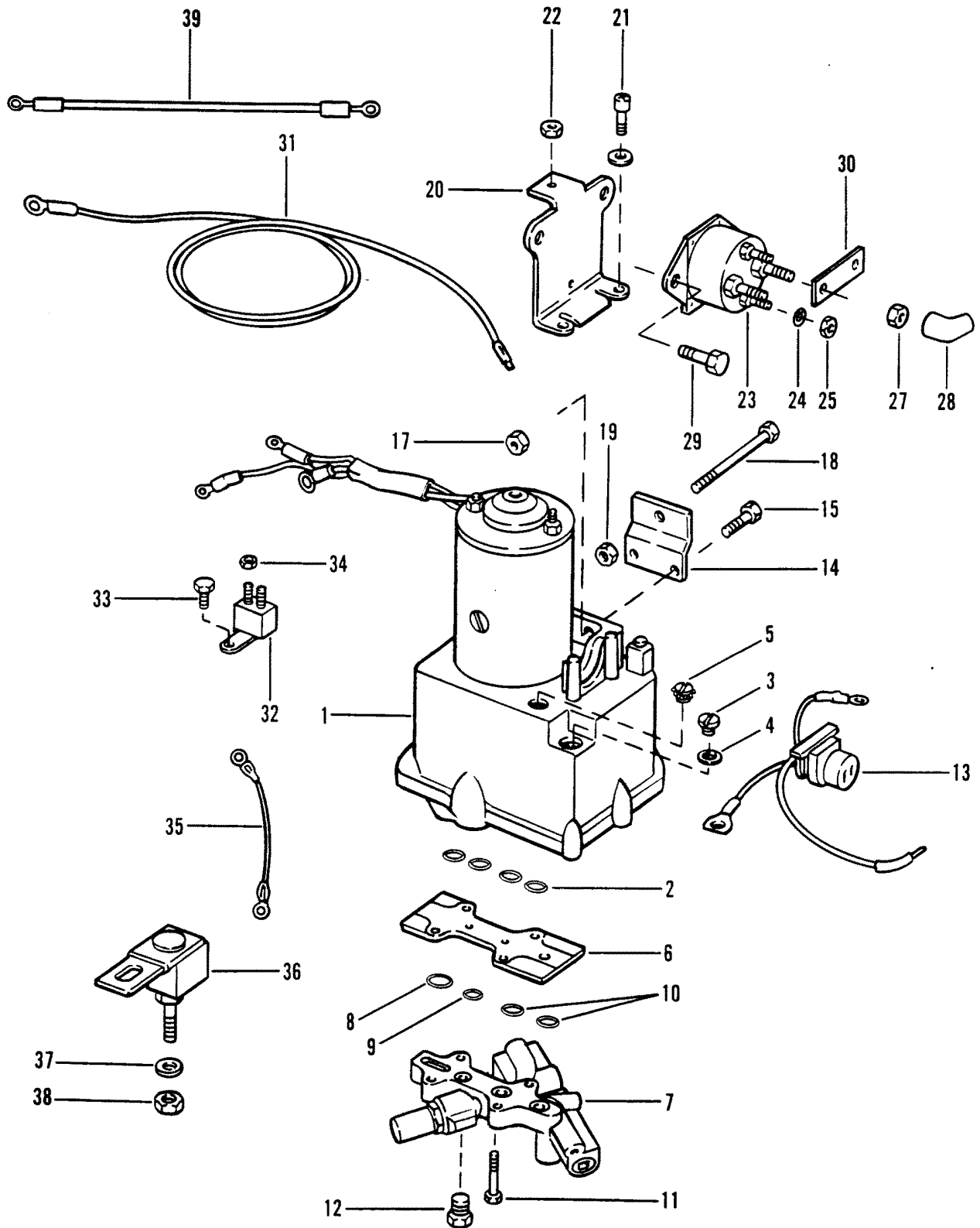
ELECTRIC START KIT



ELECTRIC START KIT

REF. NO.	PART NO.	SYM.	QTY.	DESCRIPTION
41	84-19061A4		1	HARNESS
42	815279T		1	VOLTAGE REGULATOR
43	84-813524A2		1	CABLE
44	10-40003--9		1	SCREW (35MM)
-	13541		5	PLUG (MALE)

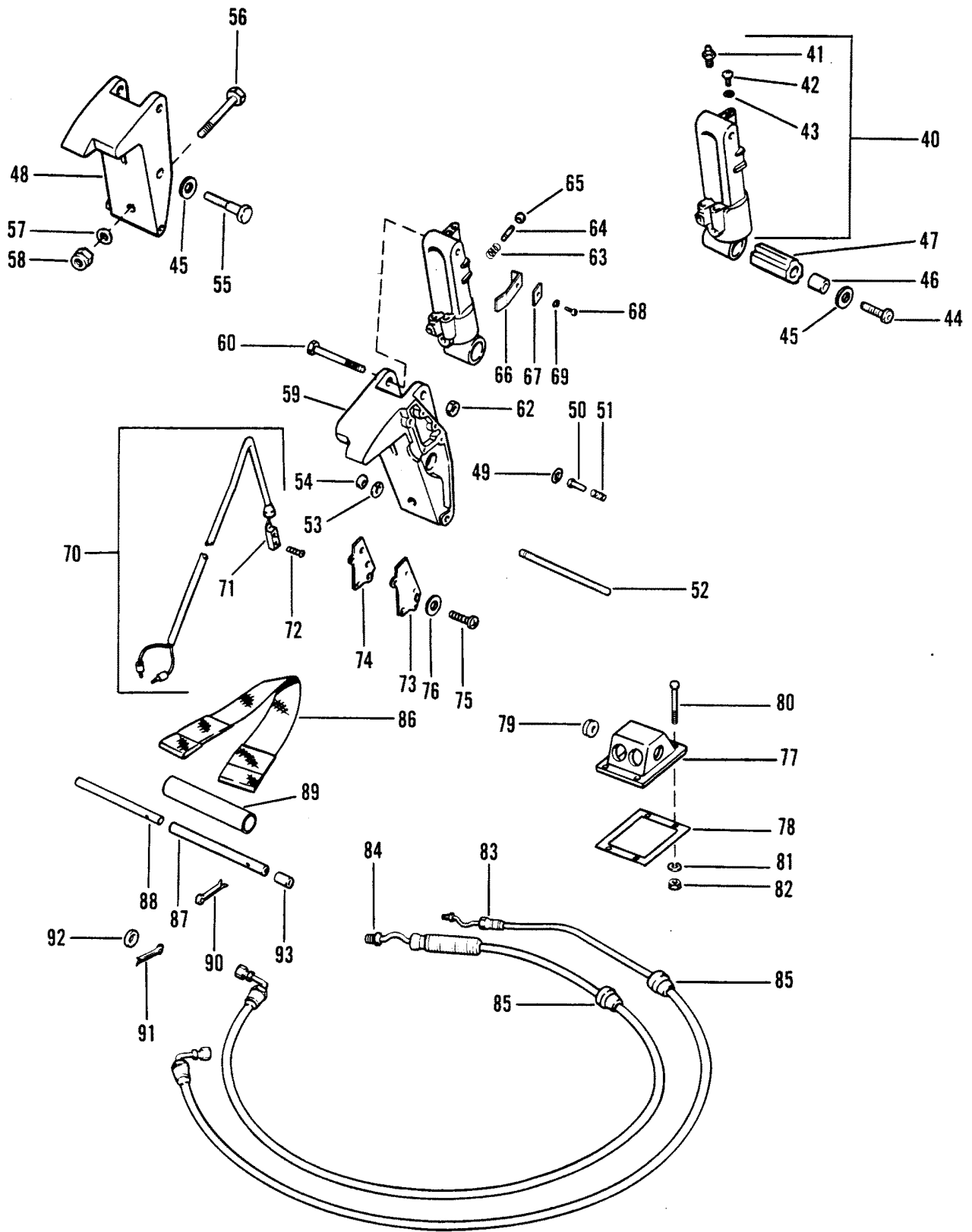
POWER TRIM ASSEMBLY (PAGE 1)



POWER TRIM ASSEMBLY (PAGE 1)

REF. NO.	PART NO.	SYM.	QTY.	DESCRIPTION
-	76509A25		1	POWER TRIM KIT BLACK
-	76509A26		1	POWER TRIM KIT GRAY
1	92975A28		1	HYDRAULIC PUMP SEE PAGE 20 FOR BREAKDOWN
2	25-48171		4	O-RING
3	10-79953		1	FILLER SCREW
4	12-19183		1	WASHER
5	10-62269		1	VENT SCREW
6	45336		1	PLATE
7	45197A2		1	CONTROL VALVE ASSEMBLY
-	25-48171		4	O-RING (SEE REFERENCE #2)
8	25-45254		1	O-RING (3/4" O.D.)
9	25-48171		1	O-RING (1/2" O.D.)
10	25-45253		2	O-RING (5/8" O.D.)
11	10-56500		4	SCREW (1-1/4")
12	22-46008		2	PLUG (1/2-20")
	22-38609		2	PLUG (3/8-24")
13	84-79147A3		1	CONNECTOR AND HARNESS
14	45377T		2	BRACKET
15	10-35386		4	SCREW (1")
17	11-21908		4	NUT
18	10-31830		2	BOLT (1-3/4")
19	11-46335		2	NUT
20	94279		1	BRACKET
21	10-48060		2	SCREW
22	11-29488		1	NUT
23	89-96158		2	STARTER SOLENOID
24	13-26995		4	LOCKWASHER (#8)
25	11-26419		4	NUT (8-32)
27	11-94330		4	NUT (1/4-20)
28	85-96535		1	BOOT
29	10-41508		4	SCREW
30	94275		1	LINK
31	84-79139A13		1	BATTERY LEAD (POSITIVE)
	84-79138A1		1	BATTERY LEAD NEGATIVE
32	88-79149		1	CIRCUIT BREAKER (20 AMP) EARLY MODELS
33	10-69014		2	SCREW EARLY MODELS
34	11-45076		2	NUT (10-32) EARLY MODELS
35	84-87379A5		1	WIRE (RED) EARLY MODELS
36	88-79023A90		1	FUSE ASSEMBLY (90 AMP)
37	12-96457		1	WASHER
38	11-21825		1	NUT (1/4-28)
39	84-86322A19		2	WIRE (BLACK)

POWER TRIM ASSEMBLY (PAGE 2)

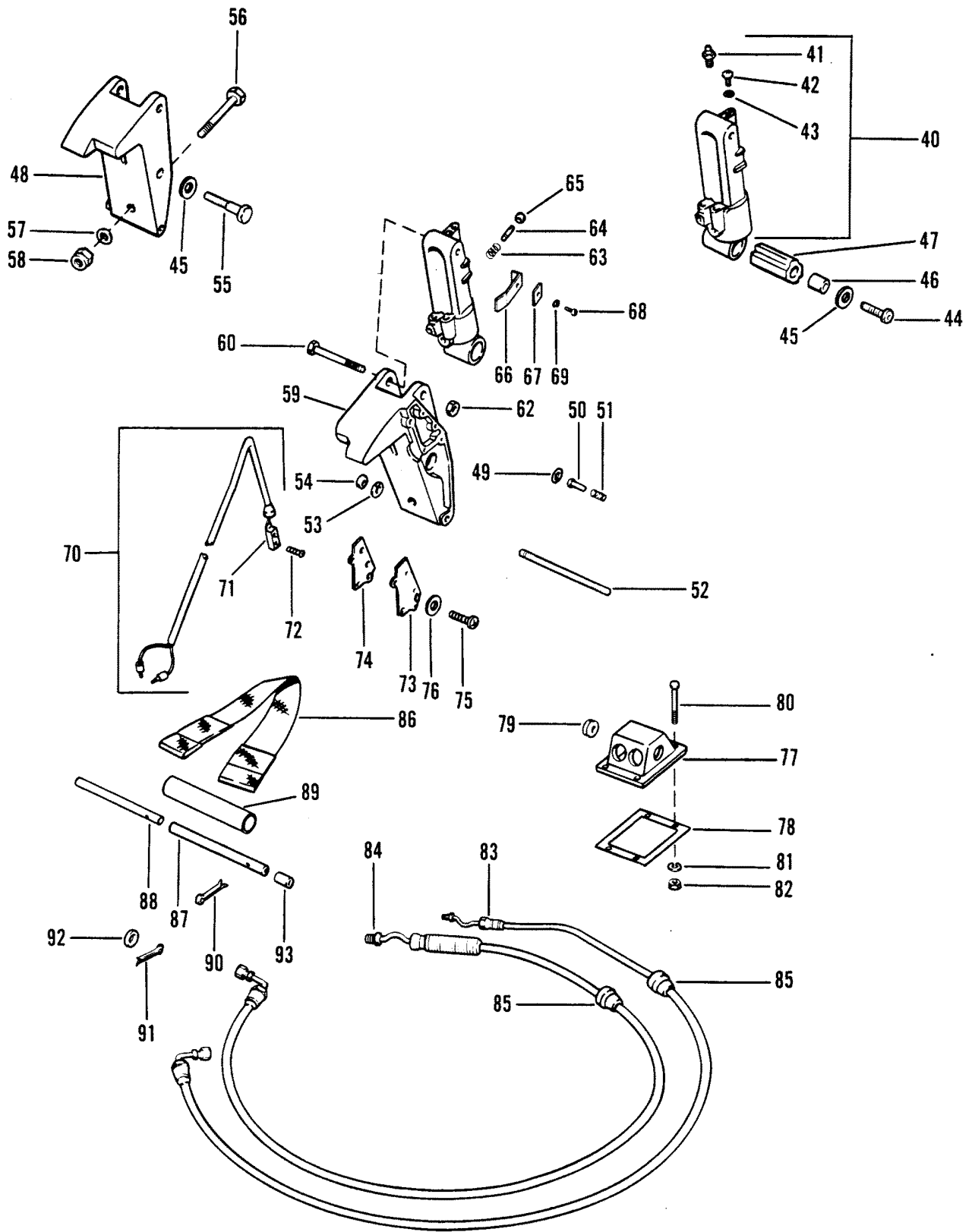


POWER TRIM ASSEMBLY (PAGE 2)

REF. NO.	PART NO.	SYM.	QTY.	DESCRIPTION
-	76509A25		1	POWER TRIM KIT BLACK
-	76509A26		1	POWER TRIM KIT GRAY
40	92194A14		2	TRIM CYLINDER ASSEMBLY BLACK
	92194A20		2	TRIM CYLINDER ASSEMBLY GRAY
41	22-74036		2	GREASE FITTING
42	10-45265		4	SCREW
43	25-45016		4	O-RING
44	10-45264		2	SCREW (1-1/2" - WITH TAPPED HOLE)
	10-92050		2	SCREW (1-1/2" - WITHOUT TAPPED HOLE)
45	12-28421		4	WASHER
46	23-45280		2	SPACER
47	23-94907A1		2	BUSHING
48	89108A3		1	BRACKET (PORT)
49	26-70608		1	OIL SEAL
50	89290		1	PLUNGER
51	24-95881		1	SPRING
52	16-45282		1	STUD
53	13-26993		2	LOCKWASHER
54	11-22053		2	NUT
55	10-45263		2	SCREW (2-1/4")
56	10-68298		4	BOLT (3-1/4")
57	12-68410		4	WASHER
58	11-99405		4	NUT
59	89111T		1	BRACKET (STARBOARD)
60	10-45328		2	SCREW (3-9/16")
62	11-35053		2	NUT
63	24-24390		1	SPRING
64	16-21085		1	ADJUSTING STUD
65	11-45812		1	JAM NUT
66	99897		1	CAM
67	86967		1	PLATE
68	10-68513		1	SCREW
69	13-26996		1	LOCKWASHER
70	45326A2		1	SWITCH ASSEMBLY
71	23-45354		1	BUSHING
72	10-47255		2	SCREW (9/16")
73	89272		1	COVER
74	27-89273--1		1	GASKET
75	10-34994		4	SCREW (7/16")
76	12-38833		4	WASHER
77	87774A1		1	COVER
78	27-87775		1	GASKET
79	25-45507		1	GROMMET

CONTINUED ON NEXT PAGE ➡

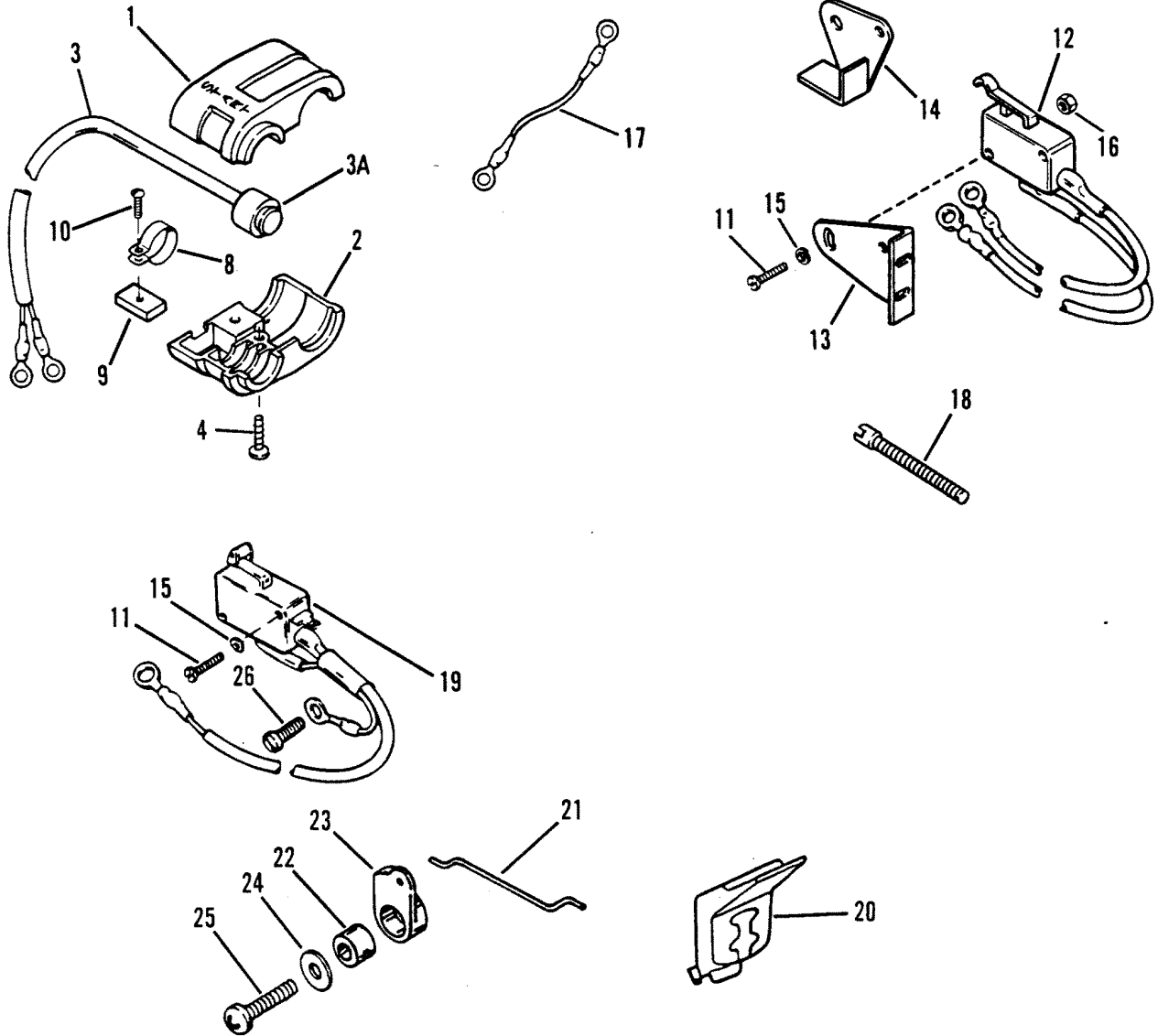
POWER TRIM ASSEMBLY (PAGE 2)



POWER TRIM ASSEMBLY (PAGE 2)

REF. NO.	PART NO.	SYM.	QTY.	DESCRIPTION
80	10-36070		4	SCREW
81	13-26996		4	LOCKWASHER
82	11-68219		4	NUT
83	32-88005		2	HOSE TRIM (5 - 12/32" O.D.)
84	32-88006		2	HOSE LIFT (5 - 17/32" O.D.)
85	23-35977		4	GROMMET (3/8" I.D. - 1" LONG)
	25-97191		2	GROMMET (3/8" I.D. - 7/8" LONG)
	25-12602		2	GROMMET (7/16" I.D. - 7/8" LONG)
86	73519A1		1	TILT STOP
87	69259		1	TUBE MOUNTING
88	69258		1	PIN
89	63473		1	TUBE CUSHION
90	18-32857		1	COTTER PIN MOUNTING TUBE PIN
91	18-45882		1	COTTER PIN TILT PIN RETAINING
92	12-39304		1	WASHER
93	23-89112		2	BUSHING

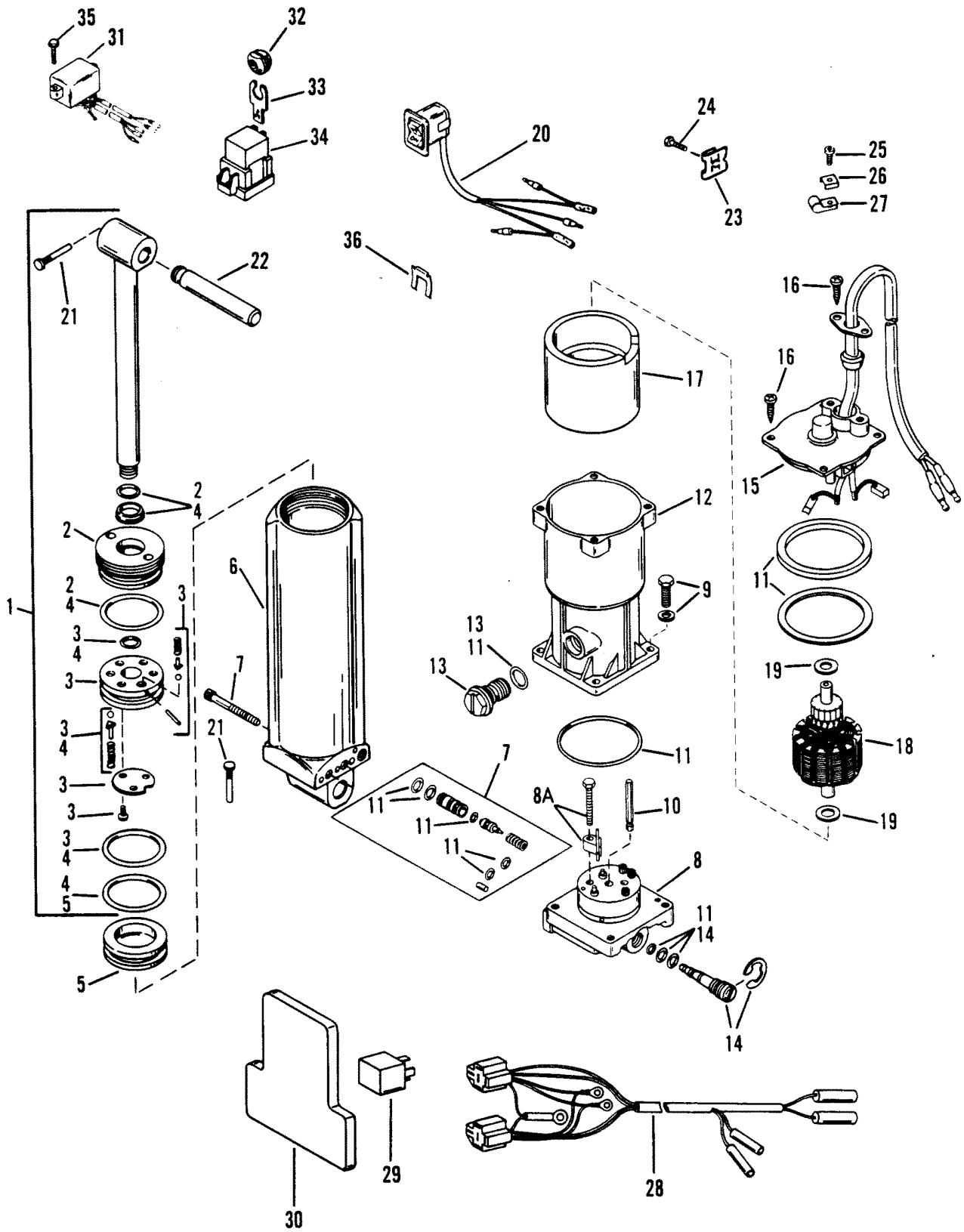
ELECTRIC START KIT (95810A6,95810A8,95810A9)



ELECTRIC START KIT (95810A6,95810A8,95810A9)

REF. NO.	PART NO.	SYM.	QTY.	DESCRIPTION
-	87-95810A6		1,,	ELECTRIC START KIT
-	87-95810A8		,1,	ELECTRIC START KIT
-	87-95810A9		0	ELECTRIC START KIT
1	95815		1,1,1	COVER (TOP)
2	95828		1,1,1	COVER (BOTTOM)
3	87-95810A1		1,1,1	START SWITCH ASSEMBLY
3A	55741		1,1,1	BOOT
4	10-69570		1,1,1	SCREW (3/4")
8	95814		1,1,1	STRAP
9	95813		1,1,1	FASTENER
10	10-40019108		1,1,1	SCREW
11	10-40057-27		2,2,	SCREW
	10-90342		„2	SCREW
12	87-93479A4		„1	NEUTRAL SWITCH
13	11036--1		„1	BRACKET
14	12001		„1	CAM
15	13-11052		„2	LOCKWASHER
	12-45771		2,2,	WASHER
16	11-63683		„2	NUT
17	84-79139A20		1,1,1	CABLE ASSEMBLY (RED)
18	10-11859--1		,1,	IDLE STOP SCREW
19	87-88890A2		1,1,	SWITCH
20	12153--2		1,1,	GROMMET
21	42184		1,,	LINK
22	23-42182--1		1,,	BUSHING
23	42183		1,,	ACTUATOR
24	12-40023-16		1,,	WASHER
25	10-40011128		1,,	SCREW
26	10-62568		1,,	SCREW

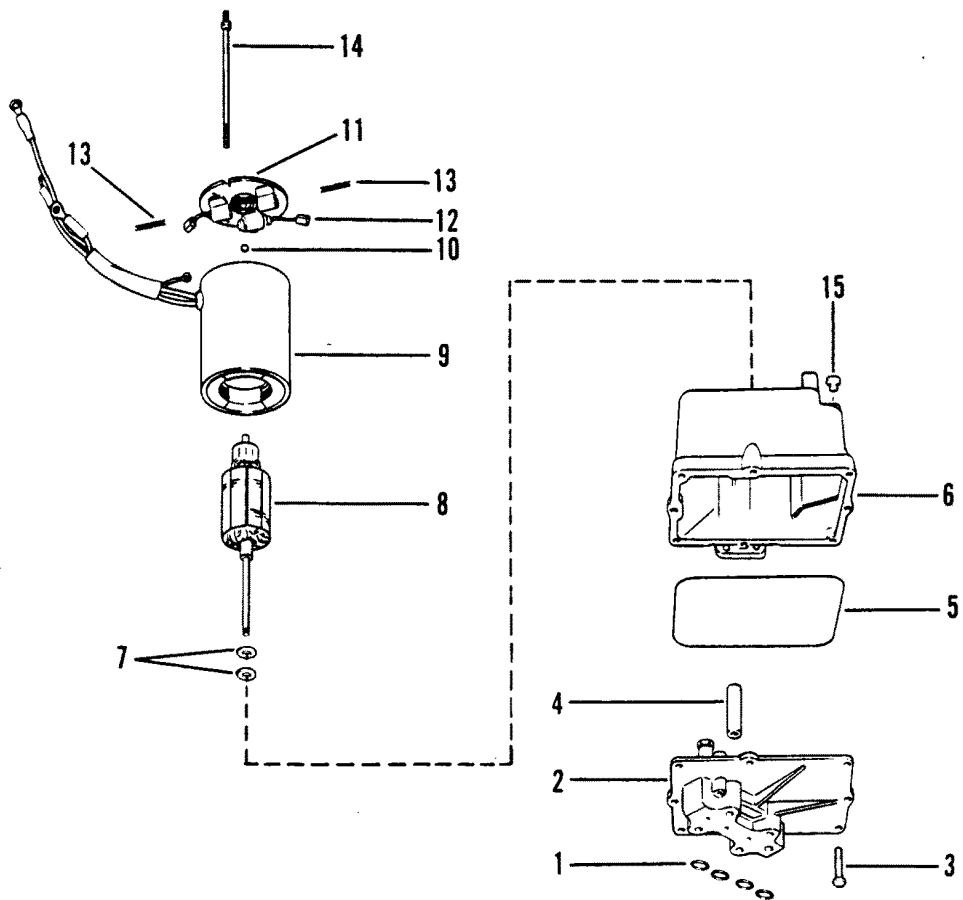
POWER TRIM KIT



POWER TRIM KIT

REF. NO.	PART NO.	SYM.	QTY.	DESCRIPTION
-	822870A2		1,	POWER TRIM KIT
-	822870A3		,1	POWER TRIM KIT
-	822870A1		1,1	POWER TRIM PUMP
1	813427--1		1,1	SHOCK ROD KIT
2	813428		1,1	CYLINDER END CAP
3	813429		1,1	SHOCK PISTON
4	813432A3		1,1	CYLINDER REBUILD KIT
5	810776		1,1	MEMORY PISTON KIT
6	811228		1,1	CYLINDER KIT
7	811226A1		1,1	SCREW AND SEAL KIT
8	811670--6		1,1	PUMP/MANIFOLD
8A	823180A1		1,1	ROCKER ARM
9	10-813436		1,1	SCREW KIT
10	811671		1,1	DRIVE SHAFT
11	25-811672A3		1,1	SEAL KIT
12	811673		1,1	RESERVOIR
13	22-813435		1,1	PLUG KIT
14	813442A2		1,1	RELIEF VALVE KIT
15	811677		1,1	RESERVOIR CAP KIT
16	10-813446		1,1	SCREW
17	811674		1,1	RESERVOIR/MOTOR
18	811675		1,1	ARMATURE
19	12-811676		1,1	THRUST WASHER KIT
20	87-18286A40		1,1	SWITCH ASSEMBLY
21	17-821539		2,2	GROOVE PIN
22	17-822869		1,1	PIN
23	99926--1		2,2	RETAINER
24	10-89996		,1	SCREW (1/4-20 X .88)
25	10-69079		1,1	SCREW (10-16 X .44)
26	69205		1,1	C-WASHER
27	54-22740		1,1	CLAMP
28	84-18895A1		,1	TRIM HARNESS
29	87-19761		,1	RELAY SWITCH
30	812850		,1	SUPPORT
31	813939A2		1,	HARNESS/RELAY ASSEMBLY
32	25-818967		2,	GROMMET
33	821382		2,	BRACKET
34	821509		2,	RELAY
35	10-40011130		2,	SCREW
36	812443--1		1,	RETAINER

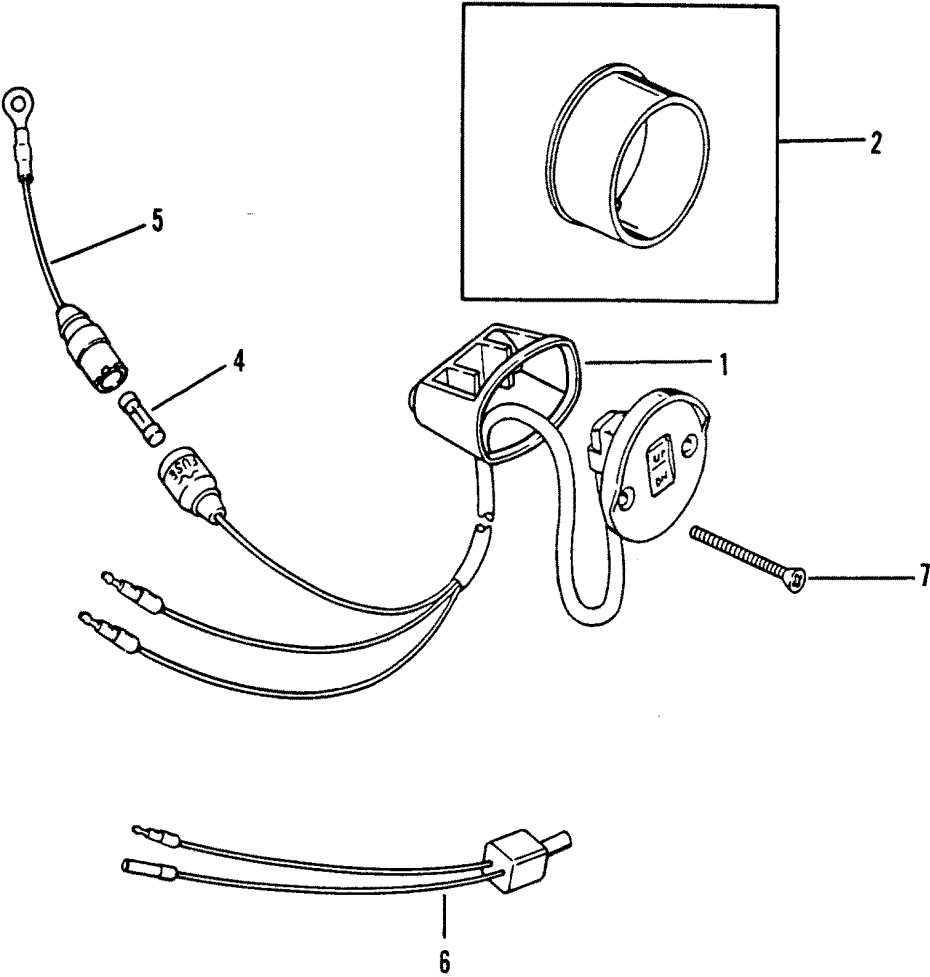
HYDRAULIC PUMP ASSEMBLY (PLASTIC RESERVOIR)



HYDRAULIC PUMP ASSEMBLY (PLASTIC RESERVOIR)

REF. NO.	PART NO.	SYM.	QTY.	DESCRIPTION
-	92975A6		1	HYDRAULIC PUMP ASSEMBLY
1	25-48171		4	O-RING
2	392-8317		1	VALVE BODY AND GEAR ASSEMBLY
3	10-69570		8	SCREW
4	392-7727		1	COUPLER AND SHAFT
5	392-7735		1	SEAL
6	392-7731		1	RESERVOIR ASSEMBLY (PLASTIC)
7	392-7732		AR	THRUST WASHER
8	392-7729		1	ARMATURE
9	392-8261		1	FIELD AND FRAME ASSEMBLY
10	NLA-		1	BALL
11	392-8262		1	PLATE ASSEMBLY
12	392-8989		1	BRUSH SET
13	392-2529		1	SPRING SET
14	392-7733		1	THRU BOLT SET
15	392-7728		1	FILL PLUG

TRIM SWITCH KIT

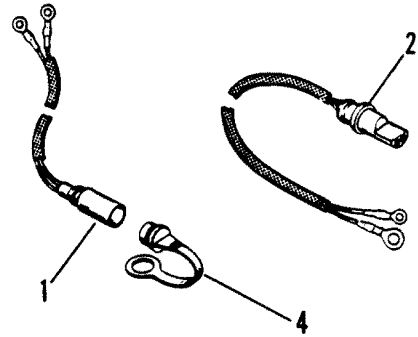
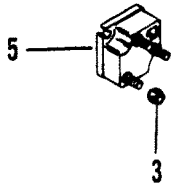


TRIM SWITCH KIT

REF. NO.	PART NO.	SYM.	QTY.	DESCRIPTION
-	87-18286A18		1	TRIM SWITCH KIT
1	18861		1	RETAINER
2	814820		1	ADAPTOR
4	88-79091		1	FUSE
5	84-95084A2		1	CABLE
6	84-11149A2		2	CABLE
7	10-19209		2	SCREW (10-32)
	10-813523		2	SCREW (10-16)

BATTERY CHARGING KIT

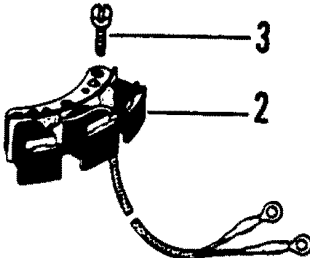
BATTERY CHARGING KIT



BATTERY CHARGING KIT

REF. NO.	PART NO.	SYM.	QTY.	DESCRIPTION
-	62351A10		1	BATTERY CHARGING KIT
1	84-74725A2		1	HARNESS
2	84-65017A10		1	HARNESS
3	11-45076		3	NUT
4	71663		1	PLUG, HARNESS
5	816770		1	RECIFIER

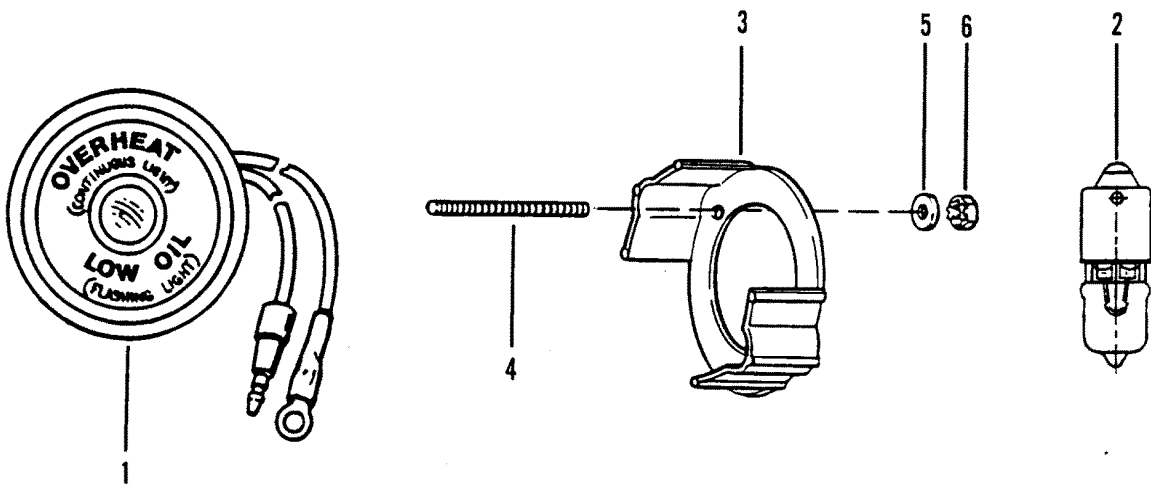
LIGHTING COIL KIT



LIGHTING COIL KIT

REF. NO.	PART NO.	SYM.	QTY.	DESCRIPTION
-	42282A3		1	LIGHTING COIL KIT
1	94879--1		1	PLUG
2	86704A2		1	STATOR
3	10-93787		3	SCREW (10-24X1-3/4)
	10-40001-23		3	SCREW (30MM)

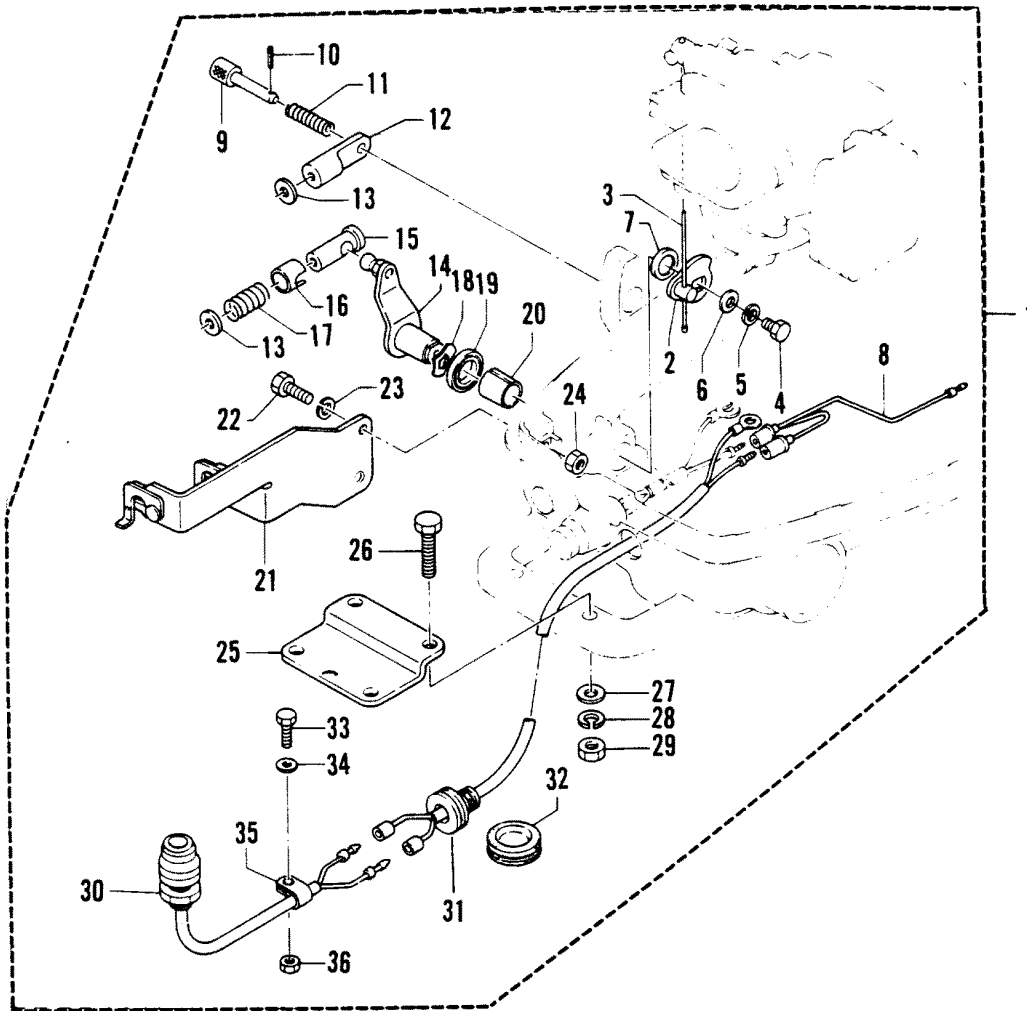
VISUAL WARNING KIT



VISUAL WARNING KIT

REF. NO.	PART NO.	SYM.	QTY.	DESCRIPTION
1	17334A2		1	VISUAL WARNING KIT
2	88-17429		1	LAMP
3	76424		1	BRACKET
4	16-55422		2	STUD
5	12-24676		2	WASHER
6	11-68219		2	NUT

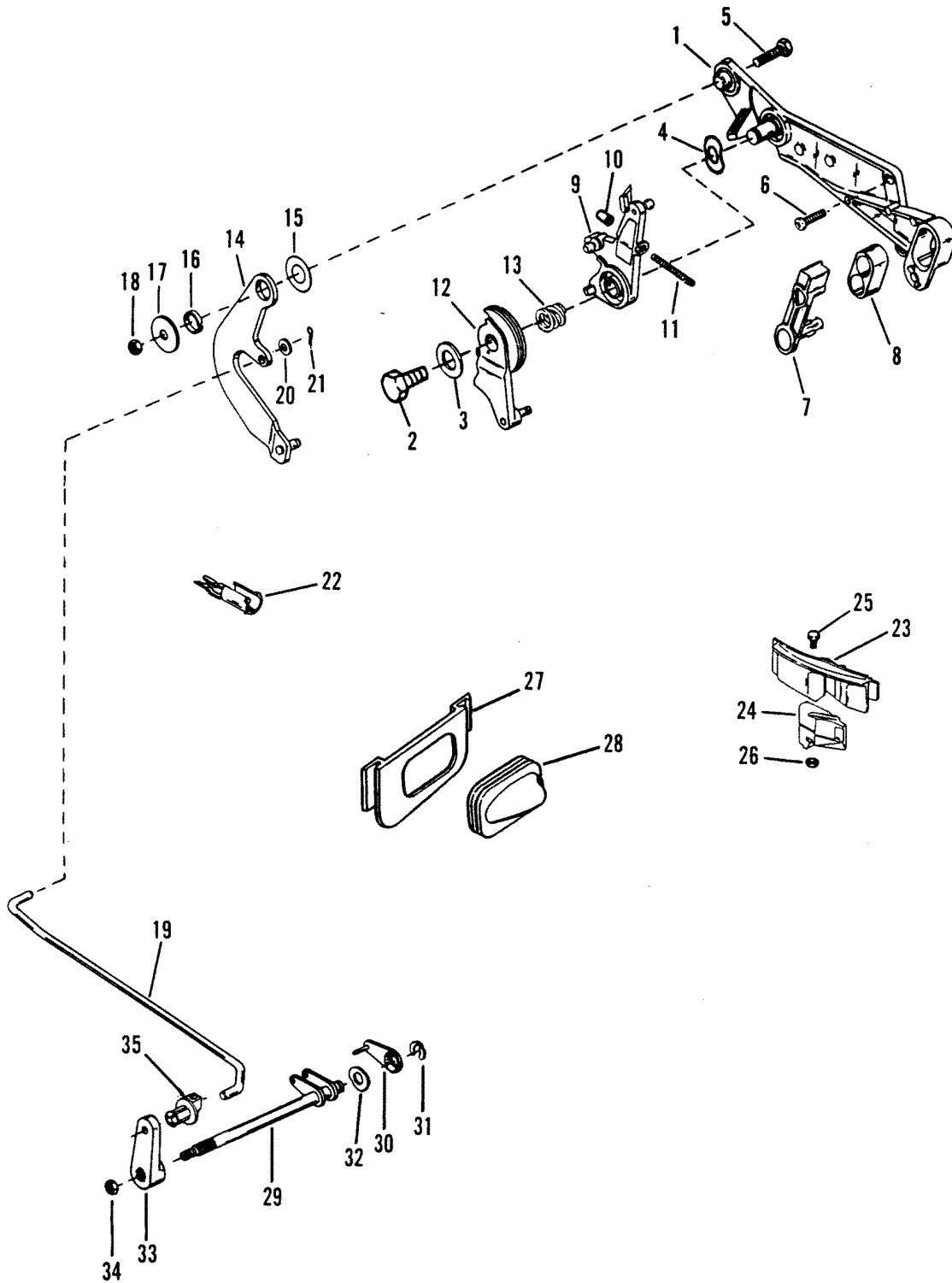
REMOTE CONTROL ATTACHING KIT



REMOTE CONTROL ATTACHING KIT

REF. NO.	PART NO.	SYM.	QTY.	DESCRIPTION
1	16840A2		1	REMOTE CONTROL ATTACHING KIT
2	16848		1	LEVER
3	17034		1	THROTTLE WIRE
4	10-16223		1	BOLT
5	13-40025--6		1	LOCKWASHER
6	12-16237		1	WASHER
7	23-16849		1	COLLAR
8	84-17035		1	HARNESS (DUAL STOP SWITCH)
9	17-17031		1	LOCK PIN
10	17-17033		1	PIN
11	24-17032		1	SPRING
12	17030		1	SLEEVE
13	12-17029		2	WASHER
14	16847		1	THROTTLE LEVER
15	17026		1	BRACKET
16	17027		1	CAP
17	24-17028		1	SPRING
18	13-16221		1	LOCKWASHER
19	26-16219		1	SEAL
20	23-16220		1	BUSHING
21	17023		1	BRACKET
22	10-16832		2	BOLT
23	13-40025--6		2	LOCKWASHER
24	11-40021--2		2	NUT
25	17024		1	STEERING HOOK PLATE
26	10-40003-54		2	BOLT
27	12-16192		2	WASHER
28	13-17025		2	LOCKWASHER
29	11-40021--3		2	NUT
30	87-17171		1	STOP SWITCH
31	84-17162		1	HARNESS (5.9M)
32	25-16226		1	GROMMET
33	10-17174		1	BOLT
34	12-16080		1	WASHER
35	54-17169		1	CLAMP
36	11-40021--1		1	NUT

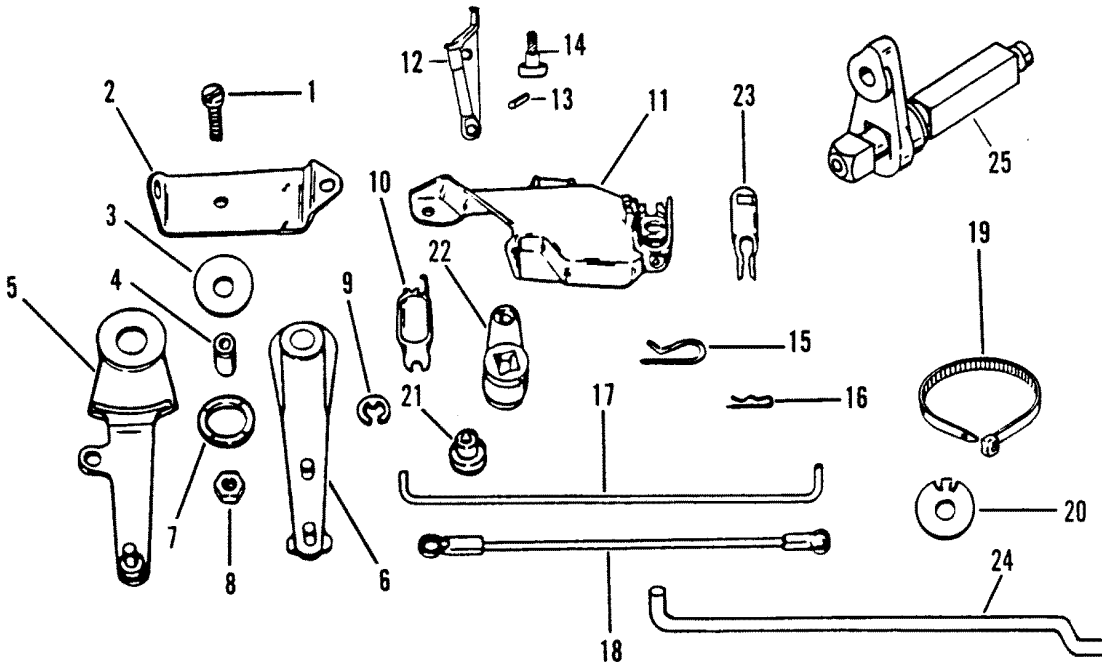
REMOTE CONTROL ATTACHING KIT (95722A7,43066A3)



REMOTE CONTROL ATTACHING KIT (95722A7,43066A3)

REF. NO.	PART NO.	SYM.	QTY.	DESCRIPTION
-	95722A7		1,	REMOTE CONTROL ATTACHING KIT
-	43066A3		,1	REMOTE CONTROL ATTACHING KIT
1	42026A2		1,1	CONTROL PLATFORM
2	10-16955		1,1	SCREW
3	12-40023-16		1,1	WASHER
4	13-69708		1,1	WAVE WASHER
5	10-40011128		AR,AR	SCREW (20MM)
	10-40011129		AR,AR	SCREW (25MM)
6	10-40019127		1,1	SCREW
7	42846A2		1,1	COVER
8	39519		1,1	CUP
9	43360--1		1,1	CONTROL LEVER
10	48039		1,1	CAP
11	10-11859--1		1,1	SCREW
12	42343		1,1	ACTUATING LEVER
13	24-89540		1,1	SPRING
14	43424		1,1	SHIFT LEVER
15	12-95093		1,1	WASHER
16	23-95091		1,1	SLEEVE
17	12-35280		1,1	WASHER
18	11-40063--4		1,1	NUT
19	N.S.S.		1,1	SHIFT LINK (PART OF 17724A1-REF.#33)
20	12-89302		1,1	WASHER
21	18-21071		1,1	COTTER PIN
22	42429--1		2,2	RETAINER
23	17233F1		1,	COVER
	17233F2		,1	COVER
24	25-17627		1,1	GROMMET
25	10-40003-34		1,1	SCREW
26	11-40063--4		1,1	NUT
27	25-41604--4		,1	GROMMET
28	25-93527		,1	GROMMET
29	95027A6		,1	SHIFT SHAFT
30	42156		,1	SHIFT SHAFT LEVER
31	53-95019		,1	RETAINING RING (USE WHERE APPLICABLE)
32	13-34632		,1	WAVE WASHER
33	17724A1		1,1	LEVER
34	11-40063--3		,1	NUT
35	23-93248--1		1,1	SWIVEL BUSHING

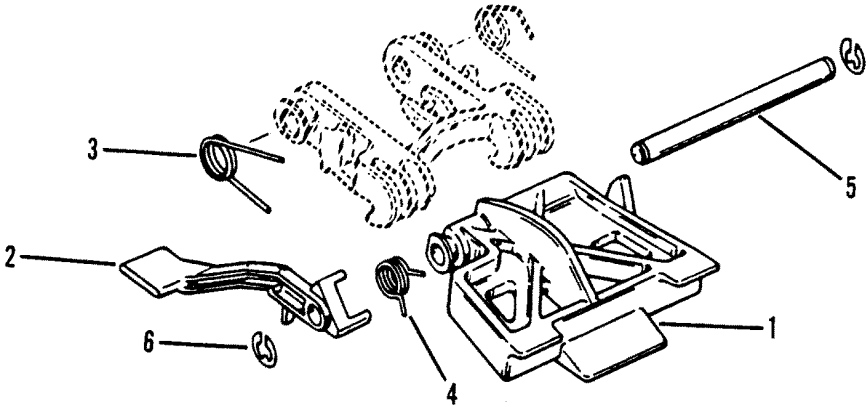
REMOTE CONTROL ATTACHING KIT (WITH CONTROL ARM)



REMOTE CONTROL ATTACHING KIT (WITH CONTROL ARM)

REF. NO.	PART NO.	SYM.	QTY.	DESCRIPTION
-	42805A6		1	REMOTE CONTROL ATTACHING KIT
1	10-40003-32		1	SCREW (35 MM)
2	42809		1	BRACKET
3	12-29245		2	WASHER (1/2 X .281 I.D.)
	12-56681		1	WASHER (1/2 X .203 I.D.)
	12-12132		1	WASHER (1-1/2 X .52 I.D.)
	12-65567		1	WASHER (3/4 X .265 I.D.)
4	23-42806		1	BUSHING
5	42810A8		1	CONTROL ARM
6	42807--1		1	ARM
7	13-12134		1	WAVE WASHER
8	11-40063--4		1	NUT
9	53-61319		1	E-RING
10	42802--1		1	RETAINER
11	42805A3		1	BRACKET ASSEMBLY
12	11373		1	LATCH PIN
13	17-23928		1	ROLL PIN
14	10-42975		1	DRIVE SCREW
15	54-11372		1	CLIP
16	18-21071		1	COTTER PIN
17	42741		1	SHIFT LINK
18	19385A2		1	THROTTLE LINK ASSEMBLY
19	54-816311		2	STA-STRAP
20	14-11371		1	TAB WASHER
21	23-12136		1	BUSHING
22	42800		1	LEVER
23	42429--1		2	RETAINER
24	815569--1		1	SHIFT LINK
25	815550--1		1	SHIFT SHAFT

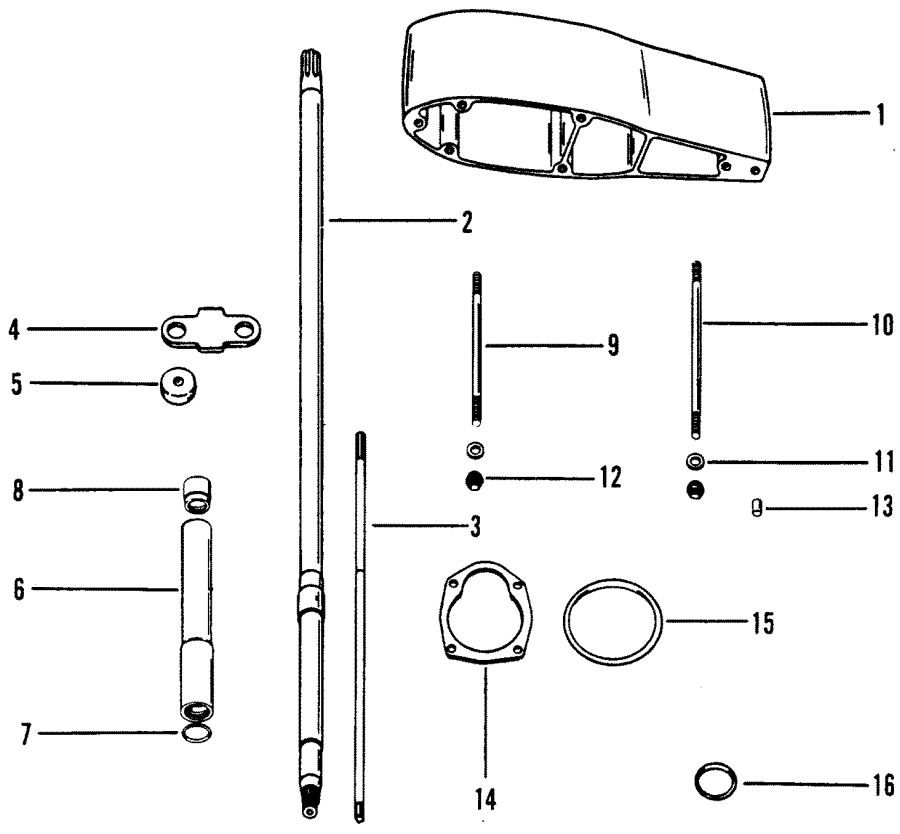
SHALLOW WATER TILT KIT



SHALLOW WATER TILT KIT

REF. NO.	PART NO.	SYM.	QTY.	DESCRIPTION
-	12756A1		1	SHALLOW WATER TILT KIT
1	12756		1	BRACKET
2	12758		1	CONTROL LEVER
3	24-12755		1	SPRING
4	24-12754		1	SPRING
5	17-13195		1	PIN
6	53-13194		3	E-RING

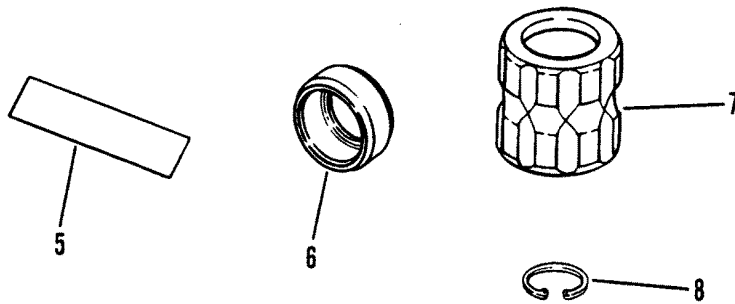
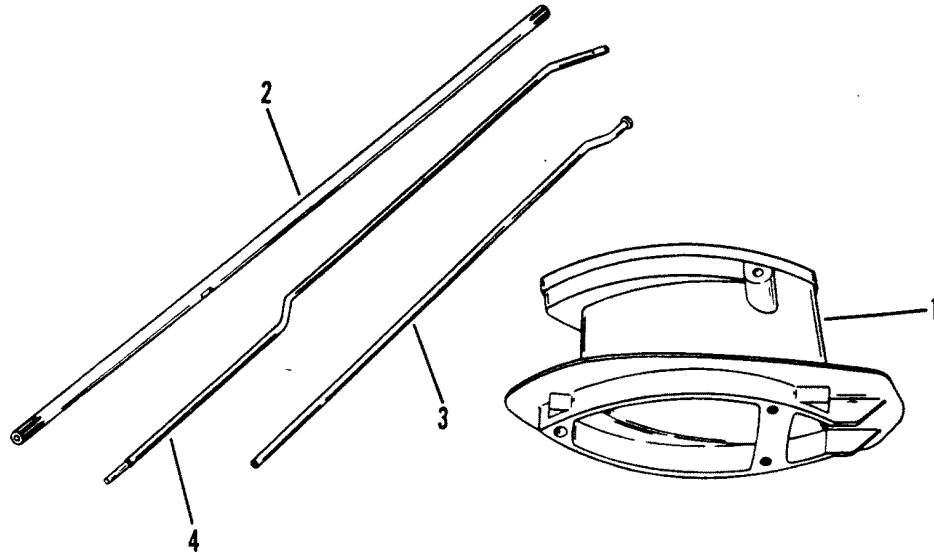
EXTENSION KIT (WITH SPACER)



EXTENSION KIT (WITH SPACER)

REF. NO.	PART NO.	SYM.	QTY.	DESCRIPTION
-	12092A10		1	EXTENSION KIT BLACK
-	12092A11		1	EXTENSION KIT GRAY
1	12092A3		1	SPACER BLACK
	12092A4		1	SPACER GRAY
2	45-43032A4		1	DRIVER SHAFT
3	43049A1		1	SHIFT SHAFT
4	11288		1	BUMPER
5	23-11289		1	SPACER
6	17243A1		1	WATER TUBE EXTENSION
7	25-21836		1	O-RING
8	26-38970		1	SEAL
9	16-90350--3		4	STUD (190MM)
10	16-90350--2		1	STUD (227 MM)
11	12-43042		5	WASHER
12	11-13914		5	NUT
13	17-43044		1	DOWEL PIN
	17-43043		1	DOWEL PIN
14	27-43034--1		1	GASKET
15	25-97386		1	O-RING
16	25-45710		1	O-RING

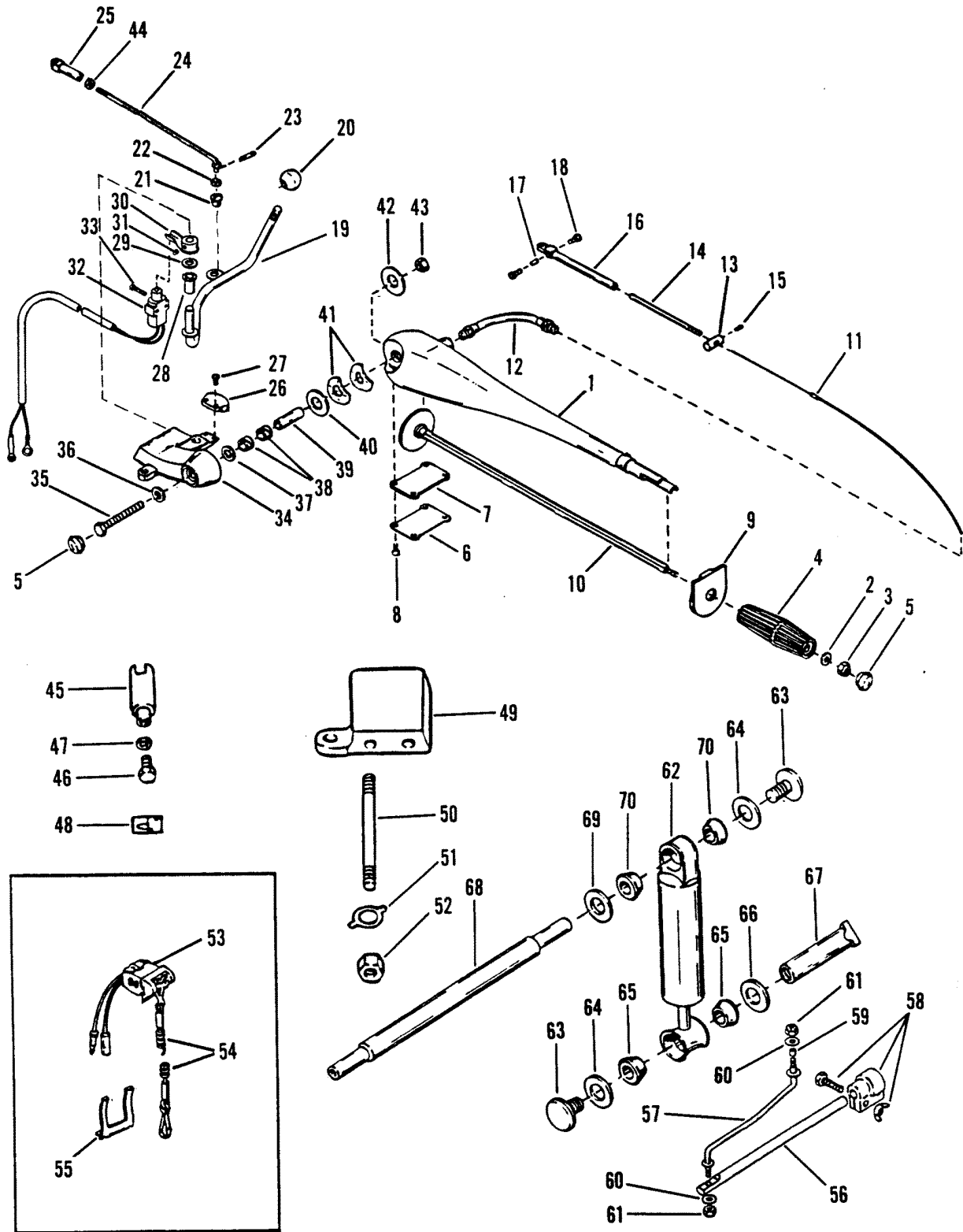
EXTENSION KIT (WITH EXTENSION HOUSING)



EXTENSION KIT (WITH EXTENSION HOUSING)

REF. NO.	PART NO.	SYM.	QTY.	DESCRIPTION
-	12426A1		1	EXTENSION KIT BLACK
-	12426A2		1	EXTENSION KIT GRAY
1	12426--2		1	EXTENSION HOUSING BLACK
	12426T6		1	EXTENSION HOUSING GRAY
2	45-12367		1	DRIVE SHAFT
3	32-42123--1		1	WATER TUBE
4	12368		1	SHIFT SHAFT
5	23-12369--1		1	BUSHING
6	12370--2		2	HOUSING
7	14107		1	RETAINER
8	53-14094		1	SNAP RING

STEERING HANDLE ASSEMBLY

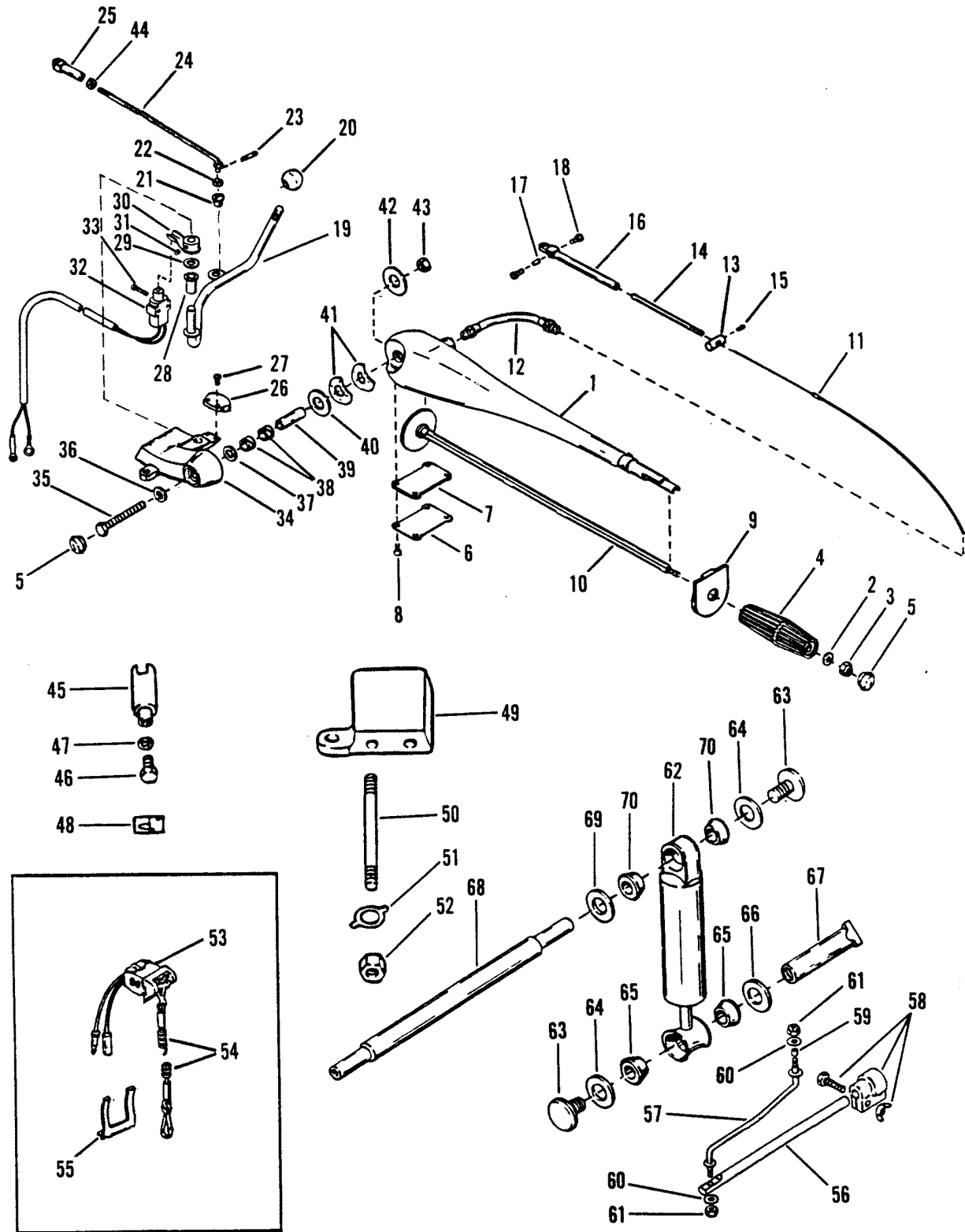


STEERING HANDLE ASSEMBLY

REF. NO.	PART NO.	SYM.	QTY.	DESCRIPTION
-	78551A29		1	STEERING HANDLE ASSEMBLY BLACK
-	78551A28		1	STEERING HANDLE ASSEMBLY GRAY
1	48405A2		1	ARM BLACK
	48405A3		1	ARM GRAY
2	12-21631		1	WASHER
3	11-35045		1	NUT
4	58192A1		1	GRIP
5	48416		2	CAP
6	48519		1	PLATE
7	27-48518		1	GASKET
8	10-48408		3	SCREW (1/2")
	10-48409		1	SCREW (5/8")
9	48414		1	HOUSING
10	48516A1		1	DRIVE WHEEL AND ROD
11	41105		1	CABLE
12	78551--2		1	CONDUIT
13	89613		1	BARREL
	89578		1	BARREL
14	89566--1		1	TUBE
15	10-824081		1	SET SCREW
16	43433		1	GUIDE
17	20007		1	ANCHOR
18	10-20518		2	SCREW
19	14690		1	SHIFT LEVER
20	98530		1	KNOB
21	23-48475		1	BUSHING (1/4" I.D.)
22	12-35950		1	WASHER
23	18-25191		1	COTTER PIN
24	812806--1		1	SHIFT ROD
25	812825		1	ROD END
26	78812A1		1	DETENT
27	10-48409		2	SCREW
28	23-48237		1	BUSHING (3/8" I.D.)
29	12-29629		1	WASHER
30	17459A2		1	SWITCH ACTUATOR
31	10-824081		2	SET SCREW
32	87-813960A2		1	SWITCH ASSEMBLY
33	10-12110		2	SCREW
34	48404F3		1	BRACKET BLACK
	48404F4		1	BRACKET GRAY
-	78551A29		1	STEERING HANDLE ASSEMBLY BLACK
-	78551A28		1	STEERING HANDLE ASSEMBLY GRAY
35	10-823597		1	SCREW

CONTINUED ON NEXT PAGE ➡

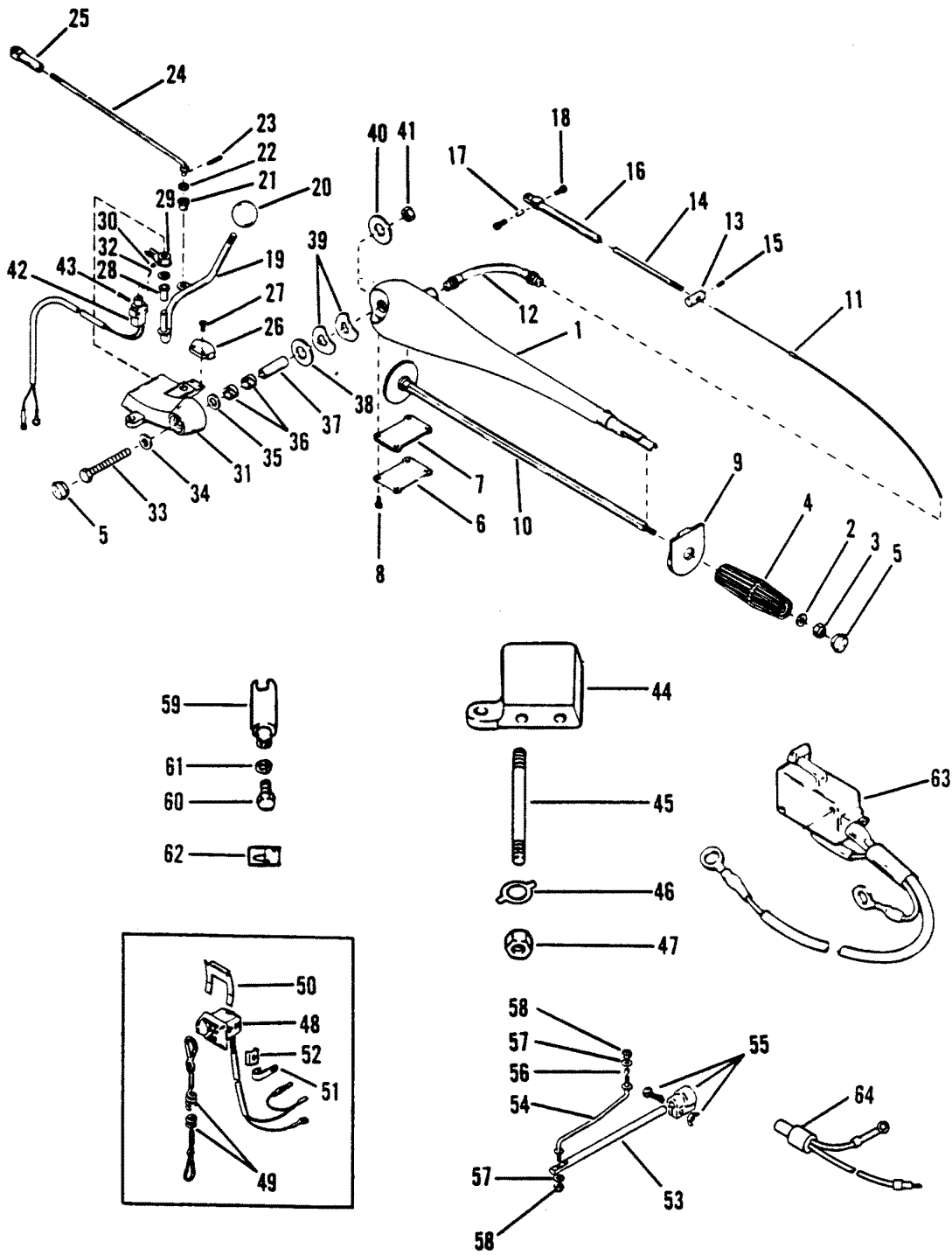
STEERING HANDLE ASSEMBLY



STEERING HANDLE ASSEMBLY

REF. NO.	PART NO.	SYM.	QTY.	DESCRIPTION
36	12-48477		1	WASHER (.505 I.D.)
37	12-48526		1	WASHER (.630 I.D.)
38	23-28919		2	BUSHING (5/8" I.D.)
39	23-48525		1	SPACER
40	12-48527		1	WASHER (1-35/64" O.D.)
41	13-48478		2	WAVE WASHER
42	12-49636		1	WASHER (1-3/4" O.D.)
43	11-20220		1	NUT
44	11-64015		1	NUT
45	14876		1	HOSE HOLDER
46	10-98253		1	SCREW
47	12-71055		1	WASHER
48	15825		1	RETAINER
49	41130		1	SPACER BLACK
	41130F2		1	SPACER GRAY
50	16-14651		2	STUD
51	14-43589		2	TAB WASHER
52	11-34863		2	NUT
53	87-11083A26		1	STOP SWITCH
54	15920A54		1	LANYARD
55	12044--1		1	RETAINER
56	52148		1	PILOT ROD
57	52150		1	LINK ROD
58	11-52155A1		1	NUT ASSEMBLY
59	23-52151--2		1	BUSHING
60	12-70132		2	WASHER
61	11-45592		2	NUT
62	55-58780A7		1	SHOCK ABSORBER BLACK
	55-58780A4		1	SHOCK ABSORBER GRAY
63	10-69375A1		4	SCREW
64	12-69374		4	WASHER (OUTER)
65	23-28198		4	BUSHING (LOWER)
66	12-59378		2	WASHER (INNER)
67	55-69653--1		2	PIN
68	55-28416		1	PIN
69	12-34937		2	WASHER (INNER)
70	23-32171		4	BUSHING (UPPER)

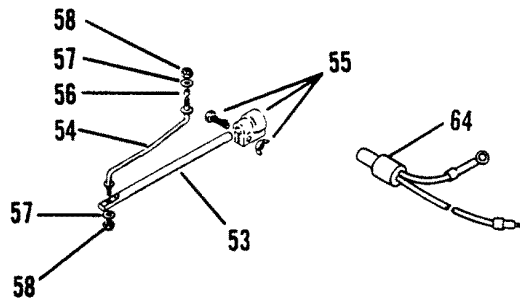
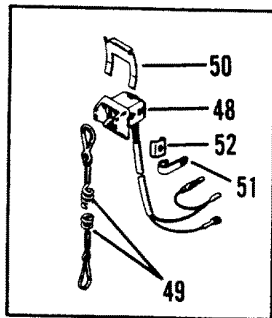
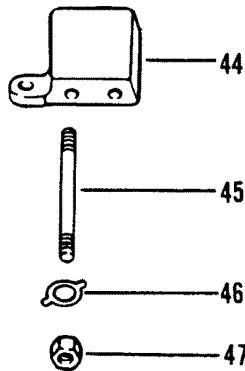
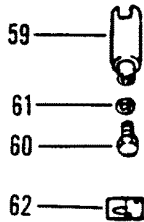
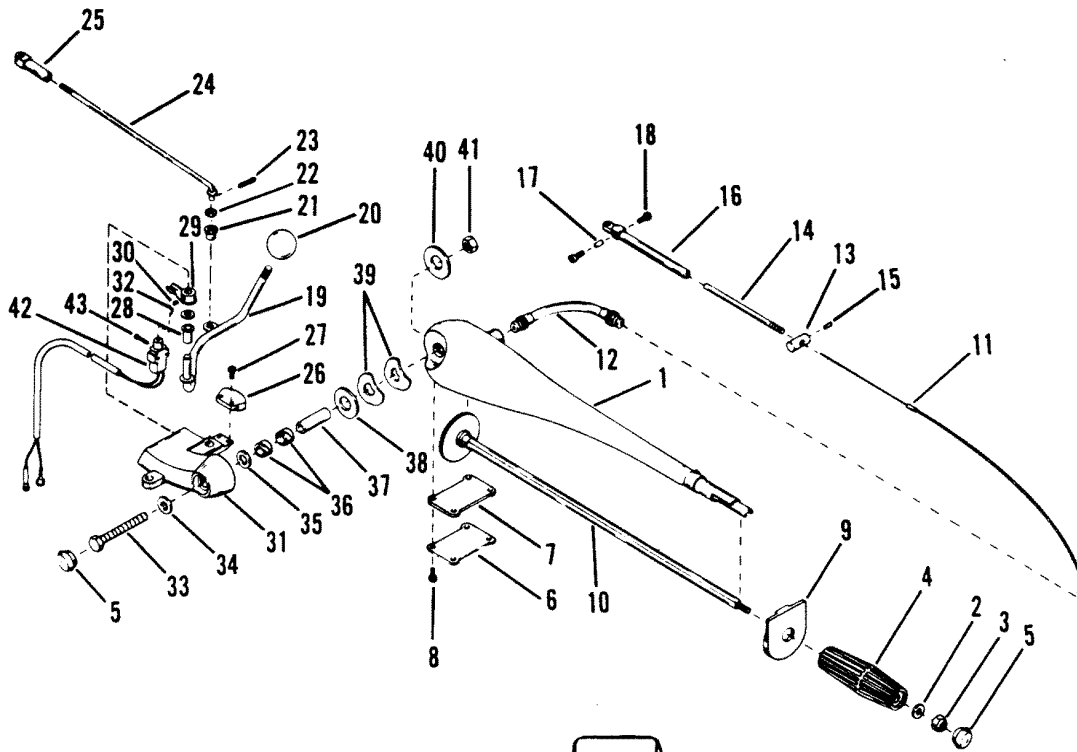
TILLER HANDLE KIT (PAGE 1)



TILLER HANDLE KIT (PAGE 1)

REF. NO.	PART NO.	SYM.	QTY.	DESCRIPTION
-	78551A31		1	TILLER HANDLE ASSEMBLY BLACK
-	78551A30		1	TILLER HANDLE ASSEMBLY GRAY
1	48405A2		1	ARM BLACK
	48405A3		1	ARM GRAY
2	12-21631		1	WASHER
3	11-35045		1	NUT
4	58192A1		1	GRIP
5	48416		2	CAP
6	48519		1	PLATE
7	27-48518		1	GASKET
8	10-48408		3	SCREW (1/2")
	10-48409		1	SCREW (5/8)
9	48414		1	HOUSING
10	48516A1		1	DRIVE WHEEL AND ROD
11	41105		1	CABLE
12	78551--2		1	CONDUIT
13	89578		1	BARREL
14	89566--1		1	TUBE
15	10-824081		1	SET SCREW
16	43433		1	GUIDE
17	20007		1	ANCHOR
18	10-20518		2	SCREW
19	14690		1	SHIFT LEVER
20	98530		1	KNOB
21	23-48475		1	BUSHING (1/4" I.D.)
22	12-35950		1	WASHER
23	18-25191		1	COTTER PIN
24	812806--1		1	SHIFT ROD
25	812825		1	ROD END
26	78812A1		1	DETENT
27	10-48409		2	SCREW
28	23-48237		1	BUSHING (3/8" I.D.)
29	17459A2		1	SWITCH ACTUATOR
30	10-824081		2	SET SCREW

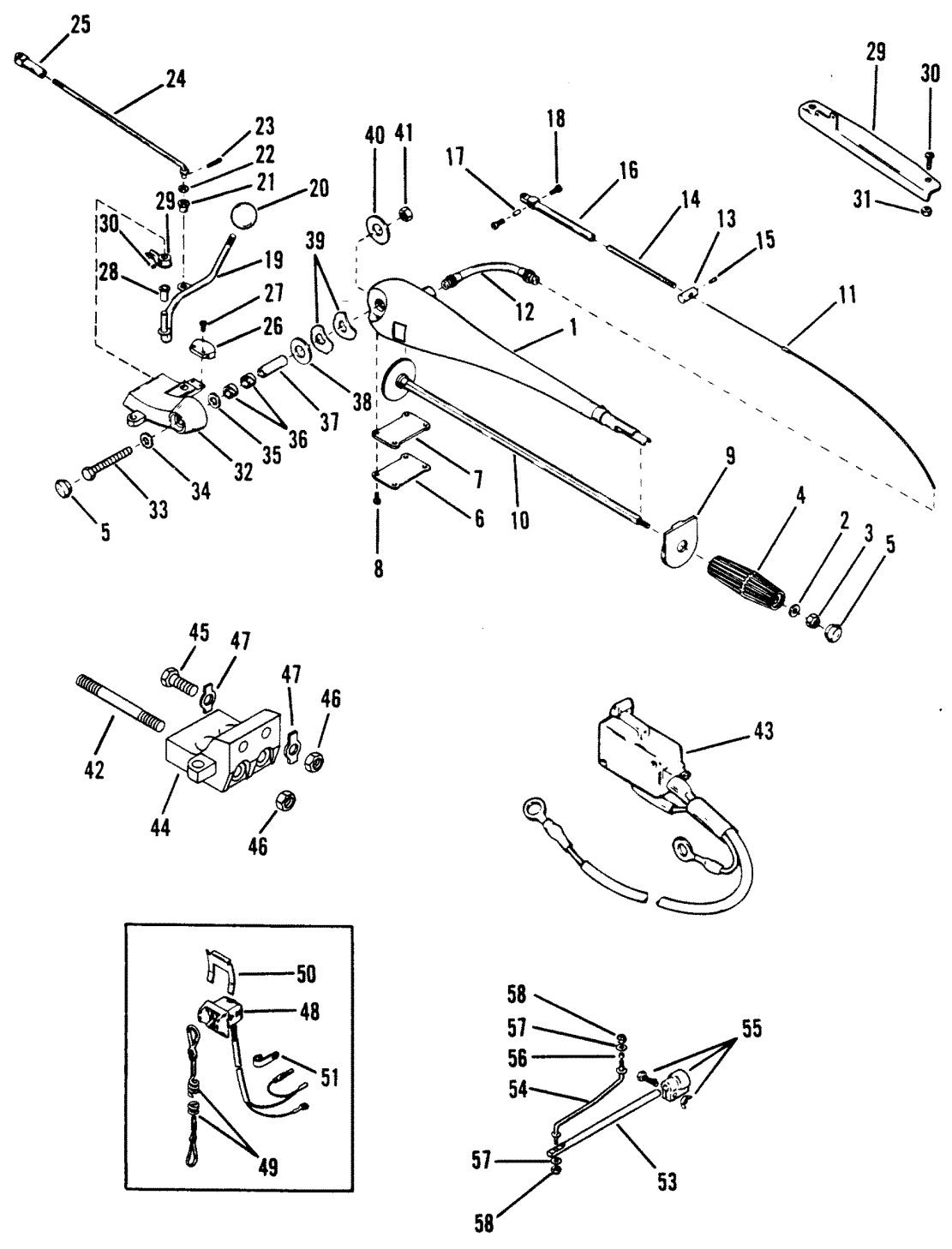
TILLER HANDLE KIT (PAGE 2)



TILLER HANDLE KIT (PAGE 2)

REF. NO.	PART NO.	SYM.	QTY.	DESCRIPTION
-	78551A31		1	TILLER HANDLE ASSEMBLY BLACK
-	78551A30		1	TILLER HANDLE ASSEMBLY GRAY
31	48404F3		1	BRACKET BLACK
	48404T6		1	BRACKET
32	12-29629		1	WASHER
33	10-823597		1	SCREW
34	12-48477		1	WASHER (.505 I.D.)
35	12-48526		1	WASHER (.630 I.D.)
36	23-28919		2	BUSHING (5/8" I.D.)
37	23-48525		1	SPACER
38	12-48527		1	WASHER (1-35/64" O.D.)
39	13-48478		2	WAVE WASHER
40	12-49636		1	WASHER (1-3/4" O.D.)
41	11-20220		1	NUT
42	87-813960A2		1	SWITCH
43	10-12110		1	SCREW
44	41130		1	SPACER BLACK
	41130T6		1	SPACER GRAY
45	16-14651		2	STUD
46	14-43589		2	TAB WASHER
47	11-34863		2	NUT
48	87-11083A26		1	STOP SWITCH
49	15920A54		1	LANYARD
50	12044--1		1	RETAINER
51	54-64855		1	CLAMP
52	69205		1	C-WASHER
53	52148		1	PILOT ROD
54	52150		1	LINK ROD
55	11-52155A1		1	NUT ASSEMBLY
56	23-52151--2		1	BUSHING
57	12-70132		2	WASHER
58	11-45592		2	NUT
59	14876		1	HOSE HOLDER
60	10-98253		1	SCREW
61	12-71055		1	WASHER
62	15825		1	RETAINER
64	84-11149A4		1	CABLE

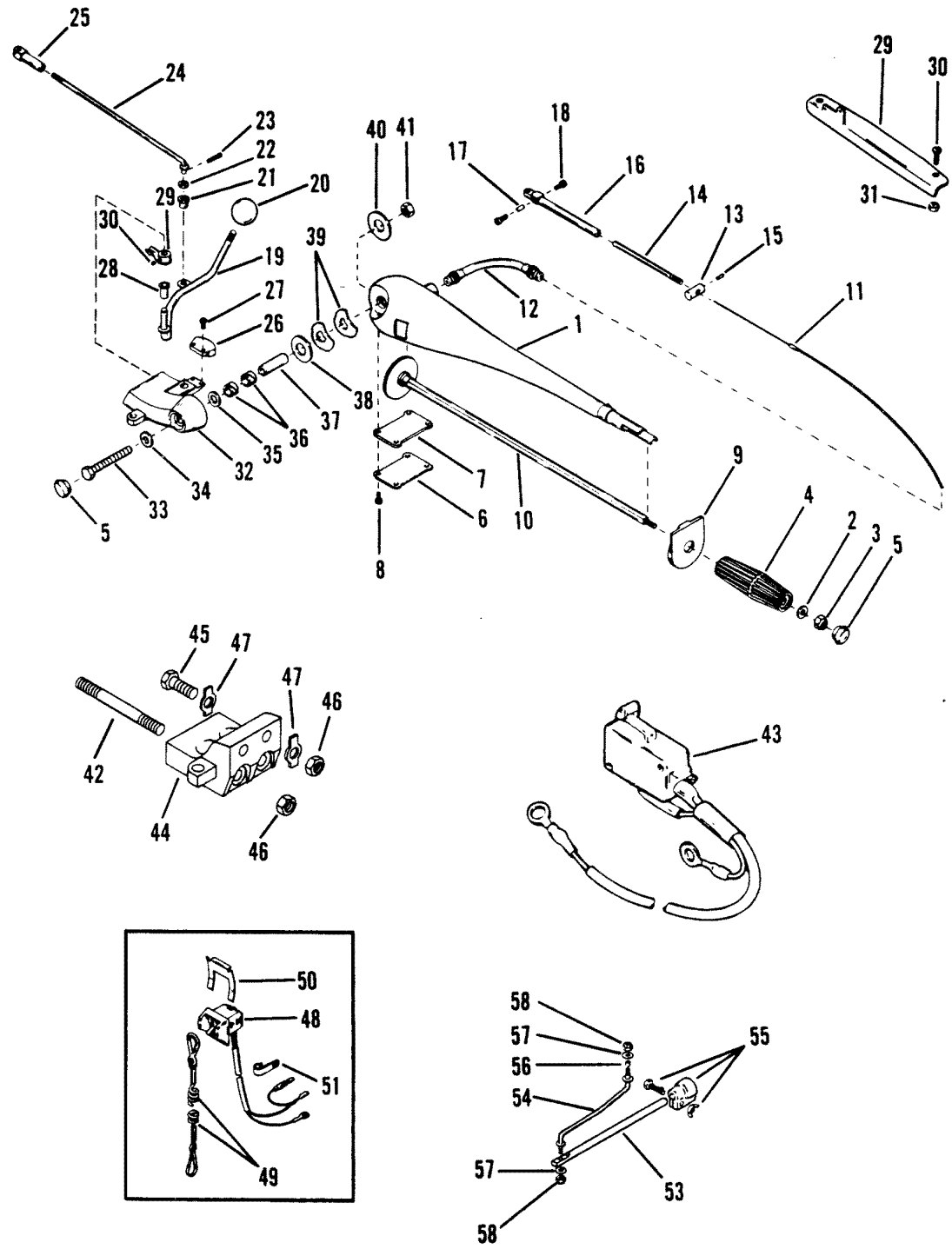
TILLER HANDLE KIT (PAGE 1) (WITH STEERING HANDLE)



TILLER HANDLE KIT (PAGE 1) (WITH STEERING HANDLE)

REF. NO.	PART NO.	SYM.	QTY.	DESCRIPTION
-	78551A46		1	TILLER HANDLE KIT BLACK
-	78551A47		1	TILLER HANDLE KIT GRAY
1	48405A2		1	ARM STEERING HANDLE BLACK
	48405A3		1	ARM, STEERING HANDLE GRAY
2	12-69056		1	WASHER,STEERING HANDLE ARM
3	11-35045		1	NUT, STEERING HANDLE ARM
4	58192A1		1	GRIP, STEERING HANDLE ARM
5	48416		2	CAP,STEERING HANDLE
6	48519		1	PLATE, COVER-DRIVE WHEEL
7	27-48518		1	GASKET, COVER PLATE
8	10-812832		3	SCREW, COVER PLATE (50MM)
	10-812832--1		1	SCREW, COVER PLATE (60MM)
9	48414		1	HOUSING, DRIVE WHEEL
10	48516A1		1	DRIVE WHEEL AND ROD
11	41105		1	THROTTLE CABLE
12	78551--2		1	CONDUIT, CABLE
13	89578		1	CONNECTOR, CONTROL LINKAGE
14	89566--1		1	TUBE, THROTTLE CABLE GUIDE
15	10-824081		1	SCREW, SET
16	43433		1	GUIDE, THROTTLE CABLE
17	20007		1	ANCHOR, THROTTLE CABLE
18	10-20518		2	SCREW, THROTTLE CABLE ANCHOR
19	48568--4		1	SHIFT LEVER
20	98530		1	KNOB, SHIFT LEVER
21	23-48475		1	BUSHING, NYLON (1/4" I.D.)
22	12-35950		1	WASHER, SHIFT ROD
23	18-25191		1	COTTER PIN, SHIFT ROD
24	812806--4		1	SHIFT ROD
25	813565		1	ROD END, SHIFT ROD
26	78812A1		1	DETENT, SHIFT LEVER
27	10-812832--1		2	SCREW, SHIFT LEVER DETENT
28	23-48237		1	BUSHING, NYLON (3/8" I.D.)
29	812614--1		1	RETAINER
30	10-90342		2	SCREW
31	11-63683		2	NUT

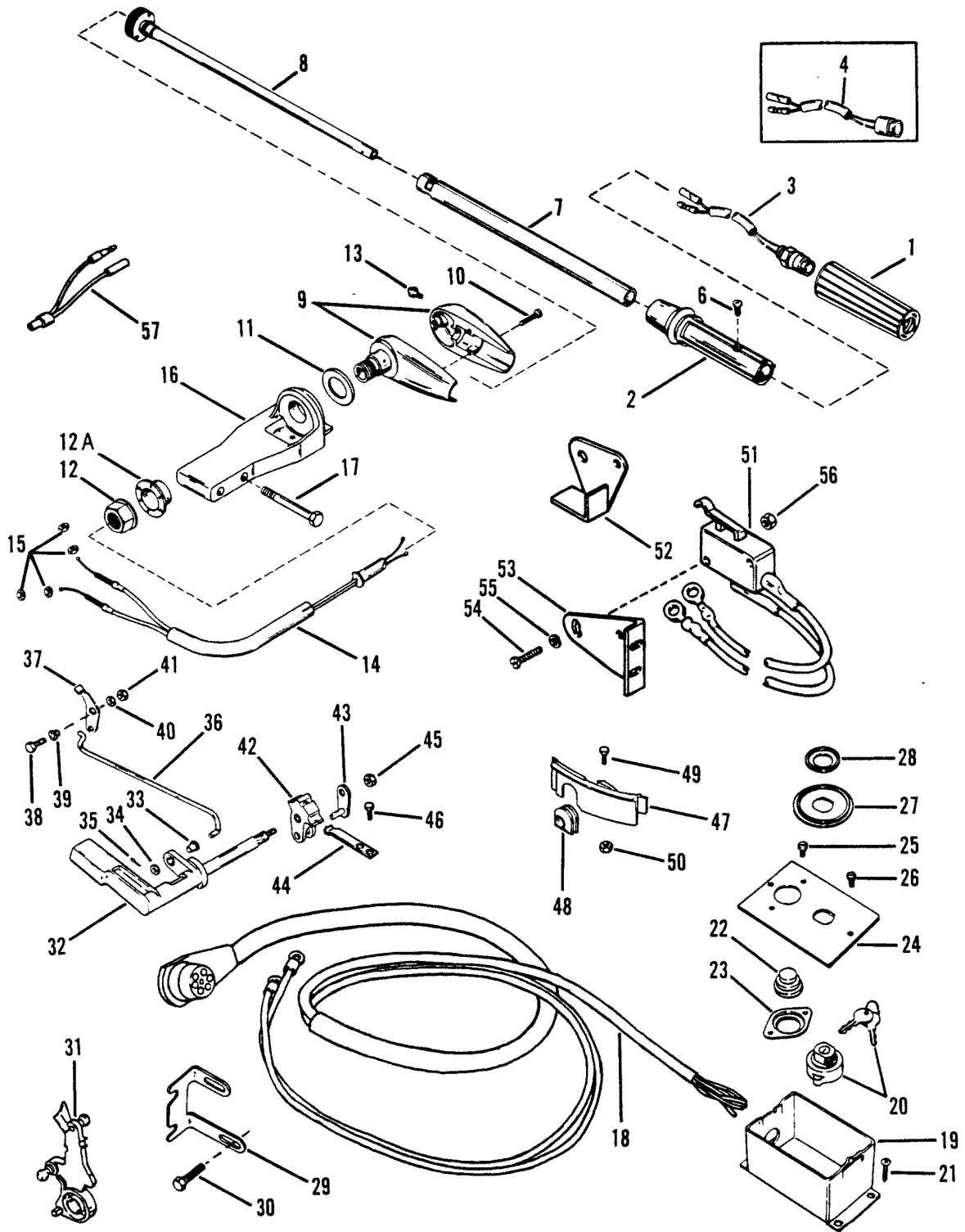
TILLER HANDLE KIT (PAGE 2) (WITH STEERING HANDLE)



TILLER HANDLE KIT (PAGE 2) (WITH STEERING HANDLE)

REF. NO.	PART NO.	SYM.	QTY.	DESCRIPTION
-	78551A46		1	TILLER HANDLE KIT BLACK
-	78551A47		1	TILLER HANDLE KIT GRAY
32	48404F3		1	BRACKET, STEERING HANDLE BLACK
	48404T6		1	BRACKET, STEERING HANDLE GRAY
33	10-823597		1	SCREW, BRACKET (2-1/2")
34	12-48477		1	WASHER, BRACKET (.505 I.D.)
35	12-48526		1	WASHER, NYLON (.630 I.D.)
36	23-28919		2	BUSHING, NYLON (5/8" I.D.)
37	23-48525		1	SPACER, BRACKET
38	12-48527		1	WASHER, NYLON (1-35/64" O.D.)
39	13-48478		2	WAVE WASHER, HANDLE BRACKET
40	12-49636		1	WASHER, NYLON (1-3/4" O.D.)
41	11-35778		1	NUT, HANDLE BRACKET SCREW
42	16-14651		2	STUD
43	87-88890A2		1	NEUTRAL START SWITCH
44	821678--2		1	ADAPTOR
45	10-90072		2	SCREW (1-3/4")
46	11-46335		2	NUT
47	14-43589		2	TAB WASHER
48	87-11083A25		1	STOP SWITCH
49	15920A54		1	LANYARD
50	12044--1		1	RETAINER
51	54-64855		1	CLAMP, STOP SWITCH
53	52148		1	PILOT ROD
54	52150		1	LINK ROD
55	11-52155A1		1	NUT ASSEMBLY
56	23-52151--2		1	BUSHING
57	12-70132		2	WASHER
58	11-45592		2	NUT

TILLER HANDLE KIT (HARNESS W/METAL LOCK RING)

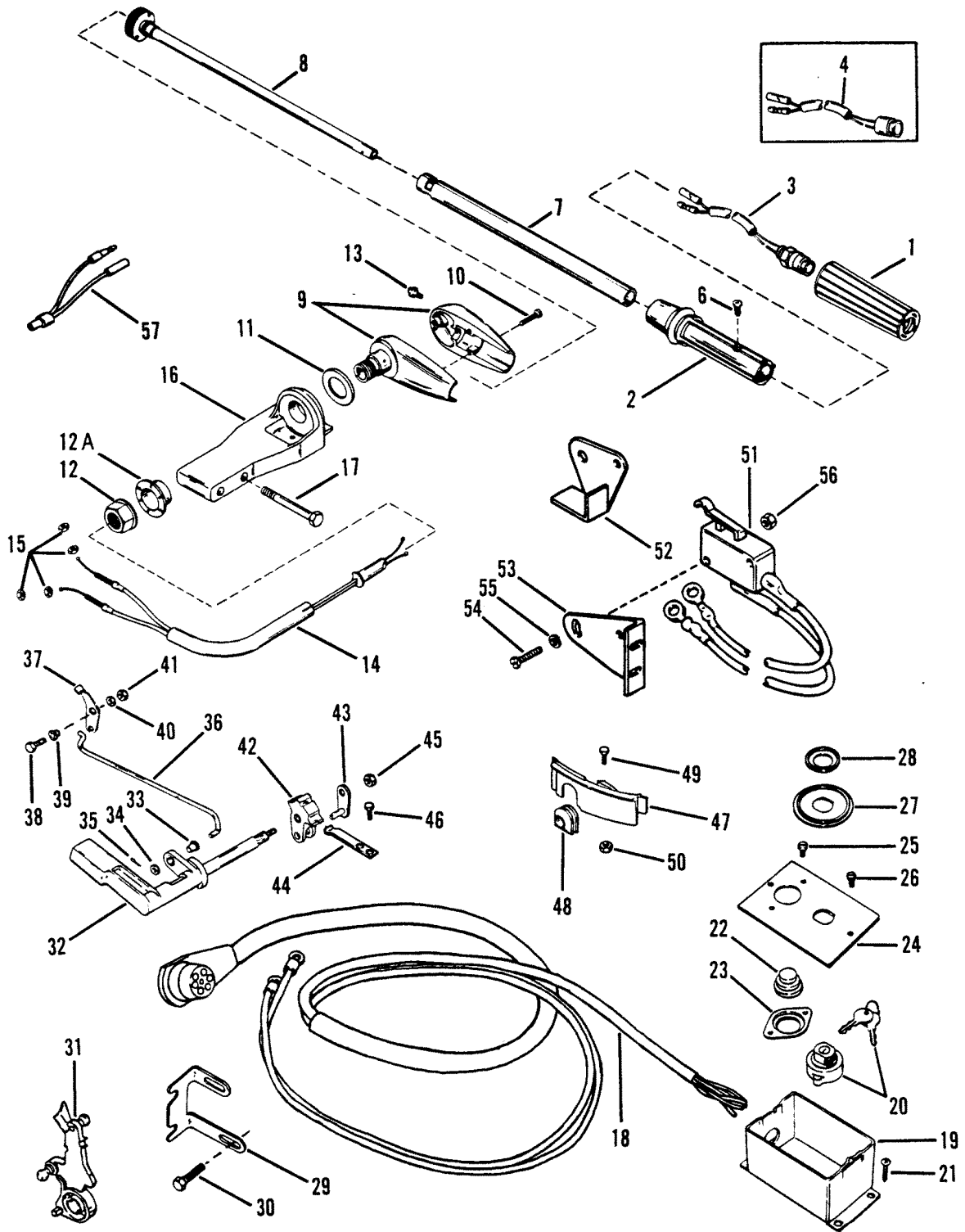


TILLER HANDLE KIT (HARNESS W/METAL LOCK RING)

REF. NO.	PART NO.	SYM.	QTY.	DESCRIPTION
-	94185A18		1	TILLER HANDLE KIT
1	99589		1	GRIP
2	87-823609A10		1	HANDLE/STOP SWITCH KIT
3	87-823609A1		1	STOP SWITCH (DESIGN II-W/METAL LOCK RING)
4	NLA		1	HARNESS (DESIGN I-ORDER 87-823609A10)
6	10-62568		1	SCREW
7	99333A2		1	TUBE ASSEMBLY
8	97550--1		1	TUBE
9	NLA		1	BRACKET (ORDER 43447A4) REF. #12 IS 1" -14
10	10-40019109		3	SCREW REF. #12 IS 1" -14
11	12-17782--1		1	WASHER REF. #12 IS 1" -14
12	11-90068F3		1	NUT REF. #12 IS 1" -14
	23-85973		1	BUSHING REF. #12 IS 1" -14
13	22-74036		1	GREASE FITTING REF. #12 IS 1" -14
9	44397A16		1	BRACKET REF. #12 IS 1-1/8" -12
10	10-40011110		3	SCREW REF. #12 IS 1-1/8" -12
11	12-17782--1		1	WASHER REF. #12 IS 1-1/8" -12
12	11-816880		1	NUT REF. #12 IS 1-1/8" -12
	23-817026		1	BUSHING REF. #12 IS 1-1/8" -12
13	22-74036		1	GREASE FITTING REF. #12 IS 1-1/8" -12
14	43242--2		1	CABLE
15	11-40021--2		4	NUT
16	43447A4		1	BRACKET ASSEMBLY
17	10-40003-84		2	SCREW (75MM)
18	84-92195A5		1	HARNESS(5")
19	47974		1	HOUSING
20	54211		1	SWITCH (WITH KEYS-PART #30431)
21	10-47994		4	SCREW
22	29759		1	SWITCH
23	47973		1	PLATE
24	NSS		1	SWITCH COVER ASSEMBLY
25	10-49597		4	SCREW
26	10-62568		4	SCREW(3/8")
27	38-47972		1	PLATE
28	68863		1	BEZEL
29	17848		1	CABLE BRACKET
30	10-40001-78		2	SCREW
31	11038--3		1	LEVER
32	42330--1		1	HANDLE
33	23-96202		1	BUSHING
34	12-89302		2	WASHER
35	18-21071		1	COTTER PIN
36	11042		1	LINK

CONTINUED ON NEXT PAGE ➡

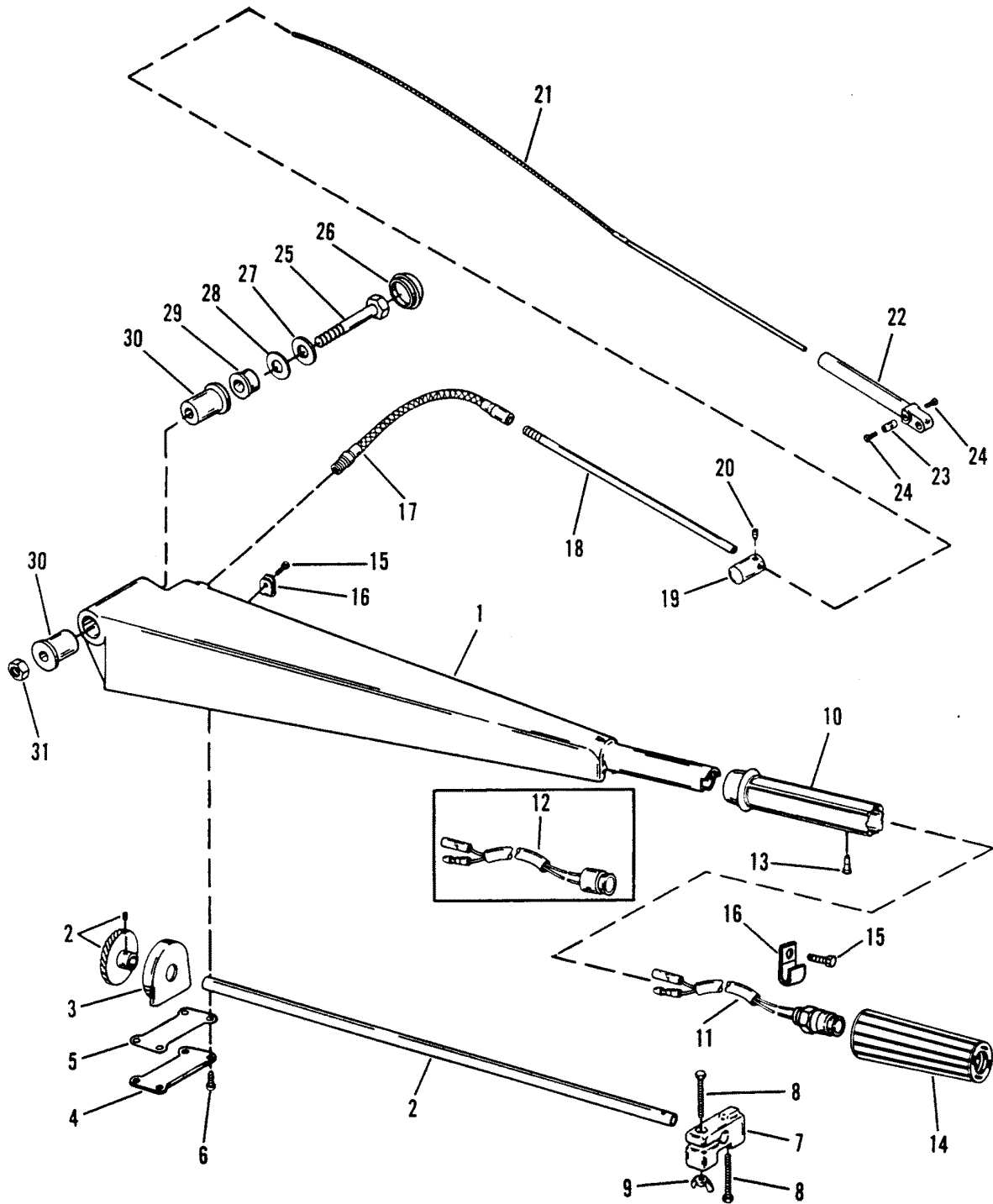
TILLER HANDLE KIT (HARNESS W/METAL LOCK RING)



TILLER HANDLE KIT (HARNESS W/METAL LOCK RING)

REF. NO.	PART NO.	SYM.	QTY.	DESCRIPTION
37	11050--1		1	LEVER
38	10-40001-17		1	SCREW
39	23-85095		1	BUSHING
40	12-89302		2	WASHER
41	11-40063--3		1	NUT
42	42329--1		1	LEVER
43	42358		1	BACK PLATE
44	24-39627		1	SPRING
45	11-40063--3		1	NUT
46	10-40001--1		2	SCREW
47	17234F2		1	COVER
48	25-17227		1	GROMMET
49	10-40003-29		1	SCREW
50	11-40119--6		1	NUT
51	87-93479A4		1	NEUTRAL SWITCH ASSEMBLY
52	12001		1	CAM
53	11036--1		1	BRACKET
54	10-90342		2	SCREW
55	13-11052		2	LOCKWASHER
56	11-63683		2	NUT
57	84-11149A1		1	CABLE ASSEMBLY
	84-11149A2		1	CABLE ASSEMBLY

STEERING HANDLE KIT (PAGE 1)

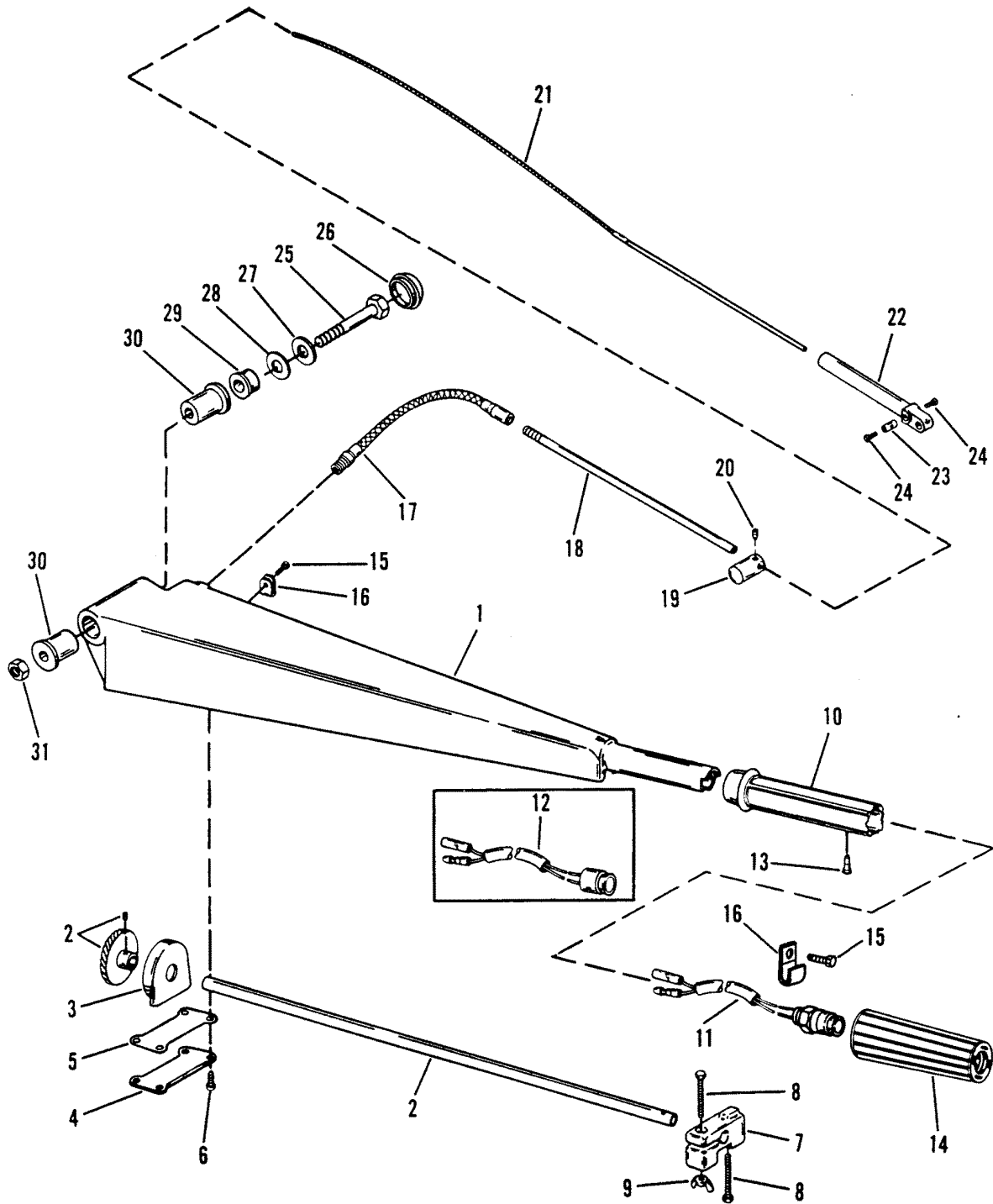


STEERING HANDLE KIT (PAGE 1)

REF. NO.	PART NO.	SYM.	QTY.	DESCRIPTION
-	816366A12		1	STEERING HANDLE KIT BLACK
-	816366A13		1	STEERING HANDLE KIT GRAY
1	12020A3		1	STEERING ARM BLACK
	12020A4		1	STEERING ARM GRAY
-	22-74036		1	GREASE FITTING
2	12018A2		1	THROTTLE TUBE
3	48414		1	HOUSING
4	48519		1	PLATE
5	27-48518		1	GASKET
6	10-812832		5	SCREW (50MM)
7	54-12013		1	CLAMP
8	10-40007112		2	SCREW
9	11-816873		1	WING NUT
10	87-823609A15		1	THROTTLE HANDLE/STOP SWITCH KIT
11	87-823609A5		1	STOP SWITCH (DESIGN II-W/METAL LOCK RING)
12	NLA		1	STOP SWITCH (DESIGN I-ORDER 87-823609A15)
13	10-62568		1	SCREW
14	99589		1	GRIP
15	10-812832--1		1	SCREW (60MM)
16	54-64855		AR	J-CLAMP
17	78551--2		1	CONDUIT
18	89566--1		1	GUIDE TUBE
19	89578		1	BARREL
20	10-824081		1	SET SCREW
21	12019		1	CABLE
22	43433		1	GUIDE
23	20007		1	ANCHOR
24	10-20518		2	SET SCREW
25	10-823567105		1	SCREW
26	48416		1	CAP
27	12-40023-19		1	WASHER
28	12-12024		1	WASHER
29	23-14601		1	SPACER
30	23-812930A1		2	BUSHING
31	11-13914		1	NUT
-	89491--1		AR	KEY 1A
-	89491--2		AR	KEY 1B
-	89491--3		AR	KEY 1C
-	89491--4		AR	KEY 1D
-	89491--5		AR	KEY 1E
-	89491--6		AR	KEY 1F
-	89491--7		AR	KEY 2A

CONTINUED ON NEXT PAGE ➡

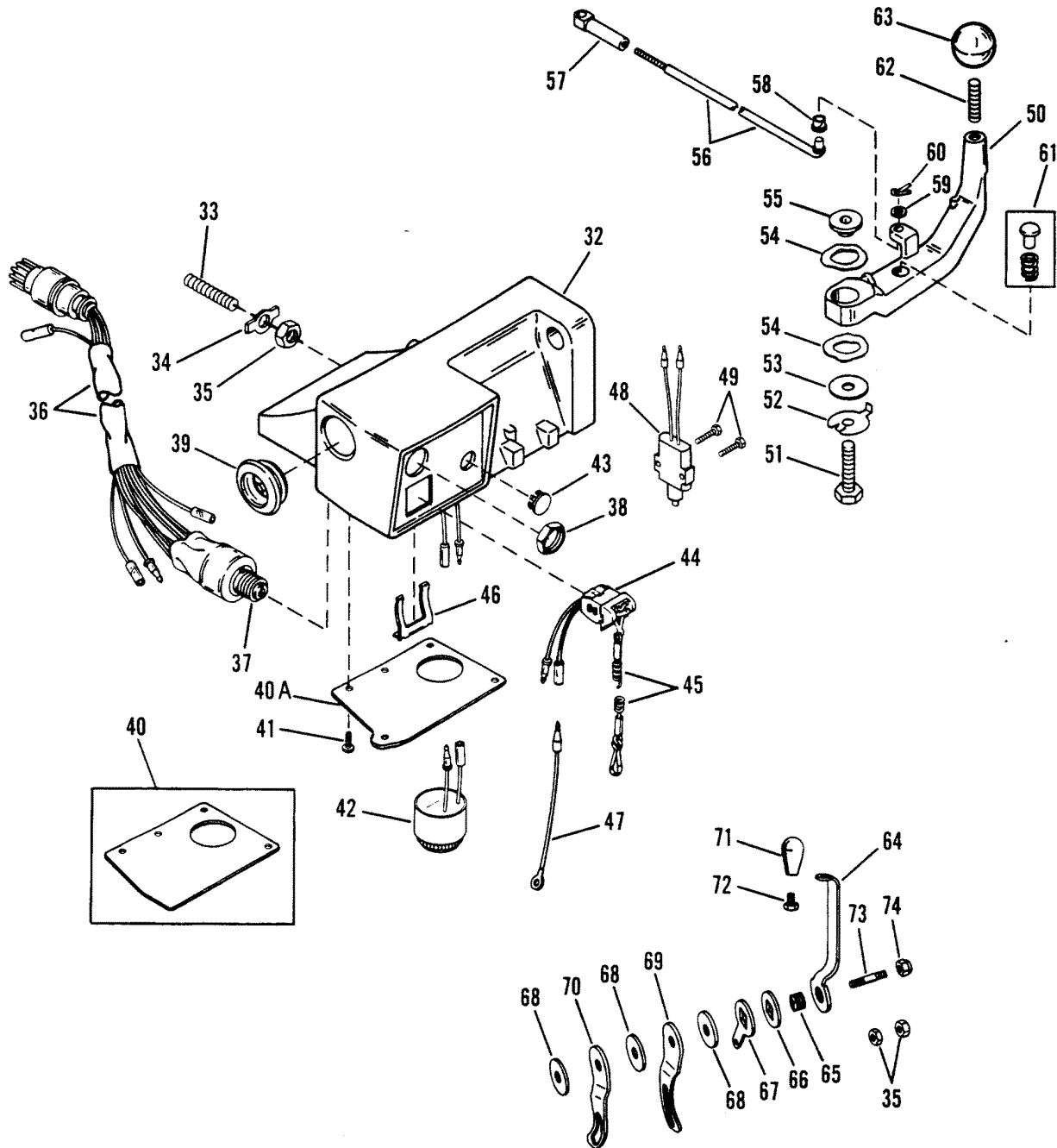
STEERING HANDLE KIT (PAGE 1)



STEERING HANDLE KIT (PAGE 1)

REF. NO.	PART NO.	SYM.	QTY.	DESCRIPTION
-	89491--8		AR	KEY 2B
-	89491--9		AR	KEY 2C
-	89491-10		AR	KEY 2D
-	89491-11		AR	KEY 2E
-	89491-12		AR	KEY 2F

STEERING HANDLE KIT (PAGE 2)

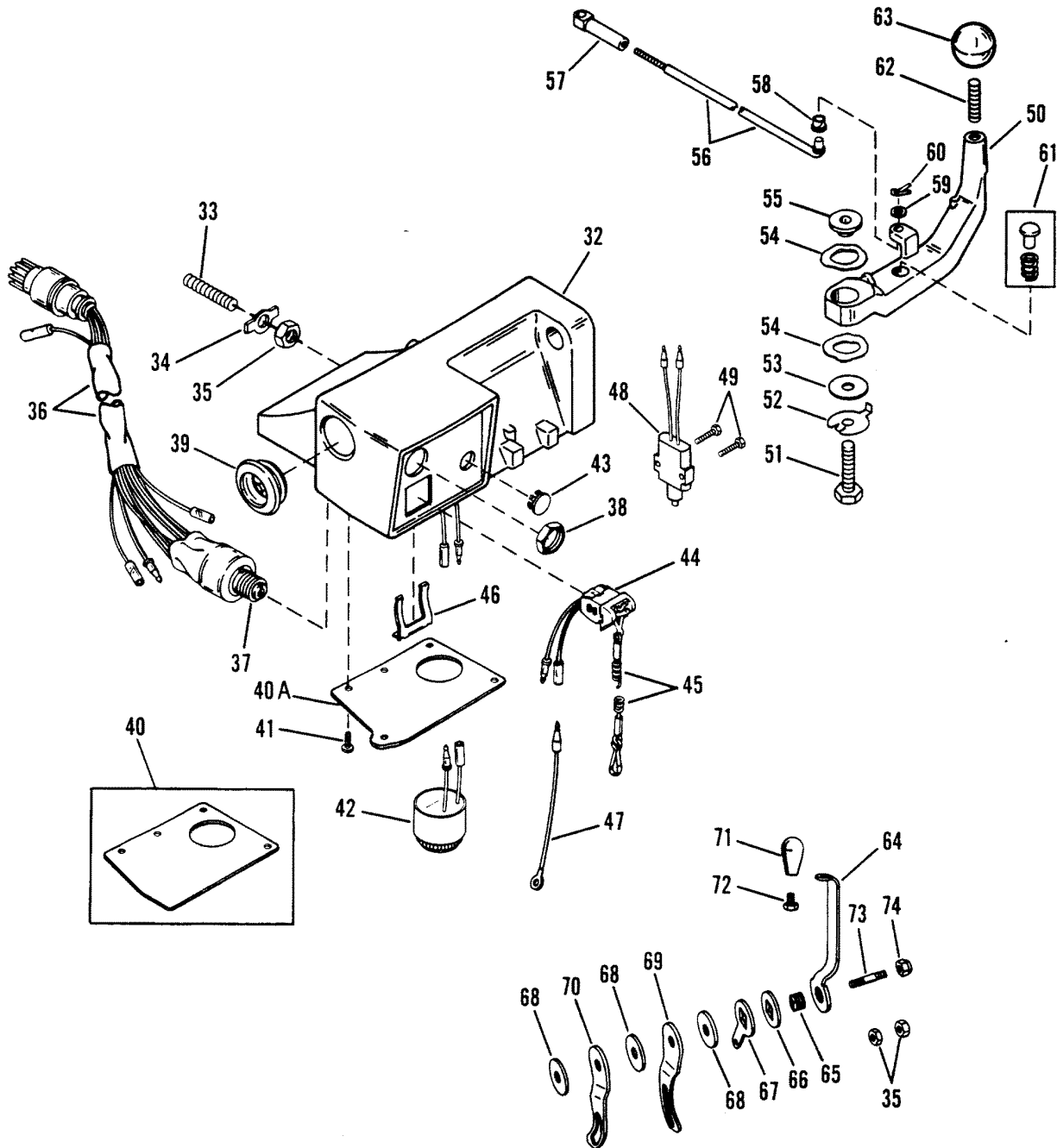


STEERING HANDLE KIT (PAGE 2)

REF. NO.	PART NO.	SYM.	QTY.	DESCRIPTION
-	816366A12		1	STEERING HANDLE KIT BLACK
-	816366A13		1	STEERING HANDLE KIT GRAY
32	816366F3		1	BRACKET BLACK
	816366F4		1	BRACKET GRAY
33	16-815802		2	STUD
34	14-815806		2	TAB WASHER
35	11-40119--6		4	NUT
36	84-12649A4		1	HARNES ASSEMBLY
37	87-88107		1	KEY SWITCH SEE PAGE 47 FOR KEYS
38	11-93543		1	NUT
39	12105--1		1	GROMMET
40	815804		1	COVER (DESIGN I-W/4 HOLES)
40A	815804--1		1	COVER (DESIGN II-W/5 HOLES)
41	10-812832		4	SCREW
42	816051A2		1	HORN
43	19-12014		1	PLUG
44	87-11083A4		1	STOP SWITCH ASSEMBLY
45	15920A54		1	LANYARD
46	12044--1		1	RETAINER
47	84-11149A3		1	CABLE
48	87-813960A3		1	SWITCH ASSEMBLY
49	10-12110		2	SCREW
50	816367F3		1	SHIFT LEVER (BLACK)
	816367F4		1	SHIFT LEVER (GRAY)
51	10-40003-55		1	SCREW
52	14-815805--1		1	TAB WASHER
53	12-814803		1	WASHER
54	13-86498		2	WAVE WASHER
55	23-815983--1		1	BUSHING
56	49563--4		1	SHIFT ROD
57	48419		1	ROD END
58	23-26856		1	BUSHING
59	12-35950		1	WASHER
60	18-25191		1	COTTER PIN
61	12016A2		1	DETENT ASSEMBLY
62	16-58152		1	STUD
63	98530		1	KNOB
64	816416A3		1	CO-PILOT LEVER
65	816564		1	CO-PILOT DRIVER
66	12-816576		1	WASHER
67	NLA		1	BRAKE (ORDER 816416A3-REF.#64)
68	816562--1		3	BRAKE DISC
69	816413		1	ARM (TOP)

CONTINUED ON NEXT PAGE ➡

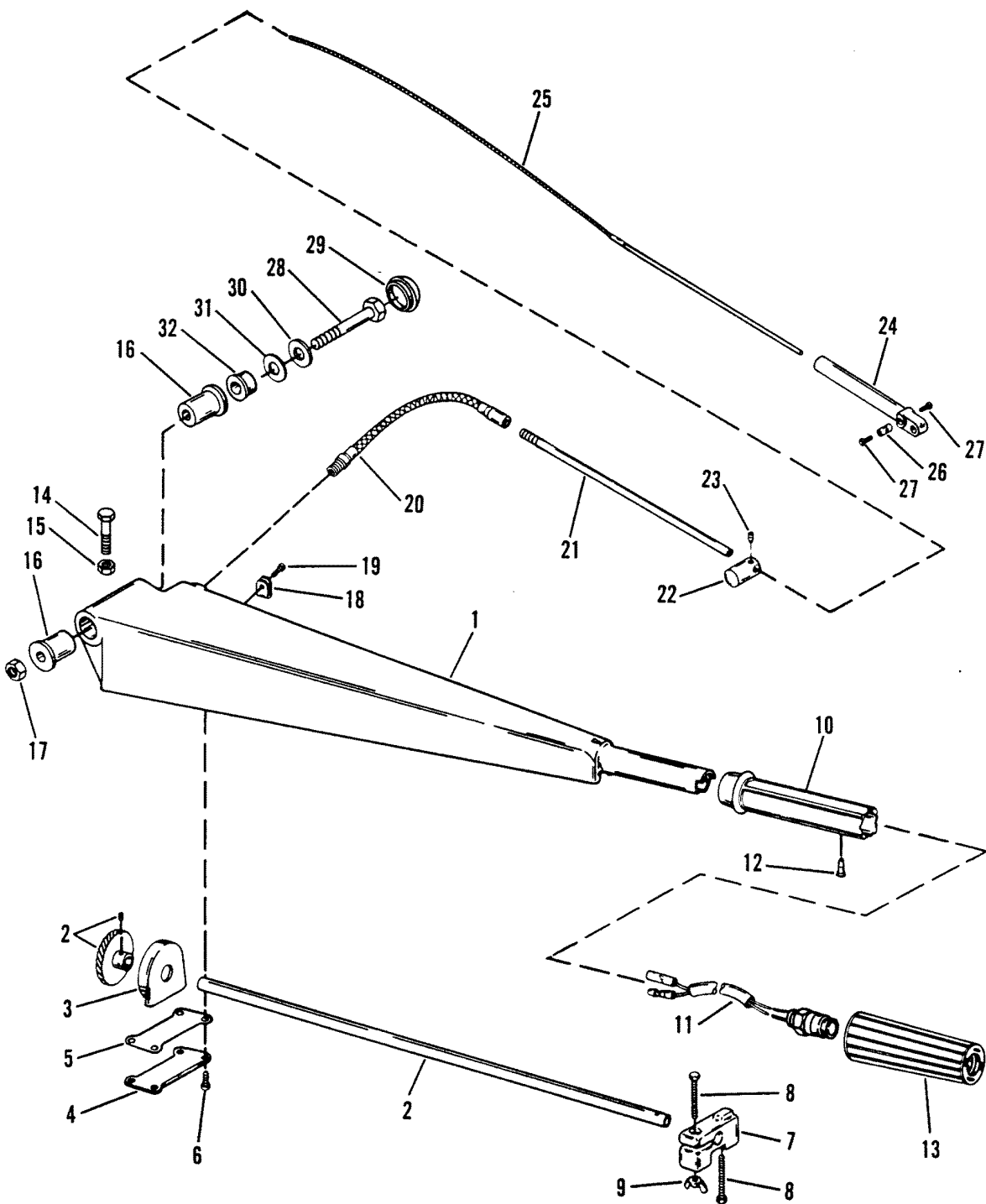
STEERING HANDLE KIT (PAGE 2)



STEERING HANDLE KIT (PAGE 2)

REF. NO.	PART NO.	SYM.	QTY.	DESCRIPTION
70	816414		1	ARM (BOTTOM)
71	NLA		1	KNOB (ORDER 816416A3-REF.#64)
72	10-40003-50		1	SCREW
73	16-816560		1	STUD
74	11-40063--6		1	NUT

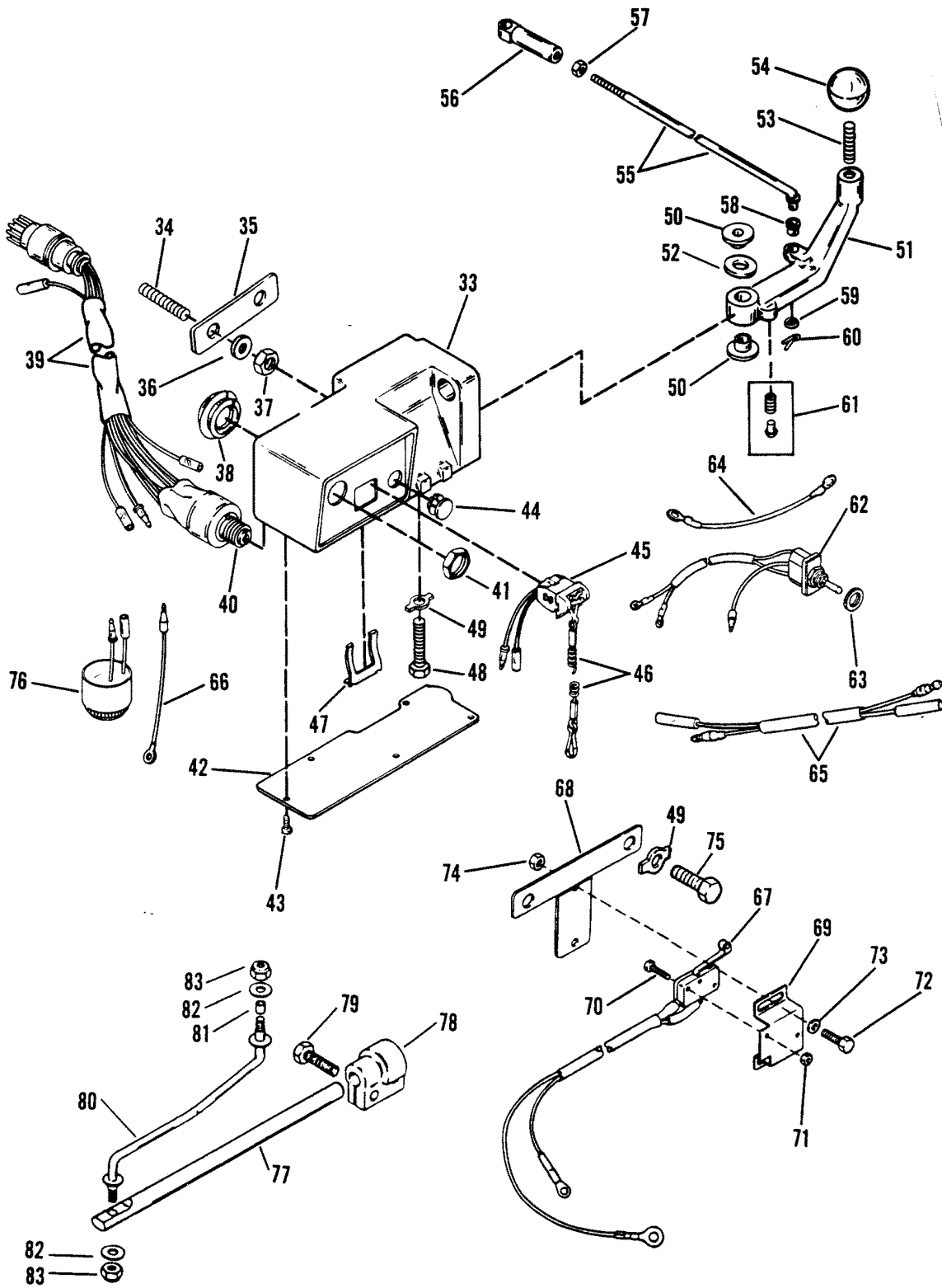
STEERING HANDLE BRACKET KIT (PAGE 1)



STEERING HANDLE BRACKET KIT (PAGE 1)

REF. NO.	PART NO.	SYM.	QTY.	DESCRIPTION
-	12022A18		1	STEERING HANDLE BRACKET KIT BLACK
-	12022A19		1	STEERING HANDLE BRACKET KIT GRAY
1	12020A3		1	STEERING ARM BLACK
	12020A4		1	STEERING ARM GRAY
-	22-74036		1	GREASE FITTING
2	12018A2		1	THROTTLE TUBE
3	48414		1	HOUSING
4	48519		1	PLATE
5	27-48518		1	GASKET
6	10-812832--1		AR	SCREW (60MM)
	10-812832		AR	SCREW (50MM)
7	54-12013		1	CLAMP
8	10-40007112		2	SCREW
9	11-816873		1	NUT
10	87-823609A15		1	THROTTLE HANDLE/STOP SWITCH KIT
11	87-823609A5		1	STOP SWITCH
12	10-62568		1	SCREW
13	99589		1	GRIP
14	10-14000		1	SCREW
15	11-34863		1	NUT
16	23-812930A1		2	BUSHING
17	11-13914		1	NUT
18	54-64855		2	CLIP
19	10-812832		1	SCREW (50MM)
20	78551--2		1	CONDUIT
21	89566--1		1	GUIDE TUBE
22	89578		1	BARREL
23	10-824081		1	SET SCREW
24	43433		1	GUIDE
25	12019		1	CABLE
26	20007		1	ANCHOR
27	10-20518		2	SET SCREW
28	10-823567105		1	SCREW
29	48416		1	CAP
30	12-40023-19		1	WASHER
31	12-12024		1	WASHER
32	23-14601		1	SPACER

STEERING HANDLE BRACKET KIT (PAGE 2)

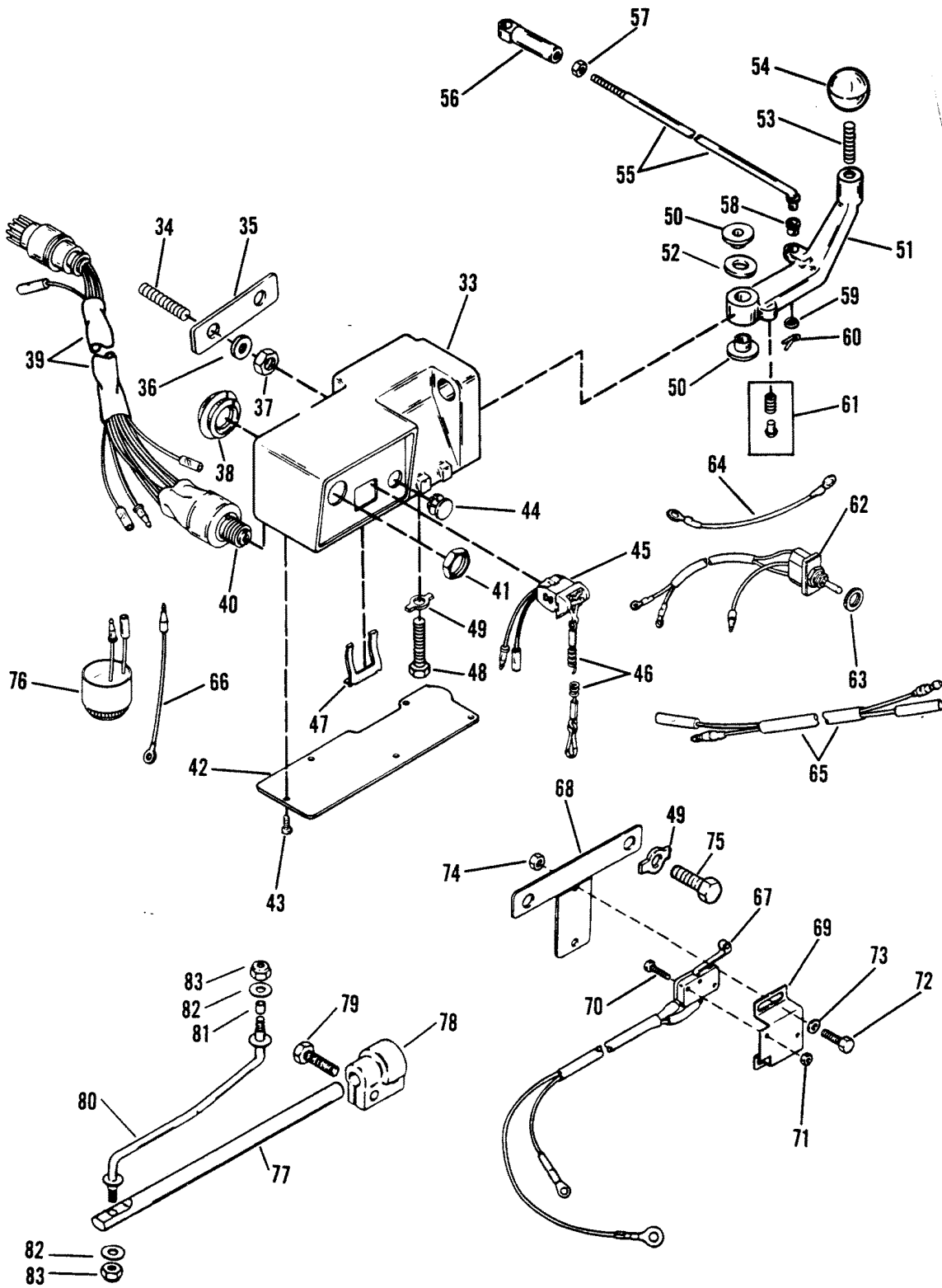


STEERING HANDLE BRACKET KIT (PAGE 2)

REF. NO.	PART NO.	SYM.	QTY.	DESCRIPTION
-	12022A18		1	STEERING HANDLE BRACKET KIT BLACK
-	12022A19		1	STEERING HANDLE BRACKET KIT GRAY
33	12022A22		1	BRACKET ASSEMBLY BLACK
	12022A23		1	BRACKET ASSEMBLY GRAY
34	16-822320		2	STUD
35	822263		1	SPACER
36	12-817274		2	WASHER
37	11-35814		2	NUT
38	12105--1		1	GROMMET
39	84-12649A4		1	HARNESS ASSEMBLY
40	87-88107		1	KEY SWITCH SEE PAGE 47 FOR KEY CHART
41	11-93543		1	NUT
42	12015A1		1	COVER
43	10-812832		6	SCREW
44	19-12014		1	PLUG
45	87-11083A4		1	STOP SWITCH ASSEMBLY
46	15920A54		1	LANYARD
47	12044--1		1	RETAINER
48	10-40003-58		1	SCREW
49	14-42981		3	TAB WASHER
50	23-42992--1		2	BUSHING
51	12021A1		1	SHIFT LEVER BLACK
	12021A2		1	SHIFT LEVER GRAY
52	12-815351		1	WASHER
53	16-58152		1	STUD
54	98530		1	KNOB
55	49563--4		1	SHIFT ROD
56	48419		1	ROD END
57	11-64015		1	NUT
58	23-26856		1	BUSHING
59	12-29245		1	WASHER
60	18-25191		1	COTTER PIN
61	12016A2		1	DETENT ASSEMBLY
62	87-14645A4		1	TRIM SWITCH
63	49440		1	NUT
64	84-86324A2		1	CABLE (YELLOW/RED)
65	84-821028A1		1	CABLE (20")
66	84-11149A3		1	CABLE (3-1/4")
67	87-93479A7		1	NEUTRAL START SWITCH
68	12609		1	BRACKET
69	12610--1		1	BRACKET
70	10-90342		2	SCREW
71	11-24832		2	NUT

CONTINUED ON NEXT PAGE ➡

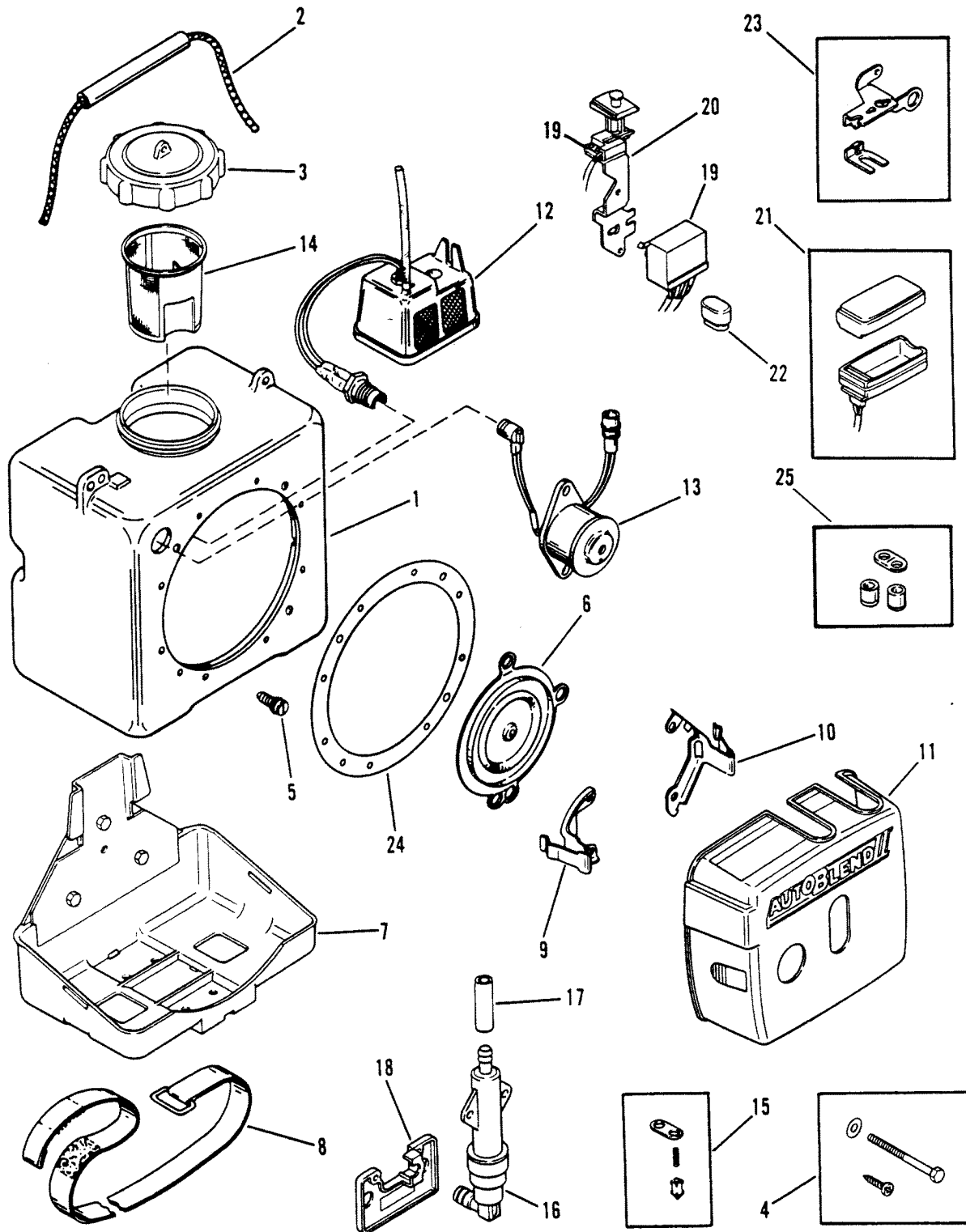
STEERING HANDLE BRACKET KIT (PAGE 2)



STEERING HANDLE BRACKET KIT (PAGE 2)

REF. NO.	PART NO.	SYM.	QTY.	DESCRIPTION
72	10-57583		2	SCREW
73	12-20878		2	WASHER
74	11-26419		2	NUT
75	10-40001134		2	SCREW
76	816051A2		1	HORN ASSEMBLY
-	52148A6		1	CO-PILOT REPLACEMENT ASSEMBLY
77	52148		1	PILOT ROD
78	11-52155A1		1	NUT KIT
79	10-36137		1	SCREW
80	87349--1		1	ROD
81	23-52151--2		1	BUSHING
82	12-70132		2	WASHER
83	11-45592		2	NUT

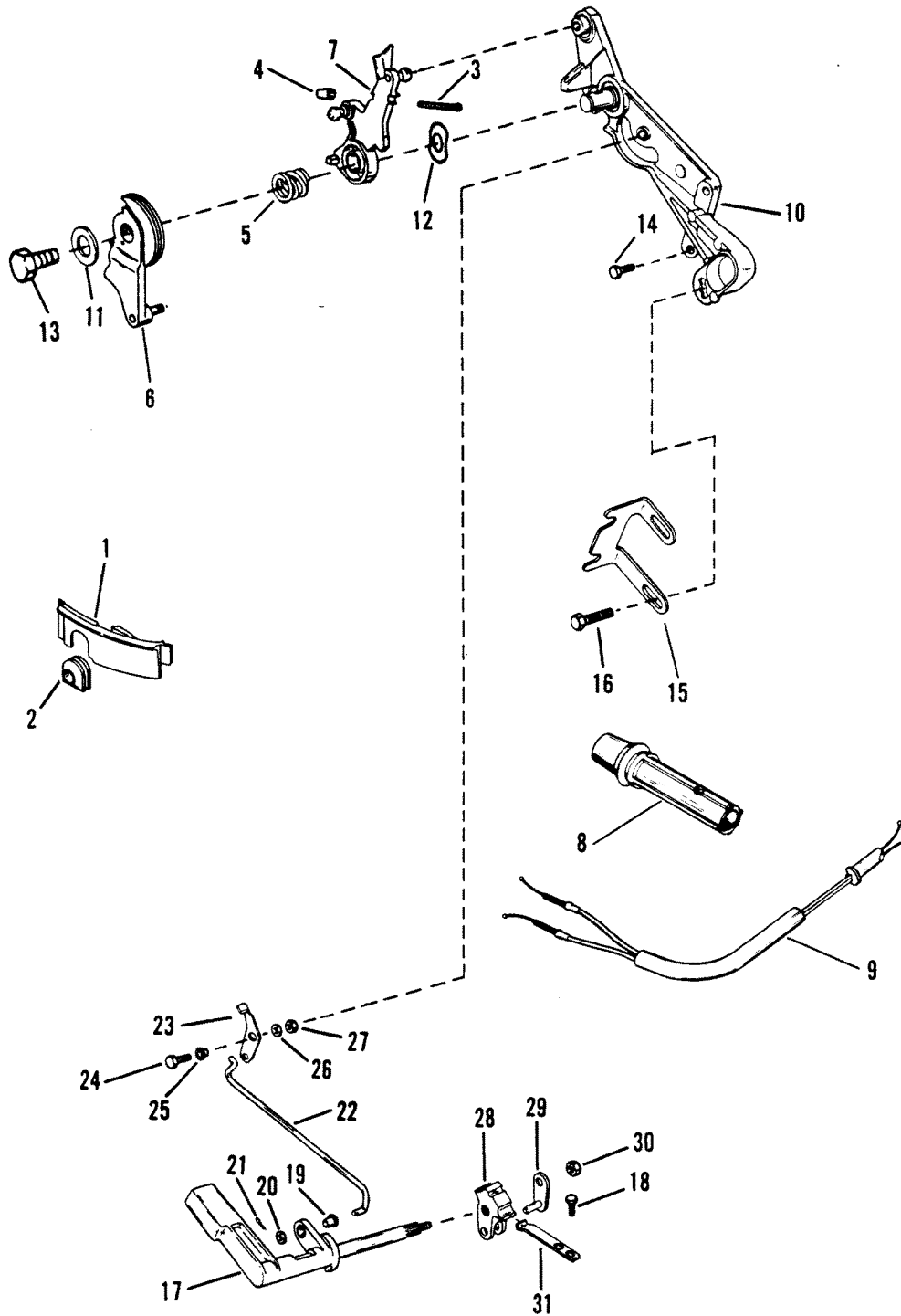
AUTO-BLEND



AUTO-BLEND

REF. NO.	PART NO.	SYM.	QTY.	DESCRIPTION
-	13019--5		1	AUTO-BLEND
1	16612		1	OIL TANK KIT
2	13996		1	HANDLE KIT
3	36-16619		1	CAP
4	16614		1	HARDWARE KIT
5	19-13979		1	DRAIN PLUG KIT
6	16611		1	DIAPHRAGM
7	16620		1	MOUNTING BRACKET KIT
8	13993		1	BAND
9	13983		1	BRACKET (LEFT)
10	13984		1	BRACKET (RIGHT)
11	16626		1	COVER
12	35-16624		1	OIL FILTER & LEVEL SENSOR KIT
13	16625		1	HORN KIT
14	16618		1	OIL STRAINER
15	21-16615		1	CHECK VALVE KIT (OUTLET)
16	35-18576		1	FUEL FILTER KIT
17	32-13992		1	VINYL TUBE
18	16621		1	PLATE
19	NLA		1	MODULE KIT
20	16628		1	TEST BUTTON KIT
21	16629		1	BATTERY CASE (USE 9 VOLT BATTERY)
22	16630		1	GROMMET KIT
23	16631		1	BRACKET KIT
24	27-16616		1	GASKET KIT
25	21-811008		2	CHECK VALVE KIT (INLET)

SIDE SHIFT KIT

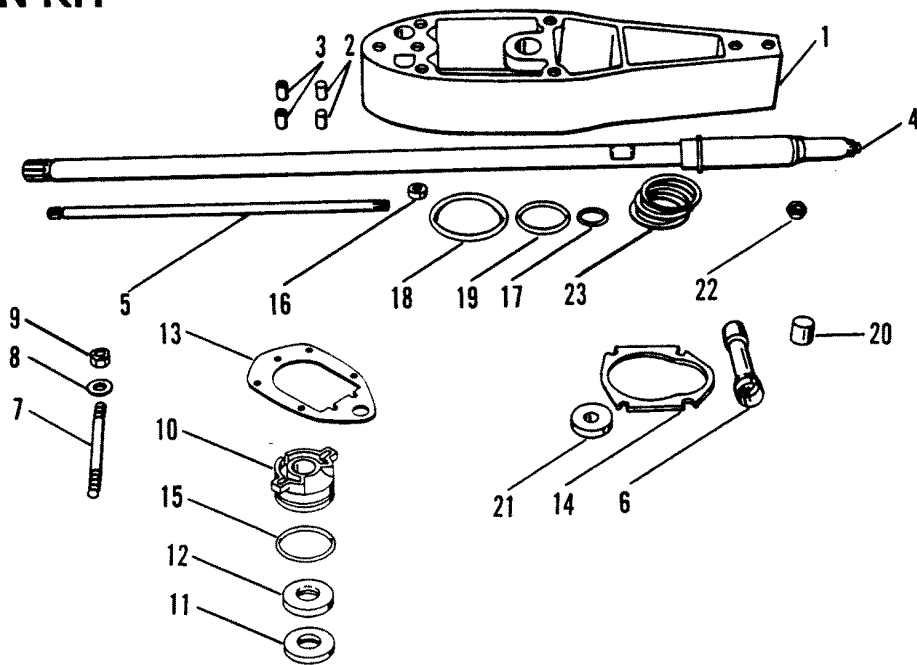


SIDE SHIFT KIT

REF. NO.	PART NO.	SYM.	QTY.	DESCRIPTION
-	42026A6		1	SIDE SHIFT CONVERSION KIT
1	17234F5		1	COVER BLACK
	17234F2		1	COVER GRAY
2	25-17227		1	GROMMET
3	10-11859--1		1	SCREW
4	48039		1	CAP
5	24-89540		1	SPRING
6	42343		1	ACTUATING LEVER
7	11038--3		1	CONTROL LEVER
8	87-823609A10		1	THROTTLE HANDLE/STOP SWITCH KIT
9	43242--2		1	THROTTLE CABLE
10	42026A2		1	CONTROL PLATFORM
11	12-40023-16		1	WASHER
12	13-69708		1	WAVE WASHER
13	10-16955		1	SCREW
14	10-40019127		1	SCREW
15	17848		1	CABLE BRACKET
16	10-40003-30		2	SCREW
17	42330--1		1	SHIFT HANDLE
18	10-40001--1		2	SCREW
19	23-96202		1	BUSHING
20	12-89302		1	WASHER
21	18-21071		1	COTTER PIN
22	11042		1	SHIFT LINK
23	11050--1		1	THROTTLE LIMIT LEVER
24	10-40003--6		1	SCREW
25	23-85095		1	BUSHING
26	12-89302		2	WASHER
27	11-40063-3		1	NUT
28	42329--1		1	SHIFT LEVER
29	42358		1	BACK PLATE
30	11-40063-3		1	NUT
31	24-39627		1	SPRING

EXTENSION KIT (WITH SPACER AND DOWEL PIN)

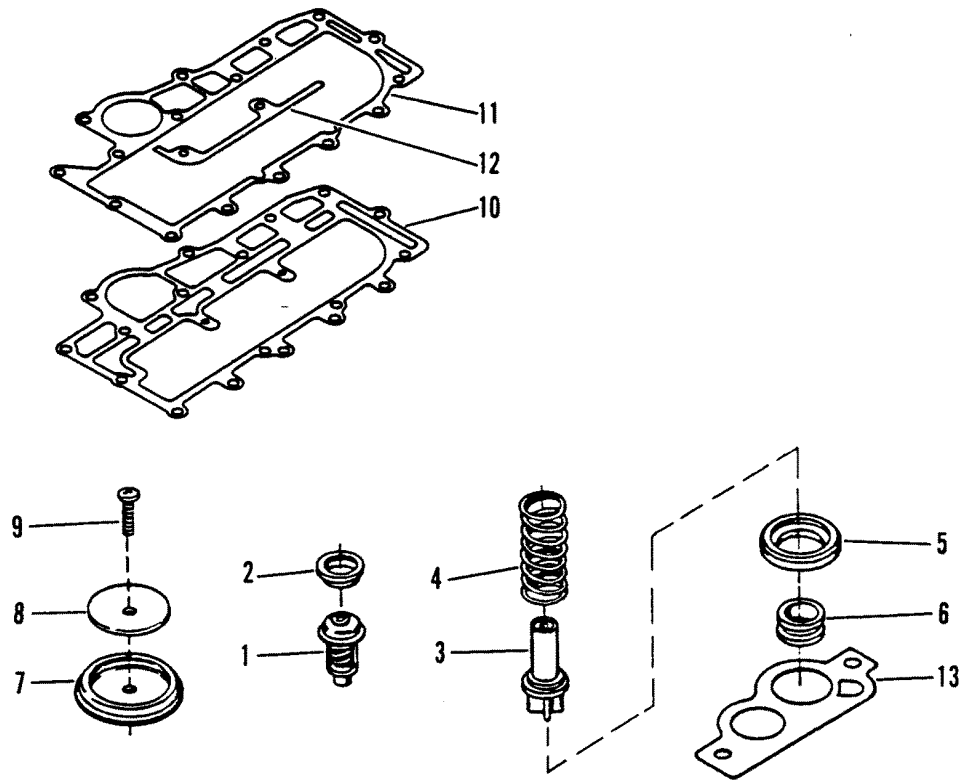
EXTENSION KIT



EXTENSION KIT (WITH SPACER AND DOWEL PIN)

REF. NO.	PART NO.	SYM.	QTY.	DESCRIPTION
-	816696A1		1	EXTENSION KIT BLACK
-	816696A2		1	EXTENSION KIT GRAY
1	816696A3		1	SPACER BLACK
	816696A4		1	SPACER GRAY
2	17-43044		2	DOWEL PIN
3	17-43043		2	DOWEL PIN
4	45-815421		1	DRIVESHAFT
5	815420		1	SHIFT SHAFT
6	817401A1		1	WATER TUBE
7	16-816866--1		5	STUD
8	12-43042		4	WASHER (SPECIAL)
	12-45175		1	WASHER (3/4")
9	11-13914		5	NUT
10	46-812966A3		1	WATER PUMP BASE
11	26-814669		1	OIL SEAL
12	26-814670		1	OIL SEAL
13	27-19701		1	GASKET
14	27-19454--1		1	GASKET
15	25-30224		1	O-RING
16	26-816464--1		1	OIL SEAL
17	25-45258		1	O-RING
18	25-815460		1	O-RING
19	25-21836		1	O-RING
20	26-38970		1	SEAL
21	23-43041		1	SPACER
22	11-55910		1	NUT
23	15-812770A1		1	SHIM SET
-	26-821093		1	SEAL, WATER TUBE

THERMOSTAT KIT (75692A6,A7)



THERMOSTAT KIT (75692A6,A7)

REF. NO.	PART NO.	SYM.	QTY.	DESCRIPTION
-	75692A7		1,	THERMOSTAT KIT
-	75692A6		,1	THERMOSTAT KIT
1	75692		1,1	THERMOSTAT
2	27-62386		1,1	GASKET
3	86596		1,1	POPPET
4	24-66852		1,1	SPRING
5	65848		1,1	CARRIER
6	25-64872		1,1	GROMMET
7	64877		1,1	DIAPHRAGM
8	12-76451		1,1	WASHER
9	10-69570		1,1	SCREW
10	27-69525--2		1,	GASKET, BAFFLE PLATE
11	27-69524--2		1,	GASKET, EXHAUST COVER
12	27-70335--1		1,	GASKET
13	27-66847		,1	GASKET

PARTS INDEX

Part Number	Description	Pg.	Ref. No.	Part Number	Description	Pg.	Ref. No.
11036--1	BRACKET	31	13	12609	BRACKET	83	68
11036--1	BRACKET	71	53	12610--1	BRACKET	83	69
11038--3	CONTROL LEVER	89	7	12756	BRACKET	51	1
11038--3	LEVER	69	31	12756A1	SHALLOW WATER TILT KIT	51	-
11042	LINK	69	36	12758	CONTROL LEVER	51	2
11042	SHIFT LINK	89	22	13019--5	AUTO-BLEND	87	-
11050--1	LEVER	71	37	13541	PLUG (MALE)	23	-
11050--1	THROTTLE LIMIT LEVER	89	23	13983	BRACKET (LEFT)	87	9
11288	BUMPER	53	4	13984	BRACKET (RIGHT)	87	10
11373	LATCH PIN	49	12	13993	BAND	87	8
11957	ARMATURE	21	6	13996	HANDLE KIT	87	2
12001	CAM	31	14	14107	RETAINER	55	7
12001	CAM	71	52	14586	THERMOSTAT	3	1
12015A1	COVER	83	42	14586A4	THERMOSTAT KIT	3	-
12016A2	DETENT ASSEMBLY	77	61	14690	SHIFT LEVER	57	19
12016A2	DETENT ASSEMBLY	83	61	14690	SHIFT LEVER	61	19
12018A2	THROTTLE TUBE	73	2	14876	HOSE HOLDER	59	45
12018A2	THROTTLE TUBE	81	2	14876	HOSE HOLDER	63	59
12019	CABLE	73	21	15825	RETAINER	59	48
12019	CABLE	81	25	15825	RETAINER	63	62
12020A3	STEERING ARM BLACK	73	1	15920A54	LANYARD	59	54
12020A3	STEERING ARM BLACK	81	1	15920A54	LANYARD	63	49
12020A4	STEERING ARM GRAY	73	1	15920A54	LANYARD	67	49
12020A4	STEERING ARM GRAY	81	1	15920A54	LANYARD	77	45
12021A1	SHIFT LEVER BLACK	83	51	15920A54	LANYARD	83	46
12021A2	SHIFT LEVER GRAY	83	51	16611	DIAPHRAGM	87	6
12022A18	STEERING HANDLE BRACKET KIT BLACK	81	-	16612	OIL TANK KIT	87	1
12022A18	STEERING HANDLE BRACKET KIT BLACK	83	-	16614	HARDWARE KIT	87	4
12022A19	STEERING HANDLE BRACKET KIT GRAY	81	-	16618	OIL STRAINER	87	14
12022A19	STEERING HANDLE BRACKET KIT GRAY	83	-	16620	MOUNTING BRACKET KIT	87	7
12022A22	BRACKET ASSEMBLY BLACK	83	33	16621	PLATE	87	18
12022A23	BRACKET ASSEMBLY GRAY	83	33	16625	HORN KIT	87	13
12044--1	RETAINER	59	55	16626	COVER	87	11
12044--1	RETAINER	63	50	16628	TEST BUTTON KIT	87	20
12044--1	RETAINER	67	50	16629	BATTERY CASE (USE 9 VOLT BATTERY)	87	21
12044--1	RETAINER	77	46	16630	GROMMET KIT	87	22
12044--1	RETAINER	83	47	16631	BRACKET KIT	87	23
12092A10	EXTENSION KIT BLACK	53	-	16840A2	REMOTE CONTROL ATTACHING KIT	45	1
12092A11	EXTENSION KIT GRAY	53	-	16847	THROTTLE LEVER	45	14
12092A3	SPACER BLACK	53	1	16848	LEVER	45	2
12092A4	SPACER GRAY	53	1	17023	BRACKET	45	21
12105--1	GROMMET	77	39	17024	STEERING HOOK PLATE	45	25
12105--1	GROMMET	83	38	17026	BRACKET	45	15
12153--2	GROMMET	31	20	17027	CAP	45	16
12323A1	BUNGY CORD ASSEMBLY	15	2	17030	SLEEVE	45	12
12335A1	REMOTE OIL TANK HOLD- DOWN KIT	15	1	17034	THROTTLE WIRE	45	3
12368	SHIFT SHAFT	55	4	17233F1	COVER	47	23
12370--2	HOUSING	55	6	17233F2	COVER	47	23
12426--2	EXTENSION HOUSING BLACK	55	1	17234F2	COVER	71	47
12426A1	EXTENSION KIT BLACK	55	-	17234F2	COVER GRAY	89	1
12426A2	EXTENSION KIT GRAY	55	-	17234F5	COVER BLACK	89	1
12426T6	EXTENSION HOUSING GRAY	55	1	17243A1	WATER TUBE EXTENSION	53	6
				17334A2	VISUAL WARNING KIT	43	1
				17459A2	SWITCH ACTUATOR	57	30
				17459A2	SWITCH ACTUATOR	61	29
				17724A1	LEVER	47	33
				17848	CABLE BRACKET	69	29
				17848	CABLE BRACKET	89	15

PARTS INDEX

Part Number	Description	Pg.	Ref. No.	Part Number	Description	Pg.	Ref. No.
18861	RETAINER	37	1	44459	GROMMET	13	4
19385A2	THROTTLE LINK ASSEMBLY	49	18	45197A2	CONTROL VALVE ASSEMBLY	25	7
20007	ANCHOR	57	17	45326A2	SWITCH ASSEMBLY	27	70
20007	ANCHOR	61	17	45336	PLATE	25	6
20007	ANCHOR	73	23	45377T	BRACKET	25	14
20007	ANCHOR	81	26	47973	PLATE	5	8
20007	ANCHOR, THROTTLE CABLE	65	17	47973	PLATE	69	23
29759	SWITCH	5	7	47974	HOUSING	5	2
29759	SWITCH	69	22	47974	HOUSING	69	19
39519	CUP	47	8	47974A10	IGNITION AND CHOKE ASSEMBLY	5	-
41105	CABLE	57	11	48039	CAP	47	10
41105	CABLE	61	11	48039	CAP	89	4
41105	THROTTLE CABLE	65	11	48404F3	BRACKET BLACK	57	34
41130	SPACER BLACK	59	49	48404F3	BRACKET BLACK	63	31
41130	SPACER BLACK	63	44	48404F3	BRACKET, STEERING HANDLE BLACK	67	32
41130F2	SPACER GRAY	59	49	48404F4	BRACKET GRAY	57	34
41130T6	SPACER GRAY	63	44	48404T6	BRACKET	63	31
42026A2	CONTROL PLATFORM	47	1	48404T6	BRACKET, STEERING HANDLE GRAY	67	32
42026A2	CONTROL PLATFORM	89	10	48405A2	ARM BLACK	57	1
42026A6	SIDE SHIFT CONVERSION KIT	89	-	48405A2	ARM BLACK	61	1
42156	SHIFT SHAFT LEVER	47	30	48405A2	ARM STEERING HANDLE BLACK	65	1
42157--1	SHIFT HANDLE	13	3	48405A3	ARM GRAY	57	1
42183	ACTUATOR	31	23	48405A3	ARM GRAY	61	1
42184	LINK	31	21	48405A3	ARM, STEERING HANDLE GRAY	65	1
42282A3	LIGHTING COIL KIT	41	-	48414	HOUSING	57	9
42329--1	LEVER	71	42	48414	HOUSING	61	9
42329--1	SHIFT LEVER	89	28	48414	HOUSING	73	3
42330--1	HANDLE	69	32	48414	HOUSING	81	3
42330--1	SHIFT HANDLE	89	17	48414	HOUSING, DRIVE WHEEL	65	9
42343	ACTUATING LEVER	47	12	48416	CAP	57	5
42343	ACTUATING LEVER	89	6	48416	CAP	61	5
42358	BACK PLATE	71	43	48416	CAP	73	26
42358	BACK PLATE	89	29	48416	CAP	81	29
42429--1	RETAINER	47	22	48416	CAP, STEERING HANDLE	65	5
42429--1	RETAINER	49	23	48419	ROD END	77	57
42741	SHIFT LINK	49	17	48419	ROD END	83	56
42800	LEVER	49	22	48516A1	DRIVE WHEEL AND ROD	57	10
42802--1	RETAINER	49	10	48516A1	DRIVE WHEEL AND ROD	61	10
42805A3	BRACKET ASSEMBLY	49	11	48516A1	DRIVE WHEEL AND ROD	65	10
42805A6	REMOTE CONTROL ATTACHING KIT	49	-	48519	PLATE	57	6
42807--1	ARM	49	6	48519	PLATE	61	6
42809	BRACKET	49	2	48519	PLATE	73	4
42810A8	CONTROL ARM	49	5	48519	PLATE	81	4
42846A2	COVER	47	7	48519	PLATE, COVER-DRIVE WHEEL	65	6
43049A1	SHIFT SHAFT	53	3	48568--4	SHIFT LEVER	65	19
43066A3	REMOTE CONTROL ATTACHING KIT	47	-	49440	NUT	83	63
43242--2	CABLE	69	14	49563--4	SHIFT ROD	77	56
43242--2	THROTTLE CABLE	89	9	49563--4	SHIFT ROD	83	55
43360--1	CONTROL LEVER	47	9	52148	CO-PILOT ROD	7	1
43424	SHIFT LEVER	47	14	52148	PILOT ROD	59	56
43433	GUIDE	57	16	52148	PILOT ROD	63	53
43433	GUIDE	61	16	52148	PILOT ROD	67	53
43433	GUIDE	73	22	52148	PILOT ROD	85	77
43433	GUIDE	81	24				
43433	GUIDE, THROTTLE CABLE	65	16				
43447A4	BRACKET ASSEMBLY	69	16				

PARTS INDEX

Part Number	Description	Pg.	Ref. No.	Part Number	Description	Pg.	Ref. No.
52148A1	CO-PILOT REPLACEMENT ASSEMBLY	7	-	78551A30	TILLER HANDLE ASSEMBLY GRAY	63	-
52148A6	CO-PILOT REPLACEMENT ASSEMBLY	85	-	78551A31	TILLER HANDLE ASSEMBLY BLACK	61	-
52150	LINK ROD	59	57	78551A31	TILLER HANDLE ASSEMBLY BLACK	63	-
52150	LINK ROD	63	54	78551A46	TILLER HANDLE KIT BLACK	65	--
52150	LINK ROD	67	54	78551A46	TILLER HANDLE KIT BLACK	67	--
54211	SWITCH (WITH KEYS - PART #30431)	5	3	78551A47	TILLER HANDLE KIT GRAY	65	--
54211	SWITCH (WITH KEYS-PART #30431)	69	20	78551A47	TILLER HANDLE KIT GRAY	67	--
55741	BOOT	31	3A	78812A1	DETENT	57	26
56703	COLLAR	21	19	78812A1	DETENT	61	26
57247	STOP	21	20	78812A1	DETENT, SHIFT LEVER	65	26
58192A1	GRIP	57	4	810776	MEMORY PISTON KIT	33	5
58192A1	GRIP	61	4	811226A1	SCREW AND SEAL KIT	33	7
58192A1	GRIP, STEERING HANDLE ARM	65	4	811228	CYLINDER KIT	33	6
61787	BRUSH HOLDER	21	12	811670--6	PUMP/MANIFOLD	33	8
62351A10	BATTERY CHARGING KIT	39	-	811671	DRIVE SHAFT	33	10
62538A3	ADAPTOR ASSEMBLY	9	-	811673	RESERVOIR	33	12
63473	TUBE CUSHION	29	89	811674	RESERVOIR/MOTOR	33	17
64877	DIAPHRAGM	93	7	811675	ARMATURE	33	18
65848	CARRIER	3	10	811677	RESERVOIR CAP KIT	33	15
65848	CARRIER	93	5	812443--1	RETAINER	33	36
68575	DRIVE ASSEMBLY	21	2	812614--1	RETAINER	65	29
68863	BEZEL	5	6	812806--1	SHIFT ROD	57	24
68863	BEZEL	69	28	812806--1	SHIFT ROD	61	24
69205	C-WASHER	33	26	812806--4	SHIFT ROD	65	24
69205	C-WASHER	63	52	812825	ROD END	57	25
69258	PIN	29	88	812825	ROD END	61	25
69259	TUBE MOUNTING	29	87	812850	SUPPORT	33	30
71663	PLUG	17	5	812882--1	POPPET VALVE	3	8
71663	PLUG, HARNESS	39	4	812887	DIAPHRAGM	3	7
73519A1	TILT STOP	29	86	813427--1	SHOCK ROD KIT	33	1
75383	END CAP	21	5	813428	CYLINDER END CAP	33	2
75384	BRUSH SET	21	7	813429	SHOCK PISTON	33	3
75660	DRIVE END PLATE	21	3	813432A3	CYLINDER REBUILD KIT	33	4
75692	THERMOSTAT	93	1	813442A2	RELIEF VALVE KIT	33	14
75692A6	THERMOSTAT KIT	93	-	813565	ROD END, SHIFT ROD	65	25
75692A7	THERMOSTAT KIT	93	-	813939A2	HARNESS/RELAY ASSEMBLY	33	31
76424	BRACKET	43	3	814820	ADAPTOR	37	2
76509A25	POWER TRIM KIT BLACK	25	-	815279T	VOLTAGE REGULATOR	23	42
76509A25	POWER TRIM KIT BLACK	27	-	815420	SHIFT SHAFT	91	5
76509A26	POWER TRIM KIT GRAY	25	-	815550--1	SHIFT SHAFT	13	1
76509A26	POWER TRIM KIT GRAY	27	-	815550--1	SHIFT SHAFT	49	25
78551--2	CONDUIT	57	12	815569--1	SHIFT LINK	49	24
78551--2	CONDUIT	61	12	815804	COVER (DESIGN I-W/4 HOLES)	77	40
78551--2	CONDUIT	73	17	815804--1	COVER (DESIGN II-W/5 HOLES)	77	40A
78551--2	CONDUIT	81	20	816051A2	HORN	77	42
78551--2	CONDUIT, CABLE	65	12	816051A2	HORN ASSEMBLY	85	76
78551A28	STEERING HANDLE ASSEMBLY GRAY	57	-	816366A12	STEERING HANDLE KIT BLACK	73	-
78551A28	STEERING HANDLE ASSEMBLY GRAY	57	-	816366A12	STEERING HANDLE KIT BLACK	77	-
78551A29	STEERING HANDLE ASSEMBLY BLACK	57	-	816366A13	STEERING HANDLE KIT GRAY	73	-
78551A29	STEERING HANDLE ASSEMBLY BLACK	57	-	816366A13	STEERING HANDLE KIT GRAY	77	-

PARTS INDEX

Part Number	Description	Pg.	Ref. No.	Part Number	Description	Pg.	Ref. No.
816366F3	BRACKET BLACK	77	32	89578	BARREL	81	22
816366F4	BRACKET GRAY	77	32	89578	CONNECTOR, CONTROL LINKAGE	65	13
816367F3	SHIFT LEVER (BLACK)	77	50	89613	BARREL	57	13
816367F4	SHIFT LEVER (GRAY)	77	50	90643	DRIVE KIT	21	14
816413	ARM (TOP)	77	69	92194A14	TRIM CYLINDER ASSEMBLY BLACK	27	40
816414	ARM (BOTTOM)	79	70	92194A20	TRIM CYLINDER ASSEMBLY GRAY	27	40
816416A3	CO-PILOT LEVER	77	64	92439	BRACKET	19	10
816562--1	BRAKE DISC	77	68	92975A28	HYDRAULIC PUMP	25	1
816564	CO-PILOT DRIVER	77	65	92975A6	HYDRAULIC PUMP ASSEMBLY	35	-
816696A1	EXTENSION KIT BLACK	91	-	94185A18	TILLER HANDLE KIT	69	-
816696A2	EXTENSION KIT GRAY	91	-	94275	LINK	25	30
816696A3	SPACER BLACK	91	1	94279	BRACKET	25	20
816696A4	SPACER GRAY	91	1	94879--1	PLUG	41	1
816770	RECTIFIER	39	5	95027A6	SHIFT SHAFT	47	29
816770	RECTIFIER ASSEMBLY	11	1	95722A7	REMOTE CONTROL ATTACHING KIT	47	-
816770	RECTIFIER ASSEMBLY	19	1	95813	FASTENER	31	9
817401A1	WATER TUBE	91	6	95814	STRAP	31	8
821029	PLATE	13	2	95815	COVER (TOP)	31	1
821190A1	SIDE SHIFT CONVERSION KIT	13	-	95828	COVER (BOTTOM)	31	2
821382	BRACKET	33	33	95845	VOLTAGE REGULATOR	17	1
821509	RELAY	33	34	95845A5	REGULATOR LIGHTING KIT	17	-
821678--2	ADAPTOR	67	44	96561	DRIVE KIT	19	16
822263	SPACER	83	35	96562	DRIVE	19	17
822870A1	POWER TRIM PUMP	33	-	96563	END CAP	19	18
822870A2	POWER TRIM KIT	33	-	96564	END CAP (W/SPRINGS AND BRUSHES)	19	20
822870A3	POWER TRIM KIT	33	-	96565	ARMATURE	19	19
823180A1	ROCKER ARM	33	8A	97550--1	TUBE	69	8
86596	POPPET	93	3	98530	KNOB	57	20
86704A2	STATOR	41	2	98530	KNOB	61	20
86704A2	STATOR ASSEMBLY	19	13	98530	KNOB	77	63
86967	PLATE	27	67	98530	KNOB	83	54
87349	ROD	7	5	98530	KNOB, SHIFT LEVER	65	20
87349--1	ROD	85	80	99333A2	TUBE ASSEMBLY	69	7
87774A1	COVER	27	77	99589	GRIP	69	1
89108A3	BRACKET (PORT)	27	48	99589	GRIP	73	14
89111T	BRACKET (STARBOARD)	27	59	99589	GRIP	81	13
89272	COVER	27	73	99897	CAM	27	66
89290	PLUNGER	27	50	99926--1	RETAINER	33	23
89491--1	KEY 1A	73	-	N.S.S.	CABLE ASSEMBLY	11	2
89491--2	KEY 1B	73	-	N.S.S.	SCREW (AMER. BOSCH #02441-22-SC-30SM)	21	13
89491--3	KEY 1C	73	-	N.S.S.	SHIFT LINK (PART OF 17724A1-REF.#33)	47	19
89491--4	KEY 1D	73	-	N.S.S.	SWITCH COVER ASSEMBLY	5	10
89491--5	KEY 1E	73	-	N.S.S.	WASHER (AMER. BOSCH #WA1728)	21	9
89491--6	KEY 1F	73	-	NLA	BRACKET (ORDER 43447A4) REF. #12 IS 1" -14	69	9
89491--7	KEY 2A	73	-	NLA	BRAKE (ORDER 816416A3-REF.#64)	77	67
89491--8	KEY 2B	73	-	NLA	HARNES (DESIGN I-ORDER 87-823609A10)	69	4
89491--9	KEY 2C	75	-	NLA	KNOB (ORDER 816416A3-REF.#64)	79	71
89491-10	KEY 2D	75	-				
89491-11	KEY 2E	75	-				
89491-12	KEY 2F	75	-				
89566--1	GUIDE TUBE	73	18				
89566--1	GUIDE TUBE	81	21				
89566--1	TUBE	57	14				
89566--1	TUBE	61	14				
89566--1	TUBE, THROTTLE CABLE GUIDE	65	14				
89578	BARREL	57	13				
89578	BARREL	61	13				
89578	BARREL	73	19				

PARTS INDEX

Part Number	Description	Pg.	Ref. No.	Part Number	Description	Pg.	Ref. No.
NLA	MODULE KIT	87	19	10-40019127	SCREW	47	6
NLA	STOP SWITCH (DESIGN I- ORDER 87-823609A15) . . .	73	12	10-40019127	SCREW	89	14
10-11859--1	IDLE STOP SCREW	31	18	10-40039106	SCREW	19	24
10-11859--1	SCREW	47	11	10-40056107	SCREW	13	5
10-11859--1	SCREW	89	3	10-40057-27	SCREW	31	11
10-12110	SCREW	21	26	10-41508	SCREW	25	29
10-12110	SCREW	57	33	10-42125--1	SCREW	19	22
10-12110	SCREW	63	43	10-42975	DRIVE SCREW	49	14
10-12110	SCREW	77	49	10-45263	SCREW (2-1/4")	27	55
10-14000	SCREW	81	14	10-45264	SCREW (1-1/2" - WITH TAPPED HOLE)	27	44
10-16223	BOLT	45	4	10-45265	SCREW	27	42
10-16832	BOLT	45	22	10-45328	SCREW (3-9/16")	27	60
10-16955	SCREW	47	2	10-47255	SCREW (9/16")	27	72
10-16955	SCREW	89	13	10-47994	SCREW	5	4
10-17174	BOLT	45	33	10-47994	SCREW	69	21
10-19209	SCREW (10-32)	37	7	10-48060	SCREW	25	21
10-20518	SCREW	57	18	10-48408	SCREW (1/2")	57	8
10-20518	SCREW	61	18	10-48408	SCREW (1/2")	61	8
10-20518	SCREW, THROTTLE CABLE ANCHOR	65	18	10-48409	SCREW	19	2
10-20518	SET SCREW	73	24	10-48409	SCREW	57	27
10-20518	SET SCREW	81	27	10-48409	SCREW (5/8")	57	8
10-31830	BOLT (1-3/4")	25	18	10-48409	SCREW (5/8)	61	8
10-34994	SCREW (7/16")	27	75	10-49597	SCREW	5	9
10-35386	SCREW (1")	25	15	10-49597	SCREW	69	25
10-36070	SCREW	29	80	10-56500	SCREW (1-1/4")	25	11
10-36137	SCREW	7	3	10-57583	SCREW	85	72
10-36137	SCREW	85	79	10-62269	VENT SCREW	25	5
10-40001--1	SCREW	71	46	10-62568	SCREW	31	26
10-40001--1	SCREW	89	18	10-62568	SCREW	69	6
10-40001-17	SCREW	71	38	10-62568	SCREW	73	13
10-40001-23	SCREW (30MM)	19	14	10-62568	SCREW	81	12
10-40001-23	SCREW (30MM)	41	3	10-62568	SCREW (3/8")	5	11
10-40001-78	SCREW	69	30	10-62568	SCREW(3/8")	69	26
10-40001134	SCREW	85	75	10-62882	SCREW (3-1/4")	9	1
10-40003--6	SCREW	89	24	10-68298	BOLT (3-1/4")	27	56
10-40003--9	SCREW (35MM)	23	44	10-68513	SCREW	27	68
10-40003-27	SCREW	19	11	10-69014	SCREW EARLY MODELS	25	33
10-40003-27	SCREW (14MM)	19	5	10-69035	SCREW	21	16
10-40003-29	SCREW	71	49	10-69079	SCREW (10-16 X .44)	33	25
10-40003-30	SCREW	89	16	10-69375A1	SCREW	59	63
10-40003-32	SCREW (35 MM)	49	1	10-69570	SCREW	3	5
10-40003-34	SCREW	47	25	10-69570	SCREW	35	3
10-40003-50	SCREW	79	72	10-69570	SCREW	93	9
10-40003-54	BOLT	45	26	10-69570	SCREW (3/4")	31	4
10-40003-55	SCREW	77	51	10-79953	FILLER SCREW	25	3
10-40003-58	SCREW	83	48	10-812832	SCREW	77	41
10-40003-84	SCREW (75MM)	69	17	10-812832	SCREW	83	43
10-40007112	SCREW	73	8	10-812832	SCREW (50MM)	73	6
10-40007112	SCREW	81	8	10-812832	SCREW (50MM)	81	19
10-40011110	SCREW REF. #12 IS 1-1/8" -12	69	10	10-812832	SCREW (50MM)	81	6
10-40011110	SCREW (30MM)	21	30	10-812832	SCREW, COVER PLATE (50MM)	65	8
10-40011128	SCREW	31	25	10-812832--1	SCREW (60MM)	73	15
10-40011128	SCREW (20MM)	47	5	10-812832--1	SCREW (60MM)	81	6
10-40011129	SCREW (25MM)	47	5	10-812832--1	SCREW, COVER PLATE (60MM)	65	8
10-40011130	SCREW	33	35	10-812832--1	SCREW, SHIFT LEVER DETENT	65	27
10-40019108	SCREW	31	10				
10-40019109	SCREW REF. #12 IS 1" -14	69	10				

PARTS INDEX

Part Number	Description	Pg.	Ref. No.	Part Number	Description	Pg.	Ref. No.
10-813436	SCREW KIT	33	9	11-40021--2	NUT	69	15
10-813446	SCREW	33	16	11-40021--3	NUT	45	29
10-813523	SCREW (10-16)	37	7	11-40063--3	NUT	47	34
10-823567105	SCREW	73	25	11-40063--3	NUT	71	41
10-823567105	SCREW	81	28	11-40063--3	NUT	71	45
10-823597	SCREW	57	35	11-40063--4	NUT	47	18
10-823597	SCREW	63	33	11-40063--4	NUT	47	26
10-823597	SCREW, BRACKET (2-1/2")	67	33	11-40063--4	NUT	49	8
10-824081	SCREW, SET	65	15	11-40063--6	NUT	79	74
10-824081	SET SCREW	57	15	11-40063-3	NUT	89	27
10-824081	SET SCREW	57	31	11-40063-3	NUT	89	30
10-824081	SET SCREW	61	15	11-40119--6	NUT	71	50
10-824081	SET SCREW	61	30	11-40119--6	NUT	77	35
10-824081	SET SCREW	73	20	11-45076	NUT	17	3
10-824081	SET SCREW	81	23	11-45076	NUT	19	3
10-89996	SCREW (1/4-20 X .88)	33	24	11-45076	NUT	39	3
10-90072	SCREW (1-3/4")	67	45	11-45076	NUT (10-32) EARLY MODELS	25	34
10-90342	SCREW	31	11	11-45592	NUT	7	8
10-90342	SCREW	65	30	11-45592	NUT	59	61
10-90342	SCREW	71	54	11-45592	NUT	63	58
10-90342	SCREW	83	70	11-45592	NUT	67	58
10-92050	SCREW (1-1/2" - WITHOUT TAPPED HOLE)	27	44	11-45592	NUT	85	83
10-92799	SCREW (1")	17	2	11-45812	JAM NUT	27	65
10-93787	SCREW (10-24X1-3/4)	41	3	11-46335	NUT	25	19
10-95686	THRU BOLT	21	4	11-46335	NUT	67	46
10-96566	THRU BOLT	19	21	11-52152	WING NUT	7	4
10-98253	SCREW	59	46	11-52155A1	FRICION NUT KIT	7	2
10-98253	SCREW	63	60	11-52155A1	NUT ASSEMBLY	59	58
11-13914	NUT	53	12	11-52155A1	NUT ASSEMBLY	63	55
11-13914	NUT	73	31	11-52155A1	NUT ASSEMBLY	67	55
11-13914	NUT	81	17	11-52155A1	NUT KIT	85	78
11-13914	NUT	91	9	11-55910	NUT	91	22
11-20220	NUT	59	43	11-63683	NUT	31	16
11-20220	NUT	63	41	11-63683	NUT	65	31
11-20890	NUT	21	11	11-63683	NUT	71	56
11-21825	NUT (1/4-28)	25	38	11-64015	NUT	59	44
11-21908	NUT	25	17	11-64015	NUT	83	57
11-22053	NUT	27	54	11-64015	NUT (1/4-20)	19	7
11-24832	NUT	83	71	11-64015	NUT (1/4-20)	21	18
11-26419	NUT	85	74	11-64015	NUT (1/4-20)	21	35
11-26419	NUT (#8-32)	21	33	11-68219	NUT	29	82
11-26419	NUT (10-32)	19	6	11-68219	NUT	43	6
11-26419	NUT (8-32)	25	25	11-68219	NUT, CABLE AND HARNESS ATTACHING	11	4
11-29488	NUT	25	22	11-816873	NUT	81	9
11-34863	NUT	59	52	11-816873	WING NUT	73	9
11-34863	NUT	63	47	11-816880	NUT REF. #12 IS 1-1/8" -12	69	12
11-34863	NUT	81	15	11-90068F3	NUT REF. #12 IS 1" -14	69	12
11-35045	NUT	57	3	11-93543	NUT	21	24
11-35045	NUT	61	3	11-93543	NUT	77	38
11-35045	NUT, STEERING HANDLE ARM	65	3	11-93543	NUT	83	41
11-35053	NUT	27	62	11-94330	NUT (1/4-20)	25	27
11-35778	NUT	9	7	11-99405	NUT	27	58
11-35778	NUT, HANDLE BRACKET SCREW	67	41	12-12024	WASHER	73	28
11-35814	NUT	83	37	12-12024	WASHER	81	31
11-40021--1	NUT	45	36	12-12132	WASHER (1-1/2 X .52 I.D.)	49	3
11-40021--2	NUT	19	12	12-16080	WASHER	45	34
11-40021--2	NUT	45	24	12-16192	WASHER	45	27
				12-16237	WASHER	45	6
				12-17029	WASHER	45	13

PARTS INDEX

Part Number	Description	Pg.	Ref. No.	Part Number	Description	Pg.	Ref. No.
12-17782--1	WASHER REF. #12 IS 1" -14	69	11	12-70132	WASHER	85	82
12-17782--1	WASHER REF. #12 IS 1-1/8"			12-71055	WASHER	59	47
	-12	69	11	12-71055	WASHER	63	61
12-19183	WASHER	25	4	12-76451	WASHER	93	8
12-20878	WASHER	85	73	12-811676	THRUST WASHER KIT	33	19
12-21631	WASHER	57	2	12-814803	WASHER	77	53
12-21631	WASHER	61	2	12-815351	WASHER	83	52
12-24676	WASHER	43	5	12-816576	WASHER	77	66
12-28421	WASHER	27	45	12-817274	WASHER	83	36
12-29245	WASHER	83	59	12-89302	WASHER	47	20
12-29245	WASHER (1/2 X .281 I.D.)	49	3	12-89302	WASHER	69	34
12-29629	WASHER	57	29	12-89302	WASHER	71	40
12-29629	WASHER	63	32	12-89302	WASHER	89	20
12-34937	WASHER	9	11	12-89302	WASHER	89	26
12-34937	WASHER (INNER)	59	69	12-94182	WASHER	3	6
12-35280	WASHER	47	17	12-95093	WASHER	47	15
12-35950	WASHER	57	22	12-96457	WASHER	25	37
12-35950	WASHER	61	22	13-11052	LOCKWASHER	31	15
12-35950	WASHER	77	59	13-11052	LOCKWASHER	71	55
12-35950	WASHER, SHIFT ROD	65	22	13-12134	WAVE WASHER	49	7
12-38833	WASHER	27	76	13-16221	LOCKWASHER	45	18
12-39304	WASHER	29	92	13-17025	LOCKWASHER	45	28
12-40023-14	WASHER	13	6	13-26992	LOCKWASHER	21	10
12-40023-16	WASHER	31	24	13-26992	LOCKWASHER	21	17
12-40023-16	WASHER	47	3	13-26992	LOCKWASHER	21	34
12-40023-16	WASHER	89	11	13-26993	LOCKWASHER	27	53
12-40023-19	WASHER	73	27	13-26995	LOCKWASHER (#8)	25	24
12-40023-19	WASHER	81	30	13-26996	LOCKWASHER	27	69
12-43042	WASHER	53	11	13-26996	LOCKWASHER	29	81
12-43042	WASHER (SPECIAL)	91	8	13-34632	WAVE WASHER	47	32
12-45175	WASHER (3/4")	91	8	13-40025--6	LOCKWASHER	45	23
12-45771	WASHER	31	15	13-40025--6	LOCKWASHER	45	5
12-48477	WASHER (.505 I.D.)	59	36	13-48478	WAVE WASHER	59	41
12-48477	WASHER (.505 I.D.)	63	34	13-48478	WAVE WASHER	63	39
12-48477	WASHER,BRACKET (.505 I.D.)	67	34	13-48478	WAVE WASHER, HANDLE BRACKET	67	39
12-48526	WASHER (.630 I.D.)	59	37	13-69708	WAVE WASHER	47	4
12-48526	WASHER (.630 I.D.)	63	35	13-69708	WAVE WASHER	89	12
12-48526	WASHER, NYLON (.630 I.D.)	67	35	13-86498	WAVE WASHER	77	54
12-48527	WASHER (1-35/64" O.D.)	59	40	14-11371	TAB WASHER	49	20
12-48527	WASHER (1-35/64" O.D.)	63	38	14-42981	TAB WASHER	83	49
12-48527	WASHER, NYLON (1-35/64" O.D.)	67	38	14-43589	TAB WASHER	59	51
12-49636	WASHER (1-3/4" O.D.)	59	42	14-43589	TAB WASHER	63	46
12-49636	WASHER (1-3/4" O.D.)	63	40	14-43589	TAB WASHER	67	47
12-49636	WASHER, NYLON (1-3/4" O.D.)	67	40	14-815805--1	TAB WASHER	77	52
12-54012	WASHER (1/2" I.D.)	9	6	14-815806	TAB WASHER	77	34
12-56681	WASHER (1/2 X .203 I.D.)	49	3	15-812770A1	SHIM SET	91	23
12-59378	WASHER (INNER)	59	66	16-14651	STUD	59	50
12-63099	WASHER (3/4" I.D.)	9	5	16-14651	STUD	63	45
12-65567	WASHER (3/4 X .265 I.D.)	49	3	16-14651	STUD	67	42
12-68410	WASHER	27	57	16-21085	ADJUSTING STUD	27	64
12-69056	WASHER,STEERING HANDLE ARM	65	2	16-45282	STUD	27	52
12-69374	WASHER (OUTER)	59	64	16-55422	STUD	43	4
12-70132	WASHER	7	7	16-58152	STUD	77	62
12-70132	WASHER	59	60	16-58152	STUD	83	53
12-70132	WASHER	63	57	16-62888	STUD (18-7/8")	9	8
12-70132	WASHER	67	57	16-815802	STUD	77	33
				16-816560	STUD	79	73
				16-816866--1	STUD	91	7
				16-822320	STUD	83	34

PARTS INDEX

Part Number	Description	Pg.	Ref. No.	Part Number	Description	Pg.	Ref. No.
16-90350--2	STUD (227 MM)	53	10	23-42992--1	BUSHING	83	50
16-90350--3	STUD (190MM)	53	9	23-43041	SPACER	91	21
17-13195	PIN	51	5	23-45280	SPACER	27	46
17-17031	LOCK PIN	45	9	23-45354	BUSHING	27	71
17-17033	PIN	45	10	23-48237	BUSHING (3/8" I.D.)	57	28
17-23928	ROLL PIN	49	13	23-48237	BUSHING (3/8" I.D.)	61	28
17-43043	DOWEL PIN	53	13	23-48237	BUSHING, NYLON (3/8" I.D.)	65	28
17-43043	DOWEL PIN	91	3	23-48475	BUSHING (1/4" I.D.)	57	21
17-43044	DOWEL PIN	53	13	23-48475	BUSHING (1/4" I.D.)	61	21
17-43044	DOWEL PIN	91	2	23-48475	BUSHING, NYLON (1/4" I.D.)	65	21
17-62887	PIN	9	4	23-48525	SPACER	59	39
17-821539	GROOVE PIN	33	21	23-48525	SPACER	63	37
17-822869	PIN	33	22	23-48525	SPACER, BRACKET	67	37
18-21071	COTTER PIN	47	21	23-52151--2	BUSHING	7	6
18-21071	COTTER PIN	49	16	23-52151--2	BUSHING	59	59
18-21071	COTTER PIN	69	35	23-52151--2	BUSHING	63	56
18-21071	COTTER PIN	89	21	23-52151--2	BUSHING	67	56
18-25191	COTTER PIN	57	23	23-52151--2	BUSHING	85	81
18-25191	COTTER PIN	61	23	23-57387	BUSHING	21	8
18-25191	COTTER PIN	77	60	23-62884	SPACER (3/4" I.D.)	9	3
18-25191	COTTER PIN	83	60	23-62885	SPACER (1/2" I.D.)	9	2
18-25191	COTTER PIN, SHIFT ROD	65	23	23-62886	SPACER (11/32" I.D.)	9	9
18-32857	COTTER PIN MOUNTING TUBE PIN	29	90	23-812930A1	BUSHING	73	30
18-45882	COTTER PIN TILT PIN RETAINING	29	91	23-812930A1	BUSHING	81	16
19-12014	PLUG	77	43	23-815983--1	BUSHING	77	55
19-12014	PLUG	83	44	23-817026	BUSHING REF. #12 IS 1-1/8" -12	69	12
19-13979	DRAIN PLUG KIT	87	5	23-818968	BUSHING	21	28
21-16615	CHECK VALVE KIT (OUTLET)	87	15	23-85095	BUSHING	71	39
21-811008	CHECK VALVE KIT (INLET)	87	25	23-85095	BUSHING	89	25
22-38609	PLUG (3/8-24")	25	12	23-85973	BUSHING REF. #12 IS 1" -14	69	12
22-46008	PLUG (1/2-20")	25	12	23-89112	BUSHING	29	93
22-74036	GREASE FITTING	27	41	23-89952	SPACER (1/3" I.D.)	9	2
22-74036	GREASE FITTING	73	-	23-93248--1	SWIVEL BUSHING	47	35
22-74036	GREASE FITTING	81	-	23-94907A1	BUSHING	27	47
22-74036	GREASE FITTING REF. #12 IS 1" -14	69	13	23-95091	SLEEVE	47	16
22-74036	GREASE FITTING REF. #12 IS 1-1/8" -12	69	13	23-96202	BUSHING	69	33
22-813435	PLUG KIT	33	13	23-96202	BUSHING	89	19
22-99664	ELBOW	3	11	24-12754	SPRING	51	4
23-11289	SPACER	53	5	24-12755	SPRING	51	3
23-12136	BUSHING	49	21	24-17028	SPRING	45	17
23-12369--1	BUSHING	55	5	24-17032	SPRING	45	11
23-14601	SPACER	73	29	24-24390	SPRING	27	63
23-14601	SPACER	81	32	24-39627	SPRING	71	44
23-16220	BUSHING	45	20	24-39627	SPRING	89	31
23-16849	COLLAR	45	7	24-66852	SPRING	93	4
23-26856	BUSHING	77	58	24-89540	SPRING	47	13
23-26856	BUSHING	83	58	24-89540	SPRING	89	5
23-28198	BUSHING (LOWER)	59	65	24-90392	SPRING	3	4
23-28919	BUSHING (5/8" I.D.)	59	38	24-95881	SPRING	27	51
23-28919	BUSHING (5/8" I.D.)	63	36	25-12602	GROMMET (7/16" I.D. - 7/8" LONG)	29	85
23-28919	BUSHING, NYLON (5/8" I.D.)	67	36	25-16226	GROMMET	45	32
23-32171	BUSHING (UPPER)	59	70	25-17227	GROMMET	71	48
23-35977	GROMMET (3/8" I.D. - 1" LONG)	29	85	25-17227	GROMMET	89	2
23-42182--1	BUSHING	31	22	25-17627	GROMMET	47	24
23-42806	BUSHING	49	4	25-21836	O-RING	53	7
				25-21836	O-RING	91	19
				25-30224	O-RING	91	15
				25-41604--4	GROMMET	47	27

PARTS INDEX

Part Number	Description	Pg.	Ref. No.	Part Number	Description	Pg.	Ref. No.
25-45016	O-RING	27	43	45-43032A4	DRIVER SHAFT	53	2
25-45253	O-RING (5/8" O.D.)	25	10	45-815421	DRIVESHAFT	91	4
25-45254	O-RING (3/4" O.D.)	25	8	46-812966A3	WATER PUMP BASE	91	10
25-45258	O-RING	91	17	50-44369A1	STARTER MOTOR	21	1
25-45507	GROMMET	27	79	50-44369A3	ELECTRIC START KIT	21	-
25-45710	O-RING	53	16	50-90983A1	STARTER MOTOR ASSEMBLY	19	15
25-48171	O-RING	25	2	50-90983A3	ELECTRIC START KIT	19	-
25-48171	O-RING	35	1	53-13194	E-RING	51	6
25-48171	O-RING (1/2" O.D.)	25	9	53-14094	SNAP RING	55	8
25-48171	O-RING (SEE REFERENCE #2)	25	--	53-61319	E-RING	49	9
25-64872	GROMMET	3	9	53-95019	RETAINING RING (USE WHERE APPLICABLE)	47	31
25-64872	GROMMET	93	6	54-11372	CLIP	49	15
25-811672A3	SEAL KIT	33	11	54-12013	CLAMP	73	7
25-815460	O-RING	91	18	54-12013	CLAMP	81	7
25-818967	GROMMET	21	29	54-17169	CLAMP	45	35
25-818967	GROMMET	33	32	54-22740	CLAMP	33	27
25-93527	GROMMET	47	28	54-64855	CLAMP	63	51
25-93770	GROMMET	19	25	54-64855	CLAMP, STOP SWITCH	67	51
25-97191	GROMMET (3/8" I.D. - 7/8" LONG)	29	85	54-64855	CLIP	81	18
25-97386	O-RING	53	15	54-64855	J-CLAMP	73	16
26-16219	SEAL	45	19	54-816311	STA-STRAP	49	19
26-38970	SEAL	53	8	55-28416	PIN	9	10
26-38970	SEAL	91	20	55-28416	PIN	59	68
26-70608	OIL SEAL	27	49	55-58780A4	SHOCK ABSORBER GRAY	59	62
26-814669	OIL SEAL	91	11	55-58780A7	SHOCK ABSORBER BLACK	59	62
26-814670	OIL SEAL	91	12	55-69653--1	PIN	59	67
26-816464--1	OIL SEAL	91	16	83-70350A2	BATTERY CHARGING KIT	11	-
26-821093	SEAL, WATER TUBE	91	-	84-11149A1	CABLE ASSEMBLY	71	57
27-16616	GASKET KIT	87	24	84-11149A2	CABLE	37	6
27-19454--1	GASKET	91	14	84-11149A2	CABLE ASSEMBLY	71	57
27-19701	GASKET	91	13	84-11149A3	CABLE	77	47
27-43034--1	GASKET	53	14	84-11149A3	CABLE (3-1/4")	83	66
27-48518	GASKET	57	7	84-11149A4	CABLE	63	64
27-48518	GASKET	61	7	84-12649A4	HARNESS ASSEMBLY	21	22
27-48518	GASKET	73	5	84-12649A4	HARNESS ASSEMBLY	77	36
27-48518	GASKET	81	5	84-12649A4	HARNESS ASSEMBLY	83	39
27-48518	GASKET, COVER PLATE	65	7	84-17035	HARNESS (DUAL STOP SWITCH)	45	8
27-62386	GASKET	3	2	84-17162	HARNESS (5.9M)	45	31
27-62386	GASKET	93	2	84-18895A1	TRIM HARNESS	33	28
27-66847	GASKET	93	13	84-19061A4	HARNESS	23	41
27-69524--2	GASKET, EXHAUST COVER	93	11	84-65017A10	HARNESS	39	2
27-69525--2	GASKET, BAFFLE PLATE	93	10	84-65017A2	HARNESS ASSEMBLY	11	3
27-70335--1	GASKET	93	12	84-65017A2	LIGHTING HARNESS (EXTERNAL)	17	6
27-812867--1	GASKET	3	3	84-74725A2	HARNESS	39	1
27-87775	GASKET	27	78	84-74725A2	HARNESS ASSEMBLY (BLACK/RED)	17	4
27-89273--1	GASKET	27	74	84-79138A1	BATTERY LEAD NEGATIVE	25	31
32-13992	VINYL TUBE	87	17	84-79139A13	BATTERY LEAD (POSITIVE)	25	31
32-42123--1	WATER TUBE	55	3	84-79139A20	CABLE ASSEMBLY (RED)	31	17
32-88005	HOSE TRIM (5 - 12/32" O.D.)	29	83	84-79139A24	CABLE (9-1/4")	21	36
32-88006	HOSE LIFT (5 - 17/32" O.D.)	29	84	84-79147A3	CONNECTOR AND HARNESS	25	13
35-16624	OIL FILTER & LEVEL SENSOR KIT	87	12	84-813524A2	CABLE	23	43
35-18576	FUEL FILTER KIT	87	16	84-821028A1	CABLE (20")	83	65
36-16619	CAP	87	3	84-84711M	HARNESS (5)	5	1
38-47972	PLATE	5	5	84-86322A19	WIRE (BLACK)	25	39
38-47972	PLATE	69	27				
43-99301	RING GEAR	19	23				
45-12367	DRIVE SHAFT	55	2				

PARTS INDEX

Part Number	Description	Pg.	Ref. No.	Part Number	Description	Pg.	Ref. No.
84-86324A2	CABLE (YELLOW/RED)	83	64	89-818999A2	SOLENOID	21	27
84-87379A5	WIRE (RED) EARLY MODELS	25	35	89-96054	STARTER SOLENOID	19	4
84-88439A4	BATTERY CABLE	21	40	89-96158	STARTER SOLENOID	25	23
84-88439A6	BATTERY WIRE ASSEMBLY (BLACK)	19	9	392-2529	SPRING SET	35	13
84-88439A8	BATTERY WIRE ASSEMBLY (RED)	19	9	392-7727	COUPLER AND SHAFT	35	4
84-88439A9	CABLE (96")	21	37	392-7728	FILL PLUG	35	15
84-88807A31	WIRE	21	15	392-7729	ARMATURE	35	8
84-88807A6	CABLE (3-1/2")	21	32	392-7731	RESERVOIR ASSEMBLY (PLASTIC)	35	6
84-88809A5	WIRE ASSEMBLY (YELLOW)	19	8	392-7732	THRUST WASHER	35	7
84-92195A5	HARNESS(5")	69	18	392-7733	THRU BOLT SET	35	14
84-95084A2	CABLE	37	5	392-7735	SEAL	35	5
85-96535	BOOT	25	28	392-8261	FIELD AND FRAME ASSEMBLY	35	9
87-11083A25	STOP SWITCH	67	48	392-8262	PLATE ASSEMBLY	35	11
87-11083A26	STOP SWITCH	59	53	392-8317	VALVE BODY AND GEAR ASSEMBLY	35	2
87-11083A26	STOP SWITCH	63	48	392-8989	BRUSH SET	35	12
87-11083A4	STOP SWITCH ASSEMBLY .	77	44	398-9710A36	STATOR (STAMPED 398- 9710A34)	21	21
87-11083A4	STOP SWITCH ASSEMBLY .	83	45	NLA-	BALL	35	10
87-14645A4	TRIM SWITCH	83	62				
87-17171	STOP SWITCH	45	30				
87-18286A18	TRIM SWITCH KIT	37	-				
87-18286A40	SWITCH ASSEMBLY	33	20				
87-19761	RELAY SWITCH	33	29				
87-813960A2	SWITCH	63	42				
87-813960A2	SWITCH ASSEMBLY	57	32				
87-813960A3	SWITCH ASSEMBLY	21	25				
87-813960A3	SWITCH ASSEMBLY	77	48				
87-823609A1	STOP SWITCH (DESIGN II- W/METAL LOCK RING) . .	69	3				
87-823609A10	HANDLE/STOP SWITCH KIT	69	2				
87-823609A10	THROTTLE HANDLE/STOP SWITCH KIT	89	8				
87-823609A15	THROTTLE HANDLE/STOP SWITCH KIT	73	10				
87-823609A15	THROTTLE HANDLE/STOP SWITCH KIT	81	10				
87-823609A5	STOP SWITCH	81	11				
87-823609A5	STOP SWITCH (DESIGN II- W/METAL LOCK RING) . .	73	11				
87-88107	KEY SWITCH	21	23				
87-88107	KEY SWITCH	77	37				
87-88107	KEY SWITCH	83	40				
87-88890A2	NEUTRAL START SWITCH .	67	43				
87-88890A2	SWITCH	31	19				
87-93479A4	NEUTRAL SWITCH	31	12				
87-93479A4	NEUTRAL SWITCH ASSEMBLY	71	51				
87-93479A7	NEUTRAL START SWITCH .	83	67				
87-95810A1	START SWITCH ASSEMBLY	31	3				
87-95810A6	ELECTRIC START KIT	31	-				
87-95810A8	ELECTRIC START KIT	31	-				
87-95810A9	ELECTRIC START KIT	31	-				
88-17429	LAMP	43	2				
88-19637A3	FUSE SOCKET	21	38				
88-79023A90	FUSE ASSEMBLY (90 AMP)	25	36				
88-79091	FUSE	37	4				
88-79149	CIRCUIT BREAKER (20 AMP) EARLY MODELS	25	32				
88-812619	FUSE	21	39				