



PARTS CATALOG

185 R/MR ENGINE (229 CID)

SERIAL NUMBER

185 (4 BBL.) GM 229 V-6 1983-1984 6330183 THRU 6919655

TABLE OF CONTENTS:

| | |
|----------------------------------------------------|----|
| ALTERNATOR (MANDO) | 10 |
| ALTERNATOR (MOTOROLA) | 8 |
| CARBURETOR | 22 |
| CARBURETOR AND THROTTLE LINKAGE | 20 |
| CRANKSHAFT AND PISTONS | 32 |
| CYLINDER BLOCK AND CAMSHAFT | 30 |
| CYLINDER HEAD AND ROCKER COVER | 28 |
| DISTRIBUTOR AND IGNITION COMPONENTS | 16 |
| ENGINE MOUNTING | 44 |
| EXHAUST MANIFOLD AND EXHAUST ELBOW | 24 |
| EXHAUST SYSTEM | 40 |
| FLYWHEEL HOUSING | 42 |
| FUEL PUMP AND FUEL FILTER | 18 |
| INTAKE MANIFOLD AND FRONT COVER | 34 |
| MISCELLANEOUS PARTS/ACCESSORIES | 2 |
| OIL PAN AND OIL PUMP | 36 |
| PARTS INDEX | 48 |
| POWER STEERING COMPONENTS | 46 |
| SHIFT BRACKET | 38 |
| STANDARD COOLING SYSTEM | 26 |
| STARTER MOTOR | 6 |
| STARTER MOTOR AND ALTERNATOR | 4 |
| WIRING HARNESS AND ELECTRICAL COMPONENTS | 12 |

NOTE: *Indented description indicate that these parts are included in preceeding assembly.*

AR = As Required

NSS = Not Sold Separate

OPT = Optional

NS = Not Shown

THESE PARTS BOOKS/FICHE CARD ARE COPYRIGHTED AND MAY NOT BE DISTRIBUTED OR REPRODUCED IN ANY OTHER FORMAT BY ANYONE OTHER THAN MERCURY MARINE WITHOUT THE PRIOR WRITTEN CONSENT OF MERCURY MARINE.

REPLACEMENT PARTS ! WARNING !

Electrical, ignition and fuel system components on MerCruiser Engines and Stern Drives are designed and manufactured to comply with U.S. Coast Guard Rules and Regulations to minimize risks of fire or explosion. Use of replacement electrical, ignition or fuel system components, which do not comply to these rules and regulations, could result in a fire or explosion hazard and should be voided.

When servicing the electrical, ignition and fuel systems, it is extremely important that all components are properly installed and tightened. If not, any electrical or ignition component opening would permit sparks to ignite fuel vapors from fuel system leaks, if they existed.

ENGINE MECHANICAL COMPONENTS

Many of the engine mechanical components are designed for marine applications. Unlike automotive engines, marine engines are subjected to extended periods of heavy load and wide- open-throttle operation, therefore, require heavy-duty components. Special marine engine parts have design and manufacturing specifications, which are required to provide long life and dependable performance. Marine engine parts also must be able to resist the corrosive action of salt or brackish water that will rust or corrode standard automotive parts within a short period of time.

Failure to use recommended Mercury Precision Parts OR Quicksilver service replacement parts can result in poor engine performance and/or durability, rapid corrosion of parts subjected to salt water and possibly complete failure of the engine.

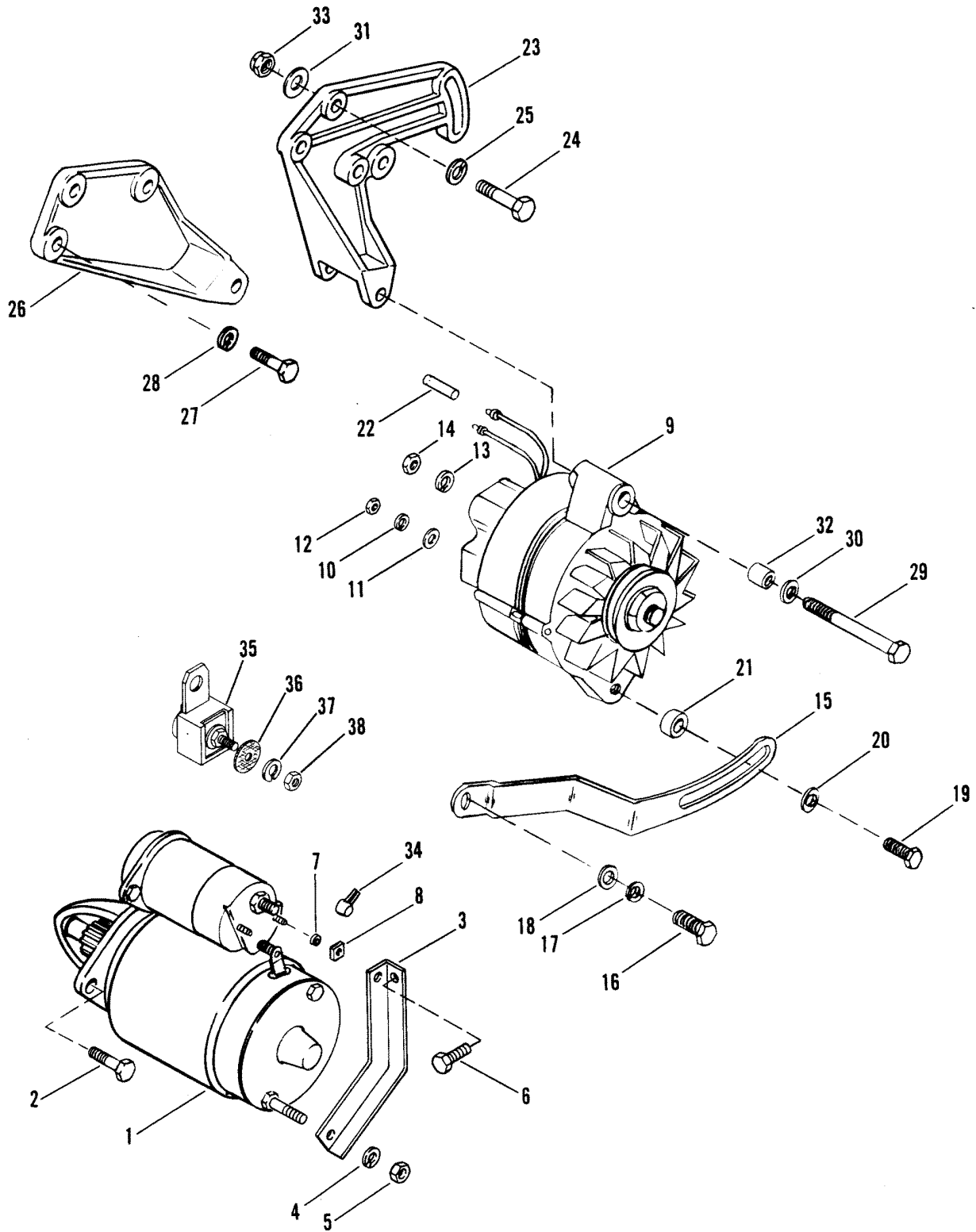
Use of parts other than recommended service replacement parts will void the warranty on those parts which are damaged as a result of the use of other than recommended parts.

MISCELLANEOUS PARTS\ACCESSORIES

| REF. NO. | PART NO. | SYM. | QTY. | DESCRIPTION |
|----------|----------|------|------|---------------|
| - | 90-43078 | | 0 | PARTS MANUEL |
| - | 90-41385 | | 0 | OWNER'S GUIDE |

THIS PAGE INTENTIONALLY LEFT BLANK

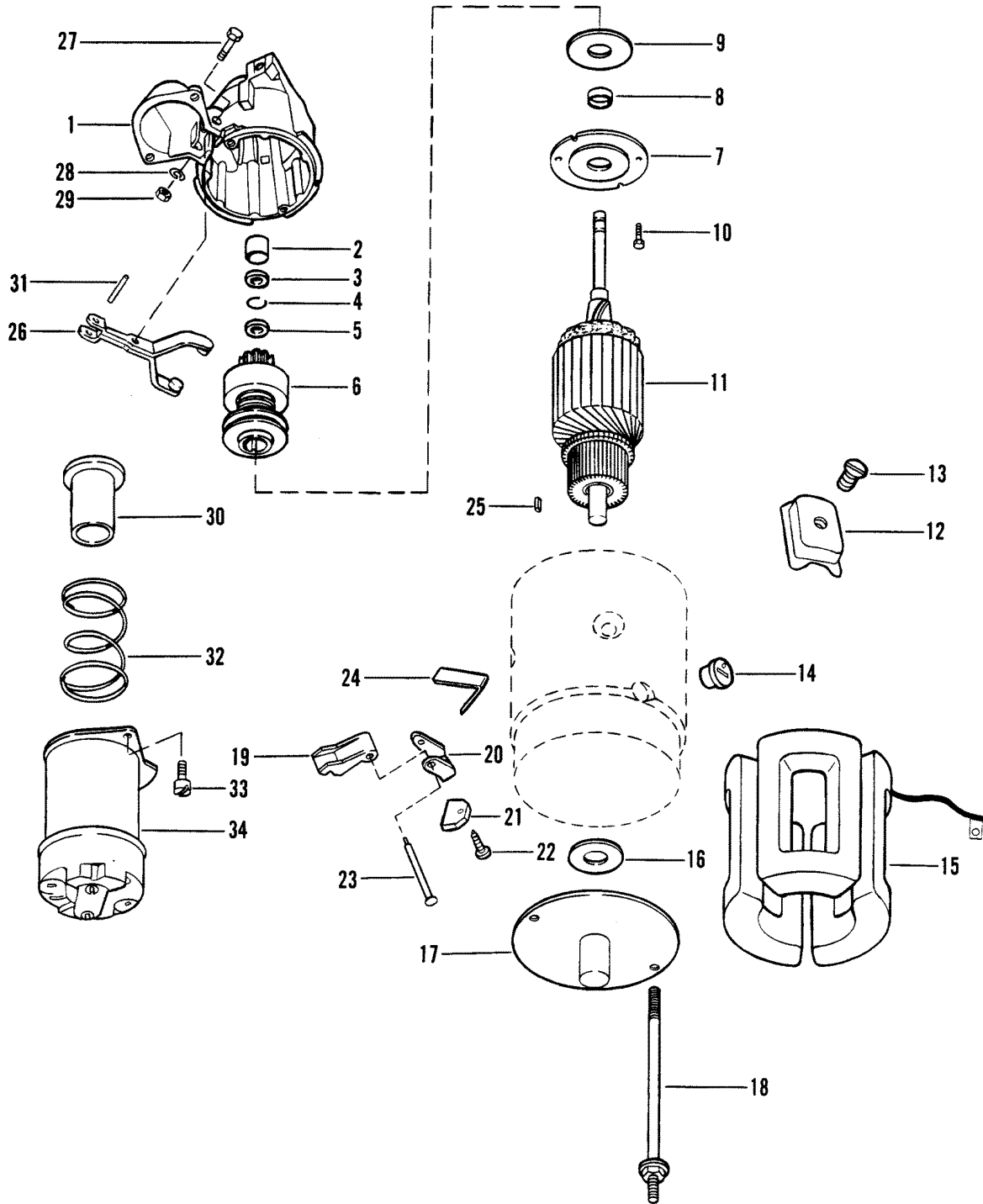
STARTER MOTOR AND ALTERNATOR



STARTER MOTOR AND ALTERNATOR

| REF. NO. | PART NO. | SYM. | QTY. | DESCRIPTION |
|----------|-------------|------|------|----------------------------------------------------------------|
| 1 | 50-99417A2 | | 1 | STARTER MOTOR ASSEMBLY |
| 2 | 10-94435 | | 1 | SCREW, STARTER MOTOR TO CYLINDER BLOCK (4-21/32") |
| | 10-34544 | | 1 | SCREW, STARTER MOTOR TO CYLINDER BLOCK (1-15/16") |
| 3 | 35363 | | 1 | BRACE, STARTER MOTOR |
| 4 | 12-29245 | | 2 | WASHER, STARTER MOTOR STUD |
| 5 | 11-72008 | | 1 | NUT, STARTER MOTOR STUD |
| 6 | 10-35765 | | 1 | SCREW, BRACE TO ENGINE (5/8") |
| 7 | 13-26995 | | 2 | LOCKWASHER, STARTER TERMINAL (#8) |
| 8 | 11-26419 | | 2 | NUT, STARTER TERMINAL (#8) |
| 9 | 92497A3 | | 1 | ALTERNATOR (55 AMP) |
| 10 | 13-26996 | | 1 | LOCKWASHER, ALTERNATOR TERMINAL |
| 11 | 12-96457 | | 1 | WASHER, ALTERNATOR TERMINAL |
| 12 | 11-30968 | | 1 | NUT, ALTERNATOR TERMINAL(10-24) |
| 13 | 13-26992 | | 1 | LOCKWASHER, ALTERNATOR TERMINAL |
| 14 | 11-20890 | | 1 | NUT, ALTERNATOR TERMINAL (1/4-20) |
| 15 | 85013 | | 1 | BRACE, ALTERNATOR ADJUSTING |
| 16 | 10-27165 | | 1 | SCREW, ALTERNATOR BRACE |
| 17 | 13-35048 | | 1 | LOCKWASHER, ALTERNATOR BRACE SCREW |
| 19 | 10-74824 | | 1 | SCREW, ALTERNATOR BRACE |
| 20 | 12-26168 | | 1 | WASHER, ALTERNATOR BRACE SCREW |
| 21 | 23-52095 | | 1 | SPACER, ALTERNATOR BRACE SCREW |
| 22 | 57908--2 | | 2 | TUBING, ALTERNATOR LEADS |
| 23 | 87115A1 | | 1 | BRACKET, ALTERNATOR W/POWER STEERING |
| 24 | 10-37612 | | 2 | SCREW, ALTERNATOR BRACKET (1-1/4") W/POWER STEERING |
| | 10-34354 | | 1 | SCREW, ALTERNATOR BRACKET (1-1/2") W/POWER STEERING |
| 25 | 13-35048 | | 3 | LOCKWASHER, ALTERNATOR BRACKET SCREW W/POWER STEERING |
| 26 | 93175 | | 1 | BRACKET, ALTERNATOR W/O POWER STEERING |
| 27 | 10-37612 | | 3 | SCREW, ALTERNATOR BRACKET (1-1/4") W/O POWER STEERING |
| 28 | 13-35048 | | 3 | LOCKWASHER, ALTERNATOR BRACKET SCREW W/O POWER STEERING |
| 29 | 10-48308 | | 1 | SCREW, ALTERNATOR (3-3/4") |
| 30 | 12-20553 | | 1 | WASHER, ALTERNATOR BRACKET SCREW (3/4") |
| 31 | 12-34714 | | 1 | WASHER, ALTERNATOR BRACKET SCREW (13/16 O.D.) |
| 32 | 23-33186 | | 1 | BUSHING, ALTERNATOR BRACKET SCREW |
| 33 | 11-23161 | | 1 | NUT, ALTERNATOR BRACKET SCREW |
| 34 | 85-79695 | | 1 | INSULATOR, BOOT-STARTER TERMINAL |
| 35 | 88-79023A91 | | 1 | FUSE ASSEMBLY (90 AMP) |
| 36 | 12-96457 | | 1 | WASHER, FUSE TERMINAL |
| 37 | 13-26992 | | 1 | LOCKWASHER, FUSE TERMINAL |
| 38 | 11-21825 | | 1 | NUT, FUSE TERMINAL |

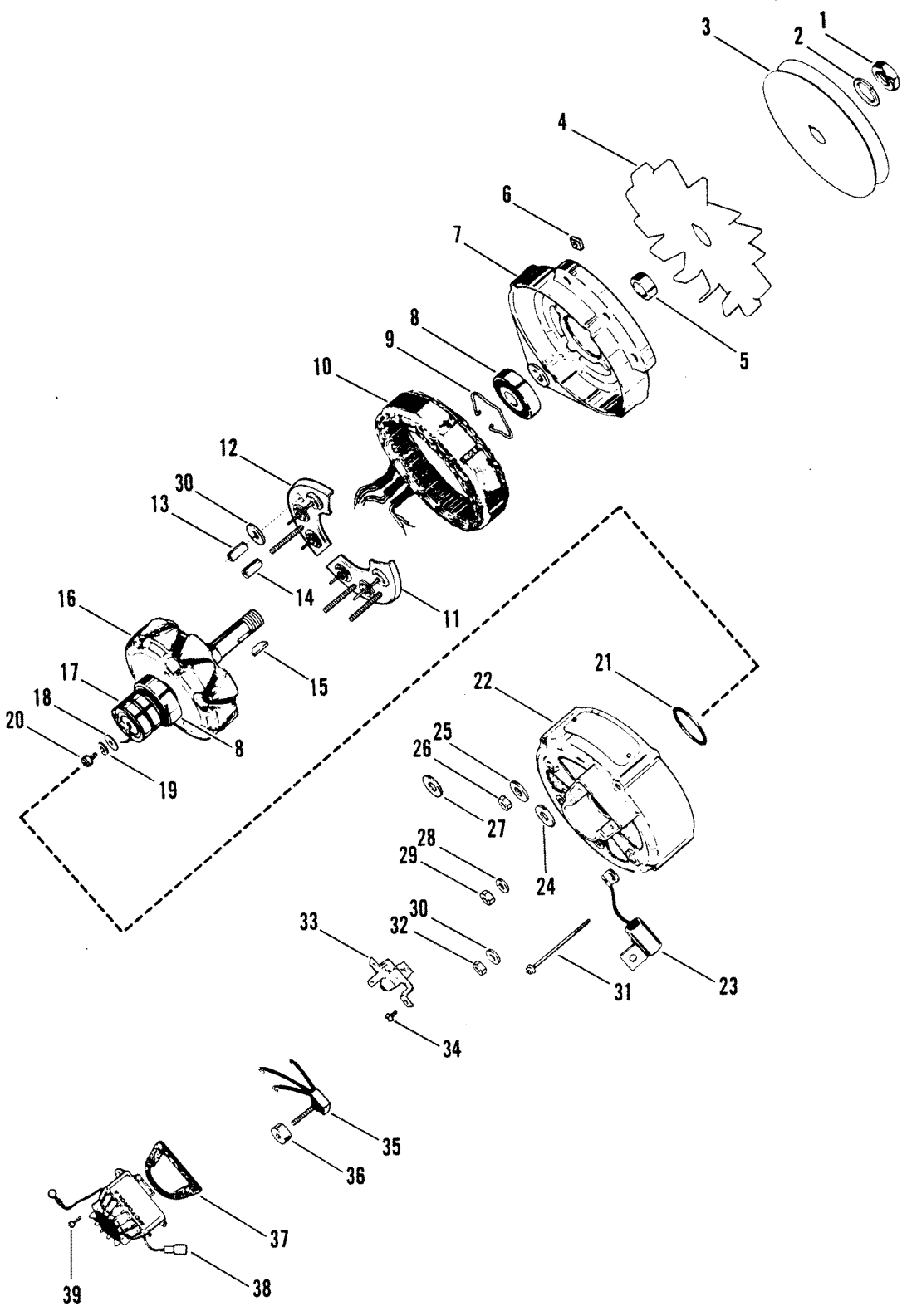
STARTER MOTOR



STARTER MOTOR

| REF. NO. | PART NO. | SYM. | QTY. | DESCRIPTION |
|----------|------------|------|------|-----------------------------------------------------|
| - | 50-99417A2 | | 1 | STARTER MOTOR ASSEMBLY |
| 1 | 71696 | | 1 | HOUSING,DRIVE END |
| 2 | 23-33369 | | 1 | BRUSHING,DIRVE END HOUSING |
| 3 | 33292 | | 1 | COLLAR, THURST |
| 4 | 53-33290 | | 1 | RING, RETAINING-PINION STOP COLLAR |
| 5 | 33291 | | 1 | COLLAR, PINION STOP |
| 6 | 79205 | | 1 | DRIVE ASSEMBLY, CLUTCH |
| 7 | N.S.S. | | 1 | PLATE, BEARING (DELCO REMY #1956939) |
| 8 | 23-71694 | | 1 | BUSHING, BEARING PLATE |
| 9 | 12-68614 | | 1 | WASHER, BEARING PLATE |
| 10 | 10-79209 | | 2 | SCREW, BEARING PLATE |
| 11 | 75665 | | 1 | ARMATURE |
| 12 | N.S.S. | | 4 | SHOE, POLE-FIELD COIL (DELCO REMY #810601) |
| 13 | N.S.S. | | 4 | SCREW, POLE SHOE TO FIED COIL (DELCO REMY #1968396) |
| 14 | 25-79208 | | 1 | GORMMET, FIELD COIL-FIELD FRAME |
| 15 | 75664 | | 1 | FIELD COIL ASSEMBLY |
| 16 | 12-33258 | | 1 | WASHER, LEATHER-COMMUTATOR END FRAME |
| 17 | 79211 | | 1 | FRAME, COMMUTATOR END-LOWER |
| 18 | N.S.S. | | 1 | BOLT, THRU (DELCO REMY #1941111) |
| | N.S.S. | | 1 | BOLT, THRU (DELCO REMY #1939970) |
| 19 | 33284 | | 2 | HOLDR, INSULATED-FIELD FRAME BRUSH |
| 20 | 33283 | | 2 | HOLDER, FIELD FRAME BRUSH GROUD 2 |
| 21 | 33270 | | 0 | BRUSH, FIELD FRAME |
| 22 | N.S.S. | | 2 | SCREW, BRUSH LEAD (DELCO REMY #1967747) |
| | N.S.S. | | 2 | SCREW, BRUSH LEAD (DELCO REMY #443527) |
| 23 | 33294 | | 2 | SUPPORT PACKAGE, GROUND AND INSULATED HOLDERS |
| 24 | 24-33285 | | 4 | SPRING, FIELD FRAME BRUSH |
| 25 | N.S.S. | | 1 | PIN, DOWEL-FIELD FRAME (DELCO REMY #809593) |
| 26 | 33297 | | 1 | LEVER, SHIFT |
| 27 | N.S.S. | | 1 | STUD, SHIFT LEVER (DELCO REMY #1814529) |
| 28 | 12-68615 | | 1 | WASHER, SHIFT LEVER STUD |
| 29 | 11-26484 | | 1 | NUT, SHIFT LEVER STUD |
| 30 | 33317 | | 1 | PLUNGER, SHIFT LEVER |
| 31 | 17-79207 | | 1 | PIN, PLUNGER TO SHIFT LEVER |
| 32 | N.S.S. | | 1 | SPRING, PLUNGER RETURN (DELCO REMY #1958679) |
| 33 | N.S.S. | | 2 | SCREW, SOLENOID SWITCH (DELCO REMY #9413260) |
| 34 | 33261 | | 1 | SOLENOID SWITCH ASSEMBLY |

ALTERNATOR (MOTOROLA)

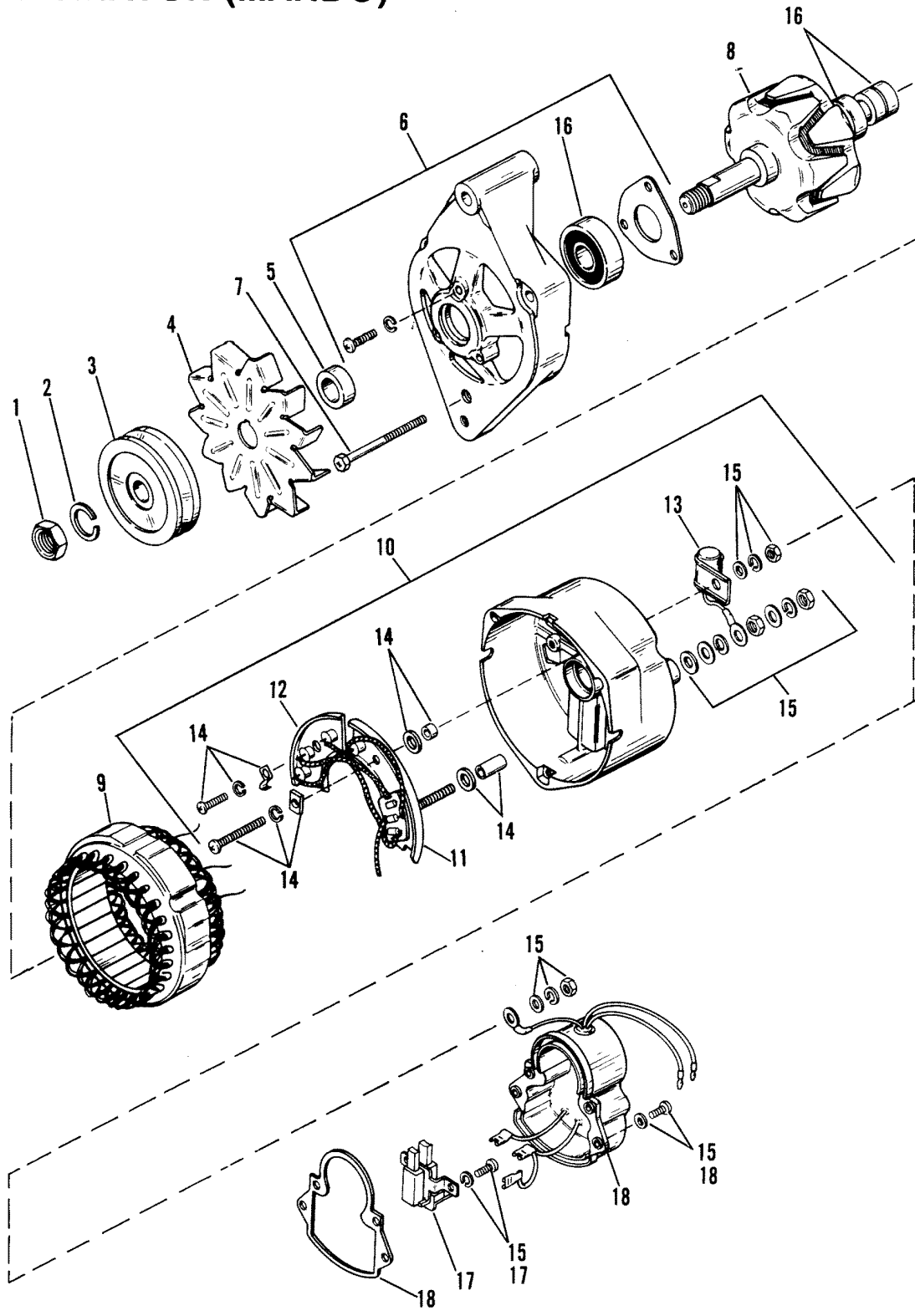


ALTERNATOR (MOTOROLA)

| REF. NO. | PART NO. | SYM. | QTY. | DESCRIPTION |
|----------|----------|------|------|------------------------------------|
| - | 92497A3 | | 1 | ALTERNATOR ASSEMBLY (55 AMP) |
| 1 | 390-7027 | | 1 | NUT, FAN AND PULLEY TO ROTOR |
| 2 | 390-7033 | | 1 | LOCKWASHER, FAN AND PULLEY NUT |
| 3 | 390-8637 | | 1 | PULLEY, DRIVE END FRAME |
| 4 | 390-7004 | | 1 | FAN, DRIVE END FRAME |
| 5 | 390-7012 | | 4 | SPACER, FAN TO DRIVE END FRAME |
| 6 | 390-7028 | | 4 | NUT, THRU BOLT ATTACHING |
| 7 | 390-7000 | | 1 | COVER ASSEMBLY, FRONT |
| 8 | 390-7005 | | 2 | BALL BEARING, DRIVE END |
| 9 | 390-7006 | | 1 | RETAINER, DRIVE END BALL BEARING |
| 10 | 390-8636 | | 1 | STATOR ASSEMBLY |
| 11 | 390-7009 | | 1 | DIODE RECTIFIER, NEGATICE |
| 12 | 390-7010 | | 1 | HEAT SINK, POSITIVE |
| 13 | 390-7020 | | 1 | SLEEVE, INSULATOR |
| 14 | 390-7018 | | 1 | SLEEVE, INSULATOR |
| 15 | 390-7034 | | 1 | KEY, ROTOR |
| 16 | 390-8635 | | 1 | ROTOR, ASSMEBLY |
| 17 | 390-7014 | | 1 | SLIP RING |
| 18 | 390-7206 | | 1 | WASHER, ROTOR SCREW |
| 19 | 390-7207 | | 1 | LOCKWASHER, ROTOR SCREW |
| 20 | 390-7029 | | 1 | SCREW, ROTOR SHAFT (5/8") |
| 21 | 390-7007 | | 1 | RETAINER, ROTOR SHAFT BEARING |
| 22 | 390-7003 | | 1 | COVER ASSEMBLY, REAR |
| 23 | 390-7035 | | 1 | CONDENSOR |
| 24 | 390-7023 | | 1 | WASHER, REGULATOR TERMINAL STUD |
| 25 | 390-7024 | | 1 | WASHER, CONDENSOR TERMINAL STUD |
| 26 | 390-7025 | | 1 | NUT, TERMINAL STUD |
| 27 | 390-7208 | | 1 | WASHER, TERMINAL STUD |
| 28 | 390-7032 | | 2 | LOCKWASHER, TERMINAL STUD |
| 29 | 390-7026 | | 1 | NUT, TERMINAL ATTACHING |
| 30 | 390-7022 | | 1 | WASHER, CONDENSOR TERMINAL STUD |
| 31 | 390-8638 | | 4 | THRU BOLT |
| 32 | 390-7021 | | 1 | NUT, CONDENSOR TERMINAL ATTACHING |
| 33 | 390-7011 | | 1 | BRUSH HOLDER ASSEMBLY |
| 34 | 390-7030 | | 2 | SCREW, BRUSH HOLDER (1/2") |
| 35 | 390-7008 | | 1 | DIODE TRIO |
| 36 | 390-7019 | | 1 | SPACER, DIODE TRIO |
| 37 | 390-7013 | | 1 | GASKET, VOLTAGE REGULATOR |
| 38 | 390-7036 | | 1 | VOLTAGE REGULATOR |
| 39 | 390-7015 | | 4 | SCREW, VOLTAGE REGULATOR ATTACHING |

ALTERNATOR (MANDO)

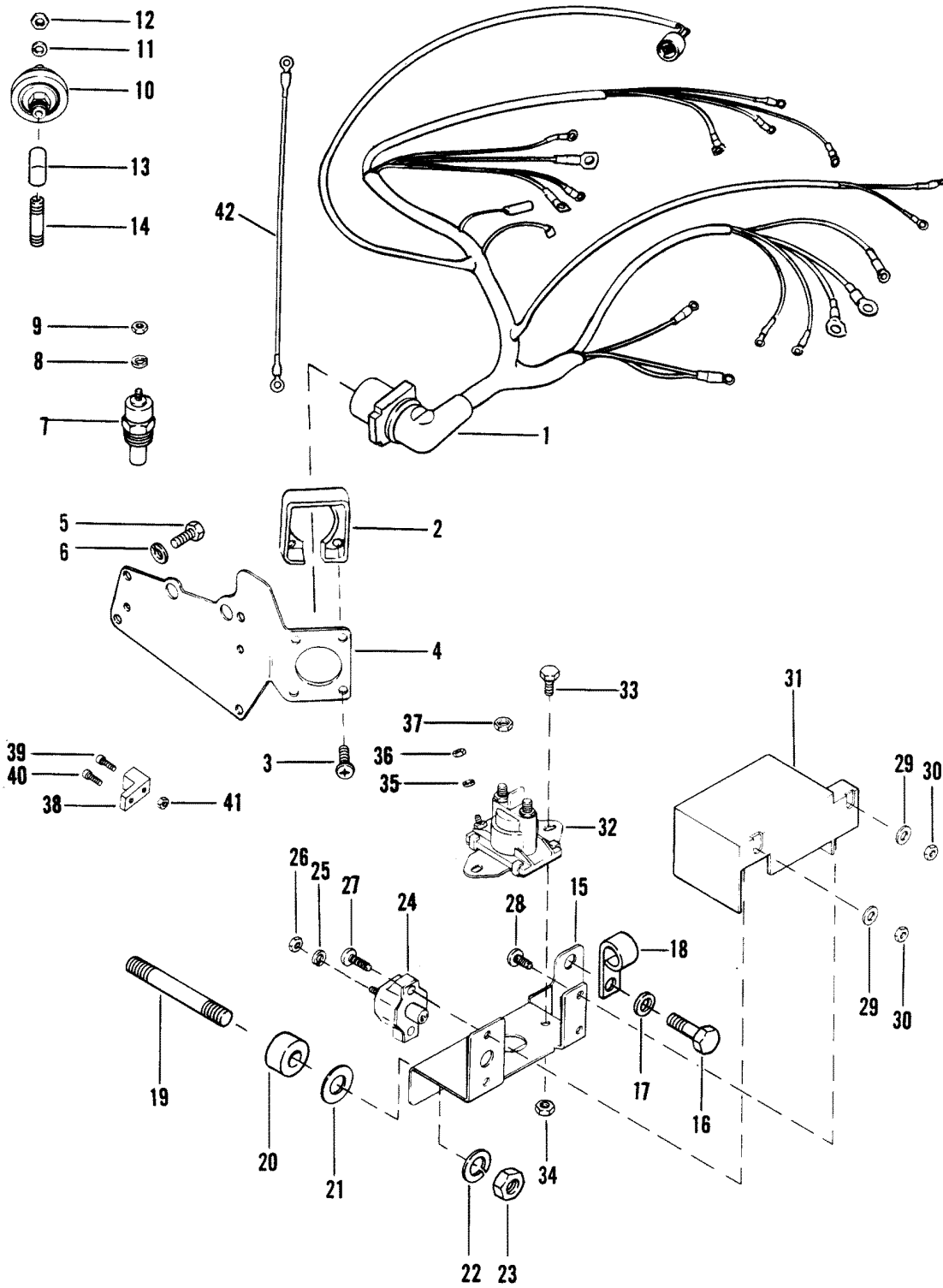
ALTERNATOR (MANDO)



ALTERNATOR (MANDO)

| REF. NO. | PART NO. | SYM. | QTY. | DESCRIPTION |
|----------|----------|------|------|------------------------------------------------|
| 1 | 11-42768 | | 1 | NUT |
| 2 | 13-42769 | | 1 | LOCKWASHER |
| 3 | 42770 | | 1 | PULLEY |
| 4 | 42771 | | 1 | FAN |
| 5 | 23-42772 | | 1 | SPACER |
| 6 | 42774 | | 1 | BRACKET ASSEMBLY, FRONT |
| 7 | 10-42773 | | 3 | BOLT |
| 8 | 42775 | | 1 | ROTOR (INCLUDES BEARINGS) |
| 9 | 42776 | | 1 | STATOR |
| 10 | 42777 | | 1 | BRACKET ASSMEBLY, REAR |
| 11 | 42778 | | 1 | HEAT SINK(POSTIVE) |
| 12 | 42779 | | 1 | HEAT SINK (NEGATIVE) |
| 13 | 42780 | | 1 | CONDENSER ASSEMBLY |
| 14 | 42783 | | 1 | HARDWARE KIT, INTERNAL |
| 15 | 42782 | | 1 | HARDWARE KIT, EXERNAL |
| 16 | 42781 | | 1 | BEARING KIT |
| 17 | 42784 | | 1 | BUSH HOLDER KIT (INCLUDES SPRINGS AND BRUSHES) |
| 18 | 42785 | | 1 | REGULATOR KIT |

WIRING HARNESS AND ELECTRICAL COMPONENTS

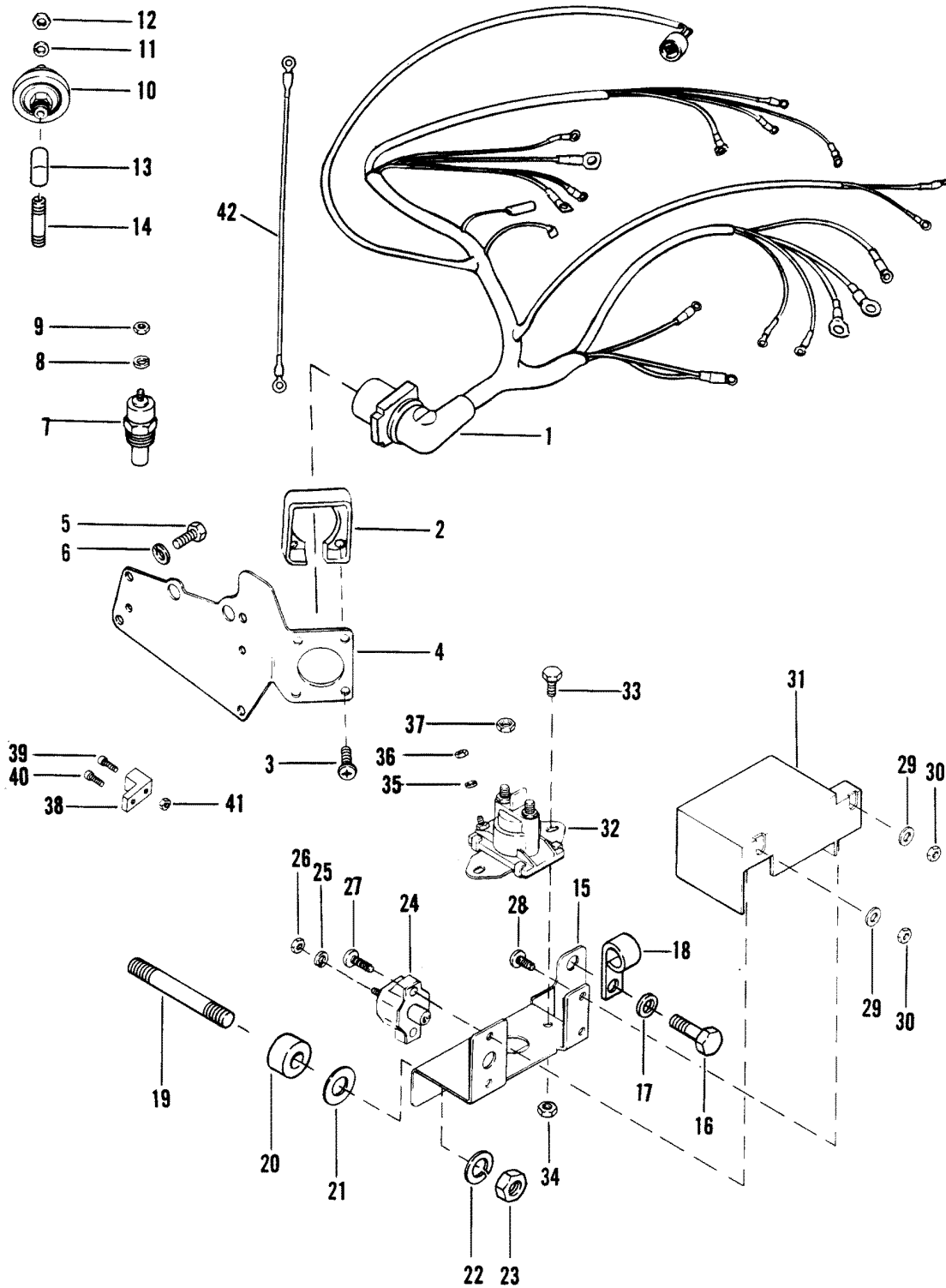


WIRING HARNESS AND ELECTRICAL COMPONENTS

| REF. NO. | PART NO. | SYM. | QTY. | DESCRIPTION |
|----------|------------|------|------|-----------------------------------------------------|
| 1 | 84-99510A2 | | 1 | WIRING HARNESS |
| 2 | 26079 | | 1 | PLATE, WIRING HARNESS TO MOUNTING BRACKET |
| 3 | 10-34696 | | 4 | SCREW, WIRING HARNESS PLATE (3/4") |
| 4 | 98493A1 | | 1 | BRACKET, MONTING |
| 5 | 10-49668 | | 3 | SCREW, MOUNTING BRACKET |
| 6 | 13-26992 | | 3 | LOCKWASHER, MOUNTING BRACKET |
| 7 | 97258A1 | | 1 | WATER TEMPERATURE SENDER ASSEMBLY |
| | 49734A1 | | OPT | WATER TEMPERATURE SENDER ASSEMBLY (DUAL) |
| 8 | 13-26996 | | 1 | LOCKWASHER, WATER TMEPERATURE SENDER TERMINAL (#10) |
| 9 | 11-68219 | | 1 | NUT, WATER TEMPERATURE SENDER TERMINAL (#10) |
| 10 | 90806 | | 1 | OIL PRESSURE SENDER ASSMEBLY |
| | 37293 | | OPT | OIL PRESSURE SENDER ASSEMBLY (DUAL) |
| 11 | 13-26996 | | 1 | LOCKWASHER, OIL PRESSURE SENDER TERMINAL (#10) |
| 12 | 11-68219 | | 1 | NUT, OIL PRESSURE SENDER TERMINAL (#10) |
| 13 | 22-46932 | | 1 | ELBOW, OIL PRESSURE SENDER |
| 14 | 22-42554 | | 1 | NIPPLE, OILPRESSURE SENDER |
| 15 | 41170A2 | | 1 | BRACKET, MOUNTING |
| 16 | 10-98260 | | 1 | SCREW, MOUNTIG BRACKET (5/8") |
| 17 | 13-35048 | | 1 | LOCKWASHER, MOUNTING BRACKET SCREW |
| 18 | 54-78945 | | 1 | CLAMP, BRACKET SCREW |
| 19 | 16-56826 | | 1 | STUD, MOUNTING BRACKET |
| 20 | 23-57369 | | 1 | SPACER, MOUNTING BRACKET STUD |
| 21 | 12-20572 | | 1 | WASHER, MOUNTING BRACKET STUD |
| 22 | 13-35048 | | 1 | LOCKWASHER, MOUNTING BRACKET STUD |
| 23 | 11-24883 | | 1 | NUT, MOUNTING BRACKET STUD |
| 24 | 88-93582 | | AR | CIRCUIT BREAKER (60 AMP) |
| | 88-11178 | | AR | CIRCUIT BREAKER (50 AMP) |
| 25 | 13-26996 | | 2 | LOCKWASHER, CIRCUIT BREAKER TERMINAL |
| 26 | 11-68219 | | 2 | NUT, CIRCUIT BREAKER TERMINAL |
| 27 | 10-45862 | | 2 | SCREW, CIRCUIT BREAKER (7/8") |
| 28 | 10-45218 | | 1 | SCREW, INSULTOR (3/8") |
| 29 | 12-56681 | | 3 | WASHERM CICIUIT BREAKER SCREW |
| 30 | 11-46438 | | 3 | NUT, INSULATOR SCREW |
| 31 | 85-96819 | | 1 | INSULATOR, CIRCUIT BREAKER |
| 32 | 89-96054 | | 1 | STARTER SOLENOID |
| 33 | 10-47910 | | 2 | SCREW, STARTER SOLENOID (5/8") |
| 34 | 11-20088 | | 2 | NUT, STARTER SOLENOID SCREW |
| 35 | 13-26992 | | 2 | LOCKWASHER, STARTER SOLENOID TERMINAL |
| 36 | 11-26419 | | 2 | NUT, STARTER SOLENOID TERMINAL (10-32) |
| 37 | 11-94330 | | 2 | NUT, STARTER SOLENOID TERMINAL (1/4-20) |

CONTINUED ON NEXT PAGE ➡

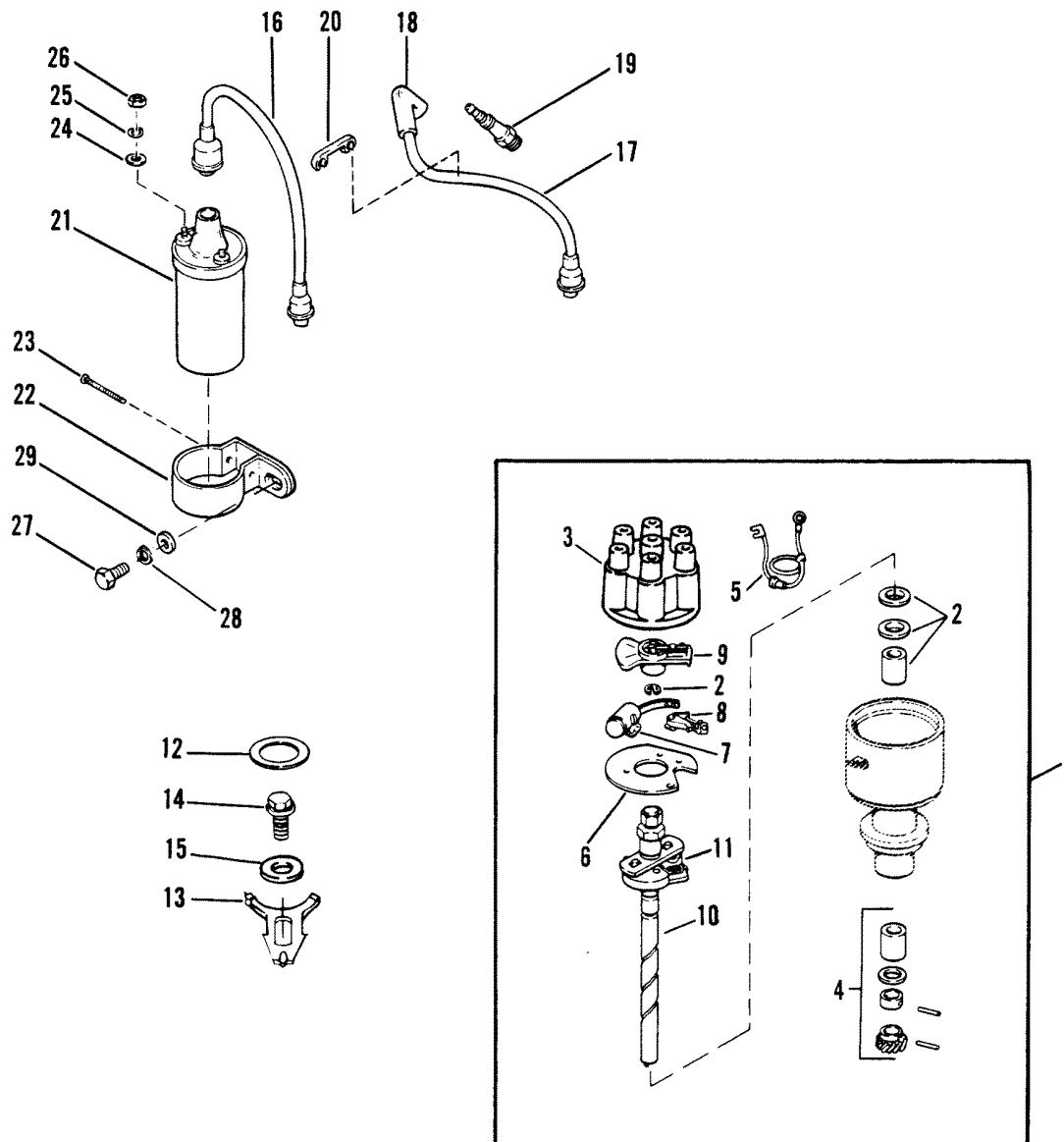
WIRING HARNESS AND ELECTRICAL COMPONENTS



WIRING HARNESS AND ELECTRICAL COMPONENTS

| REF. NO. | PART NO. | SYM. | QTY. | DESCRIPTION |
|----------|------------|------|------|------------------------------------------------|
| 38 | 45915 | | 1 | TERMINAL BLOCK |
| 39 | 10-62568 | | 1 | SCREW, TERMINAL BLOCK LEADS |
| 40 | 10-22028 | | 1 | SCREW, TERMINAL BLOCK |
| 41 | 11-46438 | | 1 | NUT, TERMINAL BLOCK SCREW |
| 42 | 84-94227A2 | | 1 | RESISTANCE WIRE KIT (TO REPLACE RESISTOR WIRE) |

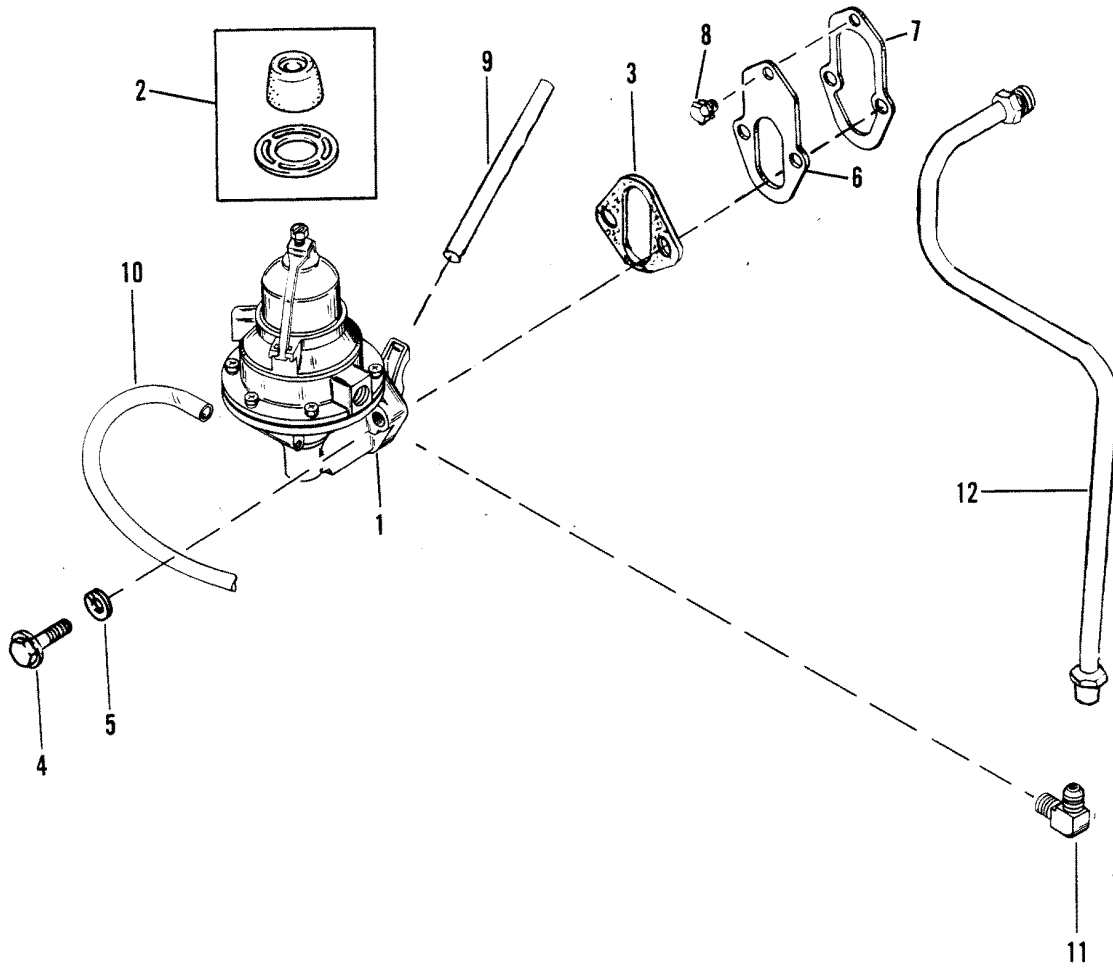
DISTRIBUTOR AND IGNITION COMPONENTS



DISTRIBUTOR AND IGNITION COMPONENTS

| REF. NO. | PART NO. | SYM. | QTY. | DESCRIPTION |
|----------|-------------|------|------|---------------------------------------|
| 1 | 42759 | | 1 | DISTRIBUTOR ASSEMBLY |
| 2 | 392-9085 | | 1 | BEARING KIT |
| 3 | 392-9086 | | 1 | DISTRIBUTOR CAP |
| 4 | 392-9087 | | 1 | DRIVE GEAR KIT |
| 5 | 392-9088 | | 1 | PRIMARY WIRE |
| 6 | 392-6323 | | 1 | BREAKER PLATE ASSMEBLY |
| 7 | 392-6324 | | 1 | CONDENSER |
| 8 | 392-6325 | | 1 | BREAKER SET |
| 9 | 392-9089 | | 1 | ROTOR |
| 10 | 392-9090 | | 1 | SHAFT AND CAM ASSEMBLY |
| 11 | 392-9091 | | 1 | SPRING SET |
| 12 | 27-52184 | | 1 | GASKET, DISTRIBUTOR |
| 13 | 52185 | | 1 | CLAMP, DISTRIBUTOR TO INTAKE MANIFOLD |
| 14 | 10-35169 | | 1 | SCREW, DISTRIBUTOR CLAMP (7/8") |
| 15 | 12-42760 | | 1 | WASHER, DISTRIBUTOR CLAMP SCREW |
| 16 | 84-42841A44 | | 1 | LEAD ASSEMBLY, DISTRIBUTOR TO COIL |
| 17 | 84-43376A7 | | 1 | SPARK PLUG WIRE KIT |
| 18 | 85-63709A1 | | 6 | BOOT ASSMEBLY, SPARK PLUG |
| 19 | 33-59571 | | 6 | SPARK PLUG (NGK-BR6FS) |
| 20 | 54676 | | 2 | RETAINER, HIGH TENSION LEADS (2WIRE) |
| | 32783 | | 4 | RETAINER, HIGH TENSION LEADS (3 WIRE) |
| 21 | 32193A2 | | 1 | COIL, IGNITION |
| 22 | 65970 | | 1 | BRACKET, IGNITION CIOL MOUNTING |
| 23 | 10-41408 | | 1 | SCREW, MOUNTING BRACKET TO COIL |
| 24 | 12-30164 | | 2 | WASHER, IGNITION COIL TERMINAL |
| 25 | 13-26996 | | 2 | LOCKWASHER, IGMNITION COIL TERMINAL |
| 26 | 11-68219 | | 2 | NUT, IGNITION COIL TERMINAL |
| 27 | 10-21077 | | 1 | SCREW, IGNITION COIL |
| 28 | 13-35048 | | 1 | LOCKWASHER, IGNITION COIL SCREW |
| 29 | 12-25909 | | 1 | WASHER, IGNITION COIL SCREW |

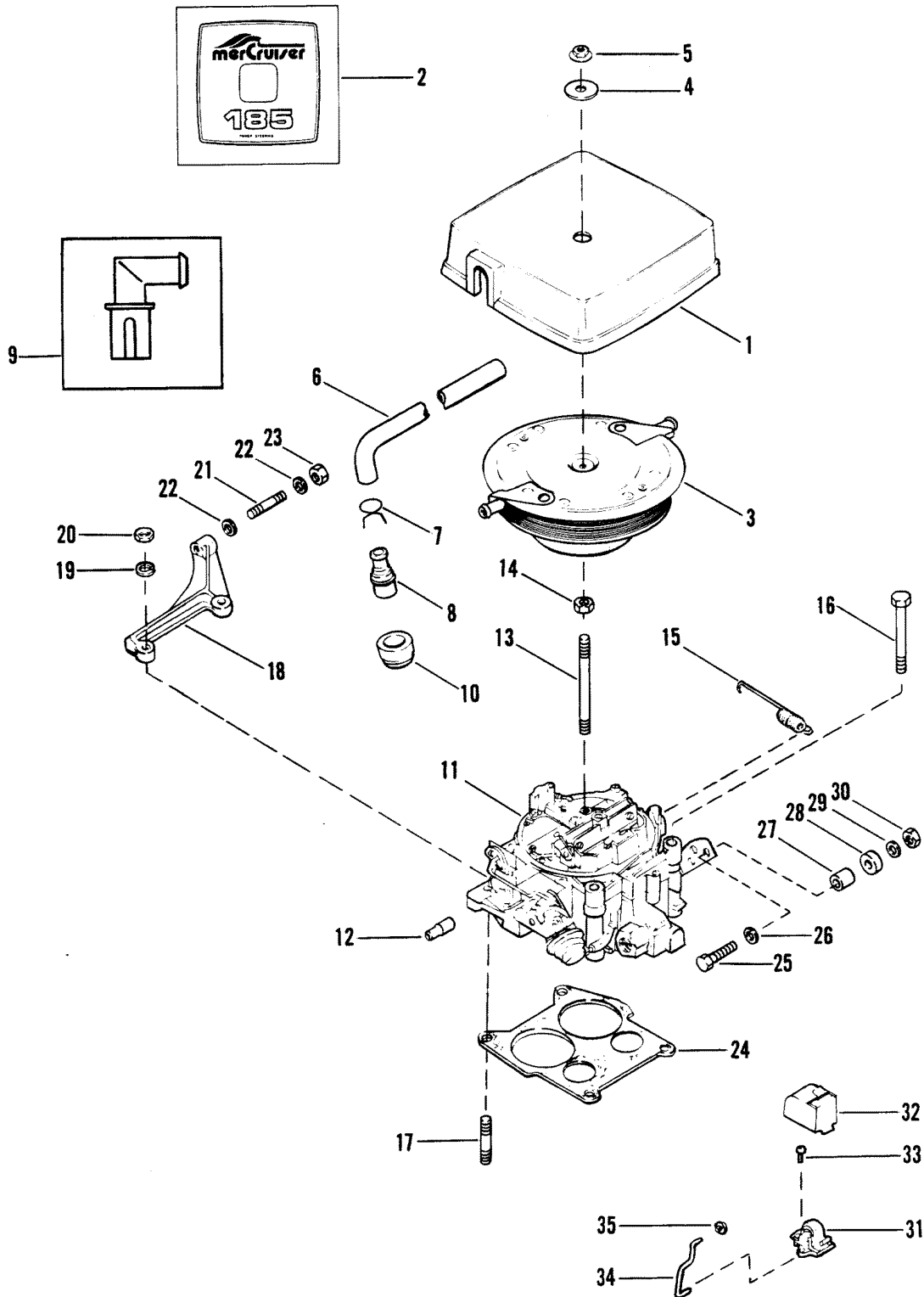
FUEL PUMP AND FUEL FILTER



FUEL PUMP AND FUEL FILTER

| REF. NO. | PART NO. | SYM. | QTY. | DESCRIPTION |
|----------|-------------|------|------|---------------------------------------|
| 1 | 41141A2 | | 1 | FUEL PUMP |
| 2 | 35-11004 | | 1 | FUEL FILTER |
| 3 | 27-34213 | | 1 | GASKET, FUEL PUMP TO CYLINDER BLOCK |
| 4 | 10-73657 | | 2 | SCREW, FUEL PUMP |
| 5 | 13-39107 | | 2 | LOCKWASHER, FUEL PUMP SCREW |
| 6 | 42454 | | 1 | PLATE, FUEL PUMP MOUNTING |
| 7 | 27-42457 | | 1 | GASKET, FUEL PUMP MOUNTING PLATE |
| 8 | 10-34277 | | 2 | SCREW, FUEL PUMP MOUNTING PLATE |
| 9 | 42455 | | 1 | ROD, PUSH-FUEL PUMP |
| 10 | 32-73815-63 | | 1 | HOSE, PLASTIC-FUEL PUMP TO CARBURETOR |
| 11 | 22-43276 | | 1 | ELBOW, FUEL PUMP |
| 12 | 32-99755A1 | | 1 | FUEL LINE, FUEL PUMP TO CARBURETOR |

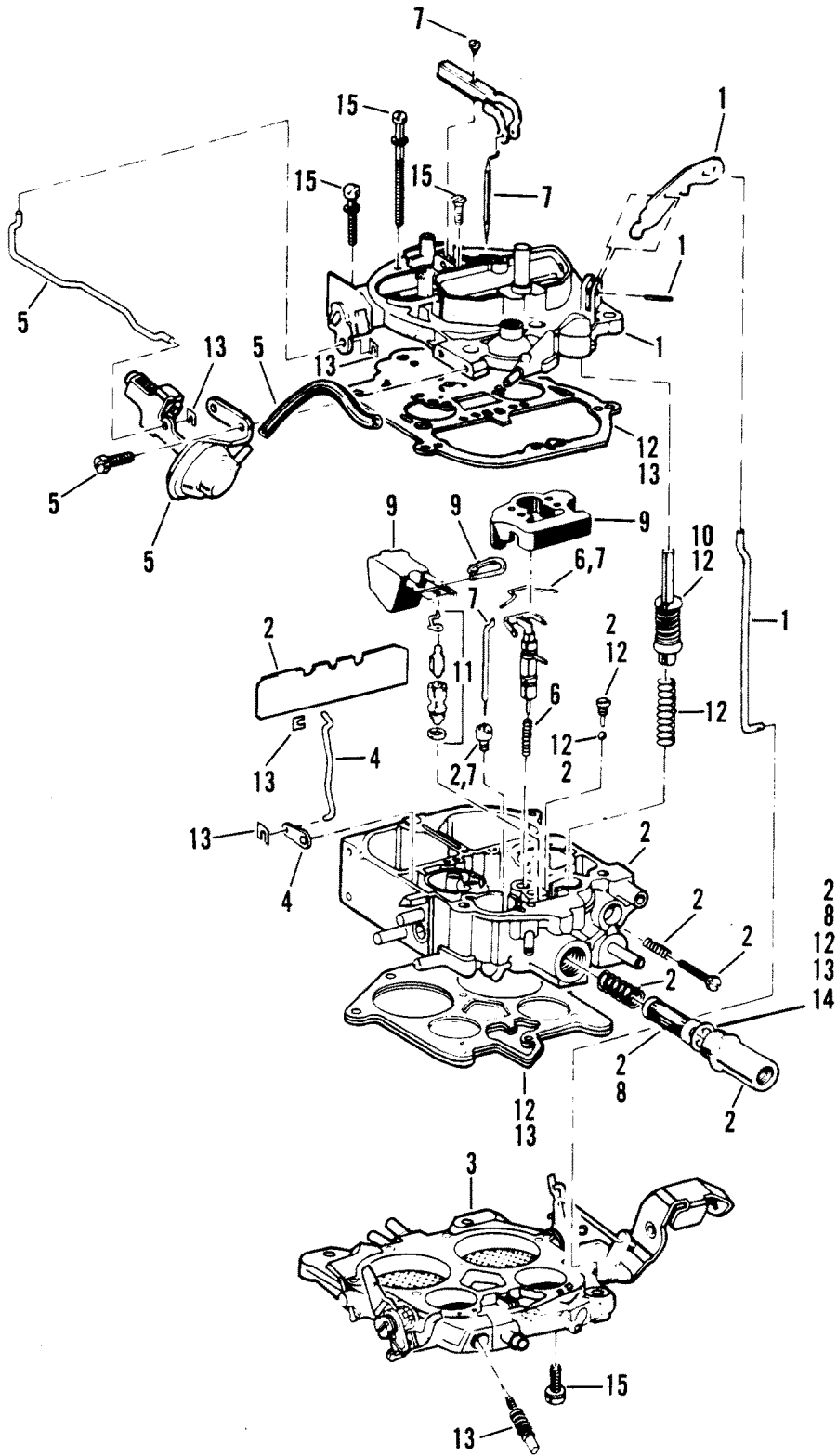
CARBURETOR AND THROTTLE LINKAGE



CARBURETOR AND THROTTLE LINKAGE

| REF. NO. | PART NO. | SYM. | QTY. | DESCRIPTION |
|----------|-------------|------|------|----------------------------------------------|
| 1 | 43560A5 | | 1 | COVER, CARBURETOR (TOP) |
| 2 | 37-41601 | | 1 | DECAL, CARBURETOR COVER (185) |
| 3 | 85785A2 | | 1 | FLAME ARRESTOR, CARBURETOR |
| 4 | 12-86400 | | 1 | WASHER, SEALING |
| 5 | 11-20586 | | 1 | NUT, SILENCER ADAPTER |
| 6 | 32-93315-12 | | 2 | HOSE, VENT-CARBURETOR (11-1/4") |
| 7 | 54-53101 | | 4 | CLAMP, VENT HOSE |
| 8 | 47957 | | 1 | CONNECTOR, VENT HOSE TO ROCKER COVER (PORT) |
| 9 | 97850 | | 1 | ELBOW, VENT HOSE TO ROCKER COVER (STARBOARD) |
| 10 | 25-52188 | | 2 | GROMMET, ROCKER COVER |
| 11 | 3300-8886A2 | | 1 | CARBURETOR ASSEMBLY |
| 12 | 22-97282 | | 1 | CONNECTOR, CARBURETOR |
| 13 | 16-91842 | | 1 | STUD, FLAME ARRESTOR |
| 14 | 11-28941 | | 1 | NUT, JAM-FLAME ARRESTOR |
| 15 | 24-32817 | | 1 | SPRING, THROTTLE RETURN |
| 16 | 10-74822 | | 2 | SCREW, CARBURETOR |
| 17 | 16-46857 | | 2 | STUD, CARBURETOR |
| 18 | 41329A4 | | 1 | BRACKET, THROTTLE CABLE |
| 19 | 12-20084 | | 4 | WASHER, CARBURETOR STUD |
| 20 | 11-29250 | | 2 | NUT, CARBURETOR STUD |
| 21 | 16-38525 | | 1 | STUD, THROTTLE CABLE |
| 22 | 12-24664 | | 2 | WASHER, THROTTLE CABLE STUD |
| 23 | 11-20586 | | 1 | NUT, THROTTLE CABLE STUD |
| 24 | 27-52457 | | 1 | GASKET, CARBURETOR TO INTAKE MANIFOLD |
| 25 | 10-98509 | | 1 | SCREW, THROTTLE CABLE (1-1/8") |
| 26 | 12-20128 | | 1 | WASHER, THROTTLE CABLE SCREW |
| 27 | 23-57938 | | 1 | BUSHING, THROTTLE CABLE SCREW |
| 28 | 23-34948 | | 1 | BUSHING, THROTTLE CABLE SCREW |
| 29 | 12-56681 | | 1 | WASHER, THROTTLE CABLE SCREW |
| 30 | 11-20190 | | 1 | NUT, THROTTLE CABLE SCREW |
| 31 | 72625 | | 1 | CHOKE, AUTOMATIC-CARBURETOR |
| 32 | 66198 | | 1 | COVER, AUTOMATIC CHOKE |
| 33 | 10-59994 | | 1 | SCREW, AUTOMATIC CHOKE THERMOSTAT |
| 34 | 61112 | | 1 | LEVER, CHOKE |
| 35 | 54-59989 | | 1 | CLIP, AUTOMATIC CHOKE ROD |

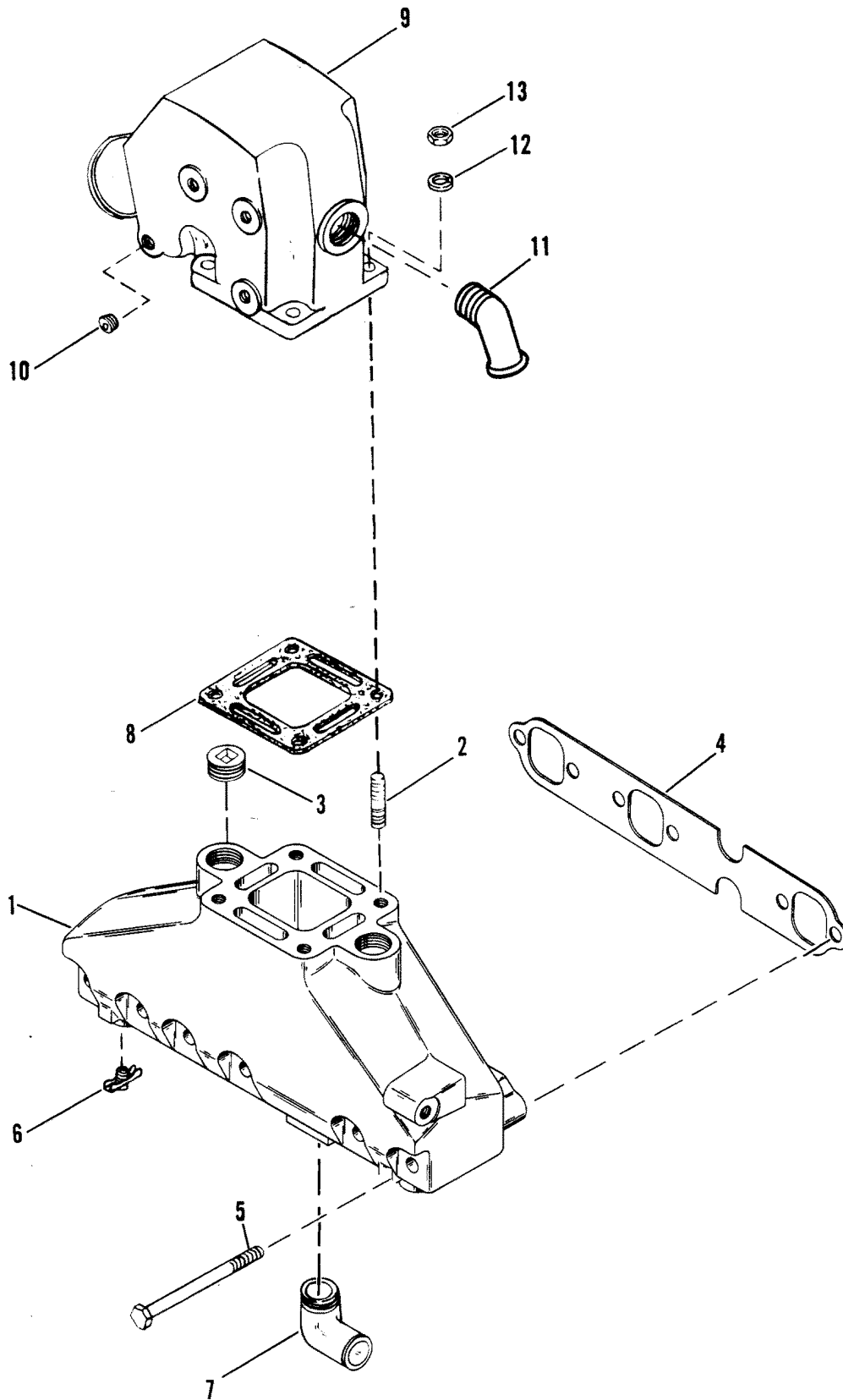
CARBURETOR



CARBURETOR

| REF. NO. | PART NO. | SYM. | QTY. | DESCRIPTION |
|----------|-------------|------|------|-----------------------------------|
| - | 3300-8886A2 | | 1 | CARBURETOR ASSEMBLY |
| 1 | 1397-9111 | | 1 | AIR HORN KIT |
| 2 | 1397-9112 | | 1 | FLOAT BOWL KIT |
| 3 | 1397-8540 | | 1 | THROTTLE BODY KIT |
| 4 | 1397-8541 | | 1 | CHOKE LINK AND LEVER KIT |
| 5 | 1397-9113 | | 1 | PRIMARY VACUUM KIT |
| 6 | 1397-8543 | | 1 | POWER PISTON KIT |
| 7 | 1397-9114 | | 1 | METERING JET AND ROD KIT |
| 8 | 1397-8545 | | 1 | FUEL FILTER KIT |
| 9 | 1397-8546 | | 1 | FLOAT KIT |
| 10 | 1397-8547 | | 1 | PUMP KIT |
| 12 | 1397-8535 | | 1 | CARBURETOR REPAIR KIT SEE NOTE |
| 13 | 1397-8536 | | 1 | GASKET KIT SEE NOTE |
| 14 | 1397-8327 | | 1 | GASKET, INLET FUEL NUT |
| 15 | 1397-8557 | | 1 | SCREW KIT, AIR HORN/THROTTLE BODY |

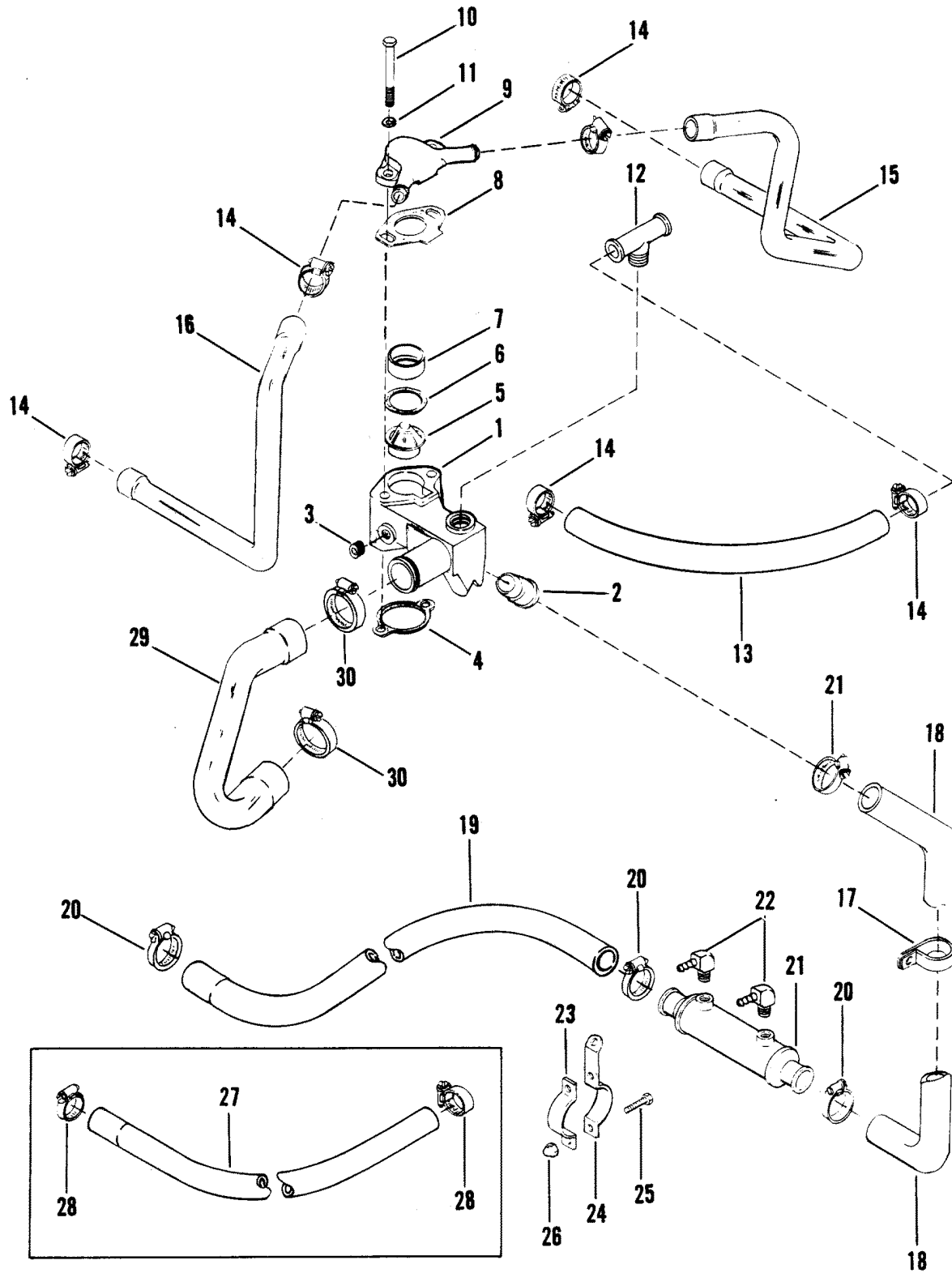
EXHAUST MANIFOLD AND EXHAUST ELBOW



EXHAUST MANIFOLD AND EXHAUST ELBOW

| REF. NO. | PART NO. | SYM. | QTY. | DESCRIPTION |
|----------|------------|------|------|-------------------------------------------|
| 1 | 99746A3 | | 2 | EXHAUST MANIFOLD ASSEMBLY |
| 2 | 16-49545 | | 8 | STUD, EXHAUST MANIFOLD TO ELBOW (1-3/4") |
| 3 | 22-33198A1 | | 2 | PLUG, EXHAUST MANIFLOD |
| 4 | 27-99757 | | 2 | GASKET, EXHAUST MANIFOLD TO CYLINDER HEAD |
| 5 | 10-53728 | | 12 | SCREW, EXHAUST MANIFLOD (4-5/8") |
| 6 | 22-87238 | | 2 | DRAIN COCK, EXHAUST MANIFLOD |
| 7 | 22-36305 | | 1 | ELBOW, EXHAUST MANIFOLD |
| 8 | 27-41813 | | 2 | GASKET, ELBOW |
| 9 | 98504A3 | | 2 | EXHAUST ELBOW ASSEMBLY |
| 10 | 22-36382 | | 2 | PLUG, PIPE-EXHAUST ELBOW |
| 11 | 22-92499 | | 2 | FITTING, EXHAUST ELBOW (45 DEGREES) |
| 12 | 13-35048 | | 8 | LOCKWASHER, EXHAUST MANIFOLD STUD |
| 13 | 11-49838 | | 8 | NUT, EXHAUST MANIFOLD STUD |

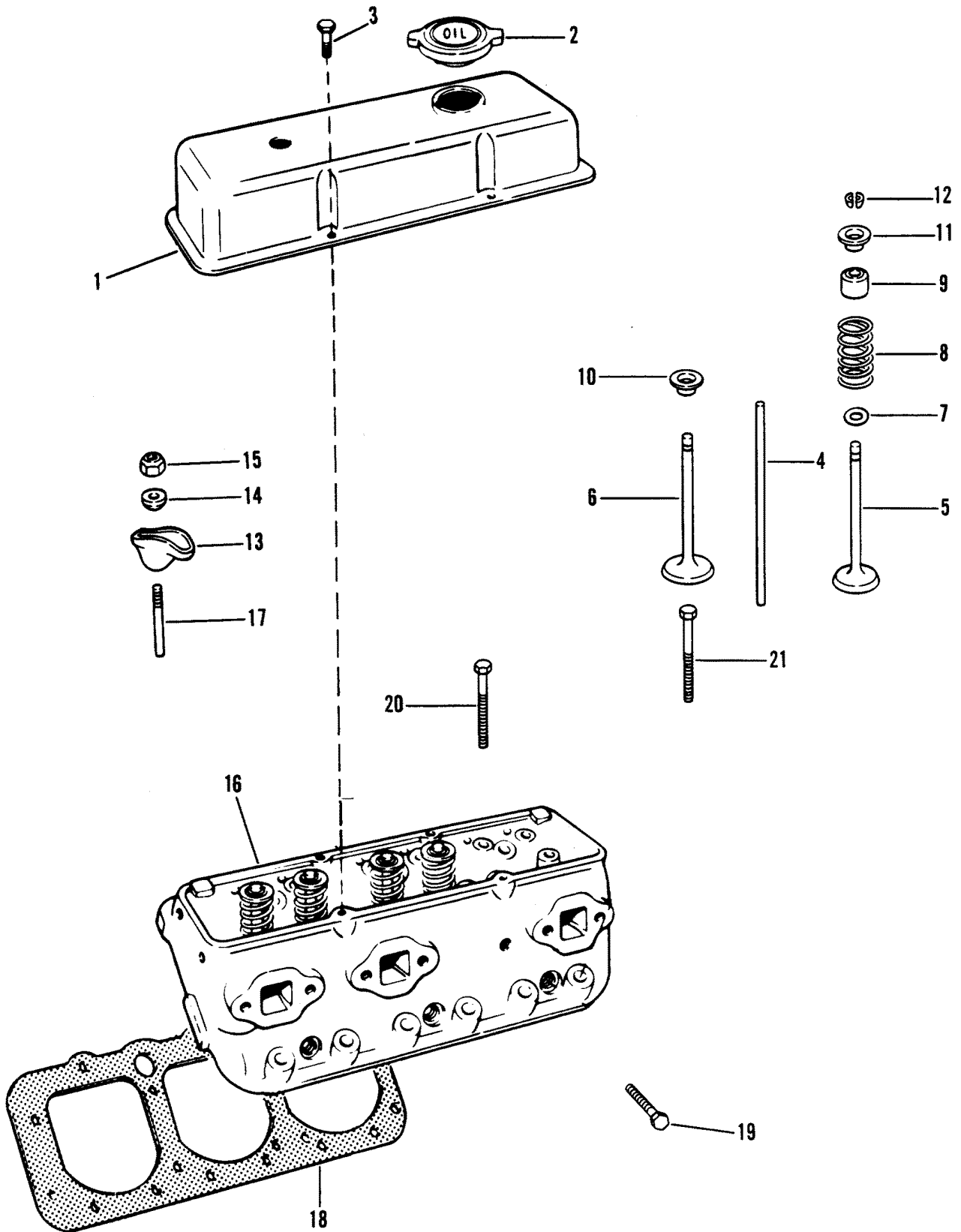
STANDARD COOLING SYSTEM



STANDARD COOLING SYSTEM

| REF. NO. | PART NO. | SYM. | QTY. | DESCRIPTION |
|----------|-------------|------|------|------------------------------------------------------------------|
| 1 | 87290A4 | | 1 | THERMOSTAT HOUSING ASSEMBLY |
| 2 | 23-47511 | | 1 | SLEEVE, THERMOSTAT HOUSING |
| 3 | 22-32803 | | 2 | PIPE PLUG |
| 4 | 27-53045 | | 1 | GASKET, THERMOSTAT HOUSING |
| 5 | 59137 | | 1 | THERMOSTAT (143 DEGREES) |
| 6 | 27-47510 | | 1 | GASKET, THERMOSTAT |
| 7 | 23-47508 | | 1 | SLEEVE, THERMOSTAT |
| 8 | 27-41812 | | 1 | GASKET, THERMOSTAT COVER |
| 9 | 47441A1 | | 1 | COVER, THERMOSTAT |
| 10 | 10-33389 | | 2 | SCREW, THERMOSTAT HOUSING TO INTAKE MANIFOLD (4-1/14") |
| 11 | 13-35048 | | 2 | LOCKWASHER, THERMOSTAT HOUSING SCREW |
| 12 | 22-98477A1 | | 1 | TEE, THERMOSTAT HOUSING |
| 13 | 32-33220-70 | | 2 | HOSE, TEE TO EXHAUST ELBOWS (17") |
| 14 | 54-32780 | | 8 | CLAMP, HOSE ATTACHING |
| 15 | 32-87116 | | 1 | HOSE, THERMOSTAT COVER TO EXHAUST MANIFOLD (PORT) |
| 16 | 32-41940 | | 1 | HOSE, THERMOSTAT COVER TO EXHAUST MANIFOLD (STARBOARD) |
| 17 | 54-47715 | | 1 | CLIP, HOSE ATTACHING |
| 18 | 32-88794 | | 1 | HOSE, THERMOSTAT HOUSING TO FLUID COOLER W/POWER STEERING |
| 19 | 32-41642A1 | | 1 | HOSE, FLUID COOLER (5/8" I.D.) W/POWER STEERING |
| | 32-41642A3 | | 1 | HOSE, FLUID COOLER (3/4" I.D.) W/POWER STEERING |
| 20 | 54-32780 | | 4 | CLAMP, HOSE ATTACHING W/POWER STEERING |
| 21 | 99356A2 | | 1 | COOLER, POWER STEERING FLUID W/POWER STEERING |
| 22 | 22-37760 | | 2 | ELBOW, FLUID COOLER W/POWER STEERING |
| 23 | 56328A1 | | 1 | BRACKET, FLUID COOLER (SHORT) W/POWER STEERING |
| 24 | 63820--3 | | 1 | BRACKET, FLUID COOLER (LONG) W/POWER STEERING |
| 25 | 10-60300 | | 2 | SCREW, FLUID COOLER BRACKET W/POWER STEERING |
| 26 | 11-30506 | | 2 | NUT, FLUID COOLER BRACKET SCREW W/POWER STEERING |
| 27 | 32-98033A1 | | 1 | HOSE, THERMOSTAT HOUSING (5/8" I.D.) W/O POWER STEERING |
| | 32-98033A3 | | 1 | HOSE, THERMOSTAT HOUSING (3/4" I.D.) W/O POWER STEERING |
| 28 | 54-32780 | | 2 | CLAMP, HOSE ATTACHING W/O POWER STEERING |
| 29 | 32-87108 | | 1 | HOSE, THERMOSTAT HOUSING TO WATER PUMP |
| 30 | 54-87268 | | 2 | CLAMP, HOSE ATTACHING |

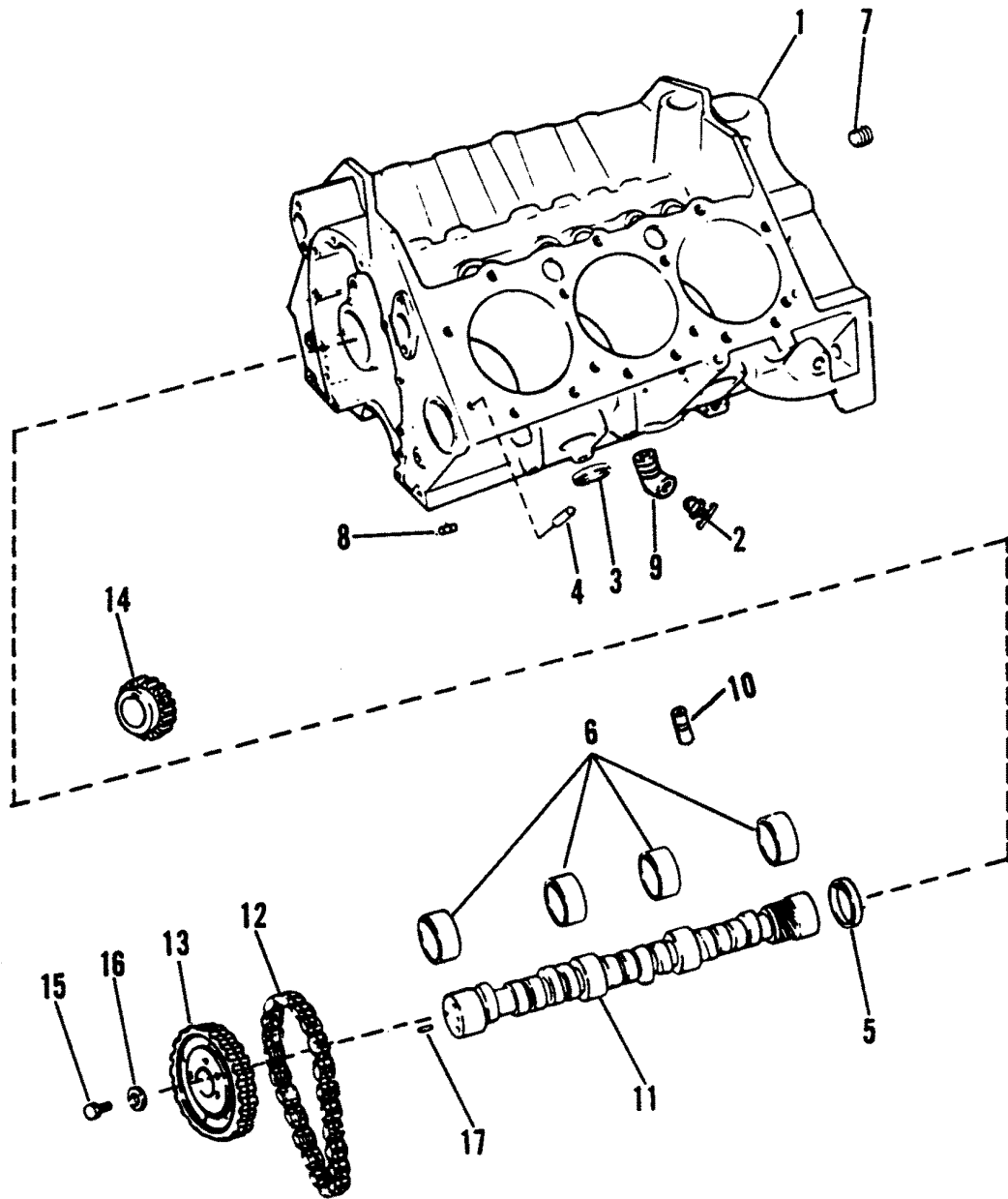
CYLINDER HEAD AND ROCKER COVER



CYLINDER HEAD AND ROCKER COVER

| REF. NO. | PART NO. | SYM. | QTY. | DESCRIPTION |
|----------|----------|------|------|---------------------------------------------------|
| 1 | 42758 | | 1 | ROCKER COVER (RIGHT) |
| | 42757 | | 1 | ROCKER COVER, (LEFT) |
| 2 | 42764 | | 1 | CAP, OIL FILLER |
| 3 | 10-35366 | | 8 | SCREW, ROCKER VALVE COVER TO CYLINDER HEAD (1/2") |
| 4 | 99948 | | 12 | ROD, VALVE PUSH (DOUBLE BALL END) |
| 5 | 35323 | | 6 | VALVE, EXHAUST (STANDARD) |
| | 49076 | | AR | VALVE, EXHAUST (.015 O.S.) |
| 6 | 94912 | | 6 | VALVE, INLET (STANDARD) |
| | 98603 | | AR | VALVE, INLET (.015 O.S.) |
| 7 | 26-34217 | | 12 | SEAL, VALVE (INLET AND EXHAUST) |
| | 26-97664 | | 6 | SEAL, VALVE (INLET) |
| 8 | 24-48347 | | 12 | SPRING, VALVE (INLET AND EXHAUST) |
| 9 | 34518 | | 12 | SHIELD, VALVE SPRING CAP |
| 10 | 48348 | | 6 | CAP, INLET VALVE |
| 11 | 35328 | | 6 | ROTATOR, VALVE SPRING - EXHAUST VALVE |
| 12 | 28-54797 | | 24 | KEY, VALVE STEM |
| 13 | 35329 | | 12 | ARM, ROCKER VALVE |
| 14 | 35331 | | 12 | BALL UNIT, ROCKER VALVE ARM |
| 15 | 11-34516 | | 12 | NUT, ROCKER VALVE ARM STUD |
| 16 | 938-8935 | | 2 | CYLINDER HEAD ASSEMBLY |
| 17 | 16-34522 | | AR | STUD, ROCKER VALVE ARM (.003 O.S.) |
| | 16-34521 | | AR | STUD, ROCKER VALVE ARM (.013 O.S.) |
| 18 | 27-42744 | | 2 | GASKET, CYLINDER HEAD |
| 19 | 10-35317 | | 12 | BOLT, CYLINDER HEAD TO CYLINDER BLOCK (1-3/4") |
| 20 | 10-35318 | | 4 | BOLT, CYLINDER HEAD TO CYLINDER BLOCK (3") |
| 21 | 10-35316 | | 10 | BOLT, CYLINDER HEAD TO CYLINDER BLOCK (3-3/4") |

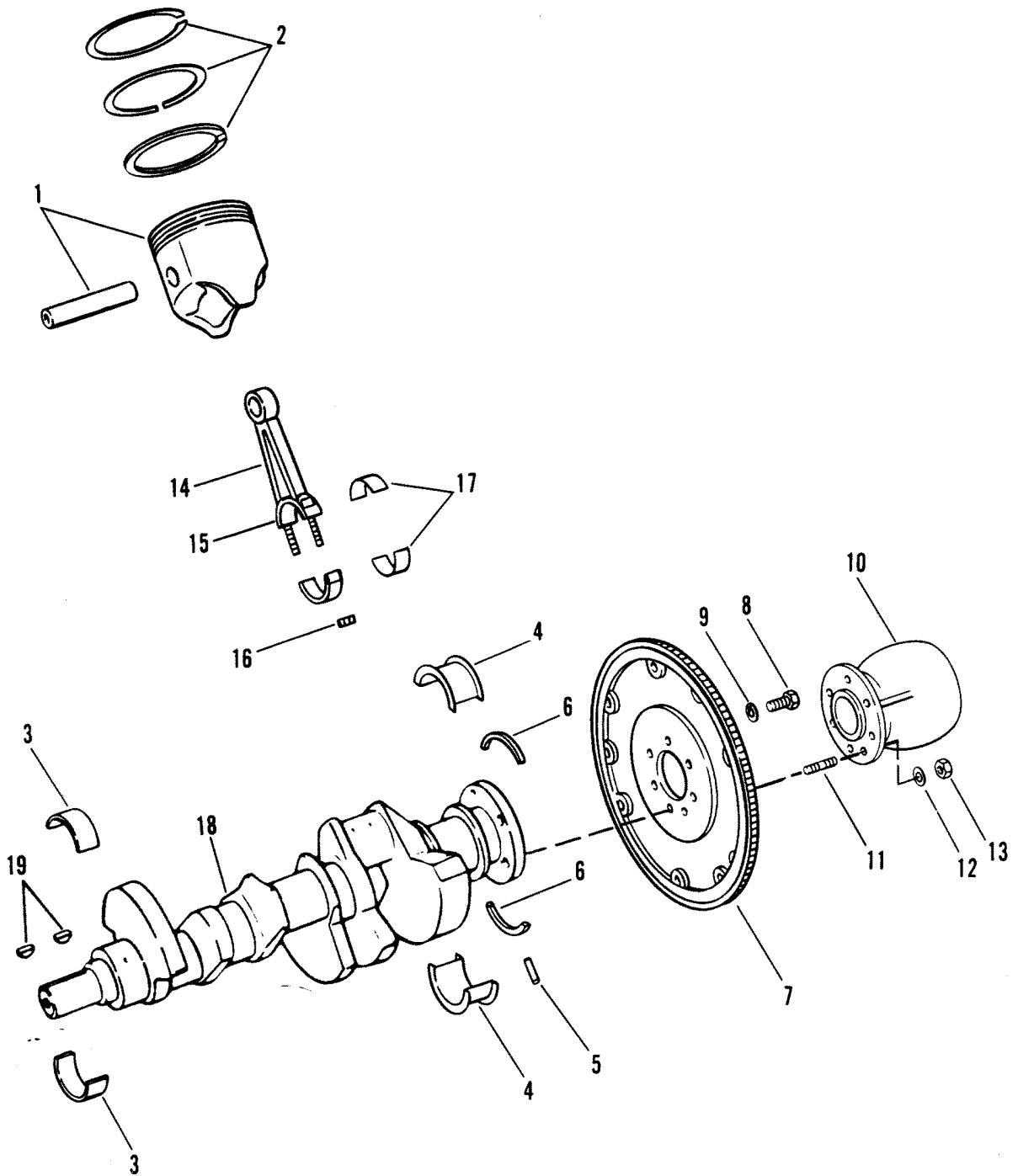
CYLINDER BLOCK AND CAMSHAFT



CYLINDER BLOCK AND CAMSHAFT

| REF. NO. | PART NO. | SYM. | QTY. | DESCRIPTION |
|----------|-----------|------|------|----------------------------------------------------|
| 1 | 841-8934 | | 1 | CYLINDER BLOCK ASSEMBY |
| 2 | 22-87238 | | 2 | DRAIN COCK, CYLINDER BLOCK |
| 3 | 19-34270 | | 8 | PLUG, EXPANSION - CYLINDER BLOCK (1-5/8" DIAMETER) |
| 4 | 17-35465 | | 4 | PIN, DOWEL - BLOCK TO HEAD (5/16" DIAMETER) |
| 5 | 22-72640 | | 1 | PLUG, EXPANSION - CAMSHAFT BEARING HOLE |
| 6 | 23-801797 | | 1 | BEARING UNIT, CAMSHAFT (SET) |
| 7 | 22-48340 | | 5 | /PLUG, OIL GALLERY (7/16" SQUARE) |
| 8 | 22-42796 | | 1 | BY-PASS VALVE, OIL FILTER |
| 9 | 22-37682 | | 1 | ELBOW, DRAIN COCK (45') |
| 10 | 72638 | | 12 | LIFTER, HYDRAULIC VALVE |
| 11 | 431-8968 | | 1 | CAMSHAFT |
| 12 | 42756 | | 1 | CHAIN, CAMSHAFT TIMING |
| 13 | 43-42754 | | 1 | SPROCKET, CAMSHAFT TIMING |
| 14 | 43-42755 | | 1 | SPROCKET, CRANKSHAFT TIMING |
| 15 | 10-34505 | | 3 | BOLT, CAMSHAFT TIMING SPROCKETS (3/4") |
| 16 | 12-39167 | | 3 | WASHER, CAMSHAFT TIMING SPROCKET BOLT |
| 17 | 17-35312 | | 1 | PIN, DOWEL - CAMSHAFT SPROCKET (1/4" DIAMETER) |

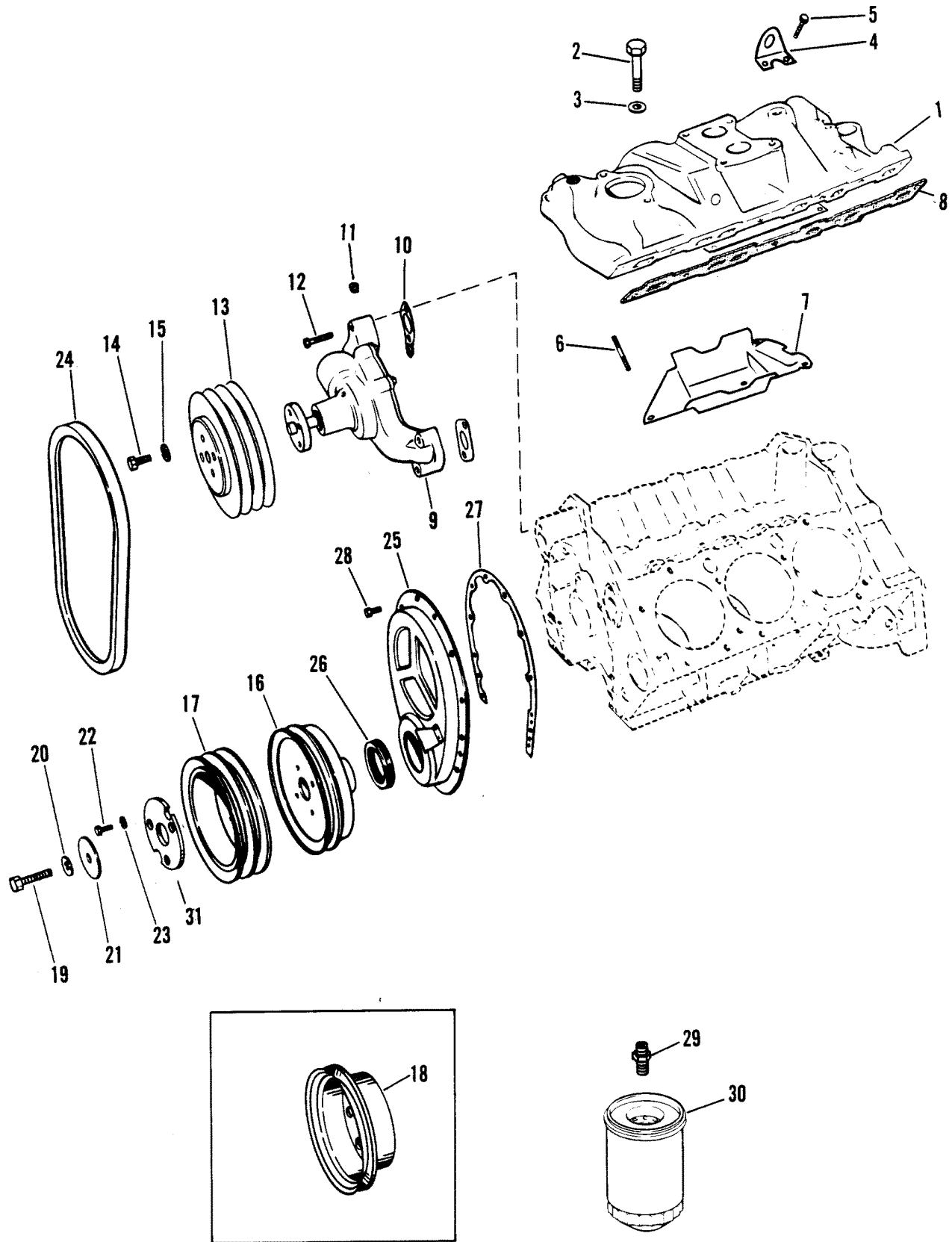
CRANKSHAFT AND PISTONS



CRANKSHAFT AND PISTONS

| REF. NO. | PART NO. | SYM. | QTY. | DESCRIPTION |
|----------|------------|------|------|--------------------------------------------------|
| 1 | 735-8938 | | AR | PISTON AND PISTON PIN ASSEMBLY (STD) |
| | 735-8939 | | AR | PISTON AND PISTON PIN ASSEMBLY (.001 O.S.) |
| | 735-8967 | | AR | PISTON AND PISTON PIN ASSEMBLY (.030 O.S.) |
| 2 | 39-75609 | | 6 | RING, PISTON (STANDARD) |
| | 39-75981 | | AR | RING, PISTON (.030 O.S.) |
| 3 | 23-85694 | | 3 | BEARING UNIT, CRANKSHAFT (STANDARD) |
| | 23-85695 | | AR | BEARING UNIT, CRANKSHAFT MAIN (.001 U.S.) |
| | 23-85696 | | AR | BEARING UNIT, CRANKSHAFT MAIN (.010 U.S.) |
| | 23-85697 | | AR | BEARING UNIT, CRANKSHAFT MAIN (.020 U.S.) |
| 4 | 23-85698 | | 1 | BEARING UNIT, CRANKSHAFT MAIN - REAR (STANDARD) |
| | 23-85699 | | AR | BEARING UNIT, CRANKSHAFT MAIN - REAR (.001 U.S.) |
| | 23-85700 | | AR | BEARING UNIT, CRANKSHAFT MAIN - REAR (.010 U.S.) |
| | N.S.S. | | AR | BEARING UNIT, REAR (.020 U.S.) (GM #3912036) |
| 5 | N.S.S. | | 2 | PIN, DOWEL - REAR BEARING CAP (GM #3836903) |
| 6 | 26-58203 | | 2 | OIL SEAL, REAR BEARING CAP |
| 7 | 222-6355 | | 1 | FLYWHEEL |
| 8 | 10-49845 | | 6 | SCREW, FLYWHEEL TO CRANKSHAFT |
| 9 | 13-39131 | | 6 | LOCKWASHER, FLYWHEEL SCREW |
| 10 | 76850A2 | | 1 | COUPLING ASSEMBLY |
| 11 | 16-98532A1 | | 6 | STUD, COUPLER TO FLYWHEEL |
| 12 | 12-35935 | | 6 | WASHER, COUPLER TO FLYWHEEL STUD |
| 13 | 11-98533 | | 6 | NUT, COUPLER STUDS TO FLYWHEEL |
| 14 | 614-8937 | | 6 | CONNECTING ROD ASSEMBLY |
| 15 | 10-85802 | | 12 | BOLT, CONNECTING ROD CAP |
| 16 | 11-37493 | | 12 | NUT, CONNECTING ROD CAP BOLT |
| 17 | 23-42765 | | 6 | BEARING UNIT (PAIR), CONNECTING ROD (STANDARD) |
| | 474096 | | AR | BEARING UNIT (PAIR), CONNECTING ROD (.001 U.S.) |
| | 474097 | | AR | BEARING UNIT (PAIR), CONNECTING ROD (.002 U.S.) |
| | 23-42766 | | AR | BEARING UNIT (PAIR), CONNECTING ROD (.010 U.S.) |
| | 23-42767 | | AR | BEARING UNIT (PAIR), CONNECTING ROD (.020 U.S.) |
| 18 | 429-8936 | | 1 | CRANKSHAFT |
| 19 | 28-34466 | | 2 | KEY, CRANKSHAFT PULLEY AND BALANCER |

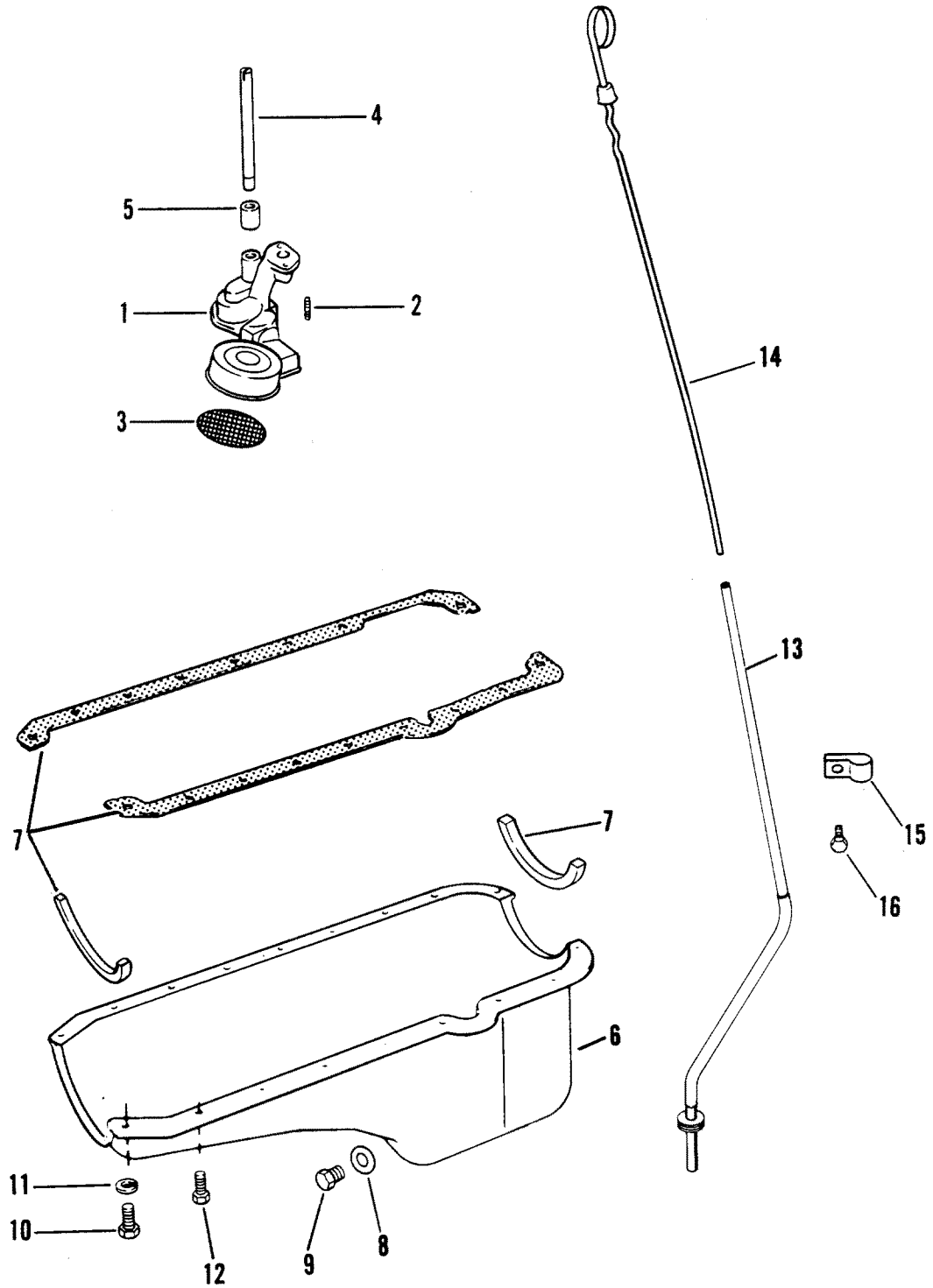
INTAKE MANIFOLD AND FRONT COVER



INTAKE MANIFOLD AND FRONT COVER

| REF. NO. | PART NO. | SYM. | QTY. | DESCRIPTION |
|----------|------------|------|------|---------------------------------------------------|
| 1 | 42752 | | 1 | INTAKE MANIFOLD |
| 2 | 10-26487 | | 8 | BOLT, INTAKE MANIFOLD |
| | N.S.S. | | 4 | BOLT, INTAKE MANIFOLD (GM #9439921) |
| 3 | 12-49112 | | 8 | WASHER, INTAKE MANIFOLD BOLT |
| 4 | 42453 | | 1 | BRASCKER, LIFTING (FRONT) |
| | 42745 | | 1 | BRACKET, LIFTING (REAR) |
| 5 | 10-34354 | | 1 | SCREW, LIFTING BRACKET (1-1/2") |
| 6 | N.S.S. | | 4 | STUD, GUARD TO INTAKE MANIFOLD (GM #3959544) |
| 7 | 42753 | | 1 | GUARD, INTAKE MANIFOLD |
| 8 | 27-42763 | | 1 | GASKET SET, INTAKE MANIFOLD |
| 9 | 60658 | | 1 | WATER PUMP ASSEMBLY |
| 10 | 27-34897 | | 2 | GASKET, WATER PUMP MOUNTING |
| 11 | 22-48336 | | 1 | PLUG, WATER PUMP |
| 12 | 10-32132 | | 1 | SCREW, WATER PUMP TO CYLINDER BLOCK (1-3/4") |
| | 10-47688 | | 1 | SCREW, WATER PUMP TO CYLINDER BLOCK 2-3/4") |
| | 10-52200 | | 1 | SCREW, WATER PUMP TO CYLINDER BLOCK (1-1/2") |
| | N.S.S. | | 1 | STUD, WATER PUMP TO CYLINDER BLOCK (GM #3759755) |
| 13 | 90840A1 | | 1 | PULLEY, WATER PUMP (3 GROOVE) |
| 14 | 10-47277 | | 4 | SCREW, PULLEY TO WATER PUMP (3/4") |
| 15 | 13-39107 | | 4 | LOCKWASHER, WATER PUMP PULLEY SCREW |
| 16 | 42746 | | 1 | BALANCER, HARMONIC - CRANKSHAFT |
| 17 | 33863 | | 1 | PULLEY, HARMONIC BALANCER (2 GROOVE) |
| 18 | 90841A1 | | 1 | PULLEY, (1 GROOVE) - W/POWER STEERING |
| 19 | 10-72626 | | 1 | BOLT, PULLEY AND HARMONIC BALANCER (2") |
| 20 | 13-39131 | | 1 | LOCKWASHER, PULLEY AND HARMONIC BALANCER BOLT |
| 21 | 12-35332 | | 1 | WASHER, PULLEY AND HARMONIC BALANCER BOLT |
| 22 | 10-34352 | | 3 | BOLT, PULLEY (7/8") - W/O POWER STEERING |
| | 10-35786 | | 3 | BOLT, PULLEY (1") - W/POWER STEERING |
| 23 | 13-35048 | | 3 | LOCKWASHER, PULLEY BOLT |
| 24 | 57-49213A1 | | 1 | BELT, ALTERNATOR DRIVE (44") |
| 25 | 42749 | | 1 | COVER ASSEMBLY, CRANKCASE FRONT |
| 26 | 26-42750 | | 1 | OIL SEAL, CRANKCASE FRONT COVER |
| 27 | 27-34895 | | 1 | GASKET, CRANKCASE FRONT END COVER |
| 28 | 10-35366 | | 10 | SCREW, CRANKCASE FRONT END COVER TO BLOCK (7/16") |
| 29 | 42795 | | 1 | ADAPTOR, OIL FILTER |
| 30 | 41815 | | 1 | OIL FILTER |
| 31 | 42697 | | 1 | REINFORCEMENT, CRANKSHAFT PULLEY |

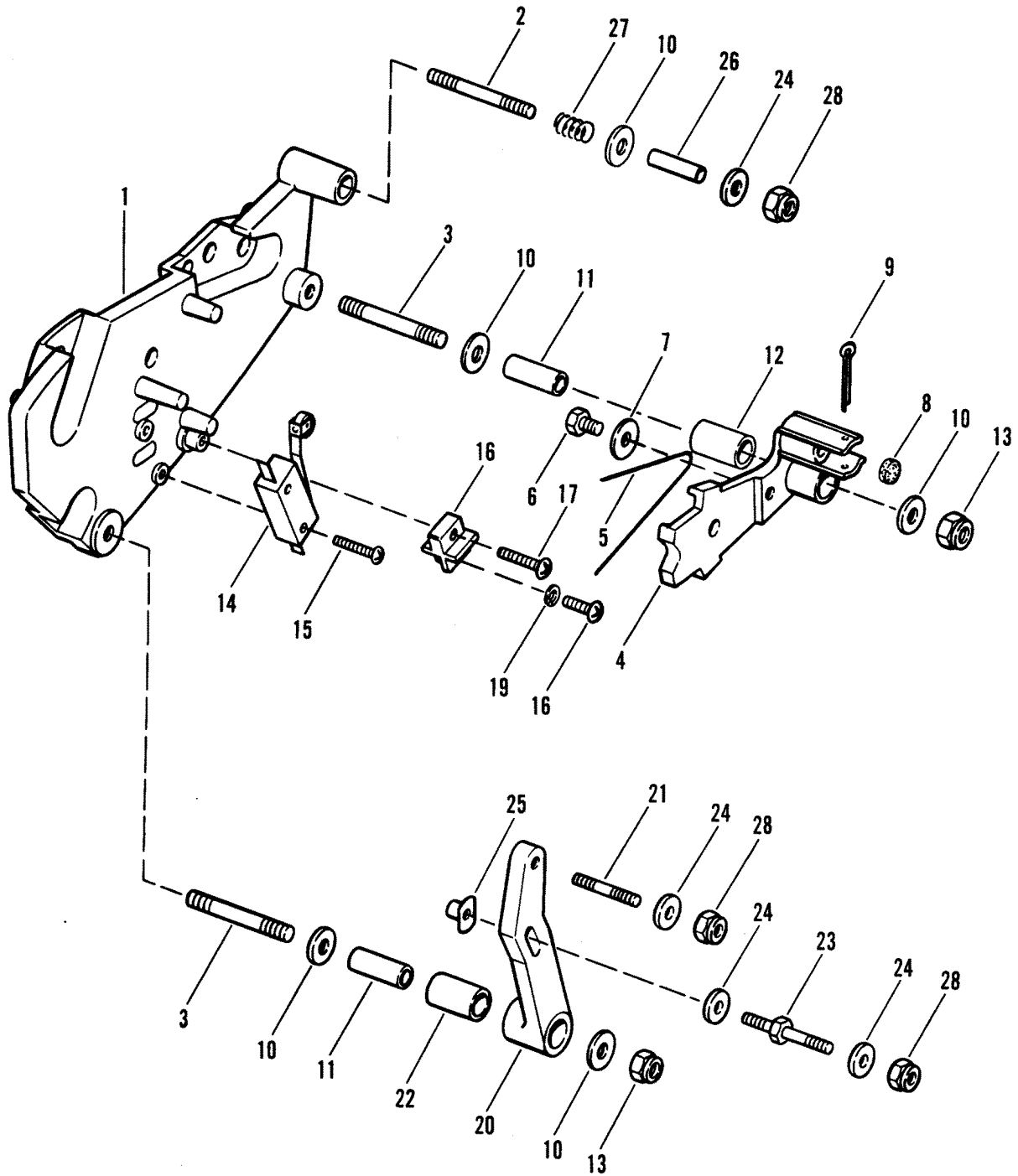
OIL PAN AND OIL PUMP



OIL PAN AND OIL PUMP

| REF. NO. | PART NO. | SYM. | QTY. | DESCRIPTION |
|-------------|----------|------|------|-----------------------------------------------------|
| 1 | 35352 | | 1 | OIL PUMP |
| 2 | N.S.S. | | 1 | BOLT, OIL PUMP TO CYLINDER BLOCK (2") - GM #3892678 |
| 3 | 42748 | | 1 | SCREEN ASSEMBLY, OIL PUMP |
| 4 | 36184 | | 1 | SHAFT, OIL PUMP TO DISTRIBUTOR |
| 5 | 23-36183 | | 1 | RETAINER, OIL PUMP SHAFT |
| 6 | 42747 | | 1 | OIL PAN |
| 7 | 27-42797 | | 1 | GASKET SET, OIL PAN |
| 8 | 27-49955 | | 1 | GASKET, DRAIN SCREW |
| 9 | 10-49956 | | 1 | SCREW, OIL PAN DRAIN |
| 10 | 10-34500 | | 4 | SCREW, OIL PAN (5/16-18 X 7/8") |
| 11 | 13-39107 | | 4 | LOCKWASHER, OIL PAN SCREW |
| 12 | 10-34277 | | 12 | SCREW, OIL PAN (1/4-20 X 7/8") |
| 13 | 99756A2 | | 1 | TUBE, OIL LEVEL GAUGE |
| 14 | 41092A1 | | 1 | GAUGE, OIL LEVEL (DIPSTICK) |
| 15 | 54-43239 | | 1 | CLIP, OIL LEVEL TUBE |
| 16 | 10-98253 | | 1 | SCREW, CLIP TO CYLINDER BLOCK |

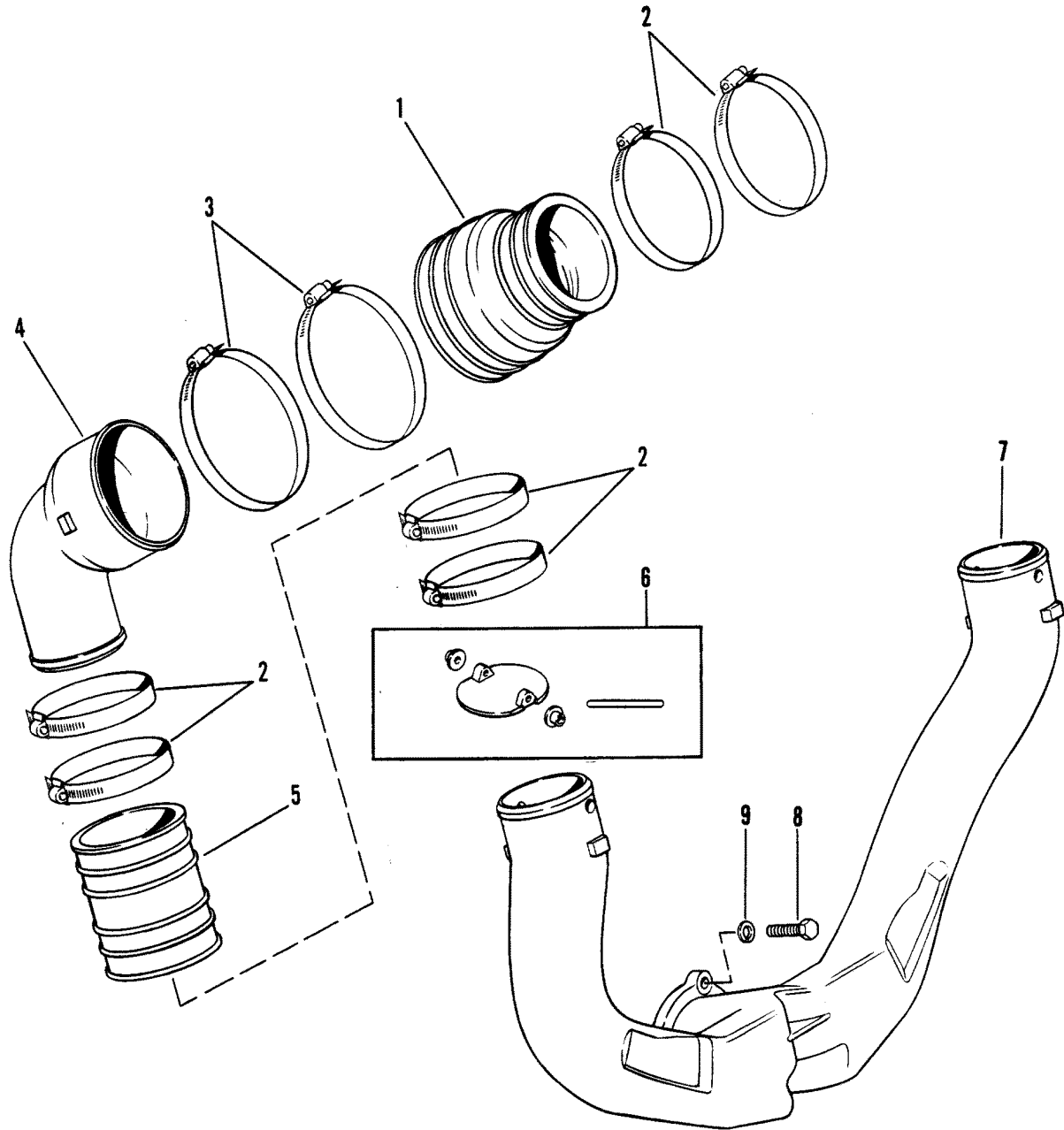
SHIFT BRACKET



SHIFT BRACKET

| REF. NO. | PART NO. | SYM. | QTY. | DESCRIPTION |
|-------------|----------|------|------|-----------------------------------|
| 1 | 99237A2 | | 1 | SHIFT BRACKET ASSEMBLY |
| 2 | 16-98798 | | 1 | STUD, SHIFT CABLE |
| 3 | 16-96108 | | 2 | STUD, SHIFT BRACKET |
| 4 | 45517A2 | | 1 | LEVER ASSEMBLY, ACTUATING |
| 5 | 24-45599 | | 1 | SPRING, ACTUATING LEVER |
| 6 | 10-88743 | | 1 | SCREW, SPRING TO LEVER |
| 7 | 12-56720 | | 1 | WASHER, SPRING SCREW |
| 8 | 23-98828 | | 1 | SPACER, RUBBER PAD |
| 9 | 18-32857 | | 1 | COTTER PIN, SHIFT CABLE RETAINING |
| 10 | 12-56720 | | 5 | WASHER, SHIFT BRACKET STUD |
| 11 | 23-37981 | | 2 | SPACER, SHIFT BRACKET STUD |
| 12 | 23-45600 | | 1 | SLEEVE, ACTUATING LEVER |
| 13 | 11-35814 | | 2 | NUT, SHIFT BRACKET STUD |
| 14 | 39670A28 | | 1 | SWITCH ASSEMBLY, CUT-OUT |
| 15 | 10-30902 | | 2 | SCREW, SWITCH TO SHIFT BRACKET |
| 16 | 86-66986 | | 1 | TERMINAL BLOCK |
| 17 | 10-96113 | | 1 | SCREW, TERMINAL BLOCK (7/8") |
| 18 | 10-73287 | | 1 | SCREW, TERMINAL BLOCK (3/8") |
| 19 | 13-26996 | | 2 | LOCKWASHER, TERMINAL BLOCK SCREW |
| 20 | 95854A3 | | 1 | SHIFT LEVER ASSEMBLY |
| 21 | 16-98851 | | 1 | STUD, SHIFT CABLE |
| 22 | 23-45600 | | 1 | SLEEVE, SHIFT LEVER |
| 23 | 16-96112 | | 1 | STUD, SHIFT CABLE |
| 24 | 12-35462 | | 5 | WASHER, SHIFT CABLE STUD |
| 25 | 11-63341 | | 1 | TEE NUT, SHIFT CABLE STUD |
| 26 | 23-98820 | | 1 | SPACER, SHIFT CABLE STUD |
| 27 | 24-98880 | | 1 | SPRING, SHIFT CABLE STUD |
| 28 | 11-35888 | | 3 | NUT, SHIFT CABLE STUD |

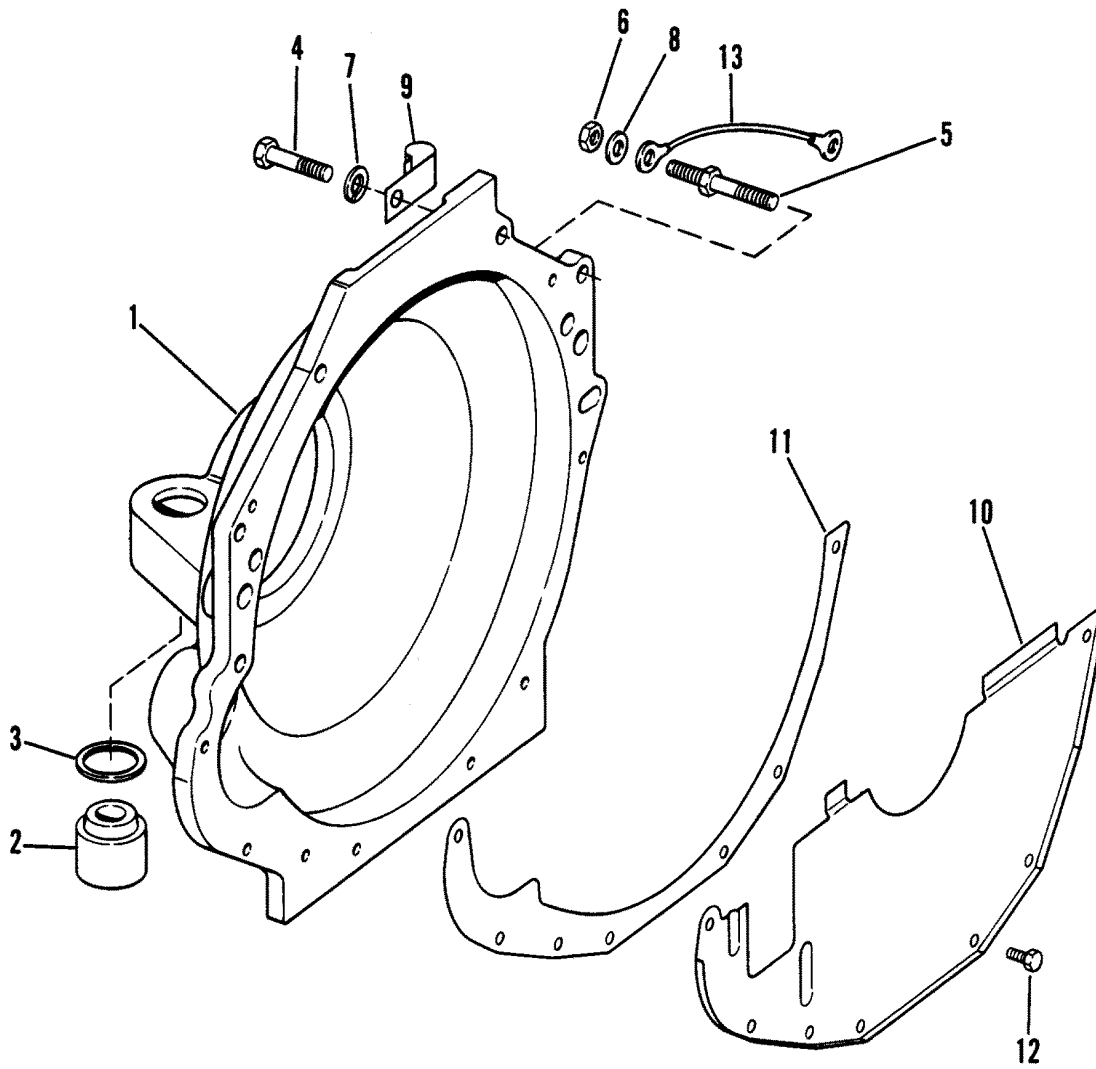
EXHAUST SYSTEM



EXHAUST SYSTEM

| REF. NO. | PART NO. | SYM. | QTY. | DESCRIPTION |
|----------|----------|------|------|------------------------------------|
| 1 | 70981A3 | | 2 | EXHAUST BELLOWS |
| 2 | 54-33683 | | 12 | CLAMP (SMALL) |
| 3 | 54-31765 | | 4 | CLAMP (LARGE) |
| 4 | 99758A1 | | 2 | EXHAUST ELBOW |
| 5 | 32-90949 | | 2 | EXHAUST TUBE |
| 6 | 99370A2 | | 2 | WATER SHUTTER |
| 7 | 99877A2 | | 1 | EXHAUST PIPE ASSEMBLY |
| 8 | 10-58640 | | 4 | SCREW, EXHAUST PIPE TO STERN DRIVE |
| 9 | 13-41471 | | 4 | LOCKWASHER, EXHAUST PIPE SCREW |

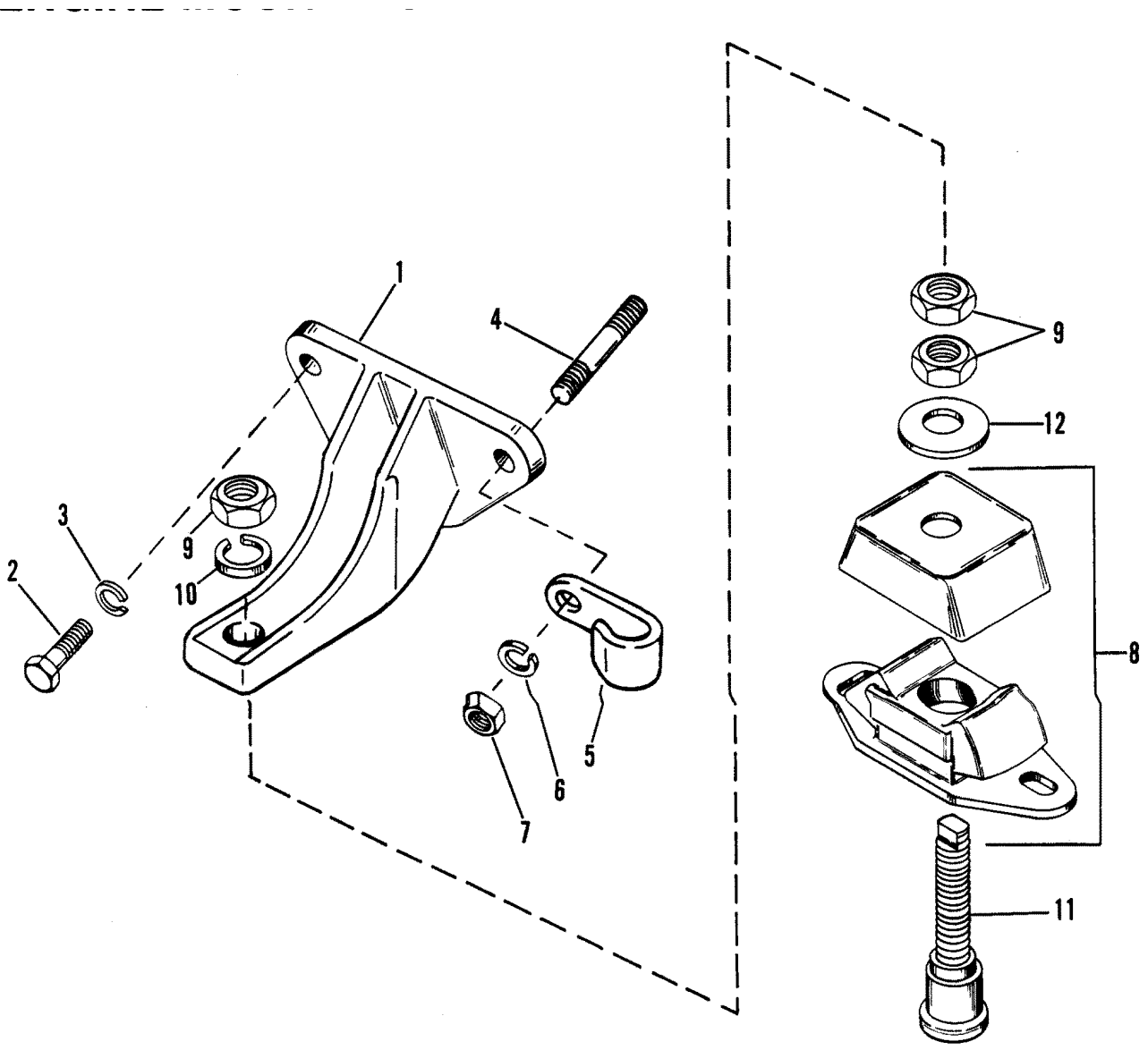
FLYWHEEL HOUSING



FLYWHEEL HOUSING

| REF. NO. | PART NO. | SYM. | QTY. | DESCRIPTION |
|-------------|------------|------|------|-------------------------------------------------|
| 1 | 96120A7 | | 1 | FLYWHEEL HOUSING ASSEMBLY |
| 2 | 41662 | | 2 | MOUNT, RUBBER - FLYWHEEL HOUSING |
| 3 | 23-99322 | | 2 | SPACER, RUBBER MOUNT - FLYWHEEL HOUSING |
| 4 | 10-37612 | | 4 | SCREW, FLYWHEEL HOUSING ATTACHING (1-1/4") |
| | 10-45754 | | 1 | SCREW, FLYWHEEL HOUSING ATTACHING (2") |
| 5 | 16-64066 | | 1 | STUD, FLYWHEEL HOUSING ATTACHING (2-1/4") |
| 6 | 11-32219 | | 1 | NUT, FLYWHEEL HOUSING ATTACHING STUD |
| 7 | 13-35048 | | 7 | LOCKWASHER, FLYWHEEL HOUSING SCREW (3/8") |
| 8 | 12-20572 | | 1 | WASHER, FLYWHEEL HOUSING SCREW - SPECIAL (3/8") |
| 9 | 54-78945 | | 1 | "J" CLAMP, FLYWHEEL HOUSING STUD |
| | 54-92850 | | 2 | CLAMP |
| 10 | 96273A5 | | 1 | COVER ASSEMBLY, FLYWHEEL HOUSING |
| 11 | 27-96274 | | 1 | GASKET, FLYWHEEL HOUSING SCREW |
| 12 | 10-28668 | | 7 | SCREW, COVER TO FLYWHEEL HOUSING |
| 13 | 84-62826A6 | | 1 | WIRE, FLYWHEEL HOUSING STUD |

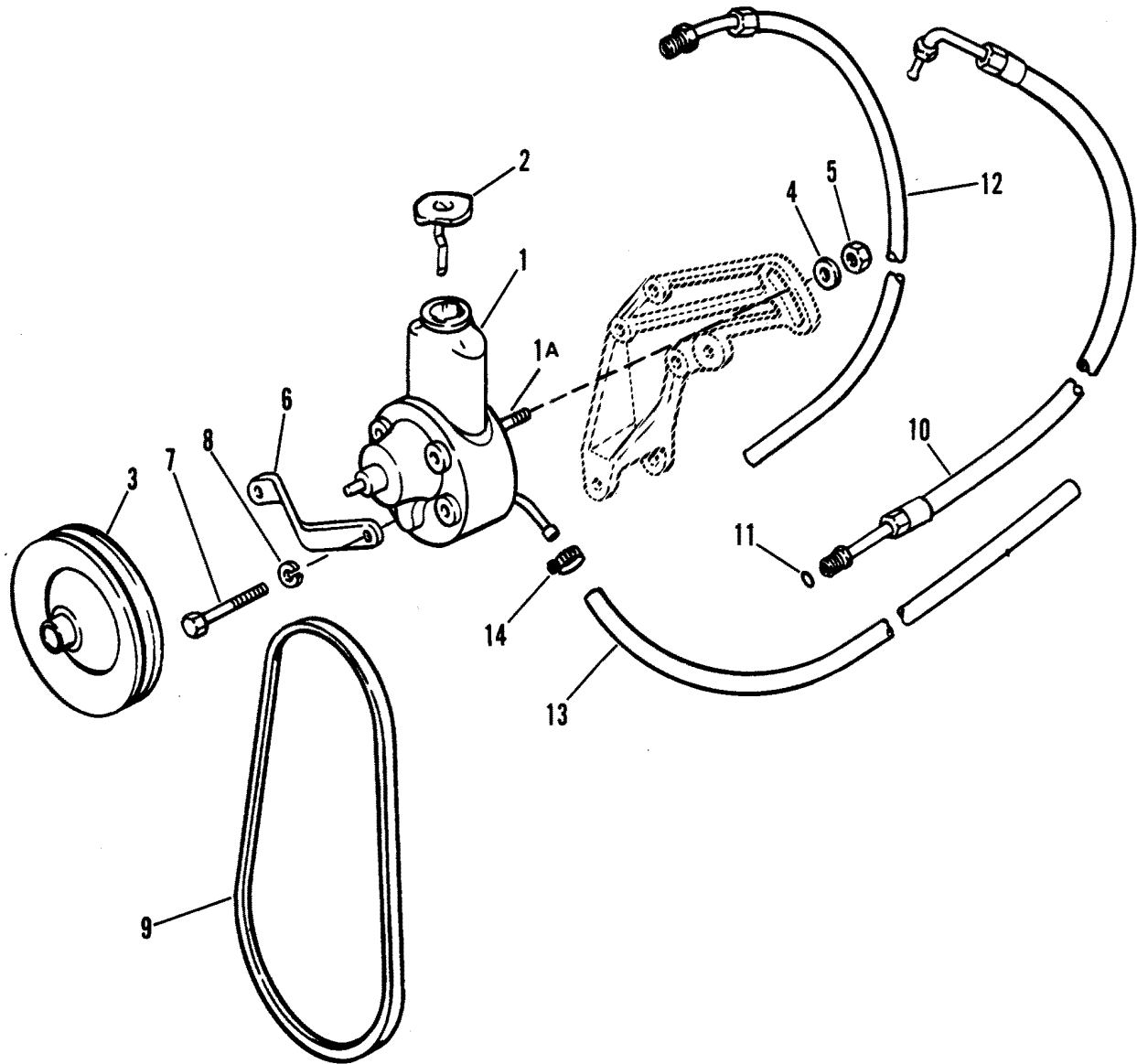
ENGINE MOUNTING



ENGINE MOUNTING

| REF. NO. | PART NO. | SYM. | QTY. | DESCRIPTION |
|-------------|----------|------|------|---------------------------------------------------------|
| 1 | 79550A1 | | 2 | BRACKET, MOUNTING - ENGINE (FRONT) |
| 2 | 10-37612 | | 2 | SCREW, MOUNTING BRACKET TO ENGINE (1-1/4") PORT |
| 3 | 13-35048 | | 2 | LOCKWASHER, MOUNTING BRACKET SCREW PORT |
| 2 | 10-68101 | | 1 | SCREW, MOUNTING BRACKET TO ENGINE (1-3/8") PORT |
| 3 | 12-46132 | | 1 | WASHER, MOUNTING BRACKET SCREW PORT |
| 2 | 10-37612 | | 2 | SCREW, MOUNTING BRACKET TO ENGINE (1-1/4") STARBOARD |
| 3 | 13-35048 | | 2 | LOCKWASHER, MOUNTING BRACKET SCREW STARBOARD |
| 4 | 16-64066 | | 1 | STUD, MOUNTING BRACKET TO ENGINE STARBOARD |
| 5 | 54-92850 | | 1 | CLIP, WIRING HARNESS STARBOARD |
| 6 | 13-35048 | | 1 | LOCKWASHER, MOUNTING BRACKET STUD STARBOARD |
| 7 | 11-32219 | | 1 | NUT, MOUNTING BRACKET STUD STARBOARD |
| 8 | 98323A6 | | 2 | BASE, ENGINE MOUNT |
| 9 | 11-20739 | | 6 | NUT, JAM - ENGINE MOUNT BASE |
| 10 | 13-68102 | | 2 | LOCKWASHER, MOUNTING BRACKET |
| 11 | 16-41012 | | 2 | STUD, ENGINE MOUNTING |
| 12 | 12-41150 | | 2 | WASHER, SUPPORT |

POWER STEERING COMPONENTS



POWER STEERING COMPONENTS

| REF. NO. | PART NO. | SYM. | QTY. | DESCRIPTION |
|----------|-------------|------|------|-----------------------------------------|
| 1 | 90496A5 | | 1 | PUMP ASSEMBLY, POWER STEERING |
| 1A | 16-41877 | | 1 | STUD, POWER STEERING PUMP |
| 2 | 36-95805 | | 1 | CAP, POWER STEERING PUMP |
| 3 | 73873A1 | | 1 | PULLEY, POWER STEERING PUMP |
| 4 | 12-34567 | | 1 | WASHER, PUMP STUD (BRACE SLOT) |
| 5 | 11-90517 | | 2 | NUT, MOUNTING STUD |
| 6 | 98644A1 | | 1 | BRACE, PUMP MOUNTING |
| 7 | 10-40001188 | | 1 | SCREW, PUMP MOUNTING BRACE |
| 8 | 13-40024--8 | | 1 | LOCKWASHER, BRACE SCREW |
| 9 | 57-37619 | | 1 | V-BELT, POWER STEERING PUMP (52") |
| 10 | 32-92943 | | 1 | HOSE, PRESSURE (FITTINGBS ON BOTH ENDS) |
| 11 | 25-89879 | | 1 | "O" RING, PRESSURE HOSE END |
| 12 | 32-98843-39 | | 1 | HOSE, RETURN (FITTINGS ON ONE END) |
| 13 | 32-52519--9 | | 1 | HOSE, PUMP TO OIL COOLER |
| 14 | 54-35830 | | 3 | CLAMP, HOSE ATTACHING |

PARTS INDEX

| Part Number | Description | Pg. | Ref. No. | Part Number | Description | Pg. | Ref. No. |
|-------------|-----------------------------------------------|-----|----------|-------------|-------------------------------------------------|-----|----------|
| 26079 | PLATE, WIRING HARNESS TO MOUNTING BRACKET | 13 | 2 | 42749 | COVER ASSEMBLY, CRANKCASE FRONT | 35 | 25 |
| 32193A2 | COIL, IGNITION | 17 | 21 | 42752 | INTAKE MANIFOLD | 35 | 1 |
| 32783 | RETAINER, HIGH TENSION LEADS (3 WIRE) | 17 | 20 | 42753 | GUARD, INTAKE MANIFOLD | 35 | 7 |
| 33261 | SOLENOID SWITCH ASSEMBLY | 7 | 34 | 42756 | CHAIN, CAMSHAFT TIMING | 31 | 12 |
| 33270 | BRUSH, FIELD FRAME | 7 | 21 | 42757 | ROCKER COVER, (LEFT) | 29 | 1 |
| 33283 | HOLDER, FIELD FRAME BRUSH GROUD 2 | 7 | 20 | 42758 | ROCKER COVER, (RIGHT) | 29 | 1 |
| 33284 | HOLDR, INSULATED-FIELD FRAME BRUSH | 7 | 19 | 42759 | DISTRIBUTOR ASSEMBLY | 17 | 1 |
| 33291 | COLLAR, PINION STOP | 7 | 5 | 42764 | CAP, OIL FILLER | 29 | 2 |
| 33292 | COLLAR, THURST | 7 | 3 | 42770 | PULLEY | 11 | 3 |
| 33294 | SUPPORT PACKAGE, GROUND AND INSULATED HOLDERS | 7 | 23 | 42771 | FAN | 11 | 4 |
| 33297 | LEVER, SHIFT | 7 | 26 | 42774 | BRACKET ASSEMBLY, FRONT | 11 | 6 |
| 33317 | PLUNGER, SHIFT LEVER | 7 | 30 | 42775 | ROTOR (INCLUDES BEARINGS) | 11 | 8 |
| 33863 | PULLEY, HARMONIC BALANCER (2 GROOVE) | 35 | 17 | 42776 | STATOR | 11 | 9 |
| 34518 | SHIELD, VALVE SPRING CAP | 29 | 9 | 42777 | BRACKET ASSMEBLY, REAR | 11 | 10 |
| 35323 | VALVE, EXHAUST (STANDARD) | 29 | 5 | 42778 | HEAT SINK(POSTIVE) | 11 | 11 |
| 35328 | ROTATOR, VALVE SPRING - EXHAUST VALVE | 29 | 11 | 42779 | HEAT SINK (NEGATIVE) | 11 | 12 |
| 35329 | ARM, ROCKER VALVE | 29 | 13 | 42780 | CONDENSER ASSEMBLY | 11 | 13 |
| 35331 | BALL UNIT, ROCKER VALVE ARM | 29 | 14 | 42781 | BEARING KIT | 11 | 16 |
| 35352 | OIL PUMP | 37 | 1 | 42782 | HARDWARE KIT, EXERNAL | 11 | 15 |
| 35363 | BRACE, STARTER MOTOR | 5 | 3 | 42783 | HARDWARE KIT, INTERNAL | 11 | 14 |
| 36184 | SHAFT, OIL PUMP TO DISTRIBUTOR | 37 | 4 | 42784 | BUSH HOLDER KIT (INCLUDES SPRINGS AND BRUSHES) | 11 | 17 |
| 37293 | OIL PRESSURE SENDER ASSEMBLY (DUAL) | 13 | 10 | 42785 | REGULATOR KIT | 11 | 18 |
| 39670A28 | SWITCH ASSEMBLY, CUT-OUT | 39 | 14 | 42795 | ADAPTOR, OIL FILTER | 35 | 29 |
| 41092A1 | GAUGE, OIL LEVEL (DIPSTICK) | 37 | 14 | 43560A5 | COVER, CARBURETOR (TOP) | 21 | 1 |
| 41141A2 | FUEL PUMP | 19 | 1 | 45517A2 | LEVER ASSEMBLY, ACTUATING | 39 | 4 |
| 41170A2 | BRACKET, MOUNTING | 13 | 15 | 45915 | TERMINAL BLOCK | 15 | 38 |
| 41329A4 | BRACKET, THROTTLE CABLE | 21 | 18 | 474096 | BEARING UNIT (PAIR), CONNECTING ROD (.001 U.S.) | 33 | 17 |
| 41662 | MOUNT, RUBBER - FLYWHEEL HOUSING | 43 | 2 | 474097 | BEARING UNIT (PAIR), CONNECTING ROD (.002 U.S.) | 33 | 17 |
| 41815 | OIL FILTER | 35 | 30 | 47441A1 | COVER, THERMOSTAT | 27 | 9 |
| 42453 | BRASCKER, LIFTING (FRONT) | 35 | 4 | 47957 | CONNECTOR, VENT HOSE TO ROCKER COVER (PORT) | 21 | 8 |
| 42454 | PLATE, FUEL PUMP MOUNTING | 19 | 6 | 48348 | CAP,INLET VALVE | 29 | 10 |
| 42455 | ROD, PUSH-FUEL PUMP | 19 | 9 | 49076 | VALVE, EXHAUST (.015 O.S.) | 29 | 5 |
| 42697 | REINFORCEMENT, CRANKSHAFT PULLEY | 35 | 31 | 49734A1 | WATER TEMPERATURE SENDER ASSEMBLY (DUAL) | 13 | 7 |
| 42745 | BRACKET, LIFTING (REAR) | 35 | 4 | 52185 | CLAMP, DISTRIBUTOR TO INTAKE MANIFOLD | 17 | 13 |
| 42746 | BALANCER, HARMONIC - CRANKSHAFT | 35 | 16 | 54676 | RETAINER, HIGH TENSION LEADS (2WIRE) | 17 | 20 |
| 42747 | OIL PAN | 37 | 6 | 56328A1 | BRACKET, FLUID COOLER (SHORT) | 27 | 23 |
| 42748 | SCREEN ASSEMBLY, OIL PUMP | 37 | 3 | 57908--2 | TUBING, ALTERNATOR LEADS | 5 | 22 |
| | | | | 59137 | THERMOSTAT (143 DEGREES) | 27 | 5 |
| | | | | 60658 | WATER PUMP ASSEMBLY | 35 | 9 |
| | | | | 61112 | LEVER, CHOKE | 21 | 34 |

PARTS INDEX

| Part Number | Description | Pg. | Ref. No. | Part Number | Description | Pg. | Ref. No. |
|-------------|--------------------------------------------------------------|-----|----------|-------------|----------------------------------------------------------------------|-----|----------|
| 63820--3 | BRACKET, FLUID COOLER (LONG) | 27 | 24 | 99370A2 | WATER SHUTTER | 41 | 6 |
| 65970 | BRACKET, IGNITION COIL MOUNTING | 17 | 22 | 99746A3 | EXHAUST MANIFOLD ASSEMBLY | 25 | 1 |
| 66198 | COVER, AUTOMATIC CHOKE | 21 | 32 | 99756A2 | TUBE, OIL LEVEL GAUGE . . | 37 | 13 |
| 70981A3 | EXHAUST BELLOWS | 41 | 1 | 99758A1 | EXHAUST ELBOW | 41 | 4 |
| 71696 | HOUSING, DRIVE END | 7 | 1 | 99877A2 | EXHAUST PIPE ASSEMBLY | 41 | 7 |
| 72625 | CHOKE, AUTOMATIC- CARBURETOR | 21 | 31 | 99948 | ROD, VALVE PUSH (DOUBLE BALL END) | 29 | 4 |
| 72638 | LIFTER, HYDRAULIC VALVE | 31 | 10 | N.S.S. | BEARING UNIT, REAR (.020 U.S.) (GM #3912036) | 33 | 4 |
| 73873A1 | PULLEY, POWER STEERING PUMP | 47 | 3 | N.S.S. | BOLT, INTAKE MANIFOLD (GM #9439921) | 35 | 2 |
| 75664 | FIELD COIL ASSEMBLY . . . | 7 | 15 | N.S.S. | BOLT, OIL PUMP TO CYLINDER BLOCK (2") - GM #3892678 | 37 | 2 |
| 75665 | ARMATURE | 7 | 11 | N.S.S. | BOLT, THRU (DELCO REMY #1939970) | 7 | 18 |
| 76850A2 | COUPLING ASSEMBLY | 33 | 10 | N.S.S. | BOLT, THRU (DELCO REMY #1941111) | 7 | 18 |
| 79205 | DRIVE ASSEMBLY, CLUTCH | 7 | 6 | N.S.S. | PIN, DOWEL - REAR BEARING CAP (GM #3836903) | 33 | 5 |
| 79211 | FRAME, COMMUTATOR END-LOWER | 7 | 17 | N.S.S. | PIN, DOWEL-FIELD FRAME (DELCO REMY #809593 . . | 7 | 25 |
| 79550A1 | BRACKET, MOUNTING - ENGINE (FRONT) | 45 | 1 | N.S.S. | PLATE, BEARING (DELCO REMY #1956939) | 7 | 7 |
| 85013 | BRACE, ALTERNATOR ADJUSTING | 5 | 15 | N.S.S. | SCREW, BRUSH LEAD (DELCO REMY #1967747) | 7 | 22 |
| 85785A2 | FLAME ARRESTOR, CARBURETOR | 21 | 3 | N.S.S. | SCREW, BRUSH LEAD (DELCO REMY #443527) . . | 7 | 22 |
| 87115A1 | BRACKET, ALTERNATOR . . | 5 | 23 | N.S.S. | SCREW, POLE SHOE TO FIELD COIL (DELCO REMY #1968396) | 7 | 13 |
| 87290A4 | THERMOSTAT HOUSING ASSEMBLY | 27 | 1 | N.S.S. | SCREW, SOLENOID SWITCH (DELCO REMY #9413260) | 7 | 33 |
| 90496A5 | PUMP ASSEMBLY, POWER STEERING | 47 | 1 | N.S.S. | SHOE, POLE-FIELD COIL (DELCO REMY #810601) . . | 7 | 12 |
| 90806 | OIL PRESSURE SENDER ASSEMBLY | 13 | 10 | N.S.S. | SPRING, PLUNGER RETURN (DELCO REMY #1958679) | 7 | 32 |
| 90840A1 | PULLEY, WATER PUMP (3 GROOVE) | 35 | 13 | N.S.S. | STUD, GUARD TO INTAKE MANIFOLD (GM #3959544) | 35 | 6 |
| 90841A1 | PULLEY, (1 GROOVE) - W/POWER STEERING . . . | 35 | 18 | N.S.S. | STUD, SHIFT LEVER (DELCO REMY #1814529) | 7 | 27 |
| 92497A3 | ALTERNATOR (55 AMP) . . . | 5 | 9 | N.S.S. | STUD, WATER PUMP TO CYLINDER BLOCK (GM #3759755) | 35 | 12 |
| 92497A3 | ALTERNATOR ASSEMBLY (55 AMP) | 9 | - | N.S.S. | SCREW, IGNITION COIL . . . | 17 | 27 |
| 93175 | BRACKET, ALTERNATOR . . | 5 | 26 | N.S.S. | SCREW, TERMINAL BLOCK | 15 | 40 |
| 94912 | VALVE, INLET (STANDARD) | 29 | 6 | N.S.S. | BOLT, INTAKE MANIFOLD . . | 35 | 2 |
| 95854A3 | SHIFT LEVER ASSEMBLY . . | 39 | 20 | N.S.S. | SCREW, ALTERNATOR BRACE | 5 | 16 |
| 96120A7 | FLYWHEEL HOUSING ASSEMBLY | 43 | 1 | N.S.S. | SCREW, COVER TO FLYWHEEL HOUSING . . . | 43 | 12 |
| 96273A5 | COVER ASSEMBLY, FLYWHEEL HOUSING . . . | 43 | 10 | N.S.S. | SCREW, SWITCH TO SHIFT BRACKET | 39 | 15 |
| 97258A1 | WATER TEMPERATURE SENDER ASSEMBLY | 13 | 7 | 10-21077 | SCREW, WATER PUMP TO CYLINDER BLOCK (1-3/4") | 35 | 12 |
| 97850 | ELBOW, VENT HOSE TO ROCKER COVER (STARBOARD) | 21 | 9 | 10-22028 | SCREW, THERMOSTAT HOUSING TO INTAKE MANIFOLD (4-1/14") | 27 | 10 |
| 98323A6 | BASE, ENGINE MOUNT | 45 | 8 | 10-26487 | | | |
| 98493A1 | BRACKET, MONTING | 13 | 4 | 10-27165 | | | |
| 98504A3 | EXHAUST ELBOW ASSEMBLY | 25 | 9 | 10-28668 | | | |
| 98603 | VALVE, INLET (.015 O.S.) . . | 29 | 6 | 10-30902 | | | |
| 98644A1 | BRACE, PUMP MOUNTING . . | 47 | 6 | 10-32132 | | | |
| 99237A2 | SHIFT BRACKET ASSEMBLY | 39 | 1 | 10-33389 | | | |
| 99356A2 | COOLER, POWER STEERING FLUID | 27 | 21 | | | | |

PARTS INDEX

| Part Number | Description | Pg. | Ref. No. | Part Number | Description | Pg. | Ref. No. |
|-------------|----------------------------------------------------------------|-----|----------|-------------|-------------------------------------------------------------|-----|----------|
| 10-34277 | SCREW, FUEL PUMP MOUNTING PLATE | 19 | 8 | 10-47277 | SCREW, PULLEY TO WATER PUMP (3/4") | 35 | 14 |
| 10-34277 | SCREW, OIL PAN (1/4-20 X 7/8") | 37 | 12 | 10-47688 | SCREW, WATER PUMP TO CYLINDER BLOCK 2-3/4") | 35 | 12 |
| 10-34352 | BOLT, PULLEY (7/8") - W/O POWER STEERING | 35 | 22 | 10-47910 | SCREW, STARTER SOLENOID (5/8") | 13 | 33 |
| 10-34354 | SCREW, ALTERNATOR BRACKET (1-1/2") | 5 | 24 | 10-48308 | SCREW, ALTERNATOR (3-3/4") | 5 | 29 |
| 10-34354 | SCREW, LIFTING BRACKET (1-1/2") | 35 | 5 | 10-49668 | SCREW, MOUNTING BRACKET | 13 | 5 |
| 10-34500 | SCREW, OIL PAN (5/16-18 X 7/8") | 37 | 10 | 10-49845 | SCREW, FLYWHEEL TO CRANKSHAFT | 33 | 8 |
| 10-34505 | BOLT, CAMSHAFT TIMING SPROCKETS (3/4") | 31 | 15 | 10-49956 | SCREW, OIL PAN DRAIN . . . | 37 | 9 |
| 10-34544 | SCREW, STARTER MOTOR TO CYLINDER BLOCK (1-15/16") | 5 | 2 | 10-52200 | SCREW, WATER PUMP TO CYLINDER BLOCK (1-1/2") | 35 | 12 |
| 10-34696 | SCREW, WIRING HARNESS PLATE (3/4") | 13 | 3 | 10-53728 | SCREW, EXHAUST MANIFLOD (4-5/8") | 25 | 5 |
| 10-35169 | SCREW, DISTRIBUTOR CLAMP (7/8") | 17 | 14 | 10-58640 | SCREW, EXHAUST PIPE TO STERN DRIVE | 41 | 8 |
| 10-35316 | BOLT, CYLINDER HEAD TO CYLINDER BLOCK (3-3/4") | 29 | 21 | 10-59994 | SCREW, AUTOMATIC CHOKE THERMOSTAT . . | 21 | 33 |
| 10-35317 | BOLT, CYLINDER HEAD TO CYLINDER BLOCK (1-3/4") | 29 | 19 | 10-60300 | SCREW, FLUID COOLER BRACKET | 27 | 25 |
| 10-35318 | BOLT, CYLINDER HEAD TO CYLINDER BLOCK (3") . . | 29 | 20 | 10-62568 | SCREW, TERMINAL BLOCK LEADS | 15 | 39 |
| 10-35366 | SCREW, CRANKCASE FRONT END COVER TO BLOCK (7/16") | 35 | 28 | 10-68101 | SCREW, MOUNTING BRACKET TO ENGINE (1-3/8") PORT | 45 | 2 |
| 10-35366 | SCREW, ROCKER VALVE COVER TO CYLINDER HEAD (1/2") | 29 | 3 | 10-72626 | BOLT, PULLEY AND HARMONIC BALANCER (2") | 35 | 19 |
| 10-35765 | SCREW, BRACE TO ENGINE (5/8") | 5 | 6 | 10-73287 | SCREW, TERMINAL BLOCK (3/8") | 39 | 18 |
| 10-35786 | BOLT, PULLEY (1") - W/POWER STEERING . . . | 35 | 22 | 10-73657 | SCREW, FUEL PUMP | 19 | 4 |
| 10-37612 | SCREW, ALTERNATOR BRACKET (1-1/4") | 5 | 24 | 10-74822 | SCREW, CARBURETOR . . . | 21 | 16 |
| 10-37612 | SCREW, ALTERNATOR BRACKET (1-1/4") | 5 | 27 | 10-74824 | SCREW, ALTERNATOR BRACE | 5 | 19 |
| 10-37612 | SCREW, FLYWHEEL HOUSING ATTACHING (1-1/4") | 43 | 4 | 10-79209 | SCREW, BEARING PLATE . . | 7 | 10 |
| 10-37612 | SCREW, MOUNTING BRACKET TO ENGINE (1-1/4") PORT | 45 | 2 | 10-85802 | BOLT, CONNECTING ROD CAP | 33 | 15 |
| 10-37612 | SCREW, MOUNTING BRACKET TO ENGINE (1-1/4") STARBOARD | 45 | 2 | 10-88743 | SCREW, SPRING TO LEVER | 39 | 6 |
| 10-40001188 | SCREW, PUMP MOUNTING BRACE | 47 | 7 | 10-94435 | SCREW, STARTER MOTOR TO CYLINDER BLOCK (4-21/32") | 5 | 2 |
| 10-41408 | SCREW, MOUNTING BRACKET TO COIL | 17 | 23 | 10-96113 | SCREW, TERMINAL BLOCK (7/8") | 39 | 17 |
| 10-42773 | BOLT | 11 | 7 | 10-98253 | SCREW, CLIP TO CYLINDER BLOCK | 37 | 16 |
| 10-45218 | SCREW, INSULTOR (3/8") . . | 13 | 28 | 10-98260 | SCREW, MOUNTIG BRACKET (5/8") | 13 | 16 |
| 10-45754 | SCREW, FLYWHEEL HOUSING ATTACHING (2") | 43 | 4 | 10-98509 | SCREW, THROTTLE CABLE (1-1/8") | 21 | 25 |
| 10-45862 | SCREW, CIRCUIT BREAKER (7/8") | 13 | 27 | 11-20088 | NUT, STARTER SOLENOID SCREW | 13 | 34 |
| | | | | 11-20190 | NUT, THROTTLE CABLE SCREW | 21 | 30 |
| | | | | 11-20586 | NUT, SILENCER ADAPTER . | 21 | 5 |
| | | | | 11-20586 | NUT, THROTTLE CABLE STUD | 21 | 23 |

PARTS INDEX

| Part Number | Description | Pg. | Ref. No. | Part Number | Description | Pg. | Ref. No. |
|-------------|--------------------------------------------------------------|-----|----------|-------------|---------------------------------------------------------------|-----|----------|
| 11-20890 | NUT, ALTERNATOR TERMINAL (1/4-20) | 5 | 14 | 12-20572 | WASHER, MOUNTING BRACKET STUD | 13 | 21 |
| 11-21825 | NUT, FUSE TEMINAL | 5 | 38 | 12-24664 | WASHER, THROTTLE CABLE STUD | 21 | 22 |
| 11-23161 | NUT, ALTERNATOR BRACKET SCREW | 5 | 33 | 12-25909 | WASHER, IGNITION COIL SCREW | 17 | 29 |
| 11-24883 | NUT, MOUNTING BRACKET STUD | 13 | 23 | 12-26168 | WASHER, ALTERNATOR BRACE SCREW | 5 | 20 |
| 11-26419 | NUT, STARTER SOLENOID TERMINAL (10-32) | 13 | 36 | 12-29245 | WASHER, STARTER MOTOR STUD | 5 | 4 |
| 11-26419 | NUT, STARTER TERMINAL (#8) | 5 | 8 | 12-30164 | WASHER, IGNITION COIL TERMINAL | 17 | 24 |
| 11-26484 | NUT, SHIFT LEVER STUD . . | 7 | 29 | 12-33258 | WASHER, LEATHER- COMMUTATOR END FRAME | 7 | 16 |
| 11-28941 | NUT, JAM-FLAME ARRESTOR | 21 | 14 | 12-34567 | WASHER, PUMP STUD (BRACE SLOT) | 47 | 4 |
| 11-29250 | NUT, CARBURETOR STUD . | 21 | 20 | 12-34714 | WASHER, ALTERNATOR BRACKET SCREW (13/16 O.D.) | 5 | 31 |
| 11-30506 | NUT, FLUID COOLER BRACKET SCREW | 27 | 26 | 12-35332 | WASHER, PULLEY AND HARMONIC BALNACER BOLT | 35 | 21 |
| 11-30968 | NUT, ALTERNATOR TERMINAL(10-24) | 5 | 12 | 12-35462 | WASHER, SHIFT CABLE STUD | 39 | 24 |
| 11-32219 | NUT, FLYWHEEL HOUSING ATTACHING STUD | 43 | 6 | 12-35935 | WASHER, COUPLER TO FLYWHEEL STUD | 33 | 12 |
| 11-32219 | NUT, MOUNTING BRACKET STUD STARBOARD | 45 | 7 | 12-39167 | WASHER, CAMSHAFT TIMING SPROCKET BOLT | 31 | 16 |
| 11-34516 | NUT, ROCKER VALVE ARM STUD | 29 | 15 | 12-41150 | WASHER, SUPPORT | 45 | 12 |
| 11-35814 | NUT, SHIFT BRACKET STUD | 39 | 13 | 12-42760 | WASHER, DISTRIBUTOR CLAMP SCREW | 17 | 15 |
| 11-35888 | NUT, SHIFT CABLE STUD . . | 39 | 28 | 12-46132 | WASHER, MOUNTING BRACKET SCREW PORT | 45 | 3 |
| 11-37493 | NUT, CONNECTING ROD CAP BOLT | 33 | 16 | 12-49112 | WASHER, INTAKE MANIFOLD BOLT | 35 | 3 |
| 11-42768 | NUT | 11 | 1 | 12-56681 | WASHER, THROTTLE CABLE SCREW | 21 | 29 |
| 11-46438 | NUT, INSULATOR SCREW . | 13 | 30 | 12-56681 | WASHERM CICUIT BREAKER SCREW | 13 | 29 |
| 11-46438 | NUT, TERMINAL BLOCK SCREW | 15 | 41 | 12-56720 | WASHER, SHIFT BRACKET STUD | 39 | 10 |
| 11-49838 | NUT, EXHAUST MANIFOLD STUD | 25 | 13 | 12-56720 | WASHER, SPRING SCREW . | 39 | 7 |
| 11-63341 | TEE NUT, SHIFT CABLE STUD | 39 | 25 | 12-68614 | WASHER, BEARING PLATE | 7 | 9 |
| 11-68219 | NUT, CIRCUIT BREAKER TERMINAL | 13 | 26 | 12-68615 | WASHER, SHIFT LEVER STUD | 7 | 28 |
| 11-68219 | NUT, IGNITION COIL TERMINAL | 17 | 26 | 12-86400 | WASHER, SEALING | 21 | 4 |
| 11-68219 | NUT, OIL PRESSURE SENDER TERMINAL (#10) | 13 | 12 | 12-96457 | WASHER, ALTERNATOR TERMINAL | 5 | 11 |
| 11-68219 | NUT, WATER TEMPERATURE SENDER TERMINAL (#10) | 13 | 9 | 12-96457 | WASHER, FUSE TERMINAL | 5 | 36 |
| 11-72008 | NUT, STARTER MOTOR STUD | 5 | 5 | 13-26992 | LOCKWASHER, ALTERNATOR TERMINAL | 5 | 13 |
| 11-90517 | NUT, MOUNTING STUD | 47 | 5 | 13-26992 | LOCKWASHER, FUSE TERMINAL | 5 | 37 |
| 11-94330 | NUT, STARTER SOLENOID TERMINAL (1/4-20) | 13 | 37 | 13-26992 | LOCKWASHER, MOUNTING BRACKET | 13 | 6 |
| 11-98533 | NUT, COUPLER STUDS TO FLYWHEEL | 33 | 13 | 13-26992 | LOCKWASHER, STARTER SOLENOID TERMINAL . . . | 13 | 35 |
| 12-20084 | WASHER, CARBURETOR STUD | 21 | 19 | 13-26995 | LOCKWASHER, STARTER TERMINAL (#8) | 5 | 7 |
| 12-20128 | WASHER, THROTTLE CABLE SCREW | 21 | 26 | | | | |
| 12-20553 | WASHER, ALTERNATOR BRACKET SCREW (3/4") . | 5 | 30 | | | | |

PARTS INDEX

| Part Number | Description | Pg. | Ref. No. | Part Number | Description | Pg. | Ref. No. |
|-------------|-----------------------------------------------------|-----|----------|-------------|----------------------------------------------------|-----|----------|
| 13-26996 | LOCKWASHER, ALTERNATOR TERMINAL | 5 | 10 | 13-42769 | LOCKWASHER | 11 | 2 |
| 13-26996 | LOCKWASHER, CIRCUIT BREAKER TERMINAL | 13 | 25 | 13-68102 | LOCKWASHER, MOUNTING BRACKET | 45 | 10 |
| 13-26996 | LOCKWASHER, IGMNITION COIL TERMINAL | 17 | 25 | 16-34521 | STUD, ROCKER VALVE ARM (.013 O.S.) | 29 | 17 |
| 13-26996 | LOCKWASHER, OIL PRESSURE SENDER TERMINAL (#10) | 13 | 11 | 16-34522 | STUD, ROCKER VALVE ARM (.003 O.S.) | 29 | 17 |
| 13-26996 | LOCKWASHER, TERMINAL BLOCK SCREW | 39 | 19 | 16-38525 | STUD, THROTTLE CABLE | 21 | 21 |
| 13-26996 | LOCKWASHER, WATER TEMPERATURE SENDER TERMINAL (#10) | 13 | 8 | 16-41012 | STUD, ENGINE MOUNTING | 45 | 11 |
| 13-35048 | LOCKWASHER, ALTERNATOR BRACE SCREW | 5 | 17 | 16-41877 | STUD, POWER STEERING PUMP | 47 | 1A |
| 13-35048 | LOCKWASHER, ALTERNATOR BRACKET SCREW | 5 | 25 | 16-46857 | STUD, CARBURETOR | 21 | 17 |
| 13-35048 | LOCKWASHER, ALTERNATOR BRACKET SCREW | 5 | 28 | 16-49545 | STUD, EXHAUST MANIFOLD TO ELBOW (1-3/4") | 25 | 2 |
| 13-35048 | LOCKWASHER, EXHAUST MANIFOLD STUD | 25 | 12 | 16-56826 | STUD, MOUNTING BRACKET | 13 | 19 |
| 13-35048 | LOCKWASHER, FLYWHEEL HOUSING SCREW (3/8") | 43 | 7 | 16-64066 | STUD, FLYWHEEL HOUSING ATTACHING (2-1/4") | 43 | 5 |
| 13-35048 | LOCKWASHER, IGNITION COIL SCREW | 17 | 28 | 16-64066 | STUD, MOUNTING BRACKET TO ENGINE STARBOARD | 45 | 4 |
| 13-35048 | LOCKWASHER, MOUNTING BRACKET SCREW | 13 | 17 | 16-91842 | STUD, FLAME ARRESTOR | 21 | 13 |
| 13-35048 | LOCKWASHER, MOUNTING BRACKET SCREW PORT STARBOARD | 45 | 3 | 16-96108 | STUD, SHIFT BRACKET | 39 | 3 |
| 13-35048 | LOCKWASHER, MOUNTING BRACKET STUD | 45 | 3 | 16-96112 | STUD, SHIFT CABLE | 39 | 23 |
| 13-35048 | LOCKWASHER, MOUNTING BRACKET STUD STARBOARD | 45 | 6 | 16-98532A1 | STUD, COUPLER TO FLYWHEEL | 33 | 11 |
| 13-35048 | LOCKWASHER, PULLEY BOLT | 35 | 23 | 16-98798 | STUD, SHIFT CABLE | 39 | 2 |
| 13-35048 | LOCKWASHER, THERMOSTAT HOUSING SCREW | 27 | 11 | 16-98851 | STUD, SHIFT CABLE | 39 | 21 |
| 13-39107 | LOCKWASHER, FUEL PUMP SCREW | 19 | 5 | 17-35312 | PIN, DOWEL - CAMSHAFT SPROCKET (1/4" DIAMETER) | 31 | 17 |
| 13-39107 | LOCKWASHER, OIL PAN SCREW | 37 | 11 | 17-35465 | PIN, DOWEL - BLOCK TO HEAD (5/16" DIAMETER) | 31 | 4 |
| 13-39107 | LOCKWASHER, WATER PUMP PULLEY SCREW | 35 | 15 | 17-79207 | PIN, PLUNGER TO SHIFT LEVER | 7 | 31 |
| 13-39131 | LOCKWASHER, FLYWHEEL SCREW | 33 | 9 | 18-32857 | COTTER PIN, SHIFT CABLE RETAINING | 39 | 9 |
| 13-39131 | LOCKWASHER, PULLEY AND HARMONIC BALANCER BOLT | 35 | 20 | 19-34270 | PLUG, EXPANSION - CYLINDER BLOCK (1-5/8" DIAMETER) | 31 | 3 |
| 13-40024--8 | LOCKWASHER, BRACE SCREW | 47 | 8 | 22-32803 | PIPE PLUG | 27 | 3 |
| | | | | 22-33198A1 | PLUG, EXHAUST MANIFLOD | 25 | 3 |
| | | | | 22-36305 | ELBOW, EXHAUST MANIFOLD | 25 | 7 |
| | | | | 22-36382 | PLUG, PIPE-EXHAUST ELBOW | 25 | 10 |
| | | | | 22-37682 | ELBOW, DRAIN COCK (45°) | 31 | 9 |
| | | | | 22-37760 | ELBOW, FLUID COOLER | 27 | 22 |
| | | | | 22-42554 | NIPPLE, OILPRESSURE SENDER | 13 | 14 |
| | | | | 22-42796 | BY-PASS VALVE, OIL FILTER | 31 | 8 |
| | | | | 22-43276 | ELBOW, FUEL PUMP | 19 | 11 |
| | | | | 22-46932 | ELBOW, OIL PRESSURE SENDER | 13 | 13 |
| | | | | 22-48336 | PLUG, WATER PUMP | 35 | 11 |
| | | | | 22-48340 | /PLUG, OIL GALLERY (7/16" SQUARE) | 31 | 7 |
| | | | | 22-72640 | PLUG, EXPANSION - CAMSHAFT BEARING HOLE | 31 | 5 |
| | | | | 22-87238 | DRAIN COCK, CYLINDER BLOCK | 31 | 2 |

PARTS INDEX

| Part Number | Description | Pg. | Ref. No. | Part Number | Description | Pg. | Ref. No. |
|-------------|--------------------------------------------------------|-----|----------|-------------|--------------------------------------------------------|-----|----------|
| 22-87238 | DRAIN COCK, EXHAUST MANIFLOD | 25 | 6 | 23-85700 | BEARING UNIT, CRANKSHAFT MAIN - REAR (.010 U.S.) | 33 | 4 |
| 22-92499 | FITTING, EXHAUST ELBOW (45 DEGREES) | 25 | 11 | 23-98820 | SPACER, SHIFT CABLE STUD | 39 | 26 |
| 22-97282 | CONNECTOR, CARBURETOR | 21 | 12 | 23-98828 | SPACER, RUBBER PAD ... | 39 | 8 |
| 22-98477A1 | TEE, THERMOSTAT HOUSING | 27 | 12 | 23-99322 | SPACER, RUBBER MOUNT - FLYWHEEL HOUSING ... | 43 | 3 |
| 23-33186 | BUSHING, ALTERNATOR BRACKET SCREW | 5 | 32 | 24-32817 | SPRING, THROTTLE RETURN | 21 | 15 |
| 23-33369 | BRUSHING, DIRVE END HOUSING | 7 | 2 | 24-33285 | SPRING, FIELD FRAME BRUSH | 7 | 24 |
| 23-34948 | BUSHING, THROTTLE CABLE SCREW | 21 | 28 | 24-45599 | SPRING, ACTUATING LEVER | 39 | 5 |
| 23-36183 | RETAINER, OIL PUMP SHAFT | 37 | 5 | 24-48347 | SPRING, VALVE (INLET AND EXHAUST) | 29 | 8 |
| 23-37981 | SPACER, SHIFT BRACKET STUD | 39 | 11 | 24-98880 | SPRING, SHIFT CABLE STUD | 39 | 27 |
| 23-42765 | BEARING UNIT (PAIR), CONNECTING ROD (STANDARD) | 33 | 17 | 25-52188 | GROMMET, ROCKER COVER | 21 | 10 |
| 23-42766 | BEARING UNIT (PAIR), CONNECTING ROD (.010 U.S.) | 33 | 17 | 25-79208 | GORMMET, FIELD COIL- FIELD FRAME | 7 | 14 |
| 23-42767 | BEARING UNIT (PAIR), CONNECTING ROD (.020 U.S.) | 33 | 17 | 25-89879 | "O" RING, PRESSURE HOSE END | 47 | 11 |
| 23-42772 | SPACER | 11 | 5 | 26-34217 | SEAL, VALVE (INLET AND EXHAUST) | 29 | 7 |
| 23-45600 | SLEEVE, ACTUATING LEVER | 39 | 12 | 26-42750 | OIL SEAL, CRANKCASE FRONT COVER | 35 | 26 |
| 23-45600 | SLEEVE, SHIFT LEVER | 39 | 22 | 26-58203 | OIL SEAL, REAR BEARING CAP | 33 | 6 |
| 23-47508 | SLEEVE, THERMOSTAT ... | 27 | 7 | 26-97664 | SEAL, VALVE (INLET) | 29 | 7 |
| 23-47511 | SLEEVE, THERMOSTAT HOUSING | 27 | 2 | 27-34213 | GASKET, FUEL PUMP TO CYLINDER BLOCK | 19 | 3 |
| 23-52095 | SPACER, ALTERNATOR BRACE SCREW | 5 | 21 | 27-34895 | GASKET, CRANKCASE FRONT END COVER | 35 | 27 |
| 23-57369 | SPACER, MOUNTING BRACKET STUD | 13 | 20 | 27-34897 | GASKET, WATER PUMP MOUNTING | 35 | 10 |
| 23-57938 | BUSHING, THROTTLE CABLE SCREW | 21 | 27 | 27-41812 | GASKET, THERMOSTAT COVER | 27 | 8 |
| 23-71694 | BUSHING, BEARING PLATE | 7 | 8 | 27-41813 | GASKET, ELBOW | 25 | 8 |
| 23-801797 | BEARING UNIT, CAMSHAFT (SET) | 31 | 6 | 27-42457 | GASKET, FUEL PUMP MOUNTING PLATE | 19 | 7 |
| 23-85694 | BEARING UNIT, CRANKSHAFT (STANDARD) | 33 | 3 | 27-42744 | GASKET, CYLINDER HEAD . | 29 | 18 |
| 23-85695 | BEARING UNIT, CRANKSHAFT MAIN (.001 U.S.) | 33 | 3 | 27-42763 | GASKET SET, INTAKE MANIFOLD | 35 | 8 |
| 23-85696 | BEARING UNIT, CRANKSHAFT MAIN (.010 U.S.) | 33 | 3 | 27-42797 | GASKET SET, OIL PAN | 37 | 7 |
| 23-85697 | BEARING UNIT, CRANKSHAFT MAIN (.020 U.S.) | 33 | 3 | 27-47510 | GASKET, THERMOSTAT ... | 27 | 6 |
| 23-85698 | BEARING UNITL, CRANKSHAFT MAIN - REAR (STANDARD) | 33 | 4 | 27-49955 | GASKET, DRAIN SCREW .. | 37 | 8 |
| 23-85699 | BEARING UNIT, CRANKSHAFT MAIN - REAR (.001 U.S.) | 33 | 4 | 27-52184 | GASKET, DISTRIBUTOR ... | 17 | 12 |
| | | | | 27-52457 | GASKET, CARBURETOR TO INTAKE MANIFOLD | 21 | 24 |
| | | | | 27-53045 | GASKET, THERMOSTAT HOUSING | 27 | 4 |
| | | | | 27-96274 | GASKET, FLYWHEEL HOUSING SCREW | 43 | 11 |
| | | | | 27-99757 | GASKET, EXHAUST MANIFOLD TO CYLINDER HEAD | 25 | 4 |
| | | | | 28-34466 | KEY, CRANKSHAFT PULLEY AND BALANCER | 33 | 19 |
| | | | | 28-54797 | KEY, VALVE STEM | 29 | 12 |

PARTS INDEX

| Part Number | Description | Pg. | Ref. No. | Part Number | Description | Pg. | Ref. No. |
|-------------|--------------------------------------------------------|-----|----------|-------------|------------------------------------------------|-----|----------|
| 32-33220-70 | HOSE, TEE TO EXHAUST ELBOWS (17") | 27 | 13 | 54-43239 | CLIP, OIL LEVEL TUBE | 37 | 15 |
| 32-41642A1 | HOSE, FLUID COOLER (5/8" I.D.) | 27 | 19 | 54-47715 | CLIP, HOSE ATTACHING | 27 | 17 |
| 32-41642A3 | HOSE, FLUID COOLER (3/4" I.D.) | 27 | 19 | 54-53101 | CLAMP, VENT HOSE | 21 | 7 |
| 32-41940 | HOSE, THERMOSTAT COVER TO EXHAUST MANIFOLD (STARBOARD) | 27 | 16 | 54-59989 | CLIP, AUTOMATIC CHOKE ROD | 21 | 35 |
| 32-52519--9 | HOSE, PUMP TO OIL COOLER | 47 | 13 | 54-78945 | "J" CLAMP, FLYWHEEL HOUSING STUD | 43 | 9 |
| 32-73815-63 | HOSE, PLASTIC-FUEL PUMP TO CARBURETOR | 19 | 10 | 54-78945 | CLAMP, BRACKET SCREW | 13 | 18 |
| 32-87108 | HOSE, THERMOSTAT HOUSING TO WATER PUMP | 27 | 29 | 54-87268 | CLAMP, HOSE ATTACHING | 27 | 30 |
| 32-87116 | HOSE, THERMOSTAT COVER TO EXHAUST MANIFOLD (PORT) | 27 | 15 | 54-92850 | CLAMP | 43 | 9 |
| 32-88794 | HOSE, THERMOSTAT HOUSING TO FLUID COOLER | 27 | 18 | 54-92850 | CLIP, WIRING HARNESS STARBOARD | 45 | 5 |
| 32-90949 | EXHAUST TUBE | 41 | 5 | 57-37619 | V-BELT, POWER STEERING PUMP (52") | 47 | 9 |
| 32-92943 | HOSE, PRESSURE (FITTINGBS ON BOTH ENDS) | 47 | 10 | 57-49213A1 | BELT, ALTERNATOR DRIVE (44") | 35 | 24 |
| 32-93315-12 | HOSE, VENT-CARBURETOR (11-1/4") | 21 | 6 | 84-42841A44 | LEAD ASSEMBLY, DISTRIBUTOR TO COIL | 17 | 16 |
| 32-98033A1 | HOSE, THERMOSTAT HOUSING (5/8" I.D.) | 27 | 27 | 84-43376A7 | SPARK PLUG WIRE KIT | 17 | 17 |
| 32-98033A3 | HOSE, THERMOSTAT HOUSING (3/4" I.D.) | 27 | 27 | 84-62826A6 | WIRE, FLYWHEEL HOUSING STUD | 43 | 13 |
| 32-98843-39 | HOSE, RETURN (FITTINGS ON ONE END) | 47 | 12 | 84-94227A2 | RESISTANCE WIRE KIT (TO REPLACE RESISTOR WIRE) | 15 | 42 |
| 32-99755A1 | FUEL LINE, FUEL PUMP TO CARBURETOR | 19 | 12 | 84-99510A2 | WIRING HARNESS | 13 | 1 |
| 33-59571 | SPARK PLUG (NGK-BR6FS) | 17 | 19 | 85-63709A1 | BOOT ASSMEBLY, SPARK PLUG | 17 | 18 |
| 35-11004 | FUEL FILTER | 19 | 2 | 85-79695 | INSULATOR, BOOT-STARTER TERMINAL | 5 | 34 |
| 36-95805 | CAP, POWER STEERING PUMP | 47 | 2 | 85-96819 | INSULATOR, CIRCUIT BREAKER | 13 | 31 |
| 37-41601 | DECAL, CARBURETOR COVER (185) | 21 | 2 | 86-66986 | TERMINAL BLOCK | 39 | 16 |
| 39-75609 | RING, PISTON (STANDARD) | 33 | 2 | 88-11178 | CIRCUIT BREAKER (50 AMP) | 13 | 24 |
| 39-75981 | RING, PISTON (.030 O.S.) | 33 | 2 | 88-79023A91 | FUSE ASSEMBLY (90 AMP) | 5 | 35 |
| 43-42754 | SPROCKET, CAMSHAFT TIMING | 31 | 13 | 88-93582 | CIRCUIT BREAKER (60 AMP) | 13 | 24 |
| 43-42755 | SPROCKET, CRANKSHAFT TIMING | 31 | 14 | 89-96054 | STARTER SOLENOID | 13 | 32 |
| 50-99417A2 | STARTER MOTOR ASSEMBLY | 5 | 1 | 90-41385 | OWNER'S GUIDE | 2 | - |
| 50-99417A2 | STARTER MOTOR ASSEMBLY | 7 | - | 90-43078 | PARTS MANUAL | 2 | - |
| 53-33290 | RING, RETAINING-PINION STOP COLLAR | 7 | 4 | 222-6355 | FLYWHEEL | 33 | 7 |
| 54-31765 | CLAMP (LARGE) | 41 | 3 | 390-7000 | COVER ASSEMBLY, FRONT | 9 | 7 |
| 54-32780 | CLAMP, HOSE ATTACHING | 27 | 14 | 390-7003 | COVER ASSEMBLY, REAR | 9 | 22 |
| 54-32780 | CLAMP, HOSE ATTACHING | 27 | 20 | 390-7004 | FAN, DRIVE END FRAME | 9 | 4 |
| 54-32780 | CLAMP, HOSE ATTACHING | 27 | 28 | 390-7005 | BALL BEARING, DRIVE END | 9 | 8 |
| 54-33683 | CLAMP (SMALL) | 41 | 2 | 390-7006 | RETAINER, DRIVE END BALL BEARING | 9 | 9 |
| 54-35830 | CLAMP, HOSE ATTACHING | 47 | 14 | 390-7007 | RETAINER, ROTOR SHAFT BEARING | 9 | 21 |
| | | | | 390-7008 | DIODE TRIO | 9 | 35 |
| | | | | 390-7009 | DIODE RECTIFIER, NEGATICE | 9 | 11 |
| | | | | 390-7010 | HEAT SINK, POSITIVE | 9 | 12 |
| | | | | 390-7011 | BRUSH HOLDER ASSEMBLY | 9 | 33 |
| | | | | 390-7012 | SPACER, FAN TO DRIVE END FRAME | 9 | 5 |
| | | | | 390-7013 | GASKET, VOLTAGE REGULATOR | 9 | 37 |
| | | | | 390-7014 | SLIP RING | 9 | 17 |
| | | | | 390-7015 | SCREW, VOLTAGE REGULATOR ATTACHING | 9 | 39 |
| | | | | 390-7018 | SLEEVE, INSULATOR | 9 | 14 |

PARTS INDEX

| Part Number | Description | Pg. | Ref. No. | Part Number | Description | Pg. | Ref. No. |
|-------------|---------------------------------------------------------|-----|----------|-------------|------------------------------------------------|-----|----------|
| 390-7019 | SPACER, DIODE TRIO | 9 | 36 | 1397-8327 | GASKET, INLET FUEL NUT | 23 | 14 |
| 390-7020 | SLEEVE, INSULATOR | 9 | 13 | 1397-8535 | CARBURETOR REPAIR KIT SEE NOTE | 23 | 12 |
| 390-7021 | NUT, CONDENSOR TERMINAL ATTACHING | 9 | 32 | 1397-8536 | GASKET KIT SEE NOTE | 23 | 13 |
| 390-7022 | WASHER, CONDENSOR TERMINAL STUD | 9 | 30 | 1397-8540 | THROTTLE BODY KIT | 23 | 3 |
| 390-7023 | WASHER, REGULATOR TERMINAL STUD | 9 | 24 | 1397-8541 | CHOKE LINK AND LEVER KIT | 23 | 4 |
| 390-7024 | WASHER, CONDENSOR TERMINAL STUD | 9 | 25 | 1397-8543 | POWER PISTON KIT | 23 | 6 |
| 390-7025 | NUT, TERMINAL STUD | 9 | 26 | 1397-8545 | FUEL FILTER KIT | 23 | 8 |
| 390-7026 | NUT, TERMINAL ATTACHING | 9 | 29 | 1397-8546 | FLOAT KIT | 23 | 9 |
| 390-7027 | NUT, FAN AND PULLEY TO ROTOR | 9 | 1 | 1397-8547 | PUMP KIT | 23 | 10 |
| 390-7028 | NUT, THRU BOLT ATTACHING | 9 | 6 | 1397-8557 | SCREW KIT, AIR HORN/THROTTLE BODY | 23 | 15 |
| 390-7029 | SCREW, ROTOR SHAFT (5/8") | 9 | 20 | 1397-9111 | AIR HORN KIT | 23 | 1 |
| 390-7030 | SCREW, BRUSH HOLDER (1/2") | 9 | 34 | 1397-9112 | FLOAT BOWL KIT | 23 | 2 |
| 390-7032 | LOCKWASHER, TERMINAL STUD | 9 | 28 | 1397-9113 | PRIMARY VACUUM KIT | 23 | 5 |
| 390-7033 | LOCKWASHER, FAN AND PULLEY NUT | 9 | 2 | 1397-9114 | METERING JET AND ROD KIT | 23 | 7 |
| 390-7034 | KEY, ROTOR | 9 | 15 | 3300-8886A2 | CARBURETOR ASSEMBLY | 21 | 11 |
| 390-7035 | CONDENSOR | 9 | 23 | 3300-8886A2 | CARBURETOR ASSEMBLY | 23 | - |
| 390-7036 | VOLTAGE REGULATOR | 9 | 38 | | | | |
| 390-7206 | WASHER, ROTOR SCREW | 9 | 18 | | | | |
| 390-7207 | LOCKWASHER, ROTOR SCREW | 9 | 19 | | | | |
| 390-7208 | WASHER, TERMINAL STUD | 9 | 27 | | | | |
| 390-8635 | ROTOR, ASSMEBLY | 9 | 16 | | | | |
| 390-8636 | STATOR ASSEMBLY | 9 | 10 | | | | |
| 390-8637 | PULLEY, DRIVE END FRAME | 9 | 3 | | | | |
| 390-8638 | THRU BOLT | 9 | 31 | | | | |
| 392-6323 | BREAKER PLATE ASSMEBLY | 17 | 6 | | | | |
| 392-6324 | CONDENSER | 17 | 7 | | | | |
| 392-6325 | BREAKER SET | 17 | 8 | | | | |
| 392-9085 | BEARING KIT | 17 | 2 | | | | |
| 392-9086 | DISTRIBUTOR CAP | 17 | 3 | | | | |
| 392-9087 | DRIVE GEAR KIT | 17 | 4 | | | | |
| 392-9088 | PRIMARY WIRE | 17 | 5 | | | | |
| 392-9089 | ROTOR | 17 | 9 | | | | |
| 392-9090 | SHAFT AND CAM ASSEMBLY | 17 | 10 | | | | |
| 392-9091 | SPRING SET | 17 | 11 | | | | |
| 429-8936 | CRANKSHAFT | 33 | 18 | | | | |
| 431-8968 | CAMSHAFT | 31 | 11 | | | | |
| 614-8937 | CONNECTING ROD ASSEMBLY | 33 | 14 | | | | |
| 735-8938 | PISTON AND PISTON PIN ASSEMBLY (STD) | 33 | 1 | | | | |
| 735-8939 | PISTON AND PISTON PIN ASSEMBLY (.001 O.S.) | 33 | 1 | | | | |
| 735-8967 | PISTON AND PISTON PIN ASSEMBLY (.030 O.S.) | 33 | 1 | | | | |
| 841-8934 | CYLINDER BLOCK ASSEMBY | 31 | 1 | | | | |
| 938-8935 | CYLINDER HEAD ASSEMBLY | 29 | 16 | | | | |