



PARTS CATALOG

MERC 400

SERIAL NUMBER

400 (2 CYL.) 2874704 THRU 3336257

TABLE OF CONTENTS:

BOTTOM COWL AND EXHAUST PLATE ASSEMBLY	42
CARBURETOR ASSEMBLY	16
CARBURETOR CHOKE LINKAGE	14
CLAMP AND SWIVEL BRACKET ASSEMBLY	48
COWLING AND FRONT COVER	12
CRANKSHAFT, PISTON AND CONNECTING ROD ASSEMBLY	40
CYLINDER BLOCK AND CRANKCASE ASSEMBLY	36
DRIVE SHAFT HOUSING ASSEMBLY	44
FLYWHEEL, IGNITION COIL AND SWITCH BOX	20
FUEL PUMP ASSEMBLY AND FUEL LINES	32
GEAR HOUSING ASSEMBLY, COMPLETE (PAGE 1)	52
GEAR HOUSING ASSEMBLY, COMPLETE (PAGE 2)	56
MISCELLANEOUS PARTS/ACCESSORIES	1
PARTS INDEX	60
SHIFT CONTROL LINKAGE	34
STARTER MOTOR, RECTIFIER AND WIRING HARNESS	24
THROTTLE CONTROL LINKAGE AND SPARK ADVANCE	28
TOP COWL, SUPPORT BRACKETS AND STARTER ASSEMBLY	2
TOP COWL, SUPPORT BRACKETS AND STARTER ASSEMBLY	6

NOTE: Indented description indicate that these parts are included in preceeding assembly.

AR = As Required

NSS = Not Sold Separate

OPT = Optional

NS = Not Shown

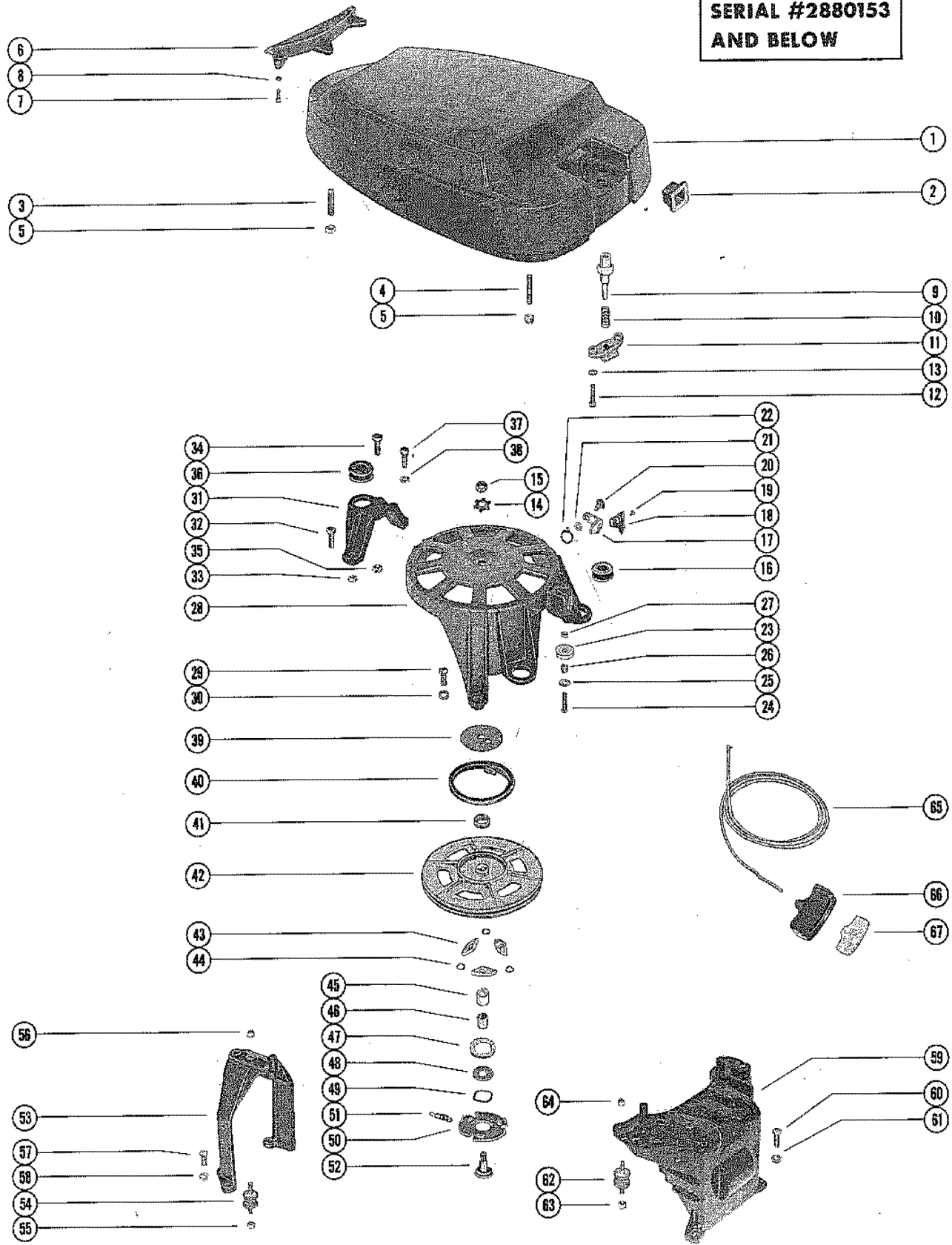
THESE PARTS BOOKS/FICHE CARD ARE COPYRIGHTED AND MAY NOT BE DISTRIBUTED OR REPRODUCED IN ANY OTHER FORMAT BY ANYONE OTHER THAN MERCURY MARINE WITHOUT THE PRIOR WRITTEN CONSENT OF MERCURY MARINE.

MISCELLANEOUS PARTS/ACCESSORIES

REF. NO.	PART NO.	SYM.	QTY.	DESCRIPTION
-	27-55306A1		0	GASKET SET (MERC 400)
-	90-56971		0	MERC 400 PARTS LIST
-	37-56813A1		0	DECAL SET (MERC 400) SERIAL 00000000-02979678
-	37-56813A2		0	DECAL SET (MERC 400) SERIAL 03043031-09999999
-	46-48746A2		0	HEAVY DUTY WATER PUMP KIT
-	50-55601A1		0	ELECTRIC STARTER KIT

TOP COWL, SUPPORT BRACKETS AND STARTER ASSEMBLY

SERIAL #2880153
AND BELOW



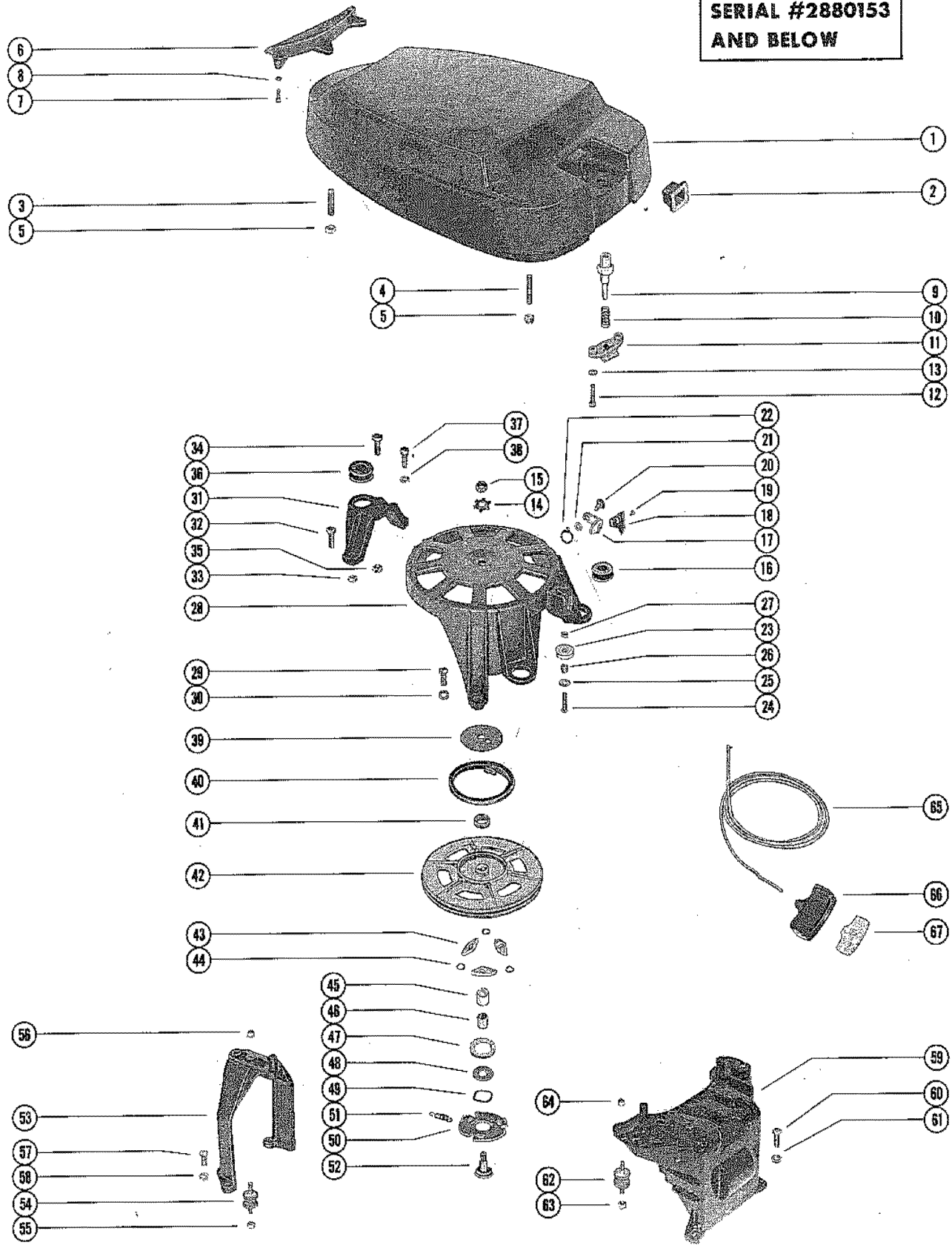
TOP COWL, SUPPORT BRACKETS AND STARTER ASSEMBLY

REF. NO.	PART NO.	SYM.	QTY.	DESCRIPTION
1	2138-3879A2		1	TOP COWL ASSEMBLY
2	57821		1	INSERT, ROPE GUIDE - TOP COWL
3	16-21391		1	STUD, TOP COWL TO SUPPORT BRACKET - REAR (1 1/2")
4	16-21553		2	STUD, TOP COWL TO SUPPORT BRACKET - FRONT (1 1/2")
5	11-35814		3	NUT, TOP COWL STUD
6	39609		1	SHIELD, REAR - TOP COWL
7	10-20646		3	SCREW, REAR SHIELD TO TOP COWL (5/8")
8	12-26014		3	WASHER, REAR SHIELD SCREW
9	39619		1	BUTTON, FRONT COVER RELEASE - TOP COWL
10	24-37911		1	SPRING, COMPRESSION - FRONT COVER RELEASE BUTTON
11	39493		1	CATCH, FRONT COVER - TOP COWL
12	10-23015		2	SCREW, FRONT COVER CATCH TO TOP COWL (1")
13	13-26996		2	LOCKWASHER, FRONT COVER CATCH SCREW
14	14-20165		1	TAB WASHER, SHEAVE SHAFT NUT
15	11-20166		1	NUT, SHEAVE SHAFT (LEFT HAND THREAD)
16	25-39597		2	GROMMET, STARTER HOUSING
17	57215		1	LEVER, INTERLOCK - STARTER HOUSING
18	56602		1	CAM, INTERLOCK
19	10-20037		2	SCREW, INTERLOCK CAM TO LEVER (1/4")
20	10-57273		1	SCREW, INTERLOCK LEVER TO STARTER HOUSING
21	12-57781		1	WASHER, INTERLOCK LEVER SCREW
22	24-57272		1	SPRING, INTERLOCK LEVER
23	55860		1	PULLEY, STARTER CABLE
24	10-45210		1	SCREW, PULLEY TO STARTER HOUSING (1 1/4")
25	12-22887		2	WASHER, PULLEY SCREW
26	23-30977		1	SPACER, PULLEY SCREW
27	11-24656		1	NUT, PULLEY SCREW
28	2140-3883		1	HOUSING, STARTER
29	10-37562		2	SCREW, STARTER HOUSING TO CRANKCASE (1")
30	13-26993		2	LOCKWASHER, STARTER HOUSING SCREW
31	55192		1	BRACKET, LIMIT STOP - REAR
32	10-20639		1	SCREW, LIMIT STOP BRACKET TO CYLINDER BLOCK (1 1/8")
33	11-46793		1	NUT, LIMIT STOP BRACKET SCREW
34	10-26065		1	SCREW, STARTER HOUSING TO LIMIT STOP BRACKET - REAR (1")
35	11-20102		1	NUT, STARTER HOUSING SCREW
36	25-39597		1	GROMMET, LIMIT STOP BRACKET
37	10-37562		1	SCREW, LIMIT STOP BRACKET TO CYLINDER BLOCK (1")
38	13-26993		1	LOCKWASHER, LIMIT STOP BRACKET SCREW
39	39835		1	RETAINER, STARTER REWIND
40	24-39502A1		1	SPRING, STARTER REWIND
41	23-28912		1	BUSHING, SPRING GUIDE
42	50-57094		1	STARTER SHEAVE ASSEMBLY

CONTINUED ON NEXT PAGE ➡

TOP COWL, SUPPORT BRACKETS AND STARTER ASSEMBLY

SERIAL #2880153
AND BELOW

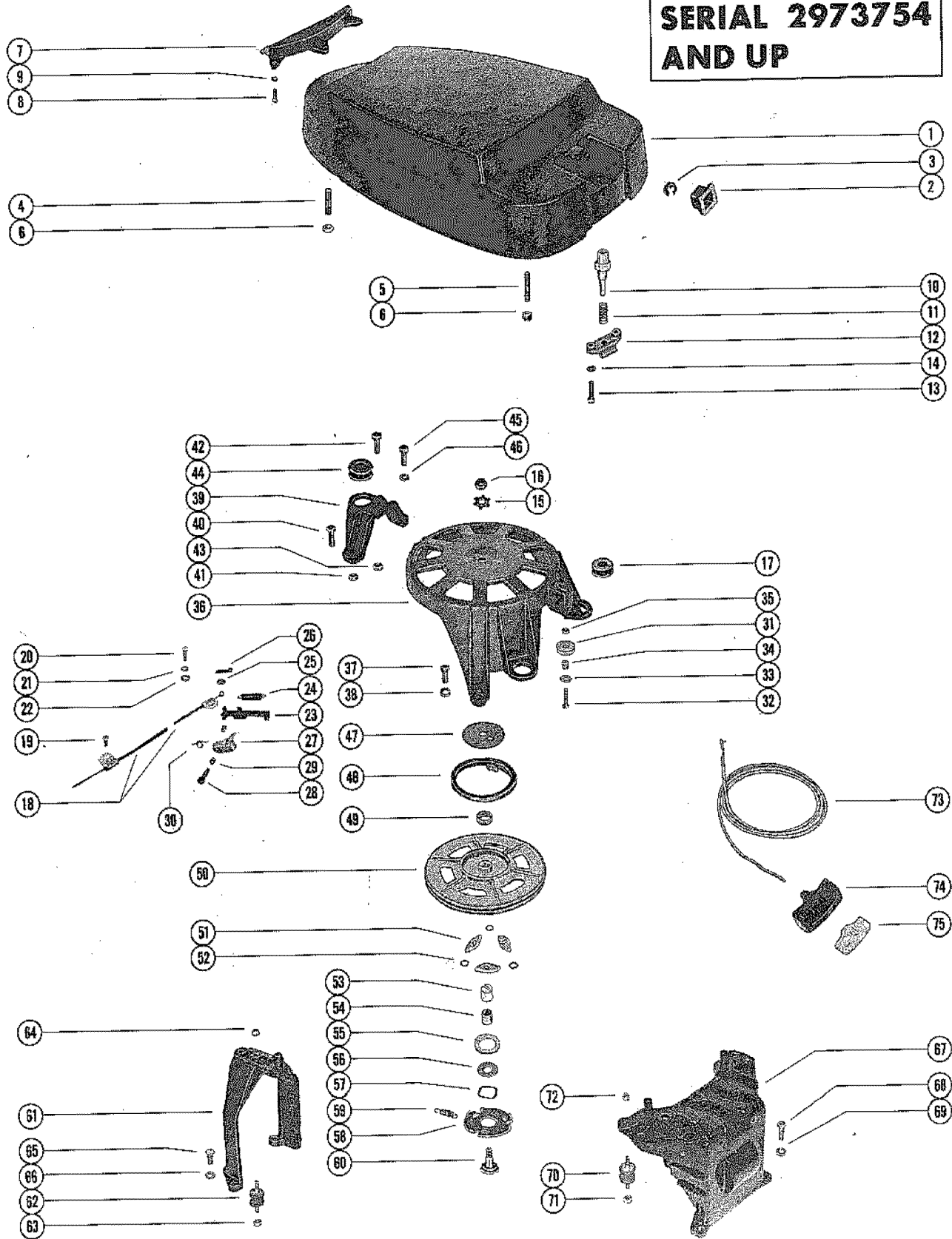


TOP COWL, SUPPORT BRACKETS AND STARTER ASSEMBLY

REF. NO.	PART NO.	SYM.	QTY.	DESCRIPTION
43	30596		3	PAWL, STARTER
44	13-36206		3	WASHER, WAVE - STARTER PAWL
45	23-28919		1	BUSHING, NYLON - SHEAVE SHAFT SPACER
46	23-35560		1	SPACER, SHEAVE SHAFT
47	39840		1	RETAINER, WAVE WASHER
48	12-57837		1	WASHER, WAVE WASHER RETAINER
49	13-20160		1	WASHER, WAVE - RETAINER TENSION
50	47436		1	PLATE, REATAINER - STARTER PAWL
51	24-26068		1	SPRING, RETAINER PLATE TO STARTER SHEAVE
52	45477		1	SHART, SHEAVE
53	39173		1	BRACKET, SUPPORT - TOP COWL (REAR)
54	39501		1	MOUNT, RUBBER - REAR SUPPORT BRACKET
55	11-20361		1	NUT, RUBBER MOUNT TO CYLINDER BLOCK COVER (LOWER)
56	11-20586		1	NUT, RUBBER MOUNT TO REAR SUPPORT BRACKET (UPPER)
57	10-37562		4	SCREW, REAR SUPPORT BRACKET TO BOTTOM COWL (1")
58	13-26993		4	LOCKWASHER, REAR SUPPORT BRACKET SCREW
59	55189		1	BRACKET, SUPPORT - TOP COWL (FRONT)
60	10-37562		2	SCREW, FRONT SUPPORT BRACKET TO BOTTOM COWL (1")
61	13-26993		2	LOCKWASHER, FRONT SUPPORT BRACKET SCREW
	39501		2	MOUNT, RUBBER - FRONT SUPPORT BRACKET
63	11-20361		2	NUT, RUBBER MOUNT TO CRANKCASE (LOWER)
64	11-20586		2	NUT, RUBBER MOUNT TO FRONT SUPPORT BRACKET (UPPER)
65	50-28985A1		1	STARTER CABLE ASSEMBLY
66	30782		1	HANDLE, STARTER CABLE
67	28748		1	RETAINER, STARTER CABLE AND HANDLE

TOP COWL, SUPPORT BRACKETS AND STARTER ASSEMBLY

**SERIAL 2973754
AND UP**



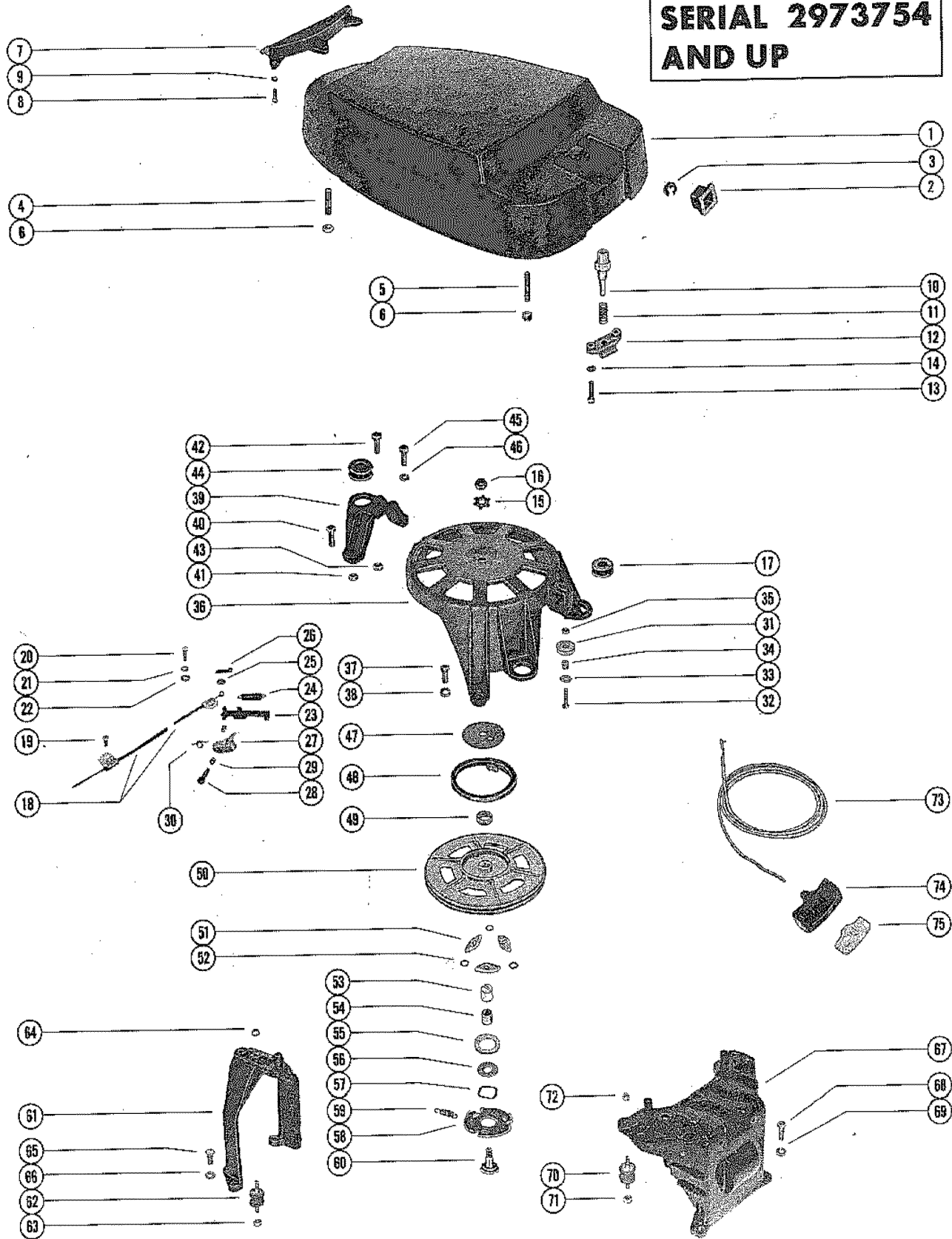
TOP COWL, SUPPORT BRACKETS AND STARTER ASSEMBLY

REF. NO.	PART NO.	SYM.	QTY.	DESCRIPTION
1	2138-3879A2		1	TOP COWL ASSEMBLY SERIAL 00000000-02979678
2	57821		1	INSERT, ROPE GUIDE - TOP COWL SERIAL 00000000-02979678
4	16-21391		1	STUD, TOP COWL TO SUPPORT BRACKET - REAR (1 1/2") SERIAL 00000000-02979678
5	16-21553		2	STUD, TOP COWL TO SUPPORT BRACKET - FRONT (1 1/2") SERIAL 00000000-02979678
1	2138-4413A2		1	TOP COWL ASSEMBLY SERIAL 03043031-09999999
2	58657		1	INSERT, ROPE GUIDE - TOP COWL SERIAL 03043031-09999999
3	53-58656		1	RING, RETAINING - ROPE GUIDE INSERT SERIAL 03043031-09999999
4	16-21391		1	STUD, TOP COWL TO SUPPORT BRACKET - REAR (1 1/2") SERIAL 03043031-09999999
5	16-21553		2	STUD, TOP COWL TO SUPPORT BRACKET - FRONT (1 1/2") SERIAL 03043031-09999999
6	11-35814		3	NUT, TOP COWL STUD
7	39609		1	SHIELD, REAR - TOP COWL
8	10-20646		3	SCREW, REAR SHIELD TO TOP COWL (5/8")
9	12-26014		3	WASHER, REAR SHIELD SCREW
10	39619		1	BUTTON, FRONT COVER RELEASE - TOP COWL
11	24-37911		1	SPRING, COMPRESSION - FRONT COVER RELEASE BUTTON
12	39493		1	CATCH, FRONT COVER - TOP COWL
13	10-25876		2	SCREW, FRONT COVER CATCH TO TOP COWL (7/8")
14	13-26996		2	LOCKWASHER, FRONT COVER CATCH SCREW
15	14-20165		1	TAB WASHER, SHEAVE SHAFT NUT
16	11-20166		2	NUT, SHEAVE SHAFT (LEFT HAND THREAD)
17	25-39597		2	GROMMET, STARTER HOUSING
18	59139A1		1	CABLE ASSEMBLY, INTERLOCK
19	10-32228		1	SCREW, INTERLOCK CABLE TO EXHAUST PLATE (5/8")
20	10-20100		1	SCREW, INTERLOCK CABLE TO STARTER HOUSING (1/2")
21	13-27660		1	LOCKWASHER, INTERLOCK CABLE SCREW
22	12-26013		1	WASHER, INTERLOCK CABLE SCREW
23	57236		1	CAM, SLIDING - STARTER HOUSING
24	24-57248		1	SPRING, SLIDING CAM
25	12-37998		1	WASHER, INTERLOCK CABLE
26	18-26953		1	COTTER PIN, INTERLOCK CABLE TO SLIDING CAM
27	57243		1	TOGGLE, STARTER INTERLOCK
28	10-57249		1	SCREW, TOGGLE TO STARTER HOUSING
29	23-26856		2	BUSHING, TOGGLE SCREW
30	24-57279		1	SPRING, TOGGLE SCREW
31	55860		1	PULLEY, STARTER CABLE
32	10-45210		1	SCREW, PULLEY TO STARTER HOUSING (1 1/4")
33	12-22887		2	WASHER, PULLEY SCREW
34	23-30977		1	SPACER, PULLEY SCREW

CONTINUED ON NEXT PAGE ➡

TOP COWL, SUPPORT BRACKETS AND STARTER ASSEMBLY

**SERIAL 2973754
AND UP**



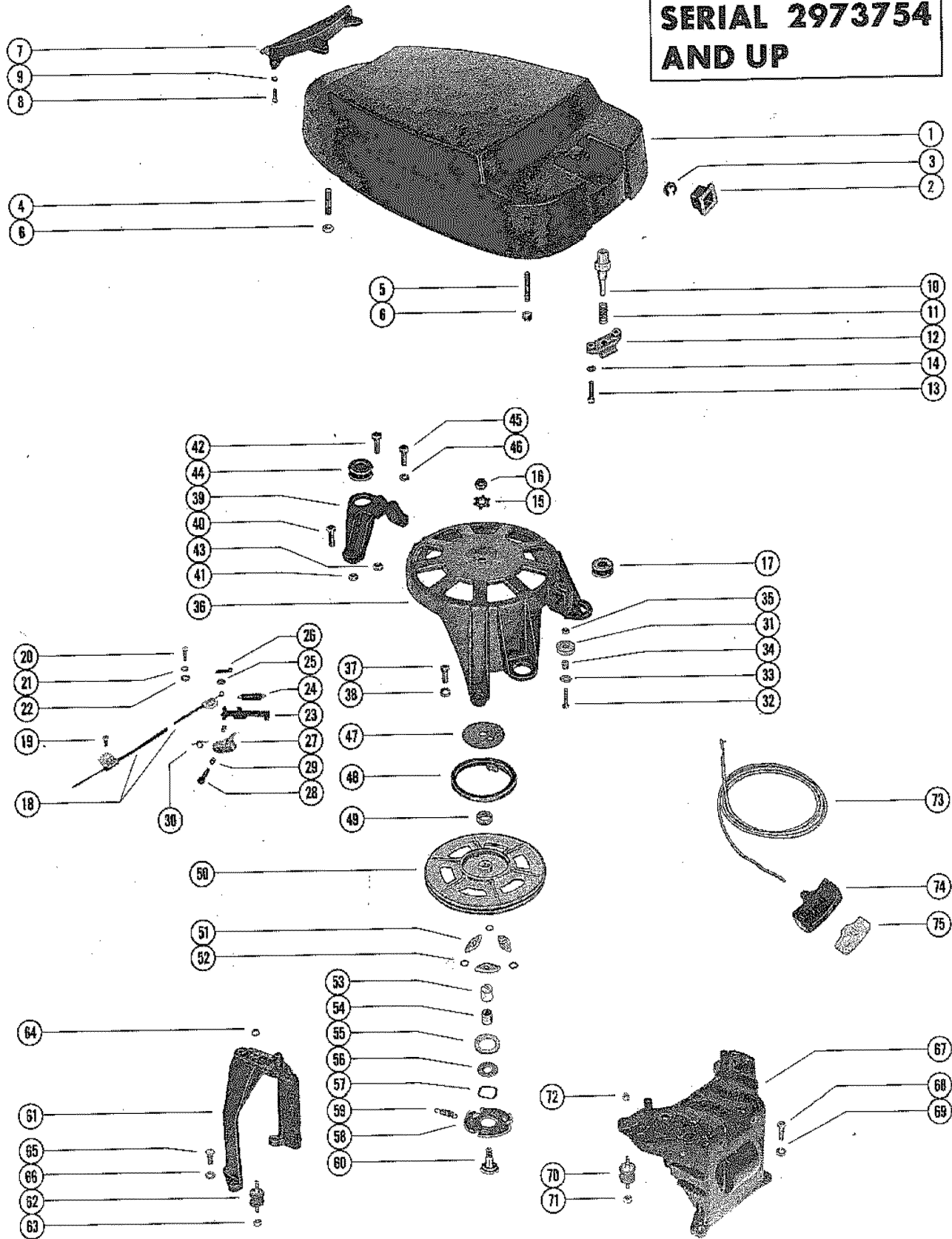
TOP COWL, SUPPORT BRACKETS AND STARTER ASSEMBLY

REF. NO.	PART NO.	SYM.	QTY.	DESCRIPTION
35	11-24656		1	NUT, PULLEY SCREW
36	2140-4415		1	HOUSING, STARTER
37	10-37562		2	SCREW, HOUSING TO CRANKCASE (1")
38	13-26993		2	LOCKWASHER, STARTER HOUSING SCREW
39	55192		1	BRACKET, LIMIT STOP - REAR SERIAL 00000000-03122533
	60825		1	BRACKET, LIMIT STOP - REAR SERIAL 03122534-09999999
40	10-20639		1	SCREW, LIMIT STOP BRACKET TO CYLINDER BLOCK (1 1/8")
41	11-46793		1	NUT, LIMIT STOP BRACKET SCREW
42	10-26065		1	SCREW, STARTER HOUSING TO LIMIT STOP BRACKET - REAR (1")
43	11-20102		1	NUT, STARTER HOUSING SCREW
44	25-39597		1	GROMMET, LIMIT STOP BRACKET
45	10-37562		1	SCREW, LIMIT STOP BRACKET TO CYLINDER BLOCK (1")
46	13-26993		1	LOCKWASHER, LIMIT STOP BRACKET SCREW
47	39835		1	RETAINER, STARTER REWIND
48	24-39502A1		1	SPRING, STARTER REWIND
49	23-28912		1	BUSHING, SPRING GUIDE
50	50-57094		1	STARTER SHEAVE ASSEMBLY
51	30596		3	PAWL, STARTER
52	13-36206		3	WASHER, WAVE - STARTER PAWL
53	23-28919		1	BUSHING, NYLON - SHEAVE SHAFT SPACER
54	23-35560		1	SPACER, SHEAVE SHAFT
55	39840		1	RETAINER, WAVE WASHER
56	12-57837		1	WASHER, WAVE WASHER RETAINER
57	13-20160		1	WASHER, WAVE - RETAINER TENSION
58	47436		1	PLATE, RETAINER - STARTER PAWL
59	24-26068		1	SPRING, RETAINER PLATE TO STARTER SHEAVE
60	45477		1	SHAFT, SHEAVE
61	39173		1	BRACKET, SUPPORT - TOP COWL (REAR)
62	39501		1	MOUNT, RUBBER - REAR SUPPORT BRACKET
63	11-20361		1	NUT, RUBBER MOUNT OT CYLINDER BLOCK COVER (LOWER)
64	11-20586		1	NUT, RUBBER MOUNT OT REAR SUPPORT BRACKET (UPPER)
65	10-37562		4	SCREW, REAR SUPPORT BRACKET TO BOTTOM COWL (1")
66	13-26993		4	LOCKWASHER, REAR SUPPORT BRACKET SCREW
67	55189		1	BRACKET, SUPPORT - TOP COWL (FRONT)
68	10-37562		2	SCREW, FRONT SUPPORT BRACKET TO BOTTOM COWL (1")
69	13-26993		2	LOCKWASHER, FRONT SUPPORT BRACKET SCREW
70	39501		2	MOUNT, RUBBER - FRONT SUPPORT BRACKET
71	11-20361		2	NUT, RUBBER MOUNT TO CRANKCASE (LOWER)
72	11-20586		2	NUT, RUBBER MOUNT TO FRONT SUPPORT BRACKET (UPPER)
73	50-28985A1		1	STARTER CABLE ASSEMBLY
74	30782		1	HANDLE, STARTER CABLE

CONTINUED ON NEXT PAGE ➡

TOP COWL, SUPPORT BRACKETS AND STARTER ASSEMBLY

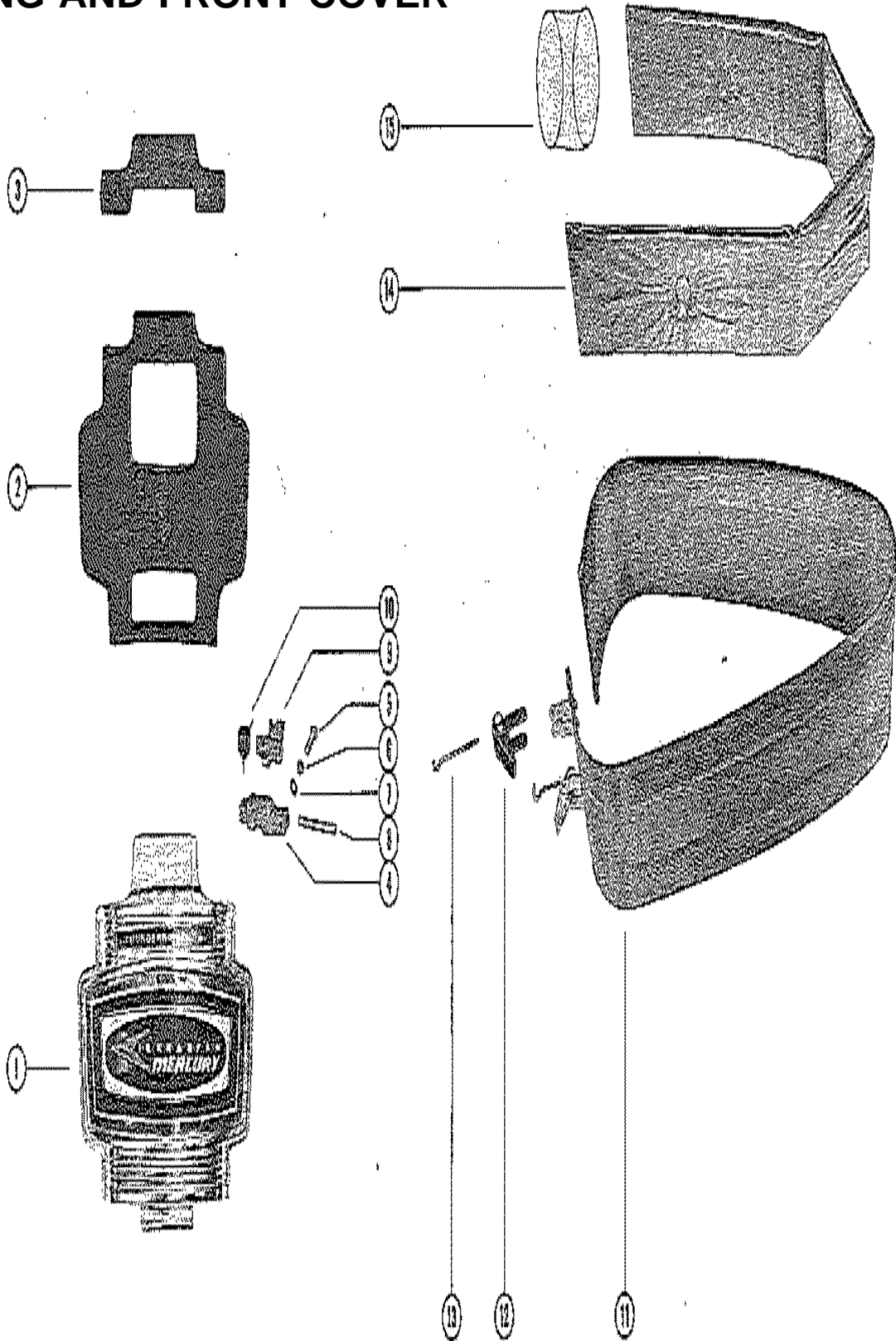
**SERIAL 2973754
AND UP**



TOP COWL, SUPPORT BRACKETS AND STARTER ASSEMBLY

REF. NO.	PART NO.	SYM.	QTY.	DESCRIPTION
75	28748		1	RETAINER, STARTER CABLE AND HANDLE

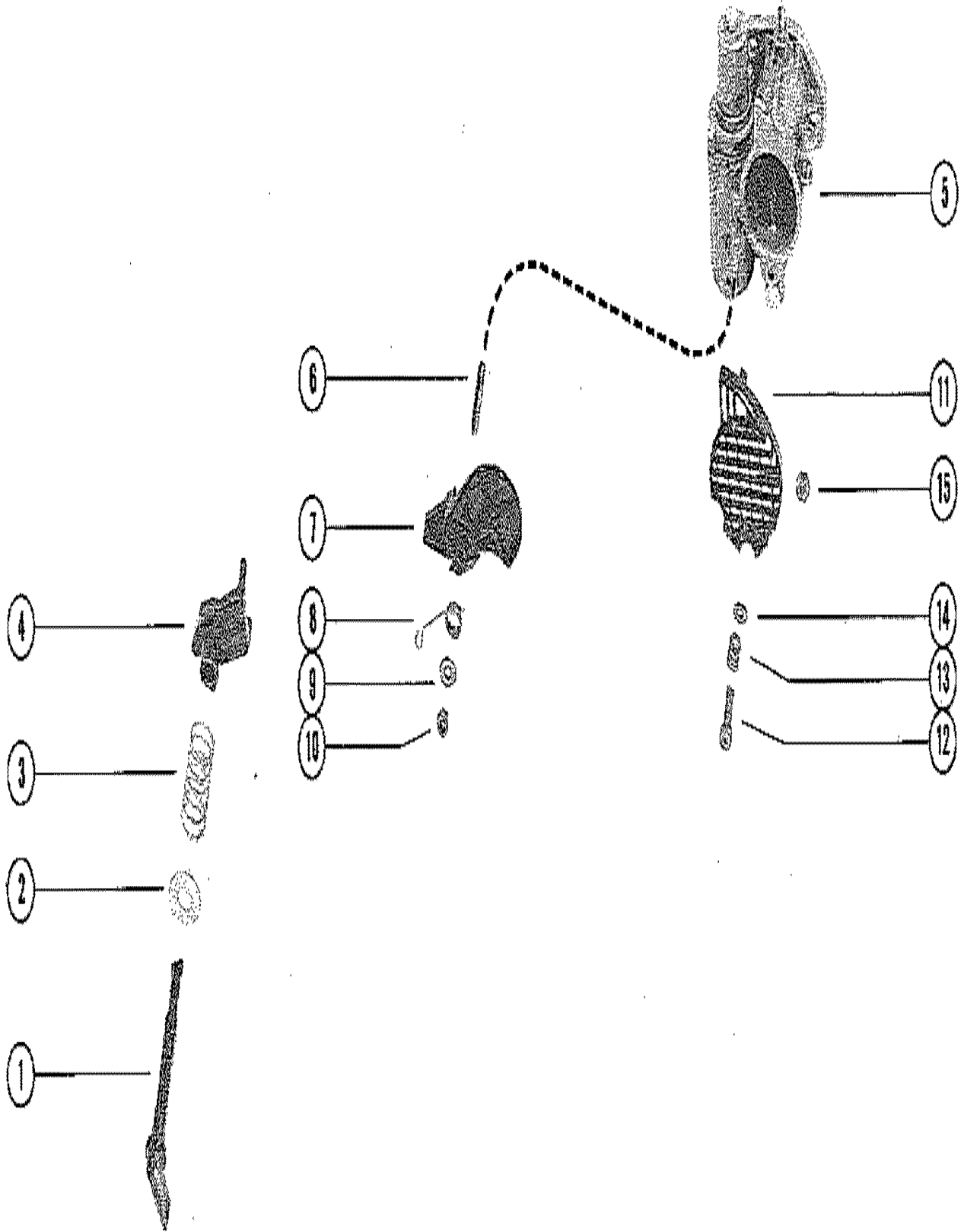
COWLING AND FRONT COVER



COWLING AND FRONT COVER

REF. NO.	PART NO.	SYM.	QTY.	DESCRIPTION
1	2135-2682A8		1	COWL FRONT COVER ASSEMBLY
2	57592		1	BLANKET, SOUND ABSORBING - COWL FRONT COVER
3	57591		1	SPACER, SOUND ABSORBING - COWL FRONT COVER
4	39505		1	BASE, COWL FRONT COVER LATCH
5	10-22523		2	SCREW, LATCH BASE TO COWL FRONT COVER (3/4")
6	13-26996		2	LOCKWASHER, LATCH BASE SCREW
7	12-26014		2	WASHER, LATCH BASE SCREW
8	17-39599		1	PIN, PIVOT - COWL FRONT COVER LATCH HOOK
9	39482		1	HOOK, COWL FRONT COVER LATCH
10	24-39598		1	SPRING, TORSION - COWL FRONT COVER LATCH HOOK
11	2137-3878A3		1	WRAP AROUND COWL ASSEMBLY
12	46785A1		2	COWL LATCH ASSEMBLY
13	30413		2	HOOK, COWL LATCH FASTENING
14	57593		1	BLANKET, SOUND ABSORBING - WRAP AROUND COWL
15	57800		1	SLEEVE, SOUND ABSORBING BLANKET
-	92-25234--1		1	GLUE, ADHESIVE - BLANKET FASTENING

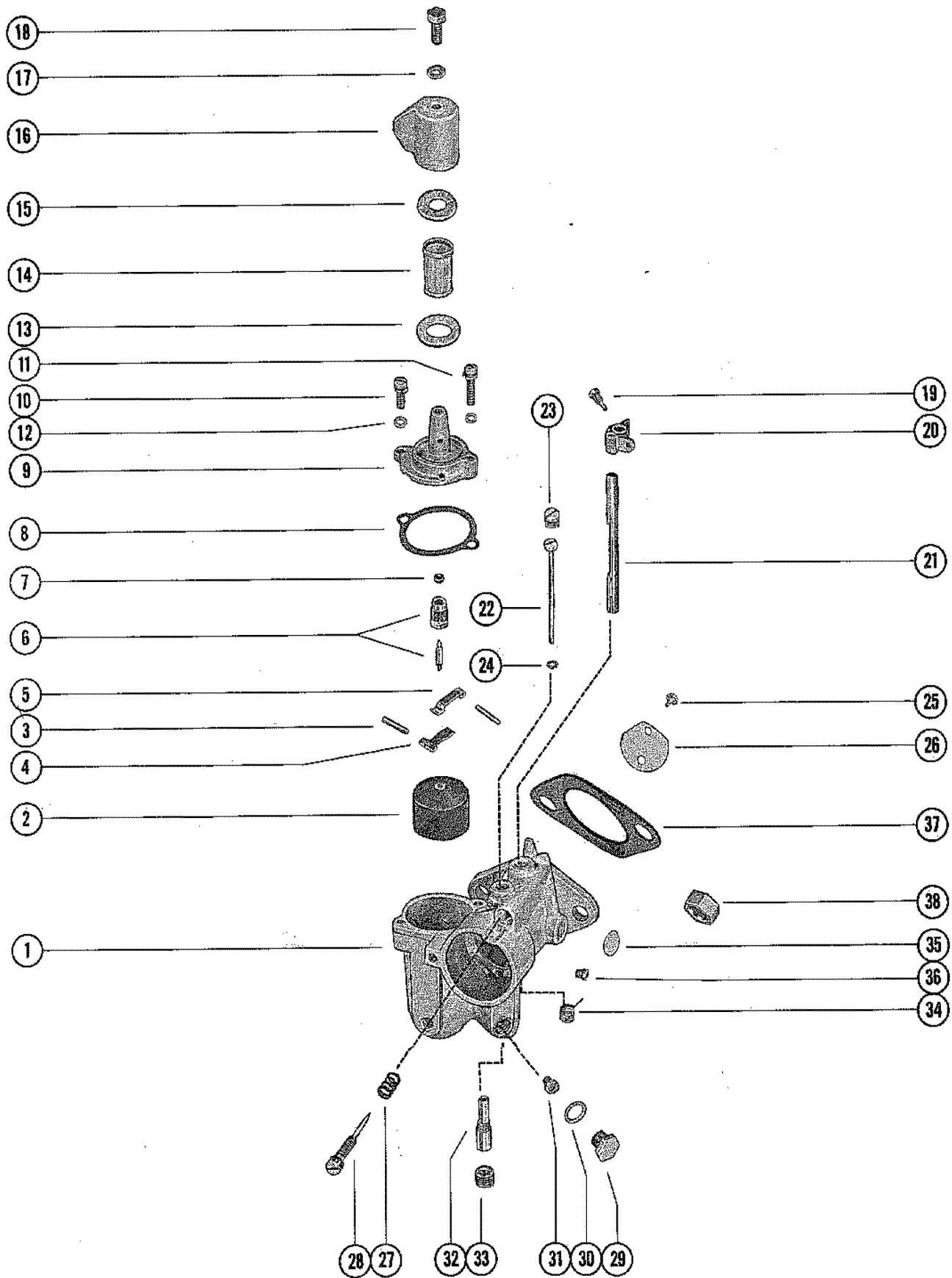
CARBURETOR CHOKE LINKAGE



CARBURETOR CHOKE LINKAGE

REF. NO.	PART NO.	SYM.	QTY.	DESCRIPTION
1	47969		1	KNOB AND SHAFT, CHOKE
2	12-30314		1	WASHER, CHOKE SHAFT
3	24-47968		1	SPRING, COMPRESSION - CHOKE SHAFT
4	55180		1	LEVER, CHOKE
5	1352-3967		1	CARBURETOR ASSEMBLY -SEE PAGE 7 FOR BREAKDOWN SERIAL 00000000-02979678
	1352-4511A1		1	CARBURETOR ASSEMBLY-SEE PAGE 7 FOR BREAKDOWN SERIAL 03043031-09999999
6	16-29977		1	STUD, CHOKE SHUTTER PIVOT (CARBURETOR)
7	55179		1	SHUTTER, CHOKE - CARBURETOR
8	24-55163		1	SPRING, TENSION - CHOKE SHUTTER
9	12-47960		1	WASHER, CHOKE SHUTTER CARBURETOR STUD
10	11-20110		1	NUT, CHOKE SHUTTER TO CARBURETOR STUD
11	35-57819		1	SCREEN, CARBURETOR
12	10-58185		1	SCREW, SCREEN TO CARBURETOR (1")
13	24-57818		1	SPRING, TENSION - SCREEN SCREW
14	12-46101		1	WASHER, SCREEN SCREW
15	11-20110		1	NUT, SCREEN SCREW

CARBURETOR ASSEMBLY

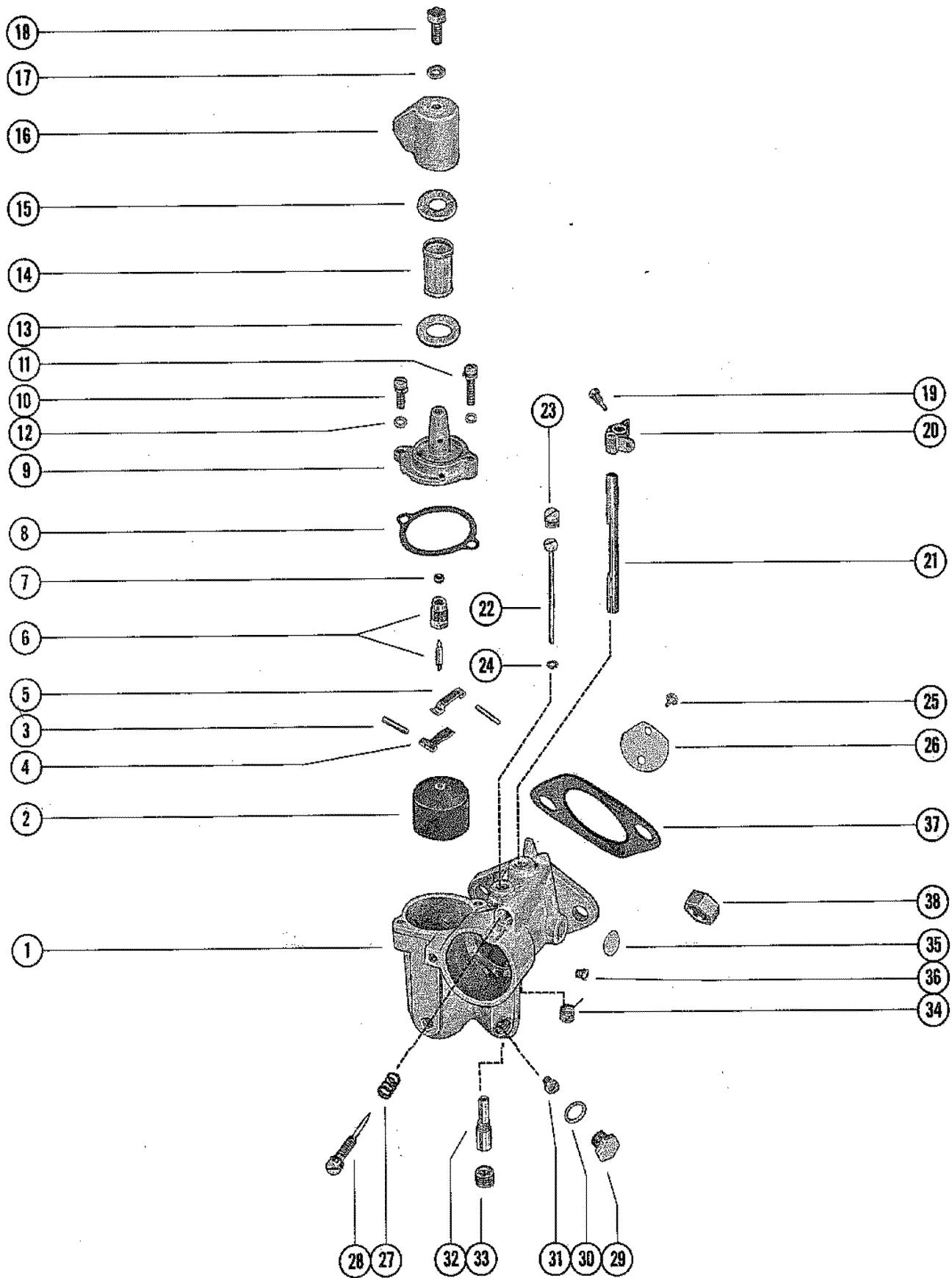


CARBURETOR ASSEMBLY

REF. NO.	PART NO.	SYM.	QTY.	DESCRIPTION
1	1352-3967		1	CARBURETOR ASSEMBLY, COMPLETE (KD-5A) SERIAL 00000000-02979678
	1352-4511A1		1	CARBURETOR ASSEMBLY, COMPLETE (WMK-1) SERIAL 03043031-09999999
2	1399-110A1		1	FLOAT ASSEMBLY
3			2	PIN, FLOAT LEVER PINION
4			1	LEVER, FLOAT (LOWER)
5			1	LEVER, FLOAT (UPPER)
6	1399-1473		1	INLET NEEDLE, SEAT AND GASKET SERIAL 00000000-02979678
	1395-4555		1	INLET NEEDLE, SEAT AND GASKET SERIAL 03043031-09999999
7			1	GASKET, INLET SEAT
8			1	GASKET, FLOAT BOWL COVER
9	1399-1133		1	COVER, FLOAT BOWL SERIAL 00000000-02979678
	1399-4559		1	COVER, FLOAT BOWL SERIAL 03043031-09999999
10	10-52195		1	SCREW, FLOAT BOWL COVER (SHORT)
11	10-52196		1	SCREW, FLOAT BOWL COVER (LONG)
12	13-26995		2	LOCKWASHER, FLOAT BOWL COVER SCREW
13			1	GASKET, STRAINER COVER (LARGE)
14	1399-3938		1	SCREEN, FILTER
15			1	GASKET, STRAINER COVER (SMALL)
16	1399-2371		1	COVER, STRAINER
17			1	GASKET, STRAINER COVER SCREW
18	10-25822		1	SCREW, STRAINER COVER FASTENING
19	10-20847		1	SCREW, THROTTLE STOP LEVER
20	33148		1	CLUSTER, THROTTLE STOP
21	1399-3527		1	SHAFT, THROTTLE
22			1	TUBE, IDLE
23	10-23178		1	SCREW, BODY (IDLE TUBE) SERIAL 00000000-02979678
	1395-4540		1	SCREW, BODY (IDLE TUBE) SERIAL 03043031-09999999
24			1	GASKET, IDLE TUBE
25			2	SCREW AND LOCKWASHER, THROTTLE SHUTTER
26	1399-3528		1	SHUTTER, THROTTLE
27			1	SPRING, IDLE ADJUSTMENT SCREW
28	1399-3515		1	SCREW, IDLE ADJUSTMENT
29	10-28405		1	SCREW, PLUG - MAIN FUEL JET CHANNEL SERIAL 00000000-02979678
	1395-4541		1	SCREW, PLUG - MAIN FUEL JET CHANNEL SERIAL 03043031-09999999
30			1	GASKET, JET CHANNEL PLUG SCREW
31	1399-3519		OPT.	JET, MAIN FUEL (.080)
	1399-3520		1	JET, MAIN FUEL (.0785) - STANDARD
	1399-3796		OPT.	JET, MAIN FUEL (.076)
	1399-3794		OPT.	JET, MAIN FUEL (.074)

CONTINUED ON NEXT PAGE ➡

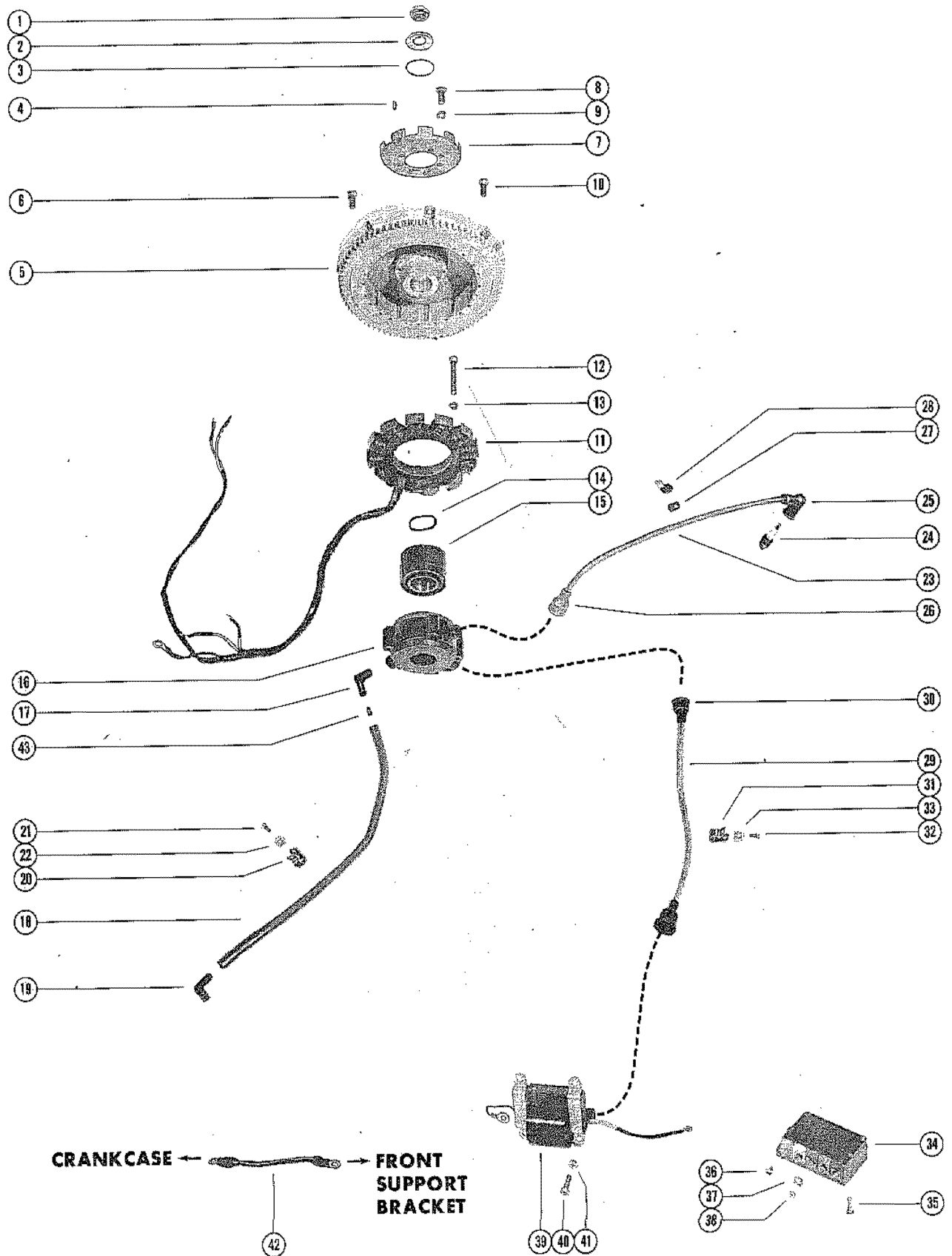
CARBURETOR ASSEMBLY



CARBURETOR ASSEMBLY

REF. NO.	PART NO.	SYM.	QTY.	DESCRIPTION
32			1	NOZZLE, MAIN
33	1399-3522		1	SCREW, PLUG - MAIN NOZZLE SERIAL 00000000-02979678
	1395-4542		1	SCREW, PLUG - MAIN NOZZLE SERIAL 03043031-09999999
34			1	SPRING, THROTTLE SHAFT RETURN
35			1	WELCH PLUG, BODY CHANNEL
36	10-23030		1	SCREW, BODY CHANNEL SERIAL 00000000-02979678
	1395-4543		1	SCREW, BODY CHANNEL SERIAL 03043031-09999999
-	1399-3523		1	GASKET AND PACKING SET (1 PER CARBURETOR)
-	1399-4219		1	REPAIR PARTS KIT (1 PER CARBURETOR) SERIAL 00000000-02979678
-	1395-4556		1	REPAIR PARTS KIT (1 PER CARBURETOR) SERIAL 03043031-09999999
37	27-48164		1	GASKET, CARBURETOR FLANGE
38	11-46793		2	NUT, CARBURETOR MOUNTING STUD

FLYWHEEL, IGNITION COIL AND SWITCH BOX

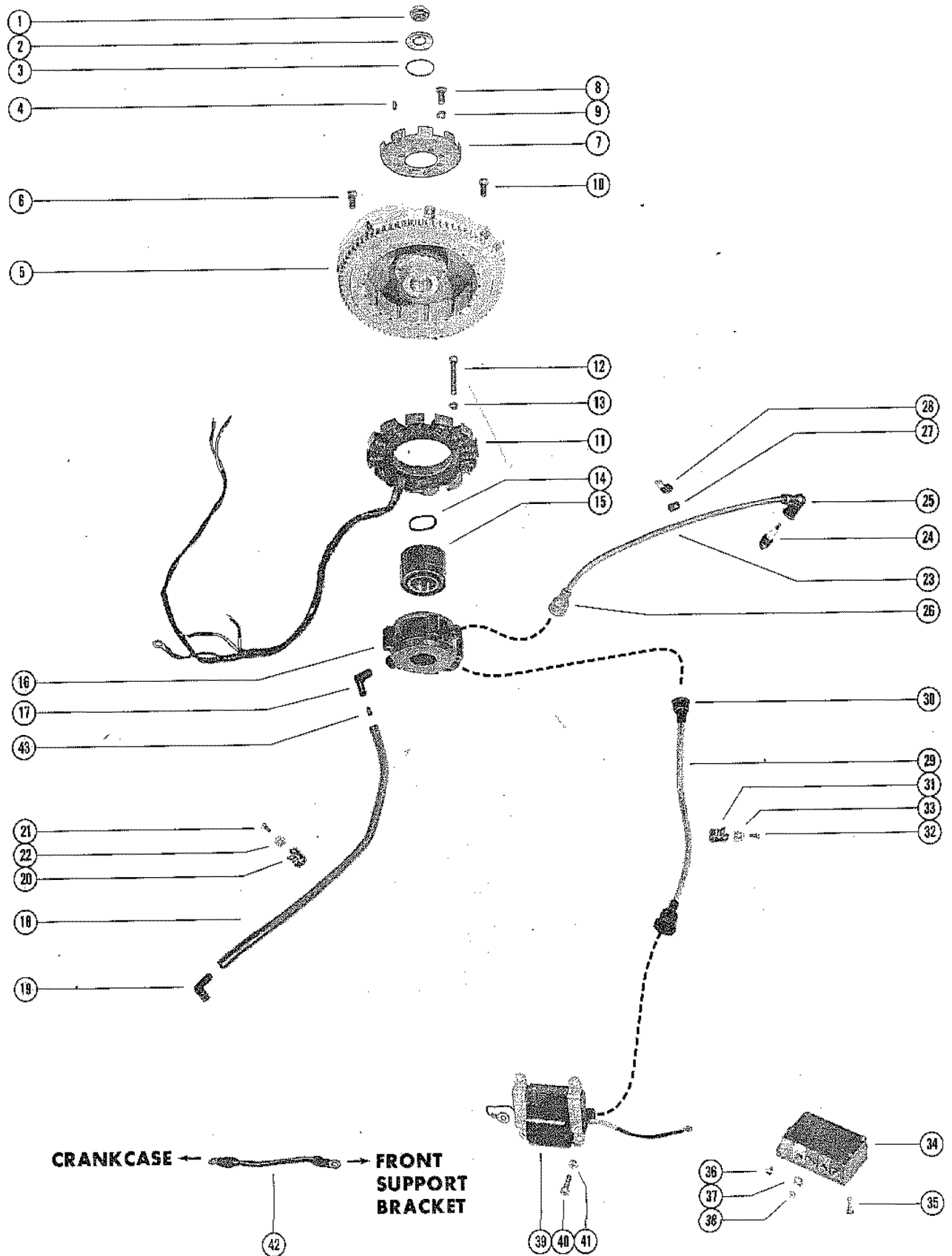


FLYWHEEL, IGNITION COIL AND SWITCH BOX

REF. NO.	PART NO.	SYM.	QTY.	DESCRIPTION
1	11-22339		1	NUT, FLYWHEEL
2	12-36281		1	WASHER, FLYWHEEL NUT
3	25-37340		1	"O" RING, FLYWHEEL HUB
4	28-45554		1	KEY, FLYWHEEL DRIVE
5	235-3877A2		1	FLYWHEEL ASSEMBLY
6	10-35563		8	SCREW, FLEXIBLE PLATE TO FLYWHEEL (9/16")
7	50-39838		1	RATCHET, FLYWHEEL
8	10-32417		8	SCREW, RATCHET TO FLYWHEEL (5/8")
9	13-26992		2	LOCKWASHER, RATCHET SCREW
10	10-55181		4	SCREW, MAGNET HOLDER TO FLYWHEEL (1 1/8")
11	398-4423		1	STATOR, IGNITION (MANUAL)
	398-4424		1	STATOR, ALTERNATOR (ELECTRIC)
12	10-56787		4	SCREW, STATOR TO UPPER END CAP (2")
13	13-58308		4	LOCKWASHER, STATOR SCREW
14	13-30809		1	WASHER, WAVE - DISTRIBUTOR ROTOR
15	393-4665		1	ROTOR, DISTRIBUTOR
16	393-4560		1	BODY, DISTRIBUTOR
17	22-25885		1	ELBOW, VENT HOSE TO DISTRIBUTOR BODY
18	32-34395A1		1	HOSE, VENT - DISTRIBUTOR (16 1/2")
19	22-31521		1	ELBOW, VENT HOSE TO BOTTOM COWL
20	54-22875		1	CLAMP, VENT HOSE
21	10-30663		1	SCREW, VENT HOSE CLAMP ATTACHING
22	22789		1	"D" WASHER, VENT HOSE CLAMP SCREW
23	47899A9		2	LEAD ASSEMBLY, SPARK PLUG (HIGH TENSION)
24	33-57451		2	SPARK PLUG (AD #V-40FFM)
	33-61976		2	SPARK PLUG (AC #M-40FF)-SEE NOTE BELOW
25	47604A1		2	PROTECTOR ASSEMBLY, SPARK PLUG
26	60096		2	BOOT, SPARK PLUG LEAD
27	25-56474		2	INSULATOR, SPARK PLUG LEAD
28	54-57302		2	CLAMP, SPARK PLUG LEAD ATTACHING
29	393-3295A2		1	LEAD ASSEMBLY, IGNITION COIL
30	332-2854		1	BOOT, LEAD TO IGNITION COIL
31	54-22627		1	CLAMP, IGNITION COIL LEAD ATTACHING
32	10-30663		1	SCREW, IGNITION COIL LEAD CLAMP
33	22789		1	"D" WASHER, ATTACHING CLAMP SCREW
34	332-4172A1		1	SWITCH BOX ASSEMBLY, COMPLETE
35	10-55650		2	SCREW, SWITCH BOX TO FRONT SUPPORT BRACKET (1")
36	10-45218		1	SCREW, GROUND WIRE TO SWITCH BOX (3/8")
37	12-45075		5	WASHER, SWITCH BOX TERMINAL
38	11-45076		5	NUT, SWITCH BOX TERMINAL

CONTINUED ON NEXT PAGE ➡

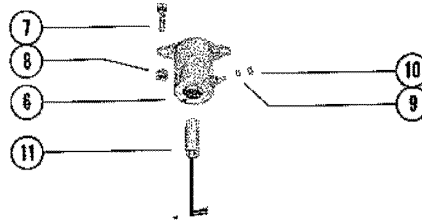
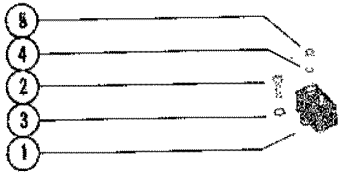
FLYWHEEL, IGNITION COIL AND SWITCH BOX



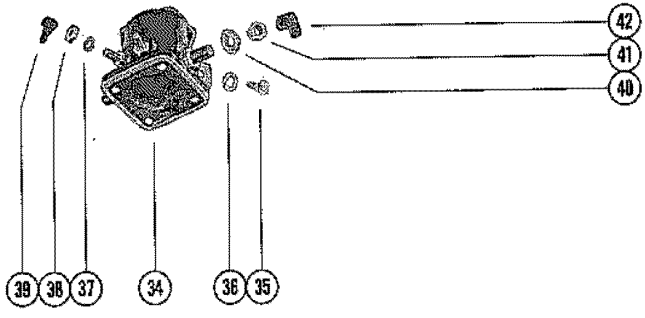
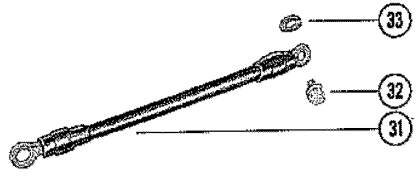
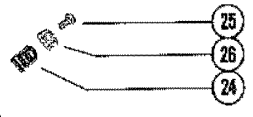
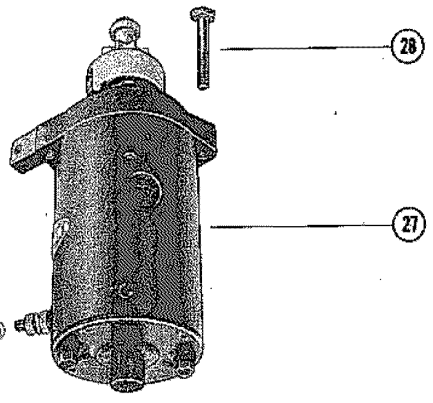
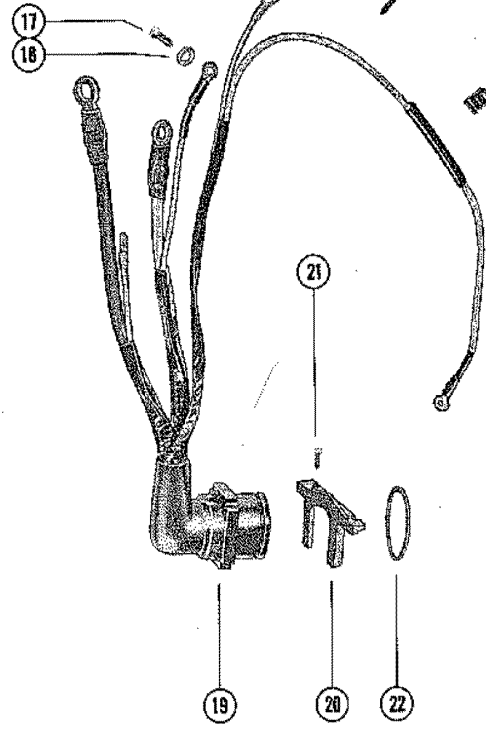
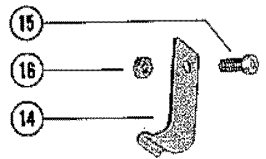
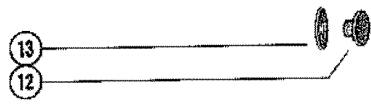
FLYWHEEL, IGNITION COIL AND SWITCH BOX

REF. NO.	PART NO.	SYM.	QTY.	DESCRIPTION
39	332-4075A1		1	IGNITION COIL ASSEMBLY, COMPLETE
40	10-31294		4	SCREW, IGNITION COIL TO FRONT SUPPORT BRACKET (1")
41	11-46887		4	NUT, IGNITION COIL SCREW
42	32107		1	GROUND WIRE, CRANKCASE TO FRONT SUPPORT BRACKET
43	60172		1	RESTRICTOR, VENT HOSE

STARTER MOTOR, RECTIFIER AND WIRING HARNESS



ELECTRIC ONLY

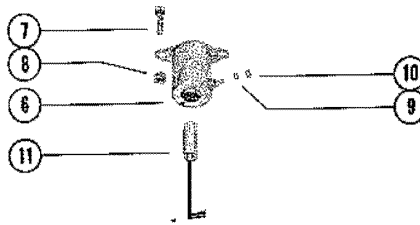
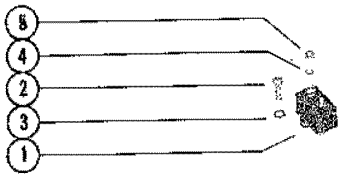


STARTER MOTOR, RECTIFIER AND WIRING HARNESS

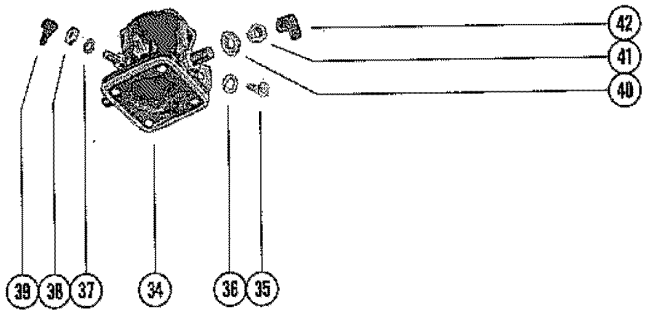
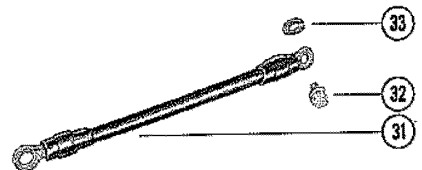
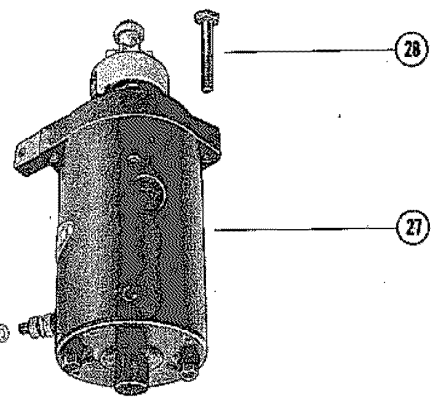
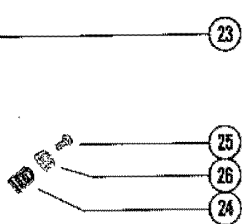
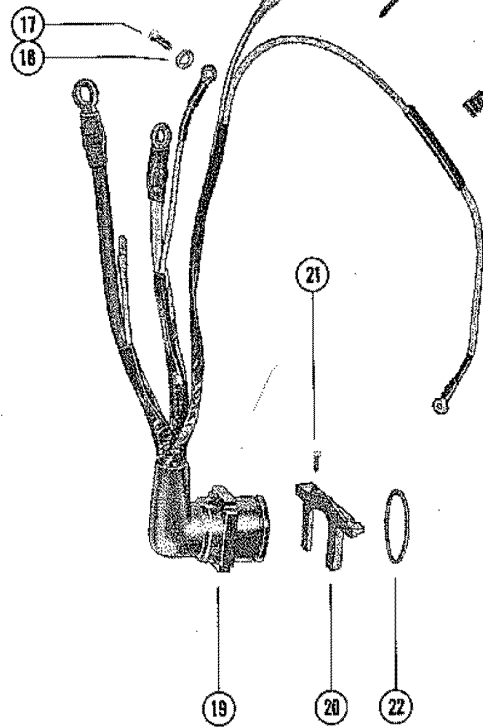
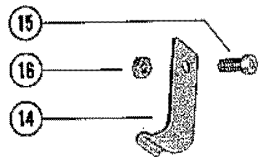
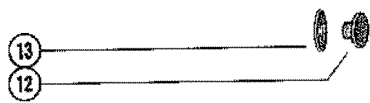
REF. NO.	PART NO.	SYM.	QTY.	DESCRIPTION
1	57580A1		1	RECTIFIER ASSEMBLY
2	10-24963		1	SCREW, RECTIFIER TO BOTTOM COWL (7/8")
3	13-22773		1	LOCKWASHER, RECTIFIER SCREW
4	13-26996		2	LOCKWASHER, RECTIFIER TERMINAL (#10)
5	11-45076		2	NUT, RECTIFIER TERMINAL (10-32)
6	54293A5		1	CHOKE SOLENOID ASSEMBLY
7	10-26065		2	SCREW, CHOKE SOLENOID TO FRONT SUPPORT BRACKET (1")
8	11-46793		2	NUT, CHOKE SOLENOID SCREW
9	13-26996		1	LOCKWASHER, CHOKE SOLENOID TERMINAL
10	11-45076		1	NUT, CHOKE SOLENOID TERMINAL
11	56074A2		1	PLUNGER ASSEMBLY, CHOKE SOLENOID
12	19-35827		1	PLUG, BOTTOM COWL
13	53-30428		1	FASTENER, PLUG TO BOTTOM COWL
14	34228		1	SUPPORT, EXTERNAL WIRING HARNESS
-	52907		1	INSULATOR, SUPPORT TO BOTTOM COWL
15	10-31163		1	SCREW, SUPPORT TO BOTTOM COWL
16	11-46887		1	NUT, SUPPORT FASTENING SCREW
17	10-20776		1	SCREW, WIRING HARNESS GROUND TO BOTTOM COWL (1/2")
18	13-24996		1	LOCKWASHER, WIRING HARNESS GROUND SCREW
19	56370		1	WIRING HARNESS (INTERNAL)
20	54-52876		1	CLAMP, WIRING HARNESS ATTACHING
21	10-20189		2	SCREW, WIRING HARNESS CLAMP TO BOTTOM COWL (3/4")
22	24-28975		1	SPRING, GARTER - INTERNAL WIRING HARNESS
23	47764		1	STA-STRAP, WIRING HARNESS
24	54-26550		1	CLAMP, WIRING HARNESS (5/16")
	54-22740		2	CLAMP, WIRING HARNESS (3/8")
25	10-30663		3	SCREW. WIRING HARNESS CLAMP ATTACHING
26	22789		3	"D" WASHER, WIRING HARNESS CLAMP SCREW
27	50-55601		1	STARTER MOTOR ASSEMBLY
28	10-35213		2	SCREW, STARTER MOTOR TO CRANKCASE (1 5/8")
29	13-26992		1	LOCKWASHER, CABLE TO STARTER MOTOR NUT
30	11-20890		1	NUT, CABLE TO STARTER MOTOR
31	56466		1	CABLE, STARTER MOTOR TO STARTER SOLENOID
32	10-29197		1	SCREW, GROUND WIRE TO STARTER MOTOR (5/8")
33	13-26992		1	LOCKWASHER, GROUND WIRE FASTENING SCREW
34	25661		1	SOLENOID, STARTER
35	10-21625		2	SCREW, STARTER SOLENOID TO FRONT SUPPORT BRACKET (3/8")
36	13-26992		2	WASHER, STARTER SOLENOID SCREW
37	13-26996		2	LOCKWASHER, STARTER SOLENOID TERMINAL (#10)

CONTINUED ON NEXT PAGE ➡

STARTER MOTOR, RECTIFIER AND WIRING HARNESS



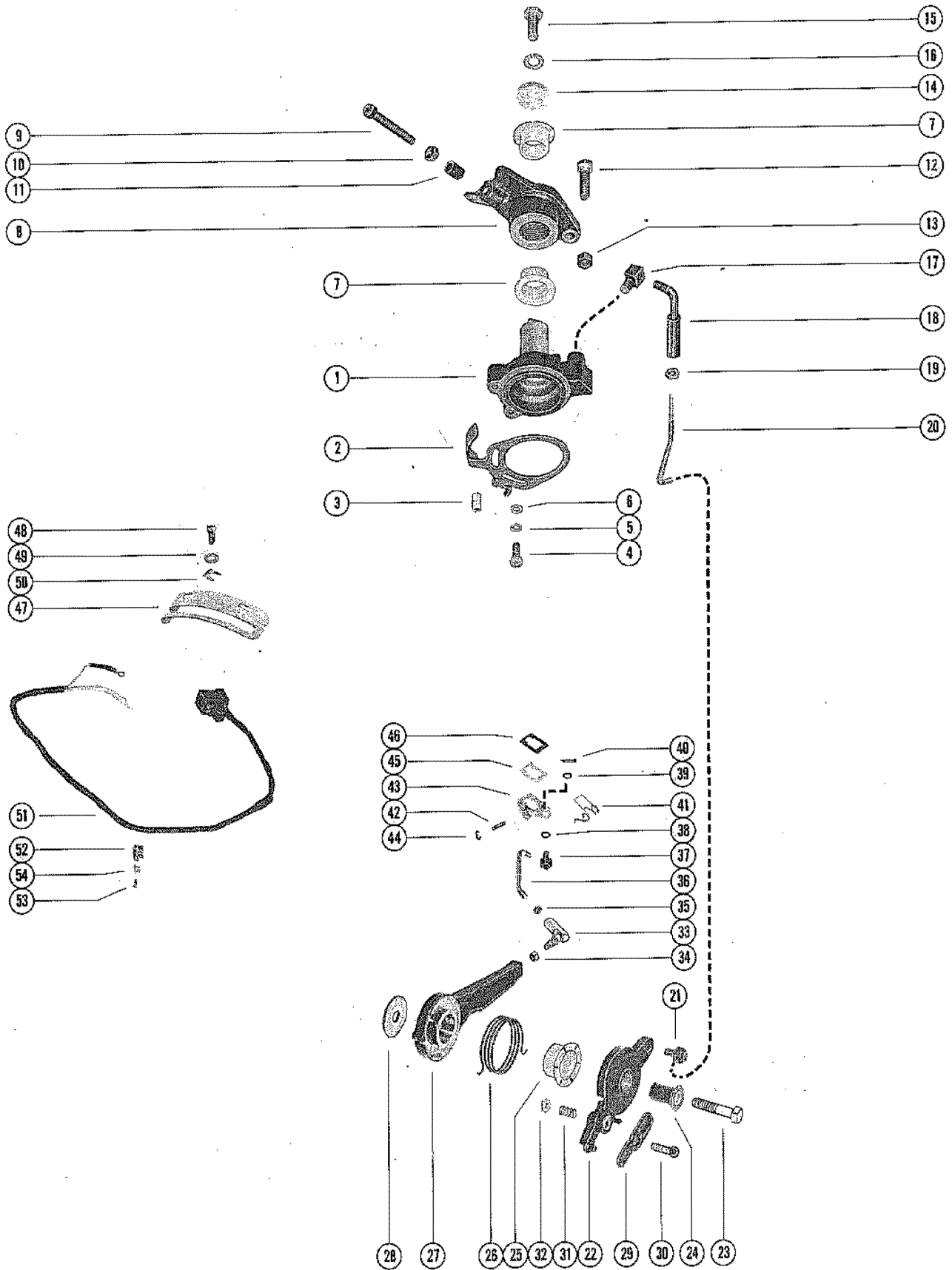
ELECTRIC ONLY



STARTER MOTOR, RECTIFIER AND WIRING HARNESS

REF. NO.	PART NO.	SYM.	QTY.	DESCRIPTION
38	11-20645		2	NUT, STARTER SOLENOID TERMINAL (#10)
39	38938		2	BOOT, RUBBER - STARTER SOLENOID TERMINAL (SMALL)
40	13-26993		2	LOCKWASHER, STARTER SOLENOID TERMINAL (5/16)
41	11-20083		2	NUT, STARTER SOLENOID TERMINAL (5/16)
42	46265		1	BOOT, RUBBER - STARTER SOLENOID TERMINAL (LARGE)

THROTTLE CONTROL LINKAGE AND SPARK ADVANCE

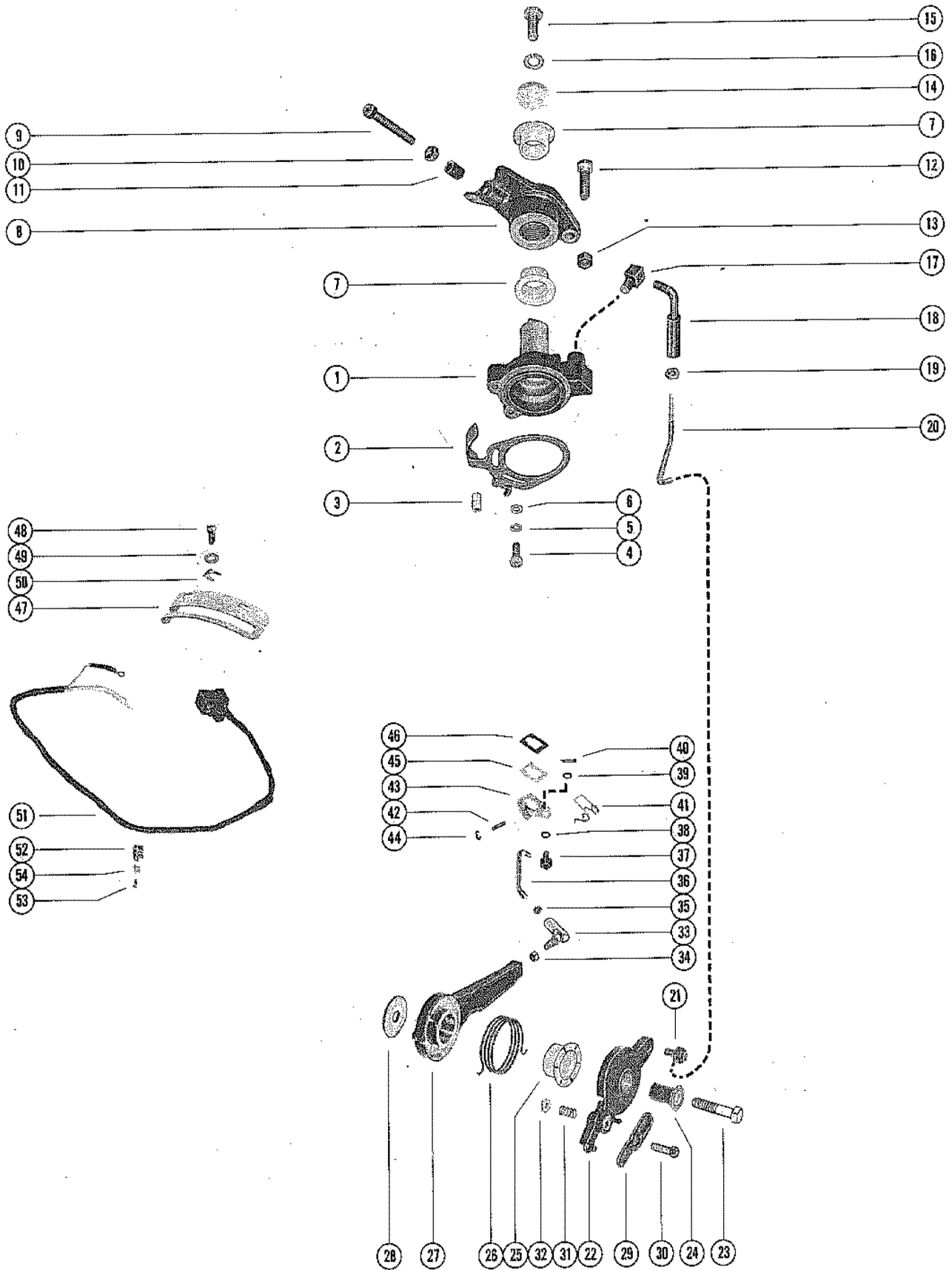


THROTTLE CONTROL LINKAGE AND SPARK ADVANCE

REF. NO.	PART NO.	SYM.	QTY.	DESCRIPTION
1	39521		1	SHAFT, THROTTLE CONTROL
2	57784A1		1	THROTTLE ACTUATOR ASSEMBLY
3	23-26602		1	BUSHING, NYLON - THROTTLE CONTROL SHAFT
4	10-20100		2	SCREW, THROTTLE ACTUATOR TO THROTTLE CONTROL SHAFT
5	13-26996		2	LOCKWASHER, THROTTLE ACTUATOR SCREW
6	12-20128		2	WASHER, THROTTLE ACTUATOR SCREW
7	23-39524		2	BUSHING, NYLON - THROTTLE CONTROL SHAFT
8	39522		1	BRACKET, THROTTLE CONTROL SHAFT
9	10-24228		1	SCREW, ADJUSTING - THROTTLE CONTROL BRACKET (1 7/8")
10	11-20890		1	NUT, JAM - ADJUSTING SCREW
11	26852		1	CAP, NYLON - ADJUSTING SCREW
12	10-20639		2	SCREW, THROTTLE CONTROL BRACKET (1 1/8")
13	11-46793		2	NUT, THROTTLE CONTROL BRACKET SCREW
14	55167		1	CAP, THROTTLE
15	10-34353		1	SCREW, THROTTLE CAP TO THROTTLE CONTROL SHAFT (1")
16	13-27969		1	LOCKWASHER, THROTTLE CAP SCREW
17	57440		1	SWIVEL, LINKAGE - THROTTLE CONTROL SHAFT
18	25996A1		1	SWIVEL LINK ROD ASSEMBLY
19	11-25168		1	NUT, JAM - UPPER LINK ROD ADJUSTING
20	55160		1	ROD, LINK - UPPER
21	57440		1	SWIVEL, UPPER LINK ROD TO THROTTLE CONTROL LEVER
22	55187		1	LEVER, THROTTLE CONTROL
23	10-55337		1	SCREW, THROTTLE CONTROL LEVER TO CYLINDER BLOCK (1 3/4")
24	23-55164		1	BUSHING, THROTTLE CONTROL LEVER SCREW
25	23-55171		1	BUSHING, THROTTLE CONTROL LEVER SCREW
26	24-55162		1	SPRING, RETURN - SPARK ADVANCE LEVER
27	55188		1	LEVER, SPARK ADVANCE
28	12-28008		1	WASHER, THROTTLE CONTROL LEVER SCREW
29	39483		1	LATCH, THROTTLE CONTROL LEVER (THROTTLE CABLE)
30	10-22486		1	SCREW, LATCH TO THROTTLE CONTROL LEVER (7/8")
31	24-20099		1	SPRING, COMPRESSION - LATCH SCREW
32	11-20586		1	NUT, LATCH SCREW
33	55335		1	BALL JOINT, SPARK ADVANCE LEVER SERIAL 00000000-02979678
	58391		1	BALL JOINT, SPARK ADVANCE LEVER SERIAL 03043031-09999999
34	11-30506		1	NUT, BALL JOINT TO SPARK ADVANCE LEVER
35	11-25168		1	NUT, JAM - LINK ROD ADJUSTING
36	55159		1	LINK ROD
37	55297		1	SWIVEL, LINK ROD TO POSITIONING PLATE SERIAL 00000000-03122533
	60826		1	SWIVEL, LINK ROD TO POSITIONING PLATE SERIAL 03122534-09999999

CONTINUED ON NEXT PAGE ➡

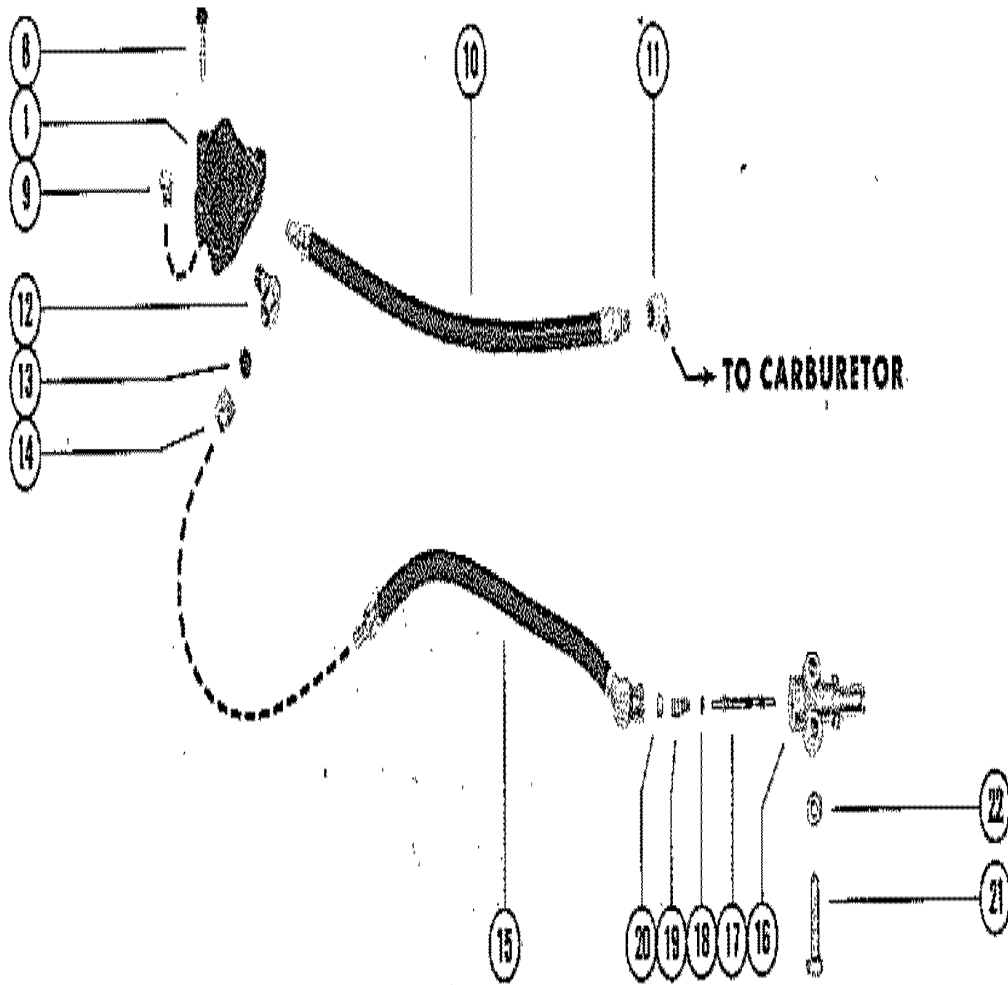
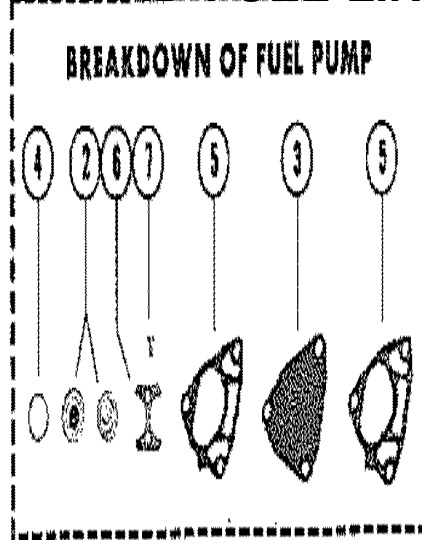
THROTTLE CONTROL LINKAGE AND SPARK ADVANCE



THROTTLE CONTROL LINKAGE AND SPARK ADVANCE

REF. NO.	PART NO.	SYM.	QTY.	DESCRIPTION
38	13-29720		1	WAVE WASHER, LINK ROD SWIVEL
39	12-20583		1	WASHER, LINK ROD SWIVEL
40	18-21071		1	COTTER PIN, LINK ROD SWIVEL
41	24-54363		1	SPRING, SPARK ADVANCE SERIAL 00000000-02979678
42	17-54146		1	PIN, TRIGGER COIL RETAINING SERIAL 00000000-02979678
41 AND	24-59375A1		1	SPRING ASSEMBLY, SPARK ADVANCE SERIAL 03043031-03127533
41 AND	24-60820A1		1	SPRING ASSEMBLY, SPARK ADVANCE SERIAL 03122534-09999999
43	55166		1	PLATE, POSITIONING - TRIGGER COIL
44	53-21058		2	RING, SNAP - TRIGGER COIL RETAINING PIN
45	15-55324A1		AR	SHIM ASSEMBLY, POSITIONING PLATE
46	55305		1	PLATE, WEAR - POSITIONING PLATE
47	55296		1	PLATE, SPARK ADVANCE
48	10-55336		2	SCREW, SPARK ADVANCE PLATE TO STARTER HOUSING (5/8")
49	12-29245		2	WASHER, SPARK ADVANCE PLATE SCREW
50	15-55172A1		AR	SHIM ASSEMBLY, SPARK ADVANCE PLATE
51	332-4315A1		1	TRIGGER COIL ASSEMBLY SERIAL 00000000-03122533
	332-4608A2		1	TRIGGER COIL ASSEMBLY SERIAL 03122534-09999999
-	15-60821		1	SHIM, TRIGGER COIL
52	54-24836		2	CLAMP, TRIGGER COIL LEAD
53	10-30663		2	SCREW, TRIGGER COIL LEAD TO STARTER HOUSING
54	22789		2	"D" WASHER, TRIGGER COIL LEAD SCREW

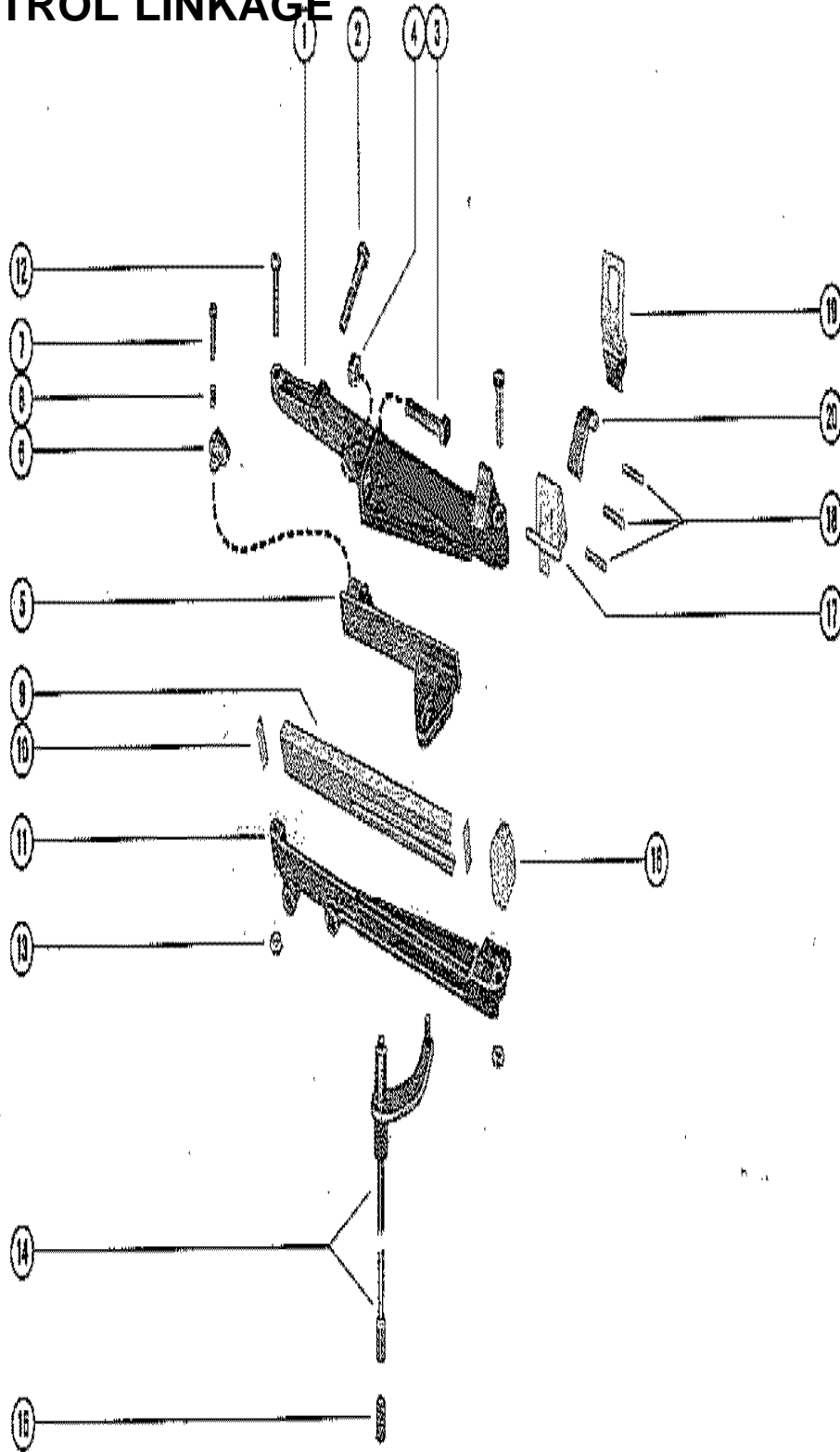
FUEL PUMP ASSEMBLY AND FUEL LINES



FUEL PUMP ASSEMBLY AND FUEL LINES

REF. NO.	PART NO.	SYM.	QTY.	DESCRIPTION
1	55156A5		1	FUEL PUMP ASSEMBLY
2	21-30430A3		1	CHECK VALVE ASSEMBLY
3	55278A1		1	DIAPHRAGM KIT
4			2	GASKET, CHECK VALVE TO HOUSING
5			2	GASKET, FUEL PUMP
6	23004		1	RETAINER, CHECK VALVE
7	10-20037		2	SCREW, RETAINER TO HOUSING
8	10-27281		3	SCREW, FUEL PUMP MOUNTING (1 3/8")
9	22-32802		1	PLUG, PIPE - FUEL PUMP
10	32-55828A1		1	FUEL LINE, FUEL PUMP TO CARBURETOR (13 3/4")
11	22-29085		1	FITTING, FUEL LINE TO CARBURETOR (45)
12	22-30174		1	ELBOW, PUMP INLET TO FUEL LINE (90)
13	22-30175		1	SLEEVE, RUBBER - ELBOW
14	22-30177		1	NUT, ELBOW TO FUEL LINE
15	32-56367		1	FUEL LINE, FUEL PUMP TO ADAPTOR
16	22833		1	ADAPTOR, CHECK UNIT (FUEL PUMP)
17	23069		1	STEM, CHECK UNIT ADAPTOR
18	25-20415		1	"O" RING, ADAPTOR STEM
19	24-23067		1	SPRING, ADAPTOR STEM
20	30188		1	CUP WASHER, ADAPTOR
21	10-56500		2	SCREW, ADAPTOR TO BOTTOM COWL (1 1/4")
22	11-46887		2	NUT, ADAPTOR SCREW

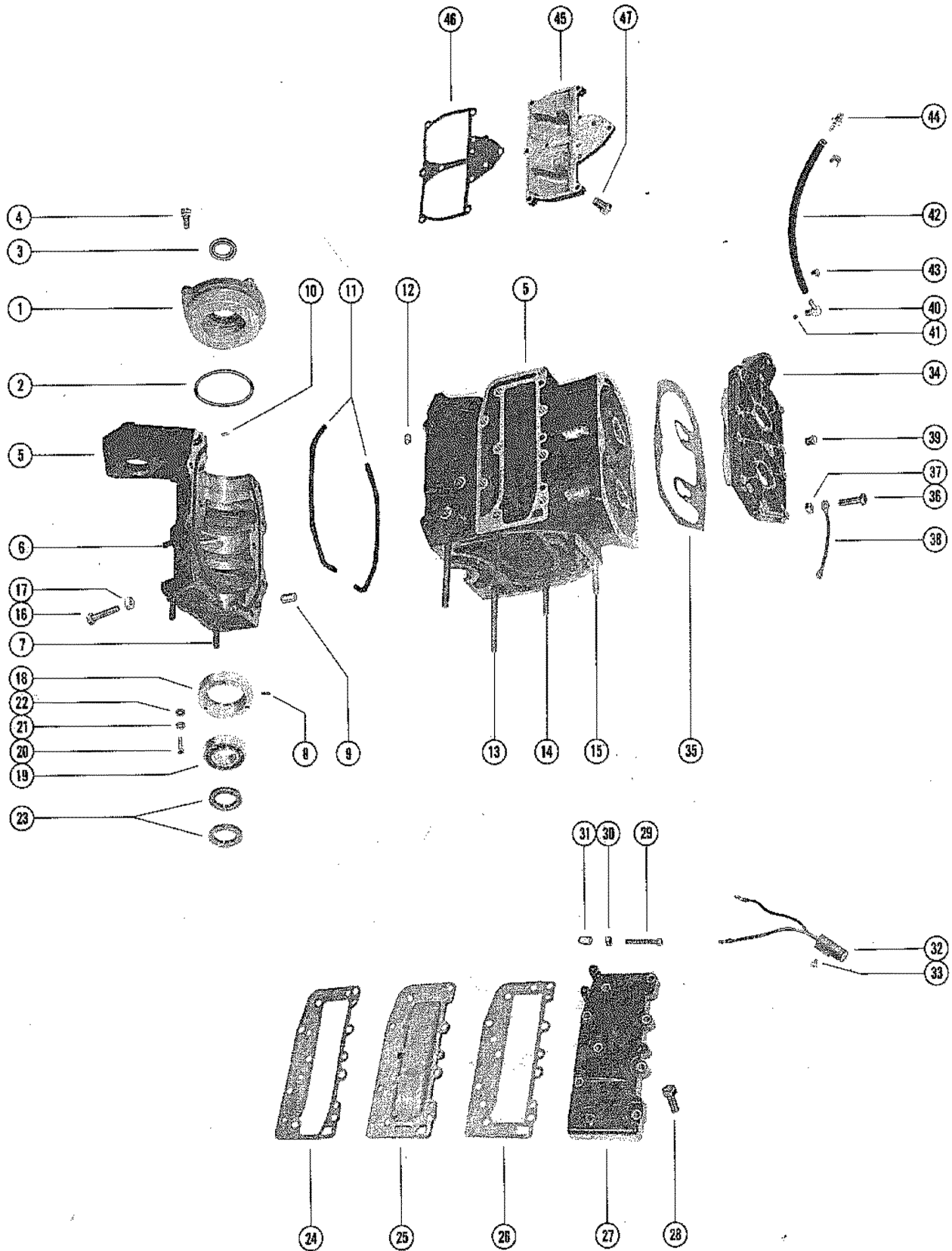
SHIFT CONTROL LINKAGE



SHIFT CONTROL LINKAGE

REF. NO.	PART NO.	SYM.	QTY.	DESCRIPTION
1	55334		1	BRACKET, SHIFT ANCHOR - UPPER
2	10-37558		2	SCREW, ANCHOR BRACKET TO CYLINDER BLOCK (1 1/4")
	10-25503		1	SCREW, ANCHOR BRACKET TO CYLINDER BLOCK (2")
3	10-21489		1	SCREW, UPPER ANCHOR BRACKET TO CRANKCASE (1 3/4")
4	11-46793		1	NUT, UPPER ANCHOR BRACKET SCREW
5	39472		1	SLIDE, SHIFT ACTUATING
6	56193		1	LATCH, SHIFT ACTUATING SLIDE (SHIFT CABLE)
7	10-39620		1	SCREW, LATCH TO SHIFT ACTUATING SLIDE
8	24-27087		1	SPRING, COMPRESSION - LATCH SCREW
9	39516		1	SLIDE, NYLON - ANCHOR BRACKET (SHIFT ACTUATING SLIDE)
10	39515		2	END CAP, NYLON - ANCHOR BRACKET SLIDE
11	39448		1	BRACKET, SHIFT ANCHOR - LOWER
12	10-20012		2	SCREW, UPPER ANCHOR BRACKET TO LOWER ANCHOR BRACKET (1 5/8")
13	11-20586		2	NUT, UPPER ANCHOR BRACKET SCREW
14	55174A2		1	SHIFT SHAFT ASSEMBLY, UPPER (SHORT SHAFT) SERIAL 00000000-02880153
	55174A1		1	SHIFT SHAFT ASSEMBLY, UPPER (LONG SHAFT) SERIAL 00000000-02880153
	59110A2		1	SHIFT SHAFT ASSEMBLY, UPPER (SHORT SHAFT) SERIAL 02973754-09999999
	59110A1		1	SHIFT SHAFT ASSEMBLY, UPPER (LONG SHAFT) SERIAL 02973754-09999999
15	55692		1	COUPLING, UPPER SHIFT SHAFT
16	39519		1	CUP, RETAINER - ANCHOR BRACKET (SHIFT CABLE BARREL)
17	39618		1	LEVER, NYLON - SHIFT CABLE LOCKING (UPPER ANCHOR BRACKET)
18	17-47175		3	PIN, LOCKING LEVER AND COVER FASTENING
19	39667		1	COVER, NYLON - SHIFT CABLE
20	39536		1	LINK, LOCKING LEVER TO COVER

CYLINDER BLOCK AND CRANKCASE ASSEMBLY

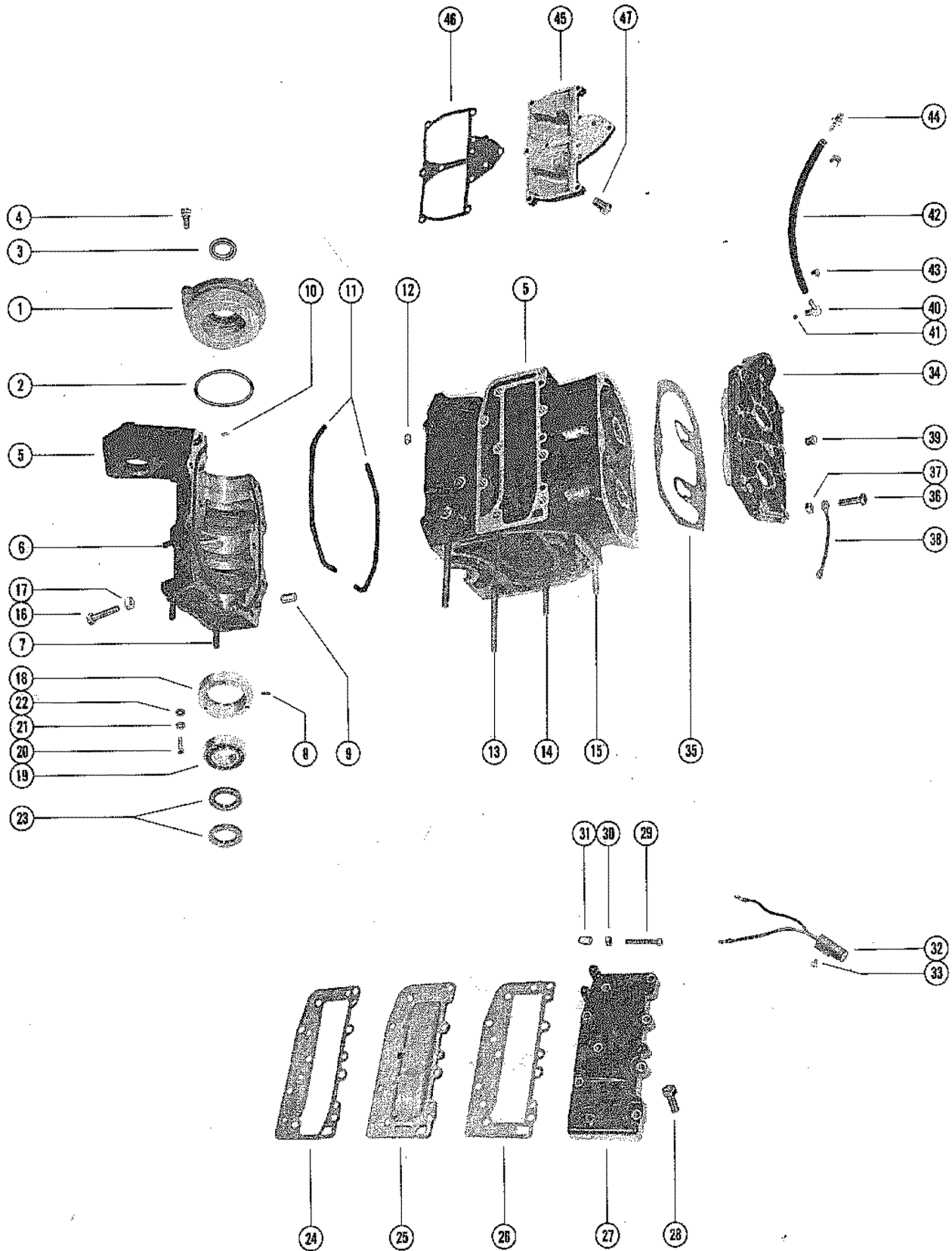


CYLINDER BLOCK AND CRANKCASE ASSEMBLY

REF. NO.	PART NO.	SYM.	QTY.	DESCRIPTION
1	1139-3867A1		1	END CAP ASSEMBLY, UPPER SERIAL 00000000-02880153
	1139-4453A1		1	END CAP ASSEMBLY, UPPER SERIAL 02973754-09999999
2	25-47254		1	"O" RING, UPPER END CAP
3	26-29476		1	OIL SEAL, UPPER END CAP
4	10-30225		4	SCREW, UPPER END CAP MOUNTING (1")
5	851-3870A6		1	CYLINDER BLOCK AND CRANKCASE ASSEMBLY
6	16-35099		2	STUD, CARBURETOR MOUNTING (1 3/16")
7	16-29988		2	STUD, CRANKCASE TO DRIVE SHAFT HOUSING (1 9/16")
8	17-57211		1	DOWEL PIN, RETAINER TO CYLINDER BLOCK
9	17-23784		2	DOWEL PIN, CRANKCASE TO CYLINDER BLOCK
10	17-20323		1	DOWEL PIN, CYLINDER BLOCK TO MAIN BEARING
11	27-55158		1	GASKET, SEALING - CYLINDER BLOCK
12	57854		1	RESTRICTION, CYLINDER BLOCK
13	16-29990		2	STUD, CYLINDER BLOCK TO DRIVE SHAFT HOUSING (3 7/16")
14	16-29989		2	STUD, CYLINDER BLOCK TO DRIVE SHAFT HOUSING (1 15/16") - ST
15	16-37986		2	STUD, CYLINDER BLOCK TO DRIVE SHAFT HOUSING (2 5/16") - POR
16	10-21489		1	SCREW, CRANKCASE TO CYLINDER BLOCK (1 3/4")
	10-22040		6	SCREW, CRANKCASE TO CYLINDER BLOCK (1 1/2")
	10-22039		2	SCREW, CRANKCASE TO CYLINDER BLOCK (2 3/4")
	10-29942		1	SCREW, CRANKCASE TO CYLINDER BLOCK (2 1/4")
17	11-46793		10	NUT, CRANKCASE FASTENING SCREW
18	55169A1		1	RETAINER ASSEMBLY, BALL BEARING PART OF CRANKSHAFT ASSEMBLY
19	30-53853		1	BALL BEARING, RETAINER (CRANKSHAFT) - LOWER PART OF CRANKSHAFT ASSEMBLY
20	10-57846		3	SCREW, RETAINER TO CYLINDER BLOCK AND CRANKCASE (3/4")
21	12-58166		3	WASHER, RETAINER SCREW
22	26-57847		3	STAT-O-SEAL, RETAINER SCREW
23	26-29476		2	OIL SEAL, CYLINDER BLOCK (LOWER)
24	27-55306		1	GASKET, CYLINDER BLOCK TO BAFFLE PLATE
25	55190		1	PLATE, DIVIDER - EXHAUST MANIFOLD
26	27-55308		1	GASKET, BAFFLE PLATE TO EXHAUST COVER
27	55157		1	COVER, EXHAUST MANIFOLD
28	10-37558		1	SCREW, MANIFOLD COVER TO CYLINDER BLOCK (1 1/4")
	10-31984		7	SCREW, MANIFOLD COVER TO CYLINDER BLOCK (1 3/8")
29	10-24228		2	SCREW, ADJUSTING - EXHAUST COVER (1 7/8")
30	11-20890		2	NUT, ADJUSTING SCREW
31	26852		2	CAP, NYLON - ADJUSTING SCREW
32	58124A8		1	SWITCH ASSEMBLY, MERCURY
33	10-48409		1	SCREW, MERCURY SWITCH TO EXHAUST COVER (5/8")
34	1024-3869		1	COVER, CYLINDER BLOCK

CONTINUED ON NEXT PAGE ➡

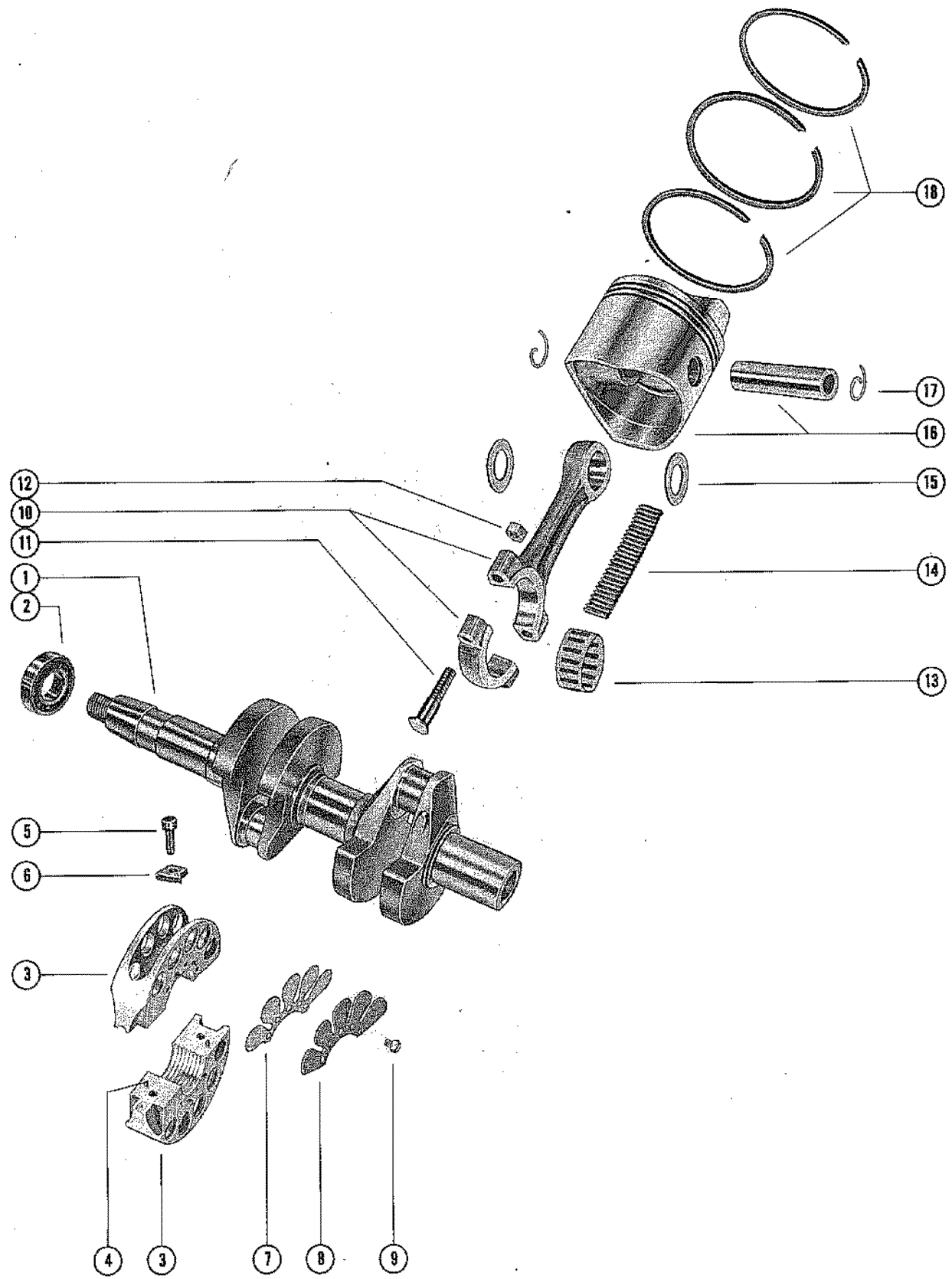
CYLINDER BLOCK AND CRANKCASE ASSEMBLY



CYLINDER BLOCK AND CRANKCASE ASSEMBLY

REF. NO.	PART NO.	SYM.	QTY.	DESCRIPTION
35	27-55307		1	GASKET, CYLINDER BLOCK COVER
36	10-56500		10	SCREW, CYLINDER BLOCK COVER MOUNTING (1 1/4")
37	11-46887		10	NUT, COVER MOUNTING SCREW
38	46933A3		2	GROUND STRAP, POWERHEAD TO BOTTOM COWL
39	22-32802		1	PLUG, PIPE - CYLINDER BLOCK COVER ICH CONSISTS OF THE
40	21-55621A2		1	CONNECTOR ASS'Y, BLEED HOSE (LOWER) -SEE NOTE 1
41	21-56011A1		1	CHECK VALVE ASSEMBLY -SEE NOTE 1
42	32-52742A1		1	HOSE, CYLINDER BLEED (16 1/2") -SEE NOTE 1
43	54-20387		2	CLAMP, BLEED HOSE -SEE NOTE 1
44	22-57785		1	CONNECTOR, BLEED HOSE (UPPER) -SEE NOTE 1
45	57752		1	COVER, TRANSFER PORT
46	27-55279		1	GASKET, TRANSFER PORT COVER
47	10-53556		6	SCREW, TRANSFER PORT COVER MOUNTING

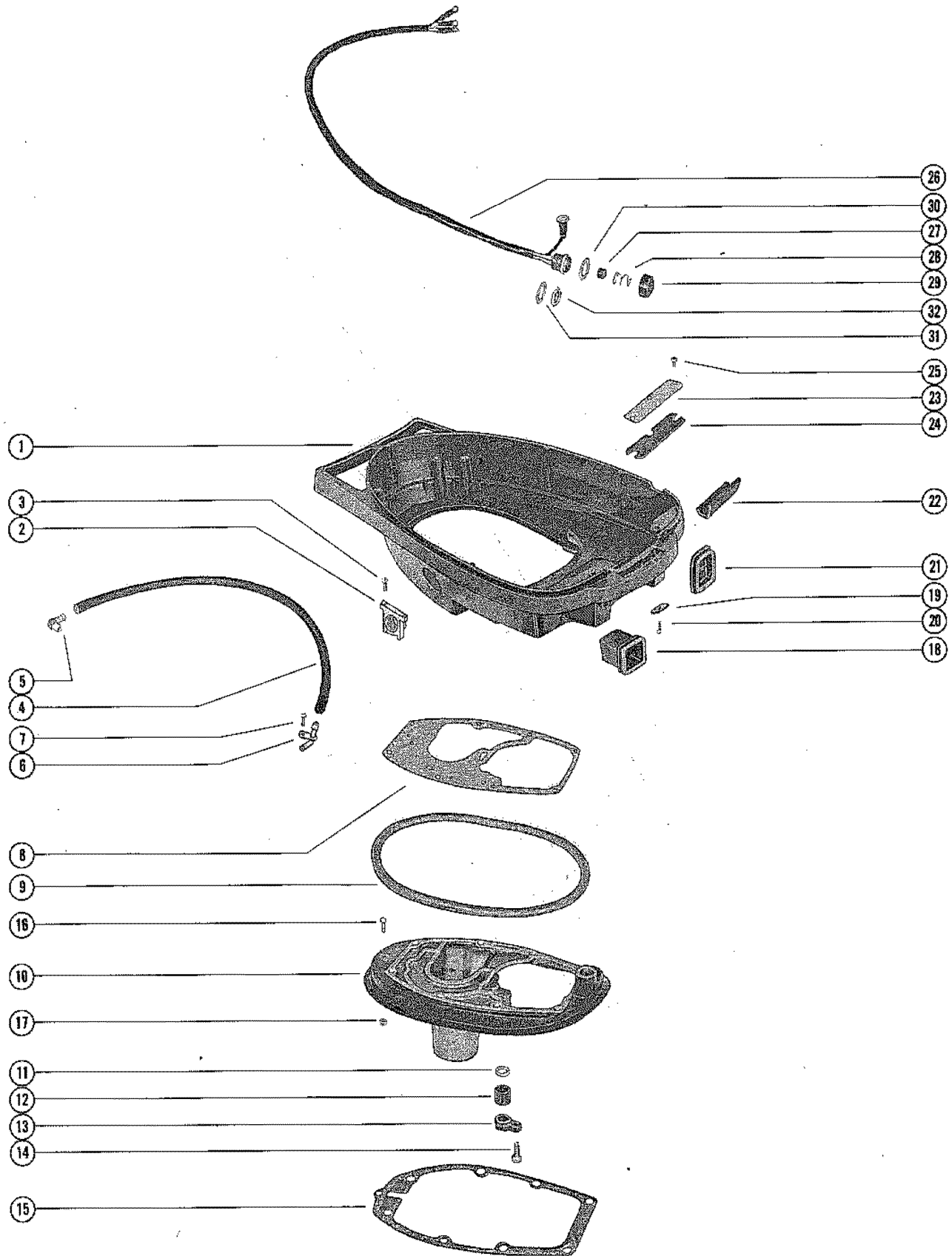
CRANKSHAFT, PISTON AND CONNECTING ROD ASSEMBLY



CRANKSHAFT, PISTON AND CONNECTING ROD ASSEMBLY

REF. NO.	PART NO.	SYM.	QTY.	DESCRIPTION
1	444-3875A2		1	CRANKSHAFT ASSEMBLY
2	30-32117		1	BALL BEARING, CRANKSHAFT (UPPER)
3	540-3943A1		1	MAIN BEARING ASSEMBLY, VALVE TYPE
4	17-20032		2	DOWEL PIN, MAIN BEARING
5	10-45775		2	SCREW, MAIN BEARING CLAMPING
6	11-45774		2	NUT, MAIN BEARING CLAMPING SCREW
7	34-56007A1		1	REED SET, MAIN BEARING (MATCHED)
8	34-56008		4	REED STOP, MAIN BEARING REED VALVES
9	10-20055		12	SCREW, REED STOP MOUNTING
10	622-3666A6		2	CONNECTING ROD ASSEMBLY
11	10-54803		4	SCREW, CONNECTING ROD
12	11-49091		4	NUT, CONNECTING ROD SCREW
13	31-58859A1		2	BEARING ASSEMBLY, CRANKPIN
14	29-47270		58	BEARING, NEEDLE - PISTON PIN
15	12-47247		4	WASHER, NEEDLE BEARING RETAINING
16	745-4508A2		2	PISTON AND PISTON PIN ASSEMBLY SERIAL 00000000-03045259
	745-3560A2		2	PISTON AND PISTON PIN ASSEMBLY SERIAL 03045260-09999999
17	40-52035		4	LOCK RING, PISTON PIN
18	39-45155A12		1	RING, PISTON
-	745-4513A1		2	PISTON AND PISTON PIN ASSEMBLY(.015 OVERSIZE) SERIAL 00000000-03045259
-	745-3778A1		2	PISTON AND PISTON PIN ASSEMBLY(.015 OVERSIZE) SERIAL 03045260-09999999
-	39-45204A12		1	RING, PISTON (.015 OVERSIZE)

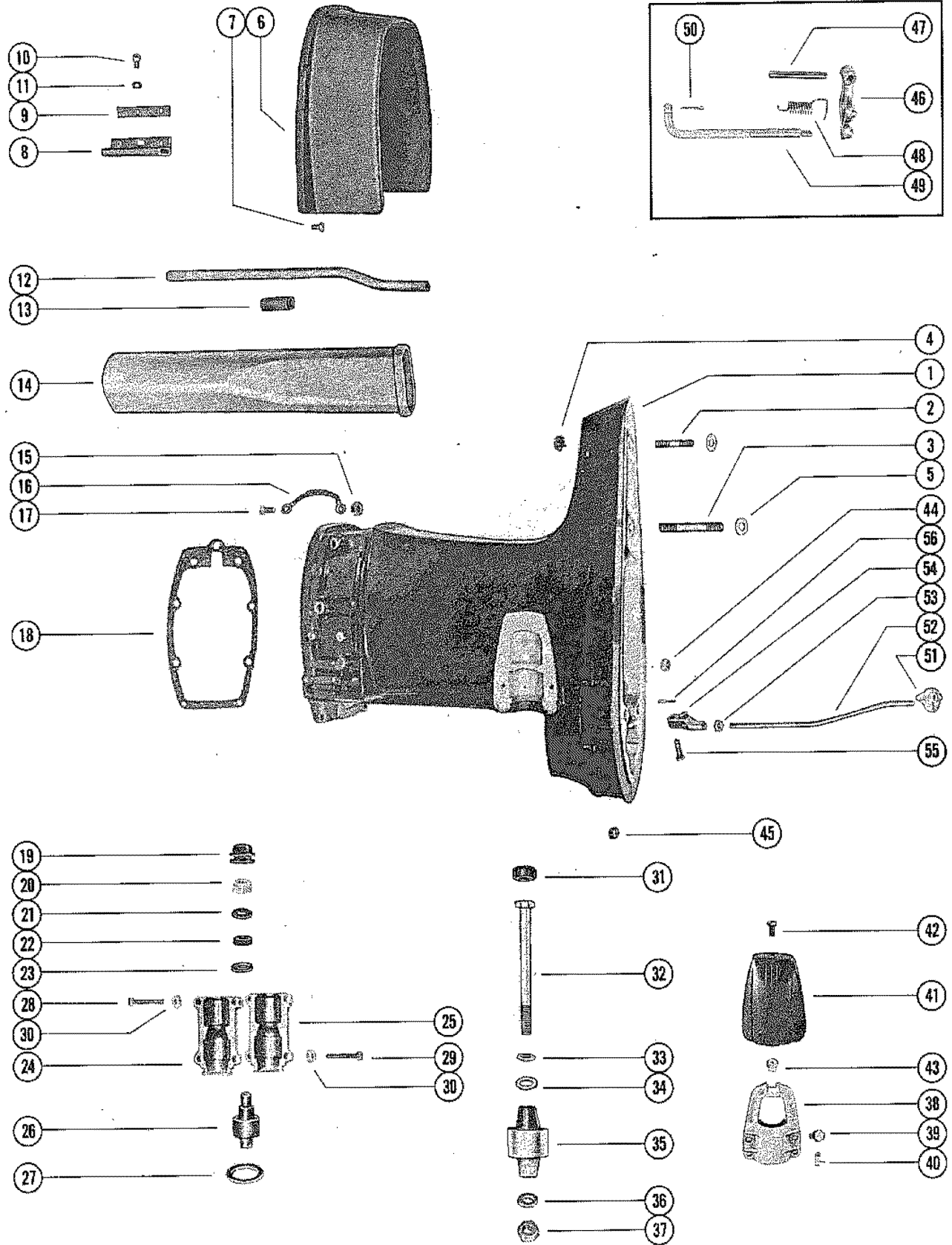
BOTTOM COWL AND EXHAUST PLATE ASSEMBLY



BOTTOM COWL AND EXHAUST PLATE ASSEMBLY

REF. NO.	PART NO.	SYM.	QTY.	DESCRIPTION
1	2139-3882		1	BOTTOM COWL
2	48472		1	COVER, PLUG - BOTTOM COWL HARNESS HOLE (MANUAL)
3	10-20189		2	SCREW, PLUG COVER TO BOTTOM COWL (3/4")
4	32-34395A1		1	HOSE, TELL TALE - COWL TO EXHAUST COVER (12")
5	22-25885		1	ELBOW, TELL TALE HOSE TO EXHAUST COVER
6	52889		1	NOZZLE, TELL TALE HOSE TO BOTTOM COWL
7	10-35519		1	SCREW, NOZZLE TO BOTTOM COWL
8	27-37976		1	GASKET, POWERHEAD TO EXHAUST EXTENSION PLATE
9	39622		1	SEAL, RUBBER - EXHAUST PLATE TO BOTTOM COWL
10	39449A1		1	PLATE ASSEMBLY, EXHAUST EXTENSION
11	12-38453		1	WASHER, NYLON - WATER OUTLET TUBE
12	26-38452		1	SEAL, RUBBER - WATER OUTLET TUBE
13	38500		1	RETAINER, WATER OUTLET TUBE SEAL
14	10-34439		1	SCREW, RETAINER TO EXHAUST PLATE (3/4")
15	27-38501		1	GASKET, EXHAUST PLATE TO DRIVE SHAFT HOUSING
16	10-22421		1	SCREW, EXHAUST PLATE TO BOTTOM COWL (1 1/4")
17	11-46887		1	NUT, EXHAUST PLATE SCREW
18	37637		1	BOOT, FUEL CONNECTOR - BOTTOM COWL
19	55170		1	COVER, VENT - BOTTOM COWL
20	10-52867		1	SCREW, VENT COVER TO BOTTOM COWL
21	39616		1	BOOT, CONTROL CABLE - BOTTOM COWL
22	39630		1	CUSHION, RUBBER - BOTTOM COWL
23	39555A2		1	COVER PLATE ASSEMBLY
24	57596		1	PAD, SOUND - COVER PLATE
25	10-30009		3	SCREW, COVER PLATE TO BOTTOM COWL
26	56475A1		1	STOP SWITCH ASSEMBLY MANUAL ONLY
27	30859		1	INSULATOR, SLEEVE - INNER SWITCH TERMINALS(MANUAL)
28	24-30858A1		1	SPRING AND CONTACT ASSEMBLY (MANUAL)
29	38950A1		1	COVER ASSEMBLY, STOP SWITCH (MANUAL)
30	12-38949		1	WASHER, SEALING - STOP SWITCH (MANUAL)
31	13-21972		1	LOCKWASHER, STOP SWITCH CONNECTOR(MANUAL)
32	11-21971		1	NUT, STOP SWITCH TO BOTTOM COWL (MANUAL)

DRIVE SHAFT HOUSING ASSEMBLY

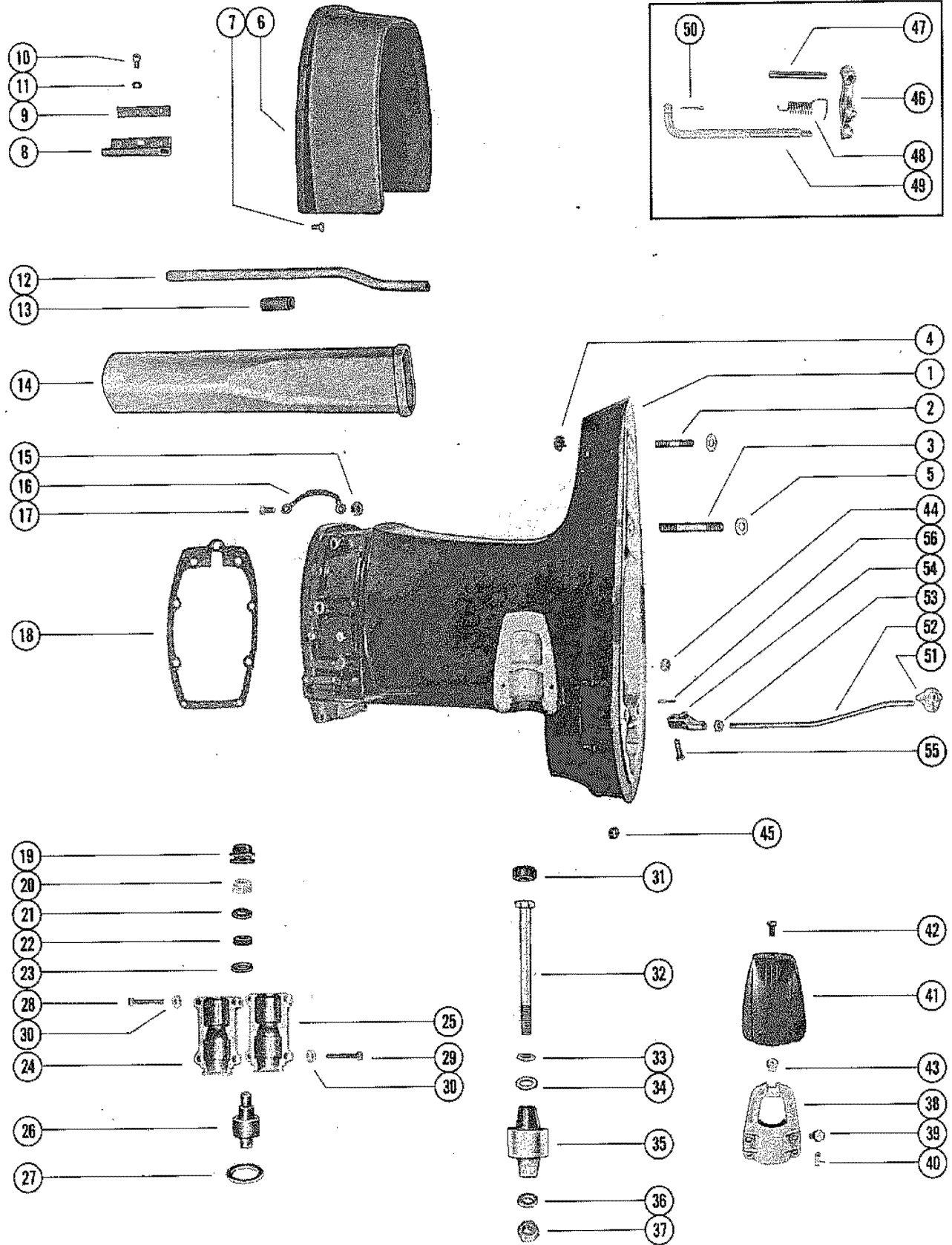


DRIVE SHAFT HOUSING ASSEMBLY

REF. NO.	PART NO.	SYM.	QTY.	DESCRIPTION
1	1554-4004A2		1	DRIVE SHAFT HOUSING ASSEMBLY (SHORT SHAFT)
	1564-4003A2		1	DRIVE SHAFT HOUSING ASSEMBLY (LONG SHAFT)
2	16-57932		1	STUD, DRIVE SHAFT HOUSING TO GEAR HOUSING (1 3/4")
3	16-57935		1	STUD, DRIVE SHAFT HOUSING TO GEAR HOUSING (3")
4	19-32297		1	PLUG, PLASTIC - WATER PICK-UP HOLE
5	12-45176		2	WASHER, DRIVE SHAFT HOUSING TO GEAR HOUSING STUDS
6	39608		1	COVER, TRIM - DRIVE SHAFT HOUSING
7	10-37571		4	SCREW, TRIM COVER TO DRIVE SHAFT HOUSING
8	39558		2	SEAL, TRIM COVER TO DRIVE SHAFT HOUSING
9	39557		2	STRIP, RETAINING - TRIM COVER SEAL
10	10-48408		4	SCREW, STRIP AND SEAL TO DRIVE SHAFT HOUSING (1/2")
11	12-30164		4	WASHER, RETAINING STRIP SCREW
12	32-37727		1	TUBE, WATER OUTLET (SHORT SHAFT)
	32-45679		1	TUBE, WATER OUTLET (LONG SHAFT)
13	23-23651		1	SLEEVE, RUBBER - WATER OUTLET TUBE
14	39526		1	TUBE, EXHAUST (SHORT SHAFT)
	45786		1	TUBE, EXHAUST (LONG SHAFT)
15	11-25594		8	NUT, POWERHEAD STUDS
16	46933A2		2	GROUND STRAP, BOTTOM COWL TO DRIVE SHAFT HOUSING
17	46933A2		2	SCREW, GROUND STRAP ATTACHING
18	27-38501		1	GASKET, EXHAUST PLATE TO DRIVE SHAFT HOUSING
19	25305		2	CAP, RUBBER - UPPER MOUNT BOLT NUT
20	11-23161		2	NUT, UPPER MOUNT BOLT
21	12-30519		2	WASHER, UPPER MOUNT BOLT (3/8 ID)
22	12-30521		2	WASHER, RUBBER - UPPER MOUNT BOLT
23	12-30520		2	WASHER, UPPER MOUNT BOLT (37/64 ID)
24	24935		2	COVER, UPPER MOUNT - OUTSIDE HALF
25	31120		2	COVER, UPPER MOUNT - INSIDE HALF
26	37392		2	MOUNT, RUBBER - UPPER
27	24929		2	PACKING, "U" CUP - UPPER MOUNT COVERS
28	10-49988		4	SCREW, UPPER MOUNT COVER - REAR (1 3/4")
29	10-49987		4	SCREW, UPPER MOUNT COVER - FRONT (1 1/2")
30	11-46886		8	NUT, UPPER MOUNT COVER FASTENING SCREW
31	25067		2	BUMPER, RUBBER - LOWER MOUNT SCREW
32	10-49318		2	SCREW, LOWER MOUNT (5 1/2")
33	12-28051		2	WASHER, LOWER MOUNT SCREW
34	12-28053		2	WASHER, RUBBER - LOWER MOUNT SCREW
35	37393		2	MOUNT, RUBBER - LOWER
36	12-30119		2	WASHER, LOWER MOUNT SCREW
37	11-25096		2	NUT, LOWER MOUNT SCREW
38	35473		2	CLAMP, LOWER MOUNT TO DRIVE SHAFT HOUSING
39	10-29256		4	SCREW, LOWER MOUNT CLAMP TO DRIVE SHAFT HOUSING (7/8")

CONTINUED ON NEXT PAGE ➡

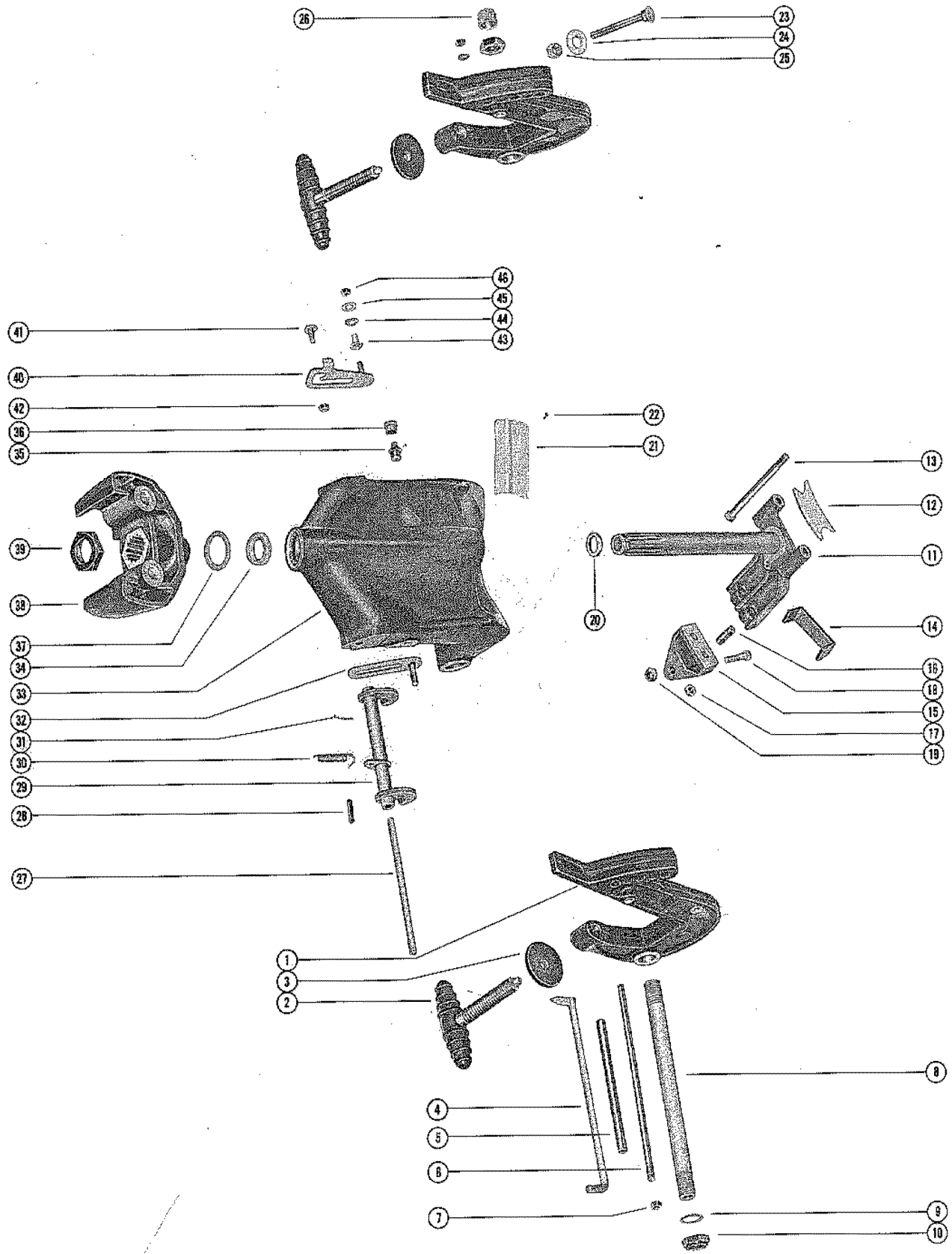
DRIVE SHAFT HOUSING ASSEMBLY



DRIVE SHAFT HOUSING ASSEMBLY

REF. NO.	PART NO.	SYM.	QTY.	DESCRIPTION
40	24-35522		4	SPRING, TENSION - LOWER MOUNT CLAMP
41	35474		2	COVER, LOWER MOUNT CLAMP
42	10-29722		2	SCREW, COVER TO LOWER CLAMP (5/8")
43	11-35521		2	NUT, LOWER MOUNT CLAMP COVER
44	11-34933		2	NUT, GEAR HOUSING TO DRIVE SHAFT HOUSING STUDS
45	22-52644		1	PLUG, GREASE - REVERSE LOCK HOLE SERIAL 00000000-02979678
46	52920		1	LEVER, REVERSE LOCK SERIAL 00000000-02979678
47	17-24887		1	PIN, REVERSE LOCK LEVER SERIAL 00000000-02979678
48	24-25122		1	SPRING, TENSION - PUSH ROD SERIAL 00000000-02979678
49	32102		1	ROD, PUSH - REVERSE LOCK (SHORT SHAFT) SERIAL 00000000-02979678
	45788		1	ROD, PUSH - REVERSE LOCK (LONG SHAFT) SERIAL 00000000-02979678
50	18-25191		1	COTTER PIN, PUSH ROD TO REVERSE LOCK SERIAL 00000000-02979678
51	52917		1	GUIDE, PUSH ROD SERIAL #3043031 AND UP SERIAL 03043031-09999999
52	59721		1	ROD, PUSH - REVERSE LOCK (SHORT SHAFT) SERIAL 03043031-09999999
	59720		1	ROD, PUSH - REVERSE LOCK (LONG SHAFT) SERIAL 03043031-09999999
53	11-60049		1	NUT, JAM - PUSH ROD SERIAL 03043031-09999999
54	59722		1	ROD END, PUSH ROD SERIAL 03043031-09999999
55	17-59719		1	PIN, REVERSE LOCK LEVER SERIAL 03043031-09999999
56	18-25191		1	COTTER PIN, PUSH ROD TO REVERSE LOCK SERIAL 03043031-09999999

CLAMP AND SWIVEL BRACKET ASSEMBLY

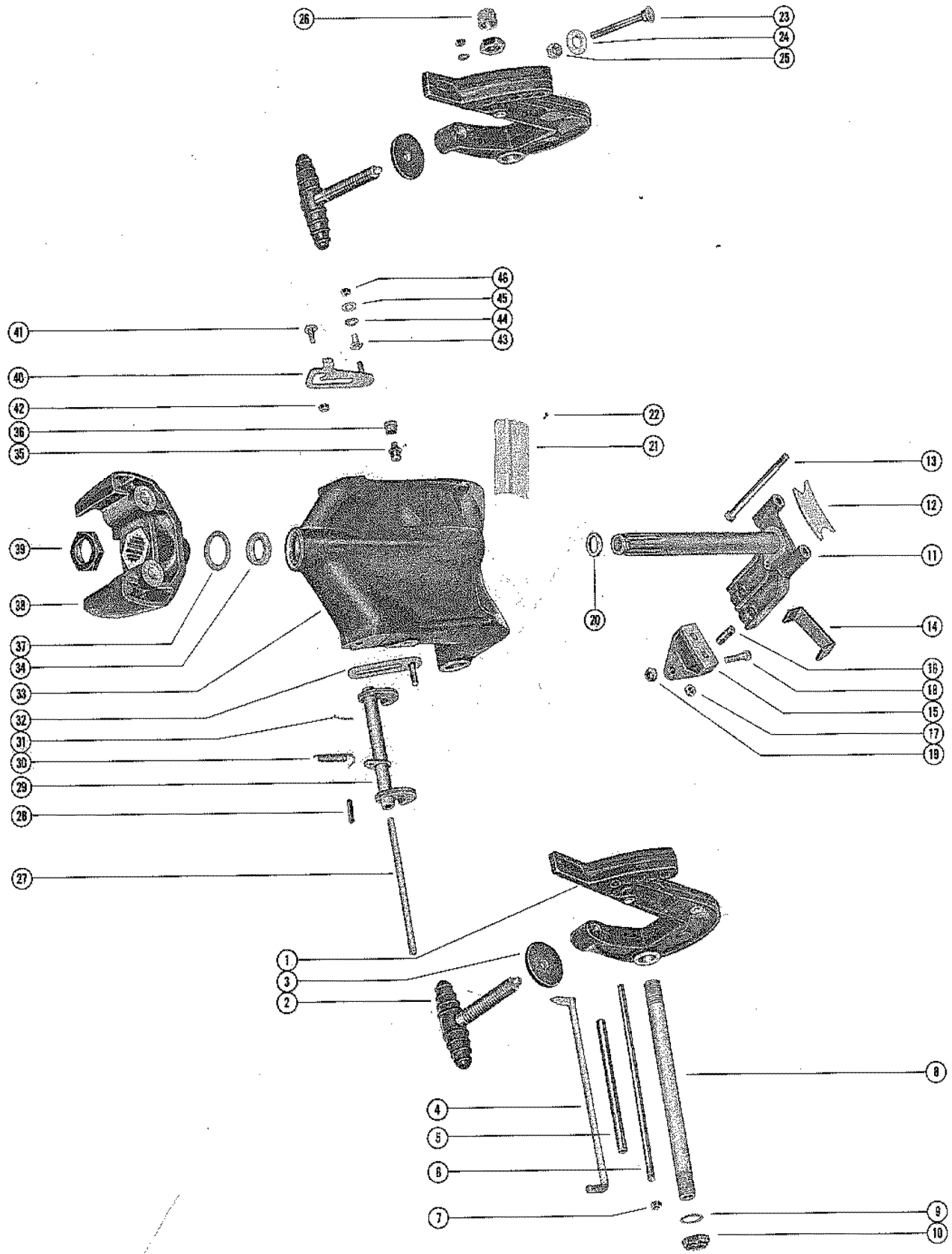


CLAMP AND SWIVEL BRACKET ASSEMBLY

REF. NO.	PART NO.	SYM.	QTY.	DESCRIPTION
1	1427-3263A1		2	CLAMP BRACKET ASSEMBLY
2	22477A1		2	THUMB SCREW ASSEMBLY
3	12-26227		2	WASHER, THUMB SCREW
4	17-49930A1		1	TILT LOCK PIN ASSEMBLY
5	23-59623		1	SPACER, CLAMP BRACKET STUD
6	16-59625		1	STUD, CLAMP BRACKET
7	11-28770		2	NUT, CLAMP BRACKET STUD
8	30664		1	TUBE, TILT - CLAMP BRACKET TO SWIVEL BRACKET
9	12-52864		6	WASHER, CLAMP BRACKET TO SWIVEL BRACKET
10	11-30499		2	NUT, TILT TUBE
11	52882A1		1	STEERING ARM AND SWIVEL PIN ASSEMBLY (SHORT SHAFT)
	52882A2		1	STEERING ARM AND SWIVEL PIN ASSEMBLY (LONG SHAFT)
12	30711		1	BUMPER, STEERING ARM
13	10-33986		2	SCREW, UPPER MOUNT TO STEERING ARM
14	34255		1	BUMPER, STEERING ARM
15	39503		1	BRACKET, REMOTE STEERING
16	16-39781		2	STUD, REMOTE STEERING BRACKET TO STEERING ARM
17	11-20509		2	NUT, REMOTE STEERING BRACKET STUD
18	10-31830		1	SCREW, RIDE-GUIDE KIT TO STEERING ARM (1 3/4")
19	11-20509		1	NUT, RIDE-GUIDE KIT SCREW
20	12-52865		1	WASHER, SWIVEL PIN
21	38-56267		1	SERIAL PLATE
22	10-25612		4	SCREW, DRIVE - SERIAL PLATE TO SWIVEL BRACKET
23	10-26483		2	BOLT, CLAMP BRACKET TO BOAT TRANSOM
24	12-26485		2	WASHER, CLAMP BRACKET BOLT
25	11-26484		2	NUT, CLAMP BRACKET BOLT
26	53078		2	CAP, PLASTIC - TILT TUBE
27	56349		1	SHAFT, REVERSE LOCK TO SWIVEL BRACKET
28	17-25598		1	ROLL PIN, REVERSE LOCK SPRING ATTACHING
29	26903A2		1	REVERSE LOCK ASSEMBLY SERIAL 00000000-02979678
	39015A5		1	REVERSE LOCK ASSEMBLY SERIAL 03043031-09999999
30	24-29821		1	SPRING, REVERSE LOCK TENSION
31	18-45882		1	COTTER PIN, REVERSE LOCK TO SHAFT
32	47912A2		1	LEVER ASSEMBLY, TILT STOP - STARBOARD SIDE
33	1455-4514A1		1	SWIVEL BRACKET ASSEMBLY (SHORT SHAFT)
	1462-4515A1		1	SWIVEL BRACKET ASSEMBLY (LONG SHAFT)
34	26-32911		2	OIL SEAL, SWIVEL BRACKET
35	22-23612		1	FITTING, GREASE - SWIVEL BRACKET
36	29359		1	LUBRICAP, SWIVEL BRACKET GREASE FITTING
37	12-25176		1	WASHER, SWIVEL PIN TO BOTTOM YOKE (.060)
	12-26837		AR	WASHER, SWIVEL PIN TO BOTTOM YOKE (.065)
38	57452		1	YOKE, BOTTOM
39	11-28202		1	NUT, RETAINING - SWIVEL PIN

CONTINUED ON NEXT PAGE ➡

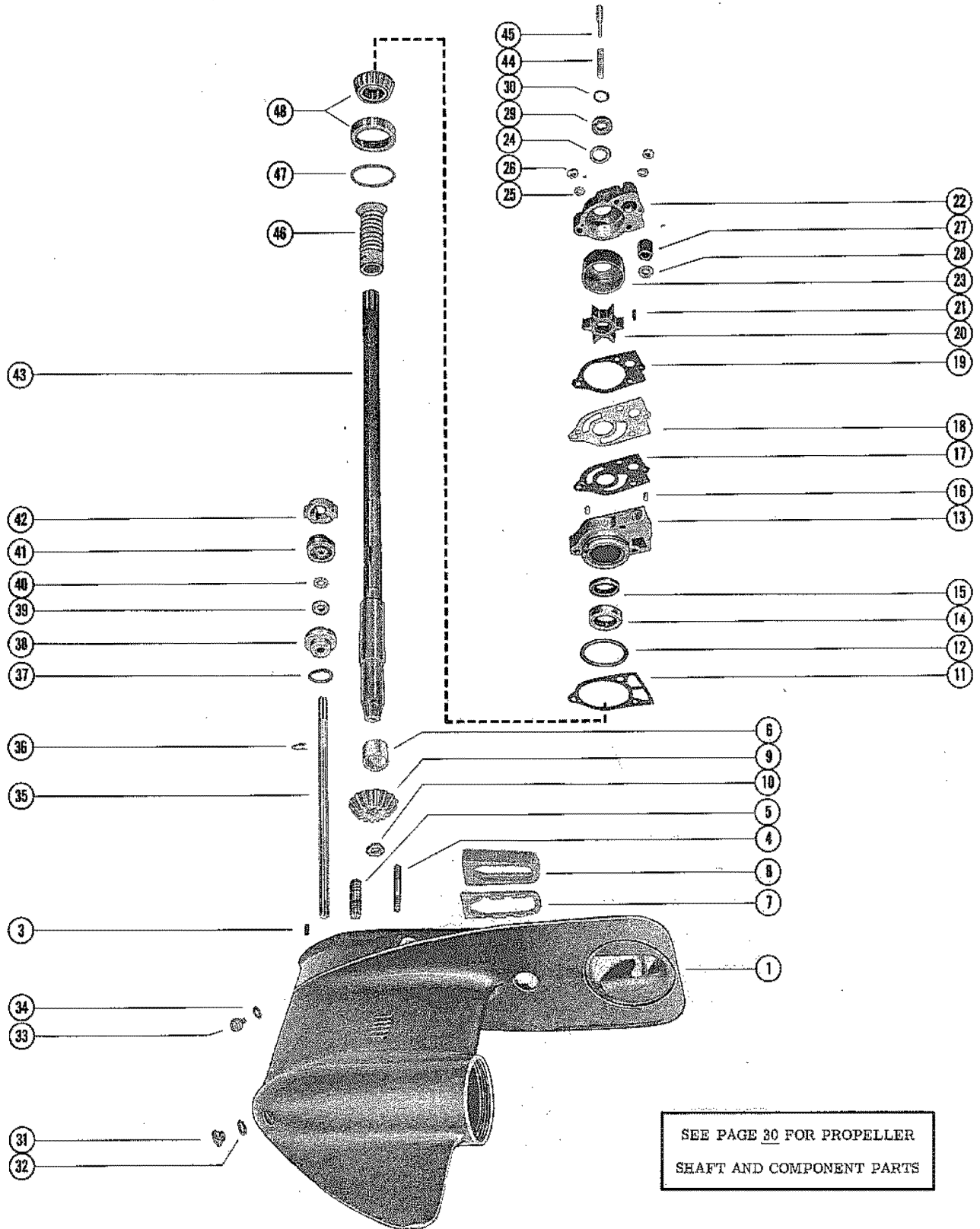
CLAMP AND SWIVEL BRACKET ASSEMBLY



CLAMP AND SWIVEL BRACKET ASSEMBLY

REF. NO.	PART NO.	SYM.	QTY.	DESCRIPTION
40	47913A2		1	LEVER ASSEMBLY, TILT LOCK - PORT SIDE
41	10-47981		2	SCREW, TILT LOCK AND STOP LEVER TO SWIVEL BRACKET
42	11-46793		2	NUT, TILT LOCK AND STOP LEVER SCREW
43	23-47911		2	BUSHING, TILT LOCK AND STOP LEVER
44	13-34632		2	WASHER, WAVE - TILT LOCK AND STOP LEVER
45	12-56720		2	WASHER, TILT LOCK AND STOP LEVER
46	11-46793		4	NUT, TILT LOCK AND STOP LEVER TO CLAMP BRACKET

GEAR HOUSING ASSEMBLY, COMPLETE (PAGE 1)

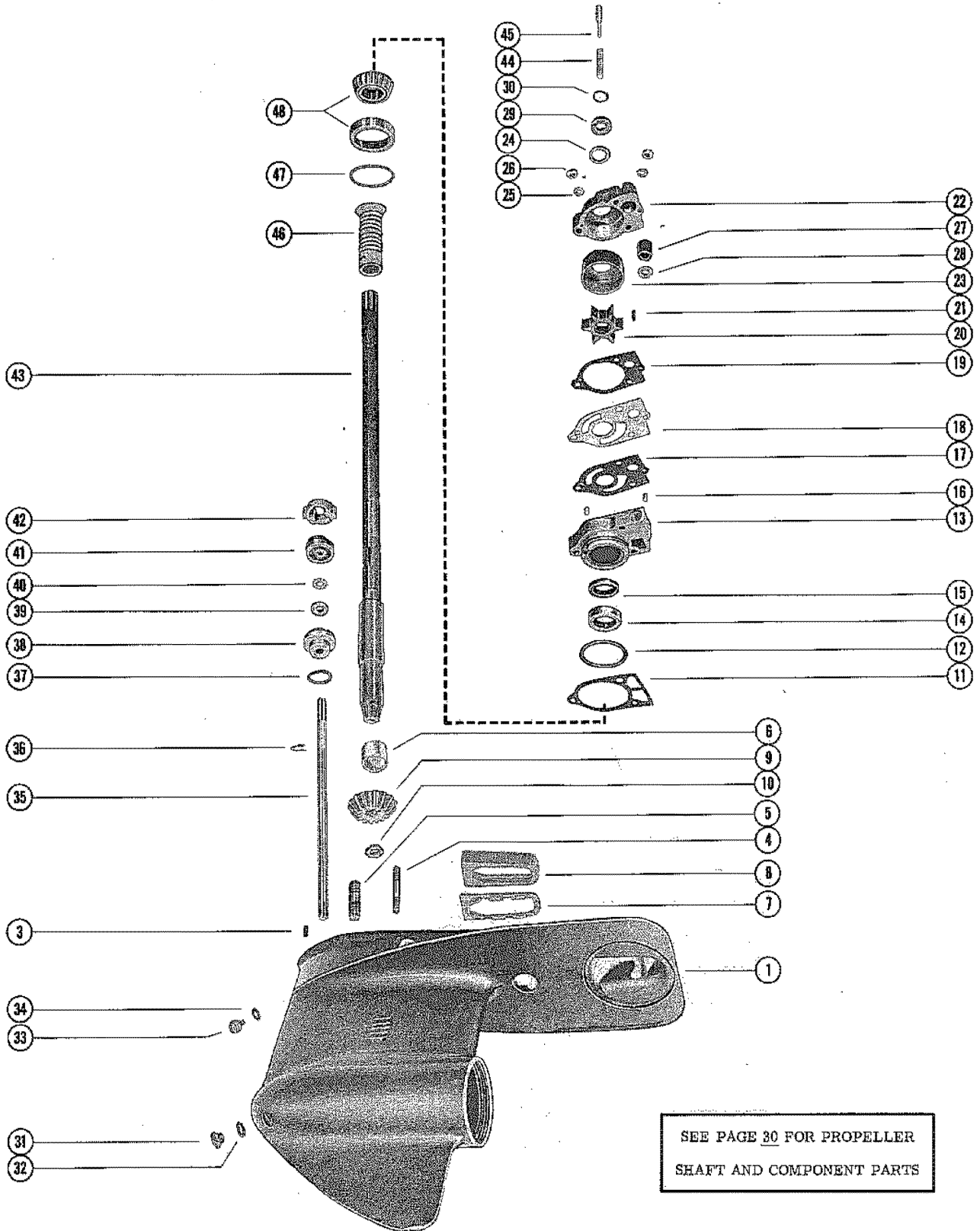


GEAR HOUSING ASSEMBLY, COMPLETE (PAGE 1)

REF. NO.	PART NO.	SYM.	QTY.	DESCRIPTION
-	1626-4005A4		1	GEAR HOUSING ASSEMBLY, COMPLETE (SHORT SHAFT) SEE NOTE BELOW SERIAL 00000000-02979678
-	1626-4005A5		1	GEAR HOUSING ASSEMBLY, COMPLETE (LONG SHAFT)SEE NOTE BELOW SERIAL 00000000-02979678
-	1626-3927A4		1	GEAR HOUSING ASSEMBLY, COMPLETE (SHORT SHAFT)SEE NOTE BELO SERIAL 03043031-09999999
-	1626-3927A5		1	GEAR HOUSING ASSEMBLY, COMPLETE (LONG SHAFT)SEE NOTE BELOW SERIAL 03043031-09999999
1	1626-4005A6		1	GEAR HOUSING ASSEMBLY SERIAL 00000000-02979678
	1626-3927A6		1	GEAR HOUSING ASSEMBLY SERIAL 03043031-09999999
3	17-21438		1	PIN, DOWEL - GEAR HOUSING
4	16-57934		3	STUD, WATER PUMP BODY AND BSE TO GEAR HOUSING
5	16-57933		2	STUD, GEAR HOUSING TO DRIVE SHAFT HOUSING
6	31-20231		1	BEARING, ROLLER - DRIVE SHAFT
7	38071		1	PLATE, SUPPORT - EXHAUST TUBE
8	37721		1	SEAL, EXHAUST TUBE
9	43-55607		1	GEAR, PINION - DRIVE SHAFT
10	11-55910		1	NUT, PINION GEAR TO DRIVE SHAFT
11	27-32771		1	GASKET, WATER PUMP BASE TO GEAR HOUSING
12	25-26855		1	"O" RING, WATER PUMP BASE
13	46-48745A1		1	WATER PUMP BASE ASSEMBLY
14	26-26782		1	OIL SEAL, WATER PUMP BASE
15	26-23300		1	OIL SEAL, WATER PUMP BASE
16	17-35973		2	DOWEL PIN, WATER PUMP BASE TO WATER PUMP BODY
17	27-32769		1	GASKET, LOWER - WATE PUMP BASE TO FACE PLATE
18	32768		1	PLATE, FACE - WATER PUMP BASE TO WATER PUMP BODY SERIAL 00000000-02979678
	54705		1	PLATE, FACE - WATER PUMP BASE TO WATER PUMP BODY SERIAL 03043031-09999999
19	27-32770		1	GASKET, UPPER - FACE PLATE TO WATER PUMP BODY
20	47-20268		1	IMPELLER, WATER PUMP
21	28-56662		1	KEY, IMPELLER DRIVE
22	46-48746A1		1	WATER PUMP BODY ASSEMBLY
23	48753		1	INSERT, WATER PUMP BODY
24	26-32121		1	OIL SEAL, WATER PUMP BODY
25	12-29245		3	WASHER, WATER PUMP BODY AND BASE STUDS
26	11-35045		3	NUT, WATER PUMP BODY AND BASE STUDS
27	26-38452		1	SEAL, RUBBER - WATER INLET TUBE (WATER PUMP BODY)
28	12-38453		1	WASHER, NYLON - WATER PUMP BODY
29	25-20273		1	RING, RUBBER - CENTRIFUGAL SLINGER (DRIVE SHAFT)
30	25-29619		1	"O" RING, UPPER - DRIVE SHAFT
31	10-28634		2	SCREW, GREASE FILLER AND VENT HOLE

CONTINUED ON NEXT PAGE ➡

GEAR HOUSING ASSEMBLY, COMPLETE (PAGE 1)

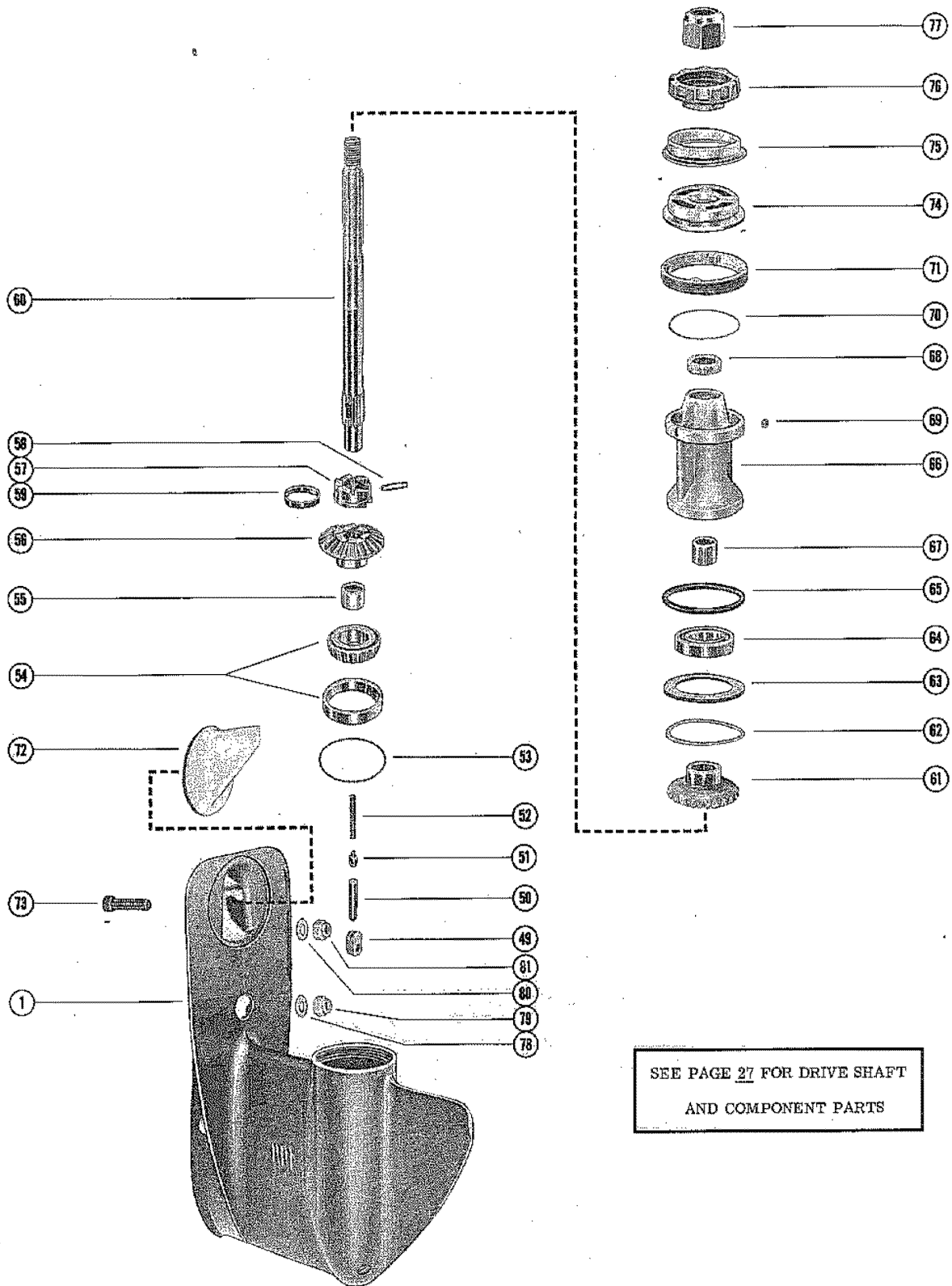


SEE PAGE 30 FOR PROPELLER
SHAFT AND COMPONENT PARTS

GEAR HOUSING ASSEMBLY, COMPLETE (PAGE 1)

REF. NO.	PART NO.	SYM.	QTY.	DESCRIPTION
32	12-20260		2	WASHER, GREASE FILLER AND VENT HOLE SCREW
33	19-48750		1	PLUG, GEAR HOUSING FLUSHING HOLE
34	12-49221		1	WASHER, GEAR HOUSING FLUSHING HOLE
35	56622A1		1	SHAFT ASSEMBLY, SHIFT - LOWER SERIAL 00000000-02979678
	55420A1		1	SHAFT ASSEMBLY, SHIFT - LOWER SERIAL 03043031-09999999
36	53-29641		1	CLIP, RETAINING - SHIFT SHAFT
37	25-25439		1	"O" RING, SHIFT SHAFT BUSHING
38	23-56640A2		1	BUSHING ASSEMBLY, SHIFT SHAFT SERIAL 00000000-02979678
39	26-31249		1	OIL SEAL, SHIFT SHAFT BUSHING SERIAL 00000000-02979678
40	12-31266		1	WASHER, RUBBER - SHIFT SHAFT BUSHING SERIAL 00000000-02979678
38	23-55419A1		1	BUSHING ASSEMBLY, SHIFT SHAFT SERIAL 03043031-09999999
39	26-31249		1	OIL SEAL, SHIFT SHAFT BUSHING (UPPER) SERIAL 03043031-09999999
	26-24590		1	OIL SEAL, SHIFT SHAFT BUSHING (LOWER) SERIAL 03043031-09999999
40	12-31266		1	WASHER, RUBBER - SHIFT SHAFT BUSHING SERIAL 03043031-09999999
41	52918		1	CAM, LOWER - REVERSE LOCKING SERIAL 00000000-02979678
42	52919		1	CAM, UPPER - REVERSE LOCKING SERIAL 00000000-02979678
41	39021		1	CAM, REVERSE LOCKING SERIAL 03043031-09999999
42	39019		1	BASE, REVERSE LOCKING SERIAL 03043031-09999999
43	45-57360A1		1	DRIVE SHAFT ASSEMBLY (SHORT SHAFT)
	45-57359A1		1	DRIVE SHAFT ASSEMBLY (LONG SHAFT)
44	24-20254		1	SPRING, COMPRESSION - DRIVE SHAFT
45	17-30545		1	PIN, DRIVE SHAFT
46	23-52709		1	SLEEVE, LUBRICATION - DRIVE SHAFT
47	15-20929A1		AR	SHIM, BEARING TO GEAR HOUSING (.002-3-5-10)
48	31-38146A1		1	ROLLER BEARING ASSEMBLY, TAPERED - DRIVE SHAFT-SEE NOTE BE

GEAR HOUSING ASSEMBLY, COMPLETE (PAGE 2)

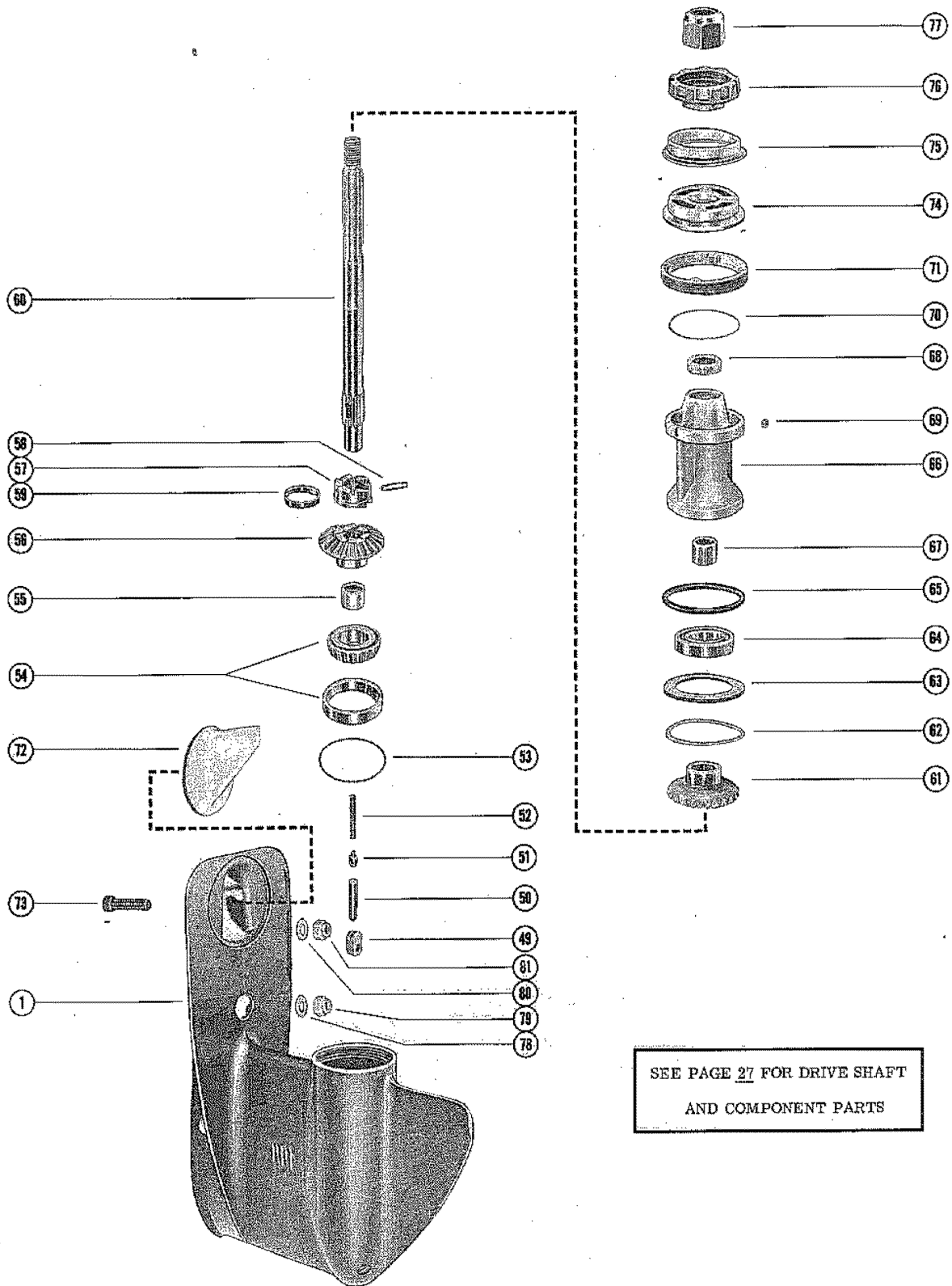


GEAR HOUSING ASSEMBLY, COMPLETE (PAGE 2)

REF. NO.	PART NO.	SYM.	QTY.	DESCRIPTION
-	1626-4005A4		1	GEAR HOUSING ASSEMBLY, COMPLETE (SHORT SHAFT) SERIAL #29796 -SEE NOTE BELOW SERIAL 00000000-02979678
-	1626-4005A5		1	GEAR HOUSING ASSEMBLY, COMPLETE (LONG SHAFT) -SEE NOTE BELOW SERIAL 00000000-02979678
-	1626-3927A4		1	GEAR HOUSING ASSEMBLY, COMPLETE (SHORT SHAFT) -SEE NOTE BELOW SERIAL 03043031-09999999
-	1626-3927A5		1	GEAR HOUSING ASSEMBLY, COMPLETE (LONG SHAFT) -SEE NOTE BELOW SERIAL 03043031-09999999
1	1626-4005A6		1	GEAR HOUSING ASSEMBLY SEE PAGE 27 FOR BREAKDOWN SERIAL 00000000-02979678
	1626-3927A6		1	GEAR HOUSING ASSEMBLY SEE PAGE 27 FOR BREAKDOWN SERIAL 03043031-09999999
49	36288		1	CAM, SHIFT
50	38441		1	FOLLOWER, CAM
51	20843		1	SLIDE, CROSS PIN
52	24-39845		1	SPRING, COMPRESSION - CAM FOLLOWER
53	15-38374A1		AR	SHIM, BEARING CUP TO GEAR HOUSING (.002-3-4-10)
54	31-38356A1		1	TAPERED ROLLER BEARING ASSEMBLY
55	31-21739		1	BEARING, ROLLER - FORWARD GEAR
56	43-55608		1	FORWARD GEAR ASSEMBLY
57	52-47586		1	RATCHET, SLIDING CLUTCH
58	17-38113		1	PIN, CROSS - RATCHET TO PROPELLER SHAFT
59	24-38114		1	SPRING, RETAINING - CROSS PIN
60	44-55911		1	SHAFT, PROPELLER
61	43-55609		1	REVERSE GEAR ASSEMBLY
62	15-20927A1		AR	SHIM, THRUST WASHER TO GEAR HOUSING (.002-3-5-10)
63	12-32004		1	WASHER, THRUST - REVERSE GEAR
64	30-20839		1	BEARING, BALL - REVERSE GEAR
65	25-31986		1	"O" RING, BEARING CARRIER
66	55904A1		1	BEARING CARRIER ASSEMBLY
67	31-21700		1	BEARING, ROLLER - BEARING CARRIER
68	26-56788		1	OIL SEAL, BEARING CARRIER
69	28-30281		1	KEY, LOCATING - BEARING CARRIER
70	14-53012		1	TAB WASHER, GEAR HOUSING COVER
71	53013		1	COVER, GEAR HOUSING
72	31640A1		1	TRIM TAB ASSEMBLY, GEAR HOUSING
73	10-55726		1	SCREW, TRIM TAB TO GEAR HOUSING
74	55908A1		1	THRUST HUB AND WASHER ASSEMBLY
75	12-31992		1	WASHER, CUPPED - THRUST HUB
76	12-55907		1	WASHER, SPLINED - PROPELLER SHAFT

CONTINUED ON NEXT PAGE ➡

GEAR HOUSING ASSEMBLY, COMPLETE (PAGE 2)



GEAR HOUSING ASSEMBLY, COMPLETE (PAGE 2)

REF. NO.	PART NO.	SYM.	QTY.	DESCRIPTION
77	11-31990		1	NUT, PROPELLER
78	12-45176		1	WASHER, DRIVE SHAFT HOUSING TO GEAR HOUSING STUD (7/16")
79	11-34933		1	NUT, DRIVE SHAFT HOUSING TO GEAR HOUSING STUD (7/16")
80	12-45175		1	WASHER, DRIVE SHAFT HOUSING TO GEAR HOUSING STUD (3/8")
81	11-34863		1	NUT, DRIVE SHAFT HOUSING TO GEAR HOUSING STUD (3/8")

PARTS INDEX

Part Number	Description	Pg.	Ref. No.	Part Number	Description	Pg.	Ref. No.
20843	SLIDE, CROSS PIN	57	51	32768	PLATE, FACE - WATER		
22477A1	THUMB SCREW ASSEMBLY	49	2		PUMP BASE TO WATER		
22789	"D" WASHER, ATTACHING				PUMP BODY	53	18
	CLAMP SCREW	21	33	33148	CLUSTER, THROTTLE STOP	17	20
22789	"D" WASHER, TRIGGER			34228	SUPPORT, EXTERNAL		
	COIL LEAD SCREW	31	54		WIRING HARNESS	25	14
22789	"D" WASHER, VENT HOSE			34255	BUMPER, STEERING ARM .	49	14
	CLAMP SCREW	21	22	35473	CLAMP, LOWER MOUNT TO		
22789	"D" WASHER, WIRING				DRIVE SHAFT HOUSING .	45	38
	HARNESS CLAMP SCREW	25	26	35474	COVER, LOWER MOUNT		
22833	ADAPTOR, CHECK UNIT				CLAMP	47	41
	(FUEL PUMP)	33	16	36288	CAM, SHIFT	57	49
23004	RETAINER, CHECK VALVE .	33	6	37392	MOUNT, RUBBER - UPPER .	45	26
23069	STEM, CHECK UNIT			37393	MOUNT, RUBBER - LOWER	45	35
	ADAPTOR	33	17	37637	BOOT, FUEL CONNECTOR -		
24929	PACKING, "U" CUP - UPPER				BOTTOM COWL	43	18
	MOUNT COVERS	45	27	37721	SEAL, EXHAUST TUBE	53	8
24935	COVER, UPPER MOUNT -			38071	PLATE, SUPPORT -		
	OUTSIDE HALF	45	24		EXHAUST TUBE	53	7
25067	BUMPER, RUBBER - LOWER			38441	FOLLOWER, CAM	57	50
	MOUNT SCREW	45	31	38500	RETAINER, WATER OUTLET		
25305	CAP, RUBBER - UPPER				TUBE SEAL	43	13
	MOUNT BOLT NUT	45	19	38938	BOOT, RUBBER - STARTER		
25661	SOLENOID, STARTER	25	34		SOLENOID TERMINAL		
25996A1	SWIVEL LINK ROD				(SMALL)	27	39
	ASSEMBLY	29	18	38950A1	COVER ASSEMBLY, STOP		
26852	CAP, NYLON - ADJUSTING				SWITCH (MANUAL)	43	29
	SCREW	29	11	39015A5	REVERSE LOCK ASSEMBLY	49	29
26852	CAP, NYLON - ADJUSTING			39019	BASE, REVERSE LOCKING .	55	42
	SCREW	37	31	39021	CAM, REVERSE LOCKING .	55	41
26903A2	REVERSE LOCK ASSEMBLY	49	29	39173	BRACKET, SUPPORT - TOP		
28748	RETAINER, STARTER				COWL (REAR)	5	53
	CABLE AND HANDLE	5	67	39173	BRACKET, SUPPORT - TOP		
28748	RETAINER, STARTER				COWL (REAR)	9	61
	CABLE AND HANDLE	11	75	39448	BRACKET, SHIFT ANCHOR -		
29359	LUBRICAP, SWIVEL				LOWER	35	11
	BRACKET GREASE			39449A1	PLATE ASSEMBLY,		
	FITTING	49	36		EXHAUST EXTENSION . .	43	10
30188	CUP WASHER, ADAPTOR . .	33	20	39472	SLIDE, SHIFT ACTUATING .	35	5
30413	HOOK, COWL LATCH			39482	HOOK, COWL FRONT		
	FASTENING	13	13		COVER LATCH	13	9
30596	PAWL, STARTER	5	43	39483	LATCH, THROTTLE		
30596	PAWL, STARTER	9	51		CONTROL LEVER		
30664	TUBE, TILT - CLAMP				(THROTTLE CABLE)	29	29
	BRACKET TO SWIVEL			39493	CATCH, FRONT COVER -		
	BRACKET	49	8		TOP COWL	3	11
30711	BUMPER, STEERING ARM .	49	12	39493	CATCH, FRONT COVER -		
30782	HANDLE, STARTER CABLE .	5	66		TOP COWL	7	12
30782	HANDLE, STARTER CABLE .	9	74	39501	MOUNT, RUBBER - FRONT		
30859	INSULATOR, SLEEVE -				SUPPORT BRACKET	5	61
	INNER SWITCH			39501	MOUNT, RUBBER - FRONT		
	TERMINALS(MANUAL) . . .	43	27		SUPPORT BRACKET	9	70
31120	COVER, UPPER MOUNT -			39501	MOUNT, RUBBER - REAR		
	INSIDE HALF	45	25		SUPPORT BRACKET	5	54
31640A1	TRIM TAB ASSEMBLY, GEAR			39501	MOUNT, RUBBER - REAR		
	HOUSING	57	72		SUPPORT BRACKET	9	62
32102	ROD, PUSH - REVERSE			39503	BRACKET, REMOTE		
	LOCK (SHORT SHAFT) . .	47	49		STEERING	49	15
				39505	BASE, COWL FRONT		
					COVER LATCH	13	4

PARTS INDEX

Part Number	Description	Pg.	Ref. No.	Part Number	Description	Pg.	Ref. No.
39515	END CAP, NYLON - ANCHOR BRACKET SLIDE	35	10	46933A2	SCREW, GROUND STRAP ATTACHING	45	17
39516	SLIDE, NYLON - ANCHOR BRACKET (SHIFT ACTUATING SLIDE)	35	9	46933A3	GROUND STRAP, POWERHEAD TO BOTTOM COWL	39	38
39519	CUP, RETAINER - ANCHOR BRACKET (SHIFT CABLE BARREL)	35	16	47436	PLATE, REATAINER - STARTER PAWL	5	50
39521	SHAFT, THROTTLE CONTROL	29	1	47436	PLATE, RETAINER - STARTER PAWL	9	58
39522	BRACKET, THROTTLE CONTROL SHAFT	29	8	47604A1	PROTECTOR ASSEMBLY, SPARK PLUG	21	25
39526	TUBE, EXHAUST (SHORT SHAFT)	45	14	47764	STA-STRAP, WIRING HARNESS	25	23
39536	LINK, LOCKING LEVER TO COVER	35	20	47899A9	LEAD ASSEMBLY, SPARK PLUG (HIGH TENSION)	21	23
39555A2	COVER PLATE ASSEMBLY	43	23	47912A2	LEVER ASSEMBLY, TILT STOP - STARBOARD SIDE	49	32
39557	STRIP, RETAINING - TRIM COVER SEAL	45	9	47913A2	LEVER ASSEMBLY, TILT LOCK - PORT SIDE	51	40
39558	SEAL, TRIM COVER TO DRIVE SHAFT HOUSING	45	8	47969	KNOB AND SHAFT, CHOKE COVER, PLUG - BOTTOM COWL HARNESS HOLE (MANUAL)	43	2
39608	COVER, TRIM - DRIVE SHAFT HOUSING	45	6	48472	INSERT, WATER PUMP BODY	53	23
39609	SHIELD, REAR - TOP COWL	3	6	48753	STEERING ARM AND SWIVEL PIN ASSEMBLY (SHORT SHAFT)	49	11
39609	SHIELD, REAR - TOP COWL	7	7	52882A1	STEERING ARM AND SWIVEL PIN ASSEMBLY (LONG SHAFT)	49	11
39616	BOOT, CONTROL CABLE - BOTTOM COWL	43	21	52889	NOZZLE, TELL TALE HOSE TO BOTTOM COWL	43	6
39618	LEVER, NYLON - SHIFT CABLE LOCKING (UPPER ANCHOR BRACKET)	35	17	52907	INSULATOR, SUPPORT TO BOTTOM COWL	25	--
39619	BUTTON, FRONT COVER RELEASE - TOP COWL	3	9	52917	GUIDE, PUSH ROD SERIAL #3043031 AND UP	47	51
39619	BUTTON, FRONT COVER RELEASE - TOP COWL	7	10	52918	CAM, LOWER - REVERSE LOCKING	55	41
39622	SEAL, RUBBER - EXHAUST PLATE TO BOTTOM COWL	43	9	52919	CAM, UPPER - REVERSE LOCKING	55	42
39630	CUSHION, RUBBER - BOTTOM COWL	43	22	52920	LEVER, REVERSE LOCK	47	46
39667	COVER, NYLON - SHIFT CABLE	35	19	53013	COVER, GEAR HOUSING	57	71
39835	RETAINER, STARTER REWIND	3	39	53078	CAP, PLASTIC - TILT TUBE	49	26
39835	RETAINER, STARTER REWIND	9	47	54293A5	CHOKE SOLENOID ASSEMBLY	25	6
39840	RETAINER, WAVE WASHER	5	47	54705	PLATE, FACE - WATER PUMP BASE TO WATER PUMP BODY	53	18
39840	RETAINER, WAVE WASHER	9	55	55156A5	FUEL PUMP ASSEMBLY	33	1
45477	SHAFT, SHEAVE	9	60	55157	COVER, EXHAUST MANIFOLD	37	27
45477	SHART, SHEAVE	5	52	55159	LINK ROD	29	36
45786	TUBE, EXHAUST (LONG SHAFT)	45	14	55160	ROD, LINK - UPPER	29	20
45788	ROD, PUSH - REVERSE LOCK (LONG SHAFT)	47	49	55166	PLATE, POSITIONING - TRIGGER COIL	31	43
46265	BOOT, RUBBER - STARTER SOLENOID TERMINAL (LARGE)	27	42	55167	CAP, THROTTLE	29	14
46785A1	COWL LATCH ASSEMBLY	13	12	55169A1	RETAINER ASSEMBLY, BALL BEARING	37	18
46933A2	GROUND STRAP, BOTTOM COWL TO DRIVE SHAFT HOUSING	45	16				

PARTS INDEX

Part Number	Description	Pg.	Ref. No.	Part Number	Description	Pg.	Ref. No.
55174A1	SHIFT SHAFT ASSEMBLY, UPPER (LONG SHAFT) . .	35	14	57440	SWIVEL, LINKAGE - THROTTLE CONTROL SHAFT	29	17
55174A2	SHIFT SHAFT ASSEMBLY, UPPER (SHORT SHAFT) .	35	14	57440	SWIVEL, UPPER LINK ROD TO THROTTLE CONTROL LEVER	29	21
55179	SHUTTER, CHOKE - CARBURETOR	15	7	57452	YOKE, BOTTOM	49	38
55180	LEVER, CHOKE	15	4	57580A1	RECTIFIER ASSEMBLY	25	1
55187	LEVER, THROTTLE CONTROL	29	22	57591	SPACER, SOUND ABSORBING - COWL FRONT COVER	13	3
55188	LEVER, SPARK ADVANCE .	29	27	57592	BLANKET, SOUND ABSORBING - COWL FRONT COVER	13	2
55189	BRACKET, SUPPORT - TOP COWL (FRONT)	5	59	57593	BLANKET, SOUND ABSORBING - WRAP AROUND COWL	13	14
55189	BRACKET, SUPPORT - TOP COWL (FRONT)	9	67	57596	PAD, SOUND - COVER PLATE	43	24
55190	PLATE, DIVIDER - EXHAUST MANIFOLD	37	25	57752	COVER, TRANSFER PORT .	39	45
55192	BRACKET, LIMIT STOP - REAR	3	31	57784A1	THROTTLE ACTUATOR ASSEMBLY	29	2
55192	BRACKET, LIMIT STOP - REAR	9	39	57800	SLEEVE, SOUND ABSORBING BLANKET . .	13	15
55278A1	DIAPHRAGM KIT	33	3	57821	INSERT, ROPE GUIDE - TOP COWL	3	2
55296	PLATE, SPARK ADVANCE . .	31	47	57821	INSERT, ROPE GUIDE - TOP COWL	7	2
55297	SWIVEL, LINK ROD TO POSITIONING PLATE	29	37	57854	RESTRICTION, CYLINDER BLOCK	37	12
55305	PLATE, WEAR - POSITIONING PLATE	31	46	58124A8	SWITCH ASSEMBLY, MERCURY	37	32
55334	BRACKET, SHIFT ANCHOR - UPPER	35	1	58391	BALL JOINT, SPARK ADVANCE LEVER	29	33
55335	BALL JOINT, SPARK ADVANCE LEVER	29	33	58657	INSERT, ROPE GUIDE - TOP COWL	7	2
55420A1	SHAFT ASSEMBLY, SHIFT - LOWER	55	35	59110A1	SHIFT SHAFT ASSEMBLY, UPPER (LONG SHAFT) . .	35	14
55692	COUPLING, UPPER SHIFT SHAFT	35	15	59110A2	SHIFT SHAFT ASSEMBLY, UPPER (SHORT SHAFT) .	35	14
55860	PULLEY, STARTER CABLE .	3	23	59139A1	CABLE ASSEMBLY, INTERLOCK	7	18
55860	PULLEY, STARTER CABLE .	7	31	59720	ROD, PUSH - REVERSE LOCK (LONG SHAFT) . . .	47	52
55904A1	BEARING CARRIER ASSEMBLY	57	66	59721	ROD, PUSH - REVERSE LOCK (SHORT SHAFT) . .	47	52
55908A1	THRUST HUB AND WASHER ASSEMBLY	57	74	59722	ROD END, PUSH ROD	47	54
56074A2	PLUNGER ASSEMBLY, CHOKE SOLENOID	25	11	60096	BOOT, SPARK PLUG LEAD .	21	26
56193	LATCH, SHIFT ACTUATING SLIDE (SHIFT CABLE) . . .	35	6	60172	RESTRICTOR, VENT HOSE .	23	43
56349	SHAFT, REVERSE LOCK TO SWIVEL BRACKET	49	27	60825	BRACKET, LIMIT STOP - REAR	9	39
56370	WIRING HARNESS (INTERNAL)	25	19	60826	SWIVEL, LINK ROD TO POSITIONING PLATE	29	37
56466	CABLE, STARTER MOTOR TO STARTER SOLENOID	25	31	10-20012	SCREW, UPPER ANCHOR BRACKET TO LOWER ANCHOR BRACKET (1 5/8")	35	12
56475A1	STOP SWITCH ASSEMBLY MANUAL ONLY	43	26	10-20037	SCREW, INTERLOCK CAM TO LEVER (1/4")	3	19
56602	CAM, INTERLOCK	3	18				
56622A1	SHAFT ASSEMBLY, SHIFT - LOWER	55	35				
57215	LEVER, INTERLOCK - STARTER HOUSING	3	17				
57236	CAM, SLIDING - STARTER HOUSING	7	23				

PARTS INDEX

Part Number	Description	Pg.	Ref. No.	Part Number	Description	Pg.	Ref. No.
10-20055	SCREW, REED STOP MOUNTING	41	9	10-24963	SCREW, RECTIFIER TO BOTTOM COWL (7/8")	25	2
10-20100	SCREW, INTERLOCK CABLE TO STARTER HOUSING (1/2")	7	20	10-25503	SCREW, ANCHOR BRACKET TO CYLINDER BLOCK (2")	35	2
10-20100	SCREW, THROTTLE ACTUATOR TO THROTTLE CONTROL SHAFT	29	4	10-25612	SCREW, DRIVE - SERIAL PLATE TO SWIVEL BRACKET	49	22
10-20189	SCREW, PLUG COVER TO BOTTOM COWL (3/4")	43	3	10-25822	SCREW, STRAINER COVER FASTENING	17	18
10-20189	SCREW, WIRING HARNESS CLAMP TO BOTTOM COWL (3/4")	25	21	10-25876	SCREW, FRONT COVER CATCH TO TOP COWL (7/8")	7	13
10-20639	SCREW, LIMIT STOP BRACKET TO CYLINDER BLOCK (1 1/8")	3	32	10-26065	SCREW, CHOKE SOLENOID TO FRONT SUPPORT BRACKET (1")	25	7
10-20639	SCREW, LIMIT STOP BRACKET TO CYLINDER BLOCK (1 1/8")	9	40	10-26065	SCREW, STARTER HOUSING TO LIMIT STOP BRACKET - REAR (1")	3	34
10-20639	SCREW, THROTTLE CONTROL BRACKET (1 1/8")	29	12	10-26065	SCREW, STARTER HOUSING TO LIMIT STOP BRACKET - REAR (1")	9	42
10-20646	SCREW, REAR SHIELD TO TOP COWL (5/8")	3	7	10-26483	BOLT, CLAMP BRACKET TO BOAT TRANSOM	49	23
10-20646	SCREW, REAR SHIELD TO TOP COWL (5/8")	7	8	10-27281	SCREW, FUEL PUMP MOUNTING (1 3/8")	33	8
10-20776	SCREW, WIRING HARNESS GROUND TO BOTTOM COWL (1/2")	25	17	10-28405	SCREW, PLUG - MAIN FUEL JET CHANNEL	17	29
10-20847	SCREW, THROTTLE STOP LEVER	17	19	10-28634	SCREW, GREASE FILLER AND VENT HOLE	53	31
10-21489	SCREW, CRANKCASE TO CYLINDER BLOCK (1 3/4")	37	16	10-29197	SCREW, GROUND WIRE TO STARTER MOTOR (5/8")	25	32
10-21489	SCREW, UPPER ANCHOR BRACKET TO CRANKCASE (1 3/4")	35	3	10-29256	SCREW, LOWER MOUNT CLAMP TO DRIVE SHAFT HOUSING (7/8")	45	39
10-21625	SCREW, STARTER SOLENOID TO FRONT SUPPORT BRACKET (3/8")	25	35	10-29722	SCREW, COVER TO LOWER CLAMP (5/8")	47	42
10-22039	SCREW, CRANKCASE TO CYLINDER BLOCK (2 3/4")	37	16	10-29942	SCREW, CRANKCASE TO CYLINDER BLOCK (2 1/4")	37	16
10-22040	SCREW, CRANKCASE TO CYLINDER BLOCK (1 1/2")	37	16	10-30009	SCREW, COVER PLATE TO BOTTOM COWL	43	25
10-22421	SCREW, EXHAUST PLATE TO BOTTOM COWL (1 1/4")	43	16	10-30225	SCREW, UPPER END CAP MOUNTING (1")	37	4
10-22486	SCREW, LATCH TO THROTTLE CONTROL LEVER (7/8")	29	30	10-30663	SCREW, IGNITION COIL LEAD CLAMP	21	32
10-22523	SCREW, LATCH BASE TO COWL FRONT COVER (3/4")	13	5	10-30663	SCREW, TRIGGER COIL LEAD TO STARTER HOUSING	31	53
10-23015	SCREW, FRONT COVER CATCH TO TOP COWL (1")	3	12	10-30663	SCREW, VENT HOSE CLAMP ATTACHING	21	21
10-23030	SCREW, BODY CHANNEL	19	36	10-30663	SCREW, WIRING HARNESS CLAMP ATTACHING	25	25
10-23178	SCREW, BODY (IDLE TUBE)	17	23	10-31163	SCREW, SUPPORT TO BOTTOM COWL	25	15
10-24228	SCREW, ADJUSTING - EXHAUST COVER (1 7/8")	37	29	10-31294	SCREW, IGNITION COIL TO FRONT SUPPORT BRACKET (1")	23	40
				10-31830	SCREW, RIDE-GUIDE KIT TO STEERING ARM (1 3/4")	49	18

PARTS INDEX

Part Number	Description	Pg.	Ref. No.	Part Number	Description	Pg.	Ref. No.
10-32228	SCREW, INTERLOCK CABLE TO EXHAUST PLATE (5/8")	7	19	10-47981	SCREW, TILT LOCK AND STOP LEVER TO SWIVEL BRACKET	51	41
10-32417	SCREW, RATCHET TO FLYWHEEL (5/8")	21	8	10-48408	SCREW, STRIP AND SEAL TO DRIVE SHAFT HOUSING (1/2")	45	10
10-33986	SCREW, UPPER MOUNT TO STEERING ARM	49	13	10-48409	SCREW, MERCURY SWITCH TO EXHAUST COVER (5/8")	37	33
10-34353	SCREW, THROTTLE CAP TO THROTTLE CONTROL SHAFT (1")	29	15	10-49318	SCREW, LOWER MOUNT (5 1/2")	45	32
10-34439	SCREW, RETAINER TO EXHAUST PLATE (3/4")	43	14	10-49987	SCREW, UPPER MOUNT COVER - FRONT (1 1/2")	45	29
10-35213	SCREW, STARTER MOTOR TO CRANKCASE (1 5/8")	25	28	10-49988	SCREW, UPPER MOUNT COVER - REAR (1 3/4")	45	28
10-35519	SCREW, NOZZLE TO BOTTOM COWL	43	7	10-52195	SCREW, FLOAT BOWL COVER (SHORT)	17	10
10-35563	SCREW, FLEXIBLE PLATE TO FLYWHEEL (9/16")	21	6	10-52196	SCREW, FLOAT BOWL COVER (LONG)	17	11
10-37558	SCREW, ANCHOR BRACKET TO CYLINDER BLOCK (1 1/4")	35	2	10-52867	SCREW, VENT COVER TO BOTTOM COWL	43	20
10-37558	SCREW, MANIFOLD COVER TO CYLINDER BLOCK (1 1/4")	37	28	10-53556	SCREW, TRANSFER PORT COVER MOUNTING	39	47
10-37562	SCREW, FRONT SUPPORT BRACKET TO BOTTOM COWL (1")	5	60	10-54803	SCREW, CONNECTING ROD	41	11
10-37562	SCREW, FRONT SUPPORT BRACKET TO BOTTOM COWL (1")	9	68	10-55181	SCREW, MAGNET HOLDER TO FLYWHEEL (1 1/8")	21	10
10-37562	SCREW, HOUSING TO CRANKCASE (1")	9	37	10-55336	SCREW, SPARK ADVANCE PLATE TO STARTER HOUSING (5/8")	31	48
10-37562	SCREW, LIMIT STOP BRACKET TO CYLINDER BLOCK (1")	3	37	10-55337	SCREW, THROTTLE CONTROL LEVER TO CYLINDER BLOCK (1 3/4")	29	23
10-37562	SCREW, LIMIT STOP BRACKET TO CYLINDER BLOCK (1")	9	45	10-55650	SCREW, SWITCH BOX TO FRONT SUPPORT BRACKET (1")	21	35
10-37562	SCREW, REAR SUPPORT BRACKET TO BOTTOM COWL (1")	5	57	10-55726	SCREW, TRIM TAB TO GEAR HOUSING	57	73
10-37562	SCREW, REAR SUPPORT BRACKET TO BOTTOM COWL (1")	9	65	10-56500	SCREW, ADAPTOR TO BOTTOM COWL (1 1/4")	33	21
10-37562	SCREW, STARTER HOUSING TO CRANKCASE (1")	3	29	10-56500	SCREW, CYLINDER BLOCK COVER MOUNTING (1 1/4")	39	36
10-37571	SCREW, TRIM COVER TO DRIVE SHAFT HOUSING	45	7	10-56787	SCREW, STATOR TO UPPER END CAP (2")	21	12
10-39620	SCREW, LATCH TO SHIFT ACTUATING SLIDE	35	7	10-57249	SCREW, TOGGLE TO STARTER HOUSING	7	28
10-45210	SCREW, PULLEY TO STARTER HOUSING (1 1/4")	3	24	10-57273	SCREW, INTERLOCK LEVER TO STARTER HOUSING	3	20
10-45210	SCREW, PULLEY TO STARTER HOUSING (1 1/4")	7	32	10-57846	SCREW, RETAINER TO CYLINDER BLOCK AND CRANKCASE (3/4")	37	20
10-45218	SCREW, GROUND WIRE TO SWITCH BOX (3/8")	21	36	10-58185	SCREW, SCREEN TO CARBURETOR (1")	15	12
10-45775	SCREW, MAIN BEARING CLAMPING	41	5	11-20083	NUT, STARTER SOLENOID TERMINAL (5/16)	27	41
				11-20102	NUT, STARTER HOUSING SCREW	3	35
				11-20102	NUT, STARTER HOUSING SCREW	9	43

PARTS INDEX

Part Number	Description	Pg.	Ref. No.	Part Number	Description	Pg.	Ref. No.
11-20110	NUT, SCREEN SCREW	15	15	11-30499	NUT, TILT TUBE	49	10
11-20166	NUT, SHEAVE SHAFT (LEFT HAND THREAD)	3	15	11-30506	NUT, BALL JOINT TO SPARK ADVANCE LEVER	29	34
11-20166	NUT, SHEAVE SHAFT (LEFT HAND THREAD)	7	16	11-31990	NUT, PROPELLER	59	77
11-20361	NUT, RUBBER MOUNT OT CYLINDER BLOCK COVER (LOWER)	9	63	11-34863	NUT, DRIVE SHAFT HOUSING TO GEAR HOUSING STUD (3/8") . . .	59	81
11-20361	NUT, RUBBER MOUNT TO CRANKCASE (LOWER) . .	5	63	11-34933	NUT, DRIVE SHAFT HOUSING TO GEAR HOUSING STUD (7/16") . .	59	79
11-20361	NUT, RUBBER MOUNT TO CRANKCASE (LOWER) . .	9	71	11-34933	NUT, GEAR HOUSING TO DRIVE SHAFT HOUSING STUDS	47	44
11-20361	NUT, RUBBER MOUNT TO CYLINDER BLOCK COVER (LOWER)	5	55	11-35045	NUT, WATER PUMP BODY AND BASE STUDS	53	26
11-20509	NUT, REMOTE STEERING BRACKET STUD	49	17	11-35521	NUT, LOWER MOUNT CLAMP COVER	47	43
11-20509	NUT, RIDE-GUIDE KIT SCREW	49	19	11-35814	NUT, TOP COWL STUD	3	5
11-20586	NUT, LATCH SCREW	29	32	11-35814	NUT, TOP COWL STUD	7	6
11-20586	NUT, RUBBER MOUNT OT REAR SUPPORT BRACKET (UPPER)	9	64	11-45076	NUT, CHOKE SOLENOID TERMINAL	25	10
11-20586	NUT, RUBBER MOUNT TO FRONT SUPPORT BRACKET (UPPER)	5	64	11-45076	NUT, RECTIFIER TERMINAL (10-32)	25	5
11-20586	NUT, RUBBER MOUNT TO FRONT SUPPORT BRACKET (UPPER)	9	72	11-45076	NUT, SWITCH BOX TERMINAL	21	38
11-20586	NUT, RUBBER MOUNT TO REAR SUPPORT BRACKET (UPPER)	5	56	11-45774	NUT, MAIN BEARING CLAMPING SCREW	41	6
11-20586	NUT, UPPER ANCHOR BRACKET SCREW	35	13	11-46793	NUT, CARBURETOR MOUNTING STUD	19	38
11-20645	NUT, STARTER SOLENOID TERMINAL (#10)	27	38	11-46793	NUT, CHOKE SOLENOID SCREW	25	8
11-20890	NUT, ADJUSTING SCREW . .	37	30	11-46793	NUT, CRANKCASE FASTENING SCREW	37	17
11-20890	NUT, CABLE TO STARTER MOTOR	25	30	11-46793	NUT, LIMIT STOP BRACKET SCREW	3	33
11-20890	NUT, JAM - ADJUSTING SCREW	29	10	11-46793	NUT, LIMIT STOP BRACKET SCREW	9	41
11-21971	NUT, STOP SWITCH TO BOTTOM COWL (MANUAL)	43	32	11-46793	NUT, THROTTLE CONTROL BRACKET SCREW	29	13
11-22339	NUT, FLYWHEEL	21	1	11-46793	NUT, TILT LOCK AND STOP LEVER SCREW	51	42
11-23161	NUT, UPPER MOUNT BOLT	45	20	11-46793	NUT, TILT LOCK AND STOP LEVER TO CLAMP BRACKET	51	46
11-24656	NUT, PULLEY SCREW	3	27	11-46793	NUT, UPPER ANCHOR BRACKET SCREW	35	4
11-24656	NUT, PULLEY SCREW	9	35	11-46886	NUT, UPPER MOUNT COVER FASTENING SCREW	45	30
11-25096	NUT, LOWER MOUNT SCREW	45	37	11-46887	NUT, ADAPTOR SCREW . . .	33	22
11-25168	NUT, JAM - LINK ROD ADJUSTING	29	35	11-46887	NUT, COVER MOUNTING SCREW	39	37
11-25168	NUT, JAM - UPPER LINK ROD ADJUSTING	29	19	11-46887	NUT, EXHAUST PLATE SCREW	43	17
11-25594	NUT, POWERHEAD STUDS .	45	15	11-46887	NUT, IGNITION COIL SCREW	23	41
11-26484	NUT, CLAMP BRACKET BOLT	49	25	11-46887	NUT, SUPPORT FASTENING SCREW	25	16
11-28202	NUT, RETAINING - SWIVEL PIN	49	39	11-49091	NUT, CONNECTING ROD SCREW	41	12
11-28770	NUT, CLAMP BRACKET STUD	49	7				

PARTS INDEX

Part Number	Description	Pg.	Ref. No.	Part Number	Description	Pg.	Ref. No.
11-60049	NUT, JAM - PUSH ROD	47	53	12-45075	WASHER, SWITCH BOX		
12-20128	WASHER, THROTTLE				TERMINAL	21	37
	ACTUATOR SCREW	29	6	12-45175	WASHER, DRIVE SHAFT		
12-20260	WASHER, GREASE FILLER				HOUSING TO GEAR		
	AND VENT HOLE SCREW	55	32		HOUSING STUD (3/8") . . .	59	80
12-20583	WASHER, LINK ROD SWIVEL	31	39	12-45176	WASHER, DRIVE SHAFT		
12-22887	WASHER, PULLEY SCREW .	3	25		HOUSING TO GEAR		
12-22887	WASHER, PULLEY SCREW .	7	33		HOUSING STUD (7/16") . .	59	78
12-25176	WASHER, SWIVEL PIN TO			12-45176	WASHER, DRIVE SHAFT		
	BOTTOM YOKE (.060) . . .	49	37		HOUSING TO GEAR		
12-26013	WASHER, INTERLOCK				HOUSING STUDS	45	5
	CABLE SCREW	7	22	12-46101	WASHER, SCREEN SCREW	15	14
12-26014	WASHER, LATCH BASE			12-47247	WASHER, NEEDLE BEARING		
	SCREW	13	7		RETAINING	41	15
12-26014	WASHER, REAR SHIELD			12-47960	WASHER, CHOKE SHUTTER		
	SCREW	3	8		CARBURETOR STUD	15	9
12-26014	WASHER, REAR SHIELD			12-49221	WASHER, GEAR HOUSING		
	SCREW	7	9		FLUSHING HOLE	55	34
12-26227	WASHER, THUMB SCREW .	49	3	12-52864	WASHER, CLAMP BRACKET		
12-26485	WASHER, CLAMP BRACKET				TO SWIVEL BRACKET . . .	49	9
	BOLT	49	24	12-52865	WASHER, SWIVEL PIN	49	20
12-26837	WASHER, SWIVEL PIN TO			12-55907	WASHER, SPLINED -		
	BOTTOM YOKE (.065) . . .	49	37		PROPELLER SHAFT	57	76
12-28008	WASHER, THROTTLE			12-56720	WASHER, TILT LOCK AND		
	CONTOL LEVER SCREW .	29	28		STOP LEVER	51	45
12-28051	WASHER, LOWER MOUNT			12-57781	WASHER, INTERLOCK		
	SCREW	45	33		LEVER SCREW	3	21
12-28053	WASHER, RUBBER - LOWER			12-57837	WASHER, WAVE WASHER		
	MOUNT SCREW	45	34		RETAINER	5	48
12-29245	WASHER, SPARK ADVANCE			12-57837	WASHER, WAVE WASHER		
	PLATE SCREW	31	49		RETAINER	9	56
12-29245	WASHER, WATER PUMP			12-58166	WASHER, RETAINER		
	BODY AND BASE STUDS	53	25		SCREW	37	21
12-30119	WASHER, LOWER MOUNT			13-20160	WASHER, WAVE -		
	SCREW	45	36		RETAINER TENSION	5	49
12-30164	WASHER, RETAINING STRIP			13-20160	WASHER, WAVE -		
	SCREW	45	11		RETAINER TENSION	9	57
12-30314	WASHER, CHOKE SHAFT . .	15	2	13-21972	LOCKWASHER, STOP		
12-30519	WASHER, UPPER MOUNT				SWITCH CONNECTOR(
	BOLT (3/8 ID)	45	21		MANUAL)	43	31
12-30520	WASHER, UPPER MOUNT			13-22773	LOCKWASHER, RECTIFIER		
	BOLT (37/64 ID)	45	23		SCREW	25	3
12-30521	WASHER, RUBBER - UPPER			13-24996	LOCKWASHER, WIRING		
	MOUNT BOLT	45	22		HARNESS GROUND		
12-31266	WASHER, RUBBER - SHIFT				SCREW	25	18
	SHAFT BUSHING	55	40	13-26992	LOCKWASHER, CABLE TO		
12-31266	WASHER, RUBBER - SHIFT				STARTER MOTOR NUT . .	25	29
	SHAFT BUSHING	55	40	13-26992	LOCKWASHER, GROUND		
12-31992	WASHER, CUPPED -				WIRE FASTENING SCREW	25	33
	THRUST HUB	57	75	13-26992	LOCKWASHER, RATCHET		
12-32004	WASHER, THRUST -				SCREW	21	9
	REVERSE GEAR	57	63	13-26992	WASHER, STARTER		
12-36281	WASHER, FLYWHEEL NUT .	21	2		SOLENOID SCREW	25	36
12-37998	WASHER, INTERLOCK			13-26993	LOCKWASHER, FRONT		
	CABLE	7	25		SUPPORT BRACKET		
12-38453	WASHER, NYLON - WATER				SCREW	5	61
	OUTLET TUBE	43	11	13-26993	LOCKWASHER, FRONT		
12-38453	WASHER, NYLON - WATER				SUPPORT BRACKET		
	PUMP BODY	53	28		SCREW	9	69

PARTS INDEX

Part Number	Description	Pg.	Ref. No.	Part Number	Description	Pg.	Ref. No.
13-26993	LOCKWASHER, LIMIT STOP BRACKET SCREW	9	46	15-55172A1	SHIM ASSEMBLY, SPARK ADVANCE PLATE	31	50
13-26993	LOCKWASHER, REAR SUPPORT BRACKET SCREW	5	58	15-55324A1	SHIM ASSEMBLY, POSITIONING PLATE	31	45
13-26993	LOCKWASHER, REAR SUPPORT BRACKET SCREW	9	66	15-60821	SHIM, TRIGGER COIL	31	--
13-26993	LOCKWASHER, STARTER HOUSING SCREW	3	30	16-21391	STUD, TOP COWL TO SUPPORT BRACKET - REAR (1 1/2")	3	3
13-26993	LOCKWASHER, STARTER HOUSING SCREW	9	38	16-21391	STUD, TOP COWL TO SUPPORT BRACKET - REAR (1 1/2")	7	4
13-26993	LOCKWASHER, STARTER SOLENOID TERMINAL (5/16)	27	40	16-21391	STUD, TOP COWL TO SUPPORT BRACKET - REAR (1 1/2")	7	4
13-26995	LOCKWASHER, FLOAT BOWL COVER SCREW	17	12	16-21553	STUD, TOP COWL TO SUPPORT BRACKET - FRONT (1 1/2")	3	4
13-26996	LOCKWASHER, CHOKE SOLENOID TERMINAL	25	9	16-21553	STUD, TOP COWL TO SUPPORT BRACKET - FRONT (1 1/2")	7	5
13-26996	LOCKWASHER, FRONT COVER CATCH SCREW	3	13	16-21553	STUD, TOP COWL TO SUPPORT BRACKET - FRONT (1 1/2")	7	5
13-26996	LOCKWASHER, FRONT COVER CATCH SCREW	7	14	16-29977	STUD, CHOKE SHUTTER PIVOT (CARBURETOR)	15	6
13-26996	LOCKWASHER, LATCH BASE SCREW	13	6	16-29988	STUD, CRANKCASE TO DRIVE SHAFT HOUSING (1 9/16")	37	7
13-26996	LOCKWASHER, RECTIFIER TERMINAL (#10)	25	4	16-29989	STUD, CYLINDER BLOCK TO DRIVE SHAFT HOUSING (1 15/16") - ST	37	14
13-26996	LOCKWASHER, STARTER SOLENOID TERMINAL (#10)	25	37	16-29990	STUD, CYLINDER BLOCK TO DRIVE SHAFT HOUSING (3 7/16")	37	13
13-26996	LOCKWASHER, THROTTLE ACTUATOR SCREW	29	5	16-35099	STUD, CARBURETOR MOUNTING (1 3/16")	37	6
13-27660	LOCKWASHER, INTERLOCK CABLE SCREW	7	21	16-37986	STUD, CYLINDER BLOCK TO DRIVE SHAFT HOUSING (2 5/16") - POR	37	15
13-27969	LOCKWASHER, THROTTLE CAP SCREW	29	16	16-39781	STUD, REMOTE STEERING BRACKET TO STEERING ARM	49	16
13-29720	WAVE WASHER, LINK ROD SWIVEL	31	38	16-57932	STUD, DRIVE SHAFT HOUSING TO GEAR HOUSING (1 3/4")	45	2
13-30809	WASHER, WAVE - DISTRIBUTOR ROTOR	21	14	16-57933	STUD, GEAR HOUSING TO DRIVE SHAFT HOUSING	53	5
13-34632	WASHER, WAVE - TILT LOCK AND STOP LEVER	51	44	16-57934	STUD, WATER PUMP BODY AND BSE TO GEAR HOUSING	53	4
13-36206	WASHER, WAVE - STARTER PAWL	5	44	16-57935	STUD, DRIVE SHAFT HOUSING TO GEAR HOUSING (3")	45	3
13-36206	WASHER, WAVE - STARTER PAWL	9	52	16-59625	STUD, CLAMP BRACKET	49	6
13-58308	LOCKWASHER, STATOR SCREW	21	13	17-20032	DOWEL PIN, MAIN BEARING	41	4
14-20165	TAB WASHER, SHEAVE SHAFT NUT	3	14	17-20323	DOWEL PIN, CYLINDER BLOCK TO MAIN BEARING	37	10
14-20165	TAB WASHER, SHEAVE SHAFT NUT	7	15	17-21438	PIN, DOWEL - GEAR HOUSING	53	3
14-53012	TAB WASHER, GEAR HOUSING COVER	57	70				
15-20927A1	SHIM, THRUST WASHER TO GEAR HOUSING (.002-3-5-10)	57	62				
15-20929A1	SHIM, BEARING TO GEAR HOUSING (.002-3-5-10)	55	47				

PARTS INDEX

Part Number	Description	Pg.	Ref. No.	Part Number	Description	Pg.	Ref. No.
17-24887	PIN, REVERSE LOCK LEVER	47	47	23-23651	SLEEVE, RUBBER - WATER		
17-25598	ROLL PIN, REVERSE LOCK				OUTLET TUBE	45	13
	SPRING ATTACHING	49	28	23-26602	BUSHING, NYLON -		
17-30545	PIN, DRIVE SHAFT	55	45		THROTTLE CONTROL		
17-35973	DOWEL PIN, WATER PUMP				SHAFT	29	3
	BASE TO WATER PUMP			23-26856	BUSHING, TOGGLE SCREW	7	29
	BODY	53	16	23-28912	BUSHING, SPRING GUIDE .	3	41
17-38113	PIN, CROSS - RATCHET TO			23-28912	BUSHING, SPRING GUIDE .	9	49
	PROPELLER SHAFT	57	58	23-28919	BUSHING, NYLON - SHEAVE		
17-39599	PIN, PIVOT - COWL FRONT				SHAFT SPACER	5	45
	COVER LATCH HOOK . . .	13	8	23-28919	BUSHING, NYLON - SHEAVE		
17-47175	PIN, LOCKING LEVER AND				SHAFT SPACER	9	53
	COVER FASTENING	35	18	23-30977	SPACER, PULLEY SCREW .	3	26
17-49930A1	TILT LOCK PIN ASSEMBLY .	49	4	23-30977	SPACER, PULLEY SCREW .	7	34
17-54146	PIN, TRIGGER COIL			23-35560	SPACER, SHEAVE SHAFT .	5	46
	RETAINING	31	42	23-35560	SPACER, SHEAVE SHAFT .	9	54
17-57211	DOWEL PIN, RETAINER TO			23-39524	BUSHING, NYLON -		
	CYLINDER BLOCK	37	8		THROTTLE CONTROL		
17-59719	PIN, REVERSE LOCK LEVER	47	55		SHAFT	29	7
18-21071	COTTER PIN, LINK ROD			23-47911	BUSHING, TILT LOCK AND		
	SWIVEL	31	40		STOP LEVER	51	43
18-25191	COTTER PIN, PUSH ROD TO			23-52709	SLEEVE, LUBRICATION -		
	REVERSE LOCK	47	50		DRIVE SHAFT	55	46
18-25191	COTTER PIN, PUSH ROD TO			23-55164	BUSHING, THROTTLE		
	REVERSE LOCK	47	56		CONTROL LEVER SCREW	29	24
18-26953	COTTER PIN, INTERLOCK			23-55171	BUSHING, THROTTLE		
	CABLE TO SLIDING CAM	7	26		CONTROL LEVER SCREW	29	25
18-45882	COTTER PIN, REVERSE			23-55419A1	BUSHING ASSEMBLY, SHIFT		
	LOCK TO SHAFT	49	31		SHAFT	55	38
19-32297	PLUG, PLASTIC - WATER			23-56640A2	BUSHING ASSEMBLY, SHIFT		
	PICK-UP HOLE	45	4		SHAFT	55	38
19-35827	PLUG, BOTTOM COWL	25	12	23-59623	SPACER, CLAMP BRACKET		
19-48750	PLUG, GEAR HOUSING				STUD	49	5
	FLUSHING HOLE	55	33	24-20099	SPRING, COMPRESSION -		
21-30430A3	CHECK VALVE ASSEMBLY .	33	2		LATCH SCREW	29	31
21-55621A2	CONNECTOR ASS'Y, BLEED			24-20254	SPRING, COMPRESSION -		
	HOSE (LOWER) -SEE				DRIVE SHAFT	55	44
	NOTE 1	39	40	24-23067	SPRING, ADAPTOR STEM .	33	19
21-56011A1	CHECK VALVE ASSEMBLY			24-25122	SPRING, TENSION - PUSH		
	-SEE NOTE 1	39	41		ROD	47	48
22-23612	FITTING, GREASE - SWIVEL			24-26068	SPRING, RETAINER PLATE		
	BRACKET	49	35		TO STARTER SHEAVE . .	5	51
22-25885	ELBOW, TELL TALE HOSE			24-26068	SPRING, RETAINER PLATE		
	TO EXHAUST COVER . . .	43	5		TO STARTER SHEAVE . .	9	59
22-25885	ELBOW, VENT HOSE TO			24-27087	SPRING, COMPRESSION -		
	DISTRIBUTOR BODY	21	17		LATCH SCREW	35	8
22-29085	FITTING, FUEL LINE TO			24-28975	SPRING, GARTER -		
	CARBURETOR (45)	33	11		INTERNAL WIRING		
22-30174	ELBOW, PUMP INLET TO				HARNES	25	22
	FUEL LINE (90)	33	12	24-29821	SPRING, REVERSE LOCK		
22-30175	SLEEVE, RUBBER - ELBOW	33	13		TENSION	49	30
22-30177	NUT, ELBOW TO FUEL LINE	33	14	24-30858A1	SPRING AND CONTACT		
22-31521	ELBOW, VENT HOSE TO				ASSEMBLY (MANUAL) . . .	43	28
	BOTTOM COWL	21	19	24-35522	SPRING, TENSION - LOWER		
22-32802	PLUG, PIPE - CYLINDER				MOUNT CLAMP	47	40
	BLOCK COVER	39	39	24-37911	SPRING, COMPRESSION -		
22-32802	PLUG, PIPE - FUEL PUMP . .	33	9		FRONT COVER RELEASE		
22-52644	PLUG, GREASE - REVERSE				BUTTON	3	10
	LOCK HOLE	47	45				

PARTS INDEX

Part Number	Description	Pg.	Ref. No.	Part Number	Description	Pg.	Ref. No.
24-38114	SPRING, RETAINING - CROSS PIN	57	59	26-31249	OIL SEAL, SHIFT SHAFT BUSHING (UPPER)	55	39
24-39502A1	SPRING, STARTER REWIND	3	40	26-32121	OIL SEAL, WATER PUMP BODY	53	24
24-39502A1	SPRING, STARTER REWIND	9	48	26-32911	OIL SEAL, SWIVEL BRACKET	49	34
24-39598	SPRING, TORSION - COWL FRONT COVER LATCH HOOK	13	10	26-38452	SEAL, RUBBER - WATER INLET TUBE (WATER PUMP BODY)	53	27
24-39845	SPRING, COMPRESSION - CAM FOLLOWER	57	52	26-38452	SEAL, RUBBER - WATER OUTLET TUBE	43	12
24-47968	SPRING, COMPRESSION - CHOKE SHAFT	15	3	26-56788	OIL SEAL, BEARING CARRIER	57	68
24-54363	SPRING, SPARK ADVANCE	31	41	26-57847	STAT-O-SEAL, RETAINER SCREW	37	22
24-55162	SPRING, RETURN - SPARK ADVANCE LEVER	29	26	27-32769	GASKET, LOWER - WATE PUMP BASE TO FACE PLATE	53	17
24-55163	SPRING, TENSION - CHOKE SHUTTER	15	8	27-32770	GASKET, UPPER - FACE PLATE TO WATER PUMP BODY	53	19
24-57248	SPRING, SLIDING CAM	7	24	27-32771	GASKET, WATER PUMP BASE TO GEAR HOUSING	53	11
24-57272	SPRING, INTERLOCK LEVER	3	22	27-37976	GASKET, POWERHEAD TO EXHAUST EXTENSION PLATE	43	8
24-57279	SPRING, TOGGLE SCREW	7	30	27-38501	GASKET, EXHAUST PLATE TO DRIVE SHAFT HOUSING	43	15
24-57818	SPRING, TENSION - SCREEN SCREW	15	13	27-38501	GASKET, EXHAUST PLATE TO DRIVE SHAFT HOUSING	45	18
24-59375A1	SPRING ASSEMBLY, SPARK ADVANCE	31	41 AND	27-48164	GASKET, CARBURETOR FLANGE	19	37
24-60820A1	SPRING ASSEMBLY, SPARK ADVANCE	31	41 AND	27-55158	GASKET, SEALING - CYLINDER BLOCK	37	11
25-20273	RING, RUBBER - CENTRIFUGAL SLINGER (DRIVE SHAFT)	53	29	27-55279	GASKET, TRANSFER PORT COVER	39	46
25-20415	"O" RING, ADAPTOR STEM	33	18	27-55306	GASKET, CYLINDER BLOCK TO BAFFLE PLATE	37	24
25-25439	"O" RING, SHIFT SHAFT BUSHING	55	37	27-55306A1	GASKET SET (MERC 400)	1	-
25-26855	"O" RING, WATER PUMP BASE	53	12	27-55307	GASKET, CYLINDER BLOCK COVER	39	35
25-29619	"O" RING, UPPER - DRIVE SHAFT	53	30	27-55308	GASKET, BAFFLE PLATE TO EXHAUST COVER	37	26
25-31986	"O" RING, BEARING CARRIER	57	65	28-30281	KEY, LOCATING - BEARING CARRIER	57	69
25-37340	"O" RING, FLYWHEEL HUB	21	3	28-45554	KEY, FLYWHEEL DRIVE	21	4
25-39597	GROMMET, LIMIT STOP BRACKET	3	36	28-56662	KEY, IMPELLER DRIVE	53	21
25-39597	GROMMET, LIMIT STOP BRACKET	9	44	29-47270	BEARING, NEEDLE - PISTON PIN	41	14
25-39597	GROMMET, STARTER HOUSING	3	16	30-20839	BEARING, BALL - REVERSE GEAR	57	64
25-39597	GROMMET, STARTER HOUSING	7	17	30-32117	BALL BEARING, CRANKSHAFT (UPPER)	41	2
25-47254	"O" RING, UPPER END CAP	37	2	30-53853	BALL BEARING, RETAINER (CRANKSHAFT) - LOWER	37	19
25-56474	INSULATOR, SPARK PLUG LEAD	21	27	31-20231	BEARING, ROLLER - DRIVE SHAFT	53	6
26-23300	OIL SEAL, WATER PUMP BASE	53	15				
26-24590	OIL SEAL, SHIFT SHAFT BUSHING (LOWER)	55	39				
26-26782	OIL SEAL, WATER PUMP BASE	53	14				
26-29476	OIL SEAL, CYLINDER BLOCK (LOWER)	37	23				
26-29476	OIL SEAL, UPPER END CAP	37	3				
26-31249	OIL SEAL, SHIFT SHAFT BUSHING	55	39				

PARTS INDEX

Part Number	Description	Pg.	Ref. No.	Part Number	Description	Pg.	Ref. No.
31-21739	BEARING, ROLLER - FORWARD GEAR	57	55	50-39838	RATCHET, FLYWHEEL	21	7
31-38146A1	ROLLER BEARING ASSEMBLY, TAPERED - DRIVE SHAFT-SEE NOTE BE	55	48	50-55601	STARTER MOTOR ASSEMBLY	25	27
31-38356A1	TAPERED ROLLER BEARING ASSEMBLY	57	54	50-55601A1	ELECTRIC STARTER KIT	1	-
31-58859A1	BEARING ASSEMBLY, CRANKPIN	41	13	50-57094	STARTER SHEAVE ASSEMBLY	3	42
32-34395A1	HOSE, TELL TALE - COWL TO EXHAUST COVER (12")	43	4	50-57094	STARTER SHEAVE ASSEMBLY	9	50
32-34395A1	HOSE, VENT - DISTRIBUTOR (16 1/2")	21	18	52-47586	RATCHET, SLIDING CLUTCH	57	57
32-37727	TUBE, WATER OUTLET (SHORT SHAFT)	45	12	53-21058	RING, SNAP - TRIGGER COIL RETAINING PIN	31	44
32-45679	TUBE, WATER OUTLET (LONG SHAFT)	45	12	53-29641	CLIP, RETAINING - SHIFT SHAFT	55	36
32-52742A1	HOSE, CYLINDER BLEED (16 1/2") -SEE NOTE 1	39	42	53-30428	FASTENER, PLUG TO BOTTOM COWL	25	13
32-55828A1	FUEL LINE, FUEL PUMP TO CARBURETOR (13 3/4")	33	10	53-58656	RING, RETAINING - ROPE GUIDE INSERT	7	3
32-56367	FUEL LINE, FUEL PUMP TO ADAPTOR	33	15	54-20387	CLAMP, BLEED HOSE -SEE NOTE 1	39	43
33-57451	SPARK PLUG (AD #V-40FFM)	21	24	54-22627	CLAMP, IGNITION COIL LEAD ATTACHING	21	31
33-61976	SPARK PLUG (AC #M-40FF)-SEE NOTE BELOW	21	24	54-22740	CLAMP, WIRING HARNESS (3/8")	25	24
34-56007A1	REED SET, MAIN BEARING (MATCHED)	41	7	54-22875	CLAMP, VENT HOSE	21	20
34-56008	REED STOP, MAIN BEARING REED VALVES	41	8	54-24836	CLAMP, TRIGGER COIL LEAD	31	52
35-57819	SCREEN, CARBURETOR	15	11	54-26550	CLAMP, WIRING HARNESS (5/16")	25	24
37-56813A1	DECAL SET (MERC 400)	1	-	54-52876	CLAMP, WIRING HARNESS ATTACHING	25	20
37-56813A2	DECAL SET (MERC 400)	1	-	54-57302	CLAMP, SPARK PLUG LEAD ATTACHING	21	28
38-56267	SERIAL PLATE	49	21	90-56971	MERC 400 PARTS LIST	1	-
39-45155A12	RING, PISTON	41	18	92-25234--1	GLUE, ADHESIVE - BLANKET FASTENING	13	--
39-45204A12	RING, PISTON (.015 OVERSIZE)	41	-	235-3877A2	FLYWHEEL ASSEMBLY	21	5
40-52035	LOCK RING, PISTON PIN	41	17	332-2854	BOOT, LEAD TO IGNITION COIL	21	30
43-55607	GEAR, PINION - DRIVE SHAFT	53	9	332-4075A1	IGNITION COIL ASSEMBLY, COMPLETE	23	39
43-55608	FORWARD GEAR ASSEMBLY	57	56	332-4172A1	SWITCH BOX ASSEMBLY, COMPLETE	21	34
43-55609	REVERSE GEAR ASSEMBLY	57	61	332-4315A1	TRIGGER COIL ASSEMBLY	31	51
44-55911	SHAFT, PROPELLER	57	60	332-4608A2	TRIGGER COIL ASSEMBLY	31	51
45-57359A1	DRIVE SHAFT ASSEMBLY (LONG SHAFT)	55	43	393-3295A2	LEAD ASSEMBLY, IGNITION COIL	21	29
45-57360A1	DRIVE SHAFT ASSEMBLY (SHORT SHAFT)	55	43	393-4560	BODY, DISTRIBUTOR	21	16
46-48745A1	WATER PUMP BASE ASSEMBLY	53	13	393-4665	ROTOR, DISTRIBUTOR	21	15
46-48746A1	WATER PUMP BODY ASSEMBLY	53	22	398-4423	STATOR, IGNITION (MANUAL)	21	11
46-48746A2	HEAVY DUTY WATER PUMP KIT	1	-	398-4424	STATOR, ALTERNATOR (ELECTRIC)	21	11
47-20268	IMPELLER, WATER PUMP	53	20	444-3875A2	CRANKSHAFT ASSEMBLY	41	1
50-28985A1	STARTER CABLE ASSEMBLY	5	65	540-3943A1	MAIN BEARING ASSEMBLY, VALVE TYPE	41	3
50-28985A1	STARTER CABLE ASSEMBLY	9	73	622-3666A6	CONNECTING ROD ASSEMBLY	41	10
				745-3560A2	PISTON AND PISTON PIN ASSEMBLY	41	16

PARTS INDEX

Part Number	Description	Pg.	Ref. No.	Part Number	Description	Pg.	Ref. No.
745-4508A2	PISTON AND PISTON PIN ASSEMBLY	41	16	1554-4004A2	DRIVE SHAFT HOUSING ASSEMBLY (SHORT SHAFT)	45	1
745-4513A1	PISTON AND PISTON PIN ASSEMBLY(.015 OVERSIZE)	41	-	1564-4003A2	DRIVE SHAFT HOUSING ASSEMBLY (LONG SHAFT)	45	1
851-3870A6	CYLINDER BLOCK AND CRANKCASE ASSEMBLY	37	5	1626-3927A4	GEAR HOUSING ASSEMBLY, COMPLETE (SHORT SHAFT)	57	-
1024-3869	COVER, CYLINDER BLOCK	37	34	1626-3927A4	GEAR HOUSING ASSEMBLY, COMPLETE (SHORT SHAFT)SEE NOTE BELO	53	-
1139-3867A1	END CAP ASSEMBLY, UPPER	37	1	1626-3927A5	GEAR HOUSING ASSEMBLY, COMPLETE (LONG SHAFT)	57	-
1139-4453A1	END CAP ASSEMBLY, UPPER	37	1	1626-3927A5	GEAR HOUSING ASSEMBLY, COMPLETE (LONG SHAFT)SEE NOTE BELOW	53	-
1352-3967	CARBURETOR ASSEMBLY -SEE PAGE 7 FOR BREAKDOWN	15	5	1626-3927A6	GEAR HOUSING ASSEMBLY	53	1
1352-3967	CARBURETOR ASSEMBLY, COMPLETE (KD-5A)	17	1	1626-3927A6	GEAR HOUSING ASSEMBLY	57	1
1352-4511A1	CARBURETOR ASSEMBLY, COMPLETE (WMK-1)	17	1	1626-4005A4	GEAR HOUSING ASSEMBLY, COMPLETE (SHORT SHAFT) SERIAL #29796	57	-
1352-4511A1	CARBURETOR ASSEMBLY-SEE PAGE 7 FOR BREAKDOWN	15	5	1626-4005A4	GEAR HOUSING ASSEMBLY, COMPLETE (SHORT SHAFT) SEE NOTE BELOW	53	-
1395-4540	SCREW, BODY (IDLE TUBE)	17	23	1626-4005A5	GEAR HOUSING ASSEMBLY, COMPLETE (LONG SHAFT)	57	-
1395-4541	SCREW, PLUG - MAIN FUEL JET CHANNEL	17	29	1626-4005A5	GEAR HOUSING ASSEMBLY, COMPLETE (LONG SHAFT)SEE NOTE BELOW	53	-
1395-4542	SCREW, PLUG - MAIN NOZZLE	19	33	1626-4005A6	GEAR HOUSING ASSEMBLY	57	1
1395-4543	SCREW, BODY CHANNEL	19	36	2135-2682A8	COWL FRONT COVER ASSEMBLY	13	1
1395-4555	INLET NEEDLE, SEAT AND GASKET	17	6	2137-3878A3	WRAP AROUND COWL ASSEMBLY	13	11
1395-4556	REPAIR PARTS KIT (1 PER CARBURETOR)	19	--	2138-3879A2	TOP COWL ASSEMBLY	3	1
1399-110A1	FLOAT ASSEMBLY	17	2	2138-3879A2	TOP COWL ASSEMBLY	7	1
1399-1133	COVER, FLOAT BOWL	17	9	2138-4413A2	TOP COWL ASSEMBLY	7	1
1399-1473	INLET NEEDLE, SEAT AND GASKET	17	6	2139-3882	BOTTOM COWL	43	1
1399-2371	COVER, STRAINER	17	16	2140-3883	HOUSING, STARTER	3	28
1399-3515	SCREW, IDLE ADJUSTMENT	17	28	2140-4415	HOUSING, STARTER	9	36
1399-3519	JET, MAIN FUEL (.080)	17	31				
1399-3520	JET, MAIN FUEL (.0785) - STANDARD	17	31				
1399-3522	SCREW, PLUG - MAIN NOZZLE	19	33				
1399-3523	GASKET AND PACKING SET (1 PER CARBURETOR)	19	--				
1399-3527	SHAFT, THROTTLE	17	21				
1399-3528	SHUTTER, THROTTLE	17	26				
1399-3794	JET, MAIN FUEL (.074)	17	31				
1399-3796	JET, MAIN FUEL (.076)	17	31				
1399-3938	SCREEN, FILTER	17	14				
1399-4219	REPAIR PARTS KIT (1 PER CARBURETOR)	19	--				
1399-4559	COVER, FLOAT BOWL	17	9				
1427-3263A1	CLAMP BRACKET ASSEMBLY	49	1				
1455-4514A1	SWIVEL BRACKET ASSEMBLY (SHORT SHAFT)	49	33				