



PARTS CATALOG

215 ENGINE

SERIAL NUMBER

215 (4 BBL.) FORD 302 V-8 1970-1972	2781153 THRU 3395720
215 MIE FORD 302 V-8 1970-1972	2781153 THRU 3563181

TABLE OF CONTENTS:

CARBURETOR ASSEMBLY	22
CRANKSHAFT, PISTON AND CONNECTING ROD	48
CYLINDER BLOCK, CYLINDER HEAD AND OIL PAN	42
DISTRIBUTOR ASSEMBLY, COMPLETE(AUTOLITE)	10
DISTRIBUTOR ASSEMBLY, COMPLETE(MALLORY)	14
ENGINE MOUNTING	34
EXHAUST MANIFOLD AND EXHAUST ELBOW	28
FLYWHEEL HOUSING AND CLUTCH PLATE	62
FLYWHEEL HOUSING AND OIL COOLER	32
FUEL PUMP, FUEL FILTER AND CARBURETOR	18
PARTS INDEX	74
POWER STEERING COMPONENTS	68
POWER STEERING COMPONENTS(WITH HOSES)	70
REVERSE LOCK VALVE ASSEMBLY AND SHIFT LEVER	58
ROCKER COVER, CAMSHAFT AND VALVES	40
SHIFT ACTUATOR ASSEMBLY	60
STARTER MOTOR AND ALTERNATOR	2
TRANSMISSION AND ENGINE MOUNTING	66
TRANSMISSION ASSEMBLY (INBOARD)	54
TRANSMISSION ASSEMBLY (STERN DRIVE)	52
WATER DISTRIBUTION HOSES	72
WATER PUMP ASSEMBLY, COMPLETE	36
WIRING HARNESS, CIRCUIT BREAKER AND STARTER SOLENOID	6

NOTE: Indented description indicate that these parts are included in preceeding assembly.

AR = As Required

NSS = Not Sold Separate

OPT = Optional

NS = Not Shown

THESE PARTS BOOKS/FICHE CARD ARE COPYRIGHTED AND MAY NOT BE DISTRIBUTED OR REPRODUCED IN ANY OTHER FORMAT BY ANYONE OTHER THAN MERCURY MARINE WITHOUT THE PRIOR WRITTEN CONSENT OF MERCURY MARINE.

REPLACEMENT PARTS ! WARNING !

Electrical, ignition and fuel system components on MerCruiser Engines and Stern Drives are designed and manufactured to comply with U.S. Coast Guard Rules and Regulations to minimize risks of fire or explosion. Use of replacement electrical, ignition or fuel system components, which do not comply to these rules and regulations, could result in a fire or explosion hazard and should be voided.

When servicing the electrical, ignition and fuel systems, it is extremely important that all components are properly installed and tightened. If not, any electrical or ignition component opening would permit sparks to ignite fuel vapors from fuel system leaks, if they existed.

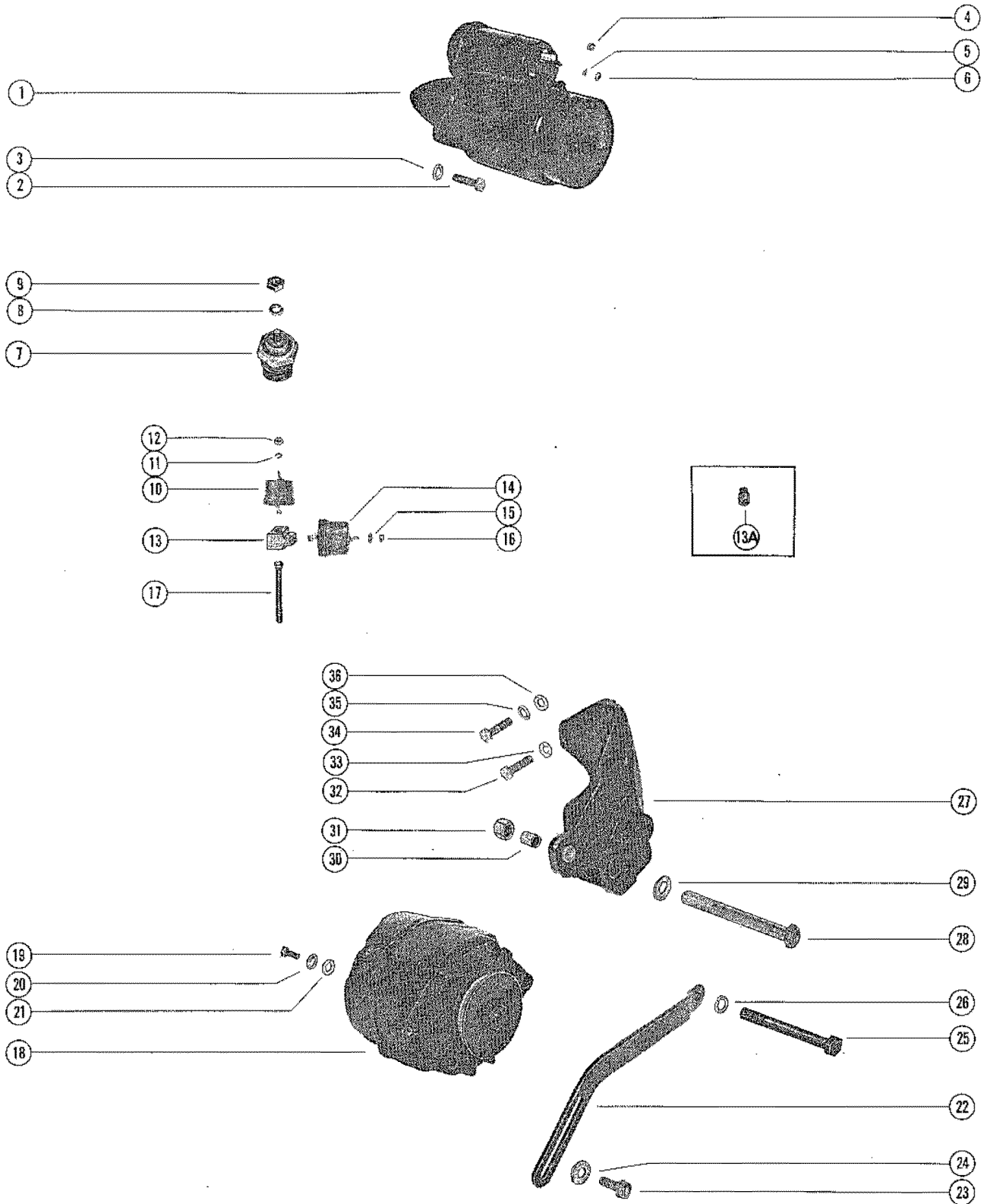
ENGINE MECHANICAL COMPONENTS

Many of the engine mechanical components are designed for marine applications. Unlike automotive engines, marine engines are subjected to extended periods of heavy load and wide- open-throttle operation, therefore, require heavy-duty components. Special marine engine parts have design and manufacturing specifications, which are required to provide long life and dependable performance. Marine engine parts also must be able to resist the corrosive action of salt or brackish water that will rust or corrode standard automotive parts within a short period of time.

Failure to use recommended Mercury Precision Parts OR Quicksilver service replacement parts can result in poor engine performance and/or durability, rapid corrosion of parts subjected to salt water and possibly complete failure of the engine.

Use of parts other than recommended service replacement parts will void the warranty on those parts which are damaged as a result of the use of other than recommended parts.

STARTER MOTOR AND ALTERNATOR

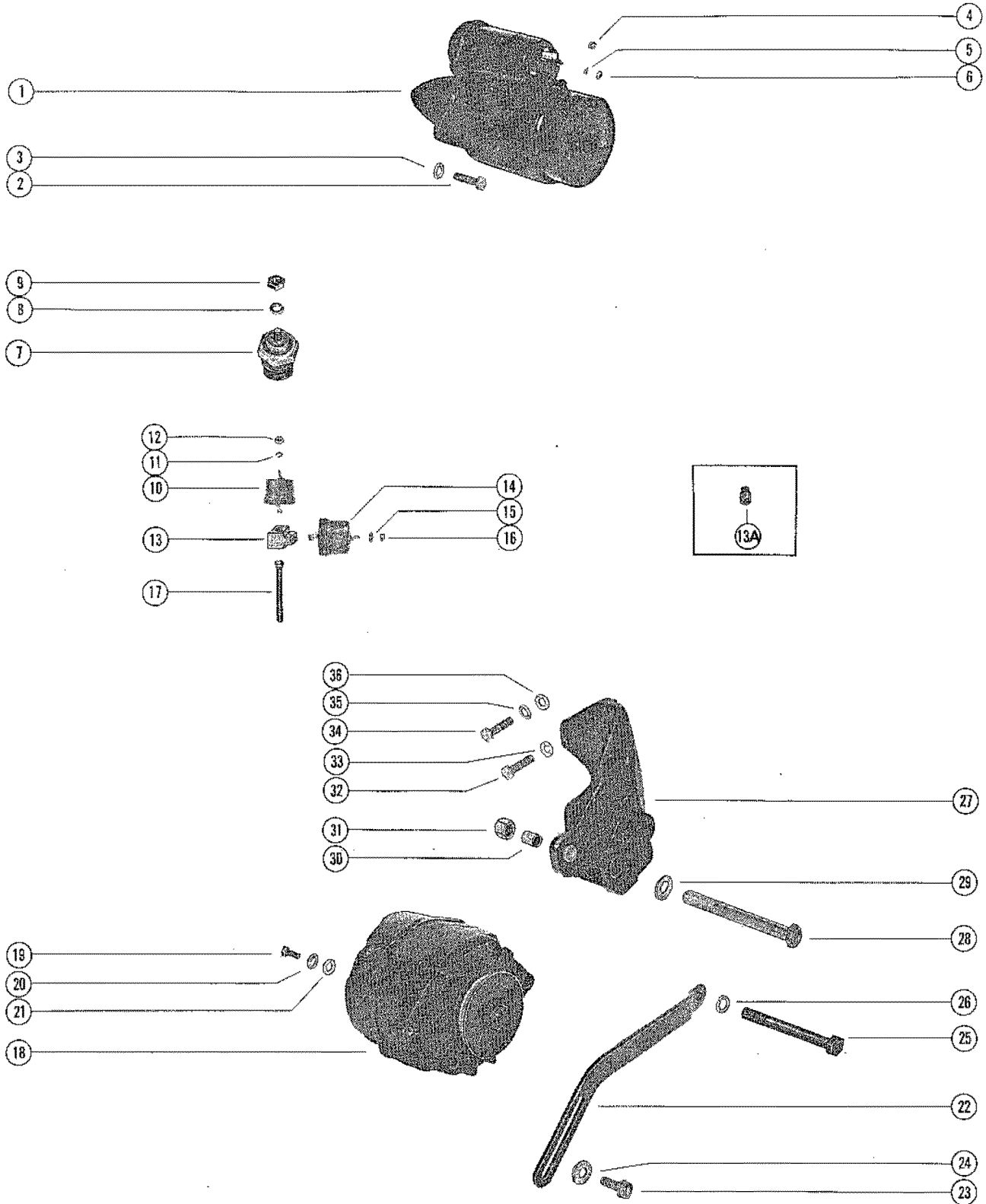


STARTER MOTOR AND ALTERNATOR

REF. NO.	PART NO.	SYM.	QTY.	DESCRIPTION
1	50-47455		1	STARTER MOTOR ASSEMBLY (STANDARD ROTATION) HYDRAULIC SHIFT AND INBOARD SEE NOTE
	50-47454		1	STARTER MOTOR ASSEMBLY (OPPOSITE ROTATION) HYDRAULIC SHIFT AND INBOARD SEE NOTE
	50-56886		1	STARTER MOTOR ASSEMBLY (STANDARD ROTATION) ELECTRIC SHIFT SEE NOTE
2	10-47462		2	SCREW, STARTER MOTOR TO CYLINDER BLOCK (1 1/4") HYDRAULIC SHIFT AND INBOARD
3	13-32993		2	LOCKWASHER, STARTER MOTOR SCREW HYDRAULIC SHIFT AND INBOARD
4	11-28517		1	NUT, STARTER TERMINAL (3/8") HYDRAULIC SHIFT AND INBOARD
5	13-26995		1	LOCKWASHER, STARTER TERMINAL (#8) HYDRAULIC SHIFT AND INBOARD
6	11-26419		1	NUT, STARTER TERMINAL (#8) HYDRAULIC SHIFT AND INBOARD
2	10-26632		2	SCREW, STARTER MOTOR TO CYLINDER BLOCK ELECTRIC SHIFT
3	13-37459		2	LOCKWASHER, STARTER MOTOR SCREW ELECTRIC SHIFT
5	13-26993		1	LOCKWASHER, STARTER MOTOR TERMINAL ELECTRIC SHIFT
6	11-21908		1	NUT, STARTER MOTOR TERMINAL ELECTRIC SHIFT
7	36525		1	WATER TEMPERATURE SENDER ASSEMBLY
8	13-26996		1	LOCKWASHER, WATER TEMPERATURE SENDER TERMINAL (#10)
9	11-20645		1	NUT, WATER TEMPERATURE SENDER TERMINAL (#10)
10	34623		1	OIL PRESSURE SENDER ASSEMBLY
11	13-26996		1	LOCKWASHER, OIL PRESSURE SENDER TERMINAL (#10)
12	11-20645		1	NUT, OIL PRESSURE SENDER TERMINAL (#10)
13A	22-56770		1	COUPLING, OIL PRESSURE SENDER (REDUCER) SERIAL 00000000-03085036
13	22-64485		1	COUPLING, OIL PRESSURE SENDER SERIAL #AND UP SERIAL 03258182-09999999
14	38559		1	SWITCH, OIL PRESSURE (FOR IGNITION LIGHT) SERIAL 03258182-09999999
15	12-20878		1	WASHER, OIL PRESSURE SWITCH SERIAL 03258182-09999999
16	11-20645		1	NUT, OIL PRESSURE SWITCH SERIAL 03258182-09999999
17	22-54522		1	NIPPLE, OIL PRESSURE SENDER
18	59755		1	ALTERNATOR ASSEMBLY
19	10-20055		1	SCREW, WIRING HARNESS TO ALTERNATOR (3/8")
20	13-26996		1	LOCKWASHER, WIRING HARNESS SCREW
21	12-30164		1	WASHER, WIRING HARNESS SCREW
22	54479		1	BRACE, ALTERNATOR ADJUSTING
23	10-29198		1	SCREW, ALTERNATOR BRACE TO ALTERNATOR (7/8")
24	12-26168		1	WASHER, ALTERNATOR BRACE SCREW
25	10-55300		1	SCREW, ALTERNATOR BRACE TO CYLINDER BLOCK (5 1/4")

CONTINUED ON NEXT PAGE ➡

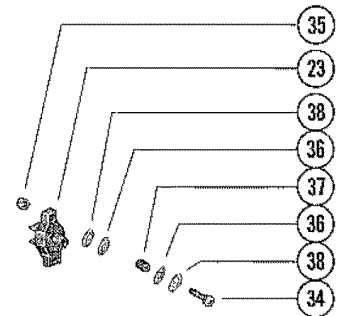
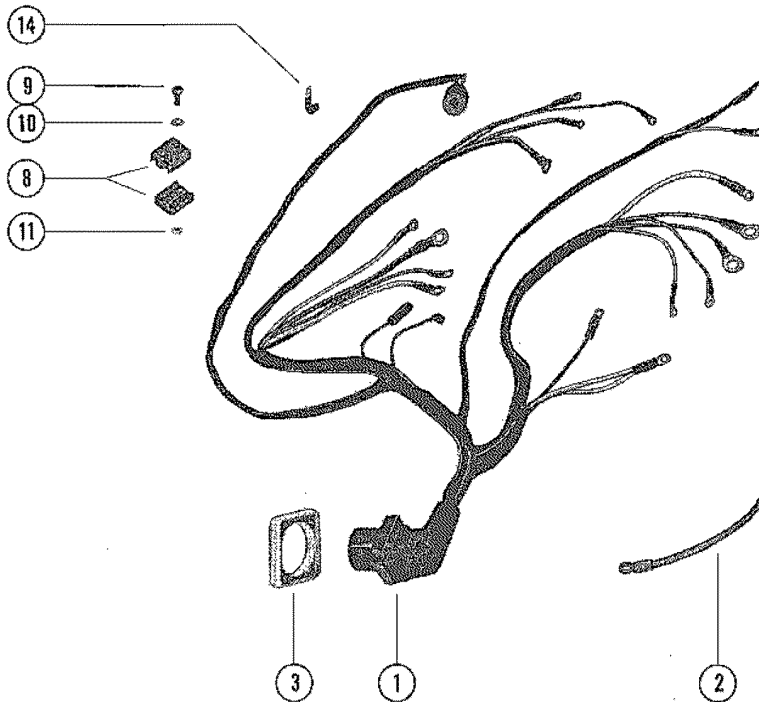
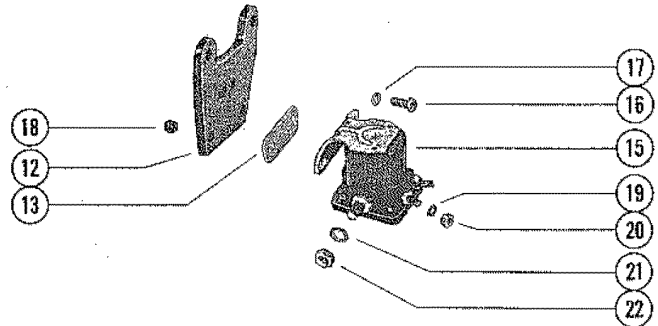
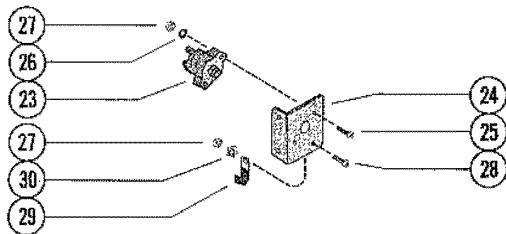
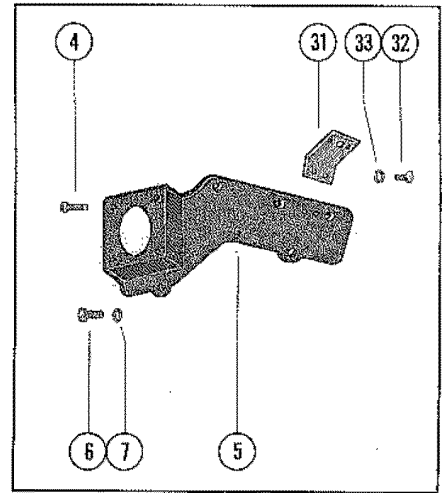
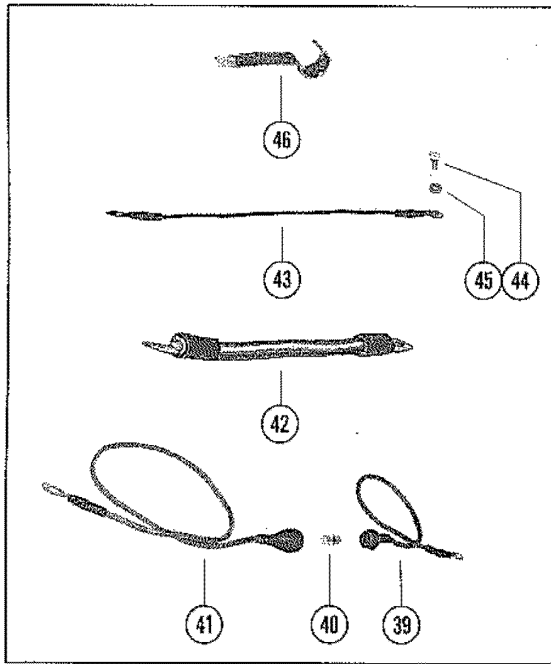
STARTER MOTOR AND ALTERNATOR



STARTER MOTOR AND ALTERNATOR

REF. NO.	PART NO.	SYM.	QTY.	DESCRIPTION
26	13-39107		1	LOCKWASHER, ALTERNATOR MOUNTING
27	54464		1	BRACKET, ALTERNATOR MOUNTING
28	10-48308		1	SCREW, ALTERNATOR TO ALTERNATOR BRACKET (3 3/4")
29	12-20553		1	WASHER, ALTERNATOR BRACKET SCREW
30	23-33186		1	BUSHING, ALTERNATOR BRACKET SCREW
31	11-23161		1	NUT, ALTERNATOR BRACKET SCREW
32	10-47462		1	SCREW, ALTERNATOR BRACKET TO CYLINGDER BLOCK (1 1/4")
33	13-32993		1	LOCKWASHER, ALTERNATOR BRACKET SCREW
34	10-37612		2	SCREW, ALTERNATOR BRACKET TO TIMING COVER (1 1/4")
35	13-37459		2	LOCKWASHER, ALTERNATOR BRACKET SCREW
36	12-38344		2	WASHER, ALTERNATOR BRACKET SCREW (SHIM)

WIRING HARNESS, CIRCUIT BREAKER AND STARTER SOLENOID

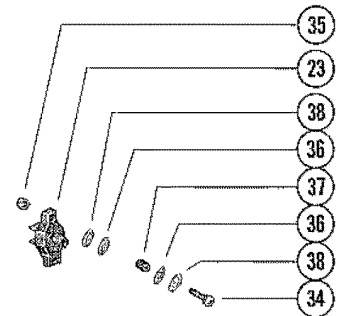
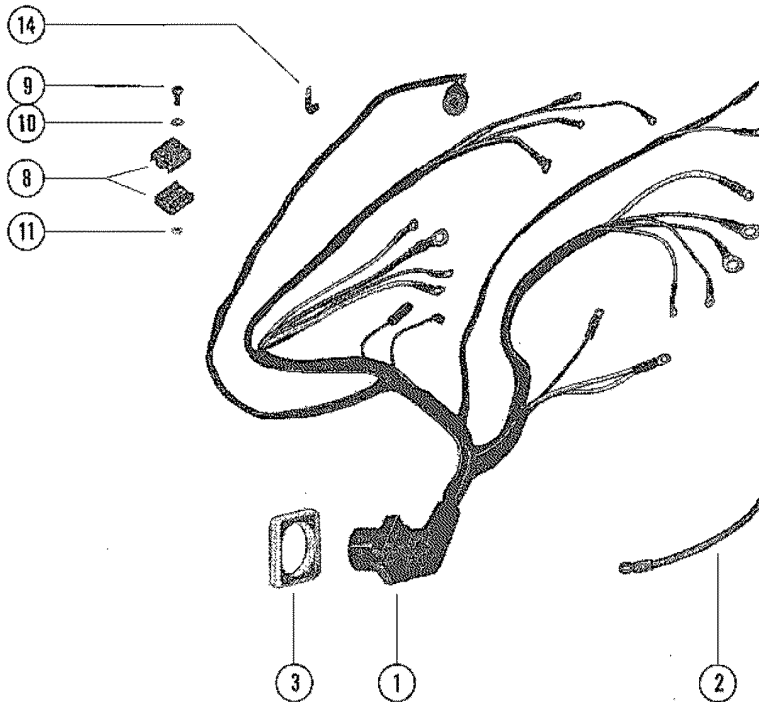
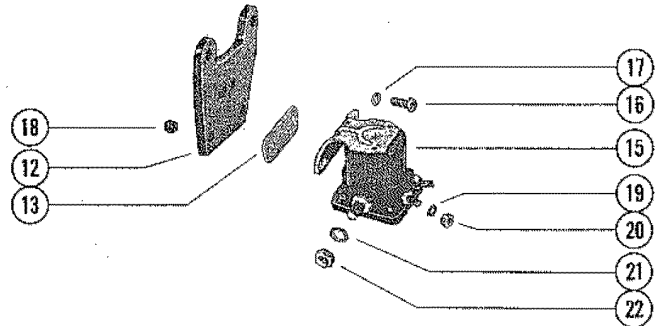
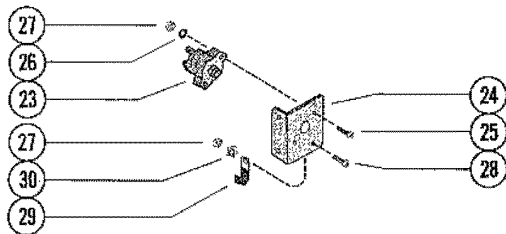
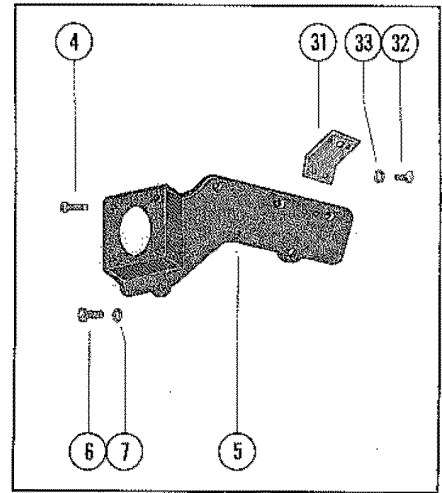
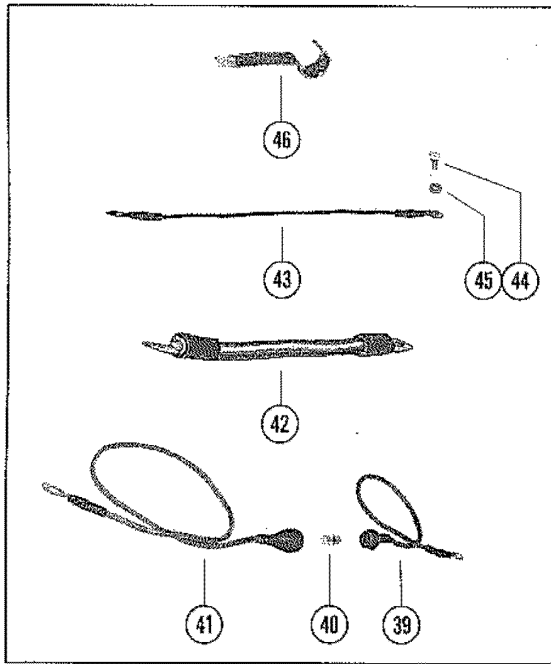


WIRING HARNESS, CIRCUIT BREAKER AND STARTER SOLENOID

REF. NO.	PART NO.	SYM.	QTY.	DESCRIPTION
1	57815		1	WIRING HARNESS (STERN DRIVE - HYDRAULIC SHIFT)
	56388		1	WIRING HARNESS (STERN DRIVE - ELECTRIC SHIFT)
	56385		1	WIRING HARNESS (INBOARD) SERIAL 00000000-03040410
	59811		1	WIRING HARNESS (INBOARD SERIAL 03040411-03085036
	84-64600		1	WIRING HARNESS (INBOARD) SERIAL 03258182-09999999
2	45108		1	BATTERY CABLE, POSITIVE LUG TYPE
	45107		1	BATTERY CABLE, NEGATIVE LUG TYPE
3	26079		1	PLATE, WIRING HARNESS TO MOUNTING BRACKET
4	10-46718		4	SCREW, WIRING HARNESS PLATE TO MOUNTING BRACKET (3/4")
5	54227		1	BRACKET, MOUNTING - STARTER SOLENOID HYDRAULIC SHIFT
6	10-20359		1	SCREW, MOUNTING BRACKET ATTACHING (1") STERN DRIVE HYDRAULIC SHIFT
	10-26632		1	SCREW, MOUNTING BRACKET ATTACHING (1 1/4") STERN DRIVE HYDRAULIC SHIFT
	10-21077		2	SCREW, MOUNTING BRACKET ATTACHING (7/8") - INBOARD HYDRAULIC SHIFT
7	13-35048		2	LOCKWASHER, MOUNTING BRACKET SCREW - INBOARD HYDRAULIC SHIFT
8	39974		2	CONNECTOR, TRIM LEADS - MOUNTING BRACKET HYDRAULIC SHIFT
9	10-46718		2	SCREW, CONNECTOR TO MOUNTING BRACKET (15/16") HYDRAULIC SHIFT
8	39974		2	CONNECTOR, TRIM LEADS - MOUNTING BRACKET ELECTRIC SHIFT
9	10-23702		2	SCREW, CONNECTOR TO MOUNTING BRACKET ELECTRIC SHIFT
10	12-26013		2	WASHER, CONNECTOR SCREW ELECTRIC SHIFT
11	11-46438		2	NUT, CONNECTOR SCREW ELECTRIC SHIFT
12	54869		1	BRACKET, MOUNTING - STARTER SOLENOID ELECTRIC SHIFT
13	36177		1	INSULATOR, SOLENOID TO MOUNTING BRACKET ELECTRIC SHIFT
14	54-54457		1	"J" CLIP, WIRING HARNESS TO ROCKER COVER (FRONT)
	54-55098		2	"J" CLIP, WIRING HARNESS TO ROCKER COVER (REAR)
15	25661		1	STARTER SOLENOID HYDRAULIC SHIFT AND INBOARD
16	10-28063		2	SCREW, STARTER SOLENOID TO MOUNTING BRACKET (5/8") HYDRAULIC SHIFT AND INBOARD
17	13-26992		2	LOCKWASHER, STARTER SOLENOID SCREW HYDRAULIC SHIFT AND INBOARD
15	65057		1	STARTER SOLENOID ELECTRIC SHIFT
16	10-22956		2	SCREW, STARTER SOLENOID TO MOUNTING BRACKET ELECTRIC SHIFT
17	12-22937		2	WASHER, STARTER SOLENOID SCREW ELECTRIC SHIFT
18	11-20586		2	NUT, STARTER SOLENOID SCREW ELECTRIC SHIFT
19	13-26996		2	LOCKWASHER, STARTER SOLENOID TERMINAL (#10)

CONTINUED ON NEXT PAGE ➡

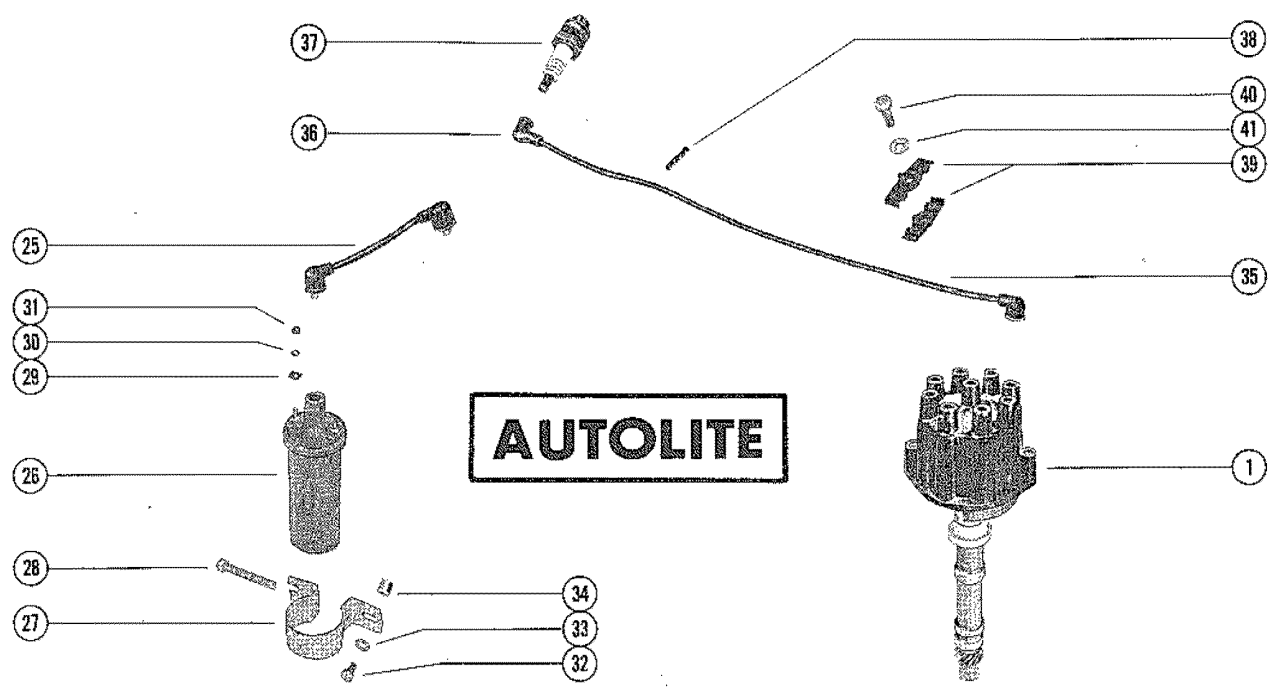
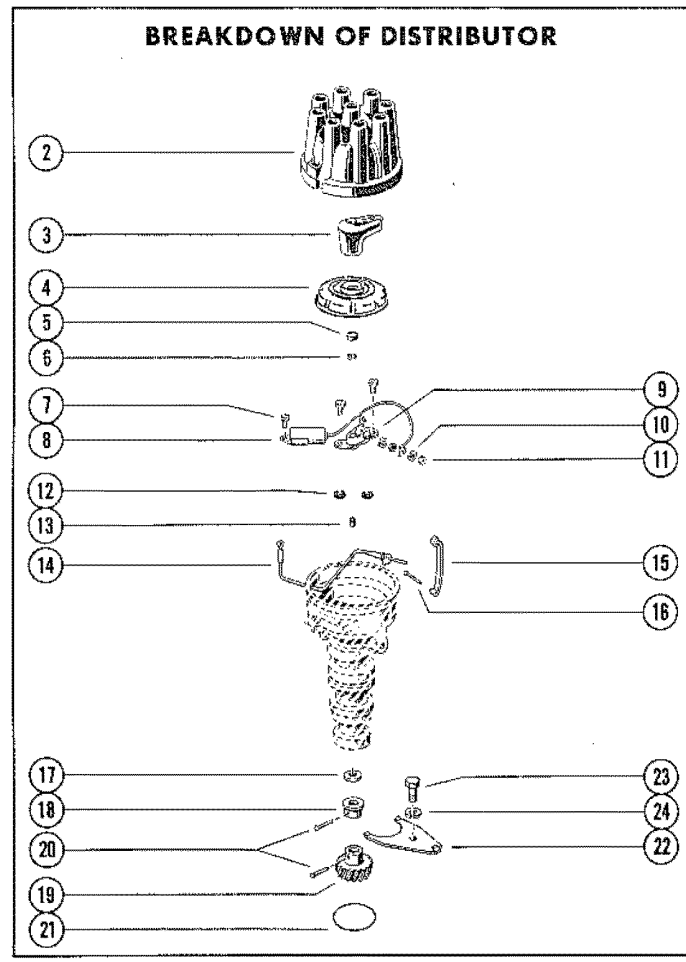
WIRING HARNESS, CIRCUIT BREAKER AND STARTER SOLENOID



WIRING HARNESS, CIRCUIT BREAKER AND STARTER SOLENOID

REF. NO.	PART NO.	SYM.	QTY.	DESCRIPTION
20	11-20645		2	NUT, STARTER SOLENOID TERMINAL (10-32)
21	13-26993		2	LOCKWASHER, STARTER SOLENOID TERMINAL (5/16")
22	11-20083		2	NUT, STARTER SOLENOID TERMINAL (5/16")
23	59816		1	CIRCUIT BREAKER SERIAL 03040411-09999999
	10-36046		2	SCREW, CIRCUIT BREAKER SERIAL 03040411-09999999
24	59815		1	BRACKET, CIRCUIT BREAKER INBOARD SERIAL 03040411-03085036
25	10-24637		2	SCREW, CIRCUIT BREAKER TO BRACKET INBOARD
26	13-26996		3	LOCKWASHER, BRACKET AND CLIP SCREW INBOARD
27	11-20645		3	NUT, CABLE CLIP AND BREAKER SCREW INBOARD
28	10-48591		1	SCREW, CABLE CLIP TO BRACKET INBOARD
29	54-22740		1	CLIP, CABLE ATTACHING TO BRACKET INBOARD
30	22789		1	"C" WASHER, CABLE CLIP INBOARD
31	61969		1	BRACKET, CIRCUIT BREAKER INBOARD SERIAL 03258182-09999999
32	10-47194		2	SCREW, CIRCUIT BREAKER BRACKET ATTACHING INBOARD
33	13-26996		2	LOCKWASHER, CIRCUIT BREAKER BRACKET SCREW INBOARD
34	10-47618		2	SCREW, CIRCUIT BREAKER TO BRACKET INBOARD
35	11-46438		2	NUT, CIRCUIT BREAKER SCREW INBOARD
36	25-61999		4	GROMMET, CIRCUIT BREAKER SCREW INBOARD
37	23-61998		2	SPACER, CIRCUIT BREAKER SCREW INBOARD
38	12-47960		4	WASHER, CIRCUIT BREAKER SCREW INBOARD
39	55863		1	JUMPER WIRE, FUSE HOLDER - MALE ELECTRIC SHIFT
40	55864		1	FUSE ELECTRIC SHIFT
41	55862		1	JUMPER WIRE, FUSE HOLDER - FEMALE ELECTRIC SHIFT
42	54979		1	CABLE, STARTER (YELLOW - 9 1/2") ELECTRIC SHIFT
43	58465		1	GROUND WIRE (BLACK - 12") ELECTRIC SHIFT
44	10-33212		1	SCREW, GROUND WIRE ATTACHING ELECTRIC SHIFT
45	13-32993		1	LOCKWASHER, GROUND WIRE SCREW ELECTRIC SHIFT
46	58501A1		1	JUMPER ASSEMBLY, EMERGENCY START ELECTRIC SHIFT

DISTRIBUTOR ASSEMBLY, COMPLETE(AUTOLITE)

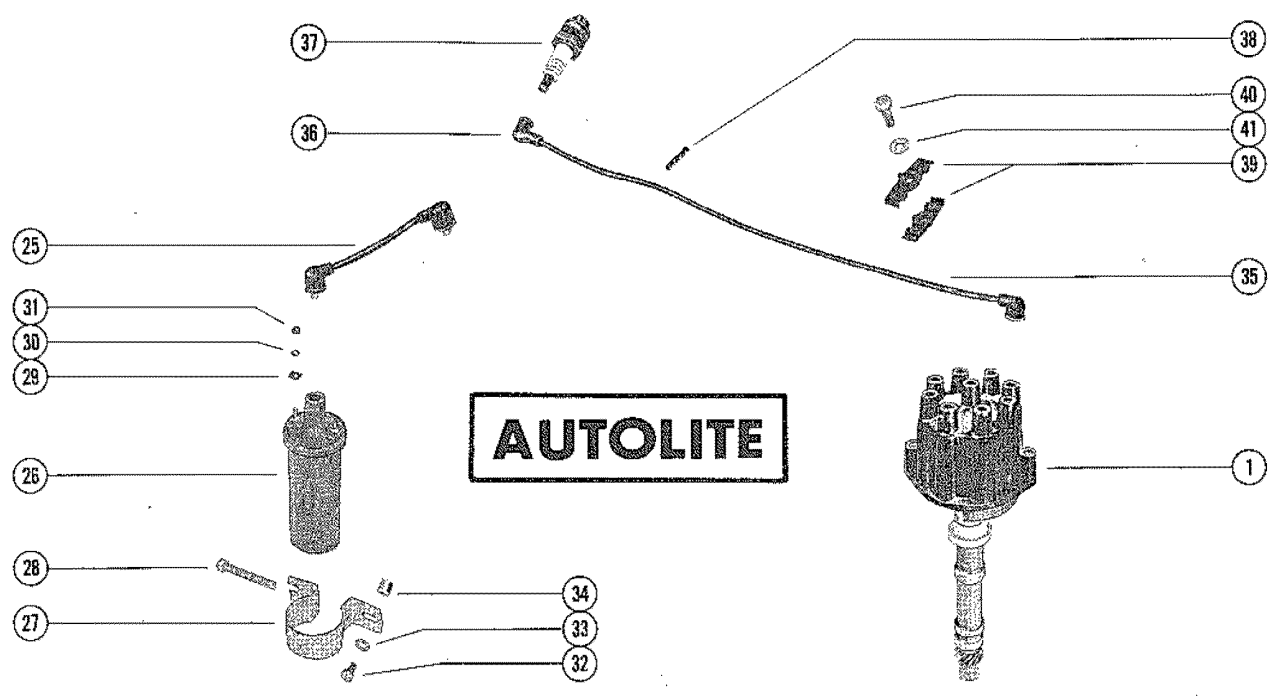
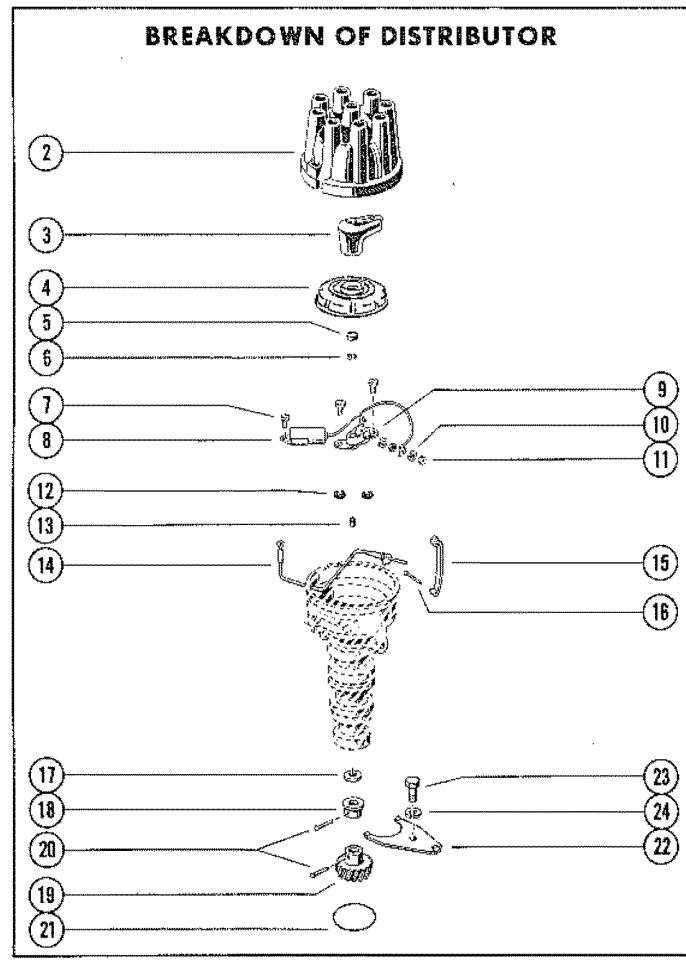


DISTRIBUTOR ASSEMBLY, COMPLETE(AUTOLITE)

REF. NO.	PART NO.	SYM.	QTY.	DESCRIPTION
1	58015A2		1	DISTRIBUTOR ASSEMBLY, COMPLETE LEFT HAND CRANKSHAFT ROTATION
	58016A1		1	DISTRIBUTOR ASSEMBLY, COMPLETE RIGHT HAND CRANKSHAFT ROTATION
2	393-4988		1	CAP, DISTRIBUTOR
	37-54675		1	DECAL, DISTRIBUTOR CAP
3	65864		1	ROTOR
4	58256		1	SHIELD, DUST
5	58028		1	WICK, LUBRICATION
6	58027		1	RETAINER, CAM TO SHAFT
7	10-58018		3	SCREW, BREAKER AND CONDENSER ATTACHING
8	58034		1	CONDENSER
9	58033		1	BREAKER ASSEMBLY
10	13-26994		2	WASHER, PRIMARY TERMINAL
11	11-58019		2	NUT, PRIMARY TERMINAL
12	53-58030		2	RING, RETAINING - DISTRIBUTOR WEIGHT
13	58029		1	BUMPER, DISTRIBUTOR SHAFT
14	58017		1	LEAD ASSEMBLY, PRIMARY TERMINAL
15	58031		2	CLAMP, DISTRIBUTOR CAP ATTACHING
16	17-58032		2	PIN, CLAMP TO DISTRIBUTOR
17	12-58026		1	WASHER, THRUST - DISTRIBUTOR SHAFT RIGHT HAND CRANKSHAFT ROTATION
18	58022		1	COLLAR, THRUST
19	43-58023		1	GEAR, DRIVE (LEFT HAND CRANKSHAFT ROTATION)
	43-58024		1	GEAR, DRIVE (RIGHT HAND CRANKSHAFT ROTATION)
20	17-58021		2	PIN, THRUST COLLAR AND DRIVE GEAR
21	27-58025		1	GASKET, DISTRIBUTOR
22	58258		1	CLAMP, DISTRIBUTOR TO INTAKE MANIFOLD
23	10-58259		1	SCREW, DISTRIBUTOR CLAMP ATTACHING (7/8")
24	13-58260		1	LOCKWASHER, DISTRIBUTOR CLAMP SCREW
25	54677--1		1	LEAD ASSEMBLY, DISTRIBUTOR TO COIL (8 1/2") SERIAL 00000000-03040410
	60335		1	LEAD ASSEMBLY, DISTRIBUTOR TO COIL (7 1/2") SERIAL 03040411-09999999
26	26433		1	COIL, IGNITION
27	33321		1	BRACKET, IGNITION COIL MOUNTING (NOT AS SHOWN)
28	10-33311		1	SCREW, BRACKET TO IGNITION COIL (1 1/2")
29	12-30164		2	WASHER, IGNITION COIL TERMINAL
30	13-26996		2	LOCKWASHER, IGNITION COIL TERMINAL
31	11-20645		2	NUT, IGNITION COIL TERMINAL
32	10-26632		1	SCREW, IGNITION COIL ATTACHING (1 1/4") SERIAL 00000000- 03040410
	10-34613		1	SCREW, IGNITION COIL ATTACHING (1 3/4") SERIAL 03040411-09999999
33	12-20553		1	WASHER, IGNITION COIL ATTACHING SCREW

CONTINUED ON NEXT PAGE ➡

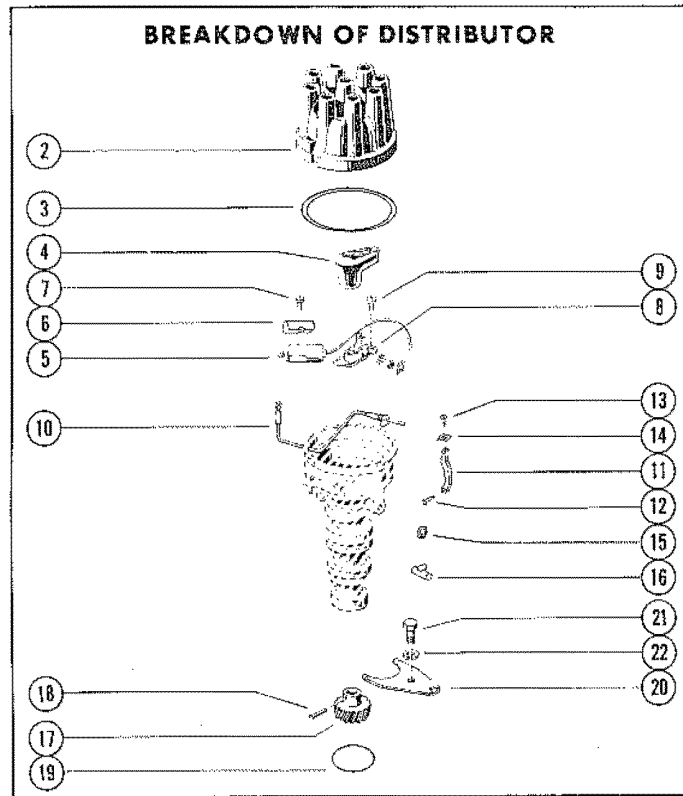
DISTRIBUTOR ASSEMBLY, COMPLETE(AUTOLITE)



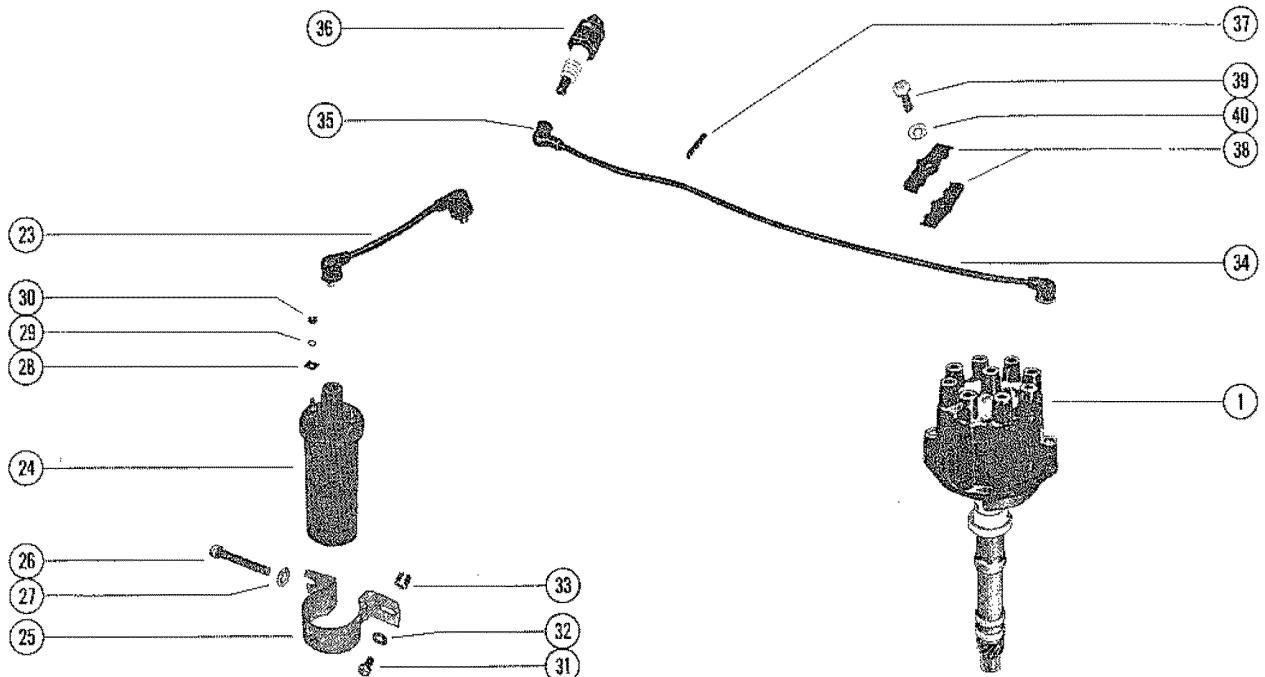
DISTRIBUTOR ASSEMBLY, COMPLETE(AUTOLITE)

REF. NO.	PART NO.	SYM.	QTY.	DESCRIPTION
34	23-49013		1	SPACER, IGNITION COIL ATTACHING SCREW SERIAL 00000000-03040410
	23-60339		1	SPACER, IGNITION COIL ATTACHING SCREW SERIAL 03040411-09999999
35	47861A11		1	LEAD ASSEMBLY, HIGH TENSION (38 1/2")
	47861A12		1	LEAD ASSEMBLY, HIGH TENSION (35")
	47861A9		1	LEAD ASSEMBLY, HIGH TENSION (34")
	47861A5		1	LEAD ASSEMBLY, HIGH TENSION (31")
	47861A6		2	LEAD ASSEMBLY, HIGH TENSION (28")
	47861A13		1	LEAD ASSEMBLY, HIGH TENSION (24")
	47861A8		1	LEAD ASSEMBLY, HIGH TENSION (21")
36	47604A1		8	PROTECTOR, SPARK PLUG
37	33-64053		8	SPARK PLUG (CHAMPION #F-10)
38	54676		2	RETIANER, HIGH TENSION LEADS (2 WIRE)
	32783		2	RETAINER, HIGH TENSION LEADS (3 WIRE)
	32784		3	RETAINER, HIGH TENSION LEADS (4 WIRE)
39	63192		4	RETAINER, HIGH TENSION LEADS
40	10-47462		2	SCREW, RETAINER ATTACHING (1 1/4")
41	12-34567		2	WASHER, RETAINER SCREW

DISTRIBUTOR ASSEMBLY, COMPLETE(MALLORY)



MALLORY

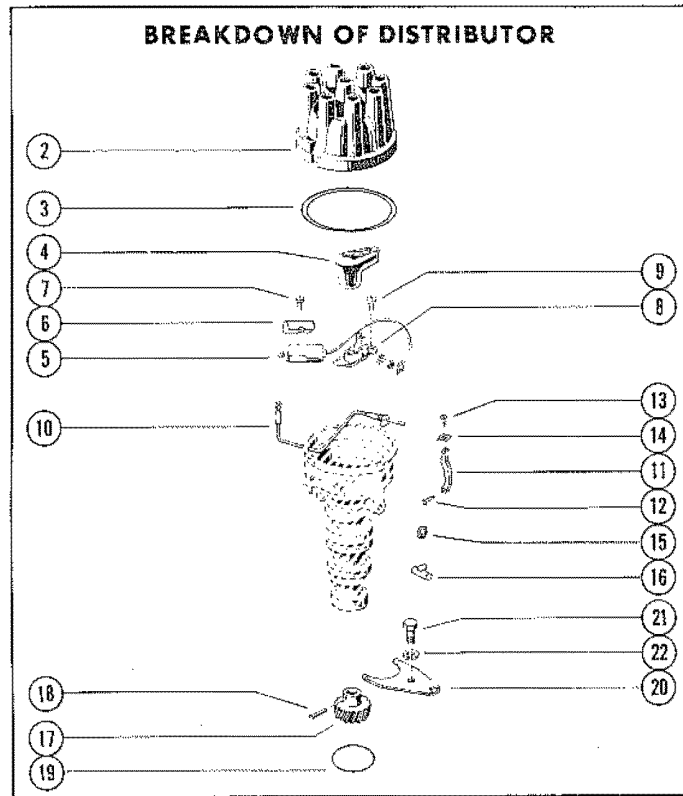


DISTRIBUTOR ASSEMBLY, COMPLETE(MALLORY)

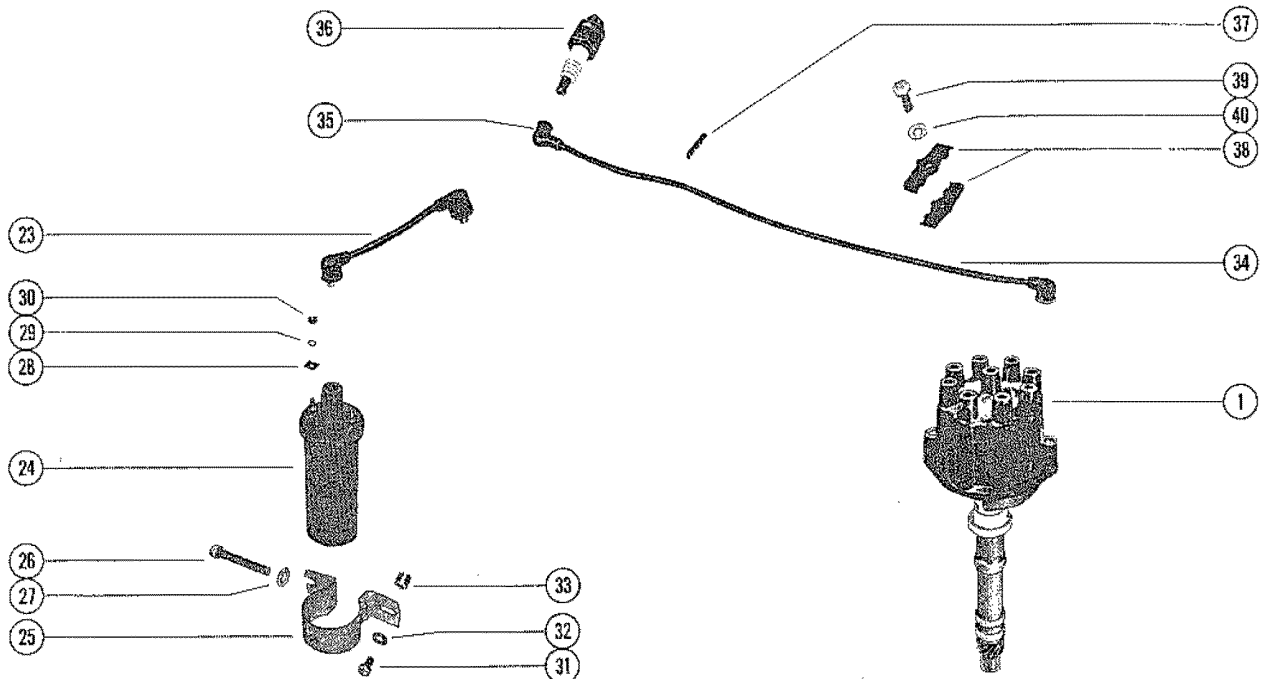
REF. NO.	PART NO.	SYM.	QTY.	DESCRIPTION
1	391-5071		1	DISTRIBUTOR ASSEMBLY, COMPLETE LEFT HAND CRANKSHAFT ROTATION
	391-5072		1	DISTRIBUTOR ASSEMBLY, COMPLETE RIGHT HAND CRANKSHAFT ROTATION
2	391-5075		1	CAP, DISTRIBUTOR
	37-61593		1	DECAL, DISTRIBUTOR CAP
3	391-5076		1	GASKET, DISTRIBUTOR CAP
4	391-5088		1	ROTOR
5	391-5092		1	CONDENSER
6	391-5093		1	BRACKET, CONDENSER ATTACHING
7	391-5091		1	SCREW, CONDENSER BRACKET ATTACHING
8	391-5090		1	BREAKER ASSEMBLY
9	391-5089		1	SCREW, BREAKER ATTACHING
10	391-5077		1	LEAD ASSEMBLY, PRIMARY TERMINAL
11	391-5085		2	CLAMP, DISTRIBUTOR CAP ATTACHING
12	391-5084		2	PIN, CLAMP TO DISTRIBUTOR
13	391-5087		2	SCREW, DISTRIBUTOR CAP ATTACHING
14	391-5086		2	WASHER, DISTRIBUTOR CAP SCREW
15	391-5083		2	VENT, SCREEN
16	391-5080		1	OILER
17	391-5078		1	GEAR, DRIVE (LEFT HAND CRANKSHAFT ROTATION)
	391-5082		1	GEAR, DRIVE (RIGHT HAND CRANKSHAFT ROTATION)
18	391-5079		1	PIN, DRIVE GEAR
19	391-5081		1	"O" RING, DISTRIBUTOR
20	58258		1	CLAMP, DISTRIBUTOR TO INTAKE MANIFOLD
21	10-58259		1	SCREW, DISTRIBUTOR CLAMP ATTACHING (7/8")
22	13-58260		1	LOCKWASHER, DISTRIBUTOR CLAMP ATTACHING SCREW
23	84-61891		1	LEAD ASSEMBLY, DISTRIBUTOR TO COIL (8 1/2")
24	26433		1	COIL, IGNITION
25	33321		1	BRACKET, IGNITION COIL MOUNTING
26	10-33311		1	SCREW, BRACKET TO IGNITION COIL (1 1/2")
27	13-35048		1	LOCKWASHER, BRACKET SCREW
28	12-30164		2	WASHER, IGNITION COIL TERMINAL
29	13-26996		2	LOCKWASHER, IGNITION COIL TERMINAL
30	11-20645		2	NUT, IGNITION COIL ATTACHING (1 3/4")
31	10-34613		1	SCREW, IGNITION COIL ATTACHING (1 3/4")
32	12-20553		1	WASHER, IGNITION COIL ATTACHING SCREW
33	12-20553		1	SPACER, IGNITION COIL ATTACHING SCREW
34	84-61801A4		1	LEAD ASSEMBLY, HIGH TENSION (41")
	84-61801A7		1	LEAD ASSEMBLY, HIGH TENSION (38 1/2")
	84-61801A3		1	LEAD ASSEMBLY, HIGH TENSION (36 1/2")
	84-61801A6		1	LEAD ASSEMBLY, HIGH TENSION (33 1/2")
	84-61801A2		2	LEAD ASSEMBLY, HIGH TENSION (30 1/2")
	84-61801A1		1	LEAD ASSEMBLY, HIGH TENSION 927")

CONTINUED ON NEXT PAGE ➡

DISTRIBUTOR ASSEMBLY, COMPLETE(MALLORY)



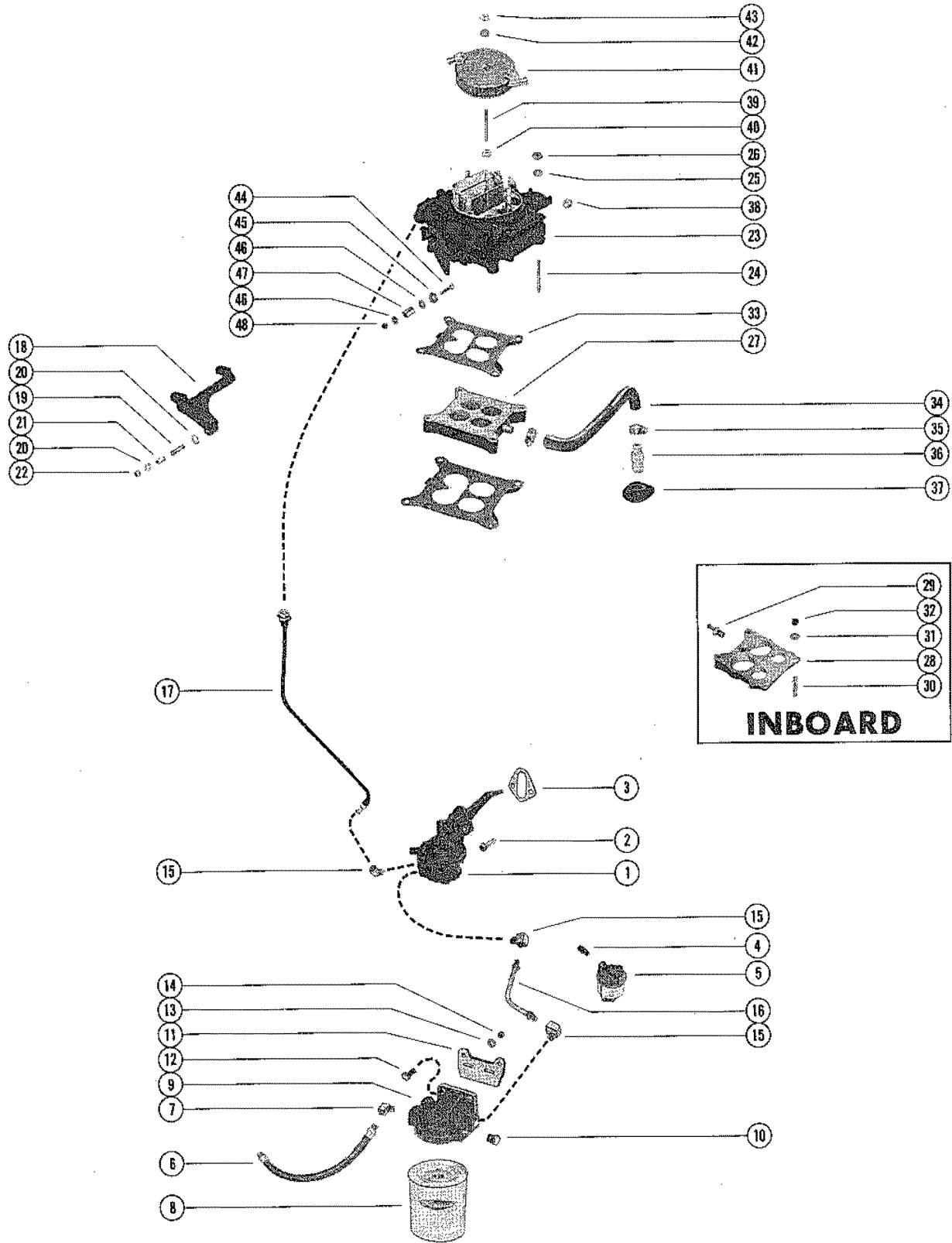
MALLORY



DISTRIBUTOR ASSEMBLY, COMPLETE(MALLORY)

REF. NO.	PART NO.	SYM.	QTY.	DESCRIPTION
34	84-61801A5		1	LEAD ASSEMBLY, HIGH TENSION (25")
35	47604A1		8	PROTECTOR, SPARK PLUG
36	33-61783		8	SPARK PLUG (AC#C83T)
37	54676		2	RETAINER, HIGH TENSION LEADS (2 WIRE)
	32783		2	RETAINER, HIGH TENSION LEADS (3 WIRE)
	32784		2	RETAINER, HIGH TENSION LEADS (4 WIRE)
38	63192		4	RETAINER, HIGH TENSION LEADS
39	10-47462		2	SCREW, RETAINER ATTACHING (1 1/4")
40	12-34567		2	WAWHER, RETAINER SCREW

FUEL PUMP, FUEL FILTER AND CARBURETOR

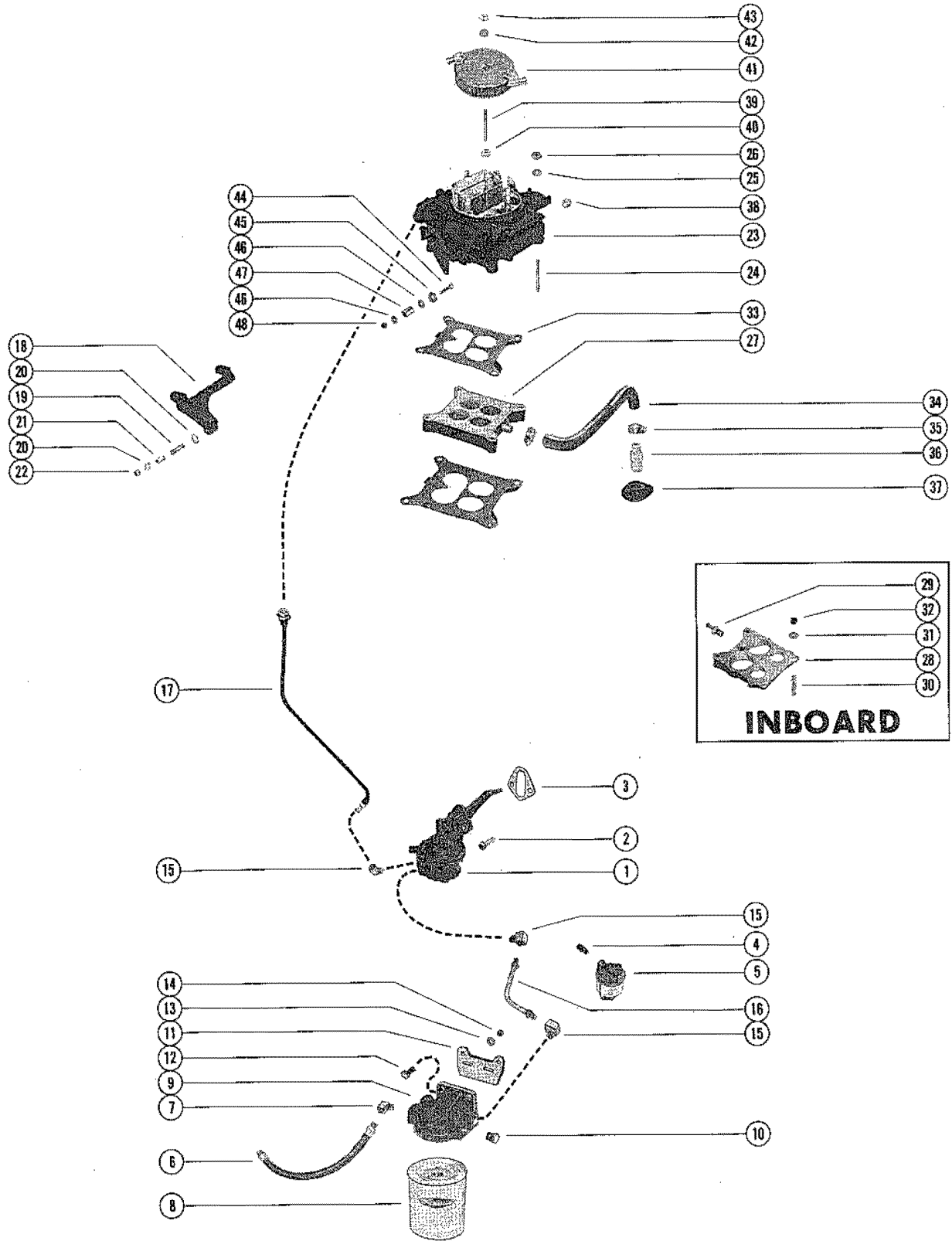


FUEL PUMP, FUEL FILTER AND CARBURETOR

REF. NO.	PART NO.	SYM.	QTY.	DESCRIPTION
1	54552		1	FUEL PUMP ASSEMBLY (SERIAL #3085036 AND BELOW)
	62092		1	FUEL PUMP ASSEMBLY (SERIAL #3258182 AND UP)
2	10-56882		2	SCREW, FUEL PUMP TO CYLINDER BLOCK (1 1/2")
3	27-34213		1	GASKET, FUEL PUMP
4	22-32876		1	NIPPLE, SIGHT GLASS TO FUEL PUMP
5	47816		1	SIGHT GLASS
6	32-47721		1	FUEL LINE, FUEL TANK TO FUEL FILTER (12")
7	22-33755		1	ELBOW, FUEL LINE TO FUEL FILTER (INLET)
8	35-60494		1	FUEL FILTER
9	55481		1	BASE, FUEL FILTER
10	22-36382		1	PLUG, PIPE - FUEL FILTER
	22-20025		1	PLUG, PIPE - FUEL FILTER (SLOTTED)
11	54646		1	BRACKET, MOUNTING - FUEL FILTER
12	10-20639		2	SCREW, FUEL FILTER TO MOUNTING BRACKET (1/2")
13	12-20084		2	WASHER, FUEL FILTER SCREW
14	11-35814		2	NUT, FUEL FILTER SCREW
15	22-47716		3	ELBOW, FUEL LINE TO FUEL PUMP AND FUEL FILTER (SERIAL #30850)
	22-33821		3	ELBOW, FUEL LINE TO FUEL PUMP AND FUEL FILTER (SERIAL #32581)
16	32-54551		1	FUEL LINE, FUEL FILTER TO FUEL PUMP (SERIAL #3085036 AND BEL)
	32-62373		1	FUEL LINE, FUEL FILTER TO FUEL PUMP (SERIAL #3258182 AND UP)
17	32-55242		1	FUEL LINE, FUEL PUMP TO CARBURETOR (STERN DRIVE)
	32-58412		1	FUEL LINE, FUEL PUMP TO CARBURETOR (INBOARD) - SERIAL #30850
	32-62374		1	FUEL LINE, FUEL PUMP TO CARBURETOR (INBOARD) - SERIAL #32581
18	54807		1	BRACKET, MOUNTING - THROTTLE CABLE
19	16-35897		1	STUD, THROTTLE CABLE TO MOUNTING BRACKET (1 11/16")
20	12-21631		2	WASHER, THROTTLE CABLE STUD
21	23-31866		1	SPACER, THROTTLE CABLE STUD
22	11-20586		1	NUT, THROTTLE CABLE STUD
23	1356-4066		1	CARBURETOR ASSEMBLY
24	16-58264		2	STUD, CARBURETOR TO INTAKE MANIFOLD STERN DRIVE
	16-30669		2	STUD, CARBURETOR TO INTAKE MANIFOLD (3 1/4") STERN DRIVE
25	12-20084		4	WASHER, CARBURETOR SCREW AND STUD STERN DRIVE
26	11-35814		2	NUT, CARBURETOR STUD STERN DRIVE
	11-45592		2	NUT, CARBURETOR STUD STERN DRIVE
27	56885		1	SPACER, CARBURETOR STERN DRIVE
28	54554		1	WEDGE, CARBURETOR MOUNTING INBOARD
29	22-38939		1	FITTING, CARBURETOR WEDGE INBOARD
30	16-53724		2	STUD, CARBURETOR MOUNTING (1 3/4") INBOARD

CONTINUED ON NEXT PAGE ➡

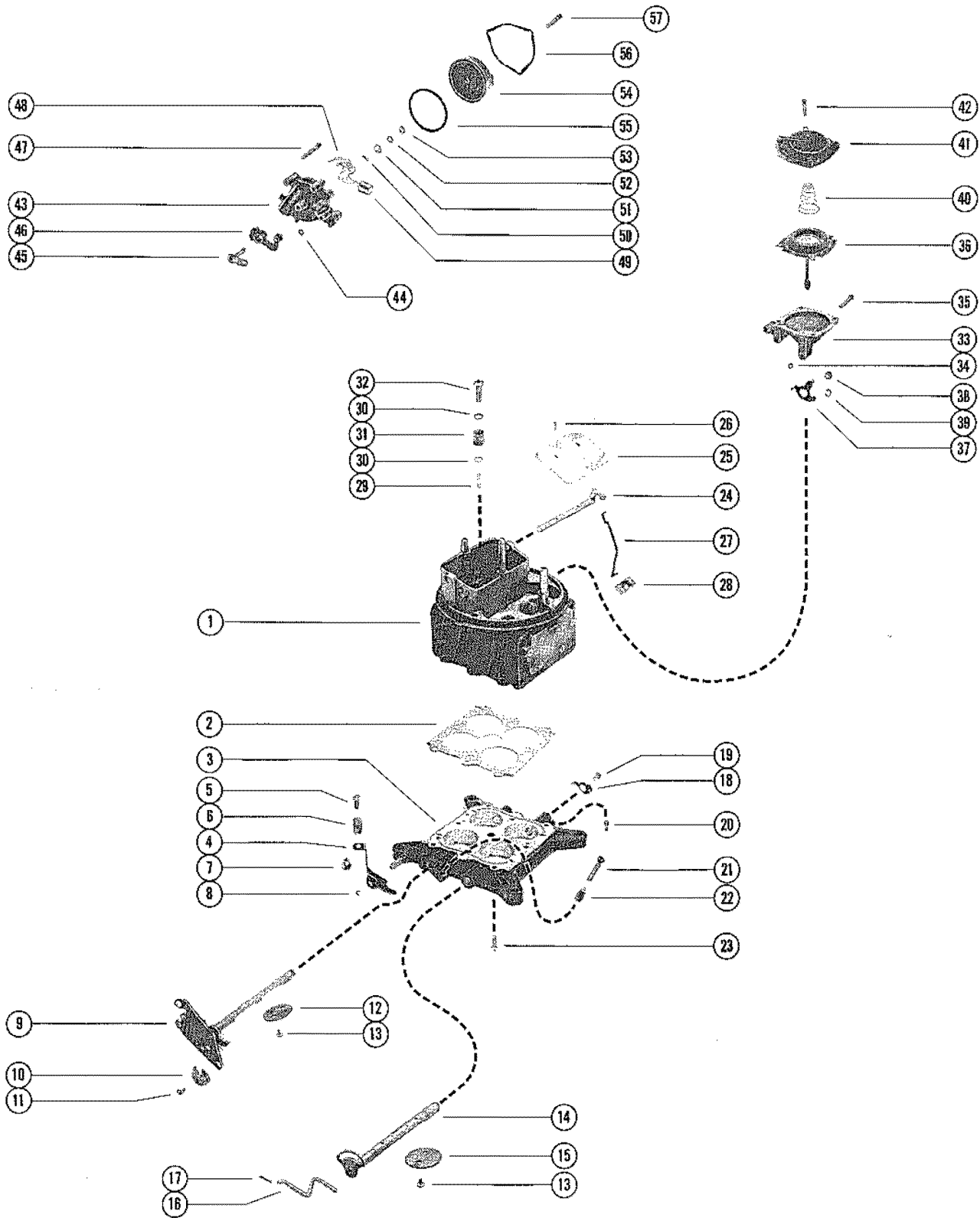
FUEL PUMP, FUEL FILTER AND CARBURETOR



FUEL PUMP, FUEL FILTER AND CARBURETOR

REF. NO.	PART NO.	SYM.	QTY.	DESCRIPTION
30	16-46857		2	STUD, CARBURETOR MOUNTING (7/8") INBOARD
	16-63332		2	STUD, CARBURETOR MOUNTING (1 9/16") INBOARD
31	12-20084		6	WASHER CARBURETOR MOUNTING STUD INBOARD
32	11-46793		4	NUT, CARBURETOR MOUNTING STUD INBOARD
	11-45592		2	NUT, CARBURETOR MOUNTING STUD INBOARD
33	27-65577		2	GASKET, CARBURETOR
34	32-54681		1	HOSE, CARBURETOR
35	54-32523		2	CLAMP, HOSE ATTACHING
36	56863		1	VALVE, HOSE TO ROCKER COVER
37	25-56877		1	GROMMET, ROCKER COVER TO HOSE
38	22-56772		1	CAP, CARBURETOR (7/16-24)
39	16-47360		1	STUD, FLAME ARRESTOR MOUNTING - CARBURETOR
40	11-28941		1	NUT, JAM - FLAME ARRESTOR MOUNTING STUD (BOTTOM)
41	55054		1	FLAME ARRESTOR, CARBURETOR (NOT AS SHOWN)
42	12-22937		1	WASHER, FLAME ARRESTOR STUD
43	11-20586		1	NUT, FLAME ARRESTOR STUD
44	10-37892		1	SCREW, THROTTLE CABLE TO CARBURETOR (1")
45	12-26907		1	WASHER, THROTTLE CABLE SCREW
46	12-20128		2	WASHER, THROTTLE CABLE SCREW
47	23-57938		1	BUSHING, THROTTLE CABLE SCREW
48	11-45812		1	NUT, THROTTLE CABLE SCREW

CARBURETOR ASSEMBLY

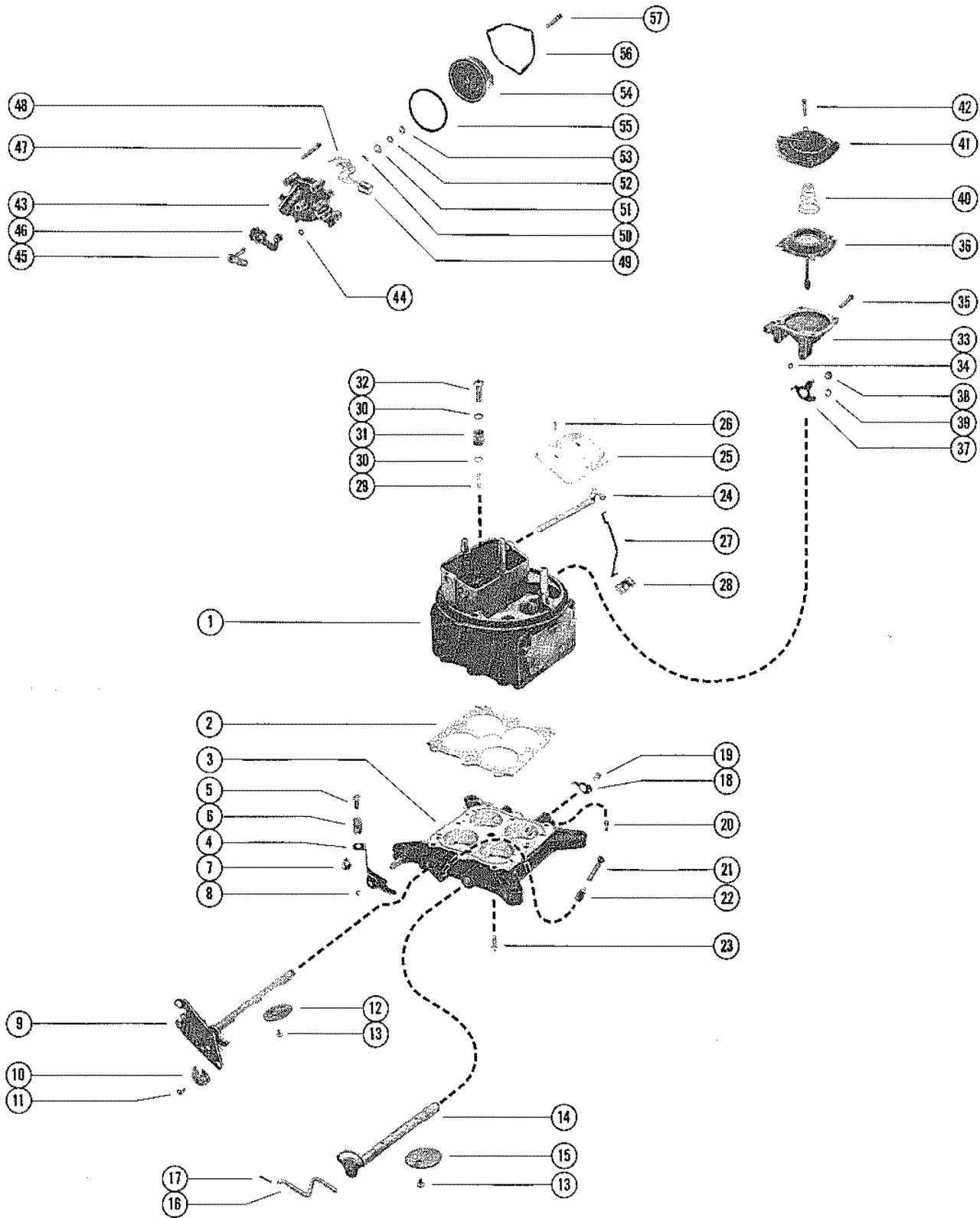


CARBURETOR ASSEMBLY

REF. NO.	PART NO.	SYM.	QTY.	DESCRIPTION
1	1356-4066		1	CARBURETOR ASSEMBLY, COMPLETE (SEE NOTE)
2			1	GASKET, THROTTLE BODY
3	1396-4086		1	THROTTLE BODY ASSEMBLY
4	1396-4155		1	LEVER, FUEL PUMP ACTUATING
5	1396-4133		1	SCREW, PUMP LEVER ADJUSTING
6	1396-4105		1	SPRING, PUMP LEVER ADJUSTING SCREW
7	1396-4089		1	NUT, PUMP LEVER ADJUSTING SCREW
8			0	RETAINER, PUMP LEVER
9	N.S.S.		1	ROD, PRIMARY (NOT SOLD SEPARATELY)
10	1396-4143		1	CAM, FUEL PUMP
11	1396-4135		1	SCREW, PUMP CAM ATTACHING
12	1396-4084		2	VALVE, PRIMARY THROTTLE
13			8	SCREW, THROTTLE VALVE ATTACHING
14	N.S.S.		1	ROD, SECONDARY (NOT SOLD SEPARATELY)
15	1396-4085		2	VALVE, SECONDARY THROTTLE
16	1396-4146		1	ROD, SECONDARY CONNECTING
17			1	COTTER PIN, CONNECTING ROD
18	1396-4144		1	LEVER, SECONDARY STOP
19	1396-4131		1	SCREW, SECONDARY STOP LEVER ATTACHING
20	1396-4127		1	SCREW, SECONDARY STOP
21	1396-4123		1	SCREW, THROTTLE STOP
22	1395-4102		1	SPRING, THROTTLE STOP SCREW
23	1396-4128		8	SCREW, THROTTLE BODY ATTACHING
24	1396-4117		1	CHOKE SHAFT AND LEVER ASSEMBLY
25	1396-4116		1	VALVE, CHOKE
26			2	SCREW, CHOKE VALVE TO CHOKE SHAFT
27	1396-4145		1	LINK, CHOKE
28			1	SEAL, CHOKE LINK
29			1	VALVE, PUMP DISCHARGE
30			2	GASKET, DISCHARGE NOZZLE
31			1	NOZZLE, PUMP DISCHARGE
32	1396-4138		1	SCREW, DISCHARGE NOZZLE
33	1396-4156		1	HOUSING, SECONDARY DIAPHRAGM
34			1	GASKET, SECONDARY DIAPHRAGM HOUSING
35	1396-4129		3	SCREW, SECONDARY DIAPHRAGM HOUSING ATTACHING
36			1	DIAPHRAGM ASSEMBLY, SECONDARY
37	1396-4154		1	LEVER, SECONDARY DIAPHRAGM
38	1396-4131		1	SCREW, ADJUSTING - SECONDARY DIAPHRAGM LEVER
39			1	RETAINER, SECONDARY DIAPHRAGM LEVER
40	1396-4139		1	SPRING, RETURN - SECONDARY DIAPHRAGM
41	1396-4094		1	COVER, SECONDARY DIAPHRAGM HOUSING
42	1396-4124		4	SCREW, SECONDARY DIAPHRAGM COVER ATTACHING
43	1396-4098		1	HOUSING ASSEMBLY, CHOKE

CONTINUED ON NEXT PAGE ➡

CARBURETOR ASSEMBLY

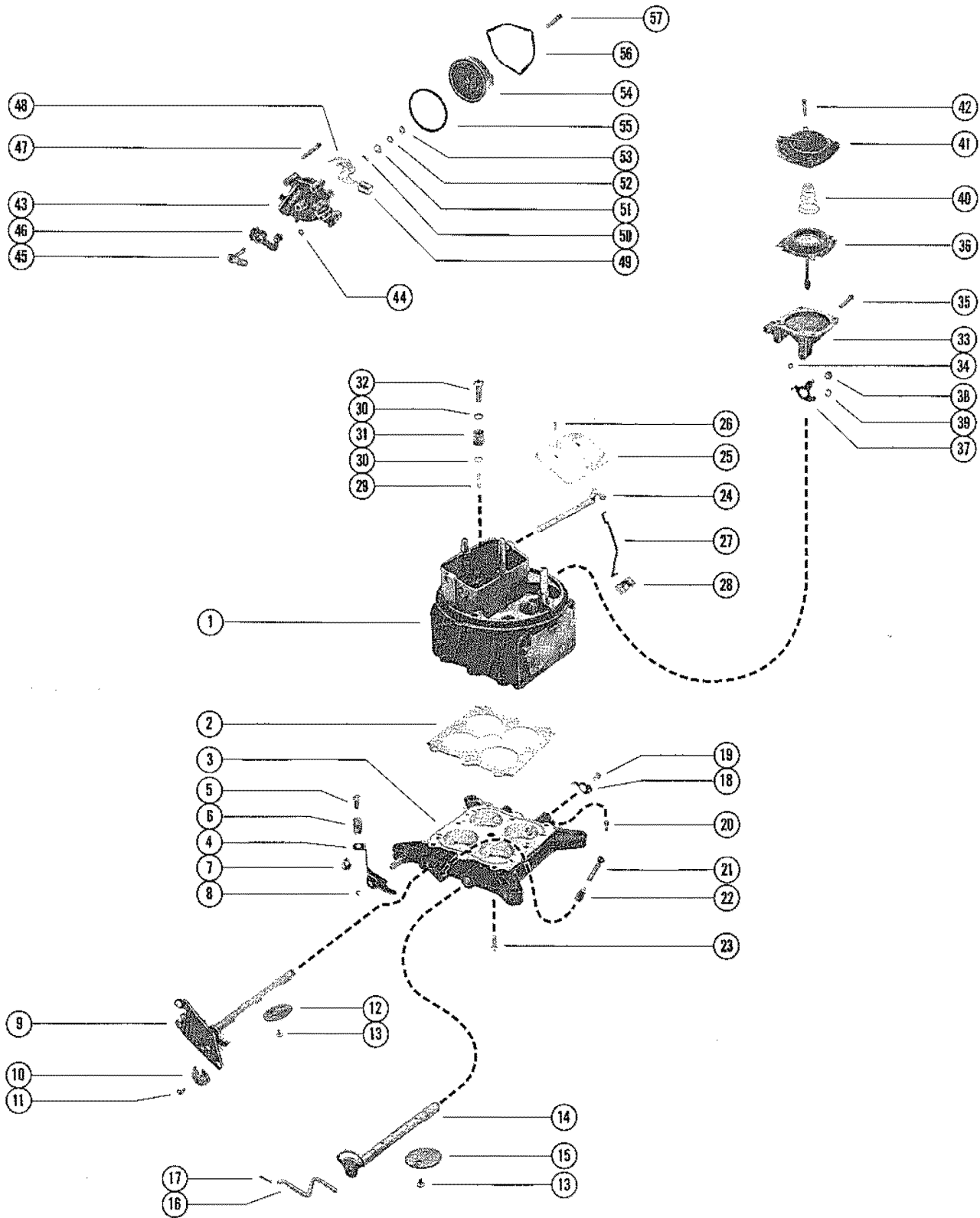


CARBURETOR ASSEMBLY

REF. NO.	PART NO.	SYM.	QTY.	DESCRIPTION
44			2	GASKET, CHOKE HOUSING
45	1396-4119		1	SHAFT ASSEMBLY, CHOKE HOUSING
46	1396-4118		1	LEVER, PICK-UP - FAST IDLE
47	1396-4130		3	SCREW, CHOKE HOUSING ATTACHING
48	1396-4120		1	LEVER, CHOKE THERMOSTAT
49	1396-4121		1	LINK AND PISTON ASSEMBLY
50			1	RETAINER, CHOKE LEVER
51	1396-4142		1	SPACER, CHOKE LEVER
52	1396-4147		1	LOCKWASHER, CHOKE LEVER
53	1396-4141		1	NUT, CHOKE LEVER
54	1396-4148		1	HOUSING ASSEMBLY, THERMOSTAT
55			1	GASKET, THERMOSTAT HOUSING
56	1396-4149		1	CLAMP, THERMOSTAT HOUSING
57	1396-4122		3	SCREW, THERMOSTAT HOUSING ATTACHING
-	1356-4066		1	CARBURETOR ASSEMBLY, COMPLETE (SEE NOTE)
58	1396-4087		1	TUBE, METERING BODY CONNECTING
59			2	"O" RING, CONNECTING TUBE
60	1396-4101		1	FUEL BOWL ASSEMBLY, PRIMARY
61	1396-4126		4	SCREW, PRIMARY FUEL BOWL ATTACHING
62			8	GASKET, FUEL BOWL SCREW
63	1396-4090		1	FITTING, FUEL INLET
64			1	GASKET, FUEL INLET FITTING
65	1396-4097		1	COVER, FUEL PUMP
66			1	DIAPHRAGM ASSEMBLY, PRIMARY
67	1396-4103		1	SPRING, DIAPHRAGM RETURN - PRIMARY
68	1396-4124		4	SCREW, FUEL PUMP COVER ATTACHING
69	1396-4088		2	FLOAT ASSEMBLY
70			2	RETAINER, FLOAT
71	1396-4104		2	SPRING, FLOAT
72	1396-4344		2	PLUG, CHECK - FUEL LEVER
73			2	GASKET, FUEL LEVEL CHECK PLUG
74	1396-4152		1	BAFFLE, FUEL BOWL - PRIMARY
75			1	GASKET, PRIMARY METERING BODY
76	1396-4151		1	BAFFLE, PRIMARY METERING BODY
77	1396-4100		1	METERING BODY, PRIMARY
78	1396-4093		2	MAIN JET,
79			1	GASKET, PRIMARY METERING BODY
80			1	POWER VALVE ASSEMBLY
81			1	GASKET, POWER VALVE
82			2	NEEDLE, IDLE ADJUSTING
83			2	SEAL, IDLE ADJUSTING NEEDLE
84	1395-4099		1	FUEL BOWL ASSEMBLY, SECONDARY
85	1396-4134		4	SCREW, SECONDARY FUEL BOWL ATTACHING

CONTINUED ON NEXT PAGE ➡

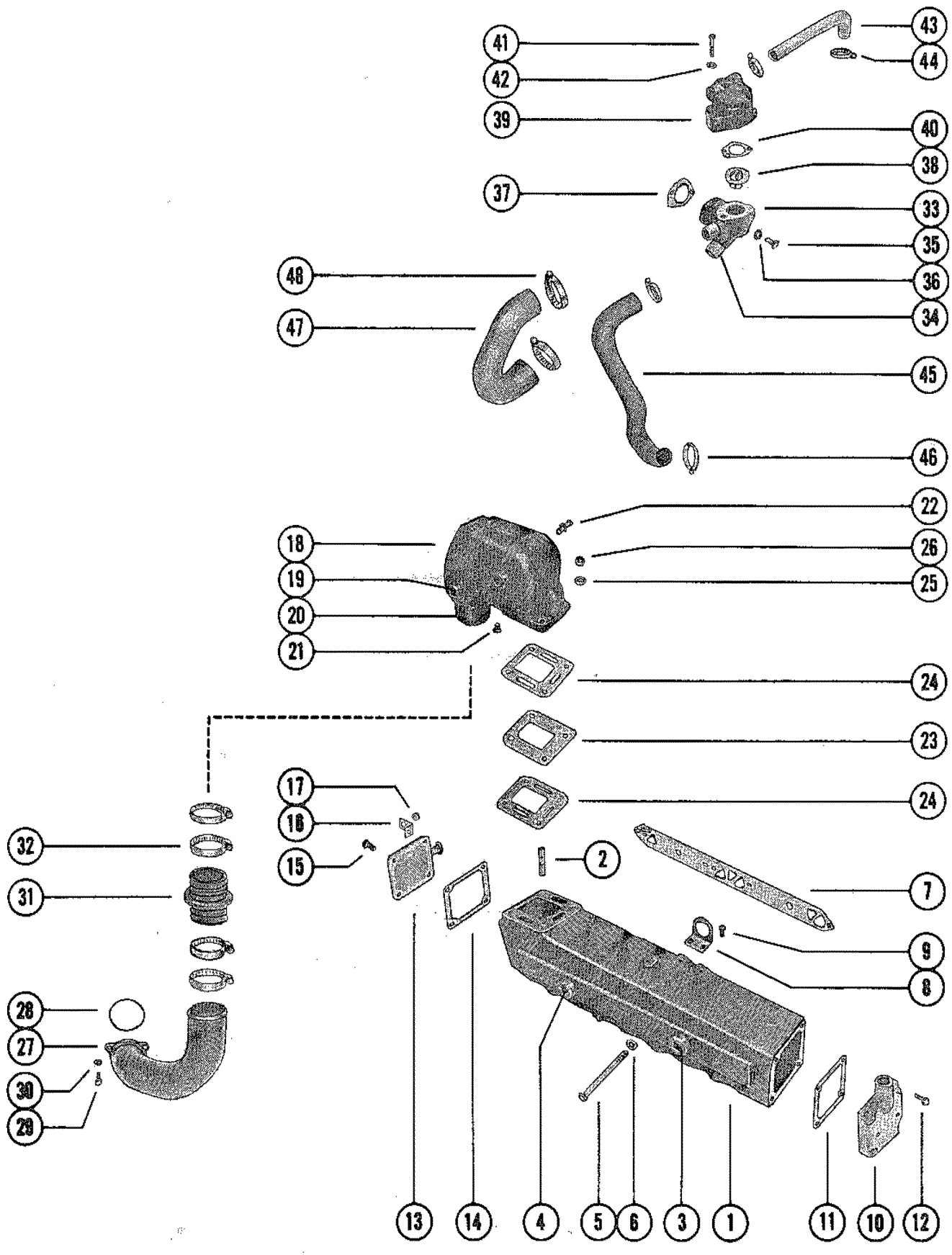
CARBURETOR ASSEMBLY



CARBURETOR ASSEMBLY

REF. NO.	PART NO.	SYM.	QTY.	DESCRIPTION
86	1396-4096		1	METERING BODY, SECONDARY
87	1396-4136		6	SCREW, SECONDARY METERING BODY ATTACHING
88			1	GASKET, SECONDARY METERING BODY
89	1396-4095		1	PLATE, SECONDARY METERING BODY
90			1	GASKET, SECONDARY METERING BODY PLATE
91	1396-4137		2	SCREW, LOCKING - FUEL VALVE SEAT
92			2	GASKET, VALVE SEAT LOCKING SCREW
93	1396-4140		2	NUT, ADJUSTING - FUEL VALVE
94			2	GASKET, VALVE SEAT ADJUSTING NUT
95			2	FUEL VALVE ASSEMBLY
96			2	"O" RING, FUEL VALVE
97	1396-4153		1	BAFFLE, FUEL BOWL - SECONDARY
	1396-4091		1	GASKET KIT
	1396-4092		1	CARBURETOR REPAIR KIT

EXHAUST MANIFOLD AND EXHAUST ELBOW

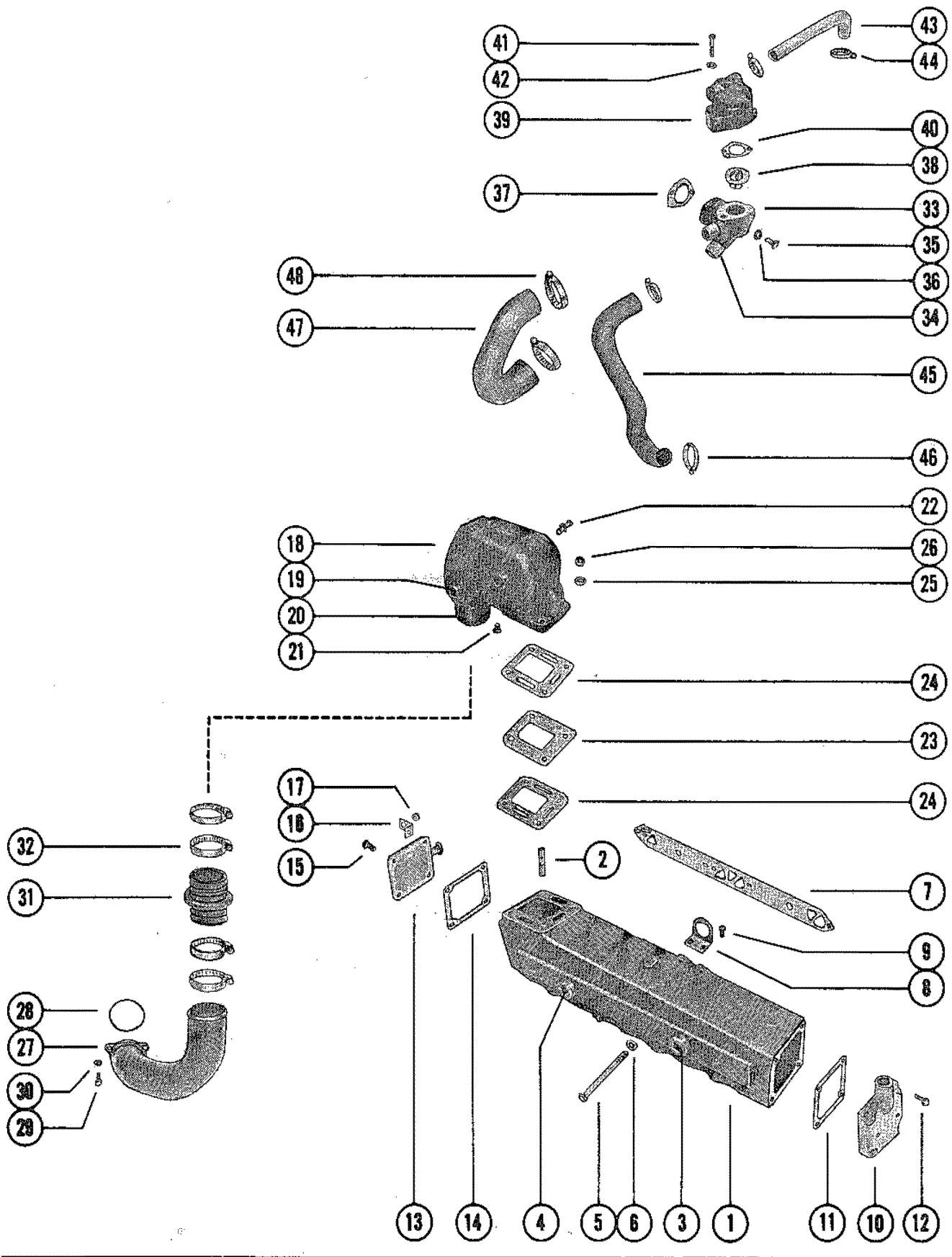


EXHAUST MANIFOLD AND EXHAUST ELBOW

REF. NO.	PART NO.	SYM.	QTY.	DESCRIPTION
1	54100A5		1	EXHAUST MANIFOLD ASSEMBLY, PORT
	54099A5		1	EXHAUST MANIFOLD ASSEMBLY, STARBOARD
2	16-49545		8	STUC, EXHUAST MANIFOLD TO EXHAUST ELOBW (1 3/4")
3	22-48118		6	PLUG, EXHAUST MANIFOLD
4	22-32802		2	PLUG, PIPE - EXHAUST MANIFOLD
5	10-37612		16	SCREW, EXHAUST MANIFOLD TO CYLINDER HEAD (1 1/4")
6	13-35048		16	LOCKWASHER, EXHAUST MANIFOLD SCREW
7	27-54566		2	GASKET, EXHAUST MANIFOLD TO CYLINDER HEAD
8	54-54509		2	EYE, LIFTING - EXHAUST MANIFOLD
9	10-26801		4	SCREW, LIFTING EYE ATTACHING (5/8")
10	60252		2	END CAP/CONNECTOR, EXHAUST MANIFOLD (FRONT)
11	27-48043		2	GASKET, END CAP/CONNECTOR TO EXHAUST MANIFOLD
12	10-35386		6	SCREW, END CAP/CONNECTOR TO EXHAUST MANIFOLD (1")
	10-53016		2	SCREW, END CAP/CONNECTOR TO EXHAUST MANIFOLD (1 1/4")
13	54870		2	END CAP, EXHAUST MANIFOLD (REAR) SERIAL 00000000-03040410
	60252		2	END CAP, EXHAUST MANIFOLD (REAR) SERIAL 03040411-09999999
14	27-48043		2	GASKET END CAP TO EXHAUST MANIFOLD
15	10-35386		8	SCREW, END CAP TO EXHAUST MANIFOLD (7/8") HYDRAULIC SHIFT
	10-25038		6	SCREW, END CAP TO EXHAUST MANIFOLD (7/8") ELECTRIC SHIFT
	10-53016		2	SCREW, END CAP TO EXHAUST MANIFOLD (1 1/4") ELECTRIC SHIFT
16	58417		1	BRACKET, SHIFT CABLE ELECTRIC SHIFT
17	25-56291		1	GROMMET, SHIFT CABLE ELECTRIC SHIFT
18	60426A1		2	EXHAUST ELBOW ASSEMBLY (90 - STERN DRIVE)
	60427A2		2	EXHAUST ELBOW ASSEMBLY (STRAIGHT - INBOARD)
19	22-48118		OPT	PLUG, EXHAUST ELBOW (1" - 14)
	22-33198		OPT	PLUG, EXHAUST ELBOW (3/4" - 14)
20	32-58616A1		2	TUBE ASSEMBLY, WATER SEPARATION - EXHAUST ELBOW
21	22-32802		2	PLUG, PIPE - EXHAUST ELBOW
22	22-45084		2	FITTING, HOSE - EXHAUST ELBOW INBOARD SERIAL 03258182-09999999
	22-58123		2	FITTING, HOSE - EXHAUST ELBOW INBOARD SERIAL 03040411-03085036
23	60207		2	PLATE, EXHAUST ELBOW TO EXHAUST MANIFOLD INBOARD SERIAL 03040411-09999999
24	27-52076		4	GASKET, EXHAUST ELBOW TO EXHAUST MANIFOLD INBOARD SERIAL 03040411-09999999
	27-52076		2	GASKET, EXHAUST ELBOW TO EXHUAST MANIFOLD (STERN DRIVE)
25	13-37459		8	LOCKWASHER, EXHAUST ELBOW TO EXHAUST MANIFOLD STUD

CONTINUED ON NEXT PAGE ➡

EXHAUST MANIFOLD AND EXHAUST ELBOW



EXHAUST MANIFOLD AND EXHAUST ELBOW

REF. NO.	PART NO.	SYM.	QTY.	DESCRIPTION
26	11-49838		8	NUT, EXHUAST ELBOW TO EXHAUST MANIFOLD STUD
27	57747		0	ELBOW, EXHAUST (STARBOARD SIDE) HYDRAULIC SHIFT - STERN DRIVE
	57748		1	ELBOW, EXHUAST (PORT SIDE) HYDRAULIC SHIFT - STERN DRIVE
	54297		2	ELBOW, EXHAUST ELECTRIC SHIFT - STERN DRIVE
28	25-35029		2	"O" RING, EXHUAST ELBOW TO TRANSOM PLATE STERN DRIVE
29	10-37612		6	SCREW, EXHAUST ELBOW TO TRANSOM PLATE (1 1/4") HYDRAULIC SHIFT - STERN DRIVE
	10-37612		2	SCREW, EXHAUST ELBOW TO TRANSOM PLATE (1 1/4") ELECTRIC SHIF ELECTRIC SHIFT - STERN DRIVE
	10-48989		4	SCREW, EXHAUST ELBOW TO TRANSOM PLATE (4") ELECTRIC SHIFT - STERN DRIVE
30	13-35048		6	LOCKWASHER, EXHAUST ELBOW SCREW
31	53821		2	BELLOWS, EXHAUST ELBOW
32	54-33683		8	CLAMP, BELLOWS TO EXHAUST ELBOW
33	54461A1		1	THERMOSTAT HOUSING ASSEMBLY SERIAL 00000000-03040410
	59497A1		1	THERMOSTAT HOUSING ASSEMBLY SERIAL 03040411-09999999
34	23-54476		1	SLEEVE, THERMOSTAT HOUSING
35	10-54523		1	SCREW, THERMOSTAT HOUSING TO INTAKE MANIFOLD (1")
	10-35386		1	SCREW, THERMOSTAT HOUSING TO INTAKE MANIFOLD (1")
36	12-20084		2	WASHER, THERMOSTAT HOUSING SCREW
37	27-54506		1	GASKET, THERMOSTAT HOUSING
38	35884		1	THERMOSTAT SERIAL 00000000-03040410
39	57861		1	COVER, THERMOSTAT SERIAL 00000000-03040410
40	27-54505		1	GASKET, THERMOSTAT COVER SERIAL 00000000-03040410
38	59137		1	THERMOSTAT SERIAL 03040411-09999999
39	59498		1	COVER, THERMOSTAT SERIAL 03040411-09999999
40	27-60208		1	GASKET, THERMOSTAT COVER SERIAL 03040411-09999999
41	10-52446		1	SCREW, THERMOSTAT COVER TO THERMOSTAT HOUSING (1 5/8")
	10-24234		3	SCREW, THERMOSTAT COVER TO THERMOSTAT HOUSING (1")
42	13-39107		3	LOCKWASHER, THERMOSTAT COVER SCREW
43	32-54510		2	HOSE, THERMOSTAT HOUSING TO EXHAUST MANIFOLD
44	54-32780		4	CLAMP, HOSE TO THERMOSTAT HOUSING ANS EXHAUST MANIFOLD
45	32-58466		1	HOSE, THERMOSTAT HOUSING TO OIL COOLER HYDRAULIC SHIFT AND INBOARD
46	54-32780		2	CLAMP, HOSE TO THERMOSTAT HOUSING AND WATER PUMP HYDRAULIC SHIFT AND INBOARD
47	32-54570		1	HOSE, THERMOSTAT HOUSING TO WATER PUMP
48	54-32781		2	CLAMP, HOSE TO THERMOSTAT HOUSING AND WATER PUMP

CONTINUED ON NEXT PAGE ➡

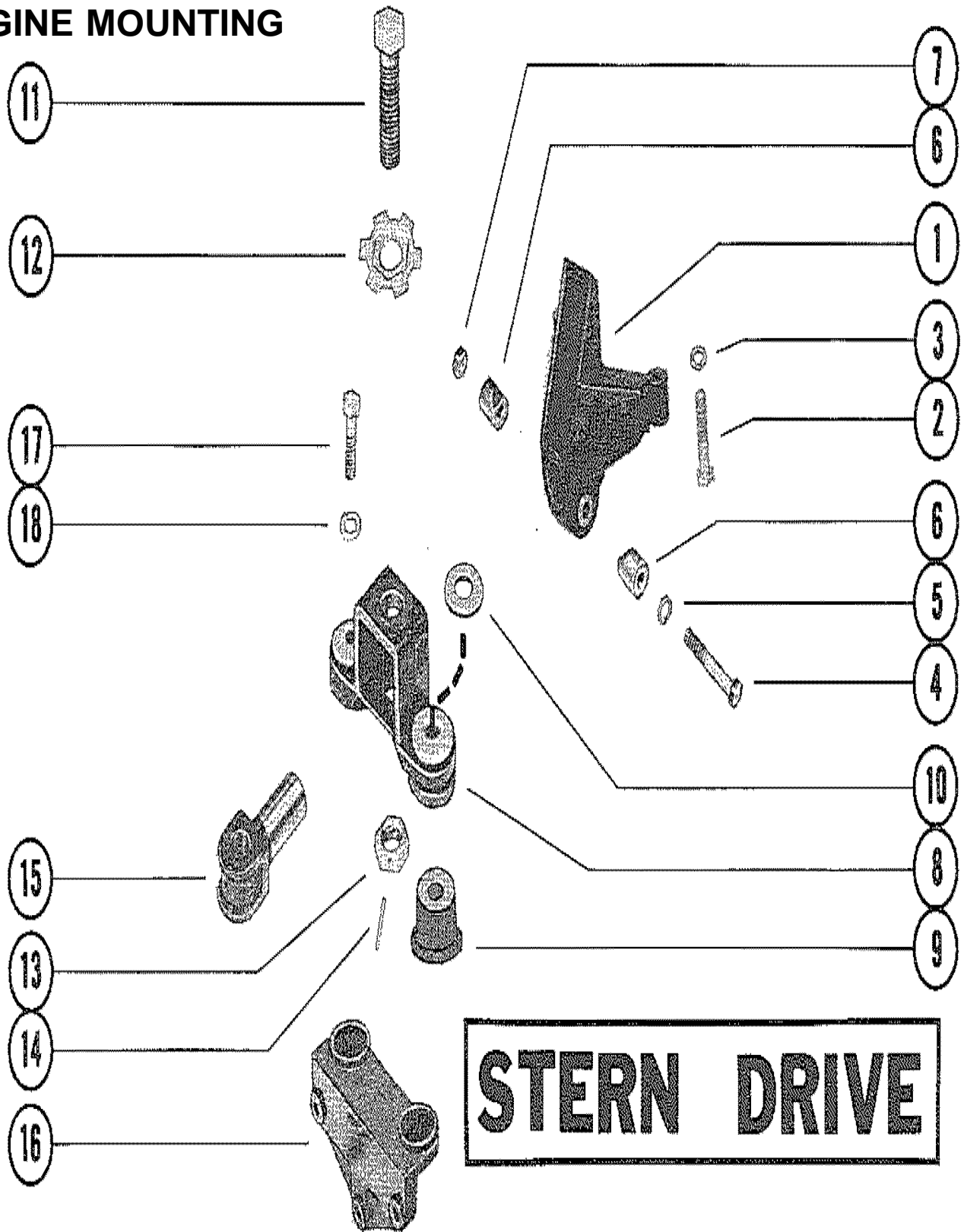
FLYWHEEL HOUSING AND OIL COOLER



FLYWHEEL HOUSING AND OIL COOLER

REF. NO.	PART NO.	SYM.	QTY.	DESCRIPTION
1	54480		1	HOUSING, FLYWHEEL
2	23-47511		2	SLEEVE, CONNECTING - FLYWHEEL HOUSING
3	22-32802		1	PLUG, DRAIN - FLYWHEEL HOUSING
4	47542		1	COVER, FLYWHEEL HOUSING
5	10-28635		4	SCREW, COVER TO FLYWHEEL HOUSING (5/8")
6	13-26992		4	LOCKWASHER, COVE SCREW
7	38-47520		1	SERIAL PLATE
8	10-20314		4	SCREW, SERIAL PLATE ATTACHING
9	10-47462		3	SCREW, FLYWHEEL HOUSING TO ENGINE (1 1/4")
10	10-54493		1	SCREW, FLYWHEEL HOUSING TO ENGINE (2 1/2")
	10-47654		1	SCREW FLYWHEEL HOUSING TO ENGINE (2 3/4")
11	12-57864		2	WASHER, SEALING - FLYWHEEL HOUSING SCREW
12	47610		1	COOLER, OIL
13	62288A1		1	COVER ASSEMBLY, OIL COOLER
13A	22-39072		1	PLUG, DRAIN - OIL COOLER COVER
14	27-47495		1	GASKET, OIL COOLER COVER
15	25-47632		2	"O" RING, SEALING - OIL COOLER
16	11-47521		2	NUT, JAM - OIL COOLER
17	22-47917		1	ELECTRODE, OIL COOLER
18	10-20362		6	SCREW, OIL COOLER COVER TO FLYWHEEL HOUSING (1 7/16")
19	12-36533		2	WASHER, OIL COOLER COVER SCREW
	13-26993		4	LOCKWASHER, OIL COOLER COVER SCREW

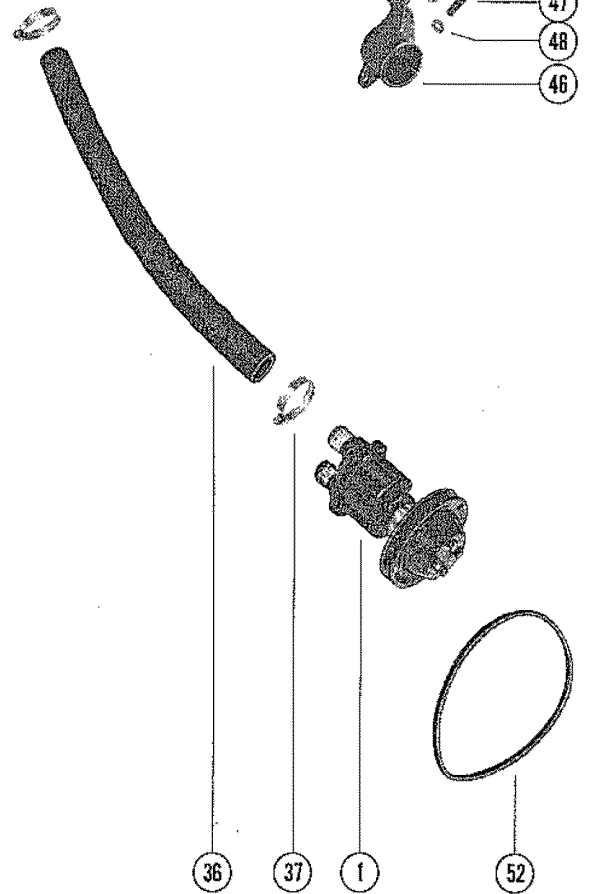
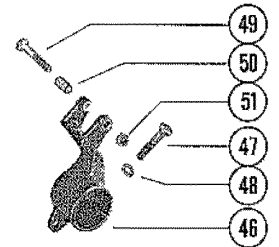
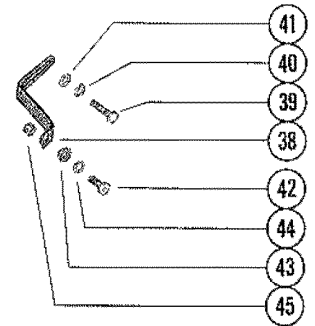
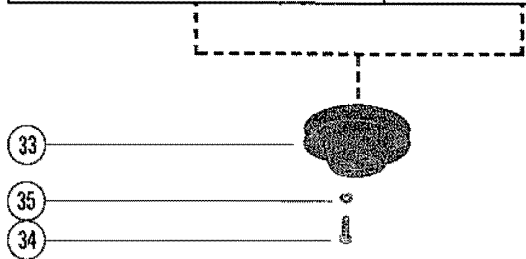
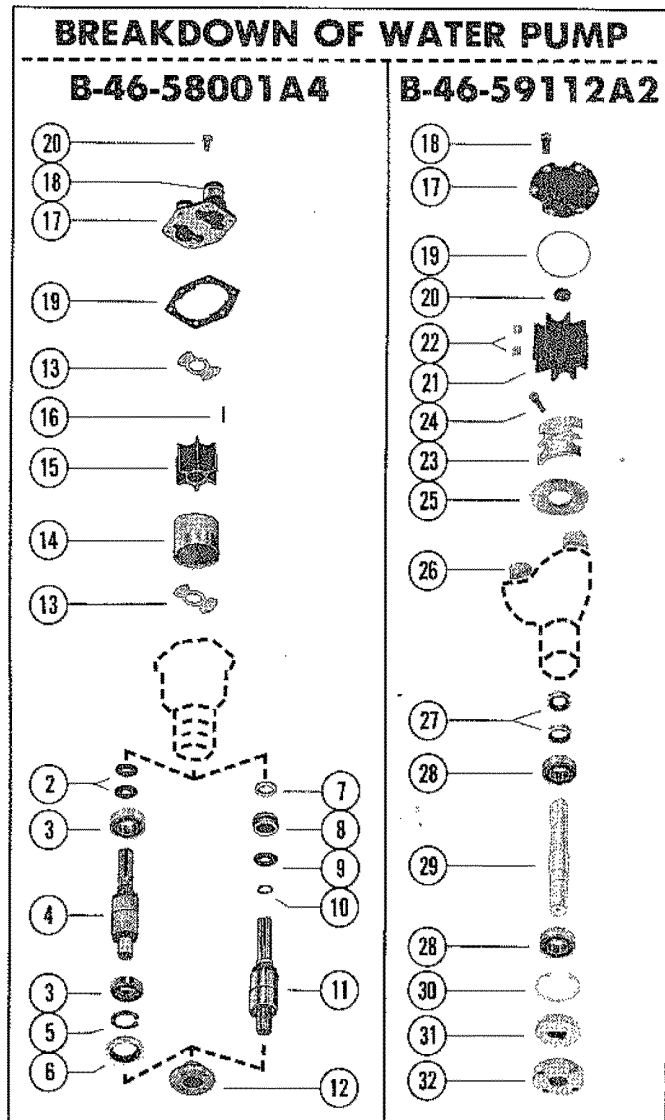
ENGINE MOUNTING



ENGINE MOUNTING

REF. NO.	PART NO.	SYM.	QTY.	DESCRIPTION
1	61413		2	BRACKET, MOUNTING (FRONT)
2	10-37269		3	SCREW, MOUNTING BRACKET TO CYLINDER BLOCK (2")
	10-57357		1	SCREW, MOUNTING BRACKET TO CYLINDER BLOCK (2 1/2")
3	13-32993		4	LOCKWASHER, MOUNTING BRACKET SCREW
	12-34567		2	WASHER, MOUNTING BRACKET SCREW
4	10-47654		2	SCREW, CLAMP - ADJUSTING TRUNNION (2 3/4")
5	13-32993		2	LOCKWASHER, CLAMP ADJUSTING TRUNNION SCREW
6	54-47528		4	CLAMP, ADJUSTING TRUNNION SCREW
7	11-29553		2	NUT, CLAMP ADJUSTING TRUNNION SCREW
8	52139A4		2	BRACKET ASSEMBLY, MOUNTING - FRONT
9	52753		4	MOUNT, MOUNTING BRACKET
10	12-48611		4	WASHER, MOUNTING BRACKET
11	10-52156		2	SCREW, ADJUSTING TRUNNION (4 1/2")
12	14-48467		2	TAB WASHER, ADJUSTING TRUNNION SCREW
13	11-47525		2	NUT, JAM - ADJUSTING TRUNNION SCREW
14	17-22116		2	PIN, ROLL - JAM NUT
15	47518		2	TRUNNION, ADJUSTING - MOUNTING BRACKET
16	47986		2	BRACKET, MOUNTING - ENGINE
17	10-48254		4	SCREW, MOUNTING BRACKET ATTACHING (2 1/8")
18	13-31848		4	LOCKWASHER, MOUNTING BRACKET SCREW

WATER PUMP ASSEMBLY, COMPLETE

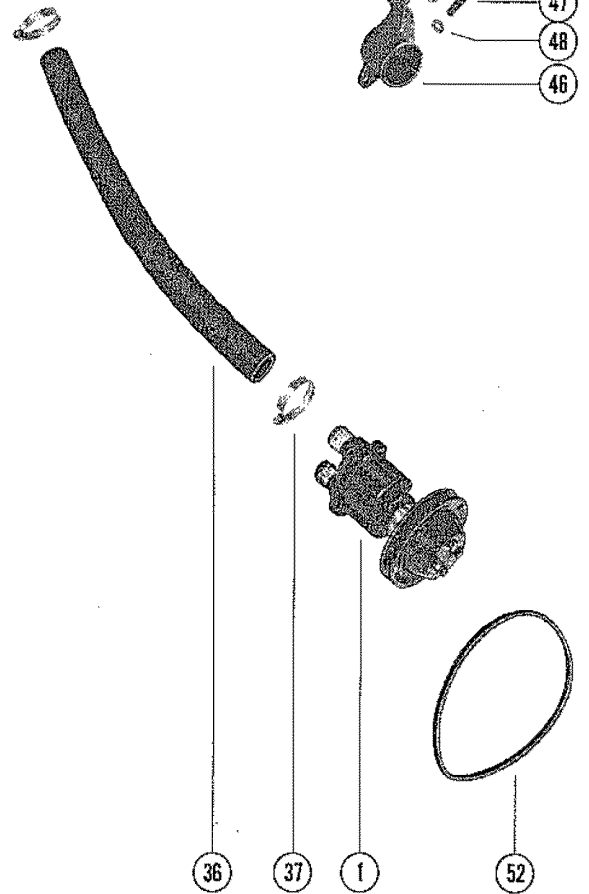
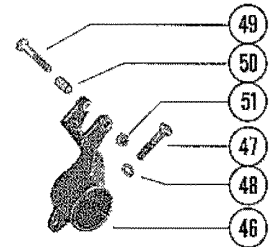
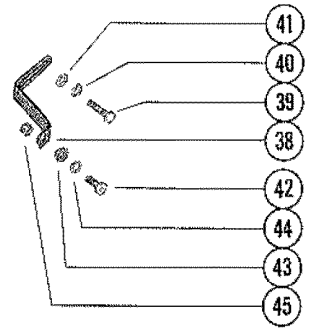
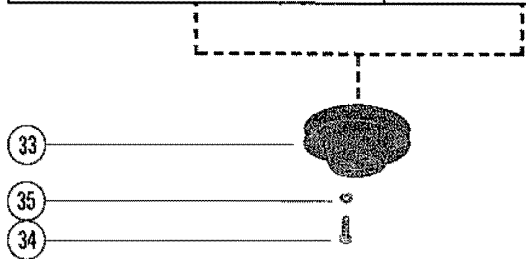
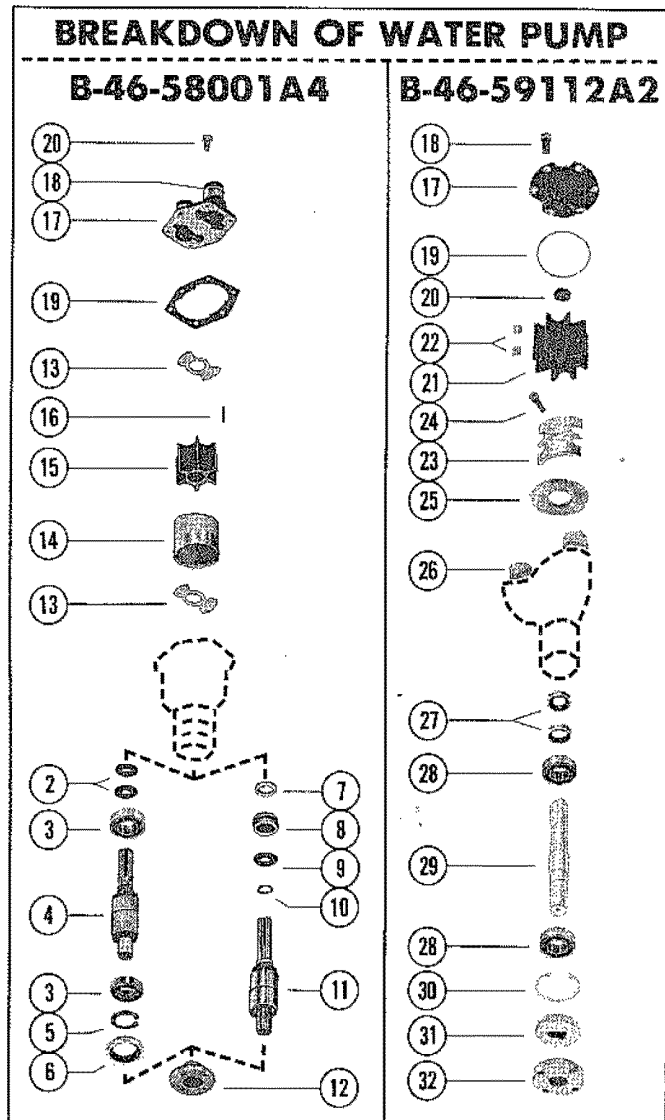


WATER PUMP ASSEMBLY, COMPLETE

REF. NO.	PART NO.	SYM.	QTY.	DESCRIPTION
1	46-58001A4		1	WATER PUMP ASSEMBLY, COMPLETE SERIAL 00000000-03040410
2	26-23300		2	OIL SEAL, WATER PUMP SHAFT SERIAL 02907035-03040410
3	30-20861		2	BALL BEARING, WATER PUMP SHAFT SERIAL 02907035-03040410
4	57967		1	SHAFT, WATER PUMP SERIAL 02907035-03040410
5	53-23720		1	RING, SNAP - BALL BEARING RETAINING SERIAL 02907035-03040410
6	26-58111		1	,OIL SEAL, WATER PUMP SHAFT SERIAL 02907035-03040410
7	26-47531		1	SEAL, FLOATING - WATER PUMP SHAFT SERIAL 00000000-02907034
8	26-47401		1	SEAL, MECHANICAL - WATER PUMP SHAFT SERIAL 00000000-02907034
9	12-47683		1	WASHER, WATER PUMP SHAFT SERIAL 00000000-02907034
10	53-47657		1	RING, RETAINING - WATER PUMP SHAFT SERIAL 00000000-02907034
11	47403		1	SHAFT, WATER PUMP SERIAL 00000000-02907034
12	47530		1	HUB, WATER PUMP PULLEY SERIAL SERIAL 00000000-03040410
13	47405		2	WEAR PLATE SERIAL 00000000-03040410
14	47529		1	INSERT, WATER PUMP SERIAL 00000000-03040410
15	47-47519		1	IMPELLER SERIAL 00000000-03040410
16	17-47526		1	PIN, IMPELLER DRIVE SERIAL 00000000-03040410
17	47497A1		1	COVER ASSEMBLY, WATER PUMP SERIAL 00000000-03040410
18	23-47511		2	SLEEVE, WATER PUMP COVER SERIAL 00000000-03040410
19	27-47410		1	GASKET, WATER PUMP COVER SERIAL 00000000-03040410
20	10-28635		6	SCREW, WATER PUMP COVER TO WATER PUMP BODY (5/8") SERIAL 00000000-03040410
1	46-59112A2		1	WATER PUMP ASSEMBLY, COMPLETE SERIAL 03040411-09999999
17	59155		1	COVER, WATER PUMP SERIAL 03040411-09999999
18	10-28635		6	SCREW, COVER TO WATER PUMP (5/8") SERIAL 03040411-09999999
19	25-59712		1	"O" RING, WATER PUMP COVER SERIAL 03040411-09999999
20	19-59504		1	PLUG, IMPELLER SERIAL 03040411-09999999
21	47-59362A1		1	IMPELLER ASSEMBLY SERIAL 03040411-09999999
22	28-56662		2	KEY, IMPELLER DRIVE SERIAL 03040411-09999999
23	59363A1		1	CAM SEGMENT ASSEMBLY SERIAL 03040411-09999999
24	10-60777		1	SCREW, CAM SEGMENT ATTACHING (1/2") SERIAL 03040411-09999999
25	59503		1	WEAR PLATE, IMPELLER SERIAL 03040411-09999999
26	23-47511		2	SLEEVE, WATER PUMP SERIAL 03040411-09999999

CONTINUED ON NEXT PAGE ➡

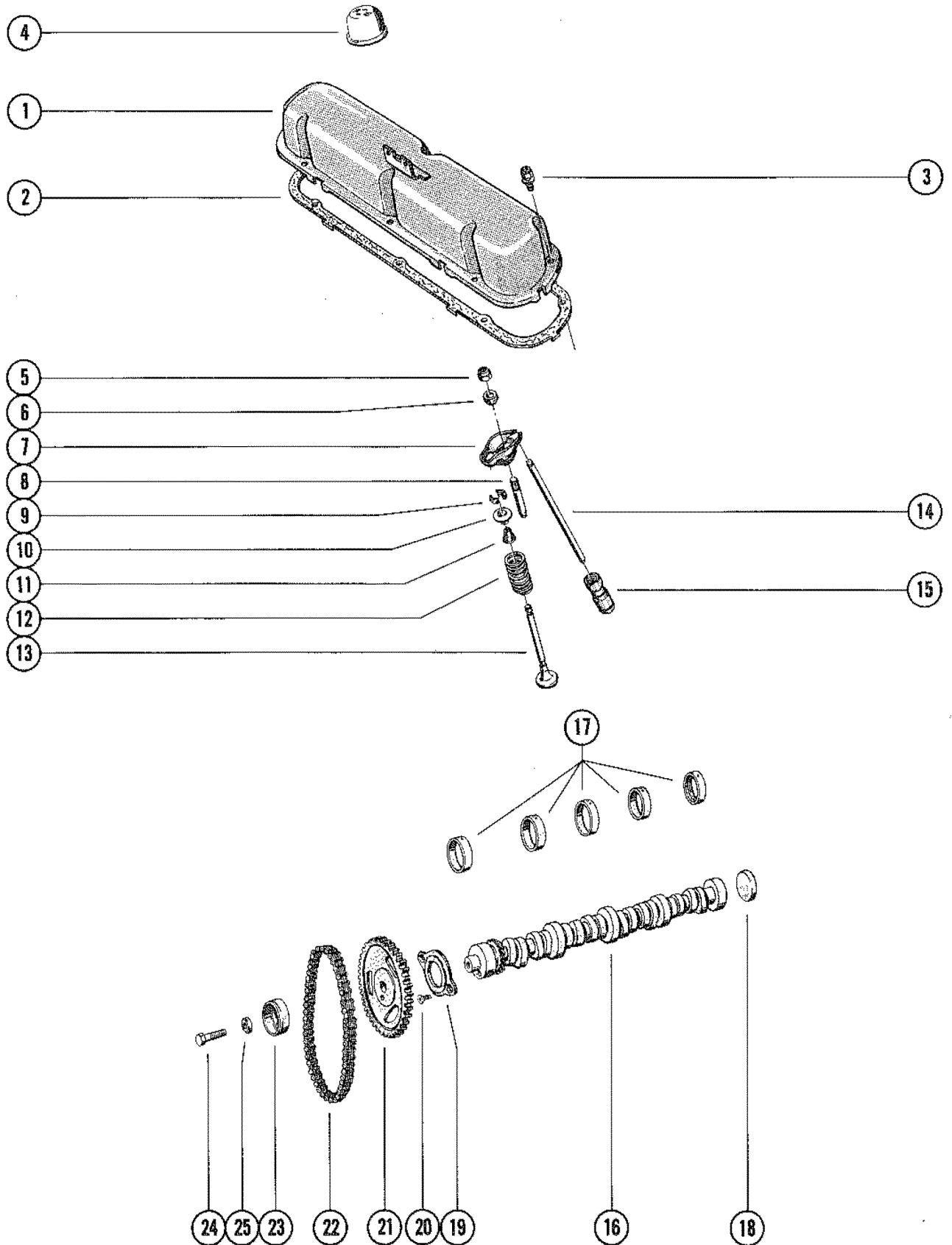
WATER PUMP ASSEMBLY, COMPLETE



WATER PUMP ASSEMBLY, COMPLETE

REF. NO.	PART NO.	SYM.	QTY.	DESCRIPTION
27	26-23300		2	OIL SEAL, WATER PUMP SHAFT SERIAL 03040411-09999999
28	30-20861		2	BALL BEARING, WATER PUMP SHAFT SERIAL 03040411-09999999
29	59501		1	SHAFT, WATER PUMP SERIAL 03040411-09999999
30	53-23720		1	RING, SNAP - BALL BEARING RETAINING SERIAL 03040411-09999999
31	26-59564		1	OIL SEAL, WATER PUMP SHAFT (LARGE) SERIAL 03040411-09999999
32	47530		1	HUB, WATER PUMP PULLEY SERIAL 03040411-09999999
33	52822		1	PULLEY, WATER PUMP SERIAL 00000000-03040410
	59762		1	PULLEY, WATER PUMP SERIAL 03040411-09999999
34	10-47277		4	SCREW, WATER PUMP PULLEY TO WATER PUMP (3/4")
35	13-39107		4	LOCKWASHER, WATER PUMP PULLEY SCREW
36	32-55483		1	HOSE, PUMP TO OIL COOLER (22 1/2") HYDRAULIC SHIFT AND INBOARD SERIAL 00000000-03040410
	32-62010		1	HOSE, PUMP TO OIL COOLER (22 1/2") HYDRAULIC SHIFT AND INBOARD SERIAL 03040411-09999999
	32-57230		1	HOSE, PUMP TO THERMO HSG (MOLDED) ELECTRIC SHIFT
37	54-32780		2	CLAMP, WATER PUMP HOSE
38	54478		1	BRACE, WATER PUMP ADJUSTING
39	10-34353		1	SCREW, ADJUSTING BRACE TO OIL PAN (1")
40	13-35048		1	LOCKWASHER, ADJUSTING BRACE SCREW
41	12-20553		1	WASHER, ADJUSTING BRACE SCREW
42	10-34354		1	SCREW, ADJUSTING BRACE TO WATER PUMP (1 1/2")
43	12-20553		2	WASHER, ADJUSTING BRACE SCREW
44	13-35048		1	LOCKWASHER, ADJUSTING BRACE SCREW
45	11-28517		0	NUT, ADJUSTING BRACE SCRWE
46	49581		1	BRACKET, WATER PUMP
47	10-34354		1	SCREW, WATER PUMP BRACKET CLAMPING (1 1/2")
48	13-35048		1	LOCKWASHER, WATER PUMP BRACKET CLAMPING SCREW
49	10-52409		1	SCREW, WATER PUMP BRACKET TO ALTERNATOR BRACKET (3 1/4")
50	23-33186		1	BUSHING, WATER PUMP BRACKET SCREW
51	11-23161		1	NUT, WATER PUMPT BRACKET SCREW
52	57-48121		1	BELT, WATER PUMP SERIAL 00000000-03040410
	57-60327		1	BELT, WATER PUMP SERIAL 00000000-03040411

ROCKER COVER, CAMSHAFT AND VALVES



ROCKER COVER, CAMSHAFT AND VALVES

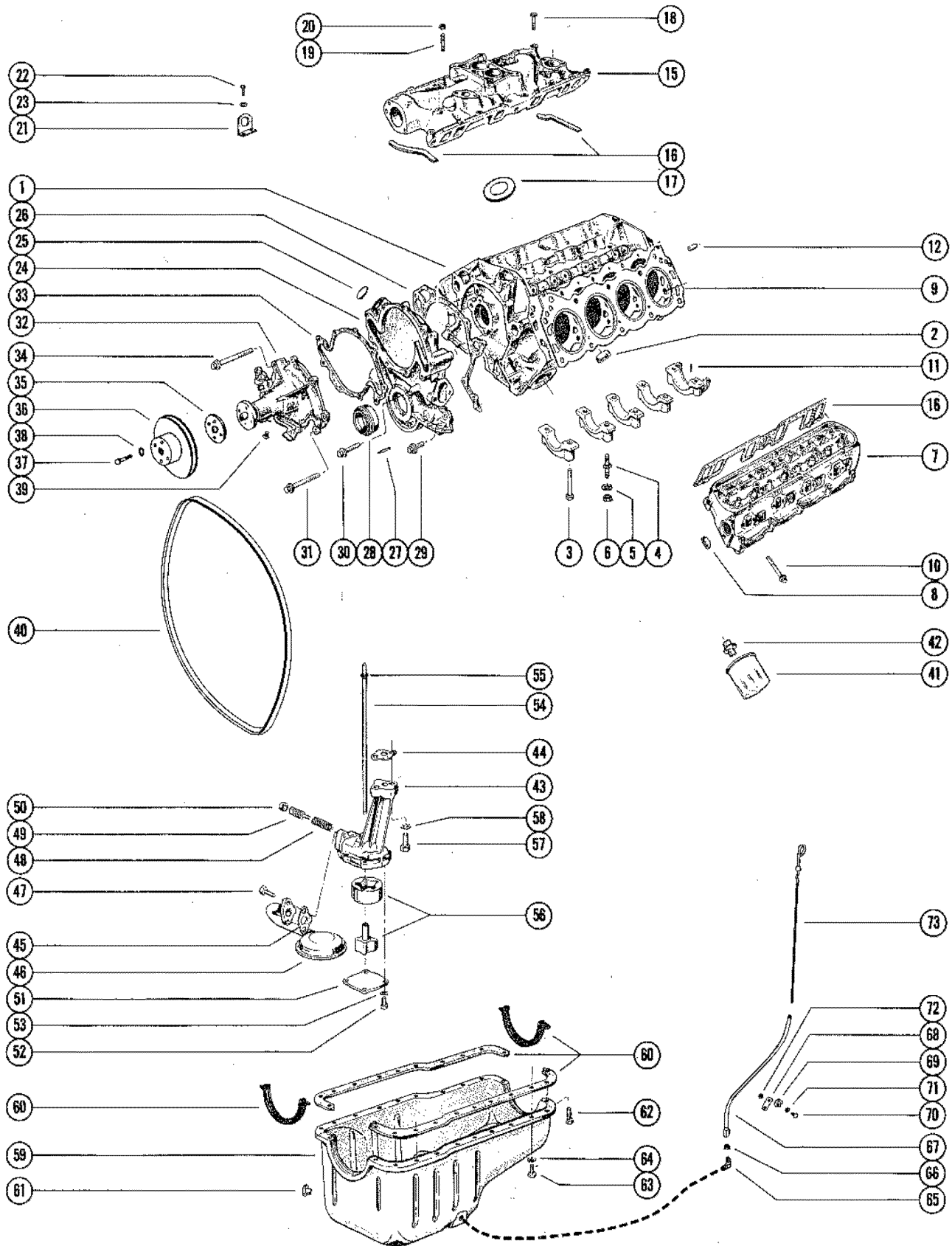
REF. NO.	PART NO.	SYM.	QTY.	DESCRIPTION
1	56156		1	COVER, ROCKER (PORT)
	56171		1	COVER, ROCKER (STARBOARD)
2	27-56173		2	GASKET, ROCKER COVER
3	10-56172		12	SCREW, ROCKER COVER TO CYLINDER HEAD (5/8")
4	56875		1	CAP, OIL FILLER - ROCKER COVER
	37-32852		1	DECAL, ROCKER COVER - "MERCURISER MARINE"
	37-54511		1	DECAL, HORSEPOWER - "215 H.P."
5	11-56167		16	NUT, ROCKER ARM STUD
6	56166		16	BALL, ROCKER ARM
7	56168		16	ARM, ROCKER
8	16-56164		16	STUD, ROCKER ARM - CYLINDER HEAD (STANDARD)
	16-58242		AR	STUD, ROCKER ARM - CYLINDER HEAD (.006 O.S.)
	16-58243		AR	STUD, ROCKER ARM - CYLINDER HEAD (.015 O.S.)
9	28-56162		32	KEY, VALVE STEM (2 PER VALVE)
10	56160		8	CAP, VALVE SPRING (INLET VALVE)
	56161		8	CAP, VALVE SPRING (EXHAUST VALVE)
11	26-58094		16	SEAL, VALVE
12	24-56159		16	SPRING, VALVE
13	56154		8	VALVE, EXHAUST (STANDARD)
	56155		AR	VALVE, EXHAUST (.015 O.S.)
	56157		8	VALVE, INLET (STANDARD)
	56158		AR	VALVE, INLET (.015 O.S.)
14	56169		16	ROD, PUSH
15	56153		16	LIFTER, HYDRAULIC - TAPPET
16	447-4062		1	CAMSHAFT (STANDARD ROTATION)
	447-4063		1	CAMSHAFT (OPPOSITE ROTATION)
17	23-56124		1	BEARING SET, CAMSHAFT
18	19-56128		1	PLUG, EXPANSION - CAMSHAFT BEARING HOLE
19	56130		1	PLATE, THRUST - CAMSHAFT (STANDARD)
	56131		AR	PLATE, THRUST - CAMSHAFT (.002 O.S.)
	56132		AR	PLATE, THRUST - CAMSHAFT (.004 O.S.)
20	10-56133		2	SCREW, THRUST PLATE TO CYLINDER BLOCK (5/8")
21	43-56126		1	SPROCKET, CAMSHAFT TIMING (42 TEETH)
22	56129		1	CHAIN, TIMING
23	56137		1	ECCENTRIC, CAMSHAFT (FUEL PUMP DRIVE)
24	10-56138		1	SCREW, ECCENTRIC AND SPROCKET TO CAMSHAFT (1 1/2")
25	12-56136		1	WASHER, ECCENTRIC AND SPROCKET SCREW

CYLINDER BLOCK, CYLINDER HEAD AND OIL PAN

REF. NO.	PART NO.	SYM.	QTY.	DESCRIPTION
1	853-4056		1	CYLINDER BLOCK ASSEMBLY (INCLUDES BEARING CAPS)
2	19-56102		6	PLUG, EXPANSION - CYLINDER BLOCK
	22-64426		2	PETCOCK, WATER DRAIN - CYLINDER BLOCK
	22-37682		1	ELBOW, STARBOARD - WATER DRAIN PETCOCK
	19-60667		3	PLUG, CYLINDER BLOCK (1/4")
	19-60668		1	PLUG, EXPANSION - CYLINDER BLOCK (3/4")
	19-60669		3	PLUG, EXPANSION - CYLINDER BLOCK (1/2")
	17-60670		4	PIN, DOWEL - CYLINDER HEAD TO CYLINDER BLOCK
3	10-56146		9	BOLT, BEARING CAP TO CYLINDER BLOCK (3 5/32")
4	16-56147		1	STUD, BEARING CAP TO CYLINDER BLOCK (OIL PUMP SCREEN)
5	13-56177		1	LOCKWASHER, OIL PUMP SCREEN STUD
6	11-28517		1	NUT, OIL PUMP SCREEN STUD
7	949-4057		2	CYLINDER HEAD ASSEMBLY
8	19-56102		4	PLUG, EXPANSION - CYLINDER HEAD
9	27-56110		2	GASKET, CYLINDER HEAD
10	10-56112		10	BOLT, CYLINDER HEAD TO CYLINDER BLOCK (3 7/8")
	10-56113		10	BOLT, CYLINDER HEAD TO CYLINDER BLOCK (2 1/4")
11	17-56139		1	PIN, REAR BEARING CAP - REAR SEAL RETAINING
12	17-56151		2	PIN, DOWEL - CYLINDER BLOCK TO FLYWHEEL HOUSING (1")
15	56887		1	INTAKE MANIFOLD
16	27-56888A2		1	GASKET SET, INTAKE MANIFOLD
17	56163		1	BAFFLE, INTAKE MANIFOLD
18	10-58261		8	BOLT, INTAKE MANIFOLD TO CYLINDER HEAD (2")
19	16-58262		4	STUD, INTAKE MANIFOLD TO CYLINDER HEAD (2 3/8")
20	11-58263		4	NUT, INTAKE MANIFOLD STUD
21	54-54555		1	LIFTING EYE, INTAKE MANIFOLD
22	10-47258		2	SCREW, LIFTING EYE TO INTAKE MANIFOLD (5/8")
23	12-34437		2	WASHER, LIFTING EYE SCREW
24	56103		1	COVER, TIMING
25	19-21688		1	WELCH PLUG, TIMING COVER
26	27-56108		1	GASKET, TIMING COVER
27	56109		1	POINTER, TIMING COVER
28	26-56866		1	OIL SEAL, TIMING COVER (STANDARD ROTATION)
	26-56867		1	OIL SEAL, TIMING COVER (OPPOSITE ROTATION)
29	10-56106		1	SCREW, TIMING COVER TO CYLINDER BLOCK (1 1/2")
30	10-56104		2	SCREW, TIMING COVER TO CYLINDER BLOCK (2")
31	10-56107		3	SCREW, WATER PUMP AND TIMING COVER ATTACHING (3 3/4")
32	58086		1	WATER PUMP ASSEMBLY (STANDARD ROTATION)
	56879		1	WATER PUMP ASSEMBLY (OPPOSITE ROTATION)
33	27-56880		1	GASKET, WATER PUMP
34	10-55300		1	SCREW, WATER PUMP AND TIMING COVER ATTACHING (5 1/4")

CONTINUED ON NEXT PAGE ➡

CYLINDER BLOCK, CYLINDER HEAD AND OIL PAN

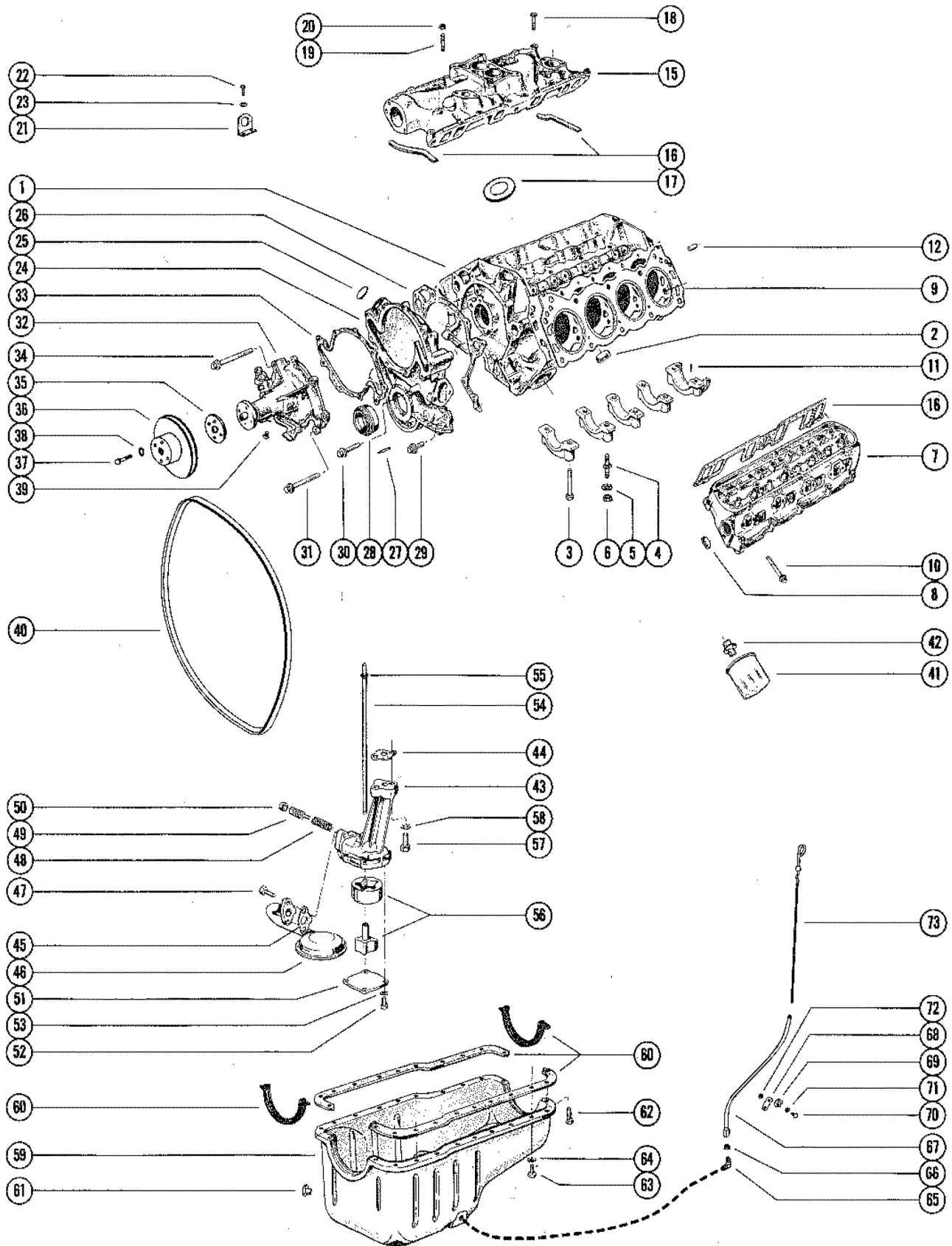


CYLINDER BLOCK, CYLINDER HEAD AND OIL PAN

REF. NO.	PART NO.	SYM.	QTY.	DESCRIPTION
35	58265		1	REINFORCEENT, WATER PUMP PULLEY
36	56881		1	PULLEY, WATER PUMP
37	10-54630		4	SCREW, PULLEY TO WATER PUMP (5/8")
38	13-39107		4	LOCKWASER, PULLEY SCREW
39	22-36373		1	PLUG, PIPE - WATER PUMP (3/8-14)
40	57-49213		1	BELT, DRIVE - ALTERNATOR AND WATER PUMP
41	60565		1	OIL FILTER
42	22-56876		1	CONNECTOR, OIL FILTER TO CYLINDER BLOCK
43	56174		1	OIL PUMP ASSEMBLY
44	27-56861		1	GASKET, OIL PUMP
45	27-56859		0	GASKET, OIL PUMP SCREEN
46	56856		1	SCREEN, OIL PUMP
47	10-56858		2	SCREW, SCREEN TO OIL PUMP (7/8")
48	24-56864		1	SRPING, OIL PUMP RELIEF VALVE
49	56865		1	PLUNGER, OIL PUMP RELIEF VALVE
50	19-56854		1	PLUG, OIL PUMP RELIEF VALVE
51	56179		1	PLATE, OIL PUMP
52	10-56852		4	SCREW, PLATE TO OIL PUMP (5/8")
53	13-26992		4	LOCKWASHER, PLATE SCREW
54	56855		1	SHAFT ASSEMBLY, OIL PUMP
55	53-56860		1	RING, RETAINING - OIL PUMP SHAFT
56	56178		1	ROTOR AND SHAFT, OIL PUMP
57	10-56176		2	SCREW, OIL PUMP TO CYLINDER BLOCK (1 1/4")
58	13-56177		2	LOCKWASHER, OIL PUMP SCREW
59	61566		1	OIL PAN
60	27-64798		1	GASKET SET, OIL PAN
61	22-36373		1	PLUG, PIPE - OIL PAN DRAIN
62	10-55714		4	SCREW, OIL PAN TO CYLINDER BLOCK (5/16-18 X 7/8")
63	10-55715		8	SCREW, OIL PAN TO CYLINDER BLOCK (1/4-20 X 7/8")
64	12-46897		8	WASHER, OIL PAN SCREW
65	22-47625		1	ELBOW, OIL LEVEL GAUGE TUBE TO OIL PAN
66	11-47626		1	NUT, OIL LEVEL GAUGE TUBE
67	47492		1	TUBE, OIL LEVEL GAUGE
68	47404		1	BRACKET, OIL LEVEL GAUGE TUBE CLIP
69	54-47545		1	CLIP, OIL LEVEL GAUGE TUBE
70	10-33524		1	SCREW, OIL LEVEL GAUGE TUBE CLIP TO BRACKET (5/8")
71	13-39107		1	LOCKWASHER, OIL LEVEL GAUGE TUBE CLIP SCREW
72	11-22053		1	NUT, OIL LEVEL GAUGE TUBE CLIP SCREW
73	55241		1	GAUGE, OIL LEVEL (DIPSTICK) STERN DRIVE
	57403		1	GAUGE, OIL LEVEL (DIPSTICK) - INBOARD
-	56379A4		1	HYDRAULIC SHIFT (STANDARD ROTATION) MARINE 215 SHORT-BLOCK SERIAL 00000000-03040410
-	56512A3		1	HYDRAULIC SHIFT (OPPOSITE ROATION) MARINE 215 SHORT-BLOCK SERIAL 00000000-03040410

CONTINUED ON NEXT PAGE ➡

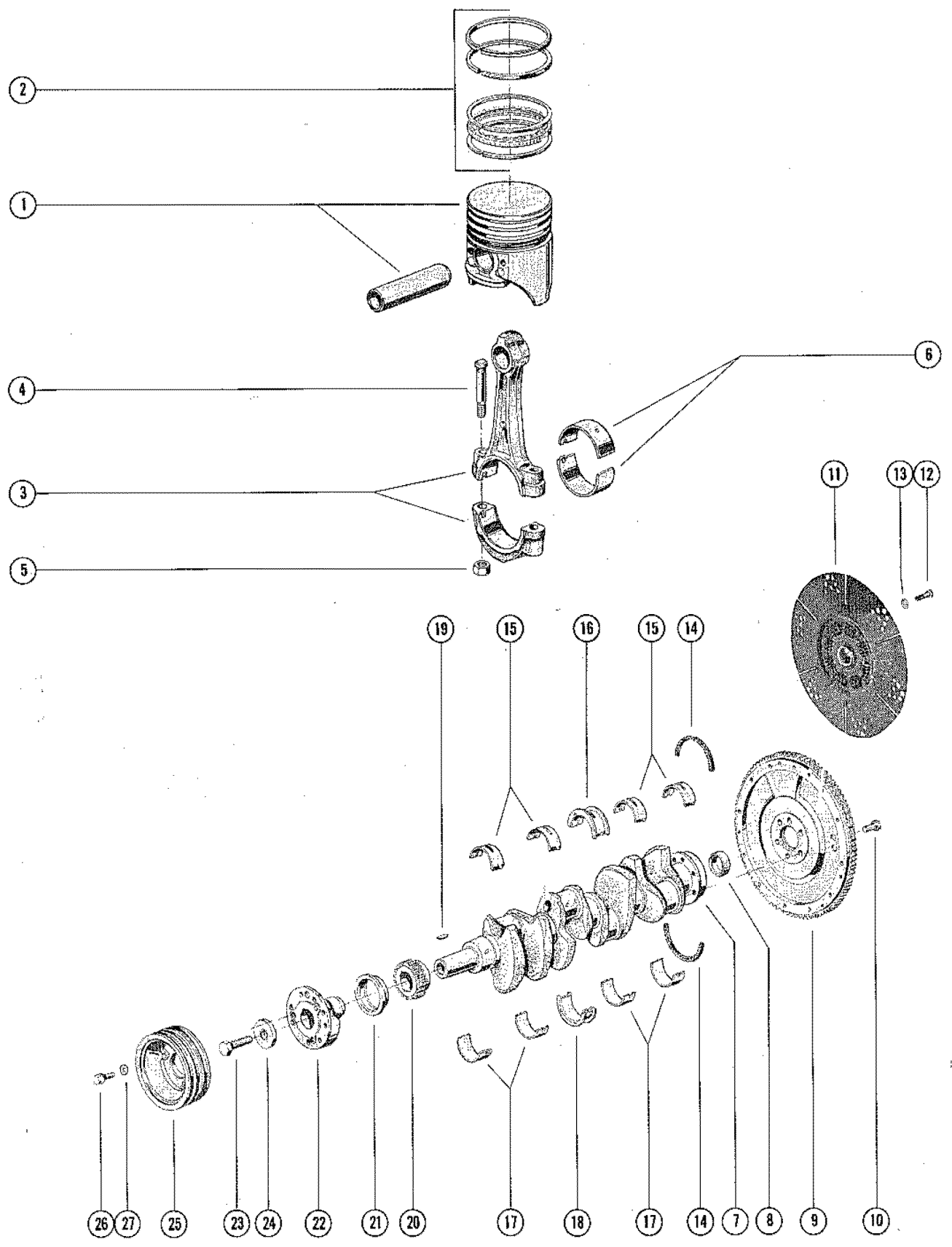
CYLINDER BLOCK, CYLINDER HEAD AND OIL PAN



CYLINDER BLOCK, CYLINDER HEAD AND OIL PAN

REF. NO.	PART NO.	SYM.	QTY.	DESCRIPTION
-	55793A3		1	ELECTRIC SHIFT (STANDARD ROTATION) MARINE 215 SHORT-BLOCK SERIAL 00000000-03040410
-	59049A3		1	MIE STANDARD ROTATION MARINE 215 SHORT-BLOCK SERIAL 03040411-03085036
-	59051A3		1	MIE OPPOSITE ROTATION MARINE 215 SHORT-BLOCK SERIAL 03040411-03085036
-	64482A4		1	MIE STANDARD ROTATION MARINE 215 SHORT-BLOCK SERIAL 03258182-09999999
-	64483A4		1	MIE OPPOSITE ROTATION MARINE 215 SHORT-BLOCK SERIAL 03258182-09999999

CRANKSHAFT, PISTON AND CONNECTING ROD

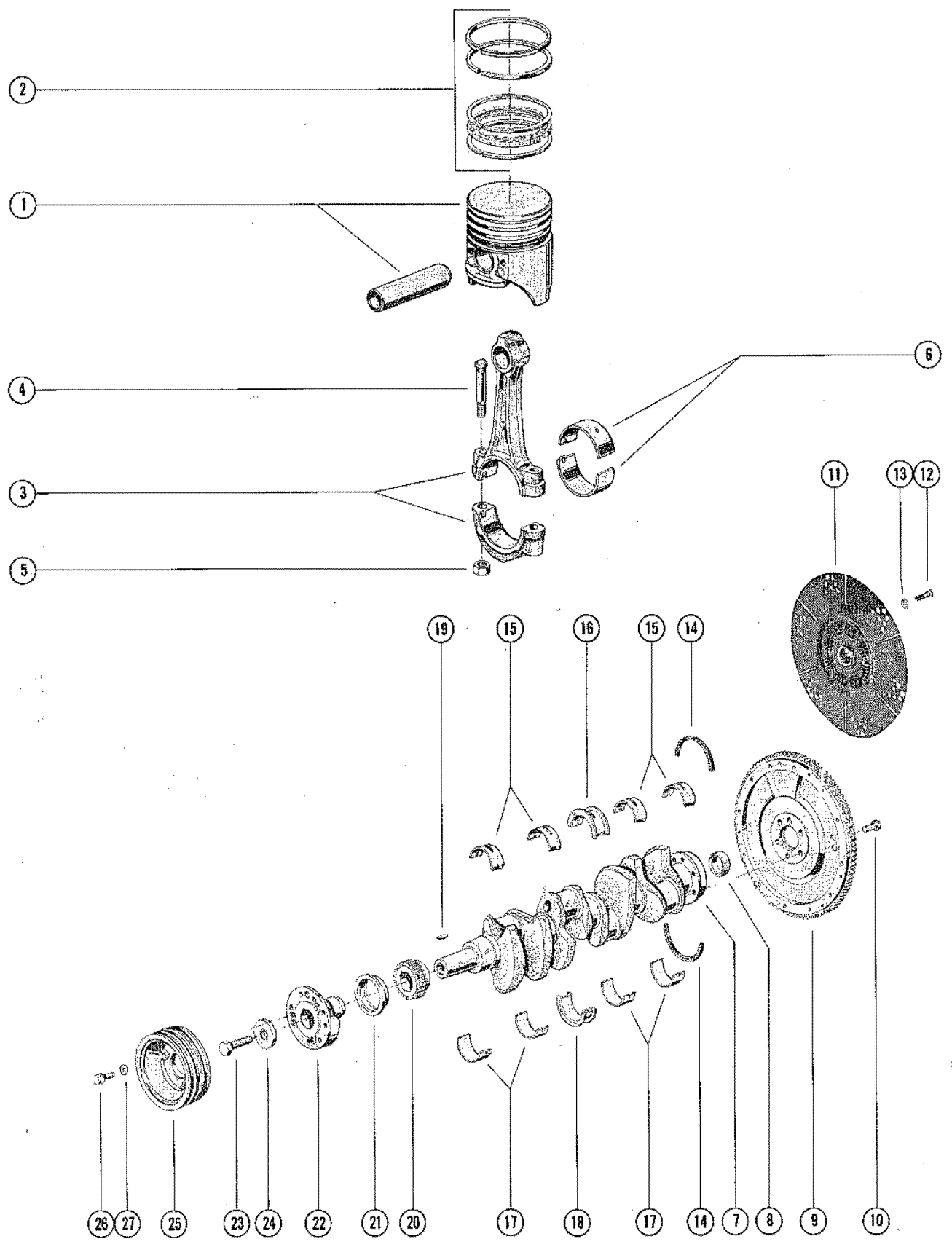


CRANKSHAFT, PISTON AND CONNECTING ROD

REF. NO.	PART NO.	SYM.	QTY.	DESCRIPTION
1	749-4058		8	PISTON AND PISTON PIN ASSEMBLY (STANDARD)
	749-4059		AR	PISTON AND PISTON PIN ASSEMBLY (.003 O.S.) USE STANDARD RING
	749-4060		AR	PISTON AND PISTON PIN ASSEMBLY (.020 O.S.)
2	39-56114		8	RING ASSEMBLY, PISTON (STANDARD) EACH PART NUMBER INCLUDES ENOUGH RINGS TO RERING 2 PISTONS
	39-56115		AR	RING ASSEMBLY, PISTON (.020 O.S.) EACH PART NUMBER INCLUDES ENOUGH RINGS TO RERING 2 PISTONS
3	623-4679		8	CONNECTING ROD ASSEMBLY
4	10-56123		16	BOLT, CONNECTING ROD
5	11-56122		16	NUT, CONNECTING ROD BOLT
6	23-56116		8	BEARING UNIT, CONNECTING ROD (STANDARD)
	23-56117		AR	BEARING UNIT, CONNECTING ROD (.001 U.S.)
	23-56118		AR	BEARING UNIT, CONNECTING ROD (.002 U.S.)
	23-56119		AR	BEARING UNIT, CONNECTING ROD (.010 U.S.)
	23-56121		AR	BEARING UNIT, CONNECTING ROD (.020 U.S.)
7	446-4064		1	CRANKSHAFT (STANDARD ROTATION)
	446-4065		1	CRANKSHAFT (OPPOSITE ROTATION)
8	23-55248		1	BEARING, CLUTCH PILOT (ELECTRIC SHIFT)
9	238-4428		1	FLYWHEEL ASSEMBLY (ELECTRIC SHIFT)
	238-4055		1	FLYWHEEL ASSEMBLY (HYDRAULIC SHIFT AND INBOARD)
10	10-60706		6	BOLT, FLYWHEEL TO CRANKSHAFT (1 5/8") ELECTRIC SHIFT
	10-60705		6	BOLT, FLYWHEEL TO CRANKSHAFT (1 1/16") HYDRAULIC SHIFT AND INBOARD
11	47608		1	DRIVE PLATE, FLYWHEEL
12	10-56889		6	SCREW, DRIVE PLATE TO FLYWHEEL
13	13-26993		6	LOCKWASHER, DRIVE PLATE SCREW
14	26-56868		1	OIL SEAL, CRANKSHAFT REAR (STANDARD ROTATION)
	26-56869		1	OIL SEAL, CRANKSHAFT REAR (OPPOSITE ROTATION)
15	23-56890		4	BEARING, CRANKSHAFT MAIN - UPPER (STANDARD)
	23-56892		AR	BEARING, CRANKSHAFT MAIN - UPPER (.001 U.S.)
	23-56894		AR	BEARING, CRANKSHAFT MAIN - UPPER (.002 U.S.)
	23-56896		AR	BEARING, CRANKSHAFT MAIN - UPPER (.010 U.S.)
	23-56898		AR	BEARING, CRANKSHAFT MAIN - UPPER (.020 U.S.)
16	23-56898		1	BEARING, CRANKSHAFT MAIN - UPPER - CENTER (STANDARD)
	23-56893		AR	BEARING, CRANKSHAFT MAIN - UPPER - CENTER (.001 U.S.)
	23-56895		AR	BEARING, CRANKSHAFT MAIN - UPPER - CENTER (.002 U.S.)
	23-56897		AR	BEARING, CRANKSHAFT MAIN - UPPER - CENTER (.010 U.S.)
	23-56899		AR	BEARING, CRANKSHAFT MAIN - UPPER - CENTER (.020 U.S.)
17	23-56900		4	BEARING, CRANKSHAFT MAIN - LOWER (STANDARD)
	23-56902		AR	BEARING, CRANKSHAFT MAIN - LOWER (.001 U.S.)
	23-56904		AR	BEARING, CRANKSHAFT MAIN - LOWER (.002 U.S.)
	23-56906		AR	BEARING, CRANKSHAFT MAIN - LOWER (.010 U.S.)

CONTINUED ON NEXT PAGE ➡

CRANKSHAFT, PISTON AND CONNECTING ROD

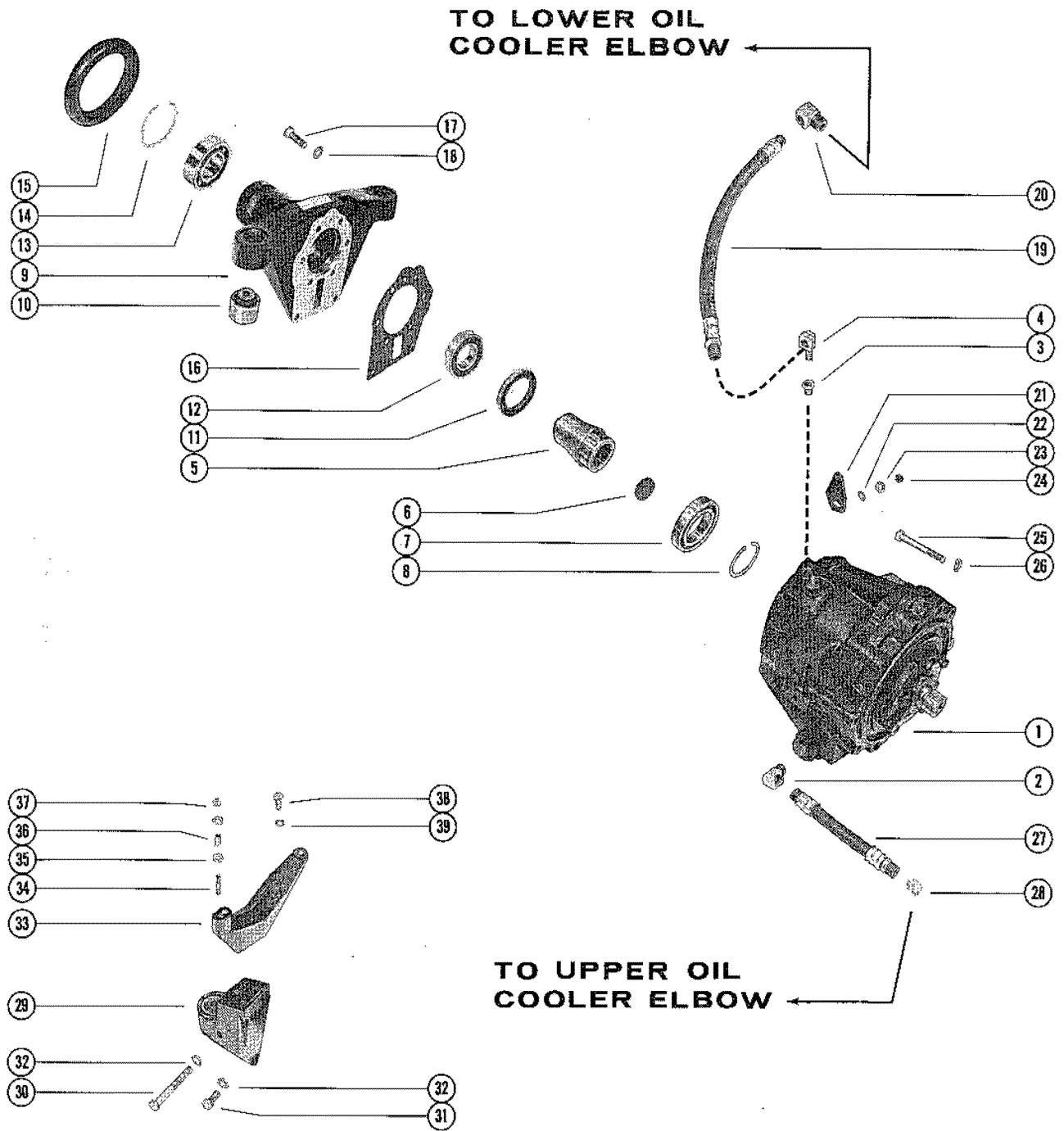


CRANKSHAFT, PISTON AND CONNECTING ROD

REF. NO.	PART NO.	SYM.	QTY.	DESCRIPTION
17	23-56908		AR	BEARING, CRANKSHAFT MAIN - LOWER (.020 U.S.)
18	23-56901		1	BEARING, CRANKSHAFT MAIN - LOWER - CENTER (STANDARD)
	23-56903		AR	BEARING, CRANKSHAFT MAIN - LOWER - CENTER (.001 U.S.)
	23-56905		AR	BEARING, CRANKSHAFT MAIN - LOWER - CENTER (.002 U.S.)
	23-56907		AR	BEARING, CRANKSHAFT MAIN - LOWER - CENTER (.010 U.S.)
	23-56909		AR	BEARING, CRANKSHAFT MAIN - LOWER - CENTER (.020 U.S.)
19	28-56142		1	KEY, TIMING SPROCKET TO CRANKSHAFT
20	43-56141		1	SPROCKET, CRANKSHAFT TIMING (21 TEETH)
21	56143		1	SLINGER, OIL - CRANKSHAFT
22	56145		1	DAMPER ASSEMBLY, CRANKSHAFT (STANDARD ROTATION)
	61750		1	DAMPER ASSEMBLY, CRANKSHAFT (OPPOSITE ROTATION)
23	10-58257		1	BOLT, DAMPER TO CRANKSHAFT (1 3/4")
24	12-56148		1	WASHER, DAMPER TO CRANKSHAFT BOLT
25	56144		1	PULLEY, CRANKSHAFT
26	10-21077		3	SCREW, PULLEY TO DAMPER (7/8")
27	13-35048		3	LOCKWASHER, PULLEY SCREW

TRANSMISSION ASSEMBLY (STERN DRIVE)

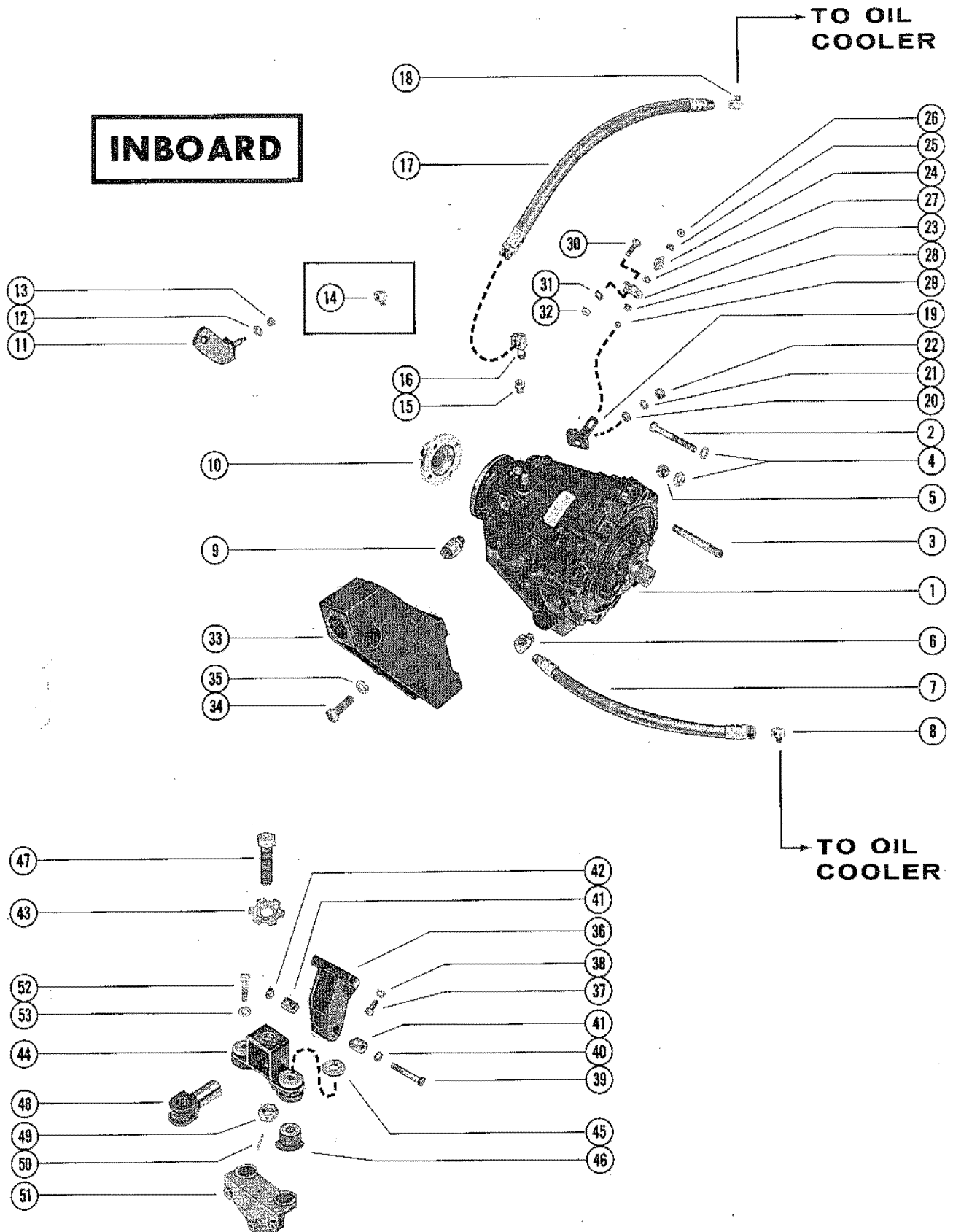
STERN DRIVE



TRANSMISSION ASSEMBLY (STERN DRIVE)

REF. NO.	PART NO.	SYM.	QTY.	DESCRIPTION
1	47753A6		1	TRANSMISSION ASSEMBLY
2	22-47629		1	ELBOW, TRANSMISSION TO OIL HOSE
3	23-36159		1	BUSHING, REDUCER - TRANSMISSION ELBOW
4	22-57631		1	ELBOW, TRANSMISSION TO OIL HOSE
5	57758A2		1	ENGINE COUPLING ASSEMBLY, TRANSMISSION
6	19-47463		1	PLUG, EXPANSION - ENGINE COUPLING
7	30-47470		1	BALL BEARING, ENGINE COUPLING
8	53-47469		1	RING, SNAP - BALL BEARING TO ENGINE COUPLING
9	57761A1		1	TAILSTOCK ASSEMBLY, BEARING SUPPORT
10	35852		2	MOUNT, RUBBER - TAILSTOCK
11	26-47465		1	OIL SEAL, TAILSTOCK
12	30-57762		1	BALL BEARING, TAILSTOCK (3 5/32" O.D.)
13	30-32537		1	BALL BEARING, TAILSTOCK (2 27/32" O.D.)
14	53-54481		1	RING, SNAP - BALL BEARING TO TAILSTOCK
15	25-54067		1	SEAL, TAILSTOCK
16	27-47903		1	GASKET, TAILSTOCK
17	10-57900		6	SCREW, TAILSTOCK TO TRANSMISSION (1 1/4")
	10-54847		2	SCREW, TAIL STOCK TO TRANSMISSION (2")
18	13-30381		8	LOCKWASHER, TAILSTOCK SCREW
19	32-47516--4		1	HOSE, TRANSMISSION TO OIL COOLER (15")
20	22-47630		1	ELBOW, TRANSMISSION HOSE
21	47472		1	LEVER, SHIFT - TRANSMISSION
22	12-20722		1	WASHER, SHIFT LEVER TO TRANSMISSION
23	13-26993		1	LOCKWASHER, SHIFT LEVER TO TRANSMISSION
24	11-20083		1	NUT, SHIFT LEVER TO TRANSMISSION
25	10-47724		6	SCREW, TRANSMISSION TO ENGINE (3")
26	13-32993		6	LOCKWASHER, TRANSMISSION SCREW
27	32-47516--3		0	HOSE, TRANSMISSION TO OIL COOLER (7 7/8")
28	22-47630		1	ELBOW, HOSE TO OIL COOLER
29	47336A1		1	BRACKET ASSEMBLY, TRANSMISSION MOUNT (STARBOARD)
30	10-38197		1	SCREW, MOUNT BRACKET TO TRANSMISSION (3 1/2")
31	10-47462		1	SCREW, MOUNT BRACKET TO TRANSMISSION (1 1/4")
32	13-32993		2	LOCKWASHER, MOUNT BRACKET SCREW
33	47335A1		1	BRACKET ASSEMBLY, SHIFT SUPPORT
34	16-33526		1	STUD, SHIFT SUPPORT BRACKET
35	12-21631		2	WASHER, SHIFT SUPPORT BRACKET STUD
36	23-31866		1	SPACER, SHIFT SUPPORT BRACKET STUD
37	11-20586		1	NUT, SHIFT SUPPORT BRACKET STUD
38	10-35386		3	SCREW, SHIFT SUPPORT BRACKET TO MOUNT BRACKET (1")
39	13-26421		3	LOCKWASHER, SHIFT SUPPORT BRACKET SCREW

TRANSMISSION ASSEMBLY (INBOARD)

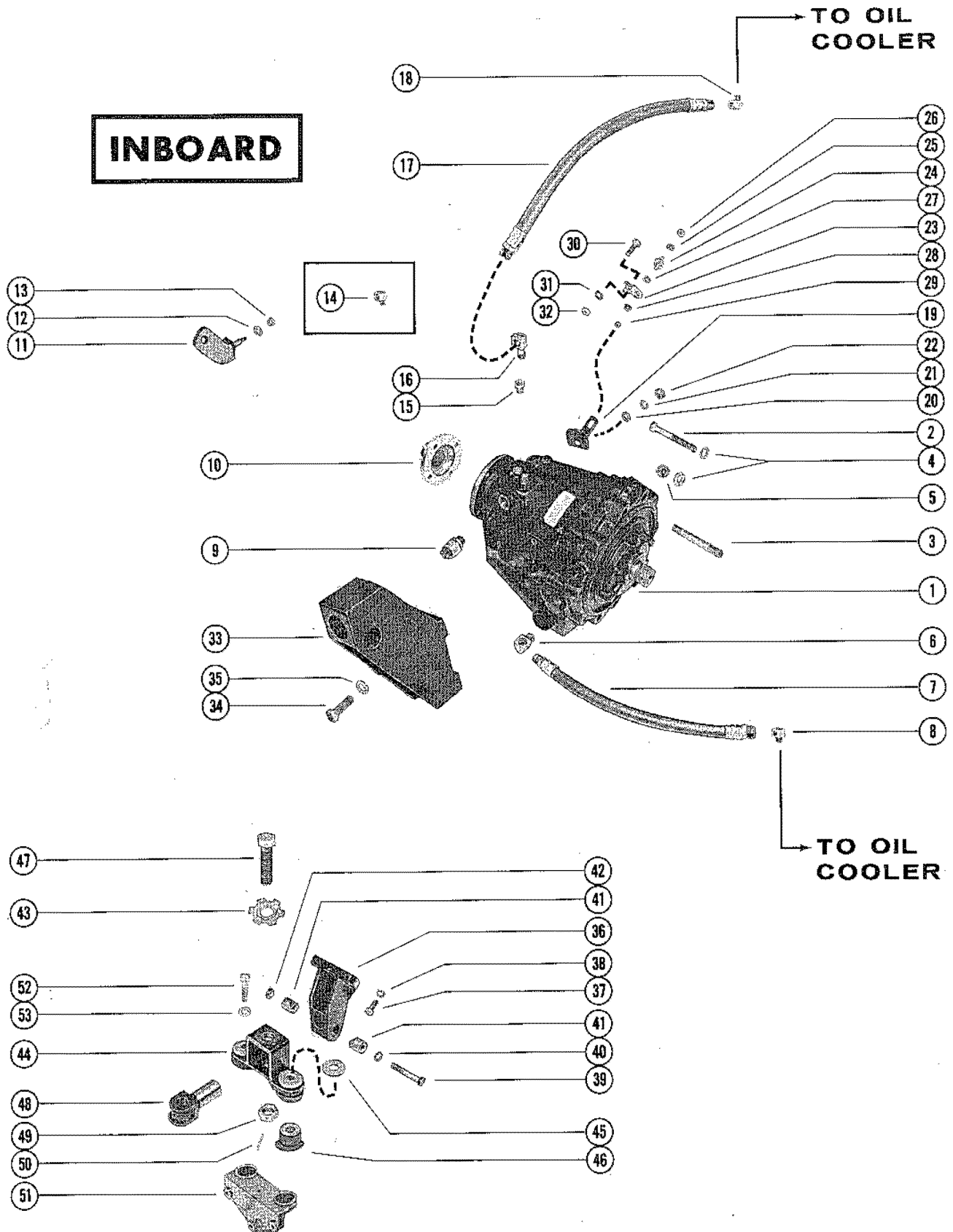


TRANSMISSION ASSEMBLY (INBOARD)

REF. NO.	PART NO.	SYM.	QTY.	DESCRIPTION
1	47805		1	TRANSMISSION (DIRECT DRIVE) 71 SERIES
	47806		1	TRANSMISSION (1.523:1 REDUCTION) 71 SERIES
	47807		1	TRANSMISSION (1.909:1 REDUCTION) 71 SERIES
	47808		1	TRANSMISSION (2.57:1 REDUCTION) 71 SERIES
	47809		1	TRANSMISSION (2.909:1 REDUCTION) 71 SERIES
2	10-47724		4	SCREW, TRANSMISSION TO ENGINE (3")
3	16-45199		2	STUD, TRANSMISSION TO ENGINE (4") USED ON B-47805 TRANS. ONLY
4	13-32993		6	LOCKWASHER, TRANSMISSION SCREW AND STUD
5	11-22024		2	NUT, TRANSMISSION STUD USED ON B-47805 TRANS. ONLY
6	22-47629		1	ELBOW, HOSE TO TRANSMISSION (90)
7	32-47516--1		1	HOSE, OIL COOLER TO TRANSMISSION (13 7/8") USED ON B-47805 TRANS. ONLY
	32-47516--3		1	HOSE, OIL COOLER TO TRANSMISSION (97 7/8") USED ON ALL TRANS. EXCEPT B-47805
8	22-47630		1	ELBOW, HOSE TO OIL COOLER (90)
9	47613		1	SWITCH, NEUTRAL SAFETY
10	48381		OPT	FLANGE (1")
	48382		OPT	FLANGE (1 1/8")
	48383		OPT	FLANGE (1 1/4")
	48384		OPT	FLANGE (1 3/8")
	48385		OPT	FLANGE (1 1/2")
11	48648		1	BRACKET, SHIFT CABLE
12	12-37407		1	WASHER, SHIFT CABLE TO BRACKET STUD
13	11-46438		1	NUT, SHIFT CABLE TO BRACKET STUD (10-32)
14	22-47629		1	ELBOW, HOSE TO TRANSMISSION (90) USED ON B-47805 TRANS. ONLY
15	23-36159		1	BUSHING, REDUCING - TRANSMISSION ELBOW USED ON TRANS. EXCEPT B-47805
16	22-47631		1	ELBOW, HOSE TO TRANSMISSION (90) USED ON TRANS. EXCEPT B-47805
17	32-47516--4		1	HOSE, TRANSMISSION TO OIL COOLER (15") USED ON B-47805 TRANS. ONLY
	32-47516--2		1	HOSE, TRANSMISSION TO OIL COOLER (16 3/4") USED ON ALL TRANS. EXCEPT B-47805
18	22-47630		1	ELBOW, HOSE TO OIL COOLER (90)
19	48515		1	LEVER, SHIFT TRANSMISSION
20	12-20722		1	WASHER, SHIFT LEVER TO TRANSMISSION
21	13-26993		1	LOCKWASHER, SHIFT LEVER TO TRANSMISSION
22	11-20083		1	NUT, SHIFT LEVER TO TRANSMISSION
23	48652		1	ADAPTOR, SHIFT CABLE TO SHIFT LEVER
24	16-48680		1	STUD, SHIFT CALBE ADAPTOR TO SHIFT LEVER (1 1/4")
25	12-20533		1	WASHER, SHIFT CABLE ADAPTOR STUD
26	11-46887		1	NUT, SHIFT CABLE ADAPTOR STUD (1/4-28)
27	13-29402		1	WAVE WASHER, SHIFT CABLE ADAPTOR STUD

CONTINUED ON NEXT PAGE ➡

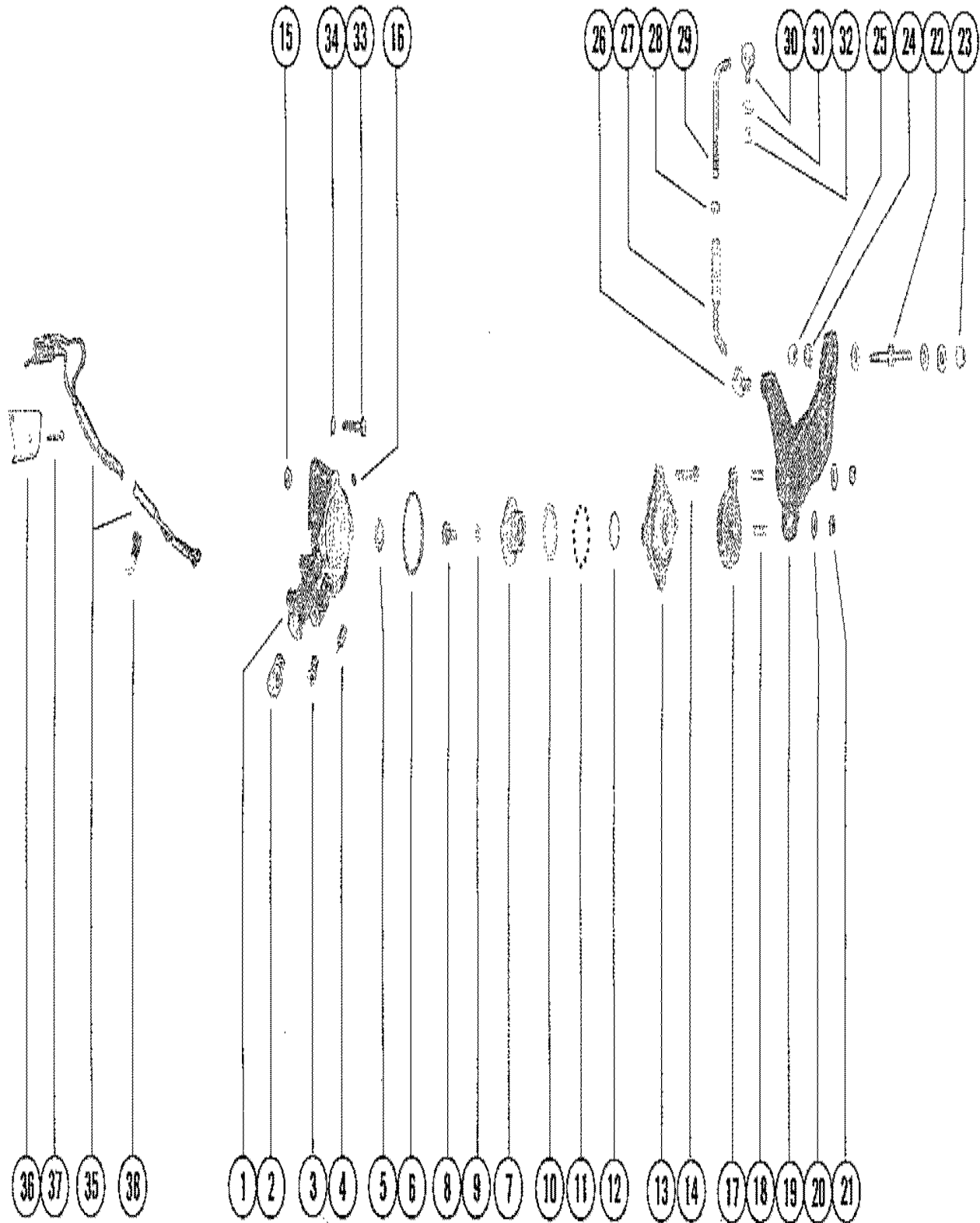
TRANSMISSION ASSEMBLY (INBOARD)



TRANSMISSION ASSEMBLY (INBOARD)

REF. NO.	PART NO.	SYM.	QTY.	DESCRIPTION
28	12-37407		1	WASHER, SHIFT CABLE ADAPTOR STUD
29	11-46438		1	NUT, SHIFT CABLE ADAPTOR STUD (10-32)
30	10-20639		1	SCREW, SHIFT CABLE TO ADAPTOR (1 1/8")
31	12-22753		1	WASHER, SHIFT CABLE SCREW
32	11-46793		1	NUT, SHIFT CABLE SCREW (5/16-24)
33	47501		2	BRACKET, MOUNTING (REAR) SERIAL SEE F10 SERIAL 00000000-03085036
34	10-37269		4	SCREW, MOUNTING BRACKET TO TRANSMISSION (2") SEE F10 SERIAL 00000000-03085036
35	13-32993		4	LOCKWASHER, MOUNTING BRACKET SCREW SEE F10 SERIAL 00000000-03085036
36	56378		2	BRACKET, MOUNTING (FRONT) - NOT AS SHOWN SEE F10 SERIAL 00000000-03085036
37	10-37269		4	SCREW, MOUNTING BRACKET TO CYLINDER BLOCK (2") SEE F10 SERIAL 00000000-03085036
38	13-32993		4	LOCKWASHER, MOUNTING BRACKET SCREW SEE F10 SERIAL 00000000-03085036
39	10-47654		4	SCREW, CLAMP - ADJUSTING TRUNNION (2 3/4") SEE F10 SERIAL 00000000-03085036
40	13-32993		4	LOCKWASHER, CLAMP ADJUSTING TRUNNION SCREW SEE F10 SERIAL 00000000-03085036
41	54-47528		8	CLAMP, ADJUSTING TRUNNION SCREW SEE F10 SERIAL 00000000-03085036
42	11-29553		4	NUT, CLAMP ADJUSTING TRUNNION SCREW SEE F10 SERIAL 00000000-03085036
43	14-48467		4	TAB WASHER, ADJUSTING TRUNNION SCREW SEE F10 SERIAL 00000000-03085036
44	52139A2		4	BRACKET ASSEMBLY, MOUNTING - FRONT AND REAR SEE F10 SERIAL 00000000-03085036
45	12-48611		8	WASHER, MOUNTING BRACKET SEE F10 SERIAL 00000000-03085036
46	47656		8	MOUNT, MOUNTING BRACKET SEE F10 SERIAL 00000000-03085036
47	10-52156		4	SCREW, ADJUSTING TRUNNION (4 1/2") SEE F10 SERIAL 00000000-03085036
48	47518		4	TRUNNION, ADJUSTING - MOUNTING BRACKET SEE F10 SERIAL 00000000-03085036
49	11-47525		4	NUT, JAM - ADJUSTING TRUNNION SCREW SEE F10 SERIAL 00000000-03085036
50	17-22116		4	PIN, ROLL - JAM NUT SEE F10 SERIAL 00000000-03085036
51	47986		4	BRACKET, MOUNTING - ENGINE SEE F10 SERIAL 00000000-03085036
52	10-48254		8	SCREW, MOUNTING BRACKET ATTACHING (2 1/8") SEE F10 SERIAL 00000000-03085036
53	13-31848		8	LOCKWASHER, MOUNTING BRACKET SCREW SEE F10 SERIAL 00000000-03085036

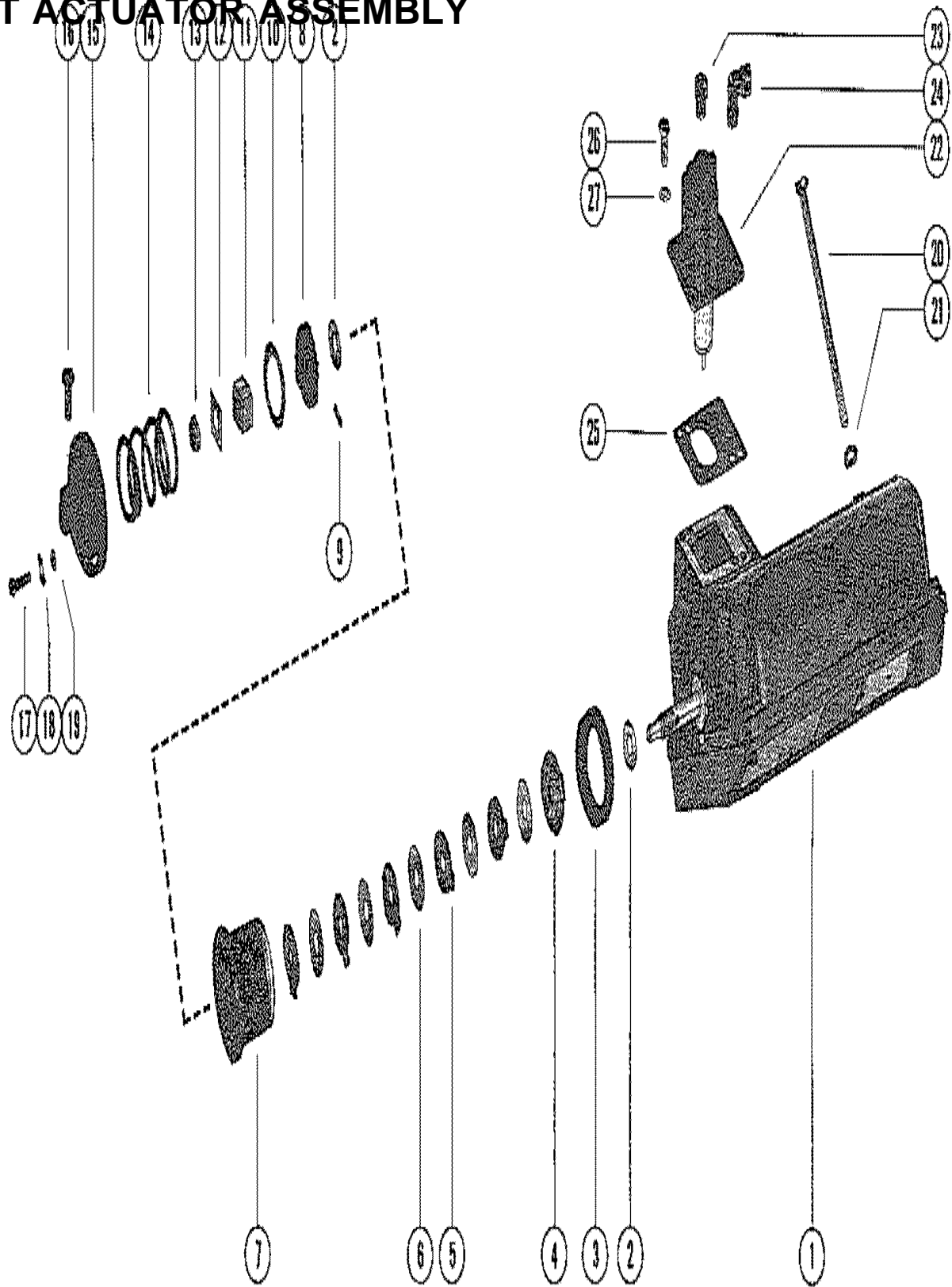
REVERSE LOCK VALVE ASSEMBLY AND SHIFT LEVER



REVERSE LOCK VALVE ASSEMBLY AND SHIFT LEVER

REF. NO.	PART NO.	SYM.	QTY.	DESCRIPTION
1	48165A6		1	REVERSE LOCK VALVE ASSEMBLY
2	22-45794		1	ELBOW, HYDRAULIC TRIM HOSE TO REVERSE LOCK VALVE
3	22-49719		1	CONNECTOR, ELBOW
4	45709		1	FOLLOWER, CAM
5	13-25906		1	WASHER, WAVE - REVERSE LOCK VALVE
6	25-45710		1	"O"RING, REVERSE LOCK VALVE
7	45526		1	CAM, REVERSE LOCK VALVE
8	10-46736		1	SCREW, CAM TO CAM LEVER (1/2")
9	13-26996		1	LOCKWASHER, CAM SCREW
10	12-45713		1	WASHER, RETAINING - BALL TO VALVE COVER
11	30-45712		30	BALL, VALVE COVER
12	25-45711		1	"O" RING, VALVE COVER
13	45528		1	COVER, REVERSE LOCK VALVE
14	10-45716		4	SCREW, COVER TO REVERSE LOCK VALVE (15/16")
15	11-20110		4	NUT, COVER SCREW
16	22-21290		1	PLUG, PIPE - REVERSE LOCK VALVE
17	46732A1		1	LEVER ASSEMBLY, CAM
18	16-45715		2	STUD, SHIFT CONTROL LEVER TO CAM LEVER (23/32")
19	47346		1	LEVER< SHIFT - CAM LEVER
20	12-21273		2	WASHER, CAM LEVER STUD
21	11-20110		2	NUT, SHIFT CONTROL LEVER TO CAM LEVER STUD
22	16-34069		1	STUD, SHIFT CABLE TO SHIFT LEVER (2 1/4")
23	11-20361		1	NUT, SHIFT CABLE STUD
24	12-39143		3	WASHER, SHIFT CABLE STUD
25	11-20361		1	NUT, SHIFT CABLE STUD TO SHIFT LEVER
26	27947		1	SWIVEL, LINK ROD TO SHIFT LEVER
27	25996A1		1	LINK ROD ASSEMBLY
28	11-25168		1	NUT, JAM - LINK ROD
29	38982		1	LINK ROD, SHIFT LEVER
30	47459		1	SWIVEL, LINK ROD TO TRANSMISSION SHIFT LEVER
31	12-30164		1	WASHER, LINK ROD SWIVEL
32	11-20110		1	NUT, LINK ROD SWIVEL
33	10-25299		2	SCREW, REVERSE LOCK VALVE TO SHIFT SUPPORT BRCKET (3/4")
34	13-21804		2	LOCKWASHER, REVERSE LOCK VALVE SCREW
35	58000A1		1	SWITCH ASSEMBLY, CUT-OUT - REVERSE LOCK VALVE
36	45717		1	SHIELD, CUT-OUT SWITCH
37	10-58332		2	SCREW, SHIELD AND SWITCH TO REVERSE LOCK VALVE (3/4")
38	54-54178		1	"J" CLAMP, CUT-OUT SWITCH LEAD

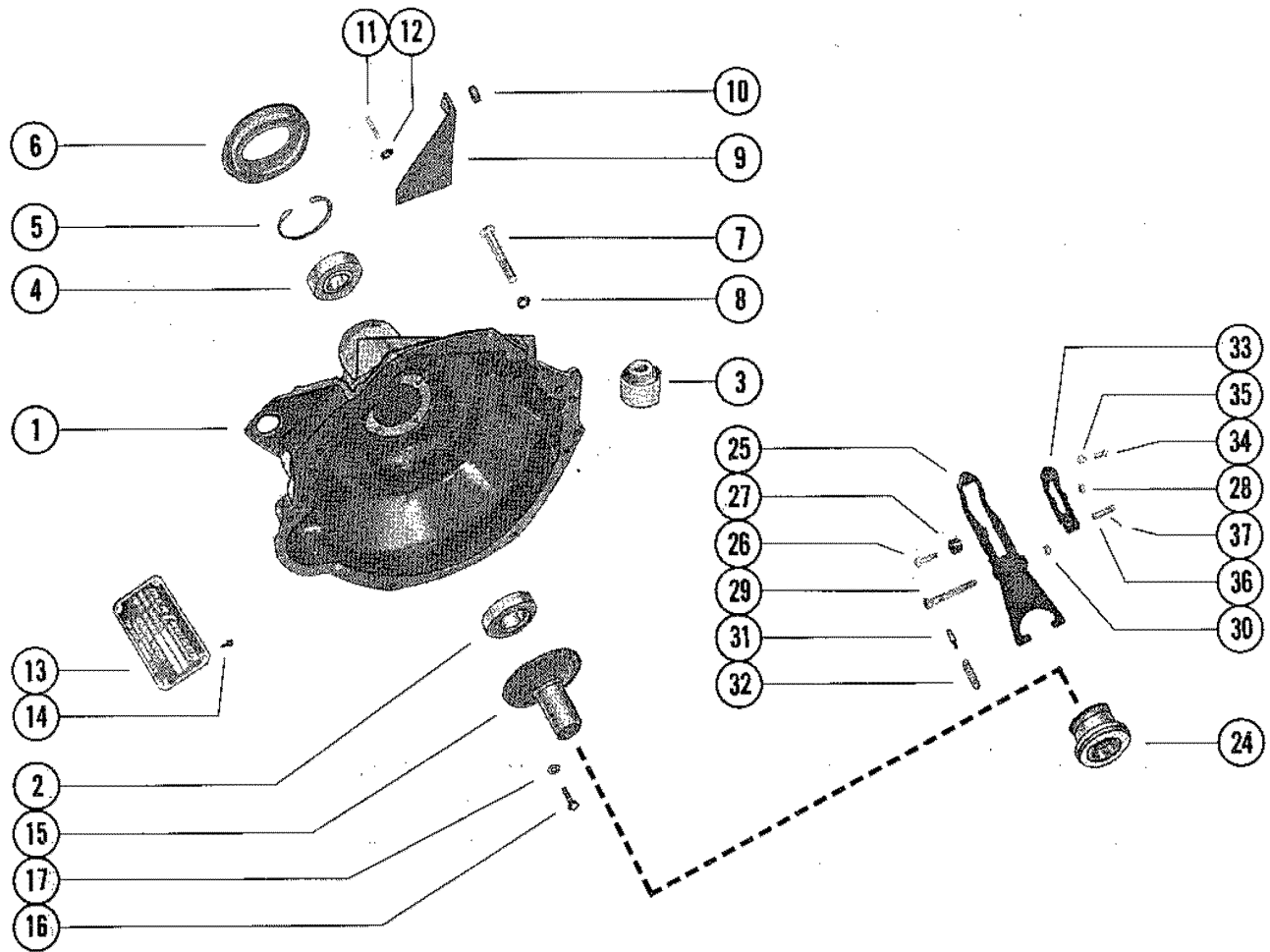
SHIFT ACTUATOR ASSEMBLY



SHIFT ACTUATOR ASSEMBLY

REF. NO.	PART NO.	SYM.	QTY.	DESCRIPTION
1	54240A7		1	SHIFT ACTUATOR ASSEMBLY
2	12-58341		2	WASHER, WEAR - SHIFT ACTUATOR SHAFT
3	26-58348		1	SEAL, SAFETY CLUTCH HOUSING TO SHIFT ACTUATOR
4	58344		1	STOP, CLUTCH DISC
5	58340		5	DISC, INDEXING - SAFETY CLUTCH
6	15-58343		6	SHIM, CLUTCH DISC
7	58353		1	HOUSING, SAFETY CLUTCH
8	52-58351		1	DISC, CLUTCH
9	17-58337		1	PIN, CLUTCH DIST TO ACTUATOR SHAFT
10	12-58346		1	WASHER, CLUTCH DISC
11	58349		1	DRVE, CLUTCH DISC
12	14-58347		1	TAP WASHER, CLUTCH DISC DRIVE
13	11-49253		1	NUT, SAFTY CLUTCH TO ACTUATOR SHAFT
14	24-58339		1	SPRING, SAFETY CLUTCH
15	60093		1	COVER, SAFETY CLUTCH
16	10-57846		1	SCREW, SHIFT CABLE ATTACHING (3/4")
17	10-20189		3	SCREW, SAFETY CLUTCH COVER TO HOUSING (3/4")
18	14-38359		3	TAB WASHER, COVER SCREW
19	12-26014		3	WASHER, COVER SCREW
20	10-56440		1	SCREW, SHIFT ACUTATOR TO FLYWHEEL HOUSING (2 1/4")
21	13-20202		1	LOCKWASHER, SHIFT ACTUATOR SCREW
20	10-39001		2	SCREW, SHIFT ACTUATOR TO FLYWHEEL HOUSING (4 1/2")
21	13-39107		2	LOCKWASHER, SHIFT ACTUATOR SCREW
22	54951A2		1	REVERSE LOCK VALVE ASSEMBLY
23	22-48166		1	FITTING, STRAIGHT - REVERSE LOCK VALVE
24	22-52666		1	ELBOW, REVERSE LOCK VALVE
25	27-55391		1	GASKET, REVERSE LOCK VALVE TO SHIFT ACTUATOR
26	10-22485		2	SCREW, REVERSE LOCK VALVE TO SHIFT ACTUATOR (3/4")
27	13-21272		2	LOCKWASHER, REVERSE LOCK VALVE SCREW

FLYWHEEL HOUSING AND CLUTCH PLATE



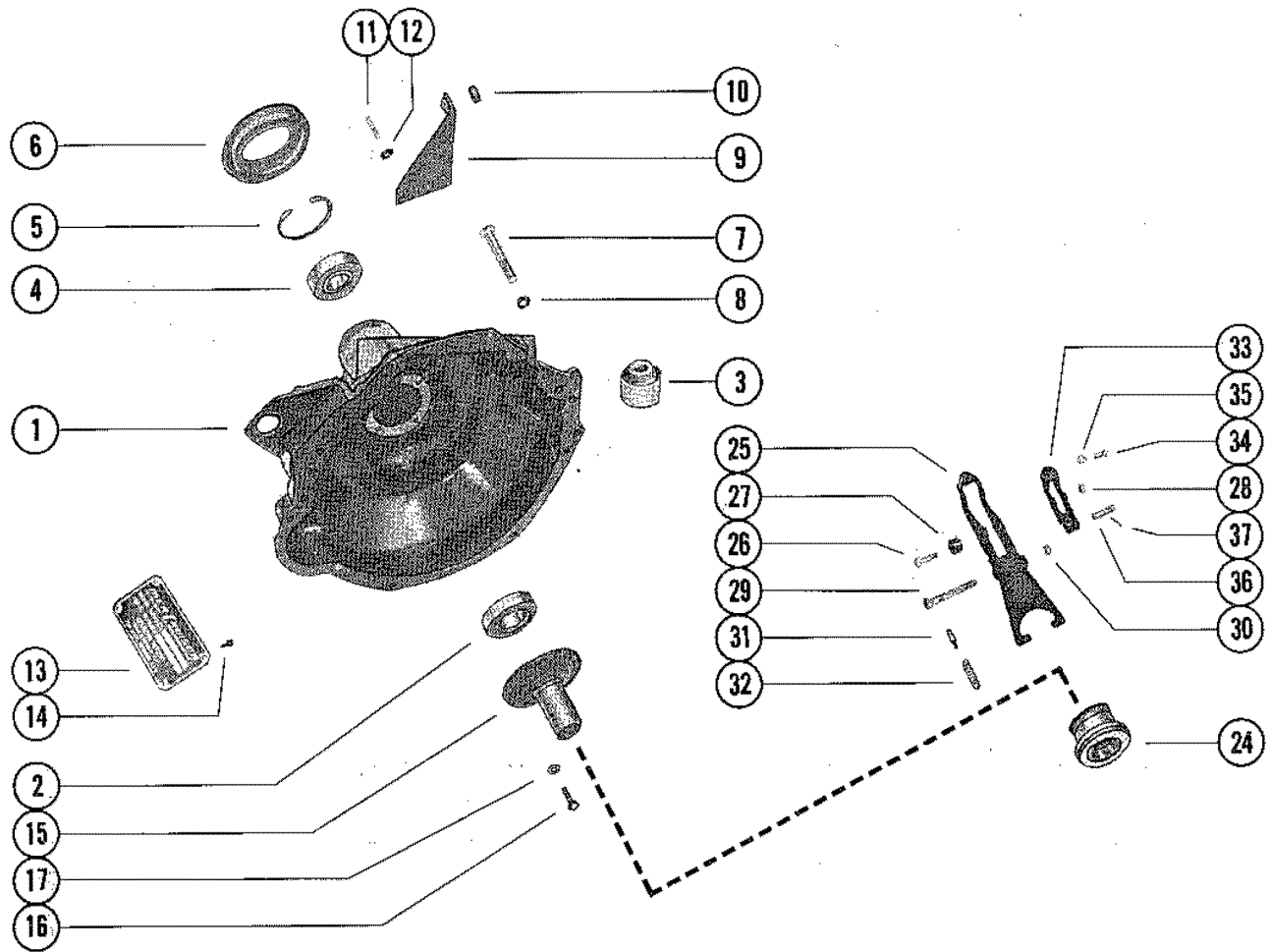
ELECTRIC SHIFT

FLYWHEEL HOUSING AND CLUTCH PLATE

REF. NO.	PART NO.	SYM.	QTY.	DESCRIPTION
1	54517A3		1	FLYWHEEL HOUSING ASSEMBLY
2	30-54251		1	BALL BEARING, FLYWHEEL HOUSING
3	35852		2	MOUNT, RUBBER - FLYWHEEL HOUSING
4	30-32537		1	BALL BEARING, FLYWHEEL HOUSING
5	53-54481		1	SNAP RING, BALL BEARING RETAINING
6	25-54067		1	SEAL, TRANSOM TO GIMBAL HOUSING
7	10-37260		1	SCREW, FLYWHEEL HOUSING ATTACHING (7/16")
	10-47462		4	SCREW, FLYWHEEL HOUSING ATTACHING (1 1/4")
	10-47461		1	SCREW, FLYWHEEL HOUSING ATTACHING (1")
	10-54847		1	SCREW, FLYWHEEL HOUSING ATTACHING (2")
	10-25299		2	SCREW, FLYWHEEL HOUSING ATTACHING (3/4")
8	13-32993		5	LOCKWASHER, FLYWHEEL HOUSING SCREW (7/16")
	13-30381		1	LOCKWASHER, FLYWHEEL HOUSING SCREW - SPECIAL (7/16")
	13-39107		2	LOCKWASHER, FLYWHEEL HOUSING SCREW (5/16")
9	57598A1		1	BRACKET ASSEMBLY, CABLE SUPPORT (SERIAL #2909034 AND BELOW)
	60403A2		1	BRACKET ASSEMBLY, CABLE SUPPORT (SERIAL #2914035 AND UP)
10	25-56291		1	GROMMET, SHIFT CABLE SUPPORT BRACKET
11	10-21548		2	SCREW, SUPPORT BRACKET TO FLYWHEEL HOUSING (5/8")
12	13-21272		2	LOCKWASHER, SHIFT CABLE SUPPORT BRACKET SCREW
13	38-31042		1	SERIAL PLATE
14	10-20314		2	SCREW. SERIAL PLATE TO FLYWHEEL HOUSING
15	54451		1	RETAINING, BEARING - FLYWHEEL HOUSING
16	10-35386		4	SCREW, BEARING RETAINER TO FLYWHEEL HOUSING (1")
17	13-39107		4	LOCKWASHER, BEARING RETAINER SCREW
18	52-55086		1	PRESSURE PLATE, CLUTCH
19	52-59111		1	CLUTCH PLATE, DRIVEN
20	10-56889		6	SCREW, PRESSURE PLATE ATTACHING (15/16")
21	13-39107		6	LOCKWASHER, PRESSURE PLATE SCREW
22	56878		1	PLATE, COVER - REAR
23	27-56152		1	SEAL, REAR COVER PLATE
24	30-55071		1	BEARING, CLUTCH RELEASE
25	58387		1	FORK, CLUTCH
26	10-54475		1	SCREW, ARM TO CLUTCH FORK (1 1/8")
27	31-54910		1	BEARING, CAM FOLLOWER - CLUTCH FORK ARM SCREW
28	11-20664		1	NUT, CLUTCH FORK ARM SCREW
29	10-52409		1	SCREW, CLUTCH FORK TO FLYWHEEL HOUSING (3 1/4")
30	11-20509		1	NUT, CLUTCH FORK SCREW
31	54680		1	GUIDE, CLUTCH FORK DETENT SPRING
32	24-54489		1	SPRING, DETENT - CLUTCH FORK

CONTINUED ON NEXT PAGE ➡

FLYWHEEL HOUSING AND CLUTCH PLATE

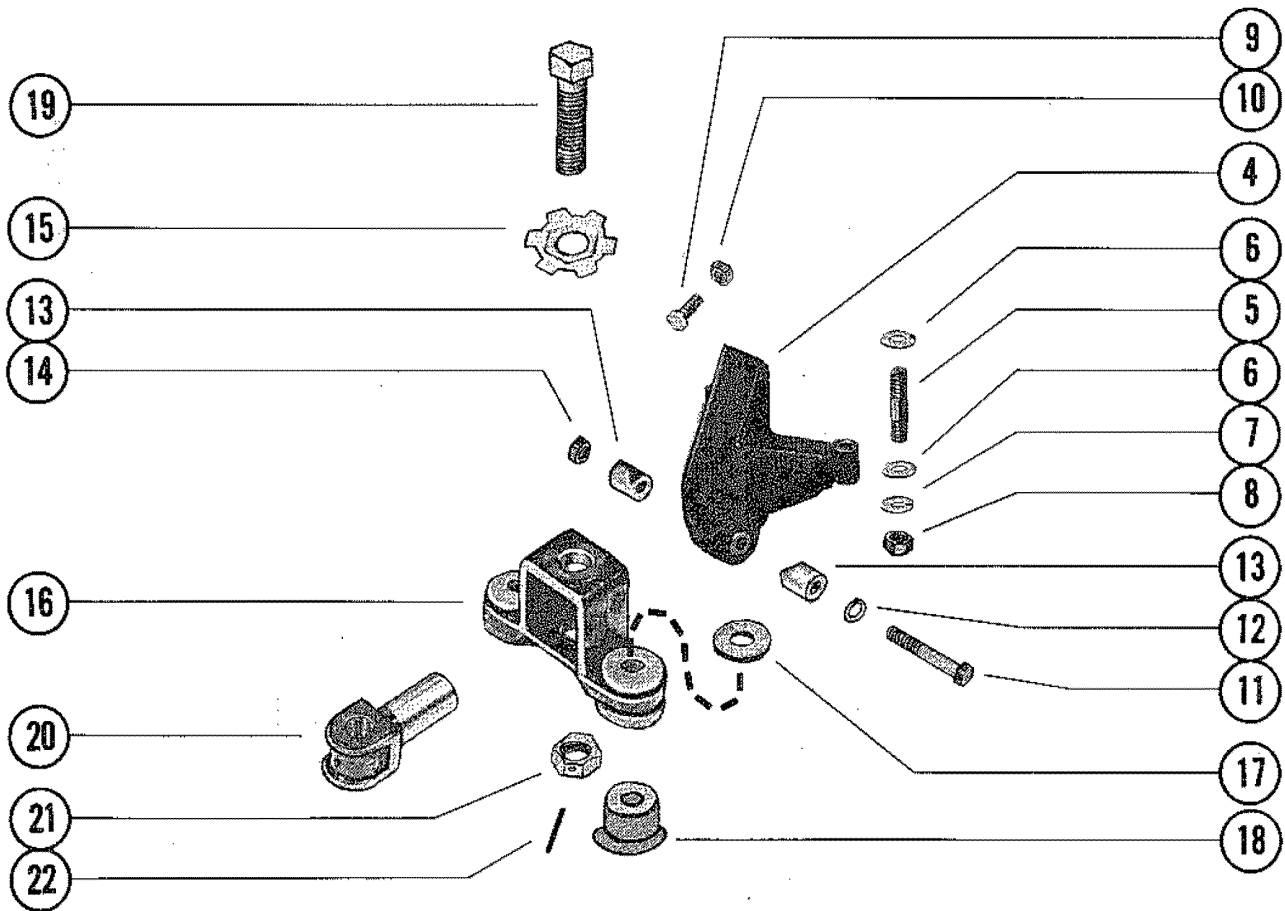
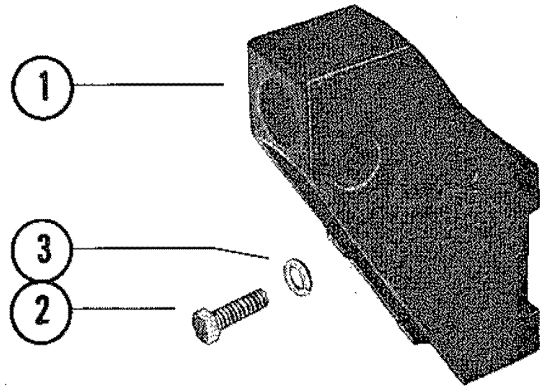


ELECTRIC SHIFT

FLYWHEEL HOUSING AND CLUTCH PLATE

REF. NO.	PART NO.	SYM.	QTY.	DESCRIPTION
33	58386		1	ARM, CLUTCH FORK
34	10-58378		1	SCREW, SET - CLUTCH FORK ARM (1")
35	11-21929		1	NUT, JAM - CLUTCH FORK ARM SET SCREW
36	17-58385		1	HINGE PIN, CLUTCH FORK ARM
37	18-26940		1	COTTER PIN, CLUTCH FORK ARM HINGE PIN

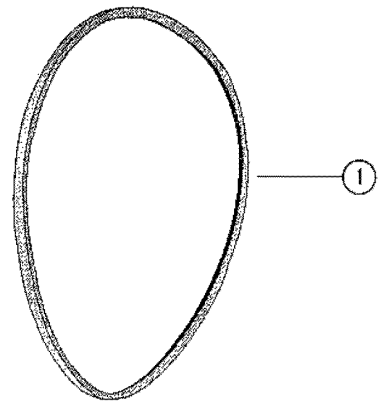
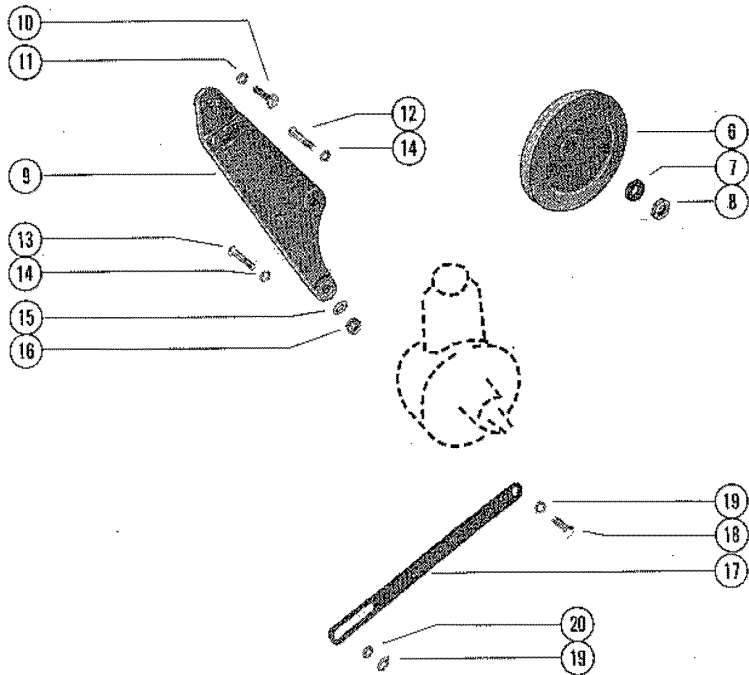
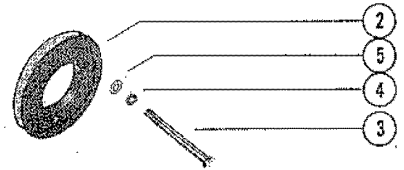
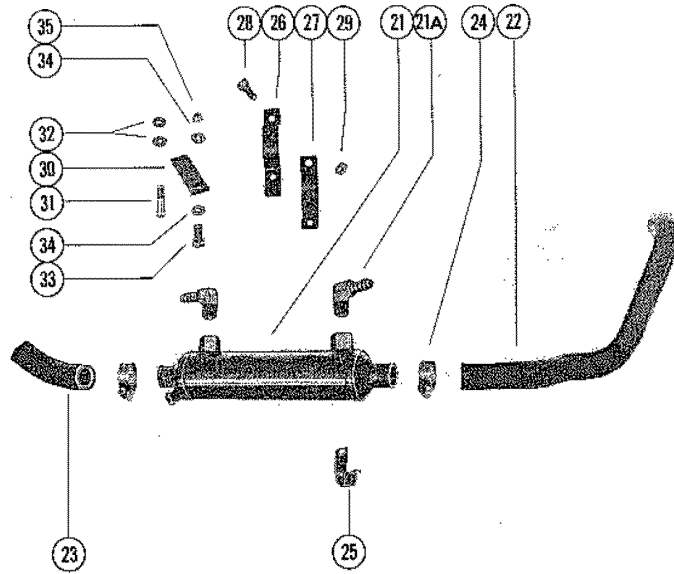
TRANSMISSION AND ENGINE MOUNTING



TRANSMISSION AND ENGINE MOUNTING

REF. NO.	PART NO.	SYM.	QTY.	DESCRIPTION
1	62255		2	BRACKET, MOUNTING (REAR)
2	10-37269		4	SCREW, MOUNTING BRACKET TO TRANSMISSION (2")
3	13-32993		4	LOCKWASHER, MOUNTING BRACKET SCREW
4	61854		2	BRACKET, MOUNTING (FRONT)
5	16-65737		3	STUD, FRONT MOUNTING BRACKET (2 5/8")
	16-65743		1	STUD, FRONT MOUNTING BRACKET STBD. REAR (3") INBOARD SEE F4 SERIAL 00000000-03085036
6	12-34567		1	WASHER, MOUNTING BRACKET STUD - STBD. REAR INBOARD SEE F4 SERIAL 00000000-03085036
	12-54426		4	WASHER, MOUNTING BRACKET STUD
7	13-32993		4	LOCKWASHER, MOUNTING BRACKET SCREW
8	11-34933		4	NUT, MOUNTING BRACKET STUD
9	10-30155		2	SCREW, ENGINE LOCATING (1 1/4")
10	11-22024		2	NUT, ENGINE LOCATING SCREW
11	10-47654		4	SCREW, CLAMP - ADJUSTING TRUNNION (2 3/4")
12	13-32993		4	LOCKWASHER, CLAMP ADJUSTING TRUNNION SCREW
13	54-47528		8	CLAMP, ADJUSTING TRUNNION SCREW
14	11-29553		4	NUT, CLAMP ADJUSTING TRUNNION SCREW
15	14-48467		4	TAB WASHER, ADJUSTING TRUNNION SCREW
16	52139A2		4	BRACKET ASSEMBLY, MOUNTING - FRONT AND REAR
17	12-48611		8	WASHER, MOUNTING BRACKET
18	47656		8	MOUNT, MOUNTING BRACKET
19	10-52156		4	SCREW, ADJUSTING TRUNNION (4 1/2")
20	47518		4	TRUNNION, ADJUSTING - MOUNTING BRACKET
21	11-47525		4	NUT, JAM - ADJUSTING TRUNNION SCREW
22	17-22116		4	PIN, ROLL - JAM NUT

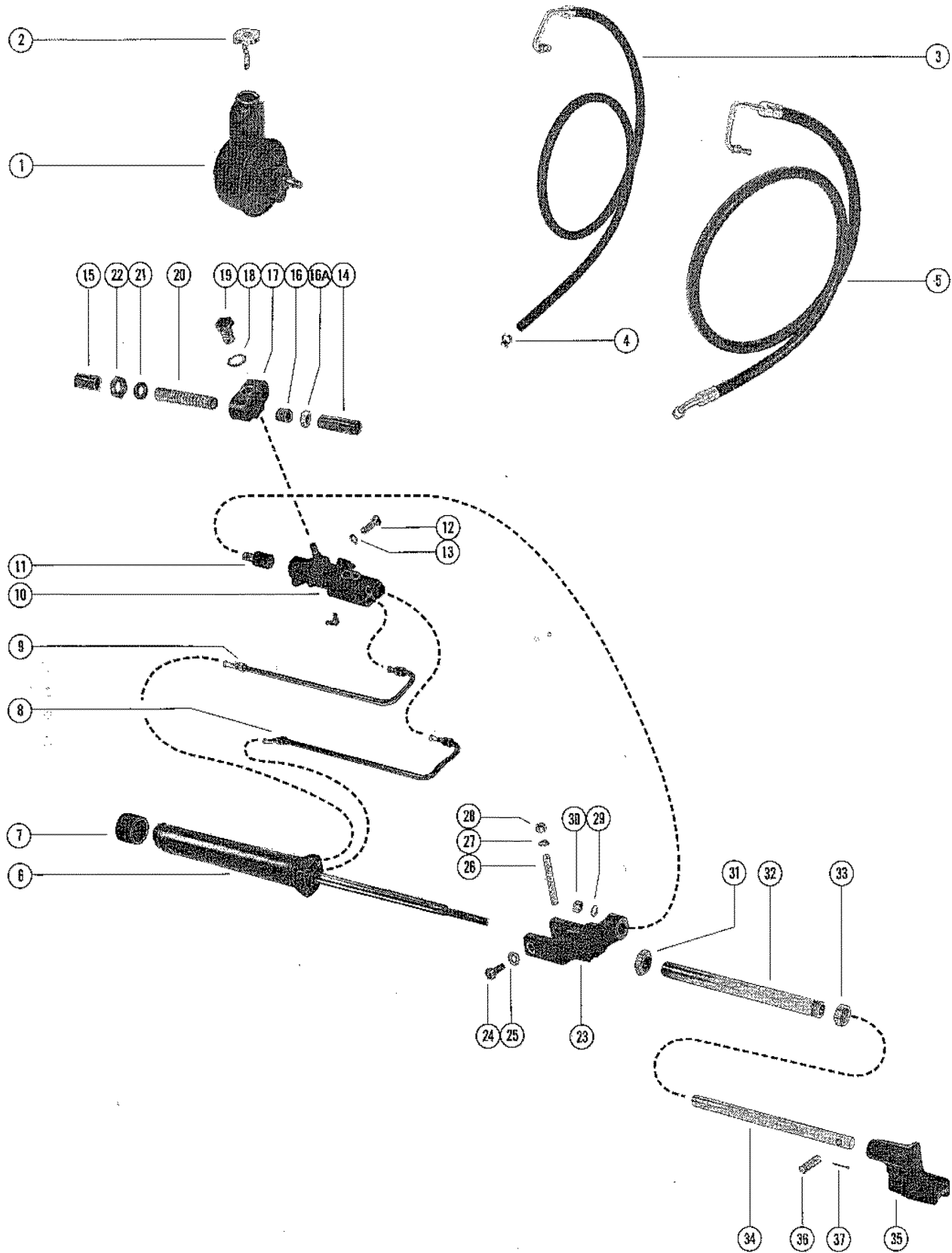
POWER STEERING COMPONENTS



POWER STEERING COMPONENTS

REF. NO.	PART NO.	SYM.	QTY.	DESCRIPTION
1	57-57298		1	"V" BELT, HYDRAULIC PUMP DRIVE
2	56331A1		1	PULLEY ASSEMBLY, CRANKSHAFT (NOT AS SHOWN)
3	10-52693		3	SCREW, PULLEY TO CRANKSHAFT (5")
4	13-35048		3	LOCKWASHER, PULLEY SCREW
5	12-20553		3	WASHER, PULLEY SCREW
6	49181		1	PULLEY, HYDRAULIC PUMP
7	12-21901		1	WASHER, PULLEY TO HYDRAULIC PUMP
8	11-25899		1	NUT, PULLEY TO HYDRAULIC PUMP
9	56313		1	BRACKET, HYDRAULIC PUMP MOUNTING
10	10-47462		2	SCREW, PUMP MOUNTING BRACKET TO CYL. BLOCK (1 1/2")
11	13-37272		2	LOCKWASHER, PUMP MOUNTING BRACKET SCREW
12	10-37612		1	SCREW, HYDRAULIC PUMP TO MOUNTING BRACKET (1 1/4")
13	10-28464		1	SCREW, HYDRAULIC PUMP TO MOUNTING BRACKET (1 1/2")
14	13-37459		2	LOCKWASHER, HYDRAULIC PUMP SCREW
15	12-25909		2	WASHER, HYDRAULIC PUMP SCREW
16	23-57369		1	SPACER, HYDRAULIC PUMP SCREW
17	57097		1	BRACE, HYDRAULIC PUMP
18	10-27165		1	SCREW, BRACE TO HYDRAULIC PUMP (3/4")
19	13-35048		2	LOCKWASHER, BRACE SCREW
20	12-34714		1	WASHER, BRACE SCREW
21	49770		1	OIL COOLER
21A	22-37760		2	ELBOW, RETURN HOSE TO OIL COOLER
22	32-57231		1	HOSE, OIL COOLER TO THERMOSTAT HOUSING
23	32-57230		1	HOSE, OIL COOLER TO WATER PUMP
24	54-32780		4	CLAMP, HOSE ATTACHING
25	54-64324		2	CLAMP, HOSE ATTACHING TO OIL COOLER BRACKET
26	56329		1	BRACKET, OIL COOLER
27	56328		1	BRACKET, CLAMP - OIL COOLER
28	10-21625		2	SCREW, CLAMP BRACKET TO OIL COOLER BRACKET (3/4")
29	11-30506		2	NUT, CLAMP BRACKET SCREW
30	57356		1	PLATE, MOUNTING BRACKET SCREW
31	10-57357		1	SCREW, MOUNT PLATE TO ENGINE MOUNT (2 1/4")
32	12-34567		2	WASHER, MOUNT PLATE SCREW
33	10-26065		1	SCREW, OIL COOLER BRACKET TO MOUNT PLATE (1")
34	12-26825		2	WASHER, OIL COOLER BRACKET SCREW
35	11-25594		1	NUT, OIL COOLER BRACKET SCREW

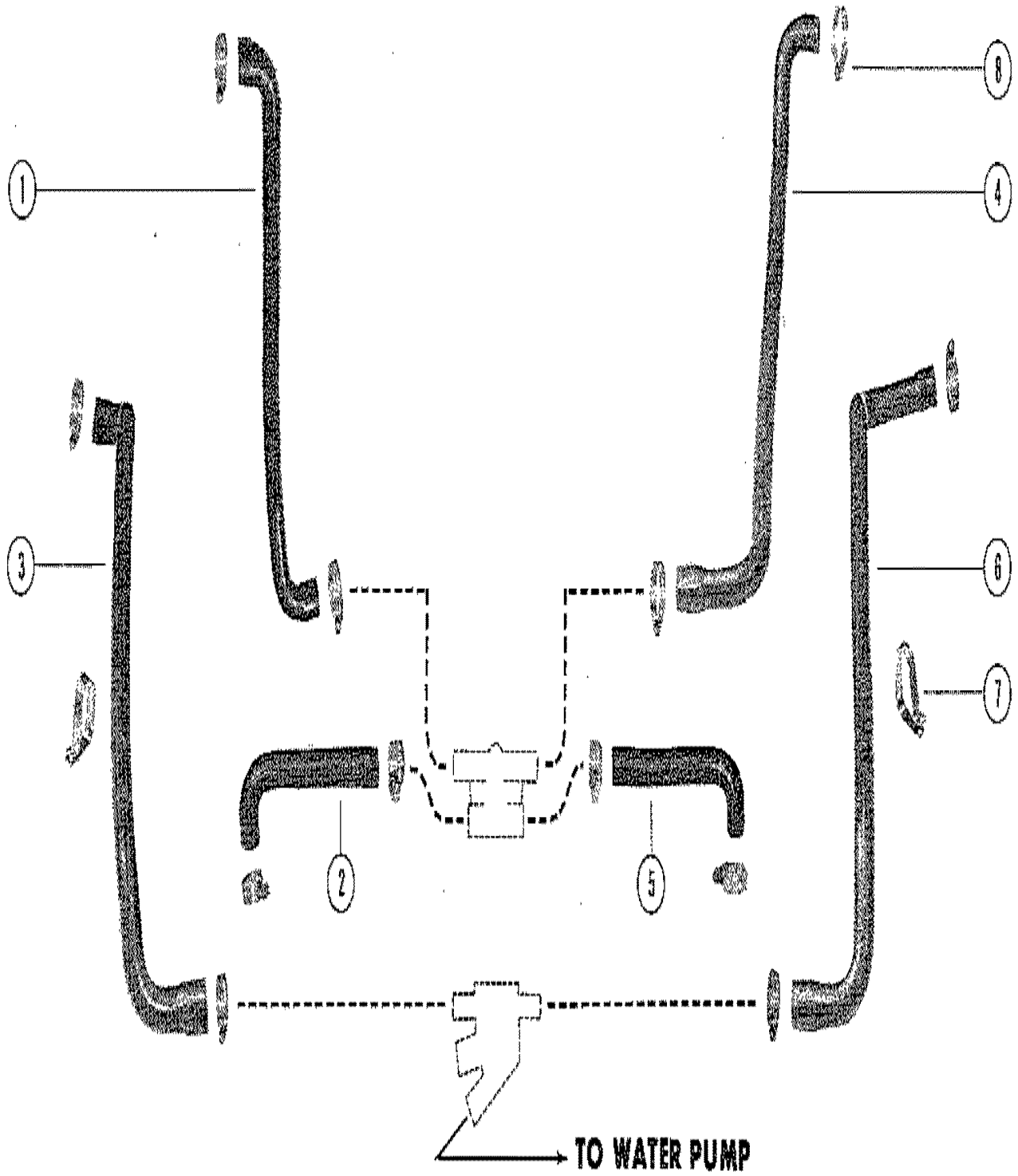
POWER STEERING COMPONENTS(WITH HOSES)



POWER STEERING COMPONENTS(WITH HOSES)

REF. NO.	PART NO.	SYM.	QTY.	DESCRIPTION
1	36368		1	HYDRAULIC PUMP ASSEMBLY, POWER STEERING
2	38333		1	CAP, FILLER - HYDRAULIC PUMP
3	32-55117		1	HOSE, RETURN - POWER STEERING (72")
4	54-37295		3	CLAMP, HOSE TO HYDRAULIC PUMP
5	32-55116		1	HOSE, PRESSURE - POWER STEERING (72")
6	57969		1	CYLINDER, BOOSTER - POWER STEERING
7	26059		1	CAP, RUBBER - BOOSTER CYLINDER
8	32-57633		1	TUBE, EXTENDING - POWER STEERING STARBOARD MOUNTING
9	32-57634		1	TUBE, RETRACTING - POWER STEERING STARBOARD MOUNTING
8	32-57632		1	TUBE, EXTENDING - POWER STEERING PORT MOUNTING
9	32-57631		1	TUBE, RETRACTING - POWER STEERING PORT MOUNTING
10	52779		1	VALVE, POWER STEERING
11	16-55109		1	STUD, ADAPTOR - POWER STEERING VALVE
12	10-37612		1	SCREW, CLAMPING (1 1/4")
13	13-37459		1	LOCKWASHER, CLAMPING SCREW
14	23-55113		1	SLEEVE, ADJUSTING - CABLE GUIDE TUBE
15	57972		1	GUIDE, CABLE GUIDE TUBE
16	23-60773		1	SLEEVE, CABLE GUIDE TUBE
16A	11-55983		1	NUT, JAM - CABLE GUIDE TUBE
17	55110		1	ADAPTOR, CABLE GUIDE TUBE (DUAL)
18	13-20897		1	LOCKWASHER, DUAL ADAPTOR NUT
19	11-55111		1	NUT, DUAL ADAPTOR TO POWER STEERING VALVE
20	32-55112		1	TUBE, CABLE GUIDE
21	12-37985		1	WASHER, CABLE GUIDE TUBE
22	11-37984		1	NUT, CABLE GUIDE TUBE
23	57286		1	BRACKET, MOUNTING - TRANSOM PLATE
24	10-31832		2	SCREW, MOUNTING BRACKET TO TRANSOM PLATE (1")
25	13-31848		2	LOCKWASHER, MOUNTING BRACKET SCREW
26	10-57968		1	SCREW, ADJUSTING - MOUNTING BRACKET (3")
27	13-37459		1	LOCKWASHER, ADJUSTING SCREW
28	11-24883		1	NUT, ADJUSTING SCREW
29	12-20959		1	WASHER, VALVE ADAPTOR STUD
30	11-28040		1	NUT, VALVE ADAPTOR STUD
31	11-32882		1	NUT, MOUNTING TUBE
32	57971		1	TUBE, MOUNTING - BOOSTER ROD EXTENSION
33	11-55983		1	NUT, JAM - MOUNTING TUBE
34	57970		1	EXTENSION, CYLINDER BOOSTER ROD
35	59523		1	ADAPTOR, ROD END (STARBOARD MOUNTING)
	59524		1	ADAPTOR, ROD END (PORT MOUNTING)
36	17-52798		2	PIN, CLEVIS - STEERING CABLE AND CLEVIS ATTACHING
37	18-46950		2	COTTER PIN, CLEVIS PIN RETAINING

WATER DISTRIBUTION HOSES



WATER DISTRIBUTION HOSES

REF. NO.	PART NO.	SYM.	QTY.	DESCRIPTION
1	32-60198		1	HOSE, THERMOSTAT COVER TO EXHAUST ELBOW STARBOARD
2	32-60202		1	HOSE, THERMOSTAT COVER TO FRONT END CAP STARBOARD
3	32-60200		1	HOSE, THERMOSTAT HOUSING TO REAR END CAP STARBOARD
4	32-60199		1	HOSE, THERMOSTAT COVER TO EXHAUST ELBOW PORT PORT
5	32-30203		1	HOSE, THERMOSTAT COVER TO FRONT END CAP PORT
6	32-60201		1	HOSE, THERMOSTAT HOUSING TO REAR END CAP PORT
7	54-60539		2	CLAMP, HOSE ATTACHING
8	54-32780		12	CLAMP, HOSE ATTACHING

PARTS INDEX

Part Number	Description	Pg.	Ref. No.	Part Number	Description	Pg.	Ref. No.
22789	"C" WASHER, CABLE CLIP . . .	9	30	47346	LEVER< SHIFT - CAM LEVER	59	19
25661	STARTER SOLENOID	7	15	47403	SHAFT, WATER PUMP	37	11
25996A1	LINK ROD ASSEMBLY	59	27	47404	BRACKET, OIL LEVEL GAUGE TUBE CLIP	45	68
26059	CAP, RUBBER - BOOSTER CYLINDER	71	7	47405	WEAR PLATE	37	13
26079	PLATE, WIRING HARNESS TO MOUNTING BRACKET	7	3	47459	SWIVEL, LINK ROD TO TRANSMISSION SHIFT LEVER	59	30
26433	COIL, IGNITION	11	26	47472	LEVER, SHIFT - TRANSMISSION	53	21
26433	COIL, IGNITION	15	24	47492	TUBE, OIL LEVEL GAUGE . . .	45	67
27947	SWIVEL, LINK ROD TO SHIFT LEVER	59	26	47497A1	COVER ASSEMBLY, WATER PUMP	37	17
32783	RETAINER, HIGH TENSION LEADS (3 WIRE)	13	38	47501	BRACKET, MOUNTING (REAR) SERIAL	57	33
32783	RETAINER, HIGH TENSION LEADS (3 WIRE)	17	37	47518	TRUNNION, ADJUSTING - MOUNTING BRACKET	35	15
32784	RETAINER, HIGH TENSION LEADS (4 WIRE)	13	38	47518	TRUNNION, ADJUSTING - MOUNTING BRACKET	57	48
32784	RETAINER, HIGH TENSION LEADS (4 WIRE)	17	37	47518	TRUNNION, ADJUSTING - MOUNTING BRACKET	67	20
33321	BRACKET, IGNITION COIL MOUNTING	15	25	47529	INSERT, WATER PUMP	37	14
33321	BRACKET, IGNITION COIL MOUNTING (NOT AS SHOWN)	11	27	47530	HUB, WATER PUMP PULLEY	39	32
34623	OIL PRESSURE SENDER ASSEMBLY	3	10	47530	HUB, WATER PUMP PULLEY SERIAL	37	12
35852	MOUNT, RUBBER - FLYWHEEL HOUSING	63	3	47542	COVER, FLYWHEEL HOUSING	33	4
35852	MOUNT, RUBBER - TAILSTOCK	53	10	47604A1	PROTECTOR, SPARK PLUG	13	36
35884	THERMOSTAT	31	38	47604A1	PROTECTOR, SPARK PLUG	17	35
36177	INSULATOR, SOLENOID TO MOUNTING BRACKET	7	13	47608	DRIVE PLATE, FLYWHEEL . . .	49	11
36368	HYDRAULIC PUMP ASSEMBLY, POWER STEERING	71	1	47610	COOLER, OIL	33	12
36525	WATER TEMPERATURE SENDER ASSEMBLY	3	7	47613	SWITCH, NEUTRAL SAFETY	55	9
38333	CAP, FILLER - HYDRAULIC PUMP	71	2	47656	MOUNT, MOUNTING BRACKET	57	46
38559	SWITCH, OIL PRESSURE (FOR IGNITION LIGHT)	3	14	47656	MOUNT, MOUNTING BRACKET	67	18
38982	LINK ROD, SHIFT LEVER	59	29	47753A6	TRANSMISSION ASSEMBLY	53	1
39974	CONNECTOR, TRIM LEADS - MOUNTING BRACKET	7	8	47805	TRANSMISSION (DIRECT DRIVE)	55	1
39974	CONNECTOR, TRIM LEADS - MOUNTING BRACKET	7	8	47806	TRANSMISSION (1.523:1 REDUCTION)	55	1
45107	BATTERY CABLE, NEGATIVE	7	2	47807	TRANSMISSION (1.909:1 REDUCTION)	55	1
45108	BATTERY CABLE, POSITIVE	7	2	47808	TRANSMISSION (2.57:1 REDUCTION)	55	1
45526	CAM, REVERSE LOCK VALVE	59	7	47809	TRANSMISSION (2.909:1 REDUCTION)	55	1
45528	COVER, REVERSE LOCK VALVE	59	13	47816	SIGHT GLASS	19	5
45709	FOLLOWER, CAM	59	4	47861A11	LEAD ASSEMBLY, HIGH TENSION (38 1/2")	13	35
45717	SHIELD, CUT-OUT SWITCH	59	36	47861A12	LEAD ASSEMBLY, HIGH TENSION (35")	13	35
46732A1	LEVER ASSEMBLY, CAM	59	17	47861A13	LEAD ASSEMBLY, HIGH TENSION (24")	13	35
47335A1	BRACKET ASSEMBLY, SHIFT SUPPORT	53	33	47861A5	LEAD ASSEMBLY, HIGH TENSION (31")	13	35
				47861A6	LEAD ASSEMBLY, HIGH TENSION (28")	13	35
				47861A8	LEAD ASSEMBLY, HIGH TENSION (21")	13	35

PARTS INDEX

Part Number	Description	Pg.	Ref. No.	Part Number	Description	Pg.	Ref. No.
47861A9	LEAD ASSEMBLY, HIGH TENSION (34")	13	35	54554	WEDGE, CARBURETOR MOUNTING	19	28
47986	BRACKET, MOUNTING - ENGINE	35	16	54646	BRACKET, MOUNTING - FUEL FILTER	19	11
47986	BRACKET, MOUNTING - ENGINE	57	51	54676	RETAINER, HIGH TENSION LEADS (2 WIRE)	17	37
48165A6	REVERSE LOCK VALVE ASSEMBLY	59	1	54676	RETIANER, HIGH TENSION LEADS (2 WIRE)	13	38
48381	FLANGE (1")	55	10	54677--1	LEAD ASSEMBLY, DISTRIBUTOR TO COIL (8 1/2")	11	25
48382	FLANGE (1 1/8")	55	10	54680	GUIDE, CLUTCH FORK DETENT SPRING	63	31
48383	FLANGE (1 1/4")	55	10	54807	BRACKET, MOUNTING - THROTTLE CABLE	19	18
48384	FLANGE (1 3/8")	55	10	54869	BRACKET, MOUNTING - STARTER SOLENOID	7	12
48385	FLANGE (1 1/2")	55	10	54870	END CAP, EXHAUST MANIFOLD (REAR)	29	13
48515	LEVER, SHIFT TRANSMISSION	55	19	54951A2	REVERSE LOCK VALVE ASSEMBLY	61	22
48648	BRACKET, SHIFT CABLE	55	11	54979	CABLE, STARTER (YELLOW - 9 1/2")	9	42
48652	ADAPTOR, SHIFT CABLE TO SHIFT LEVER	55	23	55054	FLAME ARRESTOR, CARBURETOR (NOT AS SHOWN)	21	41
49181	PULLEY, HYDRAULIC PUMP	69	6	55110	ADAPTOR, CABLE GUIDE TUBE (DUAL)	71	17
49581	BRACKET, WATER PUMP	39	46	55241	GAUGE, OIL LEVEL (DIPSTICK) STERN DRIVE	45	73
49770	OIL COOLER	69	21	55481	BASE, FUEL FILTER	19	9
52139A2	BRACKET ASSEMBLY, MOUNTING - FRONT AND REAR	57	44	55793A3	ELECTRIC SHIFT (STANDARD ROTATION)	47	-
52139A2	BRACKET ASSEMBLY, MOUNTING - FRONT AND REAR	67	16	55862	JUMPER WIRE, FUSE HOLDER - FEMALE	9	41
52139A4	BRACKET ASSEMBLY, MOUNTING - FRONT	35	8	55863	JUMPER WIRE, FUSE HOLDER - MALE	9	39
52753	MOUNT, MOUNTING BRACKET	35	9	55864	FUSE	9	40
52779	VALVE, POWER STEERING	71	10	56103	COVER, TIMING	43	24
52822	PULLEY, WATER PUMP	39	33	56109	POINTER, TIMING COVER	43	27
53821	BELLOWS, EXHAUST ELBOW	31	31	56129	CHAIN, TIMING	41	22
54099A5	EXHAUST MANIFOLD ASSEMBLY, STARBOARD	29	1	56130	PLATE, THRUST - CAMSHAFT (STANDARD)	41	19
54100A5	EXHAUST MANIFOLD ASSEMBLY, PORT	29	1	56131	PLATE, THRUST - CAMSHAFT (.002 O.S.)	41	19
54227	BRACKET, MOUNTING - STARTER SOLENOID	7	5	56132	PLATE, THRUST - CAMSHAFT (.004 O.S.)	41	19
54240A7	SHIFT ACTUATOR ASSEMBLY	61	1	56137	ECCENTRIC, CAMSHAFT (FUEL PUMP DRIVE)	41	23
54297	ELBOW, EXHAUST	31	27	56143	SLINGER, OIL - CRANKSHAFT	51	21
54451	RETAINING, BEARING - FLYWHEEL HOUSING	63	15	56144	PULLEY, CRANKSHAFT	51	25
54461A1	THERMOSTAT HOUSING ASSEMBLY	31	33	56145	DAMPER ASSEMBLY, CRANKSHAFT (STANDARD ROTATION)	51	22
54464	BRACKET, ALTERNATOR MOUNTING	5	27	56153	LIFTER, HYDRAULIC - TAPPET	41	15
54478	BRACE, WATER PUMP ADJUSTING	39	38	56154	VALVE, EXHAUST (STANDARD)	41	13
54479	BRACE, ALTERNATOR ADJUSTING	3	22	56155	VALVE, EXHAUST (.015 O.S.)	41	13
54480	HOUSING, FLYWHEEL	33	1				
54517A3	FLYWHEEL HOUSING ASSEMBLY	63	1				
54552	FUEL PUMP ASSEMBLY (SERIAL #3085036 AND BELOW)	19	1				

PARTS INDEX

Part Number	Description	Pg.	Ref. No.	Part Number	Description	Pg.	Ref. No.
56156	COVER, ROCKER (PORT) ..	41	1	57747	ELBOW, EXHAUST (STARBOARD SIDE)	31	27
56157	VALVE, INLET (STANDARD)	41	13	57748	ELBOW, EXHAUST (PORT SIDE)	31	27
56158	VALVE, INLET (.015 O.S.) ..	41	13	57758A2	ENGINE COUPLING ASSEMBLY, TRANSMISSION	53	5
56160	CAP, VALVE SPRING (INLET VALVE)	41	10	57761A1	TAILSTOCK ASSEMBLY, BEARING SUPPORT	53	9
56161	CAP, VALVE SPRING (EXHAUST VALVE)	41	10	57815	WIRING HARNESS (STERN DRIVE - HYDRAULIC SHIFT)	7	1
56163	BAFFLE, INTAKE MANIFOLD	43	17	57861	COVER, THERMOSTAT	31	39
56166	BALL, ROCKER ARM	41	6	57967	SHAFT, WATER PUMP	37	4
56168	ARM, ROCKER	41	7	57969	CYLINDER, BOOSTER - POWER STEERING	71	6
56169	ROD, PUSH	41	14	57970	EXTENSION, CYLINDER BOOSTER ROD	71	34
56171	COVER, ROCKER (STARBOARD)	41	1	57971	TUBE, MOUNTING - BOOSTER ROD EXTENSION	71	32
56174	OIL PUMP ASSEMBLY	45	43	57972	GUIDE, CABLE GUIDE TUBE	71	15
56178	ROTOR AND SHAFT, OIL PUMP	45	56	58000A1	SWITCH ASSEMBLY, CUT-OUT - REVERSE LOCK VALVE	59	35
56179	PLATE, OIL PUMP	45	51	58015A2	DISTRIBUTOR ASSEMBLY, COMPLETE	11	1
56313	BRACKET, HYDRAULIC PUMP MOUNTING	69	9	58016A1	DISTRIBUTOR ASSEMBLY, COMPLETE	11	1
56328	BRACKET, CLAMP - OIL COOLER	69	27	58017	LEAD ASSEMBLY, PRIMARY TERMINAL	11	14
56329	BRACKET, OIL COOLER . . .	69	26	58022	COLLAR, THRUST	11	18
56331A1	PULLEY ASSEMBLY, CRANKSHAFT (NOT AS SHOWN)	69	2	58027	RETAINER, CAM TO SHAFT	11	6
56378	BRACKET, MOUNTING (FRONT) - NOT AS SHOWN	57	36	58028	WICK, LUBRICATION	11	5
56379A4	HYDRAULIC SHIFT (STANDARD ROTATION) .	45	-	58029	BUMPER, DISTRIBUTOR SHAFT	11	13
56385	WIRING HARNESS (INBOARD)	7	1	58031	CLAMP, DISTRIBUTOR CAP ATTACHING	11	15
56388	WIRING HARNESS (STERN DRIVE - ELECTRIC SHIFT)	7	1	58033	BREAKER ASSEMBLY	11	9
56512A3	HYDRAULIC SHIFT (OPPOSITE ROTATION) ..	45	-	58034	CONDENSER	11	8
56855	SHAFT ASSEMBLY, OIL PUMP	45	54	58086	WATER PUMP ASSEMBLY (STANDARD ROTATION) .	43	32
56856	SCREEN, OIL PUMP	45	46	58256	SHIELD, DUST	11	4
56863	VALVE, HOSE TO ROCKER COVER	21	36	58258	CLAMP, DISTRIBUTOR TO INTAKE MANIFOLD	11	22
56865	PLUNGER, OIL PUMP RELIEF VALVE	45	49	58258	CLAMP, DISTRIBUTOR TO INTAKE MANIFOLD	15	20
56875	CAP, OIL FILLER - ROCKER COVER	41	4	58265	REINFORCEMENT, WATER PUMP PULLEY	45	35
56878	PLATE, COVER - REAR	63	22	58340	DISC, INDEXING - SAFETY CLUTCH	61	5
56879	WATER PUMP ASSEMBLY (OPPOSITE ROTATION) .	43	32	58344	STOP, CLUTCH DISC	61	4
56881	PULLEY, WATER PUMP	45	36	58349	DRIVE, CLUTCH DISC	61	11
56885	SPACER, CARBURETOR	19	27	58353	HOUSING, SAFETY CLUTCH	61	7
56887	INTAKE MANIFOLD	43	15	58386	ARM, CLUTCH FORK	65	33
57097	BRACE, HYDRAULIC PUMP	69	17	58387	FORK, CLUTCH	63	25
57286	BRACKET, MOUNTING - TRANSOM PLATE	71	23	58417	BRACKET, SHIFT CABLE . .	29	16
57356	PLATE, MOUNTING BRACKET SCREW	69	30	58465	GROUND WIRE (BLACK - 12")	9	43
57403	GAUGE, OIL LEVEL (DIPSTICK) - INBOARD ..	45	73				

PARTS INDEX

Part Number	Description	Pg.	Ref. No.	Part Number	Description	Pg.	Ref. No.
59049A3	MIE STANDARD ROTATION	47	-	63192	RETAINER, HIGH TENSION		
59051A3	MIE OPPOSITE ROTATION	47	-		LEADS	17	38
59137	THERMOSTAT	31	38	64482A4	MIE STANDARD ROTATION	47	-
59155	COVER, WATER PUMP	37	17	64483A4	MIE OPPOSITE ROTATION	47	-
59363A1	CAM SEGMENT ASSEMBLY	37	23	65057	STARTER SOLENOID	7	15
59497A1	THERMOSTAT HOUSING			65864	ROTOR	11	3
	ASSEMBLY	31	33	N.S.S.	ROD, PRIMARY (NOT SOLD		
59498	COVER, THERMOSTAT	31	39		SEPARATELY)	23	9
59501	SHAFT, WATER PUMP	39	29	N.S.S.	ROD, SECONDARY (NOT		
59503	WEAR PLATE, IMPELLER	37	25		SOLD SEPARATELY)	23	14
59523	ADAPTOR, ROD END			10-20055	SCREW, WIRING HARNESS		
	(STARBOARD MOUNTING)	71	35		TO ALTERNATOR (3/8")	3	19
59524	ADAPTOR, ROD END (PORT			10-20189	SCREW, SAFETY CLUTCH		
	MOUNTING)	71	35		COVER TO HOUSING		
59755	ALTERNATOR ASSEMBLY	3	18		(3/4")	61	17
59762	PULLEY, WATER PUMP	39	33	10-20314	SCREW, SERIAL PLATE		
59811	WIRING HARNESS				ATTACHING	33	8
	(INBOARD)	7	1	10-20314	SCREW, SERIAL PLATE TO		
59815	BRACKET, CIRCUIT				FLYWHEEL HOUSING	63	14
	BREAKER	9	24	10-20359	SCREW, MOUNTING		
59816	CIRCUIT BREAKER	9	23		BRACKET ATTACHING (1")		
60093	COVER, SAFETY CLUTCH	61	15	10-20362	STERN DRIVE	7	6
60207	PLATE, EXHAUST ELBOW				SCREW, OIL COOLER		
	TO EXHAUST MANIFOLD	29	23		COVER TO FLYWHEEL		
60252	END CAP, EXHAUST			10-20639	HOUSING (1 7/16")	33	18
	MANIFOLD (REAR)	29	13		SCREW, FUEL FILTER TO		
60252	END CAP/CONNECTOR,				MOUNTING BRACKET		
	EXHAUST MANIFOLD			10-20639	(1/2")	19	12
	(FRONT)	29	10		SCREW, SHIFT CABLE TO		
60335	LEAD ASSEMBLY,				ADAPTOR (1 1/8")	57	30
	DISTRIBUTOR TO COIL (7			10-21077	SCREW, MOUNTING		
	1/2")	11	25		BRACKET ATTACHING		
60403A2	BRACKET ASSEMBLY,			10-21077	(7/8") - INBOARD	7	6
	CABLE SUPPORT (SERIAL				SCREW, PULLEY TO		
	#2914035 AND UP)	63	9	10-21548	DAMPER (7/8")	51	26
60426A1	EXHAUST ELBOW				SCREW, SUPPORT		
	ASSEMBLY (90 - STERN				BRACKET TO FLYWHEEL		
	DRIVE)	29	18	10-21625	HOUSING (5/8")	63	11
60427A2	EXHAUST ELBOW				SCREW, CLAMP BRACKET		
	ASSEMBLY (STRAIGHT -				TO OIL COOLER		
	INBOARD)	29	18	10-22485	BRACKET (3/4")	69	28
60565	OIL FILTER	45	41		SCREW, REVERSE LOCK		
61413	BRACKET, MOUNTING				VALVE TO SHIFT		
	(FRONT)	35	1	10-22956	ACTUATOR (3/4")	61	26
61566	OIL PAN	45	59		SCREW, STARTER		
61750	DAMPER ASSEMBLY,				SOLENOID TO MOUNTING		
	CRANKSHAFT (10-23702	BRACKET	7	16
	OPPOSITE ROTATION)	51	22		SCREW, CONNECTOR TO		
61854	BRACKET, MOUNTING				MOUNTING BRACKET	7	9
	(FRONT)	67	4	10-24234	SCREW, THERMOSTAT		
61969	BRACKET, CIRCUIT				COVER TO THERMOSTAT		
	BREAKER	9	31	10-24637	HOUSING (1")	31	41
62092	FUEL PUMP ASSEMBLY				SCREW, CIRCUIT BREAKER		
	(SERIAL #3258182 AND				TO BRACKET	9	25
	UP)	19	1	10-25038	SCREW, END CAP TO		
62255	BRACKET, MOUNTING				EXHAUST MANIFOLD		
	(REAR)	67	1	10-25299	(7/8")	29	15
62288A1	COVER ASSEMBLY, OIL				SCREW, FLYWHEEL		
	COOLER	33	13		HOUSING ATTACHING		
					(3/4")	63	7

PARTS INDEX

Part Number	Description	Pg.	Ref. No.	Part Number	Description	Pg.	Ref. No.
10-25299	SCREW, REVERSE LOCK VALVE TO SHIFT SUPPORT BRCKET (3/4")	59	33	10-35386	SCREW, END CAP TO EXHAUST MANIFOLD (7/8")	29	15
10-26065	SCREW, OIL COOLER BRACKET TO MOUNT PLATE (1")	69	33	10-35386	SCREW, END CAP/CONNECTOR TO EXHAUST MANIFOLD (1")	29	12
10-26632	SCREW, IGNITION COIL ATTACHING (1 1/4')	11	32	10-35386	SCREW, SHIFT SUPPORT BRACKET TO MOUNT BRACKET (1")	53	38
10-26632	SCREW, MOUNTING BRACKET ATTACHING (1 1/4") STERN DRIVE	7	6	10-35386	SCREW, THERMOSTAT HOUSING TO INTAKE MANIFOLD (1")	31	35
10-26632	SCREW, STARTER MOTOR TO CYLINDER BLOCK	3	2	10-36046	SCREW, CIRCUIT BREAKER	9	23
10-26801	SCREW, LIFTING EYE ATTACHING (5/8")	29	9	10-37260	SCREW, FLYWHEEL HOUSING ATTACHING (7/16")	63	7
10-27165	SCREW, BRACE TO HYDRAULIC PUMP (3/4")	69	18	10-37269	SCREW, MOUNTING BRACKET TO CYLINDER BLOCK (2")	35	2
10-28063	SCREW, STARTER SOLENOID TO MOUNTING BRACKET (5/8")	7	16	10-37269	SCREW, MOUNTING BRACKET TO CYLINDER BLOCK (2")	57	37
10-28464	SCREW, HYDRAULIC PUMP TO MOUNTING BRACKET (1 1/2")	69	13	10-37269	SCREW, MOUNTING BRACKET TO TRANSMISSION (2")	57	34
10-28635	SCREW, COVER TO FLYWHEEL HOUSING (5/8")	33	5	10-37269	SCREW, MOUNTING BRACKET TO TRANSMISSION (2")	67	2
10-28635	SCREW, COVER TO WATER PUMP (5/8")	37	18	10-37612	SCREW, ALTERNATOR BRACKET TO TIMING COVER (1 1/4")	5	34
10-28635	SCREW, WATER PUMP COVER TO WATER PUMP BODY (5/8")	37	20	10-37612	SCREW, CLAMPING (1 1/4")	71	12
10-29198	SCREW, ALTERNATOR BRACE TO ALTERNATOR (7/8")	3	23	10-37612	SCREW, EXHAUST ELBOW TO TRANSOM PLATE (1 1/4")	31	29
10-30155	SCREW, ENGINE LOCATING (1 1/4")	67	9	10-37612	SCREW, EXHAUST ELBOW TO TRANSOM PLATE (1 1/4") ELECTRIC SHIF	31	29
10-31832	SCREW, MOUNTING BRACKET TO TRANSOM PLATE (1")	71	24	10-37612	SCREW, EXHAUST MANIFOLD TO CYLINDER HEAD (1 1/4")	29	5
10-33212	SCREW, GROUND WIRE ATTACHING	9	44	10-37612	SCREW, HYDRAULIC PUMP TO MOUNTING BRACKET (1 1/4")	69	12
10-33311	SCREW, BRACKET TO IGNITION COIL (1 1/2")	11	28	10-37892	SCREW, THROTTLE CABLE TO CARBURETOR (1")	21	44
10-33311	SCREW, BRACKET TO IGNITION COIL (1 1/2")	15	26	10-38197	SCREW, MOUNT BRACKET TO TRANSMISSION (3 1/2")	53	30
10-33524	SCREW, OIL LEVEL GAUGE TUBE CLIP TO BRACKET (5/8")	45	70	10-39001	SCREW, SHIFT ACTUATOR TO FLYWHEEL HOUSING (4 1/2")	61	20
10-34353	SCREW, ADJUSTING BRACE TO OIL PAN (1")	39	39	10-45716	SCREW, COVER TO REVERSE LOCK VALVE (15/16")	59	14
10-34354	SCREW, ADJUSTING BRACE TO WATER PUMP (1 1/2")	39	42	10-46718	SCREW, CONNECTOR TO MOUNTING BRACKET (15/16")	7	9
10-34354	SCREW, WATER PUMP BRACKET CLAMPING (1 1/2")	39	47				
10-34613	SCREW, IGNITION COIL ATTACHING (1 3/4")	11	32				
10-34613	SCREW, IGNITION COIL ATTACHING (1 3/4")	15	31				

PARTS INDEX

Part Number	Description	Pg.	Ref. No.	Part Number	Description	Pg.	Ref. No.
10-46736	SCREW, CAM TO CAM LEVER (1/2")	59	8	10-48591	SCREW, CABLE CLIP TO BRACKET	9	28
10-47194	SCREW, CIRCUIT BREAKER BRACKET ATTACHING	9	32	10-48989	SCREW, EXHAUST ELBOW TO TRANSOM PLATE (4")	31	29
10-47258	SCREW, LIFTING EYE TO INTAKE MANIFOLD (5/8")	43	22	10-52156	SCREW, ADJUSTING TRUNNION (4 1/2")	35	11
10-47277	SCREW, WATER PUMP PULLEY TO WATER PUMP (3/4")	39	34	10-52156	SCREW, ADJUSTING TRUNNION (4 1/2")	57	47
10-47461	SCREW, FLYWHEEL HOUSING ATTACHING (1")	63	7	10-52156	SCREW, ADJUSTING TRUNNION (4 1/2")	67	19
10-47462	SCREW, ALTERNATOR BRACKET TO CYLINGDER BLOCK (1 1/4")	5	32	10-52409	SCREW, CLUTCH FORK TO FLYWHEEL HOUSING (3 1/4")	63	29
10-47462	SCREW, FLYWHEEL HOUSING ATTACHING (1 1/4")	63	7	10-52409	SCREW, WATER PUMP BRACKET TO ALTERNATOR BRACKET (3 1/4")	39	49
10-47462	SCREW, FLYWHEEL HOUSING TO ENGINE (1 1/4")	33	9	10-52446	SCREW, THERMOSTAT COVER TO THERMOSTAT HOUSING (1 5/8")	31	41
10-47462	SCREW, MOUNT BRACKET TO TRANSMISSION (1 1/4")	53	31	10-52693	SCREW, PULLEY TO CRANKSHAFT (5")	69	3
10-47462	SCREW, PUMP MOUNTING BRACKET TO CYL. BLOCK (1 1/2")	69	10	10-53016	SCREW, END CAP TO EXHAUST MANIFOLD (1 1/4")	29	15
10-47462	SCREW, RETAINER ATTACHING (1 1/4")	13	40	10-53016	SCREW, END CAP/CONNECTOR TO EXHAUST MANIFOLD (1 1/4")	29	12
10-47462	SCREW, RETAINER ATTACHING (1 1/4")	17	39	10-54475	SCREW, ARM TO CLUTCH FORK (1 1/8")	63	26
10-47462	SCREW, STARTER MOTOR TO CYLINDER BLOCK (1 1/4")	3	2	10-54493	SCREW, FLYWHEEL HOUSING TO ENGINE (2 1/2")	33	10
10-47618	SCREW, CIRCUIT BREAKER TO BRACKET	9	34	10-54523	SCREW, THERMOSTAT HOUSING TO INTAKE MANIFOLD (1")	31	35
10-47654	SCREW FLYWHEEL HOUSING TO ENGINE (2 3/4")	33	10	10-54630	SCREW, PULLEY TO WATER PUMP (5/8")	45	37
10-47654	SCREW, CLAMP - ADJUSTING TRUNNION (2 3/4")	35	4	10-54847	SCREW, FLYWHEEL HOUSING ATTACHING (2")	63	7
10-47654	SCREW, CLAMP - ADJUSTING TRUNNION (2 3/4")	57	39	10-54847	SCREW, TAIL STOCK TO TRANSMISSION (2")	53	17
10-47654	SCREW, CLAMP - ADJUSTING TRUNNION (2 3/4")	67	11	10-55300	SCREW, ALTERNATOR BRACE TO CYLINDER BLOCK (5 1/4")	3	25
10-47724	SCREW, TRANSMISSION TO ENGINE (3")	53	25	10-55300	SCREW, WATER PUMP AND TIMING COVER ATTACHING (5 1/4")	43	34
10-47724	SCREW, TRANSMISSION TO ENGINE (3")	55	2	10-55714	SCREW, OIL PAN TO CYLINDER BLOCK (5/16-18 X 7/8")	45	62
10-48254	SCREW, MOUNTING BRACKET ATTACHING (2 1/8")	35	17	10-55715	SCREW, OIL PAN TO CYLINDER BLOCK (1/4-20 X 7/8")	45	63
10-48254	SCREW, MOUNTING BRACKET ATTACHING (2 1/8")	57	52	10-56104	SCREW, TIMING COVER TO CYLINDER BLOCK (2")	43	30
10-48308	SCREW, ALTERNATOR TO ALTERNATOR BRACKET (3 3/4")	5	28	10-56106	SCREW, TIMING COVER TO CYLINDER BLOCK (1 1/2")	43	29

PARTS INDEX

Part Number	Description	Pg.	Ref. No.	Part Number	Description	Pg.	Ref. No.
10-56112	BOLT, CYLINDER HEAD TO CYLINDER BLOCK (3 7/8")	43	10	10-60777	SCREW, CAM SEGMENT ATTACHING (1/2")	37	24
10-56113	BOLT, CYLINDER HEAD TO CYLINDER BLOCK (2 1/4")	43	10	11-20083	NUT, SHIFT LEVER TO TRANSMISSION	53	24
10-56123	BOLT, CONNECTING ROD	49	4	11-20083	NUT, SHIFT LEVER TO TRANSMISSION	55	22
10-56133	SCREW, THRUST PLATE TO CYLINDER BLOCK (5/8")	41	20	11-20083	NUT, STARTER SOLENOID TERMINAL (5/16")	9	22
10-56138	SCREW, ECCENTRIC AND SPROCKET TO CAMSHAFT (1 1/2")	41	24	11-20110	NUT, COVER SCREW	59	15
10-56146	BOLT, BEARING CAP TO CYLINDER BLOCK (3 5/32")	43	3	11-20110	NUT, LINK ROD SWIVEL	59	32
10-56172	SCREW, ROCKER COVER TO CYLINDER HEAD (5/8")	41	3	11-20110	NUT, SHIFT CONTROL LEVER TO CAM LEVER STUD	59	21
10-56176	SCREW, OIL PUMP TO CYLINDER BLOCK (1 1/4")	45	57	11-20361	NUT, SHIFT CABLE STUD	59	23
10-56440	SCREW, SHIFT ACUTATOR TO FLYWHEEL HOUSING (2 1/4")	61	20	11-20361	NUT, SHIFT CABLE STUD TO SHIFT LEVER	59	25
10-56852	SCREW, PLATE TO OIL PUMP (5/8")	45	52	11-20509	NUT, CLUTCH FORK SCREW	63	30
10-56858	SCREW, SCREEN TO OIL PUMP (7/8")	45	47	11-20586	NUT, FLAME ARRESTOR STUD	21	43
10-56882	SCREW, FUEL PUMP TO CYLINDER BLOCK (1 1/2")	19	2	11-20586	NUT, SHIFT SUPPORT BRACKET STUD	53	37
10-56889	SCREW, DRIVE PLATE TO FLYWHEEL	49	12	11-20586	NUT, STARTER SOLENOID SCREW	7	18
10-56889	SCREW, PRESSURE PLATE ATTACHING (15/16")	63	20	11-20586	NUT, THROTTLE CABLE STUD	19	22
10-57357	SCREW, MOUNT PLATE TO ENGINE MOUNT (2 1/4")	69	31	11-20645	NUT, CABLE CLIP AND BREAKER SCREW	9	27
10-57357	SCREW, MOUNTING BRACKET TO CYLINDER BLOCK (2 1/2")	35	2	11-20645	NUT, IGNITION COIL ATTACHING (1 3/4")	15	30
10-57846	SCREW, SHIFT CABLE ATTACHING (3/4")	61	16	11-20645	NUT, IGNITION COIL TERMINAL	11	31
10-57900	SCREW, TAILSTOCK TO TRANSMISSION (1 1/4")	53	17	11-20645	NUT, OIL PRESSURE SENDER TERMINAL (#10)	3	12
10-57968	SCREW, ADJUSTING - MOUNTING BRACKET (3")	71	26	11-20645	NUT, OIL PRESSURE SWITCH	3	16
10-58018	SCREW, BREAKER AND CONDENSER ATTACHING	11	7	11-20645	NUT, STARTER SOLENOID TERMINAL (10-32)	9	20
10-58257	BOLT, DAMPER TO CRANKSHAFT (1 3/4")	51	23	11-20645	NUT, WATER TEMPERATURE SENDER TERMINAL (#10)	3	9
10-58259	SCREW, DISTRIBUTOR CLAMP ATTACHING (7/8")	11	23	11-20664	NUT, CLUTCH FORK ARM SCREW	63	28
10-58259	SCREW, DISTRIBUTOR CLAMP ATTACHING (7/8")	15	21	11-21908	NUT, STARTER MOTOR TERMINAL	3	6
10-58261	BOLT, INTAKE MANIFOLD TO CYLINDER HEAD (2")	43	18	11-21929	NUT, JAM - CLUTCH FORK ARM SET SCREW	65	35
10-58332	SCREW, SHIELD AND SWITCH TO REVERSE LOCK VALVE (3/4")	59	37	11-22024	NUT, ENGINE LOCATING SCREW	67	10
10-58378	SCREW, SET - CLUTCH FORK ARM (1")	65	34	11-22024	NUT, TRANSMISSION STUD	55	5
10-60705	BOLT, FLYWHEEL TO CRANKSHAFT (1 1/16")	49	10	11-22053	NUT, OIL LEVEL GAUGE TUBE CLIP SCREW	45	72
10-60706	BOLT, FLYWHEEL TO CRANKSHAFT (1 5/8")	49	10	11-23161	NUT, ALTERNATOR BRACKET SCREW	5	31
				11-23161	NUT, WATER PUMPT BRACKET SCREW	39	51
				11-24883	NUT, ADJUSTING SCREW	71	28
				11-25168	NUT, JAM - LINK ROD	59	28
				11-25594	NUT, OIL COOLER BRACKET SCREW	69	35

PARTS INDEX

Part Number	Description	Pg.	Ref. No.	Part Number	Description	Pg.	Ref. No.
11-26419	NUT, STARTER TERMINAL (#8)	3	6	11-55983	NUT, JAM - CABLE GUIDE TUBE	71	16A
11-28040	NUT, VALVE ADAPTOR STUD	71	30	11-55983	NUT, JAM - MOUNTING TUBE	71	33
11-28517	NUT, ADJUSTING BRACE SCRWE	39	45	11-56122	NUT, CONNECTING ROD BOLT	49	5
11-28517	NUT, OIL PUMP SCREEN STUD	43	6	11-56167	NUT, ROCKER ARM STUD	41	5
11-28517	NUT, STARTER TERMINAL (3/8")	3	4	11-58019	NUT, PRIMARY TERMINAL	11	11
11-28941	NUT, JAM - FLAME ARRESTOR MOUNTING STUD (BOTTOM)	21	40	11-58263	NUT, INTAKE MANIFOLD STUD	43	20
11-29553	NUT, CLAMP ADJUSTING TRUNNION SCREW	35	7	12-20084	WASHER CARBURETOR MOUNTING STUD	21	31
11-29553	NUT, CLAMP ADJUSTING TRUNNION SCREW	57	42	12-20084	WASHER, CARBURETOR SCREW AND STUD	19	25
11-29553	NUT, CLAMP ADJUSTING TRUNNION SCREW	67	14	12-20084	WASHER, FUEL FILTER SCREW	19	13
11-30506	NUT, CLAMP BRACKET SCREW	69	29	12-20084	WASHER, THERMOSTAT HOUSING SCREW	31	36
11-32882	NUT, MOUNTING TUBE	71	31	12-20128	WASHER, THROTTLE CABLE SCREW	21	46
11-34933	NUT, MOUNTING BRACKET STUD	67	8	12-20533	WASHER, SHIFT CABLE ADAPTOR STUD	55	25
11-35814	NUT, CARBURETOR STUD	19	26	12-20533	SPACER, IGNITION COIL ATTACHING SCREW	15	33
11-35814	NUT, FUEL FILTER SCREW	19	14	12-20553	WASHER, ADJUSTING BRACE SCREW	39	41
11-37984	NUT, CABLE GUIDE TUBE	71	22	12-20553	WASHER, ADJUSTING BRACE SCREW	39	43
11-45592	NUT, CARBURETOR MOUNTING STUD	21	32	12-20553	WASHER, ALTERNATOR BRACKET SCREW	5	29
11-45592	NUT, CARBURETOR STUD	19	26	12-20553	WASHER, IGNITION COIL ATTACHING SCREW	11	33
11-45812	NUT, THROTTLE CABLE SCREW	21	48	12-20553	WASHER, IGNITION COIL ATTACHING SCREW	15	32
11-46438	NUT, CIRCUIT BREAKER SCREW	9	35	12-20553	WASHER, PULLEY SCREW	69	5
11-46438	NUT, CONNECTOR SCREW	7	11	12-20722	WASHER, SHIFT LEVER TO TRANSMISSION	53	22
11-46438	NUT, SHIFT CABLE ADAPTOR STUD (10-32)	57	29	12-20722	WASHER, SHIFT LEVER TO TRANSMISSION	55	20
11-46438	NUT, SHIFT CABLE TO BRACKET STUD (10-32)	55	13	12-20878	WASHER, OIL PRESSURE SWITCH	3	15
11-46793	NUT, CARBURETOR MOUNTING STUD	21	32	12-20959	WASHER, VALVE ADAPTOR STUD	71	29
11-46793	NUT, SHIFT CABLE SCREW (5/16-24)	57	32	12-21273	WASHER, CAM LEVER STUD	59	20
11-46887	NUT, SHIFT CABLE ADAPTOR STUD (1/4-28)	55	26	12-21631	WASHER, SHIFT SUPPORT BRACKET STUD	53	35
11-47521	NUT, JAM - OIL COOLER	33	16	12-21631	WASHER, THROTTLE CABLE STUD	19	20
11-47525	NUT, JAM - ADJUSTING TRUNNION SCREW	35	13	12-21901	WASHER, PULLEY TO HYDRAULIC PUMP	69	7
11-47525	NUT, JAM - ADJUSTING TRUNNION SCREW	57	49	12-22753	WASHER, SHIFT CABLE SCREW	57	31
11-47525	NUT, JAM - ADJUSTING TRUNNION SCREW	67	21	12-22937	WASHER, FLAME ARRESTOR STUD	21	42
11-47626	NUT, OIL LEVEL GAUGE TUBE	45	66	12-22937	WASHER, STARTER SOLENOID SCREW	7	17
11-49253	NUT, SAFTY CLUTCH TO ACTUATOR SHAFT	61	13	12-25909	WASHER, HYDRAULIC PUMP SCREW	69	15
11-49838	NUT, EXHUAST ELBOW TO EXHAUST MANIFOLD STUD	31	26	12-26013	WASHER, CONNECTOR SCREW	7	10

PARTS INDEX

Part Number	Description	Pg.	Ref. No.	Part Number	Description	Pg.	Ref. No.
12-26014	WASHER, COVER SCREW .	61	19	12-58026	WASHER, THRUST -		
12-26168	WASHER, ALTERNATOR				DISTRIBUTOR SHAFT ...	11	17
	BRACE SCREW	3	24	12-58341	WASHER, WEAR - SHIFT		
12-26825	WASHER, OIL COOLER				ACTUATOR SHAFT	61	2
	BRACKET SCREW	69	34	12-58346	WASHER, CLUTCH DISC ...	61	10
12-26907	WASHER, THROTTLE CABLE			13-20202	LOCKWASHER, SHIFT		
	SCREW	21	45		ACTUATOR SCREW	61	21
12-30164	WASHER, IGNITION COIL			13-20897	LOCKWASHER, DUAL		
	TERMINAL	11	29		ADAPTOR NUT	71	18
12-30164	WASHER, IGNITION COIL			13-21272	LOCKWASHER, REVERSE		
	TERMINAL	15	28		LOCK VALVE SCREW ...	61	27
12-30164	WASHER, LINK ROD SWIVEL	59	31	13-21272	LOCKWASHER, SHIFT		
12-30164	WASHER, WIRING HARNESS				CABLE SUPPORT		
	SCREW	3	21	13-21804	BRACKET SCREW	63	12
12-34437	WASHER, LIFTING EYE				LOCKWASHER, REVERSE		
	SCREW	43	23	13-25906	LOCK VALVE SCREW ...	59	34
12-34567	WASHER, MOUNT PLATE				WASHER, WAVE - REVERSE		
	SCREW	69	32	13-26421	LOCK VALVE	59	5
12-34567	WASHER, MOUNTING				LOCKWASHER, SHIFT		
	BRACKET SCREW	35	3		SUPPORT BRACKET		
12-34567	WASHER, MOUNTING				SCREW	53	39
	BRACKET STUD - STBD.			13-26992	LOCKWASHER, COVE		
	REAR	67	6		SCREW	33	6
12-34567	WASHER, RETAINER			13-26992	LOCKWASHER, PLATE		
	SCREW	13	41		SCREW	45	53
12-34567	WAWHER, RETAINER			13-26992	LOCKWASHER, STARTER		
	SCREW	17	40		SOLENOID SCREW	7	17
12-34714	WASHER, BRACE SCREW .	69	20	13-26993	LOCKWASHER, DRIVE		
12-36533	WASHER, OIL COOLER				PLATE SCREW	49	13
	COVER SCREW	33	19	13-26993	LOCKWASHER, OIL COOLER		
12-37407	WASHER, SHIFT CABLE				COVER SCREW	33	19
	ADAPTOR STUD	57	28	13-26993	LOCKWASHER, SHIFT		
12-37407	WASHER, SHIFT CABLE TO				LEVER TO		
	BRACKET STUD	55	12		TRANSMISSION	53	23
12-37985	WASHER, CABLE GUIDE			13-26993	LOCKWASHER, SHIFT		
	TUBE	71	21		LEVER TO		
12-38344	WASHER, ALTERNATOR				TRANSMISSION	55	21
	BRACKET SCREW (SHIM)	5	36	13-26993	LOCKWASHER, STARTER		
12-39143	WASHER, SHIFT CABLE				MOTOR TERMINAL	3	5
	STUD	59	24	13-26993	LOCKWASHER, STARTER		
12-45713	WASHER, RETAINING - BALL				SOLENOID TERMINAL		
	TO VALVE COVER	59	10		(5/16")	9	21
12-46897	WASHER, OIL PAN SCREW	45	64	13-26994	WASHER, PRIMARY		
12-47683	WASHER, WATER PUMP				TERMINAL	11	10
	SHAFT	37	9	13-26995	LOCKWASHER, STARTER		
12-47960	WASHER, CIRCUIT				TERMINAL (#8)	3	5
	BREAKER SCREW	9	38	13-26996	LOCKWASHER, BRACKET		
12-48611	WASHER, MOUNTING				AND CLIP SCREW	9	26
	BRACKET	35	10	13-26996	LOCKWASHER, CAM		
12-48611	WASHER, MOUNTING				SCREW	59	9
	BRACKET	57	45	13-26996	LOCKWASHER, CIRCUIT		
12-48611	WASHER, MOUNTING				BREAKER BRACKET		
	BRACKET	67	17		SCREW	9	33
12-54426	WASHER, MOUNTING			13-26996	LOCKWASHER, IGNITION		
	BRACKET STUD	67	6		COIL TERMINAL	11	30
12-56136	WASHER, ECCENTRIC AND			13-26996	LOCKWASHER, IGNITION		
	SPROCKET SCREW	41	25		COIL TERMINAL	15	29
12-56148	WASHER, DAMPER TO			13-26996	LOCKWASHER, OIL		
	CRANKSHAFT BOLT	51	24		PRESSURE SENDER		
					TERMINAL (#10)	3	11

PARTS INDEX

Part Number	Description	Pg.	Ref. No.	Part Number	Description	Pg.	Ref. No.
13-26996	LOCKWASHER, STARTER SOLENOID TERMINAL (#10)	7	19	13-35048	LOCKWASHER, BRACE SCREW	69	19
13-26996	LOCKWASHER, WATER TEMPERATURE SENDER TERMINAL (#10)	3	8	13-35048	LOCKWASHER, BRACKET SCREW	15	27
13-26996	LOCKWASHER, WIRING HARNESS SCREW	3	20	13-35048	LOCKWASHER, EXHAUST ELBOW SCREW	31	30
13-29402	WAVE WASHER, SHIFT CABLE ADAPTOR STUD	55	27	13-35048	LOCKWASHER, EXHAUST MANIFOLD SCREW	29	6
13-30381	LOCKWASHER, FLYWHEEL HOUSING SCREW - SPECIAL (7/16")	63	8	13-35048	LOCKWASHER, MOUNTING BRACKET SCREW - INBOARD	7	7
13-30381	LOCKWASHER, TAILSTOCK SCREW	53	18	13-35048	LOCKWASHER, PULLEY SCREW	51	27
13-31848	LOCKWASHER, MOUNTING BRACKET SCREW	35	18	13-35048	LOCKWASHER, PULLEY SCREW	69	4
13-31848	LOCKWASHER, MOUNTING BRACKET SCREW	57	53	13-35048	LOCKWASHER, WATER PUMP BRACKET CLAMPING SCREW	39	48
13-31848	LOCKWASHER, MOUNTING BRACKET SCREW	71	25	13-37272	LOCKWASHER, PUMP MOUNTING BRACKET SCREW	69	11
13-32993	LOCKWASHER, ALTERNATOR BRACKET SCREW	5	33	13-37459	LOCKWASHER, ADJUSTING SCREW	71	27
13-32993	LOCKWASHER, CLAMP ADJUSTING TRUNNION SCREW	35	5	13-37459	LOCKWASHER, ALTERNATOR BRACKET SCREW	5	35
13-32993	LOCKWASHER, CLAMP ADJUSTING TRUNNION SCREW	57	40	13-37459	LOCKWASHER, CLAMPING SCREW	71	13
13-32993	LOCKWASHER, CLAMP ADJUSTING TRUNNION SCREW	67	12	13-37459	LOCKWASHER, EXHAUST ELBOW TO EXHAUST MANIFOLD STUD	29	25
13-32993	LOCKWASHER, FLYWHEEL HOUSING SCREW (7/16")	63	8	13-37459	LOCKWASHER, HYDRAULIC PUMP SCREW	69	14
13-32993	LOCKWASHER, GROUND WIRE SCREW	9	45	13-37459	LOCKWASHER, STARTER MOTOR SCREW	3	3
13-32993	LOCKWASHER, MOUNT BRACKET SCREW	53	32	13-39107	LOCKWASER, PULLEY SCREW	45	38
13-32993	LOCKWASHER, MOUNTING BRACKET SCREW	35	3	13-39107	LOCKWASHER, ALTERNATOR MOUNTING	5	26
13-32993	LOCKWASHER, MOUNTING BRACKET SCREW	57	35	13-39107	LOCKWASHER, BEARING RETAINER SCREW	63	17
13-32993	LOCKWASHER, MOUNTING BRACKET SCREW	57	38	13-39107	LOCKWASHER, FLYWHEEL HOUSING SCREW (5/16")	63	8
13-32993	LOCKWASHER, MOUNTING BRACKET SCREW	67	3	13-39107	LOCKWASHER, OIL LEVEL GAUGE TUBE CLIP SCREW	45	71
13-32993	LOCKWASHER, MOUNTING BRACKET SCREW	67	7	13-39107	LOCKWASHER, PRESSURE PLATE SCREW	63	21
13-32993	LOCKWASHER, STARTER MOTOR SCREW	3	3	13-39107	LOCKWASHER, SHIFT ACTUATOR SCREW	61	21
13-32993	LOCKWASHER, TRANSMISSION SCREW	53	26	13-39107	LOCKWASHER, THERMOSTAT COVER SCREW	31	42
13-32993	LOCKWASHER, TRANSMISSION SCREW AND STUD	55	4	13-39107	LOCKWASHER, WATER PUMP PULLEY SCREW	39	35
13-35048	LOCKWASHER, ADJUSTING BRACE SCREW	39	40	13-56177	LOCKWASHER, OIL PUMP SCREEN STUD	43	5
13-35048	LOCKWASHER, ADJUSTING BRACE SCREW	39	44	13-56177	LOCKWASHER, OIL PUMP SCREW	45	58

PARTS INDEX

Part Number	Description	Pg.	Ref. No.	Part Number	Description	Pg.	Ref. No.
13-58260	LOCKWASHER, DISTRIBUTOR CLAMP SCREW	11	24	16-63332	STUD, CARBURETOR MOUNTING (1 9/16")	21	30
14-38359	TAB WASHER, COVER SCREW	61	18	16-65737	STUD, FRONT MOUNTING BRACKET (2 5/8")	67	5
14-48467	TAB WASHER, ADJUSTING TRUNNION SCREW	35	12	16-65743	STUD, FRONT MOUNTING BRACKET STBD. REAR (3")	67	5
14-48467	TAB WASHER, ADJUSTING TRUNNION SCREW	57	43	17-22116	PIN, ROLL - JAM NUT	35	14
14-48467	TAB WASHER, ADJUSTING TRUNNION SCREW	67	15	17-22116	PIN, ROLL - JAM NUT	57	50
14-58347	TAP WASHER, CLUTCH DISC DRIVE	61	12	17-22116	PIN, ROLL - JAM NUT	67	22
15-58343	SHIM, CLUTCH DISC	61	6	17-47526	PIN, IMPELLER DRIVE	37	16
16-30669	STUD, CARBURETOR TO INTAKE MANIFOLD (3 1/4")	19	24	17-52798	PIN, CLEVIS - STEERING CABLE AND CLEVIS ATTACHING	71	36
16-33526	STUD, SHIFT SUPPORT BRACKET	53	34	17-56139	PIN, REAR BEARING CAP - REAR SEAL RETAINING	43	11
16-34069	STUD, SHIFT CABLE TO SHIFT LEVER (2 1/4")	59	22	17-56151	PIN, DOWEL - CYLINDER BLOCK TO FLYWHEEL HOUSING (1")	43	12
16-35897	STUD, THROTTLE CABLE TO MOUNTING BRACKET (1 11/16")	19	19	17-58021	PIN, THRUST COLLAR AND DRIVE GEAR	11	20
16-45199	STUD, TRANSMISSION TO ENGINE (4")	55	3	17-58032	PIN, CLAMP TO DISTRIBUTOR	11	16
16-45715	STUD, SHIFT CONTROL LEVER TO CAM LEVER (23/32")	59	18	17-58337	PIN, CLUTCH DIST TO ACTUATOR SHAFT	61	9
16-46857	STUD, CARBURETOR MOUNTING (7/8")	21	30	17-58385	HINGE PIN, CLUTCH FORK ARM	65	36
16-47360	STUD, FLAME ARRESTOR MOUNTING - CARBURETOR	21	39	17-60670	PIN, DOWEL - CYLINDER HEAD TO CYLINDER BLOCK	43	2
16-48680	STUD, SHIFT CALBE ADAPTOR TO SHIFT LEVER (1 1/4")	55	24	18-26940	COTTER PIN, CLUTCH FORK ARM HINGE PIN	65	37
16-49545	STUC, EXHUAIST MANIFOLD TO EXHAUST ELOBW (1 3/4")	29	2	18-46950	COTTER PIN, CLEVIS PIN RETAINING	71	37
16-53724	STUD, CARBURETOR MOUNTING (1 3/4")	19	30	19-21688	WELCH PLUG, TIMING COVER	43	25
16-55109	STUD, ADAPTOR - POWER STEERING VALVE	71	11	19-47463	PLUG, EXPANSION - ENGINE COUPLING	53	6
16-56147	STUD, BEARING CAP TO CYLINDER BLOCK (OIL PUMP SCREEN)	43	4	19-56102	PLUG, EXPANSION - CYLINDER BLOCK	43	2
16-56164	STUD, ROCKER ARM - CYLINDER HEAD (STANDARD)	41	8	19-56102	PLUG, EXPANSION - CYLINDER HEAD	43	8
16-58242	STUD, ROCKER ARM - CYLINDER HEAD (.006 O.S.)	41	8	19-56128	PLUG, EXPANSION - CAMSHAFT BEARING HOLE	41	18
16-58243	STUD, ROCKER ARM - CYLINDER HEAD (.015 O.S.)	41	8	19-56854	PLUG, OIL PUMP RELIEF VALVE	45	50
16-58262	STUD, INTAKE MANIFOLD TO CYLINDER HEAD (2 3/8")	43	19	19-59504	PLUG, IMPELLER	37	20
16-58264	STUD, CARBURETOR TO INTAKE MANIFOLD	19	24	19-60667	PLUG, CYLINDER BLOCK (1/4")	43	2
				19-60668	PLUG, EXPANSION - CYLINDER BLOCK (3/4")	43	2
				19-60669	PLUG, EXPANSION - CYLINDER BLOCK (1/2")	43	2
				22-20025	PLUG, PIPE - FUEL FILTER (SLOTTED)	19	10
				22-21290	PLUG, PIPE - REVERSE LOCK VALVE	59	16
				22-32802	PLUG, DRAIN - FLYWHEEL HOUSING	33	3

PARTS INDEX

Part Number	Description	Pg.	Ref. No.	Part Number	Description	Pg.	Ref. No.
22-32802	PLUG, PIPE - EXHAUST MANIFOLD	29	4	22-56770	COUPLING, OIL PRESSURE SENDER (REDUCER) ...	3	13A
22-32876	NIPPLE, SIGHT GLASS TO FUEL PUMP	19	4	22-56772	CAP, CARBURETOR (7/16-24)	21	38
22-33198	PLUG, EXHAUST ELBOW (3/4" - 14)	29	19	22-56876	CONNECTOR, OIL FILTER TO CYLINDER BLOCK ...	45	42
22-33755	ELBOW, FUEL LINE TO FUEL FILTER (INLET) ...	19	7	22-57631	ELBOW, TRANSMISSION TO OIL HOSE	53	4
22-33821	ELBOW, FUEL LINE TO FUEL PUMP AND FUEL FILTER (SERIAL #32581 .	19	15	22-58123	FITTING, HOSE - EXHAUST ELBOW	29	22
22-36373	PLUG, PIPE - OIL PAN DRAIN	45	61	22-64426	PETCOCK, WATER DRAIN - CYLINDER BLOCK	43	2
22-36373	PLUG, PIPE - WATER PUMP (3/8-14)	45	39	22-64485	COUPLING, OIL PRESSURE SENDER SERIAL #AND UP	3	13
22-36382	PLUG, PIPE - FUEL FILTER .	19	10	23-31866	SPACER, SHIFT SUPPORT BRACKET STUD	53	36
22-37682	ELBOW, STARBOARD - WATER DRAIN PETCOCK	43	2	23-31866	SPACER, THROTTLE CABLE STUD	19	21
22-37760	ELBOW, RETURN HOSE TO OIL COOLER	69	21A	23-33186	BUSHING, ALTERNATOR BRACKET SCREW	5	30
22-38939	FITTING, CARBURETOR WEDGE	19	29	23-33186	BUSHING, WATER PUMP BRACKET SCREW	39	50
22-39072	PLUG, DRAIN - OIL COOLER COVER	33	13A	23-36159	BUSHING, REDUCER - TRANSMISSION ELBOW .	53	3
22-45084	FITTING, HOSE - EXHAUST ELBOW	29	22	23-36159	BUSHING, REDUCING - TRANSMISSION ELBOW .	55	15
22-45794	ELBOW, HYDRAULIC TRIM HOSE TO REVERSE LOCK VALVE	59	2	23-47511	SLEEVE, CONNECTING - FLYWHEEL HOUSING ...	33	2
22-47625	ELBOW, OIL LEVEL GAUGE TUBE TO OIL PAN	45	65	23-47511	SLEEVE, WATER PUMP ...	37	26
22-47629	ELBOW, HOSE TO TRANSMISSION (90)	55	14	23-47511	SLEEVE, WATER PUMP COVER	37	18
22-47629	ELBOW, HOSE TO TRANSMISSION (90)	55	6	23-49013	SPACER, IGNITION COIL ATTACHING SCREW	13	34
22-47629	ELBOW, TRANSMISSION TO OIL HOSE	53	2	23-54476	SLEEVE, THERMOSTAT HOUSING	31	34
22-47630	ELBOW, HOSE TO OIL COOLER	53	28	23-55113	SLEEVE, ADJUSTING - CABLE GUIDE TUBE	71	14
22-47630	ELBOW, HOSE TO OIL COOLER (90)	55	18	23-55248	BEARING, CLUTCH PILOT (ELECTRIC SHIFT)	49	8
22-47630	ELBOW, HOSE TO OIL COOLER (90)	55	8	23-56116	BEARING UNIT, CONNECTING ROD (STANDARD)	49	6
22-47630	ELBOW, TRANSMISSION HOSE	53	20	23-56117	BEARING UNIT, CONNECTING ROD (.001 U.S.)	49	6
22-47631	ELBOW, HOSE TO TRANSMISSION (90)	55	16	23-56118	BEARING UNIT, CONNECTING ROD (.002 U.S.)	49	6
22-47716	ELBOW, FUEL LINE TO FUEL PUMP AND FUEL FILTER (SERIAL #30850 .	19	15	23-56119	BEARING UNIT, CONNECTING ROD (.010 U.S.)	49	6
22-47917	ELECTRODE, OIL COOLER .	33	17	23-56121	BEARING UNIT, CONNECTING ROD (.020 U.S.)	49	6
22-48118	PLUG, EXHAUST ELBOW (1" - 14)	29	19	23-56124	BEARING SET, CAMSHAFT .	41	17
22-48118	PLUG, EXHAUST MANIFOLD	29	3	23-56890	BEARING, CRANKSHAFT MAIN - UPPER (STANDARD)	49	15
22-48166	FITTING, STRAIGHT - REVERSE LOCK VALVE .	61	23	23-56892	BEARING, CRANKSHAFT MAIN - UPPER (.001 U.S.)	49	15
22-49719	CONNECTOR, ELBOW	59	3				
22-52666	ELBOW, REVERSE LOCK VALVE	61	24				

PARTS INDEX

Part Number	Description	Pg.	Ref. No.	Part Number	Description	Pg.	Ref. No.
23-56893	BEARING, CRANKSHAFT MAIN - UPPER - CENTER (.001 U.S.)	49	16	24-56864	SRPING, OIL PUMP RELIEF VALVE	45	48
23-56894	BEARING, CRANKSHAFT MAIN - UPPER (.002 U.S.)	49	15	24-58339	SPRING, SAFETY CLUTCH	61	14
23-56895	BEARING, CRANKSHAFT MAIN - UPPER - CENTER (.002 U.S.)	49	16	25-35029	"O" RING, EXHUAST ELBOW TO TRANSOM PLATE	31	28
23-56896	BEARING, CRANKSHAFT MAIN - UPPER (.010 U.S.)	49	15	25-45710	"O"RING, REVERSE LOCK VALVE	59	6
23-56897	BEARING, CRANKSHAFT MAIN - UPPER - CENTER (.010 U.S.)	49	16	25-45711	"O" RING, VALVE COVER	59	12
23-56898	BEARING, CRANKSHAFT MAIN - UPPER (.020 U.S.)	49	15	25-47632	"O" RING, SEALING - OIL COOLER	33	15
23-56898	BEARING, CRANKSHAFT MAIN - UPPER - CENTER (STANDARD)	49	16	25-54067	SEAL, TAILSTOCK	53	15
23-56899	BEARING, CRANKSHAFT MAIN - UPPER - CENTER (.020 U.S.)	49	16	25-54067	SEAL, TRANSOM TO GIMBAL HOUSING	63	6
23-56900	BEARING, CRANKSHAFT MAIN - LOWER (STANDARD)	49	17	25-56291	GROMMET, SHIFT CABLE	29	17
23-56901	BEARING, CRANKSHAFT MAIN - LOWER - CENTER (STANDARD)	51	18	25-56291	GROMMET, SHIFT CABLE SUPPORT BRACKET	63	10
23-56902	BEARING, CRANKSHAFT MAIN - LOWER (.001 U.S.)	49	17	25-56877	GROMMET, ROCKER COVER TO HOSE	21	37
23-56903	BEARING, CRANKSHAFT MAIN - LOWER - CENTER (.001 U.S.)	51	18	25-59712	"O" RING, WATER PUMP COVER	37	19
23-56904	BEARING, CRANKSHAFT MAIN - LOWER (.002 U.S.)	49	17	25-61999	GROMMET, CIRCUIT BREAKER SCREW	9	36
23-56905	BEARING, CRANKSHAFT MAIN - LOWER - CENTER (.002 U.S.)	51	18	26-23300	OIL SEAL, WATER PUMP SHAFT	37	2
23-56906	BEARING, CRANKSHAFT MAIN - LOWER (.010 U.S.)	49	17	26-23300	OIL SEAL, WATER PUMP SHAFT	39	27
23-56907	BEARING, CRANKSHAFT MAIN - LOWER - CENTER (.010 U.S.)	51	18	26-47401	SEAL, MECHANICAL - WATER PUMP SHAFT	37	8
23-56908	BEARING, CRANKSHAFT MAIN - LOWER (.020 U.S.)	51	17	26-47465	OIL SEAL, TAILSTOCK	53	11
23-56909	BEARING, CRANKSHAFT MAIN - LOWER - CENTER (.020 U.S.)	51	18	26-47531	SEAL, FLOATING - WATER PUMP SHAFT	37	7
23-57369	SPACER, HYDRAULIC PUMP SCREW	69	16	26-56866	OIL SEAL, TIMING COVER (STANDARD ROTATION)	43	28
23-57938	BUSHING, THROTTLE CABLE SCREW	21	47	26-56867	OIL SEAL, TIMING COVER (OPPOSITE ROTATION)	43	28
23-60339	SPACER, IGNITION COIL ATTACHING SCREW	13	34	26-56868	OIL SEAL, CRANKSHAFT REAR (STANDARD ROTATION)	49	14
23-60773	SLEEVE, CABLE GUIDE TUBE	71	16	26-56869	OIL SEAL, CRANKSHAFT REAR (OPPOSITE ROTATION)	49	14
23-61998	SPACER, CIRCUIT BREAKER SCREW	9	37	26-58094	SEAL, VALVE	41	11
24-54489	SPRING, DETENT - CLUTCH FORK	63	32	26-58111	,OIL SEAL, WATER PUMP SHAFT	37	6
24-56159	SPRING, VALVE	41	12	26-58348	SEAL, SAFETY CLUTCH HOUSING TO SHIFT ACTUATOR	61	3
				26-59564	OIL SEAL, WATER PUMP SHAFT (LARGE)	39	31
				27-34213	GASKET, FUEL PUMP	19	3
				27-47410	GASKET, WATER PUMP COVER	37	19
				27-47495	GASKET, OIL COOLER COVER	33	14
				27-47903	GASKET, TAILSTOCK	53	16
				27-48043	GASKET END CAP TO EXHAUST MANIFOLD	29	14
				27-48043	GASKET, END CAP/CONNECTOR TO EXHAUST MANIFOLD	29	11

PARTS INDEX

Part Number	Description	Pg.	Ref. No.	Part Number	Description	Pg.	Ref. No.
27-52076	GASKET, EXHAUST ELBOW TO EXHAUST MANIFOLD	29	24	32-47516--2	HOSE, TRANSMISSION TO OIL COOLER (16 3/4")	55	17
27-52076	GASKET, EXHAUST ELBOW TO EXHAUST MANIFOLD (STERN DRIVE)	29	24	32-47516--3	HOSE, OIL COOLER TO TRANSMISSION (9 7/8")	55	7
27-54505	GASKET, THERMOSTAT COVER	31	40	32-47516--3	HOSE, TRANSMISSION TO OIL COOLER (7 7/8")	53	27
27-54506	GASKET, THERMOSTAT HOUSING	31	37	32-47516--4	HOSE, TRANSMISSION TO OIL COOLER (15")	53	19
27-54566	GASKET, EXHAUST MANIFOLD TO CYLINDER HEAD	29	7	32-47516--4	HOSE, TRANSMISSION TO OIL COOLER (15")	55	17
27-55391	GASKET, REVERSE LOCK VALVE TO SHIFT ACTUATOR	61	25	32-47721	FUEL LINE, FUEL TANK TO FUEL FILTER (12")	19	6
27-56108	GASKET, TIMING COVER	43	26	32-54510	HOSE, THERMOSTAT HOUSING TO EXHAUST MANIFOLD	31	43
27-56110	GASKET, CYLINDER HEAD	43	9	32-54551	FUEL LINE, FUEL FILTER TO FUEL PUMP (SERIAL #3085036 AND BEL)	19	16
27-56152	SEAL, REAR COVER PLATE	63	23	32-54570	HOSE, THERMOSTAT HOUSING TO WATER PUMP	31	47
27-56173	GASKET, ROCKER COVER	41	2	32-54681	HOSE, CARBURETOR	21	34
27-56859	GASKET, OIL PUMP SCREEN	45	45	32-55112	TUBE, CABLE GUIDE	71	20
27-56861	GASKET, OIL PUMP	45	44	32-55116	HOSE, PRESSURE - POWER STEERING (72")	71	5
27-56880	GASKET, WATER PUMP	43	33	32-55117	HOSE, RETURN - POWER STEERING (72")	71	3
27-56888A2	GASKET SET, INTAKE MANIFOLD	43	16	32-55242	FUEL LINE, FUEL PUMP TO CARBURETOR (STERN DRIVE)	19	17
27-58025	GASKET, DISTRIBUTOR	11	21	32-55483	HOSE, PUMP TO OIL COOLER (22 1/2")	39	36
27-60208	GASKET, THERMOSTAT COVER	31	40	32-57230	HOSE, OIL COOLER TO WATER PUMP	69	23
27-64798	GASKET SET, OIL PAN	45	60	32-57230	HOSE, PUMP TO THERMO HSG (MOLDED)	39	36
27-65577	GASKET, CARBURETOR	21	33	32-57231	HOSE, OIL COOLER TO THERMOSTAT HOUSING	69	22
28-56142	KEY, TIMING SPROCKET TO CRANKSHAFT	51	19	32-57631	TUBE, RETRACTING - POWER STEERING	71	9
28-56162	KEY, VALVE STEM (2 PER VALVE)	41	9	32-57632	TUBE, EXTENDING - POWER STEERING	71	8
28-56662	KEY, IMPELLER DRIVE	37	22	32-57633	TUBE, EXTENDING - POWER STEERING	71	8
30-20861	BALL BEARING, WATER PUMP SHAFT	37	3	32-57634	TUBE, RETRACTING - POWER STEERING	71	9
30-20861	BALL BEARING, WATER PUMP SHAFT	39	28	32-58412	FUEL LINE, FUEL PUMP TO CARBURETOR (INBOARD)	19	17
30-32537	BALL BEARING, FLYWHEEL HOUSING	63	4	32-58466	HOSE, THERMOSTAT HOUSING TO OIL COOLER	31	45
30-32537	BALL BEARING, TAILSTOCK (2 27/32" O.D.)	53	13	32-58616A1	TUBE ASSEMBLY, WATER SEPARATION - EXHAUST ELBOW	29	20
30-45712	BALL, VALVE COVER	59	11	32-60198	HOSE, THERMOSTAT COVER TO EXHAUST ELBOW	73	1
30-47470	BALL BEARING, ENGINE COUPLING	53	7				
30-54251	BALL BEARING, FLYWHEEL HOUSING	63	2				
30-55071	BEARING, CLUTCH RELEASE	63	24				
30-57762	BALL BEARING, TAILSTOCK (3 5/32" O.D.)	53	12				
31-54910	BEARING, CAM FOLLOWER - CLUTCH FORK ARM SCREW	63	27				
32-30203	HOSE, THERMOSTAT COVER TO FRONT END CAP	73	5				
32-47516--1	HOSE, OIL COOLER TO TRANSMISSION (13 7/8")	55	7				

PARTS INDEX

Part Number	Description	Pg.	Ref. No.	Part Number	Description	Pg.	Ref. No.
32-60200	HOSE, THERMOSTAT HOUSING TO REAR END CAP	73	3	53-23720	RING, SNAP - BALL BEARING RETAINING	39	30
32-60201	HOSE, THERMOSTAT HOUSING TO REAR END CAP	73	6	53-47469	RING, SNAP - BALL BEARING TO ENGINE COUPLING	53	8
32-60202	HOSE, THERMOSTAT COVER TO FRONT END CAP	73	2	53-47657	RING, RETAINING - WATER PUMP SHAFT	37	10
32-62010	HOSE, PUMP TO OIL COOLER (22 1/2")	39	36	53-54481	RING, SNAP - BALL BEARING TO TAILSTOCK	53	14
32-62373	FUEL LINE, FUEL FILTER TO FUEL PUMP (SERIAL #3258182 AND UP)	19	16	53-54481	SNAP RING, BALL BEARING RETAINING	63	5
32-62374	FUEL LINE, FUEL PUMP TO CARBURETOR (INBOARD) - SERIAL #32581	19	17	53-56860	RING, RETAINING - OIL PUMP SHAFT	45	55
33-61783	SPARK PLUG (AC#C83T)	17	36	53-58030	RING, RETAINING - DISTRIBUTOR WEIGHT	11	12
33-64053	SPARK PLUG (CHAMPION #F-10)	13	37	54-22740	CLIP, CABLE ATTACHING TO BRACKET	9	29
35-60494	FUEL FILTER	19	8	54-32523	CLAMP, HOSE ATTACHING	21	35
37-32852	DECAL, ROCKER COVER - "MERCURISER MARINE"	41	4	54-32780	CLAMP, HOSE ATTACHING	69	24
37-54511	DECAL, HORSEPOWER - "215 H.P."	41	4	54-32780	CLAMP, HOSE TO THERMOSTAT HOUSING AND WATER PUMP	31	46
37-54675	DECAL, DISTRIBUTOR CAP	11	2	54-32780	CLAMP, HOSE TO THERMOSTAT HOUSING ANS EXHAUST MANIFOLD	31	44
37-61593	DECAL, DISTRIBUTOR CAP	15	2	54-32780	CLAMP, WATER PUMP HOSE	39	37
38-31042	SERIAL PLATE	63	13	54-32781	CLAMP, HOSE TO THERMOSTAT HOUSING AND WATER PUMP	31	48
38-47520	SERIAL PLATE	33	7	54-33683	CLAMP, BELLOWS TO EXHAUST ELBOW	31	32
39-56114	RING ASSEMBLY, PISTON (STANDARD)	49	2	54-37295	CLAMP, HOSE TO HYDRAULIC PUMP	71	4
39-56115	RING ASSEMBLY, PISTON (.020 O.S.)	49	2	54-47528	CLAMP, ADJUSTING TRUNNION SCREW	35	6
43-56126	SPROCKET, CAMSHAFT TIMING (42 TEETH)	41	21	54-47528	CLAMP, ADJUSTING TRUNNION SCREW	57	41
43-56141	SPROCKET, CRANKSHAFT TIMING (21 TEETH)	51	20	54-47528	CLAMP, ADJUSTING TRUNNION SCREW	67	13
43-58023	GEAR, DRIVE (LEFT HAND CRANKSHAFT ROTATION)	11	19	54-47545	CLIP, OIL LEVEL GAUGE TUBE	45	69
43-58024	GEAR, DRIVE (RIGHT HAND CRANKSHAFT ROTATION)	11	19	54-54178	"J" CLAMP, CUT-OUT SWITCH LEAD	59	38
46-58001A4	WATER PUMP ASSEMBLY, COMPLETE	37	1	54-54457	"J" CLIP, WIRING HARNESS TO ROCKER COVER (FRONT)	7	14
46-59112A2	WATER PUMP ASSEMBLY, COMPLETE	37	1	54-54509	EYE, LIFTING - EXHAUST MANIFOLD	29	8
47-47519	IMPELLER	37	15	54-54555	LIFTING EYE, INTAKE MANIFOLD	43	21
47-59362A1	IMPELLER ASSEMBLY	37	21	54-55098	"J" CLIP, WIRING HARNESS TO ROCKER COVER (REAR)	7	14
50-47454	STARTER MOTOR ASSEMBLY (OPPOSITE ROTATION)	3	1	54-60539	CLAMP, HOSE ATTACHING	73	7
50-47455	STARTER MOTOR ASSEMBLY (STANDARD ROTATION)	3	1	54-64324	CLAMP, HOSE ATTACHING TO OIL COOLER BRACKET	69	25
50-56886	STARTER MOTOR ASSEMBLY (STANDARD ROTATION)	3	1	57-48121	BELT, WATER PUMP	39	52
52-55086	PRESSURE PLATE, CLUTCH	63	18				
52-58351	DISC, CLUTCH	61	8				
52-59111	CLUTCH PLATE, DRIVEN	63	19				

PARTS INDEX

Part Number	Description	Pg.	Ref. No.	Part Number	Description	Pg.	Ref. No.
57-49213	BELT, DRIVE - ALTERNATOR AND WATER PUMP	45	40	391-5093	BRACKET, CONDENSER ATTACHING	15	6
57-57298	"V" BELT, HYDRAULIC PUMP DRIVE	69	1	393-4988	CAP, DISTRIBUTOR	11	2
57-60327	BELT, WATER PUMP	39	52	446-4064	CRANKSHAFT (STANDARD ROTATION)	49	7
84-61801A1	LEAD ASSEMBLY, HIGH TENSION (927")	15	34	446-4065	CRANKSHAFT (OPPOSITE ROTATION)	49	7
84-61801A2	LEAD ASSEMBLY, HIGH TENSION (30 1/2")	15	34	447-4062	CAMSHAFT (STANDARD ROTATION)	41	16
84-61801A3	LEAD ASSEMBLY, HIGH TENSION (36 1/2")	15	34	447-4063	CAMSHAFT (OPPOSITE ROTATION)	41	16
84-61801A4	LEAD ASSEMBLY, HIGH TENSION (41")	15	34	623-4679	CONNECTING ROD ASSEMBLY	49	3
84-61801A5	LEAD ASSEMBLY, HIGH TENSION (25")	17	34	749-4058	PISTON AND PISTON PIN ASSEMBLY (STANDARD)	49	1
84-61801A6	LEAD ASSEMBLY, HIGH TENSION (33 1/2")	15	34	749-4059	PISTON AND PISTON PIN ASSEMBLY (.003 O.S.)	49	1
84-61801A7	LEAD ASSEMBLY, HIGH TENSION (38 1/2")	15	34	749-4060	PISTON AND PISTON PIN ASSEMBLY (.020 O.S.)	49	1
84-61891	LEAD ASSEMBLY, DISTRIBUTOR TO COIL (8 1/2")	15	23	853-4056	CYLINDER BLOCK ASSEMBLY (INCLUDES BEARING CAPS)	43	1
84-64600	WIRING HARNESS (INBOARD)	7	1	949-4057	CYLINDER HEAD ASSEMBLY	43	7
238-4055	FLYWHEEL ASSEMBLY (HYDRAULIC SHIFT AND INBOARD)	49	9	1356-4066	CARBURETOR ASSEMBLY	19	23
238-4428	FLYWHEEL ASSEMBLY (ELECTRIC SHIFT)	49	9	1356-4066	CARBURETOR ASSEMBLY, COMPLETE (SEE NOTE)	23	1
391-5071	DISTRIBUTOR ASSEMBLY, COMPLETE	15	1	1356-4066	CARBURETOR ASSEMBLY, COMPLETE (SEE NOTE)	25	-
391-5072	DISTRIBUTOR ASSEMBLY, COMPLETE	15	1	1395-4099	FUEL BOWL ASSEMBLY, SECONDARY	25	84
391-5075	CAP, DISTRIBUTOR	15	2	1395-4102	SPRING, THROTTLE STOP SCREW	23	22
391-5076	GASKET, DISTRIBUTOR CAP	15	3	1396-4084	VALVE, PRIMARY THROTTLE	23	12
391-5077	LEAD ASSEMBLY, PRIMARY TERMINAL	15	10	1396-4085	VALVE, SECONDARY THROTTLE	23	15
391-5078	GEAR, DRIVE (LEFT HAND CRANKSHAFT ROTATION)	15	17	1396-4086	THROTTLE BODY ASSEMBLY	23	3
391-5079	PIN, DRIVE GEAR	15	18	1396-4087	TUBE, METERING BODY CONNECTING	25	58
391-5080	OILER	15	16	1396-4088	FLOAT ASSEMBLY	25	69
391-5081	"O" RING, DISTRIBUTOR	15	19	1396-4089	NUT, PUMP LEVER ADJUSTING SCREW	23	7
391-5082	GEAR, DRIVE (RIGHT HAND CRANKSHAFT ROTATION)	15	17	1396-4090	FITTING, FUEL INLET	25	63
391-5083	VENT, SCREEN	15	15	1396-4091	GASKET KIT	27	97
391-5084	PIN, CLAMP TO DISTRIBUTOR	15	12	1396-4092	CARBURETOR REPAIR KIT	27	97
391-5085	CLAMP, DISTRIBUTOR CAP ATTACHING	15	11	1396-4093	MAIN JET,	25	78
391-5086	WASHER, DISTRIBUTOR CAP SCREW	15	14	1396-4094	COVER, SECONDARY DIAPHRAGM HOUSING	23	41
391-5087	SCREW, DISTRIBUTOR CAP ATTACHING	15	13	1396-4095	PLATE, SECONDARY METERING BODY	27	89
391-5088	ROTOR	15	4	1396-4096	METERING BODY, SECONDARY	27	86
391-5089	SCREW, BREAKER ATTACHING	15	9	1396-4097	COVER, FUEL PUMP	25	65
391-5090	BREAKER ASSEMBLY	15	8	1396-4098	HOUSING ASSEMBLY, CHOKE	23	43
391-5091	SCREW, CONDENSER BRACKET ATTACHING	15	7	1396-4100	METERING BODY, PRIMARY	25	77
391-5092	CONDENSER	15	5	1396-4101	FUEL BOWL ASSEMBLY, PRIMARY	25	60

PARTS INDEX

Part Number	Description	Pg.	Ref. No.	Part Number	Description	Pg.	Ref. No.
1396-4104	SPRING, FLOAT	25	71	1396-4147	LOCKWASHER, CHOKE		
1396-4105	SPRING, PUMP LEVER			LEVER	25	52	
	ADJUSTING SCREW	23	6	1396-4148	HOUSING ASSEMBLY,		
1396-4116	VALVE, CHOKE	23	25	THERMOSTAT	25	54	
1396-4117	CHOKE SHAFT AND LEVER			1396-4149	CLAMP, THERMOSTAT		
	ASSEMBLY	23	24	HOUSING	25	56	
1396-4118	LEVER, PICK-UP - FAST			1396-4151	BAFFLE, PRIMARY		
	IDLE	25	46	METERING BODY	25	76	
1396-4119	SHAFT ASSEMBLY, CHOKE			1396-4152	BAFFLE, FUEL BOWL -		
	HOUSING	25	45	PRIMARY	25	74	
1396-4120	LEVER, CHOKE			1396-4153	BAFFLE, FUEL BOWL -		
	THERMOSTAT	25	48	SECONDARY	27	97	
1396-4121	LINK AND PISTON			1396-4154	LEVER, SECONDARY		
	ASSEMBLY	25	49	DIAPHRAGM	23	37	
1396-4122	SCREW, THERMOSTAT			1396-4155	LEVER, FUEL PUMP		
	HOUSING ATTACHING . .	25	57	ACTUATING	23	4	
1396-4123	SCREW, THROTTLE STOP .	23	21	1396-4156	HOUSING, SECONDARY		
1396-4124	SCREW, FUEL PUMP			DIAPHRAGM	23	33	
	COVER ATTACHING	25	68	1396-4344	PLUG, CHECK - FUEL		
1396-4124	SCREW, SECONDARY			LEVER	25	72	
	DIAPHRAGM COVER						
	ATTACHING	23	42				
1396-4126	SCREW, PRIMARY FUEL						
	BOWL ATTACHING	25	61				
1396-4127	SCREW, SECONDARY STOP	23	20				
1396-4128	SCREW, THROTTLE BODY						
	ATTACHING	23	23				
1396-4129	SCREW, SECONDARY						
	DIAPHRAGM HOUSING						
	ATTACHING	23	35				
1396-4130	SCREW, CHOKE HOUSING						
	ATTACHING	25	47				
1396-4131	SCREW, ADJUSTING -						
	SECONDARY DIAPHRAGM						
	LEVER	23	38				
1396-4131	SCREW, SECONDARY STOP						
	LEVER ATTACHING	23	19				
1396-4133	SCREW, PUMP LEVER						
	ADJUSTING	23	5				
1396-4134	SCREW, SECONDARY FUEL						
	BOWL ATTACHING	25	85				
1396-4135	SCREW, PUMP CAM						
	ATTACHING	23	11				
1396-4136	SCREW, SECONDARY						
	METERING BODY						
	ATTACHING	27	87				
1396-4137	SCREW, LOCKING - FUEL						
	VALVE SEAT	27	91				
1396-4138	SCREW, DISCHARGE						
	NOZZLE	23	32				
1396-4139	SPRING, RETURN -						
	SECONDARY DIAPHRAGM	23	40				
1396-4140	NUT, ADJUSTING - FUEL						
	VALVE	27	93				
1396-4141	NUT, CHOKE LEVER	25	53				
1396-4142	SPACER, CHOKE LEVER . .	25	51				
1396-4143	CAM, FUEL PUMP	23	10				
1396-4144	LEVER, SECONDARY STOP	23	18				
1396-4145	LINK, CHOKE	23	27				