



# PARTS CATALOG

## 390 ENGINE

### SERIAL NUMBER

390 GM 482 V-8 1969-1970 .....	2781129 THRU 2825059
390 MIE GM 482 V-8 1969-1970 .....	2781129 THRU 2825059

# TABLE OF CONTENTS:

CARBURETOR ASSEMBLY, COMPLETE .....	18
CYLINDER BLOCK, PISTONS AND CRANKSHAFT .....	38
CYLINDER HEAD AND ROCKER COVER .....	30
DISTRIBUTOR ASSEMBLY, COMPLETE .....	10
EXHAUST MANIFOLD AND EXHAUST ELBOW .....	22
FLYWHEEL HOUSING AND OIL COOLER .....	28
FUEL PUMP, FUEL FILTER AND CARBURETOR .....	14
HEAT EXCHANGER AND RESERVOIR .....	24
INTAKE MANIFOLD AND OIL PUMP .....	42
PARTS INDEX .....	44
REMOTE OIL FILTER .....	2
STARTER MOTOR AND ALTERNATOR .....	4
THERMOSTAT COVER AND WATER DISTRIBUTION HOUSING .....	26
TRANSMISSION ASSEMBLY .....	32
WATER PUMP ASSEMBLY, COMPLETE .....	36
WIRING HARNESS, SWITCH BOX AND IGNITION COIL .....	6

**NOTE:** Indented description indicate that these parts are included in preceeding assembly.

**AR** = As Required

**NSS** = Not Sold Separate

**OPT** = Optional

**NS** = Not Shown

**THESE PARTS BOOKS/FICHE CARD ARE COPYRIGHTED AND MAY NOT BE DISTRIBUTED OR REPRODUCED IN ANY OTHER FORMAT BY ANYONE OTHER THAN MERCURY MARINE WITHOUT THE PRIOR WRITTEN CONSENT OF MERCURY MARINE.**

# **REPLACEMENT PARTS ! WARNING !**

Electrical, ignition and fuel system components on MerCruiser Engines and Stern Drives are designed and manufactured to comply with U.S. Coast Guard Rules and Regulations to minimize risks of fire or explosion. Use of replacement electrical, ignition or fuel system components, which do not comply to these rules and regulations, could result in a fire or explosion hazard and should be voided.

When servicing the electrical, ignition and fuel systems, it is extremely important that all components are properly installed and tightened. If not, any electrical or ignition component opening would permit sparks to ignite fuel vapors from fuel system leaks, if they existed.

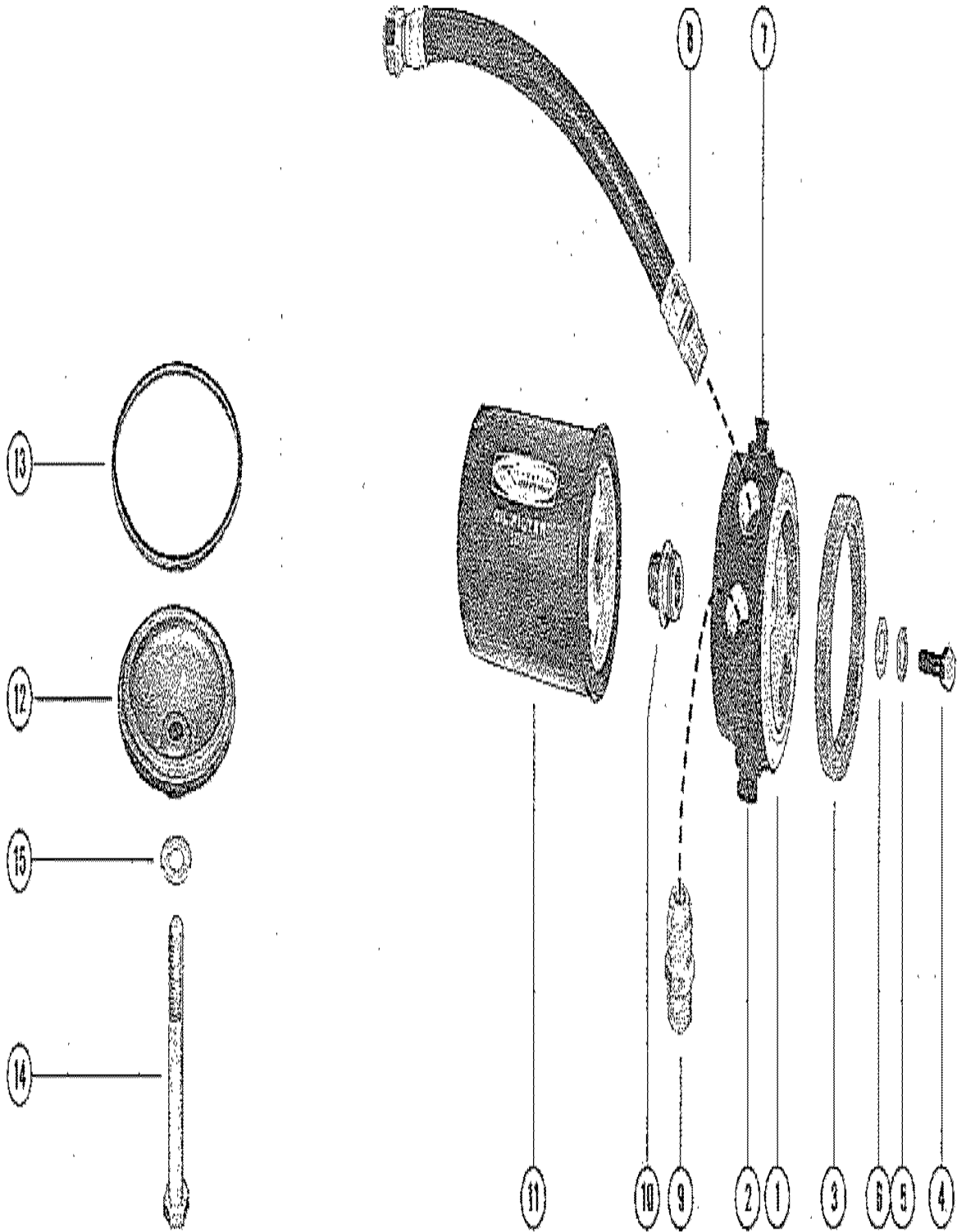
## **ENGINE MECHANICAL COMPONENTS**

Many of the engine mechanical components are designed for marine applications. Unlike automotive engines, marine engines are subjected to extended periods of heavy load and wide- open-throttle operation, therefore, require heavy-duty components. Special marine engine parts have design and manufacturing specifications, which are required to provide long life and dependable performance. Marine engine parts also must be able to resist the corrosive action of salt or brackish water that will rust or corrode standard automotive parts within a short period of time.

Failure to use recommended Mercury Precision Parts OR Quicksilver service replacement parts can result in poor engine performance and/or durability, rapid corrosion of parts subjected to salt water and possibly complete failure of the engine.

Use of parts other than recommended service replacement parts will void the warranty on those parts which are damaged as a result of the use of other than recommended parts.

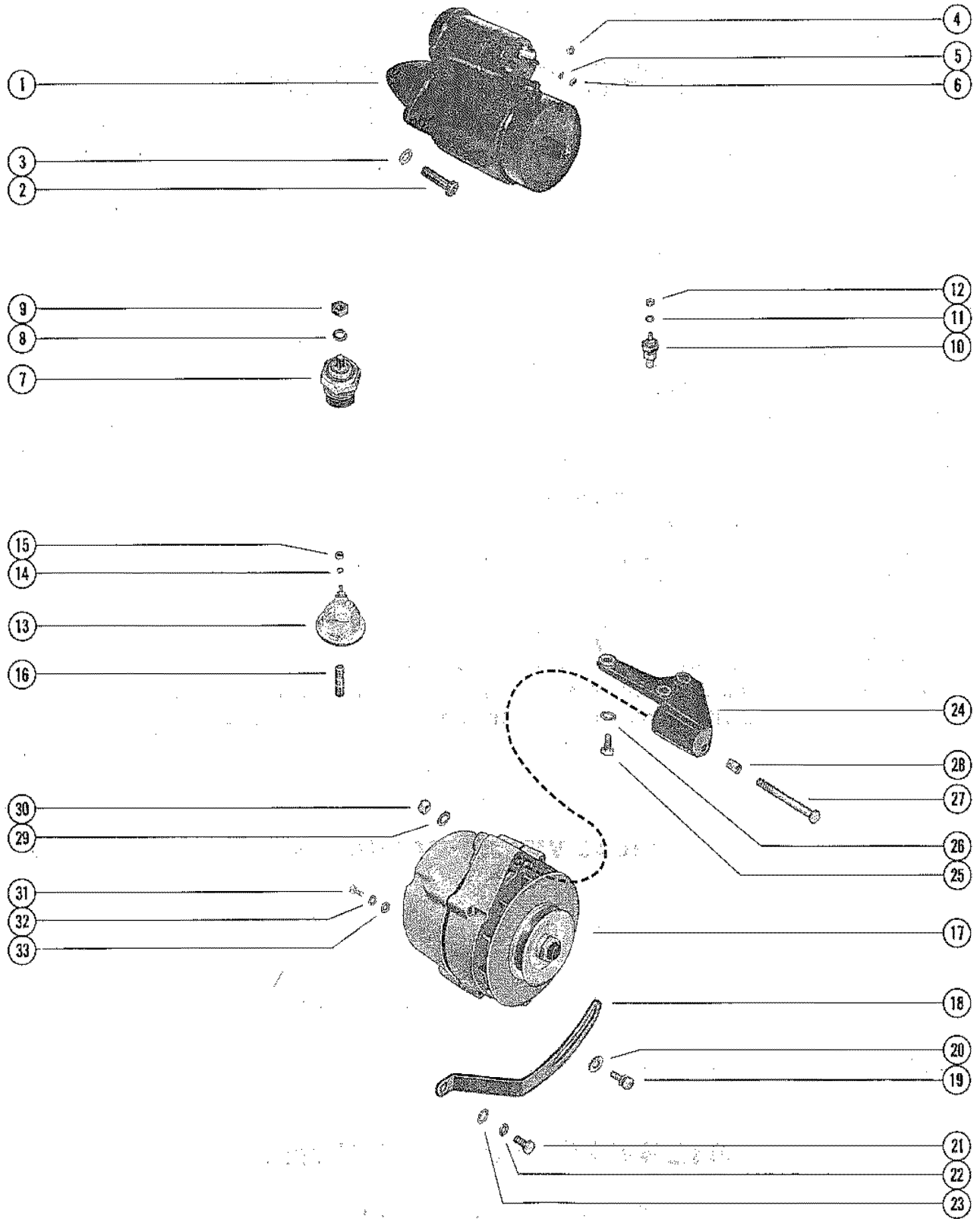
# REMOTE OIL FILTER



## REMOTE OIL FILTER

REF. NO.	PART NO.	SYM.	QTY.	DESCRIPTION
1	48504		1	ADAPTOR, OIL FILTER
2	22-36373		1	PLUG, PIPE - OIL FILTER ADAPTOR (3/8-18)
3	12-48506		1	WASHER, INSULATOR - ADAPTOR TO ELECTRIC PANEL
4	10-47954		2	SCREW, OIL FILTER ADAPTOR TO ELECTRIC PANEL (1 5/8")
5	13-37459		2	LOCKWASHER, OIL FILTER ADAPTOR SCREW
6	12-25970		2	WASHER, OIL FILTER ADAPTOR SCREW
7	22-32802		1	PLUG PIPE - OIL FILTER ADAPTOR (1/8-27)
8	32-48244A1		1	HOSE, OIL RETURN
9	22-48245		1	CONNECTOR,, OIL FILTER ADAPTOR TO OIL HOSE
10	32720		1	FITTING, OIL FILTER TO ADAPTOR
11	52731		1	OIL FILTER
12	48699		1	COVER, PLUG - CYLINDER BLOCK
13	25-33756		1	RING, SEALING - PLUG COVER
14	10-48831		1	SCREW, PLUG COVER TO CYLINDER BLOCK (4")
15	12-47523		1	WASHER, PLUG COVER SCREW

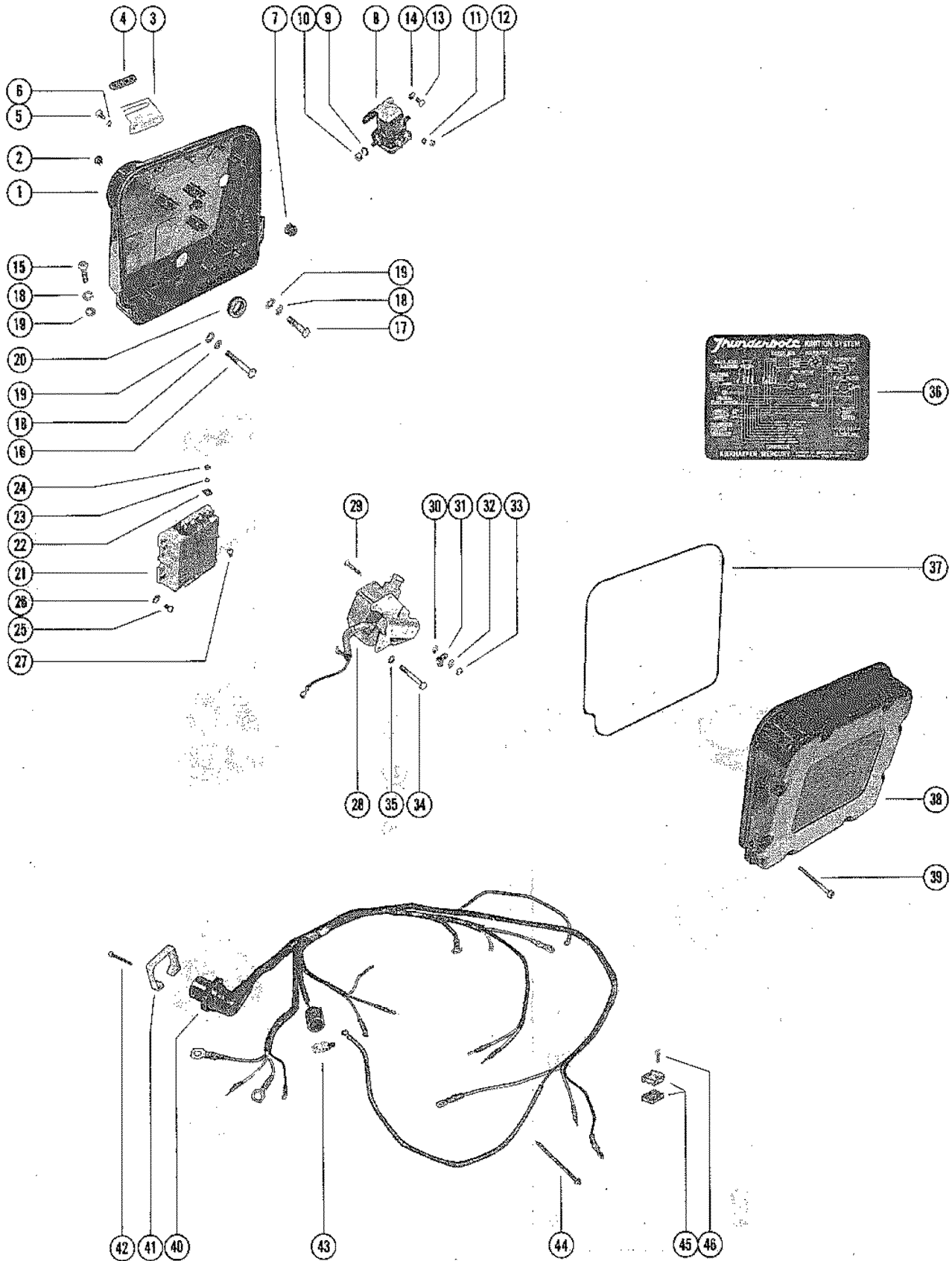
# STARTER MOTOR AND ALTERNATOR



# STARTER MOTOR AND ALTERNATOR

REF. NO.	PART NO.	SYM.	QTY.	DESCRIPTION
1	50-47455		1	STARTER MOTOR ASSEMBLY (STANDARD ROTATION) <b>SEE NOTE</b>
	50-47454		1	STARTER MOTOR ASSEMBLY (OPPOSITE ROTATION) <b>SEE NOTE</b>
2	10-47462		2	SCREW, STARTER MOTOR TO CYLINDER BLOCK (1 1/4")
3	13-32993		2	LOCKWASHER, STARTER MOTOR SCREW
4	11-28517		1	NUT, STARTER TERMINAL (3/8")
5	13-26995		1	LOCKWASHER, STARTER TERMINAL (#8)
6	11-26419		1	NUT, STARTER TEREMINAL (#8)
7	36525		1	WATER TEMPERATURE SENDER ASSEMBLY
8	13-26996		1	LOCKWASHER, WATER TEMPERATURE SENDER TERMINAL (#10)
9	11-20645		1	NUT, WATER TEMPERATURE SENDER TERMINAL (#10)
10	52676		1	SWITCH, ELECTRICAL CHOKE
11	13-26996		1	LOCKWASHER, ELECTRIC CHOKE SWITCH TERMINAL
12	11-20645		1	NUT, ELECTRIC CHOKE SWITCH TERMINAL
13	34623		1	OIL PRESSURE SENDER ASSEMBLY
14	13-26996		1	LOCKWASHER, OIL PRESSURE SENDER TERMINAL (#10)
15	11-20645		1	NUT, OIL PRESSURE SENDER TERMINAL (#10)
16	22-48556		1	BUSHING, REDUCER - OIL PRESSURE SENDER
17	56045		1	ALTERNATOR ASSEMBLY (SEE NOTE BELOW) <b>SEE NOTE</b>
18	47498		1	BRACE, ALTERNATOR ADJUSTING
19	10-29198		1	SCREW, ALTERNATOR BRACE TO ALTERNATOR (7/8")
20	12-26168		1	WASHER, ALTERNATOR BRACE SCREW
21	10-31381		1	SCREW, ALTERNATOR BRACE TO CYLINDER BLOCK (1")
22	13-32993		1	LOCKWASHER, ALTERNATOR BRACE SCREW
23	12-30315		1	WASHER, ALTERNATOR BRACE SCREW
24	47487		1	BRACKET, ALTERNATOR MOUNTING
25	10-34353		2	SCREW, ALTERNATOR BRACKET TO EXHAUST MANIFOLD (1")
	10-32774		1	SCREW, ALTERNATOR BRACKET TO EXHAUST MANIFOLD (2")
26	13-35048		3	LOCKWASHER, ALTERNATOR BRACKET SCREW
27	10-48308		1	SCREW, ALTERNATOR TO ALTORNATOR BRACKET (3 3/4")
28	23-33186		1	BUSHING, ALTERNATOR SCREW
29	12-20553		2	WASHER, ALTERNATOR SCREW
30	11-23161		1	NUT, ALTERNATOR SCREWW
31	10-20055		1	SCREW, GROUND WIRE TO ALTERNATOR
32	123-26996		1	LOCKWASHER, GROUND WIRE SCREW
33	12-30164		1	WASHER, GROUND WIRE SCREW

# WIRING HARNESS, SWITCH BOX AND IGNITION COIL



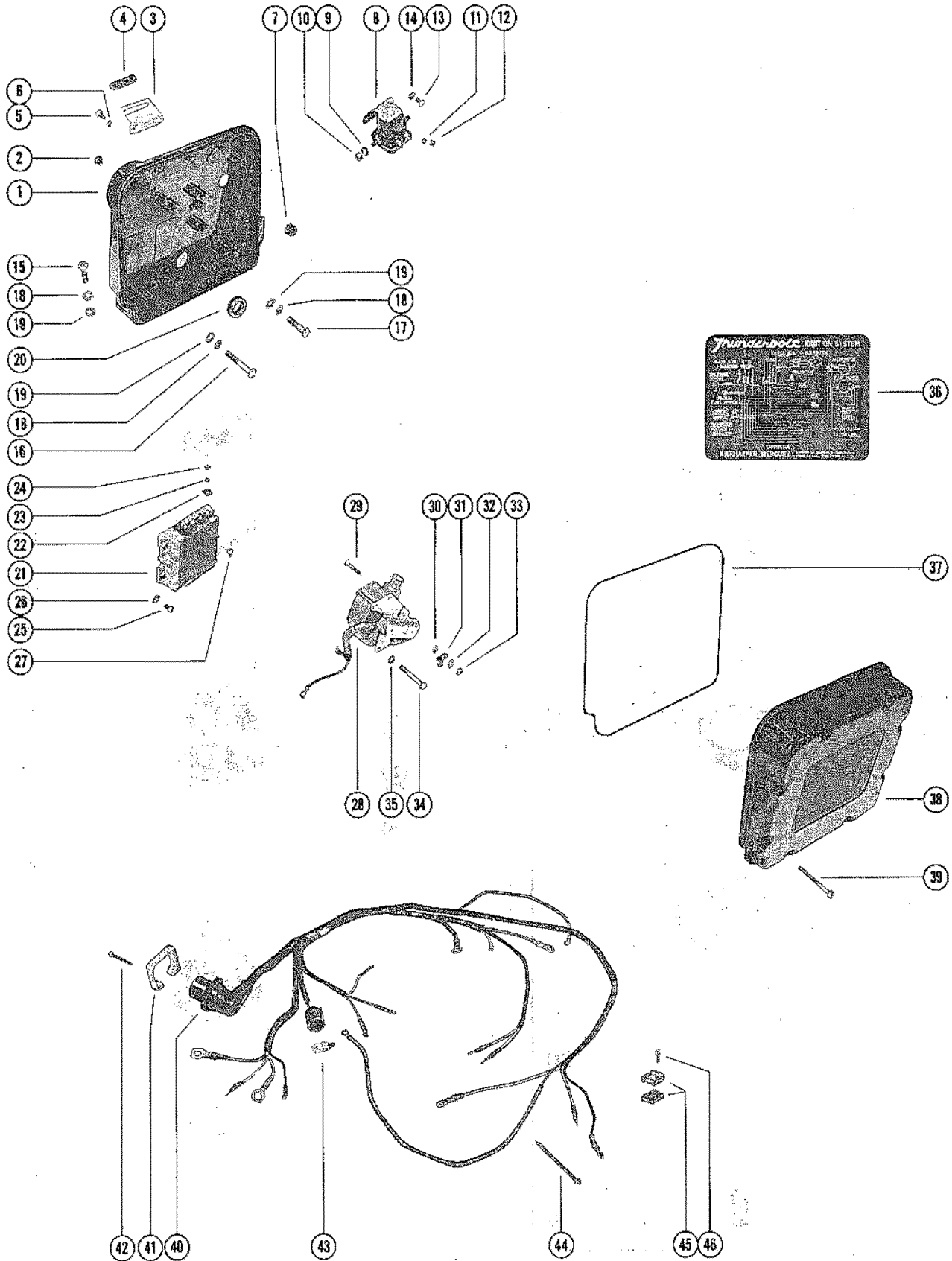


# WIRING HARNESS, SWITCH BOX AND IGNITION COIL

REF. NO.	PART NO.	SYM.	QTY.	DESCRIPTION
1	56717		1	PANEL, ELECTRIC
2	19-32298		2	PLUG, ELECTRIC PANEL
3	47763		4	BRACKET, RETAINER - HIGH TENTION LEADS
4	25-38930		4	GROMMET, HIGH TENSION LEADS (RETAINER BRACKET)
5	10-27165		1	SCREW, RETAINER BRACKET TO CYLINDER HEAD (3/8-16 X 3/4")
6	13-35048		1	LOCKWASHER, RETAINER BRACKET SCREW
5	10-33212		1	SCREW, RETAINER BRACKET TO CYLINDER HEAD (7/16-14 X 3/4")
6	13-32993		1	LOCKWASHER, RETAINER BRACKET SCREW
7	25-57009		1	GROMMET, ELECTRIC PANEL - TRIGGER LEADS
8	25661		1	STARTER SOLENOID
9	13-26993		2	LOCKWASHER, STARTER SOLENOID TERMINAL (5/16")
10	11-20083		2	NUT, STARTER SOLENOID TERMINAL (5/16-24)
11	13-26996		2	LOCKWASHER, STARTER SOLENOID TERMINAL (#10)
12	11-20645		2	NUT, STARTER SOLENOID TERMINAL (10-32)
13	10-26774		2	SCREW, STARTER SOLENOID TO ELECTRIC PANEL (1/2")
14	13-26992		2	LOCKWASHER, STARTER SOLENOID SCREW
15	10-26632		1	SCREW, ELECTRIC PANEL TO CYLINDER BLOCK (1-1/4)
16	10-35787		1	SCREW, ELECTRIC PANEL TO CYLINDER BLOCK (2 1/4")
17	10-47954		1	SCREW, ELECTRIC PANEL TO FLYWHEEL HOUSING (1 5/8")
18	13-35048		3	LOCKWASHER, ELECTRIC PANEL SCREW
19	12-20553		3	WASHER, ELECTRIC PANEL SCREW
20	25-47624		1	GROMMET, ELECTRIC PANEL
21	332-2986A8		1	SWITCH BOX ASSEMBLY
22	12-45075		7	WASHER, SWITCH BOX TERMINAL
23	13-26996		7	LOCKWASHER, SWITCH BOX TERMINAL
24	11-45076		7	NUT, SWITCH BOX TERMINAL
25	10-26184		4	SCREW, SWITCH BOX TO ELECTRIC PANEL (9/16")
26	13-21547		4	LOCKWASHER, SWITCH BOX SCREW
27	10-45218		1	SCREW, GROUND WIRE TO SWITCH BOX (3/8")
28	322-2983A6		1	IGNITION COIL ASSEMBLY
29	10-45102		1	SCREW, IGNITION COIL CLAMPING (2 3/8")
	10-45103		1	SCREW, IGNITION COIL CLAMPING (2")
30	12-37407		1	WASHER, IGNITION COIL SCREW
31	54-22740		1	CLIP, IGNITION COIL LEAD
32	22789		1	"D" WASHER, IGNITION COIL SCREW
33	11-20645		2	NUT, IGNITION COIL SCREW
34	10-26889		2	SCREW, IGNITION COIL TO ELECTRIC PANEL (2 1/4")
35	13-26992		2	LOCKWASHER, IGNITION COIL SCREW
36	37-56428		1	DECAL, WIRING
37	38371		1	SEAL, COVER TO ELECTRIC PANEL
38	47550		1	COVER, ELECTRIC PANEL
39	10-47674		8	SCREW, COER TO ELECTRIC PANEL (2 3/4")

CONTINUED ON NEXT PAGE ➡

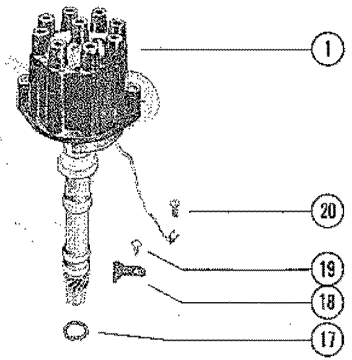
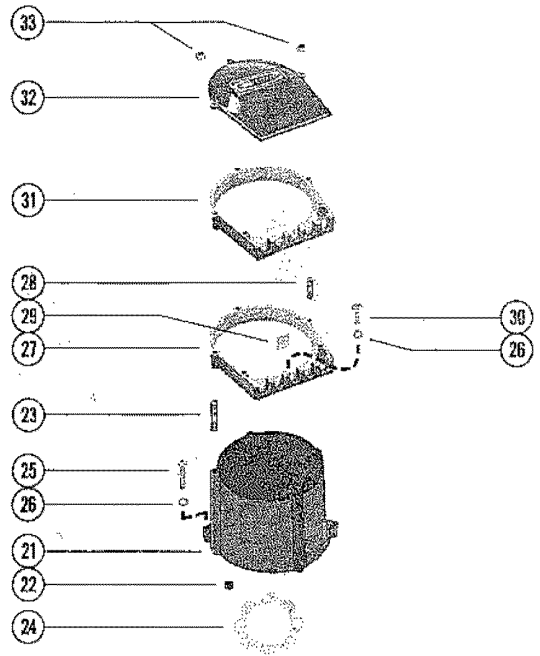
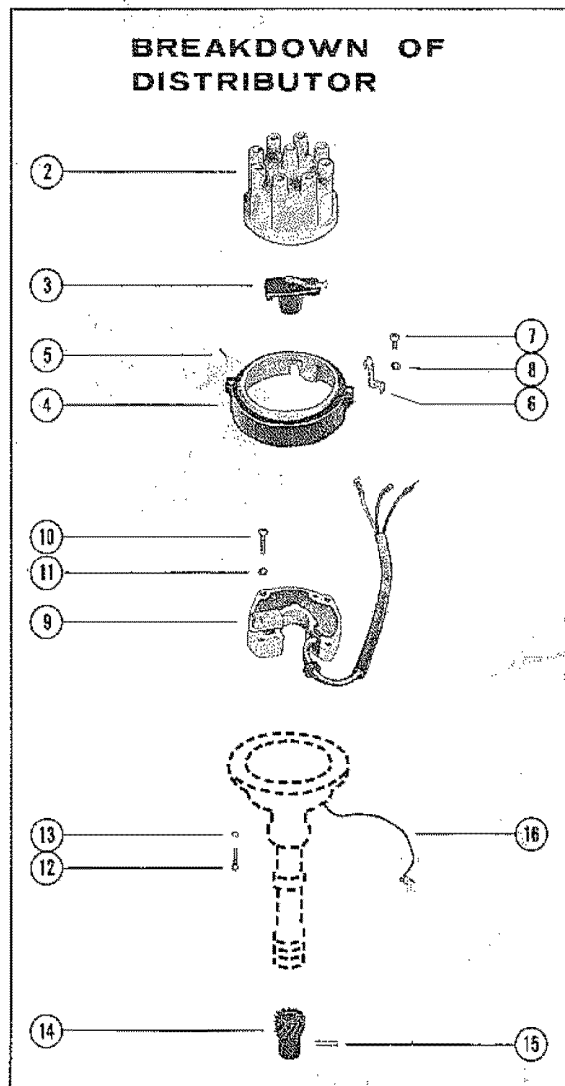
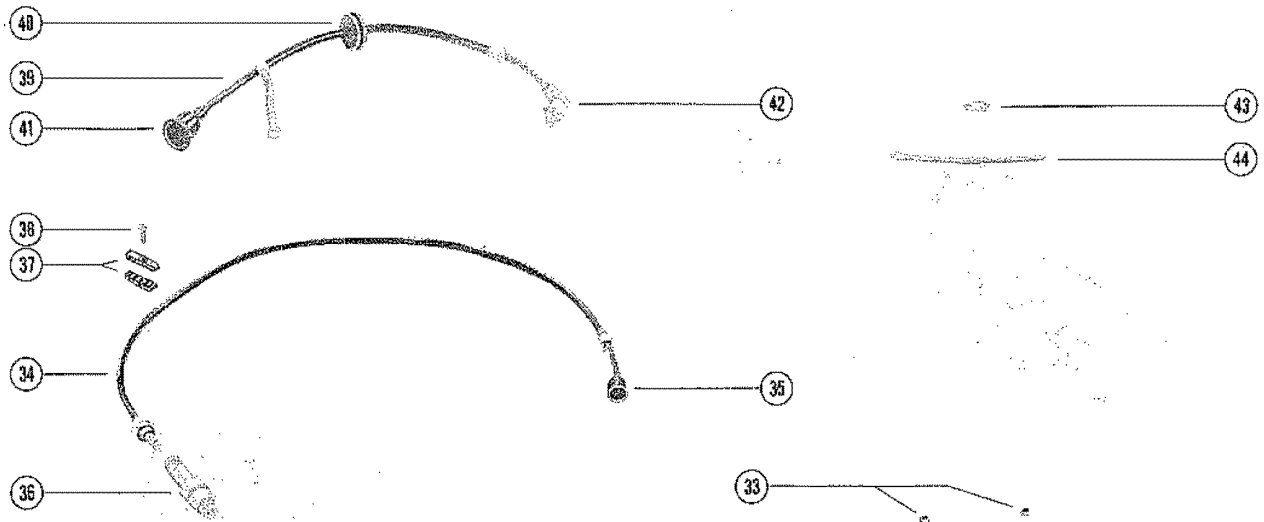
# WIRING HARNESS, SWITCH BOX AND IGNITION COIL



# WIRING HARNESS, SWITCH BOX AND IGNITION COIL

REF. NO.	PART NO.	SYM.	QTY.	DESCRIPTION
40	56387		1	WIRING HARNESS, INTERNAL
41	48459		1	PLATE, BACKUP - WIRING HARNESS
42	10-46718		4	SCREW, BACKUP PLATE FASTENING (3/4")
43	54-32780		1	CLAMP, WIRING HARNESS PLUG
44	47764		3	STA-STRAP, WIRING HARNESS LEADS
45	39974		2	CLAMP, WIRING HARNESS LEAD CLAMP
46	10-47618		2	SCREW,WIRING HARNESS LEAD CLAMP

# DISTRIBUTOR ASSEMBLY, COMPLETE

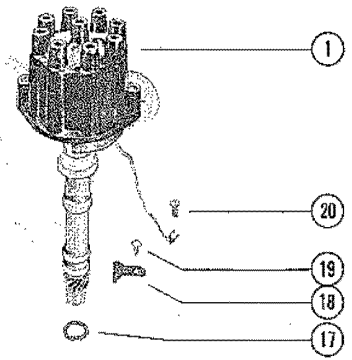
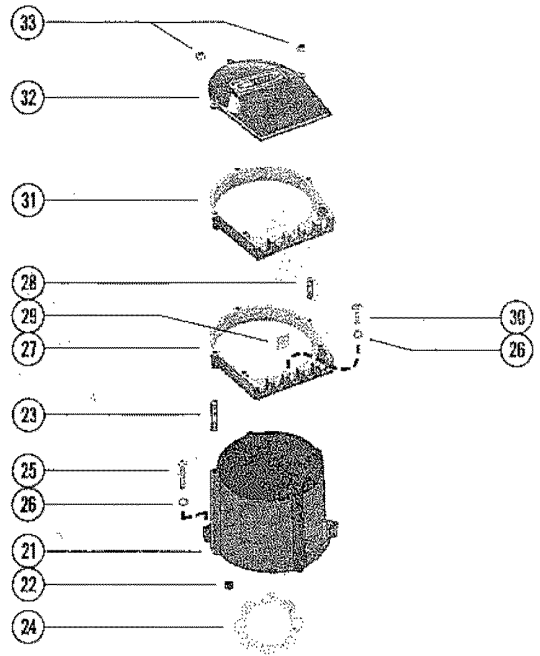
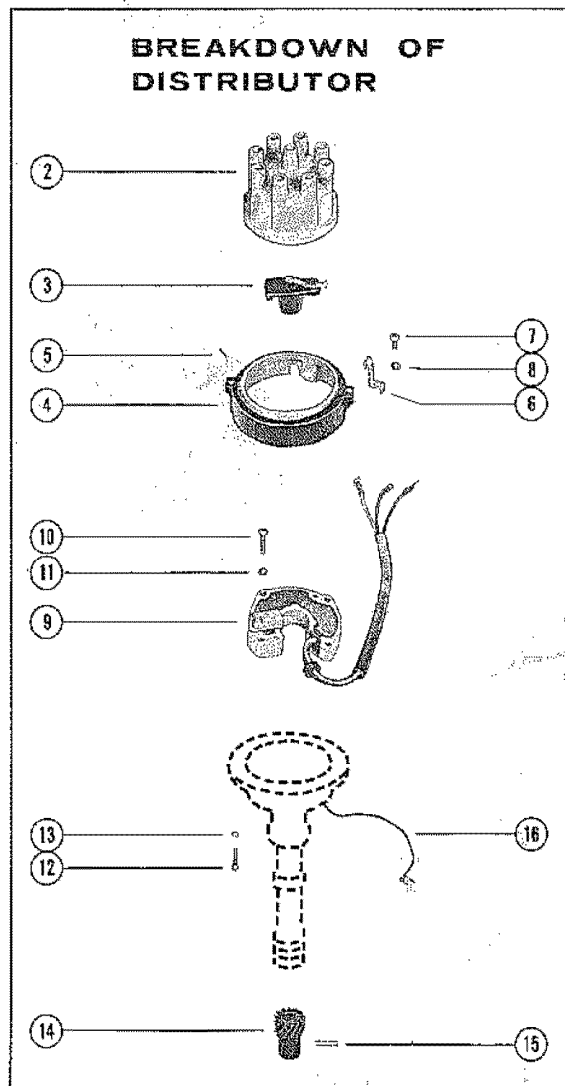
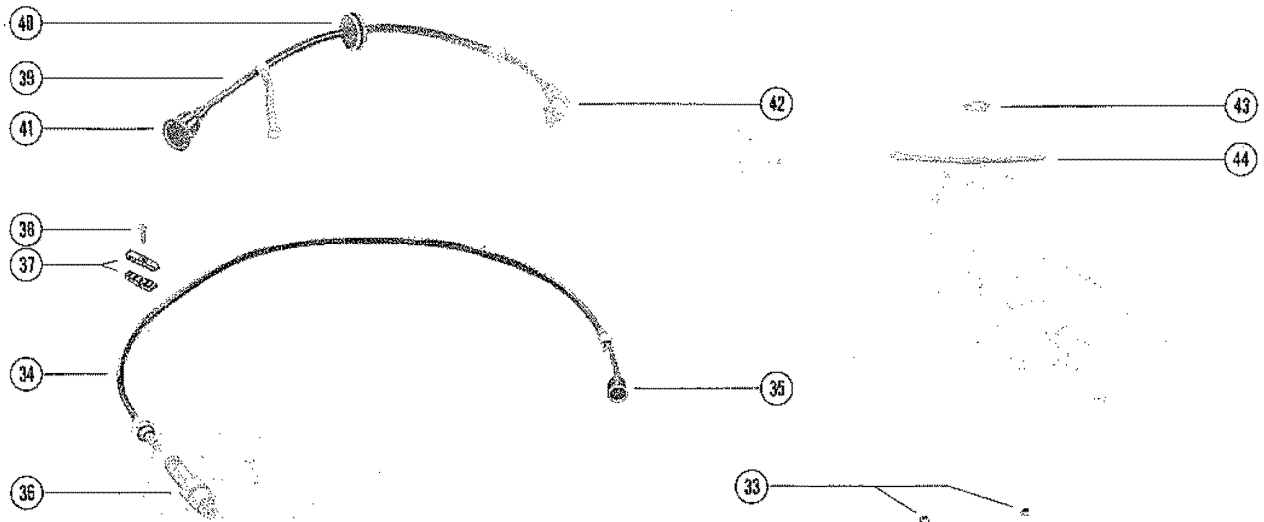


# DISTRIBUTOR ASSEMBLY, COMPLETE

REF. NO.	PART NO.	SYM.	QTY.	DESCRIPTION
1	47493A7		1	DISTRIBUTOR ASSEMBLY, COMPLETE (STANDARD ROTATION)
	47493A6		1	DISTRIBUTOR ASSEMBLY, COMPLETE (OPPOSITE ROTATION)
2	393-3230		1	CAP, DISTRIBUTOR
3	49924		1	ROTOR, DISTRIBUTOR
4	48789A1		1	HOUSING ASSEMBLY, ADAPTOR
5	17-20032		2	PIN, DOWEL - ADAPTOR HOUSING
6	54-48575		2	CLAMP, CAP TO ADAPTOR HOUSING
7	10-37572		2	SCREW, DISTRIBUTOR CLAMP TO ADAPTOR HOUSING (3/8")
8	13-26996		2	LOCKWASHER, DISTRIBUTOR CLAMP FASTENING SCREW
9	393-2918A5		1	TRIGGER ASSEMBLY
10	10-47618		4	SCREW, TRIGGER ATTACHING (1")
11	13-26996		4	LOCKWASHER, TRIGGER ATTACHING SCREW
12	10-26595		4	SCREW, ADAPTOR HOUSING FASTENING (3/4")
13	13-26995		4	LOCKWASHER, ADAPTOR HOUSING SCREW
14	43-47649		1	GEAR, DISTRIBUTOR (STANDARD ROTATION)
	43-47619		1	GEAR, DISTRIBUTOR (OPPOSITE ROTATION)
15	17-47617		1	ROLL PIN, GEAR TO DISTRIBUTOR
16	52618		1	JUMPER WIRE, DISTRIBUTOR GROUND
17	27-52184		1	GASKET, DISTRIBUTOR
18	52185		1	CLAMP, DISTRIBUTOR TO INTAKE MANIFOLD
19	10-54528		1	SCREW, DISTRIBUTOR CLAMP ATTACHING
20	10-33231		1	SCREW, DISTRIBUTOR GROUND TO MANIFOLD
21	54094A1		1	ADAPTOR HOUSING ASSEMBLY, DISTRIBUTOR CAP
22	54205		2	BUMPER, ADAPTOR HOUSING
23	16-54204		3	STUD, ADAPTOR HOUSING TO RETAINER AND COVER
24	37-54347		1	DECAL, DISTRIBUTOR CAP
25	10-25876		2	SCREW, ADAPTOR HOUSING TO DISTRIBUTOR (7/8")
26	13-26996		3	LOCKWASHER, HOUSING AND RETAINER SCREW
27	54986A1		1	RETAINER ASSEMBLY, SPARK PLUG CABLE (LOWER) - STANDARD ROTAT
	54986A2		1	RETAINER ASSEMBLY, SPARK PLUG CABLE (LOWER) - OPPOSITE ROTAT
28	16-54459		2	STUD, RETAINER TO COVER
29	54206		1	INSERT, LOWER RETAINER
30	10-48591		1	SCREW, LOWER RETAINER TO ADAPTOR HOUSING (1/2")
31	54987A1		1	RETAINER ASSEMBLY, SPARK PLUG CABLE (UPPER) - STANDARD ROTAT
	54987A2		1	RETAINER ASSEMBLY, SPARK PLUG CABLE (UPPER) - OPPOSITE ROTAT
32	54095A1		1	COVER ASSEMBLY, DISTRIBUTOR
33	11-45812		5	NUT, ADAPTOR HOUSING AND RETAINER STUD
34	54380A1		1	CABLE ASSEMBLY, HIGH TENSION (#1) STANDARD ROTATION

CONTINUED ON NEXT PAGE ➡

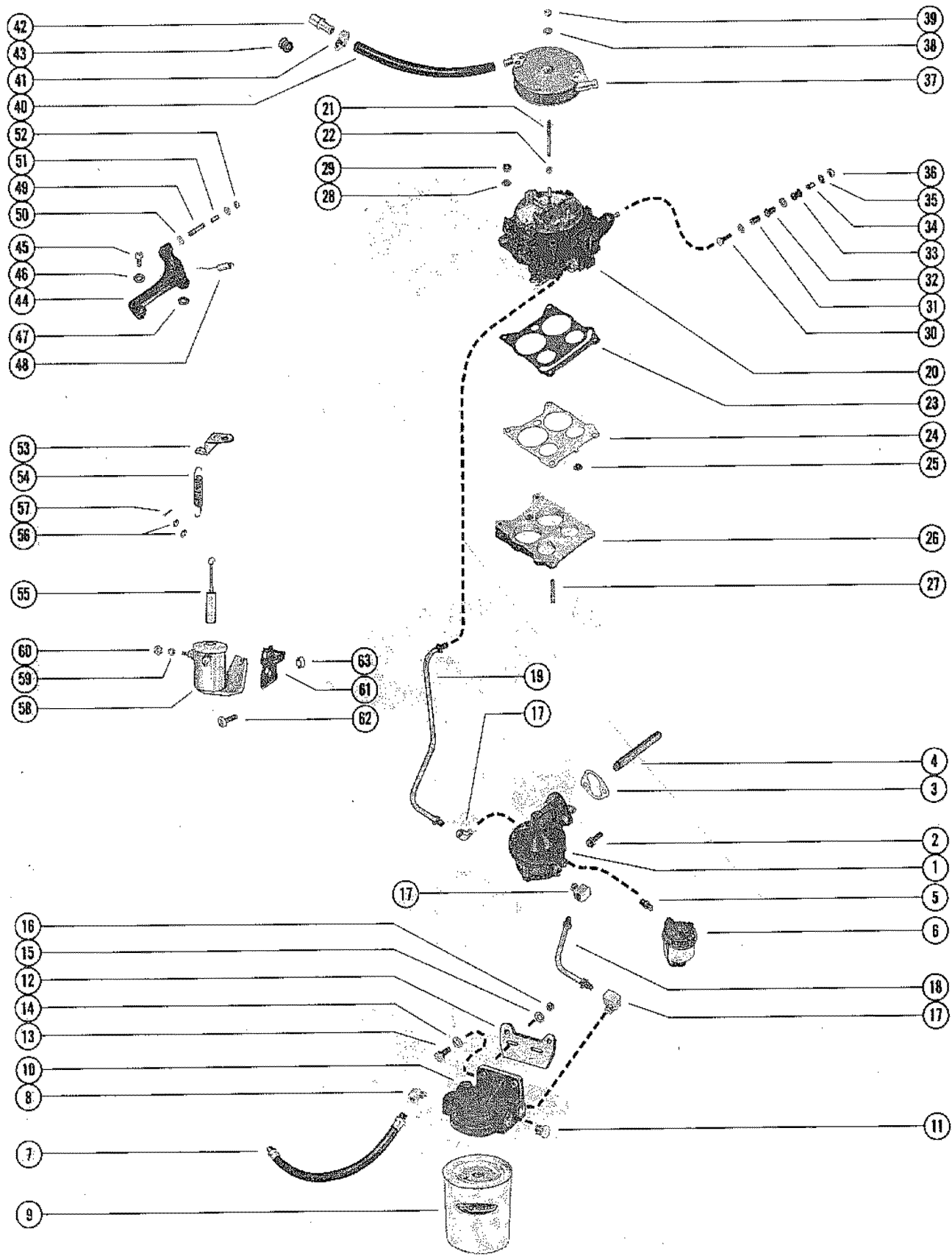
# DISTRIBUTOR ASSEMBLY, COMPLETE



## DISTRIBUTOR ASSEMBLY, COMPLETE

REF. NO.	PART NO.	SYM.	QTY.	DESCRIPTION
34	54381A1		1	CABLE ASSEMBLY, HIGH TENSION (#2) STANDARD ROTATION
	54380A4		1	CABLE ASSEMBLY, HIGH TENSION (#3) STANDARD ROTATION
	54380A3		1	CABLE ASSEMBLY, HIGH TENSION (#4) STANDARD ROTATION
	54381A3		1	CABLE ASSEMBLY, HIGH TENSION (#5) STANDARD ROTATION
	54381A4		1	CABLE ASSEMBLY, HIGH TENSION (#6) STANDARD ROTATION
	54381A2		1	CABLE ASSEMBLY, HIGH TENSION (#7) STANDARD ROTATION
	54380A2		1	CABLE ASSEMBLY, HIGH TENSION (#8) STANDARD ROTATION
	55231A1		1	CABLE ASSEMBLY, HIGH TENSION (#1) OPPOSITE ROTATION
	55231A4		1	CABLE ASSEMBLY, HIGH TENSION (#2) OPPOSITE ROTATION
	55228A2		1	CABLE ASSEMBLY, HIGH TENSION (#3) OPPOSITE ROTATION
	55228A3		1	CABLE ASSEMBLY, HIGH TENSION (#4) OPPOSITE ROTATION
	55231A2		1	CABLE ASSEMBLY, HIGH TENSION (#5) OPPOSITE ROTATION
	55228A1		1	CABLE ASSEMBLY, HIGH TENSION (#6) OPPOSITE ROTATION
	55231A3		1	CABLE ASSEMBLY, HIGH TENSION (#7) OPPOSITE ROTATION
	55228A4		1	CABLE ASSEMBLY, HIGH TENSION (#8) OPPOSITE ROTATION
35	54836		4	BOOT, HIGH TENSION CABLE
	54837		4	BOOT, HIGH TENSION CABLE
36	33-54842		8	SPARK PLUG (AC #WR-41N)
37	46281		4	RETAINER, HIGH TENSION LEADS
38	10-22487		2	SCREW, HIGH TENSION LEAD RETINER TO INTAKE MANIFOLD
39	54379A1		1	CABLE ASSEMBLY, COIL TO DISTRIBUTOR
40	25-47623		1	GROMMET, CABLE TO RETINER
41	332-2854		1	BOOT, COIL
42	54837		1	BOOT, DISTRIBUTOR
43	26551		1	BRACKET, NYLON STRAP
44	55502		6	STRAP, NYLON - HIGH TENSION CABLE

# FUEL PUMP, FUEL FILTER AND CARBURETOR



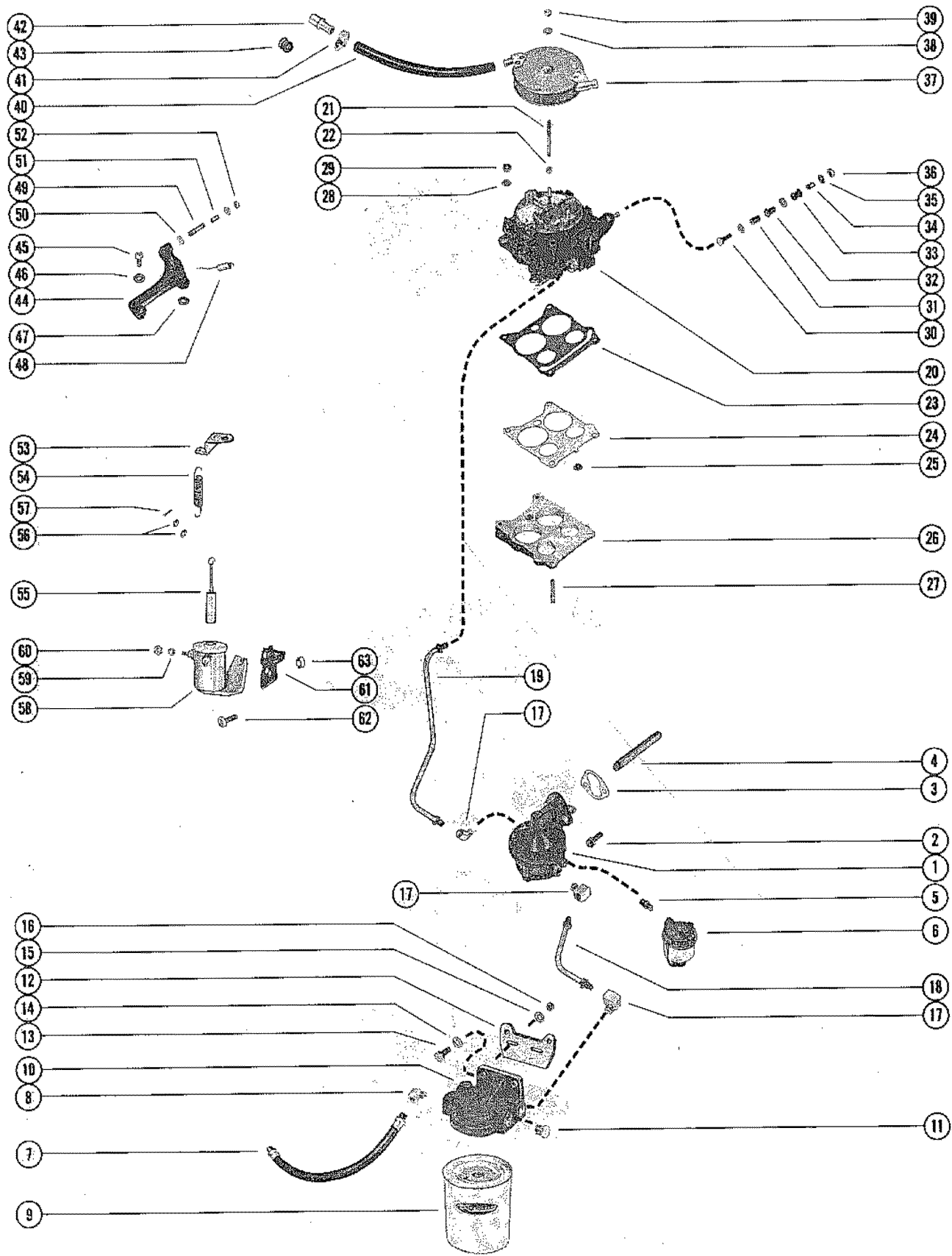


# FUEL PUMP, FUEL FILTER AND CARBURETOR

REF. NO.	PART NO.	SYM.	QTY.	DESCRIPTION
1	46860		1	FUEL PUMP ASSEMBLY
2	10-35169		2	SCREW, FUEL PUMP TO CYLINDER BLOCK (1 1/8")
3	27-34213		1	GASKET, FUEL PUMP
4	35377		1	ROD, PUSH - FUEL PUMP
5	22-32876		1	NIPPLE, SIGHT GLASS TO FUEL PUMP
6	47816		1	SIGHT GLASS
7	32-47721		1	FUEL LINE, FUEL TANK TO FUEL FILTER (12")
8	22-33755		1	ELBOW, FUEL LINE TO FUEL FILTER (INLET)
9	35-57250		1	FUEL FILTER
10	55481		1	BASE, FUEL FILTER
11	22-36382		1	PLUG, PIPE - FUEL FILTER
12	54646		1	BRACKET, MOUNTING - FUEL FILTER
13	10-20639		2	SCREW, FUEL FILTER TO MOUNTING BRACKET (1/2")
14	13-35364		2	LOCKWASHER, FUEL FILTER SCREW
15	12-20084		2	WASHER, FUEL FILTER SCREW
16	11-35814		2	NUT, FUEL FILTER SCREW
17	22-47716		3	ELBOW, FUEL LINE TO FUEL PUMP AND FUEL FILTER
18	32-55872		1	FUEL LINE, FUEL FILTER TO FILTER TL FUEL PUMP (STEEL TUBING)
19	32-55871		1	FUEL LINE, FUEL PUMP TO CARBURETOR (STEEL TUBING)
20	1347-4179A1		1	CARBURETOR ASSEMBLY (SEE F12 FOR BREAKDOWN)
21	16-57835		1	STUD, FLAME ARRESTOR MOUNTING - CARBURETOR
22	11-28941		1	NUT, JAM - FLAME ARRESTOR MOUNTING STUD (BOTTOM)
23	24-48399		1	GASKET, CARBURETOR
24	48359		1	BAFFLE, CARBURETOR
25	22-48358		1	PLUG, INTAKE MANIFOLD VACUUM HOLE
26	53513		1	WEDGE, CARBURETOR MOUNTING
27	16-20525		4	STUD, CARBURETOR MOUNTING (1 5/16")
	16-53722		1	STUD, CARBURETOR MOUNTING (4 3/8")
	16-53730		1	STUD, CARBURETOR MOUNTING (4 9/16")
28	12-20084		5	WASHER CARBURETOR MOUNTING STUD
29	11-46793		6	NUT, CARBURETOR MOUNTING STUD
30	10-22958		1	SCREW, THROTTLE CABLE TO CARBURETOR (1 1/8")
31	23-28626		1	BUSHING, THROTTLE CABLE SCREW
32	23-35040		1	SLEEVE, THROTTLE CABLE SCREW
33	25-35039		1	GROMMET, THROTTLE CABLE SCREW
34	23-32818		1	BUSHING, THROTTLE CABLE SCREW
35	12-20128		3	WASHER, THROTTLE CABLE SCREW
36	11-20190		1	NUT, THROTTLE CABLE SCREW
37	57882		1	FLAME ARRESTOR, CARBURETOR
38	12-22937		1	WASHER, FLAME ARRESTOR STUD
39	11-20856		1	NUT, FLAME ARRESTOR STUD
40	32-47996		2	HOSE, VENT - CARBURETOR (10" AND 12 1/2")

CONTINUED ON NEXT PAGE ➡

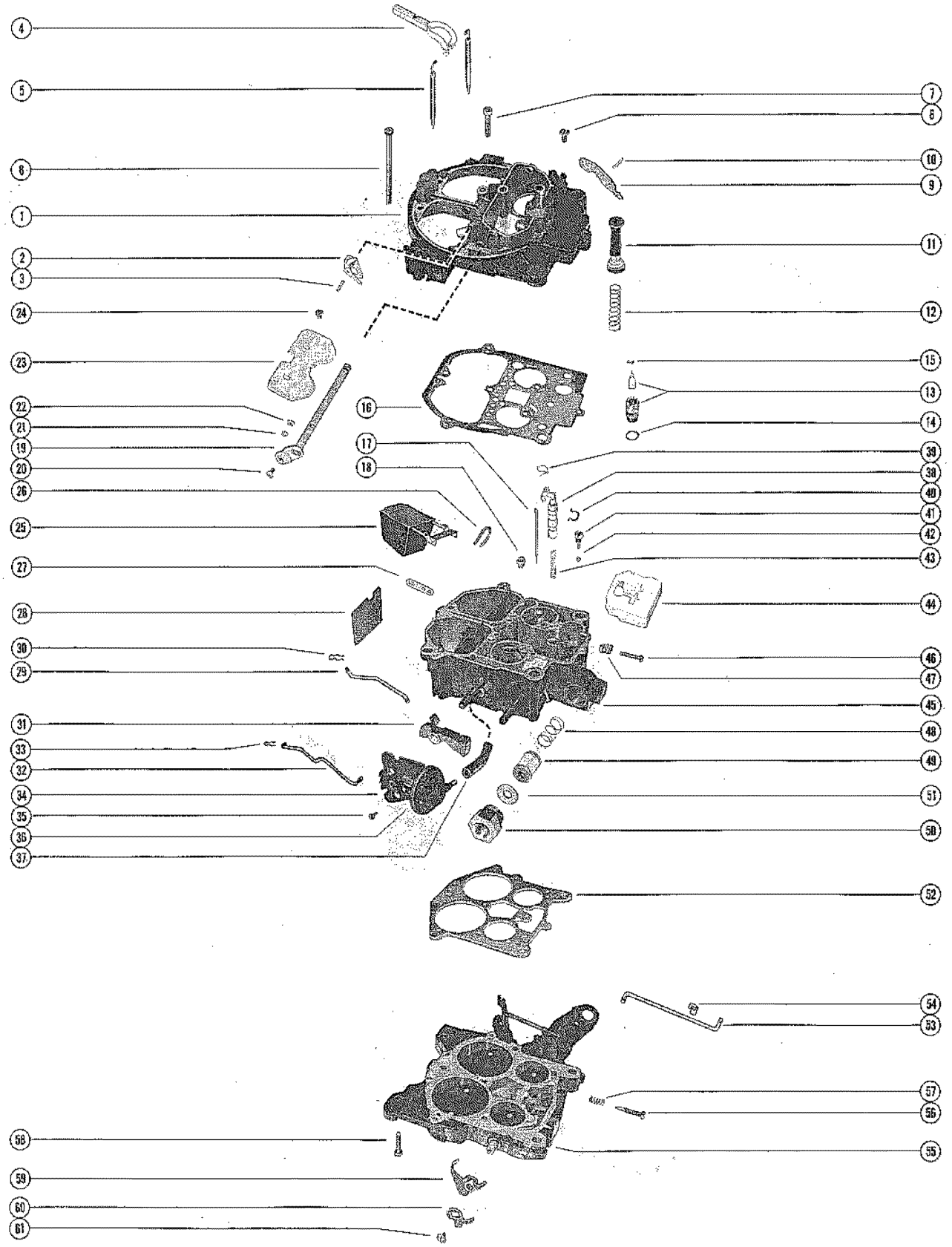
# FUEL PUMP, FUEL FILTER AND CARBURETOR



## FUEL PUMP, FUEL FILTER AND CARBURETOR

REF. NO.	PART NO.	SYM.	QTY.	DESCRIPTION
41	54-53101		4	CLAMP, VENT HOSE ATTACHING
42	47957		2	CONNECTOR, VENT HOSE TO ROCKER COVER
43	25-49289		2	GROMMET, ROCKER COVER TO VENT HOSE CONNECTOR
44	57096		1	BRACKET, MOUNTING - THROTTLE CABLE
45	10-35386		2	SCREW, THROTTLE BRACKET TO INTAKE MANIFOLD (1")
46	12-20084		2	WASHER, THROTTLE BRACKET SCREW
47	12-26825		1	WASHER, SPACER - THROTTLE BRACKET TO CARBURETOR
48	24-32817		1	SPRING, THROTTLE RETURN
49	16-35897		1	STUD, THROTTLE CABLE TO MOUNTING BRACKET (1 11/16")
50	12-21631		2	WASHER, THROTTLE CABLE STUD
51	23-31866		1	SPACER, THROTTLE CABLE STUD
52	11-20586		1	NUT, THROTTLE CABLE STUD
53	52729		1	TAB, RETAINER - CHOKE RETURN SPRING
54	24-52728		1	SPRING, CHOKE RETURN
55	54283A2		1	PLUNGER AND LINK ASSEMBLY, CHOKE SOLENOID
56	12-38833		2	WASHER, PLUNGER AND LINK
57	18-26953		1	COTTER PIN, PLUNGER AND LINK TO CHOKE LEVER
58	54292A5		1	CHOKE SOLENOID
59	13-26996		2	LOCKWASHER, CHOKE SOLENOID TERMINAL
60	11-20645		2	NUT, CHOKE SOLENOID TERMINAL
61	52726		1	BRACKET, MOUNTING - CHOKE SOLENOID
62	10-21625		2	SCREW, CHOKE SOLENIOD TO MOUNTING BRACKET (3/4")
63	11-35888		2	NUT, CHOKE SOLENOID SCREW

# CARBURETOR ASSEMBLY, COMPLETE

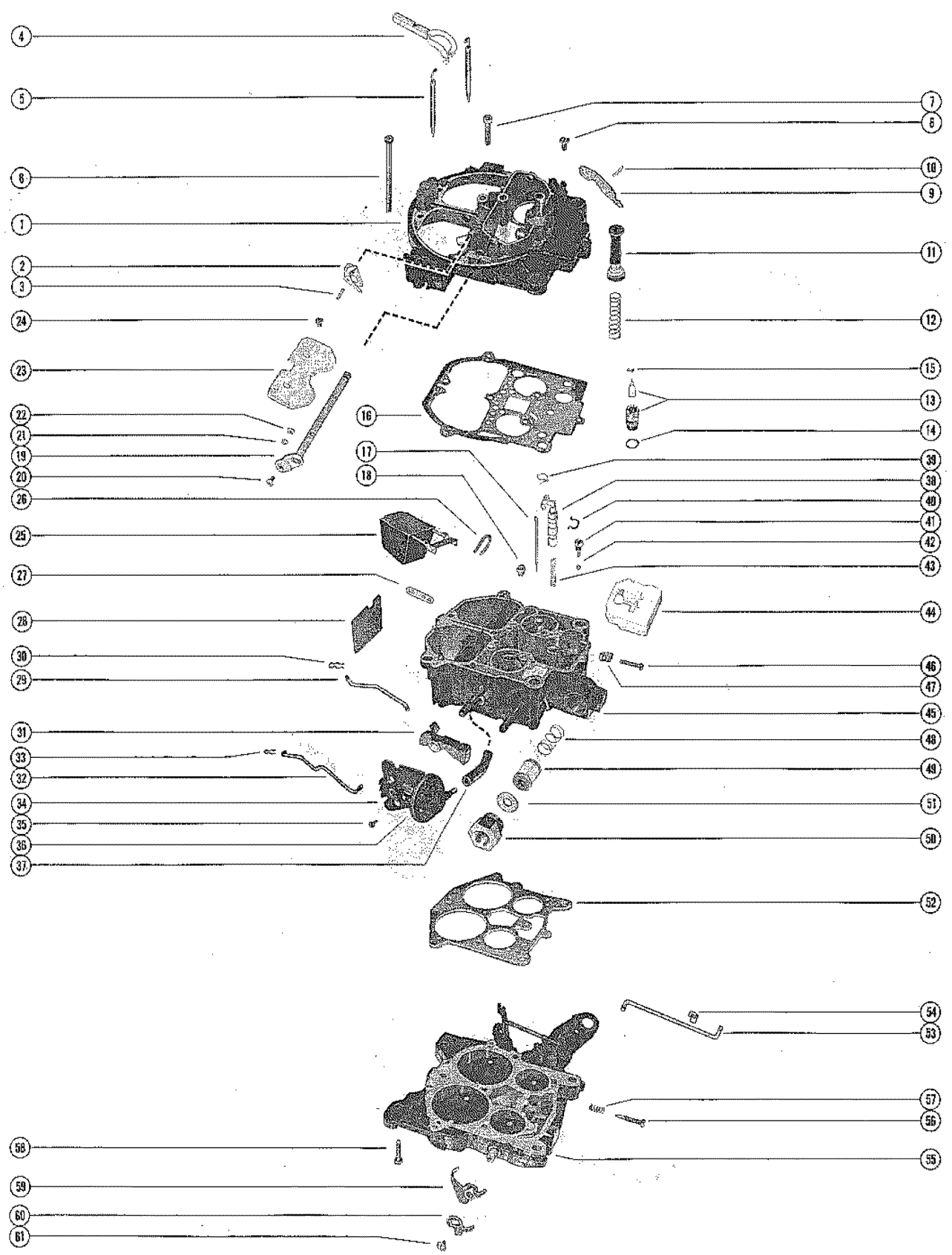


# CARBURETOR ASSEMBLY, COMPLETE

REF. NO.	PART NO.	SYM.	QTY.	DESCRIPTION
-	<b>1347-4179A1</b>		<b>1</b>	<b>CARBURETOR ASSEMBLY, COMPLETE</b>
1	1397-4324		1	AIR HORN ASSEMBLY
2	1397-3314		1	LEVER, AIR VALVE LOCKOUT
3			1	ROLL PIN, LOCKOUT LEVER
4	1397-3313		1	HOLDER KIT, SECONDARY METERING ROD
5	1397-4325		2	METERING ROD, SECONDARY
6	10-48137		2	SCREW, AIR HORN TO FLOAT BOWL (3/8")
7	10-34370		5	SCREW, AIR HORN TO FLOAT BOWL (1")
8	10-48395		2	SCREW, AIR HORN TO FLOAT BOWL (3")
9	1397-3311		1	LEVER, ACTUATING - PUMP
10			1	ROLL PIN, HINGE - PUMP LEVER
11			1	PUMP ASSEMBLY
12			1	SPRING, PUMP RETURN
13			1	NEEDLE AND SEAT ASSEMBLY
14			1	GASKET, NEEDLE AND SEAT
15			1	PULL CLIP, FLOAT NEEDLE
16			1	GASKET, AIR HORN
17			2	METERING ROD, PRIMARY
18			2	JET, PRIMARY
19	1397-4326		1	CHOKE SHAFT AND LEVER ASSEMBLY
-	<b>52730</b>		<b>1</b>	<b>CHOKE LEVER</b>
20	10-27881		1	SCREW, CHOKE LEVER ATTACHING
21	13-26994		1	LOCKWASHER, CHOKE LEVER SCREW
22	11-21270		1	NUT, CHOKE LEVER SCREW
23	1397-4327		1	VALVE, CHOKE - CHOKE SHAFT
24	10-48139		2	SCREW, CHOKE VALVE TO CHOKE SHAFT
25	1397-3327		1	FLOAT ASSEMBLY
26	17-48140		1	PIN, HINGE - FLOAT
27	1397-3323		1	LEVER, INTERMEDIATE CHOKE
28	1397-3322		1	BAFFLE, FLOAT BOWL
29	1397-3324		1	ROD, CHOKE
30			1	CLIP, CHOKE ROD
31	1397-3319		1	CAM, FAST IDLE
32	1397-3318		1	ROD, VACUUM CONTROL
33			1	CLIP, VACUUM CONTROL ROD
34	1397-3339		1	BRACKET ASSEMBLY, VACUUM CONTROL
35	10-48138		1	SCREW, VACUUM CONTROL BRACKET TO FLOAT BOWL
36	1397-3317		1	CONTROL ASSEMBLY, VACUUM
37	1397-3320		1	HOSE, VACUUM
38	1397-3328		1	POWER PISTON ASSEMBLY
39	24-48142		1	SPRING, METERING ROD - PRIMARY
40	1397-3329		1	RETAINER, POWER PISTON
41	1397-3326		1	RETAINER, PUMP DISCHARGE BALL

CONTINUED ON NEXT PAGE ➡

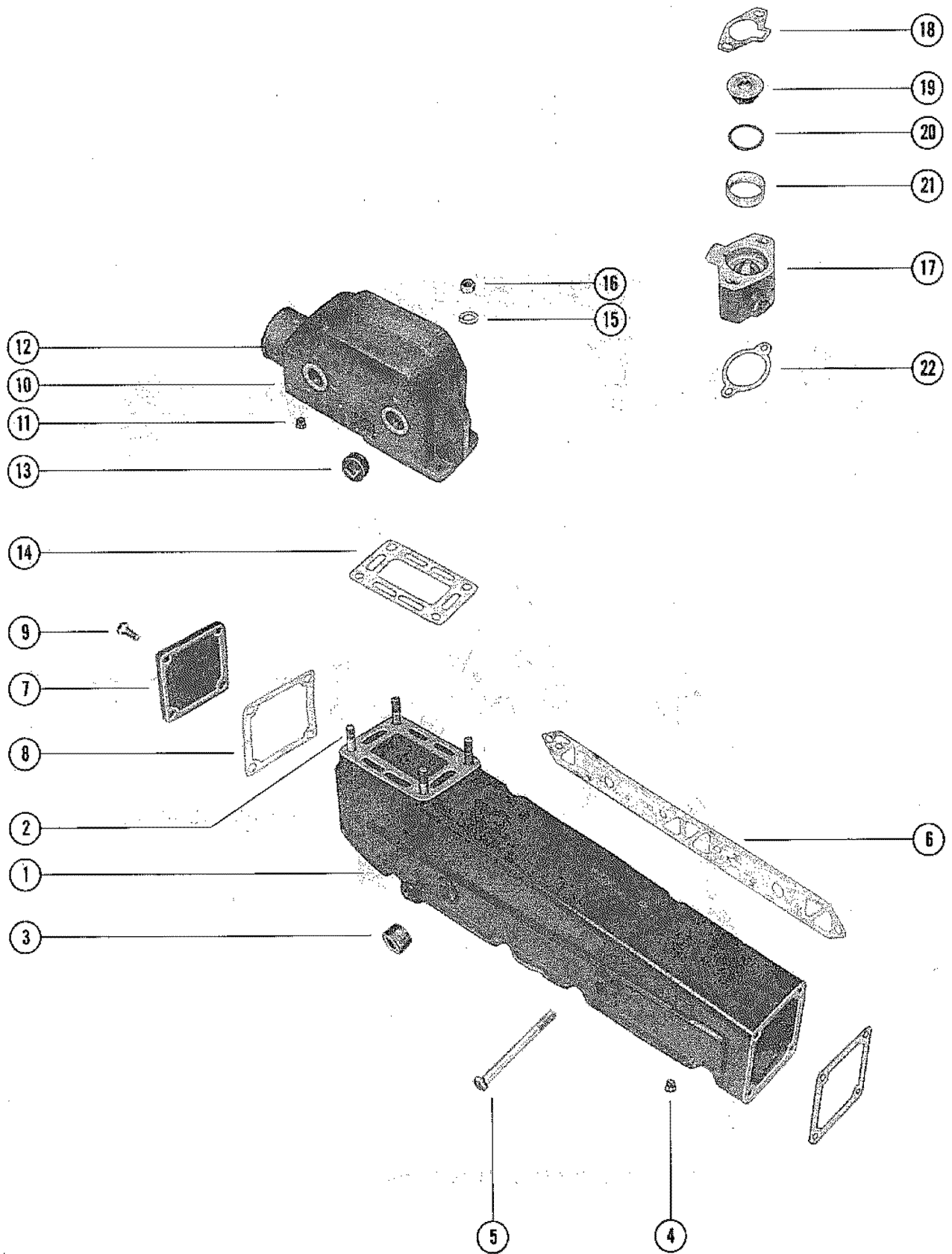
# CARBURETOR ASSEMBLY, COMPLETE



## CARBURETOR ASSEMBLY, COMPLETE

REF. NO.	PART NO.	SYM.	QTY.	DESCRIPTION
42			1	BALL, PUMP DISCHARGE
43	24-48141		1	SPRING, POWER PISTON
44	1397-3331		1	INSERT, FLOAT BOWL
45	1397-3325		1	FLOAT BOWL ASSEMBLY
46	10-48144		1	SCREW, IDLE STOP
47	24-34373		1	SPRING, IDLE STOP SCREW
48	24-48143		1	SPRING, FILTER NUT
49	35-53336		1	FILTER, FUEL INLET
50	1397-3330		1	NUT, FILTER - FUEL INLET
51			1	GASKET, FILTER NUT
52			1	GASKET, THROTTLE BODY
53	1397-3333		1	ROD, PUMP
54			1	CLIP, PUMP ROD
55	1397-3334		1	THROTTLE BODY ASSEMBLY
56			2	IDLE NEEDLE, THROTTLE BODY
57	24-33050		2	SPRING, IDLE NEEDLE
58	10-48145		3	SCREW, THROTTLE BODY TO FLOAT BOWL
59	1397-3335		1	LEVER, CAM
60	1397-3336		1	LEVER, FAST IDLE
61	10-48146		1	SCREW, LEVER AND CAM TO THROTTLE BODY
-	<b>1397-3315</b>		<b>1</b>	<b>SPRING AND CAM KIT, AIR VALVE</b>
-	<b>1397-3306</b>		<b>1</b>	<b>OVERHAUL KIT</b>
-	<b>1397-3309</b>		<b>1</b>	<b>GASKET SET</b>
-	<b>1397-3465</b>		<b>1</b>	<b>OFF ENGINE KIT</b>

# EXHAUST MANIFOLD AND EXHAUST ELBOW

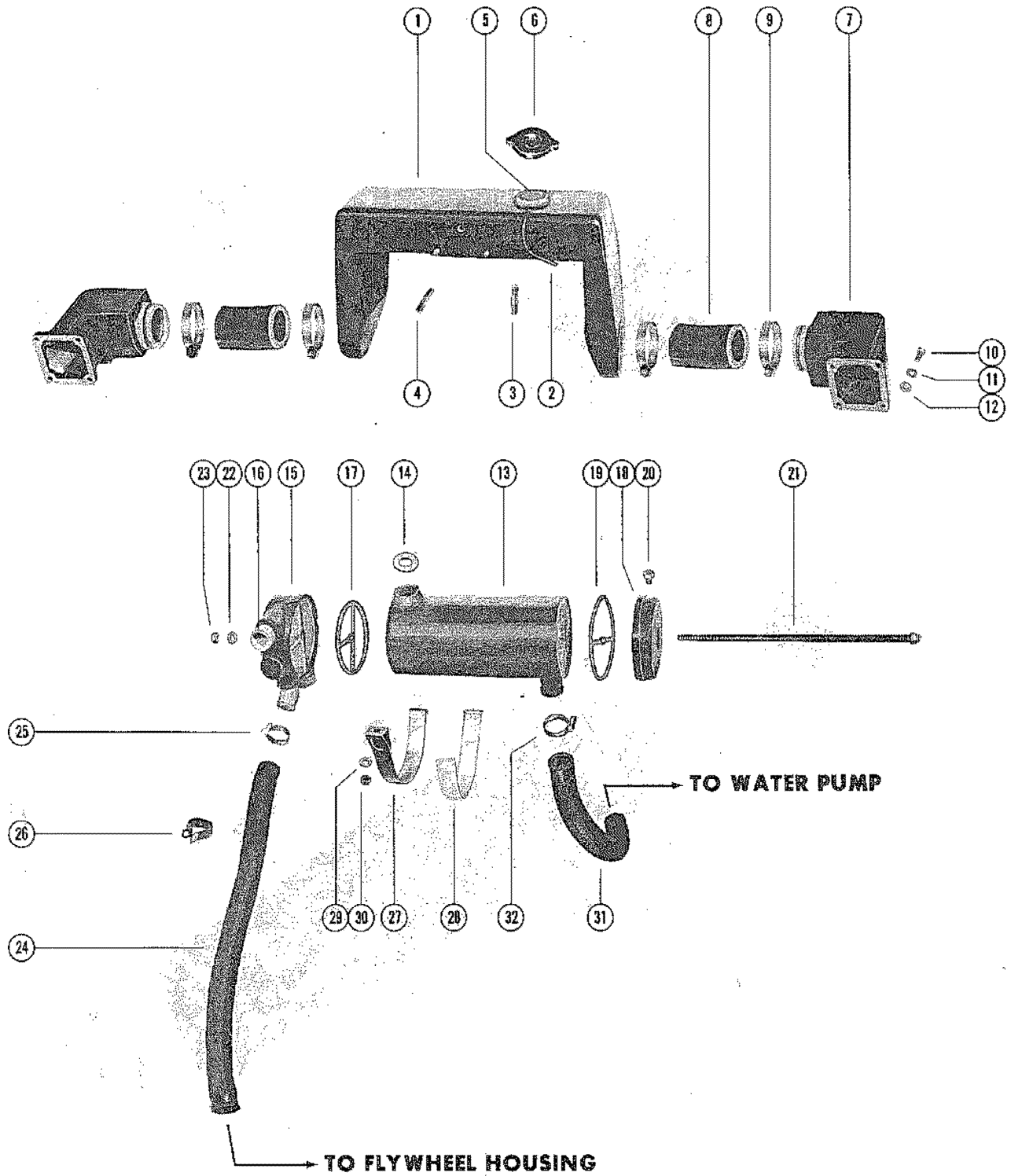




## EXHAUST MANIFOLD AND EXHAUST ELBOW

REF. NO.	PART NO.	SYM.	QTY.	DESCRIPTION
1	47735A1		1	EXHAUST MANIFOLD ASSEMBLY (LEFT SIDE)
	47736A1		1	EXHAUST MANIFOLD ASSEMBLY (RIGHT SIDE)
2	16-52988		8	STUD, EXHAUST MANIFOLD TO EXHAUST ELBOW (3 1/4")
3	22-48118		6	PLUG, EXHAUST MANIFOLD
4	22-32802		2	PLUG, PIPE - EXHAUST MANIFOLD
5	10-37612		8	SCREW, EXHAUST MANIFOLD TO CYLINDER HEAD (1 1/4")
	10-26486		8	SCREW, EXHAUST MANIFOLD TO CYLINDER HEAD (2 3/8")
6	27-46820		2	GASKET, EXHAUST MANIFOLD TO CYLINDER HEAD
7	54870		2	END CAP, EXHAUST MANIFOLD (REAR)
8	27-48043		4	GASKET, END CAP TO EXHAUST MANIFOLD
9	10-25038		8	SCREW, END CAP TO EXHAUST MANIFOLD (7/8")
10	48101A1		2	EXHAUST ELBOW ASSEMBLY
11	22-32802		2	PLUG, PIPE - EXHAUST ELBOW
12	32-49705		2	TUBE, WATER - EXHAUST ELBOW
13	22-48118		8	PLUG, EXHAUST ELBOW
14	27-48042		4	GASKET, EXHAUST ELBOW TO EXHAUST MANIFOLD
15	13-37459		8	LOCKWASHER, EXHAUST ELBOW TO EXHAUST MANIFOLD STUD
16	11-49838		8	NUT, EXHAUST ELBOW TO EXHAUST MANIFOLD STUD
17	57115		1	THERMOSTAT HOUSING
18	27-48818		1	GASKET, THERMOSTAT HOUSING (UPPER)
19	35884		1	THERMOSTAT
20	27-47510		1	GASKET, THERMOSTAT (MIDDLE)
21	23-47508		1	SLEEVE, THERMOSTAT HOUSING
22	27-53045		1	GASKET, THERMOSTAT HOUSING TO MANIFOLD (LOWER)

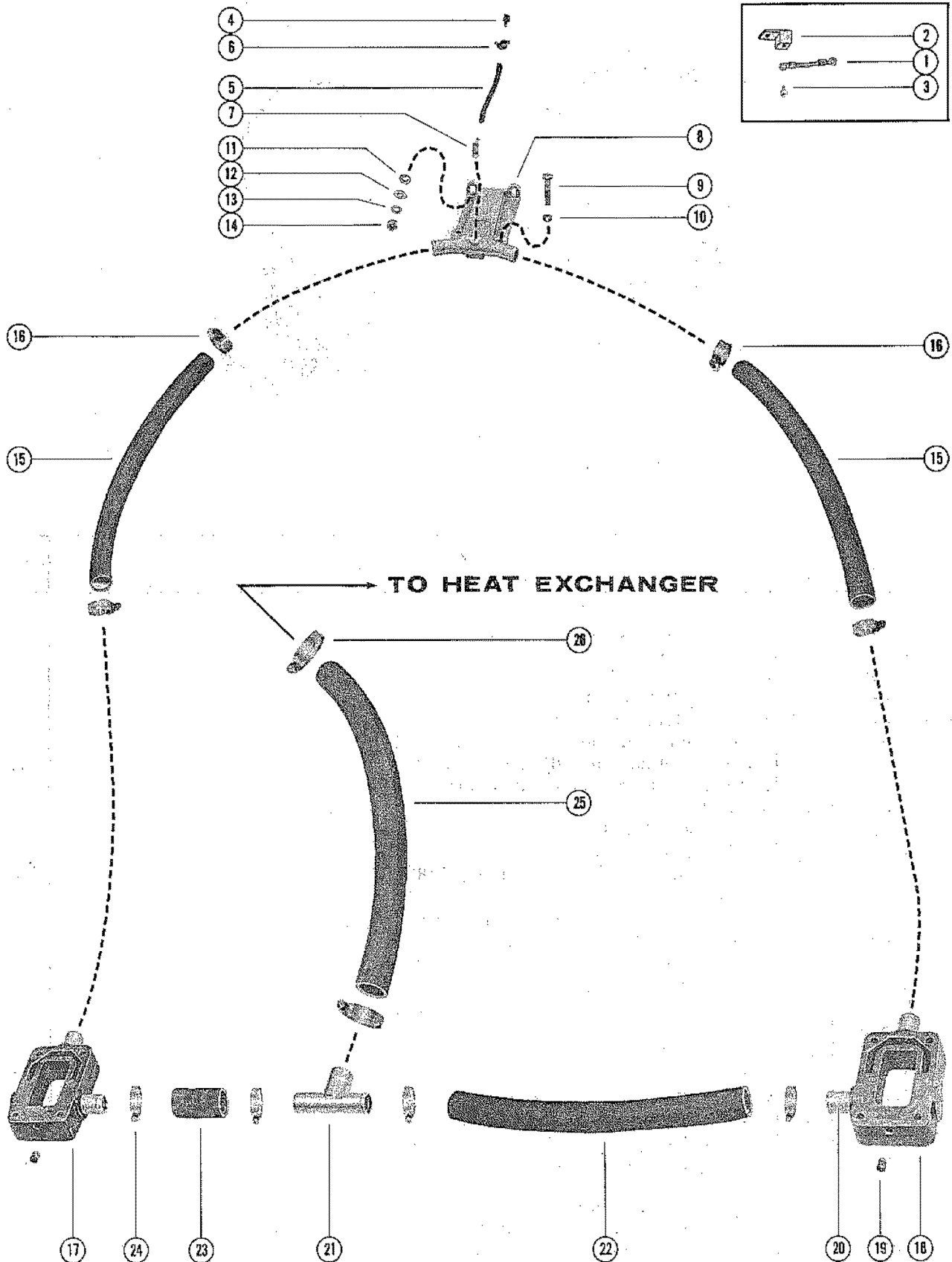
# HEAT EXCHANGER AND RESERVOIR



# HEAT EXCHANGER AND RESERVOIR

REF. NO.	PART NO.	SYM.	QTY.	DESCRIPTION
1	55125A7		1	RESERVOIR ASSEMBLY
-	<b>37-53237</b>		<b>1</b>	<b>DECAL, RESERVOIR</b>
2	32-55126		1	TUBE, OVERFLOW
3	16-29988		2	STUD, HEAT EXCHANGER STRAP TO RESERVOIR (1 9/16")
4	16-33111		2	STUD, THERMOSTAT COVER TO RESERVOIR (1 9/16")
5	22-39737		1	SLEEVE, WATER FILLER
6	36-55143		1	CAP, RESERVOIR WATER FILLER
7	55127		2	END CAP, EXHAUST MANIFOLD AND RESERVIOR
8	32-57929--3		2	HOSE, CONNECTOR - END CAP TO RESERVOIR
9	54-38889		4	CLAMP, CONNECTOR HOSE
10	10-35386		6	SCREW, END CAP TO EXHAUST MANIFOLD (1")
	10-53016		2	SCREW, END CAP TO EXHAUST MANIFOLD (1 1/4")
11	13-39107		8	LOCKWASHER, END CAP SCREW
12	12-26825		8	WASHER, END CAP SCREW
13	55075A1		1	HEAT EXCHANGER ASSEMBLY
14	24-55144		1	GASKET, HEAT EXCHANGER INLET
15	55208A1		1	END CAP ASSEMBLY, HEAT EXCHANGER
16	23-47511		2	SLEEVE, END CAP
17	27-55136		1	GASKET, END CAP TO HEAT EXCHANGER
18	55129		1	END CAP, HEAT EXCHANGER
19	27-55138		1	GASKET, END CAP TO HEAT EXCHANGER
20	22-32802		1	PLUG, PIPE - END CAP
21	10-55137		1	SCREW, END CAP TO HEAT EXCHANGER (14")
22	12-20553		2	WASHER, END CAP SCREW
23	11-23161		1	NUT, END CAP SCREW
24	32-57016		1	HOSE, HEAT EXCHANGER END CAP TO FLYWHEEL HOUSING
25	54-32780		2	CLAMP, HEAT EXCHANGER HOSE TO END CAP AND FLYWHEEL HSG.
26	54-47715		2	CLIP, HEAT EXCHANGER HOSE TO CRANKCASE
27	55145		2	STRAP, MOUNTING - HEAT EXCHANGER TO RESERVOIR
28	55124		2	PADDING, MOUNTING STRAP
29	12-26825		2	WASHER, MOUNTING STRAP STUD
30	11-25594		2	NUT, MOUNTING STRAP STUD
31	32-55317		1	HOSE, HEAT EXCHANGER TO WATER PUMP
32	54-32781		2	CLAMP, HOSE TO HEAT EXCHANGER AND WATER PUMP

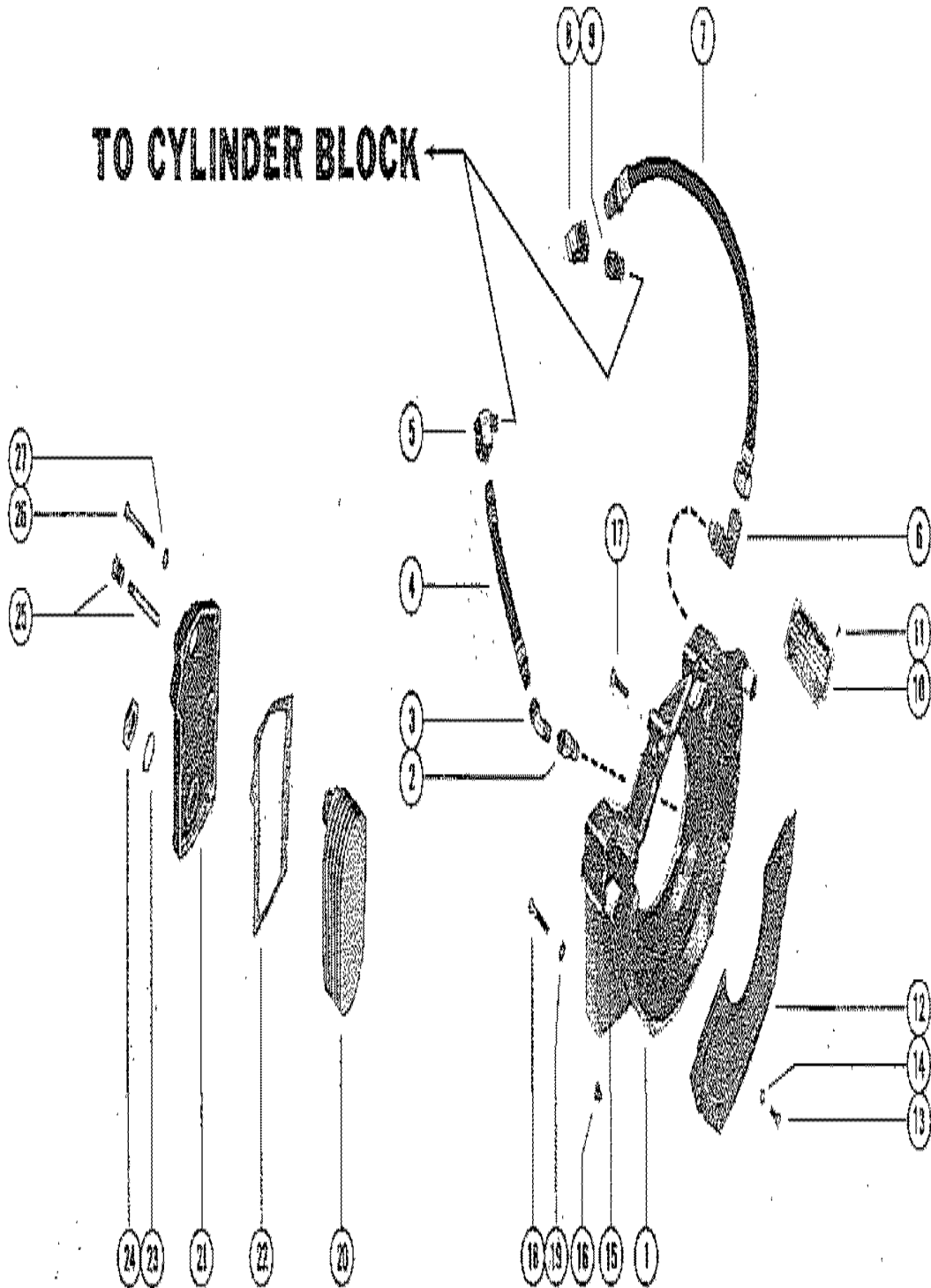
# THERMOSTAT COVER AND WATER DISTRIBUTION HOUSING



# THERMOSTAT COVER AND WATER DISTRIBUTION HOUSING

REF. NO.	PART NO.	SYM.	QTY.	DESCRIPTION
1	58036A2		1	RESISTOR ASSEMBLY , WATER TEMPERATURE
2	45915		1	TERMINAL BLOCK
3	10-30009		1	SCREW, RESISTOR TO TERMINAL BLOCK
4	22-20445		1	FITTING, AIR BLEED HOSE TO RESERVOIR
5	32-57130		1	HOSE, AIR BLEED (6 1/2")
6	54-20387		2	CLAMP, FITTINGS TO AIR BLEED HOSE
7	22-54139		1	FITTING, AIR BLEED HOSE TO THERMOSTAT COVER
8	57126		1	COVER, THERMOSTAT
9	10-35785		2	SCREW, THERMOSTAT COVER AND THERMOSTAT HOUSING TO MANIFOLD (3 1/4")
10	13-37459		2	LOCKWASHER, THERMOSTAT COVER AND THERMOSTAT HOUSING SCREW
11	12-30771		2	WASHER, FIBER - THERMOSTAT COVER TO RESERVOIR STUD
12	12-20084		2	WASHER, THERMOSTAT COVER TO RESERVOIR STUD
13	13-39107		2	LOCKWASHER, THERMOSTAT COVER TO RESERVOIR STUD
14	11-35814		2	NUT, THERMOSTAT COVER TO RESERVOIR STUD
15	32-35100A1		2	HOSE, THERMOSTAT COVER TO WATER DISTRIBUTION HOUSING (23")
16	54-32880		4	CLAMP, HOSE ATTACHING
17	52884A1		1	HOUSING ASSEMBLY, WATER DISTRIBUTION (LEFT SIDE)
18	52885A1		1	HOUSING ASSEMBLY, WATER DISTRIBUTION (RIGHT SIDE)
19	22-32802		2	PLUG, PIPE - WATER DISTRIBUTION HOUSING
20	23-52020		4	SLEEVE, WATER DISTRIBUTION HOUSING
21	22-55133		1	TEE, FITTING
22	32-35100A1		1	HOSE, WATER DISTRIBUTION HOUSING TO TEE (20")
23	32-35100A1		1	HOSE, WATER DISTRIBUTION HOUSING TO TEE (2")
24	54-32880		4	CLAMP, HOSE ATTACHING
25	32-55483		1	HOSE, HEAT EXCHANGER END CAP TO TEE (25 3/4")
26	54-32780		2	CLAMP, HOSE ATTACHING

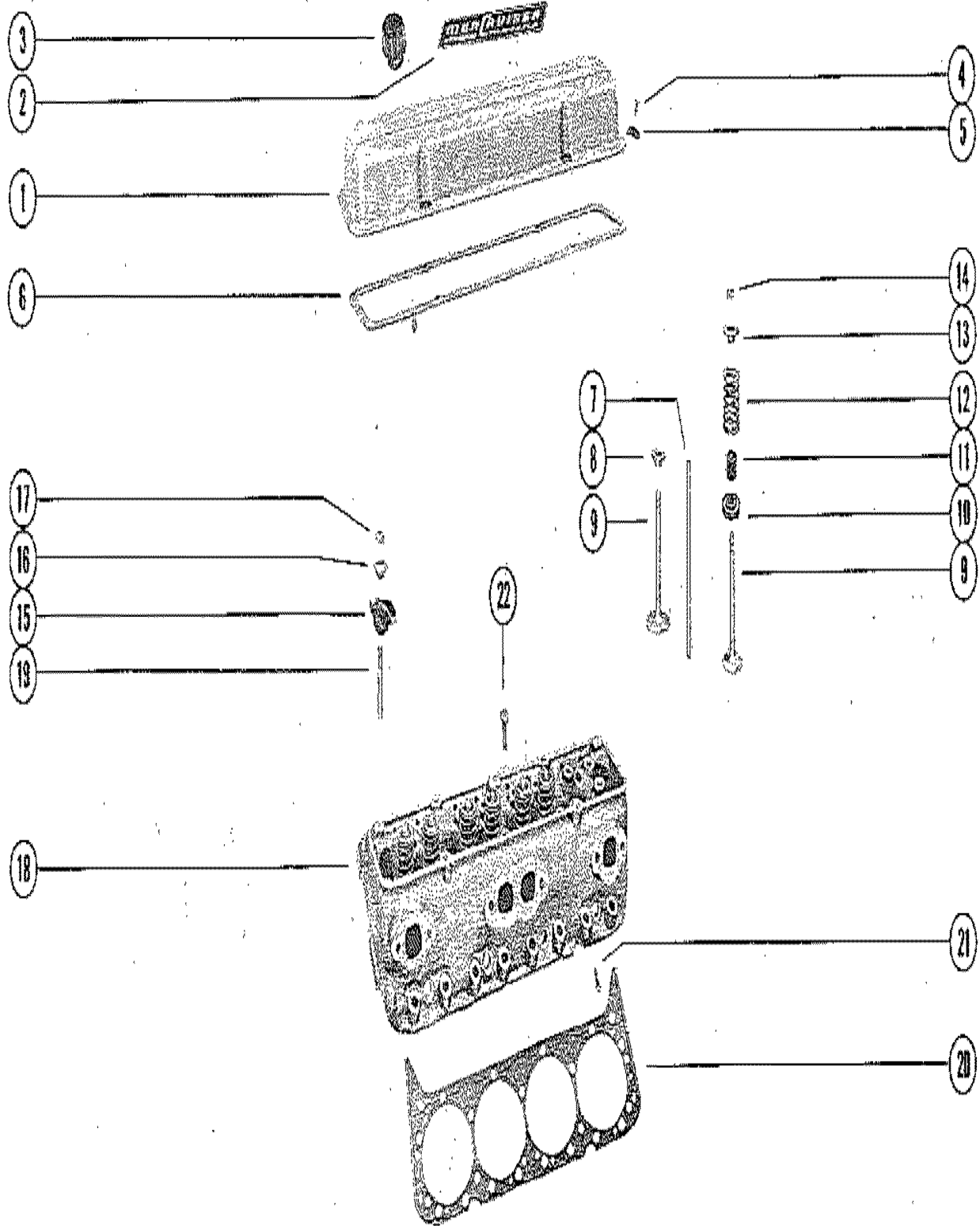
# FLYWHEEL HOUSING AND OIL COOLER



## FLYWHEEL HOUSING AND OIL COOLER

REF. NO.	PART NO.	SYM.	QTY.	DESCRIPTION
1	47554		1	HOUSING, FLYWHEEL (DOUBLE COOLER)
2	22-48873		1	EXTENDER, OUTLET HOSE TO OIL COOLER
3	22-48872		1	ELBOW, OUTLET HOSE (45 DEGREES)
4	32-48944--1		1	HOSE, OUTLET - OIL COOLER TO CYLINDER BLOCK (8") 1
5	22-48246		1	ELBOW, OUTLET HOSE TO CYLINDER BLOCK (90 DEGREES)
6	22-48871		1	ELBOW, INLET HOSE TO OIL COOLER (90 DEGREES)
7	32-48946		1	HOSE, INLET - OIL COOLER TO CYLINDER BLOCK (15")
8	22-48246		1	ELBOW, INLET HOSE TO CYLINDER BLOCK (90 DEGREES)
9	22-48874		1	FITTING, REDUCER - INLET HOSE ELBOW
10	38-47520		1	SERIAL PLATE
11	10-20314		4	SCREW, SERIAL PLATE ATTACHING
12	47542		1	COVER, FLYWHEEL HOUSING
13	10-28635		4	SCREW, COVER TO FLYWHEEL HOUSING (5/8")
14	13-26992		4	LOCKWASHER, COVER SCREW
15	23-47511		2	SLEEVE, CONNECTING - FLYWHEEL HOUSING
16	22-32802		1	PLUG, DRAIN - FLYWHEEL HOUSING
17	10-26632		1	SCREW, FLYWHEEL HOUSING TO ENGINE (1 1/4")
18	10-52708		4	SCREW, FLYWHEEL HOUSING TO ENGINE (2 1/2")
19	12-33181		4	WASHER, SEALING - FLYWHEEL HOUSING SCREW
20	47610		1	COOLER, OIL RIGHT SIDE
21	47490		1	COVER, OIL COOLER RIGHT SIDE
22	27-47495		1	GASKET, OIL COOLER COVER RIGHT SIDE
20	47611		1	COOLER, OIL LEFT SIDE
21	47541		1	COVER, OIL COOLER LEFT SIDE
22	27-47496		1	GASKET, OIL COOLER COVER LEFT SIDE
23	25-47632		4	"O" RING, SEALING - OIL COOLER
24	11-47521		4	NUT, JAM - OIL COOLER
25	22-47917		2	ELECTRODE, OIL COOLER
26	10-20362		12	SCREW, OIL COOLER COVER TO FLYWHEEL HOUSING (1 7/16")
27	12-36533		4	WASHER, OIL COOLER COVER SCREW
	13-26993		8	LOCKWASHER, OIL COOLER COVER SCREW

# CYLINDER HEAD AND ROCKER COVER

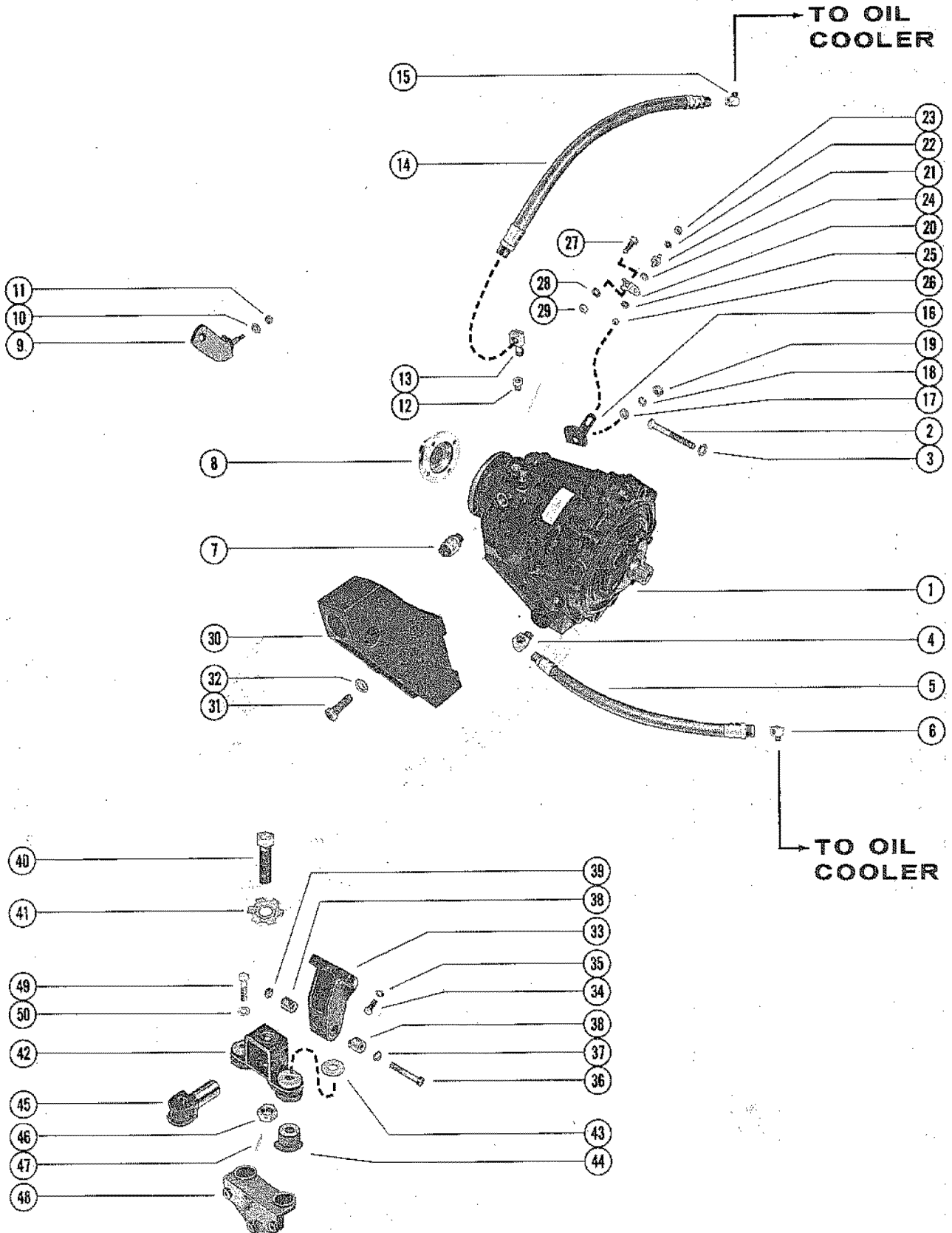




## CYLINDER HEAD AND ROCKER COVER

REF. NO.	PART NO.	SYM.	QTY.	DESCRIPTION
1	58046		2	COVER, ROCKER VALVE
2	37-34443		2	DECAL, ROCKER VALVE COVER
-	<b>37-55123</b>		<b>2</b>	<b>DECAL, ROCKER VALVE COVER (390 H.P.)</b>
3	52549		1	CAP, OIL FILLER(NOT AS SHOWN)
4	10-58047		8	SCREW, ROCKER VALVE COVER TO CYLINDER HEAD (1/2")
5	49174		8	REINFORCEMENT, ROCKER VALVE COVER SCREW
6	27-49121		2	GASKET, ROCKER VALVE COVER
7	58039		8	ROD, VALVE PUSH (INLET)
	58040		8	ROD, VALVE PUSH (EXHAUST)
8	49132		8	GUIDE, PUSH ROD
9	49774		8	VALVE, EXHAUST (STANDARD)
	58050		AR	VALVE, EXHAUST (.015O.S.)
	58048		8	VALVE, INLET (STANDARD)
	58049		AR	VALVE, INLET (015O.S.)
10	15-F5431		8	SHIM, INLET VALVE SPRING (THIN)
11	26-49131		16	SEAL, VALVE
12	24-58052		16	SPRING, VALVE
13	52194		16	CAP, VALVE SPRING
14	28-54530		32	KEY, VALVE STEM
15	49781		16	ARM, ROCKER VALVE
16	58041		16	BALL UNIT, ROCKER VALVE ARM
17	11-49119		16	NUT, ROCKER VALVE ARM STUD
18	938-4269		2	CYLINDER HEAD ASSEMBLY
19	16-49133		16	STUD, ROCKER VALVE ARM
20	27-49104		2	GASKET, CYLINDER HEAD
21	10-49106		8	BOLT, CYLINDER HEAD TO CYLINDER BLOCK (2")
22	10-49105		24	BOLT, CYLINDER HEAD TO CYLINDER BLOCK (4 1/8")

# TRANSMISSION ASSEMBLY

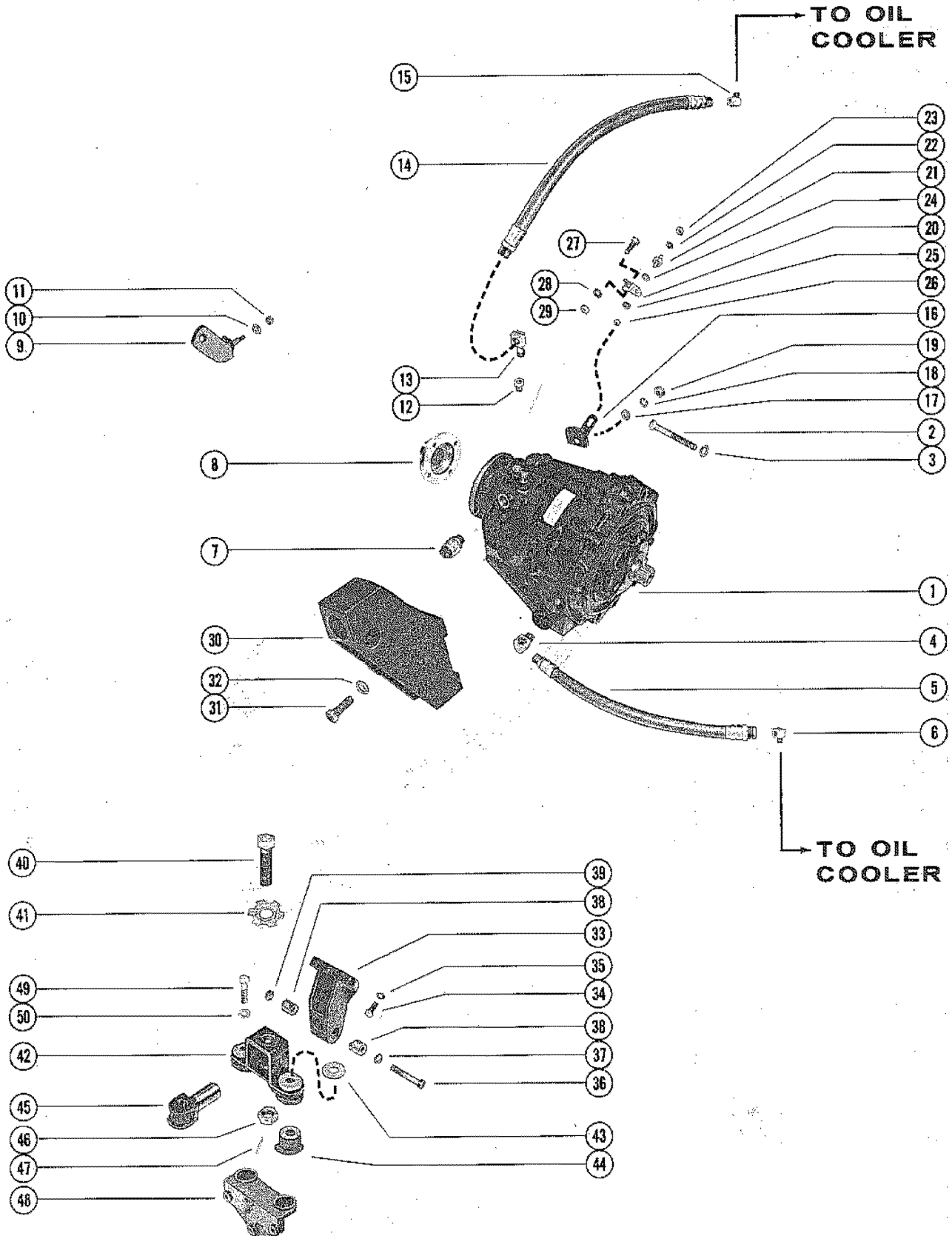


# TRANSMISSION ASSEMBLY

REF. NO.	PART NO.	SYM.	QTY.	DESCRIPTION
1	47810		1,,,	TRANSMISSION (DIRECT DRIVE)
	47811		,1,,,	TRANSMISSION (1.523:1 REDUCTION)
	47812		,,1,,	TRANSMISSION (1.909:1 REDUCTION)
	47813		,,,1,	TRANSMISSION (2.57:1 REDUCTION)
	47814		,,,1	TRANSMISSION (2.909:1 REDUCTION)
2	10-38197		6,6,6,6,6	SCREW, TRANSMISSION TO ENGINE (3 1/2")
3	13-32993		6,6,6,6,6	LOCKWASHER, TRANSMISSION SCREW
4	22-47629		1,1,1,1,1	ELBOW, HOSE TO TRANSMISSION (90 DEGREES)
5	32-47516--3		1,1,1,1,1	HOSE, OIL COOLER TO TRANSMISSION (7 7/8")
6	22-47630		1,1,1,1,1	ELBOW, HOSE TO OIL COOLER (90 DEGREES)
7	47613		1,1,1,1,1	SWITCH, NEUTRAL SAFETY
8	48386		OPT.,OPT.,	FLANGE (1")
	48387		OPT.,OPT.,	FLANGE (1 1/8")
	48388		OPT.,OPT.,	FLANGE (1 1/4")
	48389		OPT.,OPT.,	FLANGE (1 3/8")
	48390		OPT.,OPT.,	FLANGE (1 1/2")
9	48649		1,1,1,1,1	BRACKET, SHIFT CABLE
10	12-37407		1,1,1,1,1	WASHER, SHIFT CABLE TO BRACKET STUD
11	11-46438		1,1,1,1,1	NUT, SHIFT CABLE TO BRACKET STUD (10-32)
12	23-36159		1,1,1,1,1	BUSHING, REDUCING - TRANSMISSION ELBOW
13	22-47631		1,1,1,1,1	ELBOW, HOSE TO TRANSMISSION (90 DEGREES)
14	32-47516--2		1,1,1,1,1	HOSE, TRANSMISSION TO OIL COOLER (16 3/4")
15	22-47630		1,1,1,1,1	ELBOW, HOSE TO OIL COOLER (90 DEGREES)
16	48515		1,1,1,1,1	LEVER, SHIFT - TRANSMISSION
17	12-20722		1,1,1,1,1	WASHER, SHIFT LEVER TO TRANSMISSION
18	13-26993		1,1,1,1,1	LOCKWASHER, SHIFT LEVER TO TRANSMISSION
19	11-20083		1,1,1,1,1	NUT, SHIFT LEVER TO TRANSMISSION
20	48652		1,1,1,1,1	ADAPTOR, SHIFT CABLE TO SHIFT LEVER
21	16-48680		1,1,1,1,1	STUD, SHIFT CABLE ADAPTOR TO SHIFT LEVER (1 1/4")
22	12-20533		1,1,1,1,1	WASHER, SHIFT CABLE ADAPTOR STUD
23	11-46887		1,1,1,1,1	NUT, SHIFT CABLE ADAPTOR STUD (1/4-28)
24	13-29402		1,1,1,1,1	WAVE WASHER, SHIFT CABLE ADAPTOR STUD
25	12-37407		1,1,1,1,1	WASHER, SHIFT CABLE ADAPTOR STUD
26	11-46438		1,1,1,1,1	NUT, SHIFT CABLE ADAPTOR STUD (10-32)
27	10-20639		1,1,1,1,1	SCREW, SHIFT CABLE TO ADAPTOR (1 1/8")
28	12-22753		1,1,1,1,1	WASHER, SHIFT CABLE SCREW
29	11-46793		1,1,1,1,1	NUT, SHIFT CABLE SCREW (5/16-24)
30	47501		2,2,2,2,2	BRACKET, MOUNTING (REAR)
31	10-37269		4,4,4,4,4	SCREW, MOUNTING BRACKET TO TRANSMISSION (2") 4
32	13-32993		4,4,4,4,4	LOCKWASHER, MOUNTING BRACKET SCREW
33	47499		2,2,2,2,2	BRACKET, MOUNTING (FRONT)
34	10-48424		6,6,6,6,6	SCREW, MOUNTING BRACKET TO CYLINDER BLOCK (1 5/8")
35	13-35048		6,6,6,6,6	LOCKWASHER, MOUNTING BTACKET SCREW

CONTINUED ON NEXT PAGE ➡

# TRANSMISSION ASSEMBLY

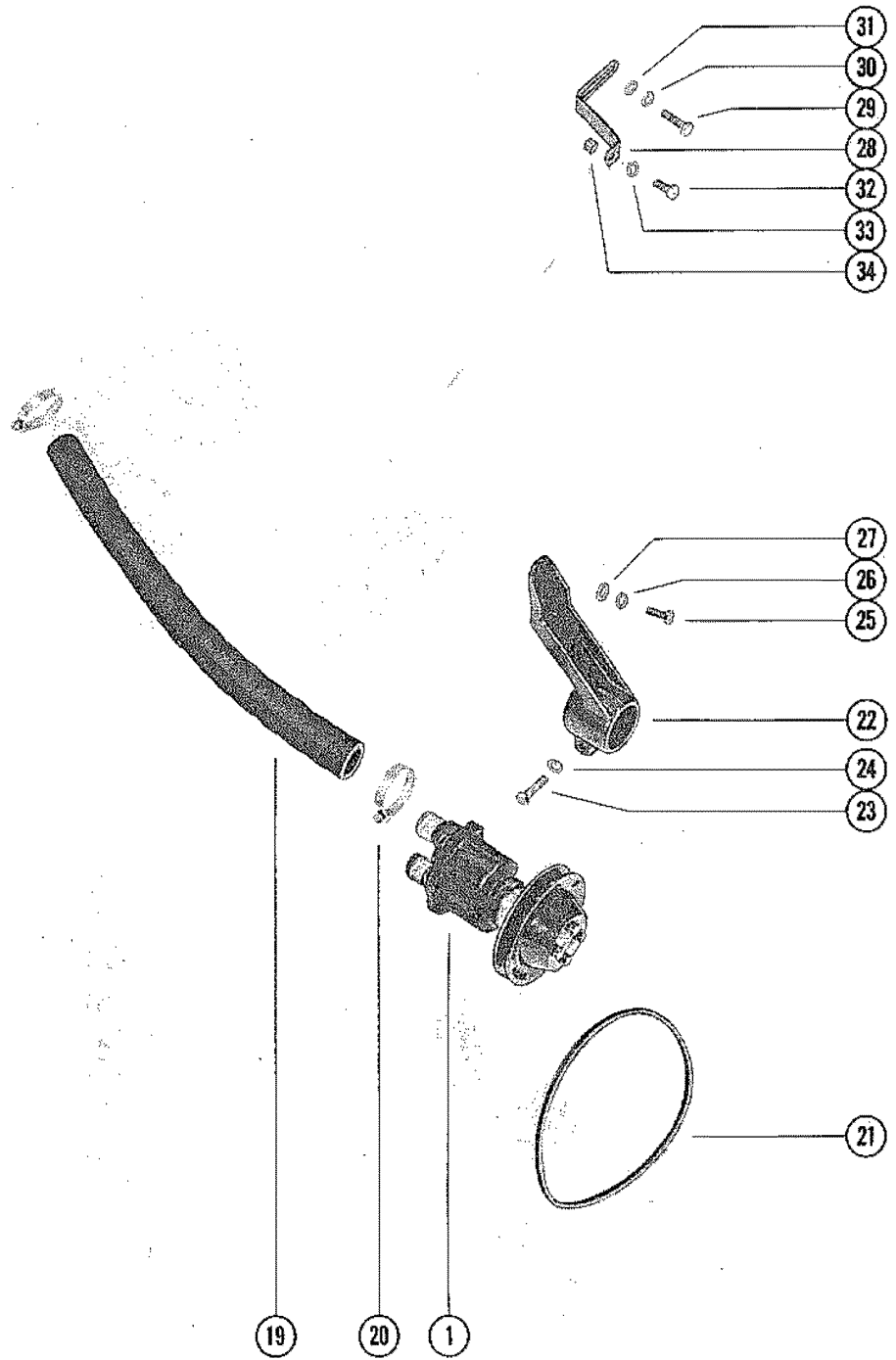
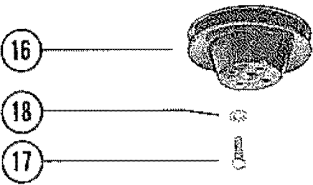
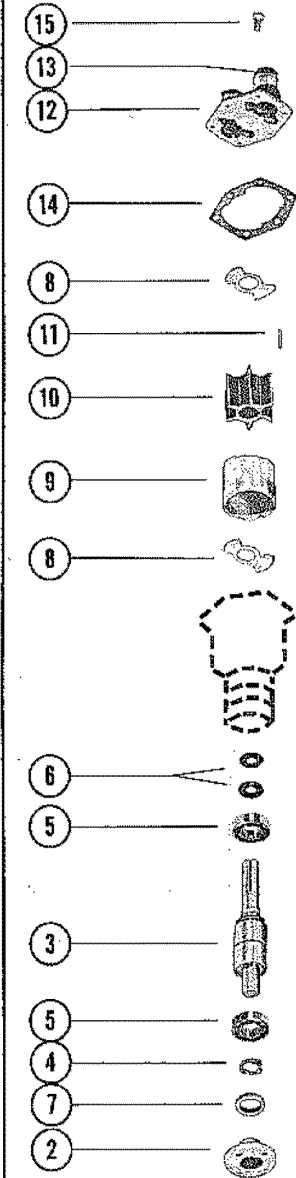


# TRANSMISSION ASSEMBLY

REF. NO.	PART NO.	SYM.	QTY.	DESCRIPTION
36	10-47654		4,4,4,4,4	SCREW, CLAMP - ADJUSTING TRUNNION (2 3/4")
37	13-32993		4,4,4,4,4	LOCKWASHER, CLAMP ADJUSTING TRUNNION SCREW
38	54-47528		8,8,8,8,8	CLAMP, ADJUSTING TRUNNION SCREW
39	11-29553		4,4,4,4,4	NUT, CLAMP ADJUSTING TRUNNION SCREW
40	10-52156		4,4,4,4,4	SCREW, ADJUSTING TRUNNION (4 1/2")
41	14-48467		4,4,4,4,4	TAB WASHER, ADJUSTING TRUNNION SCREW
42	52139A2		4,4,4,4,4	BRACKET ASSEMBLY, MOUNTING - FRONT AND REAR
43	12-48611		8,8,8,8,8	WASHER, MOUNTING BRACKET
44	47656		8,8,8,8,8	MOUNT, MOUNTING BRACKET
45	47518		4,4,4,4,4	TRUNNION, ADJUSTING - MOUNTING BRACKET
46	11-47525		4,4,4,4,4	NUT, JAM - ADJUSTING TRUNNION SCREW
47	17-22116		4,4,4,4,4	PIN, ROLL - JAM NUT
48	47986		4,4,4,4,4	BRACKET, MOUNTING - ENGINE
49	10-48254		8,8,8,8,8	SCREW, MOUNTING BRACKET ATTACHING (2 1/8")
50	13-31848		8,8,8,8,8	LOCKWASHER, MOUNTING BRACKET SCREW

# WATER PUMP ASSEMBLY, COMPLETE

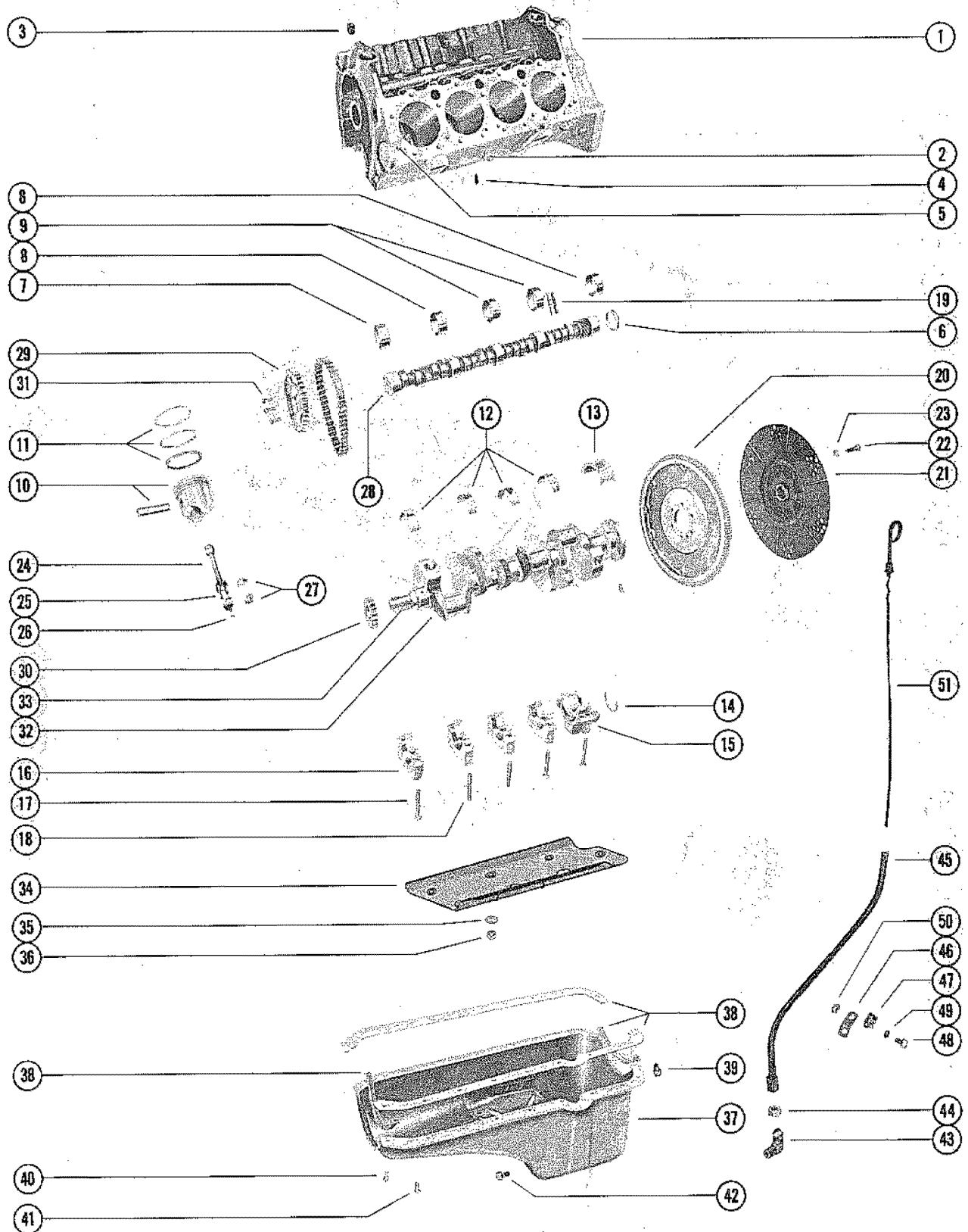
## BREAKDOWN OF WATER PUMP



# WATER PUMP ASSEMBLY, COMPLETE

REF. NO.	PART NO.	SYM.	QTY.	DESCRIPTION
1	46-58001A4		1	WATER PUMP ASSEMBLY, COMPLETE
2	47530		1	HUB, WATER PUMP PULLEY
3	57967		1	SHAFT, WATER PUMP
4	53-23720		1	RING, RETAINING - SHAFT AND BEARING
5	30-20861		2	BALL BEARING, WATER PUMP SHAFT
6	26-23300		2	OIL SEAL, WATER PUMP SHAFT
7	26-58111		1	OIL SEAL, WATER PUMP SHAFT
8	47405		2	WEAR PLATE
9	47529		1	INSERT, WATER PUMP
10	47-47519		1	IMPELLER
11	17-47526		1	PIN, IMPELLER DRIVE
12	47497A1		1	COVER ASSEMBLY, WATER PUMP
13	23-47511		2	SLEEVE, WATER PUMP COVER 2
14	27-47410		1	GASKET, WATER PUMP COVER TO WATER PUMP BODY
15	10-28635		6	SCREW, WATER PUMP COVER TO WATER PUMP BODY
16	52822		1	PULLEY, WATER PUMP
17	10-20705		4	SCREW, WATER PUMP PULLEY TO WATER PUMP (3/4")
18	13-39107		4	LOCKWASHER, WATER PUMP PULLEY SCREW
19	32-47722A1		1	HOSE, WATER PUMP TO OIL COOLER (25")
20	54-32780		2	CLAMP, HOSE TO WATER PUMP AND OIL COOLER
21	57-48121		1	BELT, WATER PUMP
22	47489		1	BRACKET, WATER PUMP
23	10-34354		1	SCREW, WATER PUMP BRACKET ATTACHING (1 1/2")
24	13-35048		1	LOCKWASHER, WATER PUMP BRACKET SCREW
25	10-48948		1	SCREW, WATER PUMP BRACKET TO ENGINE (7/8")
	10-47461		1	SCREW, WATER PUMP BRACKET TO ENGINE (1")
26	13-32993		2	LOCKWASHER, WATER PUMP BRACKET SCREW
27	12-30315		1	WASHER, WATER PUMP BRACKET SCREW
28	47544		1	BRACE, WATER PUMP ADJUSTING
29	10-34353		1	SCREW, ADJUSTING BRACE TO OIL PAN
30	13-35048		1	LOCKWASHER, ADJUSTING BRACE SCREW
31	12-20553		1	WASHER, ADJUSTING BRACE SCREW
32	10-35786		1	SCREW, ANJUSTING BRACE TO WATER PUMP BRACKET (1")
33	13-37449		1	LOCKWASHER, ADJUSTING BRACE SCREW
34	11-24883		1	NUT, ADJUSTING BRACE SCREW

# CYLINDER BLOCK, PISTONS AND CRANKSHAFT



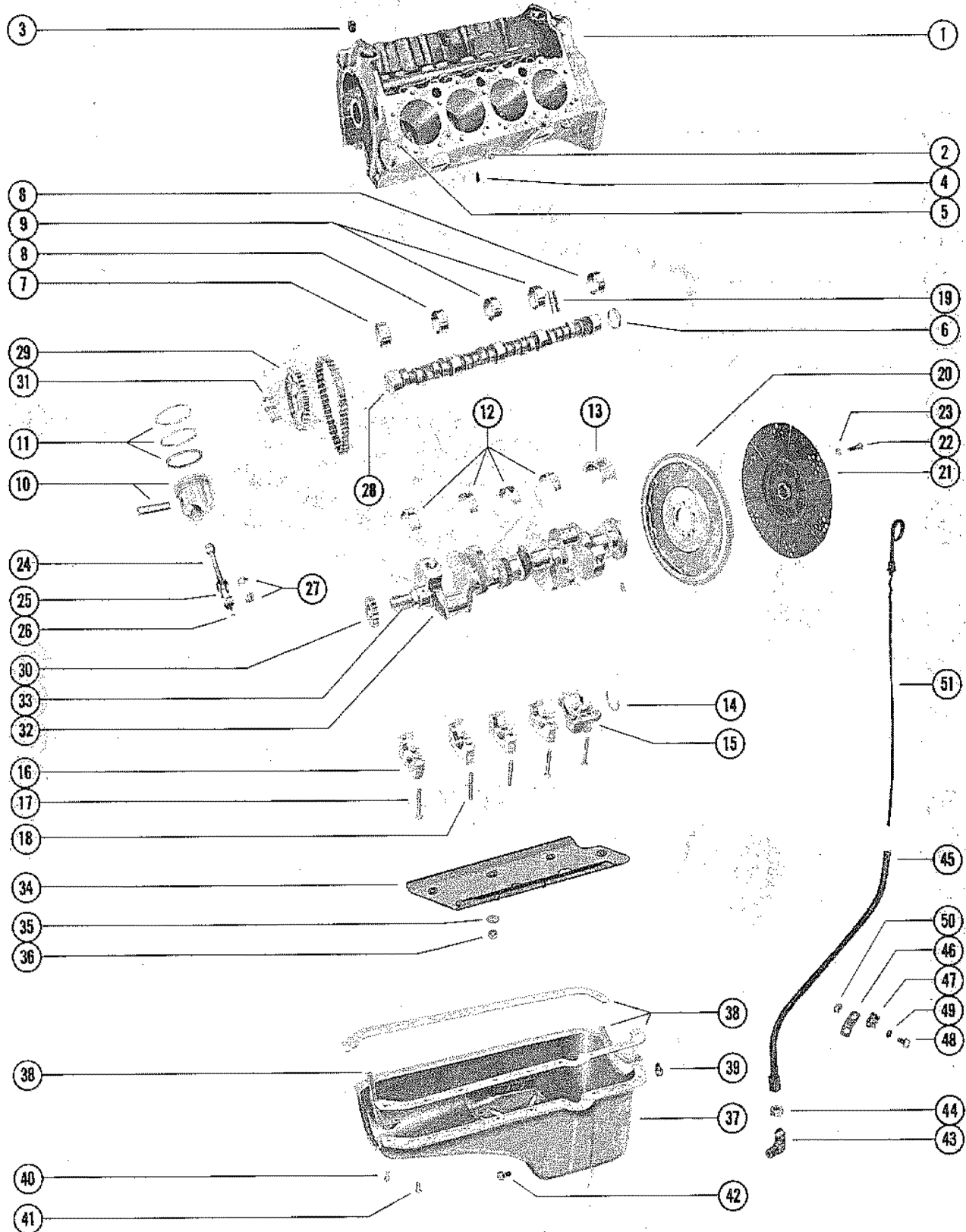


# CYLINDER BLOCK, PISTONS AND CRANKSHAFT

REF. NO.	PART NO.	SYM.	QTY.	DESCRIPTION
1	842-4268		1	CYLINDER BLOCK ASSEMBLY
-	<b>22-49146</b>		<b>3</b>	<b>PLUG, PIPE - CYLINDER BLOCK (3/4")</b>
-	<b>19-37478</b>		<b>8</b>	<b>PLUG, EXPANSION - CYLINDER BLOCK (1 3/4")</b>
-	<b>22-48340</b>		<b>9</b>	<b>PLUG, PIPE - CYLINDER BLOCK (1/4")</b>
-	<b>22-48358</b>		<b>1</b>	<b>PLUG, PIPE - CYLINDER BLOCK (3/8")</b>
2	22-36382		2	PLUG, WATER DRAIN - CYLINDER BLOCK
3	22-48341		1	PLUG, PIPE - OIL PRESSURE GAUGE HOLE
4	17-24813		1	PIN, DOWEL - OIL PUMP LOCATING
5	17-52190		4	PIN, DOWEL - CYLINDER BLOCK TO CYLINDER HEAD
6	19-52191		1	PLUG, EXPANSION - CAMSHAFT BEARING HOLE
7	23-49150		1	BEARING UNIT, CAMSHAFT (FRONT)
8	23-49151		2	BEARING UNIT, CAMSHAFT (FRONT INTERMEDIATE AND REAR)
9	23-49152		2	BEARING UNIT, CAMSHAFT (CENTER AND REAR INTERMEDIATE)
10	737-4271		AR	PISTON AND PISTON PIN ASSEMBLY (.001 O.S.) -USE STANDARD RI
	737-4272		AR	PISTON AND PISTON PIN ASSEMBLY (.020 O.S.)
	737-4273		AR	PISTON AND PISTON PIN ASSEMBLY (.030 O.S.)
11	39-49157		1	RING, PISTON - 8 SETS (STANDARD)
	39-58054		AR	RING, PISTON - 8 SETS (.020 O.S.)
	39-49173		AR	RING, PISTON - 8 SETS (.030 O.S.)
12	23-49158		4	BEARING UNIT, CRANKSHAFT MAIN (STANDARD)
	23-49159		AR	BEARING UNIT, CRANKSHAFT MAIN (.001 U.S.)
	23-49160		AR	BEARING UNIT, CRANKSHAFT MAIN (.002 U.S.)
	23-49161		AR	BEARING UNIT, CRANKSHAFT MAIN (.020 U.S.)
13	23-49163		1	BEARING UNIT, CRANKSHAFT MAIN - REAR (STANDARD)
	23-49164		AR	BEARING UNIT, CRANKSHAFT MAIN - REAR (.001 U.S.)
	23-49165		AR	BEARING UNIT, CRANKSHAFT MAIN - REAR (.002 U.S.)
	23-49166		AR	BEARING UNIT, CRANKSHAFT MAIN - REAR (.010 U.S.)
	23-49167		AR	BEARING UNIT, CRANKSHAFT MAIN - REAR (.020 U.S.)
14	26-37479		2	OIL SEAL, REAR CRANKSHAFT BEARING CAP
15	49142		1	CAP, REAR - CRANKSHAFT BEARING
16	49143		4	CAP, INTERMEDIATE AND FRONT - CRANKSHAFT BEARING
17	10-49145		10	BOLT, CRANKSHAFT BEARING CAP TO CYLINDER BLOCK (2 5/8")
	10-49147		6	BOLT, CRANKSHAFT BEARING CAP TO CYLINDER BLOCK (3 3/8")
18	16-49144		4	STUD, CRANKSHAFT BEARING CAP TO CYLINDER BLOCK
19	34282		16	LIFTER, HYDRAULIC VALVE - TAPPET
20	230-4267		1	FLYWHEEL ASSEMBLY
21	47607		1	DRIVE PLATE, FLYWHEEL
22	10-35091		6	SCREW, DRIVE PLATE TO FLYWHEEL
23	13-35048		6	LOCKWASHER, DRIVE PLATE SCREW

CONTINUED ON NEXT PAGE ➡

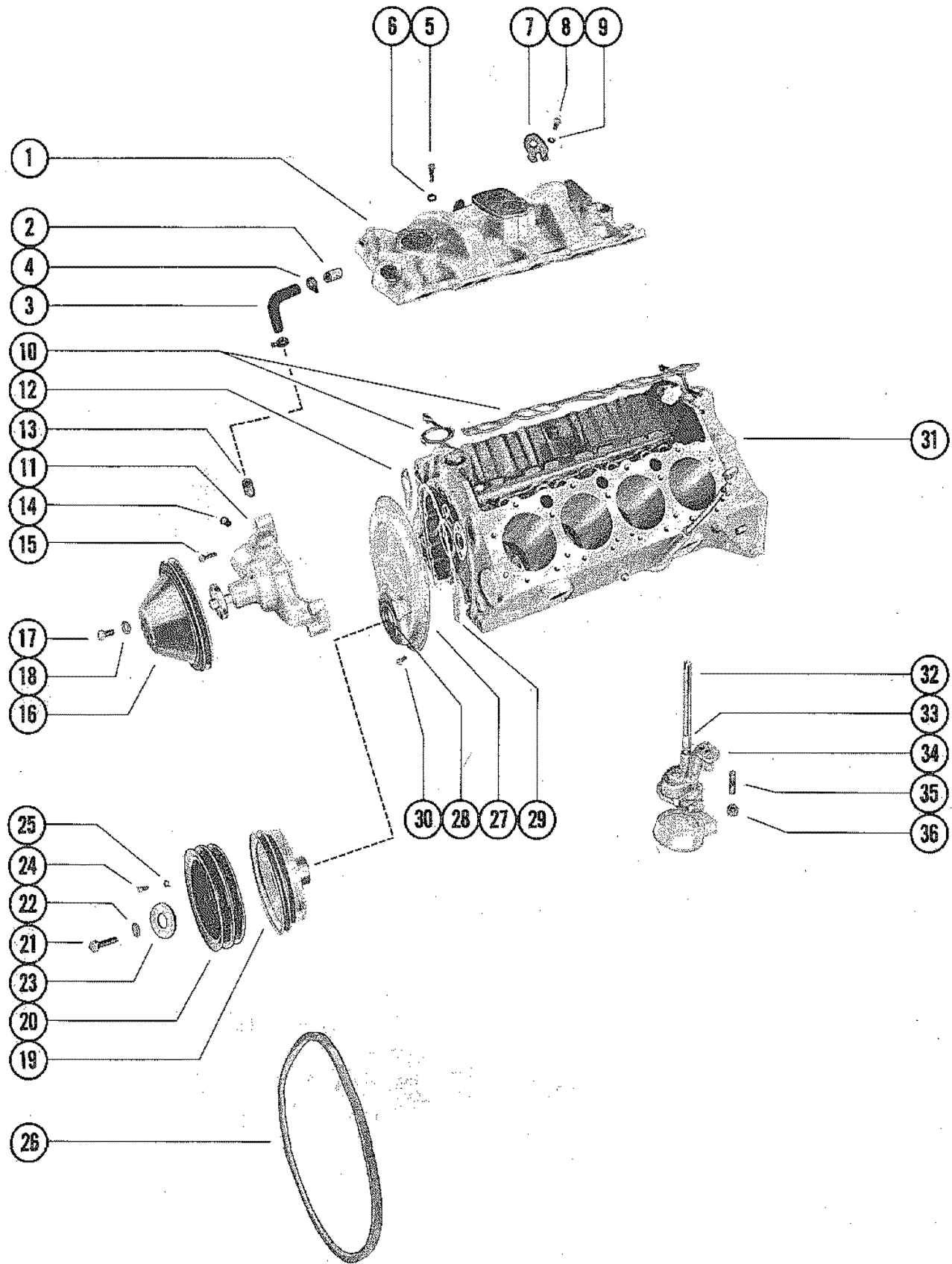
# CYLINDER BLOCK, PISTONS AND CRANKSHAFT



# CYLINDER BLOCK, PISTONS AND CRANKSHAFT

REF. NO.	PART NO.	SYM.	QTY.	DESCRIPTION
24	614-4274		8	CONNECTING ROD ASSEMBLY
25	10-58055		16	BOLT, CONNECTING ROD CAP
26	11-58056		16	NUT, CONNECTING ROD CAP BOLT
27	23-49168		1	BEARING SET (8 PAIR), CONNECTING ROD (STANDARD)
	23-49169		AR	BEARING UNIT (PAIR), CONNECTING RID (.001 U.S.)
	23-49170		AR	BEARING UNIT (PAIR), CONNECTING RID (.002 U.S.)
	23-49171		AR	BEARING UNIT (PAIR), CONNECTING RID (.010 U.S.)
	23-49172		AR	BEARING UNIT (PAIR), CONNECTING RID (.020 U.S.)
28	431-3422		1	CAMSHAFT (STANDARD ROTATION)
	431-3427		1	CAMSHAFT (OPPOSITE ROTATION)
-	<b>23-49124</b>		<b>1</b>	<b>BEARING, THRUST - CAMSHAFT</b>
-	<b>28-34466</b>		<b>1</b>	<b>HEY, CAMSHAFT TIMING GEAR</b>
29	43-49125		1	GEAR, CAMSHAFT TIMING
30	43-49114		1	GEAR, CRANKSHAFT TIMING
31	10-34277		2	BOLT, CAMSHAFT TIMING SPROCKET (7/16")
32	429-4270		1	CRANKSHAFT
33	28-34466		2	KEY, CRANKSHAFT PULLEY AND BALANCER
34	49198		1	BAFFLE, OIL PAN (CYLINDER BLOCK)
35	12-49112		4	WASHER, BAFFLE BOLT
36	11-37500		4	NUT, BAFFLE TO CYLINDER BLOCK STUD
37	47552		1	OIL PAN
38	27-52550		1	GASKET SET, OIL PAN
39	19-47815		2	PLUG, RUBBER - OIL PAN
40	10-55714		10	SCREW, OIL PAN TO CYLINDER BLOCK (5/16-18X7/8")
41	10-55715		3	SCREW, OIL PAN TO CYLINDER BLOCK (1/4-20X7/8")
42	22-36373		1	PLUG, PIPE - OIL PAN DRAIN
43	22-47625		1	ELBOW, OIL LEVEL GAUGE TUBE TO OIL PAN
44	11-47626		1	NUT, OIL LEVEL GAUGE TUBE
45	47492		1	TUBE, OIL LEVEL GAUGE
46	48134		1	BRACKET, OIL LEVEL GAUGE TUBE CLIP
47	54-47545		1	CLIP, OIL LEVEL GAUGE TUBE
48	10-33524		1	SCREW, OIL LEVEL GAUGE TUBE CLIP TO BRACKET (5/8")
49	13-39107		1	LOCKWASHER, OIL LEVEL GAUGE TUBE CLIP SCREW
50	11-22053		1	NUT, OIL LEVEL GAUGE TUBE CLIP SCREW
51	48394		1	GAUGE, OIL LEVER (DIPSTICK)

# INTAKE MANIFOLD AND OIL PUMP



# INTAKE MANIFOLD AND OIL PUMP

REF. NO.	PART NO.	SYM.	QTY.	DESCRIPTION
1	58057		1	INTAKE MANIFOLD
2	22-58095		1	CONNECTOR, INTAKE MANIFOLD - BY-PASS HOSE
3	32-49122		1	HOSE, BY-PASS - INTAKE MANIFOLD TO WATER PUMP
4	54-32880		2	CLAMP, BY-PASS HOSE ATTACHING
5	10-37510		16	BOLT, INTAKE MANIFOLD TO CYLINDER BLOCK (1 1/4")
6	12-49112		16	WASHER, INTAKE MANIFOLD BOLT
7	54-47513		2	EYE, LIFTING
8	10-34354		4	SCREW, LIFTING EYE ATTACHING (1 1/2 ")
9	13-35048		4	LOCKWASHER, LIFTING EYE SCREW
10	27-58088A1		1	GASKET, INTAKE MANIFOLD
11	54534		1	WATER PUMP ASSEMBLY
12	27-49110		2	GASKET, WATER PUMP MOUNTING
13	22-54533		1	CONNECTOR, WATER PUMP - BY-PASS HOSE
14	22-48336		1	PLUG, PIPE - WATER PUMP
15	10-32132		4	SCREW, WATER PUMP TO CYLINDER BLOCK (1 3/4")
16	52349		1	PULLEY, WATER PUMP
17	10-47277		4	SCREW, PULLEY TO WATER PUMP (3/4")
18	13-39107		4	LOCKWASHER, WATER PUMP PULLEY SCREW
19	58038		1	BALANCER, HARMONIC - CRANKSHAFT
20	52181		1	PULLEY, HARMONIC BALANCER
21	10-49101		1	BOLT, PULLEY AND HARMONIC BALANCER TO CRANKSHAFT
22	13-49102		1	LOCKWASHER, PULLEY AND HARMONIC BALANCER BOLT
23	12-49103		1	WASHER, PULLEY AND HARMONIC BALANCER BOLT
24	10-34353		3	BOLT, CRANKSHAFT PULLEY TO HARMONIC BALANCER (1")
25	13-37459		3	LOCKWASHER, CRANKSHAFT PULLEY BOLT
26	57-48122		1	BELT, ALTERNATOR DRIVE (48")
27	54532		1	COVER ASSEMBLY, CRANKCASE FRONT END (STANDARD ROTATION)
	54544		1	COVER ASSEMBLY, CRANKCASE FRONT END (OPPOSITE ROTATION)
28	26-49154		1	OIL SEAL, CRANKCASE FRONT END COVER
29	27-54529		1	GASKET, CRANKCASE FRONT END COVER
30	10-34277		10	SCREW, CRANKCASE FRONT END COVER TO CYLINDER BLOCK (7/16")
31	842-4268		1	CYLINDER BLOCK ASSEMBLY (SEE G12 FOR BREAKDOWN)
32	49149		1	SHAFT, OIL PUMP TO DISTRIBUTOR
33	23-52193		1	RETAINER, OIL PUMP SHAFT
34	49155		1	OIL PUMP AND SCREEN ASSEMBLY
35	16-49108		1	STUD, OIL PUMP TO CYLINDER BLOCK
36	11-37500		1	NUT, OIL PUMP STUD
-	<b>34344</b>		<b>1</b>	<b>VALVE, BY-PASS</b>

# PARTS INDEX

Part Number	Description	Pg.	Ref. No.	Part Number	Description	Pg.	Ref. No.
22789	"D" WASHER, IGNITION COIL SCREW	7	32	47611	COOLER, OIL LEFT SIDE	29	20
25661	STARTER SOLENOID	7	8	47613	SWITCH, NEUTRAL SAFETY	33	7
26551	BRACKET, NYLON STRAP	13	43	47656	MOUNT, MOUNTING BRACKET	35	44
32720	FITTING, OIL FILTER TO ADAPTOR	3	10	47735A1	EXHAUST MANIFOLD ASSEMBLY (LEFT SIDE)	23	1
34282	LIFTER, HYDRAULIC VALVE - TAPPET	39	19	47736A1	EXHAUST MANIFOLD ASSEMBLY (RIGHT SIDE)	23	1
34344	VALVE, BY-PASS	43	--	47763	BRACKET, RETAINER - HIGH TENSION LEADS	7	3
34623	OIL PRESSURE SENDER ASSEMBLY	5	13	47764	STA-STRAP, WIRING HARNESS LEADS	9	44
35377	ROD, PUSH - FUEL PUMP	15	4	47810	TRANSMISSION (DIRECT DRIVE)	33	1
35884	THERMOSTAT	23	19	47811	TRANSMISSION (1.523:1 REDUCTION)	33	1
36525	WATER TEMPERATURE SENDER ASSEMBLY	5	7	47812	TRANSMISSION (1.909:1 REDUCTION)	33	1
38371	SEAL, COVER TO ELECTRIC PANEL	7	37	47813	TRANSMISSION (2.57:1 REDUCTION)	33	1
39974	CLAMP, WIRING HARNESS LEAD CLAMP	9	45	47814	TRANSMISSION (2.909:1 REDUCTION)	33	1
45915	TERMINAL BLOCK	27	2	47816	SIGHT GLASS	15	6
46281	RETAINER, HIGH TENSION LEADS	13	37	47957	CONNECTOR, VENT HOSE TO ROCKER COVER	17	42
46860	FUEL PUMP ASSEMBLY	15	1	47986	BRACKET, MOUNTING - ENGINE	35	48
47405	WEAR PLATE	37	8	48101A1	EXHAUST ELBOW ASSEMBLY	23	10
47487	BRACKET, ALTERNATOR MOUNTING	5	24	48134	BRACKET, OIL LEVEL GAUGE TUBE CLIP	41	46
47489	BRACKET, WATER PUMP	37	22	48359	BAFFLE, CARBURETOR	15	24
47490	COVER, OIL COOLER RIGHT SIDE	29	21	48386	FLANGE (1")	33	8
47492	TUBE, OIL LEVEL GAUGE	41	45	48387	FLANGE (1 1/8")	33	8
47493A6	DISTRIBUTOR ASSEMBLY, COMPLETE (OPPISITE ROTATION)	11	1	48388	FLANGE (1 1/4")	33	8
47493A7	DISTRIBUTOR ASSEMBLY, COMPLETE (STANDARD ROTATION)	11	1	48389	FLANGE (1 3/8")	33	8
47497A1	COVER ASSEMBLY, WATER PUMP	37	12	48390	FLANGE (1 1/2")	33	8
47498	BRACE, ALTERNATOR ADJUSTING	5	18	48394	GAUGE, OIL LEVER (DIPSTICK)	41	51
47499	BRACKET, MOUNTING (FRONT)	33	33	48459	PLATE, BACKUP - WIRING HARNESS	9	41
47501	BRACKET, MOUNTING (REAR)	33	30	48504	ADAPTOR, OIL FILTER	3	1
47518	TRUNNION, ADJUSTING - MOUNTING BRACKET	35	45	48515	LEVER, SHIFT - TRANSMISSION	33	16
47529	INSERT, WATER PUMP	37	9	48649	BRACKET, SHIFT CABLE	33	9
47530	HUB, WATER PUMP PULLEY	37	2	48652	ADAPTOR, SHIFT CABLE TO SHIFT LEVER	33	20
47541	COVER, OIL COOLER LEFT SIDE	29	21	48699	COVER, PLUG - CYLINDER BLOCK	3	12
47542	COVER, FLYWHEEL HOUSING	29	12	48789A1	HOUSING ASSEMBLY, ADAPTOR	11	4
47544	BRACE, WATER PUMP ADJUSTING	37	28	49132	GUIDE, PUSH ROD	31	8
47550	COVER, ELECTRIC PANEL	7	38	49142	CAP, REAR - CRANKSHAFT BEARING	39	15
47552	OIL PAN	41	37	49143	CAP, INTERMEDIATE AND FRONT - CRANKSHAFT BEARING	39	16
47554	HOUSING, FLYWHEEL (DOUBLE COOLER)	29	1	49149	SHAFT, OIL PUMP TO DISTRIBUTOR	43	32
47607	DRIVE PLATE, FLYWHEEL	39	21				
47610	COOLER, OIL RIGHT SIDE	29	20				

# PARTS INDEX

Part Number	Description	Pg.	Ref. No.	Part Number	Description	Pg.	Ref. No.
49174	REINFORCEMENT, ROCKER VALVE COVER SCREW ..	31	5	54380A4	CABLE ASSEMBLY, HIGH TENSION (#3) STANDARD ROTATION .....	13	34
49198	BAFFLE, OIL PAN (CYLINDER BLOCK) .....	41	34	54381A1	CABLE ASSEMBLY, HIGH TENSION (#2) STANDARD ROTATION .....	13	34
49774	VALVE, EXHAUST (STANDARD) .....	31	9	54381A2	CABLE ASSEMBLY, HIGH TENSION (#7) STANDARD ROTATION .....	13	34
49781	ARM, ROCKER VALVE ....	31	15	54381A3	CABLE ASSEMBLY, HIGH TENSION (#5) STANDARD ROTATION .....	13	34
49924	ROTOR, DISTRIBUTOR ....	11	3	54381A4	CABLE ASSEMBLY, HIGH TENSION (#6) STANDARD ROTATION .....	13	34
52139A2	BRACKET ASSEMBLY, MOUNTING - FRONT AND REAR .....	35	42	54532	COVER ASSEMBLY, CRANKCASE FRONT END (STANDARD ROTATION) .	43	27
52181	PULLEY, HARMONIC BALANCER .....	43	20	54534	WATER PUMP ASSEMBLY .	43	11
52185	CLAMP, DISTRIBUTOR TO INTAKE MANIFOLD .....	11	18	54544	COVER ASSEMBLY, CRANKCASE FRONT END (OPPOSITE ROTATION) .	43	27
52194	CAP, VALVE SPRING .....	31	13	54646	BRACKET, MOUNTING - FUEL FILTER .....	15	12
52349	PULLEY, WATER PUMP ...	43	16	54836	BOOT, HIGH TENSION CABLE .....	13	35
52549	CAP, OIL FILLER(NOT AS SHOWN) .....	31	3	54837	BOOT, DISTRIBUTOR .....	13	42
52618	JUMPER WIRE, DISTRIBUTOR GROUND .	11	16	54837	BOOT, HIGH TENSION CABLE .....	13	35
52676	SWITCH, ELECTRICAL CHOKE .....	5	10	54870	END CAP, EXHAUST MANIFOLD (REAR) .....	23	7
52726	BRACKET, MOUNTING - CHOKE SOLENOID .....	17	61	54986A1	RETAINER ASSEMBLY, SPARK PLUG CABLE (LOWER) - STANDARD ROTAT .....	11	27
52729	TAB, RETAINER - CHOKE RETURN SPRING .....	17	53	54986A2	RETAINER ASSEMBLY, SPARK PLUG CABLE (LOWER) - OPPOSITE ROTAT .....	11	27
52730	CHOKE LEVER .....	19	--	54987A1	RETAINER ASSEMBLY, SPARK PLUG CABLE (UPPER) - STANDARD ROTAT .....	11	31
52731	OIL FILTER .....	3	11	54987A2	RETAINER ASSEMBLY, SPARK PLUG CABLE (UPPER) - OPPOSITE ROTAT .....	11	31
52822	PULLEY, WATER PUMP ...	37	16	55075A1	HEAT EXCHANGER ASSEMBLY .....	25	13
52884A1	HOUSING ASSEMBLY, WATER DISTRIBUTION (LEFT SIDE) .....	27	17	55124	PADDING, MOUNTING STRAP .....	25	28
52885A1	HOUSING ASSEMBLY, WATER DISTRIBUTION (RIGHT SIDE) .....	27	18	55125A7	RESERVOIR ASSEMBLY ...	25	1
53513	WEDGE, CARBURETOR MOUNTING .....	15	26	55127	END CAP, EXHAUST MANIFOLD AND RESERVIOR .....	25	7
54094A1	ADAPTOR HOUSING ASSEMBLY, DISTRIBUTOR CAP .....	11	21	55129	END CAP, HEAT EXCHANGER .....	25	18
54095A1	COVER ASSEMBLY, DISTRIBUTOR .....	11	32	55145	STRAP, MOUNTING - HEAT EXCHANGER TO RESERVOIR .....	25	27
54205	BUMPER, ADAPTOR HOUSING .....	11	22				
54206	INSERT, LOWER RETAINER	11	29				
54283A2	PLUNGER AND LINK ASSEMBLY, CHOKE SOLENOID .....	17	55				
54292A5	CHOKE SOLENOID .....	17	58				
54379A1	CABLE ASSEMBLY, COIL TO DISTRIBUTOR .....	13	39				
54380A1	CABLE ASSEMBLY, HIGH TENSION (#1) STANDARD ROTATION .....	11	34				
54380A2	CABLE ASSEMBLY, HIGH TENSION (#8) STANDARD ROTATION .....	13	34				

# PARTS INDEX

Part Number	Description	Pg.	Ref. No.	Part Number	Description	Pg.	Ref. No.
55208A1	END CAP ASSEMBLY, HEAT EXCHANGER	25	15	10-20639	SCREW, FUEL FILTER TO MOUNTING BRACKET (1/2")	15	13
55228A1	CABLE ASSEMBLY, HIGH TENSION (#6) OPPOSITE ROTATION	13	34	10-20639	SCREW, SHIFT CABLE TO ADAPTOR (1 1/8")	33	27
55228A2	CABLE ASSEMBLY, HIGH TENSION (#3) OPPOSITE ROTATION	13	34	10-20705	SCREW, WATER PUMP PULLEY TO WATER PUMP (3/4")	37	17
55228A3	CABLE ASSEMBLY, HIGH TENSION (#4) OPPOSITE ROTATION	13	34	10-21625	SCREW, CHOKE SOLENIOD TO MOUNTING BRACKET (3/4")	17	62
55228A4	CABLE ASSEMBLY, HIGH TENSION (#8) OPPOSITE ROTATION	13	34	10-22487	SCREW, HIGH TENSION LEAD RETINER TO INTAKE MANIFOLD	13	38
55231A1	CABLE ASSEMBLY, HIGH TENSION (#1) OPPOSITE ROTATION	13	34	10-22958	SCREW, THROTTLE CABLE TO CARBURETOR (1 1/8")	15	30
55231A2	CABLE ASSEMBLY, HIGH TENSION (#5) OPPOSITE ROTATION	13	34	10-25038	SCREW, END CAP TO EXHAUST MANIFOLD (7/8")	23	9
55231A3	CABLE ASSEMBLY, HIGH TENSION (#7) OPPOSITE ROTATION	13	34	10-25876	SCREW, ADAPTOR HOUSING TO DISTRIBUTOR (7/8")	11	25
55231A4	CABLE ASSEMBLY, HIGH TENSION (#2) OPPOSITE ROTATION	13	34	10-26184	SCREW, SWITCH BOX TO ELECTRIC PANEL (9/16")	7	25
55481	BASE, FUEL FILTER	15	10	10-26486	SCREW, EXHAUST MANIFOLD TO CYLINDER HEAD (2 3/8")	23	5
55502	STRAP, NYLON - HIGH TENSION CABLE	13	44	10-26595	SCREW, ADAPTOR HOUSING FASTENING (3/4")	11	12
56045	ALTERNATOR ASSEMBLY (SEE NOTE BELOW)	5	17	10-26632	SCREW, ELECTRIC PANEL TO CYLINDER BLOCK (1-1/4)	7	15
56387	WIRING HARNESS, INTERNAL	9	40	10-26632	SCREW, FLYWHEEL HOUSING TO ENGINE (1 1/4")	29	17
56717	PANEL, ELECTRIC	7	1	10-26632	SCREW, STARTER SOLENOID TO ELECTRIC PANEL (1/2")	7	13
57096	BRACKET, MOUNTING - THROTTLE CABLE	17	44	10-26632	SCREW, IGNITION COIL TO ELECTRIC PANEL (2 1/4")	7	34
57115	THERMOSTAT HOUSING	23	17	10-27165	SCREW, RETAINER BRACKET TO CYLINDER HEAD (3/8-16 X 3/4")	7	5
57126	COVER, THERMOSTAT	27	8	10-27881	SCREW, CHOKE LEVER ATTACHING	19	20
57882	FLAME ARRESTOR, CARBURETOR	15	37	10-28635	SCREW, COVER TO FLYWHEEL HOUSING (5/8")	29	13
57967	SHAFT, WATER PUMP	37	3	10-28635	SCREW, WATER PUMP COVER TO WATER PUMP BODY	37	15
58036A2	RESISTOR ASSEMBLY, WATER TEMPERATURE	27	1	10-29198	SCREW, ALTERNATOR BRACE TO ALTERNATOR (7/8")	5	19
58038	BALANCER, HARMONIC - CRANKSHAFT	43	19	10-30009	SCREW, RESISTOR TO TERMINAL BLOCK	27	3
58039	ROD, VALVE PUSH (INLET)	31	7	10-31381	SCREW, ALTERNATOR BRACE TO CYLINDER BLOCK (1")	5	21
58040	ROD, VALVE PUSH (EXHAUST)	31	7				
58041	BALL UNIT, ROCKER VALVE ARM	31	16				
58046	COVER, ROCKER VALVE	31	1				
58048	VALVE, INLET (STANDARD)	31	9				
58049	VALVE, INLET (015O.S.)	31	9				
58050	VALVE, EXHAUST (.015O.S.)	31	9				
58057	INTAKE MANIFOLD	43	1				
10-20055	SCREW, GROUND WIRE TO ALTERNATOR	5	31				
10-20314	SCREW, SERIAL PLATE ATTACHING	29	11				



# PARTS INDEX

Part Number	Description	Pg.	Ref. No.	Part Number	Description	Pg.	Ref. No.
10-32132	SCREW, WATER PUMP TO CYLINDER BLOCK (1 3/4")	43	15	10-37612	SCREW, EXHAUST MANIFOLD TO CYLINDER HEAD (1 1/4")	23	5
10-32774	SCREW, ALTERNATOR BRACKET TO EXHAUST MANIFOLD (2")	5	25	10-38197	SCREW, TRANSMISSION TO ENGINE (3 1/2")	33	2
10-33212	SCREW, RETAINER BRACKET TO CYLINDER HEAD (7/16-14 X 3/4")	7	5	10-45102	SCREW, IGNITION COIL CLAMPING (2 3/8")	7	29
10-33231	SCREW, DISTRIBUTOR GROUND TO MANIFOLD	11	20	10-45103	SCREW, IGNITION COIL CLAMPING (2")	7	29
10-33524	SCREW, OIL LEVEL GAUGE TUBE CLIP TO BRACKET (5/8")	41	48	10-45218	SCREW, GROUND WIRE TO SWITCH BOX (3/8")	7	27
10-34277	BOLT, CAMSHAFT TIMING SPROCKET (7/16")	41	31	10-46718	SCREW, BACKUP PLATE FASTENING (3/4")	9	42
10-34277	SCREW, CRANKCASE FRONT END COVER TO CYLINDER BLOCK (7/16")	43	30	10-47277	SCREW, PULLEY TO WATER PUMP (3/4")	43	17
10-34353	BOLT, CRANKSHAFT PULLEY TO HARMONIC BALANCER (1")	43	24	10-47461	SCREW, WATER PUMP BRACKET TO ENGINE (1")	37	25
10-34353	SCREW, ADJUSTING BRACE TO OIL PAN	37	29	10-47462	SCREW, STARTER MOTOR TO CYLINDER BLOCK (1 1/4")	5	2
10-34353	SCREW, ALTERNATOR BRACKET TO EXHAUST MANIFOLD (1")	5	25	10-47618	SCREW, TRIGGER ATTACHING (1")	11	10
10-34354	SCREW, LIFTING EYE ATTACHING (1 1/2 ")	43	8	10-47618	SCREW, WIRING HARNESS LEAD CLAMP	9	46
10-34354	SCREW, WATER PUMP BRACKET ATTACHING (1 1/2")	37	23	10-47654	SCREW, CLAMP - ADJUSTING TRUNNION (2 3/4")	35	36
10-34370	SCREW, AIR HORN TO FLOAT BOWL (1")	19	7	10-47674	SCREW, COER TO ELECTRIC PANEL (2 3/4")	7	39
10-35091	SCREW, DRIVE PLATE TO FLYWHEEL	39	22	10-47954	SCREW, ELECTRIC PANEL TO FLYWHEEL HOUSING (1 5/8")	7	17
10-35169	SCREW, FUEL PUMP TO CYLINDER BLOCK (1 1/8")	15	2	10-47954	SCREW, OIL FILTER ADAPTOR TO ELECTRIC PANEL (1 5/8")	3	4
10-35386	SCREW, END CAP TO EXHAUST MANIFOLD (1")	25	10	10-48137	SCREW, AIR HORN TO FLOAT BOWL (3/8")	19	6
10-35386	SCREW, THROTTLE BRACKET TO INTAKE MANIFOLD (1")	17	45	10-48138	SCREW, VACUUM CONTROL BRACKET TO FLOAT BOWL	19	35
10-35785	SCREW, THERMOSTAT COVER AND THERMOSTAT HOUSING TO MANIFOLD	27	9	10-48139	SCREW, CHOKE VALVE TO CHOKE SHAFT	19	24
10-35786	SCREW, ANJUSTING BRACE TO WATER PUMP BRACKET (1")	37	32	10-48144	SCREW, IDLE STOP	21	46
10-35787	SCREW, ELECTRIC PANEL TO CYLINDER BLOCK (2 1/4")	7	16	10-48145	SCREW, THROTTLE BODY TO FLOAT BOWL	21	58
10-37269	SCREW, MOUNTING BRACKET TO TRANSMISSION (2")	33	31	10-48146	SCREW, LEVER AND CAM TO THROTTLE BODY	21	61
10-37510	BOLT, INTAKE MANIFOLD TO CYLINDER BLOCK (1 1/4")	43	5	10-48254	SCREW, MOUNTING BRACKET ATTACHING (2 1/8")	35	49
				10-48308	SCREW, ALTERNATOR TO ALTORNATOR BRACKET (3 3/4")	5	27
				10-48395	SCREW, AIR HORN TO FLOAT BOWL (3")	19	8
				10-48424	SCREW, MOUNTING BRACKET TO CYLINDER BLOCK (1 5/8")	33	34

# PARTS INDEX

Part Number	Description	Pg.	Ref. No.	Part Number	Description	Pg.	Ref. No.
10-48831	SCREW, PLUG COVER TO CYLINDER BLOCK (4")	3	14	11-20856	NUT, FLAME ARRESTOR STUD	15	39
10-48948	SCREW, WATER PUMP BRACKET TO ENGINE (7/8")	37	25	11-21270	NUT, CHOKE LEVER SCREW	19	22
10-49101	BOLT, PULLEY AND HARMONIC BALANCER TO CRANKSHAFT	43	21	11-22053	NUT, OIL LEVEL GAUGE TUBE CLIP SCREW	41	50
10-49105	BOLT, CYLINDER HEAD TO CYLINDER BLOCK (4 1/8")	31	22	11-23161	NUT, ALTERNATOR SCREWW	5	30
10-49106	BOLT, CYLINDER HEAD TO CYLINDER BLOCK (2")	31	21	11-23161	NUT, END CAP SCREW	25	23
10-49145	BOLT, CRANKSHAFT BEARING CAP TO CYLINDER BLOCK (2 5/8")	39	17	11-24883	NUT, ADJUSTING BRACE SCREW	37	34
10-49147	BOLT, CRANKSHAFT BEARING CAP TO CYLINDER BLOCK (3 3/8")	39	17	11-25594	NUT, MOUNTING STRAP STUD	25	30
10-52156	SCREW, ADJUSTING TRUNNION (4 1/2")	35	40	11-26419	NUT, STARTER TEREMINAL (#8)	5	6
10-52708	SCREW, FLYWHEEL HOUSING TO ENGINE (2 1/2")	29	18	11-28517	NUT, STARTER TERMINAL (3/8")	5	4
10-53016	SCREW, END CAP TO EXHAUST MANIFOLD (1 1/4")	25	10	11-28941	NUT, JAM - FLAME ARRESTOR MOUNTING STUD (BOTTOM)	15	22
10-54528	SCREW, DISTRIBUTOR CLAMP ATTACHING	11	19	11-29553	NUT, CLAMP ADJUSTING TRUNNION SCREW	35	39
10-55137	SCREW, END CAP TO HEAT EXCHANGER (14")	25	21	11-35814	NUT, FUEL FILTER SCREW	15	16
10-55714	SCREW, OIL PAN TO CYLINDER BLOCK (5/16-18X7/8")	41	40	11-35814	NUT, THERMOSTAT COVER TO RESERVOIR STUD	27	14
10-55715	SCREW, OIL PAN TO CYLINDER BLOCK (1/4-20X7/8")	41	41	11-35888	NUT, CHOKE SOLENOID SCREW	17	63
10-58047	SCREW, ROCKER VALVE COVER TO CYLINDER HEAD (1/2")	31	4	11-37500	NUT, BAFFLE TO CYLINDER BLOCK STUD	41	36
10-58055	BOLT, CONNECTING ROD CAP	41	25	11-37500	NUT, OIL PUMP STUD	43	36
11-20083	NUT, SHIFT LEVER TO TRANSMISSION	33	19	11-45076	NUT, SWITCH BOX TERMINAL	7	24
11-20083	NUT, STARTER SOLENOID TERMINAL (5/16-24)	7	10	11-45812	NUT, ADAPTOR HOUSING AND RETAINER STUD	11	33
11-20190	NUT, THROTTLE CABLE SCREW	15	36	11-46438	NUT, SHIFT CABLE ADAPTOR STUD (10-32)	33	26
11-20586	NUT, THROTTLE CABLE STUD	17	52	11-46438	NUT, SHIFT CABLE TO BRACKET STUD (10-32)	33	11
11-20645	NUT, CHOKE SOLENOID TERMINAL	17	60	11-46793	NUT, CARBURETOR MOUNTING STUD	15	29
11-20645	NUT, ELECTRIC CHOKE SWITCH TERMINAL	5	12	11-46793	NUT, SHIFT CABLE SCREW (5/16-24)	33	29
11-20645	NUT, IGNITION COIL SCREW	7	33	11-46887	NUT, SHIFT CABLE ADAPTOR STUD (1/4-28)	33	23
11-20645	NUT, OIL PRESSURE SENDER TERMINAL (#10)	5	15	11-47521	NUT, JAM - OIL COOLER	29	24
11-20645	NUT, STARTER SOLENOID TERMINAL (10-32)	7	12	11-47525	NUT, JAM - ADJUSTING TRUNNION SCREW	35	46
				11-47626	NUT, OIL LEVEL GAUGE TUBE	41	44
				11-49119	NUT, ROCKER VALVE ARM STUD	31	17
				11-49838	NUT, EXHAUST ELBOW TO EXHAUST MANIFOLD STUD	23	16
				11-58056	NUT, CONNECTING ROD CAP BOLT	41	26
				12-20084	WASHER CARBURETOR MOUNTING STUD	15	28
				12-20084	WASHER, FUEL FILTER SCREW	15	15

# PARTS INDEX

Part Number	Description	Pg.	Ref. No.	Part Number	Description	Pg.	Ref. No.
12-20084	WASHER, THROTTLE BRACKET SCREW . . . . .	17	46	12-48611	WASHER, MOUNTING BRACKET . . . . .	35	43
12-20128	WASHER, THROTTLE CABLE SCREW . . . . .	15	35	12-49103	WASHER, PULLEY AND HARMONIC BALANCER BOLT . . . . .	43	23
12-20533	WASHER, SHIFT CABLE ADAPTOR STUD . . . . .	33	22	12-49112	WASHER, BAFFLE BOLT . . .	41	35
12-20553	WASHER, ADJUSTING BRACE SCREW . . . . .	37	31	12-49112	WASHER, INTAKE MANIFOLD BOLT . . . . .	43	6
12-20553	WASHER, ALTERNATOR SCREW . . . . .	5	29	13-21547	LOCKWASHER, SWITCH BOX SCREW . . . . .	7	26
12-20553	WASHER, ELECTRIC PANEL SCREW . . . . .	7	19	13-26992	LOCKWASHER, COVER SCREW . . . . .	29	14
12-20553	WASHER, END CAP SCREW	25	22	13-26992	LOCKWASHER, IGNITION COIL SCREW . . . . .	7	35
12-20722	WASHER, SHIFT LEVER TO TRANSMISSION . . . . .	33	17	13-26992	LOCKWASHER, STARTER SOLENOID SCREW . . . . .	7	14
12-21631	WASHER, THROTTLE CABLE STUD . . . . .	17	50	13-26993	LOCKWASHER, OIL COOLER COVER SCREW . . . . .	29	27
12-22753	WASHER, SHIFT CABLE SCREW . . . . .	33	28	13-26993	LOCKWASHER, SHIFT LEVER TO TRANSMISSION . . . . .	33	18
12-22937	WASHER, FLAME ARRESTOR STUD . . . . .	15	38	13-26993	LOCKWASHER, STARTER SOLENOID TERMINAL (5/16") . . . . .	7	9
12-25970	WASHER, OIL FILTER ADAPTOR SCREW . . . . .	3	6	13-26994	LOCKWASHER, CHOKE LEVER SCREW . . . . .	19	21
12-26168	WASHER, ALTERNATOR BRACE SCREW . . . . .	5	20	13-26995	LOCKWASHER, ADAPTOR HOUSING SCREW . . . . .	11	13
12-26825	WASHER, END CAP SCREW	25	12	13-26995	LOCKWASHER, STARTER TERMINAL (#8) . . . . .	5	5
12-26825	WASHER, MOUNTING STRAP STUD . . . . .	25	29	13-26996	LOCKWASHER, CHOKE SOLENOID TERMINAL . . .	17	59
12-26825	WASHER, SPACER - THROTTLE BRACKET TO CARBURETOR . . . . .	17	47	13-26996	LOCKWASHER, DISTRIBUTOR CLAMP FASTENING SCREW . . . . .	11	8
12-30164	WASHER, GROUND WIRE SCREW . . . . .	5	33	13-26996	LOCKWASHER, ELECTRIC CHOKE SWITCH TERMINAL . . . . .	5	11
12-30315	WASHER, ALTERNATOR BRACE SCREW . . . . .	5	23	13-26996	LOCKWASHER, HOUSING AND RETAINER SCREW . .	11	26
12-30315	WASHER, WATER PUMP BRACKET SCREW . . . . .	37	27	13-26996	LOCKWASHER, OIL PRESSURE SENDER TERMINAL (#10) . . . . .	5	14
12-30771	WASHER, FIBER - THERMOSTAT COVER TO RESERVOIR STUD . . . . .	27	11	13-26996	LOCKWASHER, STARTER SOLENOID TERMINAL (#10) . . . . .	7	11
12-33181	WASHER, SEALING - FLYWHEEL HOUSING SCREW . . . . .	29	19	13-26996	LOCKWASHER, SWITCH BOX TERMINAL . . . . .	7	23
12-36533	WASHER, OIL COOLER COVER SCREW . . . . .	29	27	13-26996	LOCKWASHER, TRIGGER ATTACHING SCREW . . .	11	11
12-37407	WASHER, IGNITION COIL SCREW . . . . .	7	30	13-26996	LOCKWASHER, WATER TEMPERATURE SENDER TERMINAL (#10) . . . . .	5	8
12-37407	WASHER, SHIFT CABLE ADAPTOR STUD . . . . .	33	25	13-29402	WAVE WASHER, SHIFT CABLE ADAPTOR STUD .	33	24
12-37407	WASHER, SHIFT CABLE TO BRACKET STUD . . . . .	33	10	13-31848	LOCKWASHER, MOUNTING BRACKET SCREW . . . . .	35	50
12-38833	WASHER, PLUNGER AND LINK . . . . .	17	56	13-32993	LOCKWASHER, ALTERNATOR BRACE SCREW . . . . .	5	22
12-45075	WASHER, SWITCH BOX TERMINAL . . . . .	7	22				
12-47523	WASHER, PLUG COVER SCREW . . . . .	3	15				
12-48506	WASHER, INSULATOR - ADAPTOR TO ELECTRIC PANEL . . . . .	3	3				

# PARTS INDEX

Part Number	Description	Pg.	Ref. No.	Part Number	Description	Pg.	Ref. No.
13-32993	LOCKWASHER, CLAMP ADJUSTING TRUNNION SCREW . . . . .	35	37	14-48467	TAB WASHER, ADJUSTING TRUNNION SCREW . . . . .	35	41
13-32993	LOCKWASHER, MOUNTING BRACKET SCREW . . . . .	33	32	15-F5431	SHIM, INLET VALVE SPRING (THIN) . . . . .	31	10
13-32993	LOCKWASHER, RETAINER BRACKET SCREW . . . . .	7	6	16-20525	STUD, CARBURETOR MOUNTING (1 5/16") . . . . .	15	27
13-32993	LOCKWASHER, STARTER MOTOR SCREW . . . . .	5	3	16-29988	STUD, HEAT EXCHANGER STRAP TO RESERVOIR (1 9/16") . . . . .	25	3
13-32993	LOCKWASHER, TRANSMISSION SCREW . . . . .	33	3	16-33111	STUD, THERMOSTAT COVER TO RESERVOIR (1 9/16") . . . . .	25	4
13-32993	LOCKWASHER, WATER PUMP BRACKET SCREW . . . . .	37	26	16-35897	STUD, THROTTLE CABLE TO MOUNTING BRACKET (1 11/16") . . . . .	17	49
13-35048	LOCKWASHER, ADJUSTING BRACE SCREW . . . . .	37	30	16-48680	STUD, SHIFT CABLE ADAPTOR TO SHIFT LEVER (1 1/4") . . . . .	33	21
13-35048	LOCKWASHER, ALTERNATOR BRACKET SCREW . . . . .	5	26	16-49108	STUD, OIL PUMP TO CYLINDER BLOCK . . . . .	43	35
13-35048	LOCKWASHER, DRIVE PLATE SCREW . . . . .	39	23	16-49133	STUD, ROCKER VALVE ARM . . . . .	31	19
13-35048	LOCKWASHER, ELECTRIC PANEL SCREW . . . . .	7	18	16-49144	STUD, CRANKSHAFT BEARING CAP TO CYLINDER BLOCK . . . . .	39	18
13-35048	LOCKWASHER, LIFTING EYE SCREW . . . . .	43	9	16-52988	STUD, EXHAUST MANIFOLD TO EXHAUST ELBOW (3 1/4") . . . . .	23	2
13-35048	LOCKWASHER, MOUNTING BTACKET SCREW . . . . .	33	35	16-53722	STUD, CARBURETOR MOUNTING (4 3/8") . . . . .	15	27
13-35048	LOCKWASHER, RETAINER BRACKET SCREW . . . . .	7	6	16-53730	STUD, CARBURETOR MOUNTING (4 9/16") . . . . .	15	27
13-35048	LOCKWASHER, WATER PUMP BRACKET SCREW . . . . .	37	24	16-54204	STUD, ADAPTOR HOUSING TO RETAINER AND COVER . . . . .	11	23
13-35364	LOCKWASHER, FUEL FILTER SCREW . . . . .	15	14	16-54459	STUD, RETAINER TO COVER . . . . .	11	28
13-37449	LOCKWASHER, ADJUSTING BRACE SCREW . . . . .	37	33	16-57835	STUD, FLAME ARRESTOR MOUNTING - CARBURETOR . . . . .	15	21
13-37459	LOCKWASHER, CRANKSHAFT PULLEY BOLT . . . . .	43	25	17-20032	PIN, DOWEL - ADAPTOR HOUSING . . . . .	11	5
13-37459	LOCKWASHER, EXHAUST ELBOW TO EXHAUST MANIFOLD STUD . . . . .	23	15	17-22116	PIN, ROLL - JAM NUT . . . . .	35	47
13-37459	LOCKWASHER, OIL FILTER ADAPTOR SCREW . . . . .	3	5	17-24813	PIN, DOWEL - OIL PUMP LOCATING . . . . .	39	4
13-37459	LOCKWASHER, THERMOSTAT COVER AND THERMOSTAT HOUSING SCREW . . . . .	27	10	17-47526	PIN, IMPELLER DRIVE . . . . .	37	11
13-39107	LOCKWASHER, END CAP SCREW . . . . .	25	11	17-47617	ROLL PIN, GEAR TO DISTRIBUTOR . . . . .	11	15
13-39107	LOCKWASHER, OIL LEVEL GAUGE TUBE CLIP SCREW . . . . .	41	49	17-48140	PIN, HINGE - FLOAT . . . . .	19	26
13-39107	LOCKWASHER, THERMOSTAT COVER TO RESERVOIR STUD . . . . .	27	13	17-52190	PIN, DOWEL - CYLINDER BLOCK TO CYLINDER HEAD . . . . .	39	5
13-39107	LOCKWASHER, WATER PUMP PULLEY SCREW . . . . .	37	18	18-26953	COTTER PIN, PLUNGER AND LINK TO CHOKE LEVER . . . . .	17	57
13-39107	LOCKWASHER, WATER PUMP PULLEY SCREW . . . . .	43	18	19-32298	PLUG, ELECTRIC PANEL . . . . .	7	2
				19-37478	PLUG, EXPANSION - CYLINDER BLOCK (1 3/4") . . . . .	39	-
				19-47815	PLUG, RUBBER - OIL PAN . . . . .	41	39

# PARTS INDEX

Part Number	Description	Pg.	Ref. No.	Part Number	Description	Pg.	Ref. No.
22-20445	FITTING, AIR BLEED HOSE TO RESERVOIR . . . . .	27	4	22-48556	BUSHING, REDUCER - OIL PRESSURE SENDER . . . .	5	16
22-32802	PLUG, PIPE - OIL FILTER ADAPTOR (1/8-27) . . . . .	3	7	22-48871	ELBOW, INLET HOSE TO OIL COOLER (90 DEGREES) .	29	6
22-32802	PLUG, DRAIN - FLYWHEEL HOUSING . . . . .	29	16	22-48872	ELBOW, OUTLET HOSE (45 DEGREES) . . . . .	29	3
22-32802	PLUG, PIPE - END CAP . . . . .	25	20	22-48873	EXTENDER, OUTLET HOSE TO OIL COOLER . . . . .	29	2
22-32802	PLUG, PIPE - EXHAUST ELBOW . . . . .	23	11	22-48874	FITTING, REDUCER - INLET HOSE ELBOW . . . . .	29	9
22-32802	PLUG, PIPE - EXHAUST MANIFOLD . . . . .	23	4	22-49146	PLUG, PIPE - CYLINDER BLOCK (3/4") . . . . .	39	-
22-32802	PLUG, PIPE - WATER DISTRIBUTION HOUSING	27	19	22-54139	FITTING, AIR BLEED HOSE TO THERMOSTAT COVER	27	7
22-32876	NIPPLE, SIGHT GLASS TO FUEL PUMP . . . . .	15	5	22-54533	CONNECTOR, WATER PUMP - BY-PASS HOSE . . . . .	43	13
22-33755	ELBOW, FUEL LINE TO FUEL FILTER (INLET) . . .	15	8	22-55133	TEE, FITTING . . . . .	27	21
22-36373	PLUG, PIPE - OIL FILTER ADAPTOR (3/8-18) . . . . .	3	2	22-58095	CONNECTOR, INTAKE MANIFOLD - BY-PASS HOSE . . . . .	43	2
22-36373	PLUG, PIPE - OIL PAN DRAIN . . . . .	41	42	23-28626	BUSHING, THROTTLE CABLE SCREW . . . . .	15	31
22-36382	PLUG, PIPE - FUEL FILTER .	15	11	23-31866	SPACER, THROTTLE CABLE STUD . . . . .	17	51
22-36382	PLUG, WATER DRAIN - CYLINDER BLOCK . . . . .	39	2	23-32818	BUSHING, THROTTLE CABLE SCREW . . . . .	15	34
22-39737	SLEEVE, WATER FILLER . .	25	5	23-33186	BUSHING, ALTERNATOR SCREW . . . . .	5	28
22-47625	ELBOW, OIL LEVEL GAUGE TUBE TO OIL PAN . . . . .	41	43	23-35040	SLEEVE, THROTTLE CABLE SCREW . . . . .	15	32
22-47629	ELBOW, HOSE TO TRANSMISSION (90 DEGREES) . . . . .	33	4	23-36159	BUSHING, REDUCING - TRANSMISSION ELBOW .	33	12
22-47630	ELBOW, HOSE TO OIL COOLER (90 DEGREES) .	33	15	23-47508	SLEEVE, THERMOSTAT HOUSING . . . . .	23	21
22-47630	ELBOW, HOSE TO OIL COOLER (90 DEGREES) .	33	6	23-47511	SLEEVE, CONNECTING - FLYWHEEL HOUSING . . .	29	15
22-47631	ELBOW, HOSE TO TRANSMISSION (90 DEGREES) . . . . .	33	13	23-47511	SLEEVE, END CAP . . . . .	25	16
22-47716	ELBOW, FUEL LINE TO FUEL PUMP AND FUEL FILTER . . . . .	15	17	23-47511	SLEEVE, WATER PUMP COVER 2 . . . . .	37	13
22-47917	ELECTRODE, OIL COOLER .	29	25	23-49124	BEARING, THRUST - CAMSHAFT . . . . .	41	--
22-48118	PLUG, EXHAUST ELBOW . .	23	13	23-49150	BEARING UNIT, CAMSHAFT (FRONT) . . . . .	39	7
22-48118	PLUG, EXHAUST MANIFOLD	23	3	23-49151	BEARING UNIT, CAMSHAFT (FRONT INTERMEDIATE AND REAR) . . . . .	39	8
22-48245	CONNECTOR,, OIL FILTER ADAPTOR TO OIL HOSE .	3	9	23-49152	BEARING UNIT, CAMSHAFT (CENTER AND REAR INTERMEDIATE) . . . . .	39	9
22-48246	ELBOW, INLET HOSE TO CYLINDER BLOCK (90 DEGREES) . . . . .	29	8	23-49158	BEARING UNIT, CRANKSHAFT MAIN (STANDARD) . . . . .	39	12
22-48246	ELBOW, OUTLET HOSE TO CYLINDER BLOCK (90 DEGREES) . . . . .	29	5	23-49159	BEARING UNIT, CRANKSHAFT MAIN (.001 U.S.) . . . . .	39	12
22-48336	PLUG, PIPE - WATER PUMP	43	14	23-49160	BEARING UNIT, CRANKSHAFT MAIN (.002 U.S.) . . . . .	39	12
22-48340	PLUG, PIPE - CYLINDER BLOCK (1/4") . . . . .	39	-				
22-48341	PLUG, PIPE - OIL PRESSURE GAUGE HOLE	39	3				
22-48358	PLUG, INTAKE MANIFOLD VACUUM HOLE . . . . .	15	25				
22-48358	PLUG, PIPE - CYLINDER BLOCK (3/8") . . . . .	39	-				

# PARTS INDEX

Part Number	Description	Pg.	Ref. No.	Part Number	Description	Pg.	Ref. No.
23-49163	BEARING UNIT, CRANKSHAFT MAIN - REAR (STANDARD) . . . . .	39	13	25-49289	GROMMET, ROCKER COVER TO VENT HOSE CONNECTOR . . . . .	17	43
23-49164	BEARING UNIT, CRANKSHAFT MAIN - REAR (.001 U.S.) . . . . .	39	13	25-57009	GROMMET, ELECTRIC PANEL - TRIGGER LEADS	7	7
23-49165	BEARING UNIT, CRANKSHAFT MAIN - REAR (.002 U.S.) . . . . .	39	13	26-23300	OIL SEAL, WATER PUMP SHAFT . . . . .	37	6
23-49166	BEARING UNIT, CRANKSHAFT MAIN - REAR (.010 U.S.) . . . . .	39	13	26-37479	OIL SEAL, REAR CRANKSHAFT BEARING CAP . . . . .	39	14
23-49167	BEARING UNIT, CRANKSHAFT MAIN - REAR (.020 U.S.) . . . . .	39	13	26-49131	SEAL, VALVE . . . . .	31	11
23-49168	BEARING SET (8 PAIR), CONNECTING ROD (STANDARD) . . . . .	41	27	26-49154	OIL SEAL, CRANKCASE FRONT END COVER . . . . .	43	28
23-49169	BEARING UNIT (PAIR), CONNECTING RID (.001 U.S.) . . . . .	41	27	26-58111	OIL SEAL, WATER PUMP SHAFT . . . . .	37	7
23-49170	BEARING UNIT (PAIR), CONNECTING RID (.002 U.S.) . . . . .	41	27	27-34213	GASKET, FUEL PUMP . . . . .	15	3
23-49171	BEARING UNIT (PAIR), CONNECTING RID (.010 U.S.) . . . . .	41	27	27-46820	GASKET, EXHAUST MANIFOLD TO CYLINDER HEAD . . . . .	23	6
23-49172	BEARING UNIT (PAIR), CONNECTING RID (.020 U.S.) . . . . .	41	27	27-47410	GASKET, WATER PUMP COVER TO WATER PUMP BODY . . . . .	37	14
23-52020	SLEEVE, WATER DISTRIBUTION HOUSING	27	20	27-47495	GASKET, OIL COOLER COVER RIGHT SIDE . . . . .	29	22
23-52193	RETAINER, OIL PUMP SHAFT . . . . .	43	33	27-47496	GASKET, OIL COOLER COVER LEFT SIDE . . . . .	29	22
24-32817	SPRING, THROTTLE RETURN . . . . .	17	48	27-47510	GASKET, THERMOSTAT (MIDDLE) . . . . .	23	20
24-33050	SPRING, IDLE NEEDLE . . . . .	21	57	27-48042	GASKET, EXHAUST ELBOW TO EXHAUST MANIFOLD	23	14
24-34373	SPRING, IDLE STOP SCREW	21	47	27-48043	GASKET, END CAP TO EXHAUST MANIFOLD . . . . .	23	8
24-48141	SPRING, POWER PISTON . . . . .	21	43	27-48818	GASKET, THERMOSTAT HOUSING (UPPER) . . . . .	23	18
24-48142	SPRING, METERING ROD - PRIMARY . . . . .	19	39	27-49104	GASKET, CYLINDER HEAD . . . . .	31	20
24-48143	SPRING, FILTER NUT . . . . .	21	48	27-49110	GASKET, WATER PUMP MOUNTING . . . . .	43	12
24-48399	GASKET, CARBURETOR . . . . .	15	23	27-49121	GASKET, ROCKER VALVE COVER . . . . .	31	6
24-52728	SPRING, CHOKE RETURN . . . . .	17	54	27-52184	GASKET, DISTRIBUTOR . . . . .	11	17
24-55144	GASKET, HEAT EXCHANGER INLET . . . . .	25	14	27-52550	GASKET SET, OIL PAN . . . . .	41	38
24-58052	SPRING, VALVE . . . . .	31	12	27-53045	GASKET, THERMOSTAT HOUSING TO MANIFOLD (LOWER) . . . . .	23	22
25-33756	RING, SEALING - PLUG COVER . . . . .	3	13	27-54529	GASKET, CRANKCASE FRONT END COVER . . . . .	43	29
25-35039	GROMMET, THROTTLE CABLE SCREW . . . . .	15	33	27-55136	GASKET, END CAP TO HEAT EXCHANGER . . . . .	25	17
25-38930	GROMMET, HIGH TENSION LEADS (RETAINER BRACKET) . . . . .	7	4	27-55138	GASKET, END CAP TO HEAT EXCHANGER . . . . .	25	19
25-47623	GROMMET, CABLE TO RETINER . . . . .	13	40	27-58088A1	GASKET, INTAKE MANIFOLD	43	10
25-47624	GROMMET, ELECTRIC PANEL . . . . .	7	20	28-34466	HEY, CAMSHAFT TIMING GEAR . . . . .	41	--
25-47632	"O" RING, SEALING - OIL COOLER . . . . .	29	23	28-34466	KEY, CRANKSHAFT PULLEY AND BALANCER . . . . .	41	33
				28-54530	KEY, VALVE STEM . . . . .	31	14
				30-20861	BALL BEARING, WATER PUMP SHAFT . . . . .	37	5

# PARTS INDEX

Part Number	Description	Pg.	Ref. No.	Part Number	Description	Pg.	Ref. No.
32-35100A1	HOSE, WATER DISTRIBUTION HOUSING TO TEE (2")	27	23	39-49173	RING, PISTON - 8 SETS (.030 O.S.)	39	11
32-35100A1	HOSE, WATER DISTRIBUTION HOUSING TO TEE (20")	27	22	39-58054	RING, PISTON - 8 SETS (.020 O.S.)	39	11
32-47516--2	HOSE, TRANSMISSION TO OIL COOLER (16 3/4")	33	14	43-47619	GEAR, DISTRIBUTOR (OPPISITE ROTATION)	11	14
32-47516--3	HOSE, OIL COOLER TO TRANSMISSION (7 7/8")	33	5	43-47649	GEAR, DISTRIBUTOR (STANDARD ROTATION)	11	14
32-47721	FUEL LINE, FUEL TANK TO FUEL FILTER (12")	15	7	43-49125	GEAR, CAMSHAFT TIMING	41	29
32-47722A1	HOSE, WATER PUMP TO OIL COOLER (25")	37	19	46-58001A4	WATER PUMP ASSEMBLY, COMPLETE	37	1
32-47996	HOSE, VENT - CARBURETOR (10" AND 12 1/2")	15	40	47-47519	IMPELLER	37	10
32-48244A1	HOSE, OIL RETURN	3	8	50-47454	STARTER MOTOR ASSEMBLY (OPPOSITE ROTATION)	5	1
32-48944--1	HOSE, OUTLET - OIL COOLER TO CYLINDER BLOCK (8") 1	29	4	50-47455	STARTER MOTOR ASSEMBLY (STANDARD ROTATION)	5	1
32-48946	HOSE, INLET - OIL COOLER TO CYLINDER BLOCK (15")	29	7	53-23720	RING, RETAINING - SHAFT AND BEARING	37	4
32-49122	HOSE, BY-PASS - INTAKE MANIFOLD TO WATER PUMP	43	3	54-20387	CLAMP, FITTINGS TO AIR BLEED HOSE	27	6
32-49705	TUBE, WATER - EXHAUST ELBOW	23	12	54-22740	CLIP, IGNITION COIL LEAD	7	31
32-55126	TUBE, OVERFLOW	25	2	54-32780	CLAMP, HEAT EXCHANGER HOSE TO END CAP AND FLYWHEEL HSG.	25	25
32-55317	HOSE, HEAT EXCHANGER TO WATER PUMP	25	31	54-32780	CLAMP, HOSE ATTACHING	27	26
32-55483	HOSE, HEAT EXCHANGER END CAP TO TEE (25 3/4")	27	25	54-32780	CLAMP, HOSE TO WATER PUMP AND OIL COOLER	37	20
32-55871	FUEL LINE, FUEL PUMP TO CARBURETOR (STEEL TUBING)	15	19	54-32781	CLAMP, WIRING HARNESS PLUG	9	43
32-55872	FUEL LINE, FUEL FILTER TO FILTER TL FUEL PUMP (STEEL TUBING)	15	18	54-32781	CLAMP, HOSE TO HEAT EXCHANGER AND WATER PUMP	25	32
32-57016	HOSE, HEAT EXCHANGER END CAP TO FLYWHEEL HOUSING	25	24	54-32880	CLAMP, BY-PASS HOSE ATTACHING	43	4
32-57130	HOSE, AIR BLEED (6 1/2")	27	5	54-32880	CLAMP, HOSE ATTACHING	27	16
32-57929--3	HOSE, CONNECTOR - END CAP TO RESERVOIR	25	8	54-32880	CLAMP, HOSE ATTACHING	27	24
33-54842	SPARK PLUG (AC #WR-41N)	13	36	54-38889	CLAMP, CONNECTOR HOSE	25	9
35-53336	FILTER, FUEL INLET	21	49	54-47513	EYE, LIFTING	43	7
35-57250	FUEL FILTER	15	9	54-47528	CLAMP, ADJUSTING TRUNNION SCREW	35	38
36-55143	CAP, RESERVOIR WATER FILLER	25	6	54-47545	CLIP, OIL LEVEL GAUGE TUBE	41	47
37-34443	DECAL, ROCKER VALVE COVER	31	2	54-47715	CLIP, HEAT EXCHANGER HOSE TO CRANKCASE	25	26
37-53237	DECAL, RESERVOIR	25	-	54-48575	CLAMP, CAP TO ADAPTOR HOUSING	11	6
37-54347	DECAL, DISTRIBUTOR CAP	11	24	54-53101	CLAMP, VENT HOSE ATTACHING	17	41
37-55123	DECAL, ROCKER VALVE COVER (390 H.P.)	31	-	57-48121	BELT, WATER PUMP	37	21
37-56428	DECAL, WIRING	7	36	57-48122	BELT, ALTERNATOR DRIVE (48")	43	26
38-47520	SERIAL PLATE	29	10	123-26996	LOCKWASHER, GROUND WIRE SCREW	5	32
				230-4267	FLYWHEEL ASSEMBLY	39	20
				322-2983A6	IGNITION COIL ASSEMBLY	7	28
				332-2854	BOOT, COIL	13	41

# PARTS INDEX

Part Number	Description	Pg.	Ref. No.	Part Number	Description	Pg.	Ref. No.
332-2986A8	SWITCH BOX ASSEMBLY ..	7	21	1397-3465	OFF ENGINE KIT .....	21	--
393-2918A5	TRIGGER ASSEMBLY .....	11	9	1397-4324	AIR HORN ASSEMBLY .....	19	1
393-3230	CAP, DISTRIBUTOR .....	11	2	1397-4325	METERING ROD, SECONDARY .....	19	5
429-4270	CRANKSHAFT .....	41	32	1397-4326	CHOKE SHAFT AND LEVER ASSEMBLY .....	19	19
431-3422	CAMSHAFT (STANDARD ROTATION) .....	41	28	1397-4327	VALVE, CHOKE - CHOKE SHAFT .....	19	23
431-3427	CAMSHAFT (OPPOSITE ROTATION) .....	41	28				
614-4274	CONNECTING ROD ASSEMBLY .....	41	24				
737-4271	PISTON AND PISTON PIN ASSEMBLY (.001 O.S.) -USE STANDARD RI .....	39	10				
737-4272	PISTON AND PISTON PIN ASSEMBLY (.020 O.S.) ...	39	10				
737-4273	PISTON AND PISTON PIN ASSEMBLY (.030 O.S.) ...	39	10				
842-4268	CYLINDER BLOCK ASSEMBLY .....	39	1				
842-4268	CYLINDER BLOCK ASSEMBLY (SEE G12 FOR BREAKDOWN) .....	43	31				
938-4269	CYLINDER HEAD ASSEMBLY	31	18				
1347-4179A1	CARBURETOR ASSEMBLY (SEE F12 FOR BREAKDOWN) .....	15	20				
1347-4179A1	CARBURETOR ASSEMBLY, COMPLETE .....	19	-				
1397-3306	OVERHAUL KIT .....	21	--				
1397-3309	GASKET SET .....	21	--				
1397-3311	LEVER, ACTUATING - PUMP	19	9				
1397-3313	HOLDER KIT, SECONDARY METERING ROD .....	19	4				
1397-3314	LEVER, AIR VALVE LOCKOUT .....	19	2				
1397-3315	SPRING AND CAM KIT, AIR VALVE .....	21	--				
1397-3317	CONTROL ASSEMBLY, VACUUM .....	19	36				
1397-3318	ROD, VACUUM CONTROL .	19	32				
1397-3319	CAM, FAST IDLE .....	19	31				
1397-3320	HOSE, VACUUM .....	19	37				
1397-3322	BAFFLE, FLOAT BOWL .....	19	28				
1397-3323	LEVER, INTERMEDIATE CHOKE .....	19	27				
1397-3324	ROD, CHOKE .....	19	29				
1397-3325	FLOAT BOWL ASSEMBLY ..	21	45				
1397-3326	RETAINER, PUMP DISCHARGE BALL .....	19	41				
1397-3327	FLOAT ASSEMBLY .....	19	25				
1397-3328	POWER PISTON ASSEMBLY	19	38				
1397-3329	RETAINER, POWER PISTON	19	40				
1397-3330	NUT, FILTER - FUEL INLET .	21	50				
1397-3331	INSERT, FLOAT BOWL .....	21	44				
1397-3333	ROD, PUMP .....	21	53				
1397-3334	THROTTLE BODY ASSEMBLY .....	21	55				
1397-3335	LEVER, CAM .....	21	59				
1397-3336	LEVER, FAST IDLE .....	21	60				