



# PARTS CATALOG

## MERC 200

### SERIAL NUMBER

200	.....	USA 3537531 THRU 4709592
200	.....	CAN 7012358 THRU 7098522
200	.....	8006265 THRU 8045198
200	.....	BEL 9016254 THRU 9157229

# TABLE OF CONTENTS:

BOTTOM COWL ASSEMBLY . . . . .	46
CARBURETOR AND CHOKE ASSEMBLY . . . . .	20
CARBURETOR ASSEMBLY, COMPLETE . . . . .	14
CLAMP AND SWIVEL BRACKET ASSEMBLY . . . . .	50
CRANKSHAFT AND CENTER MAIN BEARING ASSEMBLY . . . . .	40
CYLINDER BLOCK AND CRANKCASE ASSEMBLY . . . . .	32
DRIVE SHAFT HOUSING ASSEMBLY . . . . .	56
ELECTRIC COMPONENTS . . . . .	70
FLYWHEEL, IGNITION COIL, STATOR AND SWITCH BOX(GROUP NO. 14) . . . . .	8
FLYWHEEL, IGNITION COIL, STATOR AND SWITCH BOX(GROUP NO. 15) . . . . .	68
GEAR HOUSING ASSEMBLY, COMPLETE (PAGE 1) . . . . .	60
GEAR HOUSING ASSEMBLY, COMPLETE (PAGE 2) . . . . .	64
MISCELLANEOUS PARTS/ACCESSORIES . . . . .	1
PARTS INDEX . . . . .	76
PISTON AND CONNECTING ROD ASSEMBLY . . . . .	42
SHIFT CONTROL LINKAGE . . . . .	24
STARTER ASSEMBLY . . . . .	4
STEERING HANDLE ASSEMBLY . . . . .	44
THROTTLE CONTROL LINKAGE . . . . .	28
TOP COWL, WRAP AROUND COWL AND FRONT COVER . . . . .	2
VOLTAGE REGULATOR (SERIAL GROUP NO. 16) . . . . .	74

**NOTE:** *Indented description indicate that these parts are included in preceeding assembly.*

**AR** = As Required

**NSS** = Not Sold Separate

**OPT** = Optional

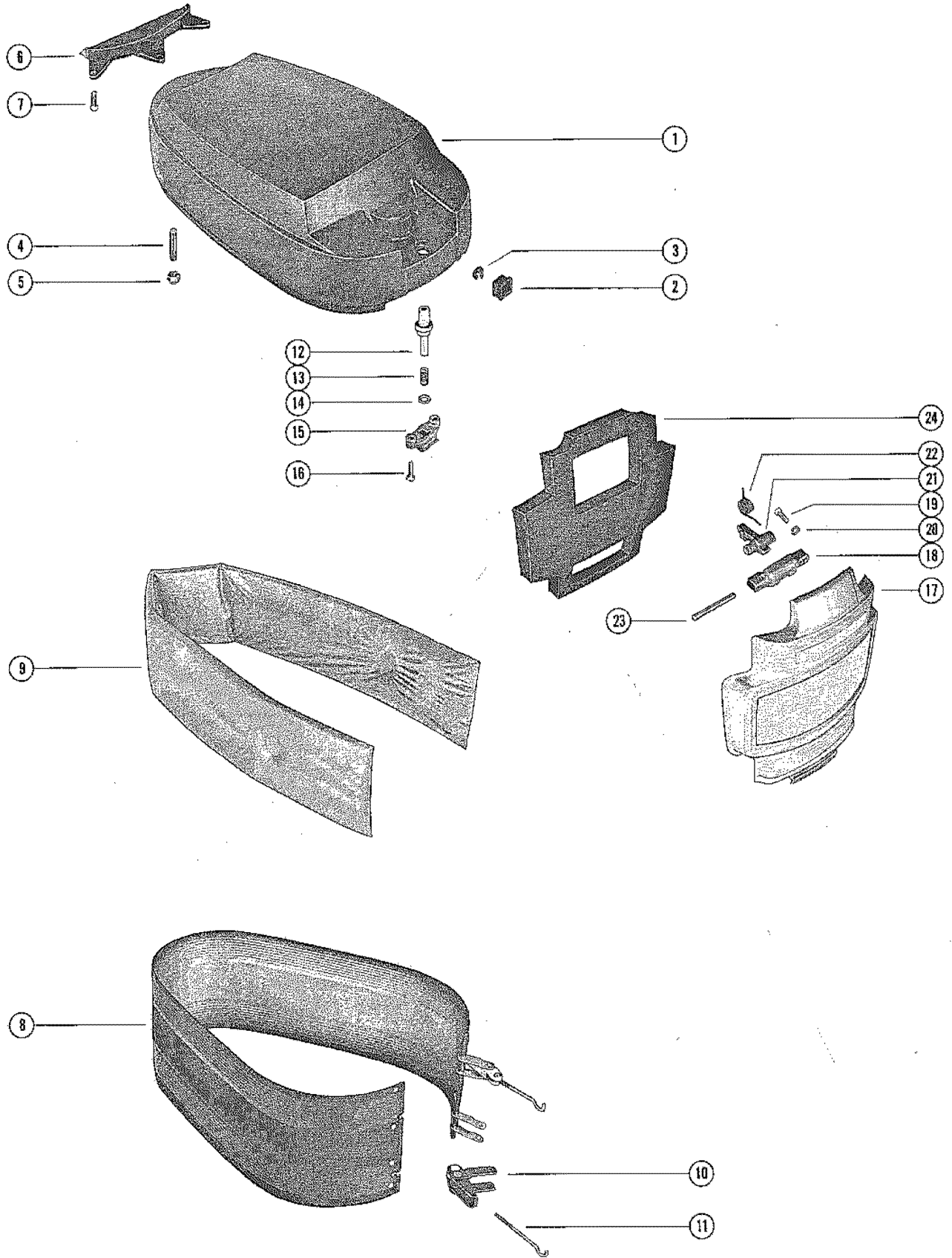
**NS** = Not Shown

**THESE PARTS BOOKS/FICHE CARD ARE COPYRIGHTED AND MAY NOT BE DISTRIBUTED OR REPRODUCED IN ANY OTHER FORMAT BY ANYONE OTHER THAN MERCURY MARINE WITHOUT THE PRIOR WRITTEN CONSENT OF MERCURY MARINE.**

## MISCELLANEOUS PARTS/ACCESSORIES

REF. NO.	PART NO.	SYM.	QTY.	DESCRIPTION
-	90-65145		0	MERC 200 PARTS LIST
-	27-45088A73		0	GASKET SET
-	37-61000A73		0	DECAL SET (ENGINE) UNITED STATES 3755884 AND BELOW AUSTRALIA 8013704 AND BELOW BELGIUM 9032083 AND BELOW CANADA 7024647 AND BELOW
-	37-65840A74		0	DECAL SET (ENGINE) UNITED STATES 3755885 THRU 4102789 AUSTRALIA 8013705 THRU 8026164 BELGIUM 9032084 THRU 9070128 CANADA 7024648 THRU 7044782
-	37-70165A75		0	DECAL SET (ENGINE) UNITED STATES 4102790 THRU 4351589 AUSTRALIA 8026165 THRU 8036049 BELGIUM 9070129 THRU 9104813 CANADA 7044783 THRU 7067847
-	37-73933A76		0	DECAL SET (ENGINE) UNITED STATES 4351590 THRU 4580036 AUSTRALIA 8036050 THRU 8043124 BELGIUM 9104814 THRU 9137349 CANADA 7067848 THRU 7089697
-	37-73933A77		0	DECAL SET(ENGINE) UNITED STATES 4580037 AND UP AUSTRALIA 8043125 AND UP BELGIUM 9137350 AND UP CANADA 7089698 AND UP
-	48755A1		0	FLUSHING ASSEMBLY
-	46-48749A5		0	HEAVY DUTY WATER PUMP ASSEMBLY

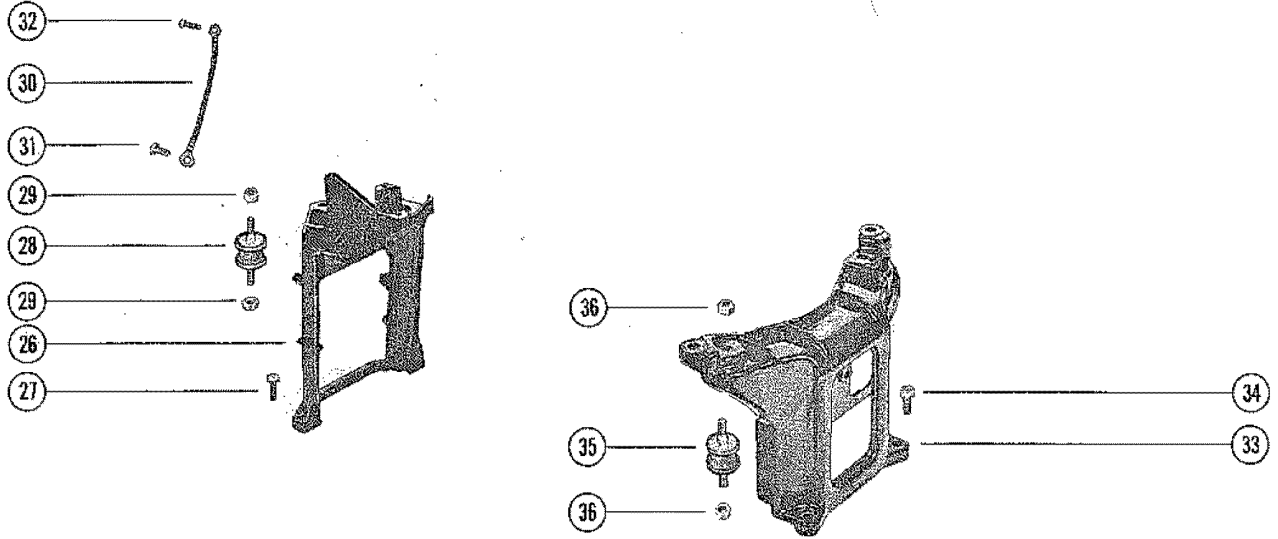
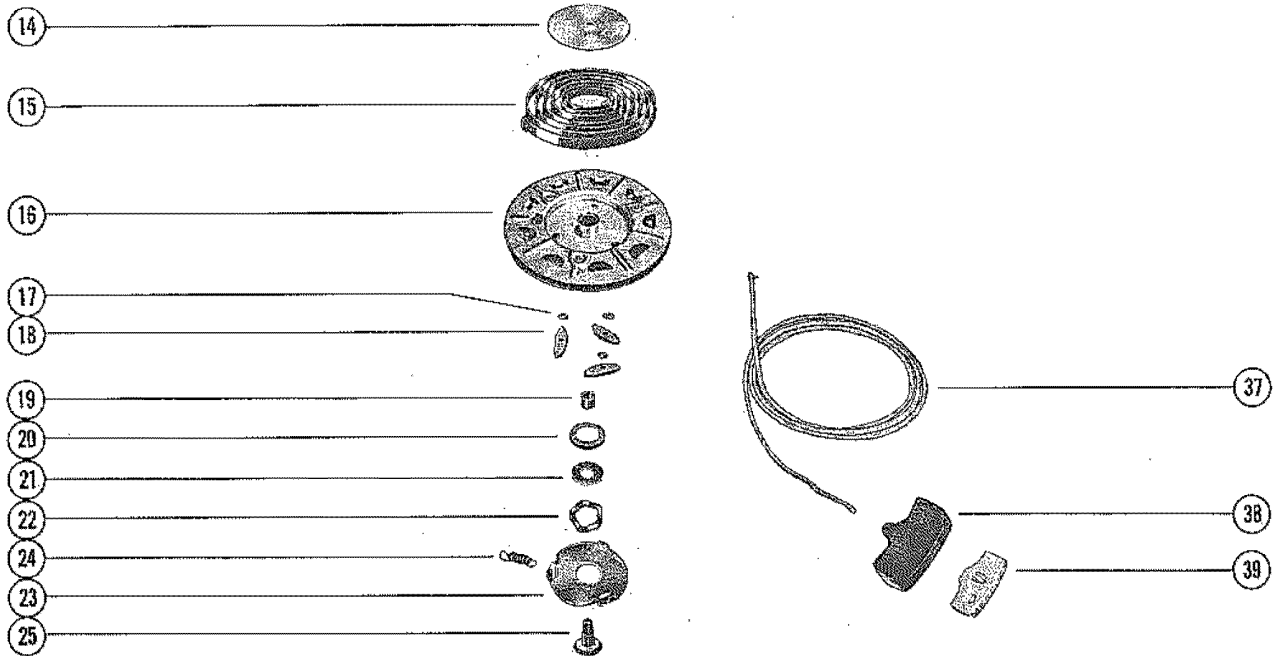
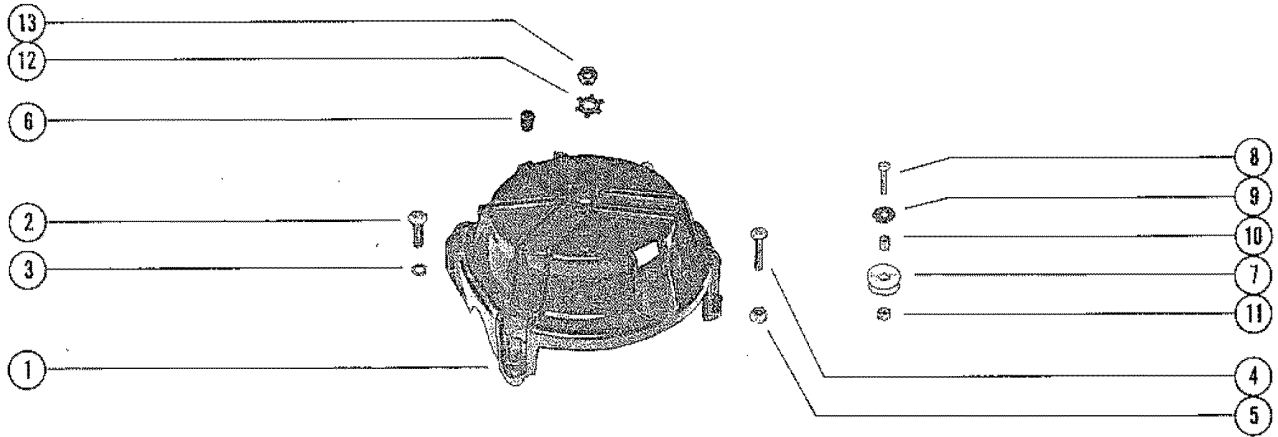
# TOP COWL, WRAP AROUND COWL AND FRONT COVER



# TOP COWL, WRAP AROUND COWL AND FRONT COVER

REF. NO.	PART NO.	SYM.	QTY.	DESCRIPTION
1	2130-4361A2		1	TOP COWL ASSEMBLY
2	73537		1	INSERT,ROPE GUIDE-TOP COWL
3	53-58656		1	RING,RETAINING-ROPE GUIDE TO TOP COWL <b>UNITED STATES 4351589 AND BELOW AUSTRALIA 8036049 AND BELOW BELGIUM 9104813 AND BELOW CANADA 7067847 AND BELOW</b>
4	16-21553		3	STUD,TOP COWL TO MOUNTING BRACKETS (1 1/2") <b>UNITED STATES 4351589 AND BELOW AUSTRALIA 8036049 AND BELOW BELGIUM 9104813 AND BELOW CANADA 7067847 AND BELOW</b>
3	53-72168		1	RING,RETAINING-ROPE GUIDE TO TOP COWL <b>UNITED STATES 4351590 AND UP AUSTRALIA 8036050 AND UP BELGIUM 9104814 AND UP CANADA 7067848 AND UP</b>
4	16-72166		3	STUD,TOP COWL TO MOUNTING BRACKETS (1 1/2") <b>UNITED STATES 4351590 AND UP AUSTRALIA 8036050 AND UP BELGIUM 9104814 AND UP CANADA 7067848 AND UP</b>
5	11-35814		3	NUT,TOP COWL STUD
6	39400		1	SHIELD,REAR-TOP COWL
7	10-3737		3	SCREW,REAR SHIELD TO TOP COWL (5/8)
8	2133-2706A5		1	WRAP AROUND COWL ASSEMBLY,CO,PLETE
9	39606		1	BLANKET,WRAP AROUND COWL (EARLY MODELS)
10	46785A1		2	,COWL LATCH ASSEMBLY
11	30413		2	HOOK, COWL LATCH FASTENING
12	39628		1	BUTTON,FRONT COVER RELEASE-TOP COWL
13	24-20099		1	SPRING-COMPRESSION-FRONT COVER RELEASE BUTTON
14	12-29245		1	WASHER,FRONT COVER RELEASE BUTTON
15	60865		1	CATCH,FRONT COVER-TOP COWL
16	10-37978		2	SCREW,FRONT COVER LATCH TO TOP COWL (3/4")
17	2127-2666A8		1	FRONT COVER ASSEMBLY,COMPLETE <b>UNITED STATES 4102789 AND BELOW AUSTRALIA 8026164 AND BELOW BELGIUM 9070128 AND BELOW CANADA 7044782 AND BELOW</b>
	2127-5669A2		1	FRONT COVER ASSEMBLY,COMPLETE <b>UNITED STATES 4102790 AND UP AUSTRALIA 8026165 AND UP BELGIUM 9070129 AND UP CANADA 7044783 AND UP</b>
18	60867A1		1	BASE ASSEMBLY,FRONT COVER LATCH
19	10-48409		2	SCREW,LATCH BASE TO FRONT COVER (5/8")
20	12-26014		AR	WASHER,LATCH BASE SCREW
21	60866		1	HOOK,FRONT COVER LATCH
22	24-39598		1	SPRING,TORISON-FRONT COVER LATCH HOOK
23	17-39599		1	PIN,PIVOT-FRONT COVER LATCH HOOK
24	39936		1	BLANKET,SOUND ABSORBING-FRONT COVER

# STARTER ASSEMBLY

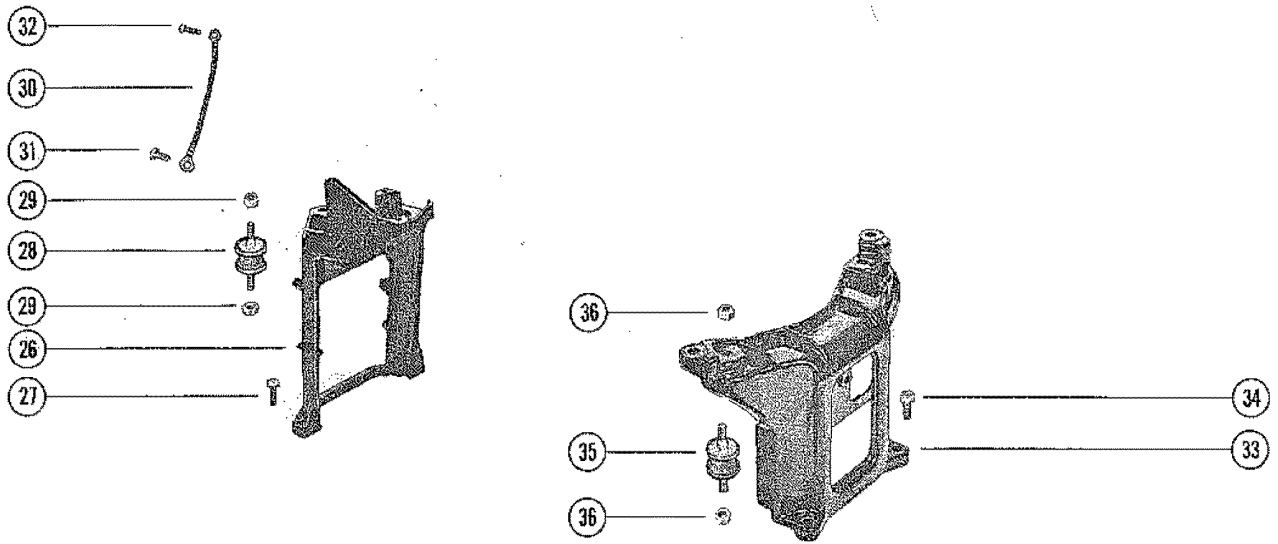
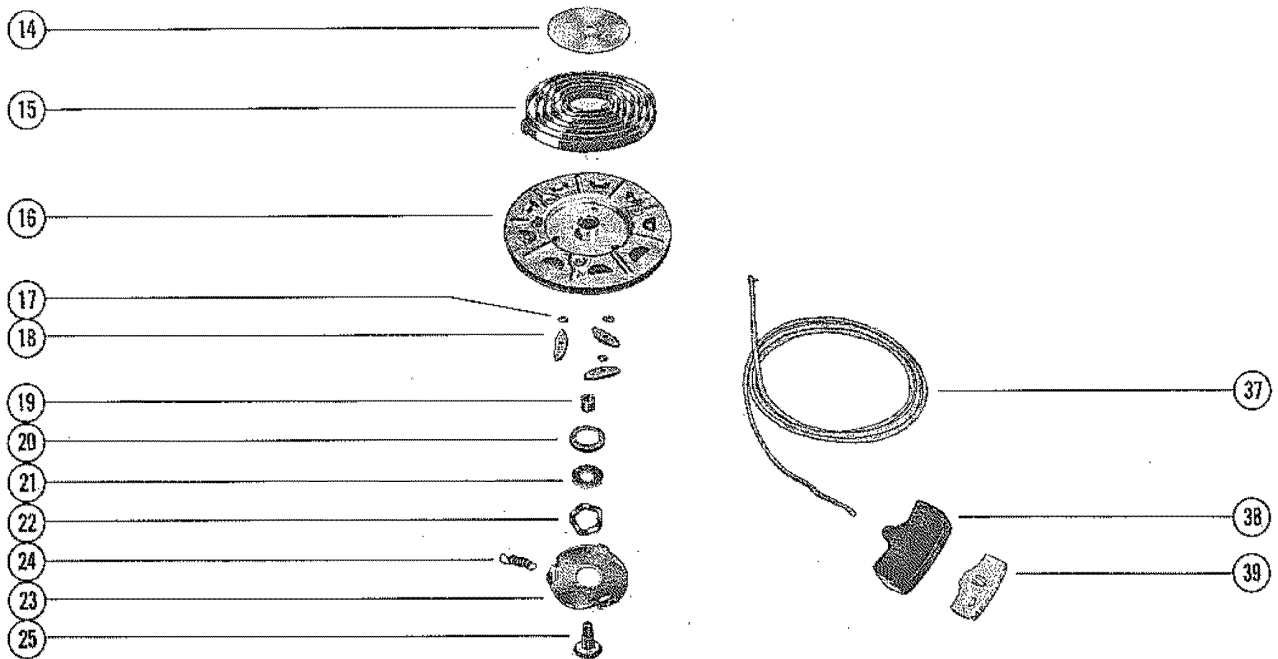
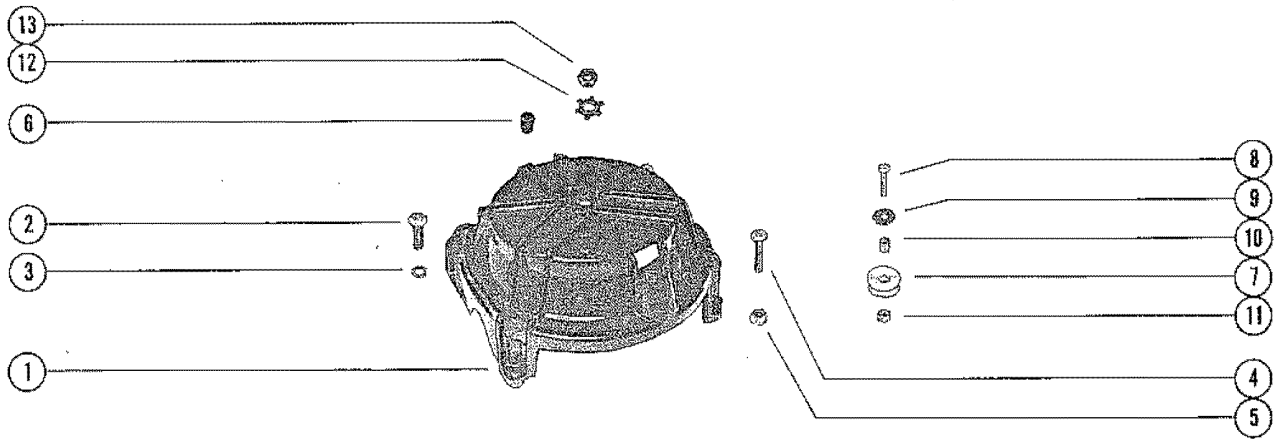


# STARTER ASSEMBLY

REF. NO.	PART NO.	SYM.	QTY.	DESCRIPTION
1	57031A2		1	HOUSING ASSEMBLY,STARTER
2	10-37562		1	SCREW,STARTER HOUSING TO CYLINDER BLOCK (1")
3	13-26993		1	LOCKWASHER,STARTER HOUSING TO CYLINDER BLOCK SCREW
4	10-20653		1	SCREW,STARTER HOUSING TO CRANKCASE (1 3/8") <b>UNITED STATES 4351589 AND BELOW AUSTRALIA 8036049 AND BELOW BELGIUM 9104813 AND BELOW CANADA 7067847 AND BELOW</b>
	10-22659		1	SCREW,STARTER HOUSING TO CRANKCASE (1 5/8") <b>UNITED STATES 4351589 AND BELOW AUSTRALIA 8036049 AND BELOW BELGIUM 9104813 AND BELOW CANADA 7067847 AND BELOW</b>
5	11-46887		2	NUT,STARTER HOUSING TO CRANKCASE SCREW <b>UNITED STATES 4351589 AND BELOW AUSTRALIA 8036049 AND BELOW BELGIUM 9104813 AND BELOW CANADA 7067847 AND BELOW</b>
4	10-36137		1	SCREW,STARTER HOUSING TO CRANKCASE (1") <b>UNITED STATES 4351590 AND UP AUSTRALIA 8036050 AND UP BELGIUM 9104814 AND UP CANADA 7067848 AND UP</b>
	10-72754		1	SCREW,STARTER HOUSING TO CRANKCASE (1 5/8") <b>UNITED STATES 4351590 AND UP AUSTRALIA 8036050 AND UP BELGIUM 9104814 AND UP CANADA 7067848 AND UP</b>
5	11-35888		2	NUT,STARTER HOUSING TO CRANKCASE SCREW
6	47430		1	BUMPER,RUBBER-STARTER HOUSING
7	55860		1	PULLEY,STARTER CABLE
8	10-37892		1	SCREW,PULLEY TO STARTER HOUSING (1")
9	53111		1	RETAINER,PULLEY SCREW
10	23-30977		1	SPACER,PULLEY SCREW
11	11-20110		1	NUT,PULLEY SCREW
12	14-20165		1	TAB WASHER,SHEAVE SHAFT NUT <b>UNITED STATES 3755884 AND BELOW AUSTRALIA 8013704 AND BELOW BELGIUM 9035128 AND BELOW CANADA 7024647 AND BELOW</b>
	14-61004		1	TAB WASHER,SHEAVE SHAFT NUT <b>UNITED STATES 3755885 AND UP AUSTRALIA 8013705 AND UP BELGIUM 9035129 AND UP CANADA 7024648 AND UP</b>
13	11-20166		1	NUT,SHEAVE SHAFT (LEFT HAND THREAD)
14	20155		1	RETAINER STARTER SPRING <b>UNITED STATES 3755884 AND BELOW AUSTRALIA 8013704 AND BELOW BELGIUM 9035128 AND BELOW CANADA 7024647 AND BELOW</b>
	65890		1	RETAINER,STARTER SPRING <b>UNITED STATES 3755885 AND UP AUSTRALIA 8013705 AND UP BELGIUM 9035129 AND UP CANADA 7024648 AND UP</b>
15	24-29340A1		1	SPRING,STARTER REWIND
16	50-64008A1		1	STARTER SHEAVE ASSEMBLY
17	13-29720		3	WASHER,WAVE-STARTER PAWL
18	20162		3	PAWL,STARTER
19	23-65720		1	SPACER,SHEAVE SHAFT(PART OF A-50-64008A1 SHEAVE ASSEMBLY)
20	26179		1	RETAINER,STARTER SHEAVE TO PLATE

CONTINUED ON NEXT PAGE ➡

# STARTER ASSEMBLY

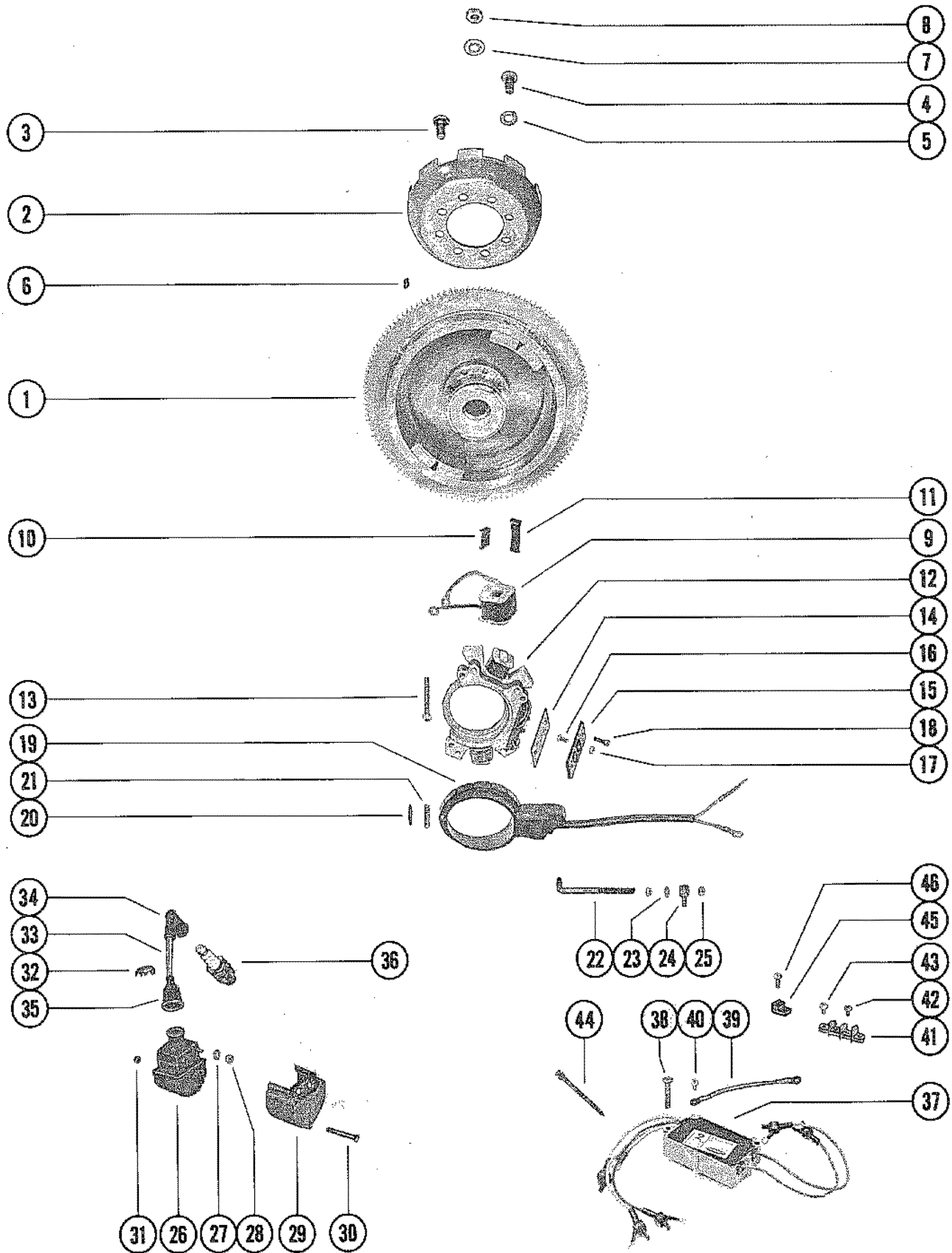




# STARTER ASSEMBLY

REF. NO.	PART NO.	SYM.	QTY.	DESCRIPTION
21	12-35559		1	WASHER,STARTER SHEAVE RETAINER
22	13-20160		1	WASHER,WAVE-STARTER SHEAVE TENSION
23	20164		1	PLATE,RETAINER-STARTER PAWL
24	24-45823		1	SPRING,PAWL RETAINER PLATE
25	45481		1	SHAFT,SHEAVE <b>UNITED STATES 3755884 AND BELOW AUSTRALIA 8013704 AND BELOW BELGIUM 9035128 AND BELOW CANADA 7024647 AND BELOW</b>
	65869A1		1	SHAFT ASSEMBLY, SHEAVE <b>UNITED STATES 3755885 AND UP AUSTRALIA 8013705 AND UP BELGIUM 9035129 AND UP CANADA 7024648 AND UP</b>
26	64887		1	BRACKET,MOUNTING-TOP COWL (REAR) <b>UNITED STATES 4403786 AND BELOW AUSTRALIA 8039074 AND BELOW BELGIUM 9122764 AND BELOW CANADA 7077247 AND BELOW</b>
	74325		1	BRACKET,MOUNTING-TOP COWL (REAR) <b>UNITED STATES 4403787 AND UP AUSTRALIA 8039075 AND UP BELGIUM 9122765 AND UP CANADA 7077248 AND UP</b>
27	10-37562		2	SCREW,REAR MOUNTING BRACKET TO BOTTOM COWL (1")
28	57927		1	MOUNT,RUBBER-REAR MOUNTING BRACKET TO CYLINDER BLOCK
29	11-20361		2	NUT,RUBBER MOUNT TO BRACKET AND CYLINDER BLOCK
30	84-60466A8		1	GROUND WIRE ASS'Y, REAR BRACKET <b>UNITED STATES 4403786 AND BELOW AUSTRALIA 8039074 AND BELOW BELGIUM 9122764 AND BELOW CANADA 7077247 AND BELOW</b>
	84-76180		1	GROUND WIRE ASS'Y REAR BRACKET <b>UNITED STATES 4403787 AND UP AUSTRALIA 8039075 AND UP BELGIUM 9122765 AND UP CANADA 7077248 AND UP</b>
	84-76181		1	GROUND WIRE ASS'Y REAR BRACKET <b>UNITED STATES 4403787 AND UP AUSTRALIA 8039075 AND UP BELGIUM 9122765 AND UP CANADA 7077248 AND UP</b>
31	10-30663		1	SCREW,GROUND WIRE TO CYLINDER BLOCK (3/8")
32	10-35519		1	SCREW,GROUND WIRE TO CYLINDER BLOCK
33	64674		1	BRACKET,MOUNTING-TOP COWL (FRONT)
34	10-37562		2	SCREW,FRONT MOUNTING BRACKET TO BOTTOM COWL (1")
35	57927		2	MOUNT,RUBBER-FRONT MOUNTING BRACKET TO CRANKCASE
36	11-20361		4	NUT,RUBBER MOUNT TO BRACKET AND CRANKCASE
37	50-22791A1		1	STARTER CABLE ASSEMBLY
38	30782		1	HANDLE,STARTER CABLE
39	28748		1	RETAINER,STARTER CABLE AND HANDLE

# FLYWHEEL, IGNITION COIL, STATOR AND SWITCH BOX(GROUP NO. 14)

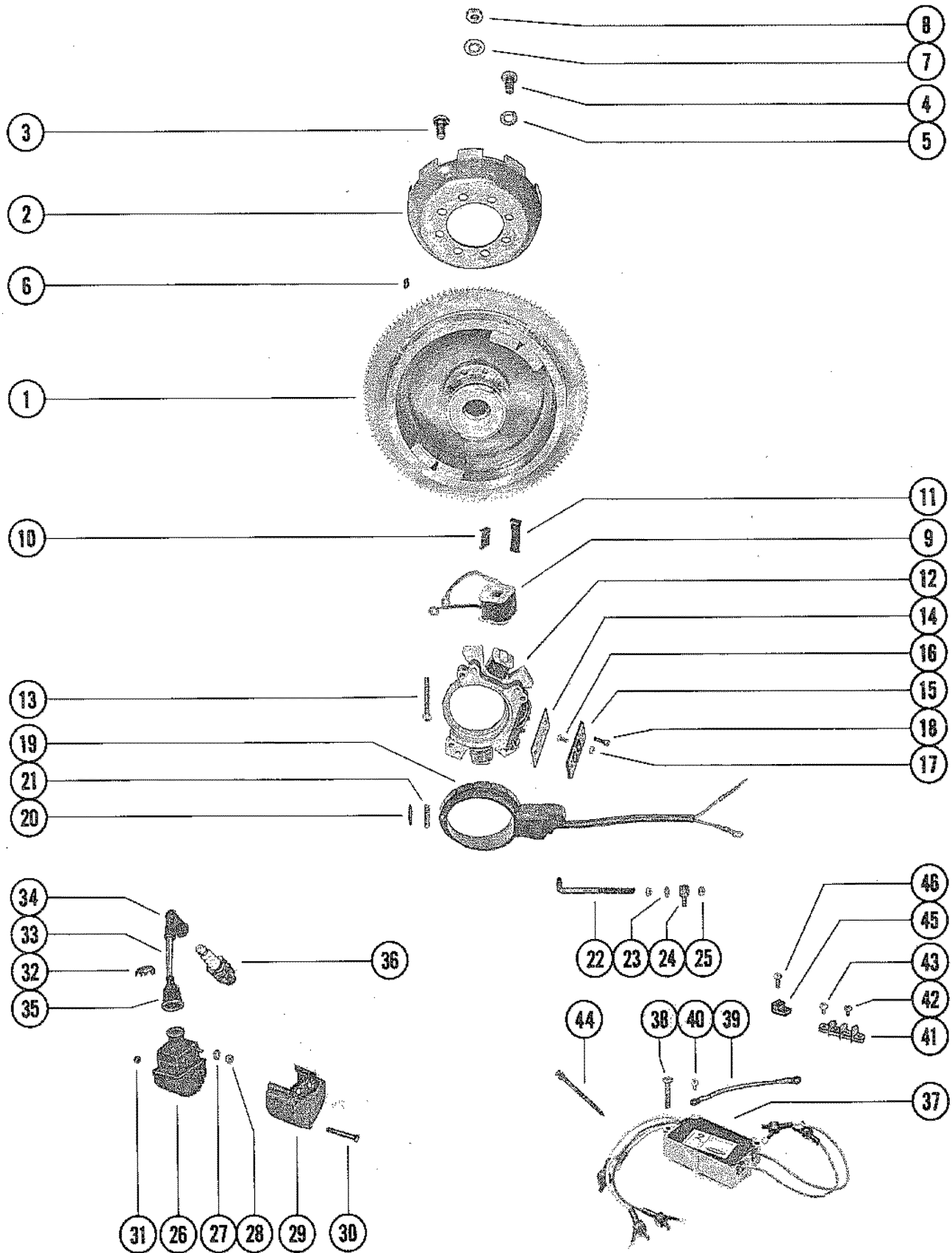


# FLYWHEEL, IGNITION COIL, STATOR AND SWITCH BOX(GROUP NO. 14)

REF. NO.	PART NO.	SYM.	QTY.	DESCRIPTION
1	244-5043A3		1	FLYWHEEL ASSEMBLY UNITED STATES 3667342 AND BELOW AUSTRALIA 8010124 AND BELOW BELGIUM 9032083 AND BELOW CANADA 7020682 AND BELOW
	244-5043A7		1	FLYWHEEL ASSEMBLY UNITED STATES 3667343 THRU 3755884 AUSTRALIA 8010125 THRU 8013704 BELGIUM 9032084 THRU 9035128 CANADA 7020683 THRU 7024647
	244-5358A2		1	FLYWHEEL ASSEMBLY UNITED STATES 3755885 AND UP AUSTRALIA 8013705 AND UP BELGIUM 9035129 AND UP CANADA 7024648 AND UP
2	50-65721		1	RATCHET ASSEMBLY,FLYWHEEL UNITED STATES 3667343 THRU 4102789 AUSTRALIA 8010125 THRU 8026164 BELGIUM 9032084 THRU 9070128 CANADA 7020683 THRU 7044782
	50-33000A1		1	RATCHET ASSEMBLY,FLYWHEEL UNITED STATES 3667342 AND BELOW AUSTRALIA 8010124 AND BELOW BELGIUM 9032083 AND BELOW CANADA 7020682 AND BELOW
3	10-35563		8	SCREW,RATCHET TO FLYWHEEL (9/16") UNITED STATES 3667342 AND BELOW AUSTRALIA 8010124 AND BELOW BELGIUM 9032083 AND BELOW CANADA 7020682 AND BELOW
4	10-46467		6	SCREW,RATCHET TO FLYWHEEL (1/2") UNITED STATES 3667342 AND BELOW AUSTRALIA 8010124 AND BELOW BELGIUM 9032083 AND BELOW CANADA 7020682 AND BELOW
5	13-26992		2	LOCKWASHER,RATCHET SCREW UNITED STATES 3667342 AND BELOW AUSTRALIA 8010124 AND BELOW BELGIUM 9032083 AND BELOW CANADA 7020682 AND BELOW
6	28-20094		1	KEY,FLYWHEEL DRIVE
7	12-36281		1	WHEEL NUT UNITED STATES 3755884 AND BELOW AUSTRALIA 8013704 AND BELOW BELGIUM 9035128 AND BELOW CANADA 7024647 AND BELOW
	12-65891		1	WASHER,FLYWHEEL NUT UNITED STATES 3755885 AND UP AUSTRALIA 8013705 AND UP BELGIUM 9035129 AND UP CANADA 7024648 AND UP
8	11-22339		1	NUT,FLYWHEEL
9	338-4992A1		1	COIL,HIGH SPEED
	338-4991A1		1	COIL,LOW SPEED
10	54-59538		2	CLIP,COIL RETAINING
11	54-59539		2	CLIP,COIL RETAINING
12	64638A1		1	STATOR ASSEMBLY
13	10-48637		3	SCREW,STATOR TO UPPER END CAP (1 1/8")
14	85-64844		1	INSULATOR,TERMINAL BLOCK TO STATOR ASSEMBLY
15	86-64845		1	TERMINAL BLOCK,STATOR ASSEMBLY
16	10-64843		2	SCREW,SWITCH BOX LEADS TO TERMINAL BLOCK (7/16")
17	11-45076		2	NUT,SWITCH BOX LEADS TO TERMINAL BLOCK SCREW
18	10-48409		2	SCREW,TERMINAL BLOCK TO STATOR ASSEMBLY (5/8")
19	338-4996A1		1	TRIGGER ASSEMBLY,IGNITION (Serial No. 4403786 and Below)
20	17-62768		1	PIN,IGNITION TRIGGER

CONTINUED ON NEXT PAGE ➡

# FLYWHEEL, IGNITION COIL, STATOR AND SWITCH BOX(GROUP NO. 14)

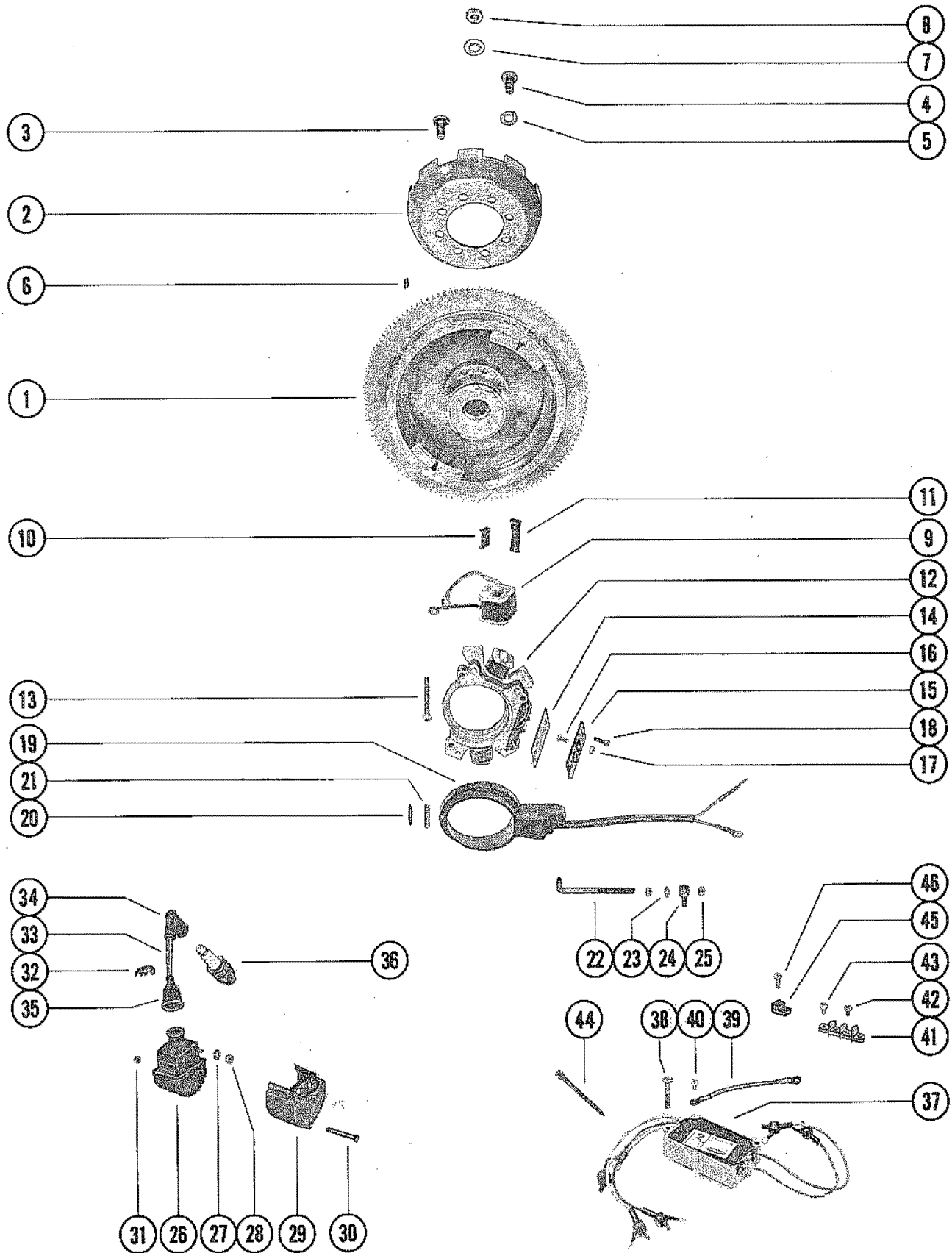


# FLYWHEEL, IGNITION COIL, STATOR AND SWITCH BOX(GROUP NO. 14)

REF. NO.	PART NO.	SYM.	QTY.	DESCRIPTION
21	24-62095		1	SPRING,COMPRESSION-IGNITION TRIGGER
22	59783		1	LINK,THROTTLE-STATOR ASSEMBLY
23	12-30164		1	WASHER,THROTTLE LINK
24	33973		1	SWIVEL, THROTTLE LINK
25	11-45812		2	NUT,THROTTLE LINK
26	338-4995A1		2	COIL ASSEMBLY,IGNITION UNITED STATES 3755884 AND BELOW AUSTRALIA 8013704 AND BELOW BELGIUM 9035128 AND BELOW CANADA 7024647 AND BELOW
	339-5288A2		2	COIL ASSEMBLY, IGNITION UNITED STATES 3755885 THRU 4351589 AUSTRALIA 8013705 THRU 8036049 BELGIUM 9035129 THRU 9104813 CANADA 7024648 THRU 7067847
	339-5748A2		2	COIL ASSEMBLY,IGNITION UNITED STATES 4351590 AND UP AUSTRALIA 8036050 AND UP BELGIUM 9104814 AND UP CANADA 7067848 AND UP
27	13-26996		4	LOCKWASHER, IGNITION COIL TERMINAL
28	11-45076		4	NUT,IGNITION COIL TERMINAL
29	66355		2	COVER,IGNITION COIL
30	10-72073		3	SCREW,COIL COVER TO REAR SUPPORT BRACKET(3 3/4")
31	11-20110		3	NUT,SOIL COVER SCREW
32	54676		1	RETAINER,HIGH TENSION LEAD
33	84-63212A2		2	LEAD ASSEMBLY,HIGH TENSION
34	47604A1		2	PROTECTOR ASSEMBLY,SPARK PLUG
35	332-2854		2	NIPPLE,IGNITION COIL
36	33-58194		2	SPARK PLUG (ACV#40FFK)
37	332-4911A2		1	SWITCH BOX ASSEMBLY
38	10-20784		2	SCREW,SWITCH BOX CYLINDER BLOCK (1 1/2') UNITED STATES 4351589 AND BELOW AUSTRALIA 8036049 AND BELOW BELGIUM 9104813 AND BELOW CANADA 7067847 AND BELOW
	10-72167		2	SCREW,SWITCH BOX TO CYLINDER BLOCK (1 1/2") UNITED STATES 4351590 AND UP AUSTRALIA 8036050 AND UP BELGIUM 9104814 AND UP CANADA 7067848 AND UP
39	84-60466A10		1	GROUND WIRE ASSEMBLY,SWITCH BOX
40	10-48591		1	SCREW,GROUND WIRE TO SWITCH BOX (1/2") UNITED STATES 4351589 AND BELOW AUSTRALIA 8036049 AND BELOW BELGIUM 9104813 AND BELOW CANADA 7067847 AND BELOW
	10-37655		1	SCREW,GROUND WIRE TO SWITCH BOX (1/2") UNITED STATES 4351590 AND UP AUSTRALIA 8036050 AND UP BELGIUM 9104814 AND UP CANADA 7067848 AND UP
41	86-63813		1	TERMINAL BLOCK
42	10-34222		3	SCREW,TERMINAL BLOCK TO FRONT SUPPORT BRACKET (1/2") SERIAL GROUP #11
	10-72169		3	SCREW,TERMINAL BLOCK TO FRONT SUPPORT (1/2") SERIAL GROUP #12
43	10-30663		2	SCREW,LEADS TO TERMINAL BLOCK UNITED STATES 4351589 AND BELOW AUSTRALIA 8036049 AND BELOW BELGIUM 9104813 AND BELOW CANADA 7067847 AND BELOW

CONTINUED ON NEXT PAGE ➡

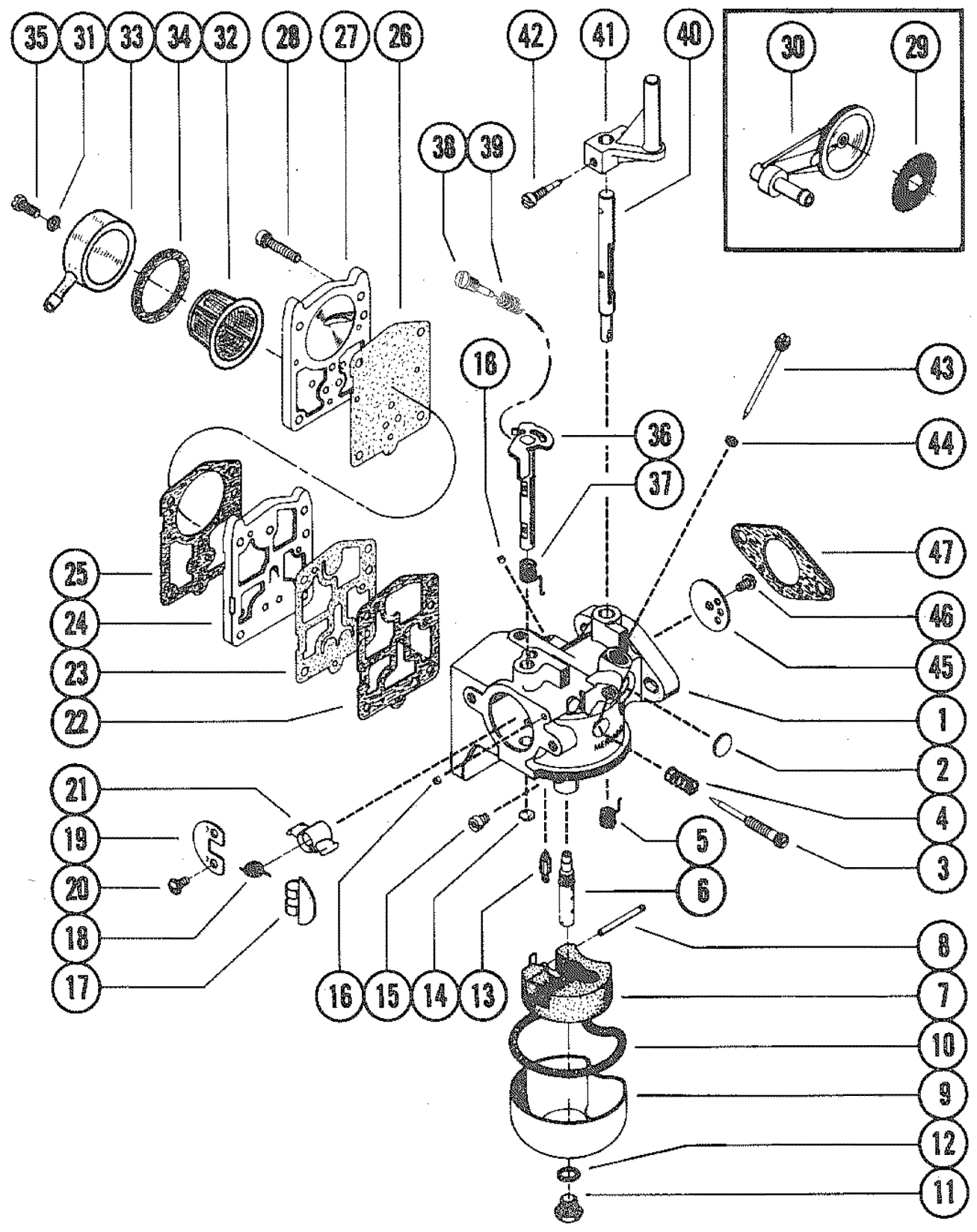
# FLYWHEEL, IGNITION COIL, STATOR AND SWITCH BOX(GROUP NO. 14)



## FLYWHEEL, IGNITION COIL, STATOR AND SWITCH BOX(GROUP NO. 14)

REF. NO.	PART NO.	SYM.	QTY.	DESCRIPTION
43	10-62568		3	SCREW,LEADS TO TERMINAL BLOCK (3/8") UNITED STATES 4351590 AND UP AUSTRALIA 8036050 AND UP BELGIUM 9104814 AND UP CANADA 7067848 AND UP
44	61990		1	STA-STRAP,SWITCH BOX LEADS
45	45915		1	TERMINAL BLOCK UNITED STATES 4351590 AND UP AUSTRALIA 8036050 AND UP BELGIUM 9104814 AND UP CANADA 7067848 AND UP
46	10-69013		1	SCREW,LEAD TO BLOCK (7/8") UNITED STATES 4351590 AND UP AUSTRALIA 8036050 AND UP BELGIUM 9104814 AND UP CANADA 7067848 AND UP

# CARBURETOR ASSEMBLY, COMPLETE



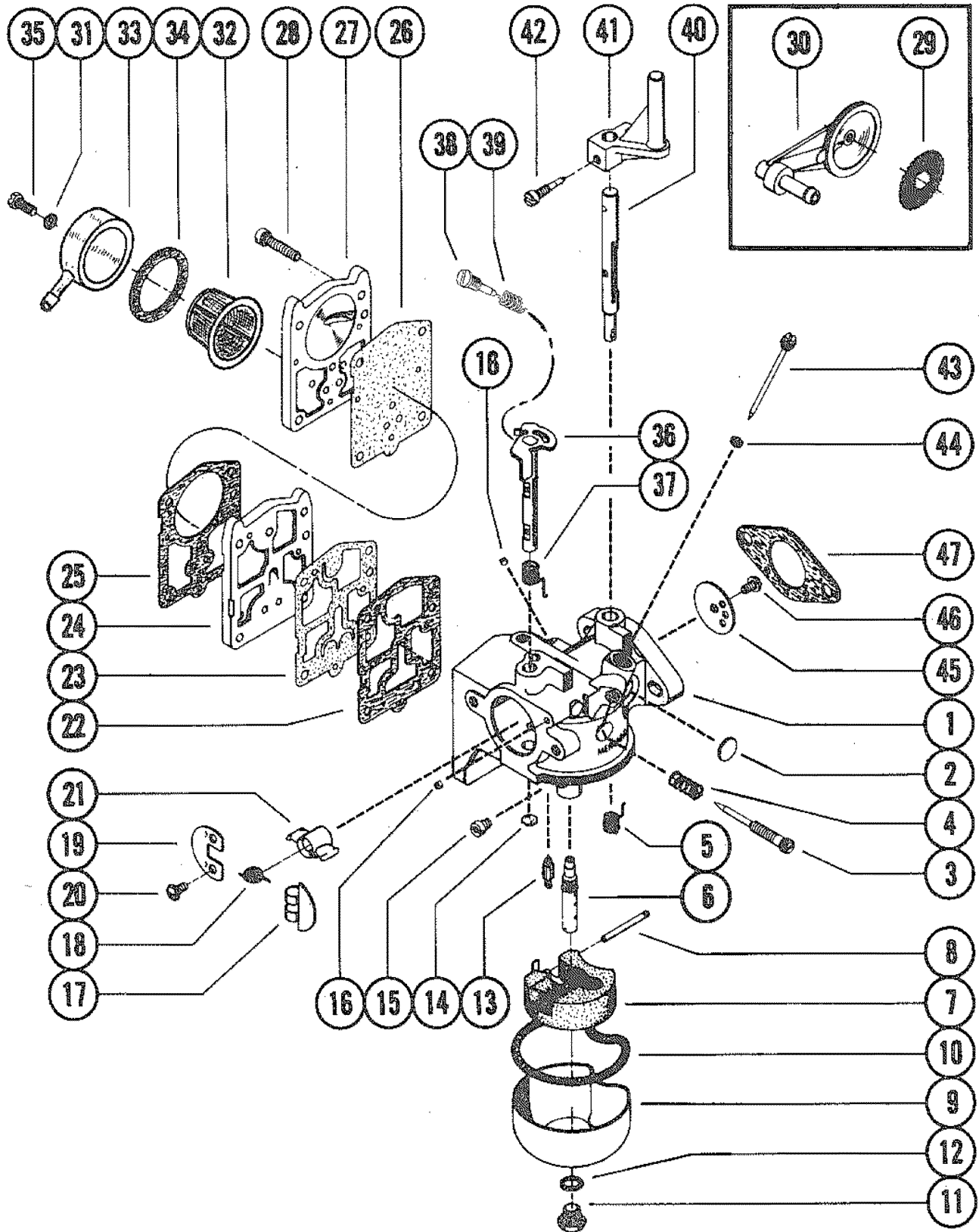


# CARBURETOR ASSEMBLY, COMPLETE

REF. NO.	PART NO.	SYM.	QTY.	DESCRIPTION
1	1367-4977A1		1	CARBURETOR ASSEMBLY,COMPLETE UNITED STATES 3667342 AND BELOW AUSTRALIA 8010124 AND BELOW BELGIUM 9032083 AND BELOW CANADA 7020682 AND BELOW
	1367-5193A3		1	CARBURETOR ASSEMBLY,COMPLETE UNITED STATES 3667343 THRU 4102789 AUSTRALIA 8010125 THRU 8026164 BELGIUM 9032084 THRU 9070128 CANADA 7020683 THRU 7044782
	1367-5678A2		1	CARBURETOR ASSEMBLY,COMPLETE UNITED STATES 4102790 THRU 4351589 AUSTRALIA 8026165 THRU 8036049 BELGIUM 9070129 THRU 9104813 CANADA 7044783 THRU 7067847
	1369-6063A2		1	CARBURETOR ASSEMBLY,CO,PLETE UNITED STATES 4351590 AND UP AUSTRALIA 8036050 AND UP BELGIUM 9104814 AND UP CANADA 7067848 AND UP
2			1	WELCH PLUG,BODY CHANNEL (LARGE)
3	1399-1713		1	SCREW,IDLE MIXTURE
4	24-27160		1	SPRING, IDLE MIXTURE SCREW
5			1	SPRING,RETURN-THROTTLE SHAFT
6			1	MAIN NOZZLE
7	1399-5126		1	FLOAT
8			1	PIN,FLOAT RETAINING
9	1399-5127		1	FUEL BOWL
10			1	GASKET,FUEL BOWL
11	1399-5128		1	SCREW,FUEL BOWL TO CARBURETOR UNITED STATES 4102789 AND BELOW AUSTRALIA 8026164 AND BELOW BELGIUM 9070128 AND BELOW CANADA 7044782 AND BELOW
	1399-5415		1	SCREW,FUEL BOWL TO CARBURETOR UNITED STATES 4102790 AND UP AUSTRALIA 8026165 AND UP BELGIUM 9070129 AND UP CANADA 7044783 AND UP
12			2	GASKET, FUEL BOWL SCREW
13	1399-5130		1	INLET NEEDLE AND SEAT UNITED STATES 4102789 AND BELOW AUSTRALIA 8026164 AND BELOW BELGIUM 9070128 AND BELOW CANADA 7044782 AND BELOW
	1399-5757		1	INLET NEEDLE AND SEAT UNITED STATES 4102790 THRU 4351589 AUSTRALIA 8026165 THRU 8036049 BELGIUM 9070129 THRU 9104813 CANADA 7044783 THRU 7067847
	1399-6224		1	INLET NEEDLE AND SEAT UNITED STATES 4351590 AND UP AUSTRALIA 8036050 AND UP BELGIUM 9104814 AND UP CANADA 7067848 AND UP
14			1	WELCH PLUG, BODY CHANNEL(SMALL)
15	1399-1457		1	JET, MAIN FUEL (.057) UNITED STATES 4102789 AND BELOW AUSTRALIA 8026164 AND BELOW BELGIUM 9070128 AND BELOW CANADA 7044782 AND BELOW
	1399-1655		1	JET,MAIN FUEL(.055) UNITED STATES 4102790 THRU 4351589 AUSTRALIA 8026165 THRU 8036049 BELGIUM 9070129 THRU 9104813 CANADA 7044783 THRU 7067847
16			2	PLUG,BODY CHANNEL

CONTINUED ON NEXT PAGE ➡

# CARBURETOR ASSEMBLY, COMPLETE

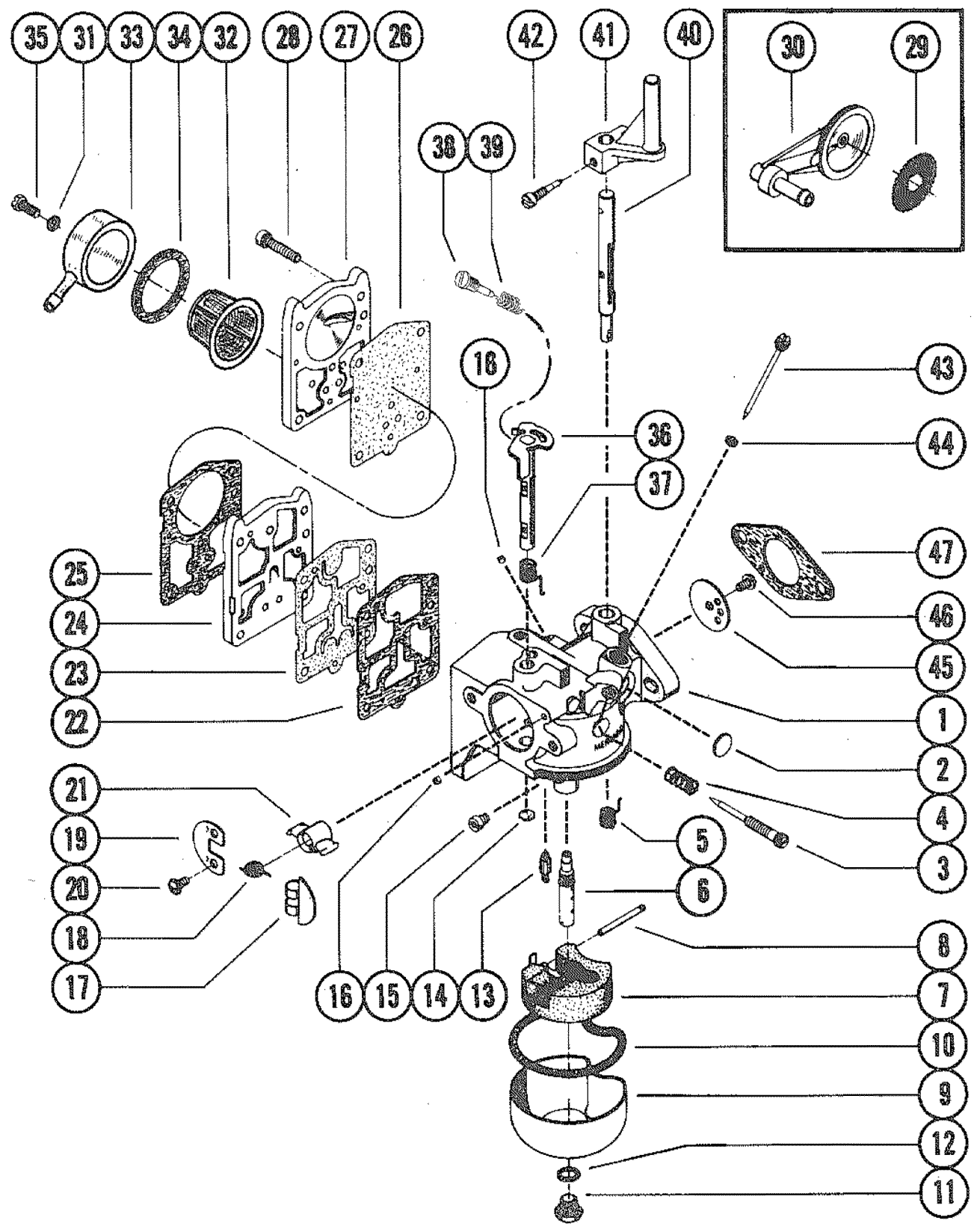


# CARBURETOR ASSEMBLY, COMPLETE

REF. NO.	PART NO.	SYM.	QTY.	DESCRIPTION
17	1399-5194		1	VALVE,CHOKE RELIEF UNITED STATES 4102789 AND BELOW AUSTRALIA 8026164 AND BELOW BELGIUM 9070128 AND BELOW CANADA 7044782 AND BELOW
18	1399-5195		1	SPRING,CHOKE RELIEF VALVE UNITED STATES 4102789 AND BELOW AUSTRALIA 8026164 AND BELOW BELGIUM 9070128 AND BELOW CANADA 7044782 AND BELOW
19	1399-5197		1	CHOKE SHUTTER UNITED STATES 4102789 AND BELOW AUSTRALIA 8026164 AND BELOW BELGIUM 9070128 AND BELOW CANADA 7044782 AND BELOW
	1399-5810		1	CHOKE SHUTTER UNITED STATES 4102790 THRU 4351589 AUSTRALIA 8026165 THRU 8036049 BELGIUM 9070129 THRU 9104813 CANADA 7044783 THRU 7067847
	1399-2577		1	CHOKE SHUTTER UNITED STATES 4351590 AND UP AUSTRALIA 8036050 AND UP BELGIUM 9104814 AND UP CANADA 7067848 AND UP
20	10-23035		2	SCREW,CHOKE SHUTTER TO CHOKE SHAFT
21	64677		1	VENTURI UNITED STATES 4102789 AND BELOW AUSTRALIA 8026164 AND BELOW BELGIUM 9070128 AND BELOW CANADA 7044782 AND BELOW
	69692		1	VENTURI UNITED STATES 4102790 AND UP AUSTRALIA 8026165 AND UP BELGIUM 9070129 AND UP CANADA 7044783 AND UP
22			1	GASKET,FUEL PUMP DIAPHRAGM
23			1	DIAPHRAGM,FUEL PUMP
24	1399-5129		1	BODY,FUEL PUMP
25			1	GASKET,FUEL PUMP DIAPHRAGM
26			1	DIAPHRAGM,FUEL PUMP
27	1399-5131		1	BODY,STRAINER UNITED STATES 4102789 AND BELOW AUSTRALIA 8026164 AND BELOW BELGIUM 9070128 AND BELOW CANADA 7044782 AND BELOW
	1364-5585		1	BODY STRAINER UNITED STATES 4102790 AND UP AUSTRALIA 8026165 AND UP BELGIUM 9070129 AND UP CANADA 7044783 AND UP
28	1399-5132		1	SCREW,STAINER BODY TO CARBURETOR
29	1399-4235		1	SCREEN STAINER UNITED STATES 4102789 AND BELOW AUSTRALIA 8026164 AND BELOW BELGIUM 9070128 AND BELOW CANADA 7044782 AND BELOW
30	64194A1		1	COVER ASSEMBLY,STRAINER (INLET) UNITED STATES 4102789 AND BELOW AUSTRALIA 8026164 AND BELOW BELGIUM 9070128 AND BELOW CANADA 7044782 AND BELOW
31			1	GASKET,STAINER COVER SCREW UNITED STATES 4102789 AND BELOW AUSTRALIA 8026164 AND BELOW BELGIUM 9070128 AND BELOW CANADA 7044782 AND BELOW
32	35-70349		1	FILTER,PUMP UNITED STATES 4102790 AND UP AUSTRALIA 8026165 AND UP BELGIUM 9070129 AND UP CANADA 7044783 AND UP
33	59071		1	COVER INLET
34			1	GASKET,STAINER COVER
35	10-25822		1	SCREW,STAINER COVER TO BODY

CONTINUED ON NEXT PAGE ➡

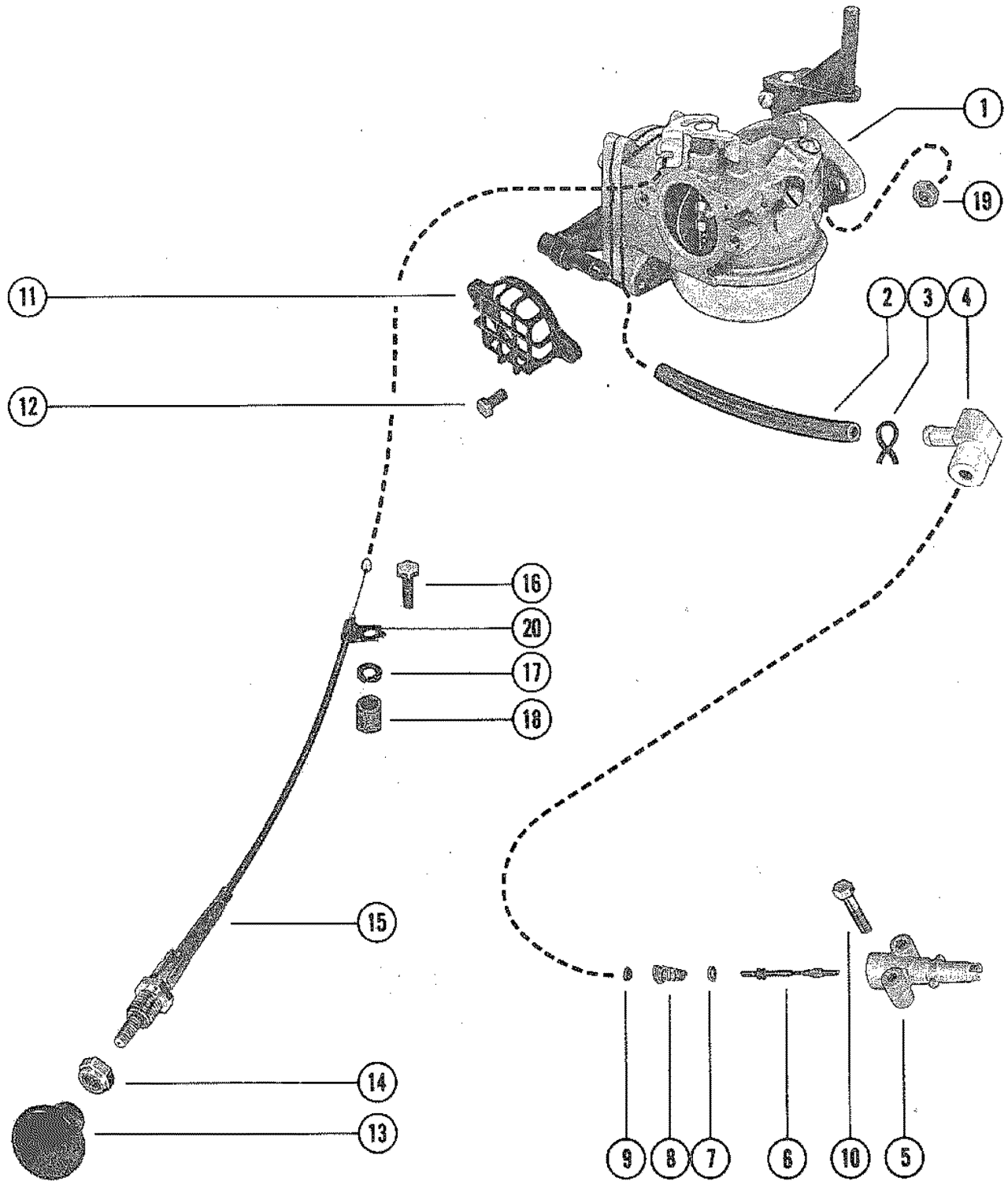
# CARBURETOR ASSEMBLY, COMPLETE



# CARBURETOR ASSEMBLY, COMPLETE

REF. NO.	PART NO.	SYM.	QTY.	DESCRIPTION
36	1399-5196		1	CHOKE SHAFT UNITED STATES 4102789 AND BELOW AUSTRALIA 8026164 AND BELOW BELGIUM 9070128 AND BELOW CANADA 7044782 AND BELOW
	1399-5809		1	CHOKE SHAFT UNITED STATES 4102790 AND UP AUSTRALIA 8026165 AND UP BELGIUM 9070129 AND UP CANADA 7044783 AND UP
37			1	SPRING,RETURN CHOKE SHAFT
38			1	SCREW,CHOKE ADJUSTMENT UNITED STATES 4102790 AND UP AUSTRALIA 8026165 AND UP BELGIUM 9070129 AND UP CANADA 7044783 AND UP
39			1	SPRING,CHOKE ADJUSTMENT UNITED STATES 4102790 AND UP AUSTRALIA 8026165 AND UP BELGIUM 9070129 AND UP CANADA 7044783 AND UP
40	1399-2012		1	THROTTLE SHAFT
41	46387		1	LEVER,THROTTLE
42	10-20847		1	SCRWE,THROTTLE LEVER ATTACHING
43			1	IDA TUBE
44			1	GASKET,IDLE TUBE
45	1399-3032		1	THROTTLE SHUTTER UNITED STATES 4102789 AND BELOW AUSTRALIA 8026164 AND BELOW BELGIUM 9070128 AND BELOW CANADA 7044782 AND BELOW
	1399-5812		1	THROTTLE SHUTTER UNITED STATES 4102790 THRU 4351589 AUSTRALIA 8026165 THRU 8036049 BELGIUM 9070129 THRU 9104813 CANADA 7044783 THRU 7067847
	1399-6225		1	THROTTLE SHUTTER UNITED STATES 4351590 AND UP AUSTRALIA 8036050 AND UP BELGIUM 9104814 AND UP CANADA 7067848 AND UP
46			2	SCREW,THROTTLE SHUTTER TO THROTTLE SHAFT
47	27-64659		1	GASKET,CARBURETOR FLANGE
-	1399-5198		1	GASKET SET
-	1399-5199		1	REPAIR PARTS KIT UNITED STATES 4102789 AND BELOW AUSTRALIA 8026164 AND BELOW BELGIUM 9070128 AND BELOW CANADA 7044782 AND BELOW
-	1399-5813		1	REPAIR PARTS KIT UNITED STATES 4102790 THRU 4351589 AUSTRALIA 8026165 THRU 8036049 BELGIUM 9070129 THRU 9104813 CANADA 7044783 THRU 7067847
-	1399-6226		1	REPAIR PARTS KIT UNITED STATES 4351590 AND UP AUSTRALIA 8036050 AND UP BELGIUM 9104814 AND UP CANADA 7067848 AND UP
-	1399-5137		1	DIAPHRAGM AND GASKET KIT

# CARBURETOR AND CHOKE ASSEMBLY

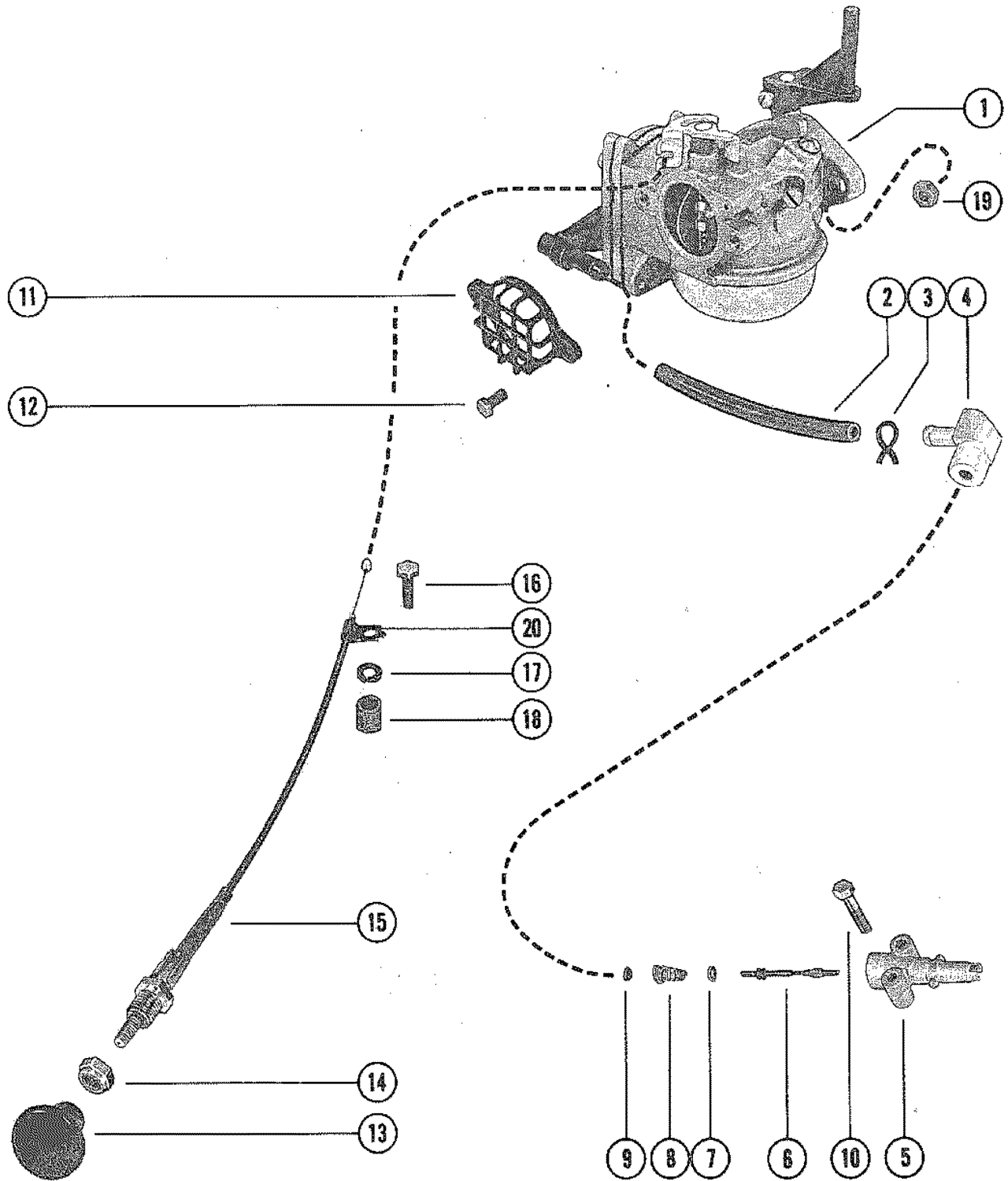


# CARBURETOR AND CHOKE ASSEMBLY

REF. NO.	PART NO.	SYM.	QTY.	DESCRIPTION
1	1367-4977A1		1	CARBURETOR ASSEMBLY COMPLETE UNITED STATES 3667342 AND BELOW AUSTRALIA 8010124 AND BELOW BELGIUM 9032083 AND BELOW CANADA 7020682 AND BELOW
	1367-5193A3		1	CARBURETOR ASSEMBLY,COMPLETE UNITED STATES 3667343 THRU 4102789 AUSTRALIA 8010125 THRU 8026164 BELGIUM 9032084 THRU 9070128 CANADA 7020683 THRU 7044782
	1367-5678A2		1	CARBURETOR ASSEMBLY,COMPLETE UNITED STATES 4102790 THRU 4351589 AUSTRALIA 8026165 THRU 8036049 BELGIUM 9070129 THRU 9104813 CANADA 7044783 THRU 7067847
	1367-6063A2		1	CARBURETOR ASSEMBLY,COMPLETE UNITED STATES 4351590 AND UP AUSTRALIA 8036050 AND UP BELGIUM 9104814 AND UP CANADA 7067848 AND UP
2	32-63146		1	FUEL LINE,ADAPTOR TO CARBURETOR (3 1/4")
3	54-64916		2	CLAMP,FUEL HOSE ATTACHING UNITED STATES 4351589 AND BELOW AUSTRALIA 8036049 AND BELOW BELGIUM 9104813 AND BELOW CANADA 7067847 AND BELOW
	54-68424		2	CLAMP,FUEL HOSE ATTACHING UNITED STATES 4351590 AND UP AUSTRALIA 8036050 AND UP BELGIUM 9104814 AND UP CANADA 7067848 AND UP
4	22-63981		1	FITTING,FUEL LINE TO ADAPTOR
5	22833		1	ADAPTOR,CHECK UNIT (FUEL LINE)
6	23069		1	STEM,CHECK UNIT ADAPTOR
7	25-20415		1	"O" RING ADAPTOR STEM
8	24-23067		1	SPRING,ADAPTOR STEM
9	30188		1	CUP WASHER,ADAPTOR
10	10-37923		1	SCREW,ADAPTOR TO BOTTOM COWL (11/4")
11	65552		1	SCREEN,CARBURETOR
12	10-69022		2	SCREW,SCREEN TO CARBURETOR
	63980		1	KNOB,CHOKE
14			1	BUTTON,SHOKE= BELGIUM 9122765 AND UP
	11-63912		1	NUT,CHOKE CABLE TO BOTTOM COWL UNITED STATES 4102789 AND BELOW AUSTRALIA 8026164 AND BELOW BELGIUM 9070128 AND BELOW CANADA 7044782 AND BELOW
	11-73710		1	NUT,CHOKE CABLE TO BOTTOM COWL UNITED STATES 4102790 AND UP AUSTRALIA 8026165 AND UP BELGIUM 9070129 AND UP CANADA 7044783 AND UP
15	63906		1	CABLE,CHOKE UNITED STATES 4102789 AND BELOW AUSTRALIA 8026164 AND BELOW BELGIUM 9070128 AND BELOW CANADA 7044782 AND BELOW
	72465		1	CABLE,CHOKE UNITED STATES 4102790 AND UP AUSTRALIA 8026165 AND UP BELGIUM 9070129 AND UP CANADA 7044783 AND UP
16	10-69020		1	SCREW,CHOKE CABLE TO CARBURETOR

CONTINUED ON NEXT PAGE ➡

# CARBURETOR AND CHOKE ASSEMBLY

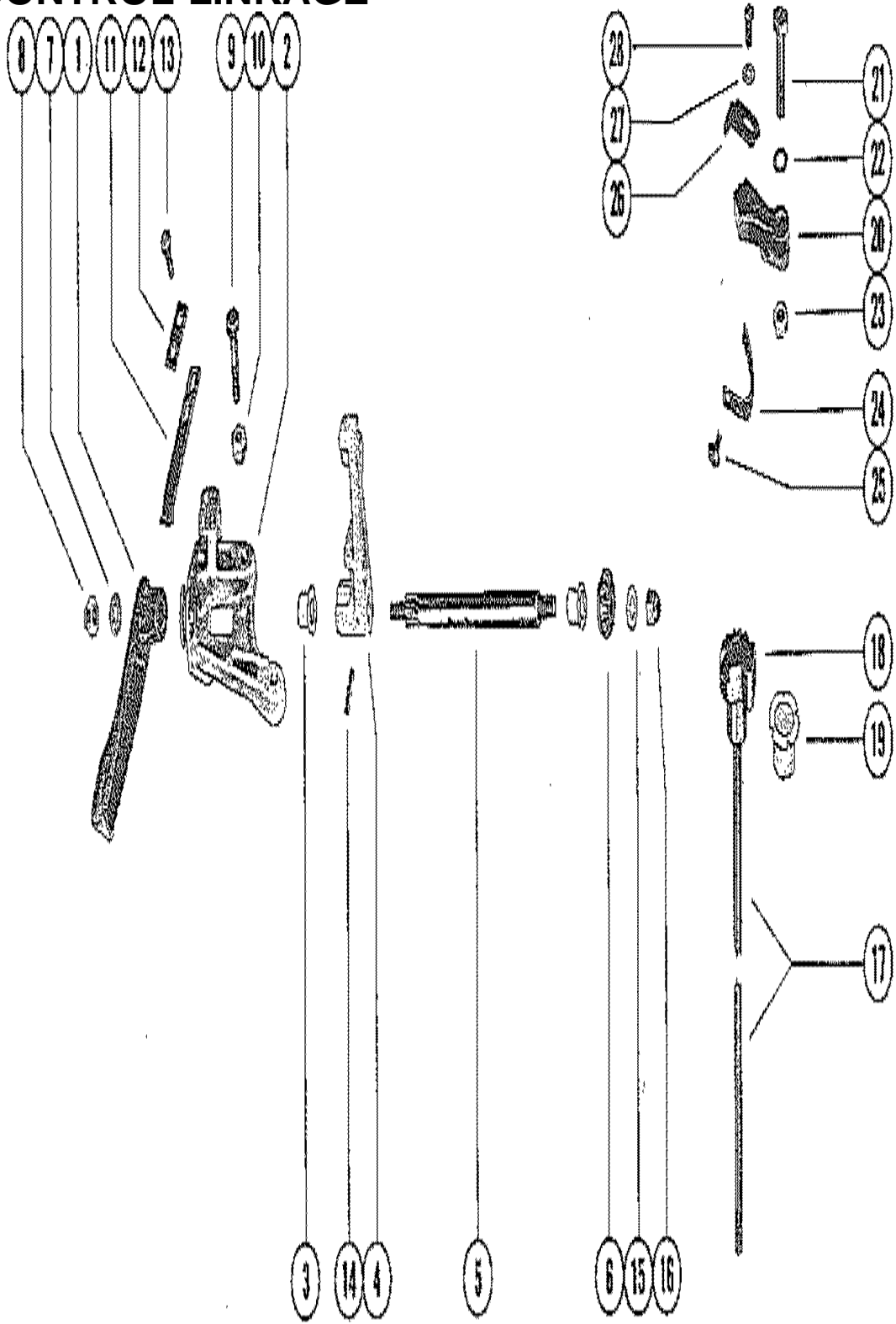




## CARBURETOR AND CHOKE ASSEMBLY

REF. NO.	PART NO.	SYM.	QTY.	DESCRIPTION
17	13-26996		1	LOCKWASHER,CHOKE CABLE SCRWE UNITED STATES 4102789 AND BELOW AUSTRALIA 8026164 AND BELOW BELGIUM 9070128 AND BELOW CANADA 7044782 AND BELOW
18	23-63932		1	SPACER,CHOKE CABLE SCREW UNITED STATES 4102789 AND BELOW AUSTRALIA 8026164 AND BELOW BELGIUM 9070128 AND BELOW CANADA 7044782 AND BELOW
17	12-56681		1	WASHER,CHOKE CABLE SCREW UNITED STATES 4102790 AND UP AUSTRALIA 8026165 AND UP BELGIUM 9070129 AND UP CANADA 7044783 AND UP
19	11-20083		2	NUT,CARBURETOR ATTACHING
20	54-64855		1	CLIP,CHOKE CABLE UNITED STATES 4102790 AND UP AUSTRALIA 8026165 AND UP BELGIUM 9070129 AND UP CANADA 7044783 AND UP

# SHIFT CONTROL LINKAGE

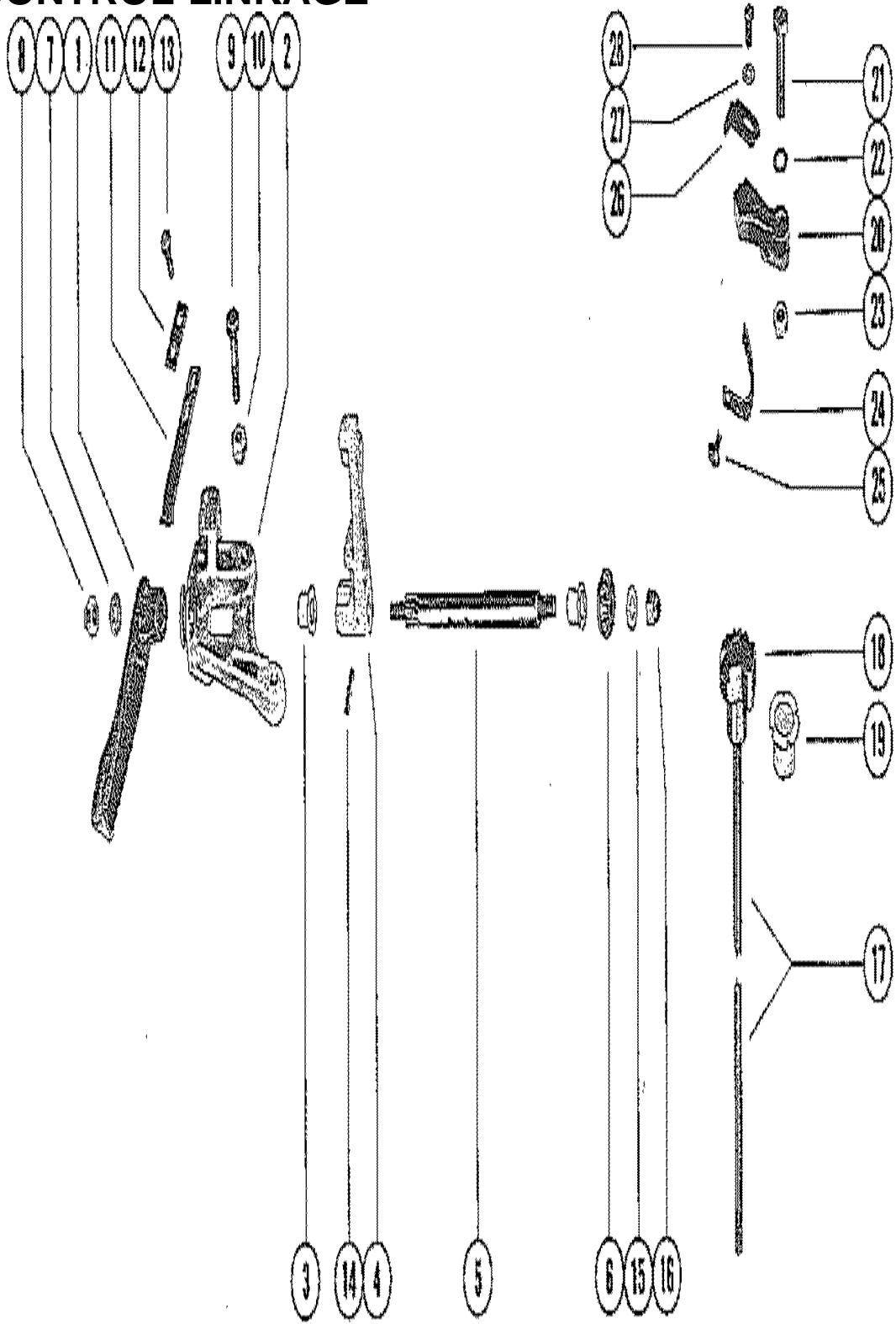


# SHIFT CONTROL LINKAGE

REF. NO.	PART NO.	SYM.	QTY.	DESCRIPTION
1	59107		1	HANDLE, NYLON - SHIFT CONTROL UNITED STATES 3755884 AND BELOW AUSTRALIA 8013704 AND BELOW BELGIUM 9035128 AND BELOW CANADA 7024647 AND BELOW
2	64122		1	BRACKET, MOUNTING - SHIFT SHAFT UNITED STATES 3755884 AND BELOW AUSTRALIA 8013704 AND BELOW BELGIUM 9035128 AND BELOW CANADA 7024647 AND BELOW
3	23-26954		2	BUSHING, NYLON - SHIFT SHAFT UNITED STATES 3755884 AND BELOW AUSTRALIA 8013704 AND BELOW BELGIUM 9035128 AND BELOW CANADA 7024647 AND BELOW
4	63673		1	LEVER, SHIFT CONTROL UNITED STATES 3755884 AND BELOW AUSTRALIA 8013704 AND BELOW BELGIUM 9035128 AND BELOW CANADA 7024647 AND BELOW
5	64120		1	SHAFT, SHIFT (HORIZONTAL) UNITED STATES 3755884 AND BELOW AUSTRALIA 8013704 AND BELOW BELGIUM 9035128 AND BELOW CANADA 7024647 AND BELOW
6	43-30802		1	GEAR, SECTOR - SHIFT SHAFT UNITED STATES 3755884 AND BELOW AUSTRALIA 8013704 AND BELOW BELGIUM 9035128 AND BELOW CANADA 7024647 AND BELOW
1	66376		1	HANDLE, NYLON - SHIFT CONTROL UNITED STATES 3755885 THRU 4351589 AUSTRALIA 8013705 THRU 8036049 BELGIUM 9035129 THRU 9104813 CANADA 7024648 THRU 7067847
	72946		1	HANDLE, NYLON - SHIFT CONTROL UNITED STATES 4351590 AND UP AUSTRALIA 8036050 AND UP BELGIUM 9104814 AND UP CANADA 7067848 AND UP
2	66412		1	BRACKET, MOUNTING - SHIFT SHAFT UNITED STATES 3755885 AND UP AUSTRALIA 8013705 AND UP BELGIUM 9035129 AND UP CANADA 7024648 AND UP
3	23-66375		2	BUSHING, NYLON - SHIFT SHAFT UNITED STATES 3755885 AND UP AUSTRALIA 8013705 AND UP BELGIUM 9035129 AND UP CANADA 7024648 AND UP
4	66361		1	LEVER, SHIFT CONTROL UNITED STATES 3755885 THRU 4403786 AUSTRALIA 8013705 THRU 8039074 BELGIUM 9035129 THRU 9122764 CANADA 7024648 THRU 7077247
	74800		1	LEVER, SHIFT CONTROL UNITED STATES 4403787 AND UP AUSTRALIA 8039075 AND UP BELGIUM 9122765 AND UP CANADA 7077248 AND UP
5	66379		1	SHAFT, SHIFT (HORIZONTAL) UNITED STATES 3755885 AND UP AUSTRALIA 8013705 AND UP BELGIUM 9035129 AND UP CANADA 7024648 AND UP
6	43-66377		1	GEAR, SECTOR - SHIFT SHAFT UNITED STATES 3755885 AND UP AUSTRALIA 8013705 AND UP BELGIUM 9035129 AND UP CANADA 7024648 AND UP
7	12-29245		1	WASHER, SHIFT CONTROL HANDLE
8	11-39305		1	NUT, SHIFT CONTROL HANDLE TO SHIFT SHAFT
9	10-22421		2	SCREW, MOUNTING BRACKET TO POWERHEAD PLATE (1 1/4")
10	11-46887		2	NUT, MOUNTING BRACKET SCREW
11	24-39627		1	SPRING, DETENT - MOUNTING BRACKET
12	39601		1	PLATE, DETENT SPRING

CONTINUED ON NEXT PAGE ➡

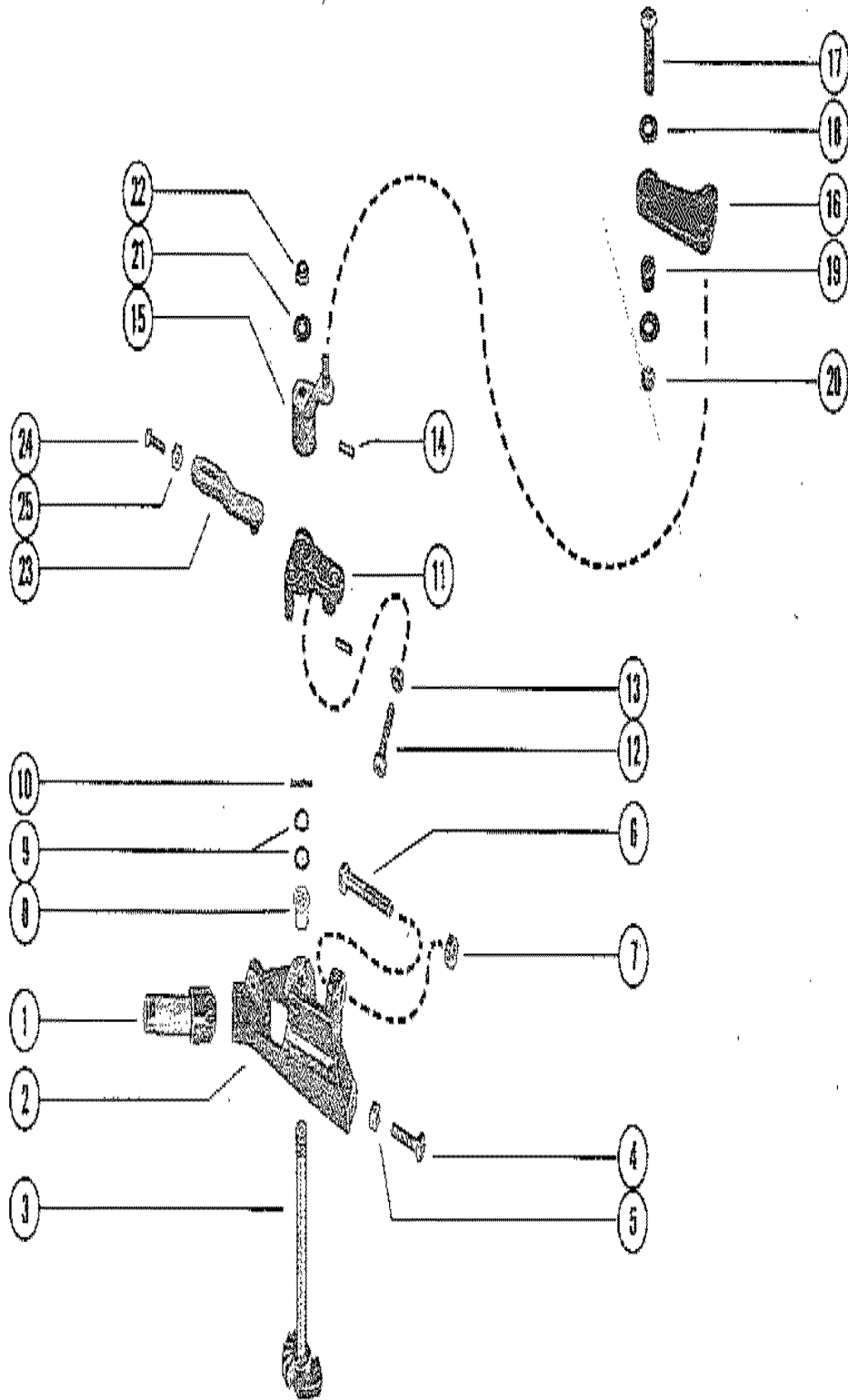
# SHIFT CONTROL LINKAGE



## SHIFT CONTROL LINKAGE

REF. NO.	PART NO.	SYM.	QTY.	DESCRIPTION
13	10-20100		2	SCREW, PLATE AND SPRING TO MOUNTING BRACKET (1/2")
14	17-25905		1	PIN, ROLL - SHIFT CONTROL LEVER TO SHIFT SHAFT
15	12-29245		1	WASHER, SHIFT SHAFT
16	11-35888		1	NUT, SECTOR GEAR TO SHIFT SHAFT
17	61009A1		1	SHIFT CONTROL SHAFT ASSEMBLY, VERTICAL
18	43-58972		1	GEAR, SECTOR - SHIFT CONTROL SHAFT
19	23-30677		1	BUSHING, NYLON - SHIFT CONTROL SHAFT
20	58979		1	FOLLOWER, NEUTRAL SPEED LIMITER
21	10-24644		1	SCREW, FOLLOWER TO POWERHEAD MOUNTING PLATE (1 3/8")
22	15-28212		1	SHIM, LIMITER FOLLOWER SCREW
23	11-46887		1	NUT, LIMITER FOLLOWER SCREW
24	24-39675		1	SPRING, NEUTRAL SPEED LIMITER FOLLOWER
25	10-30663		1	SCREW, SPRING TO LIMITER FOLLOWER (3/8")
26	46837		1	STOP, OVER-SPEED LIMITER <b>UNITED STATES 4102789 AND BELOW AUSTRALIA 8026164 AND BELOW BELGIUM 9070128 AND BELOW CANADA 7044782 AND BELOW</b>
	72857		1	STOP, OVER-SPEED LIMITER <b>UNITED STATES 4102790 AND UP AUSTRALIA 8026165 AND UP BELGIUM 9070129 AND UP CANADA 7044783 AND UP</b>
27	12-24676		1	WASHER, LIMITER STOP SCREW
28	10-46898		1	SCREW, LIMITER STOP TO FOLLOWER (7/16")

# THROTTLE CONTROL LINKAGE

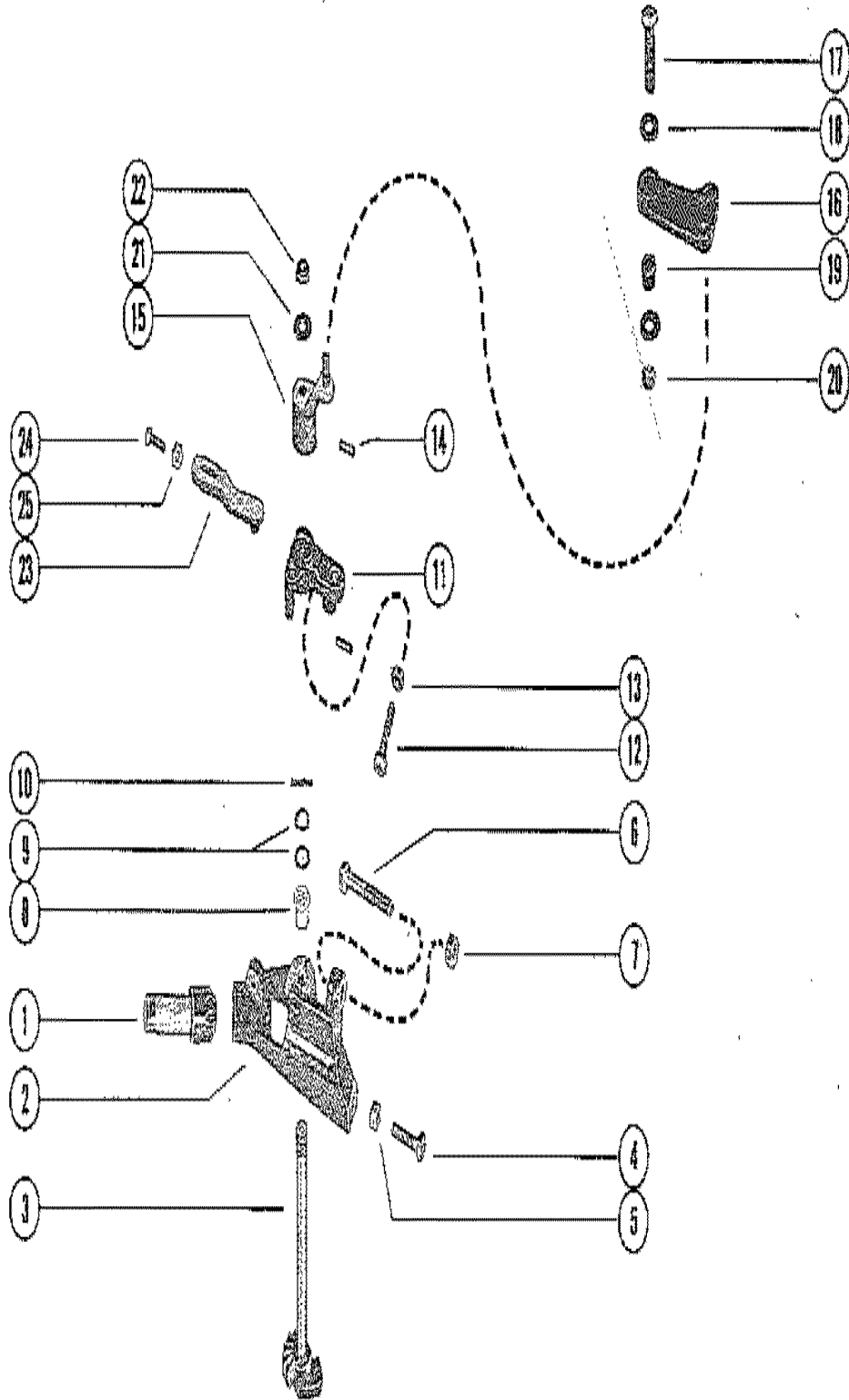


# THROTTLE CONTROL LINKAGE

REF. NO.	PART NO.	SYM.	QTY.	DESCRIPTION
1	43-60856		1	GEAR, PINION - THROTTLE CONTROL
2	48662		1	HOUSING, THROTTLE CONTROL UNITED STATES 4580036 AND BELOW AUSTRALIA 8043124 AND BELOW BELGIUM 9137349 AND BELOW CANADA 7089697 AND BELOW
	76357		1	HOUSING, THROTTLE CONTROL UNITED STATES 4580037 AND UP AUSTRALIA 8043125 AND UP BELGIUM 9137350 AND UP CANADA 7089698 AND UP
3	43-60863		1	SHAFT AND GEAR, THROTTLE
4	10-20653		1	SCREW, THROTTLE CONTROL HOUSING FASTENING (1") - LOWER - UNITED STATES 4580036 AND BELOW AUSTRALIA 8043124 AND BELOW BELGIUM 9137349 AND BELOW CANADA 7089697 AND BELOW
5	11-46887		1	NUT, THROTTLE CONTROL HOUSING SCREW UNITED STATES 4580036 AND BELOW AUSTRALIA 8043124 AND BELOW BELGIUM 9137349 AND BELOW CANADA 7089697 AND BELOW
6	10-21091		1	SCREW, THROTTLE CONTROL HOUSING FASTENING (1 1/8") - UPPER UNITED STATES 4580036 AND BELOW AUSTRALIA 8043124 AND BELOW BELGIUM 9137349 AND BELOW CANADA 7089697 AND BELOW
7	11-46887		2	NUT, THROTTLE CONTROL HOUSING SCREW UNITED STATES 4580036 AND BELOW AUSTRALIA 8043124 AND BELOW BELGIUM 9137349 AND BELOW CANADA 7089697 AND BELOW
4&6	10-76213		2	SCREW, THROTTLE CONTROL HOUSING FASTENING (1 1/8") - LOWER A LOWER AND UPPER UNITED STATES 4580037 AND UP AUSTRALIA 8043125 AND UP BELGIUM 9137350 AND UP CANADA 7089698 AND UP
8	23-33462		1	BUSHING, NYLON - SHAFT AND GEAR (THROTTLE CONTROL HOUSING)
9	12-48679		1	WASHER, THROTTLE SHAFT AND GEAR
10	17-36325		1	PIN, THROTTLE SHAFT AND GEAR
11	46413		1	THROTTLE LEVER, VERTICAL SHAFT
12	10-22960		2	SCREW, VERTICAL SHAFT THROTTLE LEVER (1 3/8") UNITED STATES 4351589 AND BELOW AUSTRALIA 8036049 AND BELOW BELGIUM 9104813 AND BELOW CANADA 7067847 AND BELOW
13	11-25168		2	NUT, VERTICAL SHAFT THROTTLE SCREW UNITED STATES 4351589 AND BELOW AUSTRALIA 8036049 AND BELOW BELGIUM 9104813 AND BELOW CANADA 7067847 AND BELOW
12	10-72755		2	SCREW, VERTICAL SHAFT THROTTLE ELVER (1 3/8") UNITED STATES 4351590 AND UP AUSTRALIA 8036050 AND UP BELGIUM 9104814 AND UP CANADA 7067848 AND UP
13	11-64484		2	NUT, VERTICAL SHAFT THROTTLE ELVER SCREW UNITED STATES 4351590 AND UP AUSTRALIA 8036050 AND UP BELGIUM 9104814 AND UP CANADA 7067848 AND UP
14	17-24865		2	PIN, GROOVE - STATOR PLATE LEVER TO VERTICAL SHAFT
15	60864		1	LEVER, STATOR PLATE - VERTICAL SHAFT
16	64631		1	LEVER, STATOR PLATE CONTROL
17	10-22659		1	SCREW, STARTER HOUSING TO CRANKCASE (1 5/8")

CONTINUED ON NEXT PAGE ➡

# THROTTLE CONTROL LINKAGE

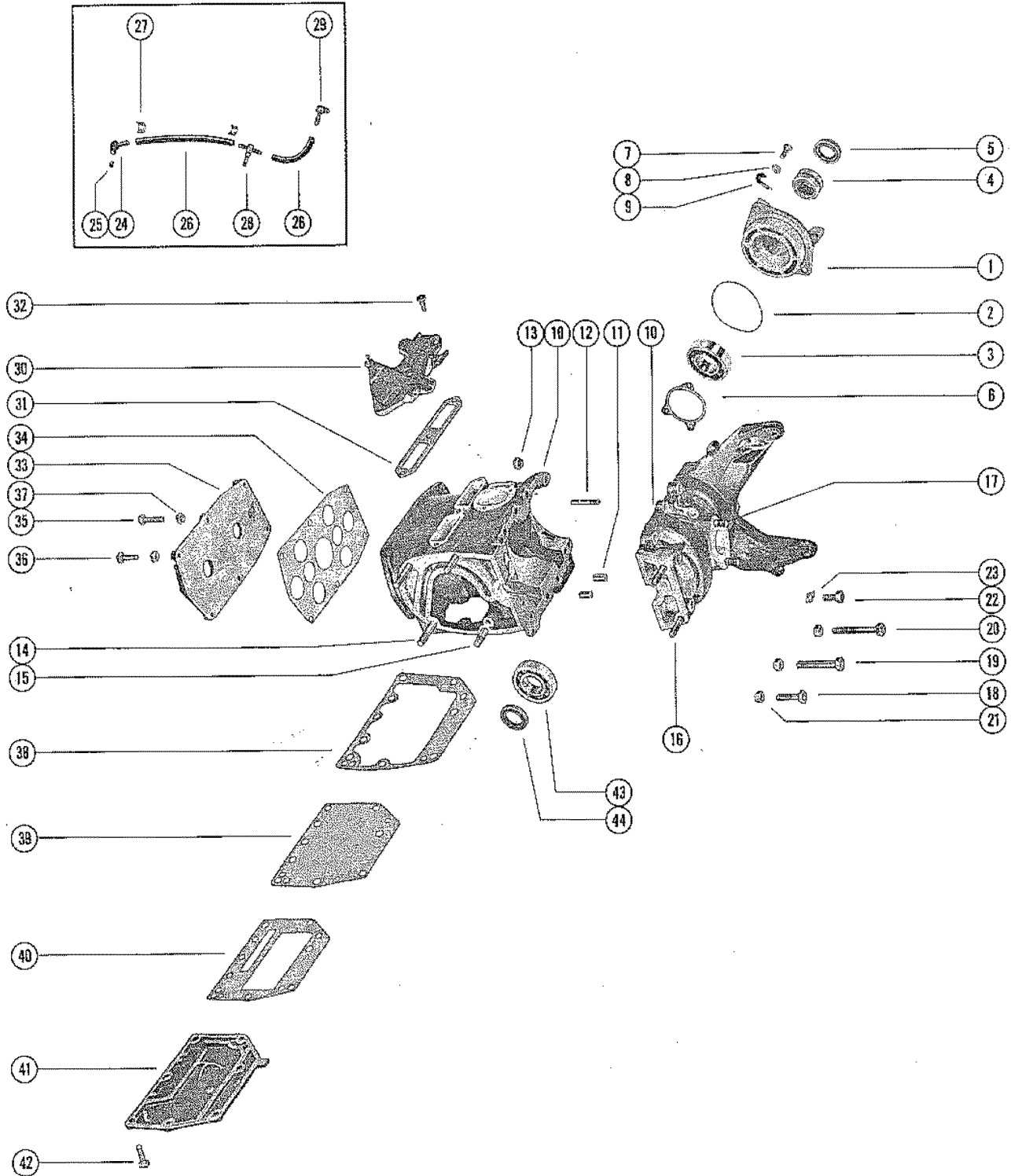




## THROTTLE CONTROL LINKAGE

REF. NO.	PART NO.	SYM.	QTY.	DESCRIPTION
17	10-72754		1	SCREW, STARTER HOUSING TO CRANKCASE (1 5/8")
18	12-57029		2	WASHER, STARTER HOUSING SCREW (PART OF STARTER HOUSING ASSEM)
19	23-46406		1	BUSHING, STATOR PLATE CONTROL LEVER
20	11-20361		1	NUT, STARTER HOUSING TO CRANKCASE SCREW <b>UNITED STATES 4351589 AND BELOW AUSTRALIA 8036049 AND BELOW BELGIUM 9104813 AND BELOW CANADA 7067847 AND BELOW</b>
	11-35888		1	NUT, STARTER HOUSING TO CRANKCASE SCREW <b>UNITED STATES 4351590 AND UP AUSTRALIA 8036050 AND UP BELGIUM 9104814 AND UP CANADA 7067848 AND UP</b>
21	12-24664		1	WASHER, SHAFT AND GEAR
22	11-20586		1	NUT, SHAFT AND GEAR
23	46405		1	LINK, THROTTLE CLUSTER
24	10-25876		1	SCREW, THROTTLE CLUSTER LINK (7/8")
25	11-20645		1	NUT, JAM - THROTTLE CLUSTER LINK SCREW

# CYLINDER BLOCK AND CRANKCASE ASSEMBLY

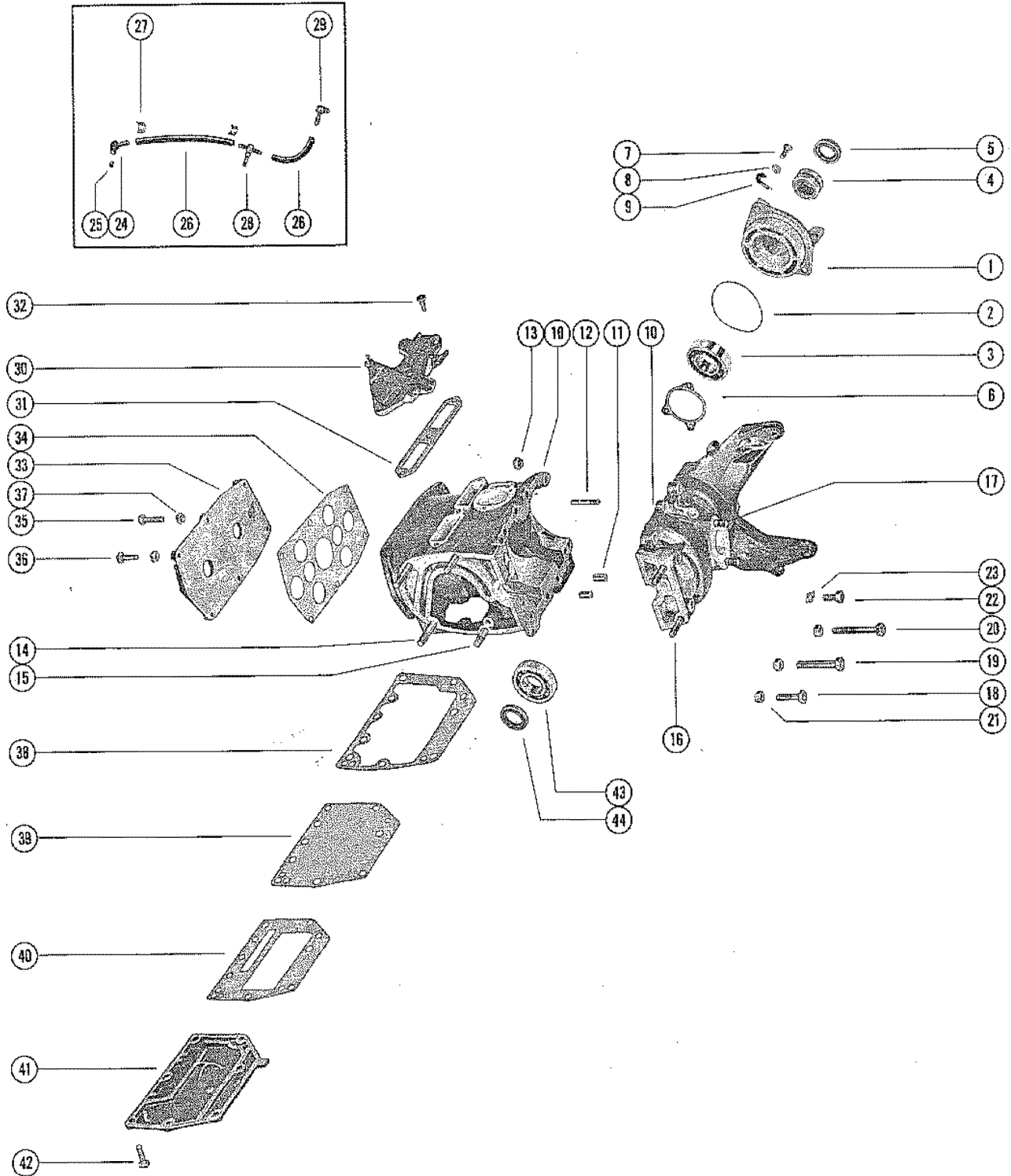


# CYLINDER BLOCK AND CRANKCASE ASSEMBLY

REF. NO.	PART NO.	SYM.	QTY.	DESCRIPTION
1	1155-5009A1		1	CRANKCASE TOP ASSEMBLY UNITED STATES 4403786 AND BELOW AUSTRALIA 8039074 AND BELOW BELGIUM 9122764 AND BELOW CANADA 7077247 AND BELOW
	1163-6091A1		1	CRANKCASE TOP ASSEMBLY UNITED STATES 4403787 THRU 4580036 AUSTRALIA 8039075 THRU 8043124 BELGIUM 9122765 THRU 9137349 CANADA 7077248 THRU 7089697
	1163-6437A1		1	CRANKCASE TOP ASSEMBLY UNITED STATES 4580037 AND UP AUSTRALIA 8043125 AND UP BELGIUM 9137350 AND UP CANADA 7089698 AND UP
2	25-20081		1	"O" RING, CRANKCASE TOP
3	30-63326		1	BEARING, BALL - CRANKCASE TOP (UPPER)
4	31-20594		1	BEARING, ROLLER - CRANKCASE TOP (UPPER)
5	26-66300		1	OIL SEAL, CRANKCASE TOP (UPPER)
6	15-56191A1		AR	SHIM, CRANKCASE TOP TO CYLINDER BLOCK (.002-3-5-10)
7	10-24786		3	SCREW, CRANKCASE TOP TO CYLINDER BLOCK (5/8") - <b>SERIAL GROUP#14</b>
8	13-20202		3	LOCKWASHER, CRANKCASE TO TOP SCREW - <b>SERIAL GROUP#14</b>
9	54-61001		1	CLIP, UPPER END CAP SCREW - <b>SERIAL GROUP#14</b>
7	10-73456		3	SCREW, CRANKCASE TOP TO CYLINDER BLOCK (5/8") - <b>SERIAL GROUP#15</b>
8	14-75670		1	TAB WASHER, CRANKCASE TOP SCREW - <b>SERIAL GROUP#15</b>
10	848-5067A1		1	CYLINDER BLOCK AND CRANKCASE ASSEMBLY UNITED STATES 4351589 AND BELOW AUSTRALIA 8036049 AND BELOW BELGIUM 9104813 AND BELOW CANADA 7067847 AND BELOW
	848-6064A1		1	CYLINDER BLOCK AND CRANKCASE ASSEMBLY UNITED STATES 4351590 THRU 4580036 AUSTRALIA 8036050 THRU 8043124 BELGIUM 9104814 THRU 9137349 CANADA 7067848 THRU 7089697
	848-6434A1		1	CYLINDER BLOCK AND CRANKCASE ASSEMBLY UNITED STATES 4580037 AND UP AUSTRALIA 8043125 AND UP BELGIUM 9137350 AND UP CANADA 7089698 AND UP
11	17-23784		2	PIN, DOWEL - CRANKCASE TO CYLINDER BLOCK
12	16-65866		2	STUD, CRANKCASE TO CYLINDER BLOCK (1 5/16") UNITED STATES 4580036 AND BELOW AUSTRALIA 8043124 AND BELOW BELGIUM 9137349 AND BELOW CANADA 7089697 AND BELOW
13	11-46793		2	NUT, CRANKCASE STUD UNITED STATES 4580036 AND BELOW AUSTRALIA 8043124 AND BELOW BELGIUM 9137349 AND BELOW CANADA 7089697 AND BELOW
14	16-65868		2	STUD, CYLINDER BLOCK TO DRIVE SHAFT HOUSING (2 1/8") UNITED STATES 4351589 AND BELOW AUSTRALIA 8036049 AND BELOW BELGIUM 9104813 AND BELOW CANADA 7067847 AND BELOW
	16-72743		2	STUD, CYLINDER BLOCK TO DRIVE SHAFT HOUSING (2 1/8") UNITED STATES 4351590 AND UP AUSTRALIA 8036050 AND UP BELGIUM 9104814 AND UP CANADA 7067848 AND UP

CONTINUED ON NEXT PAGE ➡

# CYLINDER BLOCK AND CRANKCASE ASSEMBLY

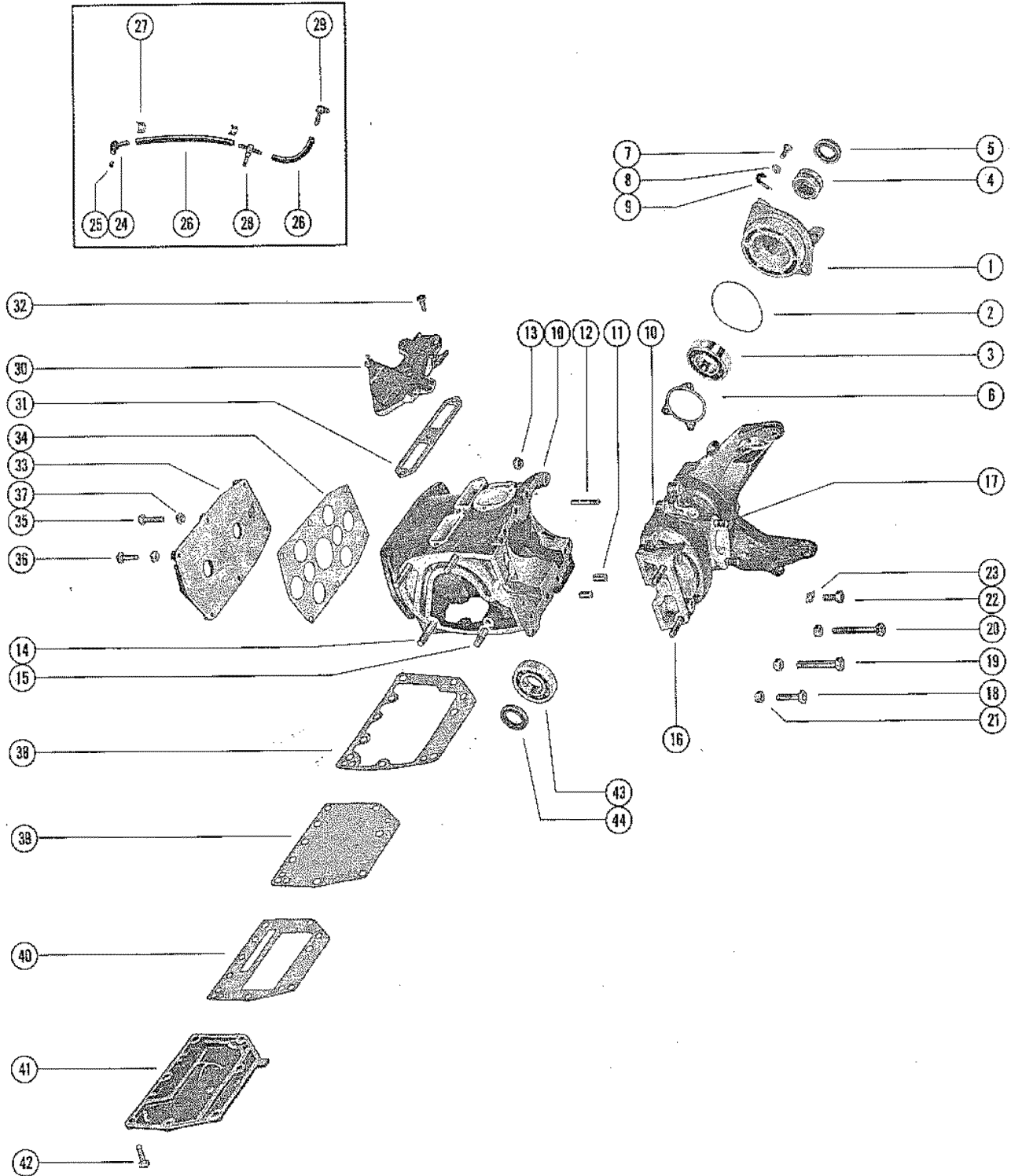


# CYLINDER BLOCK AND CRANKCASE ASSEMBLY

REF. NO.	PART NO.	SYM.	QTY.	DESCRIPTION
15	16-68165		2	STUD, CYLINDER BLOCK TO DRIVE SHAFT HOUSING (1 5/8")
16	16-68165		2	STUD, CRANKCASE TO DRIVE SHAFT HOUSING (1 5/8")
17	16-65865		2	STUD, CARBURETOR TO CRANKCASE (1 3/32") <b>UNITED STATES 4351589 AND BELOW AUSTRALIA 8036049 AND BELOW BELGIUM 9104813 AND BELOW CANADA 7067847 AND BELOW</b>
	16-72742		2	STUD, CARBURETOR TO CRANKCASE (1 3/32") <b>UNITED STATES 4351590 AND UP AUSTRALIA 8036050 AND UP BELGIUM 9104814 AND UP CANADA 7067848 AND UP</b>
18	10-26066		4	SCREW, CRANKCASE TO CYLINDER BLOCK (1 1/4") <b>UNITED STATES 4351589 AND BELOW AUSTRALIA 8036049 AND BELOW BELGIUM 9104813 AND BELOW CANADA 7067847 AND BELOW</b>
	10-26066		5	SCREW, CRANKCASE TO CYLINDER BLOCK (1 1/4") <b>UNITED STATES 4351590 THRU 4580036 AUSTRALIA 8036050 THRU 8043124 BELGIUM 9104814 THRU 9137349 CANADA 7067848 THRU 7089697</b>
	10-74824		5	SCREW, CRANKCASE TO CYLINDER BLOCK (1 1/8") <b>UNITED STATES 4580037 AND UP AUSTRALIA 8043125 AND UP BELGIUM 9137350 AND UP CANADA 7089698 AND UP</b>
19	10-26065		1	SCREW, CRANKCASE TO CYLINDER BLOCK (1"0) <b>UNITED STATES 4351589 AND BELOW AUSTRALIA 8036049 AND BELOW BELGIUM 9104813 AND BELOW CANADA 7067847 AND BELOW</b>
	10-21449		2	SCREW, CRANKCASE TO CYLINDER BLOCK (2") <b>UNITED STATES 4403786 AND BELOW AUSTRALIA 8039074 AND BELOW BELGIUM 9122764 AND BELOW CANADA 7077247 AND BELOW</b>
	10-75700		2	SCREW, CRANKCASE TO CYLINDER BLOCK (2 1/8") <b>UNITED STATES 4403787 THRU 4580036 AUSTRALIA 8039075 THRU 8043124 BELGIUM 9122765 THRU 9137349 CANADA 7077248 THRU 7089697</b>
	10-35385		2	SCREW, CRANKCASE TO CYLINDER BLOCK (1 3/4") <b>UNITED STATES 4580037 AND UP AUSTRALIA 8043125 AND UP BELGIUM 9137350 AND UP CANADA 7089698 AND UP</b>
20	10-26132		2	SCREW, CRANKCASE TO CYLINDER BLOCK (2 1/2") <b>UNITED STATES 4580036 AND BELOW AUSTRALIA 8043124 AND BELOW BELGIUM 9137349 AND BELOW CANADA 7089697 AND BELOW</b>
	10-67450		2	SCREW, CRANKCASE TO CYLINDER BLOCK (2 1/4") <b>UNITED STATES 4580037 AND UP AUSTRALIA 8043125 AND UP BELGIUM 9137350 AND UP CANADA 7089698 AND UP</b>
21	11-46793		10	NUT, CRANKCASE SCREW <b>UNITED STATES 4580036 AND BELOW AUSTRALIA 8043124 AND BELOW BELGIUM 9137349 AND BELOW CANADA 7089697 AND BELOW</b>
22	10-26801		1	SCREW, LOCK - CENTER MAIN BEARING (5/8")
23	14-20091		1	TAB WASHER, CENTER MAIN BEARING LOCK SCREW
24	22-61295A5		1	ELBOW ASSEMBLY, BLEED DRAIN <b>PART OF CYLINDER BLOCK AND CRANKCASE ASSEMBLY UNITED STATES 3755884 AND BELOW AUSTRALIA 8013704 AND BELOW BELGIUM 9035128 AND BELOW CANADA 7024647 AND BELOW</b>

CONTINUED ON NEXT PAGE ➡

# CYLINDER BLOCK AND CRANKCASE ASSEMBLY

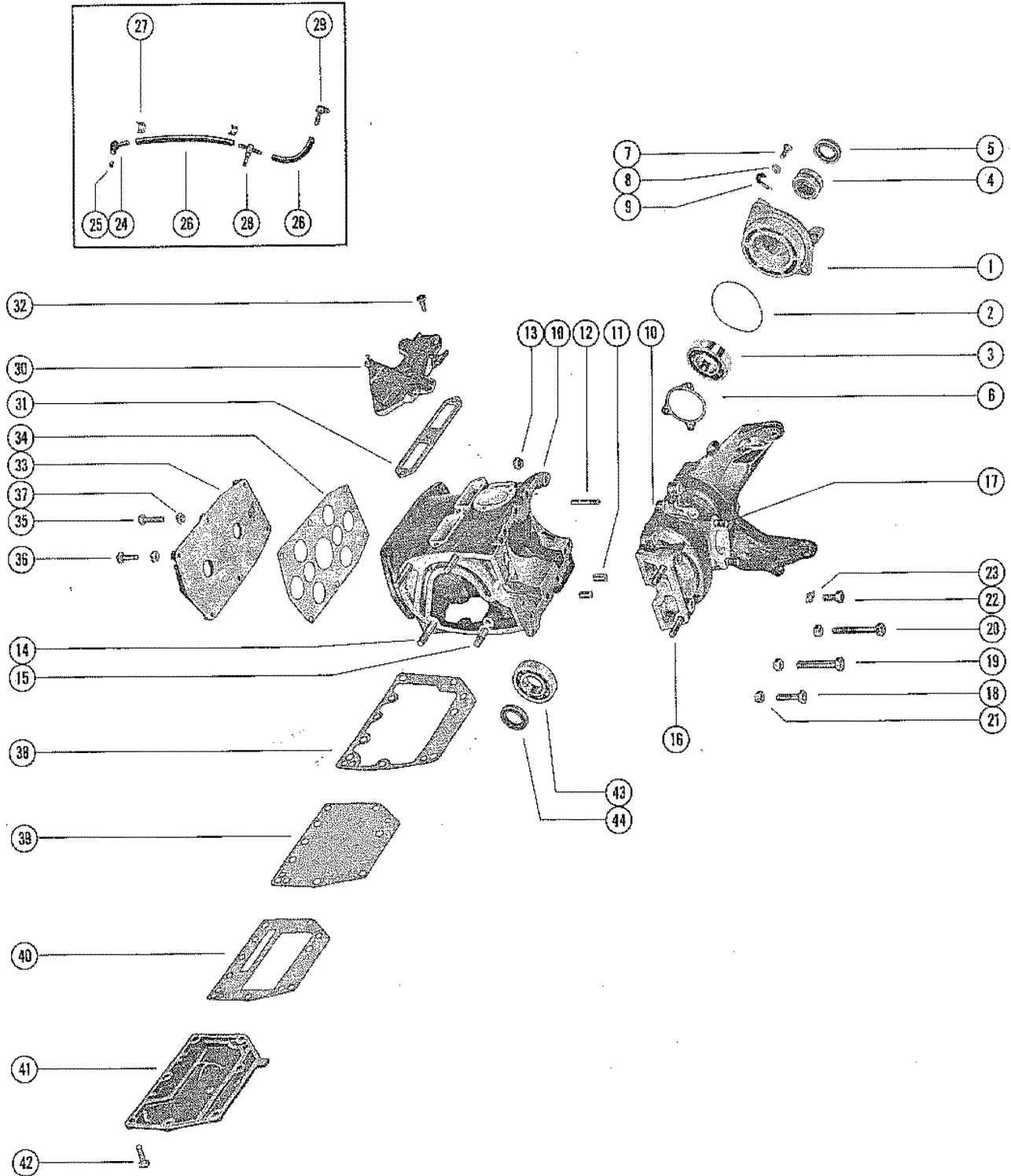


# CYLINDER BLOCK AND CRANKCASE ASSEMBLY

REF. NO.	PART NO.	SYM.	QTY.	DESCRIPTION
25	21-56011A2		1	CHECK VALVE ASSEMBLY PART OF CYLINDER BLOCK AND CRANKCASE ASSEMBLY
24	21-64871A1		1	ELBOW ASSEMBLY, BLEED DRAIN PART OF CYLINDER BLOCK AND CRANKCASE ASSEMBLY UNITED STATES 3755885 AND UP AUSTRALIA 8013705 AND UP BELGIUM 9035129 AND UP CANADA 7024648 AND UP
26	32-60584		2	HOSE, BLEED DRAIN PART OF CYLINDER BLOCK AND CRANKCASE ASSEMBLY
27	54-56223		4	CLAMP, BLEED HOSE ATTACHING PART OF CYLINDER BLOCK AND CRANKCASE ASSEMBLY
28	22-61559		1	TEE, INJECTION PART OF CYLINDER BLOCK AND CRANKCASE ASSEMBLY UNITED STATES 4580036 AND BELOW AUSTRALIA 8043124 AND BELOW BELGIUM 9137349 AND BELOW CANADA 7089697 AND BELOW
	22-76329		1	TEE, INJECTION PART OF CYLINDER BLOCK AND CRANKCASE ASSEMBLY UNITED STATES 4580037 AND UP AUSTRALIA 8043125 AND UP BELGIUM 9137350 AND UP CANADA 7089698 AND UP
29	22-61558		1	ELBOW, BLEED DRAIN PART OF CYLINDER BLOCK AND CRANKCASE ASSEMBLY
30	71127		1	COVER, TRANSFER PORT
31	27-27936		1	GASKET, TRANSFER PORT COVER
32	10-49668		1	SCREW, TRANSFER PORT COVER TO CYLINDER BLOCK (3/4")
	10-24646		2	SCREW, TRANSFER PORT COVER TO CYLINDER BLOCK (5/8")
33	1022-3567		1	COVER, CYLINDER BLOCK
34	27-52579		1	GASKET, CYLINDER BLOCK COVER
35	10-24644		2	SCREW, COVER TO CYLINDER BLOCK (1 3/8") UNITED STATES 4580036 AND BELOW AUSTRALIA 8043124 AND BELOW BELGIUM 9137349 AND BELOW CANADA 7089697 AND BELOW
36	10-21091		4	SCREW, COVER TO CYLINDER BLOCK (1 1/8")
37	11-46887		6	NUT, CYLINDER BLOCK COVER SCREW
35	10-76596		2	SCREW, COVER TO CYLINDER BLOCK (1 1/4") UNITED STATES 4580037 AND UP AUSTRALIA 8043125 AND UP BELGIUM 9137350 AND UP CANADA 7089698 AND UP
36	10-76630		4	SCREW, COVER TO CYLINDER BLOCK (1")
38	27-45088		1	GASKET, CYLINDER BLOCK TO BAFFLE PLATE
39	39308		1	PLATE, BAFFLE - EXHAUST MANIFOLD
40	27-39316		1	GASKET, BAFFLE PLATE TO MANIFOLD COVER UNITED STATES 4351589 AND BELOW AUSTRALIA 8036049 AND BELOW BELGIUM 9104813 AND BELOW CANADA 7067847 AND BELOW
41	57576		1	COVER, EXHAUST MANIFOLD UNITED STATES 4351589 AND BELOW AUSTRALIA 8036049 AND BELOW BELGIUM 9104813 AND BELOW CANADA 7067847 AND BELOW
	73458		1	COVER, EXHAUST MANIFOLD UNITED STATES 4351590 AND UP AUSTRALIA 8036050 AND UP BELGIUM 9104814 AND UP CANADA 7067848 AND UP

CONTINUED ON NEXT PAGE ➡

# CYLINDER BLOCK AND CRANKCASE ASSEMBLY

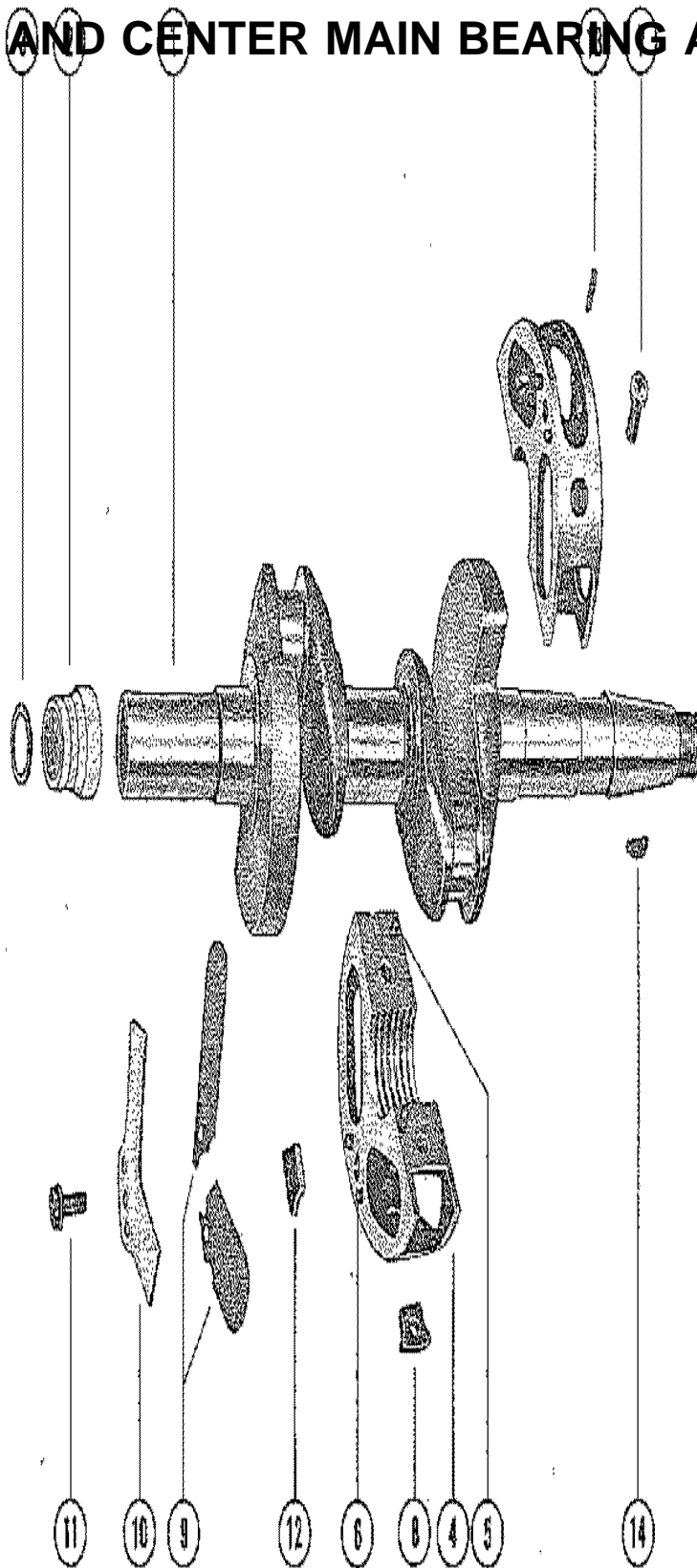




# CYLINDER BLOCK AND CRANKCASE ASSEMBLY

REF. NO.	PART NO.	SYM.	QTY.	DESCRIPTION
42	10-28782		7	SCREW, MANIFOLD COVER TO CYLINDER BLOCK (7/8")
43	30-63326		1	BEARING, BALL - CRANKCASE (LOWER)
44	26-66302		1	OIL SEAL, CRANKCASE (LOWER)

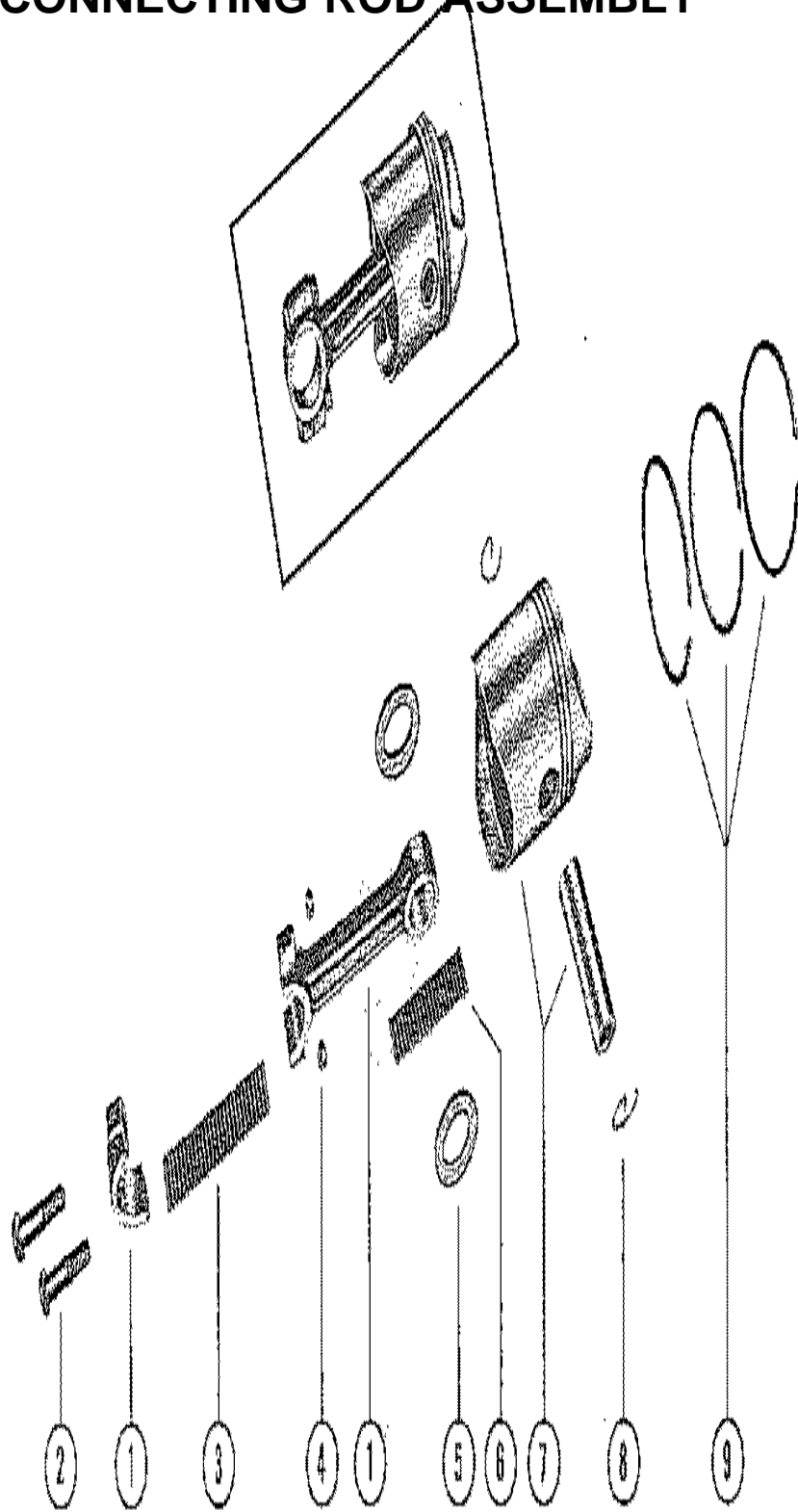
# CRANKSHAFT AND CENTER MAIN BEARING ASSEMBLY



# CRANKSHAFT AND CENTER MAIN BEARING ASSEMBLY

REF. NO.	PART NO.	SYM.	QTY.	DESCRIPTION
1	415-5041		1	CRANKSHAFT UNITED STATES 4403786 AND BELOW AUSTRALIA 8039074 AND BELOW BELGIUM 9122764 AND BELOW CANADA 7077247 AND BELOW
	415-6099		1	CRANKSHAFT UNITED STATES 4403787 AND UP AUSTRALIA 8039075 AND UP BELGIUM 9122765 AND UP CANADA 7077248 AND UP
2	63992A1		1	CARRIER ASSEMBLY UNITED STATES 4351589 AND BELOW AUSTRALIA 8036049 AND BELOW BELGIUM 9104813 AND BELOW CANADA 7067847 AND BELOW
3	64989		1	SEAL, CARRIER ASSEMBLY UNITED STATES 4351589 AND BELOW AUSTRALIA 8036049 AND BELOW BELGIUM 9104813 AND BELOW CANADA 7067847 AND BELOW
2	26-73315		1	SEAL, CRANKSHAFT UNITED STATES 4351590 AND UP AUSTRALIA 8036050 AND UP BELGIUM 9104814 AND UP CANADA 7067848 AND UP
4	534-3267A18		1	CENTER MAIN BEARING ASSEMBLY
5	17-20032		2	DOWEL PIN, CENTER MAIN BEARING
6	17-65855		8	PIN, REED STOP
7	10-45775		2	SCREW, CENTER MAIN BEARING CLAMPING (9/16")
8	11-45774		2	NUT, CENTER MAIN BEARING CLAMPING SCREW
9	34-56704A1		1	REED SET, CENTER MAIN BEARING (MATCHED)
10	34-64632		4	REED STOP, MAIN BEARING REED VALVES
11	10-53481		4	SCREW, REED STOP MOUNTING (9/16")
12	11-20110		4	NUT, REED STOP MOUNTING SCREW
13	17-20032		1	DOWEL PIN, MAIN BEARING TO CYLINDER BLOCK
14	28-20094		1	KEY, FLYWHEEL

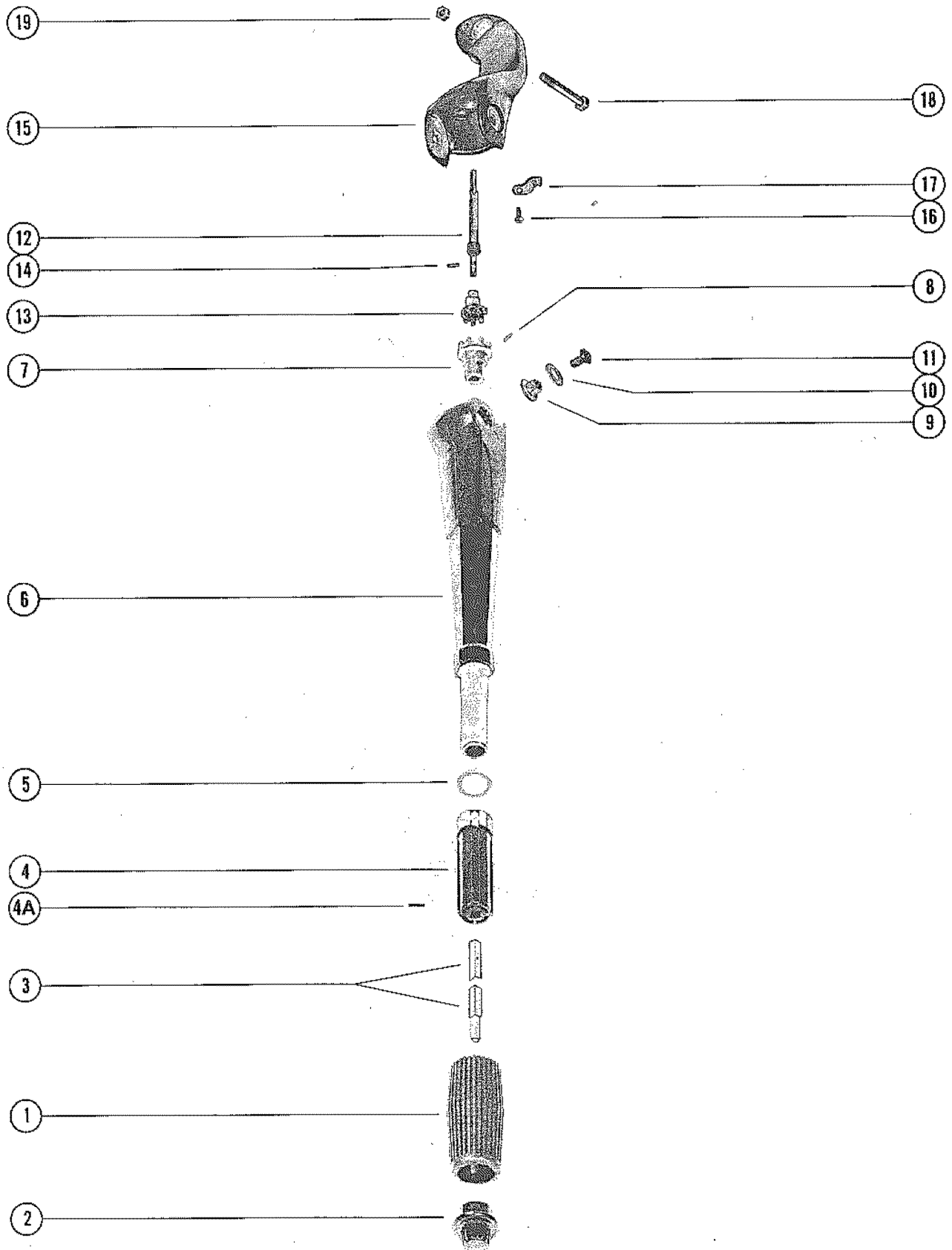
# PISTON AND CONNECTING ROD ASSEMBLY



## PISTON AND CONNECTING ROD ASSEMBLY

REF. NO.	PART NO.	SYM.	QTY.	DESCRIPTION
1	619-3195A2		2	CONNECTING ROD ASSEMBLY
2	10-45379		4	SCREW, CONNECTING ROD
3	29-20046		50	BEARING, NEEDLE - CRANKPIN
4	11-20061		4	NUT, CONNECTING ROD SCREW
5	12-47275		4	WASHER, NEEDLE BEARING RETAINING
6	29-20063		54	BEARING, NEEDLE - PISTON PIN
7	743-5172A6		2	PISTON AND PISTON PIN ASSEMBLY
8	40-47276		4	LOCK RING, PISTON PIN
9	39-27841A12		1	RING, PISTON
-	<b>743-3366A2</b>		<b>2</b>	<b>PISTON AND PISTON PIN ASSEMBLY (.015 OVERSIZE)</b>
-	<b>39-28616A12</b>		<b>1</b>	<b>RING, PISTON (.015 OVERSIZE)</b>

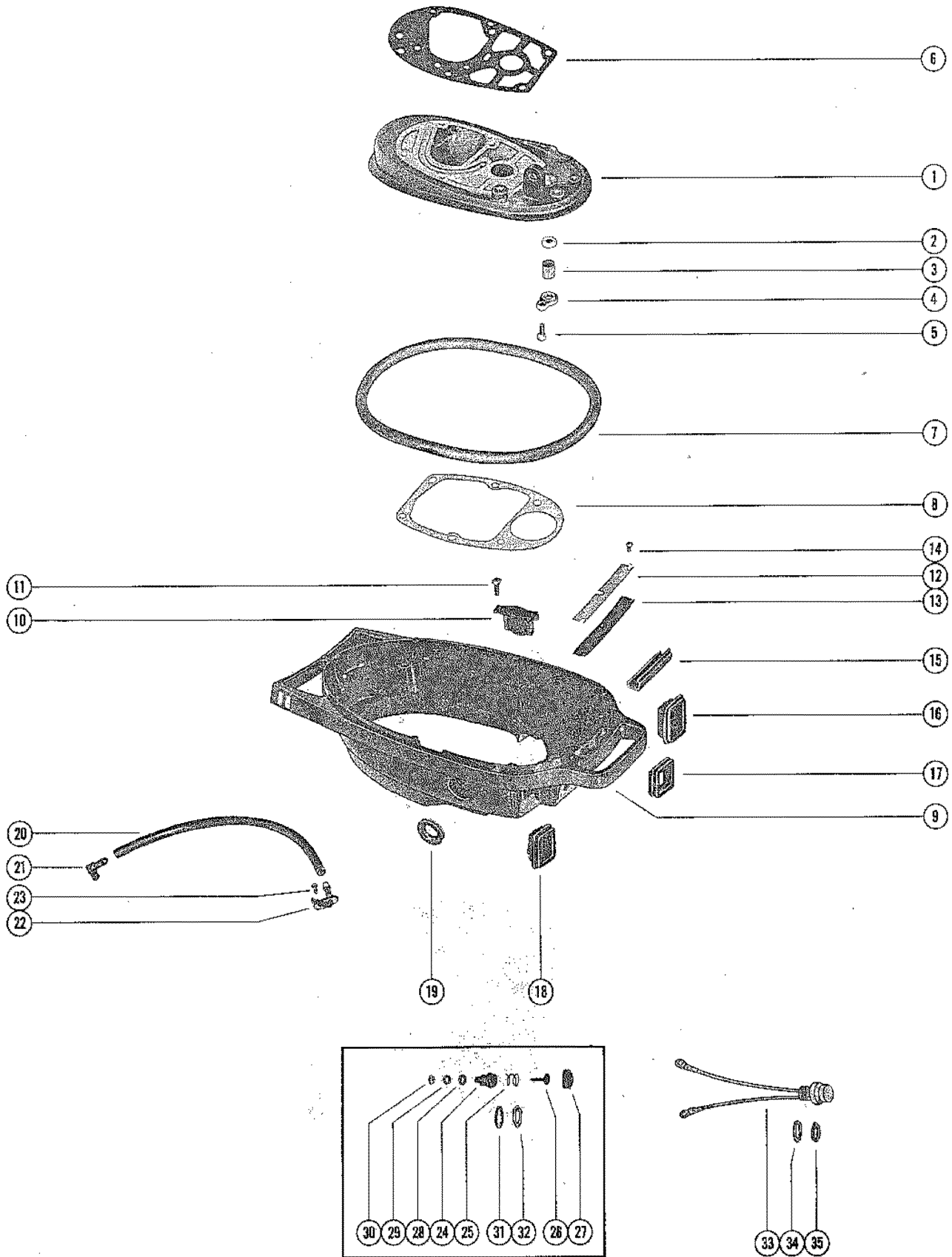
# STEERING HANDLE ASSEMBLY



# STEERING HANDLE ASSEMBLY

REF. NO.	PART NO.	SYM.	QTY.	DESCRIPTION
-	60850A4		1	STEERING HANDLE ASSEMBLY, COMPLETE UNITED STATES 3755884 AND BELOW AUSTRALIA 8013704 AND BELOW BELGIUM 9035128 AND BELOW CANADA 7024647 AND BELOW
-	60850A6		1	STEERING HANDLE ASSEMBLY, COMPLETE UNITED STATES 3755885 AND UP AUSTRALIA 8013705 AND UP BELGIUM 9035129 AND UP CANADA 7024648 AND UP
1	60854		1	GRIP, HANDLE - THROTTLE
2	62251		1	CAP, HANDLE THROTTLE
3	60851		1	SHAFT, THROTTLE UNITED STATES 3755884 AND BELOW AUSTRALIA 8013704 AND BELOW BELGIUM 9035128 AND BELOW CANADA 7024647 AND BELOW
	66393		1	SHAFT, THROTTLE UNITED STATES 3755885 AND UP AUSTRALIA 8013705 AND UP BELGIUM 9035129 AND UP CANADA 7024648 AND UP
4	65418A1		1	HANDLE ASSEMBLY, THROTTLE SHAFT UNITED STATES 3755884 AND BELOW AUSTRALIA 8013704 AND BELOW BELGIUM 9035128 AND BELOW CANADA 7024647 AND BELOW
	66394A1		1	HANDLE ASSEMBLY, THROTTLE SHAFT UNITED STATES 3755885 AND UP AUSTRALIA 8013705 AND UP BELGIUM 9035129 AND UP CANADA 7024648 AND UP
4A	17-46152		1	PIN, THROTTLE SHAFT UNITED STATES 3755885 AND UP AUSTRALIA 8013705 AND UP BELGIUM 9035129 AND UP CANADA 7024648 AND UP
5	12-62252		1	WASHER, THROTTLE HANDLE TO STEERING ARM
6	60850		1	ARM, STEERING HANDLE
7	43-60852		1	GEAR, BALL THROTTLE SHAFT
8	17-27088		1	PIN, BALL GEAR TO THROTTLE SHAFT
9	48003		2	PIVOT, STEERING HANDLE TO BRACKET
10	15-48002015		AR	SHIM, STEERING HANDLE PIVOT TO BRACKET (.015)
11	10-64074		2	SCREW, STEERING HANDLE TO ARM BRACKET (5/8")
12	60857A2		1	UNIVERSAL JOINT ASSEMBLY
13	43-60852		1	GEAR, BALL - UNIVERSAL JOINT
14	17-68436		1	PIN, BALL GEAR TO UNIVERSAL JOINT
15	68766A2		1	BRACKET, STEERING ARM
16	10-62233		2	SCREW, DETENT SPRING TO STEERING ARM BRACKET (5/8")
17	24-47744		2	SPRING, DETENT - STEERING HANDLE UNITED STATES 4351589 AND BELOW AUSTRALIA 8036049 AND BELOW BELGIUM 9104813 AND BELOW CANADA 7067847 AND BELOW
	24-72847		2	SPRING, DETENT - STEERING HANDLE UNITED STATES 4351590 AND UP AUSTRALIA 8036050 AND UP BELGIUM 9104814 AND UP CANADA 7067848 AND UP
18	10-26132		3	SCREW, STEERING ARM BRACKET TO SADDLE (2 1/2")
19	11-46793		3	NUT, STEERING ARM BRACKET FASTENING SCREW

# BOTTOM COWL ASSEMBLY



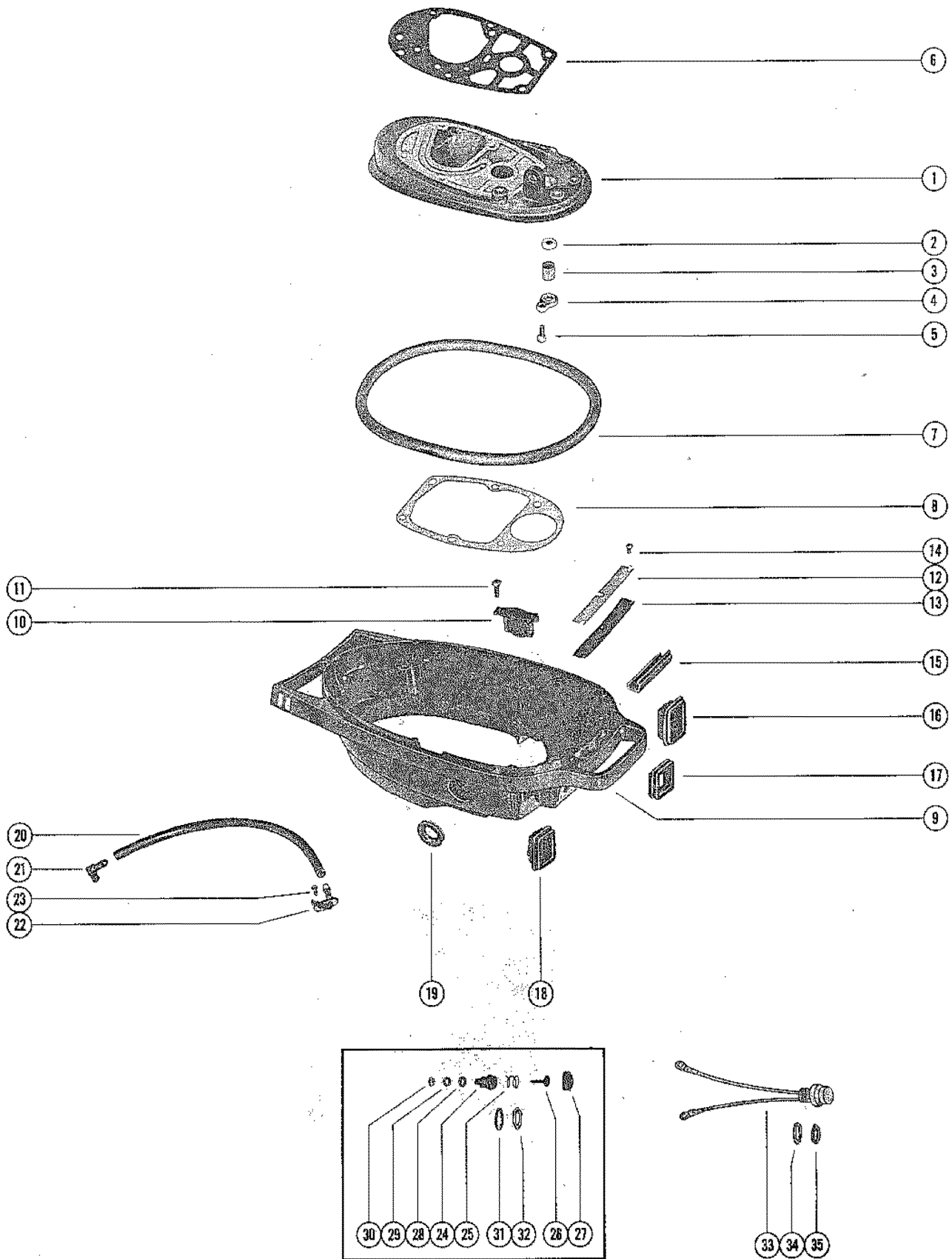


# BOTTOM COWL ASSEMBLY

REF. NO.	PART NO.	SYM.	QTY.	DESCRIPTION
1	58978A2		1	PLATE ASSEMBLY, MOUNTING UNITED STATES 3755884 AND BELOW AUSTRALIA 8013704 AND BELOW BELGIUM 9035128 AND BELOW CANADA 7024647 AND BELOW
	66416A2		1	PLATE ASSEMBLY, MOUNTING UNITED STATES 3755885 AND UP AUSTRALIA 8013705 AND UP BELGIUM 9035129 AND UP CANADA 7024648 AND UP
2	12-36555		1	WASHER, NYLON - WATER INLET TUBE
3	26-25329		1	SEAL, RUBBER - WATER INLET TUBE
4	33513		1	RETAINER, WATER INLET TUBE SEAL
5	10-20540		1	SCREW, RETAINER TO MOUNTING PLATE (5/8")
6	27-39401		1	GASKET, POWERHEAD TO MOUNTING PLATE
7	39622		1	SEAL, MOUNTING PLATE TO BOTTOM COWL
8	27-39402		1	GASKET, MOUNTING PLATE TO DRIVE SHAFT HOUSING
9	2129-5029A2		1	BOTTOM COWL ASSEMBLY UNITED STATES 4403786 AND BELOW AUSTRALIA 8039074 AND BELOW BELGIUM 9122764 AND BELOW CANADA 7077247 AND BELOW
	2129-6182A3		1	BOTTOM COWL ASSEMBLY UNITED STATES 4403787 AND UP AUSTRALIA 8039075 AND UP BELGIUM 9122765 AND UP CANADA 7077248 AND UP
10	48472		1	COVER, HARNESS HOLE
11	10-61802		2	SCREW, COVER TO BOTTOM COWL (7/8")
12	46266A2		1	COVER PLATE ASSEMBLY, BOTTOM COWL
13	39591		1	PAD, SOUND - COVER PLATE
14	10-30663		3	SCREW, COVER PLATE TO BOTTOM COWL (3/8") UNITED STATES 4351589 AND BELOW AUSTRALIA 8036049 AND BELOW BELGIUM 9104813 AND BELOW CANADA 7067847 AND BELOW
	10-62568		3	SCREW, COVER PLATE TO BOTTOM COWL (3/8") UNITED STATES 4351590 AND UP AUSTRALIA 8036050 AND UP BELGIUM 9104814 AND UP CANADA 7067848 AND UP
15	39630		1	CUSHION, RUBBER - BOTTOM COWL
16	60886		1	BOOT, THROTTLE CABLE - BOTTOM COWL
17	39778		1	BOOT, FUEL ADAPTOR - BOTTOM COWL
18	39780		1	BOOT, SHIFT CABLE - BOTTOM COWL
19	39058		1	SEAL, SHIFT HANDLE - BOTTOM COWL
20	32-34395A1		1	HOSE, TELL TALE - COWL TO CYLINDER BLOCK (11")
21	22-25885		1	ELBOW, TELL TALE HOSE TO CYLINDER (SEE NOTE BELOW)
22	52889		1	NOZZLE, TELL TALE HOSE TO BOTTOM COWL - PART OF BOTTOM COWL ASSEMBLY
23	10-48408		1	SCREW, TELL TALE NOZZLE TO BOTTOM COWL (1/2") - PART OF BOTTOM COWL ASSEMBLY
24	59065A4		1	STOP SWITCH ASSEMBLY UNITED STATES 4102789 AND BELOW AUSTRALIA 8026164 AND BELOW BELGIUM 9070128 AND BELOW CANADA 7044782 AND BELOW
25	24-60239		1	SPRING, STOP SWITCH UNITED STATES 4102789 AND BELOW AUSTRALIA 8026164 AND BELOW BELGIUM 9070128 AND BELOW CANADA 7044782 AND BELOW

CONTINUED ON NEXT PAGE ➡

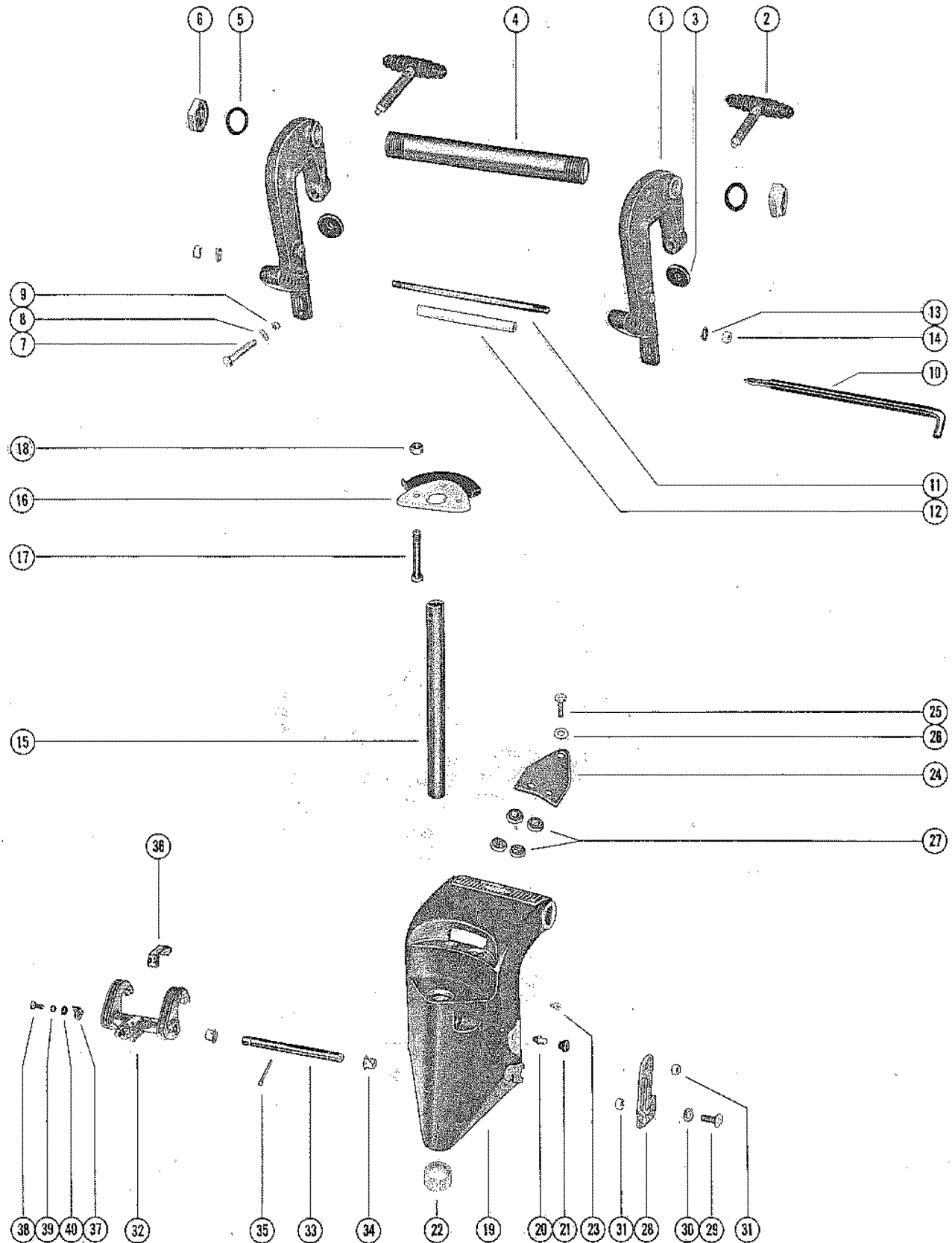
# BOTTOM COWL ASSEMBLY



## BOTTOM COWL ASSEMBLY

REF. NO.	PART NO.	SYM.	QTY.	DESCRIPTION
26	87-61577A1		1	CONTACT ASSEMBLY, STOP SWITCH UNITED STATES 4102789 AND BELOW AUSTRALIA 8026164 AND BELOW BELGIUM 9070128 AND BELOW CANADA 7044782 AND BELOW
27	38950A1		1	COVER ASSEMBLY, STOP SWITCH UNITED STATES 4102789 AND BELOW AUSTRALIA 8026164 AND BELOW BELGIUM 9070128 AND BELOW CANADA 7044782 AND BELOW
28	12-59061		1	WASHER, STOP SWITCH UNITED STATES 4102789 AND BELOW AUSTRALIA 8026164 AND BELOW BELGIUM 9070128 AND BELOW CANADA 7044782 AND BELOW
29	13-26996		1	LOCKWASHER, STOP SWITCH UNITED STATES 4102789 AND BELOW AUSTRALIA 8026164 AND BELOW BELGIUM 9070128 AND BELOW CANADA 7044782 AND BELOW
30	11-20645		1	NUT, GROUND LEAD TO STOP SWITCH UNITED STATES 4102789 AND BELOW AUSTRALIA 8026164 AND BELOW BELGIUM 9070128 AND BELOW CANADA 7044782 AND BELOW
31	13-21972		1	LOCKWASHER, CONNECTOR BASE UNITED STATES 4102789 AND BELOW AUSTRALIA 8026164 AND BELOW BELGIUM 9070128 AND BELOW CANADA 7044782 AND BELOW
32	11-21971		1	NUT, CONNECTOR BASE TO BOTTOM COWL UNITED STATES 4102789 AND BELOW AUSTRALIA 8026164 AND BELOW BELGIUM 9070128 AND BELOW CANADA 7044782 AND BELOW
33	87-69508A3		1	STOP SWITCH ASSEMBLY UNITED STATES 4102790 THRU 4403786 AUSTRALIA 8026165 THRU 8039074 BELGIUM 9070129 THRU 9122764 CANADA 7044783 THRU 7077247
	87-69508A7		1	STOP SWITCH ASSEMBLY UNITED STATES 4403787 AND UP AUSTRALIA 8039075 AND UP BELGIUM 9122765 AND UP CANADA 7077248 AND UP
34	13-69845		1	LOCKWASHER, STOP SWITCH UNITED STATES 4102790 AND UP AUSTRALIA 8026165 AND UP BELGIUM 9070129 AND UP CANADA 7044783 AND UP
35	11-69844		1	NUT, STOP SWITCH

# CLAMP AND SWIVEL BRACKET ASSEMBLY

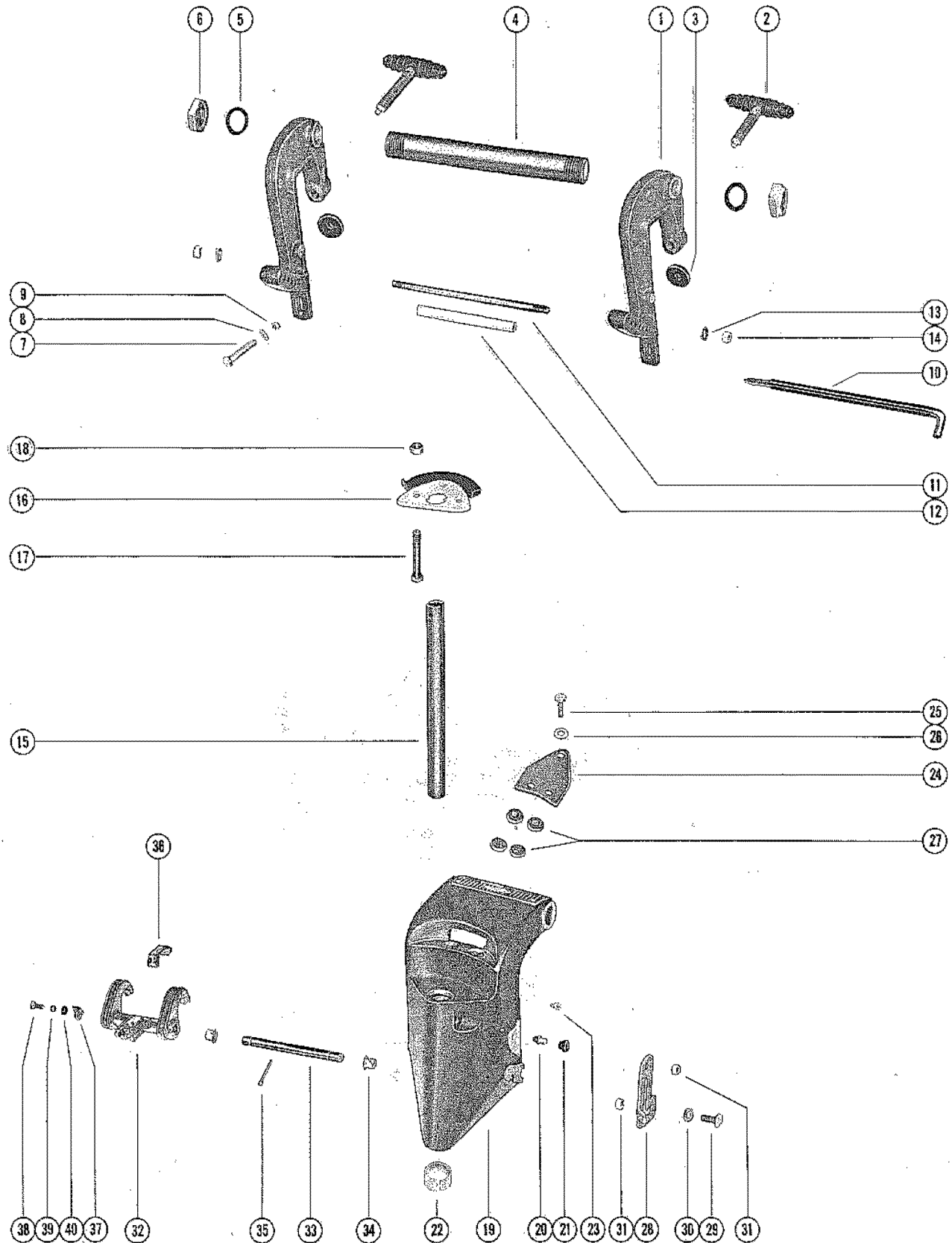


# CLAMP AND SWIVEL BRACKET ASSEMBLY

REF. NO.	PART NO.	SYM.	QTY.	DESCRIPTION
1	1427-3293A1		2	CLAMP BRACKET ASSEMBLY UNITED STATES 4102789 AND BELOW AUSTRALIA 8026164 AND BELOW BELGIUM 9070128 AND BELOW CANADA 7044782 AND BELOW
2	22477A4		2	THUMB SCREW ASSEMBLY UNITED STATES 4102789 AND BELOW AUSTRALIA 8026164 AND BELOW BELGIUM 9070128 AND BELOW CANADA 7044782 AND BELOW
3	12-20214		2	WASHER, THUMB SCREW UNITED STATES 4102789 AND BELOW AUSTRALIA 8026164 AND BELOW BELGIUM 9070128 AND BELOW CANADA 7044782 AND BELOW
1	1427-5632A1		2	CLAMP BRACKET ASSEMBLY UNITED STATES 4102790 THRU 4351589 AUSTRALIA 8026165 THRU 8036049 BELGIUM 9070129 THRU 9104813 CANADA 7044783 THRU 7067847
2	69157A3		2	THUMB SCREW ASSEMBLY UNITED STATES 4102790 THRU 4351589 AUSTRALIA 8026165 THRU 8036049 BELGIUM 9070129 THRU 9104813 CANADA 7044783 THRU 7067847
3	12-20214		2	WASHER, THUMB SCREW UNITED STATES 4102790 THRU 4351589 AUSTRALIA 8026165 THRU 8036049 BELGIUM 9070129 THRU 9104813 CANADA 7044783 THRU 7067847
1	1427-5632A2		2	CLAMP BRACKET ASSEMBLY UNITED STATES 4351590 AND UP AUSTRALIA 8036050 AND UP BELGIUM 9104814 AND UP CANADA 7067848 AND UP
2	74159A3		2	THUMB SCREW ASSEMBLY UNITED STATES 4351590 AND UP AUSTRALIA 8036050 AND UP BELGIUM 9104814 AND UP CANADA 7067848 AND UP
4	30685		1	TILT TUBE, CLAMP BRACKET UNITED STATES 4102789 AND BELOW AUSTRALIA 8026164 AND BELOW BELGIUM 9070128 AND BELOW CANADA 7044782 AND BELOW
	71018		1	TILT TUBE, CLAMP BRACKET UNITED STATES 4102790 AND UP AUSTRALIA 8026165 AND UP BELGIUM 9070129 AND UP CANADA 7044783 AND UP
5	12-52864		2	SHIM, CLAMP BRACKET TILT TUBE UNITED STATES 4351589 AND BELOW AUSTRALIA 8036049 AND BELOW BELGIUM 9104813 AND BELOW CANADA 7067847 AND BELOW
	12-71421		2	WASHER, CLAMP BRACKET TILT TUBE UNITED STATES 4351590 AND UP AUSTRALIA 8036050 AND UP BELGIUM 9104814 AND UP CANADA 7067848 AND UP
6	11-30499		2	NUT, TILT TUBE FASTENING UNITED STATES 4102789 AND BELOW AUSTRALIA 8026164 AND BELOW BELGIUM 9070128 AND BELOW CANADA 7044782 AND BELOW
	11-71019		2	NUT, TILT TUBE FASTENING UNITED STATES 4102790 AND UP AUSTRALIA 8026165 AND UP BELGIUM 9070129 AND UP CANADA 7044783 AND UP
7	10-67979		2	BOLT, CLAMP BRACKET TO TRANSOM (2 3/4")
8	12-67981		2	WASHER, CLAMP BRACKET SCREW
9	11-67980		2	NUT, CLAMP BRACKET SCREW
10	17-56373A1		1	TILT LOCK PIN ASSEMBLY
11	16-59620		1	STUD, CLAMP BRACKET (8")
12	23-59621		1	SPACER, CLAMP BRACKET STUD

CONTINUED ON NEXT PAGE ➡

# CLAMP AND SWIVEL BRACKET ASSEMBLY

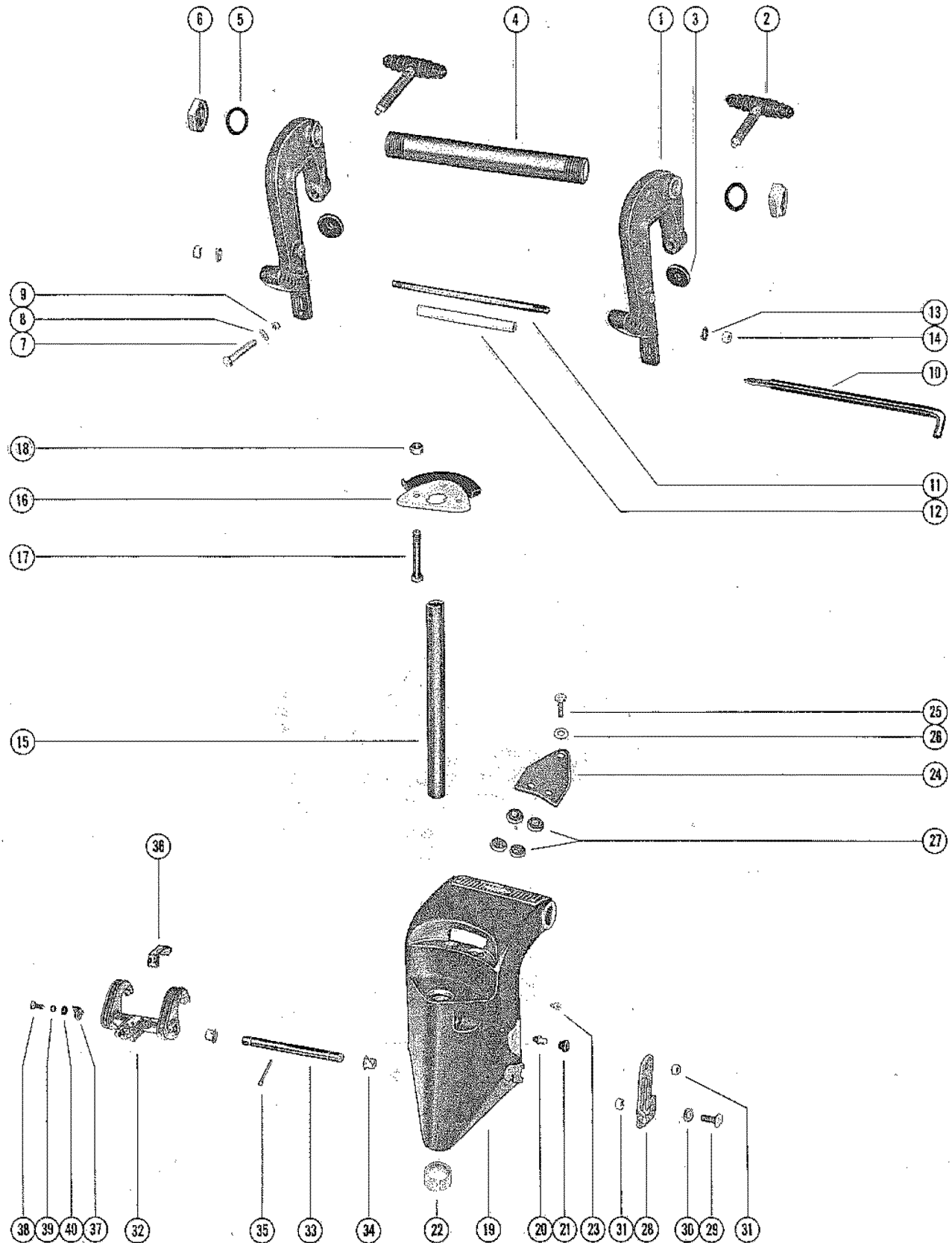


# CLAMP AND SWIVEL BRACKET ASSEMBLY

REF. NO.	PART NO.	SYM.	QTY.	DESCRIPTION
13	13-26993		2	LOCKWASHER, CLAMP BRACKET STUD
14	11-28770		2	NUT, CLAMP BRACKET STUD
15	17-39585		1	SWIVEL PIN UNITED STATES 3755884 AND BELOW AUSTRALIA 8013704 AND BELOW BELGIUM 9035128 AND BELOW CANADA 7024647 AND BELOW
	66557		1	SWIVEL PIN UNITED STATES 3755885 AND UP AUSTRALIA 8013705 AND UP BELGIUM 9035129 AND UP CANADA 7024648 AND UP
16	33423		1	CO-PILOT DISC
17	10-26132		3	SCREW, CO-PILOT DISC TO SADDLE (2 1/2")
18	11-46793		3	NUT, CO-PILOT DISC TO SADDLE SCREW
19	1461-5040A2		1	SWIVEL BRACKET ASSEMBLY UNITED STATES 3755884 AND BELOW AUSTRALIA 8013704 AND BELOW BELGIUM 9035128 AND BELOW CANADA 7024647 AND BELOW
	1461-5296A1		1	SWIVEL BRACKET ASSEMBLY UNITED STATES 3755885 THRU 4351589 AUSTRALIA 8013705 THRU 8036049 BELGIUM 9035129 THRU 9104813 CANADA 7024648 THRU 7067847
	1461-6036A1		1	SWIVEL BRACKET ASSEMBLY UNITED STATES 4351590 AND UP AUSTRALIA 8036050 AND UP BELGIUM 9104814 AND UP CANADA 7067848 AND UP
20	22-31345		1	FITTING, GREASE - SWIVEL BRACKET UNITED STATES 3755885 THRU 4351589 AUSTRALIA 8013705 THRU 8036049 BELGIUM 9035129 THRU 9104813 CANADA 7024648 THRU 7067847
	22-74036		3	FITTING, GREASE - SWIVEL BRACKET UNITED STATES 4351590 AND UP AUSTRALIA 8036050 AND UP BELGIUM 9104814 AND UP CANADA 7067848 AND UP
21	29359		1	LUBRICAN, GREASE FITTING UNITED STATES 3755885 THRU 4351589 AUSTRALIA 8013705 THRU 8036049 BELGIUM 9035129 THRU 9104813 CANADA 7024648 THRU 7067847
22	23-64651		2	BUSHING, SWIVEL BRACKET
23	10-36398		1	SCREW, DWIVEL BRACKET
24	62054		1	PLATE, CLAMP - CO-PILOT UNITED STATES 4403786 AND BELOW AUSTRALIA 8039074 AND BELOW BELGIUM 9122764 AND BELOW CANADA 7077247 AND BELOW
25	10-62055		1	SCREW, PLATE TO SWIVEL BRACKET (1 1/4") UNITED STATES 4403786 AND BELOW AUSTRALIA 8039074 AND BELOW BELGIUM 9122764 AND BELOW CANADA 7077247 AND BELOW
24	73014A1		1	PLATE ASSEMBLY, CO-PILOT UNITED STATES 4403787 AND UP AUSTRALIA 8039075 AND UP BELGIUM 9122765 AND UP CANADA 7077248 AND UP
25	10-69021		1	SCREW, PLATE TO SWIVEL BRACKET (1 1/4") UNITED STATES 4403787 AND UP AUSTRALIA 8039075 AND UP BELGIUM 9122765 AND UP CANADA 7077248 AND UP
26	12-56720		1	WASHER, CLAMP PLATE SCREW
27	20203		4	DISC, FRICTION - CLAMP PLATE AND SWIVEL BRACKET
28	63310A1		1	LEVER ASSEMBLY, TILT STOP
29	10-63311		2	SCREW, RETAINING - LEVER TO SWIVEL BRACKET

CONTINUED ON NEXT PAGE ➡

# CLAMP AND SWIVEL BRACKET ASSEMBLY

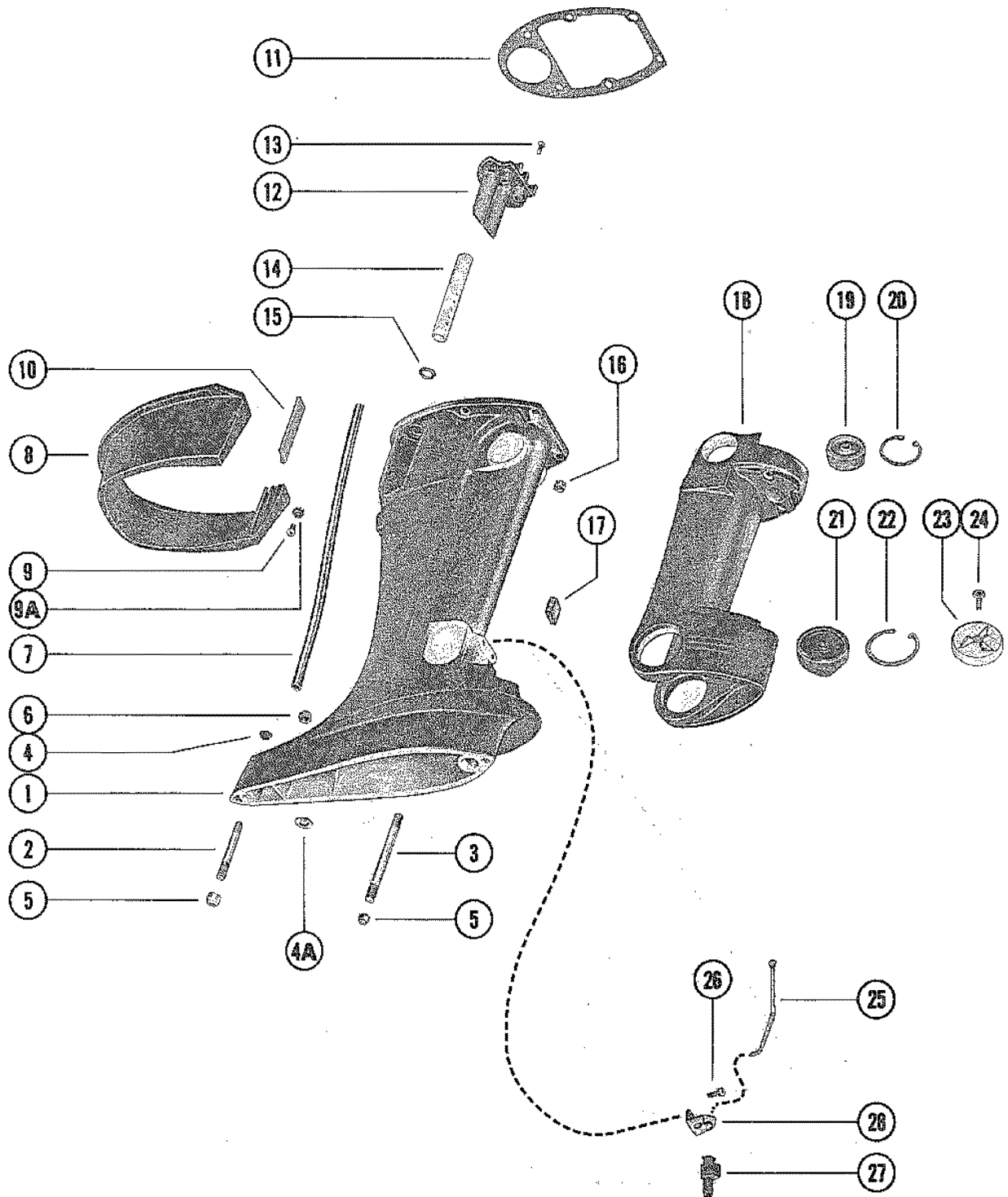




## CLAMP AND SWIVEL BRACKET ASSEMBLY

REF. NO.	PART NO.	SYM.	QTY.	DESCRIPTION
30	13-31030		1	WASHER, WAVE - TILT STOP LEVER SCREW
31	11-35045		2	NUT, TILT STOP LEVER SCREW
32	61012		1	LEVER, REVERSE LOCK
33	26092		1	ROD, REVERSE LOCK LEVER
34	23-26841		2	BUSHING, NYLON - REVERSE LOCK LEVER ROD
35	18-45882		1	COTTER PIN, REVERSE LOCK LEVER TO ROD
36	61007		1	RETAINER, ROD - REVERSE LOCK
37	70241		1	STOP, REVERSE LOCK <b>UNITED STATES 4102790 AND UP AUSTRALIA 8026165 AND UP BELGIUM 9070129 AND UP CANADA 7044783 AND UP</b>
38	10-71056		1	SCREW, REVERSE STOP TO SWIVEL BRACKET <b>UNITED STATES 4102790 AND UP AUSTRALIA 8026165 AND UP BELGIUM 9070129 AND UP CANADA 7044783 AND UP</b>
39	13-26992		1	LOCKWASHER, REVERSE STOP SCREW <b>UNITED STATES 4102790 AND UP AUSTRALIA 8026165 AND UP BELGIUM 9070129 AND UP CANADA 7044783 AND UP</b>
40	12-71055		1	WASHER, REVERSE STOP SCREW <b>UNITED STATES 4102790 AND UP AUSTRALIA 8026165 AND UP BELGIUM 9070129 AND UP CANADA 7044783 AND UP</b>

# DRIVE SHAFT HOUSING ASSEMBLY

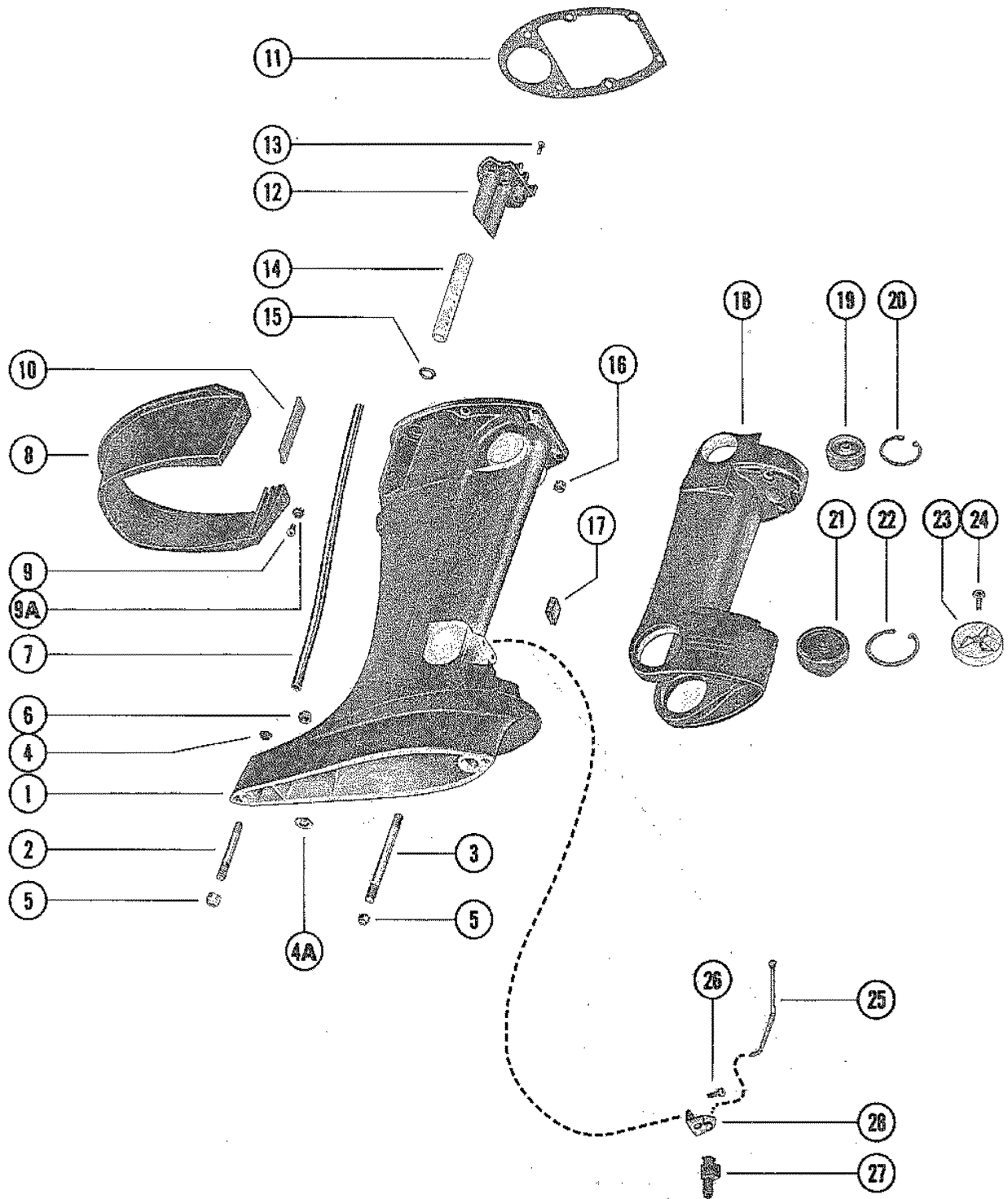


# DRIVE SHAFT HOUSING ASSEMBLY

REF. NO.	PART NO.	SYM.	QTY.	DESCRIPTION
1	1561-4691A2		1	DRIVE SHAFT HOUSING ASSEMBLY (SHORT SHAFT) UNITED STATES 4351589 AND BELOW AUSTRALIA 8036049 AND BELOW BELGIUM 9104813 AND BELOW CANADA 7067847 AND BELOW
	1560-4690A2		1	DRIVE SHAFT HOUSING ASSEMBLY (LONG SHAFT) UNITED STATES 4351589 AND BELOW AUSTRALIA 8036049 AND BELOW BELGIUM 9104813 AND BELOW CANADA 7067847 AND BELOW
	1561-6007A2		1	DRIVE SHAFT HOUSING ASSEMBLY (SHORT SHAFT) UNITED STATES 4351590 AND UP AUSTRALIA 8036050 AND UP BELGIUM 9104814 AND UP CANADA 7067848 AND UP
	1560-6008A2		1	DRIVE SHAFT HOUSING ASSEMBLY (LONG SHAFT) UNITED STATES 4351590 AND UP AUSTRALIA 8036050 AND UP BELGIUM 9104814 AND UP CANADA 7067848 AND UP
2	16-56299		1	STUD, DRIVE SHAFT HSG. TO GEAR HSG. (2 5/16")
3	16-58134		1	STUD, DRIVE SHAFT HSG. TO GEAR HSG. (3 15/16")
4	19-32298		1	PLUG, DRIVE SHAFT HOUSING STUD
4A	26-30696		1	OIL SEAL, DRIVE SHAFT HOUSING (EARLY MODELS)
5	11-35814		2	NUT, DRIVE SHAFT HOUSING STUD
6	11-34863		1	NUT, GEAR HOUSING TO DRIVE SHAFT HOUSING STUD
7	32-39586		1	TUBE, WATER OUTLET (SHORT SHAFT)
	32-39587		1	TUBE, WATER OUTLET (LONG SHAFT)
8	39301		1	COVER, TIME - DRIVE SHAFT HOUSING
9	10-57807		3	SCREW, COVER TO BOTTOM COWL (3/4") UNITED STATES 4351589 AND BELOW AUSTRALIA 8036049 AND BELOW BELGIUM 9104813 AND BELOW CANADA 7067847 AND BELOW
	10-69013		3	SCREW, COVER TO BOTTOM COWL (7/8") UNITED STATES 4351590 AND UP AUSTRALIA 8036050 AND UP BELGIUM 9104814 AND UP CANADA 7067848 AND UP
9A	25-57806		3	GROMMET, TRIM COVER SCREW
10	39353		2	SEAL, RUBBER - TRIM COVER
11	27-39402		1	GASKET, MOUNTING PLATE TO DRIVE SHAFT HOUSING
12	39492		1	PLATE, IDLE RELIEF
13	10-35519		2	SCREW, IDLE RELIEF PLATE TO DRIVE SHAFT HOUSING (1/2")
14	32-45054		2	TUBE, NYLON - IDLE RELIEF TUBE
15	25-20195		2	"O" RING, IDLE RELIEF TUBE
16	11-46793		4	NUT, POWERHEAD STUDS UNITED STATES 4351589 AND BELOW AUSTRALIA 8036049 AND BELOW BELGIUM 9104813 AND BELOW CANADA 7067847 AND BELOW
	11-29250		2	NUT, POWERHEAD STUDS UNITED STATES 4351589 AND BELOW AUSTRALIA 8036049 AND BELOW BELGIUM 9104813 AND BELOW CANADA 7067847 AND BELOW
	11-60049		6	NUT, POWERHEAD STUDS UNITED STATES 4351590 AND UP AUSTRALIA 8036050 AND UP BELGIUM 9104814 AND UP CANADA 7067848 AND UP
17	64076		1	BUMPER, RUBBER - SADDLE
18	1562-4692A1		1	SADDLE ASSEMBLY

CONTINUED ON NEXT PAGE ➡

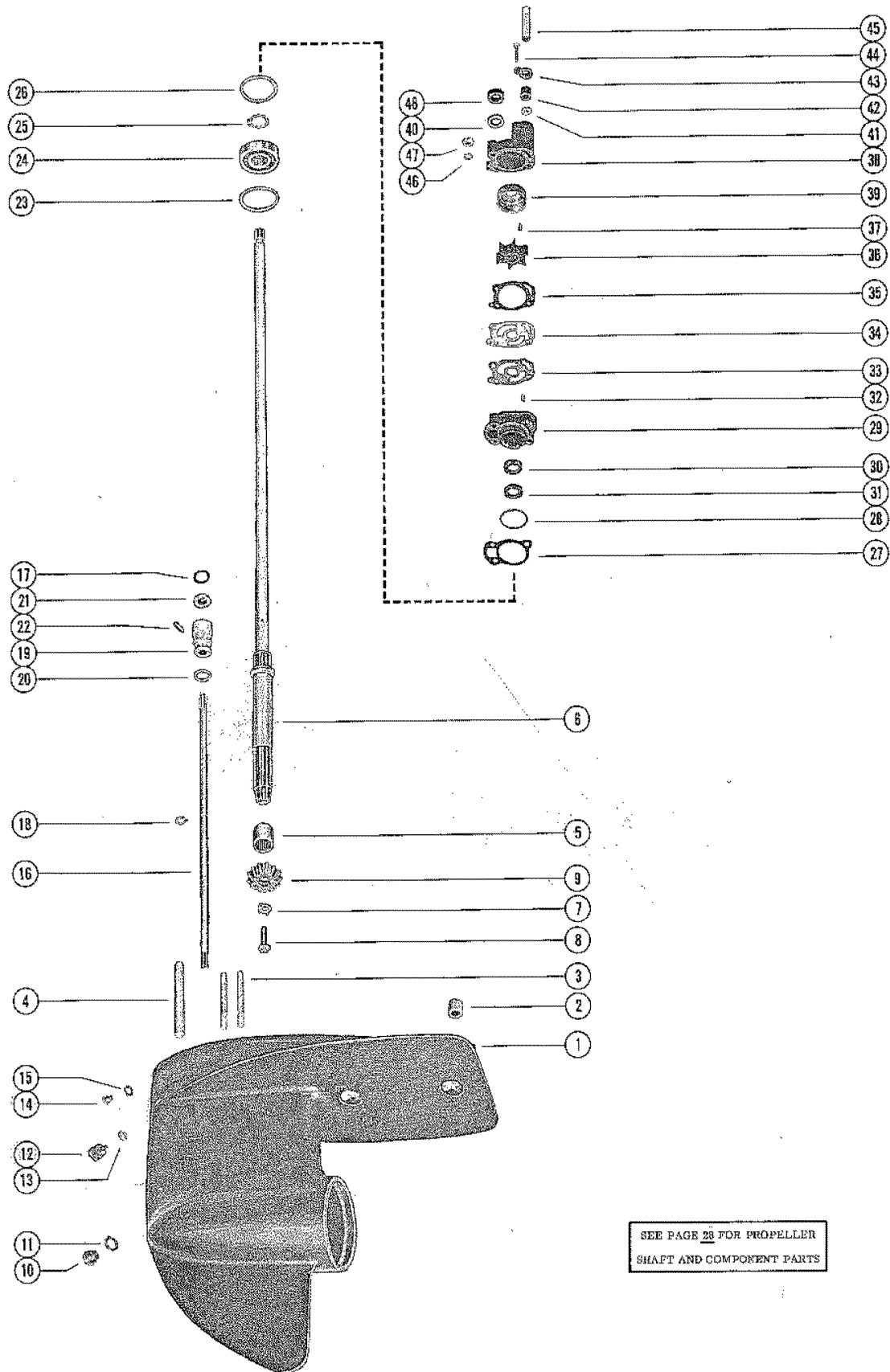
# DRIVE SHAFT HOUSING ASSEMBLY



# DRIVE SHAFT HOUSING ASSEMBLY

REF. NO.	PART NO.	SYM.	QTY.	DESCRIPTION
19	33975		2	MOUNT, RUBBER - UPPER (SHORT SHAFT)
	25150		2	MOUNT, RUBBER - UPPER (LONG SHAFT)
20	53-23720		2	RING, RETAINING - UPPER MOUNT
21	33976		2	MOUNT, RUBBER - LOWER (SHORT SHAFT)
	28281		2	MOUNT, RUBBER - LOWER (LONG SHAFT)
22	53-23721		2	RING, RETAINING - LOWER MOUNT
23	53040		2	COVER, LOWER MOUNT <b>UNITED STATES 4102789 AND BELOW AUSTRALIA 8026164 AND BELOW BELGIUM 9070128 AND BELOW CANADA 7044782 AND BELOW</b>
	70317		2	COVER, LOWER MOUNT <b>UNITED STATES 4102790 AND UP AUSTRALIA 8026165 AND UP BELGIUM 9070129 AND UP CANADA 7044783 AND UP</b>
24	10-28638		2	SCREW, LOWER MOUNT COVER FASTENING (3/4")
25	61006		1	LINK ROD, REVERSE LOCK <b>UNITED STATES 4102789 AND BELOW AUSTRALIA 8026164 AND BELOW BELGIUM 9070128 AND BELOW CANADA 7044782 AND BELOW</b>
	76536		1	LINK ROD, REVERSE LOCK <b>UNITED STATES 4102790 AND UP AUSTRALIA 8026165 AND UP BELGIUM 9070129 AND UP CANADA 7044783 AND UP</b>
26	10-65414		2	SCREW, CAM RETAINER TO DRIVE SHAFT HOUSING (3/4")
27	65216		1	CAM, REVERSE LOCK
28	61008		1	RETAINER, REVERSE LOCK CAM <b>UNITED STATES 4102789 AND BELOW AUSTRALIA 8026164 AND BELOW BELGIUM 9070128 AND BELOW CANADA 7044782 AND BELOW</b>
	72007		1	RETAINER, REVERSE LOCK CAM <b>UNITED STATES 4102790 AND UP AUSTRALIA 8026165 AND UP BELGIUM 9070129 AND UP CANADA 7044783 AND UP</b>

# GEAR HOUSING ASSEMBLY, COMPLETE (PAGE 1)



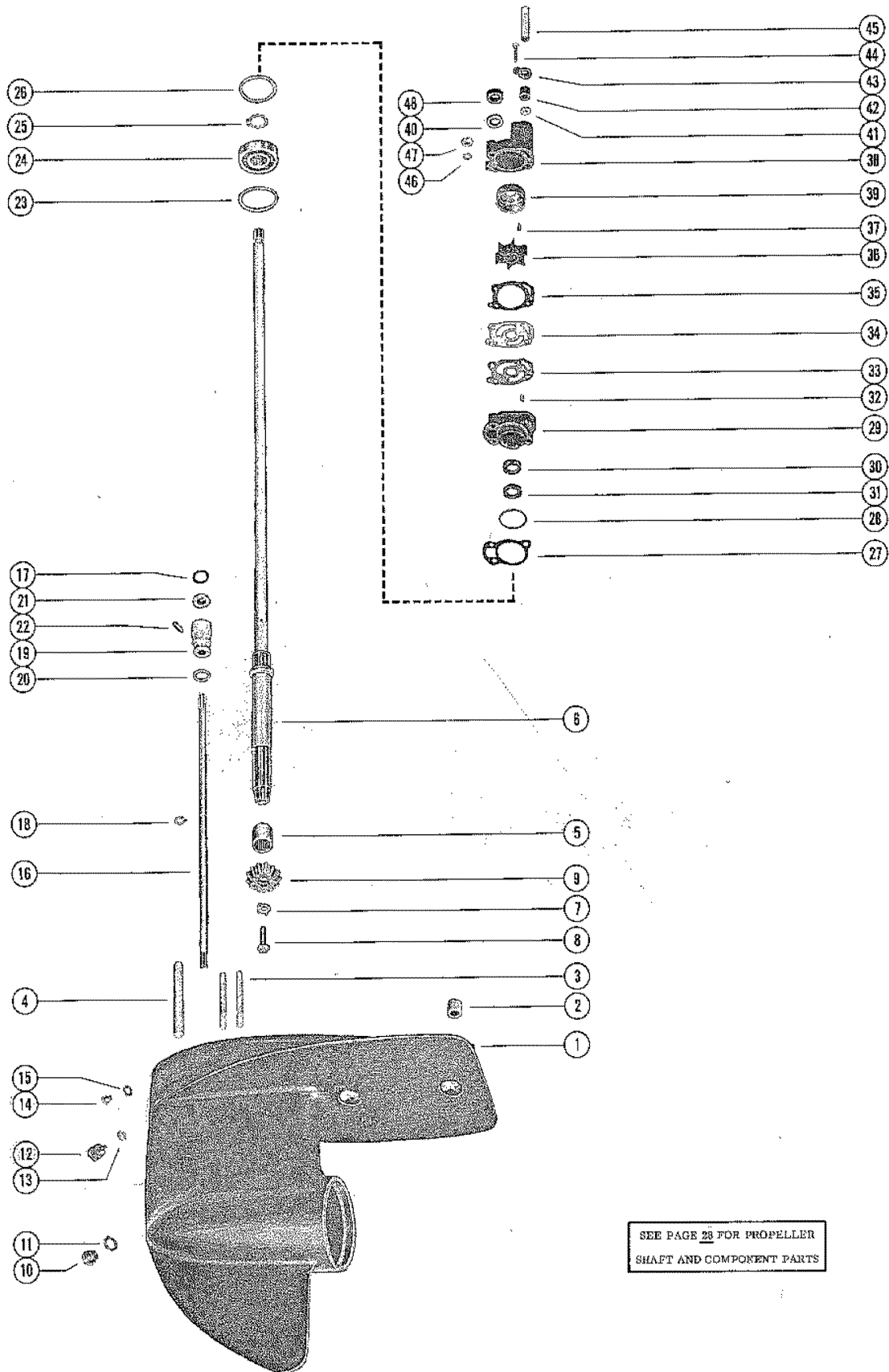
SEE PAGE 23 FOR PROPELLER  
SHAFT AND COMPONENT PARTS

# GEAR HOUSING ASSEMBLY, COMPLETE (PAGE 1)

REF. NO.	PART NO.	SYM.	QTY.	DESCRIPTION
-	1627-4404A11		1	GEAR HOUSING ASSEMBLY, COMPLETE(SHOFT SHAFT) UNITED STATES 4102789 AND BELOW AUSTRALIA 8026164 AND BELOW BELGIUM 9070128 AND BELOW CANADA 7044782 AND BELOW
-	1627-4404A12		1	GEAR HOUSING ASSEMBLY, COMPLETE(LONG SHAFT) UNITED STATES 4102789 AND BELOW AUSTRALIA 8026164 AND BELOW BELGIUM 9070128 AND BELOW CANADA 7044782 AND BELOW
-	1627-4404A21		1	GEAR HOUSING ASSEMBLY, COMPLETE (SHORT SHAFT) UNITED STATES 4102790 THRU 4351589 AUSTRALIA 8026165 THRU 8036049 BELGIUM 9070129 THRU 9104813 CANADA 7044783 THRU 7067847
-	1627-4404A22		1	GEAR HOUSING ASSEMBLY, COMPLETE (LONG SHAFT) UNITED STATES 4102790 THRU 4351589 AUSTRALIA 8026165 THRU 8036049 BELGIUM 9070129 THRU 9104813 CANADA 7044783 THRU 7067847
-	1627-6006A3		1	GEAR HOUSING ASSEMBLY, COMPLETE (SHORT SHAFT) UNITED STATES 4351590 AND UP AUSTRALIA 8036050 AND UP BELGIUM 9104814 AND UP CANADA 7067848 AND UP
-	1627-6006A4		1	GEAR HOUSING ASSEMBLY, COMPLETE (LONG SHAFT) UNITED STATES 4351590 AND UP AUSTRALIA 8036050 AND UP BELGIUM 9104814 AND UP CANADA 7067848 AND UP
1	1627-4404A6		1	GEAR HOUSING ASSEMBLY UNITED STATES 4351589 AND BELOW AUSTRALIA 8036049 AND BELOW BELGIUM 9104813 AND BELOW CANADA 7067847 AND BELOW
	1627-6006A5		1	GEAR HOUSING ASSEMBLY UNITED STATES 4351590 AND UP AUSTRALIA 8036050 AND UP BELGIUM 9104814 AND UP CANADA 7067848 AND UP
2	17-20201		1	PIN, DOWEL - GEAR HOUSING TO DRIVE SHAFT HOUSING
3	16-58137		3	STUD, WATER PUMP TO GEAR HOUSING (3 1/8")
4	16-58135		1	STUD, GEAR HOUSING TO DRIVE SHAFT HOUSING (4 13/16")
5	31-28157		1	BEARING, ROLLER - DRIVE SHAFT
6	45-64429A1		1	DRIVE SHAFT ASSEMBLY (SHORT SHAFT) UNITED STATES 4580036 AND BELOW AUSTRALIA 8043124 AND BELOW BELGIUM 9137349 AND BELOW CANADA 7089697 AND BELOW
	45-64430A1		1	DRIVE SHAFT ASSEMBLY (LONG SHAFT) UNITED STATES 4580036 AND BELOW AUSTRALIA 8043124 AND BELOW BELGIUM 9137349 AND BELOW CANADA 7089697 AND BELOW
	45-74853A1		1	DRIVE SAHFT ASSEMBLY (SHORT SHAFT) UNITED STATES 4580037 AND UP AUSTRALIA 8043125 AND UP BELGIUM 9137350 AND UP CANADA 7089698 AND UP
	45-74852A1		1	DRIVE SHAFT ASSEMBLY (LONG SHAFT) UNITED STATES 4580037 AND UP AUSTRALIA 8043125 AND UP BELGIUM 9137350 AND UP CANADA 7089698 AND UP
7	14-49911		1	TAB WASHER, PINION GEAR SCREW
8	10-49908		1	SCREW, PINION GEAR TO DRIVE SHAFT SCREW (3/4")
9	43-45189		1	GEAR, PINION
10	10-28634		1	SCREW, GREASE FILLER (1/4")

CONTINUED ON NEXT PAGE ➡

# GEAR HOUSING ASSEMBLY, COMPLETE (PAGE 1)

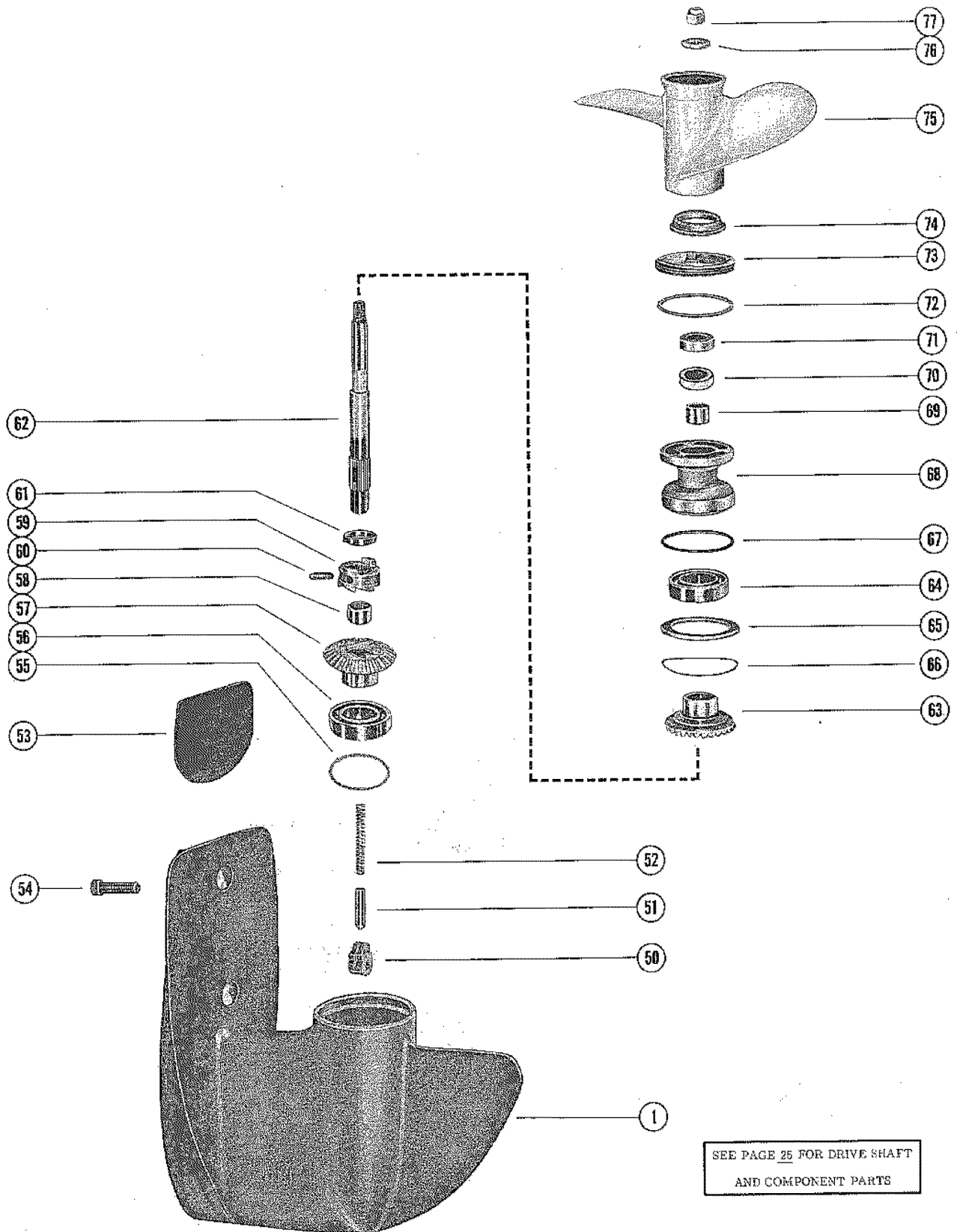




# GEAR HOUSING ASSEMBLY, COMPLETE (PAGE 1)

REF. NO.	PART NO.	SYM.	QTY.	DESCRIPTION
11	12-20260		1	WASHER, GREASE FILLER SCREW
12	19-48750		1	PLUG, GEAR HOUSING FLUSHING
13	12-49221		1	WASHER, NEOPRENE - GEAR HOUSING FLUSHING PLUG
14	10-28653		1	SCREW, GREASE VENT (1/4")
15	12-20262		1	WASHER, GREASE VENT SCREW
16	56829A1		1	SHAFT ASSEMBLY, SHIFT - LOWER (SHORT SHAFT)
	56830A1		1	SHAFT ASSEMBLY, SHIFT - LOWER (LONG SHAFT)
17	25-38933		1	"O" RING, LOWER SHIFT SHAFT
18	53-22899		1	RING, RETAINING - SHIFT SHAFT
19	23-30676A1		1	BUSHING ASSEMBLY, SHIFT SHAFT
20	25-26802		1	"O" RING, SHIFT SHAFT BUSHING
21	26-30696		1	OIL SEAL, SHIFT SHAFT BUSHING
22	10-39149		1	SCREW, SHIFT SHAFT BUSHING RETAINER (1/2")
23	15-20804A1		AR	SHIM, BALL BEARING TO GEAR HOUSING (.002-3-5-10)
24	30-47158		1	BEARING, BALL - DRIVE SHAFT
25	53-33463		1	RING, RETAINING - BALL BEARING
26	15-20804A1		AR	SHIM, GEAR HOUSING TO WATER PUMP BASE (.002-3-5-10)
27	27-39626		1	GASKET, WATER PUMP BASE TO GEAR HOUSING
28	25-33466		1	"O" RING, WATER PUMP BASE
29	46-48744A1		1	WATER PUMP BASE ASSEMBLY
30	26-20070		1	OIL SEAL, WATER PUMP BASE
31	26-33467		1	OIL SEAL, WATER PUMP BASE (SPRING LOADED)
32	17-35973		2	PIN, DOWEL - WATER PUMP BASE TO WATER PUMP BODY
33	27-39625		1	GASKET, WATER PUMP BASE TO FACE PLATE (LOWER)
34	39624		1	PLATE, FACE - WATER PUMP BASE TO WATER PUMP BODY
35	27-39623		1	GASKET, FACE PLATE TO WATER PUMP BODY (UPPER)
36	47-65958		1	IMPELLER, WATER PUMP - PART OF DRIVE SHAFT ASSEMBLY
37	28-56661		1	KEY, IMPELLER DRIVE - PART OF DRIVE SHAFT ASSEMBLY
38	46-48749A2		1	WATER PUMP BODY ASSEMBLY
39	48754		1	INSERT, WATER PUMP BODY
40	26-20070		1	OIL SEAL, WATER PUMP BODY
41	12-36555		1	WASHER, NYLON - WATER PUMP BODY
42	26-25329		1	SEAL, WATER PUMP BODY
43	45010		1	RETAINER, WATER PUMP BODY SEAL
44	10-56396		1	SCREW, SEAL RETAINER TO WATER PUMP BODY (1 1/8")
45	23-45170		1	SLEEVE, GUIDE - WATER INLET TUBE
46	12-36001		3	WASHER, WATER PUMP STUDS
47	11-45592		3	NUT, WATER PUMP STUDS
48	12-20684		1	RING, RUBBER - CENTRIFUGAL SLINGER (DRIVE SHAFT)

# GEAR HOUSING ASSEMBLY, COMPLETE (PAGE 2)



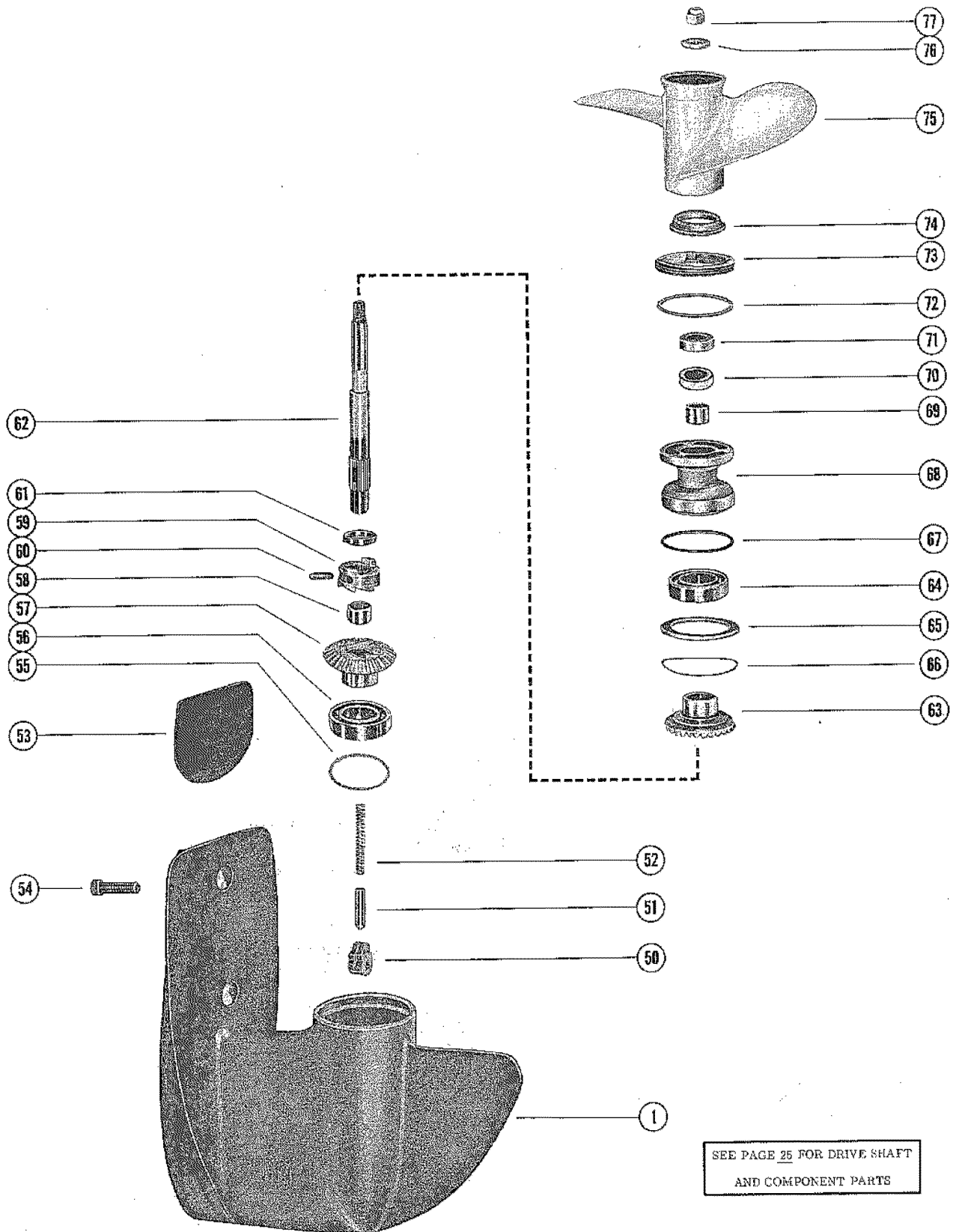
SEE PAGE 25 FOR DRIVE SHAFT  
AND COMPONENT PARTS

## GEAR HOUSING ASSEMBLY, COMPLETE (PAGE 2)

REF. NO.	PART NO.	SYM.	QTY.	DESCRIPTION
-	1627-4404A11		1	GEAR HOUSING ASSEMBLY, COMPLETE (SHORT SHAFT) - SERIAL GROUP#8
-	1627-4404A12		1	GEAR HOUSING ASSEMBLY, COMPLETE (LONG SHAFT) - SERIAL GROUP#8
-	1627-4404A21		1	GEAR HOUSING ASSEMBLY, COMPLETE (SHORT SHAFT) - SERIAL GROUP#10
-	1627-4404A22		1	GEAR HOUSING ASSEMBLY, COMPLETE (LONG SHAFT) - SERIAL GROUP#10
-	1627-6006A3		1	GEAR HOUSING ASSEMBLY, COMPLETE (SHORT SHAFT) - SERIAL GROUP#12
-	1627-6006A4		1	GEAR HOUSING ASSEMBLY, COMPLETE (LONG SHAFT) - SERIAL GROUP#12
1	1627-4404A6		1	GEAR HOUSING ASSEMBLY - SEE PAGE 26 FOR BREAKDOWN UNITED STATES 4351589 AND BELOW AUSTRALIA 8036049 AND BELOW BELGIUM 9104813 AND BELOW CANADA 7067847 AND BELOW
	1627-6006A5		1	GEAR HOUSING ASSEMBLY - SEE PAGE 26 FOR BREAKDOWN UNITED STATES 4351590 AND UP AUSTRALIA 8036050 AND UP BELGIUM 9104814 AND UP CANADA 7067848 AND UP
50	58975		1	CAM, SHIFT
51	33438		1	FOLLOWER, CAM
52	24-33479		1	SPRING, CAM FOLLOWER
53	47820A1		1	PLATE ASSEMBLY, ANODIC - GEAR HOUSING
54	10-47819		1	SCREW, ANODIC PLATE TO GEAR HOUSING (1 1/4")
55	15-20788A1		AR	SHIM, BALL BEARING TO GEAR HOUSING (.002-3-5-10)
56	30-25398		1	BEARING, BALL - FORWARD GEAR
57	43-45227		1	FORWARD GEAR ASSEMBLY
58	31-28157		1	BEARING, ROLLER - FORWARD GEAR
59	52-53518A1		1	RATCHET ASSEMBLY, SLIDING CLUTCH
60	17-53372		1	PIN, CROSS - RATDCHET TO PROPELLER SHAFT
61	24-53373		1	SPRING, RETAINING - CROSS PIN
62	44-34238A2		1	PROPELLER SHAFT ASSEMBLY UNITED STATES 4580036 AND BELOW AUSTRALIA 8043124 AND BELOW BELGIUM 9137349 AND BELOW CANADA 7089697 AND BELOW
	44-75366A2		1	PROPELLER SHAFT ASSEMBLY UNITED STATES 4580037 AND UP AUSTRALIA 8043125 AND UP BELGIUM 9137350 AND UP CANADA 7089698 AND UP
63	43-45229		1	REVERSE GEAR ASSEMBLY
64	30-25398		1	BEARING, BALL - REVERSE GEAR
65	12-33434		1	WASHER, THRUST - REVERSE GEAR UNITED STATES 4351589 AND BELOW AUSTRALIA 8036049 AND BELOW BELGIUM 9104813 AND BELOW CANADA 7067847 AND BELOW
	71525		1	SLEEVE, THRUST - REVERSE GEAR UNITED STATES 4351590 AND UP AUSTRALIA 8036050 AND UP BELGIUM 9104814 AND UP CANADA 7067848 AND UP
66	15-33431A1		AR	SHIM, THRUST WASHER TO GEAR HOUSING (.002-3-5-10)
67	25-33465		1	"O" RING, BEARING CARRIER

CONTINUED ON NEXT PAGE ➡

# GEAR HOUSING ASSEMBLY, COMPLETE (PAGE 2)

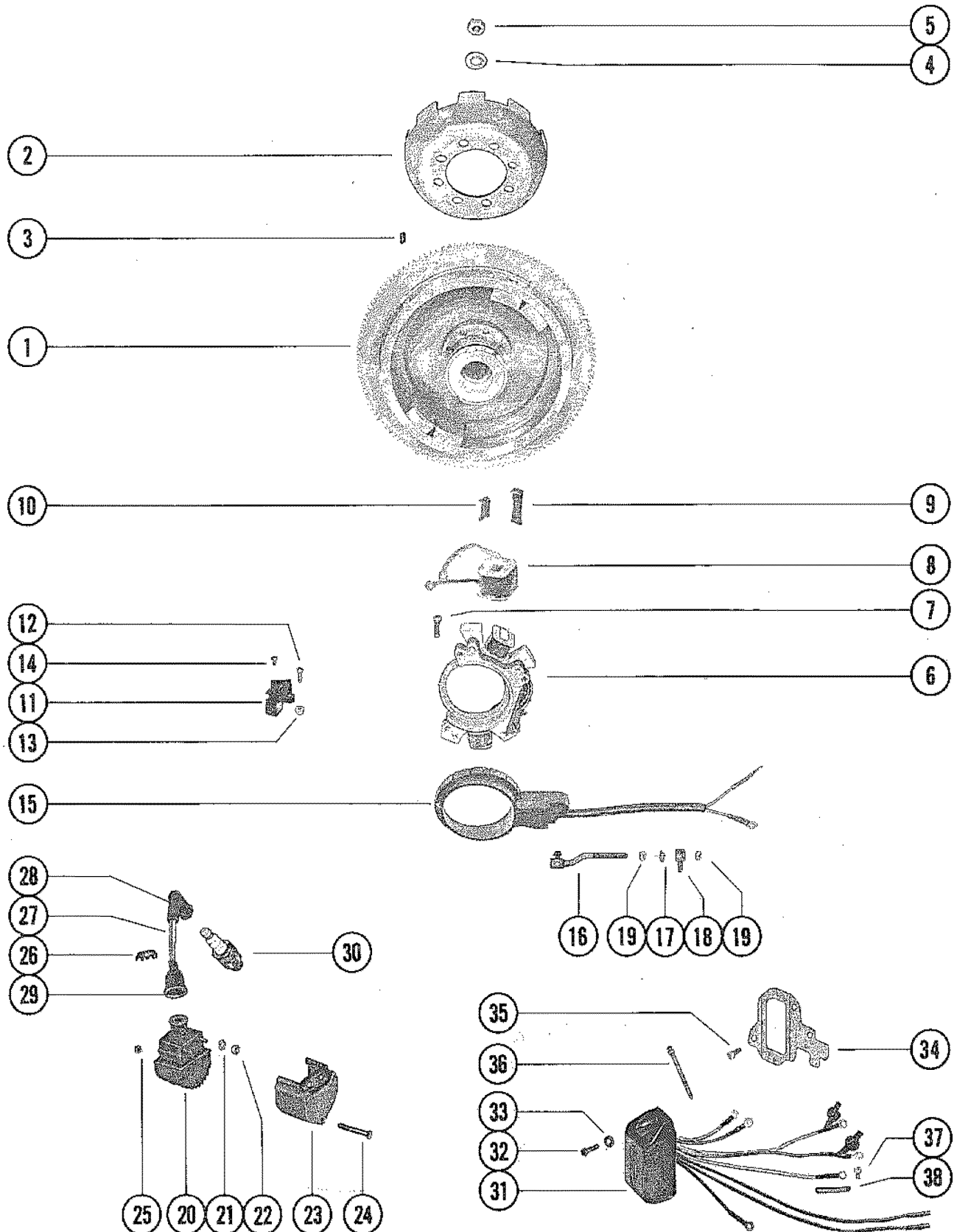


SEE PAGE 25 FOR DRIVE SHAFT  
AND COMPONENT PARTS

## GEAR HOUSING ASSEMBLY, COMPLETE (PAGE 2)

REF. NO.	PART NO.	SYM.	QTY.	DESCRIPTION
68	33402A4		1	BEARING CARRIER ASSEMBLY UNITED STATES 4351589 AND BELOW AUSTRALIA 8036049 AND BELOW BELGIUM 9104813 AND BELOW CANADA 7067847 AND BELOW
	72694A1		1	BEARING CARRIER ASSEMBLY UNITED STATES 4351590 AND UP AUSTRALIA 8036050 AND UP BELGIUM 9104814 AND UP CANADA 7067848 AND UP
69	31-28157		1	BEARING, ROLLER - BEARING CARRIER
70	26-66303		1	OIL SEAL, BEARING CARRIER (SPRING LOADED)
71	26-26805		1	OIL SEAL, BEARING CARRIER
72	12-33432		1	WASHER, GEAR HOUSING COVER UNITED STATES 4351589 AND BELOW AUSTRALIA 8036049 AND BELOW BELGIUM 9104813 AND BELOW CANADA 7067847 AND BELOW
73	33410		1	COVER, GEAR HOUSING UNITED STATES 4351589 AND BELOW AUSTRALIA 8036049 AND BELOW BELGIUM 9104813 AND BELOW CANADA 7067847 AND BELOW
	72710		1	COVER, GEAR HOUSING UNITED STATES 4351590 AND UP AUSTRALIA 8036050 AND UP BELGIUM 9104814 AND UP CANADA 7067848 AND UP
74	23-34237		1	COLLAR, GUIDE - PROPELLER SHAFT PART OF PROPELLER SHAFT ASSEMBLY
75	48-33480A1		1	PROPELLER ASSEMBLY (2 BLADE - ALUMINUM - 11" PITCH) - SHIPPED WITH ENGINE FROM FACTORY.
	48-34402A1		OPT	PROPELLER ASSEMBLY (2 BLADE - BRONZE - 11" PITCH)
	48-33482A1		OPT	PROPELLER ASSEMBLY (3 BLADE - ALUMINUM - 9" PITCH)
	48-37316A1		OPT	PROPELLER ASSEMBLY (3 BLADE - ALUMINUM - 7" PITCH)
	48-65002A1		OPT	PROPELLER ASSEMBLY (2 BLADE - 11" PITCH) - NYLON
-	<b>66607</b>		<b>1</b>	<b>HUB, THRUST (USE WITH NYLON PROP ONLY)</b>
76	23-27024		1	SPACER, SPLINE - PROPELLER SHAFT
77	11-64075		1	NUT, PROPELLER RETAINING

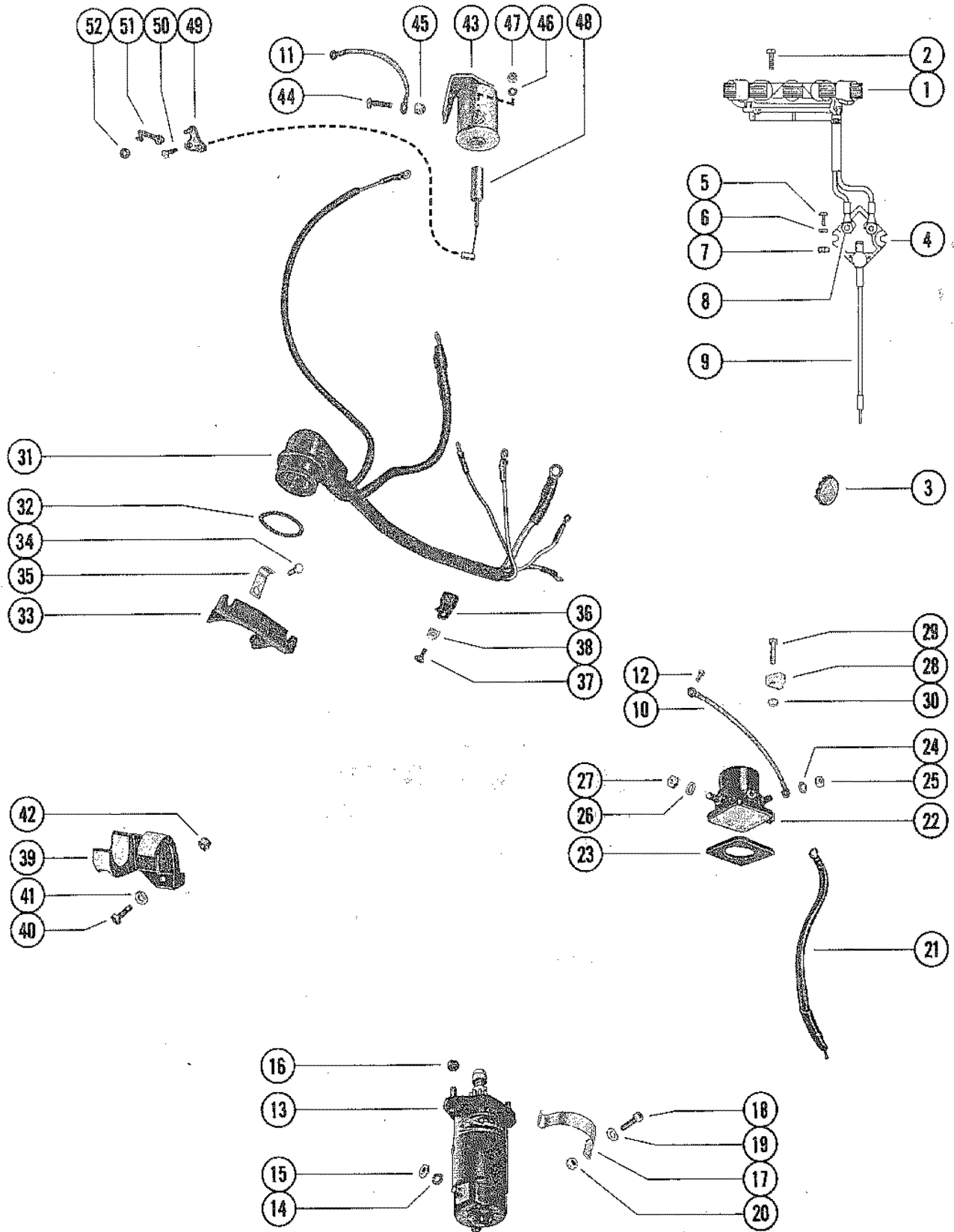
# FLYWHEEL, IGNITION COIL, STATOR AND SWITCH BOX(GROUP NO. 15)



# FLYWHEEL, IGNITION COIL, STATOR AND SWITCH BOX(GROUP NO. 15)

REF. NO.	PART NO.	SYM.	QTY.	DESCRIPTION
1	244-6193A2		1	FLYWHEEL ASSEMBLY (MANUAL)
	244-6118A4		1	FLYWHEEL ASSEMBLY (ELECTRIC)
	244-6118A6		1	FLYWHEEL ASSEMBLY (BELGIUM)
2	50-65721		1	RATCHET ASSEMBLY, FLYWHEEL (MANUAL)
3	28-20094		1	KEY, FLYWHEEL DRIVE
4	12-65891		1	WASHER, FLYWHEEL NUT
5	11-22339		1	NUT, FLYWHEEL
6	3399-5209A3		1	STATOR ASSEMBLY
7	10-66707		3	SCREW, STATOR TO END CAP (7/8")
	10-35400		3	SCREW, STATOR TO END CAP (3/8")
8	339-6119A1		1	COIL ASSEMBLY (5 1/2" AND 6 3/8" LEADS)
	339-6120A1		1	COIL ASSEMBLY (1 3/4" AND 3 1/2" LEADS)
9	54-59538		2	CLIP, COIL RETAINING
10	54-65927		2	CLIP, COIL RETAINING
11	86-74474		1	TERMINAL BLOCK, STATOR
12	10-20646		1	SCREW, TERMINAL BLOCK TO STATOR (5/8")
13	11-46438		1	NUT, TERMINAL BLOCK SCREW
14	10-22654		1	SCREW, LEADS TO TERMINAL BLOCK (3/8")
15	74324A2		1	HOUSING, TRIGGER ( <b>Serial No. 4403787 and Up</b> )
16	74454		1	SWIVEL, TRIGGER LINK
17	12-30164		1	WASHER, THROTTLE LINK
18	33973		1	SWIVEL, THROTTLE LINK
19	11-45812		2	NUT, THROTTLE LINK
20	339-5748A2		2	COIL ASSEMBLY, IGNITION ( <b>Serial No. 4403787 and Up</b> )
21	13-26996		4	LOCKWASHER, IGNITION COIL TERMINAL
22	11-45076		4	NUT, IGNITION COIL TERMINAL
23	66355		2	COVER, IGNITION COIL
24	10-72073		3	SCREW, COIL COVER TO REAR SUPPORT BRACKET (3 3/4")
25	11-20110		3	NUT, COIL COVER SCREW
26	54676		1	RETAINER, HIGH TENSION LEAD
27	84-63212A2		2	LEAD ASSEMBLY, HIGH TENSION
28	85-71006A1		2	PROTECTOR ASSEMBLY, SPARK PLUG
29	332-2854		2	NIPPLE, IGNITION COIL
30	33-58194		2	SPARK PLUG (ACV#40FFK) <b>BELGIUM AND CANADA USE C-33-75939 SPARK PLUG</b>
31	339-6222A1		1	SWITCH BOX ASSEMBLY
32	10-48409		2	SCREW, SWITCH BOX TO PLATE (5/8")
33	12-56681		2	WASHER, SWITCH BOX SCREW
34	75899		1	PLATE, SWITCH BOX
35	10-69052		3	SCREW, SWITCH BOX PLATE ATTACHING (1/2")
36	61990		3	STA-STRAP
37	10-45218		1	SCREW, SWITCH BOX LEADS (3/8")
38	57908--2		2	SLEEVE, SWITCH BOX LEADS

# ELECTRIC COMPONENTS



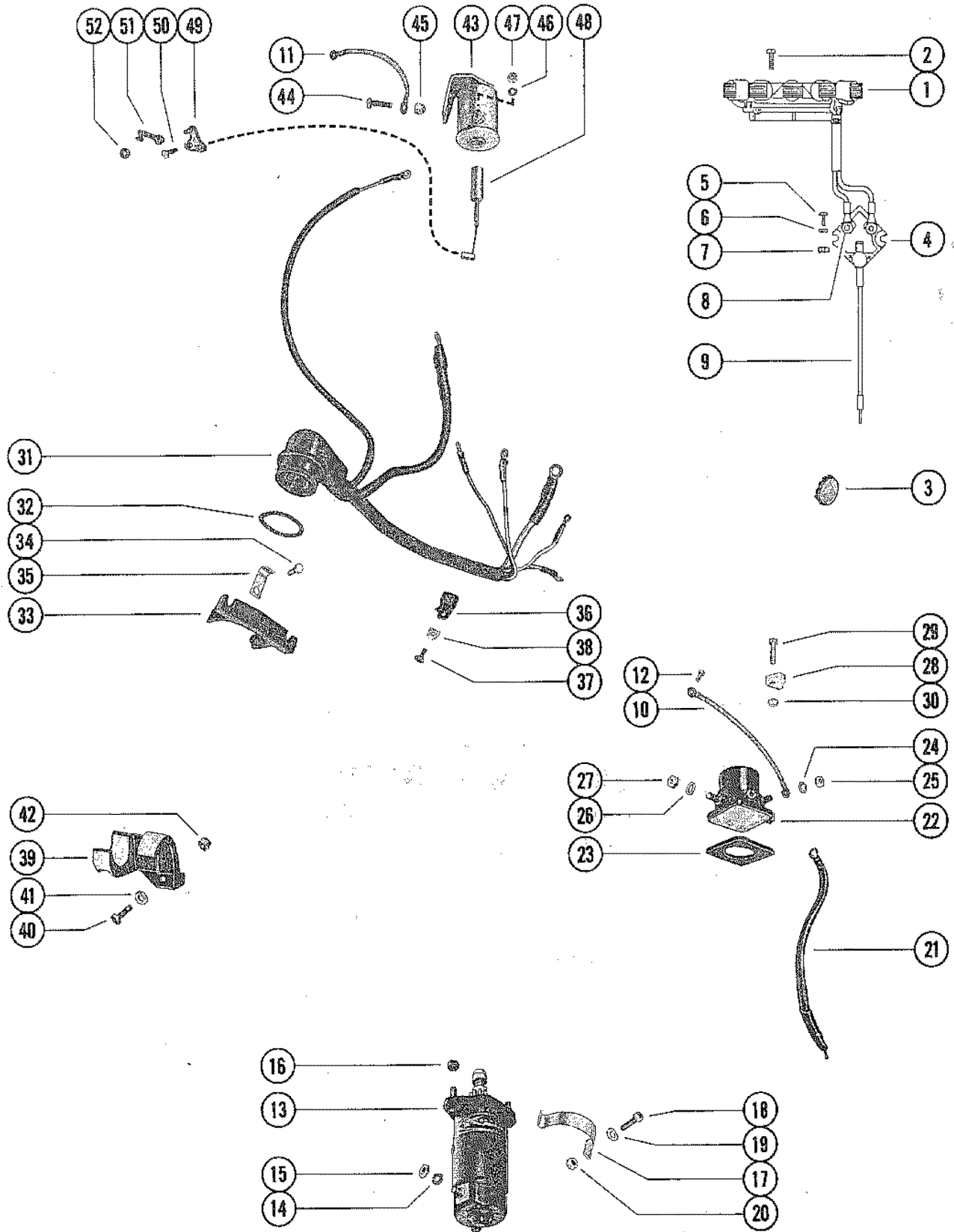


# ELECTRIC COMPONENTS

REF. NO.	PART NO.	SYM.	QTY.	DESCRIPTION
1	74367A3		1	LIGHTING STATOR ASSEMBLY
2	10-30173		2	SCREW, LIGHTING STATOR ATTACHING (1 5/8")
	10-66707		3	SCREW, LIGHTING STATOR ATTACHING (7/8")
3	19-75045		1	PLUG, BOTTOM COWL
4	62351A2		1	RECTIFIER ASSEMBLY
5	10-25764		2	SCREW, RECTIFIER TO REAR BRACKET (1/2")
6	23-62769		2	SPACER, RECTIFIER SCREW
7	11-27164		2	NUT, RECTIFIER SCREW
8	11-45076		3	NUT, RECTIFIER TERMINALS
9	84-61393A7		1	WIRE ASSEMBLY, RECTIFIER TO STARTER SOLENOID (RED)
10	84-60466A16		1	WIRE ASSEMBLY, STARTER SOLENOID TO GROUND (BLACK)
11	84-60871A14		1	WIRE ASSEMBLY, CHOKE SOLENOID TO SWITCH BOX PLATE (BLACK)
12	10-30663		1	SCREW, WIRE TO SWITCH BOX PLATE (3/8")
13	50-47216		1	STARTER MOTOR <b>SEE PAGE 26E, SECTION "E", FOR BREAKDOWN OF STARTER MOTOR</b>
14	13-26992		1	LOCKWASHER, STARTER MOTOR TERMINAL
15	11-20088		1	NUT, STARTER MOTOR TERMINAL (1/4 - 28)
16	11-20361		2	NUT, STARTER MOTOR STUDS (1/4 - 28)
17	54-47993		1	CLAMP, STARTER MOTOR FASTENING
18	10-22483		1	SCREW, STARTER MOTOR CLAMP TO CYLINDER BLOCK (1 1/8")
19	12-46897		1	WASHER, STARTER MOTOR CLAMP SCREW
20	11-20361		1	NUT, STARTER MOTOR CLAMP SCREW (1/4 - 28)
21	84-65063		1	CABLE, JUMPER - STARTER MOTOR TO STARTER SOLENOID
22	47886		1	SOLENOID, STARTER
23	27-47829		1	GASKET, STARTER SOLENOID
24	13-26996		1	LOCKWASHER, STARTER SOLENOID TERMINAL (#10)
25	11-20645		2	NUT, STARTER SOLENOID TERMINAL (10-32)
26	13-20202		2	LOCKWASHER, STARTER SOLENOID TERMINAL (5/16")
27	11-20083		2	NUT, STARTER SOLENOID TERMINAL (5/16 - 24)
28	54-47830		2	CLAMP, NYLON - STARTER SOLENOID FASTENING
29	10-45862		2	SCREW, STARTER SOLENOID CLAMP TO CRANKCASE (7/8")
30	11-46438		2	NUT, STARTER SOLENOID CLAMP SCREW
31	84-74904		1	WIRING HARNESS, INTERNAL
32	24-28975		1	SPRING, GARTER - INTERNAL WIRING HARNESS
33	54-76368		1	CLAMP, INTERNAL WIRING HARNESS TO BOTTOM COWL
34	10-61802		2	SCREW, LEAD WIRE AND HARNESS CLAMP TO BOTTOM COWL (7/8")
35	54-33361		2	CLAMP, LEAD WIRE FASTENING TO HARNESS CLAMP
36	54-23567		1	CLAMP, WIRING HARNESS TO CRANKCASE FLANGE
37	10-31206		1	SCREW, WIRING HARNESS CLAMP FASTENING (7/16")
38	22789		1	"D" WASHER, WIRING HARNESS CLAMP
39	47951		1	BRACKET, SUPPORT - EXTERNAL WIRING HARNESS

CONTINUED ON NEXT PAGE ➡

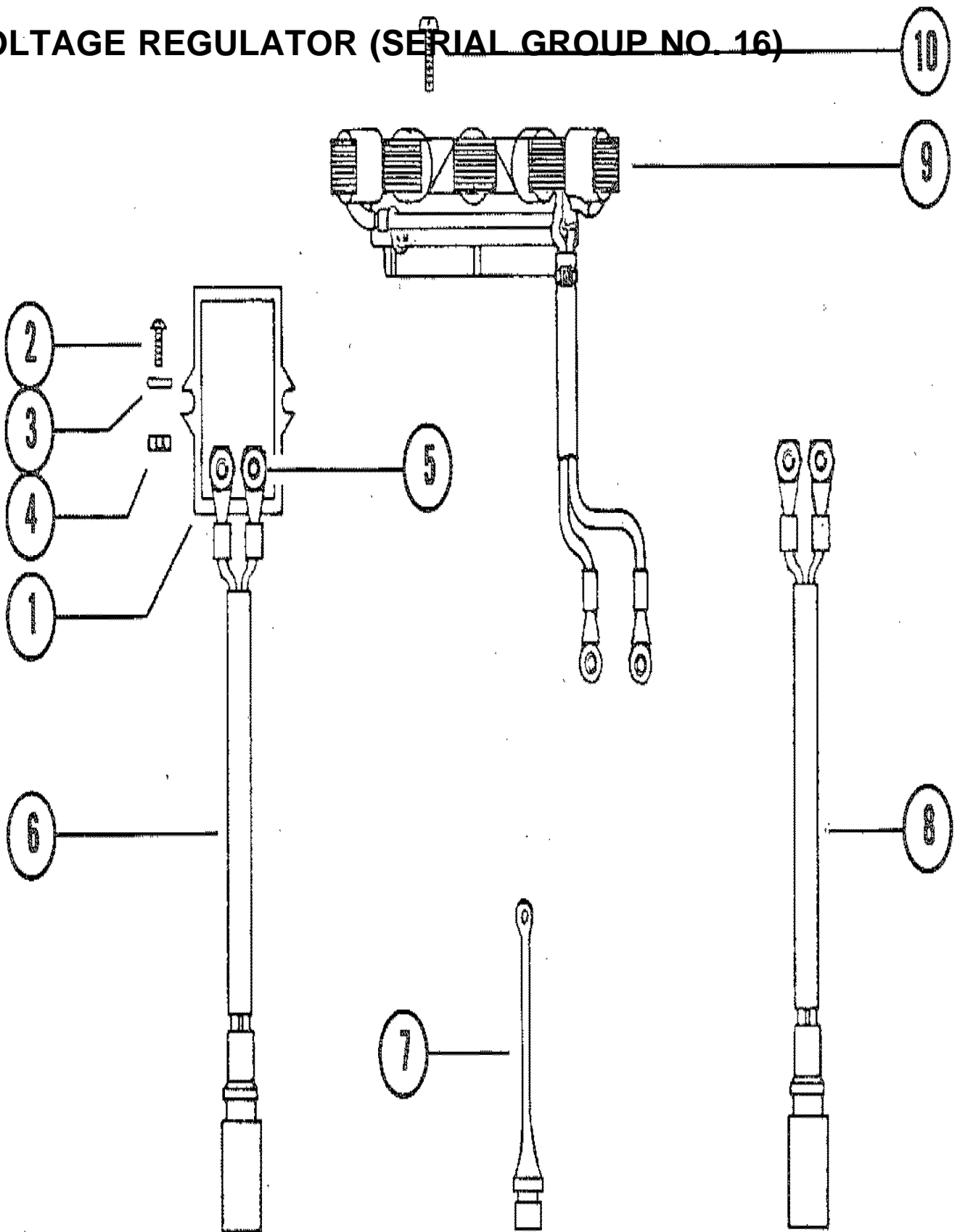
# ELECTRIC COMPONENTS



# ELECTRIC COMPONENTS

REF. NO.	PART NO.	SYM.	QTY.	DESCRIPTION
40	10-36137		1	SCREW, WIRING HARNESS SUPPORT TO BOTTOM COWL (1")
41	12-24664		1	WASHER, WIRING HARNESS SUPPORT SCREW
42	11-46887		1	NUT, WIRING HARNESS SUPPORT SCREW
43	54292A4		1	CHOKE SOLENOID
44	10-22956		1	SCREW, CHOKE SOLENOID TO FRONT COWL SUPPORT BRACKET (7/8")
45	11-46887		1	NUT, CHOKE SOLENOID SCREW
46	13-26996		1	LOCKWASHER, CHOKE SOLENOID TERMINAL
47	11-20645		1	NUT, CHOKE SOLENOID TERMINAL
48	56074A4		1	PLUNGER ASSEMBLY, CHOKE SOLENOID
49	65108		1	LEVER, CHOKE
50	10-65109		1	SCREW, CHOKE LEVER TO CARBURETOR
51	65107		1	LINK, CHOKE
52	11-65110		1	NUT, LINK TO CHOKE LEVER

# VOLTAGE REGULATOR (SERIAL GROUP NO. 16)



## VOLTAGE REGULATOR (SERIAL GROUP NO. 16)

REF. NO.	PART NO.	SYM.	QTY.	DESCRIPTION
1	75076		1	VOLTAGE REGULATOR
2	10-58185		2	SCREW, VOLTAGE REGULATOR TO REAR BRACKET (1")
3	23-62769		2	SPACER, VOLTAGE REGULATOR SCREW
4	11-27164		2	NUT, VOLTAGE REGULATOR SCREW
5	11-45076		3	NUT, VOLTAGE REGULATOR TERMINALS
6	84-74899		1	HARNESS, VOLTAGE REGULATOR (YELLOW/RED)
7	71663		1	PLUG, HARNESS
8	84-65017A2		1	HARNESS ASSEMBLY, LIGHTING (EXTERNAL)
9	74367A3		1	LIGHTING STATOR ASSEMBLY
10	10-30173		2	SCREW, LIGHTING STATOR ATTACHING (1 5/8")
	10-66707		3	SCREW, LIGHTING STATOR ATTACHING (7/8")

# PARTS INDEX

Part Number	Description	Pg.	Ref. No.	Part Number	Description	Pg.	Ref. No.
20155	RETAINER STARTER			39601	PLATE, DETENT SPRING . .	25	12
	SPRING . . . . .	5	14	39606	BLANKET, WRAP AROUND		
20162	PAWL, STARTER . . . . .	5	18		COWL (EARLY MODELS) .	3	9
20164	PLATE, RETAINER-STARTER			39622	SEAL, MOUNTING PLATE TO		
	PAWL . . . . .	7	23		BOTTOM COWL . . . . .	47	7
20203	DISC, FRICTION - CLAMP			39624	PLATE, FACE - WATER		
	PLATE AND SWIVEL				PUMP BASE TO WATER		
	BRACKET . . . . .	53	27		PUMP BODY . . . . .	63	34
22477A4	THUMB SCREW ASSEMBLY	51	2	39628	BUTTON, FRONT COVER		
22789	"D" WASHER, WIRING				RELEASE-TOP COWL . . .	3	12
	HARNES CLAMP . . . . .	71	38	39630	CUSHION, RUBBER -		
22833	ADAPTOR, CHECK UNIT				BOTTOM COWL . . . . .	47	15
	(FUEL LINE) . . . . .	21	5	39778	BOOT, FUEL ADAPTOR -		
23069	STEM, CHECK UNIT				BOTTOM COWL . . . . .	47	17
	ADAPTOR . . . . .	21	6	39780	BOOT, SHIFT CABLE -		
25150	MOUNT, RUBBER - UPPER				BOTTOM COWL . . . . .	47	18
	(LONG SHAFT) . . . . .	59	19	39936	BLANKET, SOUND		
26092	ROD, REVERSE LOCK				ABSORBING-FRONT		
	LEVER . . . . .	55	33		COVER . . . . .	3	24
26179	RETAINER, STARTER			45010	RETAINER, WATER PUMP		
	SHEAVE TO PLATE . . . . .	5	20		BODY SEAL . . . . .	63	43
28281	MOUNT, RUBBER - LOWER			45481	SHAFT, SHEAVE . . . . .	7	25
	(LONG SHAFT) . . . . .	59	21	45915	TERMINAL BLOCK . . . . .	13	45
28748	RETAINER, STARTER CABLE			46266A2	COVER PLATE ASSEMBLY,		
	AND HANDLE . . . . .	7	39		BOTTOM COWL . . . . .	47	12
29359	LUBRICAN, GREASE			46387	LEVER, THROTTLE . . . . .	19	41
	FITTING . . . . .	53	21	46405	LINK, THROTTLE CLUSTER	31	23
30188	CUP WASHER, ADAPTOR . .	21	9	46413	THROTTLE LEVER,		
30413	HOOK, COWL LATCH				VERTICAL SHAFT . . . . .	29	11
	FASTENING . . . . .	3	11	46785A1	, COWL LATCH ASSEMBLY .	3	10
30685	TILT TUBE, CLAMP			46837	STOP, OVER-SPEED		
	BRACKET . . . . .	51	4		LIMITER . . . . .	27	26
30782	HANDLE, STARTER CABLE .	7	38	47430	BUMPER, RUBBER-STARTER		
33402A4	BEARING CARRIER				HOUSING . . . . .	5	6
	ASSEMBLY . . . . .	67	68	47604A1	PROTECTOR		
33410	COVER, GEAR HOUSING . .	67	73		ASSEMBLY, SPARK PLUG	11	34
33423	CO-PILOT DISC . . . . .	53	16	47820A1	PLATE ASSEMBLY, ANODIC		
33438	FOLLOWER, CAM . . . . .	65	51		- GEAR HOUSING . . . . .	65	53
33513	RETAINER, WATER INLET			47886	SOLENOID, STARTER . . . . .	71	22
	TUBE SEAL . . . . .	47	4	47951	BRACKET, SUPPORT -		
33973	SWIVEL, THROTTLE LINK . .	11	24		EXTERNAL WIRING		
33973	SWIVEL, THROTTLE LINK . .	69	18		HARNES . . . . .	71	39
33975	MOUNT, RUBBER - UPPER			48003	PIVOT, STEERING HANDLE		
	(SHORT SHAFT) . . . . .	59	19		TO BRACKET . . . . .	45	9
33976	MOUNT, RUBBER - LOWER			48472	COVER, HARNES HOLE . .	47	10
	(SHORT SHAFT) . . . . .	59	21	48662	HOUSING, THROTTLE		
37602	BUTTON, SHOKE= . . . . .	21	13		CONTROL . . . . .	29	2
38950A1	COVER ASSEMBLY, STOP			48754	INSERT, WATER PUMP		
	SWITCH . . . . .	49	27		BODY . . . . .	63	39
39058	SEAL, SHIFT HANDLE -			48755A1	FLUSHING ASSEMBLY . . . .	1	-
	BOTTOM COWL . . . . .	47	19	52889	NOZZLE, TELL TALE HOSE		
39301	COVER, TIME - DRIVE				TO BOTTOM COWL . . . . .	47	22
	SHAFT HOUSING . . . . .	57	8	53040	COVER, LOWER MOUNT . .	59	23
39308	PLATE, BAFFLE - EXHAUST			53111	RETAINER, PULLEY SCREW	5	9
	MANIFOLD . . . . .	37	39	54292A4	CHOKE SOLENOID . . . . .	73	43
39353	SEAL, RUBBER - TRIM			54676	RETAINER, HIGH TENSION		
	COVER . . . . .	57	10		LEAD . . . . .	69	26
39400	SHIELD, REAR-TOP COWL .	3	6	54676	RETAINER, HIGH TENSION		
39492	PLATE, IDLE RELIEF . . . . .	57	12		LEAD . . . . .	11	32
				55860	PULLEY, STARTER CABLE .	5	7

# PARTS INDEX

Part Number	Description	Pg.	Ref. No.	Part Number	Description	Pg.	Ref. No.
56074A4	PLUNGER ASSEMBLY, CHOKE SOLENOID . . . . .	73	48	62251	CAP, HANDLE THROTTLE . .	45	2
56829A1	SHAFT ASSEMBLY, SHIFT - LOWER (SHORT SHAFT) .	63	16	62351A2	RECTIFIER ASSEMBLY . . . .	71	4
56830A1	SHAFT ASSEMBLY, SHIFT - LOWER (LONG SHAFT) . .	63	16	63310A1	LEVER ASSEMBLY, TILT STOP . . . . .	53	28
57031A2	HOUSING ASSEMBLY,STARTER . . .	5	1	63673	LEVER, SHIFT CONTROL . .	25	4
57576	COVER, EXHAUST MANIFOLD . . . . .	37	41	63906	CABLE,CHOKE . . . . .	21	15
57908--2	SLEEVE, SWITCH BOX LEADS . . . . .	69	38	63980	KNOB,CHOKE . . . . .	21	13
57927	MOUNT,RUBBER-FRONT MOUNTING BRACKET TO CRANKCASE . . . . .	7	35	63992A1	CARRIER ASSEMBLY . . . . .	41	2
57927	MOUNT,RUBBER-REAR MOUNTING BRACKET TO CYLINDER BLOCK . . . . .	7	28	64076	BUMPER, RUBBER - SADDLE . . . . .	57	17
58975	CAM, SHIFT . . . . .	65	50	64120	SHAFT, SHIFT (HORIZONTAL) . . . . .	25	5
58978A2	PLATE ASSEMBLY, MOUNTING . . . . .	47	1	64122	BRACKET, MOUNTING - SHIFT SHAFT . . . . .	25	2
58979	FOLLOWER, NEUTRAL SPEED LIMITER . . . . .	27	20	64194A1	COVER ASSEMBLY,STRAINER (INLET) . . . . .	17	30
59065A4	STOP SWITCH ASSEMBLY .	47	24	64631	LEVER, STATOR PLATE CONTROL . . . . .	29	16
59071	COVER INLET . . . . .	17	33	64638A1	STATOR ASSEMBLY . . . . .	9	12
59107	HANDLE, NYLON - SHIFT CONTROL . . . . .	25	1	64674	BRACKET,MOUNTING-TOP COWL (FRONT) . . . . .	7	33
59783	LINK,THROTTLE-STATOR ASSEMBLY . . . . .	11	22	64677	VENTURI . . . . .	17	21
60850	ARM, STEERING HANDLE . .	45	6	64887	BRACKET,MOUNTING-TOP COWL (REAR) . . . . .	7	26
60850A4	STEERING HANDLE ASSEMBLY, COMPLETE .	45	-	64989	SEAL, CARRIER ASSEMBLY	41	3
60850A6	STEERING HANDLE ASSEMBLY, COMPLETE .	45	-	65107	LINK, CHOKE . . . . .	73	51
60851	SHAFT, THROTTLE . . . . .	45	3	65108	LEVER, CHOKE . . . . .	73	49
60854	GRIP, HANDLE - THROTTLE	45	1	65216	CAM, REVERSE LOCK . . . .	59	27
60857A2	UNIVERSAL JOINT ASSEMBLY . . . . .	45	12	65418A1	HANDLE ASSEMBLY, THROTTLE SHAFT . . . . .	45	4
60864	LEVER, STATOR PLATE - VERTICAL SHAFT . . . . .	29	15	65552	SCREEN,CARBURETOR . . .	21	11
60865	CATCH,FRONT COVER-TOP COWL . . . . .	3	15	65869A1	SHAFT ASSEMBLY, SHEAVE	7	25
60866	HOOK,FRONT COVER LATCH . . . . .	3	21	65890	RETAINER,STARTER SPRING . . . . .	5	14
60867A1	BASE ASSEMBLY,FRONT COVER LATCH . . . . .	3	18	66355	COVER, IGNITION COIL . . .	69	23
60886	BOOT, THROTTLE CABLE - BOTTOM COWL . . . . .	47	16	66355	COVER,IGNITION COIL . . . .	11	29
61006	LINK ROD, REVERSE LOCK	59	25	66361	LEVER, SHIFT CONTROL . .	25	4
61007	RETAINER, ROD - REVERSE LOCK . . . . .	55	36	66376	HANDLE, NYLON - SHIFT CONTROL . . . . .	25	1
61008	RETAINER, REVERSE LOCK CAM . . . . .	59	28	66379	SHAFT, SHIFT (HORIZONTAL) . . . . .	25	5
61009A1	SHIFT CONTROL SHAFT ASSEMBLY, VERTICAL . .	27	17	66393	SHAFT, THROTTLE . . . . .	45	3
61012	LEVER, REVERSE LOCK . . .	55	32	66394A1	HANDLE ASSEMBLY, THROTTLE SHAFT . . . . .	45	4
61990	STA-STRAP . . . . .	69	36	66412	BRACKET, MOUNTING - SHIFT SHAFT . . . . .	25	2
61990	STA-STRAP,SWITCH BOX LEADS . . . . .	13	44	66416A2	PLATE ASSEMBLY, MOUNTING . . . . .	47	1
62054	PLATE, CLAMP - CO-PILOT .	53	24	66557	SWIVEL PIN . . . . .	53	15
				66607	HUB, THRUST (USE WITH NYLON PROP ONLY) . . . .	67	--
				68766A2	BRACKET, STEERING ARM	45	15
				69157A3	THUMB SCREW ASSEMBLY	51	2
				69692	VENTURI . . . . .	17	21
				70241	STOP, REVERSE LOCK . . . .	55	37
				70317	COVER, LOWER MOUNT . .	59	23
				71018	TILT TUBE, CLAMP BRACKET . . . . .	51	4
				71127	COVER, TRANSFER PORT .	37	30

# PARTS INDEX

Part Number	Description	Pg.	Ref. No.	Part Number	Description	Pg.	Ref. No.
71525	SLEEVE, THRUST - REVERSE GEAR	65	65	10-22483	SCREW, STARTER MOTOR CLAMP TO CYLINDER BLOCK (1 1/8")	71	18
71663	PLUG, HARNESS	75	7	10-22654	SCREW, LEADS TO TERMINAL BLOCK (3/8")	69	14
72007	RETAINER, REVERSE LOCK CAM	59	28	10-22659	SCREW, STARTER HOUSING TO CRANKCASE (1 5/8")	29	17
72465	CABLE, CHOKE	21	15	10-22659	SCREW, STARTER HOUSING TO CRANKCASE (1 5/8")	5	4
72694A1	BEARING CARRIER ASSEMBLY	67	68	10-22956	SCREW, CHOKE SOLENOID TO FRONT COWL SUPPORT BRACKET (7/8")	73	44
72710	COVER, GEAR HOUSING	67	73	10-22960	SCREW, VERTICAL SHAFT THROTTLE LEVER (1 3/8")	29	12
72857	STOP, OVER-SPEED LIMITER	27	26	10-23035	SCREW, CHOKE SHUTTER TO CHOKE SHAFT	17	20
72946	HANDLE, NYLON - SHIFT CONTROL	25	1	10-24644	SCREW, COVER TO CYLINDER BLOCK (1 3/8")	37	35
73014A1	PLATE ASSEMBLY, CO- PILOT	53	24	10-24644	SCREW, FOLLOWER TO POWERHEAD MOUNTING PLATE (1 3/8")	27	21
73458	COVER, EXHAUST MANIFOLD	37	41	10-24646	SCREW, TRANSFER PORT COVER TO CYLINDER BLOCK (5/8")	37	32
73537	INSERT, ROPE GUIDE-TOP COWL	3	2	10-24786	SCREW, CRANKCASE TOP TO CYLINDER BLOCK (5/8")	33	7
74159A3	THUMB SCREW ASSEMBLY	51	2	10-25764	SCREW, RECTIFIER TO REAR BRACKET (1/2")	71	5
74324A2	HOUSING, TRIGGER	69	15	10-25822	SCREW, STAINER COVER TO BODY	17	35
74325	BRACKET, MOUNTING-TOP COWL (REAR)	7	26	10-25876	SCREW, THROTTLE CLUSTER LINK (7/8")	31	24
74367A3	LIGHTING STATOR ASSEMBLY	71	1	10-26065	SCREW, CRANKCASE TO CYLINDER BLOCK (1"0)	35	19
74367A3	LIGHTING STATOR ASSEMBLY	75	9	10-26066	SCREW, CRANKCASE TO CYLINDER BLOCK (1 1/4")	35	18
74454	SWIVEL, TRIGGER LINK	69	16	10-26066	SCREW, CRANKCASE TO CYLINDER BLOCK (1 1/4")	35	18
74800	LEVER, SHIFT CONTROL	25	4	10-26132	SCREW, CO-PILOT DISC TO SADDLE (2 1/2")	53	17
75076	VOLTAGE REGULATOR	75	1	10-26132	SCREW, CRANKCASE TO CYLINDER BLOCK (2 1/2")	35	20
75899	PLATE, SWITCH BOX	69	34	10-26132	SCREW, STEERING ARM BRACKET TO SADDLE (2 1/2")	45	18
76357	HOUSING, THROTTLE CONTROL	29	2	10-26801	SCREW, LOCK - CENTER MAIN BEARING (5/8")	35	22
76536	LINK ROD, REVERSE LOCK	59	25	10-28634	SCREW, GREASE FILLER (1/4")	61	10
10-20100	SCREW, PLATE AND SPRING TO MOUNTING BRACKET (1/2")	27	13	10-28638	SCREW, LOWER MOUNT COVER FASTENING (3/4")	59	24
10-20540	SCREW, RETAINER TO MOUNTING PLATE (5/8")	47	5	10-28653	SCREW, GREASE VENT (1/4")	63	14
10-20646	SCREW, TERMINAL BLOCK TO STATOR (5/8")	69	12	10-28782	SCREW, MANIFOLD COVER TO CYLINDER BLOCK (7/8")	39	42
10-20653	SCREW, THROTTLE CONTROL HOUSING FASTENING (1") - LOWER	29	4	10-30173	SCREW, LIGHTING STATOR ATTACHING (1 5/8")	71	2
10-20653	SCREW, STARTER HOUSING TO CRANKCASE (1 3/8")	5	4				
10-20784	SCREW, SWITCH BOX CYLINDER BLOCK (1 1/2")	11	38				
10-20847	SCREW, THROTTLE LEVER ATTACHING	19	42				
10-21091	SCREW, COVER TO CYLINDER BLOCK (1 1/8")	37	36				
10-21091	SCREW, THROTTLE CONTROL HOUSING FASTENING (1 1/8") - UPPER	29	6				
10-21449	SCREW, CRANKCASE TO CYLINDER BLOCK (2")	35	19				



# PARTS INDEX

Part Number	Description	Pg.	Ref. No.	Part Number	Description	Pg.	Ref. No.
10-30173	SCREW, LIGHTING STATOR ATTACHING (1 5/8") . . . . .	75	10	10-45862	SCREW, STARTER SOLENOID CLAMP TO CRANKCASE (7/8") . . . . .	71	29
10-30663	SCREW, COVER PLATE TO BOTTOM COWL (3/8") . . .	47	14	10-46467	SCREW,RATCHET TO FLYWHEEL (1/2") . . . . .	9	4
10-30663	SCREW, SPRING TO LIMITER FOLLOWER (3/8")	27	25	10-46898	SCREW, LIMITER STOP TO FOLLOWER (7/16") . . . . .	27	28
10-30663	SCREW, WIRE TO SWITCH BOX PLATE (3/8") . . . . .	71	12	10-47819	SCREW, ANODIC PLATE TO GEAR HOUSING (1 1/4") .	65	54
10-30663	SCREW,GROUND WIRE TO CYLINDER BLOCK (3/8") .	7	31	10-48408	SCREW, TELL TALE NOZZLE TO BOTTOM COWL (1/2")	47	23
10-30663	SCREW,LEADS TO TERMINAL BLOCK . . . . .	11	43	10-48409	SCREW, SWITCH BOX TO PLATE (5/8") . . . . .	69	32
10-31206	SCREW, WIRING HARNESS CLAMP FASTENING (7/16") . . . . .	71	37	10-48409	SCREW,LATCH BASE TO FRONT COVER (5/8") . . .	3	19
10-34222	SCREW,TERMINAL BLOCK TO FRONT SUPPORT BRACKET (1/2") . . . . .	11	42	10-48409	SCREW,TERMINAL BLOCK TO STATOR ASSEMBLY (5/8") . . . . .	9	18
10-35385	SCREW, CRANKCASE TO CYLINDER BLOCK (1 3/4")	35	19	10-48591	SCREW,GROUND WIRE TO SWITCH BOX (1/2") . . . . .	11	40
10-35400	SCREW, STATOR TO END CAP (3/8") . . . . .	69	7	10-48637	SCREW,STATOR TO UPPER END CAP (1 1/8") . . . . .	9	13
10-35519	SCREW, IDLE RELIEF PLATE TO DRIVE SHAFT HOUSING (1/2") . . . . .	57	13	10-49668	SCREW, TRANSFER PORT COVER TO CYLINDER BLOCK (3/4") . . . . .	37	32
10-35519	SCREW,GROUND WIRE TO CYLINDER BLOCK . . . . .	7	32	10-49908	SCREW, PINION GEAR TO DRIVE SHAFT SCREW (3/4") . . . . .	61	8
10-35563	SCREW,RATCHET TO FLYWHEEL (9/16") . . . . .	9	3	10-53481	SCREW, REED STOP MOUNTING (9/16") . . . . .	41	11
10-36137	SCREW, WIRING HARNESS SUPPORT TO BOTTOM COWL (1") . . . . .	73	40	10-56396	SCREW, SEAL RETAINER TO WATER PUMP BODY (1 1/8") . . . . .	63	44
10-36137	SCREW,STARTER HOUSING TO CRANKCASE (1") . . . . .	5	4	10-57807	SCREW, COVER TO BOTTOM COWL (3/4") . . .	57	9
10-36398	SCREW, DWIVEL BRACKET	53	23	10-58185	SCREW, VOLTAGE REGULATOR TO REAR BRACKET (1") . . . . .	75	2
10-3737	SCREW,REAR SHIELD TO TOP COWL (5/8) . . . . .	3	7	10-61802	SCREW, COVER TO BOTTOM COWL (7/8") . . .	47	11
10-37562	SCREW,FRONT MOUNTING BRACKET TO BOTTOM COWL (1") . . . . .	7	34	10-61802	SCREW, LEAD WIRE AND HARNESS CLAMP TO BOTTOM COWL (7/8") . . .	71	34
10-37562	SCREW,REAR MOUNTING BRACKET TO BOTTOM COWL (1") . . . . .	7	27	10-62055	SCREW, PLATE TO SWIVEL BRACKET (1 1/4") . . . . .	53	25
10-37562	SCREW,STARTER HOUSING TO CYLINDER BLOCK (1")	5	2	10-62233	SCREW, DETENT SPRING TO STEERING ARM BRACKET (5/8") . . . . .	45	16
10-37655	SCREW,GROUND WIRE TO SWITCH BOX (1/2") . . . . .	11	40	10-62568	SCREW, COVER PLATE TO BOTTOM COWL (3/8") . . .	47	14
10-37892	SCREW,PULLEY TO STARTER HOUSING (1") .	5	8	10-62568	SCREW,LEADS TO TERMINAL BLOCK (3/8") .	13	43
10-37923	SCREW,ADAPTOR TO BOTTOM COWL (11/4") . .	21	10	10-63311	SCREW, RETAINING - LEVER TO SWIVEL BRACKET . . . . .	53	29
10-37978	SCREW,FRONT COVER LATCH TO TOP COWL (3/4") . . . . .	3	16	10-64074	SCREW, STEERING HANDLE TO ARM BRACKET (5/8") .	45	11
10-39149	SCREW, SHIFT SHAFT BUSHING RETAINER (1/2")	63	22	10-64843	SCREW,SWITCH BOX LEADS TO TERMINAL BLOCK (7/16") . . . . .	9	16
10-45218	SCREW, SWITCH BOX LEADS (3/8") . . . . .	69	37				
10-45379	SCREW, CONNECTING ROD	43	2				

# PARTS INDEX

Part Number	Description	Pg.	Ref. No.	Part Number	Description	Pg.	Ref. No.
10-65109	SCREW, CHOKE LEVER TO CARBURETOR	73	50	10-76630	SCREW, COVER TO CYLINDER BLOCK (1")	37	36
10-65414	SCREW, CAM RETAINER TO DRIVE SHAFT HOUSING (3/4")	59	26	11-20061	NUT, CONNECTING ROD SCREW	43	4
10-66707	SCREW, LIGHTING STATOR ATTACHING (7/8")	71	2	11-20083	NUT, STARTER SOLENOID TERMINAL (5/16 - 24)	71	27
10-66707	SCREW, LIGHTING STATOR ATTACHING (7/8")	75	10	11-20083	NUT,CARBURETOR ATTACHING	23	19
10-66707	SCREW, STATOR TO END CAP (7/8")	69	7	11-20088	NUT, STARTER MOTOR TERMINAL (1/4 - 28)	71	15
10-67450	SCREW, CRANKCASE TO CYLINDER BLOCK (2 1/4")	35	20	11-20110	NUT, COIL COVER SCREW	69	25
10-67979	BOLT, CLAMP BRACKET TO TRANSOM (2 3/4")	51	7	11-20110	NUT, REED STOP MOUNTING SCREW	41	12
10-69013	SCREW, COVER TO BOTTOM COWL (7/8")	57	9	11-20110	NUT,PULLEY SCREW	5	11
10-69013	SCREW,LEAD TO BLOCK (7/8")	13	46	11-20110	NUT,SOIL COVER SCREW	11	31
10-69020	SCREW,CHOKE CABLE TO CARBURETOR	21	16	11-20166	NUT,SHEAVE SHAFT (LEFT HAND THREAD)	5	13
10-69021	SCREW, PLATE TO SWIVEL BRACKET (1 1/4")	53	25	11-20361	NUT, STARTER HOUSING TO CRANKCASE SCREW	31	20
10-69022	SCREW,SCREEN TO CARBURETOR	21	12	11-20361	NUT, STARTER MOTOR CLAMP SCREW (1/4 - 28)	71	20
10-69052	SCREW, SWITCH BOX PLATE ATTACHING (1/2")	69	35	11-20361	NUT, STARTER MOTOR STUDS (1/4 - 28)	71	16
10-71056	SCREW, REVERSE STOP TO SWIVEL BRACKET	55	38	11-20361	NUT,RUBBER MOUNT TO BRACKET AND CRANKCASE	7	36
10-72073	SCREW, COIL COVER TO REAR SUPPORT BRACKET (3 3/4")	69	24	11-20361	NUT,RUBBER MOUNT TO BRACKET AND CYLINDER BLOCK	7	29
10-72073	SCREW,COIL COVER TO REAR SUPPORT BRACKET(3 3/4")	11	30	11-20586	NUT, SHAFT AND GEAR	31	22
10-72167	SCREW,SWITCH BOX TO CYLINDER BLOCK (1 1/2")	11	38	11-20645	NUT, CHOKE SOLENOID TERMINAL	73	47
10-72169	SCREW,TERMINAL BLOCK TO FRONT SUPPORT (1/2")	11	42	11-20645	NUT, GROUND LEAD TO STOP SWITCH	49	30
10-72754	SCREW, STARTER HOUSING TO CRANKCASE (1 5/8")	31	17	11-20645	NUT, JAM - THROTTLE CLUSTER LINK SCREW	31	25
10-72754	SCREW,STARTER HOUSING TO CRANKCASE (1 5/8")	5	4	11-20645	NUT, STARTER SOLENOID TERMINAL (10-32)	71	25
10-72755	SCREW, VERTICAL SHAFT THROTTLE ELVER (1 3/8")	29	12	11-21971	NUT, CONNECTOR BASE TO BOTTOM COWL	49	32
10-73456	SCREW, CRANKCASE TOP TO CYLINDER BLOCK (5/8")	33	7	11-22339	NUT, FLYWHEEL	69	5
10-74824	SCREW, CRANKCASE TO CYLINDER BLOCK (1 1/8")	35	18	11-22339	NUT,FLYWHEEL	9	8
10-75700	SCREW, CRANKCASE TO CYLINDER BLOCK (2 1/8")	35	19	11-25168	NUT, VERTICAL SHAFT THROTTLE SCREW	29	13
10-76213	SCREW, THROTTLE CONTROL HOUSING FASTENING (1 1/8") - LOWER A	29	4&6	11-27164	NUT, RECTIFIER SCREW	71	7
10-76596	SCREW, COVER TO CYLINDER BLOCK (1 1/4")	37	35	11-27164	NUT, VOLTAGE REGULATOR SCREW	75	4
				11-28770	NUT, CLAMP BRACKET STUD	53	14
				11-29250	NUT, POWERHEAD STUDS	57	16
				11-30499	NUT, TILT TUBE FASTENING	51	6
				11-34863	NUT, GEAR HOUSING TO DRIVE SHAFT HOUSING STUD	57	6
				11-35045	NUT, TILT STOP LEVER SCREW	55	31
				11-35814	NUT, DRIVE SHAFT HOUSING STUD	57	5
				11-35814	NUT,TOP COWL STUD	3	5

# PARTS INDEX

Part Number	Description	Pg.	Ref. No.	Part Number	Description	Pg.	Ref. No.
11-35888	NUT, STARTER HOUSING TO CRANKCASE SCREW	31	20	11-67980	NUT, CLAMP BRACKET SCREW	51	9
11-35888	NUT, STARTER HOUSING TO CRANKCASE SCREW	5	5	11-69844	NUT, STOP SWITCH	49	35
11-39305	NUT, SHIFT CONTROL HANDLE TO SHIFT SHAFT	25	8	11-71019	NUT, TILT TUBE FASTENING	51	6
11-45076	NUT, IGNITION COIL TERMINAL	69	22	11-73710	NUT, CHOKE CABLE TO BOTTOM COWL	21	14
11-45076	NUT, RECTIFIER TERMINALS	71	8	12-20214	WASHER, THUMB SCREW	51	3
11-45076	NUT, VOLTAGE REGULATOR TERMINALS	75	5	12-20214	WASHER, THUMB SCREW	51	3
11-45076	NUT, IGNITION COIL TERMINAL	11	28	12-20260	WASHER, GREASE FILLER SCREW	63	11
11-45076	NUT, SWITCH BOX LEADS TO TERMINAL BLOCK SCREW	9	17	12-20262	WASHER, GREASE VENT SCREW	63	15
11-45592	NUT, WATER PUMP STUDS	63	47	12-20684	RING, RUBBER - CENTRIFUGAL SLINGER (DRIVE SHAFT)	63	48
11-45774	NUT, CENTER MAIN BEARING CLAMPING SCREW	41	8	12-24664	WASHER, SHAFT AND GEAR	31	21
11-45812	NUT, THROTTLE LINK	69	19	12-24664	WASHER, WIRING HARNESS SUPPORT SCREW	73	41
11-45812	NUT, THROTTLE LINK	11	25	12-24676	WASHER, LIMITER STOP SCREW	27	27
11-46438	NUT, STARTER SOLENOID CLAMP SCREW	71	30	12-26014	WASHER, LATCH BASE SCREW	3	20
11-46438	NUT, TERMINAL BLOCK SCREW	69	13	12-29245	WASHER, SHIFT CONTROL HANDLE	25	7
11-46793	NUT, CO-PILOT DISC TO SADDLE SCREW	53	18	12-29245	WASHER, SHIFT SHAFT	27	15
11-46793	NUT, CRANKCASE SCREW	35	21	12-29245	WASHER, FRONT COVER RELEASE BUTTON	3	14
11-46793	NUT, CRANKCASE STUD	33	13	12-30164	WASHER, THROTTLE LINK	69	17
11-46793	NUT, POWERHEAD STUDS	57	16	12-30164	WASHER, THROTTLE LINK	11	23
11-46793	NUT, STEERING ARM BRACKET FASTENING SCREW	45	19	12-33432	WASHER, GEAR HOUSING COVER	67	72
11-46887	NUT, CHOKE SOLENOID SCREW	73	45	12-33434	WASHER, THRUST - REVERSE GEAR	65	65
11-46887	NUT, CYLINDER BLOCK COVER SCREW	37	37	12-35559	WASHER, STARTER SHEAVE RETAINER	7	21
11-46887	NUT, LIMITER FOLLOWER SCREW	27	23	12-36001	WASHER, WATER PUMP STUDS	63	46
11-46887	NUT, MOUNTING BRACKET SCREW	25	10	12-36281	WHEEL NUT	9	7
11-46887	NUT, THROTTLE CONTROL HOUSING SCREW	29	5	12-36555	WASHER, NYLON - WATER INLET TUBE	47	2
11-46887	NUT, THROTTLE CONTROL HOUSING SCREW	29	7	12-36555	WASHER, NYLON - WATER PUMP BODY	63	41
11-46887	NUT, WIRING HARNESS SUPPORT SCREW	73	42	12-46897	WASHER, STARTER MOTOR CLAMP SCREW	71	19
11-46887	NUT, STARTER HOUSING TO CRANKCASE SCREW	5	5	12-47275	WASHER, NEEDLE BEARING RETAINING	43	5
11-60049	NUT, POWERHEAD STUDS	57	16	12-48679	WASHER, THROTTLE SHAFT AND GEAR	29	9
11-63912	NUT, CHOKE CABLE TO BOTTOM COWL	21	14	12-49221	WASHER, NEOPRENE - GEAR HOUSING FLUSHING PLUG	63	13
11-64075	NUT, PROPELLER RETAINING	67	77	12-52864	SHIM, CLAMP BRACKET TILT TUBE	51	5
11-64484	NUT, VERTICAL SHAFT THROTTLE ELVER SCREW	29	13	12-56681	WASHER, SWITCH BOX SCREW	69	33
				12-56681	WASHER, CHOKE CABLE SCREW	23	17
				12-56720	WASHER, CLAMP PLATE SCREW	53	26

# PARTS INDEX

Part Number	Description	Pg.	Ref. No.	Part Number	Description	Pg.	Ref. No.
12-59061	WASHER, STOP SWITCH . . .	49	28	14-75670	TAB WASHER, CRANKCASE TOP SCREW . . . . .	33	8
12-62252	WASHER, THROTTLE HANDLE TO STEERING ARM . . . . .	45	5	15-20788A1	SHIM, BALL BEARING TO GEAR HOUSING (.002-3-5-10) . . . . .	65	55
12-65891	WASHER, FLYWHEEL NUT . . .	69	4	15-20804A1	SHIM, BALL BEARING TO GEAR HOUSING (.002-3-5-10) . . . . .	63	23
12-65891	WASHER, FLYWHEEL NUT . . .	9	7	15-20804A1	SHIM, GEAR HOUSING TO WATER PUMP BASE (.002-3-5-10) . . . . .	63	26
12-67981	WASHER, CLAMP BRACKET SCREW . . . . .	51	8	15-28212	SHIM, LIMITER FOLLOWER SCREW . . . . .	27	22
12-71055	WASHER, REVERSE STOP SCREW . . . . .	55	40	15-33431A1	SHIM, THRUST WASHER TO GEAR HOUSING (.002-3-5-10) . . . . .	65	66
12-71421	WASHER, CLAMP BRACKET TILT TUBE . . . . .	51	5	15-48002015	SHIM, STEERING HANDLE PIVOT TO BRACKET (.015)	45	10
13-20160	WASHER, WAVE-STARTER SHEAVE TENSION . . . . .	7	22	15-56191A1	SHIM, CRANKCASE TOP TO CYLINDER BLOCK (.002-3-5-10) . . . . .	33	6
13-20202	LOCKWASHER, CRANKCASE TO TOP SCREW . . . . .	33	8	16-21553	STUD, TOP COWL TO MOUNTING BRACKETS (1 1/2") . . . . .	3	4
13-20202	LOCKWASHER, STARTER SOLENOID TERMINAL (5/16") . . . . .	71	26	16-56299	STUD, DRIVE SHAFT HSG. TO GEAR HSG. (2 5/16") . . . . .	57	2
13-21972	LOCKWASHER, CONNECTOR BASE . . . . .	49	31	16-58134	STUD, DRIVE SHAFT HSG. TO GEAR HSG. (3 15/16") . . . . .	57	3
13-26992	LOCKWASHER, REVERSE STOP SCREW . . . . .	55	39	16-58135	STUD, GEAR HOUSING TO DRIVE SHAFT HOUSING (4 13/16") . . . . .	61	4
13-26992	LOCKWASHER, STARTER MOTOR TERMINAL . . . . .	71	14	16-58137	STUD, WATER PUMP TO GEAR HOUSING (3 1/8") . . . . .	61	3
13-26992	LOCKWASHER, RATCHET SCREW . . . . .	9	5	16-59620	STUD, CLAMP BRACKET (8")	51	11
13-26993	LOCKWASHER, CLAMP BRACKET STUD . . . . .	53	13	16-65865	STUD, CARBURETOR TO CRANKCASE (1 3/32") . . . . .	35	17
13-26993	LOCKWASHER, STARTER HOUSING TO CYLINDER BLOCK SCREW . . . . .	5	3	16-65866	STUD, CRANKCASE TO CYLINDER BLOCK (1 5/16") . . . . .	33	12
13-26996	LOCKWASHER, CHOKE SOLENOID TERMINAL . . . . .	73	46	16-65868	STUD, CYLINDER BLOCK TO DRIVE SHAFT HOUSING (2 1/8") . . . . .	33	14
13-26996	LOCKWASHER, IGNITION COIL TERMINAL . . . . .	11	27	16-68165	STUD, CRANKCASE TO DRIVE SHAFT HOUSING (1 5/8") . . . . .	35	16
13-26996	LOCKWASHER, IGNITION COIL TERMINAL . . . . .	69	21	16-68165	STUD, CYLINDER BLOCK TO DRIVE SHAFT HOUSING (1 5/8") . . . . .	35	15
13-26996	LOCKWASHER, STARTER SOLENOID TERMINAL (#10) . . . . .	71	24	16-72166	STUD, TOP COWL TO MOUNTING BRACKETS (1 1/2") . . . . .	3	4
13-26996	LOCKWASHER, STOP SWITCH . . . . .	49	29	16-72742	STUD, CARBURETOR TO CRANKCASE (1 3/32") . . . . .	35	17
13-26996	LOCKWASHER, CHOKE CABLE SCRWE . . . . .	23	17	16-72743	STUD, CYLINDER BLOCK TO DRIVE SHAFT HOUSING (2 1/8") . . . . .	33	14
13-29720	WASHER, WAVE-STARTER PAWL . . . . .	5	17	17-20032	DOWEL PIN, CENTER MAIN BEARING . . . . .	41	5
13-31030	WASHER, WAVE - TILT STOP LEVER SCREW . . . . .	55	30	17-20032	DOWEL PIN, MAIN BEARING TO CYLINDER BLOCK . . . . .	41	13
13-69845	LOCKWASHER, STOP SWITCH . . . . .	49	34				
14-20091	TAB WASHER, CENTER MAIN BEARING LOCK SCREW . . . . .	35	23				
14-20165	TAB WASHER, SHEAVE SHAFT NUT . . . . .	5	12				
14-49911	TAB WASHER, PINION GEAR SCREW . . . . .	61	7				

# PARTS INDEX

Part Number	Description	Pg.	Ref. No.	Part Number	Description	Pg.	Ref. No.
17-20201	PIN, DOWEL - GEAR HOUSING TO DRIVE SHAFT HOUSING	61	2	23-30676A1	BUSHING ASSEMBLY, SHIFT SHAFT	63	19
17-23784	PIN, DOWEL - CRANKCASE TO CYLINDER BLOCK	33	11	23-30677	BUSHING, NYLON - SHIFT CONTROL SHAFT	27	19
17-24865	PIN, GROOVE - STATOR PLATE LEVER TO VERTICAL SHAFT	29	14	23-30977	SPACER,PULLEY SCREW	5	10
17-25905	PIN, ROLL - SHIFT CONTROL LEVER TO SHIFT SHAFT	27	14	23-33462	BUSHING, NYLON - SHAFT AND GEAR (THROTTLE CONTROL HOUSING)	29	8
17-27088	PIN, BALL GEAR TO THROTTLE SHAFT	45	8	23-34237	COLLAR, GUIDE - PROPELLER SHAFT	67	74
17-35973	PIN, DOWEL - WATER PUMP BASE TO WATER PUMP BODY	63	32	23-45170	SLEEVE, GUIDE - WATER INLET TUBE	63	45
17-36325	PIN, THROTTLE SHAFT AND GEAR	29	10	23-46406	BUSHING, STATOR PLATE CONTROL LEVER	31	19
17-39585	SWIVEL PIN	53	15	23-59621	SPACER, CLAMP BRACKET STUD	51	12
17-39599	PIN,PIVOT-FRONT COVER LATCH HOOK	3	23	23-62769	SPACER, RECTIFIER SCREW	71	6
17-46152	PIN, THROTTLE SHAFT	45	4A	23-62769	SPACER, VOLTAGE REGULATOR SCREW	75	3
17-53372	PIN, CROSS - RATDCHET TO PROPELLER SHAFT	65	60	23-63932	SPACER,CHOKE CABLE SCREW	23	18
17-56373A1	TILT LOCK PIN ASSEMBLY	51	10	23-64651	BUSHING, SWIVEL BRACKET	53	22
17-62768	PIN,IGNITION TRIGGER	9	20	23-65720	SPACER,SHEAVE SHAFT(PART OF A-50-64008A1 SHEAVE ASSEMBLY)	5	19
17-65855	PIN, REED STOP	41	6	23-66375	BUSHING, NYLON - SHIFT SHAFT	25	3
17-68436	PIN, BALL GEAR TO UNIVERSAL JOINT	45	14	24-20099	SPRING-COMPRESSION-FRONT COVER RELEASE BUTTON	3	13
18-45882	COTTER PIN, REVERSE LOCK LEVER TO ROD	55	35	24-23067	SPRING,ADAPTOR STEM	21	8
19-32298	PLUG, DRIVE SHAFT HOUSING STUD	57	4	24-27160	SPRING, IDLE MIXTURE SCREW	15	4
19-48750	PLUG, GEAR HOUSING FLUSHING	63	12	24-28975	SPRING, GARTER - INTERNAL WIRING HARNESS	71	32
19-75045	PLUG, BOTTOM COWL	71	3	24-29340A1	SPRING,STARTER REWIND	5	15
21-56011A2	CHECK VALVE ASSEMBLY	37	25	24-33479	SPRING, CAM FOLLOWER	65	52
21-64871A1	ELBOW ASSEMBLY, BLEED DRAIN	37	24	24-39598	SPRING,TORISON-FRONT COVER LATCH HOOK	3	22
22-25885	ELBOW, TELL TALE HOSE TO CYLINDER (SEE NOTE BELOW)	47	21	24-39627	SPRING, DETENT - MOUNTING BRACKET	25	11
22-31345	FITTING, GREASE - SWIVEL BRACKET	53	20	24-39675	SPRING, NEUTRAL SPEED LIMITER FOLLOWER	27	24
22-61295A5	ELBOW ASSEMBLY, BLEED DRAIN	35	24	24-45823	SPRING,PAWL RETAINER PLATE	7	24
22-61558	ELBOW, BLEED DRAIN	37	29	24-47744	SPRING, DETENT - STEERING HANDLE	45	17
22-61559	TEE, INJECTION	37	28	24-53373	SPRING, RETAINING - CROSS PIN	65	61
22-63981	FITTING,FUEL LINE TO ADAPTOR	21	4	24-60239	SPRING, STOP SWITCH	47	25
22-74036	FITTING, GREASE - SWIVEL BRACKET	53	20	24-62095	SPRING,COMPRESSION-IGNITION TRIGGER	11	21
22-76329	TEE, INJECTION	37	28	24-72847	SPRING, DETENT - STEERING HANDLE	45	17
23-26841	BUSHING, NYLON - REVERSE LOCK LEVER ROD	55	34	25-20081	"O" RING, CRANKCASE TOP	33	2
23-26954	BUSHING, NYLON - SHIFT SHAFT	25	3	25-20195	"O" RING, IDLE RELIEF TUBE	57	15
23-27024	SPACER, SPLINE - PROPELLER SHAFT	67	76				

# PARTS INDEX

Part Number	Description	Pg.	Ref. No.	Part Number	Description	Pg.	Ref. No.
25-20415	"O" RING ADAPTOR STEM	21	7	27-52579	GASKET, CYLINDER BLOCK COVER	37	34
25-26802	"O" RING, SHIFT SHAFT BUSHING	63	20	27-64659	GASKET,CARBURETOR FLANGE	19	47
25-33465	"O" RING, BEARING CARRIER	65	67	28-20094	KEY, FLYWHEEL	41	14
25-33466	"O" RING, WATER PUMP BASE	63	28	28-20094	KEY, FLYWHEEL DRIVE	69	3
25-38933	"O" RING, LOWER SHIFT SHAFT	63	17	28-20094	KEY,FLYWHEEL DRIVE	9	6
25-57806	GROMMET, TRIM COVER SCREW	57	9A	28-56661	KEY, IMPELLER DRIVE - PART OF DRIVE SHAFT ASSEMBLY	63	37
26-20070	OIL SEAL, WATER PUMP BASE	63	30	29-20046	BEARING, NEEDLE - CRANKPIN	43	3
26-20070	OIL SEAL, WATER PUMP BODY	63	40	29-20063	BEARING, NEEDLE - PISTON PIN	43	6
26-25329	SEAL, RUBBER - WATER INLET TUBE	47	3	30-25398	BEARING, BALL - FORWARD GEAR	65	56
26-25329	SEAL, WATER PUMP BODY	63	42	30-25398	BEARING, BALL - REVERSE GEAR	65	64
26-26805	OIL SEAL, BEARING CARRIER	67	71	30-47158	BEARING, BALL - DRIVE SHAFT	63	24
26-30696	OIL SEAL, DRIVE SHAFT HOUSING(EARLY MODELS)	57	4A	30-63326	BEARING, BALL - CRANKCASE (LOWER)	39	43
26-30696	OIL SEAL, SHIFT SHAFT BUSHING	63	21	30-63326	BEARING, BALL - CRANKCASE TOP (UPPER)	33	3
26-33467	OIL SEAL, WATER PUMP BASE (SPRING LOADED)	63	31	31-20594	BEARING, ROLLER - CRANKCASE TOP (UPPER)	33	4
26-66300	OIL SEAL, CRANKCASE TOP (UPPER)	33	5	31-28157	BEARING, ROLLER - BEARING CARRIER	67	69
26-66302	OIL SEAL, CRANKCASE (LOWER)	39	44	31-28157	BEARING, ROLLER - DRIVE SHAFT	61	5
26-66303	OIL SEAL, BEARING CARRIER (SPRING LOADED)	67	70	31-28157	BEARING, ROLLER - FORWARD GEAR	65	58
26-73315	SEAL, CRANKSHAFT	41	2	32-34395A1	HOSE, TELL TALE - COWL TO CYLINDER BLOCK (11")	47	20
27-27936	GASKET, TRANSFER PORT COVER	37	31	32-39586	TUBE, WATER OUTLET (SHORT SHAFT)	57	7
27-39316	GASKET, BAFFLE PLATE TO MANIFOLD COVER	37	40	32-39587	TUBE, WATER OUTLET (LONG SHAFT)	57	7
27-39401	GASKET, POWERHEAD TO MOUNTING PLATE	47	6	32-45054	TUBE, NYLON - IDLE RELIEF TUBE	57	14
27-39402	GASKET, MOUNTING PLATE TO DRIVE SHAFT HOUSING	47	8	32-60584	HOSE, BLEED DRAIN	37	26
27-39402	GASKET, MOUNTING PLATE TO DRIVE SHAFT HOUSING	57	11	32-63146	FUEL LINE,ADAPTOR TO CARBURETOR (3 1/4")	21	2
27-39623	GASKET, FACE PLATE TO WATER PUMP BODY (UPPER)	63	35	33-58194	SPARK PLUG (ACV#40FFK)	11	36
27-39625	GASKET, WATER PUMP BASE TO FACE PLATE (LOWER)	63	33	33-58194	SPARK PLUG (ACV#40FFK)	69	30
27-39626	GASKET, WATER PUMP BASE TO GEAR HOUSING	63	27	34-56704A1	REED SET, CENTER MAIN BEARING (MATCHED)	41	9
27-45088	GASKET, CYLINDER BLOCK TO BAFFLE PLATE	37	38	34-64632	REED STOP, MAIN BEARING REED VALVES	41	10
27-45088A73	GASKET SET	1	-	35-70349	FILTER,PUMP	17	32
27-47829	GASKET, STARTER SOLENOID	71	23	37-61000A73	DECAL SET (ENGINE)	1	-
				37-65840A74	DECAL SET (ENGINE)	1	-
				37-70165A75	DECAL SET (ENGINE)	1	-
				37-73933A76	DECAL SET (ENGINE)	1	-
				37-73933A77	DECAL SET(ENGINE)	1	-
				39-27841A12	RING, PISTON	43	9

# PARTS INDEX

Part Number	Description	Pg.	Ref. No.	Part Number	Description	Pg.	Ref. No.
40-47276	LOCK RING, PISTON PIN	43	8	50-64008A1	STARTER SHEAVE		
43-30802	GEAR, SECTOR - SHIFT				ASSEMBLY	5	16
	SHAFT	25	6	50-65721	RATCHET ASSEMBLY,		
43-45189	GEAR, PINION	61	9		FLYWHEEL (MANUAL)	69	2
43-45227	FORWARD GEAR			50-65721	RATCHET		
	ASSEMBLY	65	57		ASSEMBLY,FLYWHEEL	9	2
43-45229	REVERSE GEAR ASSEMBLY	65	63	52-53518A1	RATCHET ASSEMBLY,		
43-58972	GEAR, SECTOR - SHIFT				SLIDING CLUTCH	65	59
	CONTROL SHAFT	27	18	53-22899	RING, RETAINING - SHIFT		
43-60852	GEAR, BALL - UNIVERSAL				SHAFT	63	18
	JOINT	45	13	53-23720	RING, RETAINING - UPPER		
43-60852	GEAR, BALL THROTTLE				MOUNT	59	20
	SHAFT	45	7	53-23721	RING, RETAINING - LOWER		
43-60856	GEAR, PINION - THROTTLE				MOUNT	59	22
	CONTROL	29	1	53-33463	RING, RETAINING - BALL		
43-60863	SHAFT AND GEAR,				BEARING	63	25
	THROTTLE	29	3	53-58656	RING,RETAINING-ROPE		
43-66377	GEAR, SECTOR - SHIFT				GUIDE TO TOP COWL	3	3
	SHAFT	25	6	53-72168	RING,RETAINING-ROPE		
44-34238A2	PROPELLER SHAFT				GUIDE TO TOP COWL	3	3
	ASSEMBLY	65	62	54-23567	CLAMP, WIRING HARNESS		
44-75366A2	PROPELLER SHAFT				TO CRANKCASE FLANGE	71	36
	ASSEMBLY	65	62	54-33361	CLAMP, LEAD WIRE		
45-64429A1	DRIVE SHAFT ASSEMBLY				FASTENING TO HARNESS		
	(SHORT SHAFT)	61	6		CLAMP	71	35
45-64430A1	DRIVE SHAFT ASSEMBLY			54-47830	CLAMP, NYLON - STARTER		
	(LONG SHAFT)	61	6		SOLENOID FASTENING	71	28
45-74852A1	DRIVE SHAFT ASSEMBLY			54-47993	CLAMP, STARTER MOTOR		
	(LONG SHAFT)	61	6		FASTENING	71	17
45-74853A1	DRIVE SAHFT ASSEMBLY			54-56223	CLAMP, BLEED HOSE		
	(SHORT SHAFT)	61	6		ATTACHING	37	27
46-48744A1	WATER PUMP BASE			54-59538	CLIP, COIL RETAINING	69	9
	ASSEMBLY	63	29	54-59538	CLIP,COIL RETAINING	9	10
46-48749A2	WATER PUMP BODY			54-59539	CLIP,COIL RETAINING	9	11
	ASSEMBLY	63	38	54-61001	CLIP, UPPER END CAP		
46-48749A5	HEAVY DUTY WATER PUMP				SCREW	33	9
	ASSEMBLY	1	-	54-64855	CLIP,CHOKE CABLE	23	20
47-65958	IMPELLER, WATER PUMP -			54-64916	CLAMP,FUEL HOSE		
	PART OF DRIVE SHAFT				ATTACHING	21	3
	ASSEMBLY	63	36	54-65927	CLIP, COIL RETAINING	69	10
48-33480A1	PROPELLER ASSEMBLY (2			54-68424	CLAMP,FUEL HOSE		
	BLADE - ALUMINUM - 11"				ATTACHING	21	3
	PITCH)	67	75	54-76368	CLAMP, INTERNAL WIRING		
48-33482A1	PROPELLER ASSEMBLY (3				HARNESS TO BOTTOM		
	BLADE - ALUMINUM - 9"				COWL	71	33
	PITCH)	67	75	84-60466A10	GROUND WIRE		
48-34402A1	PROPELLER ASSEMBLY (2				ASSEMBLY,SWITCH BOX	11	39
	BLADE - BRONZE - 11"			84-60466A16	WIRE ASSEMBLY, STARTER		
	PITCH)	67	75		SOLENOID TO GROUND		
48-37316A1	PROPELLER ASSEMBLY (3				(BLACK)	71	10
	BLADE - ALUMINUM - 7"			84-60466A8	GROUND WIRE ASS'Y,		
	PITCH)	67	75		REAR BRACKET	7	30
48-65002A1	PROPELLER ASSEMBLY (2			84-60871A14	WIRE ASSEMBLY, CHOKE		
	BLADE - 11" PITCH) -				SOLENOID TO SWITCH		
	NYLON	67	75		BOX PLATE (BLACK)	71	11
50-22791A1	STARTER CABLE			84-61393A7	WIRE ASSEMBLY,		
	ASSEMBLY	7	37		RECTIFIER TO STARTER		
50-33000A1	RATCHET				SOLENOID (RED)	71	9
	ASSEMBLY,FLYWHEEL	9	2	84-63212A2	LEAD ASSEMBLY, HIGH		
50-47216	STARTER MOTOR	71	13		TENSION	69	27

# PARTS INDEX

Part Number	Description	Pg.	Ref. No.	Part Number	Description	Pg.	Ref. No.
84-63212A2	LEAD ASSEMBLY,HIGH TENSION .....	11	33	743-3366A2	PISTON AND PISTON PIN ASSEMBLY (.015 OVERSIZE) .....	43	-
84-65017A2	HARNESS ASSEMBLY, LIGHTING (EXTERNAL) ..	75	8	743-5172A6	PISTON AND PISTON PIN ASSEMBLY .....	43	7
84-65063	CABLE, JUMPER - STARTER MOTOR TO STARTER SOLENOID .....	71	21	848-5067A1	CYLINDER BLOCK AND CRANKCASE ASSEMBLY	33	10
84-74899	HARNESS, VOLTAGE REGULATOR (YELLOW/RED) .....	75	6	848-6064A1	CYLINDER BLOCK AND CRANKCASE ASSEMBLY	33	10
84-74904	WIRING HARNESS, INTERNAL .....	71	31	848-6434A1	CYLINDER BLOCK AND CRANKCASE ASSEMBLY	33	10
84-76180	GROUND WIRE ASS'Y REAR BRACKET .....	7	30	1022-3567	COVER, CYLINDER BLOCK .	37	33
84-76181	GROUND WIRE ASS'Y REAR BRACKET .....	7	30	1155-5009A1	CRANKCASE TOP ASSEMBLY .....	33	1
85-64844	INSULATOR,TERMINAL BLOCK TO STATOR ASSEMBLY .....	9	14	1163-6091A1	CRANKCASE TOP ASSEMBLY .....	33	1
85-71006A1	PROTECTOR ASSEMBLY, SPARK PLUG .....	69	28	1163-6437A1	CRANKCASE TOP ASSEMBLY .....	33	1
86-63813	TERMINAL BLOCK .....	11	41	1364-5585	BODY STRAINER .....	17	27
86-64845	TERMINAL BLOCK,STATOR ASSEMBLY .....	9	15	1367-4977A1	CARBURETOR ASSEMBLY COMPLETE .....	21	1
86-74474	TERMINAL BLOCK, STATOR	69	11	1367-4977A1	CARBURETOR ASSEMBLY,COMPLETE ..	15	1
87-61577A1	CONTACT ASSEMBLY, STOP SWITCH .....	49	26	1367-5193A3	CARBURETOR ASSEMBLY,COMPLETE ..	15	1
87-69508A3	STOP SWITCH ASSEMBLY .	49	33	1367-5193A3	CARBURETOR ASSEMBLY,COMPLETE ..	21	1
87-69508A7	STOP SWITCH ASSEMBLY .	49	33	1367-5678A2	CARBURETOR ASSEMBLY,COMPLETE ..	15	1
90-65145	MERC 200 PARTS LIST .....	1	-	1367-5678A2	CARBURETOR ASSEMBLY,COMPLETE ..	21	1
244-5043A3	FLYWHEEL ASSEMBLY .....	9	1	1367-6063A2	CARBURETOR ASSEMBLY,COMPLETE ..	21	1
244-5043A7	FLYWHEEL ASSEMBLY .....	9	1	1369-6063A2	CARBURETOR ASSEMBLY,CO,PLETE ...	15	1
244-5358A2	FLYWHEEL ASSEMBLY .....	9	1	1399-1457	JET, MAIN FUEL (.057) .....	15	15
244-6118A4	FLYWHEEL ASSEMBLY (ELECTRIC) .....	69	1	1399-1655	JET,MAIN FUEL(.055) .....	15	15
244-6118A6	FLYWHEEL ASSEMBLY (BELGIUM) .....	69	1	1399-1713	SCREW,IDLE MIXTURE .....	15	3
244-6193A2	FLYWHEEL ASSEMBLY (MANUAL) .....	69	1	1399-2012	THROTTLE SHAFT .....	19	40
332-2854	NIPPLE, IGNITION COIL ...	69	29	1399-2577	CHOKE SHUTTER .....	17	19
332-2854	NIPPLE,IGNITION COIL .....	11	35	1399-3032	THROTTLE SHUTTER .....	19	45
332-4911A2	SWITCH BOX ASSEMBLY ..	11	37	1399-4235	SCREEN STAINER .....	17	29
338-4991A1	COIL,LOW SPEED .....	9	9	1399-5126	FLOAT .....	15	7
338-4992A1	COIL,HIGH SPEED .....	9	9	1399-5127	FUEL BOWL .....	15	9
338-4995A1	COIL ASSEMBLY,IGNITION .	11	26	1399-5128	SCREW,FUEL BOWL TO CARBURETOR .....	15	11
338-4996A1	TRIGGER ASSEMBLY,IGNITION ...	9	19	1399-5129	BODY,FUEL PUMP .....	17	24
339-5288A2	COIL ASSEMBLY, IGNITION	11	26	1399-5130	INLET NEEDLE AND SEAT .	15	13
339-5748A2	COIL ASSEMBLY, IGNITION	69	20	1399-5131	BODY,STRAINER .....	17	27
339-5748A2	COIL ASSEMBLY,IGNITION .	11	26	1399-5132	SCREW,STAINER BODY TO CARBURETOR .....	17	28
339-6119A1	COIL ASSEMBLY (5 1/2" AND 6 3/8" LEADS) .....	69	8	1399-5137	DIAPHRAGM AND GASKET KIT .....	19	--
339-6120A1	COIL ASSEMBLY (1 3/4" AND 3 1/2" LEADS) .....	69	8	1399-5194	VALVE,CHOKE RELIEF .....	17	17
339-6222A1	SWITCH BOX ASSEMBLY ..	69	31	1399-5195	SPRING,CHOKE RELIEF VALVE .....	17	18
415-5041	CRANKSHAFT .....	41	1	1399-5196	CHOKE SHAFT .....	19	36
415-6099	CRANKSHAFT .....	41	1	1399-5197	CHOKE SHUTTER .....	17	19
534-3267A18	CENTER MAIN BEARING ASSEMBLY .....	41	4	1399-5198	GASKET SET .....	19	--
				1399-5199	REPAIR PARTS KIT .....	19	--



# PARTS INDEX

Part Number	Description	Pg.	Ref. No.	Part Number	Description	Pg.	Ref. No.
1399-5415	SCREW,FUEL BOWL TO			1627-6006A3	GEAR HOUSING ASSEMBLY,		
	CARBURETOR . . . . .	15	11		COMPLETE (SHORT		
1399-5757	INLET NEEDLE AND SEAT .	15	13		SHAFT) . . . . .	65	-
1399-5809	CHOKE SHAFT . . . . .	19	36	1627-6006A4	GEAR HOUSING ASSEMBLY,		
1399-5810	CHOKE SHUTTER . . . . .	17	19		COMPLETE (LONG		
1399-5812	THROTTLE SHUTTER . . . . .	19	45		SHAFT) . . . . .	61	-
1399-5813	REPAIR PARTS KIT . . . . .	19	--	1627-6006A4	GEAR HOUSING ASSEMBLY,		
1399-6224	INLET NEEDLE AND SEAT .	15	13		COMPLETE (LONG		
1399-6225	THROTTLE SHUTTER . . . . .	19	45		SHAFT) . . . . .	65	-
1399-6226	REPAIR PARTS KIT . . . . .	19	--	1627-6006A5	GEAR HOUSING ASSEMBLY	61	1
1427-3293A1	CLAMP BRACKET			1627-6006A5	GEAR HOUSING ASSEMBLY	65	1
	ASSEMBLY . . . . .	51	1	2127-2666A8	FRONT COVER		
1427-5632A1	CLAMP BRACKET				ASSEMBLY,COMPLETE . .	3	17
	ASSEMBLY . . . . .	51	1	2127-5669A2	FRONT COVER		
1427-5632A2	CLAMP BRACKET				ASSEMBLY,COMPLETE . .	3	17
	ASSEMBLY . . . . .	51	1	2129-5029A2	BOTTOM COWL ASSEMBLY	47	9
1461-5040A2	SWIVEL BRACKET			2129-6182A3	BOTTOM COWL ASSEMBLY	47	9
	ASSEMBLY . . . . .	53	19	2130-4361A2	TOP COWL ASSEMBLY . . . .	3	1
1461-5296A1	SWIVEL BRACKET			2133-2706A5	WRAP AROUND COWL		
	ASSEMBLY . . . . .	53	19		ASSEMBLY,CO,PLETE . . .	3	8
1461-6036A1	SWIVEL BRACKET			3399-5209A3	STATOR ASSEMBLY . . . . .	69	6
	ASSEMBLY . . . . .	53	19				
1560-4690A2	DRIVE SHAFT HOUSING						
	ASSEMBLY (LONG SHAFT	57	1				
1560-6008A2	DRIVE SHAFT HOUSING						
	ASSEMBLY (LONG						
	SHAFT) . . . . .	57	1				
1561-4691A2	DRIVE SHAFT HOUSING						
	ASSEMBLY (SHORT						
	SHAFT) . . . . .	57	1				
1561-6007A2	DRIVE SHAFT HOUSING						
	ASSEMBLY (SHORT						
	SHAFT) . . . . .	57	1				
1562-4692A1	SADDLE ASSEMBLY . . . . .	57	18				
1627-4404A11	GEAR HOUSING ASSEMBLY,						
	COMPLETE (SHORT						
	SHAFT) . . . . .	65	-				
1627-4404A11	GEAR HOUSING ASSEMBLY,						
	COMPLETE(SHOFT						
	SHAFT) . . . . .	61	-				
1627-4404A12	GEAR HOUSING ASSEMBLY,						
	COMPLETE (LONG						
	SHAFT) . . . . .	65	-				
1627-4404A12	GEAR HOUSING ASSEMBLY,						
	COMPLETE(LONG SHAFT)						
	SHAFT) . . . . .	61	-				
1627-4404A21	GEAR HOUSING ASSEMBLY,						
	COMPLETE (SHORT						
	SHAFT) . . . . .	61	-				
1627-4404A21	GEAR HOUSING ASSEMBLY,						
	COMPLETE (SHORT						
	SHAFT) . . . . .	65	-				
1627-4404A22	GEAR HOUSING ASSEMBLY,						
	COMPLETE (LONG						
	SHAFT) . . . . .	61	-				
1627-4404A22	GEAR HOUSING ASSEMBLY,						
	COMPLETE (LONG						
	SHAFT) . . . . .	65	-				
1627-4404A6	GEAR HOUSING ASSEMBLY	61	1				
1627-4404A6	GEAR HOUSING ASSEMBLY	65	1				