



# PARTS CATALOG

## MERC 110

### SERIAL NUMBER

110 .....	USA 3795658 THRU 4839253
110 .....	CAN 7027323 THRU 7111347
110 .....	8015040 THRU 8050624
110 .....	BEL 9041439 THRU 9165304

# TABLE OF CONTENTS:

BOTTOM COWL AND STOP SWITCH ASSEMBLY .....	42
CARBURETOR AND CHOKE ASSEMBLY .....	22
CARBURETOR ASSEMBLY, COMPLETE .....	16
CLAMP BRACKET ASSEMBLY .....	64
CRANKSHAFT AND MAIN BEARING ASSEMBLY .....	36
CYLINDER BLOCK AND CRANKCASE ASSEMBLY .....	30
DRIVE SHAFT HOUSING ASSEMBLY .....	46
ELECTRIC COMPONENTS .....	68
FLYWHEEL AND IGNITION COIL .....	8
GEAR HOUSING ASSEMBLY .....	60
GEAR HOUSING ASSEMBLY, COMPLETE .....	54
IGNITION COMPONENTS .....	10
MISCELLANEOUS PARTS/ACCESSORIES .....	1
PARTS INDEX .....	72
PISTON AND CONNECTING ROD ASSEMBLY .....	38
SHIFT CONTROL LINKAGE .....	26
STEERING HANDLE ASSEMBLY .....	40
SWIVEL BRACKET ASSEMBLY .....	50
THROTTLE CONTROL LINKAGE .....	28
TOP COWL AND STARTER ASSEMBLY .....	2

**NOTE:** Indented description indicate that these parts are included in preceeding assembly.

**AR** = As Required

**NSS** = Not Sold Separate

**OPT** = Optional

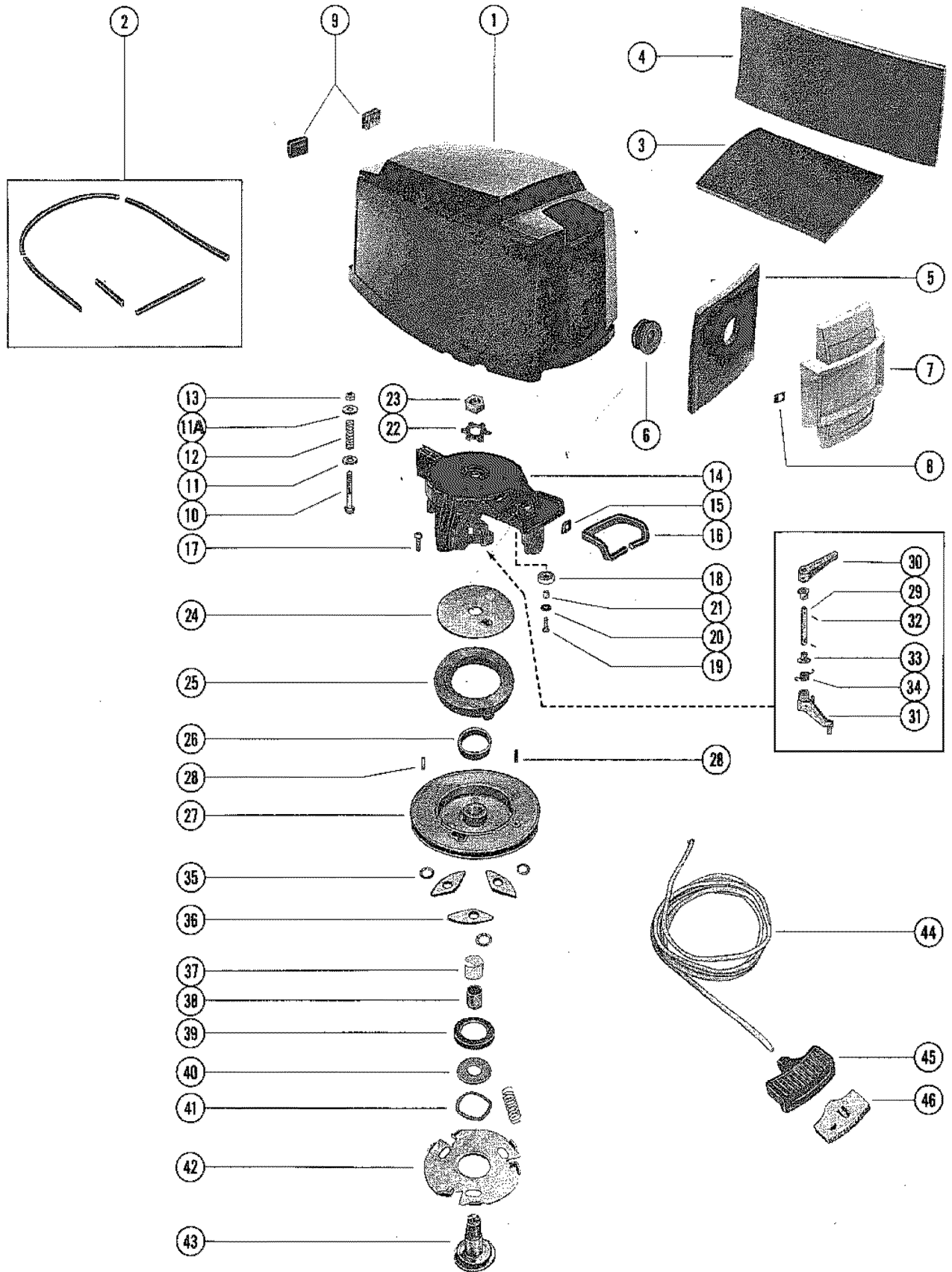
**NS** = Not Shown

**THESE PARTS BOOKS/FICHE CARD ARE COPYRIGHTED AND MAY NOT BE DISTRIBUTED OR REPRODUCED IN ANY OTHER FORMAT BY ANYONE OTHER THAN MERCURY MARINE WITHOUT THE PRIOR WRITTEN CONSENT OF MERCURY MARINE.**

## MISCELLANEOUS PARTS/ACCESSORIES

REF. NO.	PART NO.	SYM.	QTY.	DESCRIPTION
-	37-67310A74		0	DECAL SET UNITED STATES 3795658 THRU 4078999 AUSTRALIA 8015040 THRU 8023989 BELGIUM 9041439 THRU 9068373 CANADA 7027323 THRU 7042122
-	37-70030A75		0	DECAL SET UNITED STATES 4079000 THRU 4304784 AUSTRALIA 8023990 THRU 8034894 BELGIUM 9069374 THRU 9101513 CANADA 7042123 THRU 7063747
-	37-73910A76		0	DECAL SET UNITED STATES 4304785 THRU 4605111 AUSTRALIA 8034895 THRU 8044349 BELGIUM 9101514 THRU 9149504 CANADA 7063748 THRU 7093497
-	37-73910A77		0	DECAL SET UNITED STATES 4605112 AND UP AUSTRALIA 8044350 AND UP BELGIUM 9149505 AND UP CANADA 7093498 AND UP
-	27-66358A74		0	GASKET SET (MOTOR OVERHAUL)
-	90-67136		0	MERC 110 PARTS LIST (SERIAL #3795658 AND UP)
-	46-46893A2		0	RESISTANT WATER PUMP KIT

# TOP COWL AND STARTER ASSEMBLY

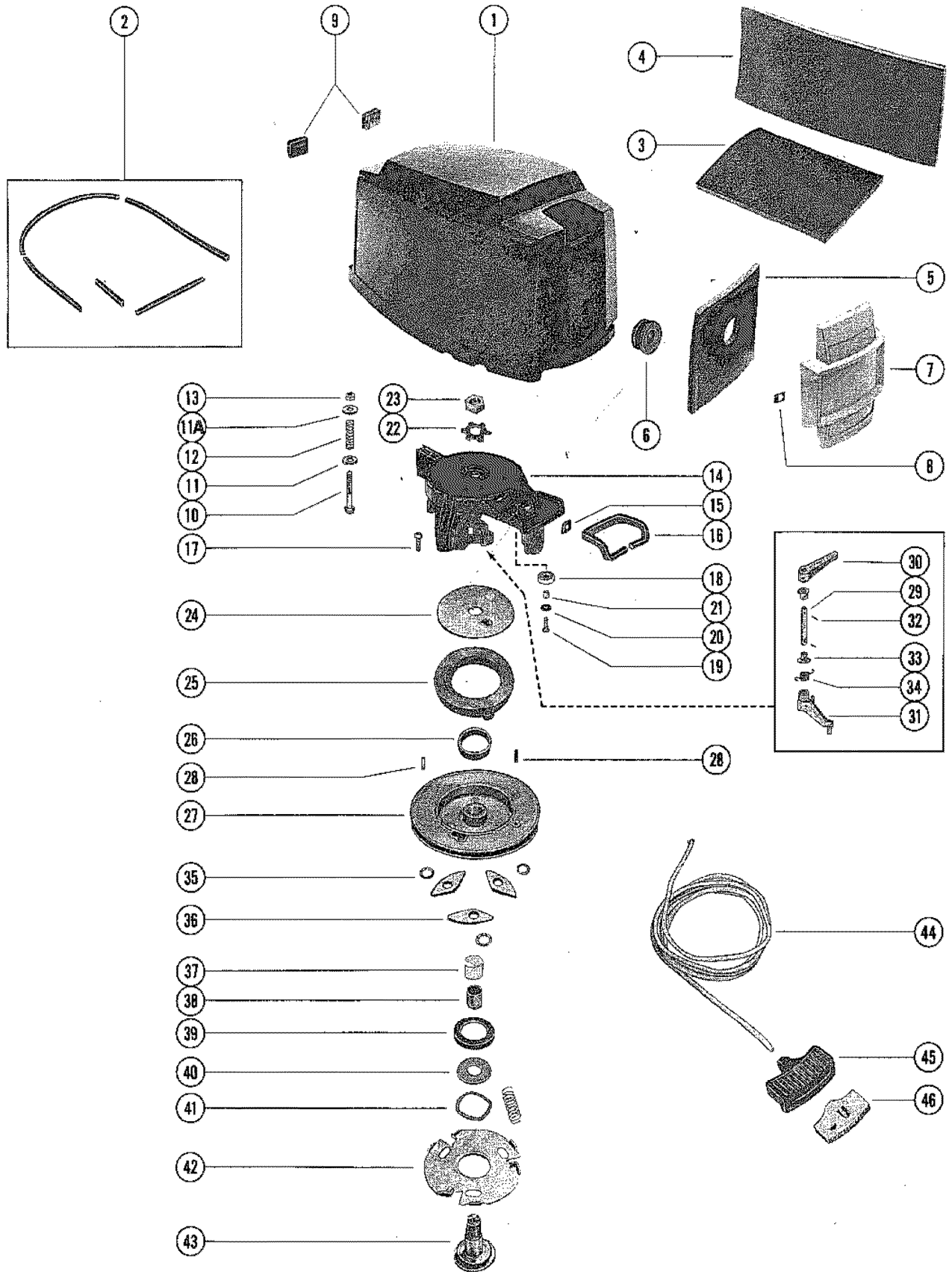


# TOP COWL AND STARTER ASSEMBLY

REF. NO.	PART NO.	SYM.	QTY.	DESCRIPTION
1	2147-5178A3		1	TOP COWL ASSEMBLY UNITED STATES 3795658 THRU 4078999 AUSTRALIA 8015040 THRU 8023989 BELGIUM 9041439 THRU 9068373 CANADA 7027323 THRU 7042122
	2147-5652A5		1	TOP COWL ASSEMBLY UNITED STATES 4079000 THRU 4126459 AUSTRALIA 8023990 THRU 8028439 BELGIUM 9068374 THRU 9078138 CANADA 7042123 THRU 7049107
	2147-5565A4		1	TOP COWL ASSEMBLY UNITED STATES 4126460 THRU 4387436 AUSTRALIA 8028440 THRU 8037874 BELGIUM 9078139 THRU 9113964 CANADA 7049108 THRU 7074272
	2160-6108A6		1	TOP COWL ASSEMBLY UNITED STATES 4387437 AND UP AUSTRALIA 8037875 AND UP BELGIUM 9113965 AND UP CANADA 7074273 AND UP
2	65489--3		5	SEAL, TOP COWL (16 1/2")
3	66942		1	BLANKET, TOP COWL - TOP
4	66941		2	BLANKET, TOP COWL - SIDE
5	66943		1	BLANKET, TOP COWL - FRONT UNITED STATES 3795658 THRU 4126459 AUSTRALIA 8015040 THRU 8028439 BELGIUM 9041439 THRU 9078138 CANADA 7027323 THRU 7049107
	69522		1	BLANKET, TOP COWL - FRONT UNITED STATES 4126460 AND UP AUSTRALIA 8028440 AND UP BELGIUM 9078139 AND UP CANADA 7049108 AND UP
6	25-39086		1	GROMMET, COWL LATCH - TOP COWL
7	71502		1	COVER, FRONT
8	11-65517		4	NUT, SPEED - FRONT COVER TO COWL
9	69346		2	BUMPER, COWL - REAR
10	65477		1	CATCH, TOP COWL UNITED STATES 3795658 THRU 4304784 AUSTRALIA 8015040 THRU 8034894 BELGIUM 9041439 THRU 9101513 CANADA 7027323 THRU 7063747
	17-72856		1	PIN, TOP COWL CATCH UNITED STATES 4304785 AND UP AUSTRALIA 8034895 AND UP BELGIUM 9101514 AND UP CANADA 7063748 AND UP
11	12-65567		1	WASHER, TOP COWL CATCH (LOWER)
11A	12-57029		1	WASHER, TOP COWL CATCH (UPPER)
12	24-65553		1	SPRING, COMPRESSION - COWL CATCH
13	11-46887		1	NUT, COWL CATCH TO TOP COWL
14	65660A3		1	STARTER HOUSING ASSEMBLY UNITED STATES 3795658 THRU 4126459 AUSTRALIA 8015040 THRU 8028439 BELGIUM 9041439 THRU 9078138 CANADA 7027323 THRU 7049107
	69372A3		1	STARTER HOUSING ASSEMBLY UNITED STATES 4126460 THRU 4304784 AUSTRALIA 8028440 THRU 8034894 BELGIUM 9078139 THRU 9101513 CANADA 7049108 THRU 7063747
	73342A4		1	STARTER HOUSING ASSEMBLY UNITED STATES 4304785 THRU 4387436 AUSTRALIA 8034895 THRU 8037874 BELGIUM 9101514 THRU 9113964 CANADA 7063748 THRU 7074272
	76179A1		1	STARTER HOUSING ASSEMBLY SEE NOTE 1 IN BLOCK COMMENTS UNITED STATES 4387437 AND UP AUSTRALIA 8037875 AND UP BELGIUM 9113965 AND UP CANADA 7074273 AND UP
15	57821		1	INSERT, ROPE GUIDE - STARTER HOUSING

CONTINUED ON NEXT PAGE ➡

# TOP COWL AND STARTER ASSEMBLY

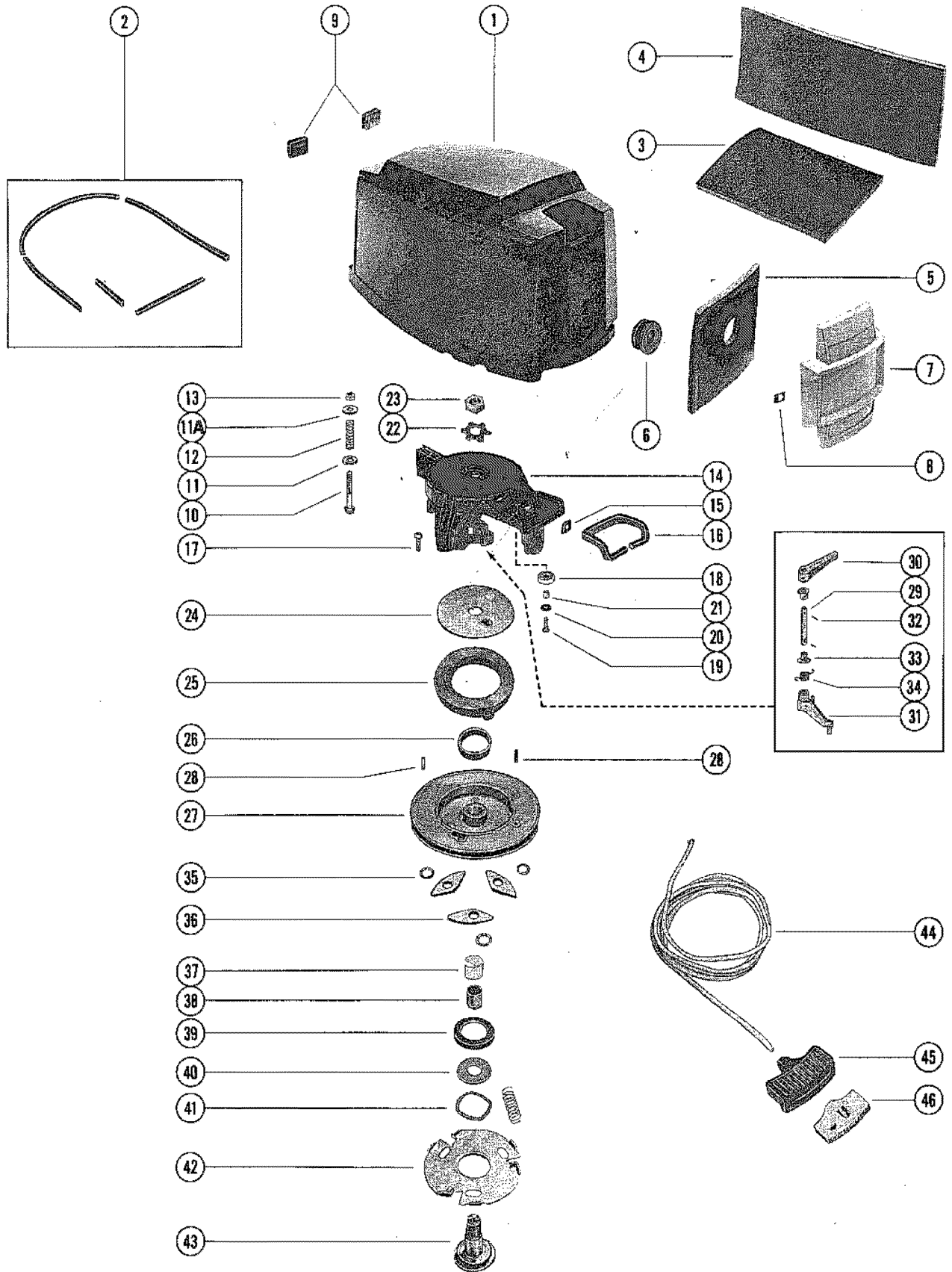


# TOP COWL AND STARTER ASSEMBLY

REF. NO.	PART NO.	SYM.	QTY.	DESCRIPTION
16	65499--1		1	SEAL, STARTER HOUSING TO TOP COWL
17	10-72862		3	SCREW, STARTER HOUSING TO CRANKCASE (1")
18	55860		1	PULLEY, STARTER CABLE
19	10-28789		1	SCREW, CABLE PULLEY TO STARTER HOUSING (3/4")
20	12-22887		1	WASHER, CABLE PULLEY SCREW
21	23-30977		1	SPACER, CABLE PULLEY
22	14-20165		1	TAB WASHER, SHEAVE SHAFT NUT
23	11-20166		1	NUT, SHEAVE SHAFT (LEFT HAND THREAD)
24	20155		1	RETAINER, STARTER SPRING
25	24-29340A1		1	SPRING, STARTER REWIND
26	23-28912		1	BUSHING, STARTER SPRING GUIDE
27	50-61576A1		1	STARTER SHEAVE ASSEMBLY <b>UNITED STATES 3795658 THRU 4387436 AUSTRALIA 8015040 THRU 8037874 BELGIUM 9041439 THRU 9113964 CANADA 7027323 THRU 7074272</b>
28	17-22896		1	PIN, RETAINER - STARTER CABLE <b>UNITED STATES 3795658 THRU 4387436 AUSTRALIA 8015040 THRU 8037874 BELGIUM 9041439 THRU 9113964 CANADA 7027323 THRU 7074272</b>
27	50-74346A1		1	STARTER SHEAVE ASSEMBLY <b>UNITED STATES 4387437 AND UP AUSTRALIA 8037875 AND UP BELGIUM 9113965 AND UP CANADA 7074273 AND UP</b>
28	17-22896		1	PIN, RETAINER - STARTER CABLE <b>UNITED STATES 4387437 AND UP AUSTRALIA 8037875 AND UP BELGIUM 9113965 AND UP CANADA 7074273 AND UP</b>
29	74359		1	SHAFT, INTERLOCK <b>UNITED STATES 4387437 AND UP AUSTRALIA 8037875 AND UP BELGIUM 9113965 AND UP CANADA 7074273 AND UP</b>
30	74353		1	LEVER, LOCK <b>UNITED STATES 4387437 AND UP AUSTRALIA 8037875 AND UP BELGIUM 9113965 AND UP CANADA 7074273 AND UP</b>
31	74351		1	LEVER, FOLLOWER <b>UNITED STATES 4387437 AND UP AUSTRALIA 8037875 AND UP BELGIUM 9113965 AND UP CANADA 7074273 AND UP</b>
32	17-38489		2	ROLL PIN, INTERLOCK SHAFT <b>UNITED STATES 4387437 AND UP AUSTRALIA 8037875 AND UP BELGIUM 9113965 AND UP CANADA 7074273 AND UP</b>
33	23-26856		2	BUSHING, NYLON - INTERLOCK SHAFT <b>UNITED STATES 4387437 AND UP AUSTRALIA 8037875 AND UP BELGIUM 9113965 AND UP CANADA 7074273 AND UP</b>
34	24-74347		1	SPRING, TORSION - INTERLOCK SHAFT <b>UNITED STATES 4387437 AND UP AUSTRALIA 8037875 AND UP BELGIUM 9113965 AND UP CANADA 7074273 AND UP</b>
35	13-36206		3	WASHER, WAVE - STARTER PAWL
36	30596		3	PAWL, STARTER
37	23-28919		1	BUSHING, NYLON - SHEAVE SHAFT SPACER
38	23-61005		1	SPACER, SHEAVE SHAFT
39	26179		1	RETAINER, SHEAVE SHAFT TO STARTER SHEAVE
40	12-35559		1	WASHER, SHEAVE SAHFT RETAINER
41	13-20160		1	WASHER, WAVE - RETAINER TENSION

CONTINUED ON NEXT PAGE ➡

# TOP COWL AND STARTER ASSEMBLY

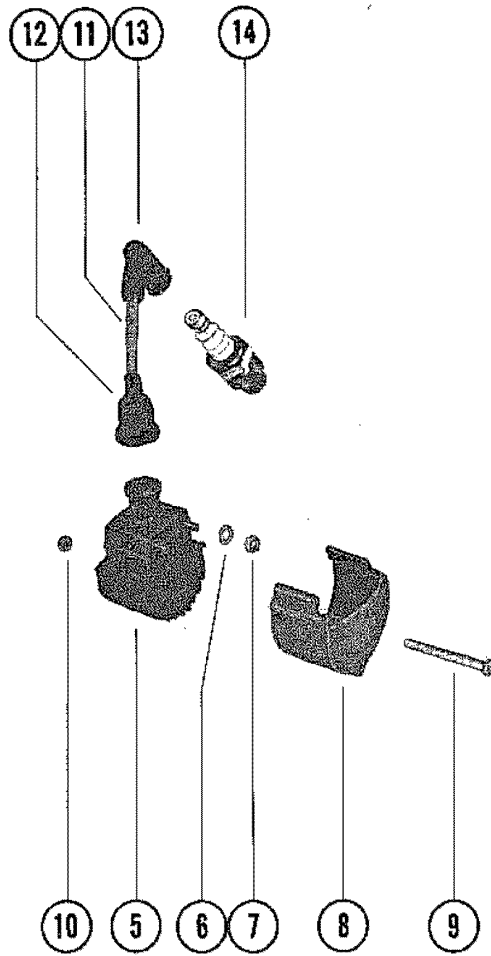
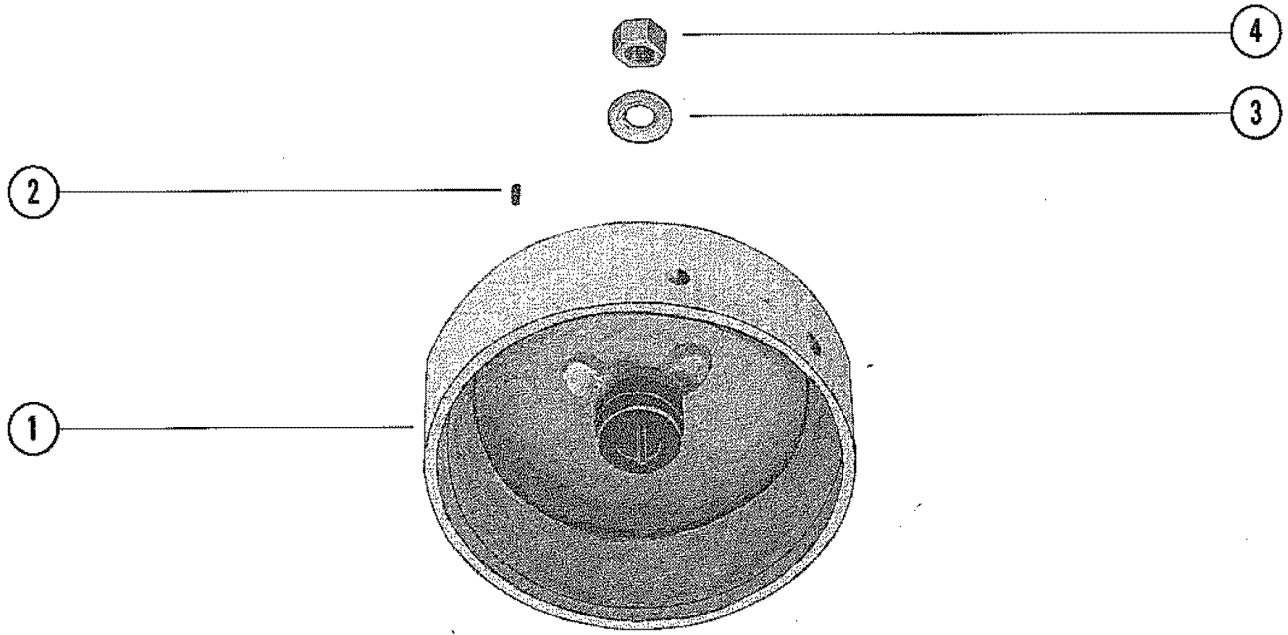




## TOP COWL AND STARTER ASSEMBLY

REF. NO.	PART NO.	SYM.	QTY.	DESCRIPTION
42	30595		1	PLATE, RETAINER - STARTER PAWL
43	35558		1	SHAFT, SHEAVE
44	50-61575A1		1	STARTER CABLE ASSEMBLY
45	30782		1	HANDLE, STARTER CABLE
46	28748		1	RETAINER, STARTER CABLE AND HANDLE
47	24-45823		1	SPRING

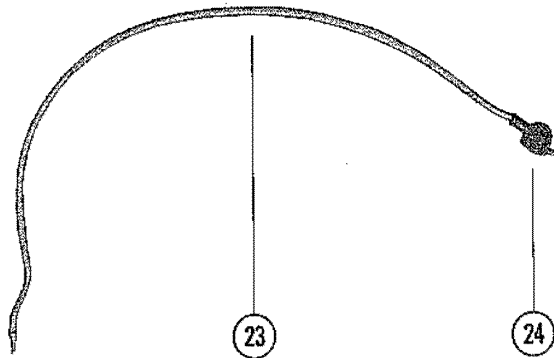
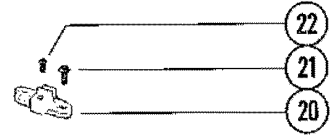
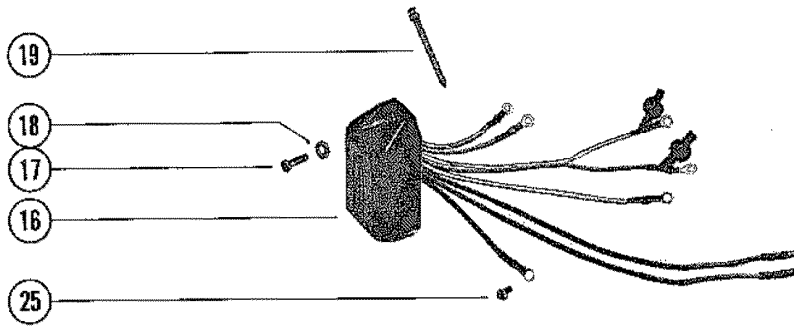
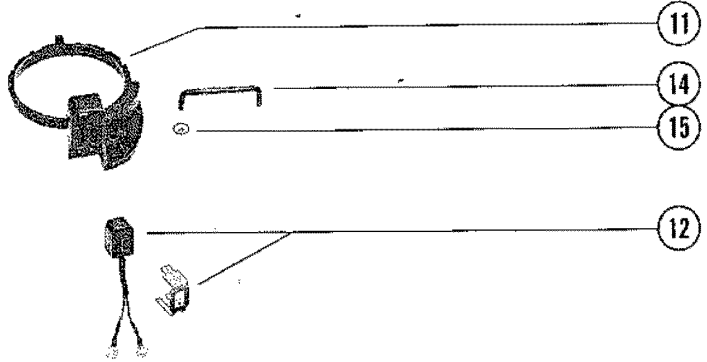
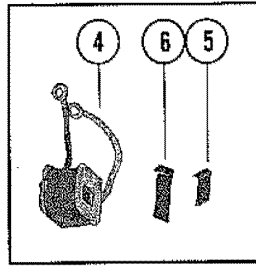
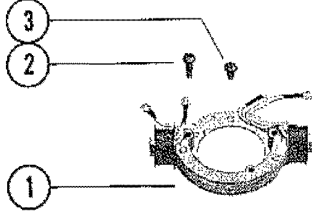
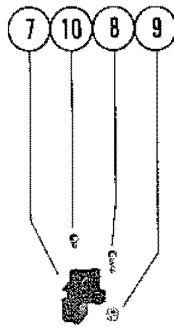
# FLYWHEEL AND IGNITION COIL



# FLYWHEEL AND IGNITION COIL

REF. NO.	PART NO.	SYM.	QTY.	DESCRIPTION
1	245-5277A1		1	FLYWHEEL ASSEMBLY UNITED STATES 3795658 THRU 3922994 AUSTRALIA 8015040 THRU 8018739 BELGIUM 9041439 THRU 9057623 CANADA 7027323 THRU 7035222
	245-5277A3		1	FLYWHEEL ASSEMBLY UNITED STATES 3922995 THRU 4387436 AUSTRALIA 8018740 THRU 8037874 BELGIUM 9057624 THRU 9113964 CANADA 7035223 THRU 7074272
	251-6194A1		1	FLYWHEEL ASSEMBLY UNITED STATES 4387437 AND UP AUSTRALIA 8037875 AND UP CANADA 7074273 AND UP
	251-6105A1		1	FLYWHEEL ASSEMBLY (ELECTRIC)
	251-6105A3		1	FLYWHEEL ASSEMBLY BELGIUM 9113965 AND UP
2	28-20094		1	KEY, FLYWHEEL DRIVE
3	12-36245		1	WASHER, FLYWHEEL NUT
4	11-20696		1	NUT, FLYWHEEL
5	339-5288A1		2	COIL ASSEMBLY, IGNITION UNITED STATES 3795658 THRU 4126459 AUSTRALIA 8015040 THRU 8028439 BELGIUM 9041439 THRU 9078138 CANADA 7027323 THRU 7049107
	339-5288A2		2	COIL ASSEMBLY, IGNITION UNITED STATES 4126460 THRU 4304784 AUSTRALIA 8028440 THRU 8034894 BELGIUM 9078139 THRU 9101513 CANADA 7049108 THRU 7063747
	339-5748A2		2	COIL ASSEMBLY, IGNITION UNITED STATES 4304785 AND UP AUSTRALIA 8034895 AND UP BELGIUM 9101514 AND UP CANADA 7063748 AND UP
6	13-26996		4	LOCKWASHER, IGNITION COIL TERMINAL
7	11-45076		4	NUT, IGNITION COIL TERMINAL
8	66355		2	COVER, IGNITION COIL
9	10-72074		3	SCREW, COIL COVER TO REAR SUPPORT BRACKET (4 5/8")
10	11-20110		3	NUT, COIL COVER SCREW
11	84-63212A2		2	LEAD ASSEMBLY, HIGH TENSION
12	332-2854		2	NIPPLE, IGNITION COIL
13	85-71006A1		2	PROTECTOR ASSEMBLY, SPARK PLUG
14	33-59599		2	SPARK PLUG (CHAMPION L-77V) UNITED STATES 3795658 THRU 4126459 AUSTRALIA 8015040 THRU 8028439 BELGIUM 9041439 THRU 9078138 CANADA 7027323 THRU 7049107
	33-58194		2	SPARK PLUG (AC V40FFK) UNITED STATES 4126460 AND UP AUSTRALIA 8028440 AND UP BELGIUM 9078139 AND UP CANADA 7049108 AND UP

# IGNITION COMPONENTS

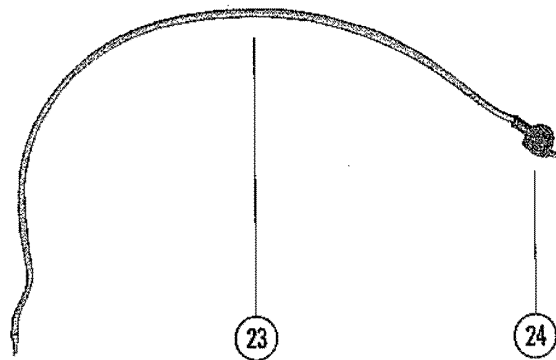
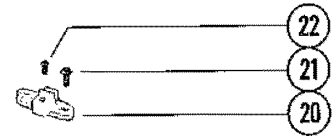
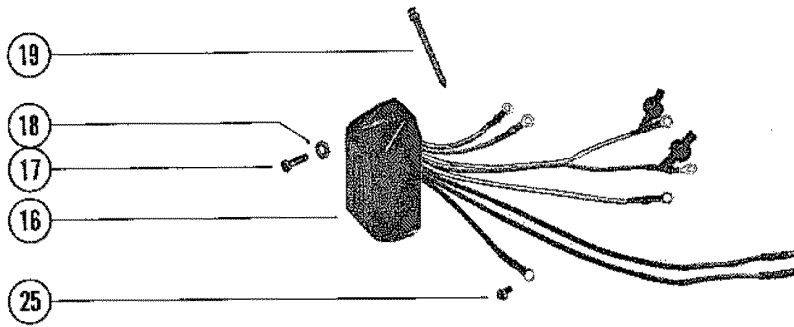
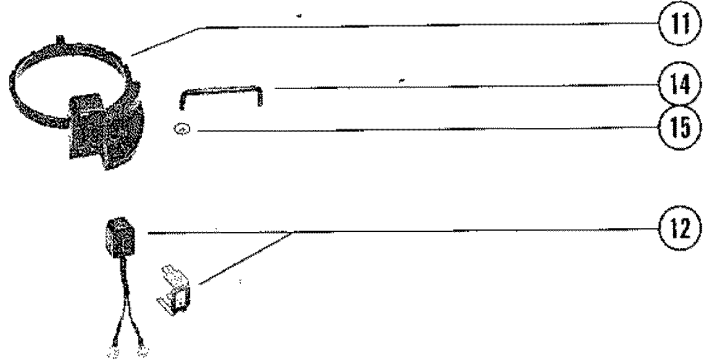
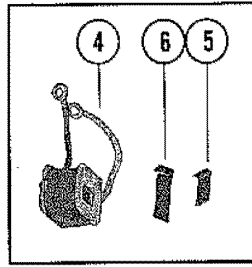
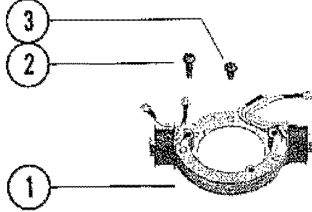
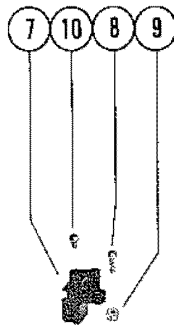


# IGNITION COMPONENTS

REF. NO.	PART NO.	SYM.	QTY.	DESCRIPTION
1	339-5209A1		1	STATOR ASSEMBLY UNITED STATES 3795658 THRU 4126459 AUSTRALIA 8015040 THRU 8028439 BELGIUM 9041439 THRU 9078138 CANADA 7027323 THRU 7049107
	339-5566A1		1	STATOR ASSEMBLY UNITED STATES 4126460 THRU 4387436 AUSTRALIA 8028440 THRU 8037874 BELGIUM 9078139 THRU 9113964 CANADA 7049108 THRU 7074272
	339-5209A3		1	STATOR ASSEMBLY UNITED STATES 4387437 AND UP AUSTRALIA 8037875 AND UP BELGIUM 9113965 AND UP CANADA 7074273 AND UP
2	10-66707		3	SCREW, STATOR TO END CAP (7/8")
3	10-35400		1	SCREW, STATOR TO END CAP (3/8") - MANUAL
4	339-5312A1		1	COIL ASSEMBLY (3 1/2" AND 1 1/2" LEADS) UNITED STATES 3795658 THRU 4126459 AUSTRALIA 8015040 THRU 8028439 BELGIUM 9041439 THRU 9078138 CANADA 7027323 THRU 7049107
	339-5313A1		1	COIL ASSEMBLY (4 5/8" AND 3 3/4" LEADS) UNITED STATES 3795658 THRU 4126459 AUSTRALIA 8015040 THRU 8028439 BELGIUM 9041439 THRU 9078138 CANADA 7027323 THRU 7049107
5	54-59538		2	CLIP, COIL RETAINING UNITED STATES 3795658 THRU 4126459 AUSTRALIA 8015040 THRU 8028439 BELGIUM 9041439 THRU 9078138 CANADA 7027323 THRU 7049107
6	54-65927		2	CLIP, COIL RETAINING UNITED STATES 3795658 THRU 4126459 AUSTRALIA 8015040 THRU 8028439 BELGIUM 9041439 THRU 9078138 CANADA 7027323 THRU 7049107
7	86-66560		1	TERMINAL BLOCK, STATOR UNITED STATES 3795658 THRU 4126459 AUSTRALIA 8015040 THRU 8028439 BELGIUM 9041439 THRU 9078138 CANADA 7027323 THRU 7049107
8	10-20646		1	SCREW, TERMINAL BLOCK TO STATOR (5/8") UNITED STATES 3795658 THRU 4126459 AUSTRALIA 8015040 THRU 8028439 BELGIUM 9041439 THRU 9078138 CANADA 7027323 THRU 7049107
9	11-46438		1	NUT, TERMINAL BLOCK SCREW UNITED STATES 3795658 THRU 4126459 AUSTRALIA 8015040 THRU 8028439 BELGIUM 9041439 THRU 9078138 CANADA 7027323 THRU 7049107
10	10-62568		1	SCREW, LEADS TO TERMINAL BLOCK (3/8") UNITED STATES 3795658 THRU 4126459 AUSTRALIA 8015040 THRU 8028439 BELGIUM 9041439 THRU 9078138 CANADA 7027323 THRU 7049107
4	339-5589A1		1	COIL ASSEMBLY (2 1/4" AND 4 1/4" LEADS) UNITED STATES 4126460 THRU 4387436 AUSTRALIA 8028440 THRU 8037874 BELGIUM 9078139 THRU 9113964 CANADA 7049108 THRU 7074272
	339-5590A1		1	COIL ASSEMBLY (3 3/8" AND 4 3/8" LEADS) UNITED STATES 4126460 THRU 4387436 AUSTRALIA 8028440 THRU 8037874 BELGIUM 9078139 THRU 9113964 CANADA 7049108 THRU 7074272
5	54-59538		2	CLIP, COIL RETAINING UNITED STATES 4126460 THRU 4387436 AUSTRALIA 8028440 THRU 8037874 BELGIUM 9078139 THRU 9113964 CANADA 7049108 THRU 7074272
6	54-65927		2	CLIP, COIL RETAINING UNITED STATES 4126460 THRU 4387436 AUSTRALIA 8028440 THRU 8037874 BELGIUM 9078139 THRU 9113964 CANADA 7049108 THRU 7074272

CONTINUED ON NEXT PAGE ➡

# IGNITION COMPONENTS

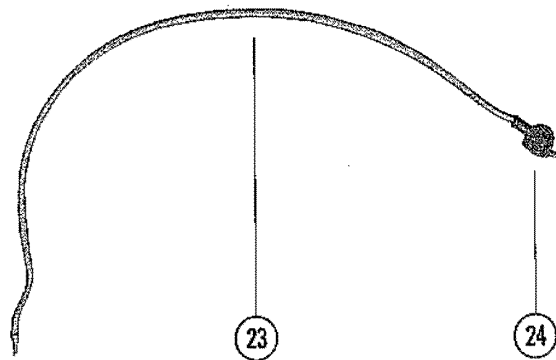
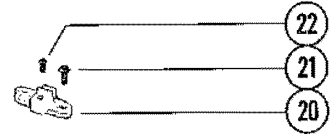
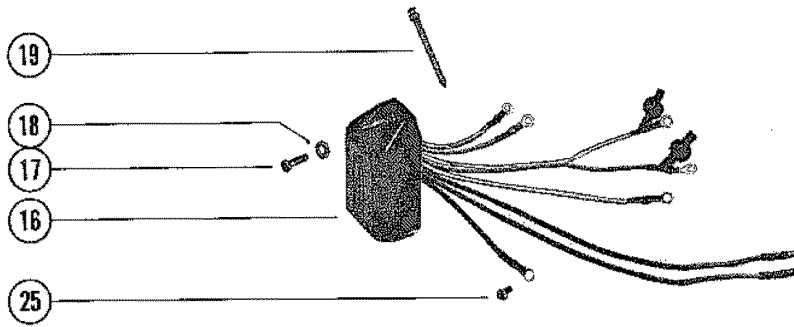
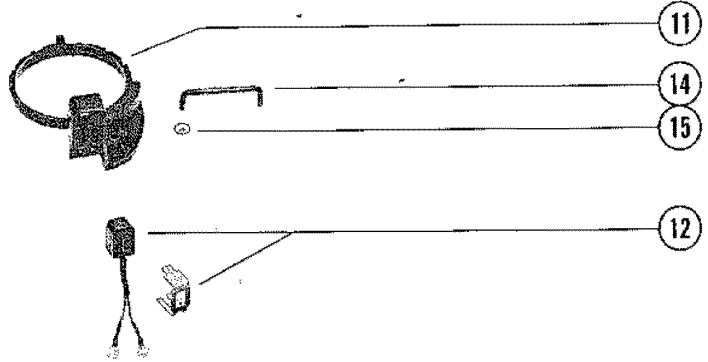
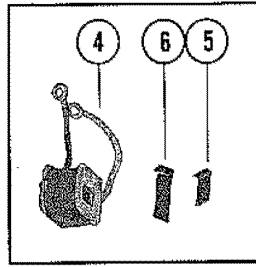
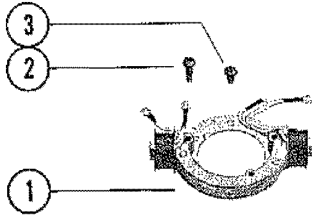
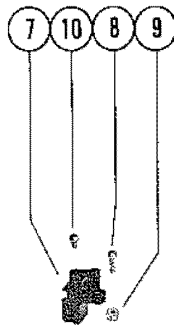


# IGNITION COMPONENTS

REF. NO.	PART NO.	SYM.	QTY.	DESCRIPTION
7	86-69348		1	TERMINAL BLOCK, STATOR UNITED STATES 4126460 THRU 4387436 AUSTRALIA 8028440 THRU 8037874 BELGIUM 9078139 THRU 9113964 CANADA 7049108 THRU 7074272
8	10-69347		1	SCREW, TERMINAL BLOCK TO STATOR (5/8") UNITED STATES 4126460 THRU 4387436 AUSTRALIA 8028440 THRU 8037874 BELGIUM 9078139 THRU 9113964 CANADA 7049108 THRU 7074272
9	11-46438		1	NUT, TERMINAL BLOCK SCREW UNITED STATES 4126460 THRU 4387436 AUSTRALIA 8028440 THRU 8037874 BELGIUM 9078139 THRU 9113964 CANADA 7049108 THRU 7074272
10	10-22654		1	SCREW, LEADS TO TERMINAL BLOCK (3/8") UNITED STATES 4126460 THRU 4387436 AUSTRALIA 8028440 THRU 8037874 BELGIUM 9078139 THRU 9113964 CANADA 7049108 THRU 7074272
4	339-6119A1		1	COIL ASSEMBLY (5 1/2" AND 6 3/8" LEADS) UNITED STATES 4387437 AND UP AUSTRALIA 8037875 AND UP BELGIUM 9113965 AND UP CANADA 7074273 AND UP
	339-6120A1		1	COIL ASSEMBLY (1 3/4" AND 3 1/2" LEADS) UNITED STATES 4387437 AND UP AUSTRALIA 8037875 AND UP BELGIUM 9113965 AND UP CANADA 7074273 AND UP
5	54-59538		2	CLIP, COIL RETAINING UNITED STATES 4387437 AND UP AUSTRALIA 8037875 AND UP BELGIUM 9113965 AND UP CANADA 7074273 AND UP
6	54-65927		2	CLIP, COIL RETAINING UNITED STATES 4387437 AND UP AUSTRALIA 8037875 AND UP BELGIUM 9113965 AND UP CANADA 7074273 AND UP
7	86-74474		1	TERMINAL BLOCK, STATOR UNITED STATES 4387437 AND UP AUSTRALIA 8037875 AND UP BELGIUM 9113965 AND UP CANADA 7074273 AND UP
8	10-20646		1	SCREW, TERMINAL BLOCK TO STATOR (5/8") UNITED STATES 4387437 AND UP AUSTRALIA 8037875 AND UP BELGIUM 9113965 AND UP CANADA 7074273 AND UP
9	11-46438		1	NUT, TERMINAL BLOCK SCREW UNITED STATES 4387437 AND UP AUSTRALIA 8037875 AND UP BELGIUM 9113965 AND UP CANADA 7074273 AND UP
10	10-22654		1	SCREW, LEADS TO TERMINAL BLOCK (3/8") UNITED STATES 4387437 AND UP AUSTRALIA 8037875 AND UP BELGIUM 9113965 AND UP CANADA 7074273 AND UP
11	338-5286A1		1	TRIGGER HOUSING ASSEMBLY UNITED STATES 3795658 THRU 4387436 AUSTRALIA 8015040 THRU 8037874 BELGIUM 9041439 THRU 9113964 CANADA 7027323 THRU 7074272
12	66392A1		1	COIL ASSEMBLY, TRIGGER UNITED STATES 3795658 THRU 4387436 AUSTRALIA 8015040 THRU 8037874 BELGIUM 9041439 THRU 9113964 CANADA 7027323 THRU 7074272
11	338-5286A6		1	TRIGGER HOUSING ASSEMBLY UNITED STATES 4387437 AND UP AUSTRALIA 8037875 AND UP BELGIUM 9113965 AND UP CANADA 7074273 AND UP
14	66371		1	LINK, TRIGGER HOUSING TO THROTTLE ELVER
15	22-65110		1	NUT, PUSH - LINK TO TRIGGER HOUSING

CONTINUED ON NEXT PAGE ➡

# IGNITION COMPONENTS

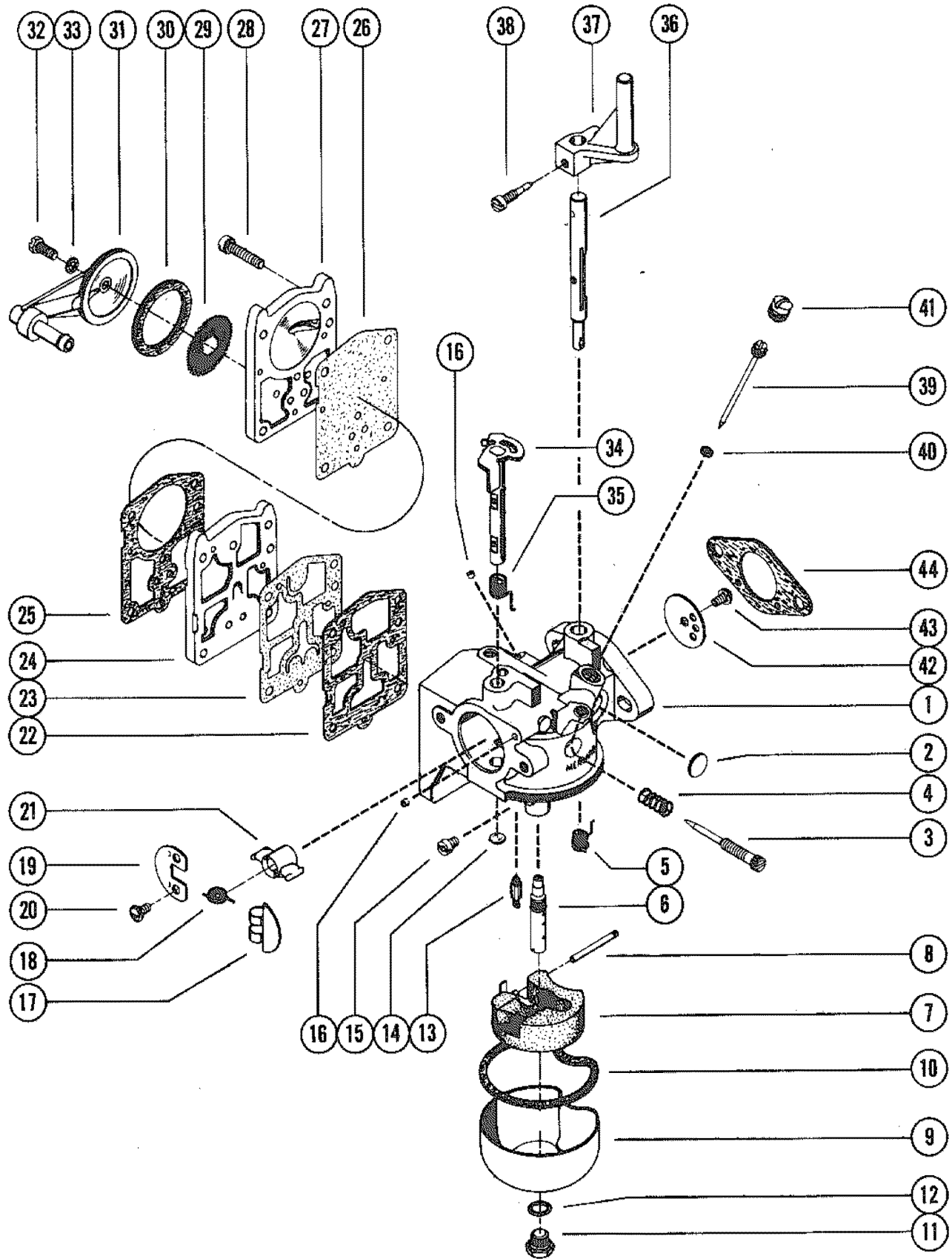




# IGNITION COMPONENTS

REF. NO.	PART NO.	SYM.	QTY.	DESCRIPTION
16	339-5287A1		1	SWITCH BOX UNITED STATES 3795658 THRU 3922994 AUSTRALIA 8015040 THRU 8018739 BELGIUM 9041439 THRU 9057623 CANADA 7027323 THRU 7035222
	339-5287A2		1	SWITCH BOX UNITED STATES 3922995 THRU 4387436 AUSTRALIA 8018740 THRU 8037874 BELGIUM 9057624 THRU 9113964 CANADA 7035223 THRU 7074272
	339-5287A3		1	SWITCH BOX UNITED STATES 4387437 AND UP AUSTRALIA 8037875 AND UP BELGIUM 9113965 AND UP CANADA 7074273 AND UP
17	10-20100		2	SCREW, SWITCH ATTACHING (1/2")
18	12-56681		2	WASHER, SWITCH BOX ATTACHING SCREW
19	61990		5	STA-STRAP
20	86-67460		1	TERMINAL BLOCK UNITED STATES 3795658 THRU 4387436 AUSTRALIA 8015040 THRU 8037874 BELGIUM 9041439 THRU 9113964 CANADA 7027323 THRU 7074272
21	10-48408		2	SCREW, TERMINAL BLOCK ATTACHING (5/8") UNITED STATES 3795658 THRU 4387436 AUSTRALIA 8015040 THRU 8037874 BELGIUM 9041439 THRU 9113964 CANADA 7027323 THRU 7074272
22	10-45218		2	SCREW, LEADS TO TERMINAL BLOCK (3/8") UNITED STATES 3795658 THRU 4387436 AUSTRALIA 8015040 THRU 8037874 BELGIUM 9041439 THRU 9113964 CANADA 7027323 THRU 7074272
23	56319A7		1	LEAD ASSEMBLY, STOP SWITCH (11") UNITED STATES 3795658 THRU 4126459 AUSTRALIA 8015040 THRU 8028439 BELGIUM 9041439 THRU 9078138 CANADA 7027323 THRU 7049107
24	59060		1	BOOT, LEAD ASSEMBLY UNITED STATES 3795658 THRU 4126459 AUSTRALIA 8015040 THRU 8028439 BELGIUM 9041439 THRU 9078138 CANADA 7027323 THRU 7049107
25	10-45218		1	SCREW, GROUND LEAD TO CYLINDER BLOCK

# CARBURETOR ASSEMBLY, COMPLETE

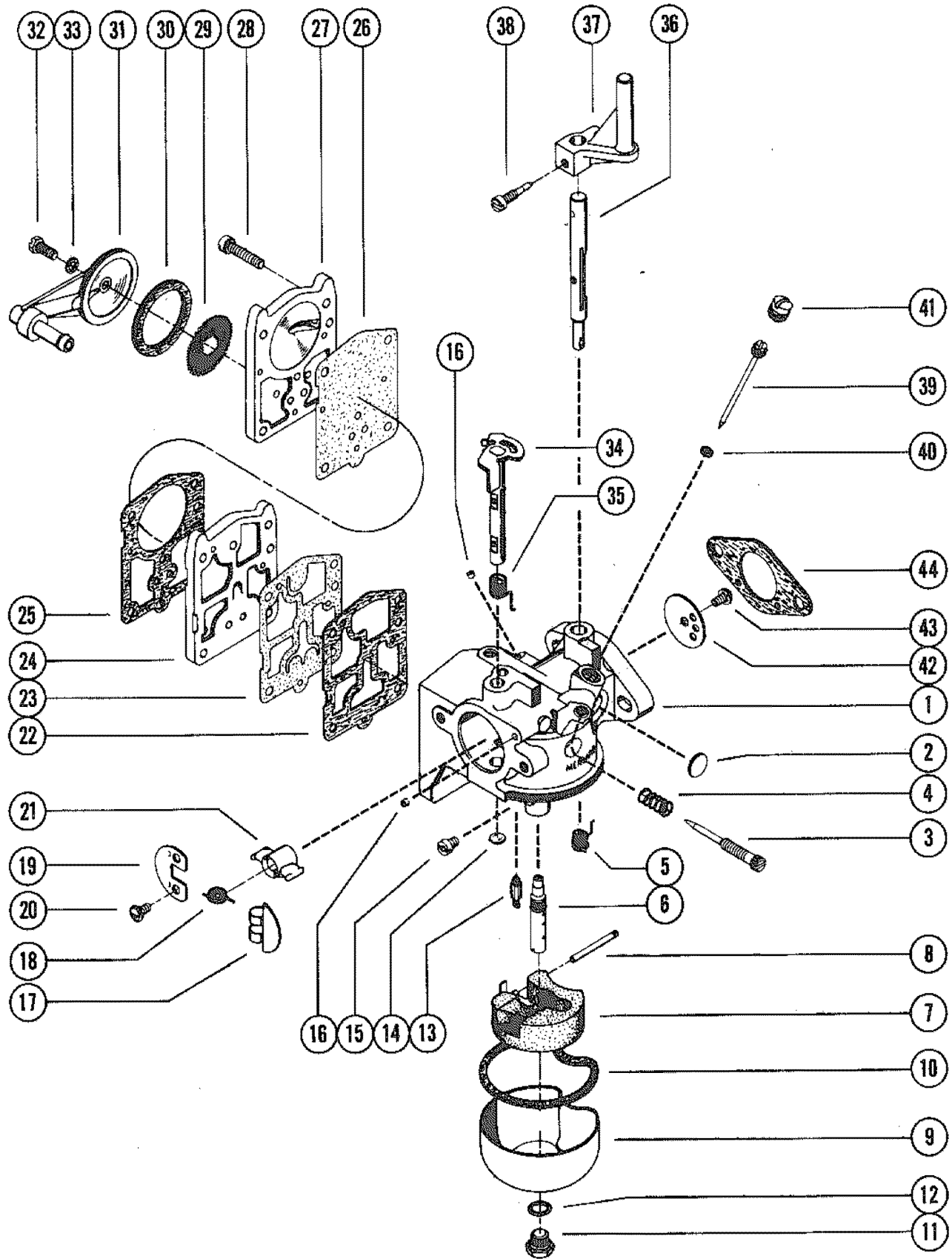


# CARBURETOR ASSEMBLY, COMPLETE

REF. NO.	PART NO.	SYM.	QTY.	DESCRIPTION
1	1364-4898A1		1	CARBURETOR ASSEMBLY, COMPLETE UNITED STATES 3795658 THRU 4078999 AUSTRALIA 8015040 THRU 8023989 BELGIUM 9041439 THRU 9068373 CANADA 7027323 THRU 7042122
	1364-5645A1		1	CARBURETOR ASSEMBLY, COMPLETE UNITED STATES 4079000 THRU 4126459 AUSTRALIA 8023990 THRU 8028439 BELGIUM 9068374 THRU 9078138 CANADA 7042123 THRU 7049107
	1364-5645A7		1	CARBURETOR ASSEMBLY, COMPLETE UNITED STATES 4126460 THRU 4304784 AUSTRALIA 8028440 THRU 8034894 BELGIUM 9078139 THRU 9101513 CANADA 7049108 THRU 7063747
	1364-6062		1	CARBURETOR ASSEMBLY, COMPLETE UNITED STATES 4304785 AND UP AUSTRALIA 8034895 AND UP BELGIUM 9101514 AND UP CANADA 7063748 AND UP
2			1	WELCH PLUG, BODY CHANNEL (LARGE)
3			1	SCREW, IDLE MIXTURE
4			1	SPRING, IDLE MIXTURE SCREW
5			1	SPRING, RETURN - THROTTLE SHAFT
6			1	MAIN NOZZLE
7	1399-5126		1	FLOAT
8			1	PIN, FLOAT RETAINING
9	1399-5127		1	FUEL BOWL
10			1	GASKET, FUEL BOWL
11	1399-5128		1	SCREW, FUEL BOWL TO CARBURETOR
12			2	GASKET, FUEL BOWL SCREW
13	1399-5130		1	INLET NEEDLE AND SPRING UNITED STATES 3795658 THRU 4078999 AUSTRALIA 8015040 THRU 8023989 BELGIUM 9041439 THRU 9068373 CANADA 7027323 THRU 7042122
	1399-6141		1	INLET NEEDLE AND SPRING UNITED STATES 4079000 AND UP AUSTRALIA 8023990 AND UP BELGIUM 9068374 AND UP CANADA 7042123 AND UP
14			1	WELCH PLUG, BODY CHANNEL (SMALL)
15	1399-1896		1	JET, MAIN FUEL (.041)
16			2	PLUG, BODY CHANNEL
17	1399-5122		1	VALVE, CHOKE RELIEF UNITED STATES 3795658 THRU 4078999 AUSTRALIA 8015040 THRU 8023989 BELGIUM 9041439 THRU 9068373 CANADA 7027323 THRU 7042122
18	1399-5195		1	SPRING, CHOKE RELIEF VALVE UNITED STATES 3795658 THRU 4078999 AUSTRALIA 8015040 THRU 8023989 BELGIUM 9041439 THRU 9068373 CANADA 7027323 THRU 7042122
19	1399-5125		1	CHOKE SHUTTER UNITED STATES 3795658 THRU 4078999 AUSTRALIA 8015040 THRU 8023989 BELGIUM 9041439 THRU 9068373 CANADA 7027323 THRU 7042122
	1399-5756		1	CHOKE SHUTTER UNITED STATES 4079000 AND UP AUSTRALIA 8023990 AND UP BELGIUM 9068374 AND UP CANADA 7042123 AND UP
20	10-23035		2	SCREW, CHOKE SHUTTER TO CHOKE SHAFT

CONTINUED ON NEXT PAGE ➡

# CARBURETOR ASSEMBLY, COMPLETE

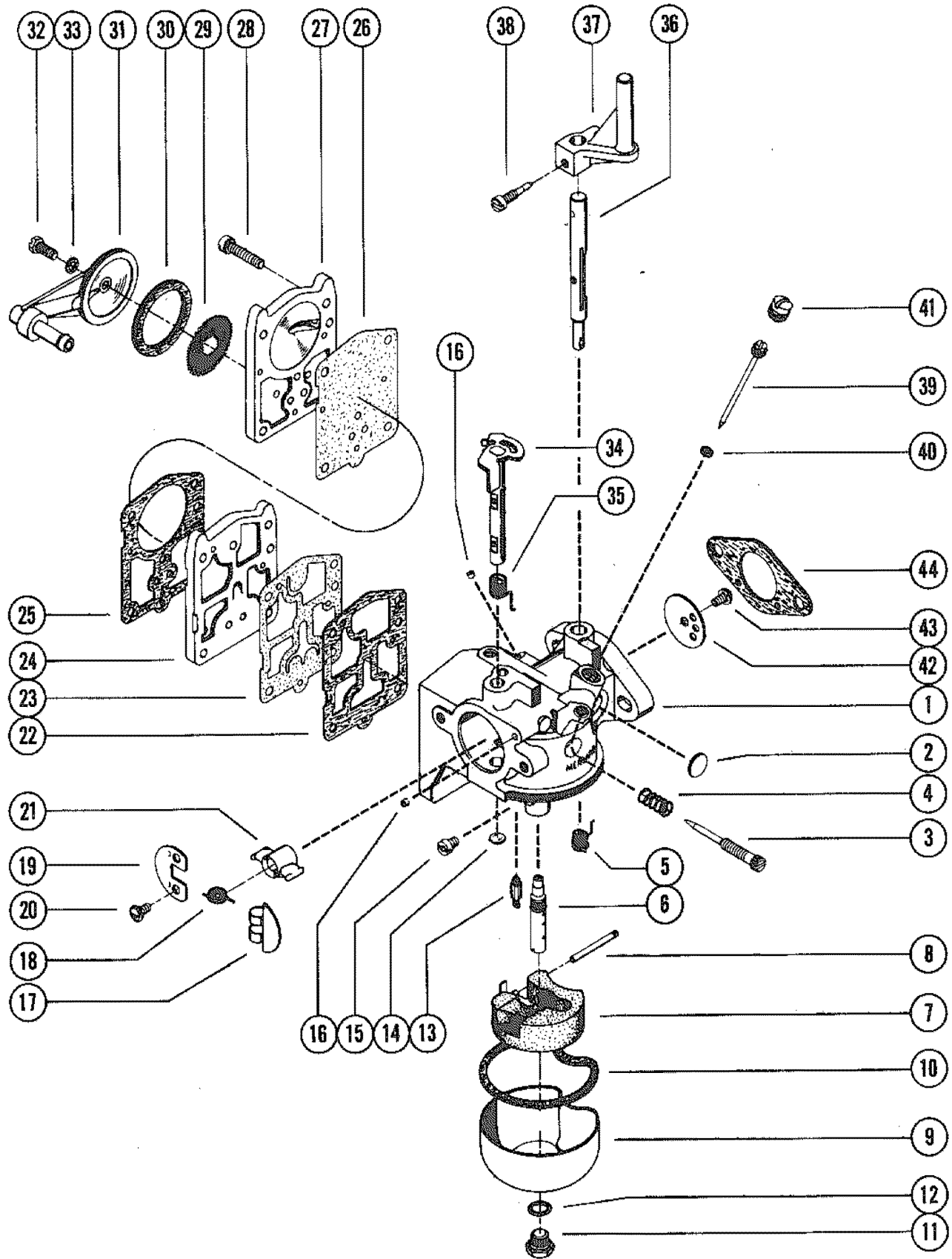


# CARBURETOR ASSEMBLY, COMPLETE

REF. NO.	PART NO.	SYM.	QTY.	DESCRIPTION
21	63907		1	VENTURI UNITED STATES 3795658 THRU 4126459 AUSTRALIA 8015040 THRU 8028439 BELGIUM 9041439 THRU 9078138 CANADA 7027323 THRU 7049107
	69764		1	VENTURI UNITED STATES 4126460 AND UP AUSTRALIA 8028440 AND UP BELGIUM 9078139 AND UP CANADA 7049108 AND UP
22			1	GASKET, FUEL PUMP DIAPHRAGM
23			1	DIAPHRAGM, FUEL PUMP
24	1399-5129		1	BODY, FUEL PUMP
25			1	GASKET, FUEL PUMP DIAPHRAGM
26			1	DIAPHRAGM, GUEL PUMP
27	1399-5131		1	BODY STRAINER
28	1399-5132		4	SCREW, STRAINER BODY TO CARBURETOR
29	1399-4235		1	SCREEN, STRAINER UNITED STATES 3795658 THRU 4078999 AUSTRALIA 8015040 THRU 8023989 BELGIUM 9041439 THRU 9068373 CANADA 7027323 THRU 7042122
	1399-5758		1	SCREEN, STRAINER UNITED STATES 4079000 AND UP AUSTRALIA 8023990 AND UP BELGIUM 9068374 AND UP CANADA 7042123 AND UP
30			1	GASKET, STRAINER COVER
31	64194A1		1	COVER ASSEMBLY, STRAINER (INLET) UNITED STATES 3795658 THRU 4078999 AUSTRALIA 8015040 THRU 8023989 BELGIUM 9041439 THRU 9068373 CANADA 7027323 THRU 7042122
	1399-4236		1	COVER ASSEMBLY, STRAINER (INLET) UNITED STATES 4079000 AND UP AUSTRALIA 8023990 AND UP BELGIUM 9068374 AND UP CANADA 7042123 AND UP
32			1	SCREW, STRAINER COVER TO BODY
33			1	GASKET, STRAINER COVER SCREW
34	1399-5124		1	CHOKE SHAFT UNITED STATES 3795658 THRU 4078999 AUSTRALIA 8015040 THRU 8023989 BELGIUM 9041439 THRU 9068373 CANADA 7027323 THRU 7042122
	1399-5755		1	CHOKE SHAFT UNITED STATES 4079000 THRU 4126459 AUSTRALIA 8023990 THRU 8028439 BELGIUM 9068374 THRU 9078138 CANADA 7042123 THRU 7049107
	1399-5827		1	CHOKE SHAFT UNITED STATES 4126460 AND UP AUSTRALIA 8028440 AND UP BELGIUM 9078139 AND UP CANADA 7049108 AND UP
35			1	SPRING RETURN - CHOKE SHAFT
36	1399-5133		1	THROTTLE SHAFT
37	63646		1	LEVER, THROTTLE
38	10-20847		1	SCREW, THROTTLE LEVER ATTACHING
39			1	IDLE TUBE
40			1	GASKET, IDLE TUBE
41	10-23178		1	SCREW, PLUG - IDLE TUBE
42	1399-5749		1	THROTTLE SHUTTER UNITED STATES 3795658 THRU 4078999 AUSTRALIA 8015040 THRU 8023989 BELGIUM 9041439 THRU 9068373 CANADA 7027323 THRU 7042122

CONTINUED ON NEXT PAGE ➡

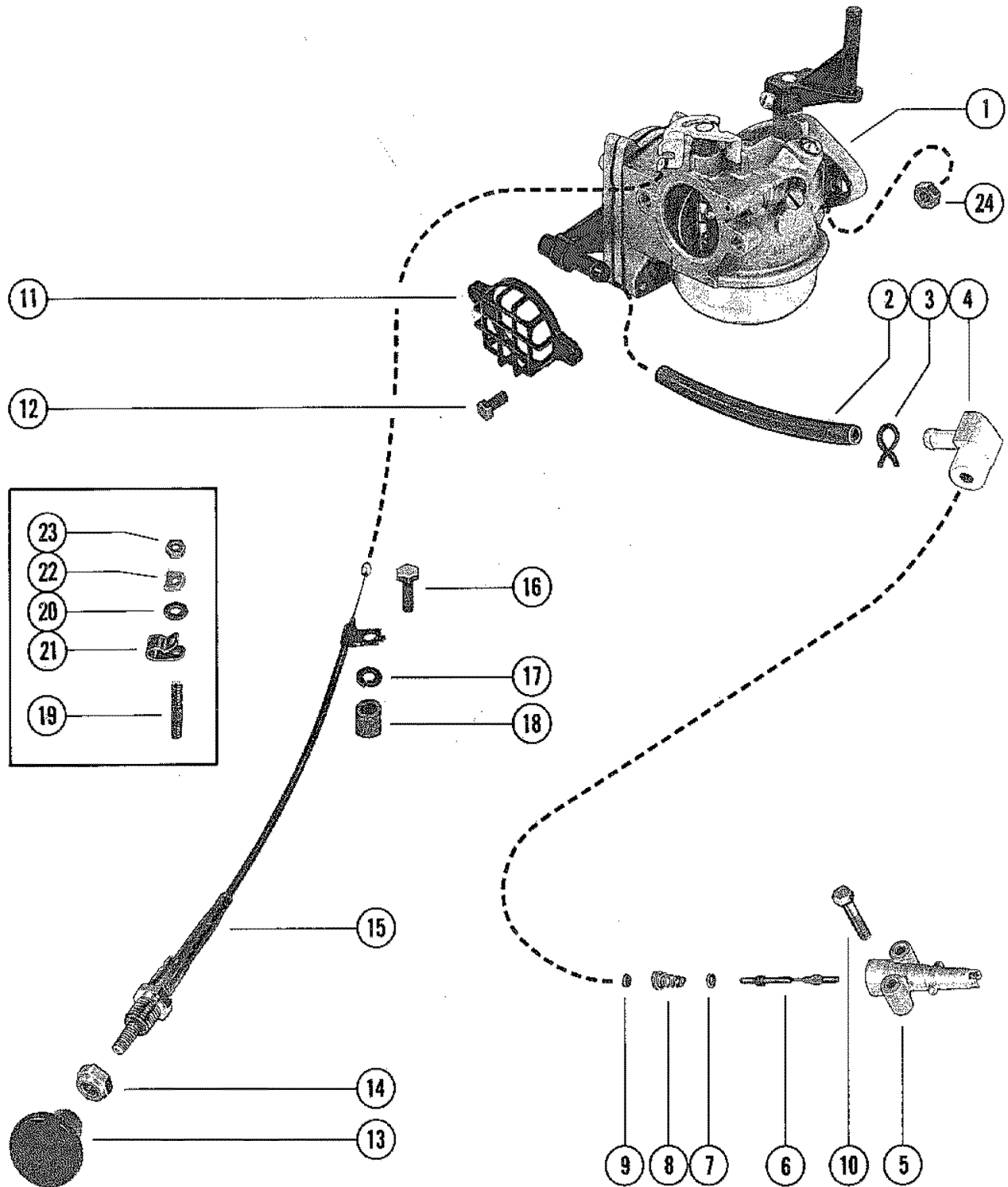
# CARBURETOR ASSEMBLY, COMPLETE



## CARBURETOR ASSEMBLY, COMPLETE

REF. NO.	PART NO.	SYM.	QTY.	DESCRIPTION
42	1399-5759		1	THROTTLE SHUTTER UNITED STATES 4079000 AND UP AUSTRALIA 8023990 AND UP BELGIUM 9068374 AND UP CANADA 7042123 AND UP
43			2	SCREW, THROTTLE SHUTTER TO THROTTLE SHAFT
44	27-63309		1	GASKET, CARBURETOR FLANGE
-	<b>1399-5135</b>		1	<b>GASKET SET</b>
-	<b>1399-5136</b>		1	<b>REPAIR PARTS KIT UNITED STATES 3795658 THRU 4078999 AUSTRALIA 8015040 THRU 8023989 BELGIUM 9041439 THRU 9068373 CANADA 7027323 THRU 7042122</b>
-	<b>1399-5760</b>		1	<b>REPAIR PARTS KIT UNITED STATES 4079000 THRU 4126459 AUSTRALIA 8023990 THRU 8028439 BELGIUM 9068374 THRU 9078138 CANADA 7042123 THRU 7049107</b>
-	<b>1399-5800</b>		1	<b>REPAIR PARTS KIT UNITED STATES 4126460 AND UP AUSTRALIA 8028440 AND UP BELGIUM 9078139 AND UP CANADA 7049108 AND UP</b>
-	<b>1399-5137</b>		1	<b>DIAPHRAGM AND GASKET KIT</b>

# CARBURETOR AND CHOKE ASSEMBLY



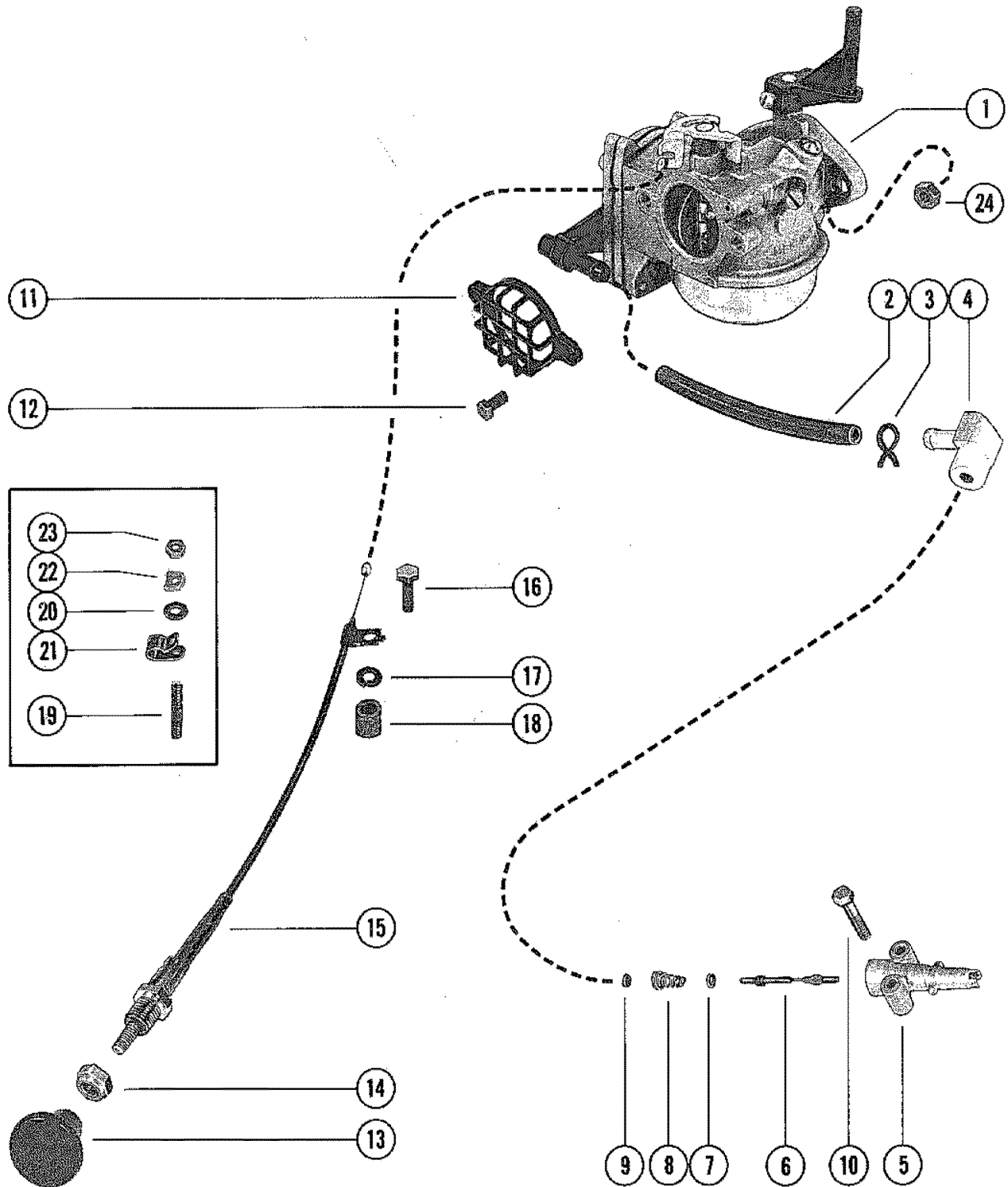


# CARBURETOR AND CHOKE ASSEMBLY

REF. NO.	PART NO.	SYM.	QTY.	DESCRIPTION
1	1364-4898A1		1	CARBURETOR ASSEMBLY, COMPLETE UNITED STATES 3795658 THRU 4078999 AUSTRALIA 8015040 THRU 8023989 BELGIUM 9041439 THRU 9068373 CANADA 7027323 THRU 7042122
	1364-5645A1		1	CARBURETOR, ASSEMBLY, COMPLETE UNITED STATES 4079000 THRU 4126459 AUSTRALIA 8023990 THRU 8028439 BELGIUM 9068374 THRU 9078138 CANADA 7042123 THRU 7049107
	1364-5645A7		1	CARBURETOR ASSEMBLY, COMPLETE UNITED STATES 4126460 THRU 4304784 AUSTRALIA 8028440 THRU 8034894 BELGIUM 9078139 THRU 9101513 CANADA 7049108 THRU 7063747
	1364-6062		1	CARBURETOR ASSEMBLY, COMPLETE UNITED STATES 4304785 AND UP AUSTRALIA 8034895 AND UP BELGIUM 9101514 AND UP CANADA 7063748 AND UP
2	32-63146		1	FUEL LINE, ADAPTOR TO CARBURETOR
3	54-68424		2	CLAMP, FUEL LINE ATTACHING
4	22-63981		1	FITTING, FUEL LINE TO ADAPTOR UNITED STATES 3795658 THRU 4304784 AUSTRALIA 8015040 THRU 8034894 BELGIUM 9041439 THRU 9101513 CANADA 7027323 THRU 7063747
	22-73705		1	FITTING, FUEL LINE TO ADAPTOR UNITED STATES 4304785 AND UP AUSTRALIA 8034895 AND UP BELGIUM 9101514 AND UP CANADA 7063748 AND UP
5	22833		1	ADAPTOR, CHECK UNIT (FUEL LINE)
6	23069		1	STEM, CHECK UNIT ADAPTOR
7	25-20415		1	"O" RING, ADAPTOR STEM
8	24-23067		1	SPRING, ADAPTOR STEM
9	30188		1	CUP WASHER, ADAPTOR
10	10-37923		1	SCREW, ADAPTOR TO BOTTOM COWL (1 1/4")
11	65552		1	SCREW, CARBURETOR
12	10-20100		2	SCREW, SCREEN TO CARBURETOR
13	63980		1	KNOB, CHOKE
14	11-73710		1	NUT, CHOKE CABLE TO BOTTOM COWL
15	63906		1	CABLE, CHOKE UNITED STATES 3795658 THRU 4126459 AUSTRALIA 8015040 THRU 8028439 BELGIUM 9041439 THRU 9078138 CANADA 7027323 THRU 7049107
	72465		1	CABLE, CHOKE UNITED STATES 4126460 AND UP AUSTRALIA 8028440 AND UP BELGIUM 9078139 AND UP CANADA 7049108 AND UP
16	10-45862		1	SCREW, CHOKE CABLE TO CARBURETOR UNITED STATES 3795658 THRU 4387436 AUSTRALIA 8015040 THRU 8037874 BELGIUM 9041439 THRU 9113964 CANADA 7027323 THRU 7074272
17	12-56681		1	WASHER, CHOKE CABLE SCREW UNITED STATES 3795658 THRU 4387436 AUSTRALIA 8015040 THRU 8037874 BELGIUM 9041439 THRU 9113964 CANADA 7027323 THRU 7074272
18	23-63932		1	SPACER, CHOKE CABLE SCREW UNITED STATES 3795658 THRU 4304784 AUSTRALIA 8015040 THRU 8034894 BELGIUM 9041439 THRU 9101513 CANADA 7027323 THRU 7063747

CONTINUED ON NEXT PAGE ➡

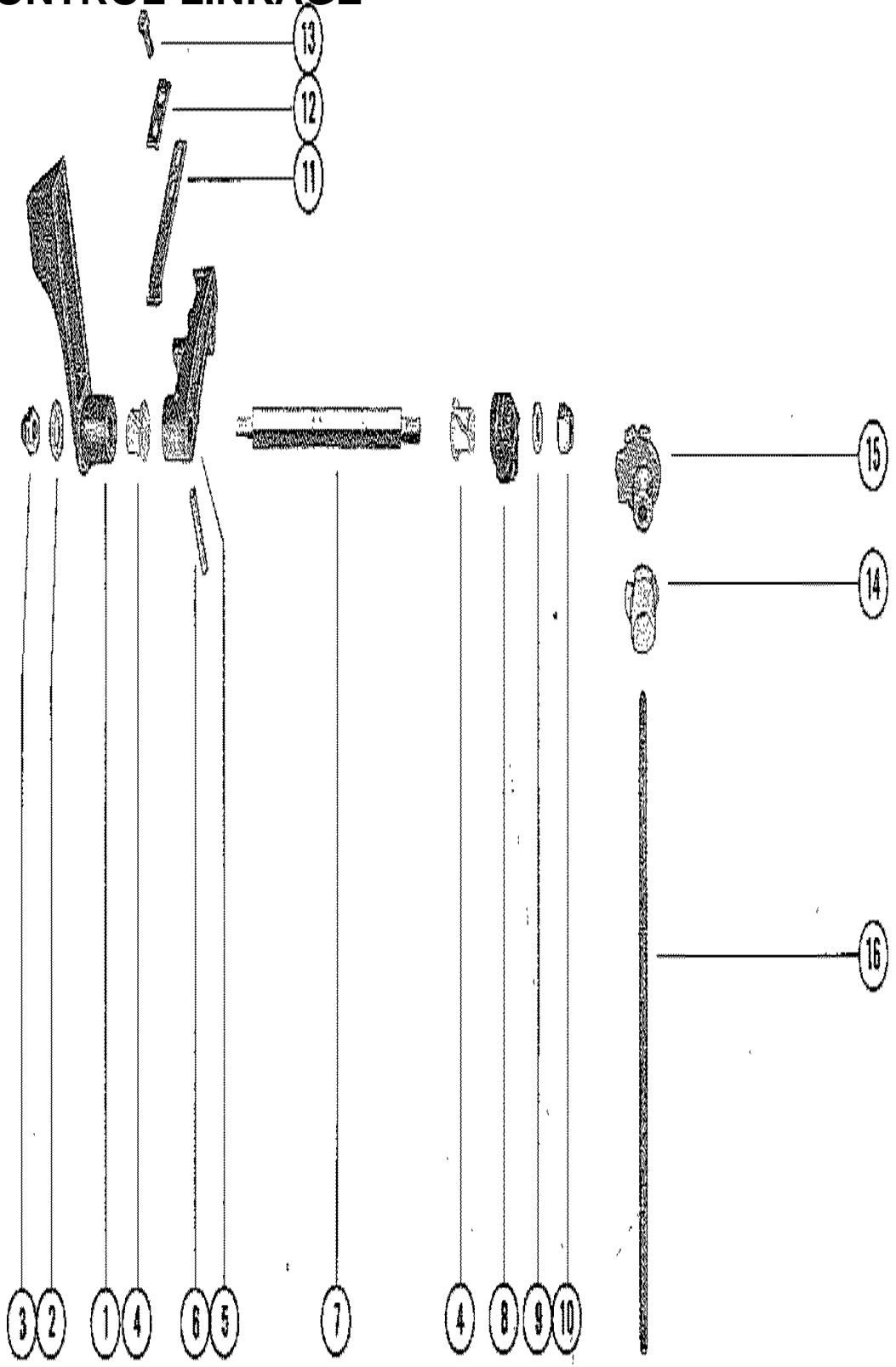
# CARBURETOR AND CHOKE ASSEMBLY



## CARBURETOR AND CHOKE ASSEMBLY

REF. NO.	PART NO.	SYM.	QTY.	DESCRIPTION
19	16-69036		1	STUD, CHOOKE CABLE TO CARBURETOR UNITED STATES 4387437 AND UP AUSTRALIA 8037875 AND UP BELGIUM 9113965 AND UP CANADA 7074273 AND UP
20	12-56681		1	WASHER, CHOKE CABLE STUD UNITED STATES 4387437 AND UP AUSTRALIA 8037875 AND UP BELGIUM 9113965 AND UP CANADA 7074273 AND UP
21	54-25231		1	CLIP, TRIGGER LEADS UNITED STATES 4387437 AND UP AUSTRALIA 8037875 AND UP BELGIUM 9113965 AND UP CANADA 7074273 AND UP
22	22789		1	"D" WASHER, TRIGGER LEAD CLIP UNITED STATES 4387437 AND UP AUSTRALIA 8037875 AND UP BELGIUM 9113965 AND UP CANADA 7074273 AND UP
23	11-45076		1	NUT, CHOKE CABLE STUD UNITED STATES 4387437 AND UP AUSTRALIA 8037875 AND UP BELGIUM 9113965 AND UP CANADA 7074273 AND UP
24	11-46887		2	NUT, CARBURETOR ATTACHING

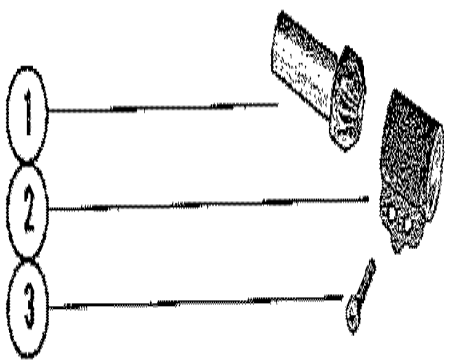
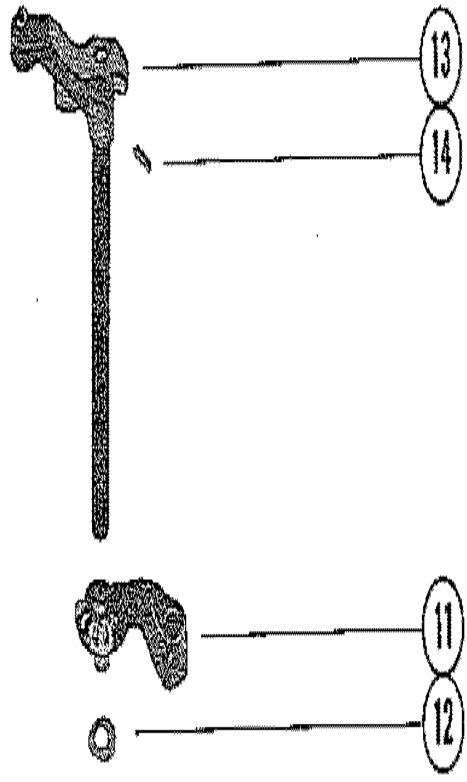
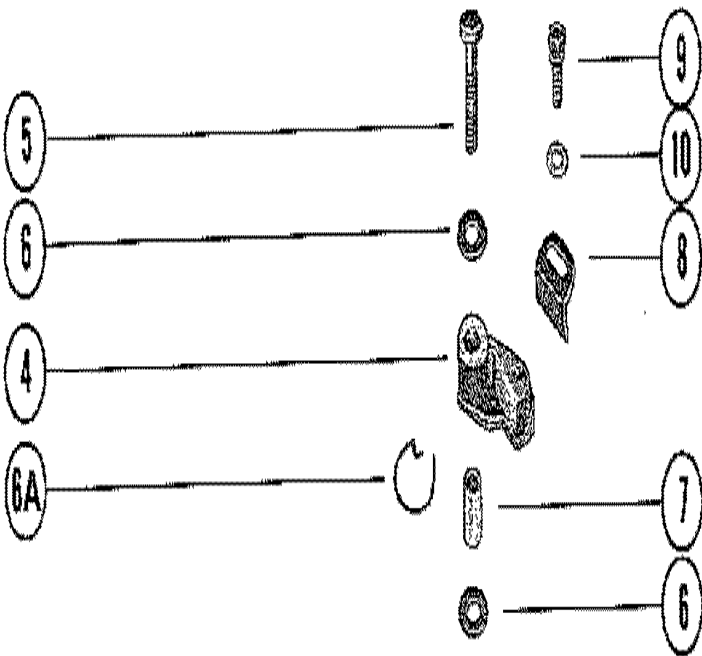
# SHIFT CONTROL LINKAGE



# SHIFT CONTROL LINKAGE

REF. NO.	PART NO.	SYM.	QTY.	DESCRIPTION
1	66376		1	HANDLE, SHIFT CONTROL (MANUAL)
	74352		1	HANDLE, SHIFT CONTROL (ELECTRIC)
2	12-29245		1	WASHER, SHIFT CONTROL SHAFT
3	11-39305		1	NUT, SHIFT HANDLE TO SHIFT CONTROL SHAFT
4	23-66375		2	BUSHING, NYLON - SHIFT CONTROL SHAFT
5	66361		1	LEVER, SHIFT CONTROL (REMOTE) <b>UNITED STATES 3795658 THRU 4387436 AUSTRALIA 8015040 THRU 8037874 BELGIUM 9041439 THRU 9113964 CANADA 7027323 THRU 7074272</b>
	74350		1	LEVER, SHIFT CONTROL (REMOTE) <b>UNITED STATES 4387437 AND UP AUSTRALIA 8037875 AND UP BELGIUM 9113965 AND UP CANADA 7074273 AND UP</b>
6	17-25905		1	PIN, SHIFT LEVER TO SHIFT CONTROL SHAFT
7	66379		1	SHAFT, SHIFT CONTROL
8	43-66377		1	GEAR, SECTOR - SHIFT CONTROL SHAFT (HORIZONTAL)
9	12-29245		1	WASHER, SHIFT CONTROL SHAFT
10	11-20361		1	NUT, SECTOR GEAR TO SHIFT CONTROL SHAFT
11	24-39627		1	SPRING, DETENT - SHIFT CONTROL LEVER
12	39601		1	PLATE, DETENT SPRING
13	10-25764		2	SCREW, PLATE AND SPRING TO ADAPTOR PLATE (1/2")
14	23-27132		1	BUSHING, NYLON - UPPER SHIFT SHAFT
15	43-55447		1	GEAR, SECTOR - SHIFT SHAFT
16	63555		1	SHIFT SHAFT <b>UNITED STATES 3795658 THRU 4126459 AUSTRALIA 8015040 THRU 8028439 BELGIUM 9041439 THRU 9078138 CANADA 7027323 THRU 7049107</b>
	71660		1	SHIFT SHAFT <b>UNITED STATES 4126460 AND UP AUSTRALIA 8028440 AND UP BELGIUM 9078139 AND UP CANADA 7049108 AND UP</b>

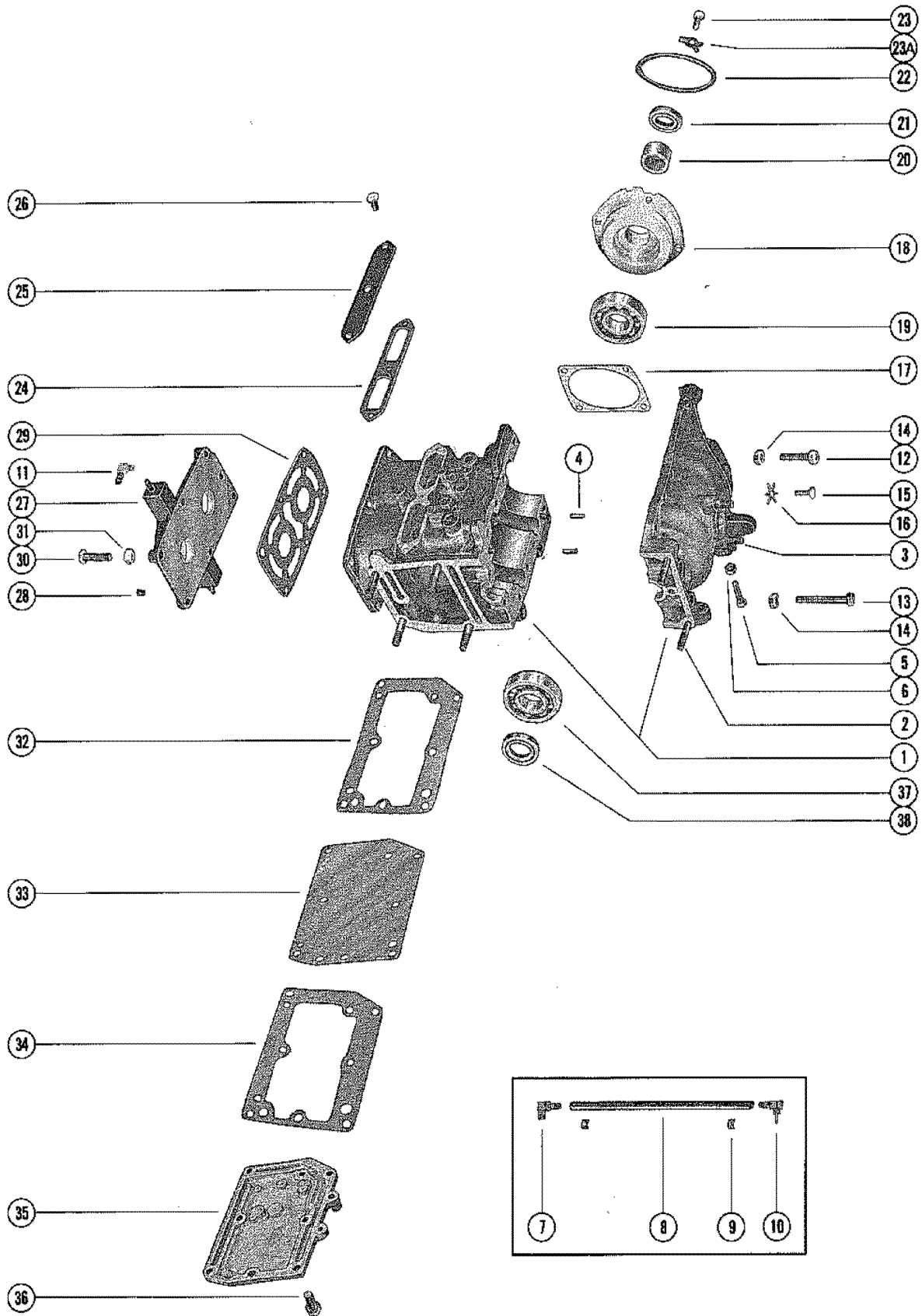
# THROTTLE CONTROL LINKAGE



## THROTTLE CONTROL LINKAGE

REF. NO.	PART NO.	SYM.	QTY.	DESCRIPTION
1	43-60856		1	GEAR, HORIZONTAL - THROTTLE CONTROL SOCKET
2	60885		1	HOUSING, THROTTLE CONTROL
3	10-73643		2	SCREW, THROTTLE CONTROL HOUSING TO BOTTOM COWL (3/4")
4	63308A1		1	FOLLOWER ASSEMBLY, NEUTRAL SPEED LIMITER
5	10-20653		1	SCREW, LIMITER FOLLOWER TO BOTTOM COWL (1 1/8")
6	12-38753		2	WASHER, SPEED LIMITER FOLLOWER SCREW
6A	24-39042		1	SPRING, NEUTRAL SPEED LIMITER FOLLOWER
7	23-63320		1	BUSHING, SPEED LIMITER FOLLOWER SCREW
8	36017		1	STOP, NEUTRAL SPEED LIMITER
9	10-28710		1	SCREW, NEUTRAL SPEED LIMITER STOP TO FOLLOWER (5/8")
10	12-24676		1	WASHER, NEUTRAL SPEED LIMITER STOP SCREW
11	43-60858		1	GEAR, THROTTLE CONTROL
12	15-64653A1		AR	SHIM ASSEMBLY, GEAR AND SHAFT (LOWER)
13	66374A2		1	LEVER ASSEMBLY, THROTTLE CONTROL
14	17-76207		1	PIN, ROLL - THROTTLE CONTROL LEVER TO CONTROL SHAFT

# CYLINDER BLOCK AND CRANKCASE ASSEMBLY



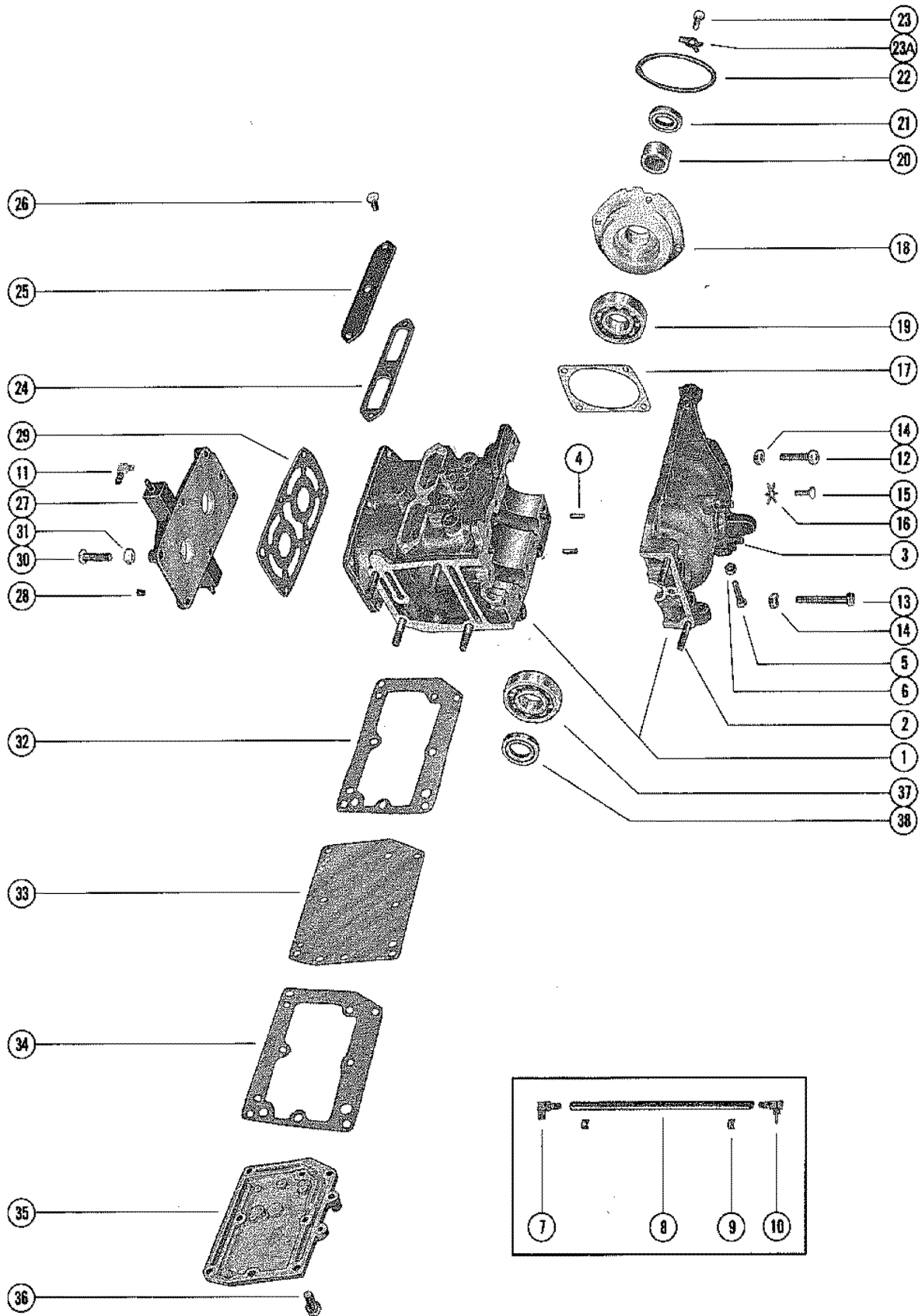


# CYLINDER BLOCK AND CRANKCASE ASSEMBLY

REF. NO.	PART NO.	SYM.	QTY.	DESCRIPTION
1	738-5284A4		1	CYLINDER BLOCK AND CRANKCASE ASS'Y UNITED STATES 3795658 THRU 4304784 AUSTRALIA 8015040 THRU 8034894 BELGIUM 9041439 THRU 9101513 CANADA 7027323 THRU 7063747
	837-5956A3		1	CYLINDER BLOCK AND CRANKCASE ASS'Y UNITED STATES 4304785 THRU 4387436 AUSTRALIA 8034895 THRU 8037874 BELGIUM 9101514 THRU 9113964 CANADA 7063748 THRU 7074272
	837-6111A4		1	CYLINDER BLOCK AND CRANKCASE ASS'Y UNITED STATES 4387437 THRU 4605111 AUSTRALIA 8037875 THRU 8044349 BELGIUM 9113965 THRU 9149504 CANADA 7074273 THRU 7093497
	837-6298A4		1	CYLINDER BLOCK AND CRANKCASE ASS'Y UNITED STATES 4605112 AND UP AUSTRALIA 8044350 AND UP BELGIUM 9149505 AND UP CANADA 7093498 AND UP
2	16-72809		6	STUD, BLOCK AND CRANKCASE TO DRIVE SHAFT HOUSING
3	16-66357		2	STUD, CARBURETOR MOUNTING
4	17-46912		2	PIN, DOWEL - CRANKCASE TO CYLINDER BLOCK
5	10-23015		2	SCREW, ADJ - THROTTLE CONTROL (1") UNITED STATES 3795658 THRU 4387436 AUSTRALIA 8015040 THRU 8037874 BELGIUM 9041439 THRU 9113964 CANADA 7027323 THRU 7074272
	10-54467		2	SCREW, ADJ - THROTTLE CONTROL (1 1/4") UNITED STATES 4387437 AND UP AUSTRALIA 8037875 AND UP BELGIUM 9113965 AND UP CANADA 7074273 AND UP
6	11-68219		2	NUT, THROTTLE CONTROL ADJUSTING SCREW
7	21-64871A1		1	VALVE ASSEMBLY, BLEED DRAIN
8	32-60584		1	HOSE, BLEED DRAIN (6 1/2")
9	54-56223		2	CLAMP, BLEED HOSE ATTACHING
10	22-61294		1	ELBOW, BLEED (MANUAL)
	22-56759		1	ELBOW, BLEED (ELECTRIC)
11	22-25885		1	ELBOW, TELL TALE - CYLINDER BLOCK
12	10-31294		8	SCREW, CRANKCASE TO CYLINDER BLOCK (1") UNITED STATES 3795658 THRU 4605111 AUSTRALIA 8015040 THRU 8044349 BELGIUM 9041439 THRU 9149504 CANADA 7027323 THRU 7093497
13	10-24624		2	SCREW, CRANKCASE TO CYLINDER BLOCK (1 3/4") UNITED STATES 3795658 THRU 4605111 AUSTRALIA 8015040 THRU 8044349 BELGIUM 9041439 THRU 9149504 CANADA 7027323 THRU 7093497
14	11-24652		10	NUT, CRANKCASE FASTENING SCREW UNITED STATES 3795658 THRU 4605111 AUSTRALIA 8015040 THRU 8044349 BELGIUM 9041439 THRU 9149504 CANADA 7027323 THRU 7093497
12	10-76621		8	SCREW, CRANKCASE TO CYLINDER BLOCK UNITED STATES 4605112 AND UP AUSTRALIA 8044350 AND UP BELGIUM 9149505 AND UP CANADA 7093498 AND UP
13	10-73280		2	SCREW, CRANKCASE TO CYLINDER BLOCK (1 1/2") UNITED STATES 4605112 AND UP AUSTRALIA 8044350 AND UP BELGIUM 9149505 AND UP CANADA 7093498 AND UP

CONTINUED ON NEXT PAGE ➡

# CYLINDER BLOCK AND CRANKCASE ASSEMBLY

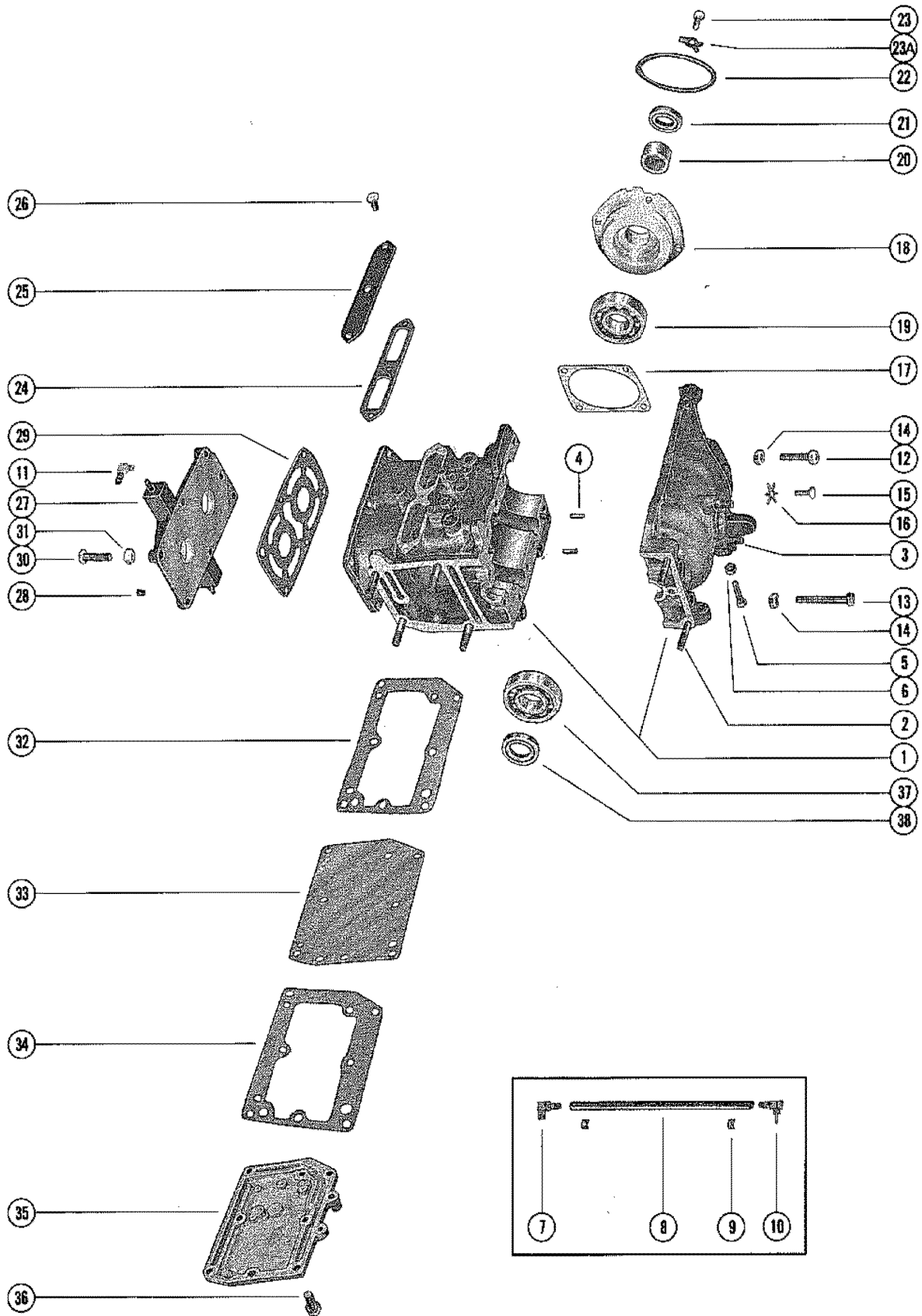


# CYLINDER BLOCK AND CRANKCASE ASSEMBLY

REF. NO.	PART NO.	SYM.	QTY.	DESCRIPTION
15	10-26801		1	SCREW, MAIN BEARING LOCKING (5/8")
16	14-20091		1	TAB WASHER, MIAN BEARING LOCKING SCREW
17	15-31412A1		AR	SHIM, UPPER HOUSING TO CYLINDER BLOCK (.002-3-5-10)
18	1157-5279A1		1	BEARING HOUSING ASSEMBLY, UPPER UNITED STATES 3795658 THRU 4387436 AUSTRALIA 8015040 THRU 8037874 BELGIUM 9041439 THRU 9113964 CANADA 7027323 THRU 7074272
	1164-6110A1		1	BEARING HOUSING ASSEMBLY, UPPER UNITED STATES 4387437 THRU 4605111 AUSTRALIA 8037875 THRU 8044349 BELGIUM 9113965 THRU 9149504 CANADA 7074273 THRU 7093497
	1164-6413A1		1	BEARING HOUSING ASSEMBLY, UPPER UNITED STATES 4605112 AND UP AUSTRALIA 8044350 AND UP BELGIUM 9149505 AND UP CANADA 7093498 AND UP
19	30-20861		1	BEARING, BALL - UPPER BEARING HOUSING
20	31-31410		1	BEARING, ROLLER - UPPER BEARING HOUSING
21	26-66301		1	OIL SEAL, UPPER BEARING HOUSING
22	25-20863		1	"O" RING, UPPER BEARING HOUSING
23	10-39002		4	SCREW, UPPER BEARING HOUSING (1/2") UNITED STATES 3795658 THRU 4605111 AUSTRALIA 8015040 THRU 8044349 BELGIUM 9041439 THRU 9149504 CANADA 7027323 THRU 7093497
	10-76611		4	SCREW, UPPER BEARING HOUSING (1/2") UNITED STATES 4605112 AND UP AUSTRALIA 8044350 AND UP BELGIUM 9149505 AND UP CANADA 7093498 AND UP
23A	14-76610		4	TAB WASHER, UPPER BEARING HOUSING SCREW UNITED STATES 4605112 AND UP AUSTRALIA 8044350 AND UP BELGIUM 9149505 AND UP CANADA 7093498 AND UP
24	27-31434		1	GASKET, TRANSFER PORT COVER
25	61155		1	COVER, TRANSFER PORT - MANUAL
26	10-20665		3	SCREW, PORT COVER TO CYLINDER BLOCK (1/2") - MANUAL
25	74344		1	COVER, TRANSFER PORT - ELECTRIC
26	10-26537		3	SCREW, PORT COVER TO CYLINDER BLOCK - ELECTRIC
27	1019-5314A1		1	COVER ASSEMBLY, CYLINDER BLOCK
28	22-52644		1	PLUG, CYLINDER BLOCK COVER
29	27-66358		1	GASKET, CYLINDER BLOCK COVER
30	10-69086		6	SCREW, CYL BLOCK COVER TO CYL BLOCK (1 1/8") UNITED STATES 3795658 THRU 4605111 AUSTRALIA 8015040 THRU 8044349 BELGIUM 9041439 THRU 9149504 CANADA 7027323 THRU 7093497
31	11-24652		6	NUT, CYLINDER BLOCK COVER MOUNTAIN SCREW UNITED STATES 3795658 THRU 4605111 AUSTRALIA 8015040 THRU 8044349 BELGIUM 9041439 THRU 9149504 CANADA 7027323 THRU 7093497
30	10-76630		6	SCREW, CYL BLOCK COVER TO CYL BLOCK (1") UNITED STATES 4605112 AND UP AUSTRALIA 8044350 AND UP BELGIUM 9149505 AND UP CANADA 7093498 AND UP
32	27-46233		1	GASKET, CYLINDER BLOCK TO BAFFLE PLATE
33	46235		1	PLATE, BAFFLE - EXHAUST MANIFOLD

CONTINUED ON NEXT PAGE ➡

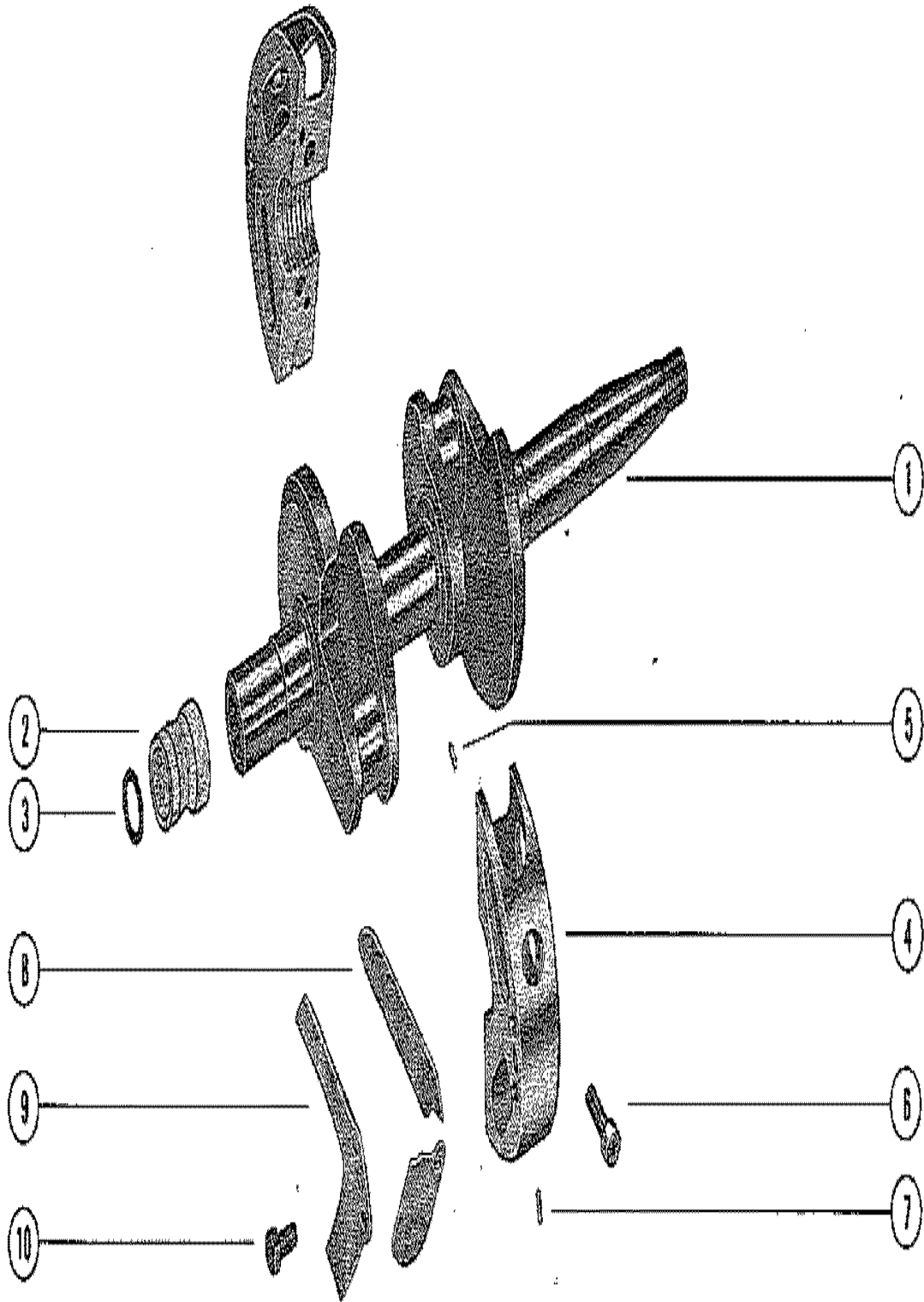
# CYLINDER BLOCK AND CRANKCASE ASSEMBLY



# CYLINDER BLOCK AND CRANKCASE ASSEMBLY

REF. NO.	PART NO.	SYM.	QTY.	DESCRIPTION
34	27-46233		1	GASKET, BAFFLE PLATE
35	46172		1	COVER, EXHAUST MANIFOLD UNITED STATES 3795658 THRU 4387436 AUSTRALIA 8015040 THRU 8037874 BELGIUM 9041439 THRU 9113964 CANADA 7027323 THRU 7074272
	74919		1	COVER, EXHAUST MANIFOLD UNITED STATES 4387437 AND UP AUSTRALIA 8037875 AND UP BELGIUM 9113965 AND UP CANADA 7074273 AND UP
36	10-28668		8	SCREW, BAFFLE PLATE AND MANIFOLD COVER MOUNTING (3/4")
37	30-20861		1	BEARING, BALL - CRANKCASE (LOWER)
38	26-66301		1	OIL SEAL, CRANKCASE (LOWER)

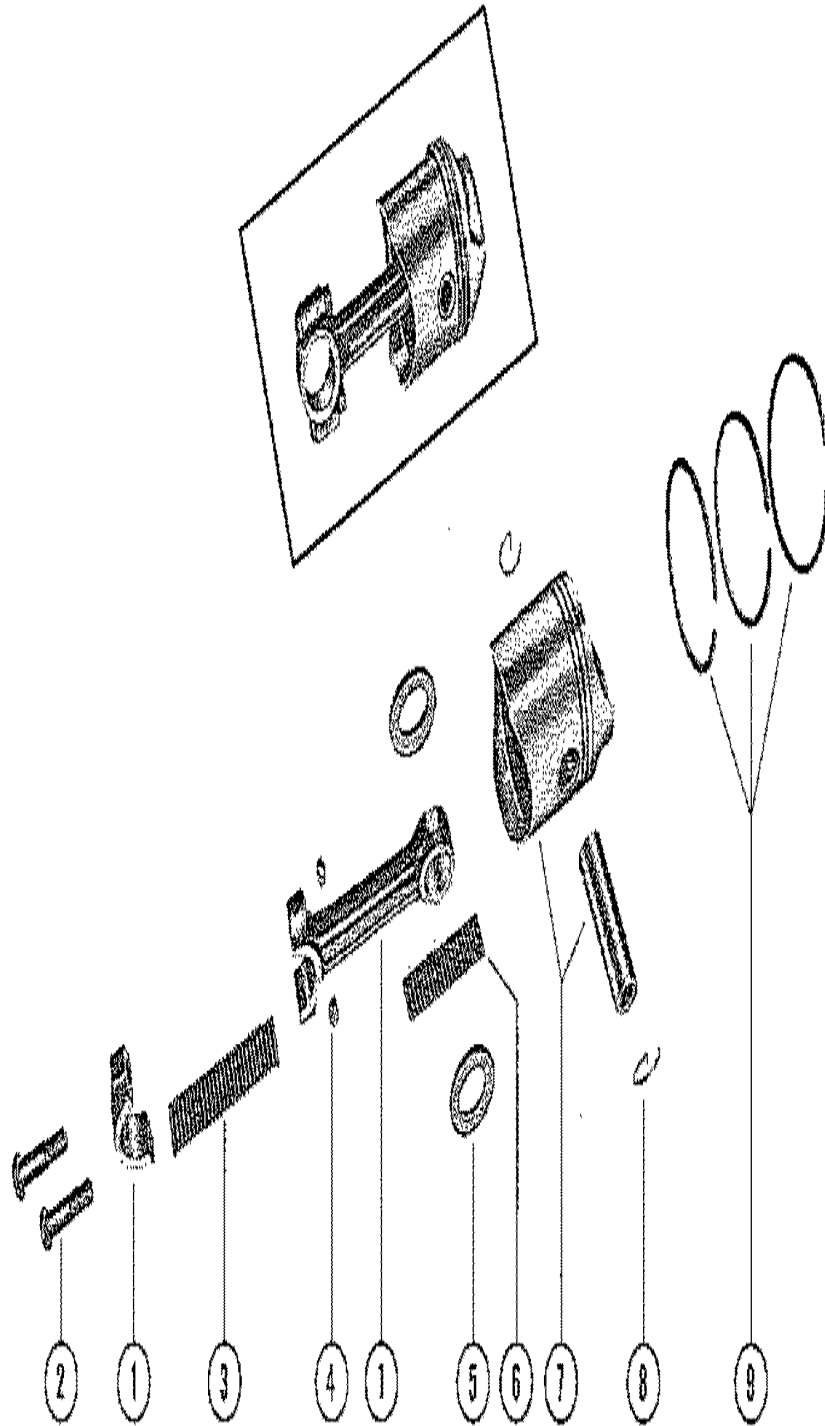
# CRANKSHAFT AND MAIN BEARING ASSEMBLY



# CRANKSHAFT AND MAIN BEARING ASSEMBLY

REF. NO.	PART NO.	SYM.	QTY.	DESCRIPTION
1	421-5275		1	CRANKSHAFT
2	63991A1		1	CARRIER ASSEMBLY, SEAL CRANKSHAFT <b>UNITED STATES 3795658 THRU 4304784 AUSTRALIA 8015040 THRU 8034894 BELGIUM 9041439 THRU 9101513 CANADA 7027323 THRU 7063747</b>
3	64988		1	SEAL, CRANKSHAFT CARRIER <b>UNITED STATES 3795658 THRU 4304784 AUSTRALIA 8015040 THRU 8034894 BELGIUM 9041439 THRU 9101513 CANADA 7027323 THRU 7063747</b>
	26-72793		1	SEAL, CRANKSHAFT <b>UNITED STATES 4304785 AND UP AUSTRALIA 8034895 AND UP BELGIUM 9101514 AND UP CANADA 7063748 AND UP</b>
4	532-1938A6		1	MAIN BEARING ASSEMBLY (VALVE TYPE)
5	17-20032		2	PIN, DOWEL - MAIN BEARING
	17-65855		8	PIN, DOWEL - REED LOCATING
6	10-56781		2	SCREW, MAIN BEARING CLAMPING
7	17-20032		1	PIN, DOWEL - MAIN BEARING TO BLOCK
8	34-31942A1		1	REED SET, MATCHED - MAIN BEARING
9	34-20053		4	REED STOP, MAIN BEARING REED VALVES
10	10-27304		4	SCREW, REED STOP MOUNTING

# PISTON AND CONNECTING ROD ASSEMBLY

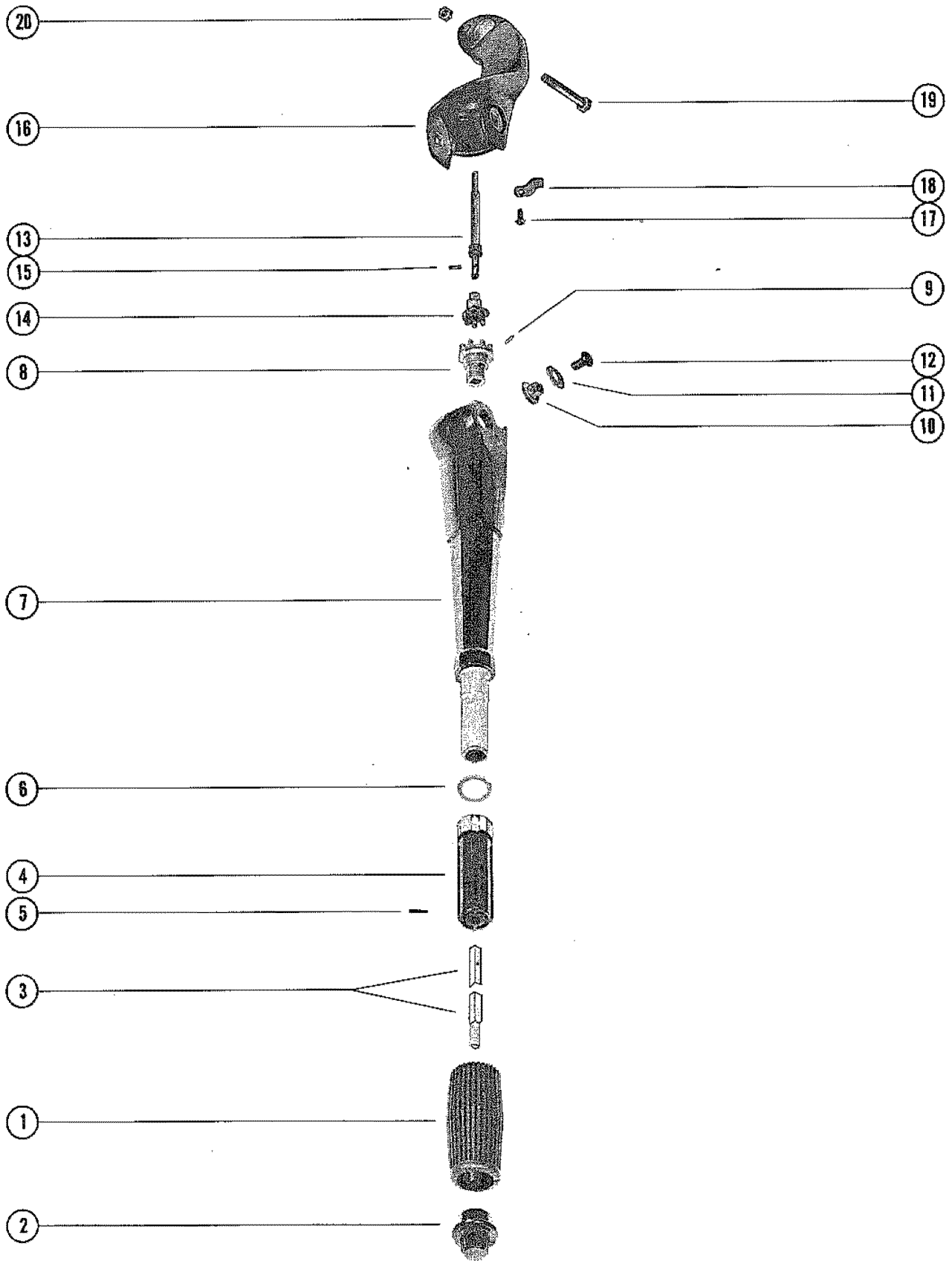




## PISTON AND CONNECTING ROD ASSEMBLY

REF. NO.	PART NO.	SYM.	QTY.	DESCRIPTION
1	608-4246A1		2	CONNECTING ROD ASSEMBLY
2	10-39154		4	SCREW, CONNECTING ROD
3	29-26815		58	BEARING, NEEDLE - CRANKPIN
4	11-20061		4	NUT, CONNECTING ROD SCREW
5	12-65967		4	WASHER, NEEDLE BEARING RETAINING
6	29-31505		40	BEARING, NEEDLE - PISTON PIN
7	719-3374A2		2	PISTON AND PISTON PIN ASSEMBLY
8	40-21666		4	LOCK RING, PISTON PIN
9	39-21665A12		1	RING, PISTON

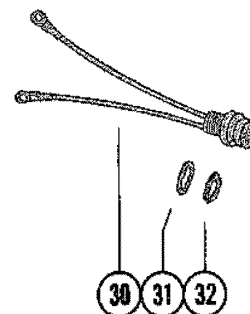
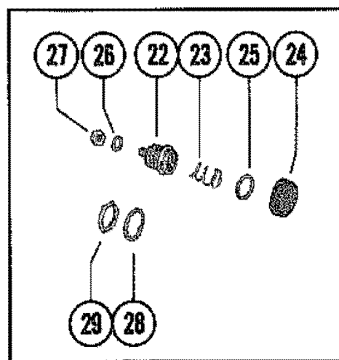
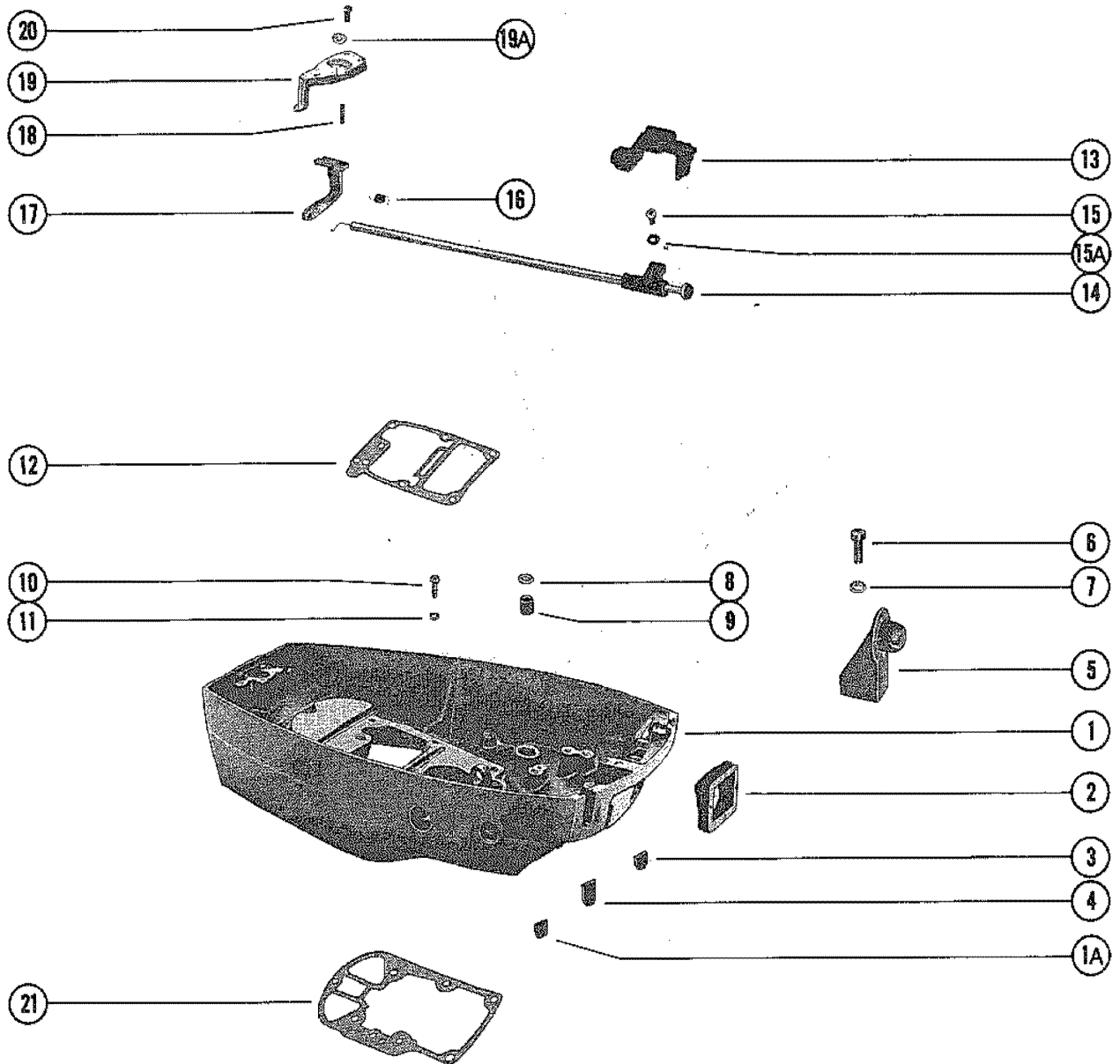
# STEERING HANDLE ASSEMBLY



# STEERING HANDLE ASSEMBLY

REF. NO.	PART NO.	SYM.	QTY.	DESCRIPTION
-	<b>60850A6</b>		1	<b>STEERING HANDLE ASSEMBLY, COMPLETE</b>
1	60854		1	GRIP, HANDLE - THROTTLE
2	62251		1	CAP, HANDLE - THROTTLE
3	66393		1	SHAFT, THROTTLE
4	66394A1		1	HANDLE, THROTTLE SHAFT
5	17-46152		1	PIN, STEERING HANDLE
6	12-62252		1	WASHER, THROTTLE HANDLE TO STEERING ARM
7	60850		1	ARM, STEERING HANDLE
8	43-60852		1	GEAR, BALL - THROTTLE SHAFT
9	17-27088		1	PIN, BALL GEAR TO THROTTLE SHAFT
10	48003		2	PIVOT, STEERING HANDLE TO BRACKET
11	15-48002015		AR	SHIM, STEERING HANDLE PIVOT TO BRACKET (.015)
12	10-64074		2	SCREW, STEERING HANDLE TO ARM BRACKET (5/8")
13	60857A2		1	UNIVERSAL JOINT ASSEMBLY
14	43-60852		1	GEAR, BALL - UNIVERSAL JOINT
15	17-68436		1	PIN, BALL GEAR TO UNIVERSAL JOINT
16	68768A2		1	BRACKET ASSEMBLY, STEERING ARM
17	10-62233		2	SCREW, DETENT SPRING TO STEERING ARM BRACKET (5/8")
18	24-47744		2	SPRING, DETENT - STEERING HANDLE <b>UNITED STATES 3795658 THRU 4304784 AUSTRALIA 8015040 THRU 8034894 BELGIUM 9041439 THRU 9101513 CANADA 7027323 THRU 7063747</b>
	24-72847		2	SPRING, DETENT - STEERING HANDLE <b>UNITED STATES 4304785 AND UP AUSTRALIA 8034895 AND UP BELGIUM 9101514 AND UP CANADA 7063748 AND UP</b>
19	10-30679		3	SCREW, STEERING ARM BRACKET TO SADDLE (2 1/4")
20	11-24652		3	NUT, STEERING ARM BRACKET FASTENING SCREW

# BOTTOM COWL AND STOP SWITCH ASSEMBLY

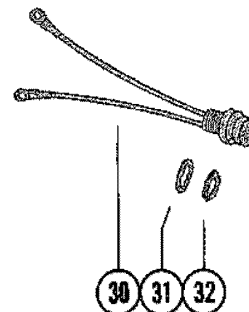
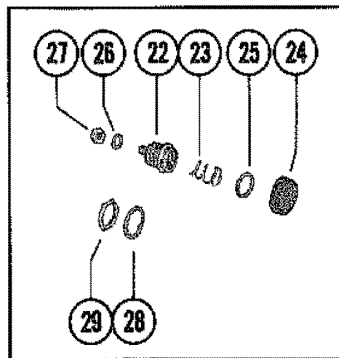
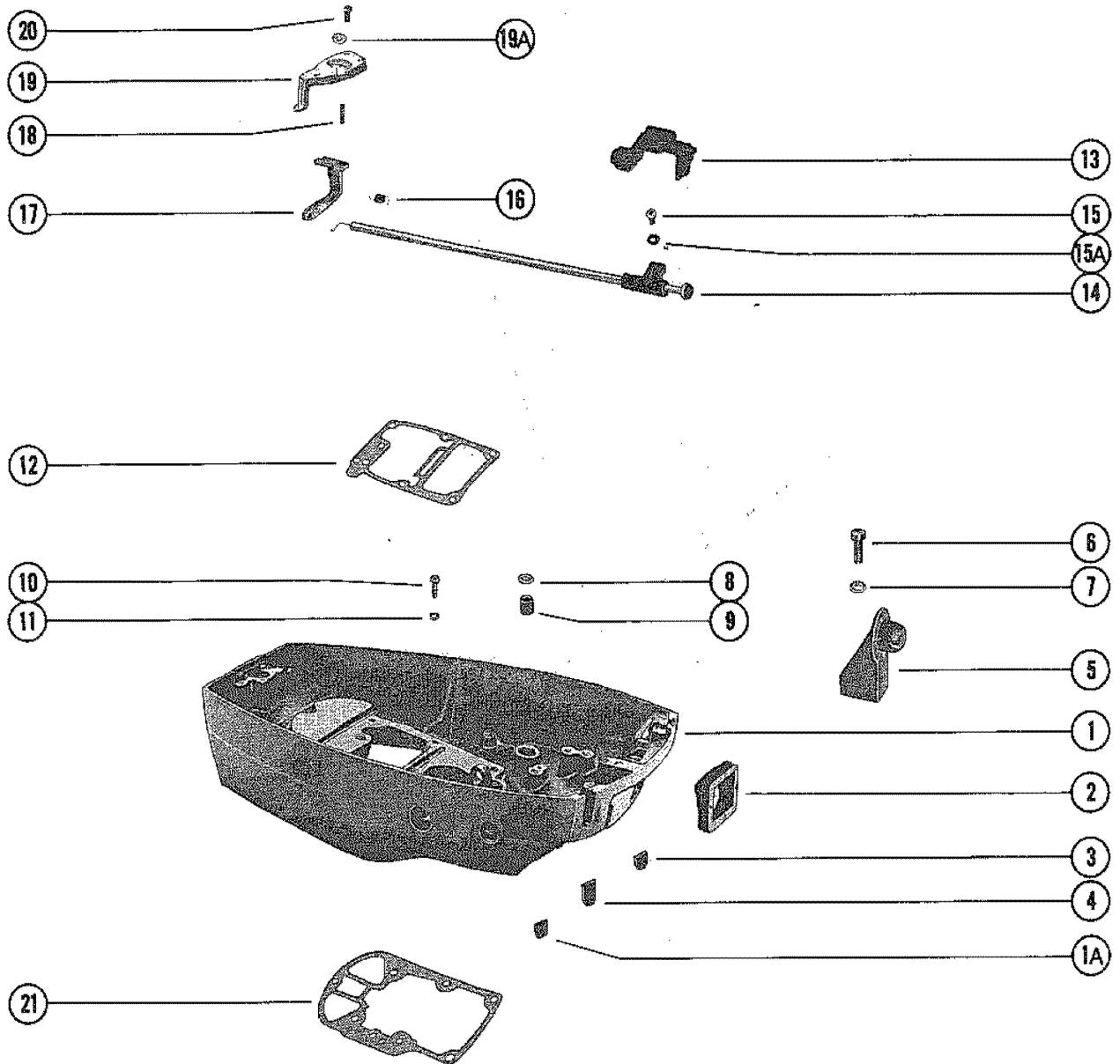


## BOTTOM COWL AND STOP SWITCH ASSEMBLY

REF. NO.	PART NO.	SYM.	QTY.	DESCRIPTION
1	2148-5180		1	COWL, BOTTOM UNITED STATES 3795658 THRU 4078999 AUSTRALIA 8015040 THRU 8023989 BELGIUM 9041439 THRU 9068373 CANADA 7027323 THRU 7042122
	2148-5569		1	COWL, BOTTOM UNITED STATES 4079000 THRU 4387436 AUSTRALIA 8023990 THRU 8037874 BELGIUM 9068374 THRU 9113964 CANADA 7042123 THRU 7074272
	2159-6107A4		1	COWL, BOTTOM UNITED STATES 4387437 AND UP AUSTRALIA 8037875 AND UP BELGIUM 9113965 AND UP CANADA 7074273 AND UP
1A	74360		1	PLUG, BOTTOM COWL (MANUAL)
2	39778		1	GROMMET, CHOKE SHAFT - BOTTOM COWL
3	66353		1	COVER, ACCESS HOLE
4	65479		1	COVER, ACCESS HOLE
5	39474		1	ANCHOR, LATCH - BOTTOM COWL
6	10-22483		2	SCREW, LATCH ANCHOR TO BOTTOM COWL (1 1/8")
7	13-26992		2	LOCKWASHER, LATCH ANCHOR SCREW
8	12-36554		1	WASHER, NYLON - WATER OUTLET TUBE
9	26-36556		1	SEAL, RUBBER - WATER OUTLET TUBE
10	10-38111		1	SCREW, BOTTOM COWL TO DRIVE SHAFT HOUSING (3/4")
11	13-26992		1	LOCKWASHER, BOTTOM COWL SCREW
12	27-45748		1	GASKET, POWERHEAD TO ADAPTOR PLATE
13	65478		1	LEVER, COWL LATCH UNITED STATES 3795658 THRU 4387436 AUSTRALIA 8015040 THRU 8037874 BELGIUM 9041439 THRU 9113964 CANADA 7027323 THRU 7074272
	74349		1	LEVER, COWL LATCH UNITED STATES 4387437 AND UP AUSTRALIA 8037875 AND UP BELGIUM 9113965 AND UP CANADA 7074273 AND UP
14	65613		1	CABLE, COWL LATCH
15	10-65554		1	SCREW, COWL LATCH CABLE
15A	12-56681		2	WASHER, COWL LATCH CABLE SCREW
16	24-65520		1	SPRING, CABLE TO ARM LATCH
17	69153		1	LATCH, ARM - BOTTOM COWL UNITED STATES 3795658 THRU 4304784 AUSTRALIA 8015040 THRU 8034894 BELGIUM 9041439 THRU 9101513 CANADA 7027323 THRU 7063747
	72791		1	LATCH, ARM - BOTTOM COWL UNITED STATES 4304785 AND UP AUSTRALIA 8034895 AND UP BELGIUM 9101514 AND UP CANADA 7063748 AND UP
18	29-52168		1	PIN, ARM LOCATING
19	69154		1	LATCH, BODY - BOTTOM COWL
19A	12-34680		1	WASHER, BODY LATCH
20	10-32228		3	SCREW, LATCH TO BOTTOM COWL
21	27-39050		1	GASKET, BOTTOM COWL TO DRIVE SHAFT HOUSING
22	59065A4		1	STOP SWITCH ASSEMBLY UNITED STATES 3795658 THRU 4126459 AUSTRALIA 8015040 THRU 8028439 BELGIUM 9041439 THRU 9078138 CANADA 7027323 THRU 7049107
23	24-60239		1	SPRING, STOP SWITCH UNITED STATES 3795658 THRU 4126459 AUSTRALIA 8015040 THRU 8028439 BELGIUM 9041439 THRU 9078138 CANADA 7027323 THRU 7049107

CONTINUED ON NEXT PAGE ➡

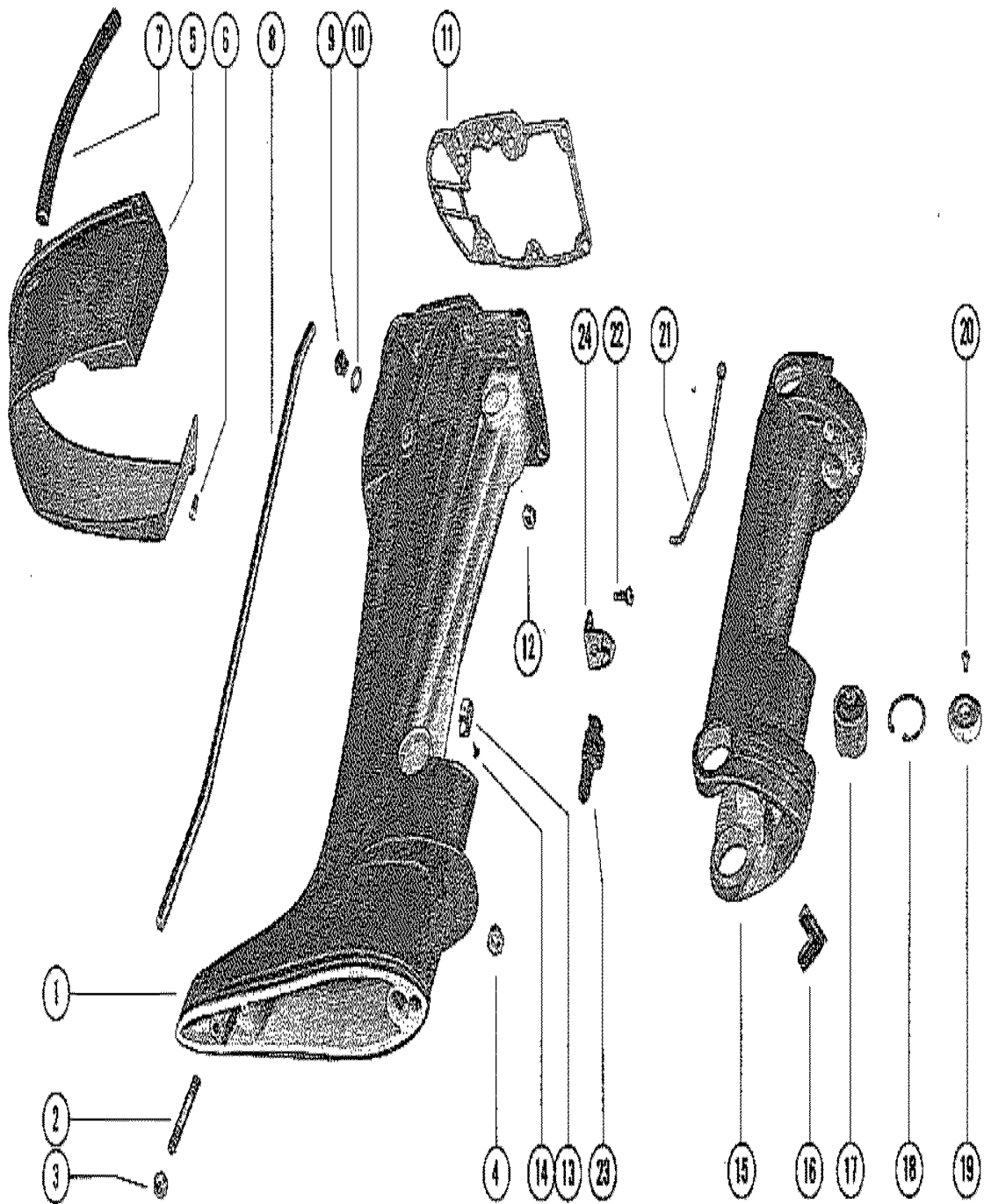
# BOTTOM COWL AND STOP SWITCH ASSEMBLY



## BOTTOM COWL AND STOP SWITCH ASSEMBLY

REF. NO.	PART NO.	SYM.	QTY.	DESCRIPTION
24	38950A1		1	COVER ASSEMBLY, STOP SWITCH UNITED STATES 3795658 THRU 4126459 AUSTRALIA 8015040 THRU 8028439 BELGIUM 9041439 THRU 9078138 CANADA 7027323 THRU 7049107
25	12-59061		1	WASHER, STATOR LEAD TO STOP SWITCH UNITED STATES 3795658 THRU 4126459 AUSTRALIA 8015040 THRU 8028439 BELGIUM 9041439 THRU 9078138 CANADA 7027323 THRU 7049107
26	13-21972		1	LOCKWASHER, STOP SWITCH CONNECTOR UNITED STATES 3795658 THRU 4126459 AUSTRALIA 8015040 THRU 8028439 BELGIUM 9041439 THRU 9078138 CANADA 7027323 THRU 7049107
27	11-21971		1	NUT, STOP SWITCH TO BOTTOM COWL UNITED STATES 3795658 THRU 4126459 AUSTRALIA 8015040 THRU 8028439 BELGIUM 9041439 THRU 9078138 CANADA 7027323 THRU 7049107
28	13-26996		1	LOCKWASHER, CONNECTOR BASE UNITED STATES 3795658 THRU 4126459 AUSTRALIA 8015040 THRU 8028439 BELGIUM 9041439 THRU 9078138 CANADA 7027323 THRU 7049107
29	11-68219		1	NUT, CONNECTOR BASE TO BOTTOM COWL UNITED STATES 3795658 THRU 4126459 AUSTRALIA 8015040 THRU 8028439 BELGIUM 9041439 THRU 9078138 CANADA 7027323 THRU 7049107
30	87-69508A1		1	STOP SWITCH ASSEMBLY UNITED STATES 4126460 AND UP AUSTRALIA 8028440 AND UP BELGIUM 9078139 AND UP CANADA 7049108 AND UP
31	13-69845		1	LOCKWASHER, STOP SWITCH UNITED STATES 4126460 AND UP AUSTRALIA 8028440 AND UP BELGIUM 9078139 AND UP CANADA 7049108 AND UP
32	11-69844		1	NUT, STOP SWITCH UNITED STATES 4126460 AND UP AUSTRALIA 8028440 AND UP BELGIUM 9078139 AND UP CANADA 7049108 AND UP

# DRIVE SHAFT HOUSING ASSEMBLY





# DRIVE SHAFT HOUSING ASSEMBLY

REF. NO.	PART NO.	SYM.	QTY.	DESCRIPTION
1	1556-4901A2		1	DRIVE SHAFT HOUSING ASSEMBLY (SHORT SHAFT) UNITED STATES 3795658 THRU 4304784 AUSTRALIA 8015040 THRU 8034894 BELGIUM 9041439 THRU 9101513 CANADA 7027323 THRU 7063747
	1558-4902A2		1	DRIVE SHAFT HOUSING ASSEMBLY (LONG SHAFT) UNITED STATES 3795658 THRU 4304784 AUSTRALIA 8015040 THRU 8034894 BELGIUM 9041439 THRU 9101513 CANADA 7027323 THRU 7063747
2	16-66373		1	STUD, DRIVE SHAFT HOUSING TO GEAR HOUSING (2 5/16") UNITED STATES 3795658 THRU 4304784 AUSTRALIA 8015040 THRU 8034894 BELGIUM 9041439 THRU 9101513 CANADA 7027323 THRU 7063747
1	1556-5945A2		1	DRIVE SHAFT HOUSING ASSEMBLY (SHORT SHAFT) UNITED STATES 4304785 AND UP AUSTRALIA 8034895 AND UP BELGIUM 9101514 AND UP CANADA 7063748 AND UP
	1158-5946A3		1	DRIVE SHAFT HOUSING ASSEMBLY (LONG SHAFT) UNITED STATES 4304785 AND UP AUSTRALIA 8034895 AND UP BELGIUM 9101514 AND UP CANADA 7063748 AND UP
2	16-66373		1	STUD, DRIVE SHAFT HOUSING TO GEAR HOUSING (2 5/16") UNITED STATES 4304785 AND UP AUSTRALIA 8034895 AND UP BELGIUM 9101514 AND UP CANADA 7063748 AND UP
3	11-34863		1	NUT, DRIVE SHAFT HOUSING STUD (3/8 - 24)
4	11-35814		1	NUT, GEAR HOUSING TO DRIVE SHAFT HOUSING STUD (5/16 - 24)
5	65518		1	COVER, TRIM - DRIVE SHAFT HOUSING UNITED STATES 3795658 THRU 4126459 AUSTRALIA 8015040 THRU 8028439 BELGIUM 9041439 THRU 9078138 CANADA 7027323 THRU 7049107
	72471		1	COVER, TRIM - DRIVE SHAFT HOUSING UNITED STATES 4126460 AND UP AUSTRALIA 8028440 AND UP BELGIUM 9078139 AND UP CANADA 7049108 AND UP
6	10-64652		4	SCREW, TRIM COVER TO BOTTOM COWL (1/2")
7	32-34395A1		1	HOSE, TELL TALE (9 1/2")
8	32-39061		1	TUBE, WATER OUTLET (SHORT SHAFT)
	32-39062		1	TUBE, WATER OUTLET (LONG SHAFT)
9	10-28634		1	SCREW, FLUSH - DRIVE SHAFT HOUSING
10	12-20260		1	WASHER, SEALING - FLUSH SCREW
11	27-39050		1	GASKET, ADAPTOR PLATE TO DRIVE SHAFT HOUSING
12	11-24652		4	NUT, DROVE SHAFT HOUSING TO PWOERHEAD STUDS
	11-24652		2	NUT, DRIVE SHAFT HOUSING TO POWERHEAD STUDS
13	47259A1		1	BLOCK ASSEMBLY, DRIVE SHAFT - LONG SHAFT
14	10-47225		2	SCREW, BLOCK TO DRIVE SHAFT HSG (1 1/4") - LONG SHAFT
15	1559-4917		1	SADDLE, UNITED STATES 3795658 THRU 4304784 AUSTRALIA 8015040 THRU 8034894 BELGIUM 9041439 THRU 9101513 CANADA 7027323 THRU 7063747
	1559-5968A1		1	SADDLE UNITED STATES 4304785 AND UP AUSTRALIA 8034895 AND UP BELGIUM 9101514 AND UP CANADA 7063748 AND UP

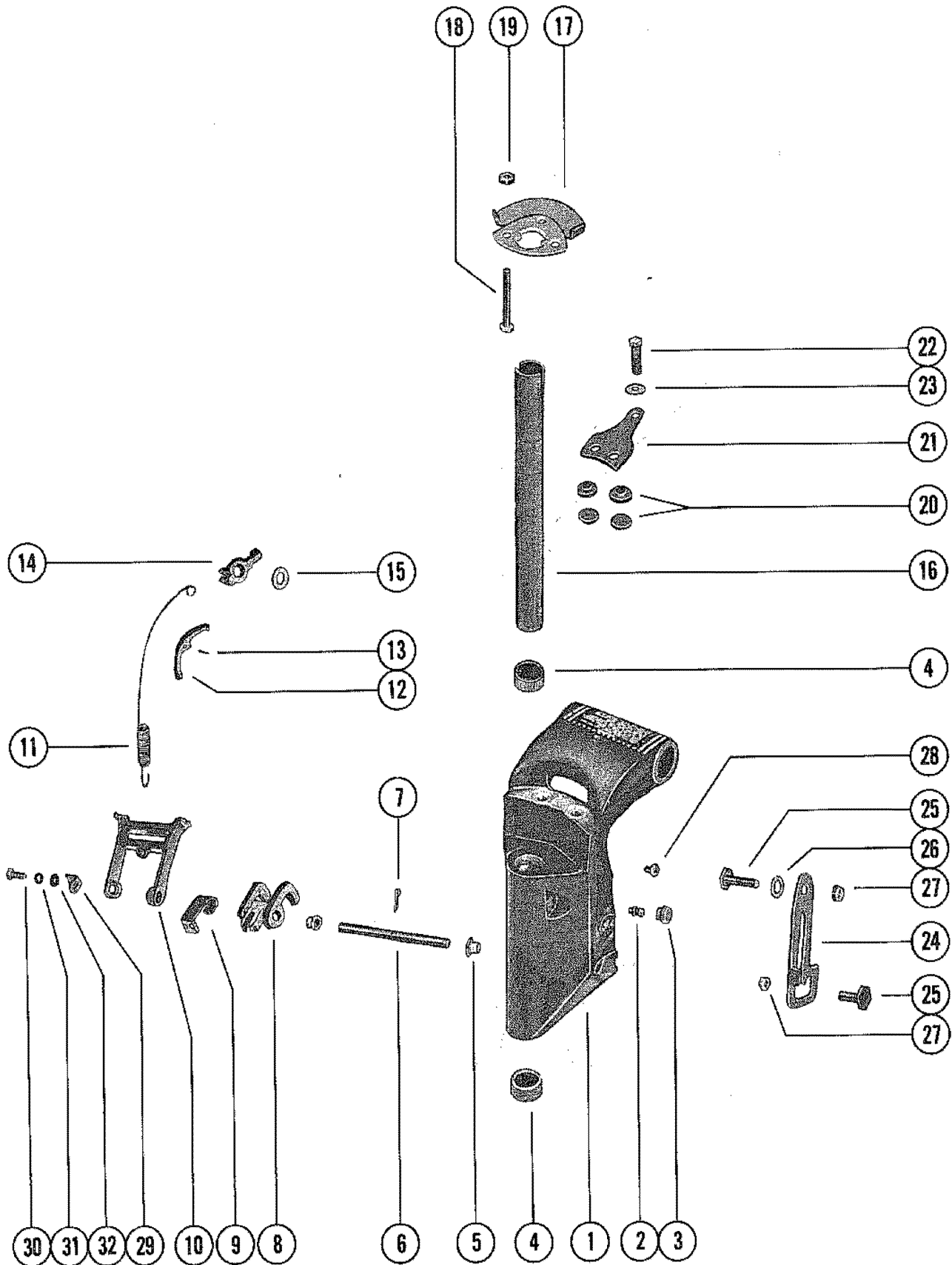
CONTINUED ON NEXT PAGE ➡



# DRIVE SHAFT HOUSING ASSEMBLY

REF. NO.	PART NO.	SYM.	QTY.	DESCRIPTION
16	64076		1	BUMPER, THRUST - SADDLE
17	30646A2		4	MOUNT ASSEMBLY (LOWER AND UPPER) - SEE NOTE BELOW
18	53-26406		4	RING, RETAINING - UPPER AND LOWER MOUNT
19	53041		2	COVER, LOWER MOUNT <b>UNITED STATES 3795658 THRU 4126459 AUSTRALIA 8015040 THRU 8028439 BELGIUM 9041439 THRU 9078138 CANADA 7027323 THRU 7049107</b>
	71490		2	COVER, LOWER MOUNT <b>UNITED STATES 4126460 AND UP AUSTRALIA 8028440 AND UP BELGIUM 9078139 AND UP CANADA 7049108 AND UP</b>
20	10-45817		2	SCREW, LWOER MOUNT COVER TO MOUNT (7/16")
21	63629		1	LINK ROD, REVERSE LOCK <b>UNITED STATES 3795658 THRU 4126459 AUSTRALIA 8015040 THRU 8028439 BELGIUM 9041439 THRU 9078138 CANADA 7027323 THRU 7049107</b>
	71057		1	LINK ROD, REVERSE LOCK <b>UNITED STATES 4126460 AND UP AUSTRALIA 8028440 AND UP BELGIUM 9078139 AND UP CANADA 7049108 AND UP</b>
22	10-65414		2	SCREW, CAM RETAINER TO DRIVE SHAFT HOUSING (3/4")
23	65216		1	CAM, REVERSE LOCK
24	61008		1	RETAINER, REVERSE LOCK CAM <b>UNITED STATES 3795658 THRU 4126459 AUSTRALIA 8015040 THRU 8028439 BELGIUM 9041439 THRU 9078138 CANADA 7027323 THRU 7049107</b>
	72007		1	RETAINER, REVERSE LOCK CAM <b>UNITED STATES 4126460 AND UP AUSTRALIA 8028440 AND UP BELGIUM 9078139 AND UP CANADA 7049108 AND UP</b>

# SWIVEL BRACKET ASSEMBLY

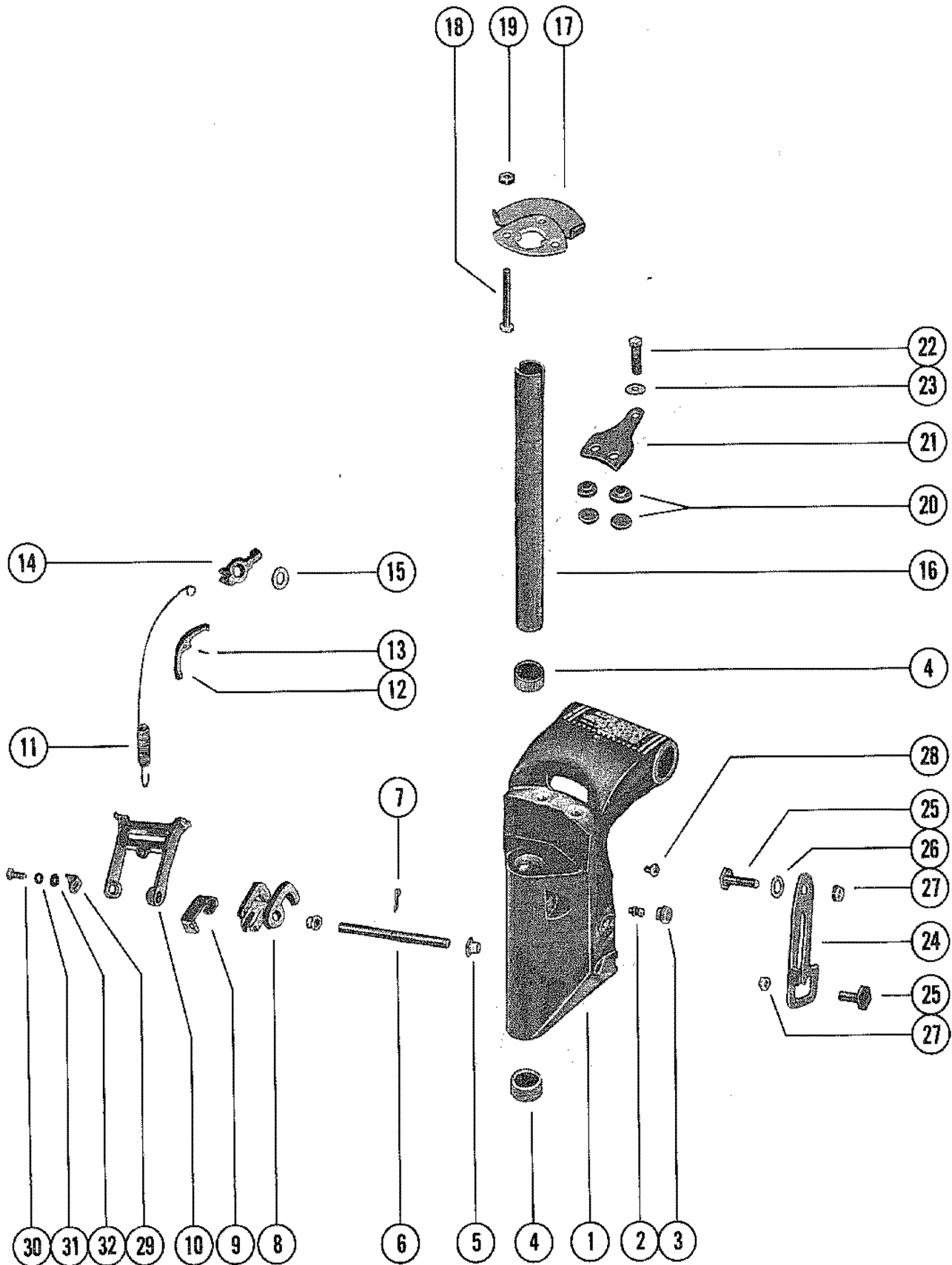


# SWIVEL BRACKET ASSEMBLY

REF. NO.	PART NO.	SYM.	QTY.	DESCRIPTION
1	1471-5295A2		1	SWIVEL BRACKET ASSEMBLY UNITED STATES 3795658 THRU 4126459 AUSTRALIA 8015040 THRU 8028439 BELGIUM 9041439 THRU 9078138 CANADA 7027323 THRU 7049107
	1471-5822A1		1	SWIVEL BRACKET ASSEMBLY UNITED STATES 4126460 THRU 4304784 AUSTRALIA 8028440 THRU 8034894 BELGIUM 9078139 THRU 9101513 CANADA 7049108 THRU 7063747
	1471-5910A1		1	SWIVEL BRACKET ASSEMBLY UNITED STATES 4304785 AND UP AUSTRALIA 8034895 AND UP BELGIUM 9101514 AND UP CANADA 7063748 AND UP
2	22-31345		1	FITTING, GREASE - SWIVEL BRACKET UNITED STATES 3795658 THRU 4304784 AUSTRALIA 8015040 THRU 8034894 BELGIUM 9041439 THRU 9101513 CANADA 7027323 THRU 7063747
	22-74036		3	FITTING, GREASE - SWIVEL BRACKET UNITED STATES 4304785 AND UP AUSTRALIA 8034895 AND UP BELGIUM 9101514 AND UP CANADA 7063748 AND UP
3	29359		1	LUBRICAP, GREASE FITTING - SWIVEL BRACKET
4	23-64028		2	BUSHING, SWIVEL BRACKET
5	23-26841		2	BUSHING, NYLON - REVERSE LOCK LEVER ROD
6	63551		1	ROD, REVERSE LOCK TO SWIVEL BRACKET UNITED STATES 3795658 THRU 4304784 AUSTRALIA 8015040 THRU 8034894 BELGIUM 9041439 THRU 9101513 CANADA 7027323 THRU 7063747
	71419		1	ROD, REVERSE LOCK TO SWIVEL BRACKET UNITED STATES 4304785 AND UP AUSTRALIA 8034895 AND UP BELGIUM 9101514 AND UP CANADA 7063748 AND UP
7	18-45882		1	COTTER PIN, REVERSE LOCK LEVER TO ROD
8	63628		1	LEVER, REVERSE LOCK
9	61007		1	RETAINER, ROD - REVERSE LOCK
10	63559		1	BRACKET, TROLL
11	24-63630		1	SPRING, EXTENSION - TROLL BRACKET
12	63554		1	GUIDE, SPRING
13	17-25319		1	ROLL PIN, SPRING GUIDE
14	63553		1	LEVER, CONTROL - TROLL BRACKET
15	13-63631		1	WASHER, WAVE - TROLL BRACKET LEVER
16	66559		1	TUBE, SWIVEL BRACKET TO SADDLE
17	64004		1	CO-PILOT DISC UNITED STATES 3795658 THRU 4605111 AUSTRALIA 8015040 THRU 8044349 BELGIUM 9041439 THRU 9149504 CANADA 7027323 THRU 7093497
	77334		1	CO-PILOT DISC UNITED STATES 4605112 AND UP AUSTRALIA 8044350 AND UP BELGIUM 9149505 AND UP CANADA 7093498 AND UP
18	10-30679		3	SCREW, CO-PILOT DISC TO SADDLE (2 1/4")
19	11-24652		3	NUT, CO-PILOT DISC FASTENING SCREW
20	20203		4	DISC< FRICTION - CLAMP PLATE AND SWIVEL BRACKET
21	63647		1	PLATE, CLAMMP - CO-PILOT UNITED STATES 3795658 THRU 4387436 AUSTRALIA 8015040 THRU 8037874 BELGIUM 9041439 THRU 9113964 CANADA 7027323 THRU 7074272

CONTINUED ON NEXT PAGE ➡

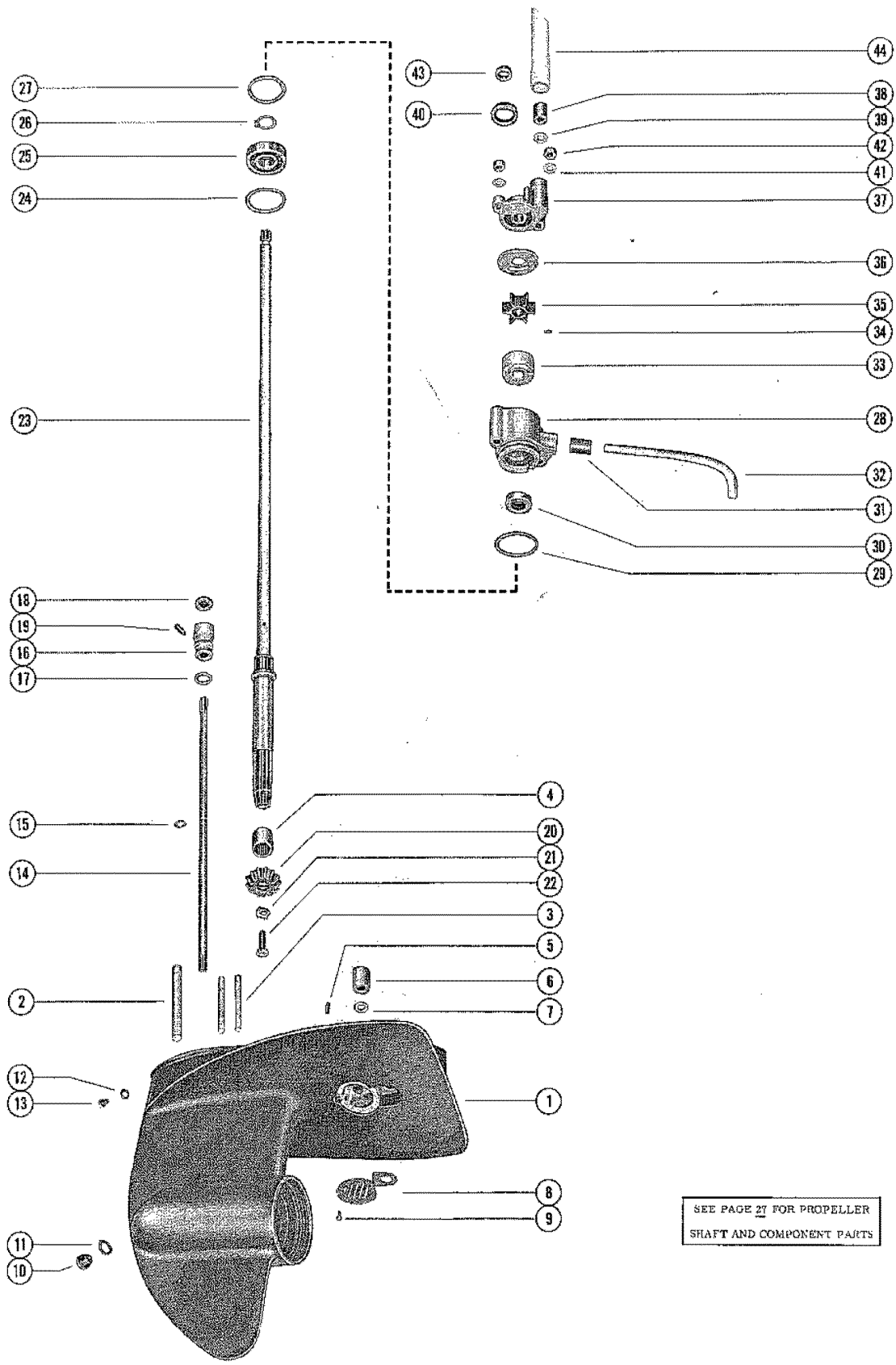
# SWIVEL BRACKET ASSEMBLY



# SWIVEL BRACKET ASSEMBLY

REF. NO.	PART NO.	SYM.	QTY.	DESCRIPTION
22	10-62506		1	SCREW, CLAMP PLATE ADJUSTING (1 5/8") UNITED STATES 3795658 THRU 4387436 AUSTRALIA 8015040 THRU 8037874 BELGIUM 9041439 THRU 9113964 CANADA 7027323 THRU 7074272
21	72845A1		1	PLATE ASSEMBLY, CLAMP - CO-PILOT UNITED STATES 4387437 AND UP AUSTRALIA 8037875 AND UP BELGIUM 9113965 AND UP CANADA 7074273 AND UP
22	10-76081		1	SCREW, CLAMP PLATE ADJUSTING UNITED STATES 4387437 AND UP AUSTRALIA 8037875 AND UP BELGIUM 9113965 AND UP CANADA 7074273 AND UP
23	12-35462		1	WASHER, CLAMP PLATE ADJUSTING SCREW
24	63310A1		1	LEVER ASSEMBLY, TILT STOP
25	10-63311		2	SCREW, TILT STOP LEVER
26	13-31030		1	WASHER, WAVE - LEVER ANCHOR SCREW
27	11-35888		2	NUT, TILT STOP LEVER SCREW
28	10-36398		1	SCREW, SWIVEL BRACKET
29	72794		1	STOP, REVERSE LOCK UNITED STATES 4126460 AND UP AUSTRALIA 8028440 AND UP BELGIUM 9078139 AND UP CANADA 7049108 AND UP
30	10-71056		1	SCREW, REVERSE STOP TO SWIVEL BRACKET UNITED STATES 4126460 AND UP AUSTRALIA 8028440 AND UP BELGIUM 9078139 AND UP CANADA 7049108 AND UP
31	13-26992		1	LOCKWASHER, REVERSE STOP SCREW UNITED STATES 4126460 AND UP AUSTRALIA 8028440 AND UP BELGIUM 9078139 AND UP CANADA 7049108 AND UP
32	12-71055		1	WASHER, REVERSE STOP SCREW UNITED STATES 4126460 AND UP AUSTRALIA 8028440 AND UP BELGIUM 9078139 AND UP CANADA 7049108 AND UP

# GEAR HOUSING ASSEMBLY, COMPLETE



SEE PAGE 27 FOR PROPELLER  
SHAFT AND COMPONENT PARTS

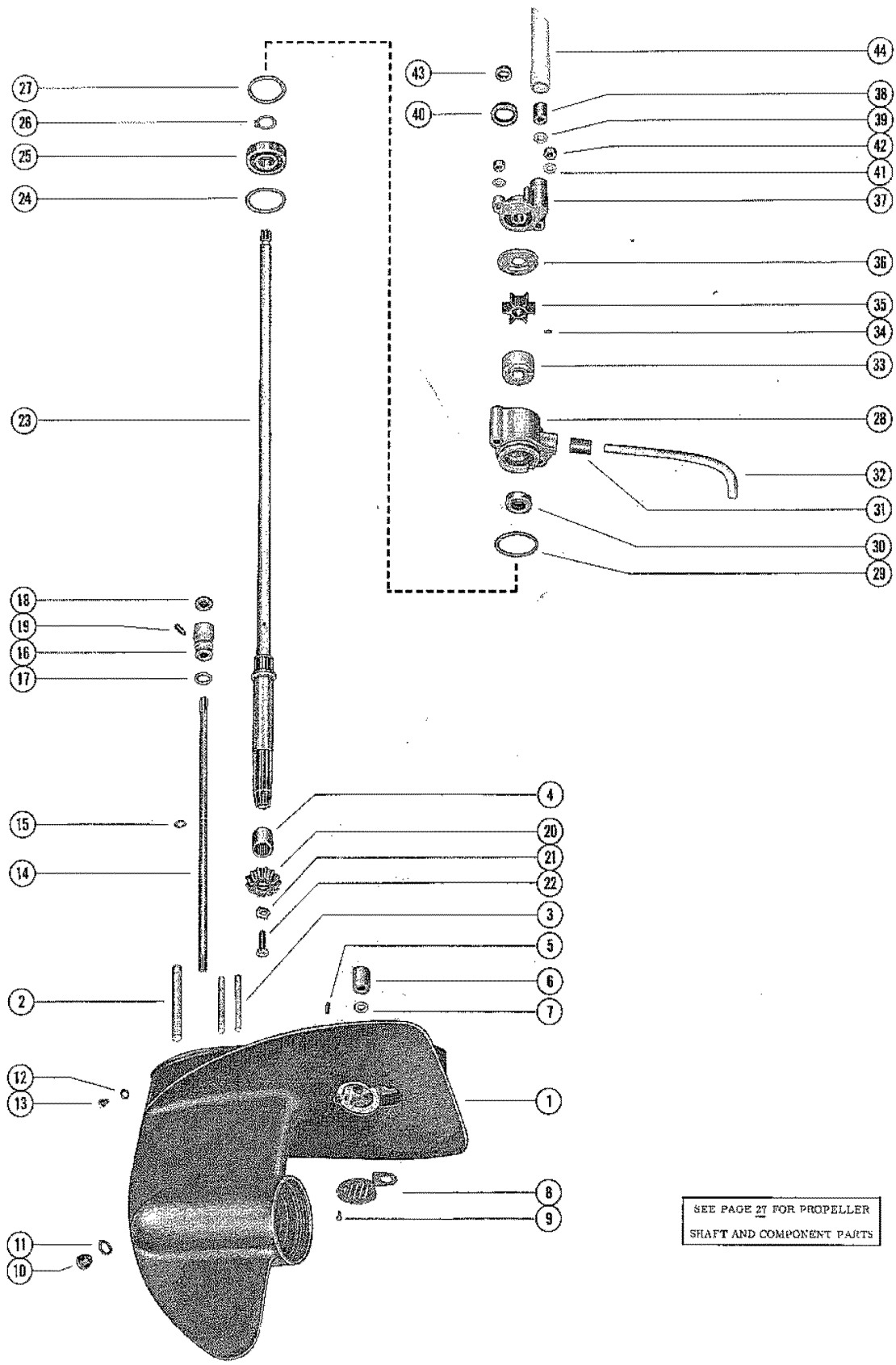


# GEAR HOUSING ASSEMBLY, COMPLETE

REF. NO.	PART NO.	SYM.	QTY.	DESCRIPTION
-	1630-4921A3		1	GEAR HOUSING ASSEMBLY, COMPLETE (SHORT SHAFT) SEE NOTE BELOW UNITED STATES 3795658 THRU 4126459 AUSTRALIA 8015040 THRU 8028439 BELGIUM 9041439 THRU 9078138 CANADA 7027323 THRU 7049107
-	1630-4921A2		1	GEAR HOUSING ASSEMBLY, COMPLETE (LONG SHAFT) SEE NOTE BELOW UNITED STATES 3795658 THRU 4126459 AUSTRALIA 8015040 THRU 8028439 BELGIUM 9041439 THRU 9078138 CANADA 7027323 THRU 7049107
-	1630-4921A6		1	GEAR HOUSING ASSEMBLY, COMPLETE (SHORT SHAFT) SEE NOTE BELOW UNITED STATES 4126460 THRU 4304784 AUSTRALIA 8028440 THRU 8034894 BELGIUM 9078139 THRU 9101513 CANADA 7049108 THRU 7063747
-	1630-4921A25		1	GEAR HOUSING ASSEMBLY, COMPLEGE (LONG SHAFT) SEE NOTE BELOW UNITED STATES 4126460 THRU 4304784 AUSTRALIA 8028440 THRU 8034894 BELGIUM 9078139 THRU 9101513 CANADA 7049108 THRU 7063747
-	1630-5908A6		1	GEAR HOUSING ASSEMBLY, COMPLETE (SHORT SHAFT) SEE NOTE BELOW UNITED STATES 4304785 AND UP AUSTRALIA 8034895 AND UP BELGIUM 9101514 AND UP CANADA 7063748 AND UP
-	1630-5908A7		1	GEAR HOUSING ASSEMBLY, COMPLEGE (LONG SHAFT) SEE NOTE BELOW UNITED STATES 4304785 AND UP AUSTRALIA 8034895 AND UP BELGIUM 9101514 AND UP CANADA 7063748 AND UP
1	1630-4921A1		1	GEAR HOUSING ASSEMBLY UNITED STATES 3795658 THRU 4304784 AUSTRALIA 8015040 THRU 8034894 BELGIUM 9041439 THRU 9101513 CANADA 7027323 THRU 7063747
	1630-5908A5		1	GEAR HOUSING ASSEMBLY UNITED STATES 4304785 AND UP AUSTRALIA 8034895 AND UP BELGIUM 9101514 AND UP CANADA 7063748 AND UP
2	16-58138		1	STUD, GEAR HOUSING TO DRIVE SHAFT HOUSING (3 7/16")
3	16-58136		2	STUD, WATER PUMP HOUSING TO GEAR HOUSING (2 3/4")
4	31-22756		1	GEARING, ROLLER - DRIVE SHAFT
5	17-20032		1	PIN, DOWEL - LOCATING
6	26-33613		1	SEAL, RUBBER - WATER INTAKE TUBE
7	12-36555		1	WASHER, NYLON - INTAKE TUBE SEAL
8	35-33425		1	SCREEN, WATER INTAKE
9	10-28642		1	SCREW, WATER INTAKE SCREEN TO GEAR HOUSING
10	10-28634		1	SCREW, GREASE FILLER HOLE
11	12-20260		1	WASHER, GREASE FILLER HOLE SCREW
12	12-20262		1	WASHER, GREASE VENT HOLE SCREW
13	10-28653		1	SCREW, GREASE VENT HOLE
14	63556A1		1	SHAFT ASSEMBLY, SHIFT (SHORT SHAFT UNITED STATES 3795658 THRU 4126459 AUSTRALIA 8015040 THRU 8028439 BELGIUM 9041439 THRU 9078138 CANADA 7027323 THRU 7049107

CONTINUED ON NEXT PAGE ➡

# GEAR HOUSING ASSEMBLY, COMPLETE



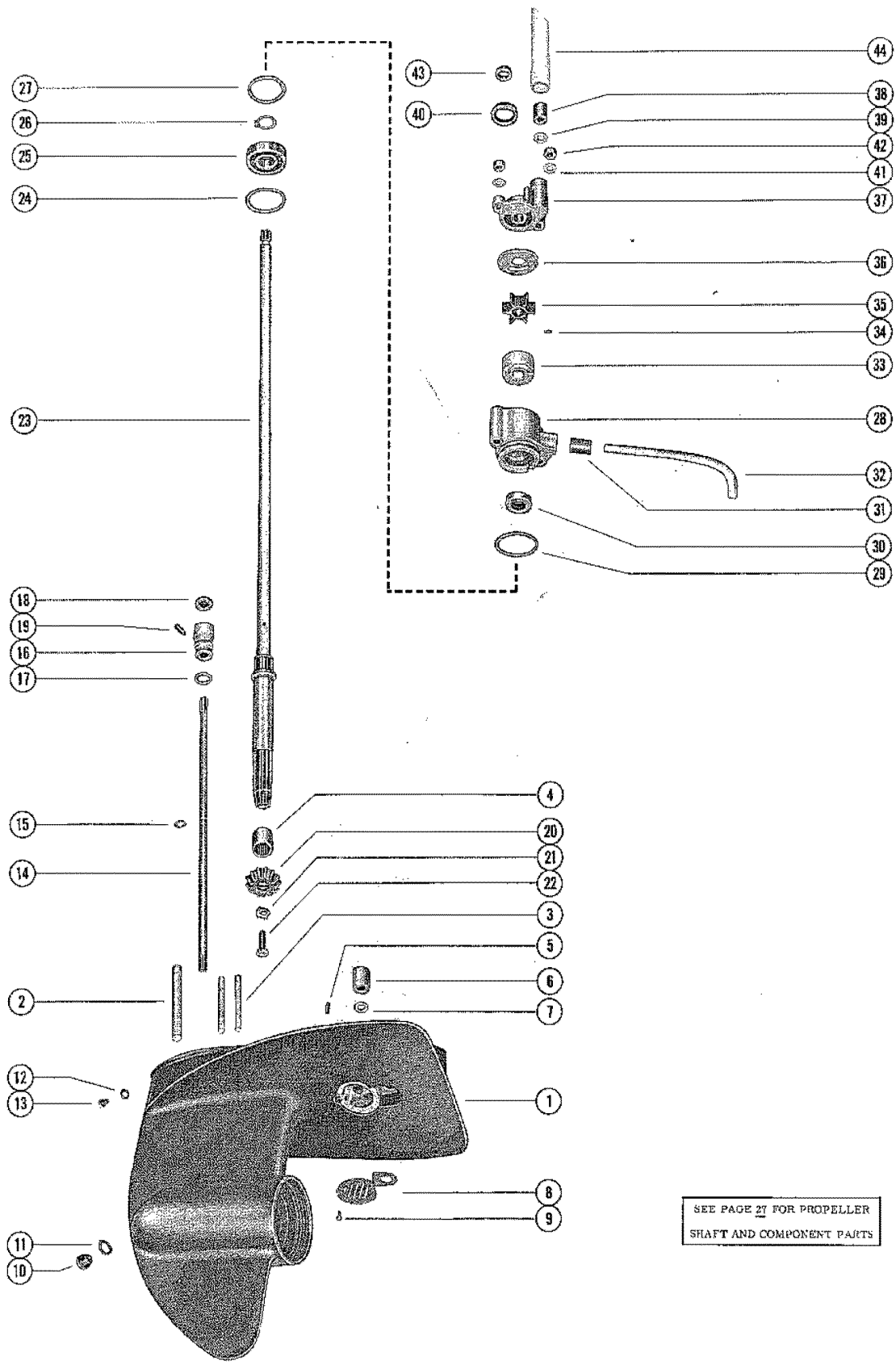
SEE PAGE 27 FOR PROPELLER  
SHAFT AND COMPONENT PARTS

# GEAR HOUSING ASSEMBLY, COMPLETE

REF. NO.	PART NO.	SYM.	QTY.	DESCRIPTION
14	63557A1		1	SHAFT ASSEMBLY, SHIFT (LONG SHAFT) UNITED STATES 3795658 THRU 4126459 AUSTRALIA 8015040 THRU 8028439 BELGIUM 9041439 THRU 9078138 CANADA 7027323 THRU 7049107
	71659A1		1	SHAFT ASSEMBLY, SHIFT (SHORT SHAFT) UNITED STATES 4126460 AND UP AUSTRALIA 8028440 AND UP BELGIUM 9078139 AND UP CANADA 7049108 AND UP
	71658A1		1	SHAFT ASSEMBLY, SHIFT (LONG SHAFT) UNITED STATES 4126460 AND UP AUSTRALIA 8028440 AND UP BELGIUM 9078139 AND UP CANADA 7049108 AND UP
15	53-22899		1	RING, RETAINING - SHIFT SHAFT
16	23-30676A1		1	BUSHING, ASSEMBLY, SHIFT SHAFT
17	25-26802		1	"O" RING, SHAFT SHAFT BUSING
18	26-30696		1	OIL SEAL, SHIFT SHAFT BUSING
19	10-39149		1	SCREW, SHIFT SHAFT BUSING RETAINER
20	43-48579		1	GEAR, PINION
21	14-30377		1	TAB WASHER, PINION GEAR TO DRIVE SHAFT SCREW
22	10-30376		1	SCREW, PINION GEART TO DRIVE SHAFT
23	45-64257		1	DRIVE SHAFT (SHORT SHAFT) UNITED STATES 3795658 THRU 4126459 AUSTRALIA 8015040 THRU 8028439 BELGIUM 9041439 THRU 9078138 CANADA 7027323 THRU 7049107
	45-64258		1	DRIVE SHAFT (LONG SHAFT) UNITED STATES 3795658 THRU 4126459 AUSTRALIA 8015040 THRU 8028439 BELGIUM 9041439 THRU 9078138 CANADA 7027323 THRU 7049107
	45-74851		1	DRIVE SHAFT (SHORT SHAFT) UNITED STATES 4126460 AND UP AUSTRALIA 8028440 AND UP BELGIUM 9078139 AND UP CANADA 7049108 AND UP
	45-74850		1	DRIVE SHAFT (LONG SHAFT) UNITED STATES 4126460 AND UP AUSTRALIA 8028440 AND UP BELGIUM 9078139 AND UP CANADA 7049108 AND UP
24	15-30527A1		AR	SHIM ASSEMBLY, BALL BEARING TO GEAR HOUSING (.002-3-5-10)
25	30-33076		1	BEARING, BALL - DRIVE SHAFT UNITED STATES 3795658 THRU 4126459 AUSTRALIA 8015040 THRU 8028439 BELGIUM 9041439 THRU 9078138 CANADA 7027323 THRU 7049107
	30-70944		1	BEARING, BALL - DRIVE SHAFT UNITED STATES 4126460 AND UP AUSTRALIA 8028440 AND UP BELGIUM 9078139 AND UP CANADA 7049108 AND UP
26	53-30523		1	RING, RETAINING - BALL BEARING TO DRIVE SHAFT
27	15-30527A1		AR	SHIM ASSEMBLY, BALL BEARING TO GEAR HOUSING (.002-3-5-10)
28	46-46893A3		1	WATER PUMP HOUSING ASSEMBLY UNITED STATES 3795658 THRU 4126459 AUSTRALIA 8015040 THRU 8028439 BELGIUM 9041439 THRU 9078138 CANADA 7027323 THRU 7049107
	46-70941A1		1	WATER PUMP HOUSING ASSEMBLY UNITED STATES 4126460 AND UP AUSTRALIA 8028440 AND UP BELGIUM 9078139 AND UP CANADA 7049108 AND UP

CONTINUED ON NEXT PAGE ➡

# GEAR HOUSING ASSEMBLY, COMPLETE

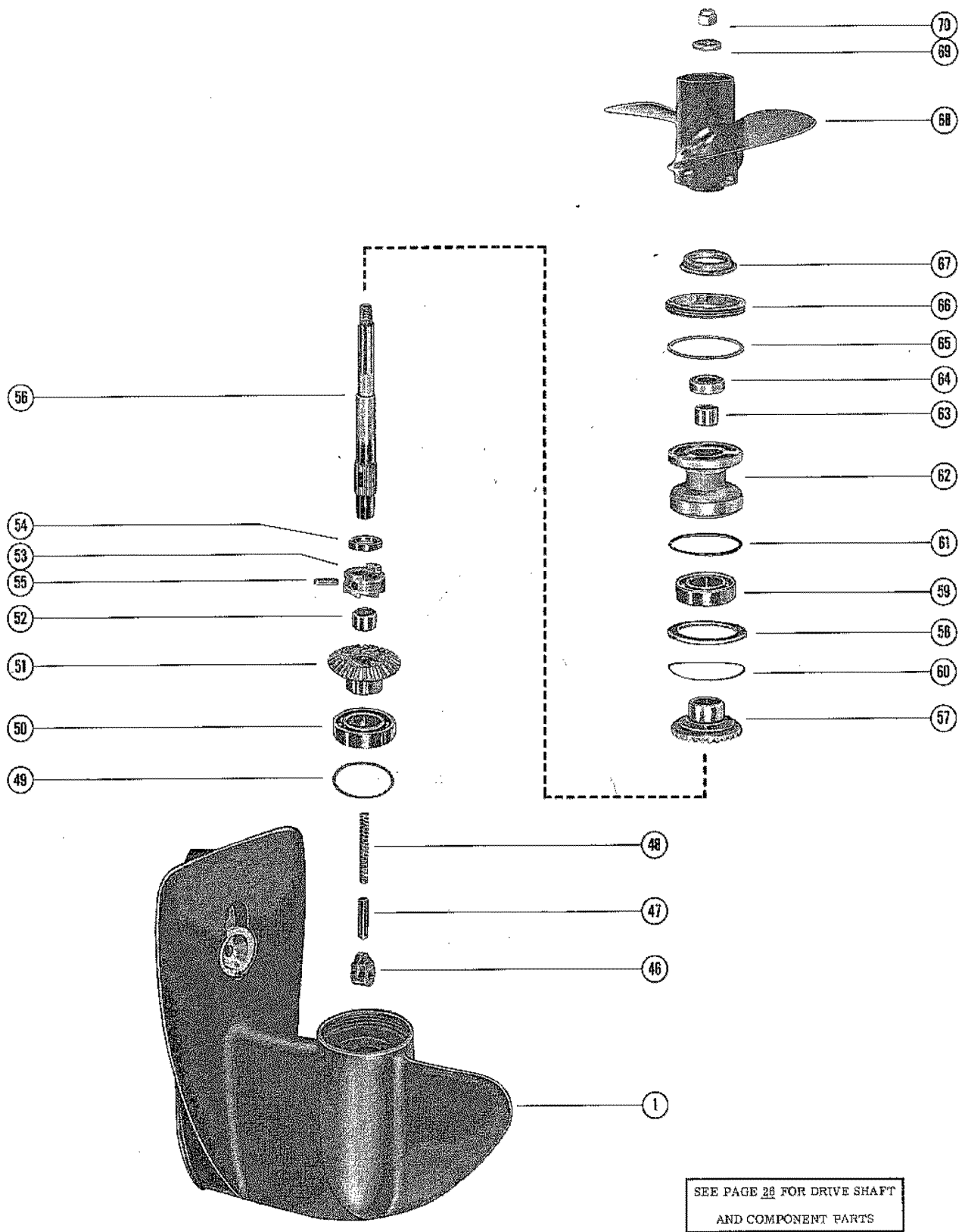


SEE PAGE 27 FOR PROPELLER  
SHAFT AND COMPONENT PARTS

## GEAR HOUSING ASSEMBLY, COMPLETE

REF. NO.	PART NO.	SYM.	QTY.	DESCRIPTION
29	25-29439		1	"O" RING, WATER PUMP HOUSING
30	26-30900		1	OIL SEAL, WATER PUMP HOUSING
31	26-33613		1	SEAL, WATER INTAKE TUBE
32	32-34293		1	TUBE, WATER INTAKE
33	70977		1	INSERT, WATER PUMP HOUSING
34	28-56655		1	KEY, IMPELLER DRIVE
35	47-65957		1	IMPELLER, WATER PUMP
36	46895		1	PLATE, FACE - WATER PUMP HOUSING TO WATER PUMP COVER
37	46896A1		1	WATER PUMP COVER ASSEMBLY
38	26-36558		1	SEAL, WATER PUMP COVER
39	12-36554		1	WASHER, NYLON - WATER PUMP COVER
40	26-30913		1	OIL SEAL, WATER PUMP COVER
41	12-20533		2	WASHER, WATER PUMP HOUSING AND COVER STUDS
42	11-35888		2	NUT, WATER PUMP HOUSING AND COVER STUDS
43	25-30526		1	RINGG, RUBBER - CENTRIFUGAL SLINGER (DRIVE SHAFT)
44	23-31792		1	SLEEVE, GUIDE - WATER INLET TUBE

# GEAR HOUSING ASSEMBLY



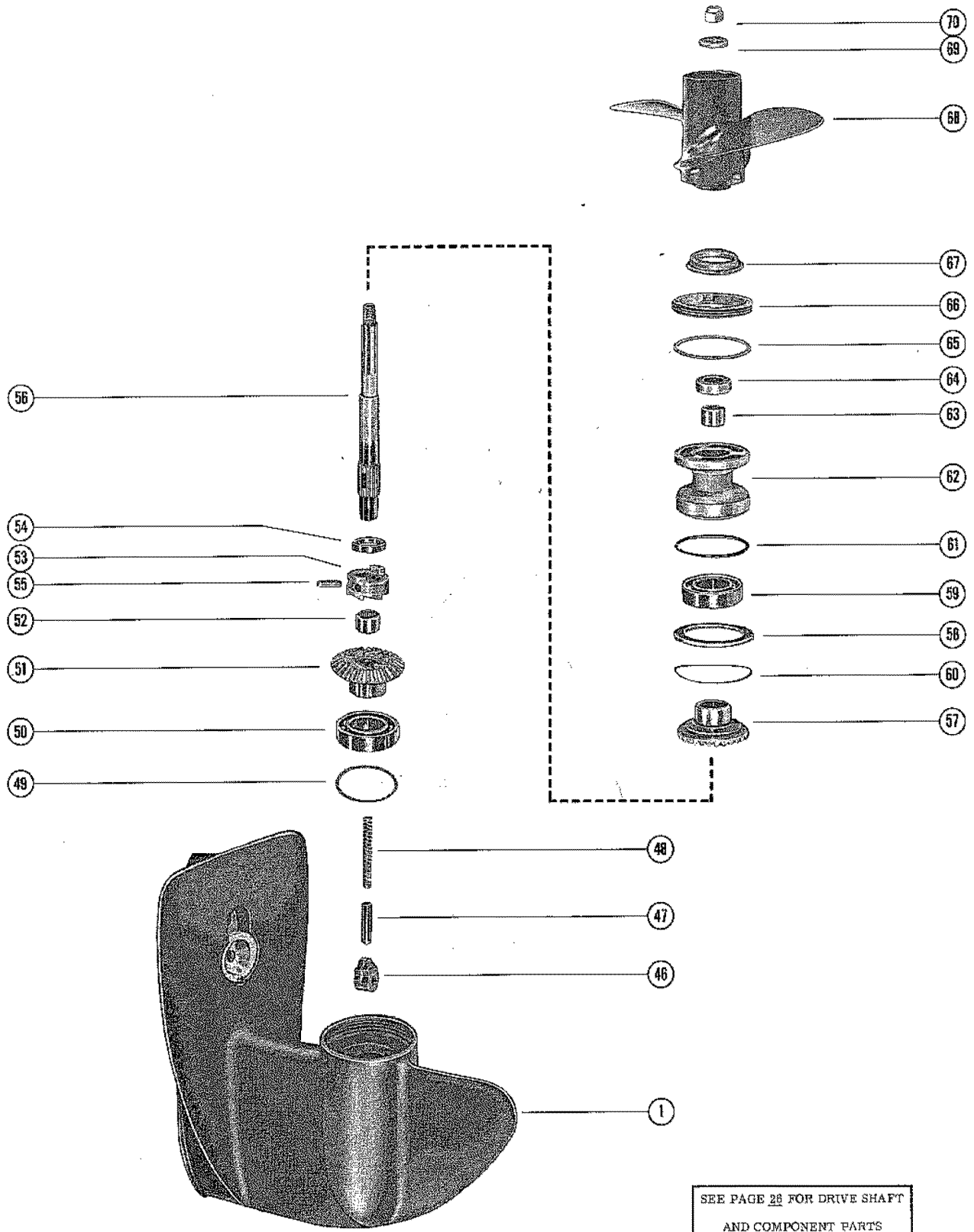
SEE PAGE 28 FOR DRIVE SHAFT  
AND COMPONENT PARTS

# GEAR HOUSING ASSEMBLY

REF. NO.	PART NO.	SYM.	QTY.	DESCRIPTION
-	1630-4921A3		1	GEAR HOUSING ASSEMBLY, COMPLETE (SHORT SHAFT) UNITED STATES 3795658 THRU 4126459 AUSTRALIA 8015040 THRU 8028439 BELGIUM 9041439 THRU 9078138 CANADA 7027323 THRU 7049107
-	1630-4921A2		1	GEAR HOUSING ASSEMBLY, COMPLETE (LONG SHAFT) UNITED STATES 3795658 THRU 4126459 AUSTRALIA 8015040 THRU 8028439 BELGIUM 9041439 THRU 9078138 CANADA 7027323 THRU 7049107
-	1630-4921A24		1	GEAR HOUSING ASSEMBLY, COMPLETE (SHORT SHAFT) UNITED STATES 4126460 THRU 4304784 AUSTRALIA 8028440 THRU 8034894 BELGIUM 9078139 THRU 9101513 CANADA 7049108 THRU 7063747
-	1630-4921A25		1	GEAR HOUSING ASSEMBLY, COMPLETE (LONG SHAFT) UNITED STATES 4126460 THRU 4304784 AUSTRALIA 8028440 THRU 8034894 BELGIUM 9078139 THRU 9101513 CANADA 7049108 THRU 7063747
-	1630-5908A6		1	GEAR HOUSING ASSEMBLY, COMPLETE (SHORT SHAFT) UNITED STATES 4304785 AND UP AUSTRALIA 8034895 AND UP BELGIUM 9101514 AND UP CANADA 7063748 AND UP
-	1630-5908A7		1	GEAR HOUSING ASSEMBLY, COMPLETE (LONG SHAFT) UNITED STATES 4304785 AND UP AUSTRALIA 8034895 AND UP BELGIUM 9101514 AND UP CANADA 7063748 AND UP
1	1630-4921A1		1	GEAR HOUSING ASSEMBLY UNITED STATES 3795658 THRU 4304784 AUSTRALIA 8015040 THRU 8034894 BELGIUM 9041439 THRU 9101513 CANADA 7027323 THRU 7063747
	1630-5908A5		1	GEAR HOUSING ASSEMBLY UNITED STATES 4304785 AND UP AUSTRALIA 8034895 AND UP BELGIUM 9101514 AND UP CANADA 7063748 AND UP
46	58981		1	CAM, SHIFT
47	31334		1	FOLLOWER, SHIFT CAM
48	24-31333		1	SPRING, COMPRESSION - CAM FOLLOWER UNITED STATES 3795658 THRU 4605111 AUSTRALIA 8015040 THRU 8044349 BELGIUM 9041439 THRU 9149504 CANADA 7027323 THRU 7093497
	24-76298		1	SPRING, COMPRESSION - CAM FOLLOWER UNITED STATES 4605112 AND UP AUSTRALIA 8044350 AND UP BELGIUM 9149505 AND UP CANADA 7093498 AND UP
49	15-30522A1		AR	SHIM ASSEMBLY, BALL BEARING TO HOUSING (.002-3-5- 10)
50	30-21889		1	BEARING, BALL - FORWARD GEAR
51	43-48577		1	FORWARD GEAR ASSEMBLY
52	31-22458		1	BEARING, ROLLER - FORWARD GEAR
53	52-63314		1	RACHET, SLIDING CLUTCH
54	53-32449		1	RING, RETAINING - CROSS PIN
55	17-30535		1	PIN, CROSS - RATCHET TO PROPELLER SHAFT
56	44-65440A2		1	SHAFT ASSEMBLY, PROPELLER UNITED STATES 3795658 THRU 4605111 AUSTRALIA 8015040 THRU 8044349 BELGIUM 9041439 THRU 9149504 CANADA 7027323 THRU 7093497

CONTINUED ON NEXT PAGE ➡

# GEAR HOUSING ASSEMBLY



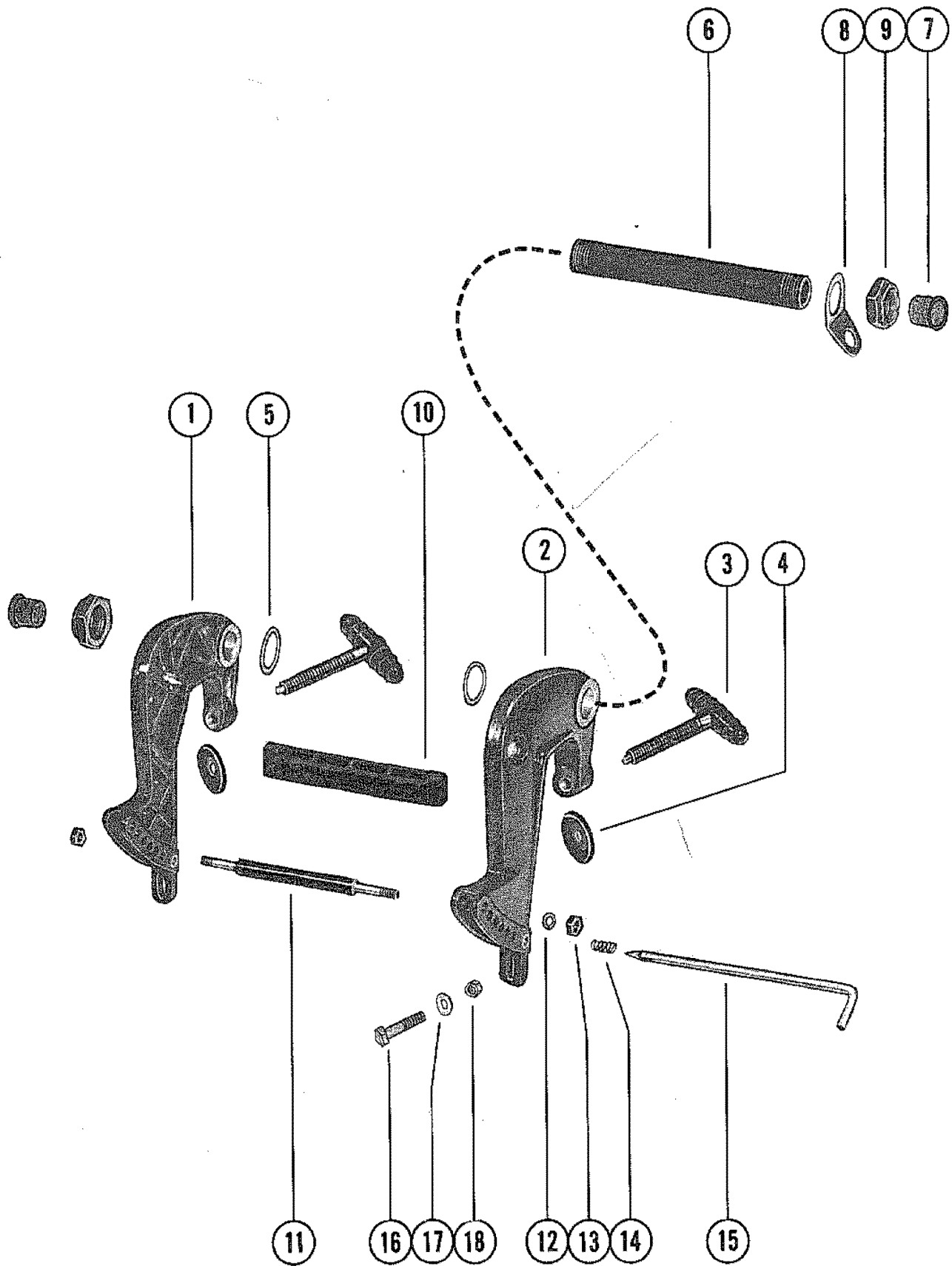
SEE PAGE 28 FOR DRIVE SHAFT  
AND COMPONENT PARTS



# GEAR HOUSING ASSEMBLY

REF. NO.	PART NO.	SYM.	QTY.	DESCRIPTION
56	44-75667A2		1	SHAFT ASSEMBLY, PROPELLER UNITED STATES 4605112 AND UP AUSTRALIA 8044350 AND UP BELGIUM 9149505 AND UP CANADA 7093498 AND UP
57	43-63316		1	REVERSE GEAR ASSEMBLY
58	12-30531		1	WASHER, THRUST - REVERSE GEAR UNITED STATES 3795658 THRU 4304784 AUSTRALIA 8015040 THRU 8034894 BELGIUM 9041439 THRU 9101513 CANADA 7027323 THRU 7063747
	71479		1	SLEEVE, THRUST - REVERSE UNITED STATES 4304785 AND UP AUSTRALIA 8034895 AND UP BELGIUM 9101514 AND UP CANADA 7063748 AND UP
59	30-21889		1	BEARING, BALL - RESERVE GEAR
60	15-30532A1		AR	SHIM ASSEMBLY, THRUST WASHER TO HOUSING (.002-3-5-10)
61	25-30529		1	"O" RING, BEARING CARRIER
62	63317A3		1	BEARING CARRIER ASSEMBLY UNITED STATES 3795658 THRU 4304784 AUSTRALIA 8015040 THRU 8034894 BELGIUM 9041439 THRU 9101513 CANADA 7027323 THRU 7063747
	72673A1		1	BEARING CARRIER ASSEMBLY UNITED STATES 4304785 AND UP AUSTRALIA 8034895 AND UP BELGIUM 9101514 AND UP CANADA 7063748 AND UP
63	31-22458		1	BEARING, ROLLER - BEARING CARRIER
64	26-66022		1	OIL SEAL, BEARING CARRIER
65	12-30528		1	WASHER, GEAR HOUSING COVER UNITED STATES 3795658 THRU 4304784 AUSTRALIA 8015040 THRU 8034894 BELGIUM 9041439 THRU 9101513 CANADA 7027323 THRU 7063747
66	30537		1	COVER, GEAR HOUSING UNITED STATES 3795658 THRU 4304784 AUSTRALIA 8015040 THRU 8034894 BELGIUM 9041439 THRU 9101513 CANADA 7027323 THRU 7063747
	72671		1	COVER, GEAR HOUSING UNITED STATES 4304785 AND UP AUSTRALIA 8034895 AND UP BELGIUM 9101514 AND UP CANADA 7063748 AND UP
67	75023		1	CO>>AR, PROPELLER GUIDE
68	48-47922A1		1	PROPELLER ASSEMBLY (SHIPPED WITH ENGINE FOR FACTORY)
	48-47926A1		OPT.	PROPELLER ASS'Y, 9" DIA., 10" PITCH, 2 BLADES (ALUMINUM)
	48-47670A1		OPT.	PROPELLER ASS'Y, 8 3/4" DIA., 7" PITCH, 3 BLADES (ALUMINUM)
	48-65012A1		OPT.	PROPELLER ASS'Y, 8 3/4" DIA., 7" PITCH, 3 BLADES (NYLON)
-	<b>66606</b>		<b>1</b>	<b>THRUST HUB (USED WITH NYLON PROP ONLY)</b>
69	23-65439		1	SPACER, PROPELLER SHAFT (PART FOR PROPELLER SHAFT ASSEMBLY)
70	11-64075		1	NUT, PROPELLER

# CLAMP BRACKET ASSEMBLY

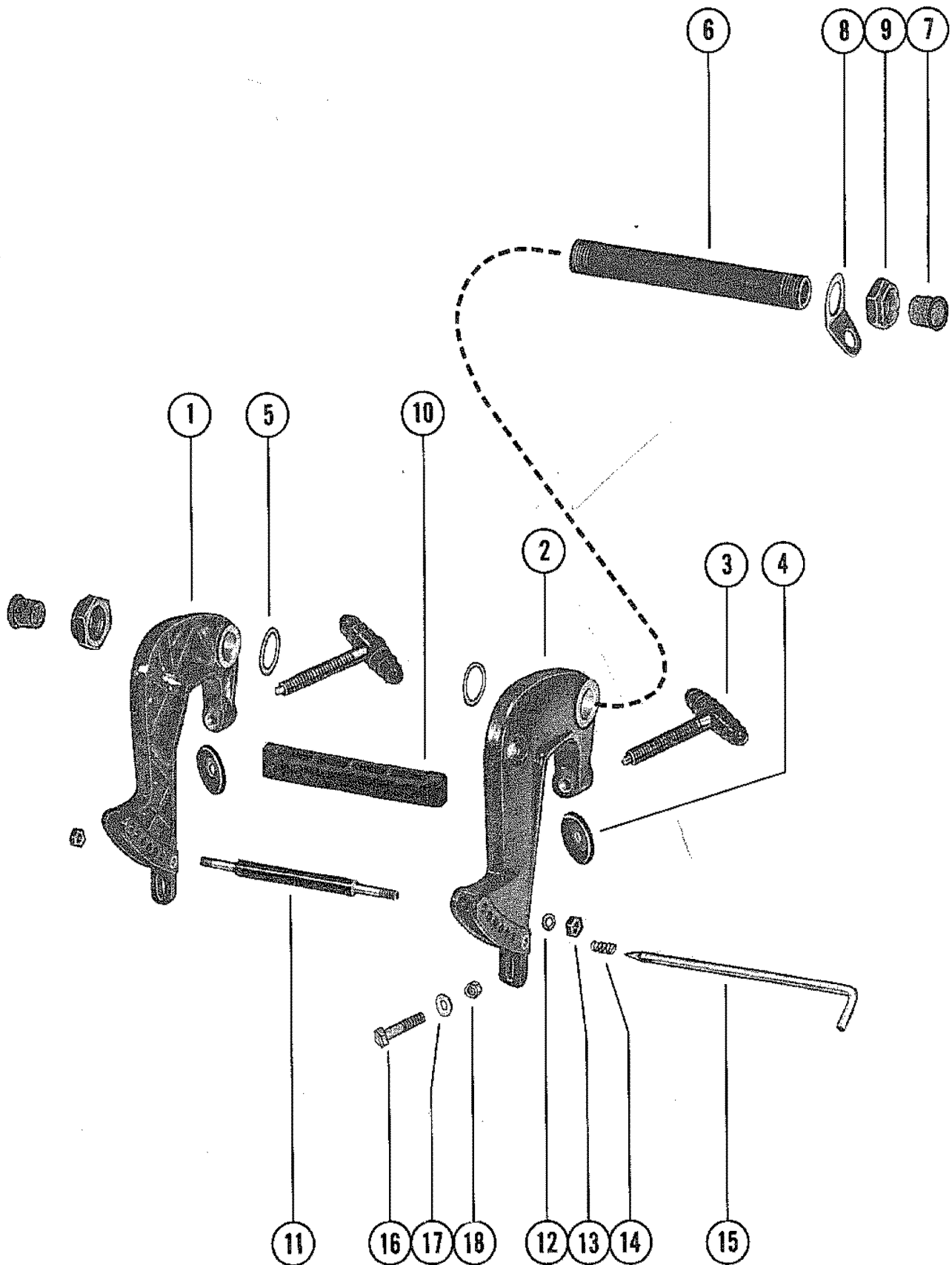


# CLAMP BRACKET ASSEMBLY

REF. NO.	PART NO.	SYM.	QTY.	DESCRIPTION
1	1468-5407A1		1	CLAMP BRACKET ASSEMBLY (PORT) UNITED STATES 3795658 THRU 4126459 AUSTRALIA 8015040 THRU 8028439 BELGIUM 9041439 THRU 9078138 CANADA 7027323 THRU 7049107
2	1467-5406A1		1	CLAMP BRACKET ASSEMBLY (STARBOARD) UNITED STATES 3795658 THRU 4126459 AUSTRALIA 8015040 THRU 8028439 BELGIUM 9041439 THRU 9078138 CANADA 7027323 THRU 7049107
3	59170A3		2	THUMB SCREW ASSEMBLY UNITED STATES 3795658 THRU 4126459 AUSTRALIA 8015040 THRU 8028439 BELGIUM 9041439 THRU 9078138 CANADA 7027323 THRU 7049107
4	12-20214		2	WASHER, TUMB SCREW UNITED STATES 3795658 THRU 4126459 AUSTRALIA 8015040 THRU 8028439 BELGIUM 9041439 THRU 9078138 CANADA 7027323 THRU 7049107
1	1468-5570A1		1	CLAMP BRACKET ASSEMBLY (PORT) UNITED STATES 4126460 THRU 4304784 AUSTRALIA 8028440 THRU 8034894 BELGIUM 9078139 THRU 9101513 CANADA 7049108 THRU 7063747
2	1467-5571A1		1	CLAMP BRACKET ASSEMBLY (STARBOARD) UNITED STATES 4126460 THRU 4304784 AUSTRALIA 8028440 THRU 8034894 BELGIUM 9078139 THRU 9101513 CANADA 7049108 THRU 7063747
3	69157A3		2	THUMB SCREW ASSEMBLY UNITED STATES 4126460 THRU 4304784 AUSTRALIA 8028440 THRU 8034894 BELGIUM 9078139 THRU 9101513 CANADA 7049108 THRU 7063747
4	12-20214		2	WASHER, THUMB SCREW UNITED STATES 4126460 THRU 4304784 AUSTRALIA 8028440 THRU 8034894 BELGIUM 9078139 THRU 9101513 CANADA 7049108 THRU 7063747
1	1468-5570A2		1	CLAMP BRACKET ASSEMBLY (PORT) UNITED STATES 4304785 AND UP AUSTRALIA 8034895 AND UP BELGIUM 9101514 AND UP CANADA 7063748 AND UP
2	1467-5571A2		1	CLAMP BRACKET ASSEMBLY (STARBOARD) UNITED STATES 4304785 AND UP AUSTRALIA 8034895 AND UP BELGIUM 9101514 AND UP CANADA 7063748 AND UP
3	74159A3		2	THUMB SCREW ASSEMBLY UNITED STATES 4304785 AND UP AUSTRALIA 8034895 AND UP BELGIUM 9101514 AND UP CANADA 7063748 AND UP
5	12-52864		2	WASHER, TILT TUBE - CLAMP TO SWIVEL BRACKET UNITED STATES 3795658 THRU 4304784 AUSTRALIA 8015040 THRU 8034894 BELGIUM 9041439 THRU 9101513 CANADA 7027323 THRU 7063747
6	45757		1	TILT TUBE, CLAMP TO SWIVEL BRACKET UNITED STATES 3795658 THRU 4304784 AUSTRALIA 8015040 THRU 8034894 BELGIUM 9041439 THRU 9101513 CANADA 7027323 THRU 7063747
5	12-71421		2	WASHER, TILT TUBE - CLAMP TO SWIVEL BRACKET UNITED STATES 4304785 AND UP AUSTRALIA 8034895 AND UP BELGIUM 9101514 AND UP CANADA 7063748 AND UP

CONTINUED ON NEXT PAGE ➡

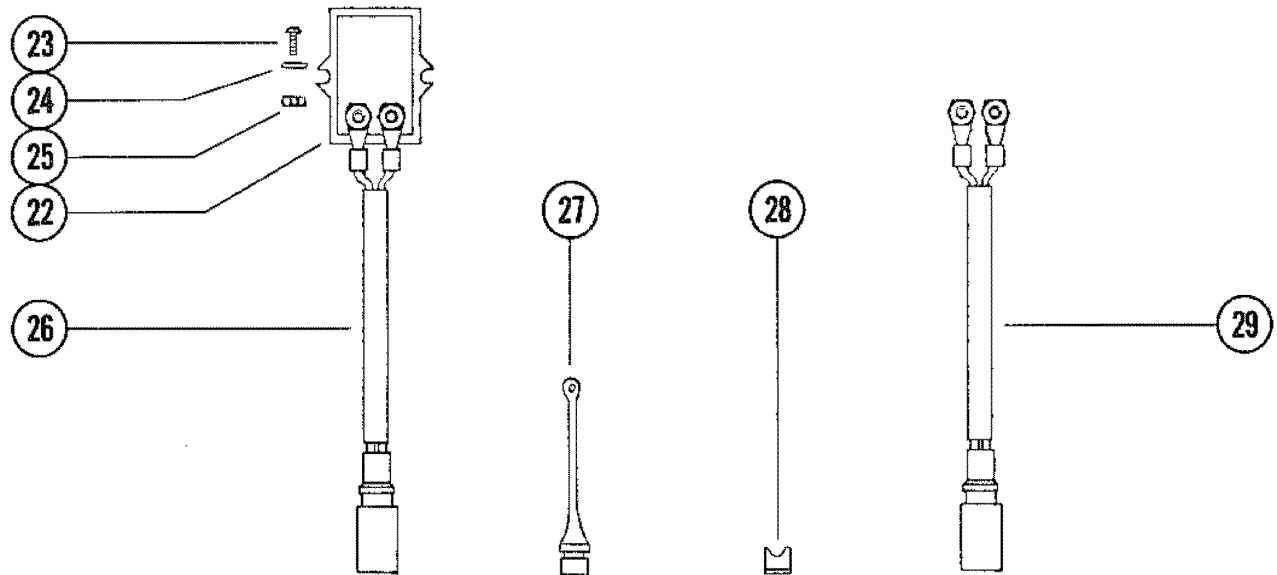
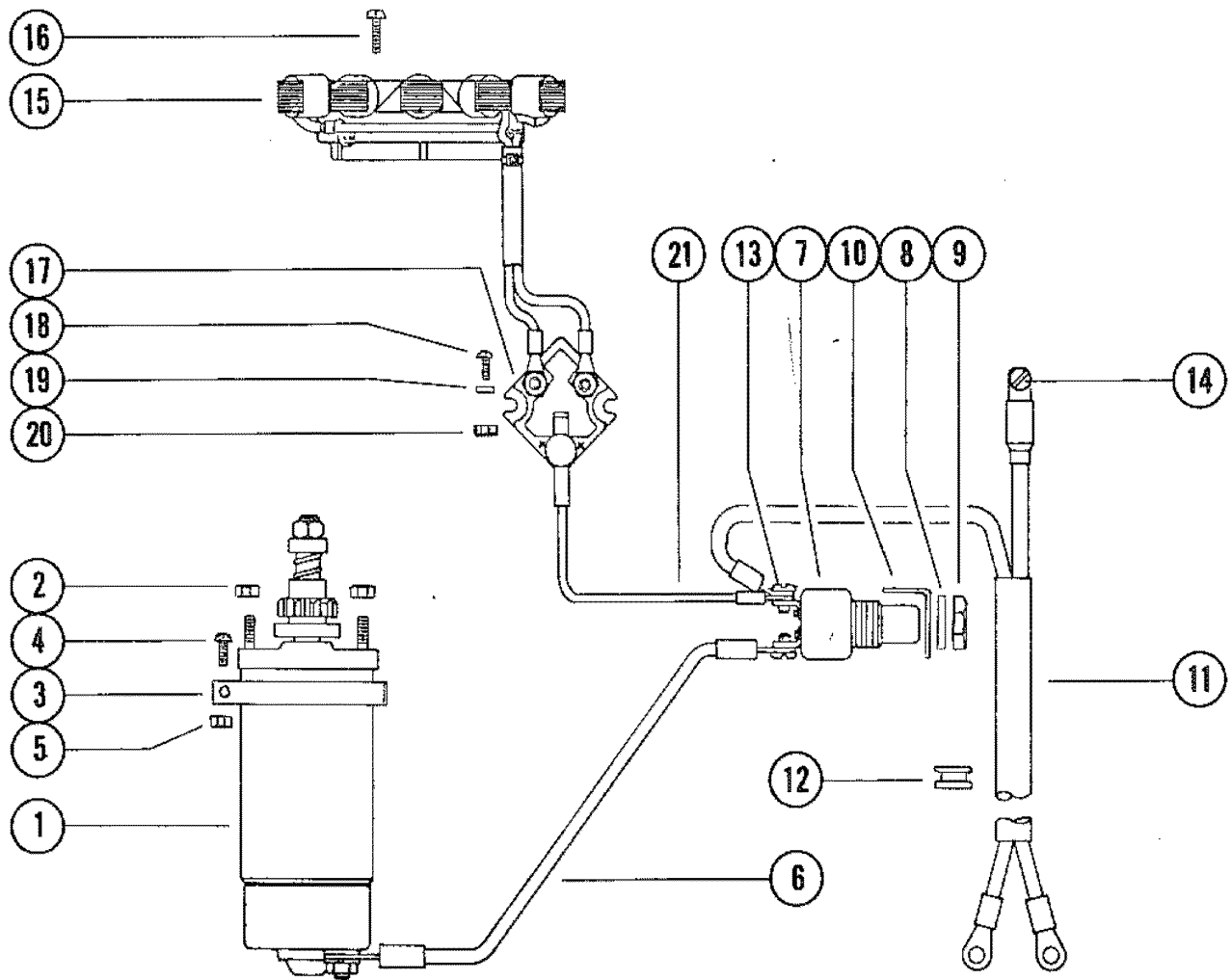
# CLAMP BRACKET ASSEMBLY



# CLAMP BRACKET ASSEMBLY

REF. NO.	PART NO.	SYM.	QTY.	DESCRIPTION
6	74250		1	TILT TUBE, CLAMP TO SWIVEL BRACKET UNITED STATES 4304785 AND UP AUSTRALIA 8034895 AND UP BELGIUM 9101514 AND UP CANADA 7063748 AND UP
7	19-39333		2	PLUB, TILT TUBE UNITED STATES 4304785 AND UP AUSTRALIA 8034895 AND UP BELGIUM 9101514 AND UP CANADA 7063748 AND UP
8	54-30954		1	CLIP, SAFETY CHAIN - TILT TUBE
9	11-56041		2	NUT, TILT TUBE FASTENING
10	65475		1	HANDLE, CARRING UNITED STATES 3795658 THRU 4304784 AUSTRALIA 8015040 THRU 8034894 BELGIUM 9041439 THRU 9101513 CANADA 7027323 THRU 7063747
11	16-59622		1	STUD, CLAMP BRACKET UNITED STATES 3795658 THRU 4304784 AUSTRALIA 8015040 THRU 8034894 BELGIUM 9041439 THRU 9101513 CANADA 7027323 THRU 7063747
10	71420		1	HANDLE, CARRING UNITED STATES 4304785 AND UP AUSTRALIA 8034895 AND UP BELGIUM 9101514 AND UP CANADA 7063748 AND UP
11	16-71417		1	STUD, CLAMP BRACKET UNITED STATES 4304785 AND UP AUSTRALIA 8034895 AND UP BELGIUM 9101514 AND UP CANADA 7063748 AND UP
12	13-26992		2	LOCKWASHER, CLAMP BRACKET STUD
13	11-29598		2	NUT, CLAMP BRACKET STUD
14	24-62143		1	SPRING, TILT LOCK PIN
15	17-55952A1		1	TILT LOCK PIN ASSEMBLY UNITED STATES 3795658 THRU 4304784 AUSTRALIA 8015040 THRU 8034894 BELGIUM 9041439 THRU 9101513 CANADA 7027323 THRU 7063747
	17-71418A2		1	TILT LOCK PIN ASSEMBLY UNITED STATES 4304785 AND UP AUSTRALIA 8034895 AND UP BELGIUM 9101514 AND UP CANADA 7063748 AND UP
16	10-67982		2	BOLT, CLAMP BRACKET TO BOAT
17	12-67983		2	WASHER, CLAMP BRACKET SCREW
18	11-56374		2	NUT, CLAMP BRACKET SCREW

# ELECTRIC COMPONENTS

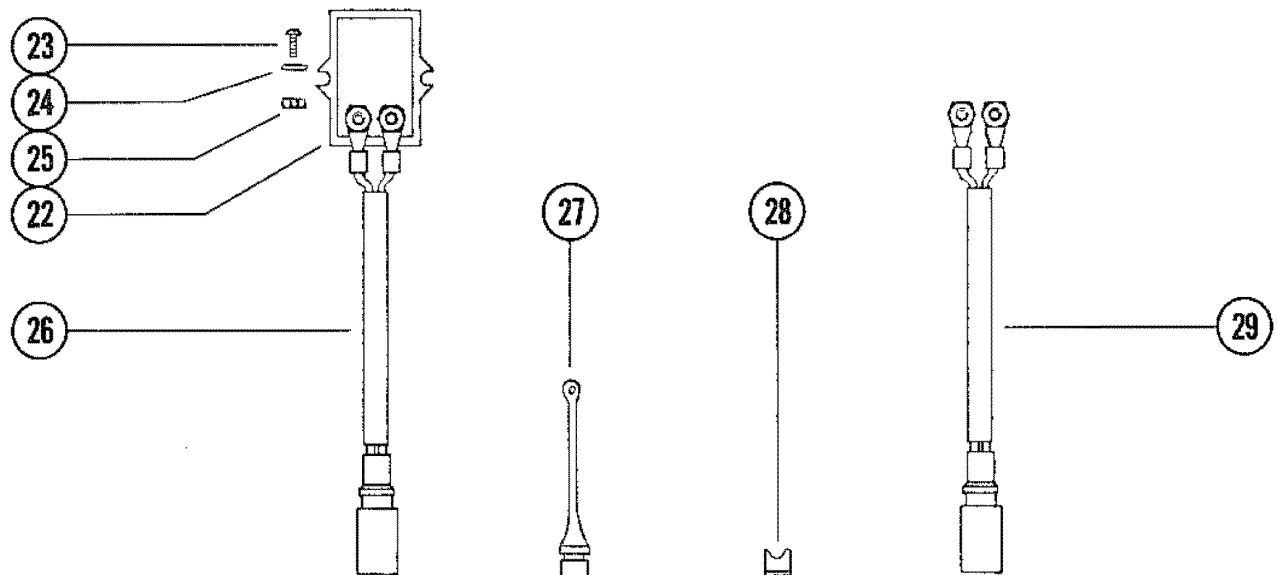
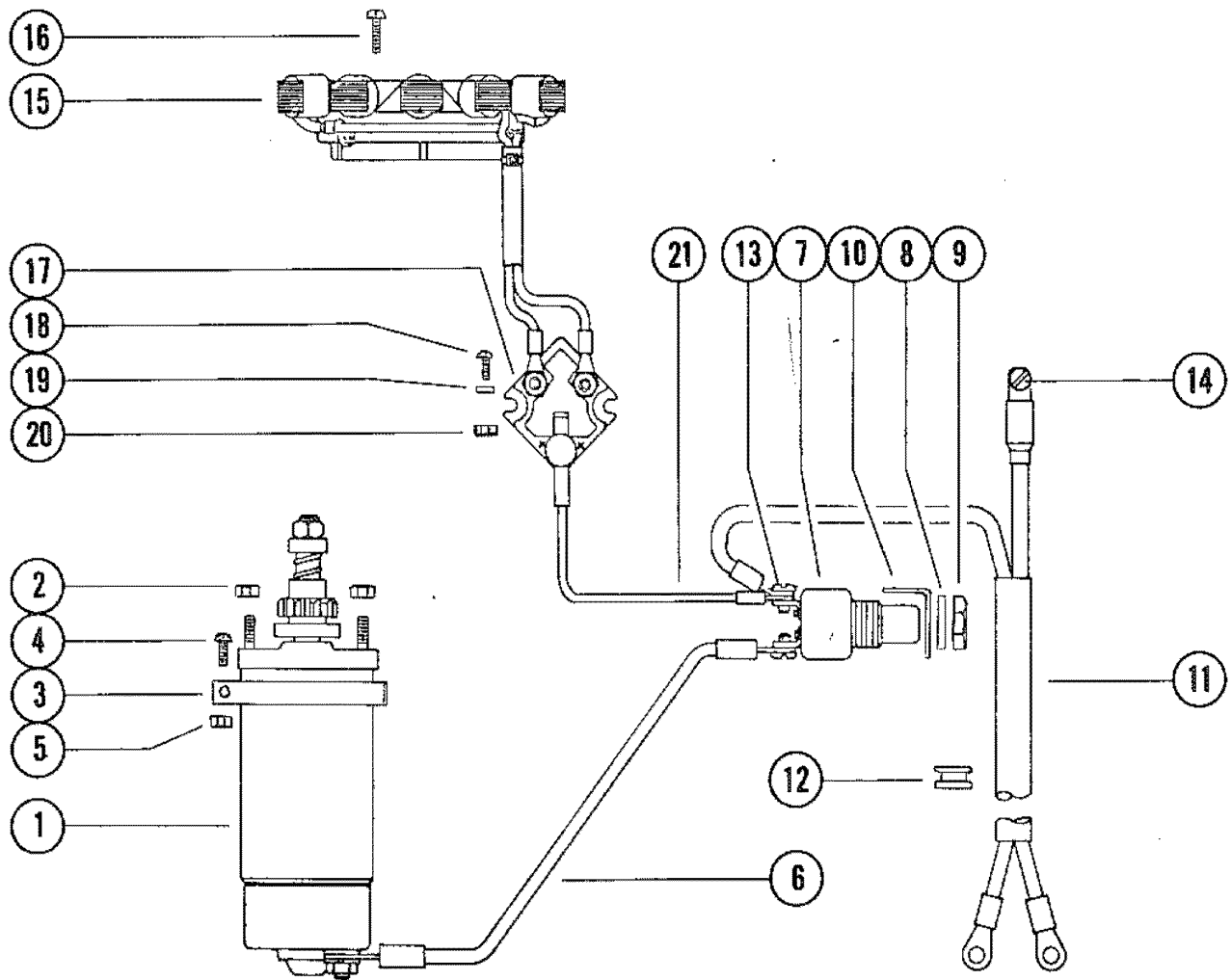


# ELECTRIC COMPONENTS

REF. NO.	PART NO.	SYM.	QTY.	DESCRIPTION
1	50-73531		1	STARTER MOTOR
2	11-20361		2	NUT, STARTER MOTOR STUD
3	54-47993		1	CLAMP, STARTER MOTOR ATTACHING
4	10-34615		1	SCREW, STARTER MOTOR CLAMP (1")
5	11-20088		1	NUT, CLAMP SCREW
6	84-73539A1		1	WIRE ASSEMBLY, STARTING SWITCH (YELLOW) <b>UNITED STATES 3795658 THRU 4605111 AUSTRALIA 8015040 THRU 8044349 BELGIUM 9041439 THRU 9149504 CANADA 7027323 THRU 7093497</b>
	84-76741A1		1	WIRE ASSEMBLY, START SWITCH (YELLOW) <b>UNITED STATES 4605112 AND UP AUSTRALIA 8044350 AND UP BELGIUM 9149505 AND UP CANADA 7093498 AND UP</b>
7	87-73883		1	SWITCH, STARTING
8	12-30516		1	WASHER, STARTING SWITCH
9	11-74394		1	NUT, STARTING SWITCH
10	74515		1	PROTECTOR, STARTING SWITCH
11	84-73573		1	CABLE, BATTERY
12	25-74444		1	GROMMET, BATTERY CABLE
13	10-45742		1	SCREW, BATTERY CABLE ATTACHING (5/16")
14	10-20031		1	SCREW, BATTERY CABLE ATTACHING (7/8")
15	74367A2		1	LIGHTING STATOR ASSEMBLY <b>UNITED STATES 3795658 THRU 4605111 AUSTRALIA 8015040 THRU 8044349 BELGIUM 9041439 THRU 9149504 CANADA 7027323 THRU 7093497</b>
	74367A8		1	LIGHTING STATOR ASSEMBLY <b>UNITED STATES 4605112 AND UP AUSTRALIA 8044350 AND UP BELGIUM 9149505 AND UP CANADA 7093498 AND UP</b>
16	10-73696		2	SCREW, LIGHTING STATOR ATTACHING (1 5/8")
17	62351A2		1	RECTIFIER ASSEMBLY
18	10-48408		2	SCREW, RECTIFIER TO MANIFOLD COVER (1/2")
19	23-62769		2	SPACER, RECTIFIER SCREW
20	11-45076		3	NUT, RECTIFIER TERMINAL
21	84-61393A6		1	WIRE ASSEMBLY, RECTIFIER TO STARTING SWITCH (RED)
22	75076		1	VOLTAGE REGULATOR <b>BELGIUM 9113965 AND UP</b>
23	10-74841		2	SCREW, VOLTAGE REGULATOR TO MANIFOLD COVER (1") <b>BELGIUM 9113965 AND UP</b>
24	23-62769		2	SPACER, VOLTAGE REGULATOR SCREW <b>BELGIUM 9113965 AND UP</b>
25	11-45076		3	NUT, VOLTAGE REGULATOR TERMINAL <b>BELGIUM 9113965 AND UP</b>

CONTINUED ON NEXT PAGE ➡

# ELECTRIC COMPONENTS





# ELECTRIC COMPONENTS

REF. NO.	PART NO.	SYM.	QTY.	DESCRIPTION
26	84-74725A1		1	HARNESS ASSEMBLY, VOLTAGE REGULATOR (BLACK/RED) <b>BELGIUM 9113965 AND UP</b>
27	71663		1	PLUG, HARNESS <b>BELGIUM 9113965 AND UP</b>
28	74361		1	PLUG, HARNESS TO BOTTOM COWL <b>BELGIUM 9113965 AND UP</b>
29	84-65017A2		1	HARNESS ASSEMBLY, LIGHTING (EXTERNAL) <b>BELGIUM 9113965 AND UP</b>
15	74367A8		1	LIGHTING STATOR ASSEMBLY

# PARTS INDEX

Part Number	Description	Pg.	Ref. No.	Part Number	Description	Pg.	Ref. No.
20155	RETAINER, STARTER SPRING	5	24	59060	BOOT, LEAD ASSEMBLY	15	24
20203	DISC< FRICTION - CLAMP PLATE AND SWIVEL BRACKET	51	20	59065A4	STOP SWITCH ASSEMBLY	43	22
22789	"D" WASHER, TRIGGER LEAD CLIP	25	22	59170A3	THUMB SCREW ASSEMBLY	65	3
22833	ADAPTOR, CHECK UNIT (FUEL LINE)	23	5	60850	ARM, STEERING HANDLE	41	7
23069	STEM, CHECK UNIT ADAPTOR	23	6	60850A6	STEERING HANDLE ASSEMBLY, COMPLETE	41	-
26179	RETAINER, SHEAVE SHAFT TO STARTER SHEAVE	5	39	60854	GRIP, HANDLE - THROTTLE	41	1
28748	RETAINER, STARTER CABLE AND HANDLE	7	46	60857A2	UNIVERSAL JOINT ASSEMBLY	41	13
29359	LUBRICAP, GREASE FITTING - SWIVEL BRACKET	51	3	60885	HOUSING, THROTTLE CONTROL	29	2
30188	CUP WASHER, ADAPTOR	23	9	61007	RETAINER, ROD - REVERSE LOCK	51	9
30537	COVER, GEAR HOUSING	63	66	61008	RETAINER, REVERSE LOCK CAM	49	24
30595	PLATE, RETAINER - STARTER PAWL	7	42	61155	COVER, TRANSFER PORT - MANUAL	33	25
30596	PAWL, STARTER	5	36	61990	STA-STRAP	15	19
30646A2	MOUNT ASSEMBLY (LOWER AND UPPER) - SEE NOTE BELOW	49	17	62251	CAP, HANDLE - THROTTLE	41	2
30782	HANDLE, STARTER CABLE	7	45	62351A2	RECTIFIER ASSEMBLY	69	17
31334	FOLLOWER, SHIFT CAM	61	47	63308A1	FOLLOWER ASSEMBLY, NEUTRAL SPEED LIMITER	29	4
35558	SHAFT, SHEAVE	7	43	63310A1	LEVER ASSEMBLY, TILT STOP	53	24
36017	STOP, NEUTRAL SPEED LIMITER	29	8	63317A3	BEARING CARRIER ASSEMBLY	63	62
38950A1	COVER ASSEMBLY, STOP SWITCH	45	24	63551	ROD, REVERSE LOCK TO SWIVEL BRACKET	51	6
39474	ANCHOR, LATCH - BOTTOM COWL	43	5	63553	LEVER, CONTROL - TROLL BRACKET	51	14
39601	PLATE, DETENT SPRING	27	12	63554	GUIDE, SPRING	51	12
39778	GROMMET, CHOKE SHAFT - BOTTOM COWL	43	2	63555	SHIFT SHAFT	27	16
45757	TILT TUBE, CLAMP TO SWIVEL BRACKET	65	6	63556A1	SHAFT ASSEMBLY, SHIFT (SHORT SHAFT)	55	14
46172	COVER, EXHAUST MANIFOLD	35	35	63557A1	SHAFT ASSEMBLY, SHIFT (LONG SHAFT)	57	14
46235	PLATE, BAFFLE - EXHAUST MANIFOLD	33	33	63559	BRACKET, TROLL	51	10
46895	PLATE, FACE - WATER PUMP HOUSING TO WATER PUMP COVER	59	36	63628	LEVER, REVERSE LOCK	51	8
46896A1	WATER PUMP COVER ASSEMBLY	59	37	63629	LINK ROD, REVERSE LOCK	49	21
47259A1	BLOCK ASSEMBLY, DRIVE SHAFT - LONG SHAFT	47	13	63646	LEVER, THROTTLE	19	37
48003	PIVOT, STEERING HANDLE TO BRACKET	41	10	63647	PLATE, CLAMMP - CO-PILOT	51	21
53041	COVER, LOWER MOUNT	49	19	63906	CABLE, CHOKE	23	15
55860	PULLEY, STARTER CABLE	5	18	63907	VENTURI	19	21
56319A7	LEAD ASSEMBLY, STOP SWITCH (11")	15	23	63980	KNOB, CHOKE	23	13
57821	INSERT, ROPE GUIDE - STARTER HOUSING	3	15	63991A1	CARRIER ASSEMBLY, SEAL CRANKSHAFT	37	2
58981	CAM, SHIFT	61	46	64004	CO-PILOT DISC	51	17
				64076	BUMPER, THRUST - SADDLE	49	16
				64194A1	COVER ASSEMBLY, STRAINER (INLET)	19	31
				64988	SEAL, CRANKSHAFT CARRIER	37	3
				65216	CAM, REVERSE LOCK	49	23
				65475	HANDLE, CARRING	67	10
				65477	CATCH, TOP COWL	3	10
				65478	LEVER, COWL LATCH	43	13
				65479	COVER, ACCESS HOLE	43	4
				65489--3	SEAL, TOP COWL (16 1/2")	3	2

# PARTS INDEX

Part Number	Description	Pg.	Ref. No.	Part Number	Description	Pg.	Ref. No.
65518	COVER, TRIM - DRIVE SHAFT HOUSING . . . . .	47	5	72471	COVER, TRIM - DRIVE SHAFT HOUSING . . . . .	47	5
65552	SCREW, CARBURETOR . . .	23	11	72671	COVER, GEAR HOUSING . .	63	66
65613	CABLE, COWL LATCH . . . .	43	14	72673A1	BEARING CARRIER ASSEMBLY . . . . .	63	62
65660A3	STARTER HOUSING ASSEMBLY . . . . .	3	14	72791	LATCH, ARM - BOTTOM COWL . . . . .	43	17
66353	COVER, ACCESS HOLE . . .	43	3	72794	STOP, REVERSE LOCK . . . .	53	29
66355	COVER, IGNITION COIL . . .	9	8	72845A1	PLATE ASSEMBLY, CLAMP - CO-PILOT . . . . .	53	21
66361	LEVER, SHIFT CONTROL (REMOTE) . . . . .	27	5	73342A4	STARTER HOUSING ASSEMBLY . . . . .	3	14
66371	LINK, TRIGGER HOUSING TO THROTTLE ELVER . . .	13	14	74159A3	THUMB SCREW ASSEMBLY	65	3
66374A2	LEVER ASSEMBLY, THROTTLE CONTROL . . .	29	13	74250	TILT TUBE, CLAMP TO SWIVEL BRACKET . . . . .	67	6
66376	HANDLE, SHIFT CONTROL (MANUAL) . . . . .	27	1	74344	COVER, TRANSFER PORT - ELECTRIC . . . . .	33	25
66379	SHAFT, SHIFT CONTROL . .	27	7	74349	LEVER, COWL LATCH . . . . .	43	13
66392A1	COIL ASSEMBLY, TRIGGER	13	12	74350	LEVER, SHIFT CONTROL (REMOTE) . . . . .	27	5
66393	SHAFT, THROTTLE . . . . .	41	3	74351	LEVER, FOLLOWER . . . . .	5	31
66394A1	HANDLE, THROTTLE SHAFT	41	4	74352	HANDLE, SHIFT CONTROL (ELECTRIC) . . . . .	27	1
66559	TUBE, SWIVEL BRACKET TO SADDLE . . . . .	51	16	74353	LEVER, LOCK . . . . .	5	30
66606	THRUST HUB (USED WITH NYLON PROP ONLY) . . . .	63	--	74359	SHAFT, INTERLOCK . . . . .	5	29
66941	BLANKET, TOP COWL - SIDE	3	4	74360	PLUG, BOTTOM COWL (MANUAL) . . . . .	43	1A
66942	BLANKET, TOP COWL - TOP	3	3	74361	PLUG, HARNESS TO BOTTOM COWL . . . . .	71	28
66943	BLANKET, TOP COWL - FRONT . . . . .	3	5	74367A2	LIGHTING STATOR ASSEMBLY . . . . .	69	15
68768A2	BRACKET ASSEMBLY, STEERING ARM . . . . .	41	16	74367A8	LIGHTING STATOR ASSEMBLY . . . . .	69	15
69153	LATCH, ARM - BOTTOM COWL . . . . .	43	17	74367A8	LIGHTING STATOR ASSEMBLY . . . . .	71	15
69154	LATCH, BODY - BOTTOM COWL . . . . .	43	19	74515	PROTECTOR, STARTING SWITCH . . . . .	69	10
69157A3	THUMB SCREW ASSEMBLY	65	3	74919	COVER, EXHAUST MANIFOLD . . . . .	35	35
69346	BUMPER, COWL - REAR . . .	3	9	75023	CO>>AR, PROPELLER GUIDE . . . . .	63	67
69372A3	STARTER HOUSING ASSEMBLY . . . . .	3	14	75076	VOLTAGE REGULATOR . . .	69	22
69522	BLANKET, TOP COWL - FRONT . . . . .	3	5	76179A1	STARTER HOUSING ASSEMBLY . . . . .	3	14
69764	VENTURI . . . . .	19	21	77334	CO-PILOT DISC . . . . .	51	17
70977	INSERT, WATER PUMP HOUSING . . . . .	59	33	10-20031	SCREW, BATTERY CABLE ATTACHING (7/8") . . . . .	69	14
71057	LINK ROD, REVERSE LOCK	49	21	10-20100	SCREW, SCREEN TO CARBURETOR . . . . .	23	12
71419	ROD, REVERSE LOCK TO SWIVEL BRACKET . . . . .	51	6	10-20100	SCREW, SWITCH ATTACHING (1/2") . . . . .	15	17
71420	HANDLE, CARRING . . . . .	67	10	10-20646	SCREW, TERMINAL BLOCK TO STATOR (5/8") . . . . .	11	8
71479	SLEEVE, THRUST - REVERSE . . . . .	63	58	10-20646	SCREW, TERMINAL BLOCK TO STATOR (5/8") . . . . .	13	8
71490	COVER, LOWER MOUNT . .	49	19	10-20653	SCREW, LIMITER FOLLOWER TO BOTTOM COWL (1 1/8") . . . . .	29	5
71502	COVER, FRONT . . . . .	3	7				
71658A1	SHAFT ASSEMBLY, SHIFT (LONG SHAFT) . . . . .	57	14				
71659A1	SHAFT ASSEMBLY, SHIFT (SHORT SHAFT) . . . . .	57	14				
71660	SHIFT SHAFT . . . . .	27	16				
71663	PLUG, HARNESS . . . . .	71	27				
72007	RETAINER, REVERSE LOCK CAM . . . . .	49	24				
72465	CABLE, CHOKE . . . . .	23	15				

# PARTS INDEX

Part Number	Description	Pg.	Ref. No.	Part Number	Description	Pg.	Ref. No.
10-20847	SCREW, THROTTLE LEVER ATTACHING	19	38	10-38111	SCREW, BOTTOM COWL TO DRIVE SHAFT HOUSING (3/4")	43	10
10-22483	SCREW, LATCH ANCHOR TO BOTTOM COWL (1 1/8")	43	6	10-39002	SCREW, UPPER BEARING HOUSING (1/2")	33	23
10-22654	SCREW, LEADS TO TERMINAL BLOCK (3/8")	13	10	10-39149	SCREW, SHIFT SHAFT BUSING RETAINER	57	19
10-22654	SCREW, LEADS TO TERMINAL BLOCK (3/8")	13	10	10-39154	SCREW, CONNECTING ROD	39	2
10-23015	SCREW, ADJ - THROTTLE CONTROL (1")	31	5	10-45218	SCREW, GROUND LEAD TO CYLINDER BLOCK	15	25
10-23035	SCREW, CHOKE SHUTTER TO CHOKE SHAFT	17	20	10-45218	SCREW, LEADS TO TERMINAL BLOCK (3/8")	15	22
10-23178	SCREW, PLUG - IDLE TUBE	19	41	10-45742	SCREW, BATTERY CABLE ATTACHING (5/16")	69	13
10-24624	SCREW, CRANKCASE TO CYLINDER BLOCK (1 3/4")	31	13	10-45817	SCREW, LWOER MOUNT COVER TO MOUNT (7/16")	49	20
10-25764	SCREW, PLATE AND SPRING TO ADAPTOR PLATE (1/2")	27	13	10-45862	SCREW, CHOKE CABLE TO CARBURETOR	23	16
10-26537	SCREW, PORT COVER TO CYLINDER BLOCK - ELECTRIC	33	26	10-47225	SCREW, BLOCK TO DRIVE SHAFT HSG (1 1/4") - LONG SHAFT	47	14
10-26801	SCREW, MAIN BEARING LOCKING (5/8")	33	15	10-48408	SCREW, RECTIFIER TO MANIFOLD COVER (1/2")	69	18
10-27304	SCREW, REED STOP MOUNTING	37	10	10-48408	SCREW, TERMINAL BLOCK ATTACHING (5/8")	15	21
10-28634	SCREW, FLUSH - DRIVE SHAFT HOUSING	47	9	10-54467	SCREW, ADJ - THROTTLE CONTROL (1 1/4")	31	5
10-28634	SCREW, GREASE FILLER HOLE	55	10	10-56781	SCREW, MAIN BEARING CLAMPING	37	6
10-28642	SCREW, WATER INTAKE SCREEN TO GEAR HOUSING	55	9	10-62233	SCREW, DETENT SPRING TO STEERING ARM BRACKET (5/8")	41	17
10-28653	SCREW, GREASE VENT HOLE	55	13	10-62506	SCREW, CLAMP PLATE ADJUSTING (1 5/8")	53	22
10-28668	SCREW, BAFFLE PLATE AND MANIFOLD COVER MOUNTING (3/4")	35	36	10-62568	SCREW, LEADS TO TERMINAL BLOCK (3/8")	11	10
10-28710	SCREW, NEUTRAL SPEED LIMITER STOP TO FOLLOWER (5/8")	29	9	10-63311	SCREW, TILT STOP LEVER	53	25
10-28789	SCREW, CABLE PULLEY TO STARTER HOUSING (3/4")	5	19	10-64074	SCREW, STEERING HANDLE TO ARM BRACKET (5/8")	41	12
10-30376	SCREW, PINION GEART TO DRIVE SHAFT	57	22	10-64652	SCREW, TRIM COVER TO BOTTOM COWL (1/2")	47	6
10-30679	SCREW, CO-PILOT DISC TO SADDLE (2 1/4")	51	18	10-65414	SCREW, CAM RETAINER TO DRIVE SHAFT HOUSING (3/4")	49	22
10-30679	SCREW, STEERING ARM BRACKET TO SADDLE (2 1/4")	41	19	10-65554	SCREW, COWL LATCH CABLE	43	15
10-31294	SCREW, CRANKCASE TO CYLINDER BLOCK (1")	31	12	10-66707	SCREW, STATOR TO END CAP (7/8")	11	2
10-32228	SCREW, LATCH TO BOTTOM COWL	43	20	10-67982	BOLT, CLAMP BRACKET TO BOAT	67	16
10-34615	SCREW, STARTER MOTOR CLAMP (1")	69	4	10-69086	SCREW, CYL BLOCK COVER TO CYL BLOCK (1 1/8")	33	30
10-35400	SCREW, STATOR TO END CAP (3/8") - MANUAL	11	3	10-69347	SCREW, TERMINAL BLOCK TO STATOR (5/8")	13	8
10-36398	SCREW, SWIVEL BRACKET	53	28	10-71056	SCREW, REVERSE STOP TO SWIVEL BRACKET	53	30
				10-72074	SCREW, COIL COVER TO REAR SUPPORT BRACKET (4 5/8")	9	9

# PARTS INDEX

Part Number	Description	Pg.	Ref. No.	Part Number	Description	Pg.	Ref. No.
10-73280	SCREW, CRANKCASE TO CYLINDER BLOCK (1 1/2")	31	13	11-45076	NUT, CHOKE CABLE STUD	25	23
10-73643	SCREW, THROTTLE CONTROL HOUSING TO BOTTOM COWL (3/4")	29	3	11-45076	NUT, IGNITION COIL TERMINAL	9	7
10-73696	SCREW, LIGHTING STATOR ATTACHING (1 5/8")	69	16	11-45076	NUT, RECTIFIER TERMINAL	69	20
10-74841	SCREW, VOLTAGE REGULATOR TO MANIFOLD COVER (1")	69	23	11-45076	NUT, VOLTAGE REGULATOR TERMINAL	69	25
10-76081	SCREW, CLAMP PLATE ADJUSTING	53	22	11-46438	NUT, TERMINAL BLOCK SCREW	11	9
10-76611	SCREW, UPPER BEARING HOUSING (1/2")	33	23	11-46438	NUT, TERMINAL BLOCK SCREW	13	9
10-76621	SCREW, CRANKCASE TO CYLINDER BLOCK	31	12	11-46438	NUT, TERMINAL BLOCK SCREW	13	9
10-76630	SCREW, CYL BLOCK COVER TO CYL BLOCK (1")	33	30	11-46887	NUT, CARBURETOR ATTACHING	25	24
11-20061	NUT, CONNECTING ROD SCREW	39	4	11-46887	NUT, COWL CATCH TO TOP COWL	3	13
11-20088	NUT, CLAMP SCREW	69	5	11-56041	NUT, TILT TUBE FASTENING	67	9
11-20110	NUT, COIL COVER SCREW	9	10	11-56374	NUT, CLAMP BRACKET SCREW	67	18
11-20166	NUT, SHEAVE SHAFT (LEFT HAND THREAD)	5	23	11-64075	NUT, PROPELLER	63	70
11-20361	NUT, SECTOR GEAR TO SHIFT CONTROL SHAFT	27	10	11-65517	NUT, SPEED - FRONT COVER TO COWL	3	8
11-20361	NUT, STARTER MOTOR STUD	69	2	11-68219	NUT, CONNECTOR BASE TO BOTTOM COWL	45	29
11-20696	NUT, FLYWHEEL	9	4	11-68219	NUT, THROTTLE CONTROL ADJUSTING SCREW	31	6
11-21971	NUT, STOP SWITCH TO BOTTOM COWL	45	27	11-69844	NUT, STOP SWITCH	45	32
11-24652	NUT, CO-PILOT DISC FASTENING SCREW	51	19	11-73710	NUT, CHOKE CABLE TO BOTTOM COWL	23	14
11-24652	NUT, CRANKCASE FASTENING SCREW	31	14	11-74394	NUT, STARTING SWITCH	69	9
11-24652	NUT, CYLINDER BLOCK COVER MOUNTAIN SCREW	33	31	12-20214	WASHER, THUMB SCREW	65	4
11-24652	NUT, DRIVE SHAFT HOUSING TO POWERHEAD STUDS	47	12	12-20214	WASHER, TUMB SCREW	65	4
11-24652	NUT, DROVE SHAFT HOUSING TO PWOERHEAD STUDS	47	12	12-20260	WASHER, GREASE FILLER HOLE SCREW	55	11
11-24652	NUT, STEERING ARM BRACKET FASTENING SCREW	41	20	12-20260	WASHER, SEALING - FLUSH SCREW	47	10
11-29598	NUT, CLAMP BRACKET STUD	67	13	12-20262	WASHER, GREASE VENT HOLE SCREW	55	12
11-34863	NUT, DRIVE SHAFT HOUSING STUD (3/8 - 24)	47	3	12-20533	WASHER, WATER PUMP HOUSING AND COVER STUDS	59	41
11-35814	NUT, GEAR HOUSING TO DRIVE SHAFT HOUSING STUD (5/16 - 24)	47	4	12-22887	WASHER, CABLE PULLEY SCREW	5	20
11-35888	NUT, TILT STOP LEVER SCREW	53	27	12-24676	WASHER, NEUTRAL SPEED LIMITER STOP SCREW	29	10
11-35888	NUT, WATER PUMP HOUSING AND COVER STUDS	59	42	12-29245	WASHER, SHIFT CONTROL SHAFT	27	2
				12-29245	WASHER, SHIFT CONTROL SHAFT	27	9
				12-30516	WASHER, STARTING SWITCH	69	8
				12-30528	WASHER, GEAR HOUSING COVER	63	65
				12-30531	WASHER, THRUST - REVERSE GEAR	63	58
				12-34680	WASHER, BODY LATCH	43	19A
				12-35462	WASHER, CLAMP PLATE ADJUSTING SCREW	53	23
				12-35559	WASHER, SHEAVE SAHFT RETAINER	5	40

# PARTS INDEX

Part Number	Description	Pg.	Ref. No.	Part Number	Description	Pg.	Ref. No.
12-36245	WASHER, FLYWHEEL NUT	9	3	13-69845	LOCKWASHER, STOP SWITCH	45	31
12-36554	WASHER, NYLON - WATER OUTLET TUBE	43	8	14-20091	TAB WASHER, MIAN BEARING LOCKING SCREW	33	16
12-36554	WASHER, NYLON - WATER PUMP COVER	59	39	14-20165	TAB WASHER, SHEAVE SHAFT NUT	5	22
12-36555	WASHER, NYLON - INTAKE TUBE SEAL	55	7	14-30377	TAB WASHER, PINION GEAR TO DRIVE SHAFT SCREW	57	21
12-38753	WASHER, SPEED LIMITER FOLLOWER SCREW	29	6	14-76610	TAB WASHER, UPPER BEARING HOUSING SCREW	33	23A
12-52864	WASHER, TILT TUBE - CLAMP TO SWIVEL BRACKET	65	5	15-30522A1	SHIM ASSEMBLY, BALL BEARING TO HOUSING (.002-3-5-10)	61	49
12-56681	WASHER, CHOKE CABLE SCREW	23	17	15-30527A1	SHIM ASSEMBLY, BALL BEARING TO GEAR HOUSING (.002-3-5-10)	57	24
12-56681	WASHER, CHOKE CABLE STUD	25	20	15-30527A1	SHIM ASSEMBLY, BALL BEARING TO GEAR HOUSING (.002-3-5-10)	57	27
12-56681	WASHER, COWL LATCH CABLE SCREW	43	15A	15-30532A1	SHIM ASSEMBLY, THRUST WASHER TO HOUSING (.002-3-5-10)	63	60
12-56681	WASHER, SWITCH BOX ATTACHING SCREW	15	18	15-31412A1	SHIM, UPPER HOUSING TO CYLINDER BLOCK (.002-3-5-10)	33	17
12-57029	WASHER, TOP COWL CATCH (UPPER)	3	11A	15-48002015	SHIM, STEERING HANDLE PIVOT TO BRACKET (.015)	41	11
12-59061	WASHER, STATOR LEAD TO STOP SWITCH	45	25	15-64653A1	SHIM ASSEMBLY, GEAR AND SHAFT (LOWER)	29	12
12-62252	WASHER, THROTTLE HANDLE TO STEERING ARM	41	6	16-58136	STUD, WATER PUMP HOUSING TO GEAR HOUSING (2 3/4")	55	3
12-65567	WASHER, TOP COWL CATCH (LOWER)	3	11	16-58138	STUD, GEAR HOUSING TO DRIVE SHAFT HOUSING (3 7/16")	55	2
12-65967	WASHER, NEEDLE BEARING RETAINING	39	5	16-59622	STUD, CLAMP BRACKET	67	11
12-67983	WASHER, CLAMP BRACKET SCREW	67	17	16-66357	STUD, CARBURETOR MOUNTING	31	3
12-71055	WASHER, REVERSE STOP SCREW	53	32	16-66373	STUD, DRIVE SHAFT HOUSING TO GEAR HOUSING (2 5/16")	47	2
12-71421	WASHER, TILT TUBE - CLAMP TO SWIVEL BRACKET	65	5	16-66373	STUD, DRIVE SHAFT HOUSING TO GEAR HOUSING (2 5/16")	47	2
13-20160	WASHER, WAVE - RETAINER TENSION	5	41	16-69036	STUD, CHOKE CABLE TO CARBURETOR	25	19
13-21972	LOCKWASHER, STOP SWITCH CONNECTOR	45	26	16-71417	STUD, CLAMP BRACKET	67	11
13-26992	LOCKWASHER, BOTTOM COWL SCREW	43	11	16-72809	STUD, BLOCK AND CRANKCASE TO DRIVE SHAFT HOUSING	31	2
13-26992	LOCKWASHER, CLAMP BRACKET STUD	67	12	17-20032	PIN, DOWEL - LOCATING	55	5
13-26992	LOCKWASHER, LATCH ANCHOR SCREW	43	7	17-20032	PIN, DOWEL - MAIN BEARING	37	5
13-26992	LOCKWASHER, REVERSE STOP SCREW	53	31	17-20032	PIN, DOWEL - MAIN BEARING TO BLOCK	37	7
13-26996	LOCKWASHER, CONNECTOR BASE	45	28	17-22896	PIN, RETAINER - STARTER CABLE	5	28
13-26996	LOCKWASHER, IGNITION COIL TERMINAL	9	6				
13-31030	WASHER, WAVE - LEVER ANCHOR SCREW	53	26				
13-36206	WASHER, WAVE - STARTER PAWL	5	35				
13-63631	WASHER, WAVE - TROLL BRACKET LEVER	51	15				

# PARTS INDEX

Part Number	Description	Pg.	Ref. No.	Part Number	Description	Pg.	Ref. No.
17-25319	ROLL PIN, SPRING GUIDE .	51	13	23-62769	SPACER, RECTIFIER		
17-25905	PIN, SHIFT LEVER TO SHIFT CONTROL SHAFT . . . . .	27	6	23-62769	SCREW . . . . .	69	19
17-27088	PIN, BALL GEAR TO THROTTLE SHAFT . . . . .	41	9	23-63320	SPACER, VOLTAGE REGULATOR SCREW . . .	69	24
17-30535	PIN, CROSS - RATCHET TO PROPELLER SHAFT . . . . .	61	55	23-63932	BUSHING, SPEED LIMITER FOLLOWER SCREW . . . . .	29	7
17-38489	ROLL PIN, INTERLOCK SHAFT . . . . .	5	32	23-64028	SPACER, CHOKE CABLE SCREW . . . . .	23	18
17-46152	PIN, STEERING HANDLE . . .	41	5	23-65439	BUSHING, SWIVEL BRACKET . . . . .	51	4
17-46912	PIN, DOWEL - CRANKCASE TO CYLINDER BLOCK . . .	31	4		SPACER, PROPELLER SHAFT (PART FOR PROPELLER SHAFT ASSEMBLY) . . . . .	63	69
17-55952A1	TILT LOCK PIN ASSEMBLY .	67	15	23-66375	BUSHING, NYLON - SHIFT CONTROL SHAFT . . . . .	27	4
17-65855	PIN, DOWEL - REED LOCATING . . . . .	37	5	24-23067	SPRING, ADAPTOR STEM .	23	8
17-68436	PIN, BALL GEAR TO UNIVERSAL JOINT . . . . .	41	15	24-29340A1	SPRING, STARTER REWIND	5	25
17-71418A2	TILT LOCK PIN ASSEMBLY .	67	15	24-31333	SPRING, COMPRESSION - CAM FOLLOWER . . . . .	61	48
17-72856	PIN, TOP COWL CATCH . . .	3	10	24-39042	SPRING, NEUTRAL SPEED LIMITER FOLLOWER . . . . .	29	6A
17-76207	PIN, ROLL - THROTTLE CONTROL LEVER TO CONTROL SHAFT . . . . .	29	14	24-39627	SPRING, DETENT - SHIFT CONTROL LEVER . . . . .	27	11
18-45882	COTTER PIN, REVERSE LOCK LEVER TO ROD . . .	51	7	24-45823	SPRING . . . . .	7	47
19-39333	PLUB, TILT TUBE . . . . .	67	7	24-47744	SPRING, DETENT - STEERING HANDLE . . . . .	41	18
21-64871A1	VALVE ASSEMBLY, BLEED DRAIN . . . . .	31	7	24-60239	SPRING, STOP SWITCH . . .	43	23
22-25885	ELBOW, TELL TALE - CYLINDER BLOCK . . . . .	31	11	24-62143	SPRING, TILT LOCK PIN . . .	67	14
22-31345	FITTING, GREASE - SWIVEL BRACKET . . . . .	51	2	24-63630	SPRING, EXTENSION - TROLL BRACKET . . . . .	51	11
22-52644	PLUG, CYLINDER BLOCK COVER . . . . .	33	28	24-65520	SPRING, CABLE TO ARM LATCH . . . . .	43	16
22-56759	ELBOW, BLEED (ELECTRIC)	31	10	24-65553	SPRING, COMPRESSION - COWL CATCH . . . . .	3	12
22-61294	ELBOW, BLEED (MANUAL) .	31	10	24-72847	SPRING, DETENT - STEERING HANDLE . . . . .	41	18
22-63981	FITTING, FUEL LINE TO ADAPTOR . . . . .	23	4	24-74347	SPRING, TORSION - INTERLOCK SHAFT . . . . .	5	34
22-65110	NUT, PUSH - LINK TO TRIGGER HOUSING . . . . .	13	15	24-76298	SPRING, COMPRESSION - CAM FOLLOWER . . . . .	61	48
22-73705	FITTING, FUEL LINE TO ADAPTOR . . . . .	23	4	25-20415	"O" RING, ADAPTOR STEM .	23	7
22-74036	FITTING, GREASE - SWIVEL BRACKET . . . . .	51	2	25-20863	"O" RING, UPPER BEARING HOUSING . . . . .	33	22
23-26841	BUSHING, NYLON - REVERSE LOCK LEVER ROD . . . . .	51	5	25-26802	"O" RING, SHAFT SHAFT BUSING . . . . .	57	17
23-26856	BUSHING, NYLON - INTERLOCK SHAFT . . . . .	5	33	25-29439	"O" RING, WATER PUMP HOUSING . . . . .	59	29
23-27132	BUSHING, NYLON - UPPER SHIFT SHAFT . . . . .	27	14	25-30526	RINGG, RUBBER - CENTRIFUGAL SLINGER (DRIVE SHAFT) . . . . .	59	43
23-28912	BUSHING, STARTER SPRING GUIDE . . . . .	5	26	25-30529	"O" RING, BEARING CARRIER . . . . .	63	61
23-28919	BUSHING, NYLON - SHEAVE SHAFT SPACER . . . . .	5	37	25-39086	GROMMET, COWL LATCH - TOP COWL . . . . .	3	6
23-30676A1	BUSHING, ASSEMBLY, SHIFT SHAFT . . . . .	57	16	25-74444	GROMMET, BATTERY CABLE . . . . .	69	12
23-30977	SPACER, CABLE PULLEY . .	5	21	26-30696	OIL SEAL, SHIFT SHAFT BUSING . . . . .	57	18
23-31792	SLEEVE, GUIDE - WATER INLET TUBE . . . . .	59	44				
23-61005	SPACER, SHEAVE SHAFT .	5	38				

# PARTS INDEX

Part Number	Description	Pg.	Ref. No.	Part Number	Description	Pg.	Ref. No.
26-30913	OIL SEAL, WATER PUMP COVER	59	40	32-34293	TUBE, WATER INTAKE	59	32
26-33613	SEAL, RUBBER - WATER INTAKE TUBE	55	6	32-34395A1	HOSE, TELL TALE (9 1/2")	47	7
26-33613	SEAL, WATER INTAKE TUBE	59	31	32-39061	TUBE, WATER OUTLET (SHORT SHAFT)	47	8
26-36556	SEAL, RUBBER - WATER OUTLET TUBE	43	9	32-39062	TUBE, WATER OUTLET (LONG SHAFT)	47	8
26-36558	SEAL, WATER PUMP COVER	59	38	32-60584	HOSE, BLEED DRAIN (6 1/2")	31	8
26-66022	OIL SEAL, BEARING CARRIER	63	64	32-63146	FUEL LINE, ADAPTOR TO CARBURETOR	23	2
26-66301	OIL SEAL, CRANKCASE (LOWER)	35	38	33-58194	SPARK PLUG (AC V40FFK)	9	14
26-66301	OIL SEAL, UPPER BEARING HOUSING	33	21	33-59599	SPARK PLUG (CHAMPION L-77V)	9	14
26-72793	SEAL, CRANKSHAFT	37	3	34-20053	REED STOP, MAIN BEARING REED VALVES	37	9
27-31434	GASKET, TRANSFER PORT COVER	33	24	34-31942A1	REED SET, MATCHED - MAIN BEARING	37	8
27-39050	GASKET, ADAPTOR PLATE TO DRIVE SHAFT HOUSING	47	11	35-33425	SCREEN, WATER INTAKE	55	8
27-39050	GASKET, BOTTOM COWL TO DRIVE SHAFT HOUSING	43	21	37-67310A74	DECAL SET	1	-
27-45748	GASKET, POWERHEAD TO ADAPTOR PLATE	43	12	37-70030A75	DECAL SET	1	-
27-46233	GASKET, BAFFLE PLATE	35	34	37-73910A76	DECAL SET	1	-
27-46233	GASKET, CYLINDER BLOCK TO BAFFLE PLATE	33	32	37-73910A77	DECAL SET	1	-
27-63309	GASKET, CARBURETOR FLANGE	21	44	39-21665A12	RING, PISTON	39	9
27-66358	GASKET, CYLINDER BLOCK COVER	33	29	40-21666	LOCK RING, PISTON PIN	39	8
27-66358A74	GASKET SET (MOTOR OVERHAUL)	1	-	43-48577	FORWARD GEAR ASSEMBLY	61	51
28-20094	KEY, FLYWHEEL DRIVE	9	2	43-48579	GEAR, PINION	57	20
28-56655	KEY, IMPELLER DRIVE	59	34	43-55447	GEAR, SECTOR - SHIFT SHAFT	27	15
29-26815	BEARING, NEEDLE - CRANKPIN	39	3	43-60852	GEAR, BALL - THROTTLE SHAFT	41	8
29-31505	BEARING, NEEDLE - PISTON PIN	39	6	43-60852	GEAR, BALL - UNIVERSAL JOINT	41	14
29-52168	PIN, ARM LOCATING	43	18	43-60856	GEAR, HORIZONTAL - THROTTLE CONTROL SOCKET	29	1
30-20861	BEARING, BALL - CRANKCASE (LOWER)	35	37	43-60858	GEAR, THROTTLE CONTROL	29	11
30-20861	BEARING, BALL - UPPER BEARING HOUSING	33	19	43-63316	REVERSE GEAR ASSEMBLY	63	57
30-21889	BEARING, BALL - FORWARD GEAR	61	50	43-66377	GEAR, SECTOR - SHIFT CONTROL SHAFT (HORIZONTAL)	27	8
30-21889	BEARING, BALL - RESERVE GEAR	63	59	44-65440A2	SHAFT ASSEMBLY, PROPELLER	61	56
30-33076	BEARING, BALL - DRIVE SHAFT	57	25	44-75667A2	SHAFT ASSEMBLY, PROPELLER	63	56
30-70944	BEARING, BALL - DRIVE SHAFT	57	25	45-64257	DRIVE SHAFT (SHORT SHAFT)	57	23
31-22458	BEARING, ROLLER - BEARING CARRIER	63	63	45-64258	DRIVE SHAFT (LONG SHAFT)	57	23
31-22458	BEARING, ROLLER - FORWARD GEAR	61	52	45-74850	DRIVE SHAFT (LONG SHAFT)	57	23
31-22756	GEARING, ROLLER - DRIVE SHAFT	55	4	45-74851	DRIVE SHAFT (SHORT SHAFT)	57	23
				46-46893A2	RESISTANT WATER PUMP KIT	1	-
				46-46893A3	WATER PUMP HOUSING ASSEMBLY	57	28
				46-70941A1	WATER PUMP HOUSING ASSEMBLY	57	28
				47-65957	IMPELLER, WATER PUMP	59	35



# PARTS INDEX

Part Number	Description	Pg.	Ref. No.	Part Number	Description	Pg.	Ref. No.
48-47670A1	PROPELLER ASS'Y, 8 3/4" DIA., 7" PITCH, 3 BLADES (ALUMINUM) . . . . .	63	68	85-71006A1	PROTECTOR ASSEMBLY, SPARK PLUG . . . . .	9	13
48-47922A1	PROPELLER ASSEMBLY (SHIPPED WITH ENGINE FOR FACTORY) . . . . .	63	68	86-66560	TERMINAL BLOCK, STATOR . . . . .	11	7
48-47926A1	PROPELLER ASS'Y, 9" DIA., 10" PITCH, 2 BLADES (ALUMINUM) . . . . .	63	68	86-67460	TERMINAL BLOCK . . . . .	15	20
48-65012A1	PROPELLER ASSY'Y, 8 3/4" DIA., 7" PITCH, 3 BLADES (NYLON) . . . . .	63	68	86-69348	TERMINAL BLOCK, STATOR . . . . .	13	7
50-61575A1	STARTER CABLE ASSEMBLY . . . . .	7	44	86-74474	TERMINAL BLOCK, STATOR . . . . .	13	7
50-61576A1	STARTER SHEAVE ASSEMBLY . . . . .	5	27	87-69508A1	STOP SWITCH ASSEMBLY . . . . .	45	30
50-73531	STARTER MOTOR . . . . .	69	1	87-73883	SWITCH, STARTING . . . . .	69	7
50-74346A1	STARTER SHEAVE ASSEMBLY . . . . .	5	27	90-67136	MERC 110 PARTS LIST (SERIAL #3795658 AND UP) . . . . .	1	-
52-63314	RACHET, SLIDING CLUTCH RING, RETAINING - SHIFT SHAFT . . . . .	61	53	245-5277A1	FLYWHEEL ASSEMBLY . . . . .	9	1
53-22899	RING, RETAINING - SHIFT SHAFT . . . . .	57	15	245-5277A3	FLYWHEEL ASSEMBLY . . . . .	9	1
53-26406	RING, RETAINING - UPPER AND LOWER MOUNT . . . . .	49	18	251-6105A1	FLYWHEEL ASSEMBLY (ELECTRIC) . . . . .	9	1
53-30523	RING, RETAINING - BALL BEARING TO DRIVE SHAFT . . . . .	57	26	251-6105A3	FLYWHEEL ASSEMBLY . . . . .	9	1
53-32449	RING, RETAINING - CROSS PIN . . . . .	61	54	251-6194A1	FLYWHEEL ASSEMBLY . . . . .	9	1
54-25231	CLIP, TRIGGER LEADS . . . . .	25	21	332-2854	NIPPLE, IGNITION COIL . . . . .	9	12
54-30954	CLIP, SAFETY CHAIN - TILT TUBE . . . . .	67	8	338-5286A1	TRIGGER HOUSING ASSEMBLY . . . . .	13	11
54-47993	CLAMP, STARTER MOTOR ATTACHING . . . . .	69	3	338-5286A6	TRIGGER HOUSING ASSEMBLY . . . . .	13	11
54-56223	CLAMP, BLEED HOSE ATTACHING . . . . .	31	9	339-5209A1	STATOR ASSEMBLY . . . . .	11	1
54-59538	CLIP, COIL RETAINING . . . . .	11	5	339-5209A3	STATOR ASSEMBLY . . . . .	11	1
54-59538	CLIP, COIL RETAINING . . . . .	11	5	339-5287A1	SWITCH BOX . . . . .	15	16
54-59538	CLIP, COIL RETAINING . . . . .	13	5	339-5287A2	SWITCH BOX . . . . .	15	16
54-65927	CLIP, COIL RETAINING . . . . .	11	6	339-5287A3	SWITCH BOX . . . . .	15	16
54-65927	CLIP, COIL RETAINING . . . . .	11	6	339-5288A1	COIL ASSEMBLY, IGNITION . . . . .	9	5
54-65927	CLIP, COIL RETAINING . . . . .	13	6	339-5288A2	COIL ASSEMBLY, IGNITION . . . . .	9	5
54-68424	CLAMP, FUEL LINE ATTACHING . . . . .	23	3	339-5312A1	COIL ASSEMBLY (3 1/2" AND 1 1/2" LEADS) . . . . .	11	4
84-61393A6	WIRE ASSEMBLY, RECTIFIER TO STARTING SWITH (RED) . . . . .	69	21	339-5313A1	COIL ASSEMBLY (4 5/8" AND 3 3/4" LEADS) . . . . .	11	4
84-63212A2	LEAD ASSEMBLY, HIGH TENSION . . . . .	9	11	339-5566A1	STATOR ASSEMBLY . . . . .	11	1
84-65017A2	HARNESS ASSEMBLY, LIGHTING (EXTERNAL) . . . . .	71	29	339-5589A1	COIL ASSEMBLY (2 1/4" AND 4 1/4" LEADS) . . . . .	11	4
84-73539A1	WIRE ASSEMBLY, STARTING SWITCH (YELLOW) . . . . .	69	6	339-5590A1	COIL ASSEMBLY (3 3/8" AND 4 3/8" LEADS) . . . . .	11	4
84-73573	CABLE, BATTERY . . . . .	69	11	339-5748A2	COIL ASSEMBLY, IGNITION . . . . .	9	5
84-74725A1	HARNESS ASSEMBLY, VOLTAGE REGULATOR (BLACK/RED) . . . . .	71	26	339-6119A1	COIL ASSEMBLY (5 1/2" AND 6 3/8" LEADS) . . . . .	13	4
84-76741A1	WIRE ASSEMBLY, START SWITCH (YELLOW) . . . . .	69	6	339-6120A1	COIL ASSEMBLY (1 3/4" AND 3 1/2" LEADS) . . . . .	13	4
				421-5275	CRANKSHAFT . . . . .	37	1
				532-1938A6	MAIN BEARING ASSEMBLY (VALVE TYPE) . . . . .	37	4
				608-4246A1	CONNECTING ROD ASSEMBLY . . . . .	39	1
				719-3374A2	PISTON AND PISTON PIN ASSEMBLY . . . . .	39	7
				738-5284A4	CYLINDER BLOCK AND CRANKCASE ASS'Y . . . . .	31	1
				837-5956A3	CYLINDER BLOCK AND CRANKCASE ASS'Y . . . . .	31	1
				837-6111A4	CYLINDER BLOCK AND CRANKCASE ASS'Y . . . . .	31	1
				837-6298A4	CYLINDER BLOCK AND CRANKCASE ASS'Y . . . . .	31	1
				1019-5314A1	COVER ASSEMBLY, CYLINDER BLOCK . . . . .	33	27

# PARTS INDEX

Part Number	Description	Pg.	Ref. No.	Part Number	Description	Pg.	Ref. No.
1157-5279A1	BEARING HOUSING ASSEMBLY, UPPER	33	18	1467-5571A2	CLAMB BRACKET ASSEMBLY (STARBOARD)	65	2
1158-5946A3	DRIVE SHAFT HOUSING ASSEMBLY (LONG SHAFT)	47	1	1468-5407A1	CLAMP BRACKET ASSEMBLY (PORT)	65	1
1164-6110A1	BEARING HOUSING ASSEMBLY, UPPER	33	18	1468-5570A1	CLAMB BRACKET ASSEMBLY (PORT)	65	1
1164-6413A1	BEARING HOUSING ASSEMBLY, UPPER	33	18	1468-5570A2	CLAMB BRACKET ASSEMBLY (PORT)	65	1
1364-4898A1	CARBURETOR ASSEMBLY, COMPLETE	17	1	1471-5295A2	SWIVEL BRACKET ASSEMBLY	51	1
1364-4898A1	CARBURETOR ASSEMBLY, COMPLETE	23	1	1471-5822A1	SWIVEL BRACKET ASSEMBLY	51	1
1364-5645A1	CARBURETOR ASSEMBLY, COMPLETE	17	1	1471-5910A1	SWIVEL BRACKET ASSEMBLY	51	1
1364-5645A1	CARBURETOR, ASSEMBLY, COMPLETE	23	1	1556-4901A2	DRIVE SHAFT HOUSING ASSEMBLY (SHORT SHAFT)	47	1
1364-5645A7	CARBURETOR ASSEMBLY, COMPLETE	17	1	1556-5945A2	DRIVE SHAFT HOUSING ASSEMBLY (SHORT SHAFT)	47	1
1364-5645A7	CARBURETOR ASSEMBLY, COMPLETE	23	1	1558-4902A2	DRIVE SHAFT HOUSING ASSEMBLY (LONG SHAFT)	47	1
1364-6062	CARBURETOR ASSEMBLY, COMPLETE	17	1	1559-4917	SADDLE	47	15
1364-6062	CARBURETOR ASSEMBLY, COMPLETE	23	1	1559-5968A1	SADDLE	47	15
1399-1896	JET, MAIN FUEL (.041)	17	15	1630-4921A1	GEAR HOUSING ASSEMBLY	55	1
1399-4235	SCREEN, STRAINER	19	29	1630-4921A1	GEAR HOUSING ASSEMBLY	61	1
1399-4236	COVER ASSEMBLY, STRAINER (INLET)	19	31	1630-4921A2	GEAR HOUSING ASSEMBLY, COMPLETE (LONG SHAFT)	55	-
1399-5122	VALVE, CHOKE RELIEF	17	17	1630-4921A2	GEAR HOUSING ASSEMBLY, COMPLETE (LONG SHAFT)	61	-
1399-5124	CHOKE SHAFT	19	34	1630-4921A24	GEAR HOUSING ASSEMBLY, COMPLETE (SHORT SHAFT)	61	-
1399-5125	CHOKE SHUTTER	17	19	1630-4921A25	GEAR HOUSING ASSEMBLY, COMPLETE (LONG SHAFT)	55	-
1399-5126	FLOAT	17	7	1630-4921A25	GEAR HOUSING ASSEMBLY, COMPLETE (LONG SHAFT)	61	-
1399-5127	FUEL BOWL	17	9	1630-4921A3	GEAR HOUSING ASSEMBLY, COMPLETE (SHORT SHAFT)	55	-
1399-5128	SCREW, FUEL BOWL TO CARBURETOR	17	11	1630-4921A3	GEAR HOUSING ASSEMBLY, COMPLETE (SHORT SHAFT)	61	-
1399-5129	BODY, FUEL PUMP	19	24	1630-4921A6	GEAR HOUSING ASSEMBLY, COMPLETE (SHORT SHAFT)	55	-
1399-5130	INLET NEEDLE AND SPRING	17	13	1630-5908A5	GEAR HOUSING ASSEMBLY	55	1
1399-5131	BODY STRAINER	19	27	1630-5908A5	GEAR HOUSING ASSEMBLY	61	1
1399-5132	SCREW, STRAINER BODY TO CARBURETOR	19	28	1630-5908A6	GEAR HOUSING ASSEMBLY, COMPLETE (SHORT SHAFT)	55	-
1399-5133	THROTTLE SHAFT	19	36		GEAR HOUSING ASSEMBLY, COMPLETE (SHORT SHAFT)	55	-
1399-5135	GASKET SET	21	--		GEAR HOUSING ASSEMBLY, COMPLETE (SHORT SHAFT)	55	-
1399-5136	REPAIR PARTS KIT	21	--		GEAR HOUSING ASSEMBLY, COMPLETE (SHORT SHAFT)	55	-
1399-5137	DIAPHRAGM AND GASKET KIT	21	--		GEAR HOUSING ASSEMBLY, COMPLETE (SHORT SHAFT)	61	-
1399-5195	SPRING, CHOKE RELIEF VALVE	17	18		GEAR HOUSING ASSEMBLY, COMPLETE (SHORT SHAFT)	61	-
1399-5749	THROTTLE SHUTTER	19	42		GEAR HOUSING ASSEMBLY, COMPLETE (SHORT SHAFT)	55	-
1399-5755	CHOKE SHAFT	19	34		GEAR HOUSING ASSEMBLY	55	1
1399-5756	CHOKE SHUTTER	17	19		GEAR HOUSING ASSEMBLY	61	1
1399-5758	SCREEN, STRAINER	19	29		GEAR HOUSING ASSEMBLY, COMPLETE (SHORT SHAFT)	55	-
1399-5759	THROTTLE SHUTTER	21	42		GEAR HOUSING ASSEMBLY, COMPLETE (SHORT SHAFT)	55	-
1399-5760	REPAIR PARTS KIT	21	--		GEAR HOUSING ASSEMBLY, COMPLETE (SHORT SHAFT)	55	-
1399-5800	REPAIR PARTS KIT	21	--		GEAR HOUSING ASSEMBLY, COMPLETE (SHORT SHAFT)	55	-
1399-5827	CHOKE SHAFT	19	34		GEAR HOUSING ASSEMBLY, COMPLETE (SHORT SHAFT)	61	-
1399-6141	INLET NEEDLE AND SPRING	17	13		GEAR HOUSING ASSEMBLY, COMPLETE (SHORT SHAFT)	61	-
1467-5406A1	CLAMB BRACKET ASSEMBLY (STARBOARD)	65	2		GEAR HOUSING ASSEMBLY, COMPLETE (SHORT SHAFT)	61	-

# PARTS INDEX

Part Number	Description	Pg.	Ref. No.	Part Number	Description	Pg.	Ref. No.
1630-5908A7	GEAR HOUSING ASSEMBLY, COMPLEGE (LONG SHAFT) . . . . .	61	-				
2147-5178A3	TOP COWL ASSEMBLY . . . .	3	1				
2147-5565A4	TOP COWL ASSEMBLY . . . .	3	1				
2147-5652A5	TOP COWL ASSEMBLY . . . .	3	1				
2148-5180	COWL, BOTTOM . . . . .	43	1				
2148-5569	COWL, BOTTOM . . . . .	43	1				
2159-6107A4	COWL, BOTTOM . . . . .	43	1				
2160-6108A6	TOP COWL ASSEMBLY . . . .	3	1				