



PARTS CATALOG

MERC 650E

SERIAL NUMBER

650 (3 CYL.) 3293184 THRU 3525440

TABLE OF CONTENTS:

CARBURETOR ASSEMBLY	24
CARBURETOR LINKAGE AND CHOKE SOLENOID	22
CLAMP AND SWIVEL BRACKET ASSEMBLY	38
COWL SUPPORT BRACKETS	4
COWLING AND FRONT COVER	2
CRANKSHAFT, PISTONS AND CONNECTING RODS	32
CYLINDER BLOCK AND CRANKCASE ASSEMBLY	28
DISTRIBUTOR ADAPTOR AND THROTTLE LINKAGE	14
DISTRIBUTOR HOUSING AND ROTOR	10
DRIVE SHAFT HOUSING ASSEMBLY	42
FLYWHEEL ASSEMBLY AND STATOR	8
FUEL PUMP, FUEL FILTER AND FUEL LINE	26
GEAR HOUSING ASSEMBLY, COMPLETE (PAGE 1)	46
GEAR HOUSING ASSEMBLY, COMPLETE (PAGE 2)	50
MISCELLANEOUS PARTS/ACCESSORIES	1
PARTS INDEX	52
SHIFT LINKAGE AND EXHAUST PLATE	34
STARTER MOTOR, STARTER SOLENOID, RECTIFIER & WIRING HARNESS	18

NOTE: Indented description indicate that these parts are included in preceeding assembly.

AR = As Required

NSS = Not Sold Separate

OPT = Optional

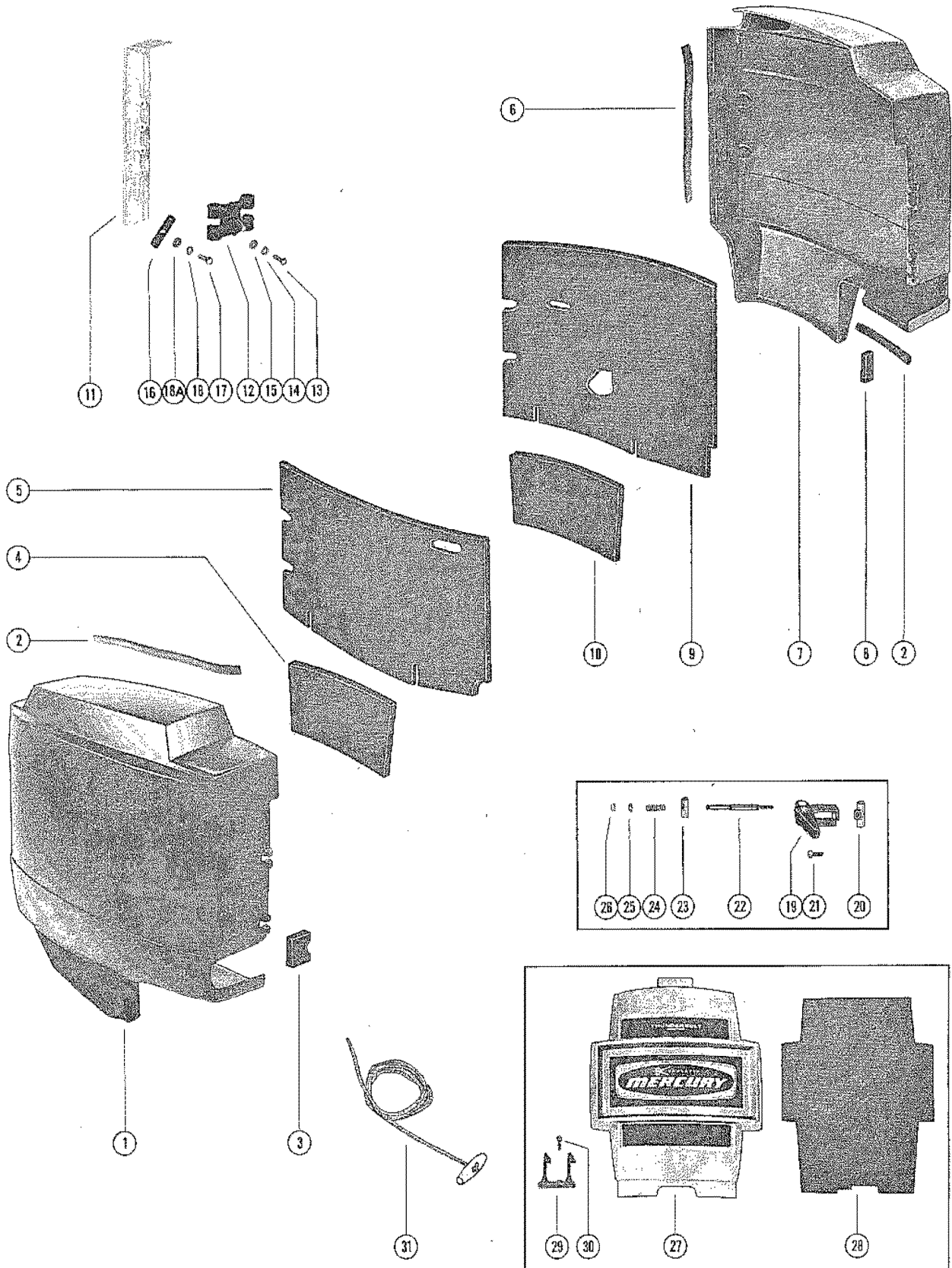
NS = Not Shown

THESE PARTS BOOKS/FICHE CARD ARE COPYRIGHTED AND MAY NOT BE DISTRIBUTED OR REPRODUCED IN ANY OTHER FORMAT BY ANYONE OTHER THAN MERCURY MARINE WITHOUT THE PRIOR WRITTEN CONSENT OF MERCURY MARINE.

MISCELLANEOUS PARTS/ACCESSORIES

REF. NO.	PART NO.	SYM.	QTY.	DESCRIPTION
-	90-61761		0	MERC 650E PARTS LIST
-	27-60308A72		0	GASKET SET (MOTOR OVERHAUL)
-	37-61301A72		0	DECAL SET
-	46-48746A2		0	EXTRA HEAVY DUTY WATER KIT
-	55398A4		0	TACHOMETER ASSEMBLY

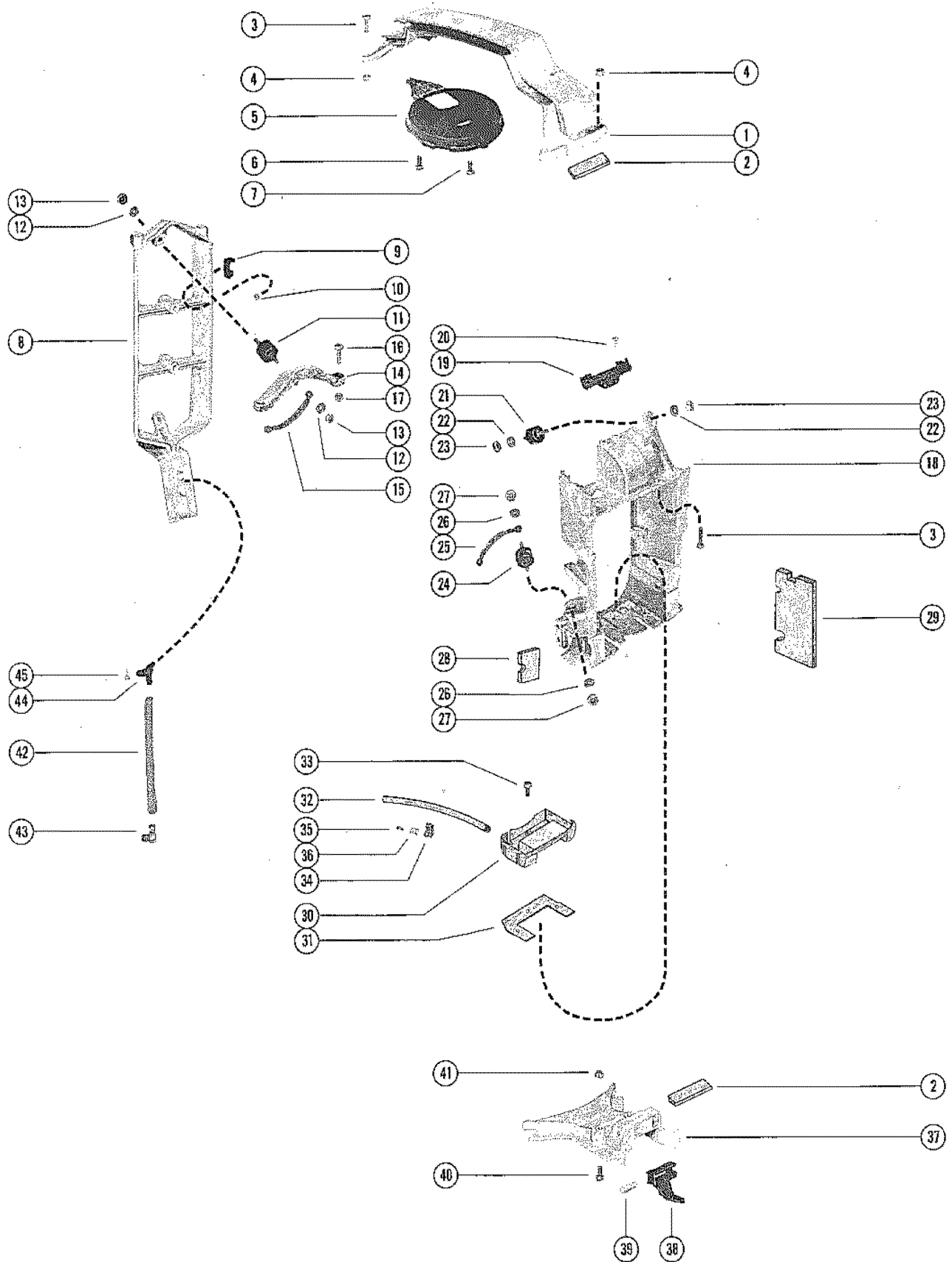
COWLING AND FRONT COVER



COWLING AND FRONT COVER

REF. NO.	PART NO.	SYM.	QTY.	DESCRIPTION
1	2142-4538A1		1	COWL ASSEMBLY (STARBOARD)
2	61661		2	SEAL, RUBBER - COWL
3	26-60297		1	SEAL, FUEL CONNECTOR - COWL
4	61634		1	BLANKET, SOUND ABSORBING (LOWER)
5	61633		1	BLANKET, SOUND ABSORBING (UPPER)
6	61662		1	SEAL, RUBBER - COWL
7	2141-4537A1		1	COWL ASSEMBLY (PORT)
2	61661		2	SEAL, RUBBER - COWL
6	61662		1	SEAL, RUBBER - COWL
8	26-60298		1	SEAL, CONTROL CABLES - COWL
9	61631		1	BLANKET, SOUND ABSORBING (UPPER)
10	61632		1	BLANKET, SOUND ABSORBING (LOWER)
11	60121		1	BRACKET, COWL SEALING - REAR
12	60314		2	BRACKET, COWL HINGE
13	10-45561		4	SCREW, HINGE BRACKET TO COWL SEALING BRACKET (1 1/8")
14	13-26992		4	LOCKWASHER, HINGE BRACKET SCREW
15	12-37998		4	WASHER, HINGE BRACKET SCREW
16	17-60301		4	PIN, COWL HINGE
17	10-53167		4	SCREW, PIN TO COWL (7/8")
18	13-26993		4	LOCKWASHER, PIN ATTACHING SCREW
18A	12-20722		2	WASHER, PIN ATTACHING SCREW (STARBOARD SIDE ONLY)
19	46785A2		1	COWL LATCH ASSEMBLY
20	62628		2	BARREL, COWL LATCH
21	10-31312		2	SCREW, LATCH ASSEMBLY TO BARREL (7/8")
22	62627		2	BAR, ADJUSTMENT - COWL LATCH
23	62629		2	BARREL, COWL LATCH
24	24-62624		2	SPRING, TENSION - COWL LATCH
25	12-30164		2	WASHER, ADJUSTMENT BAR TO BARREL
26	11-53153		2	NUT, ADJUSTMENT BAR TO BARREL
27	2143-4552A1		1	COWL FRONT COVER ASSEMBLY
28	61663		1	BLANKET, SOUND ABSORBING - FRONT COVER
29	61158		1	HOOK, COWL FRONT COVER FASTENING
30	10-63357		1	SCREW, FASTENING HOOK TO COWL FRONT COVER (3/4")
31	47341A1		1	STARTER ROPE ASSEMBLY (FOR MANUAL STARTING ONLY)

COWL SUPPORT BRACKETS

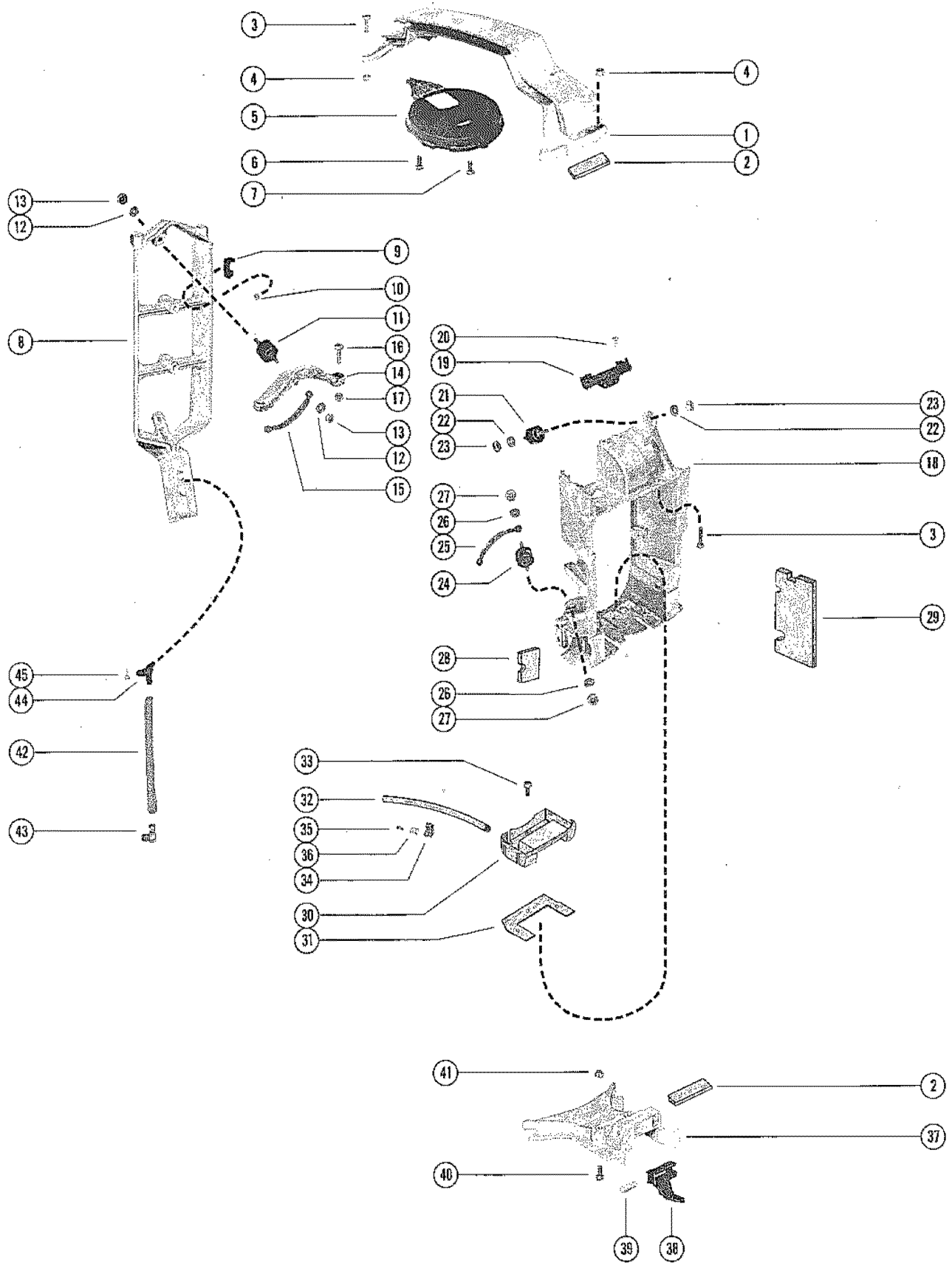


COWL SUPPORT BRACKETS

REF. NO.	PART NO.	SYM.	QTY.	DESCRIPTION
1	60117		1	BRACKET, COWL SUPPORT - TOP
2	62444		2	SEAL, RUBBER - TOP BRACKET AND COVER MOUNTING PLATE
3	10-60300		4	SCREW, TOP COWL BRACKET ATTACHING (3/4")
4	11-46887		4	NUT, SUPPORT BRACKET ATTACHING SCREW
5	62501A1		1	SHIELD ASSEMBLY, FLYWHEEL
6	10-48409		3	SCREW, SHIELD TO TOP SUPPORT BRACKET (5/8") - REAR
7	10-30663		1	SCREW, SHIELD TO TOP SUPPORT BRACKET (3/8") - FRONT
8	60112		1	BRACKET, COWL SUPPORT - REAR
9	60299		3	RETAINER, SPARK PLUG LEADS
10	10-31206		3	SCREW, RETAINER TO REAR SUPPORT BRACKET (1/2")
11	63007		1	MOUNT, RUBBER - BRACE TO REAR SUPPORT BRACKET
12	12-20346		2	WASHER, RUBBER MOUNT TO REAR SUPPORT BRACKET
13	11-20361		2	NUT, RUBBER MOUNT TO REAR SUPPORT BRACKET
14	60116		1	BRACE, REAR COWL SUPPORT BRACKET (TOP)
15	49651A1		1	GROUND STRAP ASS'Y BRACE TO REAR SUPPORT BRACKET
16	10-24644		3	SCREW, SUPPORT BRACKET BRACE TO CYL. BLOCK COVER (1 3/8")
17	11-46887		3	NUT, SUPPORT BRACKET BRACE ATTACHING SCREW
18	60111		1	BRACKET, COWL SUPPORT (FRONT)
19	61344		1	RETAINER, WIRING HARNESS AND BATTERY CABLE
20	10-35519		2	SCREW, RETAINER TO FRONT SUPPORT BRACKET (1/2")
21	63007		1	MOUNT, RUBBER - FRONT SUPPORT BRACKET
22	12-20346		2	WASHER, RUBBER MOUNT TO FRONT SUPPORT BRACKET
23	11-20361		2	NUT, RUBBER MOUNT TO FRONT SUPPORT BRACKET
24	63007		1	MOUNT, RUBBER - FRONT SUPPORT TO DISTRIBUTOR ADAPTOR
25	49651A1		1	GROUND STRAP ASSEMBLY, FRONT SUPPORT BRACKET
26	12-20346		2	WASHER, RUBBER MOUNT ATTACHING
27	11-20361		2	NUT, RUBBER MOUNT ATTACHING
28	26-60296		1	SEAL, FUEL CONNECTOR - FRONT SUPPORT BRACKET
29	62391		1	BLANKET, SOUND - FRONT SUPPORT BRACKET (PORT)
30	62219		1	DRIP TRAY, FRONT SUPPORT BRACKET
31	62869		1	BLANKET, SOUND - DRIP TRAY TO FRONT SUPPORT BRACKET
32	32-52742A1		1	HOSE, DRIP TRAY TO REAR SUPPORT BRACKET
33	10-35519		3	SCREW, DRIP TRAY TO FRONT SUPPORT BRACKET (1/2")
34	54-22740		1	CLP, HOSE TO REAR SUPPORT BRACKET
35	10-31206		1	SCREW, HOSE CLIP FASTENING (7/16")
36	22789		1	"D" WASHER, CLIP FASTENING SCREW
34	54-22875		1	CLIP, HOSE TO EXHAUST PLATE
35	10-31206		1	SCREW, HOSE CLIP FASTENING (7/16")
36	22789		1	"D" WASHER, CLIP FASTENING SCREW
37	60113		1	PLATE, FRONT COVER MOUNTING

CONTINUED ON NEXT PAGE ➡

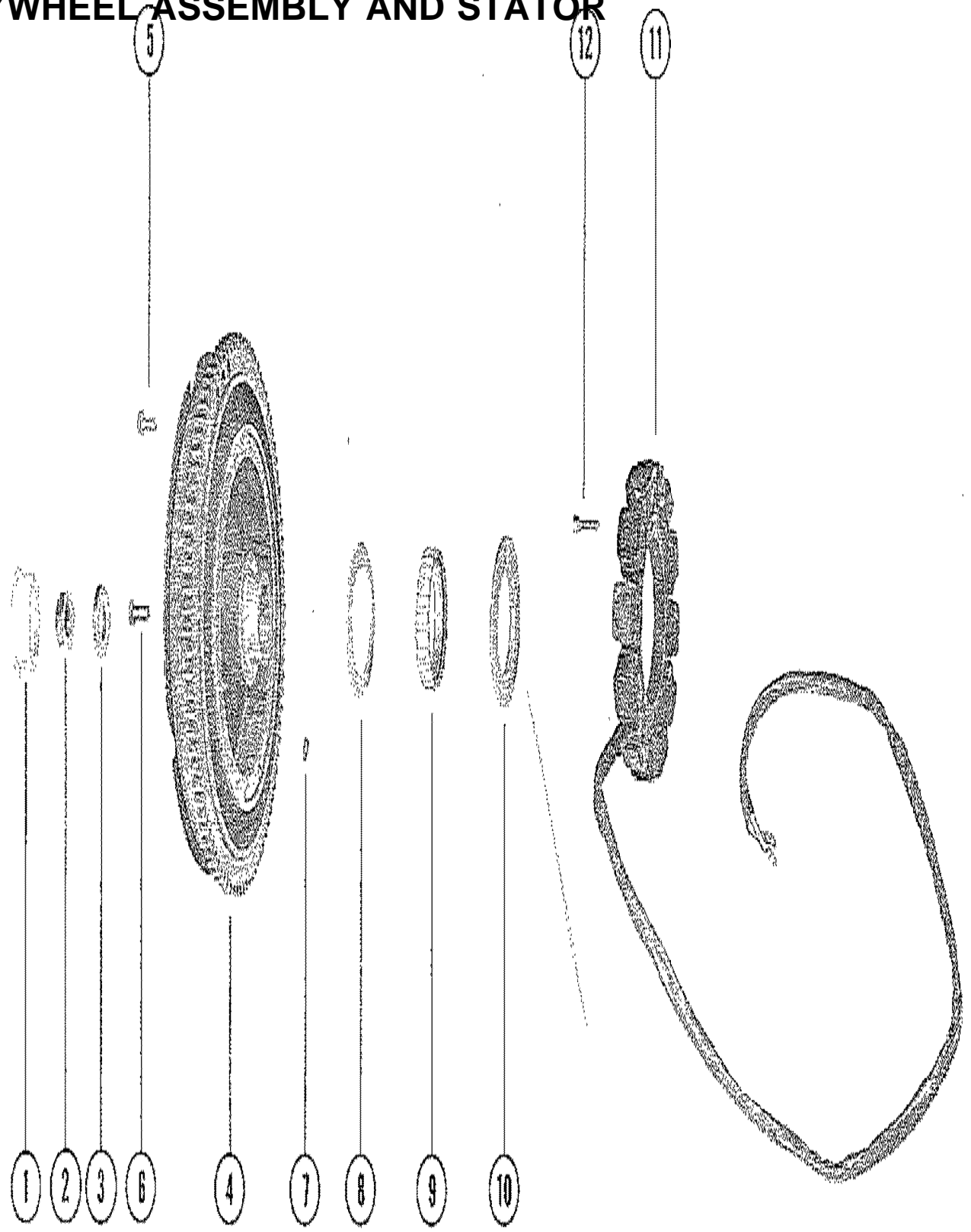
COWL SUPPORT BRACKETS



COWL SUPPORT BRACKETS

REF. NO.	PART NO.	SYM.	QTY.	DESCRIPTION
38	60313		1	LATCH, FRONT COVER ATTACHING
39	24-60295		1	SPRING, FRONT COVER LATCH
40	10-38862		3	SCREW, COVER PLATE TO SUPPORT BRACKET (5/8")
41	11-46887		3	NUT, ATTACHING SCREW COVER PLATE
42	32-34395A1		1	HOSE, TELL TALE - REAR BRACKET TO EXHAUST PLATE
43	22-25885		1	ELBOW, TELL TALE HOSE TO EXHAUST EXTENSION PLATE
44	52889		1	NOZZLE, TELL TALE HOSE TO REAR SUPPORT BRACKET
45	10-35519		1	SCREW, NOZZLE TO REAR SUPPORT BRACKET (1/2")

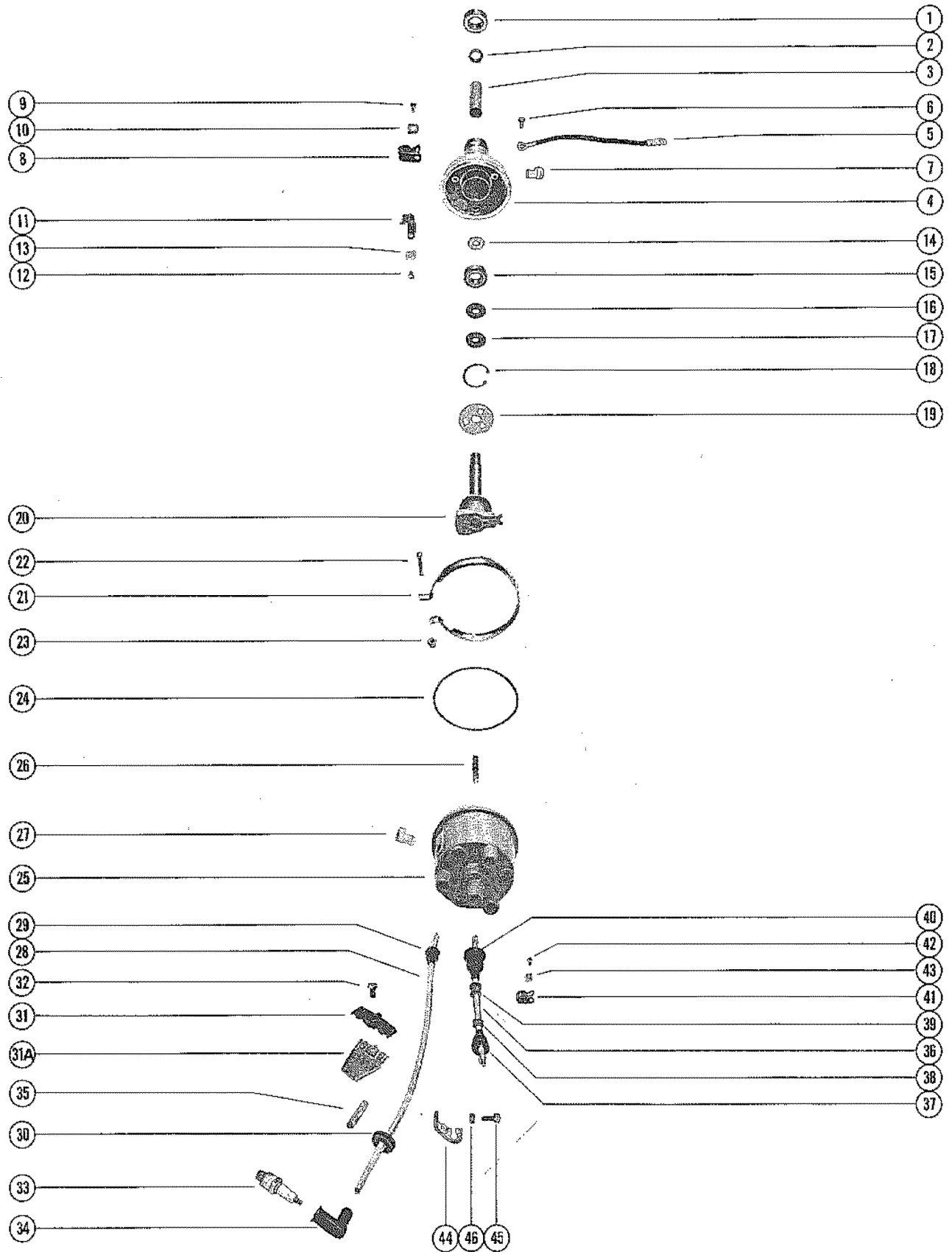
FLYWHEEL ASSEMBLY AND STATOR



FLYWHEEL ASSEMBLY AND STATOR

REF. NO.	PART NO.	SYM.	QTY.	DESCRIPTION
1	19-45907		1	PLUG, FLYWHEEL PULLER THREADS
2	11-52901		1	NUT, FLYWHEEL
3	12-33001		1	WASHER, FLYWHEEL NUT
4	225-4591A2		1	FLYWHEEL ASSEMBLY, COMPLETE
5	10-32417		8	SCREW, FLEXIBLE PLATE TO FLYWHEEL (3/8")
6	10-49006		8	SCREW, PLATE AND HUB TO FLEXIBLE PLATE (3/4")
7	17-26618		1	PIN, DOWEL - PULLEY TO FLYWHEEL
8	29788		1	FLANGE, FLYWHEEL PULLEY
9	30306		1	PULLEY, FLYWHEEL
10	29787		1	HUB, FLYWHEEL PULLEY
11	398-4634		1	STATOR, ALTERNATOR
12	10-57021		4	SCREW, STATOR TO UPPER END CAP (7/8")

DISTRIBUTOR HOUSING AND ROTOR

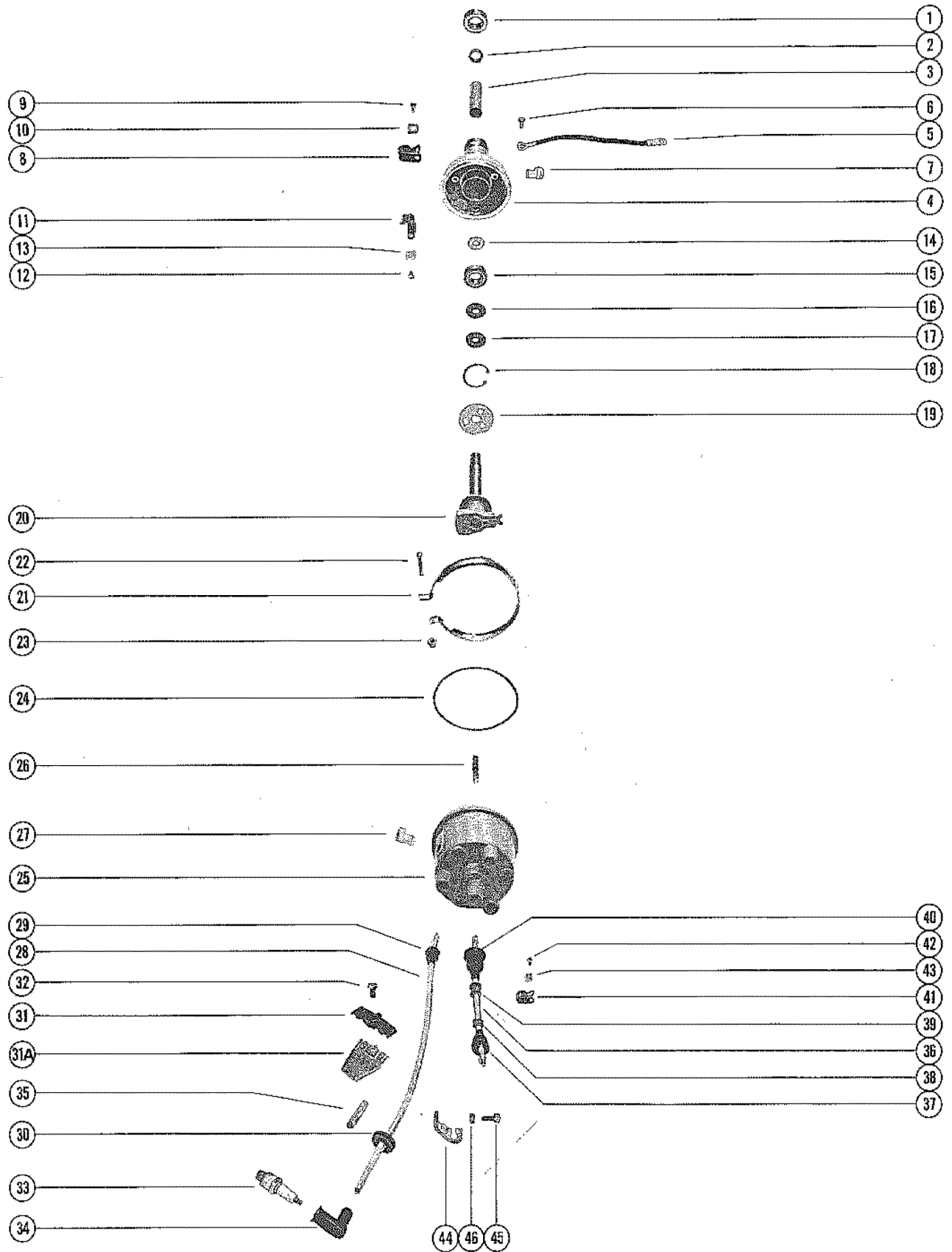


DISTRIBUTOR HOUSING AND ROTOR

REF. NO.	PART NO.	SYM.	QTY.	DESCRIPTION
1	30-20066		1	BALL BEARING, DISTRIBUTOR HOUSING (UPPER)
2	11-54209		1	NUT, ROTOR SHAFT TO DISTRIBUTOR HOUSING
3	23-60566		1	SLEEVE, ROTOR SHAFT
4	332-4797A3		1	HOUSING ASSEMBLY, DISTRIBUTOR
5	53417		1	GROUND STRAP ASSEMBLY, DISTRIBUTOR TO CRANKCASE
6	10-30663		1	SCREW, GROUND STRAP ATTACHING (3/8")
7	58807A1		1	FLAME ARRESTOR ASSEMBLY, DISTRIBUTOR HOUSING
8	54-22875		1	CLAMP, DISTRIBUTOR LEADS TO DISTRIBUTOR HOUSING
9	10-30663		1	SCREW, DISTRIBUTOR LEAD CLIP FASTENING (3/8")
10	22789		1	"D" WASHER, CLIP SCREW
11	54-22740		1	CLIP, DISTRIBUTOR LEADS TO FRONT SUPPORT BRACKET
12	10-31206		1	SCREW, DISTRIBUTOR LEAD CLIP (7/16")
13	22789		1	"D" WASHER, CLIP SCREW
14	15-21148A1		1	SHIM, BEARING TO SPACER
15	30-26379		1	BALL BEARING, DISTRIBUTOR HOUSING (LOWER)
16	15-55853		AR	SHIM, BEARING TO DISTRIBUTOR HOUSING
17	23-53538		1	SPACER, ROTOR SHAFT
18	53-26406		1	RING, RETAINING - BALL BEARING TO DISTRIBUTOR HOUSING
19	332-4801		1	DISC, ROTOR
20	337-4603		1	ROTOR, DISTRIBUTOR
21	54-60768		1	CLAMP, DISTRIBUTOR CAP TO DISTRIBUTOR HOUSING
22	10-62802		1	SCREW, DISTRIBUTOR CAP CLAMP (1 1/8")
23	11-26768		1	NUT, DISTRIBUTOR CAP CLAMP SCREW
24	27-55896		1	GASKET, DISTRIBUTOR CAP TO DISTRIBUTOR HOUSING
25	393-4606A2		1	DISTRIBUTOR CAP ASSEMBLY
26	393-1293A1		1	BRUSH AND SPRING ASSEMBLY
27	58807A1		1	FLAME ARRESTOR ASSEMBLY, DISTRIBUTOR CAP
28	47899A9		3	SPARK PLUG LEAD ASSEMBLY #1, #2 AND #3
-	20121		3	CONNECTOR, SPARK PLUG LEAD
29	393-1275		3	SLEEVE, SPARK PLUG LEAD TO DISTRIBUTOR
30	25-26547		3	GROMMET, SPARK PLUG LEAD
31	63319		1	RETAINER, HIGH TENSION LEADS
31A	62877		1	RETAINER, HIGH TENSION LEADS
32	10-28638		1	SCREW, HIGH TENSION LEAD RETAINER (3/4")
33	33-59599		3	SPARK PLUG (CHAMPION L-77V)
34	47604A1		3	PROTECTOR, SPARK PLUG LEAD
35	23-57459		1	SLEEVE, SPARK PLUG LEAD (LEADS 1, 2, 3) ORDER A-36549A1 KIT FOR REPLACEMENT OF LEAD WIRE MARKERS
36	84-60870A4		1	HIGH TENSION CABLE ASSEMBLY, DISTRIBUTOR CAP TO COIL
37	332-2854		1	BOOT, HIGH TENSION CABLE TO COIL
38	25-26547		1	GROMMET, HIGH TENSION LEAD
39	25-56474		1	GROMMET, HIGH TENSION LEAD

CONTINUED ON NEXT PAGE ➡

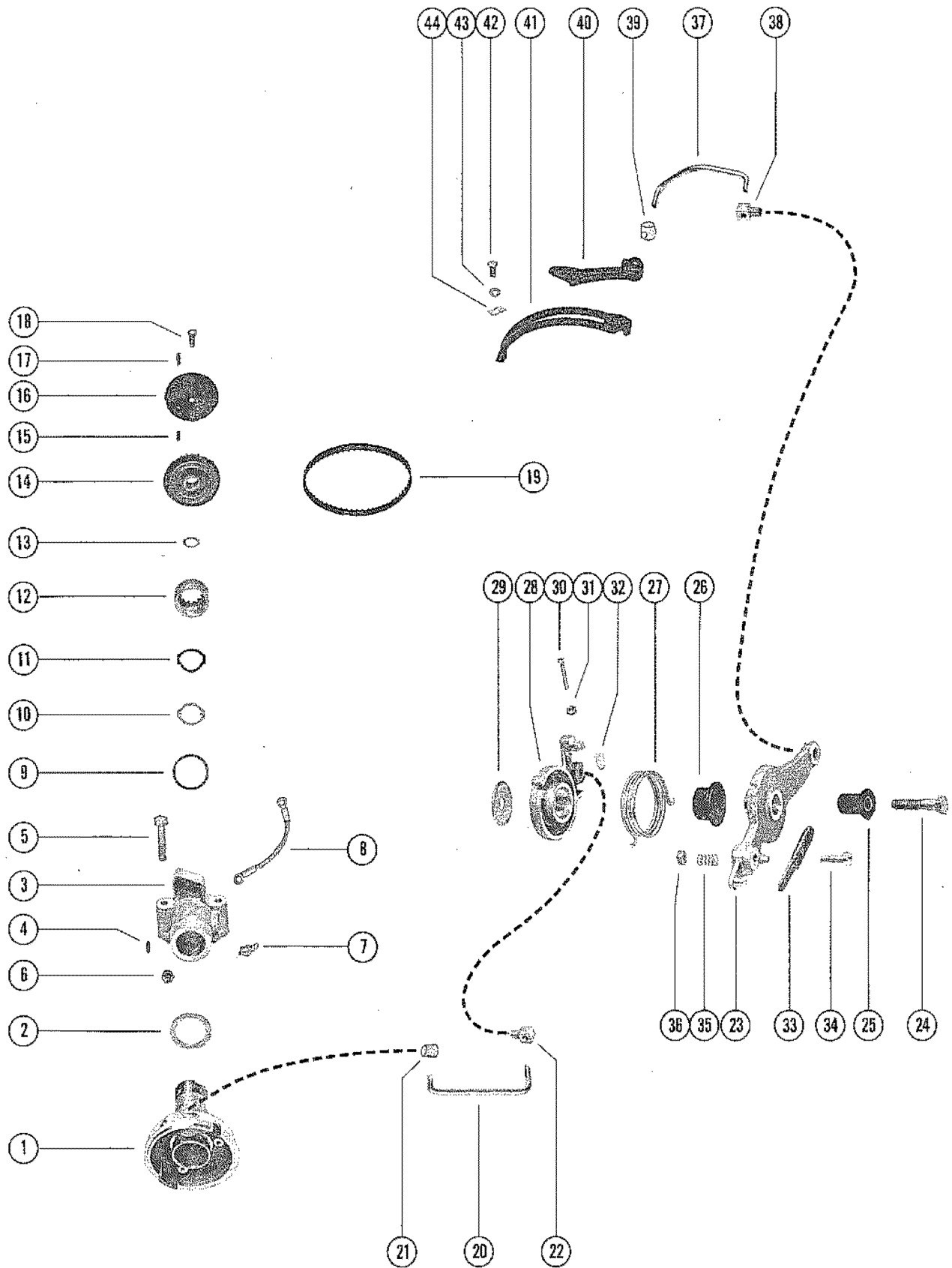
DISTRIBUTOR HOUSING AND ROTOR



DISTRIBUTOR HOUSING AND ROTOR

REF. NO.	PART NO.	SYM.	QTY.	DESCRIPTION
40	393-1275		1	SLEEVE, HIGH TENSION CABLE
41	54-22627		1	CLIP, HIGH TENSION LEAD TO CRANKCASE
42	10-31206		1	SCREW, HIGH TENSION CLIP (7/16")
43	22789		1	"D" WASHER, CLIP SCREW
44	59757		1	BRACKET, COIL WIRE
45	10-28063		1	SCREW, BRACKET TO CRANKCASE (5/8")
46	13-26992		1	LOCKWASHER, BRACKET SCREW

DISTRIBUTOR ADAPTOR AND THROTTLE LINKAGE

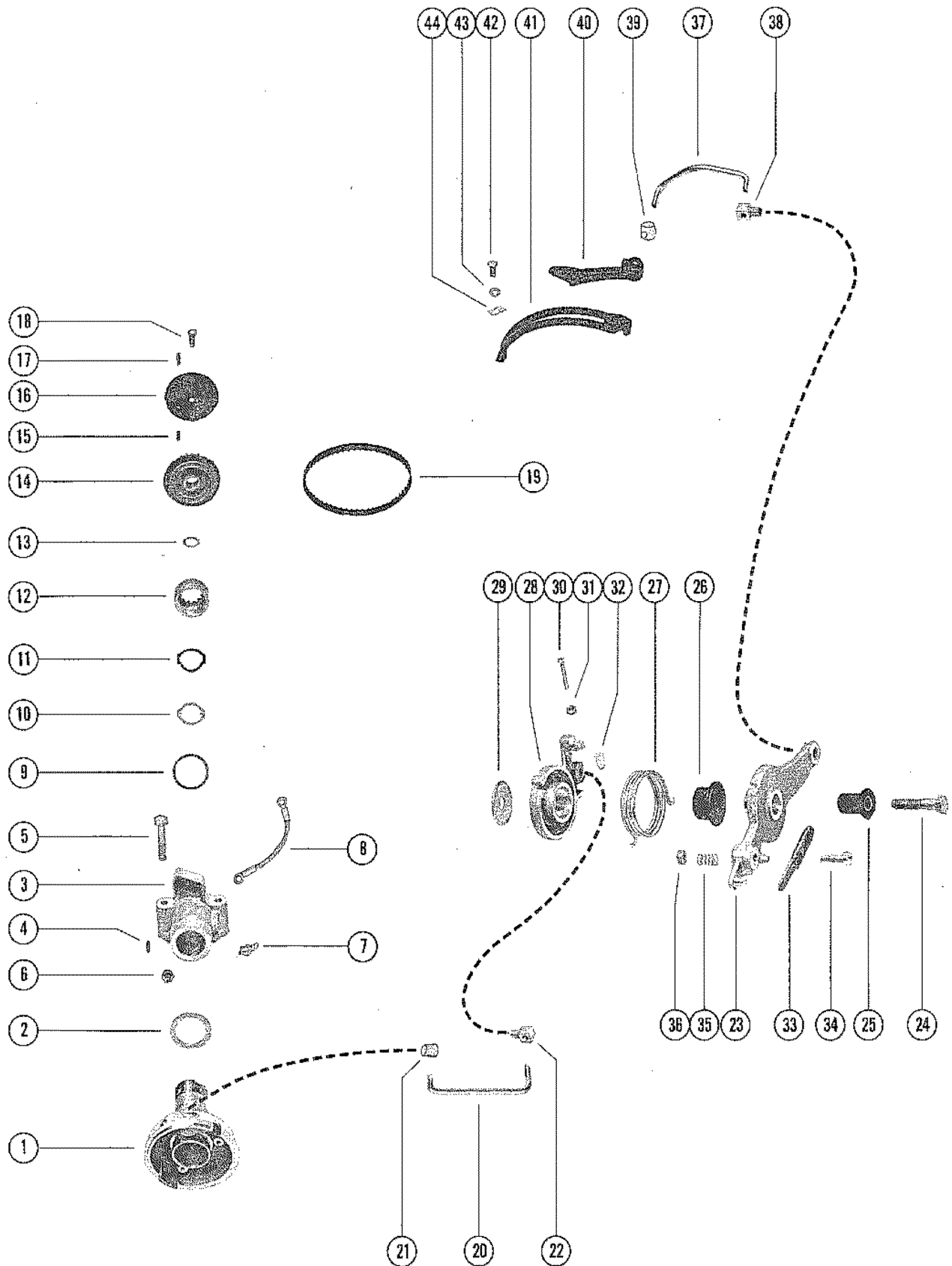


DISTRIBUTOR ADAPTOR AND THROTTLE LINKAGE

REF. NO.	PART NO.	SYM.	QTY.	DESCRIPTION
1	332-4797A3		1	HOUSING ASSEMBLY, DISTRIBUTOR
2	12-60569		1	WASHER, DISTRIBUTOR ADAPTOR TO DISTRIBUTOR HOUSING
3	60576		1	ADAPTOR, DISTRIBUTOR
4	17-46912		1	PIN, DISTRIBUTOR ADAPTOR TO CRANKCASE LOCATING
5	10-29942		2	SCREW, DISTRIBUTOR ADAPTOR TO CRANKCASE (2 1/4")
6	11-46793		2	NUT, DISTRIBUTOR ADAPTOR SCREW
7	22-25094		1	FITTING, GREASE - DISTRIBUTOR ADAPTOR
8	84-60871A3		1	CABLE ASSEMBLY, ADAPTOR TO FRONT SUPPORT BRACKET
9	12-27939		1	WASHER, DISTRIBUTOR ADAPTOR
10	14-27960		1	TAB WASHER, ADAPTOR CAP FASTENING
11	13-27959		1	WASHER, WAVE - DISTRIBUTOR ADAPTOR
12	54567		1	CAP, DISTRIBUTOR HOUSING
13	23-29909		1	SPACER, DRIVE PULLEY
14	29906A1		1	DRIVEN PULLEY ASSEMBLY
15	17-29908		1	PIN, ROLL - FLANGE LOCATING
16	29907		1	FLANGE, DRIVEN PULLEY
17	28-29910		1	KEY, DISTRIBUTOR DRIVER
18	10-58354		1	SCREW, PULLEY CLAMPING (1/2")
19	20140		1	BELT, TIMING
20	60571		1	ROD, LINK - SPARK ADVANCE
21	60572		1	BARREL, NYLON - LINK ROD TO DISTRIBUTOR HOUSING
22	27947		1	SWIVEL, LINK ROD TO SPARK ADVANCE LEVER
23	60578		1	LEVER, THROTTLE CONTROL
24	10-5537		1	SCREW, THROTTLE CONTROL LEVER TO CYLINDER BLOCK (1 3/4")
25	23-55164		1	BUSHING, THROTTLE CONTROL LEVER SCREW
26	23-55171		1	BUSHING, THROTTLE CONTROL LEVER SCREW
27	24-55162		1	SPRING, RETURN - SPARK ADVANCE LEVER
28	60579		1	LEVER, SPARK ADVANCE
29	12-28008		1	WASHER, THROTTLE CONTROL LEVER SCREW
30	10-45210		1	SCREW, SPARK ADVANCE ADJUSTING (1 1/4")
31	11-20645		1	NUT, SPARK ADVANCE ADJUSTING SCREW
32	48039		1	CAP, SPARK ADVANCE ADJUSTING SCREW
33	39483		1	LATCH, THROTTLE CONTROL LEVER (THROTTLE CABLE)
34	10-22486		1	SCREW, LATCH TO THROTTLE CONTROL LEVER (7/8")
35	24-20099		1	SPRING, COMPRESSION - LATCH SCREW
36	11-20586		1	NUT, LATCH ATTACHING SCREW
37	60573		1	ROD, LINK - THROTTLE
38	27947		1	SWIVEL, LINK ROD TO THROTTLE CONTROL LEVER
39	60572		1	BARREL, NYLON - THROTTLE LINK ROD TO ACTUATOR CAM

CONTINUED ON NEXT PAGE ➡

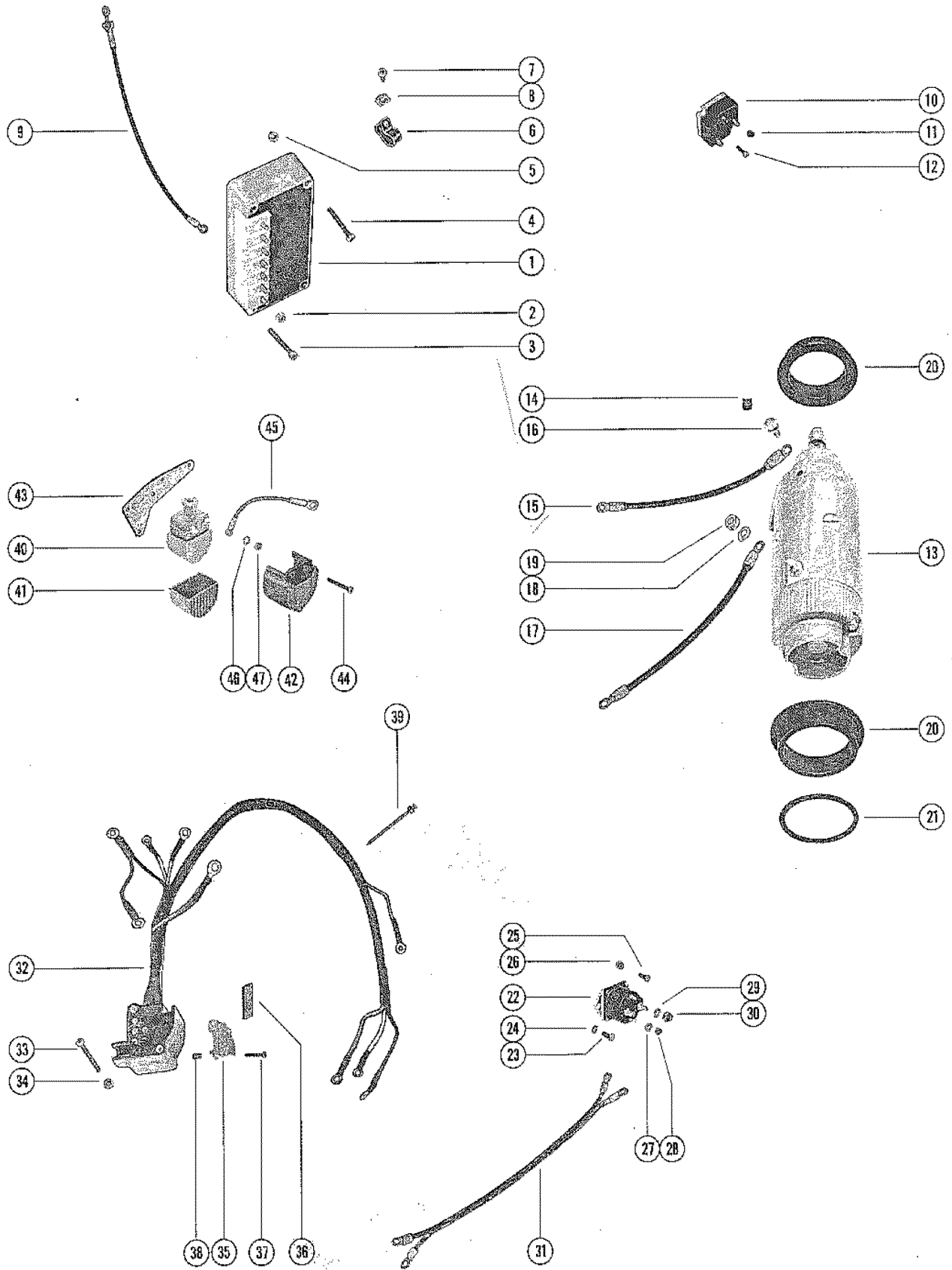
DISTRIBUTOR ADAPTOR AND THROTTLE LINKAGE



DISTRIBUTOR ADAPTOR AND THROTTLE LINKAGE

REF. NO.	PART NO.	SYM.	QTY.	DESCRIPTION
40	60575		1	CAM, NYLON - THROTTLE ACTUATOR
41	60574		1	HOUSING, NYLONG - THROTTLE ACTUATOR
42	10-37571		1	SCREW, HOUSING TO CRANKCASE (1/2")
43	13-26996		1	LOCKWASHER, HOUSING TO CRANKCASE SCREW
44	60570		1	PLATE, RETAINER - ACTUATOR HOUSING

STARTER MOTOR, STARTER SOLENOID, RECTIFIER & WIRING HARNESS

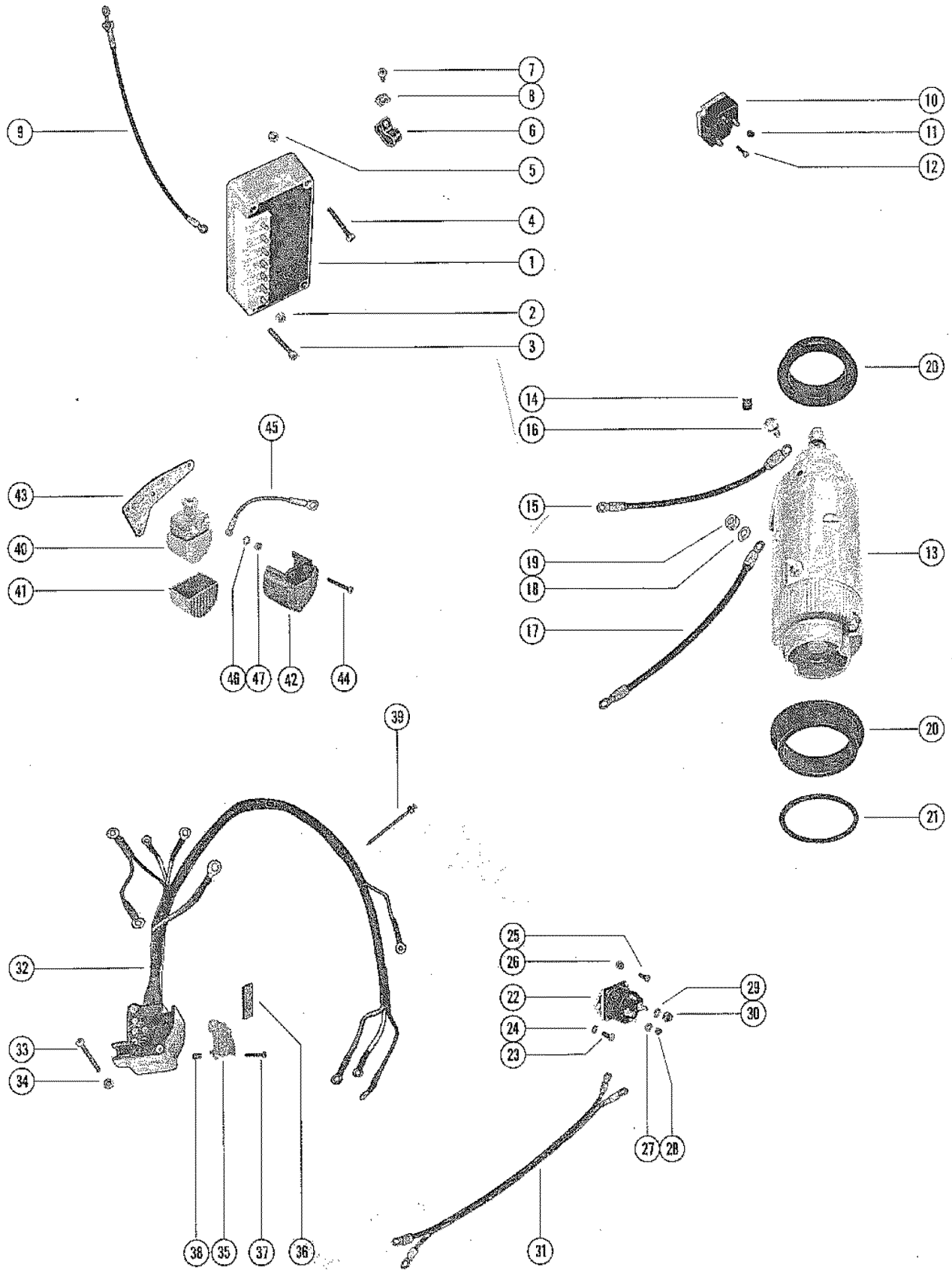


STARTER MOTOR, STARTER SOLENOID, RECTIFIER & WIRING HARNESS

REF. NO.	PART NO.	SYM.	QTY.	DESCRIPTION
1	332-4796A3		1	SWITCH BOX ASSEMBLY, COMPLETE
2	11-45076		7	NUT, SWITCH TERMINAL
3	10-24227		1	SCREW, SWITCH BOX TO FRONT SUPPORT BRACKET (2 1/8")
4	10-63506		3	SCREW, SWITCH BOX TO FRONT SUPPORT BRACKET (2 1/8")
5	11-46887		3	NUT, SWITCH BOX SCREW ATTACHING
6	54-22875		1	CLAMP, ELECTRICAL LEADS TO SWITCH BOX
7	10-31206		1	SCREW, CLAMP TO SWITCH BOX (7/16")
8	22789		1	"D" WASHER, CLAMP FASTENING SCREW
9	56318A5		1	CABLE ASSEMBLY, COIL TO SWITCH BOX (GREEN)
10	62351A1		1	RECTIFIER ASSEMBLY
11	11-45076		3	NUT, RECTIFIER TERMINAL
12	10-25764		2	SCREW, RECTIFIER TO FRONT SUPPORT BRACKET (1/2")
13	50-60315		1	STARTER MOTOR ASSEMBLY
14	57247		2	STOP, RUBBER - STARTER MOTOR
15	84-60872		1	CABLE, STARTER TO FRONT SUPPORT BRACKET (9 1/2")
16	10-29197		1	SCREW, CABLE TO STARTER MOTOR (5/8")
17	84-60970		1	CABLE, STARTER SOLENOID TO STARTER MOTOR (YELLOW)
18	13-26992		1	LOCKWASHER, STARTER MOTOR TERMINAL
19	11-20890		1	NUT, STARTER MOTOR TERMINAL
20	56703		2	COLLAR, RUBBER - STARTER MOTOR MOUNT
21	23-56774		AR	SPACER, COLLAR TO MOUNTING BRACKETS
22	87-61053		1	STARTER SOLENOID
23	10-28063		1	SCREW, SOLENOID TO FRONT SUPPORT BRACKET (5/8")
24	13-26992		1	LOCKWASHER, SOLENOID MOUNTING SCREW
25	10-20776		1	SCREW, SOLENOID TO FRONT SUPPORT BRACKET (1/2")
26	11-46887		1	NUT, SOLENOID MOUNTING SCREW
27	13-26996		2	LOCKWASHER, SOLENOID TERMINAL (#10)
28	11-20645		2	NUT, SOLENOID TERMINAL (#10)
29	13-26993		2	LOCKWASHER, SOLENOID TERMINAL (5/16")
30	11-21908		2	NUT, SOLENOID TERMINAL (5/16")
31	84-61378		1	CABLE, BATTERY TO STARTER SOLENOID
32	84-60795		1	WIRING HARNESS (INTERNAL)
33	10-61160		2	SCREW, WIRING HARNESS TO FRONT SUPPORT BRACKET (1 1/4")
34	11-46438		2	NUT, WIRING HARNESS SCREW
35	60114A1		1	BRACKET ASSEMBLY, WIRING HARNESS
36	26-60925		1	SEAL, WIRING HARNESS BRACKET
37	10-62002		2	SCREW, WIRING HARNESS BRACKET MOUNTING (2 3/8")
38	25-57806		2	GROMMET, WIRING HARNESS BRACKET SCREW
39	47764		6	STA-STRAP, INTERNAL WIRING HARNESS
40	336-4592A1		1	IGNITION COIL (2 7/8" HIGH) TO IDENTIFY COIL, MEASURE AS SHOWN IN DIAGRAM
41	56270		1	PAD, RUBBER - COIL TO IDENTIFY COIL, MEASURE AS SHOWN IN DIAGRAM

CONTINUED ON NEXT PAGE ➡

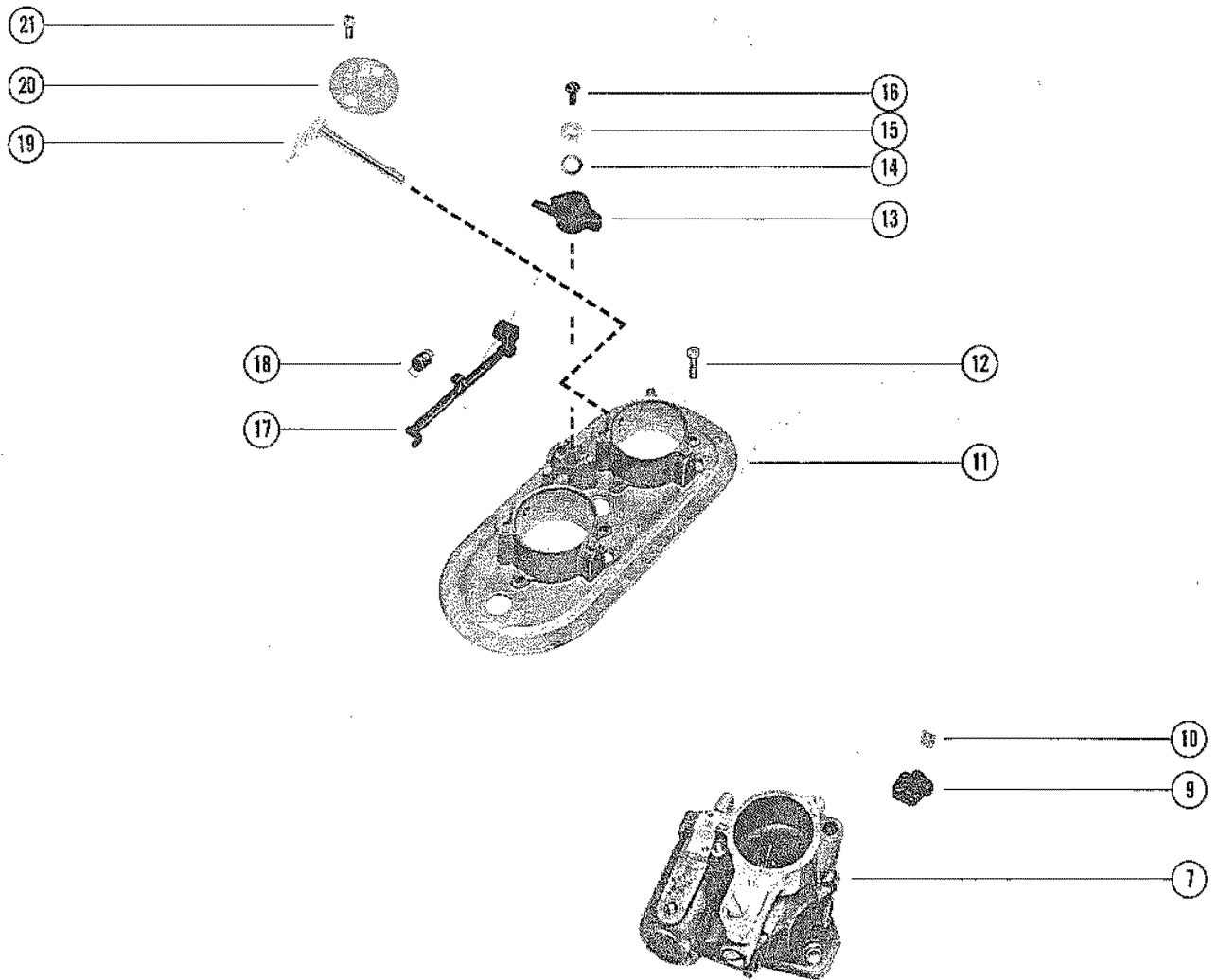
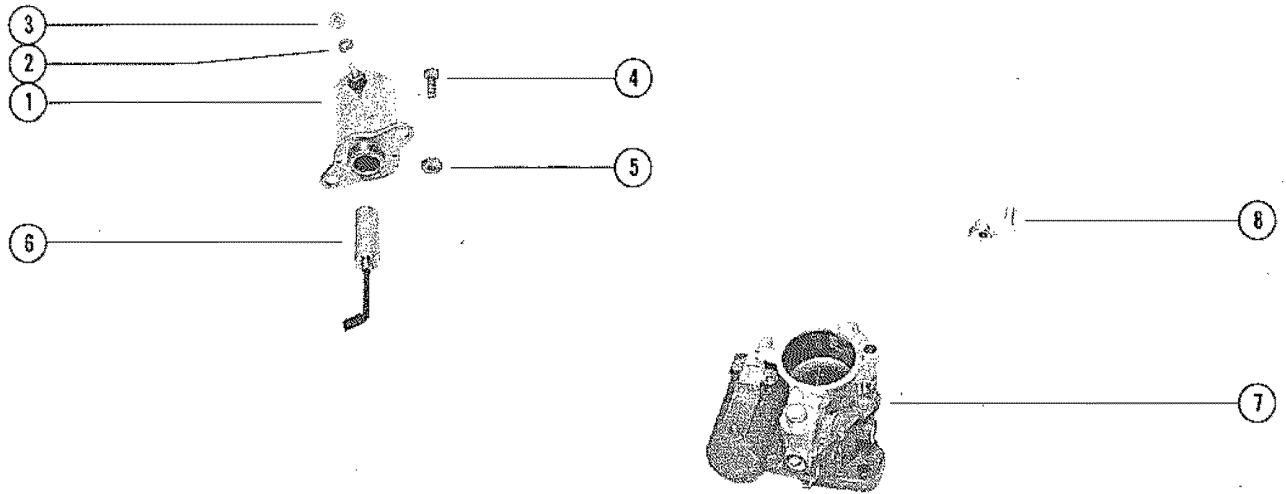
STARTER MOTOR, STARTER SOLENOID, RECTIFIER & WIRING HARNESS



STARTER MOTOR, STARTER SOLENOID, RECTIFIER & WIRING HARNESS

REF. NO.	PART NO.	SYM.	QTY.	DESCRIPTION
42	56188		1	COVER, COIL (USE WITH A-336-4592A1 COIL) TO IDENTIFY COIL, MEASURE AS SHOWN IN DIAGRAM
40	332-4895A1		1	IGNITION COIL (3 3/8" HIGH) TO IDENTIFY COIL, MEASURE AS SHOWN IN DIAGRAM
41	63194		1	PAD, RUBBER - COIL TO IDENTIFY COIL, MEASURE AS SHOWN IN DIAGRAM
42	63195		1	COVER, COIL (USE WITH A-332-4595A1 COIL) TO IDENTIFY COIL, MEASURE AS SHOWN IN DIAGRAM
43	62094		1	BRACKET, COIL MOUNTING
44	10-59770		3	SCREW, COIL AND BRACKET TO CYLINDER BLOCK (2")
45	84-60466A1		1	CABLE ASSEMBLY, GROUND - MOUNTING SCREW
46	13-26996		2	LOCKWASHER, IGNITION COIL TERMINAL (#10)
47	11-45076		2	NUT, IGNITION COIL TERMINAL (#10)

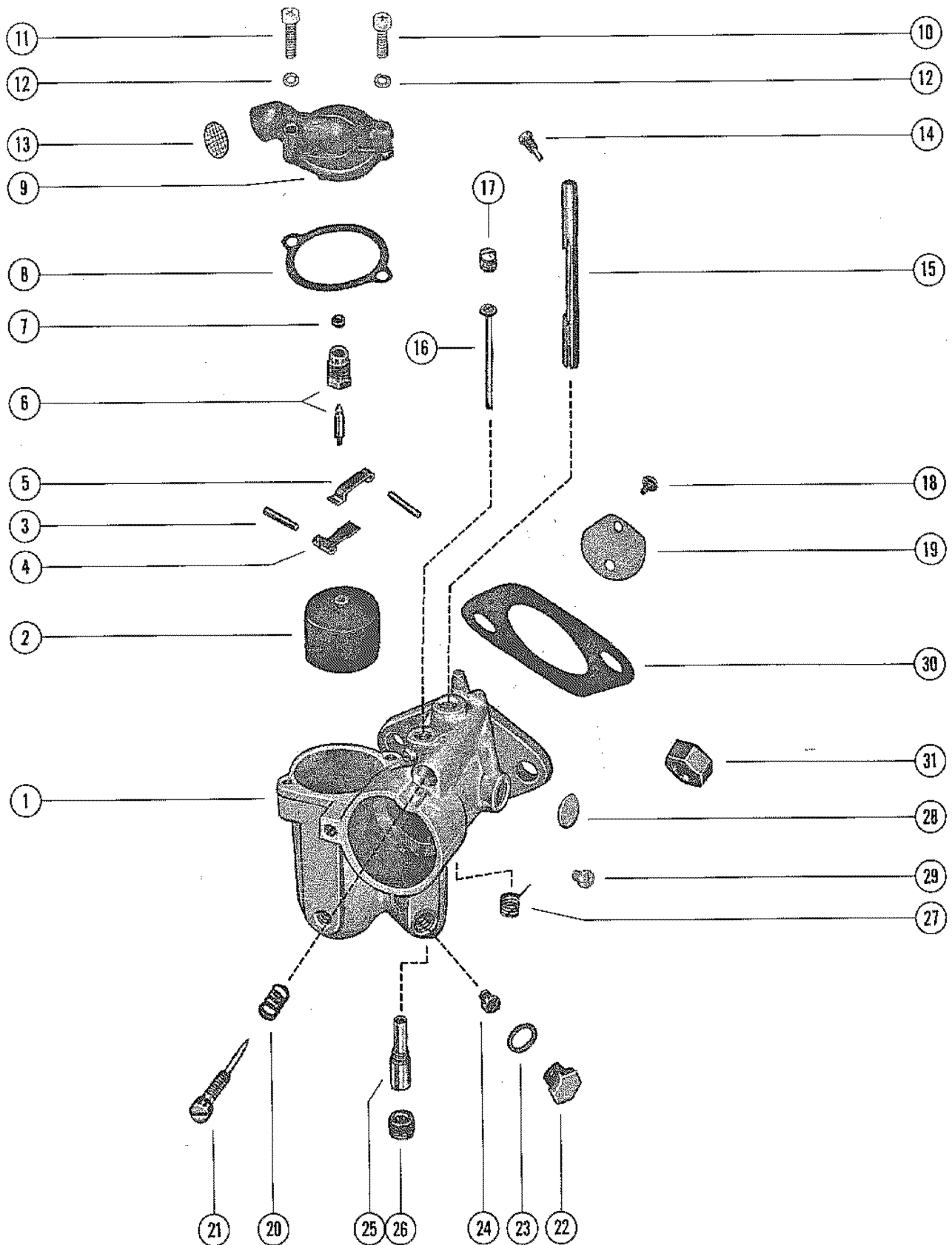
CARBURETOR LINKAGE AND CHOKE SOLENOID



CARBURETOR LINKAGE AND CHOKE SOLENOID

REF. NO.	PART NO.	SYM.	QTY.	DESCRIPTION
1	60549A3		1	CHOKE SOLENOID
2	13-26996		1	LOCKWASHER, HARNESS LEAD TO CHOKE SOLENOID
3	11-20645		1	NUT, HARNESS LEAD TO CHOKE SOLENOID ATTACHING
4	10-33524		2	SCREW, CHOKE SOLENOID ATTACHING (5/8")
5	11-46793		2	NUT, CHOKE SOLENOID ATTACHING SCREWS
6	56074A3		1	PLUNGER ASSEMBLY, CHOKE SOLENOID
7	1360-4663A1		2	CARBURETOR ASSEMBLY, COMPLETE
8	60568		1	LEVER, THROTTLE
9	60292A1		1	COUPLING ASSEMBLY, THROTTLE SHAFT
10	53665		1	INSERT, THROTTLE SHAFT COUPLING
11	60120		1	HOUSING, CHOKE
12	10-38055		4	SCREW, CHOKE HOUSING MOUNTING (5/8")
13	60312		1	LEVER, MANUAL CHOKE
14	13-34632		1	WASHER, WAVE - CHOKE LEVER TO CHOKE HOUSING SCREW
15	12-34392		1	WASHER, CHOKE LEVER TO CHOKE HOUSING SCREW
16	10-48080		1	SCREW, CHOKE LEVER TO CHOKE HOUSING (3/8")
17	60305		1	ROD, CHOKE
18	24-60288		1	SPRING, TENSION - CHOKE ROD
19	60290A1		2	CHOKE ARM LEVER ASSEMBLY
20	60291		2	SHUTTER, CHOKE - CARBURETOR
21	10-60846		4	SCREW, CHOKE SHUTTER TO CHOKE LEVER (1/4")

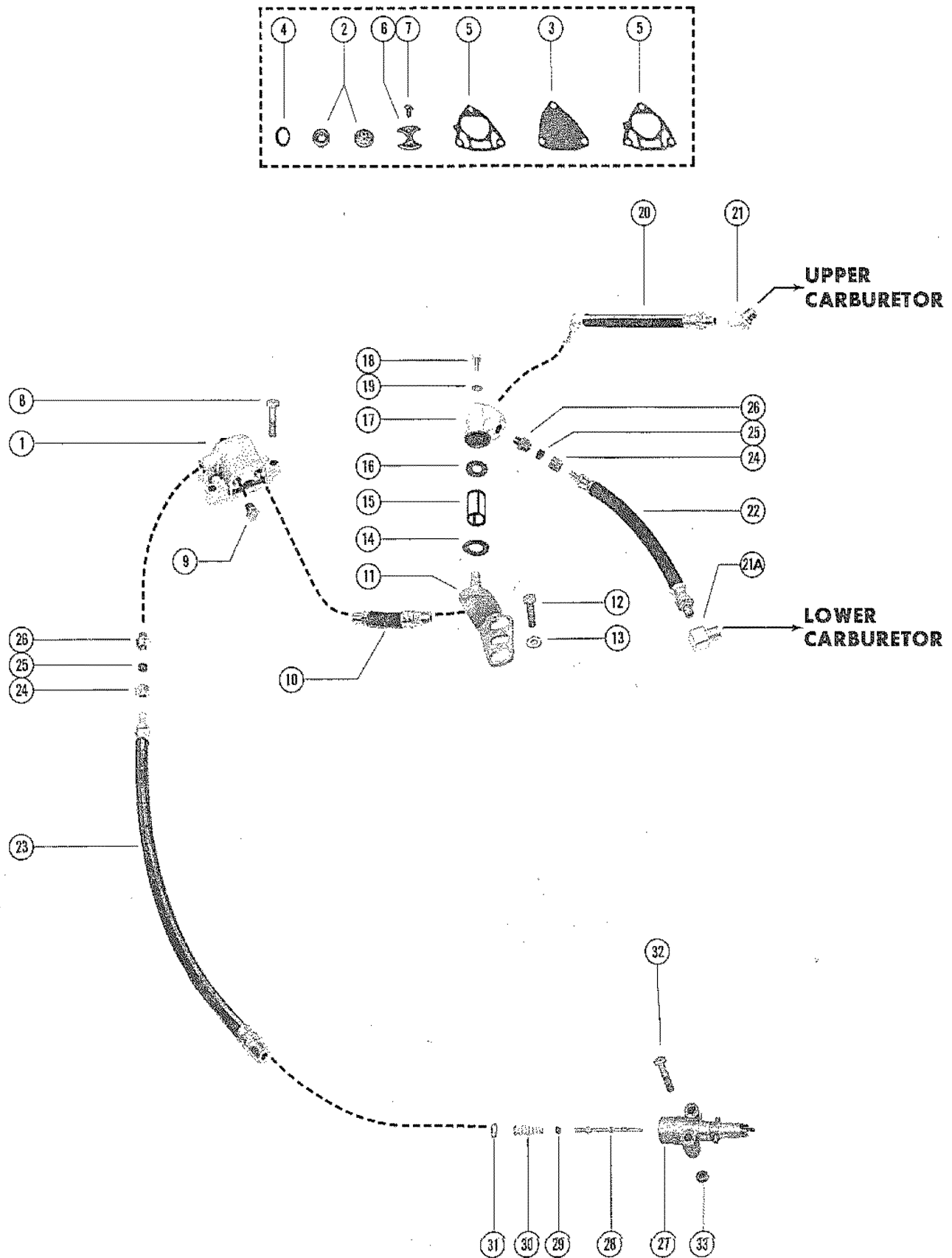
CARBURETOR ASSEMBLY



CARBURETOR ASSEMBLY

REF. NO.	PART NO.	SYM.	QTY.	DESCRIPTION
1	1360-4663A1		2	CARBURETOR ASSEMBLY, COMPLETE (WMK-5)
2	1399-110A1		2	FLOAT ASSEMBLY
3			4	PIN, FLOAT LEVER PINION
4			2	LEVER, FLOAT (LOWER)
5			2	LEVER, FLOAT (UPPER)
6	1395-4555		2	INLET NEEDLE, SEAT AND GASKET
7			2	GASKET, FLOAT INLET SEAT
8			2	GASKET, FLOAT BOWL COVER
9	1399-4392		2	COVER, FLOAT BOWL
10	10-52195		2	SCREW, FLOAT BOWL COVER (SHORT)
11	1395-4804		2	SCREW, FLOAT BOWL COVER (LONG)
12	13-26995		4	LOCKWASHER, FLOAT BOWL COVER SCREW
13	1395-4805		2	SCREEN, FILTER
14	1395-4806		2	SCREW, THROTTLE STOP LEVER
15	1395-4807		2	SHAFT, THROTTLE
16			2	TUBE, IDLE
17	1395-4540		2	SCREW, BODY (IDLE TUBE)
18			4	SCREW AND LOCKWASHER, THROTTLE SHUTTER
19	1399-3528		2	SHUTTER, THROTTLE
20	24-27160		2	SPRING, IDLE ADJUSTMENT SCREW
21	1399-3515		2	SCREW, IDLE ADJUSTMENT
22	1395-4541		2	SCREW, PLUG - MAIN FUEL JET CHANNEL
23			2	GASKET, JET CHANNEL PLUG SCREW
24	1399-3796		OPT	JET, MAIN FUEL (.076)
	1399-3794		2	JET, MAIN FUEL (.074) - STANDARD
	1399-3795		OPT	JET, MAIN FUEL (.072)
	1399-3811		OPT	JET, MAIN FUEL (.070)
25			2	NOZZLE, MAIN
26	1395-4542		2	SCREW, PLUG - MAIN NOZZLE
27			1	SPRING, THROTTLE SHAFT RETURN (LOWER CARBURETOR)
			1	SPRING, THROTTLE SHAFT RETURN (UPPER CARBURETOR)
28			2	WELCH PLUG, BODY CHANNEL
29	1395-4543		2	SCREW, BODY CHANNEL
-	1395-4808		2	GASKET AND PACKING SET (1 PER CARBURETOR)
-	1395-4809		2	REPAIR PARTS KIT (1 PER CARBURETOR)
30	27-48164		2	GASKET, CARBURETOR FLANGE
31	11-25594		4	NUT, CARBURETOR MOUNTING STUD

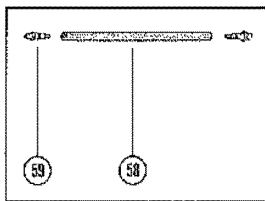
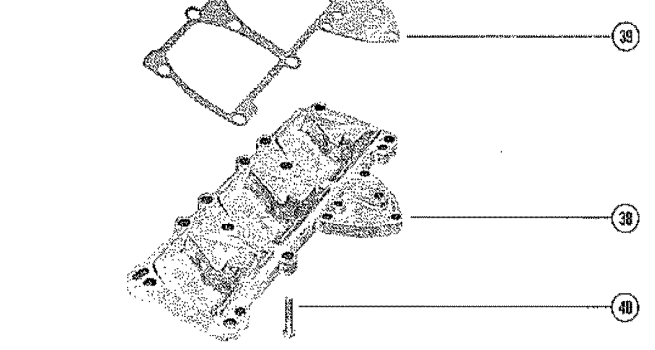
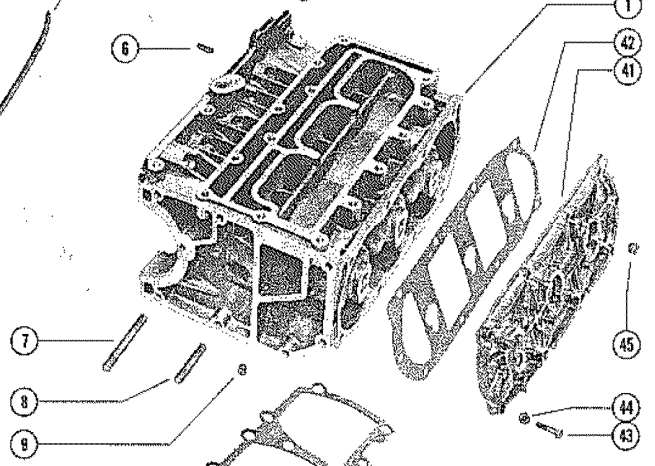
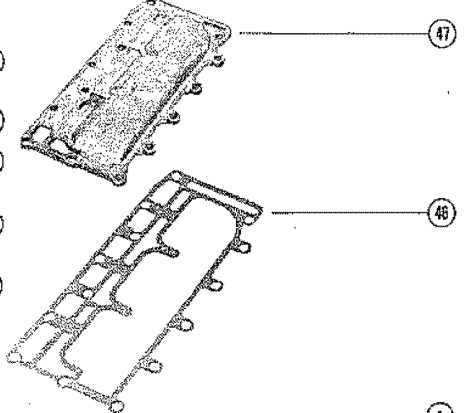
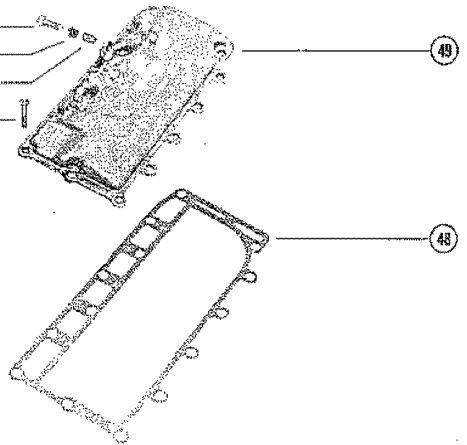
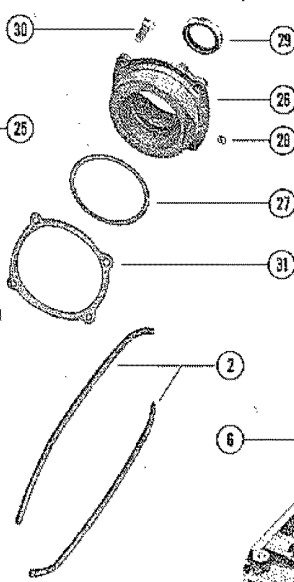
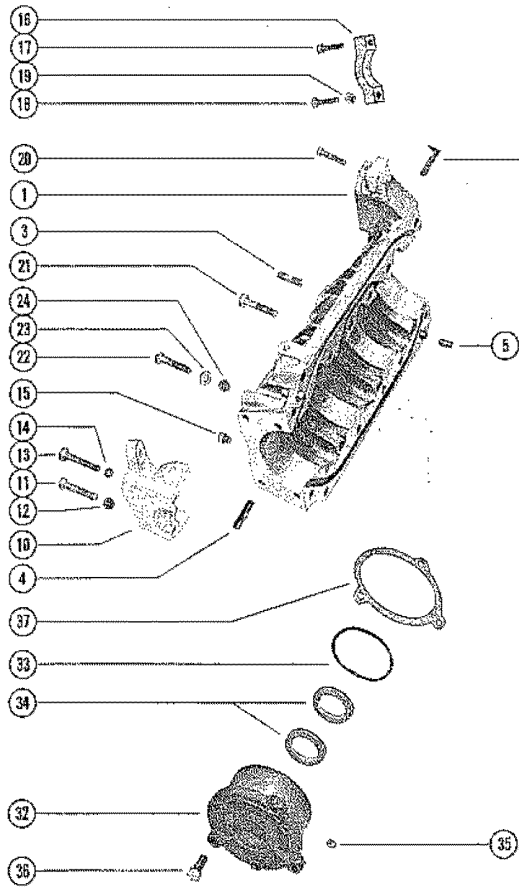
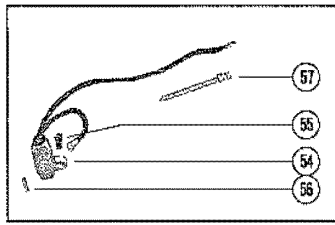
FUEL PUMP, FUEL FILTER AND FUEL LINE



FUEL PUMP, FUEL FILTER AND FUEL LINE

REF. NO.	PART NO.	SYM.	QTY.	DESCRIPTION
1	55156A5		1	FUEL PUMP ASSEMBLY
2	21-30430A3		2	CHECK VALVE ASSEMBLY
3	55278A1		1	DIAPHRAGM KIT
4			2	GASKET, CHECK VALVE TO HOUSING
5			2	GASKET, FUEL PUMP
6	23004		1	RETAINER, CHECK VALVE
7	10-20037		2	SCREW, RETAINER TO HOUSING (1/4")
8	10-35581		3	SCREW, PUMP MOUNTING (1 5/8")
9	22-32802		1	PLUG, PIPE - FUEL PUMP
10	32-60814A1		1	FUEL LINE ASSEMBLY, FUEL PUMP/FUEL FILTER HSG. (2 3/4")
11	58907		1	HOUSING, FUEL FILTER AND COVER
12	10-37558		2	SCREW, FILTER HOUSING TO TRANSFER PASSAGE COVER (1 1/4")
13	12-34437		2	WASHER, FUEL FILTER HOUSING MOUNTING SCREW
14	27-25851		1	GASKET, FILTER COVER (BOTTOM)
15	1399-3938		1	ELEMENT, FUEL FILTER
16	27-25849		1	GASKET, FILTER COVER (TOP)
17	1399-4791		1	COVER, FUEL FILTER
18	10-25822		1	SCREW, FILTER COVER FASTENING (5/8")
19	27-25848		1	GASKET, FILTER COVER FASTENING SCREW
20	32-38527		1	FUEL LINE, FILTER COVER TO UPPER CARBURETOR (5 7/8")
21	22-29085		1	ELBOW, (450) - UPPER CARBURETOR
21A	22-36567		1	ELBOW, LOWER CARBURETOR
22	32-62989A1		1	FUEL LINE, FILTER COVER TO LOWER CARBURETOR (7 1/8")
23	32-55829		1	FUEL LINE ASSEMBLY, FUEL PUMP TO ADAPTOR (15")
24	22-30177		2	NUT, FUEL LINE
25	22-30175		2	SLEEVE, FUEL LINE
26	22-30468		2	CONNECTOR, FUEL LINE
27	30186		1	ADAPTOR, CHECK UNIT (FUEL LINE)
28	30187		1	STEM, CHECK UNIT ADAPTOR
29	25-20415		1	"O" RING, ADAPTOR STEM
30	24-30189		1	SPRING, ADAPTOR STEM
31	30188		1	CUP WASHER, ADAPTOR
32	10-24644		2	SCREW, ADAPTOR TO FRONT SUPPORT BRACKET (1 3/8")
33	11-46887		2	NUT, ADAPTOR FASTENING SCREW

CYLINDER BLOCK AND CRANKCASE ASSEMBLY

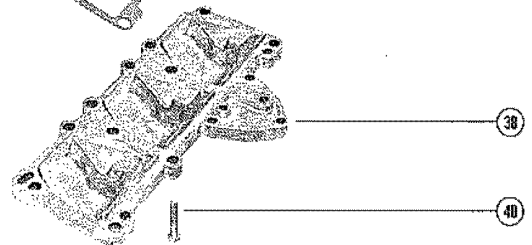
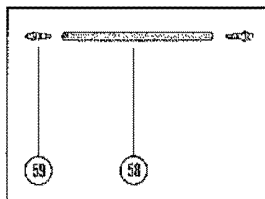
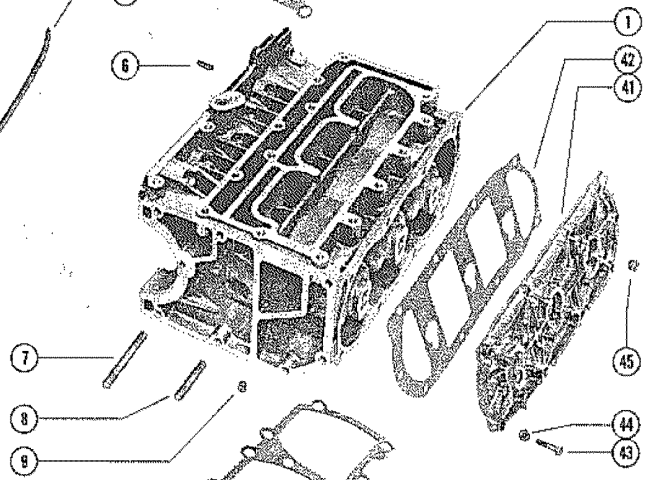
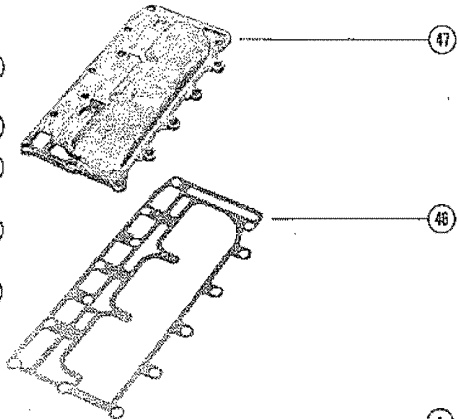
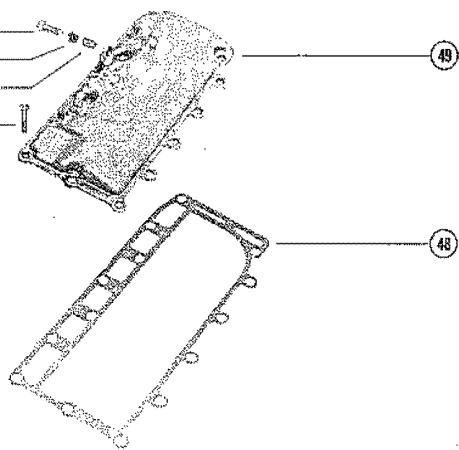
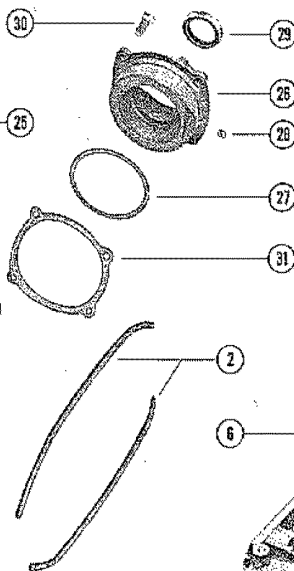
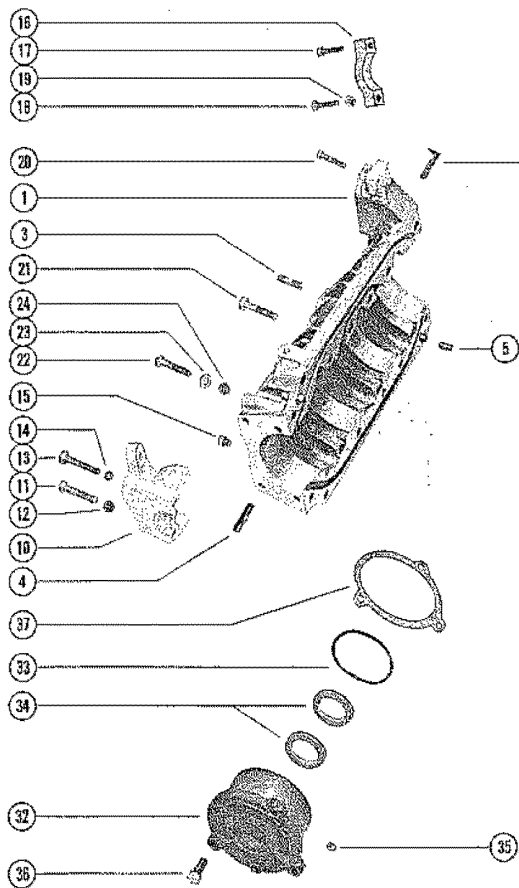
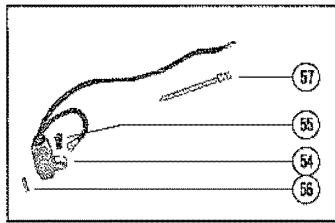


CYLINDER BLOCK AND CRANKCASE ASSEMBLY

REF. NO.	PART NO.	SYM.	QTY.	DESCRIPTION
1	855-4553A3		1	CYLINDER BLOCK AND CRANKCASE ASSEMBLY
2	27-60286		2	GASKET, CRANKCASE TO CYLINDER BLOCK
3	16-21831		4	STUD, CARBURETOR MOUNTING (1 1/4")
4	16-30715		2	STUD, CRANKCASE TO DRIVE SHAFT HOUSING (2 1/4")
5	17-20033		2	DOWEL PIN, CRANKCASE TO CYLINDER BLOCK
6	17-20323		2	DOWEL PIN, CYLINDER BLOCK TO MAIN BEARING
7	16-20984		2	STUD, CYLINDER BLOCK TO DRIVE SHAFT HOUSING (4 1/4")
8	16-29589		1	STUD, CYLINDER BLOCK TO DRIVE SHAFT HOUSING (3") - EXHAUST
	16-20983		1	STUD, CYLINDER BLOCK TO DRIVE SHAFT HOUSING (2 9/16") - TRA
9	57854		2	RESTRICTION, CYLINDER BLEED
10	60115		1	COVER, STARTER MOTOR TO CRANKCASE (BOTTOM)
11	10-26132		1	SCREW, STARTER MOTOR COVER TO CRANKCASE (2 3/4")
12	11-46793		1	NUT, STARTER MOTOR COVER SCREW
13	10-57841		1	SCREW, STARTER MOTOR COVER TO CRANKCASE (2 3/4")
14	13-26993		1	LOCKWASHER, STARTER MOTOR COVER SCREW
15	22-32802		1	PIPE PLUG, CRANKCASE
16	58906		1	COVER, STARTER MOTOR TO CRANKCASE (TOP)
17	10-33860		1	SCREW, STARTER MOTOR COVER TO CRANKCASE (2")
18	10-26132		1	SCREW, STARTER MOTOR COVER TO CRANKCASE (2 1/2")
19	11-46793		2	NUT, STARTER MOTOR COVER SCREW
20	10-57233		2	SCREW, CRANKCASE TO CYLINDER BLOCK (7/8")
21	10-29942		7	SCREW, CRANKCASE TO CYLINDER BLOCK (2 1/4")
22	10-22039		4	SCREW, CRANKCASE TO CYLINDER BLOCK (2 3/4")
23	12-26020		13	WASHER, CRANKCASE TO CYLINDER BLOCK SCREW
24	11-46793		13	NUT, CRANKCASE TO CYLINDER BLOCK SCREW
25	62397		1	INDICATOR, TIMING
26	1143-4390A1		1	END CAP ASSEMBLY UPPER
27	25-47254		1	"O" RING, END CAP
28	21-56011A2		1	CHECK VALVE ASSEMBLY, END CAP
29	26-29476		1	OIL SEAL, END CAP
30	10-30225		4	SCREW, UPPER END CAP MOUNTING (1")
31	15-47248A1		AR	SHIM, UPPER END CAP (.006-8-10)
32	1144-4888A1		1	END CAP ASSEMBLY, LOWER
33	25-32546		1	"O" RING, END CAP
34	26-29476		2	OIL SEAL, END CAP
35	21-56011A2		3	CHECK VALVE ASSEMBLY, END CAP
36	10-30225		3	SCREW, LOWER END CAP MOUNTING (1")
37	15-20085A1		AR	SHIM, LOWER END CAP (.002-3-5-10)
38	58910		1	COVER, TRANSFER PASSAGE

CONTINUED ON NEXT PAGE ➡

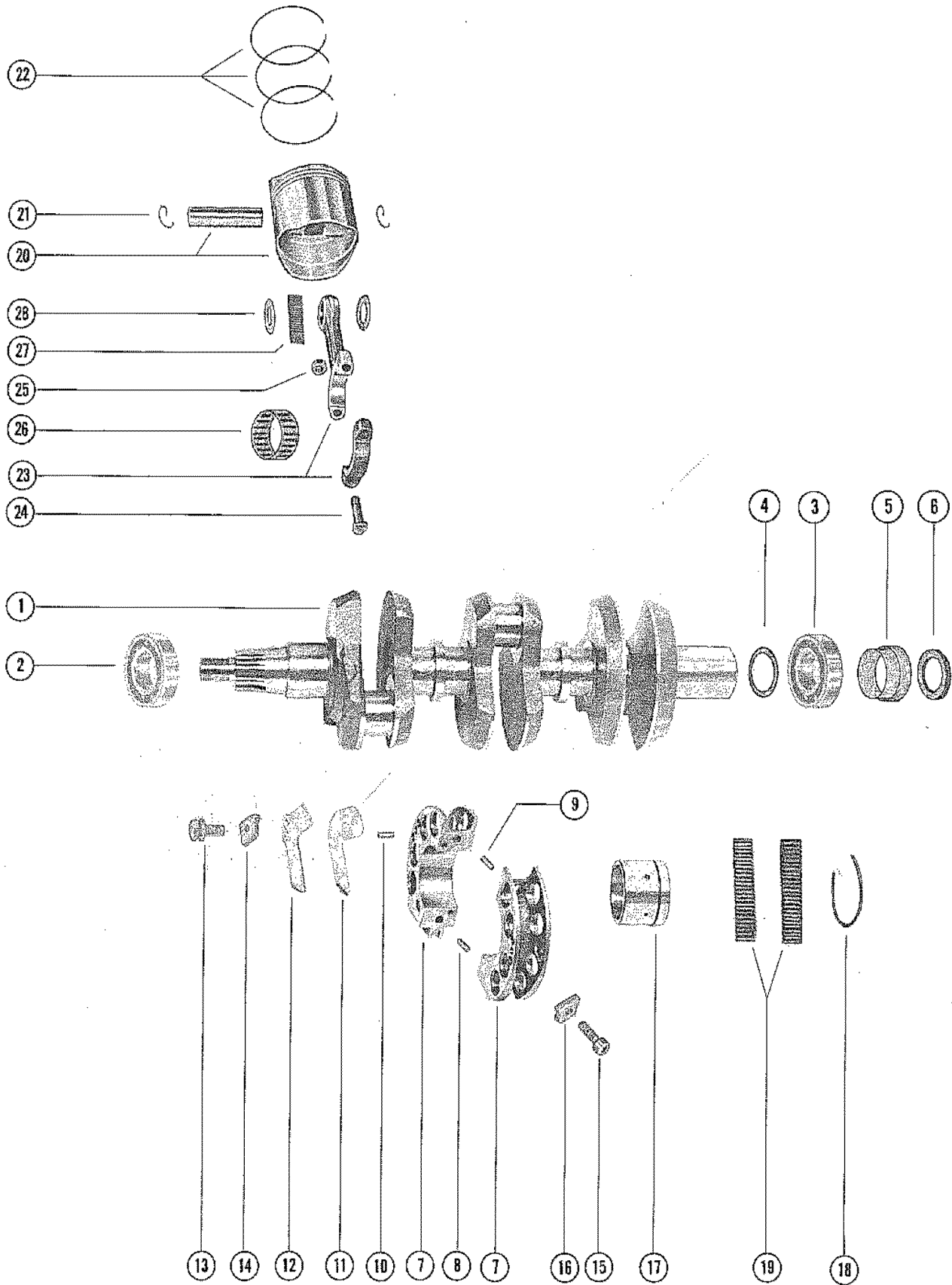
CYLINDER BLOCK AND CRANKCASE ASSEMBLY



CYLINDER BLOCK AND CRANKCASE ASSEMBLY

REF. NO.	PART NO.	SYM.	QTY.	DESCRIPTION
39	27-60311		1	GASKET, TRANSFER PASSAGE COVER
40	10-38837		9	SCREW, TRANSFER PASSAGE COVER MOUNTING (1 1/8")
41	1025-4389		1	COVER, CYLINDER BLOCK
42	27-60310		1	GASKET, CYLINDER BLOCK COVER
43	10-21091		6	SCREW, CYLINDER BLOCK COVER MOUNTING (1 1/8")
44	11-46887		6	NUT, COVER MOUNTING SCREWS
45	22-32802		1	PLUG, CYLINDER BLOCK COVER
46	27-60309		1	GASKET, BAFFLE PLATE TO CYLINDER BLOCK
47	58913		1	PLATE, BAFFLE - EXHAUST MANIFOLD
48	27-60308		1	GASKET, BAFFLE PLATE TO EXHAUST MANIFOLD COVER
49	58912		1	COVER, EXHAUST MANIFOLD
50	10-24227		3	SCREW, THROTTLE LEVER ADJUSTING (2 1/8")
51	11-20890		3	NUT, THROTTLE LEVER ADJUSTING SCREWS
52	52023		3	CAP, NYLON - THROTTLE LEVER ADJUSTING SCREWS
53	10-60411		15	SCREW, BAFFLE PLTAE AND EXHAUST MANIFOLD COVER MOUNTING (1 1/8")
54	58124A15		1	SWITCH, MERCURY
55	10-48591		1	SCREW, MERCURY SWITCH TO CRANKCASE (1/2")
56	17-36242		2	PIN, ROLL - MERCURY SWITCH
57	47764		1	STA-STRAP, MERCURY SWITCH LEAD
58	32-60584		1	HOSE, CRANKCASE BLEED (12")
59	22-56759		2	FITTING, CRANKCASE BLEED (PART OF CYLINDER BLOCK AND CRANKCA)

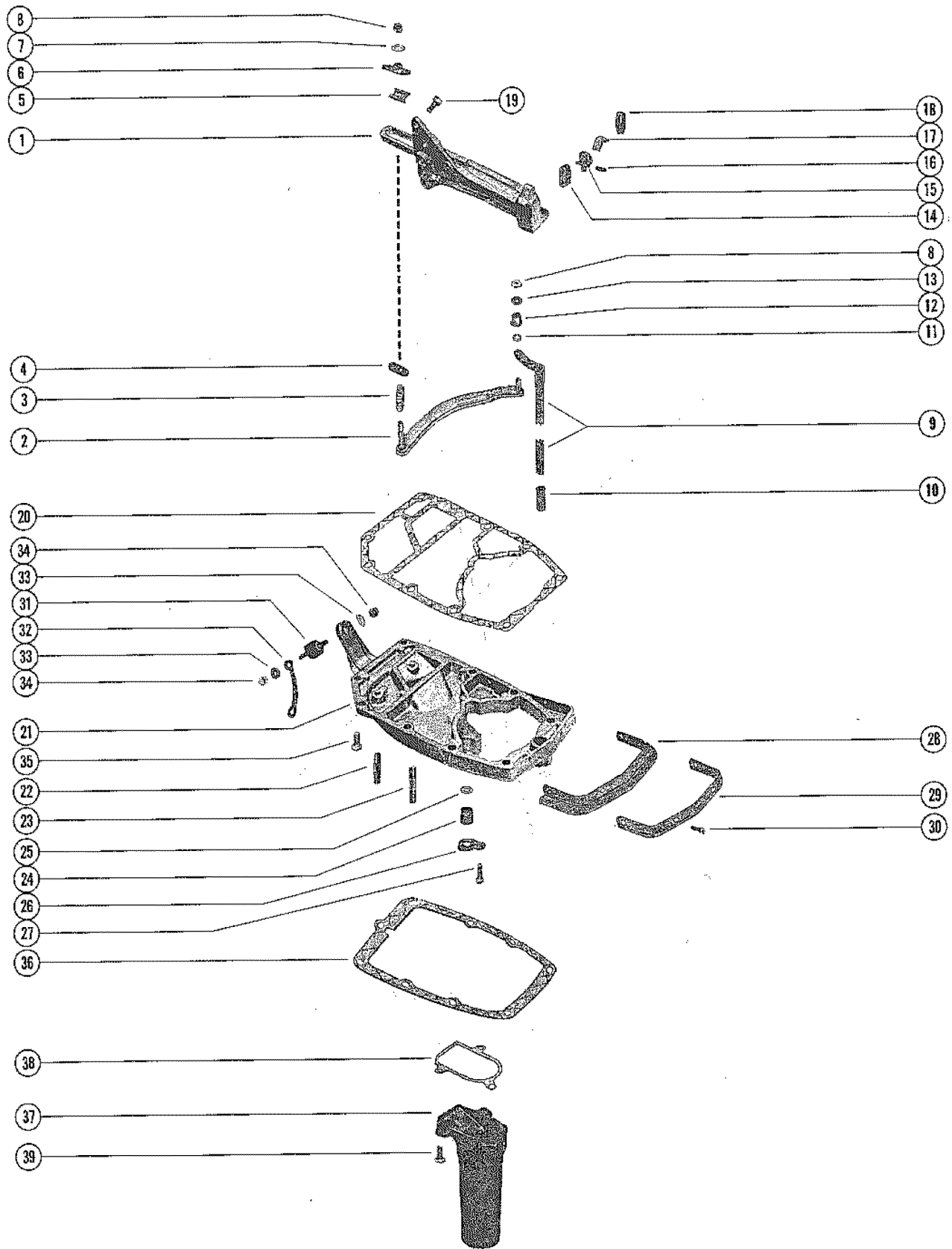
CRANKSHAFT, PISTONS AND CONNECTING RODS



CRANKSHAFT, PISTONS AND CONNECTING RODS

REF. NO.	PART NO.	SYM.	QTY.	DESCRIPTION
1	450-4393A2		1	CRANKSHAFT ASSEMBLY
2	30-54816		1	BEARING, BALL - UPPER
3	30-54816		1	BEARING, BALL - LOWER
4	15-22369A1		AR	SHIM, LOWER BEARING TO CRANKSHAFT
5	60834A1		1	CARRIER ASSEMBLY, "O" RING
6	25-35276		1	"O" RING, CARRIER
7	542-4846A1		2	MAIN BEARING ASSEMBLY (VALVE TYPE)
8	17-20032		4	DOWEL PIN, MAIN BEARING
9	17-60282		2	DOWEL PIN (STEPPED)
10	17-55453		16	DOWEL PIN, REED STOP
11	34-60281A1		2	REED SET, MATCHED - MAIN BEARING
12	34-60318		8	REED STOP
13	10-53481		8	SCREW, REED STOP MOUNTING (9/16")
14	11-20110		8	NUT, REED STOP MOUNTING SCREW
15	10-45775		4	SCREW, MAIN BEARING CLAMPING (9/16")
16	11-45774		4	NUT, MAIN BEARING SCREW CLAMPING
17	26113		2	RACE, OUTER (PAIR)
18	53-26933		2	RING, SNAP - OUTER RACE CLAMPING
19	29-48410		112	BEARING, NEEDLE
20	745-4891A2		3	PISTON AND PISTON PIN ASSEMBLY
21	40-52035		6	LOCK RING, PISTON PIN
22	39-45155A12		1	RING, PISTON
23	622-4850A4		3	CONNECTING ROD AND CAP ASSEMBLY
24	10-54803		6	SCREW, CAP TO CONNECTING ROD (1 1/2")
25	11-49091		6	NUT, CONNECTING ROD SCREW
26	31-63075A1		3	BEARING ASSEMBLY, CRANKPIN
27	29-47270		87	BEARING, NEEDLE - PISTON PIN
28	12-47247		6	WASHER, NEEDLE LOCATING
-	745-4881A1		3	PISTON AND PISTON PIN ASSEMBLY (.015)
-	39-45204A12		1	RING, PISTON (.015)

SHIFT LINKAGE AND EXHAUST PLATE

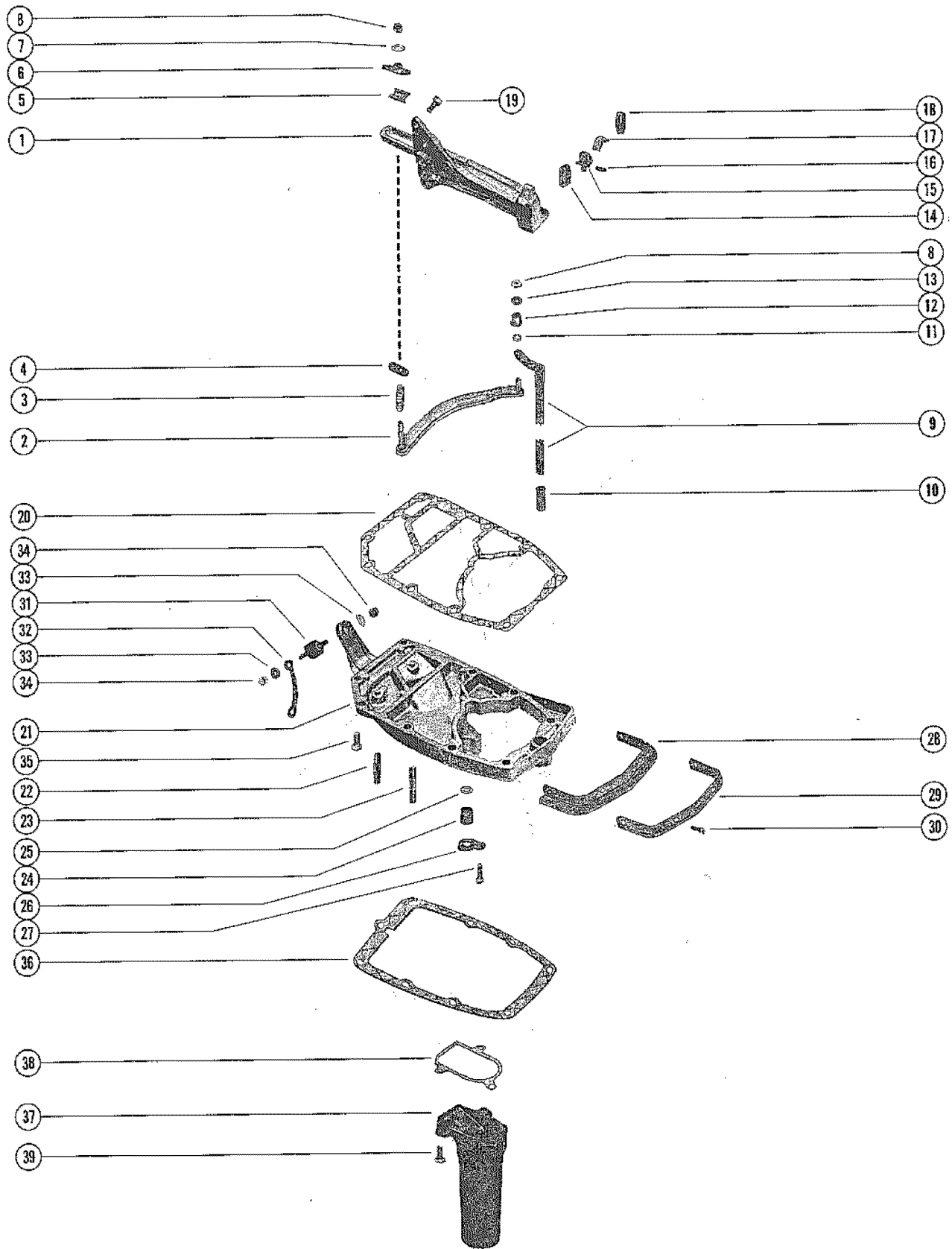


SHIFT LINKAGE AND EXHAUST PLATE

REF. NO.	PART NO.	SYM.	QTY.	DESCRIPTION
1	58908		1	BRACKET, ANCHOR - CONTROL CABLES
2	60283A1		1	LINK ASSEMBLY, SHIFT SHAFT AND ANCHOR BRACKET
3	24-20099		1	SPRING, LINK TO ANCHOR BRACKET
4	37896		1	GUIDE BLOCK, LINK
5	52100		1	WEAR PLATE, NYLON - LINK
6	38279		1	LATCH, LINK TO ANCHOR BRACKET
7	12-21631		1	WASHER, LINK LATCH
8	11-20664		2	NUT, LINK ATTACHING
9	60304A2		1	SHIFT SHAFT ASSEMBLY, UPPER (SHORT SHAFT)
	60304A1		1	SHIFT SHAFT ASSEMBLY, UPPER (LONG SHAFT)
10	55692		1	COUPLING, SHIFT SHAFT
11	13-29720		1	WASHER, WAVE - SHIFT SHAFT TO LINK
12	23-26600		1	BUSHING, NYLON - SHIFT SHAFT TO LINK
13	12-24664		1	WASHER, LINK (SHIFT SHAFT END)
14	39519		1	CUP, RETAINER - ANCHOR BRACKET
15	39618		1	LEVER, NYLON - SHIFT CABLE LOCKING
16	17-47175		3	PIN, LOCKING LEVER AND COVER FASTENING
17	39536		1	LINK, LOCKING LEVER TO COVER
18	39667		1	COVER, NYLON - SHIFT CABLE
19	10-53167		3	SCREW, ANCHOR BRACKET TO CRANKCASE AND CYL BLOCK (7/8")
20	27-60317		1	GASKET, POWERHEAD TO EXHAUST PLATE
21	58909A4		1	EXHAUST PLATE ASSEMBLY
22	16-20985		1	STUD, EXHAUST PLATE TO DRIVE SHAFT HOUSING (1 11/16")
23	16-48769		1	STUD, EXHAUST PLATE TO DRIVE SHAFT HOUSING (2 1/8")
24	26-38452		1	SEAL, WATER INLET TUBE
25	12-38453		1	WASHER, NYLON - WATER INLET TUBE SEAL
26	38500		1	RETAINER, WATER INLET TUBE SEAL
27	10-34439		1	SCREW, RETAINER TO EXHAUST PLATE (3/4")
28	60307		1	SEAL, EXHAUST PLATE
29	60306		1	STRIP, RETAINING - EXHAUST PLATE SEAL
30	10-30663		3	SCREW, RETAINING STRIP TO EXHAUST PLATE (3/8")
31	63007		1	MOUNT, RUBBER - EXHAUST PLATE TO REAR COWL SUPPORT
32	49651A1		1	GROUND STRAP ASS'Y, EXHAUST PLATE TO REAR COWL SUPPORT
33	12-20346		2	WASHER, RUBBER MOUNT ATTACHING
34	11-20361		2	NUT, RUBBER MOUNT TO EXHAUST PLATE

CONTINUED ON NEXT PAGE ➡

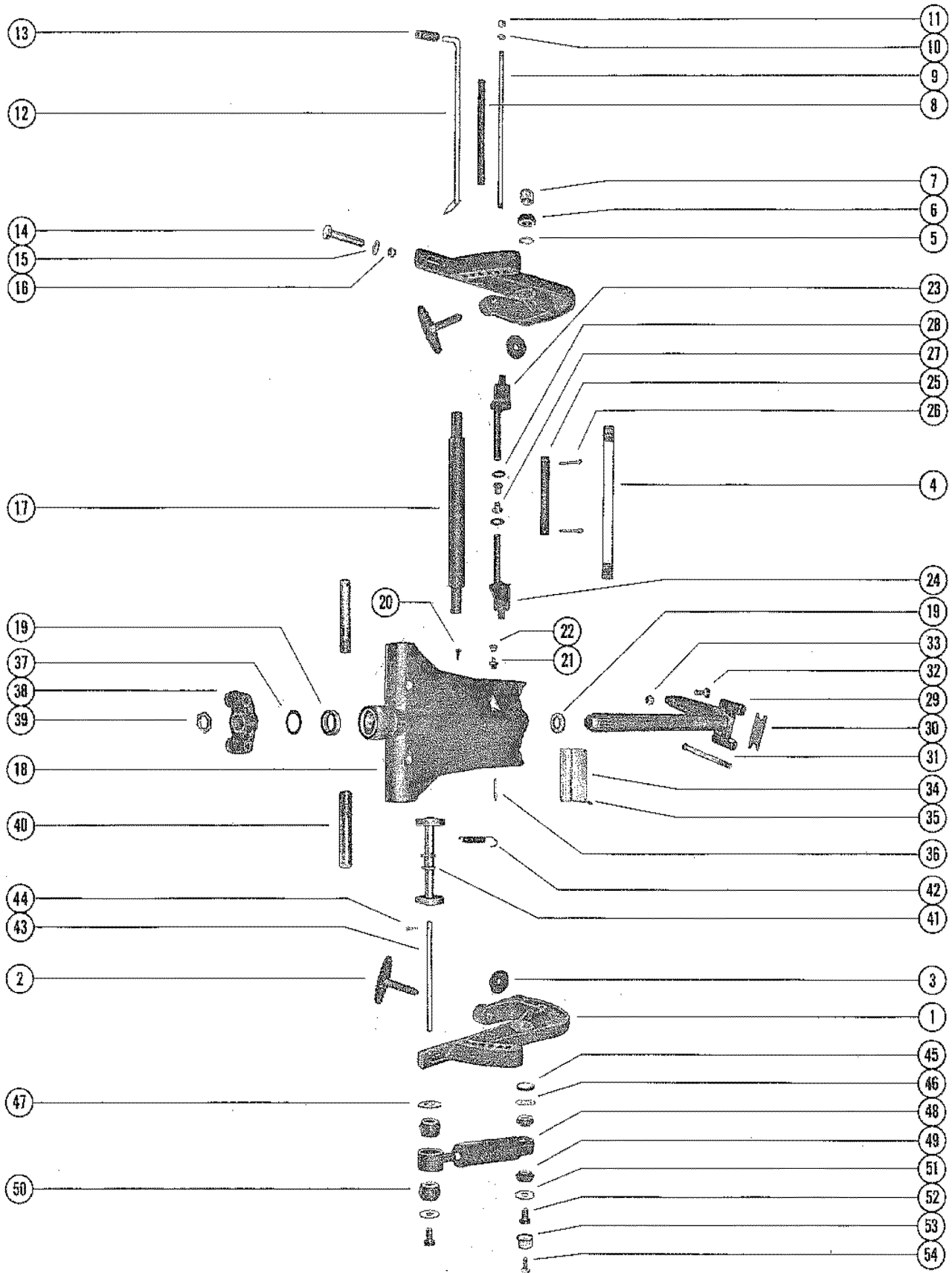
SHIFT LINKAGE AND EXHAUST PLATE



SHIFT LINKAGE AND EXHAUST PLATE

REF. NO.	PART NO.	SYM.	QTY.	DESCRIPTION
35	10-24234		3	SCREW, EXHAUST PLATE TO CYLINDER BLOCK (1")
36	27-38501		1	GASKET, ADAPTOR PLATE TO DRIVE SHAFT HOUSING
37	58911		1	EXHAUST TUBE, ADAPTOR
38	27-60280		1	GASKET, EXHAUST TUBE TO EXHAUST PLATE
39	10-49668		3	SCREW, EXHAUST TUBE TO EXHAUST PLATE (3/4")

CLAMP AND SWIVEL BRACKET ASSEMBLY

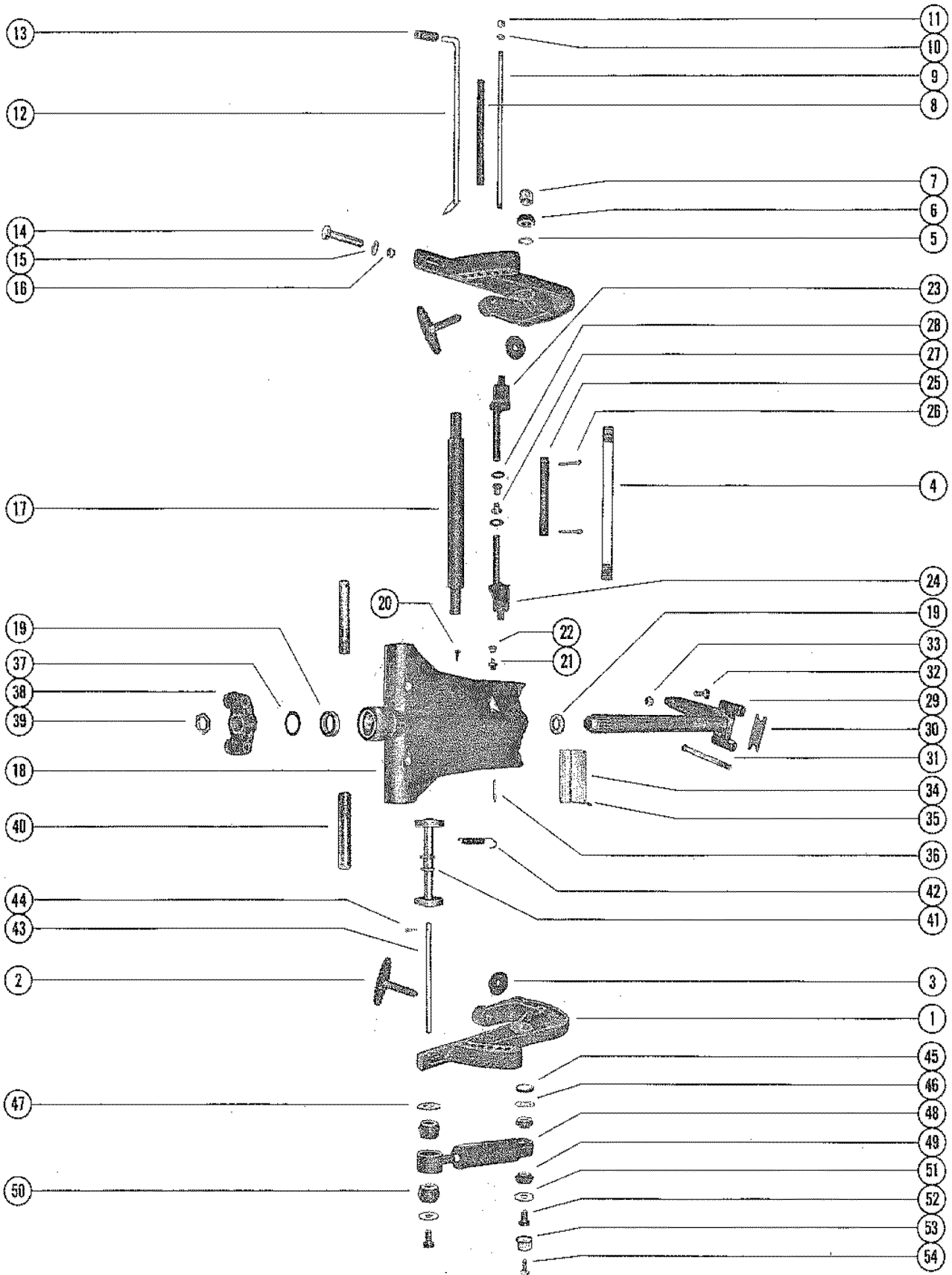


CLAMP AND SWIVEL BRACKET ASSEMBLY

REF. NO.	PART NO.	SYM.	QTY.	DESCRIPTION
1	1440-3291A1		2	CLAMP BRACKET ASSEMBLY
2	28403A3		2	THUMB SCREW ASSEMBLY
3	12-28404		2	WASHER, THUMB SCREW
4	30664		1	TUBE, TILT - CLAMP BRACKET TO SWIVEL BRACKET
5	12-52864		2	WASHER, CLAMP BRACKET TILT TUBE
6	11-30499		2	NUT, TILT TUBE FASTENING
7	53078		2	CAP, PLASTIC - TILT TUBE
8	23-59624		1	SPACER, CLAMP BRACKET STUD
9	16-59625		1	STUD, CLAMP BRACKET (9 1/2")
10	13-26993		2	LOCKWASHER, CLAMP BRACKET STUD
11	11-28770		2	NUT, CLAMP BRACKET STUD
12	17-49930A1		1	TILT LOCK PIN ASSEMBLY
13	32-28052		1	SLEEVE, RUBBER - TILT LOCK PIN BUMPER
14	10-28009		2	BOLT, CLAMP BRACKET TO BOAT TRANSOM (3 1/4")
15	12-28008		2	WASHER, CLAMP BRACKET BOLT
14	10-31827		2	BOLT, CLAMP BRACKET TO BOAT TRANSOM (3")
15	12-21040		4	WASHER, CLAMP BRACKET BOLT
16	11-28010		4	NUT, CLAMP BRACKET BOLT
17	55-28416		1	PIN, UPPER SHOCK MOUNTING
18	1465-4175A1		1	SWIVEL BRACKET ASSEMBLY (SHORT SHAFT)
	1466-4176A1		1	SWIVEL BRACKET ASSEMBLY (LONG SHAFT)
19	26-32911		2	OIL SEAL, SWIVEL BRACKET
20	10-47828		1	SCREW, DRIVE - SWIVEL BRACKET
21	22-23612		1	FITTING, GREASE
22	29359		1	LUBRICAP, SWIVEL BRACKET GREASE FITTING
23	47799A1		1	TILT LOCK ASSEMBLY, STARBOARD
24	47800A1		1	TILT LOCK ASSEMBLY, PORT
25	47802		1	TUBE, TILT LOCK
26	18-47959		2	COTTER PIN, TILT LOCK TUBE
27	23-47803		2	BUSHING, TILT LOCK TUBE
28	13-24850		2	WASHER, WAVE - TILT LOCK TUBE
29	60316A2		1	SWIVEL PIN AND STEERING ARM ASSEMBLY (SHORT SHAFT)
	60316A1		1	SWIVEL PIN AND STEERING ARM ASSEMBLY (LONG SHAFT)
30	30711		1	BUMPER, STEERING ARM
31	10-33986		2	BOLT, UPPER MOUNT TO SWIVEL PIN (5 1/4")
32	10-31830		1	SCREW, RIDE-GUIDE ATTACHING (1 3/4")
33	11-20509		1	NUT, RIDE-GUIDE ATTACHING SCREW
34	38-56267		1	SERIAL PLATE
35	10-25612		4	SCREW, DRIVE - SERIAL PLATE TO SWIVEL BRACKET
36	17-25598		1	PIN, REVERSE LOCK SPRING ATTACHING
37	12-25176		1	WASHER, SWIVEL PIN TO BOTTOM YOKE (.060)
	12-26837		AR	WASHER, SWIVEL PIN TO BOTTOM YOKE (.065)
38	57452		1	YOKE, BOTTOM

CONTINUED ON NEXT PAGE ➡

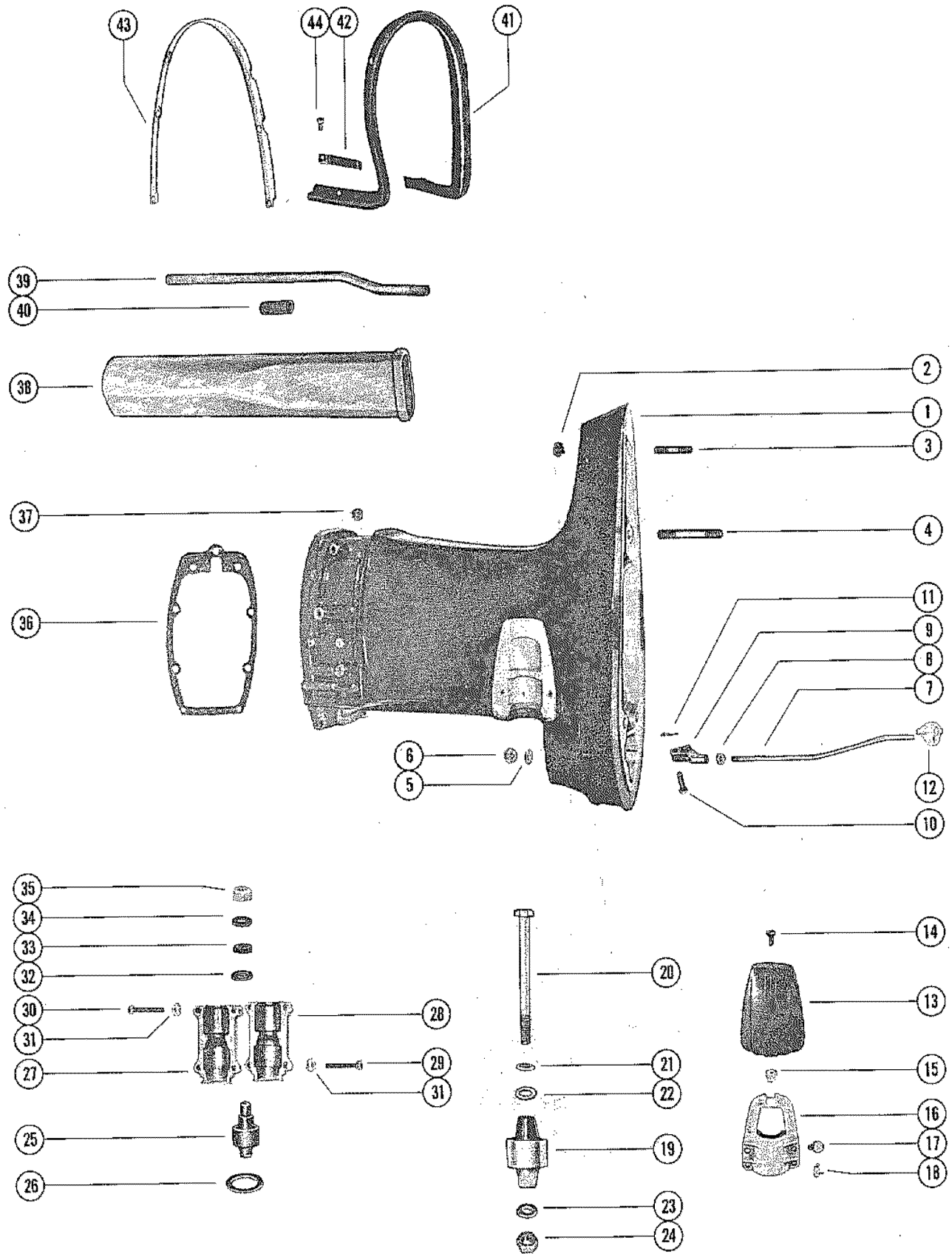
CLAMP AND SWIVEL BRACKET ASSEMBLY



CLAMP AND SWIVEL BRACKET ASSEMBLY

REF. NO.	PART NO.	SYM.	QTY.	DESCRIPTION
39	11-28202		1	NUT, SWIVEL PIN RETAINING
40	55-29247		2	PIN, LOWER SHOCK MOUNTING
41	39015A4		1	REVERSE LOCK ASSEMBLY
42	24-29821		1	SPRING, REVERSE LOCK TENSION
43	56349		1	SHAFT, REVERSE LOCK PIVOT
44	18-45882		1	COTTER PIN, REVERSE LOCK TO SHAFT
45	23-28199		2	SPACER, UPPER SHOCK BUSHING TO CLAMP BRACKET
46	12-28196		2	WASHER, UPPER BUSHING RETAINER (INNER)
47	12-59378		2	WASHER, LOWER BUSHING RETAINER (INNER)
48	55-31933		2	SHOCK ABSORBER
49	23-32171		4	BUSHING, RUBBER - SHOCK ABSORBER (UPPER)
50	23-28198		4	BUSHING, RUBBER - SHOCK ABSORBER (LOWER)
51	12-28421		4	WASHER, UPPER AND LOWER BUSHING RETAINER (OUTER)
52	10-53077		4	SCREW, UPPER AND LOWER SHOCK MOUNTING PIN (3/4")
53	53071		4	COVER, UPPER AND LOWER SHOCK MOUNTING PIN
54	10-37655		4	SCREW, COVER TO SHOCK MOUNTING SCREWS (1/2")

DRIVE SHAFT HOUSING ASSEMBLY

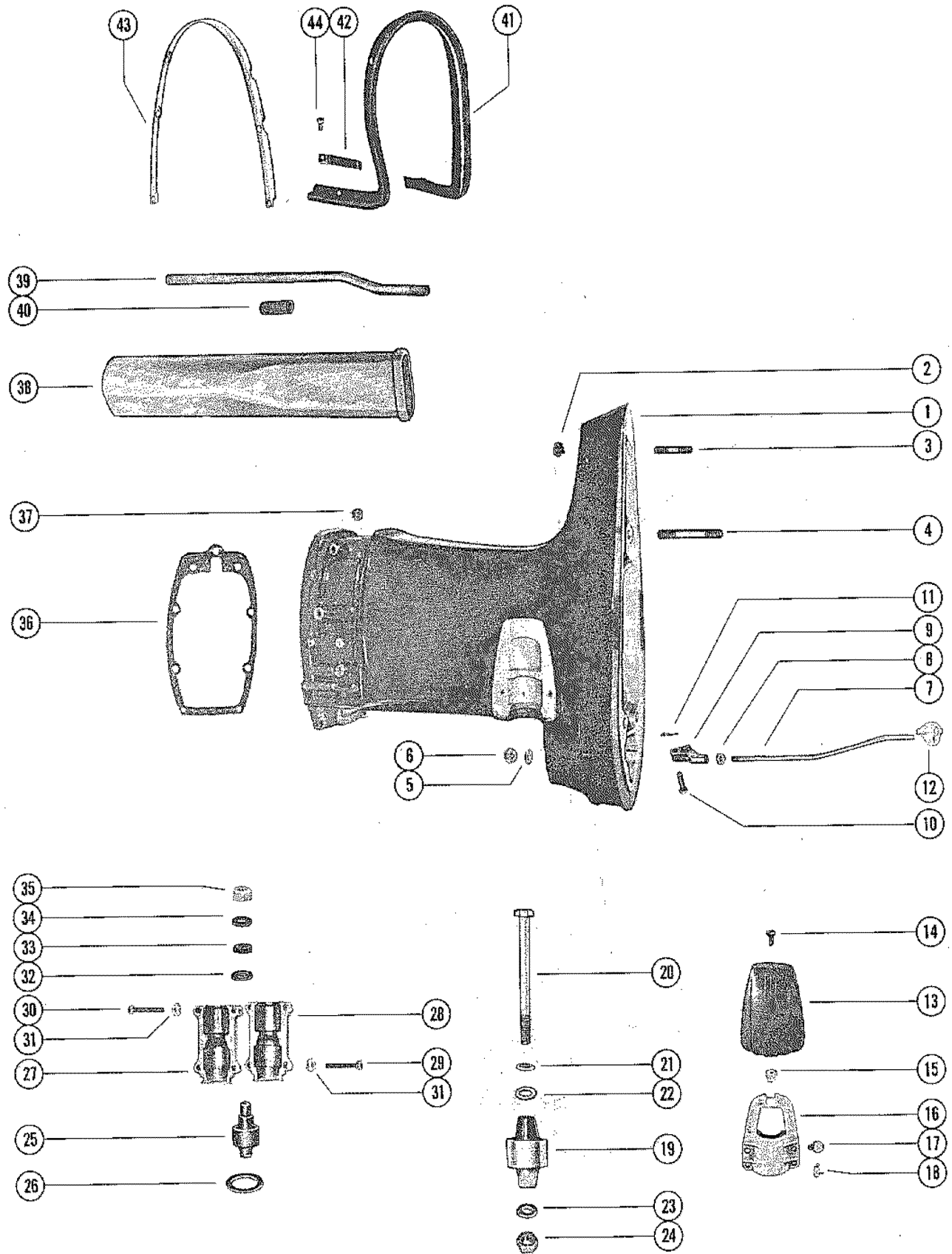


DRIVE SHAFT HOUSING ASSEMBLY

REF. NO.	PART NO.	SYM.	QTY.	DESCRIPTION
1	1554-4813A2		1	DRIVE SHAFT HOUSING ASSEMBLY (SHORT SHAFT)
	1564-4812A2		1	DRIVE SHAFT HOUSING ASSEMBLY (LONG SHAFT)
2	19-32297		1	PLUG, PLASTIC - TRIM TAB SCREW HOLD
3	16-57932		1	STUD, DRIVE SHAFT HOUSING TO GEAR HOUSING (1 3/4")
4	16-57935		1	STUD, DRIVE SHAFT HOUSING TO GEAR HOUSING (3")
5	12-45176		2	WASHER, GEAR HOUSING TO DRIVE SHAFT HOUSING STUDS (7/16")
6	11-34933		2	NUT, GEAR HOUSING TO DRIVE SHAFT HOUSING STUDS (7/16")
7	47835		1	ROD, PUSH - REVERSE LOCK (SHORT SHAFT)
	47836		1	ROD, PUSH - REVERSE LOCK (LONG SHAFT)
8	11-46794		1	NUT, JAM - PUSH ROD
9	47837		1	ROD END, PUSH ROD
10	17-39023		1	PIN, PUSH ROD TO REVERSE LOCK
11	18-25191		1	COTTER PIN, PUSH ROD PIN
12	52917		1	GUIDE, PUSH ROD
13	35474		2	COVER, LOWER MOUNT CLAMP
14	10-29722		2	SCREW, COVER TO LOWER MOUNT CLAMP (5/8")
15	11-35521		2	NUT, LOWER MOUNT CLAMP COVER
16	35473		2	CLAMP, LOWER MOUNT TO DRIVE SHAFT HOUSING
17	10-29256		4	SCREW, LOWER MOUNT CLAMP TO DRIVE SHAFT HOUSING (7/8")
18	24-35522		4	SPRING, TENSION - LOWER MOUNT CLAMP
19	37395		2	MOUNT, RUBBER - LOWER
20	10-49318		2	SCREW, LOWER MOUNT (5 1/2")
21	12-28051		2	WASHER, LOWER MOUNT SCREW
22	12-28053		2	WASHER, RUBBER - LOWER MOUNT SCREW
23	12-61709		2	WASHER, LOWER MOUNT SCREW
24	11-25096		2	NUT, LOWER MOUNT SCREW
25	37394		2	MOUNT, RUBBER - UPPER
26	24929		2	PACKING, "U" CUP - UPPER MOUNT COVERS
27	24935		2	COVER, UPPER MOUNT - OUTSIDE HALF
28	31120		2	COVER, UPPER MOUNT - INSIDE HALF
29	10-49987		4	SCREW, UPPER MOUNT COVER - REAR (1 1/2")
30	10-49988		4	SCREW, UPPER MOUNT COVER - FRONT (1 3/4")
31	11-46886		8	NUT, UPPER MOUNT COVER FASTENING SCREW
32	12-30520		2	WASHER, UPPER MOUNT BOLT (37/64 ID)
33	12-30521		2	WASHER, RUBBER - UPPER MOUNT BOLT
34	12-30519		2	WASHER, UPPER MOUNT BOLT (3/8 ID)
35	11-23161		2	NUT, UPPER MOUNT BOLT
36	27-38501		1	GASKET, EXHAUST EXTENSION PLATE TO DRIVE SHAFT HOUSING
37	11-61845		8	NUT, POWERHEAD TO DRIVE SHAFT HOUSING STUDS (5/16")
38	39526		1	TUBE, EXHAUST (SHORT SHAFT)

CONTINUED ON NEXT PAGE ➡

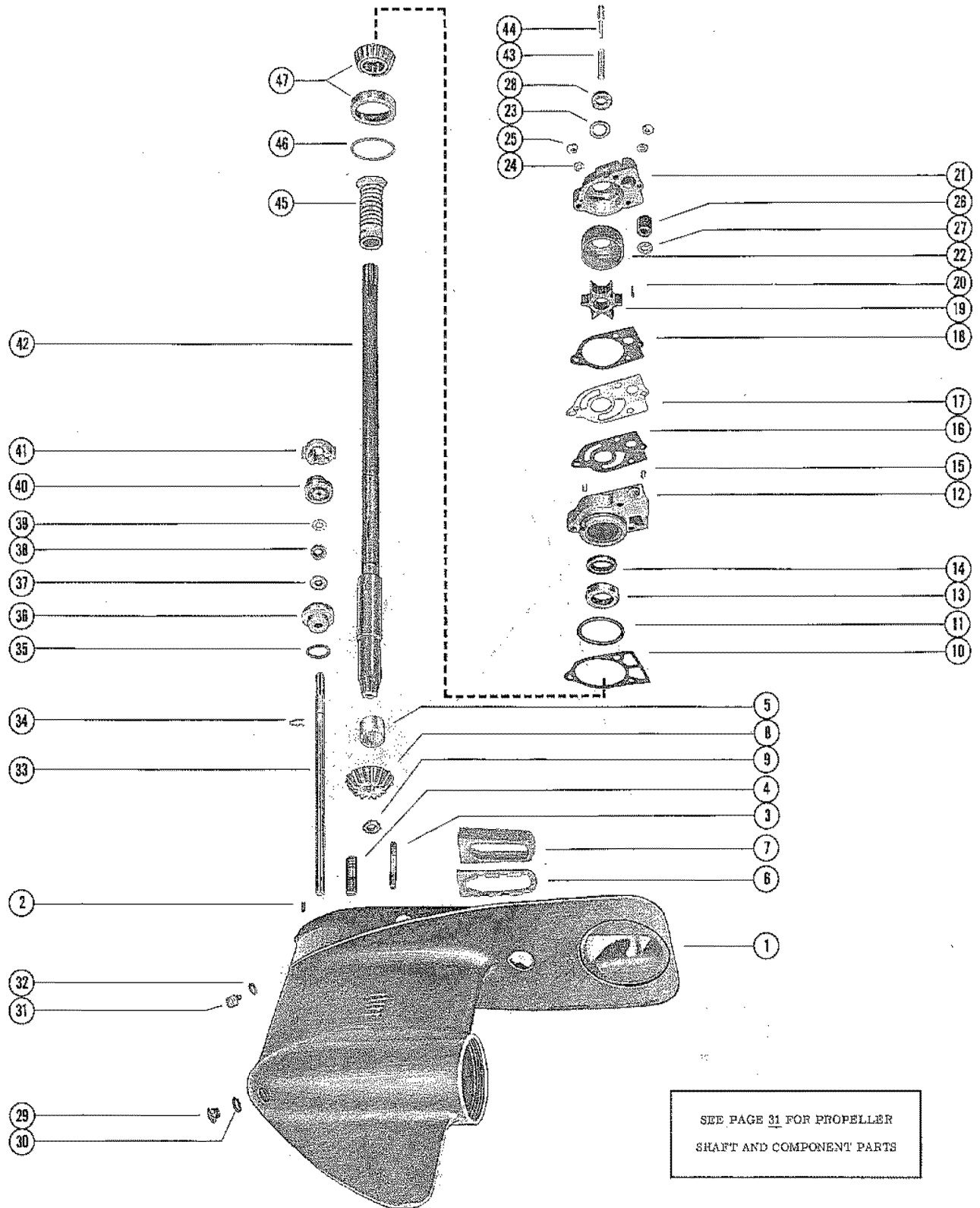
DRIVE SHAFT HOUSING ASSEMBLY



DRIVE SHAFT HOUSING ASSEMBLY

REF. NO.	PART NO.	SYM.	QTY.	DESCRIPTION
38	45786		1	TUBE, EXHAUST (LONG SHAFT)
39	32-37727		1	TUBE, WATER INLET (SHORT SHAFT)
	32-45679		1	TUBE, WATER INLET (LONG SHAFT)
40	23-23651		1	SLEEVE, WATER INLET TUBE
41	38157		1	SEAL, TRIM COVER TO DRIVE SHAFT HOUSING
42	38154		2	STRIP, RETAINING - TRIM COVER SEAL (SIDE)
43	38158		1	STRIP, RETAINING - TRIM COVER SEAL (REAR)
44	10-48408		10	SCREW, RETAINING STRIP TO DRIVE SHAFT HOUSING (SELF TAPPING)

GEAR HOUSING ASSEMBLY, COMPLETE (PAGE 1)

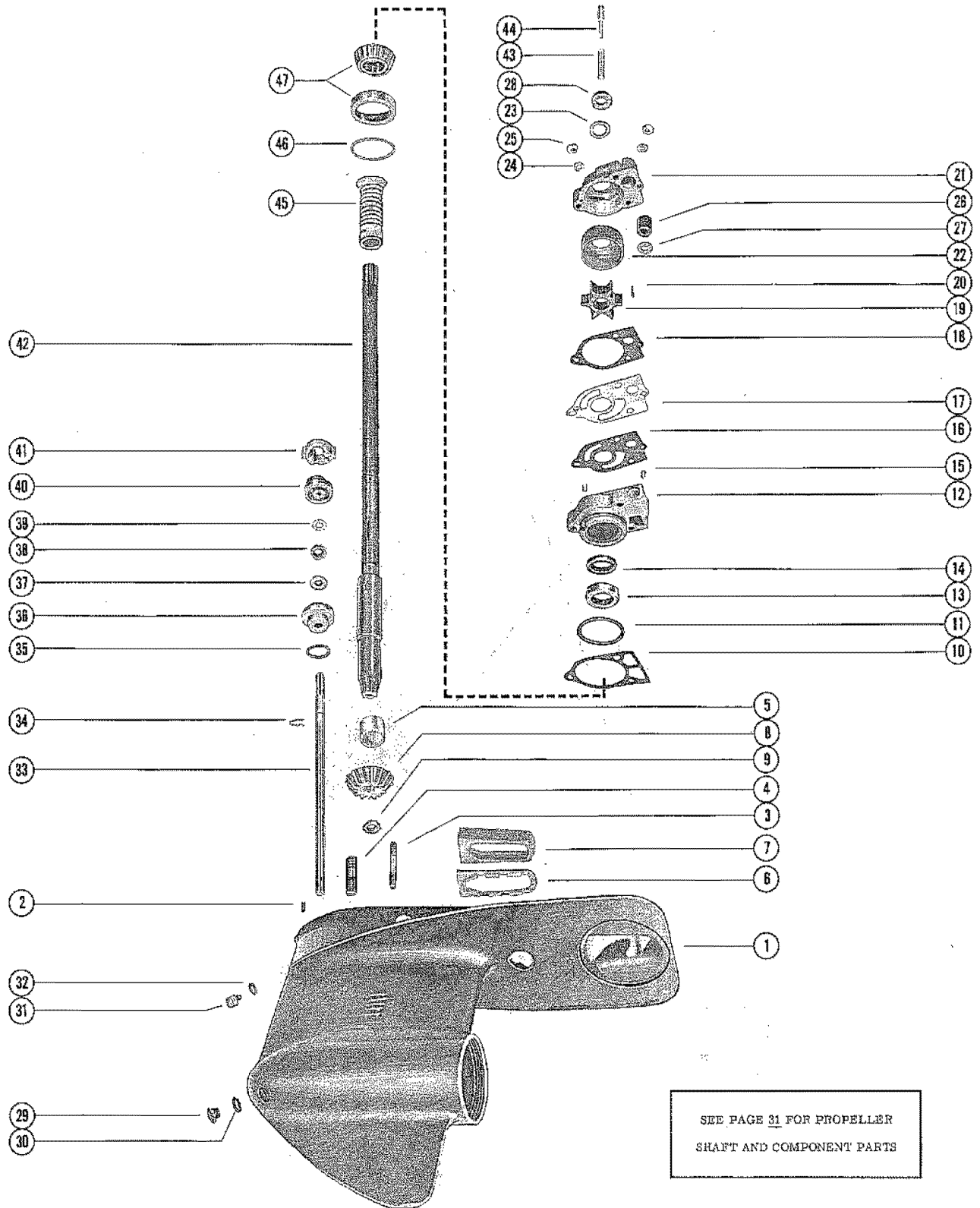


GEAR HOUSING ASSEMBLY, COMPLETE (PAGE 1)

REF. NO.	PART NO.	SYM.	QTY.	DESCRIPTION
-	1643-4814A7		1	GEAR HOUSING ASSEMBLY, COMPLETE (SHORT SHAFT) SEE NOTE BELOW
-	1643-4814A8		1	GEAR HOUSING ASSEMBLY, COMPLETE (LONG SHAFT) SEE NOTE BELOW
1	1643-4814A9		1	GEAR HOUSING ASSEMBLY
2	17-21438		2	PIN, DOWEL - GEAR HOUSING
3	16-33778		3	STUD, WATER PUMP BODY/BASE TO GEAR HOUSING (2 5/8")
4	16-57933		2	STUD, GEAR HOUSING TO DRIVE SHAFT HOUSING (2 3/16")
5	31-62091		1	BEARING, ROLLER - DRIVE SHAFT
6	38071		1	PLATE, SUPPORT - EXHAUST TUBE SEAL
7	37721		1	SEAL, EXHAUST TUBE
8	43-60245		1	GEAR, PINION - DRIVE SHAFT
9	11-55910		1	NUT, PINION GEAR TO DRIVE SHAFT
10	27-32771		1	GASKET, WATER PUMP BASE TO GEAR HOUSING
11	25-26855		1	"O" RING, WATER PUMP BASE
12	46-48745A1		1	WATER PUMP BASE ASSEMBLY
13	26-26782		1	OIL SEAL, WATER PUMP BASE
14	26-23300		1	OIL SEAL, WATER PUMP BASE
15	17-35973		2	DOWEL PIN, WATER PUMP BASE TO WATER PUMP BODY
16	27-32769		1	GASKET, LOWER - WATER PUMP BASE TO FACE PLATE
17	54705		1	PLATE, FACE - WATER PUMP BASE TO WATER PUMP BODY
18	27-32770		1	GASKET, UPPER - FACE PLATE TO WATER PUMP BODY
19	47-20268		1	IMPELLER, WATER PUMP
20	28-56662		1	KEY, IMPELLER DRIVE
21	46-48746A1		1	WATER PUMP BODY ASSEMBLY
22	48753		1	INSERT, WATER PUMP BODY
23	26-32121		1	OIL SEAL, WATER PUMP BODY
24	12-29245		3	WASHER, WATER PUMP BODY AND BASE STUDS
25	11-35045		3	NUT, WATER PUMP BODY AND BASE STUDS
26	26-38452		1	SEAL, WATER PUMP BODY TO WATER TUBE
27	12-38453		1	WASHER, CUPPED - WATER TUBE SEAL
28	25-20273		1	RING, RUBBER - CENTRIFUGAL SLINGER
29	10-28634		2	SCREW, GREASE FILLER AND VENT HOLE
30	12-20260		2	WASHER, GREASE FILLER AND VENT HOLE SCREW
31	19-48750		1	PLUG, GEAR HOUSING FLUSHING HOLE
32	12-49221		1	WASHER, GEAR HOUSING FLUSHING HOLE
33	60241A1		1	SHAFT ASSEMBLY, SHIFT - LOWER
34	53-29641		1	CLIP, RETAINING - SHIFT SHAFT
35	25-25439		1	"O" RING, SHIFT SHAFT BUSHING
36	23-55419A1		1	BUSHING ASSEMBLY, SHIFT SHAFT
37	26-24590		1	OIL SEAL, SHIFT SHAFT BUSHING (LOWER)

CONTINUED ON NEXT PAGE ➡

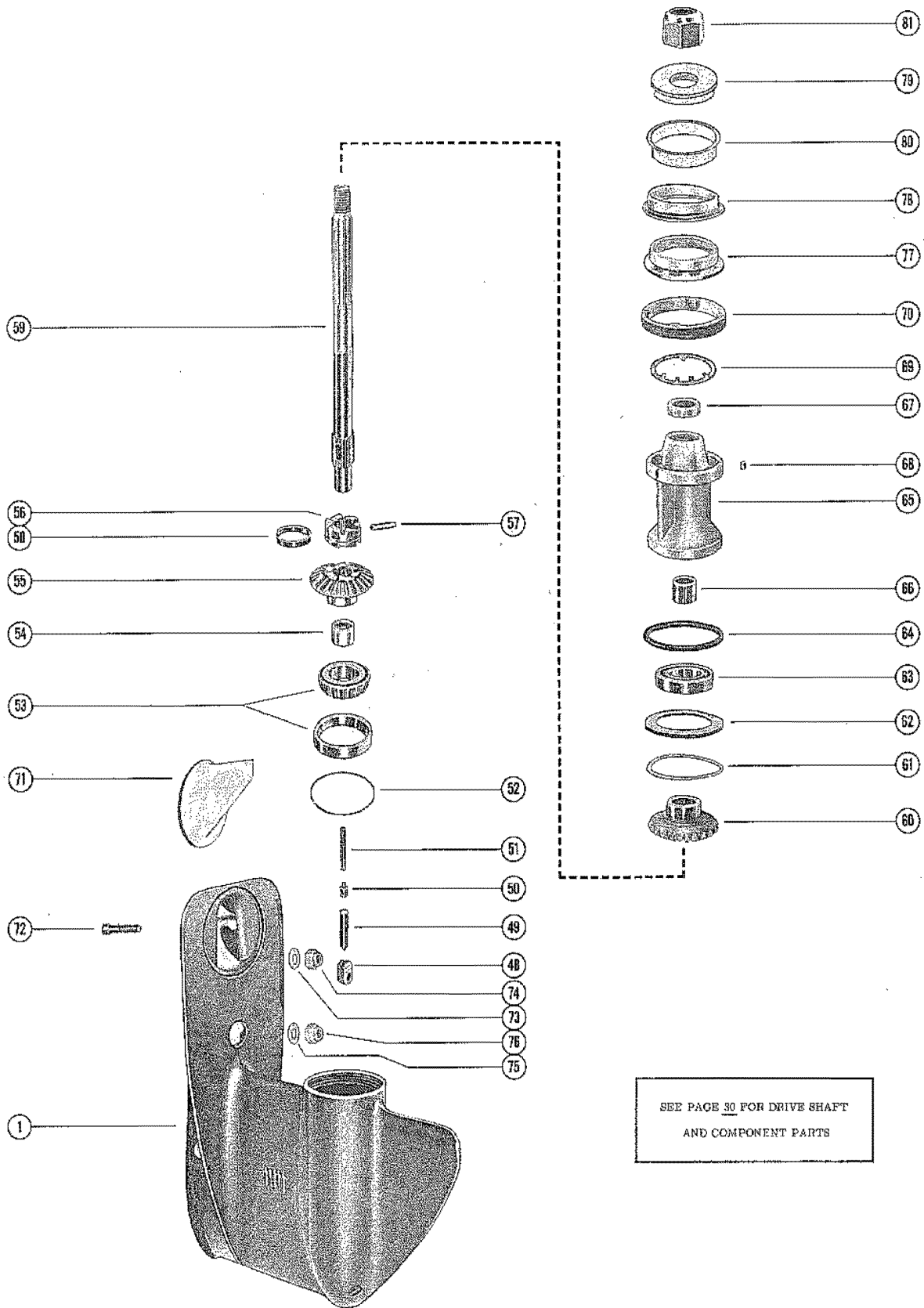
GEAR HOUSING ASSEMBLY, COMPLETE (PAGE 1)



GEAR HOUSING ASSEMBLY, COMPLETE (PAGE 1)

REF. NO.	PART NO.	SYM.	QTY.	DESCRIPTION
38	26-31249		1	OIL SEAL, SHIFT SHAFT BUSHING (UPPER)
39	12-31266		1	WASHER, RUBBER - SHIFT SHAFT BUSHING
40	39019		1	BASE, LOWER - REVERSE LOCKING
41	39021		1	CAM, REVERSE LOCKING
42	45-60950A1		1	DRIVE SHAFT ASSEMBLY (SHORT SHAFT)
	45-60949A1		1	DRIVE SHAFT ASSEMBLY (LONG SHAFT)
43	24-20254		1	SPRING, COMPRESSION - DRIVE SHAFT
44	17-30545		1	PIN, DRIVE SHAFT
45	23-60242		1	SLEEVE, LUBRICATION - DRIVE SHAFT
46	15-20929A1		AR	SHIM, BEARING TO GEAR HOUSING (.002-3-5-10)
47	31-38146A1		1	ROLLER BEARING ASSEMBLY, TAPERED - DRIVE SHAFT

GEAR HOUSING ASSEMBLY, COMPLETE (PAGE 2)



SEE PAGE 50 FOR DRIVE SHAFT
AND COMPONENT PARTS

GEAR HOUSING ASSEMBLY, COMPLETE (PAGE 2)

REF. NO.	PART NO.	SYM.	QTY.	DESCRIPTION
-	1643-4814A7		1	GEAR HOUSING ASSEMBLY, COMPLETE SEE NOTE BELOW
-	1643-4814A8		1	GEAR HOUSING ASSEMBLY, COMPLETE SEE NOTE BELOW
1	1643-4814A9		1	GEAR HOUSING ASSEMBLY (SEE PAGE 30 FOR BREAKDOWN)
48	36288		1	CAM, SHIFT
49	38441		1	FOLLOWER, CAM
50	20843		1	SLIDE, CROSS PIN
51	24-39845		1	SPRING, COMPRESSION - CAM FOLLOWER
52	15-38374A1		AR	SHIM, BEARING CUP TO GEAR HOUSING (.002-3-5-10)
53	31-38356A1		1	TAPERED ROLLER BEARING ASSEMBLY
54	31-21739		1	BEARING, ROLLER - FORWARD GEAR
55	43-60247		1	FORWARD GEAR ASSEMBLY
56	52-47586		1	RATCHET, SLIDING CLUTCH
57	17-38113		1	PIN, CROSS - RATCHET TO PROPELLER SHAFT
58	24-38114		1	SPRING, RETAINING - CROSS PIN
59	44-55911		1	SHAFT PROPELLER
60	43-60246		1	REVERSE GEAR ASSEMBLY
61	15-20927A1		AR	SHIM, THRUST WASHER TO GEAR HOUSING (.002-3-5-10)
62	12-32004		1	WASHER, THRUST - REVERSE GEAR
63	30-20839		1	BEARING, BALL - REVERSE GEAR
64	25-31986		1	"O" RING, BEARING CARRIER
65	55904A1		1	BEARING CARRIER ASSEMBLY
66	31-21700		1	BEARING, ROLLER - BEARING CARRIER
67	26-56788		1	OIL SEAL, BEARING CARRIER (DOUBLE LIP)
68	28-30281		1	KEY, LOCATING - BEARING CARRIER
69	14-53012		1	TAB WASHER, GEAR HOUSING COVER
70	53013		1	COVER, GEAR HOUSING
71	31640A1		1	TRIM TAB ASSEMBLY, GEAR HOUSING
72	10-55726		1	SCREW, TRIM TAB TO GEAR HOUSING (1 3/4")
73	12-45175		1	WASHER, DRIVE SHAFT HOUSING STUD (3/8")
74	11-34863		1	NUT, DRIVE SHAFT HOUSING TO GEAR HOUSING (3/8")
75	12-45176		1	WASHER, DRIVE SHAFT HOUSING STUD (7/16")
76	11-34933		1	NUT, DRIVE SHAFT HOUSING TO GEAR HOUSING (7/16")
77	62122A1		1	THRUST HUB ASSEMBLY, FRONT
78	12-62123		1	WASHER, CUPPED - THRUST HUB
79	62124A1		1	THRUST HUB ASSEMBLY, REAR
80	12-31992		1	WASHER, CUPPED - THRUST HUB
81	11-31990		1	NUT, PROPELLER

PARTS INDEX

Part Number	Description	Pg.	Ref. No.	Part Number	Description	Pg.	Ref. No.
20121	CONNECTOR, SPARK PLUG LEAD	11	--	38157	SEAL, TRIM COVER TO DRIVE SHAFT HOUSING	45	41
20140	BELT, TIMING	15	19	38158	STRIP, RETAINING - TRIM COVER SEAL (REAR)	45	43
20843	SLIDE, CROSS PIN	51	50	38279	LATCH, LINK TO ANCHOR BRACKET	35	6
22789	"D" WASHER, CLAMP FASTENING SCREW	19	8	38441	FOLLOWER, CAM	51	49
22789	"D" WASHER, CLIP FASTENING SCREW	5	36	38500	RETAINER, WATER INLET TUBE SEAL	35	26
22789	"D" WASHER, CLIP FASTENING SCREW	5	36	39015A4	REVERSE LOCK ASSEMBLY	41	41
22789	"D" WASHER, CLIP SCREW	11	10	39019	BASE, LOWER - REVERSE LOCKING	49	40
22789	"D" WASHER, CLIP SCREW	11	13	39021	CAM, REVERSE LOCKING	49	41
22789	"D" WASHER, CLIP SCREW	13	43	39483	LATCH, THROTTLE CONTROL LEVER (THROTTLE CABLE)	15	33
23004	RETAINER, CHECK VALVE	27	6	39519	CUP, RETAINER - ANCHOR BRACKET	35	14
24929	PACKING, "U" CUP - UPPER MOUNT COVERS	43	26	39526	TUBE, EXHAUST (SHORT SHAFT)	43	38
24935	COVER, UPPER MOUNT - OUTSIDE HALF	43	27	39536	LINK, LOCKING LEVER TO COVER	35	17
26113	RACE, OUTER (PAIR)	33	17	39618	LEVER, NYLON - SHIFT CABLE LOCKING	35	15
27947	SWIVEL, LINK ROD TO SPARK ADVANCE LEVER	15	22	39667	COVER, NYLON - SHIFT CABLE	35	18
27947	SWIVEL, LINK ROD TO THROTTLE CONTROL LEVER	15	38	45786	TUBE, EXHAUST (LONG SHAFT)	45	38
28403A3	THUMB SCREW ASSEMBLY	39	2	46785A2	COWL LATCH ASSEMBLY	3	19
29359	LUBRICAP, SWIVEL BRACKET GREASE FITTING	39	22	47341A1	STARTER ROPE ASSEMBLY (FOR MANUAL STARTING ONLY)	3	31
29787	HUB, FLYWHEEL PULLEY	9	10	47604A1	PROTECTOR, SPARK PLUG LEAD	11	34
29788	FLANGE, FLYWHEEL PULLEY	9	8	47764	STA-STRAP, INTERNAL WIRING HARNESS	19	39
29906A1	DRIVEN PULLEY ASSEMBLY	15	14	47764	STA-STRAP, MERCURY SWITCH LEAD	31	57
29907	FLANGE, DRIVEN PULLEY	15	16	47799A1	TILK LOCK ASSEMBLY, STARBOARD	39	23
30186	ADAPTOR, CHECK UNIT (FUEL LINE)	27	27	47800A1	TILT LOCK ASSEMBLY, PORT	39	24
30187	STEM, CHECK UNIT ADAPTOR	27	28	47802	TUBE, TILT LOCK	39	25
30188	CUP WASHER, ADAPTOR	27	31	47835	ROD, PUSH - REVERSE LOCK (SHORT SHAFT)	43	7
30306	PULLEY, FLYWHEEL	9	9	47836	ROD, PUSH - REVERSE LOCK (LONG SHAFT)	43	7
30664	TUBE, TILT - CLAMP BRACKET TO SWIVEL BRACKET	39	4	47837	ROD END, PUSH ROD	43	9
30711	BUMPER, STEERING ARM	39	30	47899A9	SPARK PLUG LEAD ASSEMBLY #1, #2 AND #3	11	28
31120	COVER, UPPER MOUNT - INSIDE HALF	43	28	48039	CAP, SPARK ADVANCE ADJUSTING SCREW	15	32
31640A1	TRIM TAB ASSEMBLY, GEAR HOUSING	51	71	48753	INSERT, WATER PUMP BODY	47	22
35473	CLAMP, LOWER MOUNT TO DRIVE SHAFT HOUSING	43	16	49651A1	GROUND STRAP ASS'Y BRACE TO REAR SUPPORT BRACKET	5	15
35474	COVER, LOWER MOUNT CLAMP	43	13	49651A1	GROUND STRAP ASS'Y, EXHAUST PLATE TO REAR COWL SUPPORT	35	32
36288	CAM, SHIFT	51	48				
37394	MOUNT, RUBBER - UPPER	43	25				
37395	MOUNT, RUBBER - LOWER	43	19				
37721	SEAL, EXHAUST TUBE	47	7				
37896	GUIDE BLOCK, LINK	35	4				
38071	PLATE, SUPPORT - EXHAUST TUBE SEAL	47	6				
38154	STRIP, RETAINING - TRIM COVER SEAL (SIDE)	45	42				

PARTS INDEX

Part Number	Description	Pg.	Ref. No.	Part Number	Description	Pg.	Ref. No.
49651A1	GROUND STRAP ASSEMBLY, FRONT SUPPORT BRACKET	5	25	58909A4	EXHAUST PLATE ASSEMBLY	35	21
52023	CAP, NYLON - THROTTLE LEVER ADJUSTING SCREWS	31	52	58910	COVER, TRANSFER PASSAGE	29	38
52100	WEAR PLATE, NYLON - LINK	35	5	58911	EXHAUST TUBE, ADAPTOR COVER, EXHAUST MANIFOLD	37	37
52889	NOZZLE, TELL TALE HOSE TO REAR SUPPORT BRACKET	7	44	58912	COVER, EXHAUST MANIFOLD	31	49
52917	GUIDE, PUSH ROD	43	12	58913	PLATE, BAFFLE - EXHAUST MANIFOLD	31	47
53013	COVER, GEAR HOUSING . .	51	70	59757	BRACKET, COIL WIRE	13	44
53071	COVER, UPPER AND LOWER SHOCK MOUNTING PIN	41	53	60111	BRACKET, COWL SUPPORT (FRONT)	5	18
53078	CAP, PLASTIC - TILT TUBE .	39	7	60112	BRACKET, COWL SUPPORT - REAR	5	8
53417	GROUND STRAP ASSEMBLY, DISTRIBUTOR TO CRANKCASE	11	5	60113	PLATE, FRONT COVER MOUNTING	5	37
53665	INSERT, THROTTLE SHAFT COUPLING	23	10	60114A1	BRACKET ASSEMBLY, WIRING HARNESS	19	35
54567	CAP, DISTRIBUTOR HOUSING	15	12	60115	COVER, STARTER MOTOR TO CRANKCASE (BOTTOM)	29	10
54705	PLATE, FACE - WATER PUMP BASE TO WATER PUMP BODY	47	17	60116	BRACE, REAR COWL SUPPORT BRACKET (TOP)	5	14
55156A5	FUEL PUMP ASSEMBLY . . .	27	1	60117	BRACKET, COWL SUPPORT - TOP	5	1
55278A1	DIAPHRAGM KIT	27	3	60120	HOUSING, CHOKE	23	11
55398A4	TACHOMETER ASSEMBLY .	1	-	60121	BRACKET, COWL SEALING - REAR	3	11
55692	COUPLING, SHIFT SHAFT . .	35	10	60241A1	SHAFT ASSEMBLY, SHIFT - LOWER	47	33
55904A1	BEARING CARRIER ASSEMBLY	51	65	60283A1	LINK ASSEMBLY, SHIFT SHAFT AND ANCHOR BRACKET	35	2
56074A3	PLUNGER ASSEMBLY, CHOKE SOLENOID	23	6	60290A1	CHOKE ARM LEVER ASSEMBLY	23	19
56188	COVER, COIL (USE WITH A-336-4592A1 COIL)	21	42	60291	SHUTTER, CHOKE - CARBURETOR	23	20
56270	PAD, RUBBER - COIL	19	41	60292A1	COUPLING ASSEMBLY, THROTTLE SHAFT	23	9
56318A5	CABLE ASSEMBLY, COIL TO SWITCH BOX (GREEN) . .	19	9	60299	RETAINER, SPARK PLUG LEADS	5	9
56349	SHAFT, REVERSE LOCK PIVOT	41	43	60304A1	SHIFT SHAFT ASSEMBLY, UPPER (LONG SHAFT) . .	35	9
56703	COLLAR, RUBBER - STARTER MOTOR MOUNT	19	20	60304A2	SHIFT SHAFT ASSEMBLY, UPPER (SHORT SHAFT) .	35	9
57247	STOP, RUBBER - STARTER MOTOR	19	14	60305	ROD, CHOKE	23	17
57452	YOKE, BOTTOM	39	38	60306	STRIP, RETAINING - EXHAUST PLATE SEAL . .	35	29
57854	RESTRICTION, CYLINDER BLEED	29	9	60307	SEAL, EXHAUST PLATE . . .	35	28
58124A15	SWITCH, MERCURY	31	54	60312	LEVER, MANUAL CHOKE . .	23	13
58807A1	FLAME ARRESTOR ASSEMBLY, DISTRIBUTOR CAP	11	27	60313	LATCH, FRONT COVER ATTACHING	7	38
58807A1	FLAME ARRESTOR ASSEMBLY, DISTRIBUTOR HOUSING	11	7	60314	BRACKET, COWL HINGE . .	3	12
58906	COVER, STARTER MOTOR TO CRANKCASE (TOP) . .	29	16	60316A1	SWIVEL PIN AND STEERING ARM ASSEMBLY (LONG SHAFT)	39	29
58907	HOUSING, FUEL FILTER AND COVER	27	11	60316A2	SWIVEL PIN AND STEERING ARM ASSEMBLY (SHORT SHAFT)	39	29

PARTS INDEX

Part Number	Description	Pg.	Ref. No.	Part Number	Description	Pg.	Ref. No.
60549A3	CHOKE SOLENOID	23	1	62627	BAR, ADJUSTMENT - COWL		
60568	LEVER, THROTTLE	23	8		LATCH	3	22
60570	PLATE, RETAINER - ACTUATOR HOUSING	17	44	62628	BARREL, COWL LATCH	3	20
60571	ROD, LINK - SPARK ADVANCE	15	20	62629	BARREL, COWL LATCH	3	23
60572	BARREL, NYLON - LINK ROD TO DISTRIBUTOR HOUSING	15	21	62869	BLANKET, SOUND - DRIP TRAY TO FRONT SUPPORT BRACKET	5	31
60572	BARREL, NYLON - THROTTLE LINK ROD TO ACTUATOR CAM	15	39	62877	RETAINER, HIGH TENSION LEADS	11	31A
60573	ROD, LINK - THROTTLE	15	37	63007	MOUNT, RUBBER - BRACE TO REAR SUPPORT BRACKET	5	11
60574	HOUSING, NYLON - THROTTLE ACTUATOR	17	41	63007	MOUNT, RUBBER - EXHAUST PLATE TO REAR COWL SUPPORT	35	31
60575	CAM, NYLON - THROTTLE ACTUATOR	17	40	63007	MOUNT, RUBBER - FRONT SUPPORT BRACKET	5	21
60576	ADAPTOR, DISTRIBUTOR	15	3	63007	MOUNT, RUBBER - FRONT SUPPORT TO DISTRIBUTOR ADAPTOR	5	24
60578	LEVER, THROTTLE CONTROL	15	23	63194	PAD, RUBBER - COIL	21	41
60579	LEVER, SPARK ADVANCE	15	28	63195	COVER, COIL (USE WITH A- 332-4595A1 COIL)	21	42
60834A1	CARRIER ASSEMBLY, "O" RING	33	5	63319	RETAINER, HIGH TENSION LEADS	11	31
61158	HOOK, COWL FRONT COVER FASTENING	3	29	10-20037	SCREW, RETAINER TO HOUSING (1/4")	27	7
61344	RETAINER, WIRING HARNESS AND BATTERY CABLE	5	19	10-20776	SCREW, SOLENOID TO FRONT SUPPORT BRACKET (1/2")	19	25
61631	BLANKET, SOUND ABSORBING (UPPER)	3	9	10-21091	SCREW, CYLINDER BLOCK COVER MOUNTING (1 1/8")	31	43
61632	BLANKET, SOUND ABSORBING (LOWER)	3	10	10-22039	SCREW, CRANKCASE TO CYLINDER BLOCK (2 3/4")	29	22
61633	BLANKET, SOUND ABSORBING (UPPER)	3	5	10-22486	SCREW, LATCH TO THROTTLE CONTROL LEVER (7/8")	15	34
61634	BLANKET, SOUND ABSORBING (LOWER)	3	4	10-24227	SCREW, SWITCH BOX TO FRONT SUPPORT BRACKET (2 1/8")	19	3
61661	SEAL, RUBBER - COWL	3	2	10-24227	SCREW, THROTTLE LEVER ADJUSTING (2 1/8")	31	50
61661	SEAL, RUBBER - COWL	3	2	10-24234	SCREW, EXHAUST PLATE TO CYLINDER BLOCK (1")	37	35
61662	SEAL, RUBBER - COWL	3	6	10-24644	SCREW, ADAPTOR TO FRONT SUPPORT BRACKET (1 3/8")	27	32
61662	SEAL, RUBBER - COWL	3	6	10-24644	SCREW, SUPPORT BRACKET BRACE TO CYL. BLOCK COVER (1 3/8")	5	16
61663	BLANKET, SOUND ABSORBING - FRONT COVER	3	28	10-25612	SCREW, DRIVE - SERIAL PLATE TO SWIVEL BRACKET	39	35
62094	BRACKET, COIL MOUNTING	21	43	10-25764	SCREW, RECTIFIER TO FRONT SUPPORT BRACKET (1/2")	19	12
62122A1	THRUST HUB ASSEMBLY, FRONT	51	77	10-25822	SCREW, FILTER COVER FASTENING (5/8")	27	18
62124A1	THRUST HUB ASSEMBLY, REAR	51	79				
62219	DRIP TRAY, FRONT SUPPORT BRACKET	5	30				
62351A1	RECTIFIER ASSEMBLY	19	10				
62391	BLANKET, SOUND - FRONT SUPPORT BRACKET (PORT)	5	29				
62397	INDICATOR, TIMING	29	25				
62444	SEAL, RUBBER - TOP BRACKET AND COVER MOUNTING PLATE	5	2				
62501A1	SHIELD ASSEMBLY, FLYWHEEL	5	5				

PARTS INDEX

Part Number	Description	Pg.	Ref. No.	Part Number	Description	Pg.	Ref. No.
10-26132	SCREW, STARTER MOTOR COVER TO CRANKCASE (2 3/4")	29	11	10-33524	SCREW, CHOKE SOLENOID ATTACHING (5/8")	23	4
10-28009	BOLT, CLAMP BRACKET TO BOAT TRANSOM (3 1/4")	39	14	10-33860	SCREW, STARTER MOTOR COVER TO CRANKCASE (2")	29	17
10-28063	SCREW, BRACKET TO CRANKCASE (5/8")	13	45	10-33986	BOLT, UPPER MOUNT TO SWIVEL PIN (5 1/4")	39	31
10-28063	SCREW, SOLENOID TO FRONT SUPPORT BRACKET (5/8")	19	23	10-34439	SCREW, RETAINER TO EXHAUST PLATE (3/4")	35	27
10-28634	SCREW, GREASE FILLER AND VENT HOLE	47	29	10-35519	SCREW, DRIP TRAY TO FRONT SUPPORT BRACKET (1/2")	5	33
10-28638	SCREW, HIGH TENSION LEAD RETAINER (3/4")	11	32	10-35519	SCREW, NOZZLE TO REAR SUPPORT BRACKET (1/2")	7	45
10-29197	SCREW, CABLE TO STARTER MOTOR (5/8")	19	16	10-35519	SCREW, RETAINER TO FRONT SUPPORT BRACKET (1/2")	5	20
10-29256	SCREW, LOWER MOUNT CLAMP TO DRIVE SHAFT HOUSING (7/8")	43	17	10-35581	SCREW, PUMP MOUNTING (1 5/8")	27	8
10-29722	SCREW, COVER TO LOWER MOUNT CLAMP (5/8")	43	14	10-37558	SCREW, FILTER HOUSING TO TRANSFER PASSAGE COVER (1 1/4")	27	12
10-29942	SCREW, CRANKCASE TO CYLINDER BLOCK (2 1/4")	29	21	10-37571	SCREW, HOUSING TO CRANKCASE (1/2")	17	42
10-29942	SCREW, DISTRIBUTOR ADAPTOR TO CRANKCASE (2 1/4")	15	5	10-37655	SCREW, COVER TO SHOCK MOUNTING SCREWS (1/2")	41	54
10-30225	SCREW, LOWER END CAP MOUNTING (1")	29	36	10-38055	SCREW, CHOKE HOUSING MOUNTING (5/8")	23	12
10-30225	SCREW, UPPER END CAP MOUNTING (1")	29	30	10-38837	SCREW, TRANSFER PASSAGE COVER MOUNTING (1 1/8")	31	40
10-30663	SCREW, DISTRIBUTOR LEAD CLIP FASTENING (3/8")	11	9	10-38862	SCREW, COVER PLATE TO SUPPORT BRACKET (5/8")	7	40
10-30663	SCREW, GROUND STRAP ATTACHING (3/8")	11	6	10-45210	SCREW, SPARK ADVANCE ADJUSTING (1 1/4")	15	30
10-30663	SCREW, RETAINING STRIP TO EXHAUST PLATE (3/8")	35	30	10-45561	SCREW, HINGE BRACKET TO COWL SEALING BRACKET (1 1/8")	3	13
10-30663	SCREW, SHIELD TO TOP SUPPORT BRACKET (3/8") - FRONT	5	7	10-45775	SCREW, MAIN BEARING CLAMPING (9/16")	33	15
10-31206	SCREW, CLAMP TO SWITCH BOX (7/16")	19	7	10-47828	SCREW, DRIVE - SWIVEL BRACKET	39	20
10-31206	SCREW, DISTRIBUTOR LEAD CLIP (7/16")	11	12	10-48080	SCREW, CHOKE LEVER TO CHOKE HOUSING (3/8")	23	16
10-31206	SCREW, HIGH TENSION CLIP (7/16")	13	42	10-48408	SCREW, RETAINING STRIP TO DRIVE SHAFT HOUSING (SELF TAPPING)	45	44
10-31206	SCREW, HOSE CLIP FASTENING (7/16")	5	35	10-48409	SCREW, SHIELD TO TOP SUPPORT BRACKET (5/8") - REAR	5	6
10-31206	SCREW, HOSE CLIP FASTENING (7/16")	5	35	10-48591	SCREW, MERCURY SWITCH TO CRANKCASE (1/2")	31	55
10-31206	SCREW, RETAINER TO REAR SUPPORT BRACKET (1/2")	5	10	10-49006	SCREW, PLATE AND HUB TO FLEXIBLE PLATE (3/4")	9	6
10-31312	SCREW, LATCH ASSEMBLY TO BARREL (7/8")	3	21	10-49318	SCREW, LOWER MOUNT (5 1/2")	43	20
10-31827	BOLT, CLAMP BRACKET TO BOAT TRANSOM (3")	39	14	10-49668	SCREW, EXHAUST TUBE TO EXHAUST PLATE (3/4")	37	39
10-31830	SCREW, RIDE-GUIDE ATTACHING (1 3/4")	39	32				

PARTS INDEX

Part Number	Description	Pg.	Ref. No.	Part Number	Description	Pg.	Ref. No.
10-49987	SCREW, UPPER MOUNT COVER - REAR (1 1/2")	43	29	11-20361	NUT, RUBBER MOUNT TO EXHAUST PLATE	35	34
10-49988	SCREW, UPPER MOUNT COVER - FRONT (1 3/4")	43	30	11-20361	NUT, RUBBER MOUNT TO FRONT SUPPORT BRACKET	5	23
10-52195	SCREW, FLOAT BOWL COVER (SHORT)	25	10	11-20361	NUT, RUBBER MOUNT TO REAR SUPPORT BRACKET	5	13
10-53077	SCREW, UPPER AND LOWER SHOCK MOUNTING PIN (3/4")	41	52	11-20509	NUT, RIDE-GUIDE ATTACHING SCREW	39	33
10-53167	SCREW, ANCHOR BRACKET TO CRANKCASE AND CYL BLOCK (7/8")	35	19	11-20586	NUT, LATCH ATTACHING SCREW	15	36
10-53167	SCREW, PIN TO COWL (7/8")	3	17	11-20645	NUT, HARNESS LEAD TO CHOKE SOLENOID ATTACHING	23	3
10-53481	SCREW, REED STOP MOUNTING (9/16")	33	13	11-20645	NUT, SOLENOID TERMINAL (#10)	19	28
10-54803	SCREW, CAP TO CONNECTING ROD (1 1/2")	33	24	11-20645	NUT, SPARK ADVANCE ADJUSTING SCREW	15	31
10-5537	SCREW, THROTTLE CONTROL LEVER TO CYLINDER BLOCK (1 3/4")	15	24	11-20664	NUT, LINK ATTACHING	35	8
10-55726	SCREW, TRIM TAB TO GEAR HOUSING (1 3/4")	51	72	11-20890	NUT, STARTER MOTOR TERMINAL	19	19
10-57021	SCREW, STATOR TO UPPER END CAP (7/8")	9	12	11-20890	NUT, THROTTLE LEVER ADJUSTING SCREWS	31	51
10-57233	SCREW, CRANKCASE TO CYLINDER BLOCK (7/8")	29	20	11-21908	NUT, SOLENOID TERMINAL (5/16")	19	30
10-57841	SCREW, STARTER MOTOR COVER TO CRANKCASE (2 3/4")	29	13	11-23161	NUT, UPPER MOUNT BOLT	43	35
10-58354	SCREW, PULLEY CLAMPING (1/2")	15	18	11-25096	NUT, LOWER MOUNT SCREW	43	24
10-59770	SCREW, COIL AND BRACKET TO CYLINDER BLOCK (2")	21	44	11-25594	NUT, CARBURETOR MOUNTING STUD	25	31
10-60300	SCREW, TOP COWL BRACKET ATTACHING (3/4")	5	3	11-26768	NUT, DISTRIBUTOR CAP CLAMP SCREW	11	23
10-60411	SCREW, BAFFLE PLTAE AND EXHAUST MANIFOLD COVER MOUNTING (1 1/2")	31	53	11-28010	NUT, CLAMP BRACKET BOLT	39	16
10-60846	SCREW, CHOKE SHUTTER TO CHOKE LEVER (1/4")	23	21	11-28202	NUT, SWIVEL PIN RETAINING	41	39
10-61160	SCREW, WIRING HARNESS TO FRONT SUPPORT BRACKET (1 1/4")	19	33	11-28770	NUT, CLAMP BRACKET STUD	39	11
10-62002	SCREW, WIRING HARNESS BRACKET MOUNTING (2 3/8")	19	37	11-30499	NUT, TILT TUBE FASTENING	39	6
10-62802	SCREW, DISTRIBUTOR CAP CLAMP (1 1/8")	11	22	11-31990	NUT, PROPELLER	51	81
10-63357	SCREW, FASTENING HOOK TO COWL FRONT COVER (3/4")	3	30	11-34863	NUT, DRIVE SHAFT HOUSING TO GEAR HOUSING (3/8")	51	74
10-63506	SCREW, SWITCH BOX TO FRONT SUPPORT BRACKET (2 1/8")	19	4	11-34933	NUT, DRIVE SHAFT HOUSING TO GEAR HOUSING (7/16")	51	76
11-20110	NUT, REED STOP MOUNTING SCREW	33	14	11-34933	NUT, GEAR HOUSING TO DRIVE SHAFT HOUSING STUDS (7/16")	43	6
				11-35045	NUT, WATER PUMP BODY AND BASE STUDS	47	25
				11-35521	NUT, LOWER MOUNT CLAMP COVER	43	15
				11-45076	NUT, IGNITION COIL TERMINAL (#10)	21	47
				11-45076	NUT, RECTIFIER TERMINAL	19	11
				11-45076	NUT, SWITCH TERMINAL	19	2
				11-45774	NUT, MAIN BEARING SCREW CLAMPING	33	16

PARTS INDEX

Part Number	Description	Pg.	Ref. No.	Part Number	Description	Pg.	Ref. No.
11-46438	NUT, WIRING HARNESS			12-21631	WASHER, LINK LATCH	35	7
	SCREW	19	34	12-24664	WASHER, LINK (SHIFT		
11-46793	NUT, CHOKE SOLENOID				SHAFT END)	35	13
	ATTACHING SCREWS . . .	23	5	12-25176	WASHER, SWIVEL PIN TO		
11-46793	NUT, CRANKCASE TO				BOTTOM YOKE (.060) . . .	39	37
	CYLINDER BLOCK			12-26020	WASHER, CRANKCASE TO		
	SCREW	29	24		CYLINDER BLOCK		
11-46793	NUT, DISTRIBUTOR				SCREW	29	23
	ADAPTOR SCREW	15	6	12-26837	WASHER, SWIVEL PIN TO		
11-46793	NUT, STARTER MOTOR				BOTTOM YOKE (.065) . . .	39	37
	COVER SCREW	29	12	12-27939	WASHER, DISTRIBUTOR		
11-46793	NUT, STARTER MOTOR				ADAPTOR	15	9
	COVER SCREW	29	19	12-28008	WASHER, CLAMP BRACKET		
11-46794	NUT, JAM - PUSH ROD	43	8		BOLT	39	15
11-46886	NUT, UPPER MOUNT			12-28008	WASHER, THROTTLE		
	COVER FASTENING				CONTROL LEVER SCREW	15	29
	SCREW	43	31	12-28051	WASHER, LOWER MOUNT		
11-46887	NUT, ADAPTOR FASTENING				SCREW	43	21
	SCREW	27	33	12-28053	WASHER, RUBBER - LOWER		
11-46887	NUT, ATTACHING SCREW				MOUNT SCREW	43	22
	COVER PLATE	7	41	12-28196	WASHER, UPPER BUSHING		
11-46887	NUT, COVER MOUNTING				RETAINER (INNER)	41	46
	SCREWS	31	44	12-28404	WASHER, THUMB SCREW .	39	3
11-46887	NUT, SOLENOID MOUNTING			12-28421	WASHER, UPPER AND		
	SCREW	19	26		LOWER BUSHING		
11-46887	NUT, SUPPORT BRACKET				RETAINER (OUTER)	41	51
	ATTACHING SCREW	5	4	12-29245	WASHER, WATER PUMP		
11-46887	NUT, SUPPORT BRACKET				BODY AND BASE STUDS	47	24
	BRACE ATTACHING			12-30164	WASHER, ADJUSTMENT		
	SCREW	5	17		BAR TO BARREL	3	25
11-46887	NUT, SWITCH BOX SCREW			12-30519	WASHER, UPPER MOUNT		
	ATTACHING	19	5		BOLT (3/8 ID)	43	34
11-49091	NUT, CONNECTING ROD			12-30520	WASHER, UPPER MOUNT		
	SCREW	33	25		BOLT (37/64 ID)	43	32
11-52901	NUT, FLYWHEEL	9	2	12-30521	WASHER, RUBBER - UPPER		
11-53153	NUT, ADJUSTMENT BAR TO				MOUNT BOLT	43	33
	BARREL	3	26	12-31266	WASHER, RUBBER - SHIFT		
11-54209	NUT, ROTOR SHAFT TO				SHAFT BUSHING	49	39
	DISTRIBUTOR HOUSING .	11	2	12-31992	WASHER, CUPPED -		
11-55910	NUT, PINION GEAR TO				THRUST HUB	51	80
	DRIVE SHAFT	47	9	12-32004	WASHER, THRUST -		
11-61845	NUT, POWERHEAD TO				REVERSE GEAR	51	62
	DRIVE SHAFT HOUSING			12-33001	WASHER, FLYWHEEL NUT .	9	3
	STUDS (5/16")	43	37	12-34392	WASHER, CHOKE LEVER TO		
12-20260	WASHER, GREASE FILLER				CHOKE HOUSING SCREW	23	15
	AND VENT HOLE SCREW	47	30	12-34437	WASHER, FUEL FILTER		
12-20346	WASHER, RUBBER MOUNT				HOUSING MOUNTING		
	ATTACHING	5	26	12-37998	SCREW	27	13
12-20346	WASHER, RUBBER MOUNT				WASHER, HINGE BRACKET		
	ATTACHING	35	33		SCREW	3	15
12-20346	WASHER, RUBBER MOUNT			12-38453	WASHER, CUPPED - WATER		
	TO FRONT SUPPORT				TUBE SEAL	47	27
	BRACKET	5	22	12-38453	WASHER, NYLON - WATER		
12-20346	WASHER, RUBBER MOUNT				INLET TUBE SEAL	35	25
	TO REAR SUPPORT			12-45175	WASHER, DRIVE SHAFT		
	BRACKET	5	12		HOUSING STUD (3/8") . . .	51	73
12-20722	WASHER, PIN ATTACHING			12-45176	WASHER, DRIVE SHAFT		
	SCREW (STARBOARD				HOUSING STUD (7/16") . .	51	75
	SIDE ONLY)	3	18A				

PARTS INDEX

Part Number	Description	Pg.	Ref. No.	Part Number	Description	Pg.	Ref. No.
12-47247	WASHER, NEEDLE LOCATING	33	28	15-20929A1	SHIM, BEARING TO GEAR HOUSING (.002-3-5-10)	49	46
12-49221	WASHER, GEAR HOUSING FLUSHING HOLE	47	32	15-21148A1	SHIM, BEARING TO SPACER	11	14
12-52864	WASHER, CLAMP BRACKET TILT TUBE	39	5	15-22369A1	SHIM, LOWER BEARING TO CRANKSHAFT	33	4
12-59378	WASHER, LOWER BUSHING RETAINER (INNER)	41	47	15-38374A1	SHIM, BEARING CUP TO GEAR HOUSING (.002-3-5-10)	51	52
12-60569	WASHER, DISTRIBUTOR ADAPTOR TO DISTRIBUTOR HOUSING	15	2	15-47248A1	SHIM, UPPER END CAP (.006-8-10)	29	31
12-61709	WASHER, LOWER MOUNT SCREW	43	23	15-55853	SHIM, BEARING TO DISTRIBUTOR HOUSING	11	16
12-62123	WASHER, CUPPED - THRUST HUB	51	78	16-20983	STUD, CYLINDER BLOCK TO DRIVE SHAFT HOUSING (2 9/16") - TRA	29	8
13-24850	WASHER, WAVE - TILT LOCK TUBE	39	28	16-20984	STUD, CYLINDER BLOCK TO DRIVE SHAFT HOUSING (4 1/4")	29	7
13-26992	LOCKWASHER, BRACKET SCREW	13	46	16-20985	STUD, EXHAUST PLATE TO DRIVE SHAFT HOUSING (1 11/16")	35	22
13-26992	LOCKWASHER, HINGE BRACKET SCREW	3	14	16-21831	STUD, CARBURETOR MOUNTING (1 1/4")	29	3
13-26992	LOCKWASHER, SOLENOID MOUNTING SCREW	19	24	16-29589	STUD, CYLINDER BLOCK TO DRIVE SHAFT HOUSING (3") - EXHAUST	29	8
13-26992	LOCKWASHER, STARTER MOTOR TERMINAL	19	18	16-30715	STUD, CRANKCASE TO DRIVE SHAFT HOUSING (2 1/4")	29	4
13-26993	LOCKWASHER, CLAMP BRACKET STUD	39	10	16-33778	STUD, WATER PUMP BODY/BASE TO GEAR HOUSING (2 5/8")	47	3
13-26993	LOCKWASHER, PIN ATTACHING SCREW	3	18	16-48769	STUD, EXHAUST PLATE TO DRIVE SHAFT HOUSING (2 1/8")	35	23
13-26993	LOCKWASHER, SOLENOID TERMINAL (5/16")	19	29	16-57932	STUD, DRIVE SHAFT HOUSING TO GEAR HOUSING (1 3/4")	43	3
13-26993	LOCKWASHER, STARTER MOTOR COVER SCREW	29	14	16-57933	STUD, GEAR HOUSING TO DRIVE SHAFT HOUSING (2 3/16")	47	4
13-26995	LOCKWASHER, FLOAT BOWL COVER SCREW	25	12	16-57935	STUD, DRIVE SHAFT HOUSING TO GEAR HOUSING (3")	43	4
13-26996	LOCKWASHER, HARNESS LEAD TO CHOKE SOLENOID	23	2	16-59625	STUD, CLAMP BRACKET (9 1/2")	39	9
13-26996	LOCKWASHER, HOUSING TO CRANKCASE SCREW	17	43	17-20032	DOWEL PIN, MAIN BEARING	33	8
13-26996	LOCKWASHER, IGNITION COIL TERMINAL (#10)	21	46	17-20033	DOWEL PIN, CRANKCASE TO CYLINDER BLOCK	29	5
13-26996	LOCKWASHER, SOLENOID TERMINAL (#10)	19	27	17-20323	DOWEL PIN, CYLINDER BLOCK TO MAIN BEARING	29	6
13-27959	WASHER, WAVE - DISTRIBUTOR ADAPTOR	15	11	17-21438	PIN, DOWEL - GEAR HOUSING	47	2
13-29720	WASHER, WAVE - SHIFT SHAFT TO LINK	35	11	17-25598	PIN, REVERSE LOCK SPRING ATTACHING	39	36
13-34632	WASHER, WAVE - CHOKE LEVER TO CHOKE HOUSING SCREW	23	14	17-26618	PIN, DOWEL - PULLEY TO FLYWHEEL	9	7
14-27960	TAB WASHER, ADAPTOR CAP FASTENING	15	10	17-29908	PIN, ROLL - FLANGE LOCATING	15	15
14-53012	TAB WASHER, GEAR HOUSING COVER	51	69	17-30545	PIN, DRIVE SHAFT	49	44
15-20085A1	SHIM, LOWER END CAP (.002-3-5-10)	29	37				
15-20927A1	SHIM, THRUST WASHER TO GEAR HOUSING (.002-3-5-10)	51	61				

PARTS INDEX

Part Number	Description	Pg.	Ref. No.	Part Number	Description	Pg.	Ref. No.
17-35973	DOWEL PIN, WATER PUMP BASE TO WATER PUMP BODY	47	15	23-28198	BUSHING, RUBBER - SHOCK ABSORBER (LOWER) . . .	41	50
17-36242	PIN, ROLL - MERCURY SWITCH	31	56	23-28199	SPACER, UPPER SHOCK BUSHING TO CLAMP BRACKET	41	45
17-38113	PIN, CROSS - RATCHET TO PROPELLER SHAFT	51	57	23-29909	SPACER, DRIVE PULLEY . .	15	13
17-39023	PIN, PUSH ROD TO REVERSE LOCK	43	10	23-32171	BUSHING, RUBBER - SHOCK ABSORBER (UPPER)	41	49
17-46912	PIN, DISTRIBUTOR ADAPTOR TO CRANKCASE LOCATING . .	15	4	23-47803	BUSHING, TILT LOCK TUBE	39	27
17-47175	PIN, LOCKING LEVER AND COVER FASTENING	35	16	23-53538	SPACER, ROTOR SHAFT . .	11	17
17-49930A1	TILT LOCK PIN ASSEMBLY .	39	12	23-55164	BUSHING, THROTTLE CONTROL LEVER SCREW	15	25
17-55453	DOWEL PIN, REED STOP . .	33	10	23-55171	BUSHING, THROTTLE CONTROL LEVER SCREW	15	26
17-60282	DOWEL PIN (STEPPED) . . .	33	9	23-55419A1	BUSHING ASSEMBLY, SHIFT SHAFT	47	36
17-60301	PIN, COWL HINGE	3	16	23-56774	SPACER, COLLAR TO MOUNTING BRACKETS . .	19	21
18-25191	COTTER PIN, PUSH ROD PIN	43	11	23-57459	SLEEVE, SPARK PLUG LEAD (LEADS 1, 2, 3)	11	35
18-45882	COTTER PIN, REVERSE LOCK TO SHAFT	41	44	23-59624	SPACER, CLAMP BRACKET STUD	39	8
18-47959	COTTER PIN, TILT LOCK TUBE	39	26	23-60242	SLEEVE, LUBRICATION - DRIVE SHAFT	49	45
19-32297	PLUG, PLASTIC - TRIM TAB SCREW HOLD	43	2	23-60566	SLEEVE, ROTOR SHAFT . . .	11	3
19-45907	PLUG, FLYWHEEL PULLER THREADS	9	1	24-20099	SPRING, COMPRESSION - LATCH SCREW	15	35
19-48750	PLUG, GEAR HOUSING FLUSHING HOLE	47	31	24-20099	SPRING, LINK TO ANCHOR BRACKET	35	3
21-30430A3	CHECK VALVE ASSEMBLY .	27	2	24-20254	SPRING, COMPRESSION - DRIVE SHAFT	49	43
21-56011A2	CHECK VALVE ASSEMBLY, END CAP	29	28	24-27160	SPRING, IDLE ADJUSTMENT SCREW	25	20
21-56011A2	CHECK VALVE ASSEMBLY, END CAP	29	35	24-29821	SPRING, REVERSE LOCK TENSION	41	42
22-23612	FITTING, GREASE	39	21	24-30189	SPRING, ADAPTOR STEM .	27	30
22-25094	FITTING, GREASE - DISTRIBUTOR ADAPTOR	15	7	24-35522	SPRING, TENSION - LOWER MOUNT CLAMP	43	18
22-25885	ELBOW, TELL TALE HOSE TO EXHAUST EXTENSION PLATE	7	43	24-38114	SPRING, RETAINING - CROSS PIN	51	58
22-29085	ELBOW, (450) - UPPER CARBURETOR	27	21	24-39845	SPRING, COMPRESSION - CAM FOLLOWER	51	51
22-30175	SLEEVE, FUEL LINE	27	25	24-55162	SPRING, RETURN - SPARK ADVANCE LEVER	15	27
22-30177	NUT, FUEL LINE	27	24	24-60288	SPRING, TENSION - CHOKE ROD	23	18
22-30468	CONNECTOR, FUEL LINE . .	27	26	24-60295	SPRING, FRONT COVER LATCH	7	39
22-32802	PIPE PLUG, CRANKCASE . .	29	15	24-62624	SPRING, TENSION - COWL LATCH	3	24
22-32802	PLUG, CYLINDER BLOCK COVER	31	45	25-20273	RING, RUBBER - CENTRIFUGAL SLINGER . .	47	28
22-32802	PLUG, PIPE - FUEL PUMP . .	27	9	25-20415	"O" RING, ADAPTOR STEM .	27	29
22-36567	ELBOW, LOWER CARBURETOR	27	21A	25-25439	"O" RING, SHIFT SHAFT BUSHING	47	35
22-56759	FITTING, CRANKCASE BLEED (PART OF CYLINDER BLOCK AND CRANKCA	31	59	25-26547	GROMMET, HIGH TENSION LEAD	11	38
23-23651	SLEEVE, WATER INLET TUBE	45	40	25-26547	GROMMET, SPARK PLUG LEAD	11	30
23-26600	BUSHING, NYLON - SHIFT SHAFT TO LINK	35	12				

PARTS INDEX

Part Number	Description	Pg.	Ref. No.	Part Number	Description	Pg.	Ref. No.
25-31986	"O" RING, BEARING CARRIER	51	64	27-55896	GASKET, DISTRIBUTOR CAP TO DISTRIBUTOR HOUSING	11	24
25-32546	"O" RING, END CAP	29	33	27-60280	GASKET, EXHAUST TUBE TO EXHAUST PLATE	37	38
25-35276	"O" RING, CARRIER	33	6	27-60286	GASKET, CRANKCASE TO CYLINDER BLOCK	29	2
25-47254	"O" RING, END CAP	29	27	27-60308	GASKET, BAFFLE PLATE TO EXHAUST MANIFOLD COVER	31	48
25-56474	GROMMET, HIGH TENSION LEAD	11	39	27-60308A72	GASKET SET (MOTOR OVERHAUL)	1	-
25-57806	GROMMET, WIRING HARNESS BRACKET SCREW	19	38	27-60309	GASKET, BAFFLE PLATE TO CYLINDER BLOCK	31	46
26-23300	OIL SEAL, WATER PUMP BASE	47	14	27-60310	GASKET, CYLINDER BLOCK COVER	31	42
26-24590	OIL SEAL, SHIFT SHAFT BUSHING (LOWER)	47	37	27-60311	GASKET, TRANSFER PASSAGE COVER	31	39
26-26782	OIL SEAL, WATER PUMP BASE	47	13	27-60317	GASKET, POWERHEAD TO EXHAUST PLATE	35	20
26-29476	OIL SEAL, END CAP	29	29	28-29910	KEY, DISTRIBUTOR DRIVER	15	17
26-29476	OIL SEAL, END CAP	29	34	28-30281	KEY, LOCATING - BEARING CARRIER	51	68
26-31249	OIL SEAL, SHIFT SHAFT BUSHING (UPPER)	49	38	28-56662	KEY, IMPELLER DRIVE	47	20
26-32121	OIL SEAL, WATER PUMP BODY	47	23	29-47270	BEARING, NEEDLE - PISTON PIN	33	27
26-32911	OIL SEAL, SWIVEL BRACKET	39	19	29-48410	BEARING, NEEDLE	33	19
26-38452	SEAL, WATER INLET TUBE	35	24	30-20066	BALL BEARING, DISTRIBUTOR HOUSING (UPPER)	11	1
26-38452	SEAL, WATER PUMP BODY TO WATER TUBE	47	26	30-20839	BEARING, BALL - REVERSE GEAR	51	63
26-56788	OIL SEAL, BEARING CARRIER (DOUBLE LIP)	51	67	30-26379	BALL BEARING, DISTRIBUTOR HOUSING (LOWER)	11	15
26-60296	SEAL, FUEL CONNECTOR - FRONT SUPPORT BRACKET	5	28	30-54816	BEARING, BALL - LOWER	33	3
26-60297	SEAL, FUEL CONNECTOR - COWL	3	3	30-54816	BEARING, BALL - UPPER	33	2
26-60298	SEAL, CONTROL CABLES - COWL	3	8	31-21700	BEARING, ROLLER - BEARING CARRIER	51	66
26-60925	SEAL, WIRING HARNESS BRACKET	19	36	31-21739	BEARING, ROLLER - FORWARD GEAR	51	54
27-25848	GASKET, FILTER COVER FASTENING SCREW	27	19	31-38146A1	ROLLER BEARING ASSEMBLY, TAPERED - DRIVE SHAFT	49	47
27-25849	GASKET, FILTER COVER (TOP)	27	16	31-38356A1	TAPERED ROLLER BEARING ASSEMBLY	51	53
27-25851	GASKET, FILTER COVER (BOTTOM)	27	14	31-62091	BEARING, ROLLER - DRIVE SHAFT	47	5
27-32769	GASKET, LOWER - WATER PUMP BASE TO FACE PLATE	47	16	31-63075A1	BEARING ASSEMBLY, CRANKPIN	33	26
27-32770	GASKET, UPPER - FACE PLATE TO WATER PUMP BODY	47	18	32-28052	SLEEVE, RUBBER - TILT LOCK PIN BUMPER	39	13
27-32771	GASKET, WATER PUMP BASE TO GEAR HOUSING	47	10	32-34395A1	HOSE, TELL TALE - REAR BRACKET TO EXHAUST PLATE	7	42
27-38501	GASKET, ADAPTOR PLATE TO DRIVE SHAFT HOUSING	37	36	32-37727	TUBE, WATER INLET (SHORT SHAFT)	45	39
27-38501	GASKET, EXHAUST EXTENSION PLATE TO DRIVE SHAFT HOUSING	43	36	32-38527	FUEL LINE, FILTER COVER TO UPPER CARBURETOR (5 7/8")	27	20
27-48164	GASKET, CARBURETOR FLANGE	25	30				

PARTS INDEX

Part Number	Description	Pg.	Ref. No.	Part Number	Description	Pg.	Ref. No.
32-45679	TUBE, WATER INLET (LONG SHAFT)	45	39	54-22875	CLAMP, ELECTRICAL LEADS TO SWITCH BOX	19	6
32-52742A1	HOSE, DRIP TRAY TO REAR SUPPORT BRACKET	5	32	54-22875	CLIP, HOSE TO EXHAUST PLATE	5	34
32-55829	FUEL LINE ASSEMBLY, FUEL PUMP TO ADAPTOR (15")	27	23	54-60768	CLAMP, DISTRIBUTOR CAP TO DISTRIBUTOR HOUSING	11	21
32-60584	HOSE, CRANKCASE BLEED (12")	31	58	55-28416	PIN, UPPER SHOCK MOUNTING	39	17
32-60814A1	FUEL LINE ASSEMBLY, FUEL PUMP/FUEL FILTER HSG. (2 3/4")	27	10	55-29247	PIN, LOWER SHOCK MOUNTING	41	40
32-62989A1	FUEL LINE, FILTER COVER TO LOWER CARBURETOR (7 1/8")	27	22	55-31933	SHOCK ABSORBER	41	48
33-59599	SPARK PLUG (CHAMPION L-77V)	11	33	84-60466A1	CABLE ASSEMBLY, GROUND - MOUNTING SCREW	21	45
34-60281A1	REED SET, MATCHED - MAIN BEARING	33	11	84-60795	WIRING HARNESS (INTERNAL)	19	32
34-60318	REED STOP	33	12	84-60870A4	HIGH TENSION CABLE ASSEMBLY, DISTRIBUTOR CAP TO COIL	11	36
37-61301A72	DECAL SET	1	-	84-60871A3	CABLE ASSEMBLY, ADAPTOR TO FRONT SUPPORT BRACKET	15	8
38-56267	SERIAL PLATE	39	34	84-60872	CABLE, STARTER TO FRONT SUPPORT BRACKET (9 1/2")	19	15
39-45155A12	RING, PISTON	33	22	84-60970	CABLE, STARTER SOLENOID TO STARTER MOTOR (YELLOW)	19	17
39-45204A12	RING, PISTON (.015)	33	--	84-61378	CABLE, BATTERY TO STARTER SOLENOID	19	31
40-52035	LOCK RING, PISTON PIN	33	21	87-61053	STARTER SOLENOID	19	22
43-60245	GEAR, PINION - DRIVE SHAFT	47	8	90-61761	MERC 650E PARTS LIST	1	-
43-60246	REVERSE GEAR ASSEMBLY	51	60	225-4591A2	FLYWHEEL ASSEMBLY, COMPLETE	9	4
43-60247	FORWARD GEAR ASSEMBLY	51	55	332-2854	BOOT, HIGH TENSION CABLE TO COIL	11	37
44-55911	SHAFT PROPELLER	51	59	332-4796A3	SWITCH BOX ASSEMBLY, COMPLETE	19	1
45-60949A1	DRIVE SHAFT ASSEMBLY (LONG SHAFT)	49	42	332-4797A3	HOUSING ASSEMBLY, DISTRIBUTOR	11	4
45-60950A1	DRIVE SHAFT ASSEMBLY (SHORT SHAFT)	49	42	332-4797A3	HOUSING ASSEMBLY, DISTRIBUTOR	15	1
46-48745A1	WATER PUMP BASE ASSEMBLY	47	12	332-4801	DISC, ROTOR	11	19
46-48746A1	WATER PUMP BODY ASSEMBLY	47	21	332-4895A1	IGNITION COIL (3 3/8" HIGH)	21	40
46-48746A2	EXTRA HEAVY DUTY WATER KIT	1	-	336-4592A1	IGNITION COIL (2 7/8" HIGH)	19	40
47-20268	IMPELLER, WATER PUMP	47	19	337-4603	ROTOR, DISTRIBUTOR	11	20
50-60315	STARTER MOTOR ASSEMBLY	19	13	393-1275	SLEEVE, HIGH TENSION CABLE	13	40
52-47586	RATCHET, SLIDING CLUTCH	51	56	393-1275	SLEEVE, SPARK PLUG LEAD TO DISTRIBUTOR	11	29
53-26406	RING, RETAINING - BALL BEARING TO DISTRIBUTOR HOUSING	11	18	393-1293A1	BRUSH AND SPRING ASSEMBLY	11	26
53-26933	RING, SNAP - OUTER RACE CLAMPING	33	18	393-4606A2	DISTRIBUTOR CAP ASSEMBLY	11	25
53-29641	CLIP, RETAINING - SHIFT SHAFT	47	34	398-4634	STATOR, ALTERNATOR	9	11
54-22627	CLIP, HIGH TENSION LEAD TO CRANKCASE	13	41	450-4393A2	CRANKSHAFT ASSEMBLY	33	1
54-22740	CLIP, DISTRIBUTOR LEADS TO FRONT SUPPORT BRACKET	11	11	542-4846A1	MAIN BEARING ASSEMBLY (VALVE TYPE)	33	7
54-22740	CLP, HOSE TO REAR SUPPORT BRACKET	5	34				

PARTS INDEX

Part Number	Description	Pg.	Ref. No.	Part Number	Description	Pg.	Ref. No.
745-4881A1	PISTON AND PISTON PIN ASSEMBLY (.015)	33	--	1643-4814A7	GEAR HOUSING ASSEMBLY, COMPLETE SEE NOTE BELOW	51	-
745-4891A2	PISTON AND PISTON PIN ASSEMBLY	33	20	1643-4814A8	GEAR HOUSING ASSEMBLY, COMPLETE SEE NOTE BELOW	51	-
855-4553A3	CYLINDER BLOCK AND CRANKCASE ASSEMBLY	29	1	1643-4814A8	GEAR HOUSING ASSEMBLY, COMPLETE (LONG SHAFT)	47	-
1025-4389	COVER, CYLINDER BLOCK .	31	41	1643-4814A9	GEAR HOUSING ASSEMBLY	47	1
1143-4390A1	END CAP ASSEMBLY UPPER	29	26	1643-4814A9	GEAR HOUSING ASSEMBLY (SEE PAGE 30 FOR BREAKDOWN)	51	1
1144-4888A1	END CAP ASSEMBLY, LOWER	29	32	2141-4537A1	COWL ASSEMBLY (PORT) .	3	7
1360-4663A1	CARBURETOR ASSEMBLY, COMPLETE	23	7	2142-4538A1	COWL ASSEMBLY (STARBOARD)	3	1
1360-4663A1	CARBURETOR ASSEMBLY, COMPLETE (WMK-5)	25	1	2143-4552A1	COWL FRONT COVER ASSEMBLY	3	27
1395-4540	SCREW, BODY (IDLE TUBE)	25	17				
1395-4541	SCREW, PLUG - MAIN FUEL JET CHANNEL	25	22				
1395-4542	SCREW, PLUG - MAIN NOZZLE	25	26				
1395-4543	SCREW, BODY CHANNEL . .	25	29				
1395-4555	INLET NEEDLE, SEAT AND GASKET	25	6				
1395-4804	SCREW, FLOAT BOWL COVER (LONG)	25	11				
1395-4805	SCREEN, FILTER	25	13				
1395-4806	SCREW, THROTTLE STOP LEVER	25	14				
1395-4807	SHAFT, THROTTLE	25	15				
1395-4808	GASKET AND PACKING SET (1 PER CARBURETOR) . .	25	--				
1395-4809	REPAIR PARTS KIT (1 PER CARBURETOR)	25	--				
1399-110A1	FLOAT ASSEMBLY	25	2				
1399-3515	SCREW, IDLE ADJUSTMENT	25	21				
1399-3528	SHUTTER, THROTTLE	25	19				
1399-3794	JET, MAIN FUEL (.074) - STANDARD	25	24				
1399-3795	JET, MAIN FUEL (.072)	25	24				
1399-3796	JET, MAIN FUEL (.076)	25	24				
1399-3811	JET, MAIN FUEL (.070)	25	24				
1399-3938	ELEMENT, FUEL FILTER . . .	27	15				
1399-4392	COVER, FLOAT BOWL	25	9				
1399-4791	COVER, FUEL FILTER	27	17				
1440-3291A1	CLAMP BRACKET ASSEMBLY	39	1				
1465-4175A1	SWIVEL BRACKET ASSEMBLY (SHORT SHAFT)	39	18				
1466-4176A1	SWIVEL BRACKET ASSEMBLY (LONG SHAFT)	39	18				
1554-4813A2	DRIVE SHAFT HOUSING ASSEMBLY (SHORT SHAFT)	43	1				
1564-4812A2	DRIVE SHAFT HOUSING ASSEMBLY (LONG SHAFT)	43	1				