



PARTS CATALOG

MARINER 115

SERIAL NUMBER

115 (6 CYL.)	USA 5738891 THRU 6436122
115 (6 CYL.)	CAN 7191308 THRU 7208847

TABLE OF CONTENTS:

BOTTOM COWL AND SHIFT LINKAGE	34
CARBURETOR ASSEMBLY	18
CARBURETOR LINKAGE AND CHOKE SOLENOID	14
COWLING AND FRONT COVER	4
CRANKSHAFT, PISTONS AND CONNECTING RODS	30
CYLINDER BLOCK AND CRANKCASE ASSEMBLY	26
DRIVE SHAFT HOUSING ASSEMBLY	44
END CAP, MANIFOLD AND EXHAUST COVERS	28
EXHAUST EXTENSION PLATE	36
FLYWHEEL, STARTER MOTOR AND STATOR	6
FUEL PUMP AND FUEL LINE ASSEMBLY	22
GEAR HOUSING (DRIVE SHAFT)	48
GEAR HOUSING (PROPELLER SHAFT)	52
HYDRAULIC PUMP ASSEMBLY (METAL RESERVOIR)	54
HYDRAULIC PUMP ASSEMBLY (PLASTIC RESERVOIR)	56
MISCELLANEOUS PARTS/ACCESSORIES	1
PARTS INDEX	74
POWER TRIM COMPONENTS - WITH CIRCUIT BREAKER AND FUSE	62
POWER TRIM COMPONENTS - WITHOUT CIRCUIT BREAKER	58
POWER TRIM CYLINDER REPAIR KITS (USE WITH 76509A23 TRIM)	68
POWER TRIM CYLINDER REPAIR KITS (USE WITH 92194A20 TRIM)	70
STARTER MOTOR ASSEMBLY	72
SWITCH BOX AND STARTER SOLENOID	10
SWIVEL BRACKET ASSEMBLY	38
THROTTLE LEVER AND LINK RODS	8
TOP COWL AND SUPPORT BRACKETS	2
TRANSOM BRACKET	40
TRIM CYLINDERS AND HYDRAULIC HOSES	64
WIRING HARNESS AND IGNITION COIL	12

NOTE: Indented description indicate that these parts are included in preceeding assembly.

AR = As Required

NSS = Not Sold Separate

OPT = Optional

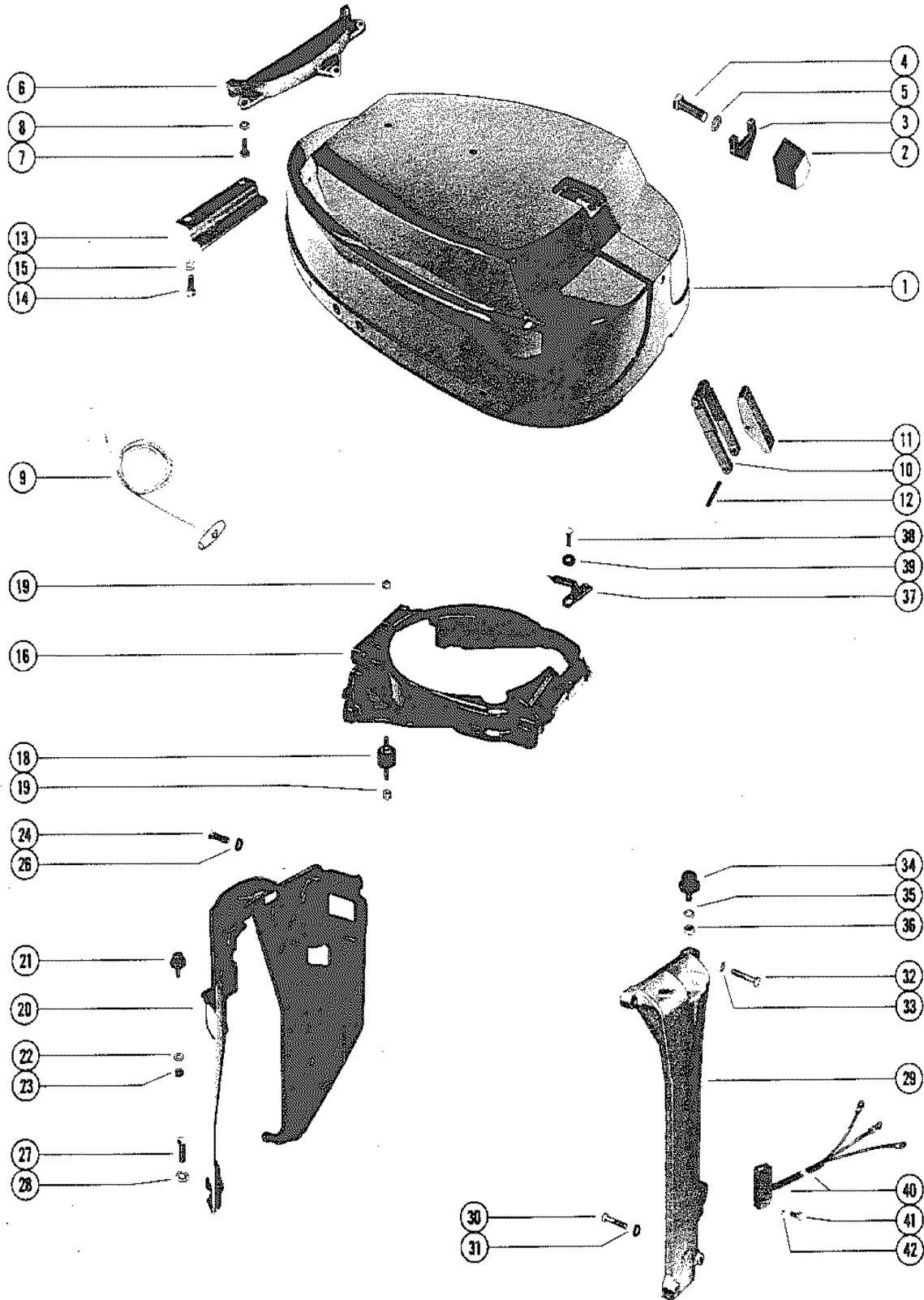
NS = Not Shown

THESE PARTS BOOKS/FICHE CARD ARE COPYRIGHTED AND MAY NOT BE DISTRIBUTED OR REPRODUCED IN ANY OTHER FORMAT BY ANYONE OTHER THAN MERCURY MARINE WITHOUT THE PRIOR WRITTEN CONSENT OF MERCURY MARINE.

MISCELLANEOUS PARTS/ACCESSORIES

REF. NO.	PART NO.	SYM.	QTY.	DESCRIPTION
-	90-84980		0	MARINER 115 PARTS LIST
-	27-85653A32		0	GASKET SET
-	37-87133A79		0	DECAL SET

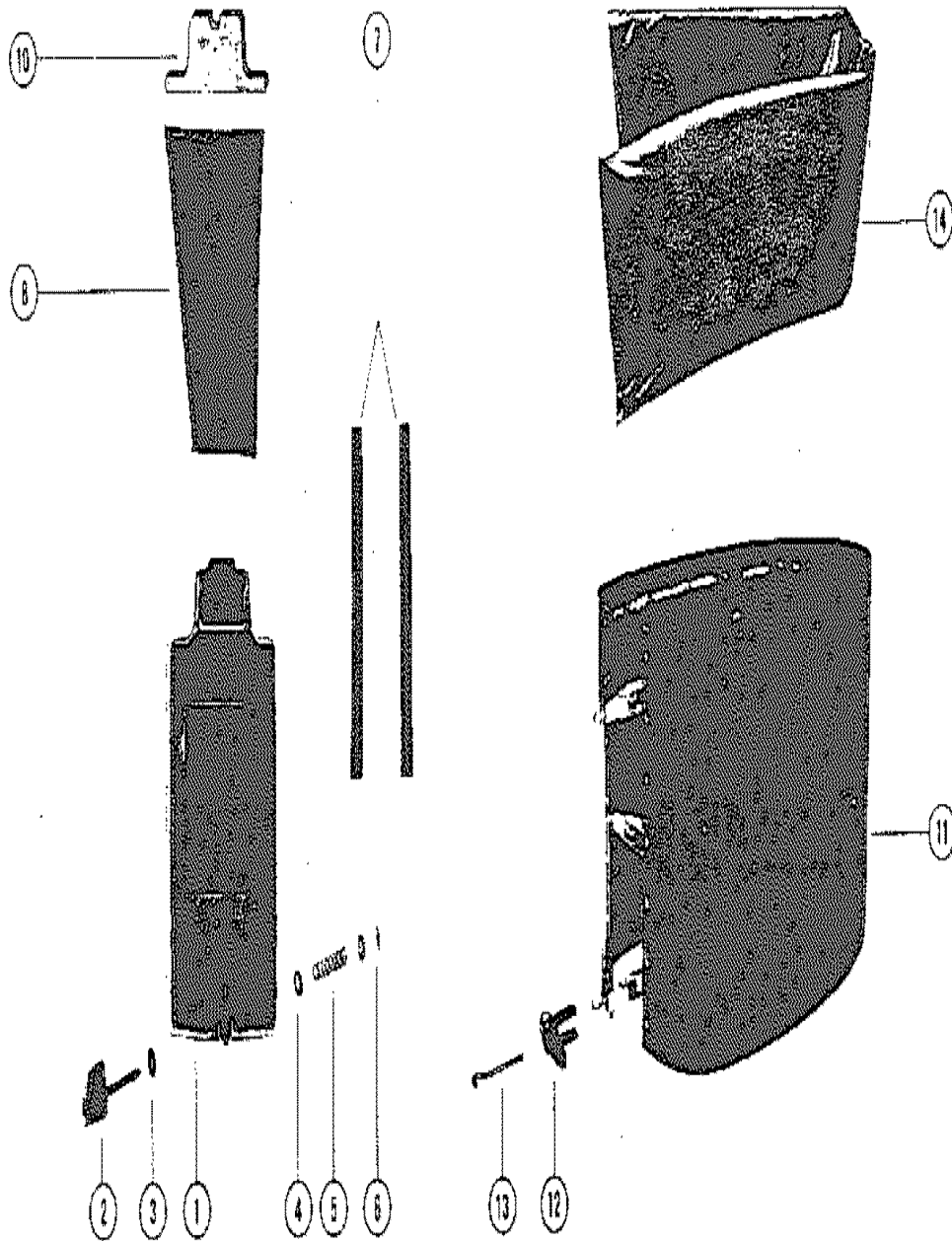
TOP COWL AND SUPPORT BRACKETS



TOP COWL AND SUPPORT BRACKETS

REF. NO.	PART NO.	SYM.	QTY.	DESCRIPTION
1	2162-6392		1	TOP COWL (WITHOUT DECALS)
2	76440		1	RETAINER, TOP COWL
3	76505		1	PAD, BUMPER - TOP COWL RETAINER
4	10-25299		1	SCREW, RETAINER TO TOP COWL
5	13-39107		1	LOCKWASHER, RETAINER SCREW
6	76433		1	SHIELD, TOP COWL - REAR
7	10-37370		3	SCREW, SHIELD TO TOP COWL (5/8")
8	13-37371		3	LOCKWASHER, SHIELD SCREW
9	47341A1		1	ROPE, STARTER (FOR MANUAL STARTING ONLY)
10	52739		1	HINGE, COWL LATCH - TOP COWL
11	94918		1	LEVER, COWL LATCH HINGE
12	17-58998		1	ROLL PIN, COWL LATCH LEVER TO HINGE
13	55455		1	HOOK, TOP COWL LATCH - REAR
14	10-22956		2	SCREW, REAR HOOK TO TOP COWL (7/8")
15	13-26992		2	LOCKWASHER, REAR HOOK SCREW
16	79897		1	FRAME, TOP COWL SUPPORT
18	90435		3	MOUNT, RUBBER - TOP COWL FRAME
	46096		OPT	MOUNT, RUBBER - TOP COWL FRAME (HEAVY DUTY)
19	11-35888		6	NUT, RUBBER MOUNT
20	86472		1	BRACKET, TOP COWL SUPPORT - REAR
21	31014		2	MOUNT, RUBBER - REAR SUPPORT BRACKET
22	13-26992		2	LOCKWASHER, RUBBER MOUNT
23	11-29598		2	NUT, RUBBER MOUNT
24	10-37562		4	SCREW, REAR BRACKET TO FRAME (1")
26	13-26993		4	LOCKWASHER, REAR BRACKET SCREW
27	10-37562		4	SCREW, REAR BRACKET TO BOTTOM COWL (1")
28	13-26993		4	LOCKWASHER, REAR SUPPORT BRACKET SCREW
29	89232A1		1	BRACKET ASSEMBLY, TOP COWL - FRONT
30	10-69092		2	SCREW, FRONT BRACKET TO BOTTOM COWL (1-1/4")
31	13-26993		2	LOCKWASHER, FRONT SUPPORT BRACKET SCREW
32	10-69092		2	SCREW, FRONT BRACKET TO TOP COWL FRAME (1-1/2")
33	13-26993		2	LOCKWASHER, FRONT SUPPORT BRACKET SCREW
34	37640		1	MOUNT, RUBBER - FRONT SUPPORT BRACKET
35	13-26993		1	LOCKWASHER, RUBBER MOUNT
36	11-28770		1	NUT, RUBBER MOUNT
37	87991		1	POINTER TIMING
38	10-28636		1	SCREW, TIMING POINTER (3/4")
39	12-35462		1	WASHER, TIMING POINTER SCREW
40	87076A4		1	IDLE SPEED CONTROL ASSEMBLY
41	10-20189		2	SCREW, IDLE SPEED CONTROL SCREW
42	11-20110		2	NUT, IDLE SPEED CONTROL SCREW

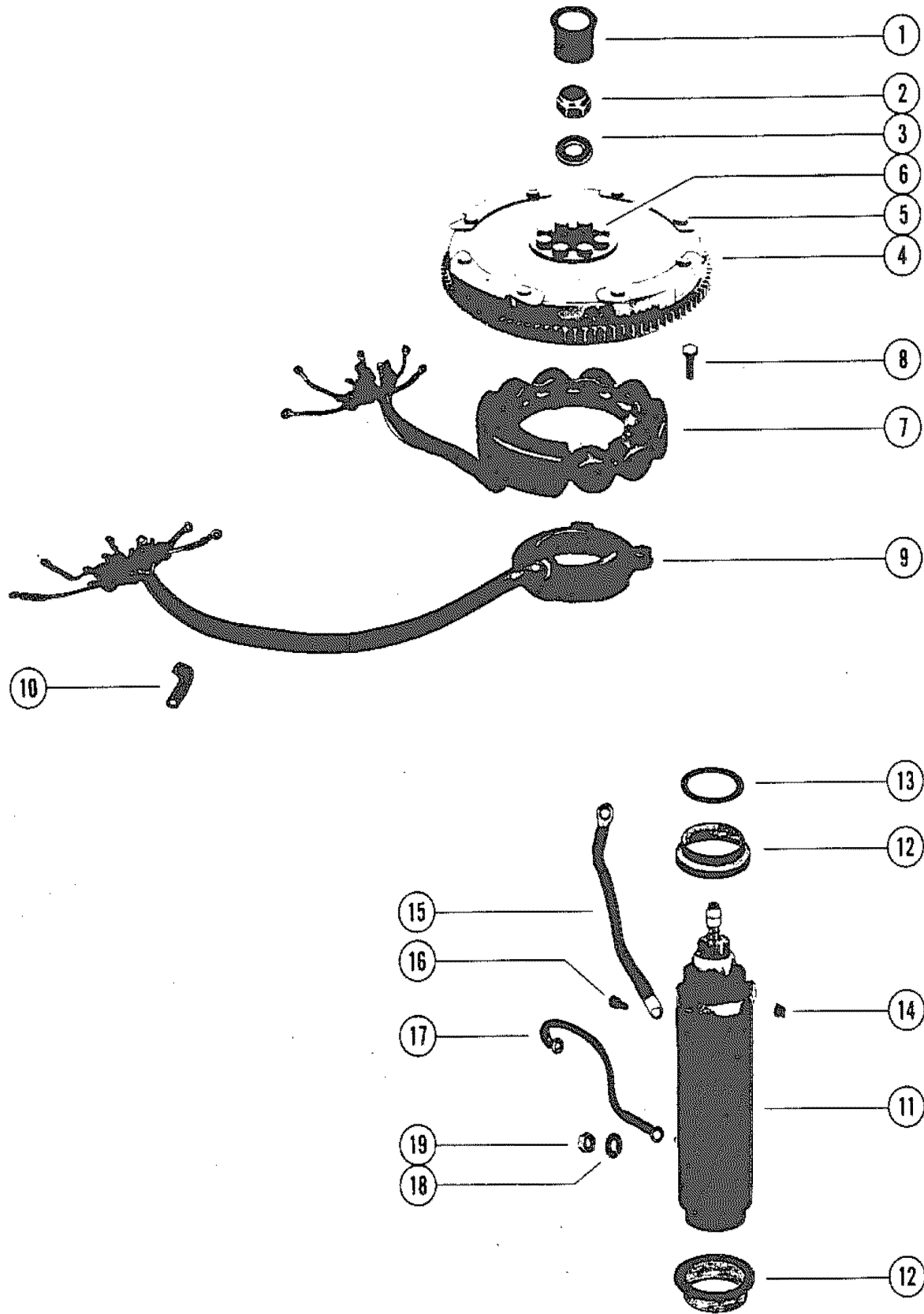
COWLING AND FRONT COVER



COWLING AND FRONT COVER

REF. NO.	PART NO.	SYM.	QTY.	DESCRIPTION
1	2171-6497A7		1	FRONT COVER ASSEMBLY (W/O DECALS)
2	56849		1	KNOB, FRONT COVER
3	12-30771		2	WASHER, COVER KNOB (RUBBER)
4	12-59572		2	WASHER, COVER KNOB (PLASTIC)
5	24-30772		1	SPRING, TENSION - KNOB
6	17-29077		1	ROLL PIN, TENSION SPRING KNOB
7	77790		2	STRIP, SOUND
8	38674		1	BAG, STARTER ROPE
10	77544		1	SEAL, SOUND - TOP
11	2172-6498A9		1	WRAP AROUND COWL ASSEMBLY (W/O DECALS)
12	46785A1		3	COWL LATCH ASSEMBLY
13	30413		3	HOOK, COWL LATCH
14	30021		1	BLANKET, SOUND

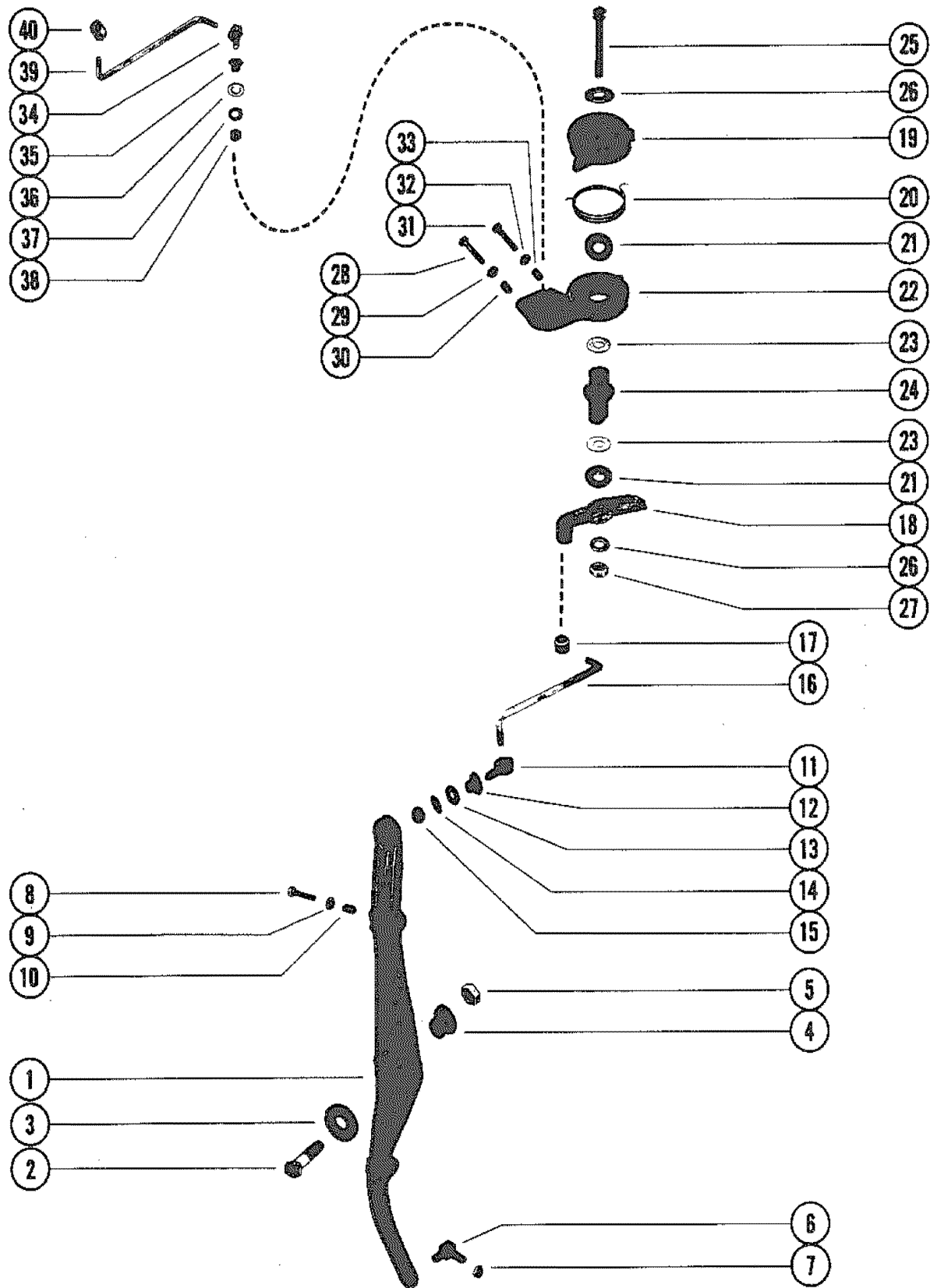
FLYWHEEL, STARTER MOTOR AND STATOR



FLYWHEEL, STARTER MOTOR AND STATOR

REF. NO.	PART NO.	SYM.	QTY.	DESCRIPTION
1	19-45907		1	PLUG, FLYWHEEL
2	11-52901		1	NUT, FLYWHEEL
3	12-68229		1	WASHER, FLYWHEEL
4	248-5977A28		1	FLYWHEEL ASSEMBLY
5	10-32417		8	SCREW, FLYWHEEL PLATE
6	10-68997		8	SCREW, FLYWHEEL HUB
7	398-5454A8		1	STATOR ASSEMBLY
8	10-75840		4	SCREW, STATOR (7/8")
9	96455A6		1	TRIGGER PLATE ASSEMBLY
10	54-61001		3	CLAMP, TRIGGER HARNESS
11	50-72467		1	STARTER MOTOR
12	56703		2	COLLAR, STARTER MOTOR
13	23-56774		AR	SPACER, STARTER MOTOR
14	57247		2	STOP, RUBBER - STARTER MOTOR
15	84-93388A1		1	WIRE, PLATE TO STARTER MOTOR (BLACK)
16	10-69035		1	SCREW, CABLE TO STARTER MOTOR
17	84-93389A6		1	WIRE, SOLENOID TO STARTER MOTOR (YELLOW)
18	13-26992		1	LOCKWASHER, STARTER MOTOR TERMINAL
19	11-64015		1	NUT, STARTER MOTOR TERMINAL

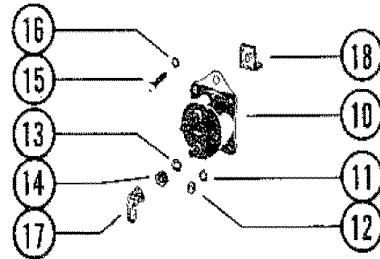
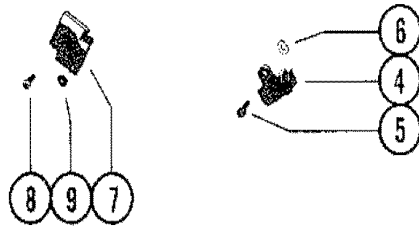
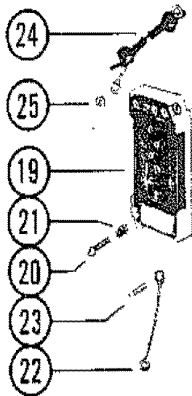
THROTTLE LEVER AND LINK RODS



THROTTLE LEVER AND LINK RODS

REF. NO.	PART NO.	SYM.	QTY.	DESCRIPTION
1	79900		1	LEVER, THROTTLE
2	10-37559		1	SCREW, THROTTLE LEVER TO EXHAUST COVER
3	12-29395		1	WASHER, THROTTLE LEVER SCREW
4	23-45818		1	BUSHING, THROTTLE LEVER SCREW
5	11-20509		1	NUT, THROTTLE LEVER SCREW
6	37587		1	SWIVEL, THROTTLE LEVER TO THROTTLE CABLE
7	11-35888		1	NUT, THROTTLE CABLE TO SWIVEL
8	10-75168		2	SCREW, ADJUSTING - THROTTLE LEVER
9	11-29598		2	NUT, ADJUSTING SCREW
10	52023		2	CAP, NYLON - ADJUSTING SCREW
11	77013A1		1	SWIVEL ASSEMBLY, THROTTLE LEVER
12	23-26856		1	BUSHING, SWIVEL
13	12-33786		1	WASHER, SWIVEL
14	13-29402		1	WAVE WASHER, SWIVEL
15	11-45774		1	NUT, SWIVEL TO THROTTLE LEVER
16	85300		1	LINK ROD, THROTTLE
17	23-74213		1	SWIVEL, LINK ROD TO THROTTLE CAM
18	85441		1	THROTTLE CAM UNITED STATES 5861526 AND BELOW
	88754		1	THROTTLE CAM UNITED STATES 5861527 AND UP
19	85082		1	HOUSING, THROTTLE - UPPER
20	24-95721		1	SPRING, TORSION - SHAFT
21	12-85303		2	WASHER, PLASTIC - THROTTLE CAM
22	79903		1	HOUSING, THROTTLE - LOWER
23	13-86498		2	WAVE WASHER, SHAFT
24	87937		1	SHAFT, THROTTLE AND SPARK ADVANCE
25	10-28239		1	SCREW, THROTTLE HOUSING
26	12-35462		2	WASHER, THROTTLE HOUSING SCREW
27	11-72008		1	NUT, THROTTLE HOUSING SCREW
28	10-75168		1	SCREW, ADJUSTING - LOWER HOUSING (2-1/4")
29	11-29598		1	NUT, ADJUSTING SCREW
30	52023		1	CAP, NYLON - ADJUSTING SCREW
31	10-60464		1	SCREW, ADJUSTING - LOWER HOUSING (2-1/8")
32	11-68219		1	NUT, ADJUSTING SCREW
33	48039		1	CAP, NYLON - ADJUSTING SCREW
34	77013A1		1	SWIVEL ASSEMBLY, SPARK LINK
35	23-26856		1	BUSHING, SWIVEL
36	12-33786		1	WASHER, SWIVEL
37	13-29402		1	WAVE WASHER, SWIVEL
38	11-45774		1	NUT, SWIVEL
39	85301		1	SPARK LINK
40	74897		1	BARREL, SPARK LINK TO TRIGGER

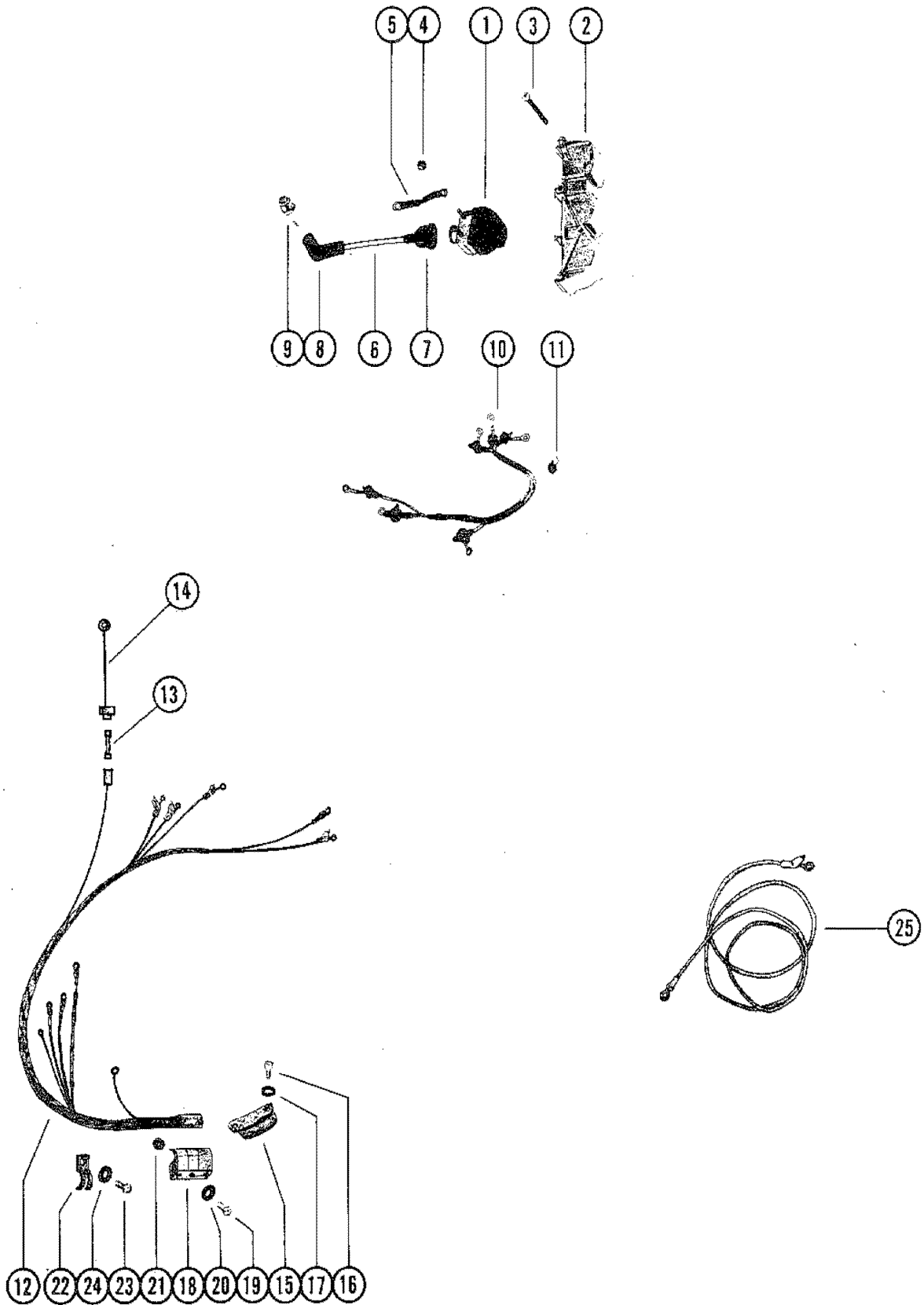
SWITCH BOX AND STARTER SOLENOID



SWITCH BOX AND STARTER SOLENOID

REF. NO.	PART NO.	SYM.	QTY.	DESCRIPTION
1	89748		1	PLATE, ELECTRICAL MOUNTING
2	10-86885		4	SCREW, PLATE TO CYLINDER BLOCK (1-1/2")
	10-28636		3	SCREW, PLATE TO CYLINDER BLOCK (3/4")
	10-45561		2	SCREW, PLATE TO CYLINDER BLOCK (1-1/8")
3	12-29245		7	WASHER, PLATE SCREW
4	87-33386A3		1	SWITCH ASSEMBLY, MERCURY
5	10-25764		1	SCREW, MERCURY SWITCH TO PLATE (5/8")
6	11-45076		1	NUT, WIRE TO MERCURY SWITCH
7	62351A1		1	RECTIFIER
8	10-25764		2	SCREW, RECTIFIER TO IGNITION PLATE (5/8")
9	11-45076		3	NUT, RECITFIER TERMINALS
10	89-68258		1	STARTER SOLENOID UNITED STATES 6050770 AND BELOW
11	13-26996		2	LOCKWASHER, SOLENOID TERMINALS (#10) UNITED STATES 6050770 AND BELOW
12	11-68219		2	NUT, SOLENOID TERMINALS (10-32) UNITED STATES 6050770 AND BELOW
13	13-26993		2	LOCKWASHER, SOLENOID TERMINALS (5/16") UNITED STATES 6050770 AND BELOW
14	11-68292		2	NUT, SOLENOID TERMINALS (5/16 - 18) UNITED STATES 6050770 AND BELOW
10	89-96054		1	STARTER SOLENOID UNITED STATES 6050771 AND UP CANADA 7191308 AND UP
11	13-26995		2	LOCKWASHER, SOLENOID TERMINALS (#8) UNITED STATES 6050771 AND UP CANADA 7191308 AND UP
12	11-26419		2	NUT, SOLENOID TERMINALS (8-32) UNITED STATES 6050771 AND UP CANADA 7191308 AND UP
13	13-26992		2	LOCKWASHER, SOLENOID TERMINALS (1/4") UNITED STATES 6050771 AND UP CANADA 7191308 AND UP
14	11-94330		2	NUT, SOLENOID TERMINALS (1/4-20) UNITED STATES 6050771 AND UP CANADA 7191308 AND UP
15	10-38601		2	SCREW, STARTER SOLENOID TO PLATE (1/2")
16	13-26992		2	LOCKWASHER, STARTER SOLENOID SCREW
17	46265		1	BOOT, TERMINAL - STARTER SOLENOID
18	90547		1	LOCATOR, STARTER SOLENOID
19	332-7778A3		2	SWITCH BOX
20	10-20619		4	SCREW, SWITCH BOX (1-3/8")
21	23-94304		4	SPACER, SWITCH BOX SCREW
22	84-60871A10		2	WIRE ASSEMBLY, SWITCH BOX
23	10-62568		2	SCREW, WIRE
24	62310A3		1	CABLE ASS'Y, SWITCH BOX TO SWITCH BOX (WHITE/BLACK)
25	11-45076		20	NUT, SWITCH BOX TERMINAL

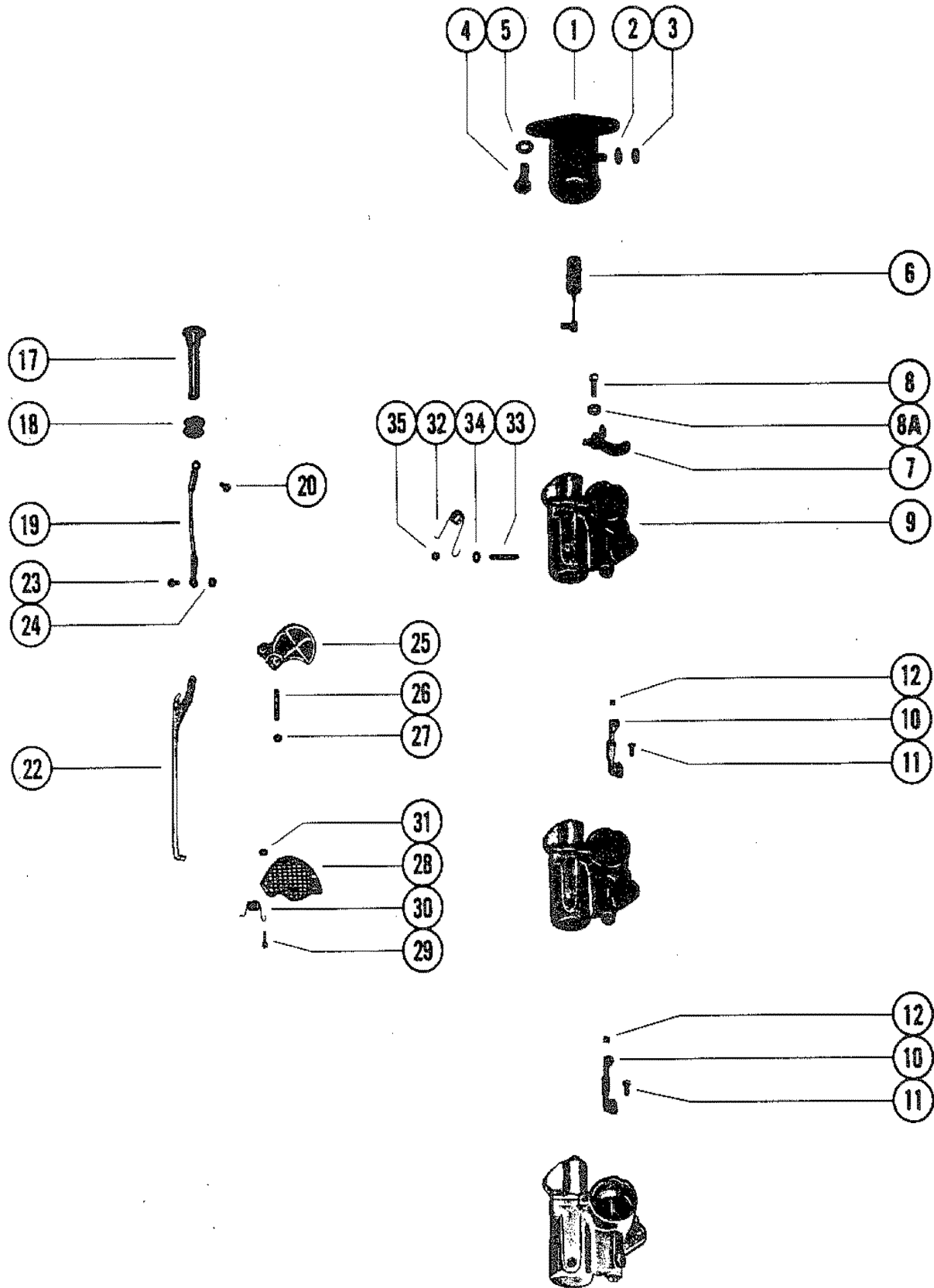
WIRING HARNESS AND IGNITION COIL



WIRING HARNESS AND IGNITION COIL

REF. NO.	PART NO.	SYM.	QTY.	DESCRIPTION
1	339-7370A2		6	IGNITION COIL
2	73218		2	COVER, IGNITION COIL
3	10-88856		12	SCREW, IGNITION COIL COVER (2")
4	11-45076		12	NUT, IGNITION COIL TERMINAL
5	84-60466A1		6	CABLE ASSEMBLY, IGNITION COIL (BLACK)
6	84-90816A25		6	CABLE, HIGH TENSION
7	332-2854		6	BOOT, COIL END
8	85-63709A1		6	PROTECTOR, SPARK PLUG END
9	33-68057		6	SPARK PLUG (CHAMPION #L76-V)
10	84-85537A2		1	HARNESS, COIL TO SWITCH BOX (#2,4 AND 6)
	84-85537A1		1	HARNESS, COIL TO SWITCH BOX (#1,3 AND 5)
11	54-63153		2	CLIP, HARNESS TO COIL COVER
12	84-89564A1		1	WIRING HARNESS UNITED STATES 6050770 AND BELOW
	84-96188A2		1	WIRING HARNESS UNITED STATES 6050771 AND UP CANADA 7191308 AND UP
13	88-79091		1	FUSE UNITED STATES 6050771 AND UP CANADA 7191308 AND UP
14	84-95084A2		1	WIRE, FUSE HOLDER UNITED STATES 6050771 AND UP CANADA 7191308 AND UP
15	54-88608		1	CLAMP, WIRING HARNESS
16	10-28636		2	SCREW, WIRING HARNESS CLAMP
17	13-26996		2	LOCKWASHER, WIRING HARNESS CLAMP SCREW
18	89047		1	BRACKET, WIRING HARNESS
19	10-24637		2	SCREW, WIRING HARNESS BRACKET
20	12-38833		2	WASHER, BRACKET SCREW
21	11-20110		2	NUT, BRACKET SCREW
22	88751		1	CLAMP, WIRING HARNESS
23	10-28636		1	SCREW, WIRING HARNESS CLAMP
24	12-20533		1	WASHER, CLAMP SCREW
25	84-88439A3		1	BATTERY CABLE (POSITIVE)
	84-88439A4		1	BATTERY CABLE (NEGATIVE)

CARBURETOR LINKAGE AND CHOKE SOLENOID

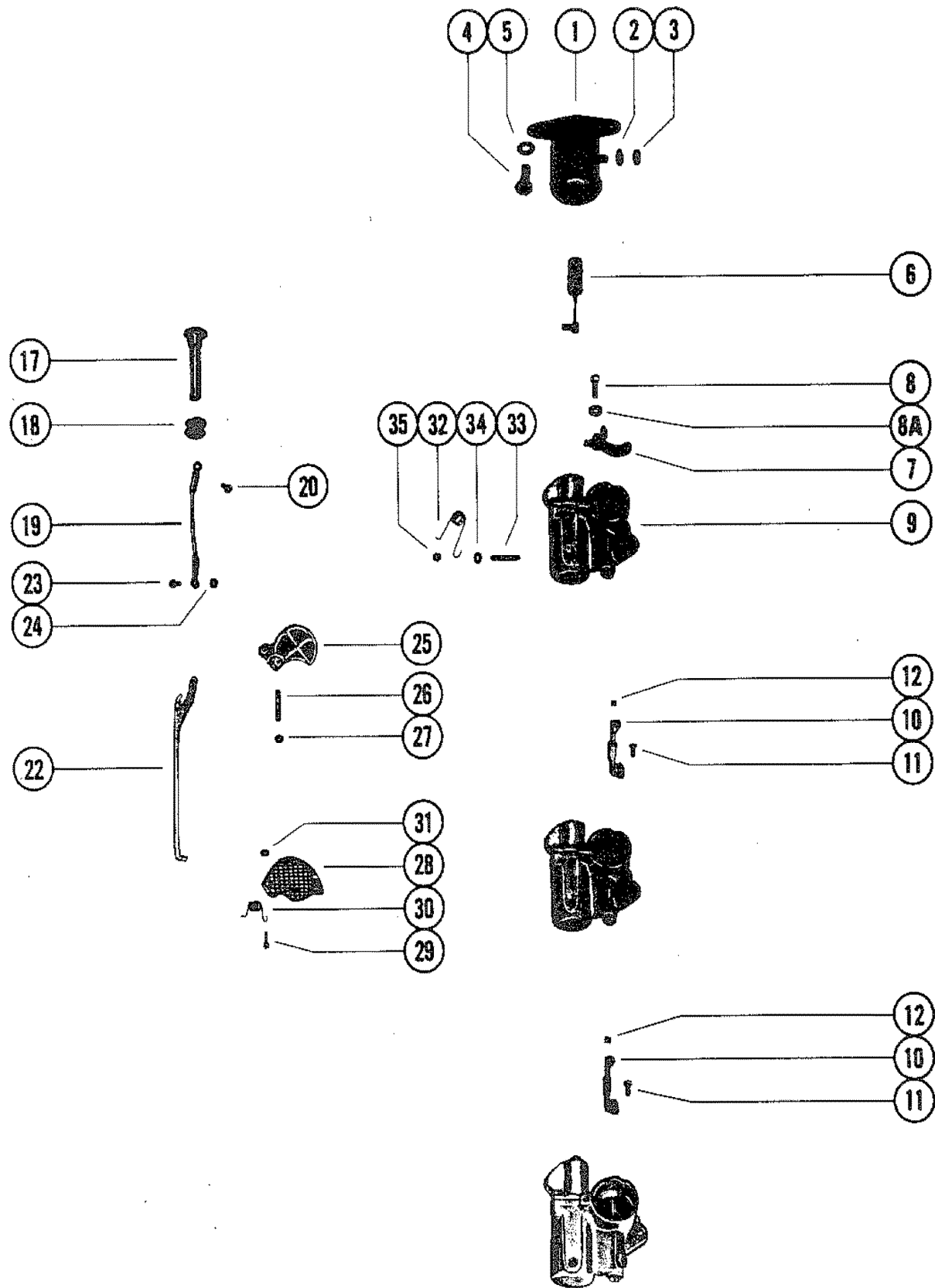


CARBURETOR LINKAGE AND CHOKE SOLENOID

REF. NO.	PART NO.	SYM.	QTY.	DESCRIPTION
1	54293A4		1	CHOKE SOLENOID UNITED STATES 6050770 AND BELOW
2	13-26996		1	LOCKWASHER, SOLENOID TERMINAL UNITED STATES 6050770 AND BELOW
3	11-68219		1	NUT, SOLENOID TERMINAL UNITED STATES 6050770 AND BELOW
4	10-25299		2	SCREW, CHOKE SOLENOID SCREW UNITED STATES 6050770 AND BELOW
5	13-26993		2	LOCKWASHER, CHOKE SOLENOID SCREW UNITED STATES 6050770 AND BELOW
6	54283A1		1	PLUNGER AND LINK ASSEMBLY UNITED STATES 6050770 AND BELOW
7	85943A1		1	LEVER, THROTTLE (UPPER CARBURETOR)
8	10-60293		1	SCREW, THROTTLE LEVER
8A	12-74726		1	WASHER, THROTTLE LEVER SCREW
9	1368-7472A1		1	CARBURETOR (TOP) STAMPED WMK-28 UNITED STATES 6050770 AND BELOW
	1368-7472A3		2	CARBURETOR (CENTER/BOTTOM) STAMPED WMK-28 UNITED STATES 6050770 AND BELOW
	1368-7472A6		1	CARBURETOR (TOP) STAMPED WITH WMK-32 UNITED STATES 6050770 AND BELOW
	1368-7472A8		2	CARBURETOR (CENTER/BOTTOM) STAMPED WITH WMK-32 UNITED STATES 6050770 AND BELOW
	1368-7472A10		1	CARBURETOR (TOP) STAMPED WITH WMK-36 UNITED STATES 6050771 THRU 6262755 CANADA 7191308 THRU 7191347
	1368-7472A12		2	CARBURETOR (CENTER/BOTTOM) STAMPED WITH WMK-36 UNITED STATES 6050771 THRU 6262755 CANADA 7191308 THRU 7191347
	1368-7472A14		1	CARBURETOR (TOP) STAMPED WMK-40 UNITED STATES 6262756 AND UP
	1368-7472A16		2	CARBURETOR (CENTER/BOTTOM) STAMPED WMK-40 UNITED STATES 6262756 AND UP
10	53720A2		2	THROTTLE PICK-UP BRACKET ASSEMBLY
11	10-66104		2	SCREW, THROTTLE BRACKET
12	28-89694		2	INSERT, THROTTLE COUPLING
17	73755A1		1	KNOB, CHOKE ROD UNITED STATES 6050770 AND BELOW
18	25-20116		1	GROMMET, CHOKE ROD UNITED STATES 6050770 AND BELOW
19	49589		1	STRAP, CHOKE KNOB TO CHOKE ROD UNITED STATES 6050770 AND BELOW
20	10-76196		1	SCREW, STRAP TO CHOKE KNOB (5/8") UNITED STATES 6050770 AND BELOW
22	48203		1	CHOKE ROD UNITED STATES 6050770 AND BELOW
23	10-48591		1	SCREW, STRAP TO CHOKE ROD (1/2") UNITED STATES 6050770 AND BELOW
24	11-46438		1	NUT, STRAP TO CHOKE ROD SCREW UNITED STATES 6050770 AND BELOW
25	48152		2	CHOKE SHUTTER UNITED STATES 6050770 AND BELOW

CONTINUED ON NEXT PAGE ➡

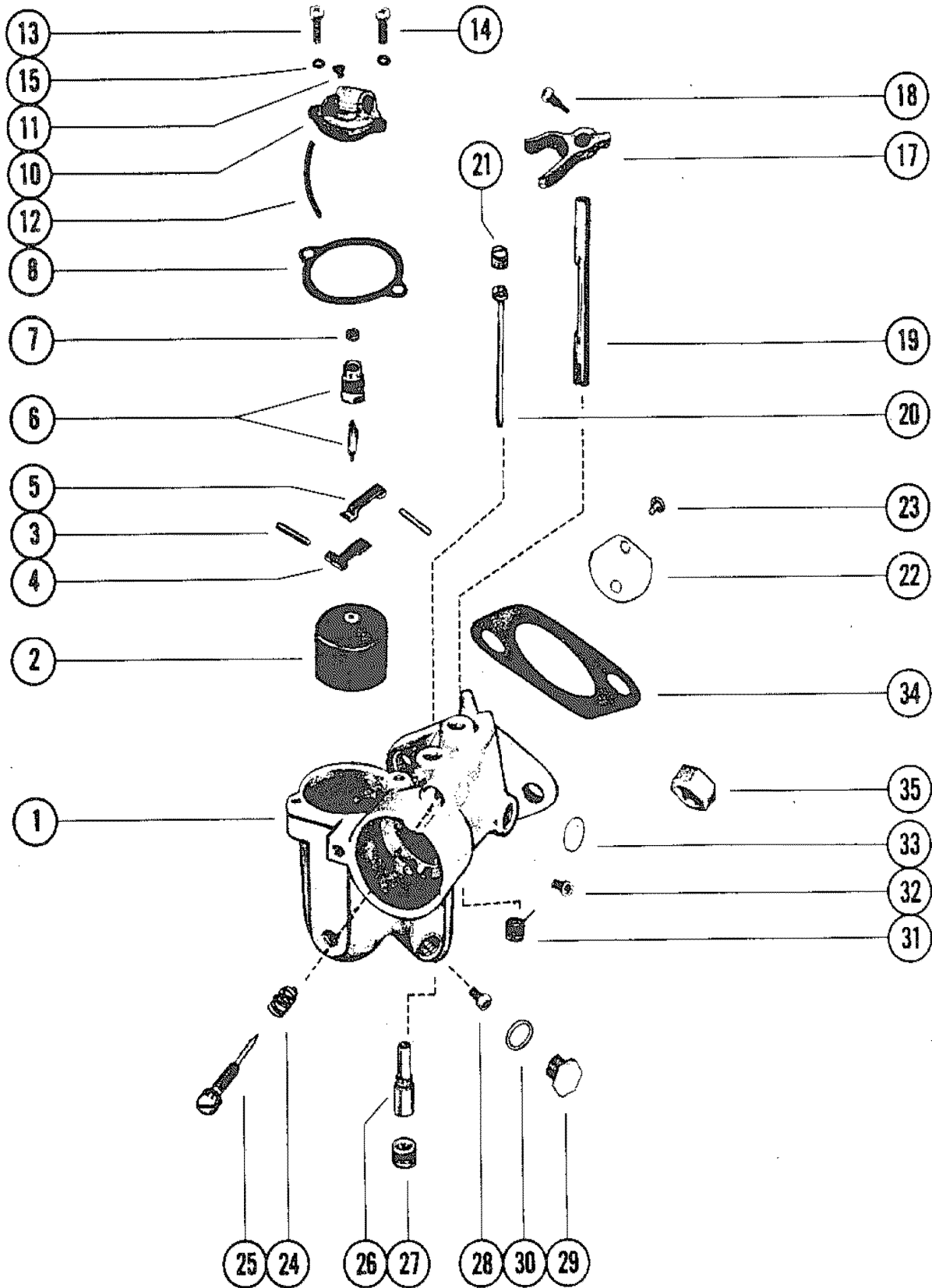
CARBURETOR LINKAGE AND CHOKE SOLENOID



CARBURETOR LINKAGE AND CHOKE SOLENOID

REF. NO.	PART NO.	SYM.	QTY.	DESCRIPTION
26	16-69037		2	STUD, CHOKE SHUTTER PIVOT UNITED STATES 6050770 AND BELOW
27	11-20110		2	NUT, CHOKE SHUTTER STUD UNITED STATES 6050770 AND BELOW
28	35-57819		3	SCREEN ASSEMBLY, FILTER UNITED STATES 6050770 AND BELOW
29	10-22523		1	SCREW, LOWER SCREEN TO CARBURETOR (5/8") UNITED STATES 6050770 AND BELOW
	10-23015		2	SCREW, UPPER SCREEN TO CARBURETOR (1") UNITED STATES 6050770 AND BELOW
30	24-57818		2	SPRING, UPPER SCREEN SCREW UNITED STATES 6050770 AND BELOW
31	11-20110		3	NUT, SCREEN SCREW UNITED STATES 6050770 AND BELOW
32	24-48230		1	SPRING, CHOKE ROD TENSION UNITED STATES 6050770 AND BELOW
33	16-39937		1	STUD, CHOKE ROD SPRING TO CARBURETOR UNITED STATES 6050770 AND BELOW
34	23-32427		1	SPACER, CHOKE ROD SPRING STUD UNITED STATES 6050770 AND BELOW
35	11-46887		1	NUT, CHOKE ROD SPRING STUD UNITED STATES 6050770 AND BELOW

CARBURETOR ASSEMBLY

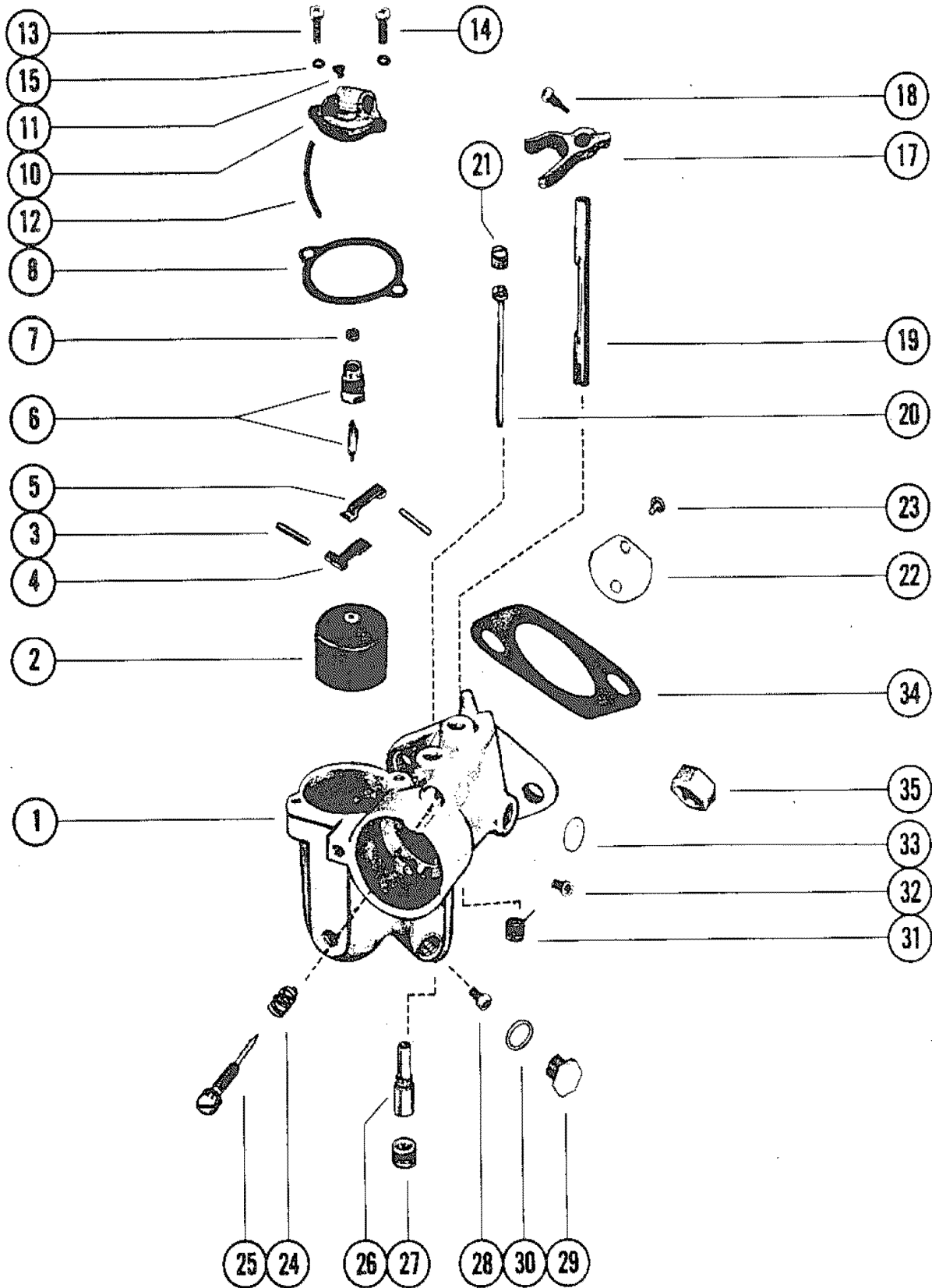


CARBURETOR ASSEMBLY

REF. NO.	PART NO.	SYM.	QTY.	DESCRIPTION
1	1368-7472A1		1	CARBURETOR (TOP) STAMPED WMK-28 UNITED STATES 6050770 AND BELOW
	1368-7472A3		2	CARBURETOR (CENTER/BOTTOM) STAMPED WMK-28 UNITED STATES 6050770 AND BELOW
	1368-7472A6		1	CARBURETOR (TOP) STAMPED WMK-32 UNITED STATES 6050770 AND BELOW
	1368-7472A8		2	CARBURETOR (CENTER/BOTTOM) STAMPED WMK-32 UNITED STATES 6050770 AND BELOW
	1368-7472A10		1	CARBURETOR (TOP) STAMPED WMK-36 UNITED STATES 6050771 THRU 6262755 CANADA 7191308 THRU 7191347
	1368-7472A12		2	CARBURETOR (CENTER/BOTTOM) STAMPED WMK-36 UNITED STATES 6050771 THRU 6262755 CANADA 7191308 THRU 7191347
	1368-7472A14		1	CARBURETOR (TOP) STAMPED WMK-40 UNITED STATES 6262756 AND UP
	1368-7472A16		2	CARBURETOR (CENTER/BOTTOM) STAMPED WMK-40 UNITED STATES 6262756 AND UP
2	1395-5353		3	FLOAT ASSEMBLY (WMK-28/WMK-32)
	1395-8673		3	FLOAT ASSEMBLY (WMK-36/WMK-40)
3			6	PIN, FLOAT LEVER PINION
4			3	LEVER, FLOAT (LOWER)
5			3	LEVER, FLOAT (UPPER)
6	1395-4555		3	INLET NEEDLE, SEAT AND GASKET (WMK-28)
	1395-8318		3	INLET NEEDLE, SEAT AND GASKET (WMK-32/-36/-40)
7			3	GASKET, INLET SEAT
8			3	GASKET, FLOAT BOWL COVER
10	1395-5680		3	COVER, FLOAT BOWL
11	1399-6249		3	JET, BOWL VENT (.096) (WMK-28)
	1395-8423		3	JET, BOWL VENT (.094) (WMK-32/WMK-36/WMK-40)
12	1395-5734		3	HOSE, ECONOMIZER
13	10-52195		3	SCREW, FLOAT BOWL COVER
14	1395-4804		3	SCREW, FLOAT BOWL COVER
15	13-26995		6	LOCKWASHER, FLOAT BOWL COVER SCREW
17	1399-97		3	LEVER, THROTTLE (SEE NOTE BELOW)
18	10-20847		3	SCREW, THROTTLE STOP LEVER
19	1395-7614		1	SHAFT, THROTTLE (TOP)
	1395-7942		2	SHAFT, THROTTLE (CENTER/BOTTOM)
20			3	TUBE, IDLE
21	1395-4540		3	SCREW, BODY (IDLE TUBE)
22	139-7639		3	SHUTTER, THROTTLE (WMK-28/WMK-32/WMK-36)
	1395-8964		3	SHUTTER, THROTTLE (WMK-40)
23			6	SCREW, THROTTLE SHUTTER
24			3	SPRING, IDLE ADJUSTMENT SCREW
25			3	SCREW, IDLE ADJUSTMENT
26			3	NOZZLE, MAIN

CONTINUED ON NEXT PAGE ➡

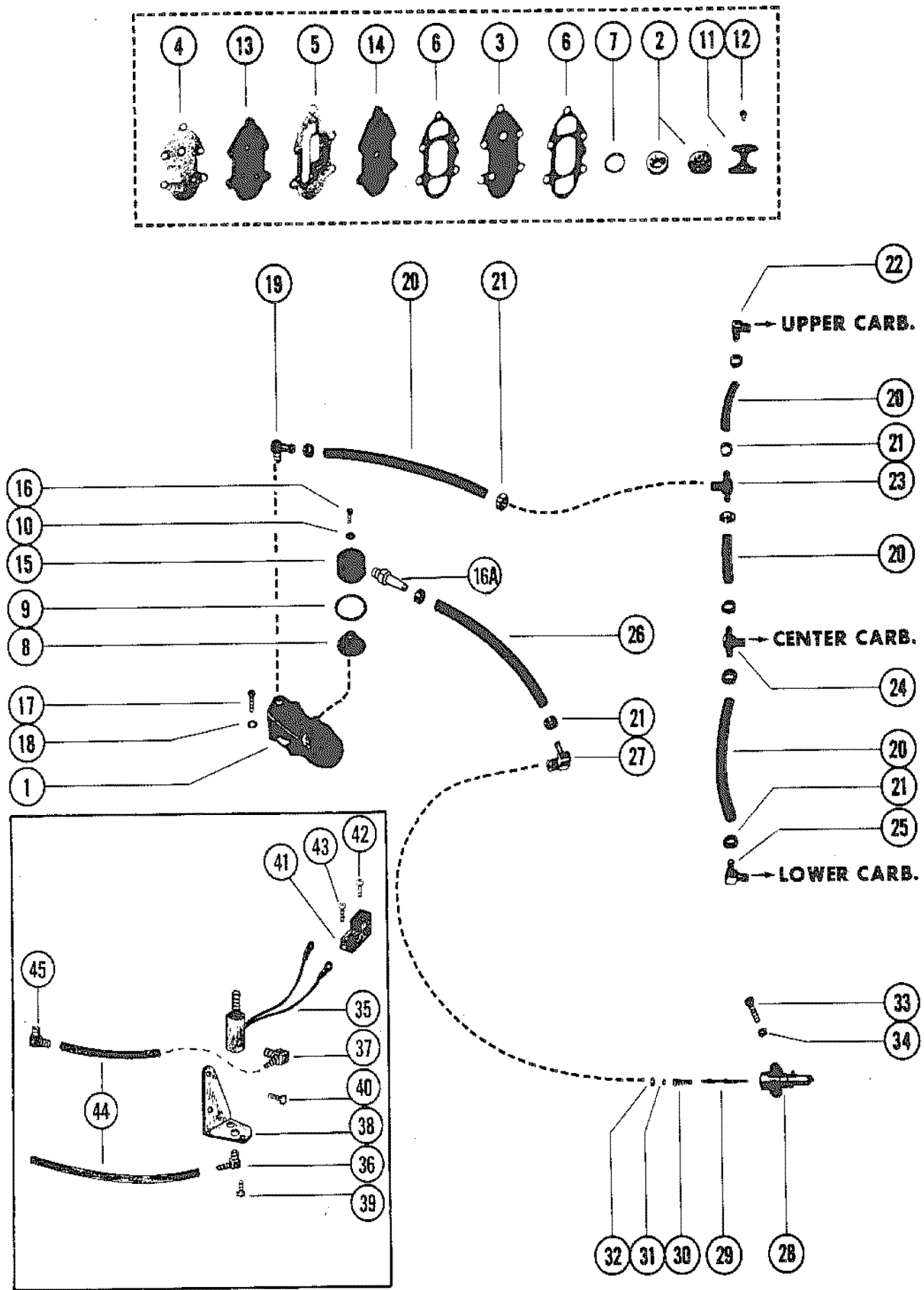
CARBURETOR ASSEMBLY



CARBURETOR ASSEMBLY

REF. NO.	PART NO.	SYM.	QTY.	DESCRIPTION
27	1395-4542		3	SCREW, PLUG - MAIN NOZZLE
28	1399-3796		3	JET, MAIN FUEL (.076) - STANDARD (WMK-36)
	1399-3794		3	JET, MAIN FUEL (.074) - STANDARD (WMK-28/WMK-40)
	1395-6207		3	JET, MAIN FUEL (.072) - STANDARD (WMK-32)
	1395-6030		OPT	JET, MAIN FUEL (.070)
	1395-6029		OPT	JET, MAIN FUEL (.068)
29	1395-4541		3	SCREW, PLUG - MAIN FULE JET CHANNEL
30			3	GASKET, JET CHANNEL PLUG SCREW
31			3	SPRING, THROTTLE SHAFT RETURN
32	1395-4543		3	SCREW, BODY CHANNEL
33			3	WELCH PLUG, BODY CHANNEL
	195-4808		3	GASKET AND PACKING SET (1 PER CARBURETOR)
	1395-7640		3	REPAIR PARTS KIT (1 PER CARBURETOR) (WMK-28)
	1395-8424		3	REPAIR PARTS KIT (1 PER CARBURETOR)(WMK-32/WMK-36)
	1395-8965		3	REPAIR PARTS KIT (1 PER CARBURETOR)(WMK-40)
34	27-48164		3	GASKET, CARBURETOR FLANGE
35	11-64809		6	NUT, CARBURETOR STUD

FUEL PUMP AND FUEL LINE ASSEMBLY

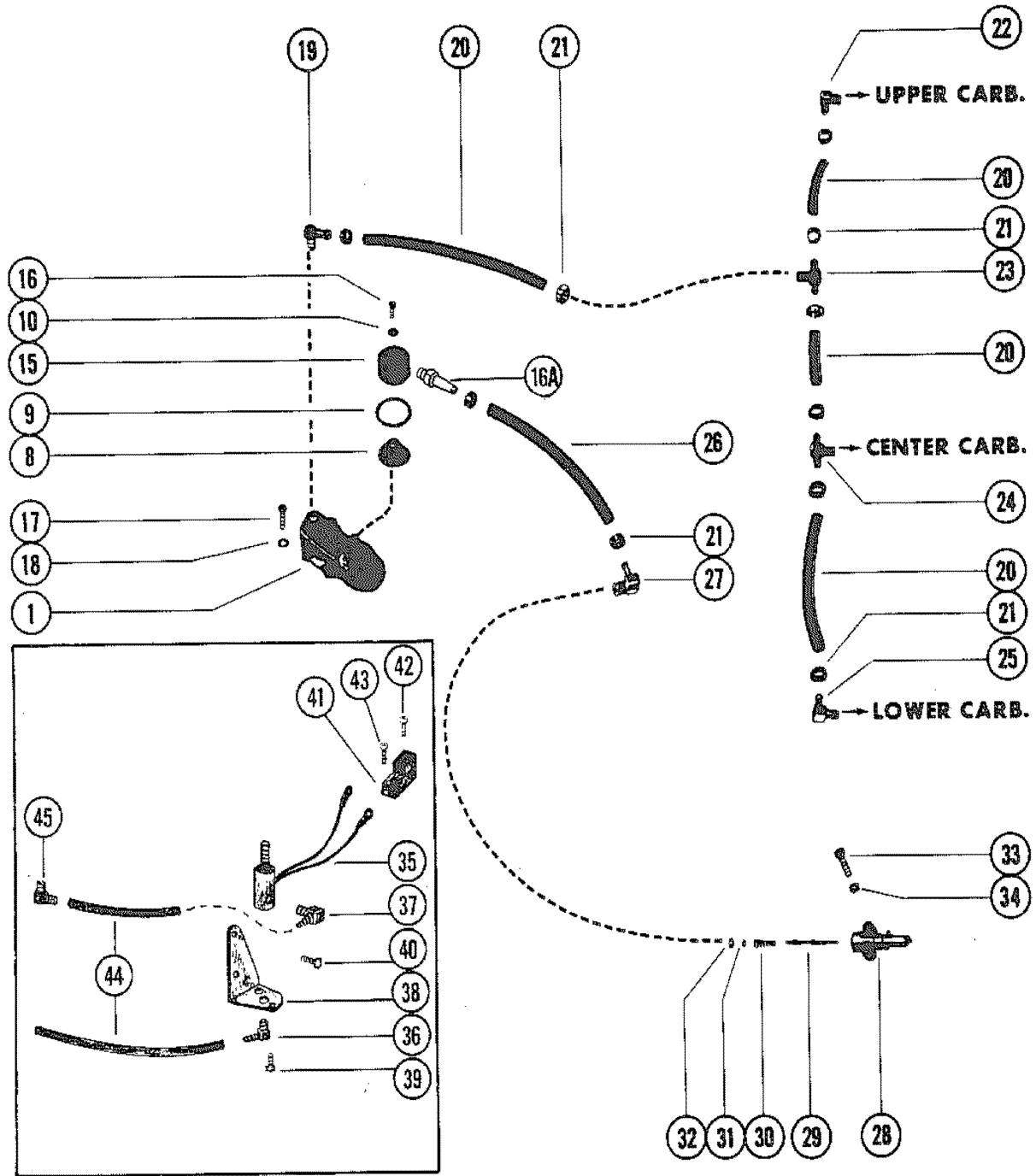
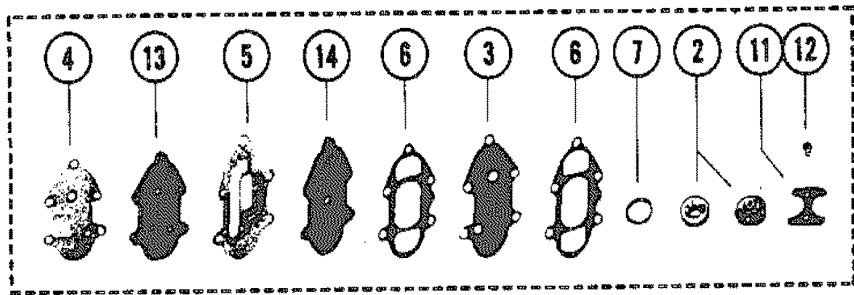


FUEL PUMP AND FUEL LINE ASSEMBLY

REF. NO.	PART NO.	SYM.	QTY.	DESCRIPTION
1	66530A6		1	FUEL PUMP ASSEMBLY
2	21-30430A10		1	CHECK VALVE ASSEMBLY
3	89031A3		1	DIAPHRAGM ASSEMBLY
4			1	GASKET, FUEL PUMP
5			1	GASKET, PULSE CHAMBER
6			2	GASKET, FUEL PUMP
7			2	GASKET, CHECK VALVE TO HOUSING
8	35-59072		1	SCREEN, FUEL INLET
9	25-35480		1	"O" RING, FUEL INLET COVER
10	25-38933		1	GASKET, COVER SCREW
11	23004		1	RETAINER, CHECK VALVE
12	10-20037		2	SCREW, RETAINER
13	86295		1	BASE, FULE PUMP
14	87990		1	PULSE CHAMBER, FUEL PUMP
15	35-91078A1		1	COVER, FUEL INLET
16	10-89766		1	SCREW, FUEL FILTER COVER (5/8")
16A	22-64705		5	FITTING, INLET COVER
17	10-73013		5	SCREW, FUEL PUMP
18	13-26996		5	LOCKWASHER, FUEL PUMP SCREW
19	22-64704		1	FITTING, FUEL OUTLET
20	32-31583109		4	FUEL LINE, FUEL PUMP TO CARBURETOR
21	54-68424		10	CLAMP, FUEL LINE ATTACHING
22	22-64704		1	FITTING, ELBOW - UPPER CARBURETOR
23	22-73318		1	TEE, FUEL LINE
24	22-64706		1	FITTING, TEE - CENTER CARBURETOR
25	22-64704		1	FITTING, ELBOW - LOWER CARBURETOR
26	32-31583109		1	FUEL LINE, ADAPTOR TO FUEL PUMP (11")
27	22-63981		1	ELBOW, FUEL LINE TO ADAPTOR
28	22833		1	ADAPTOR, CHECK UNIT (FUEL LINE) IDENTIFIED BY 73419 CASTING ON REF. #28
29	23069		1	STEM, CHECK UNIT ADAPTOR IDENTIFIED BY 73419 CASTING ON REF. #28
30	24-23067		1	SPRING, ADAPTOR STEM IDENTIFIED BY 73419 CASTING ON REF. #28
28	30186		1	ADAPTOR, CHECK UNIT (FUEL LINE) IDENTIFIED BY 30186 CASTING ON REF. #28
29	30187		1	STEM, CHECK UNIT ADAPTOR IDENTIFIED BY 30186 CASTING ON REF. #28
30	34-30189		1	SPRING, ADAPTOR STEM IDENTIFIED BY 30186 CASTING ON REF. #28
31	25-20415		1	"O" RING, ADAPTOR STEM
32	30188		1	CUP WASHER, ADAPTOR
33	10-36154		2	SCREW, ADAPTOR TO BOTTOM COWL (1-3/8")
34	11-36069		2	NUT, ADAPTOR SCREW

CONTINUED ON NEXT PAGE ➡

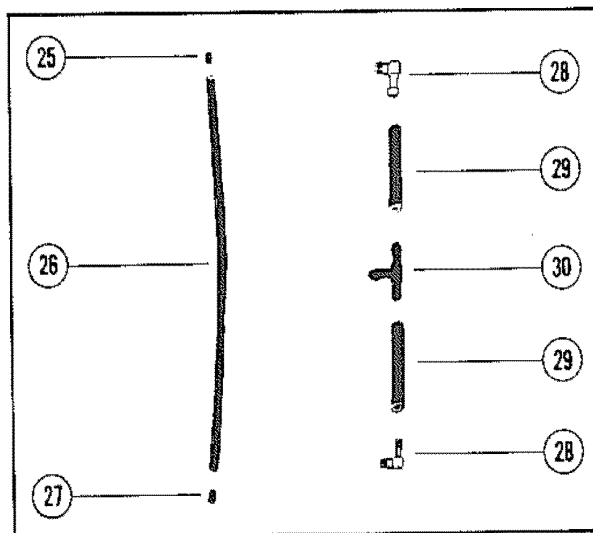
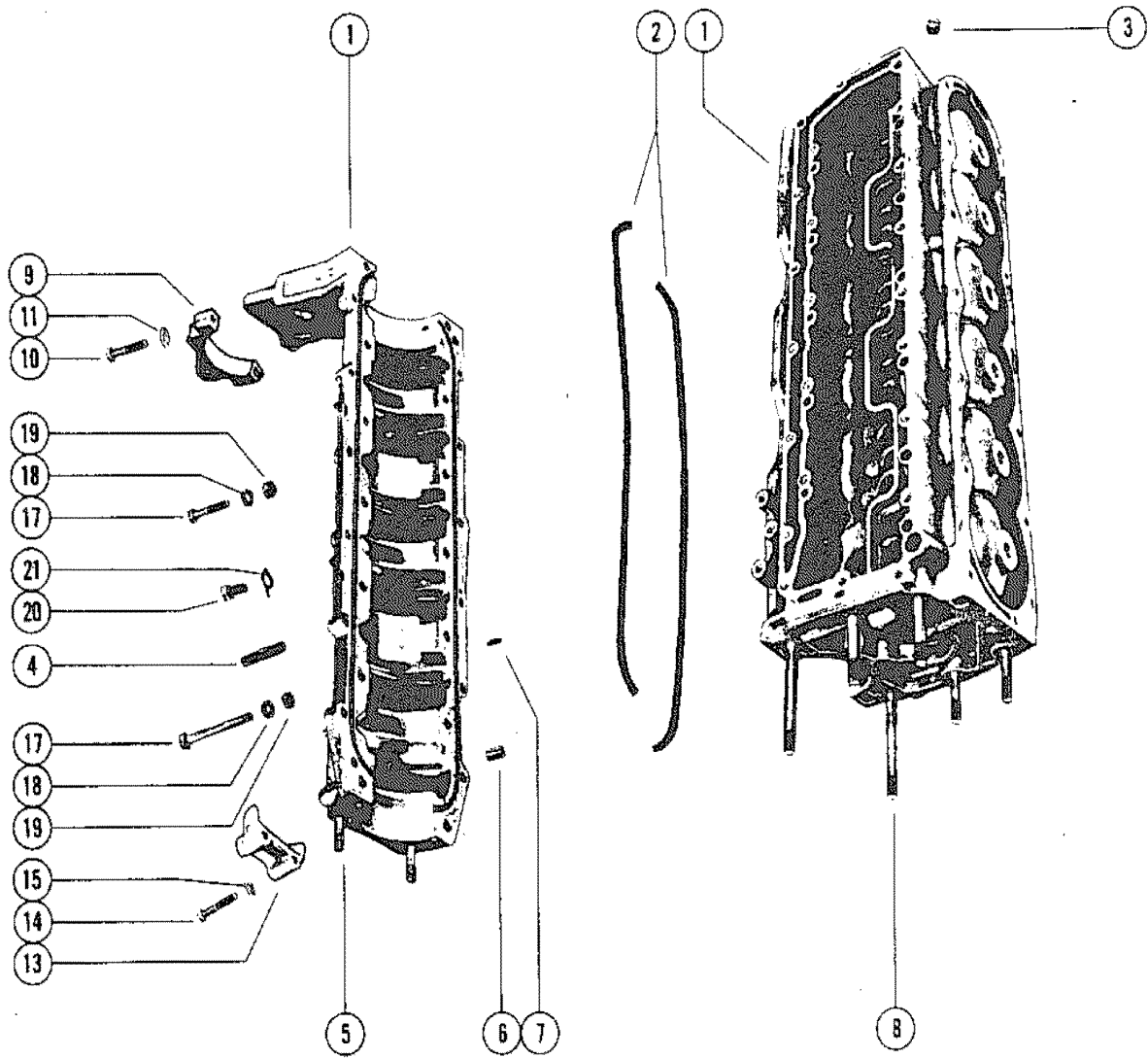
FUEL PUMP AND FUEL LINE ASSEMBLY



FUEL PUMP AND FUEL LINE ASSEMBLY

REF. NO.	PART NO.	SYM.	QTY.	DESCRIPTION
35	90365		1	VALVE, ENRICHER UNITED STATES 6050771 AND UP CANADA 7191308 AND UP
36	22-90275		1	CONNECTOR, ENRICHER VALVE (BOTTOM) UNITED STATES 6050771 AND UP CANADA 7191308 AND UP
37	22-73817		1	CONNECTOR, ENRICHER VALVE (SIDE) UNITED STATES 6050771 AND UP CANADA 7191308 AND UP
38	90345		1	BRACKET, ENRICHER VALVE UNITED STATES 6050771 AND UP CANADA 7191308 AND UP
39	10-89075		2	SCREW, VALVE TO BRACKET UNITED STATES 6050771 AND UP CANADA 7191308 AND UP
40	10-73286		2	SCREW, BRACKET TO REED HOUSING (1/2") UNITED STATES 6050771 AND UP CANADA 7191308 AND UP
41	45915		1	TERMINAL BLOCK, REED BLOCK HOUSING UNITED STATES 6050771 AND UP CANADA 7191308 AND UP
42	10-69079		1	SCREW, TERMINAL BLOCK UNITED STATES 6050771 AND UP CANADA 7191308 AND UP
43	10-20411		1	SCREW, WIRE TO TERMINAL BLOCK UNITED STATES 6050771 AND UP CANADA 7191308 AND UP
44	32-26980-88		2	FUEL LINE, ENRICHER VALVE UNITED STATES 6050771 AND UP CANADA 7191308 AND UP
45	22-90275		1	CONNECTOR, TOP CARBURETOR (90) UNITED STATES 6050771 AND UP CANADA 7191308 AND UP

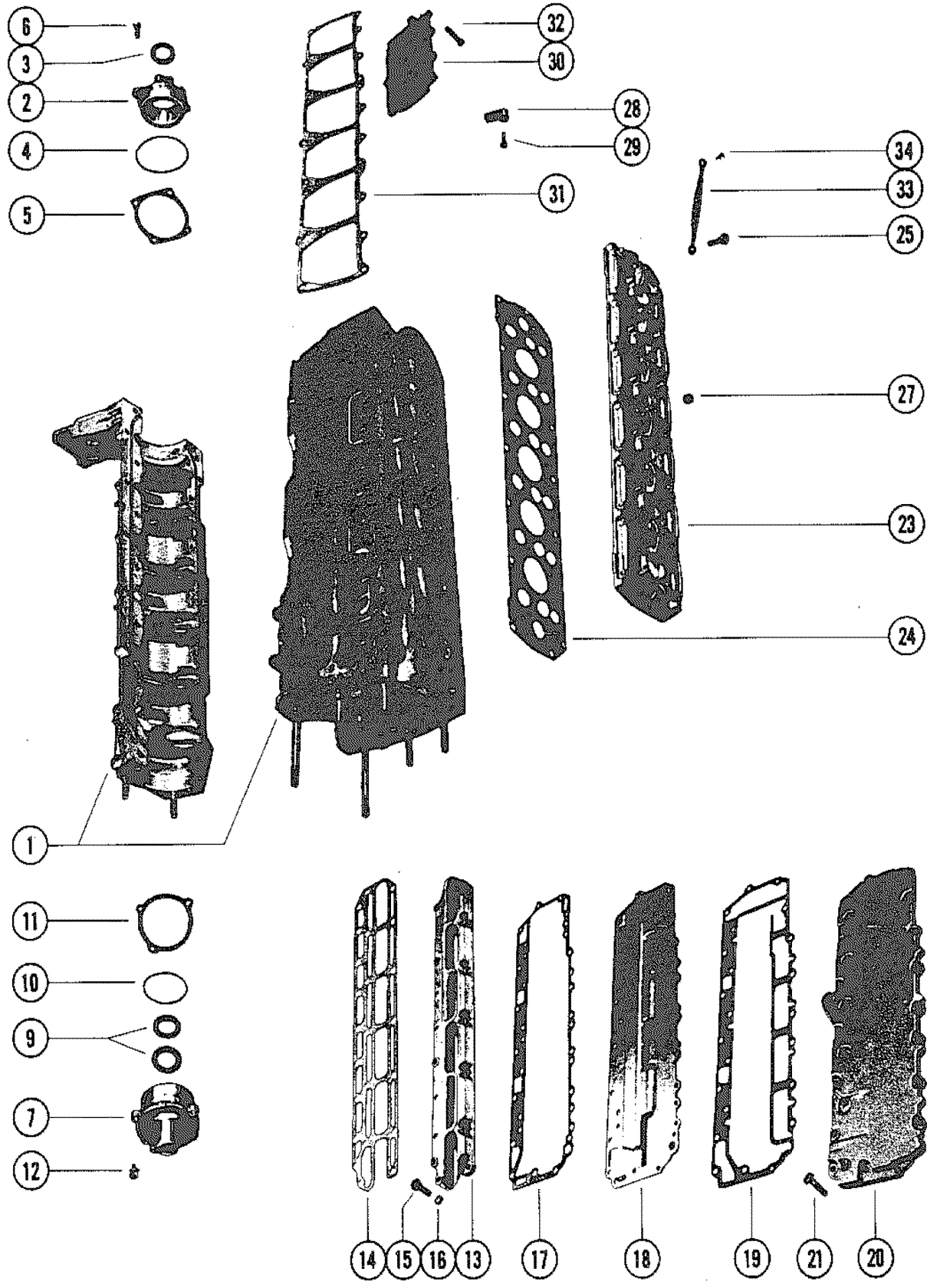
CYLINDER BLOCK AND CRANKCASE ASSEMBLY



CYLINDER BLOCK AND CRANKCASE ASSEMBLY

REF. NO.	PART NO.	SYM.	QTY.	DESCRIPTION
1	852-7740A3		1	BLOCK/CRANKCASE ASS'Y UNITED STATES 5861526 AND BELOW
	852-7740A3		1	BLOCK/CRANKCASE ASS'Y UNITED STATES 5861527 THRU 6050770
	852-7739A3		1	BLOCK/CRANKCASE ASS'Y UNITED STATES 6050771 AND UP CANADA 7191308 AND UP
2	852-8310A4		2	GASKET, CRANKCASE TO CYLINDER BLOCK
3	66517		5	RESTRICTION, CRANKCASE BLEED
4	16-64280		6	STUD, CARBURETOR (1-3/16")
5	16-64281		2	STUD, CRANKCASE TO EXTENSION PLATE (1-7/8")
6	17-20033		2	DOWEL PIN, CRANKCASE TO CYLINDER BLOCK
7	17-63779		3	DOWEL PIN, CYLINDER BLOCK TO MAIN BEARING
8	16-64282		6	STUD, CYLINDER BLOCK TO PLATE (4")
9	86473		1	COVER, STARTER MOTOR - TOP
10	10-69268		2	SCREW, TOP COVER (1-7/8")
11	13-26993		2	LOCKWASHER, TOP COVER SCREWS
13	76867		1	COVER, STARTER MOTOR BRACKET - BOTTOM
14	10-69268		2	SCREW, BOTTOM COVER (1-7/8")
15	13-26993		2	LOCKWASHER, BOTTOM COVER SCREW
17	10-57841		3	SCREW, CRANKCASE TO CYLINDER BLOCK (2-3/4")
	10-32293		3	SCREW, CRANKCASE TO CYLINDER BLOCK (1-3/4")
	10-73657		20	SCREW, CRANKCASE TO CYLINDER BLOCK (1-1/2")
	10-53016		2	SCREW, CRANKCASE TO CYLINDER BLOCK (1-1/4")
18	12-22753		25	WASHER, CRANKCASE SCREWS
19	11-29250		2	NUT, CRANKCASE SCREWS (LOWER)
20	10-20359		2	SCREW, CENTER MAIN BEARING LOCKING
21	14-20091		2	TAB WASHER, BEARING LOCKING SCREW
25	21-77560		1	CHECK VALVE, BLEED HOSE - UPPER
26	32-54935-79		1	HOSE, BLEED (22")
27	21-77561		1	CHECK VALVE, BLEED HOSE - LOWER
28	22-25885		2	ELBOW, BALANCE HOSE
29	32-34395A1		2	HOSE, BALANCE - MAIN BEARING (6-1/4")
30	22-85578		1	TEE, BALANCE HOSE UNITED STATES 6050770 AND BELOW
	22-97231		1	TEE, BLEED HOSE UNITED STATES 6050771 AND UP CANADA 7191308 AND UP

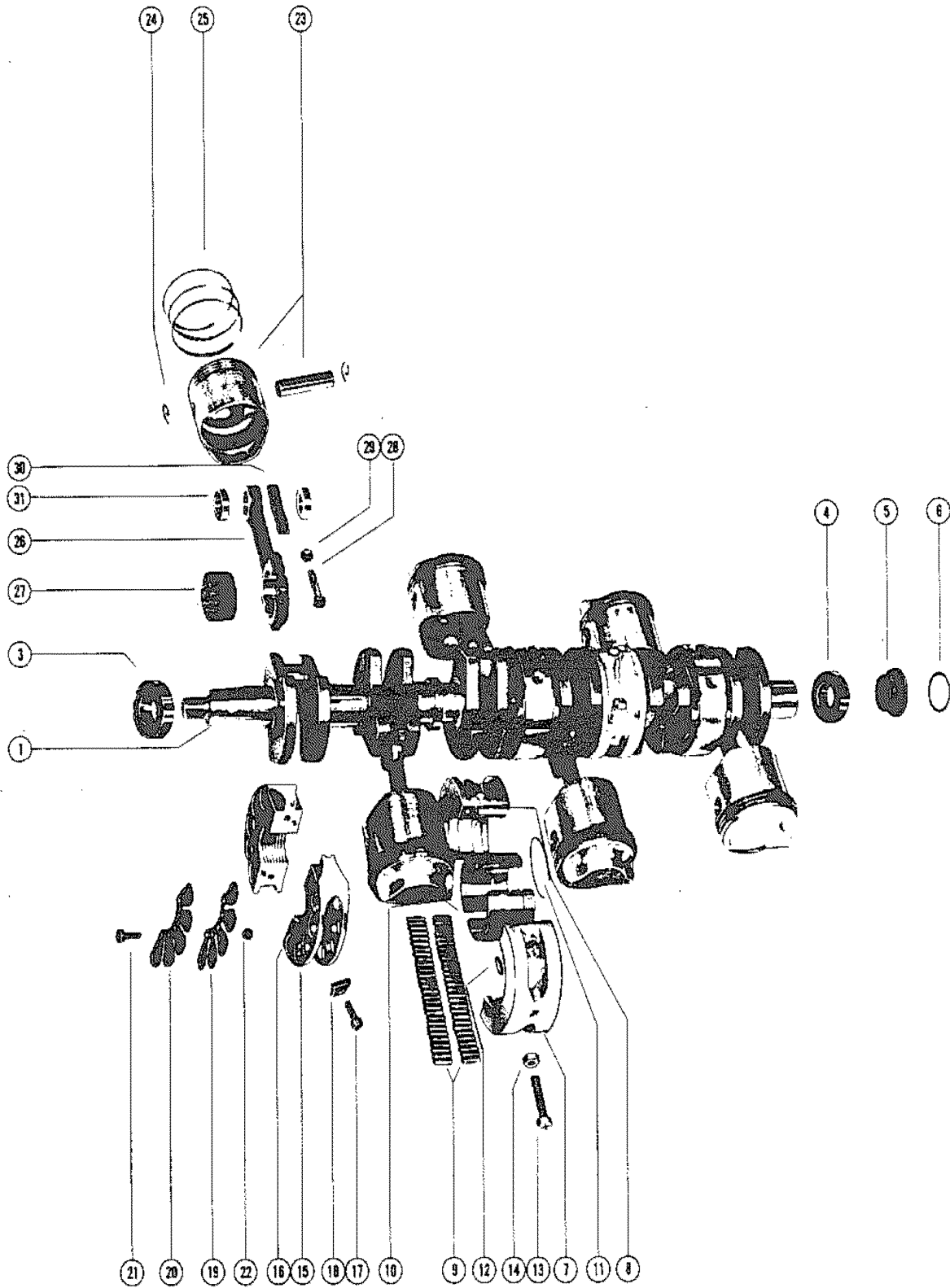
END CAP, MANIFOLD AND EXHAUST COVERS



END CAP, MANIFOLD AND EXHAUST COVERS

REF. NO.	PART NO.	SYM.	QTY.	DESCRIPTION
1	852-7740A3		1	BLOCK/CRANKCASE ASS'Y UNITED STATES 5861526 AND BELOW
	852-7739A3		1	BLOCK/CRANKCASE ASS'Y UNITED STATES 5861527 THRU 6050770
	852-8310A4		1	BLOCK/CRANKCASE ASS'Y UNITED STATES 6050771 AND UP CANADA 7191308 AND UP
2	1161-7616A2		1	END CAP ASSEMBLY
3	26-29476		1	OIL SEAL, END CAP
4	25-47254		1	"O" RING
5	15-73644A1		AR	SHIM, END CAP (.006-10)
6	10-73169		4	SCREW, END CAP (1")
7	1148-5410A1		1	END CAP ASSEMBLY. LOWER
9	26-29746		2	OIL SEAL, END CAP
10	25-32546		1	"O" RING, END CAP
11	15-20085A1		AR	SHIM, CAP (.005-10)
12	10-69034		3	SCREW, END CAP (1")
13	71808		1	COVER, WATER JACKET
14	27-72142		1	GASKET, WATER JACKET COVER
15	10-53167		23	SCREW, WATER JACKET COVER (7/8")
16	12-70132		23	WASHER, WATER JACKET COVER SCREW
17	27-85495		1	GASKET, CYLINDER BLOCK TO BAFFLE PLATE
18	75778		1	BAFFLE PLATE, EXHAUST MANIFOLD
19	27-85497		1	GASKET, BAFFLE PLATE TO EXHAUST MANIFOLD COVER
20	86316		1	COVER, EXHAUST MANIFOLD
21	10-53576		24	SCREW, MAINFOLD COVER
23	1023-5070		1	COVER, CYLINDER BLOCK UNITED STATES 6050770 AND BELOW
24	27-85494		1	GASKET, CYLINDER COVER UNITED STATES 6050770 AND BELOW
23	1023-8368A1		1	COVER, CYLINDER BLOCK UNITED STATES 6050771 AND UP CANADA 7191308 AND UP
24	27-98185		1	GASKET, CYLINDER BLOCK COVER UNITED STATES 6050771 AND UP CANADA 7191308 AND UP
25	10-69100		16	SCREW, COVER (1")
27	22-68307		1	PIPE PLUG, CYLINDER BLOCK COVER
28	37440		1	BRACKET, MOUNT SUPPORT
29	10-24234		1	SCREW, BRACKET TO CYLINDER BLOCK (1")
30	87872		3	COVER, TRANSFER PORT
31	27-85653		1	GASKET, TRANSFER PORT COVER
32	10-28636		24	SCREW, TRANSFER PORT COVER (3/4")
33	46933A3		2	GROUND STRAP ASSEMBLY, CYLINDER BLOCK COVER
34	10-62568		2	SCREW, GROUND STRAP (3/8")

CRANKSHAFT, PISTONS AND CONNECTING RODS

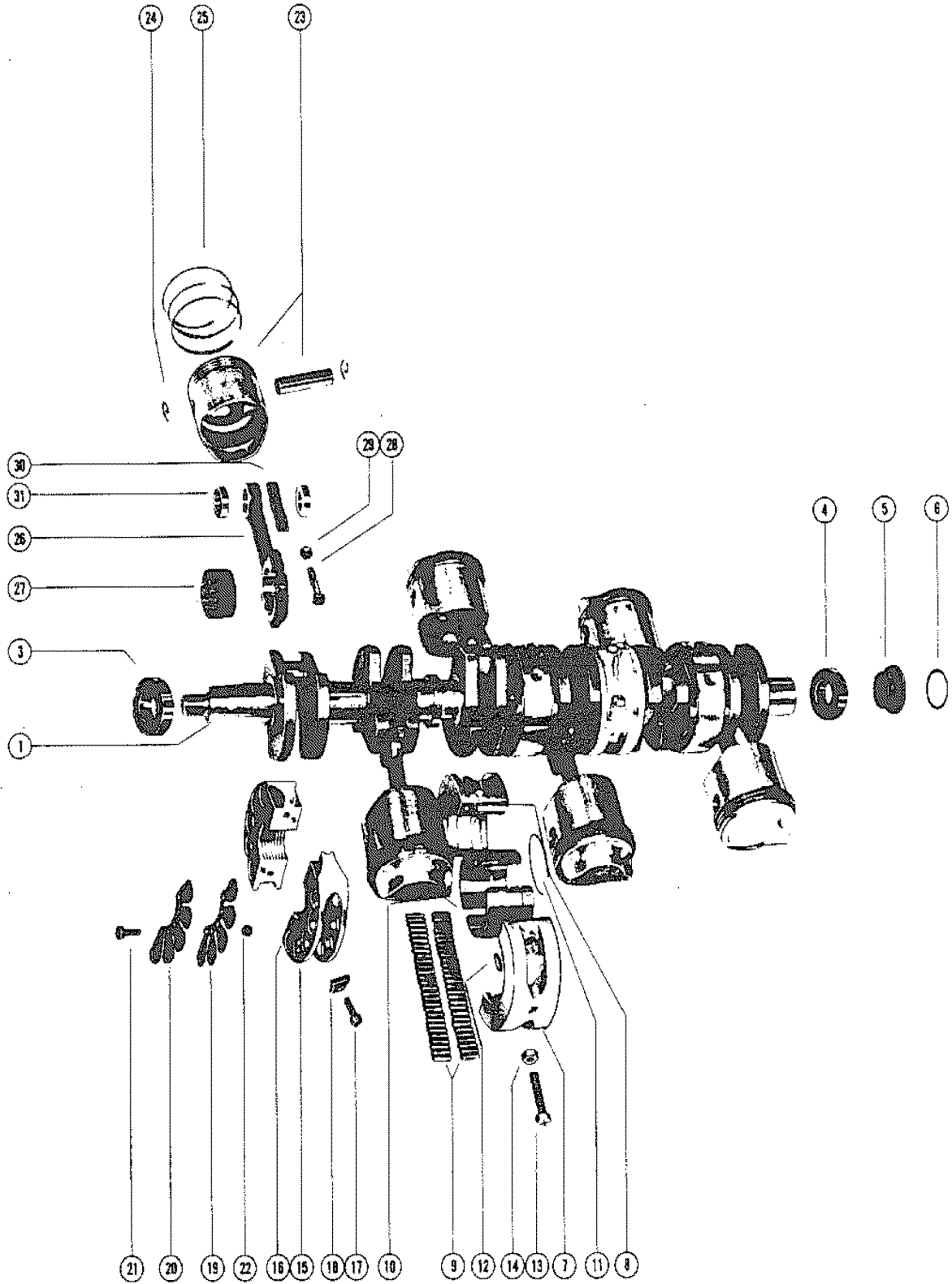


CRANKSHAFT, PISTONS AND CONNECTING RODS

REF. NO.	PART NO.	SYM.	QTY.	DESCRIPTION
1	436-6646A2		1	CRANKSHAFT ASSEMBLY
3	30-62567		1	BALL BEARING, UPPER
4	30-63742		1	BALL BEARING, LOWER
5	54196A6		1	CARRIER ASSEMBLY, "O" RING
6	65800		1	"O" RING, CARRIER
7	535-5397A4		2	CENTER MAIN BEARING ASSEMBLY
8	17-20032		4	DOWEL PIN, CENTER MAIN BEARING
9	29-71422		112	NEEDLE BEARING, OUTER RACE
10	26113		2	RACE, OUTER (PAIR)
11	53-26933		2	SNAP RING, OUTER RACE
12	17-47246		2	DOWEL PIN, STEPPED
13	10-22968		4	SCREW, CENTER MAIN BEARING
14	11-20184		4	NUT, BEARING SCREW
15	540-5266A5		3	MAIN BEARING ASSEMBLY UNITED STATES 6262755 AND BELOW CANADA 7191308 AND BELOW
16	17-20032		6	DOWEL PIN, MAIN BEARING UNITED STATES 6262755 AND BELOW CANADA 7191308 AND BELOW
17	10-45775		6	SCREW, MAIN BEARING UNITED STATES 6262755 AND BELOW CANADA 7191308 AND BELOW
18	11-45774		6	NUT, MAIN BEARING SCREW UNITED STATES 6262755 AND BELOW CANADA 7191308 AND BELOW
19	34-56007A1		3	REED SET, MATCHED UNITED STATES 6262755 AND BELOW CANADA 7191308 AND BELOW
20	34-56008		12	REED STOP, REED VALVES UNITED STATES 6262755 AND BELOW CANADA 7191308 AND BELOW
21	10-62204		30	SCREW, REED STOP UNITED STATES 6262755 AND BELOW CANADA 7191308 AND BELOW
22	11-53153		30	NUT, REED STOP SCREW UNITED STATES 6262755 AND BELOW CANADA 7191308 AND BELOW
15	540-8663A3		3	MAIN BEARING ASSEMBLY UNITED STATES 6262756 AND UP
16	17-20032		6	DOWEL PIN, MAIN BEARING UNITED STATES 6262756 AND UP
17	10-45775		6	SCREW, MAIN BEARING UNITED STATES 6262756 AND UP
18	11-45774		6	NUT, MAIN BEARING SCREW UNITED STATES 6262756 AND UP
19	34-99422A1		3	REED SET, MATCHED UNITED STATES 6262756 AND UP
20	34-65319		6	REED STOP, 5 PETAL UNITED STATES 6262756 AND UP
	34-99421		6	REED STOP, 4 PETAL UNITED STATES 6262756 AND UP
21	10-62204		30	SCREW, REED STOP UNITED STATES 6262756 AND UP
22	11-53153		30	NUT, REED STOP SCREW UNITED STATES 6262756 AND UP
23	745-7672A3		6	PISTON/PISTON PIN ASS'Y UNITED STATES 5861526 AND BELOW
	774-8600A3		6	PISTON/PISTON PIN ASS'Y UNITED STATES 5861527 AND UP
	745-7673A2		AR	PISTON/PISTON PIN ASS'Y (.015 O.S.) UNITED STATES 5861526 AND BELOW

CONTINUED ON NEXT PAGE ➡

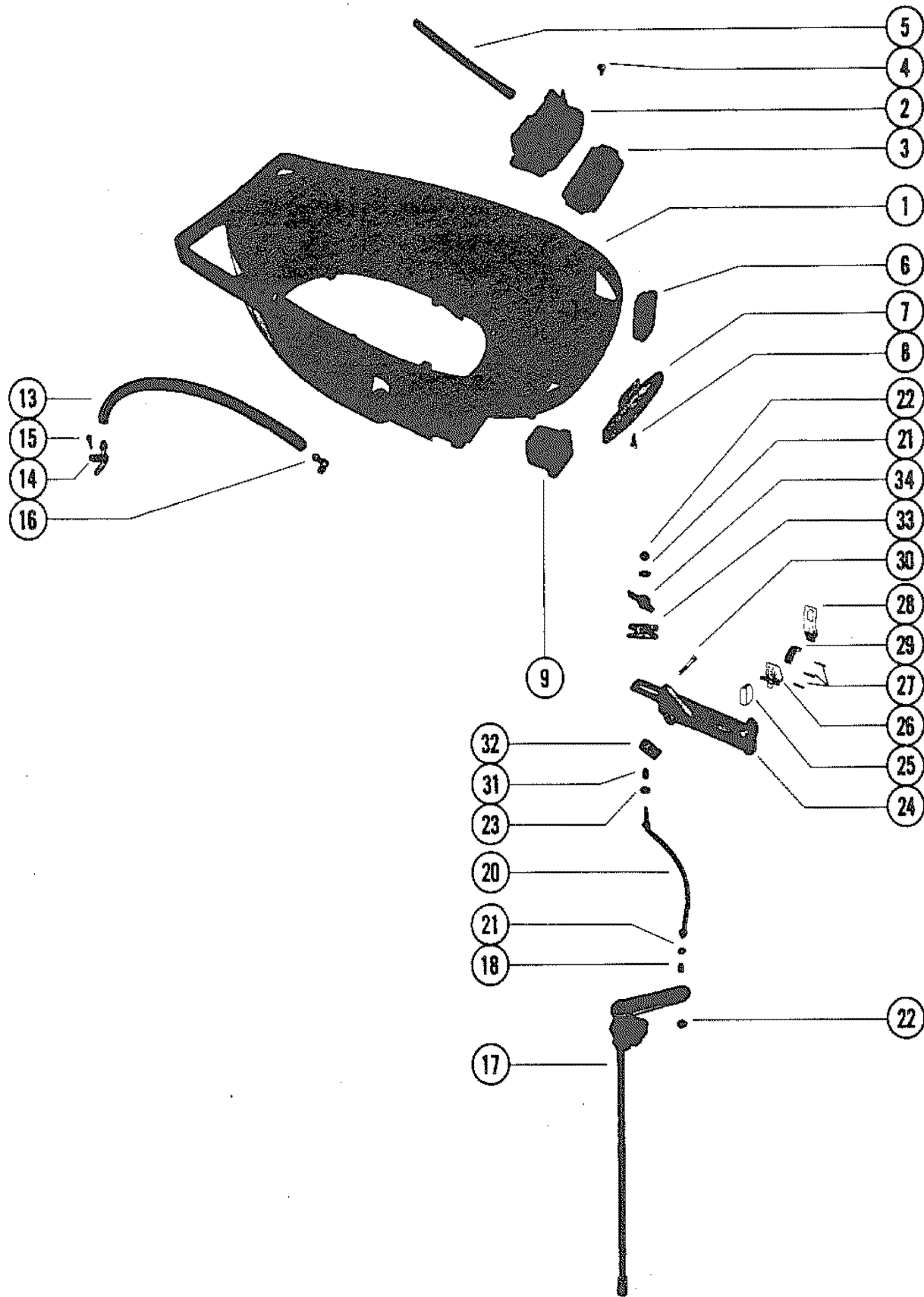
CRANKSHAFT, PISTONS AND CONNECTING RODS



CRANKSHAFT, PISTONS AND CONNECTING RODS

REF. NO.	PART NO.	SYM.	QTY.	DESCRIPTION
23	768-8204A2		AR	PISTON/PISTON PIN ASS'Y (.015 O.S.) UNITED STATES 5861527 AND UP
	745-7453A3		AR	PISTON/PISTON PIN ASS'Y (.030 O.S.) UNITED STATES 5861526 AND BELOW
	774-9096A1		AR	PISTON/PISTON PIN ASS'Y (.030 O.S.) UNITED STATES 5861527 AND UP
24	40-52035		12	LOCK RING, PISTON PIN
25	39-78816A12		2	PISTON RING (STANDARD)
	39-78811A12		AR	PISTON RING (.015 OVERSIZE)
	39-88392A12		AR	PISTON RING (.030 OVERSIZE)
26	624-8101A3		6	CONNECTING ROD AND CAP ASSEMBLY
27	31-62596A1		6	BEARING ASSEMBLY, CRANKPIN
28	10-54803		12	SCREW, CONNECTING ROD - W/NUT
29	11-49091		12	NUT, CONNECTING ROD SCREW - W/NUT
28	10-91012		12	SCREW, CONNECTING ROD -W/O NUT
30	29-47270		174	NEEDLE BEARING, PISTON PIN
31	12-47247		12	WASHER, NEEDLE LOCATING

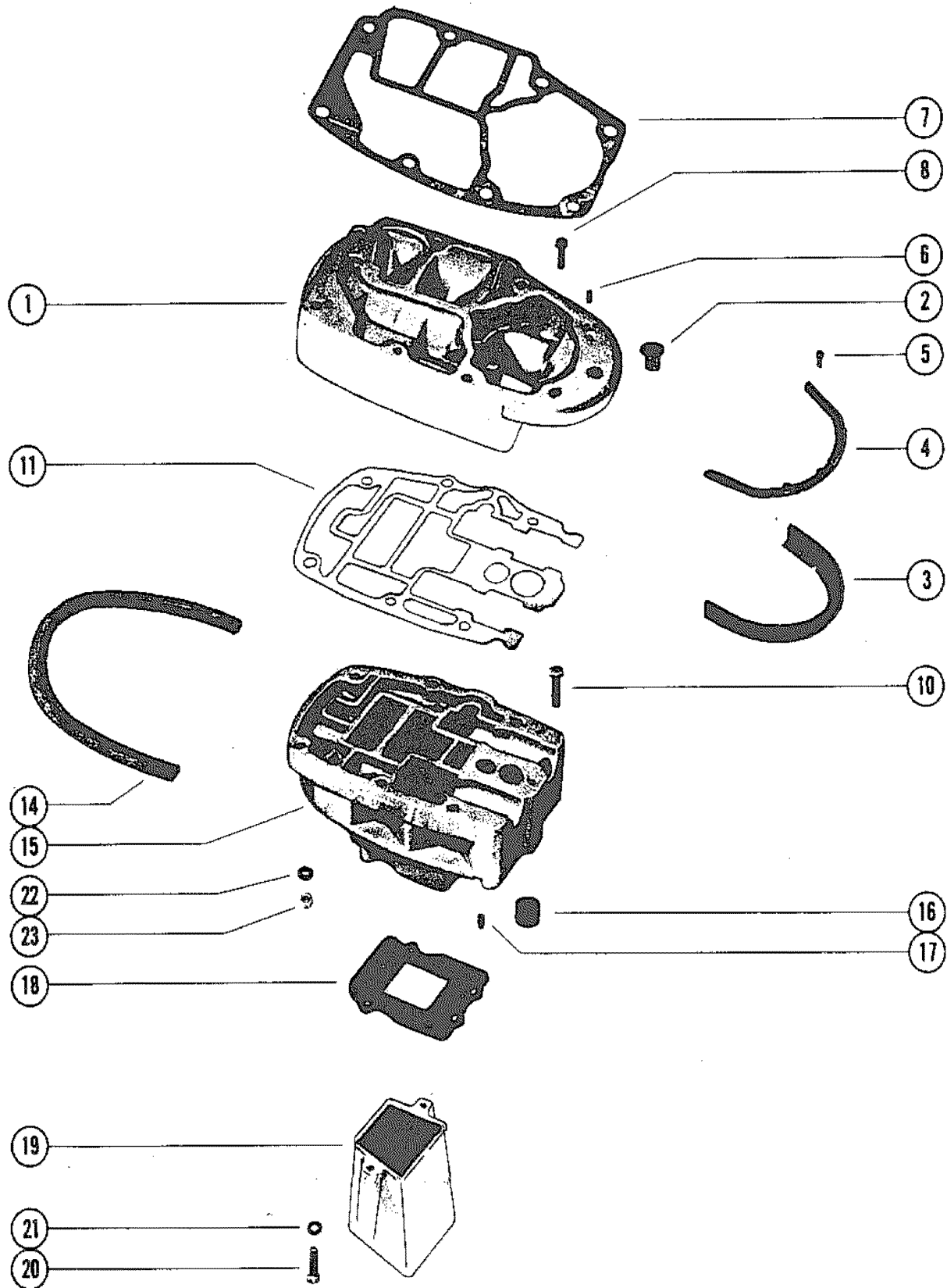
BOTTOM COWL AND SHIFT LINKAGE



BOTTOM COWL AND SHIFT LINKAGE

REF. NO.	PART NO.	SYM.	QTY.	DESCRIPTION
1	2115-7719A1		1	BOTTOM COWL
2	52862A2		1	DRIP TRAY ASSEMBLY, BOTTOM COWL
3	37940		1	PAD, SOUND - DRIP TRAY
4	10-48408		4	SCREW, DRIP TRAY TO BOTTOM COWL (1/2")
5	32-34395A1		1	HOSE, DRIP TRAY TO BOTTOM COWL (8")
6	39616		1	BOOT, CONTROL CABLES
7	76369		1	SPACER, BOTTOM COWL
8	10-48591		2	SCREW, SPACER TO BOTTOM COWL (1/2")
9	37637		1	BOOT, FUEL CONNECTOR
13	32-34395A1		1	HOSE, TELL TALE (21-1/2")
14	52889		1	NOZZLE, TELL TALE HOSE TO BOTTOM COWL
15	10-48408		1	SCREW, TELL TALE NOZZLE TO BOTTOM COWL (1/2")
16	22-78279		1	ELBOW, TELL TALE HOSE TO CYLINDER BLOCK
17	60304A54		1	SHIFT SHAFT ASSEMBLY, UPPER
18	23-26600		1	BUSHING, SHIFT SHAFT
20	48047A1		1	LINK ROD ASSEMBLY
21	12-35462		2	WASHER, LINK ROD
22	11-20664		2	NUT, LINK ROD
23	13-29720		1	WASHER, WAVE - LINK ROD
24	52732		1	BRACKET, ANCHOR - CONTROL CABLES
25	39519		1	CAP, BARREL RETAINER
2	39618		1	LEVER, NYLON - SHIFT CABLE LOCKING
27	17-47175		3	PIN, LOCKING LEVER AND COVER
28	39667		1	COVER, NYLON - SHIFT CABLE
29	65799		1	LINK, LOCKING LEVER TO COVER
30	10-24234		3	SCREW, ANCHOR BRACKET TO CYLINDER BLOCK (1")
31	24-20099		1	SPRING, LINK ROD TO GUIDE BLOCK
32	37896		1	GUIDE BLOCK, LINK ROD
33	52100		1	WEAR PLATE, LINK ROD
34	38279		1	LATCH, CONTROL CABLE FASTENING

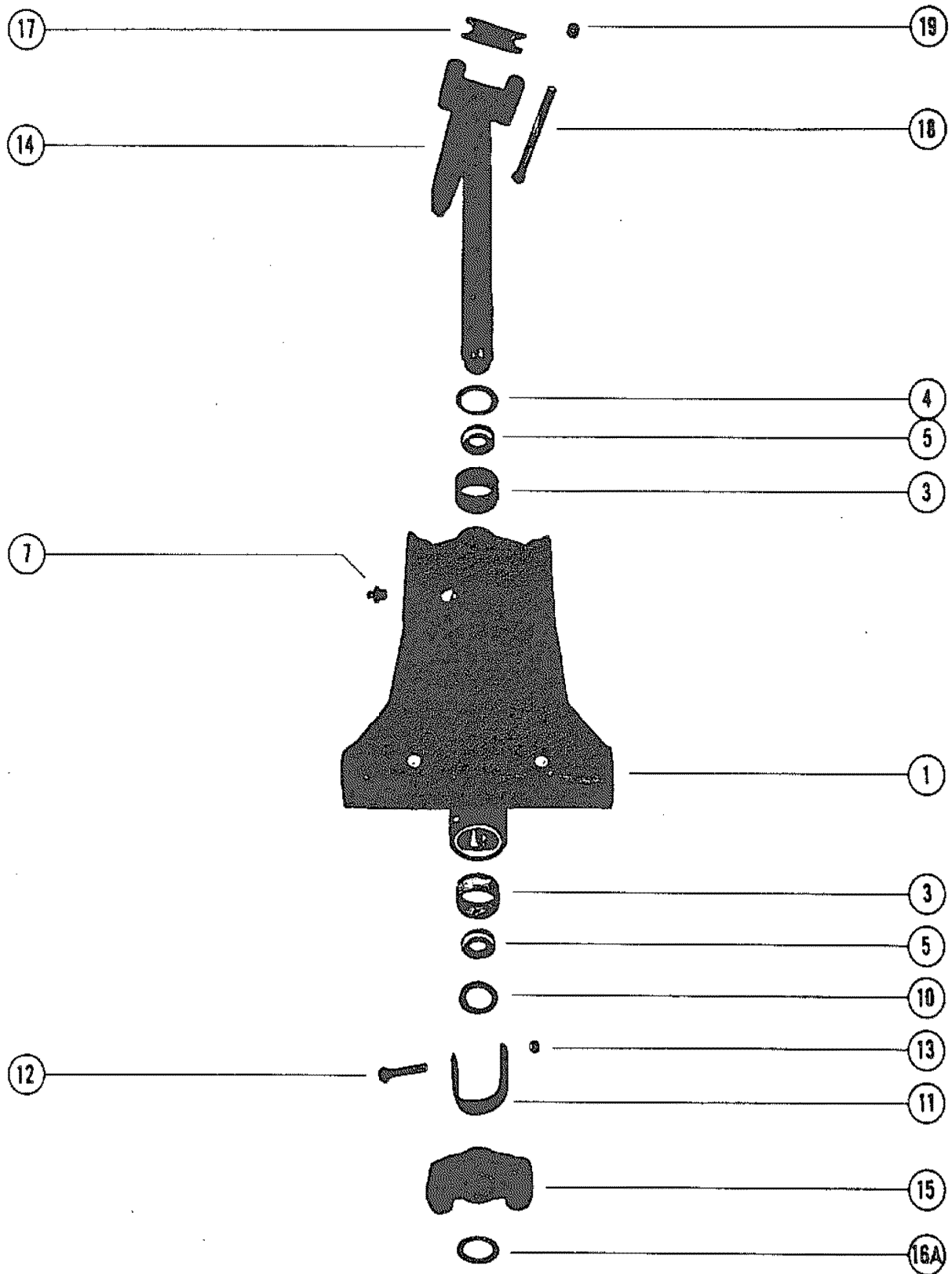
EXHAUST EXTENSION PLATE



EXHAUST EXTENSION PLATE

REF. NO.	PART NO.	SYM.	QTY.	DESCRIPTION
1	98517A2		1	PLATE ASSEMBLY, EXHAUST EXTENSION
2	23-27132		1	BUSHING, NYLON - EXHAUST EXTENSION
3	37918		1	SEAL, EXHAUST EXTENSION PLATE
4	99358		1	STRIP, RETAINING - PLATE SEAL
5	10-37571		5	SCREW, SEAL AND RETAINING STRIP (1/2")
6	17-23784		2	DOWEL PIN, EXHAUST EXTENSION PLATE
7	27-69238		1	GASKET, POWERHEAD
8	10-66023		2	SCREW, ADAPTOR PLATE TO HOUSING PLATE (2")
10	10-66023		7	SCREW, HOUSING PLATE TO DRIVE SHAFT HOUSING (2")
11	27-66102		1	GASKET, PLATE TO DRIVE SHAFT HOUSING PLATE
14	26-60898		1	SEAL, DRAIVE SHAFT HOUSING PLATE
15	98518A4		1	PLATE ASSEMBLY, DRIVE SHAFT HOUSING
16	26-38970		1	SEAL, RUBBER - WATER INLET TUBE
17	17-23784		2	DOWEL PIN, DRIVE SHAFT HOUSING PLATE
18	27-62362		1	GASKET, MEGAPHONE UNITED STATES 5861526 AND BELOW
19	60437		1	MEGAPHONE, EXHAUST UNITED STATES 5861526 AND BELOW
20	10-60480		3	SCREW, MEGAPHONE (1-1/8") UNITED STATES 5861526 AND BELOW
21	12-29245		3	WASHER, MEGAPHONE SCREW UNITED STATES 5861526 AND BELOW
19	93381		1	MEGAPHONE, EXHAUST UNITED STATES 5861527 AND UP
20	10-65414		4	SCREW, MEGAPHONE TO PLATE (3/4") UNITED STATES 5861527 AND UP
21	13-26992		4	LOCKWASHER, MEGAPHONE SCREW UNITED STATES 5861527 AND UP
22	12-25970		6	WASHER, POWERHEAD STUD
23	11-34932		6	NUT, POWERHEAD STUD

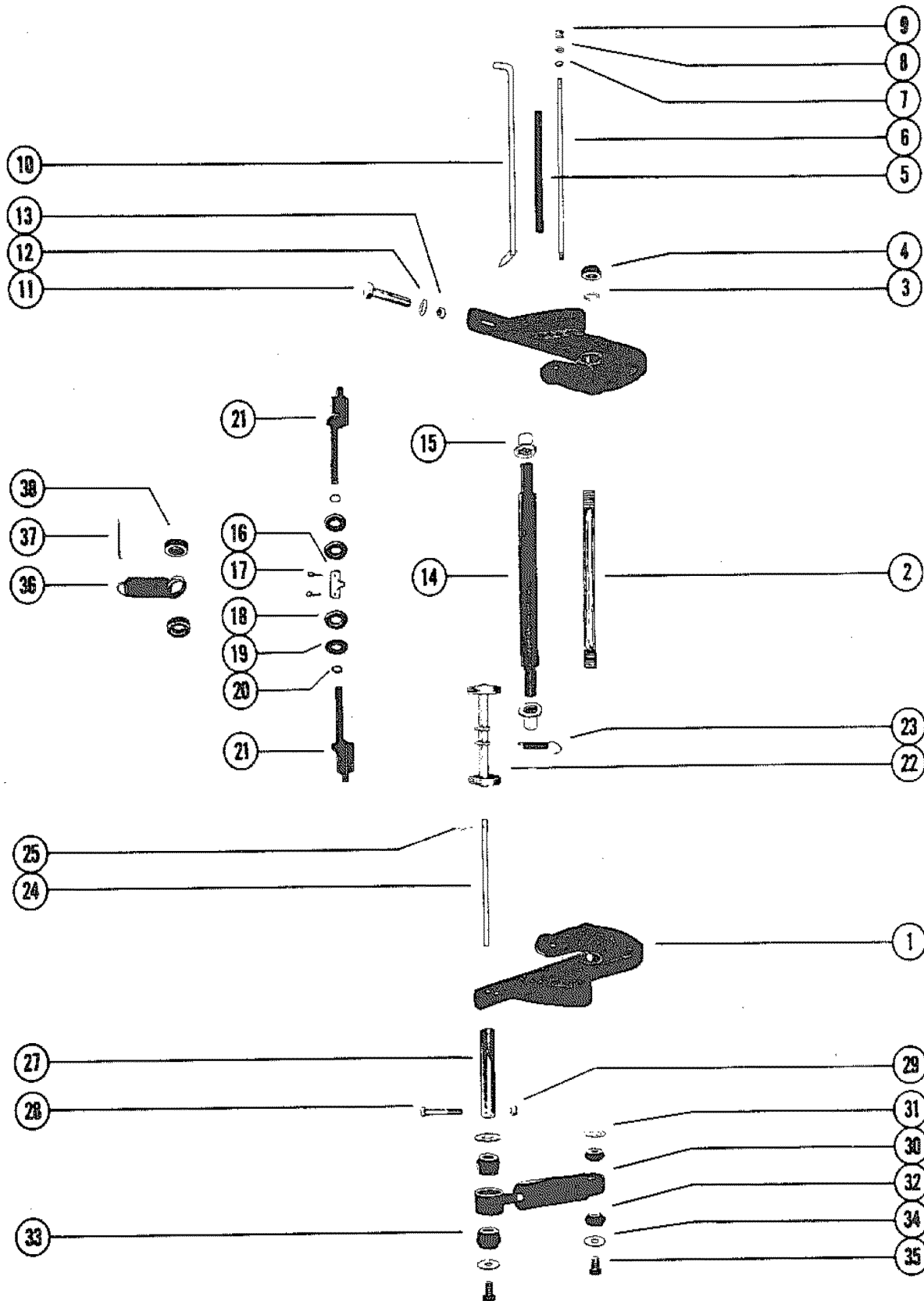
SWIVEL BRACKET ASSEMBLY



SWIVEL BRACKET ASSEMBLY

REF. NO.	PART NO.	SYM.	QTY.	DESCRIPTION
1	1482-7670A5		1	SWIVEL BRACKET ASSEMBLY
3	23-69341		2	BUSHING, SWIVEL BRACKET
4	12-69342		1	WASHER, SWIVEL PIN - UPPER
5	26-37448		2	OIL SEAL, SWIVEL BRACKET
7	22-74036		4	GREASE FITTING, SWIVEL BRACKET
10	13-88507		1	WAVE WASHER, SWIVEL PIN - LOWER
11	28205		1	STRAP STOP, DRIVE SHAFT HOUSING TO SWIVEL BRACKET
12	10-28200		1	SCREW, STRAP STOP TO DRIVE SHAFT HOUSING (2-7/8")
13	11-25269		1	NUT, STRAP STOP FASTENING SCREW
14	17-73593A2		1	SWIVEL PIN AND ARM ASSEMBLY
15	73984		1	BOTTOM YOKE
16A	53-73591		1	RETAINING RING, BOTTOM YOKE
18	10-49554		2	BOLT, STEERING ARM TO UPPER MOUNT (5-7/8")
17	28203		1	BUMPER, STEERING ARM
19	11-34933		2	NUT, STEERING ARM BOLT

TRANSOM BRACKET

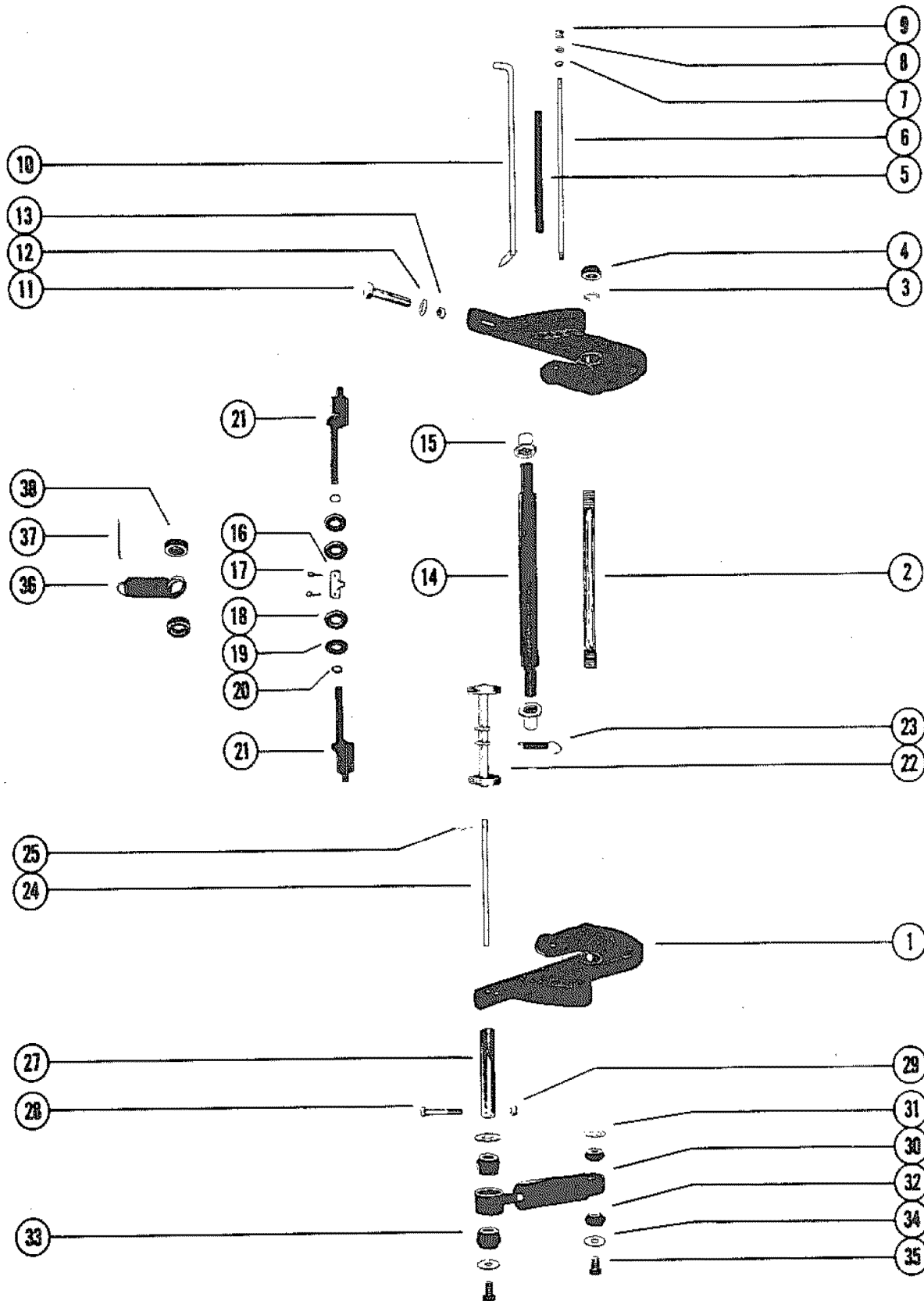


TRANSOM BRACKET

REF. NO.	PART NO.	SYM.	QTY.	DESCRIPTION
1	1496-7799F2		2	TRANSOM BRACKET
2	89099		1	TILT TUBE
3	13-89297		2	WASHER, WAVE - TILT TUBE
4	11-56041		2	NUT, TILT TUBE
5	23-87642		1	SPACER, TRANSOM BRACKET STUD
6	16-87643		1	STUD, TRANSOM BRACKET - NOT USED WITH POWER TRIM
7	12-36001		1	WASHER, TRANSOM BRACKET STUD
8	13-26993		2	LOCKWASHER, TRANSOM BRACKET STUD
9	11-28770		2	NUT, TRANSOM BRACKET STUD
10	17-49930A1		1	TILT LOCK PIN ASSEMBLY - NOT USED WITH POWER TRIM
11	10-89673		2	BOLT, TRANSOM BRACKET (5")
12	12-68410		2	WASHER, TRANSOM BRACKET BOLT
13	11-99405		2	NUT, TRANSOM BRACKET BOLT
11	10-67755		2	BOLT, TRANSOM BRACKET (6")
12	12-28421		2	WASHER, TRANSOM BRACKET BOLT
13	11-91962		2	NUT, TRANSOM BRACKET BOLT
14	89116		1	PIN, UPPER SHOCK MOUNTING
15	23-89117		2	BUSHING, UPPER SHOCK MOUNTING PIN
16	79659		1	COUPLING, TILT LOCK
17	18-47959		2	COTTER PIN, TILT LOCK
18	26-22734		2	OIL SEAL, SWIVEL BRACKET (TILT LOCK)
19	12-76388		2	WASHER, TILT LOCK
20	25-62702		2	"O" RING, TILT LOCK
21	89105		2	TILT LOCK
22	87431		2	REVERSE LOCK ASS'Y NOT USED WITH POWER TRIM UNITED STATES 5861526 AND BELOW
23	24-78203A1		1	SPRING ASS'Y NOT USED WITH POWER TRIM UNITED STATES 5861526 AND BELOW
22	92405A1		2	REVERSE LOCK ASS'Y NOT USED WITH POWER TRIM UNITED STATES 5861527 AND UP
23	24-78203A2		1	SPRING ASSEMBLY NOT USED WITH POWER TRIM UNITED STATES 5861527 AND UP
24	56349		1	SHAFT, REVERSE LOCK PIVOT NOT USED WITH POWER TRIM
25	18-45882		1	COTTER PIN, LOCK TO SHAFT NOT USED WITH POWER TRIM
27	55-28414		2	PIN, LOWER SHOCK MOUNTING
28	10-21937		2	SCREW, LOWER SHOCK PIN (2")
29	11-20184		2	NUT, LOWER SHOCK PIN SCREW
30	55-58780A4		2	SHOCK ABSORBER NOT USED WITH POWER TRIM
31	12-28196		2	WASHER, UPPER BUSHING RETAINER (INNER) NOT USED WITH POWER TRIM
32	23-32171		4	BUSHING, RUBBER - SHOCK ABSORBER (UPPER) NOT USED WITH POWER TRIM
33	23-28198		4	BUSHING, RUBBER - SHOCK ABSORBER (LOWER) NOT USED WITH POWER TRIM

CONTINUED ON NEXT PAGE ➡

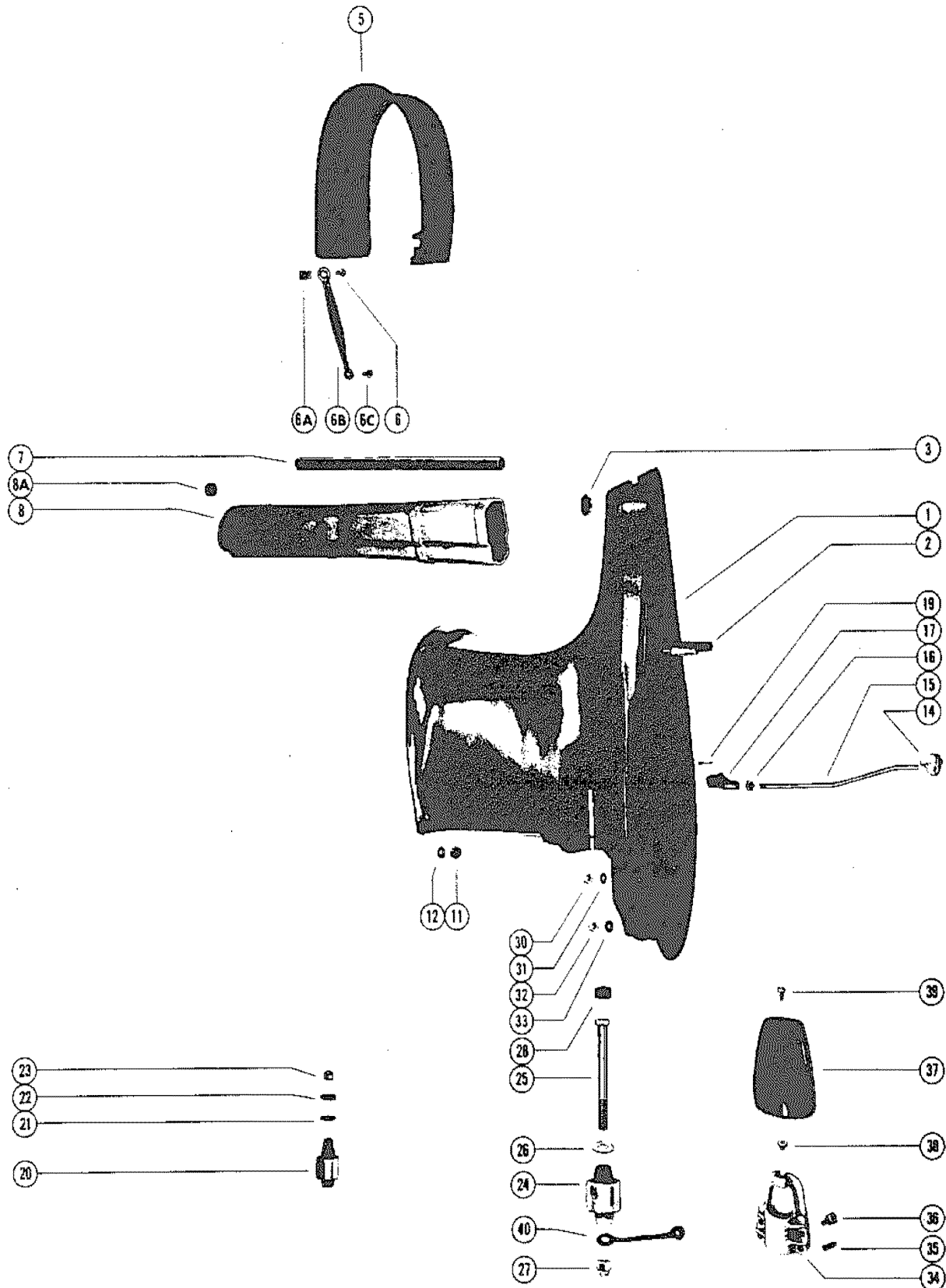
TRANSOM BRACKET



TRANSOM BRACKET

REF. NO.	PART NO.	SYM.	QTY.	DESCRIPTION
34	12-69374		4	WASHER, UPPER/LOWER SHOCK PIN (LOWER) NOT USED WITH POWER TRIM
35	10-69375		4	SCREW, UPPER AND LOWER SHCOK PIN NOT USED WITH POWER TRIM
36	24-94891		1	SPRING, COIL - SWIVEL BRACKET NOT USED WITH POWER TRIM
37	17-38311		1	PIN, COIL SPRING MOUNTING NOT USED WITH POWER TRIM
38	23-28688		2	SPACER, RUBBER - COIL SPRING NOT USED WITH POWER TRIM

DRIVE SHAFT HOUSING ASSEMBLY

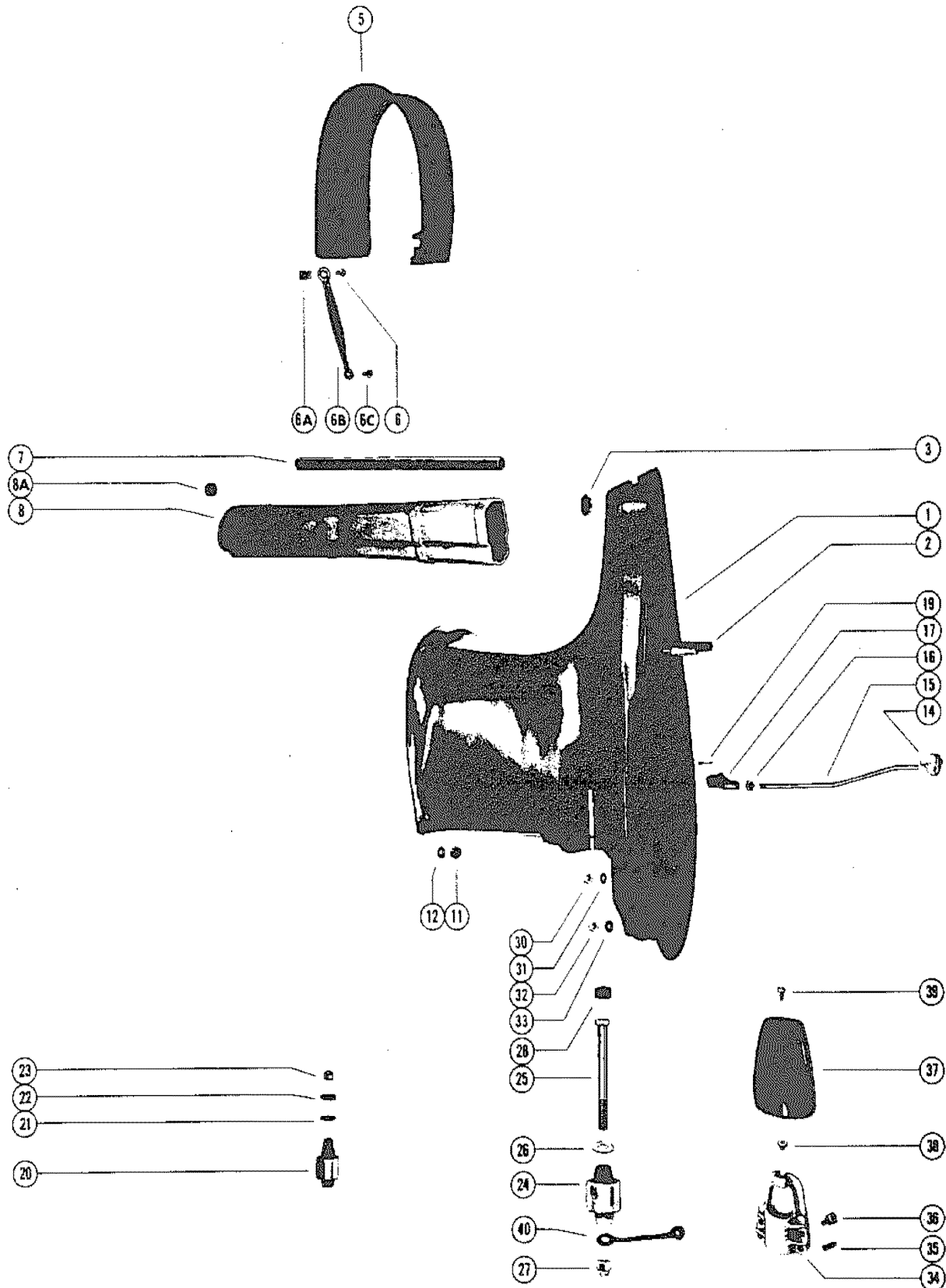


DRIVE SHAFT HOUSING ASSEMBLY

REF. NO.	PART NO.	SYM.	QTY.	DESCRIPTION
1	1573-5239A51		1	DRIVE SHAFT HOUSING ASSEMBLY
2	16-56295		2	STUD, DRIVE SHAFT HOUSING (LONG SHAFT)
	16-77168		2	STUD, DRIVE SHAFT HOUSING (EXTRA LONG SHAFT)
3	19-64649		1	PLUG, PLASTIC - TRIM TAB SCREW HOLE
5	37417F2		1	COVER, TRIM - DRIVE SHAFT HOUSING
6	10-57807		4	SCREW, TRIM COVER TO BOTTOM COWL
6A	25-92012		4	GROMMET, PLASTIC - TRIM COVER SCREW
6B	88238A4		2	GROUND STRAP ASSEMBLY, TRIM COVER SCREW
6C	10-62568		2	SCREW, GOUND STRAP ATTACHING
7	32-60897		1	TUBE, WATER INLET (LONG SHAFT)
	32-77121		1	TUBE, WATER INLET (EXTRA LONG SHAFT)
8	78184		1	EXHAUST TUBE
8A	65638		2	BOOT EXHUST TUBE
11	11-69254		2	NUT, POWERHEAD STUDS (3/8-24)
12	12-25970		2	WASHER, POWERHEAD STUDS
14	52887		1	GUIDE, PUSH ROD NOT USED WITH FULL POWER TRIM UNITED STATES 5861526 AND BELOW
15	47558		1	ROD, PUSH NOT USED WITH FULL POWER TRIM UNITED STATES 5861526 AND BELOW
16	11-47661		1	NUT, JAM - PUSH ROD NOT USED WITH FULL POWER TRIM UNITED STATES 5861526 AND BELOW
17	47559		1	YOKE, PUSH ROD NOT USED WITH FULL POWER TRIM UNITED STATES 5861526 AND BELOW
14	92704		1	GUIDE, PUSH ROD NOT USED WITH FULL POWER TRIM UNITED STATES 5861527 AND UP
15	92707		1	ROD, PUSH NOT USED WITH FULL POWER TRIM UNITED STATES 5861527 AND UP
16	11-28770		2	NUT, JAM - PUSH ROD NOT USED WITH FULL POWER TRIM UNITED STATES 5861527 AND UP
17	89813		1	YOKE, PUSH ROD NOT USED WITH FULL POWER TRIM UNITED STATES 5861527 AND UP
19	18-25191		1	COTTER PIN, PUSH ROD PIN NOT USED WITH FULL POWER TRIM
20	75296		2	MOUNT, RUBBER - UPPER
21	12-47840		2	WASHER, RUBBER - UPPER MOUNT BOLT
22	12-31263		2	WASHER, UPPER MOUNT BOLT
23	11-34933		2	NUT, UPPER MOUNT BOLT
24	75299		2	MOUNT, RUBBER - LOWER
25	10-49318		2	SCREW, LOWER MOUNT (5-1/2")
26	12-49339		2	WASHER, LOWER MOUNT SCREW
27	11-25096		2	NUT, LOWER MOUNT SCREW
28	25067		2	BUMPER, RUBBER - LOWER MOUNTING SCREW
30	11-34933		2	NUT, GEAR HOUSING STUDS
31	12-45176		2	WASHER, GEAR HOUSING STUDS
32	11-29489		1	NUT, GEAR HOSUING STUDS

CONTINUED ON NEXT PAGE ➡

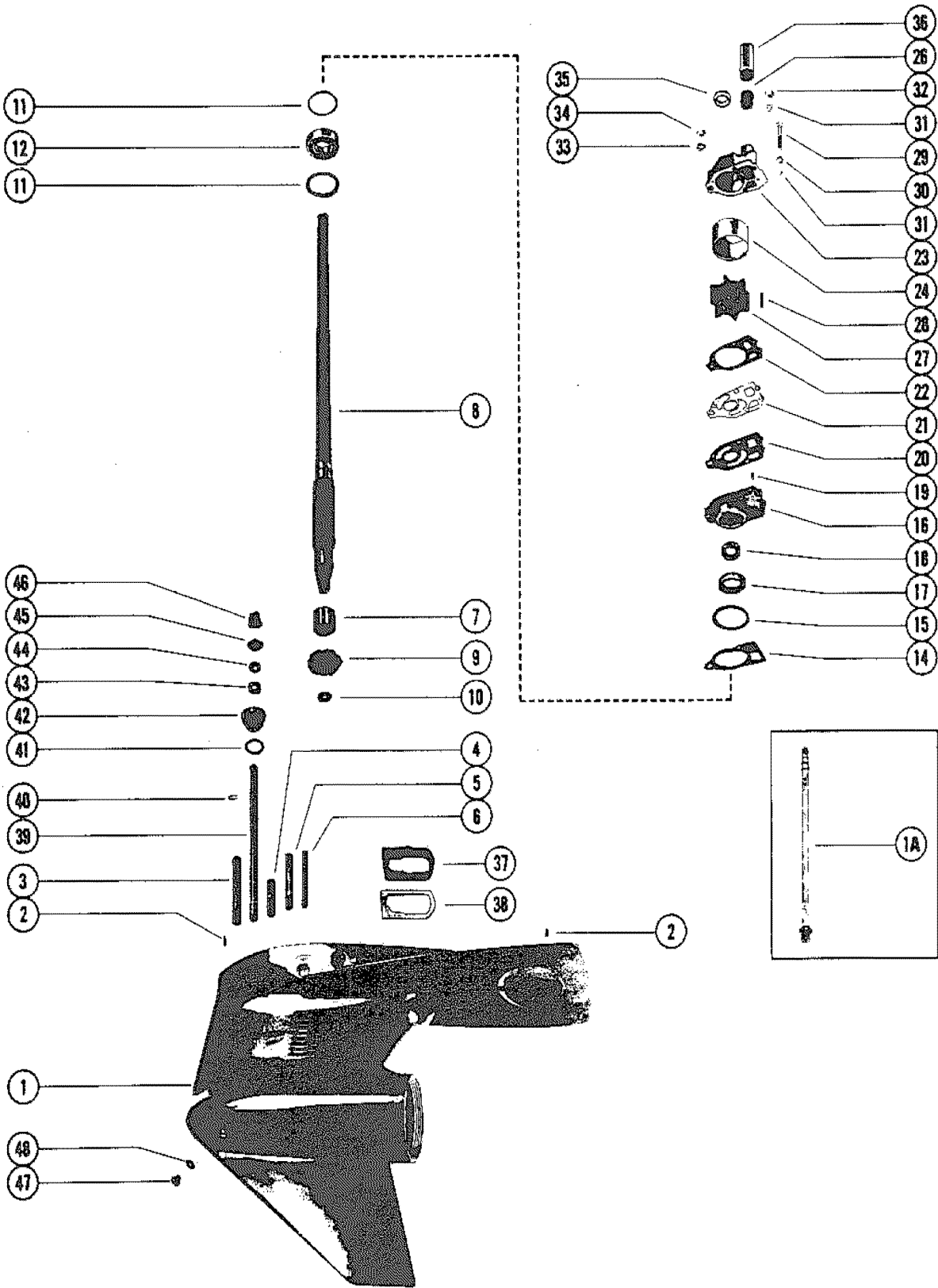
DRIVE SHAFT HOUSING ASSEMBLY



DRIVE SHAFT HOUSING ASSEMBLY

REF. NO.	PART NO.	SYM.	QTY.	DESCRIPTION
33	12-45176		1	WASHER, GEAR HOUSING STUDS
34	35608		2	CLAMP, LOWER MOUNT
35	24-35522		4	SPRING, TENSION - LOWER MOUNT CLAMP
36	10-29256		4	SCREW, LOWER MOUNT CLAMP
37	35474F2		2	COVER, LOWER MOUNT CLAMP
38	11-35521		2	NUT, LOWER MOUNT CLAMP COVER
39	10-87884		2	SCREW, COVER TO LOWER CLAMP MOUNT
40	88238A2		1	WIRE ASSEMBLY, GROUND
-	77120		1	SPACER, DRIVE SHAFT HOUSING - EXTRA LONG SHAFT
-	17-21438		2	DOWEL PIN, SPACER - EXTRA LONG SHAFT

GEAR HOUSING (DRIVE SHAFT)

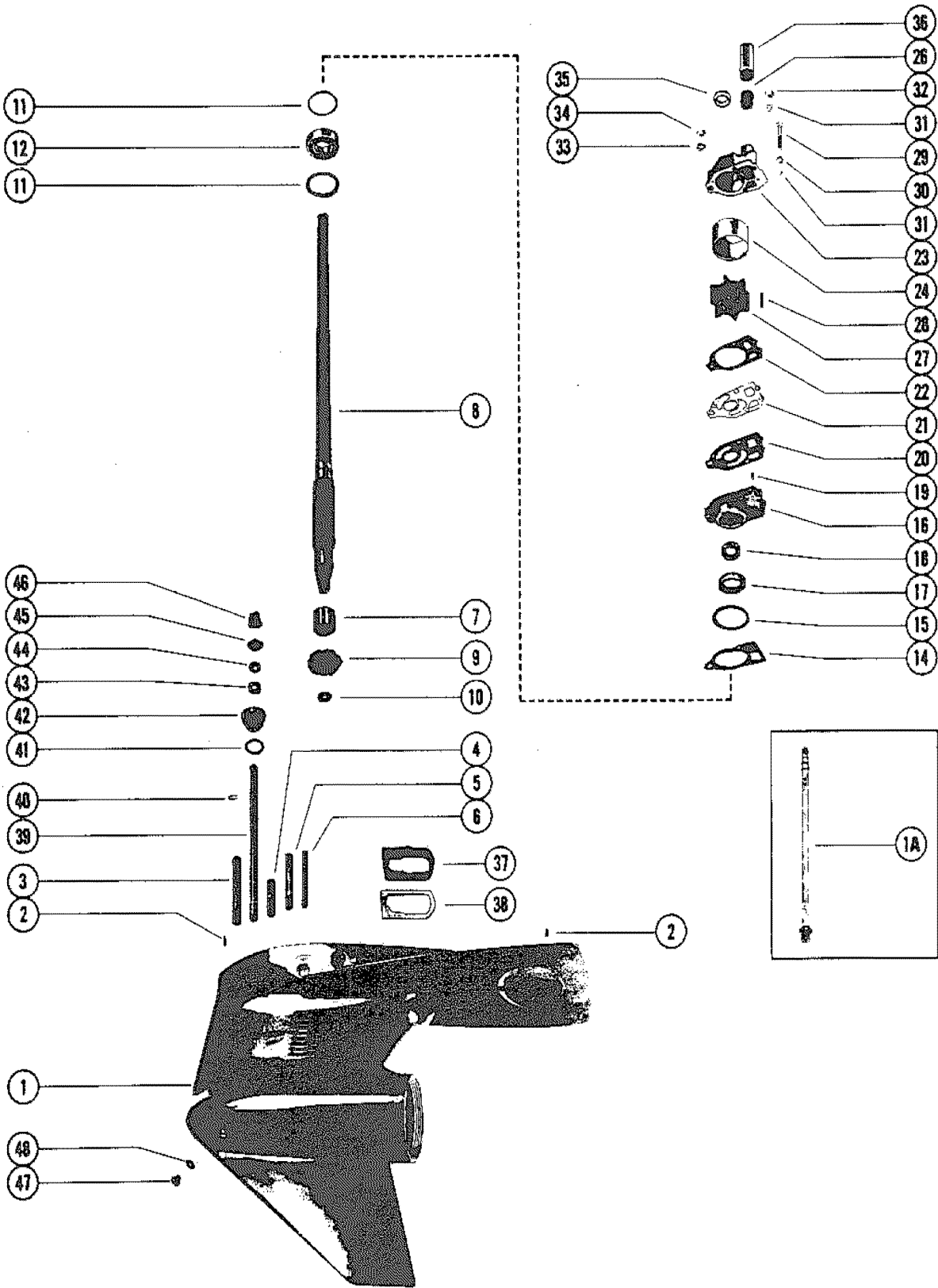


GEAR HOUSING (DRIVE SHAFT)

REF. NO.	PART NO.	SYM.	QTY.	DESCRIPTION
-	1655-7333A42		1	GEAR HOUSING ASS'Y, COMPLETE (LONG SHAFT)
-	1655-7333A44		1	GEAR HOUSING ASS'Y COMPLETE (EXTRA LONG SHAFT)
1	1655-7333A43		1	GEAR HOUSING ASSEMBLY
1A	22-85822A1		1	CONNECTOR ASSEMBLY, SPEEDOMETER
2	17-46912		2	DOWEL PIN, GEAR HOUSING LOCATING
3	16-57921		1	STUD, GEAR HOUSING (4") (LONG SHAFT)
	16-77169		1	STUD, GEAR HOUSING (9") (EXTRA LONG SHAFT)
4	16-57920		2	STUD, GEAR HOUSING (2-1/16") (LONG SHAFT)
	16-77173		2	STUD, GEAR HOUSING (7") (EXTRA LONG SHAFT)
5	16-56297		1	STUD, WATER PUMP (3-3/8")
6	16-69501		2	STUD, WATER PUMP (3-1/8")
7	31-32898		1	ROLLER BEARING, DRIVE SHAFT
8	45-76036		1	DRIVE SHAFT (LONG SHAFT)
	45-77159		1	DRIVE SHAFT (EXTRA LONG SHAFT)
9	43-68548		1	PINION GEAR, DRIVE SHAFT
10	11-35921		1	NUT, PINION GEAR TO DRIVE SHAFT
11	23-70412		1	SPACER, BALL BEARING
	15-57007A1		AR	SHIM, BALL BEARING
12	31-69220		1	ROLLER BEARING, DRIVE SHAFT
14	27-33146		1	GASKET, WATER PUMP
15	25-33145		1	"O" RING, WATER PUMP
16	49-96146A5		1	WATER PUMP BASE ASSEMBLY
17	26-94038		1	OIL SEAL, WATER PUMP
18	26-79884		1	OIL SEAL, WATER PUMP
19	17-35973		AR	DOWEL PIN, WATER PUMP
20	27-32433		1	GASKET, LOWER - WATER PUMP TO FACE PLATE
21	32435		1	FACE PLATE
22	27-32434		1	GASKET, UPPER - FACE PLATE TO WATER PUMP
23	49-96148A1		1	WATER PUMP BODY ASSEMBLY
24	48752		1	INSERT, WATER PUMP
26	26-38970		1	SEAL, RUBBER - WATER INLET TUBE
27	47-89984		1	IMPELLER, WATER PUMP
28	28-56654		1	KEY, IMPELLER DRIVE
29	10-30720		AR	SCREW, WATER PUMP (1/4-20 - HEX HEAD)
	10-96411		AR	SCREW, WATER PUMP (14-8 - HEX WASHER HEAD)
30	13-26992		1	LOCKWASHER, WATER PUMP SCREW
31	12-29245		3	WASHER, WATER PUMP SCREW AND STUD
32	11-35888		2	NUT, WATER PUMP SCREW
33	12-36001		1	WASHER, WATER PUMP STUD
34	11-35814		1	NUT, WATER PUMP STUD
35	25-30271		1	RING, RUBBER - DRIVE SHAFT
36	23-29804		1	SLEEVE, GUIDE - WATER INLET TUBE
37	37641		1	SEAL, EXHAUST

CONTINUED ON NEXT PAGE ➡

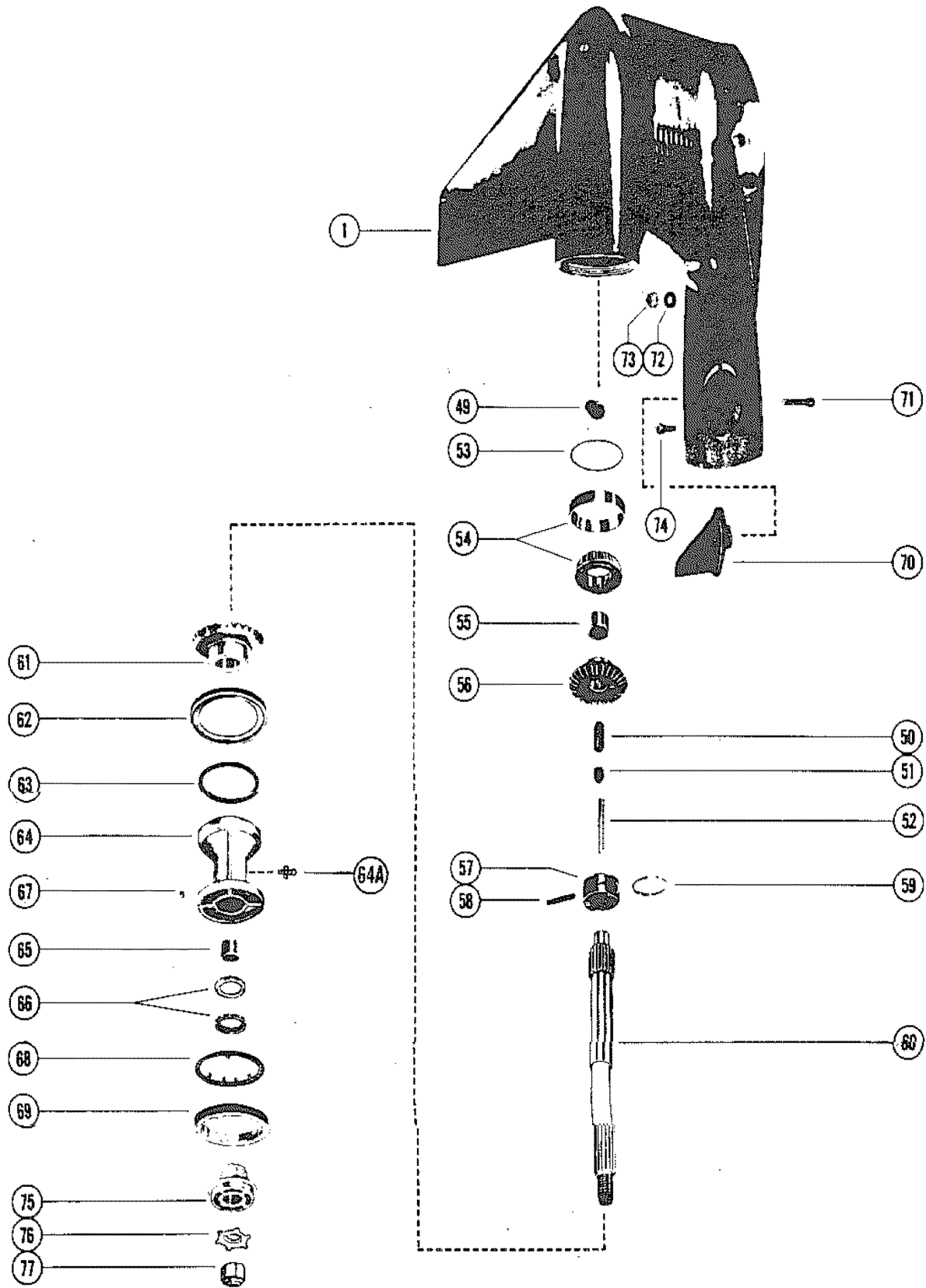
GEAR HOUSING (DRIVE SHAFT)



GEAR HOUSING (DRIVE SHAFT)

REF. NO.	PART NO.	SYM.	QTY.	DESCRIPTION
38	38051		1	PLATE, SUPPORT - EXHAUST TUBE SEAL
39	77122		1	SHAFT, SHIF - LOWER (EXTRA LONG SHAFT)
	76062A1		1	SHAFT ASSEMBLY, SHIFT - LOWER (LONG SHAFT0
40	53-29641		1	"E" RING, RETAINING - SHIF SHAFT
41	25-25439		1	"O" RING, SHIFT SHAFT BUSHING
42	23-77631A2		1	BUSHING ASSEMBLY, SHIF SHAFT
43	26-76384		1	OIL SEAL, SHIFT SHAFT BUSHING
44	12-77674		1	WASHER, RUBBER - SHIFT SHAFT BUSHING
45	39019		1	SPACER, LOWER - NOT USED WITH FULL POWER TRIM
46	39021		1	CAM, REVERSE LOCKING - NOT USED WITH FULL POWER TRIM
47	10-79953		1	SCREW, GREASE FILLER AND VENT HOLE
	22-67892		1	PLUG, DRAIN (MAGNETIC)
48	12-20260		2	WASHER, GREASE FILLER AND VENT HOLE SCREW

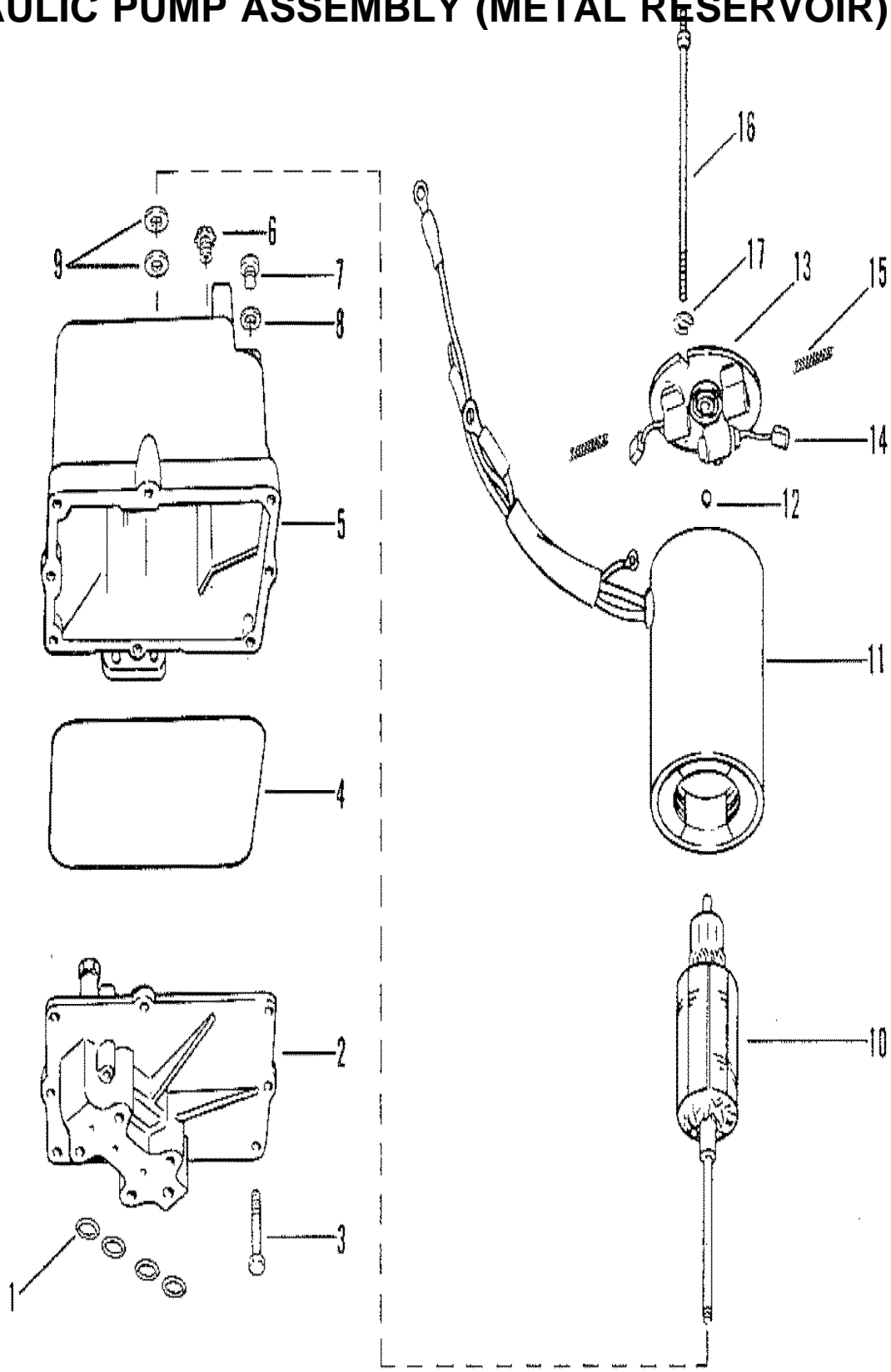
GEAR HOUSING (PROPELLER SHAFT)



GEAR HOUSING (PROPELLER SHAFT)

REF. NO.	PART NO.	SYM.	QTY.	DESCRIPTION
-	1655-7333A42		1	GEAR HOUSING ASS'Y, COMPLETE (LONG SHAFT)
-	1655-7333A44		1	GEAR HOUSING ASS'Y, COMPLETE (EXTRA LONG SHAFT)
1	1655-7333A43		1	GEAR HOUSING ASSEMBLY
49	76039		1	SHIFT CAM
50	30625		1	CAM FOLLOWER
51	30624		1	SLIDE, CROSS PIN
52	24-30622		1	SPRING, COMPRESSION - CAM FOLLOWER
53	15-30923A1		AR	SHIM, BEARING OUTER RACE (.002-3-5-10)
54	31-30894A1		1	TAPERED ROLLER BEARING ASSEMBLY
55	31-30895		1	ROLER BEARING, FORWARD GEAR
56	43-68447A1		1	FORWARD GEAR
57	52-34239		1	RATCHET, SLIDING GEAR
58	17-30632		1	CROSS PIN, RATCHET TO PROPELLAR SHAFT
59	24-30893		1	SPRING, RETAINING - CROSS PIN
60	44-93003		1	PROPELLAR SHAFT
61	43-76250		1	REVERSE GEAR
62	12-76805		1	WASHER, THRUST - BEARING CARRIER
63	25-29976		1	"O" RING, BEARING CARRIER
64	96074A1		1	BEARING CARRIER ASSEMBLY - W/O GREASE FITTING
	41529A1		1	BEARING CARRIER ASSEMBLY - WITH GREASE FITTING
64A	22-98727		1	GREASE FITTING - WITH GREASE FITTING
65	31-30956		1	ROLLER BEARING - BEARING CARRIER
66	26-76868		1	OIL SEAL (INSIDE)
	26-70081		1	OIL SEAL, CUTTER (OUTSIDE)
67	28-30281		1	KEY, LOCATING - BEARING CARRIER
68	14-52700		1	TAB WASHER, GEAR HOUSING COVER
69	52699		1	COVER, GEAR HOUSING
70	31640A1		1	TRIM TAB, GEAR HOUSING
71	10-66024		1	SCREW, TRIM TAB TO GEAR HOUSING (1-3/4)
72	12-45176		2	WASHER, DRIVE SHIFT HOUSING STUDS
73	11-34933		2	NUT, DRIVE SHAFT HOUSING STUDS
74	10-65210		1	SCREW, GEAR HOUSING (LONG SHAFT0
	10-77167		1	SCREW, GEAR HOUSING (EXTRA LONG SHAFT)
75	75282		1	THRUST HUB AND WASHER ASSEMBLY
77	11-52707		1	PROPELLER NUT
76	14-31210		1	TAB WASHER, PROPELLER NUT

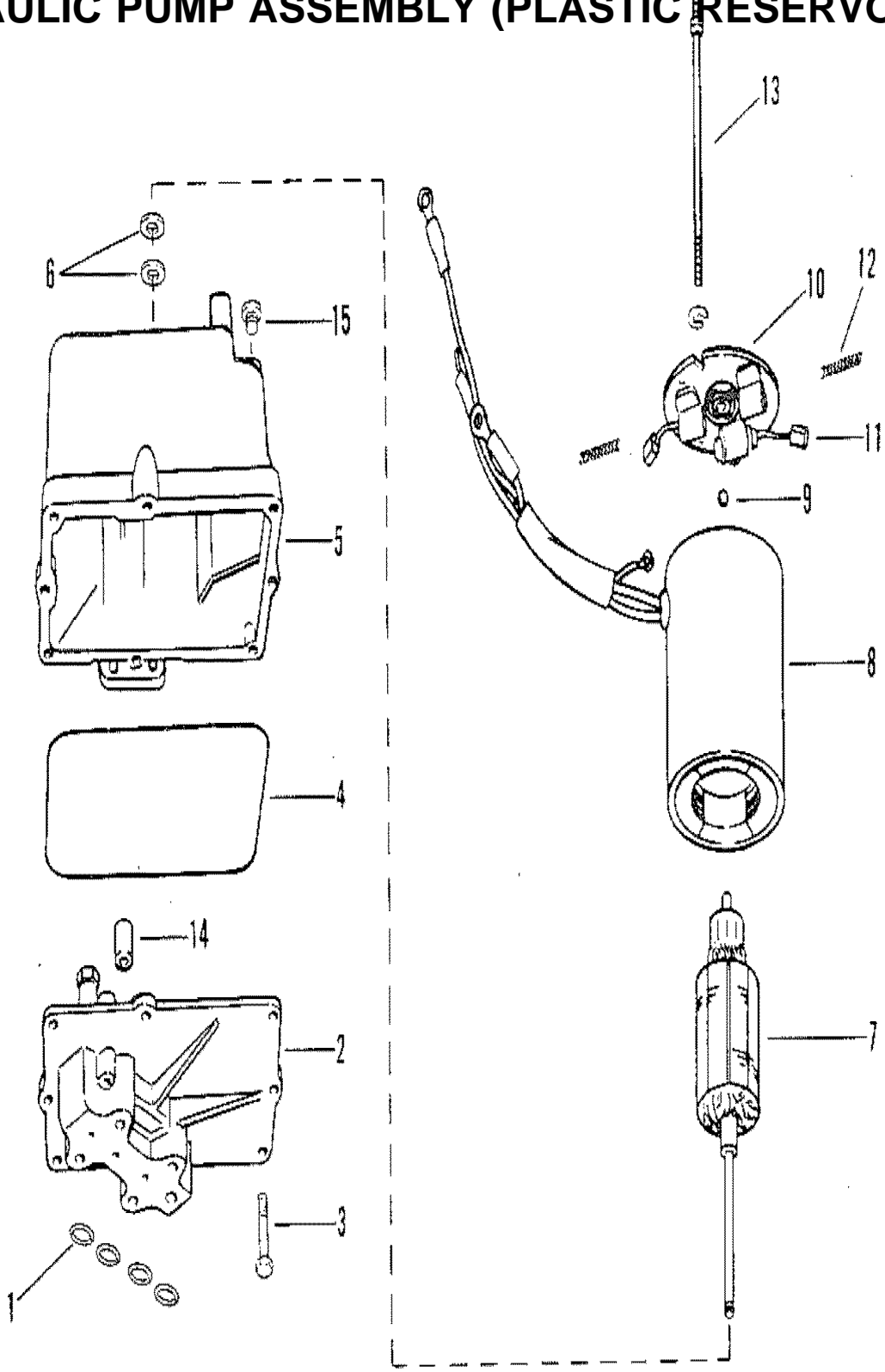
HYDRAULIC PUMP ASSEMBLY (METAL RESERVOIR)



HYDRAULIC PUMP ASSEMBLY (METAL RESERVOIR)

REF. NO.	PART NO.	SYM.	QTY.	DESCRIPTION
-	76395A5		1	HYDRAULIC PUMP ASSEMBLY, COMPLETE
1	25-48171		4	"O" RING, HYDRAULIC PUMP
2	392-2936		1	VALVE BODY AND GEAR ASSEMBLY
3	10-20411		8	SCREW, VALVE BODY TO RESERVOIR
4	392-2937		1	SEAL, RESEROVIR TO VALVE BODY AND GEAR
5	392-2939		1	RESERVOIR ASSEMBLY
6	10-38257		1	SCREW, FILLER - HYDRAULIC PUMP
8	12-20260		1	WASHER, SEALING - FILLER SCREW
9	392-2623		AR	WASHER, THRUST- ARMATURE
10	392-2943		1	ARMATURE, FIELD AND FRAME
11	392-2942		1	FIELD AND FRAME ASSEMBLY
12	392-2944		1	BALL, COMMUATATOR END PLATE
13	392-2940		1	PLATE ASSEMBLY, COMMUTATOR END
14	392-2941		1	BRUSH SET, COMMUTATOR END PLATE
15	392-2529		1	SPRING SET, BRUSH TENSION
16	392-2938		1	BOLT SET, THRU - PLATE AND FRAME TO RESERVOIR
17	13-26996		2	LOCKWASHER, THRU BOLT

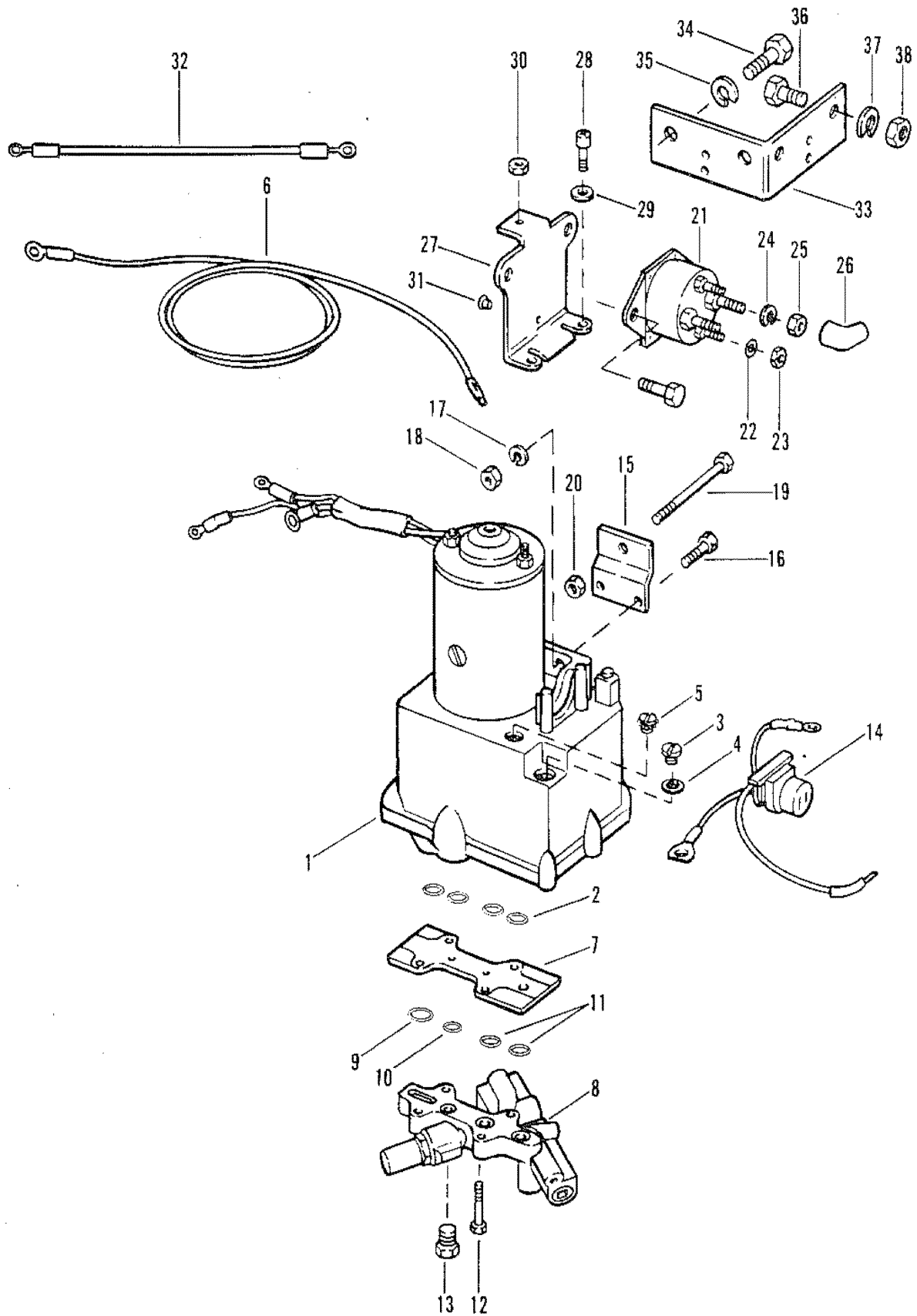
HYDRAULIC PUMP ASSEMBLY (PLASTIC RESERVOIR)



HYDRAULIC PUMP ASSEMBLY (PLASTIC RESERVOIR)

REF. NO.	PART NO.	SYM.	QTY.	DESCRIPTION
-	92975A6		1	HYDRAULIC PUMP ASSEMBLY
1	25-48171		4	"O" RING, HYDRAULIC PUMP
2	392-8317		1	VALVE BODY AND GEAR ASSEMBLY
3	10-69570		8	SCREW, VALVE BODY TO RESERVOIR
4	392-7735		1	SEAL, RESERVOIR TO VALVE BODY AND GEAR
5	392-7731		1	RESERVOIR ASSEMBLY (PLASTIC
6	392-7732		AR	WASHER, THRUST - ARMATURE
7	392-7729		1	ARMATURE, FIELD AND FRAME
8	392-8261		1	FIELD AND FRAME ASSEMBLY
9	392-7730		1	BALL, COMMUTATOR END PLATE
10	392-8262		1	PLATE ASSEMBLY, COMMUTATOR END
11	392-2941		1	BRUSH SET, COMMUTATOR END PLATE
12	392-2529		1	SPRING SET, BRUSH TENSION
13	392-7733		1	BOLT SET, THRU - PLATE AND FRAME TO RESERVOIR
14	392-7727		1	COUPLER AND SHAFT
15	392-7728		1	FILL PLUG, RESERVOIR

POWER TRIM COMPONENTS - WITHOUT CIRCUIT BREAKER

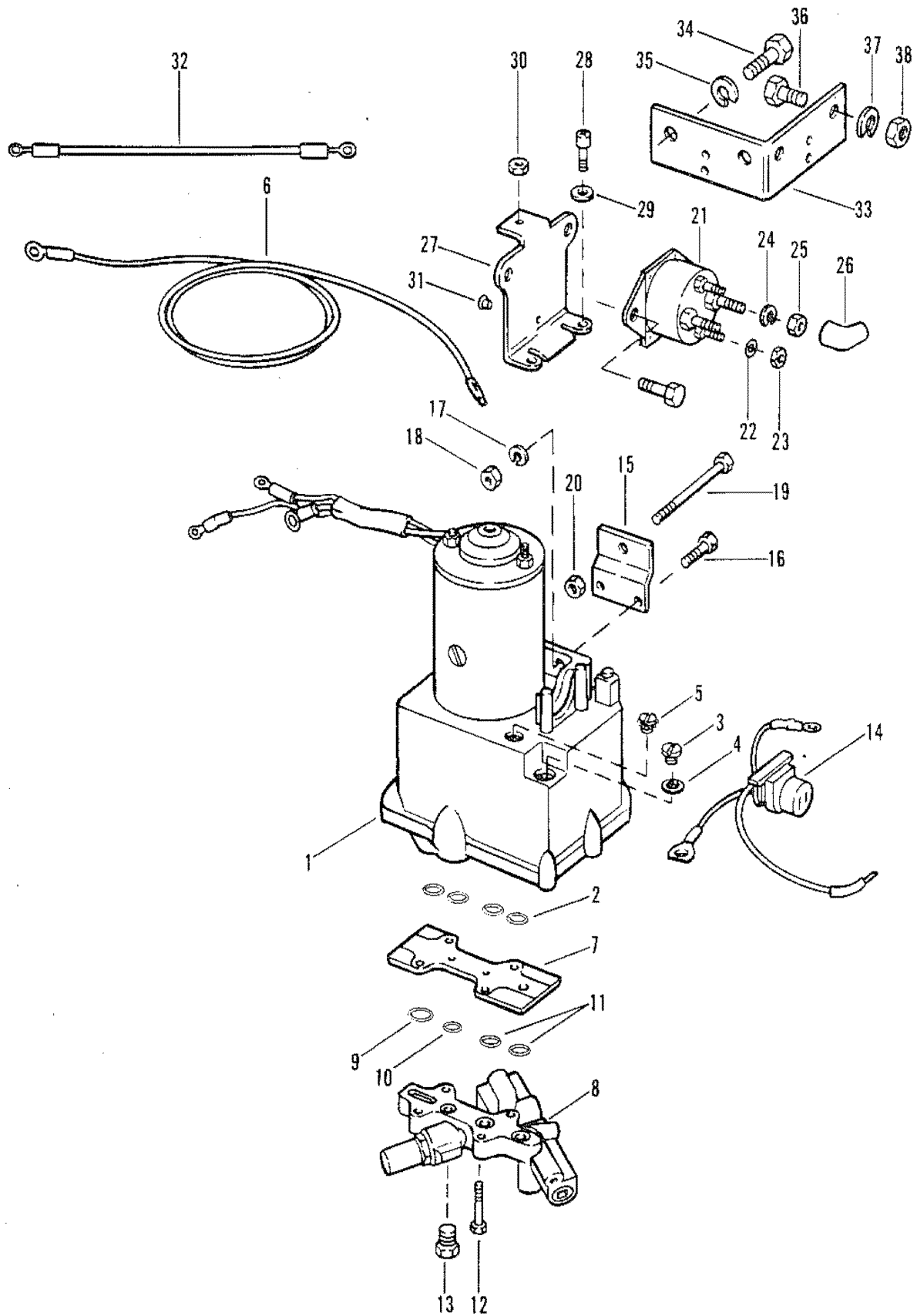


POWER TRIM COMPONENTS - WITHOUT CIRCUIT BREAKER

REF. NO.	PART NO.	SYM.	QTY.	DESCRIPTION
1	76395A5		1	HYDRAULIC PUMP ASS'Y (METAL RESEROVIR) SEE PAGE 40 OR 41 FOR BREAKDOWN
	92975A6		1	HYDRAULIC PUMP ASS'Y (PLASTIC RESERVOIR) SEE PAGE 40 OR 41 FOR BREAKDOWN
2	25-48171		4	"O" RING, MANIFOLD PLATE
3	10-79953		1	SCREW, FILLER - HYDRAULIC PUMP
4	12-20260		1	WASHER, SEALING - FILLER SCREW
5	10-38257		1	SCREW, VENT - HYDRAULIC PUMP
6	32979		1	BATTERY LEAD (POSITIVE)
	32988		1	BATTERY LEAD (NEGATIVE)
7	45336		1	PLATE, MANIFOLD
8	45197A2		1	CONTROL VALVE ASSEMBLY
-	25-48171		4	"O" RING, MANIFOLD PLATE (SEE REF. #2)
9	25-45254		1	"O" RING, CONTROL VALVE (3/4" O.D.)
10	25-48171		1	"O" RINGM CONTROL VALVE (1/2" O.D.)
11	25-45253		2	"O" RING, CONTROL VALVE (5/8" O.D.)
12	10-56500		4	SCREW, VALVE AND MANIFOLD PLATE TO PUMP (1-1/4")
13	22-46008		2	PLUG, CONTROL VALVE (1/2-20")
14	84-74023A1		1	CONNECTOR AND HARNESS
15	45377		2	BRACKET, MOUNTING
16	10-24234		4	SCREW, MOUNTING BRACKET TO HYDRAULIC PUMP (1")
17	13-39107		4	LOCKWASHER, MOUNTING BRACKET SCREW
18	11-21908		4	NUT, MOUNTING BRACKET SCREW
19	10-68298		2	BOLT, HYDRAULIC PUMP TO BOAT (3-1/4")
20	11-99405		2	NUT, HYDRAULIC PUMP BOLT
21	89-68258		2	STARTER SOLENOID
22	13-26996		4	LOCKWASHER, SOLENOID TERMINALJ (#10)
23	11-68219		4	NUT, SOLENOID TERMINAL (#10)
24	13-26993		4	LOCKWASHER, SOLENOID TERMINAL (5/16")
25	11-68292		4	NUT, SOLENOID TERMINAL (5/16")
26	46265		4	BOOT, RUBBER - STARTER SOLENOID TERMINAL
27	74407		1	BRACKET, MOUNTING - STARTER SOLENOID
28	10-21140		2	SCREW, MOUNTING BRACKET TO HYDRAULIC PUMP (1/2")
29	13-26992		2	LOCKWASHER, MOUNTING BRACKET SCREW
30	11-24656		1	NUT, MOUNTING BRACKET TO HYDRAULIC PUMP THRU BOLT
31	26901		1	BUMPER, RUBBER - SOLENOID BRACKET
32	55991		1	JUMPER WIRE (POSITIVE)
	55992		1	JUMPER WIRE (NEGATIVE)
33	74406		1	BRACKET, MOUNTING - STARTER SOLENOID

CONTINUED ON NEXT PAGE ➡

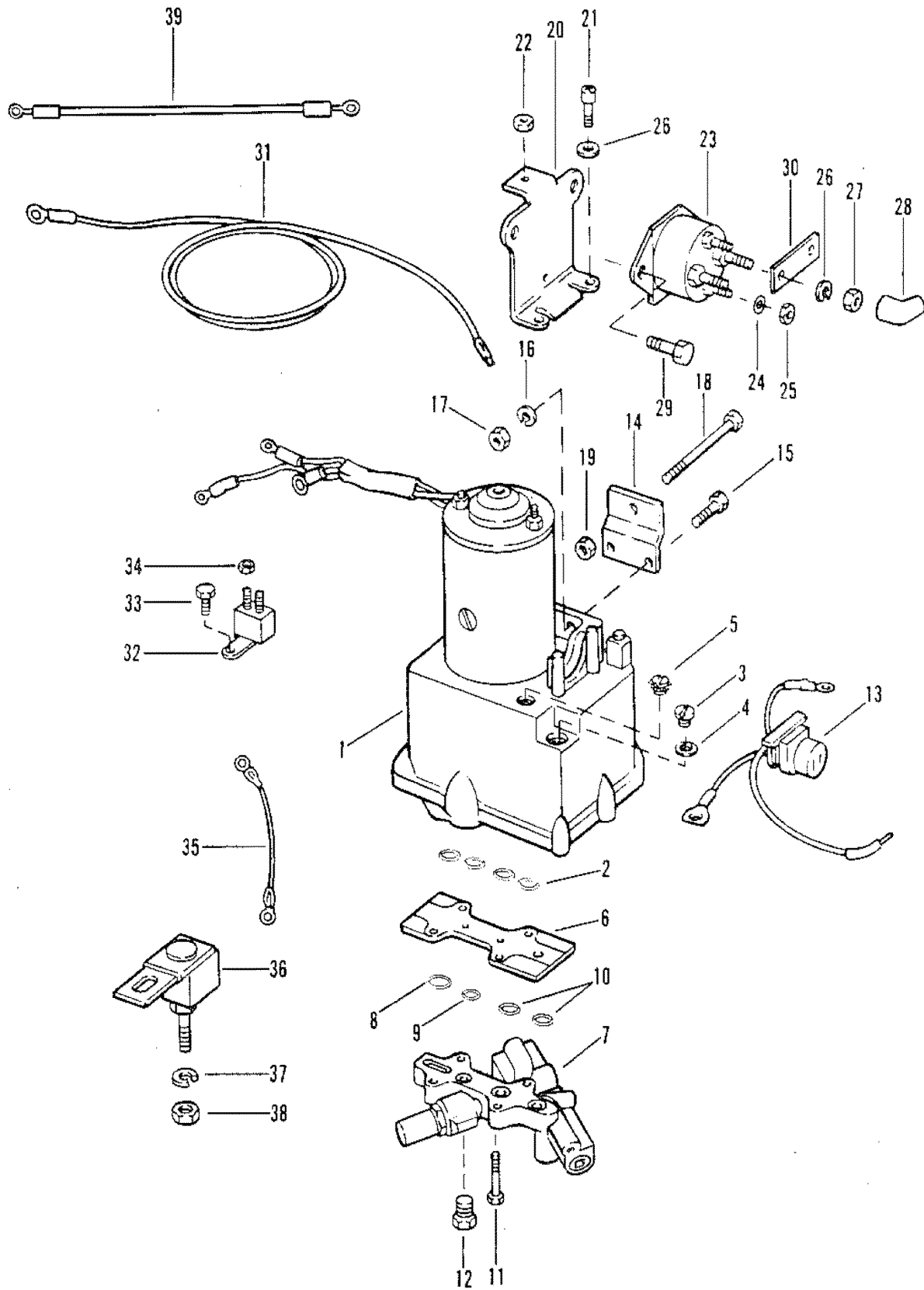
POWER TRIM COMPONENTS - WITHOUT CIRCUIT BREAKER



POWER TRIM COMPONENTS - WITHOUT CIRCUIT BREAKER

REF. NO.	PART NO.	SYM.	QTY.	DESCRIPTION
34	10-69028		2	SCREW, MOUNTING BRACKET TO HYDRAULIC PUMP (3/4")
35	13-26992		2	LOCKWASHER, MOUNTING BRACKET SCREW
36	10-34290		2	SCREW, STARTER SOLENOID TO MOUNTING BRACKET (5/8")
37	13-26992		2	LOCKWASHER, STARTER SOLENOID SCREW
38	11-21825		4	NUT, STARTER SOLENOID SCREW

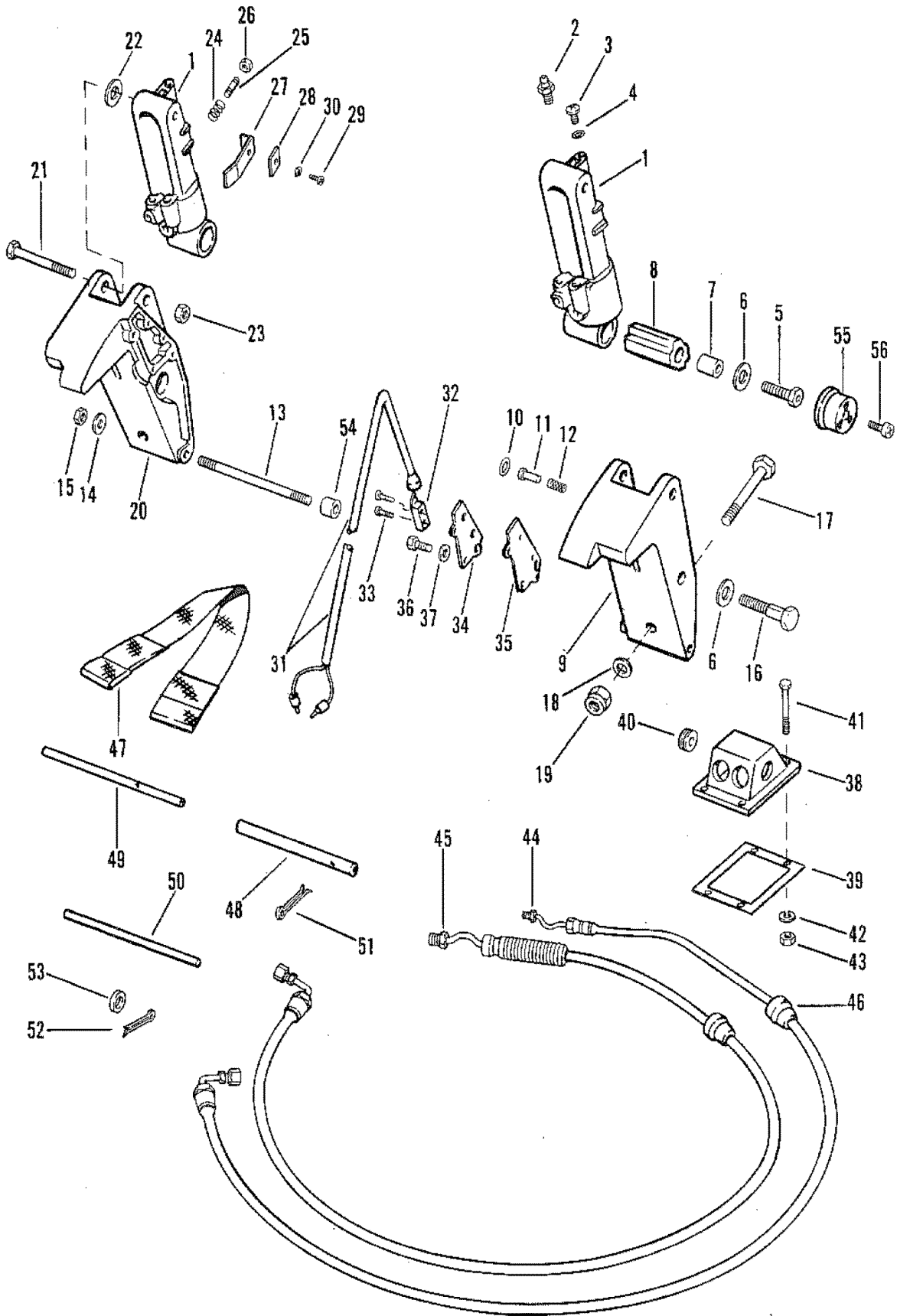
POWER TRIM COMPONENTS - WITH CIRCUIT BREAKER AND FUSE



POWER TRIM COMPONENTS - WITH CIRCUIT BREAKER AND FUSE

REF. NO.	PART NO.	SYM.	QTY.	DESCRIPTION
1	92975A6		1	HYDRAULIC PUMP ASS'Y (PLASTIC RESEROVIR) SEE NOTE SEE PAGE 41 FOR BREAKDOWN
2	25-48171		4	"O" RING, MANIFOLD PLATE
3	10-79953		1	SCREW, FILLER - HYDRAULIC PUMP
4	12-20260		1	WASHER, SEALING - FILLER SCREW
5	10-38257		1	SCREW, VENT - HYDRAULIC PUMP
6	45336		1	PLATE, MANIFOLD
7	45197A2		1	CONTROL VALVE ASSEMBLY
-	25-48171		4	"O" RING, MANIFOLD PLATE (SEE REF. #2)
8	25-45254		1	"O" RING, CONTROL VALVE (3/4" O.D.)
9	25-48171		1	"O" RING, CONTROL VALVE (1/2" O.D.)
10	25-45253		2	"O" RING, CONTROL VALVE (5/8" O.D.)
11	10-56500		4	SCREW, VALVE AND MANIFOLD PLATE TO PUMP (1-1/4")
12	22-46008		2	PLUG, CONTROL VALVE (1/2-20")
13	84-79147A1		1	CONNECTOR AND HARNESS
14	45377		2	BRACKET, MOUNTING
15	10-24234		4	SCREW, MOUNTING BRACKET TO HYDRAULIC PUMP (1")
16	13-39107		4	LOCKWASHER, MOUNTING BRACKET SCREW
17	11-21908		4	NUT, MOUNTING BRACKET SCREW
18	10-68298		2	BOLT, HYDRAULIC PUMP TO BOAT (3-1/4")
19	11-99405		2	NUT, HYDRAULIC PUMP BOLT
20	94279		1	BRACKET, MOUNTING - STARTER SOLENOID
21	10-48063		2	SCREW, MOUNTING BRACKET TO HYDRAULIC PUMP
22	11-24656		1	NUT, MOUNTING BRACKET TO HYDRAULIC PUMP THRU BOLT
23	89-96158		2	STARTER SOLENOID
24	13-26995		4	LOCKWASHER, SOLENOID TERMINAL (#8)
25	11-26419		4	NUT, SOLENOID TERMINAL (8-32)
26	13-26992		4	LOCKWASHER, SOLENOID TERMINAL (1/4)
27	11-94330		4	NUT, SOLENOID TERMINAL (1/4-20)
28	85-96535		4	BOOT, RUBBER - STARTER SOLENOID TERMINAL
29	10-91026		2	SCREW, STARTER SOLENOID TO MOUNTING BRACKET
30	94275		1	LINK, SOLENOID TO SOLENOID
31	84-79139A13		1	BATTERY LEAD (POSITIVE)
	84-79138A1		1	BATTERY LEAD (NEGATIVE)
32	88-79149		1	CIRCUIT BREAKER (20 AMP.)
33	10-30009		2	SCREW, CIRCUIT BREAKER
34	11-45076		2	NUT, CIRCUIT BREAKER TERMINAL (10-32)
35	84-87379A5		1	WIRE, SOLENOID TO CIRCUIT BREAKER (RED)
36	88-79023A90		1	FUSE ASSEMBLY (90 AMP.)
37	12-96457		1	WASHER, FUSE TERMINAL
38	11-21825		1	NUT, FUSE TERMINAL (1/4-28)
39	84-61600A9		2	WIRE, STARTER SOLENOID (BLACK)

TRIM CYLINDERS AND HYDRAULIC HOSES

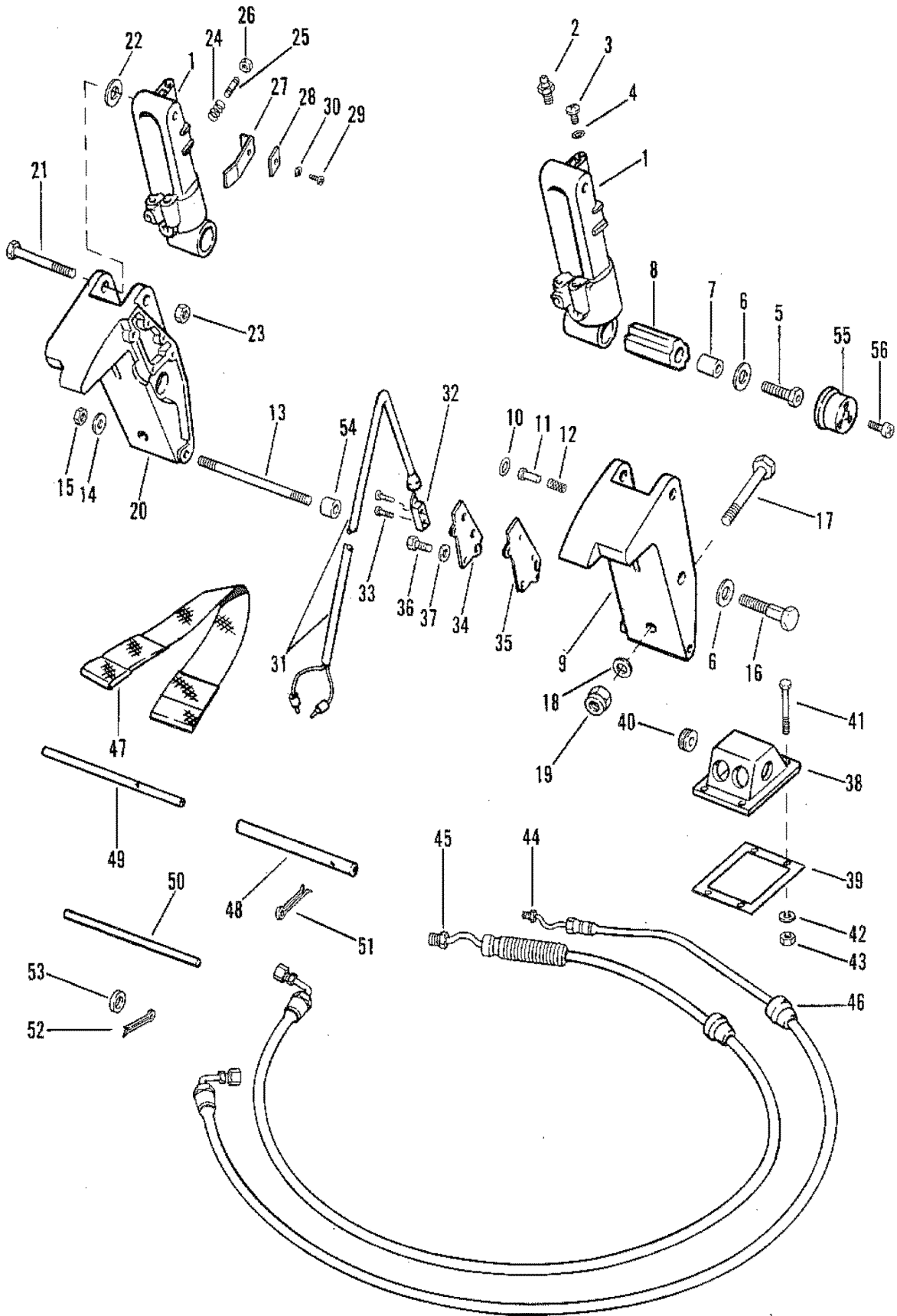


TRIM CYLINDERS AND HYDRAULIC HOSES

REF. NO.	PART NO.	SYM.	QTY.	DESCRIPTION
1	76509A23		2	TRIM CYLINDERS ASS'Y (IDENTIFY BY CASTING #78439)
	92194A20		2	TRIM CYLINDER ASS'Y (IDENTIFY BY NO CASTING #)
2	22-74036		2	GREASE FITTING, TRIM CYLINDER
3	10-45265		4	SCREW, BLEED
4	25-45016		4	"O" RING, BLEED SCREW
5	10-45264		2	SCREW, TRIM CYLINDER (1-1/2") - WITH TAPPED HOLE
	10-92050		2	SCREW, TRIM CYLINDER (1-1/2") - WITHOUT TAPPED HOLE
6	12-28421		4	WASHER, TRIM CYLINDER BOLT
7	23-45280		2	SPACER, TRIM CYLINDER - LOWER
8	23-94907A1		2	BUSHING, RUBBER - TRIM CYLINDER
9	89108A3		1	BRACKET, TRIM CYLINDER (PORT)
10	26-70608		1	OIL SEAL, PORT BRACKET
11	89290		1	PLUNGER, LIMIT SWITCH ACTUATING
12	24-95881		1	SPRING, TENSION - LIMIT SWITCH PLUNGER
13	16-45282		1	STUD, MOUNTING BRACKET
14	13-26993		2	LOCKWASHER, MOUNTING BRACKET STUD
15	11-28770		2	NUT, MOUNTING BRACKET STUD
16	10-45263		2	SCREW, MOUNTING BRACKET (2-1/4")
17	10-68298		6	BOLT, MOUNTING BRACKET TO TRANSOM (3-1/4")
	10-89673		2	BOLT, MOUNTING BRACKET TO TRANSOM (5")
18	12-68410		6	WASHER, MOUNTING BRACKET BOLT
19	11-99405		8	NUT, MOUNTING BRACKET BOLT
20	89111		1	BRACKET, TRIM CYLINDER (STARBOARD)
21	10-45328		2	SCREW, TRIM CYLINDER TO MOUNTING BRACKET (3-9/16")
22	12-37807		1	WASHER, TRIM CYLINDER SCREW (STARBOARD ONLY)
23	11-20696		2	NUT, TRIM CYLINDER SCREW
24	24-24390		1	SPRING, TENSION - ADJUSTING STUD
25	16-21085		1	STUD, ADJUSTING - CUT-OUT LIMIT SWITCH
26	11-45812		1	NUT, JAM - LIMIT SWITCH ADJUSTING STUD
27	45508		1	CAM, LIMIT SWITCH ADJUSTING STUD
28	86967		1	PLATE, RETAINING - LIMIT SWITCH CAM
29	10-68513		1	SCREW, RETAINING PLATE AND CAM
30	13-26996		1	LOCKWASHER, RETAINING PLATE AND CAM SCREW
31	45326A2		1	SWITCH ASSEMBLY, CUT-OUT LIMIT
32	23-45354		1	BUSHING, RUBBER - CUT-OUT LIMIT SWITCH
33	10-47255		2	SCREW, CUT-OUT LIMIT SWITCH (9/16")
34	89272		1	COVER, LIMIT SWITCH
35	27-89273		1	GASKET, LIMIT SWITCH COVER
36	10-34994		4	SCREW, LIMIT SWITCH COVER (7/16")
37	12-38833		4	WASHER, LIMIT SWITCH COVER SCREW
38	87774A1		1	COVER, INLET - TRANSOM
39	27-87775		1	GASKET, INLET COVER
40	25-45507		1	GROMMET, RUBBER - INLET COVER

CONTINUED ON NEXT PAGE ➡

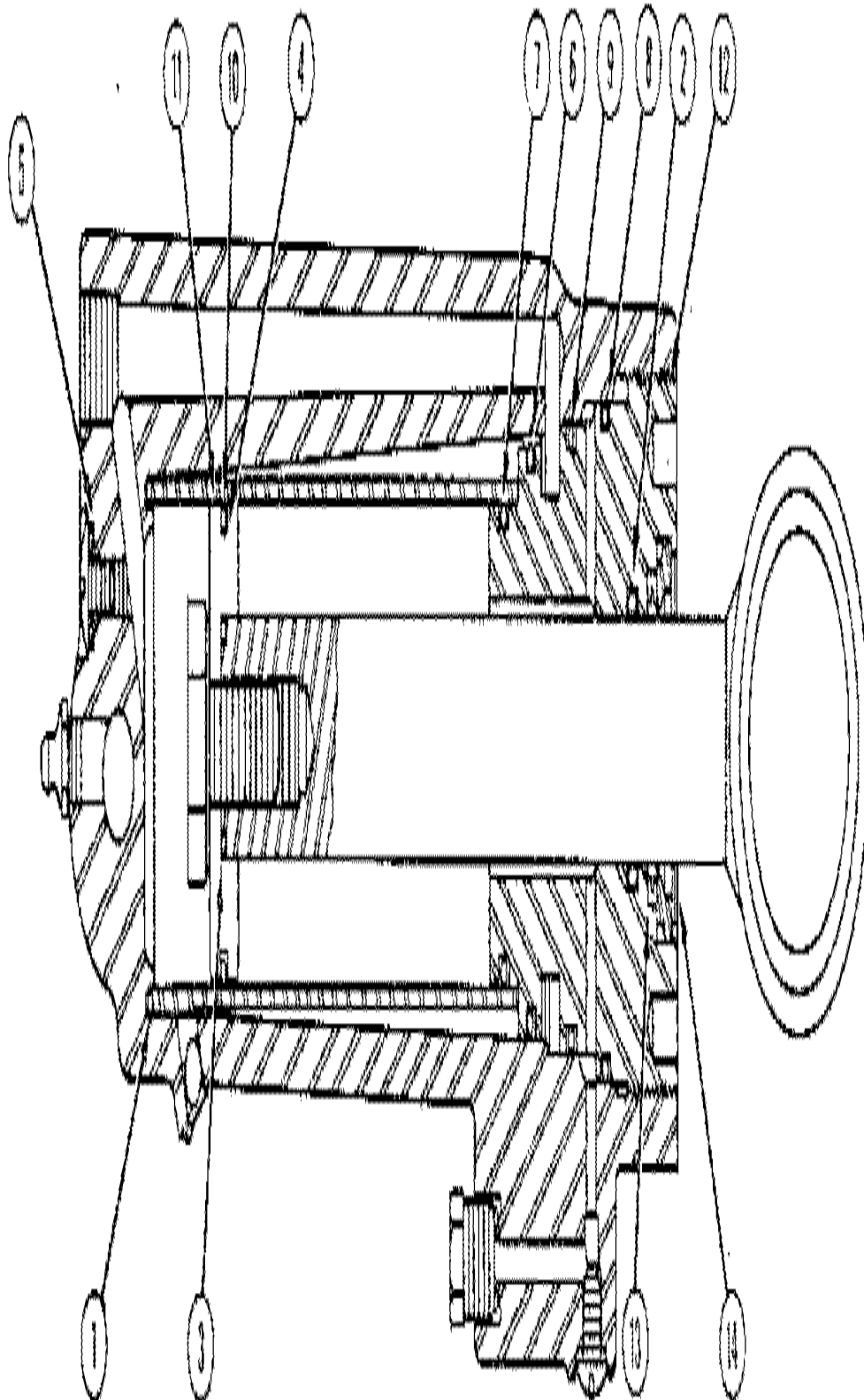
TRIM CYLINDERS AND HYDRAULIC HOSES



TRIM CYLINDERS AND HYDRAULIC HOSES

REF. NO.	PART NO.	SYM.	QTY.	DESCRIPTION
41	10-32866		4	SCREW, INLET COVER TO BOAT (2")
42	13-26996		4	LOCKWASHER, INLET COVER SCREW
43	11-68219		4	NUT, INLET COVER SCREW
44	32-97153A1		2	HOSE, TRIM - CYLINDER TO CONTROL VALVE (5'0 - 12/32" O.D.
45	32-97154A1		2	HOSE, LIFT - CYLINDER TO CONTROL VALVE (5') - 17/32" O.D.
46	23-35977		4	GROMMET, RUBBER (3/8" I.D. - 1" LONG)
	25-97191		2	GROMMET, RUBBER (3/8" I.D. - 7/8" LONG)
	25-97000		2	GROMMET, RUBBER (7/16" I.D. - 7/8" LONG)
47	73519A1		1	TILT STOP
48	69259		1	TUBE, MOUNTING - TILT STOP
49	77669		1	PIN, MOUNTING TUBE
50	63473		1	TUBE, CUSHION
51	18-36391		1	COTTER PIN, MOUNTING TUBE PIN
52	18-45882		1	COTTER PIN, TILT PIN RETAINING
53	12-39304		1	WASHER, TILT PIN
54	23-89112		2	BUSHING, MOUNTING BRACKET
55	70679		2	COVER, TRIM CYLINDER - NOT USED ON LATE MODELS
56	10-37655		2	SCREW, TRIM CYLINDER COVER - NOT USED ON LATE MODELS

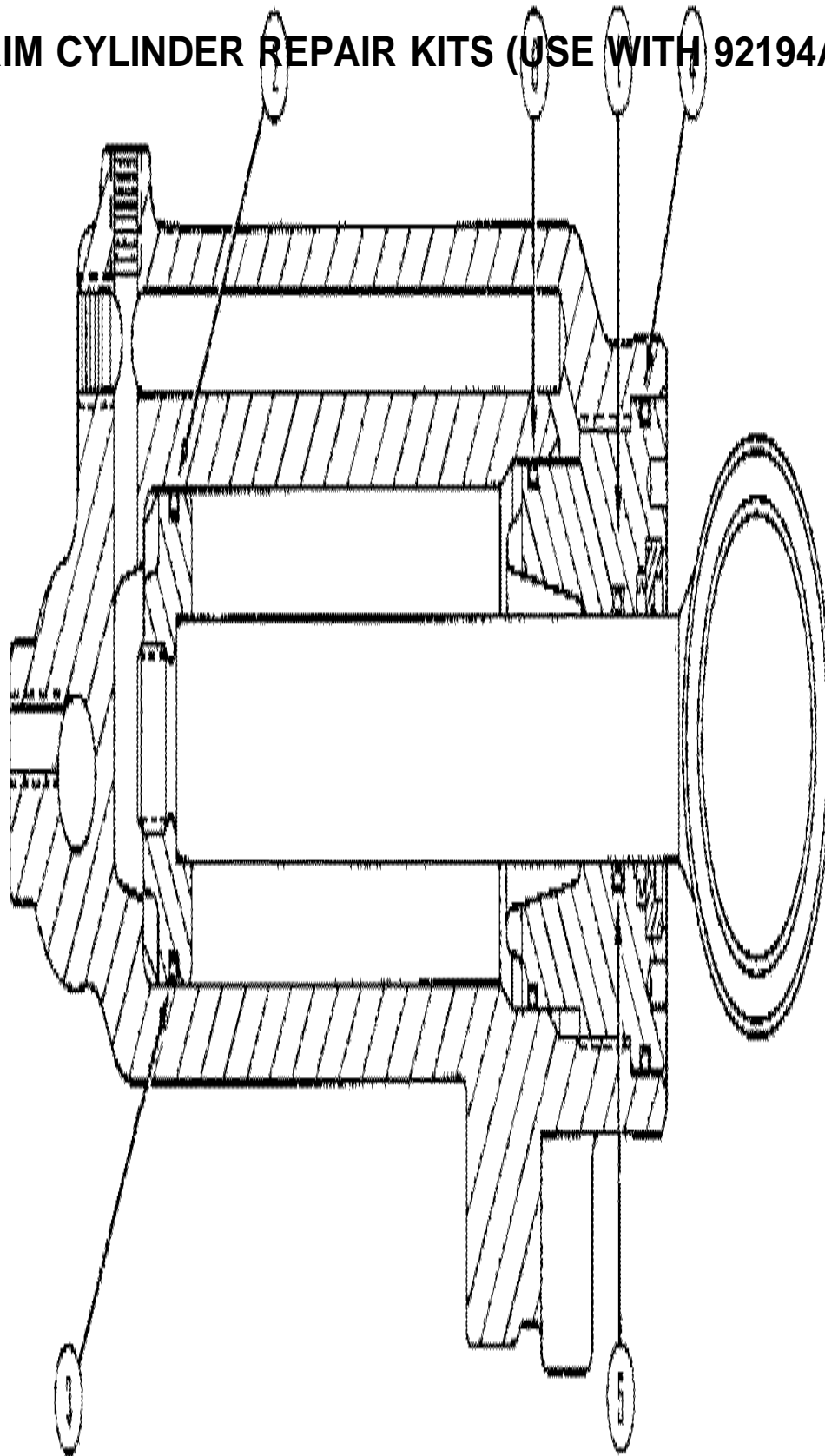
POWER TRIM CYLINDER REPAIR KITS (USE WITH 76509A23 TRIM)



POWER TRIM CYLINDER REPAIR KITS (USE WITH 76509A23 TRIM)

REF. NO.	PART NO.	SYM.	QTY.	DESCRIPTION
-	64507A1		1	REPAIR KIT USE WITH 76509A23 TRIM CYLINDER (IDENTIFIED BY CASTING #78439)
1	N.S.S.		1	"O" RING (1-1/2" X 1-5/8" X 1/16")
2	N.S.S.		1	"O" RING (3/4" X 15/16" X 1/8")
3	N.S.S.		1	"O" RING (5/8" X 3/4" X 1/16")
4	N.S.S.		1	"O" RING (1-1/4" X 1-7/16" X 1/16")
5	N.S.S.		2	"O" RING (7/32" X 11/32" X 1/16")
6	N.S.S.		1	"O" RING (1-5/8" X 1-13/16" X 1/8")
7	N.S.S.		1	"O" RING (1-5/16" X 1-1/2" X 1/8")
8	N.S.S.		1	"O" RING (1-7/8" X 2" X 1/8")
9	N.S.S.		1	"O" RING (1-3/4" X 1-15/16" X 1/8")
10	N.S.S.		1	SEAL, SLIPPER - PISTON
11	N.S.S.		1	PISTON, ROD - HEAVY DUTY
12	64505A1		1	RETAINER ASSEMBLY, PISTON
13	N.S.S.		1	ROD, SCRAPER
14	N.S.S.		1	RETAINER, SCRAPER

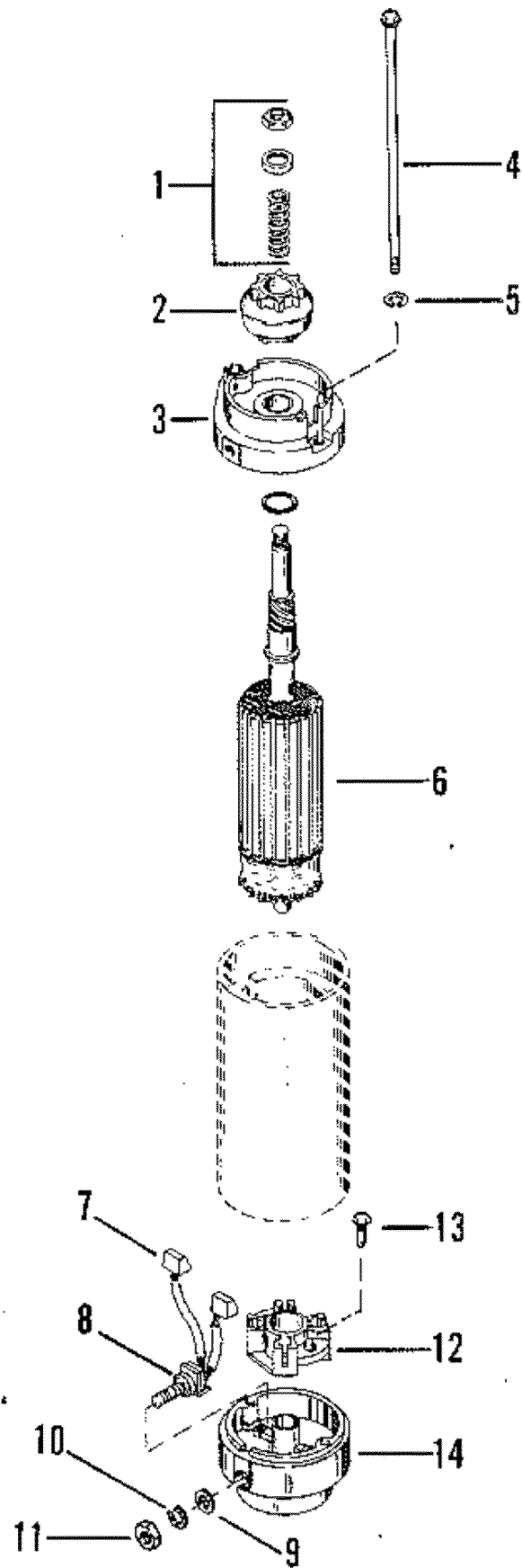
POWER TRIM CYLINDER REPAIR KITS (USE WITH 92194A20 TRIM)



POWER TRIM CYLINDER REPAIR KITS (USE WITH 92194A20 TRIM)

REF. NO.	PART NO.	SYM.	QTY.	DESCRIPTION
-	92188A2		1	REPAIR KIT USE WITH 92194A20 TRIM CYLINDER (IDENTIFIED BY NO CASTING #)
1	N.S.S.		1	CYLINDER CAP
2	N.S.S.		1	"O" RING (1-1/4" X X1-1/2" X 1/8")
3	N.S.S.		1	SPACER
4	N.S.S.		1	"O" RING (1-7/8" X 2-1/16" X 3/32")
5	N.S.S.		1	"O" RING (3/4" X 15/16" X 3/32")
6	N.S.S.		1	"O" RING (1-1/2" X 1-3/4 X 3/32")

STARTER MOTOR ASSEMBLY



STARTER MOTOR ASSEMBLY

REF. NO.	PART NO.	SYM.	QTY.	DESCRIPTION
-	50-72467		1	STARTER MOTOR ASSEMBLY
1	90644		1	DRIVE KIT
2	68575		1	DRIVE ASSEMBLY
3	74966		1	PLATE, DRIVE END
4	10-74968		2	BOLT, THRU
5	13-61789		2	LOCKWASHER, THRU BOLT
6	74964		1	ARMATURE
7	63292		1	BRUSH SET
8	23-57387		1	BUSHING, INSULATING
9	12-38013		1	WASHER INPUT STUD
10	13-26992		1	LOCKWASHER, INPUT STUD
11	11-20890		1	NUT, INPUT STUD
12	61787		2	HOLDER, BRUSH
13	10-68586		2	SCREW, BRUSH AND HOLDER
14	68579		1	END CAP, COMMUTATOR

PARTS INDEX

Part Number	Description	Pg.	Ref. No.	Part Number	Description	Pg.	Ref. No.
22833	ADAPTOR, CHECK UNIT (FUEL LINE)	23	28	39667	COVER, NYLON - SHIFT CABLE	35	28
23004	RETAINER, CHECK VALVE .	23	11	41529A1	BEARING CARRIER ASSEMBLY - WITH		
23069	STEM, CHECK UNIT ADAPTOR	23	29	45197A2	CONTROL VALVE ASSEMBLY	53	64
25067	BUMPER, RUBBER - LOWER MOUNTING SCREW	45	28	45197A2	CONTROL VALVE ASSEMBLY	63	7
26113	RACE, OUTER (PAIR)	31	10	45326A2	SWITCH ASSEMBLY, CUT- OUT LIMIT	65	31
26901	BUMPER, RUBBER - SOLENOID BRACKET	59	31	45336	PLATE, MANIFOLD	59	7
28203	BUMPER, STEERING ARM .	39	17	45336	PLATE, MANIFOLD	63	6
28205	STRAP STOP, DRIVE SHAFT HOUSING TO SWIVEL BRACKET	39	11	45377	BRACKET, MOUNTING	59	15
30021	BLANKET, SOUND	5	14	45377	BRACKET, MOUNTING	63	14
30186	ADAPTOR, CHECK UNIT (FUEL LINE)	23	28	45508	CAM, LIMIT SWITCH ADJUSTING STUD	65	27
30187	STEM, CHECK UNIT ADAPTOR	23	29	45915	TERMINAL BLOCK, REED BLOCK HOUSING	25	41
30188	CUP WASHER, ADAPTOR . .	23	32	46096	MOUNT, RUBBER - TOP COWL FRAME (HEAVY DUTY)	3	18
30413	HOOK, COWL LATCH	5	13	46265	BOOT, RUBBER - STARTER SOLENOID TERMINAL	59	26
30624	SLIDE, CROSS PIN	53	51	46265	BOOT, TERMINAL - STARTER SOLENOID	11	17
30625	CAM FOLLOWER	53	50	46785A1	COWL LATCH ASSEMBLY . .	5	12
31014	MOUNT, RUBBER - REAR SUPPORT BRACKET	3	21	46933A3	GROUND STRAP ASSEMBLY, CYLINDER BLOCK COVER	29	33
31640A1	TRIM TAB, GEAR HOUSING	53	70	47341A1	ROPE, STARTER (FOR MANUAL STARTING ONLY)	3	9
32435	FACE PLATE	49	21	47558	ROD, PUSH	45	15
32979	BATTERY LEAD (POSITIVE)	59	6	47559	YOKE, PUSH ROD	45	17
32988	BATTERY LEAD (NEGATIVE)	59	6	48039	CAP, NYLON - ADJUSTING SCREW	9	33
35474F2	COVER, LOWER MOUNT CLAMP	47	37	48047A1	LINK ROD ASSEMBLY	35	20
35608	CLAMP, LOWER MOUNT . . .	47	34	48152	CHOKE SHUTTER	15	25
37417F2	COVER, TRIM - DRIVE SHAFT HOUSING	45	5	48203	CHOKE ROD	15	22
37440	BRACKET, MOUNT SUPPORT	29	28	48752	INSERT, WATER PUMP	49	24
37587	SWIVEL, THROTTLE LEVER TO THROTTLE CABLE	9	6	49589	STRAP, CHOKE KNOB TO CHOKE ROD	15	19
37637	BOOT, FUEL CONNECTOR .	35	9	52023	CAP, NYLON - ADJUSTING SCREW	9	10
37640	MOUNT, RUBBER - FRONT SUPPORT BRACKET	3	34	52023	CAP, NYLON - ADJUSTING SCREW	9	30
37641	SEAL, EXHAUST	49	37	52100	WEAR PLATE, LINK ROD . .	35	33
37896	GUIDE BLOCK, LINK ROD . .	35	32	52699	COVER, GEAR HOUSING . .	53	69
37918	SEAL, EXHAUST EXTENSION PLATE	37	3	52732	BRACKET, ANCHOR - CONTROL CABLES	35	24
37940	PAD, SOUND - DRIP TRAY .	35	3	52739	HINGE, COWL LATCH - TOP COWL	3	10
38051	PLATE, SUPPORT - EXHAUST TUBE SEAL	51	38	52862A2	DRIP TRAY ASSEMBLY, BOTTOM COWL	35	2
38279	LATCH, CONTROL CABLE FASTENING	35	34	52887	GUIDE, PUSH ROD	45	14
38674	BAG, STARTER ROPE	5	8	52889	NOZZLE, TELL TALE HOSE TO BOTTOM COWL	35	14
39019	SPACER, LOWER - NOT USED WITH FULL POWER TRIM	51	45	53720A2	THROTTLE PICK-UP BRACKET ASSEMBLY	15	10
39021	CAM, REVERSE LOCKING - NOT USED WITH FULL POWER TRIM	51	46				
39519	CAP, BARREL RETAINER . .	35	25				
39616	BOOT, CONTROL CABLES .	35	6				

PARTS INDEX

Part Number	Description	Pg.	Ref. No.	Part Number	Description	Pg.	Ref. No.
54196A6	CARRIER ASSEMBLY, "O" RING	31	5	76039	SHIFT CAM	53	49
54283A1	PLUNGER AND LINK ASSEMBLY	15	6	76062A1	SHAFT ASSEMBLY, SHIFT - LOWER (LONG SHAFT)	51	39
54293A4	CHOKE SOLENOID	15	1	76369	SPACER, BOTTOM COWL	35	7
55455	HOOK, TOP COWL LATCH - REAR	3	13	76395A5	HYDRAULIC PUMP ASS'Y (METAL RESEROVIR)	59	1
55991	JUMPER WIRE (POSITIVE)	59	32	76395A5	HYDRAULIC PUMP ASSEMBLY, COMPLETE	55	-
55992	JUMPER WIRE (NEGATIVE)	59	32	76433	SHIELD, TOP COWL - REAR	3	6
56349	SHAFT, REVERSE LOCK PIVOT	41	24	76440	RETAINER, TOP COWL	3	2
56703	COLLAR, STARTER MOTOR	7	12	76505	PAD, BUMPER - TOP COWL RETAINER	3	3
56849	KNOB, FRONT COVER	5	2	76509A23	TRIM CYLINDERS ASS'Y (IDENTIFY BY CASTING #78439)	65	1
57247	STOP, RUBBER - STARTER MOTOR	7	14	76867	COVER, STARTER MOTOR BRACKET - BOTTOM	27	13
60304A54	SHIFT SHAFT ASSEMBLY, UPPER	35	17	77013A1	SWIVEL ASSEMBLY, SPARK LINK	9	34
60437	MEGAPHONE, EXHAUST	37	19	77013A1	SWIVEL ASSEMBLY, THROTTLE LEVER	9	11
61787	HOLDER, BRUSH	73	12	77120	SPACER, DRIVE SHAFT HOUSING - EXTRA LONG SHAFT	47	--
62310A3	CABLE ASS'Y, SWITCH BOX TO SWITCH BOX (WHITE/BLACK)	11	24	77122	SHAFT, SHIF - LOWER (EXTRA LONG SHAFT)	51	39
62351A1	RECTIFIER	11	7	77544	SEAL, SOUND - TOP	5	10
63292	BRUSH SET	73	7	77669	PIN, MOUNTING TUBE	67	49
63473	TUBE, CUSHION	67	50	77790	STRIP, SOUND	5	7
64505A1	RETAINER ASSEMBLY, PISTON	69	12	78184	EXHAUST TUBE	45	8
64507A1	REPAIR KIT	69	-	79659	COUPLING, TILT LOCK	41	16
65638	BOOT EXHUST TUBE	45	8A	79897	FRAME, TOP COWL SUPPORT	3	16
65799	LINK, LOCKING LEVER TO COVER	35	29	79900	LEVER, THROTTLE	9	1
65800	"O" RING, CARRIER	31	6	79903	HOUSING, THROTTLE - LOWER	9	22
66517	RESTRICTION, CRANKCASE BLEED	27	3	85082	HOUSING, THROTTLE - UPPER	9	19
66530A6	FUEL PUMP ASSEMBLY	23	1	85300	LINK ROD, THROTTLE	9	16
68575	DRIVE ASSEMBLY	73	2	85301	SPARK LINK	9	39
68579	END CAP, COMMUTATOR	73	14	85441	THROTTLE CAM	9	18
69259	TUBE, MOUNTING - TILT STOP	67	48	85943A1	LEVER, THROTTLE (UPPER CARBURETOR)	15	7
70679	COVER, TRIM CYLINDER - NOT USED ON LATE MODELS	67	55	86295	BASE, FULE PUMP	23	13
71808	COVER, WATER JACKET	29	13	86316	COVER, EXHAUST MANIFOLD	29	20
73218	COVER, IGNITION COIL	13	2	86472	BRACKET, TOP COWL SUPPORT - REAR	3	20
73519A1	TILT STOP	67	47	86473	COVER, STARTER MOTOR - TOP	27	9
73755A1	KNOB, CHOKE ROD	15	17	86967	PLATE, RETIANING - LIMIT SWITCH CAM	65	28
73984	BOTTOM YOKE	39	15	87076A4	IDLE SPEED CONTROL ASSEMBLY	3	40
74406	BRACKET, MOUNTING - STARTER SOLENOID	59	33	87431	REVERSE LOCK ASS'Y	41	22
74407	BRACKET, MOUNTING - STARTER SOLENOID	59	27	87774A1	COVER, INLET - TRANSOM	65	38
74897	BARREL, SPARK LINK TO TRIGGER	9	40	87872	COVER, TRANSFER PORT	29	30
74964	ARMATURE	73	6	87937	SHAFT, THROTTLE AND SPARK ADVANCE	9	24
74966	PLATE, DRIVE END	73	3				
75282	THRUST HUB AND WASHER ASSEMBLY	53	75				
75296	MOUNT, RUBBER - UPPER	45	20				
75299	MOUNT, RUBBER - LOWER	45	24				

PARTS INDEX

Part Number	Description	Pg.	Ref. No.	Part Number	Description	Pg.	Ref. No.
87991	POINTER TIMING	3	37	98518A4	PLATE ASSEMBLY, DRIVE SHAFT HOUSING	37	15
88238A2	WIRE ASSEMBLY, GROUND	47	40	99358	STRIP, RETAINING - PLATE SEAL	37	4
88238A4	GROUND STRAP ASSEMBLY, TRIM COVER SCREW	45	6B	N.S.S.	"O" RING (1-5/16" X 1-1/2" X 1/8")	69	7
88751	CLAMP, WIRING HARNESS	13	22	N.S.S.	"O" RING (1-1/2" X 1-3/4 X 3/32")	71	6
88754	THROTTLE CAM	9	18	N.S.S.	"O" RING (1-1/2" X 1-5/8" X 1/16")	69	1
89031A3	DIAPHRAGM ASSEMBLY	23	3	N.S.S.	"O" RING (1-1/4" X 1-7/16" X 1/16")	69	4
89047	BRACKET, WIRING HARNESS	13	18	N.S.S.	"O" RING (1-1/4" X 1-1/2" X 1/8")	71	2
89099	TILT TUBE	41	2	N.S.S.	"O" RING (1-3/4" X 1-15/16" X 1/8")	69	9
89105	TILT LOCK	41	21	N.S.S.	"O" RING (1-5/8" X 1-13/16" X 1/8")	69	6
89108A3	BRACKET, TRIM CYLINDER (PORT)	65	9	N.S.S.	"O" RING (1-7/8" X 2" X 1/8")	69	8
89111	BRACKET, TRIM CYLINDER (STARBOARD)	65	20	N.S.S.	"O" RING (1-7/8" X 2-1/16" X 3/32")	71	4
89116	PIN, UPPER SHOCK MOUNTING	41	14	N.S.S.	"O" RING (3/4" X 15/16" X 1/8")	69	2
89232A1	BRACKET ASSEMBLY, TOP COWL - FRONT	3	29	N.S.S.	"O" RING (3/4" X 15/16" X 3/32")	71	5
89272	COVER, LIMIT SWITCH	65	34	N.S.S.	"O" RING (5/8" X 3/4" X 1/16")	69	3
89290	PLUNGER, LIMIT SWITCH ACTUATING	65	11	N.S.S.	"O" RING (7/32" X 11/32" X 1/16")	69	5
89748	PLATE, ELECTRICAL MOUNTING	11	1	N.S.S.	CYLINDER CAP	71	1
89813	YOKE, PUSH ROD	45	17	N.S.S.	PISTON, ROD - HEAVY DUTY	69	11
90345	BRACKET, ENRICHER VALVE	25	38	N.S.S.	RETAINER, SCRAPER	69	14
90365	VALVE, ENRICHER	25	35	N.S.S.	ROD, SCRAPER	69	13
90435	MOUNT, RUBBER - TOP COWL FRAME	3	18	N.S.S.	SEAL, SLIPPER - PISTON	69	10
90547	LOCATOR, STARTER SOLENOID	11	18	N.S.S.	SPACER	71	3
90644	DRIVE KIT	73	1	N.S.S.	SCREW, RETAINER	23	12
92188A2	REPAIR KIT	71	-	N.S.S.	SCREW, IDLE SPEED CONTROL SCREW	3	41
92194A20	TRIM CYLINDER ASS'Y (IDENTIFY BY NO CASTING #)	65	1	10-20037	SCREW, CENTER MAIN BEARING LOCKING	27	20
92405A1	REVERSE LOCK ASS'Y	41	22	10-20189	SCREW, VALVE BODY TO RESERVOIR	55	3
92704	GUIDE, PUSH ROD	45	14	10-20411	SCREW, WIRE TO TERMINAL BLOCK	25	43
92707	ROD, PUSH	45	15	10-20411	SCREW, SWITCH BOX (1-3/8")	11	20
92975A6	HYDRAULIC PUMP ASS'Y (PLASTIC RESERVOIR) SEE NOTE	63	1	10-20619	SCREW, THROTTLE STOP LEVER	19	18
92975A6	HYDRAULIC PUMP ASS'Y (PLASTIC RESERVOIR)	59	1	10-20847	SCREW, MOUNTING BRACKET TO HYDRAULIC PUMP (1/2")	59	28
92975A6	HYDRAULIC PUMP ASSEMBLY	57	-	10-21140	SCREW, LOWER SHOCK PIN (2")	41	28
93381	MEGAPHONE, EXHAUST	37	19	10-21937	SCREW, LOWER SCREEN TO CARBURETOR (5/8")	17	29
94275	LINK, SOLENOID TO SOLENOID	63	30	10-22523	SCREW, REAR HOOK TO TOP COWL (7/8")	3	14
94279	BRACKET, MOUNTING - STARTER SOLENOID	63	20	10-22956	SCREW, CENTER MAIN BEARING	31	13
94918	LEVER, COWL LATCH HINGE	3	11	10-22968			
96074A1	BEARING CARRIER ASSEMBLY - W/O GREASE FITTING	53	64				
96455A6	TRIGGER PLATE ASSEMBLY	7	9				

PARTS INDEX

Part Number	Description	Pg.	Ref. No.	Part Number	Description	Pg.	Ref. No.
10-24234	SCREW, ANCHOR BRACKET TO CYLINDER BLOCK (1")	35	30	10-37571	SCREW, SEAL AND RETAINING STRIP (1/2")	37	5
10-24234	SCREW, BRACKET TO CYLINDER BLOCK (1")	29	29	10-37655	SCREW, TRIM CYLINDER COVER - NOT USED ON LATE MODELS	67	56
10-24234	SCREW, MOUNTING BRACKET TO HYDRAULIC PUMP (1")	59	16	10-38257	SCREW, FILLER - HYDRAULIC PUMP	55	6
10-24234	SCREW, MOUNTING BRACKET TO HYDRAULIC PUMP (1")	63	15	10-38257	SCREW, VENT - HYDRAULIC PUMP	59	5
10-24637	SCREW, WIRING HARNESS BRACKET	13	19	10-38257	SCREW, VENT - HYDRAULIC PUMP	63	5
10-25299	SCREW, CHOKE SOLENOID SCREW	15	4	10-38601	SCREW, STARTER SOLENOID TO PLATE (1/2")	11	15
10-25299	SCREW, RETAINER TO TOP COWL	3	4	10-45263	SCREW, MOUNTING BRACKET (2-1/4")	65	16
10-25764	SCREW, MERCURY SWITCH TO PLATE (5/8")	11	5	10-45264	SCREW, TRIM CYLINDER (1-1/2") - WITH TAPPED HOLE	65	5
10-25764	SCREW, RECTIFIER TO IGNITION PLATE (5/8")	11	8	10-45265	SCREW, BLEED	65	3
10-28200	SCREW, STRAP STOP TO DRIVE SHAFT HOUSING (2-7/8")	39	12	10-45328	SCREW, TRIM CYLINDER TO MOUNTING BRACKET (3-9/16")	65	21
10-28239	SCREW, THROTTLE HOUSING	9	25	10-45561	SCREW, PLATE TO CYLINDER BLOCK (1-1/8")	11	2
10-28636	SCREW, PLATE TO CYLINDER BLOCK (3/4")	11	2	10-45775	SCREW, MAIN BEARING	31	17
10-28636	SCREW, TIMING POINTER (3/4")	3	38	10-45775	SCREW, MAIN BEARING	31	17
10-28636	SCREW, TRANSFER PORT COVER (3/4")	29	32	10-47255	SCREW, CUT-OUT LIMIT SWITCH (9/16")	65	33
10-28636	SCREW, WIRING HARNESS CLAMP	13	16	10-48063	SCREW, MOUNTING BRACKET TO HYDRAULIC PUMP	63	21
10-28636	SCREW, WIRING HARNESS CLAMP	13	23	10-48408	SCREW, DRIP TRAY TO BOTTOM COWL (1/2")	35	4
10-29256	SCREW, LOWER MOUNT CLAMP	47	36	10-48408	SCREW, TELL TALE NOZZLE TO BOTTOM COWL (1/2")	35	15
10-30009	SCREW, CIRCUIT BREAKER	63	33	10-48591	SCREW, SPACER TO BOTTOM COWL (1/2")	35	8
10-30720	SCREW, WATER PUMP (1/4-20 - HEX HEAD)	49	29	10-48591	SCREW, STRAP TO CHOKE ROD (1/2")	15	23
10-32293	SCREW, CRANKCASE TO CYLINDER BLOCK (1-3/4")	27	17	10-49318	SCREW, LOWER MOUNT (5-1/2")	45	25
10-32417	SCREW, FLYWHEEL PLATE	7	5	10-49554	BOLT, STEERING ARM TO UPPER MOUNT (5-7/8")	39	18
10-32866	SCREW, INLET COVER TO BOAT (2")	67	41	10-52195	SCREW, FLOAT BOWL COVER	19	13
10-34290	SCREW, STARTER SOLENOID TO MOUNTING BRACKET (5/8")	61	36	10-53016	SCREW, CRANKCASE TO CYLINDER BLOCK (1-1/4")	27	17
10-34994	SCREW, LIMIT SWITCH COVER (7/16")	65	36	10-53167	SCREW, WATER JACKET COVER (7/8")	29	15
10-36154	SCREW, ADAPTOR TO BOTTOM COWL (1-3/8")	23	33	10-53576	SCREW, MAINFOLD COVER	29	21
10-37370	SCREW, SHIELD TO TOP COWL (5/8")	3	7	10-54803	SCREW, CONNECTING ROD - W/NUT	33	28
10-37559	SCREW, THROTTLE LEVER TO EXHAUST COVER	9	2	10-56500	SCREW, VALVE AND MANIFOLD PLATE TO PUMP (1-1/4")	59	12
10-37562	SCREW, REAR BRACKET TO BOTTOM COWL (1")	3	27	10-56500	SCREW, VALVE AND MANIFOLD PLATE TO PUMP (1-1/4")	63	11
10-37562	SCREW, REAR BRACKET TO FRAME (1")	3	24				

PARTS INDEX

Part Number	Description	Pg.	Ref. No.	Part Number	Description	Pg.	Ref. No.
10-57841	SCREW, CRANKCASE TO CYLINDER BLOCK (2-3/4")	27	17	10-73013	SCREW, FUEL PUMP	23	17
10-60293	SCREW, THROTTLE LEVER	15	8	10-73169	SCREW, END CAP (1")	29	6
10-60464	SCREW, ADJUSTING - LOWER HOUSING 92-1/8")	9	31	10-73286	SCREW, BRACKET TO REED HOUSING (1/2")	25	40
10-60480	SCREW, MEGAPHONE (1-1/8")	37	20	10-73657	SCREW, CRANKCASE TO CYLINDER BLOCK (1-1/2")	27	17
10-62204	SCREW, REED STOP	31	21	10-74968	BOLT, THRU	73	4
10-62204	SCREW, REED STOP	31	21	10-75168	SCREW, ADJUSTING - LOWER HOUSING (2-1/4")	9	28
10-62568	SCREW, GOUND STRAP ATTACHING	45	6C	10-75168	SCREW, ADJUSTING - THROTTLE LEVER	9	8
10-62568	SCREW, GROUND STRAP (3/8")	29	34	10-75840	SCREW, STATOR (7/8")	7	8
10-62568	SCREW, WIRE	11	23	10-76196	SCREW, STRAP TO CHOKE KNOB (5/8")	15	20
10-65210	SCREW, GEAR HOUSING (LONG SHAFT)	53	74	10-77167	SCREW, GEAR HOUSING (EXTRA LONG SHAFT)	53	74
10-65414	SCREW, MEGAPHONE TO PLATE (3/4")	37	20	10-79953	SCREW, FILLER - HYDRAULIC PUMP	59	3
10-66023	SCREW, ADAPTOR PLATE TO HOUSING PLATE (2")	37	8	10-79953	SCREW, FILLER - HYDRAULIC PUMP	63	3
10-66023	SCREW, HOUSING PLATE TO DRIVE SHAFT HOUSING (2")	37	10	10-79953	SCREW, GREASE FILLER AND VENT HOLE	51	47
10-66024	SCREW, TRIM TAB TO GEAR HOUSING (1-3/4")	53	71	10-86885	SCREW, PLATE TO CYLINDER BLOCK (1-1/2")	11	2
10-66104	SCREW, THROTTLE BRACKET	15	11	10-87884	SCREW, COVER TO LOWER CLAMP MOUNT	47	39
10-67755	BOLT, TRANSOM BRACKET (6")	41	11	10-88856	SCREW, IGNITION COIL COVER (2")	13	3
10-68298	BOLT, HYDRAULIC PUMP TO BOAT (3-1/4")	59	19	10-89075	SCREW, VALVE TO BRACKET	25	39
10-68298	BOLT, HYDRAULIC PUMP TO BOAT (3-1/4")	63	18	10-89673	BOLT, MOUNTING BRACKET TO TRANSOM (5")	65	17
10-68298	BOLT, MOUNTING BRACKET TO TRANSOM (3-1/4")	65	17	10-89673	BOLT, TRANSOM BRACKET (5")	41	11
10-68513	SCREW, RETAINING PLATE AND CAM	65	29	10-89766	SCREW, FUEL FILTER COVER (5/8")	23	16
10-68586	SCREW, BRUSH AND HOLDER	73	13	10-91012	SCREW, CONNECTING ROD -W/O NUT	33	28
10-68997	SCREW, FLYWHEEL HUB	7	6	10-91026	SCREW, STARTER SOLENOID TO MOUNTING BRACKET	63	29
10-69028	SCREW, MOUNTING BRACKET TO HYDRAULIC PUMP (3/4")	61	34	10-92050	SCREW, TRIM CYLINDER (1-1/2") - WITHOUT TAPPED HOLE	65	5
10-69034	SCREW, END CAP (1")	29	12	10-96411	SCREW, WATER PUMP (14-8 - HEX WASHER HEAD)	49	29
10-69035	SCREW, CABLE TO STARTER MOTOR	7	16	11-20110	NUT, BRACKET SCREW	13	21
10-69079	SCREW, TERMINAL BLOCK	25	42	11-20110	NUT, CHOKE SHUTTER STUD	17	27
10-69092	SCREW, FRONT BRACKET TO BOTTOM COWL (1-1/4")	3	30	11-20110	NUT, IDLE SPEED CONTROL SCREW	3	42
10-69092	SCREW, FRONT BRACKET TO TOP COWL FRAME (1-1/2")	3	32	11-20110	NUT, SCREEN SCREW	17	31
10-69100	SCREW, COVER (1")	29	25	11-20184	NUT, BEARING SCREW	31	14
10-69268	SCREW, BOTTOM COVER (1-7/8")	27	14	11-20184	NUT, LOWER SHOCK PIN SCREW	41	29
10-69268	SCREW, TOP COVER (1-7/8")	27	10	11-20509	NUT, THROTTLE LEVER SCREW	9	5
10-69375	SCREW, UPPER AND LOWER SHCOK PIN	43	35	11-20664	NUT, LINK ROD	35	22
				11-20696	NUT, TRIM CYLINDER SCREW	65	23

PARTS INDEX

Part Number	Description	Pg.	Ref. No.	Part Number	Description	Pg.	Ref. No.
11-20890	NUT, INPUT STUD	73	11	11-45076	NUT, WIRE TO MERCURY SWITCH	11	6
11-21825	NUT, FUSE TERMINAL (1/4-28)	63	38	11-45774	NUT, MAIN BEARING SCREW	31	18
11-21825	NUT, STARTER SOLENOID SCREW	61	38	11-45774	NUT, MAIN BEARING SCREW	31	18
11-21908	NUT, MOUNTING BRACKET SCREW	59	18	11-45774	NUT, SWIVEL	9	38
11-21908	NUT, MOUNTING BRACKET SCREW	63	17	11-45774	NUT, SWIVEL TO THROTTLE LEVER	9	15
11-24656	NUT, MOUNTING BRACKET TO HYDRAULIC PUMP THRU BOLT	59	30	11-45812	NUT, JAM - LIMIT SWITCH ADJUSTING STUD	65	26
11-24656	NUT, MOUNTING BRACKET TO HYDRAULIC PUMP THRU BOLT	63	22	11-46438	NUT, STRAP TO CHOKE ROD SCREW	15	24
11-25096	NUT, LOWER MOUNT SCREW	45	27	11-46887	NUT, CHOKE ROD SPRING STUD	17	35
11-25269	NUT, STRAP STOP FASTENING SCREW	39	13	11-47661	NUT, JAM - PUSH ROD	45	16
11-26419	NUT, SOLENOID TERMINAL (8-32)	63	25	11-49091	NUT, CONNECTING ROD SCREW - W/NUT	33	29
11-26419	NUT, SOLENOID TERMINALS (8-32)	11	12	11-52707	PROPELLER NUT	53	77
11-28770	NUT, JAM - PUSH ROD	45	16	11-52901	NUT, FLYWHEEL	7	2
11-28770	NUT, MOUNTING BRACKET STUD	65	15	11-53153	NUT, REED STOP SCREW	31	22
11-28770	NUT, RUBBER MOUNT	3	36	11-53153	NUT, REED STOP SCREW	31	22
11-28770	NUT, TRANSOM BRACKET STUD	41	9	11-56041	NUT, TILT TUBE	41	4
11-29250	NUT, CRANKCASE SCREWS (LOWER)	27	19	11-64015	NUT, STARTER MOTOR TERMINAL	7	19
11-29489	NUT, GEAR HOUSING STUDS	45	32	11-64809	NUT, CARBURETOR STUD	21	35
11-29598	NUT, ADJUSTING SCREW	9	29	11-68219	NUT, ADJUSTING SCREW	9	32
11-29598	NUT, ADJUSTING SCREW	9	9	11-68219	NUT, INLET COVER SCREW	67	43
11-29598	NUT, RUBBER MOUNT	3	23	11-68219	NUT, SOLENOID TERMINAL	15	3
11-34932	NUT, POWERHEAD STUD	37	23	11-68219	NUT, SOLENOID TERMINAL (#10)	59	23
11-34933	NUT, DRIVE SHAFT HOUSING STUDS	53	73	11-68219	NUT, SOLENOID TERMINALS (10-32)	11	12
11-34933	NUT, GEAR HOUSING STUDS	45	30	11-68292	NUT, SOLENOID TERMINAL (5/16")	59	25
11-34933	NUT, STEERING ARM BOLT	39	19	11-68292	NUT, SOLENOID TERMINALS (5/16 - 18)	11	14
11-34933	NUT, UPPER MOUNT BOLT	45	23	11-69254	NUT, POWERHEAD STUDS (3/8-24)	45	11
11-35521	NUT, LOWER MOUNT CLAMP COVER	47	38	11-72008	NUT, THROTTLE HOUSING SCREW	9	27
11-35814	NUT, WATER PUMP STUD	49	34	11-91962	NUT, TRANSOM BRACKET BOLT	41	13
11-35888	NUT, RUBBER MOUNT	3	19	11-94330	NUT, SOLENOID TERMINAL (1/4-20)	63	27
11-35888	NUT, THROTTLE CABLE TO SWIVEL	9	7	11-94330	NUT, SOLENOID TERMINALS (1/4-20)	11	14
11-35888	NUT, WATER PUMP SCREW	49	32	11-99405	NUT, HYDRAULIC PUMP BOLT	59	20
11-35921	NUT, PINION GEAR TO DRIVE SHAFT	49	10	11-99405	NUT, HYDRAULIC PUMP BOLT	63	19
11-36069	NUT, ADAPTOR SCREW	23	34	11-99405	NUT, MOUNTING BRACKET BOLT	65	19
11-45076	NUT, CIRCUIT BREAKER TERMINAL (10-32)	63	34	11-99405	NUT, TRANSOM BRACKET BOLT	41	13
11-45076	NUT, IGNITION COIL TERMINAL	13	4	12-20260	WASHER, GREASE FILLER AND VENT HOLE SCREW	51	48
11-45076	NUT, RECTIFIER TERMINALS	11	9	12-20260	WASHER, SEALING - FILLER SCREW	55	8

PARTS INDEX

Part Number	Description	Pg.	Ref. No.	Part Number	Description	Pg.	Ref. No.
12-20260	WASHER, SEALING - FILLER SCREW	63	4	12-68410	WASHER, MOUNTING BRACKET BOLT	65	18
12-20533	WASHER, CLAMP SCREW	13	24	12-68410	WASHER, TRANSOM BRACKET BOLT	41	12
12-22753	WASHER, CRANKCASE SCREWS	27	18	12-69342	WASHER, SWIVEL PIN - UPPER	39	4
12-25970	WASHER, POWERHEAD STUD	37	22	12-69374	WASHER, UPPER/LOWER SHOCK PIN (LOWER)	43	34
12-25970	WASHER, POWERHEAD STUDS	45	12	12-70132	WASHER, WATER JACKET COVER SCREW	29	16
12-28196	WASHER, UPPER BUSHING RETAINER (INNER)	41	31	12-74726	WASHER, THROTTLE LEVER SCREW	15	8A
12-28421	WASHER, TRANSOM BRACKET BOLT	41	12	12-76388	WASHER, TILT LOCK	41	19
12-28421	WASHER, TRIM CYLINDER BOLT	65	6	12-76805	WASHER, THRUST - BEARING CARRIER	53	62
12-29245	WASHER, MEGAPHONE SCREW	37	21	12-77674	WASHER, RUBBER - SHIFT SHAFT BUSHING	51	44
12-29245	WASHER, PLATE SCREW	11	3	12-85303	WASHER, PLASTIC - THROTTLE CAM	9	21
12-29245	WASHER, WATER PUMP SCREW AND STUD	49	31	12-96457	WASHER, FUSE TERMINAL	63	37
12-29395	WASHER, THROTTLE LEVER SCREW	9	3	13-26992	LOCKWASHER, INPUT STUD	73	10
12-30771	WASHER, COVER KNOB (RUBBER)	5	3	13-26992	LOCKWASHER, MEGAPHONE SCREW	37	21
12-31263	WASHER, UPPER MOUNT BOLT	45	22	13-26992	LOCKWASHER, MOUNTING BRACKET SCREW	59	29
12-33786	WASHER, SWIVEL	9	13	13-26992	LOCKWASHER, MOUNTING BRACKET SCREW	61	35
12-33786	WASHER, SWIVEL	9	36	13-26992	LOCKWASHER, REAR HOOK SCREW	3	15
12-35462	WASHER, LINK ROD	35	21	13-26992	LOCKWASHER, RUBBER MOUNT	3	22
12-35462	WASHER, THROTTLE HOUSING SCREW	9	26	13-26992	LOCKWASHER, SOLENOID TERMINAL (1/4)	63	26
12-35462	WASHER, TIMING POINTER SCREW	3	39	13-26992	LOCKWASHER, SOLENOID TERMINALS (1/4")	11	13
12-36001	WASHER, TRANSOM BRACKET STUD	41	7	13-26992	LOCKWASHER, STARTER MOTOR TERMINAL	7	18
12-36001	WASHER, WATER PUMP STUD	49	33	13-26992	LOCKWASHER, STARTER SOLENOID SCREW	11	16
12-37807	WASHER, TRIM CYLINDER SCREW (STARBOARD ONLY)	65	22	13-26992	LOCKWASHER, STARTER SOLENOID SCREW	61	37
12-38013	WASHER INPUT STUD	73	9	13-26992	LOCKWASHER, WATER PUMP SCREW	49	30
12-38833	WASHER, BRACKET SCREW	13	20	13-26993	LOCKWASHER, BOTTOM COVER SCREW	27	15
12-38833	WASHER, LIMIT SWITCH COVER SCREW	65	37	13-26993	LOCKWASHER, CHOKE SOLENOID SCREW	15	5
12-39304	WASHER, TILT PIN	67	53	13-26993	LOCKWASHER, FRONT SUPPORT BRACKET SCREW	3	31
12-45176	WASHER, DRIVE SHIFT HOUSING STUDS	53	72	13-26993	LOCKWASHER, FRONT SUPPORT BRACKET SCREW	3	33
12-45176	WASHER, GEAR HOUSING STUDS	45	31	13-26993	LOCKWASHER, MOUNTING BRACKET STUD	65	14
12-45176	WASHER, GEAR HOUSING STUDS	47	33	13-26993	LOCKWASHER, REAR BRACKET SCREW	3	26
12-47247	WASHER, NEEDLE LOCATING	33	31	13-26993	LOCKWASHER, REAR SUPPORT BRACKET SCREW	3	28
12-47840	WASHER, RUBBER - UPPER MOUNT BOLT	45	21				
12-49339	WASHER, LOWER MOUNT SCREW	45	26				
12-59572	WASHER, COVER KNOB (PLASTIC)	5	4				
12-68229	WASHER, FLYWHEEL	7	3				

PARTS INDEX

Part Number	Description	Pg.	Ref. No.	Part Number	Description	Pg.	Ref. No.
13-26993	LOCKWASHER, RUBBER MOUNT	3	35	16-39937	STUD, CHOKE ROD SPRING TO CARBURETOR	17	33
13-26993	LOCKWASHER, SOLENOID TERMINAL (5/16")	59	24	16-45282	STUD, MOUNTING BRACKET	65	13
13-26993	LOCKWASHER, SOLENOID TERMINALS (5/16")	11	13	16-56295	STUD, DRIVE SHAFT HOUSING (LONG SHAFT)	45	2
13-26993	LOCKWASHER, TOP COVER SCREWS	27	11	16-56297	STUD, WATER PUMP (3-3/8")	49	5
13-26993	LOCKWASHER, TRANSOM BRACKET STUD	41	8	16-57920	STUD, GEAR HOUSING (2-1/16") (LONG SHAFT)	49	4
13-26995	LOCKWASHER, FLOAT BOWL COVER SCREW	19	15	16-57921	STUD, GEAR HOUSING (4") (LONG SHAFT)	49	3
13-26995	LOCKWASHER, SOLENOID TERMINAL (#8)	63	24	16-64280	STUD, CARBURETOR (1-3/16")	27	4
13-26995	LOCKWASHER, SOLENOID TERMINALS (#8)	11	11	16-64281	STUD, CRANKCASE TO EXTENSION PLATE (1-7/8")	27	5
13-26996	LOCKWASHER, FUEL PUMP SCREW	23	18	16-64282	STUD, CYLINDER BLOCK TO PLATE (4")	27	8
13-26996	LOCKWASHER, INLET COVER SCREW	67	42	16-69037	STUD, CHOKE SHUTTER PIVOT	17	26
13-26996	LOCKWASHER, RETAINING PLATE AND CAM SCREW	65	30	16-69501	STUD, WATER PUMP (3-1/8")	49	6
13-26996	LOCKWASHER, SOLENOID TERMINAL	15	2	16-77168	STUD, DRIVE SHAFT HOUSING (EXTRA LONG SHAFT)	45	2
13-26996	LOCKWASHER, SOLENOID TERMINALJ (#10)	59	22	16-77169	STUD, GEAR HOUSING (9") (EXTRA LONG SHAFT)	49	3
13-26996	LOCKWASHER, SOLENOID TERMINALS (#10)	11	11	16-77173	STUD, GEAR HOUSING (7") (EXTRA LONG SHAFT)	49	4
13-26996	LOCKWASHER, THRU BOLT	55	17	16-87643	STUD, TRANSOM BRACKET - NOT USED WITH POWER TRIM	41	6
13-26996	LOCKWASHER, WIRING HARNESS CLAMP SCREW	13	17	17-20032	DOWEL PIN, CENTER MAIN BEARING	31	8
13-29402	WAVE WASHER, SWIVEL	9	14	17-20032	DOWEL PIN, MAIN BEARING	31	16
13-29402	WAVE WASHER, SWIVEL	9	37	17-20032	DOWEL PIN, MAIN BEARING	31	16
13-29720	WASHER, WAVE - LINK ROD	35	23	17-20032	DOWEL PIN, MAIN BEARING	31	16
13-37371	LOCKWASHER, SHIELD SCREW	3	8	17-20033	DOWEL PIN, CRANKCASE TO CYLINDER BLOCK	27	6
13-39107	LOCKWASHER, MOUNTING BRACKET SCREW	59	17	17-21438	DOWEL PIN, SPACER - EXTRA LONG SHAFT	47	--
13-39107	LOCKWASHER, MOUNTING BRACKET SCREW	63	16	17-23784	DOWEL PIN, DRIVE SHAFT HOUSING PLATE	37	17
13-39107	LOCKWASHER, RETAINER SCREW	3	5	17-23784	DOWEL PIN, EXHAUST EXTENSION PLATE	37	6
13-61789	LOCKWASHER, THRU BOLT	73	5	17-29077	ROLL PIN, TENSION SPRING KNOB	5	6
13-86498	WAVE WASHER, SHAFT	9	23	17-30632	CROSS PIN, RATCHET TO PROPELLAR SHAFT	53	58
13-88507	WAVE WASHER, SWIVEL PIN - LOWER	39	10	17-35973	DOWEL PIN, WATER PUMP	49	19
13-89297	WASHER, WAVE - TILT TUBE	41	3	17-38311	PIN, COIL SPRING MOUNTING	43	37
14-20091	TAB WASHER, BEARING LOCKING SCREW	27	21	17-46912	DOWEL PIN, GEAR HOUSING LOCATING	49	2
14-31210	TAB WASHER, PROPELLER NUT	53	76	17-47175	PIN, LOCKING LEVER AND COVER	35	27
14-52700	TAB WASHER, GEAR HOUSING COVER	53	68	17-47246	DOWEL PIN, STEPPED	31	12
15-20085A1	SHIM, CAP (.005-10)	29	11	17-49930A1	TILT LOCK PIN ASSEMBLY - NOT USED WITH POWER TRIM	41	10
15-30923A1	SHIM, BEARING OUTER RACE (.002-3-5-10)	53	53	17-58998	ROLL PIN, COWL LATCH LEVER TO HINGE	3	12
15-57007A1	SHIM, BALL BEARING	49	11				
15-73644A1	SHIM, END CAP (.006-10)	29	5				

PARTS INDEX

Part Number	Description	Pg.	Ref. No.	Part Number	Description	Pg.	Ref. No.
17-73593A2	SWIVEL PIN AND ARM ASSEMBLY	39	14	23-28198	BUSHING, RUBBER - SHOCK ABSORBER (LOWER)	41	33
18-25191	COTTER PIN, PUSH ROD PIN	45	19	23-28688	SPACER, RUBBER - COIL SPRING	43	38
18-36391	COTTER PIN, MOUNTING TUBE PIN	67	51	23-29804	SLEEVE, GUIDE - WATER INLET TUBE	49	36
18-45882	COTTER PIN, LOCK TO SHAFT	41	25	23-32171	BUSHING, RUBBER - SHOCK ABSORBER (UPPER)	41	32
18-45882	COTTER PIN, TILT PIN RETAINING	67	52	23-32427	SPACER, CHOKE ROD SPRING STUD	17	34
18-47959	COTTER PIN, TILT LOCK	41	17	23-35977	GROMMET, RUBBER (3/8" I.D. - 1" LONG)	67	46
19-45907	PLUG, FLYWHEEL	7	1	23-45280	SPACER, TRIM CYLINDER - LOWER	65	7
19-64649	PLUG, PLASTIC - TRIM TAB SCREW HOLE	45	3	23-45354	BUSHING, RUBBER - CUT-OUT LIMIT SWITCH	65	32
21-30430A10	CHECK VALVE ASSEMBLY	23	2	23-45818	BUSHING, THROTTLE LEVER SCREW	9	4
21-77560	CHECK VALVE, BLEED HOSE - UPPER	27	25	23-56774	SPACER, STARTER MOTOR	7	13
21-77561	CHECK VALVE, BLEED HOSE - LOWER	27	27	23-57387	BUSHING, INSULATING	73	8
22-25885	ELBOW, BALANCE HOSE	27	28	23-69341	BUSHING, SWIVEL BRACKET	39	3
22-46008	PLUG, CONTROL VALVE (1/2-20")	59	13	23-70412	SPACER, BALL BEARING	49	11
22-46008	PLUG, CONTROL VALVE (1/2-20")	63	12	23-74213	SWIVEL, LINK ROD TO THROTTLE CAM	9	17
22-63981	ELBOW, FUEL LINE TO ADAPTOR	23	27	23-77631A2	BUSHING ASSEMBLY, SHIF SHAFT	51	42
22-64704	FITTING, ELBOW - LOWER CARBURETOR	23	25	23-87642	SPACER, TRANSOM BRACKET STUD	41	5
22-64704	FITTING, ELBOW - UPPER CARBURETOR	23	22	23-89112	BUSHING, MOUNTING BRACKET	67	54
22-64704	FITTING, FUEL OUTLET	23	19	23-89117	BUSHING, UPPER SHOCK MOUNTING PIN	41	15
22-64705	FITTING, INLET COVER	23	16A	23-94304	SPACER, SWITCH BOX SCREW	11	21
22-64706	FITTING, TEE - CENTER CARBURETOR	23	24	23-94907A1	BUSHING, RUBBER - TRIM CYLINDER	65	8
22-67892	PLUG, DRAIN (MAGNETIC)	51	47	24-20099	SPRING, LINK ROD TO GUIDE BLOCK	35	31
22-68307	PIPE PLUG, CYLINDER BLOCK COVER	29	27	24-23067	SPRING, ADAPTOR STEM	23	30
22-73318	TEE, FUEL LINE	23	23	24-24390	SPRING, TENSION - ADJUSTING STUD	65	24
22-73817	CONNECTOR, ENRICHER VALVE (SIDE)	25	37	24-30622	SPRING, COMPRESSION - CAM FOLLOWER	53	52
22-74036	GREASE FITTING, SWIVEL BRACKET	39	7	24-30772	SPRING, TENSION - KNOB	5	5
22-74036	GREASE FITTING, TRIM CYLINDER	65	2	24-30893	SPRING, RETAINING - CROSS PIN	53	59
22-78279	ELBOW, TEEL TALE HOSE TO CYLINDER BLOCK	35	16	24-35522	SPRING, TENSION - LOWER MOUNT CLAMP	47	35
22-85578	TEE, BALANCE HOSE	27	30	24-48230	SPRING, CHOKE ROD TENSION	17	32
22-85822A1	CONNECTOR ASSEMBLY, SPEEDOMETER	49	1A	24-57818	SPRING, UPPER SCREEN SCREW	17	30
22-90275	CONNECTOR, ENRICHER VALVE (BOTTOM)	25	36	24-78203A1	SPRING ASS'Y	41	23
22-90275	CONNECTOR, TOP CARBURETOR (90)	25	45	24-78203A2	SPRING ASSEMBLY	41	23
22-97231	TEE, BLEED HOSE	27	30	24-94891	SPRING, COIL - SWIVEL BRACKET	43	36
22-98727	GREASE FITTING - WITH GREASE FITTING	53	64A	24-95721	SPRING, TORSION - SHAFT	9	20
23-26600	BUSHING, SHIFT SHAFT	35	18	24-95881	SPRING, TENSION - LIMIT SWITCH PLUNGER	65	12
23-26856	BUSHING, SWIVEL	9	12				
23-26856	BUSHING, SWIVEL	9	35				

PARTS INDEX

Part Number	Description	Pg.	Ref. No.	Part Number	Description	Pg.	Ref. No.
25-20116	GROMMET, CHOKE ROD . .	15	18	26-70608	OIL SEAL, PORT BRACKET .	65	10
25-20415	"O" RING, ADAPTOR STEM .	23	31	26-76384	OIL SEAL, SHIFT SHAFT		
25-25439	"O" RING, SHIFT SHAFT				BUSHING	51	43
	BUSHING	51	41	26-76868	OIL SEAL (INSIDE)	53	66
25-29976	"O" RING, BEARING			26-79884	OIL SEAL, WATER PUMP . .	49	18
	CARRIER	53	63	26-94038	OIL SEAL, WATER PUMP . .	49	17
25-30271	RING, RUBBER - DRIVE			27-32433	GASKET, LOWER - WATER		
	SHAFT	49	35		PUMP TO FACE PLATE . .	49	20
25-32546	"O" RING, END CAP	29	10	27-32434	GASKET, UPPER - FACE		
25-33145	"O" RING, WATER PUMP . . .	49	15		PLATE TO WATER PUMP	49	22
25-35480	"O" RING, FUEL INLET			27-33146	GASKET, WATER PUMP . . .	49	14
	COVER	23	9	27-48164	GASKET, CARBURETOR		
25-38933	GASKET, COVER SCREW . .	23	10		FLANGE	21	34
25-45016	"O" RING, BLEED SCREW . .	65	4	27-62362	GASKET, MEGAPHONE	37	18
25-45253	"O" RING, CONTROL VALVE			27-66102	GASKET, PLATE TO DRIVE		
	(5/8" O.D.)	59	11		SHAFT HOUSING PLATE .	37	11
25-45253	"O" RING, CONTROL VALVE			27-69238	GASKET, POWERHEAD . . .	37	7
	(5/8" O.D.)	63	10	27-72142	GASKET, WATER JACKET		
25-45254	"O" RING, CONTROL VALVE				COVER	29	14
	(3/4" O.D.)	59	9	27-85494	GASKET, CYLINDER COVER	29	24
25-45254	"O" RING, CONTROL VALVE			27-85495	GASKET, CYLINDER BLOCK		
	(3/4" O.D.)	63	8		TO BAFFLE PLATE	29	17
25-45507	GROMMET, RUBBER - INLET			27-85497	GASKET, BAFFLE PLATE TO		
	COVER	65	40		EXHAUST MANIFOLD		
25-47254	"O" RING	29	4		COVER	29	19
25-48171	"O" RING, CONTROL VALVE			27-85653	GASKET, TRANSFER PORT		
	(1/2" O.D.0	63	9		COVER	29	31
25-48171	"O" RING, HYDRAULIC			27-85653A32	GASKET SET	1	-
	PUMP	55	1	27-87775	GASKET, INLET COVER . . .	65	39
25-48171	"O" RING, HYDRAULIC			27-89273	GASKET, LIMIT SWITCH		
	PUMP	57	1		COVER	65	35
25-48171	"O" RING, MANIFOLD PLATE	59	2	27-98185	GASKET, CYLINDER BLOCK		
25-48171	"O" RING, MANIFOLD PLATE	63	2		COVER	29	24
25-48171	"O" RING, MANIFOLD PLATE			28-30281	KEY, LOCATING - BEARING		
	(SEE REF. #2)	59	--		CARRIER	53	67
25-48171	"O" RING, MANIFOLD PLATE			28-56654	KEY, IMPELLER DRIVE	49	28
	(SEE REF. #2)	63	--	28-89694	INSERT, THROTTLE		
25-48171	"O" RINGM CONTROL				COUPLING	15	12
	VALVE (1/2" O.D.)	59	10	29-47270	NEEDLE BEARING, PISTON		
25-62702	"O" RING, TILT LOCK	41	20		PIN	33	30
25-92012	GROMMET, PLASTIC - TRIM			29-71422	NEEDLE BEARING, OUTER		
	COVER SCREW	45	6A		RACE	31	9
25-97000	GROMMET, RUBBER (7/16"			30-62567	BALL BEARING, UPPER . . .	31	3
	I.D. - 7/8" LONG)	67	46	30-63742	BALL BEARING, LOWER . . .	31	4
25-97191	GROMMET, RUBBER (3/8"			31-30894A1	TAPERED ROLLER BEARING		
	I.D. - 7/8" LONG)	67	46		ASSEMBLY	53	54
26-22734	OIL SEAL, SWIVEL			31-30895	ROLER BEARING,		
	BRACKET (TILT LOCK) . .	41	18		FORWARD GEAR	53	55
26-29476	OIL SEAL, END CAP	29	3	31-30956	ROLLER BEARING -		
26-29746	OIL SEAL, END CAP	29	9		BEARING CARRIER	53	65
26-37448	OIL SEAL, SWIVEL			31-32898	ROLLER BEARING, DRIVE		
	BRACKET	39	5		SHAFT	49	7
26-38970	SEAL, RUBBER - WATER			31-62596A1	BEARING ASSEMBLY,		
	INLET TUBE	37	16		CRANKPIN	33	27
26-38970	SEAL, RUBBER - WATER			31-69220	ROLLER BEARING, DRIVE		
	INLET TUBE	49	26		SHAFT	49	12
26-60898	SEAL, DRAIVE SHAFT			32-26980-88	FUEL LINE, ENRICHER		
	HOUSING PLATE	37	14		VALVE	25	44
26-70081	OIL SEAL, CUTTER			32-31583109	FUEL LINE, ADAPTOR TO		
	(OUTSIDE)	53	66		FUEL PUMP (11")	23	26

PARTS INDEX

Part Number	Description	Pg.	Ref. No.	Part Number	Description	Pg.	Ref. No.
32-31583109	FUEL LINE, FUEL PUMP TO CARBURETOR	23	20	54-63153	CLIP, HARNESS TO COIL COVER	13	11
32-34395A1	HOSE, BALANCE - MAIN BEARING (6-1/4")	27	29	54-68424	CLAMP, FUEL LINE ATTACHING	23	21
32-34395A1	HOSE, DRIP TRAY TO BOTTOM COWL (8")	35	5	54-88608	CLAMP, WIRING HARNESS	13	15
32-34395A1	HOSE, TELL TALE (21-1/2")	35	13	55-28414	PIN, LOWER SHOCK MOUNTING	41	27
32-54935-79	HOSE, BLEED (22")	27	26	55-58780A4	SHOCK ABSORBER	41	30
32-60897	TUBE, WATER INLET (LONG SHAFT)	45	7	84-60466A1	CABLE ASSEMBLY, IGNITION COIL (BLACK)	13	5
32-77121	TUBE, WATER INLET (EXTRA LONG SHAFT)	45	7	84-60871A10	WIRE ASSEMBLY, SWITCH BOX	11	22
32-97153A1	HOSE, TRIM - CYLINDER TO CONTROL VALVE (5'0 - 12/32" O.D.)	67	44	84-61600A9	WIRE, STARTER SOLENOID (BLACK)	63	39
32-97154A1	HOSE, LIFT - CYLINDER TO CONTROL VALVE (5' - 17/32" O.D.)	67	45	84-74023A1	CONNECTOR AND HARNESS	59	14
33-68057	SPARK PLUG (CHAMPION #L76-V)	13	9	84-79138A1	BATTERY LEAD (NEGATIVE)	63	31
34-30189	SPRING, ADAPTOR STEM	23	30	84-79139A13	BATTERY LEAD (POSITIVE)	63	31
34-56007A1	REED SET, MATCHED	31	19	84-79147A1	CONNECTOR AND HARNESS	63	13
34-56008	REED STOP, REED VALVES	31	20	84-85537A1	HARNESS, COIL TO SWITCH BOX (#1,3 AND 5)	13	10
34-65319	REED STOP, 5 PETAL	31	20	84-85537A2	HARNESS, COIL TO SWITCH BOX (#2,4 AND 6)	13	10
34-99421	REED STOP, 4 PETAL	31	20	84-87379A5	WIRE, SOLENOID TO CIRCUIT BREAKER (RED)	63	35
34-99422A1	REED SET, MATCHED	31	19	84-88439A3	BATTERY CABLE (POSITIVE)	13	25
35-57819	SCREEN ASSEMBLY, FILTER	17	28	84-88439A4	BATTERY CABLE (NEGATIVE)	13	25
35-59072	SCREEN, FUEL INLET	23	8	84-89564A1	WIRING HARNESS	13	12
35-91078A1	COVER, FUEL INLET	23	15	84-90816A25	CABLE, HIGH TENSION	13	6
37-87133A79	DECAL SET	1	-	84-93388A1	WIRE, PLATE TI STARTER MOTOR (BLACK)	7	15
39-78811A12	PISTON RING (.015 OVERSIZE)	33	25	84-93389A6	WIRE, SOLENOID TO STARTER MOTOR (YELLOW)	7	17
39-78816A12	PISTON RING (STANDARD)	33	25	84-95084A2	WIRE, FUSE HOLDER	13	14
39-88392A12	PISTON RING (.030 OVERSIZE)	33	25	84-96188A2	WIRING HARNESS	13	12
40-52035	LOCK RING, PISTON PIN	33	24	85-63709A1	PROTECTOR, SPARK PLUG END	13	8
43-68447A1	FORWARD GEAR	53	56	85-96535	BOOT, RUBBER - STARTER SOLENOID TERMINAL	63	28
43-68548	PINION GEAR, DRIVE SHAFT	49	9	87-33386A3	SWITCH ASSEMBLY, MERCURY	11	4
43-76250	REVERSE GEAR	53	61	88-79023A90	FUSE ASSEMBLY (90 AMP.)	63	36
44-93003	PROPELLAR SHAFT	53	60	88-79091	FUSE	13	13
45-76036	DRIVE SHAFT (LONG SHAFT)	49	8	88-79149	CIRCUIT BREAKER (20 AMP.)	63	32
45-77159	DRIVE SHAFT (EXTRA LONG SHAFT)	49	8	89-68258	STARTER SOLENOID	11	10
47-89984	IMPELLER, WATER PUMP	49	27	89-68258	STARTER SOLENOID	59	21
49-96146A5	WATER PUMP BASE ASSEMBLY	49	16	89-96054	STARTER SOLENOID	11	10
49-96148A1	WATER PUMP BODY ASSEMBLY	49	23	89-96158	STARTER SOLENOID	63	23
50-72467	STARTER MOTOR	7	11	90-84980	MARINER 115 PARTS LIST	1	-
50-72467	STARTER MOTOR ASSEMBLY	73	-	139-7639	SHUTTER, THROTTLE (WMK-28/WMK-32/WMK-36)	19	22
52-34239	RATCHET, SLIDING GEAR	53	57	195-4808	GASKET AND PACKING SET (1 PER CARBURETOR)	21	33
53-26933	SNAP RING, OUTER RACE	31	11	248-5977A28	FLYWHEEL ASSEMBLY	7	4
53-29641	"E" RING, RETAINING - SHIF SHAFT	51	40	332-2854	BOOT, COIL END	13	7
53-73591	RETAINING RING, BOTTOM YOKE	39	16A				
54-61001	CLAMP, TRIGGER HARNESS	7	10				

PARTS INDEX

Part Number	Description	Pg.	Ref. No.	Part Number	Description	Pg.	Ref. No.
332-7778A3	SWITCH BOX	11	19	745-7673A2	PISTON/PISTON PIN ASS'Y (.015 O.S.)	31	23
339-7370A2	IGNITION COIL	13	1	768-8204A2	PISTON/PISTON PIN ASS'Y (.015 O.S.)	33	23
392-2529	SPRING SET, BRUSH TENSION	55	15	774-8600A3	PISTON/PISTON PIN ASS'Y	31	23
392-2529	SPRING SET, BRUSH TENSION	57	12	774-9096A1	PISTON/PISTON PIN ASS'Y (.030 O.S.)	33	23
392-2623	WASHER, THRUST-ARMATURE	55	9	852-7739A3	BLOCK/CRANKCASE ASS'Y	27	1
392-2936	VALVE BODY AND GEAR ASSEMBLY	55	2	852-7739A3	BLOCK/CRANKCASE ASS'Y	29	1
392-2937	SEAL, RESEROVIR TO VALVE BODY AND GEAR	55	4	852-7740A3	BLOCK/CRANKCASE ASS'Y	27	1
392-2938	BOLT SET, THRU - PLATE AND FRAME TO RESERVOIR	55	16	852-7740A3	BLOCK/CRANKCASE ASS'Y	27	1
392-2939	RESERVOIR ASSEMBLY	55	5	852-7740A3	BLOCK/CRANKCASE ASS'Y	29	1
392-2940	PLATE ASSEMBLY, COMMUTATOR END	55	13	852-8310A4	BLOCK/CRANKCASE ASS'Y	29	1
392-2941	BRUSH SET, COMMUTATOR END PLATE	55	14	852-8310A4	GASKET, CRANKCASE TO CYLINDER BLOCK	27	2
392-2941	BRUSH SET, COMMUTATOR END PLATE	57	11	1023-5070	COVER, CYLINDER BLOCK	29	23
392-2942	FIELD AND FRAME ASSEMBLY	55	11	1023-8368A1	COVER, CYLINDER BLOCK	29	23
392-2943	ARMATURE, FIELD AND FRAME	55	10	1148-5410A1	END CAP ASSEMBLY, LOWER	29	7
392-2944	BALL, COMMUATATOR END PLATE	55	12	1161-7616A2	END CAP ASSEMBLY	29	2
392-7727	COUPLER AND SHAFT	57	14	1368-7472A1	CARBURETOR (TOP)	15	9
392-7728	FILL PLUG, RESERVOIR	57	15	1368-7472A1	CARBURETOR (TOP)	19	1
392-7729	ARMATURE, FIELD AND FRAME	57	7	1368-7472A10	CARBURETOR (TOP)	15	9
392-7730	BALL, COMMUTATOR END PLATE	57	9	1368-7472A10	CARBURETOR (TOP)	19	1
392-7731	RESERVOIR ASSEMBLY (PLASTIC)	57	5	1368-7472A12	CARBURETOR (CENTER/BOTTOM)	15	9
392-7732	WASHER, THRUST - ARMATURE	57	6	1368-7472A12	CARBURETOR (CENTER/BOTTOM)	19	1
392-7733	BOLT SET, THRU - PLATE AND FRAME TO RESERVOIR	57	13	1368-7472A14	CARBURETOR (TOP)	15	9
392-7735	SEAL, RESERVOIR TO VALVE BODY AND GEAR	57	4	1368-7472A14	CARBURETOR (TOP)	19	1
392-8261	FIELD AND FRAME ASSEMBLY	57	8	1368-7472A16	CARBURETOR (CENTER/BOTTOM)	15	9
392-8262	PLATE ASSEMBLY, COMMUTATOR END	57	10	1368-7472A16	CARBURETOR (CENTER/BOTTOM)	19	1
392-8317	VALVE BODY AND GEAR ASSEMBLY	57	2	1368-7472A16	CARBURETOR (CENTER/BOTTOM)	19	1
398-5454A8	STATOR ASSEMBLY	7	7	1368-7472A3	CARBURETOR (CENTER/BOTTOM)	15	9
436-6646A2	CRANKSHAFT ASSEMBLY	31	1	1368-7472A3	CARBURETOR (CENTER/BOTTOM)	19	1
535-5397A4	CENTER MAIN BEARING ASSEMBLY	31	7	1368-7472A6	CARBURETOR (TOP)	15	9
540-5266A5	MAIN BEARING ASSEMBLY	31	15	1368-7472A6	CARBURETOR (TOP)	19	1
540-8663A3	MAIN BEARING ASSEMBLY	31	15	1368-7472A8	CARBURETOR (CENTER/BOTTOM)	15	9
624-8101A3	CONNECTING ROD AND CAP ASSEMBLY	33	26	1368-7472A8	CARBURETOR (CENTER/BOTTOM)	19	1
745-7453A3	PISTON/PISTON PIN ASS'Y (.030 O.S.)	33	23	1395-4540	SCREW, BODY (IDLE TUBE)	19	21
745-7672A3	PISTON/PISTON PIN ASS'Y	31	23	1395-4541	SCREW, PLUG - MAIN FULE	21	29
				1395-4542	JET CHANNEL	21	29
				1395-4543	SCREW, PLUG - MAIN NOZZLE	21	27
				1395-4555	SCREW, BODY CHANNEL	21	32
				1395-4804	INLET NEEDLE, SEAT AND GASKET (WMK-28)	19	6
				1395-5353	SCREW, FLOAT BOWL COVER	19	14
				1395-5680	FLOAT ASSEMBLY (WMK-28/WMK-32)	19	2
				1395-5734	COVER, FLOAT BOWL	19	10
				1395-6029	HOSE, ECONOMIZER	19	12
				1395-6030	JET, MAIN FUEL (.068)	21	28
					JET, MAIN FUEL (.070)	21	28

PARTS INDEX

Part Number	Description	Pg.	Ref. No.	Part Number	Description	Pg.	Ref. No.
1395-6207	JET, MAIN FUEL (.072) - STANDARD (WMK-32) . . .	21	28				
1395-7614	SHAFT, THROTTLE (TOP) . .	19	19				
1395-7640	REPAIR PARTS KIT (1 PER CARBURETOR) (WMK-28)	21	33				
1395-7942	SHAFT, THROTTLE (CENTER/BOTTOM)	19	19				
1395-8318	INLET NEEDLE, SEAT AND GASKET (WMK-32/-36/-40)	19	6				
1395-8423	JET, BOWL VENT (.094) (WMK-32/WMK-36/WMK- 40)	19	11				
1395-8424	REPAIR PARTS KIT (1 PER CARBURETOR)(WMK- 32/WMK-36)	21	33				
1395-8673	FLOAT ASSEMBLY (WMK- 36/WMK-40)	19	2				
1395-8964	SHUTTER, THROTTLE (WMK-40)	19	22				
1395-8965	REPAIR PARTS KIT (1 PER CARBURETOR)(WMK-40)	21	33				
1399-3794	JET, MAIN FUEL (.074) - STANDARD (WMK- 28/WMK-40)	21	28				
1399-3796	JET, MAIN FUEL (.076) - STANDARD (WMK-36) . . .	21	28				
1399-6249	JET, BOWL VENT (.096) (WMK-28)	19	11				
1399-97	LEVER, THROTTLE (SEE NOTE BELOW)	19	17				
1482-7670A5	SWIVEL BRACKET ASSEMBLY	39	1				
1496-7799F2	TRANSOM BRACKET	41	1				
1573-5239A51	DRIVE SHAFT HOUSING ASSEMBLY	45	1				
1655-7333A42	GEAR HOUSING ASS'Y, COMPLETE (LONG SHAFT)	49	-				
1655-7333A42	GEAR HOUSING ASS'Y, COMPLETE (LONG SHAFT)	53	-				
1655-7333A43	GEAR HOUSING ASSEMBLY	49	1				
1655-7333A43	GEAR HOUSING ASSEMBLY	53	1				
1655-7333A44	GEAR HOUSING ASS'Y COMPLETE (EXTRA LONG SHAFT)	49	-				
1655-7333A44	GEAR HOUSING ASS'Y, COMPLETE (EXTRA LONG SHAFT)	53	-				
2115-7719A1	BOTTOM COWL	35	1				
2162-6392	TOP COWL (WITHOUT DECALS)	3	1				
2171-6497A7	FRONT COVER ASSEMBLY (W/O DECALS)	5	1				
2172-6498A9	WRAP AROUND COWL ASSEMBLY (W/O DECALS)	5	11				