



# PARTS CATALOG

## MERC "THRUSTER"

### SERIAL NUMBER

THRUSTER ..... 5147772 THRU 5516584

# TABLE OF CONTENTS:

BASE ASSEMBLY ("RC" AND "DM") . . . . .	2
CLAMP AND SWIVEL BRACKET ("TM") . . . . .	18
DRIVE SHAFT AND CONTROL HOUSING ("DM" AND "TM") . . . . .	14
DRIVE SHAFT AND CONTROL HOUSING ("RC") . . . . .	10
ELECTRIC MOTOR AND GEAR HOUSING (ALL MODELS) . . . . .	4
LIFT ARM AND PIVOT SHAFT ("RC" AND "DM") . . . . .	12
MISCELLANEOUS PARTS/ACCESSORIES . . . . .	1
PARTS INDEX . . . . .	20
WIRING HARNESS AND FOOT PLATE ("RC") . . . . .	6

**NOTE:** Indented description indicate that these parts are included in preceding assembly.

**AR** = As Required                                      **NSS** = Not Sold Separate  
**OPT** = Optional                                        **NS** = Not Shown

**NOTE:** Following symbols are located in **SYM** column.

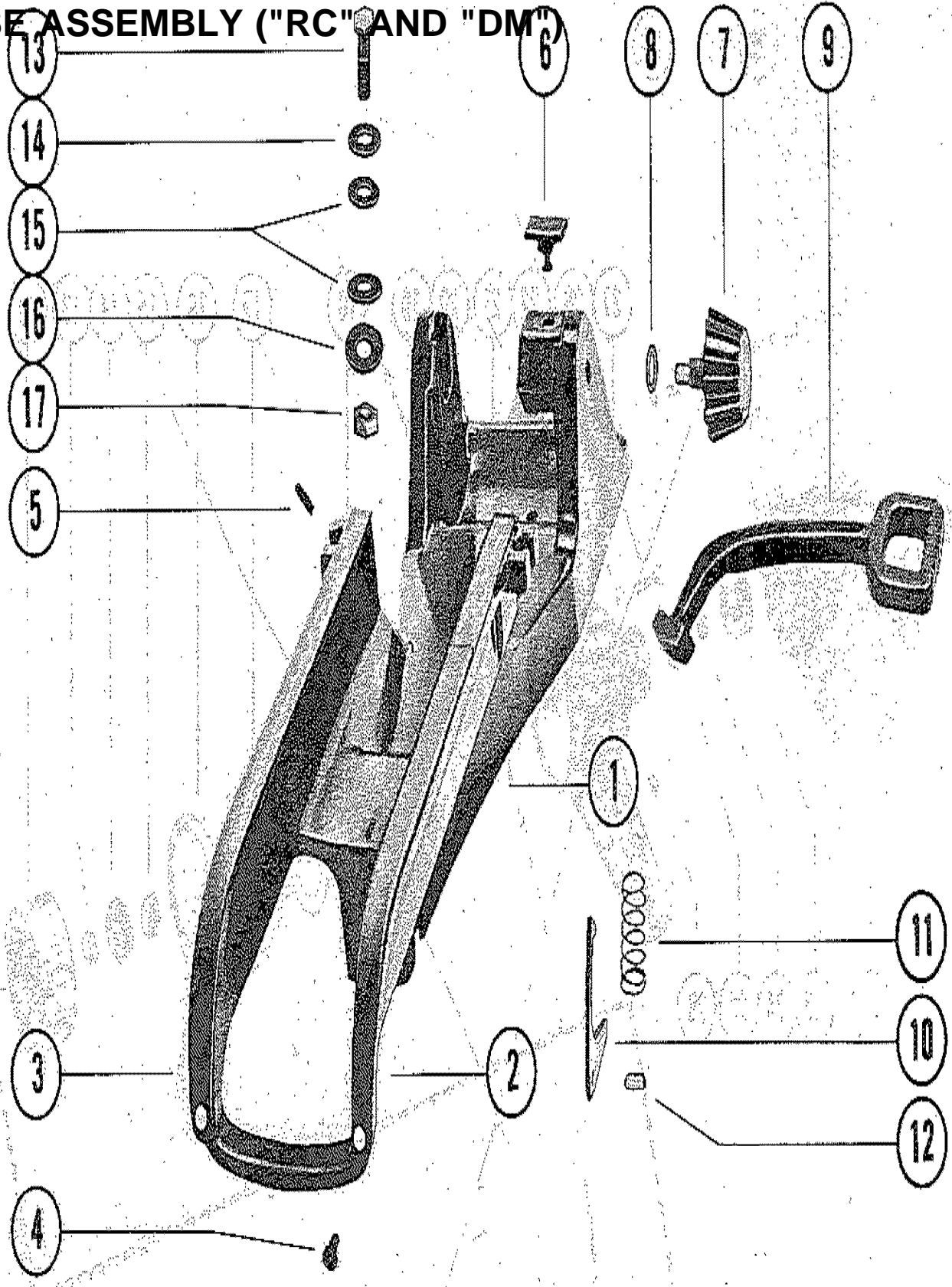
● = CONTENTS OF A- [27-72863A1] GASKET  
SET

**THESE PARTS BOOKS/FICHE CARD ARE COPYRIGHTED AND MAY NOT BE DISTRIBUTED OR REPRODUCED IN ANY OTHER FORMAT BY ANYONE OTHER THAN MERCURY MARINE WITHOUT THE PRIOR WRITTEN CONSENT OF MERCURY MARINE.**

# MISCELLANEOUS PARTS/ACCESSORIES

REF. NO.	PART NO.	SYM.	QTY.	DESCRIPTION
-	A-37-73470A76		0	DECAL SET "RC" .
-	A-37-76486A77		0	DECAL SET "DM" AND "TM"

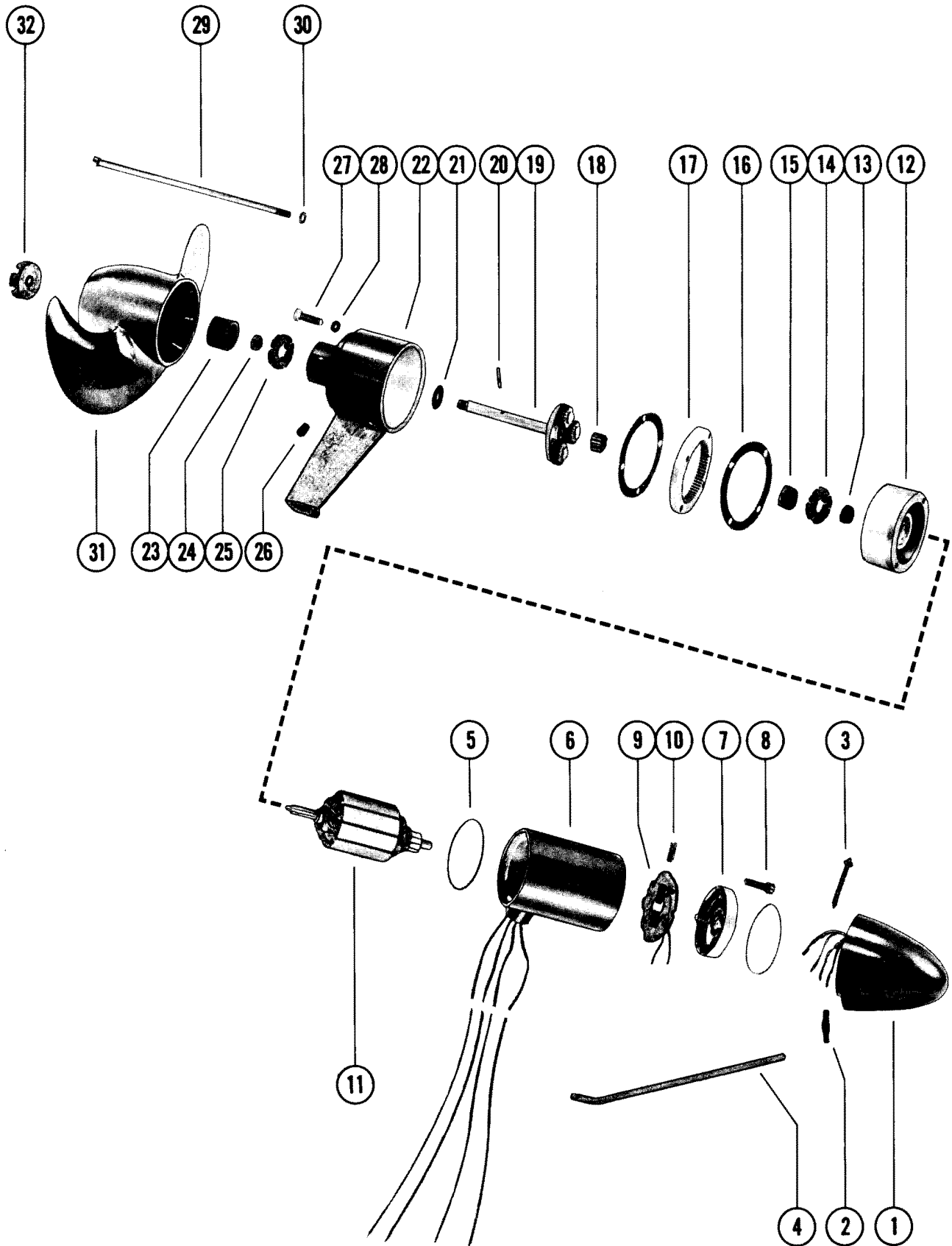
BASE ASSEMBLY ("RC" AND "DM")



## BASE ASSEMBLY ("RC" AND "DM")

REF. NO.	PART NO.	SYM.	QTY.	DESCRIPTION
1	72079A2		1	BASE ASSEMBLY
2	72402		1	BUMPER, BASE - PORT
3	74413		1	BUMPER, BASE - STARBOARD
4	10-47828		2	SCREW, BUMPER TO BASE
5	17-27055		4	ROLL PIN, BASE
6	25-72421		1	GROMMET, BASE
7	72254		2	KNOB, PIVOT
8	13-39227		2	WAVE WASHER, PIVOT KNOB
9	72544		1	STRAP, HOLD-DOWN
10	72147		1	HOOK
11	24-72256		1	SPRING, COMPRESSION - HOOK
12	17-72250		1	ROLL PIN, HOOK TO BASE
13	10-31471		1	SCREW, BASE TO BOAT (3")
	10-26889		2	SCREW, BASE TO BOAT (2 1/4")
14	12-29245		3	WASHER, BASE SCREW (1/2" O.D.)
15	12-57428		6	WASHER, BASE SCREW (RUBBER)
16	12-57427		3	WASHER, BASE SCREW (1" O.D.)
17	11-35045		3	NUT, BASE SCREW

# ELECTRIC MOTOR AND GEAR HOUSING (ALL MODELS)

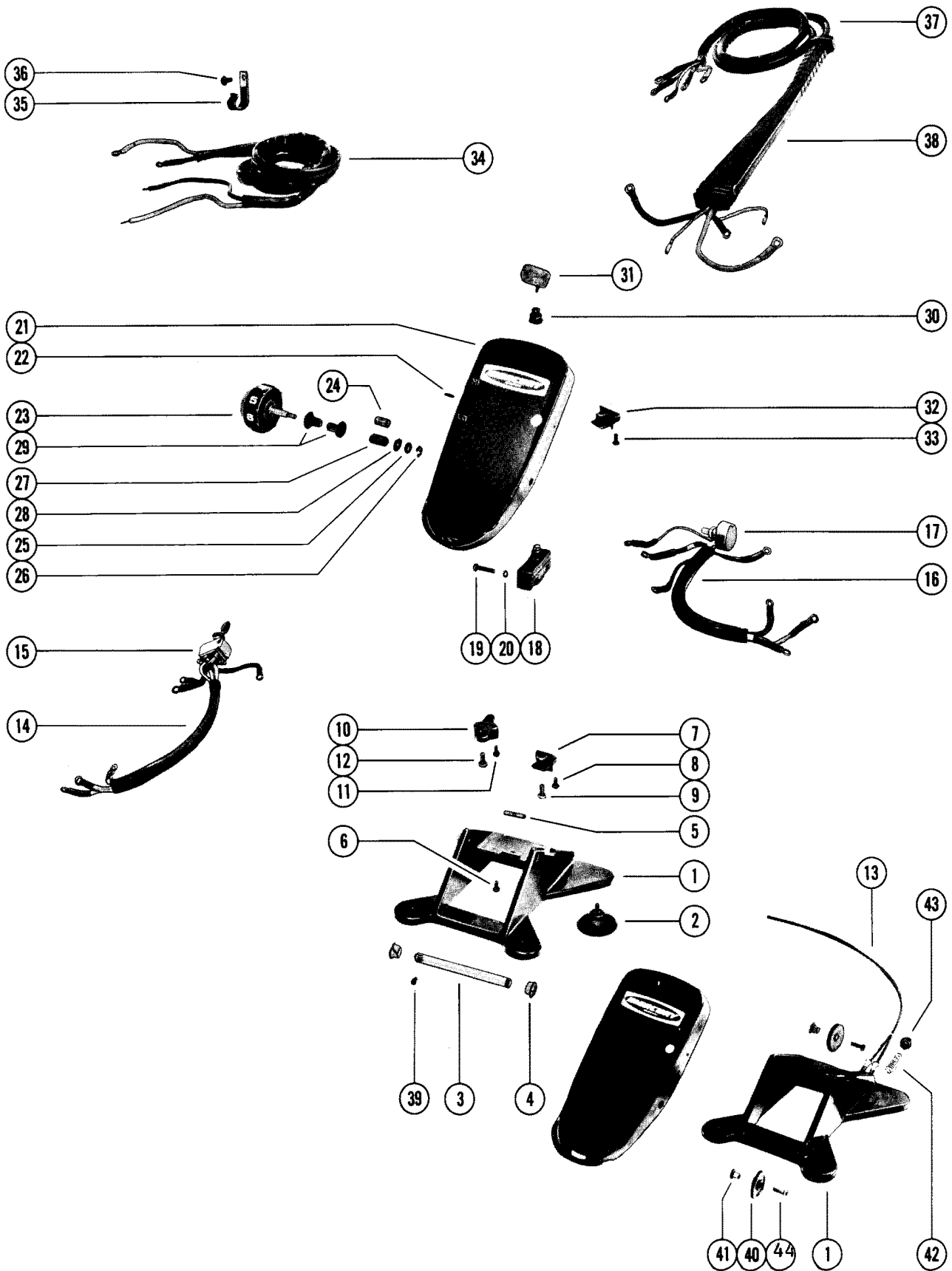


# ELECTRIC MOTOR AND GEAR HOUSING (ALL MODELS)

REF. NO.	PART NO.	SYM.	QTY.	DESCRIPTION
1	72081A4		1	NOSE CONE ASS'Y
2	57908--2		4	SLEEVE, NOSE CONE LEADS
3	56762		1	STA - STRAP, NOSE CONE LEADS
4	86071	●	1	SKEG
5	25-59712		2	"O" RING, NOSE CONE AND GEAR HOUSING
6	78796A3		1	ELECTRIC MOTOR ASSEMBLY "RC"
7	72184A1		1	RETAINER AND BEARING ASSEMBLY, NOSE CONE "RC"
8	10-79168		4	SCREW, RETAINER TO ELECTRIC MOTOR "RC"
9	75532A1		1	BRUSH CARD ASSEMBLY "RC"
10	24-75533		2	SPRING, BRUSH "RC"
11	72704		1	ARMATURE "RC"
6	76513A2		1	ELECTRIC MOTOR ASSEMBLY "DM" AND "TM"
7	72184A1		1	RETAINER AND BEARING ASSEMBLY "DM" AND "TM"
8	10-79168		4	SCREW <b>RETAINER TO ELECTRIC MOTOR "DM" AND "TM"</b>
9	75532A1		2	BRUSH CARD ASSEMBLY "DM" AND "TM"
10	24-75533		1	SPRING, BRUSH "DM" AND "TM"
11	72704		1	ARMATURE "DM" AND "TM"
12	72182A1		1	RETAINER ASSEMBLY, GEAR HOUSING
13	23-72482		1	BUSHING, RETAINER
14	72475		1	RETAINER, BUSHING
15	26-72461	●	1	SEAL, RETAINER
16	27-85515		2	GASKET, RETAINER TO GEAR HOUSING
17	43-72859		1	RING GEAR
18	43-72385		1	SUN GEAR
19	72390A1		1	GEAR AND PROPELLER SHAFT ASSEMBLY
20	17-70733		1	PIN, PROPELLER DRIVE
21	12-58790		1	WASHER, PROPELLER SHAFT
22	1649-5848A1		1	GEAR HOUSING ASSEMBLY
23	23-72173A1		1	SLEEVE ASSEMBLY, GEAR HOUSING
24	23-72482		1	BUSHING, GEAR HOUSING
25	72475		1	RETAINER, GEAR HOUSING BUSHING
26	22-35268		1	PLUG, PIPE - GEAR HOUSING (DRAIN)
27	10-69010	●	2	SCREW, RETAINER TO GEAR HOUSING (1")
28	12-29070		2	WASHER, SEALING - RETAINER SCREW
29	10-72378	●	2	SCREW, GEAR HOUSING TO NOSE COVER (7")
30	12-29070		2	WASHER, SEALING - GEAR HOUSING SCREW
31	48-85644		1	PROPELLER "RC"
	48-85646		1	PROPELLER "DM" AND "TM"
32	79719		1	RETAINER, PROPELLER
-	<b>A-27-72863A1</b>		<b>0</b>	<b>GASKET SET</b>

● = CONTENTS OF A- [27-72863A1] GASKET SET

# WIRING HARNESS AND FOOT PLATE ("RC")



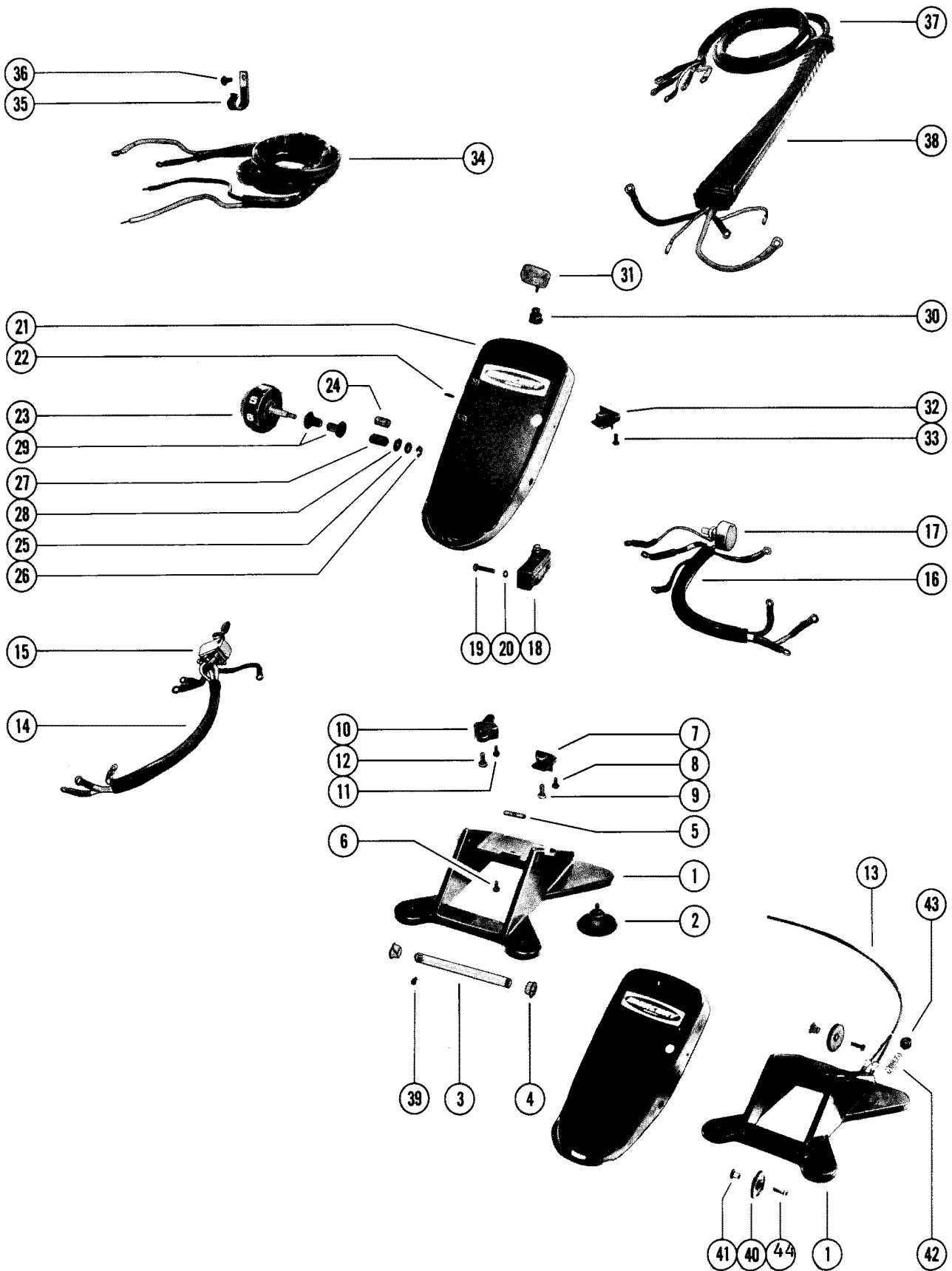


## WIRING HARNESS AND FOOT PLATE ("RC")

REF. NO.	PART NO.	SYM.	QTY.	DESCRIPTION
1	78422		1	BASE, FOOT CONTROL
2	72474		4	SUCTION CUPS, FOOT CONTROL BASE
3	72423		1	SHAFT, PIVOT
4	23-29638		2	BUSHING, NYLON - PIVOT SHAFT
5	72179		2	RETAINER, WIRING HARNESS
6	10-20597		2	SCREW, RETAINER TO FOOT CONTROL BASE (3/8")
7	86-66986		1	TERMINAL BLOCK, FOOT CONTROL BASE
8	10-73287		1	SCREW, HARNESS LEADS ATTACHING (3/8")
9	10-37370		3	SCREW, TERMINAL BLOCK ATTACHING (1/2")
10	86-67460		2	TERMINAL BLOCK, FOOT CONTROL BASE
11	10-73287		4	SCREW, HARNESS LEADS ATTACHING (3/8")
12	10-37655		4	SCREW <b>TERMINAL BLOCK TO FOOT CONTROL BASE (1/2")</b>
13	78418		1	CONTROL CABLE
14	87-85987A1		1	SWITCH AND HARNESS ASSEMBLY
15	87-85987		1	TOGGLE SWITCH
16	82-85427A1		1	POTENTIOMETER AND HARNESS ASSEMBLY
17	82-85427		1	POTENTIOMETER
18	87-72439		1	SWITCH, PUSH BUTTON
19	10-77478		2	SCREW, PUSH BUTTON SWITCH TO FOOT PLATE
20	13-21423		2	LOCKWASHER, PUSH BUTTON SWITCH SCREW
21	85516A2		1	FOOT PLATE ASSEMBLY
22	17-72250		1	ROLL PIN, FOOT PLATE
23	85454A2		1	INDICATOR ASSEMBLY
24	85457		1	COUPLER, INDICATOR (PLASTIC)
25	12-35950		1	WASHER, INDICATOR
26	53-27290		1	RETAINING RING, INDICATOR
27	32-72545		1	TUBE, RUBBER - INDICATOR
28	13-3462		1	WAVE WASHER, COUPLING
29	23-60762		2	BUSHING, NYLON - INDICATOR
30	72473		1	CAP, RUBBER-PUSH BUTTON SWITCH
31	85517		1	PLATE, SWITCH
32	86-66986		1	TERMINAL BLOCK, FOOT PLATE
33	10-37655		2	SCREW <b>HARNESS LEADS / TERMINAL BLOCK ATTACHING (1/2")</b>
34	84-79611A3		1	BATTERY CABLE ASSEMBLY
35	54-63153		1	"J" CLIP, BATTERY CABLE
36	10-73287		1	SCREW, "J" CLIP ATTACHING
37	84-85007A2		1	WIRING HARNESS AND HANDLE ASSEMBLY
38	79710		1	HANDLE, RUBBER
39	10-22928		1	SCREW, SET - PIVOT SHAFT TO FOOT PLATE

CONTINUED ON NEXT PAGE ➡

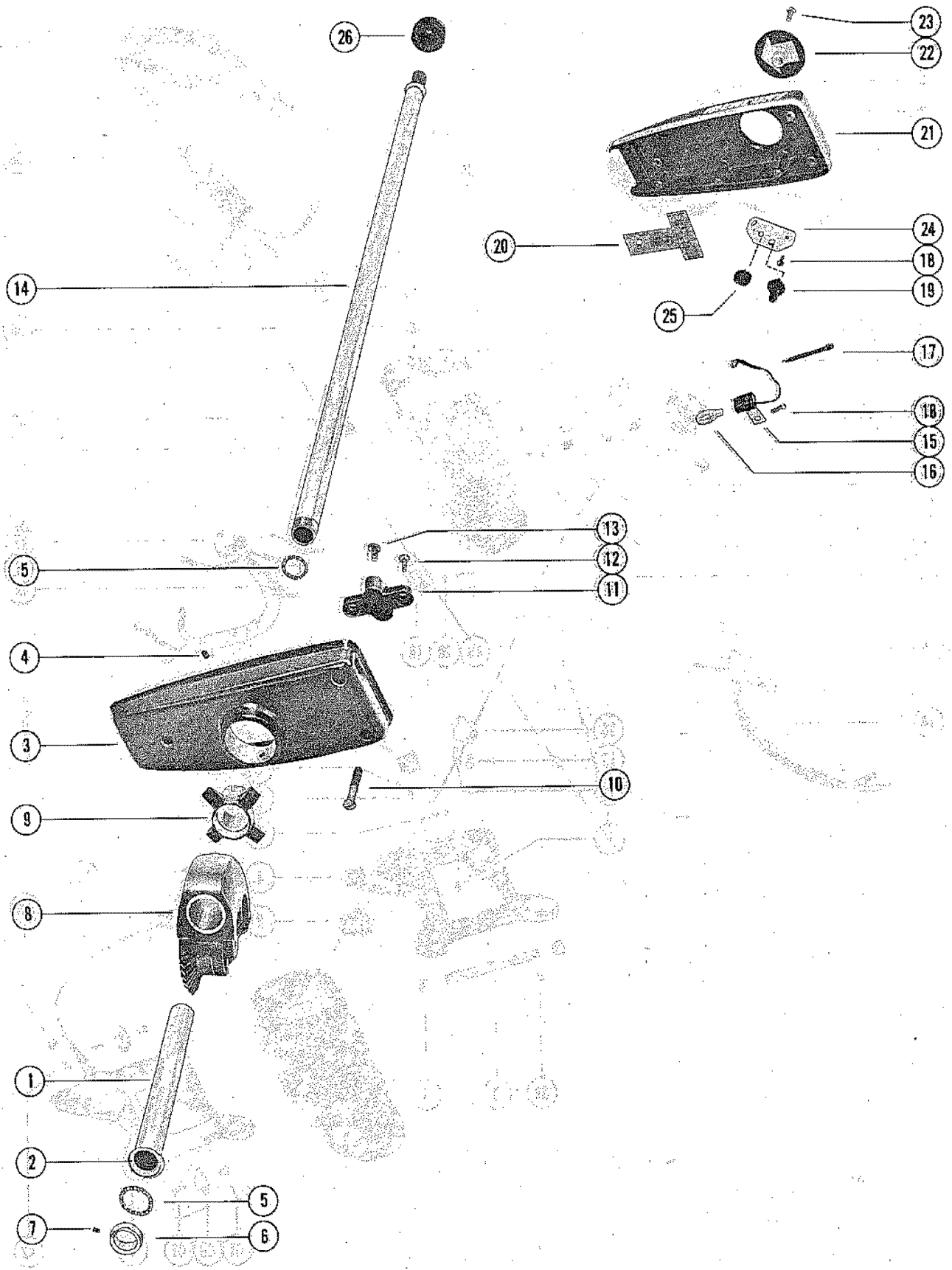
# WIRING HARNESS AND FOOT PLATE ("RC")



## WIRING HARNESS AND FOOT PLATE ("RC")

REF. NO.	PART NO.	SYM.	QTY.	DESCRIPTION
40	78416		2	PULLEY, CONTROL CABLE
41	78417		2	PIVOT, PULLEY
42	24-85010		2	SPRING, CONTROL CABLE
43	11-28770		2	NUT, CONTROL CABLE
44	10-37370		2	SCREW, PIVOT PULLEY

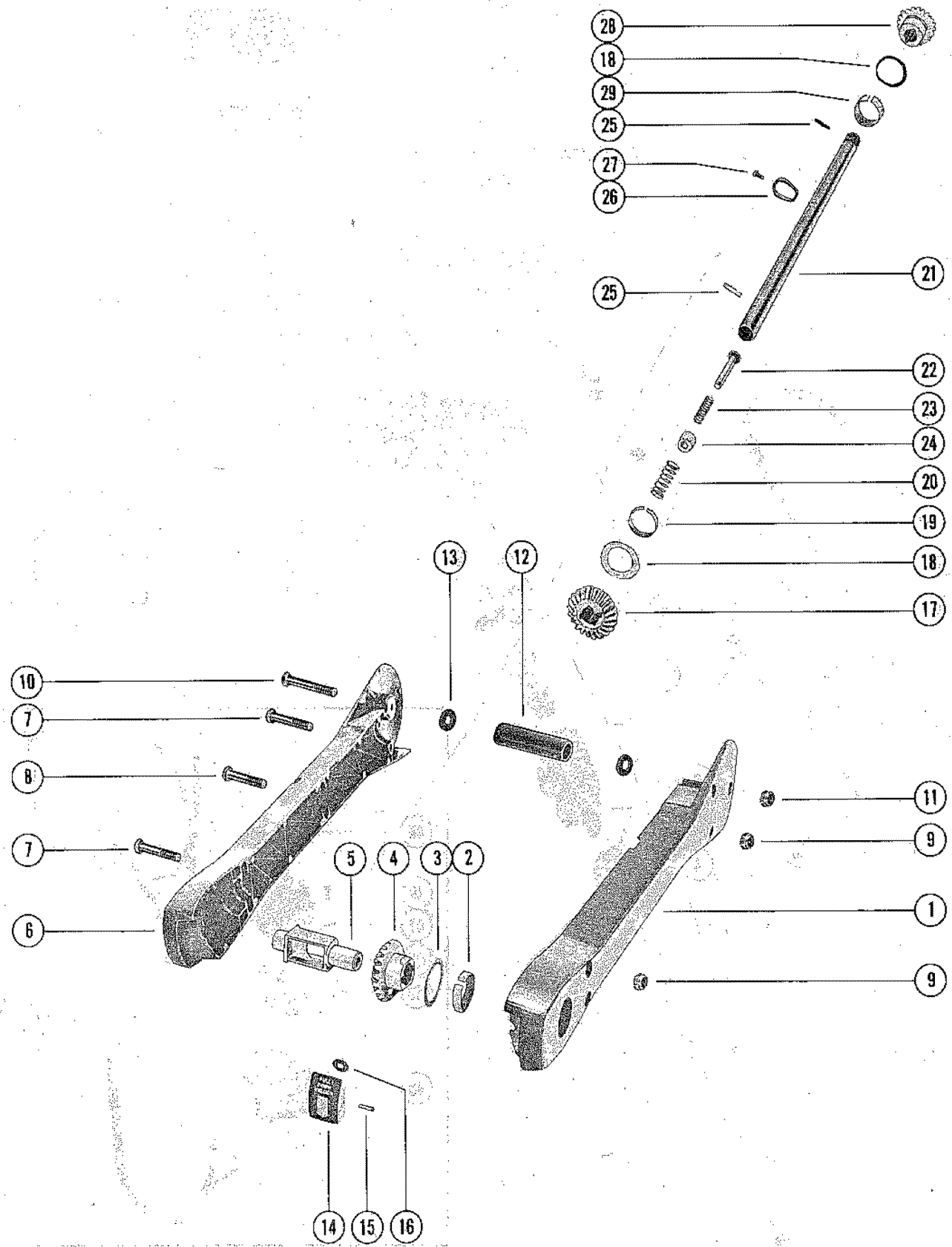
# DRIVE SHAFT AND CONTROL HOUSING ("RC")



## DRIVE SHAFT AND CONTROL HOUSING ("RC")

REF. NO.	PART NO.	SYM.	QTY.	DESCRIPTION
1	86040A2		1	SHAFT ASSEMBLY, UPPER
2	72252		2	RETAINER, UPPER SHAFT
3	86039A1		1	HOUSING ASSEMBLY, CONTROL
4	10-72398		2	SET SCREW, CONTROL HOUSING TO UPPER SHAFT
5	30-72388		2	BEARING, UPPER SHAFT
6	72172		1	RETAINER, LOWER SHAFT
7	10-22928		2	SET SCREW, RETAINER TO LOWER SHAFT
8	72056A1		1	HOUSING ASSEMBLY, COLUMN
9	72263		1	HANDLE, CLAMPING - COLUMN HOUSING
10	10-68918		3	SCREW, CONTROL HOUSING TO COVER (1")
11	86-67460		1	TERMINAL BLOCK, CONTROL HOUSING
12	10-62568		1	SCREW <b>TERMINAL BLOCK TO CONTROL HOUSING (3/8")</b>
13	10-73287		2	SCREW <b>HARNESS LEADS TO TERMINAL BLOCK (3/8")</b>
14	78559A1		1	SHAFT ASSEMBLY, LOWER
15	72517		1	HOLDER, LIGHT BULB
16	88-72729		1	LIGHT BULB
17	56762		1	STA-STRAP, WIRES
18	10-20597		2	SCREW, HOLDER TO CONTROL HOUSING (3/8")
19	43-78413		1	GEAR, INDICATOR
20	85-72661		1	INSULATOR, CONTROL
21	72124		1	COVER, CONTROL HOUSING
22	73636		1	INDICATOR, DIRECTIONAL
23	10-37370		1	SCREW, DIRECTIONAL INDICATOR TO GEAR (5/8")
24	78414		1	RETAINER, IDLER GEAR
25	43-78415		1	IDLER GEAR
26	78419		1	DRUM

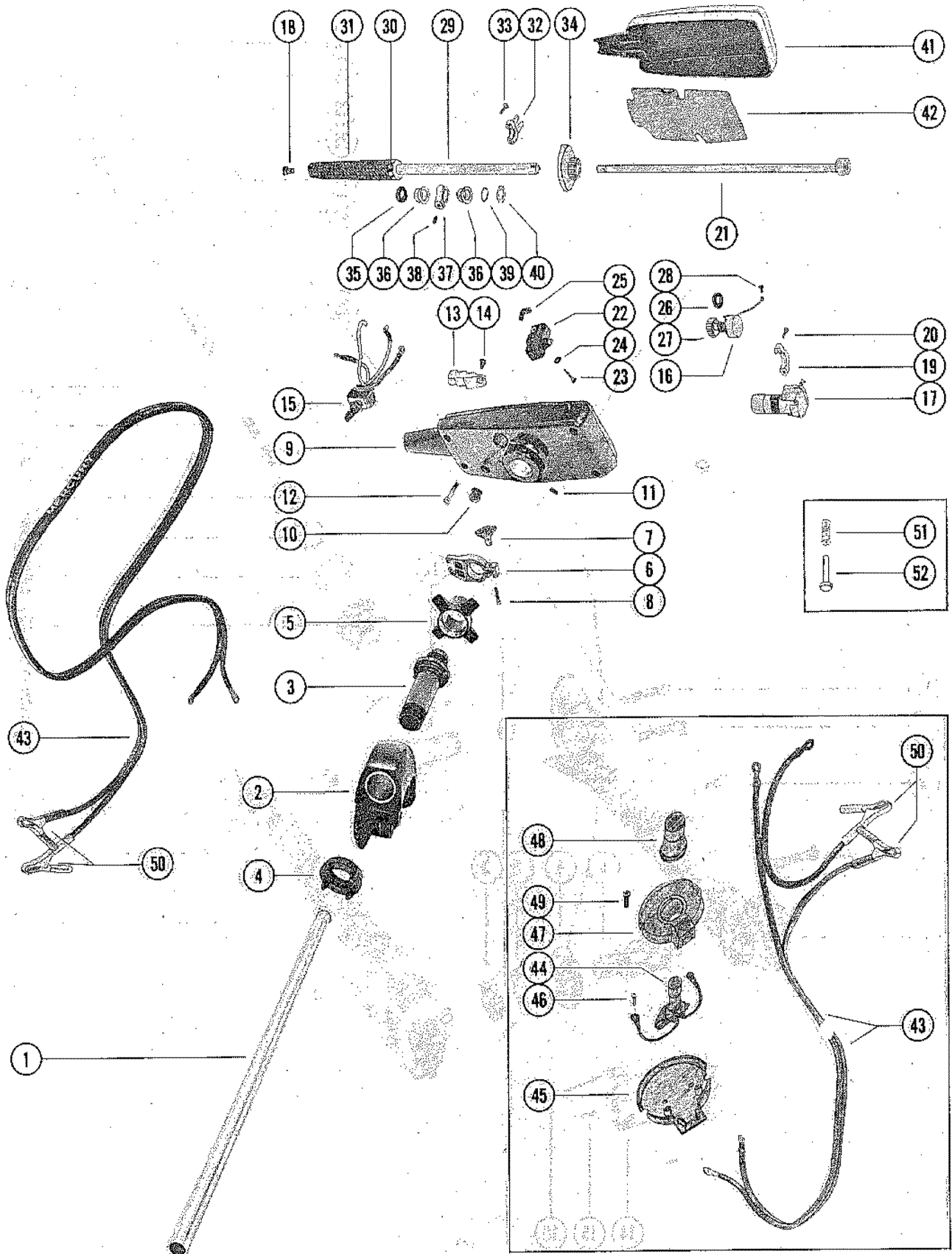
# LIFT ARM AND PIVOT SHAFT ("RC" AND "DM")



## LIFT ARM AND PIVOT SHAFT ("RC" AND "DM")

REF. NO.	PART NO.	SYM.	QTY.	DESCRIPTION
1	72055A2		1	LIFT ARM ASSEMBLY, PORT
2	23-79827		1	BUSHING, LIFT ARM
3	12-72389		1	WASHER, MITER GEAR
4	43-72860		1	MITER GEAR, PIVOT SHAFT
5	72153		1	SHAFT, PIVOT
6	72054		1	LIFT ARM, STARBOARD
7	10-77951		2	SCREW, LIFT ARM CLAMPING (2 1/4")
8	10-77950		4	SCREW, LIFT ARM CLAMPING (2 3/4")
9	11-45592		4	NUT, LIFT ARM CLAMPING SCREW
10	10-75334		1	OLUMN HOUSING TO LIFT ARM (3")
11	11-34932		1	NUT, COLUMN HOUSING SCREW
12	23-72253		1	BUSHING, COLUMN HOUSING
13	12-72371		2	WASHER, COLUMN HOUSING BUSING
14	72155		1	LEVER, RELEASE
15	17-72255		1	ROLL PIN, RELEASE LEVER
16	12-30644		1	WASHER, RELEASE LEVER PIN
17	43-72860		1	MITER GEAR, DRIVE TUBE
18	12-72389		2	WASHER <b>THRUST - MITER GEAR AND BEVEL GEAR</b>
19	23-79827		1	BUSHIN, MITER GEAR
20	24-72257		1	SPRING, COMPRESSION
21	72154A2		1	DRIVE TUBE ASSEMBLY
22	17-72149		1	PIN, RELEASE LEVER
23	24-65553		1	SPRING, RELEASE LEVER PIN
24	23-72146		1	BUSHING, RELEASE LEVER PIN
25	17-72148		2	PIN, MITER GEAR AND BEVEL GEAR TO DRIVE TUBE
26	72150		1	LATCH, DRIVE TUBE
27	10-37655		1	SCREW, LATCH TO DRIVE TUBE
28	43-72861		1	BEVEL GEAR, DRIVE TUBE
29	23-79828		1	BUSHING, BEVEL GEAR

# DRIVE SHAFT AND CONTROL HOUSING ("DM" AND "TM")



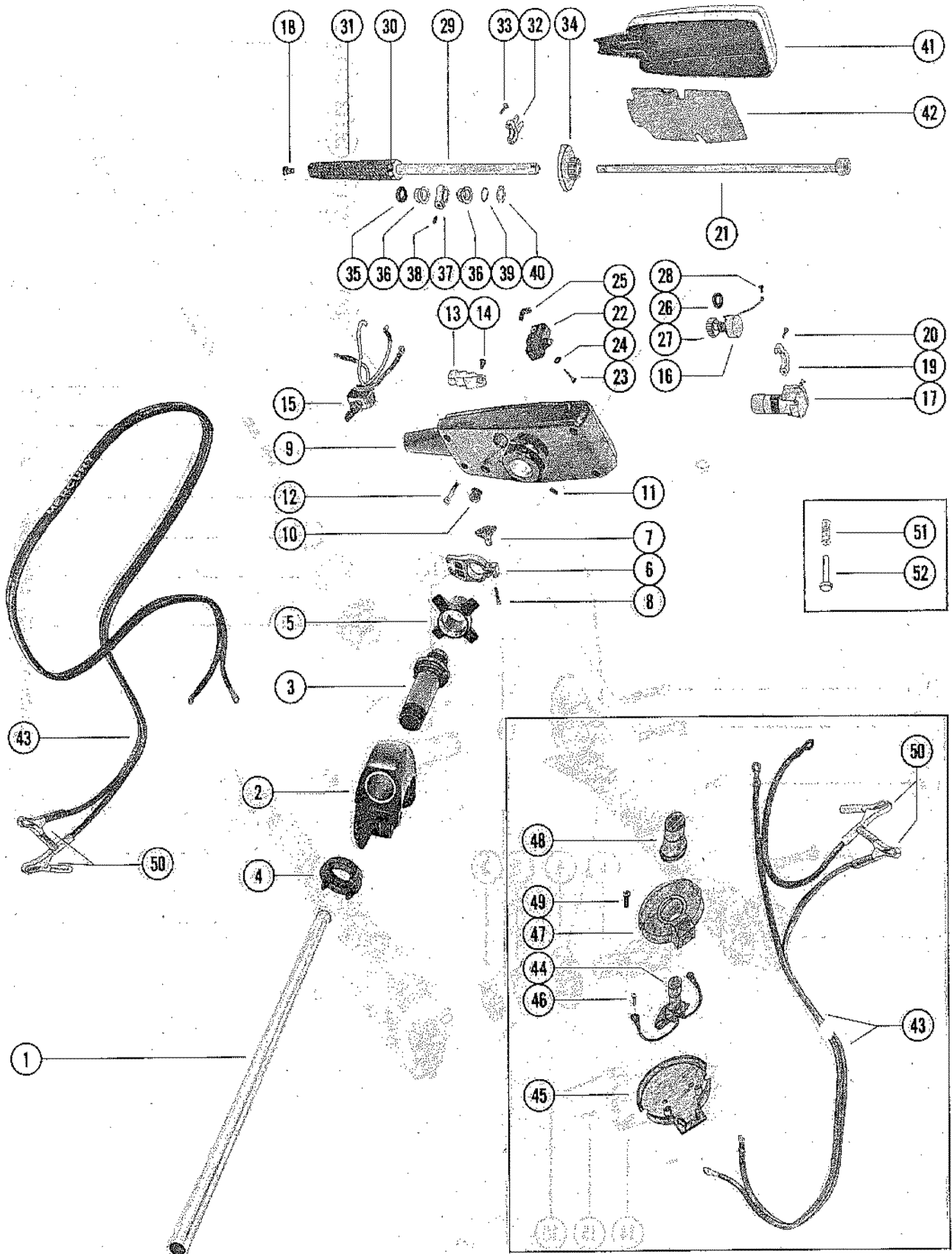


# DRIVE SHAFT AND CONTROL HOUSING ("DM" AND "TM")

REF. NO.	PART NO.	SYM.	QTY.	DESCRIPTION
1	45-76487		1	DRIVE SHAFT
2	76460		1	HOUSING, COLUMN "DM"
3	76459		1	TUBE, SWIVEL "DM"
4	76937		1	RETAINER, SWIVEL TUBE "DM"
5	76938		1	KNOB, ADJUSTMENT - SWIVEL TUBE "DM"
6	54-76936A1		1	CLAMP ASSEMBLY
7	76935		1	KNOB, CLAMP
8	10-32228		1	SCREW, CLAMP KNOB (5/8")
9	85370		1	HOUSING, CONTROL
10	25-76468		1	GROMMET, CONTROL HOUSING
11	10-35057		2	SET SCREW, CONTROL HOUSING TO DRIVE SHAFT
12	10-68918		4	SCREW, COVER ATTACHING
13	86-76477		1	TERMINAL BLOCK
14	10-73287		5	SCREW <b>TERMINAL BLOCK AND WIRES ATTACHING (3/8")</b>
-	<b>87-76335A3</b>		<b>1</b>	<b>SWITCH AND POTENTIOMETER ASSEMBLY "DM"</b>
15	87-85987		1	SWITCH, TOGGLE "DM"
16	82-85427		1	POTENTIOMETER "DM"
18	19-48323		1	PLUG, CONTROL SHAFT "DM"
-	<b>87-76335A4</b>		<b>1</b>	<b>SWITCH AND POTENTIOMETER ASSEMBLY "TM"</b>
15	87-85987		1	SWITCH, TOGGLE "TM"
16	82-85727		1	POTENTIOMETER "TM"
17	87-76335		1	SWITCH, PUSH BUTTON "TM"
19	79400		1	CAP, PUSH BUTTON SWITCH "TM"
20	10-76466		2	SCREW, CAP TO CONTROL HOUSING (1/2") "TM"
21	76480		1	PUSH ROD "TM"
22	87-72439		1	AWICH, PUSH BUTTON
23	10-76465		1	SCREW, PUSH BUTTON SWITCH
24	13-21423		1	LOCKWASHER, SWITCH SCREW
25	76476		1	GROUND PLATE (BRASS)
26	12-29629		1	WASHER, POTENTIOMETER
27	43-78859		1	GEAR, POTENTIOMETER
28	10-62568		1	SCREW, WIRE TO CONTROL HOUSING (3/8")
29	76482A2		1	SHAFT ASSEMBLY, CONTROL
30	76483A1		1	INDICATOR ASSEMBLY, SPEED
31	79599		1	GRIP, CONTROL SHAFT
32	76475		1	CAP, CONTROL SHAFT
33	10-76466		2	SCREW, CAP TO CONTROL HOUSING (1/2")
34	76484		1	CAM, HI-SPEED - CONTROL SHAFT
35	12-76472		1	WASHER, FRICTION - CONTROL SHAFT
36	23-76470		2	BUSHING, NYLON - CONTROL SHAFT
37	76469		1	STOP, CONTROL SHAFT
38	10-72398		1	SET SCREW, STOP TO CONTROL CHAFT
39	53-76471		1	SNAP RING, CONTROL SHAFT

CONTINUED ON NEXT PAGE ➡

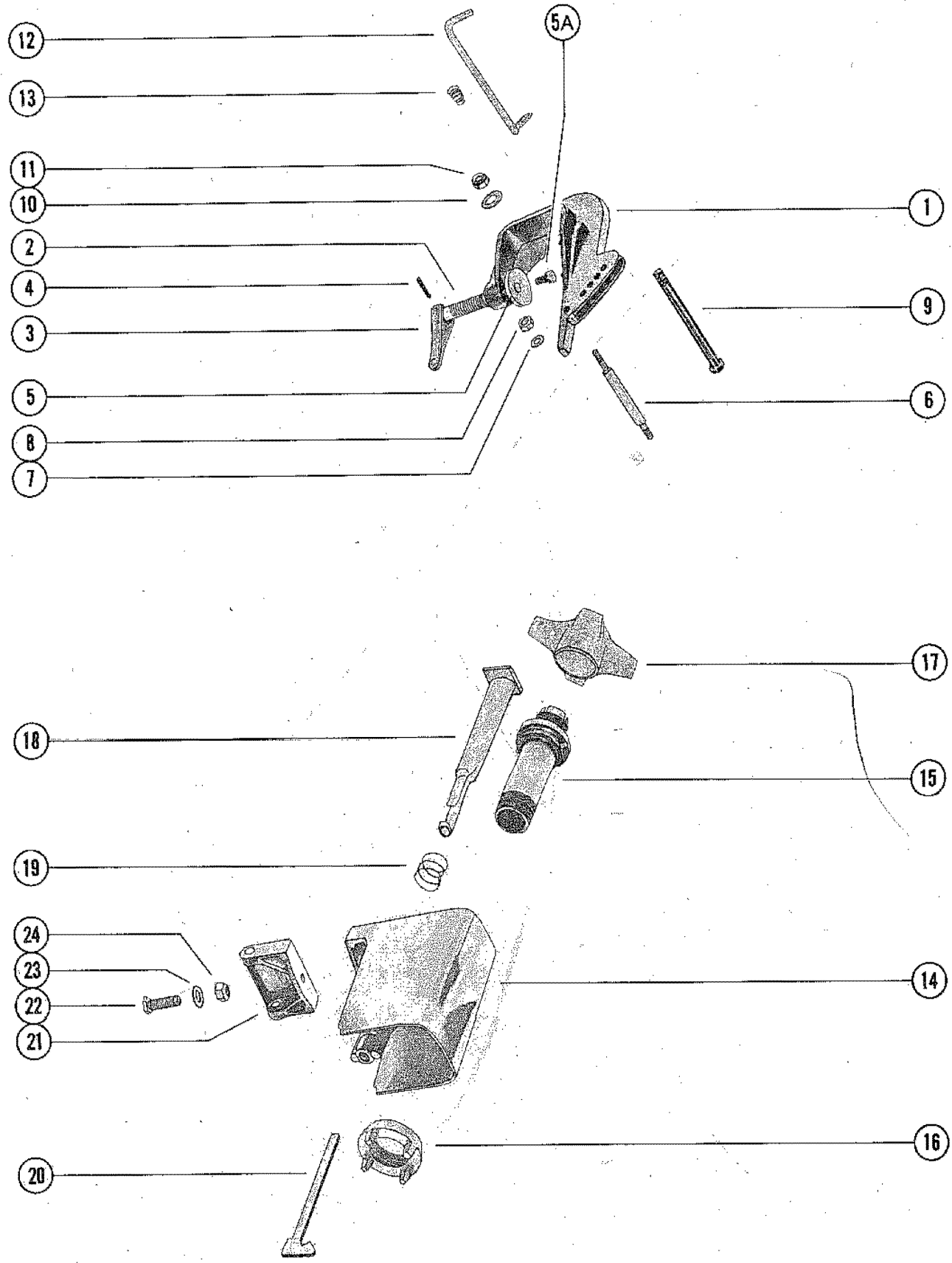
# DRIVE SHAFT AND CONTROL HOUSING ("DM" AND "TM")



## DRIVE SHAFT AND CONTROL HOUSING ("DM" AND "TM")

REF. NO.	PART NO.	SYM.	QTY.	DESCRIPTION
40	12-76473		1	WASHER, NYLON - CONTROL SHAFT
41	76491		1	COVER, CONTROL HOUSING
42	85-76716		1	INSULATOR, CONTROL HOUSING COVER
43	84-79611A2		1	BATTERY CABLE ASSEMBLY "TM"
	84-79609A2		1	BATTERY CABLE ASSEMBLY "DM"
44	87-76449A1		1	SWITCH AND CABLE ASSEMBLY, REMOTE "DM"
45	76489		1	BASE, SWITCH "DM"
46	10-73287		1	SCREW, SWITCH CABLE TO BASE (3/8") "DM"
47	76490		2	COVER, SWITCH BASE "DM"
48	76488		1	BOOT, SWITCH "DM"
49	10-69013		1	SCREW, SWITCH BASE ATTACHING (7/8") "DM"
50	54-64391--1		2	BATTERY CLOP (POSITIVE) "TM"
	54-64391--2		1	BATTERY CLIP (NEGATIVE) "TM"
51	24-20099		1	SPRING "DM"
52	10-85371		1	SCREW, FRICTION "DM"

# CLAMP AND SWIVEL BRACKET ("TM")



## CLAMP AND SWIVEL BRACKET ("TM")

REF. NO.	PART NO.	SYM.	QTY.	DESCRIPTION
1	1479-7044A1		1	CLAMP BRACKET ASSEMBLY (PORT)
	1478-7045A1		1	CLAMP BRACKET ASSEMBLY (STARBOARD)
2	10-77190A4		2	THUMB SCREW ASSEMBLY
3	78971		2	HANDLE, THUMB SCREW
4	17-78970		2	GROOVE PIN, THUMB SCREW
5	12-73719		2	WASHER, THUMB SCREW
5A	10-76804		2	SCREW, THUMB SCREW WASHER
6	16-68925		1	STUD, TILT PIN
7	13-26992		2	LOCKWASHER, TILT PIN STUD
8	11-29598		2	NUT, TILT PIN STUD
9	10-79477		1	SCREW, CLAMP BRACKET
10	12-68920		2	WASHER, CLAMP BRACKET STUD
11	11-34863		1	NUT, CLAMP BRACKET STUD
12	17-68929A1		1	TILT PIN ASSEMBLY
13	24-62143		1	SPRING, TILT PIN
14	1483-6399		1	SWIVEL BRACKET
15	76459		1	TUBE, SWIVEL
16	76937		1	RETAINER, SWIVEL TUBE
17	76938		1	KNOB, ADJUSTMENT - SWIVEL TUBE
18	76464		1	ROD, RELEASE HOOK
19	24-76462		1	SPRING, RELEASE HOOK ROD
20	76461		1	HOOK, RELEASE
21	76463		1	BRACKET, PIVOT
22	10-65263		1	SCREW, PIVOT BRACKET TO SWIVEL BRACKET (1")
23	12-70132		1	WASHER, PIVOT BRACKET SCREW
24	11-35814		1	NUT, PIVOT BRACKET SCREW

# PARTS INDEX

Part Number	Description	Pg.	Ref. No.	Part Number	Description	Pg.	Ref. No.
56762	STA - STRAP, NOSE CONE LEADS	5	3	76469	STOP, CONTROL SHAFT	15	37
56762	STA-STRAP, WIRES	11	17	76475	CAP, CONTROL SHAFT	15	32
57908--2	SLEEVE, NOSE CONE LEADS	5	2	76476	GROUND PLATE (BRASS)	15	25
72054	LIFT ARM, STARBOARD	13	6	76480	PUSH ROD "TM"	15	21
72055A2	LIFT ARM ASSEMBLY, PORT	13	1	76482A2	SHAFT ASSEMBLY, CONTROL	15	29
72056A1	HOUSING ASSEMBLY, COLUMN	11	8	76483A1	INDICATOR ASSEMBLY, SPEED	15	30
72079A2	BASE ASSEMBLY	3	1	76484	CAM, HI-SPEED - CONTROL SHAFT	15	34
72081A4	NOSE CONE ASS'Y	5	1	76488	BOOT, SWITCH "DM"	17	48
72124	COVER, CONTROL HOUSING	11	21	76489	BASE, SWITCH "DM"	17	45
72147	HOOK	3	10	76490	COVER, SWITCH BASE "DM"	17	47
72150	LATCH, DRIVE TUBE	13	26	76491	COVER, CONTROL HOUSING	17	41
72153	SHAFT, PIVOT	13	5	76513A2	ELECTRIC MOTOR ASSEMBLY "DM" AND "TM"	5	6
72154A2	DRIVE TUBE ASSEMBLY	13	21	76935	KNOB, CLAMP	15	7
72155	LEVER, RELEASE	13	14	76937	RETAINER, SWIVEL TUBE	19	16
72172	RETAINER, LOWER SHAFT	11	6	76937	RETAINER, SWIVEL TUBE "DM"	15	4
72179	RETAINER, WIRING HARNESS	7	5	76938	KNOB, ADJUSTMENT - SWIVEL TUBE	19	17
72182A1	RETAINER ASSEMBLY, GEAR HOUSING	5	12	76938	KNOB, ADJUSTMENT - SWIVEL TUBE "DM"	15	5
72184A1	RETAINER AND BEARING ASSEMBLY "DM" AND "TM"	5	7	78414	RETAINER, IDLER GEAR	11	24
72184A1	RETAINER AND BEARING ASSEMBLY, NOSE CONE	5	7	78416	PULLEY, CONTROL CABLE	9	40
72252	RETAINER, UPPER SHAFT	11	2	78417	PIVOT, PULLEY	9	41
72254	KNOB, PIVOT	3	7	78418	CONTROL CABLE	7	13
72263	HANDLE, CLAMPING - COLUMN HOUSING	11	9	78419	DRUM	11	26
72390A1	GEAR AND PROPELLER SHAFT ASSEMBLY	5	19	78422	BASE, FOOT CONTROL	7	1
72402	BUMPER, BASE - PORT	3	2	78559A1	SHAFT ASSEMBLY, LOWER	11	14
72423	SHAFT, PIVOT	7	3	78796A3	ELECTRIC MOTOR ASSEMBLY "RC"	5	6
72473	CAP, RUBBER-PUSH BUTTON SWITCH	7	30	78971	HANDLE, THUMB SCREW	19	3
72474	SUCTION CUPS, FOOT CONTROL BASE	7	2	79400	CAP, PUSH BUTTON SWITCH "TM"	15	19
72475	RETAINER, BUSHING	5	14	79599	GRIP, CONTROL SHAFT	15	31
72475	RETAINER, GEAR HOUSING BUSHING	5	25	79710	HANDLE, RUBBER	7	38
72517	HOLDER, LIGHT BULB	11	15	79719	RETAINER, PROPELLER	5	32
72544	STRAP, HOLD-DOWN	3	9	85370	HOUSING, CONTROL	15	9
72704	ARMATURE "DM" AND "TM"	5	11	85454A2	INDICATOR ASSEMBLY	7	23
72704	ARMATURE "RC"	5	11	85457	COUPLER, INDICATOR (PLASTIC)	7	24
73636	INDICATOR, DIRECTIONAL	11	22	85516A2	FOOT PLATE ASSEMBLY	7	21
74413	BUMPER, BASE - STARBOARD	3	3	85517	PLATE, SWITCH	7	31
75532A1	BRUSH CARD ASSEMBLY "DM" AND "TM"	5	9	86039A1	HOUSING ASSEMBLY, CONTROL	11	3
75532A1	BRUSH CARD ASSEMBLY "RC"	5	9	86040A2	SHAFT ASSEMBLY, UPPER	11	1
76459	TUBE, SWIVEL	19	15	86071	SKEG	5	4
76459	TUBE, SWIVEL "DM"	15	3	A-27-72863A1	GASKET SET	5	-
76460	HOUSING, COLUMN "DM"	15	2	A-37-73470A76	DECAL SET "RC"	1	-
76461	HOOK, RELEASE	19	20	A-37-76486A77	DECAL SET "DM" AND "TM"	1	-
76463	BRACKET, PIVOT	19	21	10-20597	SCREW, HOLDER TO CONTROL HOUSING (3/8")	11	18
76464	ROD, RELEASE HOOK	19	18	10-20597	SCREW, RETAINER TO FOOT CONTROL BASE (3/8")	7	6

# PARTS INDEX

Part Number	Description	Pg.	Ref. No.	Part Number	Description	Pg.	Ref. No.
10-22928	SET SCREW, RETAINER TO LOWER SHAFT	11	7	10-77190A4	THUMB SCREW ASSEMBLY	19	2
10-26889	SCREW, BASE TO BOAT (2 1/4")	3	13	10-77478	SCREW, PUSH BUTTON SWITCH TO FOOT PLATE	7	19
10-31471	SCREW, BASE TO BOAT (3")	3	13	10-77950	SCREW, LIFT ARM CLAMPING (2 3/4")	13	8
10-32228	SCREW, CLAMP KNOB (5/8")	15	8	10-77951	SCREW, LIFT ARM CLAMPING (2 1/4")	13	7
10-35057	SET SCREW, CONTROL HOUSING TO DRIVE SHAFT	15	11	10-79168	SCREW	5	8
10-37370	SCREW, DIRECTIONAL INDICATOR TO GEAR (5/8")	11	23	10-79168	SCREW, RETAINER TO ELECTRIC MOTOR "RC"	5	8
10-37370	SCREW, PIVOT PULLEY	9	44	10-79477	SCREW, CLAMP BRACKET	19	9
10-37370	SCREW, TERMINAL BLOCK ATTACHING (1/2")	7	9	10-85371	SCREW, FRICTION "DM"	17	52
10-37655	SCREW	7	12	11-28770	NUT, CONTROL CABLE	9	43
10-37655	SCREW	7	33	11-29598	NUT, TILT PIN STUD	19	8
10-37655	SCREW, LATCH TO DRIVE TUBE	13	27	11-34863	NUT, CLAMP BRACKET STUD	19	11
10-47828	SCREW, BUMPER TO BASE	3	4	11-34932	NUT, COLUMN HOUSING SCREW	13	11
10-62568	SCREW	11	12	11-35045	NUT, BASE SCREW	3	17
10-62568	SCREW, WIRE TO CONTROL HOUSING (3/8")	15	28	11-35814	NUT, PIVOT BRACKET SCREW	19	24
10-65263	SCREW, PIVOT BRACKET TO SWIVEL BRACKET (1")	19	22	11-45592	NUT, LIFT ARM CLAMPING SCREW	13	9
10-68918	SCREW, CONTROL HOUSING TO COVER (1")	11	10	12-29070	WASHER, SEALING - GEAR HOUSING SCREW	5	30
10-68918	SCREW, COVER ATTACHING	15	12	12-29070	WASHER, SEALING - RETAINER SCREW	5	28
10-69010	SCREW, RETAINER TO GEAR HOUSING (1")	5	27	12-29245	WASHER, BASE SCREW (1/2" O.D.)	3	14
10-69013	SCREW, SWITCH BASE ATTACHING (7/8") "DM"	17	49	12-29629	WASHER, POTENTIOMETER	15	26
10-72378	SCREW, GEAR HOUSING TO NOSE COVER (7")	5	29	12-30644	WASHER, RELEASE LEVER PIN	13	16
10-72398	SET SCREW, CONTROL HOUSING TO UPPER SHAFT	11	4	12-35950	WASHER, INDICATOR	7	25
10-72398	SET SCREW, STOP TO CONTROL CHAFT	15	38	12-57427	WASHER, BASE SCREW (1" O.D.)	3	16
10-73287	SCREW	11	13	12-57428	WASHER, BASE SCREW (RUBBER)	3	15
10-73287	SCREW	15	14	12-58790	WASHER, PROPELLER SHAFT	5	21
10-73287	SCREW, "J" CLIP ATTACHING	7	36	12-68920	WASHER, CLAMP BRACKET STUD	19	10
10-73287	SCREW, HARNESS LEADS ATTACHING (3/8")	7	11	12-70132	WASHER, PIVOT BRACKET SCREW	19	23
10-73287	SCREW, HARNESS LEADS ATTACHING (3/8")	7	8	12-72371	WASHER, COLUMN HOUSING BUSING	13	13
10-73287	SCREW, SWITCH CABLE TO BASE (3/8") "DM"	17	46	12-72389	WASHER	13	18
10-75334	OLUMN HOUSING TO LIFT ARM (3")	13	10	12-72389	WASHER, MITER GEAR	13	3
10-76465	SCREW, PUSH BUTTON SWITCH	15	23	12-73719	WASHER, THUMB SCREW	19	5
10-76466	SCREW, CAP TO CONTROL HOUSING (1/2")	15	33	12-76472	WASHER, FRICTION - CONTROL SHAFT	15	35
10-76466	SCREW, CAP TO CONTROL HOUSING (1/2") "TM"	15	20	12-76473	WASHER, NYLON - CONTROL SHAFT	17	40
10-76804	SCREW, THUMB SCREW WASHER	19	5A	13-21423	LOCKWASHER, PUSH BUTTON SWITCH SCREW	7	20
				13-21423	LOCKWASHER, SWITCH SCREW	15	24
				13-26992	LOCKWASHER, TILT PIN STUD	19	7
				13-3462	WAVE WASHER, COUPLING	7	28

# PARTS INDEX

Part Number	Description	Pg.	Ref. No.	Part Number	Description	Pg.	Ref. No.
16-68925	STUD, TILT PIN	19	6	43-72860	MITER GEAR, DRIVE TUBE	13	17
17-27055	ROLL PIN, BASE	3	5	43-72860	MITER GEAR, PIVOT SHAFT	13	4
17-68929A1	TILT PIN ASSEMBLY	19	12	43-72861	BEVEL GEAR, DRIVE TUBE	13	28
17-70733	PIN, PROPELLER DRIVE	5	20	43-78413	GEAR, INDICATOR	11	19
17-72148	PIN, MITER GEAR AND BEVEL GEAR TO DRIVE TUBE	13	25	43-78415	IDLER GEAR	11	25
17-72149	PIN, RELEASE LEVER	13	22	43-78859	GEAR, POTENTIOMETER	15	27
17-72250	ROLL PIN, FOOT PLATE	7	22	45-76487	DRIVE SHAFT	15	1
17-72250	ROLL PIN, HOOK TO BASE	3	12	48-85644	PROPELLER "RC"	5	31
17-72255	ROLL PIN, RELEASE LEVER	13	15	48-85646	PROPELLER "DM" AND "TM"	5	31
17-78970	GROOVE PIN, THUMB SCREW	19	4	53-27290	RETAINING RING, INDICATOR	7	26
19-48323	PLUG, CONTROL SHAFT "DM"	15	18	53-76471	SNAP RING, CONTROL SHAFT	15	39
22-35268	PLUG, PIPE - GEAR HOUSING (DRAIN)	5	26	54-63153	"J" CLIP, BATTERY CABLE	7	35
23-29638	BUSHING, NYLON - PIVOT SHAFT	7	4	54-64391--1	BATTERY CLOP (POSITIVE) "TM"	17	50
23-60762	BUSHING, NYLON - INDICATOR	7	29	54-64391--2	BATTERY CLIP (NEGATIVE) "TM"	17	50
23-72146	BUSHING, RELEASE LEVER PIN	13	24	54-76936A1	CLAMP ASSEMBLY	15	6
23-72173A1	SLEEVE ASSEMBLY, GEAR HOUSING	5	23	82-85427	POTENTIOMETER	7	17
23-72253	BUSHING, COLUMN HOUSING	13	12	82-85427	POTENTIOMETER "DM"	15	16
23-72482	BUSHING, GEAR HOUSING	5	24	82-85427A1	POTENTIOMETER AND HARNESS ASSEMBLY	7	16
23-72482	BUSHING, RETAINER	5	13	82-85727	POTENTIOMETER "TM"	15	16
23-76470	BUSHING, NYLON - CONTROL SHAFT	15	36	84-79609A2	BATTERY CABLE ASSEMBLY "DM"	17	43
23-79827	BUSHIN, MITER GEAR	13	19	84-79611A2	BATTERY CABLE ASSEMBLY "TM"	17	43
23-79827	BUSHING, LIFT ARM	13	2	84-79611A3	BATTERY CABLE ASSEMBLY	7	34
23-79828	BUSHING, BEVEL GEAR	13	29	84-85007A2	WIRING HARNESS AND HANDLE ASSEMBLY	7	37
24-20099	SPRING "DM"	17	51	85-72661	INSULATOR, CONTROL	11	20
24-62143	SPRING, TILT PIN	19	13	85-76716	INSULATOR, CONTROL HOUSING COVER	17	42
24-65553	SPRING, RELEASE LEVER PIN	13	23	86-66986	TERMINAL BLOCK, FOOT CONTROL BASE	7	7
24-72256	SPRING, COMPRESSION - HOOK	3	11	86-66986	TERMINAL BLOCK, FOOT PLATE	7	32
24-72257	SPRING, COMPRESSION	13	20	86-67460	TERMINAL BLOCK, CONTROL HOUSING	11	11
24-75533	SPRING, BRUSH "DM" AND "TM"	5	10	86-67460	TERMINAL BLOCK, FOOT CONTROL BASE	7	10
24-75533	SPRING, BRUSH "RC"	5	10	86-76477	TERMINAL BLOCK	15	13
24-76462	SPRING, RELEASE HOOK ROD	19	19	87-72439	AWICH, PUSH BUTTON	15	22
24-85010	SPRING, CONTROL CABLE	9	42	87-72439	SWITCH, PUSH BUTTON	7	18
25-59712	"O" RING, NOSE CONE AND GEAR HOUSING	5	5	87-76335	SWITCH, PUSH BUTTON "TM"	15	17
25-72421	GROMMET, BASE	3	6	87-76335A3	SWITCH AND POTENTIOMETER ASSEMBLY "DM"	15	--
25-76468	GROMMET, CONTROL HOUSING	15	10	87-76335A4	SWITCH AND POTENTIOMETER ASSEMBLY "TM"	15	--
26-72461	SEAL, RETAINER	5	15	87-76449A1	SWITCH AND CABLE ASSEMBLY, REMOTE "DM"	17	44
27-85515	GASKET, RETAINER TO GEAR HOUSING	5	16	87-85987	SWITCH, TOGGLE "TM"	15	15
30-72388	BEARING, UPPER SHAFT	11	5	87-85987	SWITCH, TOGGLE "DM"	15	15
32-72545	TUBE, RUBBER - INDICATOR	7	27	87-85987	TOGGLE SWITCH	7	15
43-72385	SUN GEAR	5	18				
43-72859	RING GEAR	5	17				



# PARTS INDEX

Part Number	Description	Pg.	Ref. No.	Part Number	Description	Pg.	Ref. No.
87-85987A1	SWITCH AND HARNESS						
	ASSEMBLY . . . . .	7	14				
88-72729	LIGHT BULB . . . . .	11	16				
1478-7045A1	CLAMP BRACKET						
	ASSEMBLY (STARBOARD)	19	1				
1479-7044A1	CLAMP BRACKET						
	ASSEMBLY (PORT) . . . . .	19	1				
1483-6399	SWIVEL BRACKET . . . . .	19	14				
1649-5848A1	GEAR HOUSING ASSEMBLY	5	22				