



PARTS CATALOG

5 H.P.

SERIAL NUMBER

5A	661-30090 AND BELOW
5A	661-46595 AND BELOW

TABLE OF CONTENTS:

CARBURETOR	14
CLAMP AND SWIVEL BRACKET	24
COWLING	2
CRANKSHAFT AND PISTON	10
CYLINDER AND CYLINDER HEAD	8
DRIVESHAFT HOUSING	30
FLYWHEEL MAGNETO	6
FUEL PUMP AND LINE	18
FUEL TANK (ORIGINAL EQUIPMENT)	36
FUEL TANK (ORIGINAL EQUIPMENT)	38
FUEL TANK (REPLACEMENT)	40
GEAR SHIFT LINKAGE	20
GEARHOUSING ASSEMBLY	34
GEARHOUSING ASSEMBLY(CONT)	32
INTAKE MANIFOLD	12
PARTS INDEX	42
RECOIL STARTER	4
REVERSE LOCK	22
STEERING HANDLE	28

NOTE: Indented description indicate that these parts are included in preceeding assembly.

AR = As Required

NSS = Not Sold Separate

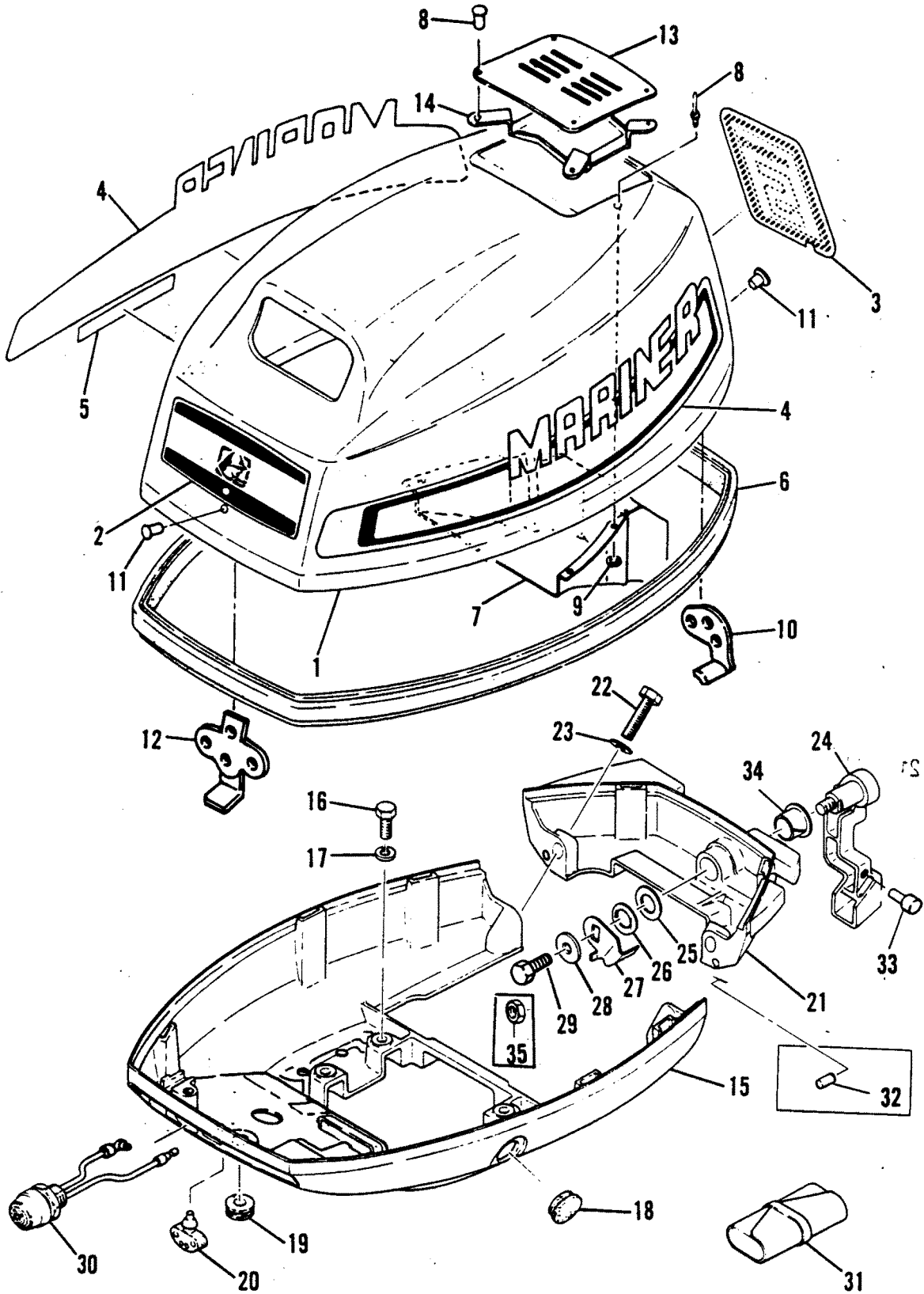
OPT = Optional

NS = Not Shown

THESE PARTS BOOKS/FICHE CARD ARE COPYRIGHTED AND MAY NOT BE DISTRIBUTED OR REPRODUCED IN ANY OTHER FORMAT BY ANYONE OTHER THAN MERCURY MARINE WITHOUT THE PRIOR WRITTEN CONSENT OF MERCURY MARINE.

THIS PAGE INTENTIONALLY LEFT BLANK

COWLING

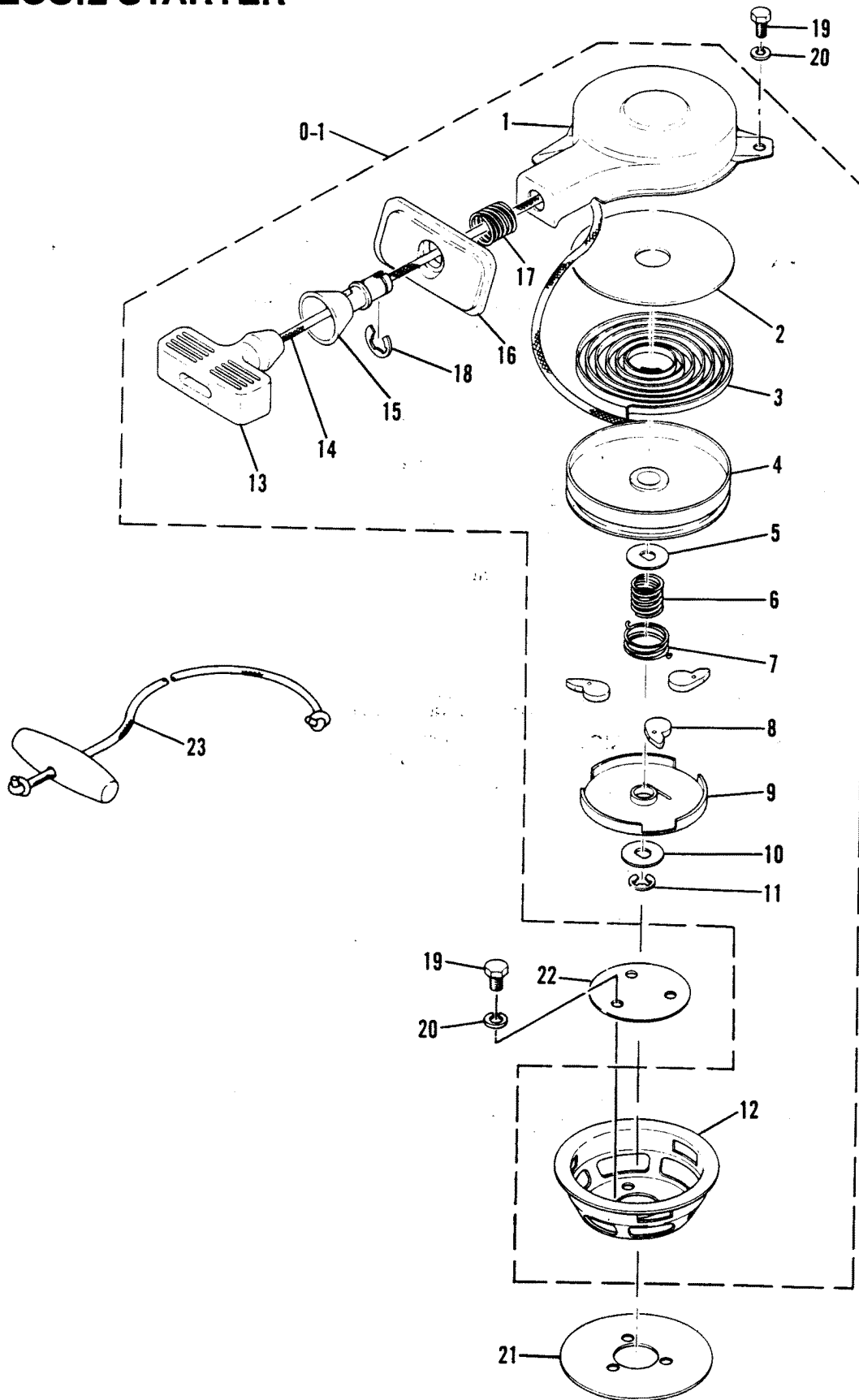


COWLING

REF. NO.	PART NO.	SYM.	QTY.	DESCRIPTION
1	NLA		1	TOP COWL
2	37-82906M		1	FRONT DECAL
3	37-82907M		1	REAR DECAL
4	37-83060M		1	SIDE SET DECALS
5	37-81202M		1	DECAL (F-N-R)
6	81196M		1	SEAL
7	NLA		1	AIR DUCT
8	17-81906M		8	RIVET
9	NLA		4	WASHER
10	94782M		1	HOLDER
11	17-81905M		4	RIVET
12	NLA		1	HOOK
13	NLA		1	MOULDING
14	82966M		1	AIR SHROUD
15	2168-6809M		1	FRONT BOTTOM COWL SERIAL 00018546-09999999
	NLA8-		1	FRONT BOTTOM COWL SERIAL 00000000-00018545
16	10-82423M		4	BOLT
17	13-82212M		4	LOCKWASHER
18	82068M		1	GROMMET
19	25-82062M		1	GROMMET
20	80033M		1	HOLDER
21	2168-6810M		1	REAR BOTTOM COWL
22	10-82441M		2	BOLT
23	13-82215M		2	LOCKWASHER
24	82550M		1	LEVER
25	12-81817M		1	WASHER
26	13-81871M		1	WAVE WASHER
27	81201M		1	CLAMP
28	12-81794M		1	WASHER
29	10-84303M		1	BOLT SERIAL 00030091-09999999
30	87-81205M		1	STOP SWITCH
31	91-81669M		1	TOOL KIT
32	17-82364M		2	DOWEL PIN SERIAL 00000000-00018545
33	82056M		1	GROMMET SERIAL 00000000-00030090
34	23-81951M		1	BUSHING SERIAL 00000000-00030090
35	11-82381M		1	NUT SERIAL 00000000-00030090

RECOIL STARTER

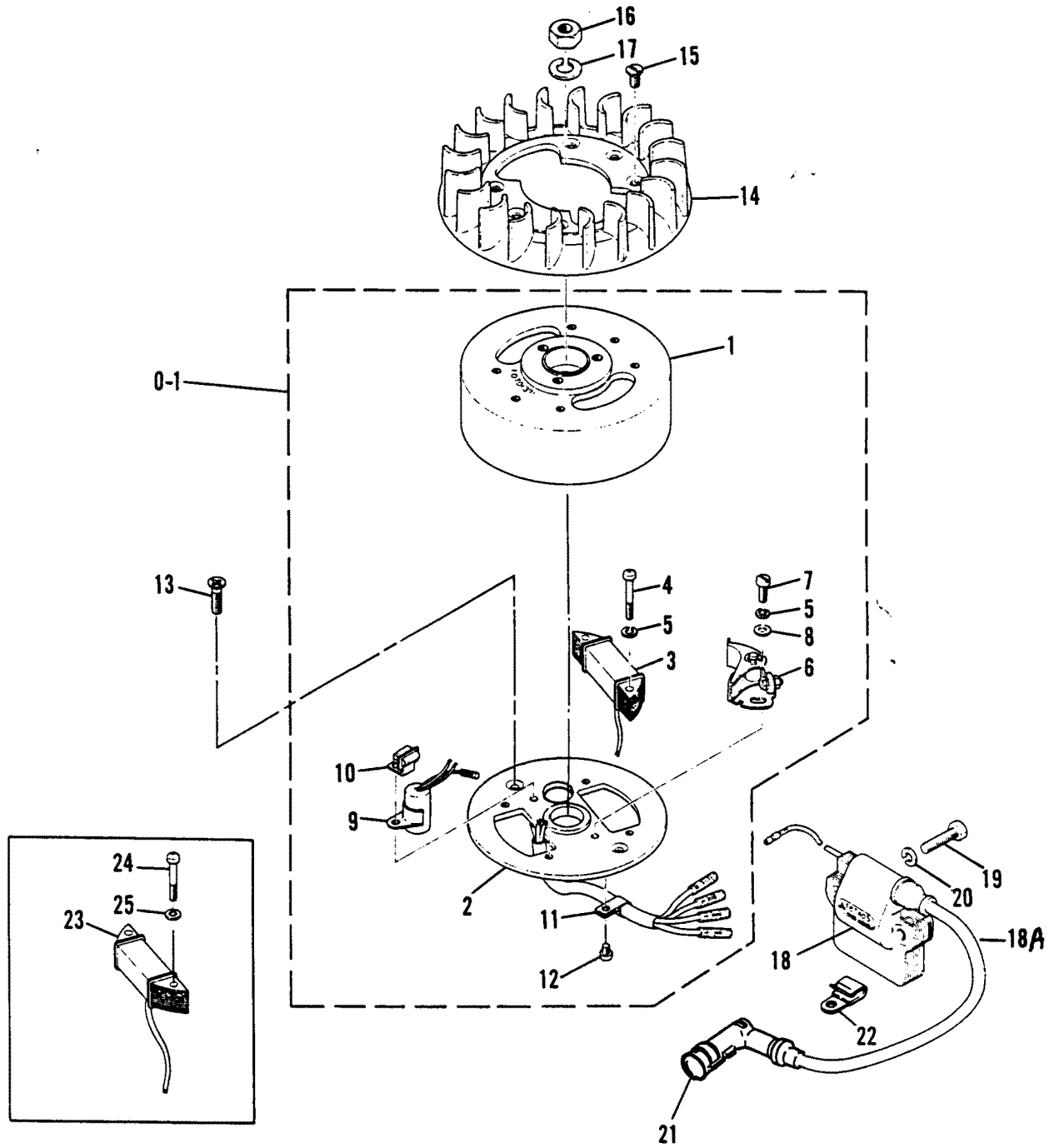
RECOIL STARTER



RECOIL STARTER

REF. NO.	PART NO.	SYM.	QTY.	DESCRIPTION
0-1	50-84405M		1	STARTER ASSEMBLY
1	84406M		1	STARTER HOUSING SERIAL 00028316-09999999
	NLA		1	STARTER HOUSING SERIAL 00000000-00028315
2	80039M		1	SPACER
3	24-80056M		1	SPRING
4	50-80057M		1	STARTER SHEAVE
5	12-82782M		1	WASHER
6	24-80058M		1	SPRING
7	24-80060M		1	SPRING
8	80061M		3	PAWL
9	80036M		1	DRIVE PLATE
10	NLA		1	WASHER
11	53-82333M		1	SNAP RING
12	80973M		1	PULLEY
13	80063M		1	HANDLE
14	50-12066A9		1	STARTER ROPE
15	81186M		1	GUIDE
16	81187M		1	PLATE
17	24-81188M		1	SPRING
18	53-82336M		1	SNAP RING
19	10-84303M		6	BOLT
20	13-82212M		6	LOCKWASHER
21	NLA		1	PLATE
22	81203M		1	COVER
23	47341A1		1	EMERGENCY STARTER ROPE

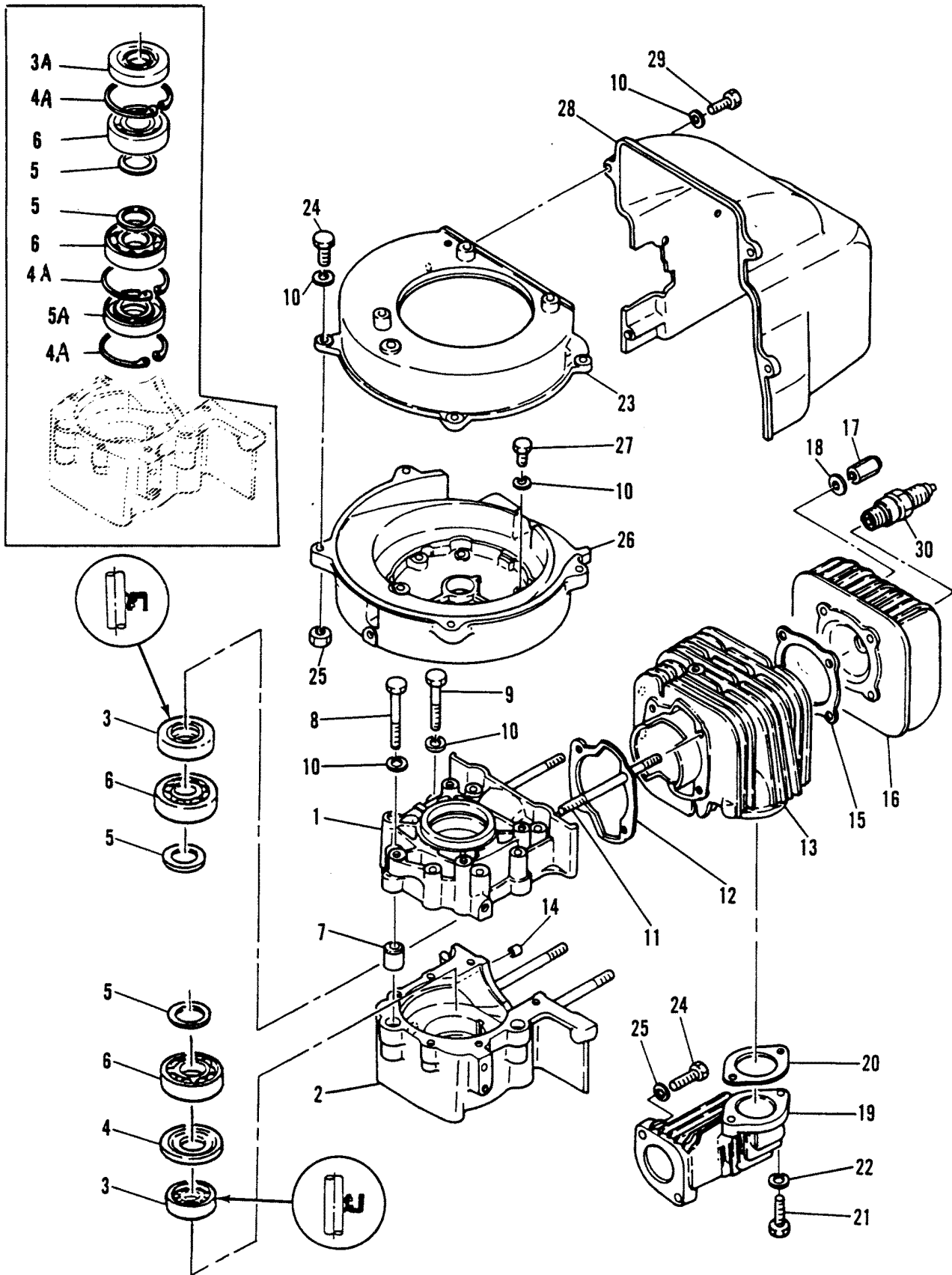
FLYWHEEL MAGNETO



FLYWHEEL MAGNETO

REF. NO.	PART NO.	SYM.	QTY.	DESCRIPTION
0-1	82887M		1	FLYWHEEL MAGNETO ASSEMBLY
1	81023M		1	FLYWHEEL
2	NLA		1	MAGNETO BASE
3	82958M		1	IGNITION COIL SERIAL 00030091-09999999
	81019M		1	IGNITION COIL SERIAL 00000000-00030090
4	NLA		2	SCREW
5	13-82184M		3	LOCKWASHER
6	81021M		1	BREAKER
7	10-82501M		1	SCREW
8	12-82847M		1	WASHER
9	84404M		1	CONDENSER SERIAL 00030091-09999999
	81022M		1	CONDENSER SERIAL 00000000-00030090
10	80003M		1	LUBRICATOR
11	NLA		1	CLAMP
12	10-82499M		1	SCREW
13	10-82536M		2	SCREW
14	81024M		1	FAN
15	NLA		6	SCREW
16	11-82384M		1	NUT
17	13-82218M		1	LOCKWASHER
18	82960M		1	IGNITION COIL SERIAL 00030091-09999999
	81026M		1	IGNITION COIL SERIAL 00000000-00030090
18A	84-82831M		1	WIRE SERIAL 00000000-00030090
19	10-82405M		2	BOLT
20	13-82212M		2	LOCKWASHER
21	814991M		1	SPARK PLUG CAP SERIAL 00033106-09999999
	85-81204M		1	SPARK PLUG CAP SERIAL 00000000-00033105
22	54-82041M		1	CLAMP
23	81020M		1	LIGHTING COIL (12V-40 WATT) - OPTIONAL PARTS
24	10-82521M		2	SCREW - OPTIONAL PARTS
25	13-82186M		2	LOCKWASHER - OPTIONAL PARTS

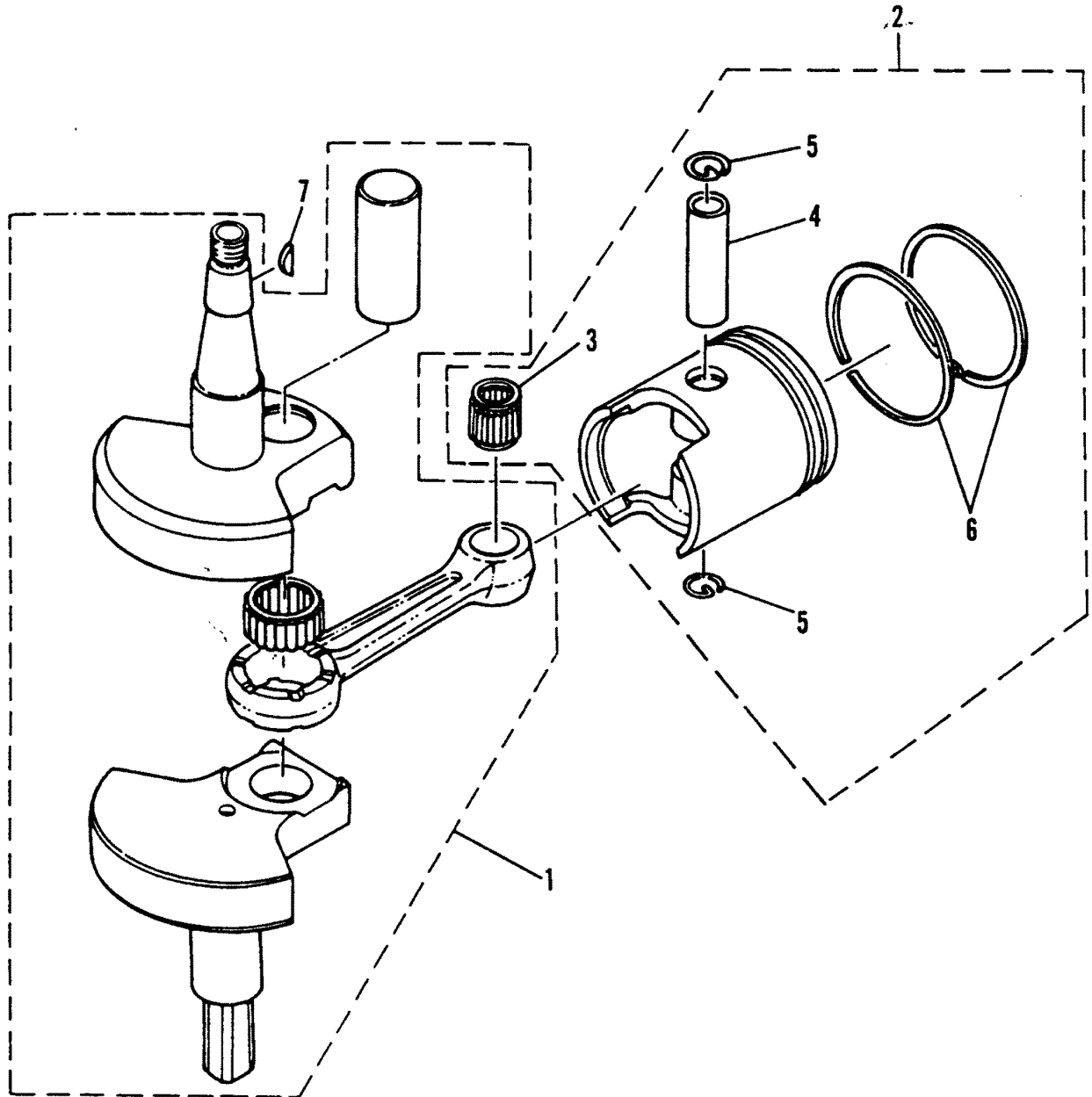
CYLINDER AND CYLINDER HEAD



CYLINDER AND CYLINDER HEAD

REF. NO.	PART NO.	SYM.	QTY.	DESCRIPTION
1	968-6806M		1	UPPER CRANKCASE
2	968-6807M		1	LOWER CRANKCASE SERIAL 00016636-09999999
	968-6879M		1	LOWER CRANKCASE SERIAL 00000000-00016635
3	26-18941M		2	OIL SEAL SERIAL 00030291-09999999
4	82941M		1	PROTECTOR SERIAL 00030291-09999999
3A	26-82240M		1	OIL SEAL SERIAL 00000000-00030290
4A	53-82326M		3	CIRCLIP SERIAL 00000000-00030290
5A	26-82231M		1	OIL SEAL SERIAL 00000000-00030290
5	15-80015M		AR	SHIM (.3MM)
	15-80016M		AR	SHIM (.4MM)
	15-80017M		AR	SHIM (.5MM)
	15-80018M		AR	SHIM (.6MM)
	15-80019M		AR	SHIM (.7MM)
	15-80020M		AR	SHIM(.8MM)
6	30-82300M		2	BEARING
7	17-14229M		2	DOWEL PIN
8	10-82431M		2	BOLT
9	10-84657M		6	BOLT
10	13-82212M		20	LOCKWASHER
11	16-81725M		4	STUD
12	17-80066M		1	GASKET
13	870-6804M		1	CYLINDER
14	NLA-		1	BUSHING
15	27-80035M		1	GASKET
16	968-6700M		1	CYLINDER HEAD
17	11-81764M		4	NUT
18	12-82214M		4	WASHER
19	80308M		1	EXHAUST MANIFOLD
20	27-80042M		1	GASKET
21	10-82405M		4	BOLT
22	12-81792M		4	WASHER
23	NLA		1	CASE
24	10-82405M		4	BOLT SERIAL 00018546-09999999
	10-82423M		4	BOLT SERIAL 00000000-00018545
25	11-82389M		4	NUT
26	81176M		1	HOUSING SERIAL 00018546-09999999
	NLA		1	HOUSING SERIAL 00000000-00L41375
27	10-83539M		5	BOLT
28	81177M		1	AIR SHROUD
29	10-82423M		3	BOLT
30	33-82371M		1	SPARK PLUG (NGK#B-7HS)

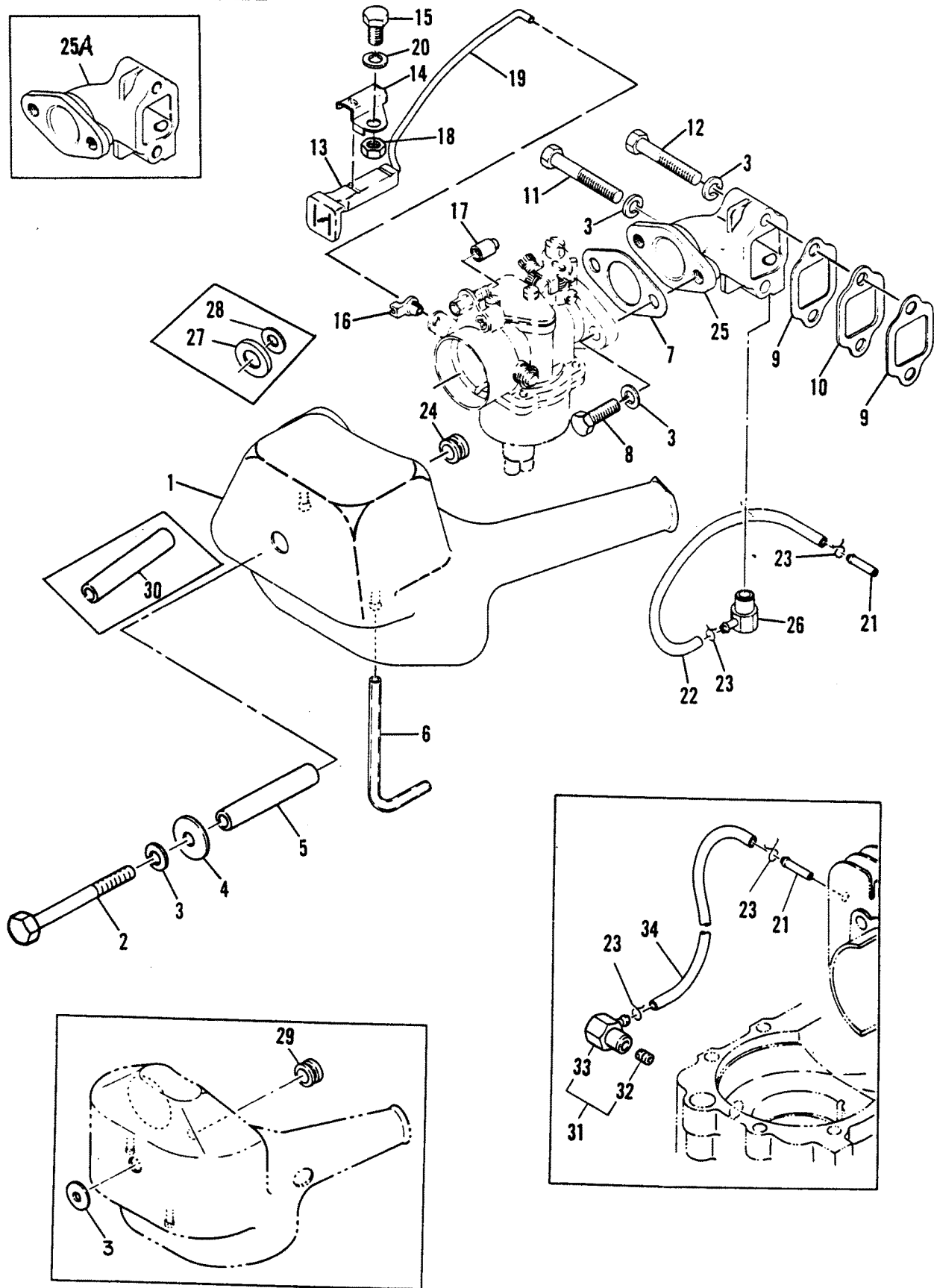
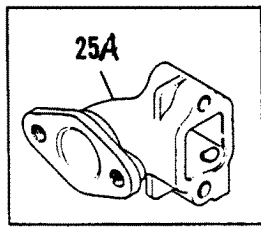
CRANKSHAFT AND PISTON



CRANKSHAFT AND PISTON

REF. NO.	PART NO.	SYM.	QTY.	DESCRIPTION
1	463-7160M		1	CRANKSHAFT SERIAL 00012506-09999999
	463-6701M		1	CRANKSHAFT SERIAL 00000000-00012505
2	761-8230M		1	PISTON (STANDARD)
	NLA-		AR	PISTON (50.25 MM O.S.)
	761-8232M		AR	PISTON (50.50 MM O.S.)
3	31-82835M		1	BEARING
4	41-80005M		1	PISTON PIN
5	53-82342M		2	CLIP
6	39-80305M		1	PISTON RING SET (STANDARD)
	39-80306M		AR	PISTON RING SET (50.25 MM O.S.)
	39-80307M		AR	PISTON RING SET (50.50 MM O.S.)
7	28-84403M		1	KEY (AND UP) SERIAL 00012506-09999999
	28-81910M		1	KEY (AND BELOW) SERIAL 00000000-00012505

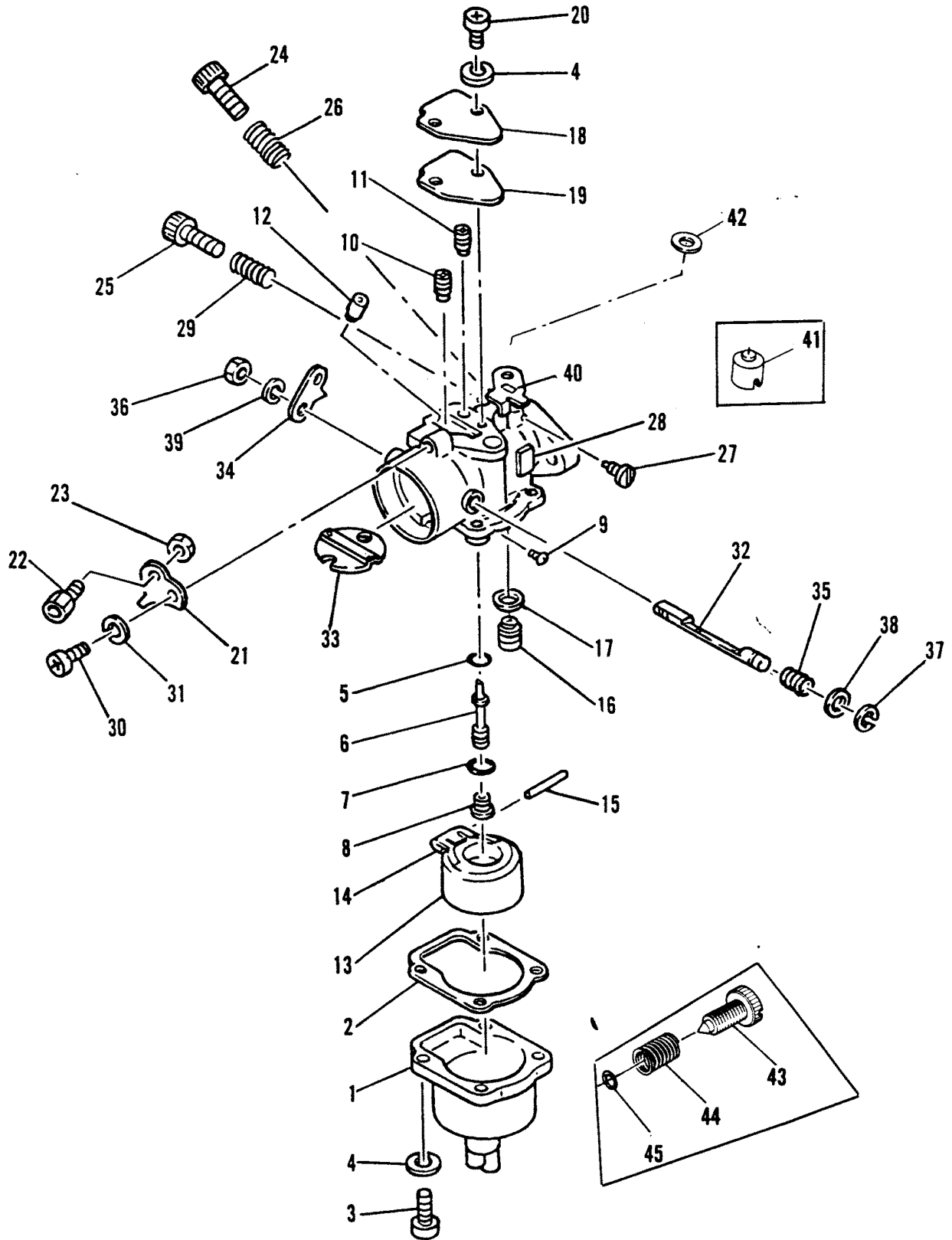
INTAKE MANIFOLD



INTAKE MANIFOLD

REF. NO.	PART NO.	SYM.	QTY.	DESCRIPTION
1	35-82903M		1	AIR FILTER (AND UP) SERIAL 00030091-09999999
	NLA		1	AIR FILTER SERIAL 00012656-00030090
	35-82588M		1	AIR FILTER SERIAL 00000000-00012655
2	10-84658M		1	BOLT
3	13-82212M		5	LOCKWASHER
4	12-81794M		1	WASHER
5	23-82719M		1	COLLAR
6	32-82026M		1	HOSE
7	27-80067M		1	GASKET
8	10-83539M		2	BOLT
9	27-80956M		2	GASKET
10	27-80957M		1	SPACER
11	10-84657M		1	BOLT
12	10-82428M		1	BOLT
13	81193M		1	CHOKE KNOB
14	81192M		1	GUIDE
15	10-82405M		1	BOLT SERIAL 00018546-09999999
	10-813477M		1	BOLT SERIAL 00000000-00018545
16	81191M		1	CONNECTOR
17	80092M		1	COVER
18	11-82389M		1	NUT SERIAL 00018546-09999999
19	81190M		1	ROD
20	12-82214M		1	WASHER
21	22-80122M		1	FITTING
22	32-811045M		1	HOSE SERIAL 00016636-09999999
23	54-82046M		2	CLAMP
24	NLA		1	GROMMET SERIAL 00020091-09999999
25	NLA		1	INTAKE MANIFOLD SERIAL 00016636-09999999
26	21-80727M		1	CHECK VALVE SERIAL 00016636-09999999
25A	82677M		1	INTAKE MANIFOLD SERIAL 00000000-00016635
27	NLA		1	SEAL SERIAL 00000000-00030090
28	12-83769M		1	WASHER SERIAL 00000000-00030090
29	NLA		1	GROMMET SERIAL 00000000-00030090
30	NLA		1	COLLAR SERIAL 00000000-00030090
31	21-80727M		1	CHECK VALVE SERIAL 00000000-00016635
32	22-81256M		1	NIPPLE SERIAL 00000000-00016635
33	21-80107M		1	CHECK VALVE SERIAL 00000000-00016635
34	32-811045M		1	HOSE SERIAL 00000000-00016635

CARBURETOR

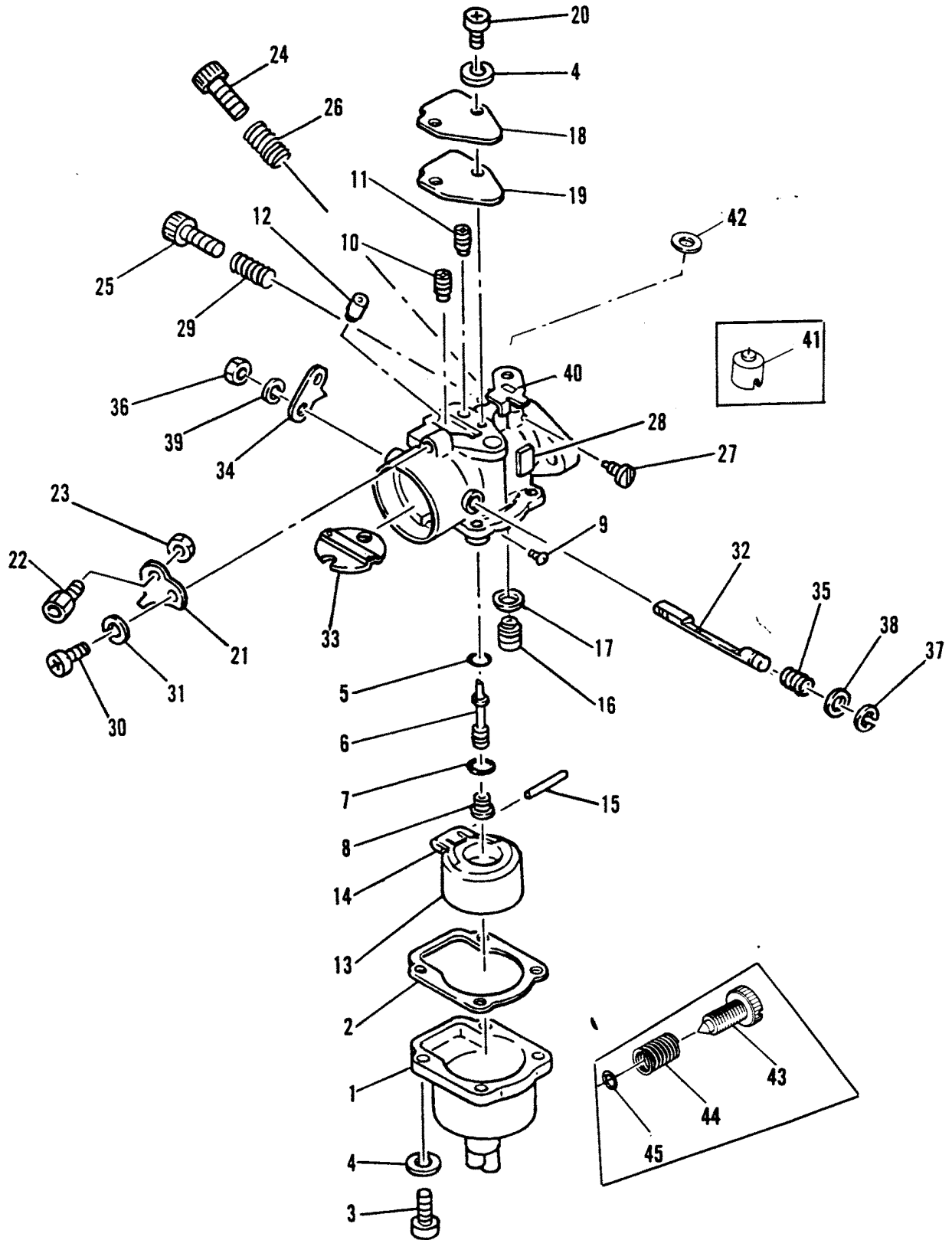


CARBURETOR

REF. NO.	PART NO.	SYM.	QTY.	DESCRIPTION
-	1383-6926M		1	CARBURETOR SERIAL 00032166-09999999
1	91737M		1	FLOAT BOWL SERIAL 00032166-09999999
-	1383-6805M		1	CARBURETOR SERIAL 00000000-00032165
	81181M		1	FLOAT BOWL SERIAL 00000000-00032165
2	27-80972M		1	GASKET
3	10-11796M		4	SCREW
4	13-82206M		7	LOCKWASHER
5	27-80960M		1	GAKSET
6	80968M		1	MAIN NOZZLE
7	25-80961M		1	GASKET
8	80579M		1	MAIN JET (#80)
	82625M		1	MAIN JET (#82)
	84687M		1	MAIN JET (#56)
9	NLA		1	SCREW
10	NLA		1	AIR JET
11	82600M		1	LOW SPEED JET (#46)
	94561M		1	LOW SPEED JET (#48)
12	80967M		1	MAIN AIR JET
13	80450M		1	FLOAT
14	80202M		1	FLOAT ARM
15	17-80201M		1	FLOAT PIN
16	80204M		1	VALVE SEAT
17	27-80205M		1	GASKET
18	NLA		1	COVER
19	NLA		1	GASKET
20	10-82513M		2	SCREW
21	82549M		1	PLATE
22	10-80958M		1	BOLT
23	11-80431M		1	NUT
24	10-80573M		1	AIR ADJUSTING SCREW
25	10-80738M		1	SCREW
26	24-80575M		1	SPRING SERIAL 00018546-09999999
	NLA		1	SPRING SERIAL 00000000-00018545
27	10-80191M		1	SCREW
28	NLA		1	PLATE
29	24-80966M		1	SPRING
30	10-82513M		1	SCREW SERIAL 00030091-09999999
31	13-82206M		1	LOCKWASHER SERIAL 00030091-09999999
30	10-82534M		1	SCREW SERIAL 00000000-00030090
32	NLA		1	CHOKE SHAFT
33	NLA		1	CHOKE VALVE
34	NLA		1	CHOKE LEVER
35	NLA		1	SPRING

CONTINUED ON NEXT PAGE ➡

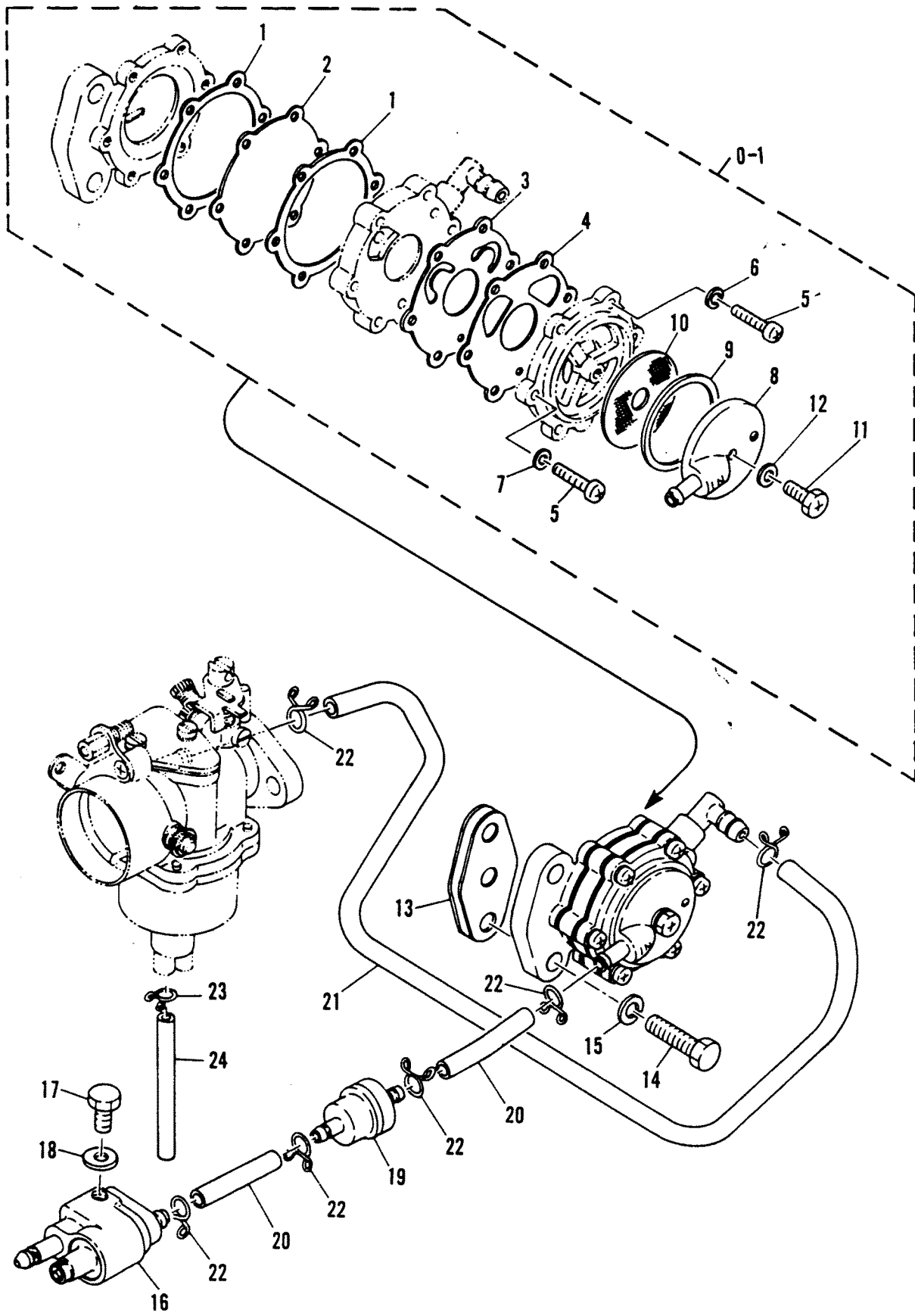
CARBURETOR



CARBURETOR

REF. NO.	PART NO.	SYM.	QTY.	DESCRIPTION
36	11-82949M		1	NUT
37	NLA		1	SNAP RING
38	12-84401M		1	WASHER
39	13-82212M		1	LOCKWASHER
40	NLA		1	THROTTLE SHAFT SERIAL 00000000-00030090
41	NLA		1	CONNECTOR SERIAL 00000000-00030090
42	12-82952M		1	WASHER SERIAL 00000000-00030090
43	NLA		1	DRAIN VALVE SERIAL 00000000-00018545
44	24-82641M		1	SPRING SERIAL 00000000-00018545
43	10-80349M		1	DRAIN VALVE SERIAL 00018546-00032165
44	24-80331M		1	SPRING SERIAL 00018546-00032165
45	25-80350M		1	O-RING SERIAL 00018546-00032165

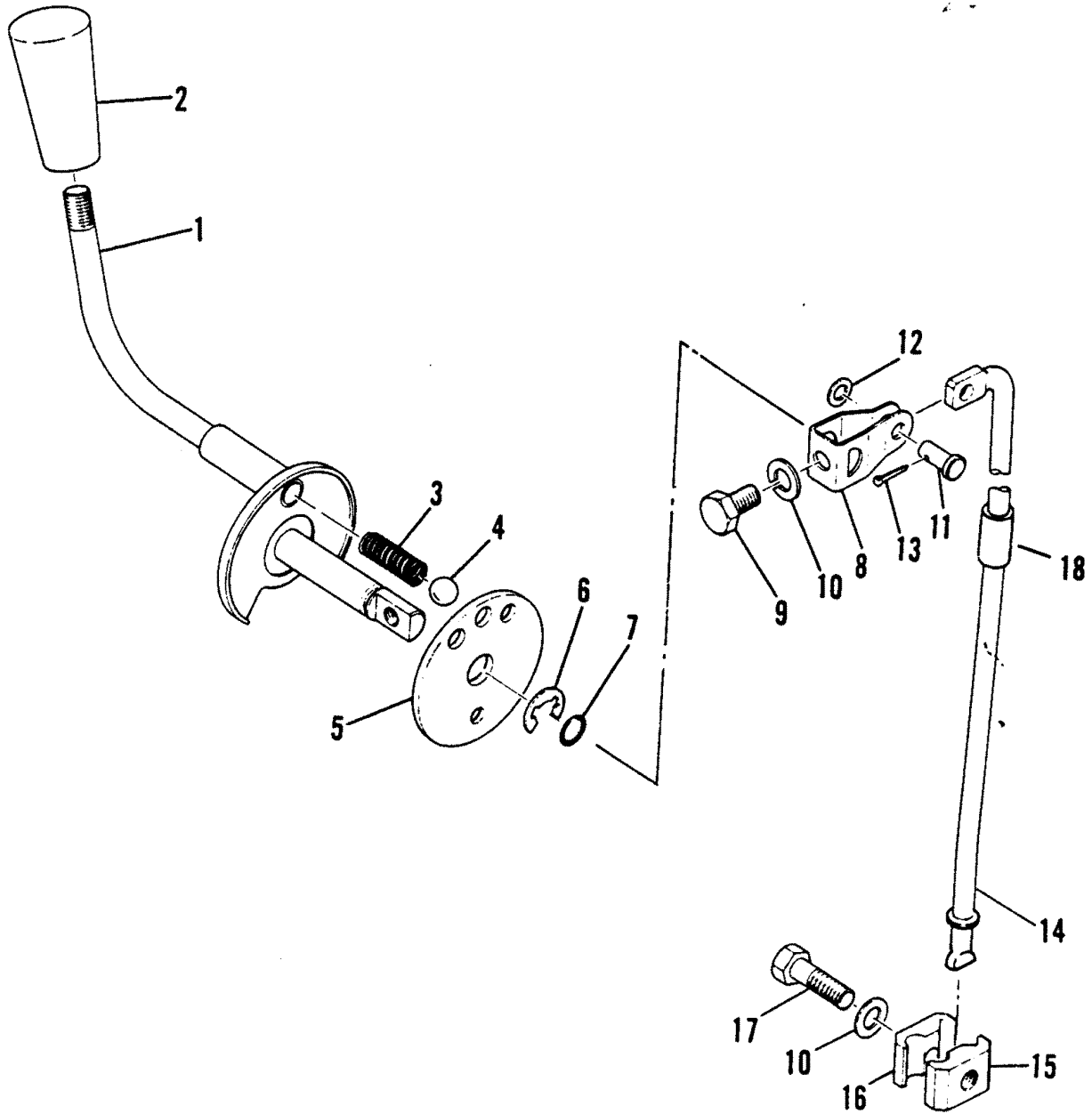
FUEL PUMP AND LINE



FUEL PUMP AND LINE

REF. NO.	PART NO.	SYM.	QTY.	DESCRIPTION
0-1	81189M		1	FUEL PUMP ASSEMBLY
1	27-81686M		2	GASKET
2	80217M		1	DIAPHRAGM
3	27-81684M		1	CHECK VALVE
4	27-81687M		1	GASKET
5	10-82967M		6	SCREW
6	13-82206M		5	LOCKWASHER
7	27-80479M		1	GASKET
8	NLA		1	CAP
9	27-81688M		1	GASKET
10	35-81692M		1	FUEL FILTER
11	10-81691M		1	SCREW
12	27-81689M		1	GASKET
13	27-80104M		1	SPACER
14	10-82405M		2	BOLT
15	13-82212M		2	LOCKWASHER
16	14187M		1	CONNECTOR HOUSING
17	10-82405M		1	BOLT
18	12-82214M		1	WASHER
19	35-80365M		1	STRAINER
20	32-82012M		2	FUEL LINE
21	32-82012M		1	FUEL LINE
22	54-82047M		6	CLAMP
23	32-81993M		1	HOSE SERIAL 00000000-00032165
24	54-82045M		1	CLIP SERIAL 00000000-00032165

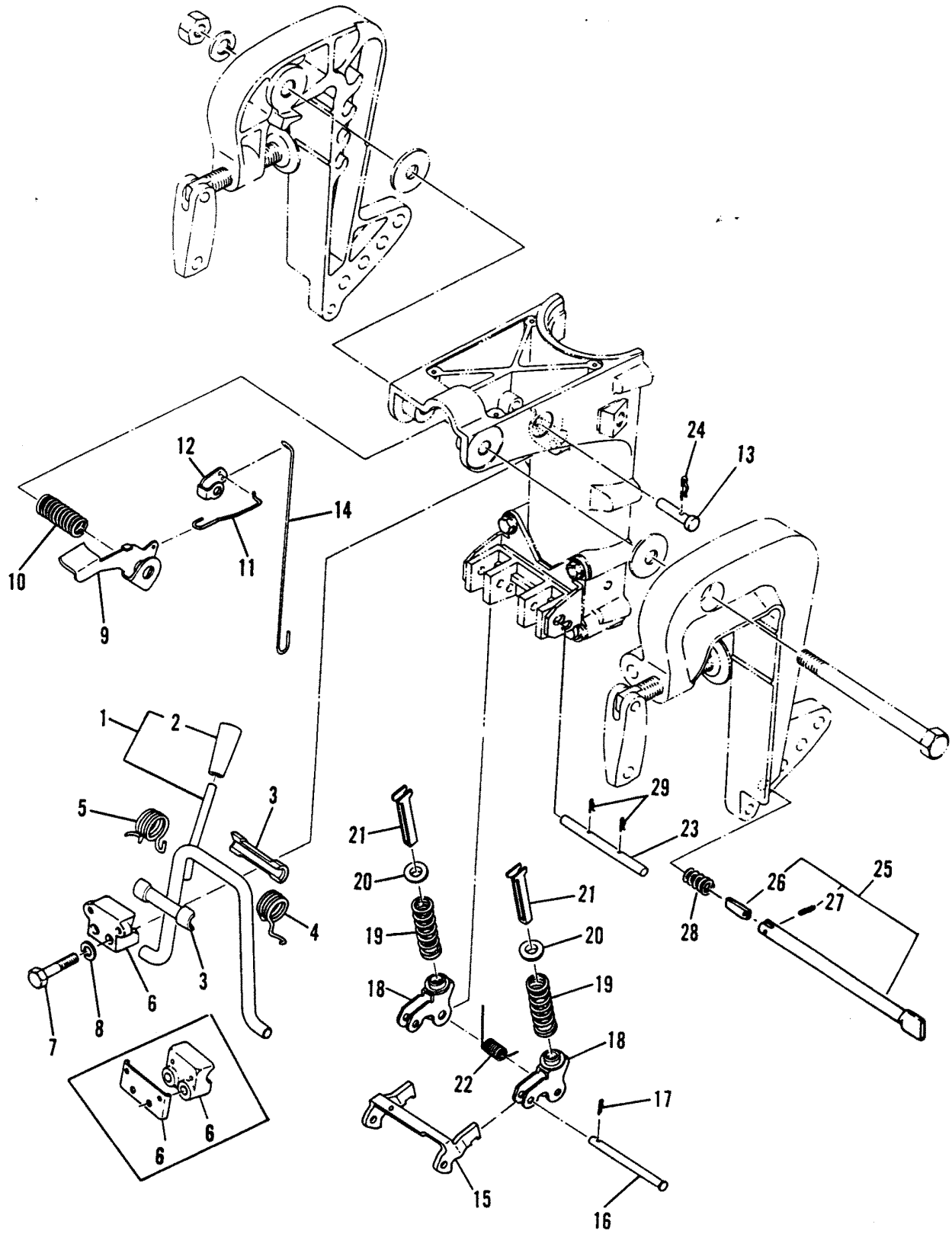
GEAR SHIFT LINKAGE



GEAR SHIFT LINKAGE

REF. NO.	PART NO.	SYM.	QTY.	DESCRIPTION
1	80987M		1	SHIFT LEVER
2	80985M		1	KNOB
3	24-82082M		1	SPRING
4	82347M		1	BALL
5	80986M		1	CAM
6	53-82335M		1	SNAP RING
7	25-82260M		1	O-RING
8	80988M		1	ARM
9	10-91772M		1	BOLT
10	13-82212M		2	LOCKWASHER
11	17-81879M		1	ARM SHAFT
12	12-82211M		1	WASHER
13	18-82125M		1	PIN
14	80989M		1	SHIFT SHAFT (SHORT)
	80990M		1	SHIFT SHAFT (LONG)
15	80050M		1	CONNECTOR
16	80049M		1	BRACKET
17	10-83539M		1	BOLT
18	32-82012M		1	HOSE

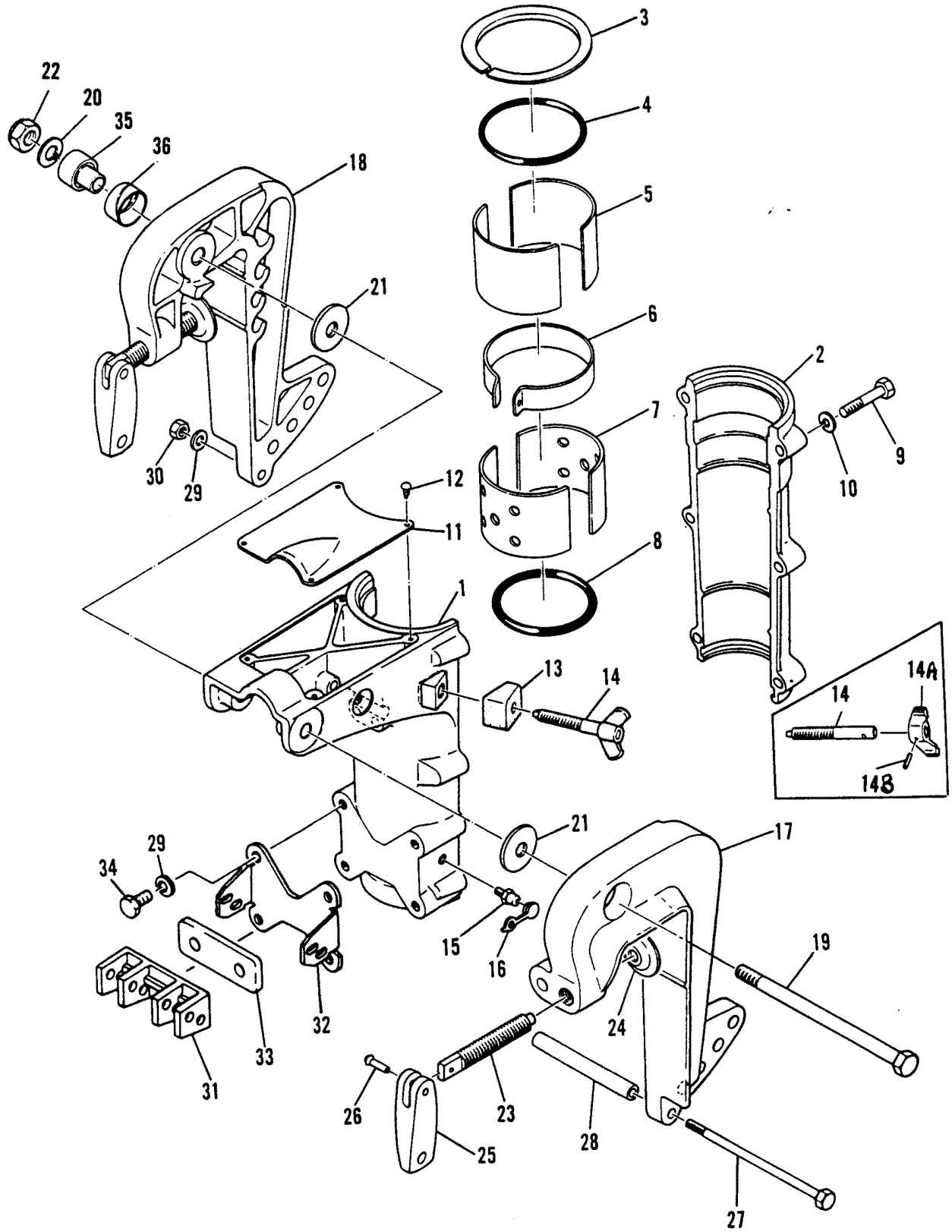
REVERSE LOCK



REVERSE LOCK

REF. NO.	PART NO.	SYM.	QTY.	DESCRIPTION
1	80096M		1	TILT STOP LEVER
2	80100M		1	KNOB
3	23-80097M		2	BUSHING
4	24-82111M		1	SPRING (PORT) SERIAL 00018546-09999999
	24-82734M		1	SPRING (PORT) SERIAL 00000000-00018545
5	24-82110M		1	SPRING (STARBOARD)
6	80976M		1	BRACKET SERIAL 00018546-09999999
7	10-83539M		2	BOLT SERIAL 00018546-09999999
6	NLA		1	BRACKET SERIAL 00000000-00018545
6A	82580M		1	PLATE SERIAL 00000000-00018545
7	10-83285M		2	BOLT SERIAL 00000000-00018545
8	13-82212M		2	LOCKWASHER
9	80983M		1	LOCK/RELEASE LEVER
10	24-82089M		1	SPRING
11	80981M		1	ROD
12	80648M		1	CAM
13	17-81885M		1	PIN SERIAL 00018546-09999999
	NLA		1	SCREW SERIAL 00000000-00018545
14	80982M		1	ROD
15	80980M		1	HOOK
16	17-81884M		1	SHAFT
17	18-82051M		1	PIN
18	80523M		2	LEVER
19	24-82097M		2	SPRING
20	80525M		2	STOP
21	80521M		2	ARM
22	24-82114M		1	SPRING
23	80984M		2	SHAFT
24	18-82053M		1	COTTER PIN SERIAL 00018546-09999999
25	17-80095M		1	TILT ROD
26	NLA		1	STOPPER SERIAL 00000000-00030090
27	17-82141M		1	PIN SERIAL 00000000-00030090
26	82857M		1	STOPPER SERIAL 00030091-09999999
27	17-82144M		1	ROLL PIN SERIAL 00030091-09999999
28	24-82099M		1	SPRING SERIAL 00030091-09999999
29	18-82049M		4	COTTER PIN

CLAMP AND SWIVEL BRACKET

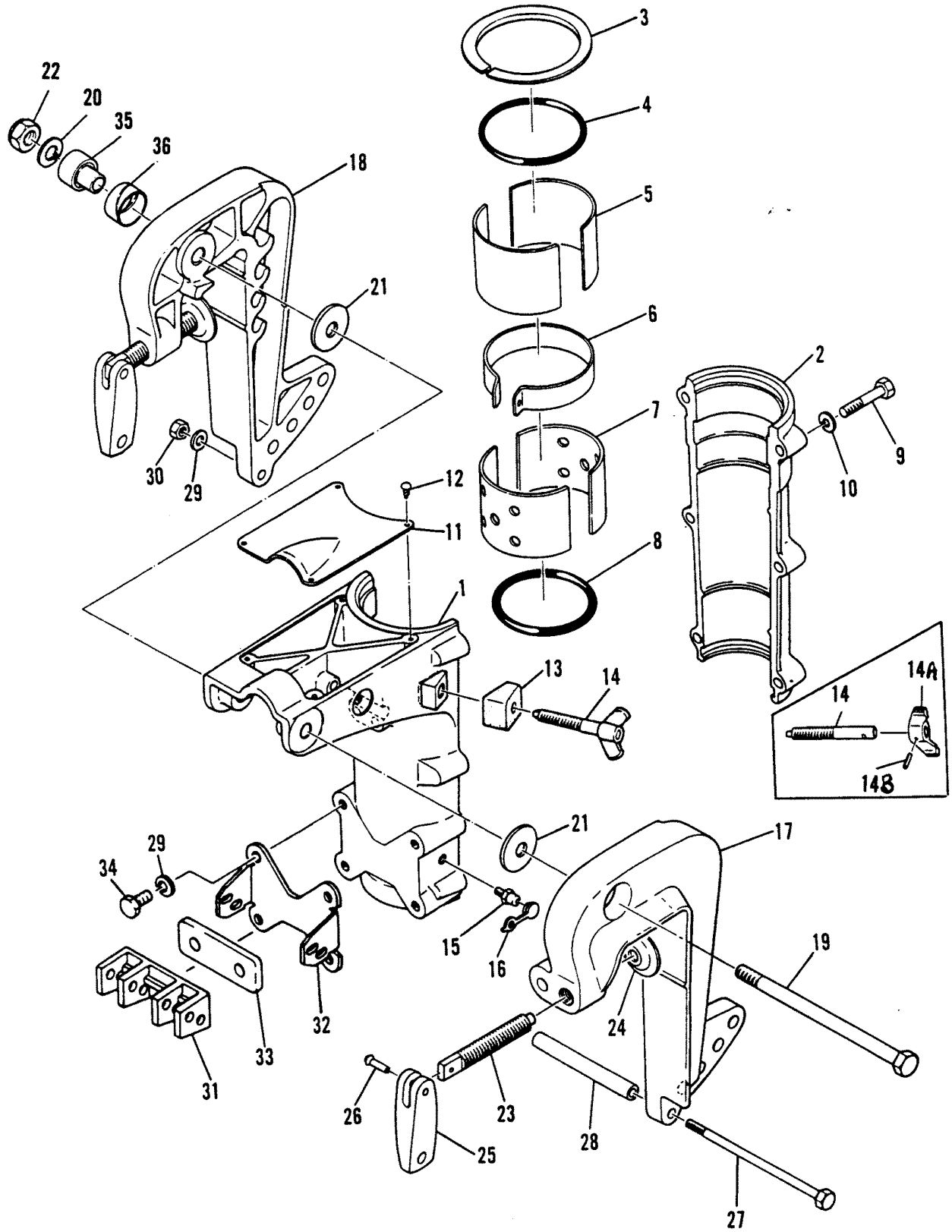


CLAMP AND SWIVEL BRACKET

REF. NO.	PART NO.	SYM.	QTY.	DESCRIPTION
1	1485-6773M		1	FRONT SWIVEL BRACKET SERIAL 00018546-09999999
	NLA5-		1	FRONT SWIVEL BRACKET SERIAL 00000000-00018545
2	1485-6705M		1	REAR SWIVEL BRACKET
3	23-81874M		1	COLLAR
4	25-82284M		1	O-RING
5	23-80043M		2	BUSHING (UPPER) SERIAL 00011566-09999999
	NLA		2	BUSHING (UPPER) SERIAL 00000000-00011565
6	80093M		1	CLAMP
7	23-80047M		2	BUSHING (LOWER)
8	25-82282M		1	O-RING
9	10-83285M		6	BOLT
10	13-82212M		6	LOCKWASHER
11	NLA		1	COVER
12	10-14265M		4	RIVET
13	80099M		1	SEAL
14	10-80159M		1	SCREW SERIAL 00018546-09999999
	NLA		1	SCREW SERIAL 00000000-00018545
14A	11-82577M		1	WIND NUT SERIAL 00000000-00018545
14B	17-82738M		1	ROLL PIN SERIAL 00000000-00018545
15	22-82369M		1	GREASE FITTING
16	81439M		1	CAP
17	1484-6702M		1	PORT CLAMP BRACKET SERIAL 00018546-09999999
18	1484-6703M		1	CLAMP BRACKET SERIAL 00018546-09999999
19	10-81707M		1	BOLT SERIAL 00018546-09999999
20	13-82218M		1	WASHER SERIAL 00018546-09999999
21	12-98970M		2	WASHER SERIAL 00018546-09999999
22	11-82395M		1	NUT SERIAL 00018546-09999999
17	NLA		1	PORT CLAMP BRACKET SERIAL 00000000-00018545
18	NLA		1	CLAMP BRACKET SERIAL 00000000-00018545
19	NLA		1	BOLT SERIAL 00000000-00018545
20	12-82708M		2	WASHER SERIAL 00000000-00018545
21	NLA		2	WASHER SERIAL 00000000-00018545
22	NLA		2	NUT SERIAL 00000000-00018545
23	10-81755M		2	SCREW
24	12-80638M		2	PAD
25	80048M		2	HANDLE
26	17-81888M		2	PIN
27	10-82858M		1	BOLT
28	23-82117M		1	SPACER
29	13-82212M		5	WASHER
30	11-82389M		1	NUT
31	NLA		1	RECEIVER SERIAL 00000000-00018950
	80978M		1	RECEIVER SERIAL 00018951-09999999

CONTINUED ON NEXT PAGE ➡

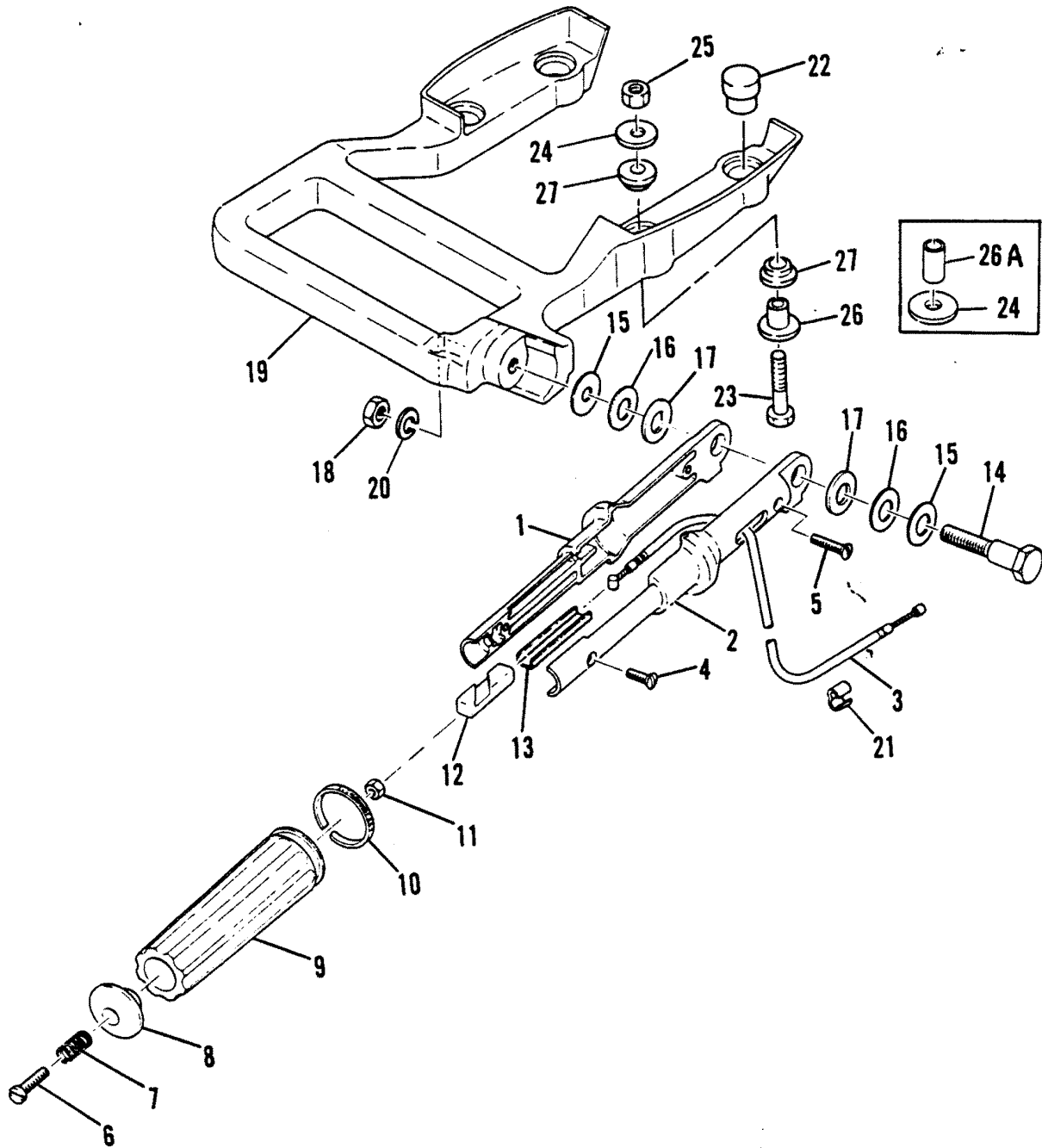
CLAMP AND SWIVEL BRACKET



CLAMP AND SWIVEL BRACKET

REF. NO.	PART NO.	SYM.	QTY.	DESCRIPTION
32	80979M		1	RECEIVER SERIAL 00018951-09999999
33	80994M		1	MOUNT SERIAL 00018951-09999999
34	10-84368M		4	BOLT
35	23-82575M		2	BUSHING SERIAL 00000000-00018545
36	23-82716M		2	BUSHING SERIAL 00000000-00018545

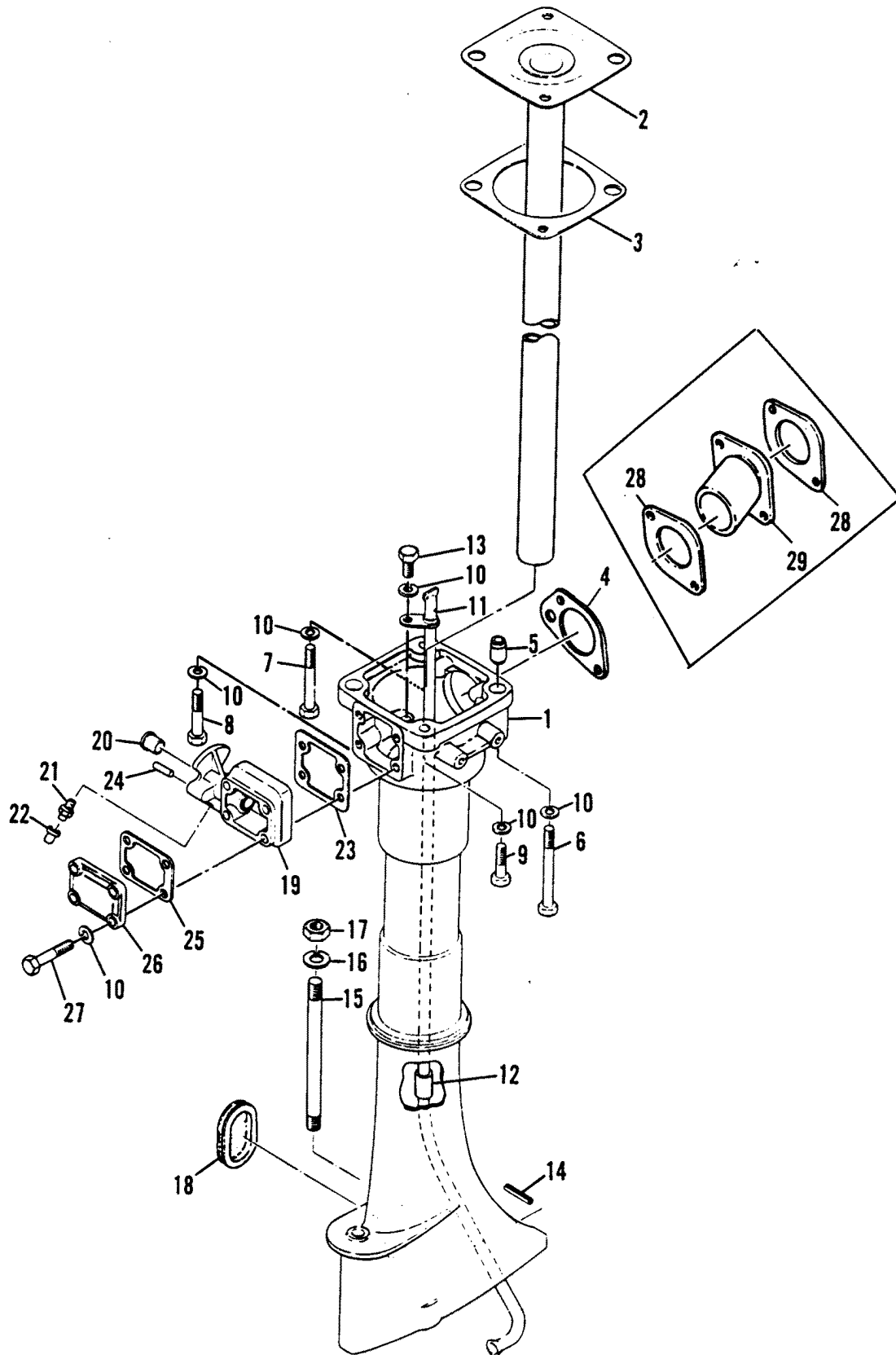
STEERING HANDLE



STEERING HANDLE

REF. NO.	PART NO.	SYM.	QTY.	DESCRIPTION
1	84408M		1	STEERING ARM SERIAL 00032166-09999999
2	84371M		1	STEERING ARM SERIAL 00032166-09999999
1	80311M		1	STEERING ARM SERIAL 00000000-00032165
2	80312M		1	STEERING ARM SERIAL 00000000-00032165
3	80974M		1	THROTTLE CABLE
4	10-82532M		1	SCREW
5	10-82528M		1	SCREW
6	10-84438M		1	SCREW
7	24-82075M		1	SPRING
8	80155M		1	CAP
9	80152M		1	GRIP
10	37-80156M		1	INDICATOR
11	11-82388M		1	NUT
12	80153M		1	GUIDE
13	23-80157M		1	BUSHING
14	10-84372M		1	BOLT
15	12-81810M		2	WASHER
16	12-81849M		2	WASHER
17	12-81850M		2	WASHER
18	11-82393M		1	NUT
19	81194M		1	STEERING BRACKET
20	13-82215M		1	LOCKWASHER
21	54-82052M		1	CLIP
22	25-82955M		2	GROMMET SERIAL 00030091-09999999
23	10-97749M		2	BOLT SERIAL 00030091-09999999
24	12-81801M		2	WASHER SERIAL 00030091-09999999
25	11-82383M		2	NUT SERIAL 00030091-09999999
26	82956M		2	COLLAR SERIAL 00030091-09999999
27	25-80515M		4	RUBBER SERIAL 00030091-09999999
23	10-97749M		4	BOLT SERIAL 00000000-00030090
24	12-81801M		8	WASHER SERIAL 00000000-00030090
25	11-82383M		4	NUT SERIAL 00000000-00030090
26A	23-81991M		4	COLLAR SERIAL 00000000-00030090
27	25-80515M		8	GROMMET SERIAL 00000000-00030090

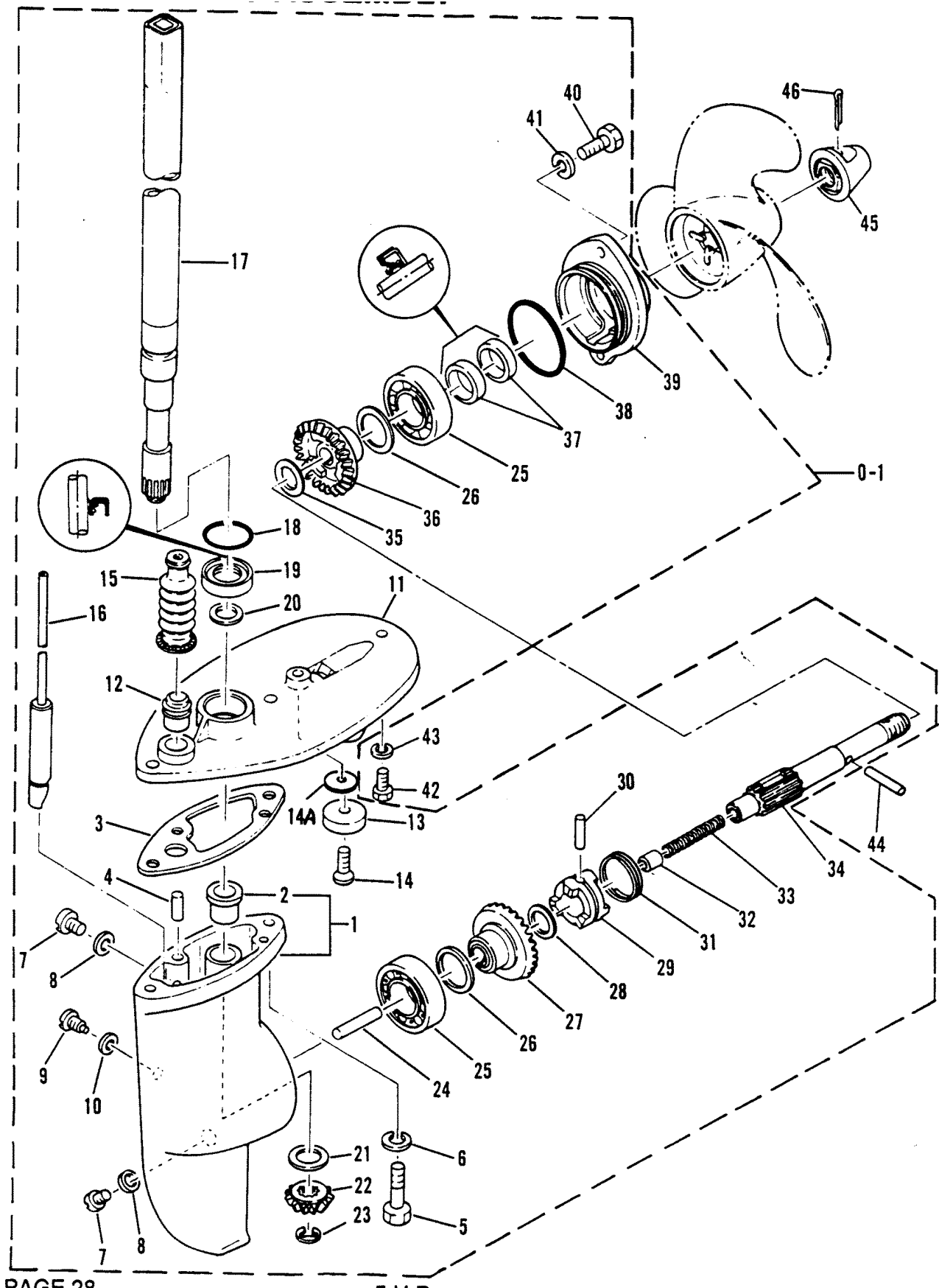
DRIVESHAFT HOUSING



DRIVESHAFT HOUSING

REF. NO.	PART NO.	SYM.	QTY.	DESCRIPTION
1	1587-6917M		1	DRIVESHAFT HOUSING (SHORT)
	1587-6918M		1	DRIVESHAFT HOUSING (LONG)
2	32-80995M		1	TUBE (SHORT)
	32-80996M		1	TUBE (LONG)
3	27-80166M		1	GASKET
4	27-82942M		1	GASKET SERIAL 00030291-09999999
5	17-14229M		2	DOWEL PIN
6	10-82460M		1	BOLT
7	10-92534M		1	BOLT
8	10-83285M		1	BOLT
9	10-82405M		1	BOLT
10	13-82212M		9	LOCKWASHER
11	32-80992M		1	WATER TUBE (SHORT)
	32-80993M		1	WATER TUBE (LONG)
12	23-82021M		1	RUBBER
13	10-84368M		1	BOLT
14	17-82153M		1	ROLL PIN
15	16-81739M		1	STUD
16	13-82215M		1	LOCKWASHER
17	11-82382M		1	NUT
18	80997M		1	COVER
19	80999M		1	SHIFT CASING
20	23-81948M		2	BUSHING SERIAL 00017623-09999999
21	22-82369M		1	GREASE FITTING SERIAL 00017623-09999999
22	81439M		1	CAP SERIAL 00017623-09999999
23	27-81000M		1	GASKET
24	17-82361M		1	DOWEL PIN
25	27-80297M		1	GASKET
26	84369M		1	COVER SERIAL 00044726-09999999
	80298M		1	COVER SERIAL 00000000-00044725
27	10-83285M		4	BOLT
28	27-80309M		2	GASKET SERIAL 00000000-00030290
29	80310M		1	GUIDE

GEARHOUSING ASSEMBLY(CONT)



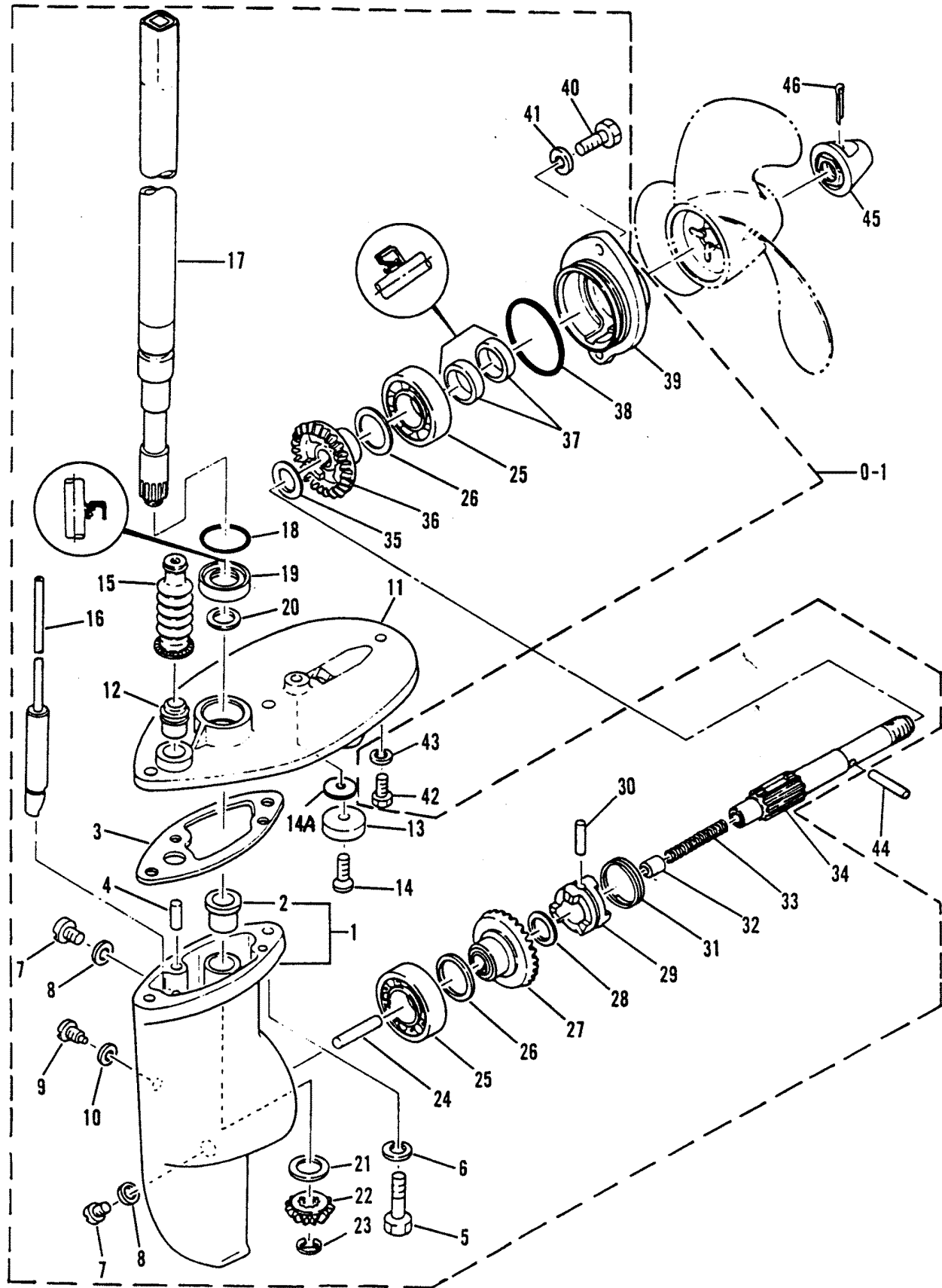
PAGE 20

GEARHOUSING ASSEMBLY(CONT)

REF. NO.	PART NO.	SYM.	QTY.	DESCRIPTION
0-1	NLA		1	GEARHOUSING ASSEMBLY (SHORT)
	1651-6905M		1	USING ASSEMBLY (LONG)
1	1651-6774M		1	GEARHOUSING
2	NLA1-		2	BUSHING
3	27-80299M		1	GASKET
4	17-82365M		2	DOWEL PIN
5	10-95416M		1	BOLT
6	13-82215M		1	LOCKWASHER
7	22-81924M		2	DRAIN PLUG
8	27-81987M		2	GASKET
9	10-81752M		1	DETENT SCREW
10	27-95610M		1	GASKET
11	80998M		1	PLATE
12	23-80530M		1	BUSHING
13	43107M		1	ANODE
14	10-84367M		1	SCREW SERIAL 00010247-09999999
	10-82791M		1	SCREW SERIAL 00000000-00010246
14A	82953M		1	SEAT SERIAL 00000000-00010246
15	80529M		1	BOOT
16	80991M		1	LOWER SHIFT SHAFT
17	45-81002M		1	DRIVESHAFT (SHORT)
	45-81003M		1	DRIVESHAFT (LONG)
18	25-82271M		1	O-RING
19	26-82238M		1	OIL SEAL
20	12-81809M		1	THRUST WASHER
21	12-80538M		AR	THRUST WASHER (.8MM)
	12-80539M		AR	THRUST WASHER (1.0MM)
	12-80540M		AR	THRUST WASHER (1.2MM)
	12-80541M		AR	THRUST WASHER (1.4MM)
22	43-81004M		1	PINION GEAR
23	53-82332M		1	SNAP RING
24	81014M		1	PLUNGER
25	30-82291M		2	BEARING
26	15-81006M		AR	SHIM (.4MM)
	15-81007M		AR	SHIM (.5MM)
	15-81008M		AR	SHIM (.6MM)
	15-81009M		AR	SHIM (.7MM)
27	43-81005M		1	FORWARD GEAR
28	12-81813M		1	THRUST WASHER

GEARHOUSING ASSEMBLY

GEARHOUSING ASSEMBLY



PAGE 30

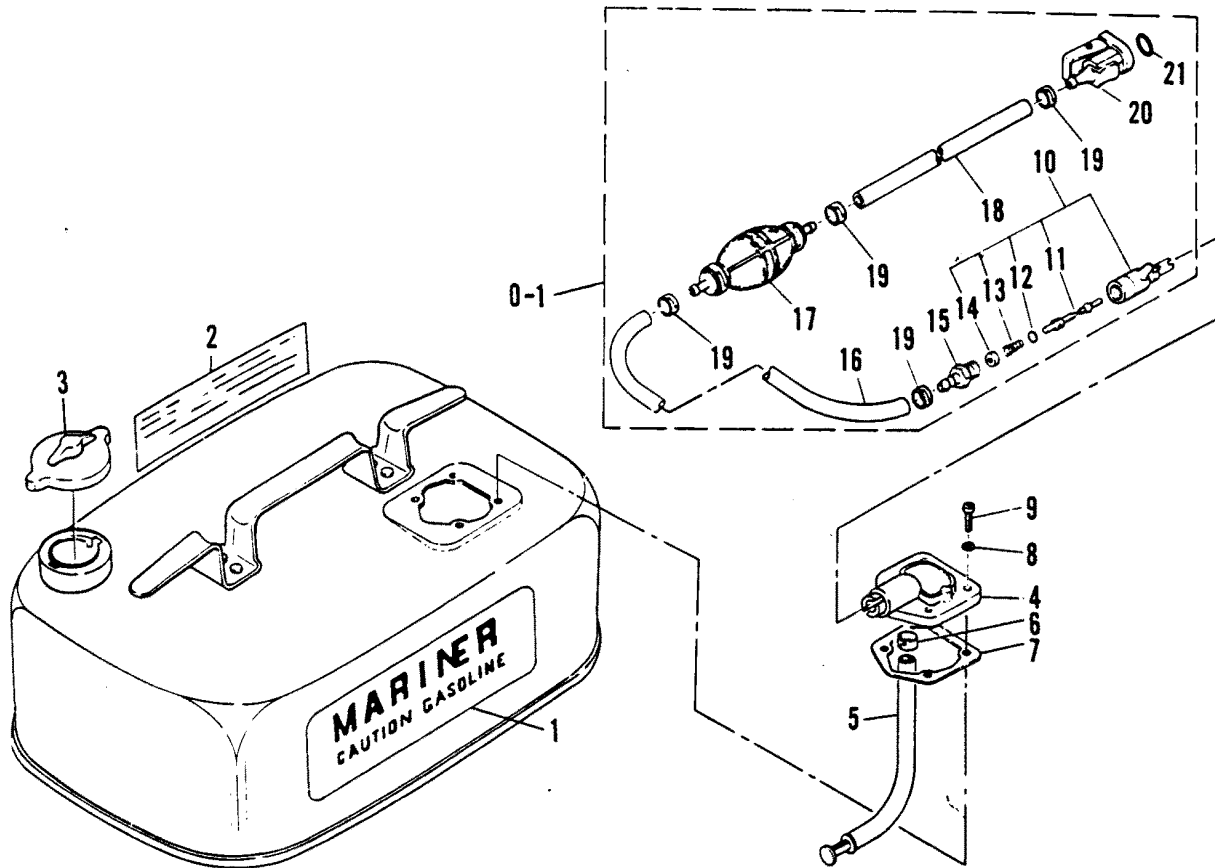
END

GEARHOUSING ASSEMBLY

REF. NO.	PART NO.	SYM.	QTY.	DESCRIPTION
0-1	NLA		1	GEARHOUSING ASSEMBLY (SHORT)
	1651-6905M		1	GEARHOUSING ASSEMBLY (LONG)
29	52-81012M		1	CLUTCH SERIAL 00018546-09999999
30	17-81902M		1	CROSS PIN SERIAL 00018546-09999999
31	53-81013M		1	RETAINER SERIAL 00018546-09999999
29	NLA		1	CLUTCH (BELOW) SERIAL 00000000-00018545
30	17-82713M		1	CROSS PIN SERIAL 00000000-00018545
31	NLA		1	CIRCLIP SERIAL 00000000-00018545
32	80679M		1	SHIFT SLIDE
33	24-82077M		1	SPRING
34	44-81011M		1	PROPELLER SHAFT
35	12-81820M		1	THRUST WASHER
36	43-81010M		1	REVERSE GEAR
37	26-82224M		2	OIL SEAL
38	25-82280M		1	O-RING
39	81001M		1	CAP
40	10-83539M		2	BOLT
41	13-82212M		2	LOCKWASHER
42	10-82445M		1	BOLT
43	13-82208M		1	LOCKWASHER
44	17-17554M		1	SHEAR PIN
45	11-80545M		1	PROPELLER NUT
46	18-82132M		1	COTTER PIN

FUEL TANK (ORIGINAL EQUIPMENT)

(Original Equipment) 12 LITRE (3.2 GALLON) S-44426 L-52991 AND UP

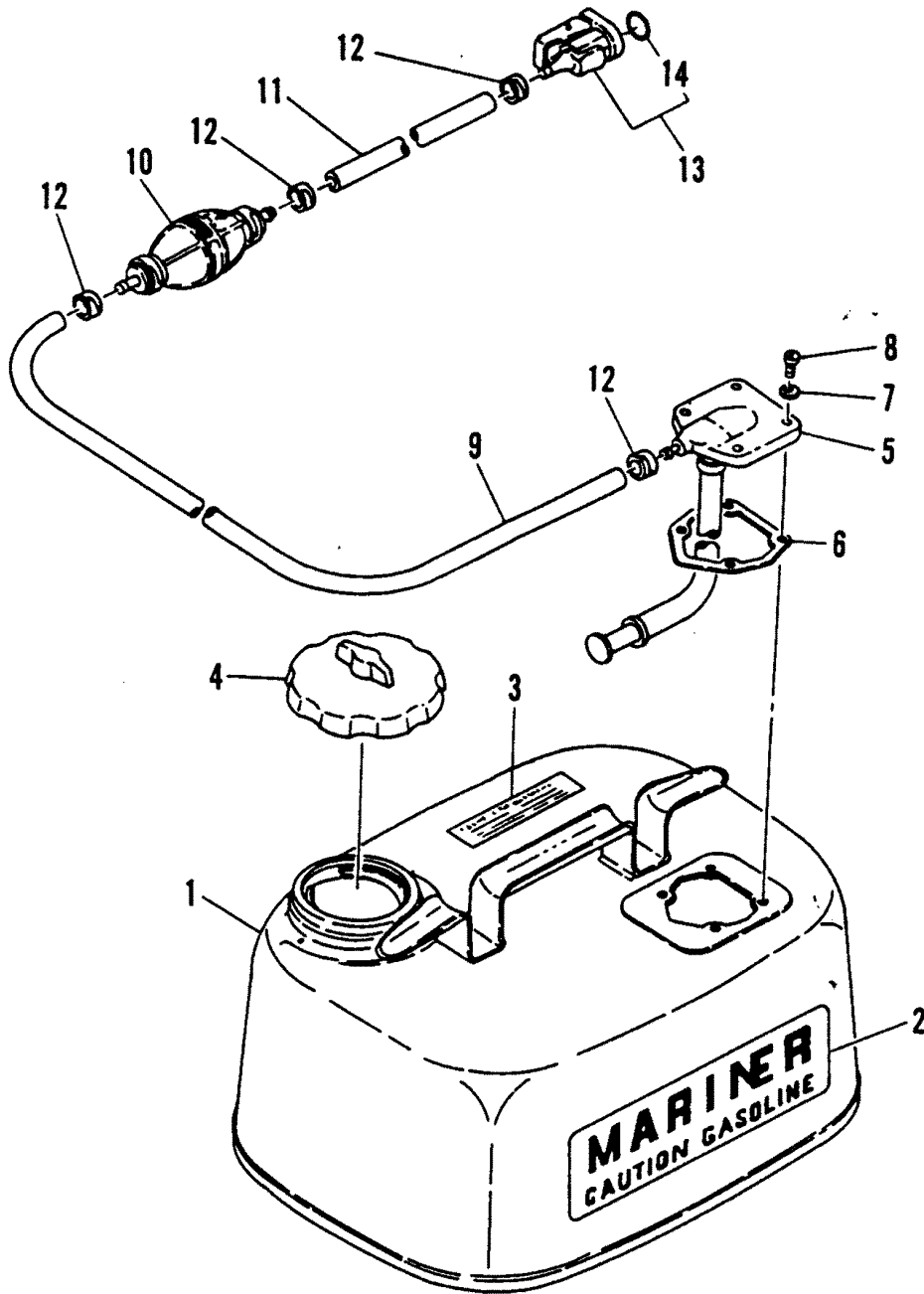


FUEL TANK (ORIGINAL EQUIPMENT)

REF. NO.	PART NO.	SYM.	QTY.	DESCRIPTION
1	37-83057M		1	SIDE DECAL (MARINER)
2	37-83765M		1	SIDE DECAL (CAUTION)
3	36-18962M		1	CAP
4	83584M		1	HOUSING
5	32-94727M		1	HOSE
6	54-80752M		1	CLAMP
7	27-81320M		1	GASKET
8	12-80271M		4	SEAL
9	10-83356M		4	SCREW
0-1	32-17146A8		1	FUEL LINE ASSEMBLY
10	30185A3		1	BAYONET BODY
11	30187		1	STEM
12	25-20415		1	O-RING
13	24-30189		1	SPRING
14	30188		1	WASHER
15	22-63187		1	FITTING
16	32-94727M		1	HOSE
17	16572M		1	PRIMER BULB
18	32-94727M		1	HOSE
19	54-80752M		4	CLAMP
20	22-14213M		1	HOUSING
21	25-82789M		1	O-RING

FUEL TANK (ORIGINAL EQUIPMENT)

(Original Equipment) 12 LITRE (3.2 GALLON) S-44425 L-52990 AND BELOW

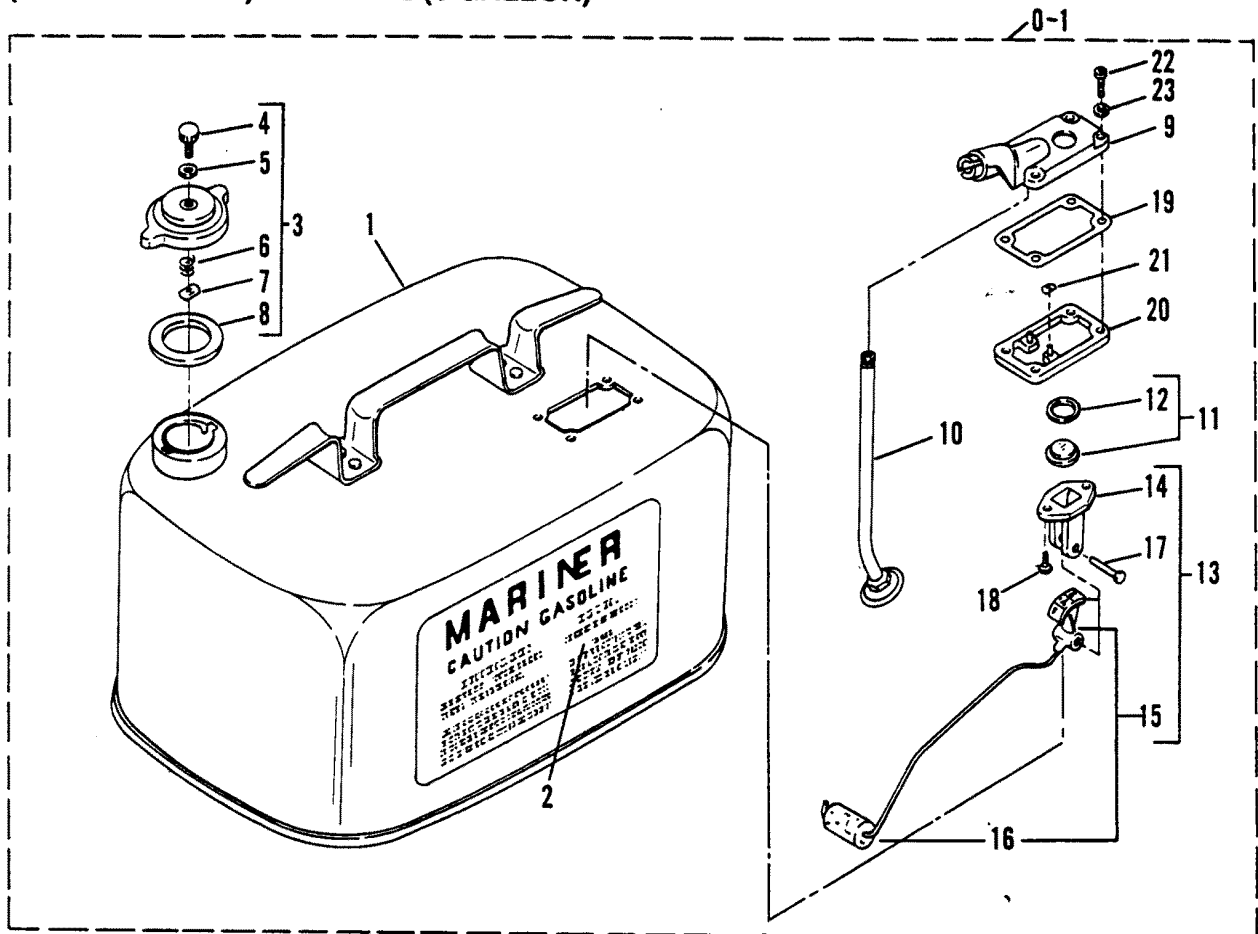


FUEL TANK (ORIGINAL EQUIPMENT)

REF. NO.	PART NO.	SYM.	QTY.	DESCRIPTION
1	1252-6778M		1	FUEL TANK
2	37-83057M		2	SIDE DECAL
3	37-82962M		1	DECAL
4	36-814497M		1	FUEL CAP
5	82662M		1	HOUSING
6	27-81320M		1	GASKET
7	12-80271M		4	GASKET
8	10-83356M		4	SCREW
9	32-94727M		1	HOSE
10	16572M		1	PRIMER BULB
11	32-94727M		1	HOSE
12	54-80752M		4	CLAMP
13	22-14213M		1	HOUSING
14	25-82789M		1	O-RING

FUEL TANK (REPLACEMENT)

(REPLACEMENT) 22.7 LITRE (6 GALLON)



FUEL TANK (REPLACEMENT)

REF. NO.	PART NO.	SYM.	QTY.	DESCRIPTION
0-1	1259-812410A1		1	FUEL TANK
2	37-13921		1	DECAL
3	36-18962M		1	CAP ASSEMBLY
4	10-25575		1	SCREW
5	12-49221		1	WASHER
6	24-22227		1	SPRING
7	11-28587		1	NUT
8	27-41065		1	GASKET
-	64841A1		1	ADAPTOR ASSEMBLY
9	17792A1		1	BODY ASSEMBLY
10	32-75239		1	HOSE
11	98542A1		1	WINDOW ASSEMBLY
12	NLA		1	GASKET
13	28897A2		1	FUEL GAUGE
14	20430		1	RETAINER
15	28897A1		1	INDICATOR/FLOAT ASSEMBLY
16	99274		1	FLOAT
17	17-20426		1	RIVET
18	10-62568		2	SCREW
19	27-28862		1	GASKET
20	28860		1	FRAME
21	11-28903		2	NUT
22	10-20411		4	SCREW
23	12-29070		4	WASHER

PARTS INDEX

Part Number	Description	Pg.	Ref. No.	Part Number	Description	Pg.	Ref. No.
14187M	CONNECTOR HOUSING	19	16	80984M	SHAFT	23	23
16572M	PRIMER BULB	37	17	80985M	KNOB	21	2
16572M	PRIMER BULB	39	10	80986M	CAM	21	5
17792A1	BODY ASSEMBLY	41	9	80987M	SHIFT LEVER	21	1
20430	RETAINER	41	14	80988M	ARM	21	8
28860	FRAME	41	20	80989M	SHIFT SHAFT (SHORT)	21	14
28897A1	INDICATOR/FLOAT ASSEMBLY	41	15	80990M	SHIFT SHAFT (LONG)	21	14
28897A2	FUEL GAUGE	41	13	80991M	LOWER SHIFT SHAFT	33	16
30185A3	BAYONET BODY	37	10	80994M	MOUNT	27	33
30187	STEM	37	11	80997M	COVER	31	18
30188	WASHER	37	14	80998M	PLATE	33	11
43107M	ANODE	33	13	80999M	SHIFT CASING	31	19
47341A1	EMERGENCY STARTER ROPE	5	23	81001M	CAP	35	39
64841A1	ADAPTOR ASSEMBLY	41	-	81014M	PLUNGER	33	24
80003M	LUBRICATOR	7	10	81019M	IGNITION COIL	7	3
80033M	HOLDER	3	20	81020M	LIGHTING COIL (12V-40 WATT) - OPTIONAL PARTS	7	23
80036M	DRIVE PLATE	5	9	81021M	BREAKER	7	6
80039M	SPACER	5	2	81022M	CONDENSER	7	9
80048M	HANDLE	25	25	81023M	FLYWHEEL	7	1
80049M	BRACKET	21	16	81024M	FAN	7	14
80050M	CONNECTOR	21	15	81026M	IGNITION COIL	7	18
80061M	PAWL	5	8	81176M	HOUSING	9	26
80063M	HANDLE	5	13	81177M	AIR SHROUD	9	28
80092M	COVER	13	17	81181M	FLOAT BOWL	15	1
80093M	CLAMP	25	6	81186M	GUIDE	5	15
80096M	TILT STOP LEVER	23	1	81187M	PLATE	5	16
80099M	SEAL	25	13	81189M	FUEL PUMP ASSEMBLY	19	0-1
80100M	KNOB	23	2	81190M	ROD	13	19
80152M	GRIP	29	9	81191M	CONNECTOR	13	16
80153M	GUIDE	29	12	81192M	GUIDE	13	14
80155M	CAP	29	8	81193M	CHOKE KNOB	13	13
80202M	FLOAT ARM	15	14	81194M	STEERING BRACKET	29	19
80204M	VALVE SEAT	15	16	81196M	SEAL	3	6
80217M	DIAPHRAGM	19	2	81201M	CLAMP	3	27
80298M	COVER	31	26	81203M	COVER	5	22
80308M	EXHAUST MANIFOLD	9	19	81439M	CAP	25	16
80310M	GUIDE	31	29	81439M	CAP	31	22
80311M	STEERING ARM	29	1	814991M	SPARK PLUG CAP	7	21
80312M	STEERING ARM	29	2	82056M	GROMMET	3	33
80450M	FLOAT	15	13	82068M	GROMMET	3	18
80521M	ARM	23	21	82347M	BALL	21	4
80523M	LEVER	23	18	82549M	PLATE	15	21
80525M	STOP	23	20	82550M	LEVER	3	24
80529M	BOOT	33	15	82580M	PLATE	23	6A
80579M	MAIN JET (#80)	15	8	82600M	LOW SPEED JET (#46)	15	11
80648M	CAM	23	12	82625M	MAIN JET (#82)	15	8
80679M	SHIFT SLIDE	35	32	82662M	HOUSING	39	5
80967M	MAIN AIR JET	15	12	82677M	INTAKE MANIFOLD	13	25A
80968M	MAIN NOZZLE	15	6	82857M	STOPPER	23	26
80973M	PULLEY	5	12	82887M	FLYWHEEL MAGNETO ASSEMBLY	7	0-1
80974M	THROTTLE CABLE	29	3	82941M	PROTECTOR	9	4
80976M	BRACKET	23	6	82953M	SEAT	33	14A
80978M	RECEIVER	25	31	82956M	COLLAR	29	26
80979M	RECEIVER	27	32	82958M	IGNITION COIL	7	3
80980M	HOOK	23	15	82960M	IGNITION COIL	7	18
80981M	ROD	23	11	82966M	AIR SHROUD	3	14
80982M	ROD	23	14	83584M	HOUSING	37	4
80983M	LOCK/RELEASE LEVER	23	9				

PARTS INDEX

Part Number	Description	Pg.	Ref. No.	Part Number	Description	Pg.	Ref. No.
84369M	COVER	31	26	NLA	THROTTLE SHAFT	17	40
84371M	STEERING ARM	29	2	NLA	TOP COWL	3	1
84404M	CONDENSER	7	9	NLA	WASHER	3	9
84406M	STARTER HOUSING	5	1	NLA	WASHER	5	10
84408M	STEERING ARM	29	1	NLA	WASHER	25	21
84687M	MAIN JET (#56)	15	8	10-11796M	SCREW	15	3
91737M	FLOAT BOWL	15	1	10-14265M	RIVET	25	12
94561M	LOW SPEED JET (#48)	15	11	10-20411	SCREW	41	22
94782M	HOLDER	3	10	10-25575	SCREW	41	4
98542A1	WINDOW ASSEMBLY	41	11	10-62568	SCREW	41	18
99274	FLOAT	41	16	10-80159M	SCREW	25	14
NLA	CLAMP BRACKET	25	18	10-80191M	SCREW	15	27
NLA	AIR DUCT	3	7	10-80349M	DRAIN VALVE	17	43
NLA	AIR FILTER	13	1	10-80573M	AIR ADJUSTING SCREW	15	24
NLA	AIR JET	15	10	10-80738M	SCREW	15	25
NLA	BOLT	25	19	10-80958M	BOLT	15	22
NLA	BRACKET	23	6	10-813477M	BOLT	13	15
NLA	BUSHING (UPPER)	25	5	10-81691M	SCREW	19	11
NLA	CAP	19	8	10-81707M	BOLT	25	19
NLA	CASE	9	23	10-81752M	DETENT SCREW	33	9
NLA	CHOKE LEVER	15	34	10-81755M	SCREW	25	23
NLA	CHOKE SHAFT	15	32	10-82405M	BOLT	7	19
NLA	CHOKE VALVE	15	33	10-82405M	BOLT	9	21
NLA	CIRCLIP	35	31	10-82405M	BOLT	9	24
NLA	CLAMP	7	11	10-82405M	BOLT	13	15
NLA	CLUTCH (BELOW)	35	29	10-82405M	BOLT	19	14
NLA	COLLAR	13	30	10-82405M	BOLT	19	17
NLA	CONNECTOR	17	41	10-82405M	BOLT	31	9
NLA	COVER	15	18	10-82423M	BOLT	3	16
NLA	COVER	25	11	10-82423M	BOLT	9	24
NLA	DRAIN VALVE	17	43	10-82423M	BOLT	9	29
NLA	GASKET	15	19	10-82428M	BOLT	13	12
NLA	GASKET	41	12	10-82431M	BOLT	9	8
NLA	GEARHOUSING ASSEMBLY (SHORT)	33	0-1	10-82441M	BOLT	3	22
NLA	GEARHOUSING ASSEMBLY (SHORT)	35	0-1	10-82445M	BOLT	35	42
NLA	GROMMET	13	24	10-82460M	BOLT	31	6
NLA	GROMMET	13	29	10-82499M	SCREW	7	12
NLA	HOOK	3	12	10-82501M	SCREW	7	7
NLA	HOUSING	9	26	10-82513M	SCREW	15	20
NLA	INTAKE MANIFOLD	13	25	10-82513M	SCREW	15	30
NLA	MAGNETO BASE	7	2	10-82521M	SCREW - OPTIONAL PARTS	7	24
NLA	MOULDING	3	13	10-82528M	SCREW	29	5
NLA	NUT	25	22	10-82532M	SCREW	29	4
NLA	PLATE	5	21	10-82534M	SCREW	15	30
NLA	PLATE	15	28	10-82536M	SCREW	7	13
NLA	PORT CLAMP BRACKET	25	17	10-82791M	SCREW	33	14
NLA	RECEIVER	25	31	10-82858M	BOLT	25	27
NLA	SCREW	7	15	10-82967M	SCREW	19	5
NLA	SCREW	7	4	10-83285M	BOLT	23	7
NLA	SCREW	15	9	10-83285M	BOLT	25	9
NLA	SCREW	23	13	10-83285M	BOLT	31	27
NLA	SCREW	25	14	10-83285M	BOLT	31	8
NLA	SEAL	13	27	10-83356M	SCREW	37	9
NLA	SNAP RING	17	37	10-83356M	SCREW	39	8
NLA	SPRING	15	26	10-83539M	BOLT	9	27
NLA	SPRING	15	35	10-83539M	BOLT	13	8
NLA	STARTER HOUSING	5	1	10-83539M	BOLT	21	17
NLA	STOPPER	23	26	10-83539M	BOLT	23	7
				10-83539M	BOLT	35	40
				10-84303M	BOLT	3	29

PARTS INDEX

Part Number	Description	Pg.	Ref. No.	Part Number	Description	Pg.	Ref. No.
10-84303M	BOLT	5	19	12-82952M	WASHER	17	42
10-84367M	SCREW	33	14	12-83769M	WASHER	13	28
10-84368M	BOLT	27	34	12-84401M	WASHER	17	38
10-84368M	BOLT	31	13	12-98970M	WASHER	25	21
10-84372M	BOLT	29	14	13-81871M	WAVE WASHER	3	26
10-84438M	SCREW	29	6	13-82184M	LOCKWASHER	7	5
10-84657M	BOLT	9	9	13-82186M	LOCKWASHER - OPTIONAL		
10-84657M	BOLT	13	11		PARTS	7	25
10-84658M	BOLT	13	2	13-82206M	LOCKWASHER	15	31
10-91772M	BOLT	21	9	13-82206M	LOCKWASHER	15	4
10-92534M	BOLT	31	7	13-82206M	LOCKWASHER	19	6
10-95416M	BOLT	33	5	13-82208M	LOCKWASHER	35	43
10-97749M	BOLT	29	23	13-82212M	LOCKWASHER	3	17
10-97749M	BOLT	29	23	13-82212M	LOCKWASHER	5	20
11-28587	NUT	41	7	13-82212M	LOCKWASHER	7	20
11-28903	NUT	41	21	13-82212M	LOCKWASHER	9	10
11-80431M	NUT	15	23	13-82212M	LOCKWASHER	13	3
11-80545M	PROPELLER NUT	35	45	13-82212M	LOCKWASHER	17	39
11-81764M	NUT	9	17	13-82212M	LOCKWASHER	19	15
11-82381M	NUT	3	35	13-82212M	LOCKWASHER	21	10
11-82382M	NUT	31	17	13-82212M	LOCKWASHER	23	8
11-82383M	NUT	29	25	13-82212M	LOCKWASHER	25	10
11-82383M	NUT	29	25	13-82212M	LOCKWASHER	31	10
11-82384M	NUT	7	16	13-82212M	LOCKWASHER	35	41
11-82388M	NUT	29	11	13-82212M	WASHER	25	29
11-82389M	NUT	9	25	13-82215M	LOCKWASHER	3	23
11-82389M	NUT	13	18	13-82215M	LOCKWASHER	29	20
11-82389M	NUT	25	30	13-82215M	LOCKWASHER	31	16
11-82393M	NUT	29	18	13-82215M	LOCKWASHER	33	6
11-82395M	NUT	25	22	13-82218M	LOCKWASHER	7	17
11-82577M	WIND NUT	25	14A	13-82218M	WASHER	25	20
11-82949M	NUT	17	36	15-80015M	SHIM (.3MM)	9	5
12-29070	WASHER	41	23	15-80016M	SHIM (.4MM)	9	5
12-49221	WASHER	41	5	15-80017M	SHIM (.5MM)	9	5
12-80271M	GASKET	39	7	15-80018M	SHIM (.6MM)	9	5
12-80271M	SEAL	37	8	15-80019M	SHIM (.7MM)	9	5
12-80538M	THRUST WASHER (.8MM)	33	21	15-80020M	SHIM(.8MM)	9	5
12-80539M	THRUST WASHER (1.0MM)	33	21	15-81006M	SHIM (.4MM)	33	26
12-80540M	THRUST WASHER (1.2MM)	33	21	15-81007M	SHIM (.5MM)	33	26
12-80541M	THRUST WASHER (1.4MM)	33	21	15-81008M	SHIM (.6MM)	33	26
12-80638M	PAD	25	24	15-81009M	SHIM (.7MM)	33	26
12-81792M	WASHER	9	22	16-81725M	STUD	9	11
12-81794M	WASHER	3	28	16-81739M	STUD	31	15
12-81794M	WASHER	13	4	17-14229M	DOWEL PIN	9	7
12-81801M	WASHER	29	24	17-14229M	DOWEL PIN	31	5
12-81801M	WASHER	29	24	17-17554M	SHEAR PIN	35	44
12-81809M	THRUST WASHER	33	20	17-20426	RIVET	41	17
12-81810M	WASHER	29	15	17-80066M	GASKET	9	12
12-81813M	THRUST WASHER	33	28	17-80095M	TILT ROD	23	25
12-81817M	WASHER	3	25	17-80201M	FLOAT PIN	15	15
12-81820M	THRUST WASHER	35	35	17-81879M	ARM SHAFT	21	11
12-81849M	WASHER	29	16	17-81884M	SHAFT	23	16
12-81850M	WASHER	29	17	17-81885M	PIN	23	13
12-82211M	WASHER	21	12	17-81888M	PIN	25	26
12-82214M	WASHER	9	18	17-81902M	CROSS PIN	35	30
12-82214M	WASHER	13	20	17-81905M	RIVET	3	11
12-82214M	WASHER	19	18	17-81906M	RIVET	3	8
12-82708M	WASHER	25	20	17-82141M	PIN	23	27
12-82782M	WASHER	5	5	17-82144M	ROLL PIN	23	27
12-82847M	WASHER	7	8	17-82153M	ROLL PIN	31	14

PARTS INDEX

Part Number	Description	Pg.	Ref. No.	Part Number	Description	Pg.	Ref. No.
17-82361M	DOWEL PIN	31	24	25-82062M	GROMMET	3	19
17-82364M	DOWEL PIN	3	32	25-82260M	O-RING	21	7
17-82365M	DOWEL PIN	33	4	25-82271M	O-RING	33	18
17-82713M	CROSS PIN	35	30	25-82280M	O-RING	35	38
17-82738M	ROLL PIN	25	14B	25-82282M	O-RING	25	8
18-82049M	COTTER PIN	23	29	25-82284M	O-RING	25	4
18-82051M	PIN	23	17	25-82789M	O-RING	37	21
18-82053M	COTTER PIN	23	24	25-82789M	O-RING	39	14
18-82125M	PIN	21	13	25-82955M	GROMMET	29	22
18-82132M	COTTER PIN	35	46	26-18941M	OIL SEAL	9	3
21-80107M	CHECK VALVE	13	33	26-82224M	OIL SEAL	35	37
21-80727M	CHECK VALVE	13	26	26-82231M	OIL SEAL	9	5A
21-80727M	CHECK VALVE	13	31	26-82238M	OIL SEAL	33	19
22-14213M	HOUSING	37	20	26-82240M	OIL SEAL	9	3A
22-14213M	HOUSING	39	13	27-28862	GASKET	41	19
22-63187	FITTING	37	15	27-41065	GASKET	41	8
22-80122M	FITTING	13	21	27-80035M	GASKET	9	15
22-81256M	NIPPLE	13	32	27-80042M	GASKET	9	20
22-81924M	DRAIN PLUG	33	7	27-80067M	GASKET	13	7
22-82369M	GREASE FITTING	25	15	27-80104M	SPACER	19	13
22-82369M	GREASE FITTING	31	21	27-80166M	GASKET	31	3
23-80043M	BUSHING (UPPER)	25	5	27-80205M	GASKET	15	17
23-80047M	BUSHING (LOWER)	25	7	27-80297M	GASKET	31	25
23-80097M	BUSHING	23	3	27-80299M	GASKET	33	3
23-80157M	BUSHING	29	13	27-80309M	GASKET	31	28
23-80530M	BUSHING	33	12	27-80479M	GASKET	19	7
23-81874M	COLLAR	25	3	27-80956M	GASKET	13	9
23-81948M	BUSHING	31	20	27-80957M	SPACER	13	10
23-81951M	BUSHING	3	34	27-80960M	GASKET	15	5
23-81991M	COLLAR	29	26A	27-80972M	GASKET	15	2
23-82021M	RUBBER	31	12	27-81000M	GASKET	31	23
23-82117M	SPACER	25	28	27-81320M	GASKET	37	7
23-82575M	BUSHING	27	35	27-81320M	GASKET	39	6
23-82716M	BUSHING	27	36	27-81684M	CHECK VALVE	19	3
23-82719M	COLLAR	13	5	27-81686M	GASKET	19	1
24-22227	SPRING	41	6	27-81687M	GASKET	19	4
24-30189	SPRING	37	13	27-81688M	GASKET	19	9
24-80056M	SPRING	5	3	27-81689M	GASKET	19	12
24-80058M	SPRING	5	6	27-81987M	GASKET	33	8
24-80060M	SPRING	5	7	27-82942M	GASKET	31	4
24-80331M	SPRING	17	44	27-95610M	GASKET	33	10
24-80575M	SPRING	15	26	28-81910M	KEY (AND BELOW)	11	7
24-80966M	SPRING	15	29	28-84403M	KEY (AND UP)	11	7
24-81188M	SPRING	5	17	30-82291M	BEARING	33	25
24-82075M	SPRING	29	7	30-82300M	BEARING	9	6
24-82077M	SPRING	35	33	31-82835M	BEARING	11	3
24-82082M	SPRING	21	3	32-17146A8	FUEL LINE ASSEMBLY	37	0-1
24-82089M	SPRING	23	10	32-75239	HOSE	41	10
24-82097M	SPRING	23	19	32-80992M	WATER TUBE (SHORT)	31	11
24-82099M	SPRING	23	28	32-80993M	WATER TUBE (LONG)	31	11
24-82110M	SPRING (STARBOARD)	23	5	32-80995M	TUBE (SHORT)	31	2
24-82111M	SPRING (PORT)	23	4	32-80996M	TUBE (LONG)	31	2
24-82114M	SPRING	23	22	32-811045M	HOSE	13	22
24-82641M	SPRING	17	44	32-811045M	HOSE	13	34
24-82734M	SPRING (PORT)	23	4	32-81993M	HOSE	19	23
25-20415	O-RING	37	12	32-82012M	FUEL LINE	19	20
25-80350M	O-RING	17	45	32-82012M	FUEL LINE	19	21
25-80515M	GROMMET	29	27	32-82012M	HOSE	21	18
25-80515M	RUBBER	29	27	32-82026M	HOSE	13	6
25-80961M	GASKET	15	7	32-94727M	HOSE	37	16

PARTS INDEX

Part Number	Description	Pg.	Ref. No.	Part Number	Description	Pg.	Ref. No.
32-94727M	HOSE	37	18	761-8230M	PISTON (STANDARD)	11	2
32-94727M	HOSE	37	5	761-8232M	PISTON (50.50 MM O.S.) ...	11	2
32-94727M	HOSE	39	11	870-6804M	CYLINDER	9	13
32-94727M	HOSE	39	9	968-6700M	CYLINDER HEAD	9	16
33-82371M	SPARK PLUG (NGK#B-7HS)	9	30	968-6806M	UPPER CRANKCASE	9	1
35-80365M	STRAINER	19	19	968-6807M	LOWER CRANKCASE	9	2
35-81692M	FUEL FILTER	19	10	968-6879M	LOWER CRANKCASE	9	2
35-82588M	AIR FILTER	13	1	NLA-	BUSHING	9	14
35-82903M	AIR FILTER (AND UP)	13	1	NLA-	PISTON (50.25 MM O.S.) ...	11	2
36-18962M	CAP	37	3	1252-6778M	FUEL TANK	39	1
36-18962M	CAP ASSEMBLY	41	3	1259-812410A1	FUEL TANK	41	0-1
36-814497M	FUEL CAP	39	4	1383-6805M	CARBURETOR	15	-
37-13921	DECAL	41	2	1383-6926M	CARBURETOR	15	-
37-80156M	INDICATOR	29	10	1484-6702M	PORT CLAMP BRACKET ...	25	17
37-81202M	DECAL (F-N-R)	3	5	1484-6703M	CLAMP BRACKET	25	18
37-82906M	FRONT DECAL	3	2	1485-6705M	REAR SWIVEL BRACKET ..	25	2
37-82907M	REAR DECAL	3	3	1485-6773M	FRONT SWIVEL BRACKET .	25	1
37-82962M	DECAL	39	3	1587-6917M	DRIVESHAFT HOUSING		
37-83057M	SIDE DECAL	39	2		(SHORT)	31	1
37-83057M	SIDE DECAL (MARINER) ...	37	1	1587-6918M	DRIVESHAFT HOUSING		
37-83060M	SIDE SET DECALS	3	4		(LONG)	31	1
37-83765M	SIDE DECAL (CAUTION) ...	37	2	1651-6774M	GEARHOUSING	33	1
39-80305M	PISTON RING SET			1651-6905M	GEARHOUSING ASSEMBLY		
	(STANDARD)	11	6		(LONG)	35	0-1
39-80306M	PISTON RING SET (50.25			1651-6905M	USING ASSEMBLY (LONG) .	33	0-1
	MM O.S.)	11	6	2168-6809M	FRONT BOTTOM COWL ...	3	15
39-80307M	PISTON RING SET (50.50			2168-6810M	REAR BOTTOM COWL	3	21
	MM O.S.)	11	6	NLA1-	BUSHING	33	2
41-80005M	PISTON PIN	11	4	NLA5-	FRONT SWIVEL BRACKET .	25	1
43-81004M	PINION GEAR	33	22	NLA8-	FRONT BOTTOM COWL ...	3	15
43-81005M	FORWARD GEAR	33	27				
43-81010M	REVERSE GEAR	35	36				
44-81011M	PROPELLER SHAFT	35	34				
45-81002M	DRIVESHAFT (SHORT)	33	17				
45-81003M	DRIVESHAFT (LONG)	33	17				
50-12066A9	STARTER ROPE	5	14				
50-80057M	STARTER SHEAVE	5	4				
50-84405M	STARTER ASSEMBLY	5	0-1				
52-81012M	CLUTCH	35	29				
53-81013M	RETAINER	35	31				
53-82326M	CIRCLIP	9	4A				
53-82332M	SNAP RING	33	23				
53-82333M	SNAP RING	5	11				
53-82335M	SNAP RING	21	6				
53-82336M	SNAP RING	5	18				
53-82342M	CLIP	11	5				
54-80752M	CLAMP	37	19				
54-80752M	CLAMP	37	6				
54-80752M	CLAMP	39	12				
54-82041M	CLAMP	7	22				
54-82045M	CLIP	19	24				
54-82046M	CLAMP	13	23				
54-82047M	CLAMP	19	22				
54-82052M	CLIP	29	21				
84-82831M	WIRE	7	18A				
85-81204M	SPARK PLUG CAP	7	21				
87-81205M	STOP SWITCH	3	30				
91-81669M	TOOL KIT	3	31				
463-6701M	CRANKSHAFT	11	1				
463-7160M	CRANKSHAFT	11	1				