



PARTS CATALOG

9.9/15 H.P.

SERIAL NUMBER

15 H.P. (1984-1995)	1984-A THRU 1992-B
15 H.P. (1984-1995)	E000001 THRU E127699
9.9 H.P. (1984-1995)	1984-A THRU 1992-B
9.9 H.P. (1984-1995)	E000001 THRU E127699

TABLE OF CONTENTS:

CARBURETOR (15 - 90C/92B & SER. # E000001 THRU E127699)	36
CARBURETOR (9.9 & 15) (84A THRU 87A MODELS)	28
CARBURETOR (9.9 & 15) (84A THRU 87A MODELS)	30
CARBURETOR (9.9 - 88A/92B & SER. # E000001 THRU E127699) (1	32
CARBURETOR (9.9 - 88A/92B & SER. # E000001 THRU E127699) (1	34
CLAMP BRACKETS (ALL MODELS)	74
CRANKSHAFT AND PISTON (84A THRU 87A MODELS)	52
CRANKSHAFT AND PISTON (88A/92B & SER. # E000001 THRU E12769	56
CYLINDER BLOCK (84A THRU 87A MODELS)	54
CYLINDER BLOCK (88A/92B & SER. # E000001 THRU E127699)	58
FUEL SYSTEM (88A/92B & SER. # E000001 THRU E127699)	44
FUEL TANK AND LINE (METAL - 6.0 GALLON)	82
FUEL TANK AND LINE (PLASTIC - 3.2 GALLON)	88
FUEL TANK AND LINE (PLASTIC - 6.0 GALLON)	84
FUEL TANK AND LINE (PLASTIC - 6.6 GALLON)	86
GEAR HOUSING (ALL MODELS)	78
IGNITION SYSTEM (84A THRU 87A MODELS)	16
IGNITION SYSTEM (88A/92B & SER. # E000001 THRU E034999)	20
IGNITION SYSTEM (SER. # E035000 THRU E090399)	24
IGNITION SYSTEM (SER. # E090400 THRU E127699)	26
MISCELLANEOUS ENGINE PARTS	91
MODEL INDEX	2
PARTS INDEX	92
SHIFT LINKAGE (ALL MODELS)	40
STARTER (84A THRU 87A MODELS)	18
STARTER (88A/92B & SER. # E000001 THRU E090399)	48
STARTER (SER. # E090400 THRU E127699)	50
SWIVEL BRACKET AND DRIVESHAFT HOUSING (ALL MODELS)	70
THERMOSTAT (92B & SER. # E000001 THRU E127699)	76
TILLER HANDLE AND THROTTLE LINKAGE (84A/92B & SER. # E00000	62
TILLER HANDLE/TWIST GRIP THROTTLE (SER. # E090400 THRU E127	66
TOOLS - SPECIAL	90
TOP COWL (84A THRU 87A MODELS)	4
TOP COWL (84A THRU 87A MODELS)	8
TOP COWL (88A THRU 89B MODELS)	10
TOP COWL (90A THRU 92B & SER. # E000001 THRU E127699)	12

NOTE: Indented description indicate that these parts are included in preceding assembly.

AR = As Required

NSS = Not Sold Separate

OPT = Optional

NS = Not Shown

NOTE: Following symbols are located in **SYM** column.

- | | |
|--|--|
| ● = COMPONENT OF SHORT BLOCK ASSEMBLY [800-819553A14] | ○ = CONTENTS OF REPAIR KIT [FK10353] |
| ■ = COMPONENT OF GEAR HOUSING SEAL KIT [FK1065] | ❖ = COMPONENT OF CARB GASKET SET [FK10294] |
| ▣ = COMPONENT OF GASKET SET [FG1005-3] | ♥ = COMPONENT OF CARB GASKET SET [FK10069] (9.9) OR [FK10124] (15) |
| ◇ = COMPONENT OF GASKET SET [FG1035] OR [FG1036] | □ = COMPONENT OF CARB GASKET SET [FK10069] (9.9) OR [FK10124] (15) |
| ▲ = COMPONENT OF CARB REPAIR KIT [FK10295] | > = W/THERMOSTAT |
| † = COMPONENT OF CARB REPAIR KIT [FK10114] (9.9) OR [FK10123] (15) | ♠ = W/O THERMOSTAT |
| | ♣ = CONTENTS OF WATER PUMP KIT [FK1031-1] |

THESE PARTS BOOKS/FICHE CARD ARE COPYRIGHTED AND MAY NOT BE DISTRIBUTED OR REPRODUCED IN ANY OTHER FORMAT BY ANYONE OTHER THAN MERCURY MARINE WITHOUT THE PRIOR WRITTEN CONSENT OF MERCURY MARINE.

THIS PAGE INTENTIONALLY LEFT BLANK

MODEL INDEX

9.9/15 - 1984A/B

152F4A	92F4B
152FC4A	92FC4B
152X4A	92X4B
152XC4A	92XC4B
92F4A	92X4A
92FC4A	92XC4A

9.9/15 - 1985A/B

92F5B	152F5A
92FC5B	152FC5A

9.9/15 - 1986A/B

92F6B	Manual Start - 15" Transom (USA)
92FC6B	Manual Start - 15" Transom (Canada)
152F6A	Manual Start - 15" Transom (USA)
152FC6A	Manual Start - 15" Transom (Canada)

9.9/15 - 1987A

92F7A	Manual Start - 15" Transom (USA)
C92F7A	Manual Start - 15" Transom (Canada)
152F7A	Manual Start - 15" Transom (USA)
C152F7A	Manual Start - 15" Transom (Canada)

9.9/15 - 1988A

92F8A, 152F8A	Manual Start - 15" Transom (USA)
C92F8A, C152F8A	Manual Start - 15" Transom (Canada)
93F8A, 153F8A	Manual Start - 20" Transom (USA)

9.9/15 - 1988B

92F8B, 152F8B	Manual Start - 15" Transom (USA)
C92F8B, C152F8B	Manual Start - 15" Transom (Canada)
93F8B, 153F8B	Manual Start - 20" Transom (USA)

9.9/15 - 1989A

92F9A, 152F9A	Manual Start - 15" Transom (USA)
C92F9A, C152F9A	Manual Start - 15" Transom (Canada)
93F9A, 153F9A	Manual Start - 20" Transom (USA)
152Y9A	Manual Start - 15" Transom (Blue Fin)

9.9/15 - 1989B

92F9B, 152F9B	Manual Start - 15" Transom (USA)
92X9B, 152X9B	Manual Start - 15" Transom (Spectrum)
152Y9B	Manual Start - 15" Transom (Spectrum)
C92F9B, C152F9B	Manual Start - 15" Transom (Canada)
93F9B, 153F9B	Manual Start - 20" Transom (USA)
93X9B, 153X9B	Manual Start - 20" Transom (Spectrum)

9.9/15 - 1990A

92F90A, 152F90A	Manual Start - 15" Transom (Force)
92X90A, 152X90A	Manual Start - 15" Transom (Bayliner)
93F90A, 153F90A	Manual Start - 20" Transom (Force)

15 - 1990C

152F90C	Manual Start - 15" Transom (Force)
152X90C	Manual Start - 15" Transom (Bayliner)
153F90C	Manual Start - 20" Transom (Force)

9.9/15 - 1991A

92E91A	Manual Start - 15" Transom
92F91A, 152F91A	Manual Start - 15" Transom
93E91A, 153E91A	Manual Start - 20" Transom
93F91A, 153F91A	Manual Start - 20" Transom

9.9 - 1991B

92E91B	Manual Start - 15" Transom
92F91B	Manual Start - 15" Transom
93F91B	Manual Start - 20" Transom

9.9 - 1991C

92E91C	Manual Start - 15" Transom
92L91C	Manual Start - 15" Transom (W/Tank)
93E91C	Manual Start - 20" Transom
93L91C	Manual Start - 20" Transom (W/Tank)

9.9/15 - 1991D

92E91D, 152E91D	Manual Start - 15" Transom
92F91D, 152F91D	Manual Start - 15" Transom
92L91D, 152L91D	Manual Start - 15" Transom (W/Tank)
93E91D, 153E91D	Manual Start - 20" Transom
93F91D, 153F91D	Manual Start - 20" Transom
93L91D, 153L91D	Manual Start - 20" Transom (W/Tank)

9.9/15 - 1992A

92E92A, 152E92A	Manual Start - 15" Transom
92F92A, 152F92A	Manual Start - 15" Transom
92L92A, 152L92A	Manual Start - 15" Transom (W/Tank)
93E92A, 153E92A	Manual Start - 20" Transom
93F92A, 153F92A	Manual Start - 20" Transom
93L92A, 153L92A	Manual Start - 20" Transom (W/Tank)

9.9/15 - 1992B

92E92B, 152E92B	Manual Start - 15" Transom
92F92B, 152F92B	Manual Start - 15" Transom
92L92B, 152L92B	Manual Start - 15" Transom (W/Tank)
93E92B, 153E92B	Manual Start - 20" Transom
93F92B, 153F92B	Manual Start - 20" Transom
93L92B, 153L92B	Manual Start - 20" Transom (W/Tank)

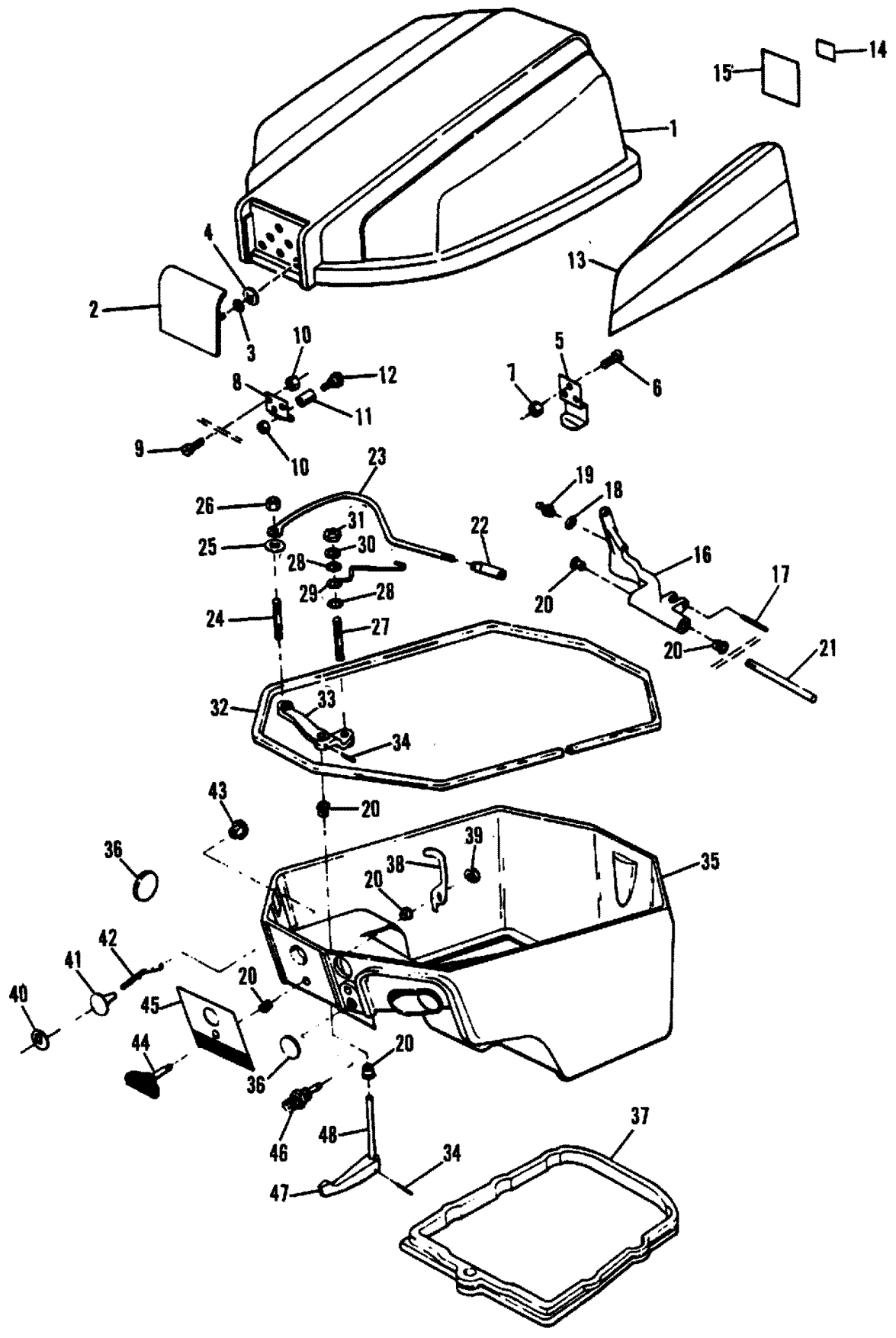
NOTE: Force Engines NO LONGER USE Model Numbers. Serial Numbers are now used.

THESE PARTS BOOKS/FICHE CARDS ARE COPYRIGHTED AND MAY NOT BE DISTRIBUTED OR REPRODUCED IN ANY OTHER FORMAT BY ANYONE OTHER THAN MERCURY MARINE WITHOUT THE PRIOR WRITTEN CONSENT OF MERCURY MARINE.

ORDER BY PART NUMBER AND NAME, GIVING MOTOR MODEL AND/OR SERIAL NUMBER.

THIS PAGE INTENTIONALLY LEFT BLANK

TOP COWL (84A THRU 87A MODELS)

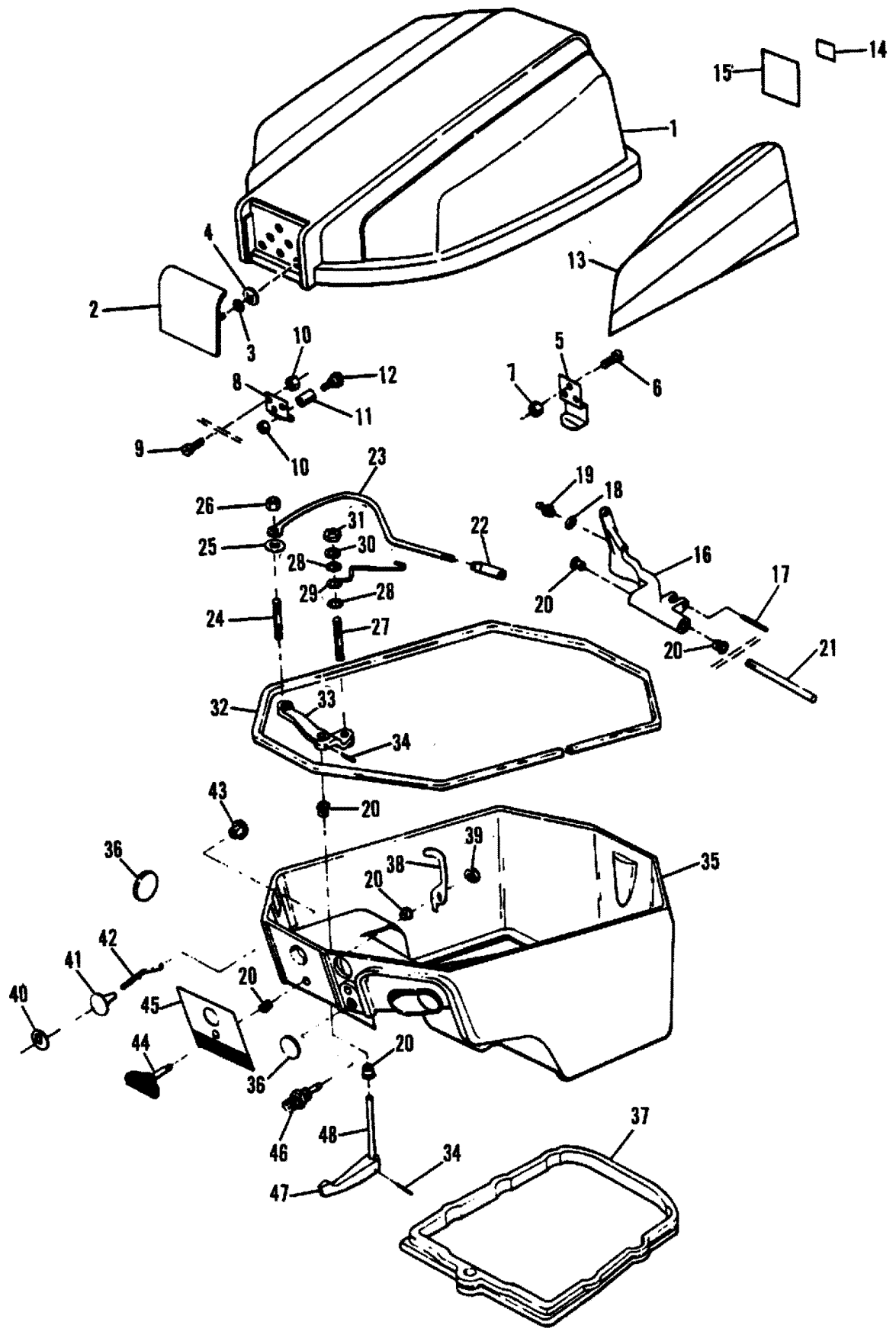


TOP COWL (84A THRU 87A MODELS)

REF. NO.	PART NO.	SYM.	QTY.	DESCRIPTION
1	100-FS666712T		1	COWL ASSEMBLY-TOP (WITHOUT DECALS)
2	F666711		1	PLATE-COWL FRONT
3	26-F85735-1		3	SEAL
4	F1753		3	FASTENER
5	FA610480		1	RETAINER KIT-COWL REAR
6	10-F1475		3	SCREW (10-24 X 1/2")
7	11-F7011		3	NUT (10-24)
8	817758A1		1	BRACKET KIT-COWL FRONT
9	10-F1475		3	SCREW (10-24 X 1/2")
10	11-F7011		3	NUT (10-24)
11	819225		1	ROLLER-LATCH CAM
12	F333316		1	SHAFT-ROLLER
13	37-FA312397		1	DECAL-PORT 1984 - 15 H.P.
	37-FA312396		1	DECAL-STBD 1984 - 15 H.P.
	37-FA311397		1	DECAL-PORT 1984 - 9.9 H.P.
	37-FA311396		1	DECAL-STBD 1984 - 9.9 H.P.
	FA627397		1	DECAL-PORT 1985 - 15 H.P.
	FA627396		1	DECAL-STBD 1985 - 15 H.P.
	FA626397		1	DECAL-PORT 1985 - 9.9 H.P.
	FA626396		1	DECAL-STBD 1985 - 9.9 H.P.
	37-F657397		1	DECAL-PORT 1986 - 15 H.P.
	37-F657396		1	DECAL-STBD 1986 - 15 H.P.
	F656397		1	DECAL-PORT 1986 - 9.9 H.P.
	F656396		1	DECAL-STBD 1986 - 9.9 H.P.
	37-F667397		1	DECAL-PORT 1987 - 15 H.P.
	37-F667396		1	DECAL-STBD 1987 - 15 H.P.
	37-F666397		1	DECAL-PORT 1987 - 9.9 H.P.
	37-F666396		1	DECAL-STBD 1987 - 9.9 H.P.
14	37-F685387-2		1	DECAL-US MARINE (1987)
15	37-F685387-2		1	DECAL-US MARINE (1984/1985)
	37-F656528		1	DECAL-REAR (1986)
	37-F666528		1	DECAL-REAR (1987)
16	819508T		1	LEVER-GEAR SHIFT
17	17-31656		1	PIN-SPRING
18	13-F8058		1	LOCKWASHER (#10 INTERNAL)
19	16-F98273		1	STUD-SHIFT CONNECTOR
20	23-26841		6	BUSHING
21	F286871T		1	PIN-GEAR SHIFT LEVER
22	F286685		1	CONNECTOR-GEAR SHIFT ROD
23	825402		1	LINK-SHIFT LEVER
24	16-F286134		1	STUD

CONTINUED ON NEXT PAGE ➡

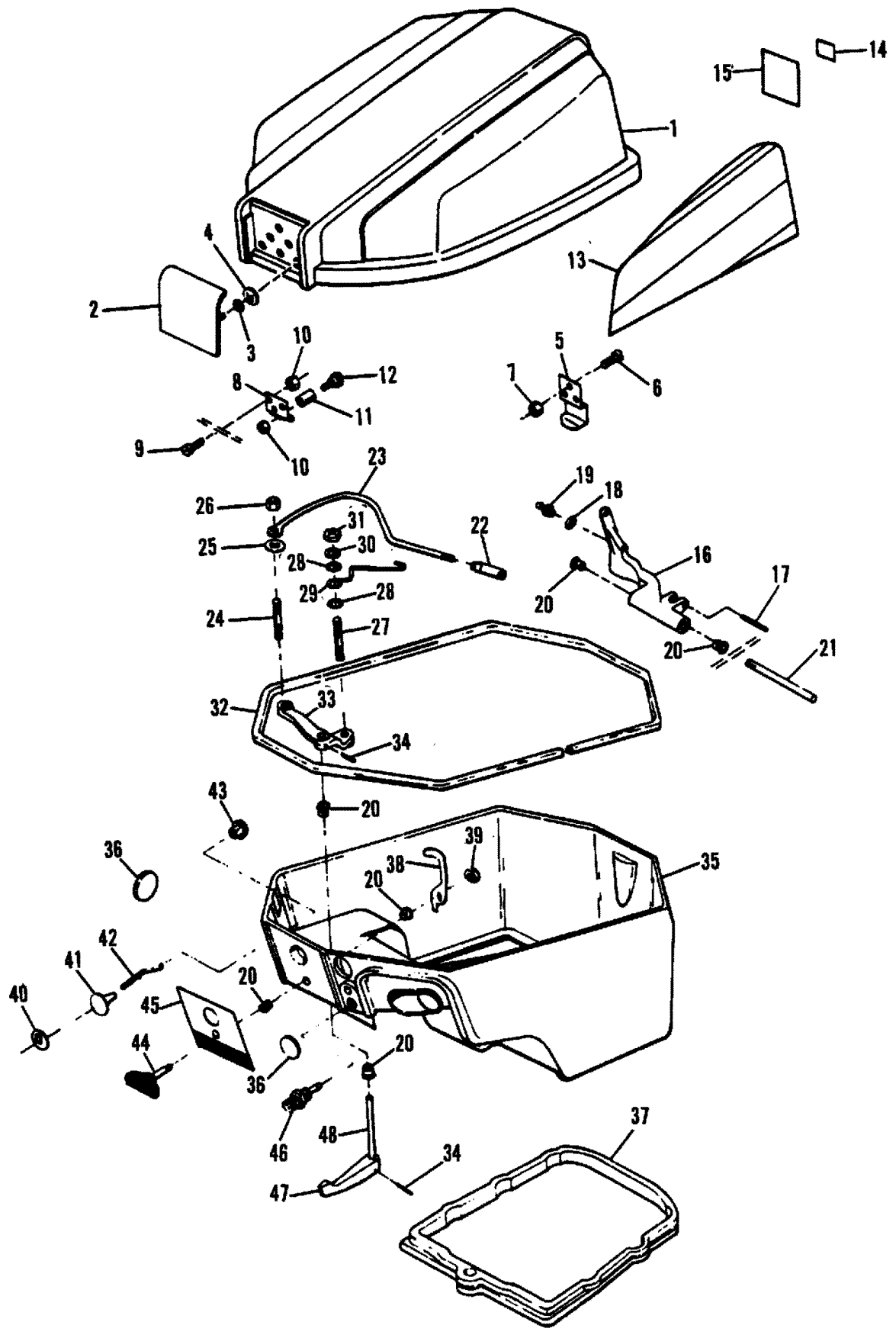
TOP COWL (84A THRU 87A MODELS)



TOP COWL (84A THRU 87A MODELS)

REF. NO.	PART NO.	SYM.	QTY.	DESCRIPTION
25	13-F8048		1	WASHER-BOWED
26	11-20110		1	NUT (10-32)
27	16-F286134		1	STUD
28	25-F184579		2	O RING
29	F492263		1	LINK-STARTER INTERLOCK

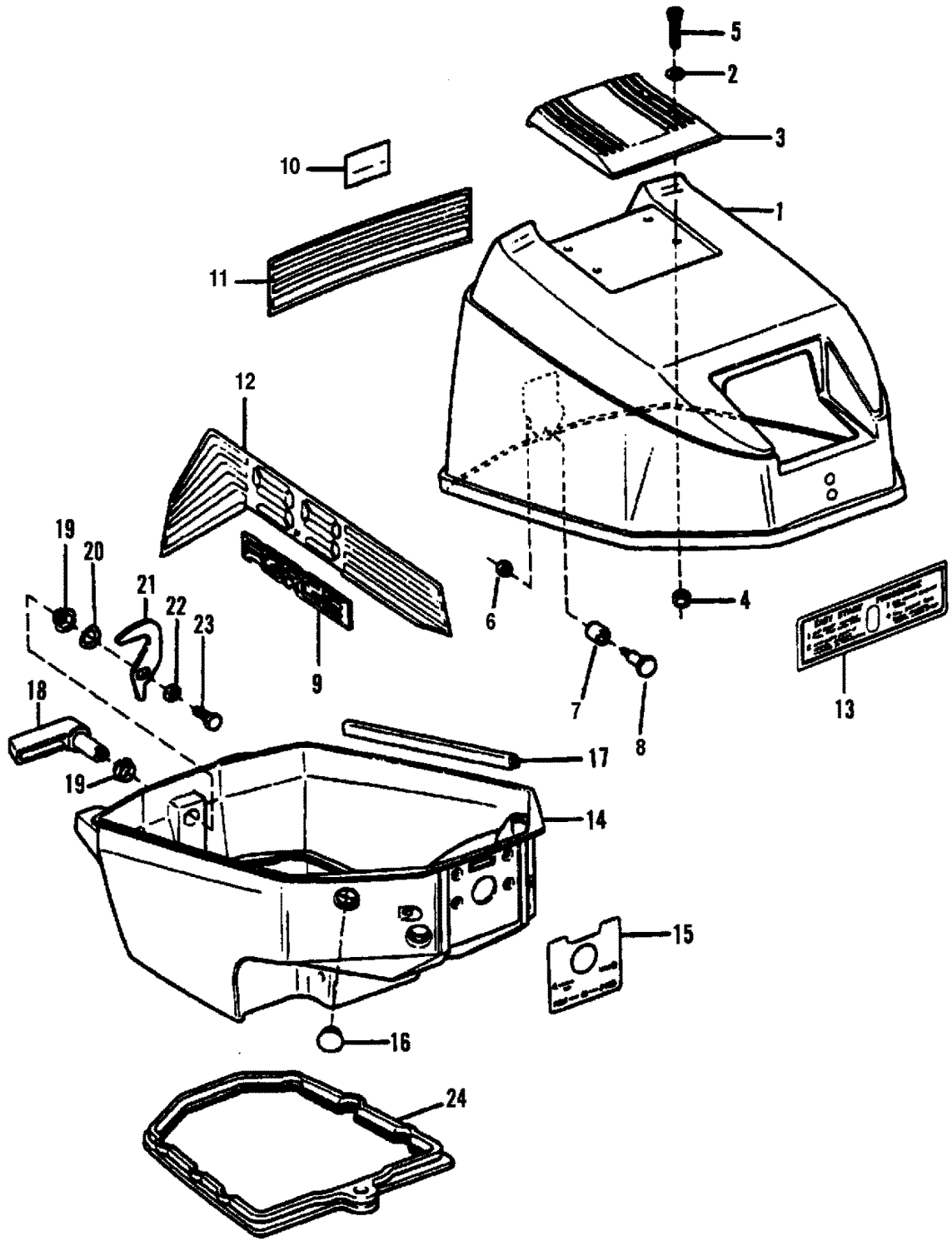
TOP COWL (84A THRU 87A MODELS)



TOP COWL (84A THRU 87A MODELS)

REF. NO.	PART NO.	SYM.	QTY.	DESCRIPTION
30	12-89302		1	WASHER
31	11-20110		1	NUT (10-32)
32	F392756		1	PACKING-SUPPORT PLATE
33	F492619		1	LEVER-SHIFT HANDLE SHAFT
34	17-38489		2	PIN-SPRING
35	817829A1		1	COWL ASSEMBLY-BOTTOM
36	19-F681226		2	PLUG
NS	F1819		1	EYELET
37	819486		1	SEAL-SUPPORT PLATE
38	F286777		1	CAM-COWL LATCH
39	11-F7006		1	NUT (5/16-18)
40	F458677		1	INSERT-CHOKE KNOB
41	F286547		1	KNOB-CHOKE
42	F617503		1	ROD-CHOKE
43	23-F197319		1	BEARING
44	FA286469		1	KNOB ASSEMBLY-LATCH
45	817757A4		1	PLATE KIT-FRONT SUPPORT PLATE
46	22-F197767-2		1	FITTING-FUEL
47	F286614		1	HANDLE-GEAR SHIFT
48	F492417		1	SHAFT-GEAR SHIFT HANDLE

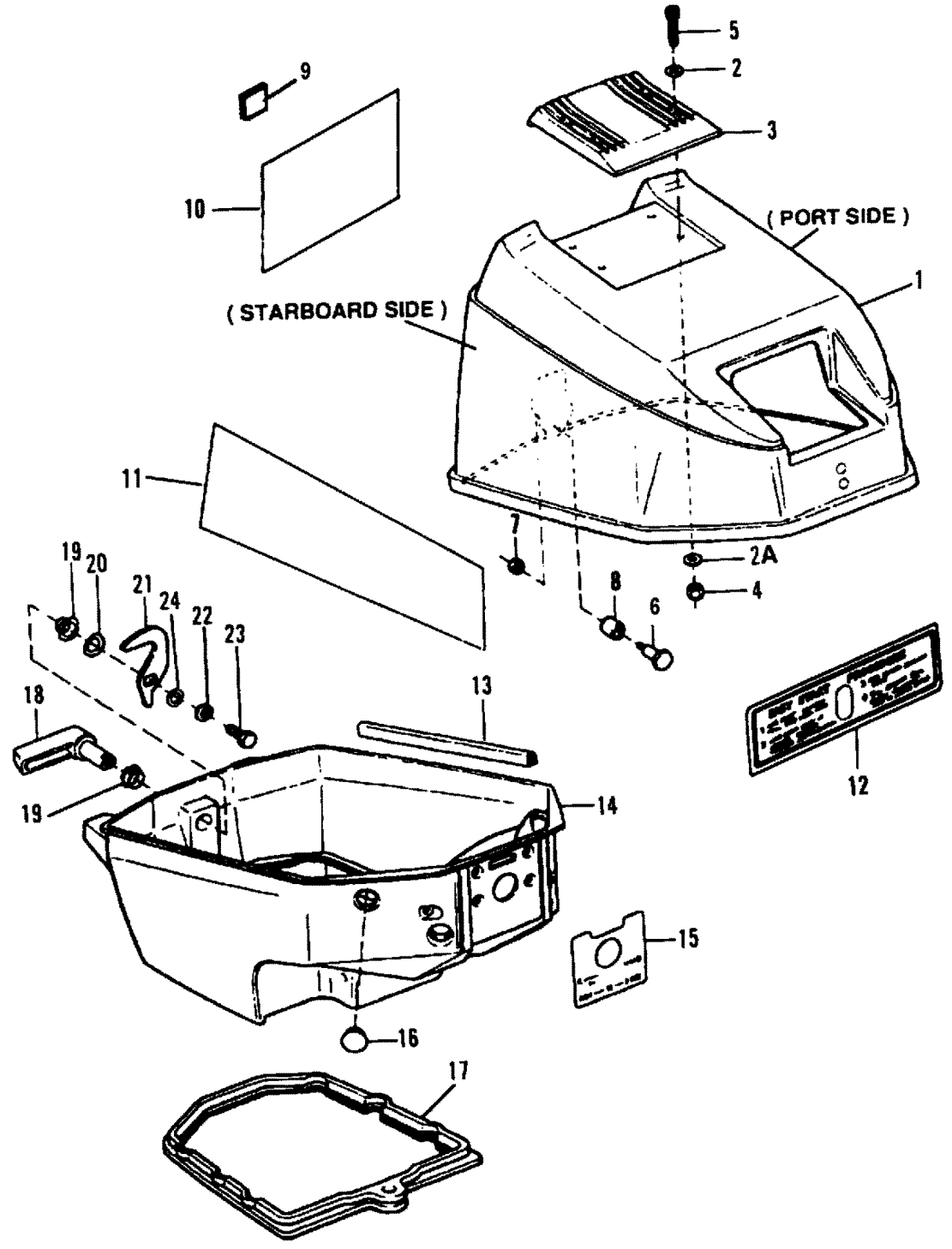
TOP COWL (88A THRU 89B MODELS)



TOP COWL (88A THRU 89B MODELS)

REF. NO.	PART NO.	SYM.	QTY.	DESCRIPTION
1	100-820154A2		1	COWL ASSEMBLY-TOP (PAINTED) (WITHOUT DECALS)
2	12-89302		4	WASHER
3	F681269		1	HANDLE-TILT
4	11-F7009		4	NUT (10-24)
5	10-F2211		4	SCREW (10-24 X 5/8")
6	11-814101		1	NUT (1/4-20)
7	23-F681759		1	ROLLER-LATCH
8	10-F681026		1	SCREW-LATCH ROLLER
9	819169		2	MEDALLION-FORCE
10	37-F685387-2		1	DECAL-US MARINE (BLUE)
	37-817985--1		1	DECAL-US MARINE (RED)
11	37-F681528		1	DECAL-REAR 9.9 - 1988 MODELS
12	37-F681396		1	DECAL-STARBOARD 9.9 - 1988 MODELS
	37-F681397		1	DECAL-PORT 9.9 - 1988 MODELS
11	37-F681528		1	DECAL-REAR 15 - 1988 MODELS
12	37-F682396		1	DECAL-STARBOARD 15 - 1988 MODELS
	37-F682397		1	DECAL-PORT 15 - 1988 MODELS
11	37-F688528		1	DECAL-REAR (9.9 - 1989 MODELS)
	37-F689528		1	DECAL-REAR (15 - 1989 MODELS)
	37-FX689528		1	DECAL-REAR (15 - BLUE FIN)
12	37-F688396		1	DECAL-STARBOARD 9.9/15 1989 MODELS
	37-F688397		1	DECAL-PORT 9.9/15 1989 MODELS
	37-FX689396		1	DECAL-STARBOARD SPECTRUM/BLUE FIN MODELS
	37-FX689397		1	DECAL-PORT SPECTRUM/BLUE FIN MODELS
13	37-F681390		1	DECAL-STARTING
14	100-819280A2		1	PLATE KIT-SUPPORT (PAINTED)
15	38-F681711-1		1	PLATE-SUPPORT FRONT
16	19-F681226		2	PLUG
17	F392756		1	PACKING-SUPPORT PLATE
18	FA681469T		1	HANDLE ASSEMBLY-COWL LATCH (PAINTED)
19	23-812707		2	BUSHING
20	13-F2047		1	WASHER-WAVE
21	F481777		1	CAM-LATCH SHAFT
22	13-26992		1	LOCKWASHER (1/4")
23	10-28635		1	SCREW (1/4-20 X 5/8")
24	819486		1	SEAL-SUPPORT PLATE

TOP COWL (90A THRU 92B & SER. # E00001 THRU E127699)

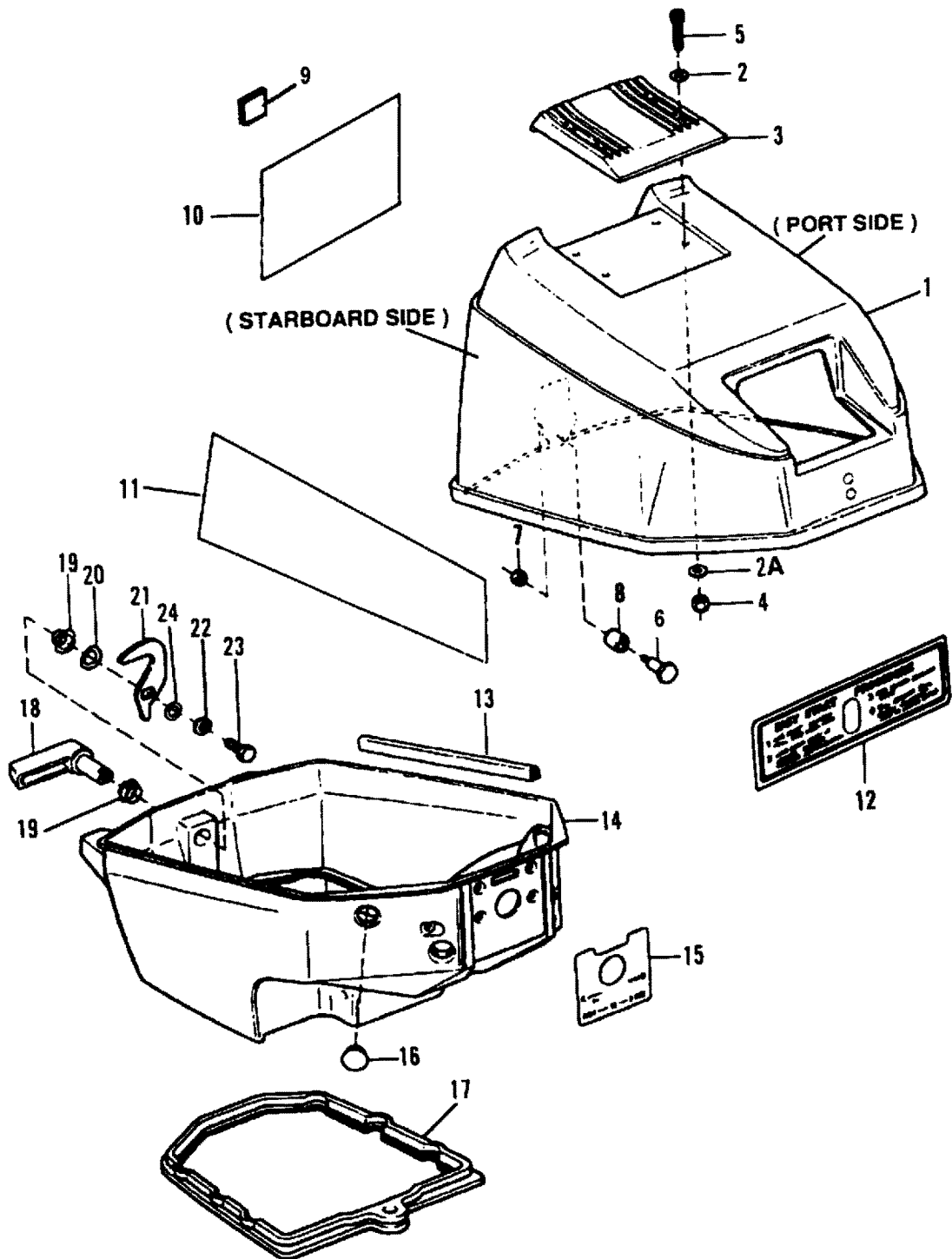


TOP COWL (90A THRU 92B & SER. # E00001 THRU E127699)

REF. NO.	PART NO.	SYM.	QTY.	DESCRIPTION
1	100-820154A2		1	COWL ASSY-TOP (PAINTED) (W/O DECALS) (FORCE/BAYLINER)
	100-820154A4		1	COWL ASSY-TOP (PAINTED) (W/O DECALS) (FISH-N-HUNT)
2	12-89302		4	WASHER
2A	12-F8143		4	WASHER
3	F681269		1	HANDLE-TILT
4	11-F7009		4	NUT (10-24)
5	10-F2211		4	SCREW (10-24 X 5/8")
6	10-F681026		1	SCREW-LATCH ROLLER
7	11-814101		1	NUT (1/4-20)
8	23-F681759		1	ROLLER-LATCH
9	819169		1	MEDALLION-FORCE (NOT ALL MODELS)
	37-F694366-1		1	MEDALLION-US MARINE LOGO (90A/91D)
10	37-FP736528		1	DECAL-REAR (9.9) 9.9/15 - 1992 FORCE MODELS
	37-FP737528		1	DECAL-REAR (15) 9.9/15 - 1992 FORCE MODELS
11	37-FP736396		1	DECAL-STARBOARD 9.9/15 - 1992 FORCE MODELS
	37-FP736397		1	DECAL-PORT 9.9/15 - 1992 FORCE MODELS
10	37-F736528		1	DECAL-REAR 9.9 - 1991 FORCE MODELS
11	37-F736396		1	DECAL-STARBOARD 9.9 - 1991 FORCE MODELS
	37-F736397		1	DECAL-PORT 9.9 - 1991 FORCE MODELS
10	37-F737528		1	DECAL-REAR
11	37-F736396		1	DECAL-STARBOARD
	37-F736397		1	DECAL-PORT
10	37-F714528		1	DECAL-REAR
11	F714396		1	DECAL-STARBOARD
	F714397		1	DECAL-PORT
10	37-FX714528		1	DECAL-REAR 9.9 - 1990 BAYLINER MODELS
11	37-FX715396		1	DECAL-STARBOARD 9.9 - 1990 BAYLINER MODELS
	37-FX715397		1	DECAL-PORT 9.9 - 1990 BAYLINER MODELS
10	37-F715528		1	DECAL-REAR 15 - 1990 FORCE MODELS
11	F715396		1	DECAL-STARBOARD 15 - 1990 FORCE MODELS
	F715397		1	DECAL-PORT 15 - 1990 FORCE MODELS
10	37-FX715528		1	DECAL-REAR 15 - 1990 BAYLINER MODELS
11	37-FX715396		1	DECAL-STARBOARD 15 - 1990 BAYLINER MODELS
	37-FX715397		1	DECAL-PORT 15 - 1990 BAYLINER MODELS
12	37-F681390		1	DECAL-STARTING (90A/92B & SER. # E000001 - E090399)
13	F392756		1	PACKING-SUPPORT PLATE (CUT AS REQ'D)
14	100-819280A2		1	PLATE KIT-SUPPORT (PAINTED)
15	38-F681711-1		1	PLATE (91A/91B)
	38-819281		1	PLATE (91C/92B & SER. # E000001 THRU E090399)
	38-819281--1		1	PLATE (SER. # E090400 THRU E127699)
16	19-F681226		2	PLUG (90A/91A)
	19-73336		2	PLUG (91D/92B & SER. # E000001 THRU E127699)

CONTINUED ON NEXT PAGE ➡

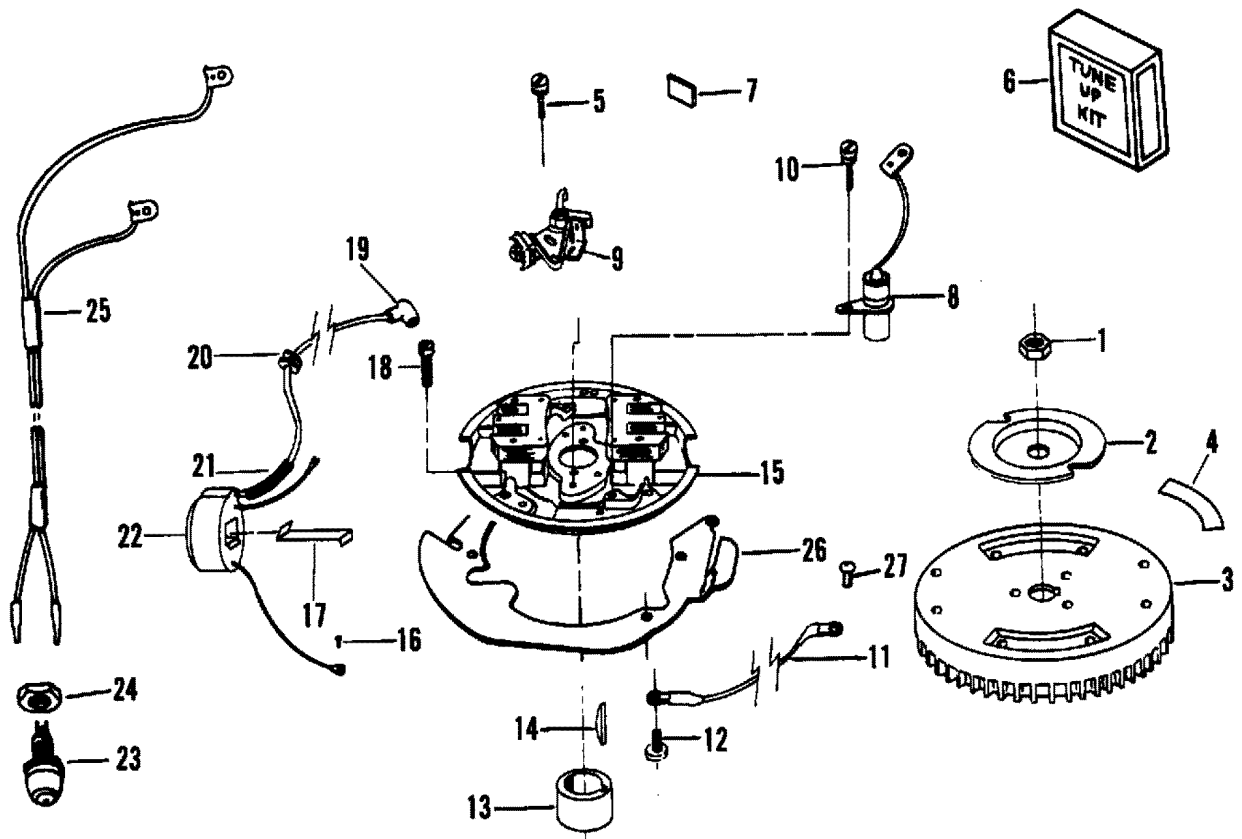
TOP COWL (90A THRU 92B & SER. # E00001 THRU E127699)



TOP COWL (90A THRU 92B & SER. # E00001 THRU E127699)

REF. NO.	PART NO.	SYM.	QTY.	DESCRIPTION
NS	19-90585		1	PLUG-STOP SWITCH HOLE (NOT ALL MODELS)
17	819486		1	SEAL-SUPPORT PLATE
18	FA681469T		1	HANDLE ASSEMBLY-COWL LATCH (PAINTED)
19	23-812707		2	BUSHING
20	13-F2047		1	WASHER-WAVE
21	F481777		1	CAM-LATCH SHAFT
22	13-26992		1	LOCKWASHER (1/4")
23	10-28635		1	SCREW (1/4-20 X 5/8")
24	12-35044		1	WASHER
-	37-826339A94		1	DECAL SET (9.9 FISH-N-HUNT)
-	37-820482A93		1	DECAL SET (9.9/15 FORCE) (SER. # E000001 - E090399)
-	37-820731A95		1	DECAL SET (9.9 FORCE) (SER. # E090400 THRU E127699)SER. # E090400 THRU E127699)
-	37-820732A95		1	DECAL SET (15 FORCE) (SER. # E090400 THRU E127699)

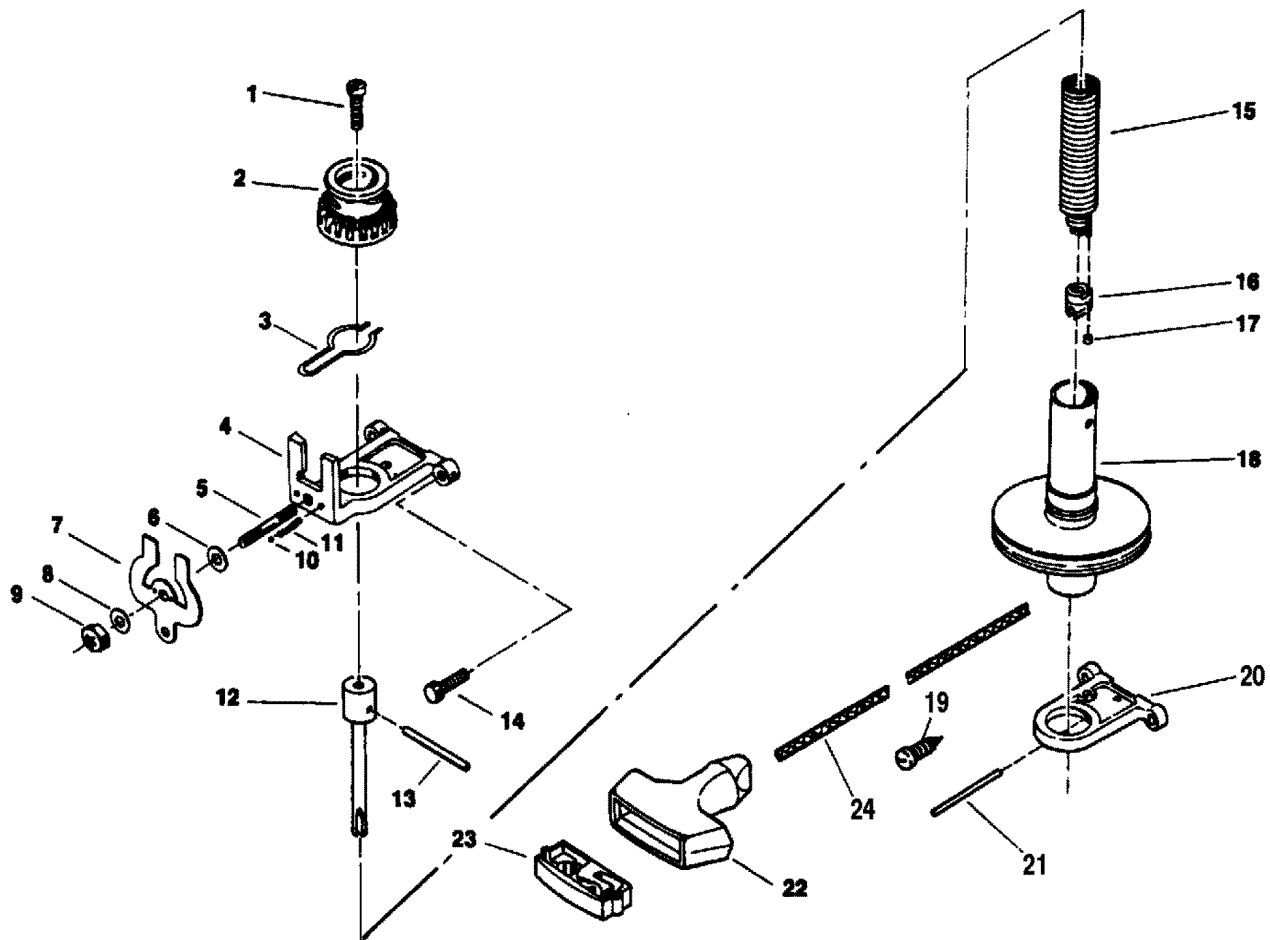
IGNITION SYSTEM (84A THRU 87A MODELS)



IGNITION SYSTEM (84A THRU 87A MODELS)

REF. NO.	PART NO.	SYM.	QTY.	DESCRIPTION
1	11-F1809		1	NUT (1/2-20)
2	F901456-1		1	COLLAR-EMERGENCY STARTER
3	FK302097		1	FLYWHEEL KIT
4	FA609853		1	DECAL KIT-SHIFT TO NEUTRAL
5	10-F12170		4	SCREW
6	FK1066		1	TUNE-UP KIT
7	F12360		1	FELT
8	F12181-1		2	CONDENSER
9	F12153-1		2	CONTACT SET
10	10-F12170		2	SCREW
11	84-F289664		1	WIRE-GROUND
12	10-F1090		4	SCREW WITH LOCKWASHER (10-24 X 9/16")
13	F217002		1	CAM-CONTACT POINTS
14	28-F458498-1		1	KEY-FLYWHEEL
15	F12343		1	PLATE ASSEMBLY-STATOR
16	F12114		2	SCREW
17	F12146		2	SPRING
18	10-F1090		4	SCREW WITH LOCKWASHER (10-24 X 9/16")
19	FK1123		2	BOOT KIT-SPARK PLUG
20	F12088		2	GROMMET
21	F12141		1	MARKER-COIL WIRE
22	FA12370		2	COIL KIT (WITH LEAD WIRE)
23	87-817952A1		1	SWITCH KIT-SHORTING
24	11-F436280		1	NUT-SHORTING SWITCH
25	F12186-1		1	WIRE-SHORTING SWITCH
26	F617192		1	PLATE-THROTTLE CAM
27	10-F1091		1	SCREW (10-32 X 1/4")

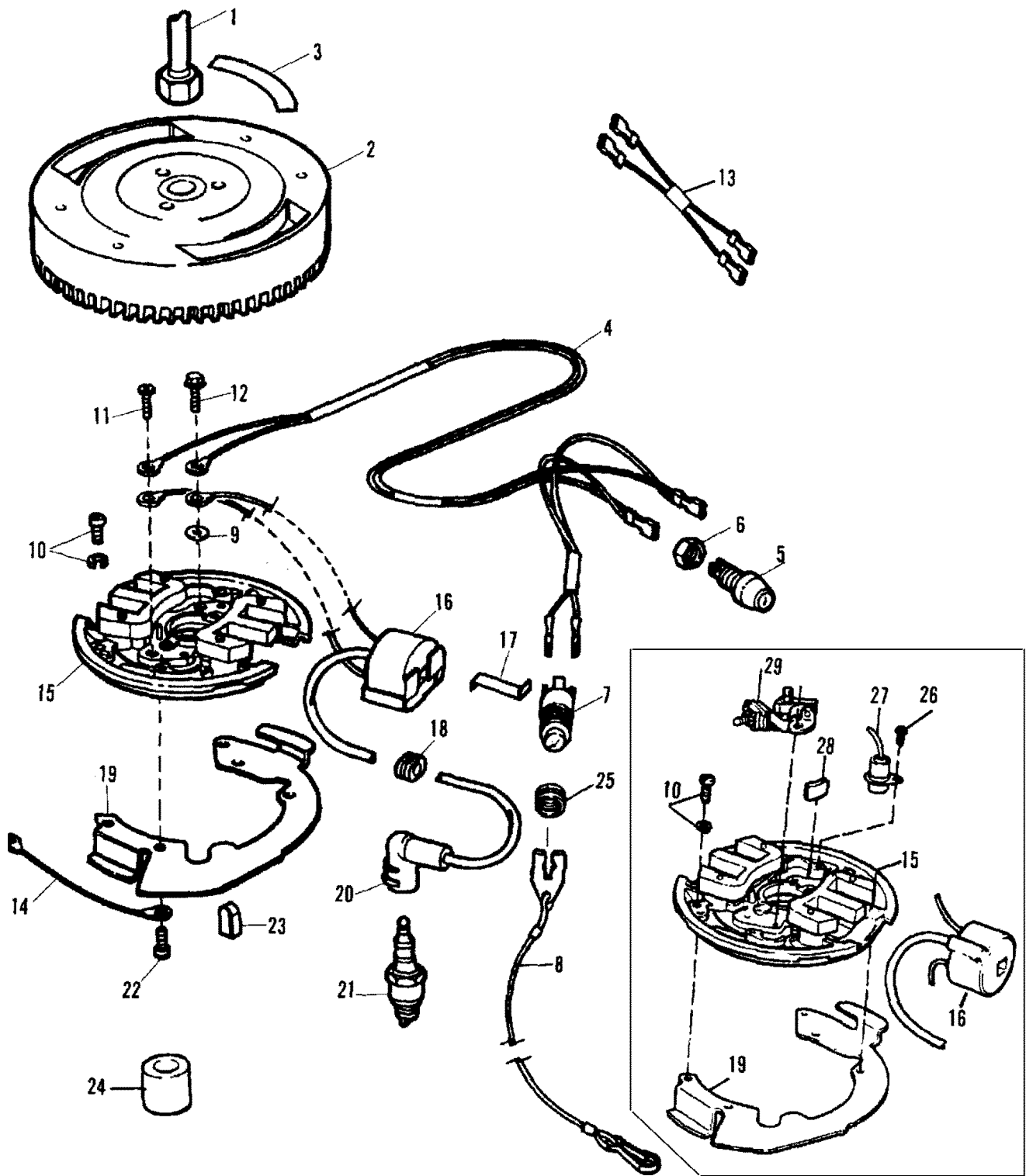
STARTER (84A THRU 87A MODELS)



STARTER (84A THRU 87A MODELS)

REF. NO.	PART NO.	SYM.	QTY.	DESCRIPTION
1	10-F1089		1	SCREW (10-24 X 9/16")
2	43-F617674		1	GEAR-STARTER PINION
3	24-F487424-1		1	SPRING-STARTER PINION GEAR
4	F487427-1		1	BRACKET-STARTER SUPPORT (UPPER)
5	16-F286134		1	STUD
6	12-89302		1	WASHER
7	F487781-3		1	INTERLOCK-STARTER
8	12-89302		1	WASHER
9	11-20110		1	NUT (10-32)
10	30-F487727		2	BALL-INTERLOCK DETENT
11	24-F487895		2	SPRING-INTERLOCK DETENT
12	F286710T		1	GUIDE-STARTER SPRING
13	17-F40425		1	PIN-STARTER PINION GEAR
14	10-28636		4	SCREW (1/4-20 X 3/4")
15	FA286970		1	SPRING ASSEMBLY-REWIND
16	F286737-1		1	RETAINER-SPRING
17	F286930		1	END-SPRING
18	817811A1		1	SPOOL KIT (WITH SHAFT) STARTER
19	10-F1500		1	SCREW (#4 X 1/4")
20	FK317427		1	BRACKET KIT-STARTER SUPPORT (LOWER)
21	17-F1875		1	PIN-SPRING
22	F286132		1	HANDLE-STARTER ROPE
23	817938A1		1	RETAINER KIT-STARTER HANDLE
24	50-F521232		1	ROPE-STARTER REWIND SPOOL

IGNITION SYSTEM (88A/92B & SER. # E00001 THRU E034999)

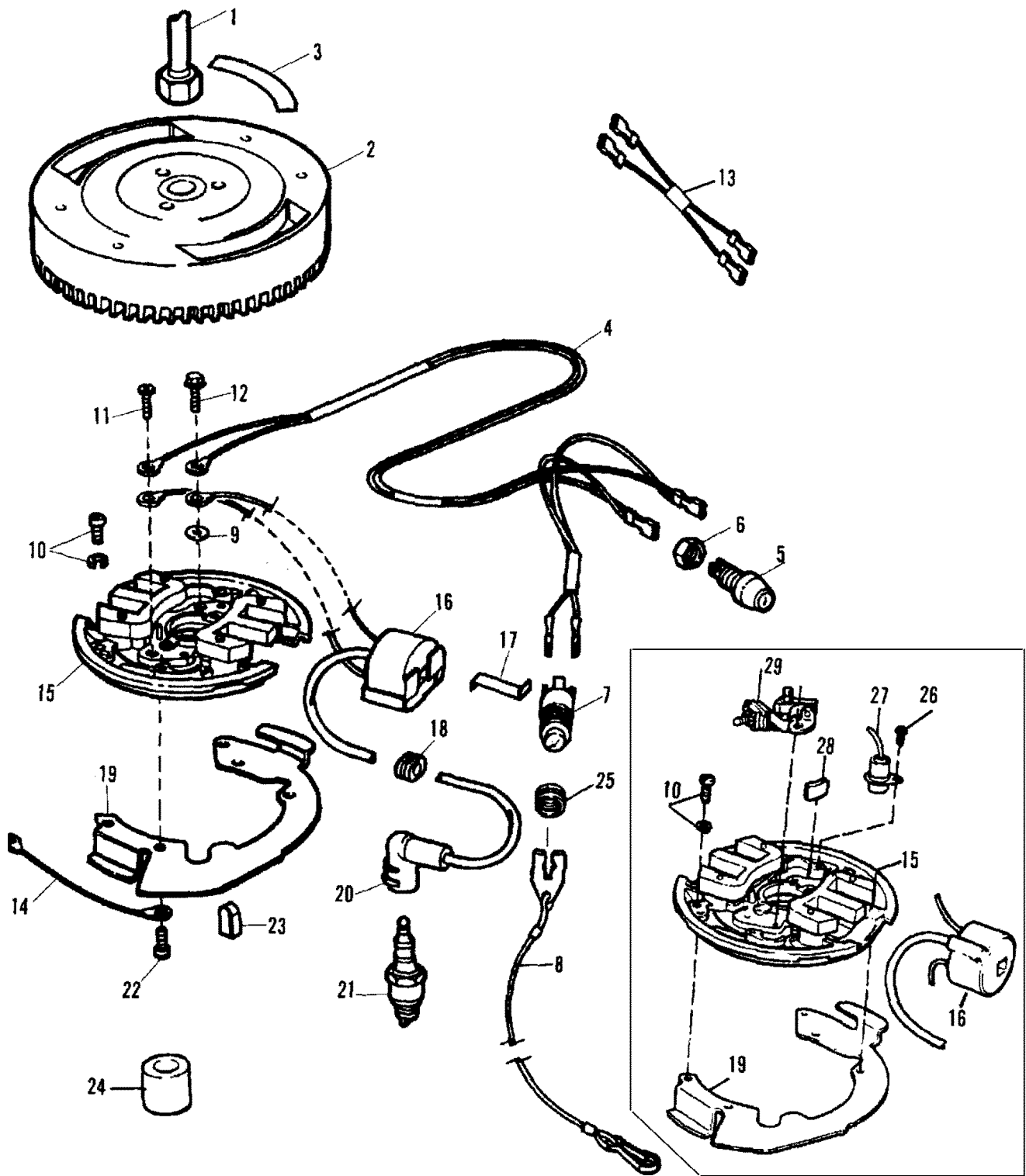


IGNITION SYSTEM (88A/92B & SER. # E00001 THRU E034999)

REF. NO.	PART NO.	SYM.	QTY.	DESCRIPTION
1	F681091		1	NUT-FLYWHEEL
2	200-824380T		1	FLYWHEEL (9.9) (91B/92B & SER. # E000001 - E034999)
	FA688097		1	FLYWHEEL KIT (9.9) (89B/91A)
	200-FA681097		1	FLYWHEEL KIT (9.9/15) (88A/89A)
	200-824380T		1	FLYWHEEL (15) (91A/92B & SER. # E000001 - E034999)
	FA688097		1	FLYWHEEL KIT (15) (89B/90C)
3	FA609853		1	DECAL KIT-SHIFT TO NEUTRAL
4	F12376		1	WIRE ASSEMBLY-STOP SWITCH
5	87-817952A1		1	SWITCH KIT-STOP
6	11-F436280		1	NUT (1/2-20)
7	FK681602		1	SWITCH KIT (9.9) (88A/90A)
	87-F687287		1	SWITCH (9.9) (91A/92B & SER. # E000001 THRU E034999)
	FK681602		1	SWITCH KIT (15) (88A/90A)
	87-F687287		1	SWITCH KIT (15) (90C/92B & SER. # E000001 - E034999)
8	819399A1		1	LANYARD ASSEMBLY
9	F12381		1	WASHER (89B/92B & SER. # E000001 THRU E034999)
10	10-F1090		4	SCREW WITH LOCKWASHER (10-24 X 9/16")
11	F12382		1	SCREW (89B/92B & SER. # E000001 THRU E034999)
12	F12380		1	SCREW
13	84-819379A1		1	WIRE ASSEMBLY (9.9 - 91C) (15 - 91A)
14	84-F289664		1	WIRE-GROUND
15	F12377		1	PLATE-STATOR (89B/92B & SER. # E000001 THRU E034999)
	F12343		1	PLATE-STATOR (88A/89A)
16	F712475		2	COIL (9.9) (91B/92B & SER. # E000001 THRU E034999)
	F12379		2	COIL (9.9) (89B/91A)
	FA12370		2	COIL KIT (9.9/15) (88A/89A)
	F712475		2	COIL (15) (91A/92B & SER. # E000001 THRU E034999)
	F12379		2	COIL (15) (89B/90C)
17	F12378		2	SPRING (89B/92B & SER. # E000001 THRU E034999)
	F12146		2	SPRING (88A/89A)
18	F12088		2	GROMMET
19	F617192		1	CAM-THROTTLE (9.9)
	F715192		1	CAM-THROTTLE (15) (90C/92B & SER. # E000001 - E034999)
	F617192		1	CAM-THROTTLE (15) (88A/90B)
20	85-818751		2	BOOT-SPARK PLUG (HARD RUBBER STYLE)
	FK1123		2	BOOT KIT-SPARK PLUG (SOFT RUBBER STYLE)
21	33-82370M		2	SPARK PLUG (NGK#B-6HS) (9.9/15) (88A/91B)
	33-82372M		2	SPARK PLUG (NGK#B-8HS) (15) (90C/90D)
	33-19796		2	SPARK PLUG (NGK#BRP-6HS-10) (9.9/15)(91C/92A)
	33-813423		2	SPARK PLUG (NGK#BPR6HS) (9.9) (92B - SER. E034999)
	33-813414		2	SPARK PLUG (NGK#BP7HS) (15) (92B - SER.# E034999)
22	10-F1090		4	SCREW WITH LOCKWASHER (10-24 X 9/16")
23	28-F458498-1		1	KEY-FLYWHEEL

CONTINUED ON NEXT PAGE ➡

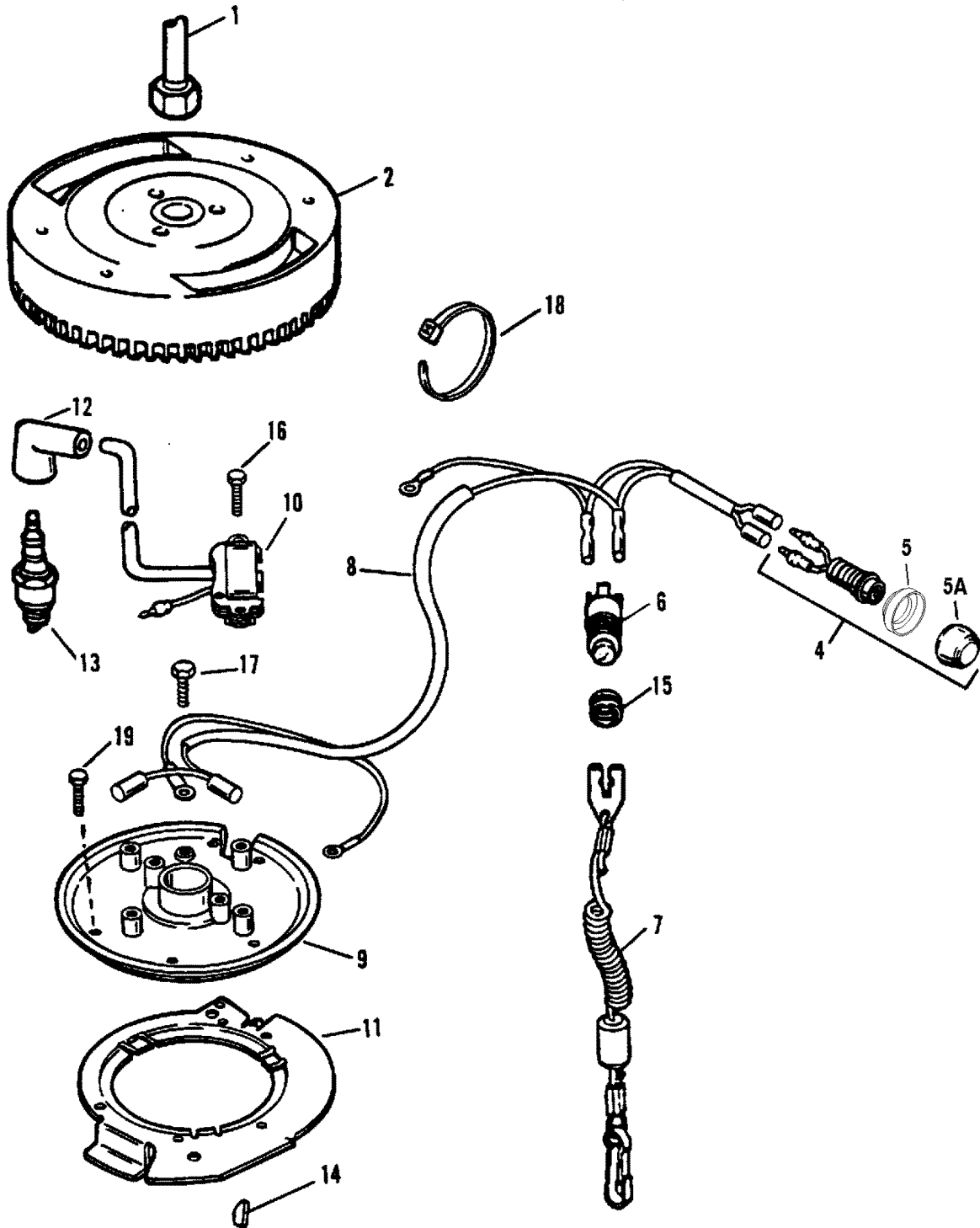
IGNITION SYSTEM (88A/92B & SER. # E00001 THRU E034999)



IGNITION SYSTEM (88A/92B & SER. # E00001 THRU E034999)

REF. NO.	PART NO.	SYM.	QTY.	DESCRIPTION
24	F217002		1	CAM (88A/89A)
25	22-F681188		1	SLEEVE (91A/92B & SER. # E000001 THRU E034999)
26	10-F12170		6	SCREW
-	FK1066		1	TUNE-UP KIT 88A /89A
27	F12181-1		2	CONDENSER 88A /89A
28	F12360		1	FELT 88A /89A
29	F12153-1		2	CONTACT SET 88A /89A

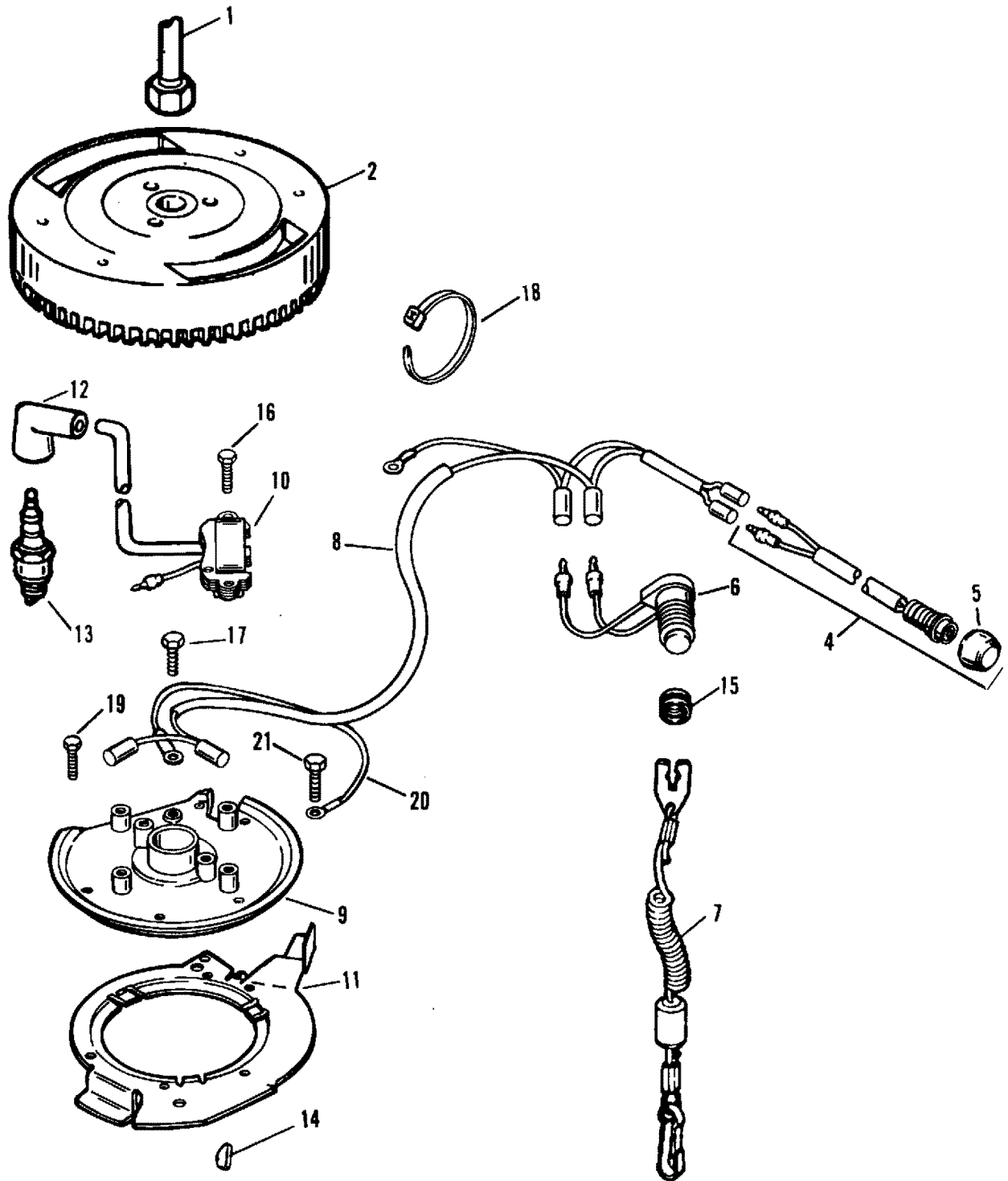
IGNITION SYSTEM (SER. # E035000 THRU E090399)



IGNITION SYSTEM (SER. # E035000 THRU E090399)

REF. NO.	PART NO.	SYM.	QTY.	DESCRIPTION
1	F681091		1	NUT-FLYWHEEL
2	200-824380T		1	FLYWHEEL (PAINTED)
4	87-824440A6		1	SWITCH ASSEMBLY-STOP
5	824466A3		1	COVER KIT-STOP SWITCH
5A	824915		1	BEZEL-STOP SWITCH COVER
6	87-F687287		1	SWITCH-EMERGENCY STOP
7	819399A1		1	LANYARD ASSEMBLY
8	84-819379A5		1	HARNESS ASSEMBLY-ENGINE STOP
9	300-819305T		1	PLATE-STATOR
10	300-819156T		2	IGNITION MODULE (CUT WIRE AS REQ'D)
11	819758T		1	CAM-THROTTLE
12	FK1123		2	BOOT KIT-SPARK PLUG (SOFT RUBBER STYLE)
13	33-813423		2	SPARK PLUG (9.9)
	33-813414		2	SPARK PLUG (15)
	SEEDESC.		OPT.	SPARK PLUG (9.9) (RFI) (CHAMPION # RL87YC) ORDER LOCAL
	SEEDESC.		OPT.	SPARK PLUG (15) (RFI) (CHAMPION # RL82YC) ORDER LOCAL
14	28-F458498-1		1	KEY-FLYWHEEL
15	22-F681188		1	NUT-STOP SWITCH SLEEVE
16	10-824353		6	SCREW (8-32 X 3/4")
17	10-824352		1	SCREW (10-24 X 3/8")
18	56762		AR	CABLE TIE (4")
19	10-824358		6	SCREW (10-24 X 1/2")

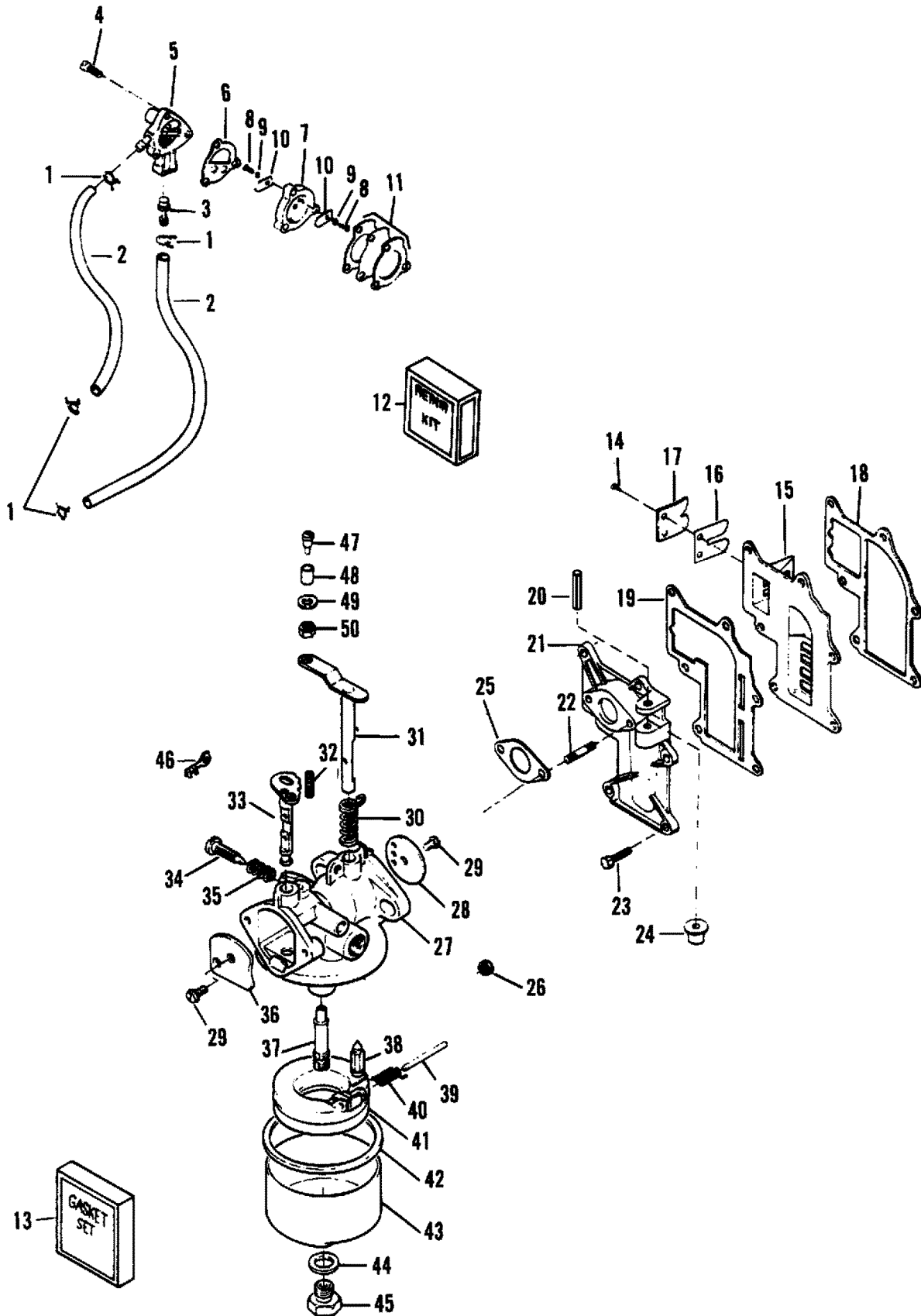
IGNITION SYSTEM (SER. # E090400 THRU E127699)



IGNITION SYSTEM (SER. # E090400 THRU E127699)

REF. NO.	PART NO.	SYM.	QTY.	DESCRIPTION
1	F681091		1	NUT-FLYWHEEL
2	200-824380T		1	FLYWHEEL (PAINTED)
4	87-824440A9		1	SWITCH ASSEMBLY-STOP
5	824466A3		1	COVER ASSEMBLY-STOP SWITCH
6	87-826214A1		1	SWITCH ASSEMBLY-EMERGENCY STOP
7	819399A1		1	LANYARD ASSEMBLY
8	84-819379A7		1	HARNESS ASSEMBLY-ENGINE STOP
9	300-826692T		1	PLATE-STATOR
10	300-819156T		2	MODULE-IGNITION (CUT WIRE AS REQ'D)
11	826691		1	CAM-THROTTLE
12	FK1123		2	BOOT KIT-SPARK PLUG
13	33-813423		2	SPARK PLUG (9.9)
	33-813414		2	SPARK PLUG (15)
	ORDERLOC		OPT.	SPARK PLUG (9.9) (RFI) (CHAMPION # RL87YC) ORDER LOCAL
	ORDERLOC		OPT.	SPARK PLUG (15) (RFI) (CHAMPION # RL82YC) ORDER LOCAL
14	28-F458498-1		1	KEY-CRANKSHAFT/FLYWHEEL
15	22-F681188		1	NUT-STOP SWITCH SLEEVE
16	10-824353		6	SCREW (8-32 X 3/4")-IGNITION MODULE
17	10-824352		1	SCREW (10-24 X 3/8")-GROUND
18	56762		AR	CABLE TIE (4")
19	10-824358		5	SCREW (10-24 X 1/2")-STATOR PLATE
20	84-60466A16		1	WIRE ASSEMBLY-GROUND
21	10-824358		1	SCREW (10-24 X 1/2")-GROUND
-	54-816311		2	CABLE TIE (8")

CARBURETOR (9.9 & 15) (84A THRU 87A MODELS)



CARBURETOR (9.9 & 15) (84A THRU 87A MODELS)

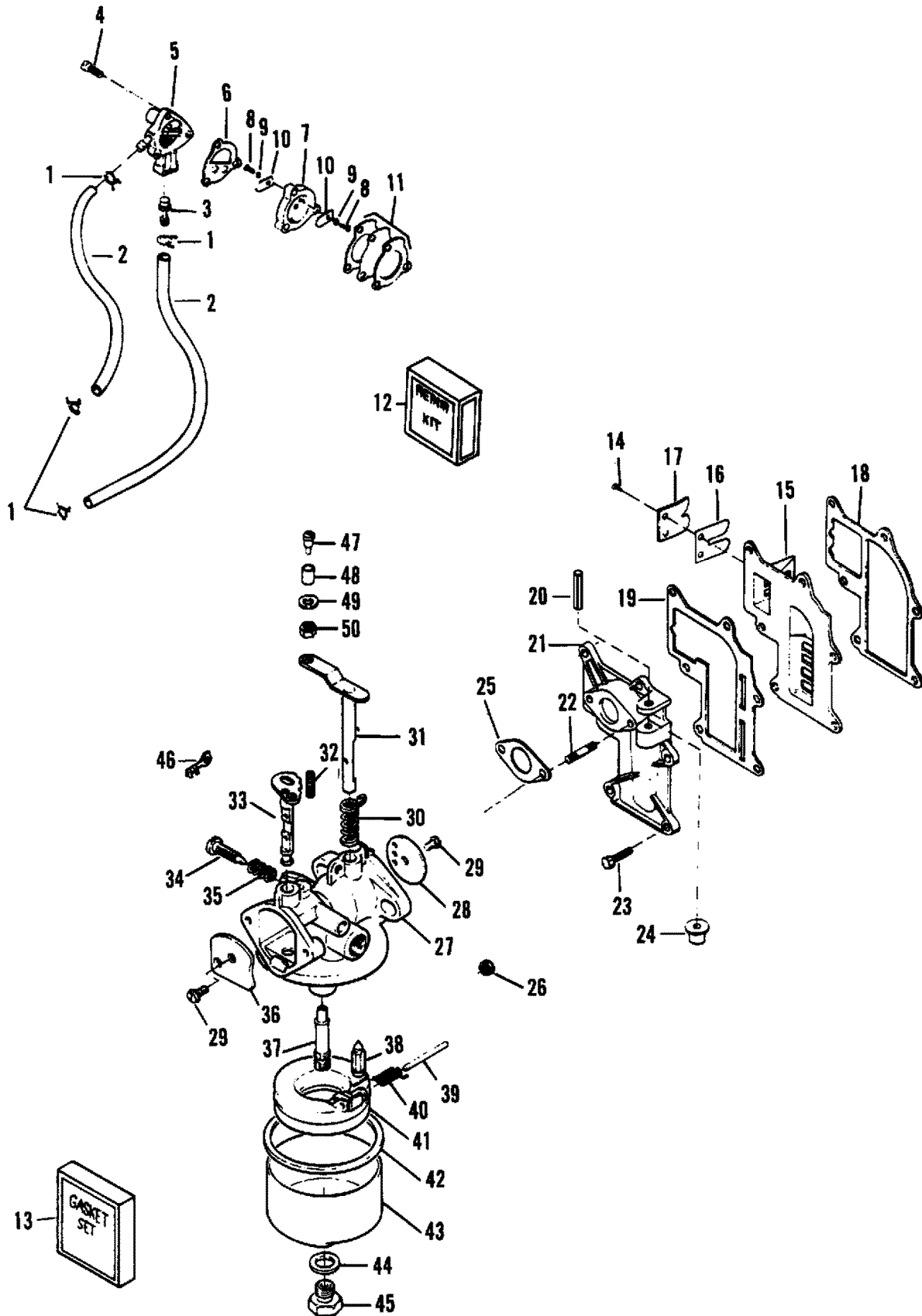
REF. NO.	PART NO.	SYM.	QTY.	DESCRIPTION
1	54-F2706772		4	CLAMP
2	32-F40253-1		2	HOSE
3	22-F901811		1	FILTER-FUEL PUMP
4	10-F1069		3	SCREW (10-24 X 1-1/16")
5	819993T1		1	COVER-FUEL PUMP (PAINTED)
6	27-F24748-2		1	GASKET-FUEL PUMP
7	F2A24757		1	REED PLATE ASSEMBLY-FUEL PUMP
8	10-F1286		2	SCREW (4-40 X 3/16")
9	12-18552		2	WASHER
10	34-F18160-3		2	REED
11	27-818043A1		1	GASKET/DIAPHRAGM SET
12	FK10114		1	REPAIR KIT-(9.9)
	FK10123		1	REPAIR KIT-(15)
13	FK10069		1	GASKET SET-(9.9)
	FK10124		1	GASKET SET-(15)
14	10-819074		8	SCREW (6-32 X 5/16")
15	FA619158		1	PLATE ASSEMBLY-REED (9.9)
	FA424158		1	PLATE ASSEMBLY-REED (15)
16	34-F31160-2		4	REED
17	34-F424161		4	STOP-REED (9.9 - 84A MODELS - SILVER)
	34-F619161-1		4	STOP-REED (9.9 - BLACK)
	34-F424161		4	STOP-REED (15)
18	27-F286159-1	■	1	GASKET-REED PLATE
19	27-F715168	■	1	GASKET-MANIFOLD
20	17-F1876		1	PIN-SPRING
21	FA424167		1	MANIFOLD KIT
22	16-826622		2	STUD
23	10-F2008		6	SCREW (1/4-20 X 7/8")
24	F487435		1	PULLEY-STARTER ROPE
25	27-F18906	□+■	1	GASKET-CARBURETOR FLANGE
26	11-20890		2	NUT (1/4-20)
-	FG1005-3		0	GASKET SET

■ = COMPONENT OF GASKET SET [FG1005-3]

+ = COMPONENT OF CARB REPAIR KIT [FK10114] (9.9) OR [FK10123] (15)

□ = COMPONENT OF CARB GASKET SET [FK10069] (9.9) OR [FK10124] (15)

CARBURETOR (9.9 & 15) (84A THRU 87A MODELS)



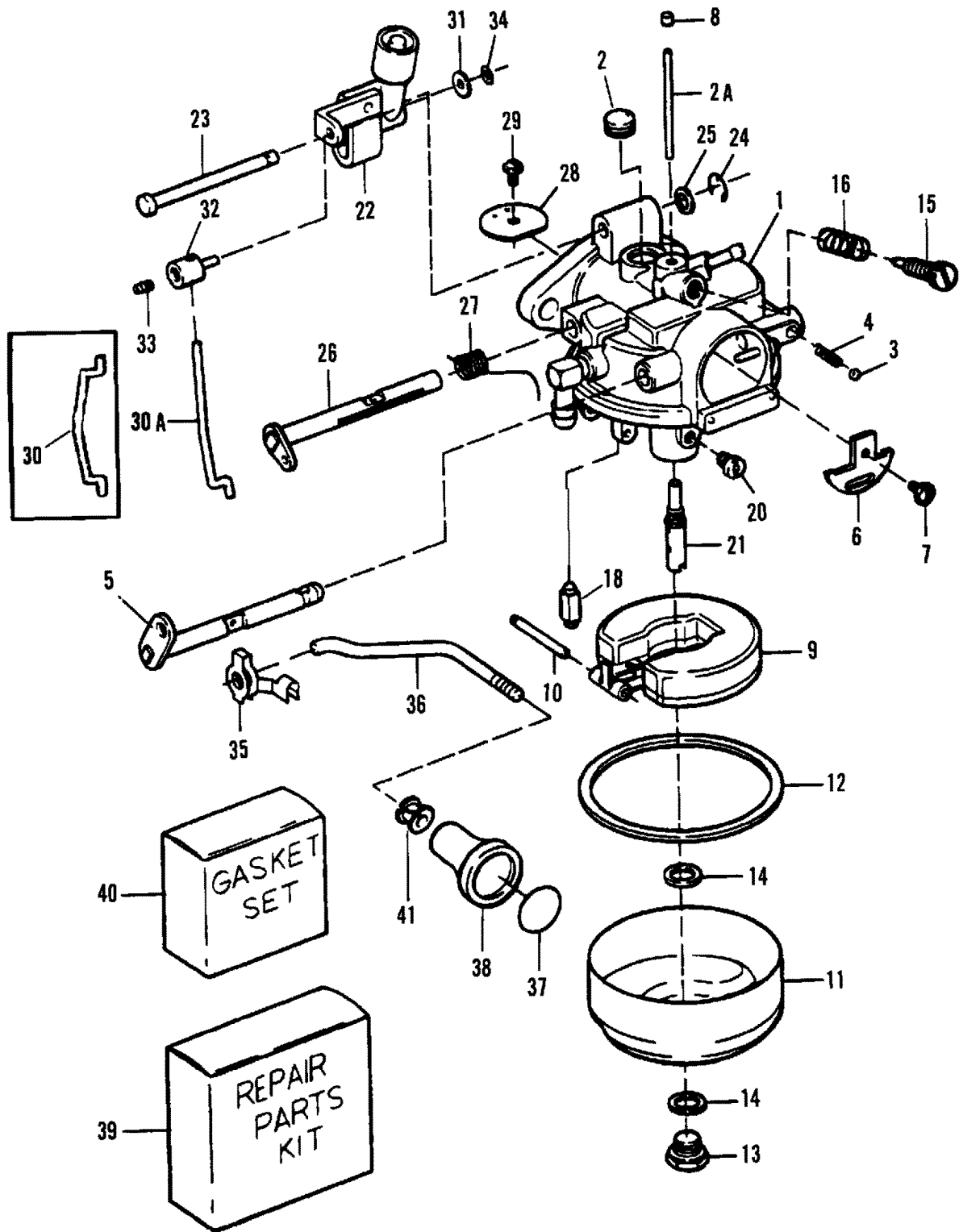
CARBURETOR (9.9 & 15) (84A THRU 87A MODELS)

REF. NO.	PART NO.	SYM.	QTY.	DESCRIPTION
27	1300-F617061-1		1	CARBURETOR (9.9)
	1300-F618061-2		1	CARBURETOR (15)
28	F10060		1	VALVE-THROTTLE (9.9)
	F10121		1	VALVE-THROTTLE (15)
29	1395-5902		2	SCREW-THROTTLE VALVE
30	F10075		1	SPRING-THROTTLE RETURN
31	F10110		1	SHAFT-THROTTLE
32	F10072		1	SPRING-CHOKE STOP
33	F10111		1	SHAFT-CHOKE
34	F10077	†	1	NEEDLE-INLET
35	F10073		1	SPRING-INLET NEEDLE
36	F10112		1	VALVE-CHOKE (9.9)
	F10122		1	VALVE-CHOKE (15)
37	F10088		1	NOZZLE
38	F10101	†	1	VALVE SEAT KIT (9.9)
	FK10120-1	†	1	VALVE SEAT KIT (15)
-	F10115		1	PLUG KIT (9.9)
39	F10064	†	1	SHAFT-FLOAT
40	1395-5904		1	SPRING-FLOAT
41	1395-5898		1	FLOAT-FUEL BOWL
42	27-F10068	♥†	1	GASKET-FUEL BOWL
43	1395-8155		1	BOWL-FUEL
44	27-F10090	♥†	1	GASKET-FUEL BOWL
45	F10113	†	1	JET-MAIN (.049) (9.9) (0 - 2500')
	F10221		OPT.	JET-MAIN (.048) (9.9) (2500' - 5000')
	F10125		OPT.	JET-MAIN (.046) (9.9) (5000' - 7500')
	F10222		OPT.	JET-MAIN (.044) (9.9) (7500' - 10000')
	F10126		1	JET-MAIN (.0625) (15) (0 - 2500')
	F10223		OPT.	JET-MAIN (.060) (15) (2500' - 5000')
	F10224		OPT.	JET-MAIN (.058) (15) (5000' - 7500')
	F10225		OPT.	JET-MAIN (.056) (15) (7500' - 10000')
46	F341384		1	RETAINER-CHOKE ROD
47	F333316		1	SHAFT-THROTTLE ROLLER
48	819225		1	ROLLER-THROTTLE SHAFT
49	12-89302		1	WASHER
50	11-F1997		1	NUT (8-32)
-	26-F10066	†	1	GASKET-VALVE SEAT (9.9)
-	FK10114		0	REPAIR KIT
-	FK10123		0	REPAIR KIT
-	FK10069		0	GASKET SET
-	FK10124		0	GASKET SET

† = COMPONENT OF CARB REPAIR KIT[FK10114] (9.9) OR [FK10123] (15)

♥ = COMPONENT OF CARB GASKET SET[FK10069] (9.9) OR [FK10124] (15)

CARBURETOR (9.9 - 88A/92B & SER. # E00001 THRU E127699) (1



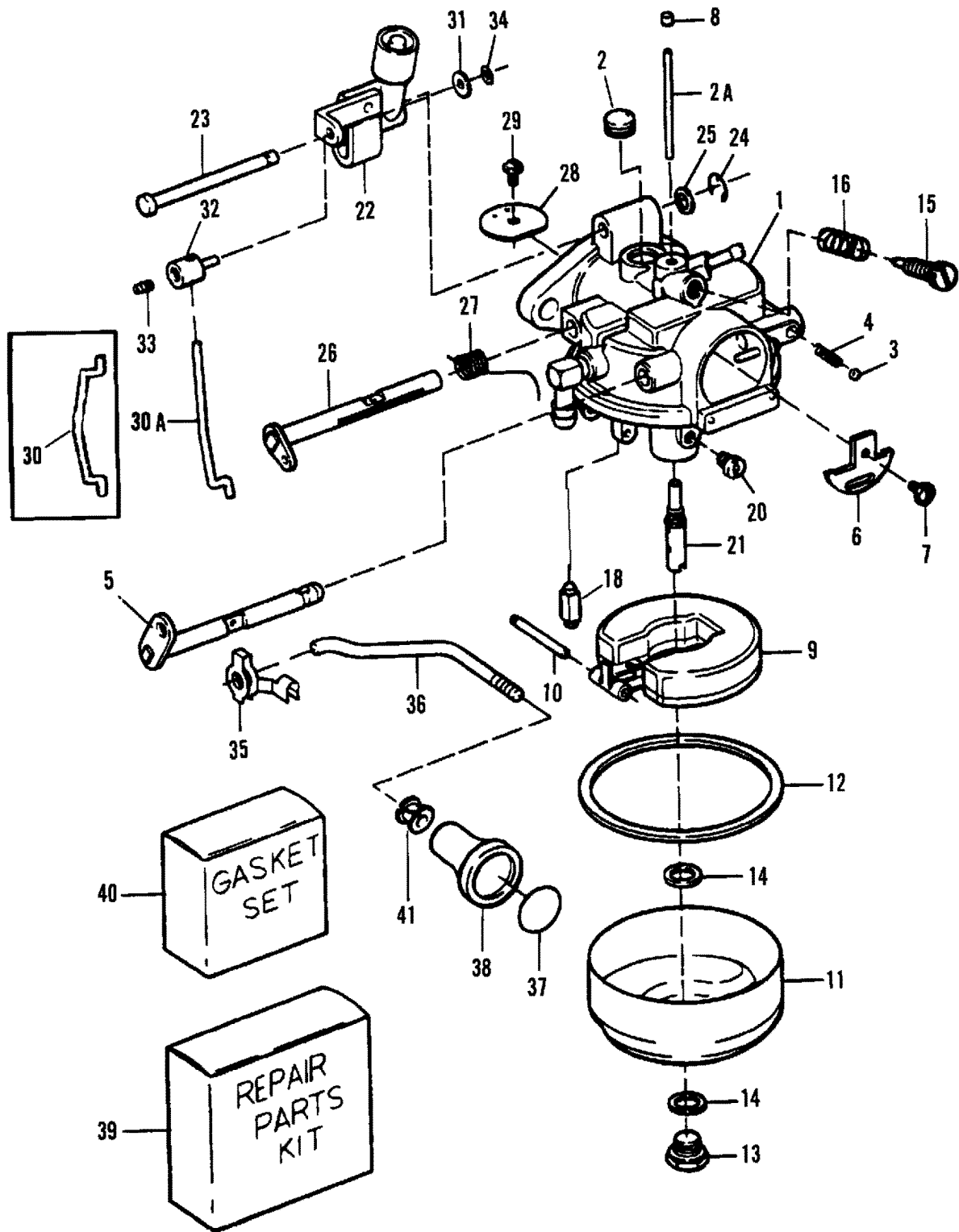
CARBURETOR (9.9 - 88A/92B & SER. # E00001 THRU E127699) (1

REF. NO.	PART NO.	SYM.	QTY.	DESCRIPTION
1	1300-F714061		1	CARB (HO-5A) (91A/92B & SER.#E00001 THRU E127699)
	1300-F682061-2		1	CARBURETOR (HO-1C) (88B/90A) - (9.9)
	F681061-2		1	CARBURETOR (HO-2C) (88A MODELS)
	1300-F682061-2		1	CARBURETOR (HO-1C) (88A90A) - (15)
2	19-FO2531	▲	1	PLUG-WELCH
2A	F10235		1	TUBE-BY PASS (88A/90A)
3	FO4784		1	BALL
4	FO8805		1	SPRING-CHOKE FRICTION
5	FO15736		1	SHAFT-CHOKE
6	F10236		1	SHUTTER-CHOKE
7	10-FO10280	▲	1	SCREW-SHUTTER
8	19-FO10588	▲	1	PLUG-CUP
9	F10346		1	FLOAT-FUEL BOWL
10	17-FO13944	▲	1	PIN-FLOAT
11	FO15366		1	BOWL-FUEL
12	27-FO15623	❖	1	GASKET-FUEL BOWL
13	1399-5128		1	SCREW-FUEL BOWL
14	27-FO2510	▲	2	GASKET-FUEL BOWL
15	FO15520	❖	1	NEEDLE-IDLE MIXTURE
16	24-27160	❖	1	SPRING-IDLE MIXTURE SCREW
18	F10265	❖	1	NEEDLE-INLET (NOTE: DO NOT REMOVE INLET SEAT)
20	1399-1463		OPT.	JET-MAIN (.063) (0 - 2500') HO1C CARB
	F10261		OPT.	JET-MAIN (.061) (2500' - 5000') HO1C CARB
	1399-1459		OPT.	JET-MAIN (.059) (5000' - 7500') HO1C CARB
	1399-1457		OPT.	JET-MAIN (.057) (7500' - 10000') HO1C CARB
	1399-1459		1	JET-MAIN (.059) (0 - 2500') HO2C CARB
	1399-1457		OPT.	JET-MAIN (.057) (2500' - 5000') HO2C CARB
	1399-1655		OPT.	JET-MAIN (.055) (5000' - 7500') HO2C CARB
	FO11765		OPT.	JET-MAIN (.053) (7500' - 10000') HO2C CARB
	1399-1457		1	JET-MAIN (.057) (0 - 2500') HO5A CARB
	1399-1655		OPT.	JET-MAIN (.055) (2500' - 5000') HO5A CARB
	FO11765		OPT.	JET-MAIN (.053) (5000' - 7500') HO5A CARB
	FO11764		OPT.	JET-MAIN (.051) (7500' - 10000') HO5A CARB
21	F10238		1	NOZZLE-MAIN
22	F10239		1	LINKAGE (88A/90A)
	F10290		1	LINKAGE (9.9)(91A/92B & SER.#E00001-E127699)
23	F10240		1	SHAFT-LINKAGE
24	F10241		1	E RING-LINKAGE SHAFT
25	F10242		1	WASHER
-	FK10295		0	REPAIR KIT
-	FK10294		0	GASKET SET

▲ = COMPONENT OF CARB REPAIR KIT [FK10295]

❖ = COMPONENT OF CARB GASKET SET [FK10294]

CARBURETOR (9.9 - 88A/92B & SER. # E00001 THRU E127699) (1

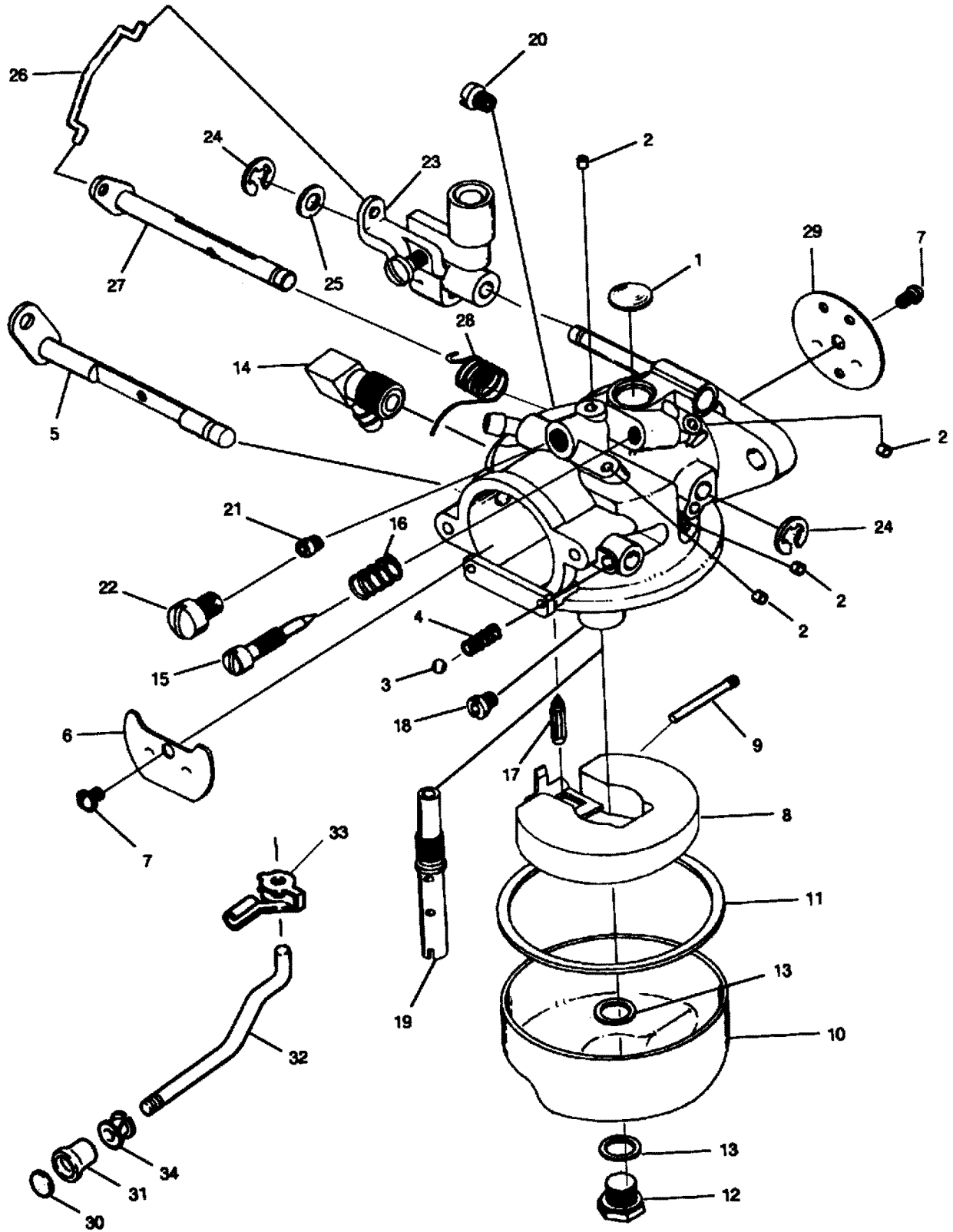


CARBURETOR (9.9 - 88A/92B & SER. # E00001 THRU E127699) (1

REF. NO.	PART NO.	SYM.	QTY.	DESCRIPTION
1	1300-F714061		1	CARB (HO-5A) (91A/92B & SER.#E000001 THRU E127699)
	1300-F682061-2		1	CARBURETOR (HO-1C) (88B/90A) - (9.9)
	F681061-2		1	CARBURETOR (HO-2C) (88A MODELS)
	1300-F682061-2		1	CARBURETOR (HO-1C) (88A90A) - (15)
26	FO15757		1	SHAFT-THROTTLE (9.9) (88B/90A)
	FO15718		1	SHAFT-THROTTLE (9.9) (88A MODELS)
	FO15757		1	SHAFT-THROTTLE (15) (88A/90A)
	F10339		1	SHAFT (9.9) (91A/92B & SER.#E000001 THRU E127699)
27	24-F10246	▲	1	SPRING-THROTTLE SHAFT
28	FO16878		1	SHUTTER-THROTTLE (88A/90A)
	F10354		1	SHUTTER (9.9) (91A/92B & SER.# E000001 THRU E127699)
29	10-FO10280		1	SCREW (88A/90A)
	10-F10328	▲	1	SCREW (9.9) (91A/92B & SER. #E000001-E127699)
30	F10338		1	LINK-THROTTLE (9.9) (91A/92B & SER. # E000001 - E127699)
30A	F681509		1	LINK-THROTTLE (88A/90A)
31	12-27882		1	WASHER 88A/90A
32	F681033		1	SWIVEL 88A/90A
33	10-F2215		1	SCREW (6-32 X 3/16") 88A/90A
34	F9030		1	RETAINER 88A/90A
35	F341384		1	RETAINER-CHOKE ROD
36	F617503		1	ROD-CHOKE (9.9) (88A/90A)
	F617503		1	ROD-CHOKE (15) (88A/90A)
	819348		1	ROD (9.9) (91A/92B & SER. # E000001 THRU E127699)
37	F681677		1	INSERT-CHOKE KNOB
38	F286547		1	KNOB-CHOKE
39	FK10295		1	REPAIR KIT-CARBURETOR (9.9/15)
40	FK10294	▲	1	GASKET SET(9.9-88A) (91A/92B & SER. # E000001-E127699)
	FK10000	▲	1	GASKET SET (9.9) (88B/90A)
	FK10000	▲	1	GASKET SET (15) (88A/90A)
41	23-F197319		1	BUSHING
-	FK10295		0	REPAIR KIT
-	FK10294		0	GASKET SET

▲ = COMPONENT OF CARB REPAIR KIT [FK10295]

CARBURETOR (15 - 90C/92B & SER. # E00001 THRU E127699)



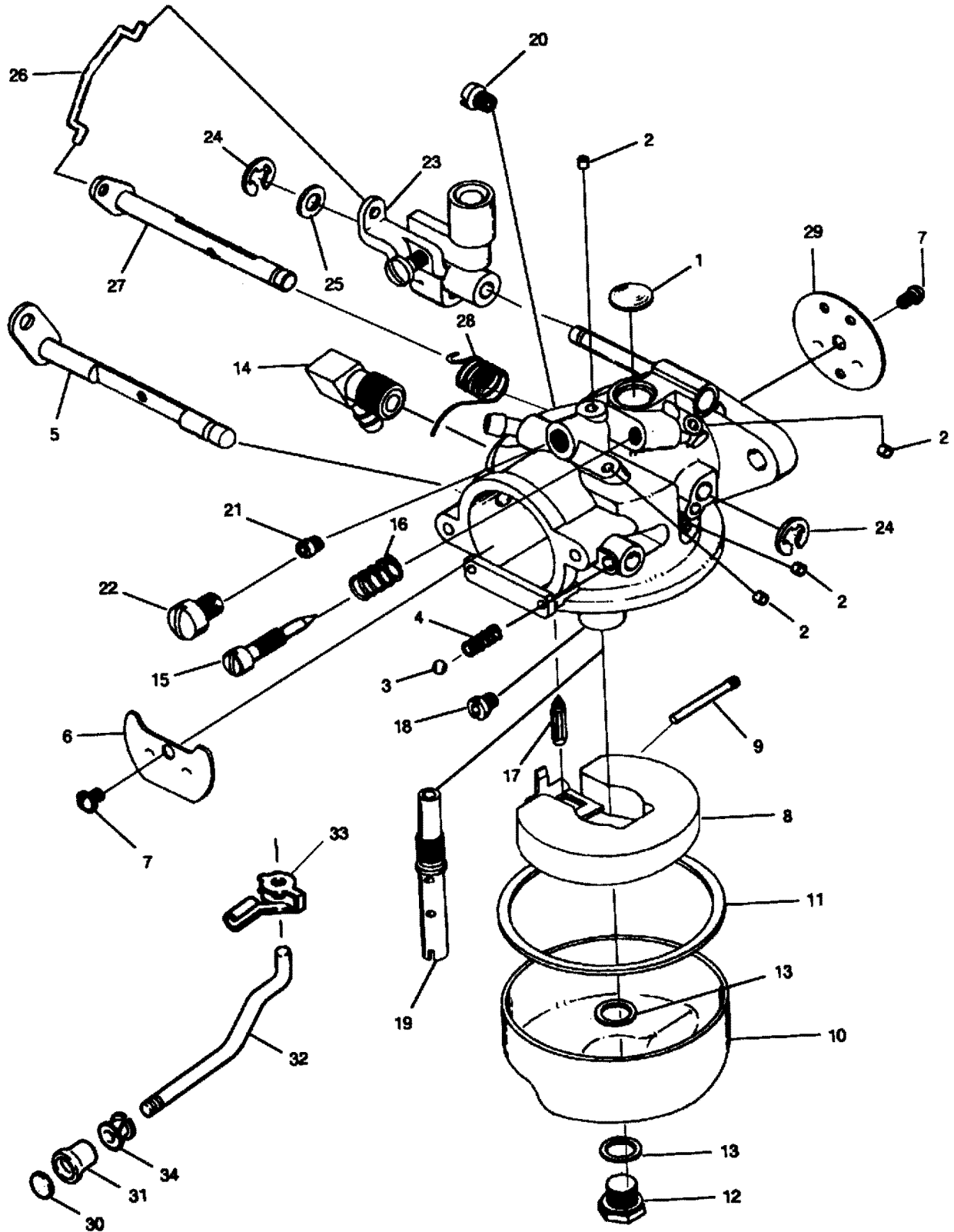
CARBURETOR (15 - 90C/92B & SER. # E00001 THRU E127699)

REF. NO.	PART NO.	SYM.	QTY.	DESCRIPTION
-	1300-F715061-1		1	CARBURETOR (FO-1B)
1	19-FO16128		1	PLUG-WELCH
2	19-FO10588		4	PLUG-CUP
3	FO4784		1	BALL
4	FO8805		1	SPRING-CHOKE FRICTION
5	F10343		1	SHAFT-CHOKE
6	F10344		1	SHUTTER-CHOKE
7	10-F10345		2	SCREW-SHUTTER
8	F10346		1	FLOAT-FUEL BOWL
9	17-FO13944		1	PIN-FLOAT
10	FO15366		1	BOWL-FUEL
11	27-FO15623	○	1	GASKET-FUEL BOWL
12	1399-5128		1	SCREW-FUEL BOWL
13	27-FO2510	○	2	GASKET-FUEL BOWL
14	F10347		1	ELBOW-FUEL
15	F10268		1	SCREW-IDLE MIXTURE
16	24-27160	○	1	SPRING-IDLE MIXTURE SCREW
17	F10265	○	1	NEEDLE-INLET (NOTE: DO NOT REMOVE INLET SEAT)
18	1395-6030		1	JET-MAIN (.070) (0 - 2500')
	1395-6029		OPT.	JET-MAIN (.068) (2500' - 5000')
	1399-4215		OPT.	JET-MAIN (.066) (5000' - 7500')
	1399-4216		OPT.	JET-MAIN (.064) (7500' - 10000')
19	FO15722		1	NOZZLE-MAIN
20	820578		1	JET-IDLE (.048)
21	F10273		1	JET-THROTTLE (.047)
22	F10275		1	SCREW-SEALING
23	F10290		1	LINKAGE-THROTTLE
24	F10241		2	CLIP-THROTTLE LINKAGE
25	F10242		1	WASHER
26	F10338		1	LINK-THROTTLE
27	F10349		1	SHAFT-THROTTLE
28	24-F10350	○	1	SPRING-THROTTLE SHAFT
29	F10351		1	SHUTTER-THROTTLE
30	F681677		1	INSERT-CHOKE KNOB 91A THRU 92B & SER. # E000001 THRU E127699
31	F286547		1	KNOB-CHOKE 91A THRU 92B & SER. # E000001 THRU E127699

○ = CONTENTS OF REPAIR KIT [FK10353]

CONTINUED ON NEXT PAGE ➡

CARBURETOR (15 - 90C/92B & SER. # E00001 THRU E127699)

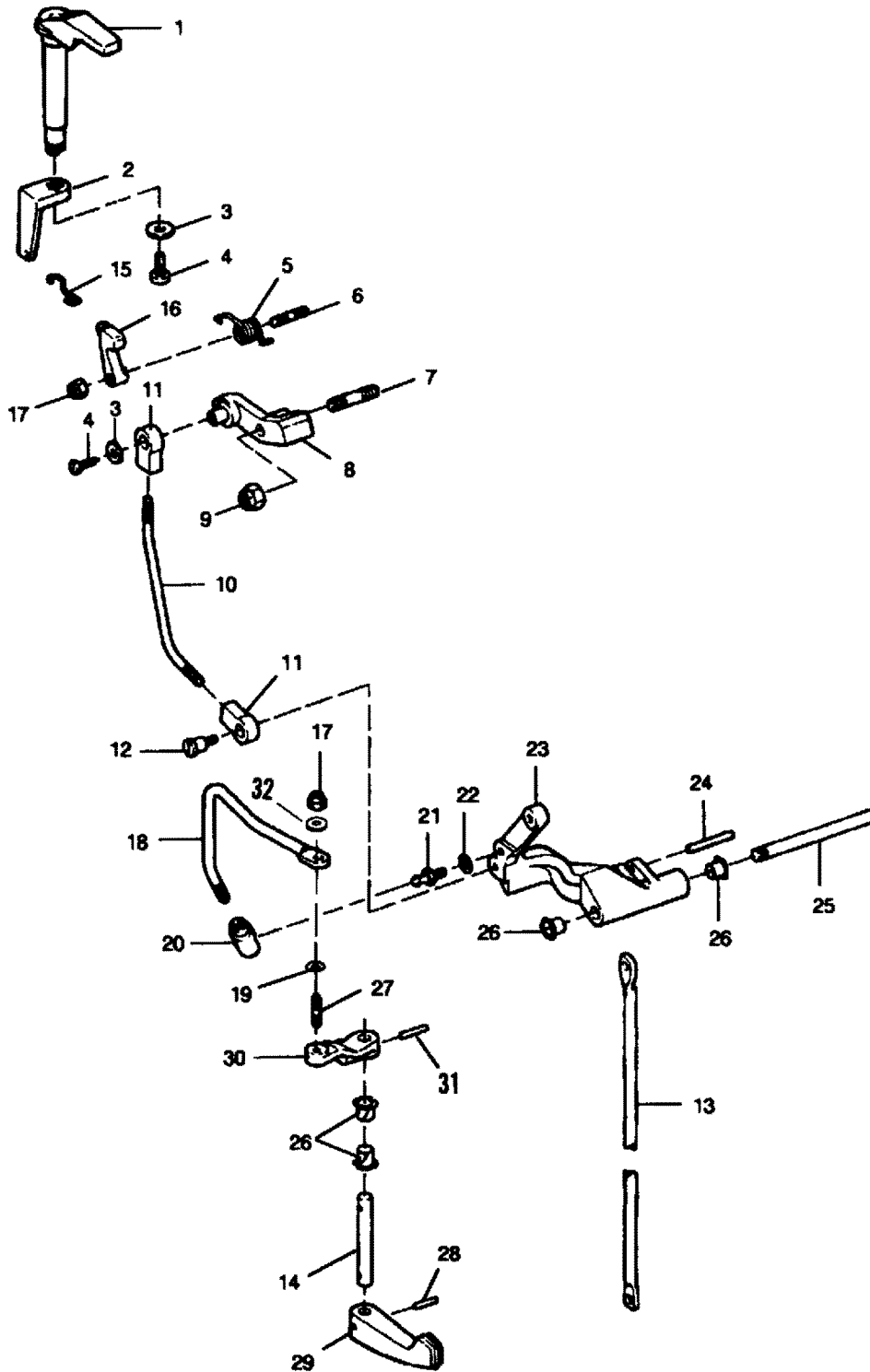


CARBURETOR (15 - 90C/92B & SER. # E00001 THRU E127699)

REF. NO.	PART NO.	SYM.	QTY.	DESCRIPTION
32	819348		1	ROD-CHOKE 91A THRU 92B & SER. # E00001 THRU E127699
33	F341384		1	RETAINER-CHOKE ROD 91A THRU 92B & SER. # E00001 THRU E127699
34	23-F197319		1	BUSHING 91A THRU 92B & SER. # E00001 THRU E127699
-	FK10353		1	REPAIR KIT
-	FK10352	○	1	GASKET SET

○ = CONTENTS OF REPAIR KIT [FK10353]

SHIFT LINKAGE (ALL MODELS)



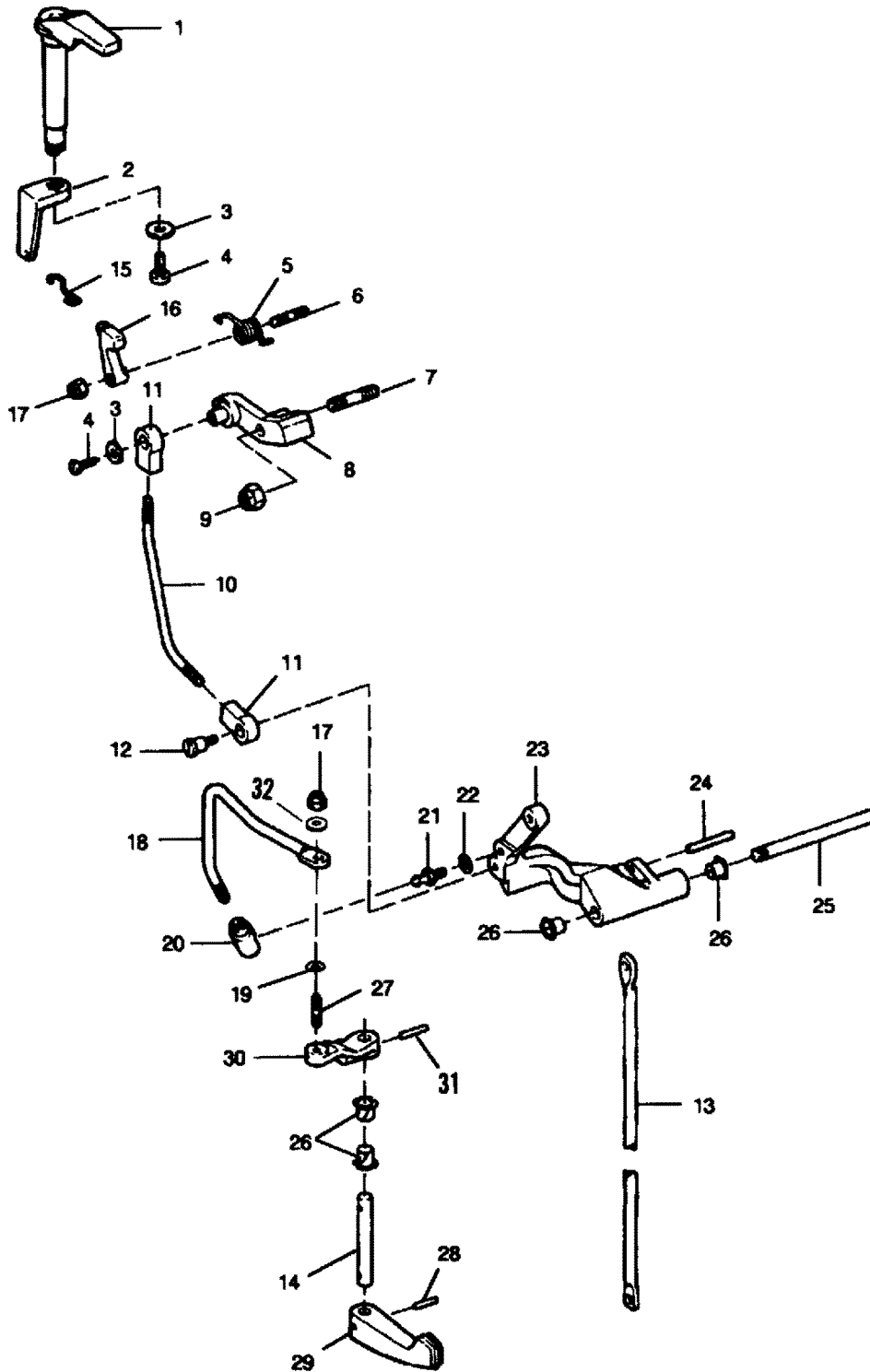
SHIFT LINKAGE (ALL MODELS)

REF. NO.	PART NO.	SYM.	QTY.	DESCRIPTION
1	F681490		1	STOP-STARTER PULLEY INTERLOCK
2	F681003-1		1	ARM-STARTER INTERLOCK
3	12-F8143		2	WASHER
4	10-48408		2	SCREW (10-16 X 1/2")
5	24-F681424		1	SPRING-INTERLOCK LEVER
6	16-F681134	●	1	STUD-INTERLOCK LEVER
7	16-826590	●	1	STUD (1/4-20 X 1.69") W/DRI LOC-NEUTRAL INTERLOCK PIVOT
8	824357		1	LEVER-NEUTRAL SPEED INTERLOCK
9	11-814101		1	NUT (1/4-20)
10	F681531-1		1	ROD-INTERLOCK
11	816514		2	BEARING-SPARK CONTROL
12	10-819625		1	SCREW-SHOULDER
13	F286615		1	ROD-UPPER GEAR SHIFT
14	F492417		1	SHAFT-SHIFT HANDLE (88A/90C)
	F715417		1	SHAFT-SHIFT HANDLE (91A/92B & SER.#E000001 - E034999)
	824826		1	SHAFT-SHIFT HANDLE (SER. # E035000 THRU E127699)
15	F681263-1		1	LINK-INTERLOCK
16	F681742		1	LEVER-INTERMEDIATE INTERLOCK
17	11-20110		2	NUT (10-32)
18	825402		1	ROD-GEAR SHIFT
19	13-26996		1	LOCKWASHER (#10)
20	F286685		1	CONNECTOR-GEAR SHIFT ROD
21	16-F98273		1	STUD-END CONNECTOR
22	13-F8058		1	LOCKWASHER (#10 INTERNAL)
23	819508T		1	LEVER-GEAR SHIFT (PAINTED)
24	17-31656		1	PIN-ROLL
25	F286871T		1	PIN-GEAR SHIFT LEVER
26	23-26841		4	BUSHING
27	16-F286134		1	STUD-GEAR SHIFT LEVER
28	17-38489		1	PIN-ROLL
29	F286614		1	HANDLE-GEAR SHIFT 88A/90C
30	FK681619		1	HANDLE/LEVER KIT
31	17-38489		1	PIN-ROLL
28	17-25905		1	PIN-ROLL 91A/92B & SER. # E000001 THRU E034999
29	819626T		1	HANDLE-GEAR SHIFT (PAINTED) 91A/92B & SER. # E000001 THRU E034999
30	F715619		1	LEVER-SHIFT HANDLE SHAFT 91A/92B & SER. # E000001 THRU E034999
31	17-25905		1	PIN-ROLL 91A/92B & SER. # E000001 THRU E034999
28	17-25905		1	PIN-ROLL SER. # E035000 THRU E127699

● = COMPONENT OF SHORT BLOCK ASSEMBLY [800-819553A14]

CONTINUED ON NEXT PAGE ➡

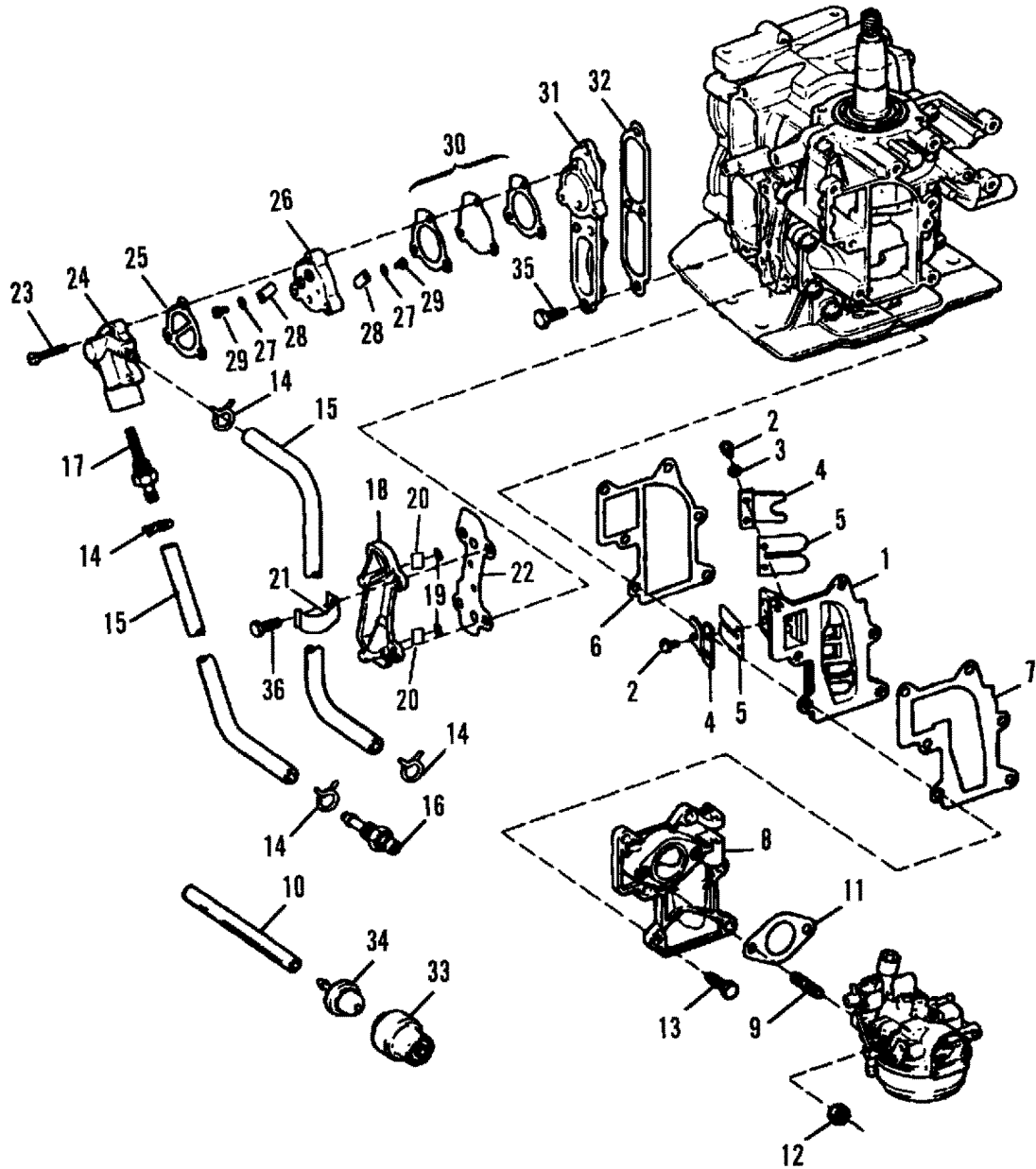
SHIFT LINKAGE (ALL MODELS)



SHIFT LINKAGE (ALL MODELS)

REF. NO.	PART NO.	SYM.	QTY.	DESCRIPTION
29	819626T		1	HANDLE-GEAR SHIFT (PAINTED) SER. # E035000 THRU E127699
30	820367--1		1	LEVER-SHIFT HANDLE SHAFT SER. # E035000 THRU E127699
31	17-25905		1	PIN-ROLL SER. # E035000 THRU E127699
32	13-F8048		1	WASHER-BOWED
-	800-819553A14		0	SHORT BLOCK ASSEMBLY

FUEL SYSTEM (88A/92B & SER. # E00001 THRU E127699)



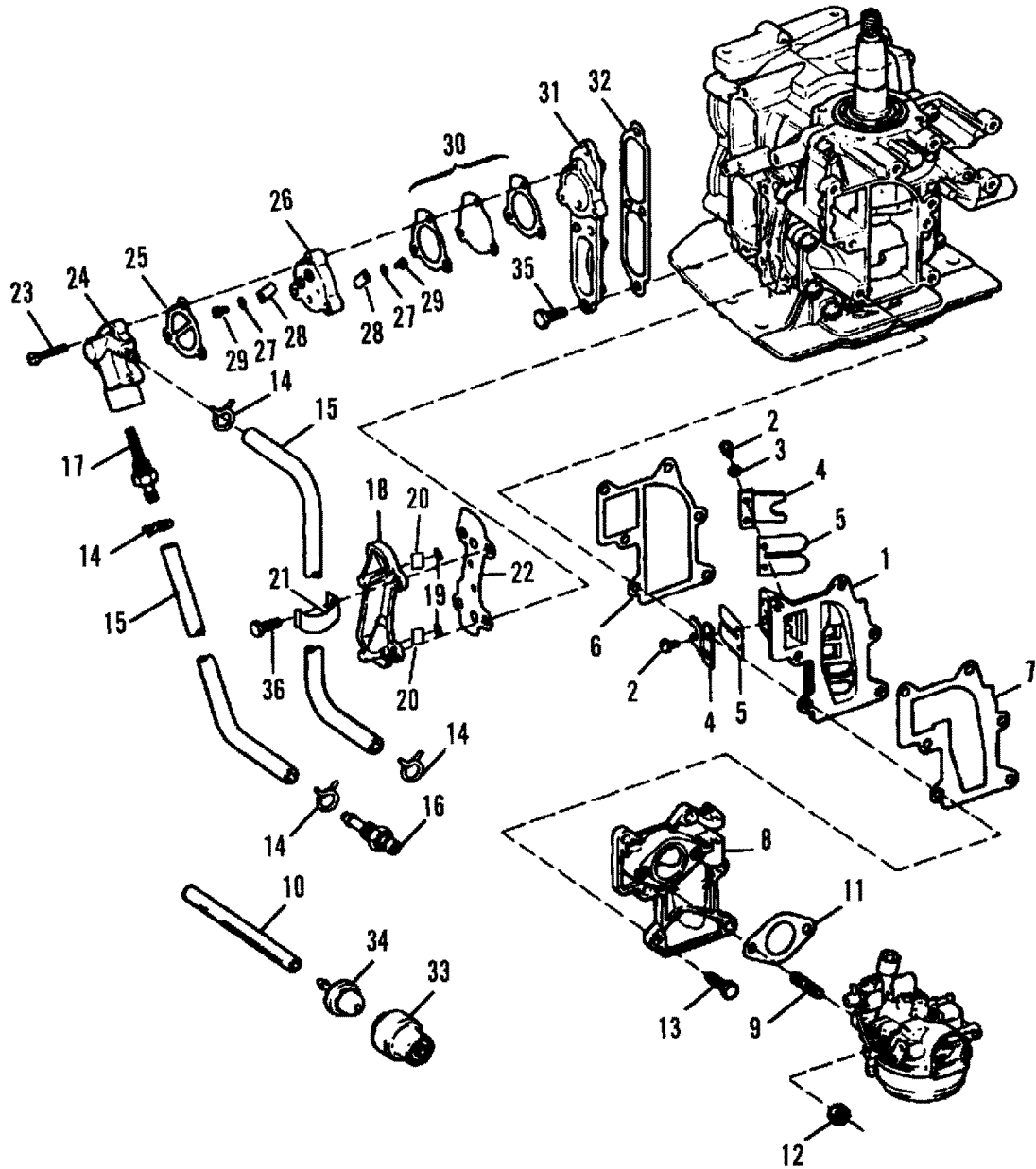
FUEL SYSTEM (88A/92B & SER. # E00001 THRU E127699)

REF. NO.	PART NO.	SYM.	QTY.	DESCRIPTION
1	34-FA715158		1	PLATE ASSY (9.9) (91C/92B & SER. # E000001 - E127699)
	FA424158		1	PLATE ASSY-REED (9.9) (90A/91B)
	FA619158		1	PLATE ASSY-REED (9.9) (88A/89A)
	34-FA715158		1	PLATE ASSY.(15) (90C/92B & SER. # E000001 - E127699)
	FA424158		1	PLATE ASSY-REED (15) (88A/90A)
2	10-28430		8	SCREW (6-32 X 1/4")
3	13-F1704		8	LOCKWASHER (#6 INTERNAL)
4	34-F715161		4	STOP (9.9) (91C/92B & SER.# E000001 - E127699)
	34-F424161		4	STOP-REED (9.9) (90A/91B)
	34-F619161-1		4	STOP-REED (9.9) (88A/89B)
	34-F715161		4	STOP (15) (90C/92B & SER. # E000001 - E127699)
	34-F424161		4	STOP-REED (15) (88A/90A)
5	34-F31160-2		4	REED
6	27-F286159-1	■◇	1	GASKET-REED PLATE
7	27-F715168	■◇●	1	GASKET-MANIFOLD
8	FA714167		1	MANIFOLD KIT (9.9) (91C/92B & SER.#E000001-E127699)
	FA424167		1	MANIFOLD KIT (9.9) (88A/91B)
	FA715167		1	MANIFOLD KIT (15) (90C/92B & SER.# E000001-E127699)
	FA424167		1	MANIFOLD KIT (15) (88A90A)
9	16-826622		2	STUD (1/4-20 X .91") WITH DRI LOC-CARBURETOR
10	32-F40253-1		1	HOSE-PRIMER BULB TO CARB (5-3/4") CUT AS REQ'D
11	27-F18906	■◇	1	GASKET-CARBURETOR (9.9)
	27-F715906	◇	1	GASKET-CARB (15) (90C/92B& SER.# E000001 - E127699)
	27-F18906	■	1	GASKET-CARBURETOR (15) (88A/90A)
12	11-20890		2	NUT (1/4-20)
13	10-28668		6	SCREW (1/4-20 X 7/8")
14	54-F2706772		4	CLAMP
15	32-F40253-1		1	HOSE (8-1/4" & 13.38") CUT AS REQ'D
16	22-F197767-2		1	CONNECTOR-FUEL (89B/92B & SER.#E000001 - E127699)
17	22-F901811		1	FILTER-FUEL PUMP
18	FA429471		1	COVER ASSEMBLY-CYLINDER DRAIN
19	F429811		2	SCREEN
20	21-817741A1		2	VALVE KIT
21	54-F286772-1		1	CLAMP
22	27-825188	■●◇	1	GASKET-CYLINDER DRAIN COVER
23	10-F1069		3	SCREW (10-24 X 1-1/16")
24	819993T1		1	COVER-FUEL PUMP (PAINTED)
25	27-F24748-2		1	GASKET-FUEL PUMP
26	F2A24757		1	PLATE ASSEMBLY-FUEL PUMP
27	12-18552		2	WASHER
28	34-F18160-3		2	REED

- = COMPONENT OF SHORT BLOCK ASSEMBLY [800-819553A14]
- = COMPONENT OF GASKET SET [FG1005-3]
- ◇ = COMPONENT OF GASKET SET [FG1035] OR [FG1036]

CONTINUED ON NEXT PAGE ➡

FUEL SYSTEM (88A/92B & SER. # E00001 THRU E127699)



FUEL SYSTEM (88A/92B & SER. # E00001 THRU E127699)

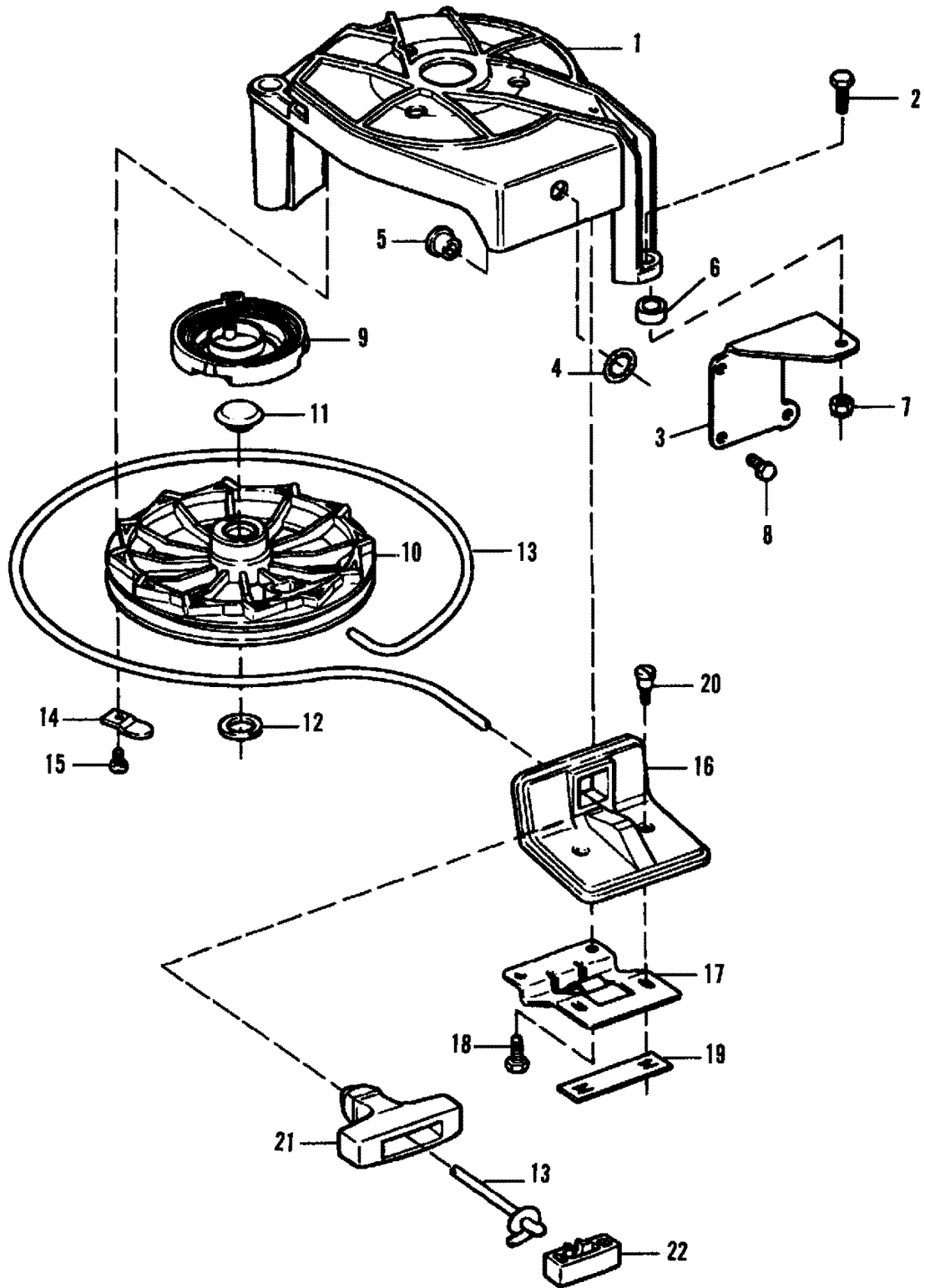
REF. NO.	PART NO.	SYM.	QTY.	DESCRIPTION
29	10-F1286		2	SCREW (4-40 X 3/16")
30	27-818043A1		1	GASKET/DIAPHRAGM KIT
31	F682222		1	COVER-TRANSFER PORT (9.9) (91B ONLY)
	F682222		1	COVER-TRANSFER PORT (15) (90A/90C ONLY)
	820116--1		1	COVER-TRANSFER PORT (9.9/15) (3 HOLES)
	820116--2	●	1	COVER-TRANSFER PORT (9.9/15) (4 HOLES)
32	27-825183	■●◇	1	GASKET-TRANSFER PORT COVER
33	F681954-1		1	COVER-PRIMER BULB
34	F681046		1	BULB-PRIMER
35	10-98254	●	3 OR 4	SCREW (1/4-20 X 5/8")
36	10-F1922		4	SCREW (1/4-20 X 5/8")

● = COMPONENT OF SHORT BLOCK ASSEMBLY [800-819553A14]

■ = COMPONENT OF GASKET SET [FG1005-3]

◇ = COMPONENT OF GASKET SET [FG1035] OR [FG1036]

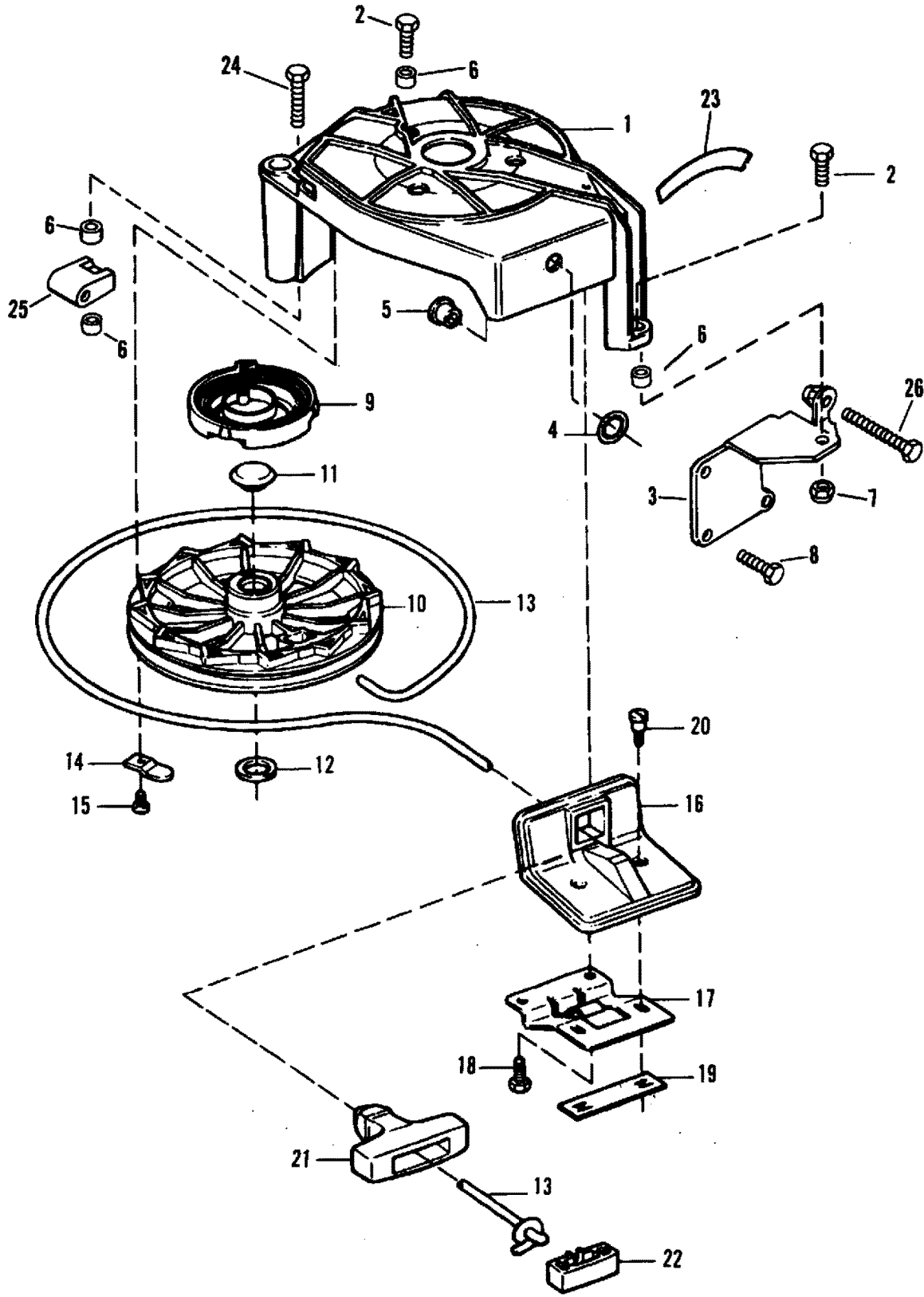
STARTER (88A/92B & SER. # E000001 THRU E090399)



STARTER (88A/92B & SER. # E00001 THRU E090399)

REF. NO.	PART NO.	SYM.	QTY.	DESCRIPTION
1	F681408-1		1	HOUSING-STARTER
2	10-90192		3	SCREW (1/4-20 X 3/4")
3	F681427-2		1	BRACKET-STARTER HOUSING-FRONT
4	53-42689		1	RING-RETAINING
5	F681428		1	INSERT-ROPE-STARTER HOUSING
6	23-F681405		3	INSERT-STARTER HOUSING
7	11-814101		1	NUT (1/4-20)
8	10-F1922		4	SCREW (1/4-20 X 5/8")
9	24-F681970		1	SPRING-STARTER REWIND
10	42034A1		1	PULLEY ASSEMBLY-STARTER REWIND
11	19-817362		1	PLUG-PULLEY
12	26-F681579		1	SEAL-PULLEY BEARING
13	F681232		1	ROPE (64/67")
14	F681592		3	RETAINER-STARTER PULLEY
15	10-48408		3	SCREW (10-16 X 1/2")
16	FA681630T		1	SUPPORT ASSEMBLY-HANDLE
17	F681090		1	PLATE-HANDLE SUPPORT
18	10-F2210		2	SCREW (1/4-14 X 1/2")
19	F681874-1		1	FASTENER-HANDLE SUPPORT PLATE
20	10-819625		2	SCREW-SHOULDER
21	F681132		1	HANDLE-ROPE
22	F681817		1	RETAINER-ROPE HANDLE

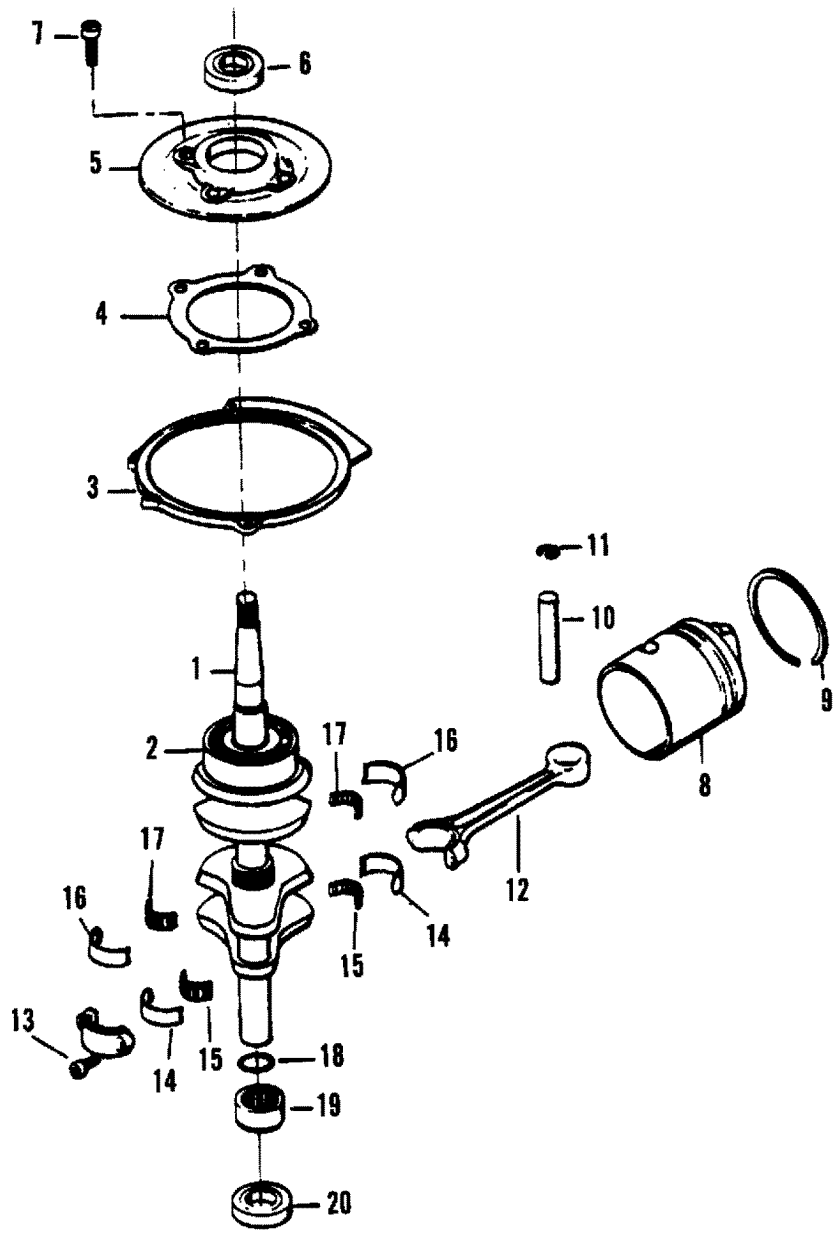
STARTER (SER. # E090400 THRU E127699)



STARTER (SER. # E090400 THRU E127699)

REF. NO.	PART NO.	SYM.	QTY.	DESCRIPTION
1	826693		1	HOUSING-STARTER
2	10-90192		2	SCREW (1/4-20 X 3/4")
3	826559A1		1	BRACKET ASSEMBLY-STARTER HOUSING FRONT
4	53-42689		1	RING-RETAINING
5	F681428		1	INSERT-STARTING HOUSING ROPE
6	23-F681405		4	INSERT-STARTER HOUSING
7	11-814101		1	NUT (1/4-20)
8	10-F1922		4	SCREW (1/4-20 X 5/8")
9	24-F681970		1	SPRING-STARTER REWIND
10	42034A1		1	PULLEY ASSEMBLY-STARTER REWIND
11	19-817362		1	PLUG
12	26-F681579		1	SEAL-PULLEY BEARING
13	F681232		1	ROPE (64/67")
14	F681592		3	RETAINER-STARTER PULLEY
15	10-48408		3	SCREW (10-16 X 1/2")
16	FA681630T		1	SUPPORT ASSEMBLY-HANDLE
17	F681090		1	PLATE-HANDLE SUPPORT
18	10-F2210		2	SCREW (1/4-14 X 1/2")
19	F681874-1		1	FASTENER-HANDLE SUPPORT PLATE
20	10-819625		2	SCREW-SHOULDER
21	F681132		1	HANDLE-STARTER ROPE
22	F681817		1	RETAINER-STARTER ROPE
23	FA609853		1	DECAL KIT-SHIFT TO NEUTRAL
24	10-F2030		1	SCREW (1/4-20 X 1-1/4")
25	F702668		1	RETAINER-SPEED CONTROL CABLE
26	10-826676		1	SCREW (1/4-28 X 2")-IDLE ADJUST

CRANKSHAFT AND PISTON (84A THRU 87A MODELS)

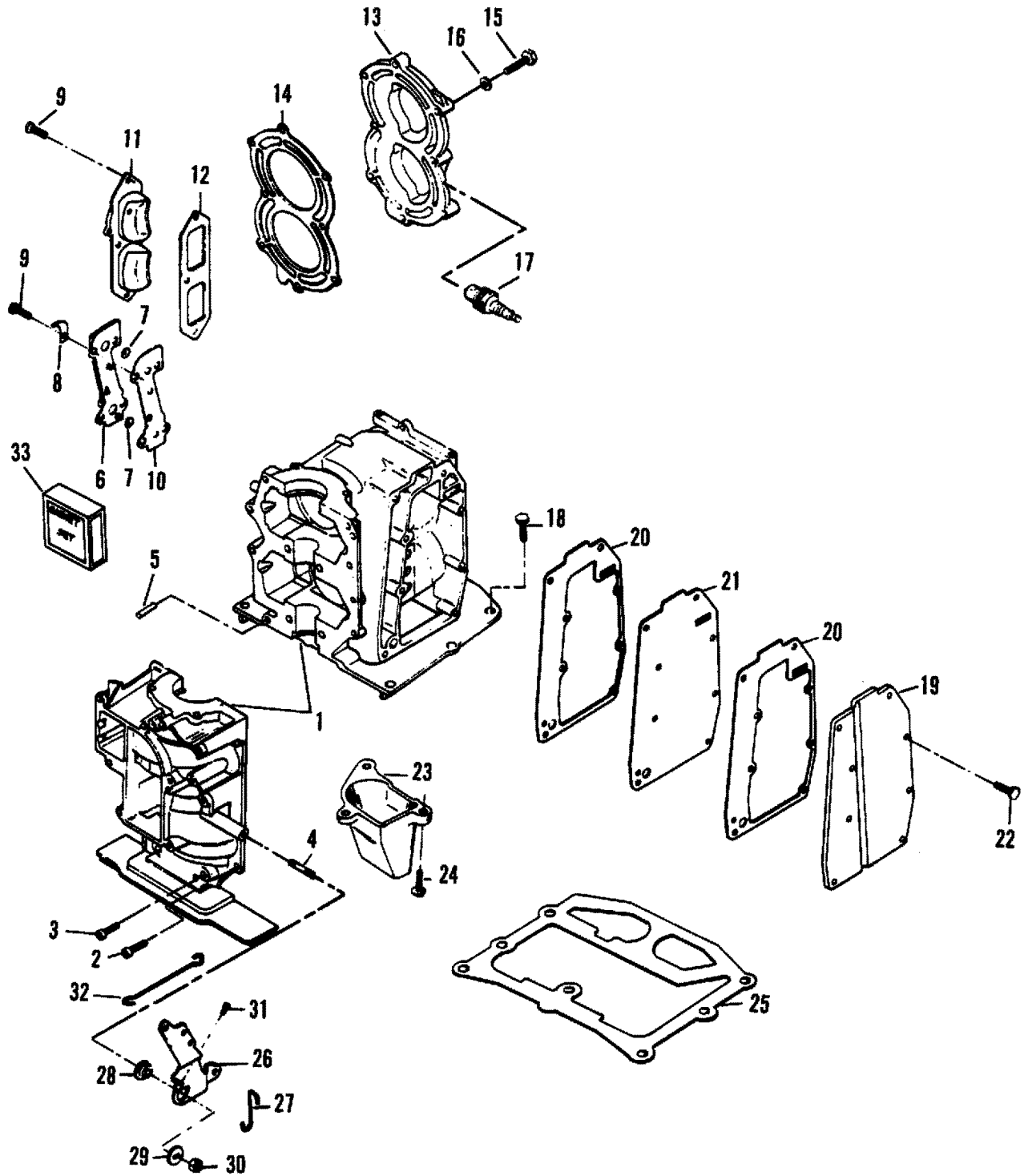


CRANKSHAFT AND PISTON (84A THRU 87A MODELS)

REF. NO.	PART NO.	SYM.	QTY.	DESCRIPTION
1	400-F2A472018		1	CRANKSHAFT ASSEMBLY (15)
	400-818047A3		1	CRANKSHAFT ASSEMBLY (9.9) (84A/84B)
	400-F2A472018		1	CRANKSHAFT ASSEMBLY (9.9) (85A/87A)
2	30-F286028		1	BEARING-BALL
3	300-F73082		1	RING-MAGNETO STATOR
4	27-F286277	■	1	GASKET-CRANKSHAFT BEARING CAGE
5	1100-817753A1		1	CAGE ASSEMBLY-CRANKSHAFT
6	26-819801	■	1	SEAL
7	10-F1112		4	SCREW (1/4-20 X 7/8")
8	700-F472015-2		2	PISTON (15)
	700-F286015-3		2	PISTON (9.9) (84A/84B)
	700-F472015-2		2	PISTON (9.9) (85A/87A)
9	39-820484A1		2	RING SET-2 RINGS (15)
	FA174260		2	RING SET-2 RINGS (9.9) (84A/84B)
	39-820484A1		2	RING SET-2 RINGS (9.9) (85A/87A)
10	41-F712017		2	PIN-PISTON
11	53-F31410		4	RING-RETAINING
12	600-819950A1		1	CONN ROD KIT (2 PCS) (STEEL) (ALUM ROD-NLA)
-	FA712228		2	ROLLER SET (2 STRIPS-28 PER) (STEEL ROD ONLY)
13	10-F175634		4	SCREW-CONN ROD (STEEL ROD ONLY)
	10-F286634-1		4	SCREW-CONN ROD (ALUMINUM ROD ONLY)
14	817755A1		2	LINER SET-CONN ROD ROLLERS
15	FA517228		2	ROLLER SET (52) (ALUMINUM ROD ONLY)
16	FA286155		1	LINER SET-CENTER MAIN ROLLERS
17	29-F286571		1	ROLLER SET (26)
18	25-32509	■	1	O RING
19	31-F343014		1	BEARING-CRANKSHAFT LOWER MAIN
20	26-819396	■	1	SEAL-CRANKSHAFT LOWER
-	FG1005-3		0	GASKET SET

■ = COMPONENT OF GASKET SET [FG1005-3]

CYLINDER BLOCK (84A THRU 87A MODELS)

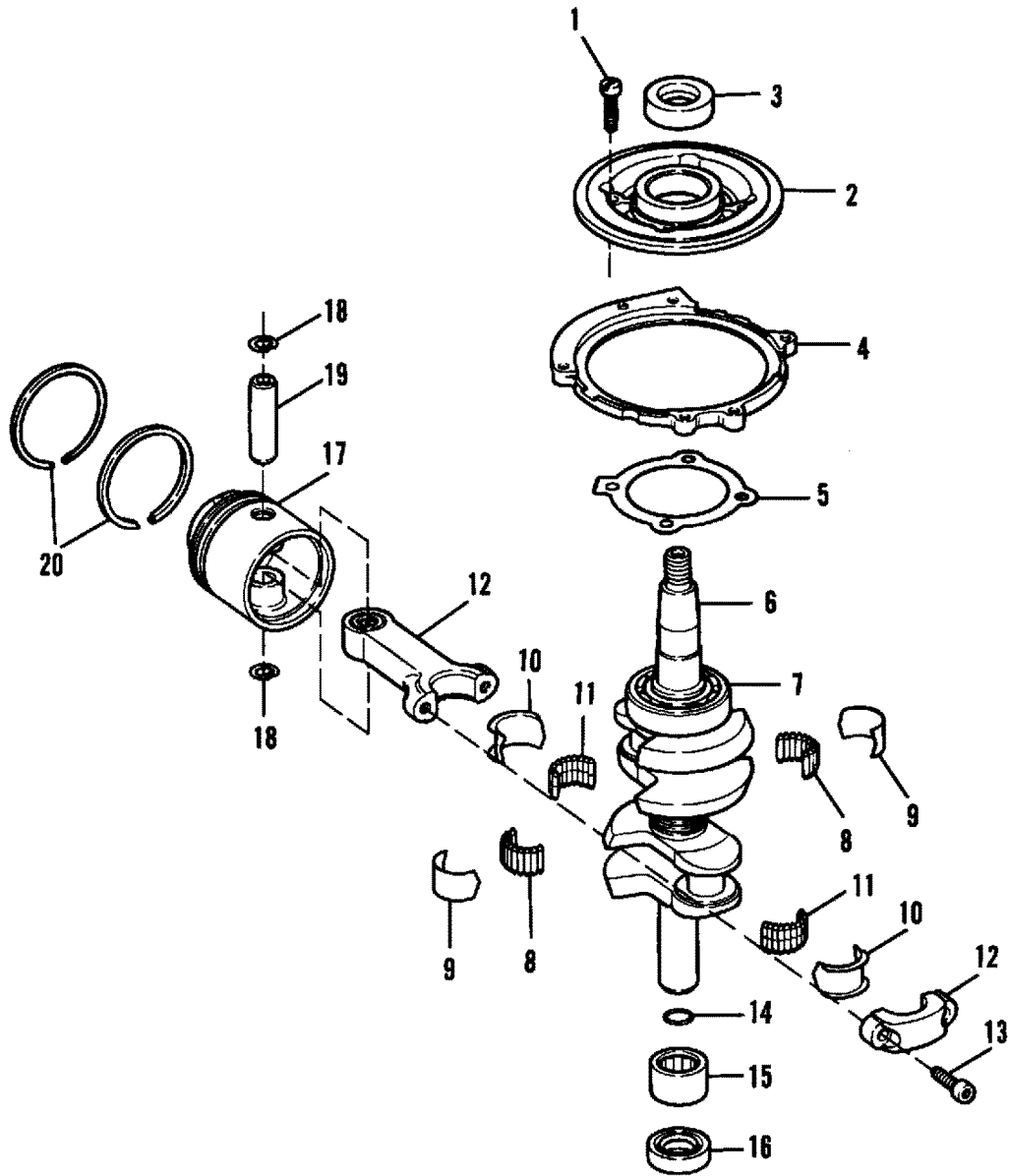


CYLINDER BLOCK (84A THRU 87A MODELS)

REF. NO.	PART NO.	SYM.	QTY.	DESCRIPTION
-	800-819091A2		1	SHORT BLOCK KIT (9.9/15) (85A/87A)
-	800-817893A3		1	SHORT BLOCK (9.9) (84A/84B)
1	800-817801A2		1	CYLINDER BLOCK ASSEMBLY (9.9) (84A/84B)
	800-819089A3		1	CYLINDER BLOCK KIT (9.9/15) (85A/87A)
2	10-F1107		8	SCREW (1/4-20 X 3/4")
3	10-F1335		4	SCREW (5/16-18 X 1-1/4")
4	16-F286440		1	STUD-MAGNETO CONTROL LEVER
5	17-F8559		2	PIN-DOWEL
6	FA429471		1	COVER ASSEMBLY-CYLINDER DRAIN
7	F429811		2	SCREEN-CYLINDER DRAIN
8	54-F286772-1		1	CLAMP
9	10-F1922		7	SCREW (1/4-20 X 5/8")
10	27-F429472	■	1	GASKET-CYLINDER DRAIN COVER
11	820116--1		1	COVER-TRANSFER PORT
12	27-F286223	■	1	GASKET-TRANSFER PORT COVER
13	900-F286518T		1	HEAD-CYLINDER (15) (9.9 - 85A/87A)
	F492518		1	HEAD-CYLINDER (9.9) (84A/84B)
14	27-F286529-3	■	1	GASKET-CYLINDER HEAD
15	10-F901938-1		8	SCREW CYLINDER HEAD
16	12-37998		8	WASHER
17	33-82370M		2	SPARK PLUG (NGK # B6HS)
	ORDERLOC		OPT.	SPARK PLUG (CANADA - CHAMPION # RL82) ORDER LOCAL
18	10-F1823		6	SCREW (5/16-18 X 1")
19	F286152		1	COVER-EXHAUST
20	27-F286154	■	2	GASKET-EXHAUST COVER
21	F286151		1	PLATE-EXHAUST
22	10-F2008		8	SCREW (1/4-20 X 7/8")
23	F487660-1		1	TUBE-EXHAUST
24	10-F2040		3	SCREW (1/4-20 X 5/8")
25	27-F286279-2	■	1	GASKET-CYLINDER MOUNTING
26/27	817971A3		1	LEVER/LINK KIT-MAGNETO (84A/85B)
26	817866A3		1	LEVER ASSEMBLY-MAGNETO 86A/87A
27	F618445		1	LINK-MAGNETO
28	23-F183813		1	BEARING-MAGNETO CONTROL LEVER
29	12-F286282		1	WASHER-MAGNETO CONTROL LEVER
30	11-F1803		1	NUT (5/16-24)
31	10-F1820		1	SCREW (1/4-20 X 1-3/8") (84A/84B)
	10-F2126		1	SCREW (1/4-28 X 2") (85A/87A)
32	824142T		1	LINK-THROTTLE CAM
-	FG1005-3		0	GASKET SET

■ = COMPONENT OF GASKET SET [FG1005-3]

CRANKSHAFT AND PISTON (88A/92B & SER. # E00001 THRU E12769)

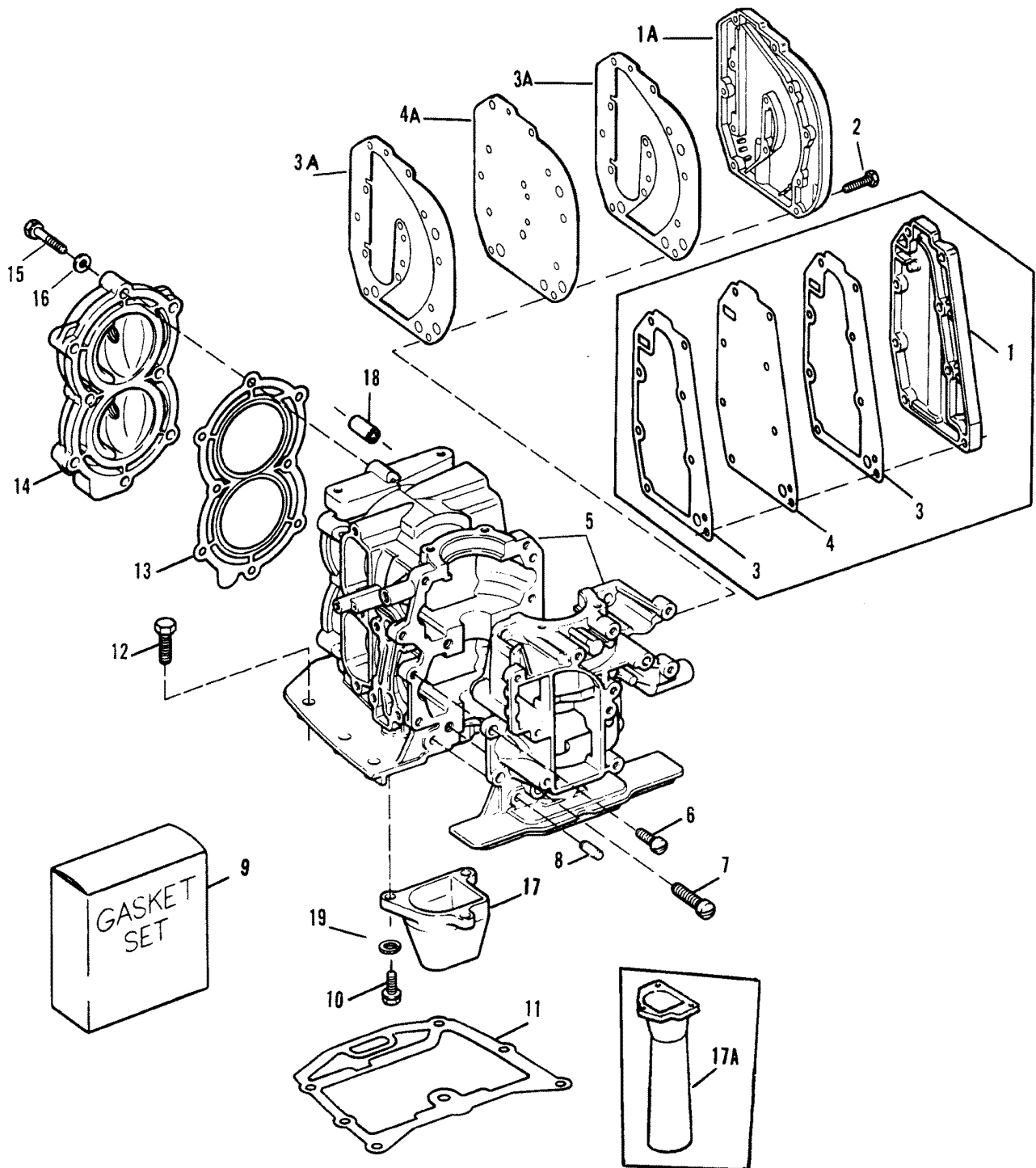


CRANKSHAFT AND PISTON (88A/92B & SER. # E000001 THRU E12769

REF. NO.	PART NO.	SYM.	QTY.	DESCRIPTION
1	10-28636		4	SCREW (1/4-20 X 3/4")
2	1100-817753A1		1	CAGE ASSEMBLY-CRANKSHAFT
3	26-819801	■◇	1	SEAL
4	300-F73082		1	RING-MAG. STATOR (88A/92B & SER. # E000001 - E034999)
5	27-F286277	■◇●	1	GASKET-CRANKSHAFT BEARING CAGE
6	400-819803A2	●	1	CRANKSHAFT ASSEMBLY
7	30-F286028		1	BEARING-BALL
8	29-F286571	●	1	ROLLER SET (26)
9	FA286155	●	1	LINER SET-CENTER MAIN ROLLERS
10	817755A1		2	LINER SET-CONN ROD ALUMINUM CONNECTING ROD
11	FA517228		2	ROLLER SET (52) ALUMINUM CONNECTING ROD
12	600-819950A1		1	CONN ROD KIT (2 PCS-STEEL) ALUMINUM CONNECTING ROD
13	10-F286634-1		4	SCREW-CONN ROD ALUMINUM CONNECTING ROD
11	FA712228	●	2	ROLLER SET (2 STRIPS-28 PER) STEEL CONNECTING ROD
12	600-FS715016	●	2	CONNECTING ROD ASSEMBLY STEEL CONNECTING ROD
13	10-F175634		4	SCREW-CONN ROD STEEL CONNECTING ROD
14	25-32509	●■◇	1	O RING
15	31-F343014	●	1	BEARING-CRANKSHAFT LOWER MAIN
16	26-819396	●■◇	1	SEAL-CRANKSHAFT LOWER
17	700-F472015-2		2	PISTON (9.9) (88A/91A)
	700-819946A3	●	2	PISTON KIT (9.9) (91B/92B & SER. # E000001 - E127699)
	700-F472015-2		2	PISTON (15) (88A/90A)
	700-819946A3	●	2	PISTON KIT (15) (90C/92B & SER. # E000001 - E127699)
18	53-F31410		4	RING-RETAINING
19	41-F712017		2	PIN-PISTON
20	39-820484A1		2	RING SET-2 RINGS

- = COMPONENT OF SHORT BLOCK ASSEMBLY [800-819553A14]
- = COMPONENT OF GASKET SET [FG1005-3]
- ◇ = COMPONENT OF GASKET SET [FG1035] OR [FG1036]

CYLINDER BLOCK (88A/92B & SER. # E00001 THRU E127699)



CYLINDER BLOCK (88A/92B & SER. # E00001 THRU E127699)

REF. NO.	PART NO.	SYM.	QTY.	DESCRIPTION
-	800-819553A14		1	SHORT BLOCK (PAINTED) (88A/92B & SER. #E000001 - E127699)
1	F286152		1	COVER-EXHAUST (9.9) (88A/92A)
1A	824141T	●	1	COVER-EXHAUST (9.9) (92B & SER. # E000001 - E127699)
	824141T	●	1	COVER-EXHAUST (15) (90C/92B & SER.#E000001-E127699)
1	F286152		1	COVER-EXHAUST (15) (88A/90A)
2	10-F2008		8	SCREW (1/4-20 X 7/8") (FOR F286152 COVER)
	10-28668		12	SCREW (1/4-20 X 7/8") (FOR F715152 OR 824141T COVER)
3	27-F286154	■	2	GASKET-EXHAUST COVER (9.9) (88A/92A)
3A	27-F715154	◇●	2	GASKET-COVER (9.9) (92B & SER. # E000001 - E127699)
	27-F715154	◇●	2	GASKET-COVER (15)(90C/92B & SER.#E000001 - E127699)
3	27-F286154	■	2	GASKET-EXHAUST COVER (15) (88A/90A)
4	F286151		1	PLATE-EXHAUST (9.9) (88A/92A)
4A	F715151	●	1	PLATE-EXHAUST (9.9) (92B & SER. # E000001 - E127699)
	F715151	●	1	PLATE-EXHAUST (15)(90C/92B & SER.#E000001 - E127699)
4	F286151		1	PLATE-EXHAUST (15) (88A/90A)
5	800-819553A12	●	1	CYLINDER KIT(9.9) (91B/92B & SER.#E000001 - E127699)
	800-819089A3		1	CYLINDER KIT (9.9) (88A/91A)
	800-819553A12	●	1	CYLINDER KIT(15) (90C/92B & SER.#E000001 - E127699)
	800-819089A3		1	CYLINDER KIT (15) (88A/90A)
6	10-F1107		9	SCREW (1/4-20 X 3/4")
7	10-F1335		4	SCREW (5/16-18 X 1-1/4")
8	17-F8559		2	PIN-DOWEL
9	FG1005-3		1	GASKET SET (9.9) (88A/92A)
	FG1036		1	GASKET SET(9.9) (92B & SER.#E000001-E127699)
	FG1005-3		1	GASKET SET (15) (88A/90A)
	FG1035		1	GASKET SET(15) (90C/92B& SER.#E000001-E127699)
10	10-F2040		3	SCREW (1/4-20 X 5/8") (USE WITH F487660-1 TUBE)
	10-28636		3	SCREW (1/4-20 X 3/4") (USE WITH F715660 TUBE)
11	27-F715279-1	●■◇	1	GASKET-MOUNT (9.9) (91C/92B & SER.#E000001-E127699)
	27-F286279-2	■	1	GASKET-CYL MOUNT (9.9) (88A/91B)
	27-F715279-1	●■◇	1	GASKET-MOUNT (15) (90C/92B & SER.#E000001-E127699)
	27-F286279-2	■	1	GASKET-CYL MOUNT (15) (88A/90A)
12	10-35386		6	SCREW (5/16-18 X 1")
13	27-F286529-3	●■◇	1	GASKET-CYLINDER HEAD
14	900-F703518T		1	HEAD-CYLINDER (9.9) (90A/92B & SER.#E000001-E127699)
	900-F286518T		1	HEAD-CYLINDER (9.9) (88A/89B)
	900-F286518T		1	HEAD-CYLINDER (15)
15	10-F901938-1		8	SCREW-CYLINDER HEAD
16	12-37998		8	WASHER
17	F487660-1		1	TUBE-EXHAUST (9.9) (88A/91A)

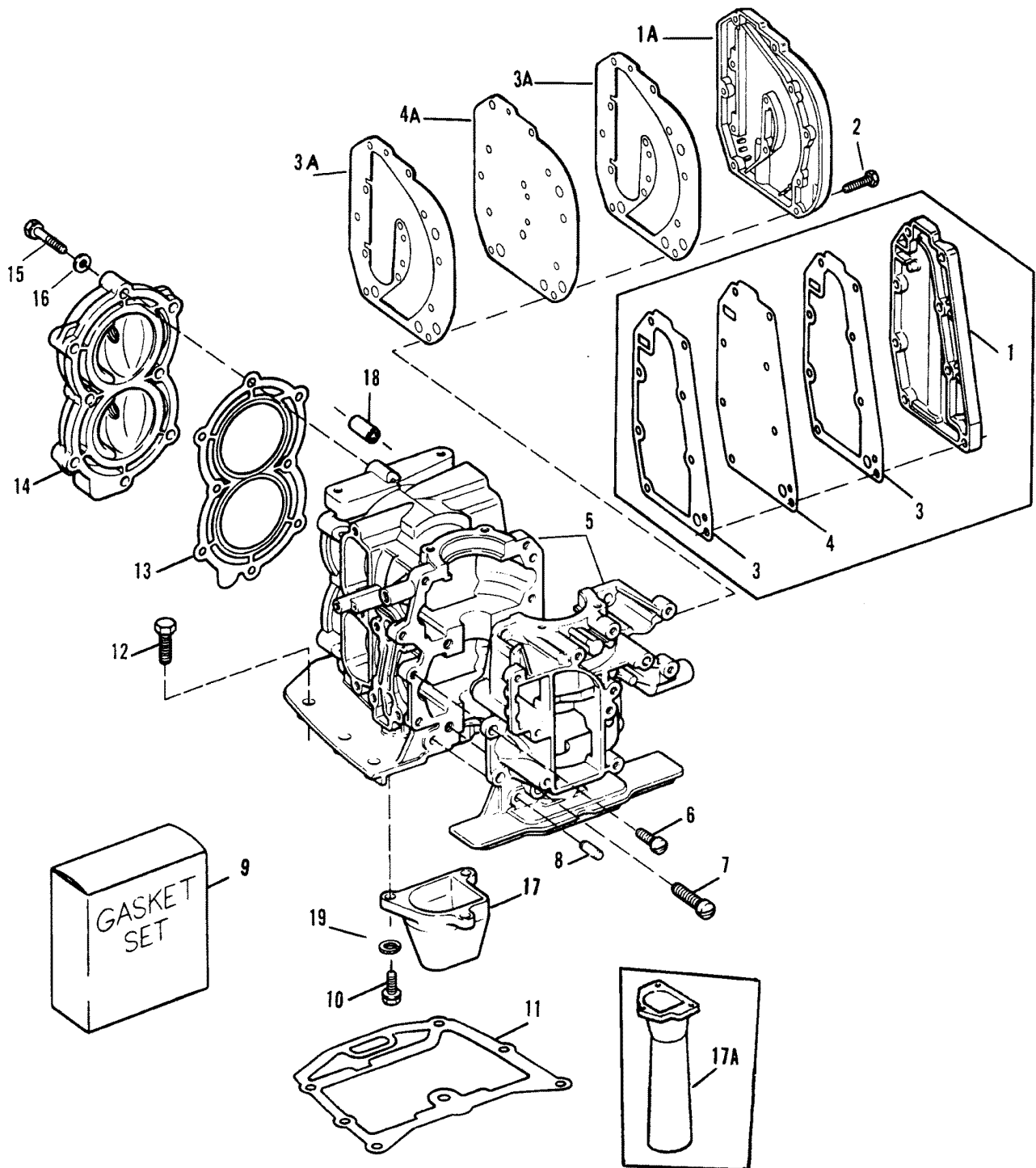
● = COMPONENT OF SHORT BLOCK ASSEMBLY [800-819553A14]

■ = COMPONENT OF GASKET SET [FG1005-3]

◇ = COMPONENT OF GASKET SET [FG1035] OR [FG1036]

CONTINUED ON NEXT PAGE ➡

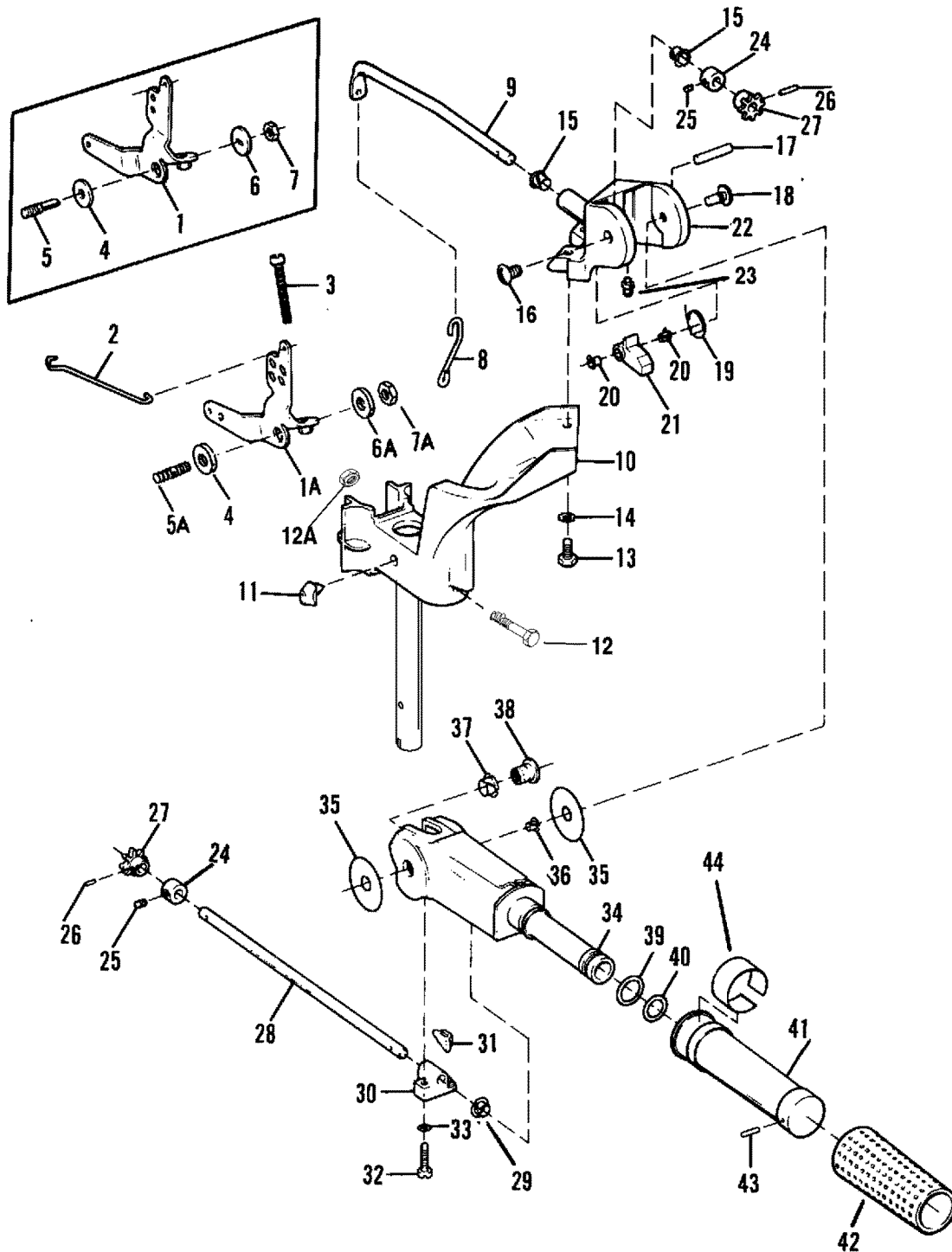
CYLINDER BLOCK (88A/92B & SER. # E00001 THRU E127699)



CYLINDER BLOCK (88A/92B & SER. # E00001 THRU E127699)

REF. NO.	PART NO.	SYM.	QTY.	DESCRIPTION
17A	F715660		1	TUBE-EXHAUST (15) (90C/92B & SER.#E000001 - E127699)
17	F487660-1		1	TUBE-EXHAUST (15) (88A/90A)
18	32-F715943		1	TUBE-WATER JACKET (91A/92B & SER.#E000001-E127699)
19	13-26992		3	LOCKWASHER (1/4") (15) (90C/92B & SER. # E000001-E127699)
-	800-819553A14		0	SHORT BLOCK ASSEMBLY
-	FG1035		0	GASKET SET
-	FG1036		0	GASKET SET .
-	FG1005-3		0	GASKET SET

TILLER HANDLE AND THROTTLE LINKAGE (84A/92B & SER. # E00000



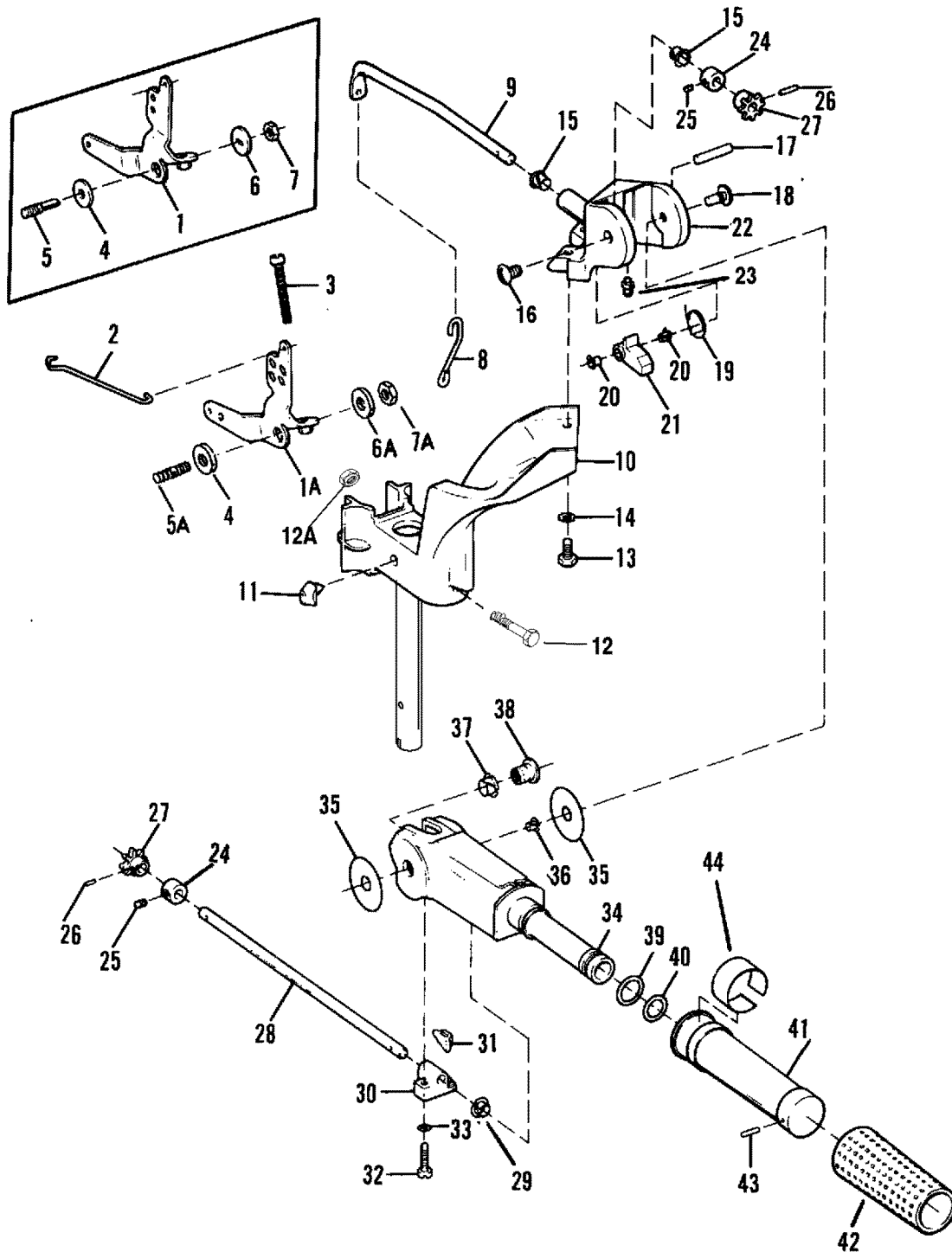
TILLER HANDLE AND THROTTLE LINKAGE (84A/92B & SER. # E00000

REF. NO.	PART NO.	SYM.	QTY.	DESCRIPTION
1A	819408A1	●	1 Y	LEVER ASSY-STATOR (9.9) (91A/92B & SER.# E000001 - E090399)
	819408A1	●	1 Y	LEVER ASSY-STATOR (15) (90C/92B & SER. # E000001 - E090399)
1	817866A3		1	LEVER ASSY.-STATOR (9.9/15) (88A THRU 90A)
2	824142T		1	LINK-THROTTLE CAM
3	10-F2126		1	SCREW (1/4-28 X 2")
4	23-F183813		1	BEARING-CONTROL LEVER
5	16-F286440		1	STUD-CONTROL LEVER 88A THRU 90A
6	12-F286282		1	WASHER-CONTROL LEVER 88A THRU 90A
7	11-F1803		1	NUT (5/16-24) 88A THRU 90A
5A	16-F660273	●	1	STUD (9.9) (91A/92B & SER. # E000001 THRU E090399)
6A	12-819704	●	1	WASHER (15) (90C/92B & SER. # E000001 THRU E090399)
7A	11-F7006	●	1	NUT (5/16-18) .
8	F618445		1	LINK-MAGNETO SHAFT .
9	F431838		1	SHAFT-MAGNETO CONTROL .
10	819914A2		1	ARM/KINGPIN ASSEMBLY-STEERING (PAINTED) NOTE: PIN IS NO LONGER AVAILABLE
11	19-F286539		1	BUMPER .
12	10-828815		1	SCREW (1/4-20 X 1-3/4") .
12A	11-814101		1	NUT (1/4-20) .
13	10-28635		2	SCREW (1/4-20 X 5/8") .
14	13-78968		2	LOCKWASHER (1/4" INTERNAL) .
15	23-26841		2	BUSHING .
16	10-823594		1	SCREW-PIVOT .
17	17-F1807		1	PIN-GROOVE .
18	10-823595		1	SCREW-PIVOT .
19	24-F286868		1	SPRING-STEERING HANDLE STOP .
20	23-26856		2	BUSHING .
21	F286490		1	STOP-STEERING HANDLE .
22	817751A3		1	BRACKET KIT-STEERING (PAINTED) .
23	22-F523274		1	FITTING-GREASE .
24	FA343178		2	RETAINER KIT-STEERING SHAFT .
25	10-F1859		2	SCREW-SET (1/4-28 X 3/16") .
26	17-29908		2	PIN-ROLL .
27	43-818009--1		2	GEAR-STEERING SHAFT .
28	819160		1	SHAFT-STEERING HDLE (91D/92B & SER.# E000001 - E090399)
	F717688		1	SHAFT-STEERING HANDLE (84A/91C) .
29	23-97896		1	BUSHING .
30	F487816-1		1	BEARING-STEERING HANDLE .
31	819227		1	WEDGE-STEERING HANDLE .
32	10-F1829		2	SCREW (10-24 X 7/8") .

● = COMPONENT OF SHORT BLOCK ASSEMBLY [800-819553A14]

CONTINUED ON NEXT PAGE ➡

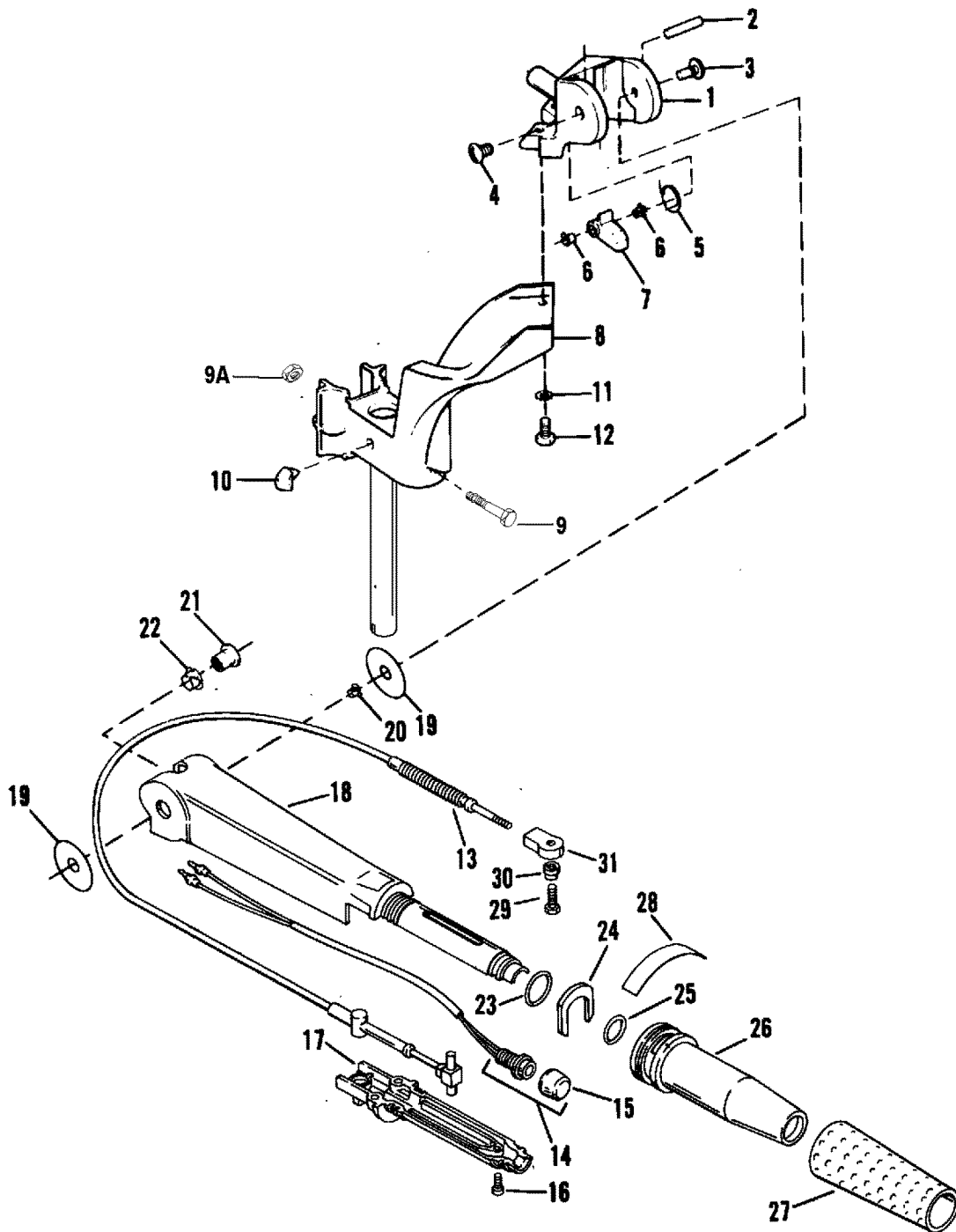
TILLER HANDLE AND THROTTLE LINKAGE (84A/92B & SER. # E00000



TILLER HANDLE AND THROTTLE LINKAGE (84A/92B & SER. # E00000

REF. NO.	PART NO.	SYM.	QTY.	DESCRIPTION
33	13-F8058		2	LOCKWASHER .
34	819279T		1	HANDLE-STEERING(PAINTED) (91D/92B & SER.#E000001 - E090399)
	F717079-1		1	HANDLE-STEERING (84A/91C) .
35	12-F286220		2	WASHER-STEERING HANDLE .
36	23-26856		1	BUSHING .
37	23-812707		1	BUSHING .
38	F286224-1		1	INSERT-STEERING HANDLE PIVOT .
39	25-21836		1	O RING (LARGE) .
40	25-38101		1	O RING (SMALL) .
41	FA456137		1	HANDLE ASSEMBLY-STEERING HANDLE .
42	F458695		1	SLEEVE-STEERING HANDLE .
43	17-25810		1	PIN-ROLL .
44	37-F712894		1	DECAL-SPEED/SHIFT INDICATOR (RED) .
	37-F286894-3		1	DECAL-SPEED SHIFT INDICATOR (SILVER) .
-	800-819553A14		0	SHORT BLOCK ASSEMBLY

TILLER HANDLE/TWIST GRIP THROTTLE (SER. # E090400 THRU E127)

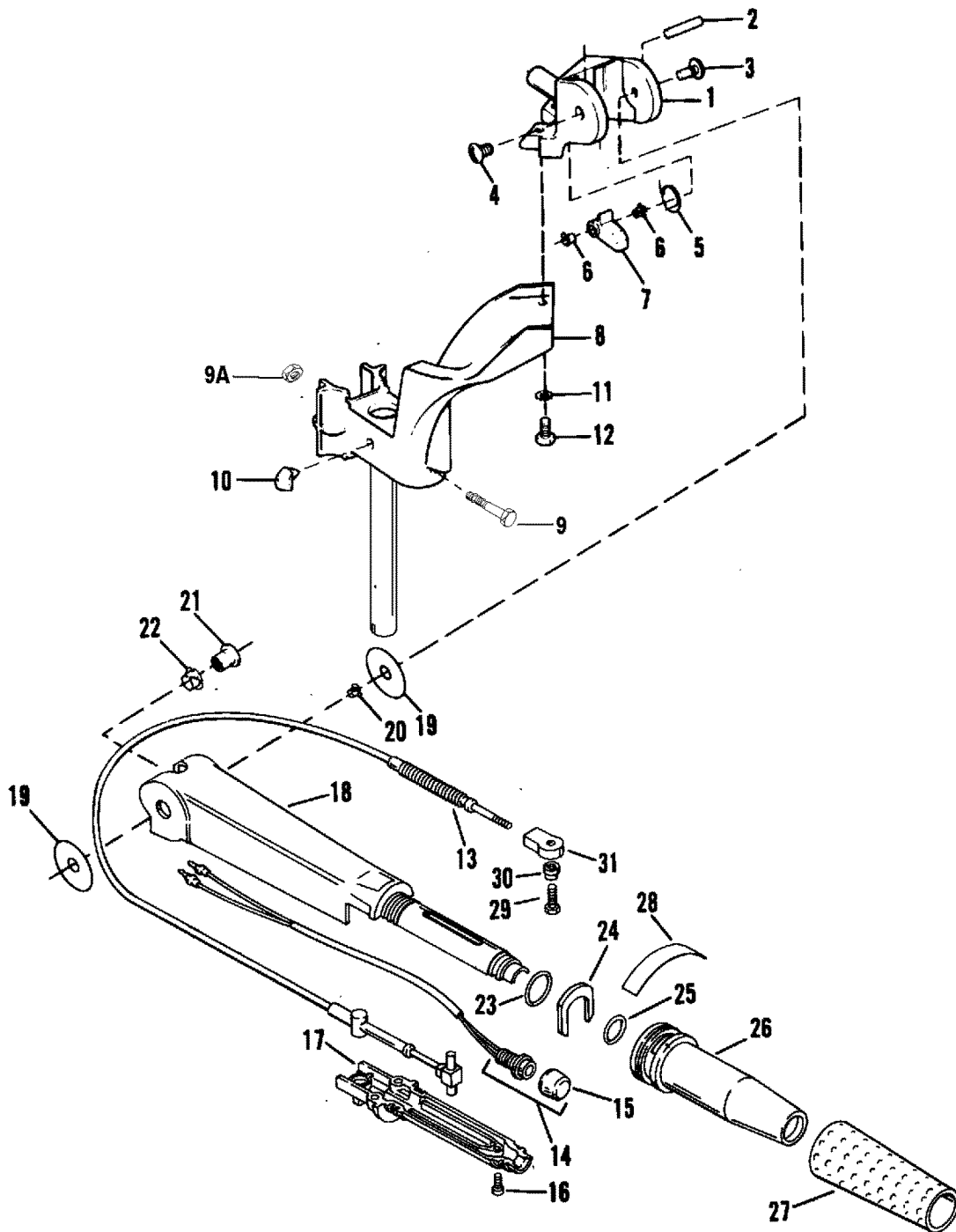


TILLER HANDLE/TWIST GRIP THROTTLE (SER. # E090400 THRU E127)

REF. NO.	PART NO.	SYM.	QTY.	DESCRIPTION
1	817751T1		1	BRACKET-STEERING (PAINTED) NOTE: PIN IS NO LONGER AVAILABLE
2	17-F1807		1	PIN-GROOVE NOTE: PIN IS NO LONGER AVAILABLE
3	10-823595		1	SCREW-STEERING HANDLE PIVOT NOTE: PIN IS NO LONGER AVAILABLE
4	10-823594		1	SCREW-STEERING HANDLE PIVOT NOTE: PIN IS NO LONGER AVAILABLE
5	24-F286868		1	SPRING-STEERING HANDLE STOP NOTE: PIN IS NO LONGER AVAILABLE
6	23-26856		2	BUSHING NOTE: PIN IS NO LONGER AVAILABLE
7	F286490		1	STOP-STEERING HANDLE NOTE: PIN IS NO LONGER AVAILABLE
8	819914A2		1	ARM/KINGPIN ASSEMBLY-STEERING (PAINTED) NOTE: PIN IS NO LONGER AVAILABLE
9	10-828815		1	SCREW (1/4-20 X 1-3/4") NOTE: PIN IS NO LONGER AVAILABLE
9A	11-814101		1	NUT (1/4-20) NOTE: PIN IS NO LONGER AVAILABLE
10	19-F286539		1	BUMPER NOTE: PIN IS NO LONGER AVAILABLE
11	13-78968		2	LOCKWASHER (1/4" INTERNAL) NOTE: PIN IS NO LONGER AVAILABLE
12	10-28635		2	SCREW (1/4-20 X 5/8") NOTE: PIN IS NO LONGER AVAILABLE
13	826592		1	CABLE ASSEMBLY-THROTTLE NOTE: PIN IS NO LONGER AVAILABLE
14	87-824440A9		1	SWITCH ASSEMBLY-STOP NOTE: PIN IS NO LONGER AVAILABLE
15	824466A3		1	COVER ASSEMBLY-STOP SWITCH NOTE: PIN IS NO LONGER AVAILABLE
16	10-826575		3	SCREW (8-32 X 5/8") NOTE: PIN IS NO LONGER AVAILABLE
17	827252		1	ARM-STEERING (LOWER) NOTE: PIN IS NO LONGER AVAILABLE
18	826609T		1	HANDLE-STEERING (PAINTED) NOTE: PIN IS NO LONGER AVAILABLE
19	12-F286220		2	WASHER NOTE: PIN IS NO LONGER AVAILABLE
20	23-26856		2	BUSHING NOTE: PIN IS NO LONGER AVAILABLE
21	F286224-1		1	INSERT-STEERING HANDLE PIVOT NOTE: PIN IS NO LONGER AVAILABLE
22	23-812707		1	BUSHING NOTE: PIN IS NO LONGER AVAILABLE
23	25-21836		1	O RING (LARGE) NOTE: PIN IS NO LONGER AVAILABLE
24	F702178		1	RETAINER-GRIP NOTE: PIN IS NO LONGER AVAILABLE
25	25-23145		1	O RING (SMALL) NOTE: PIN IS NO LONGER AVAILABLE
26	F702137		1	GRIP-STEERING HANDLE NOTE: PIN IS NO LONGER AVAILABLE

CONTINUED ON NEXT PAGE ➡

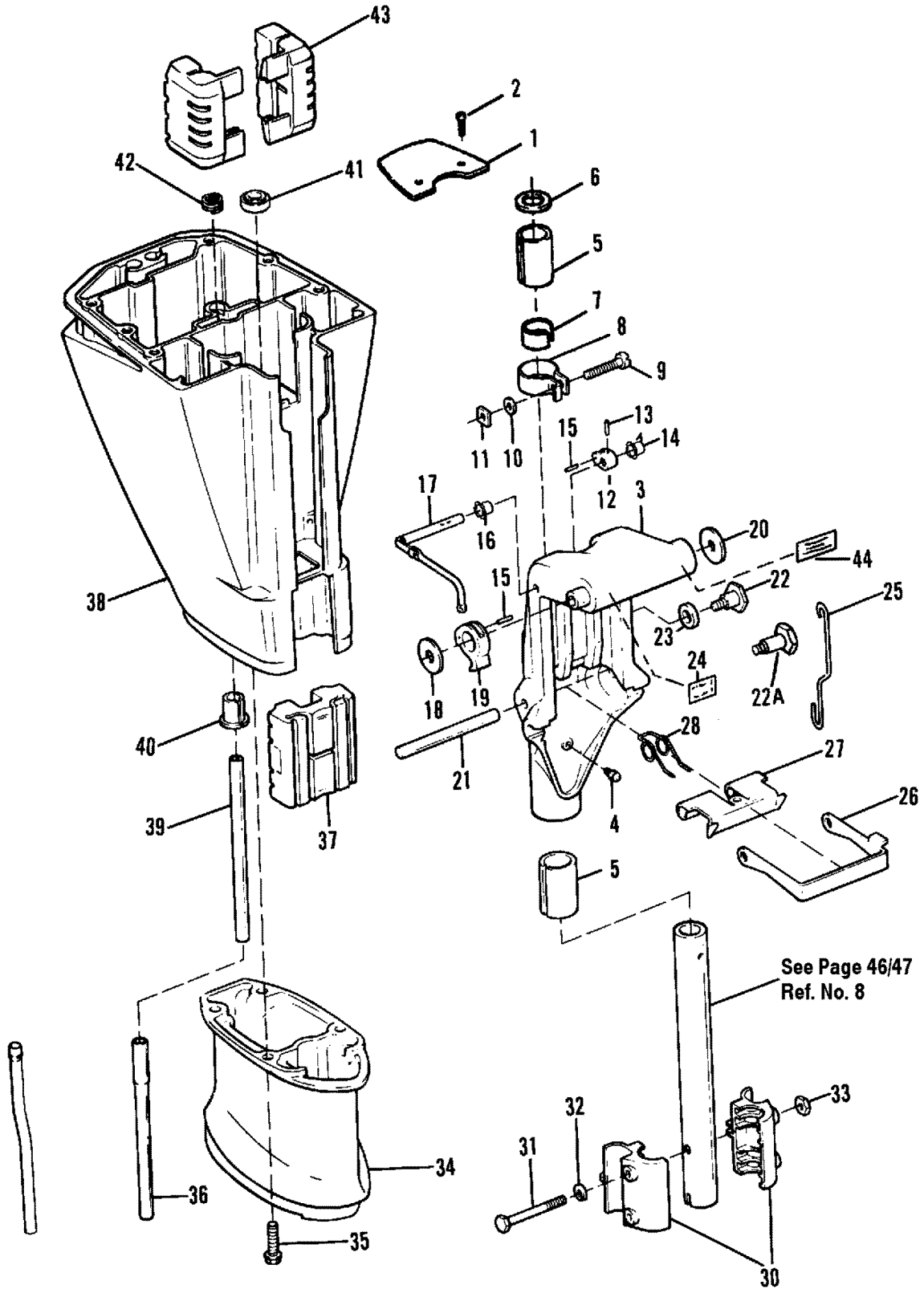
TILLER HANDLE/TWIST GRIP THROTTLE (SER. # E090400 THRU E127)



TILLER HANDLE/TWIST GRIP THROTTLE (SER. # E090400 THRU E127

REF. NO.	PART NO.	SYM.	QTY.	DESCRIPTION
27	F458695		1	SLEEVE-STEERING HANDLE GRIP NOTE: PIN IS NO LONGER AVAILABLE
28	37-F712894		1	DECAL-SPEED INDICATOR NOTE: PIN IS NO LONGER AVAILABLE
29	10-824352		1	SCREW (10-24 X 3/8") NOTE: PIN IS NO LONGER AVAILABLE
30	826591		1	BUSHING NOTE: PIN IS NO LONGER AVAILABLE
31	F702035		1	BEARING-CONNECTOR (10-24 RH) NOTE: PIN IS NO LONGER AVAILABLE

SWIVEL BRACKET AND DRIVESHAFT HOUSING (ALL MODELS)

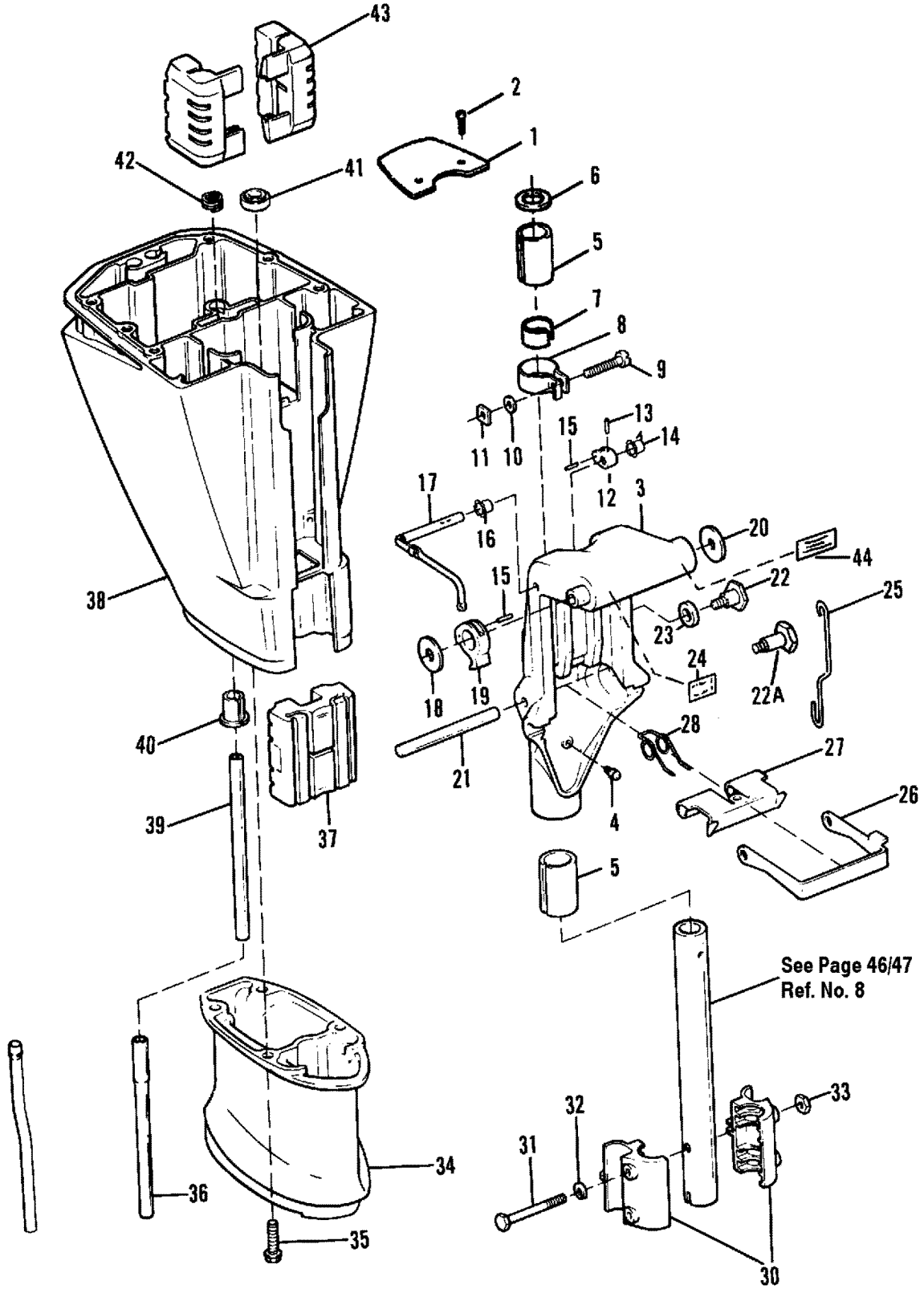


SWIVEL BRACKET AND DRIVESHAFT HOUSING (ALL MODELS)

REF. NO.	PART NO.	SYM.	QTY.	DESCRIPTION
1	F715404		1	PLATE-LEG TUNER 15 HP 91A/92B & SER. # E000001 - E127699
2	10-F2417		2	SCREW (1/4-20 X 3/8") 15 HP 91A/92B & SER. # E000001 - E127699
3	1400-817750A4		1	BRACKET KIT-SWIVEL (PAINTED)
4	22-F213274		2	FITTING-GREASE
5	23-F286169		1 OR 2	BEARING (1-3/4")
	23-F681169		1	BEARING (1-1/8")
6	12-F286011		1	WASHER-SWIVEL BRACKET
7	F681631		1	SHOE-FRICTION (91A/92B & SER. # E000001 THRU E127699)
8	54-F286573-1		1	CLAMP-STEERING FRICTION
9	10-F1820		1	SCREW (1/4-20 X 1-3/8")
10	12-12038		1	WASHER
11	11-F1608		1	NUT (1/4-20)
12	F286364		1	LEVER-REVERSE LOCK
13	17-F8538		1	PIN-SPRING
14	23-26856		1	BUSHING
15	17-F1794		2	PIN-SPRING
16	23-F536813		1	BUSHING
17	FA387742		1	LEVER ASSEMBLY-REVERSE LOCK INTERMEDIATE
18	12-F2037		1	WASHER
19	F286827		1	LEVER-REVERSE LOCK RELEASE
20	12-F286286-1		1	WASHER-STERN BRACKET
21	17-F1806		1	PIN-GROOVE
22A	17-819707		1	PIN-TILT LOCK (92B & SER. # E000001 THRU E127699)
22	10-F286422-1		1	PIVOT-TILT LOCK 84A/92A
23	23-819226		1	SPACER-TILT LOCK 84A/92A
24	37-F688585		1	DECAL-TILT LOCK (89A/92B & SER. # E000001 - E127699)
	37-F676585		1	DECAL-TILT LOCK (88A/88B)
	37-F286585-2		1	DECAL-TILT LOCK (84A/87A)
25	FA341510		1	LINK KIT-REVERSE LOCK LEVER
26	F286433		1	BRACKET-SHALLOW WATER DRIVE
27	F286349		1	LOCK-REVERSE
28	24-F286300		1	SPRING-REVERSE LOCK
30	819320T		2	BRACKET-SHOCK MOUNT LOWER (PAINTED)
31	FA1844		2	SCREW KIT (1/4-20 X 2-3/8")
32	13-26992		2	LOCKWASHER (1/4")
33	11-64015		2	NUT (1/4-20)
34	FA492845T		1	EXTENSION KIT (PAINTED) 88A/92B & SER. # E000001 - E127699
35	10-F430732		4	SCREW 88A/92B & SER. # E000001 - E127699
36	32-FS901244		1	EXTENSION-WATER LINE 88A/92B & SER. # E000001 - E127699
37	F286346		1	MOUNT-SHOCK LOWER

CONTINUED ON NEXT PAGE ➡

SWIVEL BRACKET AND DRIVESHAFT HOUSING (ALL MODELS)

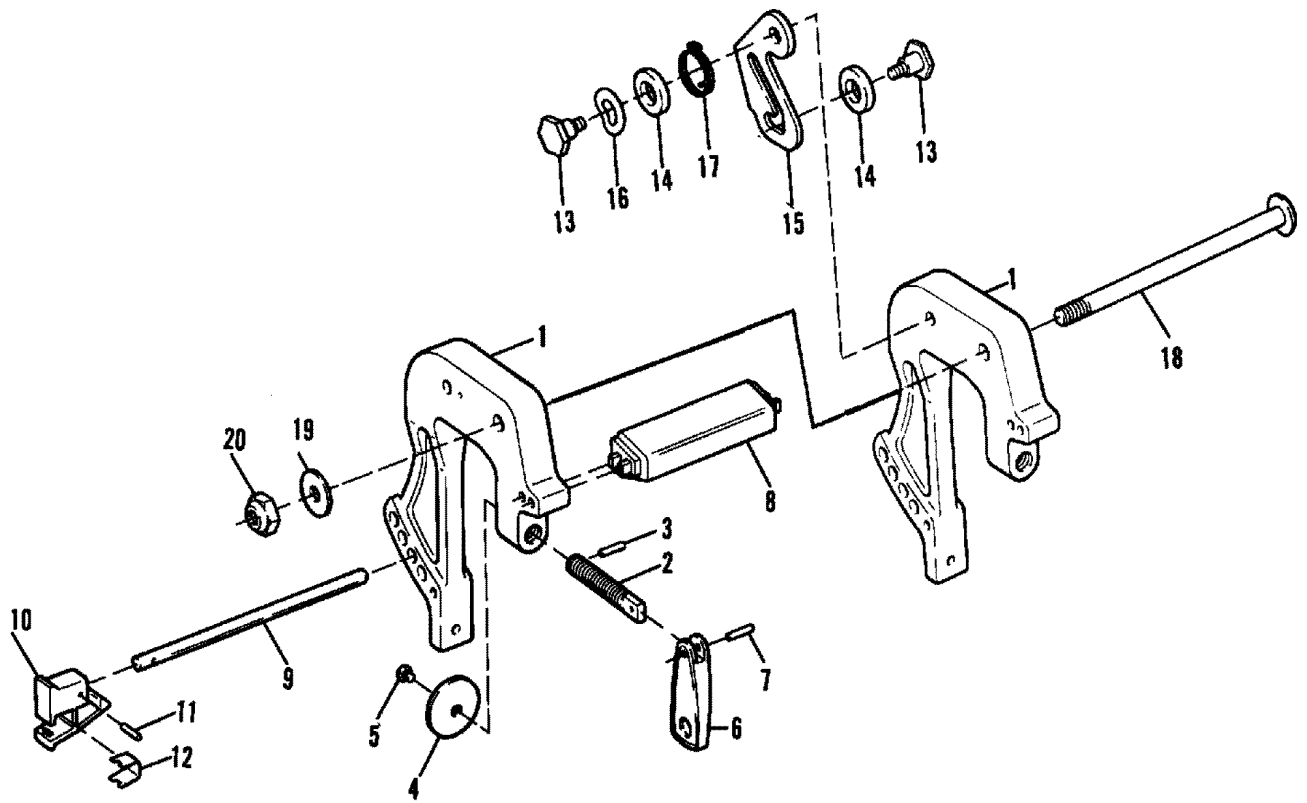


SWIVEL BRACKET AND DRIVESHAFT HOUSING (ALL MODELS)

REF. NO.	PART NO.	SYM.	QTY.	DESCRIPTION
38	1500-819344T	>	1	D/S HSG. (9.9/15) (PAINTED) (92B & SER. # E000001 - E127699)
	1500-819344T1	♣	1	D/S HSG. (9.9) (PAINTED) (91D/92A)
	1500-819344T1	♣	1	D/S HSG. (15) (PAINTED) (90C/92A)
	1500-F2A477133		1	DRIVESHAFT HOUSING KIT (9.9) (84A/91C)
	1500-F2A477133		1	DRIVESHAFT HOUSING KIT (15) (84A/90A)
39	32-F286244		1	LINE-WATER
40	F286914-1		1	SLEEVE-WATER LINE
41	26-F901307-2		1	SEAL-DRIVESHAFT
42	24-F286414		1	SPRING (84A/90A)
43	F286347		2	MOUNT-SHOCK UPPER
-	37-F694366-1		1	MEDALLION-US MARINE (RED) (89A/91D)
44	37-818029		1	DECAL-FUEL MIX

> = W/THERMOSTAT
 ♣ = W/O THREMOSTAT

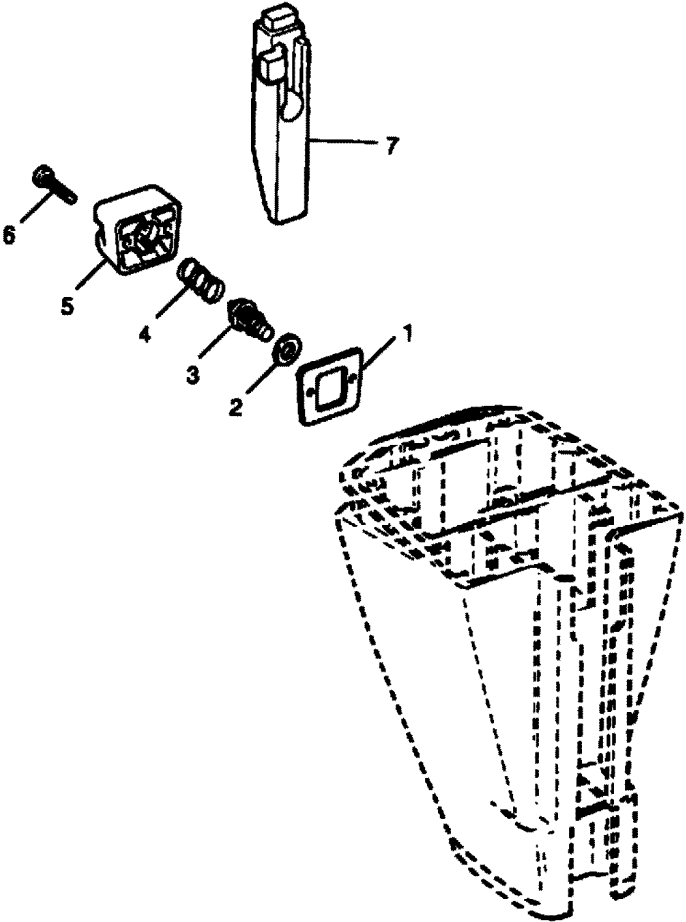
CLAMP BRACKETS (ALL MODELS)



CLAMP BRACKETS (ALL MODELS)

REF. NO.	PART NO.	SYM.	QTY.	DESCRIPTION
1	FS617532T		2	BRACKET ASSEMBLY-STERN (PAINTED) 84A/92B & SER. # E000001 THRU E090399
2	817761A2		2	CLAMP SCREW KIT 84A/92B & SER. # E000001 THRU E090399
3	17-F8537		2	PIN-SPRING 84A/92B & SER. # E000001 THRU E090399
4	F24074		2	FOOT-CLAMP SCREW 84A/92B & SER. # E000001 THRU E090399
5	17-F66480		2	STUD-CLAMP SCREW 84A/92B & SER. # E000001 THRU E090399
1	1400-820068T1		2	BRACKET-STERN (PAINTED) SER. # E090400 THRU E127699
2	10-826248		2	SCREW-STERN BRACKET SER. # E090400 THRU E127699
4	F24074		2	FOOT-STERN BRACKET SCREW SER. # E090400 THRU E127699
5	10-69022		2	SCREW (10-32 X 1/2") SER. # E090400 THRU E127699
6	F424075T		2	HANDLE-CLAMP SCREW (PAINTED)
7	17-24198		2	PIN-ROLL
8	F286647		1	HANDLE-CARRYING
9	FA617113		1	BAR KIT-LOCK-STERN BRACKET
10	F286114		1	HANDLE-LOCK BAR
11	17-38489		1	PIN-ROLL
12	24-F286461		1	SPRING-LOCK BAR HANDLE
13	10-F286422-1		2	PIVOT-TILT LOCK
14	23-819226		2	SPACER-TILT LOCK
15	F429541		1	LOCK-TILT
16	13-69150		1	WASHER-WAVE
17	24-F286544-1		1	SPRING-TILT LOCK
18	10-F617037		1	BOLT-PIVOT-STERN BRACKET
19	12-20553		1	WASHER
20	11-F7026		1	NUT (3/8-16)

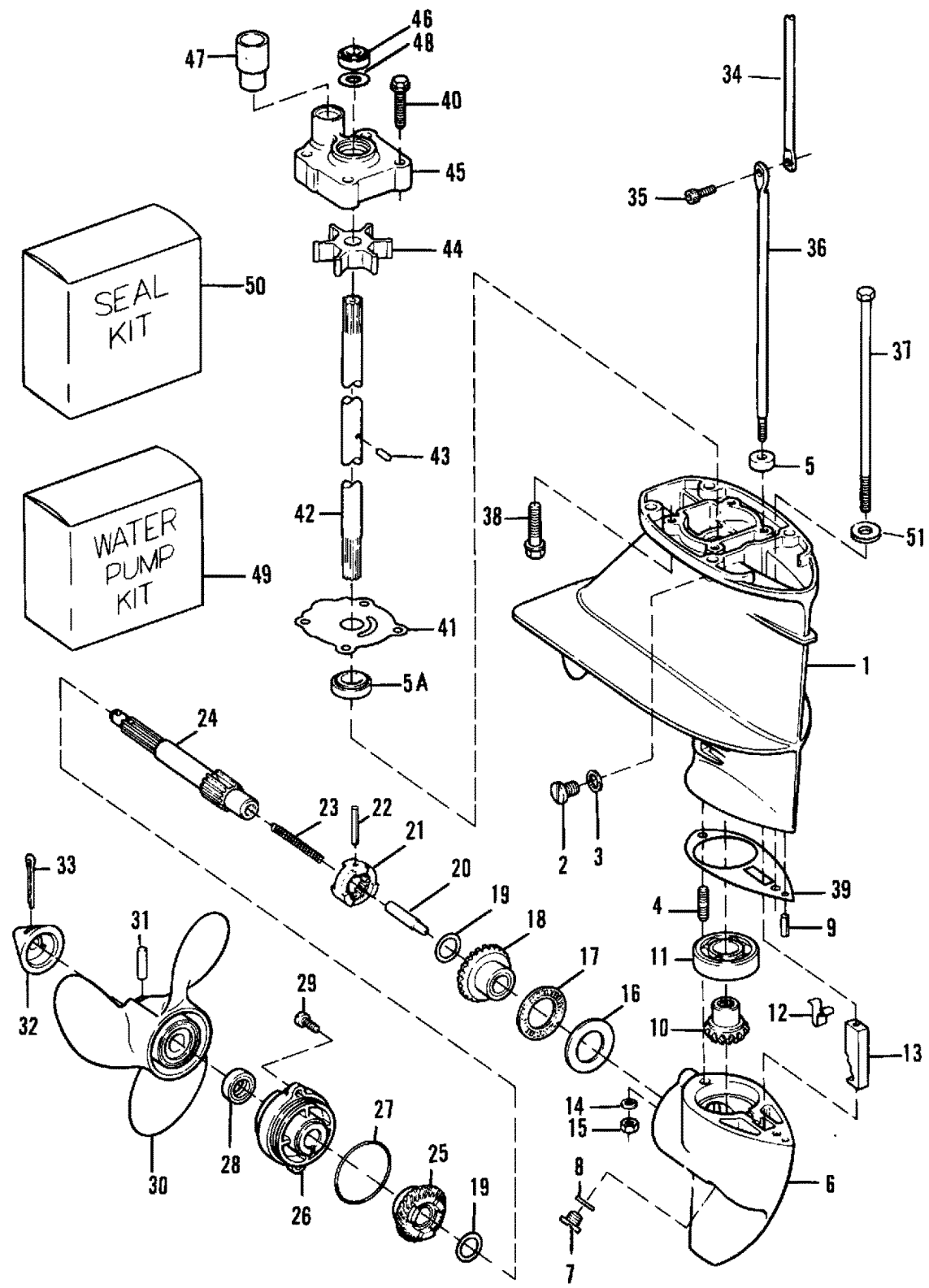
THERMOSTAT (92B & SER. # E00001 THRU E127699)



THERMOSTAT (92B & SER. # E000001 THRU E127699)

REF. NO.	PART NO.	SYM.	QTY.	DESCRIPTION
1	27-819669		1	GASKET-THERMOSTAT COVER
2	12-F658504		1	WASHER-THERMOSTAT
3	819550		1	THERMOSTAT (105 DEGREES)
4	24-819329		1	SPRING-THERMOSTAT
5	819321		1	COVER-THERMOSTAT
6	10-819382		2	SCREW (1/4-20 X 1")
7	823694		1	INSERT-THERMOSTAT

GEAR HOUSING (ALL MODELS)



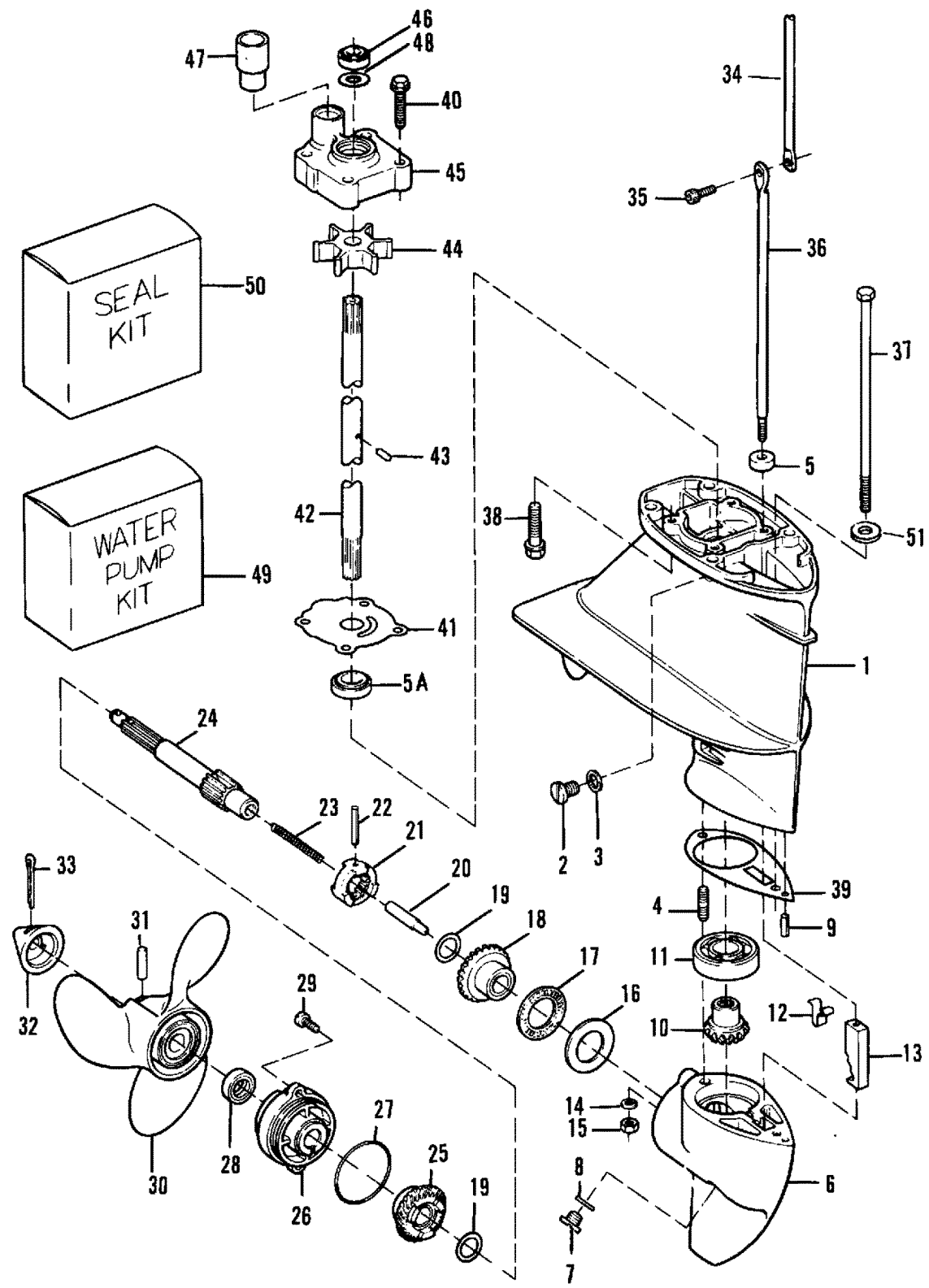
GEAR HOUSING (ALL MODELS)

REF. NO.	PART NO.	SYM.	QTY.	DESCRIPTION
1	1500-824916A1		1	HOUSING KIT-DRIVESHAFT (UPPER) (PAINTED)
2	10-F50109		1	PLUG
3	12-19183	■	1	WASHER
4	16-826542		1	STUD (1/4-20 X 1.36")
5	26-817472	■	1	SEAL-OIL
5A	26-F901307-2	■	1	SEAL-DRIVESHAFT
-	1600-819483A2		1	GEAR HOUSING KIT (COMPLETE) (PAINTED)
6	1600-817749A2		1	GEAR HOUSING ASSY. (BASIC) (PAINTED)
7	10-F50109		1	PLUG
8	12-19183	■	1	WASHER
9	17-48450		1	PIN-DOWEL
10	43-819251A1		1	GEAR ASSEMBLY-PINION
11	30-F127910-2		1	BEARING-BALL
12	24-F286895		1	SPRING-SHIFT CAM
13	F286721		1	CAM-SHIFT
14	13-26992		1	LOCKWASHER (1/4")
15	11-20890		1	NUT (1/4-20)
16	12-F286903		1	BEARING
17	31-48913		1	BEARING-ROLLER
18	43-819252A1		1	GEAR ASSEMBLY-FORWARD
19	12-F456717		2	WASHER-THRUST
20	17-F286728		1	PIN-SHIFT
21	52-819253		1	CLUTCH-SHIFT
22	17-F8564		1	PIN-SPIRAL
23	24-F409719		1	SPRING-CLUTCH
24	44-F456098		1	SHAFT-PROPELLER
25	43-819254A1		1	GEAR ASSEMBLY-REVERSE
26	31-817756A2		1	CAGE ASSEMBLY-PROPSHAFT (PAINTED)
27	25-F455305	■	1	SEAL-PROPSHAFT CAGE
28	26-66022	■	1	SEAL-PROPSHAFT
29	10-28639		2	SCREW (1/4-20 X 5/8")
30	48-FP6430		1	PROPELLER (8 X 8-1/4 X 3)
	48-FP286-3		1	PROPELLER (8-1/4 X 8-1/4 X 2)
	FP715		1	PROPELLER (8-3/8 X 6 X 3)
	FP6477		1	PROPELLER (8 X 9-1/4 X 3)
31	FA324101		1	PIN KIT-PROPELLER (3 PINS)
32	11-817752A1		1	NUT KIT-PROP
33	18-45882		1	PIN-COTTER
34	F286615		1	ROD-UPPER GEAR SHIFT
35	10-F1976		1	SCREW (10-24 X 1/2")
36	F286705-1		1	ROD-LOWER GEAR SHIFT (15" TRANSOM)
	819962		1	ROD-LOWER GEAR SHIFT (20" TRANSOM)

■ = COMPONENT OF GEAR HOUSING SEAL KIT [FK1065]

CONTINUED ON NEXT PAGE ➡

GEAR HOUSING (ALL MODELS)



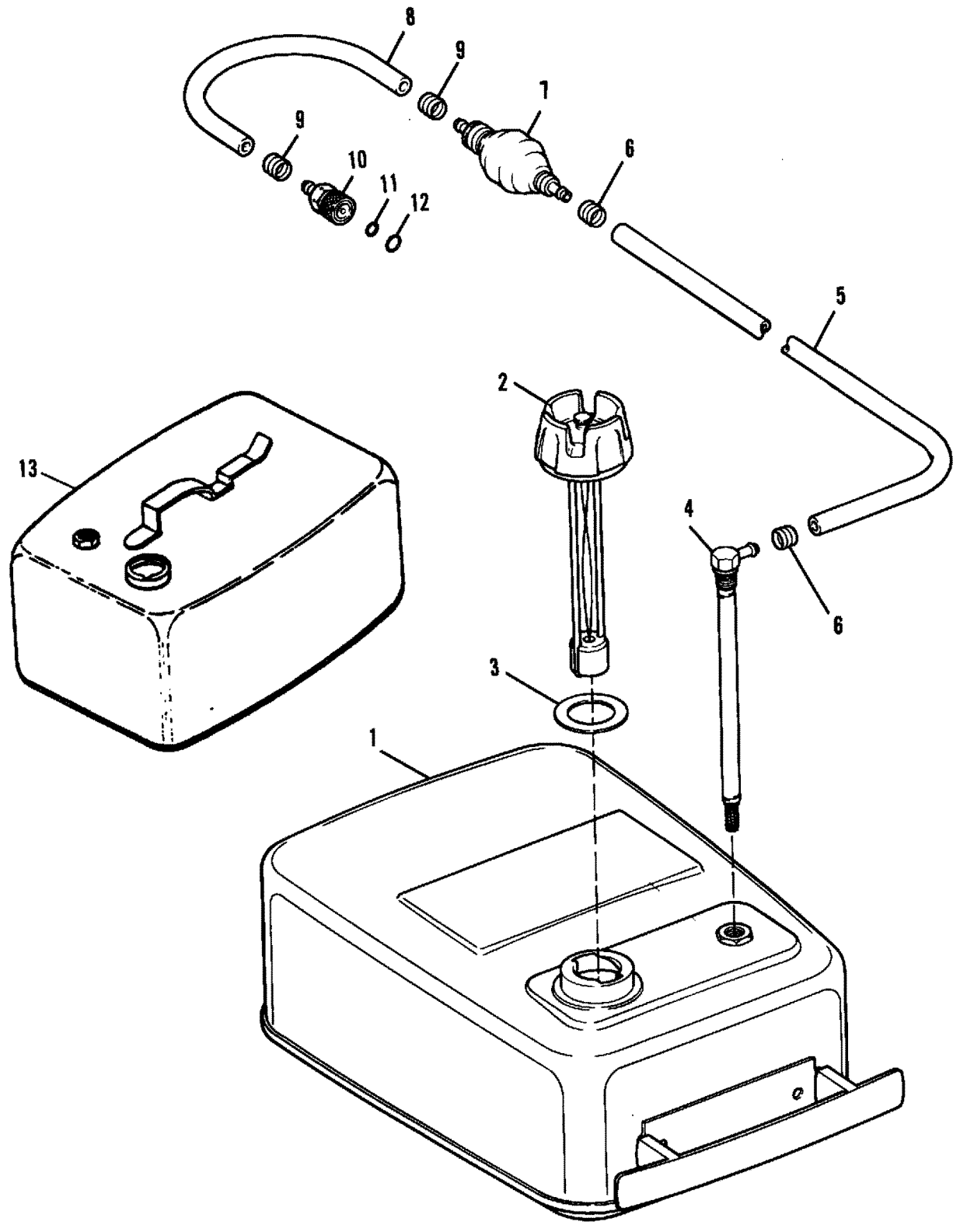
GEAR HOUSING (ALL MODELS)

REF. NO.	PART NO.	SYM.	QTY.	DESCRIPTION
37	10-F1800		1	BOLT (1/4-20 X 7")
38	10-F430732		4	SCREW-GEAR HOUSING MOUNT
39	27-F286555	■	1	GASKET-GEAR HOUSING
40	10-F2030	▷	4	SCREW (1/4-20 X 1-1/4")
41	F341562		1	PLATE-WATER PUMP BACK
42	45-F343128		1	DRIVESHAFT (15" TRANSOM)
	45-F344128		1	DRIVESHAFT (20" TRANSOM)
43	17-F901563	▷	1	PIN-IMPELLER
44	47-F436065-2	▷	1	IMPELLER-WATER PUMP
45	46-FA715060	▷	1	BODY ASSEMBLY-WATER PUMP
46	26-F901307-2	■	1	SEAL-DRIVESHAFT
47	FA510914		1	SEAL-WATER LINE
48	F715388		1	DISC-WATER PUMP
49	FK1031-1		1	WATER PUMP KIT
50	FK1065		1	SEAL KIT-GEAR HOUSING
51	12-37998		1	WASHER

■ = COMPONENT OF GEAR HOUSING SEAL KIT [FK1065]

▷ = CONTENTS OF WATER PUMP KIT [FK1031-1]

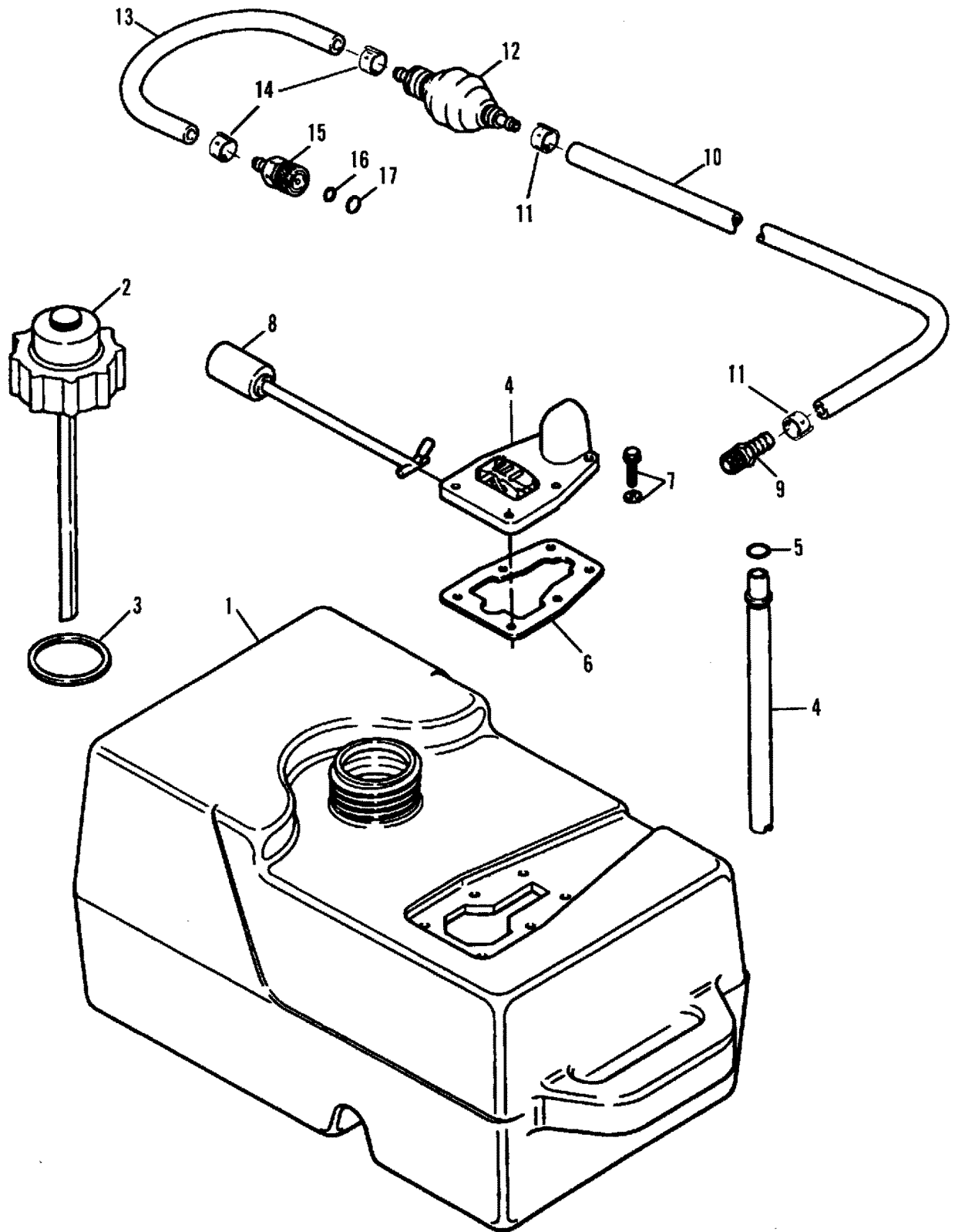
FUEL TANK AND LINE (METAL - 6.0 GALLON)



FUEL TANK AND LINE (METAL - 6.0 GALLON)

REF. NO.	PART NO.	SYM.	QTY.	DESCRIPTION
-	FS409752		1	LINE ASSEMBLY-FUEL (COMPLETE) (NOT SHOWN)
-	37-F310398		1	DECAL-TOTE TANK (USA - NOT SHOWN)
1	NLA		1	TANK ASSEMBLY-FUEL (NO LONGER AVAILABLE)
2	36-F409251-1		1	GAUGE-FUEL TANK
3	F17818		1	GASKET-GAUGE
4	F487755		1	ADAPTER-FUEL
5	32-817738A1		1	LINE KIT-FUEL
6	54-41582--7		2	CLAMP
7	89396A38		1	BULB KIT-PRIMER
8	32-99127109		1	HOSE (CUT AS REQ'D)
9	54-41582--7		2	CLAMP
10	F197787-3		1	COUPLER-FUEL
11	F17815		1	SEAL
12	F17816		1	SEAL
13	F5H176		1	TANK ASSY-FUEL (NO LONGER AVAILABLE) 84A/85B MODELS
-	36-F213251		1	GAUGE-FUEL TANK 84A/85B MODELS
-	37-F224394-3		1	DECAL-FUEL MIX 84A/85B MODELS
-	F485755-1		1	ADAPTER-FUEL 84A/85B MODELS
-	F17817		1	SEAL-FUEL ADAPTER 84A/85B MODELS

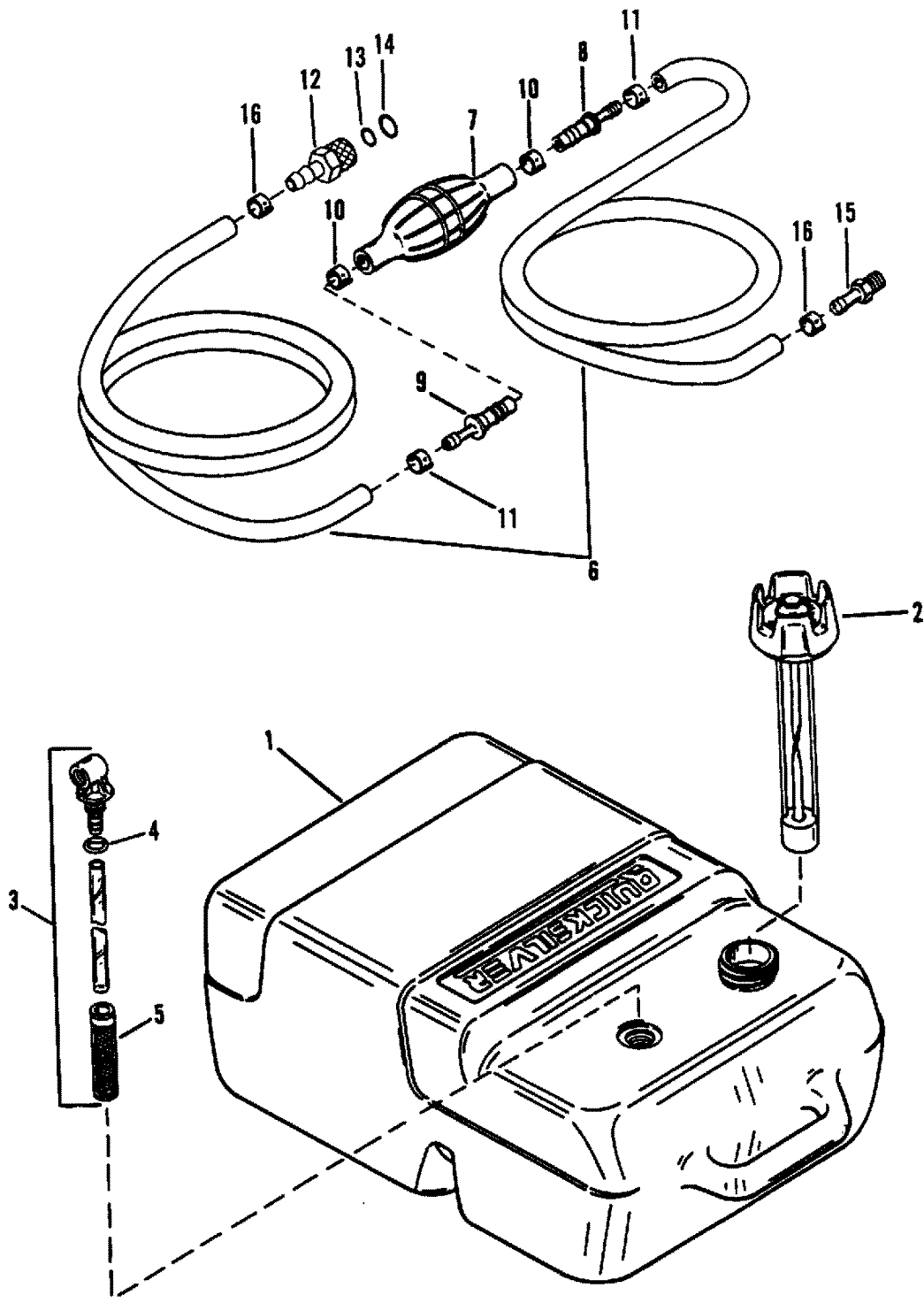
FUEL TANK AND LINE (PLASTIC - 6.0 GALLON)



FUEL TANK AND LINE (PLASTIC - 6.0 GALLON)

REF. NO.	PART NO.	SYM.	QTY.	DESCRIPTION
-	FS409752		1	LINE ASSEMBLY-FUEL (COMPLETE)
1	1200-819038A1		1	TANK ASSEMBLY-FUEL (6.0 GALLON)
2	F17821		1	CAP ASSEMBLY
3	F17822-1		1	GASKET-CAP
4	F17828		1	GAUGE KIT
5	F17827		1	O RING
6	F17823-1		1	GASKET-GAUGE MOUNT
7	F17824		6	SCREW-GAUGE
8	F17826		1	FLOAT-FUEL
9	22-F702801		1	FITTING-FUEL
10	32-817738A1		1	LINE KIT-FUEL
11	54-41582--7		2	CLAMP
12	89396A38		1	BULB KIT-PRIMER
13	32-99127109		1	HOSE (CUT AS REQ'D)
14	54-41582--7		2	CLAMP
15	F197787-3		1	COUPLER-FUEL
16	F17815		1	SEAL-FUEL COUPLER
17	F17816		1	SEAL-FUEL COUPLER

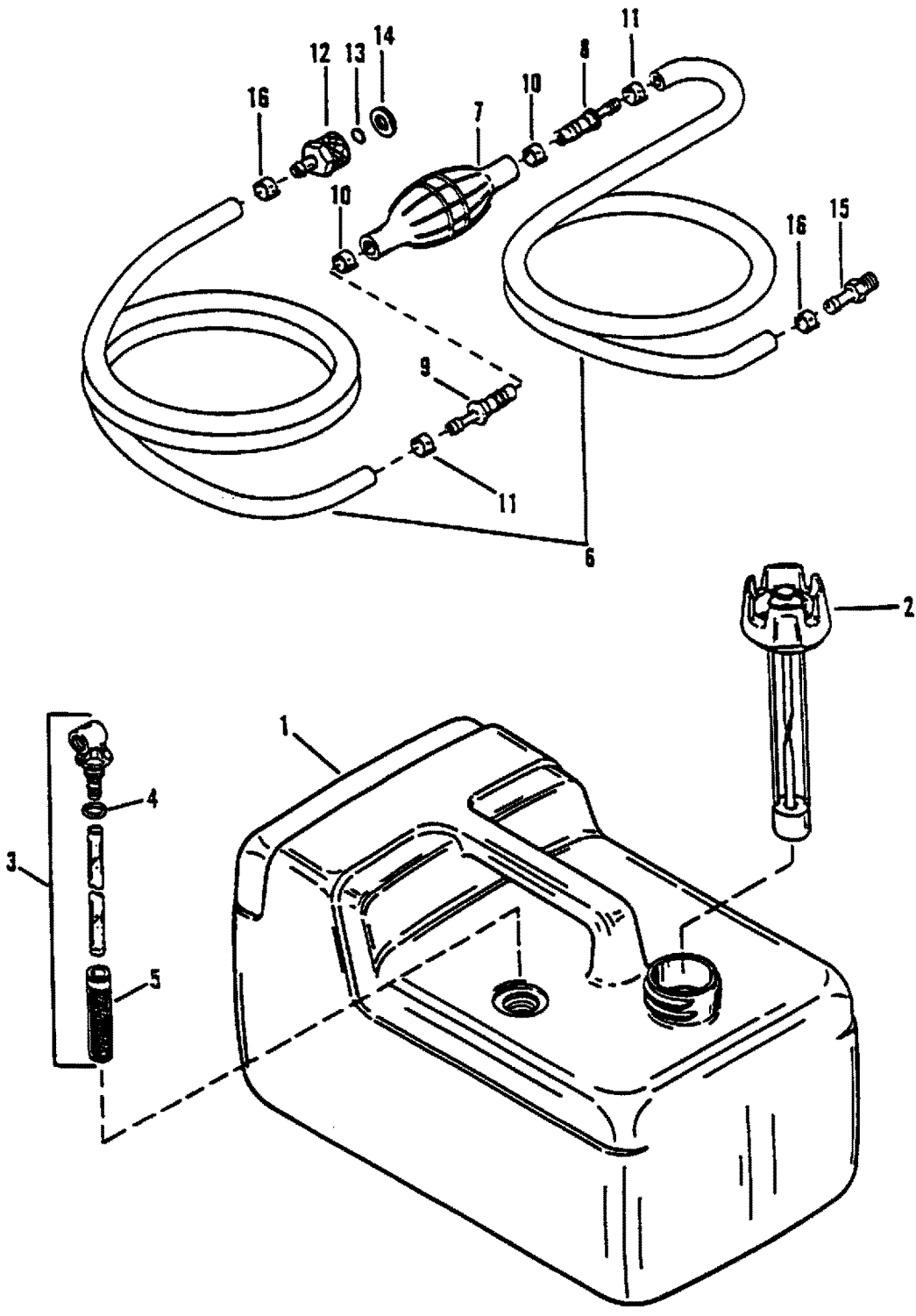
FUEL TANK AND LINE (PLASTIC - 6.6 GALLON)



FUEL TANK AND LINE (PLASTIC - 6.6 GALLON)

REF. NO.	PART NO.	SYM.	QTY.	DESCRIPTION
-	1259-823504A3		1	TANK ASSEMBLY-FUEL (COMPLETE)
1	1259-823504A1		1	TANK ASSEMBLY-FUEL (PLASTIC - 6.6 GAL.)
2	823536		1	GAUGE & CAP ASSEMBLY
3	22-823532		1	CONNECTOR ASSEMBLY-FUEL
4	25-823533		1	O RING
5	35-823534		1	SCREEN-FILTER
6	32-820572A8		1	LINE ASSEMBLY-FUEL (5/16" I.D.)
7	13330A3		1	BULB ASSEMBLY-PRIMER
8	21-13331A1		1	VALVE-CHECK (INLET)
9	21-13331A2		1	VALVE-CHECK (OUTLET)
10	54-41582-10		2	CLAMP (LARGE)
11	54-41582--7		2	CLAMP (SMALL)
12	F197787-3		1	CONNECTOR-ENGINE
13	F17815		1	SEAL (SMALL)
14	F17816		1	SEAL (LARGE)
15	22-89771--1		1	CONNECTOR-FUEL TANK
16	54-41582--7		2	CLAMP
-	32-16789-78		AR	LINE-FUEL (9') CUT AS REQ'D
-	32-16789100		AR	LINE-FUEL (100') CUT AS REQ'D

FUEL TANK AND LINE (PLASTIC - 3.2 GALLON)



FUEL TANK AND LINE (PLASTIC - 3.2 GALLON)

REF. NO.	PART NO.	SYM.	QTY.	DESCRIPTION
-	1260-823505A2		1	TANK ASSEMBLY-FUEL (COMPLETE) (3.2 GALLON)
1	1260-823505A1		1	TANK ASSEMBLY-FUEL (PLASTIC) (3.2 GALLON)
2	823535		1	GAUGE & CAP ASSEMBLY
3	22-823531		1	CONNECTOR ASSEMBLY-FUEL
4	25-823533		1	O RING
5	35-823534		1	SCREEN-FILTER
6	32-820572A8		1	LINE ASSEMBLY-FUEL (5/16" I.D.) (8 FT)
7	13330A3		1	BULB ASSEMBLY-PRIMER
8	21-13331A1		1	VALVE-CHECK (INLET)
9	21-13331A2		1	VALVE-CHECK (OUTLET)
10	54-41582-10		2	CLAMP (LARGE)
11	54-41582--7		2	CLAMP (SMALL)
12	F197787-3		1	CONNECTOR-ENGINE
13	F17815		1	SEAL (SMALL)
14	F17816		1	SEAL (LARGE)
15	22-89771--1		1	CONNECTOR-FUEL TANK
16	54-41582--7		2	CLAMP
-	32-16789-78		AR	LINE-FUEL (9') CUT AS REQ'D
-	32-16789100		AR	LINE-FUEL (100') CUT AS REQ'D

TOOLS - SPECIAL

REF. NO.	PART NO.	SYM.	QTY.	DESCRIPTION
-	FT8948-1		1	PULLER KIT-GEAR HOUSING BEARING CAGE
-	10-F1800		2	SCREW (1/4-20 X 7")
-	10-F1972		3	SCREW (1/4-20 X 2-1/2")
-	10-40003-58		3	SCREW (M8 X 50)
-	12-35044		3	WASHER (.281 X .625 X .065)
-	12-F8012		2	WASHER (.203 X .469 X .049)
-	12-25909		3	WASHER (.406 X .812 X .065)
-	FT2991		1	BRUSH-WIRE-CARBON REMOVER
-	FT2990-1		1	PISTON PIN TOOLS-PISTON PINS
-	FT2997		1	COMPRESSOR-PISTON RINGS
-	FT8926		1	EXPANDER-PISTON RINGS
-	FT8900		1	PLIERS-HOSE CLAMPS-FUEL LINES
-	FT8957		1	INSTALLER-SHIFT ROD SEAL
-	FT8919		1	PUNCH-DOWEL PINS & PISTON PINS
-	FT1749		1	PLIERS-PISTON PIN RETAINER RINGS
-	FT3012		1	INSTALLER-UPPER CRANKSHAFT SEAL
-	FT2907		1	INSTALLER-DRIVESHAFT SEAL
-	FT2909		1	KNOCK OFF NUT-FLYWHEEL
-	FT2989		1	WEDGE-FLYWHEEL
-	FT8929		1	ADAPTER & HEX BITS-CONN ROD SCREW
-	FT8950		1	LEAKAGE TESTER-LOWER UNIT
-	FT11295		1	SPARK TESTER-IGNITION SYSTEM
-	91-99750A1		1	MULTIMETER TESTER-ELECTRICAL COMPONENTS
-	FT2969		1	HELI COIL KIT (10-24)
-	FT2970		1	HELI COIL KIT (1/4-20)
-	FT2971		1	HELI COIL KIT (5/16-18)
-	FT2948		1	HELI COIL KIT (3/8-16)
-	92-825265A1		1	COMPOUND (8 OZ)-NEEDLE BEARINGS
-	92-FT2987-1		1	LUBRICANT-ANTI SEEZ
-	FT8969		1	LUBRICANT-LPS #1
-	92-90113--2		1	SEALANT-RTV #1473
-	FT8936-1		1	SEALANT-LOCTITE RC-609
-	FT2962-2		1	SEALANT-LOCTITE H
-	92-823089--1		1	SEALANT-LOCTITE 8831
-	92-59327--1		1	SEALANT-LOCQUIC PRIMER

MISCELLANEOUS ENGINE PARTS

REF. NO.	PART NO.	SYM.	QTY.	DESCRIPTION
-	FOB4067		1	OPERATORS MANUAL (84A/87A) (FORCE)
-	90-FOB4526-1		1	OPERATORS MANUAL (88A/92B) (FORCE)
-	90-822172920		1	OPERATORS MANUAL (SER. # E000001 THRU E034999)
-	90-822172941		1	OPERATORS MANUAL (SER. # E035000 THRU E090399)
-	90-826876950		1	OPERATORS MANUAL (SER. # E090400 THRU E127699)
-	90-826782		1	OPERATORS MANUAL (FISH-N-HUNT MODELS)
-	92-819104-12		AR	LACQUER-GRAPHITE GRAY ACRYLIC-SPRAY CAN (CASE OF 12)
-	92-825321-12		AR	LACQUER-GRAPHITE GRAY ACRYLIC-BRUSH BOTTLE (BOX OF 12)
-	92-819107-12		AR	LACQUER-CLEAR ACRYLIC-SPRAY CAN (CASE OF 12)

PARTS INDEX

Part Number	Description	Pg.	Ref. No.	Part Number	Description	Pg.	Ref. No.
13330A3	BULB ASSEMBLY-PRIMER	87	7	819626T	HANDLE-GEAR SHIFT (PAINTED)	41	29
13330A3	BULB ASSEMBLY-PRIMER	89	7	819758T	CAM-THROTTLE	25	11
42034A1	PULLEY ASSEMBLY-STARTER REWIND	49	10	819914A2	ARM/KINGPIN ASSEMBLY-STEERING (PAINTED)	63	10
42034A1	PULLEY ASSEMBLY-STARTER REWIND	51	10	819914A2	ARM/KINGPIN ASSEMBLY-STEERING (PAINTED)	67	8
56762	CABLE TIE (4")	25	18	819962	ROD-LOWER GEAR SHIFT (20" TRANSOM)	79	36
56762	CABLE TIE (4")	27	18	819993T1	COVER-FUEL PUMP (PAINTED)	29	5
816514	BEARING-SPARK CONTROL	41	11	819993T1	COVER-FUEL PUMP (PAINTED)	45	24
817751A3	BRACKET KIT-STEERING (PAINTED)	63	22	820116--1	COVER-TRANSFER PORT	55	11
817751T1	BRACKET-STEERING (PAINTED)	67	1	820116--1	COVER-TRANSFER PORT (9.9/15) (3 HOLES)	47	31
817755A1	LINER SET-CONN ROD	57	10	820116--2	COVER-TRANSFER PORT (9.9/15) (4 HOLES)	47	31
817755A1	LINER SET-CONN ROD ROLLERS	53	14	820367--1	LEVER-SHIFT HANDLE SHAFT	43	30
817757A4	PLATE KIT-FRONT SUPPORT PLATE	9	45	820578	JET-IDLE (.048)	37	20
817758A1	BRACKET KIT-COWL FRONT	5	8	823535	GAUGE & CAP ASSEMBLY	89	2
817761A2	CLAMP SCREW KIT	75	2	823536	GAUGE & CAP ASSEMBLY	87	2
817811A1	SPOOL KIT (WITH SHAFT) STARTER	19	18	823694	INSERT-THERMOSTAT	77	7
817829A1	COWL ASSEMBLY-BOTTOM	9	35	824141T	COVER-EXHAUST (15)	59	1A
817866A3	LEVER ASSEMBLY-MAGNETO 86A/87A	55	26	824141T	COVER-EXHAUST (9.9)	59	1A
817866A3	LEVER ASSY.-STATOR (9.9/15) (88A THRU 90A)	63	1	824142T	LINK-THROTTLE CAM	55	32
817938A1	RETAINER KIT-STARTER HANDLE	19	23	824142T	LINK-THROTTLE CAM	63	2
817971A3	LEVER/LINK KIT-MAGNETO (84A/85B)	55	26/27	824357	LEVER-NEUTRAL SPEED INTERLOCK	41	8
819160	SHAFT-STEERING HDLE	63	28	824466A3	COVER ASSEMBLY-STOP SWITCH	27	5
819169	MEDALLION-FORCE	11	9	824466A3	COVER ASSEMBLY-STOP SWITCH	67	15
819169	MEDALLION-FORCE (NOT ALL MODELS)	13	9	824466A3	COVER KIT-STOP SWITCH	25	5
819225	ROLLER-LATCH CAM	5	11	824826	SHAFT-SHIFT HANDLE (SER. # E035000 THRU E127699)	41	14
819225	ROLLER-THROTTLE SHAFT	31	48	824915	BEZEL-STOP SWITCH COVER	25	5A
819227	WEDGE-STEERING HANDLE	63	31	825402	LINK-SHIFT LEVER	5	23
819279T	HANDLE-STEERING (PAINTED)	65	34	825402	ROD-GEAR SHIFT	41	18
819320T	BRACKET-SHOCK MOUNT LOWER (PAINTED)	71	30	826559A1	BRACKET ASSEMBLY-STARTER HOUSING FRONT	51	3
819321	COVER-THERMOSTAT	77	5	826591	BUSHING	69	30
819348	ROD (9.9)	35	36	826592	CABLE ASSEMBLY-THROTTLE	67	13
819348	ROD-CHOKE	39	32	826609T	HANDLE-STEERING (PAINTED)	67	18
819399A1	LANYARD ASSEMBLY	21	8	826691	CAM-THROTTLE	27	11
819399A1	LANYARD ASSEMBLY	25	7	826693	HOUSING-STARTER	51	1
819399A1	LANYARD ASSEMBLY	27	7	827252	ARM-STEERING (LOWER)	67	17
819408A1	LEVER ASSY-STATOR (15)	63	1A	89396A38	BULB KIT-PRIMER	83	7
819408A1	LEVER ASSY-STATOR (9.9)	63	1A	89396A38	BULB KIT-PRIMER	85	12
819486	SEAL-SUPPORT PLATE	9	37	F10060	VALVE-THROTTLE (9.9)	31	28
819486	SEAL-SUPPORT PLATE	11	24	F10064	SHAFT-FLOAT	31	39
819486	SEAL-SUPPORT PLATE	15	17	F10072	SPRING-CHOKE STOP	31	32
819508T	LEVER-GEAR SHIFT	5	16	F10073	SPRING-INLET NEEDLE	31	35
819508T	LEVER-GEAR SHIFT (PAINTED)	41	23	F10075	SPRING-THROTTLE RETURN	31	30
819550	THERMOSTAT (105 DEGREES)	77	3				
819626T	HANDLE-GEAR SHIFT (PAINTED)	41	29				

PARTS INDEX

Part Number	Description	Pg.	Ref. No.	Part Number	Description	Pg.	Ref. No.
F10077	NEEDLE-INLET	31	34	F12141	MARKER-COIL WIRE	17	21
F10088	NOZZLE	31	37	F12146	SPRING	17	17
F10101	VALVE SEAT KIT (9.9)	31	38	F12146	SPRING (88A/89A)	21	17
F10110	SHAFT-THROTTLE	31	31	F12153-1	CONTACT SET	17	9
F10111	SHAFT-CHOKE	31	33	F12153-1	CONTACT SET	23	29
F10112	VALVE-CHOKE (9.9)	31	36	F12181-1	CONDENSER	17	8
F10113	JET-MAIN (.049) (9.9) (0 - 2500')	31	45	F12181-1	CONDENSER	23	27
F10115	PLUG KIT (9.9)	31	-	F12186-1	WIRE-SHORTING SWITCH	17	25
F10121	VALVE-THROTTLE (15)	31	28	F12343	PLATE ASSEMBLY-STATOR	17	15
F10122	VALVE-CHOKE (15)	31	36	F12343	PLATE-STATOR (88A/89A)	21	15
F10125	JET-MAIN (.046) (9.9) (5000' - 7500')	31	45	F12360	FELT	17	7
F10126	JET-MAIN (.0625) (15) (0 - 2500')	31	45	F12360	FELT	23	28
F10221	JET-MAIN (.048) (9.9) (2500' - 5000')	31	45	F12376	WIRE ASSEMBLY-STOP SWITCH	21	4
F10222	JET-MAIN (.044) (9.9) (7500' - 10000')	31	45	F12377	PLATE-STATOR	21	15
F10223	JET-MAIN (.060) (15) (2500' - 5000')	31	45	F12378	SPRING	21	17
F10224	JET-MAIN (.058) (15) (5000' - 7500')	31	45	F12379	COIL (15) (89B/90C)	21	16
F10225	JET-MAIN (.056) (15) (7500' - 10000')	31	45	F12379	COIL (9.9) (89B/91A)	21	16
F10235	TUBE-BY PASS (88A/90A)	33	2A	F12380	SCREW	21	12
F10236	SHUTTER-CHOKE	33	6	F12381	WASHER	21	9
F10238	NOZZLE-MAIN	33	21	F12382	SCREW (89B/92B & SER. # E000001 THRU E034999)	21	11
F10239	LINKAGE (88A/90A)	33	22	F1753	FASTENER	5	4
F10240	SHAFT-LINKAGE	33	23	F17815	SEAL	83	11
F10241	CLIP-THROTTLE LINKAGE	37	24	F17815	SEAL (SMALL)	87	13
F10241	E RING-LINKAGE SHAFT	33	24	F17815	SEAL (SMALL)	89	13
F10242	WASHER	33	25	F17815	SEAL-FUEL COUPLER	85	16
F10242	WASHER	37	25	F17816	SEAL	83	12
F10261	JET-MAIN (.061) (2500' - 5000')	33	20	F17816	SEAL (LARGE)	87	14
F10265	NEEDLE-INLET	33	18	F17816	SEAL (LARGE)	89	14
F10265	NEEDLE-INLET	37	17	F17816	SEAL-FUEL COUPLER	85	17
F10268	SCREW-IDLE MIXTURE	37	15	F17817	SEAL-FUEL ADAPTER	83	-
F10273	JET-THROTTLE (.047)	37	21	F17818	GASKET-GAUGE	83	3
F10275	SCREW-SEALING	37	22	F17821	CAP ASSEMBLY	85	2
F10290	LINKAGE (9.9)(91A/92B & SER.#E000001-E127699)	33	22	F17822-1	GASKET-CAP	85	3
F10290	LINKAGE-THROTTLE	37	23	F17823-1	GASKET-GAUGE MOUNT	85	6
F10338	LINK-THROTTLE	37	26	F17824	SCREW-GAUGE	85	7
F10338	LINK-THROTTLE (9.9) (91A/92B & SER. # E000001 - E127699)	35	30	F17826	FLOAT-FUEL	85	8
F10339	SHAFT (9.9)	35	26	F17827	O RING	85	5
F10343	SHAFT-CHOKE	37	5	F17828	GAUGE KIT	85	4
F10344	SHUTTER-CHOKE	37	6	F1819	EYELET	9	NS
F10346	FLOAT-FUEL BOWL	33	9	F197787-3	CONNECTOR-ENGINE	87	12
F10346	FLOAT-FUEL BOWL	37	8	F197787-3	CONNECTOR-ENGINE	89	12
F10347	ELBOW-FUEL	37	14	F197787-3	COUPLER-FUEL	83	10
F10349	SHAFT-THROTTLE	37	27	F197787-3	COUPLER-FUEL	85	15
F10351	SHUTTER-THROTTLE	37	29	F217002	CAM (88A/89A)	23	24
F10354	SHUTTER (9.9)	35	28	F217002	CAM-CONTACT POINTS	17	13
F12088	GROMMET	17	20	F24074	FOOT-CLAMP SCREW	75	4
F12088	GROMMET	21	18	F24074	FOOT-STERN BRACKET SCREW	75	4
F12114	SCREW	17	16	F286114	HANDLE-LOCK BAR	75	10
				F286132	HANDLE-STARTER ROPE	19	22
				F286151	PLATE-EXHAUST	55	21
				F286151	PLATE-EXHAUST (15) (88A/90A)	59	4
				F286151	PLATE-EXHAUST (9.9) (88A/92A)	59	4
				F286152	COVER-EXHAUST	55	19
				F286152	COVER-EXHAUST (15) (88A/90A)	59	1

PARTS INDEX

Part Number	Description	Pg.	Ref. No.	Part Number	Description	Pg.	Ref. No.
F286152	COVER-EXHAUST (9.9) (88A/92A)	59	1	F458695	SLEEVE-STEERING HANDLE	65	42
F286224-1	INSERT-STEERING HANDLE PIVOT	65	38	F458695	SLEEVE-STEERING HANDLE GRIP	69	27
F286224-1	INSERT-STEERING HANDLE PIVOT	67	21	F481777	CAM-LATCH SHAFT	11	21
F286346	MOUNT-SHOCK LOWER ...	71	37	F481777	CAM-LATCH SHAFT	15	21
F286347	MOUNT-SHOCK UPPER ...	73	43	F485755-1	ADAPTER-FUEL	83	-
F286349	LOCK-REVERSE	71	27	F487427-1	BRACKET-STARTER SUPPORT (UPPER)	19	4
F286364	LEVER-REVERSE LOCK ...	71	12	F487435	PULLEY-STARTER ROPE ..	29	24
F286433	BRACKET-SHALLOW WATER DRIVE	71	26	F487660-1	TUBE-EXHAUST	55	23
F286490	STOP-STEERING HANDLE .	63	21	F487660-1	TUBE-EXHAUST (15) (88A/90A)	61	17
F286490	STOP-STEERING HANDLE .	67	7	F487660-1	TUBE-EXHAUST (9.9) (88A/91A)	59	17
F286547	KNOB-CHOKE	9	41	F487755	ADAPTER-FUEL	83	4
F286547	KNOB-CHOKE	35	38	F487781-3	INTERLOCK-STARTER	19	7
F286547	KNOB-CHOKE	37	31	F487816-1	BEARING-STEERING HANDLE	63	30
F286614	HANDLE-GEAR SHIFT	9	47	F492263	LINK-STARTER INTERLOCK	7	29
F286614	HANDLE-GEAR SHIFT 88A/90C	41	29	F492417	SHAFT-GEAR SHIFT HANDLE	9	48
F286615	ROD-UPPER GEAR SHIFT .	41	13	F492417	SHAFT-SHIFT HANDLE (88A/90C)	41	14
F286615	ROD-UPPER GEAR SHIFT .	79	34	F492518	HEAD-CYLINDER (9.9) (84A/84B)	55	13
F286647	HANDLE-CARRYING	75	8	F492619	LEVER-SHIFT HANDLE SHAFT	9	33
F286685	CONNECTOR-GEAR SHIFT ROD	5	22	F5H176	TANK ASSY-FUEL (NO LONGER AVAILABLE) ...	83	13
F286685	CONNECTOR-GEAR SHIFT ROD	41	20	F617192	CAM-THROTTLE (15) (88A/90B)	21	19
F286705-1	ROD-LOWER GEAR SHIFT (15" TRANSOM)	79	36	F617192	CAM-THROTTLE (9.9)	21	19
F286710T	GUIDE-STARTER SPRING ..	19	12	F617192	PLATE-THROTTLE CAM ...	17	26
F286721	CAM-SHIFT	79	13	F617503	ROD-CHOKE	9	42
F286737-1	RETAINER-SPRING	19	16	F617503	ROD-CHOKE (15) (88A/90A)	35	36
F286777	CAM-COWL LATCH	9	38	F617503	ROD-CHOKE (9.9) (88A/90A)	35	36
F286827	LEVER-REVERSE LOCK RELEASE	71	19	F618445	LINK-MAGNETO	55	27
F286871T	PIN-GEAR SHIFT LEVER ...	5	21	F618445	LINK-MAGNETO SHAFT ...	63	8
F286871T	PIN-GEAR SHIFT LEVER ...	41	25	F656396	DECAL-STBD	5	13
F286914-1	SLEEVE-WATER LINE	73	40	F656397	DECAL-PORT	5	13
F286930	END-SPRING	19	17	F666711	PLATE-COWL FRONT	5	2
F2A24757	PLATE ASSEMBLY-FUEL PUMP	45	26	F681003-1	ARM-STARTER INTERLOCK	41	2
F2A24757	REED PLATE ASSEMBLY- FUEL PUMP	29	7	F681033	SWIVEL	35	32
F333316	SHAFT-ROLLER	5	12	F681046	BULB-PRIMER	47	34
F333316	SHAFT-THROTTLE ROLLER	31	47	F681061-2	CARBURETOR (HO-2C) (88A MODELS)	33	1
F341384	RETAINER-CHOKE ROD ...	31	46	F681061-2	CARBURETOR (HO-2C) (88A MODELS)	35	1
F341384	RETAINER-CHOKE ROD ...	35	35	F681090	PLATE-HANDLE SUPPORT .	49	17
F341384	RETAINER-CHOKE ROD ...	39	33	F681090	PLATE-HANDLE SUPPORT .	51	17
F341562	PLATE-WATER PUMP BACK	81	41	F681091	NUT-FLYWHEEL	21	1
F392756	PACKING-SUPPORT PLATE	9	32	F681091	NUT-FLYWHEEL	25	1
F392756	PACKING-SUPPORT PLATE	11	17	F681091	NUT-FLYWHEEL	27	1
F392756	PACKING-SUPPORT PLATE (CUT AS REQ'D)	13	13	F681132	HANDLE-ROPE	49	21
F424075T	HANDLE-CLAMP SCREW (PAINTED)	75	6	F681132	HANDLE-STARTER ROPE ..	51	21
F429541	LOCK-TILT	75	15	F681232	ROPE (64/67")	49	13
F429811	SCREEN	45	19	F681232	ROPE (64/67")	51	13
F429811	SCREEN-CYLINDER DRAIN	55	7	F681263-1	LINK-INTERLOCK	41	15
F431838	SHAFT-MAGNETO CONTROL	63	9	F681269	HANDLE-TILT	11	3
F458677	INSERT-CHOKE KNOB	9	40	F681269	HANDLE-TILT	13	3

PARTS INDEX

Part Number	Description	Pg.	Ref. No.	Part Number	Description	Pg.	Ref. No.
F681408-1	HOUSING-STARTER	49	1	F901456-1	COLLAR-EMERGENCY STARTER	17	2
F681427-2	BRACKET-STARTER HOUSING-FRONT	49	3	F9030	RETAINER	35	34
F681428	INSERT-ROPE-STARTER HOUSING	49	5	FA12370	COIL KIT (9.9/15) (88A/89A)	21	16
F681428	INSERT-STARTING HOUSING ROPE	51	5	FA12370	COIL KIT (WITH LEAD WIRE)	17	22
F681490	STOP-STARTER PULLEY INTERLOCK	41	1	FA174260	RING SET-2 RINGS (9.9) (84A/84B)	53	9
F681509	LINK-THROTTLE (88A/90A)	35	30A	FA1844	SCREW KIT (1/4-20 X 2-3/8")	71	31
F681531-1	ROD-INTERLOCK	41	10	FA286155	LINER SET-CENTER MAIN ROLLERS	53	16
F681592	RETAINER-STARTER PULLEY	49	14	FA286155	LINER SET-CENTER MAIN ROLLERS	57	9
F681592	RETAINER-STARTER PULLEY	51	14	FA286469	KNOB ASSEMBLY-LATCH	9	44
F681631	SHOE-FRICTION	71	7	FA286970	SPRING ASSEMBLY-REWIND	19	15
F681677	INSERT-CHOKE KNOB	35	37	FA324101	PIN KIT-PROPELLER (3 PINS)	79	31
F681677	INSERT-CHOKE KNOB	37	30	FA341510	LINK KIT-REVERSE LOCK LEVER	71	25
F681742	LEVER-INTERMEDIATE INTERLOCK	41	16	FA343178	RETAINER KIT-STEERING SHAFT	63	24
F681817	RETAINER-ROPE HANDLE	49	22	FA387742	LEVER ASSEMBLY-REVERSE LOCK INTERMEDIATE	71	17
F681817	RETAINER-STARTER ROPE	51	22	FA424158	PLATE ASSEMBLY-REED (15)	29	15
F681874-1	FASTENER-HANDLE SUPPORT PLATE	49	19	FA424158	PLATE ASSY-REED (15) (88A/90A)	45	1
F681874-1	FASTENER-HANDLE SUPPORT PLATE	51	19	FA424158	PLATE ASSY-REED (9.9) (90A/91B)	45	1
F681954-1	COVER-PRIMER BULB	47	33	FA424167	MANIFOLD KIT	29	21
F682222	COVER-TRANSFER PORT (15) (90A/90C ONLY)	47	31	FA424167	MANIFOLD KIT (15) (88A90A)	45	8
F682222	COVER-TRANSFER PORT (9.9) (91B ONLY)	47	31	FA424167	MANIFOLD KIT (9.9) (88A/91B)	45	8
F702035	BEARING-CONNECTOR (10-24 RH)	69	31	FA429471	COVER ASSEMBLY-CYLINDER DRAIN	45	18
F702137	GRIP-STEERING HANDLE	67	26	FA429471	COVER ASSEMBLY-CYLINDER DRAIN	55	6
F702178	RETAINER-GRIP	67	24	FA456137	HANDLE ASSEMBLY-STEERING HANDLE	65	41
F702668	RETAINER-SPEED CONTROL CABLE	51	25	FA492845T	EXTENSION KIT (PAINTED)	71	34
F712475	COIL (15)	21	16	FA510914	SEAL-WATER LINE	81	47
F712475	COIL (9.9)	21	16	FA517228	ROLLER SET (52)	57	11
F714396	DECAL-STARBOARD	13	11	FA517228	ROLLER SET (52) (ALUMINUM ROD ONLY)	53	15
F714397	DECAL-PORT	13	11	FA609853	DECAL KIT-SHIFT TO NEUTRAL	17	4
F715151	PLATE-EXHAUST (15)(90C/92B & SER.#E000001 - E127699)	59	4A	FA609853	DECAL KIT-SHIFT TO NEUTRAL	21	3
F715151	PLATE-EXHAUST (9.9) (92B & SER. # E000001 - E127699)	59	4A	FA609853	DECAL KIT-SHIFT TO NEUTRAL	51	23
F715192	CAM-THROTTLE (15)	21	19	FA610480	RETAINER KIT-COWL REAR	5	5
F715388	DISC-WATER PUMP	81	48	FA617113	BAR KIT-LOCK-STERN BRACKET	75	9
F715396	DECAL-STARBOARD	13	11	FA619158	PLATE ASSEMBLY-REED (9.9)	29	15
F715397	DECAL-PORT	13	11	FA619158	PLATE ASSY-REED (9.9) (88A/89A)	45	1
F715404	PLATE-LEG TUNER	71	1	FA626396	DECAL-STBD	5	13
F715417	SHAFT-SHIFT HANDLE	41	14	FA626397	DECAL-PORT	5	13
F715619	LEVER-SHIFT HANDLE SHAFT	41	30				
F715660	TUBE-EXHAUST (15)	61	17A				
F717079-1	HANDLE-STEERING (84A/91C)	65	34				
F717688	SHAFT-STEERING HANDLE (84A/91C)	63	28				

PARTS INDEX

Part Number	Description	Pg.	Ref. No.	Part Number	Description	Pg.	Ref. No.
FA627396	DECAL-STBD	5	13	FK1066	TUNE-UP KIT	23	-
FA627397	DECAL-PORT	5	13	FK1123	BOOT KIT-SPARK PLUG	17	19
FA681469T	HANDLE ASSEMBLY-COWL LATCH (PAINTED)	11	18	FK1123	BOOT KIT-SPARK PLUG	27	12
FA681469T	HANDLE ASSEMBLY-COWL LATCH (PAINTED)	15	18	FK1123	BOOT KIT-SPARK PLUG (SOFT RUBBER STYLE)	21	20
FA681630T	SUPPORT ASSEMBLY-HANDLE	49	16	FK1123	BOOT KIT-SPARK PLUG (SOFT RUBBER STYLE)	25	12
FA681630T	SUPPORT ASSEMBLY-HANDLE	51	16	FK302097	FLYWHEEL KIT	17	3
FA688097	FLYWHEEL KIT (15) (89B/90C)	21	2	FK317427	BRACKET KIT-STARTER SUPPORT (LOWER)	19	20
FA688097	FLYWHEEL KIT (9.9) (89B/91A)	21	2	FK681602	SWITCH KIT (15) (88A/90A)	21	7
FA712228	ROLLER SET (2 STRIPS-28 PER)	57	11	FK681602	SWITCH KIT (9.9) (88A/90A)	21	7
FA712228	ROLLER SET (2 STRIPS-28 PER) (STEEL ROD ONLY)	53	-	FK681619	HANDLE/LEVER KIT	41	30
FA714167	MANIFOLD KIT (9.9) (91C/92B & SER.#E000001-E127699)	45	8	FO11764	JET-MAIN (.051) (7500' - 10000')	33	20
FA715167	MANIFOLD KIT (15) (90C/92B & SER.# E000001-E127699)	45	8	FO11765	JET-MAIN (.053) (5000' - 7500')	33	20
FG1005-3	GASKET SET	29	-	FO11765	JET-MAIN (.053) (7500' - 10000')	33	20
FG1005-3	GASKET SET	53	-	FO15366	BOWL-FUEL	33	11
FG1005-3	GASKET SET	55	-	FO15366	BOWL-FUEL	37	10
FG1005-3	GASKET SET	61	-	FO15520	NEEDLE-IDLE MIXTURE	33	15
FG1005-3	GASKET SET (15) (88A/90A)	59	9	FO15718	SHAFT-THROTTLE (9.9) (88A MODELS)	35	26
FG1005-3	GASKET SET (9.9) (88A/92A)	59	9	FO15722	NOZZLE-MAIN	37	19
FG1035	GASKET SET	61	-	FO15736	SHAFT-CHOKE	33	5
FG1035	GASKET SET(15)	59	9	FO15757	SHAFT-THROTTLE (15) (88A/90A)	35	26
FG1036	GASKET SET	61	-	FO15757	SHAFT-THROTTLE (9.9) (88B/90A)	35	26
FG1036	GASKET SET(9.9) (92B & SER.#E000001-E127699)	59	9	FO16878	SHUTTER-THROTTLE (88A/90A)	35	28
FK10000	GASKET SET (15) (88A/90A)	35	40	FO4784	BALL	33	3
FK10000	GASKET SET (9.9) (88B/90A)	35	40	FO4784	BALL	37	3
FK10069	GASKET SET	31	-	FO8805	SPRING-CHOKE FRICTION	33	4
FK10069	GASKET SET-(9.9)	29	13	FO8805	SPRING-CHOKE FRICTION	37	4
FK10114	REPAIR KIT	31	-	FOB4067	OPERATORS MANUAL (84A/87A) (FORCE)	91	-
FK10114	REPAIR KIT-(9.9)	29	12	FP6477	PROPELLER (8 X 9-1/4 X 3)	79	30
FK10120-1	VALVE SEAT KIT (15)	31	38	FP715	PROPELLER (8-3/8 X 6 X 3)	79	30
FK10123	REPAIR KIT	31	-	FS409752	LINE ASSEMBLY-FUEL (COMPLETE)	85	-
FK10123	REPAIR KIT-(15)	29	12	FS409752	LINE ASSEMBLY-FUEL (COMPLETE) (NOT SHOWN)	83	-
FK10124	GASKET SET	31	-	FS617532T	BRACKET ASSEMBLY-STERN (PAINTED)	75	1
FK10124	GASKET SET-(15)	29	13	FT11295	SPARK TESTER-IGNITION SYSTEM	90	-
FK10294	GASKET SET	33	-	FT1749	PLIERS-PISTON PIN RETAINER RINGS	90	-
FK10294	GASKET SET	35	-	FT2907	INSTALLER-DRIVESHAFT SEAL	90	-
FK10294	GASKET SET(9.9-88A) (91A/92B & SER. # E000001-E127699)	35	40	FT2909	KNOCK OFF NUT-FLYWHEEL	90	-
FK10295	REPAIR KIT	33	-	FT2948	HELI COIL KIT (3/8-16)	90	-
FK10295	REPAIR KIT	35	-	FT2962-2	SEALANT-LOCTITE H	90	-
FK10295	REPAIR KIT-CARBURETOR (9.9/15)	35	39	FT2969	HELI COIL KIT (10-24)	90	-
FK1031-1	WATER PUMP KIT	81	49	FT2970	HELI COIL KIT (1/4-20)	90	-
FK10352	GASKET SET	39	-	FT2971	HELI COIL KIT (5/16-18)	90	-
FK10353	REPAIR KIT	39	-				
FK1065	SEAL KIT-GEAR HOUSING	81	50				
FK1066	TUNE-UP KIT	17	6				

PARTS INDEX

Part Number	Description	Pg.	Ref. No.	Part Number	Description	Pg.	Ref. No.
FT2989	WEDGE-FLYWHEEL	90	-	10-819625	SCREW-SHOULDER	51	20
FT2990-1	PISTON PIN TOOLS-PISTON PINS	90	-	10-823594	SCREW-PIVOT	63	16
FT2991	BRUSH-WIRE-CARBON REMOVER	90	-	10-823594	SCREW-STEERING HANDLE PIVOT	67	4
FT2997	COMPRESSOR-PISTON RINGS	90	-	10-823595	SCREW-PIVOT	63	18
FT3012	INSTALLER-UPPER CRANKSHAFT SEAL	90	-	10-823595	SCREW-STEERING HANDLE PIVOT	67	3
FT8900	PLIERS-HOSE CLAMPS- FUEL LINES	90	-	10-824352	SCREW (10-24 X 3/8")	25	17
FT8919	PUNCH-DOWEL PINS & PISTON PINS	90	-	10-824352	SCREW (10-24 X 3/8")	69	29
FT8926	EXPANDER-PISTON RINGS	90	-	10-824352	SCREW (10-24 X 3/8")- GROUND	27	17
FT8929	ADAPTER & HEX BITS- CONN ROD SCREW	90	-	10-824353	SCREW (8-32 X 3/4")	25	16
FT8936-1	SEALANT-LOCTITE RC-609	90	-	10-824353	SCREW (8-32 X 3/4")- IGNITION MODULE	27	16
FT8948-1	PULLER KIT-GEAR HOUSING BEARING CAGE	90	-	10-824358	SCREW (10-24 X 1/2")	25	19
FT8950	LEAKAGE TESTER-LOWER UNIT	90	-	10-824358	SCREW (10-24 X 1/2")- GROUND	27	21
FT8957	INSTALLER-SHIFT ROD SEAL	90	-	10-824358	SCREW (10-24 X 1/2")- STATOR PLATE	27	19
FT8969	LUBRICANT-LPS #1	90	-	10-826248	SCREW-STERN BRACKET	75	2
NLA	TANK ASSEMBLY-FUEL (NO LONGER AVAILABLE)	83	1	10-826575	SCREW (8-32 X 5/8")	67	16
ORDERLOC	SPARK PLUG (15) (RFI) (CHAMPION # RL82YC)	27	13	10-826676	SCREW (1/4-28 X 2")-IDLE ADJUST	51	26
ORDERLOC	SPARK PLUG (9.9) (RFI) (CHAMPION # RL87YC)	27	13	10-828815	SCREW (1/4-20 X 1-3/4")	63	12
ORDERLOC	SPARK PLUG (CANADA - CHAMPION # RL82)	55	17	10-828815	SCREW (1/4-20 X 1-3/4")	67	9
SEEEDESC.	SPARK PLUG (15) (RFI) (CHAMPION # RL82YC)	25	13	10-90192	SCREW (1/4-20 X 3/4")	49	2
SEEEDESC.	SPARK PLUG (9.9) (RFI) (CHAMPION # RL87YC)	25	13	10-90192	SCREW (1/4-20 X 3/4")	51	2
10-28430	SCREW (6-32 X 1/4")	45	2	10-98254	SCREW (1/4-20 X 5/8")	47	35
10-28635	SCREW (1/4-20 X 5/8")	11	23	10-F10328	SCREW (9.9)	35	29
10-28635	SCREW (1/4-20 X 5/8")	15	23	10-F10345	SCREW-SHUTTER	37	7
10-28635	SCREW (1/4-20 X 5/8")	63	13	10-F1069	SCREW (10-24 X 1-1/16")	29	4
10-28635	SCREW (1/4-20 X 5/8")	67	12	10-F1069	SCREW (10-24 X 1-1/16")	45	23
10-28636	SCREW (1/4-20 X 3/4")	19	14	10-F1089	SCREW (10-24 X 9/16")	19	1
10-28636	SCREW (1/4-20 X 3/4")	57	1	10-F1090	SCREW WITH LOCKWASHER (10-24 X 9/16")	17	12
10-28636	SCREW (1/4-20 X 3/4") (USE WITH F715660 TUBE)	59	10	10-F1090	SCREW WITH LOCKWASHER (10-24 X 9/16")	17	18
10-28639	SCREW (1/4-20 X 5/8")	79	29	10-F1090	SCREW WITH LOCKWASHER (10-24 X 9/16")	21	10
10-28668	SCREW (1/4-20 X 7/8")	45	13	10-F1091	SCREW (10-32 X 1/4")	17	27
10-28668	SCREW (1/4-20 X 7/8") (FOR F715152 OR 824141T COVER)	59	2	10-F1107	SCREW (1/4-20 X 3/4")	55	2
10-35386	SCREW (5/16-18 X 1")	59	12	10-F1107	SCREW (1/4-20 X 3/4")	59	6
10-40003-58	SCREW (M8 X 50)	90	-	10-F1112	SCREW (1/4-20 X 7/8")	53	7
10-48408	SCREW (10-16 X 1/2")	41	4	10-F12170	SCREW	17	10
10-48408	SCREW (10-16 X 1/2")	49	15	10-F12170	SCREW	17	5
10-48408	SCREW (10-16 X 1/2")	51	15	10-F12170	SCREW	23	26
10-69022	SCREW (10-32 X 1/2")	75	5	10-F1286	SCREW (4-40 X 3/16")	29	8
10-819074	SCREW (6-32 X 5/16")	29	14	10-F1286	SCREW (4-40 X 3/16")	47	29
10-819382	SCREW (1/4-20 X 1")	77	6	10-F1335	SCREW (5/16-18 X 1-1/4")	55	3
10-819625	SCREW-SHOULDER	41	12	10-F1335	SCREW (5/16-18 X 1-1/4")	59	7
10-819625	SCREW-SHOULDER	49	20	10-F1475	SCREW (10-24 X 1/2")	5	6
				10-F1475	SCREW (10-24 X 1/2")	5	9
				10-F1500	SCREW (#4 X 1/4")	19	19
				10-F175634	SCREW-CONN ROD	57	13

PARTS INDEX

Part Number	Description	Pg.	Ref. No.	Part Number	Description	Pg.	Ref. No.
10-F175634	SCREW-CONN ROD (STEEL ROD ONLY)	53	13	11-814101	NUT (1/4-20)	11	6
10-F1800	BOLT (1/4-20 X 7")	81	37	11-814101	NUT (1/4-20)	13	7
10-F1800	SCREW (1/4-20 X 7")	90	-	11-814101	NUT (1/4-20)	41	9
10-F1820	SCREW (1/4-20 X 1-3/8")	71	9	11-814101	NUT (1/4-20)	49	7
10-F1820	SCREW (1/4-20 X 1-3/8") (84A/84B)	55	31	11-814101	NUT (1/4-20)	51	7
10-F1823	SCREW (5/16-18 X 1")	55	18	11-814101	NUT (1/4-20)	63	12A
10-F1829	SCREW (10-24 X 7/8")	63	32	11-817752A1	NUT KIT-PROP	67	9A
10-F1859	SCREW-SET (1/4-28 X 3/16")	63	25	11-F1608	NUT (1/4-20)	79	32
10-F1922	SCREW (1/4-20 X 5/8")	47	36	11-F1803	NUT (5/16-24)	71	11
10-F1922	SCREW (1/4-20 X 5/8")	49	8	11-F1803	NUT (5/16-24)	55	30
10-F1922	SCREW (1/4-20 X 5/8")	51	8	11-F1809	NUT (5/16-24)	63	7
10-F1922	SCREW (1/4-20 X 5/8")	55	9	11-F1997	NUT (1/2-20)	17	1
10-F1972	SCREW (1/4-20 X 2-1/2")	90	-	11-F436280	NUT (8-32)	31	50
10-F1976	SCREW (10-24 X 1/2")	79	35	11-F436280	NUT (1/2-20)	21	6
10-F2008	SCREW (1/4-20 X 7/8")	29	23	11-F436280	NUT-SHORTING SWITCH	17	24
10-F2008	SCREW (1/4-20 X 7/8")	55	22	11-F7006	NUT (5/16-18)	9	39
10-F2008	SCREW (1/4-20 X 7/8") (FOR F286152 COVER)	59	2	11-F7006	NUT (5/16-18)	63	7A
10-F2030	SCREW (1/4-20 X 1-1/4")	51	24	11-F7009	NUT (10-24)	11	4
10-F2030	SCREW (1/4-20 X 1-1/4")	81	40	11-F7009	NUT (10-24)	13	4
10-F2040	SCREW (1/4-20 X 5/8")	55	24	11-F7011	NUT (10-24)	5	10
10-F2040	SCREW (1/4-20 X 5/8") (USE WITH F487660-1 TUBE)	59	10	11-F7011	NUT (10-24)	5	7
10-F2126	SCREW (1/4-28 X 2")	63	3	11-F7026	NUT (3/8-16)	75	20
10-F2126	SCREW (1/4-28 X 2") (85A/87A)	55	31	12-12038	WASHER	71	10
10-F2210	SCREW (1/4-14 X 1/2")	49	18	12-18552	WASHER	29	9
10-F2210	SCREW (1/4-14 X 1/2")	51	18	12-18552	WASHER	45	27
10-F2211	SCREW (10-24 X 5/8")	11	5	12-19183	WASHER	79	3
10-F2211	SCREW (10-24 X 5/8")	13	5	12-19183	WASHER	79	8
10-F2215	SCREW (6-32 X 3/16")	35	33	12-20553	WASHER	75	19
10-F2417	SCREW (1/4-20 X 3/8")	71	2	12-25909	WASHER (.406 X .812 X .065)	90	-
10-F286422-1	PIVOT-TILT LOCK	71	22	12-27882	WASHER	35	31
10-F286422-1	PIVOT-TILT LOCK	75	13	12-35044	WASHER	15	24
10-F286634-1	SCREW-CONN ROD	57	13	12-35044	WASHER (.281 X .625 X .065)	90	-
10-F286634-1	SCREW-CONN ROD (ALUMINUM ROD ONLY)	53	13	12-37998	WASHER	55	16
10-F430732	SCREW	71	35	12-37998	WASHER	59	16
10-F430732	SCREW-GEAR HOUSING MOUNT	81	38	12-37998	WASHER	81	51
10-F50109	PLUG	79	2	12-819704	WASHER (15)	63	6A
10-F50109	PLUG	79	7	12-89302	WASHER	9	30
10-F617037	BOLT-PIVOT-STERN BRACKET	75	18	12-89302	WASHER	11	2
10-F681026	SCREW-LATCH ROLLER	11	8	12-89302	WASHER	13	2
10-F681026	SCREW-LATCH ROLLER	13	6	12-89302	WASHER	19	6
10-F901938-1	SCREW CYLINDER HEAD	55	15	12-89302	WASHER	19	8
10-F901938-1	SCREW-CYLINDER HEAD	59	15	12-89302	WASHER	31	49
10-FO10280	SCREW (88A/90A)	35	29	12-F2037	WASHER	71	18
10-FO10280	SCREW-SHUTTER	33	7	12-F286011	WASHER-SWIVEL BRACKET	71	6
11-20110	NUT (10-32)	7	26	12-F286220	WASHER	67	19
11-20110	NUT (10-32)	9	31	12-F286220	WASHER-STEERING HANDLE	65	35
11-20110	NUT (10-32)	19	9	12-F286282	WASHER-CONTROL LEVER	63	6
11-20110	NUT (10-32)	41	17	12-F286282	WASHER-MAGNETO CONTROL LEVER	55	29
11-20890	NUT (1/4-20)	29	26	12-F286286-1	WASHER-STERN BRACKET	71	20
11-20890	NUT (1/4-20)	45	12	12-F286903	BEARING	79	16
11-20890	NUT (1/4-20)	79	15	12-F456717	WASHER-THRUST	79	19
11-64015	NUT (1/4-20)	71	33	12-F658504	WASHER-THERMOSTAT	77	2
				12-F8012	WASHER (.203 X .469 X .049)	90	-
				12-F8143	WASHER	13	2A
				12-F8143	WASHER	41	3
				13-26992	LOCKWASHER (1/4")	11	22
				13-26992	LOCKWASHER (1/4")	15	22
				13-26992	LOCKWASHER (1/4")	71	32

PARTS INDEX

Part Number	Description	Pg.	Ref. No.	Part Number	Description	Pg.	Ref. No.
13-26992	LOCKWASHER (1/4")	79	14	17-F8538	PIN-SPRING	71	13
13-26992	LOCKWASHER (1/4") (15)	61	19	17-F8559	PIN-DOWEL	55	5
13-26996	LOCKWASHER (#10)	41	19	17-F8559	PIN-DOWEL	59	8
13-69150	WASHER-WAVE	75	16	17-F8564	PIN-SPIRAL	79	22
13-78968	LOCKWASHER (1/4" INTERNAL)	63	14	17-F901563	PIN-IMPELLER	81	43
13-78968	LOCKWASHER (1/4" INTERNAL)	67	11	17-FO13944	PIN-FLOAT	33	10
13-F1704	LOCKWASHER (#6 INTERNAL)	45	3	17-FO13944	PIN-FLOAT	37	9
13-F2047	WASHER-WAVE	11	20	18-45882	PIN-COTTER	79	33
13-F2047	WASHER-WAVE	15	20	19-73336	PLUG (91D/92B & SER. # E000001 THRU E127699)	13	16
13-F8048	WASHER-BOWED	7	25	19-817362	PLUG	51	11
13-F8048	WASHER-BOWED	43	32	19-817362	PLUG-PULLEY	49	11
13-F8058	LOCKWASHER	65	33	19-90585	PLUG-STOP SWITCH HOLE (NOT ALL MODELS)	15	NS
13-F8058	LOCKWASHER (#10 INTERNAL)	5	18	19-F286539	BUMPER	63	11
13-F8058	LOCKWASHER (#10 INTERNAL)	41	22	19-F286539	BUMPER	67	10
16-826542	STUD (1/4-20 X 1.36")	79	4	19-F681226	PLUG	9	36
16-826590	STUD	41	7	19-F681226	PLUG	11	16
16-826622	STUD	29	22	19-F681226	PLUG (90A/91A)	13	16
16-826622	STUD (1/4-20 X .91") WITH DRI LOC-CARBURETOR	45	9	19-FO10588	PLUG-CUP	33	8
16-F286134	STUD	5	24	19-FO10588	PLUG-CUP	37	2
16-F286134	STUD	7	27	19-FO16128	PLUG-WELCH	37	1
16-F286134	STUD	19	5	19-FO2531	PLUG-WELCH	33	2
16-F286134	STUD-GEAR SHIFT LEVER	41	27	21-13331A1	VALVE-CHECK (INLET)	87	8
16-F286440	STUD-CONTROL LEVER	63	5	21-13331A1	VALVE-CHECK (INLET)	89	8
16-F286440	STUD-MAGNETO CONTROL LEVER	55	4	21-13331A2	VALVE-CHECK (OUTLET)	87	9
16-F660273	STUD (9.9)	63	5A	21-13331A2	VALVE-CHECK (OUTLET)	89	9
16-F681134	STUD-INTERLOCK LEVER	41	6	21-817741A1	VALVE KIT	45	20
16-F98273	STUD-END CONNECTOR	41	21	22-823531	CONNECTOR ASSEMBLY-FUEL	89	3
16-F98273	STUD-SHIFT CONNECTOR	5	19	22-823532	CONNECTOR ASSEMBLY-FUEL	87	3
17-24198	PIN-ROLL	75	7	22-89771--1	CONNECTOR-FUEL TANK	87	15
17-25810	PIN-ROLL	65	43	22-89771--1	CONNECTOR-FUEL TANK	89	15
17-25905	PIN-ROLL	41	28	22-F197767-2	CONNECTOR-FUEL (89B/92B & SER.#E000001 - E127699)	45	16
17-25905	PIN-ROLL	41	28	22-F197767-2	FITTING-FUEL	9	46
17-25905	PIN-ROLL	41	31	22-F213274	FITTING-GREASE	71	4
17-25905	PIN-ROLL	43	31	22-F523274	FITTING-GREASE	63	23
17-29908	PIN-ROLL	63	26	22-F681188	NUT-STOP SWITCH SLEEVE	25	15
17-31656	PIN-ROLL	41	24	22-F681188	NUT-STOP SWITCH SLEEVE	27	15
17-31656	PIN-SPRING	5	17	22-F681188	SLEEVE (91A/92B & SER. # E000001 THRU E034999)	23	25
17-38489	PIN-ROLL	41	28	22-F702801	FITTING-FUEL	85	9
17-38489	PIN-ROLL	41	31	22-F901811	FILTER-FUEL PUMP	29	3
17-38489	PIN-ROLL	75	11	22-F901811	FILTER-FUEL PUMP	45	17
17-38489	PIN-SPRING	9	34	23-26841	BUSHING	5	20
17-48450	PIN-DOWEL	79	9	23-26841	BUSHING	41	26
17-819707	PIN-TILT LOCK	71	22A	23-26841	BUSHING	63	15
17-F1794	PIN-SPRING	71	15	23-26856	BUSHING	63	20
17-F1806	PIN-GROOVE	71	21	23-26856	BUSHING	65	36
17-F1807	PIN-GROOVE	63	17	23-26856	BUSHING	67	20
17-F1807	PIN-GROOVE	67	2	23-26856	BUSHING	67	6
17-F1875	PIN-SPRING	19	21	23-26856	BUSHING	71	14
17-F1876	PIN-SPRING	29	20	23-812707	BUSHING	11	19
17-F286728	PIN-SHIFT	79	20	23-812707	BUSHING	15	19
17-F40425	PIN-STARTER PINION GEAR	19	13	23-812707	BUSHING	65	37
17-F66480	STUD-CLAMP SCREW	75	5	23-812707	BUSHING	67	22
17-F8537	PIN-SPRING	75	3	23-819226	SPACER-TILT LOCK	71	23

PARTS INDEX

Part Number	Description	Pg.	Ref. No.	Part Number	Description	Pg.	Ref. No.
23-819226	SPACER-TILT LOCK	75	14	26-F901307-2	SEAL-DRIVESHAFT	79	5A
23-97896	BUSHING	63	29	26-F901307-2	SEAL-DRIVESHAFT	81	46
23-F183813	BEARING-CONTROL LEVER	63	4	27-818043A1	GASKET/DIAPHRAGM KIT	47	30
23-F183813	BEARING-MAGNETO CONTROL LEVER	55	28	27-818043A1	GASKET/DIAPHRAGM SET	29	11
23-F197319	BEARING	9	43	27-819669	GASKET-THERMOSTAT COVER	77	1
23-F197319	BUSHING	35	41	27-825183	GASKET-TRANSFER PORT COVER	47	32
23-F197319	BUSHING	39	34	27-825188	GASKET-CYLINDER DRAIN COVER	45	22
23-F286169	BEARING (1-3/4")	71	5	27-F10068	GASKET-FUEL BOWL	31	42
23-F536813	BUSHING	71	16	27-F10090	GASKET-FUEL BOWL	31	44
23-F681169	BEARING (1-1/8")	71	5	27-F18906	GASKET-CARBURETOR (15) (88A/90A)	45	11
23-F681405	INSERT-STARTER HOUSING	49	6	27-F18906	GASKET-CARBURETOR (9.9)	45	11
23-F681405	INSERT-STARTER HOUSING	51	6	27-F18906	GASKET-CARBURETOR FLANGE	29	25
23-F681759	ROLLER-LATCH	11	7	27-F24748-2	GASKET-FUEL PUMP	29	6
23-F681759	ROLLER-LATCH	13	8	27-F24748-2	GASKET-FUEL PUMP	45	25
24-27160	SPRING-IDLE MIXTURE SCREW	33	16	27-F286154	GASKET-EXHAUST COVER	55	20
24-27160	SPRING-IDLE MIXTURE SCREW	37	16	27-F286154	GASKET-EXHAUST COVER (15) (88A/90A)	59	3
24-819329	SPRING-THERMOSTAT	77	4	27-F286154	GASKET-EXHAUST COVER (9.9) (88A/92A)	59	3
24-F10246	SPRING-THROTTLE SHAFT	35	27	27-F286159-1	GASKET-REED PLATE	29	18
24-F10350	SPRING-THROTTLE SHAFT	37	28	27-F286159-1	GASKET-REED PLATE	45	6
24-F286300	SPRING-REVERSE LOCK	71	28	27-F286223	GASKET-TRANSFER PORT COVER	55	12
24-F286414	SPRING (84A/90A)	73	42	27-F286277	GASKET-CRANKSHAFT BEARING CAGE	53	4
24-F286461	SPRING-LOCK BAR HANDLE	75	12	27-F286277	GASKET-CRANKSHAFT BEARING CAGE	57	5
24-F286544-1	SPRING-TILT LOCK	75	17	27-F286279-2	GASKET-CYL MOUNT (15) (88A/90A)	59	11
24-F286868	SPRING-STEERING HANDLE STOP	63	19	27-F286279-2	GASKET-CYL MOUNT (9.9) (88A/91B)	59	11
24-F286868	SPRING-STEERING HANDLE STOP	67	5	27-F286279-2	GASKET-CYLINDER MOUNTING	55	25
24-F286895	SPRING-SHIFT CAM	79	12	27-F286529-3	GASKET-CYLINDER HEAD	55	14
24-F409719	SPRING-CLUTCH	79	23	27-F286529-3	GASKET-CYLINDER HEAD	59	13
24-F487424-1	SPRING-STARTER PINION GEAR	19	3	27-F286555	GASKET-GEAR HOUSING	81	39
24-F487895	SPRING-INTERLOCK DETENT	19	11	27-F429472	GASKET-CYLINDER DRAIN COVER	55	10
24-F681424	SPRING-INTERLOCK LEVER	41	5	27-F715154	GASKET-COVER (15)(90C/92B & SER.#E000001 - E127699)	59	3A
24-F681970	SPRING-STARTER REWIND	49	9	27-F715154	GASKET-COVER (9.9) (92B & SER. # E000001 - E127699)	59	3A
24-F681970	SPRING-STARTER REWIND	51	9	27-F715168	GASKET-MANIFOLD	29	19
25-21836	O RING (LARGE)	65	39	27-F715168	GASKET-MANIFOLD	45	7
25-21836	O RING (LARGE)	67	23	27-F715279-1	GASKET-MOUNT (15) (90C/92B & SER.#E000001-E127699)	59	11
25-23145	O RING (SMALL)	67	25	27-F715279-1	GASKET-MOUNT (9.9) (91C/92B & SER.#E000001-E127699)	59	11
25-32509	O RING	53	18	27-F715906	GASKET-CARB (15) (90C/92B& SER.# E000001 - E127699)	45	11
25-32509	O RING	57	14				
25-38101	O RING (SMALL)	65	40				
25-823533	O RING	87	4				
25-823533	O RING	89	4				
25-F184579	O RING	7	28				
25-F455305	SEAL-PROPSHAFT CAGE	79	27				
26-66022	SEAL-PROPSHAFT	79	28				
26-817472	SEAL-OIL	79	5				
26-819396	SEAL-CRANKSHAFT LOWER	53	20				
26-819396	SEAL-CRANKSHAFT LOWER	57	16				
26-819801	SEAL	53	6				
26-819801	SEAL	57	3				
26-F10066	GASKET-VALVE SEAT (9.9)	31	-				
26-F681579	SEAL-PULLEY BEARING	49	12				
26-F681579	SEAL-PULLEY BEARING	51	12				
26-F85735-1	SEAL	5	3				
26-F901307-2	SEAL-DRIVESHAFT	73	41				

PARTS INDEX

Part Number	Description	Pg.	Ref. No.	Part Number	Description	Pg.	Ref. No.
27-FO15623	GASKET-FUEL BOWL	33	12	33-82372M	SPARK PLUG (NGK#B-8HS)		
27-FO15623	GASKET-FUEL BOWL	37	11		(15) (90C/90D)	21	21
27-FO2510	GASKET-FUEL BOWL	33	14	34-F18160-3	REED	29	10
27-FO2510	GASKET-FUEL BOWL	37	13	34-F18160-3	REED	45	28
28-F458498-1	KEY-			34-F31160-2	REED	29	16
	CRANKSHAFT/FLYWHEEL	27	14	34-F31160-2	REED	45	5
28-F458498-1	KEY-FLYWHEEL	17	14	34-F424161	STOP-REED (15)	29	17
28-F458498-1	KEY-FLYWHEEL	21	23	34-F424161	STOP-REED (15) (88A/90A)	45	4
28-F458498-1	KEY-FLYWHEEL	25	14	34-F424161	STOP-REED (9.9 - 84A		
29-F286571	ROLLER SET (26)	53	17		MODELS - SILVER)	29	17
29-F286571	ROLLER SET (26)	57	8	34-F424161	STOP-REED (9.9) (90A/91B)	45	4
30-F127910-2	BEARING-BALL	79	11	34-F619161-1	STOP-REED (9.9 - BLACK)	29	17
30-F286028	BEARING-BALL	53	2	34-F619161-1	STOP-REED (9.9) (88A/89B)	45	4
30-F286028	BEARING-BALL	57	7	34-F715161	STOP (15)	45	4
30-F487727	BALL-INTERLOCK DETENT	19	10	34-F715161	STOP (9.9)	45	4
31-48913	BEARING-ROLLER	79	17	34-FA715158	PLATE ASSY (9.9)	45	1
31-817756A2	CAGE ASSEMBLY-			34-FA715158	PLATE ASSY.(15) (90C/92B		
	PROPSHAFT (PAINTED)	79	26		& SER. # E000001 -		
31-F343014	BEARING-CRANKSHAFT				E127699)	45	1
	LOWER MAIN	53	19	35-823534	SCREEN-FILTER	87	5
31-F343014	BEARING-CRANKSHAFT			35-823534	SCREEN-FILTER	89	5
	LOWER MAIN	57	15	36-F213251	GAUGE-FUEL TANK	83	-
32-16789-78	LINE-FUEL (9') CUT AS			36-F409251-1	GAUGE-FUEL TANK	83	2
	REQ'D	87	-	37-817985--1	DECAL-US MARINE (RED)	11	10
32-16789-78	LINE-FUEL (9') CUT AS			37-818029	DECAL-FUEL MIX	73	44
	REQ'D	89	-	37-820482A93	DECAL SET (9.9/15 FORCE)	15	-
32-16789100	LINE-FUEL (100') CUT AS			37-820731A95	DECAL SET (9.9 FORCE)	15	-
	REQ'D	87	-	37-820732A95	DECAL SET (15 FORCE)	15	-
32-16789100	LINE-FUEL (100') CUT AS			37-826339A94	DECAL SET (9.9 FISH-N-		
	REQ'D	89	-		HUNT)	15	-
32-817738A1	LINE KIT-FUEL	83	5	37-F224394-3	DECAL-FUEL MIX	83	-
32-817738A1	LINE KIT-FUEL	85	10	37-F286585-2	DECAL-TILT LOCK (84A/87A)	71	24
32-820572A8	LINE ASSEMBLY-FUEL (5/16"			37-F286894-3	DECAL-SPEED SHIFT		
	I.D.)	87	6		INDICATOR (SILVER)	65	44
32-820572A8	LINE ASSEMBLY-FUEL (5/16"			37-F310398	DECAL-TOTE TANK (USA -		
	I.D.) (8 FT)	89	6		NOT SHOWN)	83	-
32-99127109	HOSE (CUT AS REQ'D)	83	8	37-F656528	DECAL-REAR (1986)	5	15
32-99127109	HOSE (CUT AS REQ'D)	85	13	37-F657396	DECAL-STBD	5	13
32-F286244	LINE-WATER	73	39	37-F657397	DECAL-PORT	5	13
32-F40253-1	HOSE	29	2	37-F666396	DECAL-STBD	5	13
32-F40253-1	HOSE (8-1/4" & 13.38") CUT			37-F666397	DECAL-PORT	5	13
	AS REQ'D	45	15	37-F666528	DECAL-REAR (1987)	5	15
32-F40253-1	HOSE-PRIMER BULB TO			37-F667396	DECAL-STBD	5	13
	CARB (5-3/4") CUT AS			37-F667397	DECAL-PORT	5	13
	REQ'D	45	10	37-F676585	DECAL-TILT LOCK (88A/88B)	71	24
32-F715943	TUBE-WATER JACKET	61	18	37-F681390	DECAL-STARTING	11	13
32-FS901244	EXTENSION-WATER LINE	71	36	37-F681390	DECAL-STARTING (90A/92B		
33-19796	SPARK PLUG (NGK#BRP-				& SER. # E000001 -		
	6HS-10)	21	21		E090399)	13	12
33-813414	SPARK PLUG (15)	25	13	37-F681396	DECAL-STARBOARD	11	12
33-813414	SPARK PLUG (15)	27	13	37-F681397	DECAL-PORT	11	12
33-813414	SPARK PLUG (NGK#BP7HS)			37-F681528	DECAL-REAR	11	11
	(15)	21	21	37-F681528	DECAL-REAR	11	11
33-813423	SPARK PLUG (9.9)	25	13	37-F682396	DECAL-STARBOARD	11	12
33-813423	SPARK PLUG (9.9)	27	13	37-F682397	DECAL-PORT	11	12
33-813423	SPARK PLUG			37-F685387-2	DECAL-US MARINE		
	(NGK#BPR6HS) (9.9)	21	21		(1984/1985)	5	15
33-82370M	SPARK PLUG (NGK # B6HS)	55	17	37-F685387-2	DECAL-US MARINE (1987)	5	14
33-82370M	SPARK PLUG (NGK#B-6HS)			37-F685387-2	DECAL-US MARINE (BLUE)	11	10
	(9.9/15) (88A/91B)	21	21	37-F688396	DECAL-STARBOARD	11	12

PARTS INDEX

Part Number	Description	Pg.	Ref. No.	Part Number	Description	Pg.	Ref. No.
37-F688397	DECAL-PORT	11	12	45-F344128	DRIVESHAFT (20" TRANSOM)	81	42
37-F688528	DECAL-REAR (9.9 - 1989 MODELS)	11	11	46-FA715060	BODY ASSEMBLY-WATER PUMP	81	45
37-F688585	DECAL-TILT LOCK	71	24	47-F436065-2	IMPELLER-WATER PUMP	81	44
37-F689528	DECAL-REAR (15 - 1989 MODELS)	11	11	48-FP286-3	PROPELLER (8-1/4 X 8-1/4 X 2)	79	30
37-F694366-1	MEDALLION-US MARINE (RED) (89A/91D)	73	-	48-FP6430	PROPELLER (8 X 8-1/4 X 3)	79	30
37-F694366-1	MEDALLION-US MARINE LOGO (90A/91D)	13	9	50-F521232	ROPE-STARTER REWIND SPOOL	19	24
37-F712894	DECAL-SPEED INDICATOR	69	28	52-819253	CLUTCH-SHIFT	79	21
37-F712894	DECAL-SPEED/SHIFT INDICATOR (RED)	65	44	53-42689	RING-RETAINING	49	4
37-F714528	DECAL-REAR	13	10	53-42689	RING-RETAINING	51	4
37-F715528	DECAL-REAR	13	10	53-F31410	RING-RETAINING	53	11
37-F736396	DECAL-STARBOARD	13	11	53-F31410	RING-RETAINING	57	18
37-F736396	DECAL-STARBOARD	13	11	54-41582--7	CLAMP	83	6
37-F736397	DECAL-PORT	13	11	54-41582--7	CLAMP	83	9
37-F736397	DECAL-PORT	13	11	54-41582--7	CLAMP	85	11
37-F736528	DECAL-REAR	13	10	54-41582--7	CLAMP	85	14
37-F737528	DECAL-REAR	13	10	54-41582--7	CLAMP	87	16
37-FA311396	DECAL-STBD	5	13	54-41582--7	CLAMP	89	16
37-FA311397	DECAL-PORT	5	13	54-41582--7	CLAMP (SMALL)	87	11
37-FA312396	DECAL-STBD	5	13	54-41582--7	CLAMP (SMALL)	89	11
37-FA312397	DECAL-PORT	5	13	54-41582-10	CLAMP (LARGE)	87	10
37-FP736396	DECAL-STARBOARD	13	11	54-41582-10	CLAMP (LARGE)	89	10
37-FP736397	DECAL-PORT	13	11	54-816311	CABLE TIE (8")	27	-
37-FP736528	DECAL-REAR (9.9)	13	10	54-F2706772	CLAMP	29	1
37-FP737528	DECAL-REAR (15)	13	10	54-F2706772	CLAMP	45	14
37-FX689396	DECAL-STARBOARD	11	12	54-F286573-1	CLAMP-STEERING FRICTION	71	8
37-FX689397	DECAL-PORT	11	12	54-F286772-1	CLAMP	45	21
37-FX689528	DECAL-REAR (15 - BLUE FIN)	11	11	54-F286772-1	CLAMP	55	8
37-FX714528	DECAL-REAR	13	10	84-60466A16	WIRE ASSEMBLY-GROUND	27	20
37-FX715396	DECAL-STARBOARD	13	11	84-819379A1	WIRE ASSEMBLY (9.9 - 91C) (15 - 91A)	21	13
37-FX715396	DECAL-STARBOARD	13	11	84-819379A5	HARNESS ASSEMBLY-ENGINE STOP	25	8
37-FX715397	DECAL-PORT	13	11	84-819379A7	HARNESS ASSEMBLY-ENGINE STOP	27	8
37-FX715397	DECAL-PORT	13	11	84-F289664	WIRE-GROUND	17	11
37-FX715528	DECAL-REAR	13	10	84-F289664	WIRE-GROUND	21	14
38-819281	PLATE (91C/92B & SER. # E00001 THRU E090399)	13	15	85-818751	BOOT-SPARK PLUG (HARD RUBBER STYLE)	21	20
38-819281--1	PLATE (SER. # E090400 THRU E127699)	13	15	87-817952A1	SWITCH KIT-SHORTING	17	23
38-F681711-1	PLATE (91A/91B)	13	15	87-817952A1	SWITCH KIT-STOP	21	5
38-F681711-1	PLATE-SUPPORT FRONT	11	15	87-824440A6	SWITCH ASSEMBLY-STOP	25	4
39-820484A1	RING SET-2 RINGS	57	20	87-824440A9	SWITCH ASSEMBLY-STOP	27	4
39-820484A1	RING SET-2 RINGS (15)	53	9	87-824440A9	SWITCH ASSEMBLY-STOP	67	14
39-820484A1	RING SET-2 RINGS (9.9) (85A/87A)	53	9	87-826214A1	SWITCH ASSEMBLY-EMERGENCY STOP	27	6
41-F712017	PIN-PISTON	53	10	87-F687287	SWITCH (9.9)	21	7
41-F712017	PIN-PISTON	57	19	87-F687287	SWITCH KIT (15)	21	7
43-818009--1	GEAR-STEERING SHAFT	63	27	87-F687287	SWITCH-EMERGENCY STOP	25	6
43-819251A1	GEAR ASSEMBLY-PINION	79	10	90-822172920	OPERATORS MANUAL	91	-
43-819252A1	GEAR ASSEMBLY-FORWARD	79	18	90-822172941	OPERATORS MANUAL	91	-
43-819254A1	GEAR ASSEMBLY-REVERSE	79	25	90-826782	OPERATORS MANUAL (FISH-N-HUNT MODELS)	91	-
43-F617674	GEAR-STARTER PINION	19	2	90-826876950	OPERATORS MANUAL	91	-
44-F456098	SHAFT-PROPELLER	79	24	90-FOB4526-1	OPERATORS MANUAL (88A/92B) (FORCE)	91	-
45-F343128	DRIVESHAFT (15" TRANSOM)	81	42				

PARTS INDEX

Part Number	Description	Pg.	Ref. No.	Part Number	Description	Pg.	Ref. No.
91-99750A1	MULTIMETER TESTER-ELECTRICAL COMPONENTS	90	-	700-F472015-2	PISTON (9.9) (85A/87A)	53	8
92-59327--1	SEALANT-LOCQUIC PRIMER	90	-	700-F472015-2	PISTON (9.9) (88A/91A)	57	17
92-819104-12	LACQUER-GRAPHITE GRAY ACRYLIC-SPRAY CAN (CASE OF 12)	91	-	800-817801A2	CYLINDER BLOCK ASSEMBLY (9.9) (84A/84B)	55	1
92-819107-12	LACQUER-CLEAR ACRYLIC-SPRAY CAN (CASE OF 12)	91	-	800-817893A3	SHORT BLOCK (9.9) (84A/84B)	55	-
92-823089--1	SEALANT-LOCTITE 8831	90	-	800-819089A3	CYLINDER BLOCK KIT (9.9/15) (85A/87A)	55	1
92-825265A1	COMPOUND (8 OZ)-NEEDLE BEARINGS	90	-	800-819089A3	CYLINDER KIT (15) (88A/90A)	59	5
92-825321-12	LACQUER-GRAPHITE GRAY ACRYLIC-BRUSH BOTTLE (BOX OF 12)	91	-	800-819089A3	CYLINDER KIT (9.9) (88A/91A)	59	5
92-90113--2	SEALANT-RTV #1473	90	-	800-819091A2	SHORT BLOCK KIT (9.9/15) (85A/87A)	55	-
92-FT2987-1	LUBRICANT-ANTI SEEZ	90	-	800-819553A12	CYLINDER KIT(15)	59	5
100-819280A2	PLATE KIT-SUPPORT (PAINTED)	11	14	800-819553A12	CYLINDER KIT(9.9)	59	5
100-819280A2	PLATE KIT-SUPPORT (PAINTED)	13	14	800-819553A14	SHORT BLOCK (PAINTED)	59	-
100-820154A2	COWL ASSEMBLY-TOP (PAINTED) (WITHOUT DECALS)	11	1	800-819553A14	SHORT BLOCK ASSEMBLY	43	-
100-820154A2	COWL ASSY-TOP	13	1	800-819553A14	SHORT BLOCK ASSEMBLY	61	-
100-820154A4	COWL ASSY-TOP	13	1	800-819553A14	SHORT BLOCK ASSEMBLY	65	-
100-FS666712T	COWL ASSEMBLY-TOP (WITHOUT DECALS)	5	1	800-819553A14	SHORT BLOCK ASSEMBLY	65	-
200-824380T	FLYWHEEL (15)	21	2	900-F286518T	HEAD-CYLINDER (15)	59	14
200-824380T	FLYWHEEL (9.9)	21	2	900-F286518T	HEAD-CYLINDER (15) (9.9 - 85A/87A)	55	13
200-824380T	FLYWHEEL (PAINTED)	25	2	900-F286518T	HEAD-CYLINDER (9.9) (88A/89B)	59	14
200-824380T	FLYWHEEL (PAINTED)	27	2	900-F286518T	HEAD-CYLINDER (9.9)	59	14
200-FA681097	FLYWHEEL KIT (9.9/15) (88A/89A)	21	2	900-F703518T	HEAD-CYLINDER (9.9)	59	14
300-819156T	IGNITION MODULE (CUT WIRE AS REQ'D)	25	10	1100-817753A1	CAGE ASSEMBLY-CRANKSHAFT	53	5
300-819156T	MODULE-IGNITION (CUT WIRE AS REQ'D)	27	10	1100-817753A1	CAGE ASSEMBLY-CRANKSHAFT	57	2
300-819305T	PLATE-STATOR	25	9	1200-819038A1	TANK ASSEMBLY-FUEL (6.0 GALLON)	85	1
300-826692T	PLATE-STATOR	27	9	1259-823504A1	TANK ASSEMBLY-FUEL (PLASTIC - 6.6 GAL.)	87	1
300-F73082	RING-MAG. STATOR	57	4	1259-823504A3	TANK ASSEMBLY-FUEL (COMPLETE)	87	-
300-F73082	RING-MAGNETO STATOR	53	3	1260-823505A1	TANK ASSEMBLY-FUEL (PLASTIC) (3.2 GALLON)	89	1
400-818047A3	CRANKSHAFT ASSEMBLY (9.9) (84A/84B)	53	1	1260-823505A2	TANK ASSEMBLY-FUEL (COMPLETE) (3.2 GALLON)	89	-
400-819803A2	CRANKSHAFT ASSEMBLY	57	6	1300-F617061-1	CARBURETOR (9.9)	31	27
400-F2A472018	CRANKSHAFT ASSEMBLY (15)	53	1	1300-F618061-2	CARBURETOR (15)	31	27
400-F2A472018	CRANKSHAFT ASSEMBLY (9.9) (85A/87A)	53	1	1300-F682061-2	CARBURETOR (HO-1C) (88A90A) - (15)	33	1
600-819950A1	CONN ROD KIT (2 PCS) (STEEL) (ALUM ROD-NLA)	53	12	1300-F682061-2	CARBURETOR (HO-1C) (88A90A) - (15)	35	1
600-819950A1	CONN ROD KIT (2 PCS-STEEL)	57	12	1300-F682061-2	CARBURETOR (HO-1C) (88B/90A) - (9.9)	33	1
600-FS715016	CONNECTING ROD ASSEMBLY	57	12	1300-F682061-2	CARBURETOR (HO-1C) (88B/90A) - (9.9)	35	1
700-819946A3	PISTON KIT (15)	57	17	1300-F714061	CARB (HO-5A)	35	1
700-819946A3	PISTON KIT (9.9)	57	17	1300-F714061	CARB (HO-5A) (91A/92B & SER.#E000001 THRU E127699)	33	1
700-F286015-3	PISTON (9.9) (84A/84B)	53	8	1300-F715061-1	CARBURETOR (FO-1B)	37	-
700-F472015-2	PISTON (15)	53	8	1395-5898	FLOAT-FUEL BOWL	31	41
700-F472015-2	PISTON (15) (88A/90A)	57	17	1395-5902	SCREW-THROTTLE VALVE	31	29
				1395-5904	SPRING-FLOAT	31	40
				1395-6029	JET-MAIN (.068) (2500' - 5000')	37	18

PARTS INDEX

Part Number	Description	Pg.	Ref. No.	Part Number	Description	Pg.	Ref. No.
1395-6030	JET-MAIN (.070) (0 - 2500')	37	18				
1395-8155	BOWL-FUEL	31	43				
1399-1457	JET-MAIN (.057) (0 - 2500')	33	20				
1399-1457	JET-MAIN (.057) (2500' - 5000')	33	20				
1399-1457	JET-MAIN (.057) (7500' - 10000')	33	20				
1399-1459	JET-MAIN (.059) (0 - 2500')	33	20				
1399-1459	JET-MAIN (.059) (5000' - 7500')	33	20				
1399-1463	JET-MAIN (.063) (0 - 2500')	33	20				
1399-1655	JET-MAIN (.055) (2500' - 5000')	33	20				
1399-1655	JET-MAIN (.055) (5000' - 7500')	33	20				
1399-4215	JET-MAIN (.066) (5000' - 7500')	37	18				
1399-4216	JET-MAIN (.064) (7500' - 10000')	37	18				
1399-5128	SCREW-FUEL BOWL	33	13				
1399-5128	SCREW-FUEL BOWL	37	12				
1400-817750A4	BRACKET KIT-SWIVEL (PAINTED)	71	3				
1400-820068T1	BRACKET-STERN (PAINTED)	75	1				
1500-819344T	D/S HSG. (9.9/15) (PAINTED) (92B & SER. # E000001 - E127699)	73	38				
1500-819344T1	D/S HSG. (15) (PAINTED) (90C/92A)	73	38				
1500-819344T1	D/S HSG. (9.9) (PAINTED) (91D/92A)	73	38				
1500-824916A1	HOUSING KIT-DRIVESHAFT (UPPER) (PAINTED)	79	1				
1500-F2A477133	DRIVESHAFT HOUSING KIT (15) (84A/90A)	73	38				
1500-F2A477133	DRIVESHAFT HOUSING KIT (9.9) (84A/91C)	73	38				
1600-817749A2	GEAR HOUSING ASSY. (BASIC) (PAINTED)	79	6				
1600-819483A2	GEAR HOUSING KIT (COMPLETE) (PAINTED)	79	-				