



**OPERATION MANUAL/
PARTS CATALOG
Gamefisher 5 H.P.**

TABLE OF CONTENTS:

BOTTOM COWL AND SUPPORT PLATE	5
CARBURETOR	15
CRANKSHAFT AND PISTON	21
CYLINDER BLOCK	19
DRIVESHAFT HOUSING	25
FUEL PUMP	13
FUEL TANK AND LINE (PLASTIC - 3.2 GALLON)	35
GEAR HOUSING	31
INTAKE SYSTEM	11
MAGNETO	9
SHIFT LINKAGE	23
STARTER REWIND	7
STEERING HANDLE/TWIST GRIP THROTTLE	27
SWIVEL BRACKET/CLAMP BRACKET	29
TOP COWL	3
PARTS INDEX	36

NOTE: Indented description indicate that these parts are included in preceding assembly.

AR = As Required **NSS** = Not Sold Separate **OPT** = Optional **NS** = Not Shown

NOTE: Following symbols are located in **SYM** column.

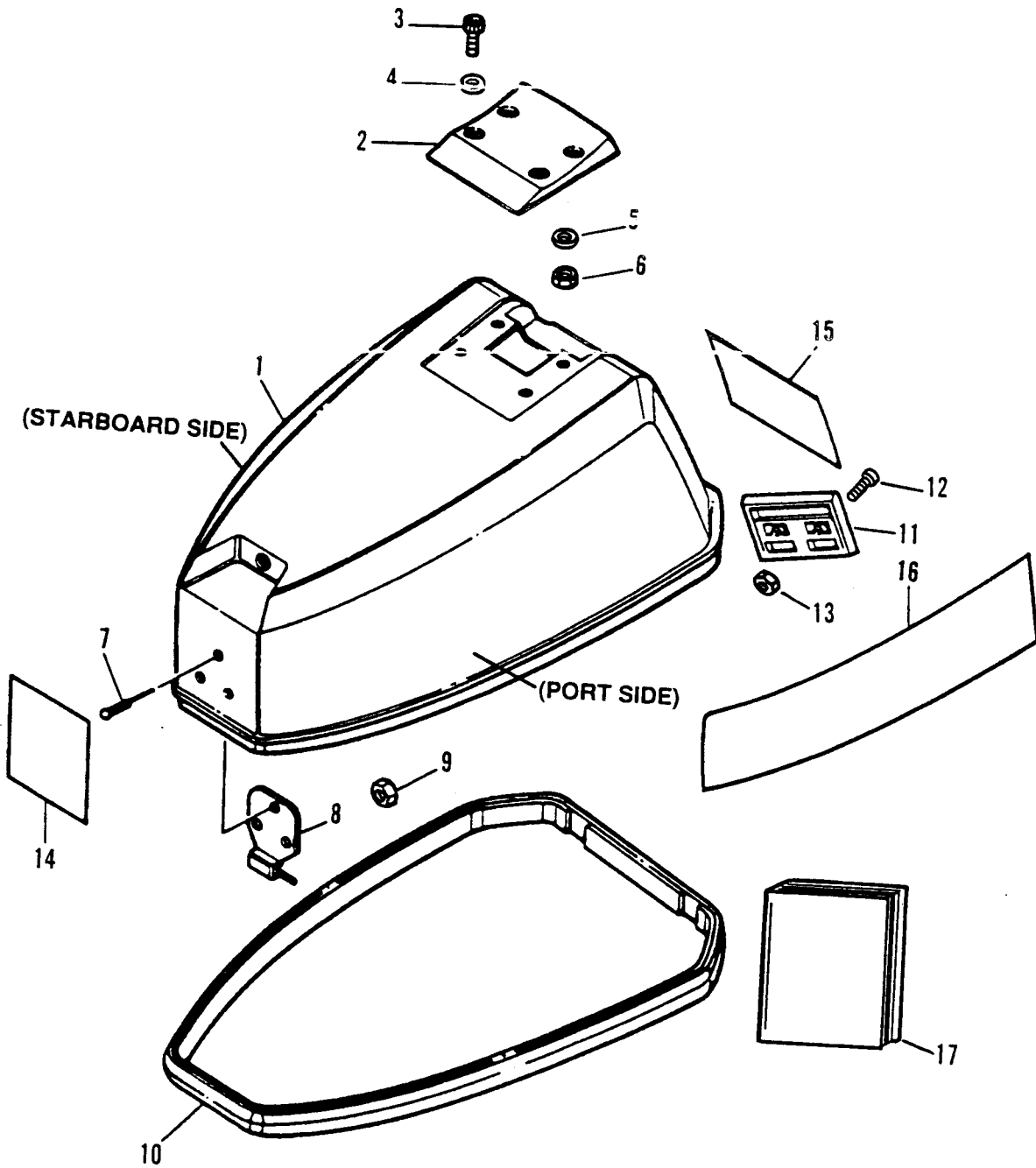
- = MODELS:225,587505-15" LEG AND 225.587495-20"LEG
- = CONTENTS OF CARB REPAIR KIT FK10295
- ▮ = CONTENTS OF POWERHEAD ASSY
- ◇ = CONTENTS OF CARB GASKET SET FK10294
- ⊕ = CONTENTS OF GEAR HOUSING SEAL KIT FK1057
- † = CONTENTS OF WATER PUMP KIT 819026A 1
- = CONTENTS OF POWERHEAD GASKET SET FG1034-1

THESE PARTS BOOKS/FICHE CARD ARE COPYRIGHTED AND MAY NOT BE DISTRIBUTED OR REPRODUCED IN ANY OTHER FORMAT BY ANYONE OTHER THAN MERCURY MARINE WITHOUT THE PRIOR WRITTEN CONSENT OF MERCURY MARINE.

Models covered by this Parts Manual

Model Part No.	Model Name	Year	Country	Starting Serial No.	Ending Serial No.
H005211RS					9999999999999999
H005201RS					9999999999999999

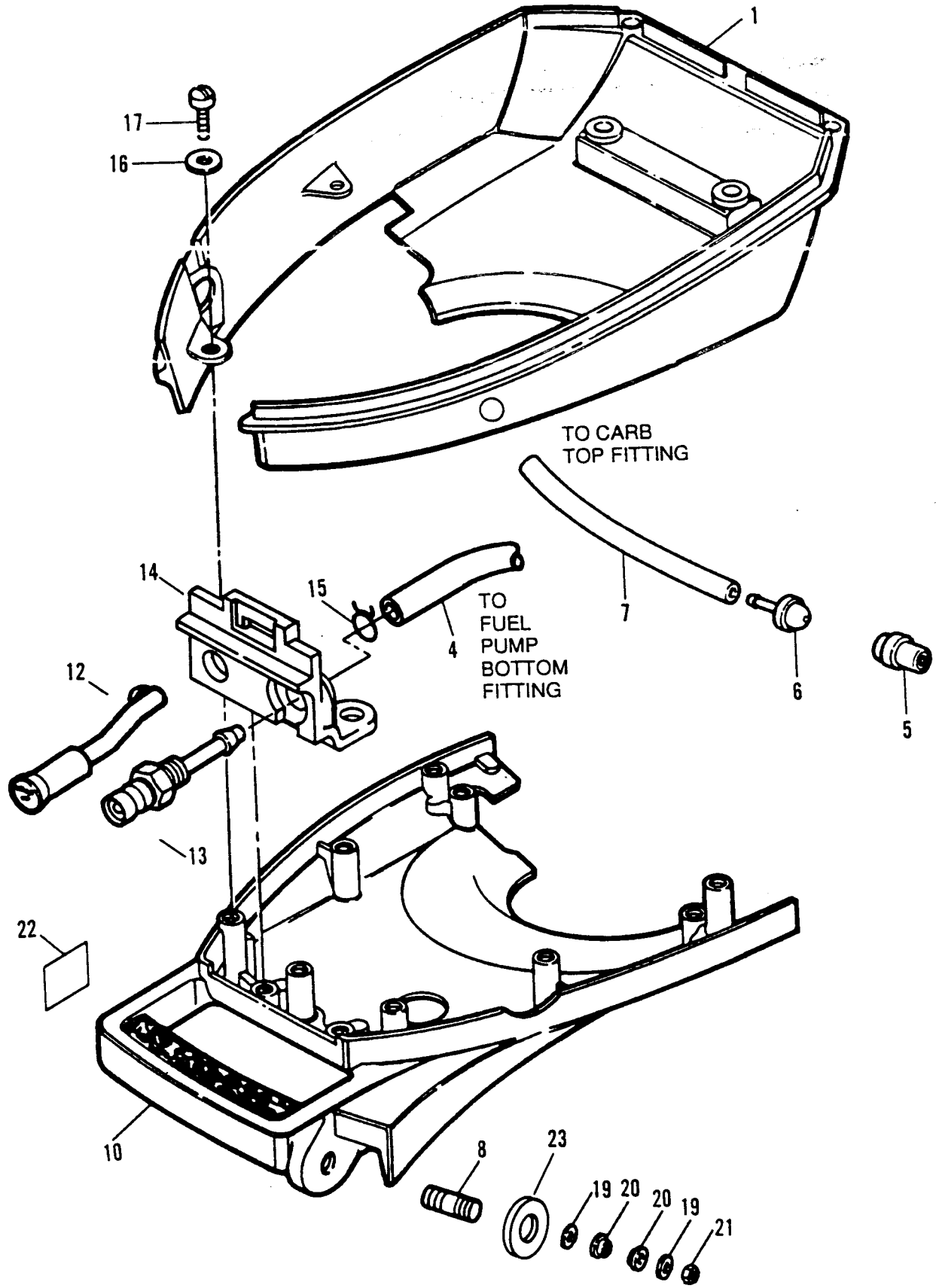
TOP COWL



TOP COWL

REF. NO.	PART NO.	SYM.	QTY.	DESCRIPTION
1	F2C713712		1	COVER ASSEMBLY, Top (Painted With Decals)
	100-820190A 3		1	TOP COWL ASSEMBLY, Top (Painted Without Decals)
2	F681269		1	HANDLE, Tilt
3	10-F2211		4	SCREW, (#10-24 x .625) Stainless Steel
4	12-89302		4	WASHER, (.203 x .406 x .040)
5	12-F8143		4	WASHER
6	11-F7009		4	NUT, (#10-24)
7	10-41772		3	SCREW, (#10-24 x .500)
8	F702783		1	RETAINER, Front
9	11-F7011		3	NUT, (10-24)
10	FK525713		1	PACKING KIT, 4 Inch (Cut as Required)
11	820474A 1		1	LATCH KIT, Rear
12	10-25504		2	SCREW, (#10-24 x .750)
13	11-F7009		2	NUT, (#10-24)
14	37-F687390		1	DECAL, Starting Instructions, Front
15	37-F713528		1	DECAL, Rear
16	37-F713397		1	DECAL, Port
	37-F713396		1	DECAL, Starboard
17	90-823212940		1	OPERATION MANUAL/PARTS CATALOG, Gamefisher 5 H.P.

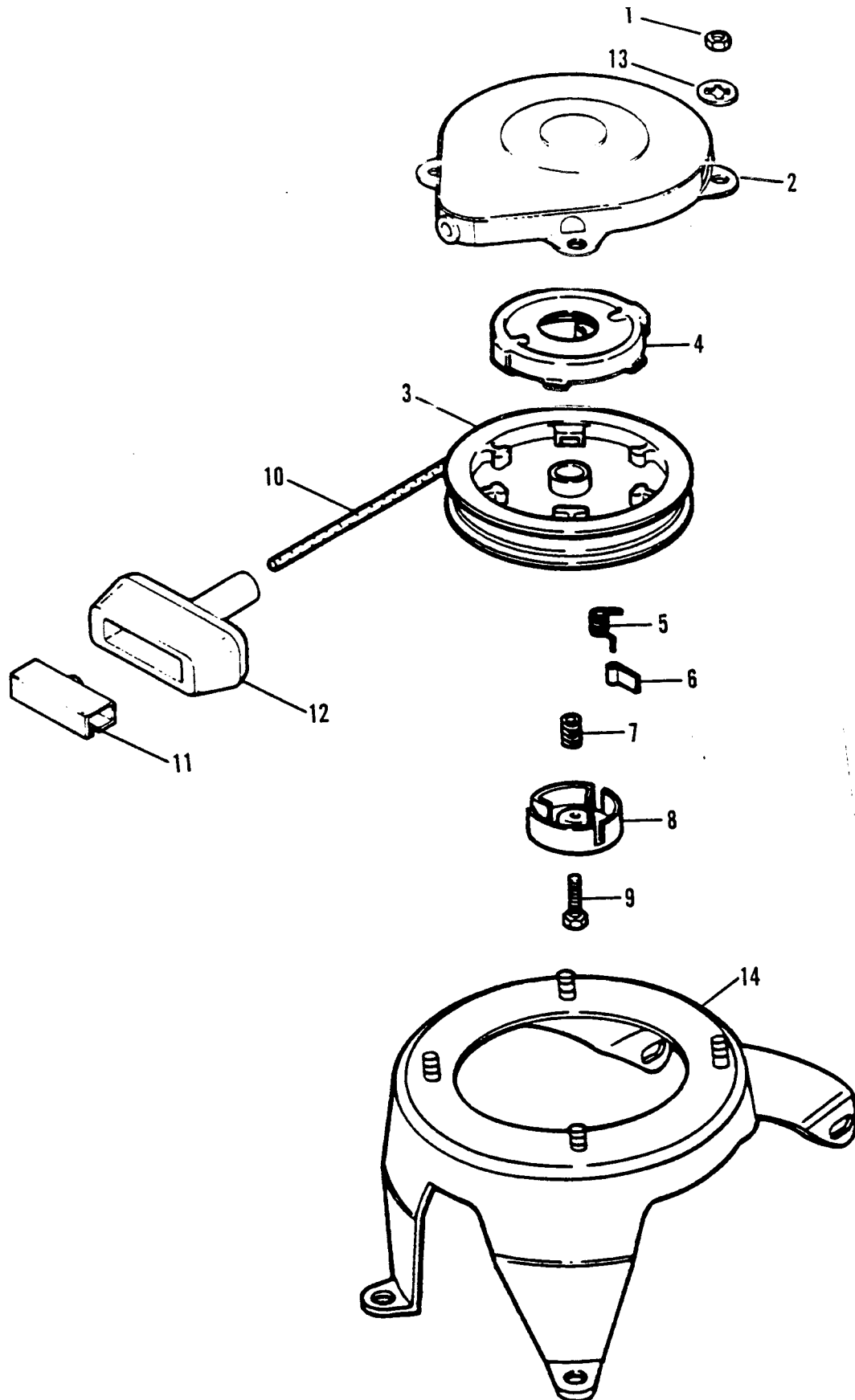
BOTTOM COWL AND SUPPORT PLATE



BOTTOM COWL AND SUPPORT PLATE

REF. NO.	PART NO.	SYM.	QTY.	DESCRIPTION
1	100-820432T		1	COWL, Bottom, (Painted)
4	32-F40253-1		1	LINE, Fuel (Cut as Required)
5	F681954-1		1	COVER, Primer Bulb
6	F681046		1	BULB, Primer
7	32-F40253-1		1	LINE, Fuel (Cut as Required)
8	16-F521004		1	STUD, Steering Handle
10	100-F687038T		1	PLATE, Support (Painted)
12	F687547-1		1	KNOB, Choke, Warm UP
13	22-F197767-2		1	BUSHING, Fuel
14	F687163T		1	COVER, Front
15	54-F2706772		4	CLAMP
16	12-35044		4	WASHER, (.281 x .625 x .065) Stainless Steel
17	10-F1035		4	SCREW, (1/4-20 x 5/8")
19	12-F8015		2	WASHER
20	23-F521319		2	BUSHING
21	11-F1756		1	NUT, (.375-16)
22	37-818029		1	DECAL, (Fuel Mix)
23	12-F286286-1		1	WASHER

STARTER REWIND

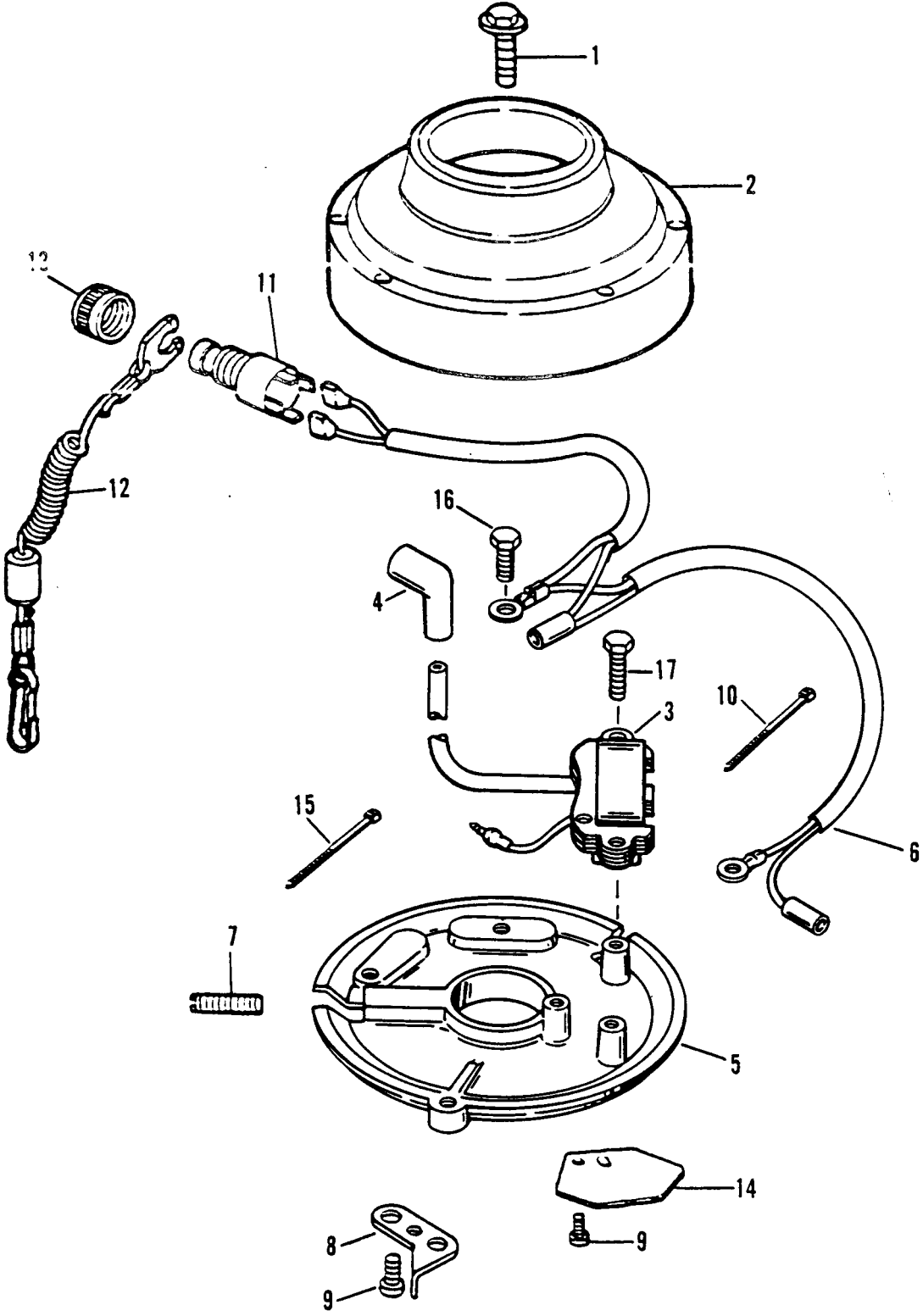


PAGE 24

STARTER REWIND

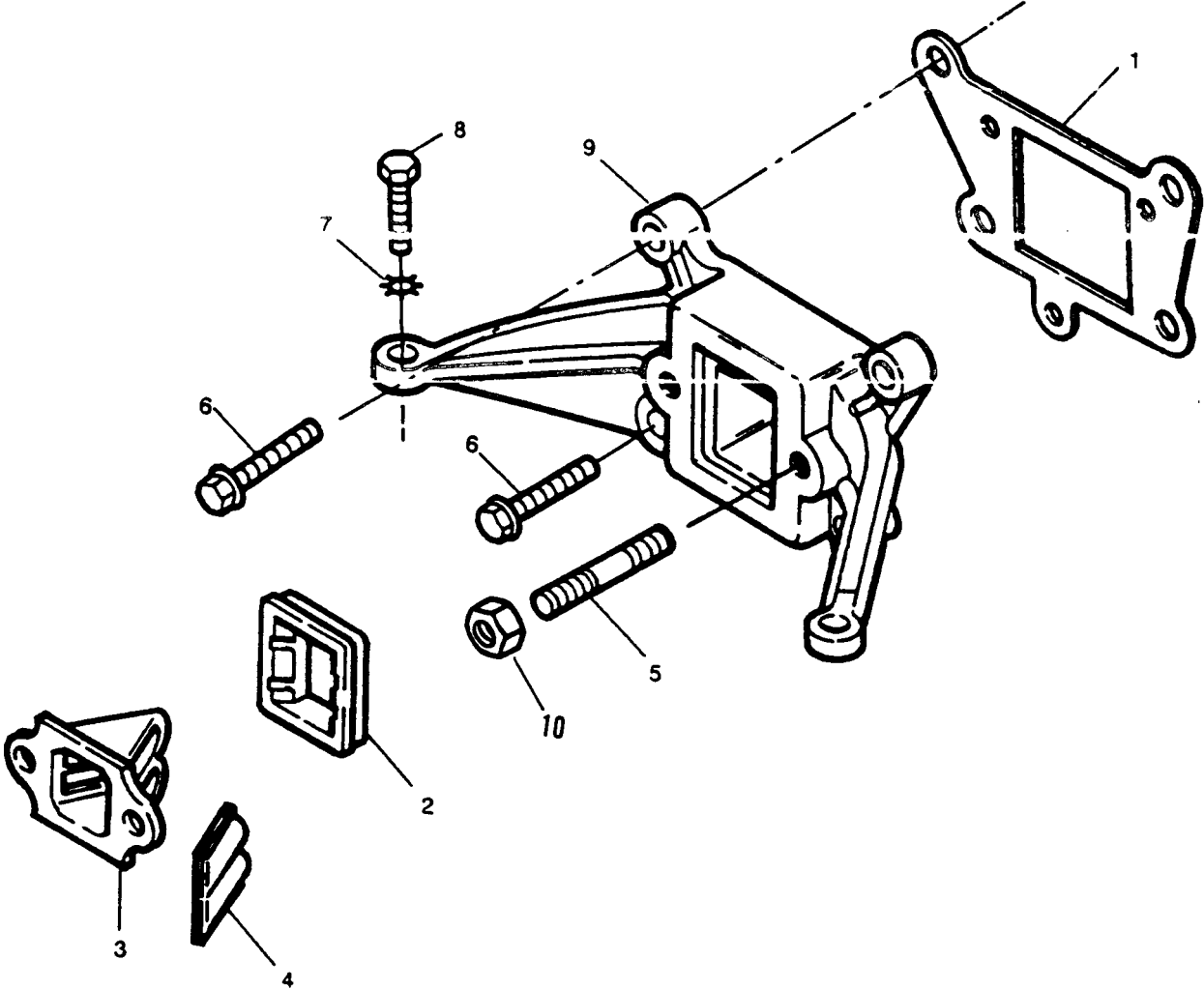
REF. NO.	PART NO.	SYM.	QTY.	DESCRIPTION
1	11-64015		4	NUT, (.250-20)
2	50-F687063		1	STARTER ASSEMBLY, Rewind
3	F15606		1	PULLEY ASSEMBLY, (With Bearing)
4	F15584		1	SPRING AND KEEPER
5	F15605		3	SPRING, Dog
6	F250421		3	DOG
7	F250003		1	SPRING
8	F15604		1	RETAINER, Dog
9	F15615		1	SCREW
10	F15585		1	ROPE, Starter
11	F620817		1	RETAINER, Starter Rope
12	F620132		1	HANDLE, Starter Rope
13	13-21272		4	LOCKWASHER, (.250), (Internal)
14	F702427		1	BRACKET, Starter Mount

MAGNETO



REF. NO.	PART NO.	SYM.	QTY.	DESCRIPTION
1	10-F521552		1	SCREW
2	200-819363T		1	FLYWHEEL, (Painted)
3	300-819156T		1	MODULE (Cut Wire as Required)
4	FK1123		1	SPARKIE KIT, Spark Plug
	85-818751		OPT.	COVER, Spark Plug (RFI)
5	300-819345A 2		1	PLATE ASSEMBLY, Stator
6	84-824486A 2		1	CABLE ASSEMBLY, Stop
7	F12066		1	SCREW ASSEMBLY, Friction
8	F702505		1	STOP, High Speed
9	10-34939		2	SCREW, (.250-20 x .500)
10	56762		AR	TIE STRAP, (4.00 Inches)
11	87-F687287		1	SWITCH, Emergency Stop
12	819399A 1		1	LANYARD ASSEMBLY, Emergency Stop
13	22-F681188		1	NUT, Stop Switch Sleeve
14	F712192		1	CAM, Throttle
15	69355		AR	TIE STRAP, (5.50 Inches)
16	10-824352		1	SCREW, (10-24 x 3/8")
17	10-824353		3	SCREW, (8-32 x 3/4")

INTAKE SYSTEM



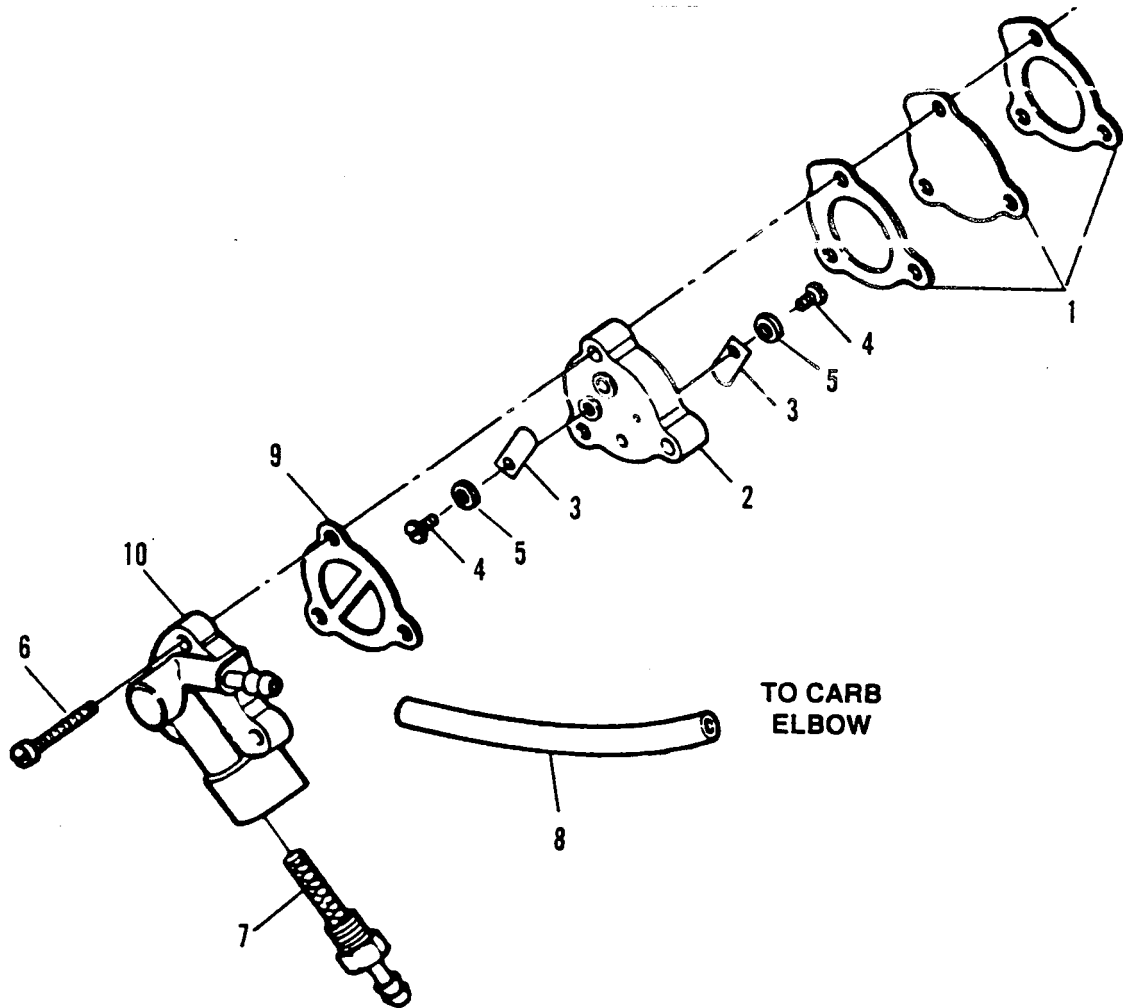
INTAKE SYSTEM

REF. NO.	PART NO.	SYM.	QTY.	DESCRIPTION
1	27-F521168	○I	1	GASKET, Carburetor Adapter
2	F712504		1	GROMMET, Reed Plate
3	819677		1	PLATE, Reed
4	34-F31160-2		2	REED
5	16-F27209-1		2	STUD
6	10-F1532		4	SCREW, (.250-20 x 1.00)
7	13-F8060		2	LOCKWASHER, (External)
8	10-F2008		2	SCREW, (.250-20 x .875)
9	F712167T		1	ADAPTER, Carburetor
10	11-20890		2	NUT, (.250-20)

I = CONTENTS OF POWERHEAD ASSY

○ = CONTENTS OF POWERHEAD GASKET SET FG1034-1

FUEL PUMP

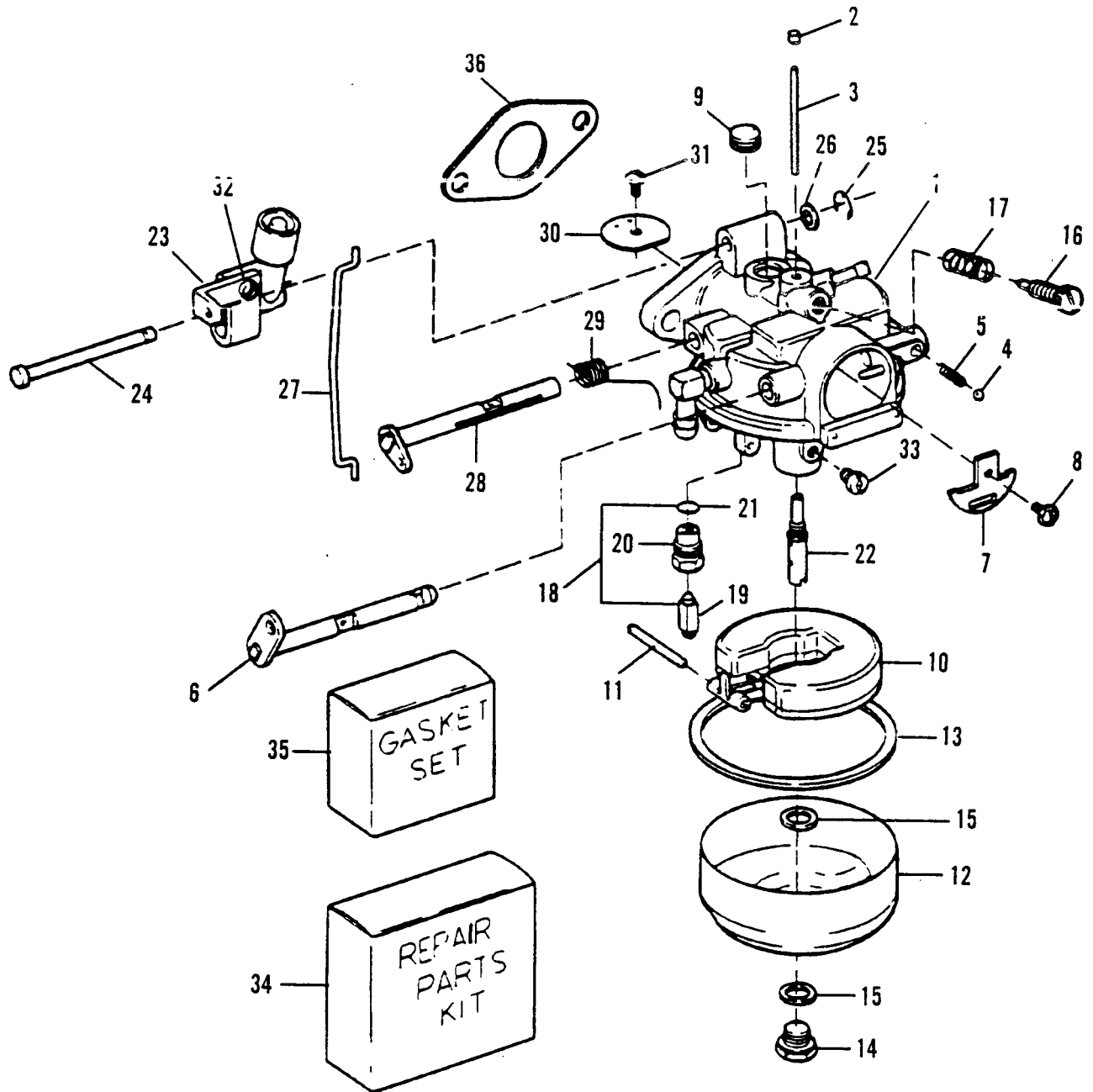


FUEL PUMP

REF. NO.	PART NO.	SYM.	QTY.	DESCRIPTION
1	27-818043A 1	■	1	GASKET/DIAPHRAGM SET, Fuel Pump
2	F2A24757		1	PLATE ASSEMBLY, Fuel Pump
3	34-F18160-3		2	REED
4	10-F1286		2	SCREW, (#4-40 x .187)
5	12-18552		2	WASHER
6	10-F1069		3	SCREW, (10-24 x 1-1/16")
7	22-F901811		1	FILTER, Fuel Pump
8	32-F40253-1		1	LINE, Fuel, Fuel Pump to Carburetor (Cut as Required)
9	27-F24748-2		1	GASKET, Fuel Pump
10	819993T 1		1	COVER, Fuel Pump (Painted)

■ = CONTENTS OF POWERHEAD ASSY

CARBURETOR



CARBURETOR

REF. NO.	PART NO.	SYM.	QTY.	DESCRIPTION
1	1300-F712061		1	CARBURETOR, (HO-4A)
2	19-FO10588	■	1	PLUG, CUP
3	F10235		1	TUBE, By-pass
4	FO4784		1	BALL, Choke Friction Spring
5	FO8805		1	SPRING, Choke Friction
6	FO15736		1	SHAFT/LEVER ASSEMBLY, Choke
7	FO15367		1	SHUTTER, Choke
8	10-FO10280	■	2	SCREW, Shutter
9	19-FO2531	■	1	PLUG, By Pass Chamber, Welch
10	FO13554		1	FLOAT, Fuel Bowl
11	17-FO13944	■	1	PIN, Float
12	FO15366		1	BOWL, Fuel
13	27-FO15623	■◇	1	GASKET, Fuel Bowl
14	1399-5128		1	SCREW, Fuel Bowl
15	27-FO2510	■◇	1	GASKET, Fuel Bowl
16	FO15520	■	1	NEEDLE, Idle
17	24-27160	■	1	SPRING, Idle Needle
18	FK10237	■	1	NEEDLE/SEAT KIT, Inlet
19	F10265		1	NEEDLE, Inlet
20	F10292		1	SEAT, Inlet
21	27-FO10165		1	GASKET, Inlet Seat
22	F10238		1	NOZZLE, Main
23	F10290		1	LINKAGE, Throttle
24	F10240		1	SHAFT, Throttle Linkage
25	F10241		1	E RING, Throttle Linkage Shaft
26	F10242		1	WASHER, Throttle Linkage Shaft
27	F10338		1	LINKAGE, Throttle Shaft
28	F10339		1	SHAFT/LEVER ASSEMBLY, Throttle
29	24-F10246	■	1	SPRING, Throttle Shaft Return
30	F10248		1	SHUTTER, Throttle
31	10-F10328	■	2	SCREW, Shutter
32	FO10571		1	SCREW, Idle Speed
33	F10337		1	JET, (.041)(STD. - 2500)
	1399-2407		OPT.	JET, Main Fuel (.039), (2500 - 5000)
	F10342		OPT.	JET, (.037)(5000 - 7500)
	F10341		OPT.	JET, (.035)(7500 - 10000)

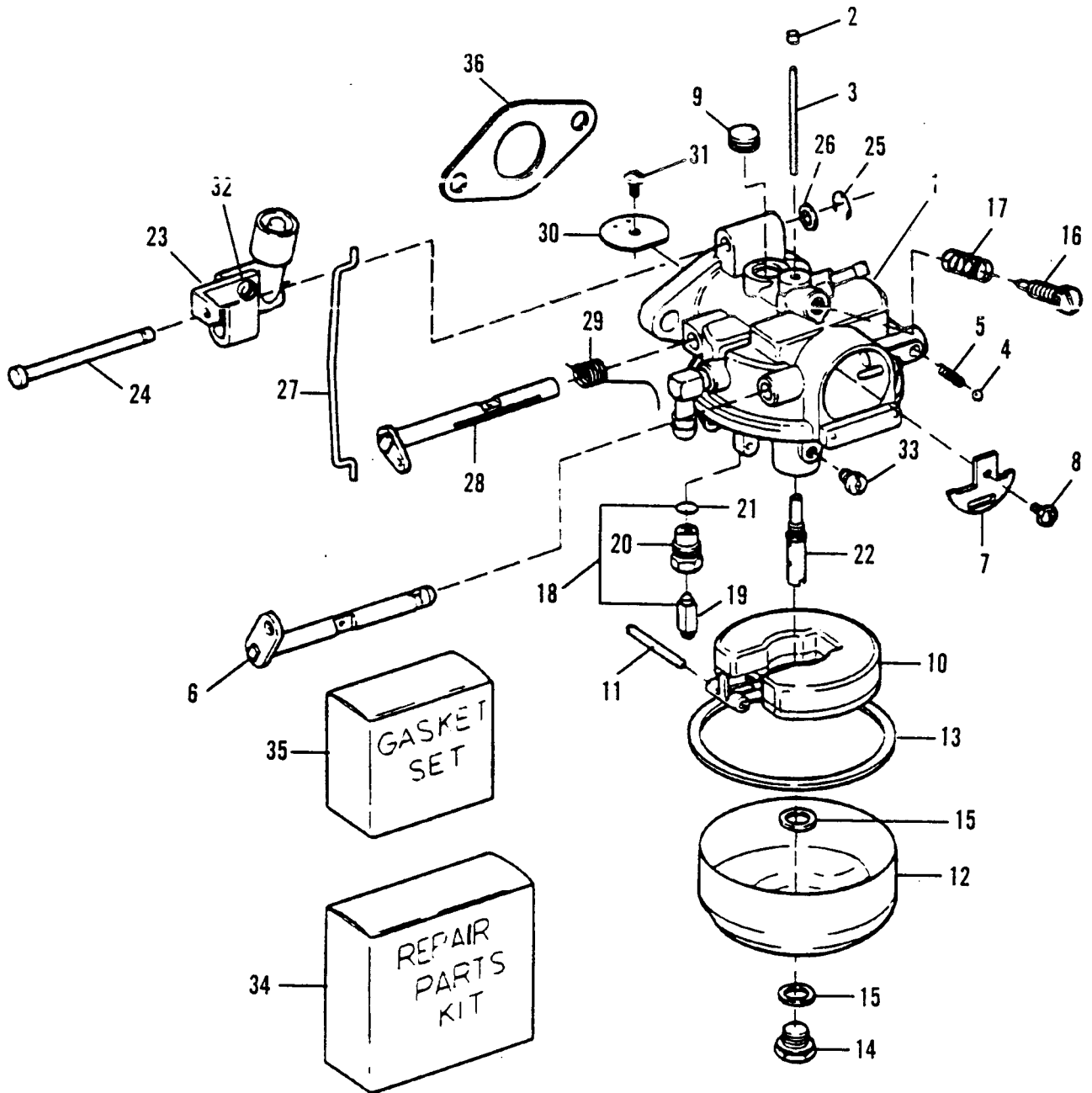
■ = CONTENTS OF CARB REPAIR KIT FK10295

◇ = CONTENTS OF CARB GASKET SET FK10294

○ = CONTENTS OF POWERHEAD GASKET SET FG1034-1

CONTINUED ON NEXT PAGE ➡

CARBURETOR



CARBURETOR

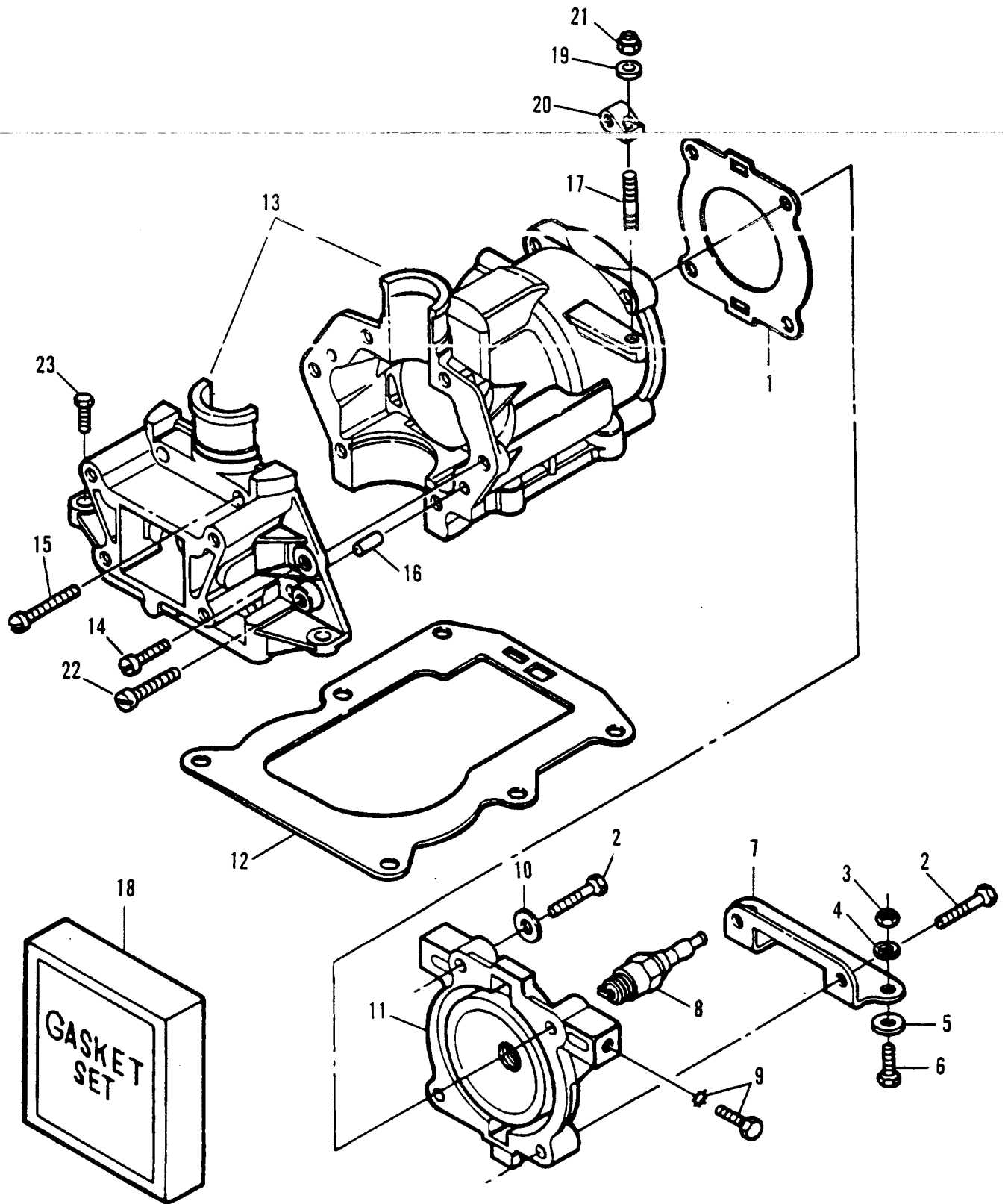
REF. NO.	PART NO.	SYM.	QTY.	DESCRIPTION
34	FK10295		1	REPAIR KIT, Carburetor
35	FK10294	■	1	GASKET SET, Carburetor
36	27-F18906	○■◇	1	GASKET, Carburetor

■ = CONTENTS OF CARB REPAIR KIT FK10295

◇ = CONTENTS OF CARB GASKET SET FK10294

○ = CONTENTS OF POWERHEAD GASKET SET FG1034-1

CYLINDER BLOCK



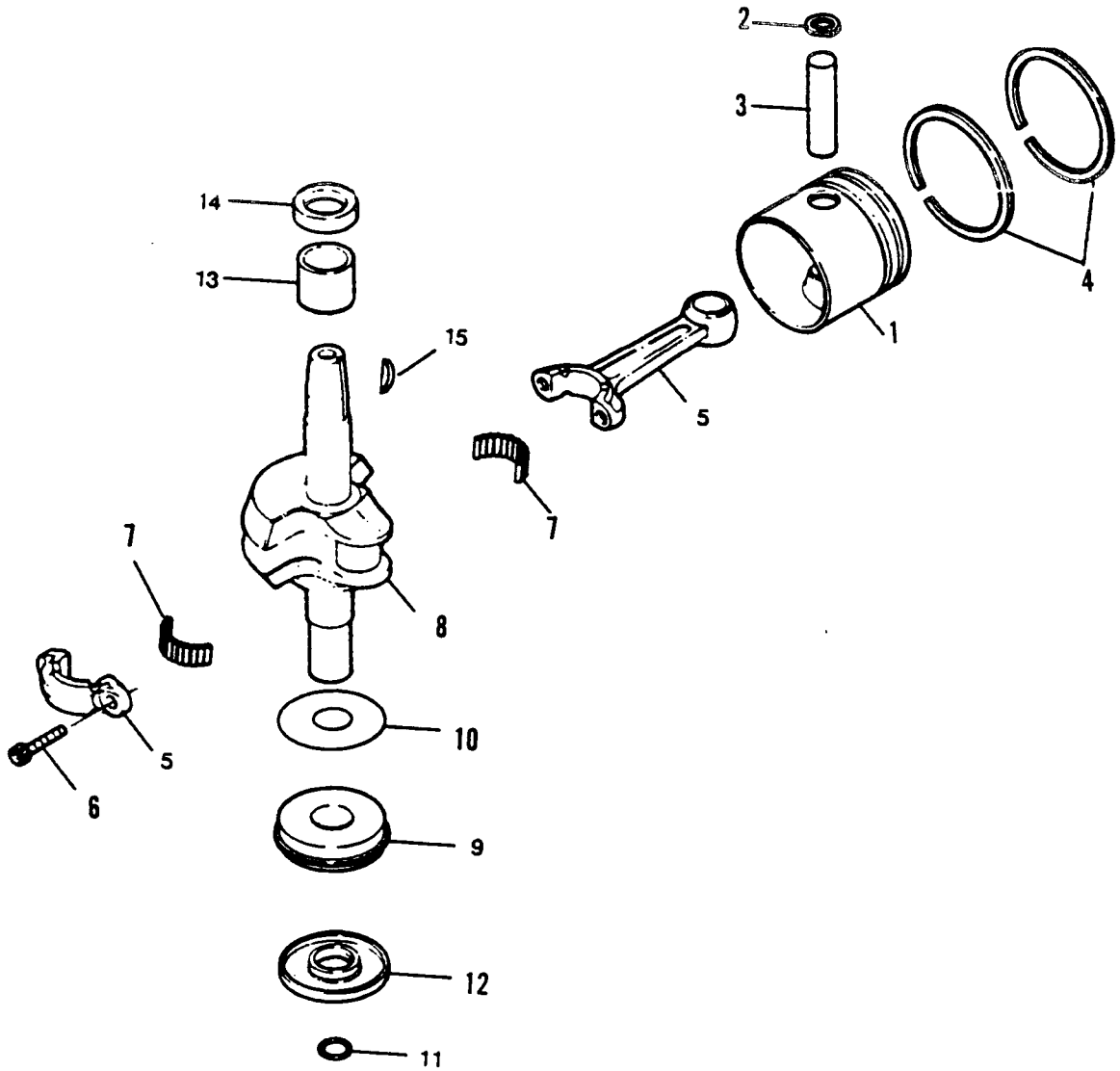
CYLINDER BLOCK

REF. NO.	PART NO.	SYM.	QTY.	DESCRIPTION
-	800-819854A 2		1	Powerhead Assy, (Painted)
1	27-F712529	○I	1	GASKET, Cylinder Head
2	10-F901938-1	I	4	SCREW, Cylinder Head
3	11-64015		2	NUT, (.250-20)
4	13-26992		2	LOCKWASHER, (.250) Stainless Steel
5	12-35044		2	WASHER, (.281 x .625 x .065) Stainless Steel
6	10-28636		2	SCREW, (.250-20 x .750)
7	F521774		1	BRACKET, Lower
8	33-813423		1	SPARK PLUG
	33-19796		OPT.	SPARK PLUG, (RFI)
9	10-F1426		2	SCREW AND LOCKWASHER, (1/4-20 x 7/16")
10	12-35044	I	2	WASHER, (.281 x .625 x .065) Stainless Steel
11	900-819367	I	1	Head, Cylinder
12	27-F521279-1	○I	1	GASKET, Cylinder Exhaust
13	800-819854A 1	I	1	CYLINDER BLOCK KIT
14	10-F1107		2	SCREW, (.250-20 x .750)
15	10-F1504		4	SCREW, (.250-20 x 1.250)
16	17-F8559		2	PIN, Dowel
17	16-F433209-1		1	STUD, (.250-20 x 1.250), Speed Control Cable Retainer
18	FG1034-1		1	GASKET SET
19	12-29245		1	WASHER, (.281 x .500 x .060) Stainless Steel
20	F702668		1	RETAINER, Speed Control Cable
21	11-814101		1	NUT, (.250-20) Stainless Steel
22	10-F2040		1	SCREW, (1/4-20 x 5/8")
23	10-28636		6	SCREW, (.250-20 x .750)

I = CONTENTS OF POWERHEAD ASSY

○ = CONTENTS OF POWERHEAD GASKET SET FG1034-1

CRANKSHAFT AND PISTON



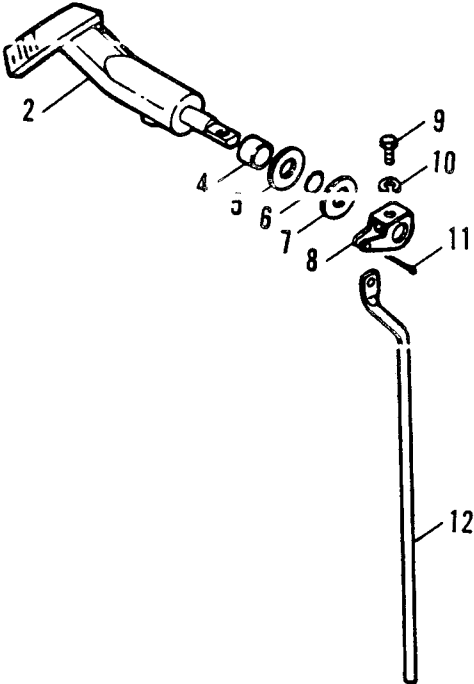
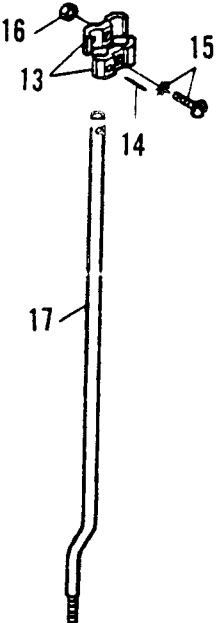
CRANKSHAFT AND PISTON

REF. NO.	PART NO.	SYM.	QTY.	DESCRIPTION
1	700-819920A 3	■	1	PISTON KIT
2	53-F31410		2	RING, Retaining
3	41-F712017		1	PIN, Piston
4	39-FA712260		1	RING SET, Piston (2 Rings)
5	600-FS715016	■	1	CONNECTING ROD ASSEMBLY
6	10-F175634		2	SCREW
7	FA712228	■	1	ROLLER SET, (2 Strips) (28 Per Strip)
8	FK527018	■	1	CRANKSHAFT KIT
9	30-F521910		1	BEARING, Crankshaft Lower
10	F521270		1	SLINGER
11	25-F521579	○■	1	SEAL, Crankshaft Spline
12	26-819798	○■	1	SEAL, Crankshaft Lower
13	31-F521013	■	1	BEARING, Crankshaft Upper
14	26-819799	○■	1	SEAL, Crankshaft Upper
15	28-F687498		1	KEY, Crankshaft/Flywheel

■ = CONTENTS OF POWERHEAD ASSY

○ = CONTENTS OF POWERHEAD GASKET SET FG1034-1

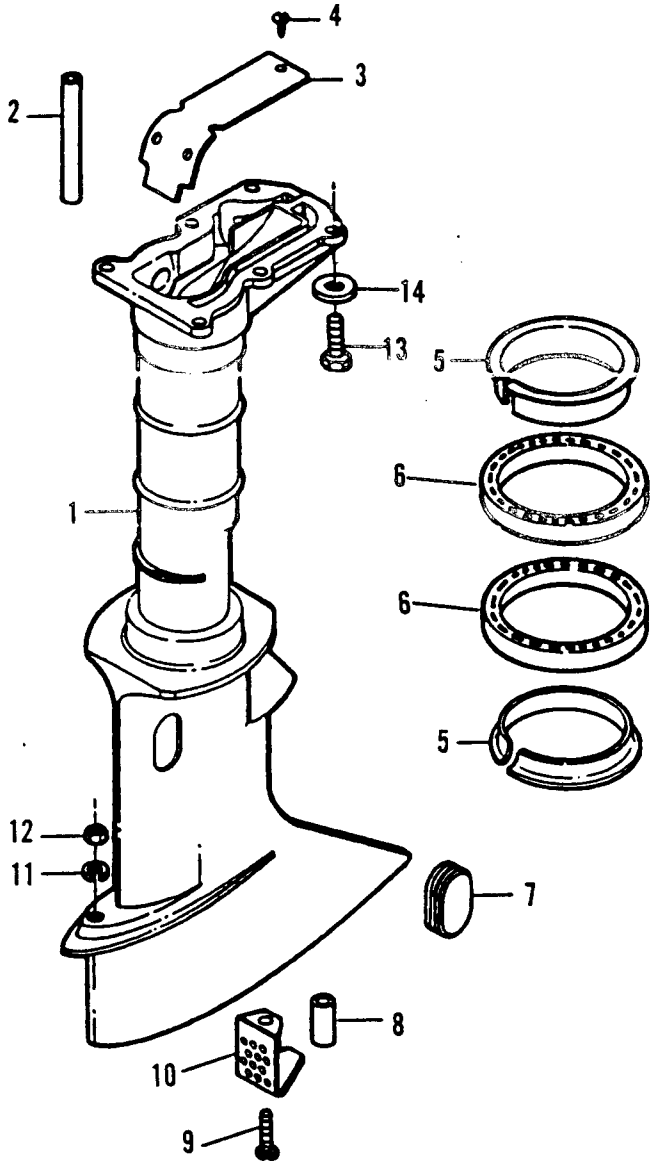
SHIFT LINKAGE



SHIFT LINKAGE

REF. NO.	PART NO.	SYM.	QTY.	DESCRIPTION
2	820433T		1	HANDLE, Gear Shift (Painted)
4	23-F341610		1	BEARING, Gear Shift Shaft
5	23-F269052		1	BEARING, Shift Arm
6	25-F19342		1	SEAL
7	12-34931		1	WASHER, (.406 x .734 x .063) Stainless Steel
8	F521621		1	LEVER, Gear Shift
9	10-F2041		1	SCREW, (10-24 x 3/8")
10	13-26996		1	LOCKWASHER, (#10) Stainless Steel
11	18-F1406		1	COTTER PIN
12	F521615		1	ROD, Gear Shift (UPPER)
13	FK341704		1	COUPLING KIT, Gear Shift Rod
14	17-F8538		1	PIN, Spring
15	10-F1371		1	SCREW AND LOCKWASHER, (10-24 x 5/8")
16	11-F7009		1	NUT, (#10-24)
17	F521705-1		1	ROD, Shift (LOWER)-15" For Model 225.587505
	F332705-1		1	ROD, Shift (LOWER)-20" For Model 225.587495

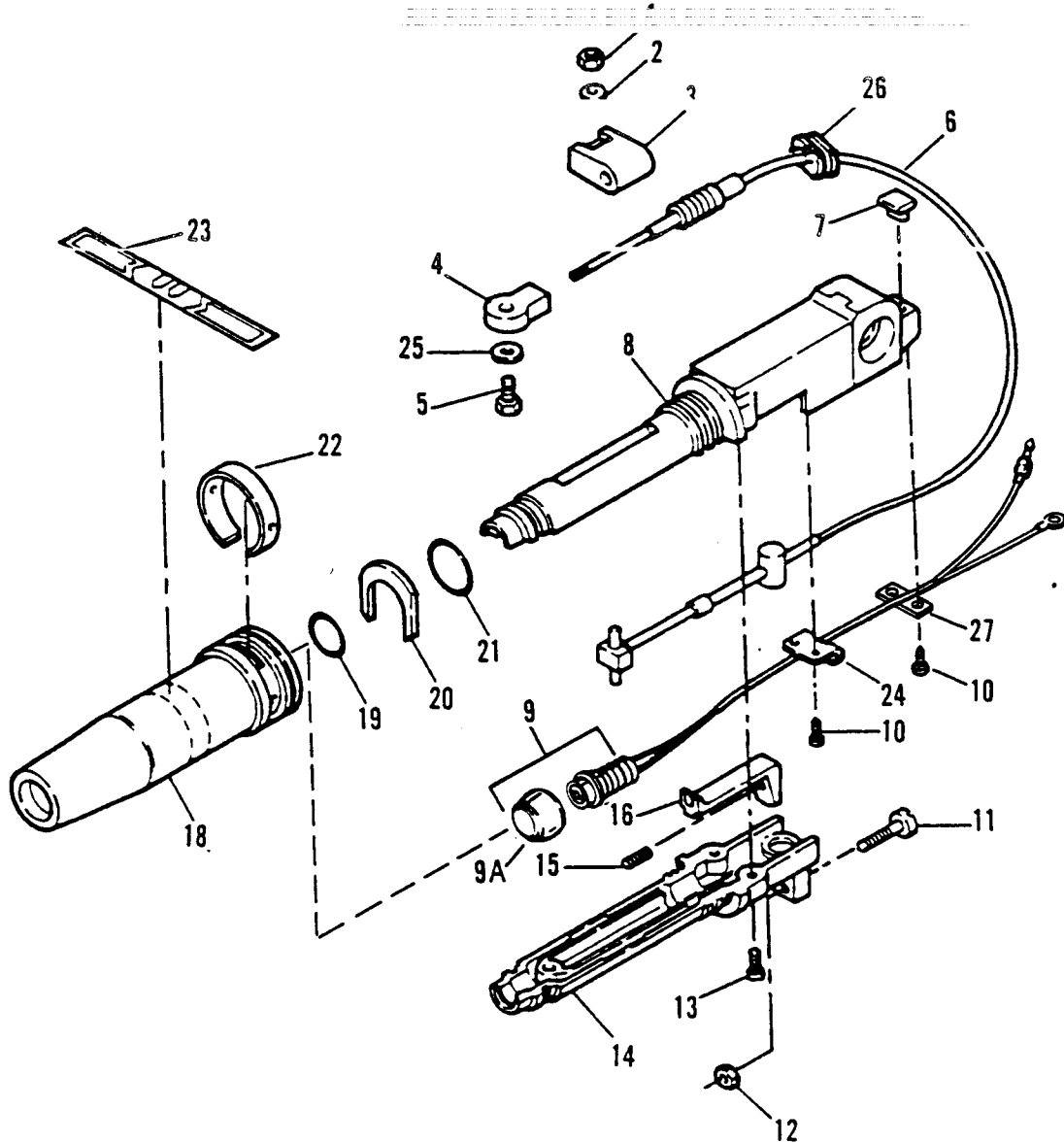
DRIVESHAFT HOUSING



DRIVESHAFT HOUSING

REF. NO.	PART NO.	SYM.	QTY.	DESCRIPTION
1	1500-817940A 6		1	HOUSING ASSEMBLY, Driveshaft (Painted)
2	32-F521261		1	LINE, Water Outlet
3	FA341151		1	PLATE KIT, Exhaust
4	10-69080		3	SCREW, (#6-32 x .250)
5	23-F468169-1		2	BEARING, Swivel Bracket
6	FA468346		2	MOUNT KIT, Shock Lower
7	25-F46899-1		1	COVER, Shift Coupling
8	23-F521727		1	SLEEVE, Idle Relief Baffle
9	10-F1747		1	SCREW, (10-24 x 1-11/16")
10	F521779		1	BAFFLE, Idle Relief
11	13-26992		1	LOCKWASHER, (.250) Stainless Steel
12	11-64015		1	NUT, (.250-20)
13	10-28636		6	SCREW, (.250-20 x .750)
14	12-22937		6	WASHER

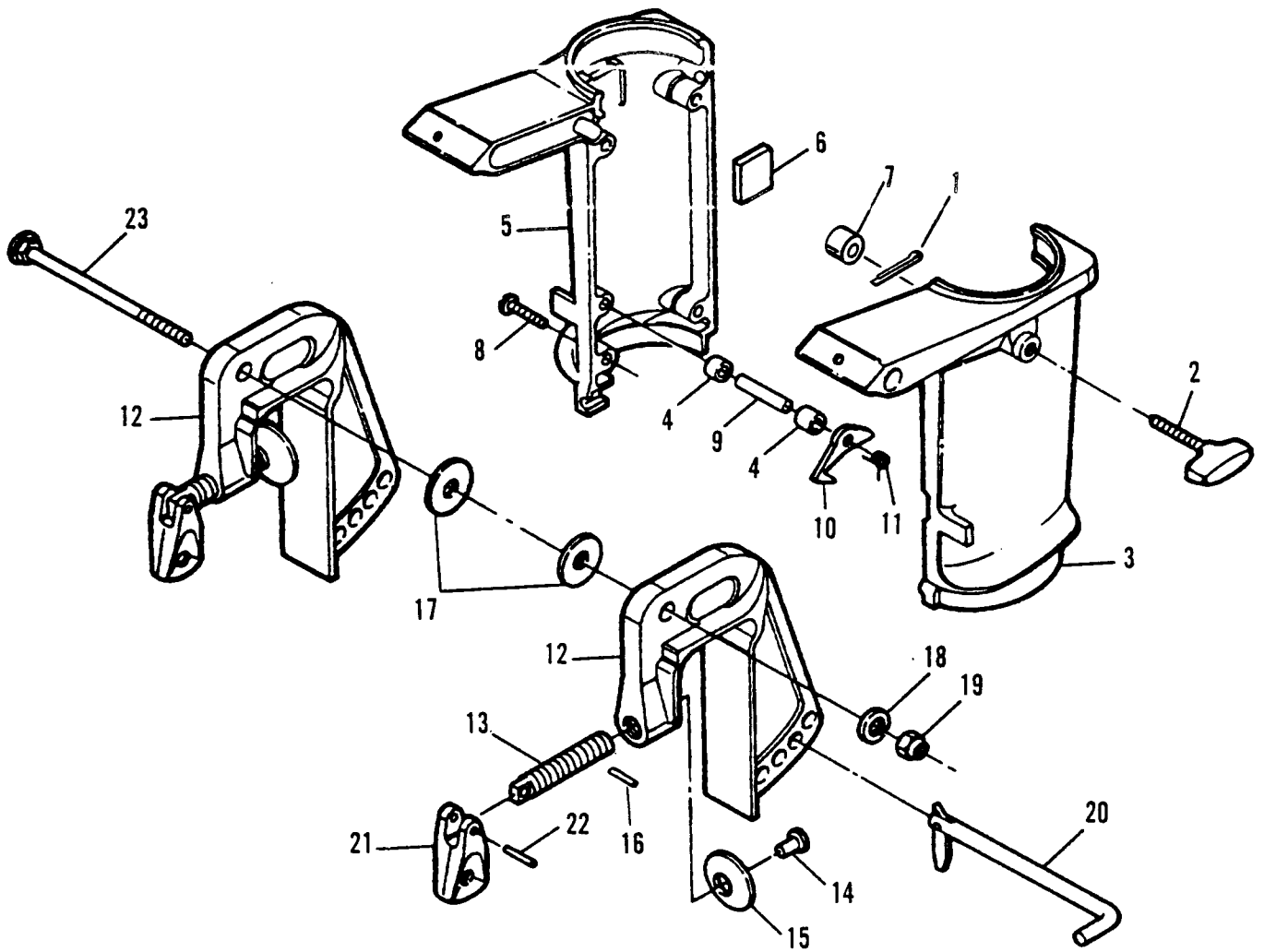
STEERING HANDLE/TWIST GRIP THROTTLE



STEERING HANDLE/TWIST GRIP THROTTLE

REF. NO.	PART NO.	SYM.	QTY.	DESCRIPTION
1	11-814101		1	NUT, (.250-20) Stainless Steel
2	12-29245		1	WASHER, (.281 x .500 x .060) Stainless Steel
3	F702668		1	RETAINER, Speed Control Cable
4	F702035		1	BEARING, Connector (10-24 RH)
5	10-90192		1	SCREW, (.250-20 x .750) Stainless Steel
6	F702444		1	CABLE ASSEMBLY, Throttle
7	F702025		1	PAD, Handle Bumper
8	F702079T		1	ARM, Steering (UPPER)(Painted)
9	87-824440A 5		1	SWITCH KIT, Stop
9A	824466A 3		1	COVER ASSEMBLY, Stop Switch
--	824915		1	BEZEL, Stop Switch Cover
10	10-F2230		4	SCREW, (#6-3/8")
11	10-F521690-1		1	SCREW, Throttle Lever Adjust
12	11-F7009		1	NUT, (#10-24)
13	10-F2219		3	SCREW, (8-18 x 3/4")
14	F702576T		1	ARM, Steering (LOWER)
15	24-F521199		1	SPRING, Throttle Lever Adjust
16	F702198		1	STOP, Idle
18	F702137		1	GRIP, Steering Handle
19	25-21836		1	O-RING, (.796 x .139)
20	F702178		1	RETAINER, Grip
21	25-23145		1	O-RING, (.984 x .139), Grip Rear
22	F702687		1	COLLAR, Handle
23	37-F712894		1	DECAL, Speed/Shift Indicator
24	F702384		1	RETAINER
25	23-824687		1	SPACER
26	25-F702504		1	GROMMET
27	F702212		1	PLATE, Cable Clamp

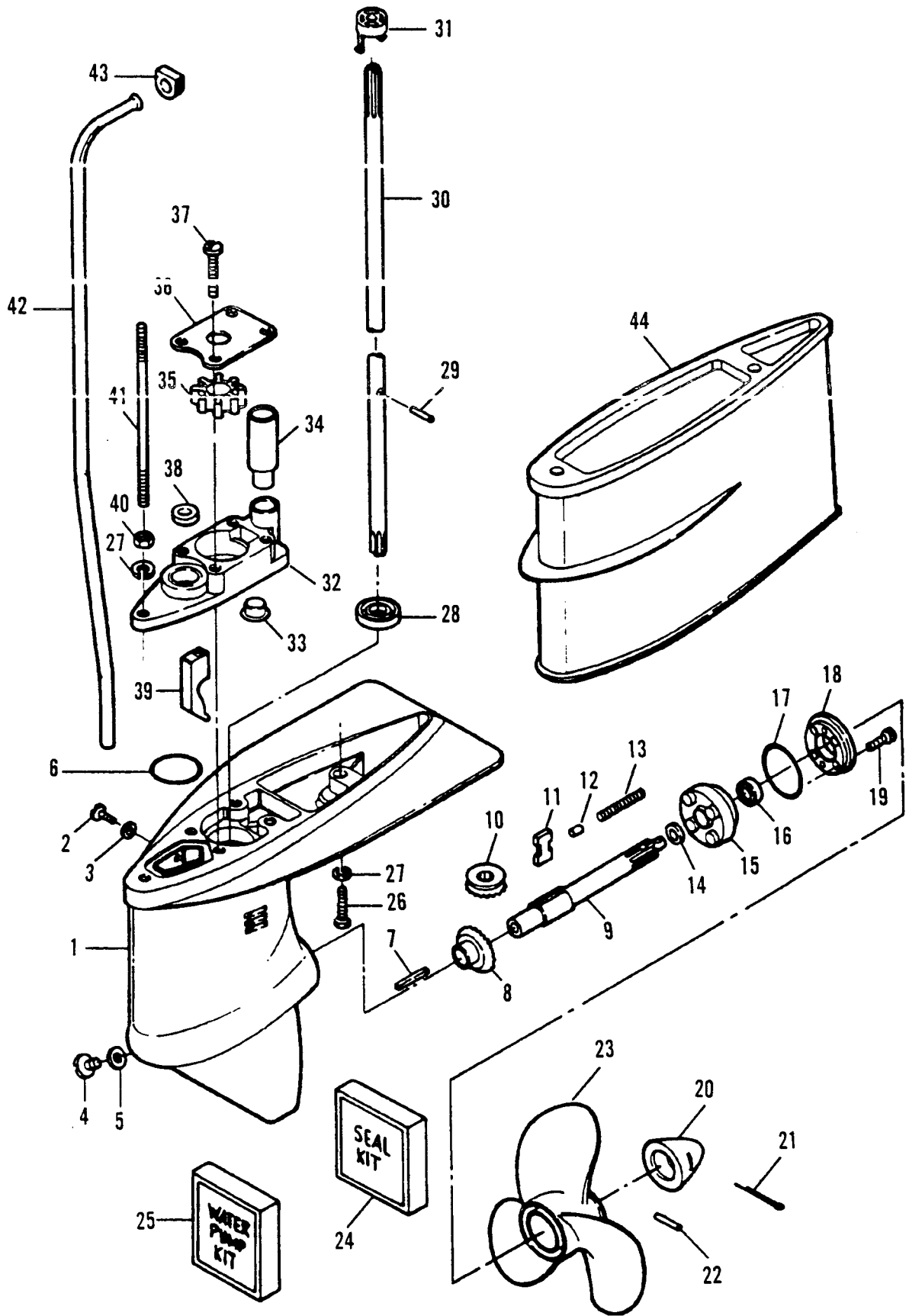
SWIVEL BRACKET/CLAMP BRACKET



SWIVEL BRACKET/CLAMP BRACKET

REF. NO.	PART NO.	SYM.	QTY.	DESCRIPTION
1	18-26953		1	COTTER PIN
2	F521514		1	KNOB, Steering Friction
3	817815A 4		1	BRACKET, Swivel -PORT- (Painted)
4	23-F197813		2	BEARING
5	817816A 6		1	BRACKET, Swivel -STARBOARD- (Painted)
6	F521661-1		1	PAD, Swivel Friction
7	F521631		1	SHOE, Swivel Friction
8	10-F2035		4	SCREW, (1/4-20 x 1")
9	17-F468350		1	PIN, Reverse Lock
10	F468349		1	LOCK, Reverse
11	24-F468300-1		1	SPRING, Reverse Lock
12	1400-817850A 4		2	STERN BRACKET ASSEMBLY, (Painted)
13	817761A 2		2	CLAMP SCREW ASSEMBLY
14	17-F66480		2	STUD, Clampscrew
15	F24074		2	FOOT, Stern Bracket Screw
16	17-F8537		2	PIN, Spring
17	12-F2037		2	WASHER
18	12-34931		1	WASHER, (.406 x .734 x .063) Stainless Steel
19	11-F7026		1	NUT, (3/8-16)
20	817810A 1		1	LOCK BAR KIT
21	F424075T		2	HANDLE, Clampscrew (Painted)
22	17-24198		2	PIN, Roll
23	10-F468037-1		1	BOLT, Stern Bracket Pivot

GEAR HOUSING



GEAR HOUSING

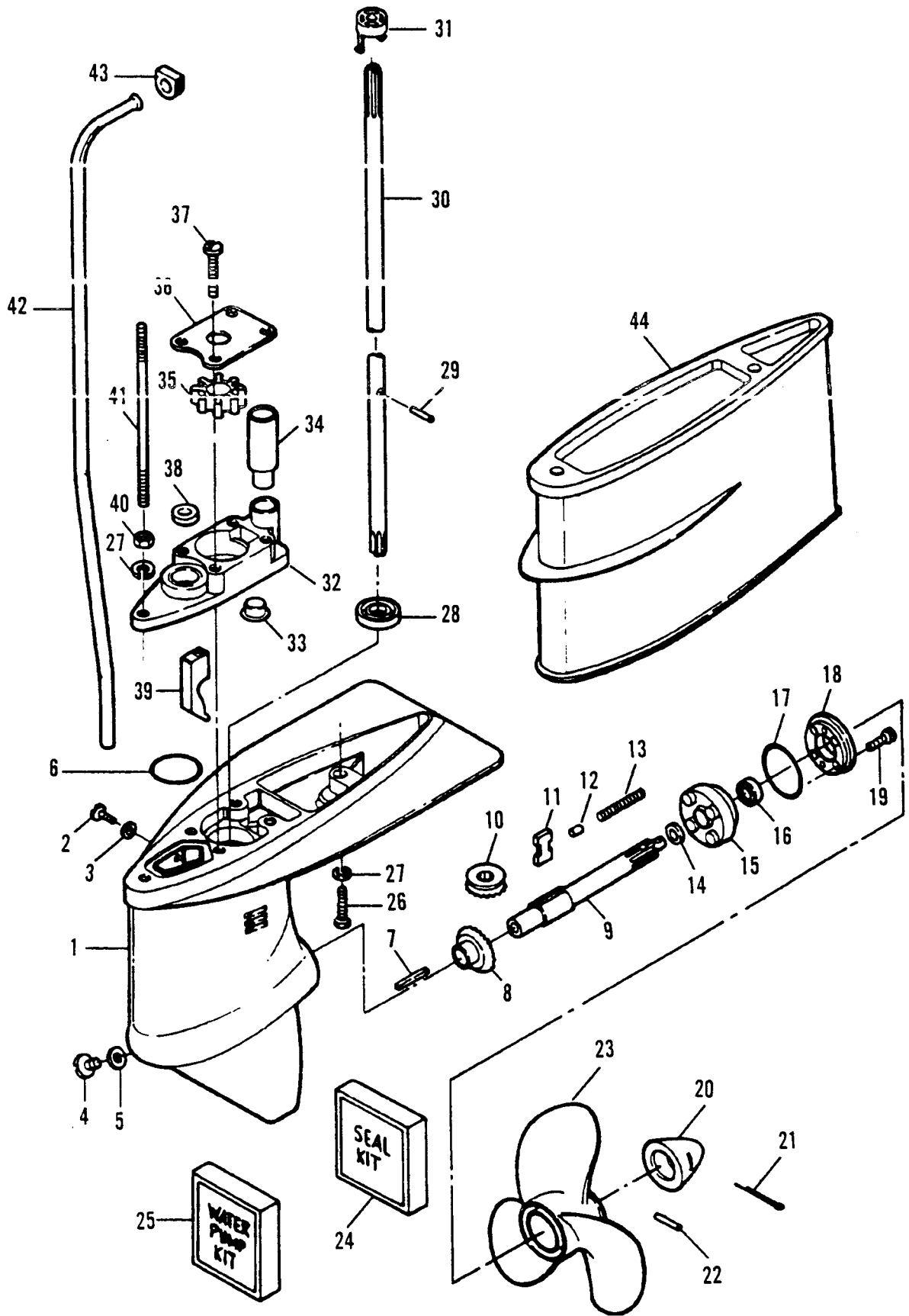
REF. NO.	PART NO.	SYM.	QTY.	DESCRIPTION
-	1600-820090A 3		1	GEAR HOUSING KIT, (COMPLETE) (Painted)
1	1600-820090A 2		1	GEAR HOUSING KIT, (BASIC) (Painted)
2	10-F1077		1	SCREW, (#10-24 x .250)
3	12-F8074	+	1	WASHER
4	10-F50109		1	SCREW
5	12-19183	+	1	WASHER, Fiber
6	25-F521783	††	1	SEAL, Water Pump Body
7	17-F521728		1	PIN, Clutch Shift
8	43-819249A 1		1	GEAR ASSEMBLY, Front
9	44-F409098		1	PROPELLER SHAFT
10	43-819250		1	GEAR, Pinion
11	52-F409521		1	CLUTCH, Shift
12	17-F318372		1	PIN, Clutch Guide
13	24-F409719		1	SPRING, Clutch
14	23-F521099		1	SPACER, Propshaft Bearing
15	FA341298		1	CAGE, Propshaft
16	26-F521307	+	1	SEAL, Propshaft
17	25-F521305	+	1	SEAL, Propshaft Bearing Cage
18	F521296T		1	RETAINER, Propshaft Cage (Painted)
19	10-F525457		4	SCREW, Bearing Cage Retainer
20	11-817752A 1		1	PROP NUT KIT
21	18-F1846		1	COTTER PIN
22	FA324101		1	SHEAR PIN KIT, Prop (Pack of 3 with Cotter Pin)
23	48-820110A20		1	PROPELLER, (7-1/4 x 6-1/2 x 3)
24	FK1057		1	SEAL KIT, Gear Housing
25	46-819026A 1		1	PUMP KIT, Water (COMPLETE)
26	10-14168		1	SCREW, (.250-20 x 1.00) 15"-For Model 225.587505
	10-F1825		1	SCREW, (1/4-20 x 6") 20"-For Model 225.587495
27	13-26992		2	LOCKWASHER, (.250) Stainless Steel
28	26-F318307	+	1	SEAL, Water Pump
29	17-F390563		1	PIN, Impeller Drive
	45-F521128		1	DRIVESHAFT For Model 225.587505
30	45-F341128		1	DRIVESHAFT For Model 225.587495
31	819330		1	BEARING, D shaft Support 20"-For Model 225.587495
32	FA735060	†	1	BODY ASSEMBLY, Water Pump
33	19-F521246-1		1	PLUG, Water Pump
34	FA521735	†	1	SEAL KIT, Water Line

⊕ = CONTENTS OF GEAR HOUSING SEAL KIT FK1057

† = CONTENTS OF WATER PUMP KIT 819026A 1

CONTINUED ON NEXT PAGE ➔

GEAR HOUSING



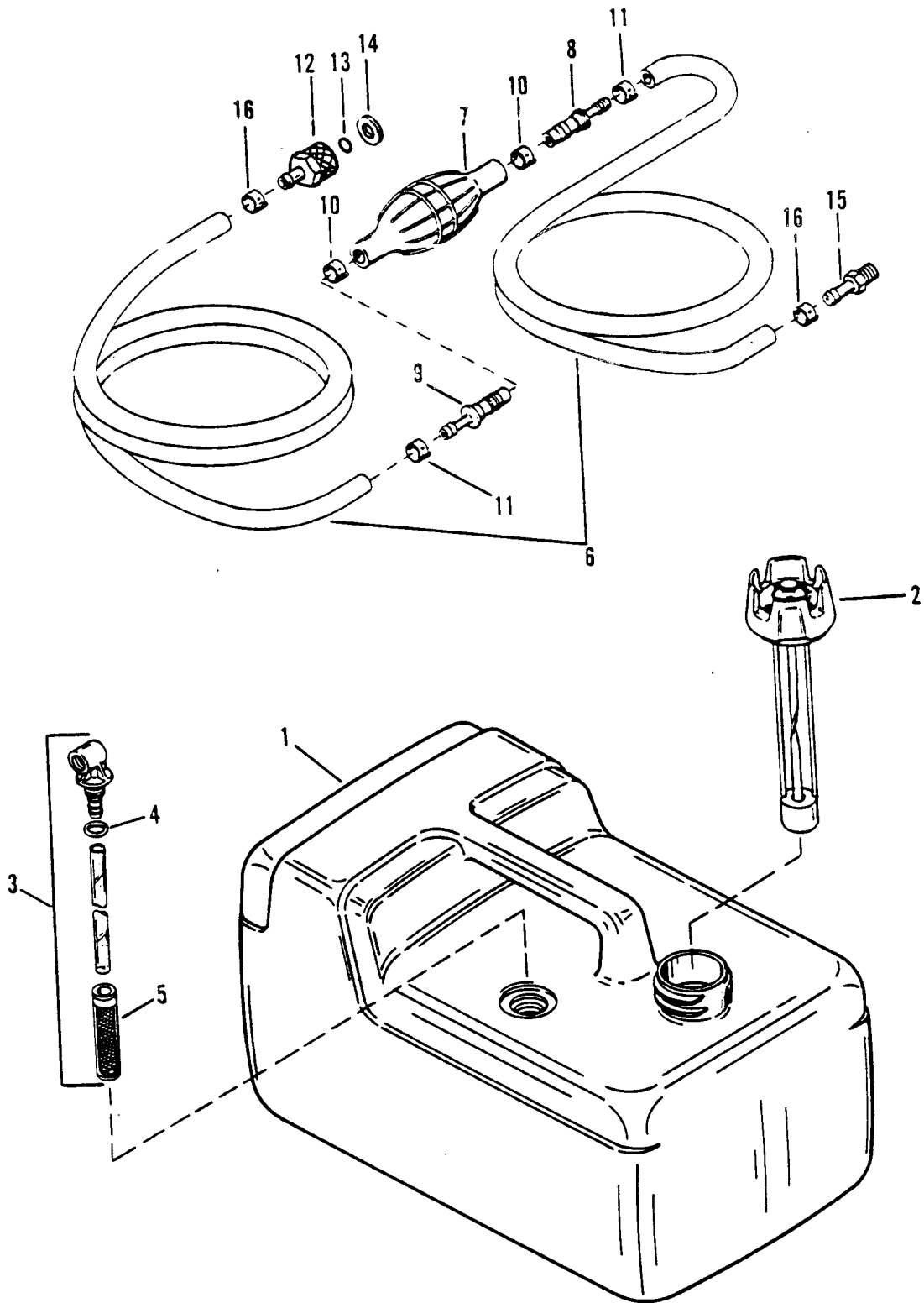
GEAR HOUSING

REF. NO.	PART NO.	SYM.	QTY.	DESCRIPTION
35	47-F521065-1	†	1	IMPELLER, Water Pump
36	F521537	†	1	PLATE, Water Pump Top
37	10-F1504	†	4	SCREW, (.250-20 x 1.250)
38	26-817472	††	1	SEAL, Gearshift Rod Lower
39	F521721		1	CAM, Clutch Shift
40	11-64015		1	NUT, (.250-20)
41	16-F601006		1	STUD For Model 225.587505
	16-F535006		1	STUD For Model 225.587495
42	32-F521244-1		1	LINE, Water Inlet - Standard 15"- For Model 225.587505
	32-F341244-1		1	LINE, Inlet Water 20"- For Model 225.587495
43	26-F521342-1		1	SEAL, Water Line Upper
44	F521845T		1	EXTENSION, (Painted) 20"- For Model 225.587495

†† = CONTENTS OF GEAR HOUSING SEAL KIT FK1057

† = CONTENTS OF WATER PUMP KIT 819026A 1

FUEL TANK AND LINE (PLASTIC - 3.2 GALLON)



FUEL TANK AND LINE

(PLASTIC - 3.2 GALLON)

REF. NO.	PART NO.	SYM.	QTY.	DESCRIPTION
1	1260-823505A 2		1	TANK ASSEMBLY, Fuel, (PLASTIC - 3.2 GAL.)
2	823535		1	GAUGE/CAP ASSEMBLY
3	22-823531		1	CONNECTOR ASSEMBLY, Fuel
4	25-823533		1	O-RING
5	35-823534		1	SCREEN, Fuel PickUP
6	32-820572A 8		1	LINE ASSEMBLY, Fuel, (8 FT) (5/16" I.D.)
7	13330A 3		1	BULB ASSEMBLY, Primer
8	21-13331A 1		1	CHECK VALVE ASSEMBLY, (INLET)
9	21-13331A 2		1	CHECK VALVE ASSEMBLY, (OUTLET)
10	54-41582 10		2	CLAMP, Nylon, (LARGE)
11	54-41582 7		2	CLAMP, Nylon, (SMALL)
12	F197787-3		1	COUPLER, Fuel Line
13	F17815		1	SEAL, Coupler
14	F17816		1	SEAL, Coupler
15	22-89771 1		1	CONNECTOR, (.250-18), Fuel Tank
16	54-41582 7		2	CLAMP, Nylon

PARTS INDEX

Part Number	Description	Pg.	Ref. No.	Part Number	Description	Pg.	Ref. No.
13330A 3	BULB ASSEMBLY	35	7	F702079T	ARM	27	8
56762	TIE STRAP	9	10	F702137	GRIP	27	18
69355	TIE STRAP	9	15	F702178	RETAINER	27	20
817761A 2	CLAMP SCREW ASSEMBLY	29	13	F702198	STOP	27	16
817810A 1	LOCK BAR KIT	29	20	F702212	PLATE	27	27
817815A 4	BRACKET	29	3	F702384	RETAINER	27	24
817816A 6	BRACKET	29	5	F702427	BRACKET	7	14
819330	BEARING	31	31	F702444	CABLE ASSEMBLY	27	6
819399A 1	LANYARD ASSEMBLY	9	12	F702505	STOP	9	8
819677	PLATE	11	3	F702576T	ARM	27	14
819993T 1	COVER	13	10	F702668	RETAINER	19	20
820433T	HANDLE	23	2	F702668	RETAINER	27	3
820474A 1	LATCH KIT	3	11	F702687	COLLAR	27	22
823535	GAUGE/CAP ASSEMBLY	35	2	F702783	RETAINER	3	8
824466A 3	COVER ASSEMBLY	27	9A	F712167T	ADAPTER	11	9
824915	BEZEL	27	--	F712192	CAM	9	14
F10235	TUBE	15	3	F712504	GROMMET	11	2
F10238	NOZZLE	15	22	FA324101	SHEAR PIN KIT	31	22
F10240	SHAFT	15	24	FA341151	PLATE KIT	25	3
F10241	E RING	15	25	FA341298	CAGE	31	15
F10242	WASHER	15	26	FA468346	MOUNT KIT	25	6
F10248	SHUTTER	15	30	FA521735	SEAL KIT	31	34
F10265	NEEDLE	15	19	FA712228	ROLLER SET	21	7
F10290	LINKAGE	15	23	FA735060	BODY ASSEMBLY	31	32
F10292	SEAT	15	20	FG1034-1	GASKET SET	19	18
F10337	JET	15	33	FK10237	NEEDLE/SEAT KIT	15	18
F10338	LINKAGE	15	27	FK10294	GASKET SET	17	35
F10339	SHAFT/LEVER ASSEMBLY	15	28	FK10295	REPAIR KIT	17	34
F10341	JET	15	33	FK1057	SEAL KIT	31	24
F10342	JET	15	33	FK1123	SPARKIE KIT	9	4
F12066	SCREW ASSEMBLY	9	7	FK341704	COUPLING KIT	23	13
F15584	SPRING AND KEEPER	7	4	FK525713	PACKING KIT	3	10
F15585	ROPE	7	10	FK527018	CRANKSHAFT KIT	21	8
F15604	RETAINER	7	8	FO10571	SCREW	15	32
F15605	SPRING	7	5	FO13554	FLOAT	15	10
F15606	PULLEY ASSEMBLY	7	3	FO15366	BOWL	15	12
F15615	SCREW	7	9	FO15367	SHUTTER	15	7
F17815	SEAL	35	13	FO15520	NEEDLE	15	16
F17816	SEAL	35	14	FO15736	SHAFT/LEVER ASSEMBLY	15	6
F197787-3	COUPLER	35	12	FO4784	BALL	15	4
F24074	FOOT	29	15	FO8805	SPRING	15	5
F250003	SPRING	7	7	10-14168	SCREW	31	26
F250421	DOG	7	6	10-25504	SCREW	3	12
F2A24757	PLATE ASSEMBLY	13	2	10-28636	SCREW	19	6
F2C713712	COVER ASSEMBLY	3	1	10-28636	SCREW	19	23
F332705-1	ROD	23	17	10-28636	SCREW	25	13
F424075T	HANDLE	29	21	10-34939	SCREW	9	9
F468349	LOCK	29	10	10-41772	SCREW	3	7
F521270	SLINGER	21	10	10-69080	SCREW	25	4
F521296T	RETAINER	31	18	10-824352	SCREW	9	16
F521514	KNOB	29	2	10-824353	SCREW	9	17
F521537	PLATE	33	36	10-90192	SCREW	27	5
F521615	ROD	23	12	10-F10328	SCREW	15	31
F521621	LEVER	23	8	10-F1035	SCREW	5	17
F521631	SHOE	29	7	10-F1069	SCREW	13	6
F521661-1	PAD	29	6	10-F1077	SCREW	31	2
F521705-1	ROD	23	17	10-F1107	SCREW	19	14
F521721	CAM	33	39	10-F1286	SCREW	13	4
F521774	BRACKET	19	7	10-F1371	SCREW AND LOCKWASHER	23	15
F521779	BAFFLE	25	10	10-F1426	SCREW AND LOCKWASHER	19	9
F521845T	EXTENSION	33	44	10-F1504	SCREW	19	15
F620132	HANDLE	7	12	10-F1504	SCREW	33	37
F620817	RETAINER	7	11	10-F1532	SCREW	11	6
F681046	BULB	5	6	10-F1747	SCREW	25	9
F681269	HANDLE	3	2	10-F175634	SCREW	21	6
F681954-1	COVER	5	5	10-F1825	SCREW	31	26
F687163T	COVER	5	14	10-F2008	SCREW	11	8
F687547-1	KNOB	5	12	10-F2035	SCREW	29	8
F702025	PAD	27	7	10-F2040	SCREW	19	22
F702035	BEARING	27	4	10-F2041	SCREW	23	9

PARTS INDEX

Part Number	Description	Pg.	Ref. No.	Part Number	Description	Pg.	Ref. No.
10-F2211	SCREW	3	3	22-823531	CONNECTOR ASSEMBLY	35	3
10-F2219	SCREW	27	13	22-89771 1	CONNECTOR	35	15
10-F2230	SCREW	27	10	22-F197767-2	BUSHING	5	13
10-F468037-1	BOLT	29	23	22-F681188	NUT	9	13
10-F50109	SCREW	31	4	22-F901811	FILTER	13	7
10-F521552	SCREW	9	1	23-824687	SPACER	27	25
10-F521690-1	SCREW	27	11	23-F197813	BEARING	29	4
10-F525457	SCREW	31	19	23-F269052	BEARING	23	5
10-F901938-1	SCREW	19	2	23-F341610	BEARING	23	4
10-FO10280	SCREW	15	8	23-F468169-1	BEARING	25	5
11-20890	NUT	11	10	23-F521099	SPACER	31	14
11-64015	NUT	7	1	23-F521319	BUSHING	5	20
11-64015	NUT	19	3	23-F521727	SLEEVE	25	8
11-64015	NUT	25	12	24-27160	SPRING	15	17
11-64015	NUT	33	40	24-F10246	SPRING	15	29
11-814101	NUT	19	21	24-F409719	SPRING	31	13
11-814101	NUT	27	1	24-F468300-1	SPRING	29	11
11-817752A 1	PROP NUT KIT	31	20	24-F521199	SPRING	27	15
11-F1756	NUT	5	21	25-21836	O-RING	27	19
11-F7009	NUT	3	6	25-23145	O-RING	27	21
11-F7009	NUT	3	13	25-823533	O-RING	35	4
11-F7009	NUT	23	16	25-F19342	SEAL	23	6
11-F7009	NUT	27	12	25-F46899-1	COVER	25	7
11-F7011	NUT	3	9	25-F521305	SEAL	31	17
11-F7026	NUT	29	19	25-F521579	SEAL	21	11
12-18552	WASHER	13	5	25-F521783	SEAL	31	6
12-19183	WASHER	31	5	25-F702504	GROMMET	27	26
12-22937	WASHER	25	14	26-817472	SEAL	33	38
12-29245	WASHER	19	19	26-819798	SEAL	21	12
12-29245	WASHER	27	2	26-819799	SEAL	21	14
12-34931	WASHER	23	7	26-F318307	SEAL	31	28
12-34931	WASHER	29	18	26-F521307	SEAL	31	16
12-35044	WASHER	5	16	26-F521342-1	SEAL	33	43
12-35044	WASHER	19	5	27-818043A 1	GASKET/DIAPHRAGM SET	13	1
12-35044	WASHER	19	10	27-F18906	GASKET	17	36
12-89302	WASHER	3	4	27-F24748-2	GASKET	13	9
12-F2037	WASHER	29	17	27-F521168	GASKET	11	1
12-F286286-1	WASHER	5	23	27-F521279-1	GASKET	19	12
12-F8015	WASHER	5	19	27-F712529	GASKET	19	1
12-F8074	WASHER	31	3	27-FO10165	GASKET	15	21
12-F8143	WASHER	3	5	27-FO15623	GASKET	15	13
13-21272	LOCKWASHER	7	13	27-FO2510	GASKET	15	15
13-26992	LOCKWASHER	19	4	28-F687498	KEY	21	15
13-26992	LOCKWASHER	25	11	30-F521910	BEARING	21	9
13-26992	LOCKWASHER	31	27	31-F521013	BEARING	21	13
13-26996	LOCKWASHER	23	10	32-820572A 8	LINE ASSEMBLY	35	6
13-F8060	LOCKWASHER	11	7	32-F341244-1	LINE	33	42
16-F27209-1	STUD	11	5	32-F40253-1	LINE	5	4
16-F433209-1	STUD	19	17	32-F40253-1	LINE	5	7
16-F521004	STUD	5	8	32-F40253-1	LINE	13	8
16-F535006	STUD	33	41	32-F521244-1	LINE	33	42
16-F601006	STUD	33	41	32-F521261	LINE	25	2
17-24198	PIN	29	22	33-19796	SPARK PLUG	19	8
17-F318372	PIN	31	12	33-813423	SPARK PLUG	19	8
17-F390563	PIN	31	29	34-F18160-3	REED	13	3
17-F468350	PIN	29	9	34-F31160-2	REED	11	4
17-F521728	PIN	31	7	35-823534	SCREEN	35	5
17-F66480	STUD	29	14	37-818029	DECAL	5	22
17-F8537	PIN	29	16	37-F687390	DECAL	3	14
17-F8538	PIN	23	14	37-F712894	DECAL	27	23
17-F8559	PIN	19	16	37-F713396	DECAL	3	16
17-FO13944	PIN	15	11	37-F713397	DECAL	3	16
18-26953	COTTER PIN	29	1	37-F713528	DECAL	3	15
18-F1406	COTTER PIN	23	11	39-FA712260	RING SET	21	4
18-F1846	COTTER PIN	31	21	41-F712017	PIN	21	3
19-F521246-1	PLUG	31	33	43-819249A 1	GEAR ASSEMBLY	31	8
19-FO10588	PLUG	15	2	43-819250	GEAR	31	10
19-FO2531	PLUG	15	9	44-F409098	PROPELLER SHAFT	31	9
21-13331A 1	CHECK VALVE ASSEMBLY	35	8	45-F341128	DRIVESHAFT	31	30
21-13331A 2	CHECK VALVE ASSEMBLY	35	9	45-F521128	DRIVESHAFT	31	29

PARTS INDEX

Part Number	Description	Pg.	Ref. No.
46-819026A 1	PUMP KIT	31	25
47-F521065-1	IMPELLER	33	35
48-820110A20	PROPELLER	31	23
50-F687063	STARTER ASSEMBLY	7	2
52-F409521	CLUTCH.....	31	11
53-F31410	RING	21	2
54-41582 10	CLAMP.....	35	10
54-41582 7	CLAMP.....	35	11
54-41582 7	CLAMP.....	35	16
54-F2706772	CLAMP.....	5	15
84-824486A 2	CABLE ASSEMBLY	9	6
85-818751	COVER	9	4
87-824440A 5	SWITCH KIT	27	9
87-F687287	SWITCH.....	9	11
90-823212940	OPERATION MANUAL/PARTS CATALOG	3	17
100-820190A 3	TOP COWL ASSEMBLY	3	1
100-820432T	COWL	5	1
100-F687038T	PLATE.....	5	10
200-819363T	FLYWHEEL.....	9	2
300-819156T	MODULE.....	9	3
300-819345A 2	PLATE ASSEMBLY	9	5
600-FS715016	CONNECTING ROD ASSEMBLY.....	21	5
700-819920A 3	PISTON KIT	21	1
800-819854A 1	CYLINDER BLOCK KIT	19	13
800-819854A 2	Powerhead Assy	19	-
900-819367	Head	19	11
1260-823505A 2	TANK ASSEMBLY	35	1
1300-F712061	CARBURETOR.....	15	1
1399-2407	JET.....	15	33
1399-5128	SCREW.....	15	14
1400-817850A 4	STERN BRACKET ASSEMBLY	29	12
1500-817940A 6	HOUSING ASSEMBLY	25	1
1600-820090A 2	GEAR HOUSING KIT.....	31	1
1600-820090A 3	GEAR HOUSING KIT.....	31	-