



# PARTS CATALOG

## 15 H.P. 15" LEG OUTBOARD MOTOR

### SERIAL NUMBER

15 H.P. (1992-93) ..... 225.581505

# TABLE OF CONTENTS:

CARBURETOR .....	8
CRANKSHAFT AND PISTON .....	14
CYLINDER .....	16
ENGINE COVER AND SUPPORT PLATE .....	2
FUEL INTAKE AND RECIRCULATION SYSTEM .....	6
FUEL TANK AND LINE .....	30
GEAR HOUSING .....	26
IGNITION SYSTEM .....	10
MOTOR LEG AND SWIVEL BRACKET .....	18
PARTS INDEX .....	34
SHIFT LINKAGE .....	4
STARTER .....	12
STERN BRACKETS .....	24
THERMOSTAT .....	32
TILLER HANDLE AND THROTTLE LINKAGE .....	20

**NOTE:** Indented description indicate that these parts are included in preceding assembly.

**AR** = As Required

**NSS** = Not Sold Separate

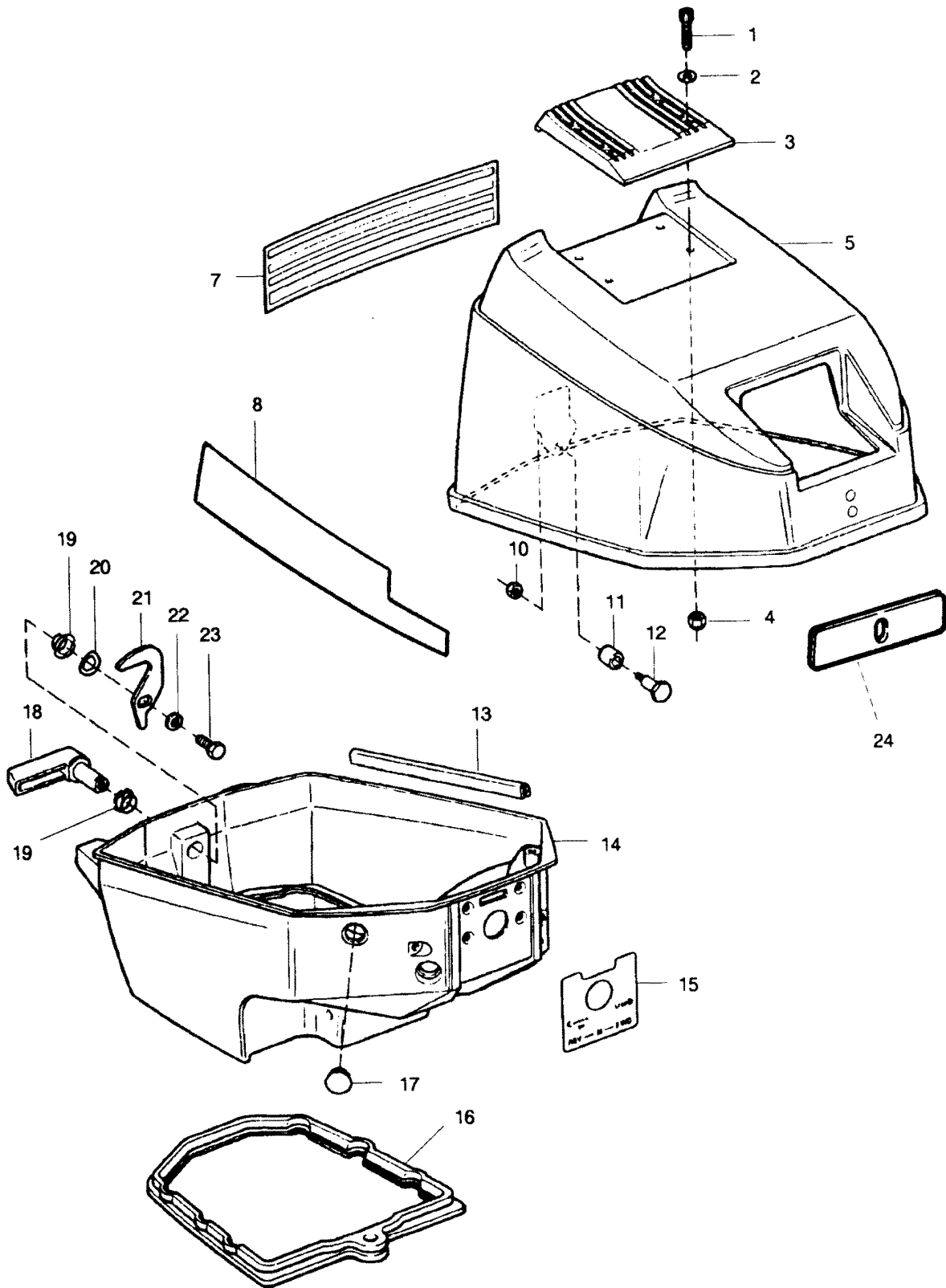
**OPT** = Optional

**NS** = Not Shown

**THESE PARTS BOOKS/FICHE CARD ARE COPYRIGHTED AND MAY NOT BE DISTRIBUTED OR REPRODUCED IN ANY OTHER FORMAT BY ANYONE OTHER THAN MERCURY MARINE WITHOUT THE PRIOR WRITTEN CONSENT OF MERCURY MARINE.**

THIS PAGE INTENTIONALLY LEFT BLANK

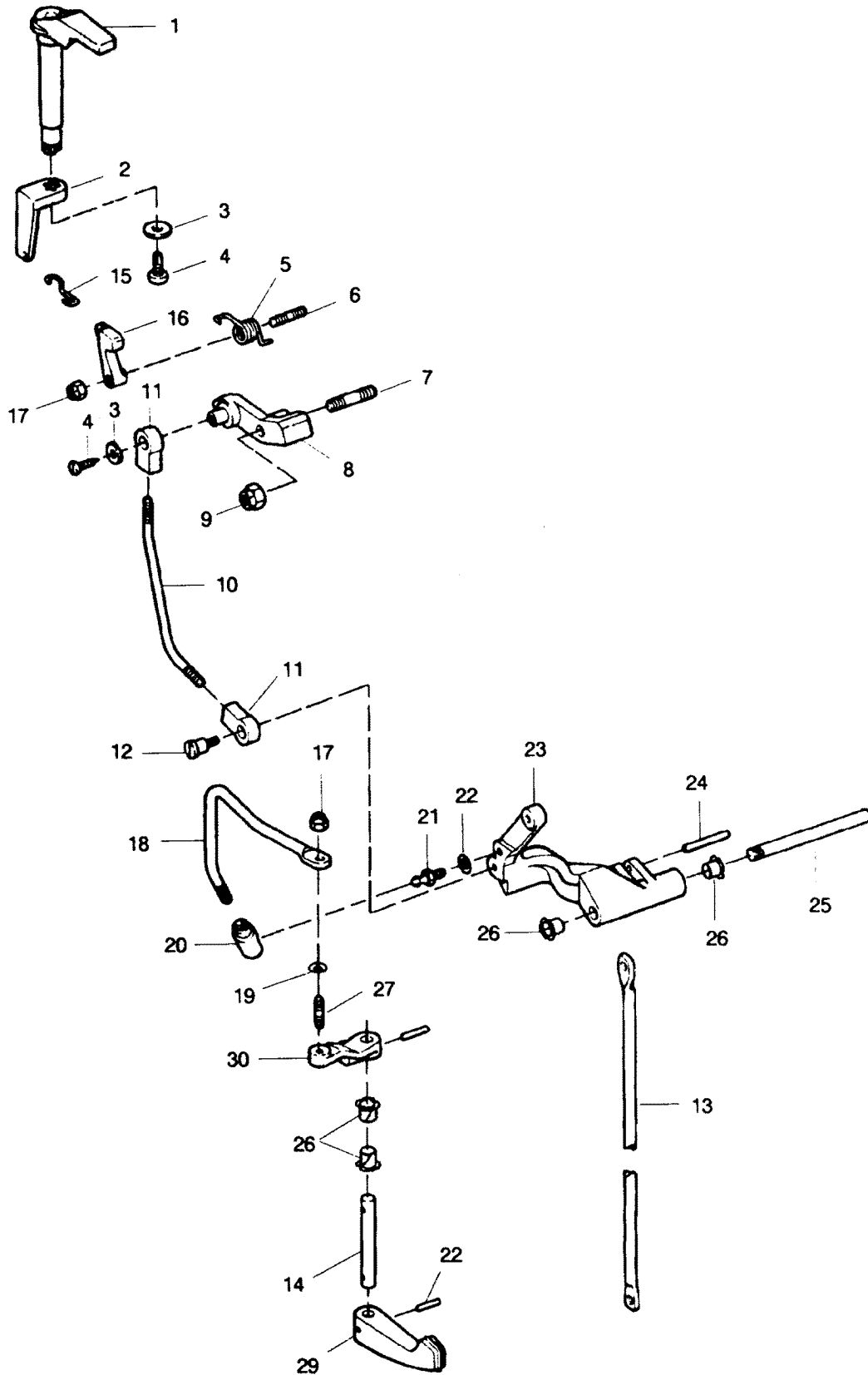
# ENGINE COVER AND SUPPORT PLATE



# ENGINE COVER AND SUPPORT PLATE

REF. NO.	PART NO.	SYM.	QTY.	DESCRIPTION
1	2211		4	HEX HEAD CAP SCREW, 10 - 24 X 5/8 S.S.
2	2042		4	WASHER
3	703269		1	HANDLE, TILT
4	7009		4	LOCKNUT, 10 - 24 S.S.
5	S681712		1	COVER, BASIC (UNPAINTED)
	2C710712		0	COVER, COMPLETE (PAINTED W/DECALS - 15 HP)
7	710528		1	DECAL, REAR
8	710396		1	DECAL, STARBOARD - 15 HP
	710397		1	DECAL, PORT - 15 HP
10	1832		1	LOCKNUT, 1/4 - 20 S.S.
11	681759		1	ROLLER, LATCH
12	681026		1	SCREW, LATCH ROLLER
13	392756		1	PACKING
14	819280		1	SUPPORT PLATE
15	819281		1	PLATE, FRONT
16	715989		1	SEAL, SUPPORT PLATE
17	73336		1	PLUG
18	A681469		1	HANDLE, COVER LATCH
19	307818		2	BEARING
20	8048		1	BOWED WASHER
21	481777		1	CAM, LATCH
22	8083		1	SPRING LOCKWASHER
23	1854		1	HEX HEAD CAP SCREW, 1/4 - 20 X 5/8
24	681390		1	DECAL, START PROCEDURE

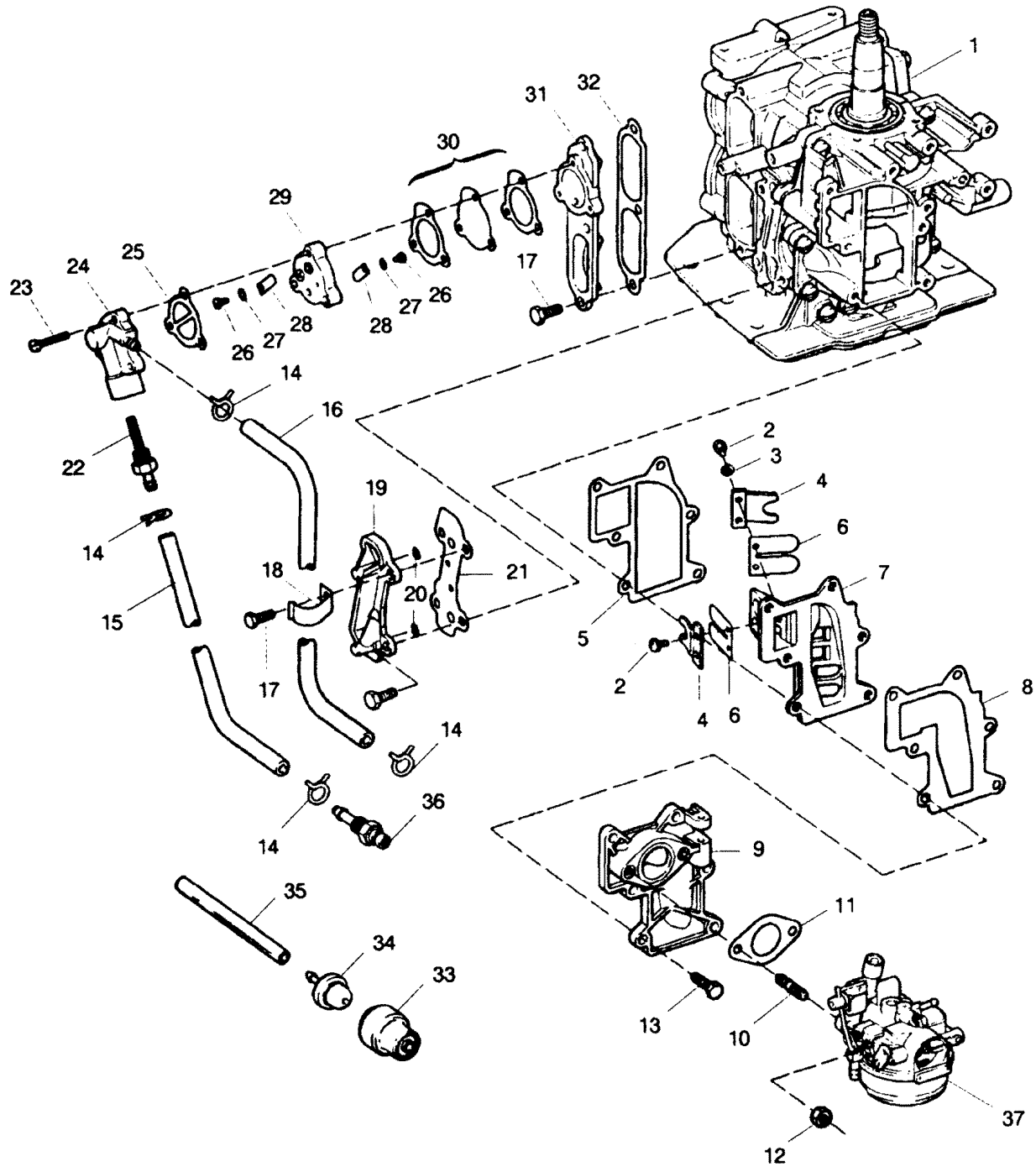
# SHIFT LINKAGE



# SHIFT LINKAGE

REF. NO.	PART NO.	SYM.	QTY.	DESCRIPTION
1	681490		1	STOP, STARTER INTERLOCK
2	681003-1		1	ARM, STARTER INTERLOCK
3	8143		1	WASHER, PLAIN #10
4	2209		1	PAN HEAD SELF TAPPING SCREW 10 - 16
5	681424		1	SPRING, INTERLOCK
6	681134		1	STUD
7	681008		1	STUD
8	681997-1		1	LEVER, NEUTRAL SPEED INTERLOCK
9	1832		1	LOCKNUT 1/4 - 20
10	681531--1		1	ROD, INTERLOCK
11	816514		2	BEARING, CONTROL ROD
12	84026		1	SCREW, SHOULDER
13	286615		1	ROD, GEARSHIFT UPPER
14	715417		1	SHAFT, GEARSHIFT HANDLE
15	681263-1		1	LINK, INTERLOCK
16	681742		1	LEVER, INTERMEDIATE INTERLOCK
17	1804		2	STOP NUT, 10 - 32
18	286611-2		1	ROD, GEARSHIFT
19	8048		1	BOWED SPRING WASHER
20	286685		1	CONNECTOR, GEARSHIFT ROD
21	98273		1	STUD, GEARSHIFT ROD CONNECTOR
22	8058		1	INTERNAL TOOTH LOCKWASHER
23	286876		1	LEVER, GEARSHIFT
24	8542		1	SPRING PIN
25	286871		1	PIN, GEARSHIFT LEVER
26	307818		4	BEARING
27	286134		1	STUD, GEARSHIFT LEVER
28	8540		2	SPRING PIN
29	715614		1	HANDLE, GEARSHIFT
30	715619		1	LEVER, SHIFT HANDLE SHAFT

# FUEL INTAKE AND RECIRCULATION SYSTEM

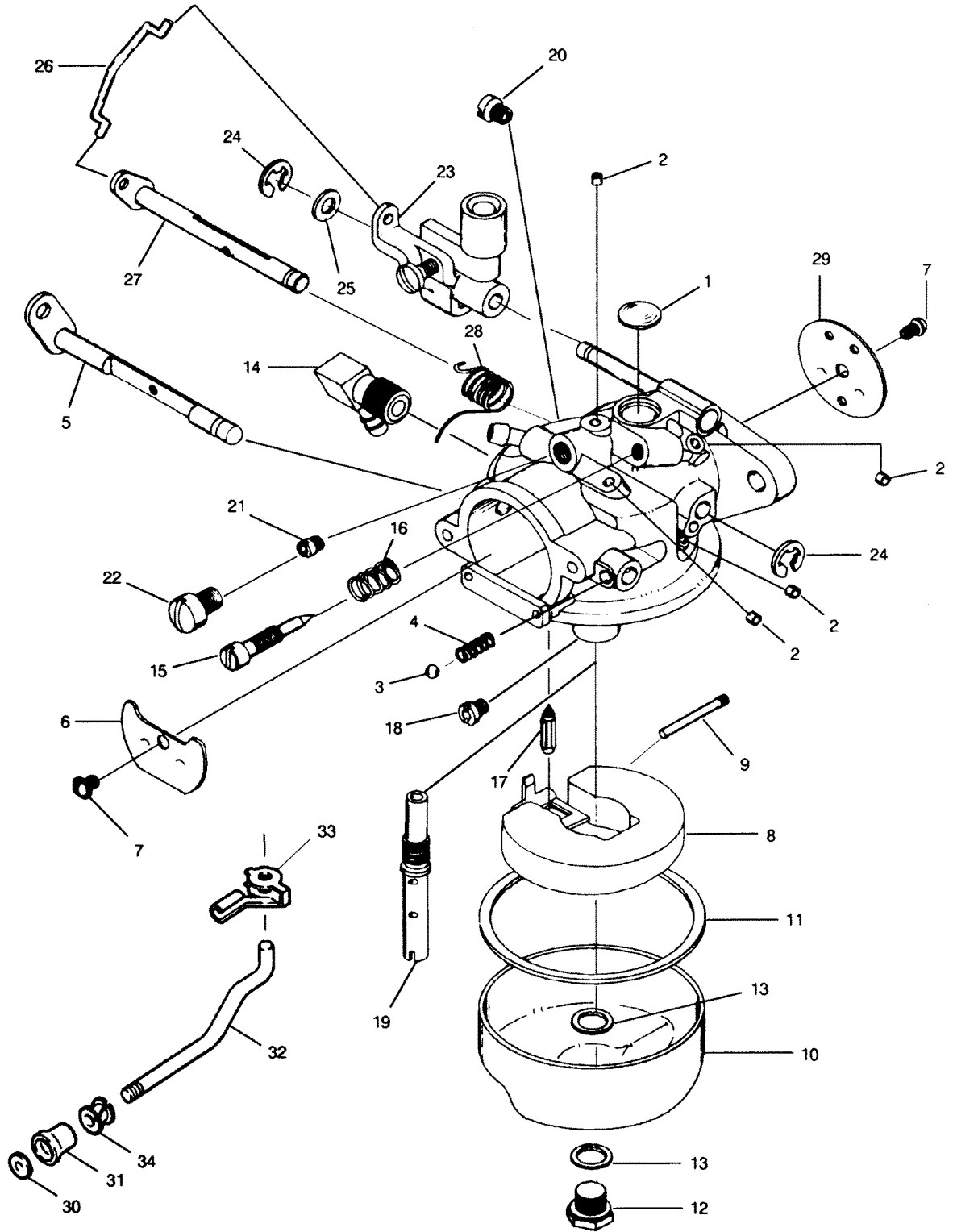




## FUEL INTAKE AND RECIRCULATION SYSTEM

REF. NO.	PART NO.	SYM.	QTY.	DESCRIPTION
1	C710010		1	SHORT BLOCK
2	1755		8	ROUND HEAD SCREW W/LOCKWASHER, 6 - 32 X 5/16
3	1704		2	LOCKWASHER, #6 S.S.
4	715161		4	REED STOP, 15 HP
5	286159-1		1	GASKET, REED PLATE
6	31160-2		4	REED
7	A715158		1	REED PLATE W/REEDS AND REED STOPS - 15 HP
8	715168		1	GASKET, MANIFOLD
9	A715167		1	MANIFOLD W/STUDS
10	2788004		2	STUD, CARBURETOR
11	715906		1	GASKET, CARBURETOR
12	1490		2	HEX NUT, 1/4 - 20
13	2008		6	HEX HEAD SCREW, L/4 - 20 X 7/8
14	2706772		4	HOSE CLAMP
15	40253-1		1	FUEL LINE (SUPPORT PLATE TO FUEL PUMP)
16	681754		1	FUEL LINE (FUEL PUMP TO CARBURETOR)
17	1922		7	HEX HEAD SCREW, L/4 - 20 X 5/8
18	286772-1		1	CLAMP
19	A429471		1	COVER, CYLINDER DRAIN WITH CHECK VALVES AND SCREENS
20	429811		2	SCREEN
21	429472		1	GASKET, CYLINDER DRAIN COVER
22	901811		1	FILTER, FUEL
23	1069		3	HEAD SCREW, 10 - 24 X 1-L/16
24	901746-2		1	COVER, FUEL PUMP
25	24748-2		1	GASKET, FUEL PUMP
26	1286		2	PAN HEAD SCREW, 4 - 40 X 3/16
27	8003		2	PLAIN WASHER
28	18160-3		2	REED, FUEL PUMP
29	2A24757		1	PLATE, FUEL PUMP W/REEDS
30	818043A1		1	FUEL PUMP DIAPHRAGM W/GASKETS
31	286222		1	COVER, TRANSFER PORT
32	286223		1	GASKET, TRANSFER PORT COVER
33	681954-1		1	COVER, PRIME BULB
34	681046		1	BULB, PRIME
35	681243		1	HOSE (PRIME BULB TO CARBURETOR)
36	197767-2		1	BUSHING (FUEL LINE)
37	715061		1	CARBURETOR (FOLA)

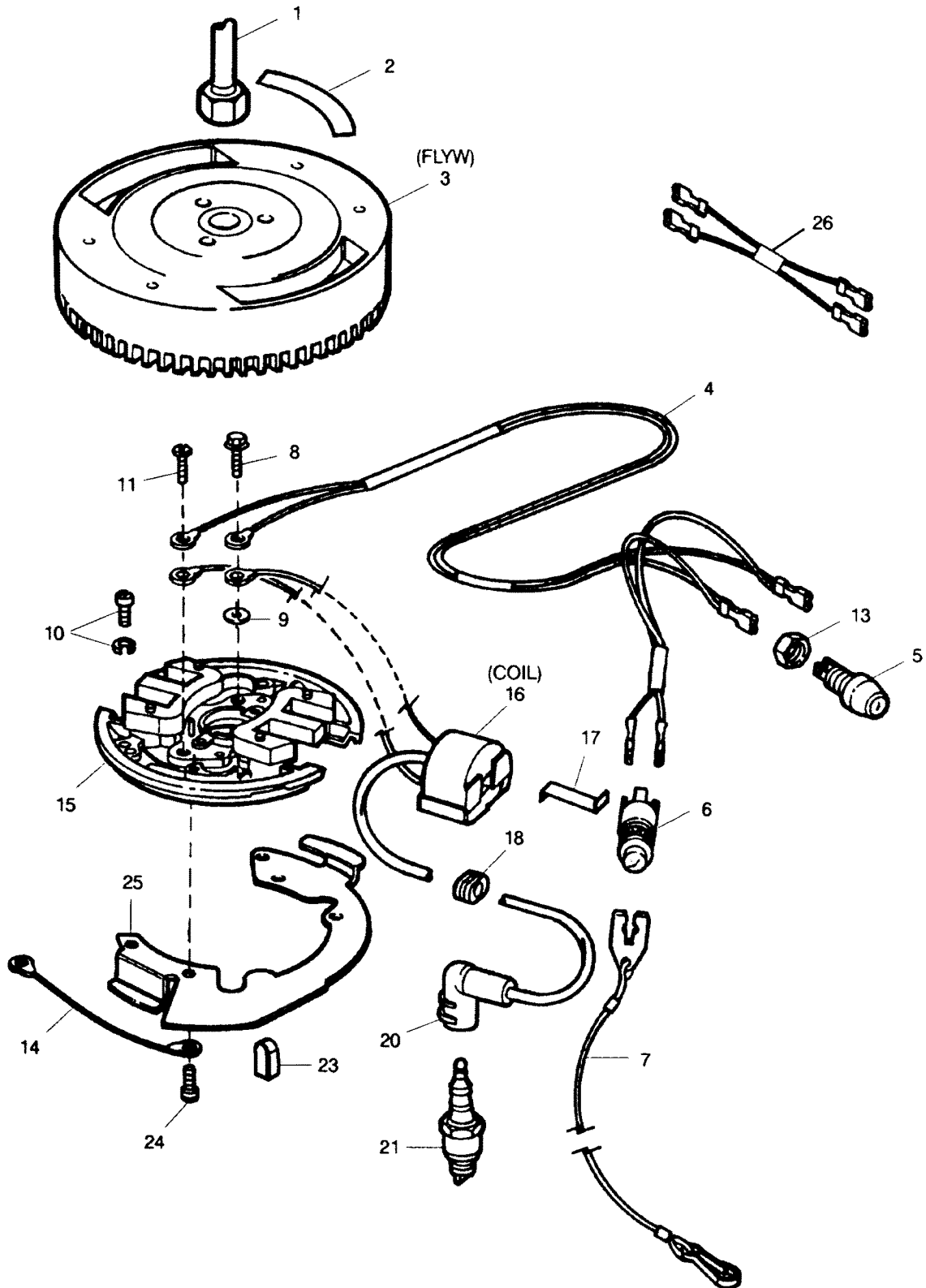
# CARBURETOR



# CARBURETOR

REF. NO.	PART NO.	SYM.	QTY.	DESCRIPTION
1	016128		1	PLUG
2	010588		4	PLUG
3	04784		1	BALL
4	08805		1	SPRING
5	10343		1	SHAFT, CHOKE
6	10344		1	SHUTTER, CHOKE
7	10345		2	SCREW
8	10346		1	FLOAT
9	013944		1	PIN
10	015366		1	BOWL
11	015623		1	GASKET
12	013945		1	SCREW
13	02510		2	GASKET
14	10347		1	ELBOW
15	10268		1	SCREW, IDLE MIXTURE
16	011103		1	SPRING
17	10265		1	NEEDLE, INLET
18	10214		1	JET, MAIN FUEL (.070) SEA LEVEL - 2500 FT.
	10215		1	JET, MAIN FUEL (.068) 2500 - 5000 FT.
	10226		1	JET, MAIN FUEL (.066) 5000 - 7500 FT.
	10148		1	JET, MAIN FUEL (.064) 7500 - 10000 FT.
19	015722		1	NOZZLE, MAIN
20	10348		1	JET, IDLE (.050)
21	10273		1	JET, PART THROTTLE (.047)
22	10275		1	SCREW
23	10290		1	LINKAGE ASSEMBLE, THROTTLE
24	10241		2	CLIP
25	10242		1	WASHER
26	10338		1	LINK, THROTTLE
27	10349		1	SHAFT, THROTTLE
28	10350		1	SPRING
29	10351		1	SHUTTER, THROTTLE
30	458677		1	INSERT, CHOKE KNOB
31	286547		1	KNOB, CHOKE
32	819348		1	ROD, CHOKE
33	341384		1	RETAINER, CHOKE ROD
34	197319		1	BEARING, CHOKE ROD
-	<b>K10352</b>		<b>1</b>	<b>GASKET SET (NOT SHOWN)</b>
-	<b>K10353</b>		<b>1</b>	<b>REPAIR KIT (NOT SHOWN)</b>
-	<b>715061</b>		<b>1</b>	<b>CARBURETOR COMPLETE</b>

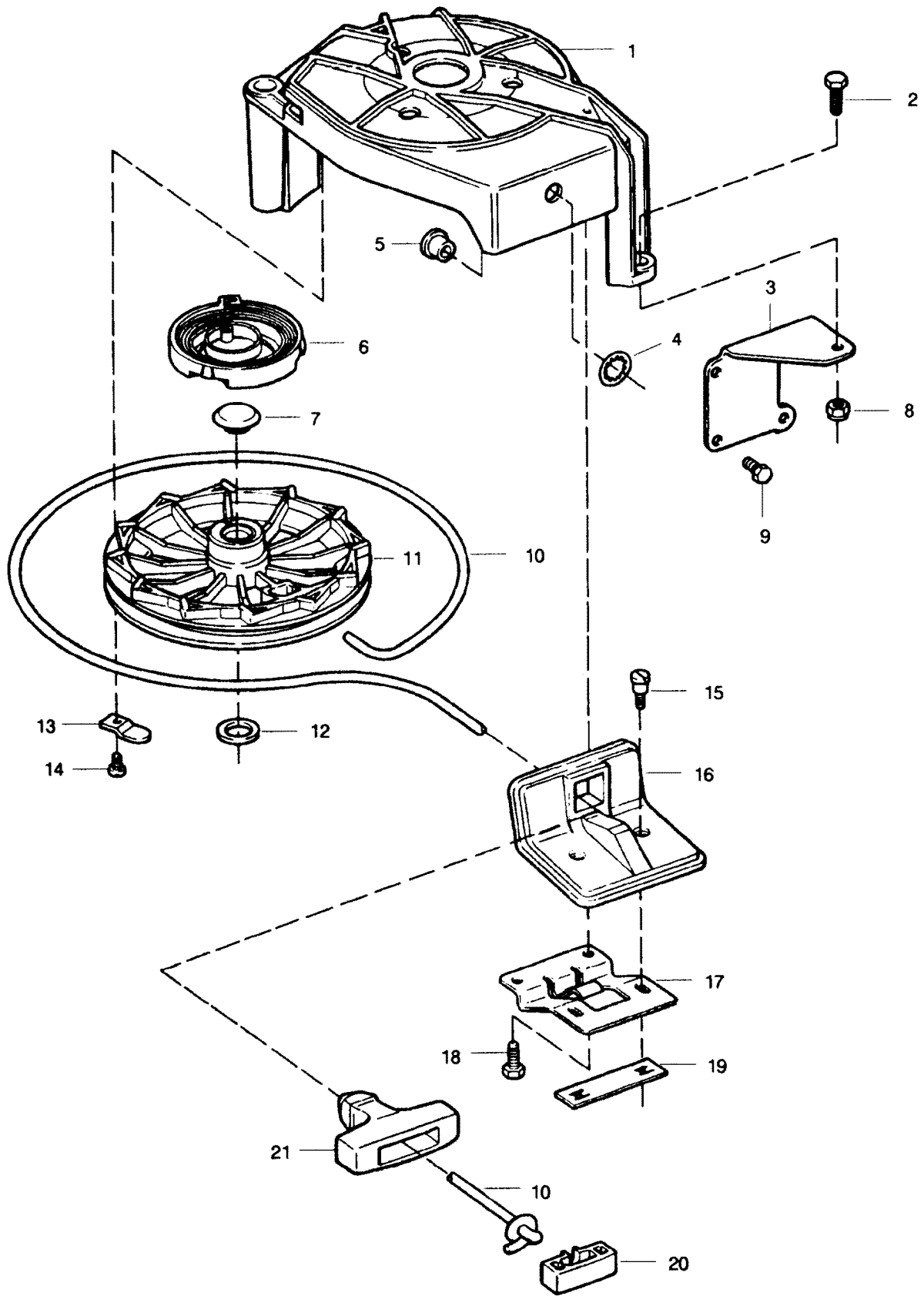
# IGNITION SYSTEM



# IGNITION SYSTEM

REF. NO.	PART NO.	SYM.	QTY.	DESCRIPTION
1	681091		1	NUT, FLYWHEEL
2	A609853		1	DECAL, SHIFT WARNING
3	A714097		1	FLYWHEEL W/DECAL
4	12376		1	WIRE, MAGNETO SHORTING
5	817952A1		1	SWITCH, STOP W/NUT
6	K681602		1	SWITCH, EMERGENCY STOP W/LANYARD
7	702329		1	LANYARD
8	12380		1	SCREW (PLASTIC)
9	12381		1	WASHER (PLASTIC)
10	1090		4	SCREW W/LOCKWASHER,10 - 24 X 9/16
11	12382		1	SCREW
13	436280		1	NUT, SHORTING SWITCH
14	289664		1	WIRE, STATOR GROUND
15	12377		1	STATOR, PLATE W/LAMINATIONS
16	712475		2	COIL
17	12378		2	SPRING, COIL WEDGE
18	12088		2	GROMMET
20	K1123		2	COVER, SPARK PLUG
21	819182T		2	SPARK PLUG L87YC
23	458498-1		1	KEY, MAGNETO
24	1090		4	SCREW, 10 - 24 X 1/2
25	715192		1	PLATE, THROTTLE CAM
26	819379A1		1	WIRE (STOP SWITCH EXTENSION)

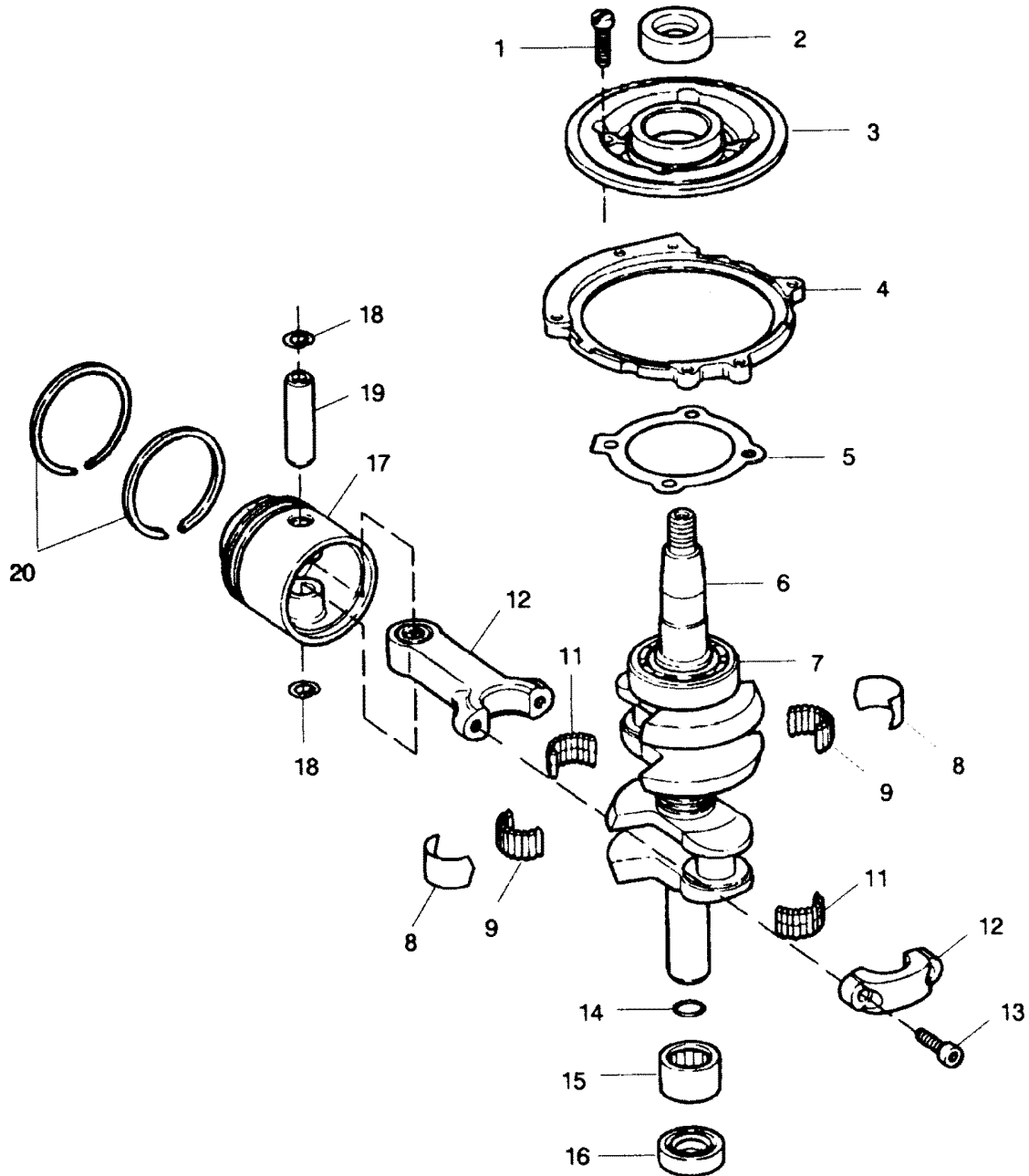
# STARTER



# STARTER

REF. NO.	PART NO.	SYM.	QTY.	DESCRIPTION
1	681408-1		1	HOUSING
2	1864		3	SCREW, HEX HEAD 1/4 - 20 X 3/4 S.S.
3	681427-2		1	BRACKET
4	681741		1	RING, RETAINING
5	681428		1	INSERT, STARTER HOUSING ROPE
6	681970		1	SPRING, STARTER REWIND
7	681971		1	PLUG
8	1832		1	LOCKNUT, 1/4 - 20
9	1090		3	SCREW, FILL. HEAD 10 - 24 X 9/16
10	681232		1	ROPE
11	A681239		1	STARTER PULLEY ASSEMBLY W/PLUG AND SEAL
12	681579		1	SEAL
13	681592		3	RETAINER, STARTER PULLEY
14	2209		3	SCREW, PAN HEAD 10 - 16 X 1/2 S.S.
15	84026		2	SCREW, SHOULDER
16	A681630		1	SUPPORT, HANDLE
17	681090		1	PLATE, HANDLE SUPPORT
18	2210		2	SCREW, PAN HEAD 1/4 - 14 X 1/2 S.S.
19	681874		1	FASTENER, HANDLE SUPPORT PLATE
20	681817		1	RETAINER, STARTER ROPE
21	681132		1	HANDLE, STARTER ROPE

# CRANKSHAFT AND PISTON

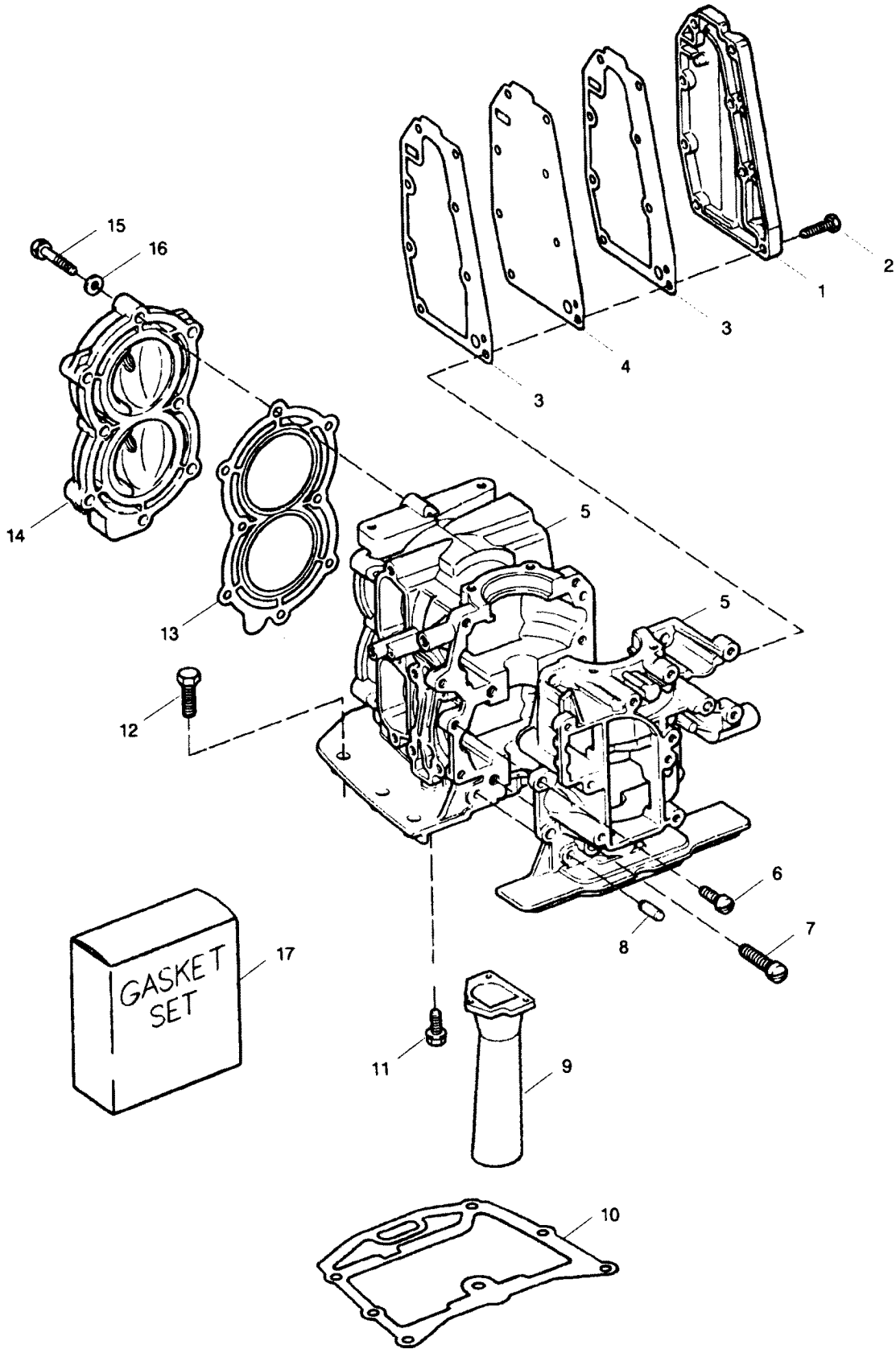




# CRANKSHAFT AND PISTON

REF. NO.	PART NO.	SYM.	QTY.	DESCRIPTION
1	1111		4	HEAD SCREW, 1/4 - 20 X 7/8
2	346146		1	SEAL, CRANKSHAFT UPPER
3	817753A1		1	CAGE, CRANKSHAFT W/SEAL
4	73082		1	RING, MAGNETO STATOR
5	286277		1	GASKET, CRANKSHAFT BEARING CAGE
6	2A681018		1	CRANKSHAFT W/UPPER MAIN BEARING
7	286028		1	BEARING, CRANKSHAFT UPPER
8	A286155		1	CENTER MAIN BEARING LINER SET (2 PER SET)
9	286571		1	CENTER MAIN BEARING ROLLER SET (26 PER SET)
11	A712228		2	CONNECTING ROD ROLLER SET (2 PER SET)
12	S715016		2	ROD, CONNECTING W/CAP AND SCREWS
13	175634		4	SCREW, CONNECTING ROD
14	461342		1	SEAL, DRIVESHAFT SPLINE
15	343014		1	BEARING, CRANKSHAFT LOWER MAIN
16	141118		1	SEAL, CRANKSHAFT LOWER
17	710015		2	PISTON
18	31410		4	RETAINING RING, PISTON PIN
19	712017		2	PIN, PISTON
20	A472260		1	RING SET, PISTON (4 PER SET)

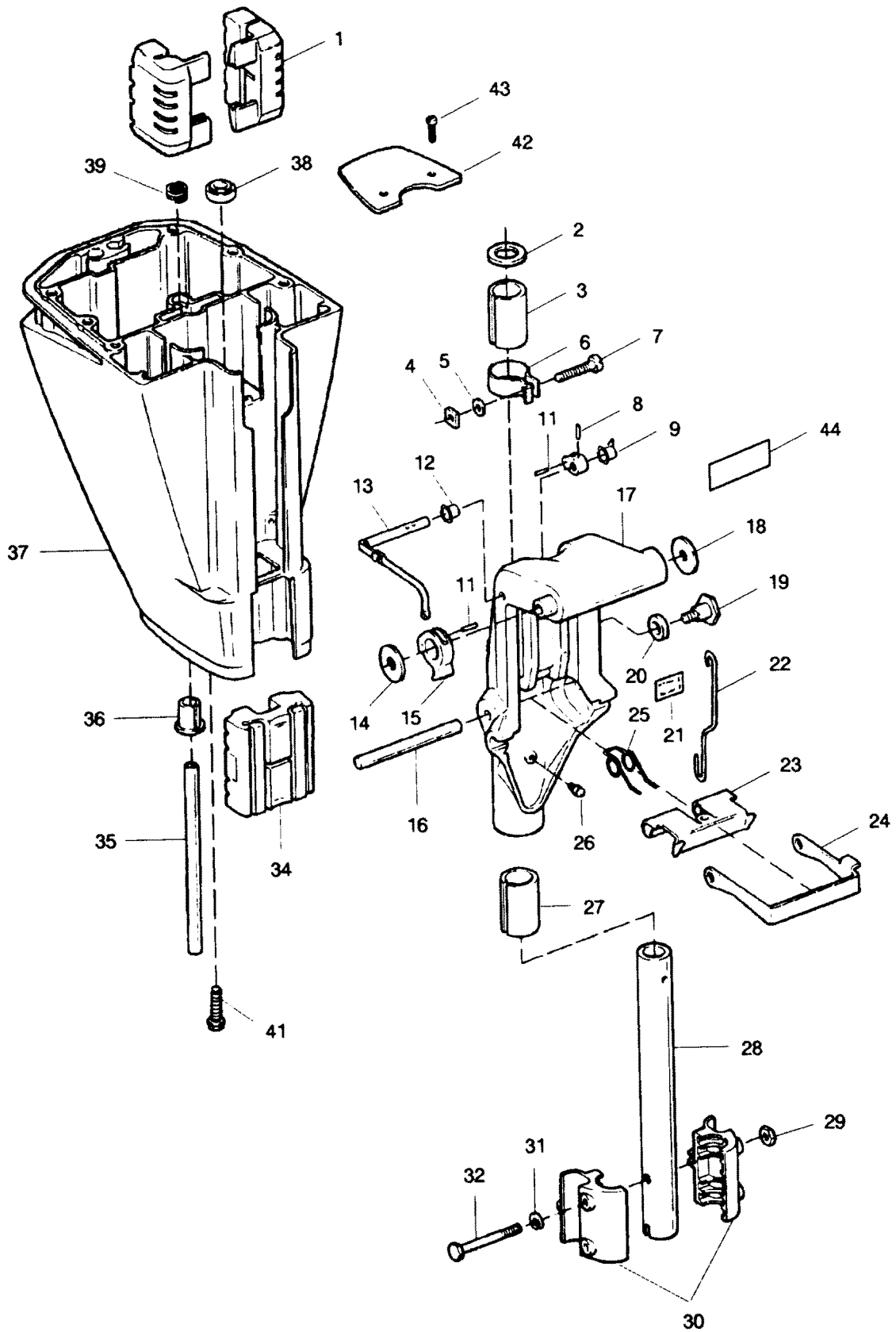
# CYLINDER



# CYLINDER

REF. NO.	PART NO.	SYM.	QTY.	DESCRIPTION
1	715152		1	COVER, EXHAUST
2	2008		8	HEX HEAD SCREW, 1/4 - 20 X 7/8
3	715154		2	GASKET, EXHAUST COVER
4	715151		1	PLATE, EXHAUST
5	A709010		1	CYLINDER
-	<b>C710010</b>		<b>1</b>	<b>SHORT BLOCK (CYLINDER WITH CRANKSHAFT, PISTONS AND RODS INSTALLED)</b>
6	1107		8	HEAD SCREW, 1/4 - 20 X 3/4
7	1335		4	HEAD SCREW, 5/16 - 18 X 1-1/4
8	8559		2	DOWEL PIN
9	715660		1	EXHAUST TUBE
10	715279-1		1	GASKET, CYLINDER MOUNT
11	1705		3	HEX HEAD MACHINE SCREW, 1/4 - 20 X 3/4 S.S.
12	1823		6	HEX HEAD CAP SCREW, 5/16 - 18 X 1
13	286529-3		1	GASKET, CYLINDER HEAD
14	286518		1	HEAD, CYLINDER
15	901938-1		8	SCREW, CYLINDER HEAD
16	8025		8	PLAIN WASHER
17	G1035		1	GASKET SET (INCLUDES ALL GASKETS REQUIRED TO REBUILD POWER HEAD)

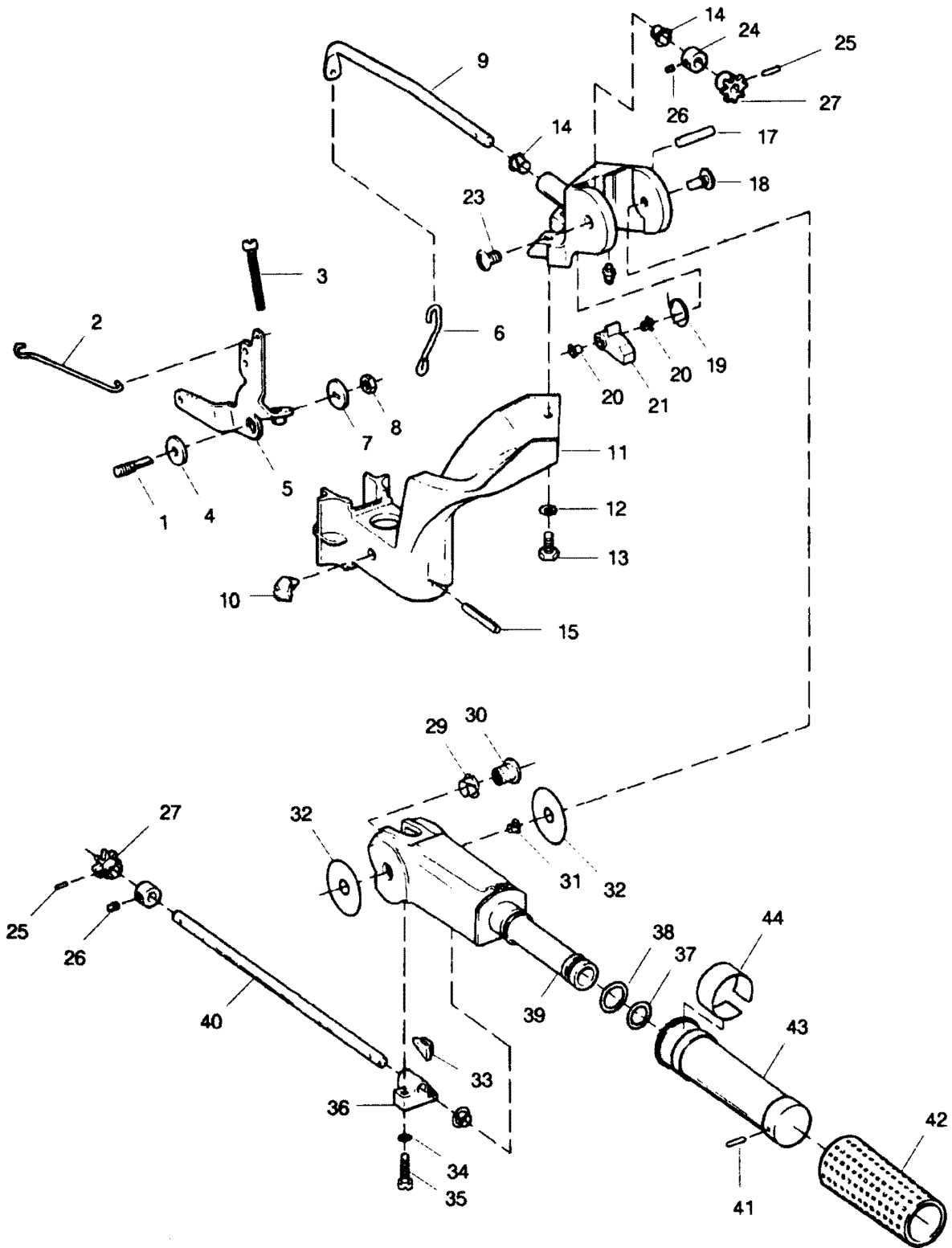
# MOTOR LEG AND SWIVEL BRACKET



# MOTOR LEG AND SWIVEL BRACKET

REF. NO.	PART NO.	SYM.	QTY.	DESCRIPTION
1	286347		2	MOUNT, UPPER SHOCK
2	286011		1	WASHER, SWIVEL BRACKET
3	286169		1	BEARING, SWIVEL BRACKET
4	1608		1	SQUARE NUT, 1/4 - 20
5	1907		1	WASHER
6	286573-1		1	CLAMP, STEERING FRICTION
7	1820		1	HEAD SCREW, 1/4 - 20 X 1-3/8
8	8538		2	SPRING PIN
9	197813		1	BEARING
10	286364		1	LEVER, REVERSE LOCK
11	1794		1	SPRING PIN
12	536813		1	BEARING
13	A387742		1	LEVER, REVERSE LOCK INTERMEDIATE
14	525286		1	WASHER
15	286827		1	LEVER, REVERSE LOCK
16	1806		1	GROOVE PIN
17	817750A2		1	BRACKET, SWIVEL W/GREASE FITTING AND LOWER BEARING
18	286286-1		1	WASHER
19	286422-1		1	PIVOT, TILT LOCK
20	286451		1	SPACER, TILT LOCK
21	688585		1	DECAL, TILT LOCK
22	A341510		1	LINK, REVERSE LOCK
23	286349		1	REVERSE LOCK
24	286433		1	BRACKET, REVERSE LOCK
25	286300		1	SPRING, REVERSE LOCK
26	213274		4	FITTING, GREASE
27	286169		1	BEARING, LOWER SWIVEL BRACKET
28	286019		1	KING PIN
29	1341		2	HEX NUT, 1/4 - 20
30	286956		2	BRACKET, SHOCK MOUNT LOWER
31	8083		2	SPRING LOCKWASHER
32	A1844		2	HEX BOLT W/LOCKWASHER, 1/4 - 20 X 2-3/8 S.S.
34	286346		1	MOUNT, LOWER SHOCK
35	286244		1	LINE, WATER
36	286914-1		1	SLEEVE, WATER LINE
37	819344		1	LEG, MOTOR
38	901307-2		1	SEAL, MOTOR LEG
39	286414		1	SPRING, LEG WATER BRACKET
41	430732		4	SCREW, S.S.
42	715404		1	PLATE, LEG TUNER
43	2417		2	SCREW, 1/4 - 20 X 3/8
44	818029		1	DECAL, FUEL MIX

# TILLER HANDLE AND THROTTLE LINKAGE

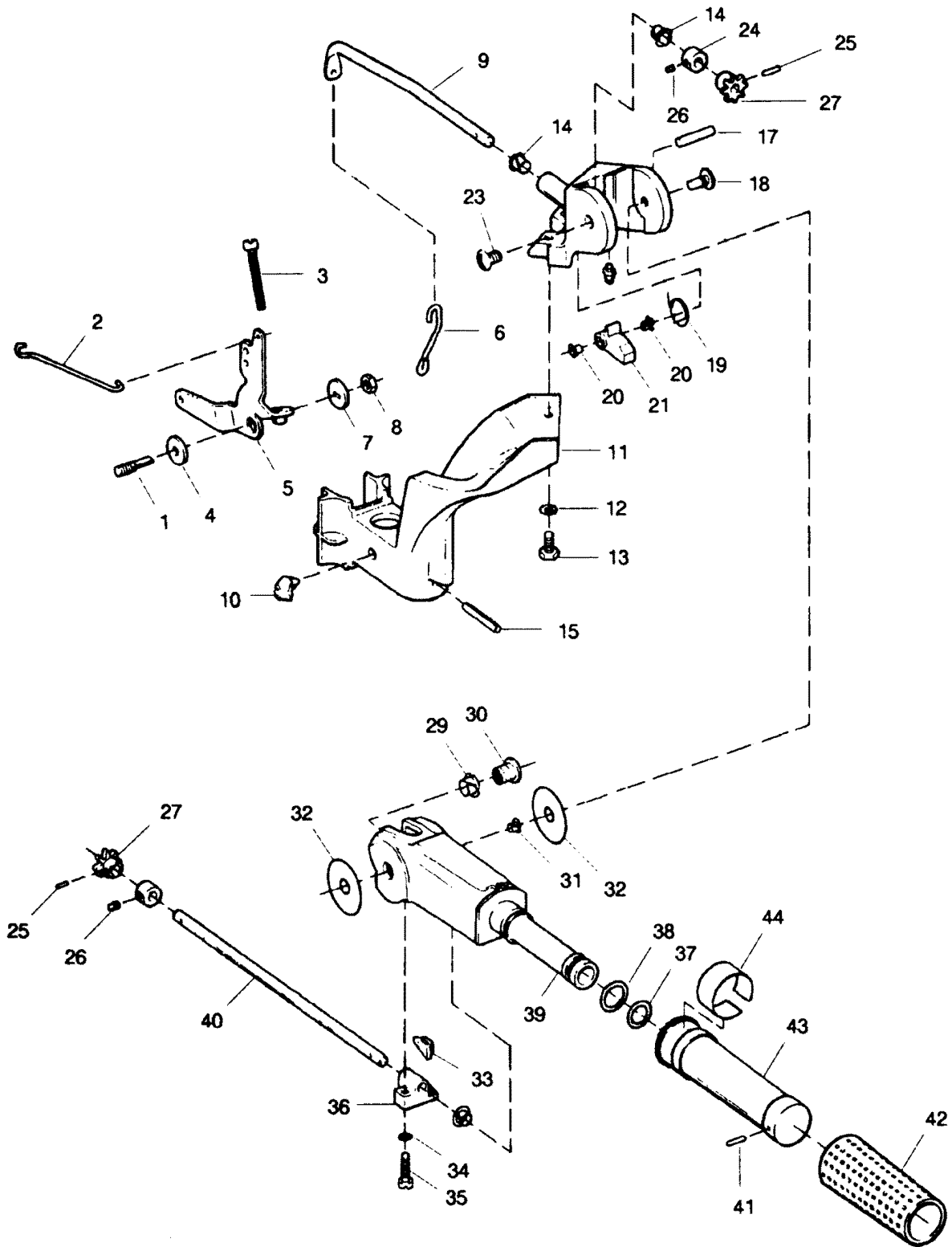


## TILLER HANDLE AND THROTTLE LINKAGE

REF. NO.	PART NO.	SYM.	QTY.	DESCRIPTION
1	286440		1	STUD, MAGNETO CONTROL LEVER
2	286509		1	LINK, THROTTLE CAM
3	2126		1	SLOTTED FILL. HEAD SCREW, 1/4 - 28 X 2
4	183813		1	BEARING, MAGNETO CONTROL LEVER
5	A715081		1	LEVER, MAGNETO CONTROL
6	618445		1	LINK, MAGNETO SHAFT
7	286282		1	WASHER
8	1803		1	STOP NUT, 5/16 - 24
9	431838		1	SHAFT, MAGNETO CONTROL
10	286539		1	BUMPER
11	A286582		1	ARM, STEERING W/BUMPER AND SPRING PIN
12	8060		2	EXTERNAL TOOTH LOCKWASHER
13	1922		2	HEX CAP SCREW, 1/4 - 20
14	307818		2	BEARING
15	1805		1	SPRING PIN
16	213274		1	FITTING, GREASE
17	1807		1	GROOVE PIN
18	286080		1	SCREW, STEERING HANDLE PIVOT
19	286868		1	SPRING, STEERING HANDLE STOP
20	197813		2	BEARING, STEERING HANDLE STOP
21	286490		1	STOP, STEERING HANDLE
22	817751A2		1	BRACKET, STEERING HANDLE W/GREASE FITTING
23	1799		1	TRUSS HEAD SCREW, 5/16 - 18 X 5/8
24	A343178		2	RETAINER W/SET SCREW
25	1978		2	SPRING PIN
26	1859		2	HEX HEADLESS SOCKET SET SCREW
27	818009--1		2	GEAR, MAGNETO CONTROL SHAFT
28	85610		1	BEARING
29	286818		1	BEARING
30	286224-1		1	INSERT, STEERING HANDLE PIVOT
31	197813		1	BEARING
32	286220		2	WASHER, STEERING HANDLE
33	341693		1	WEDGE, STEERING HANDLE
34	8058		2	INTERNAL TOOTH LOCKWASHER
35	1829		2	HEAD SCREW, 10 - 24 X 718
36	487816-1		1	BEARING, STEERING HANDLE
37	215795		1	SEAL (SMALL)
38	53795-1		1	SEAL (LARGE)
39	819279		1	HANDLE, STEERING

CONTINUED ON NEXT PAGE ➡

# TILLER HANDLE AND THROTTLE LINKAGE

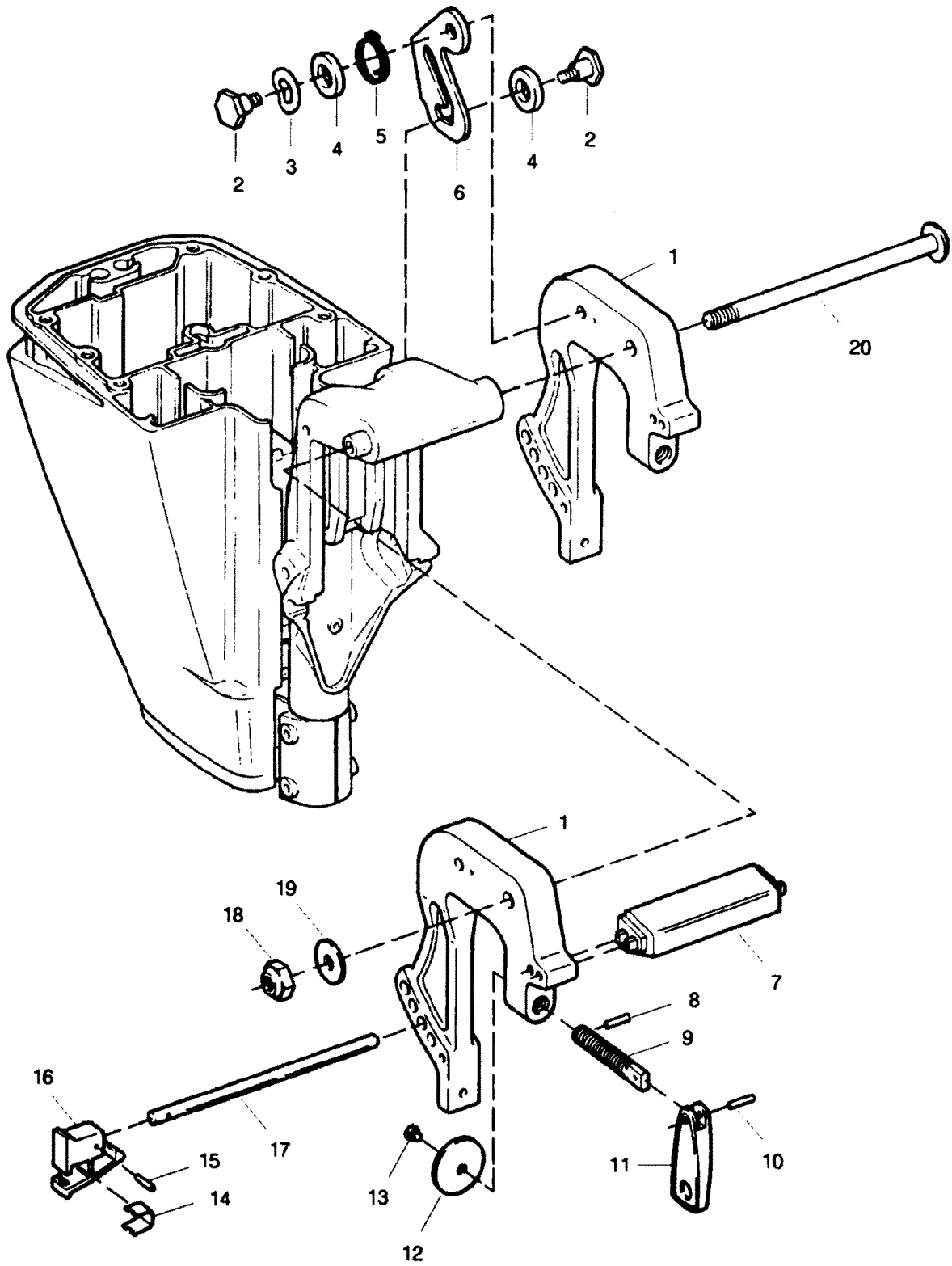




## TILLER HANDLE AND THROTTLE LINKAGE

REF. NO.	PART NO.	SYM.	QTY.	DESCRIPTION
40	819160		1	SHAFT, STEERING HANDLE
41	8548		1	SPRING PIN
42	458695		1	SLEEVE
43	A456137		1	GRIP, STEERING HANDLE W/SLEEVE
44	709894		1	INDICATOR, STEERING HANDLE

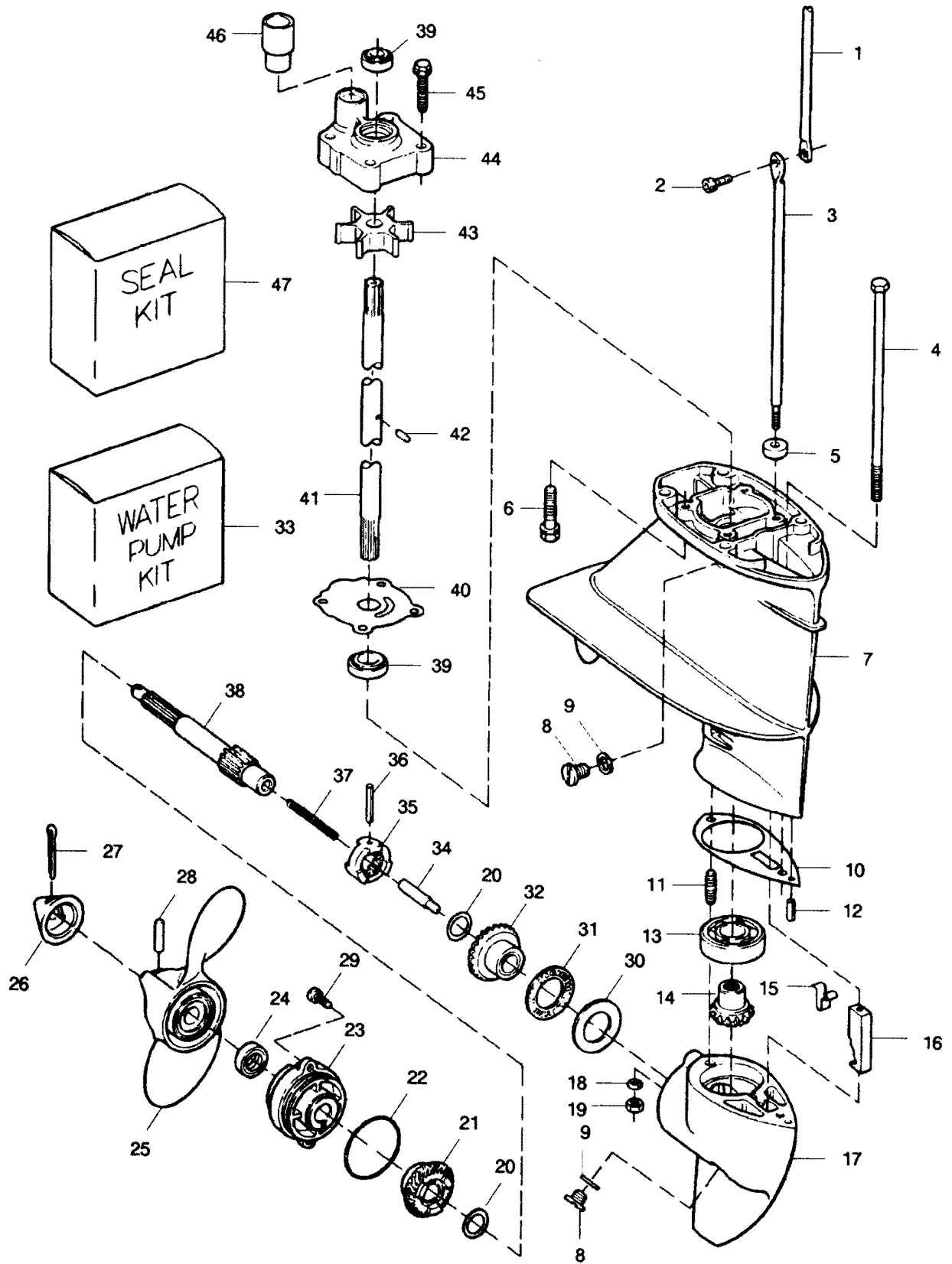
# STERN BRACKETS



# STERN BRACKETS

REF. NO.	PART NO.	SYM.	QTY.	DESCRIPTION
1	S617532		2	STERN BRACKET W/CLAMP SCREW
2	286422-1		2	PIVOT
3	1666		1	BOWED SPRING WASHER
4	286451		2	SPACER
5	286544-1		1	SPRING, TILT STOP
6	429541		1	LOCK, TILT
7	286647		1	HANDLE, CARRYING
8	8537		2	SPRING PIN
9	817761A2		2	CLAMP SCREW W/HANDLE AND FOOT
10	8554		2	SPRING PIN
11	424075		2	HANDLE, CLAMP SCREW
12	24074		2	FOOT, CLAMP SCREW
13	66480		2	STUD, CLAMP SCREW
14	286461		1	SPRING, LOCK BAR HANDLE
15	8540		1	SPRING PIN
16	286114		1	HANDLE, LOCK BAR
17	A617113		1	LOCK BAR W/HANDLE
18	7026		1	STOP NUT, 3/8 - 16
19	2014		1	WASHER

# GEAR HOUSING

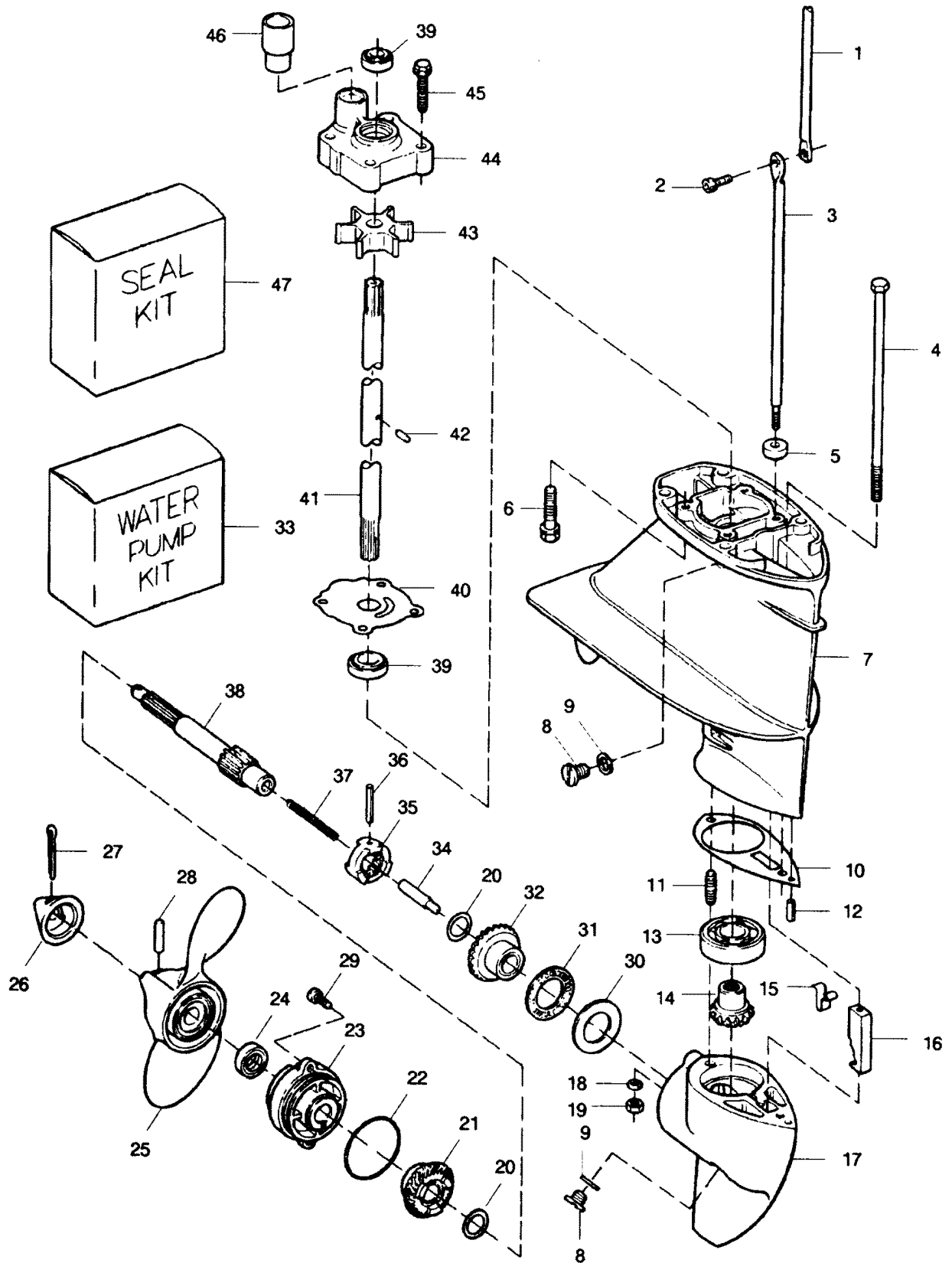


# GEAR HOUSING

REF. NO.	PART NO.	SYM.	QTY.	DESCRIPTION
1	286615		1	GEAR SHIFT ROD, UPPER
2	1976		1	SOCKET HEAD CAP SCREW W/LOCKWASHER,10 - 24 X 1/2
3	286705-1		1	GEAR SHIFT ROD, LOWER (15 INCH TRANSOM MODELS)
4	1800		1	HEX BOLT, 1/4 - 20 X 7
5	338618-1		1	SEAL, SHIFT ROD LOWER
6	430732		4	HEX HEAD SCREW, 1/4 - 20 X 1
7	A715554		1	GEAR HOUSING UPPER W/BEARING, PLUGS AND SEALS
8	50109		2	PLUG, GEAR HOUSING
9	8077		2	NYLTITE WASHER
10	286555		1	GASKET, GEAR HOUSING
11	286008		1	STUD, REAR
12	8553		1	SPRING PIN
13	127910-2		1	BALL BEARING
14	819251A1		1	GEAR, BEVEL PINION W/BALL BEARING
15	286895		1	SPRING, CAM DETENT
16	286721		1	CAM, SHIFT
17	817749A1		1	GEAR HOUSING LOWER W/PROP SHAFT BEARING AND PLUG
	819483A1		1	GEAR HOUSING KIT (INCLUDES ALL ITEMS REQUIRED TO BUILD COMPLETE LOWER GEAR HOUSI
18	8083		1	SPRING LOCKWASHER
19	1490		1	HEX NUT, 1/4 - 20
20	456717		2	THRUST WASHER
21	819254A1		1	GEAR, BEVEL REAR W/BEARING
22	455305		1	SEAL, PROP SHAFT BEARING CAGE
23	817756A1		1	CAGE, PROP SHAFT BEARING W/BEARING END SEALS
24	346118		1	SEAL, PROP SHAFT
25	P715		1	PROPELLER, 8-3/8 X 6, ALUMINUM, 3 BLADE
26	817752A1		1	PROPELLER NUT W/COTTER PIN
27	1846		1	COTTER PIN
28	A324101		1	PROPELLER PIN, PACK OF 3 W/COTTER PIN
29	1493		2	HEAD SCREW, 1/4 - 20 X 5/8
30	286903		1	RACE, PROPELLER SHAFT BEARING
31	286901		1	BEARING, PROPELLER SHAFT
32	819252A1		1	GEAR, FRONT BEVEL W/BEARING
33	K1031-1		1	WATER PUMP KIT
34	286728		1	SHIFT PIN
35	819253		1	CLUTCH
36	8564		1	SPRING PIN
37	409719		1	SPRING, CLUTCH
38	456098		1	PROPELLER SHAFT
39	901307-2		2	SEAL, DRIVESHAFT
40	341562		1	WATER PUMP BACKPLATE
41	343128		1	DRIVESHAFT (15 INCH TRANSOM MODELS)

CONTINUED ON NEXT PAGE ➡

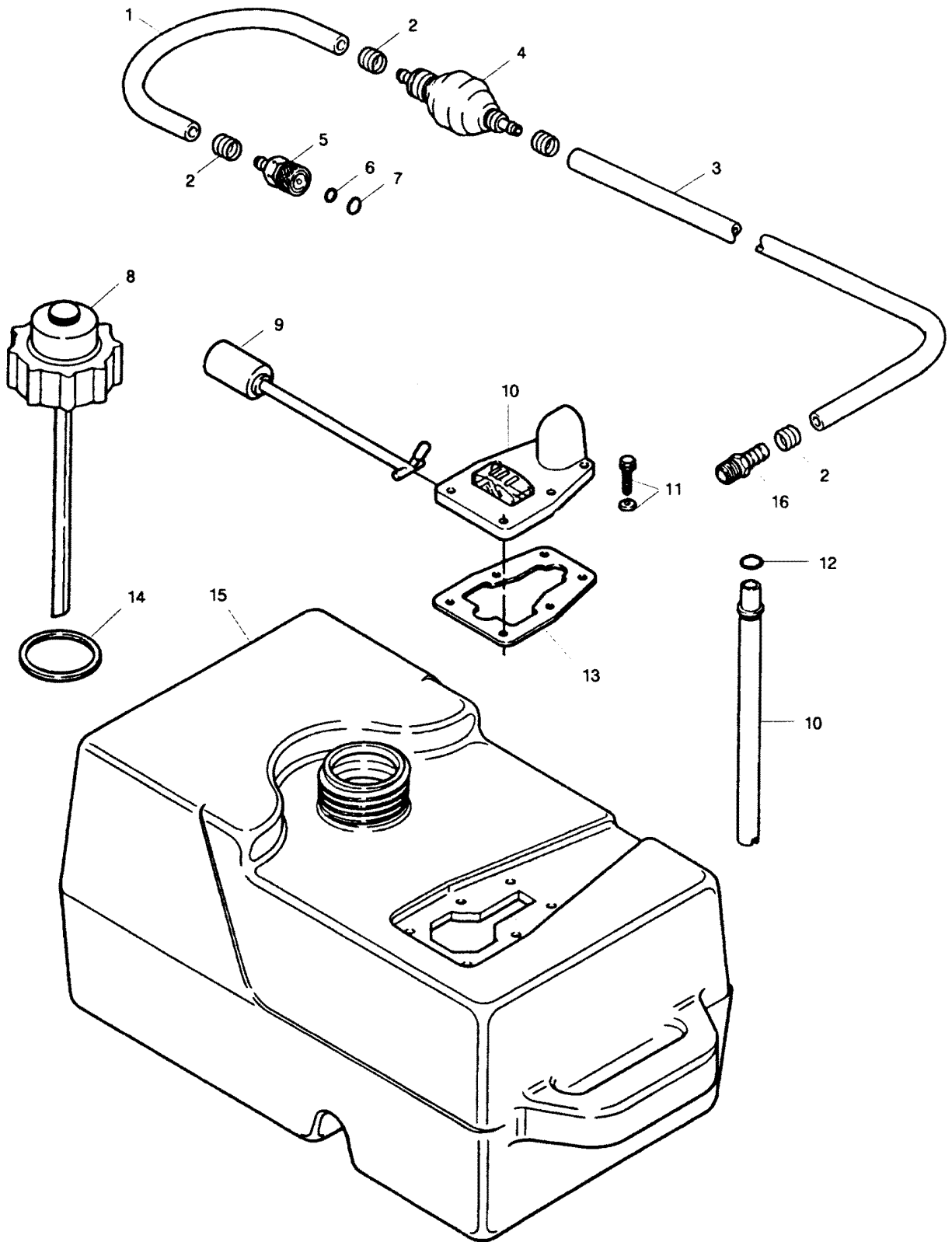
# GEAR HOUSING



# GEAR HOUSING

REF. NO.	PART NO.	SYM.	QTY.	DESCRIPTION
42	901563		1	PIN, IMPELLER DRIVE
43	436065-2		1	IMPELLER, WATER PUMP
44	A715060		1	WATER PUMP BODY W/DRIVESHAFT SEAL
45	2030		4	HEX HEAD SCREW, 1/4 - 20 X 1-1/4 S.S.
46	A510914		1	SEAL, WATER LINE
47	K1065		1	SEAL KIT

# FUEL TANK AND LINE

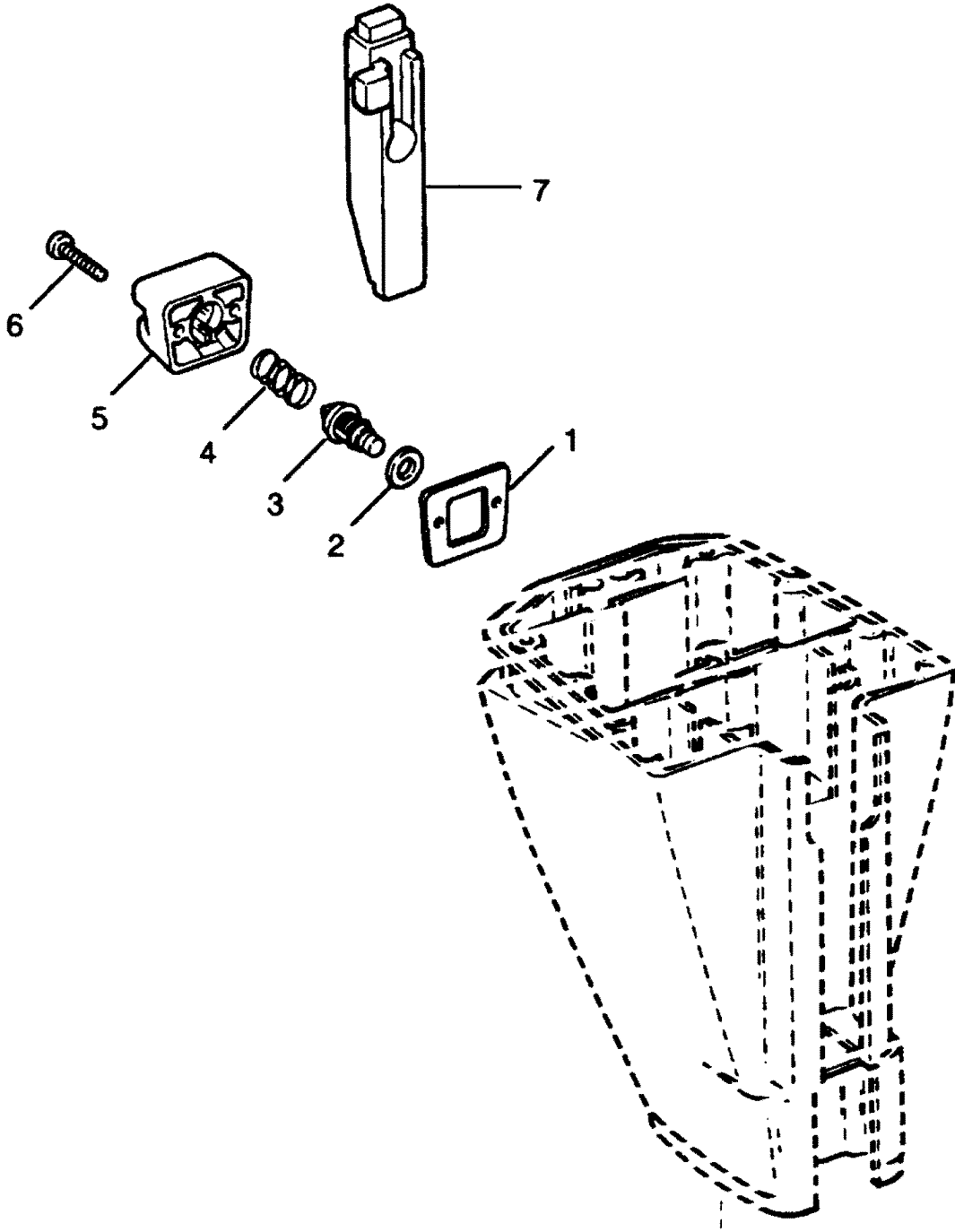




## FUEL TANK AND LINE

REF. NO.	PART NO.	SYM.	QTY.	DESCRIPTION
1	A84754		1	HOSE
2	298788		4	FERRULE
3	817738A1		1	HOSE
4	818004A1		1	BULB, PRIME
5	197787-3		1	COUPLER
6	17815		1	SEAL
7	17816		1	SEAL
8	17821		1	CAP, FUEL TANK
9	17826		1	FLOAT
10	17828		1	GAUGE ASSEMBLY
11	17824		6	SCREW
12	17827		1	SEAL
13	17823-1		1	GASKET
14	17822-1		1	GASKET
15	819038A1		1	FUEL TANK W/LINE (6 GALLON)
16	702801		1	FITTING, FUEL
-	<b>818029</b>		<b>2</b>	<b>DECAL, FUEL MIX (NOT SHOWN)</b>

# THERMOSTAT



# THERMOSTAT

REF. NO.	PART NO.	SYM.	QTY.	DESCRIPTION
1	819121		1	GASKET
2	658504		1	WASHER
3	14586		1	THERMOSTAT
4	819329		1	SPRING
5	819321		1	COVER
6	819382		2	SCREW
7	819383		1	INSERT

# PARTS INDEX

Part Number	Description	Pg.	Ref. No.	Part Number	Description	Pg.	Ref. No.
010588	PLUG	9	2	141118	SEAL, CRANKSHAFT		
011103	SPRING	9	16		LOWER	15	16
013944	PIN	9	9	14586	THERMOSTAT	33	3
013945	SCREW	9	12	1490	HEX NUT, 1/4 - 20	7	12
015366	BOWL	9	10	1490	HEX NUT, 1/4 - 20	27	19
015623	GASKET	9	11	1493	HEAD SCREW, 1/4 - 20 X 5/8	27	29
015722	NOZZLE, MAIN	9	19	1608	SQUARE NUT, 1/4 - 20	19	4
016128	PLUG	9	1	1666	BOWED SPRING WASHER	25	3
02510	GASKET	9	13	1704	LOCKWASHER, #6 S.S.	7	3
04784	BALL	9	3	1705	HEX HEAD MACHINE		
08805	SPRING	9	4		SCREW, 1/4 - 20 X 3/4 S.S.	17	11
10148	JET, MAIN FUEL (.064) 7500			1755	ROUND HEAD SCREW		
	- 10000 FT.	9	18		W/LOCKWASHER, 6 - 32 X		
					5/16	7	2
10214	JET, MAIN FUEL (.070) SEA			175634	SCREW, CONNECTING ROD	15	13
	LEVEL - 2500 FT.	9	18	17815	SEAL	31	6
10215	JET, MAIN FUEL (.068) 2500			17816	SEAL	31	7
	- 5000 FT.	9	18	17821	CAP, FUEL TANK	31	8
10226	JET, MAIN FUEL (.066) 5000			17822-1	GASKET	31	14
	- 7500 FT.	9	18	17823-1	GASKET	31	13
10241	CLIP	9	24	17824	SCREW	31	11
10242	WASHER	9	25	17826	FLOAT	31	9
10265	NEEDLE, INLET	9	17	17827	SEAL	31	12
10268	SCREW, IDLE MIXTURE	9	15	17828	GAUGE ASSEMBLY	31	10
10273	JET, PART THROTTLE (.047)	9	21	1794	SPRING PIN	19	11
10275	SCREW	9	22	1799	TRUSS HEAD SCREW, 5/16 -		
10290	LINKAGE ASSEMBLE,				18 X 5/8	21	23
	THROTTLE	9	23	1800	HEX BOLT, 1/4 - 20 X 7	27	4
10338	LINK, THROTTLE	9	26	1803	STOP NUT, 5/16 - 24	21	8
10343	SHAFT, CHOKE	9	5	1804	STOP NUT, 10 - 32	5	17
10344	SHUTTER, CHOKE	9	6	1805	SPRING PIN	21	15
10345	SCREW	9	7	1806	GROOVE PIN	19	16
10346	FLOAT	9	8	1807	GROOVE PIN	21	17
10347	ELBOW	9	14	18160-3	REED, FUEL PUMP	7	28
10348	JET, IDLE (.050)	9	20	1820	HEAD SCREW, 1/4 - 20 X 1-		
10349	SHAFT, THROTTLE	9	27		3/8	19	7
10350	SPRING	9	28	1823	HEX HEAD CAP SCREW,		
10351	SHUTTER, THROTTLE	9	29		5/16 - 18 X 1	17	12
1069	HEAD SCREW, 10 - 24 X 1-			1829	HEAD SCREW, 10 - 24 X 7/8	21	35
	L/16	7	23	1832	LOCKNUT 1/4 - 20	5	9
1090	SCREW W/LOCKWASHER,10			1832	LOCKNUT, 1/4 - 20	13	8
	- 24 X 9/16	11	10	1832	LOCKNUT, 1/4 - 20 S.S.	3	10
1090	SCREW, 10 - 24 X 1/2	11	24	183813	BEARING, MAGNETO		
1090	SCREW, FILL. HEAD 10 - 24				CONTROL LEVER	21	4
	X 9/16	13	9	1846	COTTER PIN	27	27
1107	HEAD SCREW, 1/4 - 20 X 3/4	17	6	1854	HEX HEAD CAP SCREW,1/4		
1111	HEAD SCREW, 1/4 - 20 X 7/8	15	1		- 20 X 5/8	3	23
12088	GROMMET	11	18	1859	HEX HEADLESS SOCKET		
12376	WIRE, MAGNETO SHORTING	11	4		SET SCREW	21	26
12377	STATOR, PLATE			1864	SCREW, HEX HEAD 1/4 - 20		
	W/LAMINATIONS	11	15		X 3/4 S.S.	13	2
12378	SPRING, COIL WEDGE	11	17	1907	WASHER	19	5
12380	SCREW (PLASTIC)	11	8	1922	HEX CAP SCREW,1/4 - 20	21	13
12381	WASHER (PLASTIC)	11	9	1922	HEX HEAD SCREW, L/4 - 20		
12382	SCREW	11	11		X 5/8	7	17
127910-2	BALL BEARING	27	13	197319	BEARING, CHOKE ROD	9	34
1286	PAN HEAD SCREW, 4 - 40 X			1976	SOCKET HEAD CAP SCREW		
	3/16	7	26		W/LOCKWASHER,10 - 24		
1335	HEAD SCREW, 5/16 - 18 X 1-				X 1/2	27	2
	1/4	17	7	197767-2	BUSHING (FUEL LINE)	7	36
1341	HEX NUT, 1/4 - 20	19	29				

# PARTS INDEX

Part Number	Description	Pg.	Ref. No.	Part Number	Description	Pg.	Ref. No.
197787-3	COUPLER	31	5	286347	MOUNT, UPPER SHOCK	19	1
1978	SPRING PIN	21	25	286349	REVERSE LOCK	19	23
197813	BEARING	19	9	286364	LEVER, REVERSE LOCK	19	10
197813	BEARING	21	31	286414	SPRING, LEG WATER		
197813	BEARING, STEERING				BRACKET	19	39
	HANDLE STOP	21	20	286422-1	PIVOT	25	2
2008	HEX HEAD SCREW, 1/4 - 20			286422-1	PIVOT, TILT LOCK	19	19
	X 7/8	17	2	286433	BRACKET, REVERSE LOCK	19	24
2008	HEX HEAD SCREW, L/4 - 20			286440	STUD, MAGNETO CONTROL		
	X 7/8	7	13		LEVER	21	1
2014	WASHER	25	19	286451	SPACER	25	4
2030	HEX HEAD SCREW, 1/4 - 20			286451	SPACER, TILT LOCK	19	20
	X 1-1/4 S.S.	29	45	286461	SPRING, LOCK BAR		
2042	WASHER	3	2		HANDLE	25	14
2126	SLOTTED FILL. HEAD			286490	STOP, STEERING HANDLE	21	21
	SCREW, 1/4 - 28 X 2	21	3	286509	LINK, THROTTLE CAM	21	2
213274	FITTING, GREASE	19	26	286518	HEAD, CYLINDER	17	14
213274	FITTING, GREASE	21	16	286529-3	GASKET, CYLINDER HEAD	17	13
215795	SEAL (SMALL)	21	37	286539	BUMPER	21	10
2209	PAN HEAD SELF TAPPING			286544-1	SPRING, TILT STOP	25	5
	SCREW 10 - 16	5	4	286547	KNOB, CHOKE	9	31
2209	SCREW, PAN HEAD 10 - 16			286555	GASKET, GEAR HOUSING	27	10
	X 1/2 S.S.	13	14	286571	CENTER MAIN BEARING		
2210	SCREW, PAN HEAD 1/4 - 14				ROLLER SET (26 PER		
	X 1/2 S.S.	13	18		SET)	15	9
2211	HEX HEAD CAP SCREW, 10			286573-1	CLAMP, STEERING		
	- 24 X 5/8 S.S.	3	1		FRICITION	19	6
24074	FOOT, CLAMP SCREW	25	12	286611-2	ROD, GEARSHIFT	5	18
2417	SCREW, 1/4 - 20 X 3/8	19	43	286615	GEAR SHIFT ROD, UPPER	27	1
24748-2	GASKET, FUEL PUMP	7	25	286615	ROD, GEARSHIFT UPPER	5	13
2706772	HOSE CLAMP	7	14	286647	HANDLE, CARRYING	25	7
2788004	STUD, CARBURETOR	7	10	286685	CONNECTOR, GEARSHIFT		
286008	STUD, REAR	27	11		ROD	5	20
286011	WASHER, SWIVEL BRACKET	19	2	286705-1	GEAR SHIFT ROD, LOWER		
286019	KING PIN	19	28		(15 INCH TRANSOM		
286028	BEARING, CRANKSHAFT				MODELS)	27	3
	UPPER	15	7	286721	CAM, SHIFT	27	16
286080	SCREW, STEERING HANDLE			286728	SHIFT PIN	27	34
	PIVOT	21	18	286772-1	CLAMP	7	18
286114	HANDLE, LOCK BAR	25	16	286818	BEARING	21	29
286134	STUD, GEARSHIFT LEVER	5	27	286827	LEVER, REVERSE LOCK	19	15
286159-1	GASKET, REED PLATE	7	5	286868	SPRING, STEERING		
286169	BEARING, LOWER SWIVEL				HANDLE STOP	21	19
	BRACKET	19	27	286871	PIN, GEARSHIFT LEVER	5	25
286169	BEARING, SWIVEL			286876	LEVER, GEARSHIFT	5	23
	BRACKET	19	3	286895	SPRING, CAM DETENT	27	15
286220	WASHER, STEERING			286901	BEARING, PROPELLER		
	HANDLE	21	32		SHAFT	27	31
286222	COVER, TRANSFER PORT	7	31	286903	RACE, PROPELLER SHAFT		
286223	GASKET, TRANSFER PORT				BEARING	27	30
	COVER	7	32	286914-1	SLEEVE, WATER LINE	19	36
286224-1	INSERT, STEERING HANDLE			286956	BRACKET, SHOCK MOUNT		
	PIVOT	21	30		LOWER	19	30
286244	LINE, WATER	19	35	289664	WIRE, STATOR GROUND	11	14
286277	GASKET, CRANKSHAFT			298788	FERRULE	31	2
	BEARING CAGE	15	5	2A24757	PLATE, FUEL PUMP		
286282	WASHER	21	7		W/REEDS	7	29
286286-1	WASHER	19	18	2A681018	CRANKSHAFT W/UPPER		
286300	SPRING, REVERSE LOCK	19	25		MAIN BEARING	15	6
286346	MOUNT, LOWER SHOCK	19	34				

# PARTS INDEX

Part Number	Description	Pg.	Ref. No.	Part Number	Description	Pg.	Ref. No.
307818	BEARING	3	19	681263-1	LINK, INTERLOCK	5	15
307818	BEARING	5	26	681390	DECAL, START PROCEDURE	3	24
307818	BEARING	21	14	681408-1	HOUSING	13	1
31160-2	REED	7	6	681424	SPRING, INTERLOCK	5	5
31410	RETAINING RING, PISTON PIN	15	18	681427-2	BRACKET	13	3
338618-1	SEAL, SHIFT ROD LOWER	27	5	681428	INSERT, STARTER HOUSING ROPE	13	5
341384	RETAINER, CHOKE ROD	9	33	681490	STOP, STARTER INTERLOCK	5	1
341562	WATER PUMP BACKPLATE	27	40	681531--1	ROD, INTERLOCK	5	10
341693	WEDGE, STEERING HANDLE	21	33	681579	SEAL	13	12
343014	BEARING, CRANKSHAFT LOWER MAIN	15	15	681592	RETAINER, STARTER PULLEY	13	13
343128	DRIVESHAFT (15 INCH TRANSOM MODELS)	27	41	681741	RING, RETAINING	13	4
346118	SEAL, PROP SHAFT	27	24	681742	LEVER, INTERMEDIATE INTERLOCK	5	16
346146	SEAL, CRANKSHAFT UPPER	15	2	681754	FUEL LINE (FUEL PUMP TO CARBURETOR)	7	16
392756	PACKING	3	13	681759	ROLLER, LATCH	3	11
40253-1	FUEL LINE (SUPPORT PLATE TO FUEL PUMP)	7	15	681817	RETAINER, STARTER ROPE	13	20
409719	SPRING, CLUTCH	27	37	681874	FASTENER, HANDLE SUPPORT PLATE	13	19
424075	HANDLE, CLAMP SCREW	25	11	681954-1	COVER, PRIME BULB	7	33
429472	GASKET, CYLINDER DRAIN COVER	7	21	681970	SPRING, STARTER REWIND	13	6
429541	LOCK, TILT	25	6	681971	PLUG	13	7
429811	SCREEN	7	20	681997-1	LEVER, NEUTRAL SPEED INTERLOCK	5	8
430732	HEX HEAD SCREW, 1/4 - 20 X 1	27	6	688585	DECAL, TILT LOCK	19	21
430732	SCREW, S.S.	19	41	7009	LOCKNUT, 10 - 24 S.S.	3	4
431838	SHAFT, MAGNETO CONTROL	21	9	702329	LANYARD	11	7
436065-2	IMPELLER, WATER PUMP	29	43	7026	STOP NUT, 3/8 - 16	25	18
436280	NUT, SHORTING SWITCH	11	13	702801	FITTING, FUEL	31	16
455305	SEAL, PROP SHAFT BEARING CAGE	27	22	703269	HANDLE, TILT	3	3
456098	PROPELLER SHAFT	27	38	709894	INDICATOR, STEERING HANDLE	23	44
456717	THRUST WASHER	27	20	710015	PISTON	15	17
458498-1	KEY, MAGNETO	11	23	710396	DECAL, STARBOARD - 15 HP	3	8
458677	INSERT, CHOKE KNOB	9	30	710397	DECAL, PORT - 15 HP	3	8
458695	SLEEVE	23	42	710528	DECAL, REAR	3	7
461342	SEAL, DRIVESHAFT SPLINE	15	14	712017	PIN, PISTON	15	19
481777	CAM, LATCH	3	21	712475	COIL	11	16
487816-1	BEARING, STEERING HANDLE	21	36	715061	CARBURETOR (FOLA)	7	37
50109	PLUG, GEAR HOUSING	27	8	715061	CARBURETOR COMPLETE	9	-
525286	WASHER	19	14	715151	PLATE, EXHAUST	17	4
536813	BEARING	19	12	715152	COVER, EXHAUST	17	1
53795-1	SEAL (LARGE)	21	38	715154	GASKET, EXHAUST COVER	17	3
618445	LINK, MAGNETO SHAFT	21	6	715161	REED STOP, 15 HP	7	4
658504	WASHER	33	2	715168	GASKET, MANIFOLD	7	8
66480	STUD, CLAMP SCREW	25	13	715192	PLATE, THROTTLE CAM	11	25
681003-1	ARM, STARTER INTERLOCK	5	2	715279-1	GASKET, CYLINDER MOUNT	17	10
681008	STUD	5	7	715404	PLATE, LEG TUNER	19	42
681026	SCREW, LATCH ROLLER	3	12	715417	SHAFT, GEARSHIFT HANDLE	5	14
681046	BULB, PRIME	7	34	715614	HANDLE, GEARSHIFT	5	29
681090	PLATE, HANDLE SUPPORT	13	17	715619	LEVER, SHIFT HANDLE SHAFT	5	30
681091	NUT, FLYWHEEL	11	1	715660	EXHAUST TUBE	17	9
681132	HANDLE, STARTER ROPE	13	21	715906	GASKET, CARBURETOR	7	11
681134	STUD	5	6				
681232	ROPE	13	10				

# PARTS INDEX

Part Number	Description	Pg.	Ref. No.	Part Number	Description	Pg.	Ref. No.
715989	SEAL, SUPPORT PLATE . . .	3	16	819280	SUPPORT PLATE . . . . .	3	14
73082	RING, MAGNETO STATOR .	15	4	819281	PLATE, FRONT . . . . .	3	15
73336	PLUG . . . . .	3	17	819321	COVER . . . . .	33	5
8003	PLAIN WASHER . . . . .	7	27	819329	SPRING . . . . .	33	4
8025	PLAIN WASHER . . . . .	17	16	819344	LEG, MOTOR . . . . .	19	37
8048	BOWED SPRING WASHER .	5	19	819348	ROD, CHOKE . . . . .	9	32
8048	BOWED WASHER . . . . .	3	20	819379A1	WIRE (STOP SWITCH EXTENSION) . . . . .	11	26
8058	INTERNAL TOOTH LOCKWASHER . . . . .	5	22	819382	SCREW . . . . .	33	6
8058	INTERNAL TOOTH LOCKWASHER . . . . .	21	34	819383	INSERT . . . . .	33	7
8060	EXTERNAL TOOTH LOCKWASHER . . . . .	21	12	819483A1	GEAR HOUSING KIT (INCLUDES ALL ITEMS REQUIRED TO BUILD COMPLETE LOWER GEAR HOUSI . . . . .	27	17
8077	NYLTITE WASHER . . . . .	27	9	84026	SCREW, SHOULDER . . . . .	5	12
8083	SPRING LOCKWASHER . . .	3	22	84026	SCREW, SHOULDER . . . . .	13	15
8083	SPRING LOCKWASHER . . .	19	31	8537	SPRING PIN . . . . .	25	8
8083	SPRING LOCKWASHER . . .	27	18	8538	SPRING PIN . . . . .	19	8
8143	WASHER, PLAIN #10 . . . .	5	3	8540	SPRING PIN . . . . .	5	28
816514	BEARING, CONTROL ROD .	5	11	8540	SPRING PIN . . . . .	25	15
817738A1	HOSE . . . . .	31	3	8542	SPRING PIN . . . . .	5	24
817749A1	GEAR HOUSING LOWER W/PROP SHAFT BEARING AND PLUG . . . . .	27	17	8548	SPRING PIN . . . . .	23	41
817750A2	BRACKET, SWIVEL W/GREASE FITTING AND LOWER BEARING . . . . .	19	17	8553	SPRING PIN . . . . .	27	12
817751A2	BRACKET, STEERING HANDLE W/GREASE FITTING . . . . .	21	22	8554	SPRING PIN . . . . .	25	10
817752A1	PROPELLER NUT W/COTTER PIN . . . . .	27	26	8559	DOWEL PIN . . . . .	17	8
817753A1	CAGE, CRANKSHAFT W/SEAL . . . . .	15	3	85610	BEARING . . . . .	21	28
817756A1	CAGE, PROP SHAFT BEARING W/BEARING END SEALS . . . . .	27	23	8564	SPRING PIN . . . . .	27	36
817761A2	CLAMP SCREW W/HANDLE AND FOOT . . . . .	25	9	901307-2	SEAL, DRIVESHAFT . . . . .	27	39
817952A1	SWITCH, STOP W/NUT . . . .	11	5	901307-2	SEAL, MOTOR LEG . . . . .	19	38
818004A1	BULB, PRIME . . . . .	31	4	901563	PIN, IMPELLER DRIVE . . . .	29	42
818009--1	GEAR, MAGNETO CONTROL SHAFT . . . . .	21	27	901746-2	COVER, FUEL PUMP . . . . .	7	24
818029	DECAL, FUEL MIX . . . . .	19	44	901811	FILTER, FUEL . . . . .	7	22
818029	DECAL, FUEL MIX (NOT SHOWN) . . . . .	31	-	901938-1	SCREW, CYLINDER HEAD .	17	15
818043A1	FUEL PUMP DIAPHRAGM W/GASKETS . . . . .	7	30	98273	STUD, GEARSHIFT ROD CONNECTOR . . . . .	5	21
819038A1	FUEL TANK W/LINE (6 GALLON) . . . . .	31	15	A1844	HEX BOLT W/LOCKWASHER, 1/4 - 20 X 2-318 S.S. . . . . .	19	32
819121	GASKET . . . . .	33	1	A286155	CENTER MAIN BEARING LINER SET (2 PER SET) .	15	8
819160	SHAFT, STEERING HANDLE	23	40	A286582	ARM, STEERING W/BUMPER AND SPRING PIN . . . . .	21	11
819182T	SPARK PLUG L87YC . . . . .	11	21	A324101	PROPELLER PIN, PACK OF 3 W/COTTER PIN . . . . .	27	28
819251A1	GEAR, BEVEL PINION W/BALL BEARING . . . . .	27	14	A341510	LINK, REVERSE LOCK . . . .	19	22
819252A1	GEAR, FRONT BEVEL W/BEARING . . . . .	27	32	A343178	RETAINER W/SET SCREW .	21	24
819253	CLUTCH . . . . .	27	35	A387742	LEVER, REVERSE LOCK INTERMEDIATE . . . . .	19	13
819254A1	GEAR, BEVEL REAR W/BEARING . . . . .	27	21	A429471	COVER, CYLINDER DRAIN WITH CHECK VALVES AND SCREENS . . . . .	7	19
819279	HANDLE, STEERING . . . . .	21	39	A456137	GRIP, STEERING HANDLE W/SLEEVE . . . . .	23	43
				A472260	RING SET, PISTON (4 PER SET) . . . . .	15	20
				A510914	SEAL, WATER LINE . . . . .	29	46
				A609853	DECAL, SHIFT WARNING . .	11	2
				A617113	LOCK BAR W/HANDLE . . . .	25	17

# PARTS INDEX

Part Number	Description	Pg.	Ref. No.	Part Number	Description	Pg.	Ref. No.
A681469	HANDLE, COVER LATCH . . .	3	18				
A681630	SUPPORT, HANDLE . . . . .	13	16				
A709010	CYLINDER . . . . .	17	5				
A712228	CONNECTING ROD ROLLER SET (2 PER SET) . . . . .	15	11				
A714097	FLYWHEEL W/DECAL . . . . .	11	3				
A715060	WATER PUMP BODY W/DRIVESHAFT SEAL . . .	29	44				
A715081	LEVER, MAGNETO CONTROL . . . . .	21	5				
A715158	REED PLATE W/REEDS AND REED STOPS - 15 HP . . .	7	7				
A715167	MANIFOLD W/STUDS . . . . .	7	9				
A715554	GEAR HOUSING UPPER W/BEARING, PLUGS AND SEALS . . . . .	27	7				
A84754	HOSE . . . . .	31	1				
C710010	SHORT BLOCK . . . . .	7	1				
C710010	SHORT BLOCK (CYLINDER WITH CRANKSHAFT, PISTONS AND RODS INSTALLED) . . . . .	17	-				
G1035	GASKET SET (INCLUDES ALL GASKETS REQUIRED TO REBUILD POWER HEAD) . . . . .	17	17				
K1031-1	WATER PUMP KIT . . . . .	27	33				
K10352	GASKET SET (NOT SHOWN)	9	-				
K10353	REPAIR KIT (NOT SHOWN) .	9	-				
K1065	SEAL KIT . . . . .	29	47				
K1123	COVER, SPARK PLUG . . . . .	11	20				
K681602	SWITCH, EMERGENCY STOP W/LANYARD . . . . .	11	6				
P715	PROPELLER, 8-3/8 X 6, ALUMINUM, 3 BLADE . . .	27	25				
S617532	STERN BRACKET W/CLAMP SCREW . . . . .	25	1				
S681712	COVER, BASIC (UNPAINTED) . . . . .	3	5				
S715016	ROD, CONNECTING W/CAP AND SCREWS . . . . .	15	12				