



PARTS CATALOG

25 H.P. K

SERIAL NUMBER

25 KM 62C-000101 AND UP
25 KML 62C-300101 AND UP

TABLE OF CONTENTS:

BOTTOM COWL	6
CARBURETOR	26
CARBURETOR	28
CRANKSHAFT	34
CYLINDER BLOCK	30
DRIVE SHAFT HOUSING	48
ELECTRICAL	8
FLYWHEEL	10
FUEL SYSTEM	20
FUEL SYSTEM	22
GEAR HOUSING	50
GEAR HOUSING	54
GEAR HOUSING	58
PARTS INDEX	60
PROP CHART	2
REED BLOCK	36
STARTER ASSEMBLY	12
STEERING HANDLE	38
SWIVEL/CLAMP BRACKET	40
SWIVEL/CLAMP BRACKET	44
THROTTLE LINKAGE	16
TOP COWL	4

NOTE: Indented description indicate that these parts are included in preceding assembly.

AR = As Required

NSS = Not Sold Separate

OPT = Optional

NS = Not Shown

NOTE: Following symbols are located in **SYM** column.

● = COMPONENT OF POWERHEAD
[826886M].

■ = COMPONENT OF POWERHEAD GASKET
SET [27-827106M] OR [27-827107M].

▣ = COMPONENT OF LOWER UNIT GASKET
SET [27-827109M] OR [27-827109A1].

◇ = PART IS NEW AND LISTED FOR THE
FIRST TIME

▲ = COMPONENT OF CARB REPAIR KIT
[827108M].

⊕ = COMPONENT OF WATER PUMP REPAIR
KIT [46-827110M].

♣ = SUPERSEDES TO ANOTHER PART
NUMBER

❖ = S/#S-62C-000120/L-62C-300670 AND
BELOW

♥ = S/#S-62C-000121/L-62C-300671 AND
ABOVE

THESE PARTS BOOKS/FICHE CARD ARE COPYRIGHTED AND MAY NOT BE DISTRIBUTED OR REPRODUCED IN ANY OTHER FORMAT BY ANYONE OTHER THAN MERCURY MARINE WITHOUT THE PRIOR WRITTEN CONSENT OF MERCURY MARINE.

THIS PAGE INTENTIONALLY LEFT BLANK

PROP CHART

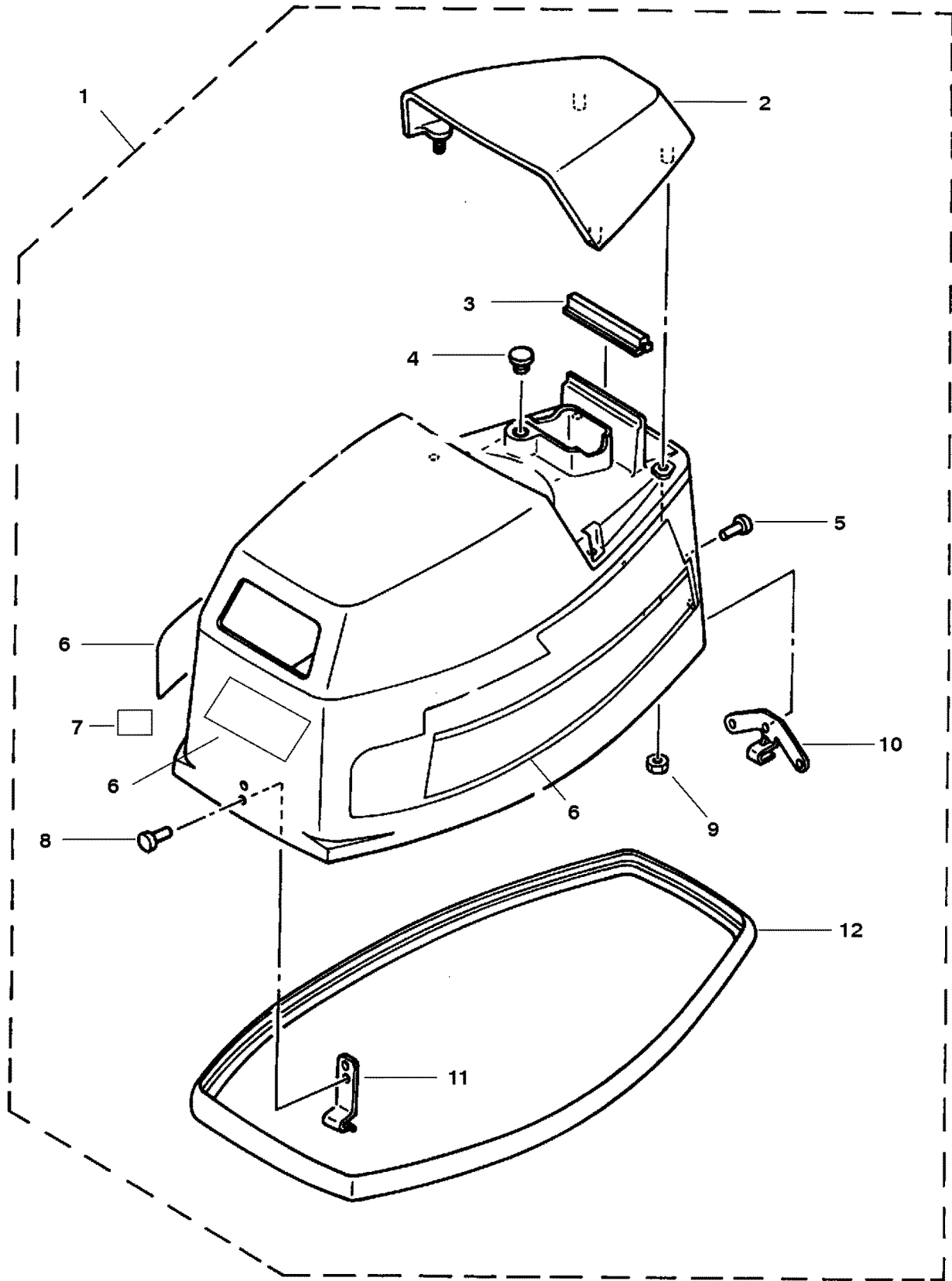
DIA.	PITCH	NO. BLADES & MATERIAL	APPROX. 2 GROSS BOAT 2 WGT. (LBS.)	APPROX. 2 BOAT LENGTH	SPEED 2 RANGE 2 (MPH)	PROPELLER 2 PART NO.
9-7/8-IN.	14-IN.	3-Aluminum	Up to 750	Up to 14-FT.	27-36	48-84977M
9-7/8-IN.	13-IN.	3-Aluminum	Up to 900	12-15-FT.	24-34	48-82827M
9-IN.	12-IN.	3-Steel	600-1100	13-16-FT.	21-32	48-88168A 4
9-7/8-IN.	11-1/4-IN.	3-Aluminum	800-1300	14-16-FT.	19-27	48-84976M
9-7/8-IN.	10-1/2-IN.	3-Aluminum	900-1600	14-17-FT.	17-24	48-81649M
9-7/8-IN.	9-IN.	3-Aluminum	1100-1700	15-18-FT.	14-22	48-81647M
9-7/8-IN.	8-IN.	3-Aluminum	1500+	17-FT.+	1-17	48-81648M

MARINER K25 H.P.

PROP CHART

REF. NO.	PART NO.	SYM.	QTY.	DESCRIPTION
-	48-84977M		1	PROPELLER (14 IN. PITCH)
-	48-82827M		1	PROPELLER (13 IN. PITCH)
-	48-88168A4		1	PROPELLER (12 IN. PITCH)
-	48-84976M		1	PROPELLER (11-1/4 IN. PITCH)
-	48-81649M		1	PROPELLER (10-1/2 IN. PITCH)
-	48-81647M		1	PROPELLER (9 IN. PITCH)
-	48-81648M		1	PROPELLER (8 IN. PITCH)

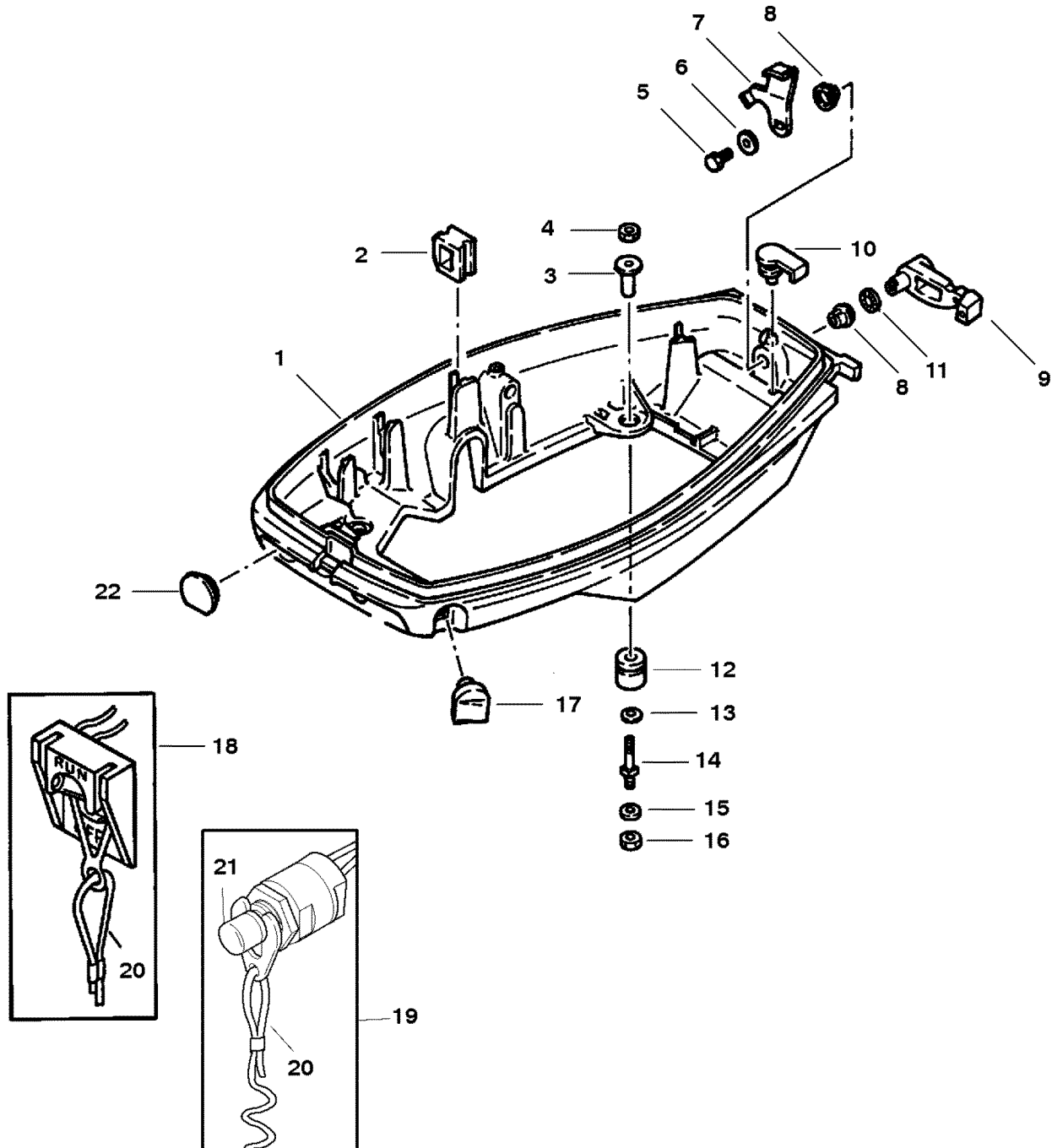
TOP COWL



TOP COWL

REF. NO.	PART NO.	SYM.	QTY.	DESCRIPTION
1	2168-826972M		1	TOP COWLING ASSEMBLY
2	826975M		1	MOLDING
3	826977M		1	SEAL
4	25-91675M		1	GROMMET
5	17-84903M		3	RIVET
6	37-824092A95		1	DECAL SET
7	37-81202M		1	DECAL-INDICATOR
8	17-83140M		2	RIVET
9	11-826976M		4	NUT
10	84902M		1	HOOK
11	826974M		1	HOOK
12	826973M		1	SEAL

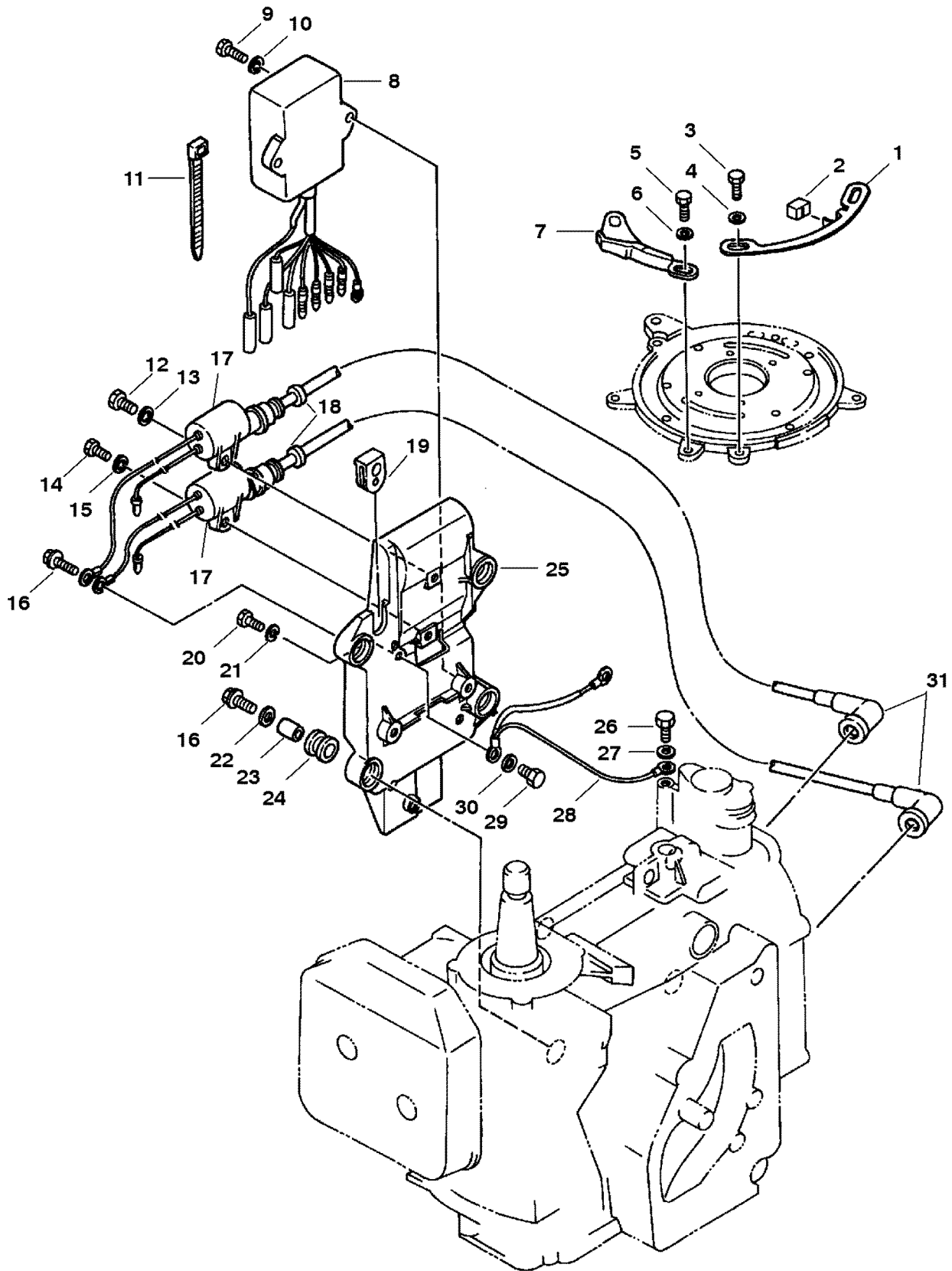
BOTTOM COWL



BOTTOM COWL

REF. NO.	PART NO.	SYM.	QTY.	DESCRIPTION
1	2168-826980--1		1	BOTTOM COWLING (M-000252/ML-303099 & UP)
	2168-826980M		1	BOTTOM COWLING (M-000251/ML-303098 & BELOW)
2	25-84876M		1	GROMMET
3	23-84911M		4	SLEEVE
4	11-82383M		4	NUT
5	10-84088M		1	BOLT
6	12-81794M		1	WASHER
7	54-84914M		1	CLAMP
8	23-81949M		2	BUSHING
9	84913M		1	LEVER
10	80510M		1	SPACER
11	13-81869M		1	WAVE WASHER
12	25-84910M		4	GROMMET
13	12-95507M		4	WASHER
14	16-95505M		4	STUD
15	12-82217M		4	WASHER
16	11-82383M		4	NUT
17	25-826981M		1	GROMMET
18	87-14222M		1	SWITCH-STOP (DESIGN I)
19	87-97757M		1	SWITCH-STOP (DESIGN II)
20	97756M		1	STOPPER
21	19-852837		1	CAP
22	25-83988M		1	GROMMET

ELECTRICAL

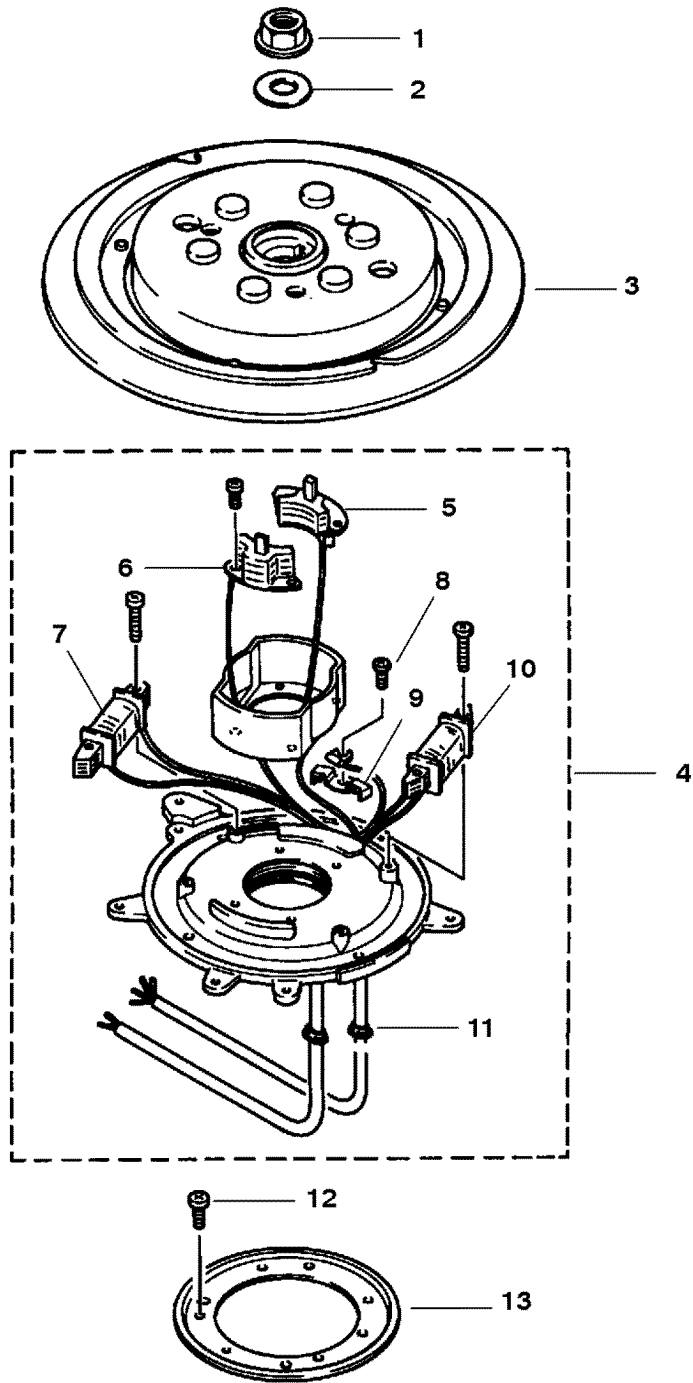


ELECTRICAL

REF. NO.	PART NO.	SYM.	QTY.	DESCRIPTION
1	827090M		1	STOP
2	99952M		1	CAP
3	10-84088M		2	BOLT
4	12-82214M		2	WASHER
5	10-84313M		2	BOLT
6	12-82211M		2	WASHER
7	827098M		1	CAM
8	827095-11	◇	1	C.D.I UNIT ASSEMBLY (M-000285/ML-304473 & UP)
	827095--1		1	C.D.I UNIT ASSEMBLY (M-000252-000284/ML-303099-304472)
	827095M		1	C.D.I UNIT ASSEMBLY (M-000251/ML-303098 & BELOW)
9	10-84058M		2	BOLT
10	12-82214M		2	WASHER
11	56762		1	CABLE TIE
12	10-83539M		1	BOLT (WASHER HEAD)
	10-84058M		1	BOLT USE WITH WASHER
13	12-82214M		1	WASHER USE WITH WASHER
14	10-83539M		1	BOLT (WASHER HEAD)
	10-84058M		1	BOLT USE WITH WASHER
15	12-82214M		1	WASHER USE WITH WASHER
16	10-827093M		4	BOLT
17	827097M		2	IGNITION COIL
18	25-82069M		2	GROMMET
19	25-827096M		1	GROMMET
20	10-91772M		1	BOLT
21	13-82212M		1	LOCKWASHER
22	12-92564M		2	WASHER
23	23-82851M		4	SPACER
24	25-827092M		4	GROMMET
25	827091M		1	BRACKET
26	10-91772M		1	BOLT
27	13-82212M		1	LOCKWASHER
28	84-827094M		1	WIRE-LEAD
29	10-91772M		1	BOLT
30	13-82212M		1	LOCKWASHER
31	85-63709A1		2	PROTECTOR

◇ = PART IS NEW AND LISTED FOR THE FIRST TIME

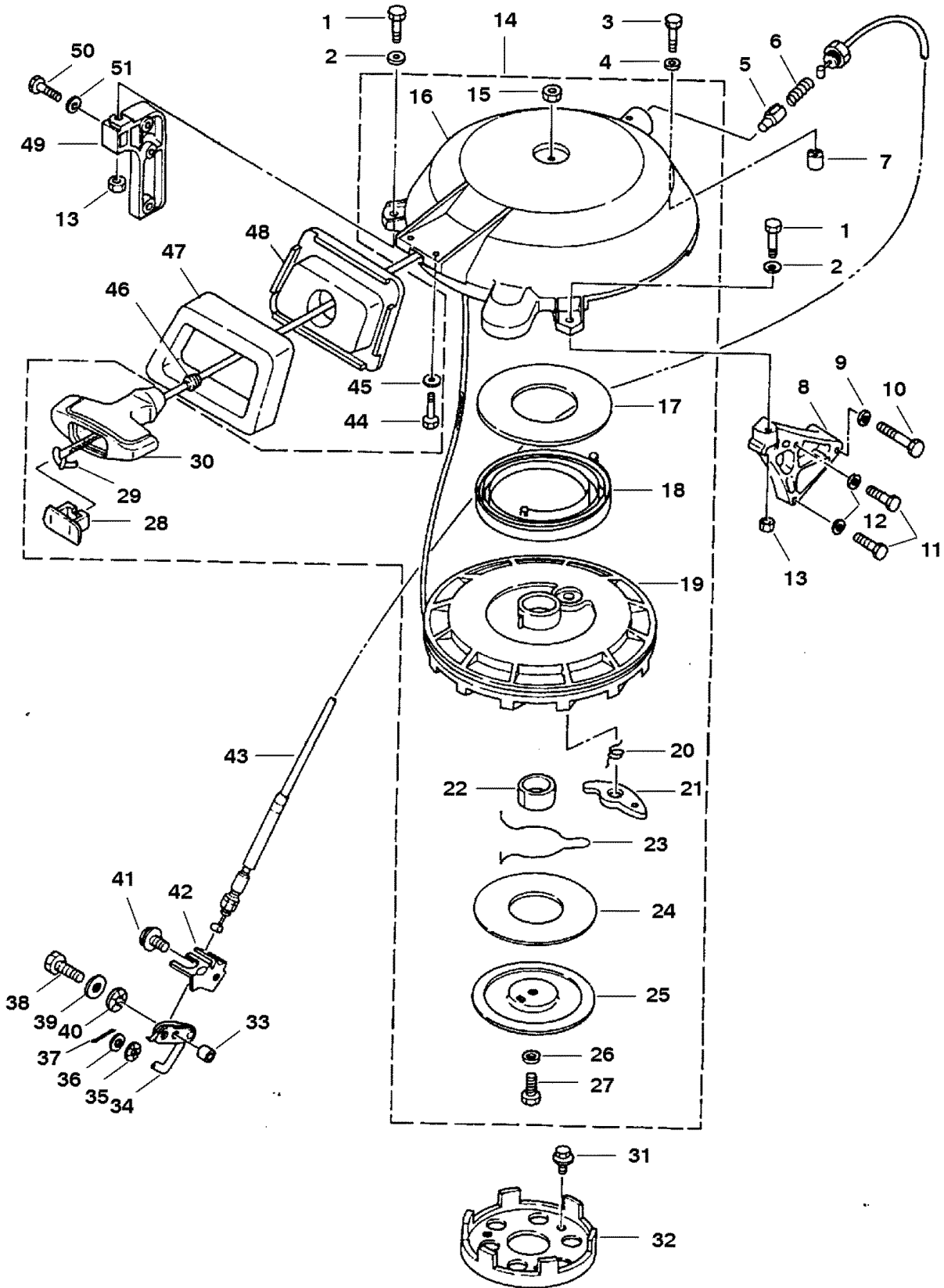
FLYWHEEL



FLYWHEEL

REF. NO.	PART NO.	SYM.	QTY.	DESCRIPTION
1	11-96650M		1	NUT
2	12-96651M		1	WASHER
3	253-827084--1		1	FLYWHEEL ASSEMBLY (M-000252/ML-303099 & UP)
	253-827084M		1	FLYWHEEL ASSEMBLY (M-000251/ML-303098 & BELOW)
4	253-827085A1		1	BASE ASSEMBLY (M-000252/ML-303099 & UP)
	253-827085M		1	BASE ASSEMBLY (M-000251/ML-303098 & BELOW)
5	827088M		1	PULSER COIL
6	827089M		1	PULSER COIL
7	827087M		1	LIGHTING COIL
8	10-82499M		1	SCREW
9	54-814546M		1	CLAMP
10	827086--1		1	IGNITION COIL (M-000252/ML-303099 & UP)
	827086M		1	IGNITION COIL (M-000251/ML-303098 & BELOW)
11	25-814545M		2	GROMMET
12	10-96671M		4	SCREW
13	19139M		1	RETAINER

STARTER ASSEMBLY

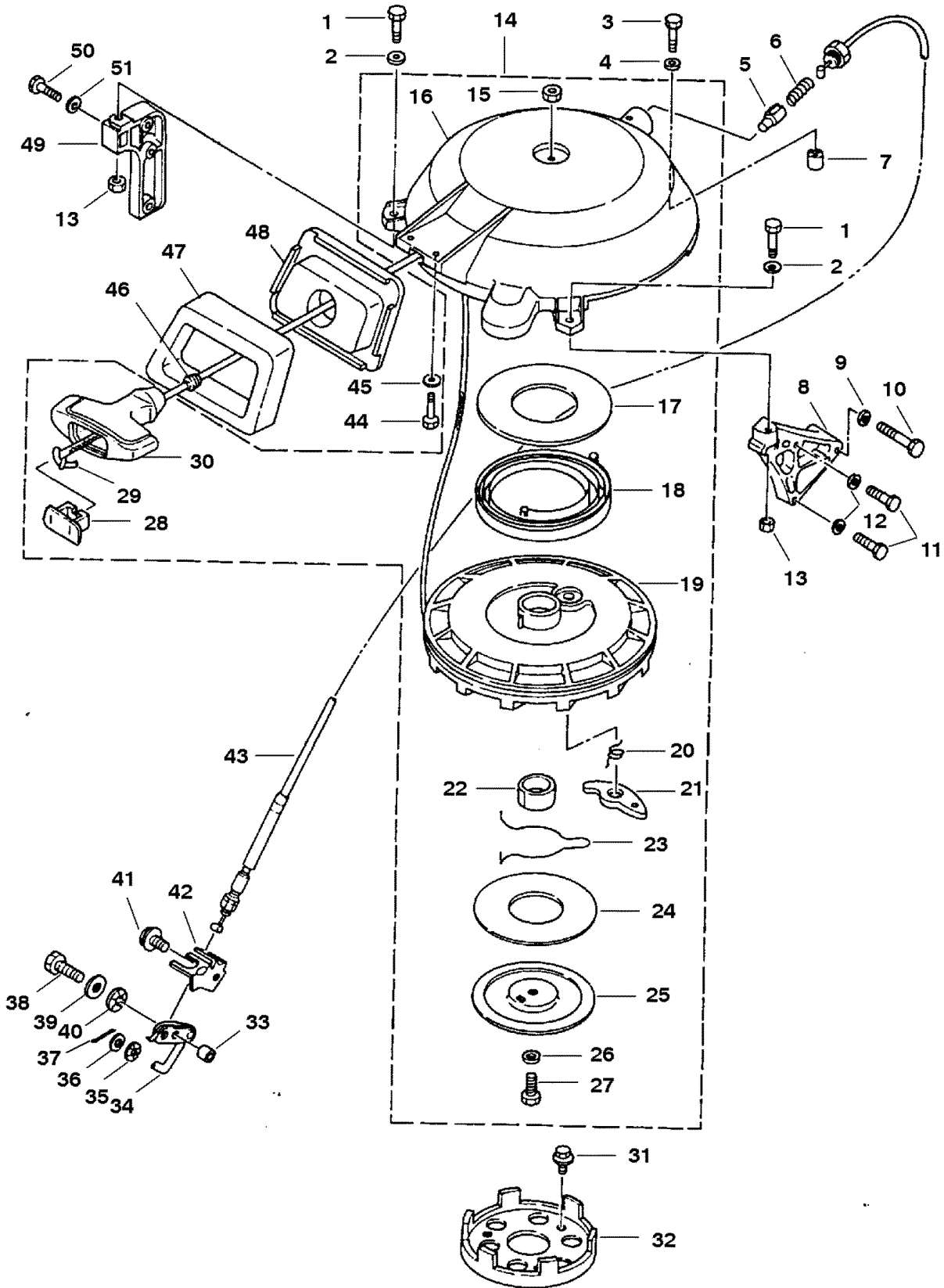


STARTER ASSEMBLY

REF. NO.	PART NO.	SYM.	QTY.	DESCRIPTION
1	10-826958M		2	BOLT
2	12-82214M		2	WASHER
3	10-826958M		1	BOLT
4	12-82214M		1	WASHER
5	81106M		1	PLUNGER
6	24-82079M		1	SPRING
7	17-14214M		1	PIN-DOWEL
8	84466M		1	BRACKET
9	12-82214M		1	WASHER
10	10-84657M		1	BOLT
11	10-82405M		2	BOLT
12	12-82214M		2	WASHER
13	11-82389M		2	NUT
14	50-826949M		1	STARTER ASSEMBLY
15	11-82383M		1	NUT
16	826950M		1	STARTER CASE
17	12-11707M		1	WASHER
18	24-826952M		1	SPRING
19	50-826951M		1	STARTER-SHEAVE
20	24-826954M		1	SPRING
21	11696M		1	PAWL
22	23-11701M		1	BUSHING
23	24-826953M		1	SPRING
24	11703M		1	COLLAR
25	11700M		1	PLATE
26	12-11702M		1	WASHER
27	10-82441M		1	BOLT
28	814492M		1	COVER
29	50-12066A9		1	ROPE-STARTER
30	814491A1		1	HANDLE
31	10-93110M		3	BOLT
32	11708M		1	PULLEY
33	23-82929M		1	BUSHING
34	81107M		1	LINK
35	13-81865M		1	WAVE WASHER
36	12-82211M		1	WASHER
37	18-82125M		1	COTTER PIN
38	10-84058M		1	BOLT
39	12-82214M		1	WASHER
40	13-81867M		1	WAVE WASHER
41	10-84088M		1	BOLT
42	826960M		1	BRACKET
43	826959M		1	CABLE-THROTTLE

CONTINUED ON NEXT PAGE ➡

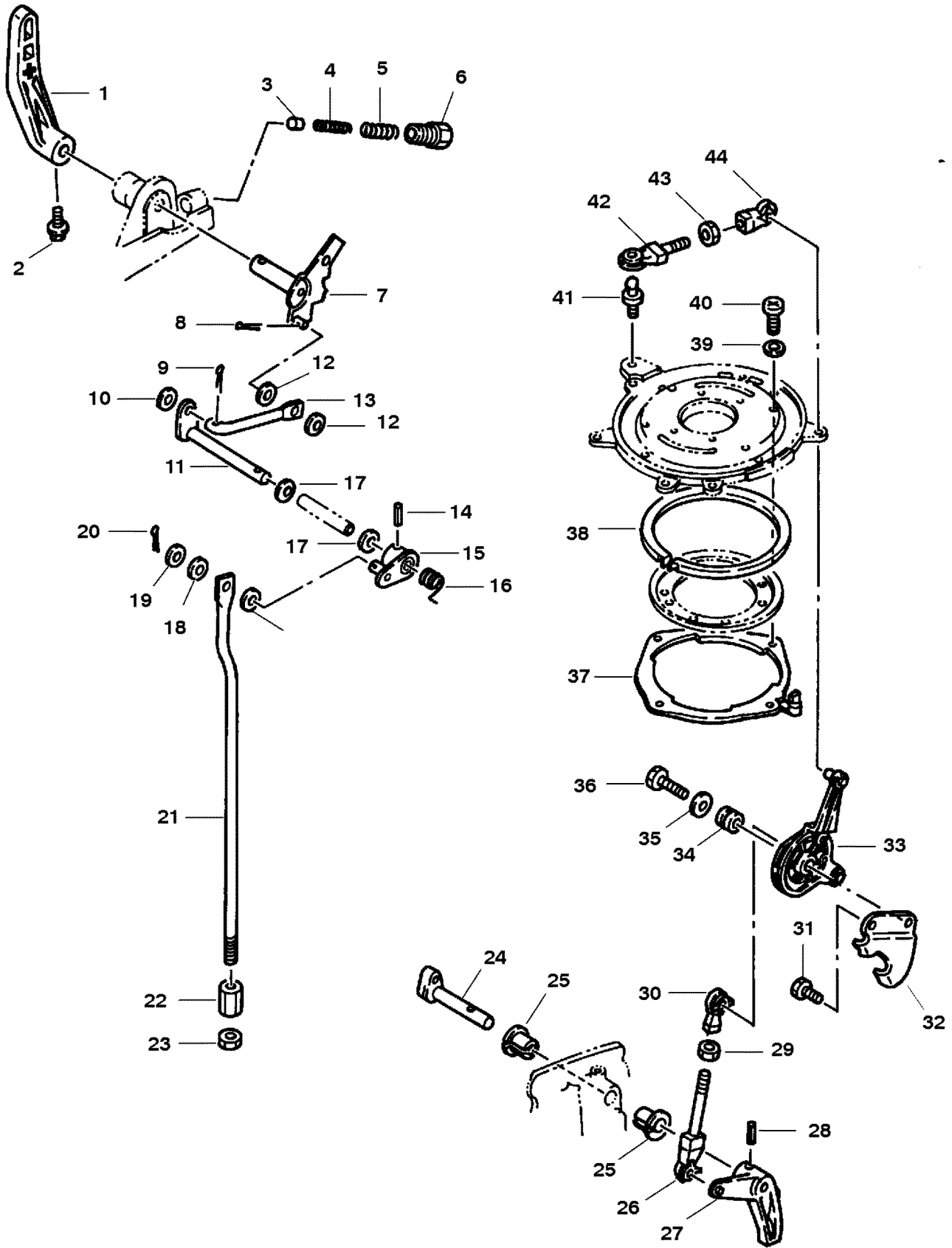
STARTER ASSEMBLY



STARTER ASSEMBLY

REF. NO.	PART NO.	SYM.	QTY.	DESCRIPTION
44	10-826957M		2	BOLT
45	12-82214M		2	WASHER
46	25-98968M		1	GROMMET
47	826956M		1	SEAL
48	826955M		1	GUIDE
49	84465M		1	BRACKET
50	10-82405M		2	BOLT
51	12-82214M		2	WASHER

THROTTLE LINKAGE



THROTTLE LINKAGE

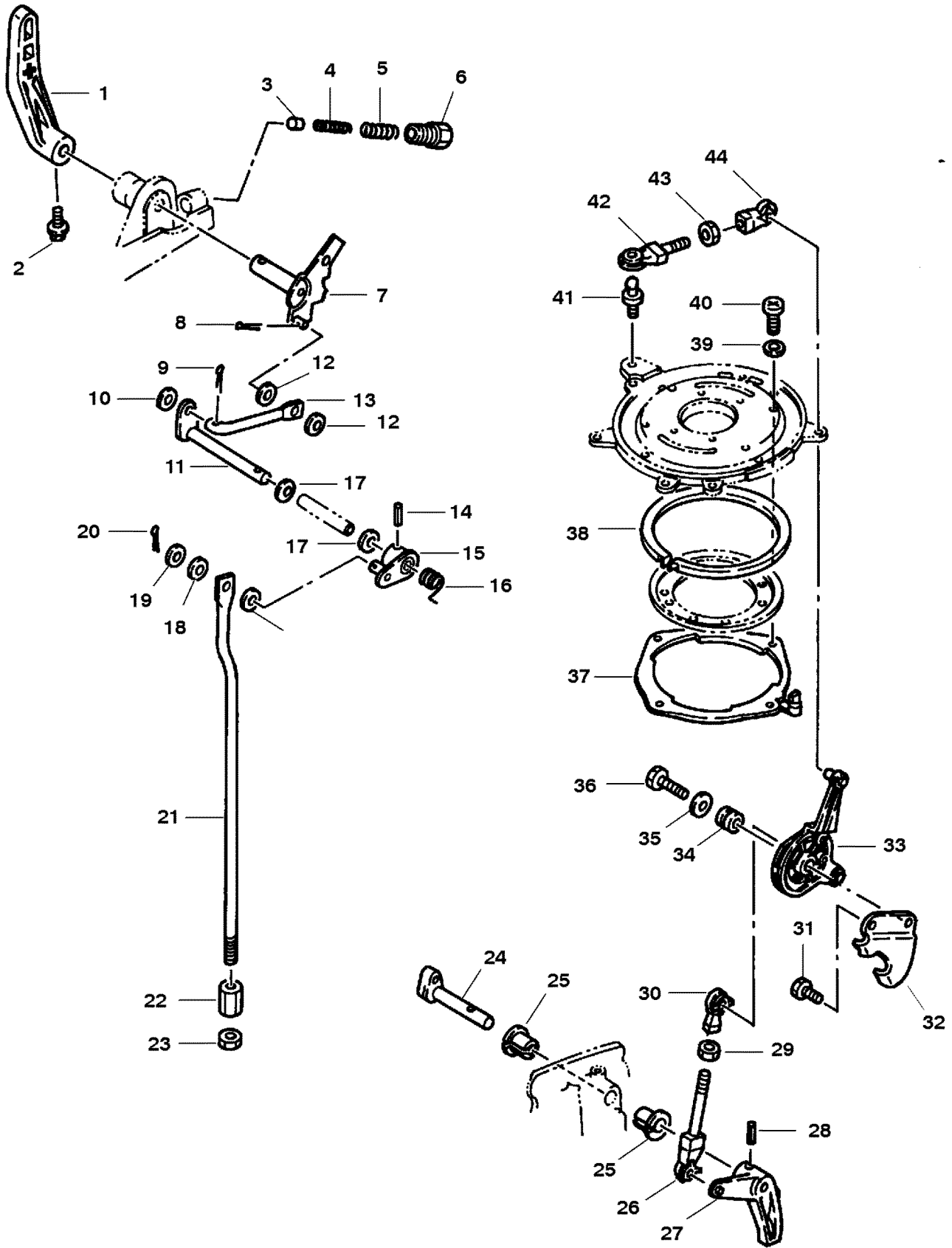
REF. NO.	PART NO.	SYM.	QTY.	DESCRIPTION
1	84865M		1	HANDLE
2	10-84830M		1	BOLT
3	84460M		1	PLUNGER
4	24-84462M		1	SPRING
5	24-84461M		1	SPRING
6	84459M		1	RETAINER
7	84653M		1	CAM PLATE
8	18-82125M		1	COTTER PIN
9	18-826988M		1	COTTER PIN
10	12-82211M		1	WASHER
11	97139M		1	SHIFT ROD LEVER
12	12-81843M		2	WASHER
13	81595M		1	LINK ROD
14	17-82155M		1	PIN-ROLL
15	84867M		1	SHIFT ROD LEVER
16	24-97140M		1	SPRING
17	12-81846M		2	WASHER
18	12-81843M		2	WASHER
19	12-82211M		1	WASHER
20	18-82127M		1	COTTER PIN
21	826989M		1	SHIFT SHAFT
22	11-804379	◇	1	NUT (M-000285/ML-304473 & UP)
	11-81763M		1	NUT (M-000284/ML-304472 & BELOW)
23	11-82389M		1	NUT
24	81134M		1	SHAFT
25	23-81946M		2	BUSHING
26	14238M		1	JOINT
27	84863M		1	LEVER
28	17-82156M		1	PIN
29	11-82388M		1	NUT
30	16715M		1	JOINT
31	10-91772M		1	BOLT
32	84859M		1	RETAINER
33	826987M		1	LEVER
34	23-83310M		1	BUSHING
35	12-81969M		1	WASHER
36	10-82405M		1	BOLT
37	83569M		1	PLATE
38	83566M		1	RETAINER
39	12-82211M		4	WASHER

◇ = PART IS NEW AND LISTED FOR THE FIRST TIME

♣ = SUPERSEDES TO ANOTHER PART NUMBER

CONTINUED ON NEXT PAGE ➡

THROTTLE LINKAGE

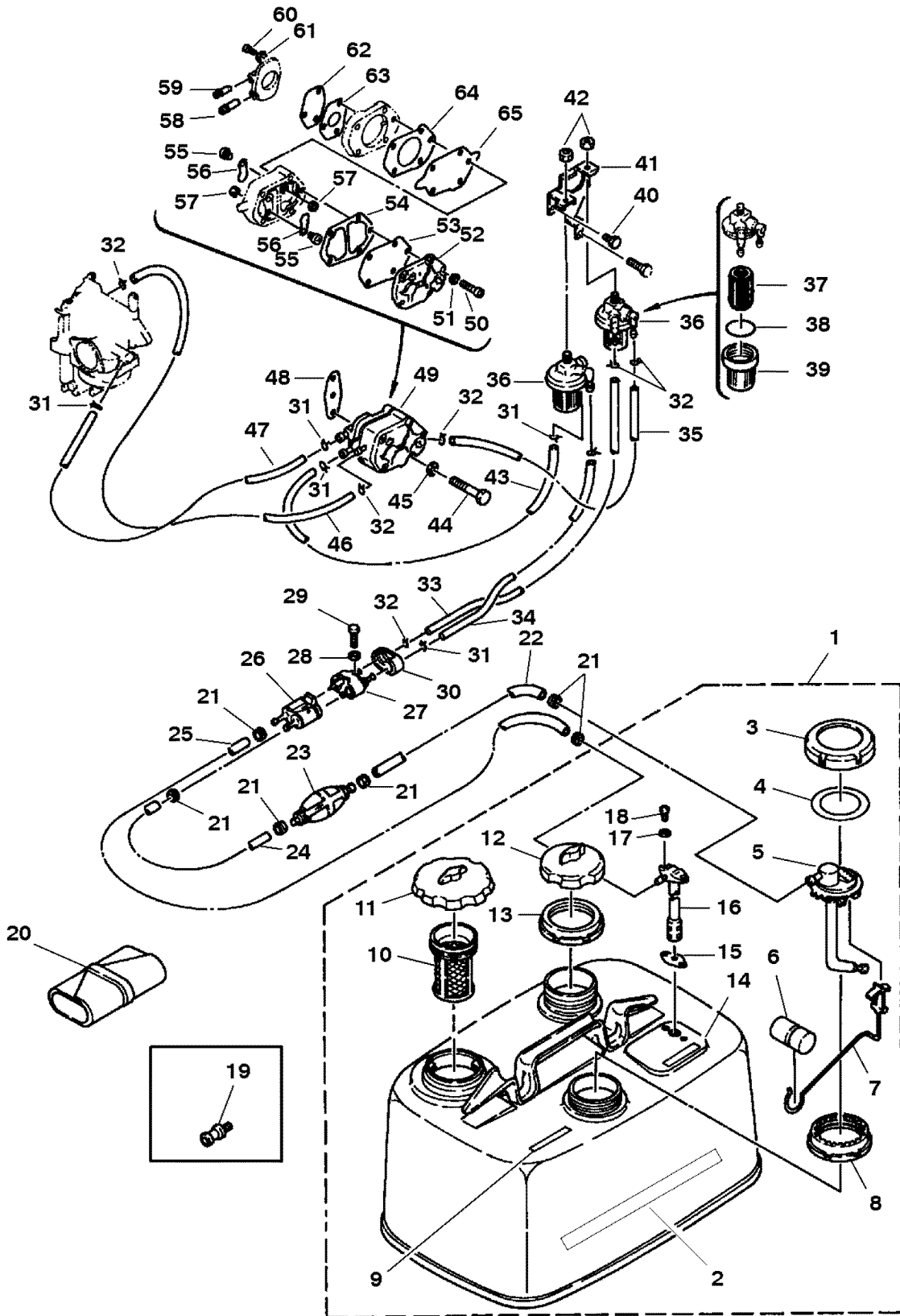


THROTTLE LINKAGE

REF. NO.	PART NO.	SYM.	QTY.	DESCRIPTION
40	10-852787--5	♣	4	SCREW
41	84305M		1	BALL JOINT
42	83921M		1	ROD
43	11-83763M		1	NUT
44	16715M		1	JOINT

♣ = SUPERSEDES TO ANOTHER PART NUMBER

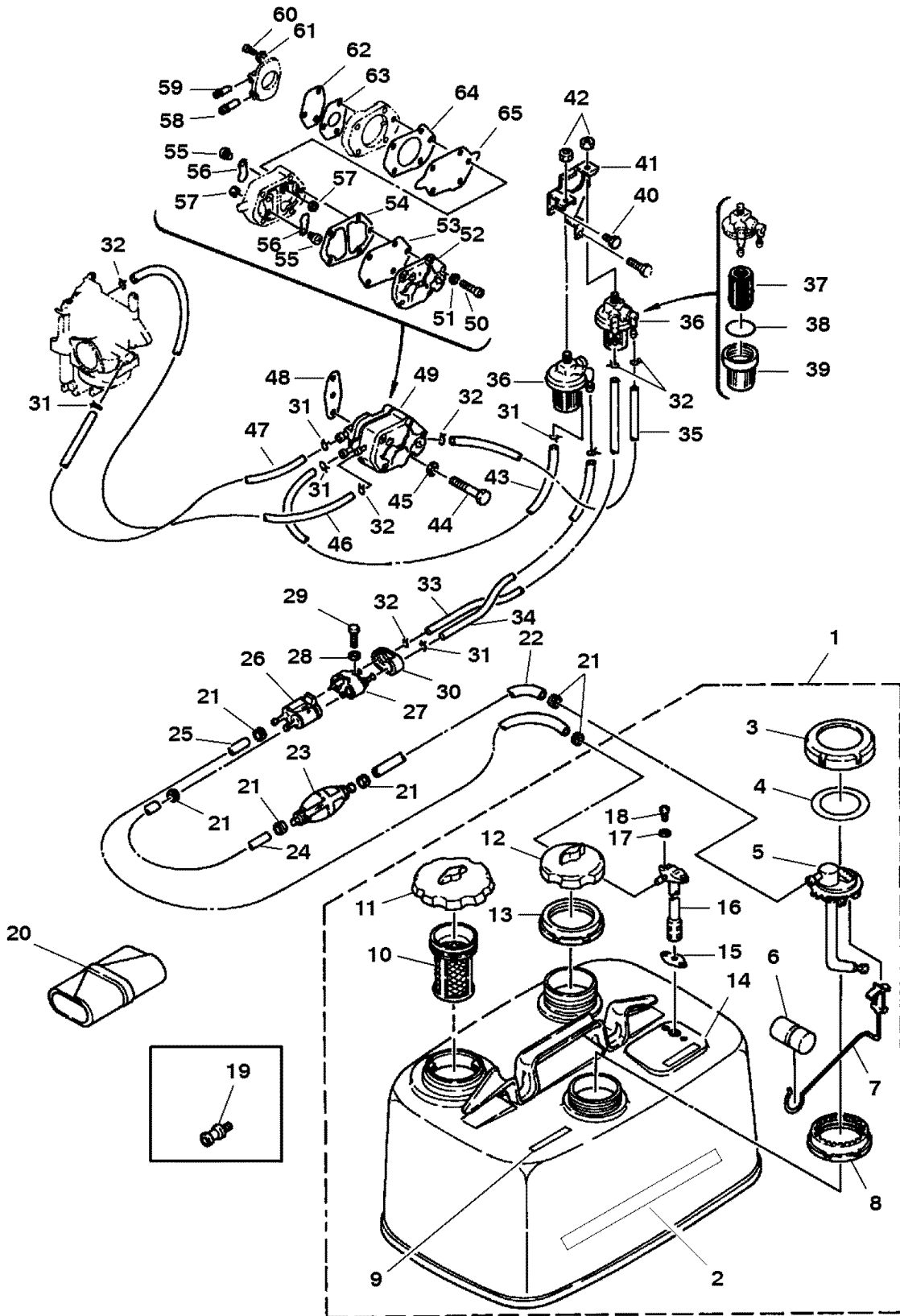
FUEL SYSTEM



FUEL SYSTEM

REF. NO.	PART NO.	SYM.	QTY.	DESCRIPTION
1	1252-826961M		1	FUEL TANK ASSEMBLY
2	37-14617M		1	DECAL
3	97624M		1	SUPPORT
4	27-97623M		1	GASKET
5	95616M		1	FUEL METER
6	81319M		1	FLOAT
7	14274M		1	INDICATOR
8	97622M		1	RING
9	37-826963M		1	DECAL
10	35-95568M		1	FILTER
11	36-814497M		1	CAP ASSEMBLY
12	36-814498M		1	CAP ASSEMBLY
13	97620M		1	RING
14	37-94704M		1	DECAL
15	27-16720M		1	GASKET
16	99954M		1	HOUSING
17	12-95501M		2	WASHER
18	10-95502M		2	SCREW
19	22-95633M		1	FITTING
20	91-81669M		1	TOOL KIT
21	54-16725M		6	CLAMP
22	32-94727M		1	HOSE
23	89396A38		1	PRIMER BULB
24	32-94727M		1	HOSE
25	32-16571M		1	HOSE
26	95569M		1	CONNECTOR
27	95604M		1	CONNECTOR
28	12-82214M		1	WASHER
29	10-84058M		1	BOLT
30	25-97607M		1	GROMMET
31	54-82047M		6	CLIP
32	54-98974M		6	CLAMP
33	32-82012M		1	HOSE
34	32-82012M		1	HOSE
35	32-95564M		1	HOSE

FUEL SYSTEM



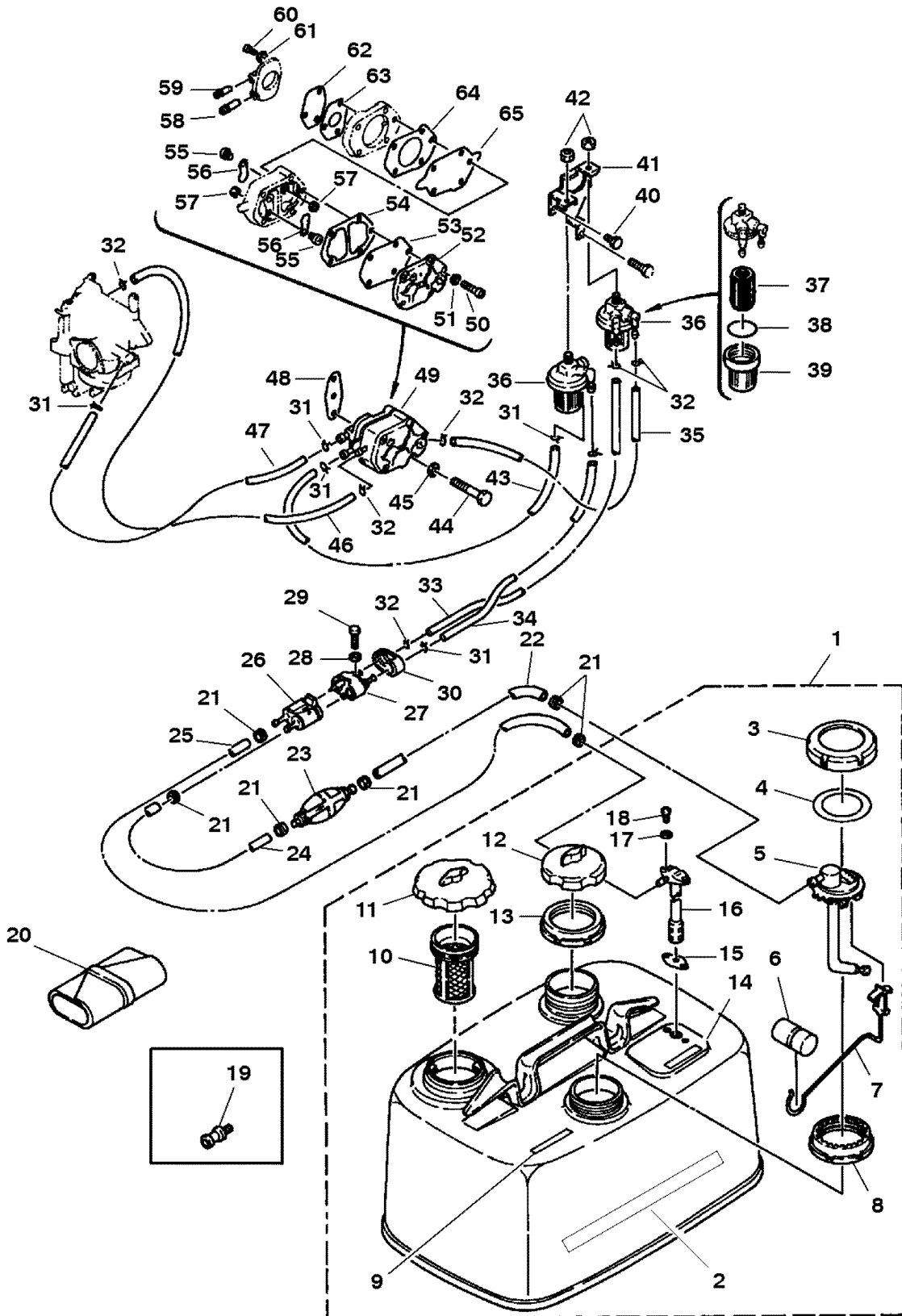
FUEL SYSTEM

REF. NO.	PART NO.	SYM.	QTY.	DESCRIPTION
36	35-11931M		2	FILTER ASSEMBLY S##S-62C-000120/L-62C-300670 AND BELOW REF. #38 HAS EXTERNAL THREAD REF. #41 HAS INTERNAL THREAD
37	35-11934M		2	FILTER S##S-62C-000120/L-62C-300670 AND BELOW REF. #38 HAS EXTERNAL THREAD REF. #41 HAS INTERNAL THREAD
38	25-84957M	■	2	O RING S##S-62C-000120/L-62C-300670 AND BELOW REF. #38 HAS EXTERNAL THREAD REF. #41 HAS INTERNAL THREAD
39	11935M		2	BOWL S##S-62C-000120/L-62C-300670 AND BELOW REF. #38 HAS EXTERNAL THREAD REF. #41 HAS INTERNAL THREAD
38	35-826964M		2	FILTER ASSEMBLY S##S-62C-000121/L-62C-300671 AND ABOVE REF. #38 HAS INTERNAL THREAD REF. #41 HAS EXTERNAL THREAD
39	35-826965M		2	FILTER S##S-62C-000121/L-62C-300671 AND ABOVE REF. #38 HAS INTERNAL THREAD REF. #41 HAS EXTERNAL THREAD
40	25-826966M	■	2	O RING S##S-62C-000121/L-62C-300671 AND ABOVE REF. #38 HAS INTERNAL THREAD REF. #41 HAS EXTERNAL THREAD
41	826967M		2	BOWL S##S-62C-000121/L-62C-300671 AND ABOVE REF. #38 HAS INTERNAL THREAD REF. #41 HAS EXTERNAL THREAD
40	10-91772M		1	BOLT
41	826968M		1	BRACKET
42	11-852816--1		2	NUT
43	32-81112M		1	HOSE
44	10-84931M		2	BOLT
45	12-82214M		2	WASHER
46	32-826969M		1	HOSE
47	32-99067M		1	HOSE
48	27-80757M	■	1	GASKET
49	826970M		1	FUEL PUMP ASSEMBLY
50	10-82522M		3	SCREW
51	13-82186M		3	LOCKWASHER
52	80607M		1	COVER
53	84141M		1	DIAPHRAGM
54	27-80614M		1	GASKET
55	10-41889M		2	SCREW
56	21-41888M		2	CHECK VALVE
57	11-82537M		2	NUT
58	22-94716M		1	CONNECTOR
59	22-826971M		1	FITTING
60	10-94724M		3	SCREW
61	13-94725M		3	LOCKWASHER
62	94717M		1	DIAPHRAGM

■ = COMPONENT OF POWERHEAD GASKET SET [27-827106M] OR [27-827107M].

CONTINUED ON NEXT PAGE ➡

FUEL SYSTEM



FUEL SYSTEM

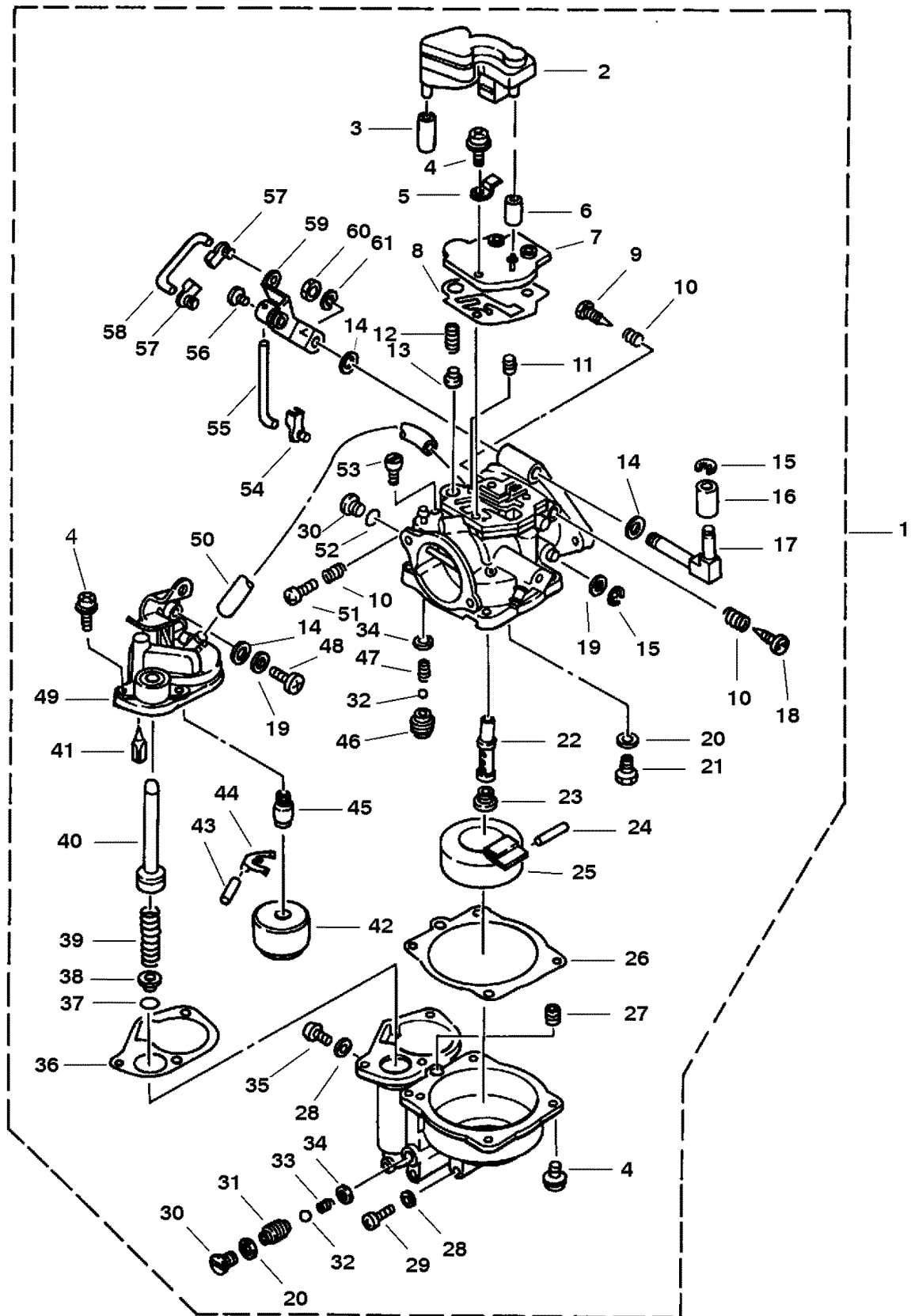
REF. NO.	PART NO.	SYM.	QTY.	DESCRIPTION
63	27-94718M		1	GASKET
64	27-80613M		1	GASKET
65	80606M		1	DIAPHRAGM S/#S-62C-000120/L-62C-300670 AND BELOW
	835014M	◇	1	DIAPHRAGM S/#S-62C-000121/L-62C-300671 AND ABOVE
-	27-827106M	❖	1	POWERHEAD GASKET SET
-	27-827107M	♥	1	POWERHEAD GASKET SET

◇ = PART IS NEW AND LISTED FOR THE FIRST TIME

❖ = S/#S-62C-000120/L-62C-300670 AND BELOW

♥ = S/#S-62C-000121/L-62C-300671 AND ABOVE

CARBURETOR



CARBURETOR

REF. NO.	PART NO.	SYM.	QTY.	DESCRIPTION
1	1383-826923M		1	CARBURETOR (M-000185/ML-301556 AND BELOW)
	1383-826923--1		1	CARBURETOR (M-000186-000251/ML-301557-303098)
	1383-826923--2		1	CARBURETOR (M-000252/ML-303099 & UP)
2	95586M		1	DAMPER
3	32-82012M		1	HOSE
4	10-81758M		10	SCREW
5	95585M		1	PLATE
6	32-82012M		1	HOSE
7	95575M		1	PLATE
8	27-95576M	▲	1	GASKET
9	10-80573M		1	SCREW
10	24-814460M		3	SPRING
11	826944M		1	JET-PILOT
12	24-81100M		1	SPRING
13	826932M		1	PLUNGER
14	23-826927M		3	SLEEVE
15	53-94722M		2	RING (M-000252/ML-303099 & UP)
	53-826928M		2	RING (M-000251/ML-303098 & BELOW)
16	23-826926M	▲	1	SLEEVE
17	826929M		1	SHAFT
18	10-826946M		1	SCREW
19	12-826943M		2	WASHER
20	12-80261M		2	WASHER
21	80593M	▲	1	INLET VALVE & SEAT
22	826925M		1	MAIN NOZZLE
23	826924--1		1	MAIN JET (M-000252/ML-303099 & UP)
	826924M		1	MAIN JET (M-000251/ML-303098 & BELOW)
24	17-11794M	▲	1	PIN
25	80591M	▲	1	FLOAT
26	27-97573M	■▲	1	GASKET
27	826933M		1	JET-STARTER
28	27-80737M	▲	2	GASKET
29	10-91738M		1	SCREW
30	97602M		2	VALVE
-	827108M		1	CARB REPAIR KIT
-	27-827106M	❖	1	POWERHEAD GASKET SET
-	27-827107M	♥	1	POWERHEAD GASKET SET

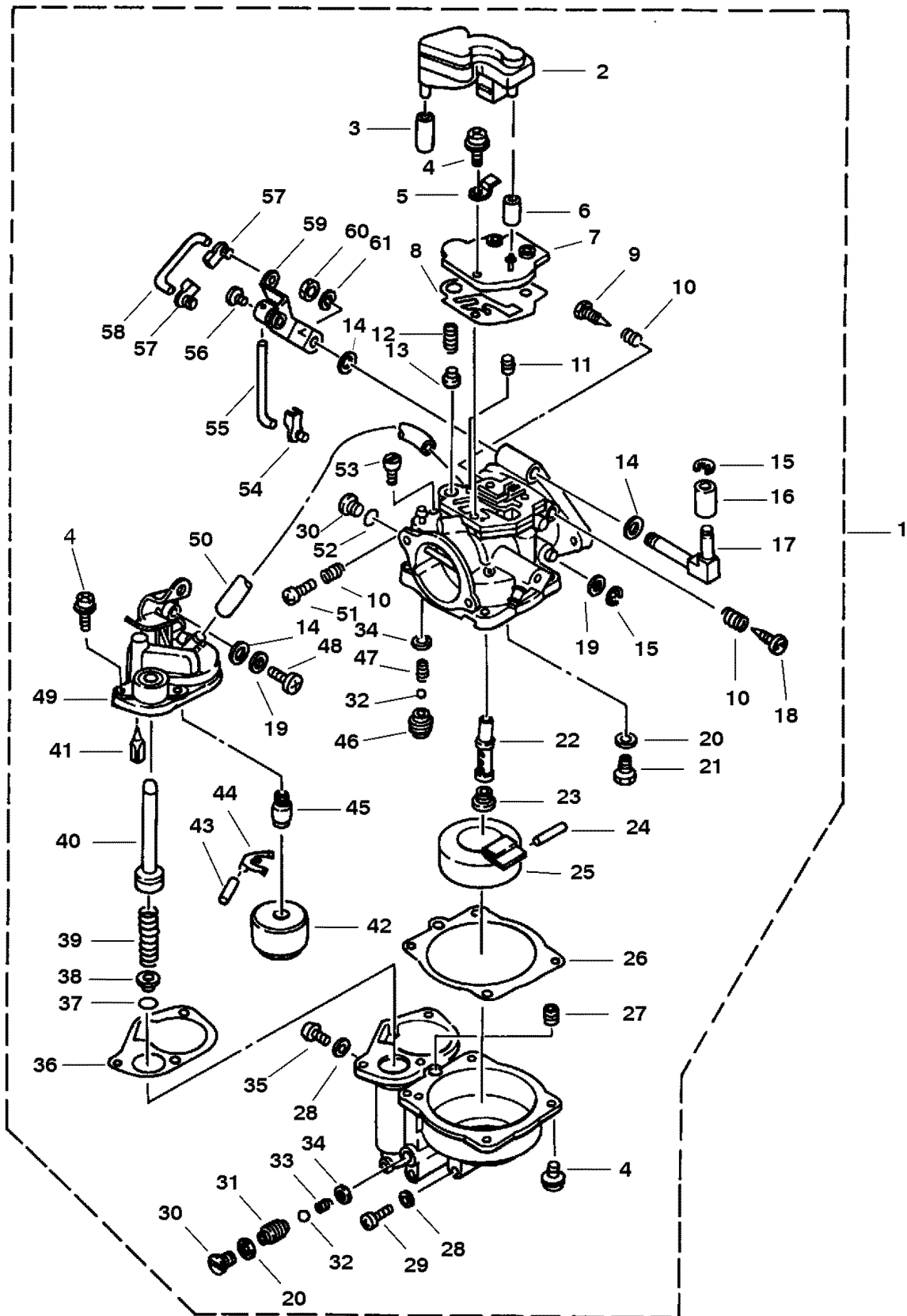
■ = COMPONENT OF POWERHEAD GASKET SET [27-827106M] OR [27-827107M].

▲ = COMPONENT OF CARB REPAIR KIT [827108M].

❖ = S/#S-62C-000120/L-62C-300670 AND BELOW

♥ = S/#S-62C-000121/L-62C-300671 AND ABOVE

CARBURETOR



CARBURETOR

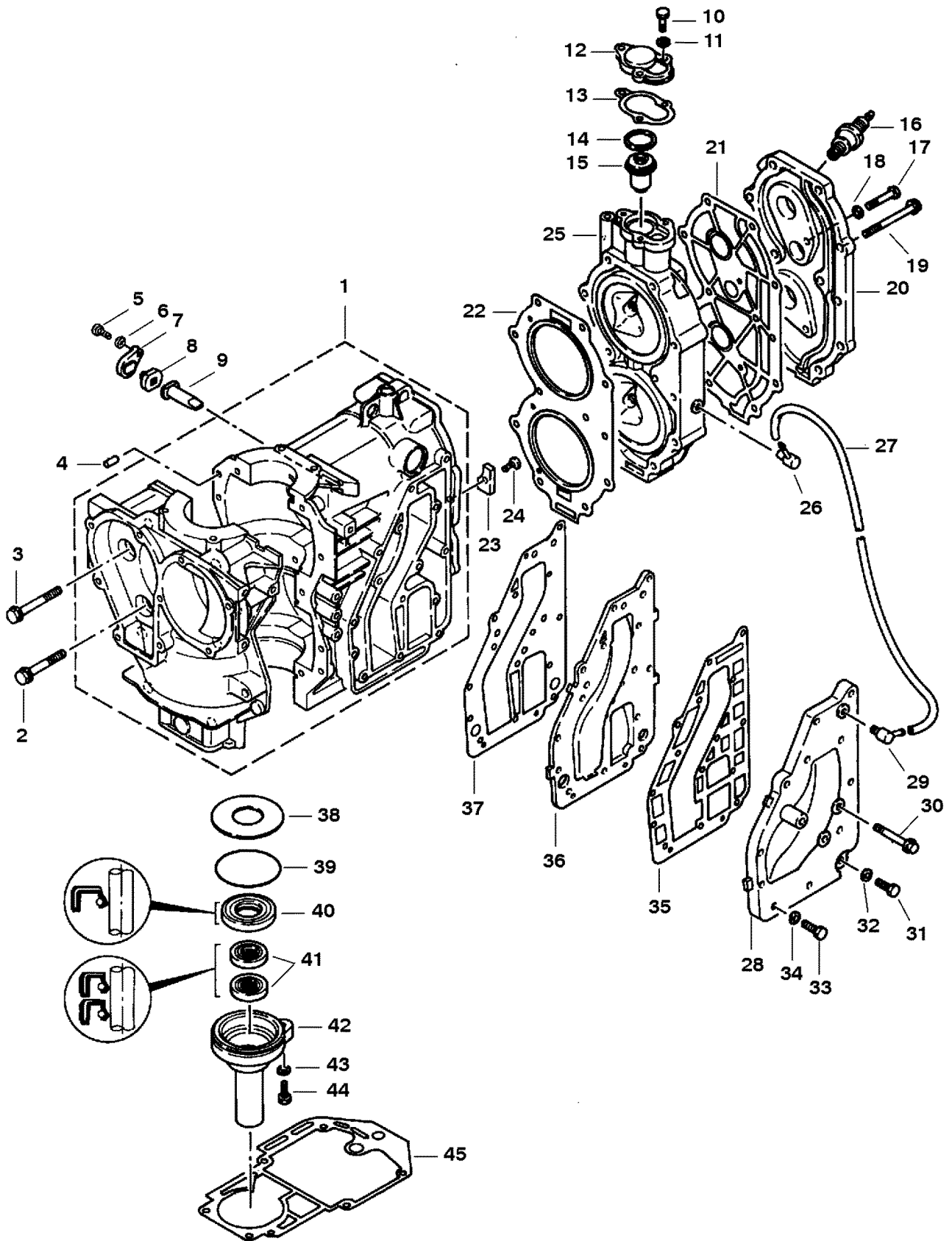
REF. NO.	PART NO.	SYM.	QTY.	DESCRIPTION
1	1383-826923M		1	CARBURETOR (M-000185/ML-301556 AND BELOW)
	1383-826923--1		1	CARBURETOR (M-000186-000251/ML-301557-303098)
	1383-826923--2		1	CARBURETOR (M-000252/ML-303099 & UP)
31	97603M		1	SEAT
32	30-95574M		2	BALL
33	24-97578M		1	SPRING
34	95560M	▲	2	SEAT
35	10-811248M		1	SCREW
36	27-826934M	▲	1	GASKET
37	25-94695M	▲	1	O RING
38	95584M		1	CHECK VALVE
39	24-95582M		1	SPRING
40	826942M		1	PLUNGER
41	826935M	▲	1	VALVE
42	94696M	▲	1	FLOAT
43	17-97586M	▲	1	PIN
44	811018M		1	FLOAT ARM
45	826936--1		1	JET-PILOT (#48) (M-000252/ML-303099 & UP)
	826936M		1	JET-PILOT (#46) (M-000251/ML-303098 & BELOW)
46	97576M		1	SEAT
47	24-95559M		1	SPRING
48	10-826941M		1	SCREW
49	826937M		1	COVER
50	32-97591M		1	HOSE
51	10-826931M		1	SCREW
52	25-94699M		1	O RING
53	10-826945M		1	SCREW
54	16333		1	CONNECTOR
55	826938M		1	ROD-STARTER
56	10-826939M		1	SCREW
57	11829M		2	RETAINER
58	826940M		1	ROD-STARTER
59	826930M		1	ARM ASSEMBLY
60	11-83763M		1	NUT
61	13-82186M		1	LOCKWASHER
-	827108M		1	CARB REPAIR KIT
-	27-827106M	❖	1	POWERHEAD GASKET SET
-	27-827107M	♥	1	POWERHEAD GASKET SET

▲ = COMPONENT OF CARB REPAIR KIT [827108M].

❖ = S/#S-62C-000120/L-62C-300670 AND BELOW

♥ = S/#S-62C-000121/L-62C-300671 AND ABOVE

CYLINDER BLOCK



CYLINDER BLOCK

REF. NO.	PART NO.	SYM.	QTY.	DESCRIPTION
1	870-808750M	●	1	CRANKCASE ASSEMBLY
2	10-41885M	●	2	BOLT
3	10-41884M	●	8	BOLT
4	17-82364M	●	2	PIN-DOWEL
5	10-826957M	●	1	BOLT
6	12-82214M	●	1	WASHER
7	826888M	●	1	COVER
8	25-826889M	●	1	GROMMET
9	826887M	●	1	ANODE
10	10-84058M	●	3	BOLT
11	12-82214M	●	3	WASHER
12	81030M	●	1	COVER
13	27-81031M	■●	1	GASKET
14	12-81835M	●	1	WASHER
15	814554M	●	1	THERMOSTAT
16	33-41263M		2	SPARK PLUG
17	10-811025M	●	2	BOLT
18	12-82214M	●	2	WASHER
19	10-826894M	●	11	BOLT
20	826892M	●	1	COVER
21	27-826893M	■●	1	GASKET
22	27-826891M	■●	1	GASKET
23	84732M	●	1	ANODE
24	10-95209M	●	1	SCREW
25	968-826890M	●	1	CYLINDER HEAD
26	22-83326M	●	1	FITTING
27	32-82012M	●	1	FUEL LINE
28	826897M	●	1	COVER-EXHAUST
29	22-83326M	●	1	FITTING
30	10-826899M	●	3	BOLT
31	10-82405M	●	1	BOLT
32	12-82214M	●	1	WASHER
33	10-804124	●	11	BOLT
34	12-82214M	●	11	WASHER
35	27-826898M	■●	1	GASKET
36	826895M	●	1	COVER-EXHAUST
37	27-826896M	■●	1	GASKET
38	23-81842M	●	1	SPACER
39	25-84089M	■●	1	O RING
40	26-84752M	■●	1	SEAL-OIL
41	26-83347M	♣■●	2	SEAL-OIL

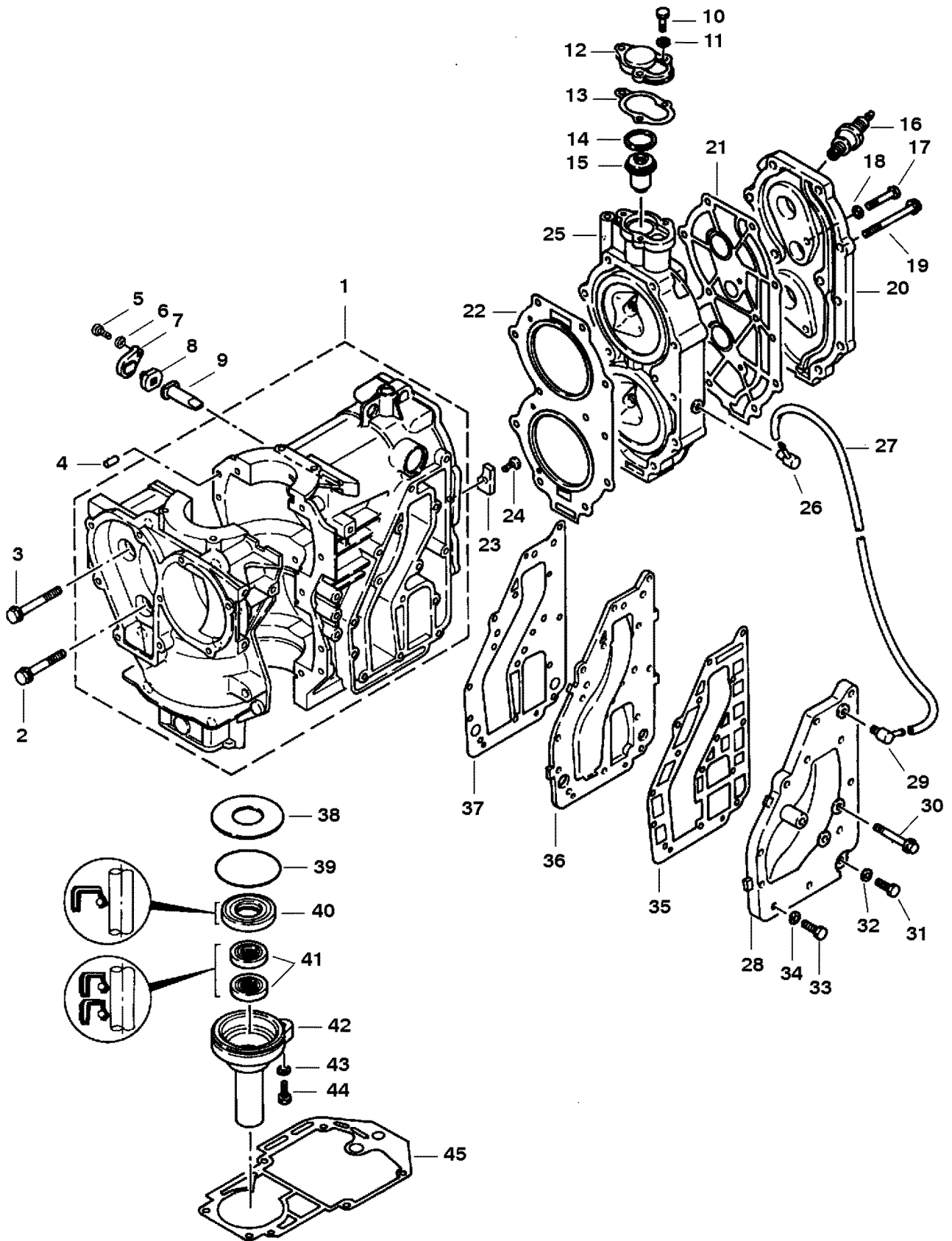
● = COMPONENT OF POWERHEAD [826886M].

■ = COMPONENT OF POWERHEAD GASKET SET [27-827106M] OR [27-827107M].

♣ = SUPERSEDES TO ANOTHER PART NUMBER

CONTINUED ON NEXT PAGE ➡

CYLINDER BLOCK



CYLINDER BLOCK

REF. NO.	PART NO.	SYM.	QTY.	DESCRIPTION
42	18973M	●	1	HOUSING
43	12-82214M	●	1	WASHER
44	10-94526M	●	1	BOLT
45	27-84775M	■●	1	GASKET
-	826886M		1	POWERHEAD
-	27-827106M	❖	1	POWERHEAD GASKET SET
-	27-827107M	♥	1	POWERHEAD GASKET SET

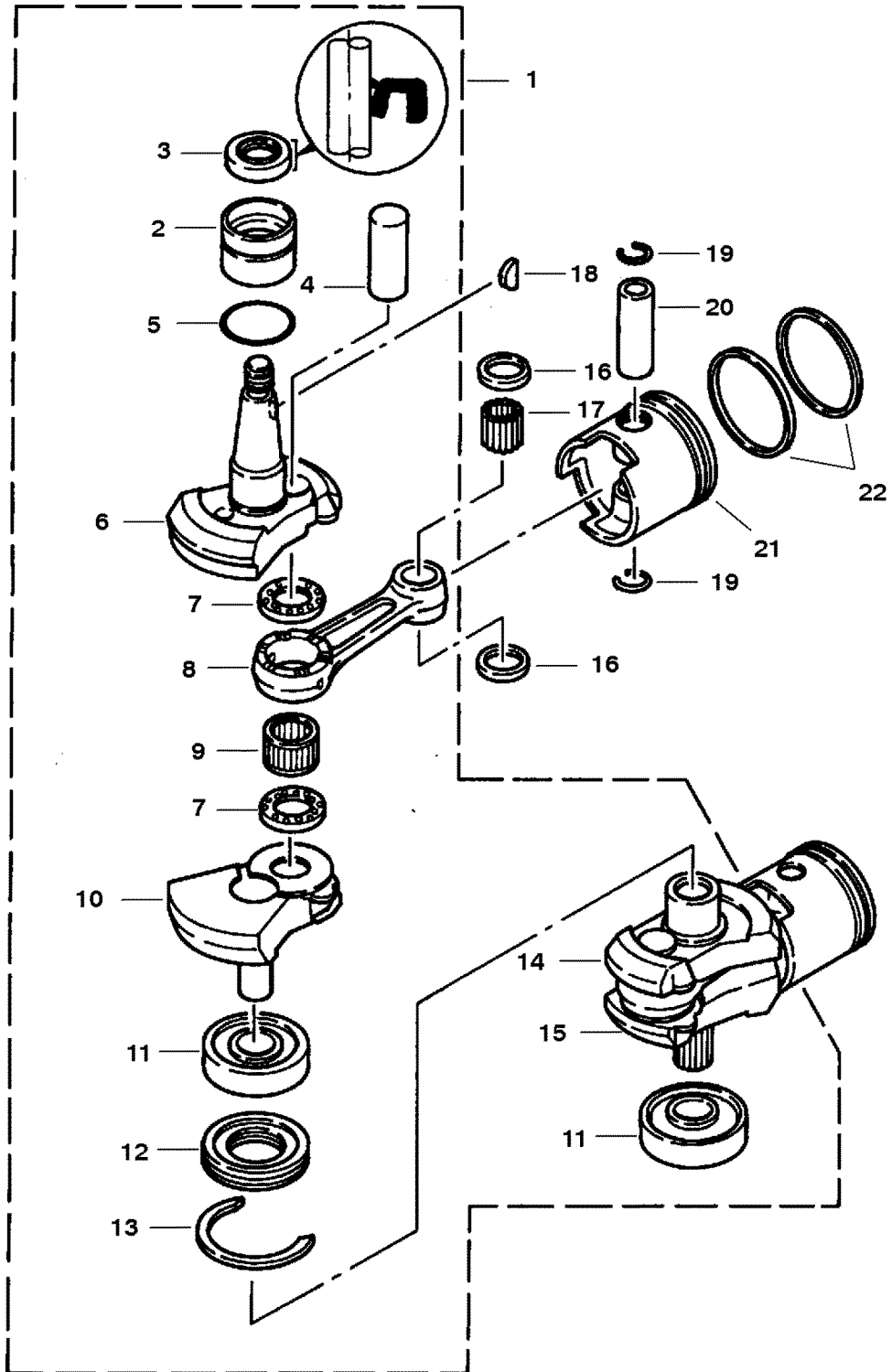
● = COMPONENT OF POWERHEAD [826886M].

■ = COMPONENT OF POWERHEAD GASKET SET [27-827106M] OR [27-827107M].

❖ = S/#S-62C-000120/L-62C-300670 AND BELOW

♥ = S/#S-62C-000121/L-62C-300671 AND ABOVE

CRANKSHAFT



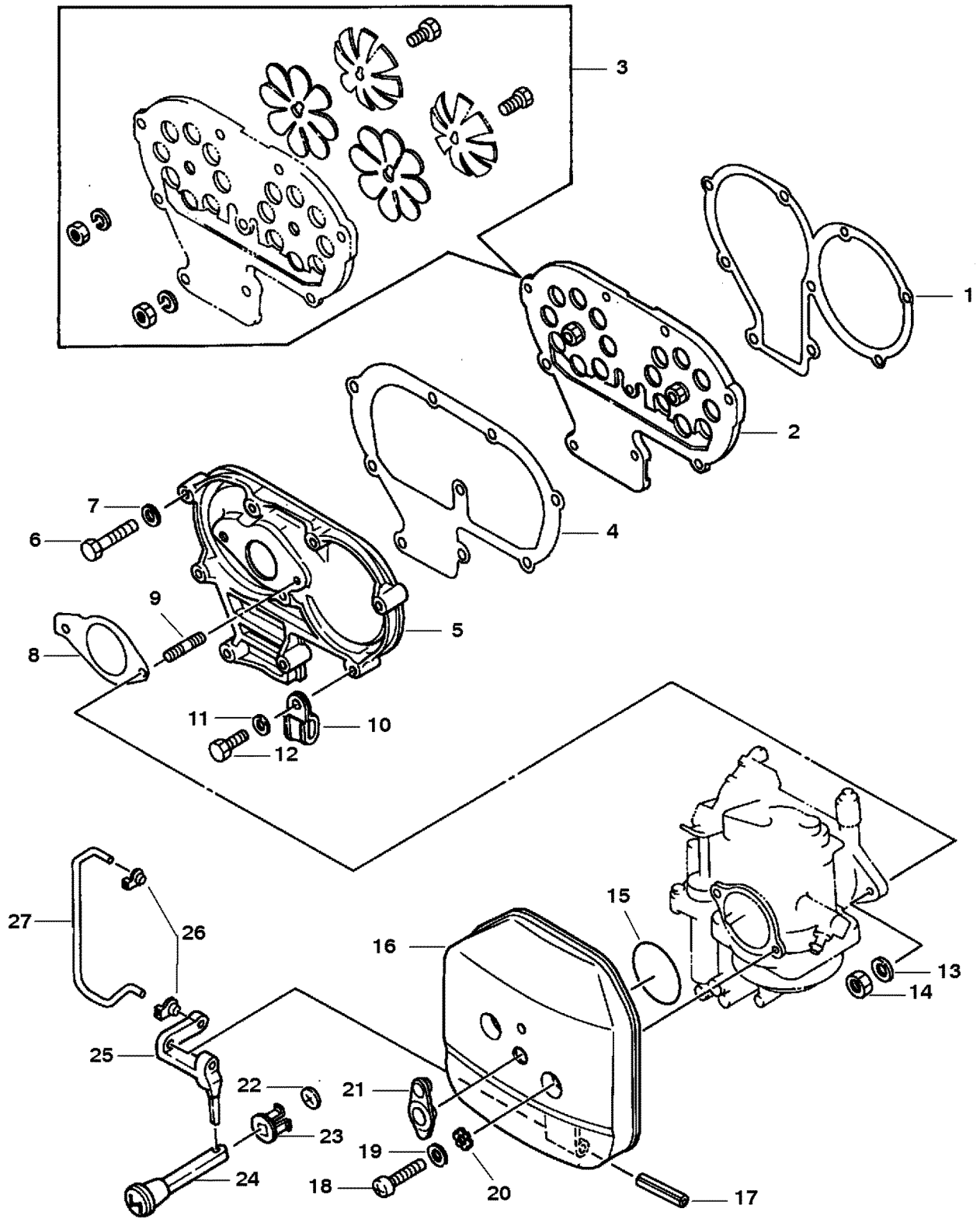
CRANKSHAFT

REF. NO.	PART NO.	SYM.	QTY.	DESCRIPTION
1	463-826900M	●	1	CRANKSHAFT ASSEMBLY
2	23-826905T1	●	1	BEARING M-000252/ML-303099 & UP
3	26-82249M	●	1	SEAL-OIL M-000252/ML-303099 & UP
2	23-826905M	●	1	BEARING M-000251/ML-303098 & BELOW
3	26-826906M	●	1	SEAL-OIL M-000251/ML-303098 & BELOW
4	17-93062M	●	2	PIN
5	25-82276M	●	1	O RING
6	463-826901--1	●	1	CRANK M-000252/ML-303099 & UP
	463-826901M	●	1	CRANK M-000251/ML-303098 & BELOW
7	12-826909M	●	4	WASHER
8	629-7983M	●	2	CONNECTING ROD
9	31-826908M	●	2	BEARING
10	463-826902M	●	1	CRANK
11	30-18971M	●	2	BEARING
12	26-826907M	●	1	SEAL
13	53-82937M	●	1	RING-SNAP
14	463-826903M	●	1	CRANK
15	463-826904M	●	1	CRANK
16	12-84750M	●	4	WASHER
17	29-84452M	●	68	NEEDLE BEARING
18	28-81915M		1	KEY
19	53-81264M	●	4	RING-SNAP
20	41-84749M	●	2	PISTON PIN
21	761-826910M		2	PISTON (STD)
	761-826911M		AR	PISTON (0.25MM O/S)
	761-826912M		AR	PISTON (0.50MM O/S)
22	39-826913T	♣ ●	2	RING-PISTON (STD)
	39-826914M		AR	RING-PISTON (0.25MM O/S)
	39-826915M		AR	RING-PISTON (0.50MM O/S)
-	826886M		1	POWERHEAD

● = COMPONENT OF POWERHEAD [826886M].

♣ = SUPERSEDES TO ANOTHER PART NUMBER

REED BLOCK



REED BLOCK

REF. NO.	PART NO.	SYM.	QTY.	DESCRIPTION
1	27-80569M	■	1	GASKET
2	826916M		1	REED BLOCK ASSEMBLY
3	34-94639M		1	REED SET
4	27-826917M	■	1	GASKET
5	80570M		1	INTAKE MANIFOLD
6	10-83285M		7	BOLT
7	12-82214M		7	WASHER
8	27-80572M	■▲	1	GASKET
9	16-91735M		2	STUD
10	54-96348M		1	CLAMP
11	12-82214M		2	WASHER
12	10-82405M		2	BOLT
13	12-82214M		2	WASHER
14	11-82389M		2	NUT
15	25-826918--1	■▲	1	O RING (M-000252/ML-303099 & UP)
	25-826918M	■▲	1	O RING (M-000251/ML-303098 & BELOW)
16	826947M		1	COVER-OUTER
17	17-82159M		1	PIN
18	10-82522M		2	SCREW
19	12-82211M		2	WASHER
20	12-852803--1		2	WASHER (M-000252/ML-303099 & UP)
	13-82210M		2	LOCKWASHER (M-000251/ML-303098 & BELOW)
21	25-826919M		1	GROMMET
22	25-826920M		1	GROMMET
23	25-84760M		1	GROMMET
24	83960M		1	CHOKE KNOB
25	826921M		1	LEVER-CHOKE
26	16333		2	CONNECTOR
27	826922M		1	ROD-CHOKE
-	827108M		1	CARB REPAIR KIT
-	27-827106M	❖	1	POWERHEAD GASKET SET
-	27-827107M	♥	1	POWERHEAD GASKET SET

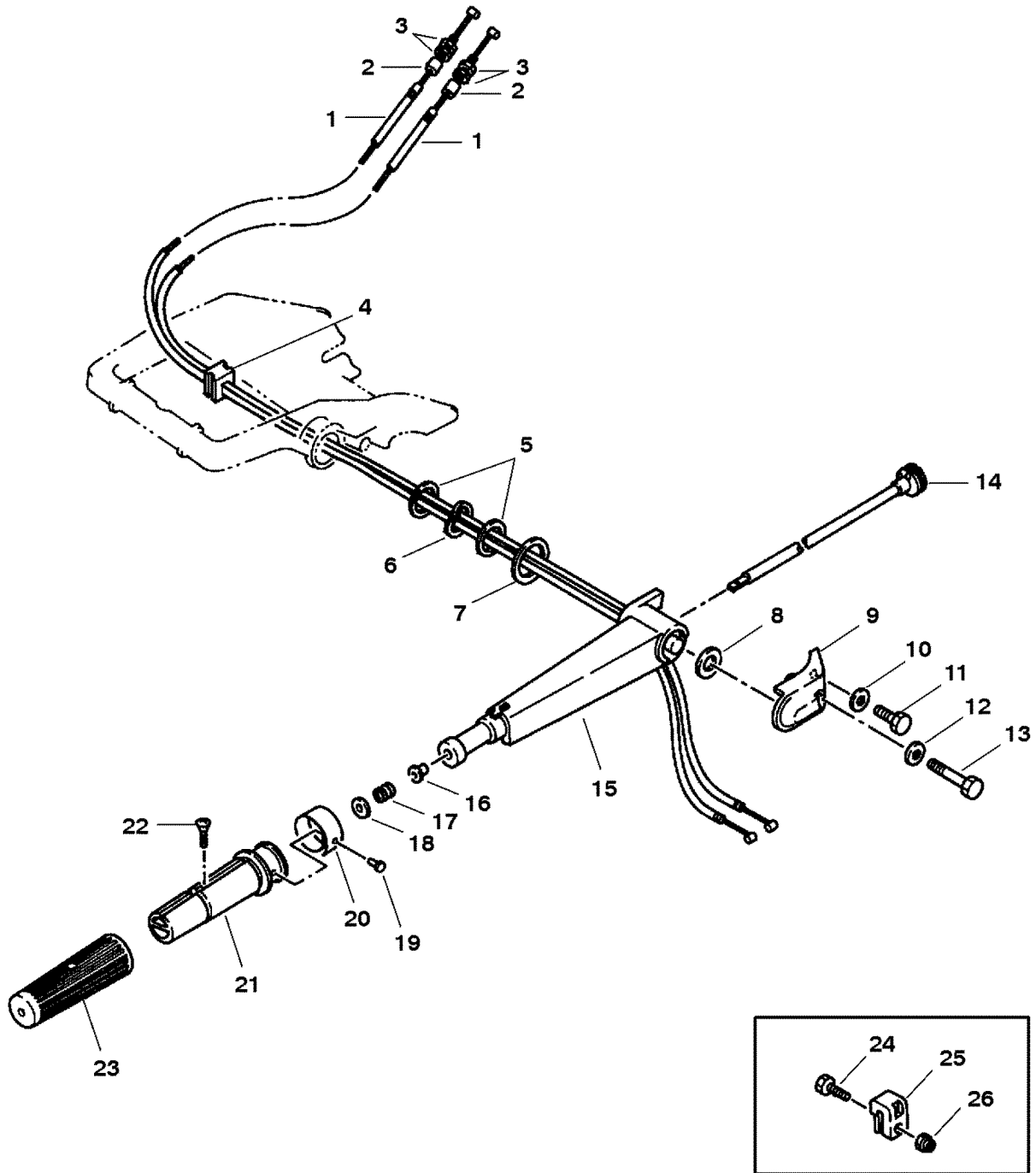
■ = COMPONENT OF POWERHEAD GASKET SET [27-827106M] OR [27-827107M].

▲ = COMPONENT OF CARB REPAIR KIT [827108M].

❖ = S/#S-62C-000120/L-62C-300670 AND BELOW

♥ = S/#S-62C-000121/L-62C-300671 AND ABOVE

STEERING HANDLE

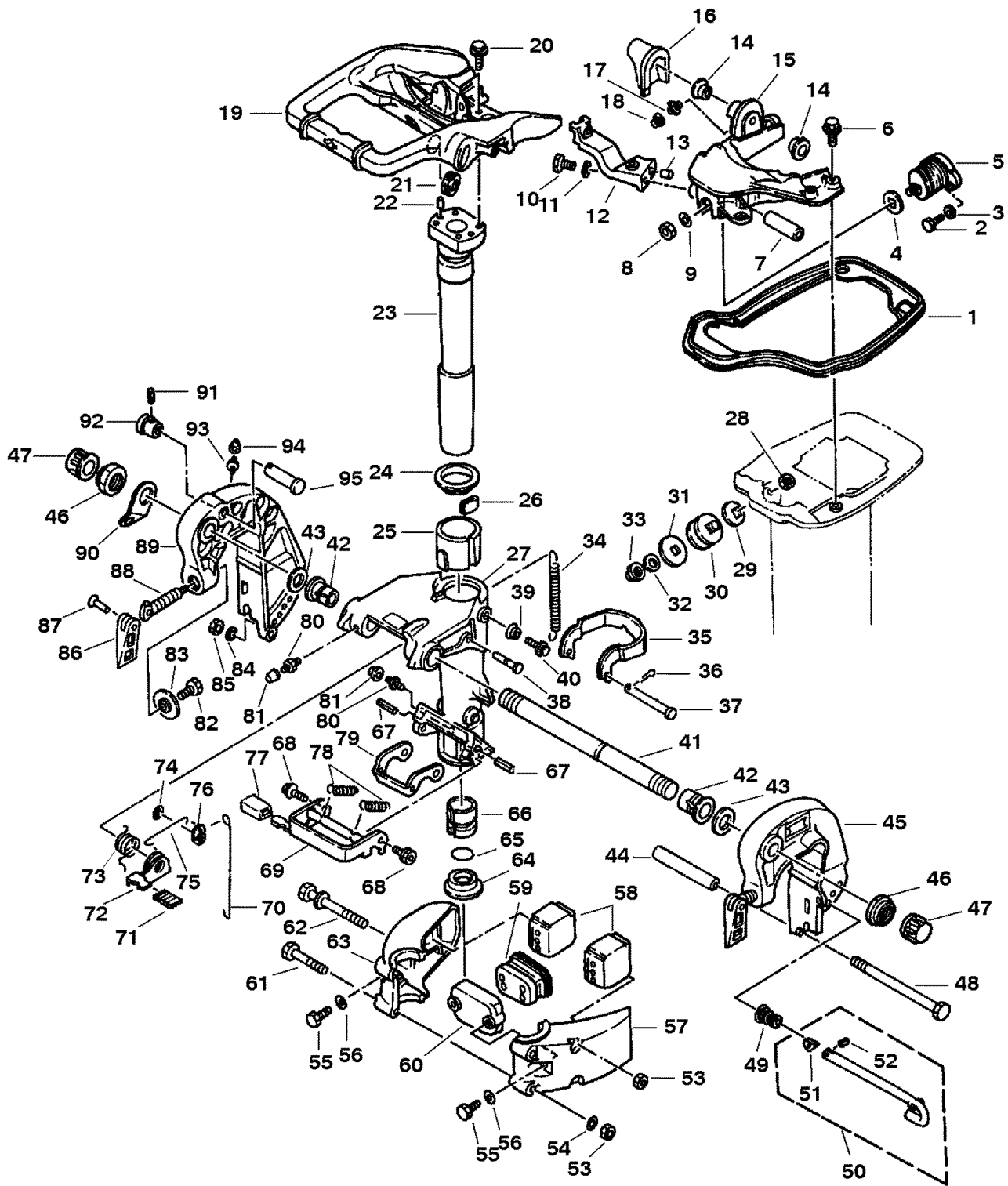


STEERING HANDLE

REF. NO.	PART NO.	SYM.	QTY.	DESCRIPTION
-	826983A1		1	STEERING HANDLE ASSEMBLY (M-000252/ML-303099 & UP)
-	826983M		1	STEERING HANDLE ASSEMBLY (M-000251/ML-303098 & BELOW)
1	826985M		2	CABLE-THROTTLE
2	10-82791M		1	BOLT
3	11-81765M		2	NUT
4	25-826986M		1	GROMMET
5	12-84850M		2	WASHER
6	13-84851M		1	WAVE WASHER
7	23-81861M		1	SPACER
8	23-82119M		1	SPACER
9	84852M		1	RETAINER
10	12-82214M		1	WASHER
11	10-84058M		1	BOLT
12	12-82214M		1	WASHER
13	10-84931M		1	BOLT
14	84856M		1	LEVER
15	96664--1		1	STEERING HANDLE (M-000252/ML-303099 & UP)
	96664M		1	STEERING HANDLE (M-000251/ML-303098 & BELOW)
16	23-81945M		1	BUSHING
17	24-82095M		1	SPRING
18	12-82220M		1	WASHER
19	17-81907M		1	RIVET
20	826984M		1	INDICATOR
21	81585M		1	HANDLE
22	10-811916M		1	SCREW
23	95497--1	♣	1	HANDLE
24	10-84058M		1	BOLT THROTTLE FRICTION
25	82895M		1	GUIDE THROTTLE FRICTION
26	11-83056M		1	NUT THROTTLE FRICTION

♣ = SUPERSEDES TO ANOTHER PART NUMBER

SWIVEL/CLAMP BRACKET

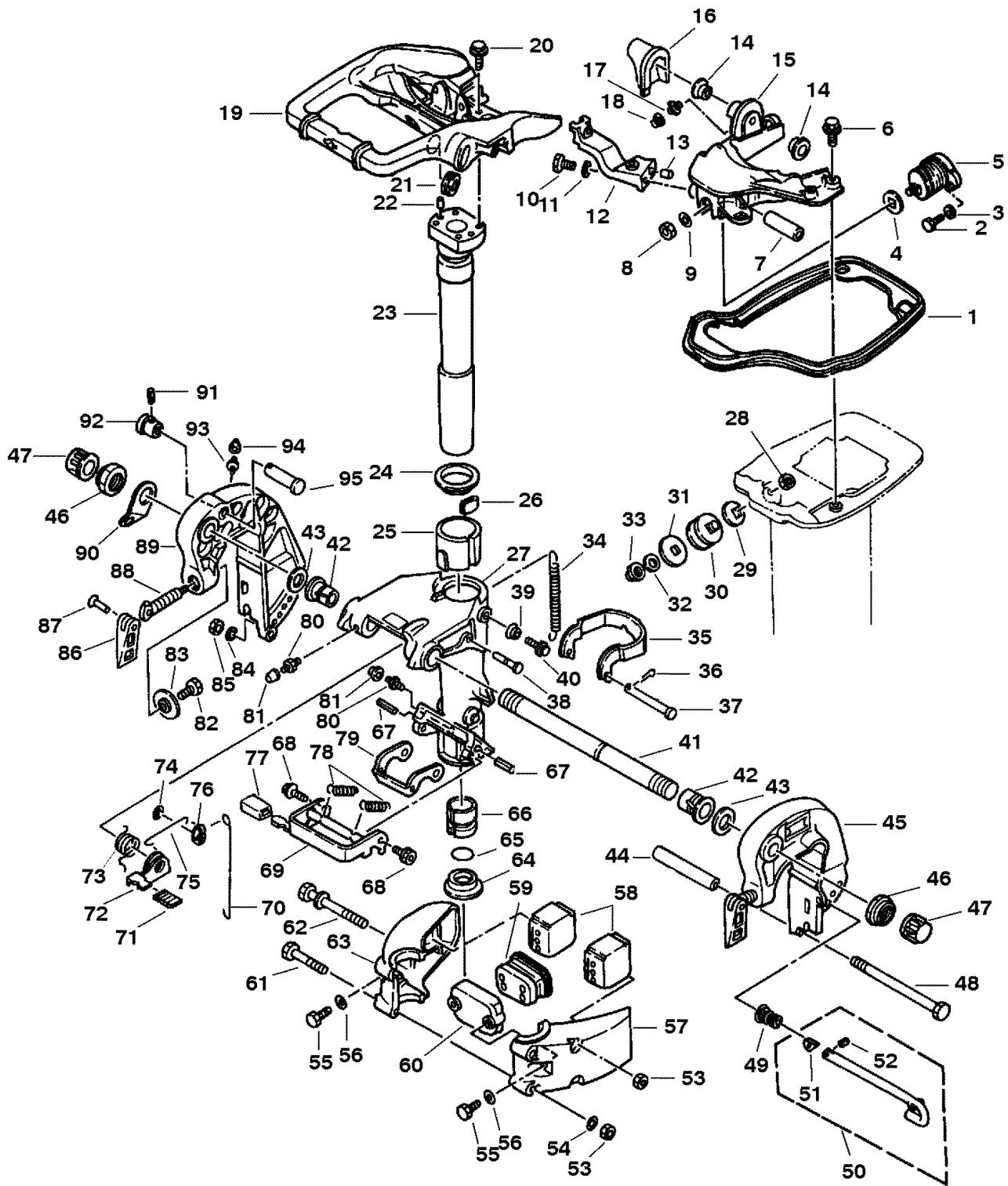


SWIVEL/CLAMP BRACKET

REF. NO.	PART NO.	SYM.	QTY.	DESCRIPTION
1	26-84838M		1	SEAL
2	10-84058M		2	BOLT
3	12-82214M		2	WASHER
4	27-80662M		1	GASKET
5	84841M		1	MOUNT
6	10-84839M		4	BOLT
7	23-97142M		1	COLLAR
8	11-82395M		1	NUT
9	12-82219M		1	WASHER
10	10-82423M		1	BOLT
11	12-82214M		1	WASHER
12	80657M		1	BRACKET
13	17-82364M		1	PIN
14	23-826982M		2	BUSHING
15	811165--1		1	BRACKET (M-000252/ML-303099 & UP)
	811165M		1	BRACKET (M-000251/ML-303098 & BELOW)
16	26-84840M		1	SEAL
17	22-82369M		1	FITTING
18	81439M		1	LUBRICAP
19	19113M		1	STEERING BRACKET
20	10-84830M		4	BOLT
21	25-82070M		1	GROMMET
22	17-82368M		2	PIN-DOWEL
23	84833M		1	SHAFT
24	12-81873M		1	WASHER
25	23-81964M		1	BUSHING
26	80633M		1	PLATE
27	1485-9792M		1	SWIVEL BRACKET
28	11-82395M		2	NUT
29	27-80662M		2	GASKET
30	82557M		2	MOUNT
31	27-81612M		2	GASKET
32	12-82219M		2	WASHER
33	11-82396M		2	NUT
34	24-19110M		1	SPRING
35	84837M		1	PLATE
36	18-82125M		1	COTTER PIN
37	17-81882M		1	PIN
38	17-19109M		1	PIN
39	26-91637M		1	SEAL
40	10-96382M		1	BOLT
41	10-18974M		1	BOLT
42	23-19112M		2	BUSHING

CONTINUED ON NEXT PAGE ➡

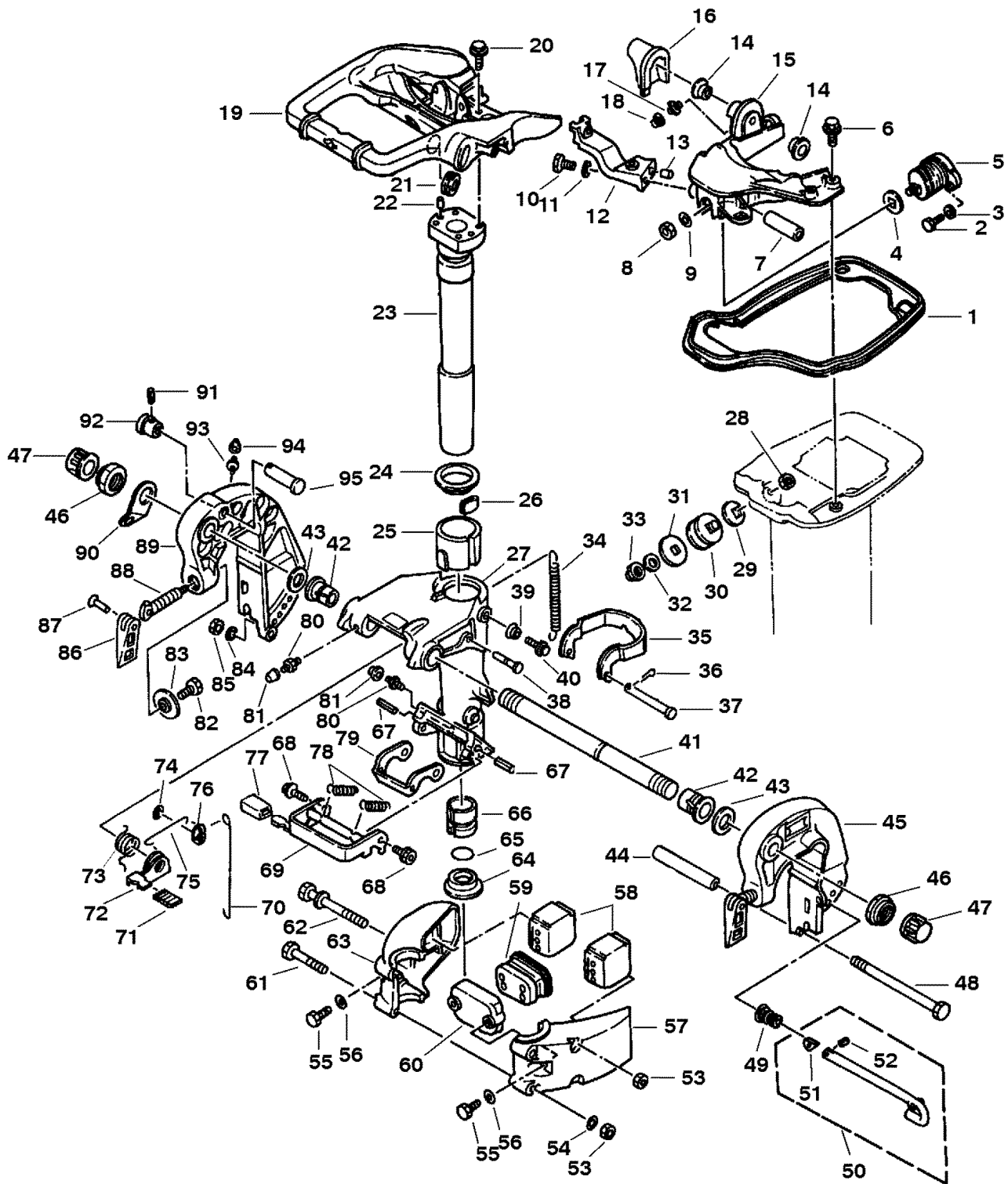
SWIVEL/CLAMP BRACKET



SWIVEL/CLAMP BRACKET

REF. NO.	PART NO.	SYM.	QTY.	DESCRIPTION
43	12-81836M		2	WASHER
44	23-19108M		1	SPACER
45	1484-9797M		1	CLAMP BRACKET (PORT)
46	11-81787M		2	NUT
47	811914M		2	CAP
48	10-82924M		1	BOLT
49	24-815007M		1	SPRING

SWIVEL/CLAMP BRACKET

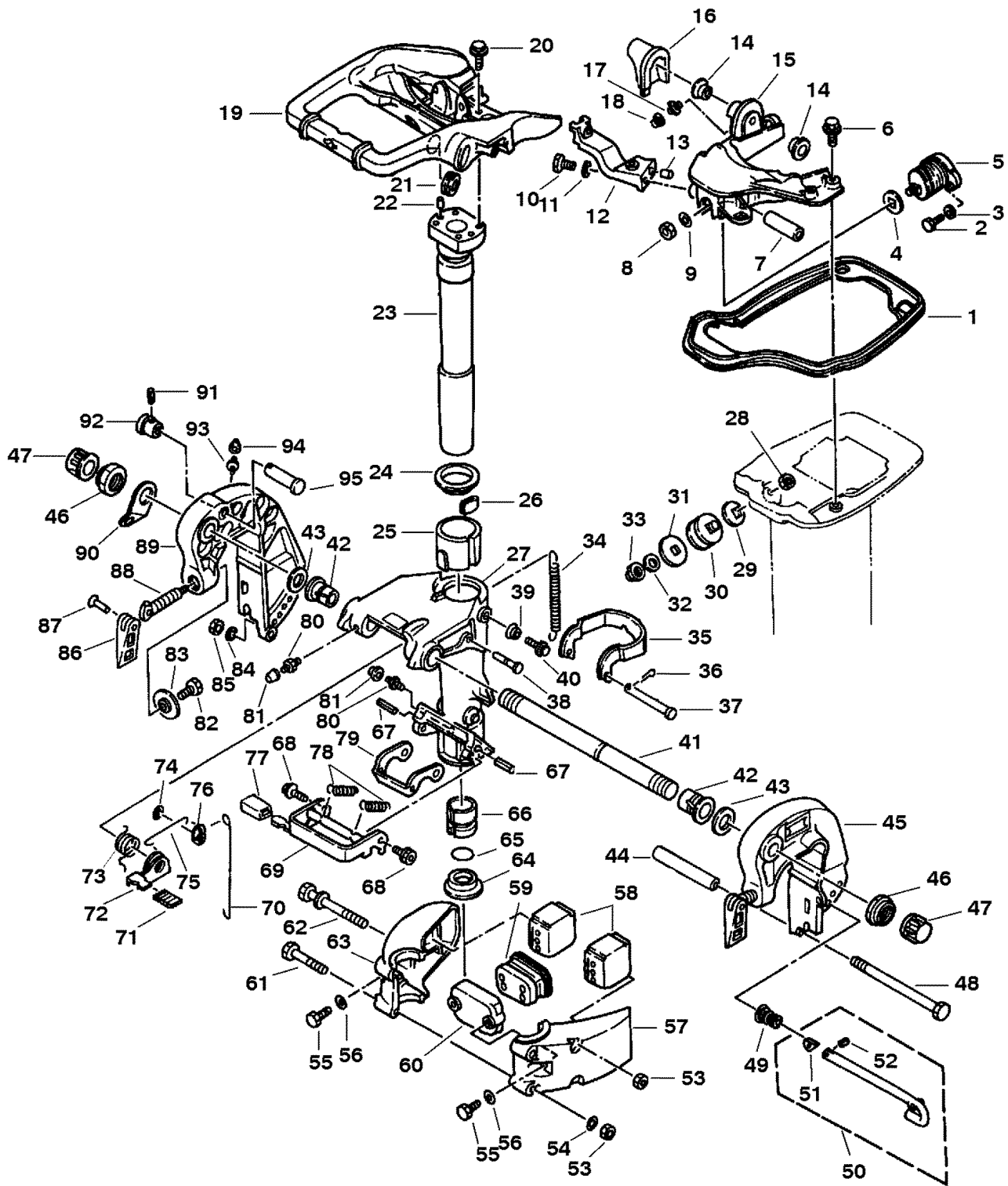


SWIVEL/CLAMP BRACKET

REF. NO.	PART NO.	SYM.	QTY.	DESCRIPTION
50	17-94569M		1	TILT ROD
51	82857M		1	PLATE
52	17-82144M		1	PIN-ROLL
53	11-82382M		4	NUT
54	12-82217M		2	WASHER
55	10-43106M		2	BOLT
56	12-82217M		2	WASHER
57	84842M		1	HOUSING
58	84848M		2	MOUNT
59	84846M		1	MOUNT
60	84847M		1	COVER
61	10-84844M		2	BOLT
62	10-41893M		2	BOLT
63	84843M		1	HOUSING
64	23-81959M		1	BUSHING
65	25-82274M		1	O RING
66	23-81961M		1	BUSHING
67	17-95552M		2	PIN
68	10-95554M		2	BOLT
69	95551M		1	LEVER
70	80645M		1	ROD
71	91641M		1	COVER
72	91640M		1	LEVER
73	24-91642M		1	SPRING
74	53-82330M		1	RING-E
75	91643M		1	ROD
76	80648M		1	LEVER
77	11932M		1	COVER
78	24-95553M		2	SPRING
79	80643M		1	PLATE
80	22-82369M		3	FITTING-GREASE
81	81439M		3	LUBRICAP
82	10-43097M		2	BOLT
83	12-43099M		2	WASHER
84	12-82217M		1	WASHER
85	11-82382M		1	NUT
86	11868M		2	HANDLE
87	17-81889M		2	PIN
88	10-43098M		2	SCREW
89	1484-9798M		1	CLAMP BRACKET (STARBOARD)
90	19111M		1	PLATE

CONTINUED ON NEXT PAGE ➡

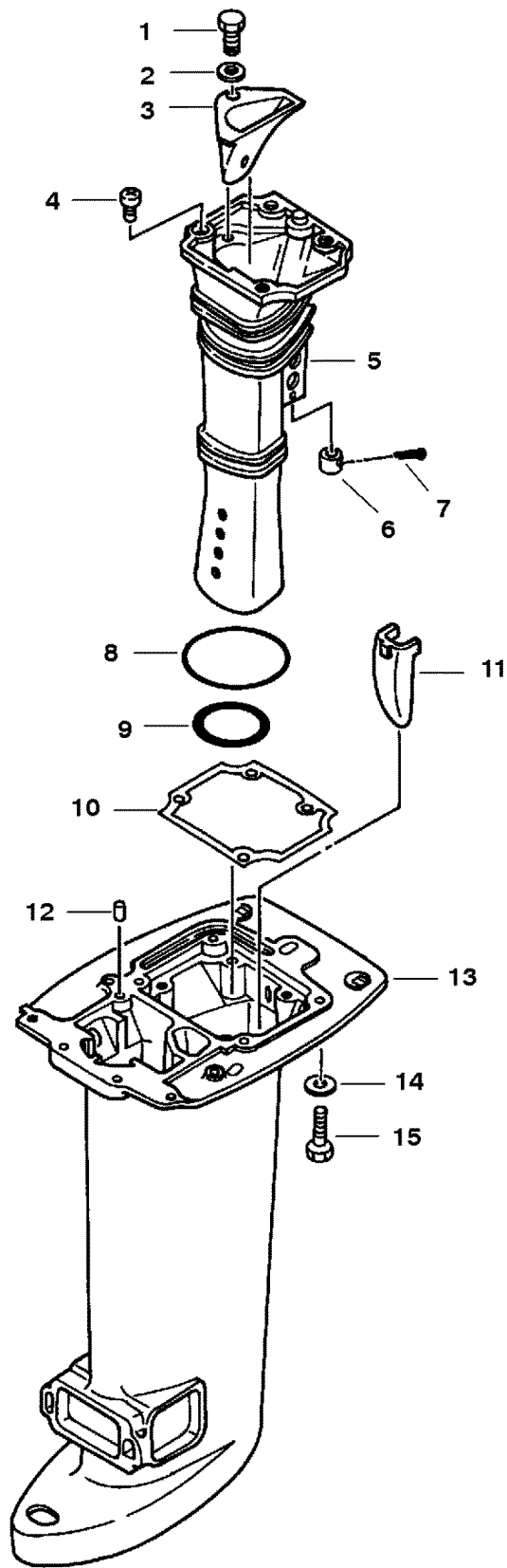
SWIVEL/CLAMP BRACKET



SWIVEL/CLAMP BRACKET

REF. NO.	PART NO.	SYM.	QTY.	DESCRIPTION
91	17-82148M		1	PIN-ROLL
92	95650M		1	KNOB
93	22-82369M		1	FITTING
94	81439M		1	LUBRICAP
95	84835M		1	SHAFT

DRIVE SHAFT HOUSING



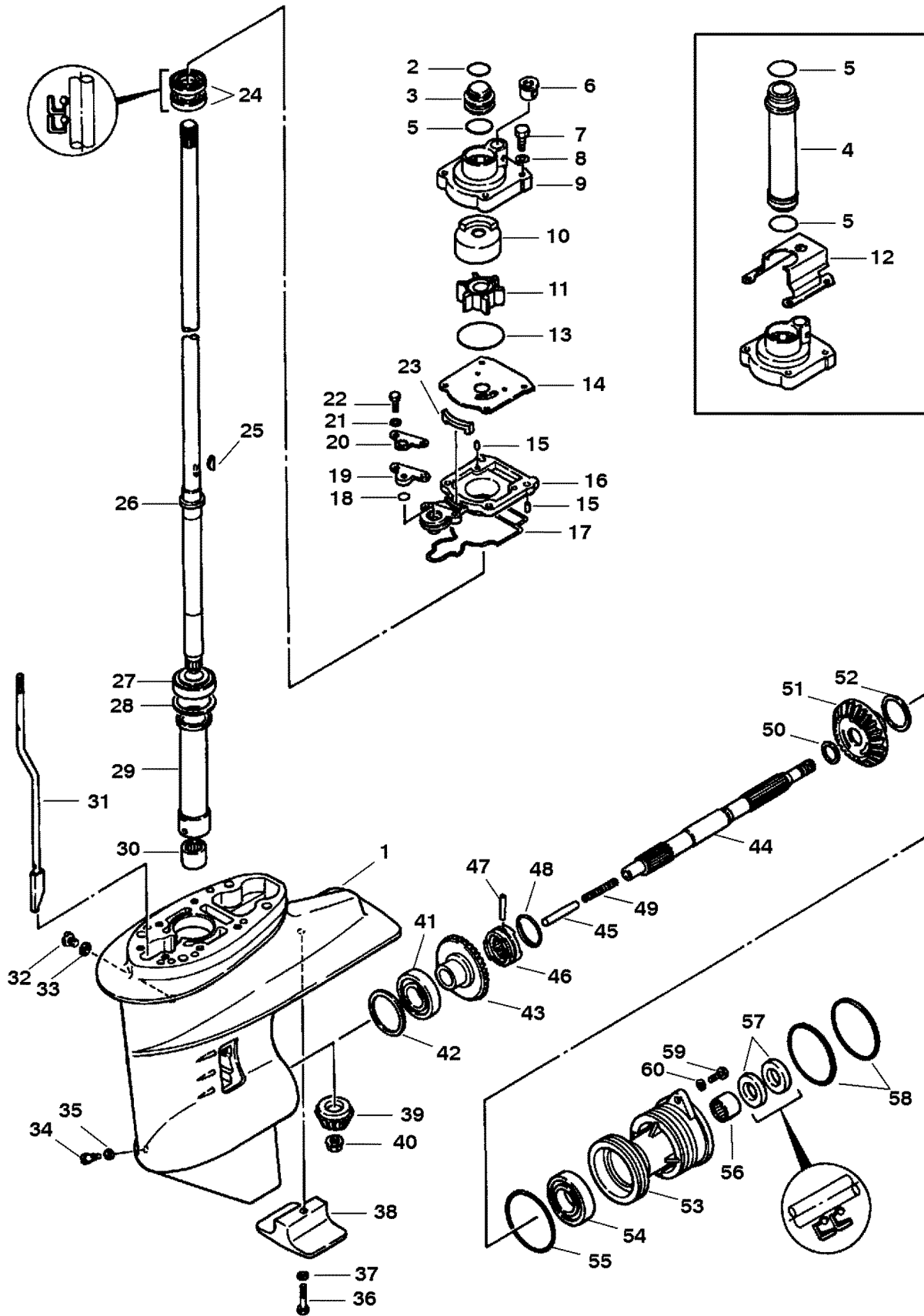
DRIVE SHAFT HOUSING

REF. NO.	PART NO.	SYM.	QTY.	DESCRIPTION
1	10-95206M		1	BOLT
2	12-82217M		1	WASHER
3	84778M		1	GUIDE-EXHAUST
4	10-83870M		4	SCREW
5	811170M		1	MANIFOLD
6	26-97635M	■	1	SEAL (SHORT)
	26-84782M	■	1	SEAL (LONG)
7	18-82132M		1	COTTER PIN
8	26-84780M	■	1	SEAL
9	26-84781M	■	1	SEAL
10	27-826991M	■	1	GASKET
11	84776M		1	MANIFOLD (SHORT) USE WHERE APPLICABLE
	84777M		1	MANIFOLD (LONG) USE WHERE APPLICABLE
12	17-82364M		2	PIN-DOWEL
13	1587-826990A4	◇	1	DRIVESHAFT HOUSING (SHORT) (M-000285/ML-304473 & UP)
	1587-827111A13	◇	1	DRIVESHAFT HOUSING (LONG) (M-000285/ML-304473 & UP)
	1587-826990M		1	DRIVESHAFT HOUSING (SHORT) (M-000284/ML-304472 & BELOW)
	1587-827111M		1	DRIVESHAFT HOUSING (LONG) (M-000284/ML-304472 & BELOW)
14	12-82217M		6	WASHER
15	10-95416M		6	BOLT
-	27-827109A1	◇	1	LOWER UNIT GASKET SET (M-000285/ML-304473 & UP)
-	27-827109M		1	LOWER UNIT GASKET SET (M-000284/ML-304472 & BELOW)

■ = COMPONENT OF LOWER UNIT GASKET SET [27-827109M] OR [27-827109A1].

◇ = PART IS NEW AND LISTED FOR THE FIRST TIME

GEAR HOUSING



GEAR HOUSING

REF. NO.	PART NO.	SYM.	QTY.	DESCRIPTION
-	1651-826992M		1	GEAR HOUSING ASSEMBLY (SHORT)
-	1651-826993M		1	GEAR HOUSING ASSEMBLY (LONG)
1	1651-826994--2	◇	1	GEAR HOUSING (M-000285/ML-304473 & UP)
	1651-826994M		1	GEAR HOUSING (M-000284/ML-304472 & BELOW)
2	25-84821M		1	O RING (SHORT)
3	827037M		1	TUBE-WATER (SHORT)
4	32-827038M		1	TUBE-WATER (LONG)
5	25-827039M	■	1	O RING (SHORT)
	25-84821M	■	2	O RING (LONG)
6	26-827041M	+■	1	SEAL
7	10-827043M	+	4	BOLT
8	12-82214M	+	4	WASHER
9	46-827040M	+	1	HOUSING-WATER PUMP
10	827042M	+	1	INSERT-CHROME
11	47-827044M	+	1	IMPELLER
12	827046	◇	1	PLATE (LONG) (M-000285/ML-304473 & UP)
	827046M		1	PLATE (LONG) (M-000284/ML-304472 & BELOW)
13	25-82278M	+■	1	O RING
14	827045M	+	1	PLATE-OUTER (CHROME)
15	17-41275M		3	PIN
16	827050M		1	HOUSING
17	27-827052M	■	1	GASKET
18	25-827049M	■	1	O RING
19	827048M		1	PLATE
20	827047M		1	BRACKET
21	12-82214M		2	WASHER
22	10-82405M		2	BOLT
23	26-827051M		1	SEAL
24	26-854017	♣■	2	SEAL-OIL
25	28-81912M	+	1	KEY-WOODRUFF
26	45-827054M		1	DRIVESHAFT ASSEMBLY (SHORT)
	45-827056M		1	DRIVESHAFT ASSEMBLY (LONG)
27	31-826995M		1	BEARING
28	15-826996M		AR	SHIM (0.7)
	15-826997M		AR	SHIM (1.0)
	15-826998M		AR	SHIM (1.1)
	15-826999M		AR	SHIM (1.2)
	15-827031M		AR	SHIM (1.3)
	15-827032M		AR	SHIM (1.4)
	15-827033M		AR	SHIM (1.5)

■ = COMPONENT OF LOWER UNIT GASKET SET [27-827109M] OR [27-827109A1].

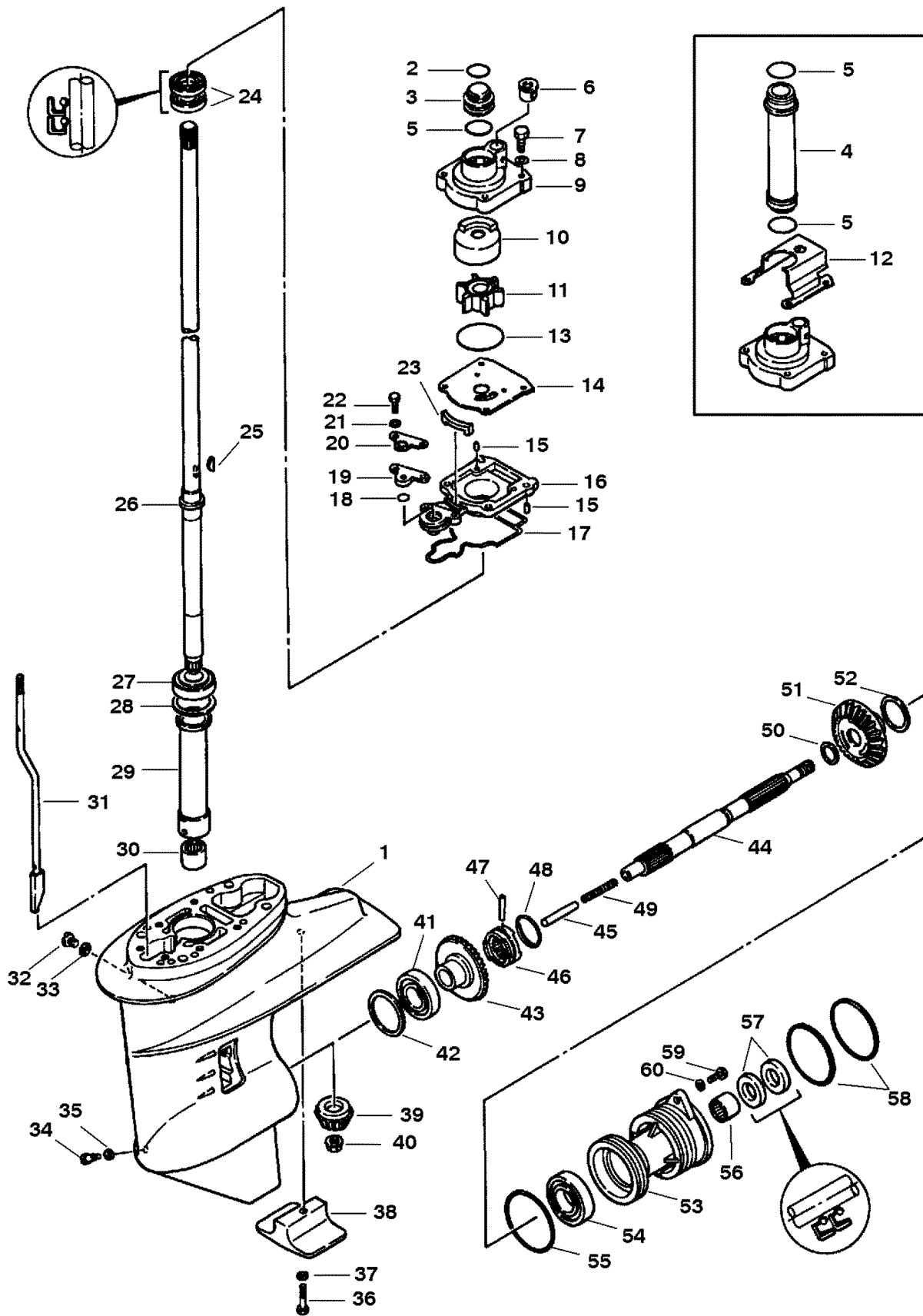
◇ = PART IS NEW AND LISTED FOR THE FIRST TIME

+ = COMPONENT OF WATER PUMP REPAIR KIT [46-827110M].

♣ = SUPERSEDES TO ANOTHER PART NUMBER

CONTINUED ON NEXT PAGE ➡

GEAR HOUSING

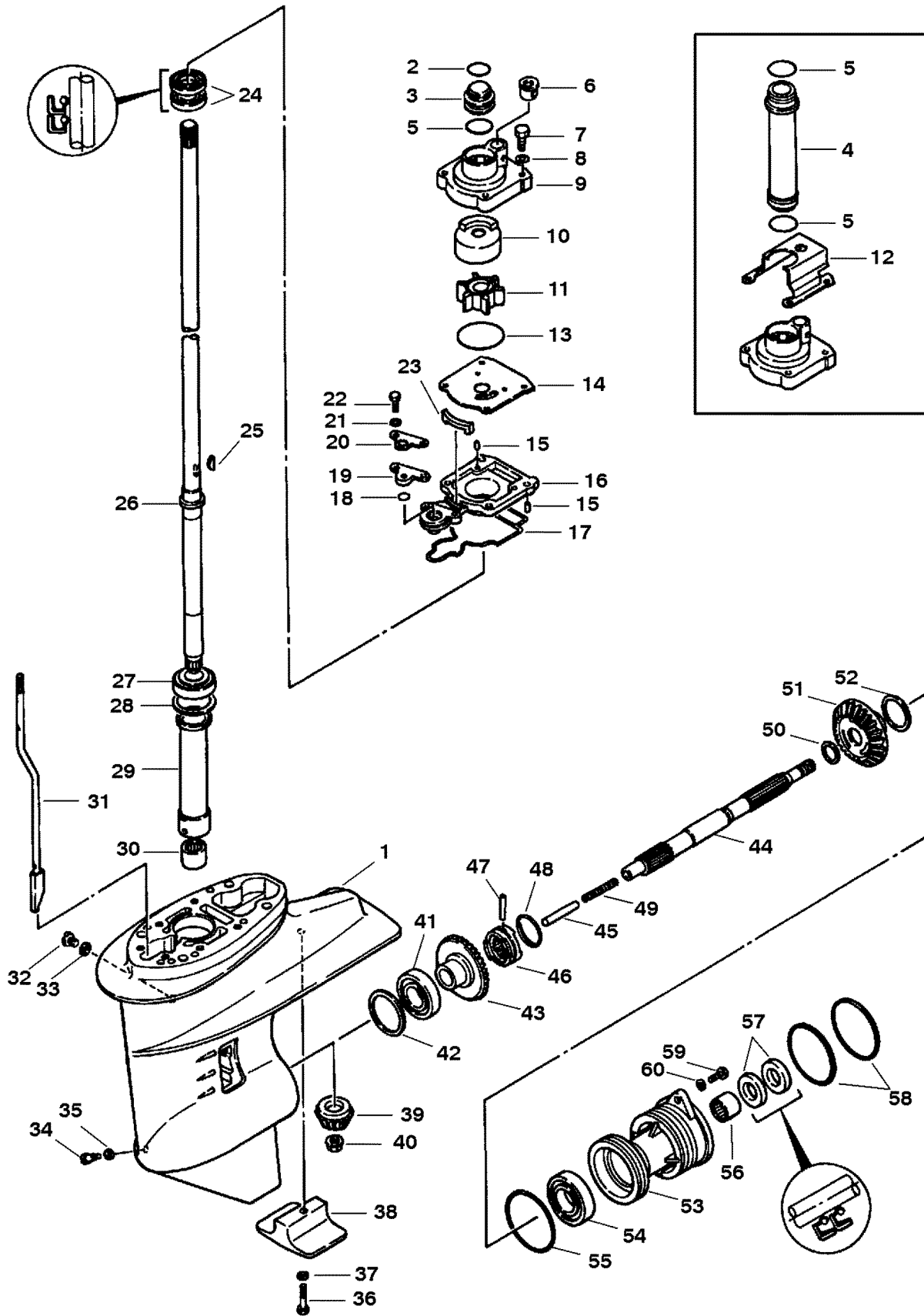


GEAR HOUSING

REF. NO.	PART NO.	SYM.	QTY.	DESCRIPTION
28	15-827034M		AR	SHIM (1.6)
29	23-827035M		1	SLEEVE
-	46-827110M		1	WATER PUMP REPAIR KIT
-	27-827109A1	◇	1	LOWER UNIT GASKET SET (M-000285/ML-304473 & UP)
-	27-827109M		1	LOWER UNIT GASKET SET (M-000284/ML-304472 & BELOW)

◇ = PART IS NEW AND LISTED FOR THE FIRST TIME

GEAR HOUSING



GEAR HOUSING

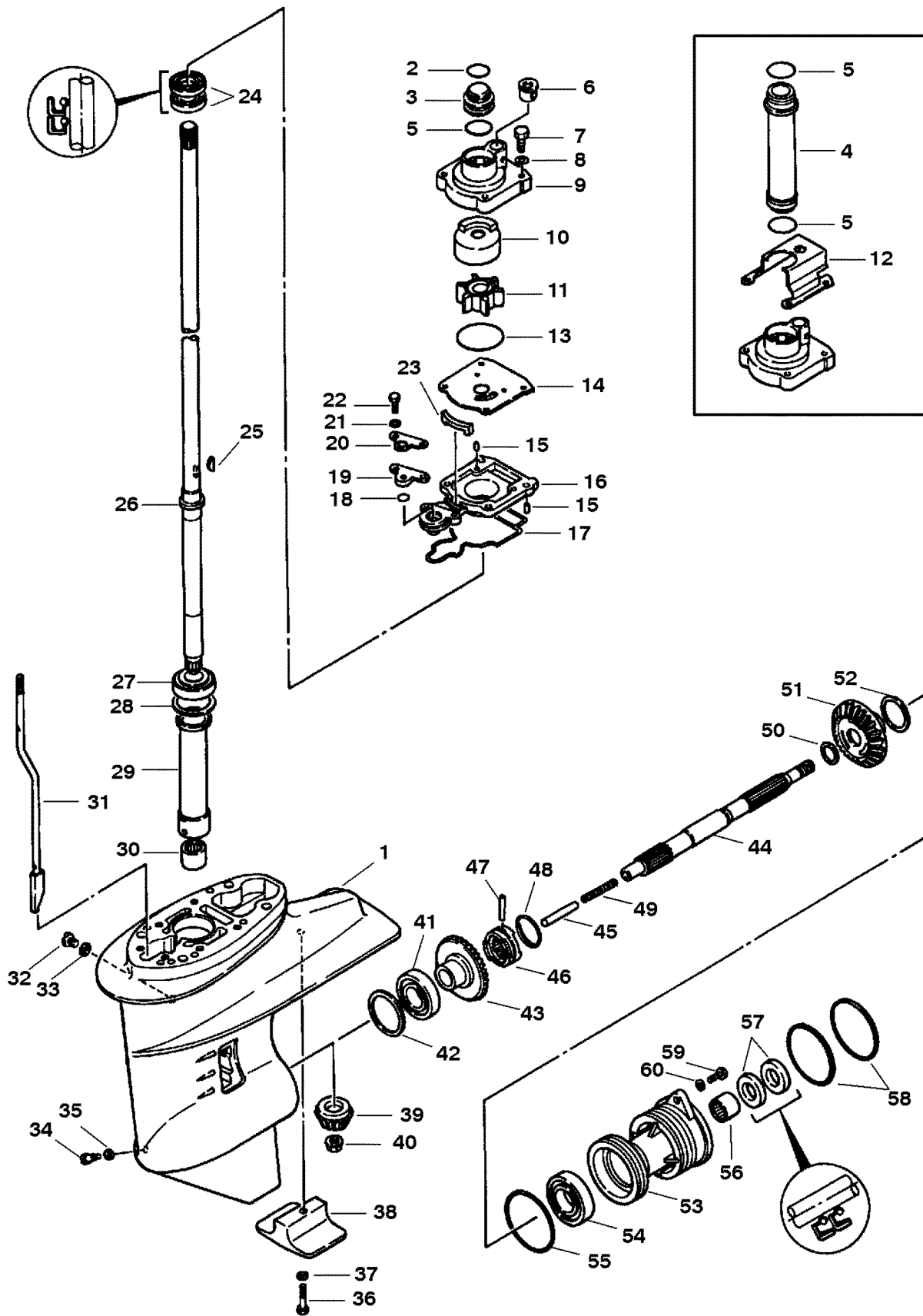
REF. NO.	PART NO.	SYM.	QTY.	DESCRIPTION
-	1651-826992M		1	GEAR HOUSING ASSEMBLY (SHORT)
-	1651-826993M		1	GEAR HOUSING ASSEMBLY (LONG)
30	31-827036M		1	BEARING
31	827072M		1	SHIFT CAM (SHORT)
	827073M		1	SHIFT CAM (LONG)
32	22-81924M		1	PLUG
33	27-81987M	■	1	GASKET
34	22-95632M		1	PLUG-DRAIN
35	27-81987M	■	1	GASKET
36	10-91788M		1	BOLT
37	12-827055M		1	WASHER
38	827053M		1	ANODE
39	43-827057M		1	GEAR-PINION
40	11-827058M		1	NUT
41	31-82321M		1	BEARING
42	15-827059M		AR	SHIM (1.0MM)
	15-827060M		AR	SHIM (1.1MM)
	15-827061M		AR	SHIM (1.2MM)
	15-827062M		AR	SHIM (1.4MM)
43	43-827063M		1	GEAR
44	44-827064M		1	SHAFT-PROP
45	80680M		1	FOLLOWER
46	52-81644M		1	CLUTCH
47	17-81899M		1	PIN
48	53-80678M		1	RING-RETAINING
49	24-82078M		1	SPRING
50	12-81831M		1	WASHER
51	43-827065M		1	GEAR
52	15-827066M		AR	SHIM (1.0MM)
	15-827067M		AR	SHIM (1.1MM)
	15-827068M		AR	SHIM (1.2MM)
	15-827069M		AR	SHIM (1.3MM)
53	827070M		1	CAP
54	30-82295M		1	BALL BEARING
55	25-827071M	■	1	O RING
56	31-82315M		1	BEARING
57	26-84813M	■	2	SEAL-OIL

■ = COMPONENT OF LOWER UNIT GASKET SET [27-827109M] OR [27-827109A1].

◇ = PART IS NEW AND LISTED FOR THE FIRST TIME

CONTINUED ON NEXT PAGE ➡

GEAR HOUSING



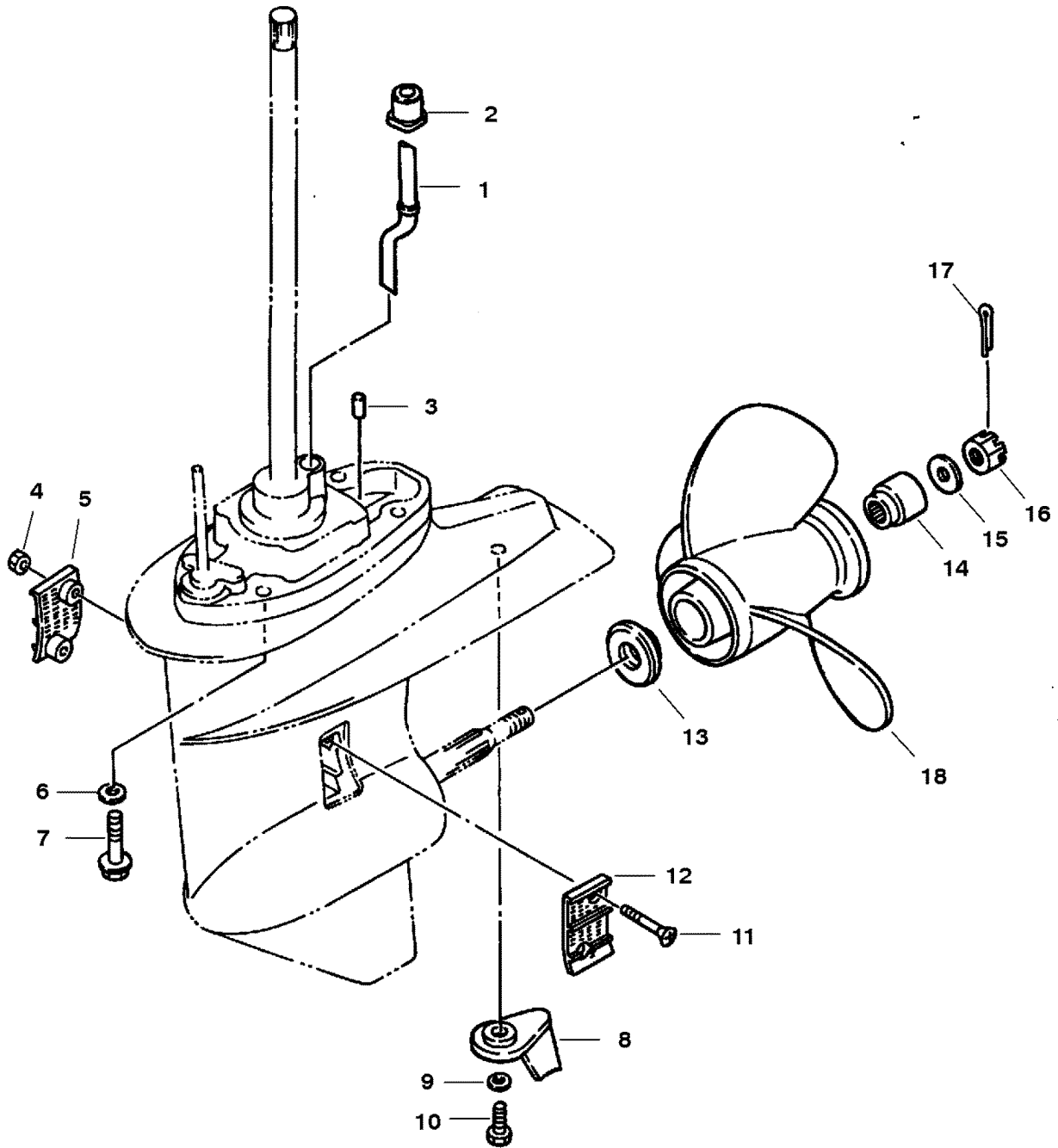
GEAR HOUSING

REF. NO.	PART NO.	SYM.	QTY.	DESCRIPTION
58	25-11759M	■	2	O RING
59	10-84058M		2	BOLT
60	12-82214M		2	WASHER
-	27-827109A1	◇	1	LOWER UNIT GASKET SET (M-000285/ML-304473 & UP)
-	27-827109M		1	LOWER UNIT GASKET SET (M-000284/ML-304472 & BELOW)

■ = COMPONENT OF LOWER UNIT GASKET SET [27-827109M] OR [27-827109A1].

◇ = PART IS NEW AND LISTED FOR THE FIRST TIME

GEAR HOUSING



GEAR HOUSING

REF. NO.	PART NO.	SYM.	QTY.	DESCRIPTION
1	32-827074M		1	TUBING-WATER (SHORT)
	32-827075M		1	TUBING-WATER (LONG)
2	26-84818M	■	1	SEAL-WATER
3	17-82364M		2	PIN-DOWEL
4	11-852816--5		2	NUT
5	827080M		1	COVER
6	12-82220M		4	WASHER
7	10-94720M		4	BOLT
8	827076M		1	TRIM TAB
9	12-827078M		1	WASHER
10	10-827077M		1	BOLT
11	10-827081M		2	SCREW
12	827079M		1	COVER
13	23-827082M		1	SPACER
14	84823M		1	THRUST HUB
15	12-82222M		1	WASHER
16	11-81774M		1	NUT
17	18-82132M		1	COTTER PIN
18	NS-		1	PROPELLER (SEE PROP CHART)
-	27-827109A1	◇	1	LOWER UNIT GASKET SET (M-000285/ML-304473 & UP)
-	27-827109M		1	LOWER UNIT GASKET SET (M-000284/ML-304472 & BELOW)

■ = COMPONENT OF LOWER UNIT GASKET SET [27-827109M] OR [27-827109A1].

◇ = PART IS NEW AND LISTED FOR THE FIRST TIME

PARTS INDEX

Part Number	Description	Pg.	Ref. No.	Part Number	Description	Pg.	Ref. No.
11696M	PAWL	13	21	826924--1	MAIN JET	27	23
11700M	PLATE	13	25	826924M	MAIN JET	27	23
11703M	COLLAR	13	24	826925M	MAIN NOZZLE	27	22
11708M	PULLEY	13	32	826929M	SHAFT	27	17
11829M	RETAINER	29	57	826930M	ARM ASSEMBLY	29	59
11868M	HANDLE	45	86	826932M	PLUNGER	27	13
11932M	COVER	45	77	826933M	JET-STARTER	27	27
11935M	BOWL	23	39	826935M	VALVE	29	41
14238M	JOINT	17	26	826936--1	JET-PILOT (#48)	29	45
14274M	INDICATOR	21	7	826936M	JET-PILOT (#46)	29	45
16333	CONNECTOR	29	54	826937M	COVER	29	49
16333	CONNECTOR	37	26	826938M	ROD-STARTER	29	55
16715M	JOINT	17	30	826940M	ROD-STARTER	29	58
16715M	JOINT	19	44	826942M	PLUNGER	29	40
18973M	HOUSING	33	42	826944M	JET-PILOT	27	11
19111M	PLATE	45	90	826947M	COVER-OUTER	37	16
19113M	STEERING BRACKET	41	19	826950M	STARTER CASE	13	16
19139M	RETAINER	11	13	826955M	GUIDE	15	48
56762	CABLE TIE	9	11	826956M	SEAL	15	47
80510M	SPACER	7	10	826959M	CABLE-THROTTLE	13	43
80570M	INTAKE MANIFOLD	37	5	826960M	BRACKET	13	42
80591M	FLOAT	27	25	826967M	BOWL	23	41
80593M	INLET VALVE & SEAT	27	21	826968M	BRACKET	23	41
80606M	DIAPHRAGM	25	65	826970M	FUEL PUMP ASSEMBLY	23	49
80607M	COVER	23	52	826973M	SEAL	5	12
80633M	PLATE	41	26	826974M	HOOK	5	11
80643M	PLATE	45	79	826975M	MOLDING	5	2
80645M	ROD	45	70	826977M	SEAL	5	3
80648M	LEVER	45	76	826983A1	STEERING HANDLE ASSEMBLY	39	-
80657M	BRACKET	41	12	826983M	STEERING HANDLE ASSEMBLY	39	-
80680M	FOLLOWER	55	45	826984M	INDICATOR	39	20
81030M	COVER	31	12	826985M	CABLE-THROTTLE	39	1
811018M	FLOAT ARM	29	44	826987M	LEVER	17	33
81106M	PLUNGER	13	5	826989M	SHIFT SHAFT	17	21
81107M	LINK	13	34	827037M	TUBE-WATER	51	3
811165--1	BRACKET	41	15	827042M	INSERT-CHROME	51	10
811165M	BRACKET	41	15	827045M	PLATE-OUTER (CHROME)	51	14
811170M	MANIFOLD	49	5	827046	PLATE	51	12
81134M	SHAFT	17	24	827046M	PLATE	51	12
811914M	CAP	43	47	827047M	BRACKET	51	20
81319M	FLOAT	21	6	827048M	PLATE	51	19
81439M	LUBRICAP	41	18	827050M	HOUSING	51	16
81439M	LUBRICAP	45	81	827053M	ANODE	55	38
81439M	LUBRICAP	47	94	827070M	CAP	55	53
814491A1	HANDLE	13	30	827072M	SHIFT CAM	55	31
814492M	COVER	13	28	827073M	SHIFT CAM	55	31
814554M	THERMOSTAT	31	15	827076M	TRIM TAB	59	8
81585M	HANDLE	39	21	827079M	COVER	59	12
81595M	LINK ROD	17	13	827080M	COVER	59	5
82557M	MOUNT	41	30	827086--1	IGNITION COIL	11	10
826886M	POWERHEAD	33	-	827086M	IGNITION COIL	11	10
826886M	POWERHEAD	35	-	827087M	LIGHTING COIL	11	7
826887M	ANODE	31	9	827088M	PULSER COIL	11	5
826888M	COVER	31	7	827089M	PULSER COIL	11	6
826892M	COVER	31	20	827090M	STOP	9	1
826895M	COVER-EXHAUST	31	36	827091M	BRACKET	9	25
826897M	COVER-EXHAUST	31	28	827095--1	C.D.I UNIT ASSEMBLY	9	8
826916M	REED BLOCK ASSEMBLY	37	2	827095-11	C.D.I UNIT ASSEMBLY	9	8
826921M	LEVER-CHOKE	37	25				
826922M	ROD-CHOKE	37	27				

PARTS INDEX

Part Number	Description	Pg.	Ref. No.	Part Number	Description	Pg.	Ref. No.
827095M	C.D.I UNIT ASSEMBLY	9	8	96664M	STEERING HANDLE	39	15
827097M	IGNITION COIL	9	17	97139M	SHIFT ROD LEVER	17	11
827098M	CAM	9	7	97576M	SEAT	29	46
827108M	CARB REPAIR KIT	27	-	97602M	VALVE	27	30
827108M	CARB REPAIR KIT	29	-	97603M	SEAT	29	31
827108M	CARB REPAIR KIT	37	-	97620M	RING	21	13
82857M	PLATE	45	51	97622M	RING	21	8
82895M	GUIDE	39	25	97624M	SUPPORT	21	3
835014M	DIAPHRAGM	25	65	97756M	STOPPER	7	20
83566M	RETAINER	17	38	99952M	CAP	9	2
83569M	PLATE	17	37	99954M	HOUSING	21	16
83921M	ROD	19	42	10-18974M	BOLT	41	41
83960M	CHOKE KNOB	37	24	10-41884M	BOLT	31	3
84141M	DIAPHRAGM	23	53	10-41885M	BOLT	31	2
84305M	BALL JOINT	19	41	10-41889M	SCREW	23	55
84459M	RETAINER	17	6	10-41893M	BOLT	45	62
84460M	PLUNGER	17	3	10-43097M	BOLT	45	82
84465M	BRACKET	15	49	10-43098M	SCREW	45	88
84466M	BRACKET	13	8	10-43106M	BOLT	45	55
84653M	CAM PLATE	17	7	10-804124	BOLT	31	33
84732M	ANODE	31	23	10-80573M	SCREW	27	9
84776M	MANIFOLD	49	11	10-811025M	BOLT	31	17
84777M	MANIFOLD	49	11	10-811248M	SCREW	29	35
84778M	GUIDE-EXHAUST	49	3	10-811916M	SCREW	39	22
84823M	THRUST HUB	59	14	10-81758M	SCREW	27	4
84833M	SHAFT	41	23	10-82405M	BOLT	13	11
84835M	SHAFT	47	95	10-82405M	BOLT	15	50
84837M	PLATE	41	35	10-82405M	BOLT	17	36
84841M	MOUNT	41	5	10-82405M	BOLT	31	31
84842M	HOUSING	45	57	10-82405M	BOLT	37	12
84843M	HOUSING	45	63	10-82405M	BOLT	51	22
84846M	MOUNT	45	59	10-82423M	BOLT	41	10
84847M	COVER	45	60	10-82441M	BOLT	13	27
84848M	MOUNT	45	58	10-82499M	SCREW	11	8
84852M	RETAINER	39	9	10-82522M	SCREW	23	50
84856M	LEVER	39	14	10-82522M	SCREW	37	18
84859M	RETAINER	17	32	10-826894M	BOLT	31	19
84863M	LEVER	17	27	10-826899M	BOLT	31	30
84865M	HANDLE	17	1	10-826931M	SCREW	29	51
84867M	SHIFT ROD LEVER	17	15	10-826939M	SCREW	29	56
84902M	HOOK	5	10	10-826941M	SCREW	29	48
84913M	LEVER	7	9	10-826945M	SCREW	29	53
89396A38	PRIMER BULB	21	23	10-826946M	SCREW	27	18
91640M	LEVER	45	72	10-826957M	BOLT	15	44
91641M	COVER	45	71	10-826957M	BOLT	31	5
91643M	ROD	45	75	10-826958M	BOLT	13	1
94696M	FLOAT	29	42	10-826958M	BOLT	13	3
94717M	DIAPHRAGM	23	62	10-827043M	BOLT	51	7
95497--1	HANDLE	39	23	10-827077M	BOLT	59	10
95551M	LEVER	45	69	10-827081M	SCREW	59	11
95560M	SEAT	29	34	10-827093M	BOLT	9	16
95569M	CONNECTOR	21	26	10-82791M	BOLT	39	2
95575M	PLATE	27	7	10-82924M	BOLT	43	48
95584M	CHECK VALVE	29	38	10-83285M	BOLT	37	6
95585M	PLATE	27	5	10-83539M	BOLT	9	12
95586M	DAMPER	27	2	10-83539M	BOLT	9	14
95604M	CONNECTOR	21	27	10-83870M	SCREW	49	4
95616M	FUEL METER	21	5	10-84058M	BOLT	9	12
95650M	KNOB	47	92	10-84058M	BOLT	9	14
96664--1	STEERING HANDLE	39	15	10-84058M	BOLT	9	9

PARTS INDEX

Part Number	Description	Pg.	Ref. No.	Part Number	Description	Pg.	Ref. No.
10-84058M	BOLT	13	38	11-852816--1	NUT	23	42
10-84058M	BOLT	21	29	11-852816--5	NUT	59	4
10-84058M	BOLT	31	10	11-96650M	NUT	11	1
10-84058M	BOLT	39	11	12-11702M	WASHER	13	26
10-84058M	BOLT	39	24	12-11707M	WASHER	13	17
10-84058M	BOLT	41	2	12-43099M	WASHER	45	83
10-84058M	BOLT	57	59	12-80261M	WASHER	27	20
10-84088M	BOLT	7	5	12-81794M	WASHER	7	6
10-84088M	BOLT	9	3	12-81831M	WASHER	55	50
10-84088M	BOLT	13	41	12-81835M	WASHER	31	14
10-84313M	BOLT	9	5	12-81836M	WASHER	43	43
10-84657M	BOLT	13	10	12-81843M	WASHER	17	12
10-84830M	BOLT	17	2	12-81843M	WASHER	17	18
10-84830M	BOLT	41	20	12-81846M	WASHER	17	17
10-84839M	BOLT	41	6	12-81873M	WASHER	41	24
10-84844M	BOLT	45	61	12-81969M	WASHER	17	35
10-84931M	BOLT	23	44	12-82211M	WASHER	9	6
10-84931M	BOLT	39	13	12-82211M	WASHER	13	36
10-852787--5	SCREW	19	40	12-82211M	WASHER	17	10
10-91738M	SCREW	27	29	12-82211M	WASHER	17	19
10-91772M	BOLT	9	20	12-82211M	WASHER	17	39
10-91772M	BOLT	9	26	12-82211M	WASHER	37	19
10-91772M	BOLT	9	29	12-82214M	WASHER	9	10
10-91772M	BOLT	17	31	12-82214M	WASHER	9	13
10-91772M	BOLT	23	40	12-82214M	WASHER	9	15
10-91788M	BOLT	55	36	12-82214M	WASHER	9	4
10-93110M	BOLT	13	31	12-82214M	WASHER	13	12
10-94526M	BOLT	33	44	12-82214M	WASHER	13	2
10-94720M	BOLT	59	7	12-82214M	WASHER	13	39
10-94724M	SCREW	23	60	12-82214M	WASHER	13	4
10-95206M	BOLT	49	1	12-82214M	WASHER	13	9
10-95209M	SCREW	31	24	12-82214M	WASHER	15	45
10-95416M	BOLT	49	15	12-82214M	WASHER	15	51
10-95502M	SCREW	21	18	12-82214M	WASHER	21	28
10-95554M	BOLT	45	68	12-82214M	WASHER	23	45
10-96382M	BOLT	41	40	12-82214M	WASHER	31	11
10-96671M	SCREW	11	12	12-82214M	WASHER	31	18
11-804379	NUT	17	22	12-82214M	WASHER	31	32
11-81763M	NUT	17	22	12-82214M	WASHER	31	34
11-81765M	NUT	39	3	12-82214M	WASHER	31	6
11-81774M	NUT	59	16	12-82214M	WASHER	33	43
11-81787M	NUT	43	46	12-82214M	WASHER	37	11
11-82382M	NUT	45	53	12-82214M	WASHER	37	13
11-82382M	NUT	45	85	12-82214M	WASHER	37	7
11-82383M	NUT	7	16	12-82214M	WASHER	39	10
11-82383M	NUT	7	4	12-82214M	WASHER	39	12
11-82383M	NUT	13	15	12-82214M	WASHER	41	11
11-82388M	NUT	17	29	12-82214M	WASHER	41	3
11-82389M	NUT	13	13	12-82214M	WASHER	51	21
11-82389M	NUT	17	23	12-82214M	WASHER	51	8
11-82389M	NUT	37	14	12-82214M	WASHER	57	60
11-82395M	NUT	41	28	12-82217M	WASHER	7	15
11-82395M	NUT	41	8	12-82217M	WASHER	45	54
11-82396M	NUT	41	33	12-82217M	WASHER	45	56
11-82537M	NUT	23	57	12-82217M	WASHER	45	84
11-826976M	NUT	5	9	12-82217M	WASHER	49	14
11-827058M	NUT	55	40	12-82217M	WASHER	49	2
11-83056M	NUT	39	26	12-82219M	WASHER	41	32
11-83763M	NUT	19	43	12-82219M	WASHER	41	9
11-83763M	NUT	29	60	12-82220M	WASHER	39	18

PARTS INDEX

Part Number	Description	Pg.	Ref. No.	Part Number	Description	Pg.	Ref. No.
12-82220M	WASHER	59	6	17-83140M	RIVET	5	8
12-82222M	WASHER	59	15	17-84903M	RIVET	5	5
12-826909M	WASHER	35	7	17-93062M	PIN	35	4
12-826943M	WASHER	27	19	17-94569M	TILT ROD	45	50
12-827055M	WASHER	55	37	17-95552M	PIN	45	67
12-827078M	WASHER	59	9	17-97586M	PIN	29	43
12-84750M	WASHER	35	16	18-82125M	COTTER PIN	13	37
12-84850M	WASHER	39	5	18-82125M	COTTER PIN	17	8
12-852803--1	WASHER	37	20	18-82125M	COTTER PIN	41	36
12-92564M	WASHER	9	22	18-82127M	COTTER PIN	17	20
12-95501M	WASHER	21	17	18-82132M	COTTER PIN	49	7
12-95507M	WASHER	7	13	18-82132M	COTTER PIN	59	17
12-96651M	WASHER	11	2	18-826988M	COTTER PIN	17	9
13-81865M	WAVE WASHER	13	35	19-852837	CAP	7	21
13-81867M	WAVE WASHER	13	40	21-41888M	CHECK VALVE	23	56
13-81869M	WAVE WASHER	7	11	22-81924M	PLUG	55	32
13-82186M	LOCKWASHER	23	51	22-82369M	FITTING	41	17
13-82186M	LOCKWASHER	29	61	22-82369M	FITTING	47	93
13-82210M	LOCKWASHER	37	20	22-82369M	FITTING-GREASE	45	80
13-82212M	LOCKWASHER	9	21	22-826971M	FITTING	23	59
13-82212M	LOCKWASHER	9	27	22-83326M	FITTING	31	26
13-82212M	LOCKWASHER	9	30	22-83326M	FITTING	31	29
13-84851M	WAVE WASHER	39	6	22-94716M	CONNECTOR	23	58
13-94725M	LOCKWASHER	23	61	22-95632M	PLUG-DRAIN	55	34
15-826996M	SHIM	51	28	22-95633M	FITTING	21	19
15-826997M	SHIM	51	28	23-11701M	BUSHING	13	22
15-826998M	SHIM	51	28	23-19108M	SPACER	43	44
15-826999M	SHIM	51	28	23-19112M	BUSHING	41	42
15-827031M	SHIM	51	28	23-81842M	SPACER	31	38
15-827032M	SHIM	51	28	23-81861M	SPACER	39	7
15-827033M	SHIM	51	28	23-81945M	BUSHING	39	16
15-827034M	SHIM	53	28	23-81946M	BUSHING	17	25
15-827059M	SHIM	55	42	23-81949M	BUSHING	7	8
15-827060M	SHIM	55	42	23-81959M	BUSHING	45	64
15-827061M	SHIM	55	42	23-81961M	BUSHING	45	66
15-827062M	SHIM	55	42	23-81964M	BUSHING	41	25
15-827066M	SHIM	55	52	23-82119M	SPACER	39	8
15-827067M	SHIM	55	52	23-826905M	BEARING	35	2
15-827068M	SHIM	55	52	23-826905T1	BEARING	35	2
15-827069M	SHIM	55	52	23-826926M	SLEEVE	27	16
16-91735M	STUD	37	9	23-826927M	SLEEVE	27	14
16-95505M	STUD	7	14	23-826982M	BUSHING	41	14
17-11794M	PIN	27	24	23-827035M	SLEEVE	53	29
17-14214M	PIN-DOWEL	13	7	23-827082M	SPACER	59	13
17-19109M	PIN	41	38	23-82851M	SPACER	9	23
17-41275M	PIN	51	15	23-82929M	BUSHING	13	33
17-81882M	PIN	41	37	23-83310M	BUSHING	17	34
17-81889M	PIN	45	87	23-84911M	SLEEVE	7	3
17-81899M	PIN	55	47	23-97142M	COLLAR	41	7
17-81907M	RIVET	39	19	24-19110M	SPRING	41	34
17-82144M	PIN-ROLL	45	52	24-81100M	SPRING	27	12
17-82148M	PIN-ROLL	47	91	24-814460M	SPRING	27	10
17-82155M	PIN-ROLL	17	14	24-815007M	SPRING	43	49
17-82156M	PIN	17	28	24-82078M	SPRING	55	49
17-82159M	PIN	37	17	24-82079M	SPRING	13	6
17-82364M	PIN	41	13	24-82095M	SPRING	39	17
17-82364M	PIN-DOWEL	31	4	24-826952M	SPRING	13	18
17-82364M	PIN-DOWEL	49	12	24-826953M	SPRING	13	23
17-82364M	PIN-DOWEL	59	3	24-826954M	SPRING	13	20
17-82368M	PIN-DOWEL	41	22	24-84461M	SPRING	17	5

PARTS INDEX

Part Number	Description	Pg.	Ref. No.	Part Number	Description	Pg.	Ref. No.
24-84462M	SPRING	17	4	27-80613M	GASKET	25	64
24-91642M	SPRING	45	73	27-80614M	GASKET	23	54
24-95553M	SPRING	45	78	27-80662M	GASKET	41	29
24-95559M	SPRING	29	47	27-80662M	GASKET	41	4
24-95582M	SPRING	29	39	27-80737M	GASKET	27	28
24-97140M	SPRING	17	16	27-80757M	GASKET	23	48
24-97578M	SPRING	29	33	27-81031M	GASKET	31	13
25-11759M	O RING	57	58	27-81612M	GASKET	41	31
25-814545M	GROMMET	11	11	27-81987M	GASKET	55	33
25-82069M	GROMMET	9	18	27-81987M	GASKET	55	35
25-82070M	GROMMET	41	21	27-826891M	GASKET	31	22
25-82274M	O RING	45	65	27-826893M	GASKET	31	21
25-82276M	O RING	35	5	27-826896M	GASKET	31	37
25-82278M	O RING	51	13	27-826898M	GASKET	31	35
25-826889M	GROMMET	31	8	27-826917M	GASKET	37	4
25-826918--1	O RING	37	15	27-826934M	GASKET	29	36
25-826918M	O RING	37	15	27-826991M	GASKET	49	10
25-826919M	GROMMET	37	21	27-827052M	GASKET	51	17
25-826920M	GROMMET	37	22	27-827106M	POWERHEAD GASKET SET	25	-
25-826966M	O RING	23	40	27-827106M	POWERHEAD GASKET SET	27	-
25-826981M	GROMMET	7	17	27-827106M	POWERHEAD GASKET SET	29	-
25-826986M	GROMMET	39	4	27-827106M	POWERHEAD GASKET SET	33	-
25-827039M	O RING	51	5	27-827106M	POWERHEAD GASKET SET	37	-
25-827049M	O RING	51	18	27-827107M	POWERHEAD GASKET SET	25	-
25-827071M	O RING	55	55	27-827107M	POWERHEAD GASKET SET	27	-
25-827092M	GROMMET	9	24	27-827107M	POWERHEAD GASKET SET	29	-
25-827096M	GROMMET	9	19	27-827107M	POWERHEAD GASKET SET	33	-
25-83988M	GROMMET	7	22	27-827107M	POWERHEAD GASKET SET	37	-
25-84089M	O RING	31	39	27-827109A1	LOWER UNIT GASKET SET	49	-
25-84760M	GROMMET	37	23	27-827109A1	LOWER UNIT GASKET SET	53	-
25-84821M	O RING	51	2	27-827109A1	LOWER UNIT GASKET SET	57	-
25-84821M	O RING	51	5	27-827109A1	LOWER UNIT GASKET SET	59	-
25-84876M	GROMMET	7	2	27-827109M	LOWER UNIT GASKET SET	49	-
25-84910M	GROMMET	7	12	27-827109M	LOWER UNIT GASKET SET	53	-
25-84957M	O RING	23	38	27-827109M	LOWER UNIT GASKET SET	57	-
25-91675M	GROMMET	5	4	27-827109M	LOWER UNIT GASKET SET	59	-
25-94695M	O RING	29	37	27-84775M	GASKET	33	45
25-94699M	O RING	29	52	27-94718M	GASKET	25	63
25-97607M	GROMMET	21	30	27-95576M	GASKET	27	8
25-98968M	GROMMET	15	46	27-97573M	GASKET	27	26
26-82249M	SEAL-OIL	35	3	27-97623M	GASKET	21	4
26-826906M	SEAL-OIL	35	3	28-81912M	KEY-WOODRUFF	51	25
26-826907M	SEAL	35	12	28-81915M	KEY	35	18
26-827041M	SEAL	51	6	29-84452M	NEEDLE BEARING	35	17
26-827051M	SEAL	51	23	30-18971M	BEARING	35	11
26-83347M	SEAL-OIL	31	41	30-82295M	BALL BEARING	55	54
26-84752M	SEAL-OIL	31	40	30-95574M	BALL	29	32
26-84780M	SEAL	49	8	31-82315M	BEARING	55	56
26-84781M	SEAL	49	9	31-82321M	BEARING	55	41
26-84782M	SEAL	49	6	31-826908M	BEARING	35	9
26-84813M	SEAL-OIL	55	57	31-826995M	BEARING	51	27
26-84818M	SEAL-WATER	59	2	31-827036M	BEARING	55	30
26-84838M	SEAL	41	1	32-16571M	HOSE	21	25
26-84840M	SEAL	41	16	32-81112M	HOSE	23	43
26-854017	SEAL-OIL	51	24	32-82012M	FUEL LINE	31	27
26-91637M	SEAL	41	39	32-82012M	HOSE	21	33
26-97635M	SEAL	49	6	32-82012M	HOSE	21	34
27-16720M	GASKET	21	15	32-82012M	HOSE	27	3
27-80569M	GASKET	37	1	32-82012M	HOSE	27	6
27-80572M	GASKET	37	8	32-826969M	HOSE	23	46

PARTS INDEX

Part Number	Description	Pg.	Ref. No.	Part Number	Description	Pg.	Ref. No.
32-827038M	TUBE-WATER	51	4	87-14222M	SWITCH-STOP	7	18
32-827074M	TUBING-WATER	59	1	87-97757M	SWITCH-STOP	7	19
32-827075M	TUBING-WATER	59	1	91-81669M	TOOL KIT	21	20
32-94727M	HOSE	21	22	NS-	PROPELLER	59	18
32-94727M	HOSE	21	24	253-827084--1	FLYWHEEL ASSEMBLY	11	3
32-95564M	HOSE	21	35	253-827084M	FLYWHEEL ASSEMBLY	11	3
32-97591M	HOSE	29	50	253-827085A1	BASE ASSEMBLY	11	4
32-99067M	HOSE	23	47	253-827085M	BASE ASSEMBLY	11	4
33-41263M	SPARK PLUG	31	16	463-826900M	CRANKSHAFT ASSEMBLY	35	1
34-94639M	REED SET	37	3	463-826901--1	CRANK	35	6
35-11931M	FILTER ASSEMBLY	23	36	463-826901M	CRANK	35	6
35-11934M	FILTER	23	37	463-826902M	CRANK	35	10
35-826964M	FILTER ASSEMBLY	23	38	463-826903M	CRANK	35	14
35-826965M	FILTER	23	39	463-826904M	CRANK	35	15
35-95568M	FILTER	21	10	629-7983M	CONNECTING ROD	35	8
36-814497M	CAP ASSEMBLY	21	11	761-826910M	PISTON	35	21
36-814498M	CAP ASSEMBLY	21	12	761-826911M	PISTON	35	21
37-14617M	DECAL	21	2	761-826912M	PISTON	35	21
37-81202M	DECAL-INDICATOR	5	7	870-808750M	CRANKCASE ASSEMBLY	31	1
37-824092A95	DECAL SET	5	6	968-826890M	CYLINDER HEAD	31	25
37-826963M	DECAL	21	9	1252-826961M	FUEL TANK ASSEMBLY	21	1
37-94704M	DECAL	21	14	1383-826923--1	CARBURETOR	27	1
39-826913T	RING-PISTON	35	22	1383-826923--1	CARBURETOR	29	1
39-826914M	RING-PISTON	35	22	1383-826923--2	CARBURETOR	27	1
39-826915M	RING-PISTON	35	22	1383-826923--2	CARBURETOR	29	1
41-84749M	PISTON PIN	35	20	1383-826923M	CARBURETOR	27	1
43-827057M	GEAR-PINION	55	39	1383-826923M	CARBURETOR	29	1
43-827063M	GEAR	55	43	1484-9797M	CLAMP BRACKET	43	45
43-827065M	GEAR	55	51	1484-9798M	CLAMP BRACKET	45	89
44-827064M	SHAFT-PROP	55	44	1485-9792M	SWIVEL BRACKET	41	27
45-827054M	DRIVESHAFT ASSEMBLY	51	26	1587-826990A4	DRIVESHAFT HOUSING	49	13
45-827056M	DRIVESHAFT ASSEMBLY	51	26	1587-826990M	DRIVESHAFT HOUSING	49	13
46-827040M	HOUSING-WATER PUMP	51	9	1587-827111A13	DRIVESHAFT HOUSING	49	13
46-827110M	WATER PUMP REPAIR KIT	53	-	1587-827111M	DRIVESHAFT HOUSING	49	13
47-827044M	IMPELLER	51	11	1651-826992M	GEAR HOUSING ASSEMBLY	51	-
48-81647M	PROPELLER	3	-	1651-826992M	GEAR HOUSING ASSEMBLY	55	-
48-81648M	PROPELLER	3	-	1651-826993M	GEAR HOUSING ASSEMBLY	51	-
48-81649M	PROPELLER	3	-	1651-826993M	GEAR HOUSING ASSEMBLY	55	-
48-82827M	PROPELLER	3	-	1651-826994--2	GEAR HOUSING	51	1
48-84976M	PROPELLER	3	-	1651-826994M	GEAR HOUSING	51	1
48-84977M	PROPELLER	3	-	2168-826972M	TOP COWLING ASSEMBLY	5	1
48-88168A4	PROPELLER	3	-	2168-826980--1	BOTTOM COWLING	7	1
50-12066A9	ROPE-STARTER	13	29	2168-826980M	BOTTOM COWLING	7	1
50-826949M	STARTER ASSEMBLY	13	14				
50-826951M	STARTER-SHEAVE	13	19				
52-81644M	CLUTCH	55	46				
53-80678M	RING-RETAINING	55	48				
53-81264M	RING-SNAP	35	19				
53-82330M	RING-E	45	74				
53-826928M	RING	27	15				
53-82937M	RING-SNAP	35	13				
53-94722M	RING	27	15				
54-16725M	CLAMP	21	21				
54-814546M	CLAMP	11	9				
54-82047M	CLIP	21	31				
54-84914M	CLAMP	7	7				
54-96348M	CLAMP	37	10				
54-98974M	CLAMP	21	32				
84-827094M	WIRE-LEAD	9	28				
85-63709A1	PROTECTOR	9	31				