



PARTS CATALOG

55 HORSE POWER

SERIAL NUMBER

55 663-02730 AND BELOW
55 663-36475 AND BELOW

TABLE OF CONTENTS:

C.D.I. MAGNETO	32
CARBURETOR	10
CLAMP AND SWIVEL BRACKET	20
COWLING	38
CRANKCASE AND CYLINDER HEAD	2
CRANKSHAFT AND PISTON	6
DRIVE TRAIN	14
DRIVESHAFT HOUSING AND GEAR HOUSING	12
ELECTRIC STARTER MOTOR	36
ELECTRICAL	34
FUEL LINE AND FILTER	44
FUEL PUMP	42
FUEL TANK	46
GEAR SHIFT LINKAGE	28
INTAKE MANIFOLD	8
MOUNTING SYSTEM	24
PARTS INDEX	48
REVERSE LOCK	22
SWITCH PANEL/REMOTE CONTROL	30
THROTTLE CONTROL	26
WATER PUMP	18

NOTE: *Indented description indicate that these parts are included in preceeding assembly.*

AR = As Required

NSS = Not Sold Separate

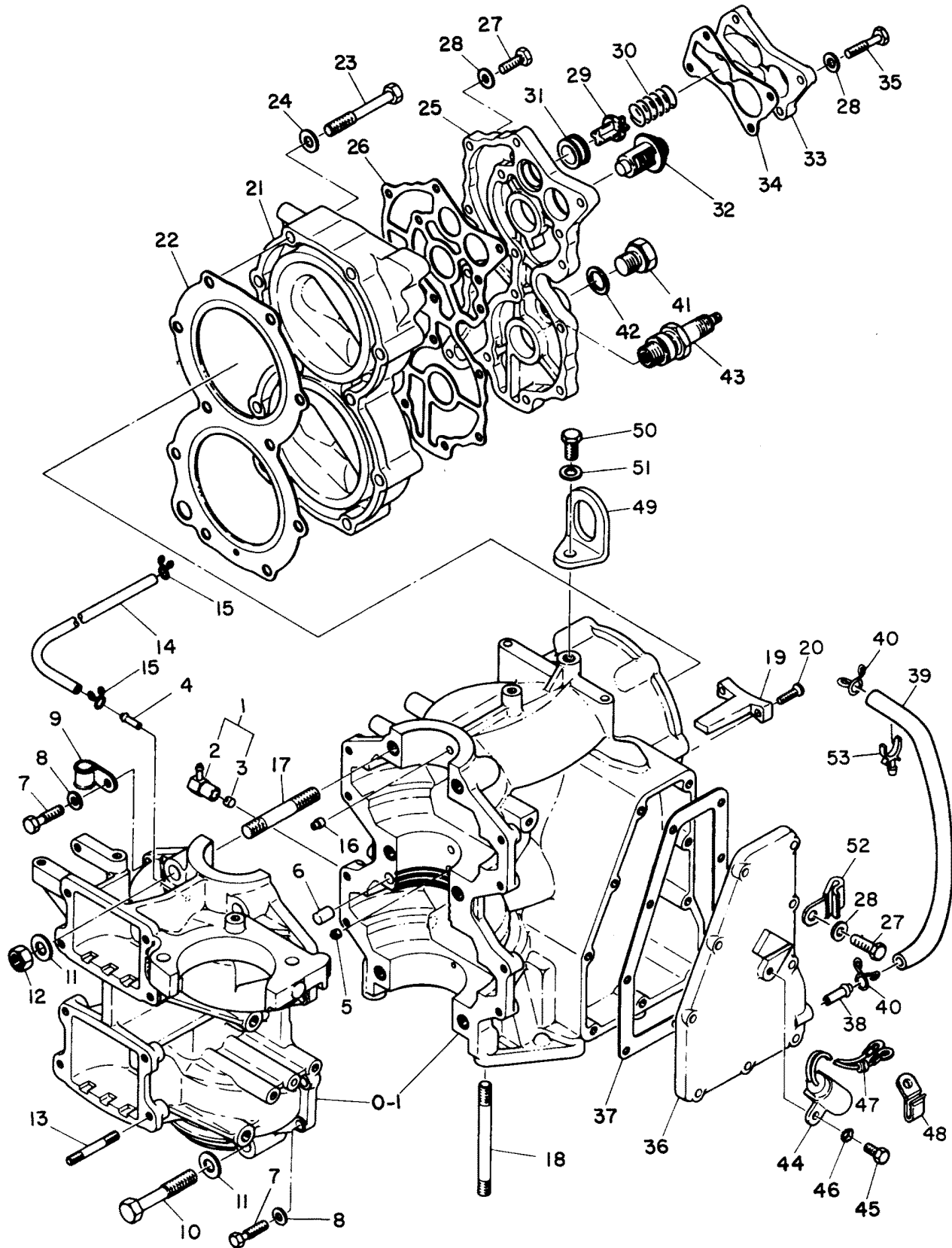
OPT = Optional

NS = Not Shown

THESE PARTS BOOKS/FICHE CARD ARE COPYRIGHTED AND MAY NOT BE DISTRIBUTED OR REPRODUCED IN ANY OTHER FORMAT BY ANYONE OTHER THAN MERCURY MARINE WITHOUT THE PRIOR WRITTEN CONSENT OF MERCURY MARINE.

THIS PAGE INTENTIONALLY LEFT BLANK

CRANKCASE AND CYLINDER HEAD

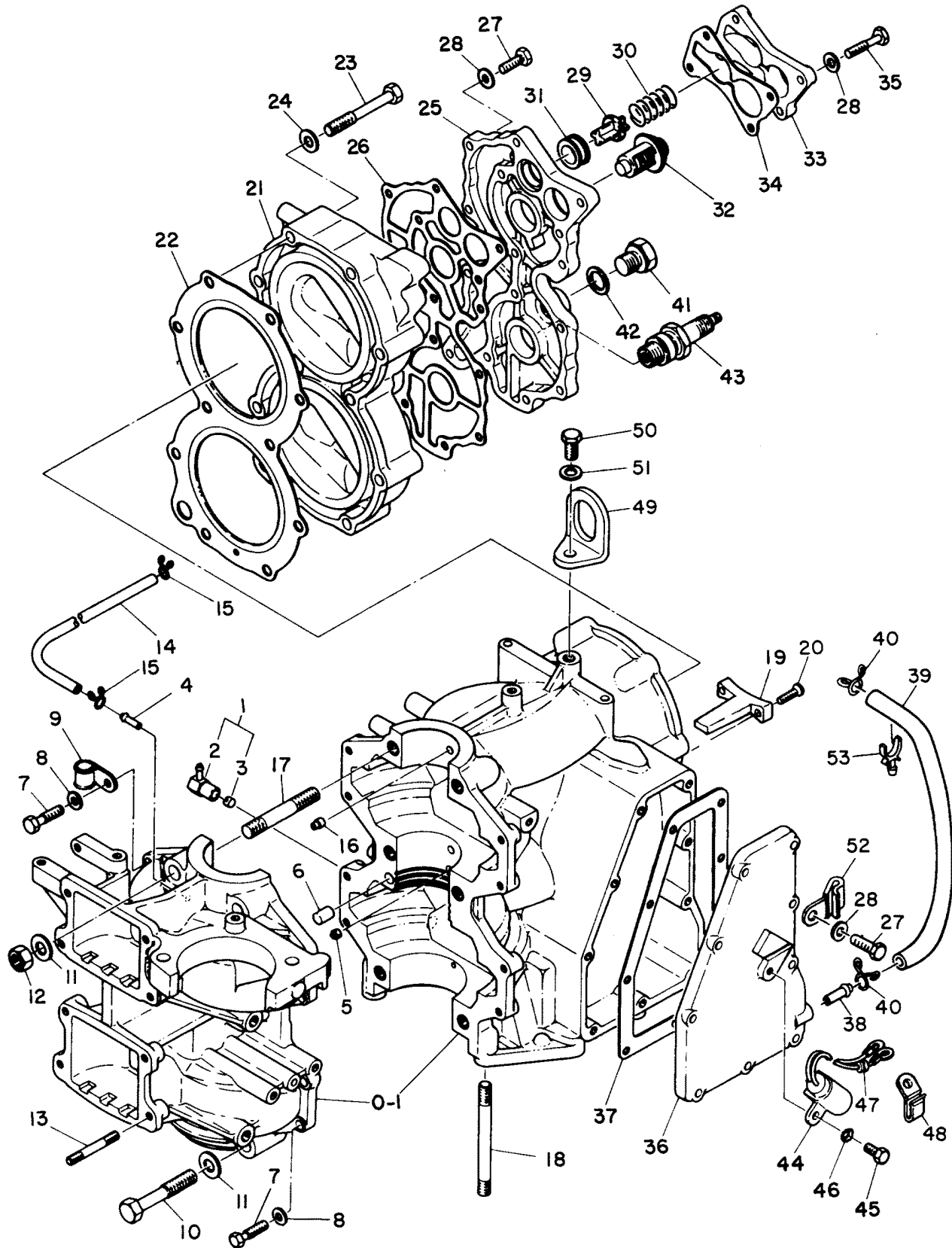


CRANKCASE AND CYLINDER HEAD

REF. NO.	PART NO.	SYM.	QTY.	DESCRIPTION
0-1	870-6830M		1	CRANKCASE ASS"Y
1	21-80727M		1	CHECK VAVLE ASS'Y
2	22-82975M		1	ELBOW, CHECK VALVE
3	21-80107M		1	VALVE, CHECK
4	22-80122M		1	FITTING,CRANKCASE DRAIN
5	21-80107M		1	VALVE CHECK(E-02100 EL-33675)
6	17-82368M		1	PIN, DOWEL CRANKCASE
7	10-82405M		8	BOLT, CRANKCASE ATTACHING
8	12-81792M		8	WASHER, CRANKCASE BOLT
9	54-82033M		1	CLAMP, WIRE
10	10-82410M		4	BOLT, CRANKCASE ATTACHING
11	12-81807M		6	WASHER, CRANKCASE BOLT
12	11-82387M		2	NUT, CRANKCASE STUD
13	16-81735M		8	STUD, INTAKE MANIFOLD ATTACHING
14	32-81995M		1	HOSE, DRAIN
15	54-82046M		2	CLAMP, DRAIN HOSE
16	17-81258M		2	LOCK, BEARING
17	16-81743M		2	STUD, CRANKCASE ATTACHING
18	16-81740M		8	STUD, DRIVESHAFT HOUSING ATTACHING SERIAL 00000000-00002147
19	81255M		1	ANODE
20	10-82527M		2	SCREW, ANODE ATTACHING
21	968-6824M		1	HEAD, CYLINDER
22	27-81252M		1	GASKET, CYLINDER HEAD
23	10-82409M		10	BOLT, CYLINDER HEAD ATTACHING
24	12-80564M		10	WASHER, CYLINDER HEAD BOLT
25	81253M		1	COVER, CYLINDER HEAD
26	27-81254M		1	GASKET< CYLINFER HEAD COVER
27	10-82424M		21	BOLT
28	13-82199M		25	WASHER
29	81267M		1	VALVE, PRESSURE CONTROL
30	24-82086M		1	SPRING, VALVE COMPRESSION
31	25-82067M		1	GROMMET, CONTROL VALVE
32	81098M		1	THERMOSTAT
33	81265M		1	COVER, THERMOSTAT
34	27-81266M		1	GASKET, THERMOSTAT COVER
35	10-82426M		4	BOLT, THERMOSTAT COVER ATTACHING
36	81330M		1	COVER,EXHAUST-OUTER
37	27-81331M		1	GASKEET, EXHAUST COVER
38	22-80756M		1	FITTING, EXHAUST COVER
39	32-81324M		1	HOSE, EXHAUST COVER
40	54-82047M		2	CLAMP< EXHAUST COVER HOSE
41	22-81926M		1	PLUG, COVER

CONTINUED ON NEXT PAGE ➡

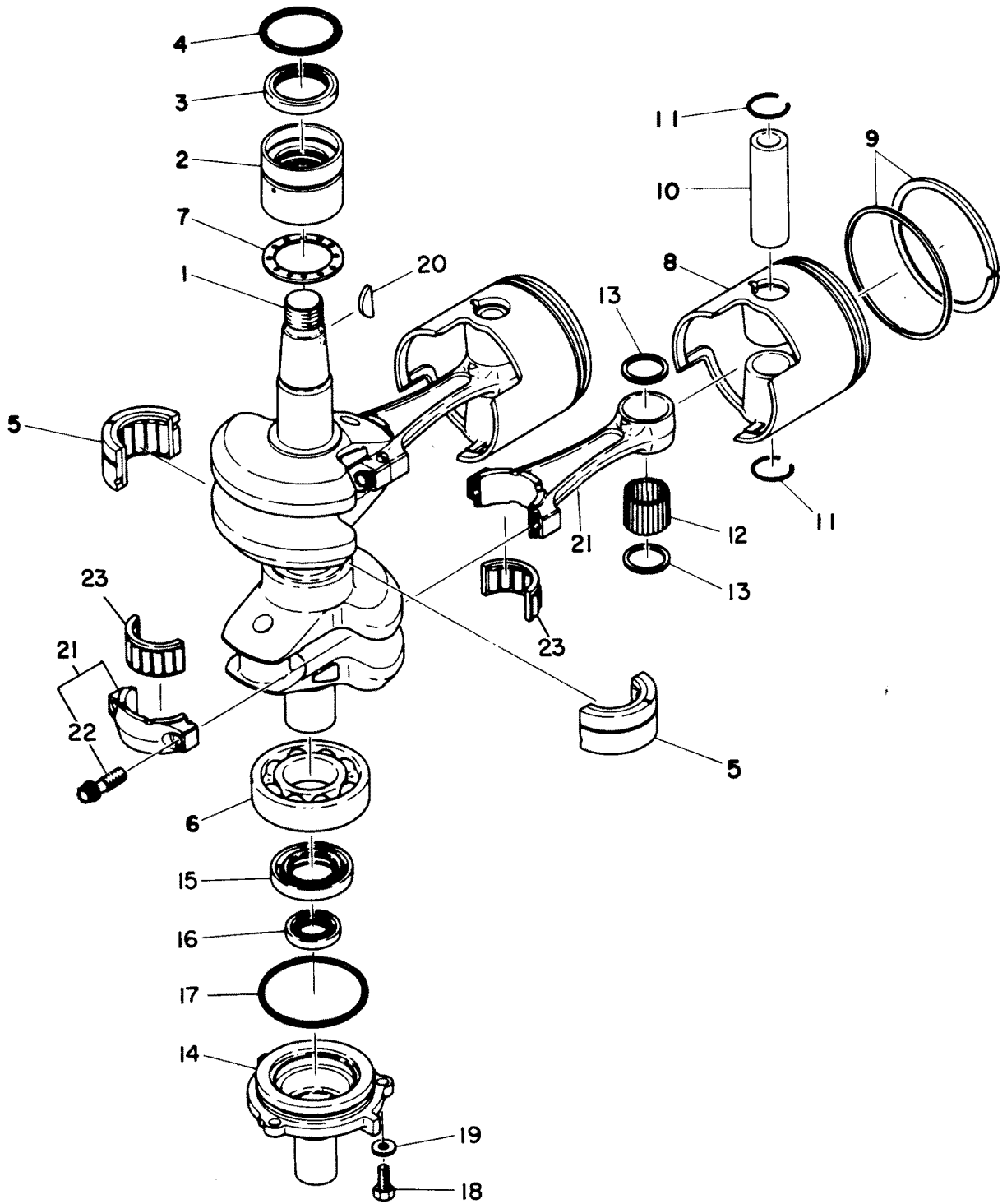
CRANKCASE AND CYLINDER HEAD



CRANKCASE AND CYLINDER HEAD

REF. NO.	PART NO.	SYM.	QTY.	DESCRIPTION
42	27-81990M		1	GASKET, COVER PLUG
43	33-82372M		2	PLUG, SPARKS B-8HS(NGK)
0-2	87-82985M		1	STOP SWITCH KIT
44	87-81526M		1	>STOP SWITCH
45	10-82417M		1	BOLT, STOP SWITCH BOLT
47	25-82057M		1	GROMMET
48	54-82042M		1	CLAMP
49	81251M		1	BRACKET LIFT
50	10-82440M		1	BOLT, LIFT BRACKET ATTACHING
51	12-82200M		1	LOCK WASHER, BRACKET BOLT
52	54-82041M		1	CLAMP SERIAL 00000000-00002005
53	54-82037M		1	CLAMP SERIAL 00000000-00002120

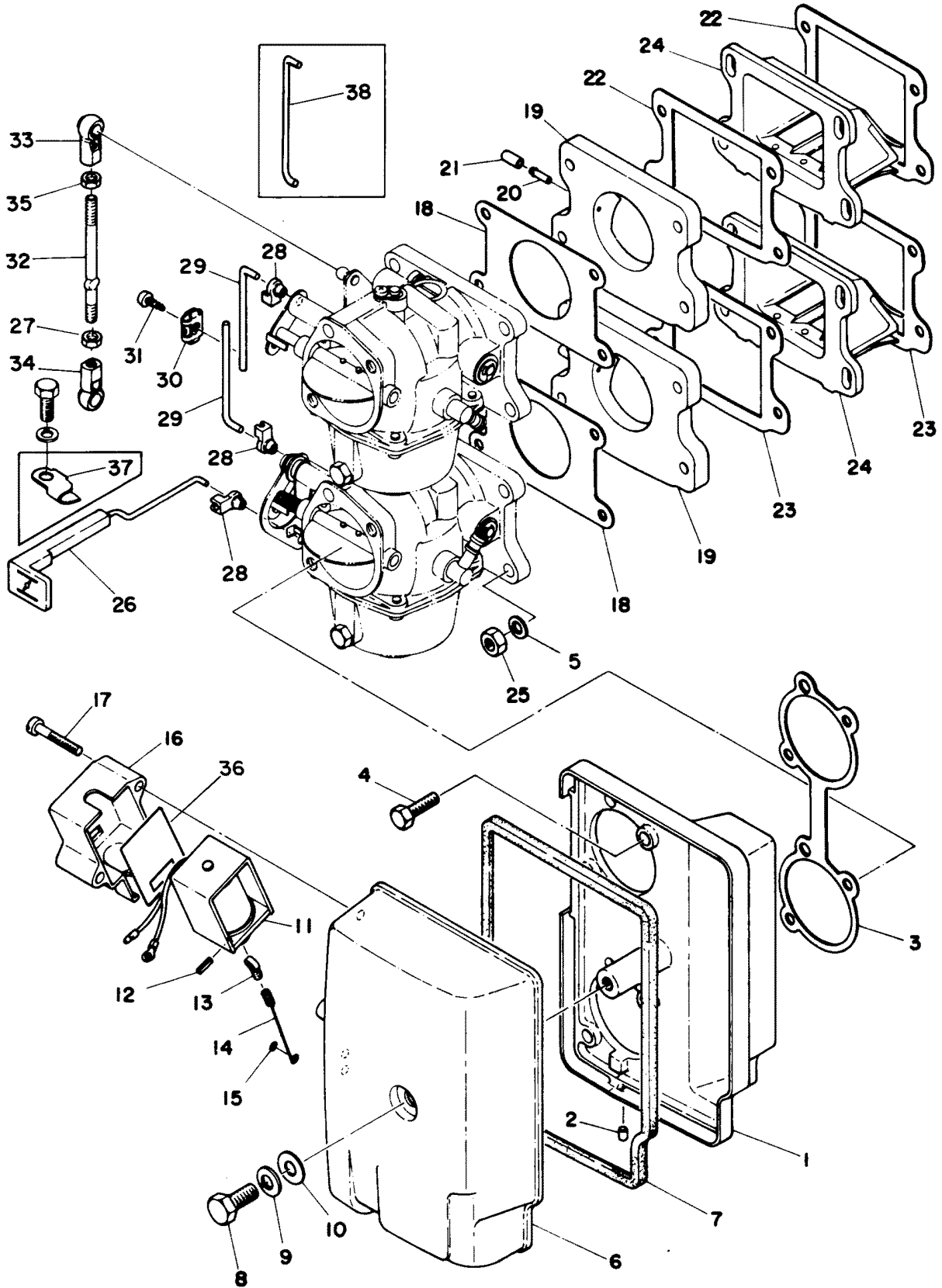
CRANKSHAFT AND PISTON



CRANKSHAFT AND PISTON

REF. NO.	PART NO.	SYM.	QTY.	DESCRIPTION
1	463-6825M		1	CRANKSHAFT
2	31-82312M		1	BEARING, NEEDLE
3	26-82249M		1	OIL SEAL, CRANKSHAFT-UPPER
4	25-82276M		1	O-RING, CRANKSHAFT-UPPER
5	31-82313M		1	BEARING, CENTER MAIN
6	30-82304M		1	BEARING, CRANKSHAFT-LOWER
7	15-81259M		1	WASHER, CRANKSHAFT PIN
8	791-6826M		AR	PISTON(STD 81.96MM)
	761-6961M		AR	PISTON(STD 81.97 MM)
	761-6828M		2	PISTON(1ST O.S. 82.25 MM)
	761-6829M		2	PISTON (2ND O.S. 82.50 MM)
9	39-81260M		0	PISTON RING SET (STD)
	39-81261M		AR	PISTON RING SET(1ST O.S. 82. MM)
	39-81262M		2	PISTON RING SET (2ND O.S. 82.50 MM)
10	41-81263M		2	PIN, PISTON
11	53-81264M		4	CLIP, PISTON PIN
12	29-82353M		56	BEARING, SMALL END
13	12-81831M		4	WASHER, CONNECTING ROD BEARING
14	81294M		1	HOUSING, OIL SEAL
15	26-82255M		1	OIL SEAL, CRANKSHAFT-LOWER
16	26-82248M		1	OIL SEAL, CRANKSHAFT-LOWER
17	25-82286M		1	O-RING, OIL SEAL HOUSING
18	10-82449M		3	BOLT, OIL SEAL HOUSING ATTACHING
19	12-82214M		3	WASHER, HOUSING BOLT
20	28-81915M		1	KEY, CRANKSHAFT TO FLYWHEEL
21	629-6830M		2	CONNECTING ROD ASS'Y
22	10-81715M		4	BOLT
23	31-82311M		2	BEARING, NEEDLE

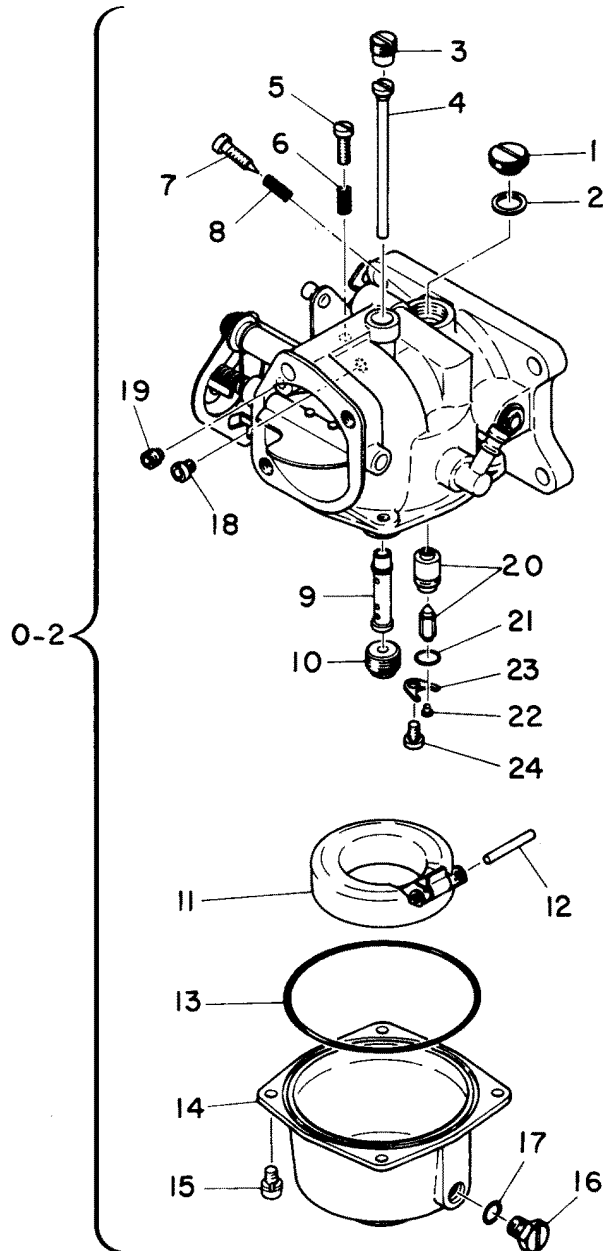
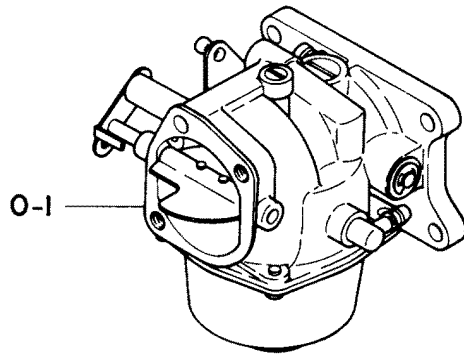
INTAKE MANIFOLD



INTAKE MANIFOLD

REF. NO.	PART NO.	SYM.	QTY.	DESCRIPTION
1	81274M		1	BASE, AIR INTAKE
2	22-81918M		1	PLUG, AIR INTAKE
3	27-81276M		1	GASKET, AIR INTAKE TO CARBURETOR
4	10-82424M		4	BOLT, BASE ATTACHING
5	13-82197M		8	LOCK WASHER
6	81275M		1	COVER, AIR INTAKE
7	27-81273M		1	GASKET, AIR INTAKE
8	10-82438M		1	BOLT, INTAKE COVER ATTACHING
9	13-82200M		1	LOCK WASHER, INTAKE COVER BOLT
10	12-82202M		1	WASHER, INTAKE COVER BOLT
11	89-81550M		1	SOLENOID
12	17-82145M		1	PIN, ROLL-COIL
13	81553M		1	HOOK, WIRE PULL
14	81552M		1	WIRE, PULL
15	25-82258M		1	O-RING, PULL WIRE
16	81551M		1	COVER, SOLENOID
17	10-82523M		2	SCREW, SOLENOID COVER ATTACHING
18	27-81272M		2	GASKET, CARBURETOR TO MANIFOLD
19	81271M		2	MANIFOLD, INTAKE
20	22-80122M		2	PIPE, OVER FLOW
21	80454M		2	CAP, OVER FLOW PIPE
22	27-81269M		2	GASKET, MANIFOLD TO REED VALVE-UPPER
23	27-81270M		2	GASKET, MANIFOLD TO REED VALVE-LOWER
24	34-83224M		2	REED VALVE SERIAL 00000000-00001835
	34-81268M		2	REED VALVE SERIAL 00001836-09999999
25	11-82380M		8	NUT, CARBURETOR ATTACHING
26	81337M		1	ROD, CHOKE
27	11-81760M		1	NUT
28	81191M		1	CONNECTOR, CHOKE LEVER
29	81339M		2	ROD, CHOKE LINK SERIAL 00000000-00002460
30	81340M		1	CONNECTOR, LINK ROD SERIAL 00000000-00002460
31	10-82480M		1	SCREW, CONNECTOR SERIAL 00000000-00002460
32	81335M		1	ROD, THROTTLE ADJUSTMENT
33	81225M		1	CONNECTOR, ADJUSTMENT ROD
34	81336M		1	CONNECTOR, ADJUSTMENT ROD
35	11-82378M		1	LOCK NUT, ADJUSTMENT ROD
36	81554M		1	DAMPER
37	24-83223M		1	SPRING, CHOKE SERIAL 00000000-00000895
38	82988M		1	ROD, CHOKE LINK SERIAL 00002461-09999999

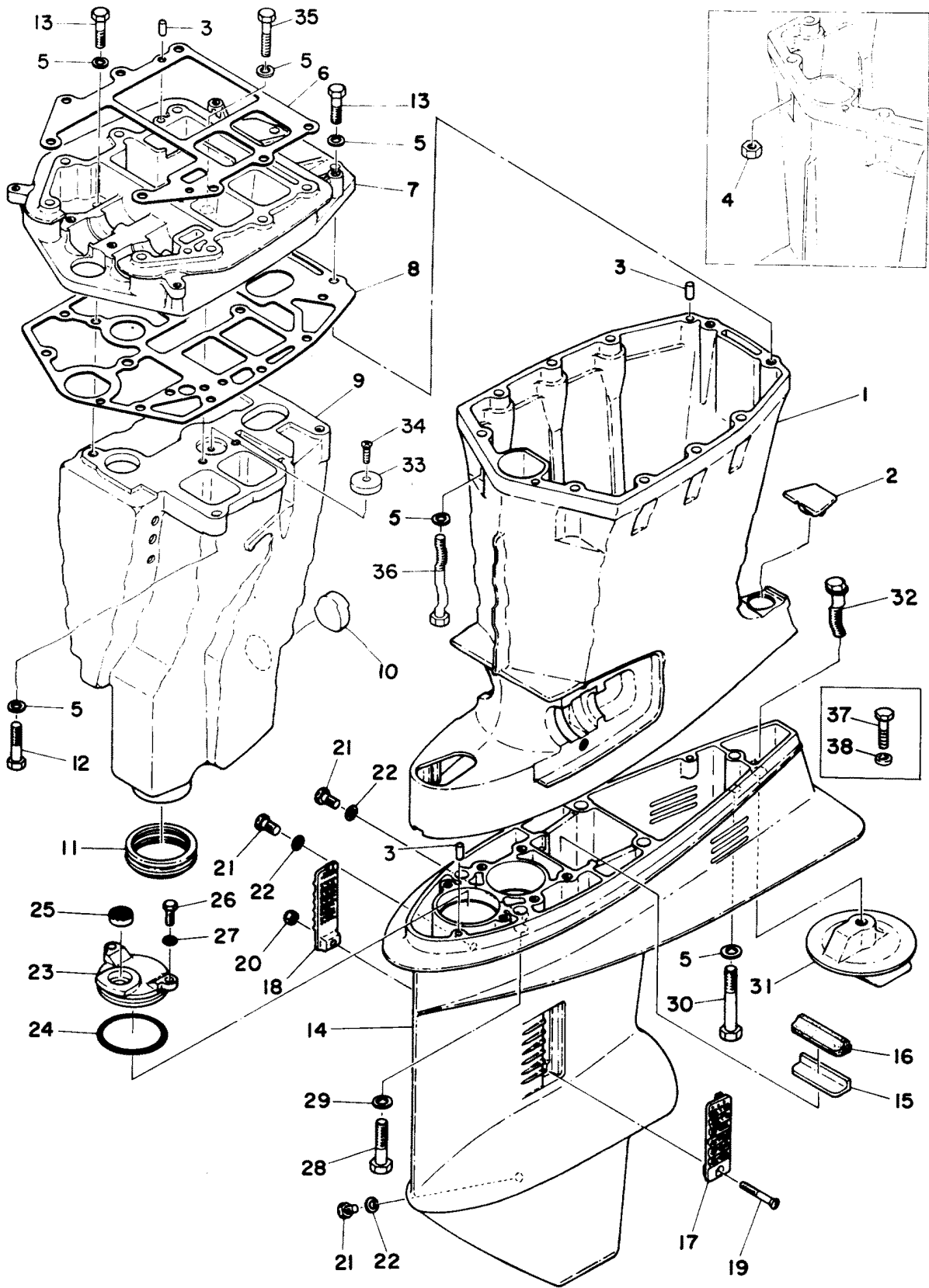
CARBURETOR



CARBURETOR

REF. NO.	PART NO.	SYM.	QTY.	DESCRIPTION
0-1	1383-6962M		1	CARBURETOR ASS'Y (UPPER) SERIAL 00000000-00001835
	1383-6831M		1	CARBURETOR ASS'Y (UPPER) SERIAL 00001836-09999999
0-2	1383-6963M		1	CARBURETOR ASS'Y (LOWER) SERIAL 00000000-00001835
	1383-6832M		1	CARBURETOR ASS'Y (LOWER) SERIAL 00001836-09999999
1	10-81292M		2	SCREW, PLUG
2	12-81701M		2	WASHER, PLATE
3	10-81279M		2	SCREW, PLUG
4	81282M		2	JET, PILOT (#92)
5	10-81277M		1	SCREW, THROTTLE
6	24-82080M		1	SPRING, COMPRESSION-THROTTLE SCREW
7	10-81281M		2	SCREW, IDLE SPEED
8	24-82073M		2	SPRING, COMPRESSION-IDLE SPEED SCREW
9	81287M		2	NOZZLE, MAIN
10	81285M		2	JET, MAIN (#190) SERIAL 00000000-00001835
	81283M		2	JET, MAIN (#180) SERIAL 00001836-09999999
11	81291M		2	FLOAT
12	17-81278M		2	PIN, FLOAT
13	25-82288M		2	O-RING, FLOAT BOWL
14	81290M		2	FLOAT, BOWL
15	10-81758M		8	SCREW, WITH WASHER
16	10-81293M		2	SCREW, BOWL DRAIN
17	25-81695M		2	O-RING, DRAIN SCREW
18	81288M		2	PILOT, AIR JET (#100)
19	81286M		2	JET (#160)
20	82780M		2	VALVE SEAT
21	25-82261M		2	O-RING
22	17-81698M		2	PIN, VALVE
23	80026M		2	PLATE
24	10-82499M		2	SCREW

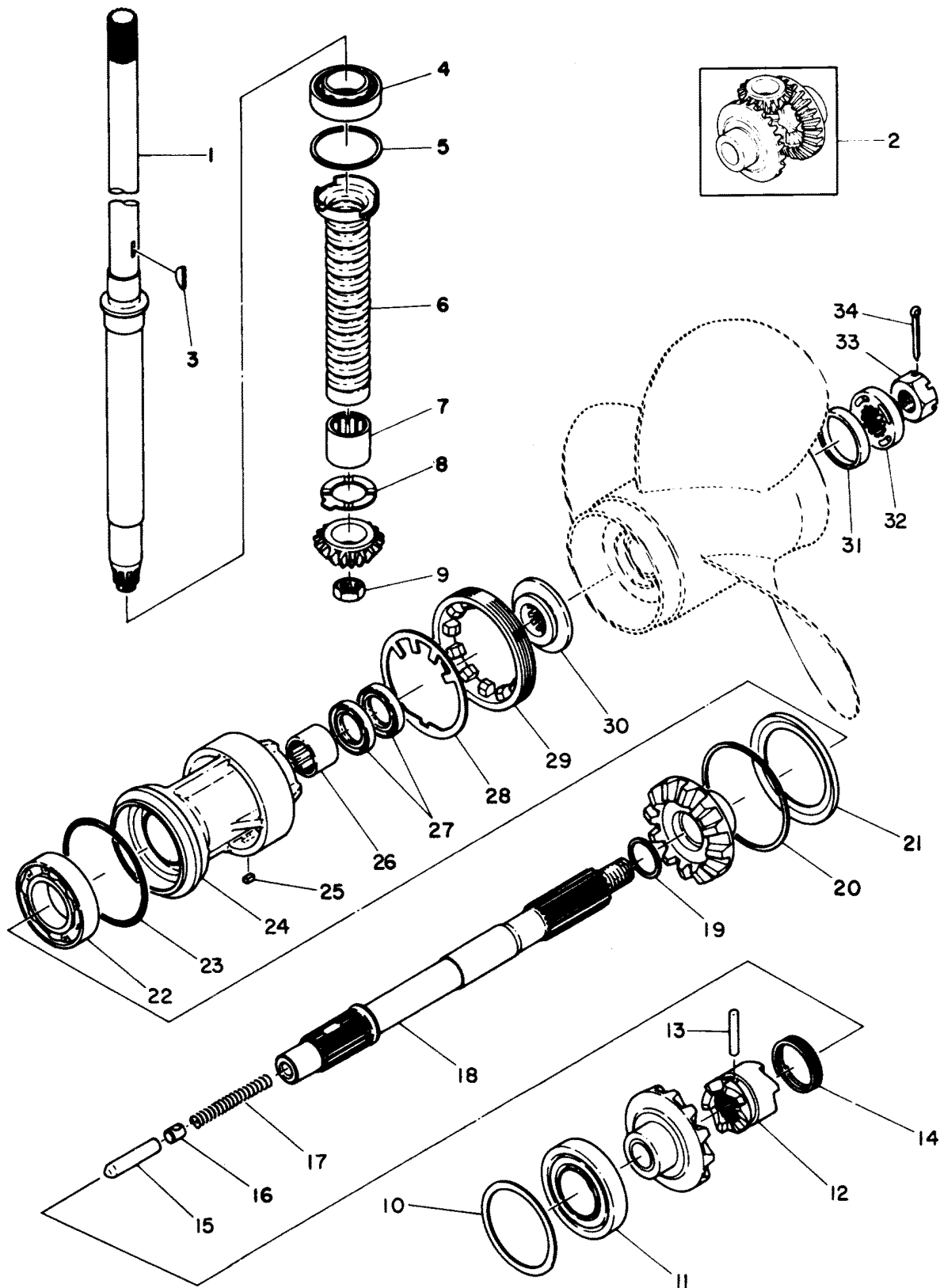
DRIVESHAFT HOUSING AND GEAR HOUSING



DRIVESHAFT HOUSING AND GEAR HOUSING

REF. NO.	PART NO.	SYM.	QTY.	DESCRIPTION
1	1587-6842M		1	DRIVESHAFT HOUSING (SHORT SHAFT)
	1587-6843M		1	DRIVESHAFT HOUSING (LONG SHAFT)
2	81441M		1	CAP, DRIVESHAFT HOUSING (SHORT SHAFT)
	81442M		1	CAP, DRIVESHAFT HOUSING (LONG SHAFT)
3	17-82364M		6	PIN, DOWEL
4	11-82391M		8	NUT, DRIVESHAFT HOUSING ATTACHING SERIAL 00000000-00002147
5	13-82215M		17	LOCKWASHER
6	27-81437M		1	GASKET, EXHAUST GUIDE-UPPER
7	81332M		1	GUIDE, EXHAUST
8	27-82794M		1	GASKET, EXHAUST GUIDE-LOWER
9	1587-6833M		1	EXHAUST TUBE HOUSING, INNER (SHORT SHAFT)
	1587-6834M		1	EXHAUST TUBE HOUSING, INNER (LONG SHAFT)
10	19-81922M		1	WELCH PLUG, DRIVESHAFT HOUSING
11	27-81440M		1	SEAL, INNER TO OUTER HOUSING
12	10-82466M		1	BOLT, INNER HOUSING ATTACHING
13	10-82465M		6	BOLT, GUIDE ATTACHING
14	1651-6844M		1	GEAR HOUSING
15	81449M		1	GUIDE, SEAL
16	81448M		1	SEAL, RUBBER
17	81443M		1	COVER, WATER INLET-PORT
18	81444M		1	COVER, WATER INLET-STARBOARD
19	10-82484M		1	SCREW, INLET ATTACHING
20	11-81781M		1	NUT, INLET SCREW
21	22-81924M		3	PLUG, OIL DRAIN
22	27-81987M		3	GASKET, OIL DRAIN
23	81445M		1	COVER, GEAR HOUSING
24	25-82281M		1	O-TING, COVER TO GEAR HOUSING
25	29-82257M		1	OIL SEAL, GEAR HOUSING COVER
26	10-82449M		2	BOLT, GEAR HOUSING COVER ATTACHING
27	12-82214M		2	WASHER, COVER BOLT
28	10-82474M		4	BOLT, GEAR HOUSING ATTACHING
29	13-82218M		4	LOCKWASHER, GEAR HOUSING BOLT
30	10-82470M		1	BOLT, GEAR HOUSING ATTACHING
31	81447M		1	TRIM, TAB
32	10-82402M		1	BOLT, TRIM TAB ATTACHING SERIAL 00000000-00002460
33	80051M		1	ANODE
34	10-82164M		1	SCREW
35	10-82467M		1	BOLT
36	10-82472M		8	BOLT SERIAL 00002148-09999999
37	10-82801M		1	BOLT SERIAL 00002461-09999999
38	12-82220M		1	WASHER SERIAL 00002461-09999999

DRIVE TRAIN

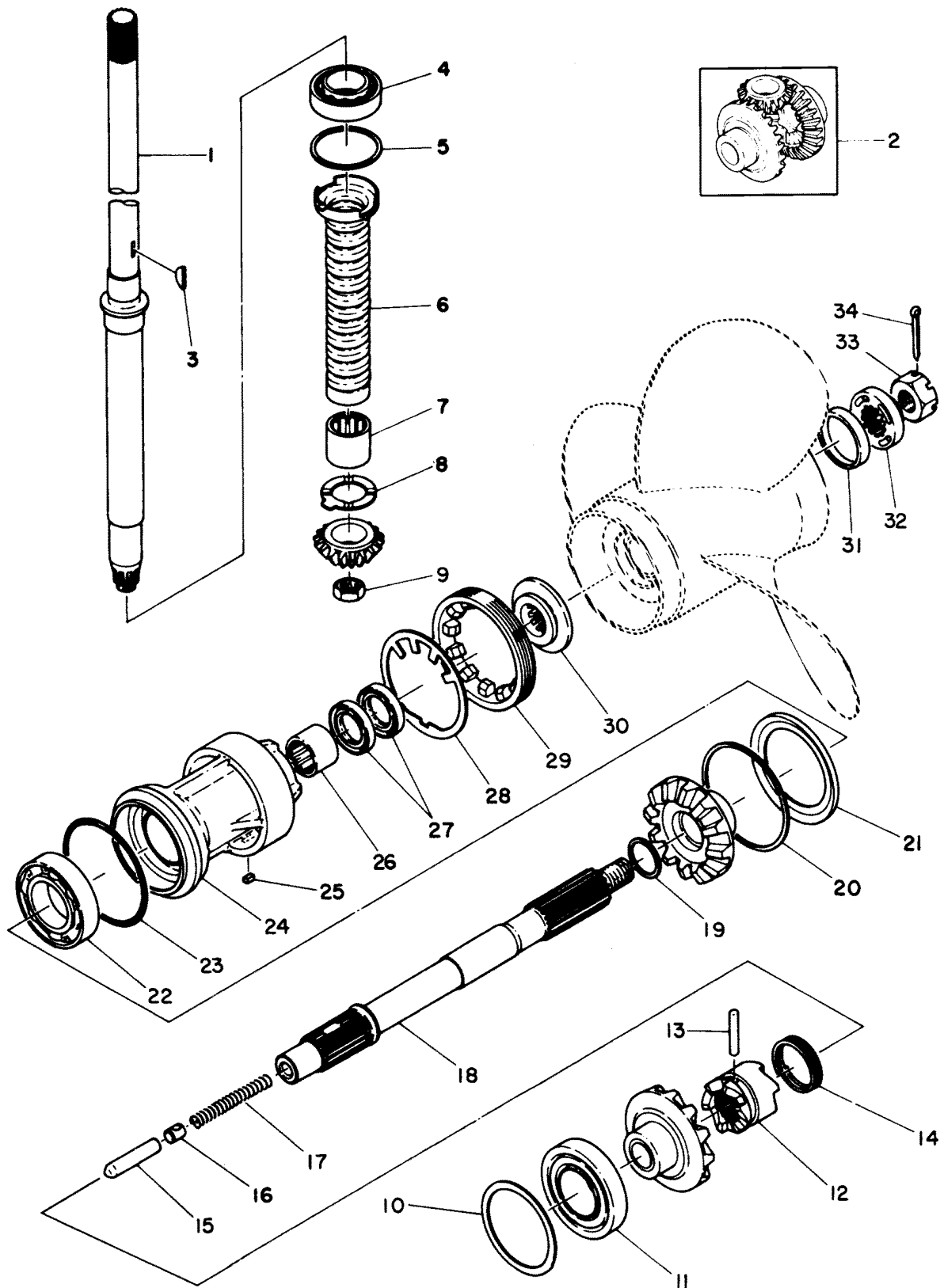


DRIVE TRAIN

REF. NO.	PART NO.	SYM.	QTY.	DESCRIPTION
1	45-81451M		1	DRIVESHAFT (SHORT SHAFT)
	45-81452M		1	DRIVESHAFT (LONG SHAFT)
2	43-81454M		1	GEAR SET
4	31-82319M		1	BEARING, DRIVESHAFT
5	15-81467M		AR	SHIM, DRIVESHAFT BEARING (.05MM)
	15-81468M		AR	SHIM, DRIVESHAFT BEARING (.08 MM)
	15-81469M		AR	SHIM, DRIVESHAFT BEARING (.12 MM)
	15-81470M		AR	SHIM, DRIVESHAFT BEARING (.30 MM)
	15-81471M		AR	SHIM, DRIVESHAFT BEARING (.50MM)
6	26-81453M		1	SLEEVE, DRIVESHAFT
7	31-82316M		1	BEARING, NEEDLE-DRIVESHAFT
8	12-81455M		1	THRUST WASHER, DRIVESHAFT
9	11-81772M		1	NUT, DRIVESHAFT
10	15-81456M		AR	SHIM, FORWARD GEAR ADJUST (.05 MM)
	15-81457M		AR	SHIM, FORWARD GEAR ADJUST (.08MM)
	15-81458M		AR	SHIM, FORWARD GEAR ADJUST (.12 MM)
	15-81459M		AR	SHIM, FORWARD GEAR ADJUST (.30MM)
	15-81460M		AR	SHIM, FORWARD GEAR ADJUST
11	31-82320M		1	BEARING, FORWARD GEAR
12	52-81473M		1	CLUTCH DOG
13	14-81903M		1	CROSS PIN, CLUTCH
14	81474M		1	RING, CROSS PIN
15	81476M		1	PLUNGER, SHIFT
16	81475M		1	SLIDE, SHIFT
17	24-82091M		1	SPRING, SHIFT
18	44-81472M		1	SHAFT, PROPELLER
19	12-81837M		1	THRUST WASHER, REVERSE GEAR
20	15-81462M		AR	SHIM, REVERSE GEAR ADJUST (.05MM)
	15-81463M		AR	SHIM, REVERSE GEAR ADJUST (.08MM)
	15-81464M		AR	SHIM, REVERSE GEAR ADJUST (.12MM)
	15-81465M		AR	SHIM, REVERSE GEAR ADJUST (.30MM)
	15-81466M		AR	SHIM, REVERSE GEAR ADJUST (.50)
21	12-81461M		1	THRUST WASHER, REVERSE GEAR
22	30-81461M		1	BALL BEARING, REVERSE GEAR
23	25-82289M		1	O-RING, BEARING HOUSING
25	28-81916M		1	KEY, BEARING HOUSING
26	31-82317M		1	BEARING, NEEDLE - PROPELLER SHAFT
27	26-82233M		2	OIL SEAL, PROPELLER SHAFT
28	11-81877M		1	WASHER, CLAW
29	11-81450M		1	NUT, CLAW WASHER

CONTINUED ON NEXT PAGE ➡

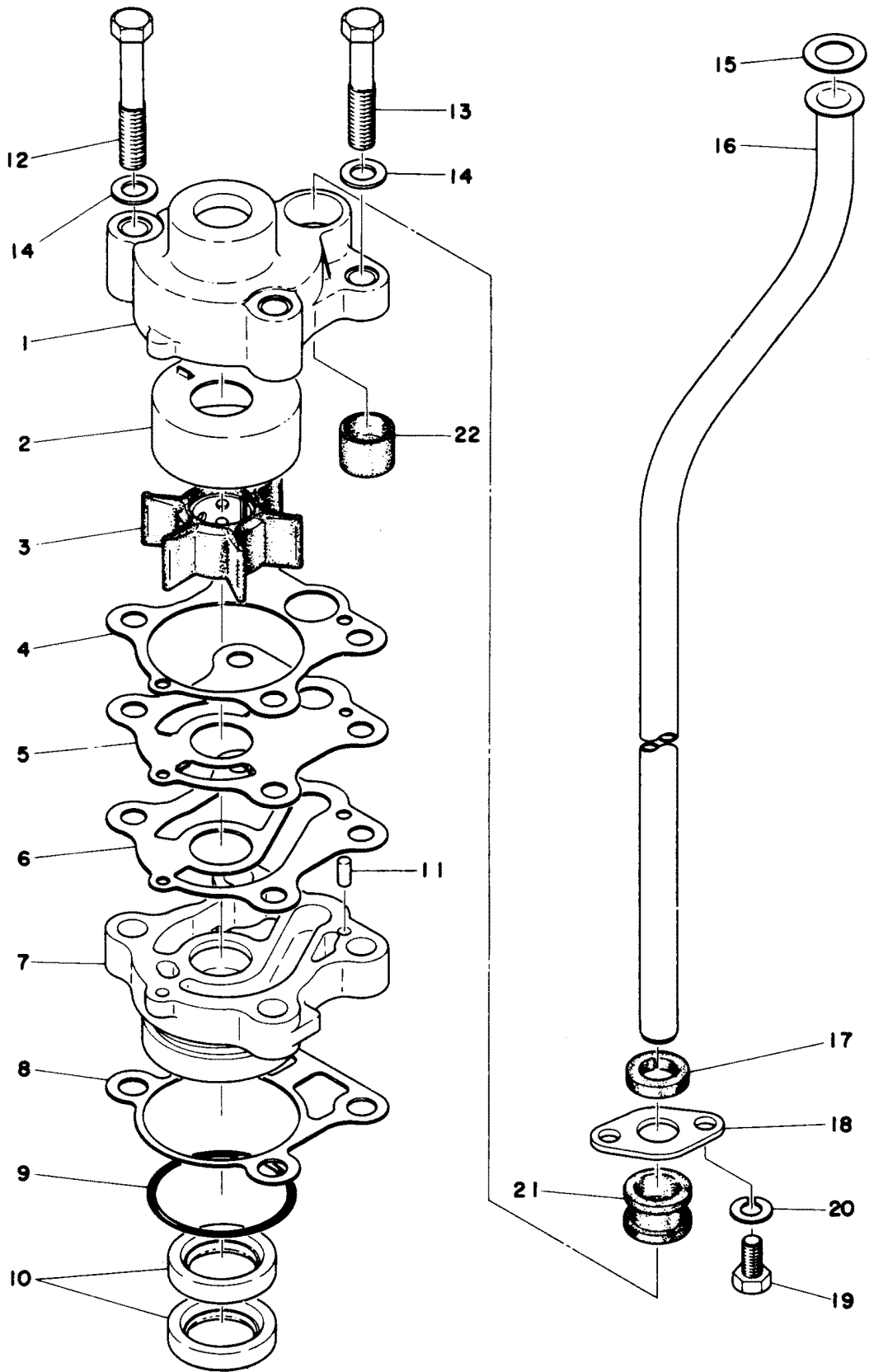
DRIVE TRAIN



DRIVE TRAIN

REF. NO.	PART NO.	SYM.	QTY.	DESCRIPTION
30	12-81477M		1	THRUST WAHSER, FORWARD GEAR
31	81479M		1	CAP, THRUST PLATE
32	23-81478M		1	SPACER, PROPELLER NUT
33	11-81775M		1	NUT, PROPELLER
34	18-82135M		1	PIN, PROPELLER NUT

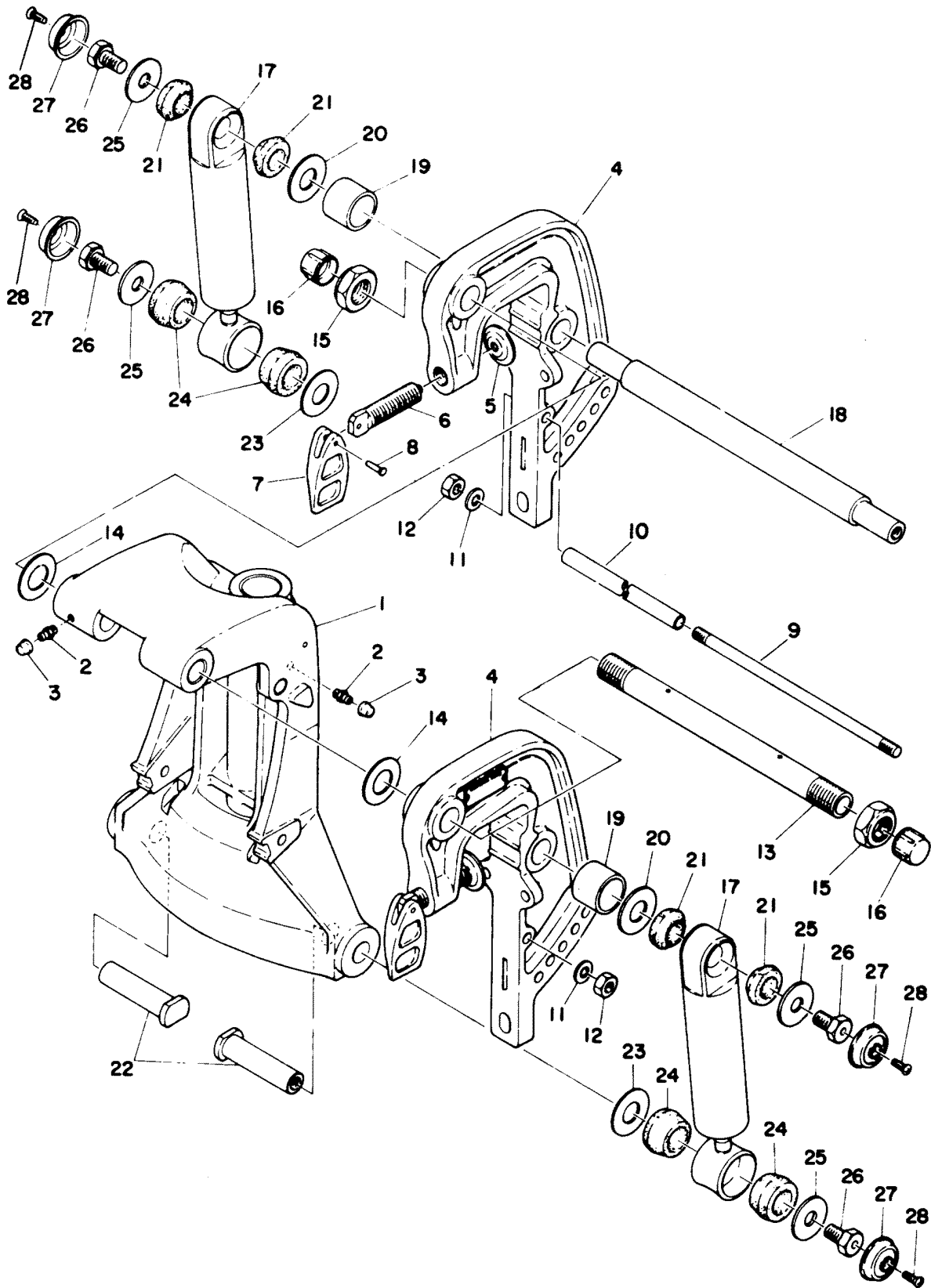
WATER PUMP



WATER PUMP

REF. NO.	PART NO.	SYM.	QTY.	DESCRIPTION
1	46-81416M		1	BODY, WATER PUMP
2	81419M		1	INSERT, CARTRIDGE
3	47-81423M		1	IMPELLER, WATER PUMP SERIAL 00000000-00002730
	47-82824M		1	IMPELLER SERIAL 00002731-09999999
4	27-81417M		1	GASKET, WATER PUMP
5	81420M		1	OUTER PLATE, CARTRIDGE
6	27-81421M		1	GASKER, CARTRIDGE OUTER PLATE
7	46-81422M		1	BASE< WATER PUMP
8	27-81418M		1	GASKET, WATER PUMP BASE
9	25-82275M		1	O-RING, WATER PUMP BASE
10	26-82234M		2	OIL SEAL,WATER PUMP
11	17-82354M		2	PIN, DOWEL-WATER PUMP
12	10-82469M		2	BOLT, PUMP ATTACHING
13	10-82468M		2	BOLT, PUMP ATTACHING
14	12-82217M		4	WASHER, PUMP BELT
15	12-81852M		1	WASHER, WATER TUBE
16	31-81424M		1	TUBE, WATER (SHORT SHAFT)
	32-81425M		1	TUBE, WATER (LONG SHAFT)
17	25-81989M		1	GSKET, WATER TUBE
18	81428M		1	SET PLATE, WATER TUBE
19	10-82448M		2	BOLT, PLATE ATTACHING
20	13-82212M		2	LOCK WASHER, PLATE BOLT
21	26-82417M		1	SEAL, WATER TUBE-LOWER
22	26-81426M		1	SEAL, WATER TUBE-UPPER

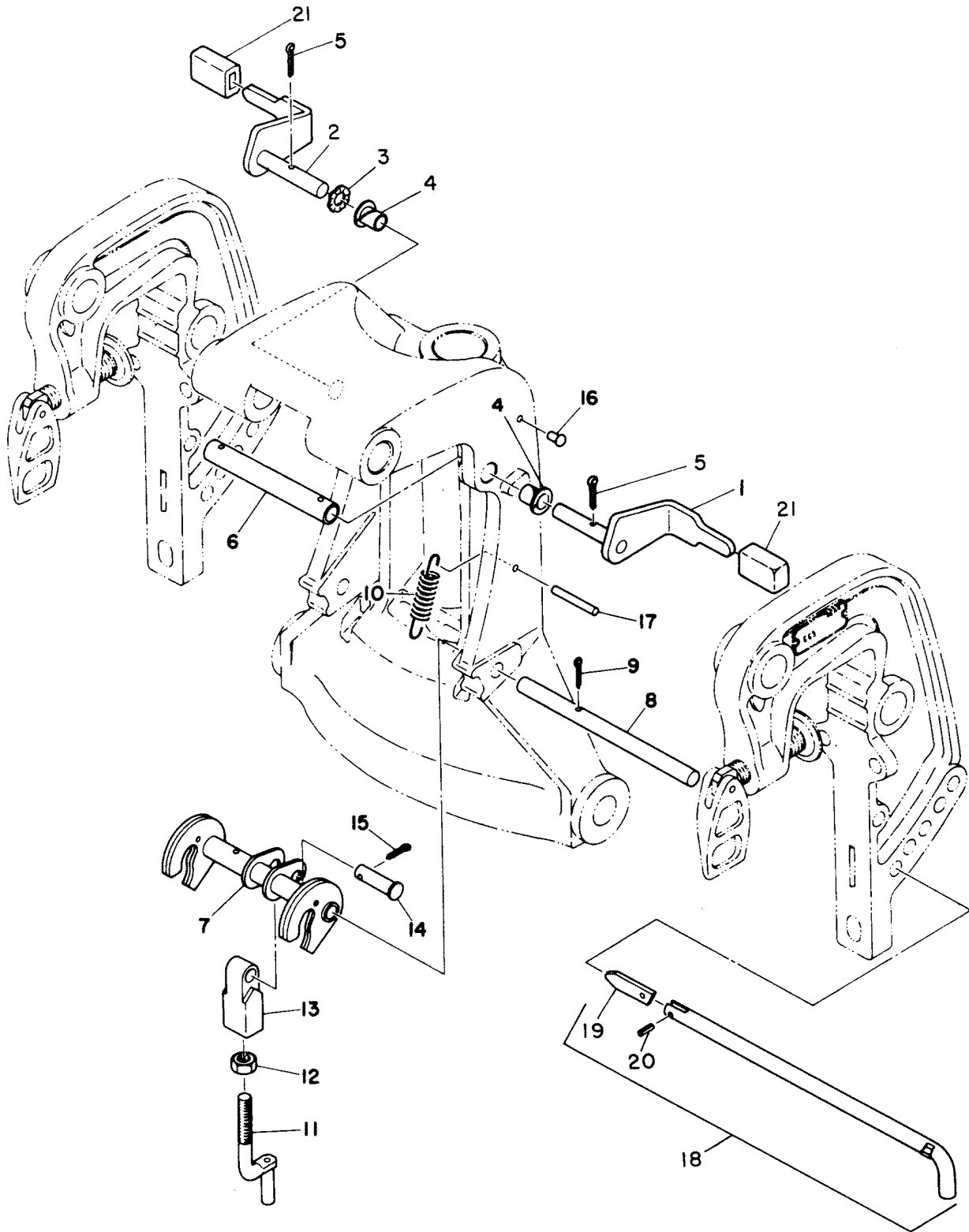
CLAMP AND SWIVEL BRACKET



CLAMP AND SWIVEL BRACKET

REF. NO.	PART NO.	SYM.	QTY.	DESCRIPTION
1	1485-6840M		1	SWIVEL BRACKER(SHORT SHAFT)
	1485-6841M		1	SWIVEL BRACKET (LONG SHAFT)
2	22-82369M		3	FITTING, GREASE
3	81439M		3	CAP, GREASE FITTING
4	1484-6839M		2	CLAMP BRACKET
5	12-80638M		2	PAD, TRANSO CLAMP SCREW
6	10-81381M		2	SCREW, TRANSOM CLAMP
7	81382M		2	HANDLE, TRANSOM CLAMP SCREW
8	17-81889M		2	PIN, TRANSOM CLAMP SCREW
9	16-81383M		1	STUD, CLAMP BRACKET
10	23-81981M		1	SPACER, CLAMP BRACKET
11	12-82220M		2	WASHER, CLAMP BRACKET STUD
12	11-82395M		2	NUT, CLAMP BRACKET STUD
13	81387M		1	STUD, CLAMP BRACKET
14	12-81836M		2	WASHER, CLAMP BRACKET STUD
15	11-81787M		2	NUT, CLAMP BRACKET STUD
16	81388M		2	CAP, CLAMP BRACKET STUD
17	55-81392M		2	SHOCK ABSORBER
18	17-81386M		1	SHAFT, UPPER SHOCK MOUNT
19	23-82120M		2	SPACER, SHOCK MOUNT
20	12-81830M		2	WASHER, SHOCK MOUNT SPACER
21	23-81939M		4	BUSHING, UPPER SHOCK ABSORBER
22	17-81384M		2	PIN, LOWER SHOCK MOUNT
23	12-81859M		2	WAHSER, LOWER SHOCK BUSHING
24	23-81938M		4	BUSHING,LOWER SHOCK ABSORBER
25	12-81812M		4	WASHER, PIN BOLT
26	10-81718M		4	BOLT, SHOCK PIN
27	81385M		4	COVER, SHOCK MOUNT
28	10-82533M		4	SCREW, MOUNT ATTACHING

REVERSE LOCK



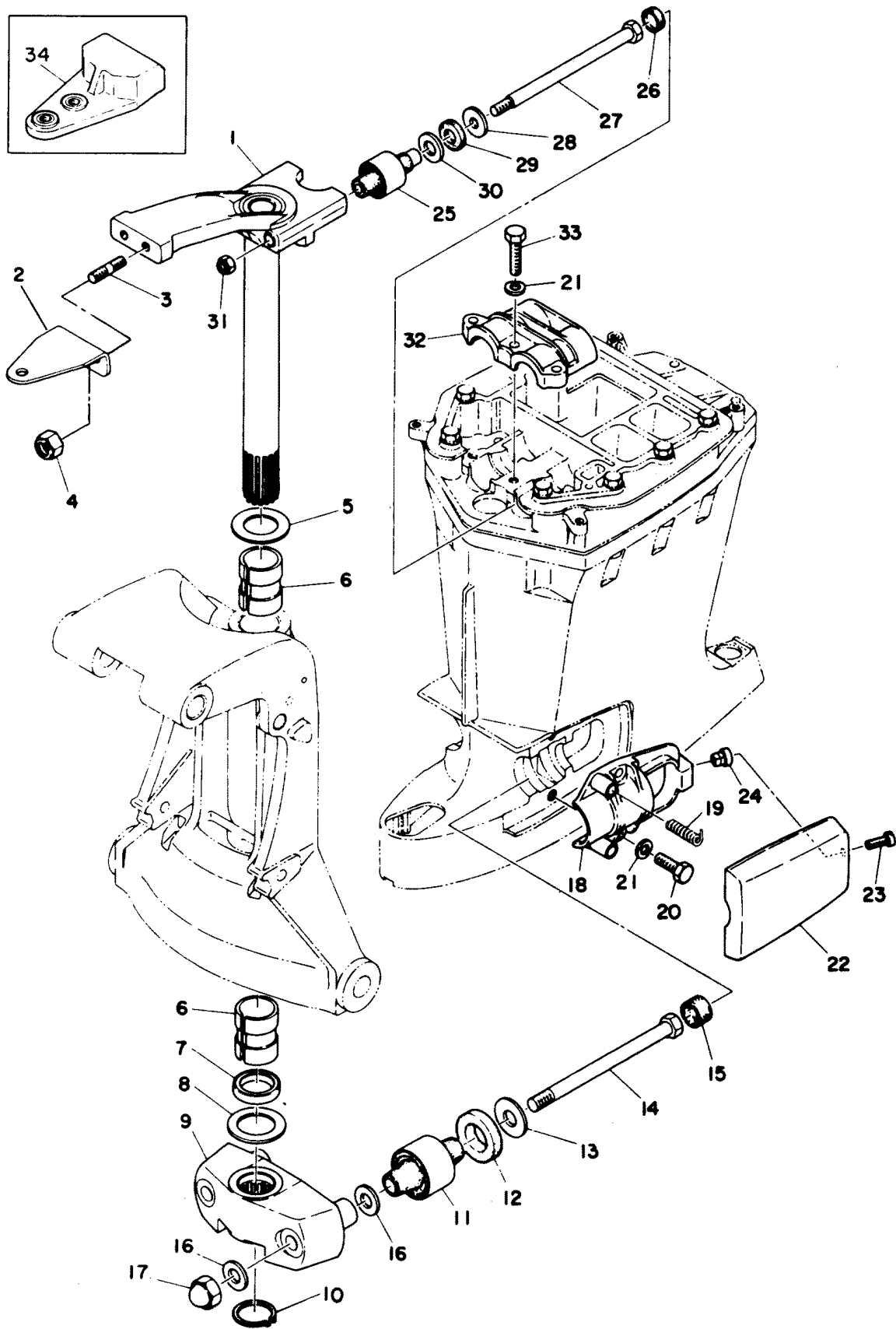
18

55 HD

REVERSE LOCK

REF. NO.	PART NO.	SYM.	QTY.	DESCRIPTION
1	81393M		1	LEVER, TILT STOP SUPPORT (PORT)
2	81394M		1	LEVER, TILT STOP SUPPORT (STARBOARD)
3	13-81868M		2	WASHER, WAVE TILT STOP SUPPORT SERIAL 0000000-00002005
	13-81868M		1	WASHER, WAVE TILT STOP SUPPORT SERIAL 00002006-09999999
4	23-81947M		2	BUSHING, TILT STOP SUPPORT
5	18-82131M		2	PIN< TILIT STOP SUPPORT
6	23-81980M		1	COLLAR, TILT STOP SUPPORT
7	81396M		1	REVERSE LOCK
8	14-81397M		1	ROD, REVERSE LOCK
9	15-82130M		1	PIN, REVERSE LOCK SHAFT
10	24-82103M		1	SPRING, TENSION
11	81398M		1	ROD, REVERSE LOCK (SHORT SHAFT)
	83051M		1	ROD, REVERSE LOCK (LONG SHAFT)
12	11-82400M		1	LOCK NUT, REVERSELOCK ROD
13	81400M		1	CLEVIS, REVERSE LOCK
14	17-82138M		1	PIN, CLEVIS-REVERSE LOCK
15	18-82752M		1	PIN, CLEVIS PIN
16	17-81909M		1	RIVET
17	17-82159M		1	PIN, TENSION SPRING
18	17-81389M		1	TILT LOCK PIN ASS'Y
19	81391M		1	A>STOPPER PLATE
20	17-82145M		1	PIN, SPRING
21	81395M		2	COVER

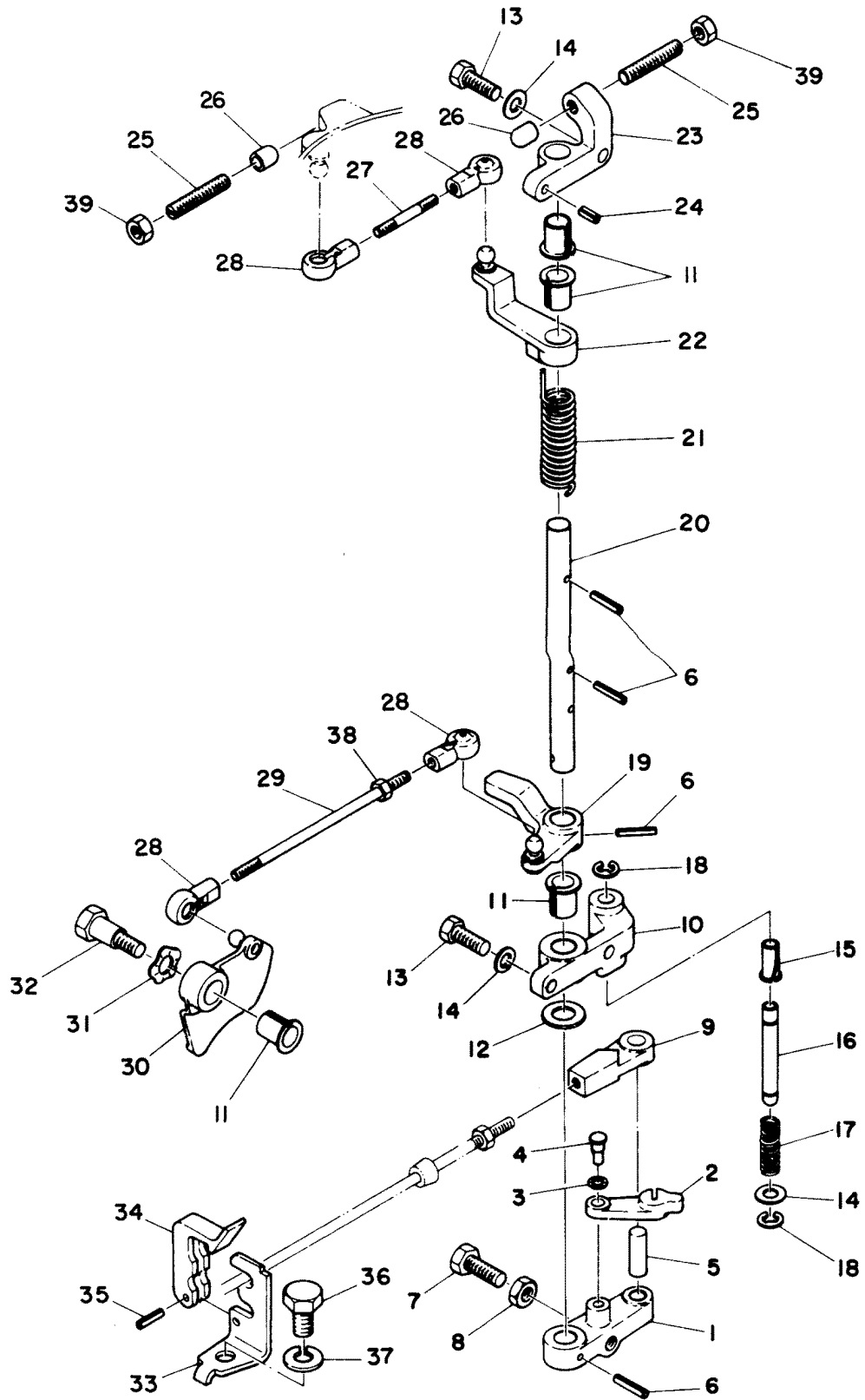
MOUNTING SYSTEM



MOUNTING SYSTEM

REF. NO.	PART NO.	SYM.	QTY.	DESCRIPTION
1	81359M		1	ARM & SHAFT (SHORT SHAFT)
	81360M		1	ARM & SHAFT (LONG SHAFT)
2	81481M		1	PLATE, STEERING (HOOK)
3	16-81742M		2	STUD, STEERING PLATE
4	11-81758M		2	NUT, PLATE STUD
5	12-81838M		1	WASHER, STEERING SHAFT-UPPER
6	23-81955M		2	BUSHING, STEERING SHAFT
7	26-82256M		1	OIL SEAL, STEERING SHAFT
8	12-81839M		1	WASHER, STEERING SHAFT-LOWER
9	81432M		1	HOUSING, LOWER MOUNT
10	53-82325M		1	CIRCLIP, STEERING SHAFT
11	81435M		2	HOUSING PALTE
13	12-81819M		2	WASHER, LOWER MOUNT BOLT
14	10-81717M		2	BOLT, LOWER MOUNT
15	81436M		2	BUMPER, LOWER MOUNT BOLT
16	12-81811M		4	WASHER, LOWER MOUNT BOLT
17	11-82397M		2	NUT, LOWER MOUNT BOLT
18	81433M		2	RETAINER, LOWER MOUNT
19	24-82087M		4	SPRING, COMPRESSION
20	10-82464M		4	BOLT, LOWER RETAINER ATTACHING
21	13-82215M		7	LOCK WASHER
22	81434M		2	CLOVER, LOWER MOUNT
23	10-82172M		2	SCREW, LOWER MOUNT COVER ATTACHING
24	11-81779M		2	NUT, LOWER MOUNT COVER SCREW
25	81676M		2	HOUNSING MOUNT, UPPER
26	81431M		2	BUMPER, UPPER MOUNT BOLT
27	10-81714M		2	BOLT, UPPER MOUNT
28	12-81825M		2	WASHER, UPPER MOUNT BOLT
29	12-81857M		2	WASHER, UPPER MOUNT BOLT
30	12-81803M		2	WASHER, UPPER MOUNT BOLT
31	11-81783M		2	NUT, UPPER MOUNT BOLT
32	81429M		1	RETAINER, UPPER MOUNT
33	10-82466M		3	BOLT, UPPER RETAINER ATTACHING
34	81482M		1	PLATE, STEERING (RIDE GUIDE)

THROTTLE CONTROL

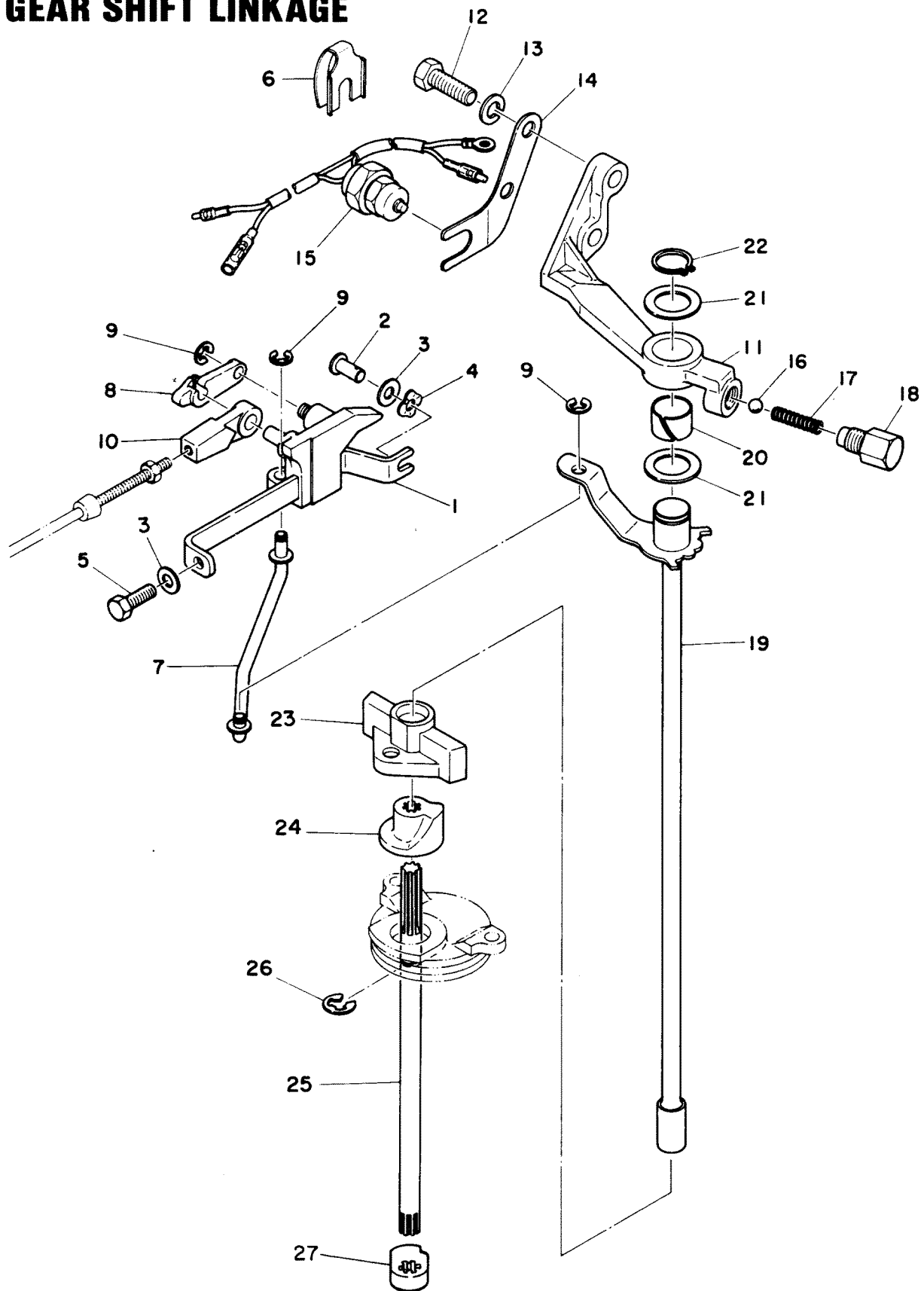


THROTTLE CONTROL

REF. NO.	PART NO.	SYM.	QTY.	DESCRIPTION
1	81345M		1	LEVER, C.D.I. CONTROL
2	81412M		1	CAP, CLEVIS LOCK SERIAL 00000000-00002005
	81341M		1	CAP, CLEVIS LOCK SERIAL 00002006-09999999
3	13-81866M		1	WASHER, WAVE-PIVOT PIN
4	17-81893M		1	PIN, LOCK LEVER PIVOT
5	17-82367M		1	PIN, DOWEL-CONTROL LEVER
6	17-82149M		4	PIN
7	10-82424M		1	BOLT, CDI LEVER SERIAL 00000000-00002005
8	11-82381M		1	NUT SERIAL 00000000-00002005
9	81480M		1	CLEVIS, THROTTLE CABLE
10	81350M		1	BRACKET, SHAFT
11	23-81946M		4	BUSHING, SHAFT BRACKET
12	12-81847M		1	WASHER, SHAFT BRACKET SERIAL 00000000-00002005
13	10-84423M		3	BOLT
14	13-82199M		4	WASHER
15	23-81942M		1	BUSHING, SHAFT BRACKET
16	81403M		1	STOP, SHAFT BRACKET
17	24-82074M		1	SPRING, COMPRESSION-BRACKET SHAFT SHOP
18	53-82330M		2	CIRCLIP, BRACKET SHAFT STOP
19	81346M		1	LEVER, CDI CONTROL
20	81347M		1	SHAFT, LINK CONNECTION
	81347M		1	SHAFT, LIND CONNECTING
21	24-82113M		1	SPRING, TORSION-LINK SHAFT
22	81344M		1	LEVER, CDI CONTROL
23	81349M		1	BRACKET, SHAFT-UPPER
24	14-82154M		1	PIN, UPPER SHAFT BRACKET
25	10-81720M		2	BOLT, SET
26	81415M		2	CAP, SET BOLT
27	81348M		1	ROD, CONTROL
28	81225M		4	CLEVIS
29	81333M		1	ROD, LINK
30	81334M		1	CAM
31	13-81868M		1	WASHER, WAVE-CAM
32	10-81713M		1	BOLT, CAM ATTACHING
33	81483M		1	BRACKET, REMOTE CONTROL
34	81484M		1	CLAMP, CABLE
35	17-82146M		1	PIN, CABLE CLAMP
36	10-82437M		1	BOLT, CONTROL BRACKET ATTACHING
37	13-82200M		1	LOCK WASHER, CONTROL BRACKET BOLT
38	11-82378M		1	NUT, CLEVIS LOCK
39	11-82381M		2	NUT

GEAR SHIFT LINKAGE

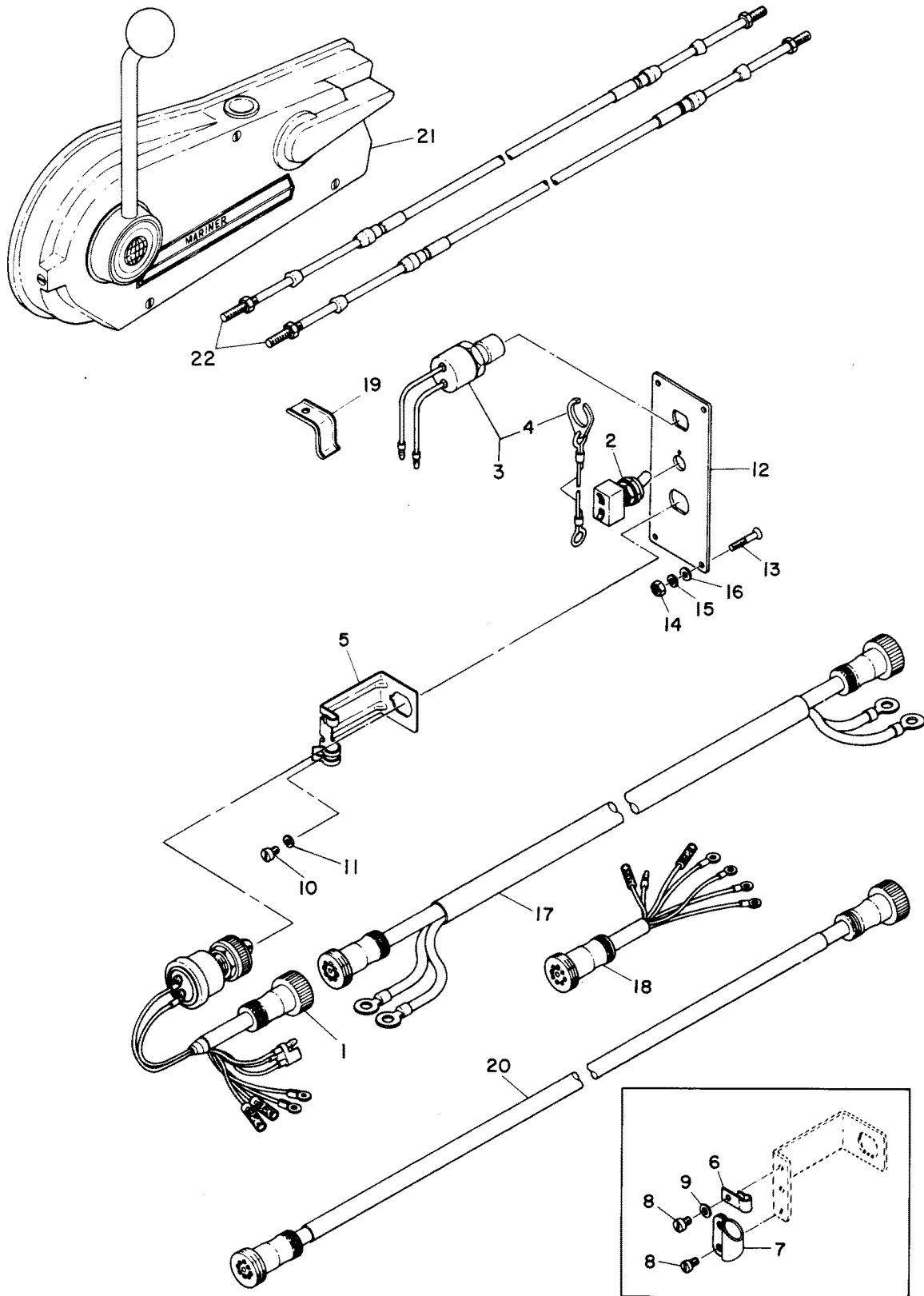
GEAR SHIFT LINKAGE



GEAR SHIFT LINKAGE

REF. NO.	PART NO.	SYM.	QTY.	DESCRIPTION
1	81404M		1	BRACKET, SHIFT
2	17-82137M		1	PIN, CLEVIS-SHIFT BRACKET
3	13-82199M		2	WASHER
4	13-81866M		1	WASHER, WAVE-CLEVIS PIN
5	10-82423M		1	BOLT, BRACKET ATTACHING
6	81530M		1	PLATE
7	81407M		1	LEVER, SHIFT ROD
8	81412M		1	RETAINER,CLEVIS
9	53-82330M		3	CIRCLIP
10	81480M		1	CLEVIS, SHIFT CONTROL CABLE
11	82556M		1	BRACKET, SHIFT ROD
12	10-82441M		2	BOLT, BRACKET ATTACHING
13	13-82200M		2	LOCK WASHER, BRACKET BOLT
14	81529M		1	STAY, NUETRAL SWITCH
15	87-81528M		1	NUETRAL SWITCH
16	82346M		1	BALL, DETENT (1/4 INCH)
17	24-82081M		1	SPRING, DETENT
18	23-80635M		1	RETAINER, COMPRESSION SPRING
19	81405M		1	SHIFT ROD, UPPER-SHORT SHAFT
	81406M		1	SHIFT ROD, UPPER - LONG SHAFT
20	23-81953M		1	BUSHING, SHIFT ROD
21	12-81858M		2	SPACER, SHIFT ROD
22	53-82324M		1	CIRCLIP, UPPER SHIFT ROD
23	81401M		1	GUIDE, REVERSE ROD
24	81410M		1	CAM, REVERSE ROD
25	81408M		1	ROD, SHIFT-LOWER
26	53-82334M		1	CIRCLIP, LOWER SHIFT ROD
27	81409M		1	CAM, SHIFT

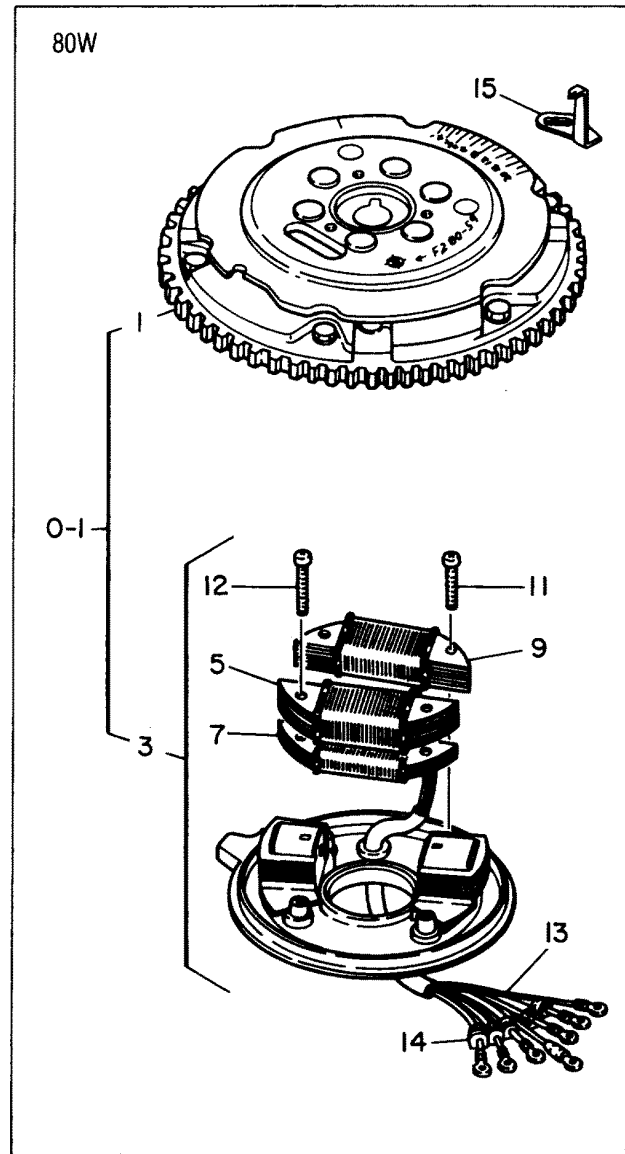
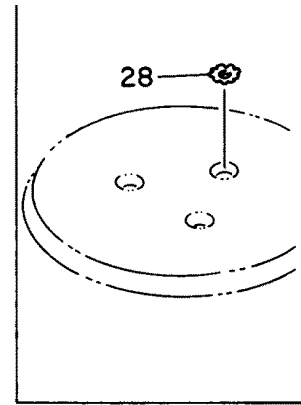
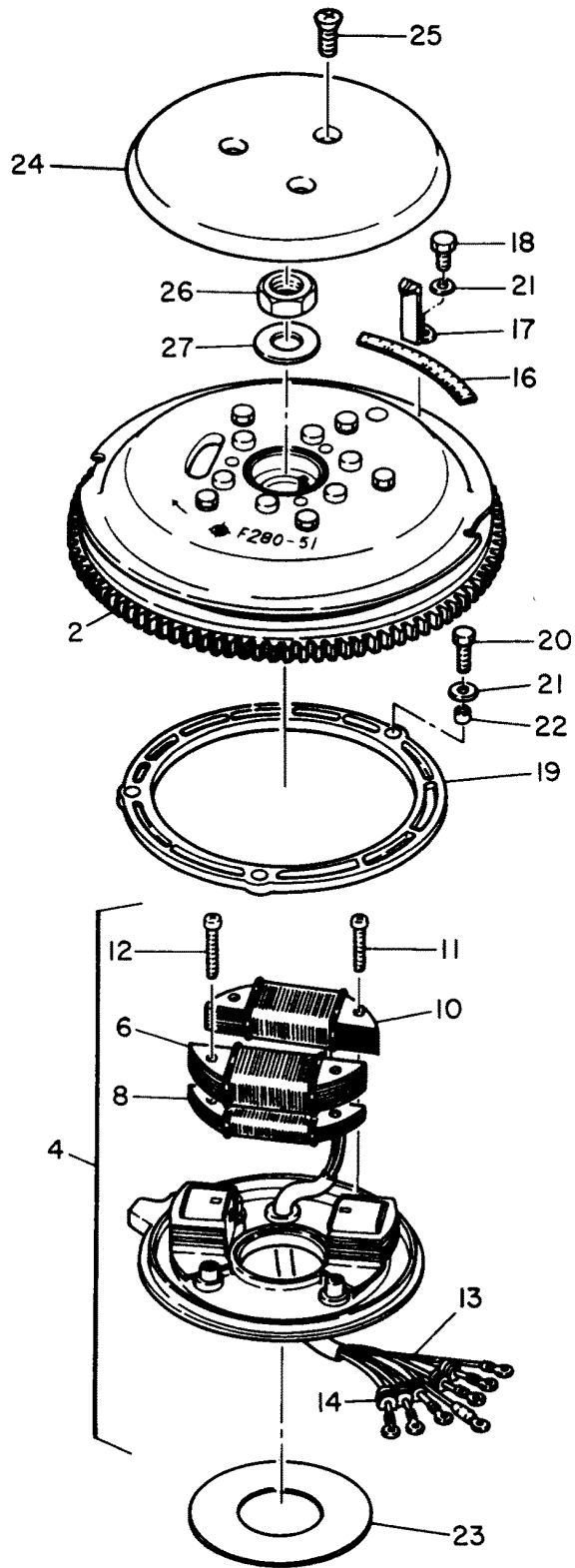
SWITCH PANEL/REMOTE CONTROL



SWITCH PANEL/REMOTE CONTROL

REF. NO.	PART NO.	SYM.	QTY.	DESCRIPTION
0-1	81532M		1	SWITCH PANEL ASS'Y
1	87-81525M		1	MAIN SWITCH
2	87-81534M		1	SWITCH, CHOKE
3	87-82689M		1	STOP SWITCH ASS'Y
4	81531M		1	STOPPER
5	81537M		1	STAY, CORD CLAMP
6	54-82724M		1	CLAMP, WIRE SERIAL 00000000-00002100
7	54-80722M		1	CLAMP, WIREHARNESS () SERIAL 00000000-00002100
8	10-82487M		3	SCREW, CLAMP ATTACHING (E-02100 EL-33675)
9	12-82707M		3	WASHER, CLAMP SCREW
10	10-82487M		1	SCREW (E-02101 EL-33676)
11	13-82184M		1	WASHER (E-02101 EL-33676)
12	81533M		1	SWITCH PANEL
13	10-80665M		4	SCREW (E-02100 EL-33675)
	10-80164M		4	SCREW, PANEL ATTACHING (E-02101 EL-33676)
14	11-82377M		4	NUT, PANEL NUT
15	13-82184M		4	LOCK WASHER, PANEL NUT
16	12-82799M		4	WASHER, PANEL NUT
17	84-82691M		1	WIREHARNESS SERIAL 00000000-00008005
	84-81539M		1	WIREHARNESS SERIAL 00002006-09999999
18	84-81527M		1	WIRE, LEAD
19	81540M		1	CLAMP
20	84-81538M		1	WIREHARNESS EXTENSION (OPTIONAL)
21	81680M		1	REMOTE CONTROL
22	81681M6		2	CABLE, REMOTE CONTROL 6 FT
	81681M7		2	CABLE, REMOTE CONTROL 7FT
	81681M8		2	CABLE, REMOTE CONTROL 8 FT
	81681M9		2	CABLE, REMOTE CONTROL 9FT
	81681M11		2	CABLE, REMOTE CONTROL 11 FT
	81681M12		2	CABLE, REMOTE CONTROL 12 FT
	81681M13		2	CABLE, REMOTE CONTROL 13 FT
	81681M14		2	CABLE, REMOTE CONTROL 14 FT
	81681M15		2	CABLE, REMOTE CONTROL 15 FT
	81681M16		2	CABLE, REMOTE CONTROL 16 FT
	81681M17		2	CABLE, REMOTE CONTROL 17 FT
	81681M18		2	CABLE, REMOTE CONTROL 18 FT

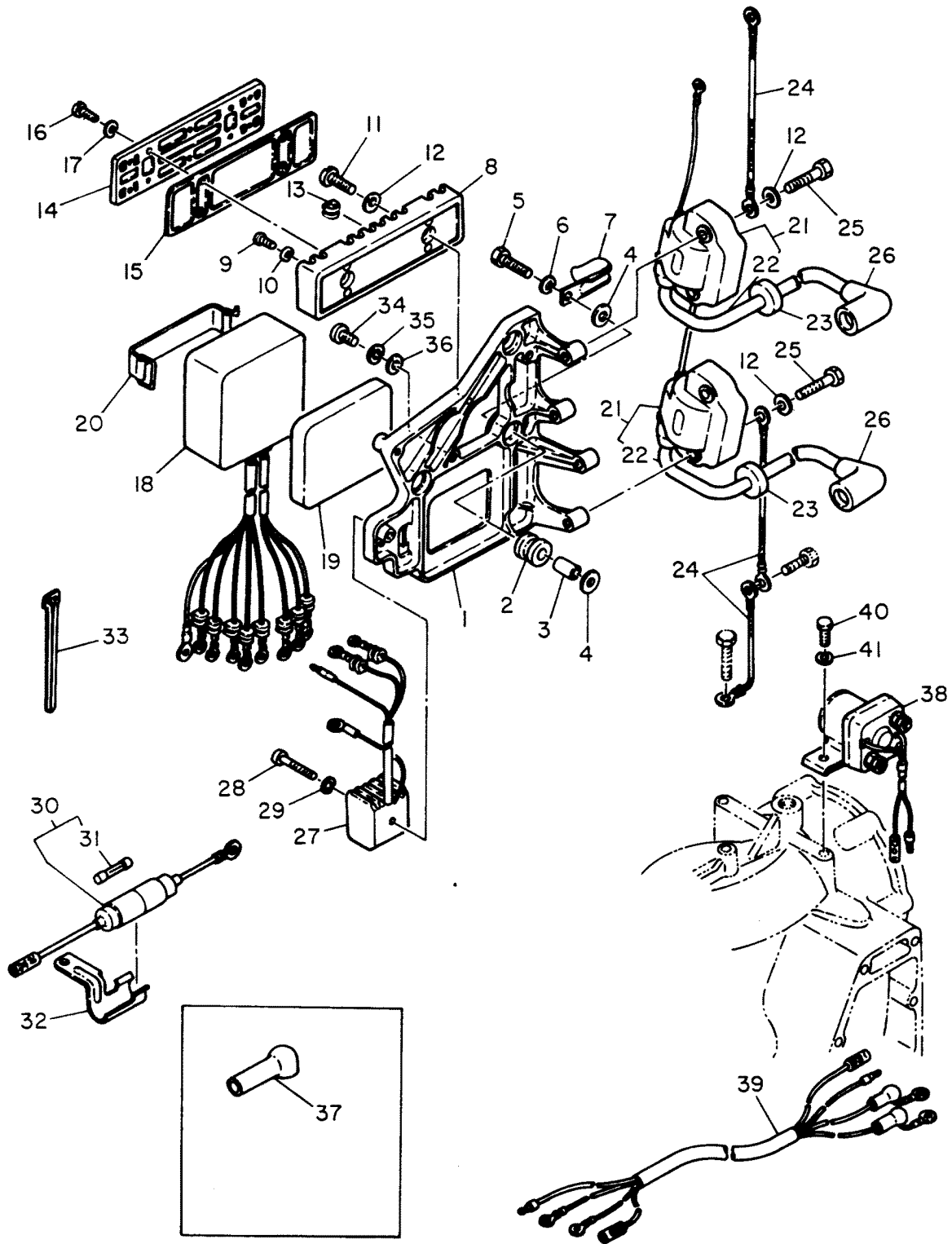
C.D.I. MAGNETO



C.D.I. MAGNETO

REF. NO.	PART NO.	SYM.	QTY.	DESCRIPTION
0-1	253-6845M		1	I. MAGNETO ASS'Y (80 W)
1	253-6935M		1	FLYWHEEL, (80 W)
2	253-6847M		1	FLYWHEEL, (40W) SERIAL 00000000-00002730
3	83035M		1	MAGNETO BASE ASS'Y (80 W)
4	81545M		1	MAGNETO BASE ASS'Y (40 W) SERIAL 00002730-09999999
5	83036M		1	COIL, CHARGE (80 W)
6	81546M		1	COIL, CHARGE (40 W) SERIAL 00000000-00002730
7	83037M		1	COIL, CHARGE (80 W)
8	81548M		1	COIL, TRIGGER (40 W) SERIAL 00000000-00002730
9	83038M		1	COIL, LIGHTNING (80 W)
10	81486M		1	COIL, LIGHTING (40 W) SERIAL 00000000-00002730
11	10-82508M		2	SCREW, COIL ATTACHING
12	10-82509M		2	SCREW
13	84-81547M		1	WIRE, LEAD
14	25-82059M		5	GROMMET
15	83031M		1	POINTER, TIMING (WITH M-253-6935M)
16	37-81488M		1	MARK, TIMING (WITH M-253-6847M)
17	81487M		1	POINTER, TIMING (WITH M-253-6847M)
18	10-82422M		1	BOLT, POINTER ATTACHING
19	82678M		1	RETAINER, BASE ASS'Y SERIAL 00002101-09999999
	81342M		1	RETAINER, BASE ASS'Y SERIAL 00000000-00002147
20	10-82424M		3	BOLT, BASE ATTACHING
21	13-82199M		4	WASHER
22	23-81971M		3	COLLAR SERIAL 00002101-09999999
23	12-81343M		1	WASHER, BASE ASS'Y
24	81489M		1	COVER, FLYWHEEL
25	10-82569M		3	SCREW
26	11-81773M		1	NUT, FLYWHEEL
27	12-81834M		1	WASHER, FLYWHEEL
28	12-83227M		3	WASHER, TOOTH SERIAL 00000000-00001955

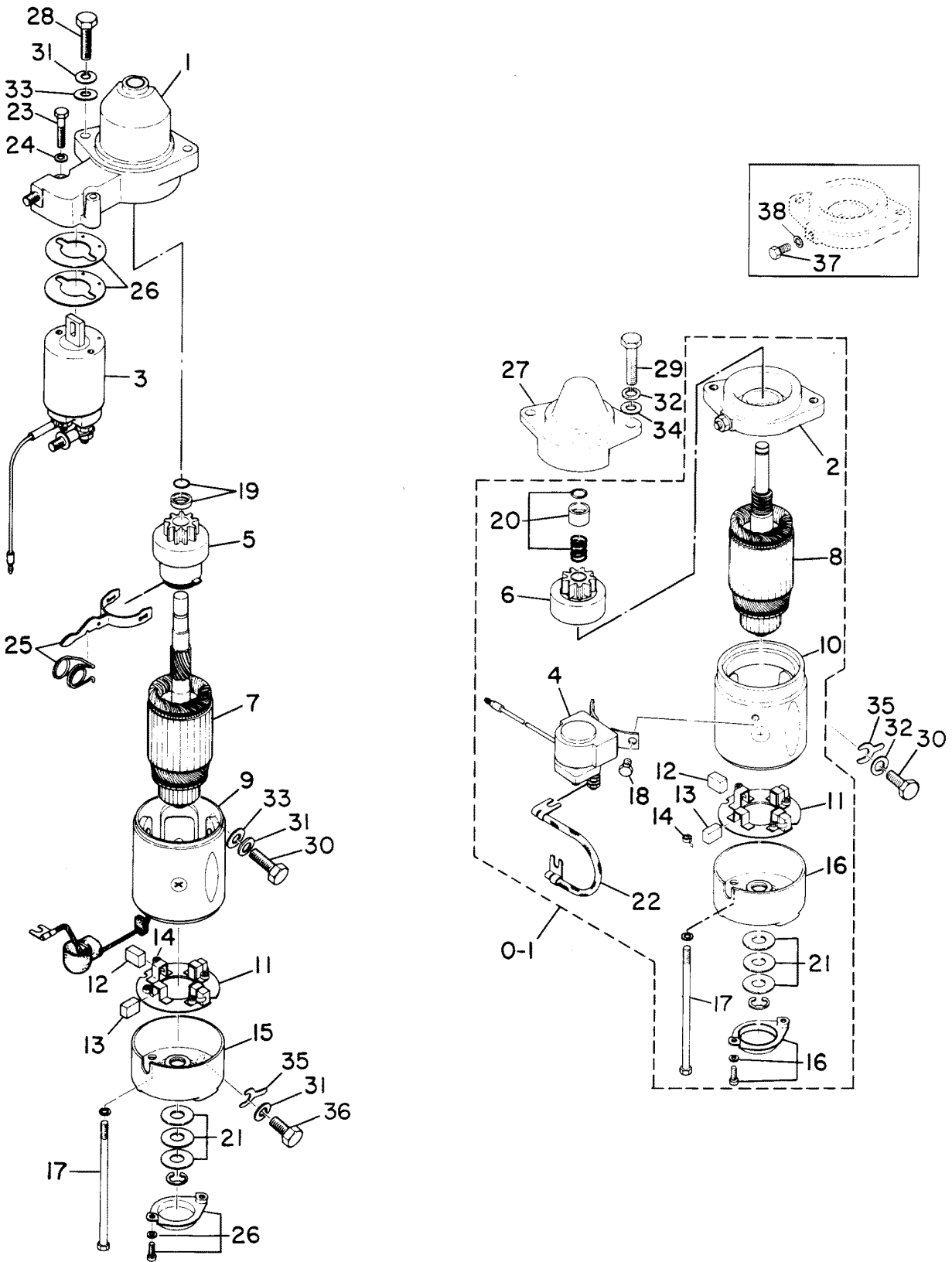
ELECTRICAL



ELECTRICAL

REF. NO.	PART NO.	SYM.	QTY.	DESCRIPTION
1	81543M		1	BRACKET, ELECTRICAL COMPONENT
2	81523M		3	RUBBER MOUNT, MOUNTING BRACKET
3	23-81968M		3	SLEEVE, RUBBER MOUNT
4	12-82979M		6	WASHER, BRACKET
5	10-82425M		3	BOLT, WIRE CLAMP ATTACHING
6	13-82197M		3	WASHER
7	54-80723M		1	CLAMP, FULE LINE SERIAL 00000000-00002005
8	81518M		1	TERMINAL
9	10-82798M		10	SCREW
11	12-82980M		2	SCREW, TERMINAL STRIP ATTACHING
13	13-82199M		6	WASHER
	25-82057M		2	GROMMET, TERMINAL STRIP ATTACHING
14	81515M		1	COVER, TERMINAL STRIP
15	27-81516M		1	GASKET, TERMINAL STRIP
16	10-83048M		4	SCREW, TERMINAL STRIP COVER ATTACHING
17	13-82184M		4	LOCK WASHER, TERMINAL STRIP COVER SCREW
18	81542M		1	SWITCH BOX
19	81544M		1	DAMPER, SWITCH BOX
21	81549M		2	IGNITION COIL
22	84-82831M		2	LEAD, HIGHTENSION
23	25-80714M		3	GROMMER
24	84-81250M		2	WIRE GORUND LEAD
25	10-82426M		4	BOLT, COIL ATTACHING
26	81524M		2	CAP, SPARK PLUG
27	81519M		1	RECTIFIER
28	10-82519M		1	SCREW, RECTIFIER ATTACHING SERIAL 00000000-00002005
	10-82523M		1	SCREW, RECTIFIER ATTACHING SERIAL 00002006-09999999
29	13-82193M		1	LOCK WASHER, RECTIFIER SCREW
30	88-83225M		1	FUSE HOLDER ASS'Y SERIAL 00000000-00001835
	88-82685M		1	FUSE HOLDER ASS'Y SERIAL 00001836-09999999
31	88-81522M		1	FUSE
32	54-83226M		1	CLAMP, FUSE SERIAL 00000000-00001835
33	81541M		1	BAND SERIAL 00002006-09999999
34	10-82981M		2	SCREW SERIAL 00002006-09999999
35	13-82214M		2	WASHER SERIAL 00002006-09999999
36	12-82214M		2	WASHER SERIAL 00000000-00002006
37	83228M		1	COVER, LEAD WIRE SERIAL 00000000-00002005
38	87-83229M		1	STARTER SWITCH SERIAL 00000000-00002005
39	10-83230M		1	LEAD, WIRE SERIAL 00000000-00002005
40	10-82422M		1	BOLT SERIAL 00000000-00002005
41	13-82197M		1	WASHER SERIAL 00000000-00002005

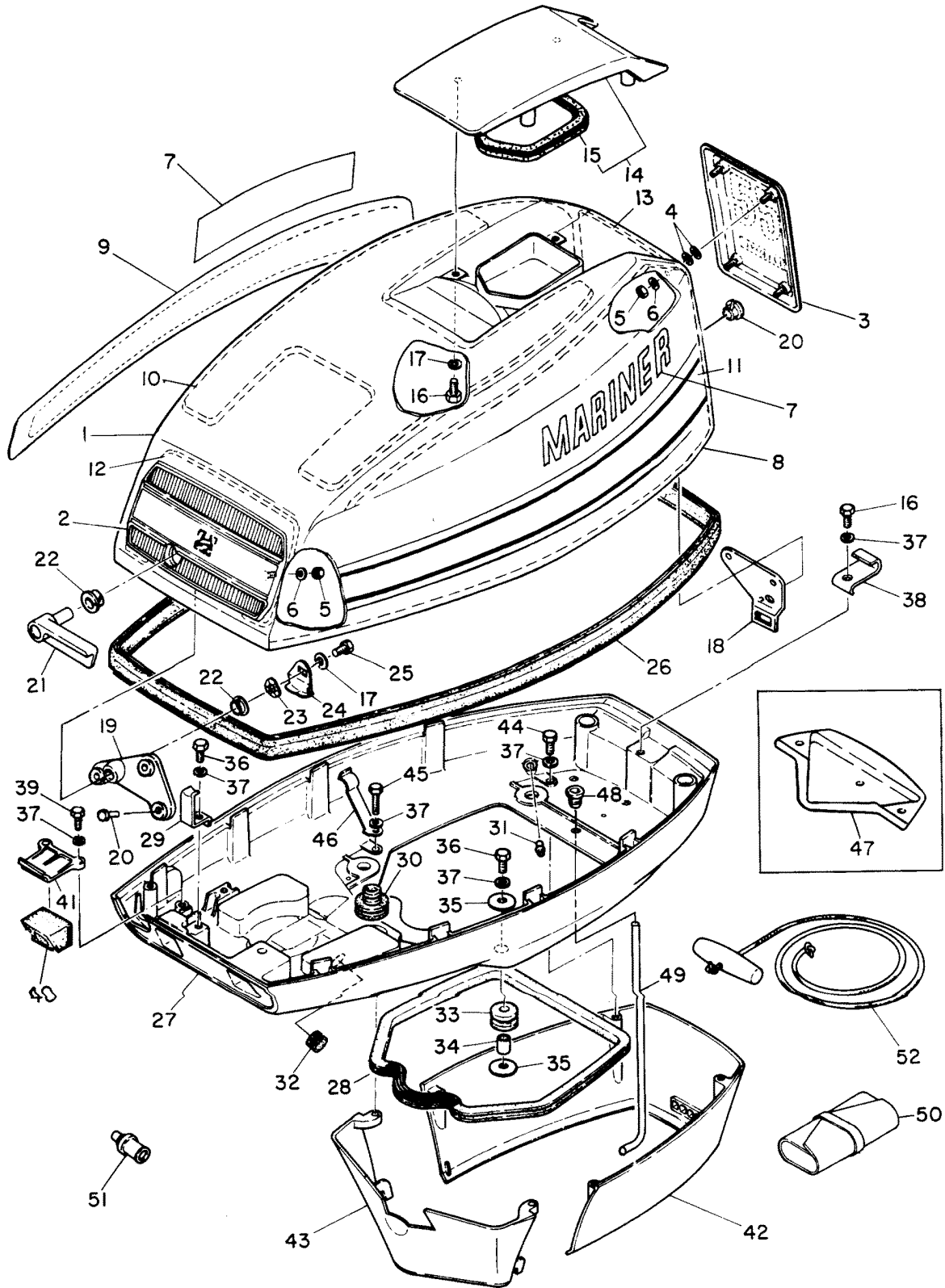
ELECTRIC STARTER MOTOR



ELECTRIC STARTER MOTOR

REF. NO.	PART NO.	SYM.	QTY.	DESCRIPTION
0-1	50-81490M		1	ELECTRIC MORTOR ASS'Y
1	81501M		1	BRACKET, DRIVE END COVER SERIAL 00000000-00002005
2	81502M		1	FRONT BRACKET SERIAL 00002006-09999999
3	89-81512M		1	SOLENOID, STARTER MOTOR SERIAL 00000000-00002005
4	89-81513M		1	SWITCH SERIAL 00002006-09999999
5	81503M		1	PINION, STARTER SERIAL 00000000-00002005
6	81504M		1	GEAR SERIAL 00002006-09999999
7	81509M		1	ARMATURE SERIAL 00000000-00002006
8	815010M		1	ARMATURE SERIAL 00002006-09999999
9	81492M		1	STATOR SERIAL 00000000-00002005
10	81493M		1	STATOR SERIAL 00002006-09999999
11	81507M		1	BRUSH HOLDER
12	81494M		2	BRUSH, POSITIVE
13	81495M		2	BRUSH, NEGATIVE
	81495M		2	BRUSH, NEGATIVE
14	24-81496M		4	SPRING, BRUSH
15	81498M		1	COVER, COMMUNTATOR END SERIAL 00000000-00002005
16	81499M		1	REAR COVER SERIAL 00002006-09999999
17	10-81500M		2	THRU-BOLT, COVER ATTACHING
18	10-82420M		2	BOLT SERIAL 00002006-09999999
19	81511M		1	PINION STOP KIT SERIAL 00000000-00002005
20	81505M		1	RING, STOP SERIAL 00002006-09999999
21	12-81491M		1	WASHER KIT
22	81497M		1	WIRE, LEAD SERIAL 00002006-09999999
23	10-82426M		2	BOLT, SOLENOID ATTCHING SERIAL 00000000-00002005
24	13-82199M		2	WASHER, SOLENOID BOLT SERIAL 00000000-00002005
25	81506M		1	LEVER, SOLENOID SERIAL 00000000-00002005
26	81514M		1	DUST COVER KIT SERIAL 00000000-00002005
27	81508M		1	COVER SERIAL 00002006-09999999
28	10-82442M		2	BOLT, STARTER ATTACHING SERIAL 00000000-00002005
29	10-82443M		2	BOLT, HEXAGON SERIAL 00002006-09999999
30	10-82440M		1	BOLT, FRAME ATTACHING
31	13-82200M		4	LOCK WASHER, COVER BOLT SERIAL 00000000-00002005
32	13-82200M		3	WASHER, SPRING SERIAL 00002006-09999999
33	12-82202M		3	WASHER SERIAL 00000000-00002006
34	12-82202M		2	WASHER, PLATE SERIAL 00002006-09999999
35	81485M		AR	TERMINAL
36	10-82438M		1	BOLT, COVER SERIAL 00000000-00002005
37	10-82437M		1	BOLT SERIAL 00002461-09999999
38	13-82200M		1	WASHER SERIAL 00002461-09999999

COWLING

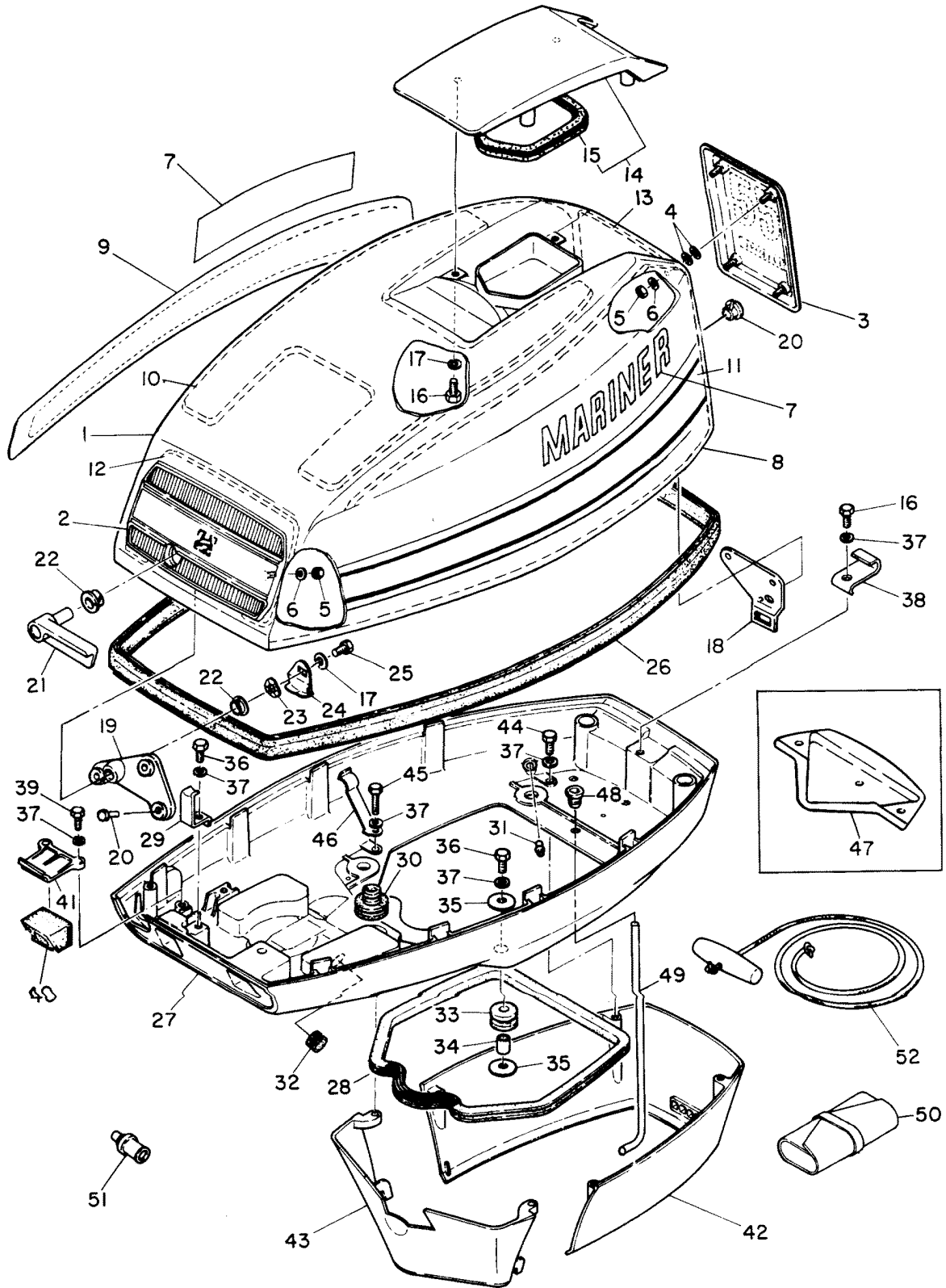


COWLING

REF. NO.	PART NO.	SYM.	QTY.	DESCRIPTION
1	2168-6837M		1	TOP COWL ASS'Y
2	81366M		1	EMBLEM, FRONT
3	81367M		1	EMBLEM, REAR
4	12-80884M		8	DAMPER
5	11-82388M		6	NUT, APPLIQUE ATTACHING
6	12-82196M		6	WASHER
7	37-83231M		2	DECAL, MARINER
8	37-81364M		1	DECAL, TRIM-PORT
9	37-81365M		1	DECAL, TRIM-STARBOARD
10	83232M		1	RUBBER SOUND BLANKETS SERIAL 00000000-00002430
11	83233M		2	RUBBER SOUND BLANKETS SERIAL 00000000-00002430
12	83234M		1	RUBBER SOUND BLANKETS SERIAL 00000000-00002430
13	83235M		1	RUBBER SOUND BLANKETS SERIAL 00000000-00002430
14	81363M		1	AIR DUCT ASS'Y
15	83146M		1	SEAL, RUBBER
17	10-82199M		5	WASHER
18	83145M		1	HOLDER, CLAMP BAND
19	83145M		1	HOLDER, CLAMP BAND
20	17-82982M		6	RIVET
21	81379M		1	LEVER, COWL CLAMP
22	23-81949M		2	BUSHING, CLAMP LEVER
23	13-81869M		1	WASHER, WAVE-CLAMP LEVER
24	81380M		1	CLAMP, COWL
25	10-82421M		1	BOLT, COWL CLAMP ATTACHING
26	81361M		1	SEAL, TOP COWL
27	2168-6838M		1	BOTTOM COWL
28	27-81368M		1	SEAL, BOTTOM COWL TO APRON
29	81375M		2	HOOK, COWLCLAMP-FRONT
30	25-81369M		1	GROMMET, LOWER COWL
31	22-81326M		1	FITTING, LOWER COWL
32	25-82061M		1	GROMMET SERIAL 00001836-09999999
33	25-82065M		4	GROMMER, APRON BOLT
34	23-81968M		4	COLLAR, APRON BOLT
35	12-81796M		8	WASHER, APRONBOLT
36	10-82426M		4	BOOLT, COWLING TO DRIVESHAFT HOUSING
37	13-82197M		12	LOCK WASHER
38	81377M		1	HOOK, COWL-REAR
39	10-82422M		4	BOLT, BUMPER ATTACHING
40	81370M		1	BUMPER, COWL
41	83236M		1	RETAINER, COWL BUMPER
42	81374M		1	APRON, COWL-REAR
43	81378M		1	APRON, COWL-FRONT
44	10-82451M		2	BOLT, APRON ATTACHING

CONTINUED ON NEXT PAGE ➡

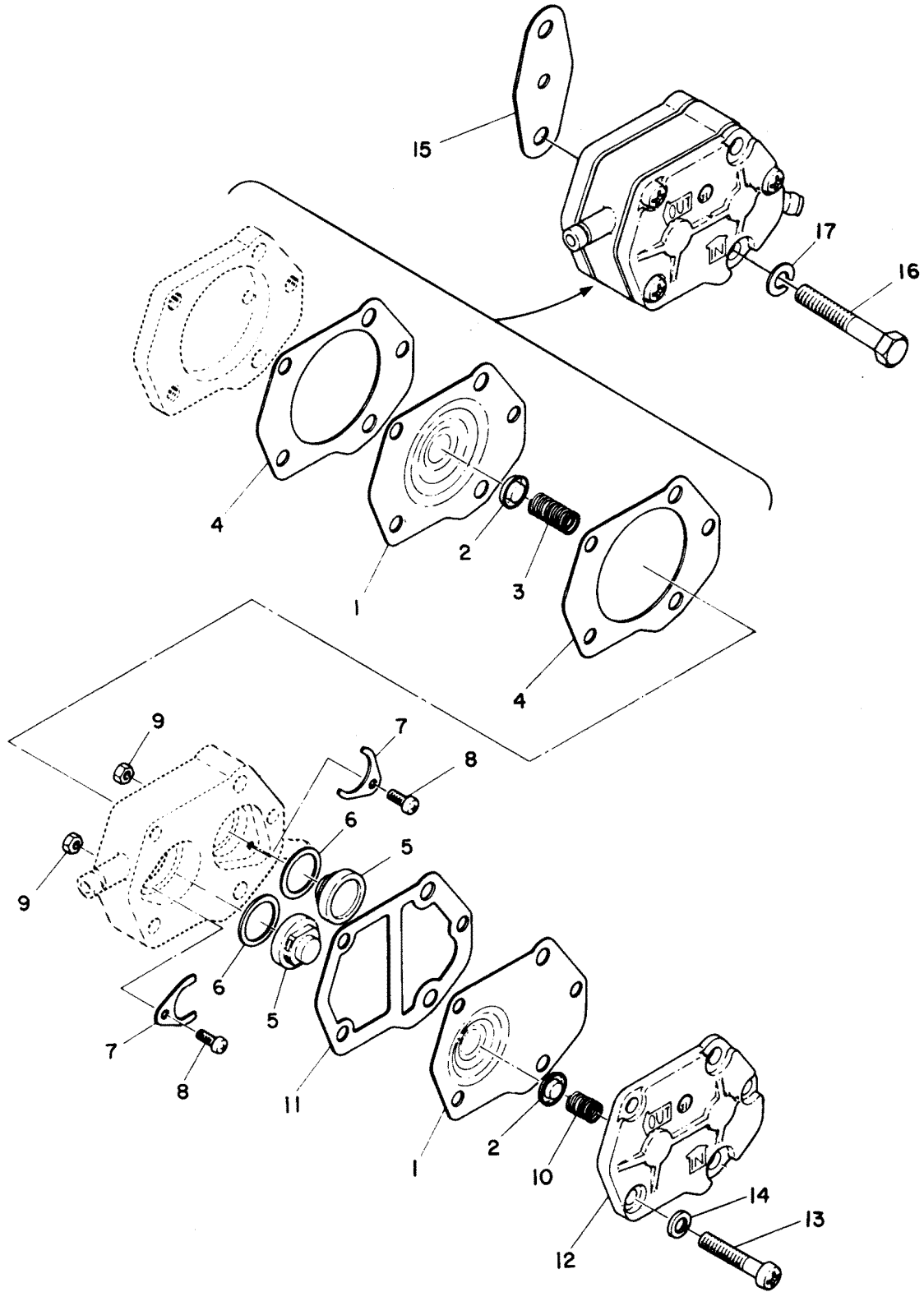
COWLING



COWLING

REF. NO.	PART NO.	SYM.	QTY.	DESCRIPTION
45	10-82453M		2	BOLT, APRON ATTACHING
46	54-82983M		1	CLAMP
47	83237M		1	COVER, BOTTOM SERIAL 00000000-00001835
48	23-81376M		1	BUSHING SERIAL 00001836-09999999
49	32-81324M		1	PIPE
50	91-81342M		1	TOOL KIT
51	22-80218M		1	PLUG, WATER FLUSH (OPTIONAL)
52	47341A1		1	ROPE, EMERGENCY START

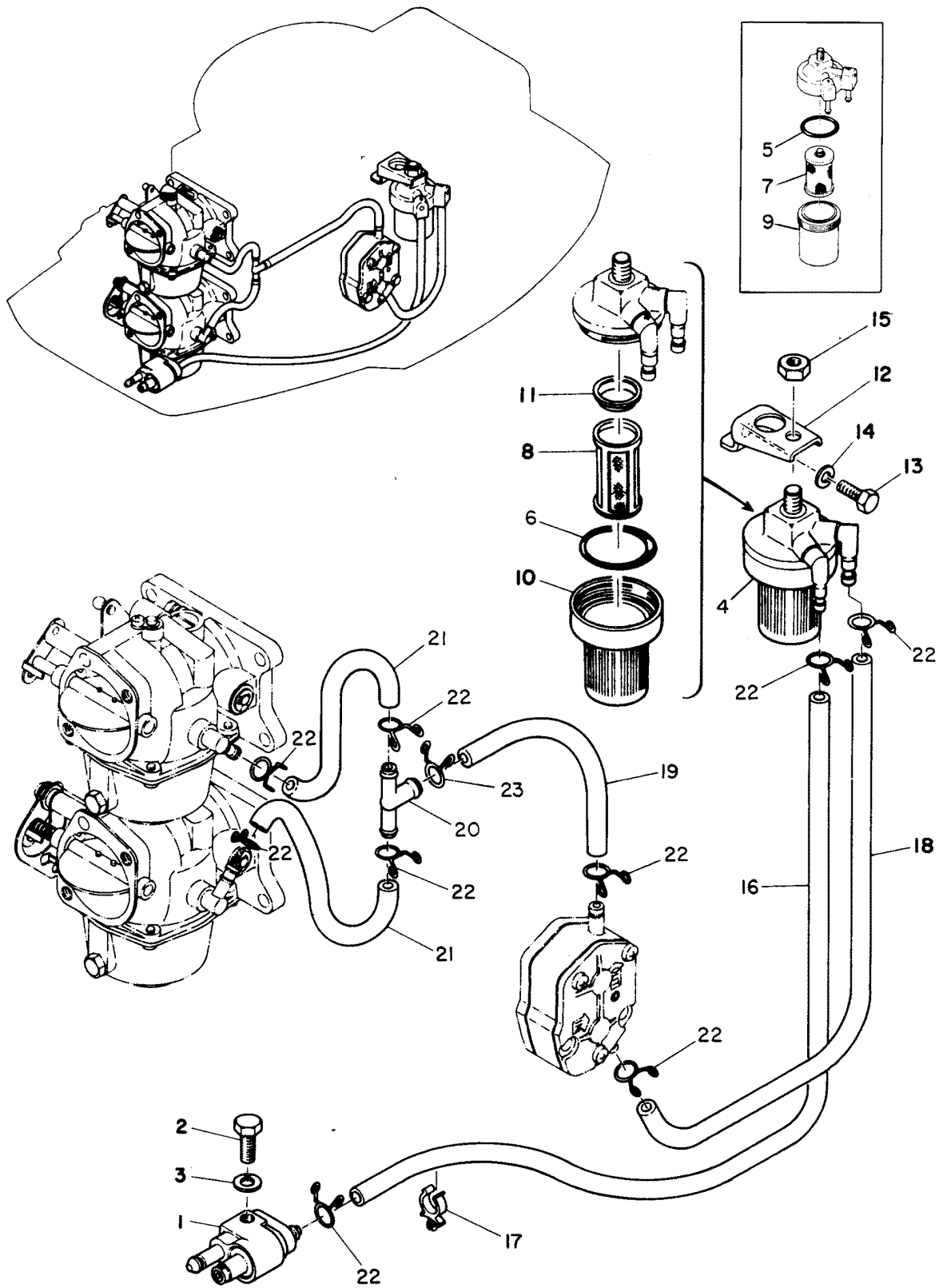
FUEL PUMP



FUEL PUMP

REF. NO.	PART NO.	SYM.	QTY.	DESCRIPTION
0-1	81328M		1	FUEL PUMP ASS'Y
1	80606M		2	DIAPHRAM, FUEL PUMP
2	80611M		2	PLATE, SPRING GUIDE
3	24-80610M		1	SPRING, FUEL PUMP DIAPHRAM
4	27-80613M		2	GASKET, BODY TO BASE
5	21-80608M		2	CHECK VALVE, FUEL PUMP
6	27-80612M		2	GASKET, CHECK VALVE
7	80609M		2	RETAINER, CHECK VALVE
8	10-82511M		2	SCREW, RETAINER ATTACHING
9	11-82373M		2	NUT, RETAINER SCREW
10	24-80615M		1	SPRING, FUEL PUMP DIAPHRAM
11	27-80614M		1	GASKET, BODY TO COVER
12	80907M		1	COVER, FUEL PUMP
13	10-82523M		3	SCREW, COVER ATTACHING
14	13-82208M		3	LOCKWASHER, COVER SCREW
15	27-80757M		1	GASKET, FUEL TO CRANKCASE
16	10-82428M		2	BOLT, FUEL PUMP ATTACHING
17	12-82198M		2	WASHER, FUEL-PUMP BOLT

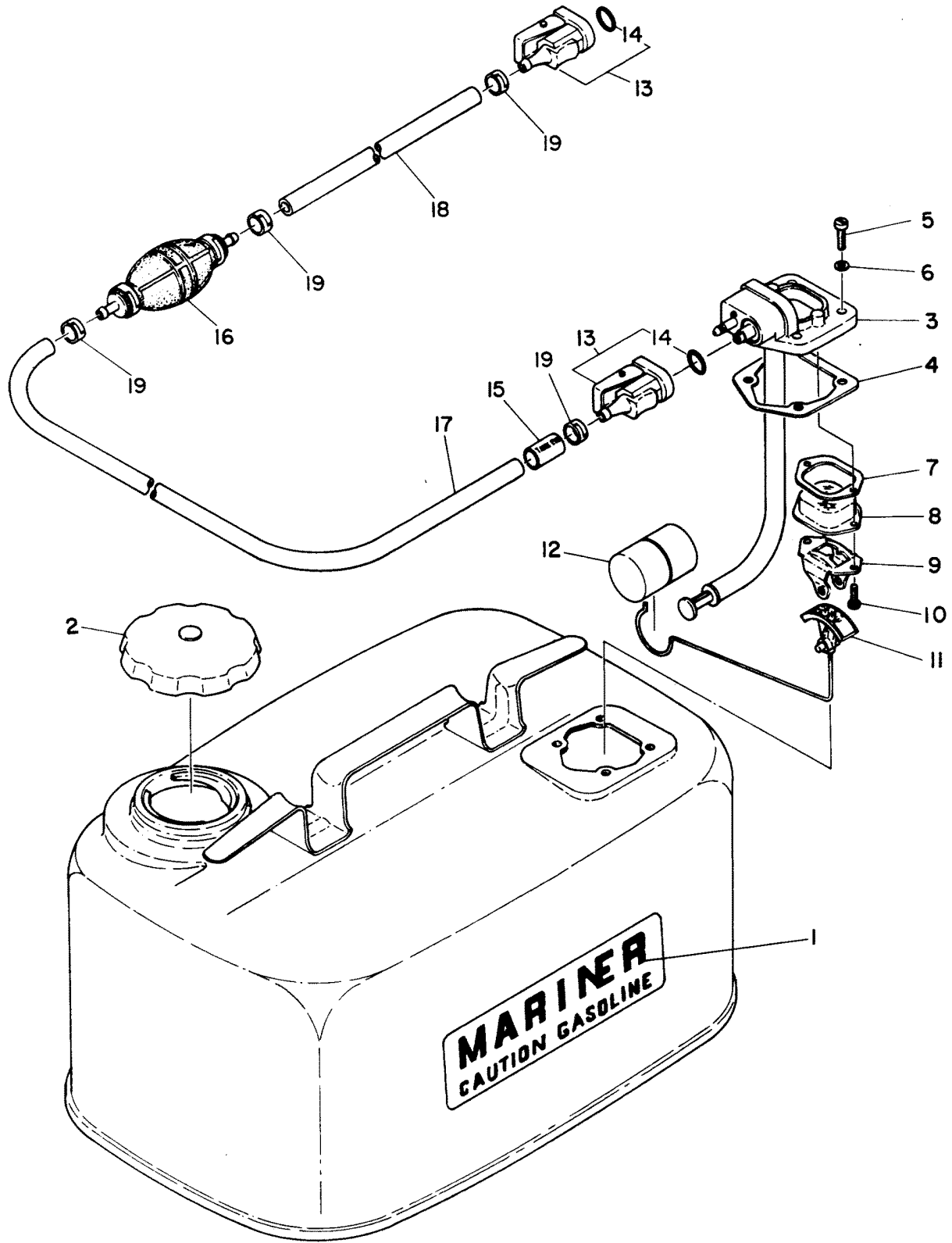
FUEL LINE AND FILTER



FUEL LINE AND FILTER

REF. NO.	PART NO.	SYM.	QTY.	DESCRIPTION
1	81041M		1	FUEL LINE CONNECTOR
2	10-82423M		1	BOLT, CONNECTOR ATTACHING
3	13-82212M		1	LOCK WASHER, CONNECTOR BOLT
4	35-80617M		1	FILTER ASS'Y
5	25-80619M		1	GASKET, FUEL CUP SERIAL 00000000-00002730
6	25-82792M		1	O-RING, FUEL CUP (WITH M-35-80617M)
7	35-80618M		1	FUEL, FILTER) SERIAL 00000000-00002730
8	35-82783M		1	FUEL FILTER (WITH M-35-80617M)
9	35-80616M		1	FUEL CUP SERIAL 00000000-00002730
10	82784M		1	FUEL CUP (WITH M-35-80617M)
11	27-82790M		1	GASKET, FILTER(WITH M-35-80617M)
12	80620M		1	BRACKET, FUEL FILTER
13	10-82422M		1	BOLT, FUEL PUMP BRACKET ATTACHING
14	13-82197M		1	LOCK WASHER, BRACKET BOLT
15	11-82382M		1	NUT, FUEL PUMP ATTACHING
16	32-82017M		1	FUEL LINE, CONNECTOT TO PUMP
17	54-82037M		2	CLAMP, FUEL LINE
18	32-82010M		1	FUEL LINE, FILTER TO PUMP
19	32-82020M		1	FUEL LINE, PUMP TO TEE
20	22-81697M		1	TEE FITTING, FUEL LINE
21	32-82004M		2	FUEL LINE, TEE TO CARBURETOR
22	54-82047M		9	CLAMP, FUEL LINE
23	54-82048M		1	CLAMP, FUEL LINE

FUEL TANK



FUEL TANK

REF. NO.	PART NO.	SYM.	QTY.	DESCRIPTION
0-1	1252-6836M		1	FUEL TANK ASS'Y
1	37-82984M		2	GRAPHIC,SIDE
2	81694M		1	FUEL TANK CAP
3	81321M		1	HOUSING, FUEL CONECTOR
4	27-81320M		1	GASKET, HOUSING TO TANK
5	10-82526M		4	SCREW, HOUSING ATTACHING
6	12-80271M		4	WASHER, HOUSING SCREW
7	27-80270M		1	GASKET, HOUSING TO LENS INDICATOR
8	80269M		1	LENS, INDICATOR
9	80268M		1	SUPPORT, INDICATOR
10	10-82518M		2	SCREW, SUPPORT ATTACHING
11	81318M		1	INDICATOR
12	81319M		1	FLOAT, INDICATOR
0-2	32-83192M		1	FUEL HOSE ASS'Y
13	22-81042M		2	CONNECTOR HOUSING
14	25-82789M		2	O-RING
15	23-81327M		1	SLEEVE, HOSE
16	81325M		1	BULB, PRIMER
17	32-82025M		1	HOSE (CONNECTOR HOUSING TO BULB)
18	32-82023M		1	HOSE, BULB TO CONNECTOR
19	54-80752M		4	CLAMP, HOSE

PARTS INDEX

Part Number	Description	Pg.	Ref. No.	Part Number	Description	Pg.	Ref. No.
47341A1	ROPE, EMERGENCY START	41	52	81349M	BRACKET, SHAFT-UPPER	27	23
80026M	PLATE	11	23	81350M	BRACKET, SHAFT	27	10
80051M	ANODE	13	33	81359M	ARM & SHAFT (SHORT SHAFT)	25	1
80268M	SUPPORT, INDICATOR	47	9	81360M	ARM & SHAFT (LONG SHAFT)	25	1
80269M	LENS, INDICATOR	47	8	81361M	SEAL, TOP COWL	39	26
80454M	CAP, OVER FLOW PIPE	9	21	81363M	AIR DUCT ASS'Y	39	14
80606M	DIAPHRAM, FUEL PUMP	43	1	81366M	EMBLEM, FRONT	39	2
80609M	RETAINER, CHECK VALVE	43	7	81367M	EMBLEM, REAR	39	3
80611M	PLATE, SPRING GUIDE	43	2	81370M	BUMPER, COWL	39	40
80620M	BRACKET, FUEL FILTER	45	12	81374M	APRON, COWL-REAR	39	42
80907M	COVER, FUEL PUMP	43	12	81375M	HOOK, COWLCLAMP-FRONT	39	29
81041M	FUEL LINE CONNECTOR	45	1	81377M	HOOK, COWL-REAR	39	38
81098M	THERMOSTAT	3	32	81378M	APRON, COWL-FRONT	39	43
81191M	CONNECTOR, CHOKE LEVER	9	28	81379M	LEVER, COWL CLAMP	39	21
81225M	CLEVIS	27	28	81380M	CLAMP, COWL	39	24
81225M	CONNECTOR, ADJUSTMENT ROD	9	33	81382M	HANDLE, TRANSOM CLAMP SCREW	21	7
81251M	BRACKET LIFT	5	49	81385M	COVER, SHOCK MOUNT	21	27
81253M	COVER, CYLINDER HEAD	3	25	81387M	STUD, CLAMP BRACKET	21	13
81255M	ANODE	3	19	81388M	CAP, CLAMP BRACKET STUD	21	16
81265M	COVER, THERMOSTAT	3	33	81391M	A>STOPPER PLATE	23	19
81267M	VALVE, PRESSURE CONTROL	3	29	81393M	LEVER, TILT STOP SUPPORT (PORT)	23	1
81271M	MANIFOLD, INTAKE	9	19	81394M	LEVER, TILT STOP SUPPORT (STARBOARD)	23	2
81274M	BASE, AIR INTAKE	9	1	81395M	COVER	23	21
81275M	COVER, AIR INTAKE	9	6	81396M	REVERSE LOCK	23	7
81282M	JET, PILOT (#92)	11	4	81398M	ROD, REVERSE LOCK (SHORT SHAFT)	23	11
81283M	JET, MAIN (#180)	11	10	81400M	CLEVIS, REVERSE LOCK	23	13
81285M	JET, MAIN (#190)	11	10	81401M	GUIDE, REVERSE ROD	29	23
81286M	JET (#160)	11	19	81403M	STOP, SHAFT BRACKET	27	16
81287M	NOZZLE, MAIN	11	9	81404M	BRACKET, SHIFT	29	1
81288M	PILOT, AIR JET (#100)	11	18	81405M	SHIFT ROD, UPPER-SHORT SHAFT	29	19
81290M	FLOAT, BOWL	11	14	81406M	SHIFT ROD, UPPER - LONG SHAFT	29	19
81291M	FLOAT	11	11	81407M	LEVER, SHIFT ROD	29	7
81294M	HOUSING, OIL SEAL	7	14	81408M	ROD, SHIFT-LOWER	29	25
81318M	INDICATOR	47	11	81409M	CAM, SHIFT	29	27
81319M	FLOAT, INDICATOR	47	12	81410M	CAM, REVERSE ROD	29	24
81321M	HOUSING, FUEL CONECTOR	47	3	81412M	CAP, CLEVIS LOCK	27	2
81325M	BULB, PRIMER	47	16	81412M	RETAINER, CLEVIS	29	8
81328M	FUEL PUMP ASS'Y	43	0-1	81415M	CAP, SET BOLT	27	26
81330M	COVER, EXHAUST-OUTER	3	36	81419M	INSERT, CARTRIDGE	19	2
81332M	GUIDE, EXHAUST	13	7	81420M	OUTER PLATE, CARTRIDGE	19	5
81333M	ROD, LINK	27	29	81428M	SET PLATE, WATER TUBE	19	18
81334M	CAM	27	30	81429M	RETAINER, UPPER MOUNT	25	32
81335M	ROD, THROTTLE ADJUSTMENT	9	32	81431M	BUMPER, UPPER MOUNT BOLT	25	26
81336M	CONNECTOR, ADJUSTMENT ROD	9	34	81432M	HOUSING, LOWER MOUNT	25	9
81337M	ROD, CHOKE	9	26	81433M	RETAINER, LOWER MOUNT	25	18
81339M	ROD, CHOKE LINK	9	29	81434M	CLOVER, LOWER MOUNT	25	22
81340M	CONNECTOR, LINK ROD	9	30	81435M	HOUSING PALTE	25	11
81341M	CAP, CLEVIS LOCK	27	2	81436M	BUMPER, LOWER MOUNT BOLT	25	15
81342M	RETAINER, BASE ASS'Y	33	19	81439M	CAP, GREASE FITTING	21	3
81344M	LEVER, CDI CONTROL	27	22				
81345M	LEVER, C.D.I. CONTROL	27	1				
81346M	LEVER, CDI CONTROL	27	19				
81347M	SHAFT, LIND CONNECTING	27	20				
81347M	SHAFT, LINK CONNECTION	27	20				
81348M	ROD, CONTROL	27	27				

PARTS INDEX

Part Number	Description	Pg.	Ref. No.	Part Number	Description	Pg.	Ref. No.
81441M	CAP, DRIVESHAFT HOUSING (SHORT SHAFT)	13	2	81531M	STOPPER	31	4
81442M	CAP, DRIVESHAFT HOUSING (LONG SHAFT)	13	2	81532M	SWITCH PANEL ASS'Y	31	0-1
81443M	COVER, WATER INLET-PORT	13	17	81533M	SWITCH PANEL	31	12
81444M	COVER, WATER INLET-STARBOARD	13	18	81537M	STAY, CORD CLAMP	31	5
81445M	COVER, GEAR HOUSING	13	23	81540M	CLAMP	31	19
81447M	TRIM, TAB	13	31	81541M	BAND	35	33
81448M	SEAL, RUBBER	13	16	81542M	SWITCH BOX	35	18
81449M	GUIDE, SEAL	13	15	81543M	BRACKET, ELECTRICAL COMPONENT	35	1
81474M	RING, CROSS PIN	15	14	81544M	DAMPER, SWITCH BOX	35	19
81475M	SLIDE, SHIFT	15	16	81545M	MAGNETO BASE ASS'Y (40 W)	33	4
81476M	PLUNGER, SHIFT	15	15	81546M	COIL, CHARGE (40 W)	33	6
81479M	CAP, THRUST PLATE	17	31	81548M	COIL, TRIGGER (40 W)	33	8
81480M	CLEVIS, SHIFT CONTROL CABLE	29	10	81549M	IGNITION COIL	35	21
81480M	CLEVIS, THROTTLE CABLE	27	9	81551M	COVER, SOLENOID	9	16
81481M	PLATE, STEERING (HOOK)	25	2	81552M	WIRE, PULL	9	14
81482M	PLATE, STEERING (RIDE GUIDE)	25	34	81553M	HOOK, WIRE PULL	9	13
81483M	BRACKET, REMOTE CONTROL	27	33	81554M	DAMPER	9	36
81484M	CLAMP, CABLE	27	34	81676M	HOUNSING MOUNT, UPPER	25	25
81485M	TERMINAL	37	35	81680M	REMOTE CONTROL	31	21
81486M	COIL, LIGHTING (40 W)	33	10	81681M11	CABLE, REMOTE CONTROL 11 FT	31	22
81487M	POINTER, TIMING (WITH M-253-6847M)	33	17	81681M12	CABLE, REMOTE CONTROL 12 FT	31	22
81489M	COVER, FLYWHEEL	33	24	81681M13	CABLE, REMOTE CONTROL 13 FT	31	22
81492M	STATOR	37	9	81681M14	CABLE, REMOTE CONTROL 14 FT	31	22
81493M	STATOR	37	10	81681M15	CABLE, REMOTE CONTROL 15 FT	31	22
81494M	BRUSH, POSITIVE	37	12	81681M16	CABLE, REMOTE CONTROL 16 FT	31	22
81495M	BRUSH, NEGATIVE	37	13	81681M17	CABLE, REMOTE CONTROL 17 FT	31	22
81495M	BRUSH, NEGATIVE	37	13	81681M18	CABLE, REMOTE CONTROL 18 FT	31	22
81497M	WIRE, LEAD	37	22	81681M6	CABLE, REMOTE CONTROL 6 FT	31	22
81498M	COVER, COMMUNTATOR END	37	15	81681M7	CABLE, REMOTE CONTROL 7FT	31	22
81499M	REAR COVER	37	16	81681M8	CABLE, REMOTE CONTROL 8 FT	31	22
815010M	ARMATURE	37	8	81681M9	CABLE, REMOTE CONTROL 9FT	31	22
81501M	BRACKET, DRIVE END COVER	37	1	81694M	FUEL TANK CAP	47	2
81502M	FRONT BRACKET	37	2	82346M	BALL, DETENT (1/4 INCH)	29	16
81503M	PINION, STARTER	37	5	82556M	BRACKET, SHIFT ROD	29	11
81504M	GEAR	37	6	82678M	RETAINER, BASE ASS'Y	33	19
81505M	RING, STOP	37	20	82780M	VALVE SEAT	11	20
81506M	LEVER, SOLENOID	37	25	82784M	FUEL CUP (WITH M-35-80617M)	45	10
81507M	BRUSH HOLDER	37	11	82988M	ROD, CHOKE LINK	9	38
81508M	COVER	37	27	83031M	POINTER, TIMING (WITH M-253-6935M)	33	15
81509M	ARMATURE	37	7	83035M	MAGNETO BASE ASS'Y (80 W)	33	3
81511M	PINION STOP KIT	37	19	83036M	COIL, CHARGE (80 W)	33	5
81514M	DUST COVER KIT	37	26	83037M	COIL, CHARGE (80 W)	33	7
81515M	COVER, TERMINAL STRIP	35	14	83038M	COIL, LIGHTNING (80 W)	33	9
81518M	TERMINAL	35	8				
81519M	RECTIFIER	35	27				
81523M	RUBBER MOUNT, MOUNTING BRACKET	35	2				
81524M	CAP, SPARK PLUG	35	26				
81529M	STAY, NUETRAL SWITCH	29	14				
81530M	PLATE	29	6				

PARTS INDEX

Part Number	Description	Pg.	Ref. No.	Part Number	Description	Pg.	Ref. No.
83051M	ROD, REVERSE LOCK (LONG SHAFT)	23	11	10-82426M	BOLT, COIL ATTACHING . . .	35	25
83145M	HOLDER, CLAMP BAND . . .	39	18	10-82426M	BOLT, SOLENOID ATTCHING	37	23
83145M	HOLDER, CLAMP BAND . . .	39	19	10-82426M	BOLT, THERMOSTAT COVER ATTACHING	3	35
83146M	SEAL, RUBBER	39	15	10-82426M	BOOLT, COWLING TO DRIVESHAFT HOUSING .	39	36
83228M	COVER, LEAD WIRE	35	37	10-82428M	BOLT, FUEL PUMP ATTACHING	43	16
83232M	RUBBER SOUND BLANKETS	39	10	10-82437M	BOLT	37	37
83233M	RUBBER SOUND BLANKETS	39	11	10-82437M	BOLT, CONTROL BRACKET ATTACHING	27	36
83234M	RUBBER SOUND BLANKETS	39	12	10-82438M	BOLT, COVER	37	36
83235M	RUBBER SOUND BLANKETS	39	13	10-82438M	BOLT, INTAKE COVER ATTACHING	9	8
83236M	RETAINER, COWL BUMPER	39	41	10-82440M	BOLT, FRAME ATTACHING .	37	30
83237M	COVER, BOTTOM	41	47	10-82440M	BOLT, LIFT BRACKET ATTACHING	5	50
10-80164M	SCREW, PANEL ATTACHING (E-02101 EL-33676)	31	13	10-82441M	BOLT, BRACKET ATTACHING	29	12
10-80665M	SCREW (E-02100 EL-33675)	31	13	10-82442M	BOLT, STARTER ATTACHING	37	28
10-81277M	SCREW, THROTTLE	11	5	10-82443M	BOLT, HEXAGON	37	29
10-81279M	SCREW, PLUG	11	3	10-82448M	BOLT, PLATE ATTACHING .	19	19
10-81281M	SCREW, IDLE SPEED	11	7	10-82449M	BOLT, GEAR HOUSING COVER ATTACHING	13	26
10-81292M	SCREW, PLUG	11	1	10-82449M	BOLT, OIL SEAL HOUSING ATTACHING	7	18
10-81293M	SCREW, BOWL DRAIN	11	16	10-82451M	BOLT, APRON ATTACHING .	39	44
10-81381M	SCREW, TRANSOM CLAMP	21	6	10-82453M	BOLT, APRON ATTACHING .	41	45
10-81500M	THRU-BOLT, COVER ATTACHING	37	17	10-82464M	BOLT, LOWER RETAINER ATTACHING	25	20
10-81713M	BOLT, CAM ATTACHING . . .	27	32	10-82465M	BOLT, GUIDE ATTACHING .	13	13
10-81714M	BOLT, UPPER MOUNT	25	27	10-82466M	BOLT, INNER HOUSING ATTACHING	13	12
10-81715M	BOLT	7	22	10-82466M	BOLT, UPPER RETAINER ATTACHING	25	33
10-81717M	BOLT, LOWER MOUNT	25	14	10-82467M	BOLT	13	35
10-81718M	BOLT, SHOCK PIN	21	26	10-82468M	BOLT, PUMP ATTACHING . .	19	13
10-81720M	BOLT, SET	27	25	10-82469M	BOLT, PUMP ATTACHING . .	19	12
10-81758M	SCREW, WITH WASHER	11	15	10-82470M	BOLT, GEAR HOUSING ATTACHING	13	30
10-82164M	SCREW	13	34	10-82472M	BOLT	13	36
10-82172M	SCREW, LOWER MOUNT COVER ATTACHING	25	23	10-82474M	BOLT, GEAR HOUSING ATTACHING	13	28
10-82199M	WASHER	39	17	10-82480M	SCREW, CONNECTOR	9	31
10-82402M	BOLT, TRIM TAB ATTACHING	13	32	10-82484M	SCREW, INLET ATTACHING	13	19
10-82405M	BOLT, CRANKCASE ATTACHING	3	7	10-82487M	SCREW (E-02101 EL-33676)	31	10
10-82409M	BOLT, CYLINDER HEAD ATTACHING	3	23	10-82487M	SCREW, CLAMP ATTACHING (E-02100 EL-33675)	31	8
10-82410M	BOLT, CRANKCASE ATTACHING	3	10	10-82499M	SCREW	11	24
10-82417M	BOLT, STOP SWITCH BOLT	5	45	10-82508M	SCREW, COIL ATTACHING .	33	11
10-82420M	BOLT	37	18	10-82509M	SCREW	33	12
10-82421M	BOLT, COWL CLAMP ATTACHING	39	25	10-82511M	SCREW, RETAINER ATTACHING	43	8
10-82422M	BOLT	35	40	10-82518M	SCREW, SUPPORT ATTACHING	47	10
10-82422M	BOLT, BUMPER ATTACHING	39	39	10-82519M	SCREW, RECTIFIER ATTACHING	35	28
10-82422M	BOLT, FUEL PUMP BRACKET ATTACHING . . .	45	13	10-82523M	SCREW, COVER ATTACHING	43	13
10-82422M	BOLT, POINTER ATTACHING	33	18				
10-82423M	BOLT, BRACKET ATTACHING	29	5				
10-82423M	BOLT, CONNECTOR ATTACHING	45	2				
10-82424M	BOLT	3	27				
10-82424M	BOLT, BASE ATTACHING . .	9	4				
10-82424M	BOLT, BASE ATTACHING . .	33	20				
10-82424M	BOLT, CDI LEVER	27	7				

PARTS INDEX

Part Number	Description	Pg.	Ref. No.	Part Number	Description	Pg.	Ref. No.
10-82523M	SCREW, RECTIFIER ATTACHING	35	28	12-81461M	THRUST WASHER, REVERSE GEAR	15	21
10-82523M	SCREW, SOLENOID COVER ATTACHING	9	17	12-81477M	THRUST WASHER, FORWARD GEAR	17	30
10-82526M	SCREW, HOUSING ATTACHING	47	5	12-81491M	WASHER KIT	37	21
10-82527M	SCREW, ANODE ATTACHING	3	20	12-81701M	WASHER, PLATE	11	2
10-82533M	SCREW, MOUNT ATTACHING	21	28	12-81792M	WASHER, CRANKCASE BOLT	3	8
10-82569M	SCREW	33	25	12-81796M	WASHER, APRONBOLT	39	35
10-82798M	SCREW	35	9	12-81803M	WASHER, UPPER MOUNT BOLT	25	30
10-82801M	BOLT	13	37	12-81807M	WASHER, CRANKCASE BOLT	3	11
10-82981M	SCREW	35	34	12-81811M	WASHER, LOWER MOUNT BOLT	25	16
10-83048M	SCREW, TERMINAL STRIP COVER ATTACHING	35	16	12-81812M	WASHER, PIN BOLT	21	25
10-83230M	LEAD, WIRE	35	39	12-81819M	WASHER, LOWER MOUNT BOLT	25	13
10-84423M	BOLT	27	13	12-81825M	WASHER, UPPER MOUNT BOLT	25	28
11-81450M	NUT, CLAW WAHSER	15	29	12-81830M	WASHER, SHOCK MOUNT SPACER	21	20
11-81758M	NUT, PLATE STUD	25	4	12-81831M	WASHER, CONNECTING ROD BEARING	7	13
11-81760M	NUT	9	27	12-81831M	WASHER, CONNECTING ROD BEARING	7	13
11-81772M	NUT, DRIVESHAFT	15	9	12-81834M	WASHER, FLYWHEEL	33	27
11-81773M	NUT, FLYWHEEL	33	26	12-81836M	WASHER, CLAMP BRACKET STUD	21	14
11-81775M	NUT, PROPELLER	17	33	12-81837M	THRUST WASHER, REVERSE GEAR	15	19
11-81779M	NUT, LOWER MOUNT COVER SCREW	25	24	12-81838M	WASHER, STEERING SHAFT-UPPER	25	5
11-81781M	NUT, INLET SCREW	13	20	12-81839M	WASHER, STEERING SHAFT-LOWER	25	8
11-81783M	NUT, UPPER MOUNT BOLT	25	31	12-81847M	WASHER, SHAFT BRACKET	27	12
11-81787M	NUT, CLAMP BRACKET STUD	21	15	12-81852M	WASHER, WATER TUBE	19	15
11-81877M	WAHSER, CLAW	15	28	12-81857M	WASHER, UPPER MOUNT BOLT	25	29
11-82373M	NUT, RETAINER SCREW	43	9	12-81858M	SPACER, SHIFT ROD	29	21
11-82377M	NUT, PANEL NUT	31	14	12-81859M	WAHSER, LOWER SHOCK BUSHING	21	23
11-82378M	LOCK NUT, ADJUSTMENT ROD	9	35	12-82196M	WASHER	39	6
11-82378M	NUT, CLEVIS LOCK	27	38	12-82198M	WASHER, FUEL-PUMP BOLT	43	17
11-82380M	NUT, CARBURETOR ATTACHING	9	25	12-82200M	LOCK WASHER, BRACKET BOLT	5	51
11-82381M	NUT	27	39	12-82202M	WASHER	37	33
11-82381M	NUT	27	8	12-82202M	WASHER, INTAKE COVER BOLT	9	10
11-82382M	NUT, FUEL PUMP ATTACHING	45	15	12-82202M	WASHER, PLATE	37	34
11-82387M	NUT, CRANKCASE STUD	3	12	12-82214M	WASHER	35	36
11-82388M	NUT, APPLIQUE ATTACHING	39	5	12-82214M	WASHER, COVER BOLT	13	27
11-82391M	NUT, DRIVESHAFT HOUSING ATTACHING	13	4	12-82214M	WASHER, HOUSING BOLT	7	19
11-82395M	NUT, CLAMP BRACKET STUD	21	12	12-82217M	WASHER, PUMP BELT	19	14
11-82397M	NUT, LOWER MOUNT BOLT	25	17	12-82220M	WASHER	13	38
11-82400M	LOCK NUT, REVERSELOCK ROD	23	12	12-82220M	WASHER, CLAMP BRACKET STUD	21	11
12-80271M	WASHER, HOUSING SCREW	47	6	12-82707M	WASHER, CLAMP SCREW	31	9
12-80564M	WASHER, CYLINDER HEAD BOLT	3	24	12-82799M	WASHER, PANEL NUT	31	16
12-80638M	PAD, TRANSO CLAMP SCREW	21	5	12-82979M	WASHER, BRACKET	35	4
12-80884M	DAMPER	39	4	12-82980M	SCREW, TERMINAL STRIP ATTACHING	35	11
12-81343M	WASHER, BASE ASS'Y	33	23				
12-81455M	THRUST WAHSER, DRIVESHAFT	15	8				

PARTS INDEX

Part Number	Description	Pg.	Ref. No.	Part Number	Description	Pg.	Ref. No.
12-83227M	WASHER, TOOTH	33	28	15-81459M	SHIM, FORWARD GEAR		
13-81866M	WASHER, WAVE-CLEVIS PIN	29	4		ADJUST (.30MM)	15	10
13-81866M	WASHER, WAVE-PIVOT PIN	27	3	15-81460M	SHIM, FORWARD GEAR		
13-81868M	WASHER, WAVE TILT STOP				ADJUST	15	10
	SUPPORT	23	3	15-81462M	SHIM, REVERSE GEAR		
13-81868M	WASHER, WAVE TILT STOP				ADJUST (.05MM)	15	20
	SUPPORT	23	3	15-81463M	SHIM, REVERSE GEAR		
13-81868M	WASHER, WAVE-CAM	27	31		ADJUST (.08MM)	15	20
13-81869M	WASHER, WAVE-CLAMP			15-81464M	SHIM, REVERSE GEAR		
	LEVER	39	23		ADJUST (.12MM)	15	20
13-82184M	LOCK WASHER, PANEL NUT	31	15	15-81465M	SHIM, REVERSE GEAR		
13-82184M	LOCK WASHER, TERMINAL				ADJUST (.30MM)	15	20
	STRIP COVER SCREW	35	17	15-81466M	SHIM, REVERSE GEAR		
13-82184M	WASHER (E-02101 EL-33676)	31	11		ADJUST (.50)	15	20
13-82193M	LOCK WASHER, RECTIFIER			15-81467M	SHIM, DRIVESHAFT		
	SCREW	35	29		BEARING (.05MM)	15	5
13-82197M	LOCK WASHER	9	5	15-81468M	SHIM, DRIVESHAFT		
13-82197M	LOCK WASHER	39	37		BEARING (.08 MM)	15	5
13-82197M	LOCK WASHER, BRACKET			15-81469M	SHIM, DRIVESHAFT		
	BOLT	45	14		BEARING (.12 MM)	15	5
13-82197M	WASHER	35	41	15-81470M	SHIM, DRIVESHAFT		
13-82197M	WASHER	35	6		BEARING (.30 MM)	15	5
13-82199M	WASHER	3	28	15-81471M	SHIM, DRIVESHAFT		
13-82199M	WASHER	27	14		BEARING (.50MM)	15	5
13-82199M	WASHER	29	3	15-82130M	PIN, REVERSE LOCK SHAFT	23	9
13-82199M	WASHER	33	21	16-81383M	STUD, CLAMP BRACKET	21	9
13-82199M	WASHER	35	13	16-81735M	STUD, INTAKE MANIFOLD		
13-82199M	WASHER, SOLENOID BOLT	37	24		ATTACHING	3	13
13-82200M	LOCK WASHER, BRACKET			16-81740M	STUD, DRIVESHAFT		
	BOLT	29	13		HOUSING ATTACHING	3	18
13-82200M	LOCK WASHER, CONTROL			16-81742M	STUD, STEERING PLATE	25	3
	BRACKET BOLT	27	37	16-81743M	STUD, CRANKCASE		
13-82200M	LOCK WASHER, COVER				ATTACHING	3	17
	BOLT	37	31	17-81258M	LOCK, BEARING	3	16
13-82200M	LOCK WASHER, INTAKE			17-81278M	PIN, FLOAT	11	12
	COVER BOLT	9	9	17-81384M	PIN, LOWER SHOCK MOUNT	21	22
13-82200M	WASHER	37	38	17-81386M	SHAFT, UPPER SHOCK		
13-82200M	WASHER, SPRING	37	32		MOUNT	21	18
13-82208M	LOCKWASHER, COVER			17-81389M	TILT LOCK PIN ASS'Y	23	18
	SCREW	43	14	17-81698M	PIN, VALVE	11	22
13-82212M	LOCK WASHER,			17-81889M	PIN, TRANSOM CLAMP		
	CONNECTOR BOLT	45	3		SCREW	21	8
13-82212M	LOCK WASHER, PLATE			17-81893M	PIN, LOCK LEVER PIVOT	27	4
	BOLT	19	20	17-81909M	RIVET	23	16
13-82214M	WASHER	35	35	17-82137M	PIN, CLEVIS-SHIFT		
13-82215M	LOCK WASHER	25	21		BRACKET	29	2
13-82215M	LOCKWASHER	13	5	17-82138M	PIN, CLEVIS-REVERSE		
13-82218M	LOCKWASHER, GEAR				LOCK	23	14
	HOUSING BOLT	13	29	17-82145M	PIN, ROLL-COIL	9	12
14-81397M	ROD, REVERSE LOCK	23	8	17-82145M	PIN, SPRING	23	20
14-81903M	CROSS PIN, CLUTCH	15	13	17-82146M	PIN, CABLE CLAMP	27	35
14-82154M	PIN, UPPER SHAFT			17-82149M	PIN	27	6
	BRACKET	27	24	17-82159M	PIN, TENSION SPRING	23	17
15-81259M	WASHER, CRANKSHAFT PIN	7	7	17-82354M	PIN, DOWEL-WATER PUMP	19	11
15-81456M	SHIM, FORWARD GEAR			17-82364M	PIN, DOWEL	13	3
	ADJUST (.05 MM)	15	10	17-82367M	PIN, DOWEL-CONTROL		
15-81457M	SHIM, FORWARD GEAR				LEVER	27	5
	ADJUST (.08MM)	15	10	17-82368M	PIN, DOWEL CRANKCASE	3	6
15-81458M	SHIM, FORWARD GEAR			17-82982M	RIVET	39	20
	ADJUST (.12 MM)	15	10	18-82131M	PIN< TILIT STOP SUPPORT	23	5

PARTS INDEX

Part Number	Description	Pg.	Ref. No.	Part Number	Description	Pg.	Ref. No.
18-82135M	PIN, PROPELLER NUT	17	34	24-82091M	SPRING, SHIFT	15	17
18-82752M	PIN, CLEVIS PIN	23	15	24-82103M	SPRING, TENSION	23	10
19-81922M	WELCH PLUG, DRIVESHAFT HOUSING	13	10	24-82113M	SPRING, TORSION-LINK SHAFT	27	21
21-80107M	VALVE CHECK(E-02100 EL-33675)	3	5	24-83223M	SPRING, CHOKE	9	37
21-80107M	VALVE, CHECK	3	3	25-80619M	GASKET, FUEL CUP	45	5
21-80608M	CHECK VALVE, FUEL PUMP	43	5	25-80714M	GROMMER	35	23
21-80727M	CHECK VALVE ASS'Y	3	1	25-81369M	GROMMET, LOWER COWL	39	30
22-80122M	FITTING, CRANKCASE DRAIN	3	4	25-81695M	O-RING, DRAIN SCREW	11	17
22-80122M	PIPE, OVER FLOW	9	20	25-81989M	GASKET, WATER TUBE	19	17
22-80218M	PLUG, WATER FLUSH (OPTIONAL)	41	51	25-82057M	GROMMET	5	47
22-80756M	FITTING, EXHAUST COVER	3	38	25-82057M	GROMMET, TERMINAL STRIP ATTACHING	35	13
22-81042M	CONNECTOR HOUSING	47	13	25-82059M	GROMMET	33	14
22-81326M	FITTING, LOWER COWL	39	31	25-82061M	GROMMET	39	32
22-81697M	TEE FITTING, FUEL LINE	45	20	25-82065M	GROMMER, APRON BOLT	39	33
22-81918M	PLUG, AIR INTAKE	9	2	25-82067M	GROMMET, CONTROL VALVE	3	31
22-81924M	PLUG, OIL DRAIN	13	21	25-82258M	O-RING, PULL WIRE	9	15
22-81926M	PLUG, COVER	3	41	25-82261M	O-RING	11	21
22-82369M	FITTING, GREASE	21	2	25-82275M	O-RING, WATER PUMP BASE	19	9
22-82975M	ELBOW, CHECK VALVE	3	2	25-82276M	O-RING, CRANKSHAFT-UPPER	7	4
23-80635M	RETAINER, COMPRESSION SPRING	29	18	25-82281M	O-RING, COVER TO GEAR HOUSING	13	24
23-81327M	SLEEVE, HOSE	47	15	25-82286M	O-RING, OIL SEAL HOUSING	7	17
23-81376M	BUSHING	41	48	25-82288M	O-RING, FLOAT BOWL	11	13
23-81478M	SPACER, PROPELLER NUT	17	32	25-82289M	O-RING, BEARING HOUSING	15	23
23-81938M	BUSHING, LOWER SHOCK ABSORBER	21	24	25-82789M	O-RING	47	14
23-81939M	BUSHING, UPPER SHOCK ABSORBER	21	21	25-82792M	O-RING, FUEL CUP (WITH M-35-80617M)	45	6
23-81942M	BUSHING, SHAFT BRACKET	27	15	26-81426M	SEAL, WATER TUBE-UPPER	19	22
23-81946M	BUSHING, SHAFT BRACKET	27	11	26-81453M	SLEEVE, DRIVESHAFT	15	6
23-81947M	BUSHING, TILT STOP SUPPORT	23	4	26-82233M	OIL SEAL, PROPELLER SHAFT	15	27
23-81949M	BUSHING, CLAMP LEVER	39	22	26-82234M	OIL SEAL, WATER PUMP	19	10
23-81953M	BUSHING, SHIFT ROD	29	20	26-82248M	OIL SEAL, CRANKSHAFT-LOWER	7	16
23-81955M	BUSHING, STEERING SHAFT	25	6	26-82249M	OIL SEAL, CRANKSHAFT-UPPER	7	3
23-81968M	COLLAR, APRON BOLT	39	34	26-82255M	OIL SEAL, CRANKSHAFT-LOWER	7	15
23-81968M	SLEEVE, RUBBER MOUNT	35	3	26-82256M	OIL SEAL, STEERING SHAFT	25	7
23-81971M	COLLAR	33	22	26-82417M	SEAL, WATER TUBE-LOWER	19	21
23-81980M	COLLAR, TILT STOP SUPPORT	23	6	27-80270M	GASKET, HOUSING TO LENS INDICATOR	47	7
23-81981M	SPACER, CLAMP BRACKET	21	10	27-80612M	GASKET, CHECK VALVE	43	6
23-82120M	SPACER, SHOCK MOUNT	21	19	27-80613M	GASKET, BODY TO BASE	43	4
24-80610M	SPRING, FUEL PUMP DIAPHRAM	43	3	27-80614M	GASKET, BODY TO COVER	43	11
24-80615M	SPRING, FUEL PUMP DIAPHRAM	43	10	27-80757M	GASKET, FUEL TO CRANKCASE	43	15
24-81496M	SPRING, BRUSH	37	14	27-81252M	GASKET, CYLINDER HEAD	3	22
24-82073M	SPRING, COMPRESSION-IDLE SPEED SCREW	11	8	27-81254M	GASKET< CYLINDER HEAD COVER	3	26
24-82074M	SPRING, COMPRESSION-BRACKET SHAFT SHOP	27	17	27-81266M	GASKET, THERMOSTAT COVER	3	34
24-82080M	SPRING, COMPRESSION-THROTTLE SCREW	11	6	27-81269M	GASKET, MANIFOLD TO REED VALVE-UPPER	9	22
24-82081M	SPRING, DETENT	29	17				
24-82086M	SPRING, VALVE COMPRESSION	3	30				
24-82087M	SPRING, COMPRESSION	25	19				

PARTS INDEX

Part Number	Description	Pg.	Ref. No.	Part Number	Description	Pg.	Ref. No.
27-81272M	GASKET, CARBURETOR TO MANIFOLD	9	18	32-82023M	HOSE, BULB TO CONNECTOR	47	18
27-81273M	GASKET, AIR INTAKE	9	7	32-82025M	HOSE (CONNECTOR HOUSING TO BULB)	47	17
27-81276M	GASKET, AIR INTAKE TO CARBURETOR	9	3	32-83192M	FUEL HOSE ASS'Y	47	0-2
27-81320M	GASKET, HOUSING TO TANK	47	4	33-82372M	PLUG, SPARKS B-8HS(NGK)	5	43
27-81331M	GASKEET, EXHAUST COVER	3	37	34-81268M	REED VALVE	9	24
27-81368M	SEAL, BOTTOM COWL TO APRON	39	28	34-83224M	REED VALVE	9	24
27-81417M	GASKET, WATER PUMP	19	4	35-80616M	FUEL CUP	45	9
27-81418M	GASKET, WATER PUMP BASE	19	8	35-80617M	FILTER ASS'Y	45	4
27-81421M	GASKER, CARTRIDGE OUTER PLATE	19	6	35-80618M	FUEL, FILTER)	45	7
27-81437M	GASKET, EXHAUST GUIDE-UPPER	13	6	35-82783M	FUEL FILTER (WITH M-35-80617M)	45	8
27-81440M	SEAL, INNER TO OUTER HOUSING	13	11	37-81364M	DECAL, TRIM-PORT	39	8
27-81516M	GASKET, TERMINAL STRIP	35	15	37-81365M	DECAL, TRIM-STARBOARD	39	9
27-81987M	GASKET, OIL DRAIN	13	22	37-81488M	MARK, TIMING (WITH M-253-6847M)	33	16
27-81990M	GASKET, COVER PLUG	5	42	37-82984M	GRAPHIC, SIDE	47	1
27-82790M	GASKET, FILTER(WITH M-35-80617M)	45	11	37-83231M	DECAL, MARINER	39	7
27-82794M	GASKET, EXHAUST GUIDE-LOWER	13	8	39-81260M	PISTON RING SET (STD)	7	9
28-81915M	KEY, CRANKSHAFT TO FLYWHEEL	7	20	39-81261M	PISTON RING SET(1ST O.S. 82. MM)	7	9
28-81916M	KEY, BEARING HOUSING	15	25	39-81262M	PISTON RING SET (2ND O.S. 82.50 MM)	7	9
29-82257M	OIL SEAL, GEAR HOUSING COVER	13	25	41-81263M	PIN, PISTON	7	10
29-82353M	BEARING, SMALL END	7	12	43-81454M	GEAR SET	15	2
30-81461M	BALL BEARING, REVERSE GEAR	15	22	44-81472M	SHAFT, PROPELLER	15	18
30-82304M	BEARING, CRANKSHAFT-LOWER	7	6	45-81451M	DRIVESHAFT (SHORT SHAFT)	15	1
31-81424M	TUBE, WATER (SHORT SHAFT)	19	16	45-81452M	DRIVESHAFT (LONG SHAFT)	15	1
31-82311M	BEARING, NEEDLE	7	23	46-81416M	BODY, WATER PUMP	19	1
31-82312M	BEARING, NEEDLE	7	2	46-81422M	BASE< WATER PUMP	19	7
31-82313M	BEARING, CENTER MAIN	7	5	47-81423M	IMPELLER, WATER PUMP	19	3
31-82316M	BEARING, NEEDLE-DRIVESHAFT	15	7	47-82824M	IMPELLER	19	3
31-82317M	BEARING, NEEDLE - PROPELLER SHAFT	15	26	50-81490M	ELECTRIC MOTOR ASS'Y	37	0-1
31-82319M	BEARING, DRIVESHAFT	15	4	52-81473M	CLUTCH DOG	15	12
31-82320M	BEARING, FORWARD GEAR	15	11	53-81264M	CLIP, PISTON PIN	7	11
32-81324M	HOSE, EXHAUST COVER	3	39	53-82324M	CIRCLIP, UPPER SHIFT ROD	29	22
32-81324M	PIPE	41	49	53-82325M	CIRCLIP, STEERING SHAFT	25	10
32-81425M	TUBE, WATER (LONG SHAFT)	19	16	53-82330M	CIRCLIP	29	9
32-81995M	HOSE, DRAIN	3	14	53-82330M	CIRCLIP, BRACKET SHAFT STOP	27	18
32-82004M	FUEL LINE, TEE TO CARBURETOR	45	21	53-82334M	CIRCLIP, LOWER SHIFT ROD	29	26
32-82010M	FUEL LINE, FILTER TO PUMP	45	18	54-80722M	CLAMP, WIRE HARNESS ()	31	7
32-82017M	FUEL LINE, CONNECTOT TO PUMP	45	16	54-80723M	CLAMP, FULE LINE	35	7
32-82020M	FUEL LINE, PUMP TO TEE	45	19	54-80752M	CLAMP, HOSE	47	19
				54-82033M	CLAMP, WIRE	3	9
				54-82037M	CLAMP	5	53
				54-82037M	CLAMP, FUEL LINE	45	17
				54-82041M	CALMP	5	52
				54-82042M	CLAMP	5	48
				54-82046M	CLAMP, DRAIN HOSE	3	15
				54-82047M	CLAMP, FUEL LINE	45	22
				54-82047M	CLAMP< EXHAUST COVER HOSE	3	40
				54-82048M	CLAMP, FUEL LINE	45	23
				54-82724M	CLAMP, WIRE	31	6
				54-82983M	CLAMP	41	46
				54-83226M	CLAMP, FUSE	35	32

PARTS INDEX

Part Number	Description	Pg.	Ref. No.	Part Number	Description	Pg.	Ref. No.
55-81392M	SHOCK ABSORBER	21	17				
84-81250M	WIRE GORUND LEAD	35	24				
84-81527M	WIRE, LEAD	31	18				
84-81538M	WIREHARNES EXTENSION (OPTIONAL)	31	20				
84-81539M	WIREHARNES	31	17				
84-81547M	WIRE, LEAD	33	13				
84-82691M	WIREHARNES	31	17				
84-82831M	LEAD, HIGHTENSION	35	22				
87-81525M	MAIN SWITCH	31	1				
87-81526M	>STOP SWITCH	5	44				
87-81528M	NUETRAL SWITCH	29	15				
87-81534M	SWITCH, CHOKE	31	2				
87-82689M	STOP SWITCH ASS'Y	31	3				
87-82985M	STOP SWITCH KIT	5	0-2				
87-83229M	STARTER SWITCH	35	38				
88-81522M	FUSE	35	31				
88-82685M	FUSE HOLDER ASS'Y	35	30				
88-83225M	FUSE HOLDER ASS'Y	35	30				
89-81512M	SOLENOID, STARTER MOTOR	37	3				
89-81513M	SWITCH	37	4				
89-81550M	SOLENOID	9	11				
91-81342M	TOOL KIT	41	50				
253-6845M	I. MAGNETO ASS'Y (80 W)	33	0-1				
253-6847M	FLYWHEEL, (40W)	33	2				
253-6935M	FLYWHEEL, (80 W)	33	1				
463-6825M	CRANKSHAFT	7	1				
629-6830M	CONNECTING ROD ASS'Y	7	21				
761-6828M	PISTON(1ST O.S. 82.25 MM)	7	8				
761-6829M	PISTON (2ND O.S. 82.50 MM)	7	8				
761-6961M	PISTON(STD 81.97 MM)	7	8				
791-6826M	PISTON(STD 81.96MM)	7	8				
870-6830M	CRANKCASE ASS'Y	3	0-1				
968-6824M	HEAD, CYLINDER	3	21				
1252-6836M	FUEL TANK ASS'Y	47	0-1				
1383-6831M	CARBURETOR ASS'Y (UPPER)	11	0-1				
1383-6832M	CARBURETOR ASS'Y (LOWER)	11	0-2				
1383-6962M	CARBURETOR ASS'Y (UPPER)	11	0-1				
1383-6963M	CARBURETOR ASS'Y (LOWER)	11	0-2				
1484-6839M	CLAMP BRACKET	21	4				
1485-6840M	SWIVEL BRACKER(SHORT SHAFT)	21	1				
1485-6841M	SWIVEL BRACKET (LONG SHAFT)	21	1				
1587-6833M	EXHAUST TUBE HOUSING, INNER (SHORT SHAFT)	13	9				
1587-6834M	EXHAUST TUBE HOUSING, INNER (LONG SHAFT)	13	9				
1587-6842M	DRIVESHAFT HOUSING (SHORT SHAFT)	13	1				
1587-6843M	DRIVESHAFT HOUSING (LONG SHAFT)	13	1				
1651-6844M	GEAR HOUSING	13	14				
2168-6837M	TOP COWL ASS'Y	39	1				
2168-6838M	BOTTOM COWL	39	27				