



PARTS CATALOG

48 HORSEPOWER

SERIAL NUMBER

48 670-02640 AND BELOW
48 670-34580 AND BELOW

TABLE OF CONTENTS:

BOTTOM COWLING	46
CARBURETOR	8
CLAMP AND SWIVEL BRACKET	20
CRANKCASE AND CYLINDER HEAD	2
CRANKSHAFT AND PISTON	4
DRIVESHAFT HOUSING	10
FUEL LINE AND FILTER	50
FUEL PUMP	48
FUEL TANK (INTERNATIONAL)	52
FUEL TANK (U.S.A.)	54
GEAR SHIFT LINKAGE	30
GEARHOUSING ASS'Y	16
GEARHOUSING ASS'Y (CONT)	12
IGNITION SYSTEM	36
IGNITION SYSTEM (CONT)	34
INTAKE MANIFOLD	6
MOUNTING SYSTEM	24
PARTS INDEX	56
RECOIL STARTER	38
RECOIL STARTER (CONT)	40
REVERSE LOCK	22
STEERING HANDLE	26
THROTTLE CONTROL	32
TOP COWLING	42
TOP COWLING	44

NOTE: Indented description indicate that these parts are included in preceeding assembly.

AR = As Required

NSS = Not Sold Separate

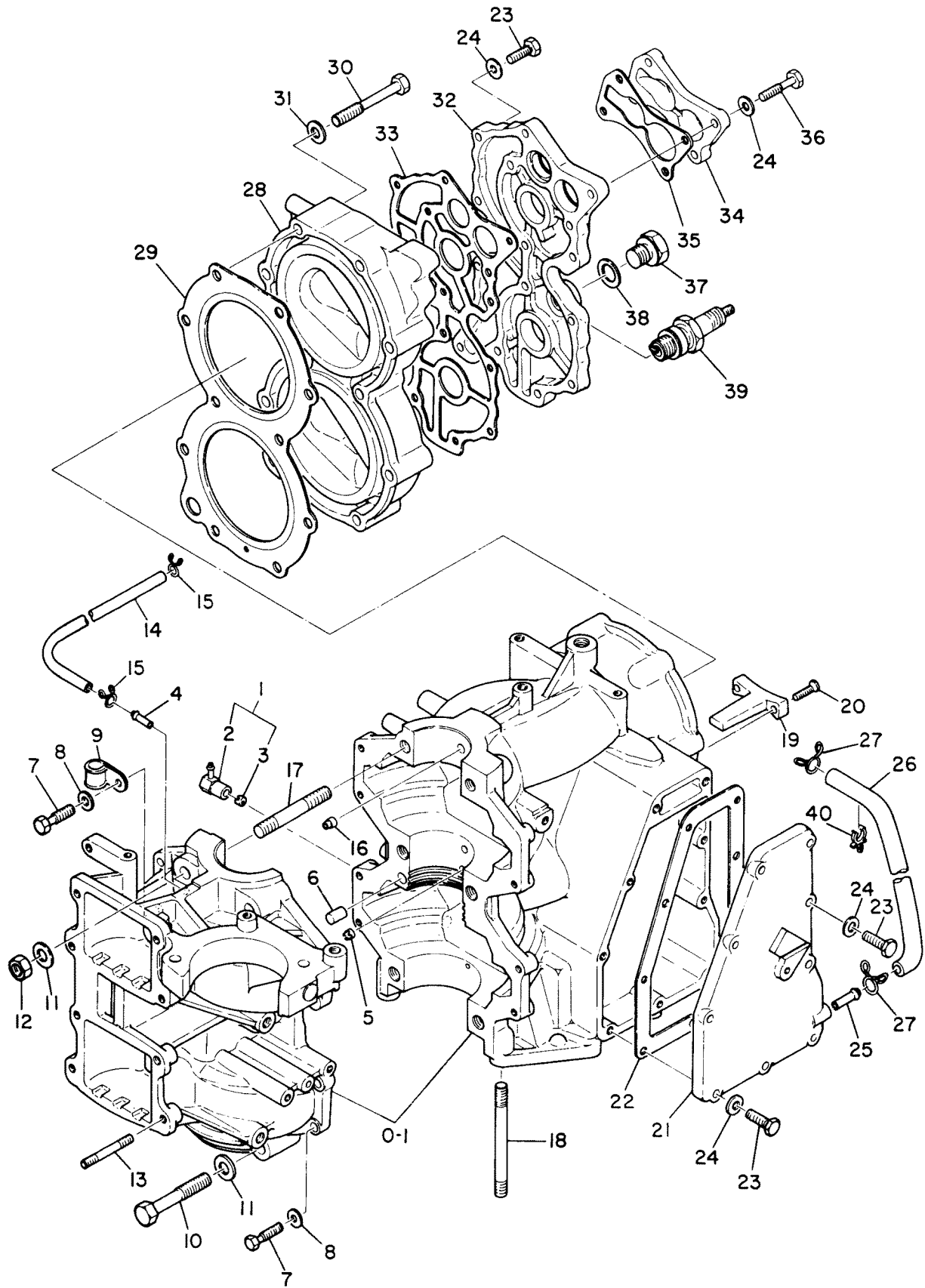
OPT = Optional

NS = Not Shown

THESE PARTS BOOKS/FICHE CARD ARE COPYRIGHTED AND MAY NOT BE DISTRIBUTED OR REPRODUCED IN ANY OTHER FORMAT BY ANYONE OTHER THAN MERCURY MARINE WITHOUT THE PRIOR WRITTEN CONSENT OF MERCURY MARINE.

THIS PAGE INTENTIONALLY LEFT BLANK

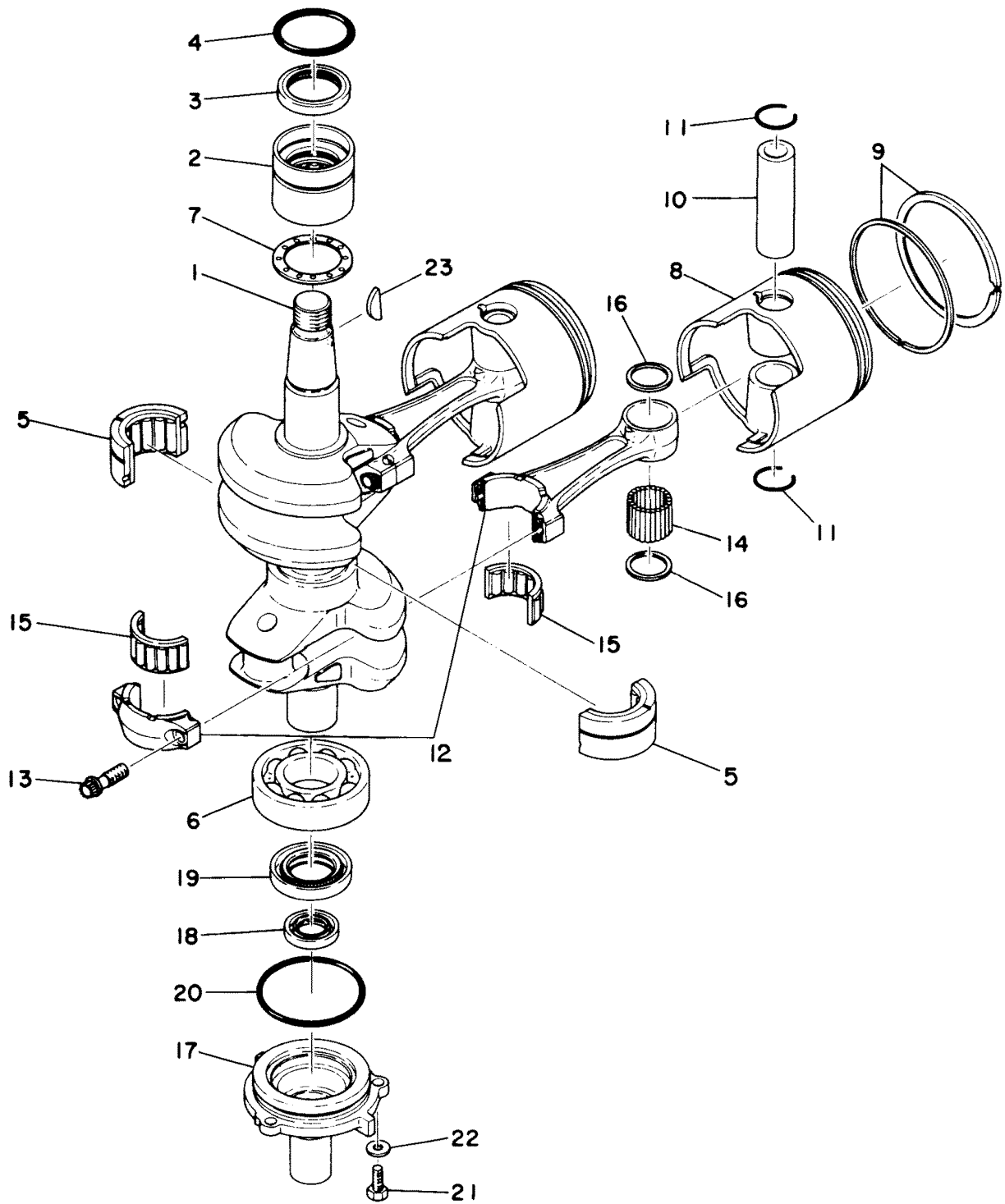
CRANKCASE AND CYLINDER HEAD



CRANKCASE AND CYLINDER HEAD

REF. NO.	PART NO.	SYM.	QTY.	DESCRIPTION
0-1	870-6858M		1	CRANKCASE AND CYLINDER ASS'Y
1	21-80727M		1	CHECK VALVE ASS'Y
2	22-82975M		1	NIPPLE, HOSE
3	21-80107M		1	VALVE, CHECK
4	22-80122M		1	FITTING, CRANKCASE DRAIN
5	21-80107M		2	CHECK VALVE, CRANKCASE SERIAL 00001690-09999999
6	17-82368M		1	PIN, DOWEL - CRANKCASE
7	10-82405M		8	BOLT, CRANKCASE ATTACHING
8	12-81792M		8	WASHER, CRANKCASE BOLT
9	54-82033M		4	CLAMP, WIRE
10	10-82410M		4	BOLT, CRANKCASE ATTACHING
11	12-81807M		6	WASHER, CRANKCASE BOLT
12	11-82387M		2	NUT, CRANKCASE STUD
13	16-81735M		8	STUD, INTAKE MANIFOLD ATTACHING
14	32-81995M		1	HOSE, DRAIN
15	54-82046M		2	CLAMP, DRAIN HOSE
16	17-81258M		2	LOCK, BEARING
17	16-81743M		2	STUD, CRANKCASE ATTACHING
18	16-81740M		8	STUD, DRIVESHAFT HOUSING ATTACHING SERIAL 00001790-09999999
19	81255M		1	ANODE
20	10-82527M		2	SCREW, ANODE ATTACHING
21	81330M		1	COVER, EXHAUST - OUTER
22	27-81331M		1	GASKET, EXHAUST COVER
23	10-82424M		21	BOLT
24	13-82199M		25	WASHER
25	22-80756M		1	FITTING, EXHAUST COVER
26	32-81324M		1	HOSE, EXHAUST COVER
27	54-82047M		2	CLAMP, EXHAUST COVER HOSE
28	968-6824M		1	HEAD, CYLINDER
29	27-81252M		1	GASKET, CYLINDER HEAD
30	10-82409M		10	BOLT, CYLINDER HEAD ATTACHING
31	12-80564M		10	WASHER, CYLINDER HEAD BOLT
32	81253M		1	COVER, CYLINDER HEAD
33	27-81254M		1	GASKET, CYLINDER HEAD COVER
34	81265M		1	COVER, THERMOSTAT
35	27-81266M		1	GASKET, THERMOSTAT COVER
36	10-82426M		4	BOLT, THERMOSTAT COVER ATTACHING
37	22-81926M		1	PLUG, COVER
38	27-81990M		1	GASKET, COVER PLUG
39	33-82371M		2	SPARK PLUG B-7HS-(NGK)
40	54-82037M		1	CLIP, EXHAUST COVER HOSE SERIAL 00001690-09999999

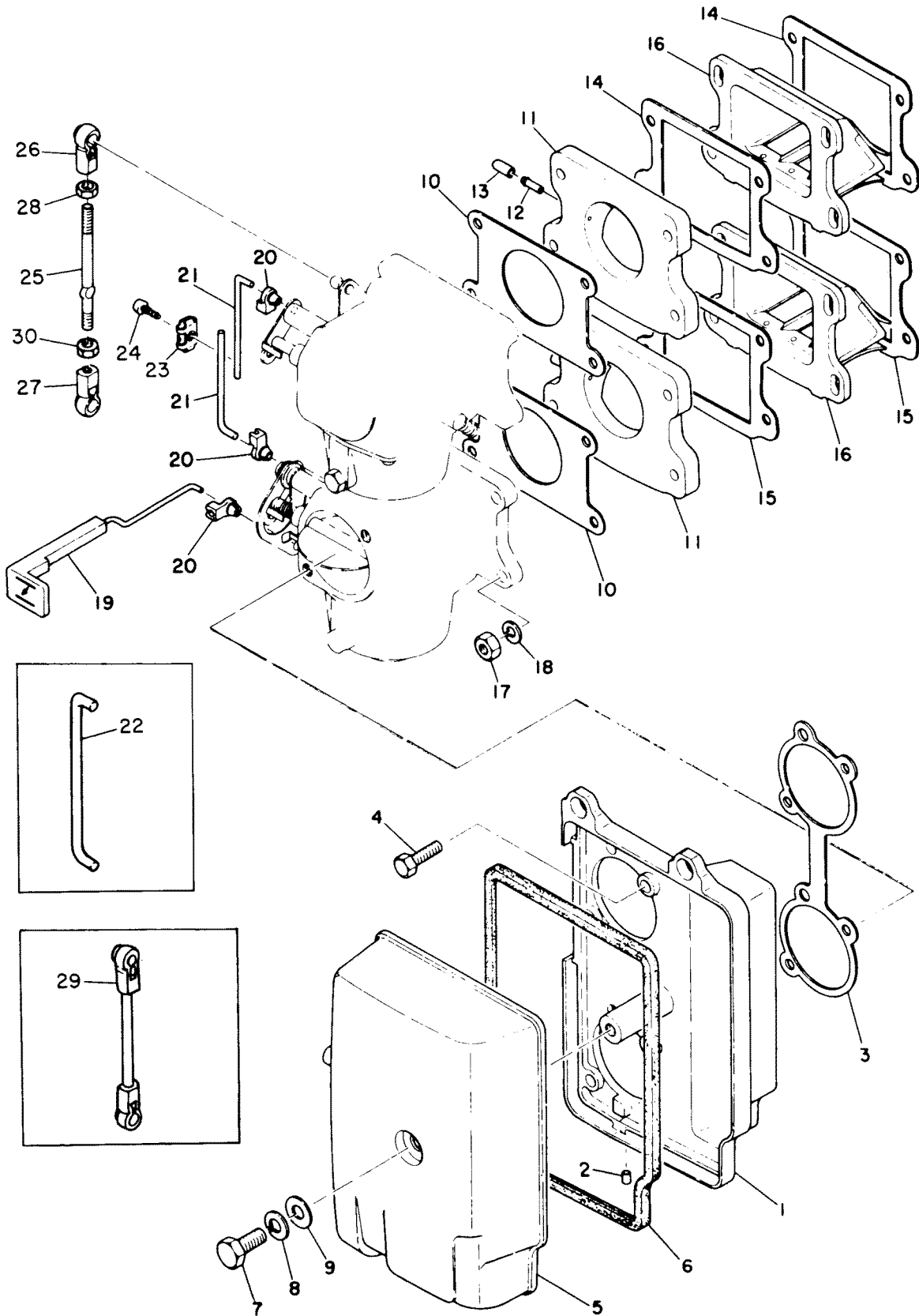
CRANKSHAFT AND PISTON



CRANKSHAFT AND PISTON

REF. NO.	PART NO.	SYM.	QTY.	DESCRIPTION
1	463-6825M		1	CRANKSHAFT ASS'Y
2	31-82312M		1	BEARING, NEEDLE
3	26-82249M		1	OIL SEAL, CRANKSHAFT - UPPER
4	25-82276M		1	O-RING, CRANKSHAFT - UPPER
5	31-82313M		1	BEARING, CENTER MAIN
6	30-82304M		1	BEARING, CRANKSHAFT - LOWER
7	15-81259M		1	WASHER, CRANKSHAFT PIN
8	761-6826M		AR 2	PISTON(STD) (81.96MM) SERIAL 00002440-09999999
	761-6961M		AR 2	PISTON (STD) (81.97MM) SERIAL 00002440-09999999
	761-6928M		AR 2	PISTON (STD) (81.95MM) SERIAL 00002441-09999999
	761-6920M		AR 2	PISTON (STD) (81.96MM) SERIAL 00002441-09999999
	761-6929M		AR 2	PISTON (STD) (81.97MM) SERIAL 00002441-09999999
	761-6828M		AR 2	PISTON (1ST O.S. - 82.25MM) SERIAL 00002440-09999999
	761-6829M		AR 2	PISTON (2ND O.S. - 82.50MM) SERIAL 00002440-09999999
	761-6930M		AR 2	PISTON (1ST O.S. - 82.25MM) SERIAL 00002441-09999999
	761-6924M		AR 2	PISTON (2ND O.S. - 82.50MM) SERIAL 00002441-09999999
9	39-81260M		AR 2	PISTON RING SET (STD) SERIAL 00002440-09999999
	39-82917M		AR 2	PISTON RING SET (STD) SERIAL 00002441-09999999
	39-81261M		AR 2	PISTON RING SET (1ST O.S. - 82.25MM) SERIAL 00002440-09999999
	39-81262M		AR 2	PISTON RING SET (2ND O.S. - 82.50MM) SERIAL 00002440-09999999
	39-82918M		AR 2	PISTON RING SET (1ST O.S. - 82.25MM) SERIAL 00002441-09999999
	39-82919M		AR 2	PISTON RING SET (2ND O.S. - 82.50MM) SERIAL 00002441-09999999
10	41-81263M		2	PIN, PISTON
11	53-81264M		4	CLIP, PISTON PIN
12	696-6860M		2	CONNECTING ROD ASS'Y
13	10-81715M		4	BOLT, ROD CAP
14	29-82353M		56	BEARING, NEEDLE - CONNECTING ROD
15	31-82311M		2	BEARING, CONNECTING ROD
16	12-81831M		4	RETAINER, DOWEL PIN
17	81294M		1	HOUSING, OIL SEAL SERIAL 00002540-09999999
	82986M		1	HOUSING, OIL SEAL SERIAL 00002541-09999999
18	26-82255M		1	OIL SEAL, CRANKSHAFT - LOWER...
19	26-82248M		1	OIL SEAL, CRANKSHAFT - LOWER...
20	25-82286M		1	O-RING, OIL SEAL HOUSING...
21	10-82449M		3	BOLT, OIL SEAL ATTACHING...
22	12-82214M		3	WASHER, HOUSING BOLT...
23	28-81915M		1	KEY, CRANKSHAFT TO FLYWHEEL...

INTAKE MANIFOLD



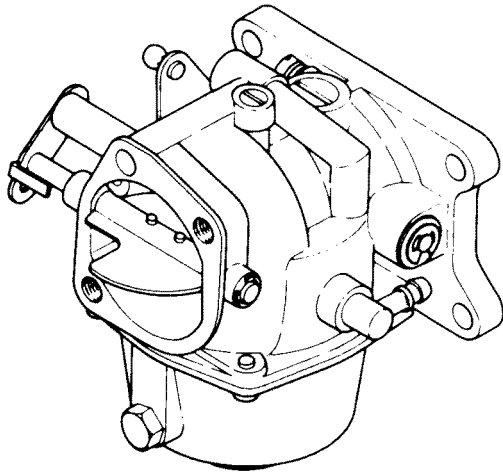
6

48 HP

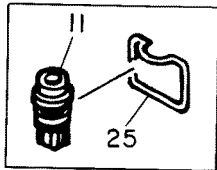
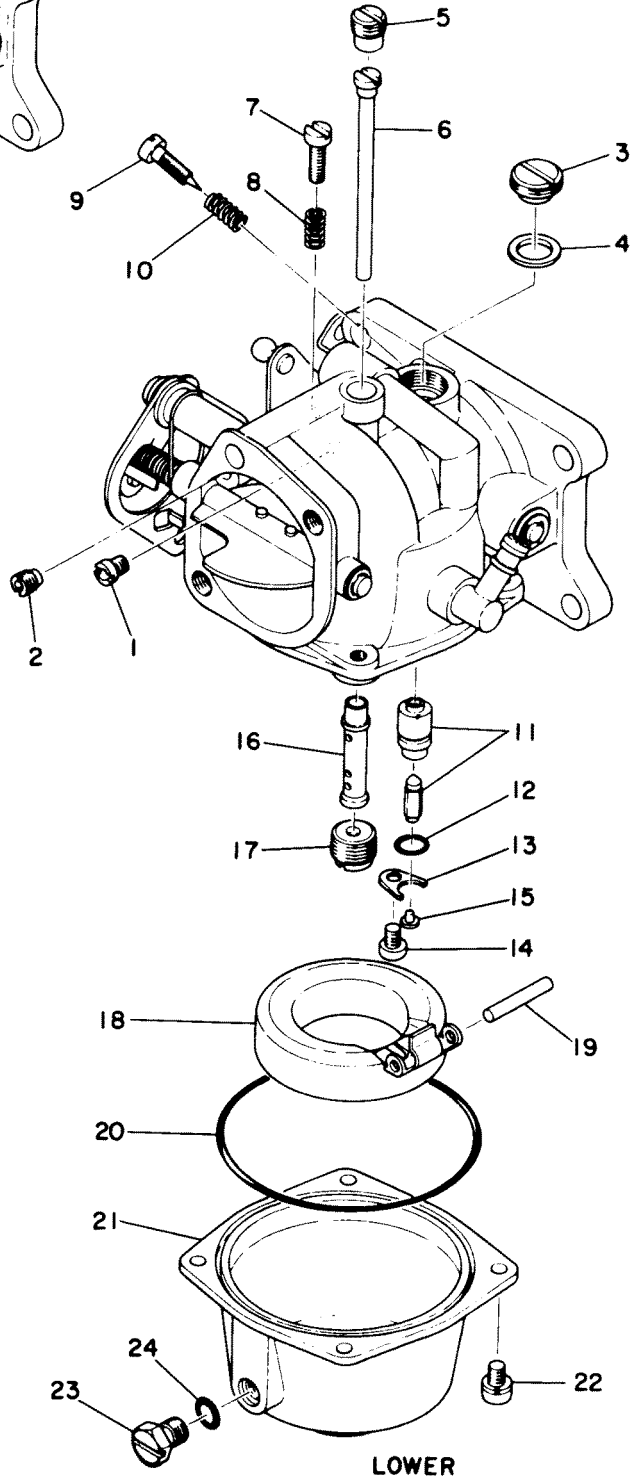
INTAKE MANIFOLD

REF. NO.	PART NO.	SYM.	QTY.	DESCRIPTION
1	81274M		1	BASE, AIR INTAKE
2	22-81918M		1	PLUG, AIR INTAKE SERIAL 00002540-09999999
3	27-81276M		1	GASKET, AIR INTAKE TO CARBURETOR
4	10-82424M		4	BOLT, BASE ATTACHING
5	81275M		1	COVER, AIR INTAKE
6	27-81273M		1	GASKET, AIR INTAKE
7	10-82438M		1	BOLT, INTAKE COVER ATTACHING
8	13-82200M		1	LOCKWASHER, INTAKE COVER BOLT
9	12-82202M		1	WASHER, INTAKE COVER BOLT
10	27-81272M		2	GASKET, CARBURETOR TO MANIFOLD
11	81271M		2	MANIFOLD, INTAKE
12	22-80122M		2	PIPE, OVERFLOW
13	80454M		2	CAP, OVERFLOW PIPE
14	27-81269M		2	GASKET, REED VALVE - UPPER
15	27-81270M		2	GASKET, REED VALVE - LOWER
16	81668M		2	REED VALVE
17	11-82380M		8	NUT, CARBURETOR ATTACHING
18	13-82197M		8	LOCKWASHER, CARBURETOR NUT
19	81338M		1	ROD, CHOKE
20	81191M		3	CONNECTOR, CHOKE LEVER
21	81339M		2	ROD, CHOKE LINK SERIAL 00002540-09999999
22	82988M		1	ROD, CHOKE LINK SERIAL 00002541-09999999
23	81340M		1	CONNECTOR, LINK ROD SERIAL 00002540-09999999
24	10-82480M		1	SCREW, CONNECTOR SERIAL 00002540-09999999
25	81335M		1	ROD, THROTTLE ADJUSTMENT SERIAL 00002540-09999999
*26	81225M		1	CONNECTOR, ADJUSTMENT ROD - UPPER SERIAL 00002540-09999999
27	81336M		1	CONNECTOR, ADJUSTMENT ROD - LOWER SERIAL 00002540-09999999
28	11-82378M		1	LOCK NUT, ADJUSTMENT ROD SERIAL 00002541-09999999
29	82911M		1	ROD, THROTTLE LEVER SERIAL 00002541-09999999
30	11-81760M		1	NUT

CARBURETOR



UPPER

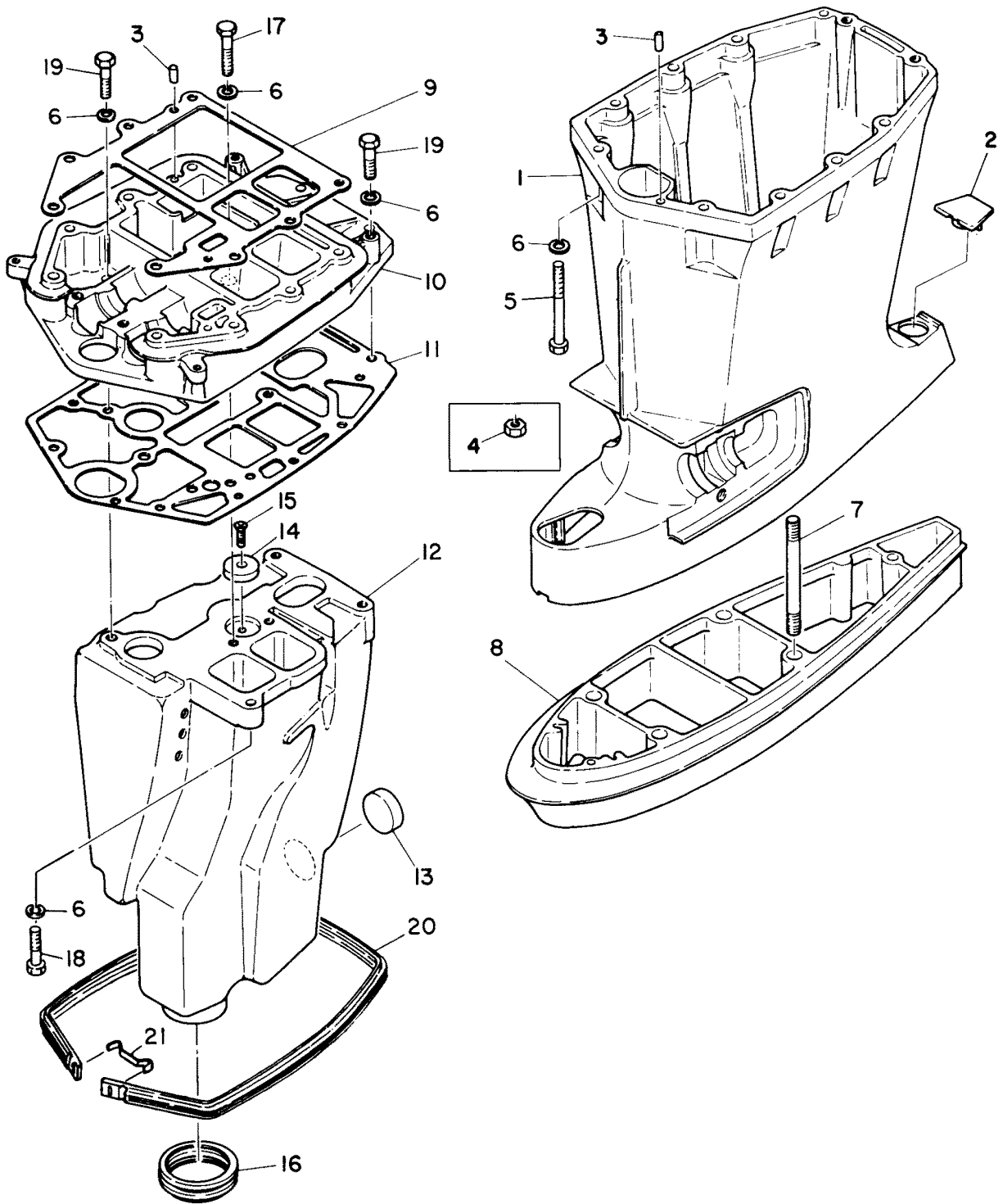


LOWER

CARBURETOR

REF. NO.	PART NO.	SYM.	QTY.	DESCRIPTION
0-1	1383-6952M		1	CARBURETOR ASS'Y (UPPER)
0-2	1383-6938M		1	CARBURETOR ASS'Y (LOWER)
1	81289M		2	JET, PILOT AIR (#105)
2	81286M		2	JET, MAIN AIR (#150)
3	10-81292M		2	SCREW, PLUG - VALVE SEAT
4	12-81701M		2	WASHER, PLUG SCREW
5	10-81279M		2	SCREW, PLUG
6	81282M		2	JET, PILOT (#92)
7	10-81277M		1	SCREW, THROTTLE
8	24-82080M		1	SPRING, COMPRESSION - THROTTLE SCREW
9	10-81281M		2	SCREW, IDLE SPEED
10	24-82073M		2	SPRING, COMPRESSION - IDLE SPEED SCREW
11	82780M		2	VALVE SEAT ASS'Y
12	25-82261M		2	O-RING, VALVE
13	80026M		2	RETAINER, VALVE SEAT
14	10-82499M		2	SCREW, RETAINER ATTACHING
15	17-81698M		2	PIN, VALVE
16	81287M		2	NOZZLE, MAIN
17	81284M		2	JET, MAIN (#185)
18	81291M		2	FLOAT
19	17-81278M		2	PIN, FLOAT
20	25-82288M		2	O-RING, FLOAT BOWL.
21	81290M		2	BOWL, FLOAT
22	10-81758M		8	SCREW, BOWL ATTACHING - WITH WASHER
23	10-81293M		2	SCREW, BOWL DRAIN
24	25-81695M		2	O-RING, DRAIN SCREW
25	54-82781M		2	CLIP SERIAL 00002541-09999999

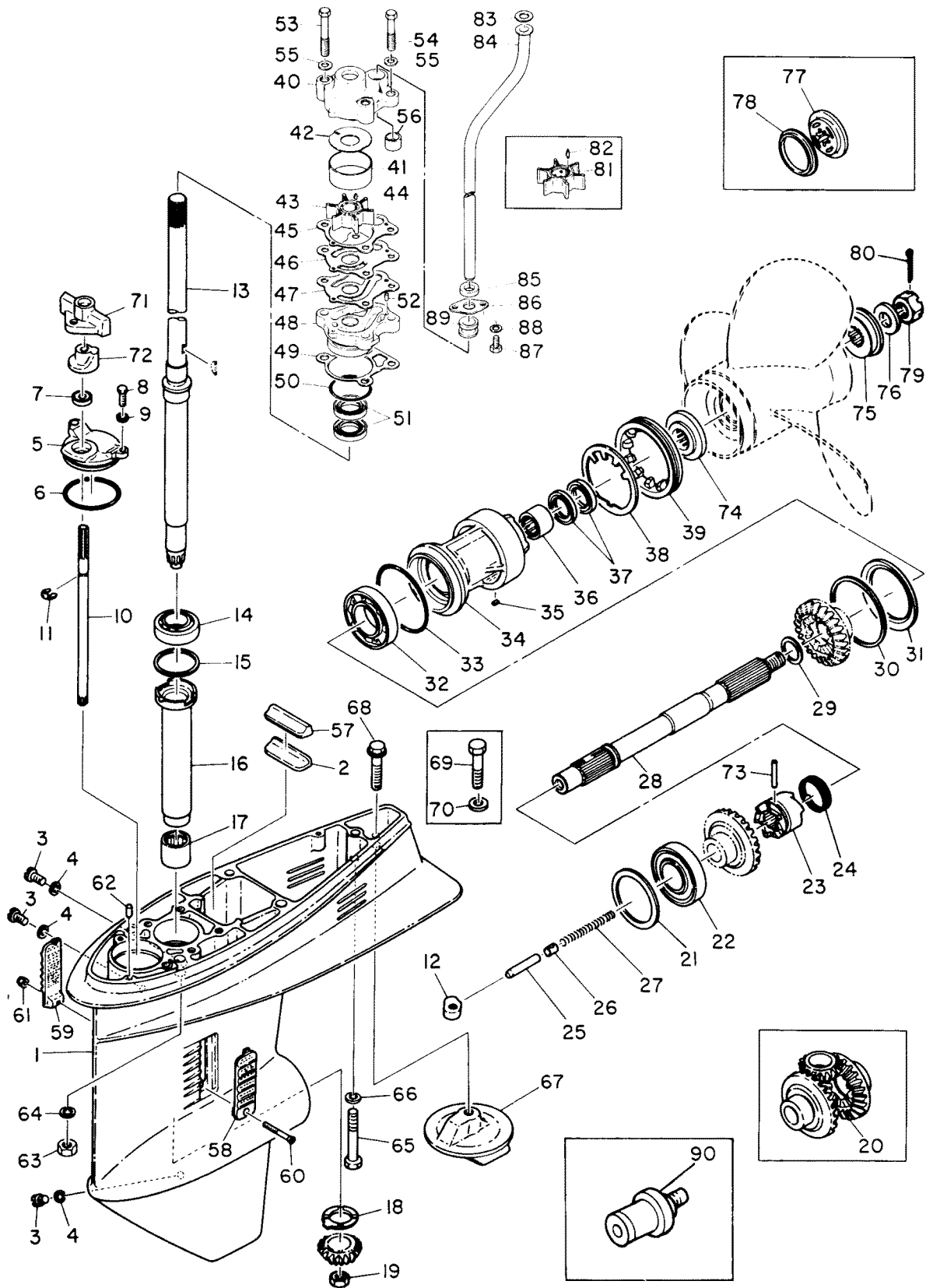
DRIVESHAFT HOUSING



DRIVESHAFT HOUSING

REF. NO.	PART NO.	SYM.	QTY.	DESCRIPTION
1	1587-6842M		1	DRIVESHAFT HOUSING (SHORT SHAFT)
	1587-6843M		1	DRIVESHAFT HOUSING (LONG SHAFT)
2	81441M		1	CAP, DRIVESHAFT HOUSING (SHORT SHAFT)
	81442M		1	CAP, DRIVESHAFT HOUSING (LONG SHAFT)
3	17-82364M		6	PIN, DOWEL
4	11-82391M		8	NUT, DRIVESHAFT HOUSING ATTACHING SERIAL 00001790-09999999
5	10-82472M		8	BOLT SERIAL 00001791-09999999
6	13-82215M		16	LOCKWASHER
7	16-81744M		4	STUD, EXTENSION
8	82559M		1	EXTENSION
9	27-81437M		1	GASKET, EXHAUST GUIDE - UPPER
10	81332M		1	GUIDE, EXHAUST
11	27-82794M		1	GASKET, EXHAUST GUIDE
12	1587-6833M		1	DRIVESHAFT HOUSING, INNER (SHORT SHAFT)
	1587-6834M		1	DRIVESHAFT HOUSING, INNER (LONG SHAFT)
13	19-81922M		1	WELCH PLUG, DRIVESHAFT HOUSING
14	80051M		1	ANODE
15	10-82164M		1	SCREW, ANODE ATTACHING
16	27-81440M		1	SEAL, INNER TO OUTER HOUSING
17	10-82467M		1	BOLT, GUIDE ATTACHING
18	10-82466M		1	BOLT, INNER HOUSING ATTACHING
19	10-82465M		6	BOLT, GUIDE ATTACHING
20	27-83033M		1	SEAL, RUBBER SERIAL 00002541-09999999
21	83034M		1	HOOK, RUBBER SEAL SERIAL 00002541-09999999

GEARHOUSING ASS'Y (CONT)



12

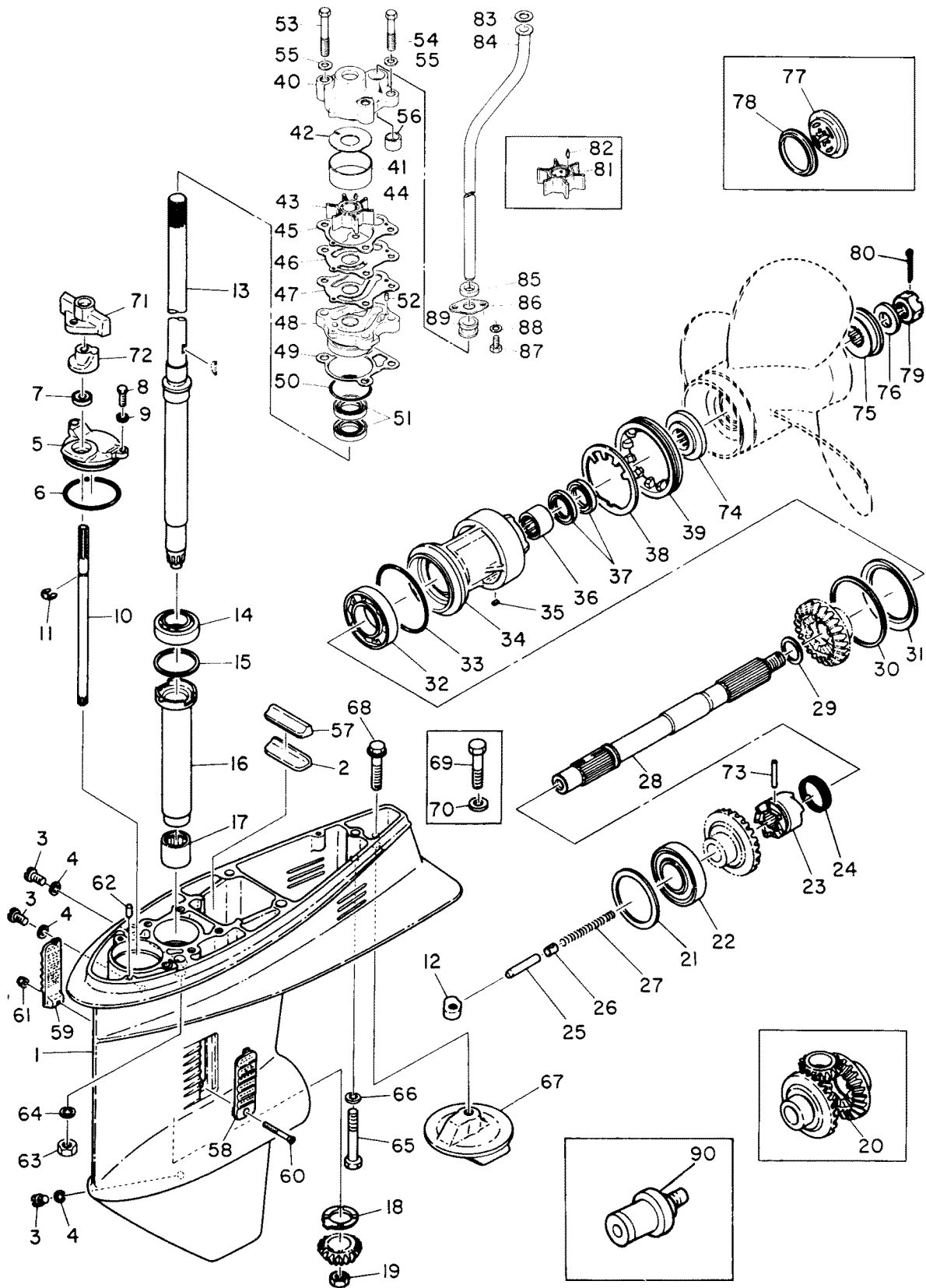
48 HP

GEARHOUSING ASS'Y (CONT)

REF. NO.	PART NO.	SYM.	QTY.	DESCRIPTION
0-1	1651-6896M		1	GEAR HOUSING ASS'Y (SHORT SHAFT)
	1651-6897M		1	GEAR HOUSING ASS'Y (LONG SHAFT)
1	1651-6844M		1	GEAR HOUSING
2	81449M		1	GUIDE, SEAL
3	22-81924M		3	SCREW, DETENT
4	27-81987M		3	GASKET, DETENT SCREW
5	81445M		1	COVER, GEAR HOUSING
6	25-82281M		1	O-RING, COVER TO GEAR HOUSING
7	26-82257M		1	OIL SEAL, GEAR HOUSING COVER
8	10-82449M		2	BOLT, GEAR HOUSING COVER ATTACHING
9	12-82214M		2	WASHER, COVER BOLT
10	81408M		1	ROD, SHIFT - LOWER
11	53-82334M		1	CIRCLIP, LOWER SHIFT ROD
12	81409M		1	CAM, SHIFT
13	45-81678M		1	DRIVESHAFT (SHORT SHAFT)
	45-81679M		1	DRIVESHAFT (LONG SHAFT)
14	31-82319M		1	BEARING, DRIVESHAFT
15	15-81467M		AR	SHIM, DRIVESHAFT BEARING (.05MM)
	15-81468M		AR	SHIM, DRIVESHAFT BEARING (.08MM)
	15-81469M		AR	SHIM, DRIVESHAFT BEARING (.12MM)
	15-81470M		AR	SHIM, DRIVESHAFT BEARING (.30MM)
	15-81471M		AR	SHIM, DRIVESHAFT BEARING (.50MM)
16	23-81453M		1	SLEEVE, DRIVESHAFT
17	31-82316M		1	BEARING, NEEDLE - DRIVESHAFT
18	12-81455M		1	THRUST WASHER, DRIVESHAFT
19	11-81772M		1	NUT, DRIVESHAFT
20	43-81454M		1	GEAR SET
21	15-81456M		AR	SHIM, FORWARD GEAR ADJUST (.05MM)
	15-81457M		AR	SHIM, FORWARD GEAR ADJUST (.08MM)
	15-81458M		AR	SHIM, FORWARD GEAR ADJUST (.12MM)
	15-81459M		AR	SHIM, FORWARD GEAR ADJUST (.30MM)
	15-81460M		AR	SHIM, FORWARD GEAR ADJUST (.50MM)
22	31-82320M		1	BEARING, FORWARD GEAR
23	52-81473M		1	CLUTCH
24	81474M		1	RING, CROSS PIN
25	81476M		1	PLUNGER, SHIFT
26	81475M		1	SLIDE, SHIFT
27	24-82091M		1	SPRING, SHIFT
28	44-81472M		1	SHAFT, PROPELLER
29	12-81837M		1	WASHER, REVERSE GEAR
30	15-81462M		AR	SHIM, REVERSE GEAR ADJUST (.05MM)
	15-81463M		AR	SHIM, REVERSE GEAR ADJUST (.08MM)
	15-81464M		AR	SHIM, REVERSE GEAR ADJUST (.12MM)

CONTINUED ON NEXT PAGE ➡

GEARHOUSING ASS'Y (CONT)



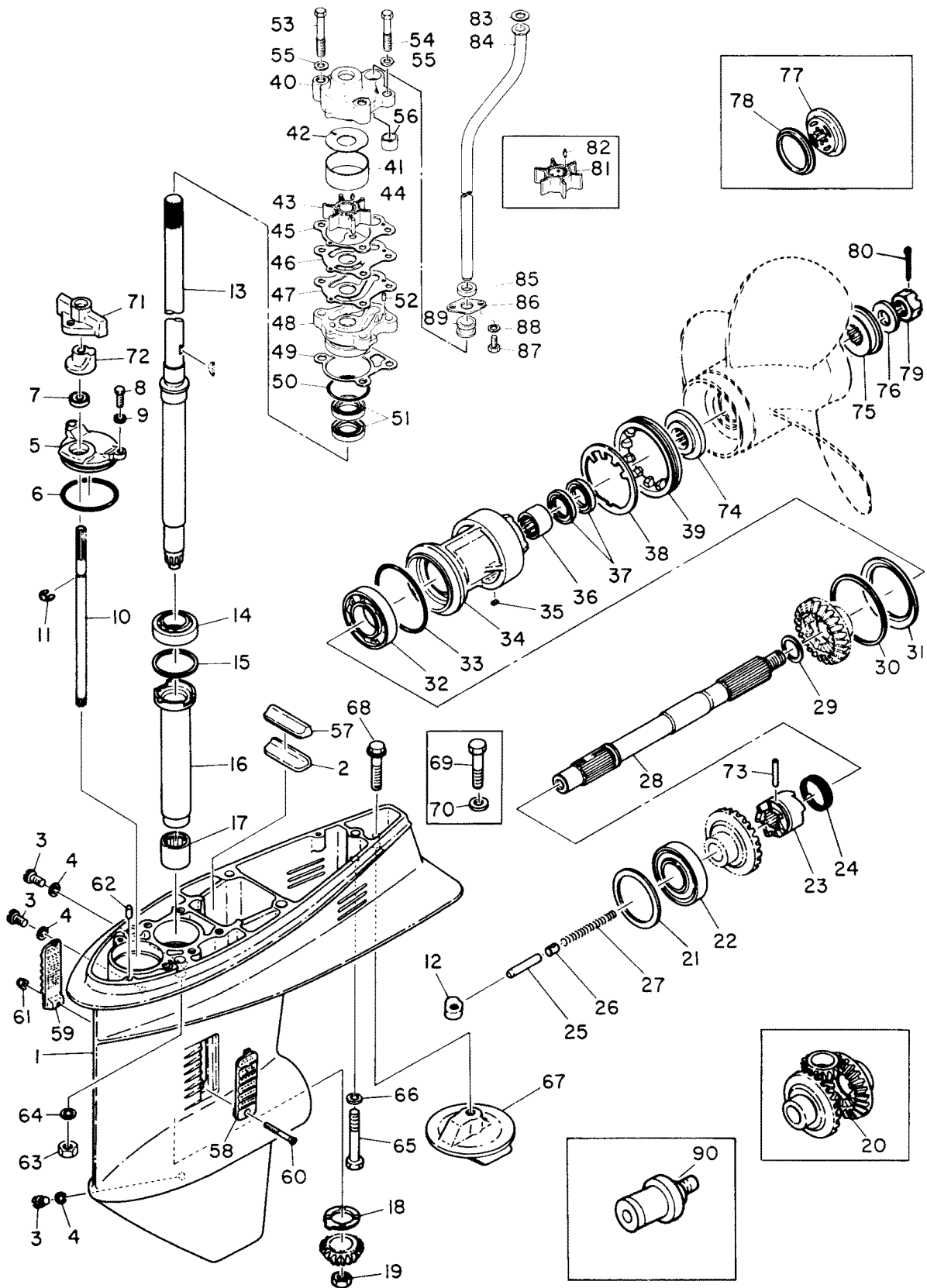
12

48 HP

GEARHOUSING ASS'Y (CONT)

REF. NO.	PART NO.	SYM.	QTY.	DESCRIPTION
30	15-81465M		AR	SHIM, REVERSE GEAR ADJUST (.30MM)
	15-81466M		AR	SHIM, REVERSE GEAR ADJUST (.50MM)
31	12-81461M		1	THRUST WASHER, REVERSE GEAR
32	30-82296M		1	BALL BEARING, REVERSE GEAR
33	25-82289M		1	O-RING, BEARING HOUSING
34	81446M		1	HOUSING, BEARING
35	28-81916M		1	KEY, BEARING HOUSING
36	31-82317M		1	BEARING, NEEDLE - PROPELLER SHAFT
37	26-82233M		2	OIL SEAL, PROPELLER SHAFT
38	14-81877M		1	WASHER, CLAW
39	11-81450M		1	NUT, CLAW WASHER
40	46-81416M		1	BODY, WATER PUMP
41	81672M		1	INSERT, CARTRIDGE
42	83131M		1	INNER PLATE, CARTRIDGE
43	47-82824M		1	IMPELLER, WATER PUMP SERIAL 00002416-09999999
44	28-81912M		1	KEY SERIAL 00002416-09999999

GEARHOUSING ASS'Y



14

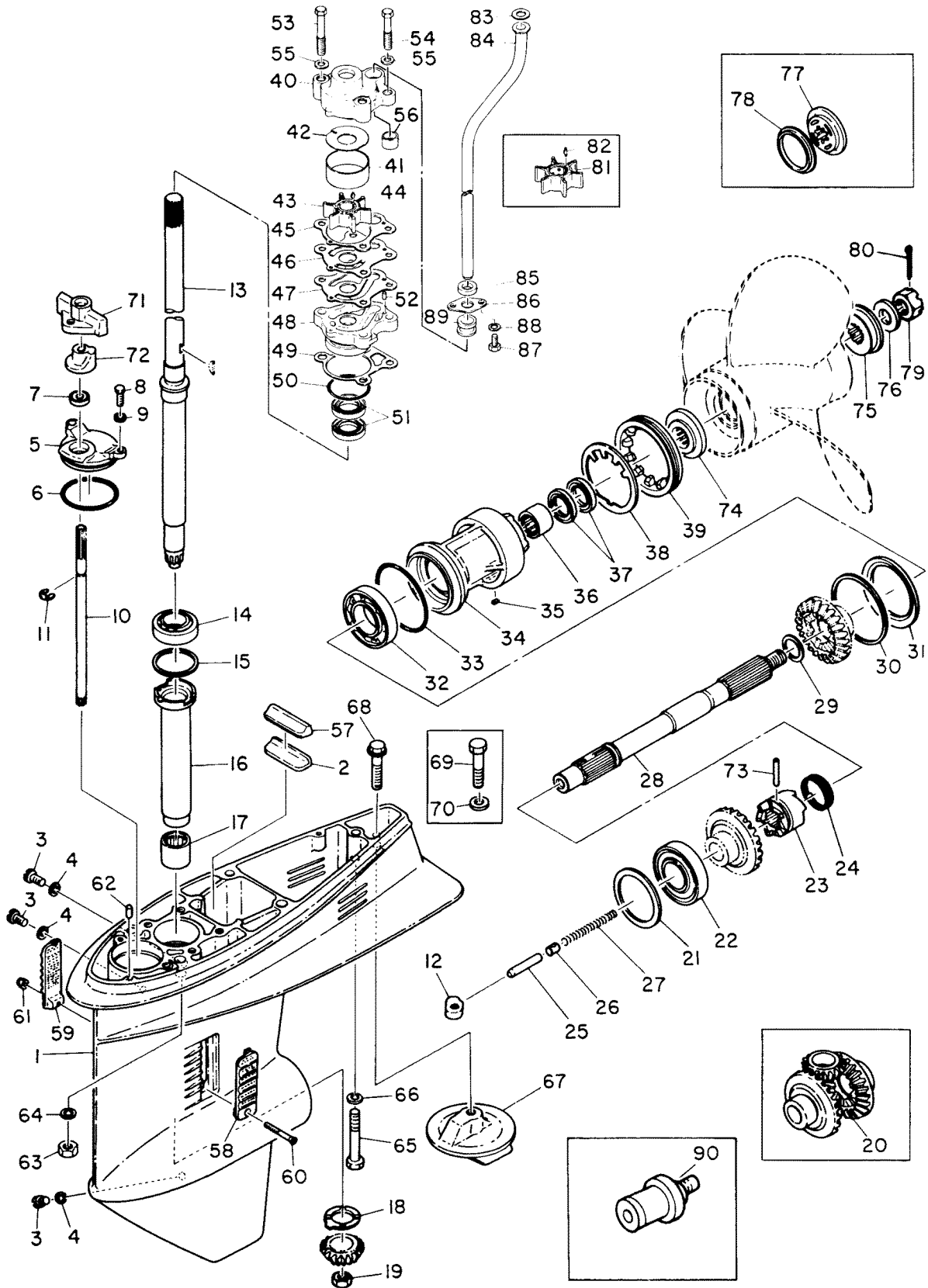
48 HP

GEARHOUSING ASS'Y

REF. NO.	PART NO.	SYM.	QTY.	DESCRIPTION
45	27-81417M		1	GASKET, WATER PUMP
46	81673M		1	OUTER PLATE, CARTRIDGE
47	27-81421M		1	GASKET, CARTRIDGE OUTER PLATE
48	46-81422M		1	BASE, WATER PUMP
49	27-81418M		1	GASKET, WATER PUMP BASE
50	25-82275M		1	O-RING, WATER PUMP BASE
51	26-82234M		2	OIL SEAL, WATER PUMP
52	17-82354M		2	PIN, DOWEL - WATER PUMP
53	10-82469M		2	BOLT, PUMP ATTACHING
54	10-82468M		2	BOLT, PUMP ATTACHING
55	12-82217M		4	WASHER, PUMP BOLT
56	26-81426M		1	SEAL, WATER TUBE - UPPER
57	81448M		1	SEAL, RUBBER
58	81443M		1	COVER, WATER INLET- PORT
59	81444M		1	COVER, WATER INLET - STARBOARD
60	10-82484M		1	SCREW, INLET ATTACHING
61	11-81781M		1	NUT, INLET SCREW
62	17-82364M		2	PIN, DOWEL
63	11-82394M		4	NUT, GEAR HOUSING ATTACHING
64	13-82218M		4	LOCKWASHER, GEAR HOUSING STUD NUT
65	10-81706M		1	BOLT, GEAR HOUSING ATTACHING
66	13-82215M		1	LOCKWASHER
67	81447M		1	TRIM TAB
68	10-82402M		1	BOLT, TRIM TAB ATTACHING SERIAL 00002170-09999999
69	10-82801M		1	BOLT, TRIM TAB ATTACHING SERIAL 00002171-09999999
70	12-82220M		1	WASHER SERIAL 00002171-09999999
71	81401M		1	GUIDE, REVERSE ROD
72	81410M		1	CAM, REVERSE ROD
73	17-81903M		1	CROSS PIN, CLUTCH
74	12-83699M		1	THRUST WASHER, PROPELLER SERIAL 00002540-09999999
75	12-81477M		1	THRUST WASHER, PROPELLER SERIAL 00002720-09999999
	73345		4	THRUST WASHER, PROPELLER SERIAL 00002721-09999999
76	12-83700M		1	WASHER SERIAL 00002540-09999999
77	23-83193M		1	SPACER, PROPELLER NUT SERIAL 00002541-00002720
78	83064M		1	CAP, THRUST PLATE SERIAL 00002541-00002720
79	11-81775M		1	NUT, PROPELLER
80	18-82135M		1	PIN, PROPELLER NUT
81	47-81423M		1	IMPELLER, WATER PUMP SERIAL 00002415-09999999
82	28-83701M		1	KEY, WOODRUFF SERIAL 00002415-09999999
83	12-81852M		1	WASHER, WATER TUBE
84	32-81674M		1	TUBE, WATER (SHORT SHAFT)
	32-81675M		1	TUBE, WATER (LONG SHAFT)
85	25-81989M		1	GASKET, WATER TUBE

CONTINUED ON NEXT PAGE ➡

GEARHOUSING ASS'Y



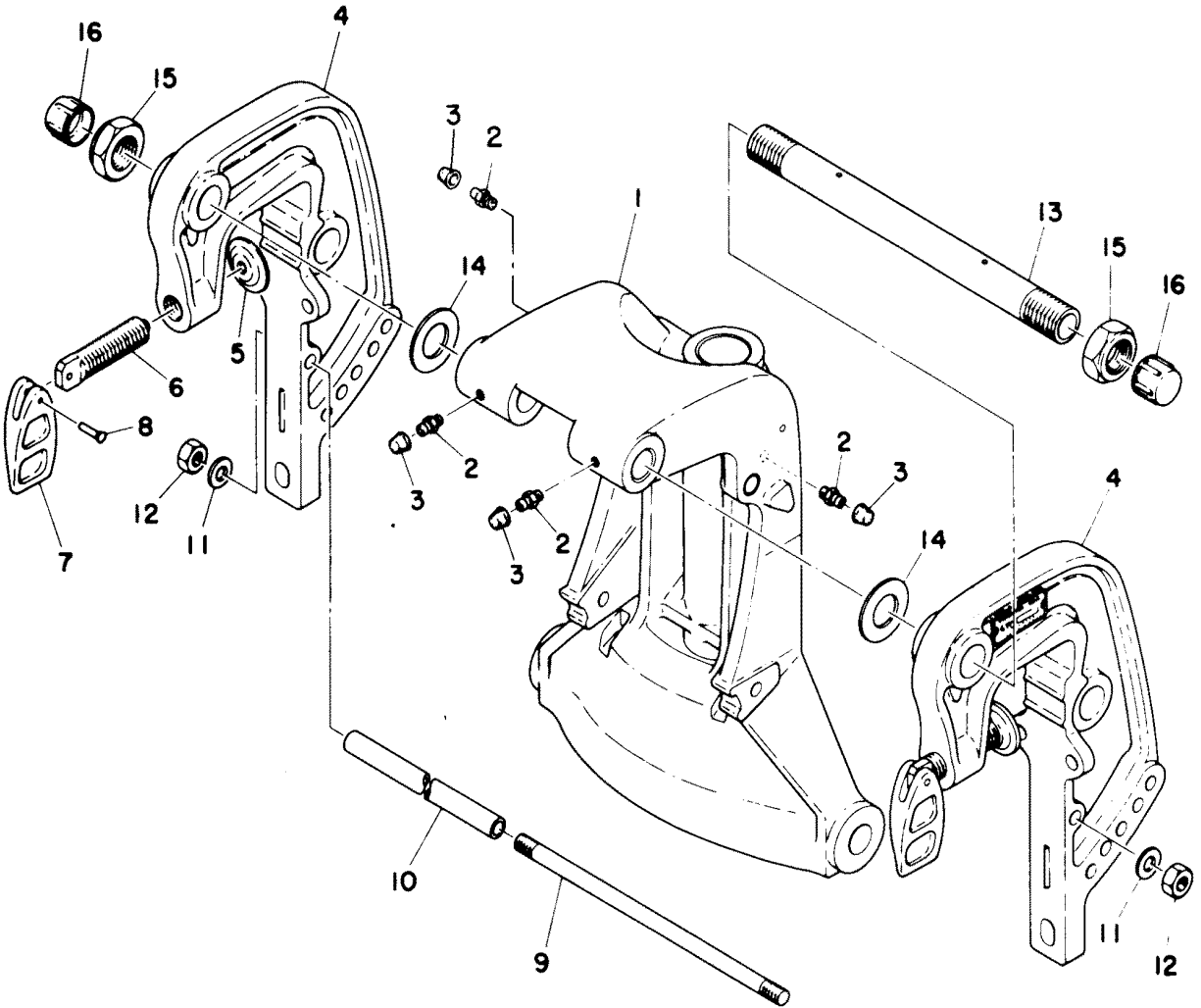
14

48 HP

GEARHOUSING ASS'Y

REF. NO.	PART NO.	SYM.	QTY.	DESCRIPTION
86	81428M		1	SET PLATE, WATER TUBE
87	10-82448M		2	BOLT, PLATE ATTACHING
88	13-82212M		2	LOCKWASHER, PLATE BOLT
89	26-81427M		1	SEAL, WATER TUBE - LOWER
90	22-80218M		1	PLUG, WATER FLUSH

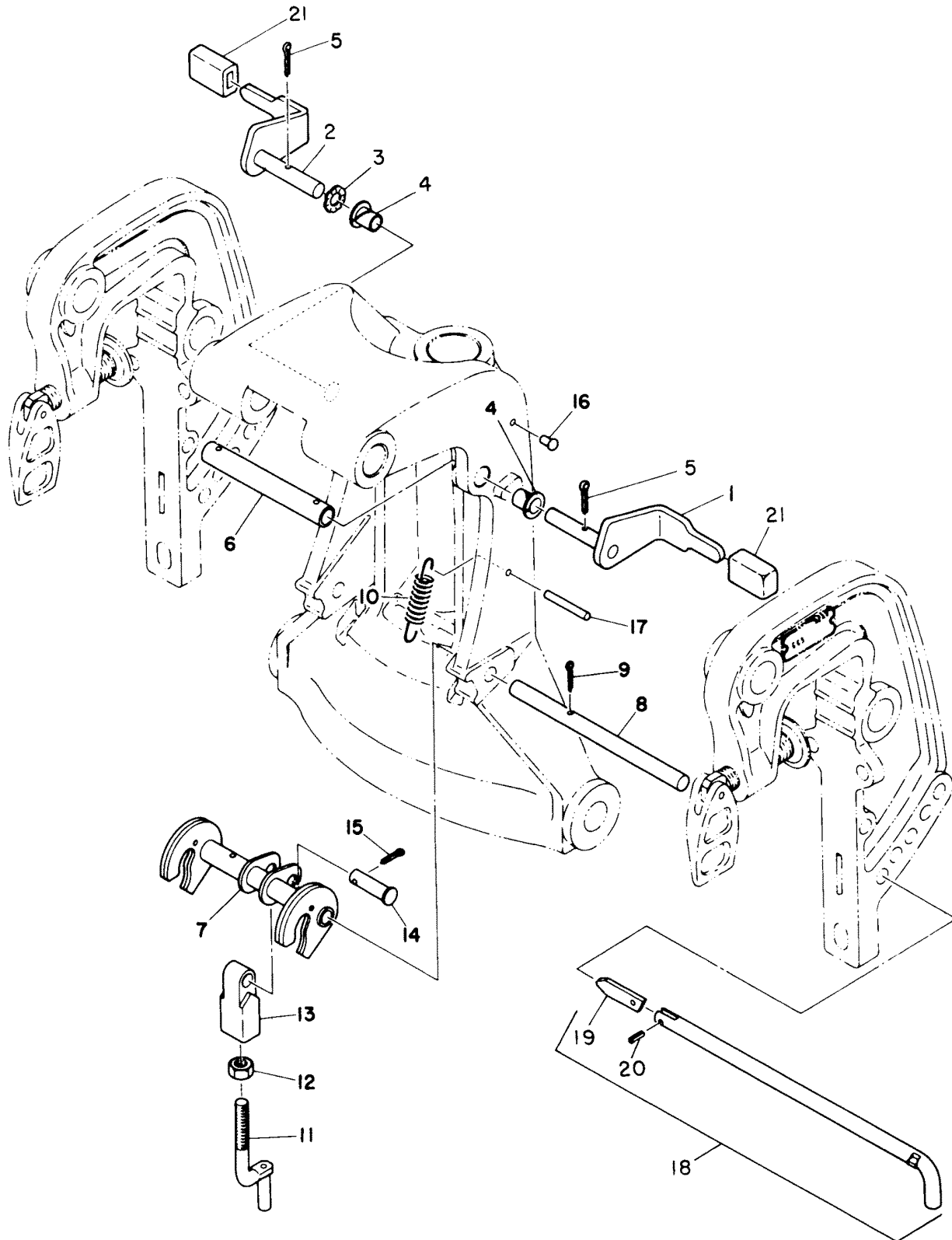
CLAMP AND SWIVEL BRACKET



CLAMP AND SWIVEL BRACKET

REF. NO.	PART NO.	SYM.	QTY.	DESCRIPTION
1	1485-6840M		1	SWIVEL BRACKET (SHORT SHAFT)
	1485-6841M		1	SWIVEL BRACKET (LONG SHAFT)
2	22-82369M		3	FITTING, GREASE
3	81439M		3	CAP, GREASE FITTING
4	1484-6839M		2	CLAMP BRACKET
5	12-80638M		2	PAD, TRANSOM CLAMP SCREW
6	10-81381M		2	SCREW, TRANSOM CLAMP
7	81382M		2	HANDLE, TRANSOM CLAMP SCREW
8	17-81889M		2	PIN, TRANSOM CLAMP SCREW
9	16-81383M		1	STUD, CLAMP BRACKET
10	23-81981M		1	SPACER, CLAMP BRACKET STUD
11	12-82220M		2	WASHER, CLAMP BRACKET STUD
12	11-82395M		2	NUT, CLAMP BRACKET STUD
13	81387M		1	STUD, CLAMP BRACKET
14	12-81836M		2	WASHER, CLAMP BRACKET STUD
15	11-81787M		2	NUT, CLAMP BRACKET STUD
16	81388M		2	CAP, CLAMP BRACKET STUD

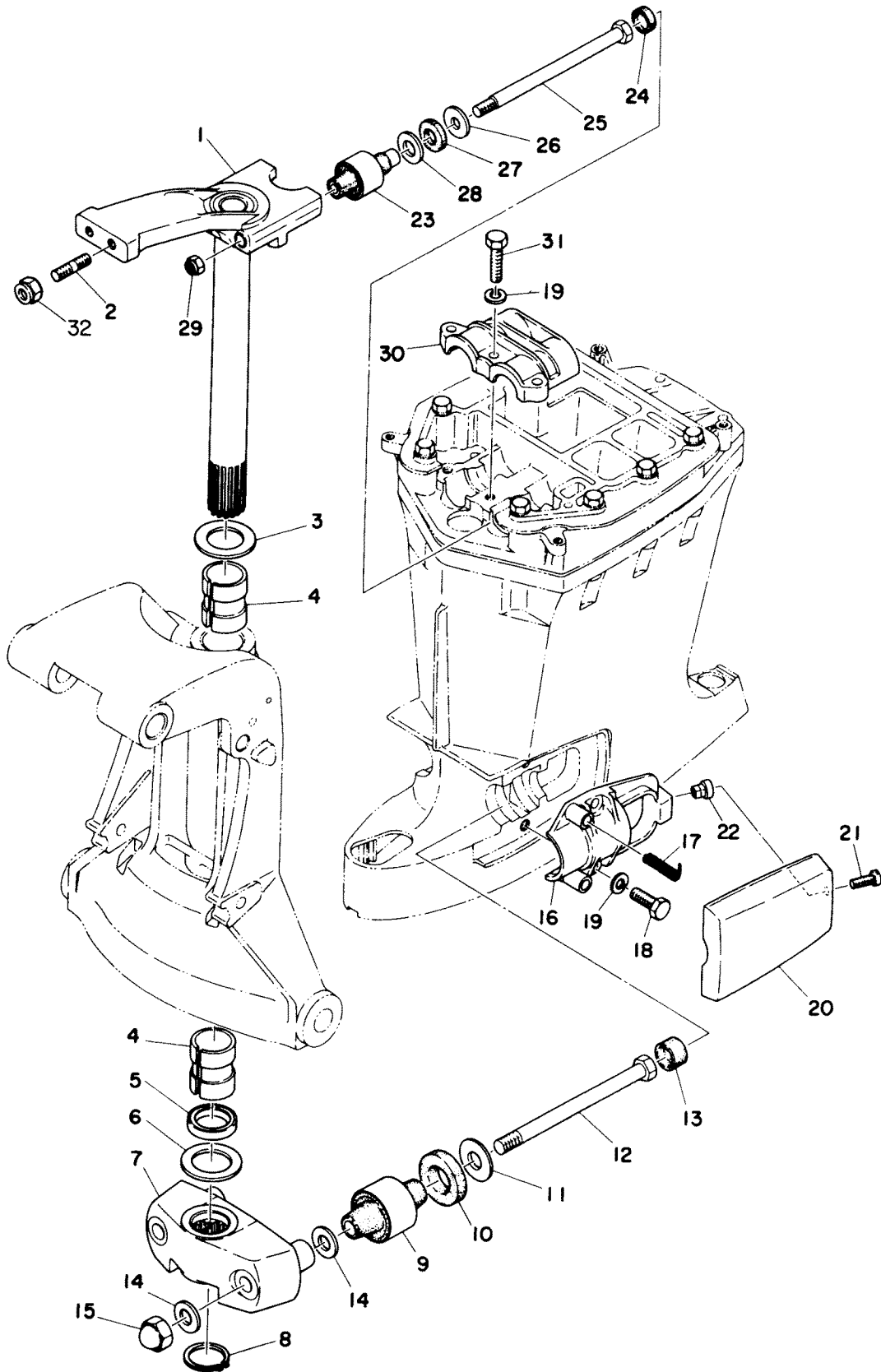
REVERSE LOCK



REVERSE LOCK

REF. NO.	PART NO.	SYM.	QTY.	DESCRIPTION
1	81393M		1	LEVER, TILT STOP SUPPORT (PORT)
2	81394M		1	LEVER, TILT STOP SUPPORT (STARBOARD)
3	13-81868M		1	WASHER, WAVE TILT STOP SUPPORT
4	23-81947M		2	BUSHING, TILT STOP SUPPORT
5	18-82131M		2	PIN, TILT STOP SUPPORT
6	23-81980M		1	COLLAR, TILT STOP SUPPORT
7	81396M		1	REVERSE LOCK.
8	17-81397M		1	ROD, REVERSE LOCK
9	18-82130M		1	PIN, REVERSE LOCK SHAFT
10	24-82103M		1	SPRING, TENSION
11	83132M		1	ROD, REVERSE LOCK (SHORT SHAFT)
	83065M		1	ROD, REVERSE LOCK (LONG SHAFT)
12	11-82400M		1	LOCK NUT, REVERSE LOCK ROD
13	81400M		1	CLEVIS, REVERSE LOCK
14	17-82138M		1	PIN, CLEVIS - REVERSE LOCK
15	18-82752M		1	PIN, CLEVIS PIN
16	17-81909M		1	RIVET
17	17-82159M		1	PIN, TENSION SPRING
18	17-81389M		1	TILT LOCK PIN ASS'Y
19	81391M		1	STOPPER PLATE
20	17-82145M		1	PIN, SPRING
21	81395M		2	COVER

MOUNTING SYSTEM

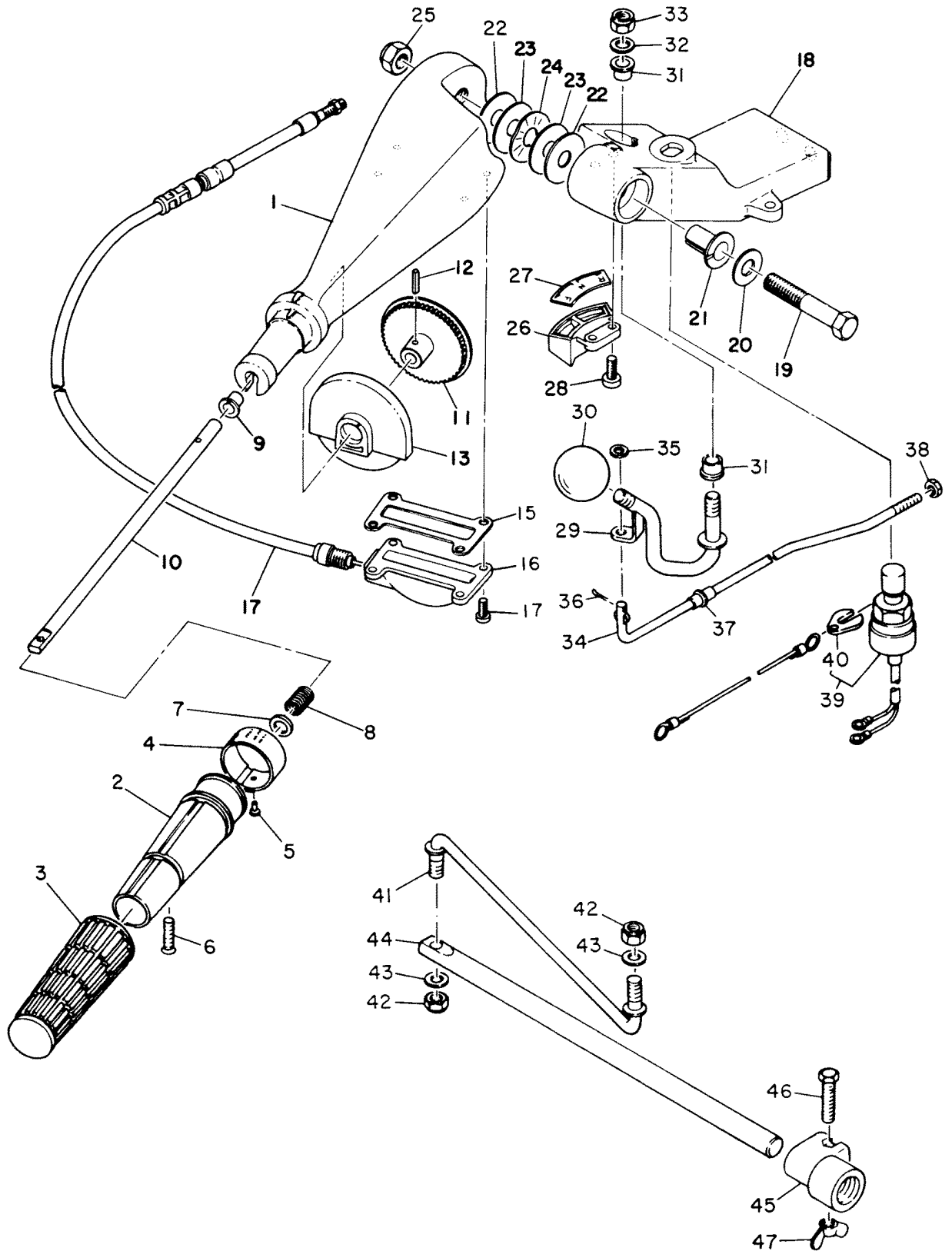


48 HI

MOUNTING SYSTEM

REF. NO.	PART NO.	SYM.	QTY.	DESCRIPTION
1	81359M		1	ARM & SHAFT ASS'Y (SHORT SHAFT)
	81360M		1	ARM & SHAFT ASS'Y (LONG SHAFT)
2	16-81742M		2	STUD, STEERING PLATE
3	12-81838M		1	WASHER, STEERING SHAFT - UPPER
4	23-81955M		2	BUSHING, STEERING SHAFT
5	26-82256M		1	OIL SEAL, STEERING SHAFT
6	12-81839M		1	WASHER, STEERING SHAFT - LOWER
7	81432M		1	HOUSING, LOWER MOUNT
8	53-82325M		1	CIRCLIP, STEERING SHAFT
9	81435M		2	HOUSING MOUNT, LOWER
10	12-81860M		2	WASHER
11	12-81819M		2	WASHER, LOWER MOUNT BOLT
12	10-81717M		2	BOLT, LOWER MOUNT
13	83130M		2	BUMPER, LOWER MOUNT BOLT
14	12-81811M		4	WASHER, LOWER MOUNT BOLT
15	11-82397M		2	NUT, LOWER MOUNT BOLT
16	81433M		2	RETAINER, LOWER MOUNT
17	24-82087M		4	SPRING, COMPRESSION
18	10-82464M		4	BOLT, LOWER RETAINER ATTACHING
19	13-82215M		7	LOCKWASHER
20	81434M		2	COVER, LOWER MOUNT
21	10-82172M		2	SCREW, LOWER MOUNT COVER ATTACHING
22	11-81779M		2	NUT, LOWER MOUNT COVER SCREW
23	81676M		2	HOUSING MOUNT, UPPER
24	81431M		2	BUMPER, UPPER MOUNT BOLT
25	10-81714M		2	BOLT, UPPER MOUNT
26	12-81825M		2	WASHER, UPPER MOUNT BOLT
27	12-83702M		2	WASHER, UPPER MOUNT BOLT
28	12-81803M		2	WASHER, UPPER MOUNT BOLT
29	11-81783M		2	NUT, UPPER MOUNT BOLT
30	81429M		1	RETAINER, UPPER MOUNT
31	10-82466M		3	BOLT, UPPER RETAINER ATTACHING
32	11-81785M		2	NUT

STEERING HANDLE



22

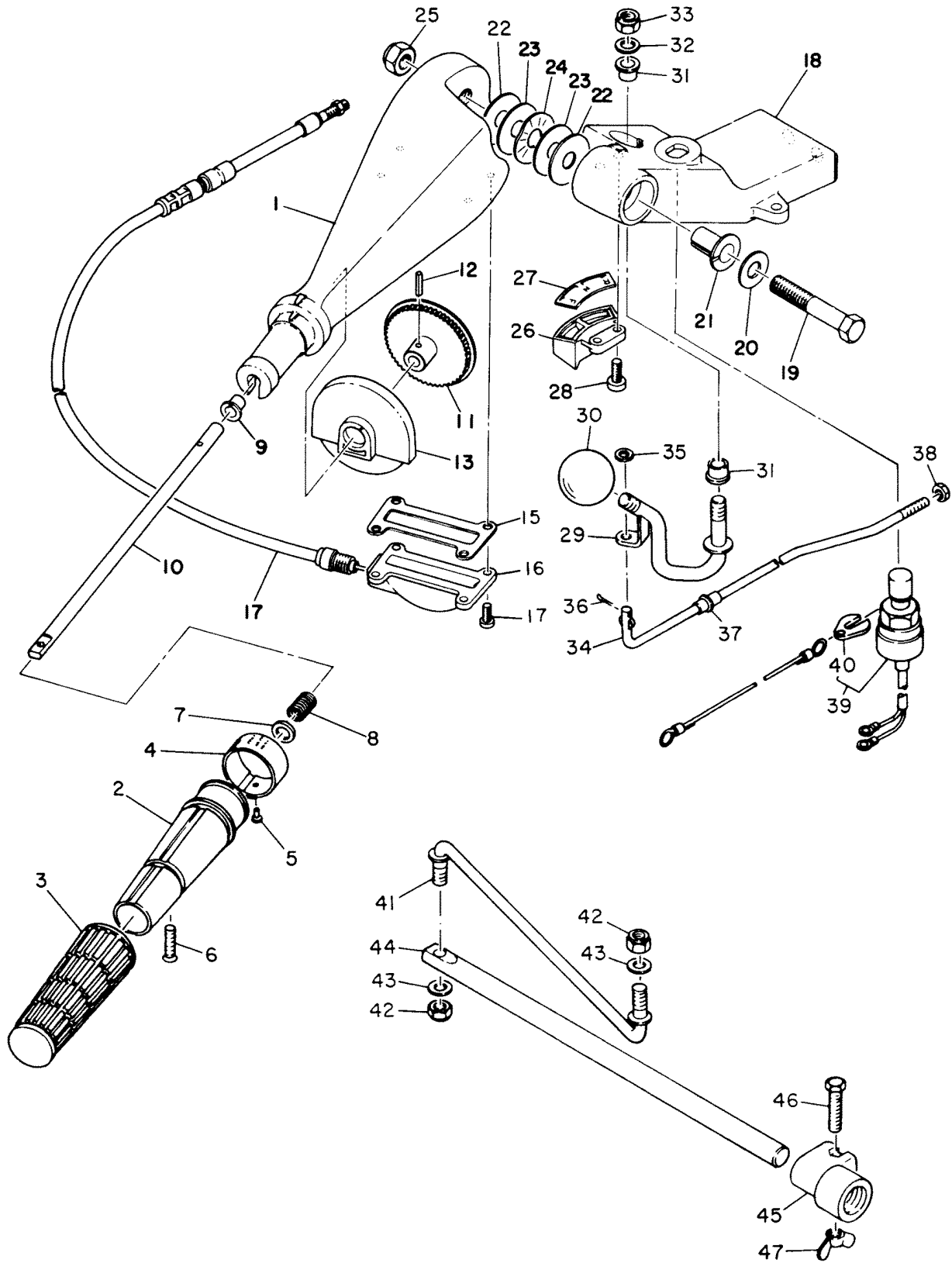
48 HP

STEERING HANDLE

REF. NO.	PART NO.	SYM.	QTY.	DESCRIPTION
0-1	83703M		1	STEERING HANDLE ASS'Y
1	82553M		1	ARM, STEERING
2	81585M		1	HANDLE, THROTTLE
3	80509M		1	GRIP, THROTTLE HANDLE
4	81356M		1	INDICATOR, THROTTLE
5	17-81907M		1	RIVET, INDICATOR
6	10-82483M		1	SCREW, HANDLE ATTACHING
7	12-82204M		1	WASHER, THROTTLE SHAFT
8	24-82095M		1	SPRING, THROTTLE SHAFT
9	23-81945M		1	BUSHING, STEERING ARM
10	81351M		1	SHAFT, THROTTLE
11	81357M		1	CAM, THROTTLE
12	17-82152M		1	PIN, THROTTLE CAM
13	81355M		1	HOUSING, THROTTLE CAM
14	27-81353M		1	GASKET, THROTTLE CAM COVER
15	81354M		1	COVER, THROTTLE CAM
16	10-82495M		4	SCREW, CAM COVER ATTACHING
17	81329M		1	THROTTLE CABLE
18	83148M		1	BRACKET, STEERING
19	10-81710M		1	BOLT, ARM ATTACHING
20	12-82221M		1	WASHER, ARM BOLT
21	23-81950M		1	BUSHING, ARM BOLT
22	12-81853M		2	WASHER, ARM BOLT
23	12-81815M		2	WASHER, ARM BOLT
24	13-81870M		1	WASHER, ARM BOLT
25	11-81786M		1	NUT, ARM BOLT
26	81402M		1	BRACKET, IINDICATOR
27	81414M		1	INDICATOR, F-N-R
28	10-82172M		2	SCREW, INDICATOR BRACKET ATTACHING
29	81411M		1	HANDLE, GEAR SHIFT
30	81413M		1	KNOB, SHIFT CONTROL.
31	23-81946M		2	BUSHING
32	12-81804M		1	WASHER
33	11-81785M		1	NUT, NYLON
34	81358M		1	ROD, MANUAL SHIFT
35	12-82214M		1	WASHER
36	18-82129M		1	PIN, COTTER
37	23-81943M		1	BUSHING
38	11-82920M		1	NUT, CABLE END
39	87-81535M		1	KILL SWITCH ASS'Y
40	81531M		1	STOPPER
41	83704M		1	ROD, STEERING LINK CO-PILOT (OPTIONAL)
42	11-83502M		2	NUT CO-PILOT (OPTIONAL)

CONTINUED ON NEXT PAGE ➡

STEERING HANDLE



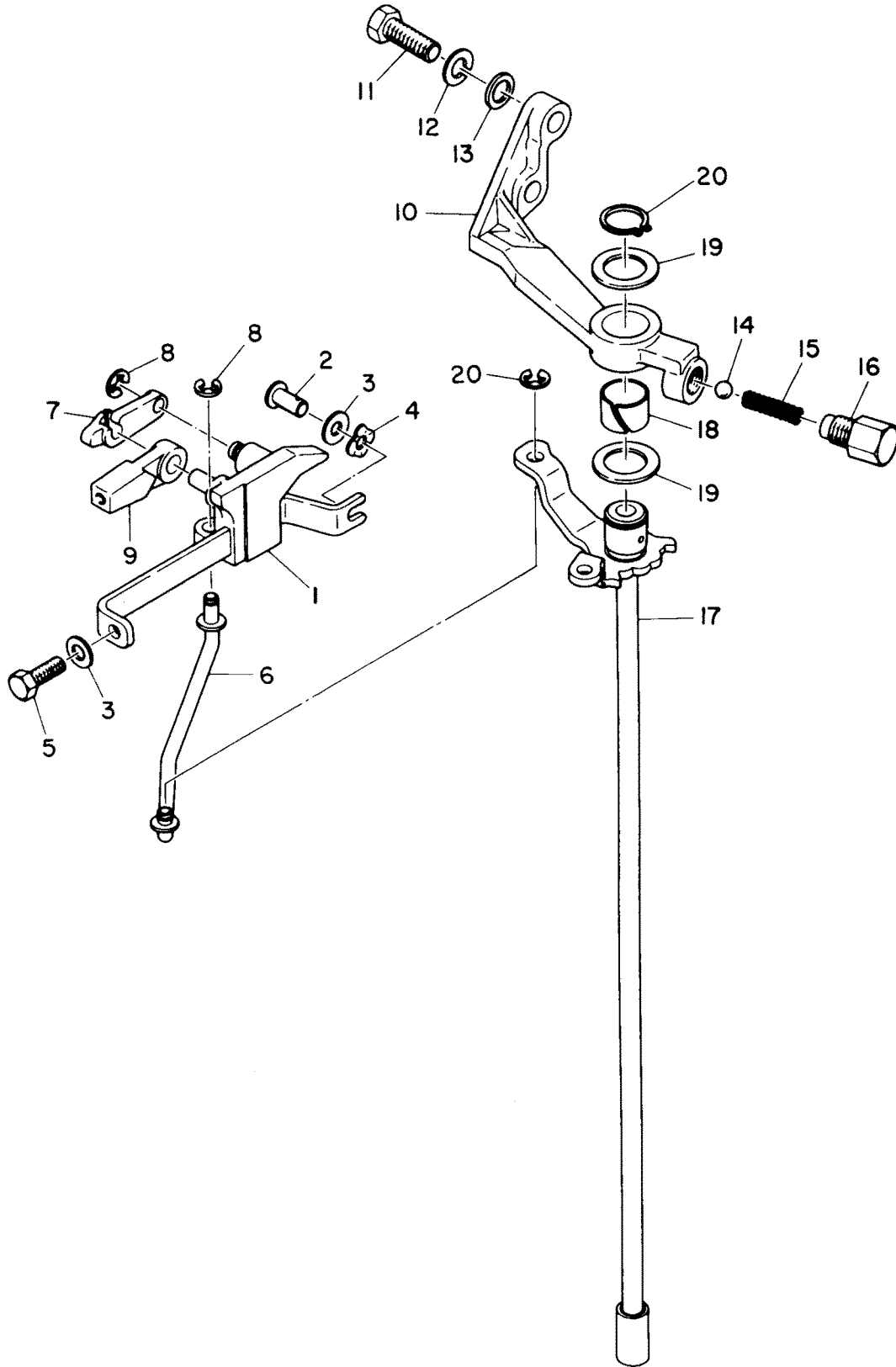
22

48 HP

STEERING HANDLE

REF. NO.	PART NO.	SYM.	QTY.	DESCRIPTION
43	12-82217M		2	WASHER CO-PILOT (OPTIONAL)
44	83705M		1	SHAFT, FRICTION CO-PILOT (OPTIONAL)
45	83706M		1	PIECE, FRICTION CO-PILOT (OPTIONAL)
46	10-82456M		1	BOLT CO-PILOT (OPTIONAL)
47	11-82703M		1	NUT, WING CO-PILOT (OPTIONAL)

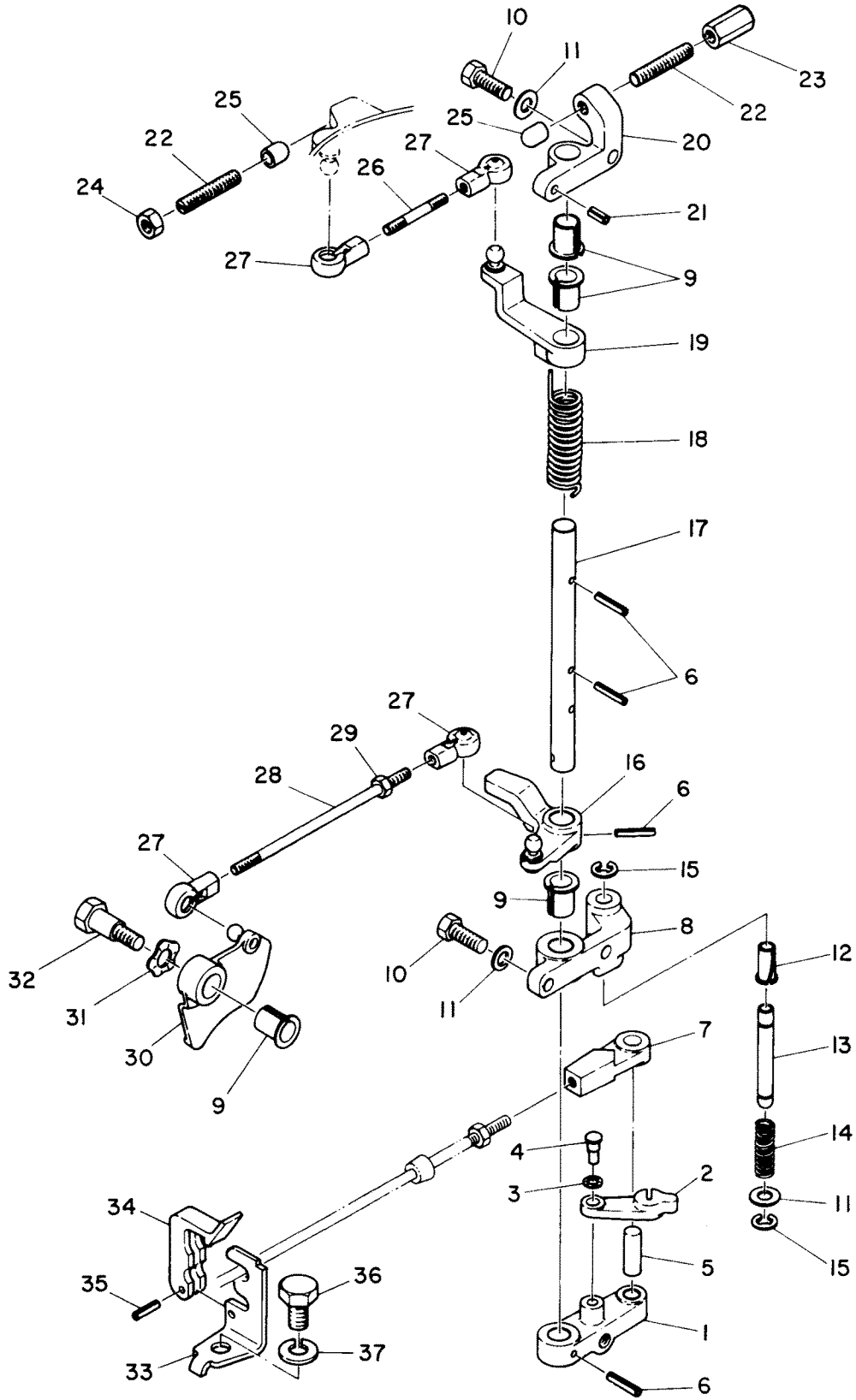
GEAR SHIFT LINKAGE



GEAR SHIFT LINKAGE

REF. NO.	PART NO.	SYM.	QTY.	DESCRIPTION
1	81404M		1	BRACKET, SHIFT
2	17-82137M		1	PIN, CLEVIS - SHIFT BRACKET
3	13-82199M		2	WASHER
4	13-81866M		1	WASHER, WAVE - CLEVIS PIN
5	10-82423M		1	BOLT, BRACKET ATTACHING
6	81407M		1	LEVER, SHIFT ROD
7	81412M		1	RETAINER, CLEVIS
8	53-82330M		3	CIRCLIP
9	81480M		1	CLEVIS, SHIFT CONTROL CABLE
10	82556M		1	BRACKET, SHIFT ROD
11	10-82441M		2	BOLT, BRACKET ATTACHING
12	13-82200M		2	LOCKWASHR, BRACKET BOLT
13	12-82202M		2	WASHER
14	82346M		1	BALL, DETENT
15	24-82081M		1	SPRING, DETENT
16	23-80635M		1	RETAINER, COMPRESSION SPRING
17	81670M		1	SHIFT RODE ASS'Y, UPPER - SHORT SHAFT
	81671M		1	SHIFT ROD ASS'Y, UPPER - LONG SHAFT
18	23-81953M		1	BUSHING, SHIFT ROD
19	12-81858M		2	SPACER, SHIFT ROD
20	53-82324M		1	CIRCLIP, UPPER SHIFT ROD

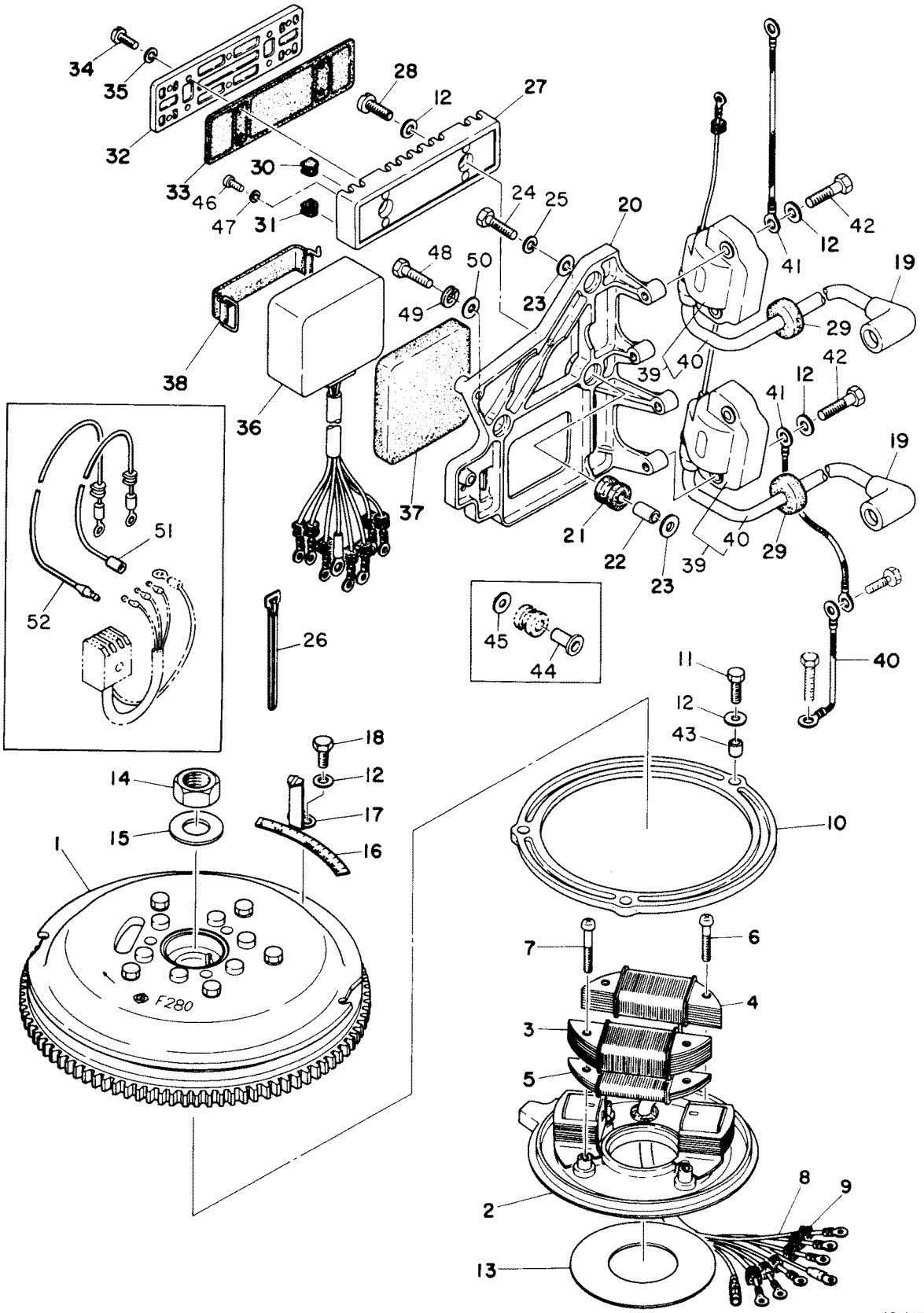
THROTTLE CONTROL



THROTTLE CONTROL

REF. NO.	PART NO.	SYM.	QTY.	DESCRIPTION
1	81345M		1	LEVER, C.D.I. CONTROL
2	81341M		1	STOPPER, FREE ACCEL - LINK
3	13-81866M		1	WASHER, WAVE - PIVOT PIN
4	17-81893M		1	PIN, LOCK LEVER PIVOT SERIAL 00002540-09999999
	17-82976M		1	PIN, LOCK LEVER PIVOT SERIAL 00002541-09999999
5	17-82367M		1	PIN, DOWEL - CONTROL LEVER
6	17-82149M		4	PIN
7	81480M		1	CLEVIS, THROTTLE CABLE
8	81350M		1	BRACKET, SHAFT
9	23-81946M		4	BUSHING
10	10-82423M		3	BOLT
11	13-82199M		4	WASHER
12	23-81942M		1	BUSHING, SHAFT BRACKET
13	81403M		1	STOP, SHAFT BRACKET
14	24-82074M		1	SPRING, COMPRESSION - SHAFT BRACKET STOP
15	53-82330M		2	CIRCLIP, SHAFT BRACKET STOP
16	81346M		1	LEVER, C.D.I. CONTROL.
17	81347M		1	SHAFT, LINK CONNECTING
18	24-82113M		1	SPRING, TORSION - LINK SHAFT
19	81344M		1	LEVER, C.D.I. CONTROL
20	81349M		1	BRACKET, SHAFT - UPPER
21	17-82154M		1	PIN, UPPER SHAFT BRACKET
22	10-83707M		2	BOLT, SET SERIAL 00002540-09999999
	10-83050M		2	SCREW SERIAL 00002541-09999999
23	11-81764M		1	NUT
24	11-82381M		1	NUT
25	81415M		2	CAP, SET BOLT
26	81348M		1	ROD, CONTROL
27	81225M		4	CLEVIS
28	81333M		1	ROD, LINK
29	11-82378M		1	NUT, CLEVIS LOCK
30	81334M		1	CAM
31	13-81868M		1	WASHER, WAVE - CAM
32	10-81713M		1	BOLT, CAM ATTACHING
33	81483M		1	BRACKET, REMOTE CONTROL
34	81484M		1	CLAMP, CABLE
35	17-82146M		1	PIN, CABLE CLAMP
36	10-82437M		1	BOLT, CONTROL BRACKET ATTACHING
37	13-82200M		1	WASHER, CONTROL BRACKET BOLT

IGNITION SYSTEM (CONT)



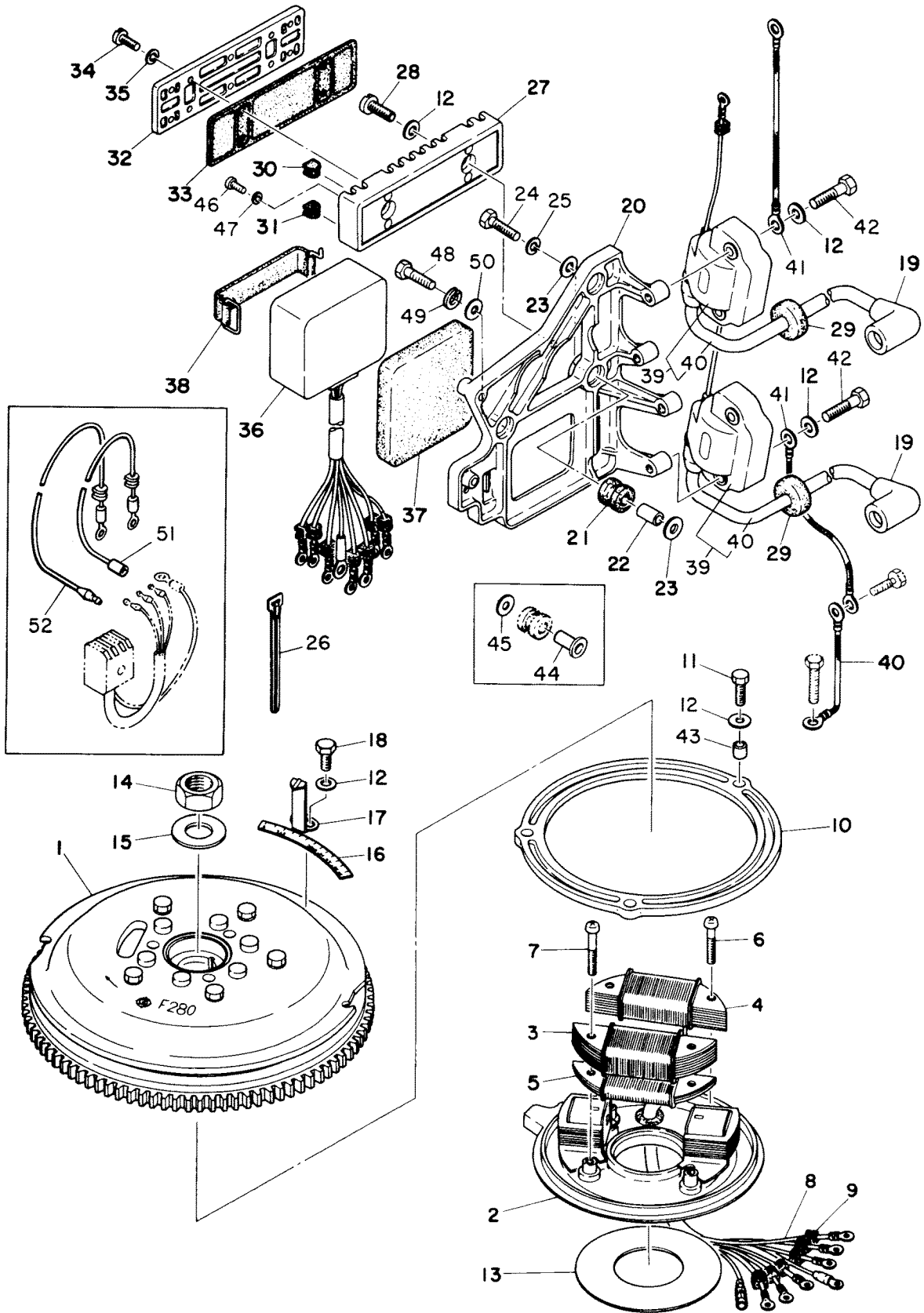
18

48 HP

IGNITION SYSTEM (CONT)

REF. NO.	PART NO.	SYM.	QTY.	DESCRIPTION
0-1	253-6846M		1	FLYWHEEL ASS'Y SERIAL 00002540-09999999
	253-6943M		1	FLYWHEEL ASS'Y SERIAL 00002541-09999999
1	253-7110M		1	FLYWHEEL SERIAL 00002540-09999999
	253-6950M		1	FLYWHEEL SERIAL 00002541-09999999
2	81545M		1	BASE ASS'Y SERIAL 00002540-09999999
	83129M		1	BASE ASS'Y SERIAL 00002541-09999999
3	81546M		1	COIL, CHARGE SERIAL 00002540-09999999
	83036M		1	COIL, CHARGE SERIAL 00002541-09999999
4	81486M		1	COIL, LIGHTING SERIAL 00002540-09999999
	83127M		1	COIL, LIGHTING SERIAL 00002541-09999999
5	81548M		1	COIL, TRIGGER SERIAL 00002540-09999999
	83037M		1	COIL, TRIGGER SERIAL 00002541-09999999
6	10-82508M		2	SCREW, COIL ATTACHING
7	10-8259M		2	SCREW, COIL ATTACHING
8	84-83708M		1	WIRE, LEAD
9	25-82059M		5	GROMMET, LEAD WIRE
10	81342M		1	RETAINER, BASE ASS'Y.
11	10-82424M		3	BOLT, BASE ATTACHING
12	13-82199M		10	WASHER
13	12-81343M		1	WASHER, BASE ASS'Y
14	11-81773M		1	NUT, FLYWHEEL
15	12-81834M		1	WASHER, FLYWHEEL
16	37-81488M		1	MARK, TIMING SERIAL 00002540-09999999
17	81487M		1	POINTER, TIMING SERIAL 00002540-09999999
	83031M		1	POINTER, TIMING SERIAL 00002541-09999999
18	10-82422M		1	BOLT, POINTER ATTACHING
19	81524M		2	CAP, SPARK PLUG SERIAL 00002540-09999999
	82788M		2	CAP, SPARK PLUG SERIAL 00002541-09999999
	80935M		2	CAP, SPARK PLUG (NOISE SUPPRESSOR OPT)
20	81543M		1	BRACKET, ELECTRICAL COMPONENT
21	81523M		3	RUBBER MOUNT, MOUNTING BRACKET
22	23-81968M		3	SLEEVE, RUBBER MOUNT SERIAL 00002540-09999999
23	12-82979M		6	WASHER, BRACKET SERIAL 00002540-09999999
24	10-82425M		3	BOLT, WIRE CLAMP ATTACHING

IGNITION SYSTEM



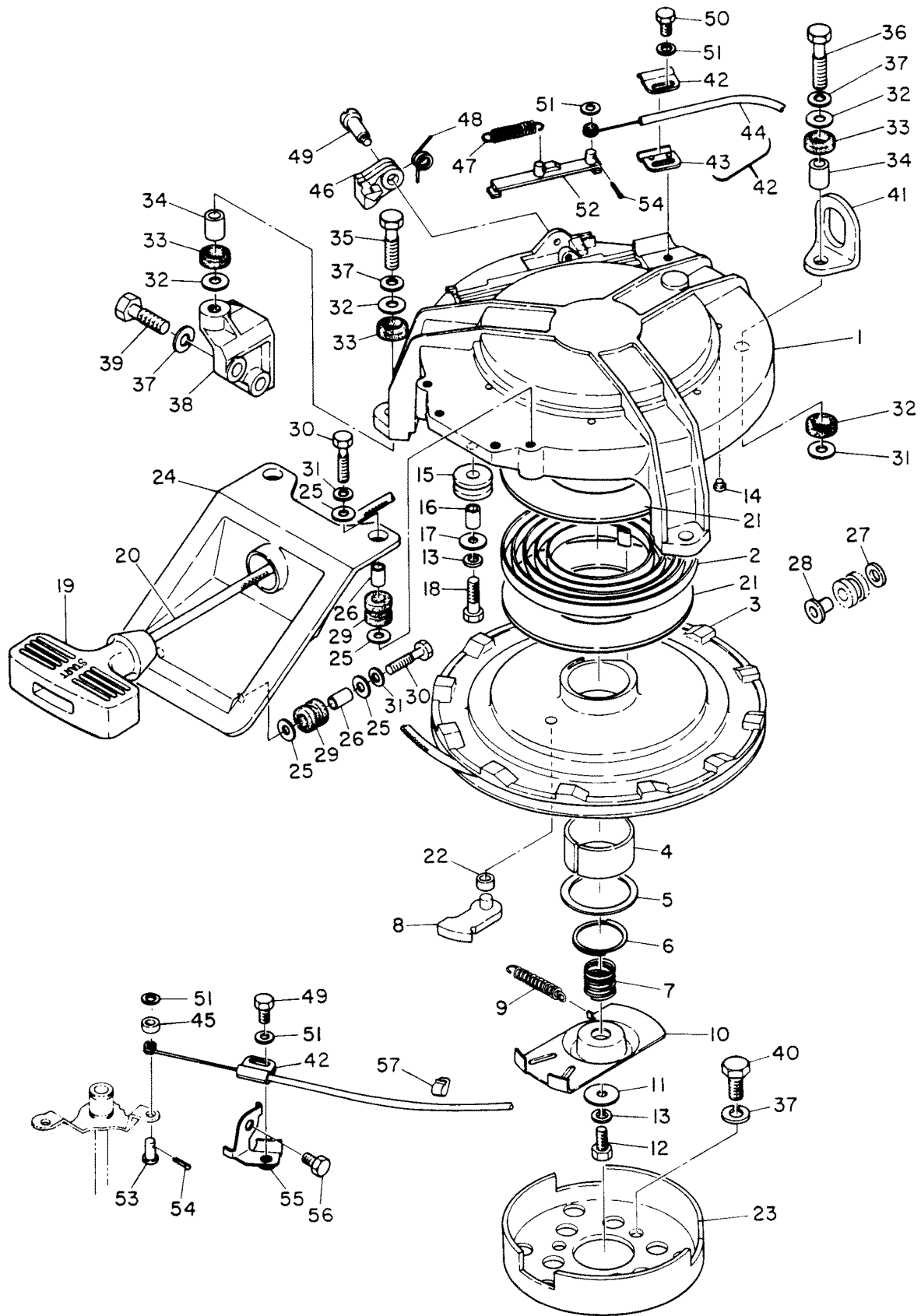
30

48 HP

IGNITION SYSTEM

REF. NO.	PART NO.	SYM.	QTY.	DESCRIPTION
25	13-82197M		3	LOCKWASHER, CLAMP BOLT
26	81541M		1	BAND
27	81518M		1	TERMINAL STRIP
28	10-82980M		2	SCREW, TERMINAL STRIP ATTACHING
29	25-80714M		2	GROMMET, PLUG WIRE SERIAL 00002540-09999999
	25-82069M		2	GROMMET, PLUG WIRE SERIAL 00002541-09999999
30	25-82058M		3	GROMMET, TERMINAL STRIP COVER - UPPER SERIAL 00002540-09999999
	25-82058M		4	GROMMET, TERMINAL STRIP COVER - UPPER SERIAL 00002541-09999999
31	25-81517M		1	GROMMET, TERMINAL STRIP COVER - LOWER...
32	81515M		1	COVER, TERMINAL STRIP
33	27-81516M		1	GASKET, TERMINAL STRIP
34	10-83048M		4	SCREW, TERMINAL STRIP COVER ATTACHING
35	13-82184M		4	LOCKWASHER, TERMINAL STRIP COVER SCREW
36	81542M		1	SWITCH BOX ASS'Y
37	81544M		1	DAMPER, SWITCH BOX.
38	81520M		1	RETAINER, SWITCH BOX.
39	81549M		2	IGNITION COIL ASS'Y
40	84-82831M		2	CORD, HIGHTENSION
41	84-81250M		3	GROUND WIRE LEAD
42	10-82426M		4	BOLT, COIL ATTACHING
43	23-81971M		3	COLLAR
44	23-82851M		3	BUSHING SERIAL 00002541-09999999
45	12-82979M		3	WASHER SERIAL 00002541-09999999
46	10-82798M		10	SCREW
47	12-82799M		10	WASHER
48	10-82981M		2	SCREW
49	13-82212M		2	WASHER
50	12-82214M		2	WASHER
51	84-82997M		1	WIRE, LEAD 1 SERIAL 00002541-09999999
52	84-82998M		1	WIRE, LEAD 2. SERIAL 00002541-09999999

RECOIL STARTER



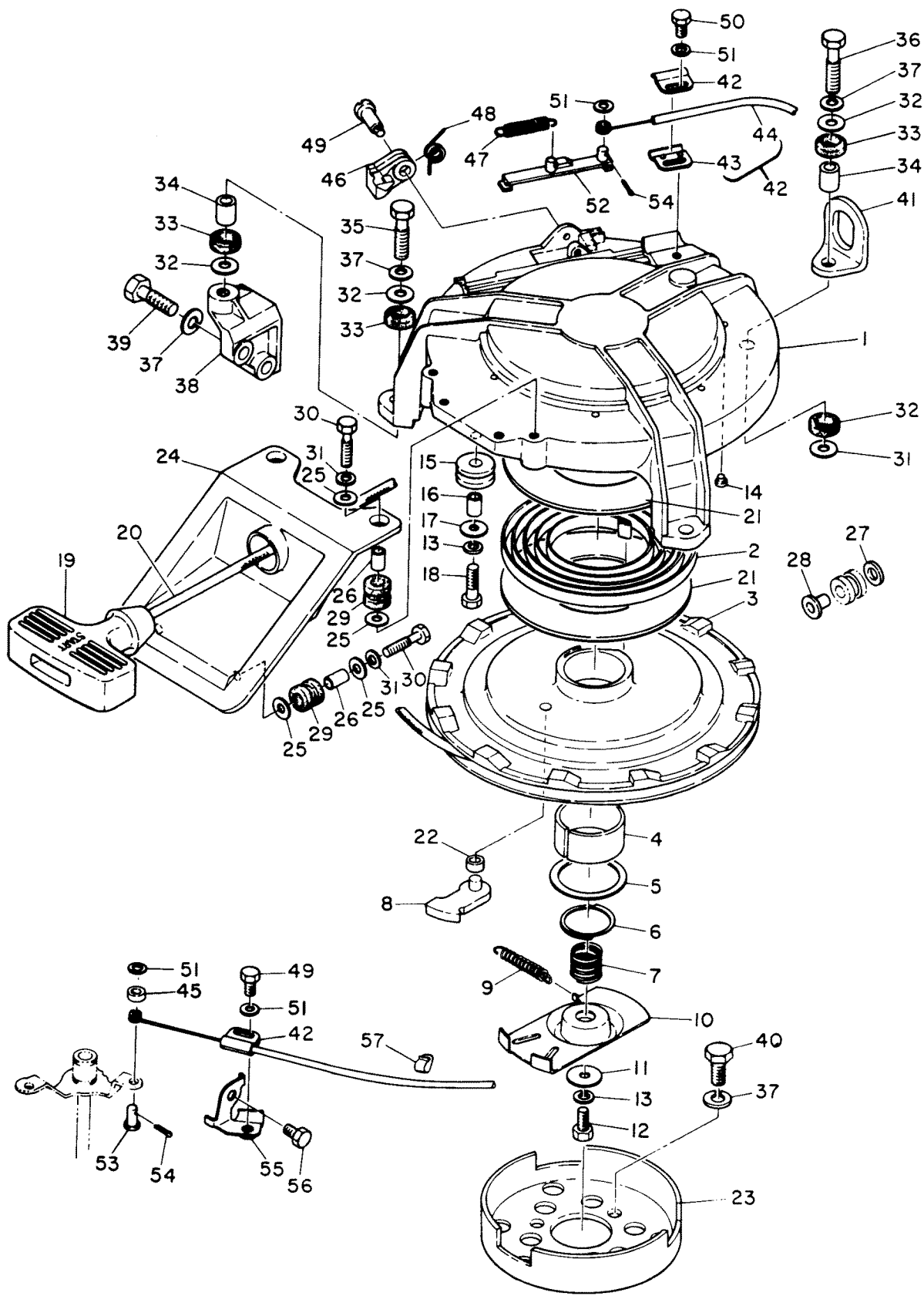
32

48 HP

RECOIL STARTER

REF. NO.	PART NO.	SYM.	QTY.	DESCRIPTION
0-1	83162M		1	STARTER ASS'Y
1	82552M		1	HOUSING, STARTER
2	24-81295M		1	SPRING, STARTER
3	50-81296M		1	STARTER PULLEY
4	23-81309M		1	COLLAR, ENGAGEMENT CAM
5	12-81301M		1	WASHER, ENGAGEMENT CAM
6	53-81305M		1	CIRCLIP, ENGAGEMENT CAM
7	24-81302M		1	SPRING, ENGAGEMENT CAM
8	81304M		1	PAWL, STARTER
9	24-81297M		1	SPRING, ENGAGEMENT CAM
10	81298M		1	CAM, PAWL ENGAGEMENT
11	12-81299M		1	WASHER, ENGAGEMENT CAM BOLT
12	10-82403M		1	BOLT
13	13-82197M		2	LOCKWASHER
14	19-80604M		6	PLUG, STARTER HOUSING
15	81307M		1	ROLLER, STARTER ROPE
16	23-81308M		1	BUSHING, ROLLER
17	12-83149M		1	WASHER
18	10-83141M		1	BOLT
19	80063M		1	HANDLE, STARTER
20	79629A1		1	STARTER ROPE
21	12-83151M		2	WASHER
22	23-83150M		1	BUSHING
23	81300M		1	DRIVE CUP, PAWL
24	81310M		1	GUIDE, STARTER ROPE
25	12-82198M		8	WASHER SERIAL 00002540-09999999
26	23-81967M		4	COLLAR, GUIDE MOUNT SERIAL 00002540-09999999
27	12-82198M		4	WASHER SERIAL 00002541-09999999
28	23-82851M		4	BUSHING SERIAL 00002541-09999999
29	81523M		4	MOUNT, GUIDE
30	10-82426M		4	BOLT, ROPE GUIDE ATTACHING
31	13-82197M		4	WASHER
32	13-81799M		6	WASHER, LIFT BRACKET BOLT
33	25-81937M		6	GROMMET, LIFT BRACKET
34	23-81978M		3	COLLAR, LIFT BRACKET
35	10-82442M		2	BOLT, STARTER HOUSING ATTACHING
36	10-82443M		1	BOLT, LIFT BRACKET ATTACHING
37	13-82200M		8	LOCKWASHER
38	81313M		1	BRACKET, STARTER HOUSING
39	10-82441M		2	BOLT, BRACKET ATTACHING
40	10-82439M		3	BOLT, DRIVE CUP ATTACHING
41	81251M		1	HANGER, ENGINE

RECOIL STARTER (CONT)



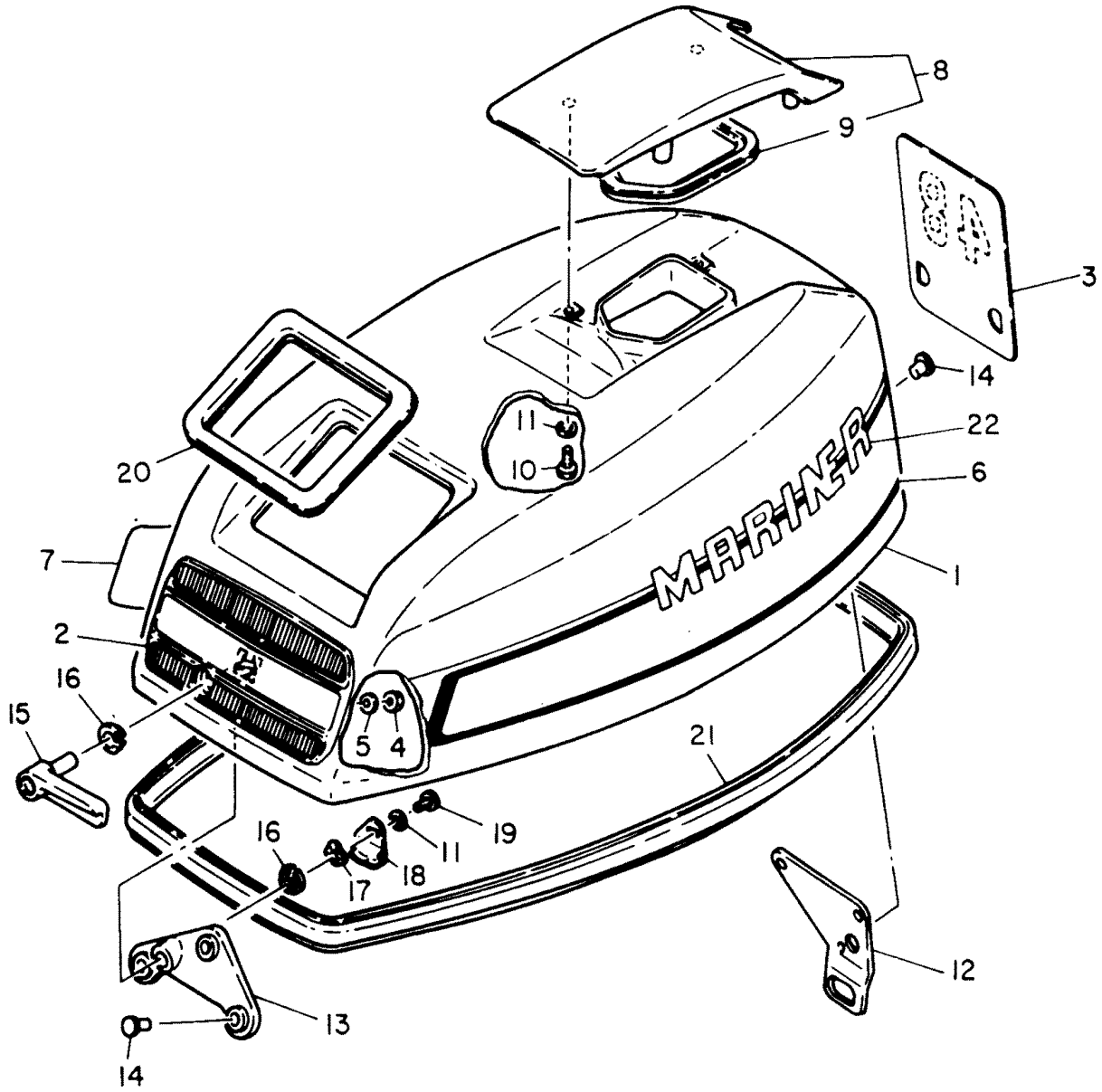
34

48 HP

RECOIL STARTER (CONT)

REF. NO.	PART NO.	SYM.	QTY.	DESCRIPTION
0-2	83709M		1	SAFETY STARTER KIT ASS'Y
42	81312M		1	LOCKOUT CABLE COMP
43	81315M		4	CLAMP, LOCKOUT CABLE
44	81316M		1	CABLE, LOCKOUT
45	83152M		1	RING, RETAINING
46	81317M		1	CAM, LOCKOUT
47	24-82102M		1	SPRING, LOCKOUT LEVER
48	24-82106M		1	SPRING, LOCKOUT CAM RETURN
49	10-81751M		1	PIVOT, LOCKOUT CAM
50	10-82421M		2	BOLT, CLAMP ATTACHING
51	12-82198M		4	WASHER
52	81303M		1	LEVER, LOCKOUT
53	17-82136M		1	PIN, CLEVIS - SHIFT LEVER
54	18-82736M		2	PIN
55	81314M		2	BRACKET, LOCKOUT CABLE
56	10-82436M		1	BOLT, CABLE BRACKET ATTACHING
57	54-82041M		1	CLAMP

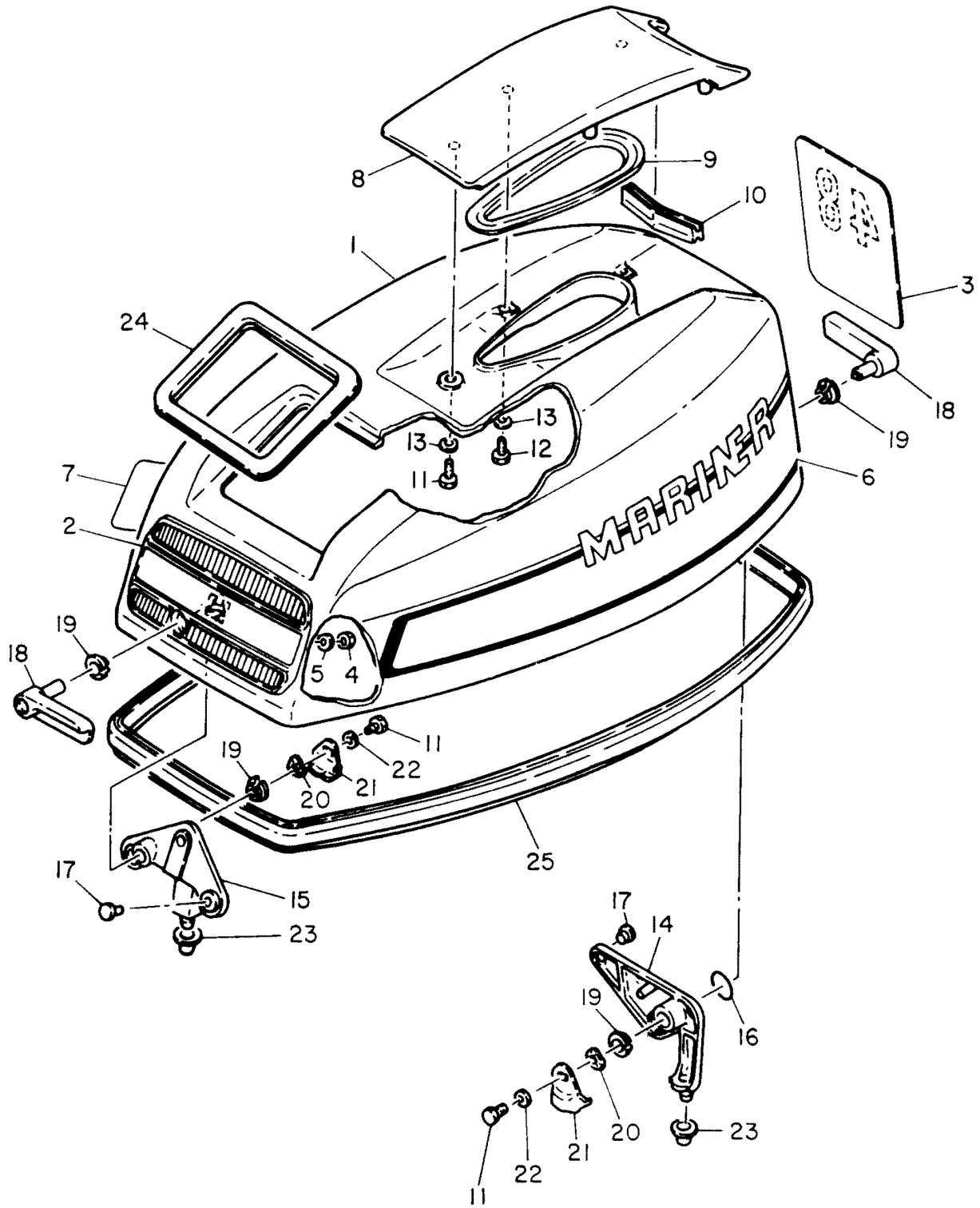
TOP COWLING



TOP COWLING

REF. NO.	PART NO.	SYM.	QTY.	DESCRIPTION
1	2168-6859M		1	TOP COWLING ASS'Y
2	81366M		1	APPLIQUE, FRONT
3	82558M		1	DECAL, REAR
4	11-82388M		2	NUT, APPLIQUE ATTACHING
5	12-82211M		2	LOCKWASHER, APPLIQUE NUT
6	37-81364M		1	DECAL, TRIM - PORT
7	37-81365M		1	DECAL, TRIM - STARBOARD
8	83147M		1	COVER, AIR DUCT
9	83146M		1	SEAL
10	10-82422M		4	BOLT
11	13-82199M		5	WASHER
12	83144M		1	HOLDER, CLAMP BAND
13	83145M		1	HOLDER, CLAMP BAND
14	17-82982M		6	RIVET
15	81379M		1	LEVER, COWL CLAMP
16	23-81949M		2	BUSHING, CLAMP LEVER
17	13-81869M		1	WASHER, CLAMP LEVER
18	81380M		1	CLAMP, COWL
19	10-82421M		1	BOLT, COWL CLAMP ATTACHING
20	81311M		1	SEAL, TOP COWLING - UPPER
21	81361M		1	SEAL, TOP COWL
22	37-81141M		2	DECAL, "MARINER" - COWL

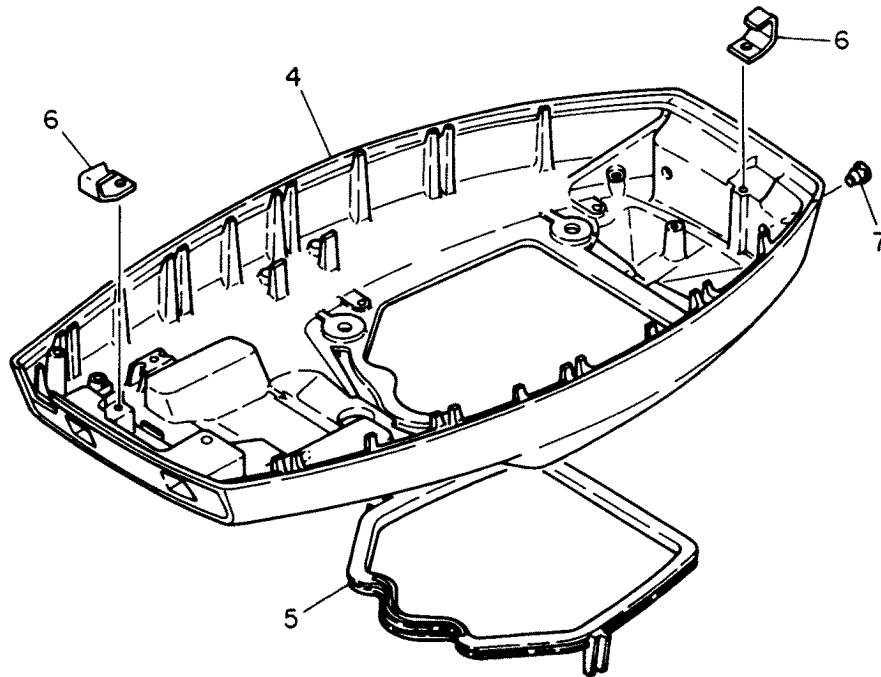
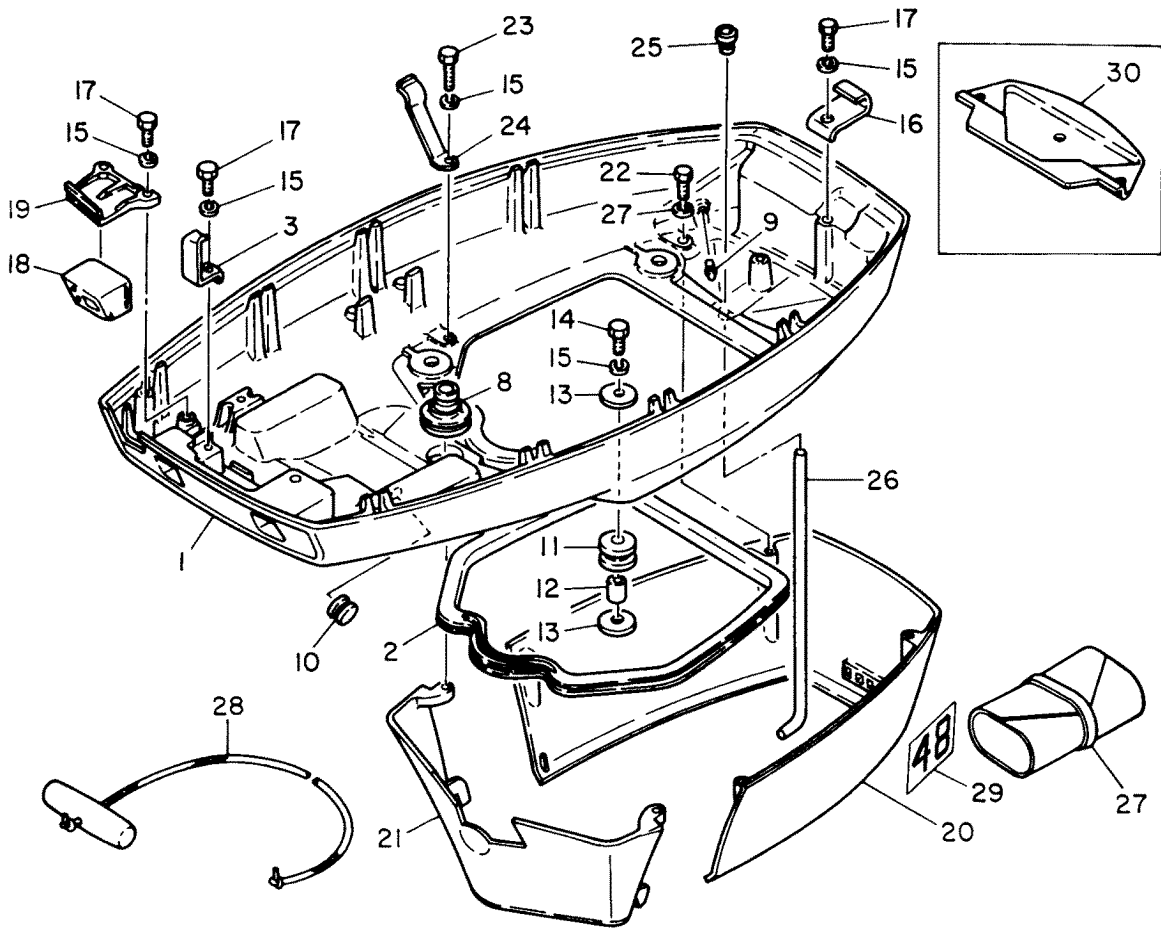
TOP COWLING



TOP COWLING

REF. NO.	PART NO.	SYM.	QTY.	DESCRIPTION
1	2168-7111M		1	TOP COWLING ASS'Y
2	82912M		1	APPLIQUE, FRONT
3	83710M		1	DECAL, REAR
4	11-82388M		2	NUT
5	12-82211M		2	WASHER
6	37-83022M		1	DECAL, PORT SIDE
7	37-83023M		1	DECAL, STARBOARD SIDE
8	83024M		1	COVER, AIR DUCT
9	83025M		1	SEAL
10	83039M		1	SEAL, RUBBER
11	10-82421M		3	BOLT
12	10-82422M		4	BOLT
13	13-82199M		5	WASHER
14	83040M		1	HOLDER, CLAMP BAND
15	83041M		1	HOLDER, CLAMP BAND
16	25-82269M		1	O-RING
17	17-82982M		6	RIVET
18	83026M		1	LEVER, CLAMP
19	23-81952M		4	BUSHING
20	13-81871M		2	WASHER
21	83027M		1	LEVER
22	12-81794M		2	WASHER
23	83042M		2	DAMPER
24	81311M		1	SEAL
25	83043M		1	SEAL

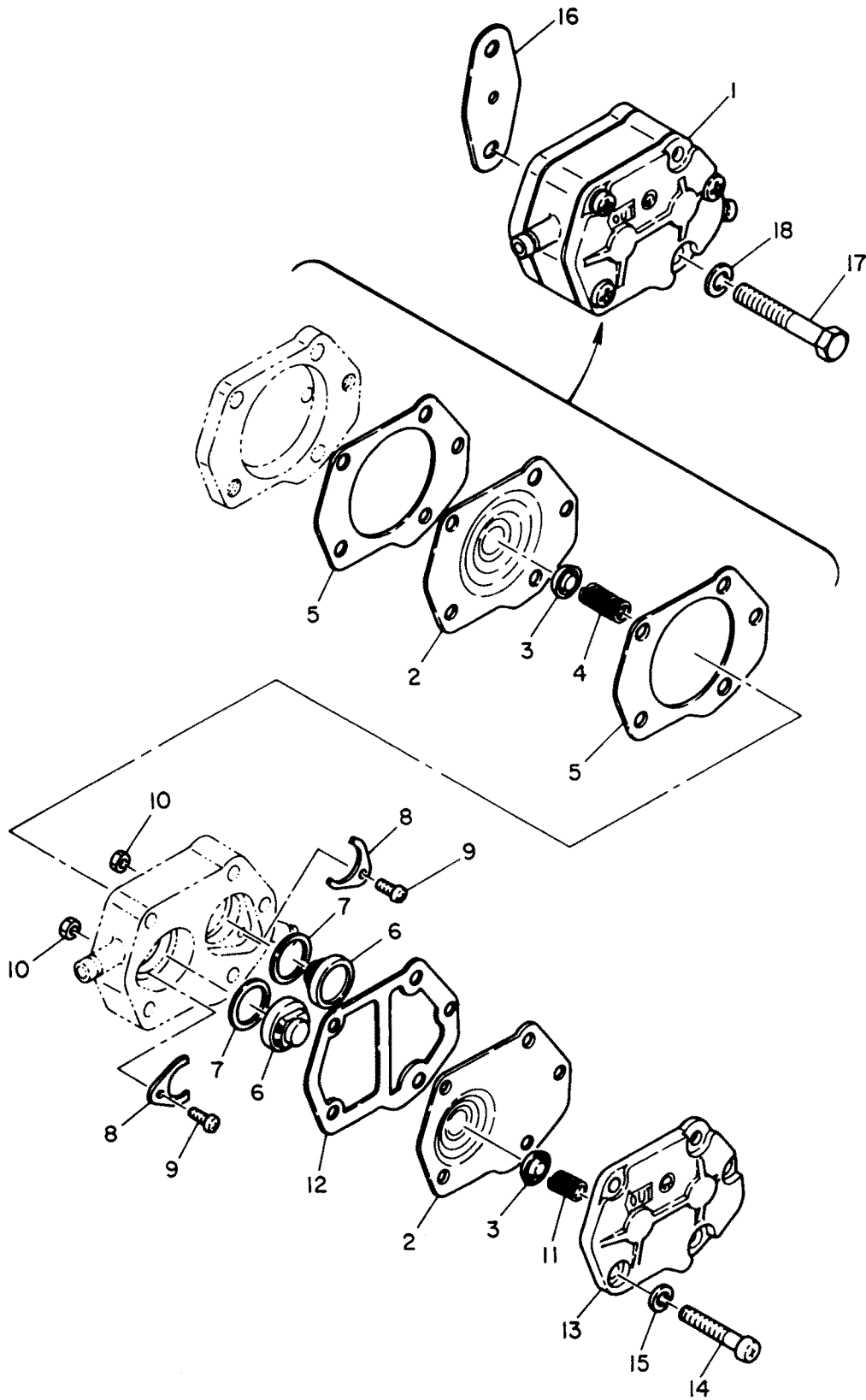
BOTTOM COWLING



BOTTOM COWLING

REF. NO.	PART NO.	SYM.	QTY.	DESCRIPTION
1	2168-6838M		1	COWLING, BOTTOM SERIAL 00002540-09999999
2	27-81368M		1	SEAL, BOTTOM COWL TO APRON SERIAL 00002540-09999999
3	81375M		1	HOOK, COWL CLAMP - FRONT SERIAL 00002540-09999999
4	2168-6951M		1	COWLING, BOTTOM SERIAL 00002541-09999999
5	27-83044M		1	SEAL, BOTTOM COWL TO APRON SERIAL 00002541-09999999
6	83045M		1	STAY SERIAL 00002541-09999999
7	25-83142M		2	GROMMET SERIAL 00002541-09999999
8	25-81369M		1	GROMMET
9	22-81326M		1	FITTING
10	25-82061M		1	GROMMET
11	25-82065M		4	GROMMET, APRON BOLT
12	23-81968M		4	COLLAR, APRON BOLT
13	12-81796M		8	WASHER, APRON BOLT
14	10-82426M		4	BOLT, COWLING TO DRIVESHAFT HOUSING
15	13-82197M		12	LOCKWASHER, APRON BOLT
16	81377M		1	HOOK, COWL-REAR SERIAL 00002540-09999999
17	10-82422M		4	BOLT
18	81371M		1	BUMPER. COWL
19	81372M		1	RETAINER, COWL BUMPER SERIAL 00002540-09999999
	83153M		1	RETAINER, COWL BUMPER SERIAL 00002541-09999999
20	81374M		1	APRON, COWL - FRONT
21	81378M		1	APRON, COWL - REAR
22	10-82451M		2	BOLT, APRON ATTACHING
23	10-82453M		2	BOLT, APRON ATTACHING
24	54-82983M		1	CLAMP
25	23-81376M		1	FASTENER
26	32-81324M		1	ROD
27	91-80942M		1	TOOL KIT
28	47341A1		1	STARTER ROPE
29	37-83053M		2	DECAL, SIDE SERIAL 00002541-09999999
30	83047M		1	COVER, BOTTOM SERIAL 00002541-09999999

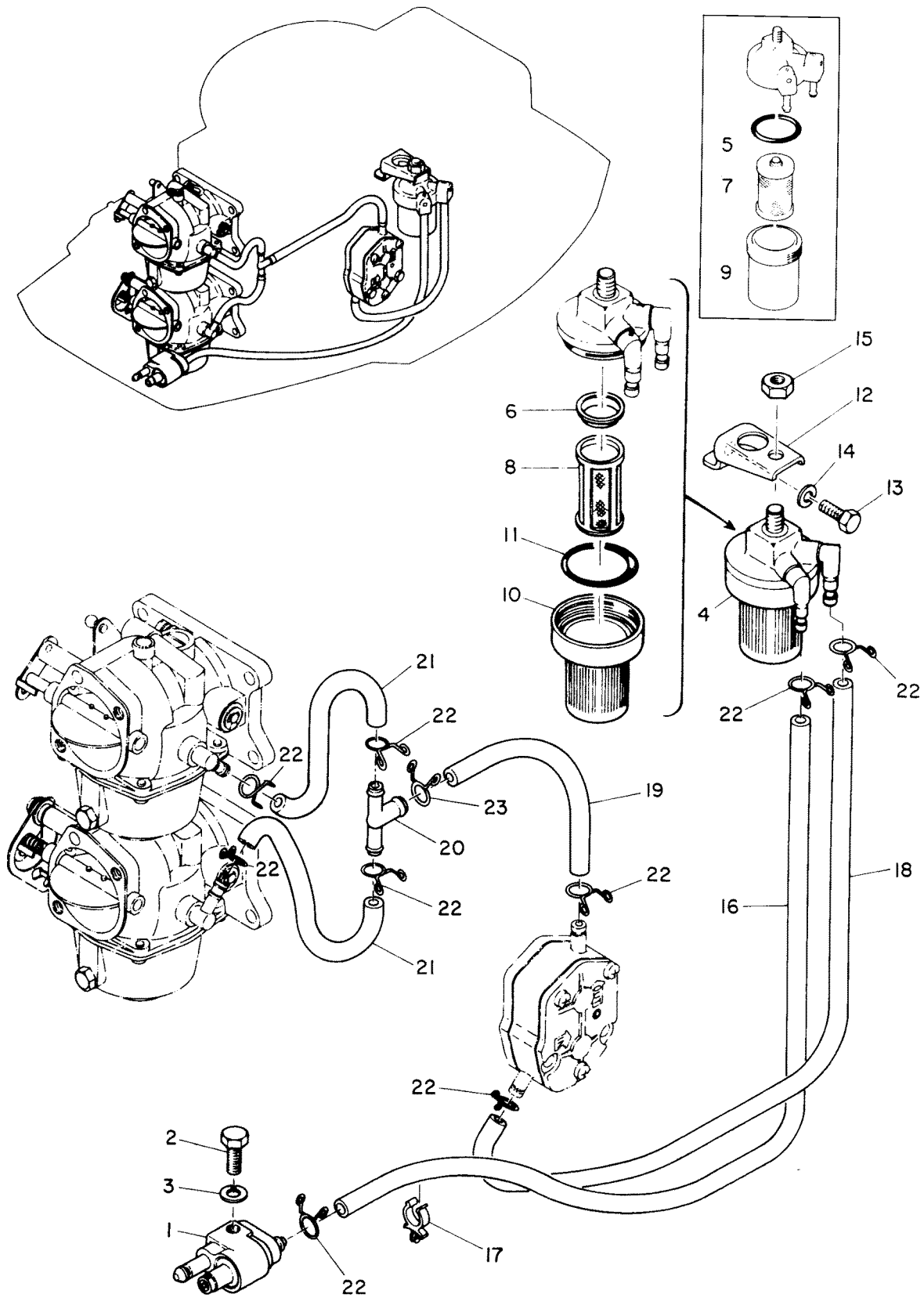
FUEL PUMP



FUEL PUMP

REF. NO.	PART NO.	SYM.	QTY.	DESCRIPTION
1	81328M		1	FUEL PUMP ASS'Y
2	80606M		2	DIAPHRAGM, FUEL PUMP
3	80611M		2	PLATE, SPRING GUIDE
4	24-80610M		1	SPRING, FUEL PUMP DIAHRAGM
5	27-80613M		2	GASKET, BODY TO BASE
6	21-80608M		2	CHECK VALVE, FUEL PUMP
7	27-80612M		2	GASKET, CHECK VALVE
8	80609M		2	RETAINER, CHECK VALVE
9	10-82511M		2	SCREW, RETAINER ATTACHING
10	11-82373M		2	NUT, RETAINER SCREW
11	24-8615M		1	SPRING, FUEL PUMP DIAPHRAGM
12	27-80614M		1	GASKET, BODY TO COVER
13	80607M		1	COVER, FUEL PUMP
14	10-82523M		3	SCREW, COVER ATTACHING
15	13-82208M		3	LOCWASHER, COVER SCREW
16	27-80757M		1	GASKET, FUEL TO CRANKCASE
17	10-82428M		2	BOLT, FUEL PUMP ATTACHING
18	12-82198M		2	WASHER, FUEL - PUMP BOLT

FUEL LINE AND FILTER

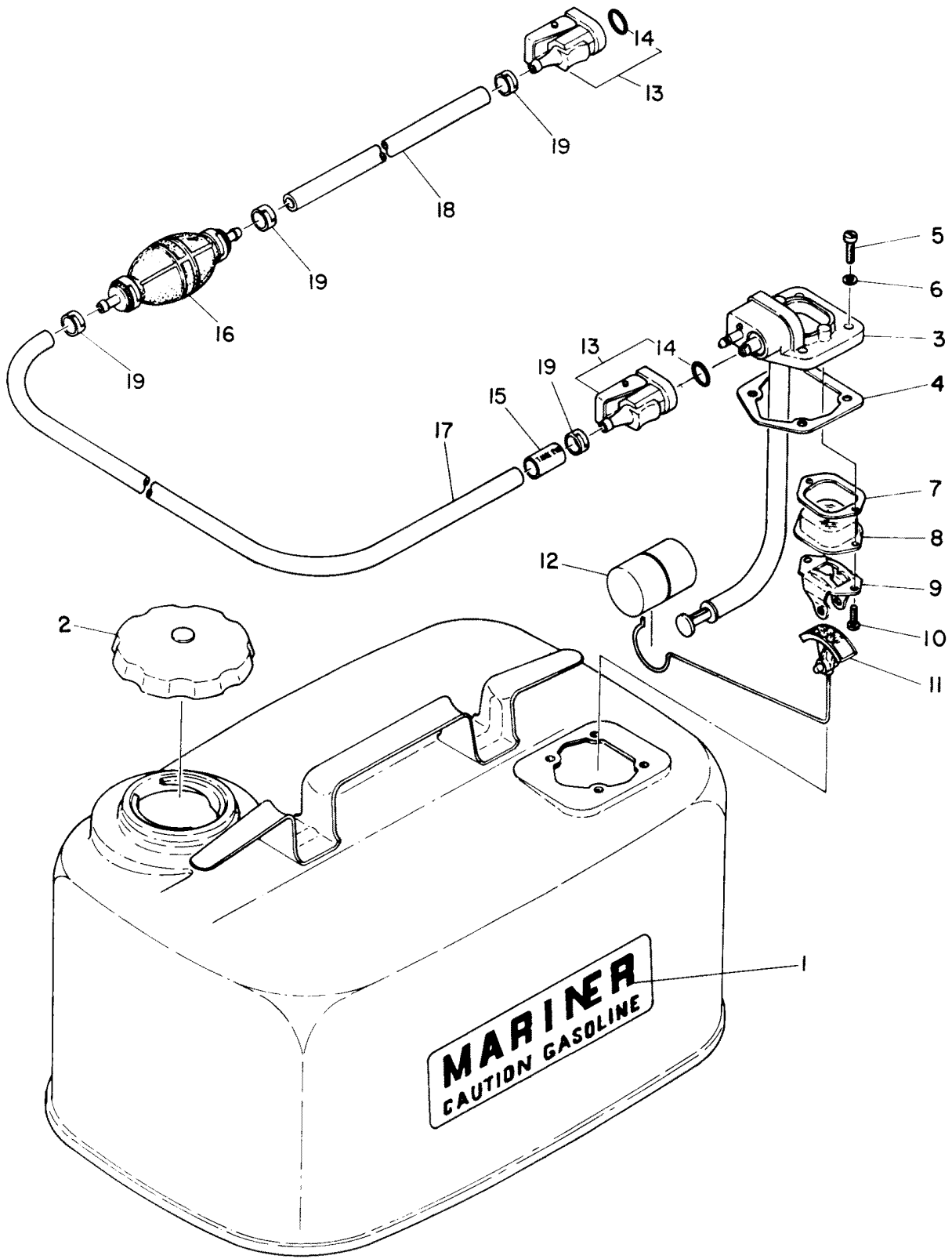


48 HP

FUEL LINE AND FILTER

REF. NO.	PART NO.	SYM.	QTY.	DESCRIPTION
1	81041M		1	FUEL LINE CONNECTOR ASS'Y
2	10-82423M		1	BOLT, CONNECTOR ATTACHING
3	13-82212M		1	LOCKWASHER, CONNECTOR BOLT
4	35-80617M		1	FUEL FILTER ASS'Y
5	25-80619M		1	GASKET, FUEL BOWL SERIAL 00002540-09999999
6	27-82790M		1	GASKET, FILTER SERIAL 00002541-09999999
7	35-80618M		1	ELEMENT, FUEL FILTER SERIAL 00002540-09999999
8	25-82783M		1	ELEMENT, FILTER SERIAL 00002541-09999999
9	35-80616M		1	FUEL BOWL SERIAL 00002540-09999999
10	82784M		1	FUEL BOWL SERIAL 00002541-09999999
11	25-82792M		1	O-RING SERIAL 00002541-09999999
12	80620M		1	BRACKET, FUEL FILTER
13	10-82422M		1	BOLT, FUEL PUMP BRACKET ATTACHING
14	13-82197M		1	LOCKWASHER, BRACKET BOLT
15	11-82382M		1	NUT, FUEL PUMP ATTACHING
16	32-82017M		1	FUEL LINE, CONNECTOR TO PUMP
17	54-82037M		1	CLAMP, FUEL LINE
18	32-82010M		1	FUEL LINE, FILTER TO PUMP
19	32-82020M		1	FUEL LINE, PUMP TO TEE
20	22-81697M		1	TEE FITTING, FUEL LINE
21	32-82004M		2	FUEL LINE, TEE TO CARBURETOR
22	54-82047M		9	CLAMP, FUEL LINE
23	54-82048M		1	CLAMP, FUEL LINE

FUEL TANK (INTERNATIONAL)

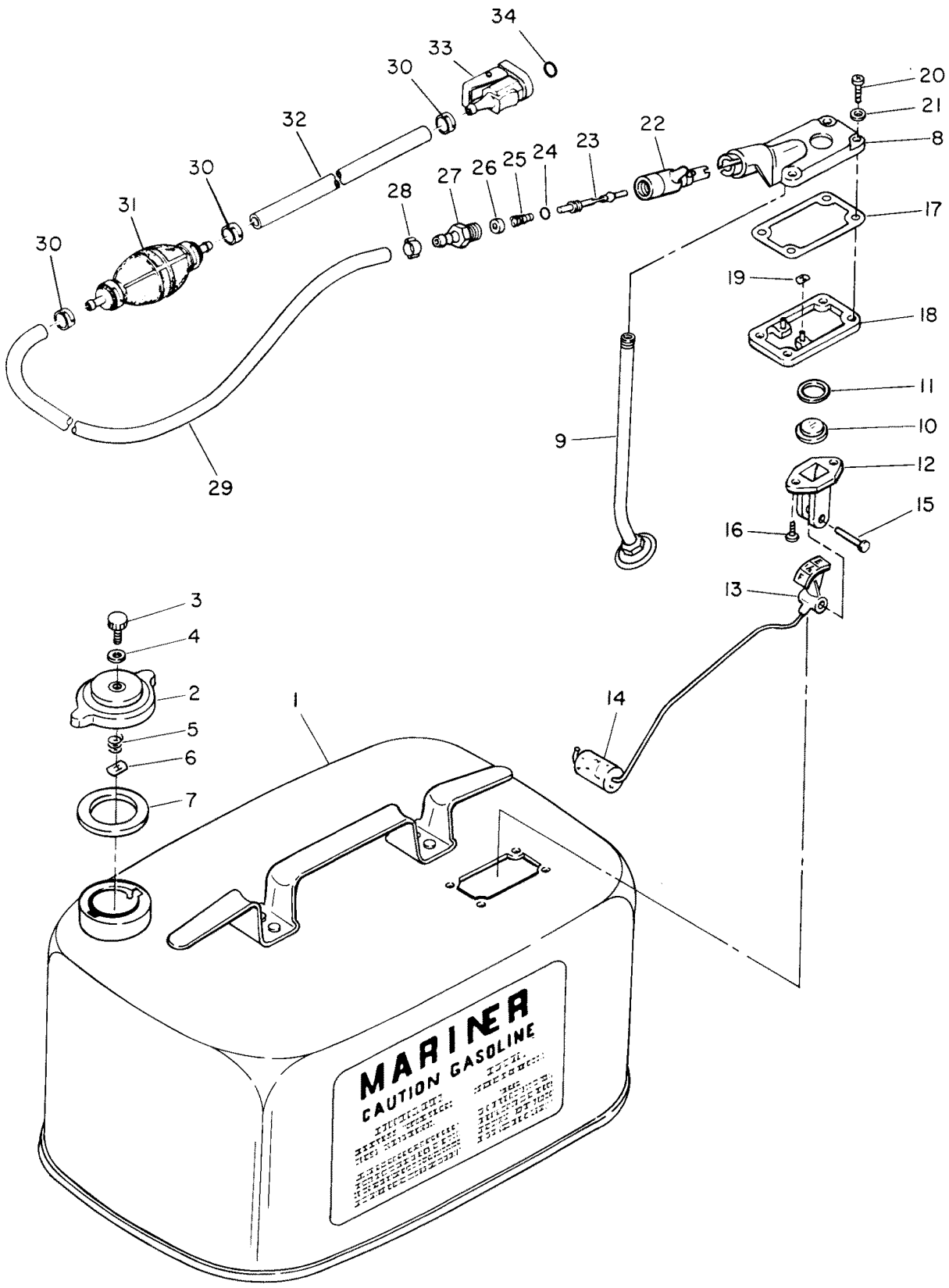


FUEL TANK (INTERNATIONAL)

REF. NO.	PART NO.	SYM.	QTY.	DESCRIPTION
0-1	1252-6836M		1	FUEL TANK ASS'Y
1	37-82984M		1	DECAL
2	81694M		1	FUEL TANK CAP
3	81321M		1	HOUSING, FUEL CONNECTOR
4	27-81320M		1	GASKET, HOUSING TO TANK
5	10-82526M		4	SCREW, HOUSING ATTACHING
6	12-80271M		4	WASHER, HOUSING SCREW
7	27-80270M		1	GASKET, HOUSING TO LENS INDICATOR
8	80269M		1	LENS, INDICATOR
9	80268M		1	SUPPORT, INDICATOR
10	10-82518M		2	SCREW, SUPPORT ATTACHING
11	81318M		1	INDICATOR
12	81319M		1	FLOAT, INDICATOR
0-2	32-83192M		1	FUEL HOSE ASS'Y
13	22-81042M		2	CONNECTOR HOUSING
14	25-82789M		2	O-RING
15	23-81327M		1	SLEEVE, HOSE
16	81325M		1	BULB, PRIMER
17	32-82025M		1	HOSE, CONNECTOR HOUSING TO BULB
18	32-82023M		1	HOSE, BULB TO CONNECTOR
19	54-80752M		4	CLAMP, HOSE

FUEL TANK (U.S.A.)

(U.S.A.)



FUEL TANK (U.S.A.)

REF. NO.	PART NO.	SYM.	QTY.	DESCRIPTION
0-1	1225-1529A16		1	FUEL TANK COMPLETE
1	1225-1529		1	FUEL TANK, (6 GALLON)
2	36-25392A2		1	FILLER CAP ASSEMBLY
3	10-25575		1	SCREW, VENT - FILLER CAP
4	12-49221		1	WASHER, VENT SCREW
5	24-22227		1	SPRING, TENSION - VENT SCREW
6	11-28587		1	NUT, SPEED - SPRING RETAINER
7	27-25568		1	GASKET, FILLER CAP TO FUEL TANK
8	64841A3		1	COVER ASS'Y, FUEL TANK (1/4-18 TAPPED HOLE)
9	32-33909A3		1	TUBE ASS'Y, (1/4-18 CONNECTOR - 1/2" TUBE)
10	54920A1		1	LENS ASSEMBLY, FUEL GAUGE
11	27-54921		1	GASKET, FUEL GAUGE LENS
12	20430		1	RETAINER, FUEL GAUGE
13	28897A1		1	INDICATOR AND FLOAT ASSEMBLY
14	20427		1	FLOAT, FUEL GAUGE
15	17-20426		1	RIVET, INDICATOR TO RETAINER
16	10-62568		2	SCREW, RETAINER TO FUEL TANK COVER (5/16")
17	27-28862		1	GASKET, COVER ASSEMBLY TO FRAME
18	28860		1	FRAME, RETAINING - FUEL TANK COVER
19	53-28903		2	FASTENER, RETAINING FRAME TO FUEL TANK
20	10-20411		4	SCREW, FUEL TANK COVER TO FUEL TANK
21	12-74711		4	WASHER, FUEL TANK COVER FASTENING SCREW
22	30185A1		1	BODY, BAYONET ASS'Y
23	30187		1	STEM, BAYONET BODY
24	25-20415		1	O-RING, BAYONET BODY STEM
25	24-30189		1	SPRING, BAYONET BODY STEM
26	30188		1	WASHER, CAP BAYONET BODY SPRING
27	22-63187		1	FITTING, FUEL LINE (TANK END)
28	54-55206		1	CLAMP, HOSE TO BAYONET BODY ASS'Y
29	32-82025M		1	HOSE, FUEL TANK TO PRIMER BULB
30	54-80752M		3	CLAMP, HOSE
31	81325M		1	PRIMER BULB, FUEL LINE
32	32-82023M		1	HOSE, PRIMER BULB TO FUEL CONNECTOR
33	22-81042M		1	HOUSING ASS'Y, FUEL CONNECTOR
34	25-82789M		1	O-RING

PARTS INDEX

Part Number	Description	Pg.	Ref. No.	Part Number	Description	Pg.	Ref. No.
20427	FLOAT, FUEL GAUGE	55	14	81311M	SEAL	45	24
20430	RETAINER, FUEL GAUGE . .	55	12	81311M	SEAL, TOP COWLING -		
28860	FRAME, RETAINING - FUEL				UPPER	43	20
	TANK COVER	55	18	81312M	LOCKOUT CABLE COMP . . .	41	42
28897A1	INDICATOR AND FLOAT			81313M	BRACKET, STARTER		
	ASSEMBLY	55	13		HOUSING	39	38
30185A1	BODY, BAYONET ASS'Y . . .	55	22	81314M	BRACKET, LOCKOUT CABLE	41	55
30187	STEM, BAYONET BODY . . .	55	23	81315M	CLAMP, LOCKOUT CABLE .	41	43
30188	WASHER, CAP BAYONET			81316M	CABLE, LOCKOUT	41	44
	BODY SPRING	55	26	81317M	CAM, LOCKOUT	41	46
47341A1	STARTER ROPE	47	28	81318M	INDICATOR	53	11
54920A1	LENS ASSEMBLY, FUEL			81319M	FLOAT, INDICATOR	53	12
	GAUGE	55	10	81321M	HOUSING, FUEL		
64841A3	COVER ASS'Y, FUEL TANK				CONNECTOR	53	3
	(1/4-18 TAPPED HOLE) . .	55	8	81325M	BULB, PRIMER	53	16
73345	THRUST WASHER,			81325M	PRIMER BULB, FUEL LINE .	55	31
	PROPELLER	17	75	81328M	FUEL PUMP ASS'Y	49	1
79629A1	STARTER ROPE	39	20	81329M	THROTTLE CABLE	27	17
80026M	RETAINER, VALVE SEAT . .	9	13	81330M	COVER, EXHAUST - OUTER	3	21
80051M	ANODE	11	14	81332M	GUIDE, EXHAUST	11	10
80063M	HANDLE, STARTER	39	19	81333M	ROD, LINK	33	28
80268M	SUPPORT, INDICATOR	53	9	81334M	CAM	33	30
80269M	LENS, INDICATOR	53	8	81335M	ROD, THROTTLE		
80454M	CAP, OVERFLOW PIPE	7	13		ADJUSTMENT	7	25
80509M	GRIP, THROTTLE HANDLE .	27	3	81336M	CONNECTOR, ADJUSTMENT		
80606M	DIAPHRAGM, FUEL PUMP .	49	2		ROD - LOWER	7	27
80607M	COVER, FUEL PUMP	49	13	81338M	ROD, CHOKE	7	19
80609M	RETAINER, CHECK VALVE .	49	8	81339M	ROD, CHOKE LINK	7	21
80611M	PLATE, SPRING GUIDE	49	3	81340M	CONNECTOR, LINK ROD . .	7	23
80620M	BRACKET, FUEL FILTER . . .	51	12	81341M	STOPPER, FREE ACCEL -		
80935M	CAP, SPARK PLUG (NOISE				LINK	33	2
	SUPPRESSOR OPT)	35	19	81342M	RETAINER, BASE ASS'Y. . .	35	10
81041M	FUEL LINE CONNECTOR			81344M	LEVER, C.D.I. CONTROL . . .	33	19
	ASS'Y	51	1	81345M	LEVER, C.D.I. CONTROL . . .	33	1
81191M	CONNECTOR, CHOKE			81346M	LEVER, C.D.I. CONTROL. . .	33	16
	LEVER	7	20	81347M	SHAFT, LINK CONNECTING	33	17
81225M	CLEVIS	33	27	81348M	ROD, CONTROL	33	26
81225M	CONNECTOR, ADJUSTMENT			81349M	BRACKET, SHAFT - UPPER	33	20
	ROD - UPPER	7	*26	81350M	BRACKET, SHAFT	33	8
81251M	HANGER, ENGINE	39	41	81351M	SHAFT, THROTTLE	27	10
81253M	COVER, CYLINDER HEAD . .	3	32	81354M	COVER, THROTTLE CAM . .	27	15
81255M	ANODE	3	19	81355M	HOUSING, THROTTLE CAM	27	13
81265M	COVER, THERMOSTAT	3	34	81356M	INDICATOR, THROTTLE . . .	27	4
81271M	MANIFOLD, INTAKE	7	11	81357M	CAM, THROTTLE	27	11
81274M	BASE, AIR INTAKE	7	1	81358M	ROD, MANUAL SHIFT	27	34
81275M	COVER, AIR INTAKE	7	5	81359M	ARM & SHAFT ASS'Y		
81282M	JET, PILOT (#92)	9	6		(SHORT SHAFT)	25	1
81284M	JET, MAIN (#185)	9	17	81360M	ARM & SHAFT ASS'Y (LONG		
81286M	JET, MAIN AIR (#150)	9	2		SHAFT)	25	1
81287M	NOZZLE, MAIN	9	16	81361M	SEAL, TOP COWL	43	21
81289M	JET, PILOT AIR (#105)	9	1	81366M	APPLIQUE, FRONT	43	2
81290M	BOWL, FLOAT	9	21	81371M	BUMPER, COWL	47	18
81291M	FLOAT	9	18	81372M	RETAINER, COWL BUMPER	47	19
81294M	HOUSING, OIL SEAL	5	17	81374M	APRON, COWL - FRONT . . .	47	20
81298M	CAM, PAWL ENGAGEMENT	39	10	81375M	HOOK, COWL CLAMP -		
81300M	DRIVE CUP, PAWL	39	23		FRONT	47	3
81303M	LEVER, LOCKOUT	41	52	81377M	HOOK, COWL-REAR	47	16
81304M	PAWL, STARTER	39	8	81378M	APRON, COWL - REAR	47	21
81307M	ROLLER, STARTER ROPE .	39	15	81379M	LEVER, COWL CLAMP	43	15
81310M	GUIDE, STARTER ROPE . . .	39	24	81380M	CLAMP, COWL	43	18

PARTS INDEX

Part Number	Description	Pg.	Ref. No.	Part Number	Description	Pg.	Ref. No.
81382M	HANDLE, TRANSOM CLAMP			81518M	TERMINAL STRIP	37	27
	SCREW	21	7	81520M	RETAINER, SWITCH BOX. . .	37	38
81387M	STUD, CLAMP BRACKET . .	21	13	81523M	MOUNT, GUIDE	39	29
81388M	CAP, CLAMP BRACKET			81523M	RUBBER MOUNT, MOUNTING BRACKET . . .	35	21
	STUD	21	16	81524M	CAP, SPARK PLUG	35	19
81391M	STOPPER PLATE	23	19	81531M	STOPPER	27	40
81393M	LEVER, TILT STOP			81541M	BAND	37	26
	SUPPORT (PORT)	23	1	81542M	SWITCH BOX ASS'Y	37	36
81394M	LEVER, TILT STOP			81543M	BRACKET, ELECTRICAL COMPONENT	35	20
	SUPPORT (STARBOARD)	23	2	81544M	DAMPER, SWITCH BOX. . .	37	37
81395M	COVER	23	21	81545M	BASE ASS'Y	35	2
81396M	REVERSE LOCK.	23	7	81546M	COIL, CHARGE	35	3
81400M	CLEVIS, REVERSE LOCK . .	23	13	81548M	COIL, TRIGGER	35	5
81401M	GUIDE, REVERSE ROD . . .	17	71	81549M	IGNITION COIL ASS'Y	37	39
81402M	BRACKET, IINDICATOR . . .	27	26	81585M	HANDLE, THROTTLE	27	2
81403M	STOP, SHAFT BRACKET . . .	33	13	81668M	REED VALVE	7	16
81404M	BRACKET, SHIFT	31	1	81670M	SHIFT RODE ASS'Y, UPPER - SHORT SHAFT	31	17
81407M	LEVER, SHIFT ROD	31	6	81671M	SHIFT ROD ASS'Y, UPPER - LONG SHAFT	31	17
81408M	ROD, SHIFT - LOWER	13	10	81672M	INSERT, CARTRIDGE	15	41
81409M	CAM, SHIFT	13	12	81673M	OUTER PLATE, CARTRIDGE	17	46
81410M	CAM, REVERSE ROD	17	72	81676M	HOUSING MOUNT, UPPER . .	25	23
81411M	HANDLE, GEAR SHIFT	27	29	81694M	FUEL TANK CAP	53	2
81412M	RETAINER, CLEVIS	31	7	82346M	BALL, DETENT	31	14
81413M	KNOB, SHIFT CONTROL. . .	27	30	82552M	HOUSING, STARTER	39	1
81414M	INDICATOR, F-N-R	27	27	82553M	ARM, STEERING	27	1
81415M	CAP, SET BOLT	33	25	82556M	BRACKET, SHIFT ROD	31	10
81428M	SET PLATE, WATER TUBE . .	19	86	82558M	DECAL, REAR	43	3
81429M	RETAINER, UPPER MOUNT	25	30	82559M	EXTENSION	11	8
81431M	BUMPER, UPPER MOUNT			82780M	VALVE SEAT ASS'Y	9	11
	BOLT	25	24	82784M	FUEL BOWL	51	10
81432M	HOUSING, LOWER MOUNT . .	25	7	82788M	CAP, SPARK PLUG	35	19
81433M	RETAINER, LOWER MOUNT	25	16	82911M	ROD, THROTTLE LEVER . . .	7	29
81434M	COVER, LOWER MOUNT . .	25	20	82912M	APPLIQUE, FRONT	45	2
81435M	HOUSING MOUNT, LOWER . .	25	9	82986M	HOUSING, OIL SEAL	5	17
81439M	CAP, GREASE FITTING	21	3	82988M	ROD, CHOKE LINK	7	22
81441M	CAP, DRIVESHAFT			83024M	COVER, AIR DUCT	45	8
	HOUSING (SHORT SHAFT)	11	2	83025M	SEAL	45	9
81442M	CAP, DRIVESHAFT			83026M	LEVER, CLAMP	45	18
	HOUSING (LONG SHAFT)	11	2	83027M	LEVER	45	21
81443M	COVER, WATER INLET- PORT	17	58	83031M	POINTER, TIMING	35	17
81444M	COVER, WATER INLET - STARBOARD	17	59	83034M	HOOK, RUBBER SEAL	11	21
81445M	COVER, GEAR HOUSING . .	13	5	83036M	COIL, CHARGE	35	3
81446M	HOUSING, BEARING	15	34	83037M	COIL, TRIGGER	35	5
81447M	TRIM TAB	17	67	83039M	SEAL, RUBBER	45	10
81448M	SEAL, RUBBER	17	57	83040M	HOLDER, CLAMP BAND . . .	45	14
81449M	GUIDE, SEAL	13	2	83041M	HOLDER, CLAMP BAND . . .	45	15
81474M	RING, CROSS PIN	13	24	83042M	DAMPER	45	23
81475M	SLIDE, SHIFT	13	26	83043M	SEAL	45	25
81476M	PLUNGER, SHIFT	13	25	83045M	STAY	47	6
81480M	CLEVIS, SHIFT CONTROL			83047M	COVER, BOTTOM	47	30
	CABLE	31	9	83064M	CAP, THRUST PLATE	17	78
81480M	CLEVIS, THROTTLE CABLE	33	7	83065M	ROD, REVERSE LOCK (LONG SHAFT)	23	11
81483M	BRACKET, REMOTE CONTROL	33	33	83127M	COIL, LIGHTING	35	4
81484M	CLAMP, CABLE	33	34	83129M	BASE ASS'Y	35	2
81486M	COIL, LIGHTING	35	4				
81487M	POINTER, TIMING	35	17				
81515M	COVER, TERMINAL STRIP . .	37	32				

PARTS INDEX

Part Number	Description	Pg.	Ref. No.	Part Number	Description	Pg.	Ref. No.
83131M	INNER PLATE, CARTRIDGE	15	42	10-82422M	BOLT	45	12
83132M	ROD, REVERSE LOCK (SHORT SHAFT)	23	11	10-82422M	BOLT	47	17
83144M	HOLDER, CLAMP BAND	43	12	10-82422M	BOLT, FUEL PUMP BRACKET ATTACHING	51	13
83145M	HOLDER, CLAMP BAND	43	13	10-82422M	BOLT, POINTER ATTACHING	35	18
83146M	SEAL	43	9	10-82423M	BOLT	33	10
83147M	COVER, AIR DUCT	43	8	10-82423M	BOLT, BRACKET ATTACHING	31	5
83148M	BRACKET, STEERING	27	18	10-82423M	BOLT, CONNECTOR ATTACHING	51	2
83152M	RING, RETAINING	41	45	10-82424M	BOLT	3	23
83153M	RETAINER, COWL BUMPER	47	19	10-82424M	BOLT, BASE ATTACHING	7	4
83162M	STARTER ASS'Y	39	0-1	10-82424M	BOLT, BASE ATTACHING	35	11
83703M	STEERING HANDLE ASS'Y	27	0-1	10-82425M	BOLT, WIRE CLAMP ATTACHING	35	24
83704M	ROD, STEERING LINK	27	41	10-82426M	BOLT, COIL ATTACHING	37	42
83705M	SHAFT, FRICTION	29	44	10-82426M	BOLT, COWLING TO DRIVESHAFT HOUSING	47	14
83706M	PIECE, FRICTION	29	45	10-82426M	BOLT, ROPE GUIDE ATTACHING	39	30
83709M	SAFETY STARTER KIT ASS'Y	41	0-2	10-82426M	BOLT, THERMOSTAT COVER ATTACHING	3	36
83710M	DECAL, REAR	45	3	10-82428M	BOLT, FUEL PUMP ATTACHING	49	17
10-20411	SCREW, FUEL TANK COVER TO FUEL TANK	55	20	10-82436M	BOLT, CABLE BRACKET ATTACHING	41	56
10-25575	SCREW, VENT - FILLER CAP	55	3	10-82437M	BOLT, CONTROL BRACKET ATTACHING	33	36
10-62568	SCREW, RETAINER TO FUEL TANK COVER (5/16")	55	16	10-82438M	BOLT, INTAKE COVER ATTACHING	7	7
10-81277M	SCREW, THROTTLE	9	7	10-82439M	BOLT, DRIVE CUP ATTACHING	39	40
10-81279M	SCREW, PLUG	9	5	10-82441M	BOLT, BRACKET ATTACHING	31	11
10-81281M	SCREW, IDLE SPEED	9	9	10-82441M	BOLT, BRACKET ATTACHING	39	39
10-81292M	SCREW, PLUG - VALVE SEAT	9	3	10-82442M	BOLT, STARTER HOUSING ATTACHING	39	35
10-81293M	SCREW, BOWL DRAIN	9	23	10-82443M	BOLT, LIFT BRACKET ATTACHING	39	36
10-81381M	SCREW, TRANSOM CLAMP	21	6	10-82448M	BOLT, PLATE ATTACHING	19	87
10-81706M	BOLT, GEAR HOUSING ATTACHING	17	65	10-82449M	BOLT, GEAR HOUSING COVER ATTACHING	13	8
10-81710M	BOLT, ARM ATTACHING	27	19	10-82449M	BOLT, OIL SEAL ATTACHING...	5	21
10-81713M	BOLT, CAM ATTACHING	33	32	10-82451M	BOLT, APRON ATTACHING	47	22
10-81714M	BOLT, UPPER MOUNT	25	25	10-82453M	BOLT, APRON ATTACHING	47	23
10-81715M	BOLT, ROD CAP	5	13	10-82456M	BOLT	29	46
10-81717M	BOLT, LOWER MOUNT	25	12	10-82464M	BOLT, LOWER RETAINER ATTACHING	25	18
10-81751M	PIVOT, LOCKOUT CAM	41	49	10-82465M	BOLT, GUIDE ATTACHING	11	19
10-81758M	SCREW, BOWL ATTACHING - WITH WASHER	9	22	10-82466M	BOLT, INNER HOUSING ATTACHING	11	18
10-82164M	SCREW, ANODE ATTACHING	11	15	10-82466M	BOLT, UPPER RETAINER ATTACHING	25	31
10-82172M	SCREW, INDICATOR BRACKET ATTACHING	27	28	10-82467M	BOLT, GUIDE ATTACHING	11	17
10-82172M	SCREW, LOWER MOUNT COVER ATTACHING	25	21	10-82468M	BOLT, PUMP ATTACHING	17	54
10-82402M	BOLT, TRIM TAB ATTACHING	17	68	10-82469M	BOLT, PUMP ATTACHING	17	53
10-82403M	BOLT	39	12	10-82472M	BOLT	11	5
10-82405M	BOLT, CRANKCASE ATTACHING	3	7	10-82480M	SCREW, CONNECTOR	7	24
10-82409M	BOLT, CYLINDER HEAD ATTACHING	3	30				
10-82410M	BOLT, CRANKCASE ATTACHING	3	10				
10-82421M	BOLT	45	11				
10-82421M	BOLT, CLAMP ATTACHING	41	50				
10-82421M	BOLT, COWL CLAMP ATTACHING	43	19				
10-82422M	BOLT	43	10				

PARTS INDEX

Part Number	Description	Pg.	Ref. No.	Part Number	Description	Pg.	Ref. No.
10-82483M	SCREW, HANDLE ATTACHING	27	6	11-82394M	NUT, GEAR HOUSING ATTACHING	17	63
10-82484M	SCREW, INLET ATTACHING	17	60	11-82395M	NUT, CLAMP BRACKET STUD	21	12
10-82495M	SCREW, CAM COVER ATTACHING	27	16	11-82397M	NUT, LOWER MOUNT BOLT	25	15
10-82499M	SCREW, RETAINER ATTACHING	9	14	11-82400M	LOCK NUT, REVERSE LOCK ROD	23	12
10-82508M	SCREW, COIL ATTACHING	35	6	11-82703M	NUT, WING	29	47
10-82511M	SCREW, RETAINER ATTACHING	49	9	11-82920M	NUT, CABLE END	27	38
10-82518M	SCREW, SUPPORT ATTACHING	53	10	11-83502M	NUT	27	42
10-82523M	SCREW, COVER ATTACHING	49	14	12-49221	WASHER, VENT SCREW	55	4
10-82526M	SCREW, HOUSING ATTACHING	53	5	12-74711	WASHER, FUEL TANK COVER FASTENING SCREW	55	21
10-82527M	SCREW, ANODE ATTACHING	3	20	12-80271M	WASHER, HOUSING SCREW	53	6
10-8259M	SCREW, COIL ATTACHING	35	7	12-80564M	WASHER, CYLINDER HEAD BOLT	3	31
10-82798M	SCREW	37	46	12-80638M	PAD, TRANSOM CLAMP SCREW	21	5
10-82801M	BOLT, TRIM TAB ATTACHING	17	69	12-81299M	WASHER, ENGAGEMENT CAM BOLT	39	11
10-82980M	SCREW, TERMINAL STRIP ATTACHING	37	28	12-81301M	WASHER, ENGAGEMENT CAM	39	5
10-82981M	SCREW	37	48	12-81343M	WASHER, BASE ASS'Y	35	13
10-83048M	SCREW, TERMINAL STRIP COVER ATTACHING	37	34	12-81455M	THRUST WASHER, DRIVESHAFT	13	18
10-83050M	SCREW	33	22	12-81461M	THRUST WASHER, REVERSE GEAR	15	31
10-83141M	BOLT	39	18	12-81477M	THRUST WASHER, PROPELLER	17	75
10-83707M	BOLT, SET	33	22	12-81701M	WASHER, PLUG SCREW	9	4
11-28587	NUT, SPEED - SPRING RETAINER	55	6	12-81792M	WASHER, CRANKCASE BOLT	3	8
11-81450M	NUT, CLAW WASHER	15	39	12-81794M	WASHER	45	22
11-81760M	NUT	7	30	12-81796M	WASHER, APRON BOLT	47	13
11-81764M	NUT	33	23	12-81803M	WASHER, UPPER MOUNT BOLT	25	28
11-81772M	NUT, DRIVESHAFT	13	19	12-81804M	WASHER	27	32
11-81773M	NUT, FLYWHEEL	35	14	12-81807M	WASHER, CRANKCASE BOLT	3	11
11-81775M	NUT, PROPELLER	17	79	12-81811M	WASHER, LOWER MOUNT BOLT	25	14
11-81779M	NUT, LOWER MOUNT COVER SCREW	25	22	12-81815M	WASHER, ARM BOLT	27	23
11-81781M	NUT, INLET SCREW	17	61	12-81819M	WASHER, LOWER MOUNT BOLT	25	11
11-81783M	NUT, UPPER MOUNT BOLT	25	29	12-81825M	WASHER, UPPER MOUNT BOLT	25	26
11-81785M	NUT	25	32	12-81831M	RETAINER, DOWEL PIN	5	16
11-81785M	NUT, NYLON	27	33	12-81834M	WASHER, FLYWHEEL	35	15
11-81786M	NUT, ARM BOLT	27	25	12-81836M	WASHER, CLAMP BRACKET STUD	21	14
11-81787M	NUT, CLAMP BRACKET STUD	21	15	12-81837M	WASHER, REVERSE GEAR	13	29
11-82373M	NUT, RETAINER SCREW	49	10	12-81838M	WASHER, STEERING SHAFT - UPPER	25	3
11-82378M	LOCK NUT, ADJUSTMENT ROD	7	28	12-81839M	WASHER, STEERING SHAFT - LOWER	25	6
11-82378M	NUT, CLEVIS LOCK	33	29	12-81852M	WASHER, WATER TUBE	17	83
11-82380M	NUT, CARBURETOR ATTACHING	7	17	12-81853M	WASHER, ARM BOLT	27	22
11-82381M	NUT	33	24	12-81858M	SPACER, SHIFT ROD	31	19
11-82382M	NUT, FUEL PUMP ATTACHING	51	15	12-81860M	WASHER	25	10
11-82387M	NUT, CRANKCASE STUD	3	12				
11-82388M	NUT	45	4				
11-82388M	NUT, APPLIQUE ATTACHING	43	4				

PARTS INDEX

Part Number	Description	Pg.	Ref. No.	Part Number	Description	Pg.	Ref. No.
12-82198M	WASHER	39	25	13-82199M	WASHER	43	11
12-82198M	WASHER	39	27	13-82199M	WASHER	45	13
12-82198M	WASHER	41	51	13-82200M	LOCKWASHER	39	37
12-82198M	WASHER, FUEL - PUMP BOLT	49	18	13-82200M	LOCKWASHER, INTAKE COVER BOLT	7	8
12-82202M	WASHER	31	13	13-82200M	LOCKWASHR, BRACKET BOLT	31	12
12-82202M	WASHER, INTAKE COVER BOLT	7	9	13-82200M	WASHER, CONTROL BRACKET BOLT	33	37
12-82204M	WASHER, THROTTLE SHAFT	27	7	13-82208M	LOCWASHER, COVER SCREW	49	15
12-82211M	LOCKWASHER, APPLIQUE NUT	43	5	13-82212M	LOCKWASHER, CONNECTOR BOLT	51	3
12-82211M	WASHER	45	5	13-82212M	LOCKWASHER, PLATE BOLT	19	88
12-82214M	WASHER	27	35	13-82212M	WASHER	37	49
12-82214M	WASHER	37	50	13-82212M	LOCKWASHER	11	6
12-82214M	WASHER, COVER BOLT ...	13	9	13-82215M	LOCKWASHER	17	66
12-82214M	WASHER, HOUSING BOLT...	5	22	13-82215M	LOCKWASHER	25	19
12-82217M	WASHER	29	43	13-82218M	LOCKWASHER, GEAR HOUSING STUD NUT ...	17	64
12-82217M	WASHER, PUMP BOLT	17	55	14-81877M	WASHER, CLAW	15	38
12-82220M	WASHER	17	70	15-81259M	WASHER, CRANKSHAFT PIN	5	7
12-82220M	WASHER, CLAMP BRACKET STUD	21	11	15-81456M	SHIM, FORWARD GEAR ADJUST (.05MM)	13	21
12-82221M	WASHER, ARM BOLT	27	20	15-81457M	SHIM, FORWARD GEAR ADJUST (.08MM)	13	21
12-82799M	WASHER	37	47	15-81458M	SHIM, FORWARD GEAR ADJUST (.12MM)	13	21
12-82979M	WASHER	37	45	15-81459M	SHIM, FORWARD GEAR ADJUST (.30MM)	13	21
12-82979M	WASHER, BRACKET	35	23	15-81460M	SHIM, FORWARD GEAR ADJUST (.50MM)	13	21
12-83149M	WASHER	39	17	15-81462M	SHIM, REVERSE GEAR ADJUST (.05MM)	13	30
12-83151M	WASHER	39	21	15-81463M	SHIM, REVERSE GEAR ADJUST (.08MM)	13	30
12-83699M	THRUST WASHER, PROPELLER	17	74	15-81464M	SHIM, REVERSE GEAR ADJUST (.12MM)	13	30
12-83700M	WASHER	17	76	15-81465M	SHIM, REVERSE GEAR ADJUST (.30MM)	15	30
12-83702M	WASHER, UPPER MOUNT BOLT	25	27	15-81466M	SHIM, REVERSE GEAR ADJUST (.50MM)	15	30
13-81799M	WASHER, LIFT BRACKET BOLT	39	32	15-81467M	SHIM, DRIVESHAFT BEARING (.05MM)	13	15
13-81866M	WASHER, WAVE - CLEVIS PIN	31	4	15-81468M	SHIM, DRIVESHAFT BEARING (.08MM)	13	15
13-81866M	WASHER, WAVE - PIVOT PIN	33	3	15-81469M	SHIM, DRIVESHAFT BEARING (.12MM)	13	15
13-81868M	WASHER, WAVE - CAM	33	31	15-81470M	SHIM, DRIVESHAFT BEARING (.30MM)	13	15
13-81868M	WASHER, WAVE TILT STOP SUPPORT	23	3	15-81471M	SHIM, DRIVESHAFT BEARING (.50MM)	13	15
13-81869M	WASHER, CLAMP LEVER ..	43	17	16-81383M	STUD, CLAMP BRACKET ..	21	9
13-81870M	WASHER, ARM BOLT	27	24	16-81735M	STUD, INTAKE MANIFOLD ATTACHING	3	13
13-81871M	WASHER	45	20	16-81740M	STUD, DRIVESHAFT HOUSING ATTACHING ..	3	18
13-82184M	LOCKWASHER, TERMINAL STRIP COVER SCREW ..	37	35	16-81742M	STUD, STEERING PLATE ..	25	2
13-82197M	LOCKWASHER	39	13	16-81743M	STUD, CRANKCASE ATTACHING	3	17
13-82197M	LOCKWASHER, APRON BOLT	47	15				
13-82197M	LOCKWASHER, BRACKET BOLT	51	14				
13-82197M	LOCKWASHER, CARBURETOR NUT	7	18				
13-82197M	LOCKWASHER, CLAMP BOLT	37	25				
13-82197M	WASHER	39	31				
13-82199M	WASHER	3	24				
13-82199M	WASHER	31	3				
13-82199M	WASHER	33	11				
13-82199M	WASHER	35	12				

PARTS INDEX

Part Number	Description	Pg.	Ref. No.	Part Number	Description	Pg.	Ref. No.
16-81744M	STUD, EXTENSION	11	7	22-81918M	PLUG, AIR INTAKE	7	2
17-20426	RIVET, INDICATOR TO RETAINER	55	15	22-81924M	SCREW, DETENT	13	3
17-81258M	LOCK, BEARING	3	16	22-81926M	PLUG, COVER	3	37
17-81278M	PIN, FLOAT	9	19	22-82369M	FITTING, GREASE	21	2
17-81389M	TILT LOCK PIN ASS'Y	23	18	22-82975M	NIPPLE, HOSE	3	2
17-81397M	ROD, REVERSE LOCK	23	8	23-80635M	RETAINER, COMPRESSION SPRING	31	16
17-81698M	PIN, VALVE	9	15	23-81308M	BUSHING, ROLLER	39	16
17-81889M	PIN, TRANSOM CLAMP SCREW	21	8	23-81309M	COLLAR, ENGAGEMENT CAM	39	4
17-81893M	PIN, LOCK LEVER PIVOT	33	4	23-81327M	SLEEVE, HOSE	53	15
17-81903M	CROSS PIN, CLUTCH	17	73	23-81376M	FASTENER	47	25
17-81907M	RIVET, INDICATOR	27	5	23-81453M	SLEEVE, DRIVESHAFT	13	16
17-81909M	RIVET	23	16	23-81942M	BUSHING, SHAFT BRACKET	33	12
17-82136M	PIN, CLEVIS - SHIFT LEVER	41	53	23-81943M	BUSHING	27	37
17-82137M	PIN, CLEVIS - SHIFT BRACKET	31	2	23-81945M	BUSHING, STEERING ARM	27	9
17-82138M	PIN, CLEVIS - REVERSE LOCK	23	14	23-81946M	BUSHING	27	31
17-82145M	PIN, SPRING	23	20	23-81946M	BUSHING	33	9
17-82146M	PIN, CABLE CLAMP	33	35	23-81947M	BUSHING, TILT STOP SUPPORT	23	4
17-82149M	PIN	33	6	23-81949M	BUSHING, CLAMP LEVER	43	16
17-82152M	PIN, THROTTLE CAM	27	12	23-81950M	BUSHING, ARM BOLT	27	21
17-82154M	PIN, UPPER SHAFT BRACKET	33	21	23-81950M	BUSHING, ARM BOLT	27	21
17-82159M	PIN, TENSION SPRING	23	17	23-81952M	BUSHING	45	19
17-82354M	PIN, DOWEL - WATER PUMP	17	52	23-81953M	BUSHING, SHIFT ROD	31	18
17-82364M	PIN, DOWEL	11	3	23-81955M	BUSHING, STEERING SHAFT	25	4
17-82364M	PIN, DOWEL	17	62	23-81967M	COLLAR, GUIDE MOUNT	39	26
17-82367M	PIN, DOWEL - CONTROL LEVER	33	5	23-81968M	COLLAR, APRON BOLT	47	12
17-82368M	PIN, DOWEL - CRANKCASE	3	6	23-81968M	SLEEVE, RUBBER MOUNT	35	22
17-82976M	PIN, LOCK LEVER PIVOT	33	4	23-81971M	COLLAR	37	43
17-82982M	RIVET	43	14	23-81978M	COLLAR, LIFT BRACKET	39	34
17-82982M	RIVET	45	17	23-81980M	COLLAR, TILT STOP SUPPORT	23	6
18-82129M	PIN, COTTER	27	36	23-81981M	SPACER, CLAMP BRACKET STUD	21	10
18-82130M	PIN, REVERSE LOCK SHAFT	23	9	23-82851M	BUSHING	37	44
18-82131M	PIN, TILT STOP SUPPORT	23	5	23-82851M	BUSHING	39	28
18-82135M	PIN, PROPELLER NUT	17	80	23-83150M	BUSHING	39	22
18-82736M	PIN	41	54	23-83193M	SPACER, PROPELLER NUT	17	77
18-82752M	PIN, CLEVIS PIN	23	15	24-22227	SPRING, TENSION - VENT SCREW	55	5
19-80604M	PLUG, STARTER HOUSING	39	14	24-30189	SPRING, BAYONET BODY STEM	55	25
19-81922M	WELCH PLUG, DRIVESHAFT HOUSING	11	13	24-80610M	SPRING, FUEL PUMP DIAHRAGM	49	4
21-80107M	CHECK VALVE, CRANKCASE	3	5	24-81295M	SPRING, STARTER	39	2
21-80107M	VALVE, CHECK	3	3	24-81297M	SPRING, ENGAGEMENT CAM	39	9
21-80608M	CHECK VALVE, FUEL PUMP	49	6	24-81302M	SPRING, ENGAGEMENT CAM	39	7
21-80727M	CHECK VALVE ASS'Y	3	1	24-82073M	SPRING, COMPRESSION - IDLE SPEED SCREW	9	10
22-63187	FITTING, FUEL LINE (TANK END)	55	27	24-82074M	SPRING, COMPRESSION - SHAFT BRACKET STOP	33	14
22-80122M	FITTING, CRANKCASE DRAIN	3	4	24-82080M	SPRING, COMPRESSION - THROTTLE SCREW	9	8
22-80122M	PIPE, OVERFLOW	7	12	24-82081M	SPRING, DETENT	31	15
22-80218M	PLUG, WATER FLUSH	19	90	24-82087M	SPRING, COMPRESSION	25	17
22-80756M	FITTING, EXHAUST COVER	3	25	24-82091M	SPRING, SHIFT	13	27
22-81042M	CONNECTOR HOUSING	53	13	24-82095M	SPRING, THROTTLE SHAFT	27	8
22-81042M	HOUSING ASS'Y, FUEL CONNECTOR	55	33	24-82102M	SPRING, LOCKOUT LEVER	41	47
22-81326M	FITTING	47	9				
22-81697M	TEE FITTING, FUEL LINE	51	20				

PARTS INDEX

Part Number	Description	Pg.	Ref. No.	Part Number	Description	Pg.	Ref. No.
24-82103M	SPRING, TENSION	23	10	27-28862	GASKET, COVER		
24-82106M	SPRING, LOCKOUT CAM				ASSEMBLY TO FRAME . .	55	17
	RETURN	41	48	27-54921	GASKET, FUEL GAUGE		
24-82113M	SPRING, TORSION - LINK				LENS	55	11
	SHAFT	33	18	27-80270M	GASKET, HOUSING TO		
24-8615M	SPRING, FUEL PUMP				LENS INDICATOR	53	7
	DIAPHRAGM	49	11	27-80612M	GASKET, CHECK VALVE . . .	49	7
25-20415	O-RING, BAYONET BODY			27-80613M	GASKET, BODY TO BASE . .	49	5
	STEM	55	24	27-80614M	GASKET, BODY TO COVER	49	12
25-80619M	GASKET, FUEL BOWL	51	5	27-80757M	GASKET, FUEL TO		
25-80714M	GROMMET, PLUG WIRE . . .	37	29		CRANKCASE	49	16
25-81369M	GROMMET	47	8	27-81252M	GASKET, CYLINDER HEAD .	3	29
25-81517M	GROMMET, TERMINAL			27-81254M	GASKET, CYLINDER HEAD		
	STRIP COVER - LOWER...	37	31		COVER	3	33
25-81695M	O-RING, DRAIN SCREW . . .	9	24	27-81266M	GASKET, THERMOSTAT		
25-81937M	GROMMET, LIFT BRACKET .	39	33		COVER	3	35
25-81989M	GASKET, WATER TUBE . . .	17	85	27-81269M	GASKET, REED VALVE -		
25-82058M	GROMMET, TERMINAL				UPPER	7	14
	STRIP COVER - UPPER . .	37	30	27-81270M	GASKET, REED VALVE -		
25-82058M	GROMMET, TERMINAL				LOWER	7	15
	STRIP COVER - UPPER . .	37	30	27-81272M	GASKET, CARBURETOR TO		
25-82059M	GROMMET, LEAD WIRE . . .	35	9		MANIFOLD	7	10
25-82061M	GROMMET	47	10	27-81273M	GASKET, AIR INTAKE	7	6
25-82065M	GROMMET, APRON BOLT . .	47	11	27-81276M	GASKET, AIR INTAKE TO		
25-82069M	GROMMET, PLUG WIRE . . .	37	29		CARBURETOR	7	3
25-82261M	O-RING, VALVE	9	12	27-81320M	GASKET, HOUSING TO		
25-82269M	O-RING	45	16		TANK	53	4
25-82275M	O-RING, WATER PUMP			27-81331M	GASKET, EXHAUST COVER	3	22
	BASE	17	50	27-81353M	GASKET, THROTTLE CAM		
25-82276M	O-RING, CRANKSHAFT -				COVER	27	14
	UPPER	5	4	27-81368M	SEAL, BOTTOM COWL TO		
25-82281M	O-RING, COVER TO GEAR				APRON	47	2
	HOUSING	13	6	27-81417M	GASKET, WATER PUMP . . .	17	45
25-82286M	O-RING, OIL SEAL			27-81418M	GASKET, WATER PUMP		
	HOUSING...	5	20		BASE	17	49
25-82288M	O-RING, FLOAT BOWL. . . .	9	20	27-81421M	GASKET, CARTRIDGE		
25-82289M	O-RING, BEARING HOUSING	15	33		OUTER PLATE	17	47
25-82783M	ELEMENT, FILTER	51	8	27-81437M	GASKET, EXHAUST GUIDE -		
25-82789M	O-RING	53	14		UPPER	11	9
25-82789M	O-RING	55	34	27-81440M	SEAL, INNER TO OUTER		
25-82792M	O-RING	51	11		HOUSING	11	16
25-83142M	GROMMET	47	7	27-81516M	GASKET, TERMINAL STRIP	37	33
26-81426M	SEAL, WATER TUBE -			27-81987M	GASKET, DETENT SCREW .	13	4
	UPPER	17	56	27-81990M	GASKET, COVER PLUG . . .	3	38
26-81427M	SEAL, WATER TUBE -			27-82790M	GASKET, FILTER	51	6
	LOWER	19	89	27-82794M	GASKET, EXHAUST GUIDE .	11	11
26-82233M	OIL SEAL, PROPELLER			27-83033M	SEAL, RUBBER	11	20
	SHAFT	15	37	27-83044M	SEAL, BOTTOM COWL TO		
26-82234M	OIL SEAL, WATER PUMP . .	17	51		APRON	47	5
26-82248M	OIL SEAL, CRANKSHAFT -			28-81912M	KEY	15	44
	LOWER...	5	19	28-81915M	KEY, CRANKSHAFT TO		
26-82249M	OIL SEAL, CRANKSHAFT -				FLYWHEEL...	5	23
	UPPER	5	3	28-81916M	KEY, BEARING HOUSING . .	15	35
26-82255M	OIL SEAL, CRANKSHAFT -			28-83701M	KEY, WOODRUFF	17	82
	LOWER...	5	18	29-82353M	BEARING, NEEDLE -		
26-82256M	OIL SEAL, STEERING SHAFT	25	5		CONNECTING ROD	5	14
26-82257M	OIL SEAL, GEAR HOUSING			30-82296M	BALL BEARING, REVERSE		
	COVER	13	7		GEAR	15	32
27-25568	GASKET, FILLER CAP TO			30-82304M	BEARING, CRANKSHAFT -		
	FUEL TANK	55	7		LOWER	5	6

PARTS INDEX

Part Number	Description	Pg.	Ref. No.	Part Number	Description	Pg.	Ref. No.
31-82311M	BEARING, CONNECTING ROD	5	15	44-81472M	SHAFT, PROPELLER	13	28
31-82312M	BEARING, NEEDLE	5	2	45-81678M	DRIVESHAFT (SHORT SHAFT)	13	13
31-82313M	BEARING, CENTER MAIN	5	5	45-81679M	DRIVESHAFT (LONG SHAFT)	13	13
31-82316M	BEARING, NEEDLE - DRIVESHAFT	13	17	46-81416M	BODY, WATER PUMP	15	40
31-82317M	BEARING, NEEDLE - PROPELLER SHAFT	15	36	46-81422M	BASE, WATER PUMP	17	48
31-82319M	BEARING, DRIVESHAFT	13	14	47-81423M	IMPELLER, WATER PUMP	17	81
31-82320M	BEARING, FORWARD GEAR	13	22	47-82824M	IMPELLER, WATER PUMP	15	43
32-33909A3	TUBE ASS'Y, (1/4-18 CONNECTOR - 1/2" TUBE)	55	9	50-81296M	STARTER PULLEY	39	3
32-81324M	HOSE, EXHAUST COVER	3	26	52-81473M	CLUTCH	13	23
32-81324M	ROD	47	26	53-28903	FASTENER, RETAINING FRAME TO FUEL TANK	55	19
32-81674M	TUBE, WATER (SHORT SHAFT)	17	84	53-81264M	CLIP, PISTON PIN	5	11
32-81675M	TUBE, WATER (LONG SHAFT)	17	84	53-81305M	CIRCLIP, ENGAGEMENT CAM	39	6
32-81995M	HOSE, DRAIN	3	14	53-82324M	CIRCLIP, UPPER SHIFT ROD	31	20
32-82004M	FUEL LINE, TEE TO CARBURETOR	51	21	53-82325M	CIRCLIP, STEERING SHAFT	25	8
32-82010M	FUEL LINE, FILTER TO PUMP	51	18	53-82330M	CIRCLIP	31	8
32-82017M	FUEL LINE, CONNECTOR TO PUMP	51	16	53-82330M	CIRCLIP, SHAFT BRACKET STOP	33	15
32-82020M	FUEL LINE, PUMP TO TEE	51	19	53-82334M	CIRCLIP, LOWER SHIFT ROD	13	11
32-82023M	HOSE, BULB TO CONNECTOR	53	18	54-55206	CLAMP, HOSE TO BAYONET BODY ASS'Y	55	28
32-82023M	HOSE, PRIMER BULB TO FUEL CONNECTOR	55	32	54-80752M	CLAMP, HOSE	53	19
32-82025M	HOSE, CONNECTOR HOUSING TO BULB	53	17	54-80752M	CLAMP, HOSE	55	30
32-82025M	HOSE, FUEL TANK TO PRIMER BULB	55	29	54-82033M	CLAMP, WIRE	3	9
32-83192M	FUEL HOSE ASS'Y	53	0-2	54-82037M	CLAMP, FUEL LINE	51	17
33-82371M	SPARK PLUG B-7HS-(NGK)	3	39	54-82037M	CLIP, EXHAUST COVER HOSE	3	40
35-80616M	FUEL BOWL	51	9	54-82041M	CLAMP	41	57
35-80617M	FUEL FILTER ASS'Y	51	4	54-82046M	CLAMP, DRAIN HOSE	3	15
35-80618M	ELEMENT, FUEL FILTER	51	7	54-82047M	CLAMP, EXHAUST COVER HOSE	3	27
36-25392A2	FILLER CAP ASSEMBLY	55	2	54-82047M	CLAMP, FUEL LINE	51	22
37-81141M	DECAL, "MARINER" - COWL	43	22	54-82048M	CLAMP, FUEL LINE	51	23
37-81364M	DECAL, TRIM - PORT	43	6	54-82781M	CLIP	9	25
37-81365M	DECAL, TRIM - STARBOARD	43	7	54-82983M	CLAMP	47	24
37-81488M	MARK, TIMING	35	16	84-81250M	GROUND WIRE LEAD	37	41
37-82984M	DECAL	53	1	84-82831M	CORD, HIGHTENSION	37	40
37-83022M	DECAL, PORT SIDE	45	6	84-82997M	WIRE, LEAD 1	37	51
37-83023M	DECAL, STARBOARD SIDE	45	7	84-82998M	WIRE, LEAD 2	37	52
37-83053M	DECAL, SIDE	47	29	84-83708M	WIRE, LEAD	35	8
39-81260M	PISTON RING SET (STD)	5	9	87-81535M	KILL SWITCH ASS'Y	27	39
39-81261M	PISTON RING SET (1ST O.S. - 82.25MM)	5	9	91-80942M	TOOL KIT	47	27
39-81262M	PISTON RING SET (2ND O.S. - 82.50MM)	5	9	253-6846M	FLYWHEEL ASS'Y	35	0-1
39-82917M	PISTON RING SET (STD)	5	9	253-6943M	FLYWHEEL ASS'Y	35	0-1
39-82918M	PISTON RING SET (1ST O.S. - 82.25MM)	5	9	253-6950M	FLYWHEEL	35	1
39-82919M	PISTON RING SET (2ND O.S. - 82.50MM)	5	9	253-7110M	FLYWHEEL	35	1
41-81263M	PIN, PISTON	5	10	463-6825M	CRANKSHAFT ASS'Y	5	1
43-81454M	GEAR SET	13	20	696-6860M	CONNECTING ROD ASS'Y	5	12
				761-6826M	PISTON(STD) (81.96MM)	5	8
				761-6828M	PISTON (1ST O.S. - 82.25MM)	5	8
				761-6829M	PISTON (2ND O.S. - 82.50MM)	5	8
				761-6920M	PISTON (STD) (81.96MM)	5	8
				761-6924M	PISTON (2ND O.S. - 82.50MM)	5	8
				761-6928M	PISTON (STD) (81.95MM)	5	8

PARTS INDEX

Part Number	Description	Pg.	Ref. No.	Part Number	Description	Pg.	Ref. No.
761-6929M	PISTON (STD) (81.97MM) ..	5	8				
761-6930M	PISTON (1ST O.S. - 82.25MM)	5	8				
761-6961M	PISTON (STD) (81.97MM) ..	5	8				
870-6858M	CRANKCASE AND CYLINDER ASS'Y	3	0-1				
968-6824M	HEAD, CYLINDER	3	28				
1225-1529	FUEL TANK, (6 GALLON) ...	55	1				
1225-1529A16	FUEL TANK COMPLETE ...	55	0-1				
1252-6836M	FUEL TANK ASS'Y	53	0-1				
1383-6938M	CARBURETOR ASS'Y (LOWER)	9	0-2				
1383-6952M	CARBURETOR ASS'Y (UPPER)	9	0-1				
1484-6839M	CLAMP BRACKET	21	4				
1485-6840M	SWIVEL BRACKET (SHORT SHAFT)	21	1				
1485-6841M	SWIVEL BRACKET (LONG SHAFT)	21	1				
1587-6833M	DRIVESHAFT HOUSING, INNER (SHORT SHAFT) ..	11	12				
1587-6834M	DRIVESHAFT HOUSING, INNER (LONG SHAFT) ...	11	12				
1587-6842M	DRIVESHAFT HOUSING (SHORT SHAFT)	11	1				
1587-6843M	DRIVESHAFT HOUSING (LONG SHAFT)	11	1				
1651-6844M	GEAR HOUSING	13	1				
1651-6896M	GEAR HOUSING ASS'Y (SHORT SHAFT)	13	0-1				
1651-6897M	GEAR HOUSING ASS'Y (LONG SHAFT)	13	0-1				
2168-6838M	COWLING, BOTTOM	47	1				
2168-6859M	TOP COWLING ASS'Y	43	1				
2168-6951M	COWLING, BOTTOM	47	4				
2168-7111M	TOP COWLING ASS'Y	45	1				