



PARTS CATALOG

Sears 9.9 H.P. (OUTBOARD MOTOR) W/6 GAL. REMOTE TANK

SERIAL NUMBER

9.9 H.P. (1996-1997 1/2)	225.581988
9.9 H.P. (1996-1997 1/2)	225.581998

TABLE OF CONTENTS:

CARBURETOR	10
CLAMP BRACKETS (SERIAL # 0E143887 AND BELOW)	24
CLAMP BRACKETS (SERIAL # 0E143888 AND UP)	26
COWL ASSEMBLY - TOP AND BOTTOM	2
CRANKSHAFT AND PISTON	14
CYLINDER BLOCK	16
FUEL AND RECIRCULATION SYSTEM	8
FUEL TANK AND LINE	32
GEAR HOUSING	28
IGNITION SYSTEM	4
MISCELLANEOUS PARTS	34
PARTS INDEX	35
SHIFT LINKAGE	6
STARTER ASSEMBLY	12
STEERING HANDLE/TWIST GRIP THROTTLE	18
SWIVEL BRACKET AND DRIVESHAFT HOUSING	20

NOTE: Indented description indicate that these parts are included in preceding assembly.

AR = As Required

NSS = Not Sold Separate

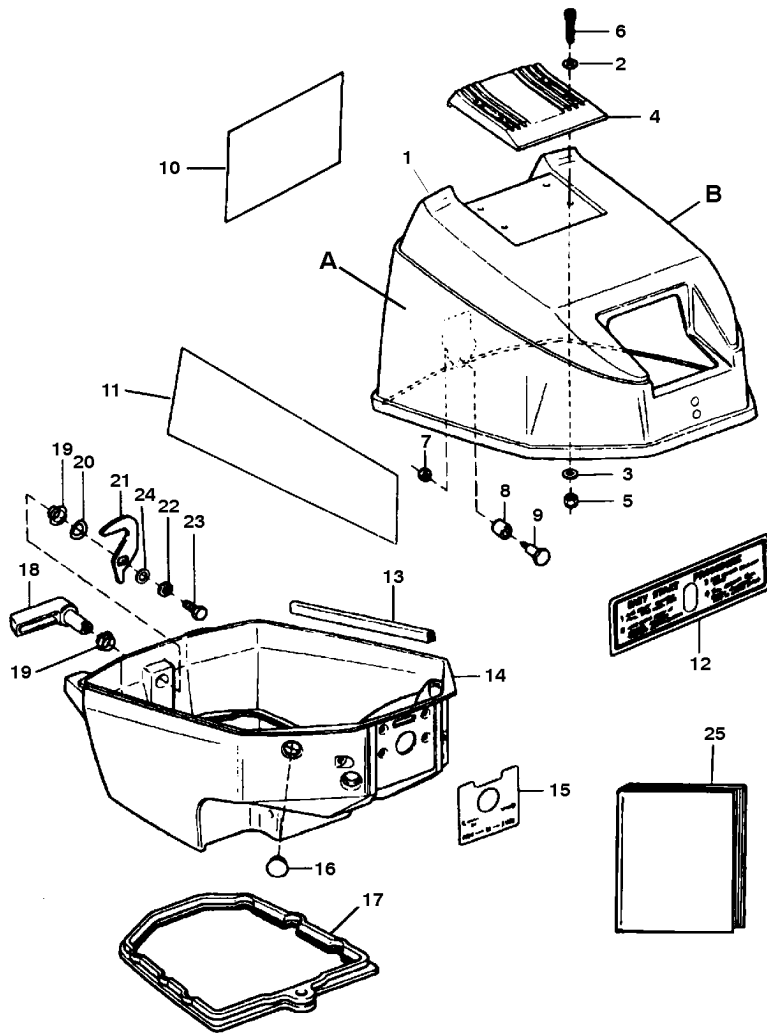
OPT = Optional

NS = Not Shown

THESE PARTS BOOKS/FICHE CARD ARE COPYRIGHTED AND MAY NOT BE DISTRIBUTED OR REPRODUCED IN ANY OTHER FORMAT BY ANYONE OTHER THAN MERCURY MARINE WITHOUT THE PRIOR WRITTEN CONSENT OF MERCURY MARINE.

THIS PAGE INTENTIONALLY LEFT BLANK

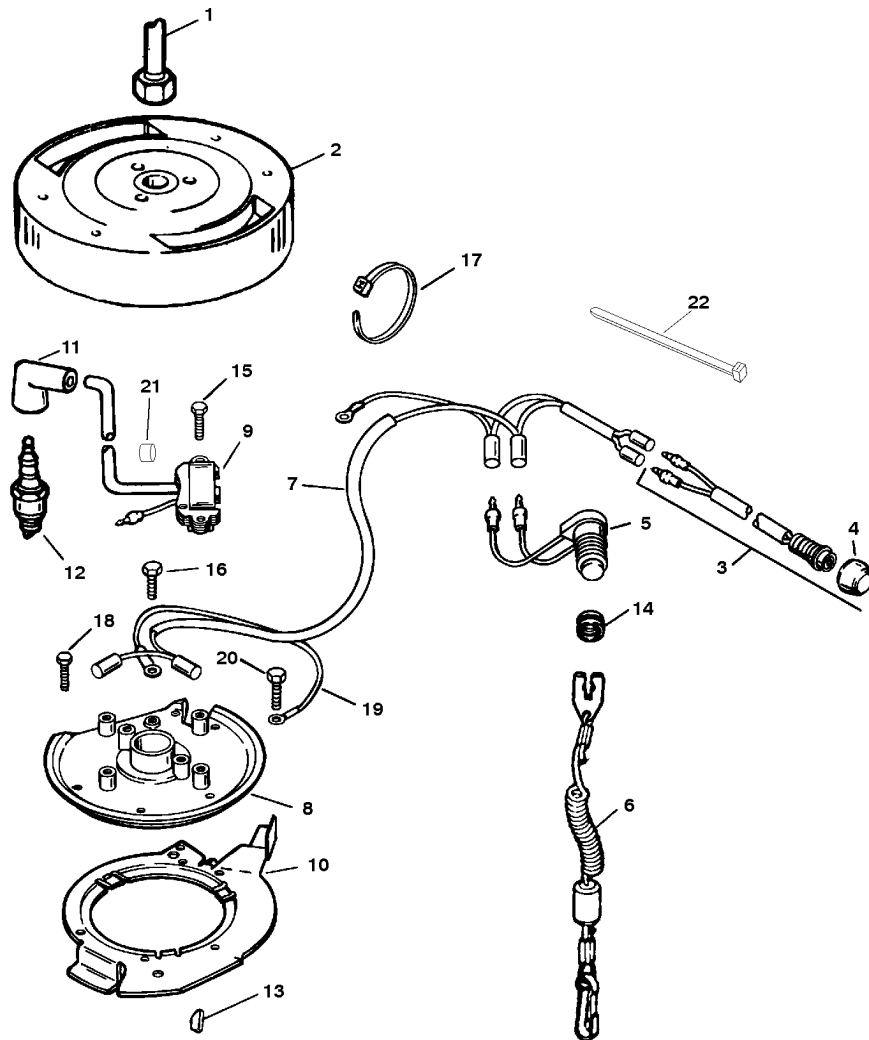
COWL ASSEMBLY - TOP AND BOTTOM



COWL ASSEMBLY - TOP AND BOTTOM

REF. NO.	PART NO.	SYM.	QTY.	DESCRIPTION
-	100-820154A5		1	COWL ASSEMBLY-TOP (WITH DECALS) (PAINTED)
1	100-820154A2		1	COWL ASSEMBLY-TOP (WITHOUT DECALS) (PAINTED)
2	12-89302		4	WASHER
3	12-F8143		4	WASHER
4	F681269		1	HANDLE-TILT
5	11-F7009		4	NUT (10-24)
6	10-F2211		4	SCREW (10-24 X 5/8")
7	11-814101		1	NUT (1/4-20)
8	23-F681759		1	ROLLER-LATCH
9	10-F681026		1	SCREW-LATCH ROLLER
10	37-826342-13		1	DECAL-REAR
11	37-826342-11		1	DECAL-STARBOARD
	37-826342-12		1	DECAL-PORT
12	37-826342-17		1	DECAL-FRONT-STARTER INSTRUCTIONS
13	F392756		1	SEAL-TOP OF BOTTOM SUPPORT (CUT AS REQ D)
14	100-819280A2		1	PLATE KIT-BOTTOM SUPPORT (PAINTED)
15	38-819281--1		1	PLATE-FRONT-BOTTOM SUPPORT PLATE
16	19-73336		1	PLUG
17	819486		1	SEAL-SUPPORT PLATE
18	FA681469T		1	HANDLE ASSEMBLY-COWL LATCH (PAINTED)
19	23-812707		2	BUSHING
20	13-F2047		1	WASHER-WAVE
21	F481777		1	CAM-LATCH SHAFT
22	13-26992		1	LOCKWASHER (1/4")
23	10-28635		1	SCREW (1/4-20 X 5/8")
24	12-35044		1	WASHER
25	90-830210		1	OWNERS MANUAL/PARTS MANUAL

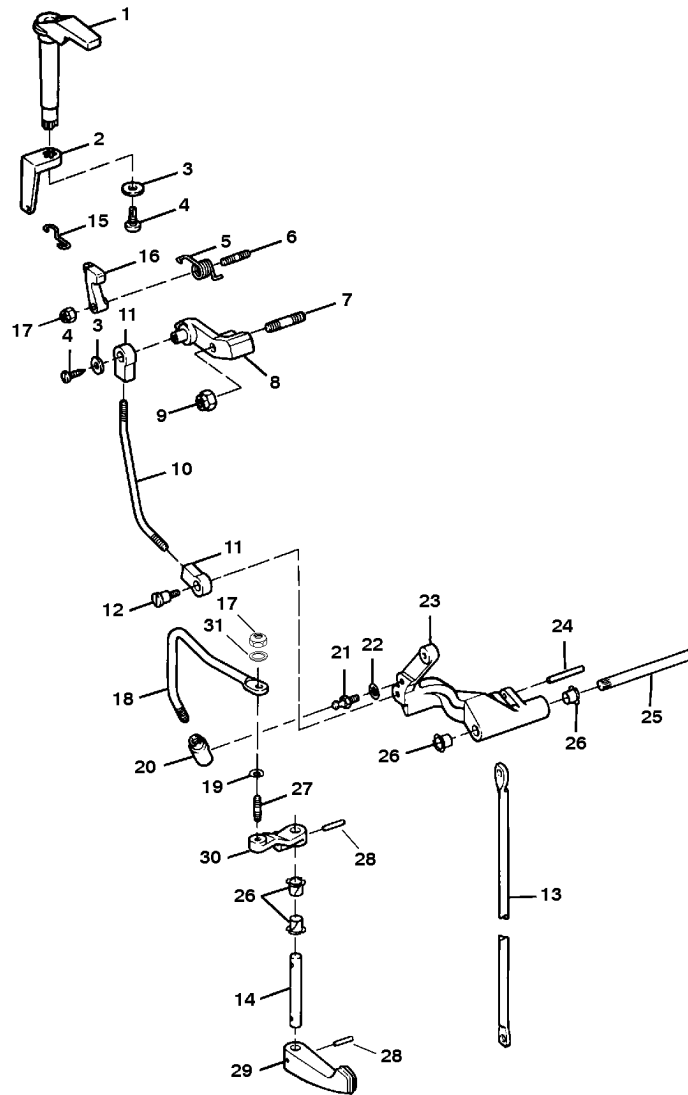
IGNITION SYSTEM



IGNITION SYSTEM

REF. NO.	PART NO.	SYM.	QTY.	DESCRIPTION
1	F681091		1	NUT-FLYWHEEL
2	200-824380T1		1	FLYWHEEL (PAINTED)
3	87-824440A9		1	SWITCH ASSEMBLY-STOP
4	824466A3		1	COVER ASSEMBLY-STOP SWITCH
5	87-826214A1		1	SWITCH ASSEMBLY-EMERGENCY STOP
6	819399A1		1	LANYARD ASSEMBLY
7	84-819379A7		1	HARNESS ASSEMBLY-ENGINE STOP
8	300-826692T		1	PLATE-STATOR
9	819156T		2	MODULE-IGNITION (CUT WIRE AS REQ D)
10	826691		1	CAM-THROTTLE
11	FK1123		2	BOOT KIT-SPARK PLUG
	85-818751		OPT.	COVER-SPARK PLUG (RFI)
12	33-312		2	SPARK PLUG (CHAMPION # L87YC)
	33-327		OPT.	SPARK PLUG (RFI) (CHAMPION # RL87YC)
13	28-F458498-1		1	KEY-CRANKSHAFT/FLYWHEEL
14	22-F681188		1	NUT-STOP SWITCH SLEEVE
15	10-824353		6	SCREW (8-32 X 3/4")-IGNITION MODULE
16	10-824352		1	SCREW (10-24 X 3/8")-GROUND
17	56762		1	CABLE TIE (4")
18	10-824358		5	SCREW (10-24 X 1/2")-STATOR PLATE
19	84-60466A16		1	WIRE ASSEMBLY-GROUND
20	10-824358		1	SCREW (10-24 X 1/2")-GROUND
21	20117A1		1	MARKER SET-IGNITION MODULE CABLE
22	54-816311		2	CABLE TIE (8")
NS	824915		1	BEZEL-STOP SWITCH COVER

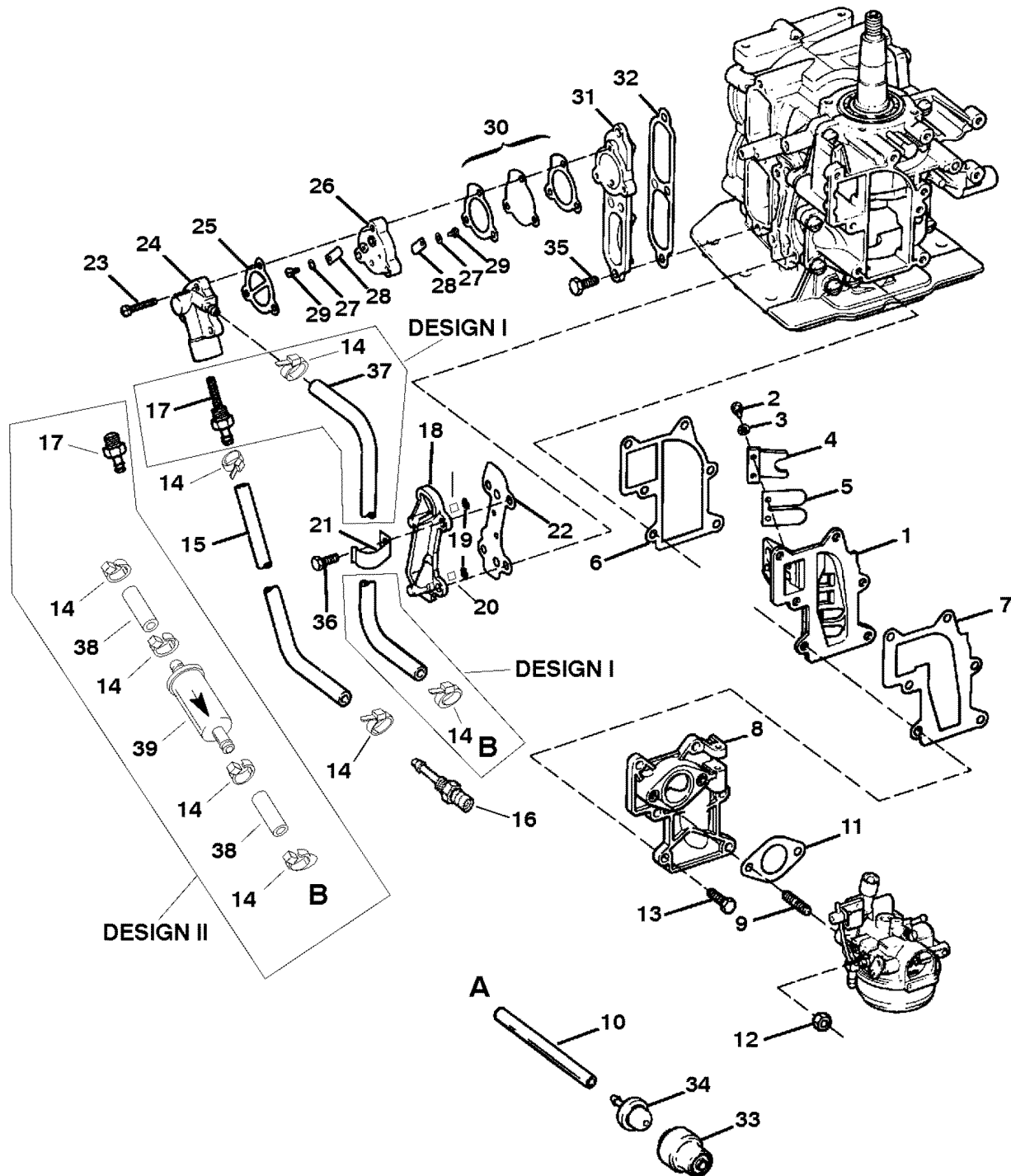
SHIFT LINKAGE



SHIFT LINKAGE

REF. NO.	PART NO.	SYM.	QTY.	DESCRIPTION
1	F681490		1	STOP-STARTER PULLEY INTERLOCK
2	F681003-1		1	ARM-STARTER INTERLOCK
3	12-F8143		1	WASHER
4	10-48408		1	SCREW (10-16 X 1/2")
5	24-F681424		1	SPRING-INTERLOCK LEVER
6	16-F681134		1	STUD-INTERLOCK LEVER
7	16-826590		1	STUD (1/4-20 X 1.69") W/DRI LOC-NEUTRAL INTERLOCK PIVOT
8	824357		1	LEVER-NEUTRAL INTERLOCK
9	11-814101		1	NUT (1/4-20)
10	F681531-1		1	ROD-INTERLOCK
11	816514		2	BEARING
12	10-819625		1	SCREW-SHOULDER
13	F286615		1	ROD-GEAR SHIFT-UPPER
14	824826		1	SHAFT-GEAR SHIFT HANDLE
15	F681263-1		1	LINK-STARTER INTERLOCK
16	F681742		1	LEVER-INTERMEDIATE INTERLOCK
17	11-20110		2	NUT (10-32)
18	825402		1	LINK-SHIFT LEVER
19	13-26996		1	LOCKWASHER (#10)
20	F286685		1	CONNECTOR-GEAR SHIFT ROD
21	16-F98273		1	STUD-ROD END CONNECTOR
22	13-F8058		1	LOCKWASHER (#10 INTERNAL)
23	819508T		1	LEVER-GEAR SHIFT (PAINTED)
24	17-31656		1	PIN-ROLL
25	F286871		1	PIN-GEAR SHIFT LEVER
26	23-26841		4	BUSHING
27	16-F286134		1	STUD-GEAR SHIFT LEVER
28	17-25905		2	PIN-ROLL
29	819626T		1	HANDLE-GEAR SHIFT (PAINTED)
30	820367--1		1	LEVER-SHIFT HANDLE SHAFT
31	13-F8048		1	WASHER-BOWED

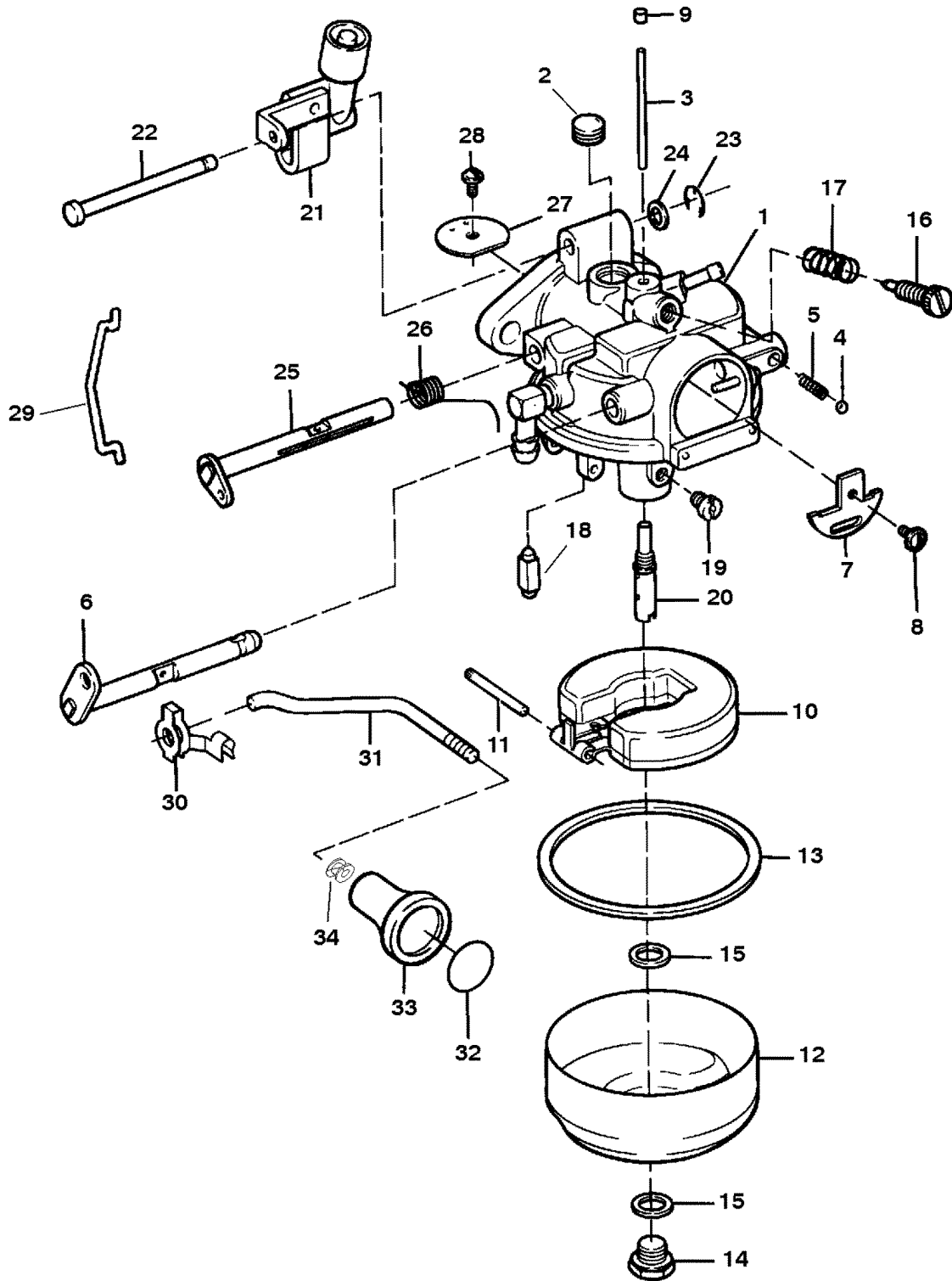
FUEL AND RECIRCULATION SYSTEM



FUEL AND RECIRCULATION SYSTEM

REF. NO.	PART NO.	SYM.	QTY.	DESCRIPTION
1	34-FA715158		1	PLATE ASSEMBLY-REED
2	10-28430		8	SCREW (6-32 X 1/4")
3	13-F1704		8	LOCKWASHER (#6 INTERNAL)
4	34-F715161		4	STOP-REED
5	34-F31160-2		4	REED
6	27-F286159-1		1	GASKET-REED PLATE
7	27-F715168		1	GASKET-MANIFOLD
8	FA714167		1	MANIFOLD KIT-CARBURETOR
9	16-826622		2	STUD (1/4-20 X .91") WITH DRI LOC
10	32-F40253-1		1	HOSE-PRIMER BULB TO CARB (5-3/4") (CUT AS REQ D)
11	27-F18906		1	GASKET-CARBURETOR
12	11-20890		2	NUT (1/4-20)
13	10-28668		6	SCREW (1/4-20 X 7/8")
14	-56762		6	CABLE TIE (4.00 IN.)
15	32-F40253-1		2	HOSE-FUEL (8-1/4") (13.38") (CUT AS REQ D)
16	22-F197767-2		1	BUSHING-FUEL
17	22-F901811		1	FILTER-FUEL PUMP (DESIGN I)
	22-850314		1	FITTING-FUEL PUMP (WITH FILTER) (DESIGN II)
18	FA429471		1	COVER ASSEMBLY-CYLINDER DRAIN (PAINTED)
19	F429811		2	SCREEN
20	21-817741A1		2	VALVE KIT
21	54-F286772-1		1	CLAMP
22	27-825188		1	GASKET-CYLINDER DRAIN COVER
23	10-F1069		3	SCREW (10-24 X 1-1/16")
24	819993T1		1	COVER-FUEL PUMP (PAINTED)
25	27-F24748-2		1	GASKET-FUEL PUMP
26	F2A24757		1	PLATE ASSEMBLY-FUEL PUMP
27	12-18552		2	WASHER
28	34-F18160-3		2	REED
29	10-F1286		2	SCREW (4-40 X 3/16")
30	27-818043A1		1	GASKET/DIAPHRAGM SET
31	820116--2		1	COVER-TRANSFER PORT
32	27-825183		1	GASKET-TRANSFER PORT COVER
33	F681954-1		1	COVER-PRIMER BULB
34	F681046		1	BULB-PRIMER
35	10-98254		4	SCREW (1/4-20 X 5/8")
36	10-F1922		4	SCREW (1/4-20 X 5/8")
37	32-819398T		1	HOSE-FUEL (18.00 INCHES BULK)(CUT 8.25 INCHES) (NO FILTER)(DESIGN II)
38	32-819398T		2	HOSE-FUEL (18.00 INCHES BULK)(CUT 4.00 INCHES)
39	35-828998		1	FILTER-FUEL (DESIGN II)

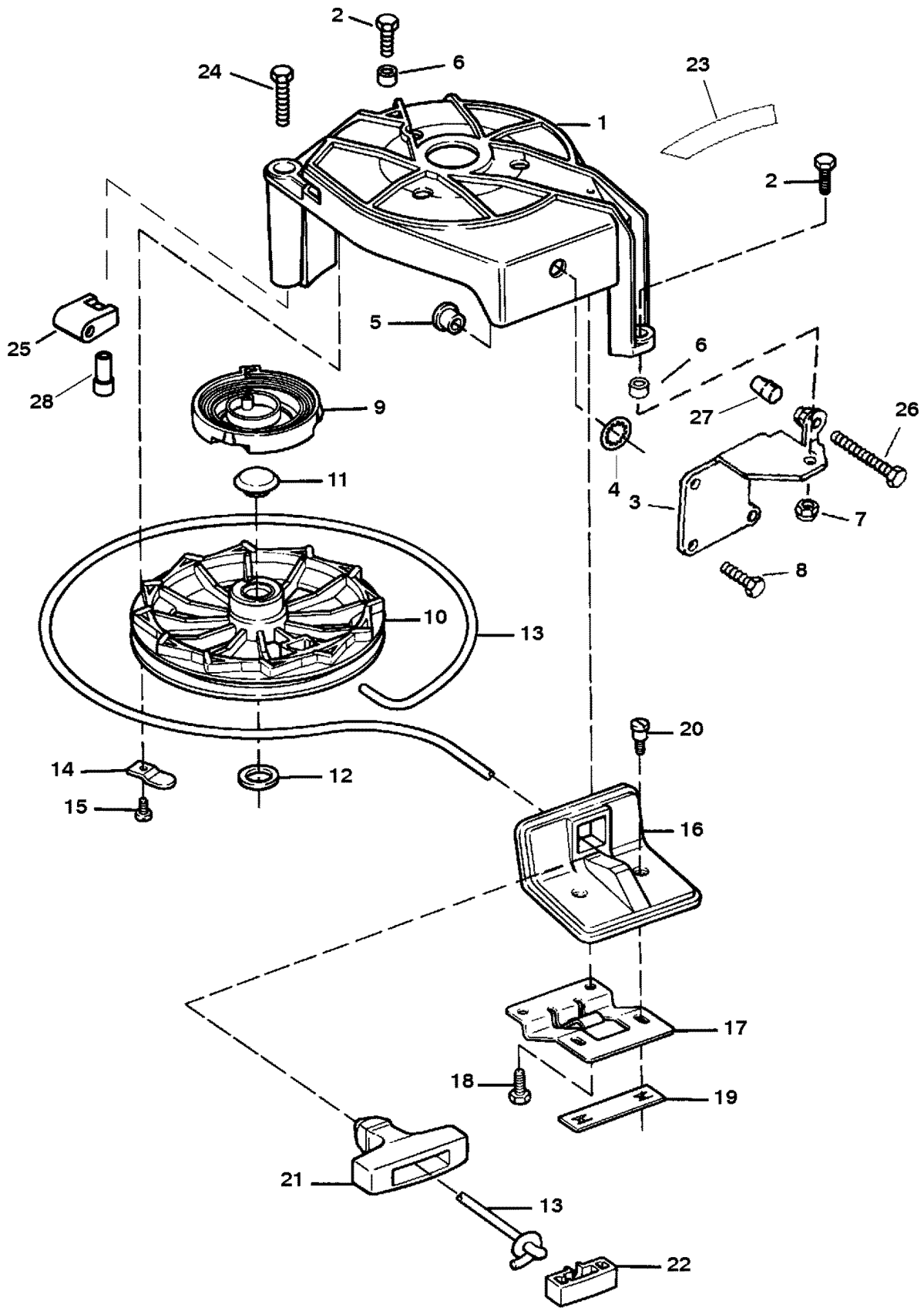
CARBURETOR



CARBURETOR

REF. NO.	PART NO.	SYM.	QTY.	DESCRIPTION
1	1300-F714061		1	CARBURETOR (HO-5A)
2	19-FO2531		1	PLUG-BY PASS CHAMBER
3	F10235		1	TUBE-BY PASS
4	FO4784		1	BALL-CHOKE FRICTION
5	FO8805		1	SPRING-CHOKE FRICTION
6	FO15736		1	SHAFT-CHOKE
7	F10236		1	SHUTTER-CHOKE
8	10-FO10280		1	SCREW-SHUTTER
9	19-FO10588		1	PLUG-BODY CHANNEL
10	F10346		1	FLOAT-FUEL BOWL
11	FO13944		1	PIN-FLOAT
12	FO15366		1	BOWL-FUEL
13	27-FO15623		1	GASKET-FUEL BOWL
14	1399-5128		1	SCREW-FUEL BOWL
15	27-FO2510		2	GASKET-FUEL BOWL
16	FO15520		1	NEEDLE-IDLE MIXTURE
17	24-27160		1	SPRING-IDLE MIXTURE NEEDLE
18	F10265		1	NEEDLE-INLET
19	1399-1457		1	JET-MAIN (.057) (0 - 2500)
	1399-1655		OPT.	JET-MAIN (.055) (2500 - 5000)
	1399-1653		OPT.	JET-MAIN (.053) (5000 - 7500)
	FO11764		OPT.	JET-MAIN (.051) (7500 - 10000)
20	F10238		1	NOZZLE-MAIN
21	F10290		1	LINKAGE-THROTTLE CAM FOLLOWER
22	F10240		1	SHAFT-LINKAGE
23	F10241		1	E RING-LINKAGE SHAFT
24	F10242		1	WASHER-LINKAGE SHAFT
25	F10339		1	SHAFT-THROTTLE
26	24-F10246		1	SPRING-THROTTLE SHAFT
27	F10354		1	SHUTTER-THROTTLE
28	10-F10328		1	SCREW-SHUTTER
29	F10338		1	LINK-THROTTLE
30	F341384		1	RETAINER-CHOKE ROD
31	819348		1	ROD-CHOKE
32	F681677		1	INSERT-CHOKE KNOB
33	F286547		1	KNOB-CHOKE
34	23-F197319		1	BUSHING-CHOKE ROD
NS	FK10295		1	REPAIR KIT-CARBURETOR
	FK10294		1	GASKET SET-CARB

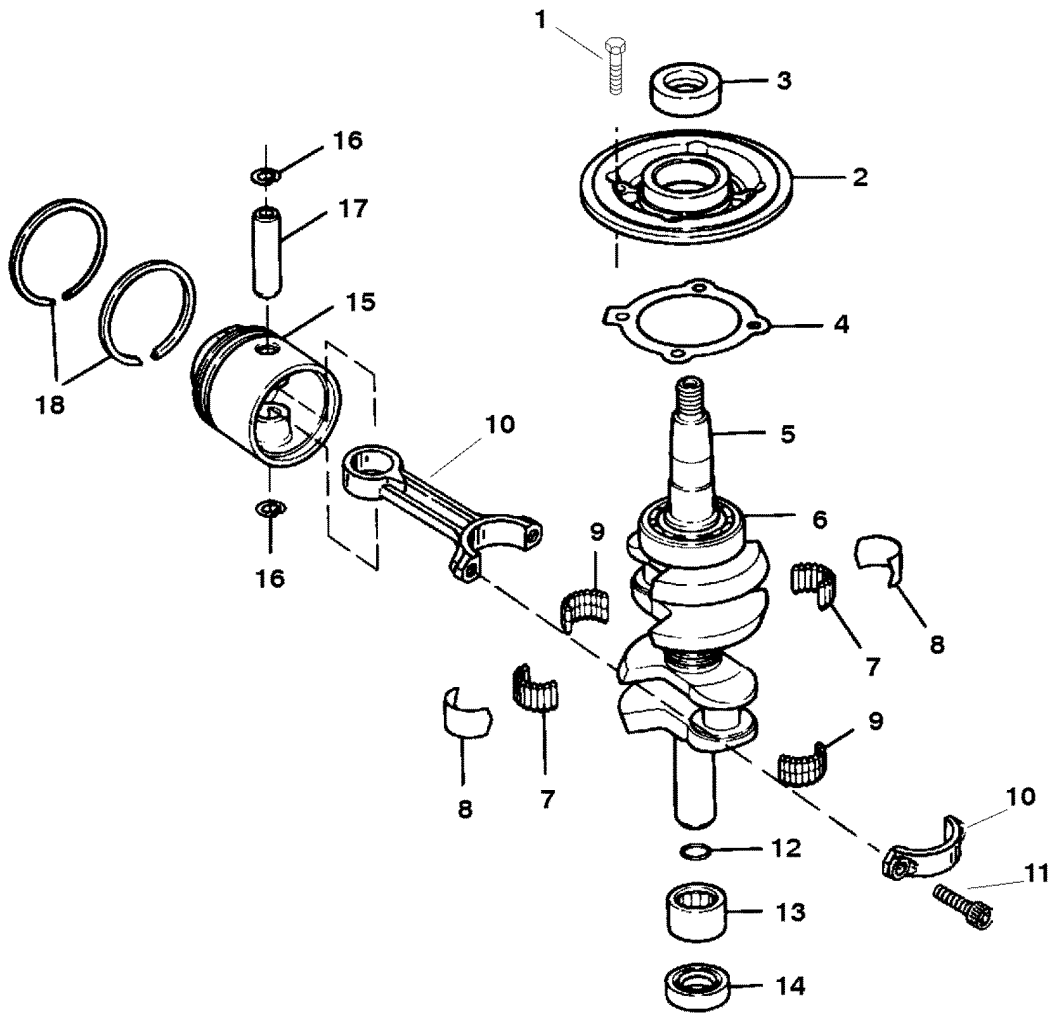
STARTER ASSEMBLY



STARTER ASSEMBLY

REF. NO.	PART NO.	SYM.	QTY.	DESCRIPTION
1	826693		1	HOUSING-STARTER
2	10-90192		2	SCREW (1/4-20 X 3/4")
3	826559A1		1	BRACKET ASSEMBLY-STARTER HOUSING FRONT
4	53-42689		1	RING-RETAINING
5	F681428		1	INSERT-STARTING HOUSING ROPE
6	23-F681405		2	INSERT-STARTER HOUSING
7	11-814101		1	NUT (1/4-20)
8	10-F1922		4	SCREW (1/4-20 X 5/8")
9	24-F681970		1	SPRING-STARTER REWIND
10	42034A2		1	PULLEY ASSEMBLY-STARTER REWIND
11	19-817362		1	PLUG
12	26-F681579		1	SEAL-PULLEY BEARING
13	F681232		1	ROPE (64/67")
14	F681592		3	RETAINER-STARTER PULLEY
15	10-48408		3	SCREW (10-16 X 1/2")
16	FA681630T		1	SUPPORT ASSEMBLY-HANDLE
17	F681090		1	PLATE-HANDLE SUPPORT
18	10-F2210		2	SCREW (1/4-14 X 1/2")
19	F681874-1		1	FASTENER-HANDLE SUPPORT PLATE
20	10-819625		2	SCREW-SHOULDER
21	F681132		1	HANDLE-STARTER ROPE
22	F681817		1	RETAINER-STARTER ROPE
23	FA609853		1	DECAL KIT-SHIFT TO NEUTRAL
24	10-F2030		1	SCREW (1/4-20 X 1-1/4")
25	830265		1	RETAINER-THROTTLE CABLE
26	10-826676		1	SCREW (1/4-28 X 2")-IDLE ADJUST
27	26852		1	CAP-NYLON-IDLE ADJUST SCREW
28	23-830196		1	SPACER-THROTTLE CABLE RETAINER

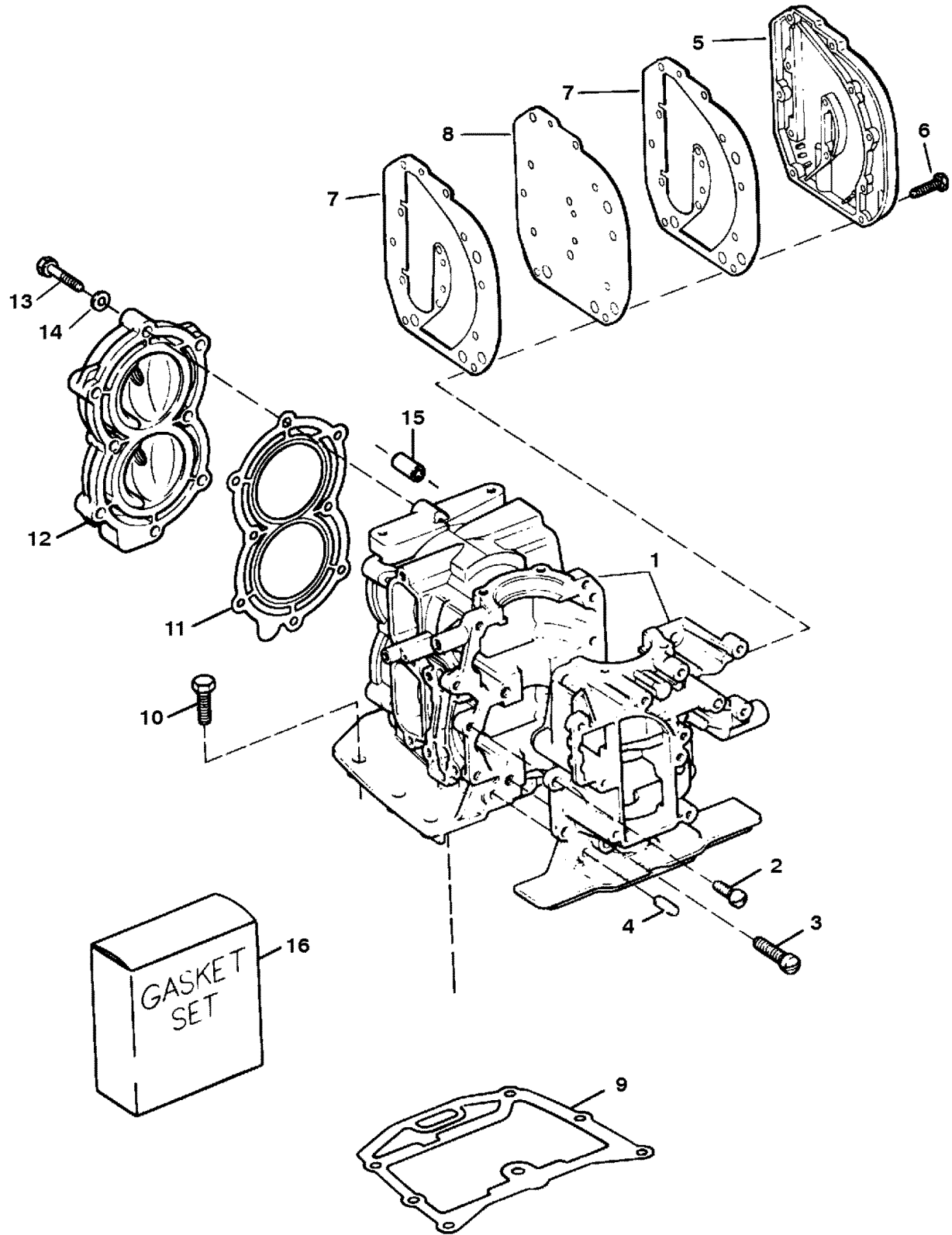
CRANKSHAFT AND PISTON



CRANKSHAFT AND PISTON

REF. NO.	PART NO.	SYM.	QTY.	DESCRIPTION
1	10-28636		4	SCREW (1/4-20 X 3/4")
2	1100-817753A1		1	CAGE ASSEMBLY-CRANKSHAFT BEARING
3	26-819801		1	SEAL-CRANKSHAFT-UPPER
4	27-F286277		1	GASKET-CRANKSHAFT BEARING CAGE
5	400-819803A2		1	CRANKSHAFT ASSEMBLY
6	30-F286028		1	BEARING-BALL
7	29-F286571		1	ROLLER SET (26 PER SET)
8	FA286155		1	LINER SET-CENTERMAIN BEARING
9	FA712228		2	ROLLER SET (2 STRIPS-28 PER)
10	600-FS715016		2	CONNECTING ROD ASSEMBLY
11	10-F175634		4	SCREW-CONN ROD
12	25-32509		1	O RING
13	31-F343014		1	BEARING-CRANKSHAFT LOWER MAIN
14	26-819396		1	SEAL-CRANKSHAFT LOWER
15	700-819946A3		2	PISTON KIT
16	53-F31410		4	RING-RETAINING
17	41-F712017		2	PIN-PISTON
18	39-820484A1		2	RING SET-PISTON (2 RINGS)

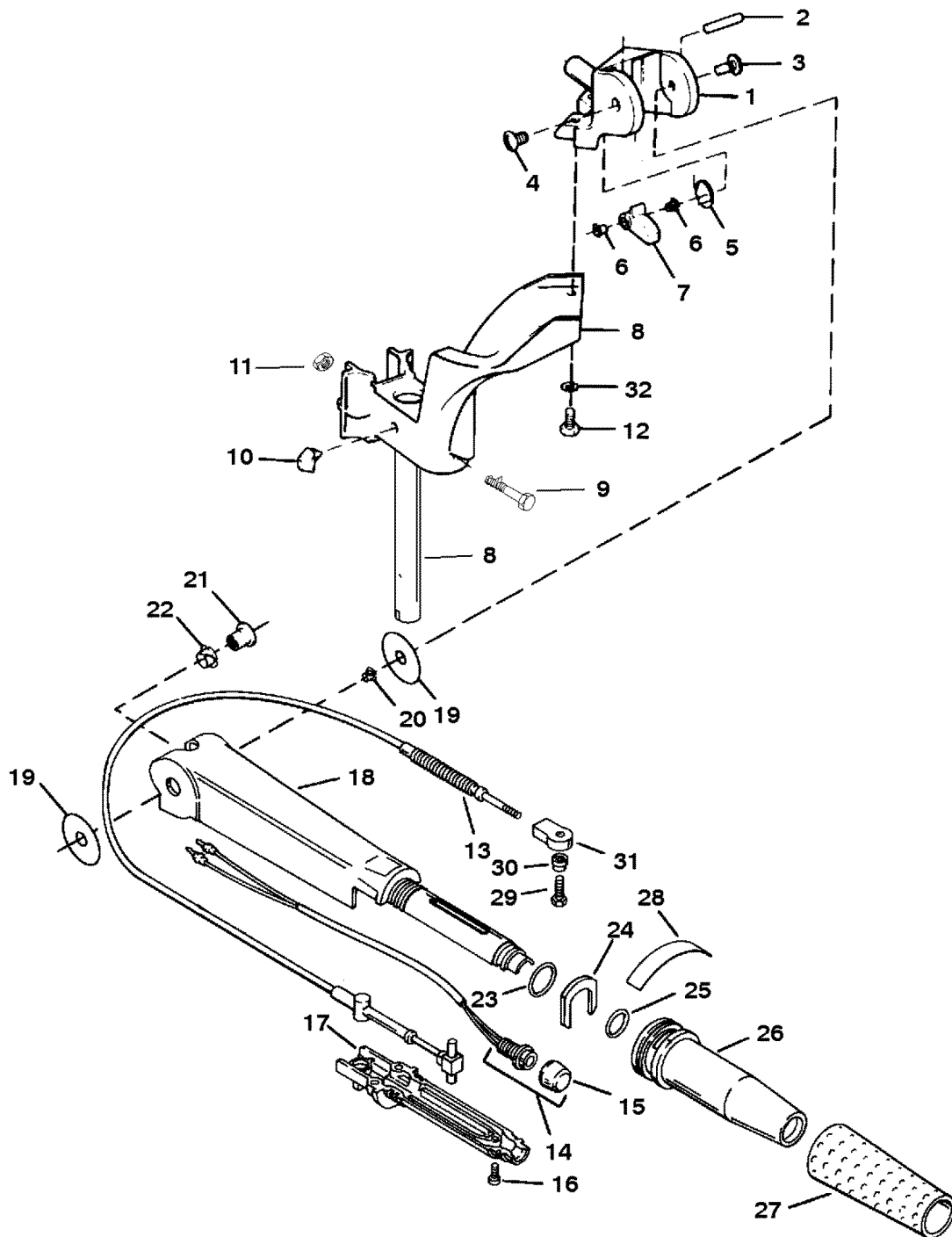
CYLINDER BLOCK



CYLINDER BLOCK

REF. NO.	PART NO.	SYM.	QTY.	DESCRIPTION
-	800-819553A14		1	SHORT BLOCK ASSEMBLY (PAINTED)
1	800-819553A12		1	CYLINDER KIT
2	10-F1107		8	SCREW (1/4-20 X 3/4")
3	10-F1335		4	SCREW (5/16-18 X 1-1/4")
4	17-F8559		2	PIN-DOWEL
5	824141T		1	COVER-EXHAUST (PAINTED)
6	10-28668		12	SCREW (1/4-20 X 7/8")
7	27-F715154		2	GASKET-EXHAUST PORT COVER
8	F715151		1	PLATE-EXHAUST
9	27-F715279-1		1	GASKET-CYLINDER MOUNTING
10	10-35386		6	SCREW (5/16-18 X 1")
11	27-F286529-3		1	GASKET-CYLINDER HEAD
12	900-F703518T		1	HEAD-CYLINDER (PAINTED)
13	10-F901938-1		8	SCREW-CYLINDER HEAD
14	12-37998		8	WASHER
15	32-F715943		1	TUBE-CYLINDER WATER JACKET
16	FG1036		1	GASKET SET

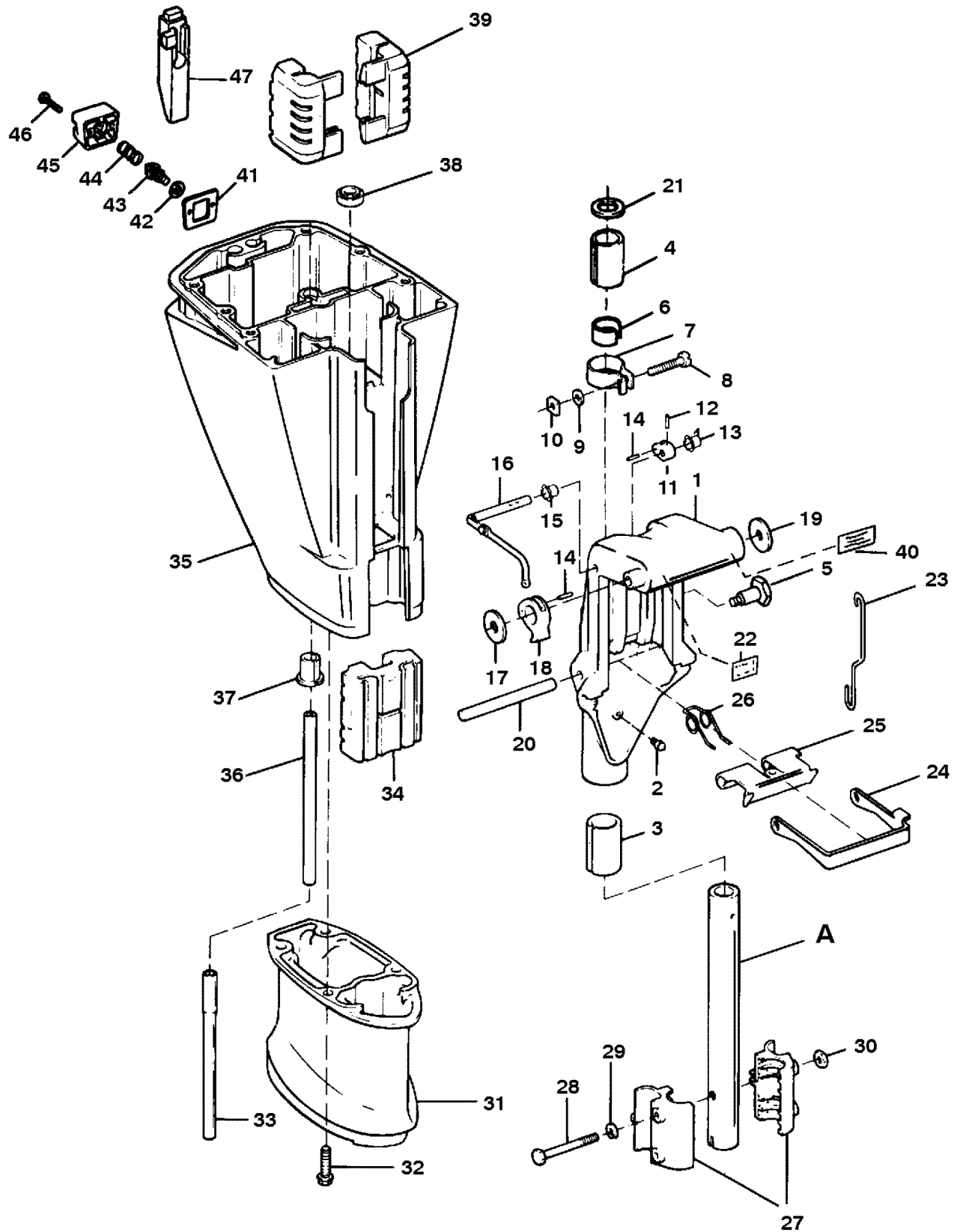
STEERING HANDLE/TWIST GRIP THROTTLE



STEERING HANDLE/TWIST GRIP THROTTLE

REF. NO.	PART NO.	SYM.	QTY.	DESCRIPTION
1	817751T1		1	BRACKET-STEERING (PAINTED)
2	17-F1807		1	PIN-GROOVE
3	10-823595		1	SCREW-STEERING HANDLE PIVOT
4	10-823594		1	SCREW-STEERING HANDLE PIVOT
5	24-F286868		1	SPRING-STEERING HANDLE STOP
6	23-26856		2	BUSHING
7	F286490		1	STOP-STEERING HANDLE
8	819914A2		1	ARM/KINGPIN ASSEMBLY-STEERING (PAINTED)
9	10-828815		1	SCREW (1/4-20 X 1-3/4")
10	19-F286539		1	BUMPER
11	11-814101		1	NUT (1/4-20)
12	10-28635		2	SCREW (1/4-20 X 5/8")
13	826592		1	CABLE ASSEMBLY-THROTTLE
14	87-824440A9		1	SWITCH ASSEMBLY-STOP
15	824466A3		1	COVER ASSEMBLY-STOP SWITCH
-	824915		1	BEZEL-STOP SWITCH COVER
16	10-826575		3	SCREW (8-32 X 5/8")
17	827252		1	ARM-STEERING (LOWER)
18	826609T		1	HANDLE-STEERING (PAINTED)
19	12-F286220		2	WASHER
20	23-26856		2	BUSHING
21	F286224-1		1	INSERT-STEERING HANDLE PIVOT
22	23-812707		1	BUSHING
23	25-21836		1	O RING (LARGE)
24	F702178		1	RETAINER-GRIP
25	25-23145		1	O RING (SMALL)
26	F702137		1	GRIP-STEERING HANDLE
27	828406		1	SLEEVE-STEERING HANDLE GRIP
28	37-F712894		1	DECAL-SPEED INDICATOR
29	10-824352		1	SCREW (10-24 X 3/8")
30	826591		1	BUSHING
31	816514		1	BEARING-CONNECTOR
32	13-78968		2	LOCKWASHER (1/4" INTERNAL)

SWIVEL BRACKET AND DRIVESHAFT HOUSING

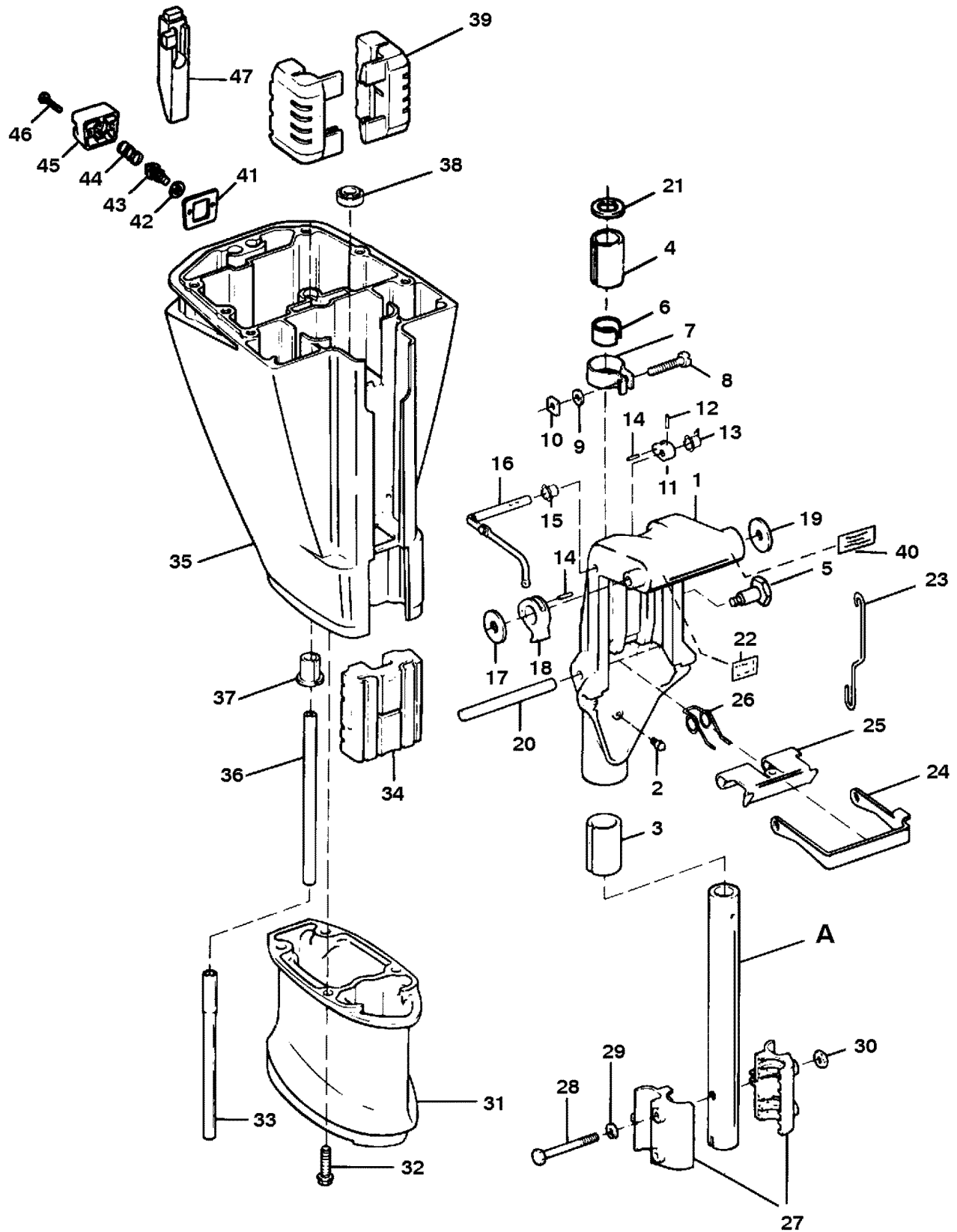


SWIVEL BRACKET AND DRIVESHAFT HOUSING

REF. NO.	PART NO.	SYM.	QTY.	DESCRIPTION
1	1400-817750A4		1	BRACKET KIT-SWIVEL (PAINTED)
2	22-F213274		2	FITTING-GREASE
3	23-F286169		1	BUSHING-BOTTOM (1-3/4")
4	23-F681169		1	BUSHING-TOP (1-1/8")
5	17-819707		1	PIN-TILT LOCK
6	F681631		1	SHOE-FRICTION-SWIVEL BRACKET
7	54-F286573-1		1	CLAMP-STEERING FRICTION
8	10-F1820		1	SCREW (1/4-20 X 1-3/8")
9	12-12038		1	WASHER
10	11-F1608		1	NUT (1/4-20)
11	F286364		1	LEVER-REVERSE LOCK
12	17-F8538		1	PIN-SPRING
13	23-26856		1	BUSHING
14	17-F1794		2	PIN-SPRING
15	23-F536813		1	BUSHING
16	FA387742		1	LEVER ASSEMBLY-INTERMEDIATE
17	12-F2037		1	WASHER
18	F286827		1	LEVER-REVERSE LOCK
19	12-F286286-1		1	WASHER
20	17-F1806		1	PIN-GROOVE
21	12-F286011		1	WASHER-SWIVEL BRACKET
22	37-F688585		1	DECAL-TILT LOCK
23	FA341510		1	LINK-REVERSE LOCK
24	F286433		1	BRACKET-SHALLOW WATER DRIVE
25	F286349		1	LOCK-REVERSE
26	24-F286300		1	SPRING-REVERSE LOCK
27	819320T		2	BRACKET-SHOCK MOUNT LOWER (PAINTED)
28	FA1844		2	SCREW KIT (1/4-20 X 2-3/8")
29	13-26992		2	LOCKWASHER (1/4")
30	11-64015		2	NUT (1/4-20)
31	FA492845T		1	EXTENSION KIT (PAINTED) 20" FOR MODEL 225.581988
32	10-F430732		4	SCREW (5/16-18 X 1-1/4") 20" FOR MODEL 225.581988
33	32-FS901244		1	LINE-WATER-EXTENSION 20" FOR MODEL 225.581988
34	F286346		1	MOUNT-SHOCK-LOWER
35	1500-819344T		1	HOUSING-DRIVESHAFT (PAINTED)
36	32-F286244		1	LINE-WATER
37	F286914-1		1	SLEEVE-WATER LINE
38	26-F901307-2		1	SEAL-DRIVESHAFT
39	F286347		2	MOUNT-SHOCK-UPPER
40	37-818029		1	DECAL-FUEL MIX
41	27-819669		1	GASKET-THERMOSTAT COVER
42	12-F658504		1	WASHER

CONTINUED ON NEXT PAGE ➡

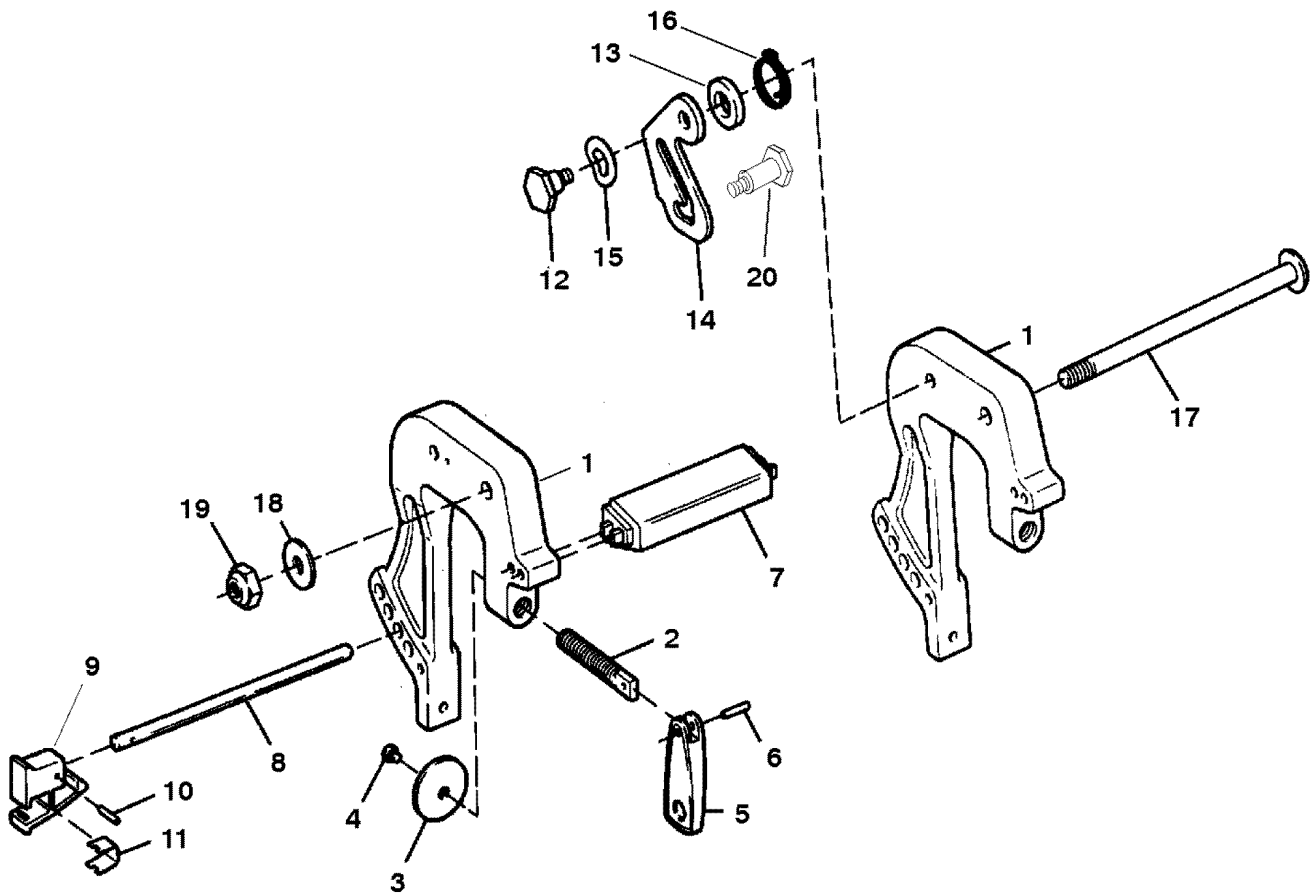
SWIVEL BRACKET AND DRIVESHAFT HOUSING



SWIVEL BRACKET AND DRIVESHAFT HOUSING

REF. NO.	PART NO.	SYM.	QTY.	DESCRIPTION
43	819550		1	THERMOSTAT (105 DEGREES)
44	24-819329		1	SPRING-THERMOSTAT
45	819321		1	COVER-THERMOSTAT
46	10-819382		2	SCREW (.250-20 x 1.00)
47	823694		1	INSERT-THERMOSTAT

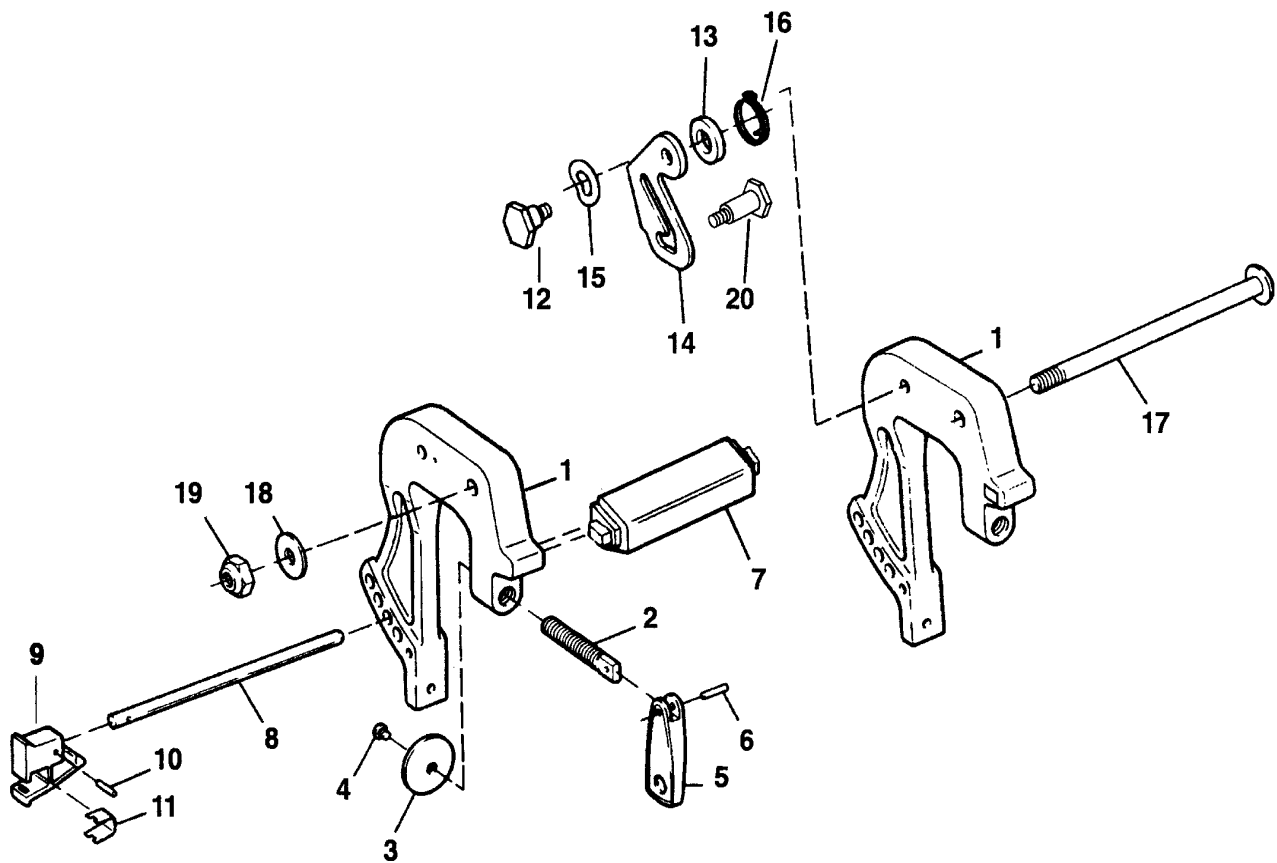
CLAMP BRACKETS (SERIAL # 0E143887 AND BELOW)



CLAMP BRACKETS (SERIAL # 0E143887 AND BELOW)

REF. NO.	PART NO.	SYM.	QTY.	DESCRIPTION
1	1400-820068T1		2	BRACKET-STERN (PAINTED)
2	10-826248		2	SCREW-STERN BRACKET
3	F24074		2	FOOT-STERN BRACKET SCREW
4	10-69022		2	SCREW (10-32 X 1/2")
5	F424075T		2	HANDLE (PAINTED)
6	17-24198		2	PIN-ROLL
7	F286647		1	HANDLE-CARRYING
8	FA617113		1	BAR KIT-LOCK
9	F286114		1	HANDLE-LOCK BAR
10	17-38489		1	PIN-ROLL
11	24-F286461		1	SPRING-LOCK BAR HANDLE
12	10-F286422-1		1	SCREW-TILT LOCK
13	23-819226		1	SPACER-TILT LOCK
14	F429541		1	LOCK-TILT
15	13-69150		1	WASHER-WAVE
16	24-F286544-1		1	SPRING-TILT LOCK
17	10-F617037		1	BOLT-STERN BRACKET PIVOT
18	12-20553		1	WASHER
19	11-F7026		1	NUT (3/8-16)
20	17-819707		1	PIN-TILT LOCK

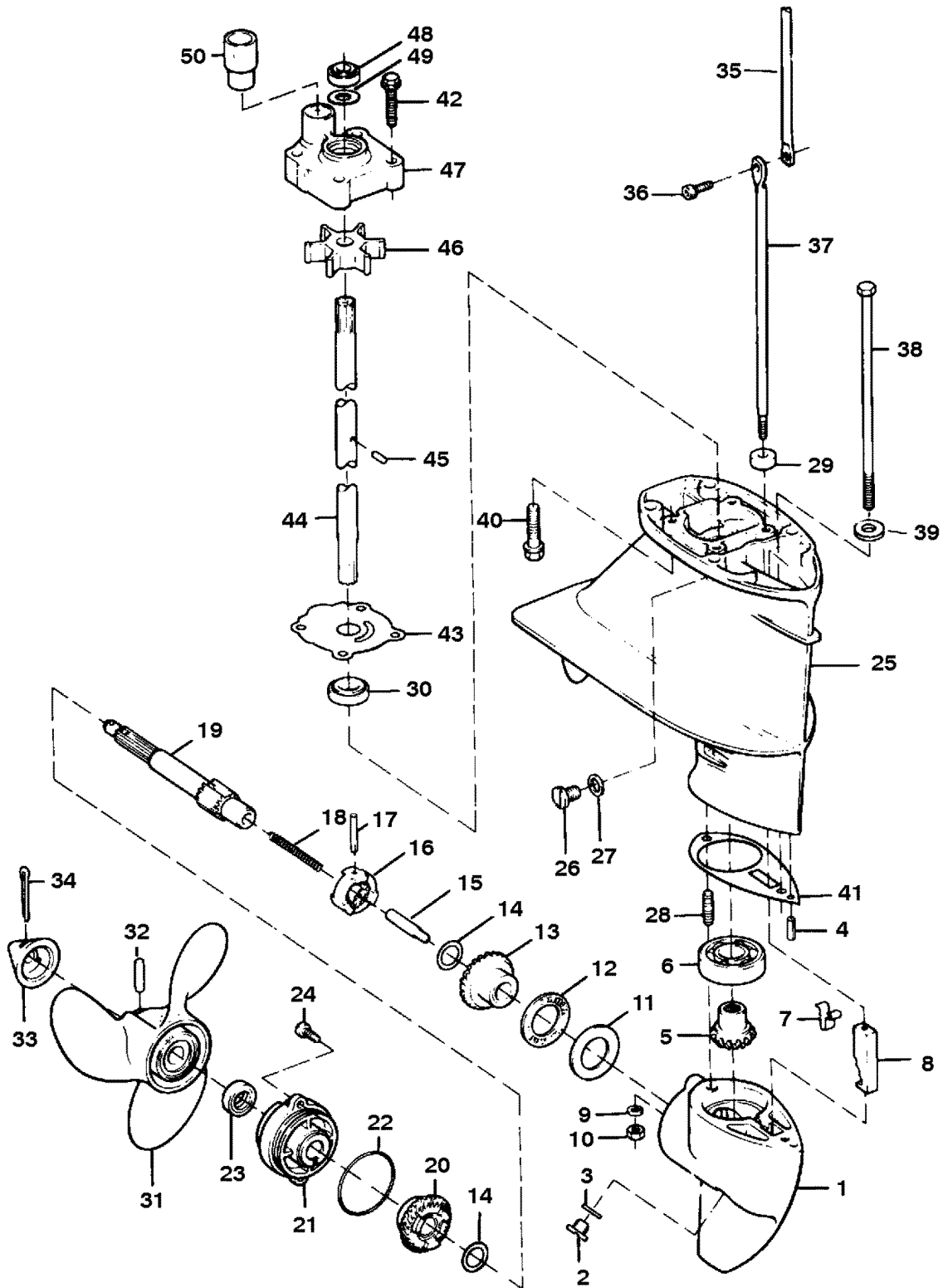
CLAMP BRACKETS (SERIAL # 0E143888 AND UP)



CLAMP BRACKETS (SERIAL # 0E143888 AND UP)

REF. NO.	PART NO.	SYM.	QTY.	DESCRIPTION
1	1400-830295T		2	BRACKET-STERN (PAINTED)
2	10-826248		2	SCREW-STERN BRACKET (SPECIAL)
3	F24074		2	FOOT-STERN BRACKET SCREW
4	10-69022		2	SCREW (#10-32 x .500)
5	F424075T		2	HANDLE (PAINTED)
6	17-24198		2	PIN-ROLL
7	830564		1	HANDLE-CARRYING
8	FA617113		1	BAR KIT-LOCK
9	F286114		1	HANDLE-LOCK BAR
10	17-38489		1	PIN-ROLL
11	24-F286461		1	SPRING-LOCK BAR HANDLE
12	10-F286422-1		1	SCRW-TILT LOCK (.312-18 SPECIAL)
13	23-819226		1	SPACER-TILT LOCK
14	F429541		1	LOCK-TILT
15	13-69150		1	WASHER-WAVE
16	24-F286544-1		1	SPRING-TILT LOCK
17	10-F617037		1	BOLT-STERN BRACKET PIVOT (.375-16 x 6.880)
18	12-20553		1	WASHER
19	11-F7026		1	NUT (.375-16)
20	17-819707		1	PIN-TILT LOCK (.250-20)

GEAR HOUSING

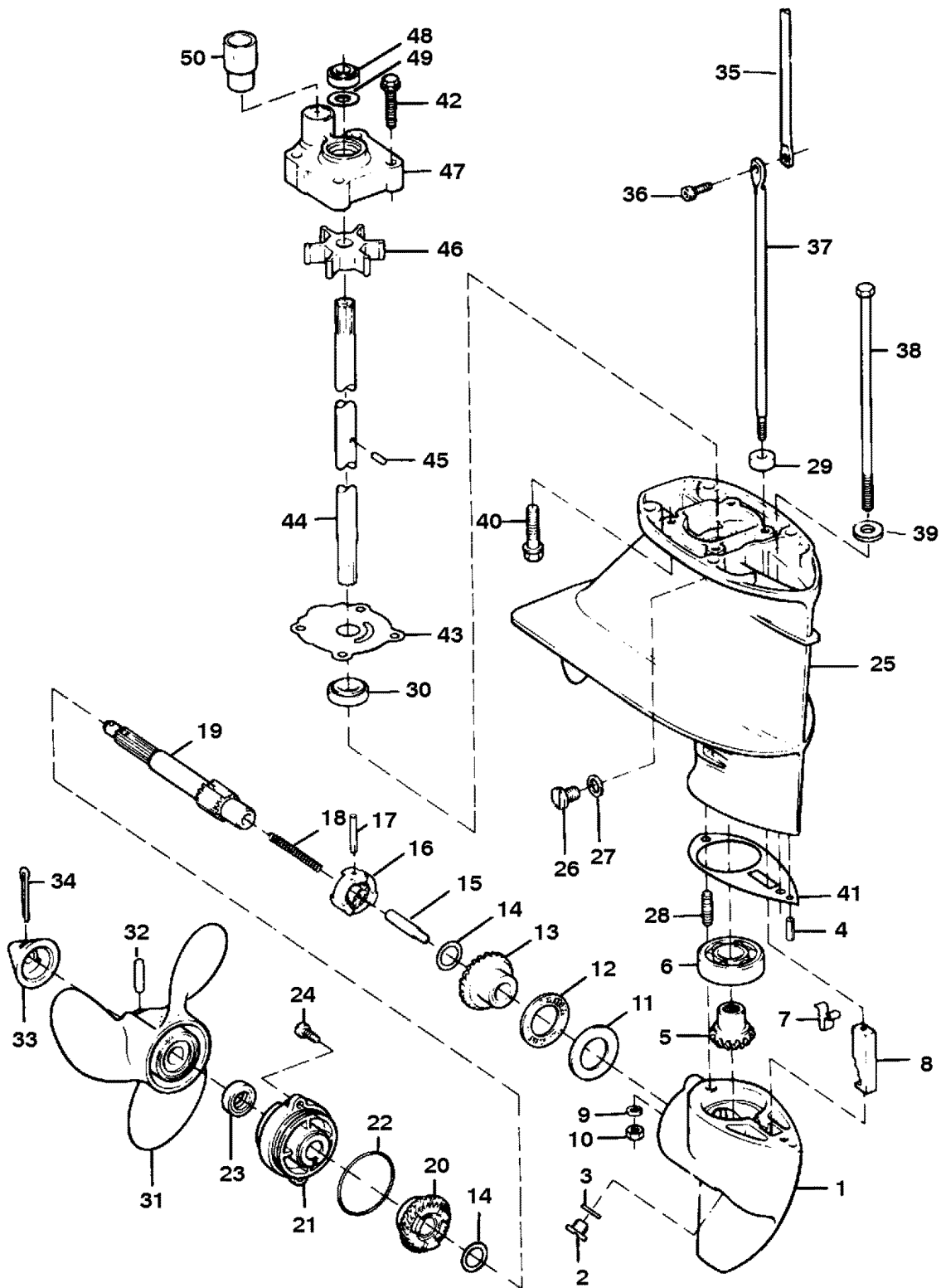


GEAR HOUSING

REF. NO.	PART NO.	SYM.	QTY.	DESCRIPTION
-	1600-819483A2		1	HOUSING KIT-GEAR (COMPLETE) (PAINTED)
1	1600-817749A2		1	HOUSING KIT-GEAR (BASIC) (PAINTED)
2	10-F50109		1	PLUG
3	12-19183		1	WASHER
4	17-48450		1	PIN-DOWEL
5	43-819251A1		1	GEAR ASSEMBLY-PINION
6	30-F127910-2		1	BEARING-BALL
7	24-F286895		1	SPRING-SHIFT CAM
8	F286721		1	CAM-SHIFT
9	13-26992		1	LOCKWASHER (1/4")
10	11-20890		1	NUT (1/4-20)
11	12-F286903		1	WASHER
12	31-48913		1	BEARING-PROPSHAFT
13	43-819252A1		1	GEAR ASSEMBLY-FORWARD
14	12-F456717		2	WASHER-THRUST
15	17-F286728		1	PIN-SHIFT
16	52-819253		1	CLUTCH
17	17-F8564		1	PIN-SPIRAL
18	24-F409719		1	SPRING-CLUTCH
19	44-F456098		1	PROPSHAFT
20	43-819254A1		1	GEAR ASSEMBLY-REVERSE
21	31-817756A2		1	CAGE ASSEMBLY-PROPSHAFT (PAINTED)
22	25-F455305		1	SEAL
23	26-66022		1	SEAL
24	10-28639		2	SCREW (1/4-20 X 5/8")
25	1500-824916A1		1	HOUSING KIT-DRIVESHAFT-UPPER (PAINTED)
26	10-F50109		1	PLUG
27	12-19183		1	WASHER
28	16-826542		1	STUD (1/4-20 X 1.36")
29	26-817472		1	SEAL-GEAR SHIFT ROD
30	26-F901307-2		1	SEAL-DRIVESHAFT
4	17-48450		1	PIN-DOWEL
31	FP6477		1	PROPELLER (8 X 9-1/4 X 3)
32	FA324101		1	PIN KIT-PROPELLER (3 PINS WITH COTTER PIN)
33	11-817752A1		1	NUT KIT-PROPELLER
34	18-45882		1	PIN-COTTER
35	F286615		1	ROD-GEAR SHIFT-UPPER
36	10-F1976		1	SCREW (10-24 X 1/2")
37	F286705-1		1	ROD-GEAR SHIFT-LOWER-15"-FOR MODEL 225.581998
	819962		1	ROD-GEAR SHIFT-LOWER-20"-FOR MODEL 225.581988
38	10-F1800		1	BOLT (1/4-20 X 7")
39	12-37998		1	WASHER
40	10-F430732		4	SCREW (5/16-18 X 1-1/4")

CONTINUED ON NEXT PAGE ➡

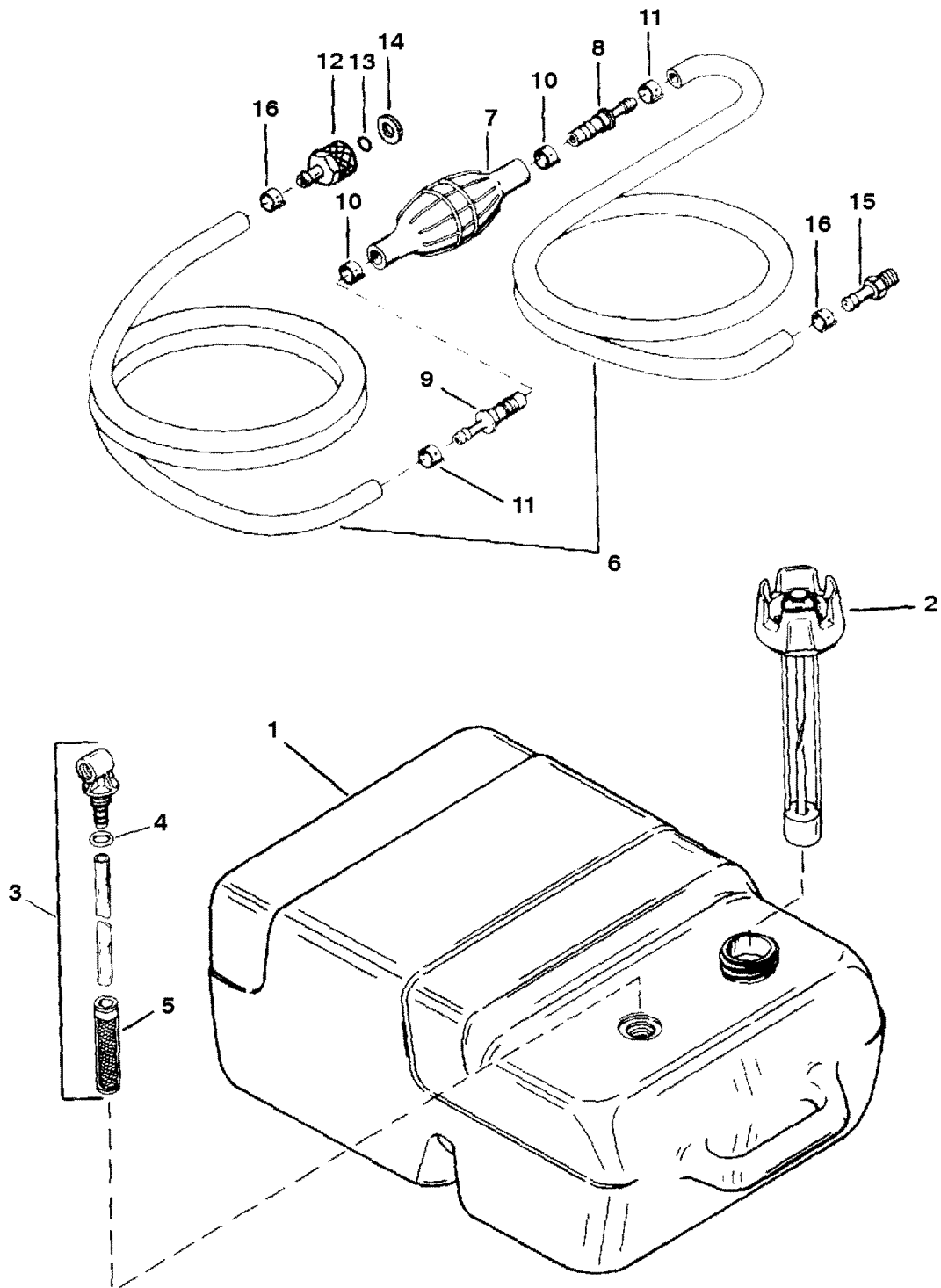
GEAR HOUSING



GEAR HOUSING

REF. NO.	PART NO.	SYM.	QTY.	DESCRIPTION
41	27-F286555		1	GASKET-GEAR HOUSING
42	10-F2030		4	SCREW (1/4-20 X 1-1/4")
43	F341562		1	PLATE-WATER PUMP
44	45-F343128		1	DRIVESHAFT-15"-FOR MODEL 225.581998
	45-F344128		1	DRIVESHAFT-20"-FOR MODEL 225.581988
45	17-F901563		1	PIN-DRIVE
46	47-F436065-2		1	IMPELLER
47	46-FA715060		1	BODY ASSEMBLY-WATER PUMP
48	26-F901307-2		1	SEAL-DRIVESHAFT
49	F715388		1	DISC
50	FA510914		1	SEAL-WATER LINE
NS	FK1065		1	SEAL KIT-GEAR HOUSING
	FK1031-1		1	REPAIR KIT-WATER PUMP

FUEL TANK AND LINE



FUEL TANK AND LINE

REF. NO.	PART NO.	SYM.	QTY.	DESCRIPTION
-	1259-823504A3		1	TANK ASSEMBLY-FUEL (COMPLETE)
1	1259-823504A1		1	TANK ASSEMBLY-FUEL
2	823536		1	GAUGE & CAP ASSEMBLY
3	22-823532		1	CONNECTOR ASSEMBLY-FUEL
4	25-823533		1	O RING
5	35-823534		1	SCREEN-FILTER
6	32-820572A8		1	LINE ASSEMBLY-FUEL (5/16" I.D.) (30" & 60")
7	13330A3		1	BULB ASSEMBLY-PRIMER
8	21-13331A1		1	VALVE-CHECK (INLET)
9	21-13331A2		1	VALVE-CHECK (OUTLET)
10	54-41582-10		2	CLAMP (LARGE)
11	54-41582--7		2	CLAMP (SMALL)
12	F197787-3		1	CONNECTOR-FUEL-ENGINE
13	F17815		1	SEAL (SMALL)
14	F17816		1	SEAL (LARGE)
15	22-89771--1		1	CONNECTOR-FUEL TANK
16	54-41582--7		2	CLAMP (SMALL)
-	32-16789-78		AR	LINE-FUEL (9) CUT AS REQ D
-	32-16789100		AR	LINE-FUEL (100) CUT AS REQ D

MISCELLANEOUS PARTS

REF. NO.	PART NO.	SYM.	QTY.	DESCRIPTION
-	92-818252-12		AR	LACQUER-GRAPHITE GRAY ACRYLIC-SPRAY CAN (12 PER CASE)
-	92-825321-12		AR	LACQUER-GRAPHITE GRAY ACRYLIC-BRUSH BOTTLE (12 PER BOX)
-	92-819107-12		AR	LACQUER-CLEAR ACRYLIC-SPRAY CAN (12 PER CASE)

PARTS INDEX

Part Number	Description	Pg.	Ref. No.	Part Number	Description	Pg.	Ref. No.
13330A3	BULB ASSEMBLY-PRIMER	33	7	826691	CAM-THROTTLE	5	10
20117A1	MARKER SET-IGNITION			826693	HOUSING-STARTER	13	1
	MODULE CABLE	5	21	827252	ARM-STEERING (LOWER)	19	17
26852	CAP-NYLON-IDLE ADJUST			828406	SLEEVE-STEERING HANDLE		
	SCREW	13	27		GRIP	19	27
42034A2	PULLEY ASSEMBLY-			830265	RETAINER-THROTTLE		
	STARTER REWIND	13	10		CABLE	13	25
56762	CABLE TIE (4")	5	17	830564	HANDLE-CARRYING	27	7
816514	BEARING	7	11	F10235	TUBE-BY PASS	11	3
816514	BEARING-CONNECTOR	19	31	F10236	SHUTTER-CHOKE	11	7
817751T1	BRACKET-STEERING			F10238	NOZZLE-MAIN	11	20
	(PAINTED)	19	1	F10240	SHAFT-LINKAGE	11	22
819156T	MODULE-IGNITION (CUT			F10241	E RING-LINKAGE SHAFT	11	23
	WIRE AS REQ D)	5	9	F10242	WASHER-LINKAGE SHAFT	11	24
819320T	BRACKET-SHOCK MOUNT			F10265	NEEDLE-INLET	11	18
	LOWER (PAINTED)	21	27	F10290	LINKAGE-THROTTLE CAM		
819321	COVER-THERMOSTAT	23	45		FOLLOWER	11	21
819348	ROD-CHOKE	11	31	F10338	LINK-THROTTLE	11	29
819399A1	LANYARD ASSEMBLY	5	6	F10339	SHAFT-THROTTLE	11	25
819486	SEAL-SUPPORT PLATE	3	17	F10346	FLOAT-FUEL BOWL	11	10
819508T	LEVER-GEAR SHIFT			F10354	SHUTTER-THROTTLE	11	27
	(PAINTED)	7	23	F17815	SEAL (SMALL)	33	13
819550	THERMOSTAT (105			F17816	SEAL (LARGE)	33	14
	DEGREES)	21	43	F197787-3	CONNECTOR-FUEL-ENGINE	33	12
819626T	HANDLE-GEAR SHIFT			F24074	FOOT-STERN BRACKET		
	(PAINTED)	7	29		SCREW	25	3
819914A2	ARM/KINGPIN ASSEMBLY-			F24074	FOOT-STERN BRACKET		
	STEERING (PAINTED)	19	8		SCREW	27	3
819962	ROD-GEAR SHIFT-LOWER-			F286114	HANDLE-LOCK BAR	25	9
	20"-FOR MODEL			F286114	HANDLE-LOCK BAR	27	9
	225.581988	29	37	F286224-1	INSERT-STEERING HANDLE		
819993T1	COVER-FUEL PUMP				PIVOT	19	21
	(PAINTED)	9	24	F286346	MOUNT-SHOCK-LOWER	21	34
820116--2	COVER-TRANSFER PORT	9	31	F286347	MOUNT-SHOCK-UPPER	21	39
820367--1	LEVER-SHIFT HANDLE			F286349	LOCK-REVERSE	21	25
	SHAFT	7	30	F286364	LEVER-REVERSE LOCK	21	11
823536	GAUGE & CAP ASSEMBLY	33	2	F286433	BRACKET-SHALLOW WATER		
823694	INSERT-THERMOSTAT	23	47		DRIVE	21	24
824141T	COVER-EXHAUST			F286490	STOP-STEERING HANDLE	19	7
	(PAINTED)	17	5	F286547	KNOB-CHOKE	11	33
824357	LEVER-NEUTRAL			F286615	ROD-GEAR SHIFT-UPPER	7	13
	INTERLOCK	7	8	F286615	ROD-GEAR SHIFT-UPPER	29	35
824466A3	COVER ASSEMBLY-STOP			F286647	HANDLE-CARRYING	25	7
	SWITCH	5	4	F286685	CONNECTOR-GEAR SHIFT		
824466A3	COVER ASSEMBLY-STOP				ROD	7	20
	SWITCH	19	15	F286705-1	ROD-GEAR SHIFT-LOWER-		
824826	SHAFT-GEAR SHIFT				15"-FOR MODEL		
	HANDLE	7	14		225.581998	29	37
824915	BEZEL-STOP SWITCH			F286721	CAM-SHIFT	29	8
	COVER	5	NS	F286827	LEVER-REVERSE LOCK	21	18
824915	BEZEL-STOP SWITCH			F286871	PIN-GEAR SHIFT LEVER	7	25
	COVER	19	-	F286914-1	SLEEVE-WATER LINE	21	37
825402	LINK-SHIFT LEVER	7	18	F2A24757	PLATE ASSEMBLY-FUEL		
826559A1	BRACKET ASSEMBLY-				PUMP	9	26
	STARTER HOUSING			F341384	RETAINER-CHOKE ROD	11	30
	FRONT	13	3	F341562	PLATE-WATER PUMP	31	43
826591	BUSHING	19	30	F392756	SEAL-TOP OF BOTTOM		
826592	CABLE ASSEMBLY-				SUPPORT (CUT AS REQ		
	THROTTLE	19	13		D)	3	13
				F424075T	HANDLE (PAINTED)	25	5

PARTS INDEX

Part Number	Description	Pg.	Ref. No.	Part Number	Description	Pg.	Ref. No.
F424075T	HANDLE (PAINTED)	27	5	FK10295	REPAIR KIT-CARBURETOR	11	NS
F429541	LOCK-TILT	25	14	FK1031-1	REPAIR KIT-WATER PUMP	31	NS
F429541	LOCK-TILT	27	14	FK1065	SEAL KIT-GEAR HOUSING	31	NS
F429811	SCREEN	9	19	FK1123	BOOT KIT-SPARK PLUG	5	11
F481777	CAM-LATCH SHAFT	3	21	FO11764	JET-MAIN (.051) (7500 - 10000)	11	19
F681003-1	ARM-STARTER INTERLOCK	7	2	FO13944	PIN-FLOAT	11	11
F681046	BULB-PRIMER	9	34	FO15366	BOWL-FUEL	11	12
F681090	PLATE-HANDLE SUPPORT	13	17	FO15520	NEEDLE-IDLE MIXTURE	11	16
F681091	NUT-FLYWHEEL	5	1	FO15736	SHAFT-CHOKE	11	6
F681132	HANDLE-STARTER ROPE	13	21	FO4784	BALL-CHOKE FRICTION	11	4
F681232	ROPE (64/67")	13	13	FO8805	SPRING-CHOKE FRICTION	11	5
F681263-1	LINK-STARTER INTERLOCK	7	15	FP6477	PROPELLER (8 X 9-1/4 X 3) -56762	29	31
F681269	HANDLE-TILT	3	4	10-28430	CABLE TIE (4.00 IN.)	9	14
F681428	INSERT-STARTING HOUSING ROPE	13	5	10-28635	SCREW (6-32 X 1/4")	9	2
F681490	STOP-STARTER PULLEY INTERLOCK	7	1	10-28635	SCREW (1/4-20 X 5/8")	3	23
F681531-1	ROD-INTERLOCK	7	10	10-28636	SCREW (1/4-20 X 5/8")	19	12
F681592	RETAINER-STARTER PULLEY	13	14	10-28636	SCREW (1/4-20 X 3/4")	15	1
F681631	SHOE-FRICTION-SWIVEL BRACKET	21	6	10-28639	SCREW (1/4-20 X 5/8")	29	24
F681677	INSERT-CHOKE KNOB	11	32	10-28668	SCREW (1/4-20 X 7/8")	9	13
F681742	LEVER-INTERMEDIATE INTERLOCK	7	16	10-28668	SCREW (1/4-20 X 7/8")	17	6
F681817	RETAINER-STARTER ROPE	13	22	10-35386	SCREW (5/16-18 X 1")	17	10
F681874-1	FASTENER-HANDLE SUPPORT PLATE	13	19	10-48408	SCREW (10-16 X 1/2")	7	4
F681954-1	COVER-PRIMER BULB	9	33	10-48408	SCREW (10-16 X 1/2")	13	15
F702137	GRIP-STEERING HANDLE	19	26	10-69022	SCREW (#10-32 x .500)	27	4
F702178	RETAINER-GRIP	19	24	10-69022	SCREW (10-32 X 1/2")	25	4
F715151	PLATE-EXHAUST	17	8	10-819382	SCREW (.250-20 x 1.00)	23	46
F715388	DISC	31	49	10-819625	SCREW-SHOULDER	7	12
FA1844	SCREW KIT (1/4-20 X 2-3/8")	21	28	10-819625	SCREW-SHOULDER	13	20
FA286155	LINER SET-CENTERMAIN BEARING	15	8	10-823594	SCREW-STEERING HANDLE PIVOT	19	4
FA324101	PIN KIT-PROPELLER (3 PINS WITH COTTER PIN)	29	32	10-823595	SCREW-STEERING HANDLE PIVOT	19	3
FA341510	LINK-REVERSE LOCK	21	23	10-824352	SCREW (10-24 X 3/8")	19	29
FA387742	LEVER ASSEMBLY- INTERMEDIATE	21	16	10-824352	SCREW (10-24 X 3/8")- GROUND	5	16
FA429471	COVER ASSEMBLY- CYLINDER DRAIN (PAINTED)	9	18	10-824353	SCREW (8-32 X 3/4")- IGNITION MODULE	5	15
FA492845T	EXTENSION KIT (PAINTED)	21	31	10-824358	SCREW (10-24 X 1/2")- GROUND	5	20
FA510914	SEAL-WATER LINE	31	50	10-824358	SCREW (10-24 X 1/2")- STATOR PLATE	5	18
FA609853	DECAL KIT-SHIFT TO NEUTRAL	13	23	10-826248	SCREW-STERN BRACKET	25	2
FA617113	BAR KIT-LOCK	25	8	10-826248	SCREW-STERN BRACKET (SPECIAL)	27	2
FA617113	BAR KIT-LOCK	27	8	10-826575	SCREW (8-32 X 5/8")	19	16
FA681469T	HANDLE ASSEMBLY-COWL LATCH (PAINTED)	3	18	10-826676	SCREW (1/4-28 X 2")-IDLE ADJUST	13	26
FA681630T	SUPPORT ASSEMBLY- HANDLE	13	16	10-828815	SCREW (1/4-20 X 1-3/4")	19	9
FA712228	ROLLER SET (2 STRIPS-28 PER)	15	9	10-90192	SCREW (1/4-20 X 3/4")	13	2
FA714167	MANIFOLD KIT- CARBURETOR	9	8	10-98254	SCREW (1/4-20 X 5/8")	9	35
FG1036	GASKET SET	17	16	10-F10328	SCREW-SHUTTER	11	28
FK10294	GASKET SET-CARB	11	NS	10-F1069	SCREW (10-24 X 1-1/16")	9	23
				10-F1107	SCREW (1/4-20 X 3/4")	17	2
				10-F1286	SCREW (4-40 X 3/16")	9	29
				10-F1335	SCREW (5/16-18 X 1-1/4")	17	3
				10-F175634	SCREW-CONN ROD	15	11
				10-F1800	BOLT (1/4-20 X 7")	29	38
				10-F1820	SCREW (1/4-20 X 1-3/8")	21	8
				10-F1922	SCREW (1/4-20 X 5/8")	9	36

PARTS INDEX

Part Number	Description	Pg.	Ref. No.	Part Number	Description	Pg.	Ref. No.
10-F1922	SCREW (1/4-20 X 5/8")	13	8	13-F1704	LOCKWASHER (#6 INTERNAL)	9	3
10-F1976	SCREW (10-24 X 1/2")	29	36	13-F2047	WASHER-WAVE	3	20
10-F2030	SCREW (1/4-20 X 1-1/4")	13	24	13-F8048	WASHER-BOWED	7	31
10-F2030	SCREW (1/4-20 X 1-1/4")	31	42	13-F8058	LOCKWASHER (#10 INTERNAL)	7	22
10-F2210	SCREW (1/4-14 X 1/2")	13	18	16-826542	STUD (1/4-20 X 1.36")	29	28
10-F2211	SCREW (10-24 X 5/8")	3	6	16-826590	STUD (1/4-20 X 1.69") W/DRI LOC-NEUTRAL INTERLOCK PIVOT	7	7
10-F286422-1	SCREW-TILT LOCK	25	12	16-826622	STUD (1/4-20 X .91") WITH DRI LOC	9	9
10-F286422-1	SCRW-TILT LOCK (.312-18 SPECIAL)	27	12	16-F286134	STUD-GEAR SHIFT LEVER	7	27
10-F430732	SCREW (5/16-18 X 1-1/4")	21	32	16-F681134	STUD-INTERLOCK LEVER	7	6
10-F430732	SCREW (5/16-18 X 1-1/4")	29	40	16-F98273	STUD-ROD END CONNECTOR	7	21
10-F50109	PLUG	29	2	17-24198	PIN-ROLL	25	6
10-F50109	PLUG	29	26	17-24198	PIN-ROLL	27	6
10-F617037	BOLT-STERN BRACKET PIVOT	25	17	17-25905	PIN-ROLL	7	28
10-F617037	BOLT-STERN BRACKET PIVOT (.375-16 x 6.880)	27	17	17-31656	PIN-ROLL	7	24
10-F681026	SCREW-LATCH ROLLER	3	9	17-38489	PIN-ROLL	25	10
10-F901938-1	SCREW-CYLINDER HEAD	17	13	17-38489	PIN-ROLL	27	10
10-FO10280	SCREW-SHUTTER	11	8	17-48450	PIN-DOWEL	29	4
11-20110	NUT (10-32)	7	17	17-48450	PIN-DOWEL	29	4
11-20890	NUT (1/4-20)	9	12	17-819707	PIN-TILT LOCK	21	5
11-20890	NUT (1/4-20)	29	10	17-819707	PIN-TILT LOCK	25	20
11-64015	NUT (1/4-20)	21	30	17-819707	PIN-TILT LOCK (.250-20)	27	20
11-814101	NUT (1/4-20)	3	7	17-F1794	PIN-SPRING	21	14
11-814101	NUT (1/4-20)	7	9	17-F1806	PIN-GROOVE	21	20
11-814101	NUT (1/4-20)	13	7	17-F1807	PIN-GROOVE	19	2
11-814101	NUT (1/4-20)	19	11	17-F286728	PIN-SHIFT	29	15
11-817752A1	NUT KIT-PROPELLER	29	33	17-F8538	PIN-SPRING	21	12
11-F1608	NUT (1/4-20)	21	10	17-F8559	PIN-DOWEL	17	4
11-F7009	NUT (10-24)	3	5	17-F8564	PIN-SPIRAL	29	17
11-F7026	NUT (.375-16)	27	19	17-F901563	PIN-DRIVE	31	45
11-F7026	NUT (3/8-16)	25	19	18-45882	PIN-COTTER	29	34
12-12038	WASHER	21	9	19-73336	PLUG	3	16
12-18552	WASHER	9	27	19-817362	PLUG	13	11
12-19183	WASHER	29	27	19-F286539	BUMPER	19	10
12-19183	WASHER	29	3	19-FO10588	PLUG-BODY CHANNEL	11	9
12-20553	WASHER	25	18	19-FO2531	PLUG-BY PASS CHAMBER	11	2
12-20553	WASHER	27	18	21-13331A1	VALVE-CHECK (INLET)	33	8
12-35044	WASHER	3	24	21-13331A2	VALVE-CHECK (OUTLET)	33	9
12-37998	WASHER	17	14	21-817741A1	VALVE KIT	9	20
12-37998	WASHER	29	39	22-823532	CONNECTOR ASSEMBLY-FUEL	33	3
12-89302	WASHER	3	2	22-850314	FITTING-FUEL PUMP (WITH FILTER)	9	17
12-F2037	WASHER	21	17	22-89771--1	CONNECTOR-FUEL TANK	33	15
12-F286011	WASHER-SWIVEL BRACKET	21	21	22-F197767-2	BUSHING-FUEL	9	16
12-F286220	WASHER	19	19	22-F213274	FITTING-GREASE	21	2
12-F286286-1	WASHER	21	19	22-F681188	NUT-STOP SWITCH SLEEVE	5	14
12-F286903	WASHER	29	11	22-F901811	FILTER-FUEL PUMP	9	17
12-F456717	WASHER-THRUST	29	14	23-26841	BUSHING	7	26
12-F658504	WASHER	21	42	23-26856	BUSHING	19	20
12-F8143	WASHER	3	3	23-26856	BUSHING	19	6
12-F8143	WASHER	7	3	23-26856	BUSHING	21	13
13-26992	LOCKWASHER (1/4")	3	22	23-812707	BUSHING	3	19
13-26992	LOCKWASHER (1/4")	21	29	23-812707	BUSHING	19	22
13-26992	LOCKWASHER (1/4")	29	9	23-819226	SPACER-TILT LOCK	25	13
13-26996	LOCKWASHER (#10)	7	19				
13-69150	WASHER-WAVE	25	15				
13-69150	WASHER-WAVE	27	15				
13-78968	LOCKWASHER (1/4" INTERNAL)	19	32				

PARTS INDEX

Part Number	Description	Pg.	Ref. No.	Part Number	Description	Pg.	Ref. No.
23-819226	SPACER-TILT LOCK	27	13	29-F286571	ROLLER SET (26 PER SET)	15	7
23-830196	SPACER-THROTTLE CABLE RETAINER	13	28	30-F127910-2	BEARING-BALL	29	6
23-F197319	BUSHING-CHOKE ROD	11	34	30-F286028	BEARING-BALL	15	6
23-F286169	BUSHING-BOTTOM (1-3/4")	21	3	31-48913	BEARING-PROPSHAFT	29	12
23-F536813	BUSHING	21	15	31-817756A2	CAGE ASSEMBLY- PROPSHAFT (PAINTED)	29	21
23-F681169	BUSHING-TOP (1-1/8")	21	4	31-F343014	BEARING-CRANKSHAFT LOWER MAIN	15	13
23-F681405	INSERT-STARTER HOUSING	13	6	32-16789-78	LINE-FUEL (9) CUT AS REQ D	33	-
23-F681759	ROLLER-LATCH	3	8	32-16789100	LINE-FUEL (100) CUT AS REQ D	33	-
24-27160	SPRING-IDLE MIXTURE NEEDLE	11	17	32-819398T	HOSE-FUEL (18.00 INCHES BULK)(CUT 4.00 INCHES)	9	38
24-819329	SPRING-THERMOSTAT	23	44	32-819398T	HOSE-FUEL (18.00 INCHES BULK)(CUT 8.25 INCHES)	9	37
24-F10246	SPRING-THROTTLE SHAFT	11	26	32-820572A8	LINE ASSEMBLY-FUEL (5/16" I.D.) (30" & 60")	33	6
24-F286300	SPRING-REVERSE LOCK	21	26	32-F286244	LINE-WATER	21	36
24-F286461	SPRING-LOCK BAR HANDLE	25	11	32-F40253-1	HOSE-FUEL (8-1/4") (13.38") (CUT AS REQ D)	9	15
24-F286461	SPRING-LOCK BAR HANDLE	27	11	32-F40253-1	HOSE-PRIMER BULB TO CARB (5-3/4") (CUT AS REQ D)	9	10
24-F286544-1	SPRING-TILT LOCK	25	16	32-F715943	TUBE-CYLINDER WATER JACKET	17	15
24-F286544-1	SPRING-TILT LOCK	27	16	32-FS901244	LINE-WATER-EXTENSION	21	33
24-F286868	SPRING-STEERING HANDLE STOP	19	5	33-312	SPARK PLUG (CHAMPION # L87YC)	5	12
24-F286895	SPRING-SHIFT CAM	29	7	33-327	SPARK PLUG (RFI) (CHAMPION # RL87YC)	5	12
24-F409719	SPRING-CLUTCH	29	18	34-F18160-3	REED	9	28
24-F681424	SPRING-INTERLOCK LEVER	7	5	34-F31160-2	REED	9	5
24-F681970	SPRING-STARTER REWIND	13	9	34-F715161	STOP-REED	9	4
25-21836	O RING (LARGE)	19	23	34-FA715158	PLATE ASSEMBLY-REED	9	1
25-23145	O RING (SMALL)	19	25	35-823534	SCREEN-FILTER	33	5
25-32509	O RING	15	12	35-828998	FILTER-FUEL	9	39
25-823533	O RING	33	4	37-818029	DECAL-FUEL MIX	21	40
25-F455305	SEAL	29	22	37-826342-11	DECAL-STARBOARD	3	11
26-66022	SEAL	29	23	37-826342-12	DECAL-PORT	3	11
26-817472	SEAL-GEAR SHIFT ROD	29	29	37-826342-13	DECAL-REAR	3	10
26-819396	SEAL-CRANKSHAFT LOWER	15	14	37-826342-17	DECAL-FRONT-STARTER INSTRUCTIONS	3	12
26-819801	SEAL-CRANKSHAFT-UPPER	15	3	37-F688585	DECAL-TILT LOCK	21	22
26-F681579	SEAL-PULLEY BEARING	13	12	37-F712894	DECAL-SPEED INDICATOR	19	28
26-F901307-2	SEAL-DRIVESHAFT	21	38	38-819281--1	PLATE-FRONT-BOTTOM SUPPORT PLATE	3	15
26-F901307-2	SEAL-DRIVESHAFT	29	30	39-820484A1	RING SET-PISTON (2 RINGS)	15	18
26-F901307-2	SEAL-DRIVESHAFT	31	48	41-F712017	PIN-PISTON	15	17
27-818043A1	GASKET/DIAPHRAGM SET	9	30	43-819251A1	GEAR ASSEMBLY-PINION	29	5
27-819669	GASKET-THERMOSTAT COVER	21	41	43-819252A1	GEAR ASSEMBLY- FORWARD	29	13
27-825183	GASKET-TRANSFER PORT COVER	9	32	43-819254A1	GEAR ASSEMBLY-REVERSE	29	20
27-825188	GASKET-CYLINDER DRAIN COVER	9	22	44-F456098	PROPSHAFT	29	19
27-F18906	GASKET-CARBURETOR	9	11	45-F343128	DRIVESHAFT-15"-FOR MODEL 225.581998	31	44
27-F24748-2	GASKET-FUEL PUMP	9	25	45-F344128	DRIVESHAFT-20"-FOR MODEL 225.581988	31	44
27-F286159-1	GASKET-REED PLATE	9	6	46-FA715060	BODY ASSEMBLY-WATER PUMP	31	47
27-F286277	GASKET-CRANKSHAFT BEARING CAGE	15	4				
27-F286529-3	GASKET-CYLINDER HEAD	17	11				
27-F286555	GASKET-GEAR HOUSING	31	41				
27-F715154	GASKET-EXHAUST PORT COVER	17	7				
27-F715168	GASKET-MANIFOLD	9	7				
27-F715279-1	GASKET-CYLINDER MOUNTING	17	9				
27-FO15623	GASKET-FUEL BOWL	11	13				
27-FO2510	GASKET-FUEL BOWL	11	15				
28-F458498-1	KEY- CRANKSHAFT/FLYWHEEL	5	13				

PARTS INDEX

Part Number	Description	Pg.	Ref. No.	Part Number	Description	Pg.	Ref. No.
47-F436065-2	IMPELLER	31	46	1400-817750A4	BRACKET KIT-SWIVEL (PAINTED)	21	1
52-819253	CLUTCH	29	16	1400-820068T1	BRACKET-STERN (PAINTED)	25	1
53-42689	RING-RETAINING	13	4	1400-830295T	BRACKET-STERN (PAINTED)	27	1
53-F31410	RING-RETAINING	15	16	1500-819344T	HOUSING-DRIVESHAFT (PAINTED)	21	35
54-41582--7	CLAMP (SMALL)	33	11	1500-824916A1	HOUSING KIT-DRIVESHAFT- UPPER (PAINTED)	29	25
54-41582--7	CLAMP (SMALL)	33	16	1600-817749A2	HOUSING KIT-GEAR (BASIC) (PAINTED)	29	1
54-41582-10	CLAMP (LARGE)	33	10	1600-819483A2	HOUSING KIT-GEAR (COMPLETE) (PAINTED) .	29	-
54-816311	CABLE TIE (8")	5	22				
54-F286573-1	CLAMP-STEERING FRICTION	21	7				
54-F286772-1	CLAMP	9	21				
84-60466A16	WIRE ASSEMBLY-GROUND	5	19				
84-819379A7	HARNESS ASSEMBLY- ENGINE STOP	5	7				
85-818751	COVER-SPARK PLUG (RFI) .	5	11				
87-824440A9	SWITCH ASSEMBLY-STOP .	5	3				
87-824440A9	SWITCH ASSEMBLY-STOP .	19	14				
87-826214A1	SWITCH ASSEMBLY- EMERGENCY STOP	5	5				
90-830210	OWNERS MANUAL/PARTS MANUAL	3	25				
92-818252-12	LACQUER-GRAPHITE GRAY ACRYLIC-SPRAY CAN (12 PER CASE)	34	-				
92-819107-12	LACQUER-CLEAR ACRYLIC- SPRAY CAN (12 PER CASE)	34	-				
92-825321-12	LACQUER-GRAPHITE GRAY ACRYLIC-BRUSH BOTTLE (12 PER BOX)	34	-				
100-819280A2	PLATE KIT-BOTTOM SUPPORT (PAINTED) ...	3	14				
100-820154A2	COWL ASSEMBLY-TOP (WITHOUT DECALS) (PAINTED)	3	1				
100-820154A5	COWL ASSEMBLY-TOP (WITH DECALS) (PAINTED)	3	-				
200-824380T1	FLYWHEEL (PAINTED)	5	2				
300-826692T	PLATE-STATOR	5	8				
400-819803A2	CRANKSHAFT ASSEMBLY .	15	5				
600-FS715016	CONNECTING ROD ASSEMBLY	15	10				
700-819946A3	PISTON KIT	15	15				
800-819553A12	CYLINDER KIT	17	1				
800-819553A14	SHORT BLOCK ASSEMBLY (PAINTED)	17	-				
900-F703518T	HEAD-CYLINDER (PAINTED)	17	12				
1100-817753A1	CAGE ASSEMBLY- CRANKSHAFT BEARING .	15	2				
1259-823504A1	TANK ASSEMBLY-FUEL ...	33	1				
1259-823504A3	TANK ASSEMBLY-FUEL (COMPLETE)	33	-				
1300-F714061	CARBURETOR (HO-5A)	11	1				
1399-1457	JET-MAIN (.057) (0 - 2500) .	11	19				
1399-1653	JET-MAIN (.053) (5000 - 7500)	11	19				
1399-1655	JET-MAIN (.055) (2500 - 5000)	11	19				
1399-5128	SCREW-FUEL BOWL	11	14				