



PARTS CATALOG

15 HP

SERIAL NUMBER

15C	E-684-250101 AND UP
15C	EL-684-550101 AND UP
15C	M-684-000101 AND UP
15C	ML-684-300101 AND UP

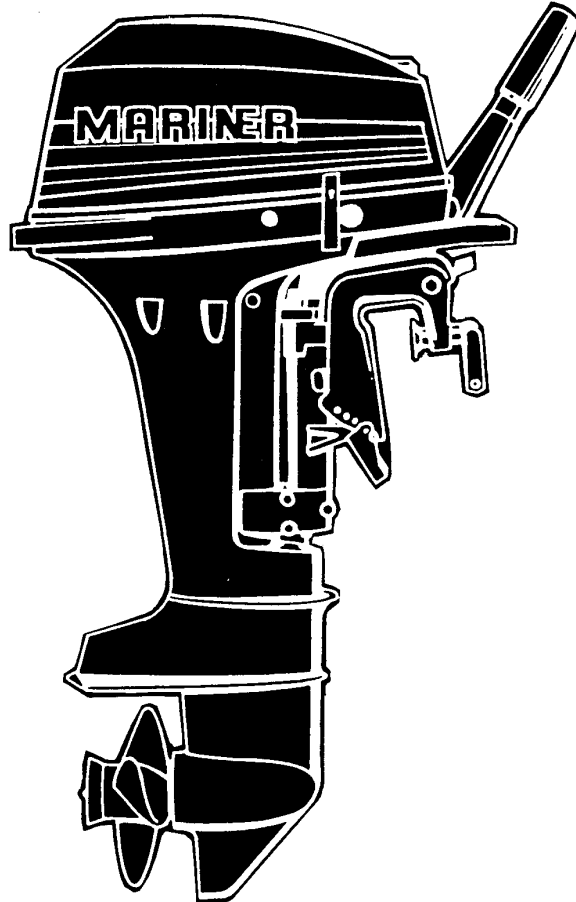
THIS PAGE INTENTIONALLY LEFT BLANK

PROP CHART

MARINER 15 H.P.

FULL THROTTLE RPM:
4500-5500

GEAR RATIO: 2.08:1



PROP CHART

Dia.	Pitch	No. Blades & Material	Approx. Gross Boat Wgt. (Lbs.)	Approx. Boat Length	Speed Range (mph)	Propeller Part No.
9-1/4"	12"	3-Aluminum	Up to 800	Up to 14'	20-26	48-84079M
9-1/4"	10-1/2"	3-Aluminum	500 to 1300	13-16'	16-23	48-84080M*
9-1/2"	9-3/4"	3-Aluminum	700-1400	14-17'	14-20	48-84407M
9-1/4"	9"	3-Aluminum	900-1500	15-18'	12-18	48-84081M
9-1/4"	8"	3-Aluminum	1100-1700	16-18'	9-15	48-84082M
9-1/4"	8"	3-Aluminum		Sail/Work boat		48-94786M
9-1/2"	6-1/2"	3-Aluminum	1500+	16'+	1-12	48-84083M
9-1/4"	6-1/2"	3-Aluminum		Sail/Work boat		48-94787M

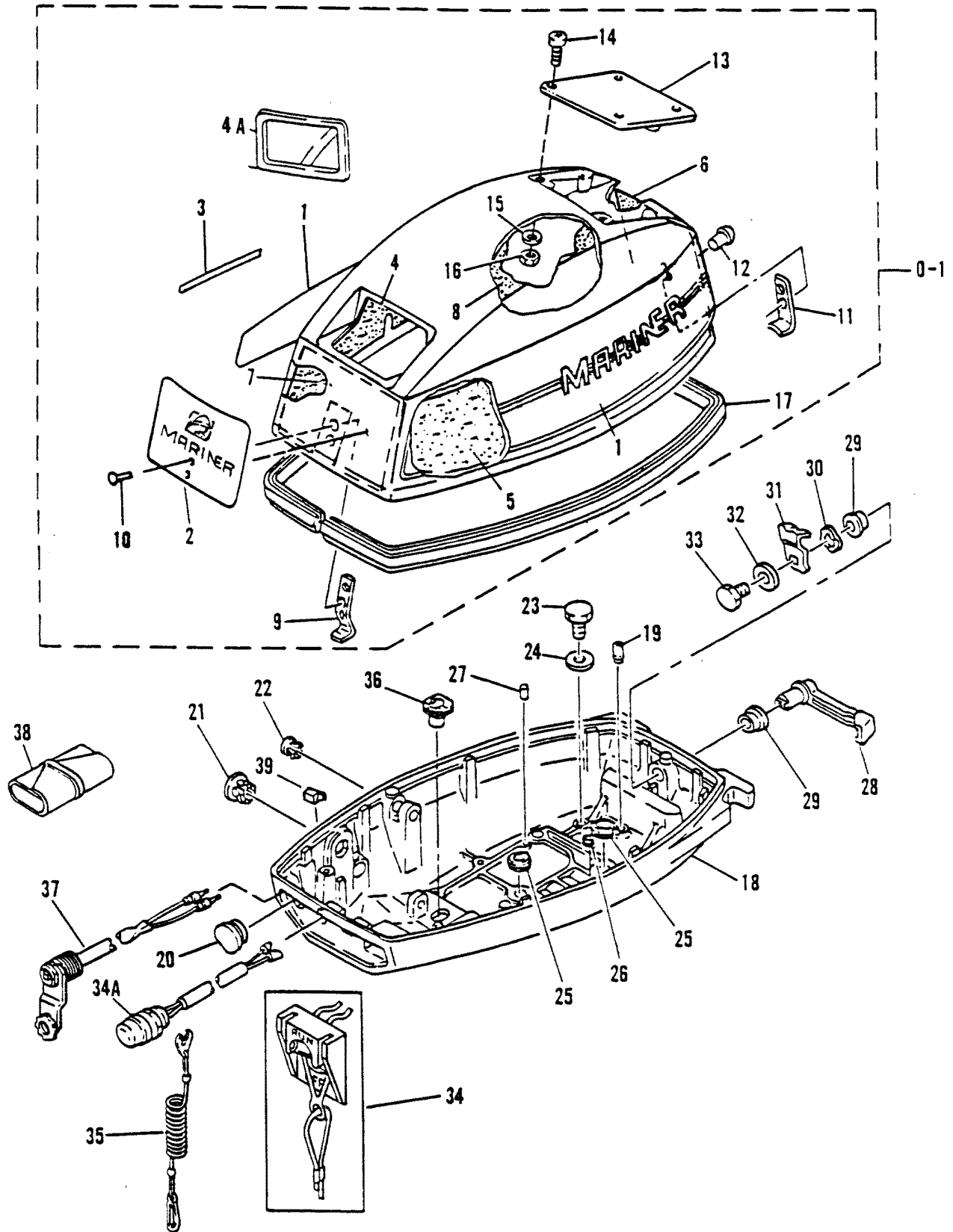
* = Standard Propeller furnished with engine in.

Recommended Transom Height: Standard 15", Long Shaft 20".

PROP CHART

THIS PAGE INTENTIONALLY LEFT BLANK

COWLING



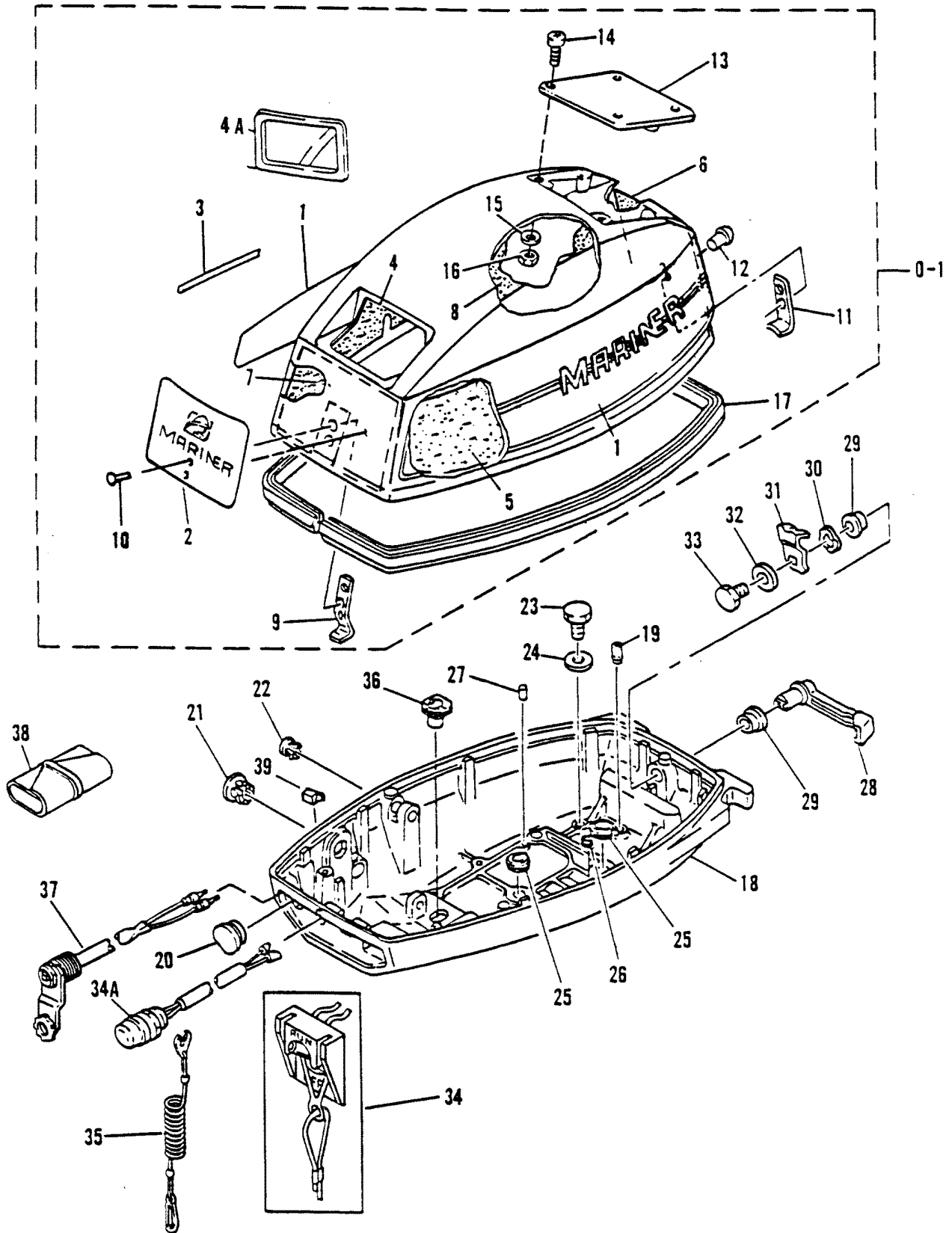
COWLING

REF. NO.	PART NO.	SYM.	QTY.	DESCRIPTION
0-1	2168-9345M		1	TOP COWLING ASSEMBLY
1	37-11927M		1	SIDE DECAL SET
2	37-11928M		1	FRONT EMBLEM
3	37-81202M		1	SHIFT DECAL
4A	83982M		1	SEAL (OLD DESIGN COWL)
4/5	83125M		2	SIDE SOUND BLANKET - DESIGN I
6	84321M		1	BACK SOUND BLANKET - DESIGN I
7/8	84323M		2	FRONT/TOP SOUND BLANKET - DESIGN I
9	94538M		1	HOOK
10	17-83140M		2	RIVET
11	83985M		1	HOOK
12	17-814489M		2	RIVET
13	94539M		1	AIR DUCT MOLDING - DESIGN II
14	10-94540M		4	SCREW - DESIGN II
15	12-17658M		4	WASHER - DESIGN II
16	11-94541M		4	NUT - DESIGN II
17	83983M		1	SEAL
	37-95547M		1	DECAL (ELECTRIC)
18	2168-9791M		1	BOTTOM COWL (M-062459, ML-336234, E-252704, EL-553589 & UP)
	2168-9346M		1	BOTTOM COWL (M-062458, ML-336233, E-252703, EL-553588 & BELOW)
19	22-80756M		1	FITTING
20	25-83988M		1	GROMMET (MANUAL)
21	25-18927M		1	GROMMET (MANUAL)
22	25-83990M		1	GROMMET
23	10-83539M		2	BOLT
24	12-82214M		2	WASHER
25	25-96595M	■	2	SEAL
26	25-94542M	■	1	SEAL
27	17-82364M		2	DOWEL PIN
28	83991M		1	LEVER OR
29	23-81949M		2	BUSHING
30	13-81869M		1	WAVE WASHER
31	95463M		1	CLAMP (M-027857, ML-320603, E-251286, EL-551931 & UP)
	83992M		1	CLAMP (M-027856, ML-320602, E-251285, EL-551930 & BELOW)
32	12-81794M		1	WASHER
33	10-84315M		1	BOLT
34	87-14222M		1	LANYARD IGNITION SWITCH (DESIGN II)
34A	87-93102M		1	STOP SWITCH (1RING/1 MALE TERMINAL)
	87-91622M		1	STOP SWITCH (2 MALE TERMINALS) (Stop Switch 87-91622M is not used when a Remote Bill Switch is used.)

■ = COMPONENT OF ENGINE GASKET SET (27-96604M or 27-18938M)

CONTINUED ON NEXT PAGE ➡

COWLING

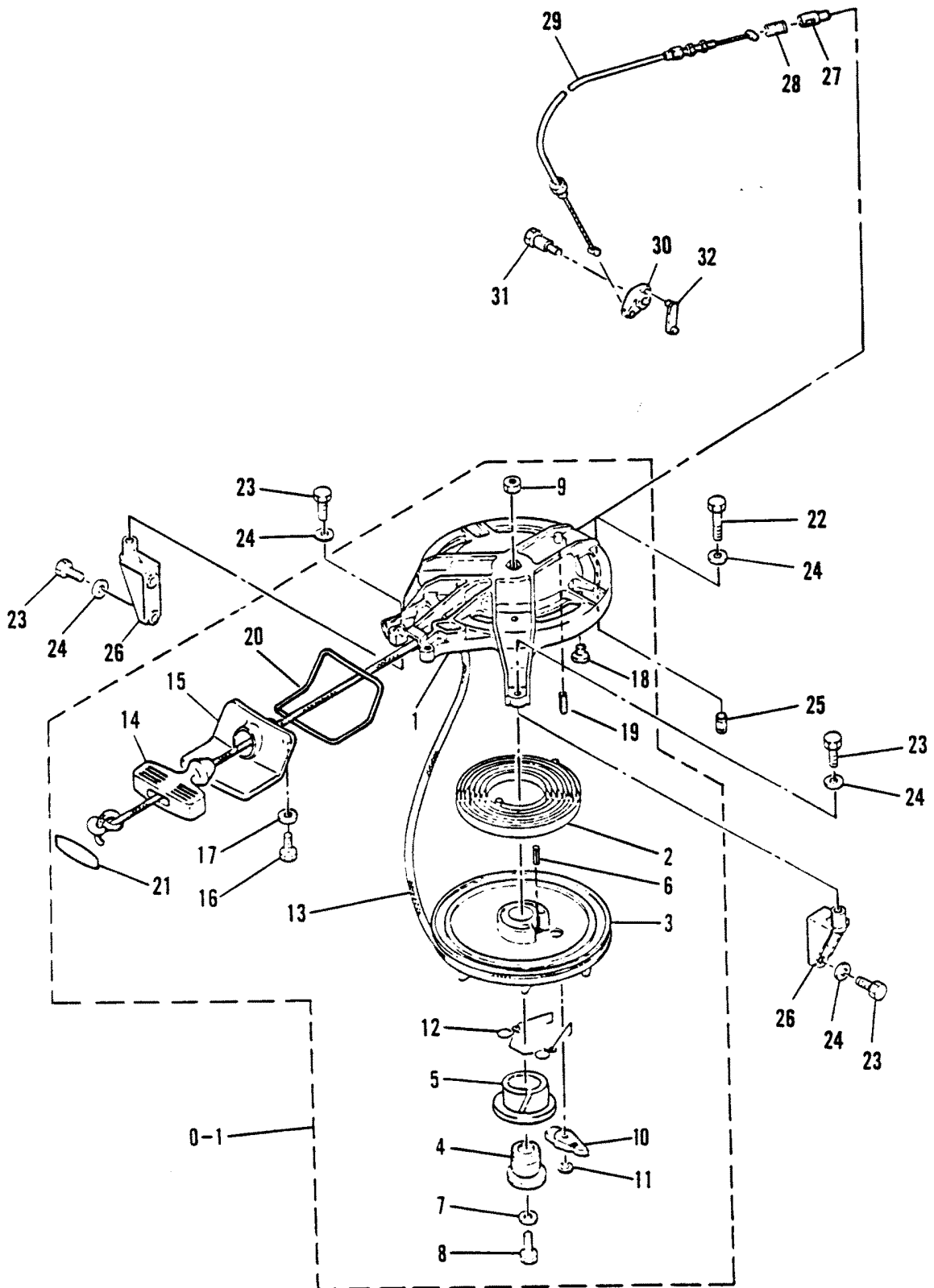


COWLING

REF. NO.	PART NO.	SYM.	QTY.	DESCRIPTION
35	97756M		1	STOPPER
36	25-96596M		1	GROMMET
37	84-99051M		1	EXTENSION
38	91-81669M		1	TOOL KIT
39	26-17659M		1	SEAL
-	27-96604M		1	ENGINE GASKET SET (M-062458, ML-336233, E-252703, EL-553588, & BELOW)
-	27-18938M		1	ENGINE GASKET SET (M-062459, ML-336234, E-252704, EL-553589 & UP)

REF. NO. 34A - Stop switch 87-91622M is not used when a Remote Kill Switch is used. See Optional Parts page.

RECOIL STARTER



RECOIL STARTER

REF. NO.	PART NO.	SYM.	QTY.	DESCRIPTION
0-1	NLA		1	STARTER (M-020025, ML-316415, E-251060, EL-551615 & BELOW)
	2169-9348M		1	STARTER (M-020026, ML-316416, E-251061, EL-551616 & UP)
1	2169-8398M		1	STARTER HOUSING
2	24-82115M		1	SPRING (M-034571, ML-323544, E-251805, EL-551655 & BELOW)
	24-95588M		1	SPRING (M-034572, ML-323545, E-251806, EL-551656 & UP)
3	50-83250M		1	STARTER SHEAVE
4	83251M		1	SHAFT (BRASS) (M-034571, ML-323544, E-251805, EL-551655 & BELOW)
	95590M		1	SHAFT (NYLON W/BRASS INSERT) (M-034572, ML-323545, E-251806, EL-551656 & UP)
5	23-82687M		1	BUSHING
6	17-82157M		1	ROLL PIN
7	12-81557M		1	WASHER
8	10-83539M		1	BOLT (3/4")
	10-83285M		1	BOLT (1-3/8")
9	11-82389M		1	NUT
10	83252M		1	DRIVE PAWL
11	53-84895M		1	SNAP RING
12	24-83947M		1	SPRING (M-034571, ML-323544, E-251805, EL-551655 & BELOW)
	24-95589M		1	SPRING (M-034572, ML-323545, E-251806, EL-551656 & UP)
13	50-12066A9		1	STARTER ROPE
14	80063M		1	HANDLE
15	84318M		1	GUIDE (M-020025, ML-316415, E-251060, EL-551615 & BELOW)
	41265M		1	GUIDE (M-020026, ML-316416, E-251061, EL-551616 & UP)
16	10-84247M		2	BOLT
17	12-82214M		2	WASHER
18	19-80604M		1	PLUG
19	17-82155M		1	PIN
20	83982M		1	SEAL
21	41882M		1	COVER
22	10-83285M		1	BOLT
23	10-83539M		6	BOLT
24	12-82214M		7	WASHER
25	17-14214M		1	DOWEL PIN
26	96599M		2	BRACKET (M-020025, ML-316415, E-251060, EL-551615 & BELOW)
	41266M		2	BRACKET (M-020026, ML-316416, E-251061, EL-551616 & UP)
27	81106M		1	PLUNGER

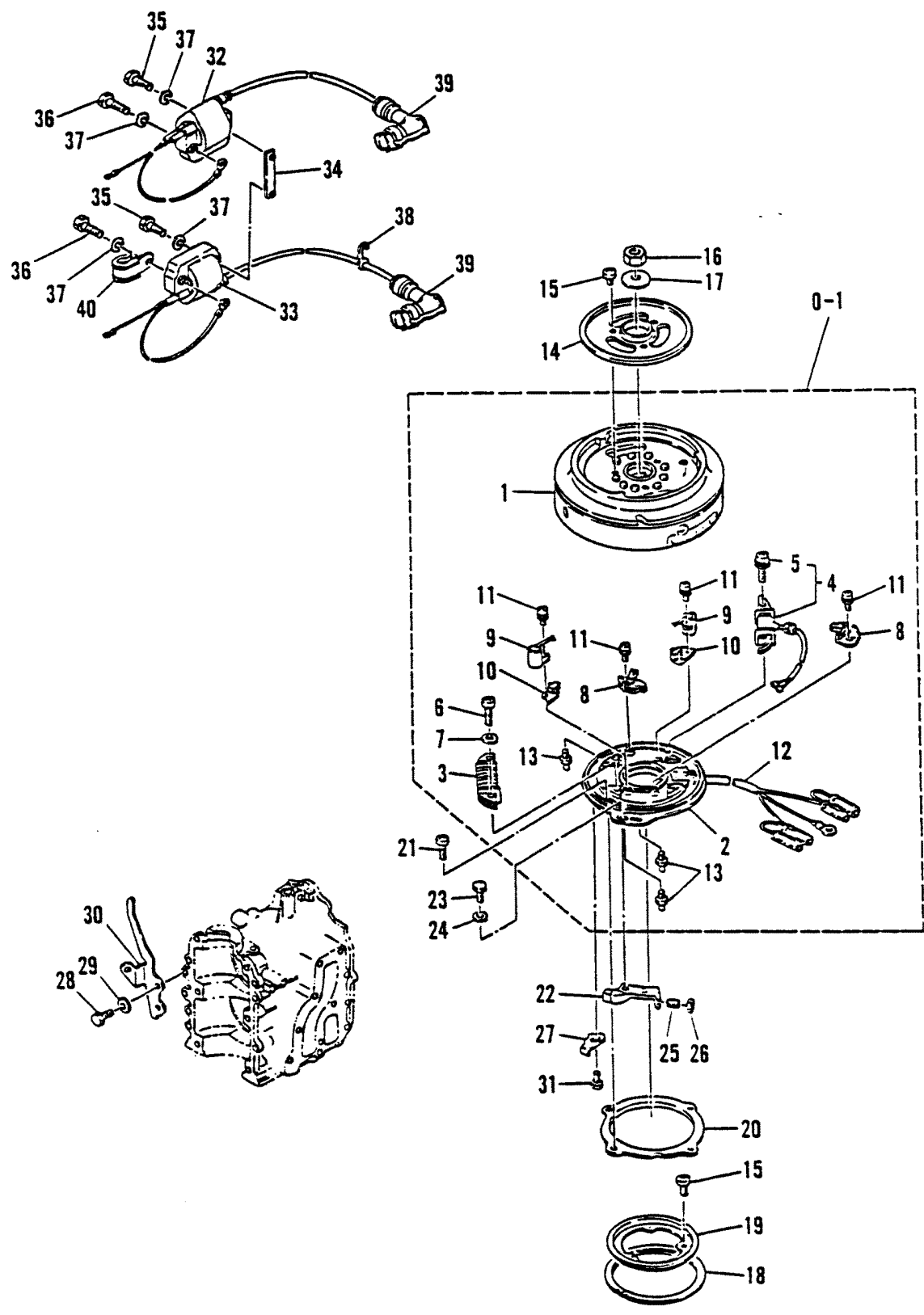
CONTINUED ON NEXT PAGE ➡

RECOIL STARTER

REF. NO.	PART NO.	SYM.	QTY.	DESCRIPTION
28	24-82079M		1	SPRING
29	84117M		1	LOCKOUT WIRE ASSEMBLY
30	84115M		1	ARM
31	10-94544M		1	BOLT
32	84116M		1	LINK

NOTE: If you have replaced your COMPLETE starter, the serial # breaks may be incorrect.

FLYWHEEL (M-020025 ML-316415 E-251060 EL-551615 & BELOW)

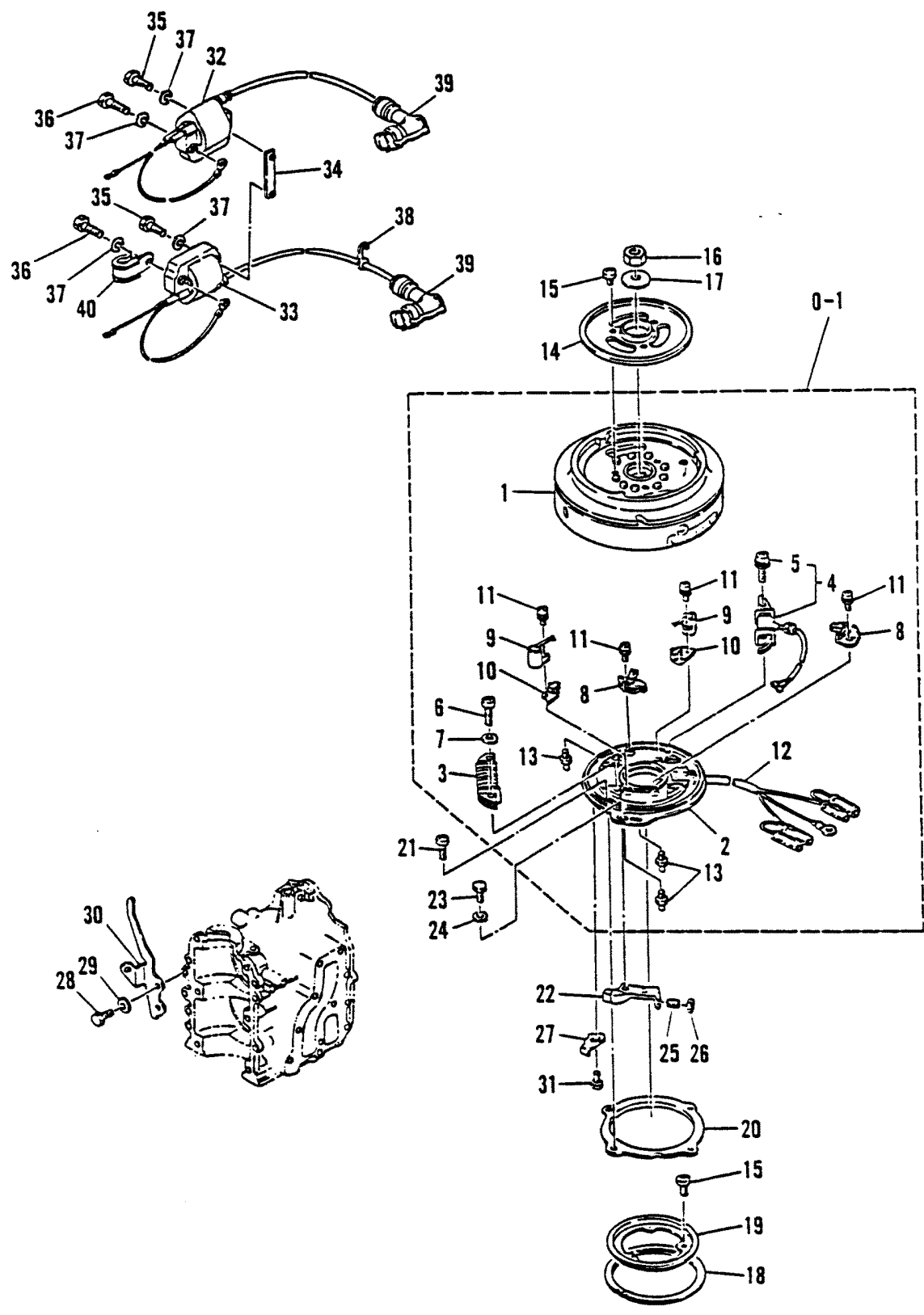


FLYWHEEL (M-020025 ML-316415 E-251060 EL-551615 & BELOW)

REF. NO.	PART NO.	SYM.	QTY.	DESCRIPTION
0-1	NLA		1	FLYWHEEL (MANUAL START) (Use Without Lighting Coil - Ref. #4)
	253-8408M		1	FLYWHEEL (MANUAL START) (Use With Lighting Coil - Ref. #4)
1	NLA-		1	FLYWHEEL (MANUAL)
	94654M		1	FLYWHEEL (ELECTRIC)
2	84308M		1	MAGNETO BASE
3	83281M		1	IGNITION COIL
4	80553M		1	LIGHTING COIL (MANUAL) (In USA Lighting Coil is Standard ONLY on Electric models)
	83315M		1	LIGHTING COIL (ELECTRIC) (In USA Lighting Coil is Standard ONLY on Electric models)
5	10-82503M		2	SCREW
6	10-82521M		2	SCREW
7	13-82186M		2	WASHER
8	80930M		2	BREAKER POINT ASSY.
9	80558M		2	CONDENSER
10	80025M		2	LUBRICATOR
11	10-82500M		4	SCREW
12	84-94545M		1	LEAD WIRE
13	84305M		3	JOINT
14	84052M		1	COVER
15	10-96671M		6	SCREW
16	11-81770M		1	NUT
17	12-81814M		1	WASHER
18	98981M		1	RETAINER
19	83962M		1	RETAINER
20	41869M		1	FRICITION PLATE
21	10-17661M		4	SCREW
22	94546M		1	THROTTLE CAM
23	10-84313M		2	BOLT
24	12-82211M		2	WASHER
25	16-41883M		1	STUD
26	11-83763M		1	NUT
27	84316M		2	STOPPER
28	10-84247M		2	BOLT
29	12-82214M		2	WASHER
30	NLA		1	TIMING PLATE (S-002435 L-303200 E-250235 EL-550595 & Below)
	94548M		1	TIMING PLATE (S-002436-003605 L-303201-304890 E-250236-250460 EL-550596-550800)
	94547M		1	TIMING PLATE (S-003606 L-304891 E-250461 EL-550801 & Up)
31	10-82444M		1	BOLT
32	96569M		1	IGNITION COIL (SECONDARY - TOP)
33	96570M		1	IGNITION COIL (SECONDARY - BOTTOM)

CONTINUED ON NEXT PAGE ➡

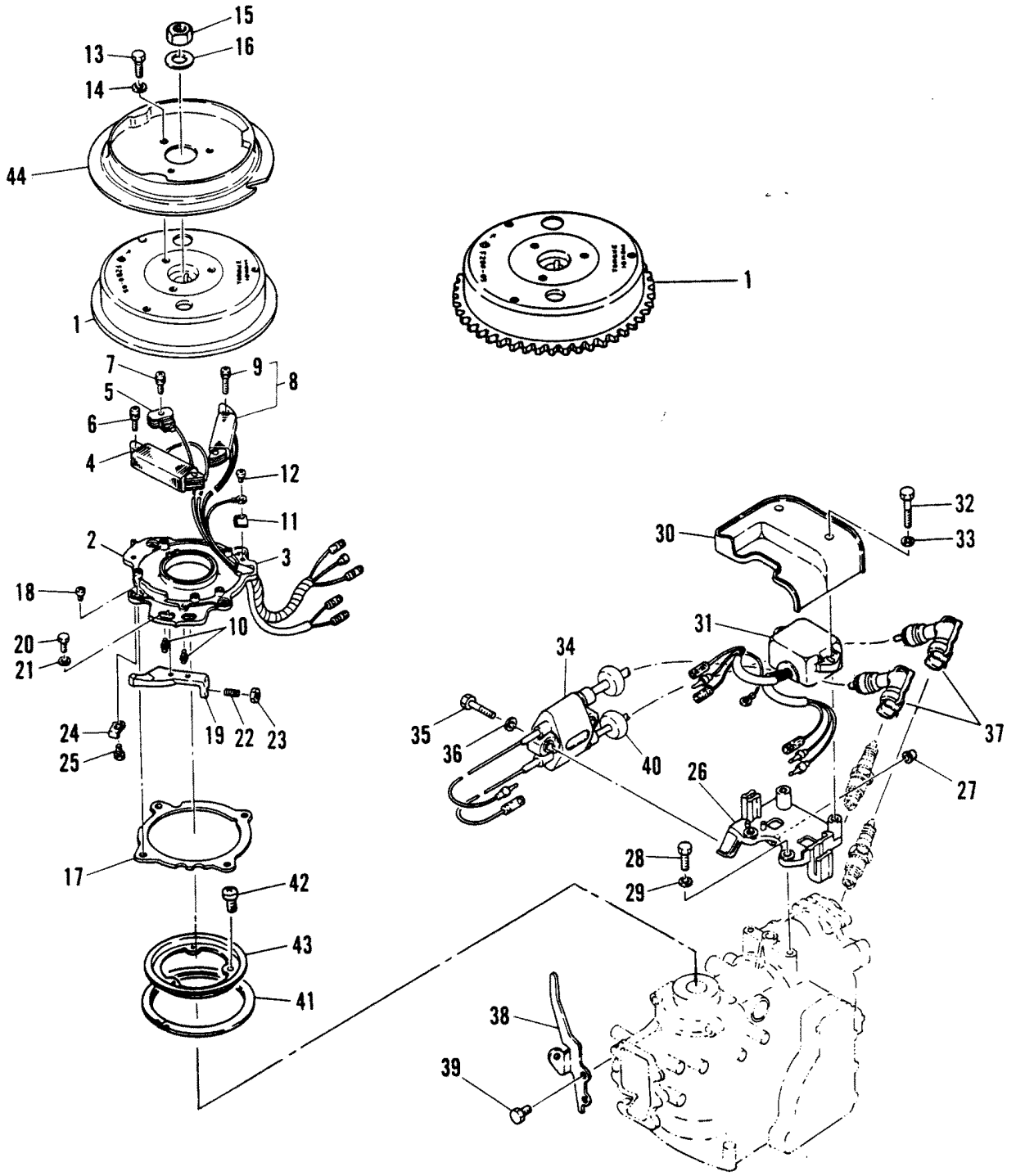
FLYWHEEL (M-020025 ML-316415 E-251060 EL-551615 & BELOW)



FLYWHEEL (M-020025 ML-316415 E-251060 EL-551615 & BELOW)

REF. NO.	PART NO.	SYM.	QTY.	DESCRIPTION
34	84317M		1	BRACLET
35	10-83285M		2	BOLT
36	10-82405M		2	BOLT
37	13-82212M		4	WASHER
38	82038M		1	CLAMP
39	814991M		2	PLUG CAP (NOISE SUPPRESOR)
	85-63709A1		2	PLUG CAP
40	54-82041M		1	CLAMP

CDI MAGNETO (M-020026 ML-316416 E-251061 EL-551616 & UP)

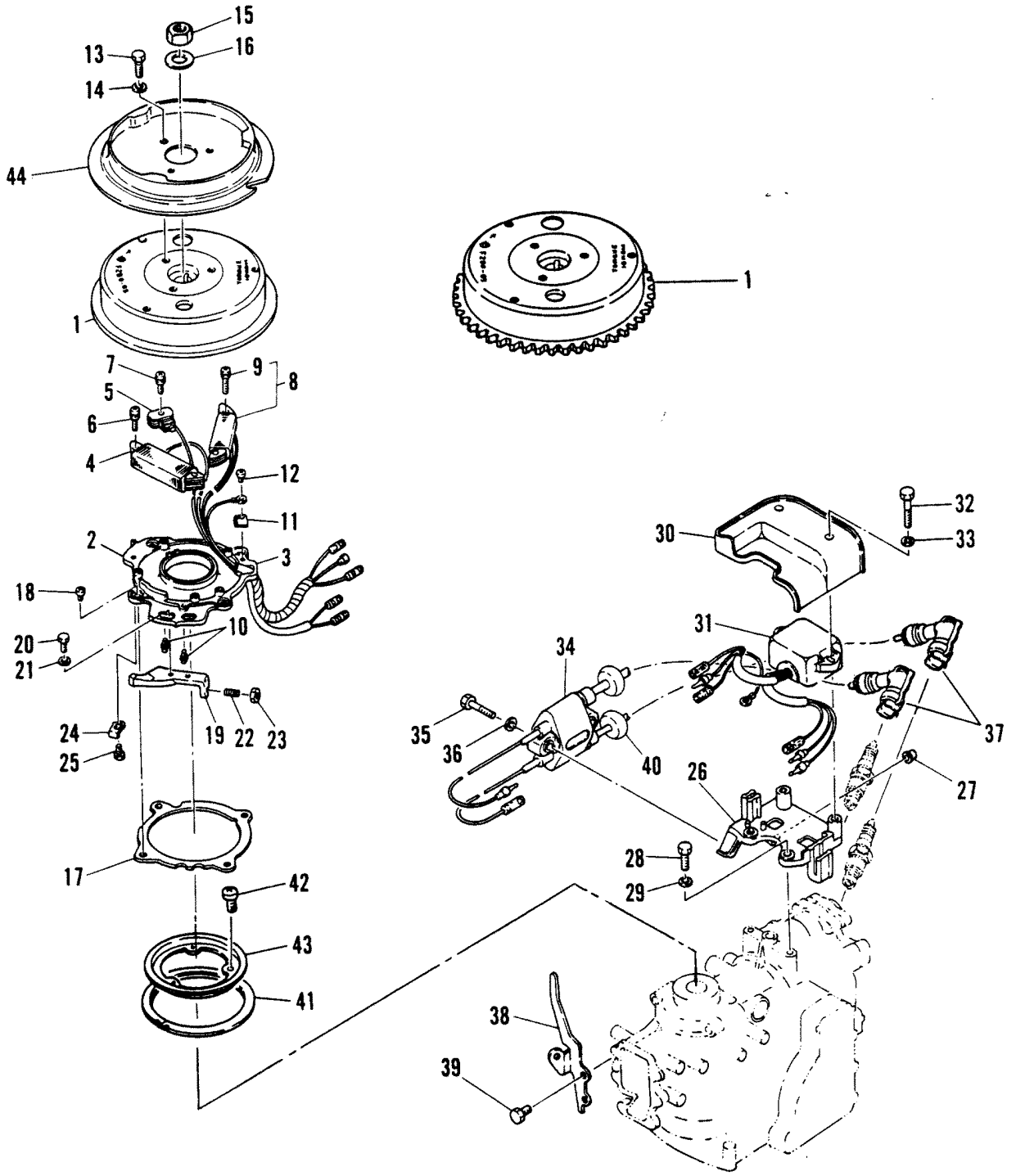


CDI MAGNETO (M-020026 ML-316416 E-251061 EL-551616 & UP)

REF. NO.	PART NO.	SYM.	QTY.	DESCRIPTION
1	253-8920M		1	FLYWHEEL ASSEMBLY (W/RING GEAR)
	253-8921M		1	FLYWHEEL ASSEMBLY (W/O RING GEAR)
2	16708M		1	BASE
3	41863M		1	MAGNETO BASE
4	41829M		1	CHARGE COIL
5	41830M		1	PULSAR COIL
6	10-96346M		2	SCREW
7	10-91691M		1	SCREW
8	NLA		1	LIGHTING COIL ASSEMBLY
9	10-96346M		2	SCREW
10	84305M		2	RETAINER
11	54-41867M		1	CLAMP
12	10-82499M		1	SCREW
13	10-813477M		3	BOLT
14	12-82214M		3	WASHER
15	11-81770M		1	NUT
16	12-81814M		1	WASHER
17	41869M		1	PLATE
18	10-17661M		4	SCREW
19	41268M		1	THROTTLE CAM
20	10-84313M		2	BOLT
21	12-82211M		2	WASHER
22	16-41883M		1	STUD
23	11-83763M		1	NUT
24	84316M		1	STOP
25	10-82444M		1	BOLT
26	41259M		1	BRACKET
27	41260M		2	DAMPER
28	10-83539M		2	BOLT
29	12-82214M		2	WASHER
30	41262M		1	COVER
31	43077M		1	I. UNIT ASSEMBLY
32	10-83285M		2	BOLT
33	12-82213M		2	WASHER
34	95188M		1	IGNITION COIL ASSEMBLY
35	10-83285M		2	BOLT
36	12-82214M		4	WASHER
37	85-815119M		OPT	PLUG CAP (NOISE SUPPRESSOR) (M-074083 ML-344581 E-253156 EL-554058 & Up)
	814991M		OPT	PLUG CAP (NOISE SUPPRESSOR) (M-074082 ML-344580 E-253155 EL-554057 & Below)
	85-63709A1		2	PLUG CAP
38	94547M		1	TIMING PLATE
39	10-84211M		2	BOLT

CONTINUED ON NEXT PAGE ➡

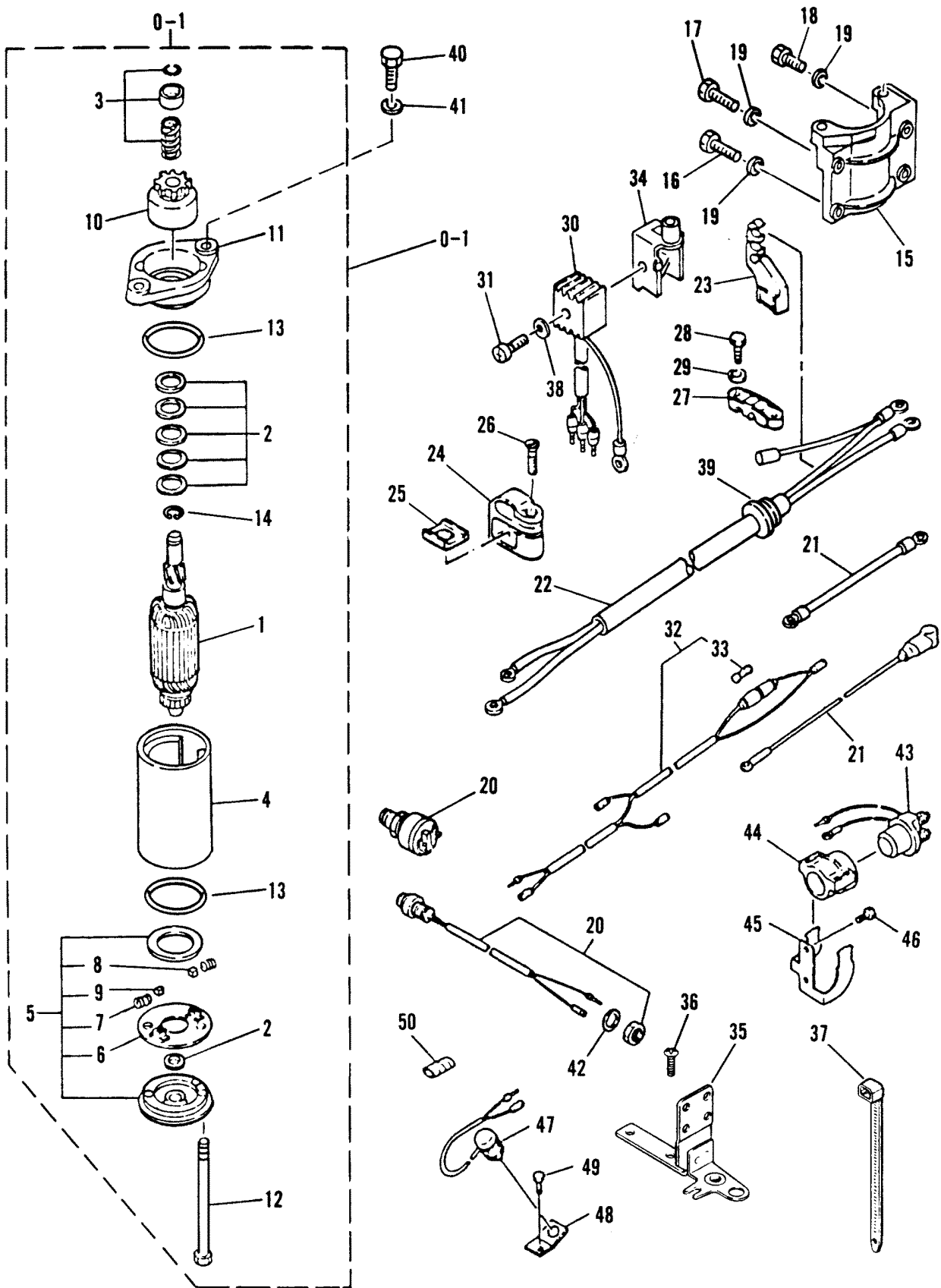
CDI MAGNETO (M-020026 ML-316416 E-251061 EL-551616 & UP)



CDI MAGNETO (M-020026 ML-316416 E-251061 EL-551616 & UP)

REF. NO.	PART NO.	SYM.	QTY.	DESCRIPTION
40	25-82069M		2	GROMMET
41	98981M		1	RETAINER
42	10-96671M		3	SCREW
43	83962M		1	RETAINER
44	41316M		1	PULLEY

ELECTRIC START

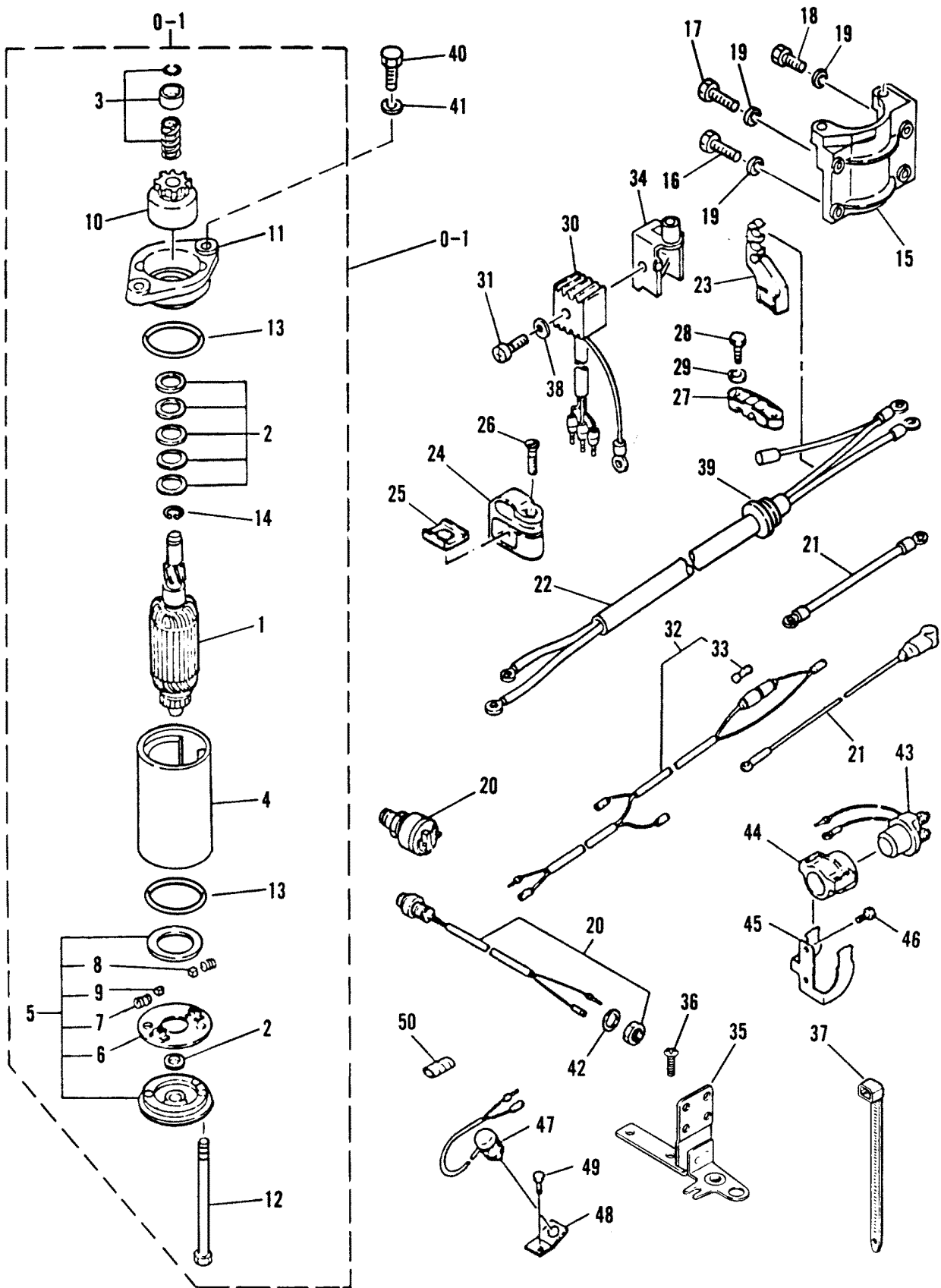


ELECTRIC START

REF. NO.	PART NO.	SYM.	QTY.	DESCRIPTION
0-1	50-98982M		1	STARTER MOTOR
1	84330M		1	ARMATURE
2	12-84331M		1	WASHER KIT
3	84332M		1	PINION STOPPER SET
4	98983M		1	FIELD (682-81800-11/ OR -12 ONLY)
	NLA		1	FIELD (ALL OTHERS)
5	84334M		1	COVER ASSEMBLY
6	84335M		1	BRUSH HOLDER
7	24-84336M		2	SPRING
8	84337M		1	BRUSH (+)
9	84338M		1	BRUSH (-)
10	43-84339M		1	PINION GEAR
11	84340M		1	COVER
12	10-84341M		2	THRU BOLT
13	25-14258M		2	O-RING - NEW DESIGN
14	53-14752M		1	SNAP RING - NEW DESIGN
15	14215M		1	BRACKET (E-250236 EL-550596 & Up)
	84095M		1	BRACKET (E-250235 EL-550595 & Below)
16	10-83539M		2	BOLT
17	10-83285M		1	BOLT
18	10-82405M		1	BOLT (E-250236 EL-550596 & Up)
	10-83539M		1	BOLT (E-250235 EL-550595 & Below)
19	12-82214M		4	WASHER
20	87-18930M		1	STARTER SWITCH (M-062459 ML-336234 E-252704 EL-553589 & Up)
21	84-18931M		1	LEAD WIRE (M-062459 ML-336234 E-252704 EL-553589 & Up)
20	87-84096M		1	STARTER SWITCH (M-062458 ML-336233 E-252703 EL-553588 & Below)
21	84-98985M		1	LEAD WIRE (M-062458 ML-336233 E-252703 EL-553588 & Below)
22	84-18932M		1	HARNESS
23	98987M		1	RETAINER
24	99062M		1	RETAINER
25	84708M		1	PLATE
26	10-84709M		1	SCREW
27	54-41876M		1	CLAMP
28	10-84247M		2	BOLT
29	12-82214M		2	WASHER
30	810937M		1	RECTIFIER
31	10-82521M		1	SCREW
32	18933M		1	FUSE HOLDER (DOUBLE WIRE - 30")
	98988M		1	FUSE HOLDER (SINGLE WIRE - 12")
33	88-81522M		1	FUSE (12V-20A)
34	98989M		1	BRACKET (M-013276 ML-312686 E-250806 EL-551256 & Up)

CONTINUED ON NEXT PAGE ➡

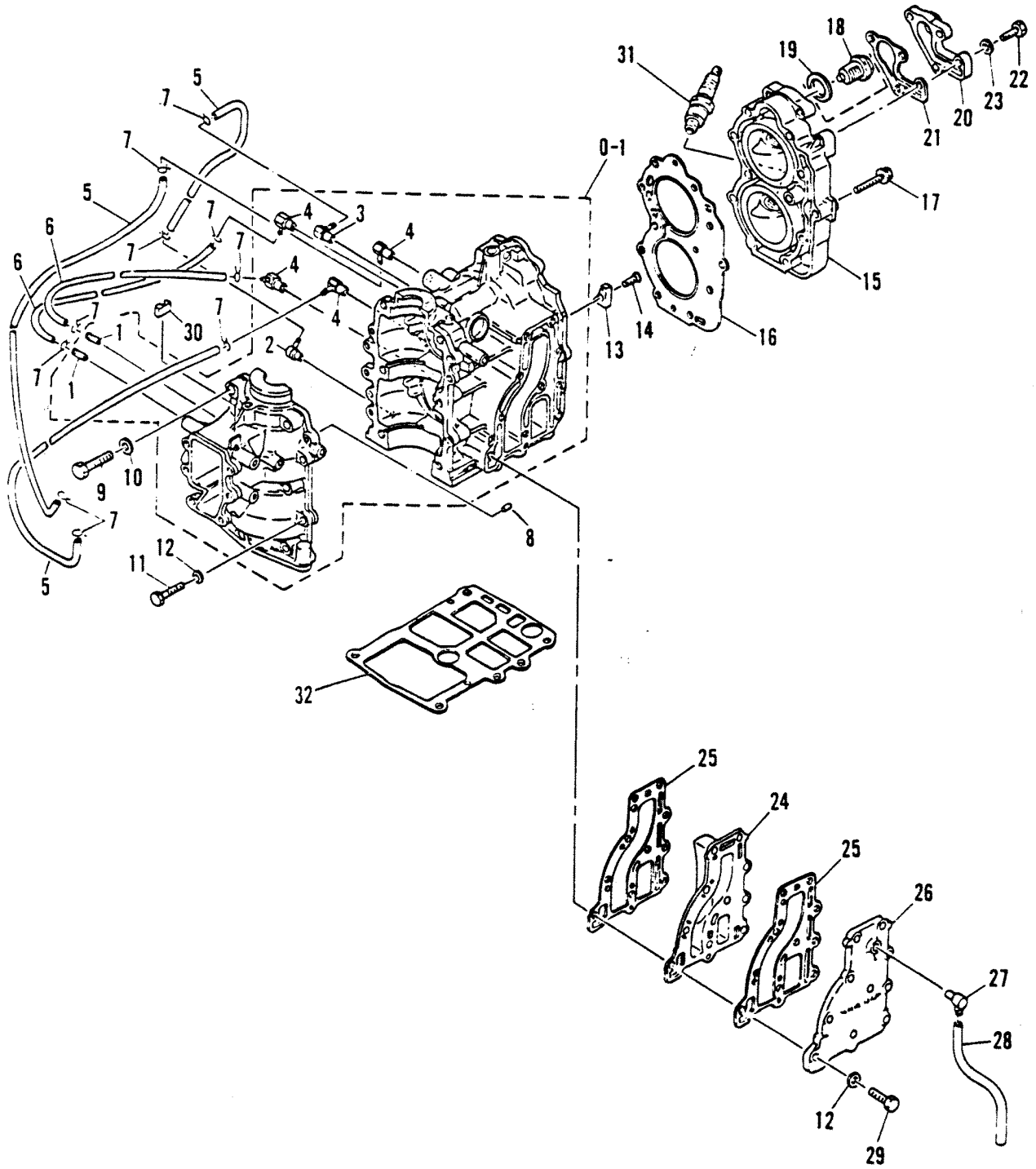
ELECTRIC START



ELECTRIC START

REF. NO.	PART NO.	SYM.	QTY.	DESCRIPTION
34	84091M		1	BRACKET (M-013275 ML-312685 E-250805 EL-551255 & Below)
35	94798M		1	BRACKET
36	10-14232M		2	SCREW
37	25-82060M		1	STA-STRAP
38	12-82211M		1	WASHER
39	25-84092M		1	GROMMET
40	10-84342M		2	BOLT
41	12-82217M		2	WASHER
42	12-18934M		1	WASHER
43	89-95642M		1	STARTER RELAY
44	95643M		1	BRACKET
45	18935M		1	PLATE
46	10-84211M		2	BOLT
47	87-97684M		1	NEUTRAL SWITCH
48	94790M		1	BRACKET
49	10-813477M		1	BOLT
50	32-18936M		1	HOSE

CRANKCASE AND CYLINDER HEAD



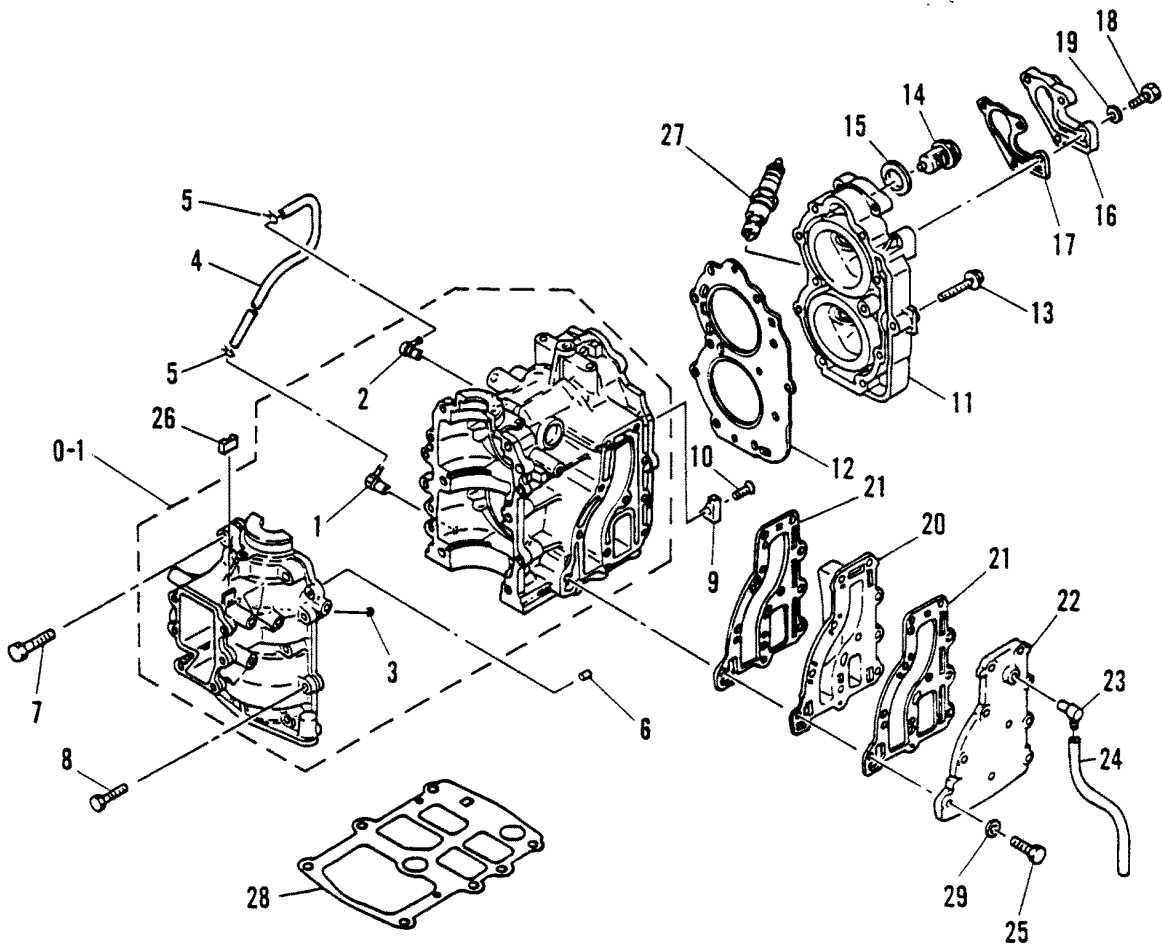
CRANKCASE AND CYLINDER HEAD

REF. NO.	PART NO.	SYM.	QTY.	DESCRIPTION
0-1	870-8410M		1	CRANKCASE ASSEMBLY
1	22-80122M		2	DRAIN FITTING
2	21-80727M		1	CHECK VALVE
3	22-80743M		1	DRAIN FITTING
4	21-82692M		4	CHECK VALVE
5/6	32-811045M		5	HOSE
7	54-82046M		10	CLAMP
8	17-82364M		2	DOWEL PIN
9	10-84236M		6	BOLT (WASHER)
10	12-81798M		6	WASHER
11	10-83285M		4	BOLT
12	12-81792M		14	WASHER
13	83900M		1	ANODE
14	10-95467M		1	SCREW
15	968-7147M		1	CYLINDER HEAD
16	27-18937M	■	1	GASKET
17	10-84065M		11	BOLT
18	83282M		1	THERMOSTAT (M-001496 ML-302336 E-250181 EL-550476 & Up)
	81098M		1	THERMOSTAT (M-001495 ML-302335 E-250180 EL-550475 & Below)
19	12-81835M		1	WASHER
20	17662M		1	COVER
21	27-83940M	■	1	GASKET
22	10-83539M		4	BOLT
23	12-82214M		4	WASHER
24	83950M		1	EXHAUST COVER (INNER)
25	27-83951M	■	2	GASKET
26	83952M		1	EXHAUST COVER (OUTER)
27	22-83326M		1	FITTING
28	32-82012M		1	HOSE
29	10-82405M		10	BOLT
30	83965M		1	STOPPER
31	33-82371M		2	SPARK PLUG (NGK#B-7HS)
32	27-96602M	■	1	GASKET
-	27-96604M		1	ENGINE GASKET SET (M-062458 ML-336233 E-252703 EL-553588 & Below)
-	84137M		1	POWERHEAD ASSEMBLY COMPLETE

Serial Range - M-020025 ML-316415 E-251060 EL-551615 & Below)

■ = COMPONENT OF ENGINE GASKET SET (27-96604M or 27-18938M)

CRANKCASE AND CYLINDER HEAD



CRANKCASE AND CYLINDER HEAD

REF. NO.	PART NO.	SYM.	QTY.	DESCRIPTION
0-1	870-8799M		1	CRANKCASE ASSEMBLY
1	21-80727M		1	CHECK VALVE
	21-80727M		1	CHECK VALVE
2	22-80743M		1	DRAIN FITTING
3	21-80107M		1	CHECK VALVE
4	32-811045M		1	HOSE
5	54-82046M		2	CLAMP
6	17-82364M		2	DOWEL PIN
7	10-95487M		6	BOLT
8	10-95453M		4	BOLT
9	83900M		1	ANODE
10	10-95467M		1	SCREW
11	968-8800M		1	CYLINDER HEAD
12	27-18937M	■	1	GASKET
13	10-84065M		11	BOLT
14	814554M		1	THERMOSTAT (M-034572 ML-323545 E-251806 EL-552656 & Up)
	81098M		1	THERMOSTAT (M-034571 ML-323544 E-251805 EL-552655 & Below)
15	12-81835M		1	WASHER
16	17662M		1	COVER
17	27-83940M	■	1	GASKET
18	10-83539M		4	BOLT
19	12-82214M		4	WASHER
20	83950M		1	EXH COVER (INNER)
21	27-83951M	■	2	GASKET
22	83952M		1	EXH COVER (OUTER)
23	22-83326M		1	FITTING
24	32-82012M		1	HOSE
25	10-82405M		10	BOLT
26	83965M		1	STOPPER
27	33-41263M		2	SPARK PLUG (NGK#B7HS-10)
28	27-96602M	■	1	GASKET
29	12-82214M		10	WASHER
-	27-96604M		1	ENGINE GASKET SET (M-062458, ML-336233, E-252703, EL-553588, & BELOW)
-	27-18938M		1	ENGINE GASKET SET (M-062459, ML-336234, E-252704, EL-553589 & UP)
-	11929		1	POWERHEAD ASSEMBLY COMPLETE

Serial Range - M-020026 ML-316416 E-251061 EL-551616 & Up)

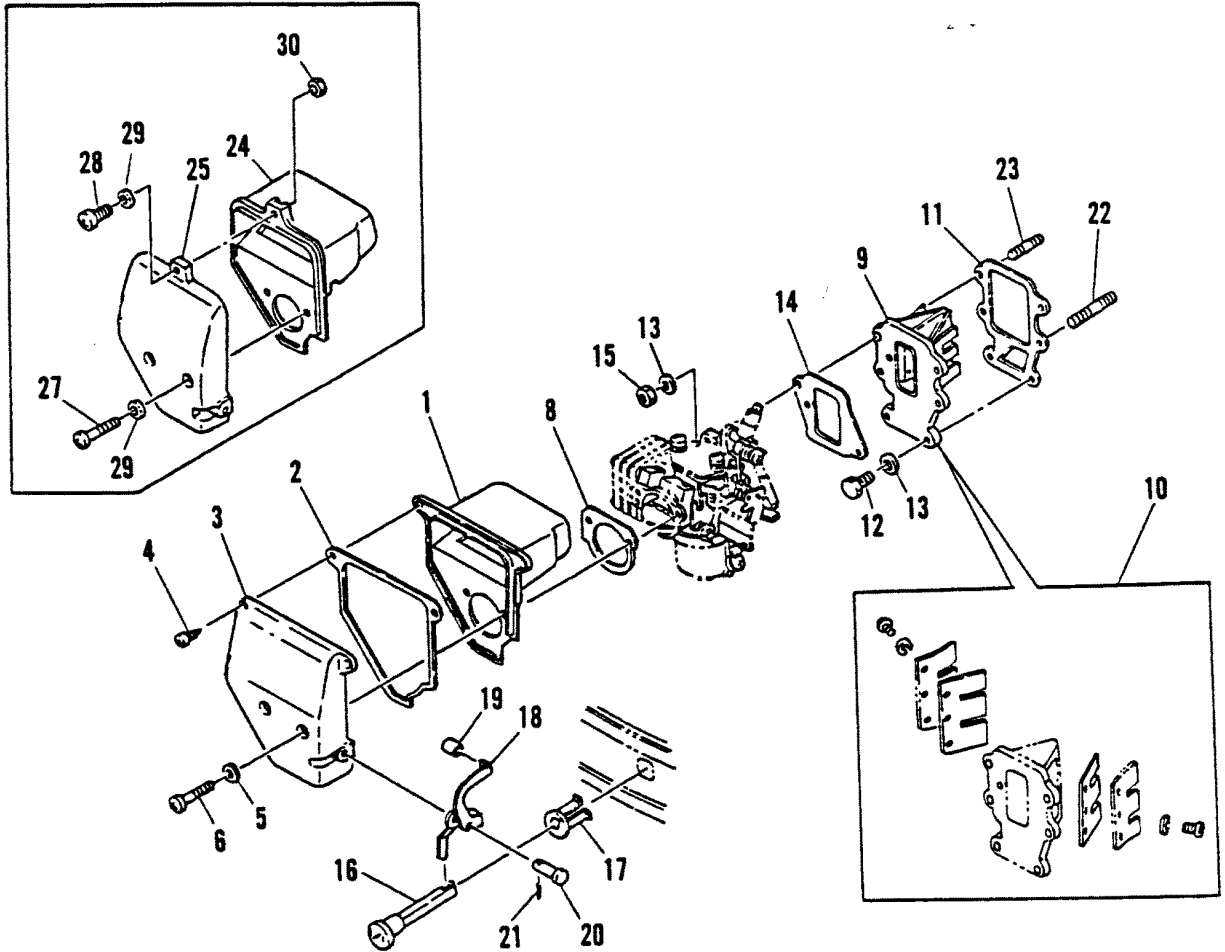
■ = COMPONENT OF ENGINE GASKET SET (27-96604M or 27-18938M)

CRANKSHAFT AND PISTON

REF. NO.	PART NO.	SYM.	QTY.	DESCRIPTION
0-1	463-9854M		1	CRANKSHAFT ASSEMBLY
1	30-82303M		1	BEARING (UPPER)
2	30-83938M		1	BEARING (LOWER)
3	53-94555M		2	SNAP RING
4	26-84244M		1	SEAL
5	761-7982M		2	PISTON (STANDARD)
	761-8022M		AR	PISTON (1ST O.S. 56.25MM)
	761-8022M		AR	PISTON (2ND O.S. 56.50MM)
6	39-15320M		2	PISTON RING SET (STANDARD)
	39-18939M		AR	PISTON RING SET (1ST O.S. 56.25MM)
	39-15322M		AR	PISTON RING SET (2ND O.S. 56.50MM)
7	41-80272M		2	PISTON PIN
8	29-82349M		50	NEEDLE BEARING
9	12-81823M		4	WASHER
10	53-82343M		4	CLIP
11	26-83936M	■	1	OIL SEAL (UPPER)
12	23-84243M		1	SPACER
13	18940M		1	HOUSING (M-062459 ML-336234 E-252704 EL-553589 & Up)
	83945M		1	HOUSING (M-062458 ML-336233 E-252703 EL-553588 & Below)
14	25-83930M	■	1	O-RING
15	26-18843M	■	1	OIL SEAL (LOWER) (M-062459 ML-336234 E-252704 EL-553589 & Up)
	26-96605M	■	1	OIL SEAL (LOWER) (M-062458 ML-336233 E-252703 EL-553588 & Below)
16	26-96606M	■	2	OIL SEAL (LOWER)
17	10-91725M		3	BOLT
18	12-82214M		3	WASHER
19	28-81914M		1	KEY
-	27-96604M		1	ENGINE GASKET SET (M-062458, ML-336233, E-252703, EL-553588, & BELOW)
-	27-18938M		1	ENGINE GASKET SET (M-062459, ML-336234, E-252704, EL-553589 & UP)

■ = COMPONENT OF ENGINE GASKET SET (27-96604M or 27-18938M)

INTAKE MANIFOLD



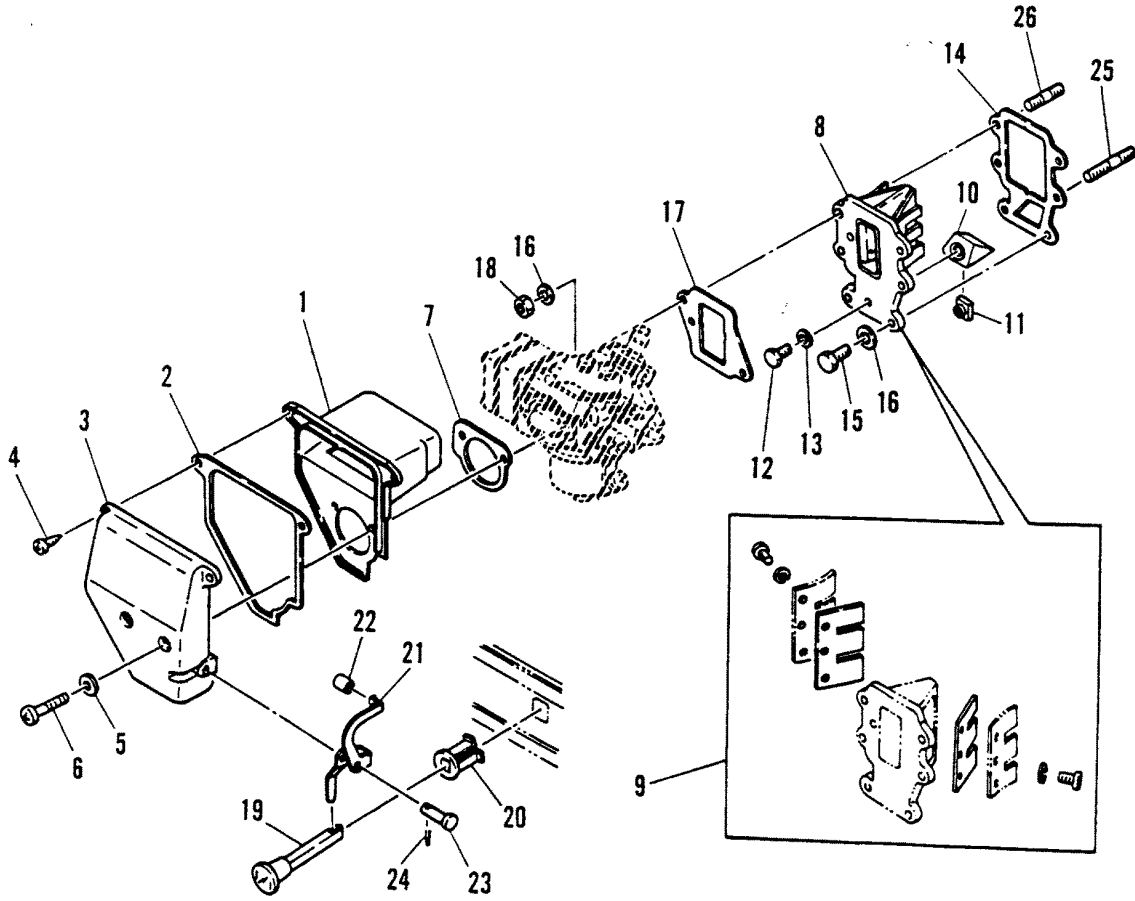
INTAKE MANIFOLD

REF. NO.	PART NO.	SYM.	QTY.	DESCRIPTION
1	96607M		1	COVER - M-008131 ML-308631 E-250661 EL-551011 & UP
2	27-96608M		1	GASKET - M-008131 ML-308631 E-250661 EL-551011 & UP
3	96609M		1	COVER (OUTER) - M-008131 ML-308631 E-250661 EL-551011 & UP
4	10-96610M		2	SCREW - M-008131 ML-308631 E-250661 EL-551011 & UP
5	12-82211M		2	WASHER - M-008131 ML-308631 E-250661 EL-551011 & UP
6	10-82522M		2	SCREW - M-008131 ML-308631 E-250661 EL-551011 & UP
8	27-96611M		1	GASKET - M-008131 ML-308631 E-250661 EL-551011 & UP
9	84375M		1	REED VALVE
10	34-84246M		1	REED SET (REED STOPS NOT INCLUDED)
11	27-83941M	■	1	GASKET
12	10-84247M		4	BOLT
13	12-82214M		6	WASHER
14	27-83245M	■	1	GASKET
15	11-82381M		2	NUT
16	83960M		1	CHOKE KNOB
17	25-83961M		1	GROMMET
18	94559M		1	CHOKE LEVER
19	23-83959M		1	BUSHING
20	17-94560M		1	CLEVIS PIN (M-002436 ML-303201 E-250236 EL-550596 & Up)
	17-84248M		1	CLEVIS PIN (M-002435 ML-303200 E-250235 EL-550595 & Below)
21	18-82051M		1	COTTER PIN
22	16-84249M		1	STUD
23	16-81731M		1	STUD
24/25	94557M		1	COVER - M-008130 ML-308630 E-250660 EL-551010 & BELOW
27	10-82522M		2	SCREW - M-008130 ML-308630 E-250660 EL-551010 & BELOW
28	10-83356M		1	SCREW - M-008130 ML-308630 E-250660 EL-551010 & BELOW
29	12-82211M		3	WASHER - M-008130 ML-308630 E-250660 EL-551010 & BELOW
30	11-82388M		1	NUT - M-008130 ML-308630 E-250660 EL-551010 & BELOW
-	27-96604M		1	ENGINE GASKET SET (M-062458, ML-336233, E-252703, EL-553588, & BELOW)

Serial Range - M-020025 ML316415 E-251060 EL-551615 & Below

■ = COMPONENT OF ENGINE GASKET SET (27-96604M or 27-18938M)

INTAKE MANIFOLD



INTAKE MANIFOLD

REF. NO.	PART NO.	SYM.	QTY.	DESCRIPTION
1	96607M		1	COVER
2	27-96608M		1	GASKET
3	96609M		1	COVER (OUTER)
4	10-96610M		2	SCREW
5	12-82211M		2	WASHER
6	10-82522M		2	SCREW
7	27-96611M		1	GASKET
8	18942M		1	REED VALVE (M-062459 ML-336234 E-252704 EL-553589 & Up)
	41269M		1	REED VALVE (M-062458 ML-336233 E-252703 EL-553588 & Below)
9	34-84246M		1	REED SET (REED STOPS NOT INCLUDED)
10	41256M		1	SPACER
11	11-15327M		1	NUT
12	10-813477M		1	BOLT
13	12-82214M		1	WASHER
14	27-83941M	■	1	GASKET (M-062458 ML-336233 E-252703 EL-553588 & Below)
15	10-84247M		4	BOLT
16	12-82214M		6	WASHER
17	27-83245M	■ □	1	GASKET (M-062458 ML-336233 E-252703 EL-553588 & Below)
18	11-82381M		2	NUT
19	83960M		1	CHOKE KNOB
20	25-83961M		1	GROMMET
21	94559M		1	CHOKE LEVER
22	23-83959M		1	BUSHING
23	17-94560M		1	CLEVIS PIN
24	18-82051M		1	COTTER PIN
25	16-84249M		1	STUD
26	16-81731M		1	STUD
-	27-96604M		1	ENGINE GASKET SET (M-062458, ML-336233, E-252703, EL-553588, & BELOW)
-	27-18938M		1	ENGINE GASKET SET (M-062459, ML-336234, E-252704, EL-553589 & UP)

Serial Range - M-020026 ML-316416 E-251061 EL-551616 & Up

■ = COMPONENT OF ENGINE GASKET SET (27-96604M or 27-18938M)

□ = COMPONENT OF CARBURETOR REPAIR KIT (84473M or 814481M)

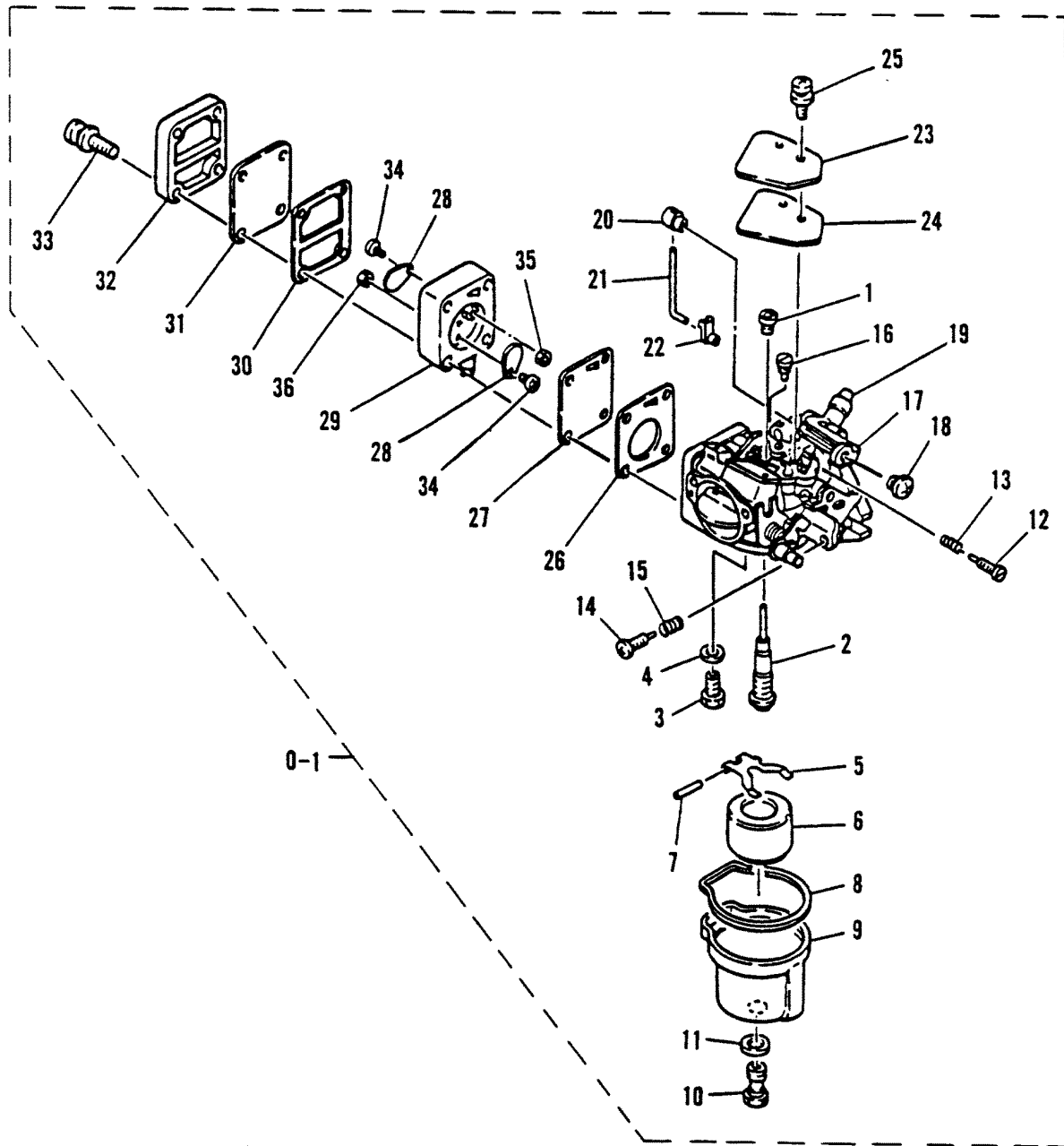
CARBURETOR/FUEL PUMP

REF. NO.	PART NO.	SYM.	QTY.	DESCRIPTION
0-1	1383-8516M		1	CARBURETOR(684-53/54)
	1383-7148M		1	CARB(684-50)
1	82600M		AR	PILOT JET (#46)
	94561M		AR	PILOT JET (#48)
2	84376M		1	MAIN NOZZLE (684-50/53/54)
	84251M		1	MAIN NOZZLE (684-51/52)
3	80447M	☐	1	VALVE SEAT
4	12-80261M	☐	1	WASHER
5	80202M		1	FLOAT ARM
6	80450M	☐	1	FLOAT
7	17-80201M	☐	1	PIN
8	27-43115M	☐	1	GASKET
9	84252M		1	FLOAT BOWL
10	84377M		1	MAIN JET
11	27-80267M	☐	1	GASKET
12	10-80573M	☐	1	IDLE MIXTURE SCREW
13	24-814460M		1	SPRING
14	10-814463M		1	IDLE SPEED SCREW - 684-53/54
15	24-814460M		1	SPRING - 684-53/54
14	10-80738M		1	IDLE SPEED SCREW - 684-50/51/52
15	24-80966M		1	SPRING - 684-50/51/52
16	10-80434M		2	SCREW
17	84254M		1	THROTTLE ARM ASSEMBLY
18	10-80091M		1	SCREW
19	84255M		1	COLLAR
20	83300M		1	RETAINER
21	84256M		1	THROTTLE ROD
22	16333		1	RETAINER
23	98992M		1	PLATE - 684-53/54
24	27-98993M	☐	1	GASKET - 684-53/54
25	10-82513M		2	SCREW - 684-53/54
23	84258M		1	PLATE - 684-50/51/52
24	27-84259M	☐	1	GASKET - 684-50/51/52
25	10-83509M		2	SCREW - 684-50/51/52
26	27-84261M		1	GASKET
27	84262M		1	DIAPHRAGM
28	21-84650M		2	CHECK VALVE (684-50/51/52)
	21-41888M		2	CHECK VALVE (684-53/54)
29	97657M		1	BODY (684-53/54)
	84263M		1	BODY (684-50/51/52)
30	27-84264M		1	GASKET
31	84265M		1	DIAPHRAGM

☐ = COMPONENT OF CARBURETOR REPAIR KIT (84473M or 814481M)

CONTINUED ON NEXT PAGE ➡

CARBURETOR/FUEL PUMP

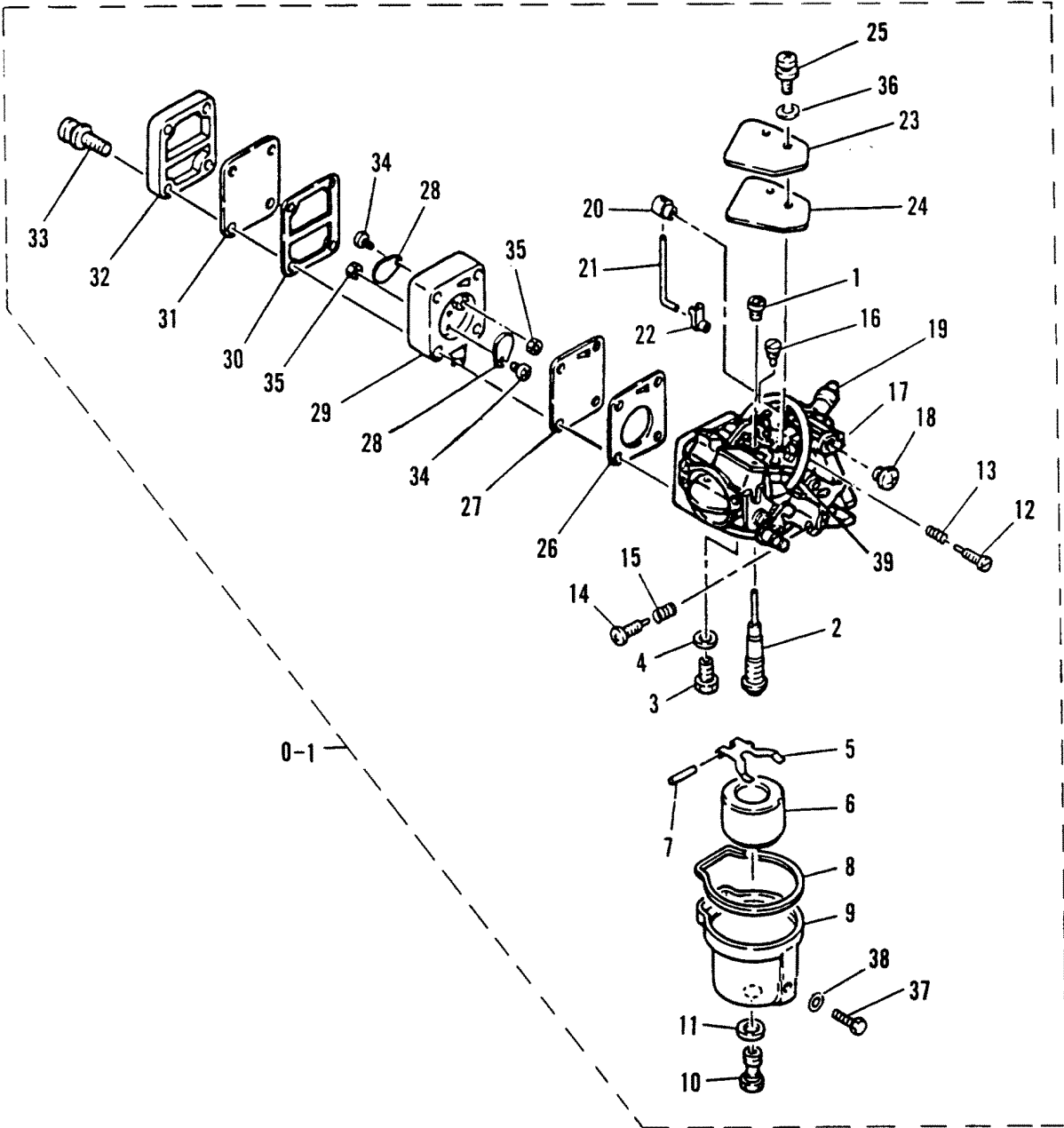


CARBURETOR/FUEL PUMP

REF. NO.	PART NO.	SYM.	QTY.	DESCRIPTION
32	84266M		1	COVER
33	10-80954M		4	SCREW
34	10-94801M		2	SCREW - 684-53/54
35	11-82537M		2	NUT - 684-53/54
-	84473M		1	CARBURETOR REPAIR KIT

Serial Range - M-020025 ML-316416 E-251060 EL-551615 & Below

CARBURETOR/FUEL PUMP



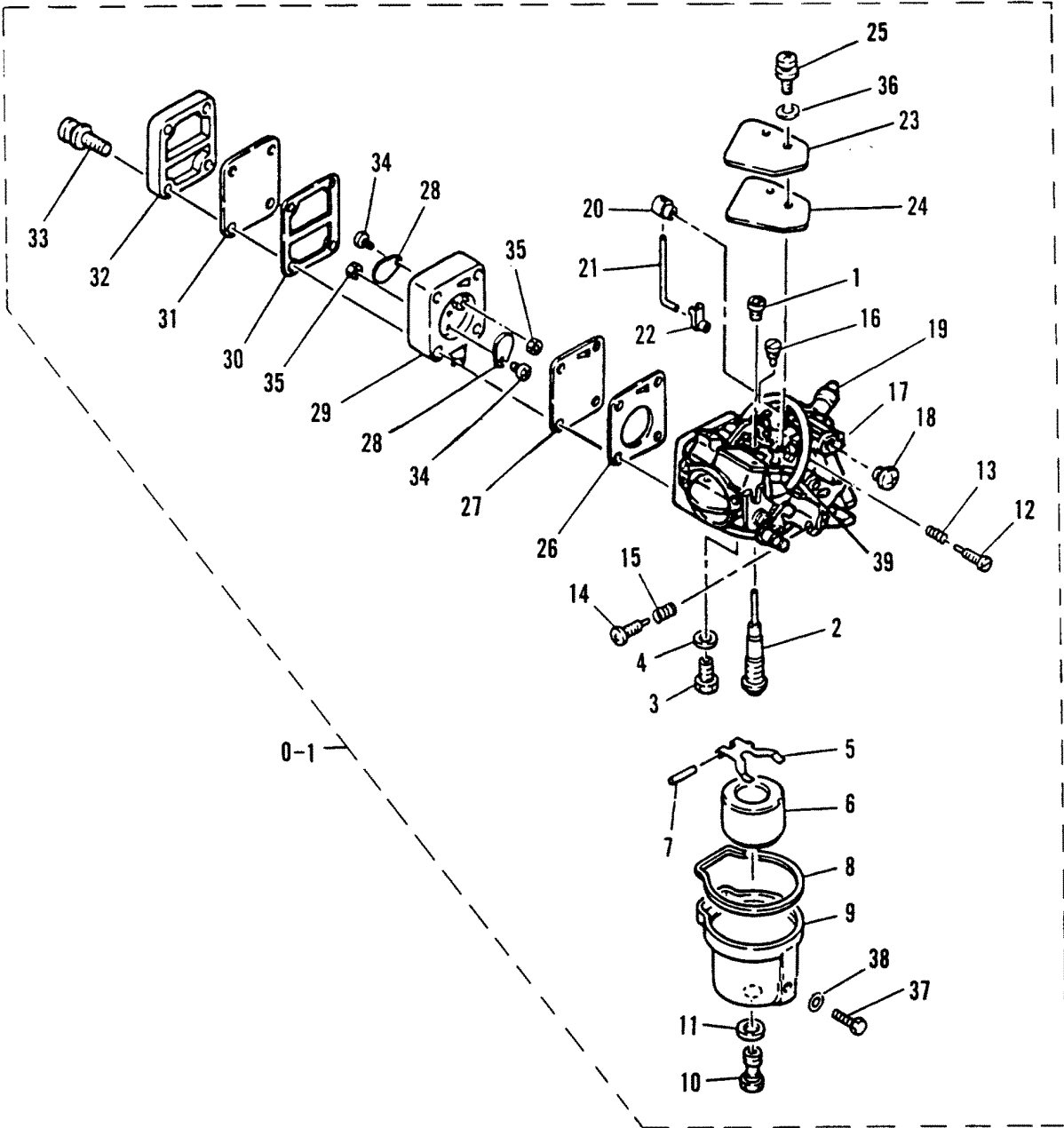
CARBURETOR/FUEL PUMP

REF. NO.	PART NO.	SYM.	QTY.	DESCRIPTION
0-1	1383-8806M		1	CARBURETOR (6E8-71)
	1383-9513M		1	CARBURETOR (6E8-04)
1	42443M		1	PILOT JET (#58)
	95494M		1	PILOT (#56)
2	41861M		1	MAIN NOZZLE
3	14216M	□	1	VALVE SEAT (6E8-04)
	11930M	□	1	VALVE SEAT (6E8-71)
4	12-80261M	□	1	WASHER
5	80202M		1	FLOAT ARM (OLD DESIGN)
6	14180M	□	1	FLOAT (6E8-04)
	80450M	□	1	FLOAT (6E8-71)
7	17-80451M	□	1	PIN (6E8-04)
	17-80201M	□	1	PIN (6E8-71)
8	27-43115M	■ □	1	GASKET
9	14217M		1	FLOAT BOWL (6W8-04)
	84252M		1	FLOAT BOWL (6E8-71)
10	95495M		1	MAIN JET (#136)
	84377M		1	MAIN JET (#102)
11	27-80267M	□	1	GASKET
12	10-80573M		1	IDLE MIXTURE SCREW
13	24-814460M		1	SPRING
14	10-814463M		1	IDEEL SPEED SCREW
15	24-814460M	□	1	SPRING
16	10-80434M		2	SCREW
17	84254M		1	THROTTLE ARM ASSEMBLY
18	10-80091M		1	SCREW
19	84255M		1	COLLAR
20	83300M		1	RETAINER
21	84256M		1	THROTTLE ROD
22	16333		1	RETAINER
23	98992M		1	PLATE
24	27-98993M	□	1	GASKET
25	10-82513M		2	SCREW
26	27-815009M		2	SCREW (6E8-04)
	27-84261M		2	GASKET (6E8-71)
27	84262M		1	DIAPHRAGM
28	21-41888M		2	CHECK VALVE
29	97657M		1	BODY
30	27-815010M		1	GASKET (6E8-04)
	27-84264M		1	GASKET (6E8-71)
31	84265M		1	DIAPHRAGM
32	84266M		1	COVER

■ = COMPONENT OF ENGINE GASKET SET (27-96604M or 27-18938M)
 □ = COMPONENT OF CARBURETOR REPAIR KIT (84473M or 814481M)

CONTINUED ON NEXT PAGE ➡

CARBURETOR/FUEL PUMP



CARBURETOR/FUEL PUMP

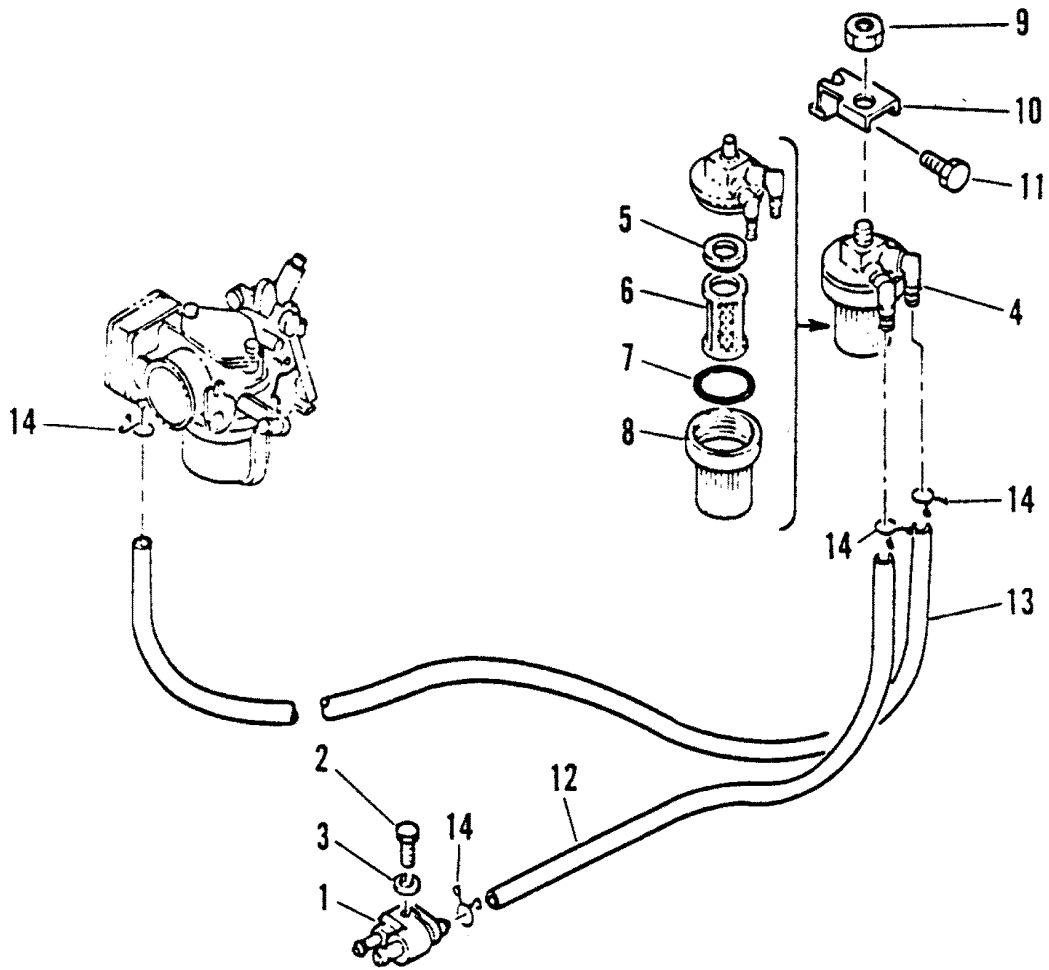
REF. NO.	PART NO.	SYM.	QTY.	DESCRIPTION
33	10-80954M		4	SCREW
34	10-11837M		2	SCREW
35	11-82537M		2	NUT
36	13-82184M		2	LOCKWASHER
37	10-82512M		1	SCREW - 6E8-04
38	27-14218M	■ □	1	GASKET - 6E8-04
39	14281M		1	TUBE - 6E8-04
-	814481M		1	REPAIR KIT (6E8-04)
-	84473M		1	REPAIR KIT (6E8-71)
-	27-96604M		1	ENGINE GASKET SET (M-062458, ML-336233, E-252703, EL-553588, & BELOW)
-	27-18938M		1	ENGINE GASKET SET (M-062459, ML-336234, E-252704, EL-553589 & UP)

Serial Range - M-020026 ML-316416 E-251061 EL-551616 & Up

■ = COMPONENT OF ENGINE GASKET SET (27-96604M or 27-18938M)

□ = COMPONENT OF CARBURETOR REPAIR KIT (84473M or 814481M)

FUEL LINES AND FILTER

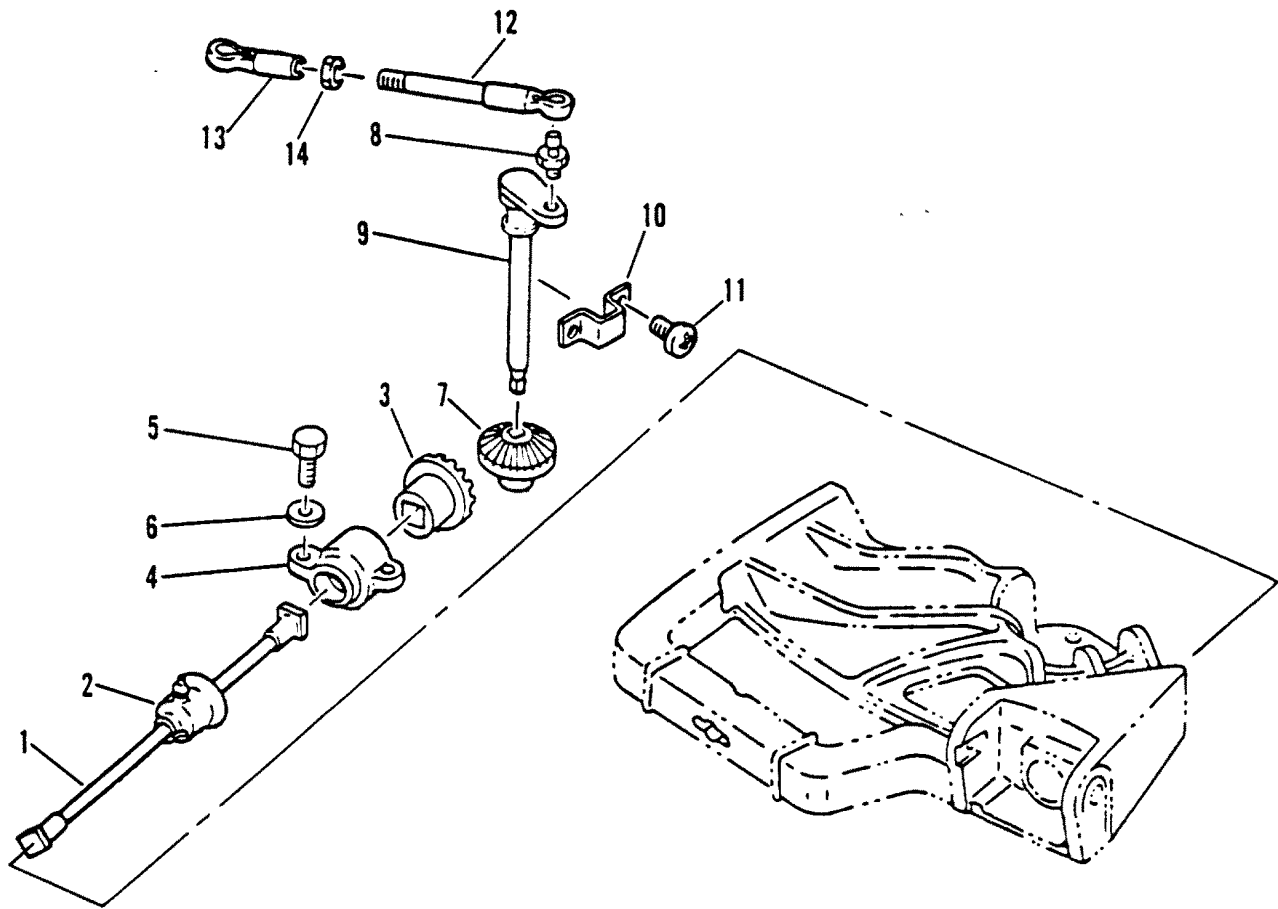


FUEL LINES AND FILTER

REF. NO.	PART NO.	SYM.	QTY.	DESCRIPTION
1	14187M		1	FUEL CONNECTOR
2	10-83539M		1	BOLT
3	12-82214M		1	WASHER
4	35-11931M		1	FUEL FILTER ASSEMBLY
5	27-82790M	■	1	GASKET (OLD DESIGN)
6	35-11934M		1	FILTER
7	25-84957M	■	1	O-RING
8	11935M		1	FILTER CUP
9	11-82382M		1	NUT
10	83949M		1	BRACKET
11	10-84315M		1	BOLT
12/13	32-82012M		2	HOSE
14	54-82047M		4	CLIP
-	27-96604M		1	ENGINE GASKET SET (M-062458, ML-336233, E-252703, EL-553588, & BELOW)
-	27-18938M		1	ENGINE GASKET SET (M-062459, ML-336234, E-252704, EL-553589 & UP)

■ = COMPONENT OF ENGINE GASKET SET (27-96604M or 27-18938M)

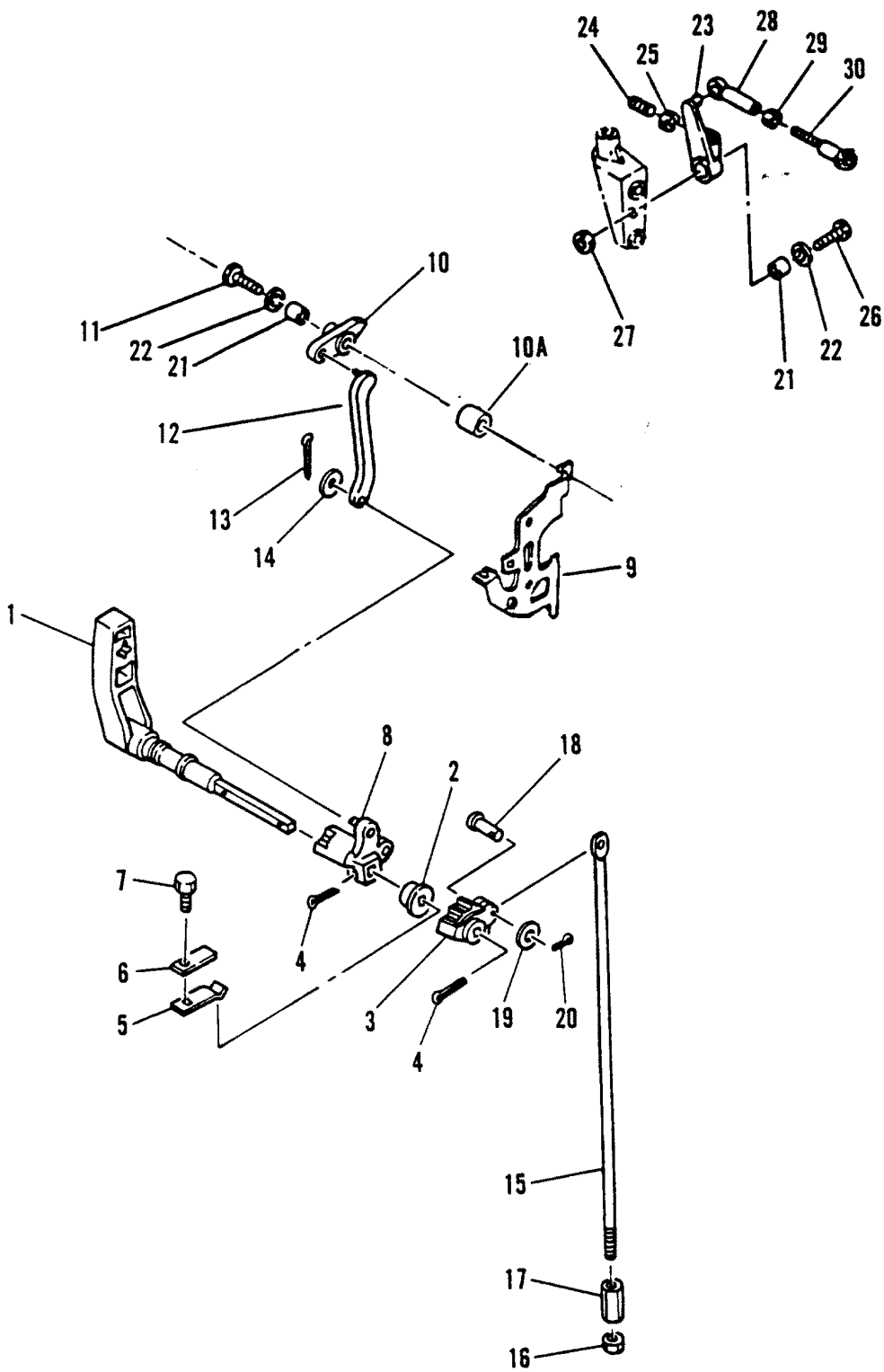
THROTTLE CONTROL



THROTTLE CONTROL

REF. NO.	PART NO.	SYM.	QTY.	DESCRIPTION
1	83970M		1	THROTTLE CONTROL SHAFT
2	83987M		1	SEAL
3	43-94562M		1	GEAR
4	23-94563M		1	COLLAR
5	10-84247M		2	BOLT
6	12-82213M		2	WASHER
7	43-94564M		1	GEAR
8	84305M		1	BALL JOINT
9	83966M		1	MAGNETO CONTROL LEVER
10	83967M		1	BRACKET
11	10-96671M		2	SCREW
12	83957M		1	LINK
13	84100M		1	JOINT
14	11-82379M		1	NUT

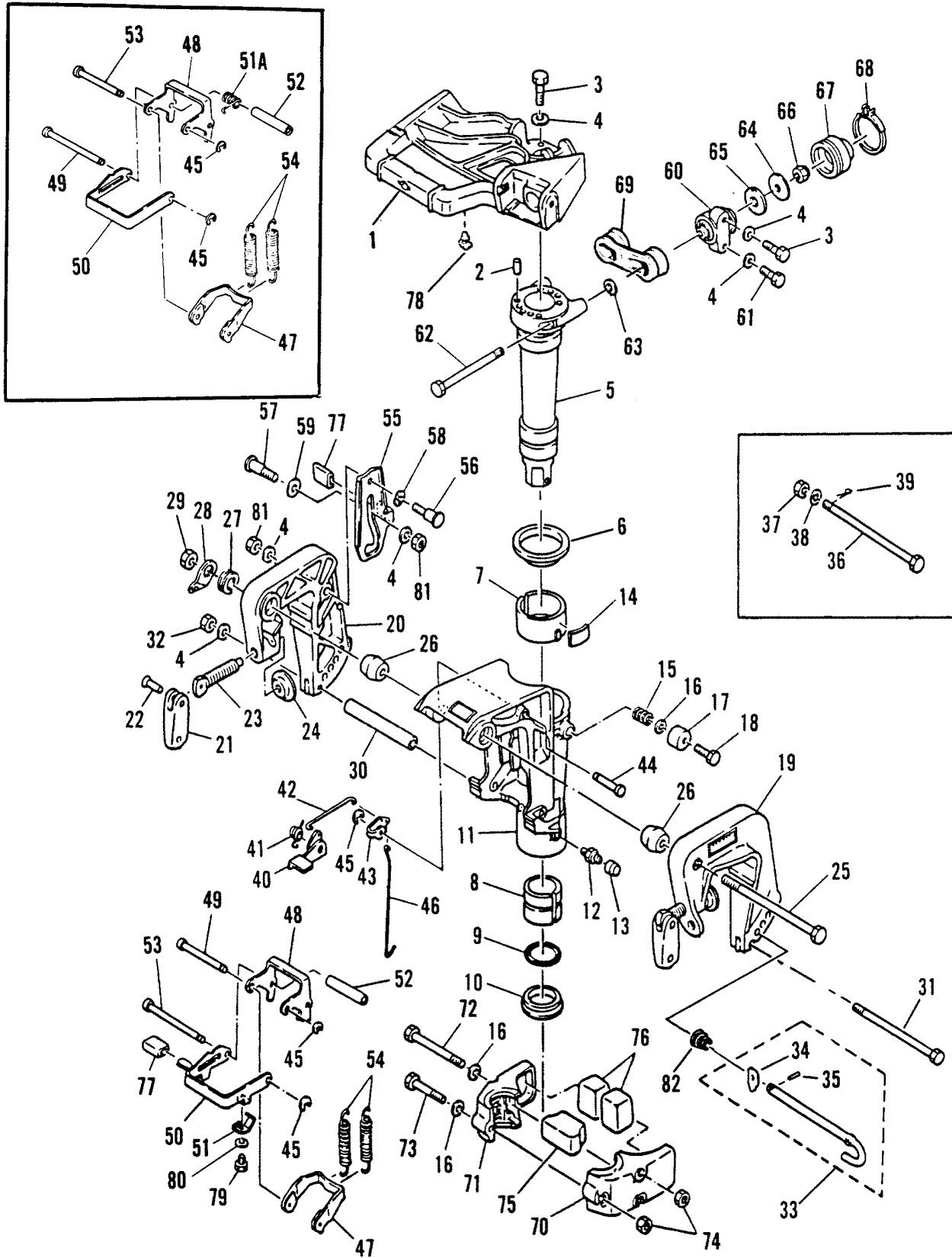
GEAR SHIFT LINKAGE



GEAR SHIFT LINKAGE

REF. NO.	PART NO.	SYM.	QTY.	DESCRIPTION
1	84005M		1	GEAR SHIFT HANDLE (MANUAL)
	84093M		1	GEAR SHIFT HANDLE (ELECTRIC)
2	23-84013M		1	BUSHING
3	84009M		1	SHIFT ROD LEVER
4	18-84301M		2	COTTER PIN
5	84302M		1	SPRING PLATE
6	84007M		1	BRACKET
7	10-813477M		1	BOLT
8	94565M		1	SHIFT ROD LEVER (M-002436 ML-303201 E-250236 EL-550596 & Up)
	NLA		1	SHIFT ROD LEVER (M-002435 ML-303200 E-250235 EL-550595 & Below)
9	96612M		1	BRACKET (M-003636 ML-304901 E-250461 EL-550801 & Up)
10	96613M		1	STOPPER (M-003636 ML-304901 E-250461 EL-550801 & Up)
10A	23-83310M		1	COLLAR (M-003636 ML-304901 E-250461 EL-550801 & Up)
11	10-83539M		1	BOLT (M-003636 ML-304901 E-250461 EL-550801 & Up)
12	96614M		1	LINK (M-003636 ML-304901 E-250461 EL-550801 & Up)
9	94566M		1	BRACKET (M-003635 ML-304900 E-250460 EL-550800 & Below)
10	83968M		1	STOPPER (M-003635 ML-304900 E-250460 EL-550800 & Below)
10A	23-84055M		1	COLLAR (M-003635 ML-304900 E-250460 EL-550800 & Below)
11	10-94544M		1	BOLT (M-003635 ML-304900 E-250460 EL-550800 & Below)
12	84011M		1	LINK (M-003635 ML-304900 E-250460 EL-550800 & Below)
13	18-82127M		1	COTTER PIN
14	12-82211M		1	WASHER
15	84015M		1	SHIFT ROD
16	11-82381M		1	NUT
17	11-81763M		1	NUT
18	17-84304M		1	CLEVIS PIN
19	12-82211M		1	WASHER
20	18-82125M		1	COTTER PIN
21	23-83310M		2	COLLAR
22	12-94524M		2	WASHER
23	96615M		1	MAGNETO CONTROL LEVER
24	16-91649M		1	STUD
25	11-82379M		1	NUT
26	10-83539M		1	BOLT
27	11-82381M		1	NUT
28	84100M		1	LINK
29	11-82379M		1	NUT
30	84101M		1	LINK

CLAMP AND SWIVEL BRACKET

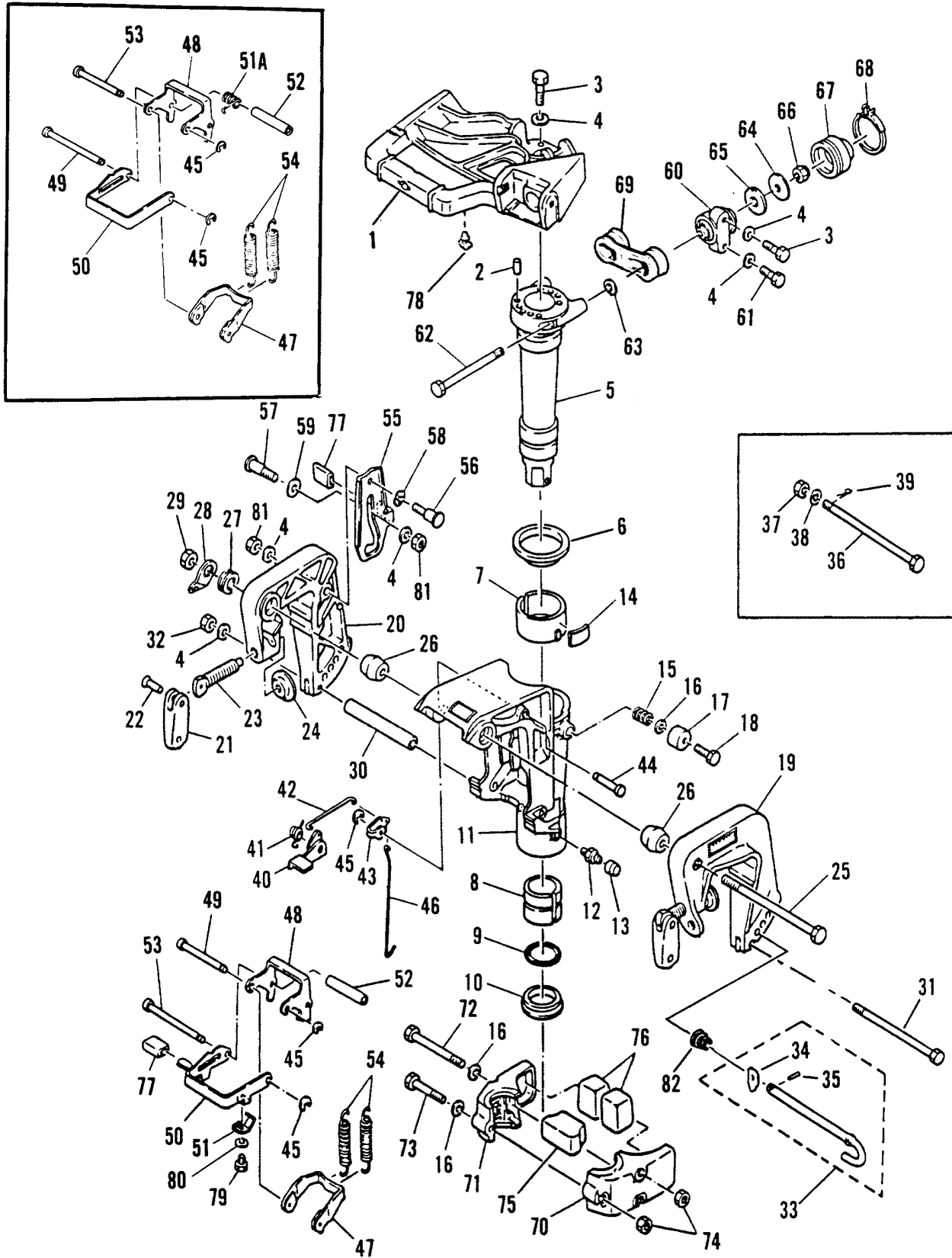


CLAMP AND SWIVEL BRACKET

REF. NO.	PART NO.	SYM.	QTY.	DESCRIPTION
1	83979M		1	STEERING BRACKET
2	17-82364M		2	DOWEL PIN
3	10-82405M		5	BOLT
4	12-82214M		10	WASHER
5	83980M		1	SHAFT
6	12-84278M		1	WASHER
7	23-83981M		1	BUSHING
8	23-84279M		1	BUSHING
9	25-84054M		1	O-RING
10	23-84280M		1	BUSHING
11	1485-811019M		1	SWIVEL BRACKET (M-003176 ML-304226 E-250426 EL-550776 & Up)
	1485-7143M		1	SWIVEL BRACKET (M-003175 ML-304225 E-250425 EL-550775 & Below)
12	22-82369M		1	GREASE FITTING
13	81439M		1	CAP
14	80633M		1	FRICTION PIECE
15	24-83488M		1	SPRING
16	12-82217M		4	WASHER
17	26-83490M		1	SEAL
18	10-43106M		1	BOLT
19	1484-9793M		1	CLAMP BRACKET (PORT) (M-062459 ML-336234 E-252704 EL-553589 & Up)
	1484-7141M		1	CLAMP BRACKET (PORT) (M-062458 ML-336233 E-252703 EL-553588 & Below)
20	1484-9794M		1	CLAMP BRACKET (STARBOARD) (M-062459 ML-336234 E-252704 EL-553589 & Up)
	1484-8026M		1	CLAMP BRACKET (STARBOARD) (M-003066-062458 ML-303991-336233 E-250381-252703 EL-550756-553588)
	NLA4-		1	CLAMP BRACKET (STARBOARD) (M-003065 ML-303990 E-250380 EL-550755 & Below)
21	80048M		2	HANDLE
22	17-81888M		2	PIN
23	10-81756M		2	SCREW
24	12-80638M		2	PAD
25	10-94567M		1	BOLT (6")
	10-18943M		1	BOLT (6-1/2")
26	80230M		2	MOUNT
27	24-82101M		1	SPRING (M-062458 ML-336233 E-252703 EL-553588 & Below)
28	18944M		1	PLATE (M-062458 ML-336233 E-252703 EL-553588 & Below)
29	11-81785M		1	NUT (M-062458 ML-336233 E-252703 EL-553588 & Below)
28	12-82220M		1	WASHER (M-062459 ML-336234 E-252704 EL-553589 & Up)
29	11-84282M		1	NUT (M-062459 ML-336234 E-252704 EL-553589 & Up)
30	23-94568M		1	COLLAR (M-003176 ML-304226 E-250426 EL-550776 & Up)
	23-84066M		1	COLLAR (M-003175 ML-304225 E-250425 EL-550775 & Below)

CONTINUED ON NEXT PAGE ➡

CLAMP AND SWIVEL BRACKET

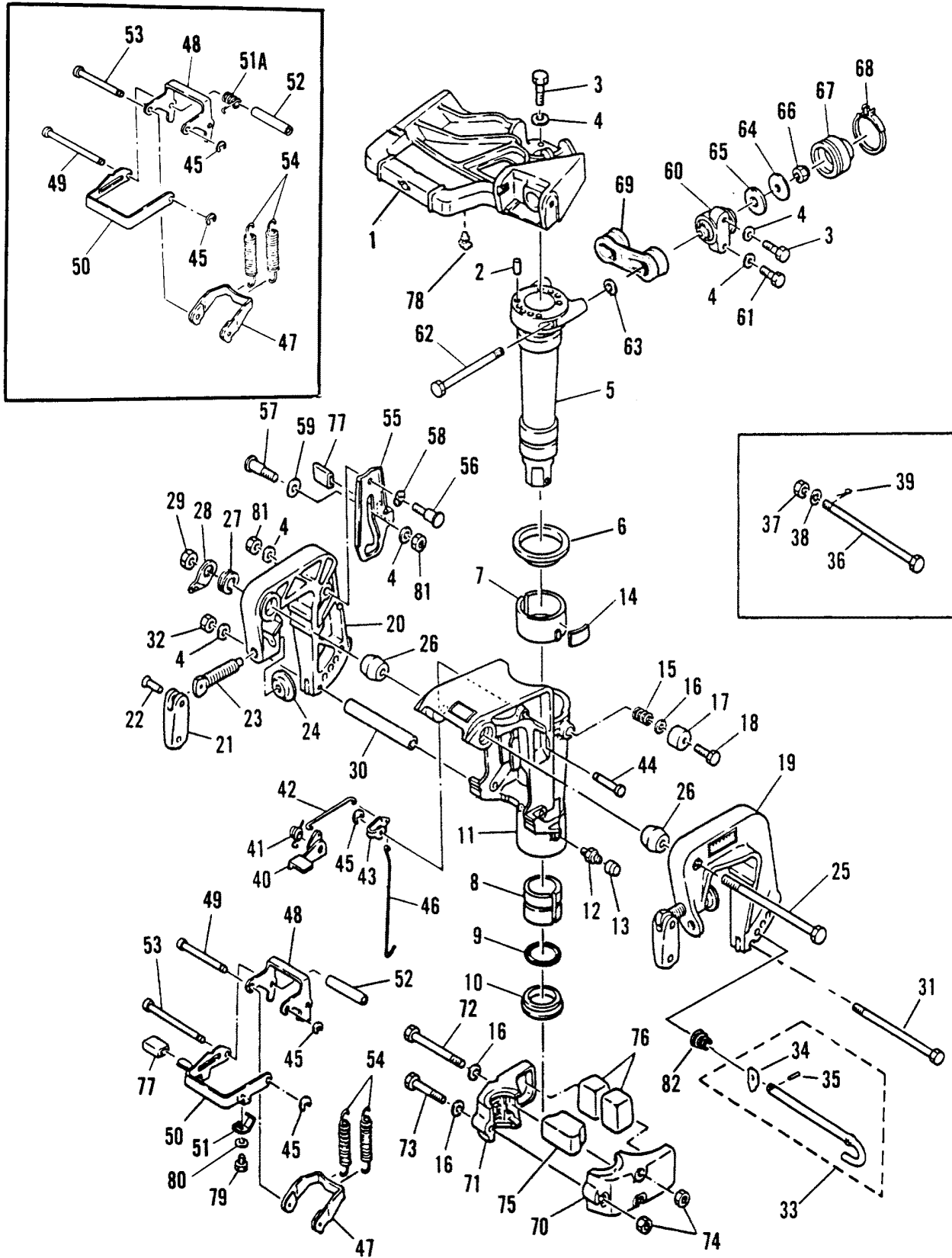


CLAMP AND SWIVEL BRACKET

REF. NO.	PART NO.	SYM.	QTY.	DESCRIPTION
31	10-84062M		1	BOLT
32	11-82381M		1	NUT
33	17-94569M		1	TILT ROD ASSEMBLY
34	82857M		1	STOPPER
35	17-82144M		1	ROLL PIN
36	10-94570M		1	BOLT - SUPER ULTRA LONG (M-003176 ML-304226 E-250426 EL-550776 & Up)
	10-84283M		1	BOLT - SUPER ULTRA LONG (M-003175 ML-304225 E-250425 EL-550775 & Below)
37	11-84284M		1	NUT - SUPER ULTRA LONG
38	12-82217M		1	WASHER - SUPER ULTRA LONG
39	18-82128M		1	COTTER PIN - SUPER ULTRA LONG
40	84001M		1	TILT HANDLE
41	24-84285M		1	SPRING
42	83999M		1	TILT LOCK ROD
43	84002M		1	TILT LEVER
44	17-18945M		1	PIN
45	53-82330M		3	SNAP RING
46	84000M		1	TILT LOCK ROD
47	83997M		1	TILT LOCK
48	98994M		1	BRACKET (M-013276 ML-312686 E-250806 EL-551256 & Up)
	83998M		1	BRACKET (M-013275 ML-312685 E-250805 EL-551255 & Below)
49	17-83996M		1	SHAFT
50	98995M		1	LEVER (M-013276 ML-312686 E-250806 EL-551256 & Up)
51	24-98996M		1	SPRING (M-013276 ML-312686 E-250806 EL-551256 & Up)
50	84127M		1	LEVER (M-013275 ML-312685 E-250805 EL-551255 & Below)
51A	24-84286M		1	SPRING (M-013275 ML-312685 E-250805 EL-551255 & Below)
52	84287M		1	COLLAR
53	17-84003M		1	REVERSE LOCK SHAFT
54	24-84288M		2	SPRING
	24-11936M		2	SPRING (FOR DUAL THRUST PROP)
55	14219M		1	TILT STOP LEVER (M-043802 ML-328659 E-251991 EL-552891 & Up)
	96616M		1	TILT STOP LEVER (SEE NOTE #9)
	83995M		1	TILT STOP LEVER (M-003175 ML-304225 E-250425 EL-550775 & Below)
56	10-94572M		1	BOLT (M-003176 ML-304226 E-250426 EL-550776 & Up)
	10-94573M		1	BOLT (M-003175 ML-304225 E-250425 EL-550775 & Below)
57	10-94573M		1	BOLT
58	13-14220M		1	WAVE WASHER (M-043802 ML-328659 E-251991 EL-552891 & Up)
	13-81868M		1	WAVE WASHER (M-043801 ML-328658 E-251990 EL-552890 & Below)
59	12-98997M		1	WASHER
60	84032M		2	MOUNT

CONTINUED ON NEXT PAGE ➡

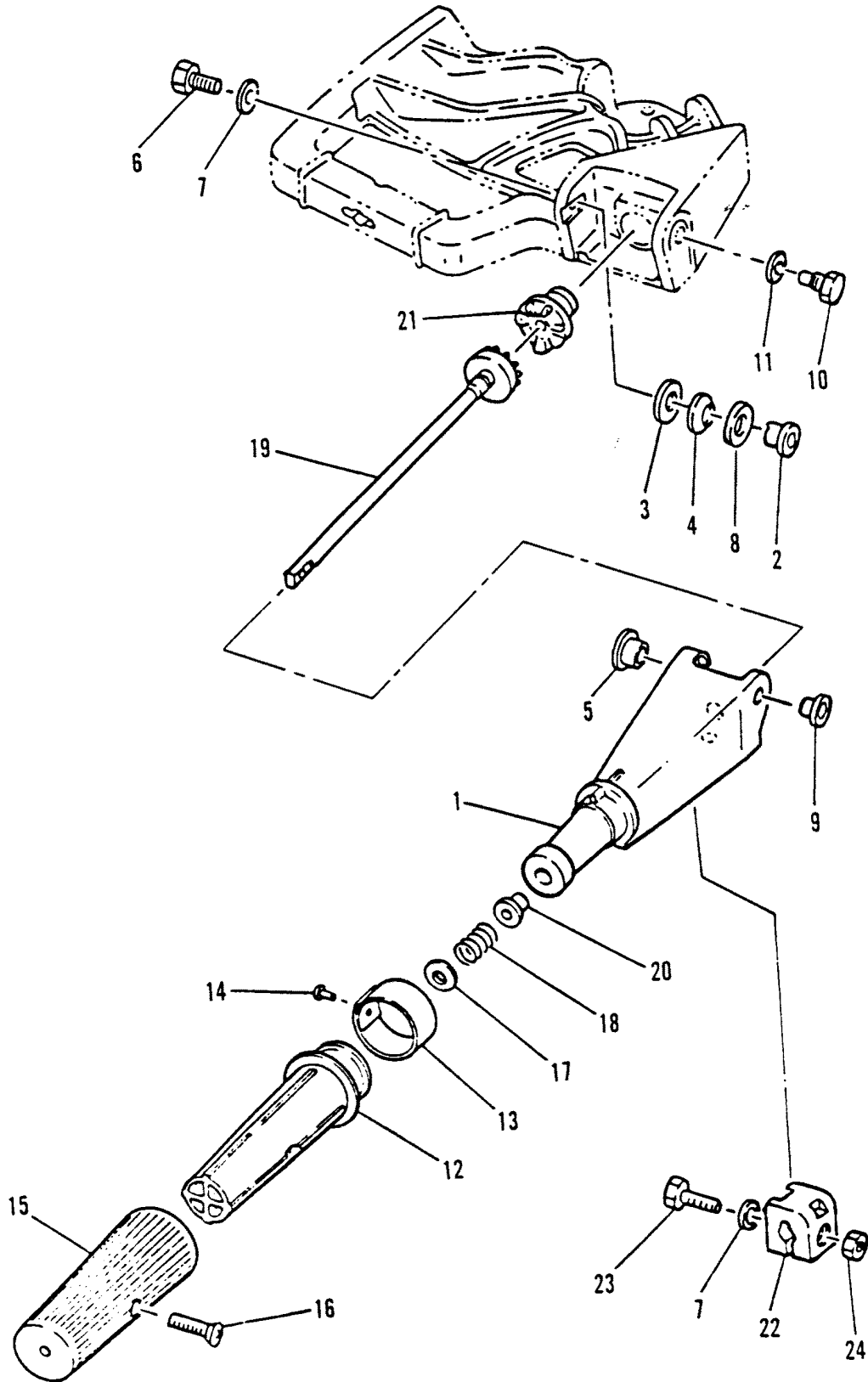
CLAMP AND SWIVEL BRACKET



CLAMP AND SWIVEL BRACKET

REF. NO.	PART NO.	SYM.	QTY.	DESCRIPTION
60	84291M		2	MOUNT (SUL)
61	10-82405M		4	BOLT
62	10-84061M		2	BOLT
63	12-84292M		2	WASHER
64	12-84293M		2	WASHER
65	12-84294M		2	WASHER
66	11-84295M		2	NUT
67	26-84034M		2	CAP
68	54-84296M		2	CLAMP
69	26-94574M		1	SEAL - SEE NOTE #11 (M-003606 ML-304891 E-250461 EL-550801 & Up)
70	94575M		1	HOUSING (PORT) (M-003606 ML-304891 E-250461 EL-550801 & Up)
71	94614M		1	HOUSING (STARBOARD) (M-003606 ML-304891 E-250461 EL-550801 & Up)
72	10-94615M		2	BOLT (M-003606 ML-304891 E-250461 EL-550801 & Up)
69	26-84033M		1	SEAL (M-003605 ML-304890 E-250460 EL-550800 & Below)
70	NLA		1	HOUSING (PORT) (M-003605 ML-304890 E-250460 EL-550800 & Below)
71	NLA		1	HOUSING (STARBOARD) (M-003605 ML-304890 E-250460 EL-550800 & Below)
72	10-82472M		2	BOLT (M-003605 ML-304890 E-250460 EL-550800 & Below)
73	10-84057M		1	BOLT
74	11-82393M		3	NUT
75	84038M		1	RUBBER MOUNT (LOWER FRONT)
76	84037M		2	RUBBER MOUNT (LOWER SIDE)
	84297M		2	RUBBER MOUNT (LOWER SIDE - SUL)
77	11932M		2	COVER
78	80033M		1	HOLDER (OLD DESIGN)
79	10-98998M		1	BOLT
80	12-82214M		1	WASHER
81	11-15373M		2	NUT
82	24-815007M		1	SPRING

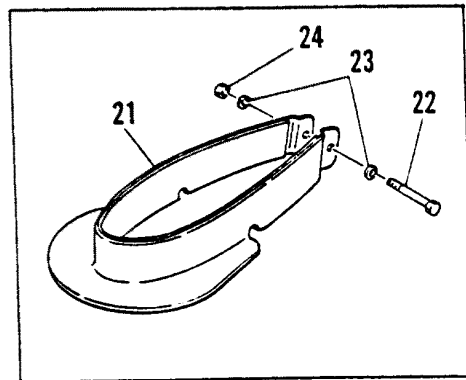
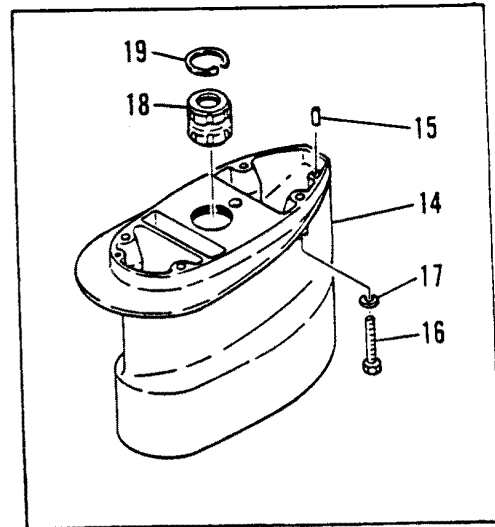
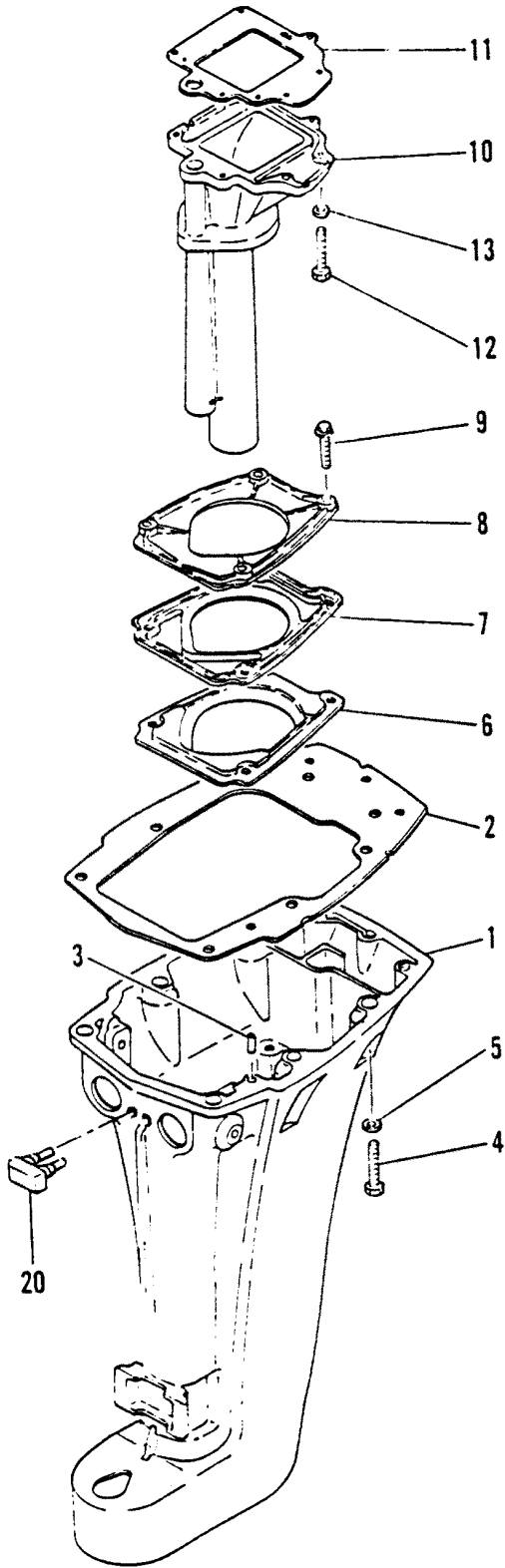
STEERING HANDLE



STEERING HANDLE

REF. NO.	PART NO.	SYM.	QTY.	DESCRIPTION
1	815120M		1	STEERING HANDLE (M-074083 ML-344581 E-253156 EL-554058 & Up)
	83969M		1	STEERING HANDLE (M-074082 ML-344580 E-253155 EL-554057 & Below)
2	10-94616M		1	BOLT
3	12-81851M		1	WASHER
4	13-84299M		1	WAVE WASHER
5	23-84059M		1	BUSHING
6	10-82405M		1	BOLT
7	12-82214M		2	WASHER
8	12-81810M		1	WASHER
9	23-84060M		1	BUSHING
10	10-84067M		1	BOLT
11	12-82217M		1	WASHER
12	81585M		1	GRIP (M-003606 ML-304891 E-250461 EL-550801 & Up)
	94617M		1	GRIP (M-003605 ML-304890 E-250460 EL-550800 & Below)
13	815121M		1	THROTTLE INDICATOR (M-013276 ML-312686 E-250806 EL-551256 & Up)
	81586M		1	THROTTLE INDICATOR (M-013275 ML-312685 E-250805 EL-551255 & Below)
14	17-81907M		1	RIVET
15	95497M		1	RUBBER HANDLE (M-003606 ML-304891 E-250461 EL-550801 & Up)
	94618M		1	RUBBER HANDLE (M-003605 ML-304890 E-250460 EL-550800 & Below)
16	10-84300M		1	SCREW
17	12-82220M		1	WASHER
18	24-82095M		1	SPRING
19	43-815122M		1	GEAR (M-074083 ML-344581 E-253156 EL-554058 & Up)
	43-94620M		1	GEAR (M-074082 ML-344580 E-253155 EL-554057 & Below)
20	23-81945M		1	BUSHING
21	43-94619M		1	GEAR
22	82895M		1	FRICTION PIECE
23	10-84058M		1	BOLT
24	11-83056M		1	NUT

DRIVESHAFT HOUSING



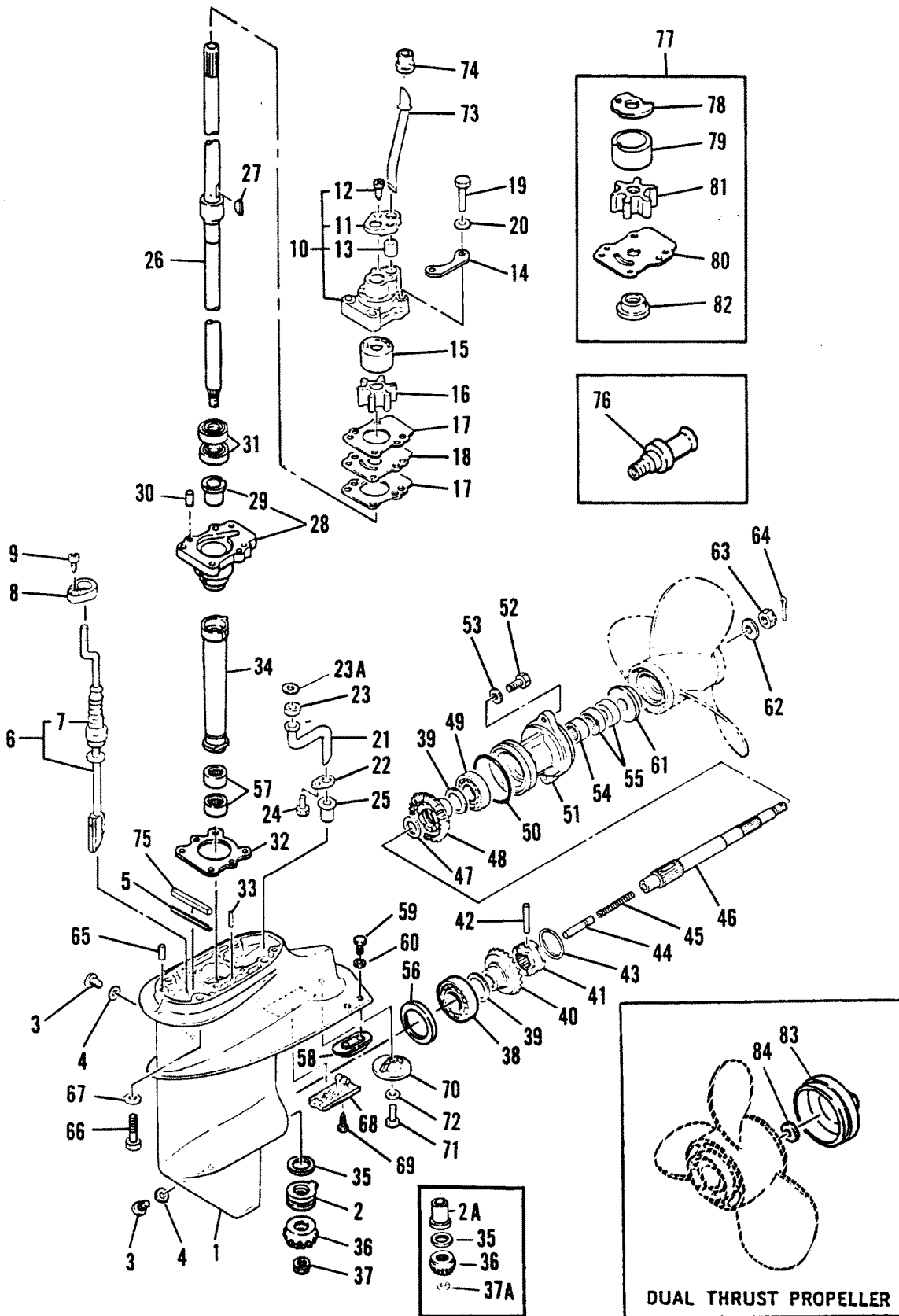
DRIVESHAFT HOUSING

REF. NO.	PART NO.	SYM.	QTY.	DESCRIPTION
1	1587-9512M		1	DRIVE SHAFT HOUSING (SHORT) (M-013276 ML-312686 E-250806 EL-551256 & Up)
	1587-811277M		1	DRIVE SHAFT HOUSING (LONG) (M-013276 ML-312686 E-250806 EL-551256 & Up)
	1587-8027M		1	DRIVE SHAFT HOUSING (SHORT) (M-003606-013275 ML-304891-312685 E-250461-250805 EL-550801-551255)
	1587-7144M		1	DRIVE DRIVE SHAFT HOUSING (SHORT) (M-003605 ML-304890 E-250406 EL-55080 & Below)
	1587-8028M		1	DRIVE SHAFT HOUSING (LONG) (M-013275 ML-312685 E-250805 EL-551255 & Below)
2	27-96618M		1	GASKET
3	17-82364M	■ †	2	DOWEL PIN
4	10-97749M		6	BOLT
5	12-82217M		6	WASHER
6	84040M		1	PLATE
7	84041M		1	SEAL
8	83953M		1	SEAL PROTECTOR
9	10-82476M		4	BOLT
10	810454M		1	EXHAUST MANIFOLD (M-020026 ML-316416 E-251061 EL-551616 & Up)
	83954M		1	EXHAUST MANIFOLD (M-020025 ML-316415 E-251060 EL-551615 & Below)
11	27-83955M	†	1	GASKET
12	10-84058M		6	BOLT
13	12-82214M		6	WASHER
14	84042M		1	EXTENSION - SUPER LONG SHAFT
15	17-82364M		2	DOWEL PIN - SUPER LONG SHAFT
16	10-82466M		4	BOLT - SUPER LONG SHAFT
17	12-82217M		4	WASHER - SUPER LONG SHAFT
18	23-815011M		1	BUSHING - SUPER LONG SHAFT
19	53-83758M		1	SNAP RING - SUPER LONG SHAFT
20	94621M		1	STOPPER
21	84269M		1	SPLASH PLATE - LONG SHAFT
22	10-82457M		1	BOLT - LONG SHAFT
23	12-82214M		2	WASHER - LONG SHAFT
24	11-82381M		1	NUT - LONG SHAFT
-	27-96604M		1	ENGINE GASKET SET (M-062458, ML-336233, E-252703, EL-553588, & BELOW)
-	27-18938M		1	ENGINE GASKET SET (M-062459, ML-336234, E-252704, EL-553589 & UP)
-	27-84123M		1	LOWER UNIT GASKET SET

■ = COMPONENT OF ENGINE GASKET SET (27-96604M or 27-18938M)

† = COMPONENT OF LOWER UNIT GASKET SET (27-99049M or 27-84123M)

GEAR HOUSING ASSEMBLY



GEAR HOUSING ASSEMBLY

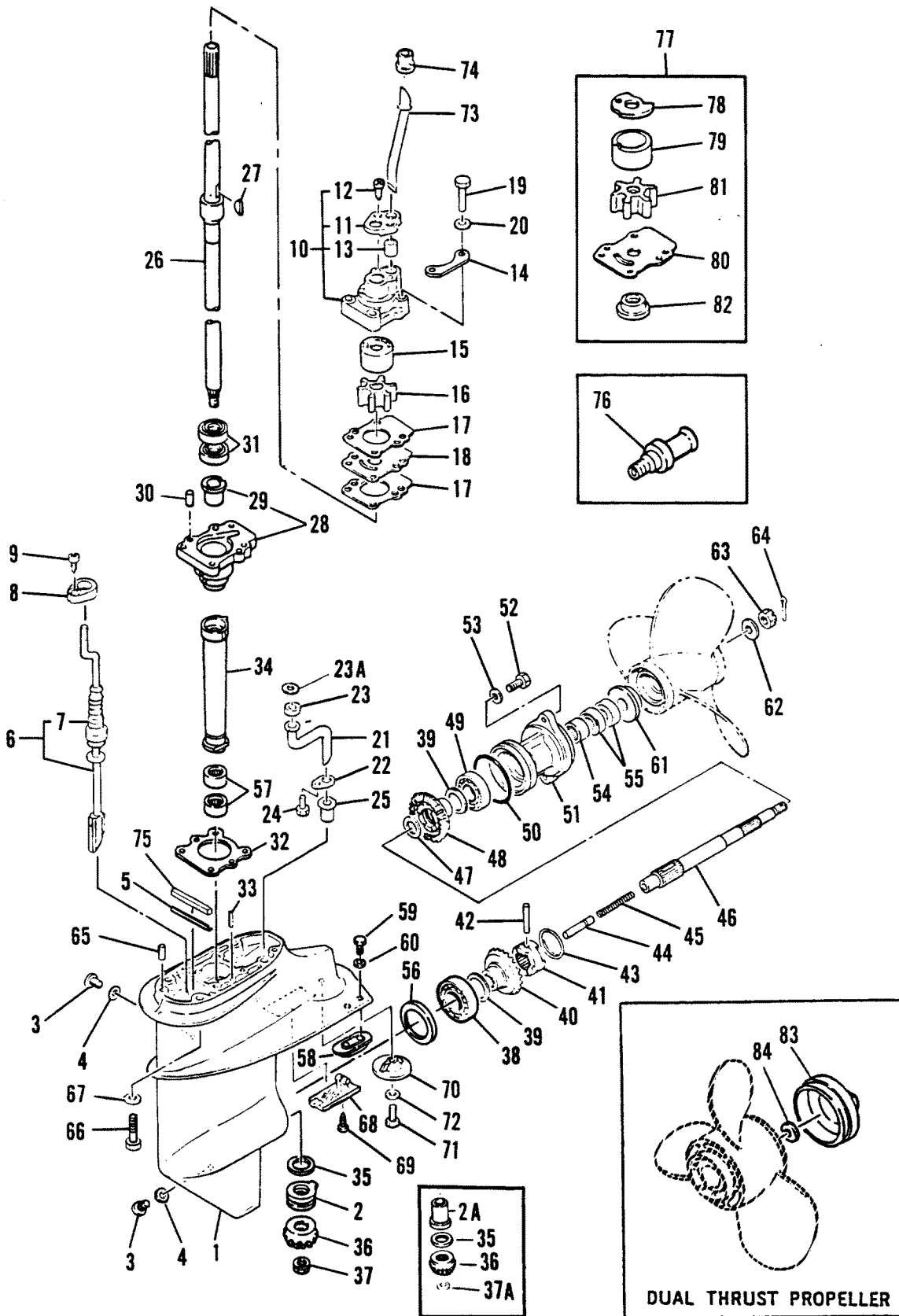
REF. NO.	PART NO.	SYM.	QTY.	DESCRIPTION
0-1	1651-811993M		1	GEAR HOUSING (SHORT) (M-013276 ML-312686 E-250806 EL-551256 & Up)
	1651-811992M		1	GEAR HOUSING (LONG) (M-013276 ML-312686 E-250806 EL-551256 & Up)
1	1651-9796M		1	GEAR HOUSING (M-062459 ML-336234 E-252704 EL-553589 & Up)
	1651-8625M		0	GEAR HOUSING (M-062458 ML-336233 E-252703 EL-553588 & Below)
2	31-99030M		1	BEARING (M-013276 ML-312686 E-250806 EL-551256 & Up)
0-1	NLA		1	GEAR HOUSING (SHORT) (M-013275 ML-312685 E-250805 EL-551255 & Below)
	NLA		1	GEAR HOUSING (LONG) (M-013275 ML-312685 E-250805 EL-551255 & Below)
1	1651-7146M		1	GEAR HOUSING (M-013275 ML-312685 E-250805 EL-551255 & Below)
2A	23-810455M		1	BUSHING (M-013275 ML-312685 E-250805 EL-551255 & Below)
3	22-81924M		3	SCREW
4	27-81987M	✚	3	GASKET
5	94622M		1	GUIDE
6	84016M		1	SHIFT CAM (SHORT)
	84017M		1	SHIFT CAM (LONG)
	84018M		1	SHIFT CAM (SUPER LONG)
7	84019M		1	BOOT
8	84020M		1	BRACKET
9	10-84271M		1	SCREW
10	46-94623M		1	WATER PUMP HOUSING
11	84023M		1	COVER
12	10-84272M		2	SCREW
13	26-84022M	◆	1	SEAL
14	94624M		2	PLATE
15	84025M	◆	1	INSERT
16	47-84027M	◆	1	IMPELLER
17	27-84024M	◆✚	2	GASKET
18	84026M	◆	1	OUTER PLATE
19	10-82457M	◆	4	BOLT
20	12-82214M		4	WASHER
21	32-94625M		1	WATER PICK-UP TUBE
22	84072M		1	PLATE
23	26-94626M		1	SEAL (USE W/O REF.#23A)
	26-84071M		1	SEAL (USE WITH REF. #23A)
23A	12-84273M		1	WASHER (USE WITH REF. #23)
24	10-84088M		1	BOLT

◆ = COMPONENT OF WATER PUMP REPAIR KIT (46-84277M)

✚ = COMPONENT OF LOWER UNIT GASKET SET (27-99049M or 27-84123M)

CONTINUED ON NEXT PAGE ➡

GEAR HOUSING ASSEMBLY



GEAR HOUSING ASSEMBLY

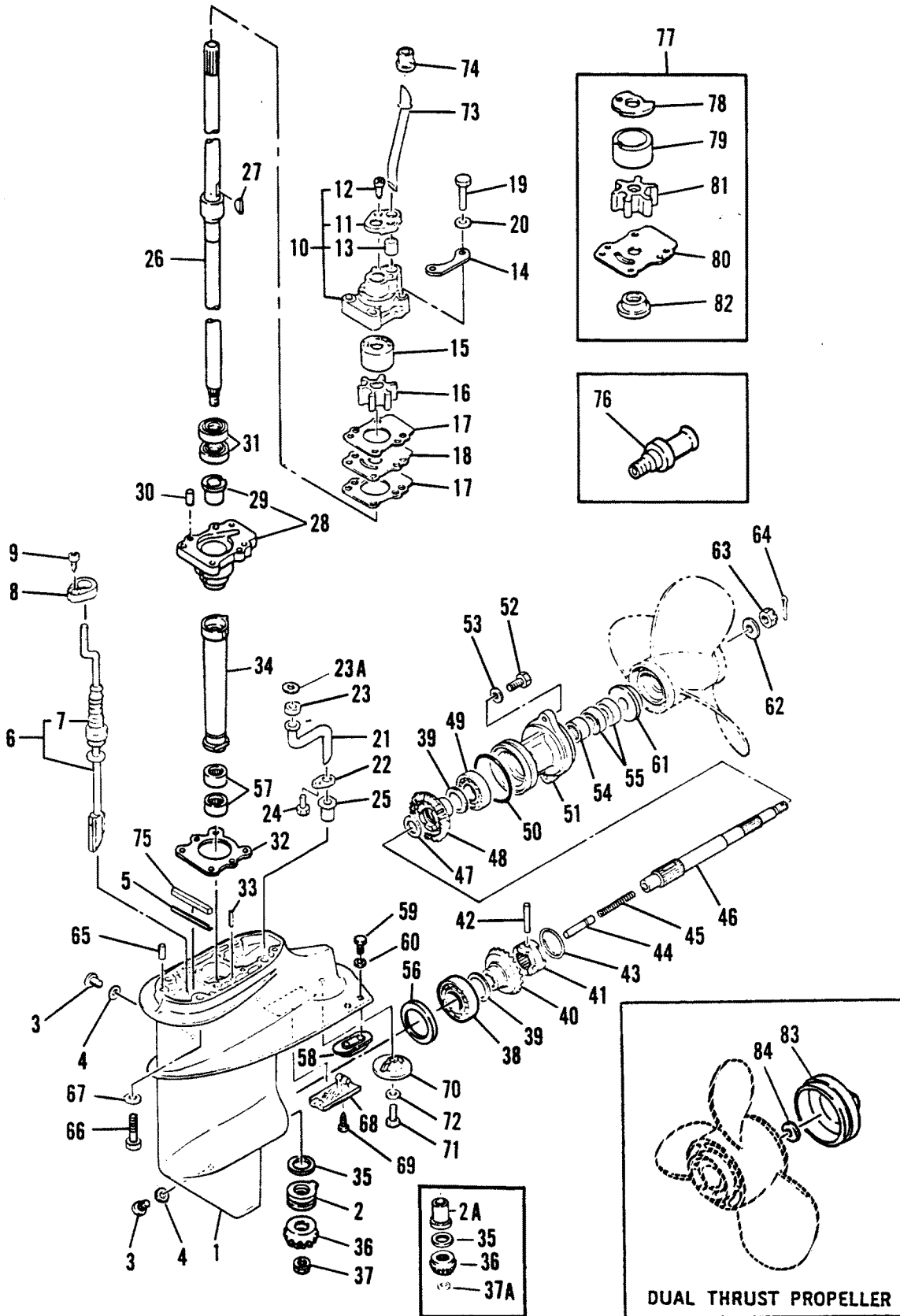
REF. NO.	PART NO.	SYM.	QTY.	DESCRIPTION
0-1	1651-811993M		1	GEAR HOUSING (SHORT) (M-0132276 ML-312686 E-250806 EL-551256 & Up)
	1651-811992M		1	GEAR HOUSING (LONG) (M-0132276 ML-312686 E-250806 EL-551256 & Up)
	NLA1-		1	GEAR HOUSING (SHORT) (M-013275 ML-312685 E-250805 EL-551255 & Below)
	NLA1-		1	GEAR HOUSING (LONG) (M-013275 ML-312685 E-250805 EL-551255 & Below)
25	26-99031M	✂	1	SEAL (M-013276 ML-312686 E-250806 EL-551256 & Up)
26	45-99032M		1	DRIVESHAFT (SHORT) (M-013276 ML-312686 E-250806 EL-551256 & Up)
	45-99033M		1	DRIVESHAFT (LONG) (M-013276 ML-312686 E-250806 EL-551256 & Up)
	45-99034M		1	DRIVESHAFT (SUPER LONG) (M-013276 ML-312686 E-250806 EL-551256 & Up)
25	26-81607M	✂	1	SEAL (M-013275 ML-312685 E-250805 EL-551255 & Below)
26	45-84048M		1	DRIVESHAFT(SHORT) (M-013275 ML-312685 E-250805 EL-551255 & Below)
	45-84049M		1	DRIVESHAFT (LONG) (M-013275 ML-312685 E-250805 EL-551255 & Below)
	45-84050M		1	DRIVESHAFT (SUPER LONG) (M-013275 ML-312685 E-250805 EL-551255 & Below)
27	28-81912M	◆	1	KEY
28	99054M		1	BEARING HOUSING (SEE NOTE #1) (M-013276 ML-312686 E-250806 EL-551256 & Up)
	84043M		1	BEARING HOUSING (M-013275 ML-312685 E-250805 EL-551255 & Below)
29	23-82590M		1	BUSHING
30	17-82364M		2	DOWEL PIN
31	26-82229M	✂	2	OIL SEAL
32	27-84075M	✂	1	GASKET
33	17-82354M		1	DOWEL PIN
34	23-99035M		1	SLEEVE (M-013276 ML-312686 E-250806 EL-551256 & Up)
35	12-99036M		AR	THRUST WASHER (0.05MM) (M-013276 ML-312686 E-250806 EL-551256 & Up)
	12-99037M		AR	THRUST WASHER (0.08MM) (M-013276 ML-312686 E-250806 EL-551256 & Up)
	12-18947M		AR	THRUST WASHER (0.08MM) (M-013276 ML-312686 E-250806 EL-551256 & Up)
	12-18948M		AR	THRUST WASHER (0.12MM) (M-013276 ML-312686 E-250806 EL-551256 & Up)
	12-18949M		AR	THRUST WASHER (0.15MM) (M-013276 ML-312686 E-250806 EL-551256 & Up)
	12-18950M		AR	THRUST WASHER (0.18MM) (M-013276 ML-312686 E-250806 EL-551256 & Up)
	12-18951M		AR	THRUST WASHER (0.30MM) (M-013276 ML-312686 E-250806 EL-551256 & Up)

◆ = COMPONENT OF WATER PUMP REPAIR KIT (46-84277M)

✂ = COMPONENT OF LOWER UNIT GASKET SET (27-99049M or 27-84123M)

CONTINUED ON NEXT PAGE ➡

GEAR HOUSING ASSEMBLY

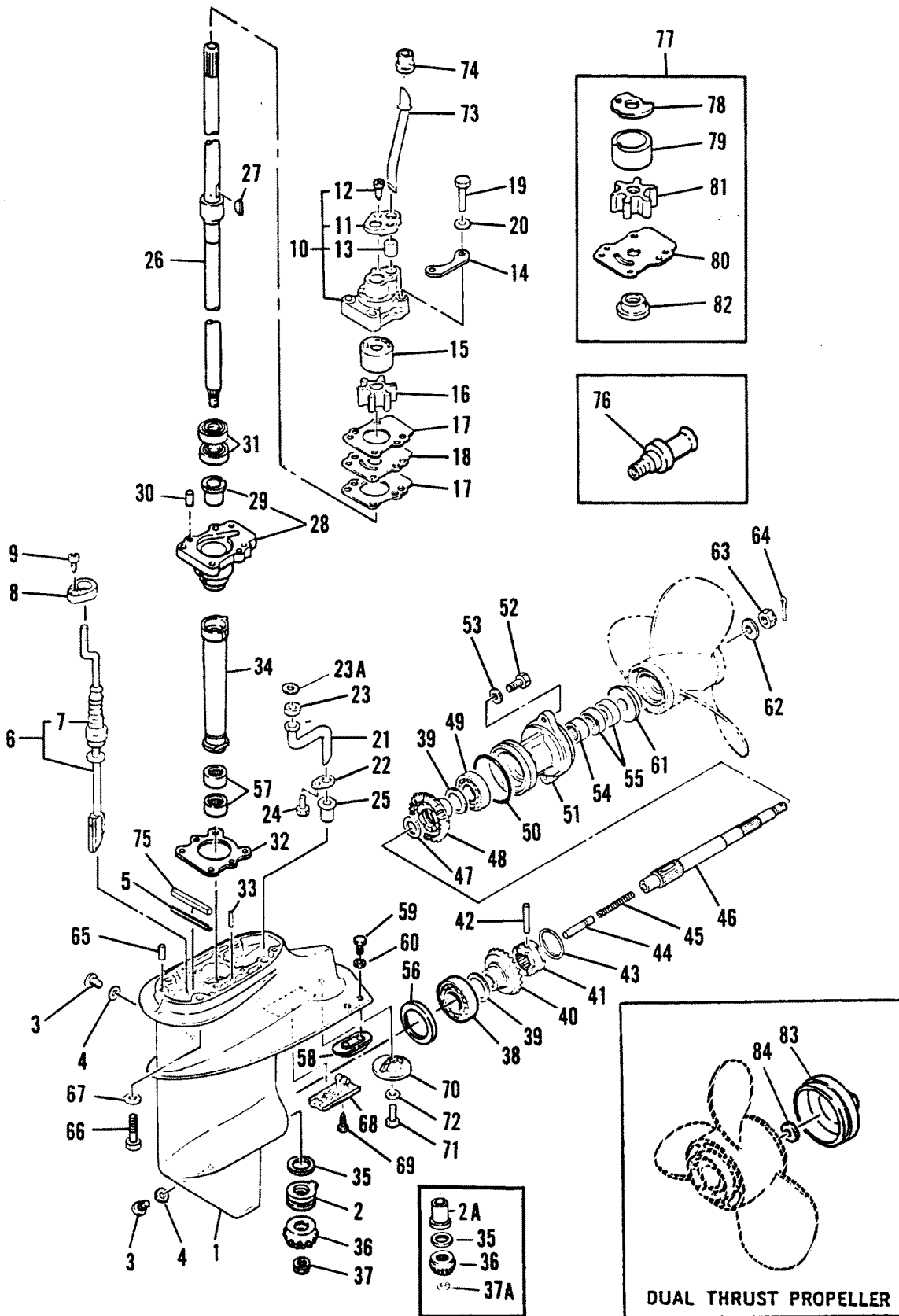


GEAR HOUSING ASSEMBLY

REF. NO.	PART NO.	SYM.	QTY.	DESCRIPTION
35	12-18952M		AR	THRUST WASHER (0.40MM) (M-013276 ML-312686 E-250806 EL-551256 & Up)
	12-18953M		AR	THRUST WASHER (0.50MM) (M-013276 ML-312686 E-250806 EL-551256 & Up)
36	43-99041M		1	PINION GEAR (M-013276 ML-312686 E-250806 EL-551256 & Up)
37	11-99042M		1	NUT (M-013276 ML-312686 E-250806 EL-551256 & Up)
38	31-82321M		1	ROLLER BEARING (M-013276 ML-312686 E-250806 EL-551256 & Up)
34	23-84063M		1	SLEEVE (M-013275 ML-312685 E-250805 EL-551255 & Below)
35	12-80251M		AR	THRUST WASHER (1.1MM) (M-013275 ML-312685 E-250805 EL-551255 & Below)
	12-80252M		AR	THRUST WASHER (1.2MM) (M-013275 ML-312685 E-250805 EL-551255 & Below)
	12-80253M		AR	THRUST WASHER (1.3MM) (M-013275 ML-312685 E-250805 EL-551255 & Below)
	12-80254M		AR	THRUST WASHER (1.4MM) (M-013275 ML-312685 E-250805 EL-551255 & Below)
36	43-80256M		1	PINION GEAR (M-013275 ML-312685 E-250805 EL-551255 & Below)
37A	53-82332M		1	SNAP RING (M-013275 ML-312685 E-250805 EL-551255 & Below)
38	30-14273M		1	ROLLER BEARING (M-013275 ML-312685 E-250805 EL-551255 & Below)
0-1	1651-811993M		1	GEAR HOUSING (SHORT) (M-013276 ML-312686 E-250806 EL-551256 & Up)
	1651-811992M		1	GEAR HOUSING (LONG) (M-013276 ML-312686 E-250806 EL-551256 & Up)
	NLA1-		1	GEAR HOUSING (SHORT) (M-013275 ML-312685 E-250805 EL-551255 & Below)
	NLA1-		1	GEAR HOUSING (LONG) (M-013275 ML-312685 E-250805 EL-551255 & Below)
39	15-80258M		AR	SHIM (0.1MM)
	15-80259M		AR	SHIM (0.3MM)
	15-80260M		AR	SHIM (0.5MM)
40	43-99043M		1	FORWARD GEAR (M-013276 ML-312686 E-250806 EL-551256 & Up)
	43-80257M		1	FORWARD GEAR (M-013275 ML-312685 E-250805 EL-551255 & Below)
41	52-84274M		1	CLUTCH
42	17-81899M		1	PIN
43	53-80678M		1	RING
44	80923M		1	PLUNGER
45	24-84064M		1	SPRING
46	44-84078M		1	PROPELLER SHAFT
47	12-94627M		1	WASHER

CONTINUED ON NEXT PAGE ➡

GEAR HOUSING ASSEMBLY



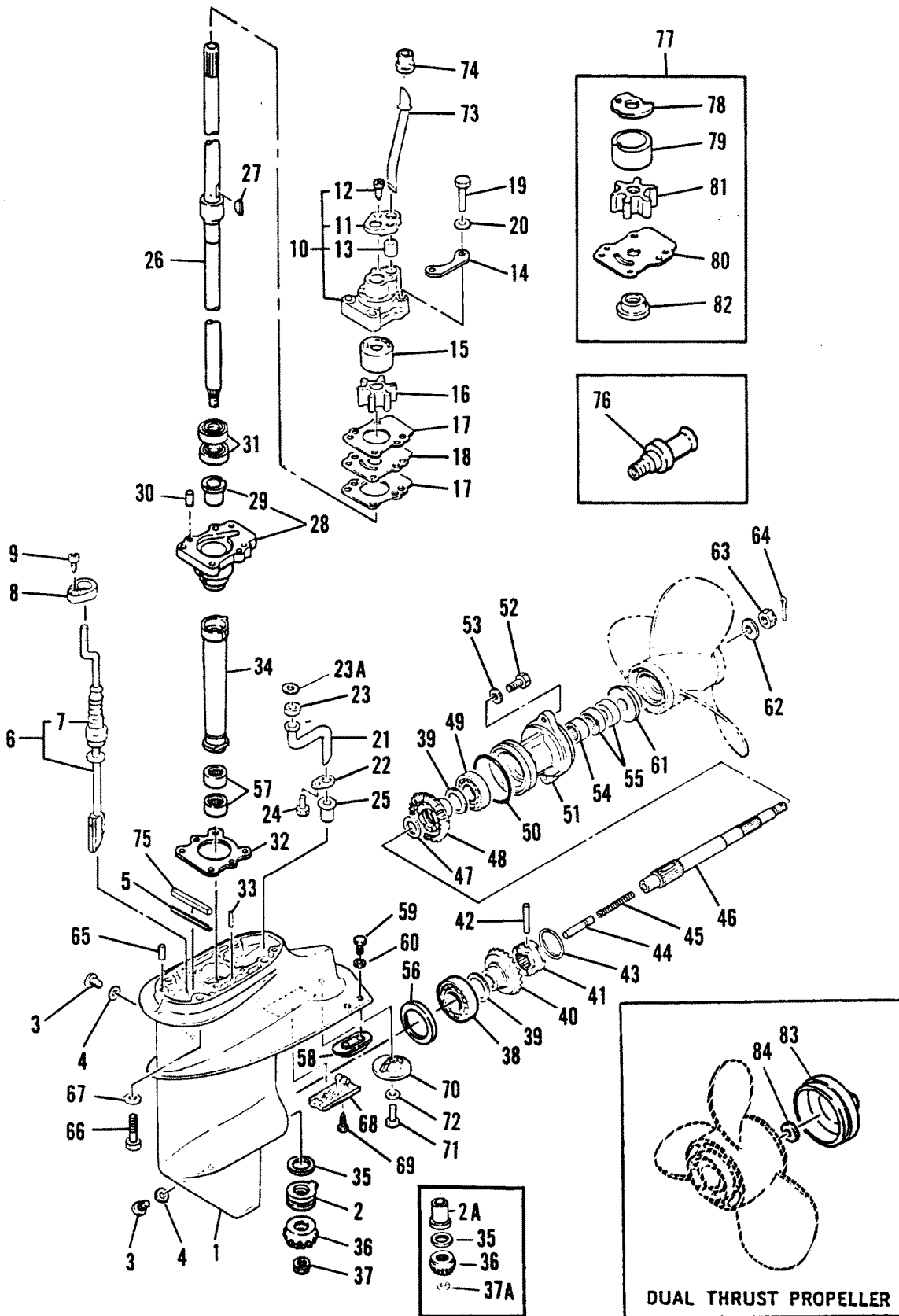
GEAR HOUSING ASSEMBLY

REF. NO.	PART NO.	SYM.	QTY.	DESCRIPTION
48	43-99044M		1	REVERSE GEAR (M-013276 ML-312686 E-250806 EL-551256 & Up)
	43-84077M		1	REVERSE GEAR (M-013275 ML-312685 E-250805 EL-551255 & Below)
49	30-82294M		1	ROLLER BEARING
50	25-84089M	⊕	1	O-RING
51	84076M		1	CAP
52	10-84058M		2	BOLT
53	12-82214M		2	WASHER
54	30-84086M		1	NEEDLE BEARING
55	26-82227M	⊕	2	OIL SEAL
56	15-81626M		AR	SHIM (0.05MM) (M-013276 ML-312686 E-250806 EL-551256 & Up)
	15-81627M		AR	SHIM (0.08MM) (M-013276 ML-312686 E-250806 EL-551256 & Up)
	15-18955M		AR	SHIM (0.12MM) (M-013276 ML-312686 E-250806 EL-551256 & Up)
	15-18958M		AR	SHIM (0.30MM) (M-013276 ML-312686 E-250806 EL-551256 & Up)
	15-18960M		AR	SHIM (0.50MM) (M-013276 ML-312686 E-250806 EL-551256 & Up)
57	31-99045M		2	NEEDLE BEARING (M-013276 ML-312686 E-250806 EL-551256 & Up)
58	18852M		1	ANODE (M-013276 ML-312686 E-250806 EL-551256 & Up)
59	10-91725M		2	BOLT (M-013276 ML-312686 E-250806 EL-551256 & Up)
60	12-82214M		2	WASHER (M-013276 ML-312686 E-250806 EL-551256 & Up)
0-1	1651-811993M		1	GEAR HOUSING (SHORT) (M-013276 ML-312686 E-250806 EL-551256 & Up)
	1651-811992M		1	GEAR HOUSING (LONG) (M-013276 ML-312686 E-250806 EL-551256 & Up)
	NLA1-		1	GEAR HOUSING (SHORT) (M-013275 ML-312685 E-250805 EL-551255 & Below)
	NLA1-		1	GEAR HOUSING (LONG) (M-013275 ML-312685 E-250805 EL-551255 & Below)
61	12-815025M		1	THRUST HUB (M-074083 ML-344581 E-253156 EL-554058 & Up)
	12-84084M		1	THRUST HUB (M-074082 ML-344580 E-253155 EL-554057 & Below)
62	12-84275M		1	WASHER
63	11-84087M		1	PROPELLER NUT
64	18-99046M		1	COTTER PIN (M-013276 ML-312686 E-250806 EL-551256 & Up)
	18-82132M		1	COTTER PIN (SEE NOTE #6)
65	17-82364M		2	DOWEL PIN
66	10-82466M		4	BOLT
67	12-82217M		4	WASHER
68	18961M		1	COVER (M-062459 ML-336234 E-252704 EL-553589 & Up)
69	10-14232M		1	SCREW (M-062459 ML-336234 E-252704 EL-553589 & Up)

⊕ = COMPONENT OF LOWER UNIT GASKET SET (27-99049M or 27-84123M)

CONTINUED ON NEXT PAGE ➡

GEAR HOUSING ASSEMBLY

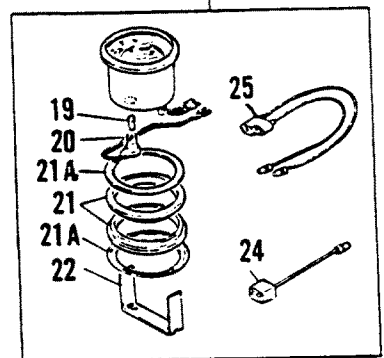
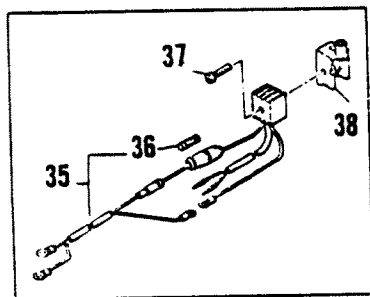
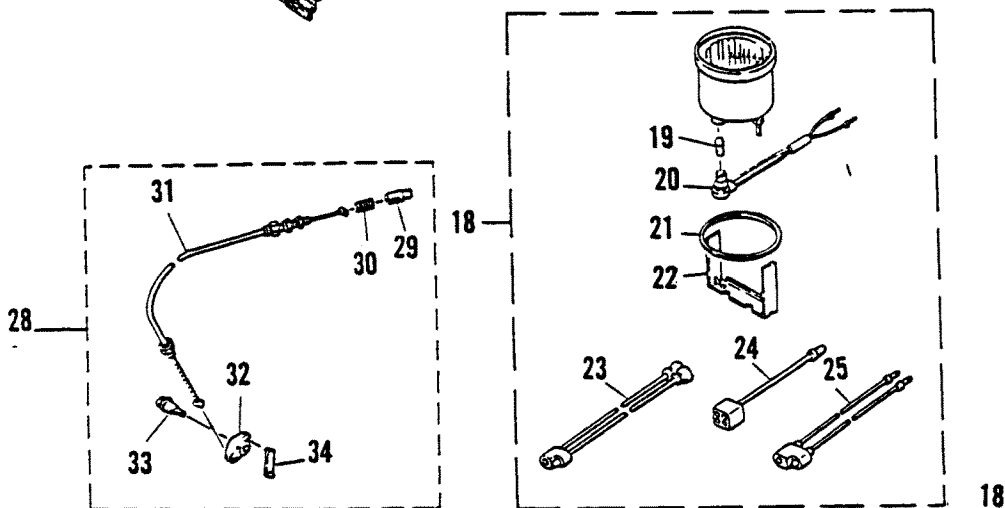
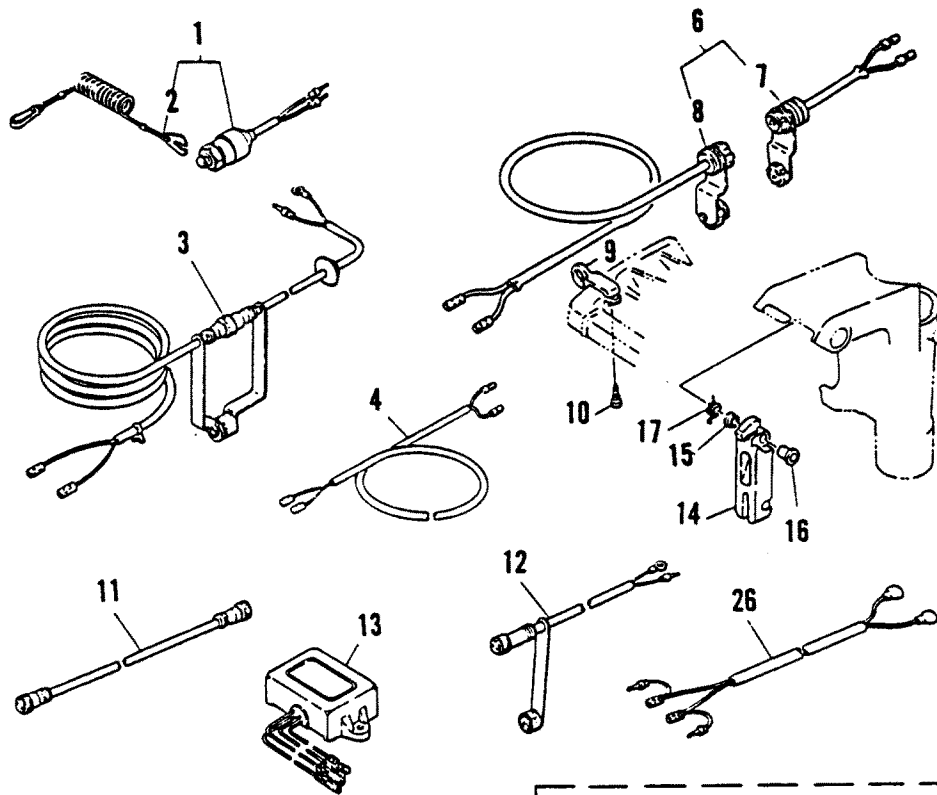


GEAR HOUSING ASSEMBLY

REF. NO.	PART NO.	SYM.	QTY.	DESCRIPTION
68	99047M		1	COVER (M-013276-062458 ML-312686-336233 E-250806-252703 EL-551256-553588)
69	10-99048M		1	SCREW (M-013276-062458 ML-312686-336233 E-250806-252703 EL-551256-553588)
68	84073M		1	COVER (M-013275 ML-312685 E-250805 EL-551255 & Below)
69	10-84276M		1	SCREW (M-013275 ML-312685 E-250805 EL-551255 & Below)
70	811990M		1	ANODE
71	10-91725M		1	BOLT
72	12-82214M		1	WASHER
73	32-84028M		1	WATER TUBE (SHORT)
	32-84029M		1	WATER TUBE (LONG)
	32-84030M		1	WATER TUBE (SUPER LONG)
74	26-80239M	✂	1	SEAL
75	26-94628M		1	RUBBER SEAL
76	22-95633M		1	FLUSH PLUG (M-023572 ML-323545 E-251806 EL-552656 & Up)
	22-80218M		1	FLUSH PLUG (M-023571 ML-323544 E-251805 EL-552655 & Below)
77	46-84118M		1	CHROME WATER PUMP KIT
78	84119M		1	INNER PLATE
79	84120M		1	INSERT
80	84121M		1	OUTER PLATE
81	47-84027M		1	IMPELLER
82	96620M		1	COVER
83	11933M		1	PROPELLER RING - DUAL THRUST PROP
84	12-84974M		1	WASHER - DUAL THRUST PROP
-	27-99049M		1	LOWER UNIT GASKET SET (M-013276 ML-312686 E-250806 EL-551256 & Up)
-	27-84123M		1	LOWER UNIT GASKET SET (M-013275 ML-312686 E-250806 EL-551256 & Up)
-	46-84277M		1	WATER PUMP REPAIR KIT

✂ = COMPONENT OF LOWER UNIT GASKET SET (27-99049M or 27-84123M)

OPTIONAL PARTS

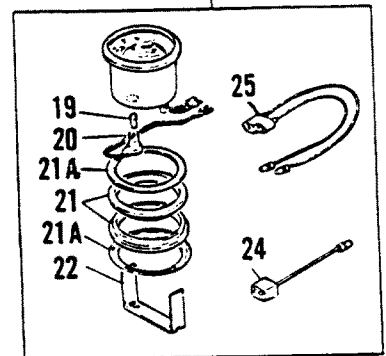
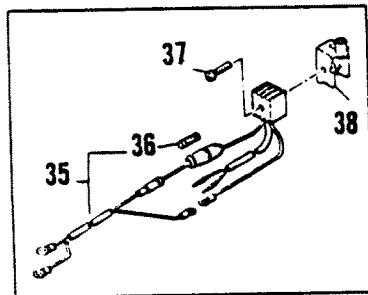
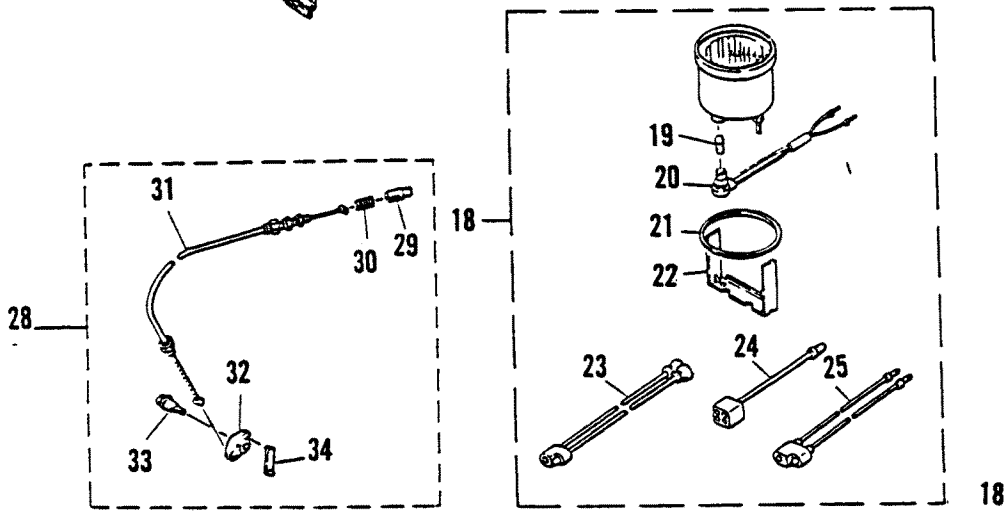
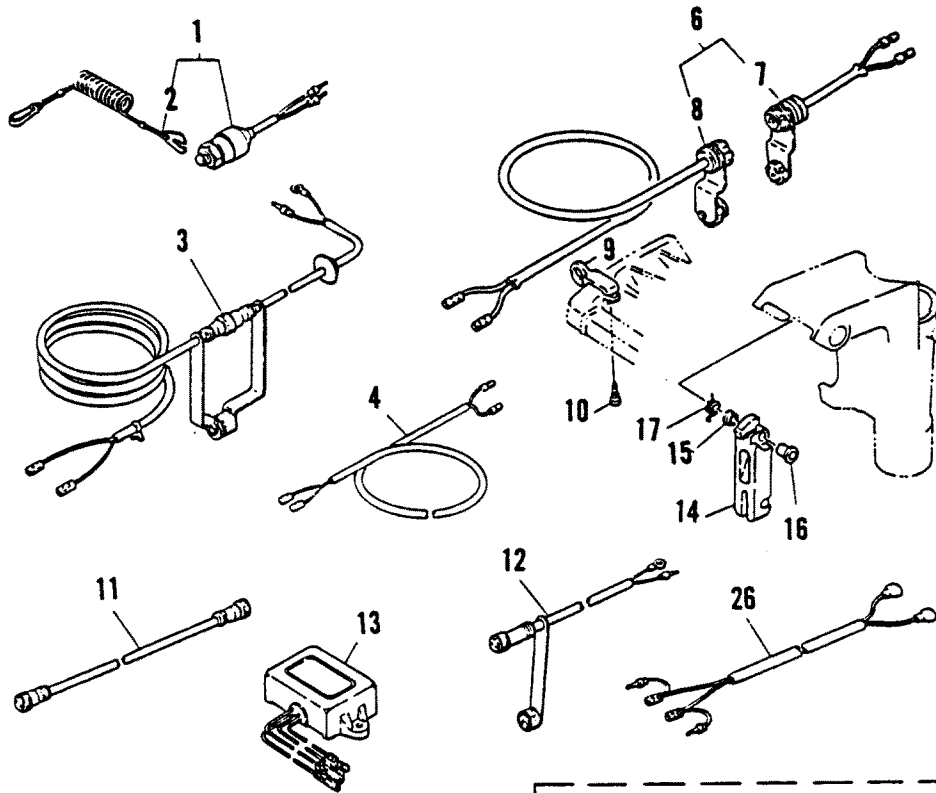


OPTIONAL PARTS

REF. NO.	PART NO.	SYM.	QTY.	DESCRIPTION
1	87-97755M		1	KILL SWITCH (LEAD WIRES ARE 2-3/4"-2 MALE TERMINALS)
	87-97757M		1	KILL SWITCH (1 RING/1 MALE TERMINAL - 24")
	87-97777M		1	KILL SWITCH (LEAD WIRES ARE 3" - 2 MALE TERMINALS)
	87-97776M		1	KILL SWITCH (LEAD WIRES ARE 19" - 2 MALE TERMINALS)
	87-97765M		1	KILL SWITCH (LEAD WIRES ARE 24" - 2 MALE TERMINALS)
2	97756M		1	STOPPER
3	84964M		1	EXTENSION
4	92613M		1	EXTENSION
6	84-84124M		1	CONNECTOR ASSEMBLY
7	84-99051M		1	CONNECTOR
8	84-99052M		1	CONNECTOR
9	84327M		1	HOLDER
10	10-84328M		1	SCREW
11	84959M		1	EXTENSION
12	99053M		1	EXTENSION
13	84125M		1	VOLTAGE REGULATOR
14	94632M		1	CARRYING HANDLE
15	23-84355M		1	BUSHING
16	23-81947M		1	BUSHING
17	24-84356M		1	SPRING
18	79-43984A1		1	TACHOMETER KIT - DESIGN II
19	88-99055M		1	BULB - DESIGN II
20	99056M		1	SOCKET - DESIGN II
21	99057M		1	DAMPER - DESIGN II
22	99058M		1	PLATE - DESIGN II
23	84-99059M		1	WIRE - DESIGN II
24	84-84353M		2	CONNECTOR - DESIGN II
25	84-84352M		1	EXTENSION - DESIGN II
26	84-99060M		1	EXTENSION - DESIGN II
18	79-84311M		1	TACHOMETER KIT - DESIGN I
19	88-80007M		1	BULB - DESIGN I
20	84348M		1	SOCKET - DESIGN I
21	84349M		2	DAMPER - DESIGN I
21A	12-84350M		2	WASHER - DESIGN I
22	84351M		1	PLATE - DESIGN I
24	84-84353M		2	CONNECTOR - DESIGN I
25	84-84352M		1	EXTENSION - DESIGN I
26	84-99060M		1	EXTENSION - DESIGN I
28	NLA		1	SAFETY STARTER KIT
29	81106M		1	PLUNGER
30	24-82079M		1	SPRING
31	84117M		1	LOCKOUT WIRE
32	84115M		1	ARM

CONTINUED ON NEXT PAGE ➡

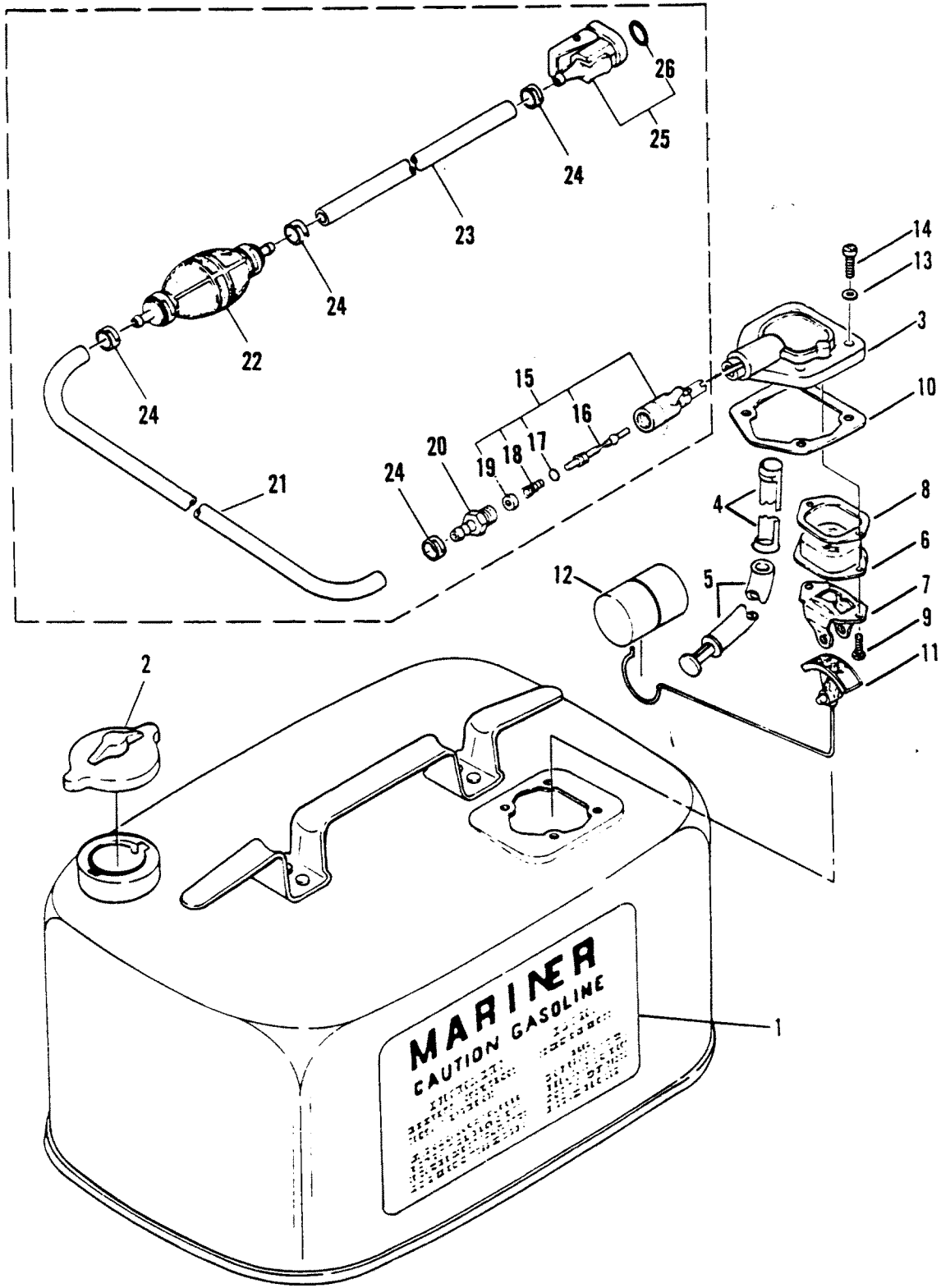
OPTIONAL PARTS



OPTIONAL PARTS

REF. NO.	PART NO.	SYM.	QTY.	DESCRIPTION
33	10-94544M		1	BOLT
34	84116M		1	LINK
35	84329M		1	RECTIFIER
36	88-81522M		1	FUSE
37	10-82521M		1	SCREW
38	84091M		1	BRACKET

FUEL TANK AND FUEL LINE ASSEMBLY



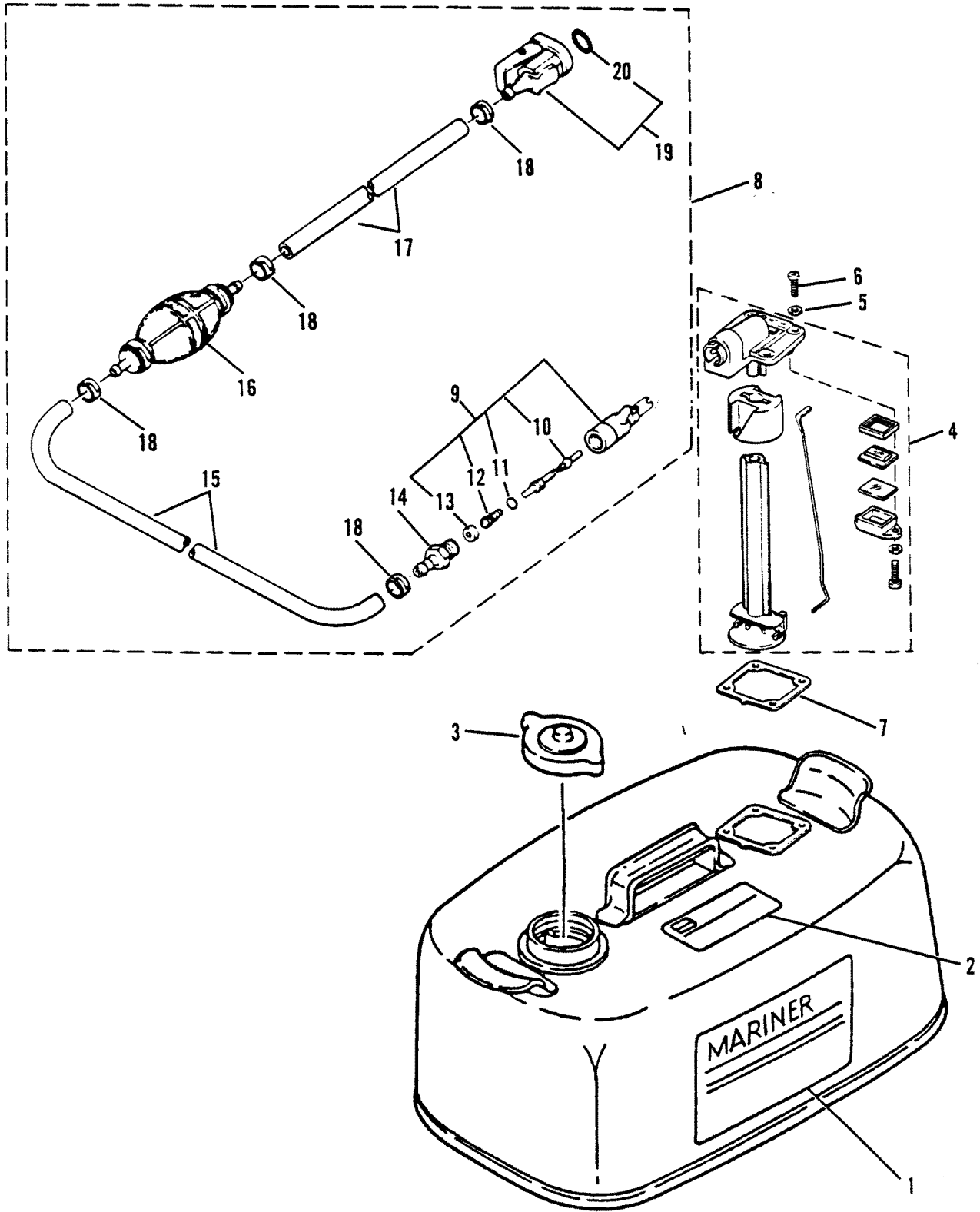
FUEL TANK AND FUEL LINE ASSEMBLY

REF. NO.	PART NO.	SYM.	QTY.	DESCRIPTION
1	37-82984M		2	DECAL, SIDEE
2	36-18962M		1	FUEL TANK CAP
3	83618M		1	FUEL METER ASSEMBLY
4	54-83764M		1	CLAMP
5	32-94727M		1	HOSE
6	NLA		1	LENS (SERVICE BULLETIN 84-1)
7	80268M		1	BRACKET
8	27-17540M		1	GASKET
9	10-83523M		2	SCREW
10	27-81320M		1	GASKET
11	81318M		1	INDICATOR
12	81319M		1	FLOAT
13	12-80271M		4	WASHER
14	10-82496M		4	SCREW
	32-17146A8		1	FUEL LINE ASSY. (5/16" - 8MM - I.D. HOSE)
15	30185A3		1	BAYONET BODY ASSEMBLY
16	30187		1	STEM
17	25-20415		1	O-RING
18	24-30189		1	SPRING
19	30188		1	CAP WASHER
20	22-89771--1		1	FITTING (5/16" - 8MM - I.D. HOSE)
	22-63187		1	FITTING (1/4" - 6MM - I.D. HOSE)
21	32-16571M		1	HOSE (5/16" - 8MM - I.D. HOSE)
	32-94727M		1	HOSE (1/4" - 6MM - I.D. HOSE)
22	17149M		1	PRIMER BULB (5/16" - 8MM - I.D. HOSE)
	16572M		1	PRIMER BULB (1/4" - 6MM - I.D. HOSE)
23	32-16571M		1	HOSE (5/16" -8 MM - I.D. HOSE)
	32-94727M		1	HOSE (1/4" - 6MM - I.D. HOSE)
24	54-16574M		4	CLAMP (5/16" - 8MM - I.D. HOSE)
	54-80752M		4	CLAMP (1/4" - 6MM - I.D. HOSE)
25	22-13563A3		1	FUEL CONNECTOR (5/16" - 8MM - I.D. HOSE)
	22-14213M		1	FUEL CONNECTOR (1/4" - 6MM - I.D. HOSE)
26	25-82789M		1	O-RING (1/4" - 6MM - I.D. HOSE)

Serial Range - M-028934 ML-320622 E-251475 EL-552114 & Below

NOTE: To order replacement or additional Fuel Tank assembly: order Fuel Tank Assm. 1259-812410A1. See Fuel Tank sections for breakdowns.

FUEL TANK AND FUEL LINE ASSEMBLY



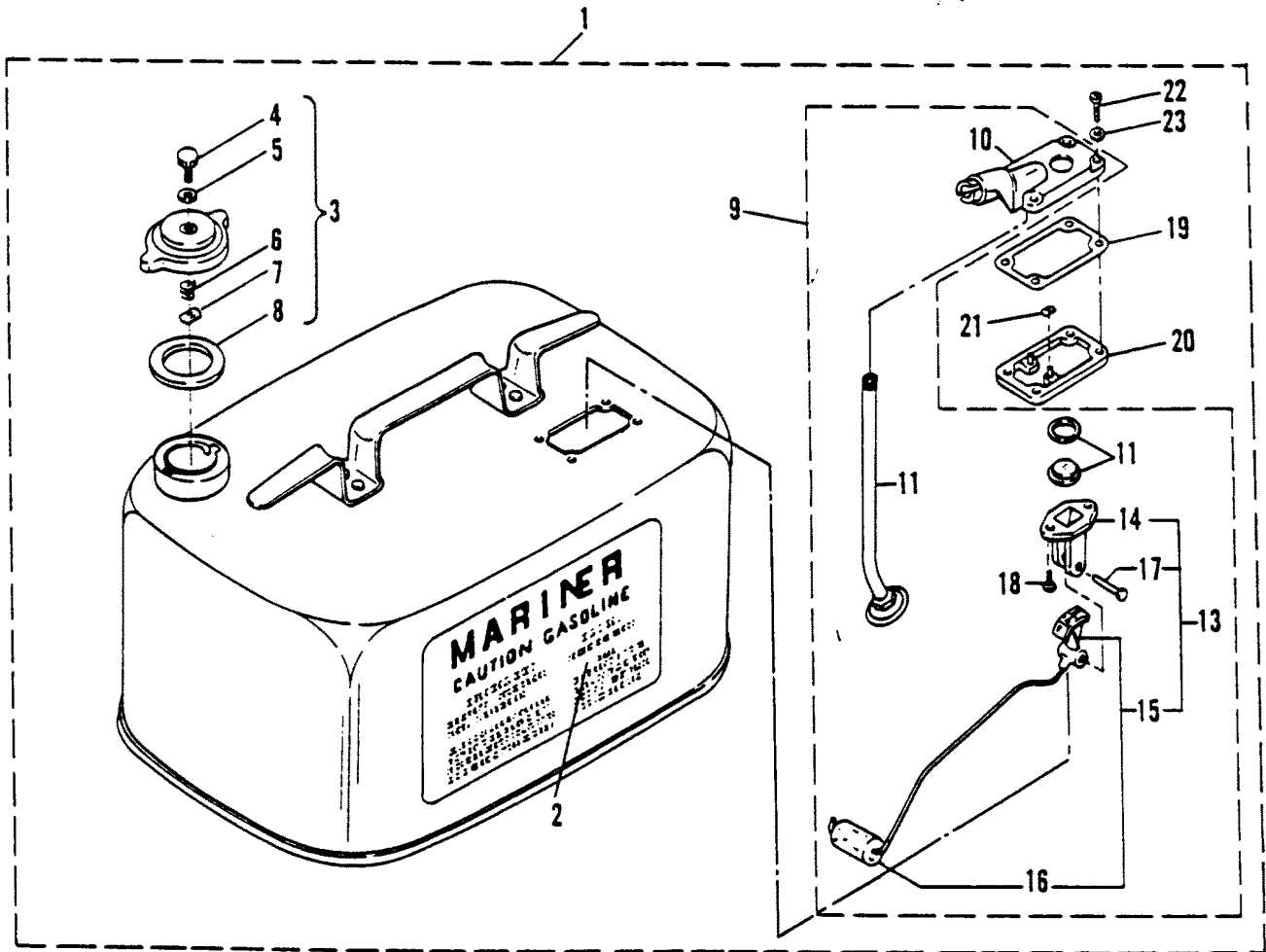
FUEL TANK AND FUEL LINE ASSEMBLY

REF. NO.	PART NO.	SYM.	QTY.	DESCRIPTION
1	37-14617M		1	DECAL, SIDE (ENGLISH)
	37-95504M		1	DECAL, SIDE (FRENCH)
2	37-95489M		1	DECAL, TOP (ENGLISH)
	NLA		1	DECAL, TOP (FRENCH)
3	36-18962M		1	FUEL TANK CAP
4	95499M		1	FUEL METER ASSEMBLY
5	12-95501M		4	SEAL
6	10-95502M		4	SCREW
7	27-95500M		1	GASKET
8	32-17146A8		1	FUEL LINE ASSY. (5/16" - 8MM - I.D. HOSE)
9	30185A3		1	BAYONET BODY ASSEMBLY
10	30187		1	STEM
11	25-20415		1	O-RING
12	24-30189		1	SPRING
13	30188		1	CAP WASHER
14	22-89771--1		1	FITTING (5/16" - 8MM - I.D. HOSE)
	22-63187		1	FITTING (1/4" - 6MM - I.D. HOSE)
15	32-16571M		1	HOSE (5/16" - 8MM - I.D. HOSE)
	32-94727M		1	HOSE (1/4" - 6MM - I.D. HOSE)
16	17149M		1	PRIMER BULB (5/16" - 8MM - I.D. HOSE)
	16572M		1	PRIMER BULB (1/4" - 6MM - I.D. HOSE)
17	32-16571M		1	HOSE (5/16" - 8 MM - I.D. HOSE)
	32-94727M		1	HOSE (1/4" - 6MM - I.D. HOSE)
18	54-16574M		4	CLAMP (5/16" - 8MM - I.D. HOSE)
	54-80752M		4	CLAMP (1/4" - 6MM - I.D. HOSE)
19	22-13563A3		0	FUEL CONNECTOR (5/16" - 8MM - I.D. HOSE)
	22-14213M		1	FUEL CONNECTOR (1/4" - 6MM - I.D. HOSE)
20	25-82789M		1	O-RING (1/4" - 6MM - I.D. HOSE)

Serial Range - M-028935 ML-320623 E-251476 EL-552115 & Up

NOTE: To order replacement or additional Fuel Tank assembly: order Fuel Tank Assm. 1259-812410A1. See Fuel Tank sections for breakdowns.

FUEL TANK (NOT ORIGINAL EQUIPMENT TANK)

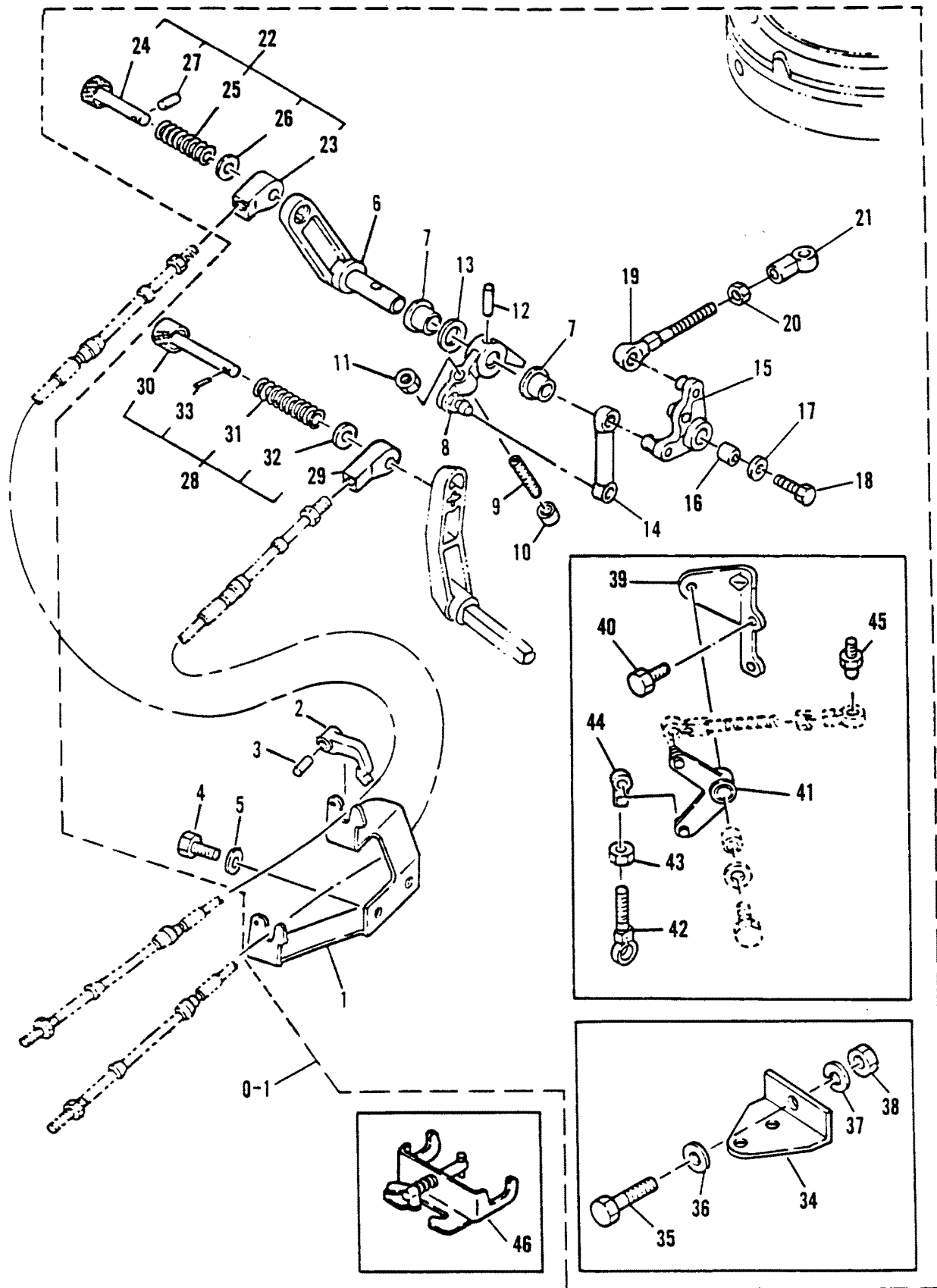


FUEL TANK (NOT ORIGINAL EQUIPMENT TANK)

REF. NO.	PART NO.	SYM.	QTY.	DESCRIPTION
1	1225-1529A26		1	FUEL TANK ASSY., COMPLETE (6 GALLON)
2	37-13921		1	DECAL
3	36-18962M		1	FILLER CAP ASSEMBLY
4	10-25575		1	SCREW
5	12-49221--1		1	WASHER
6	24-22227		1	SPRING
7	11-28587		1	SPEED NUT
8	27-41065		1	GASKET
9	64841A1		1	COVER ASSEMBLY, COMPLETE
10	17792A1		1	COVER ASSEMBLY
11	32-75239		1	TUBE
12	98542A1		1	LENS ASSEMBLY
13	28897A2		1	FUEL GAUGE ASSEMBLY, COMPLETE
14	20430		1	RETAINER
15	28897A1		1	INDICATOR & FLOAT ASSEMBLY
16	99274		1	FLOAT
17	17-20426		1	RIVET
18	10-62568		2	SCREW
19	27-28862		1	GASKET
20	28860		1	FRAME (FUEL TANK COVER)
21	11-28903		2	FASTENER
22	10-20411		4	SCREW
23	12-29070		4	WASHER

NOTE: To order replacement parts for original fuel tank or fuel line assembly, see Fuel Tank and Fuel Line Assembly sections.

REMOTE CONTROL ATTACHMENT KIT

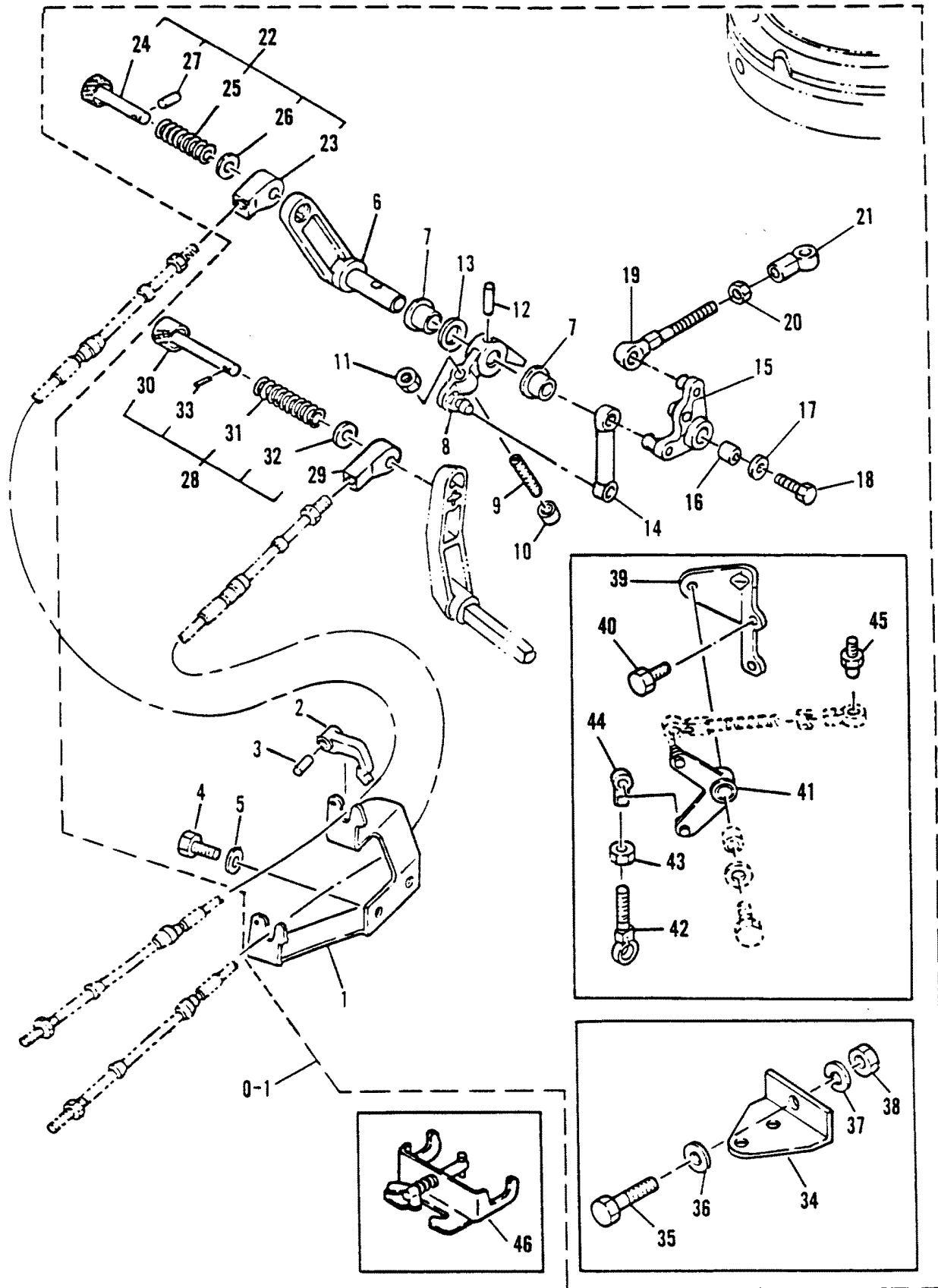


REMOTE CONTROL ATTACHMENT KIT

REF. NO.	PART NO.	SYM.	QTY.	DESCRIPTION
0-1	43989A1		1	R/C ATTACHMENT KIT (SEE NOTE #1)
	43988A1		1	R/C ATTACHMENT KIT (SEE NOTE #2)
1	94629M		1	BRACKET
2	54-84113M		2	CLAMP
3	17-82146M		2	ROLL PIN
4	10-91725M		2	BOLT
5	12-82214M		2	WASHER
6	84103M		1	HANDLE
7	23-81946M		2	BUSHING
8	84104M		1	LEVER
9	16-84347M		1	STUD
10	81415M		1	CAP
11	11-82381M		1	NUT
12	17-82156M		1	ROLL PIN
13	12-81846M		1	WASHER
14	94630M		1	JOINT (SEE NOTE #1)
15	94631M		1	LEVER (SEE NOTE #1)
16	23-83310M		1	COLLAR
17	12-81969M		1	WASHER
18	10-83539M		1	BOLT
19	84101M		1	LINK
20	11-83763M		1	NUT
21	84100M		1	JOINT
22	84109M		1	CABLE END (THROTTLE)
23	84110M		1	CABLE END
24	17-814499M		1	HOOK
25	24-83725M		1	SPRING
26	12-82217M		1	WASHER
27	17-82146M		1	ROLL PIN
28	84106M		1	CABLE END (SHIFT)
29	84107M		1	CABLE END
30	17-814500M		1	HOOK
31	24-83721M		1	SPRING
32	12-82217M		1	WASHER
33	17-82146M		1	ROLL PIN
34	11670M		1	STEERING BRKT.(BALL POST TYPE - SEE NOTE #3)
	83698M		1	STEERING BRKT.(BALL POST TYPE - SEE NOTE #4)
35	10-91636M		1	BOLT
36	13-82218M		1	LOCKWASHER
37	12-82220M		1	WASHER
38	11-81785M		1	NUT
39	84112M		1	BRACKET - SEE NOTE #2
40	10-84247M		2	BOLT - SEE NOTE #2

CONTINUED ON NEXT PAGE ➡

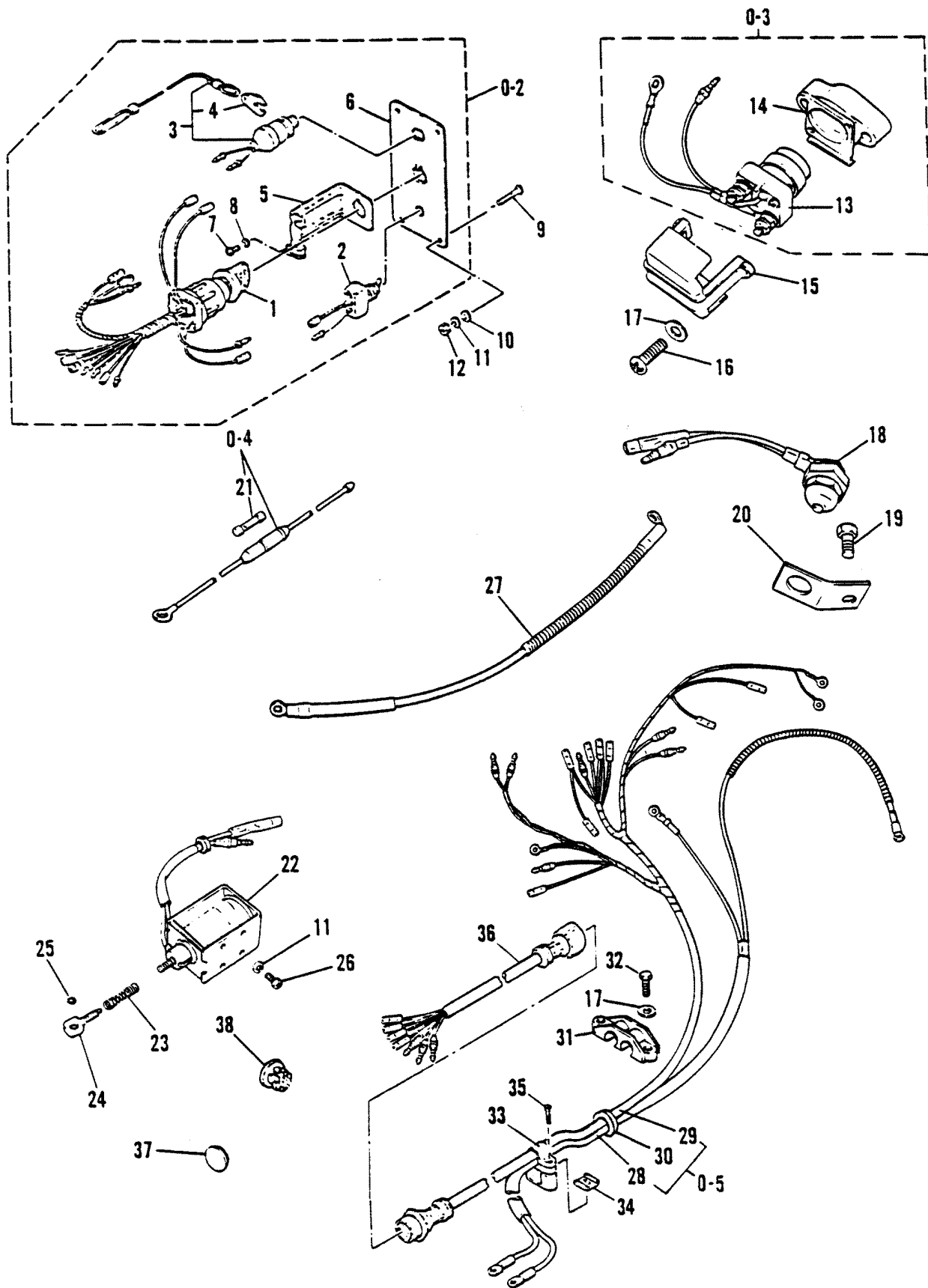
REMOTE CONTROL ATTACHMENT KIT



REMOTE CONTROL ATTACHMENT KIT

REF. NO.	PART NO.	SYM.	QTY.	DESCRIPTION
41	84105M		1	LEVER - SEE NOTE #2
42	NLA		1	JOINT - SEE NOTE #2
43	11-83763M		2	NUT - SEE NOTE #2
44	16715M		1	JOINT - SEE NOTE #2
45	84108M		1	JOINT - SEE NOTE #2
46	83727M		1	STEERING BRACKET (ROPE TYPE)

CONTROL PANEL KIT - OPTIONAL

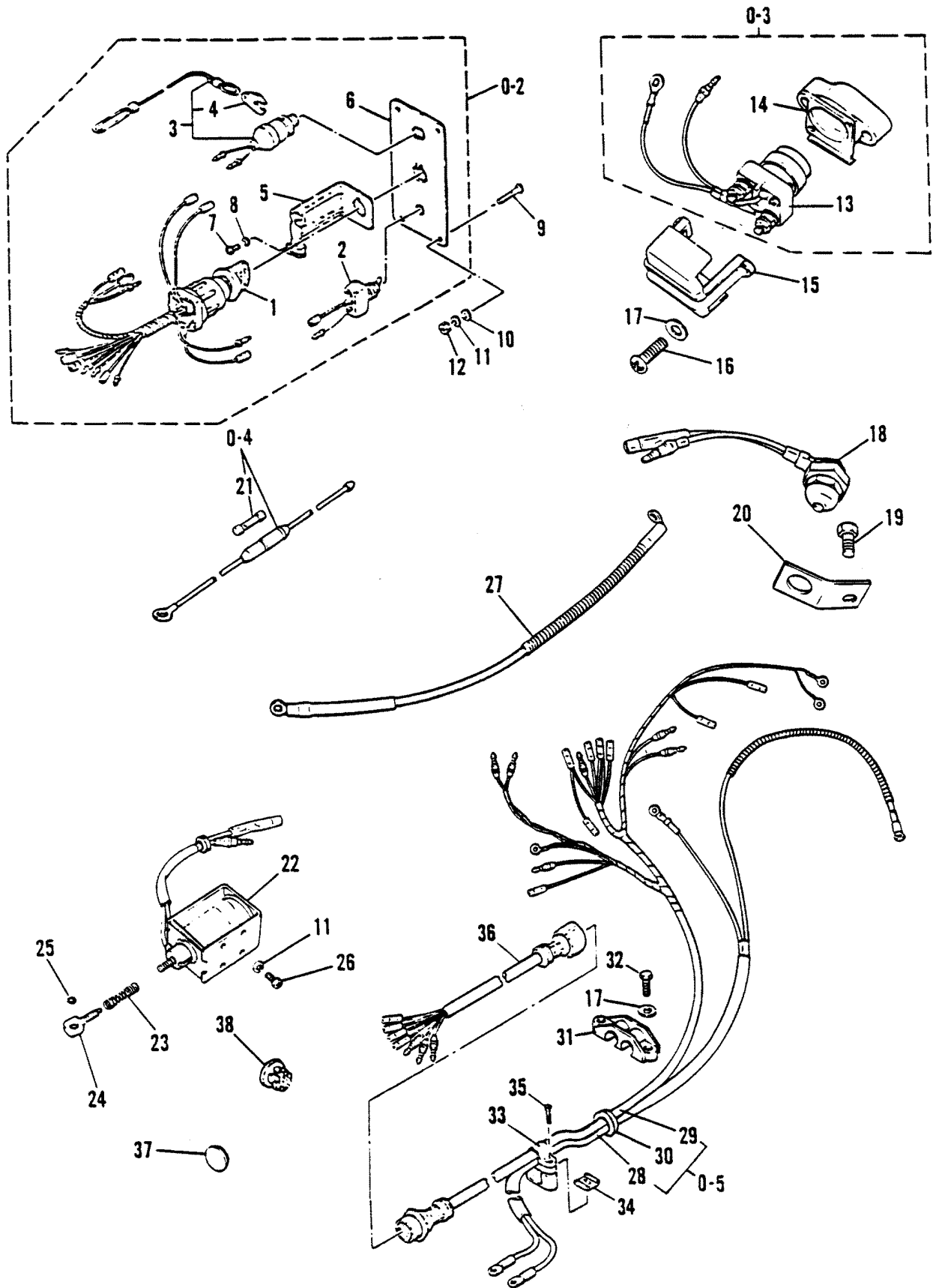


CONTROL PANEL KIT - OPTIONAL

REF. NO.	PART NO.	SYM.	QTY.	DESCRIPTION
-	43985A1		1	CONTROL PANEL KIT
0-2	92604M		1	SWITCH PANEL
1	87-92605M		1	MAIN SWITCH
2	87-84944M		1	CHOKE SWITCH
3	87-97682M		1	KILL SWITCH
4	97756M		1	STOPPER
5	81537M		1	BRACKET
6	92661M		1	SWITCH PANEL
7	10-82487M		1	SCREW
8	13-82184M		1	LOCKWASHER
9	10-84946M		4	SCREW
10	12-82211M		4	WASHER
11	13-82208M		4	LOCKWASHER
12	11-82388M		4	NUT
0-3	83-84694M		1	STARTER SOLENOID
13	89-96357M		1	SOLENOID
14	94789M		1	RUBBER MOUNT
15	84695M		1	COVER
16	10-82176M		2	SCREW
17	12-82214M		4	WASHER
18	87-83633M		1	NEUTRAL START SWITCH
19	10-813477M		1	BOLT
20	94790M		1	BRACKET
0-4	84937M		1	FUSE HOLDER
21	25-84092M		1	FUSE (12V - 20A)
22	87-84699M		1	CHOKE SOLENOID
23	84701M		1	WIRE
24	84702M		1	HOOK
25	25-82258M		1	O-RING
26	10-82512M		4	SCREW
27	84-84697M		1	LEAD WIRE
0-5	84-84706M		1	WIRE HARNESS
28	84-94791M		1	BATTERY WIRE
29	84-94792M		1	IGNITION WIRE
30	25-94793M		1	GROMMET
31	54-41876M		1	CLAMP
32	10-84247M		2	BOLT
33	54-97772M		1	CLAMP

CONTINUED ON NEXT PAGE ➡

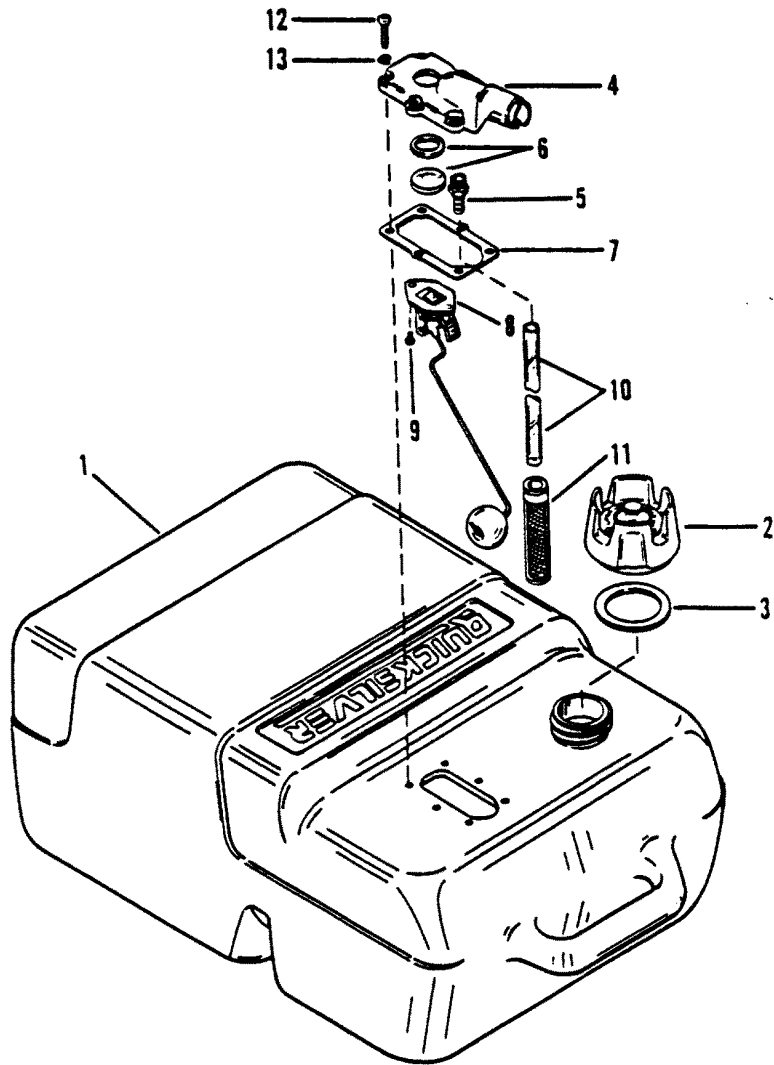
CONTROL PANEL KIT - OPTIONAL



CONTROL PANEL KIT - OPTIONAL

REF. NO.	PART NO.	SYM.	QTY.	DESCRIPTION
34	84708M		1	FRICTION PLATE
35	10-84709M		1	SCREW
36	84-84711M		1	HARNESS EXTENSION
37	82066M		1	GROMMET
38	25-18927M		1	GROMMET

FUEL TANK (NOT ORIGINAL EQUIPMENT TANK)



FUEL TANK (NOT ORIGINAL EQUIPMENT TANK)

REF. NO.	PART NO.	SYM.	QTY.	DESCRIPTION
1	1259-812410A1		1	FUEL TANK ASSEMBLY (PLASTIC - 6.6 GALLONS)
2	36-816976A1		1	FILLER CAP
3	27-816977		1	GASKET
4	17792A1		1	PICK-UP BODY ASSEMBLY
5	18030		1	ADAPTOR
6	98542A1		1	WINDOW ASSEMBLY
7	27-18026		1	GASKET
8	17971A2		1	FUEL GUAGE ASSEMBLY
9	10-62568		2	SCREW
10	32-18028		1	HOSE
11	35-18029		1	FILTER
12	10-18027		6	SCREW
13	12-29070		6	WASHER

NOTE: To order replacement parts for original fuel tank or fuel line assembly, see Fuel Tank and Fuel Line Assembly sections.

PARTS INDEX

Part Number	Description	Pg.	Ref. No.	Part Number	Description	Pg.	Ref. No.
11670M	STEERING BRKT.(BALL POST TYPE - SEE NOTE #3)	79	34	41265M	GUIDE	9	15
11929	POWERHEAD ASSEMBLY COMPLETE	27	-	41266M	BRACKET	9	26
11930M	VALVE SEAT (6E8-71)	39	3	41268M	THROTTLE CAM	17	19
11932M	COVER	53	77	41269M	REED VALVE	33	8
11933M	PROPELLER RING - DUAL THRUST PROP	67	83	41316M	PULLEY	19	44
11935M	FILTER CUP	43	8	41829M	CHARGE COIL	17	4
14180M	FLOAT (6E8-04)	39	6	41830M	PULSAR COIL	17	5
14187M	FUEL CONNECTOR	43	1	41861M	MAIN NOZZLE	39	2
14215M	BRACKET	21	15	41863M	MAGNETO BASE	17	3
14216M	VALVE SEAT (6E8-04)	39	3	41869M	FRICTION PLATE	13	20
14217M	FLOAT BOWL (6W8-04)	39	9	41869M	PLATE	17	17
14219M	TILT STOP LEVER	51	55	41882M	COVER	9	21
14281M	TUBE - 6E8-04	41	39	42443M	PILOT JET (#58)	39	1
16333	RETAINER	35	22	43077M	I. UNIT ASSEMBLY	17	31
16333	RETAINER	39	22	43985A1	CONTROL PANEL KIT	83	-
16572M	PRIMER BULB (1/4" - 6MM - I.D. HOSE)	73	22	43988A1	R/C ATTACHMENT KIT (SEE NOTE #2)	79	0-1
16572M	PRIMER BULB (1/4" - 6MM - I.D. HOSE)	75	16	43989A1	R/C ATTACHMENT KIT (SEE NOTE #1)	79	0-1
16708M	BASE	17	2	64841A1	COVER ASSEMBLY, COMPLETE	77	9
16715M	JOINT - SEE NOTE #2	81	44	80025M	LUBRICATOR	13	10
17149M	PRIMER BULB (5/16" - 8MM - I.D. HOSE)	73	22	80033M	HOLDER (OLD DESIGN)	53	78
17149M	PRIMER BULB (5/16" - 8MM - I.D. HOSE)	75	16	80048M	HANDLE	49	21
17662M	COVER	25	20	80063M	HANDLE	9	14
17662M	COVER	27	16	80202M	FLOAT ARM	35	5
17792A1	COVER ASSEMBLY	77	10	80202M	FLOAT ARM (OLD DESIGN)	39	5
17792A1	PICK-UP BODY ASSEMBLY	87	4	80230M	MOUNT	49	26
17971A2	FUEL GAUGE ASSEMBLY	87	8	80268M	BRACKET	73	7
18030	ADAPTOR	87	5	80447M	VALVE SEAT	35	3
18852M	ANODE	65	58	80450M	FLOAT	35	6
18933M	FUSE HOLDER (DOUBLE WIRE - 30")	21	32	80450M	FLOAT (6E8-71)	39	6
18935M	PLATE	23	45	80553M	LIGHTING COIL (MANUAL)	13	4
18940M	HOUSING	29	13	80558M	CONDENSER	13	9
18942M	REED VALVE	33	8	80633M	FRICTION PIECE	49	14
18944M	PLATE	49	28	80923M	PLUNGER	63	44
18961M	COVER	65	68	80930M	BREAKER POINT ASSY.	13	8
20430	RETAINER	77	14	810454M	EXHAUST MANIFOLD	57	10
28860	FRAME (FUEL TANK COVER)	77	20	810937M	RECTIFIER	21	30
28897A1	INDICATOR & FLOAT ASSEMBLY	77	15	81098M	THERMOSTAT	25	18
28897A2	FUEL GAUGE ASSEMBLY, COMPLETE	77	13	81098M	THERMOSTAT	27	14
30185A3	BAYONET BODY ASSEMBLY	73	15	81106M	PLUNGER	9	27
30185A3	BAYONET BODY ASSEMBLY	75	9	81106M	PLUNGER	69	29
30187	STEM	73	16	811990M	ANODE	67	70
30187	STEM	75	10	81318M	INDICATOR	73	11
30188	CAP WASHER	73	19	81319M	FLOAT	73	12
30188	CAP WASHER	75	13	81415M	CAP	79	10
41256M	SPACER	33	10	81439M	CAP	49	13
41259M	BRACKET	17	26	814481M	REPAIR KIT (6E8-04)	41	-
41260M	DAMPER	17	27	814554M	THERMOSTAT	27	14
41262M	COVER	17	30	814991M	PLUG CAP (NOISE SUPPRESSOR)	15	39
				814991M	PLUG CAP (NOISE SUPPRESSOR)	17	37
				815120M	STEERING HANDLE	55	1
				815121M	THROTTLE INDICATOR	55	13
				81537M	BRACKET	83	5
				81585M	GRIP	55	12
				81586M	THROTTLE INDICATOR	55	13
				82038M	CLAMP	15	38

PARTS INDEX

Part Number	Description	Pg.	Ref. No.	Part Number	Description	Pg.	Ref. No.
82066M	GROMMET	85	37	84007M	BRACKET	47	6
82600M	PILOT JET (#46)	35	1	84009M	SHIFT ROD LEVER	47	3
82857M	STOPPER	51	34	84011M	LINK	47	12
82895M	FRICTION PIECE	55	22	84015M	SHIFT ROD	47	15
83125M	SIDE SOUND BLANKET - DESIGN I	5	4/5	84016M	SHIFT CAM (SHORT)	59	6
83251M	SHAFT (BRASS)	9	4	84017M	SHIFT CAM (LONG)	59	6
83252M	DRIVE PAWL	9	10	84018M	SHIFT CAM (SUPER LONG)	59	6
83281M	IGNITION COIL	13	3	84019M	BOOT	59	7
83282M	THERMOSTAT	25	18	84020M	BRACKET	59	8
83300M	RETAINER	35	20	84023M	COVER	59	11
83300M	RETAINER	39	20	84025M	INSERT	59	15
83315M	LIGHTING COIL (ELECTRIC)	13	4	84026M	OUTER PLATE	59	18
83618M	FUEL METER ASSEMBLY	73	3	84032M	MOUNT	51	60
83698M	STEERING BRKT.(BALL POST TYPE - SEE NOTE #4)	79	34	84037M	RUBBER MOUNT (LOWER SIDE)	53	76
83727M	STEERING BRACKET (ROPE TYPE)	81	46	84038M	RUBBER MOUNT (LOWER FRONT)	53	75
83900M	ANODE	25	13	84040M	PLATE	57	6
83900M	ANODE	27	9	84041M	SEAL	57	7
83945M	HOUSING	29	13	84042M	EXTENSION - SUPER LONG SHAFT	57	14
83949M	BRACKET	43	10	84043M	BEARING HOUSING	61	28
83950M	EXH COVER (INNER)	27	20	84052M	COVER	13	14
83950M	EXHAUST COVER (INNER)	25	24	84072M	PLATE	59	22
83952M	EXH COVER (OUTER)	27	22	84073M	COVER	67	68
83952M	EXHAUST COVER (OUTER)	25	26	84076M	CAP	65	51
83953M	SEAL PROTECTOR	57	8	84091M	BRACKET	23	34
83954M	EXHAUST MANIFOLD	57	10	84091M	BRACKET	71	38
83957M	LINK	45	12	84093M	GEAR SHIFT HANDLE (ELECTRIC)	47	1
83960M	CHOKE KNOB	31	16	84095M	BRACKET	21	15
83960M	CHOKE KNOB	33	19	84100M	JOINT	45	13
83962M	RETAINER	13	19	84100M	JOINT	79	21
83962M	RETAINER	19	43	84100M	LINK	47	28
83965M	STOPPER	25	30	84101M	LINK	47	30
83965M	STOPPER	27	26	84101M	LINK	79	19
83966M	MAGNETO CONTROL LEVER	45	9	84103M	HANDLE	79	6
83967M	BRACKET	45	10	84104M	LEVER	79	8
83968M	STOPPER	47	10	84105M	LEVER - SEE NOTE #2	81	41
83969M	STEERING HANDLE	55	1	84106M	CABLE END (SHIFT)	79	28
83970M	THROTTLE CONTROL SHAFT	45	1	84107M	CABLE END	79	29
83979M	STEERING BRACKET	49	1	84108M	JOINT - SEE NOTE #2	81	45
83980M	SHAFT	49	5	84109M	CABLE END (THROTTLE)	79	22
83982M	SEAL	9	20	84110M	CABLE END	79	23
83982M	SEAL (OLD DESIGN COWL)	5	4A	84112M	BRACKET - SEE NOTE #2	79	39
83983M	SEAL	5	17	84115M	ARM	11	30
83985M	HOOK	5	11	84115M	ARM	69	32
83987M	SEAL	45	2	84116M	LINK	11	32
83991M	LEVER OR	5	28	84116M	LINK	71	34
83992M	CLAMP	5	31	84117M	LOCKOUT WIRE	69	31
83995M	TILT STOP LEVER	51	55	84117M	LOCKOUT WIRE ASSEMBLY	11	29
83997M	TILT LOCK	51	47	84119M	INNER PLATE	67	78
83998M	BRACKET	51	48	84120M	INSERT	67	79
83999M	TILT LOCK ROD	51	42	84121M	OUTER PLATE	67	80
84000M	TILT LOCK ROD	51	46	84125M	VOLTAGE REGULATOR	69	13
84001M	TILT HANDLE	51	40	84127M	LEVER	51	50
84002M	TILT LEVER	51	43	84137M	POWERHEAD ASSEMBLY COMPLETE	25	-
84005M	GEAR SHIFT HANDLE (MANUAL)	47	1	84251M	MAIN NOZZLE (684-51/52)	35	2
				84252M	FLOAT BOWL	35	9

PARTS INDEX

Part Number	Description	Pg.	Ref. No.	Part Number	Description	Pg.	Ref. No.
84252M	FLOAT BOWL (6E8-71)	39	9	92604M	SWITCH PANEL	83	0-2
84254M	THROTTLE ARM ASSEMBLY	35	17	92613M	EXTENSION	69	4
84254M	THROTTLE ARM ASSEMBLY	39	17	92661M	SWITCH PANEL	83	6
84255M	COLLAR	35	19	94538M	HOOK	5	9
84255M	COLLAR	39	19	94539M	AIR DUCT MOLDING - DESIGN II	5	13
84256M	THROTTLE ROD	35	21	94546M	THROTTLE CAM	13	22
84256M	THROTTLE ROD	39	21	94547M	TIMING PLATE	13	30
84258M	PLATE - 684-50/51/52	35	23	94547M	TIMING PLATE	17	38
84262M	DIAPHRAGM	35	27	94548M	TIMING PLATE	13	30
84262M	DIAPHRAGM	39	27	94557M	COVER - M-008130 ML- 308630 E-250660 EL- 551010 & BELOW	31	24/25
84263M	BODY (684-50/51/52)	35	29	94559M	CHOKE LEVER	31	18
84265M	DIAPHRAGM	35	31	94559M	CHOKE LEVER	33	21
84265M	DIAPHRAGM	39	31	94561M	PILOT JET (#48)	35	1
84266M	COVER	37	32	94565M	SHIFT ROD LEVER	47	8
84266M	COVER	39	32	94566M	BRACKET	47	9
84269M	SPLASH PLATE - LONG SHAFT	57	21	94575M	HOUSING (PORT)	53	70
84287M	COLLAR	51	52	94614M	HOUSING (STARBOARD)	53	71
84291M	MOUNT (SUL)	53	60	94617M	GRIP	55	12
84297M	RUBBER MOUNT (LOWER SIDE - SUL)	53	76	94618M	RUBBER HANDLE	55	15
84302M	SPRING PLATE	47	5	94621M	STOPPER	57	20
84305M	BALL JOINT	45	8	94622M	GUIDE	59	5
84305M	JOINT	13	13	94624M	PLATE	59	14
84305M	RETAINER	17	10	94629M	BRACKET	79	1
84308M	MAGNETO BASE	13	2	94630M	JOINT (SEE NOTE #1)	79	14
84316M	STOP	17	24	94631M	LEVER (SEE NOTE #1)	79	15
84316M	STOPPER	13	27	94632M	CARRYING HANDLE	69	14
84317M	BRACLET	15	34	94654M	FLYWHEEL (ELECTRIC)	13	1
84318M	GUIDE	9	15	94789M	RUBBER MOUNT	83	14
84321M	BACK SOUND BLANKET - DESIGN I	5	6	94790M	BRACKET	23	48
84323M	FRONT/TOP SOUND BLANKET - DESIGN I	5	7/8	94790M	BRACKET	83	20
84327M	HOLDER	69	9	94798M	BRACKET	23	35
84329M	RECTIFIER	71	35	95188M	IGNITION COIL ASSEMBLY	17	34
84330M	ARMATURE	21	1	95463M	CLAMP	5	31
84332M	PINION STOPPER SET	21	3	95494M	PILOT (#56)	39	1
84334M	COVER ASSEMBLY	21	5	95495M	MAIN JET (#136)	39	10
84335M	BRUSH HOLDER	21	6	95497M	RUBBER HANDLE	55	15
84337M	BRUSH (+)	21	8	95499M	FUEL METER ASSEMBLY	75	4
84338M	BRUSH (-)	21	9	95590M	SHAFT (NYLON W/BRASS INSERT)	9	4
84340M	COVER	21	11	95643M	BRACKET	23	44
84348M	SOCKET - DESIGN I	69	20	96569M	IGNITION COIL (SECONDARY - TOP)	13	32
84349M	DAMPER - DESIGN I	69	21	96570M	IGNITION COIL (SECONDARY - BOTTOM)	13	33
84351M	PLATE - DESIGN I	69	22	96599M	BRACKET	9	26
84375M	REED VALVE	31	9	96607M	COVER	33	1
84376M	MAIN NOZZLE (684-50/53/54)	35	2	96607M	COVER - M-008131 ML- 308631 E-250661 EL- 551011 & UP	31	1
84377M	MAIN JET	35	10	96609M	COVER (OUTER)	33	3
84377M	MAIN JET (#102)	39	10	96609M	COVER (OUTER) - M-008131 ML-308631 E-250661 EL- 551011 & UP	31	3
84473M	CARBURETOR REPAIR KIT	37	-	96612M	BRACKET	47	9
84473M	REPAIR KIT (6E8-71)	41	-	96613M	STOPPER	47	10
84695M	COVER	83	15	96614M	LINK	47	12
84701M	WIRE	83	23	96615M	MAGNETO CONTROL LEVER	47	23
84702M	HOOK	83	24				
84708M	FRICTION PLATE	85	34				
84708M	PLATE	21	25				
84937M	FUSE HOLDER	83	0-4				
84959M	EXTENSION	69	11				
84964M	EXTENSION	69	3				

PARTS INDEX

Part Number	Description	Pg.	Ref. No.	Part Number	Description	Pg.	Ref. No.
96616M	TILT STOP LEVER (SEE NOTE #9)	51	55	10-80091M	SCREW	39	18
96620M	COVER	67	82	10-80434M	SCREW	35	16
97657M	BODY	39	29	10-80434M	SCREW	39	16
97657M	BODY (684-53/54)	35	29	10-80573M	IDLE MIXTURE SCREW	35	12
97756M	STOPPER	7	35	10-80573M	IDLE MIXTURE SCREW	39	12
97756M	STOPPER	69	2	10-80738M	IDLE SPEED SCREW - 684-50/51/52	35	14
97756M	STOPPER	83	4	10-80954M	SCREW	37	33
98542A1	LENS ASSEMBLY	77	12	10-80954M	SCREW	41	33
98542A1	WINDOW ASSEMBLY	87	6	10-813477M	BOLT	17	13
98981M	RETAINER	13	18	10-813477M	BOLT	23	49
98981M	RETAINER	19	41	10-813477M	BOLT	33	12
98983M	FIELD (682-81800-11/ OR -12 ONLY)	21	4	10-813477M	BOLT	47	7
98987M	RETAINER	21	23	10-813477M	BOLT	83	19
98988M	FUSE HOLDER (SINGLE WIRE - 12")	21	32	10-814463M	IDEEL SPEED SCREW	39	14
98989M	BRACKET	21	34	10-814463M	IDLE SPEED SCREW - 684-53/54	35	14
98992M	PLATE	39	23	10-81756M	SCREW	49	23
98992M	PLATE - 684-53/54	35	23	10-82176M	SCREW	83	16
98994M	BRACKET	51	48	10-82405M	BOLT	15	36
98995M	LEVER	51	50	10-82405M	BOLT	21	18
99047M	COVER	67	68	10-82405M	BOLT	25	29
99053M	EXTENSION	69	12	10-82405M	BOLT	27	25
99054M	BEARING HOUSING (SEE NOTE #1)	61	28	10-82405M	BOLT	49	3
99056M	SOCKET - DESIGN II	69	20	10-82405M	BOLT	53	61
99057M	DAMPER - DESIGN II	69	21	10-82405M	BOLT	55	6
99058M	PLATE - DESIGN II	69	22	10-82444M	BOLT	13	31
99062M	RETAINER	21	24	10-82444M	BOLT	17	25
99274	FLOAT	77	16	10-82457M	BOLT	59	19
NLA	DECAL, TOP (FRENCH)	75	2	10-82457M	BOLT - LONG SHAFT	57	22
NLA	FIELD (ALL OTHERS)	21	4	10-82466M	BOLT	65	66
NLA	FLYWHEEL (MANUAL START)	13	0-1	10-82466M	BOLT - SUPER LONG SHAFT	57	16
NLA	GEAR HOUSING (LONG)	59	0-1	10-82472M	BOLT	53	72
NLA	GEAR HOUSING (SHORT)	59	0-1	10-82476M	BOLT	57	9
NLA	HOUSING (PORT)	53	70	10-82487M	SCREW	83	7
NLA	HOUSING (STARBOARD)	53	71	10-82496M	SCREW	73	14
NLA	JOINT - SEE NOTE #2	81	42	10-82499M	SCREW	17	12
NLA	LENS (SERVICE BULLETIN 84-1)	73	6	10-82500M	SCREW	13	11
NLA	LIGHTING COIL ASSEMBLY	17	8	10-82503M	SCREW	13	5
NLA	SAFETY STARTER KIT	69	28	10-82512M	SCREW	83	26
NLA	SHIFT ROD LEVER	47	8	10-82512M	SCREW - 6E8-04	41	37
NLA	STARTER	9	0-1	10-82513M	SCREW	39	25
NLA	TIMING PLATE	13	30	10-82513M	SCREW - 684-53/54	35	25
10-11837M	SCREW	41	34	10-82521M	SCREW	13	6
10-14232M	SCREW	23	36	10-82521M	SCREW	21	31
10-14232M	SCREW	65	69	10-82521M	SCREW	71	37
10-17661M	SCREW	13	21	10-82522M	SCREW	33	6
10-17661M	SCREW	17	18	10-82522M	SCREW - M-008130 ML-308630 E-250660 EL-551010 & BELOW	31	27
10-18027	SCREW	87	12	10-82522M	SCREW - M-008131 ML-308631 E-250661 EL-551011 & UP	31	6
10-18943M	BOLT (6-1/2")	49	25	10-83285M	BOLT	9	22
10-20411	SCREW	77	22	10-83285M	BOLT	15	35
10-25575	SCREW	77	4	10-83285M	BOLT	17	32
10-43106M	BOLT	49	18	10-83285M	BOLT	17	35
10-62568	SCREW	77	18	10-83285M	BOLT	21	17
10-62568	SCREW	87	9	10-83285M	BOLT	25	11
10-80091M	SCREW	35	18	10-83285M	BOLT (1-3/8")	9	8

PARTS INDEX

Part Number	Description	Pg.	Ref. No.	Part Number	Description	Pg.	Ref. No.
10-83356M	SCREW - M-008130 ML-308630 E-250660 EL-551010 & BELOW	31	28	10-94544M	BOLT	11	31
10-83509M	SCREW - 684-50/51/52	35	25	10-94544M	BOLT	47	11
10-83523M	SCREW	73	9	10-94544M	BOLT	71	33
10-83539M	BOLT	5	23	10-94567M	BOLT (6")	49	25
10-83539M	BOLT	9	23	10-94570M	BOLT - SUPER ULTRA LONG	51	36
10-83539M	BOLT	17	28	10-94572M	BOLT	51	56
10-83539M	BOLT	21	16	10-94573M	BOLT	51	56
10-83539M	BOLT	21	18	10-94573M	BOLT	51	57
10-83539M	BOLT	25	22	10-94615M	BOLT	53	72
10-83539M	BOLT	27	18	10-94616M	BOLT	55	2
10-83539M	BOLT	43	2	10-94801M	SCREW - 684-53/54	37	34
10-83539M	BOLT	47	11	10-95453M	BOLT	27	8
10-83539M	BOLT	47	26	10-95467M	SCREW	25	14
10-83539M	BOLT	79	18	10-95467M	SCREW	27	10
10-84057M	BOLT (3/4")	9	8	10-95487M	BOLT	27	7
10-84058M	BOLT	53	73	10-95502M	SCREW	75	6
10-84058M	BOLT	55	23	10-96346M	SCREW	17	6
10-84058M	BOLT	57	12	10-96346M	SCREW	17	9
10-84058M	BOLT	65	52	10-96610M	SCREW	33	4
10-84061M	BOLT	53	62	10-96610M	SCREW - M-008131 ML-308631 E-250661 EL-551011 & UP	31	4
10-84062M	BOLT	51	31	10-96671M	SCREW	13	15
10-84065M	BOLT	25	17	10-96671M	SCREW	19	42
10-84065M	BOLT	27	13	10-96671M	SCREW	45	11
10-84067M	BOLT	55	10	10-97749M	BOLT	57	4
10-84088M	BOLT	59	24	10-98998M	BOLT	53	79
10-84211M	BOLT	17	39	10-99048M	SCREW	67	69
10-84211M	BOLT	23	46	11-15327M	NUT	33	11
10-84236M	BOLT (WASHER)	25	9	11-15373M	NUT	53	81
10-84247M	BOLT	9	16	11-28587	SPEED NUT	77	7
10-84247M	BOLT	13	28	11-28903	FASTENER	77	21
10-84247M	BOLT	21	28	11-81763M	NUT	47	17
10-84247M	BOLT	31	12	11-81770M	NUT	13	16
10-84247M	BOLT	33	15	11-81770M	NUT	17	15
10-84247M	BOLT	45	5	11-81785M	NUT	49	29
10-84247M	BOLT	83	32	11-81785M	NUT	79	38
10-84247M	BOLT - SEE NOTE #2	79	40	11-82379M	NUT	45	14
10-84271M	SCREW	59	9	11-82379M	NUT	47	25
10-84272M	SCREW	59	12	11-82379M	NUT	47	29
10-84276M	SCREW	67	69	11-82381M	NUT	31	15
10-84283M	BOLT - SUPER ULTRA LONG	51	36	11-82381M	NUT	33	18
10-84300M	SCREW	55	16	11-82381M	NUT	47	16
10-84313M	BOLT	13	23	11-82381M	NUT	47	27
10-84313M	BOLT	17	20	11-82381M	NUT	51	32
10-84315M	BOLT	5	33	11-82381M	NUT	79	11
10-84315M	BOLT	43	11	11-82381M	NUT - LONG SHAFT	57	24
10-84328M	SCREW	69	10	11-82382M	NUT	43	9
10-84341M	THRU BOLT	21	12	11-82388M	NUT	83	12
10-84342M	BOLT	23	40	11-82388M	NUT - M-008130 ML-308630 E-250660 EL-551010 & BELOW	31	30
10-84709M	SCREW	21	26	11-82389M	NUT	9	9
10-84709M	SCREW	85	35	11-82393M	NUT	53	74
10-84946M	SCREW	83	9	11-82537M	NUT	41	35
10-91636M	BOLT	79	35	11-82537M	NUT - 684-53/54	37	35
10-91691M	SCREW	17	7	11-83056M	NUT	55	24
10-91725M	BOLT	29	17	11-83763M	NUT	13	26
10-91725M	BOLT	65	59	11-83763M	NUT	17	23
10-91725M	BOLT	67	71	11-83763M	NUT	79	20
10-91725M	BOLT	79	4				
10-94540M	SCREW - DESIGN II	5	14				

PARTS INDEX

Part Number	Description	Pg.	Ref. No.	Part Number	Description	Pg.	Ref. No.
11-83763M	NUT - SEE NOTE #2	81	43	12-82214M	WASHER	17	14
11-84087M	PROPELLER NUT	65	63	12-82214M	WASHER	17	29
11-84282M	NUT	49	29	12-82214M	WASHER	17	36
11-84284M	NUT - SUPER ULTRA LONG	51	37	12-82214M	WASHER	21	19
11-84295M	NUT	53	66	12-82214M	WASHER	21	29
11-94541M	NUT - DESIGN II	5	16	12-82214M	WASHER	25	23
11-99042M	NUT	63	37	12-82214M	WASHER	27	19
12-17658M	WASHER - DESIGN II	5	15	12-82214M	WASHER	27	29
12-18934M	WASHER	23	42	12-82214M	WASHER	29	18
12-18947M	THRUST WASHER (0.08MM)	61	35	12-82214M	WASHER	31	13
12-18948M	THRUST WASHER (0.12MM)	61	35	12-82214M	WASHER	33	13
12-18949M	THRUST WASHER (0.15MM)	61	35	12-82214M	WASHER	33	16
12-18950M	THRUST WASHER (0.18MM)	61	35	12-82214M	WASHER	43	3
12-18951M	THRUST WASHER (0.30MM)	61	35	12-82214M	WASHER	49	4
12-18952M	THRUST WASHER (0.40MM)	63	35	12-82214M	WASHER	53	80
12-18953M	THRUST WASHER (0.50MM)	63	35	12-82214M	WASHER	55	7
12-29070	WASHER	77	23	12-82214M	WASHER	57	13
12-29070	WASHER	87	13	12-82214M	WASHER	59	20
12-49221--1	WASHER	77	5	12-82214M	WASHER	65	53
12-80251M	THRUST WASHER (1.1MM)	63	35	12-82214M	WASHER	65	60
12-80252M	THRUST WASHER (1.2MM)	63	35	12-82214M	WASHER	67	72
12-80253M	THRUST WASHER (1.3MM)	63	35	12-82214M	WASHER	79	5
12-80254M	THRUST WASHER (1.4MM)	63	35	12-82214M	WASHER	83	17
12-80261M	WASHER	35	4	12-82214M	WASHER - LONG SHAFT	57	23
12-80261M	WASHER	39	4	12-82217M	WASHER	23	41
12-80271M	WASHER	73	13	12-82217M	WASHER	49	16
12-80638M	PAD	49	24	12-82217M	WASHER	55	11
12-815025M	THRUST HUB	65	61	12-82217M	WASHER	57	5
12-81557M	WASHER	9	7	12-82217M	WASHER	65	67
12-81792M	WASHER	25	12	12-82217M	WASHER	79	26
12-81794M	WASHER	5	32	12-82217M	WASHER	79	32
12-81798M	WASHER	25	10	12-82217M	WASHER - SUPER LONG		
12-81810M	WASHER	55	8		SHAFT	57	17
12-81814M	WASHER	13	17	12-82217M	WASHER - SUPER ULTRA		
12-81814M	WASHER	17	16		LONG	51	38
12-81823M	WASHER	29	9	12-82220M	WASHER	49	28
12-81835M	WASHER	25	19	12-82220M	WASHER	55	17
12-81835M	WASHER	27	15	12-82220M	WASHER	79	37
12-81846M	WASHER	79	13	12-84084M	THRUST HUB	65	61
12-81851M	WASHER	55	3	12-84273M	WASHER (USE WITH REF.		
12-81969M	WASHER	79	17		#23)	59	23A
12-82211M	WASHER	13	24	12-84275M	WASHER	65	62
12-82211M	WASHER	17	21	12-84278M	WASHER	49	6
12-82211M	WASHER	23	38	12-84292M	WASHER	53	63
12-82211M	WASHER	33	5	12-84293M	WASHER	53	64
12-82211M	WASHER	47	14	12-84294M	WASHER	53	65
12-82211M	WASHER	47	19	12-84331M	WASHER KIT	21	2
12-82211M	WASHER	83	10	12-84350M	WASHER - DESIGN I	69	21A
12-82211M	WASHER - M-008130 ML- 308630 E-250660 EL- 551010 & BELOW	31	29	12-84974M	WASHER - DUAL THRUST		
					PROP	67	84
12-82211M	WASHER - M-008131 ML- 308631 E-250661 EL- 551011 & UP	31	5	12-94524M	WASHER	47	22
				12-94627M	WASHER	63	47
				12-95501M	SEAL	75	5
				12-98997M	WASHER	51	59
12-82213M	WASHER	17	33	12-99036M	THRUST WASHER (0.05MM)	61	35
12-82213M	WASHER	45	6	12-99037M	THRUST WASHER (0.08MM)	61	35
12-82214M	WASHER	5	24	13-14220M	WAVE WASHER	51	58
12-82214M	WASHER	9	17	13-81868M	WAVE WASHER	51	58
12-82214M	WASHER	9	24	13-81869M	WAVE WASHER	5	30
12-82214M	WASHER	13	29	13-82184M	LOCKWASHER	41	36

PARTS INDEX

Part Number	Description	Pg.	Ref. No.	Part Number	Description	Pg.	Ref. No.
13-82184M	LOCKWASHER	83	8	18-82051M	COTTER PIN	33	24
13-82186M	WASHER	13	7	18-82125M	COTTER PIN	47	20
13-82208M	LOCKWASHER	83	11	18-82127M	COTTER PIN	47	13
13-82212M	WASHER	15	37	18-82128M	COTTER PIN - SUPER ULTRA LONG	51	39
13-82218M	LOCKWASHER	79	36	18-82132M	COTTER PIN (SEE NOTE #6)	65	64
13-84299M	WAVE WASHER	55	4	18-84301M	COTTER PIN	47	4
15-18955M	SHIM (0.12MM)	65	56	18-99046M	COTTER PIN	65	64
15-18958M	SHIM (0.30MM)	65	56	19-80604M	PLUG	9	18
15-18960M	SHIM (0.50MM)	65	56	21-41888M	CHECK VALVE	39	28
15-80258M	SHIM (0.1MM)	63	39	21-41888M	CHECK VALVE (684-53/54)	35	28
15-80259M	SHIM (0.3MM)	63	39	21-80107M	CHECK VALVE	27	3
15-80260M	SHIM (0.5MM)	63	39	21-80727M	CHECK VALVE	25	2
15-81626M	SHIM (0.05MM)	65	56	21-80727M	CHECK VALVE	27	1
15-81627M	SHIM (0.08MM)	65	56	21-80727M	CHECK VALVE	27	1
16-41883M	STUD	13	25	21-80727M	CHECK VALVE	27	1
16-41883M	STUD	17	22	21-82692M	CHECK VALVE	25	4
16-81731M	STUD	31	23	21-84650M	CHECK VALVE (684- 50/51/52)	35	28
16-81731M	STUD	33	26	22-13563A3	FUEL CONNECTOR (5/16" - 8MM - I.D. HOSE)	73	25
16-84249M	STUD	31	22	22-13563A3	FUEL CONNECTOR (5/16" - 8MM - I.D. HOSE)	75	19
16-84249M	STUD	33	25	22-14213M	FUEL CONNECTOR (1/4" - 6MM - I.D. HOSE)	73	25
16-84347M	STUD	79	9	22-14213M	FUEL CONNECTOR (1/4" - 6MM - I.D. HOSE)	75	19
16-91649M	STUD	47	24	22-63187	FITTING (1/4" - 6MM - I.D. HOSE)	73	20
17-14214M	DOWEL PIN	9	25	22-63187	FITTING (1/4" - 6MM - I.D. HOSE)	75	14
17-18945M	PIN	51	44	22-80122M	DRAIN FITTING	25	1
17-20426	RIVET	77	17	22-80218M	FLUSH PLUG	67	76
17-80201M	PIN	35	7	22-80743M	DRAIN FITTING	25	3
17-80201M	PIN (6E8-71)	39	7	22-80743M	DRAIN FITTING	27	2
17-80451M	PIN (6E8-04)	39	7	22-80756M	FITTING	5	19
17-814489M	RIVET	5	12	22-81924M	SCREW	59	3
17-814499M	HOOK	79	24	22-82369M	GREASE FITTING	49	12
17-814500M	HOOK	79	30	22-83326M	FITTING	25	27
17-81888M	PIN	49	22	22-83326M	FITTING	27	23
17-81899M	PIN	63	42	22-89771--1	FITTING (5/16" - 8MM - I.D. HOSE)	73	20
17-81907M	RIVET	55	14	22-89771--1	FITTING (5/16" - 8MM - I.D. HOSE)	75	14
17-82144M	ROLL PIN	51	35	22-95633M	FLUSH PLUG	67	76
17-82146M	ROLL PIN	79	27	23-810455M	BUSHING	59	2A
17-82146M	ROLL PIN	79	3	23-815011M	BUSHING - SUPER LONG SHAFT	57	18
17-82146M	ROLL PIN	79	33	23-81945M	BUSHING	55	20
17-82155M	PIN	9	19	23-81946M	BUSHING	79	7
17-82156M	ROLL PIN	79	12	23-81947M	BUSHING	69	16
17-82157M	ROLL PIN	9	6	23-81949M	BUSHING	5	29
17-82354M	DOWEL PIN	61	33	23-82590M	BUSHING	61	29
17-82364M	DOWEL PIN	5	27	23-82687M	BUSHING	9	5
17-82364M	DOWEL PIN	25	8	23-83310M	COLLAR	47	10A
17-82364M	DOWEL PIN	27	6	23-83310M	COLLAR	47	21
17-82364M	DOWEL PIN	49	2	23-83310M	COLLAR	79	16
17-82364M	DOWEL PIN	57	3	23-83959M	BUSHING	31	19
17-82364M	DOWEL PIN	61	30	23-83959M	BUSHING	33	22
17-82364M	DOWEL PIN	65	65	23-83981M	BUSHING	49	7
17-82364M	DOWEL PIN - SUPER LONG SHAFT	57	15	23-84013M	BUSHING	47	2
17-83140M	RIVET	5	10				
17-83996M	SHAFT	51	49				
17-84003M	REVERSE LOCK SHAFT	51	53				
17-84248M	CLEVIS PIN	31	20				
17-84304M	CLEVIS PIN	47	18				
17-94560M	CLEVIS PIN	31	20				
17-94560M	CLEVIS PIN	33	23				
17-94569M	TILT ROD ASSEMBLY	51	33				
18-82051M	COTTER PIN	31	21				

PARTS INDEX

Part Number	Description	Pg.	Ref. No.	Part Number	Description	Pg.	Ref. No.
23-84055M	COLLAR	47	10A	25-84092M	FUSE (12V - 20A)	83	21
23-84059M	BUSHING	55	5	25-84092M	GROMMET	23	39
23-84060M	BUSHING	55	9	25-84957M	O-RING	43	7
23-84063M	SLEEVE	63	34	25-94542M	SEAL	5	26
23-84066M	COLLAR	49	30	25-94793M	GROMMET	83	30
23-84243M	SPACER	29	12	25-96595M	SEAL	5	25
23-84279M	BUSHING	49	8	25-96596M	GROMMET	7	36
23-84280M	BUSHING	49	10	26-17659M	SEAL	7	39
23-84355M	BUSHING	69	15	26-18843M	OIL SEAL (LOWER)	29	15
23-94563M	COLLAR	45	4	26-80239M	SEAL	67	74
23-94568M	COLLAR	49	30	26-81607M	SEAL	61	25
23-99035M	SLEEVE	61	34	26-82227M	OIL SEAL	65	55
24-11936M	SPRING (FOR DUAL THRUST PROP)	51	54	26-82229M	OIL SEAL	61	31
24-22227	SPRING	77	6	26-83490M	SEAL	49	17
24-30189	SPRING	73	18	26-83936M	OIL SEAL (UPPER)	29	11
24-30189	SPRING	75	12	26-84022M	SEAL	59	13
24-80966M	SPRING - 684-50/51/52	35	15	26-84033M	SEAL	53	69
24-814460M	SPRING	35	13	26-84034M	CAP	53	67
24-814460M	SPRING	39	13	26-84071M	SEAL (USE WITH REF. #23A)	59	23
24-814460M	SPRING	39	15	26-84244M	SEAL	29	4
24-814460M	SPRING - 684-53/54	35	15	26-94574M	SEAL - SEE NOTE #11	53	69
24-815007M	SPRING	53	82	26-94626M	SEAL (USE W/O REF.#23A)	59	23
24-82079M	SPRING	11	28	26-94628M	RUBBER SEAL	67	75
24-82079M	SPRING	69	30	26-96605M	OIL SEAL(LOWER)	29	15
24-82095M	SPRING	55	18	26-96606M	OIL SEAL (LOWER)	29	16
24-82101M	SPRING	49	27	26-99031M	SEAL	61	25
24-82115M	SPRING	9	2	27-14218M	GASKET - 6E8-04	41	38
24-83488M	SPRING	49	15	27-17540M	GASKET	73	8
24-83721M	SPRING	79	31	27-18026	GASKET	87	7
24-83725M	SPRING	79	25	27-18937M	GASKET	25	16
24-83947M	SPRING	9	12	27-18937M	GASKET	27	12
24-84064M	SPRING	63	45	27-18938M	ENGINE GASKET SET	7	-
24-84285M	SPRING	51	41	27-18938M	ENGINE GASKET SET	27	-
24-84286M	SPRING	51	51A	27-18938M	ENGINE GASKET SET	29	-
24-84288M	SPRING	51	54	27-18938M	ENGINE GASKET SET	33	-
24-84336M	SPRING	21	7	27-18938M	ENGINE GASKET SET	41	-
24-84356M	SPRING	69	17	27-18938M	ENGINE GASKET SET	43	-
24-95588M	SPRING	9	2	27-18938M	ENGINE GASKET SET	57	-
24-95589M	SPRING	9	12	27-28862	GASKET	77	19
24-98996M	SPRING	51	51	27-41065	GASKET	77	8
25-14258M	O-RING - NEW DESIGN	21	13	27-43115M	GASKET	35	8
25-18927M	GROMMET	85	38	27-43115M	GASKET	39	8
25-18927M	GROMMET (MANUAL)	5	21	27-80267M	GASKET	35	11
25-20415	O-RING	73	17	27-80267M	GASKET	39	11
25-20415	O-RING	75	11	27-81320M	GASKET	73	10
25-82060M	STA-STRAP	23	37	27-815009M	SCREW (6E8-04)	39	26
25-82069M	GROMMET	19	40	27-815010M	GASKET (6E8-04)	39	30
25-82258M	O-RING	83	25	27-816977	GASKET	87	3
25-82789M	O-RING (1/4" - 6MM - I.D. HOSE)	73	26	27-81987M	GASKET	59	4
25-82789M	O-RING (1/4" - 6MM - I.D. HOSE)	75	20	27-82790M	GASKET (OLD DESIGN)	43	5
25-83930M	O-RING	29	14	27-83245M	GASKET	31	14
25-83961M	GROMMET	31	17	27-83245M	GASKET	33	17
25-83961M	GROMMET	33	20	27-83940M	GASKET	25	21
25-83988M	GROMMET (MANUAL)	5	20	27-83940M	GASKET	27	17
25-83990M	GROMMET	5	22	27-83941M	GASKET	31	11
25-84054M	O-RING	49	9	27-83941M	GASKET	33	14
25-84089M	O-RING	65	50	27-83951M	GASKET	25	25
				27-83951M	GASKET	27	21
				27-83955M	GASKET	57	11
				27-84024M	GASKET	59	17

PARTS INDEX

Part Number	Description	Pg.	Ref. No.	Part Number	Description	Pg.	Ref. No.
27-84075M	GASKET	61	32	32-82012M	HOSE	25	28
27-84123M	LOWER UNIT GASKET SET	57	-	32-82012M	HOSE	27	24
27-84123M	LOWER UNIT GASKET SET	67	-	32-82012M	HOSE	43	12/13
27-84259M	GASKET - 684-50/51/52	35	24	32-84028M	WATER TUBE (SHORT)	67	73
27-84261M	GASKET	35	26	32-84029M	WATER TUBE (LONG)	67	73
27-84261M	GASKET (6E8-71)	39	26	32-84030M	WATER TUBE (SUPER		
27-84264M	GASKET	35	30		LONG)	67	73
27-84264M	GASKET (6E8-71)	39	30	32-94625M	WATER PICK-UP TUBE	59	21
27-95500M	GASKET	75	7	32-94727M	HOSE	73	5
27-96602M	GASKET	25	32	32-94727M	HOSE (1/4" - 6MM - I.D.		
27-96602M	GASKET	27	28		HOSE)	73	21
27-96604M	ENGINE GASKET SET	7	-	32-94727M	HOSE (1/4" - 6MM - I.D.		
27-96604M	ENGINE GASKET SET	25	-		HOSE)	73	23
27-96604M	ENGINE GASKET SET	27	-	32-94727M	HOSE (1/4" - 6MM - I.D.		
27-96604M	ENGINE GASKET SET	29	-		HOSE)	75	15
27-96604M	ENGINE GASKET SET	31	-	32-94727M	HOSE (1/4" - 6MM - I.D.		
27-96604M	ENGINE GASKET SET	33	-		HOSE)	75	17
27-96604M	ENGINE GASKET SET	41	-	33-41263M	SPARK PLUG (NGK#B7HS-		
27-96604M	ENGINE GASKET SET	43	-		10)	27	27
27-96604M	ENGINE GASKET SET	57	-	33-82371M	SPARK PLUG (NGK#B-7HS)	25	31
27-96608M	GASKET	33	2	34-84246M	REED SET (REED STOPS		
27-96608M	GASKET - M-008131 ML-				NOT INCLUDED)	31	10
	308631 E-250661 EL-			34-84246M	REED SET (REED STOPS		
	551011 & UP	31	2		NOT INCLUDED)	33	9
27-96611M	GASKET	33	7	35-11931M	FUEL FILTER ASSEMBLY	43	4
27-96611M	GASKET - M-008131 ML-			35-11934M	FILTER	43	6
	308631 E-250661 EL-			35-18029	FILTER	87	11
	551011 & UP	31	8	36-18962M	FILLER CAP ASSEMBLY	77	3
27-96618M	GASKET	57	2	36-18962M	FUEL TANK CAP	73	2
27-98993M	GASKET	39	24	36-18962M	FUEL TANK CAP	75	3
27-98993M	GASKET - 684-53/54	35	24	36-816976A1	FILLER CAP	87	2
27-99049M	LOWER UNIT GASKET SET	67	-	37-11927M	SIDE DECAL SET	5	1
28-81912M	KEY	61	27	37-11928M	FRONT EMBLEM	5	2
28-81914M	KEY	29	19	37-13921	DECAL	77	2
29-82349M	NEEDLE BEARING	29	8	37-14617M	DECAL, SIDE (ENGLISH)	75	1
30-14273M	ROLLER BEARING	63	38	37-81202M	SHIFT DECAL	5	3
30-82294M	ROLLER BEARING	65	49	37-82984M	DECAL, SIDE	73	1
30-82303M	BEARING (UPPER)	29	1	37-95489M	DECAL, TOP (ENGLISH)	75	2
30-83938M	BEARING (LOWER)	29	2	37-95504M	DECAL, SIDE (FRENCH)	75	1
30-84086M	NEEDLE BEARING	65	54	37-95547M	DECAL (ELECTRIC)	5	17
31-82321M	ROLLER BEARING	63	38	39-15320M	PISTON RING SET		
31-99030M	BEARING	59	2		(STANDARD)	29	6
31-99045M	NEEDLE BEARING	65	57	39-15322M	PISTON RING SET (2ND O.S.		
32-16571M	HOSE (5/16" - 8MM - I.D.				56.50MM)	29	6
	HOSE	73	21	39-18939M	PISTON RING SET (1ST O.S.		
32-16571M	HOSE (5/16" - 8MM - I.D.				56.25MM)	29	6
	HOSE)	75	15	41-80272M	PISTON PIN	29	7
32-16571M	HOSE (5/16" - 8 MM - I.D.			43-80256M	PINION GEAR	63	36
	HOSE)	73	23	43-80257M	FORWARD GEAR	63	40
32-16571M	HOSE (5/16" - 8 MM - I.D.			43-815122M	GEAR	55	19
	HOSE)	75	17	43-84077M	REVERSE GEAR	65	48
32-17146A8	FUEL LINE ASSY. (5/16" -			43-84339M	PINION GEAR	21	10
	8MM - I.D. HOSE)	73	14	43-94562M	GEAR	45	3
32-17146A8	FUEL LINE ASSY. (5/16" -			43-94564M	GEAR	45	7
	8MM - I.D. HOSE)	75	8	43-94619M	GEAR	55	21
32-18028	HOSE	87	10	43-94620M	GEAR	55	19
32-18936M	HOSE	23	50	43-99041M	PINION GEAR	63	36
32-75239	TUBE	77	11	43-99043M	FORWARD GEAR	63	40
32-811045M	HOSE	25	5/6	43-99044M	REVERSE GEAR	65	48
32-811045M	HOSE	27	4	44-84078M	PROPELLER SHAFT	63	46

PARTS INDEX

Part Number	Description	Pg.	Ref. No.	Part Number	Description	Pg.	Ref. No.
45-84048M	DRIVESHAFT(SHORT)	61	26	84-94545M	LEAD WIRE	13	12
45-84049M	DRIVESHAFT (LONG)	61	26	84-94791M	BATTERY WIRE	83	28
45-84050M	DRIVESHAFT (SUPER LONG)	61	26	84-94792M	IGNITION WIRE	83	29
45-99032M	DRIVESHAFT (SHORT)	61	26	84-98985M	LEAD WIRE	21	21
45-99033M	DRIVESHAFT (LONG)	61	26	84-99051M	CONNECTOR	69	7
45-99034M	DRIVESHAFT (SUPER LONG)	61	26	84-99051M	EXTENSION	7	37
46-84118M	CHROME WATER PUMP KIT	67	77	84-99052M	CONNECTOR	69	8
46-84277M	WATER PUMP REPAIR KIT .	67	-	84-99059M	WIRE - DESIGN II	69	23
46-94623M	WATER PUMP HOUSING . .	59	10	84-99060M	EXTENSION - DESIGN II . . .	69	26
47-84027M	IMPELLER	59	16	84-99060M	EXTENSION - DESIGN I . . .	69	26
47-84027M	IMPELLER	67	81	85-63709A1	PLUG CAP	15	39
50-12066A9	STARTER ROPE	9	13	85-63709A1	PLUG CAP	17	37
50-83250M	STARTER SHEAVE	9	3	85-815119M	PLUG CAP (NOISE SUPPRESSOR)	17	37
50-98982M	STARTER MOTOR	21	0-1	87-14222M	LANYARD IGNITION SWITCH (DESIGN II)	5	34
52-84274M	CLUTCH	63	41	87-18930M	STARTER SWITCH	21	20
53-14752M	SNAP RING - NEW DESIGN	21	14	87-83633M	NEUTRAL START SWITCH .	83	18
53-80678M	RING	63	43	87-84096M	STARTER SWITCH	21	20
53-82330M	SNAP RING	51	45	87-84699M	CHOKE SOLENOID	83	22
53-82332M	SNAP RING	63	37A	87-84944M	CHOKE SWITCH	83	2
53-82343M	CLIP	29	10	87-91622M	STOP SWITCH (2 MALE TERMINALS)	5	34A
53-83758M	SNAP RING - SUPER LONG SHAFT	57	19	87-92605M	MAIN SWITCH	83	1
53-84895M	SNAP RING	9	11	87-93102M	STOP SWITCH (1RING/1 MALE TERMINAL)	5	34A
53-94555M	SNAP RING	29	3	87-97682M	KILL SWITCH	83	3
54-16574M	CLAMP (5/16" - 8MM - I.D. HOSE)	73	24	87-97684M	NEUTRAL SWITCH	23	47
54-16574M	CLAMP (5/16" - 8MM - I.D. HOSE)	75	18	87-97755M	KILL SWITCH (LEAD WIRES ARE 2-3/4"-2 MALE TERMINALS)	69	1
54-41867M	CLAMP	17	11	87-97757M	KILL SWITCH (1 RING/1 MALE TERMINAL - 24") . .	69	1
54-41876M	CLAMP	21	27	87-97765M	KILL SWITCH (LEAD WIRES ARE 24" - 2 MALE TERMINALS)	69	1
54-41876M	CLAMP	83	31	87-97776M	KILL SWITCH (LEAD WIRES ARE 19" - 2 MALE TERMINALS)	69	1
54-80752M	CLAMP (1/4" - 6MM - I.D. HOSE)	73	24	87-97777M	KILL SWITCH (LEAD WIRES ARE 3" - 2 MALE TERMINALS)	69	1
54-80752M	CLAMP (1/4" - 6MM - I.D. HOSE)	75	18	88-80007M	BULB - DESIGN I	69	19
54-82041M	CLAMP	15	40	88-81522M	FUSE	71	36
54-82046M	CLAMP	25	7	88-81522M	FUSE (12V-20A)	21	33
54-82046M	CLAMP	27	5	88-99055M	BULB - DESIGN II	69	19
54-82047M	CLIP	43	14	89-95642M	STARTER RELAY	23	43
54-83764M	CLAMP	73	4	89-96357M	SOLENOID	83	13
54-84113M	CLAMP	79	2	91-81669M	TOOL KIT	7	38
54-84296M	CLAMP	53	68	253-8408M	FLYWHEEL (MANUAL START)	13	0-1
54-97772M	CLAMP	83	33	253-8920M	FLYWHEEL ASSEMBLY (W/RING GEAR)	17	1
79-43984A1	TACHOMETER KIT - DESIGN II	69	18	253-8921M	FLYWHEEL ASSEMBLY (W/O RING GEAR)	17	1
79-84311M	TACHOMETER KIT - DESIGN I	69	18	463-9854M	CRANKSHAFT ASSEMBLY .	29	0-1
83-84694M	STARTER SOLENOID	83	0-3	761-7982M	PISTON (STANDARD)	29	5
84-18931M	LEAD WIRE	21	21	761-8022M	PISTON (1ST O.S. 56.25MM)	29	5
84-18932M	HARNESS	21	22	761-8022M	PISTON (2ND O.S. 56.50MM)	29	5
84-84124M	CONNECTOR ASSEMBLY . .	69	6	870-8410M	CRANKCASE ASSEMBLY . .	25	0-1
84-84352M	EXTENSION - DESIGN II . .	69	25				
84-84352M	EXTENSION - DESIGN I . . .	69	25				
84-84353M	CONNECTOR - DESIGN II . .	69	24				
84-84353M	CONNECTOR - DESIGN I . .	69	24				
84-84697M	LEAD WIRE	83	27				
84-84706M	WIRE HARNESS	83	0-5				
84-84711M	HARNESS EXTENSION	85	36				

PARTS INDEX

Part Number	Description	Pg.	Ref. No.	Part Number	Description	Pg.	Ref. No.
870-8799M	CRANKCASE ASSEMBLY .	27	0-1				
968-7147M	CYLINDER HEAD	25	15				
968-8800M	CYLINDER HEAD	27	11				
NLA-	FLYWHEEL (MANUAL)	13	1				
1225-1529A26	FUEL TANK ASSY., COMPLETE (6 GALLON) .	77	1				
1259-812410A1	FUEL TANK ASSEMBLY (PLASTIC - 6.6 GALLONS)	87	1				
1383-7148M	CARB(684-50)	35	0-1				
1383-8516M	CARBURETOR(684-53/54) ..	35	0-1				
1383-8806M	CARBURETOR (6E8-71) . . .	39	0-1				
1383-9513M	CARBURETOR (6E8-04) . . .	39	0-1				
1484-7141M	CLAMP BRACKET (PORT) ..	49	19				
1484-8026M	CLAMP BRACKET (STARBOARD)	49	20				
1484-9793M	CLAMP BRACKET (PORT) ..	49	19				
1484-9794M	CLAMP BRACKET (STARBOARD)	49	20				
1485-7143M	SWIVEL BRACKET	49	11				
1485-811019M	SWIVEL BRACKET	49	11				
1587-7144M	DRIVE DRIVE SHAFT HOUSING (SHORT)	57	1				
1587-8027M	DRIVE SHAFT HOUSING (SHORT)	57	1				
1587-8028M	DRIVE SHAFT HOUSING (LONG)	57	1				
1587-811277M	DRIVE SHAFT HOUSING (LONG)	57	1				
1587-9512M	DRIVE SHAFT HOUSING (SHORT)	57	1				
1651-7146M	GEAR HOUSING	59	1				
1651-811992M	GEAR HOUSING (LONG) . . .	59	0-1				
1651-811992M	GEAR HOUSING (LONG) . . .	61	0-1				
1651-811992M	GEAR HOUSING (LONG) . . .	63	0-1				
1651-811992M	GEAR HOUSING (LONG) . . .	65	0-1				
1651-811993M	GEAR HOUSING (SHORT) ..	59	0-1				
1651-811993M	GEAR HOUSING (SHORT) ..	61	0-1				
1651-811993M	GEAR HOUSING (SHORT) ..	63	0-1				
1651-811993M	GEAR HOUSING (SHORT) ..	65	0-1				
1651-8625M	GEAR HOUSING	59	1				
1651-9796M	GEAR HOUSING	59	1				
2168-9345M	TOP COWLING ASSEMBLY	5	0-1				
2168-9346M	BOTTOM COWL	5	18				
2168-9791M	BOTTOM COWL	5	18				
2169-8398M	STARTER HOUSING	9	1				
2169-9348M	STARTER	9	0-1				
NLA1-	GEAR HOUSING (LONG) . . .	61	0-1				
NLA1-	GEAR HOUSING (LONG) . . .	63	0-1				
NLA1-	GEAR HOUSING (LONG) . . .	65	0-1				
NLA1-	GEAR HOUSING (SHORT) ..	61	0-1				
NLA1-	GEAR HOUSING (SHORT) ..	63	0-1				
NLA1-	GEAR HOUSING (SHORT) ..	65	0-1				
NLA4-	CLAMP BRACKET (STARBOARD)	49	20				