



PARTS CATALOG

5 H.P.

SERIAL NUMBER

5 H.P. (1996)	E127700 THRU E202999
5 H.P. (1997)	E203000 THRU E287999

TABLE OF CONTENTS:

BOTTOM COWL AND SUPPORT PLATE	4
CARBURETOR	14
CRANKSHAFT AND PISTON	18
CYLINDER BLOCK ASSEMBLY	16
DRIVESHAFT HOUSING	22
FUEL PUMP	12
FUEL TANK AND LINE ASSEMBLY (PLASTIC - 3.2 GALLON)	32
GEAR HOUSING ASSEMBLY	28
IGNITION SYSTEM	8
INTAKE SYSTEM	10
LITERATURE & PAINT	35
PARTS INDEX	36
SHIFT LINKAGE	20
STARTER ASSEMBLY	6
STEERING HANDLE/TWIST GRIP THROTTLE	24
SWIVEL BRACKET/CLAMP BRACKET	26
TOOLS - SPECIAL	34
TOP COWL ASSEMBLY	2

NOTE: Indented description indicate that these parts are included in preceeding assembly.

AR = As Required

NSS = Not Sold Separate

OPT = Optional

NS = Not Shown

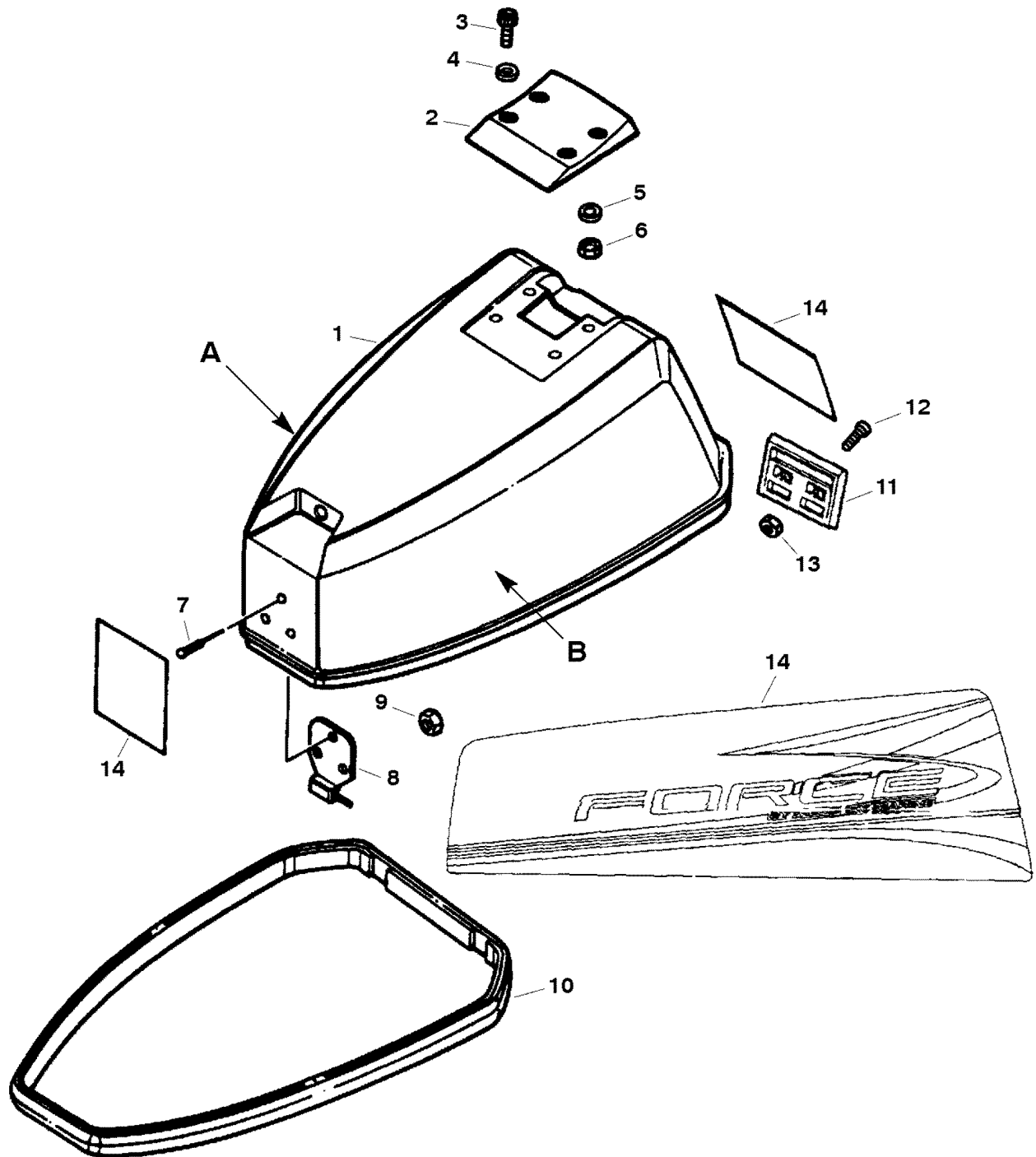
NOTE: Following symbols are located in **SYM** column.

- | | |
|--|--|
| ● = COMPONENT OF POWERHEAD ASSEMBLY [800-819854A2] | ⊕ = COMPONENT OF GEAR HOUSING SEAL KIT [FK1057] |
| ■ = COMPONENT OF POWERHEAD GASKET SET [FG1034-1] | ○ = COMPONENT OF CARBURETOR GASKET SET [FK10294] |
| ▣ = COMPONENT OF CARBURETOR REPAIR KIT [FK10295] | ♣ = COMPONENT OF WATER PUMP KIT [46-819026A1] |
| ◇ = SUPERSEDES TO ANOTHER PART NUMBER | |

THESE PARTS BOOKS/FICHE CARD ARE COPYRIGHTED AND MAY NOT BE DISTRIBUTED OR REPRODUCED IN ANY OTHER FORMAT BY ANYONE OTHER THAN MERCURY MARINE WITHOUT THE PRIOR WRITTEN CONSENT OF MERCURY MARINE.

THIS PAGE INTENTIONALLY LEFT BLANK

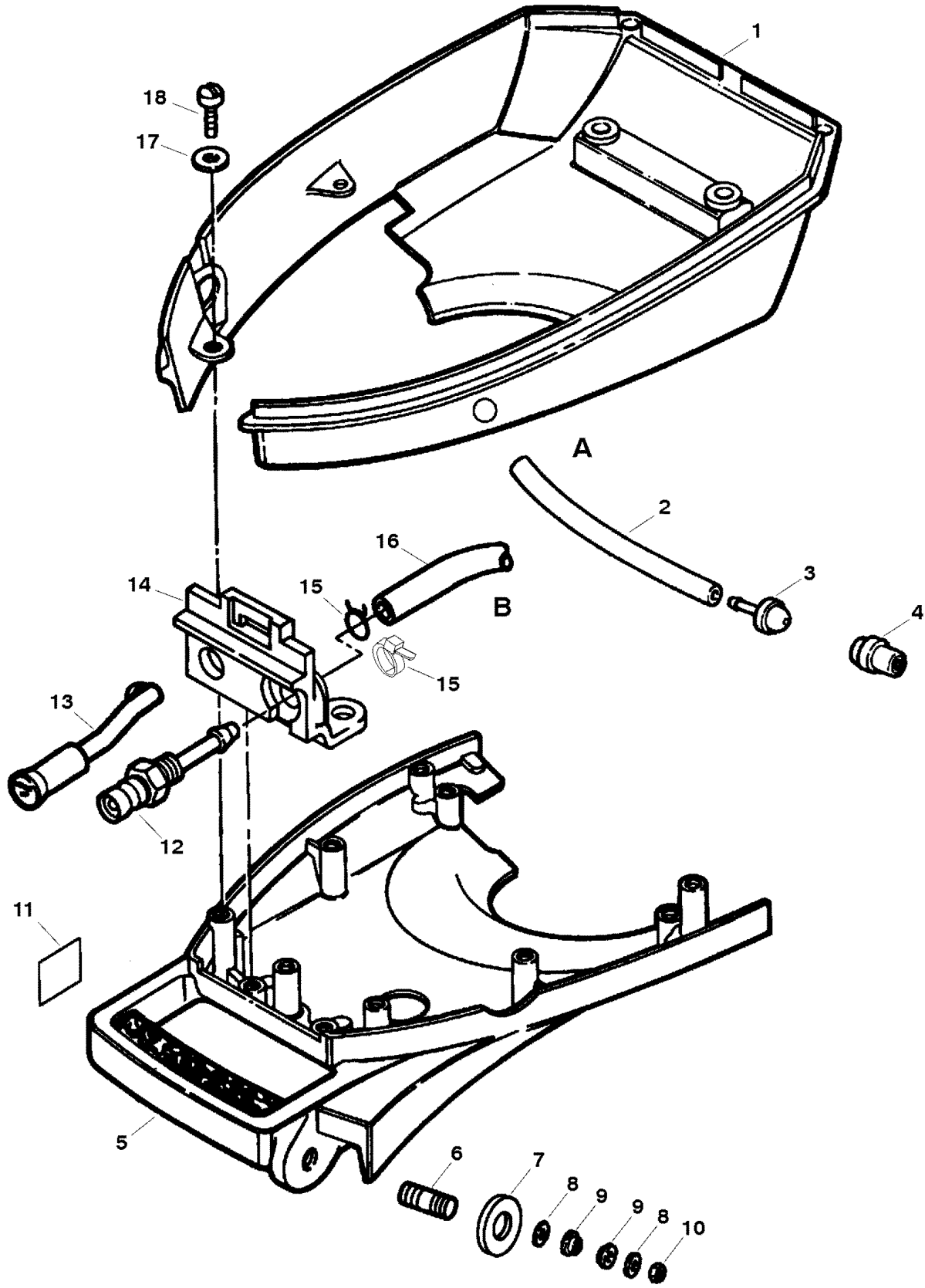
TOP COWL ASSEMBLY



TOP COWL ASSEMBLY

REF. NO.	PART NO.	SYM.	QTY.	DESCRIPTION
1	100-820190A3		1	COWL ASSEMBLY-TOP (PAINTED) (WITHOUT DECALS) (FORCE)
2	F681269		1	HANDLE-TILT
3	10-F2211		4	SCREW (#10-24 X .625) TORQUE 30 LB. IN. 3.3 N-M
4	12-89302		4	WASHER
5	12-F8143		4	WASHER
6	11-F7009		4	NUT (#10-24) TORQUE 30 LB. IN. 3.3 N-M
7	10-41772		3	SCREW (#10-24 X .500) TORQUE 30 LB. IN. 3.3 N-M
8	F702783		1	RETAINER-FRONT
9	11-F7011		3	NUT (#10-24)
10	FK525713		1	PACKING KIT (4.00 FT. BULK) (CUT 3.422 FT.)
11	820474A1		1	LATCH KIT-REAR
12	10-59771		2	SCREW (#10-32 X .750) TORQUE 35 LB. IN. 3.9 N-M
13	11-90078		2	NUT (#10-32) TORQUE 35 LB. IN. 3.9 N-M
14	37-820730A95		1	DECAL SET (FRONT-REAR-PORT-STBD)

BOTTOM COWL AND SUPPORT PLATE

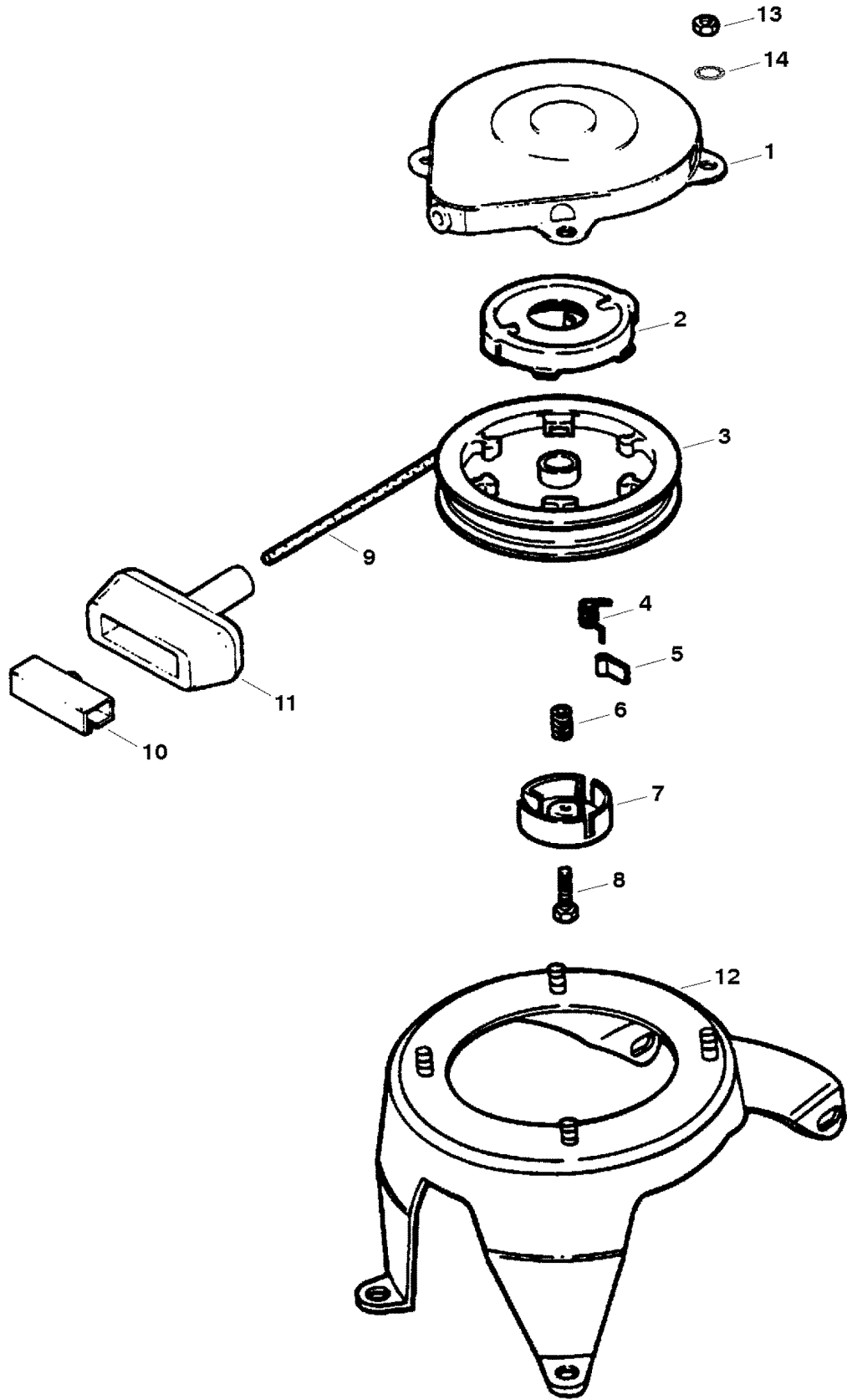


BOTTOM COWL AND SUPPORT PLATE

REF. NO.	PART NO.	SYM.	QTY.	DESCRIPTION
1	100-820432T		1	COWL-BOTTOM (PAINTED)
2	32-819398T	◇	1	HOSE-FUEL (18.00 IN. BULK) (CUT 6.120 IN.)
3	F681046		1	BULB-PRIMER
4	F681954-1		1	COVER-PRIME BULB BOOT
5	100-F687038T		1	PLATE-SUPPORT (PAINTED)
6	16-827618		1	STUD-STEERING HANDLE
7	12-F286286-1		1	WASHER
8	12-F8015		2	WASHER
9	23-F521319		2	BUSHING-STEERING HANDLE
10	11-F1756		1	NUT (.375-16) TORQUE 270 LB. IN. 30.4 N-M
11	37-818029--1	◇	1	DECAL-FUEL MIX
12	22-F197767-2		1	BUSHING-FUEL
13	F687547-1		1	KNOB-CHOKE
14	F687163T		1	COVER-FRONT
15	54-827255		AR	CLAMP
	56762		OPT	CABLE TIE (4.00 IN.)
16	32-819398T	◇	1	HOSE-FUEL (18.00 IN. BULK) (CUT 12.00 IN.)
17	12-35044		4	WASHER
18	10-F1035		4	SCREW (.250-20 X .625) TORQUE 70 LB. IN. 7.8 N-M

◇ = SUPERSEDES TO ANOTHER PART NUMBER

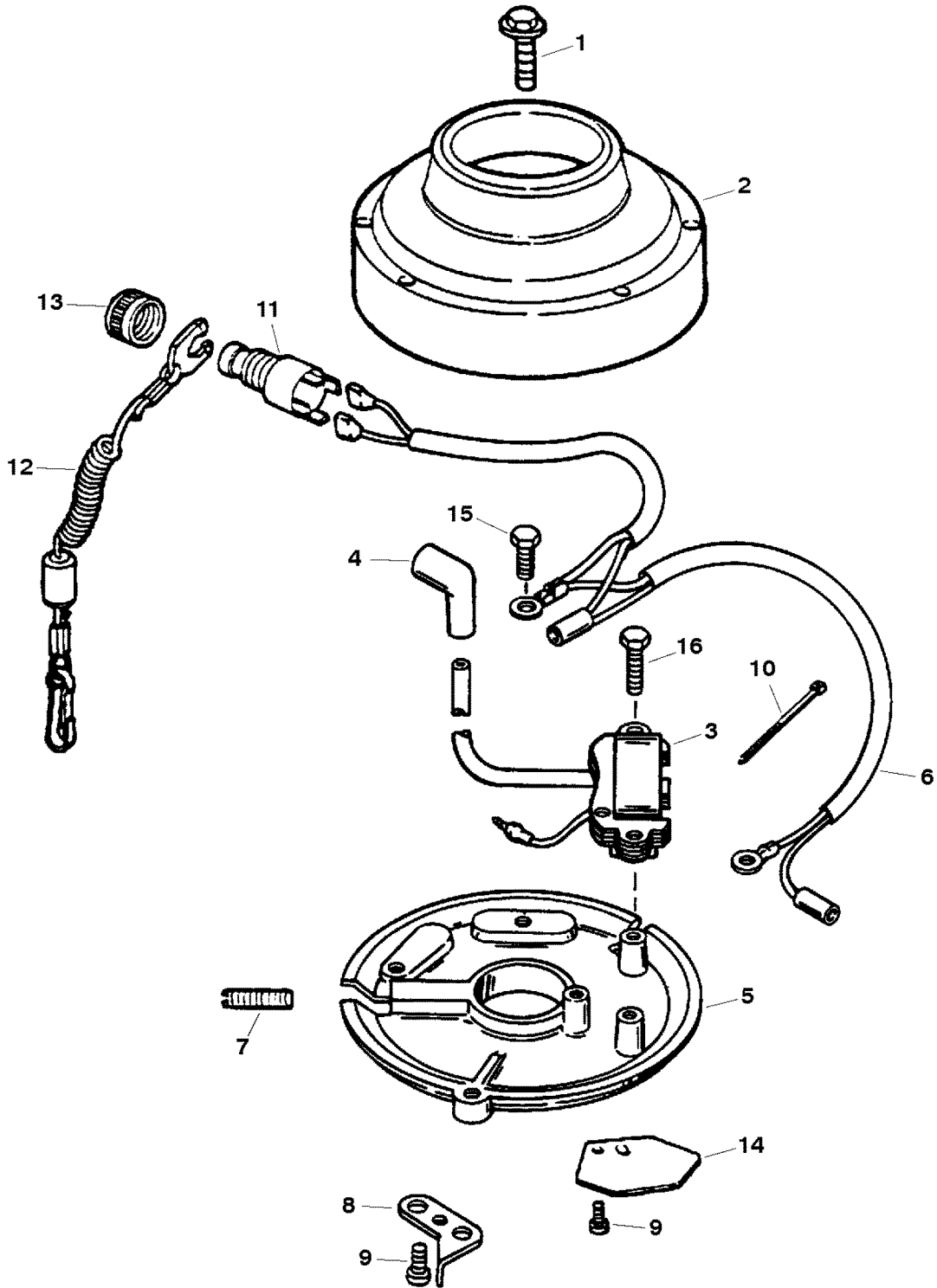
STARTER ASSEMBLY



STARTER ASSEMBLY

REF. NO.	PART NO.	SYM.	QTY.	DESCRIPTION
1	50-F687063		1	STARTER ASSEMBLY-REWIND
2	F15584		1	SPRING & KEEPER
3	F15606		1	PULLEY ASSEMBLY (WITH BEARING)
4	F15605		3	SPRING-DOG
5	F250421		3	DOG
6	F250003		1	SPRING
7	F15604		1	RETAINER-DOG
8	F15615		1	SCREW
9	F15585		1	ROPE-STARTER
10	F620817		1	RETAINER-STARTER ROPE
11	F620132		1	HANDLE-STARTER ROPE
12	F702427		1	BRACKET-STARTER MOUNT
13	11-64015		4	NUT (.250-20) TORQUE 70 LB. IN. 7.8 N-M
14	13-21272		4	LOCKWASHER (.250 INTERNAL)

IGNITION SYSTEM

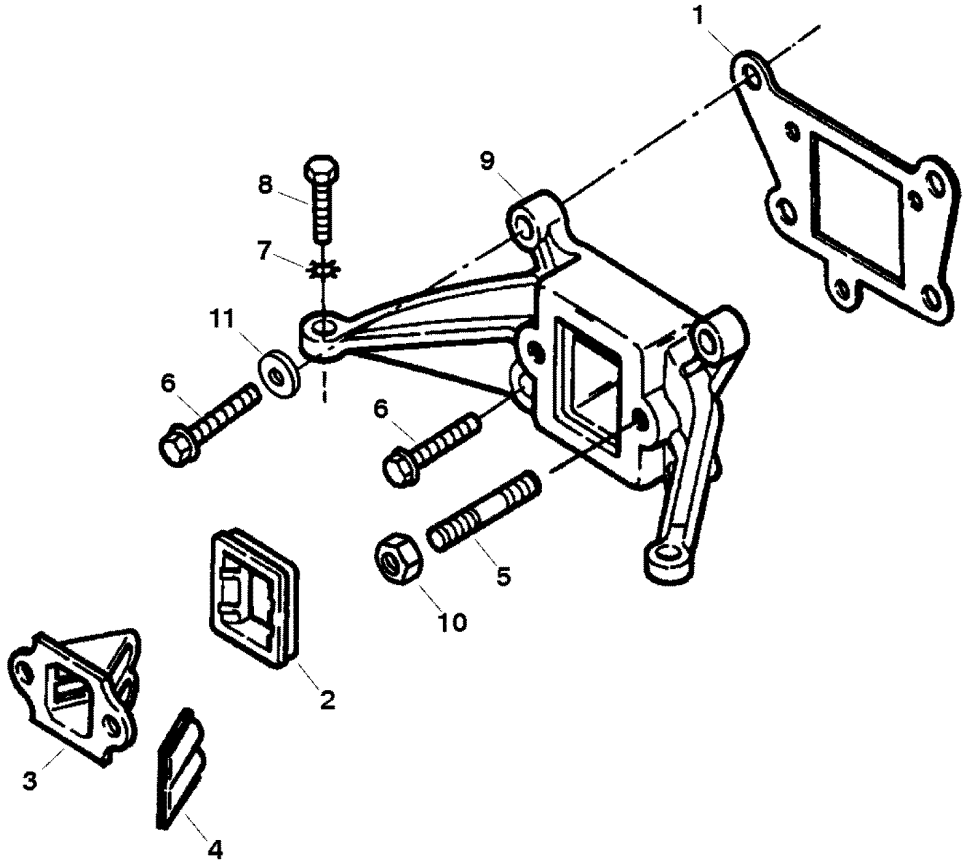


IGNITION SYSTEM

REF. NO.	PART NO.	SYM.	QTY.	DESCRIPTION
1	10-F521552		1	SCREW-FLYWHEEL TORQUE 17 LB. FT. 23 N-M
2	200-819363T		1	FLYWHEEL (PAINTED)
3	300-850899T	◇	1	MODULE-IGNITION (CUT WIRE AS REQ'D)
4	85-63709A1		1	BOOT/TERMINAL KIT-SPARK PLUG
5	300-819345A2		1	PLATE ASSEMBLY-STATOR
6	84-824486A2		1	CABLE ASSEMBLY
7	10-824678		1	SCREW-FRICTION
8	F702505		1	STOP-HIGH SPEED
9	10-34939		2	SCREW (.250-20 X .500) TORQUE 70 LB. IN. 7.8 N-M
10	56762		AR	CABLE TIE (4.00 IN.)
11	87-F687287		1	SWITCH-EMERGENCY STOP
12	819399A1		1	LANYARD ASSEMBLY
13	22-F681188		1	NUT-STOP SWITCH SLEEVE
14	F712192		1	CAM-THROTTLE
15	10-824352		1	SCREW (#10-24 X .375) TORQUE 30 LB. IN. 3.3 N-M
16	10-824353		3	SCREW (#8-32 X .750) TORQUE 20 LB. IN. 2.2 N-M

◇ = SUPERSEDES TO ANOTHER PART NUMBER

INTAKE SYSTEM



INTAKE SYSTEM

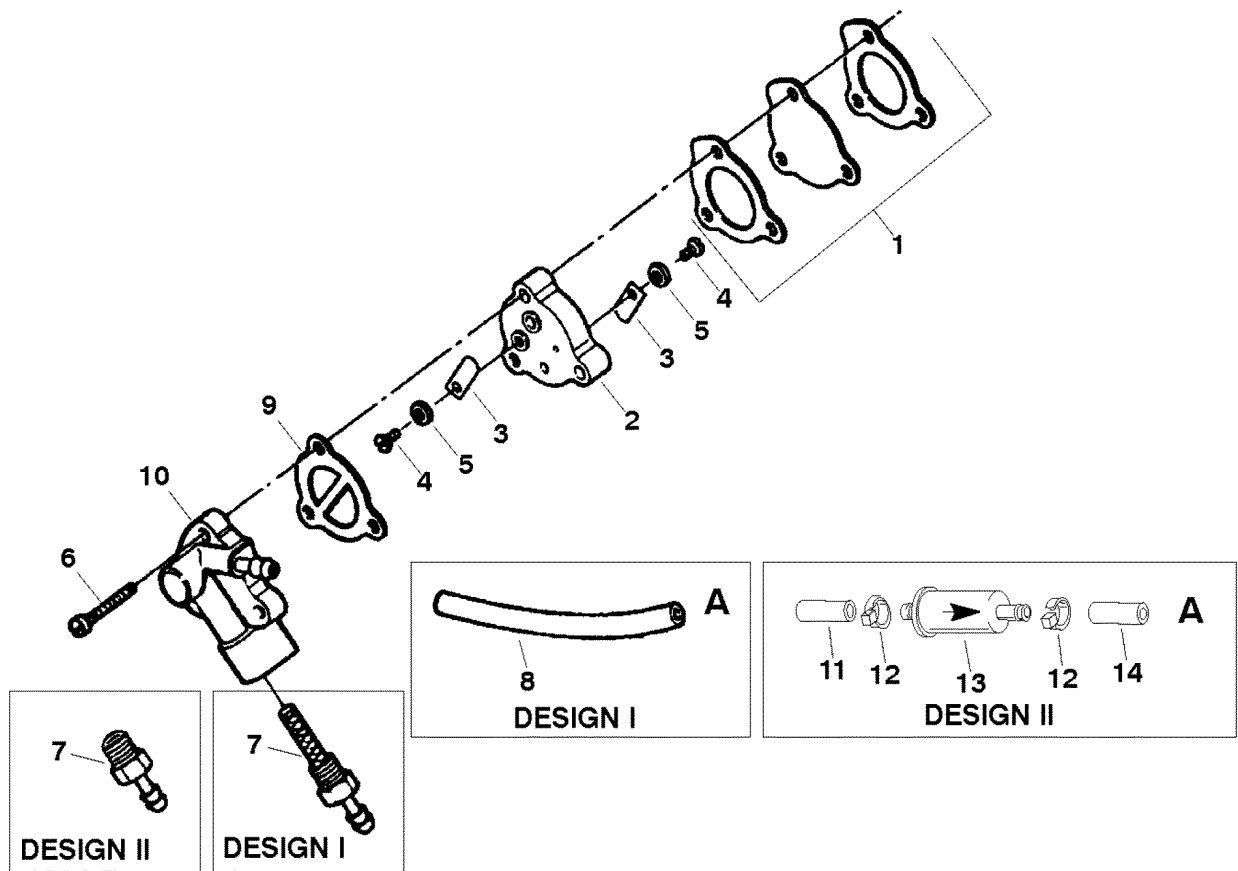
REF. NO.	PART NO.	SYM.	QTY.	DESCRIPTION
1	27-F521168	●■	1	GASKET-CARBURETOR ADAPTER
2	F712504		1	GROMMET-REED PLATE
3	819677		1	PLATE-REED
4	34-F31160-2		2	REED
5	16-826625		2	STUD (.250-20 X 1.130) WITH DRI LOK
6	10-819110100	◇	4	SCREW (.250-20 X 1.00) TORQUE 70 LB. IN. 7.8 N-M
7	13-F8060		2	LOCKWASHER (.250 EXTERNAL)
8	10-F2008		2	SCREW (.250-20 X .875)
9	F712167T		1	ADAPTER-CARBURETOR (PAINTED) TORQUE 70 LB. IN. 7.8 N-M
10	11-20890		2	NUT (.250-20) TORQUE 70 LB. IN. 7.8 N-M
11	12-18678		2	WASHER
-	FG1034-1		1	GASKET SET-POWERHEAD
-	800-819854A2		1	POWERHEAD ASSEMBLY

● = COMPONENT OF POWERHEAD ASSEMBLY [800-819854A2]

■ = COMPONENT OF POWERHEAD GASKET SET [FG1034-1]

◇ = SUPERSEDES TO ANOTHER PART NUMBER

FUEL PUMP



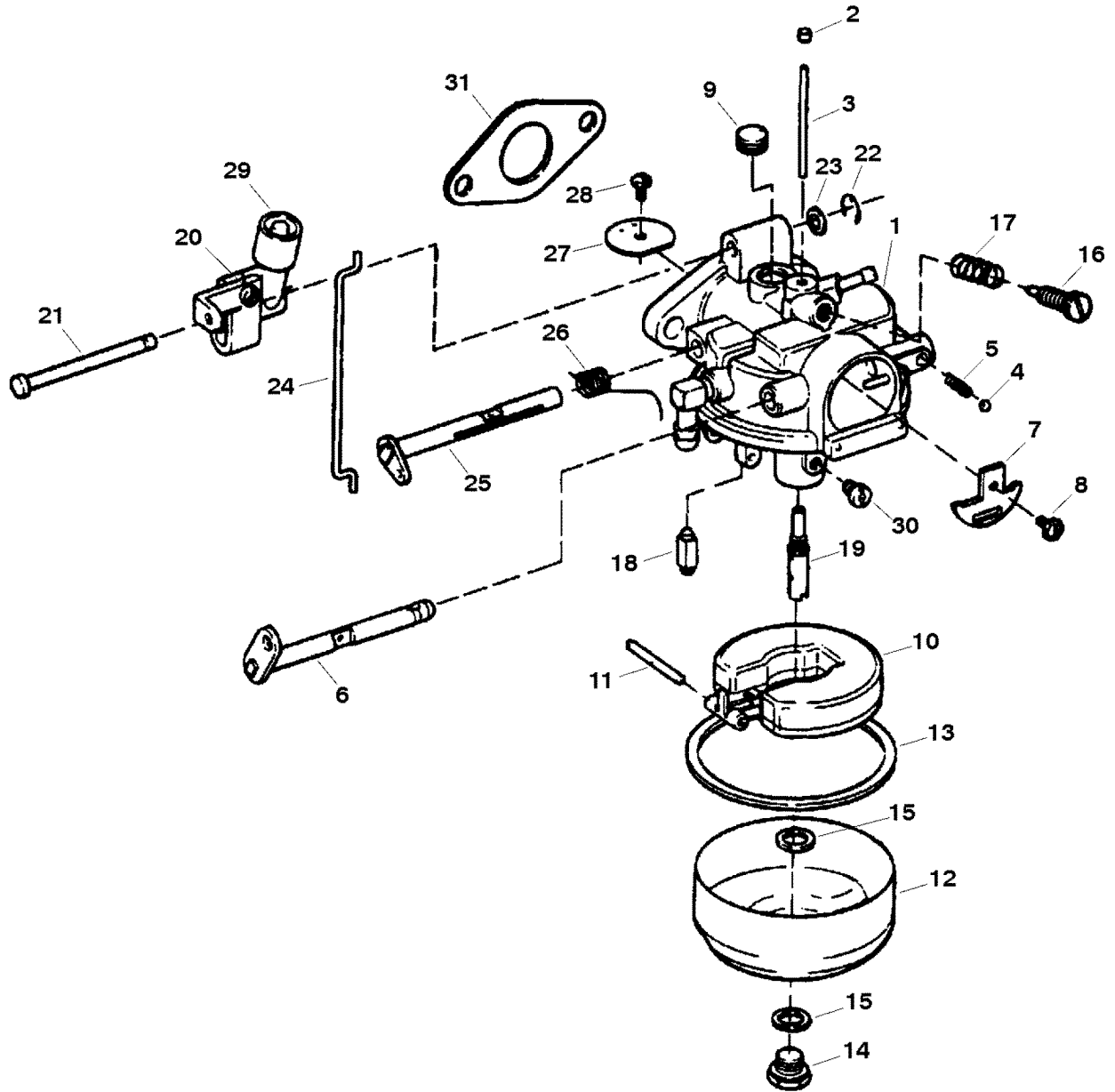
FUEL PUMP

REF. NO.	PART NO.	SYM.	QTY.	DESCRIPTION
1	27-818043A1	●	1	DIAPHRAGM/GASKET SET
2	F2A24757		1	PLATE ASSEMBLY-FUEL PUMP
3	34-F18160-3		2	REED
4	10-F1286		2	SCREW (#4-40 X .187)
5	12-18552		2	WASHER
6	10-F1069		3	SCREW (#10-24 X 1.062) TORQUE 30 LB. IN. 3.3 N-M
7	22-F901811		1	FILTER-FUEL PUMP
	22-850314		1	FITTING-FUEL PUMP (DESIGN II)
8	32-819398T	◇	1	HOSE-FUEL (18.00 IN. BULK) (CUT 9.180 IN.) (DESIGN I)
9	27-F24748-2		1	GASKET-FUEL PUMP
10	819993T1		1	COVER-FUEL PUMP (PAINTED)
11	32-819398T	◇	1	HOSE-FUEL (18.00 IN. BULK) (CUT 3.00 IN.) (DESIGN II)
12	56762		2	CABLE TIE (4.00 IN.) (DESIGN II)
13	35-828998		1	FILTER-FUEL (DESIGN II)
14	32-819398T	◇	1	HOSE-FUEL (18.00 IN. BULK) (CUT 4.75 IN.) (DESIGN II)
-	800-819854A2		1	POWERHEAD ASSEMBLY

● = COMPONENT OF POWERHEAD ASSEMBLY [800-819854A2]

◇ = SUPERSEDES TO ANOTHER PART NUMBER

CARBURETOR

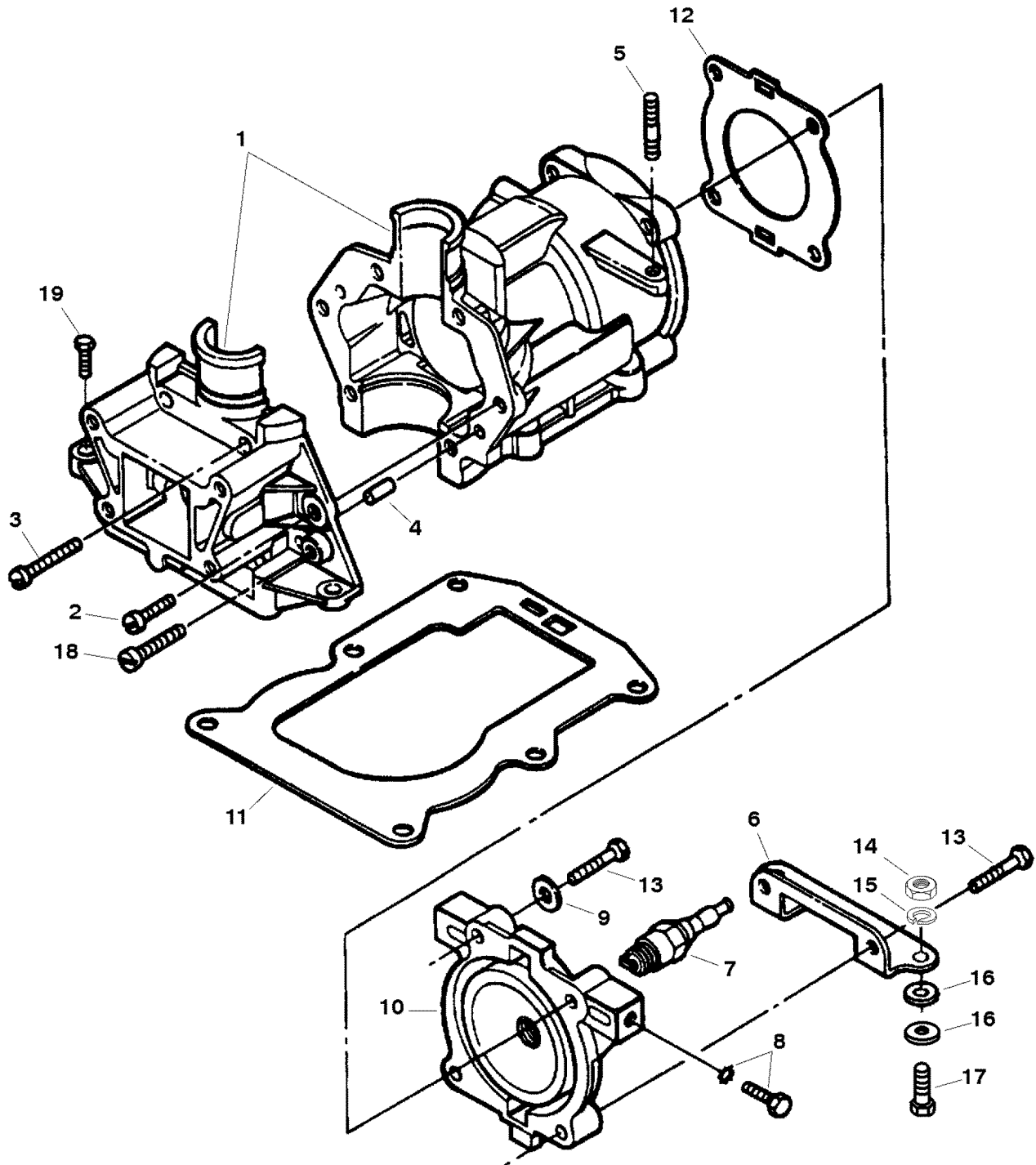


CARBURETOR

REF. NO.	PART NO.	SYM.	QTY.	DESCRIPTION
1	1300-F712061		1	CARBURETOR (HO-4A)
2	19-FO10588	■	1	PLUG-CUP
3	F10235		1	TUBE-BY PASS
4	FO4784		1	BALL-CHOKE FRICTION SPRING
5	FO8805		1	SPRING-CHOKE FRICTION
6	FO15736		1	SHAFT-CHOKE
7	FO15367		1	SHUTTER-CHOKE
8	10-FO10280		2	SCREW-SHUTTER
9	19-FO2531	■	1	PLUG-WELCH
10	F10346		1	FLOAT-FUEL BOWL
11	17-FO13944	■	1	PIN-FLOAT
12	FO15366		1	BOWL-FUEL
13	27-FO15623	○	1	GASKET-FUEL BOWL
14	1399-5128		1	SCREW-FUEL BOWL
15	27-FO2510	○	1	GASKET-FUEL BOWL
16	FO15520	■	1	NEEDLE-IDLE
17	24-27160	■	1	SPRING-IDLE NEEDLE
18	F10265	■	1	NEEDLE-INLET (NOTE: DO NOT REMOVE INLET SEAT)
19	F10238		1	NOZZLE-MAIN
20	F10290		1	BRACKET-THROTTLE
21	F10240		1	SHAFT-THROTTLE LINKAGE
22	F10241		1	E RING-THROTTLE LINKAGE SHAFT
23	F10242		1	WASHER-THROTTLE LINKAGE SHAFT
24	F10338		1	LINKAGE-THROTTLE SHAFT
25	F10339		1	SHAFT-THROTTLE
26	24-F10246	■	1	SPRING-RETURN
27	F10248		1	SHUTTER-THROTTLE
28	10-F10328	■	2	SCREW-SHUTTER
29	FO10571		1	SCREW-IDLE SPEED
30	F10337		1	JET-MAIN (.041) (0 - 2500 FT.)
	1399-2407		OPT	JET-MAIN (.039) (2500 - 5000 FT.)
	F10342		OPT	JET-MAIN (.037) (5000 - 7500 FT.)
	F10341		OPT	JET-MAIN (.035) (7500 - 10000 FT.)
31	27-F18906	■○	1	GASKET-CARBURETOR FLANGE
-	FK10295		1	REPAIR KIT-CARBURETOR
-	FK10294	■	1	GASKET SET-CARBURETOR
-	FG1034-1		1	GASKET SET-POWERHEAD

- = COMPONENT OF POWERHEAD GASKET SET [FG1034-1]
- = COMPONENT OF CARBURETOR REPAIR KIT [FK10295]
- = COMPONENT OF CARBURETOR GASKET SET [FK10294]

CYLINDER BLOCK ASSEMBLY



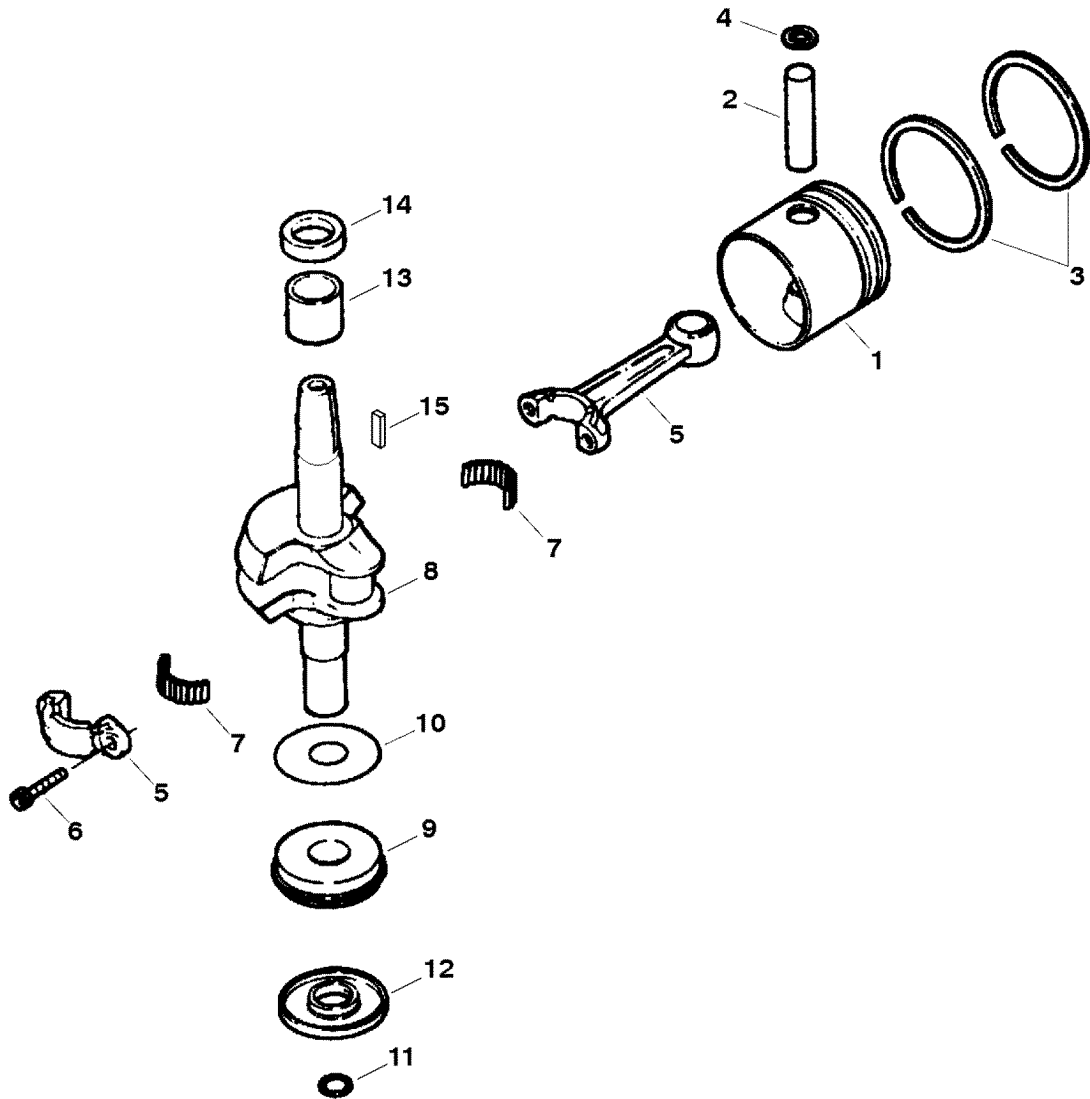
CYLINDER BLOCK ASSEMBLY

REF. NO.	PART NO.	SYM.	QTY.	DESCRIPTION
1	800-819854A2		1	POWERHEAD ASSEMBLY (PAINTED)
	800-819854A1	●	1	CYLINDER BLOCK KIT
2	10-F1107		2	SCREW (.250-20 X .750) TORQUE 70 LB. IN. 7.8 N-M
3	10-F1504		4	SCREW (.250-20 X 1.250) TORQUE 70 LB. IN. 7.8 N-M
4	17-F8559		2	PIN-DOWEL
NS	FG1034-1		1	GASKET SET-POWERHEAD
5	16-827386		1	STUD-SPEED CONTROL CABLE RETAINER
6	F521774		1	BRACKET-LOWER
7	33-312		1	SPARK PLUG (CHAMPION # L87YC) TORQUE 150 LB. IN. 17 N-M
	33-327		OPT	SPARK PLUG (RFI) (CHAMPION # RL87YC) TORQUE 150 LB. IN. 17 N-M
8	10-F1426		2	SCREW WITH LOCKWASHER(.250-20 X .437) TORQUE 70 LB. IN. 7.8 N-M
9	12-22937	●	2	WASHER
10	900-819367T	●	1	HEAD-CYLINDER
11	27-F521279-1	■●	1	GASKET-CYLINDER EXHAUST
12	27-F712529	■●	1	GASKET-CYLINDER HEAD
13	10-F901938-1	●	4	SCREW-CYLINDER HEAD TORQUE 130 LB. IN. 14.7 N-M
14	11-64015		2	NUT (.250-20) TORQUE 70 LB. IN. 7.8 N-M
15	13-26992		2	LOCKWASHER (.250)
16	12-35044		4	WASHER
17	10-28636		2	SCREW (.250-20 X .750) TORQUE 70 LB. IN. 7.8 N-M
18	10-F2040		1	SCREW (.250-20 X .625)-GROUND WIRE TORQUE 70 LB. IN. 7.8 N-M
19	10-28636		2	SCREW (.250-20 X .750) TORQUE 70 LB. IN. 7.8 N-M
-	FG1034-1		1	GASKET SET-POWERHEAD
-	800-819854A2		1	POWERHEAD ASSEMBLY

● = COMPONENT OF POWERHEAD ASSEMBLY [800-819854A2]

■ = COMPONENT OF POWERHEAD GASKET SET [FG1034-1]

CRANKSHAFT AND PISTON



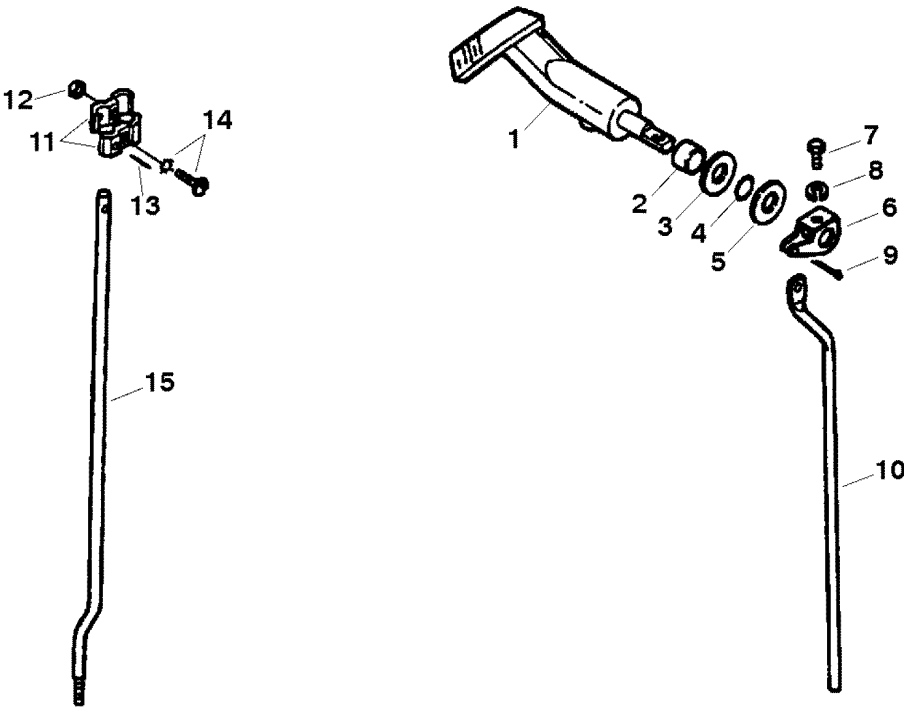
CRANKSHAFT AND PISTON

REF. NO.	PART NO.	SYM.	QTY.	DESCRIPTION
1	700-819920A3	●	1	PISTON KIT
2	41-F712017		1	PIN-PISTON
3	39-FA712260		1	RING SET-PISTON (2 RINGS)
4	53-F31410		2	RING-RETAINING
5	600-FS715016	●	1	CONNECTING ROD ASSEMBLY
6	10-F175634		2	SCREW-CONN ROD TORQUE 80 LB IN. 9 N-M
7	FA712228	●	1	ROLLER SET (2 STRIPS) (28 PER STRIP)
8	FK527018	●	1	CRANKSHAFT KIT
9	30-F521910		1	BEARING-CRANKSHAFT LOWER
10	F521270		1	SLINGER-CRANKSHAFT LOWER
11	25-F521579	●■	1	SEAL-CRANKSHAFT SPLINE
12	26-819798	●■	1	SEAL-CRANKSHAFT LOWER
13	31-F521013	●	1	BEARING-CRANKSHAFT UPPER
14	26-819799	●■	1	SEAL-CRANKSHAFT UPPER
15	28-F687498		1	KEY-CRANKSHAFT/FLYWHEEL
-	FG1034-1		1	GASKET SET-POWERHEAD
-	800-819854A2		1	POWERHEAD ASSEMBLY

● = COMPONENT OF POWERHEAD ASSEMBLY [800-819854A2]

■ = COMPONENT OF POWERHEAD GASKET SET [FG1034-1]

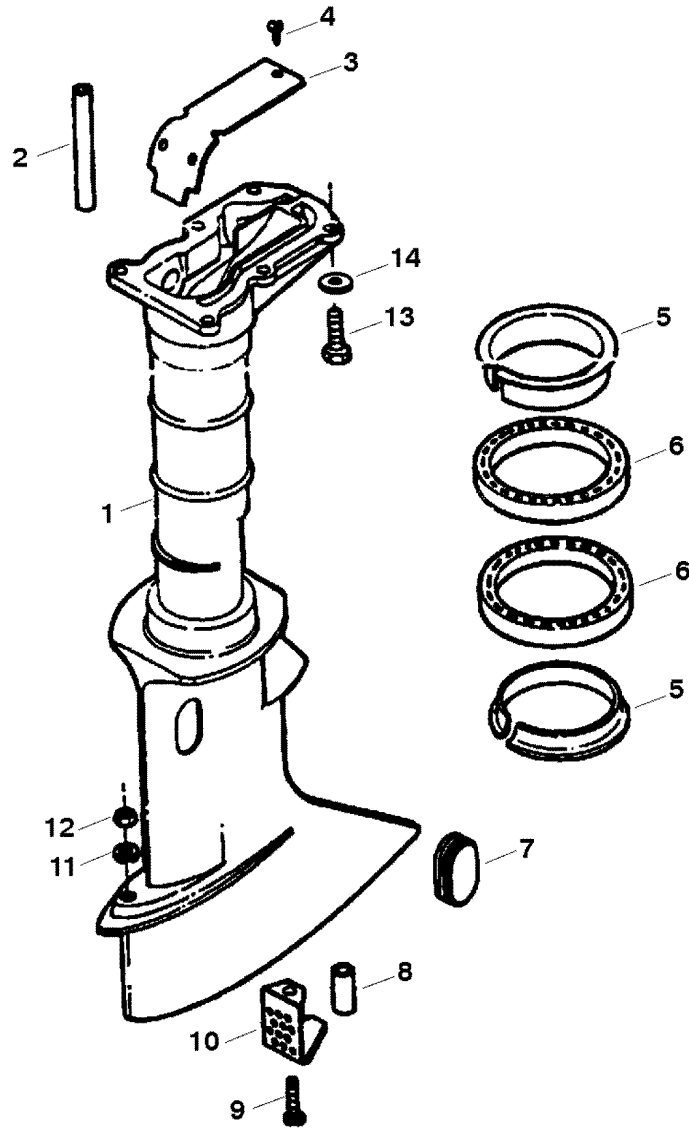
SHIFT LINKAGE



SHIFT LINKAGE

REF. NO.	PART NO.	SYM.	QTY.	DESCRIPTION
1	820433T		1	HANDLE-GEAR SHIFT (PAINTED)
2	23-F341610		1	BEARING-GEAR SHIFT SHAFT
3	23-F269052		1	BUSHING-SHIFT ARM
4	25-F19342		1	SEAL
5	12-34931		1	WASHER
6	F521621		1	LEVER-GEAR SHIFT
7	10-F2041		1	SCREW (#10-24 X .375) TORQUE 30 LB IN 3.3 N-M
8	13-26996		1	LOCKWASHER (#10)
9	17-29908		1	PIN-ROLL
10	F521615		1	ROD-GEAR SHIFT (UPPER)
11	FK341704		1	COUPLING KIT-GEAR SHIFT ROD
12	11-F7009		1	NUT (#10-24)
13	17-F8538		1	PIN-SPRING
14	10-F1371		1	SCREW WITH LOCKWASHER (#10-24 X .625) TORQUE 30 LB IN 3.3 N-M
15	F521705-1		1	ROD-GEAR SHIFT (LOWER) (15 IN. TRANSOM)
	F332705-1		1	ROD-GEAR SHIFT (LOWER) (20 IN. TRANSOM)

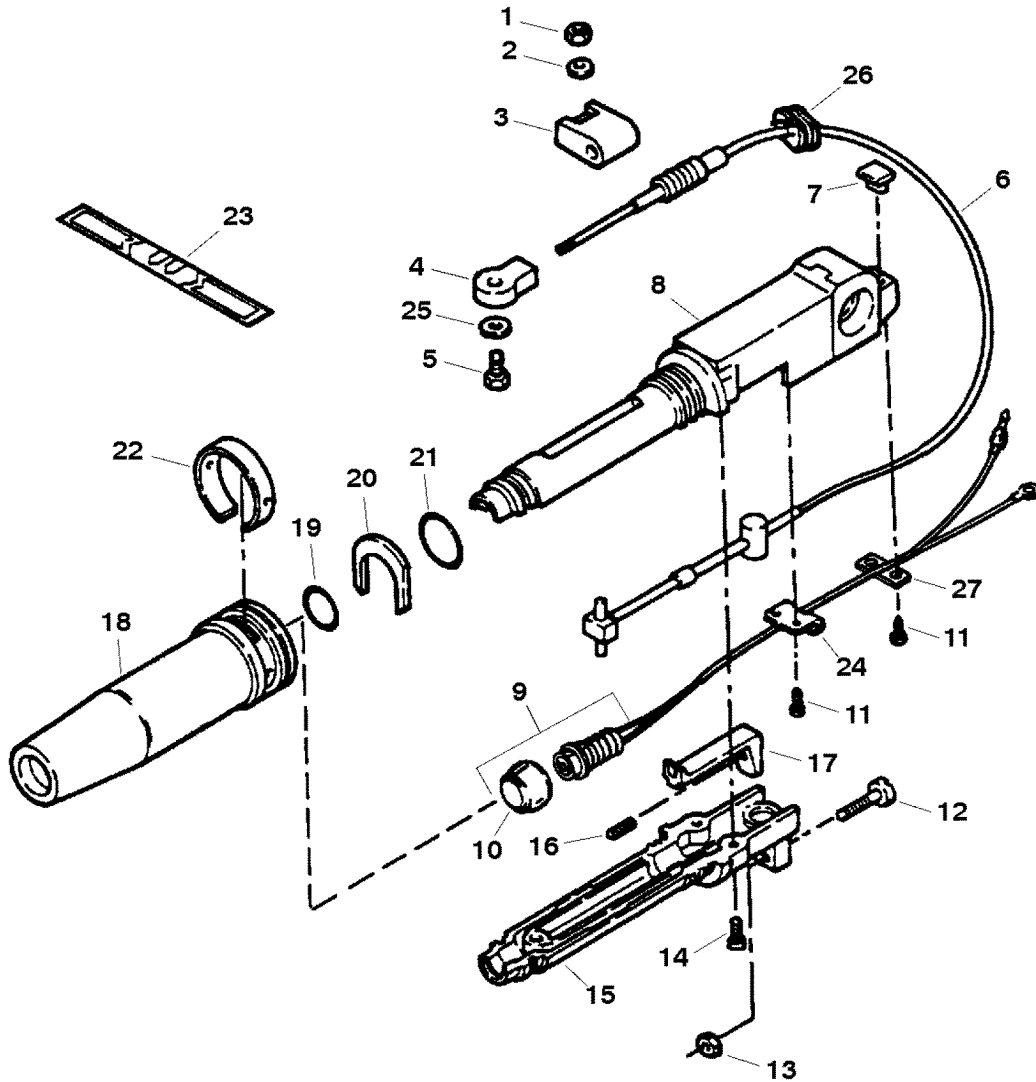
DRIVESHAFT HOUSING



DRIVESHAFT HOUSING

REF. NO.	PART NO.	SYM.	QTY.	DESCRIPTION
1	1500-817940A6		1	HOUSING ASSEMBLY-DRIVESHAFT (PAINTED)
2	32-F521261		1	LINE-WATER OUTLET
3	FA341151		1	PLATE KIT-EXHAUST
4	10-69080		3	SCREW (#6-32 X .250) TORQUE 9 LB IN 0.98 N-M
5	23-F468169-1		2	BEARING-SWIVEL BRACKET
6	FA468346		2	MOUNT KIT-SHOCK LOWER
7	25-F46899-1		1	COVER-SHIFT COUPLING
8	23-F521727		1	SLEEVE-IDLE BAFFLE
9	10-F1747		1	SCREW (#10-24 X 1.687) TORQUE 30 LB IN 3.3 N-M
10	F521779		1	BAFFLE-IDLE RELIEF
11	13-26992		1	LOCKWASHER (.250)
12	11-64015		1	NUT (.250-20) TORQUE 50 LB IN 5.6 N-M
13	10-F1914		6	SCREW (.250-20 X .750) TORQUE 70 LB IN 7.8 N-M
14	12-22937		6	WASHER

STEERING HANDLE/TWIST GRIP THROTTLE

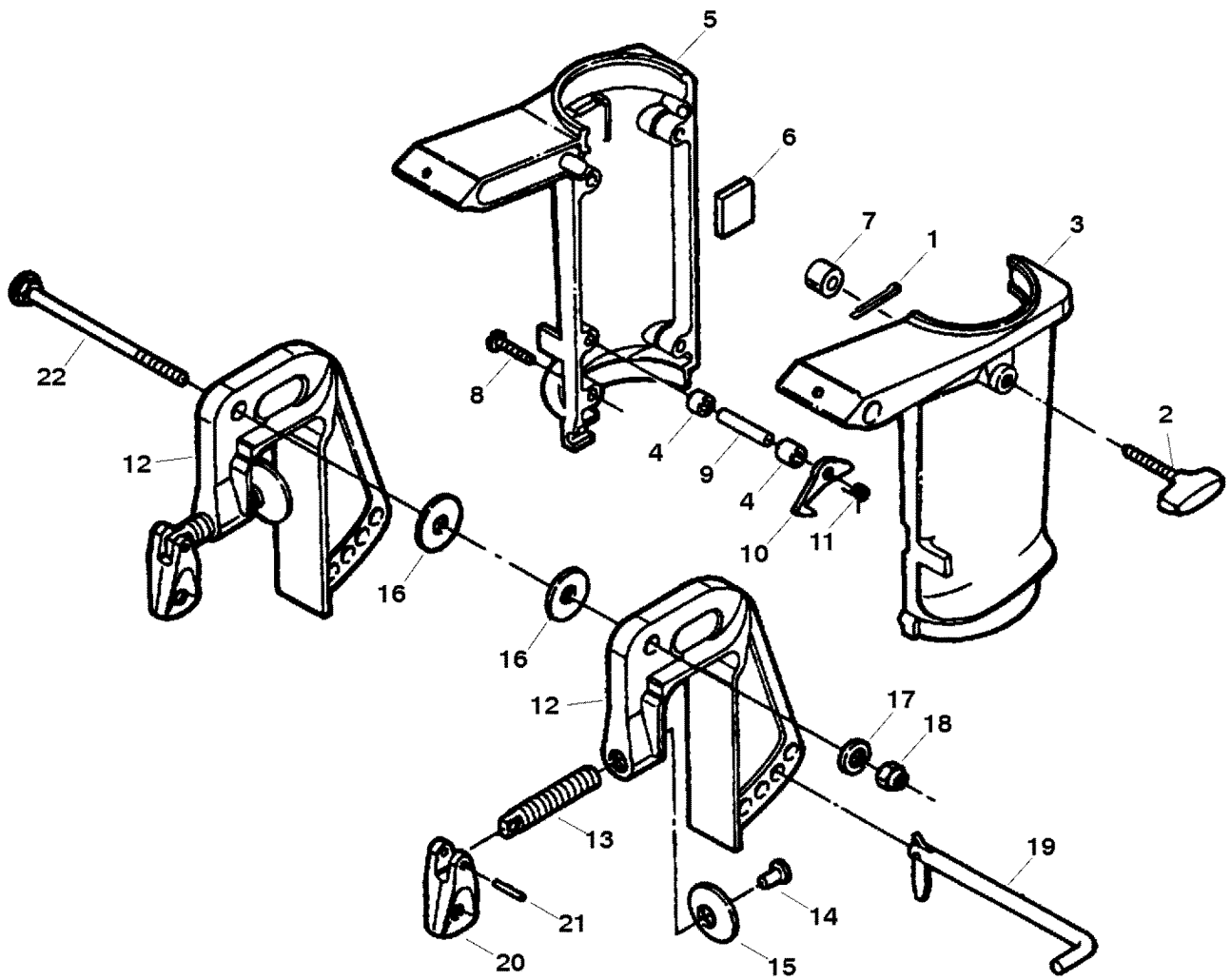


STEERING HANDLE/TWIST GRIP THROTTLE

REF. NO.	PART NO.	SYM.	QTY.	DESCRIPTION
1	11-814101		1	NUT (.250-20) TORQUE 70 LB IN 7.8 N-M
2	12-29245		1	WASHER
3	F702668		1	RETAINER-SPEED CONTROL CABLE
4	F702035		1	BEARING-CONNECTOR (#10-24 RH)
5	10-90192		1	SCREW (.250-20 X .750) TORQUE 70 LB IN 7.8 N-M
6	F702444		1	CABLE-THROTTLE
7	F702025		1	PAD-HANDLE BUMPER
8	F702079T		1	ARM-STEERING (UPPER) (PAINTED)
9	87-824440A5		1	SWITCH KIT-STOP
10	824466A3		1	COVER KIT-STOP SWITCH
11	10-F2230		4	SCREW (#6-.375) TORQUE 9 LB IN 0.98 N-M
12	10-F521690-1		1	SCREW (SPECIAL)-THROTTLE LEVER ADJUST
13	11-F7009		1	NUT (#10-24) TORQUE 30 LB IN 3.3 N-M
14	10-F2219		3	SCREW (#8-18 X .750) TORQUE 20 LB IN 2.2 N-M
15	827252		1	ARM-STEERING (LOWER)
16	24-F521199		1	SPRING-THROTTLE LEVER ADJUST
17	F702198		1	STOP-IDLE
18	828070	◇	1	GRIP-STEERING HANDLE
19	25-21836		1	O RING
20	F702178		1	RETAINER-GRIP
21	25-23145		1	O RING-GRIP REAR
22	F702687		1	COLLAR-HANDLE
23	37-F712894		1	DECAL-SPEED CONTROL INDICATOR
24	F702384		1	RETAINER
25	23-824687		1	SPACER
26	25-F702504		1	GROMMET
27	F702212		1	PLATE-CABLE CLAMP

◇ = SUPERSEDES TO ANOTHER PART NUMBER

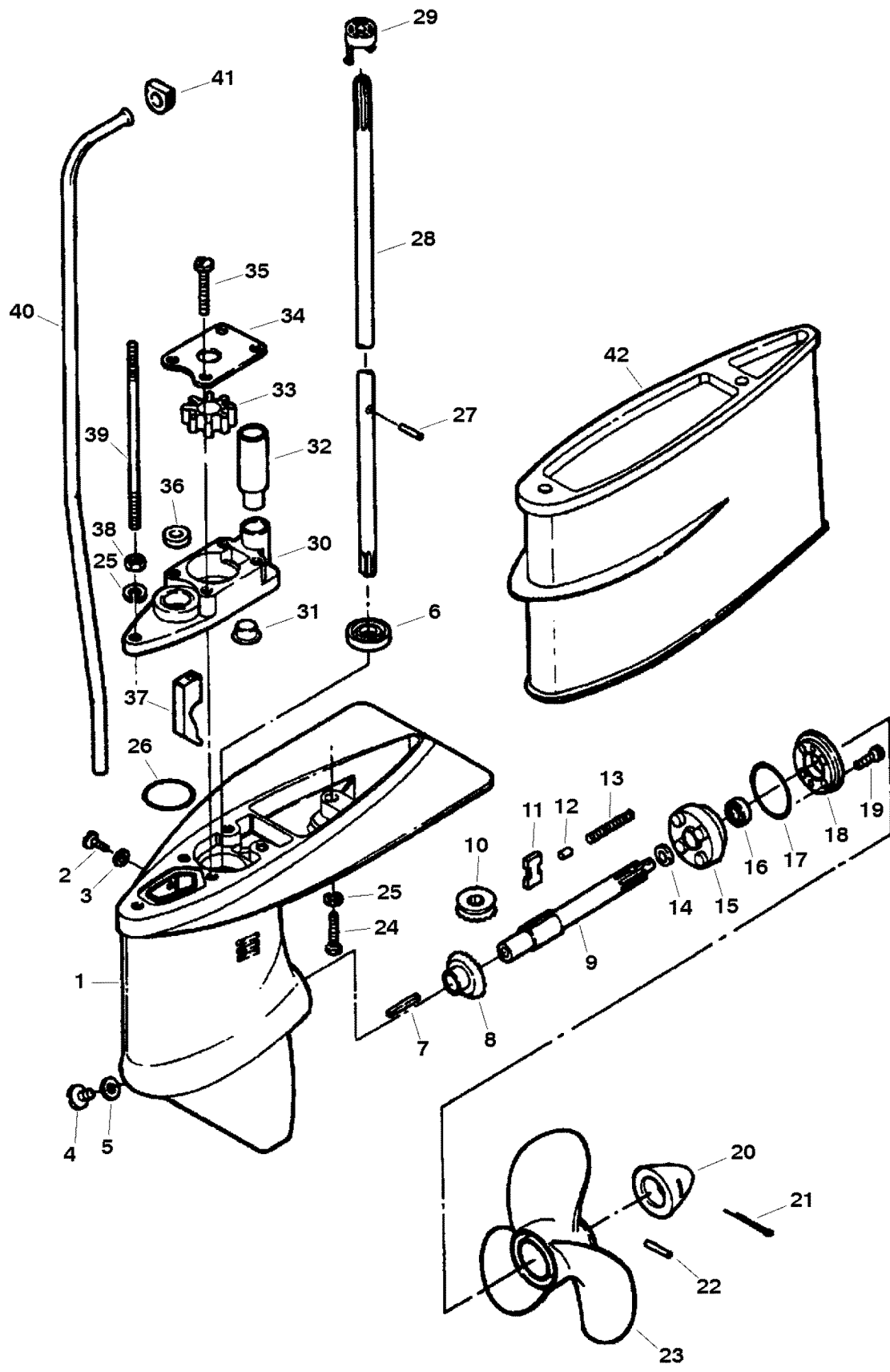
SWIVEL BRACKET/CLAMP BRACKET



SWIVEL BRACKET/CLAMP BRACKET

REF. NO.	PART NO.	SYM.	QTY.	DESCRIPTION
1	18-26953		1	PIN-COTTER
2	F521514		1	KNOB-STEERING FRICTION
3	817815A4		1	BRACKET-SWIVEL (PAINTED) (PORT)
4	23-26856		2	BUSHING
5	817816A6		1	BRACKET-SWIVEL (PAINTED) (STARBOARD)
6	F521661-1		1	PAD-SWIVEL FRICTION
7	F521631		1	SHOE-SWIVEL FRICTION
8	10-F2035		4	SCREW (.250-20 X 1.00) TORQUE 70 LB IN 7.8 N-M
9	17-F468350		1	PIN-REVERSE LOCK
10	F468349		1	LOCK-REVERSE
11	24-F468300-1		1	SPRING-REVERSE LOCK
12	1400-817850A5		2	BRACKET KIT-STERN (PAINTED)
13	10-826248		2	SCREW (SPECIAL)-CLAMP BRACKET
14	10-69022		2	SCREW (#10-32 X .500)
15	F24074		2	FOOT-CLAMPSCREW
16	12-F2037		2	WASHER
17	12-20553		1	WASHER
18	11-F7026		1	NUT (.375-16) TORQUE 30 LB IN 3.3 N-M
19	817810A1		1	LOCK BAR KIT
20	F424075T		2	HANDLE-CLAMPSCREW (PAINTED)
21	17-24198		2	PIN-ROLL
22	10-F468037-1		1	BOLT-STERN BRACKET PIVOT

GEAR HOUSING ASSEMBLY



GEAR HOUSING ASSEMBLY

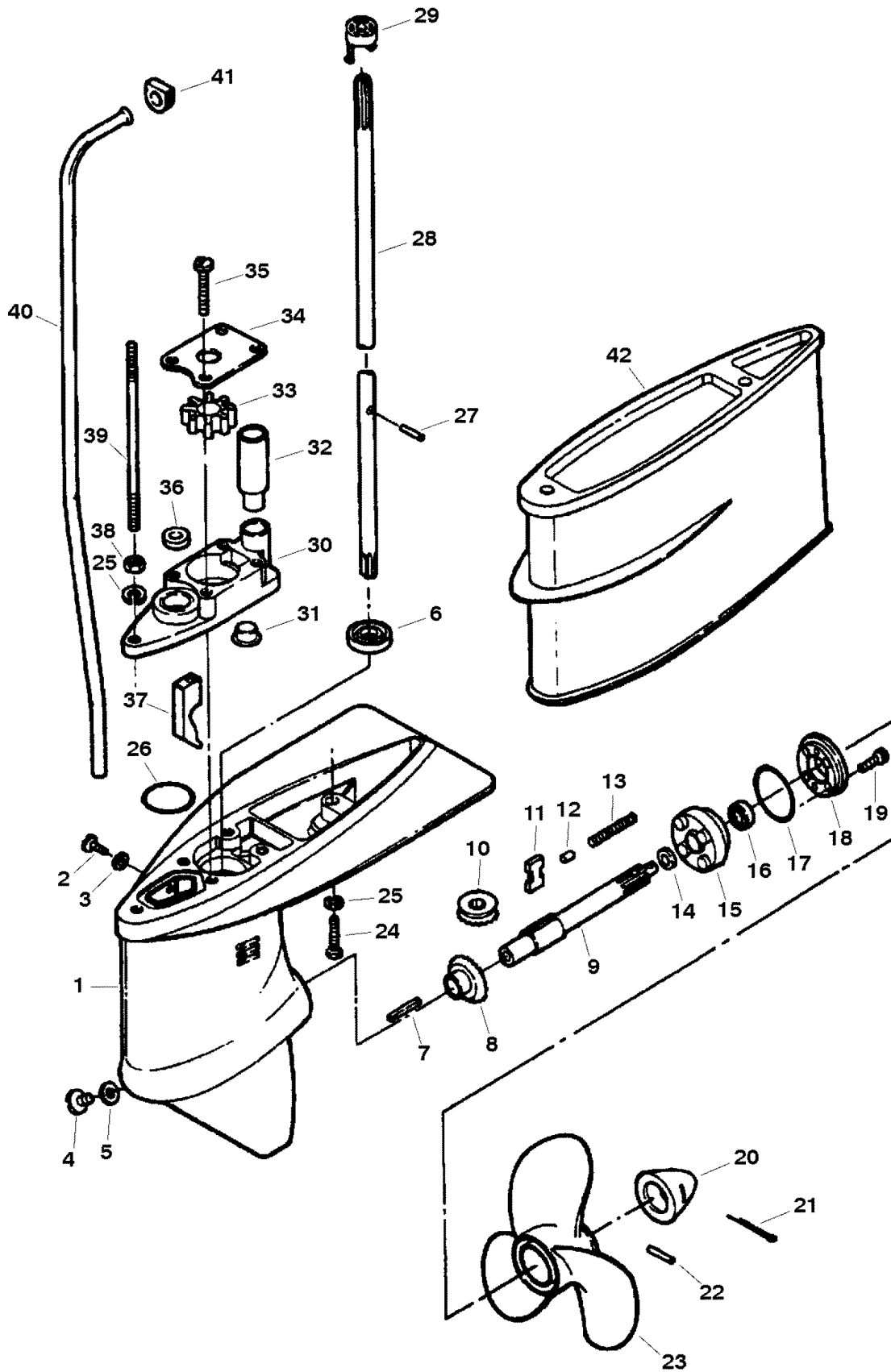
REF. NO.	PART NO.	SYM.	QTY.	DESCRIPTION
1	1600-820090A3		1	GEAR HOUSING KIT (COMPLETE) (PAINTED)
	1600-820090A2		1	GEAR HOUSING KIT (BASIC) (PAINTED)
2	10-F1077		1	SCREW (#10-24 X .250) TORQUE 30 LB IN 3.3 N-M
3	12-F8074	+	1	WASHER
4	10-F50109		1	PLUG TORQUE 50 LB IN 5.6 N-M
5	12-19183	+	1	SEAL
6	26-F318307	+	1	SEAL-DRIVESHAFT
7	17-F521728		1	PIN-CLUTCH SHIFT
8	43-819249A1		1	GEAR ASSEMBLY-FRONT
9	44-F409098		1	PROPSHAFT
10	43-819250		1	GEAR-PINION
11	52-F409521		1	CLUTCH-SHIFT
12	17-F318372		1	PIN-CLUTCH GUIDE
13	24-F409719		1	SPRING-CLUTCH
14	23-F521099		1	SPACER-PROPSHAFT BEARING
15	FA341298T		1	CAGE ASSEMBLY-PROPSHAFT
16	26-F521307	+	1	SEAL-PROPSHAFT
17	25-F521305	+	1	SEAL-PROPSHAFT BEARING CAGE
18	F521296T		1	RETAINER-PROPSHAFT CAGE (PAINTED)
19	10-F525457		4	SCREW-BEARING CAGE RETAINER
20	11-817752A1		1	NUT KIT-PROP
21	18-45882		1	PIN-COTTER
22	FA324101		1	PIN KIT-PROP (PACK OF 3 WITH COTTER PIN)
23	48-820110A20		1	PROPELLER (7.250 X 6.500 X 3)
24	10-14168		1	SCREW (.250-20 X 1.00) (15 IN. TRANSOM) TORQUE 70 LB IN 7.8 N-M
	10-F1825		1	SCREW (.250-20 X 6.00) (20 IN. TRANSOM) TORQUE 70 LB IN 7.8 N-M
25	13-26992		2	LOCKWASHER (.250)
26	25-F521783	♣ +	1	SEAL-WATER PUMP BODY
27	17-F390563		1	PIN-IMPELLER DRIVE
28	45-F521128		1	DRIVESHAFT (15 IN. TRANSOM)
	45-F341128		1	DRIVESHAFT (20 IN. TRANSOM)
29	819330		1	BEARING-DRIVESHAFT SUPPORT
30	FA735060	♣	1	BODY ASSEMBLY-WATER PUMP
31	19-F521246-1		1	PLUG-WATER PUMP
32	FA521735	♣	1	SEAL KIT-WATER LINE
33	47-F521065-1	♣	1	IMPELLER-WATER PUMP
34	F521537	♣	1	PLATE-WATER PUMP TOP
35	10-F1504	♣	4	SCREW (.250-20 X 1.250) TORQUE 70 LB IN 7.8 N-M
36	26-817472	♣ +	1	SEAL-GEARSHIFT ROD LOWER
37	F521721		1	CAM-CLUTCH SHIFT

⊕ = COMPONENT OF GEAR HOUSING SEAL KIT [FK1057]

♣ = COMPONENT OF WATER PUMP KIT [46-819026A1]

CONTINUED ON NEXT PAGE ➡

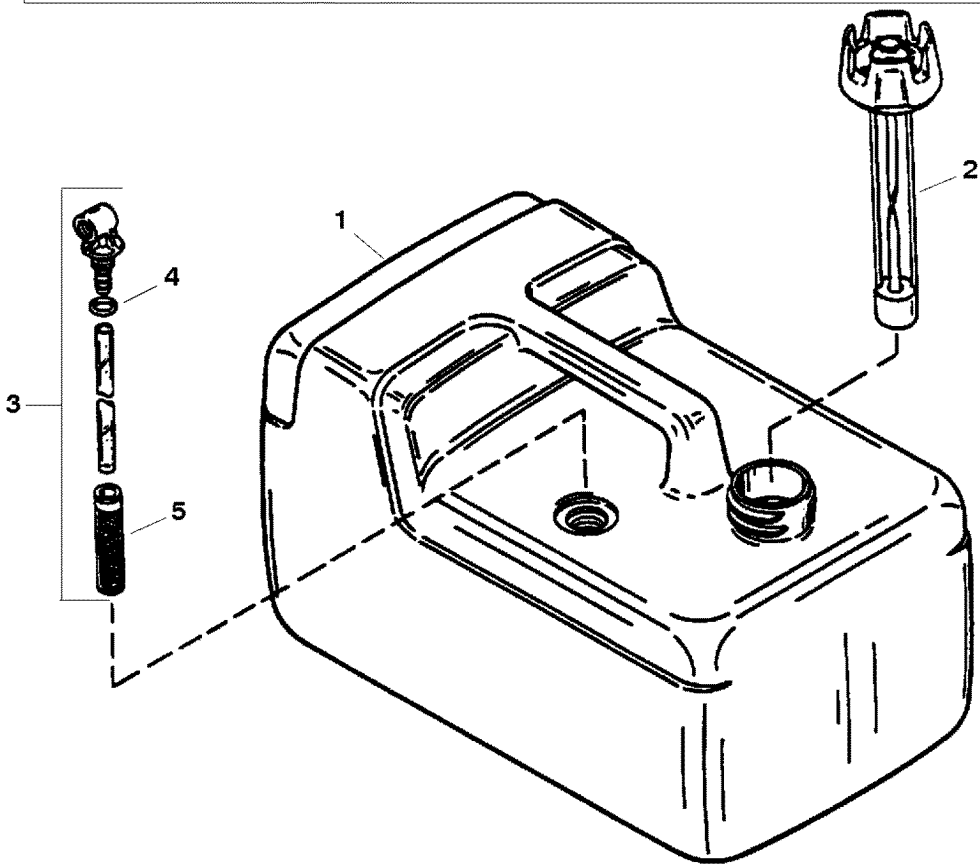
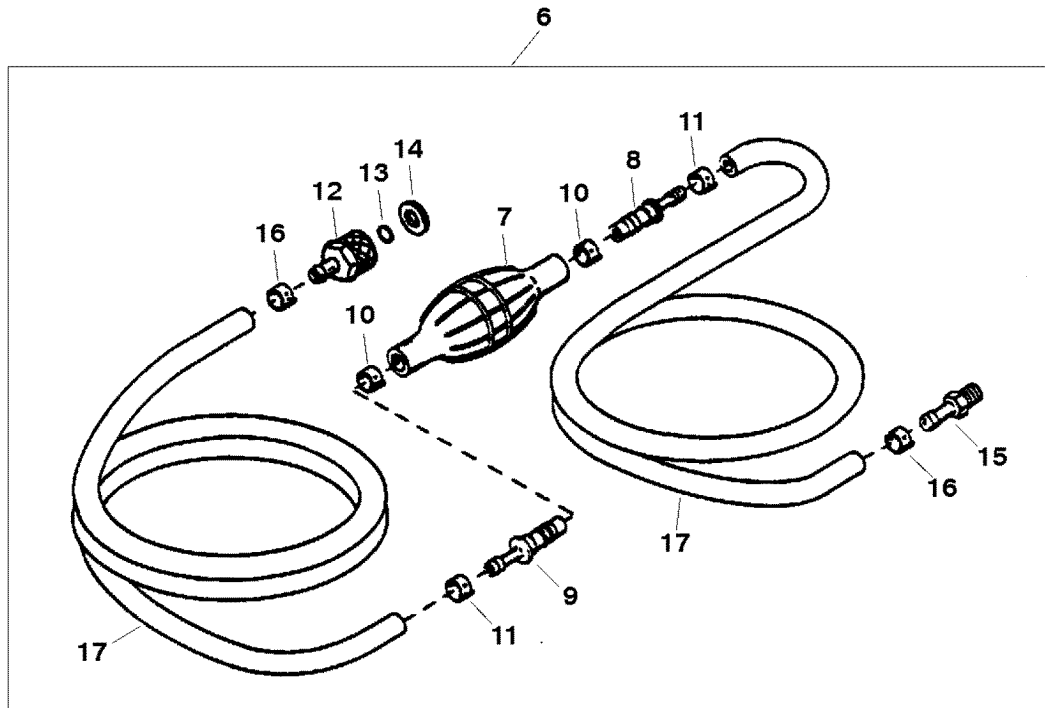
GEAR HOUSING ASSEMBLY



GEAR HOUSING ASSEMBLY

REF. NO.	PART NO.	SYM.	QTY.	DESCRIPTION
38	11-64015		1	NUT (.250-20) TORQUE 70 LB IN 7.8 N-M
39	16-F601006		1	STUD (15 IN. TRANSOM)
	16-F535006		1	STUD (20 IN. TRANSOM)
40	32-F521244-1		1	LINE-WATER (15 IN. TRANSOM)
	32-F341244-1		1	LINE-WATER (20 IN. TRANSOM)
41	26-F521342-1		1	SEAL-WATER LINE UPPER
42	F521845T		1	EXTENSION (PAINTED) (20 IN. TRANSOM)
-	FK1057		1	SEAL KIT-GEAR HOUSING
-	46-819026A1		1	PUMP KIT-WATER

FUEL TANK AND LINE ASSEMBLY (PLASTIC - 3.2 GALLON)



FUEL TANK AND LINE ASSEMBLY (PLASTIC - 3.2 GALLON)

REF. NO.	PART NO.	SYM.	QTY.	DESCRIPTION
1	1260-823505A2		1	TANK ASSEMBLY-FUEL (COMPLETE) (PLASTIC - 3.2 GALLON)
	1260-823505A1		1	TANK ASSEMBLY-FUEL (PLASTIC - 3.2 GALLON)
2	823535		1	GAUGE AND CAP ASSEMBLY
3	22-823531		1	CONNECTOR ASSEMBLY-FUEL
4	25-823533		1	O RING
5	35-823534		1	SCREEN-FUEL PICKUP
6	32-820572A8		1	LINE ASSEMBLY-FUEL (.312 I.D.) (8.00 FT.) (30.00 IN. & 60.00 IN.)
7	13330A3		1	BULB ASSEMBLY-PRIMER
8	21-13331A1		1	VALVE-CHECK (INLET)
9	21-13331A2		1	VALVE-CHECK (OUTLET)
10	54-41582-10		2	CLAMP (LARGE)
11	54-41582--7		2	CLAMP (SMALL)
12	F197787-3		1	COUPLER-FUEL LINE-ENGINE END
13	F17815		1	SEAL-COUPLER
14	F17816		1	SEAL-COUPLER
15	22-89771--1		1	CONNECTOR-FUEL LINE-FUEL TANK END
16	54-41582--7		2	CLAMP
17	32-16789-78		AR	LINE-FUEL-BULK (9.00 FT.) CUT AS REQ'D
	32-16789100		AR	LINE-FUEL-BULK (100.00 FT.) CUT AS REQ'D

TOOLS - SPECIAL

REF. NO.	PART NO.	SYM.	QTY.	DESCRIPTION
-	FT8948-1		1	PULLER KIT-GEAR HOUSING BEARING CAGE
-	10-F1800		2	SCREW (.250-20 X 7.00)
-	10-F1972		3	SCREW (.250-20 X 2.500)
-	10-40003-58		3	SCREW (M8 X 50)
-	12-35044		3	WASHER (.281 X .625 X .065)
-	12-F8012		2	WASHER (.203 X .469 X .049)
-	12-25909		3	WASHER (.406 X .812 X .065)
-	FT2991		1	BRUSH-WIRE-CARBON REMOVER
-	FT2990-1		1	PISTON PIN TOOLS-PISTON PIN
-	FT2997		1	COMPRESSOR-PISTON RINGS
-	FT8926		1	EXPANDER-PISTON RINGS
-	FT8900		1	PLIERS-HOSE CLAMPS
-	FT8957		1	INSTALLER-SEAL-SHIFT ROD
-	FT8919		1	PUNCH-LOCATING PINS
-	FT8998		1	SCREW-KNOCK OFF-FLYWHEEL
-	FT2989		1	WEDGE-FLYWHEEL
-	FT8929		1	ADAPTER & HEX BITS-CONN ROD SCREWS
-	FT1749		1	PLIERS-SNAP RINGS
-	FT2907		1	PUNCH TOOL-SEAL
-	FT11202		1	INSTALLER TOOL-CRANKSHAFT SEALS
-	FT11295		1	SPARK TESTER-IGNITION
-	91-830230T		1	AIR CAP TOOL-AIR CAP SETTING-COIL TO FLYWHEEL
-	91-99750A1		1	MULTI METER-ELECTRICAL
-	FT8950		1	TESTER KIT-GEAR HOUSING LEAKAGE
-	FT2969		1	HELI COIL KIT (#10-24)
-	FT2970		1	HELI COIL KIT (.250-20)
-	FT2971		1	HELI COIL KIT (.312-18)
-	FT2948		1	HELI COIL KIT (.375-16)
-	92-825265A1		1	COMPOUND (8 OZ.)-NEEDLE BEARINGS
-	92-FT2987-1		1	LUBRICANT-ANTI SEEZ
-	FT8969		1	LUBRICANT-LPS #1
-	92-90113--2		1	SEALANT-RTV #1473
-	FT8936-1		1	SEALANT-LOCTITE RC 609
-	FT2962-2		1	SEALANT-LOCTITE H
-	92-809820		1	SEALANT-LOCTITE 27131
-	92-809824		1	PRIMER-LOCTITE 21348

LITERATURE & PAINT

REF. NO.	PART NO.	SYM.	QTY.	DESCRIPTION
-	90-823263		1	SERVICE MANUAL
-	90-830731--1	◇	1	OWNERS MANUAL (SERIAL # 0E127700 THRU 0E202999)
-	90-10178970		1	OWNERS MANUAL (SERIAL # 0E203000 THRU 0E287999)
-	92-818252-12		AR	PAINT-GRAPHITE GRAY ACRYLIC-12 OZ. (355 ML)-SPRAY CAN
-	92-825321-12		AR	PAINT-GRAPHITE GRAY ACRYLIC-.5 OZ. (15ML)-BRUSH BOTTLE
-	92-819107-12		AR	PAINT-CLEAR ACRYLIC-12 OZ. (355 ML)-SPRAY CAN (FOR COWL ONLY)

◇ = SUPERSEDES TO ANOTHER PART NUMBER

PARTS INDEX

Part Number	Description	Pg.	Ref. No.	Part Number	Description	Pg.	Ref. No.
13330A3	BULB ASSEMBLY-PRIMER	33	7	F468349	LOCK-REVERSE	27	10
56762	CABLE TIE (4.00 IN.)	5	15	F521270	SLINGER-CRANKSHAFT LOWER	19	10
56762	CABLE TIE (4.00 IN.)	9	10	F521296T	RETAINER-PROPSHAFT CAGE (PAINTED)	29	18
56762	CABLE TIE (4.00 IN.)	13	12	F521514	KNOB-STEERING FRICTION	27	2
817810A1	LOCK BAR KIT	27	19	F521537	PLATE-WATER PUMP TOP	29	34
817815A4	BRACKET-SWIVEL (PAINTED) (PORT)	27	3	F521615	ROD-GEAR SHIFT (UPPER)	21	10
817816A6	BRACKET-SWIVEL (PAINTED) (STARBOARD)	27	5	F521621	LEVER-GEAR SHIFT	21	6
819330	BEARING-DRIVESHAFT SUPPORT	29	29	F521631	SHOE-SWIVEL FRICTION	27	7
819399A1	LANYARD ASSEMBLY	9	12	F521661-1	PAD-SWIVEL FRICTION	27	6
819677	PLATE-REED	11	3	F521705-1	ROD-GEAR SHIFT	21	15
819993T1	COVER-FUEL PUMP (PAINTED)	13	10	F521721	CAM-CLUTCH SHIFT	29	37
820433T	HANDLE-GEAR SHIFT (PAINTED)	21	1	F521774	BRACKET-LOWER	17	6
820474A1	LATCH KIT-REAR	3	11	F521779	BAFFLE-IDLE RELIEF	23	10
823535	GAUGE AND CAP ASSEMBLY	33	2	F521845T	EXTENSION (PAINTED)	31	42
824466A3	COVER KIT-STOP SWITCH	25	10	F620132	HANDLE-STARTER ROPE	7	11
827252	ARM-STEERING (LOWER)	25	15	F620817	RETAINER-STARTER ROPE	7	10
828070	GRIP-STEERING HANDLE	25	18	F681046	BULB-PRIMER	5	3
F10235	TUBE-BY PASS	15	3	F681269	HANDLE-TILT	3	2
F10238	NOZZLE-MAIN	15	19	F681954-1	COVER-PRIME BULB BOOT	5	4
F10240	SHAFT-THROTTLE LINKAGE	15	21	F687163T	COVER-FRONT	5	14
F10241	E RING-THROTTLE LINKAGE SHAFT	15	22	F687547-1	KNOB-CHOKE	5	13
F10242	WASHER-THROTTLE LINKAGE SHAFT	15	23	F702025	PAD-HANDLE BUMPER	25	7
F10248	SHUTTER-THROTTLE	15	27	F702035	BEARING-CONNECTOR (#10-24 RH)	25	4
F10265	NEEDLE-INLET	15	18	F702079T	ARM-STEERING (UPPER) (PAINTED)	25	8
F10290	BRACKET-THROTTLE	15	20	F702178	RETAINER-GRIP	25	20
F10337	JET-MAIN (.041) (0 - 2500 FT.)	15	30	F702198	STOP-IDLE	25	17
F10338	LINKAGE-THROTTLE SHAFT	15	24	F702212	PLATE-CABLE CLAMP	25	27
F10339	SHAFT-THROTTLE	15	25	F702384	RETAINER	25	24
F10341	JET-MAIN (.035) (7500 - 10000 FT.)	15	30	F702427	BRACKET-STARTER MOUNT	7	12
F10342	JET-MAIN (.037) (5000 - 7500 FT.)	15	30	F702444	CABLE-THROTTLE	25	6
F10346	FLOAT-FUEL BOWL	15	10	F702505	STOP-HIGH SPEED	9	8
F15584	SPRING & KEEPER	7	2	F702668	RETAINER-SPEED CONTROL CABLE	25	3
F15585	ROPE-STARTER	7	9	F702687	COLLAR-HANDLE	25	22
F15604	RETAINER-DOG	7	7	F702783	RETAINER-FRONT	3	8
F15605	SPRING-DOG	7	4	F712167T	ADAPTER-CARBURETOR (PAINTED)	11	9
F15606	PULLEY ASSEMBLY (WITH BEARING)	7	3	F712192	CAM-THROTTLE	9	14
F15615	SCREW	7	8	F712504	GROMMET-REED PLATE	11	2
F17815	SEAL-COUPLER	33	13	FA324101	PIN KIT-PROP (PACK OF 3 WITH COTTER PIN)	29	22
F17816	SEAL-COUPLER	33	14	FA341151	PLATE KIT-EXHAUST	23	3
F197787-3	COUPLER-FUEL LINE- ENGINE END	33	12	FA341298T	CAGE ASSEMBLY- PROPSHAFT	29	15
F24074	FOOT-CLAMPSCREW	27	15	FA468346	MOUNT KIT-SHOCK LOWER	23	6
F250003	SPRING	7	6	FA521735	SEAL KIT-WATER LINE	29	32
F250421	DOG	7	5	FA712228	ROLLER SET (2 STRIPS) (28 PER STRIP)	19	7
F2A24757	PLATE ASSEMBLY-FUEL PUMP	13	2	FA735060	BODY ASSEMBLY-WATER PUMP	29	30
F332705-1	ROD-GEAR SHIFT	21	15	FG1034-1	GASKET SET-POWERHEAD	11	-
				FG1034-1	GASKET SET-POWERHEAD	15	-
				FG1034-1	GASKET SET-POWERHEAD	17	-
				FG1034-1	GASKET SET-POWERHEAD	17	NS
				FG1034-1	GASKET SET-POWERHEAD	19	-
				FK10294	GASKET SET-CARBURETOR	15	-

PARTS INDEX

Part Number	Description	Pg.	Ref. No.	Part Number	Description	Pg.	Ref. No.
FK10295	REPAIR KIT-CARBURETOR .	15	-	10-826248	SCREW (SPECIAL)-CLAMP		
FK1057	SEAL KIT-GEAR HOUSING .	31	-		BRACKET	27	13
FK341704	COUPLING KIT-GEAR SHIFT			10-90192	SCREW (.250-20 X .750) . . .	25	5
	ROD	21	11	10-F10328	SCREW-SHUTTER	15	28
FK525713	PACKING KIT (4.00 FT.			10-F1035	SCREW (.250-20 X .625) . . .	5	18
	BULK) (CUT 3.422 FT.)	3	10	10-F1069	SCREW (#10-24 X 1.062) . . .	13	6
FK527018	CRANKSHAFT KIT	19	8	10-F1077	SCREW (#10-24 X .250)	29	2
FO10571	SCREW-IDLE SPEED	15	29	10-F1107	SCREW (.250-20 X .750) . . .	17	2
FO15366	BOWL-FUEL	15	12	10-F1286	SCREW (#4-40 X .187)	13	4
FO15367	SHUTTER-CHOKE	15	7	10-F1371	SCREW WITH		
FO15520	NEEDLE-IDLE	15	16		LOCKWASHER (#10-24 X		
FO15736	SHAFT-CHOKE	15	6		.625)	21	14
FO4784	BALL-CHOKE FRICTION			10-F1426	SCREW WITH		
	SPRING	15	4		LOCKWASHER(.250-20 X		
FO8805	SPRING-CHOKE FRICTION .	15	5		.437)	17	8
FT11202	INSTALLER TOOL-			10-F1504	SCREW (.250-20 X 1.250) . .	17	3
	CRANKSHAFT SEALS	34	-	10-F1504	SCREW (.250-20 X 1.250) . .	29	35
FT11295	SPARK TESTER-IGNITION .	34	-	10-F1747	SCREW (#10-24 X 1.687) . . .	23	9
FT1749	PLIERS-SNAP RINGS	34	-	10-F175634	SCREW-CONN ROD	19	6
FT2907	PUNCH TOOL-SEAL	34	-	10-F1800	SCREW (.250-20 X 7.00) . . .	34	-
FT2948	HELI COIL KIT (.375-16)	34	-	10-F1825	SCREW (.250-20 X 6.00) . . .	29	24
FT2962-2	SEALANT-LOCTITE H	34	-	10-F1914	SCREW (.250-20 X .750) . . .	23	13
FT2969	HELI COIL KIT (#10-24)	34	-	10-F1972	SCREW (.250-20 X 2.500) . .	34	-
FT2970	HELI COIL KIT (.250-20)	34	-	10-F2008	SCREW (.250-20 X .875) . . .	11	8
FT2971	HELI COIL KIT (.312-18)	34	-	10-F2035	SCREW (.250-20 X 1.00) . . .	27	8
FT2989	WEDGE-FLYWHEEL	34	-	10-F2040	SCREW (.250-20 X .625)-		
FT2990-1	PISTON PIN TOOLS-PISTON				GROUND WIRE	17	18
	PIN	34	-	10-F2041	SCREW (#10-24 X .375)	21	7
FT2991	BRUSH-WIRE-CARBON			10-F2211	SCREW (#10-24 X .625)	3	3
	REMOVER	34	-	10-F2219	SCREW (#8-18 X .750)	25	14
FT2997	COMPRESSOR-PISTON			10-F2230	SCREW (#6-.375)	25	11
	RINGS	34	-	10-F468037-1	BOLT-STERN BRACKET		
FT8900	PLIERS-HOSE CLAMPS	34	-		PIVOT	27	22
FT8919	PUNCH-LOCATING PINS	34	-	10-F50109	PLUG	29	4
FT8926	EXPANDER-PISTON RINGS			10-F521552	SCREW-FLYWHEEL	9	1
FT8929	ADAPTER & HEX BITS-			10-F521690-1	SCREW (SPECIAL)-		
	CONN ROD SCREWS	34	-		THROTTLE LEVER		
FT8936-1	SEALANT-LOCTITE RC 609 .	34	-		ADJUST	25	12
FT8948-1	PULLER KIT-GEAR			10-F525457	SCREW-BEARING CAGE		
	HOUSING BEARING CAGE				RETAINER	29	19
FT8950	TESTER KIT-GEAR			10-F901938-1	SCREW-CYLINDER HEAD . .	17	13
	HOUSING LEAKAGE	34	-	10-FO10280	SCREW-SHUTTER	15	8
FT8957	INSTALLER-SEAL-SHIFT			11-20890	NUT (.250-20)	11	10
	ROD	34	-	11-64015	NUT (.250-20)	7	13
FT8969	LUBRICANT-LPS #1	34	-	11-64015	NUT (.250-20)	17	14
FT8998	SCREW-KNOCK OFF-			11-64015	NUT (.250-20)	23	12
	FLYWHEEL	34	-	11-64015	NUT (.250-20)	31	38
10-14168	SCREW (.250-20 X 1.00) . . .	29	24	11-814101	NUT (.250-20)	25	1
10-28636	SCREW (.250-20 X .750) . . .	17	17	11-817752A1	NUT KIT-PROP	29	20
10-28636	SCREW (.250-20 X .750) . . .	17	19	11-90078	NUT (#10-32)	3	13
10-34939	SCREW (.250-20 X .500) . . .	9	9	11-F1756	NUT (.375-16)	5	10
10-40003-58	SCREW (M8 X 50)	34	-	11-F7009	NUT (#10-24)	3	6
10-41772	SCREW (#10-24 X .500)	3	7	11-F7009	NUT (#10-24)	21	12
10-59771	SCREW (#10-32 X .750)	3	12	11-F7009	NUT (#10-24)	25	13
10-69022	SCREW (#10-32 X .500)	27	14	11-F7011	NUT (#10-24)	3	9
10-69080	SCREW (#6-32 X .250)	23	4	11-F7026	NUT (.375-16)	27	18
10-819110100	SCREW (.250-20 X 1.00) . . .	11	6	12-18552	WASHER	13	5
10-824352	SCREW (#10-24 X .375)	9	15	12-18678	WASHER	11	11
10-824353	SCREW (#8-32 X .750)	9	16	12-19183	SEAL	29	5
10-824678	SCREW-FRICTION	9	7	12-20553	WASHER	27	17

PARTS INDEX

Part Number	Description	Pg.	Ref. No.	Part Number	Description	Pg.	Ref. No.
12-22937	WASHER	17	9	23-F521099	SPACER-PROPSHAFT BEARING	29	14
12-22937	WASHER	23	14				
12-25909	WASHER (.406 X .812 X .065)	34	-	23-F521319	BUSHING-STEERING HANDLE	5	9
12-29245	WASHER	25	2				
12-34931	WASHER	21	5	23-F521727	SLEEVE-IDLE BAFFLE	23	8
12-35044	WASHER	5	17	24-27160	SPRING-IDLE NEEDLE	15	17
12-35044	WASHER	17	16	24-F10246	SPRING-RETURN	15	26
12-35044	WASHER (.281 X .625 X .065)	34	-	24-F409719	SPRING-CLUTCH	29	13
12-89302	WASHER	3	4	24-F468300-1	SPRING-REVERSE LOCK	27	11
12-F2037	WASHER	27	16	24-F521199	SPRING-THROTTLE LEVER ADJUST	25	16
12-F286286-1	WASHER	5	7				
12-F8012	WASHER (.203 X .469 X .049)	34	-	25-21836	O RING	25	19
12-F8015	WASHER	5	8	25-23145	O RING-GRIP REAR	25	21
12-F8074	WASHER	29	3	25-823533	O RING	33	4
12-F8143	WASHER	3	5	25-F19342	SEAL	21	4
13-21272	LOCKWASHER (.250 INTERNAL)	7	14	25-F46899-1	COVER-SHIFT COUPLING	23	7
				25-F521305	SEAL-PROPSHAFT BEARING CAGE	29	17
13-26992	LOCKWASHER (.250)	17	15				
13-26992	LOCKWASHER (.250)	23	11	25-F521579	SEAL-CRANKSHAFT SPLINE	19	11
13-26992	LOCKWASHER (.250)	29	25	25-F521783	SEAL-WATER PUMP BODY	29	26
13-26996	LOCKWASHER (#10)	21	8	25-F702504	GROMMET	25	26
13-F8060	LOCKWASHER (.250 EXTERNAL)	11	7	26-817472	SEAL-GEARSHIFT ROD LOWER	29	36
16-826625	STUD (.250-20 X 1.130) WITH DRI LOK	11	5	26-819798	SEAL-CRANKSHAFT LOWER	19	12
16-827386	STUD-SPEED CONTROL CABLE RETAINER	17	5	26-819799	SEAL-CRANKSHAFT UPPER	19	14
				26-F318307	SEAL-DRIVESHAFT	29	6
16-827618	STUD-STEERING HANDLE	5	6	26-F521307	SEAL-PROPSHAFT	29	16
16-F535006	STUD	31	39	26-F521342-1	SEAL-WATER LINE UPPER	31	41
16-F601006	STUD	31	39	27-818043A1	DIAPHRAGM/GASKET SET	13	1
17-24198	PIN-ROLL	27	21	27-F18906	GASKET-CARBURETOR FLANGE	15	31
17-29908	PIN-ROLL	21	9				
17-F318372	PIN-CLUTCH GUIDE	29	12	27-F24748-2	GASKET-FUEL PUMP	13	9
17-F390563	PIN-IMPELLER DRIVE	29	27	27-F521168	GASKET-CARBURETOR ADAPTER	11	1
17-F468350	PIN-REVERSE LOCK	27	9				
17-F521728	PIN-CLUTCH SHIFT	29	7	27-F521279-1	GASKET-CYLINDER EXHAUST	17	11
17-F8538	PIN-SPRING	21	13				
17-F8559	PIN-DOWEL	17	4	27-F712529	GASKET-CYLINDER HEAD	17	12
17-FO13944	PIN-FLOAT	15	11	27-FO15623	GASKET-FUEL BOWL	15	13
18-26953	PIN-COTTER	27	1	27-FO2510	GASKET-FUEL BOWL	15	15
18-45882	PIN-COTTER	29	21	28-F687498	KEY-CRANKSHAFT/FLYWHEEL	19	15
19-F521246-1	PLUG-WATER PUMP	29	31				
19-FO10588	PLUG-CUP	15	2	30-F521910	BEARING-CRANKSHAFT LOWER	19	9
19-FO2531	PLUG-WELCH	15	9				
21-13331A1	VALVE-CHECK (INLET)	33	8	31-F521013	BEARING-CRANKSHAFT UPPER	19	13
21-13331A2	VALVE-CHECK (OUTLET)	33	9				
22-823531	CONNECTOR ASSEMBLY-FUEL	33	3	32-16789-78	LINE-FUEL-BULK (9.00 FT.) CUT AS REQ'D	33	17
22-850314	FITTING-FUEL PUMP	13	7	32-16789100	LINE-FUEL-BULK (100.00 FT.) CUT AS REQ'D	33	17
22-89771--1	CONNECTOR-FUEL LINE-FUEL TANK END	33	15				
				32-819398T	HOSE-FUEL (18.00 IN. BULK) (CUT 12.00 IN.)	5	16
22-F197767-2	BUSHING-FUEL	5	12				
22-F681188	NUT-STOP SWITCH SLEEVE	9	13	32-819398T	HOSE-FUEL (18.00 IN. BULK) (CUT 3.00 IN.)	13	11
22-F901811	FILTER-FUEL PUMP	13	7				
23-26856	BUSHING	27	4	32-819398T	HOSE-FUEL (18.00 IN. BULK) (CUT 4.75 IN.)	13	14
23-824687	SPACER	25	25				
23-F269052	BUSHING-SHIFT ARM	21	3	32-819398T	HOSE-FUEL (18.00 IN. BULK) (CUT 6.120 IN.)	5	2
23-F341610	BEARING-GEAR SHIFT SHAFT	21	2	32-819398T	HOSE-FUEL (18.00 IN. BULK) (CUT 9.180 IN.)	13	8
23-F468169-1	BEARING-SWIVEL BRACKET	23	5				

PARTS INDEX

Part Number	Description	Pg.	Ref. No.	Part Number	Description	Pg.	Ref. No.
32-F341244-1	LINE-WATER	31	40	92-825321-12	PAINT-GRAPHITE GRAY		
32-F521244-1	LINE-WATER	31	40		ACRYLIC-.5 OZ. (15ML)-		
32-F521261	LINE-WATER OUTLET	23	2		BRUSH BOTTLE	35	-
33-312	SPARK PLUG (CHAMPION #			92-90113--2	SEALANT-RTV #1473	34	-
	L87YC)	17	7	92-FT2987-1	LUBRICANT-ANTI SEEZ	34	-
33-327	SPARK PLUG (RFI)			100-820190A3	COWL ASSEMBLY-TOP		
	(CHAMPION # RL87YC)	17	7		(PAINTED)	3	1
34-F18160-3	REED	13	3	100-820432T	COWL-BOTTOM (PAINTED)	5	1
34-F31160-2	REED	11	4	100-F687038T	PLATE-SUPPORT (PAINTED)	5	5
35-823534	SCREEN-FUEL PICKUP	33	5	200-819363T	FLYWHEEL (PAINTED)	9	2
35-828998	FILTER-FUEL	13	13	300-819345A2	PLATE ASSEMBLY-STATOR	9	5
37-818029--1	DECAL-FUEL MIX	5	11	300-850899T	MODULE-IGNITION (CUT		
37-820730A95	DECAL SET (FRONT-REAR-				WIRE AS REQ'D)	9	3
	PORT-STBD)	3	14	600-FS715016	CONNECTING ROD		
37-F712894	DECAL-SPEED CONTROL				ASSEMBLY	19	5
	INDICATOR	25	23	700-819920A3	PISTON KIT	19	1
39-FA712260	RING SET-PISTON (2 RINGS)	19	3	800-819854A1	CYLINDER BLOCK KIT	17	1
41-F712017	PIN-PISTON	19	2	800-819854A2	POWERHEAD ASSEMBLY	11	-
43-819249A1	GEAR ASSEMBLY-FRONT	29	8	800-819854A2	POWERHEAD ASSEMBLY	13	-
43-819250	GEAR-PINION	29	10	800-819854A2	POWERHEAD ASSEMBLY	17	-
44-F409098	PROPSHAFT	29	9	800-819854A2	POWERHEAD ASSEMBLY	19	-
45-F341128	DRIVESHAFT	29	28	800-819854A2	POWERHEAD ASSEMBLY		
45-F521128	DRIVESHAFT	29	28		(PAINTED)	17	1
46-819026A1	PUMP KIT-WATER	31	-	900-819367T	HEAD-CYLINDER	17	10
47-F521065-1	IMPELLER-WATER PUMP	29	33	1260-823505A1	TANK ASSEMBLY-FUEL		
48-820110A20	PROPELLER (7.250 X 6.500				(PLASTIC - 3.2 GALLON)	33	1
	X 3)	29	23	1260-823505A2	TANK ASSEMBLY-FUEL		
50-F687063	STARTER ASSEMBLY-				(COMPLETE)	33	1
	REWIND	7	1	1300-F712061	CARBURETOR (HO-4A)	15	1
52-F409521	CLUTCH-SHIFT	29	11	1399-2407	JET-MAIN (.039) (2500 - 5000		
53-F31410	RING-RETAINING	19	4		FT.)	15	30
54-41582--7	CLAMP	33	16	1399-5128	SCREW-FUEL BOWL	15	14
54-41582--7	CLAMP (SMALL)	33	11	1400-817850A5	BRACKET KIT-STERN		
54-41582-10	CLAMP (LARGE)	33	10		(PAINTED)	27	12
54-827255	CLAMP	5	15	1500-817940A6	HOUSING ASSEMBLY-		
84-824486A2	CABLE ASSEMBLY	9	6		DRIVESHAFT (PAINTED)	23	1
85-63709A1	BOOT/TERMINAL KIT-SPARK			1600-820090A2	GEAR HOUSING KIT (BASIC)		
	PLUG	9	4		(PAINTED)	29	1
87-824440A5	SWITCH KIT-STOP	25	9	1600-820090A3	GEAR HOUSING KIT		
87-F687287	SWITCH-EMERGENCY STOP	9	11		(COMPLETE) (PAINTED)	29	1
90-10178970	OWNERS MANUAL (SERIAL						
	# 0E203000 THRU						
	0E287999)	35	-				
90-823263	SERVICE MANUAL	35	-				
90-830731--1	OWNERS MANUAL (SERIAL						
	# 0E127700 THRU						
	0E202999)	35	-				
91-830230T	AIR CAP TOOL-AIR CAP						
	SETTING-COIL TO						
	FLYWHEEL	34	-				
91-99750A1	MULTI METER-ELECTRICAL	34	-				
92-809820	SEALANT-LOCTITE 27131	34	-				
92-809824	PRIMER-LOCTITE 21348	34	-				
92-818252-12	PAINT-GRAPHITE GRAY						
	ACRYLIC-12 OZ. (355 ML)-						
	SPRAY CAN	35	-				
92-819107-12	PAINT-CLEAR ACRYLIC-12						
	OZ.	35	-				
92-825265A1	COMPOUND (8 OZ.)-NEEDLE						
	BEARINGS	34	-				