



PARTS CATALOG

2.5L (EFI) 2.5L (EFI-OFFSHORE)

SERIAL NUMBER

MERC/MAR 2.5L (EFI) 0G367000 THRU 0G610238
MERC/MAR 2.5L (EFI)/(EFI-OFFSHORE) 0G367000 THRU 0G610238

TABLE OF CONTENTS:

AIR INLET/THROTTLE LINKAGE	30
COWLS	2
CRANKSHAFT, PISTONS, AND CONNECTING RODS	28
CYLINDER BLOCK AND END CAPS	22
DRIVESHAFT HOUSING (LONG/X-LONG-STANDARD)	36
DRIVESHAFT HOUSING (OFFSHORE)	38
DRIVESHAFT HOUSING (SHORT-STANDARD)	34
EFI CONTROL BOX	32
EXHAUST PLATE	20
FLYWHEEL, STARTER MOTOR AND IGNITION COILS	6
FUEL INJECTORS	14
FUEL PUMP	16
GEAR HOUSING (DRIVESHAFT)(COUNTER ROTATION)	76
GEAR HOUSING (DRIVESHAFT)(COUNTER ROTATION) (SPORTMASTER)	60
GEAR HOUSING (DRIVESHAFT)(COUNTER ROTATION) (SPORTMASTER)	62
GEAR HOUSING (DRIVESHAFT)(STANDARD ROTATION)	68
GEAR HOUSING (DRIVESHAFT)(STANDARD ROTATION) (SPORTMASTER)	50
GEAR HOUSING (DRIVESHAFT)(STANDARD ROTATION) (SPORTMASTER)	54
GEAR HOUSING (PROP SHAFT)(COUNTER ROTATION)	80
GEAR HOUSING (PROP SHAFT)(COUNTER ROTATION)	82
GEAR HOUSING (PROP SHAFT)(COUNTER ROTATION) (SPORTMASTER)	64
GEAR HOUSING (PROP SHAFT)(COUNTER ROTATION) (SPORTMASTER)	66
GEAR HOUSING (PROP SHAFT)(STANDARD ROTATION)	72
GEAR HOUSING (PROP SHAFT)(STANDARD ROTATION) (SPORTMASTER)	56
GEAR HOUSING CHART (SPORTMASTER)	48
HYDRAULIC PUMP AND MOUNTING BRACKETS	84
HYDRAULIC PUMP ASSEMBLY	86
INSTRUMENTATION	88
KEY SWITCH	90
MISCELLANEOUS INFORMATION	1
PARTS INDEX	92
REED BLOCK AND CYLINDER HEAD	26
STARTER MOTOR	18
SWIVEL BRACKET AND STEERING ARM	40
THROTTLE LEVER AND SHIFT SHAFT	10
THROTTLE LEVER AND SHIFT SHAFT	12
TRANSOM BRACKETS	42
TRIM SWITCH KIT	46
WIRING HARNESS, STARTER SOLENOID & RECTIFIER	8

NOTE: Indented description indicate that these parts are included in preceding assembly.

AR = As Required

NSS = Not Sold Separate

OPT = Optional

NS = Not Shown

NOTE: Following symbols are located in **SYM** column.

● = PART IS NEW AND LISTED FOR THE FIRST TIME

■ = COMPONENT OF POWERHEAD

■ = SUPERSESSION INFORMATION FOUND ON PAGE 71

◇ = COMPONENT OF ENGINE GASKET SET

▲ = COMPONENT OF G/H SEAL KIT

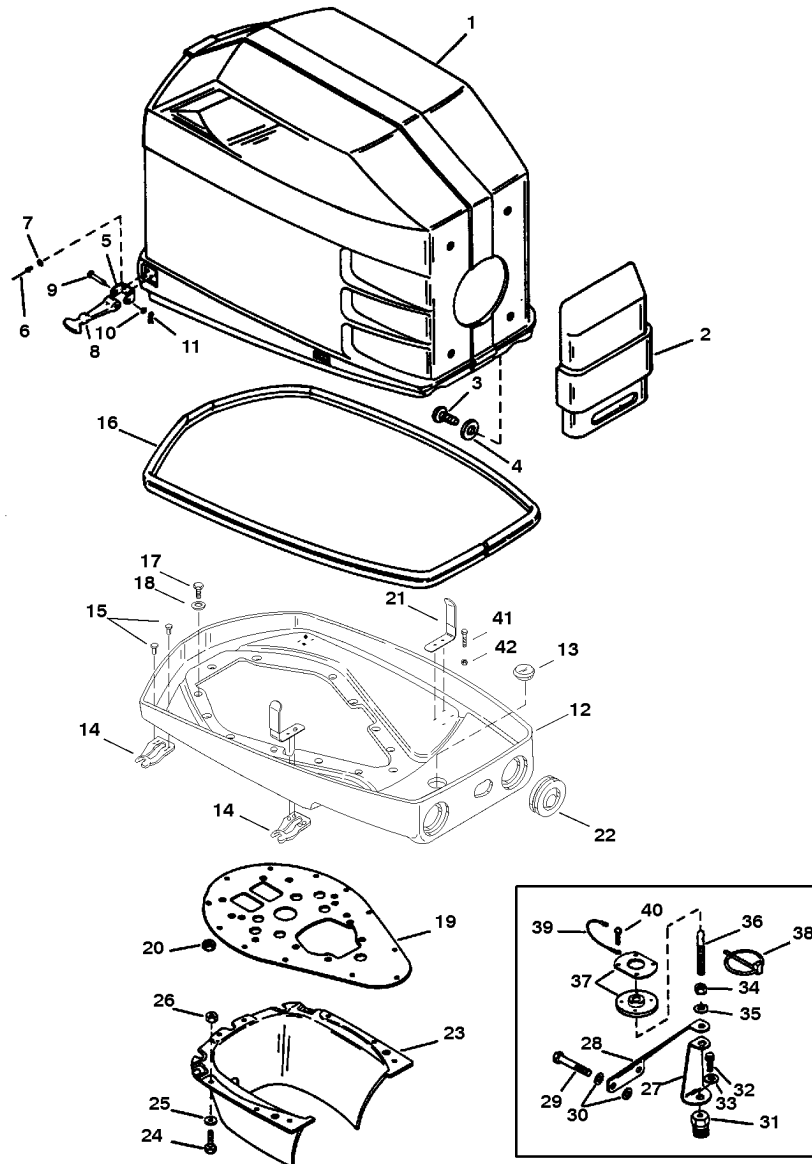
THESE PARTS BOOKS/FICHE CARD ARE COPYRIGHTED AND MAY NOT BE DISTRIBUTED OR REPRODUCED IN ANY OTHER FORMAT BY ANYONE OTHER THAN MERCURY MARINE WITHOUT THE PRIOR WRITTEN CONSENT OF MERCURY MARINE.

MISCELLANEOUS INFORMATION

REF. NO.	PART NO.	SYM.	QTY.	DESCRIPTION
0	90-811505-96	●	1	PARTS MANUAL
	90-848711	●	1	OWNERS GUIDE (BLACK)
	90-848713	●	1	OWNERS GUIDE (GRAY)

● = PART IS NEW AND LISTED FOR THE FIRST TIME

COWLS

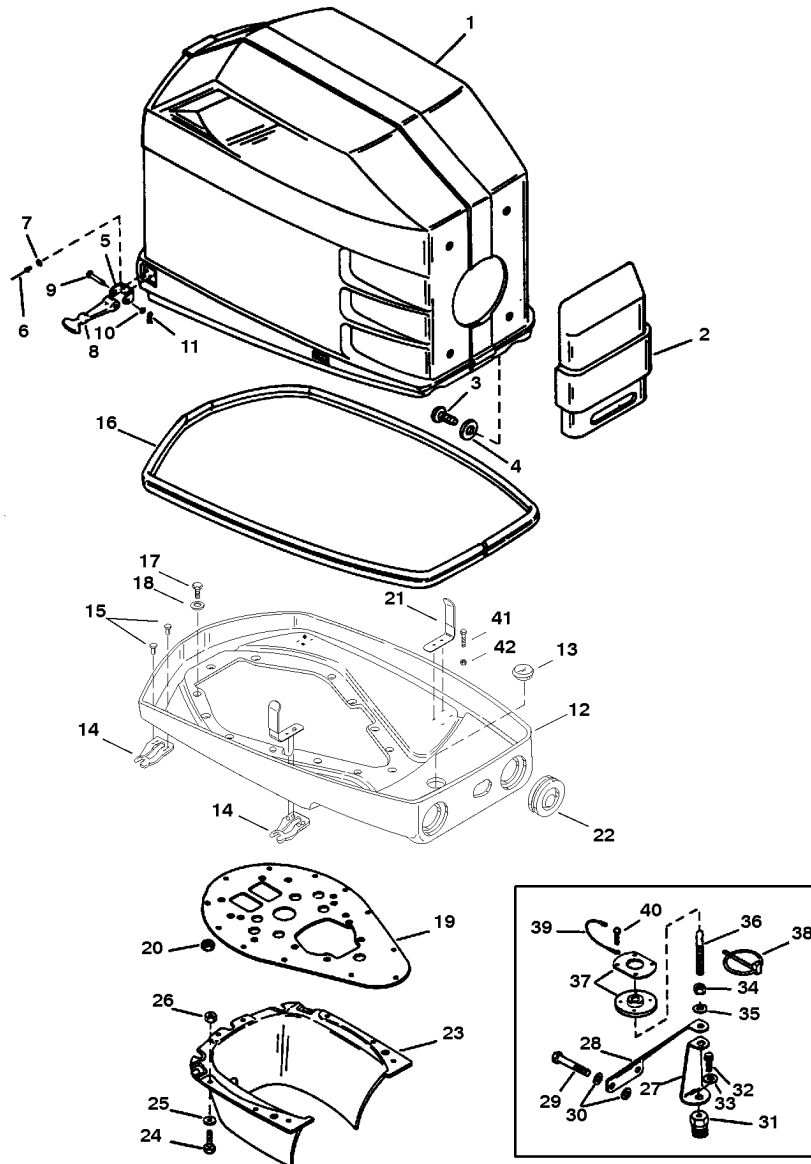


COWLS

REF. NO.	PART NO.	SYM.	QTY.	DESCRIPTION
1	4006-817704A24		1	TOP COWL (BLACK)
	4006-817704A25		1	TOP COWL (GRAY)
2	817706A3		1	FRONT COVER (BLACK)
	817706A4		1	FRONT COVER (GRAY)
3	10-69570		4	SCREW
4	12-22887		4	WASHER
5	71602		4	YOKE (BLACK)
	71602--1		4	YOKE (GRAY)
6	17-816771		12	RIVET
7	12-847883		12	WASHER
8	817708		4	HOLD DOWN
9	17-58712		4	CLEVIS PIN
10	12-847883		4	WASHER
11	18-21071		4	COTTER PIN
-	37-817660A95		1	DECAL SET (BLACK)
-	37-818267A97		1	DECAL SET (GRAY)
-	37-818956A1		1	DECAL SET-FRONT COVER (BLACK)
-	37-818267A1		1	DECAL SET-FRONT COVER (GRAY)
12	4007-848164A5		1	BOTTOM PAN (BLACK)
	4007-848164A6		1	BOTTOM PAN (GRAY)
13	19-815784		2	CAP PLUG
14	13734		4	RETAINER (BLACK)
	13734--1		4	RETAINER (GRAY)
15	17-848172		16	RIVET (POP OPEN)
16	817712--1		1	SEAL
17	10-38601		13	SCREW
18	12-29245		13	WASHER
19	822188--1		1	PLATE
20	11-35045		13	NUT
21	848165		2	BRACE
22	25-817713--3		2	GROMMET
23	4016-847893A2		1	SKIRT (BLACK) SHORT
	4016-847893A3		1	SKIRT (GRAY) SHORT
	4016-847893A4		1	SKIRT (BLACK) LONG/X-LONG
	4016-847893A5		1	SKIRT (GRAY) LONG/X-LONG
24	10-69028		8	SCREW (1/4-28 X 3/4 IN.)
25	12-35462		16	WASHER
26	11-35045		8	NUT
-	821877A2		1	COWL SUPPORT KIT
27	821877--1		1	BRACKET
28	821878		1	BRACKET
29	10-821933		2	SCREW
30	12-847539		4	WASHER

CONTINUED ON NEXT PAGE ➡

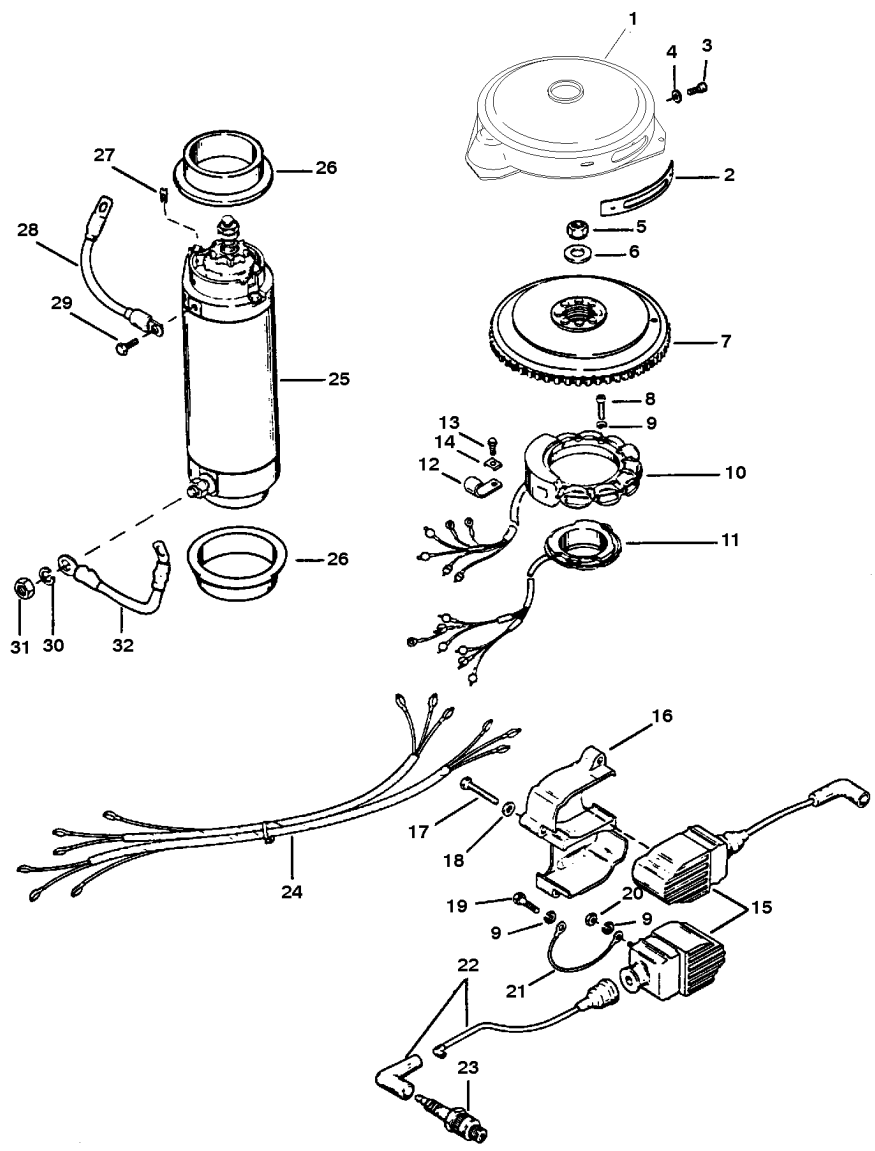
COWLS



COWLS

REF. NO.	PART NO.	SYM.	QTY.	DESCRIPTION
31	22-821881		1	PIPE PLUG
32	10-818146		1	SCREW
33	12-847541		1	WASHER
34	11-71852		1	NUT
35	12-74758		1	WASHER
36	821879--1		1	PIN
37	848015A1		1	COWL SUPPORT
38	848126A1		1	TORSION CLIP
39	88238A4		1	CABLE
40	10-821579		4	SCREW
41	10-69020		2	SCREW
42	11-29488		2	NUT

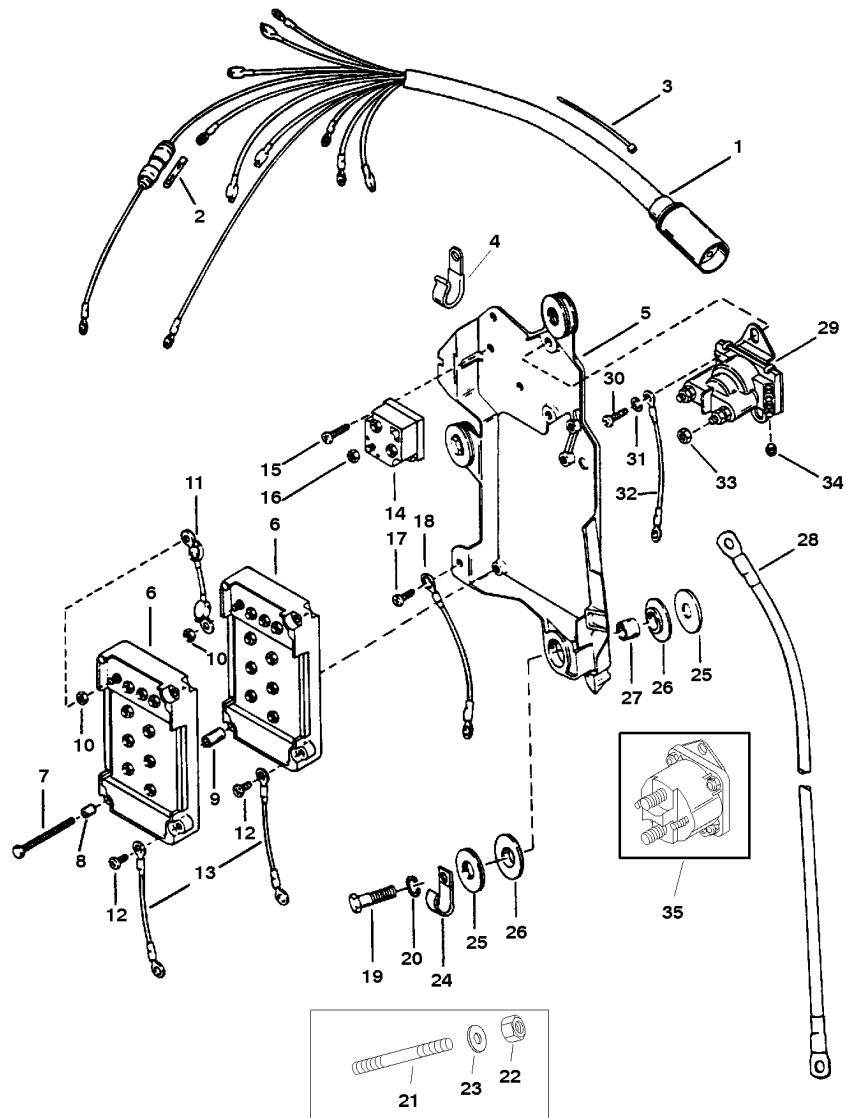
FLYWHEEL, STARTER MOTOR AND IGNITION COILS



FLYWHEEL, STARTER MOTOR AND IGNITION COILS

REF. NO.	PART NO.	SYM.	QTY.	DESCRIPTION
1	79918A1		1	FLYWHEEL COVER
2	79022		1	TIMING MARKER
3	10-37572		2	SCREW
4	12-72761		2	WASHER
5	11-52901		1	NUT
6	12-68229		1	WASHER
7	249-6080A42		1	FLYWHEEL
8	10-90028		6	SCREW
9	13-26996		24	LOCKWASHER
10	398-5454A66		1	STATOR
11	96455A11		1	TRIGGER PLATE
12	54-24836		1	J-CLAMP
13	10-62568		1	SCREW
14	69205		1	C-WASHER
15	339-7370A19		6	IGNITION COIL
16	79743		3	COVER
17	10-88447		12	SCREW (1-5/8 IN.)
18	12-89302		12	WASHER
19	10-68513		6	SCREW
20	11-45076		12	NUT
21	84-88807A6		6	GROUND STRAP (BLACK)
22	84-815358A1		1	HIGH TENSION CABLE
23	33-14103550		6	SPARK PLUG (NGK #BUZHW)
24	84-69738A7		1	HARNESS ASSEMBLY (#2,4 & 6)
	84-69739A2		1	HARNESS ASSEMBLY (#1,3 & 5)
25	50-79472		1	STARTER MOTOR
26	56703		2	COLLAR
27	68042		2	RUBBER STOP
28	84-93388A1		1	WIRE (BLACK)
29	10-69035		1	SCREW (1/4-20 X 5/8 IN.)
30	13-26992		1	LOCKWASHER
31	11-20890		1	NUT
32	84-93389A5		1	WIRE (YELLOW)

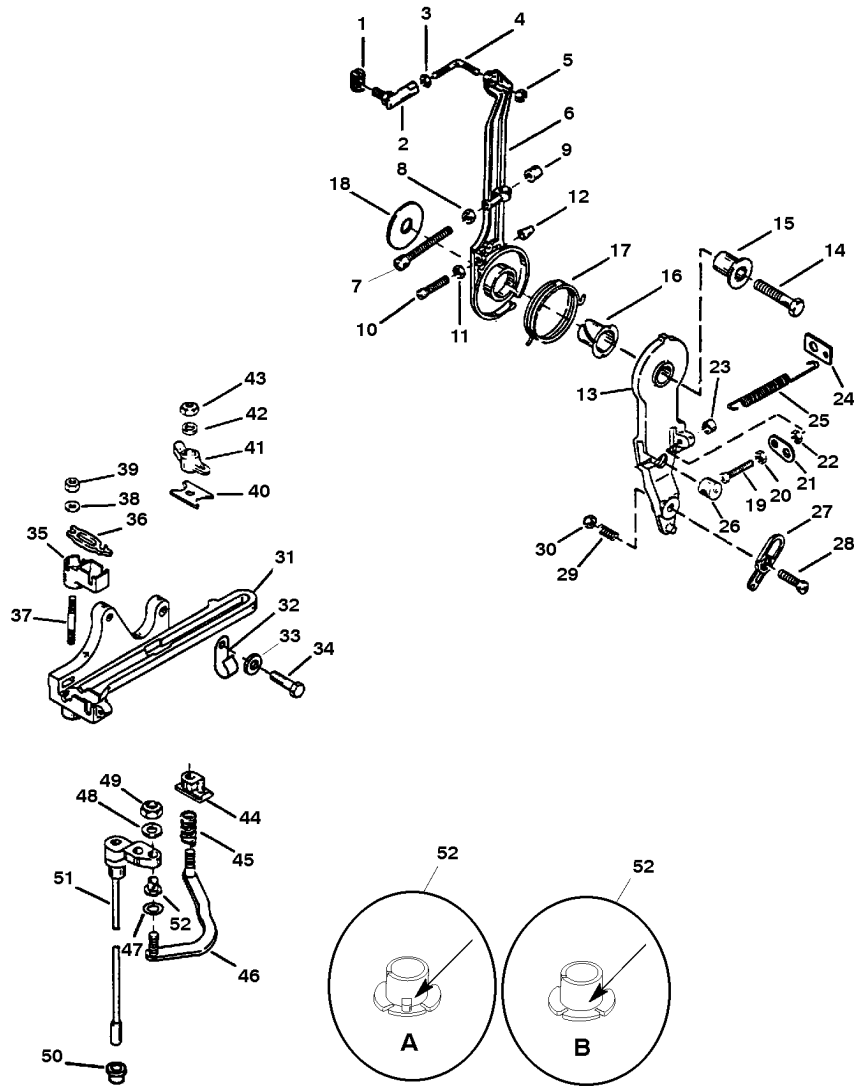
WIRING HARNESS, STARTER SOLENOID & RECTIFIER



WIRING HARNESS, STARTER SOLENOID & RECTIFIER

REF. NO.	PART NO.	SYM.	QTY.	DESCRIPTION
1	84-96220A4		1	ENGINE HARNESS
2	88-79091		1	FUSE
3	54-816311		AR	STA-STRAP
4	54-814634		1	J CLAMP
5	43429--2		1	IGNITION PLATE
6	332-7778A14		2	SWITCH BOX
7	10-90815		2	SCREW
8	23-94304		2	BUSHING
9	23-94453		2	BUSHING
10	11-45076		20	NUT
11	84-62310A2		1	CABLE
12	10-62568		2	SCREW
13	84-60871A10		2	WIRE
14	816770		1	RECTIFIER
15	10-38055		2	SCREW (5/8 IN.)
16	11-45076		3	NUT
17	10-38055		1	SCREW (5/8 IN.)
18	84-65999A3		1	CABLE (BLACK)
19	10-90086		3	SCREW (1-1/2 IN.) SCREW ATTACHING
20	13-26993		3	LOCKWASHER SCREW ATTACHING
21	16-78986		3	STUD STUD ATTACHING
22	11-35814		3	NUT STUD ATTACHING
23	12-57792		3	WASHER STUD ATTACHING
24	54-814634		2	J-CLAMP
25	12-36042		6	WASHER
26	12-67264		6	WASHER (RUBBER)
27	23-67268		3	BUSHING
28	84-88439A14		1	BATTERY CABLE (POSITIVE)
25	84-88439A2		1	BATTERY CABLE (NEGATIVE)
29	89-68258A4		1	STARTER SOLENOID
30	10-31716		2	SCREW (5/8 IN.)
31	13-26992		2	LOCKWASHER
32	84-65999A2		1	CABLE (BLACK)
33	11-67980		2	NUT
34	11-45076		2	NUT
35	89-76528A1		1	SOLENOID-START

THROTTLE LEVER AND SHIFT SHAFT



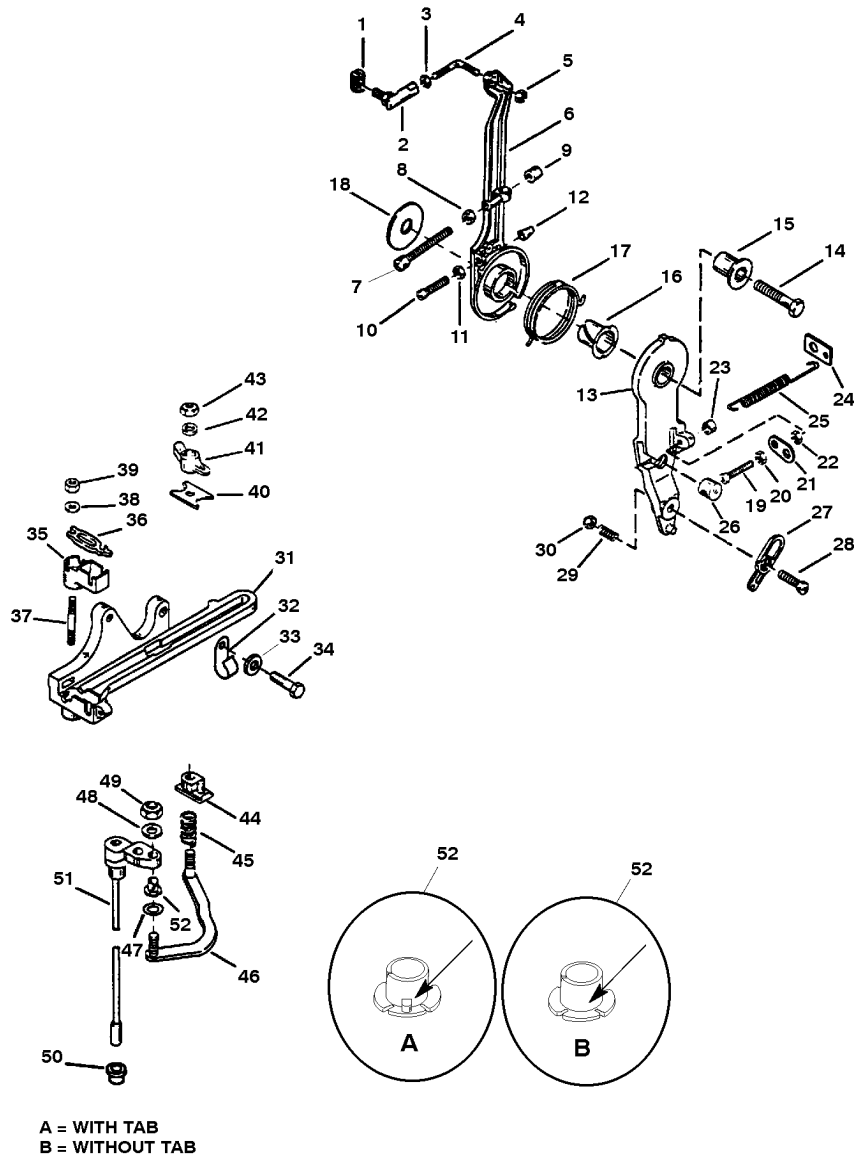
A = WITH TAB
 B = WITHOUT TAB

THROTTLE LEVER AND SHIFT SHAFT

REF. NO.	PART NO.	SYM.	QTY.	DESCRIPTION
1	74897		1	PIVOT
2	62459		1	BALL JOINT
3	11-68219		1	NUT
4	76035--1		1	LINK ROD
5	11-46438		1	NUT
6	41094A3	■	1	SPARK ADVANCE LEVER
7	10-64022	■	1	SCREW
8	11-64015	■	1	NUT
9	26852	■	1	CAP
10	10-13627	■	1	SCREW (1-1/4 IN.)
11	11-68219	■	1	NUT
12	48039	■	1	CAP
13	77837	■	1	THROTTLE CONTROL LEVER
14	10-818165	■	1	SCREW (1-3/4 IN.)
15	23-55164	■	1	BUSHING
16	23-55171	■	1	BUSHING
17	24-68784	■	1	SPRING
18	12-46765	■	1	WASHER
19	10-64022	■	1	SCREW (2-1/8 IN.)
20	11-64015	■	1	NUT
21	53-78201	■	1	CLIP
22	11-64015	■	1	NUT
23	26852	■	1	CAP
24	54-75275	■	1	CLAMP
25	24-848470		1	SPRING
26	60572		1	BARREL
27	39483	■	1	LATCH
28	10-69026	■	1	SCREW (1/4-28 X 7/8 IN.)
29	24-20099	■	1	SPRING
30	11-35045	■	1	NUT
-	61-848040A10		-	POWERHEAD

■ = COMPONENT OF POWERHEAD

THROTTLE LEVER AND SHIFT SHAFT

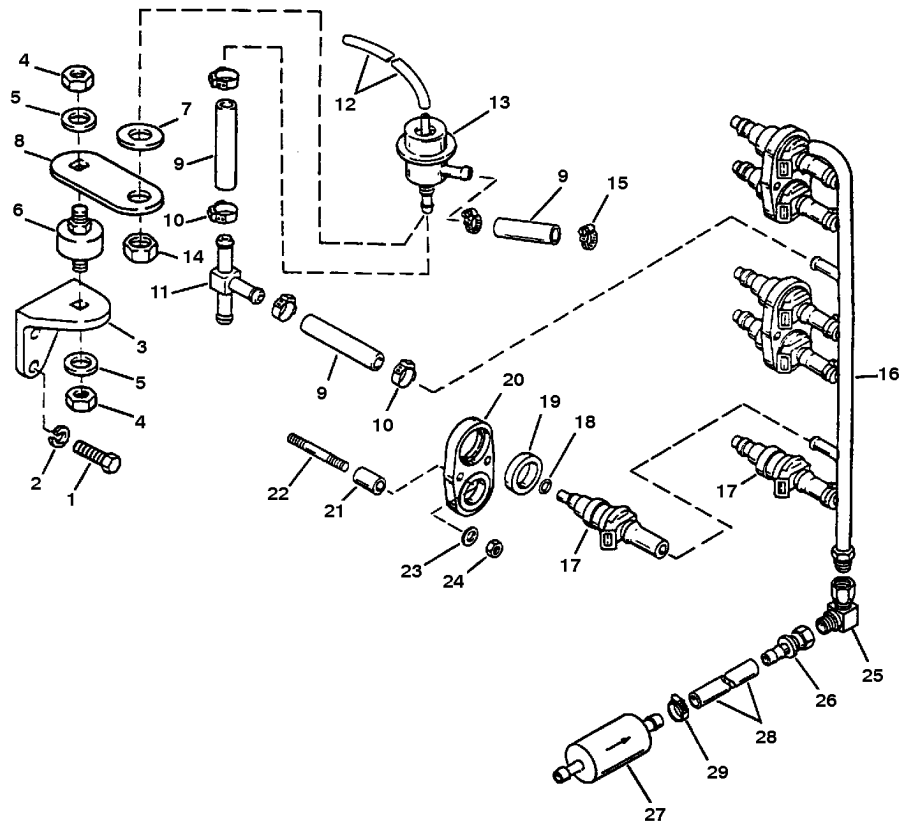


THROTTLE LEVER AND SHIFT SHAFT

REF. NO.	PART NO.	SYM.	QTY.	DESCRIPTION
31	14669--1		1	ANCHOR BRACKET
32	54-54457		1	J-CLAMP
33	12-29245		1	WASHER
34	10-62958		2	SCREW (1-1/8 IN.)
	10-60147		1	SCREW (1/4-20 X 1-1/4 IN.)
35	16813		1	CUP
36	16814		1	LATCH
37	16-18101		2	STUD
38	12-73288		2	WASHER
39	11-18102		2	NUT
40	52100		1	WEAR PLATE
41	38279		1	LATCH
42	12-69056		1	WASHER
43	11-35045		1	NUT
44	37896		1	GUIDE BLOCK
45	24-20099		1	SPRING
46	67073A1		1	LINK ROD
47	13-29720		1	WAVE WASHER
48	12-35462		1	WASHER
49	11-35045		1	NUT
50	23-27132		1	BUSHING
51	79932A15		1	SHIFT SHAFT (SHORT) USE WITH REF #52
	79932A11		1	SHIFT SHAFT (LONG) USE WITH REF #52
	79932A12		1	SHIFT SHAFT (EXTRA-LONG) WITH TAB (SEE BUBBLE A) USE WITH REF #52
52	23-26600		1	BUSHING USE WITH REF #52
51	79932A18	●	1	SHIFT SHAFT (SHORT) USE WITH REF #52 WITHOUT TAB
	79932A16	●	1	SHIFT SHAFT (LONG) USE WITH REF #52 WITHOUT TAB
	79932A17	●	1	SHIFT SHAFT (EXTRA-LONG) USE WITH REF #52 WITHOUT TAB
52	23-26856		1	BUSHING (SEE BUBBLE B) USE WITH REF #52 WITHOUT TAB

● = PART IS NEW AND LISTED FOR THE FIRST TIME

FUEL INJECTORS

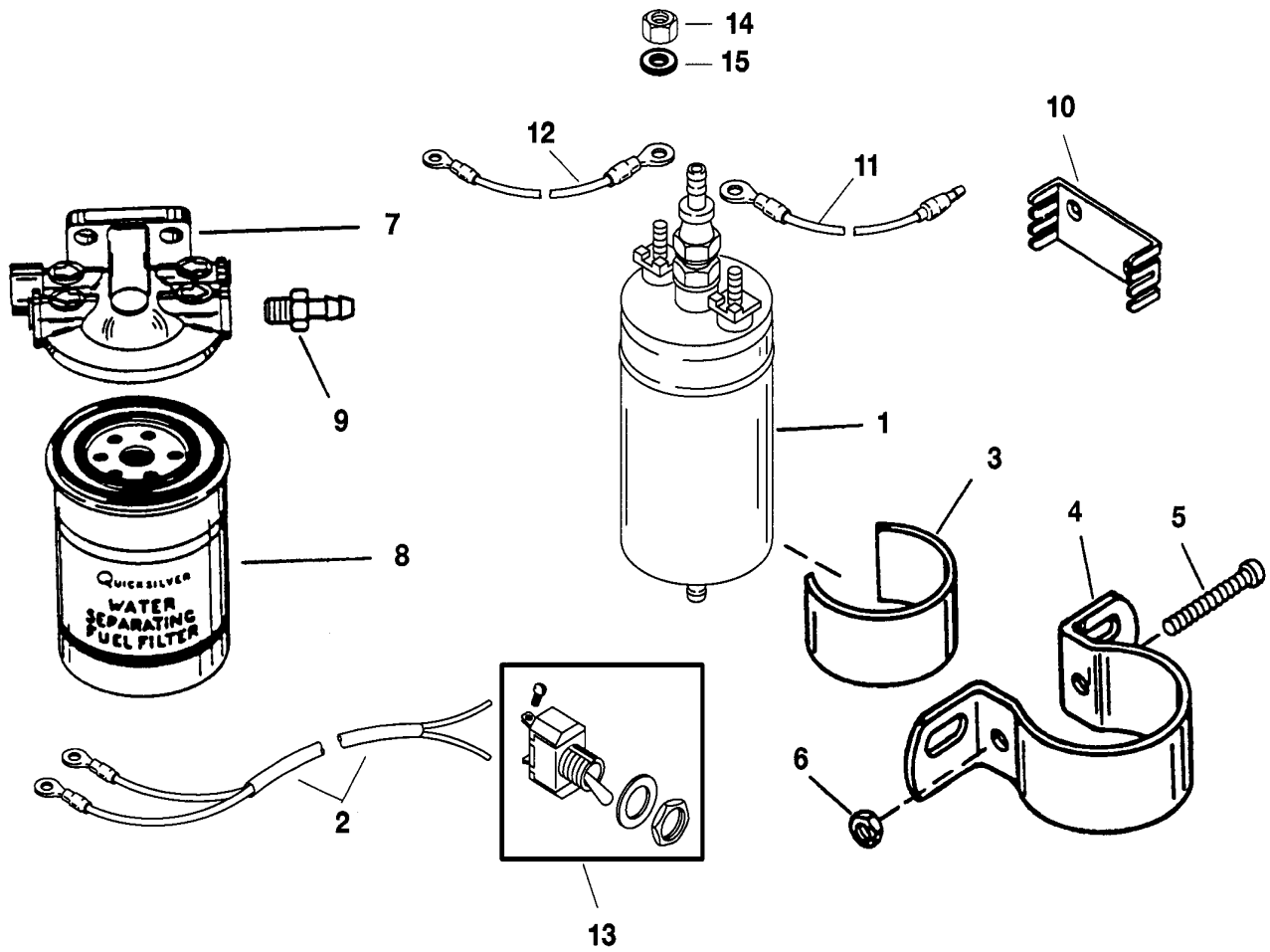


FUEL INJECTORS

REF. NO.	PART NO.	SYM.	QTY.	DESCRIPTION
1	10-28636		2	SCREW
2	13-26992		2	LOCKWASHER
3	99945		1	BRACKET
4	11-35888		2	NUT
5	12-35462		2	WASHER
6	90435		1	RUBBER MOUNT
7	12-26168		1	WASHER
4	11-64015		2	NUT S/N-0G502500 & UP
5	12-69056		2	WASHER S/N-0G502500 & UP
6	12234		1	RUBBER MOUNT S/N-0G502500 & UP
7	13-78968		2	LOCKWASHER S/N-0G502500 & UP
8	99944		1	SUPPORT
9	32-77457--2		1	HOSE (1-1/2 IN.)(4 IN.)(4 IN.)
10	54-12999		4	CLAMP
11	22-17207		1	FITTING
12	32-66285-70		1	HOSE
13	94820		1	FUEL REGULATOR
14	11-15018		1	NUT
15	54-815504104		2	CLAMP
16	17206--3		1	FUEL RAIL
17	98818		6	FUEL INJECTOR
18	26-94219	◇■	6	SEAL
19	25-99123		6	GROMMET
20	98716		3	HOLD DOWN
21	98717		6	SPACER
22	16-21184	■	6	STUD
23	12-29245		6	WASHER
24	11-35045		6	NUT
25	22-818699		1	FITTING
26	22-69406		1	FITTING
27	35-818700		1	FILTER
28	32-817389-77		1	HOSE (84 IN.) S/N-0G502499 & BELOW
29	54-13791		1	CLAMP S/N-0G502499 & BELOW
28	32-848761-77	●	1	HOSE (84 IN.) S/N-0G502500 & UP
29	54-848763	●	1	CLAMP (19.8 MM) S/N-0G502500 & UP
	54-848764	●	1	CLAMP (21 MM) S/N-0G502500 & UP
-	27-814658A3		-	GASKET SET
-	61-848040A10		-	POWERHEAD

- = PART IS NEW AND LISTED FOR THE FIRST TIME
- = COMPONENT OF POWERHEAD
- ◇ = COMPONENT OF ENGINE GASKET SET

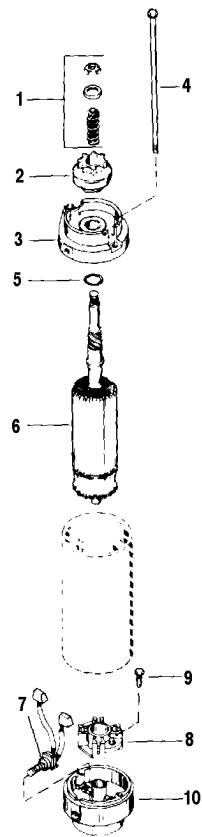
FUEL PUMP



FUEL PUMP

REF. NO.	PART NO.	SYM.	QTY.	DESCRIPTION
1	848045A5		1	FUEL PUMP ASSEMBLY
2	84-825201--1		1	CABLE
3	41038--1		1	SLEEVE
4	94451--2		1	BRACKET
5	10-25158		1	SCREW
6	11-20110		1	NUT
7	35-807172A4		1	FUEL FILTER KIT
8	35-807172		1	FUEL FILTER
9	22-34982		1	CONNECTOR
10	79146		1	RETAINER
11	84-848489A1		1	HARNESS
12	84-848490A1		1	HARNESS (RED)(12 FEET)
	84-848490A2		1	HARNESS (PURPLE)(2 FEET)
13	87-66581		1	SWITCH
14	11-40026--3		1	NUT NUT IS M5
15	12-89302		1	WASHER NUT IS M5
14	11-40063--2		1	NUT NUT IS M4
15	12-38833		1	WASHER NUT IS M4

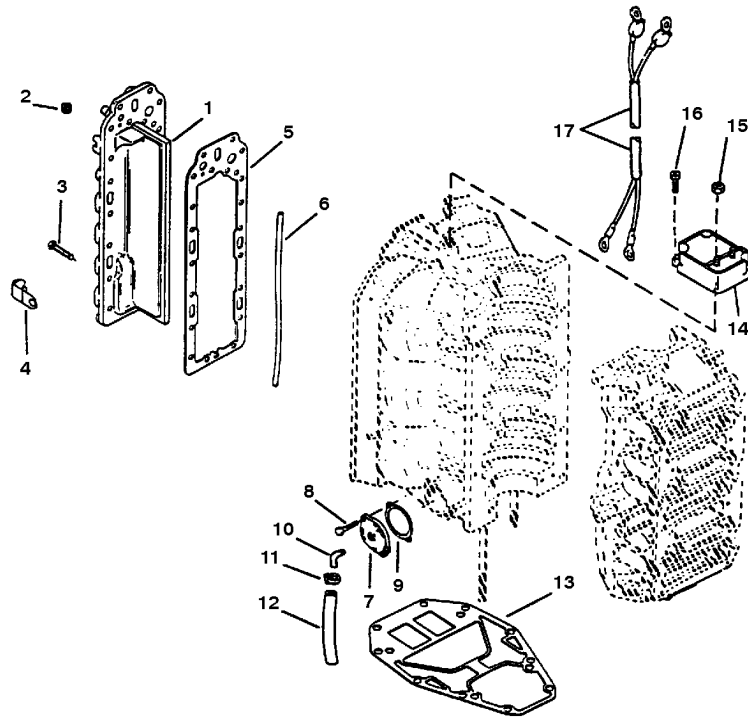
STARTER MOTOR



STARTER MOTOR

REF. NO.	PART NO.	SYM.	QTY.	DESCRIPTION
-	50-79472		1	STARTER MOTOR
1	90645		1	DRIVE KIT
2	75661		1	DRIVE
3	75660		1	DRIVE END PLATE
4	10-74968		2	THRU BOLT
5	NSS		1	WASHER (AMERICAN BOSCH #WA3122)
6	79216		1	ARMATURE
7	75384		1	BRUSH SET
8	61787		2	BRUSH HOLDER
9	NSS		2	SCREW (AMERICAN BOSCH #02441-22-SC-30SM)
10	15386		1	END CAP

EXHAUST PLATE



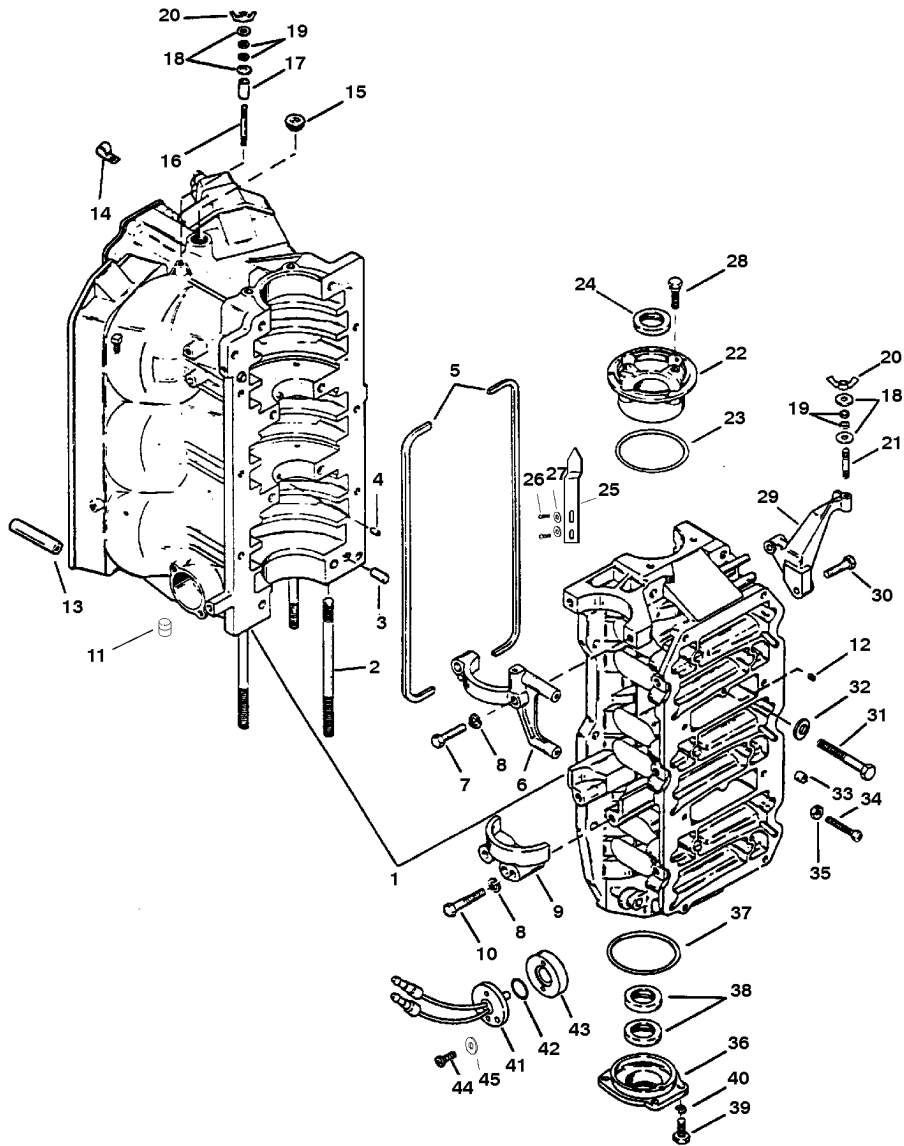
EXHAUST PLATE

REF. NO.	PART NO.	SYM.	QTY.	DESCRIPTION
1	815552A1	■	1	DIVIDER PLATE
2	22-32802--1	■	1	PIPE PLUG
3	10-848496	■	18	SCREW (1-1/2 IN.)
	10-848497	■	2	SCREW (1 IN.)
4	54-814634	■	2	J-CLAMP (LARGE)
	54-64235--2	■	1	J-CLAMP (SMALL)
5	27-847525--1	◇■	1	GASKET
6	26-814754	◇■	1	SEAL
7	99193	■	1	COVER
8	10-28782	■	2	SCREW
9	27-88907--2	◇■	1	GASKET
10	22-68727	■	1	FITTING
11	54-816311	■	AR	STA-STRAP
12	32-77457--2	■	1	HOSE
13	27-823142	◇■	2	GASKET
14	88825A7		1	VOLTAGE REGULATOR
15	11-45076		2	NUT
16	10-48409		2	SCREW
17	84-13397A1		1	HARNES ASSEMBLY
-	27-814658A3		-	ENGINE GASKET SET
-	61-848040A10		-	POWERHEAD

■ = COMPONENT OF POWERHEAD

◇ = COMPONENT OF ENGINE GASKET SET

CYLINDER BLOCK AND END CAPS



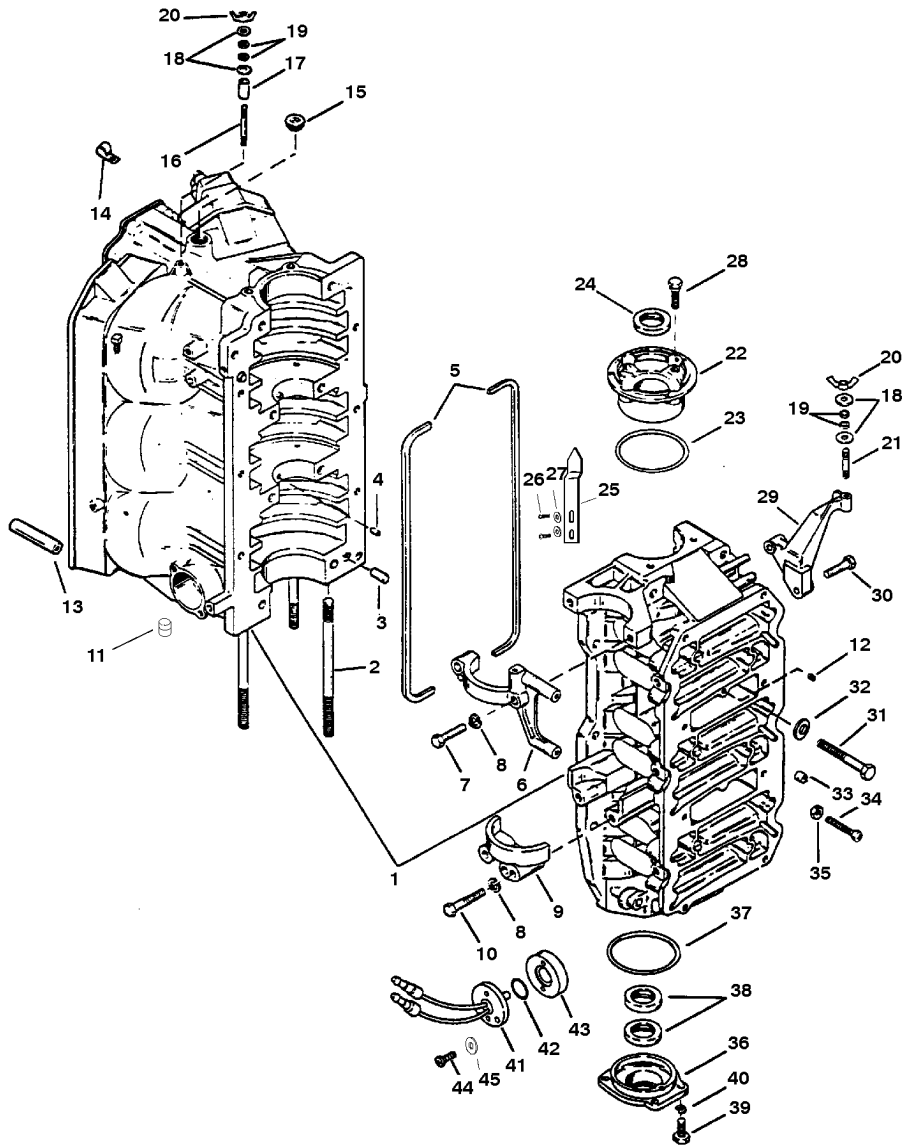
CYLINDER BLOCK AND END CAPS

REF. NO.	PART NO.	SYM.	QTY.	DESCRIPTION
1	884-822230A36	■	1	CYLINDER BLOCK
-	51-18594A9	●	1	CYLINDER LINER ASSY. (.020 O.S.)
2	16-847530	■	2	STUD (2 IN.)
	16-847529	■	2	STUD (2-1/2 IN.)
	16-822358	■	2	STUD (2-3/4 IN.)
	16-847532	■	2/4	STUD (5-3/4 IN.)(SHORT/OFFSHORE)
	16-847533	■	2	STUD (7 IN.)(LONG)
3	17-43044	■	3	DOWEL PIN
4	17-67296	■	2	DOWEL PIN (BEARING RACE)
5	27-11338	◇	2	GASKET
6	42249	■	1	COVER (UPPER)
7	10-90086		2	SCREW (1-1/2 IN.)
8	13-26993		4	LOCKWASHER
9	76867	■	1	COVER (LOWER)
10	10-815549		2	SCREW (2 IN.)
11	22-56800--2		2	PIPE PLUG
12	21-42657A1	■	3	CHECK VALVE
13	32-830756109	■	4	TUBING (2 OF 1-1/2 IN.)(2 OF 1-1/4 IN.)
14	54-63153		2	J-CLAMP
15	22-821881	■	1	PLUG (WATER JACKET)
16	16-15094	■	1	STUD (1-7/8 IN.)
17	23-67269		1	SPACER
18	12-49221		6	WASHER
19	12-72761		3	WASHER
20	11-816874		3	NUT
21	16-15093	■	2	STUD (1 IN.)
22	1159-848282A1	■	1	UPPER END CAP
23	25-54030	◇	1	O-RING
24	26-41953	◇	1	OIL SEAL
25	848465		1	BRACKET-TIMING INDICATOR
26	10-90766		2	SCREW (10-32 X 1/2 IN.)
27	12-72761		2	WASHER
28	10-69034	■	4	SCREW (1 IN.)
29	99294	■	1	BRACKET
30	10-28667	■	2	SCREW (1 IN.)
31	10-66717	■	8	SCREW (3/8-16 X 3-1/4 IN.)
	10-823188	■	2	SCREW (3/8-16 X 3-1/2 IN.)
	10-823199--1	■	10	SCREW (3/8-16 X 1-1/4 IN.)
32	12-822838	■	20	WASHER
33	26852	■	1	CAP

- = PART IS NEW AND LISTED FOR THE FIRST TIME
- = SUPERSESSION INFORMATION FOUND ON PAGE 71
- = COMPONENT OF POWERHEAD
- ◇ = COMPONENT OF ENGINE GASKET SET

CONTINUED ON NEXT PAGE ➡

CYLINDER BLOCK AND END CAPS



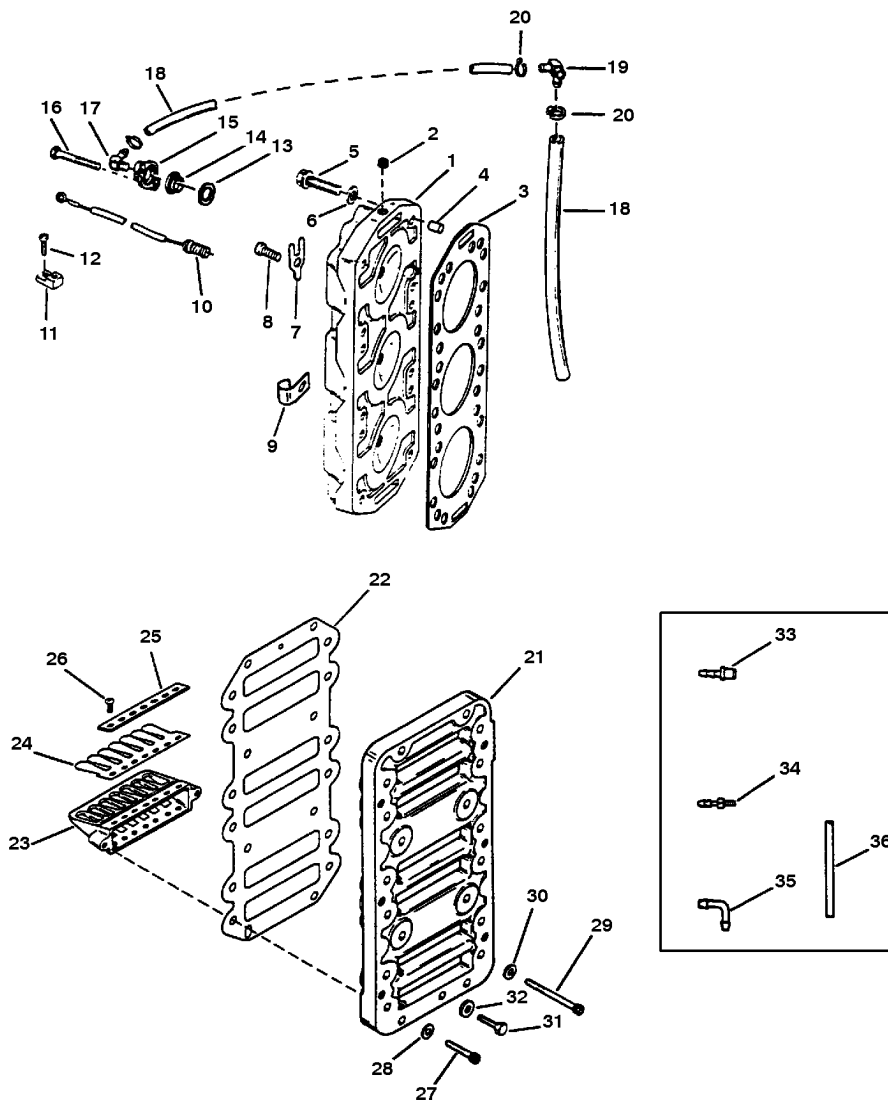
CYLINDER BLOCK AND END CAPS

REF. NO.	PART NO.	SYM.	QTY.	DESCRIPTION
34	10-64022	■	1	ADJUSTING SCREW
35	11-64015	■	1	JAM NUT
36	1156-7809A1	■	1	LOWER END CAP
37	25-62700	◇■	1	O-RING (3-1/4 IN. I.D.)
38	26-41953	◇■	2	OIL SEAL
39	10-28636	■	4	SCREW (3/4 IN.)
40	13-26992	■	4	LOCKWASHER
41	13221A1		1	TEMPERATURE SENSOR
42	25-45711		2	O-RING
43	816885		1	ADAPTOR
44	10-34696		2	SCREW (3/4 IN.)
45	12-20670		2	WASHER
-	27-814658A3		-	ENGINE GASKET SET
-	61-848040A10		-	POWERHEAD

■ = COMPONENT OF POWERHEAD

◇ = COMPONENT OF ENGINE GASKET SET

REED BLOCK AND CYLINDER HEAD



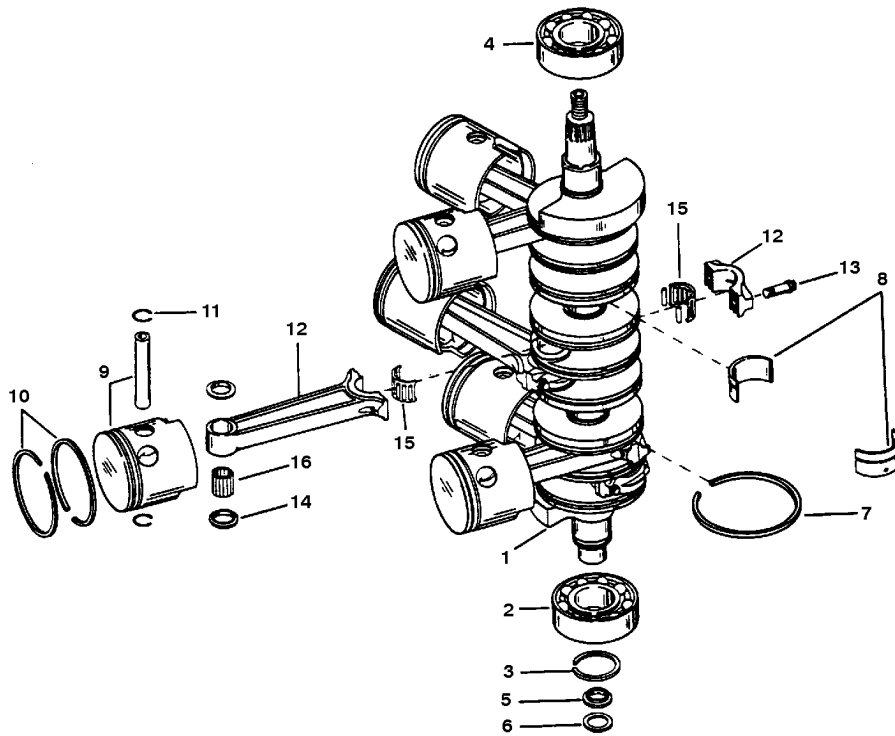
REED BLOCK AND CYLINDER HEAD

REF. NO.	PART NO.	SYM.	QTY.	DESCRIPTION
1	18789A3	■	2	CYLINDER HEAD
2	22-32802--1	■	2	PIPE PLUG
3	27-814658--1	◇■	2	GASKET
4	17-63779	■	4	DOWEL PIN
5	10-98534	■	24	SCREW (2-1/3 IN.)
6	12-822838	■	24	WASHER
7	13715--1	■	1	RETAINER
8	10-88743	■	1	SCREW
9	54-78945--1	■	1	J-CLAMP
10	97465	■	1	TEMPERATURE SENDER
11	45915		2	TERMINAL BLOCK
12	10-48409		2	SCREW (5/8 IN.)
	10-62568		1/2	SCREW (3/8 IN.)
	10-87926		1	SCREW (1/2 IN.)
13	12-47533--1	■	2	WASHER-SUBSTITUTE FOR THERMOSTAT
14	27-62386	◇■	2	GASKET
15	90390A1	■	2	COVER
16	10-37562	■	4	SCREW (1 IN.)
17	22-68727	■	1	ELBOW (STARBOARD)
18	32-77457--2		1	HOSE
19	22-68728	■	1	FITTING (PORT)
20	54-816311		AR	STA-STRAP
21	98709--3		1	PLATE
22	27-12775--4	■	1	GASKET
23	87692--2		6	REED BLOCK
24	34-815242A3		6	REED ASSEMBLY
25	90391--1		12	REED CLAMP
26	10-823588		84	SCREW
27	10-60147		12	SCREW
28	12-822837		12	WASHER
29	10-60147		4	SCREW
30	12-39143		4	WASHER
31	10-55715		2	SCREW
32	12-822837		2	WASHER
33	22-56759	■	2	FITTING (PRESS IN)
34	21-42623	■	1	CHECK VALVE (PRESS-IN - 11/16 IN. LONG)
	21-818189A1	■	1	CHECK VALVE (45 DEGREES)
35	22-94090	■	1	ELBOW
36	32-66285-70		AR	HOSE (YELLOW)
-	27-814658A3		-	ENGINE GASKET SET
-	61-848040A10		-	POWERHEAD

■ = COMPONENT OF POWERHEAD

◇ = COMPONENT OF ENGINE GASKET SET

CRANKSHAFT, PISTONS, AND CONNECTING RODS



CRANKSHAFT, PISTONS, AND CONNECTING RODS

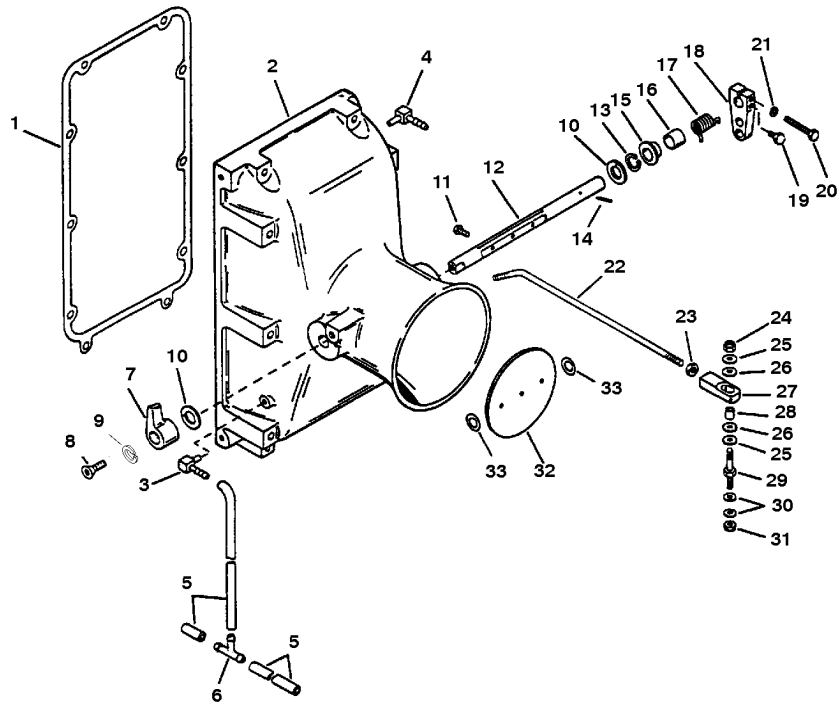
REF. NO.	PART NO.	SYM.	QTY.	DESCRIPTION
1	455-848330A1	■●	1	CRANKSHAFT ASSEMBLY
2	30-67923	■	1	BALL BEARING (LOWER)
3	53-67446	■	1	RETAINING RING
4	30-848280	■	1	BALL BEARING (UPPER)
5	54196A6	■	1	CARRIER ASSEMBLY
6	65800	◇■	1	SEAL
7	39-67377--2	■	7	RING
8	31-16756A8	■	2	ROLLER BEARING
9	2717-827352A3	■	3	PISTON ASSEMBLY (STARBOARD)
8	2717-827353A3	■	3	PISTON ASSEMBLY (PORT)
10	39-848200A12	■	1	PISTON RING ASSEMBLY
11	53-821246	■	12	RETAINING RING
12	644-818141A5	■	6	CONNECTING ROD ASSEMBLY
13	10-848475	■	12	SCREW
14	12-812876	■	12	WASHER
15	31-821146A1	■	6	ROLLER BEARING
16	29-822553	■	174	NEEDLE BEARING
-	27-814658A3		-	ENGINE GASKET SET
-	61-848040A10		-	POWERHEAD

● = PART IS NEW AND LISTED FOR THE FIRST TIME

■ = COMPONENT OF POWERHEAD

◇ = COMPONENT OF ENGINE GASKET SET

AIR INLET/THROTTLE LINKAGE

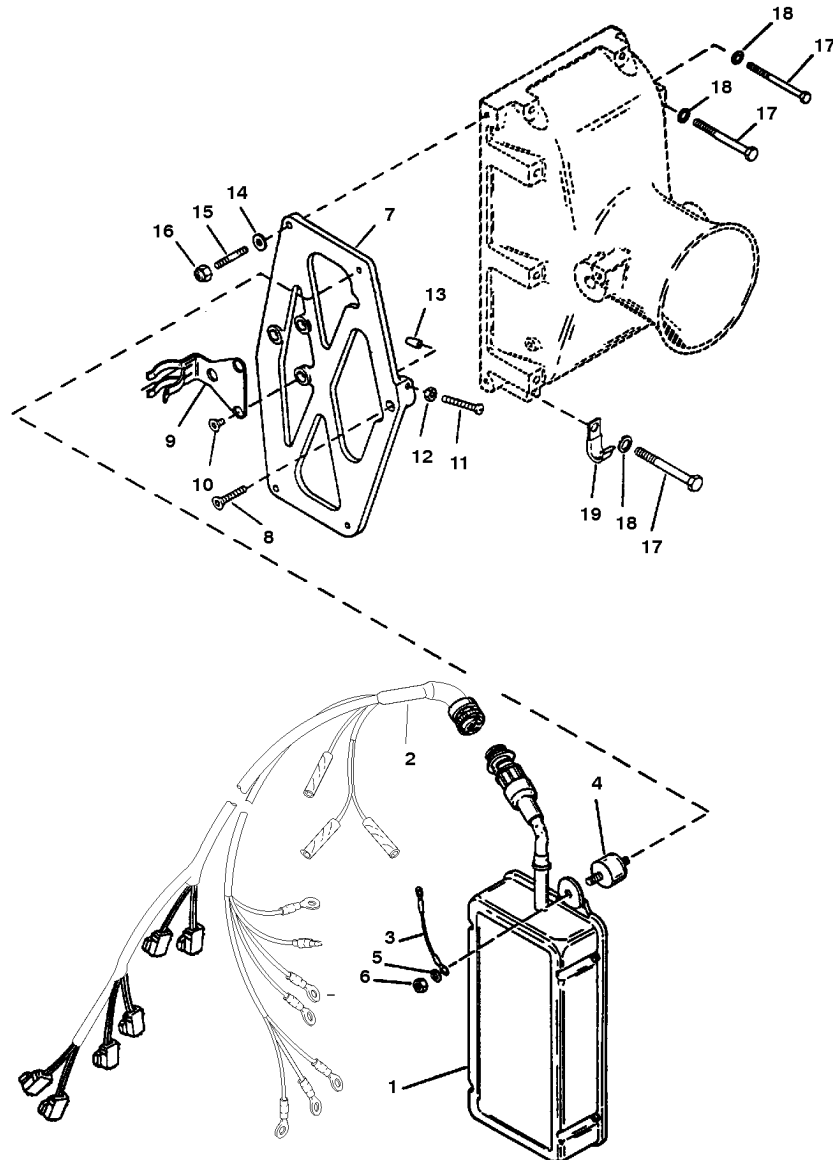


AIR INLET/THROTTLE LINKAGE

REF. NO.	PART NO.	SYM.	QTY.	DESCRIPTION
1	27-99316--3	◇■	1	GASKET
2	816058A6		1	AIR INLET
3	22-822715		1	ELBOW
4	22-15133		2	FITTING
5	32-66285-70		1	HOSE
6	22-59169		1	TEE FITTING
7	848026		1	ACTUATOR S/N-0G502499 & BELOW
8	10-848022		1	SCREW (3/4 IN.) S/N-0G502499 & BELOW
7	848026A1	●	1	ACTUATOR S/N-0G502500 & UP
8	10-32417		1	SCREW (5/8 IN.) S/N-0G502500 & UP
9	13-78968		1	LOCKWASHER S/N-0G502500 & UP
10	12-848023		2	THRUST WASHER
11	10-90766		3	SCREW
12	815490A3		1	THROTTLE SHAFT
13	53-847882		1	RING-RETAINING
14	17-24800		2	ROLL PIN
15	23-848024		1	BUSHING (W/LIP)
16	23-848025		1	BUSHING (W/O LIP)
17	24-98894--1		1	SPRING
18	13726--1		1	THROTTLE LEVER
19	10-41355		1	SET SCREW
20	10-41089--1		1	SCREW
21	13-26995		1	LOCKWASHER
22	816250		1	THROTTLE LINK
23	11-20013		1	JAM NUT
24	11-20361		1	NUT
25	12-35462		2	WASHER
26	12-35459		2	WASHER
27	847602--1		1	SLIDER
28	23-12245--1		1	BUSHING
29	16-96112		1	STUD
30	12-29245		2	WASHER
31	11-35045		1	NUT
32	98715--9		1	THROTTLE SHUTTER (S/N-0G502499 & BELOW)
	98715-10	●	1	THROTTLE SHUTTER (S/N-0G502500 & UP)
33	15-848046A1		1	SHIM SET
-	27-814658A3		-	ENGINE GASKET SET
-	61-848040A10		-	POWERHEAD

- = PART IS NEW AND LISTED FOR THE FIRST TIME
- = COMPONENT OF POWERHEAD
- ◇ = COMPONENT OF ENGINE GASKET SET

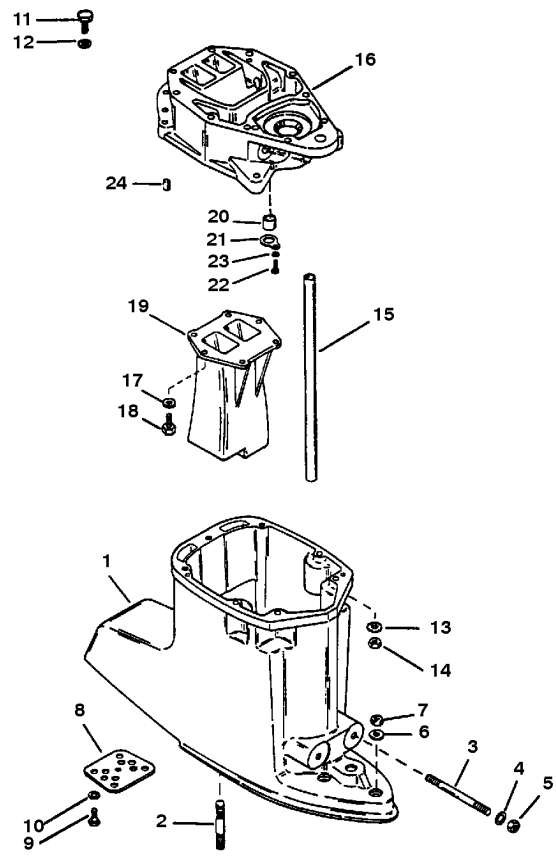
EFI CONTROL BOX



EFI CONTROL BOX

REF. NO.	PART NO.	SYM.	QTY.	DESCRIPTION
1	11350A49		1	E.F.I CONTROL BOX
2	84-98866A26		1	E.F.I HARNESS
3	84-65999A10		1	CABLE (BLACK)
4	12234--2		3	MOUNT
5	12-69056		2	WASHER
6	11-64015		3	NUT
7	816958--2		1	BRACKET
8	10-821035		1	SCREW (1-1/4 IN.)
9	54-821603		1	CLIP
10	10-821036		3	SCREW
11	10-13627		1	SCREW
12	11-68219		1	NUT
13	48039		1	CAP
14	12-39143		2	WASHER (5/8 X .253)
15	16-56766		2	STUD
16	11-20361		2	NUT
17	10-53155		4	SCREW (1/4-20 X 2-1/2 IN.)
	10-63328		6	SCREW (5/16-18 X 3 IN.)
18	12-39143		4	WASHER (1/4 IN. I.D.)
	12-34437		6	WASHER (5/16 IN. I.D.)
19	54-54457		2	J-CLIP
-	37-817679		1	DECAL (EFI - MERCURY)
-	37-818351		1	DECAL (EFI - MARINER)

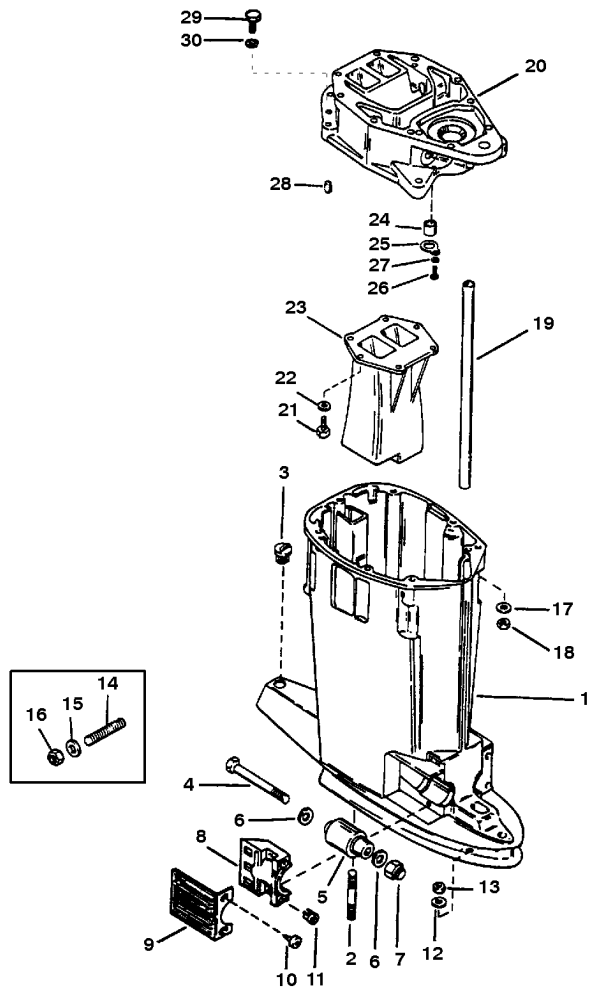
DRIVESHAFT HOUSING (SHORT-STANDARD)



DRIVESHAFT HOUSING (SHORT-STANDARD)

REF. NO.	PART NO.	SYM.	QTY.	DESCRIPTION
1	1581-818900A8		1	DRIVE SHAFT HOUSING ASSEMBLY (BLACK)
	1581-818900A9		1	DRIVE SHAFT HOUSING ASSEMBLY (GRAY)
2	16-59579		2	STUD
3	16-818908		2	STUD
4	12-816056		2	WASHER
5	11-28040		2	NUT
6	12-822836		3	WASHER
7	11-13439--1		3	NUT
8	818909		1	EXHAUST BLOCK-OFF PLATE
9	10-39349		1	SCREW
10	12-847539		1	WASHER
11	10-91903		3	SCREW (1-3/4 IN.)
	10-848081		2	SCREW (1/2 IN.)
12	12-822836		5	WASHER
13	12-822838		10	WASHER
14	11-34932		8	NUT (FULL)
	11-34863		2	NUT (THIN)
15	32-847650--3		1	WATER TUBE
16	848284A1		1	EXHAUST EXT. PLATE (BLACK)
	848284A2		1	EXHAUST EXT. PLATE (GRAY)
17	12-822714		6	WASHER
18	10-823258		6	SCREW (1-1/4 IN.)
19	848308--1		1	DIFFUSER
20	26-88397		1	SEAL
21	847658		1	RETAINER
22	10-28635		1	SCREW
23	13-26992		1	LOCKWASHER
24	17-43044		2	DOWEL PIN-PLATE TO DRIVE SHAFT HSG.
	17-823106		2	DOWEL PIN-PLATE TO POWERHEAD

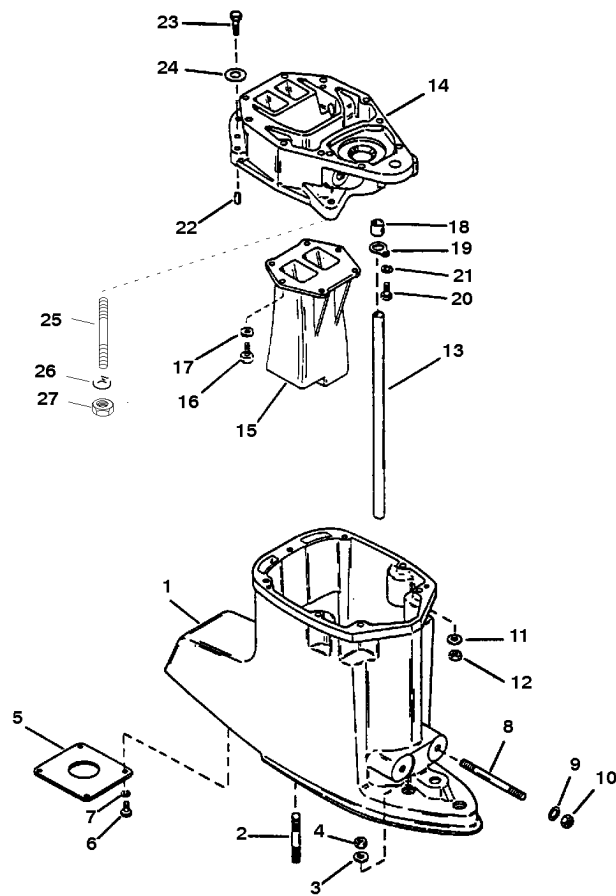
DRIVESHAFT HOUSING (LONG/X-LONG-STANDARD)



DRIVESHAFT HOUSING (LONG/X-LONG-STANDARD)

REF. NO.	PART NO.	SYM.	QTY.	DESCRIPTION
1	1590-8837A5		1	DRIVE SHAFT HOUSING ASSEMBLY (BLACK)
	1590-8837A10		1	DRIVE SHAFT HOUSING ASSEMBLY (GRAY)
2	16-59579		2	STUD (2-5/8 IN. - LONG)
	16-74732		2	STUD (7-5/8 IN. - X-LONG)
3	19-64649		1	PLUG
4	10-63474		2	SCREW
5	816054		2	MOUNT
6	12-816056		4	WASHER
7	11-28040		2	NUT
8	54-847737		2	CLAMP
9	67077T		2	COVER (BLACK)
	67077F1		2	COVER (GRAY)
10	10-88417		4	SCREW (5/8 IN.)
11	11-35521		4	NUT
12	12-822836		3	WASHER
13	11-13439--1		3	NUT
14	16-69058		4	STUD
15	12-22753		4	WASHER
16	11-35814		4	NUT
17	12-822838		10	WASHER
18	11-34932		8	NUT (FULL)
	11-34863		2	NUT (THIN)
19	32-847650--2		1	WATER TUBE (LONG)
	32-847650--1		1	WATER TUBE (X-LONG)
20	848284A1		1	EXHAUST EXT. PLATE (BLACK)
	848284A2		1	EXHAUST EXT. PLATE (GRAY)
21	10-823258		6	SCREW (1-1/4 IN.)
22	12-822714		6	WASHER
23	848308--1		1	DIFFUSER
24	26-88397		1	SEAL
25	847658		1	RETAINER
26	10-28635		1	SCREW
27	13-26992		1	LOCKWASHER
28	17-43044		2	DOWEL PIN-PLATE TO DRIVESHAFT HOUSING
	17-823106		2	DOWEL PIN-PLATE TO POWERHEAD
29	10-91903		3	SCREW (1-3/4 IN.)
	10-848081		2	SCREW (1/2 IN.)
30	12-822836		5	WASHER

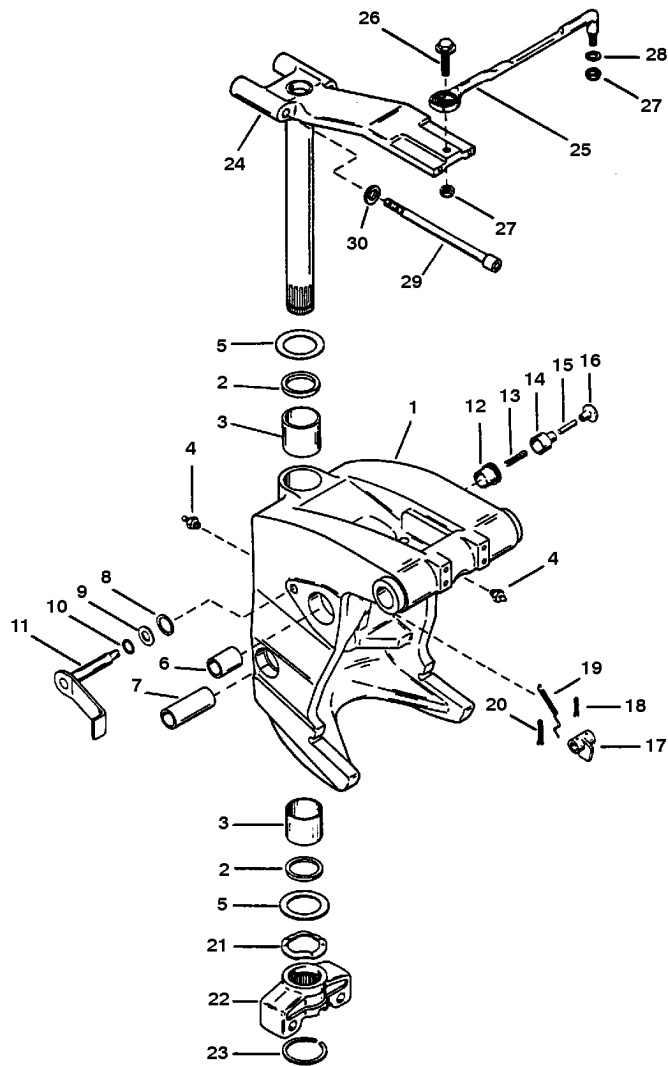
DRIVESHAFT HOUSING (OFFSHORE)



DRIVESHAFT HOUSING (OFFSHORE)

REF. NO.	PART NO.	SYM.	QTY.	DESCRIPTION
1	1581-8683A36		1	DRIVE SHAFT HOUSING ASSEMBLY (BLACK)
	1581-8683A38		1	DRIVE SHAFT HOUSING ASSEMBLY (GRAY)
2	16-59579		2	STUD (LONG)
	16-74732		2	STUD (X-LONG)
3	12-822836		3	WASHER
4	11-13439--1		3	NUT
5	818261		1	EXHAUST BLOCK-OFF PLATE
6	10-28635		4	SCREW
7	13-26992		4	LOCKWASHER
8	16-818908		2	STUD
9	12-816056		2	WASHER
10	11-28040		2	NUT
11	12-822838		10	WASHER
12	11-34932		8	NUT (FULL)
	11-34863		2	NUT (THIN)
13	32-847650--2		1	WATER TUBE (LONG)
	32-847650--1		1	WATER TUBE (X-LONG)
14	848284A1		1	EXHAUST EXT. PLATE (BLACK)
	848284A2		1	EXHAUST EXT. PLATE (GRAY)
15	848308--1		1	DLFFUSER
16	10-823258		6	SCREW
17	12-822714		6	WASHER
18	26-88397		1	SEAL
19	847658		1	RETAINER
20	10-28635		1	SCREW
21	13-26992		1	LOCKWASHER
22	17-823106		2	DOWEL PIN (.875)
23	10-91903		3	SCREW (1-3/4 IN.)
	10-848081		2	SCREW (1 IN.)
24	12-822836		5	WASHER
25	16-54674		2	STUD
26	12-822836		4	WASHER
27	11-13439--1		2	NUT
-	78148A1		1	SPACER ASSEMBLY (BLACK) X-LONG
-	17-43044		2	PIN X-LONG
-	10-66024		1	SCREW X-LONG

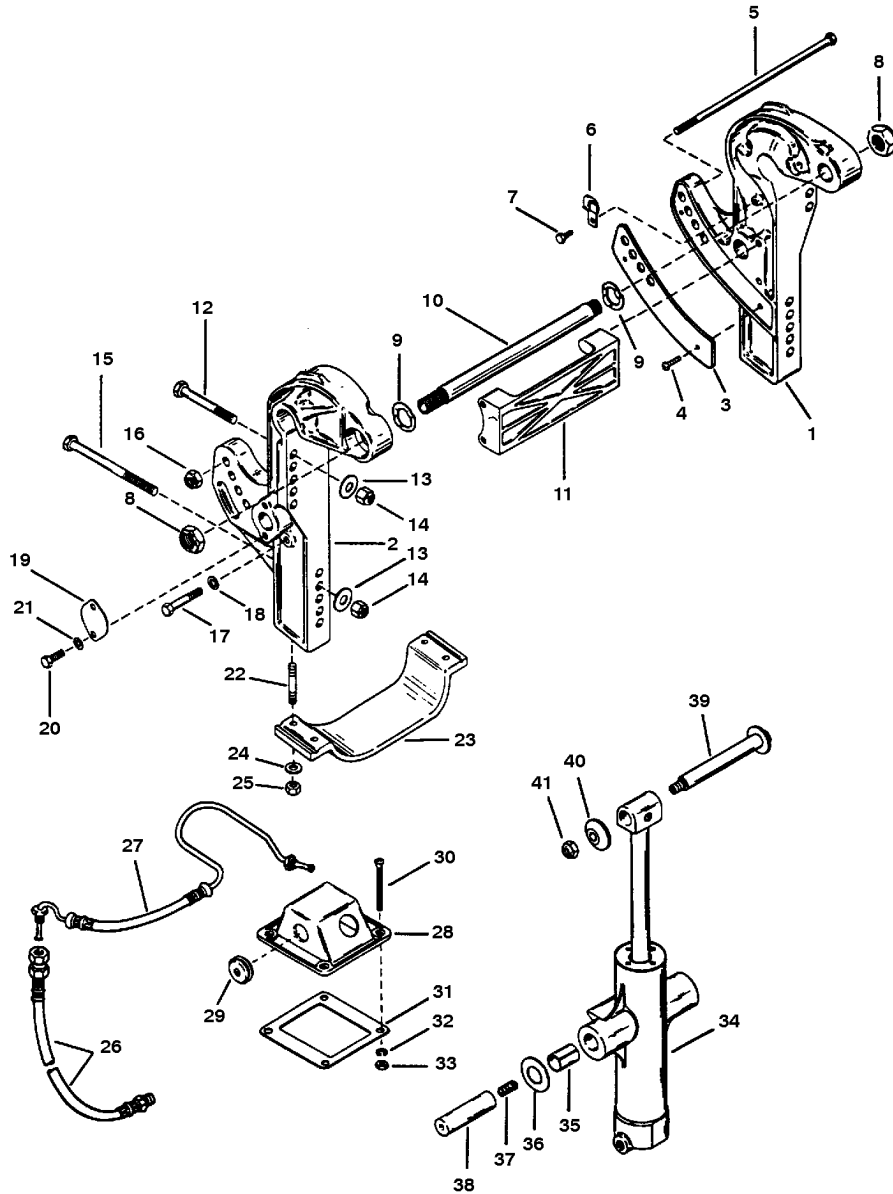
SWIVEL BRACKET AND STEERING ARM



SWIVEL BRACKET AND STEERING ARM

REF. NO.	PART NO.	SYM.	QTY.	DESCRIPTION
1	3521-818810A8		1	SWIVEL BRACKET ASSEMBLY (BLACK) SHORT
	3521-818810A7		1	SWIVEL BRACKET ASSEMBLY (GRAY) SHORT
	1491-847723A3		1	SWIVEL BRACKET ASSEMBLY (BLACK) LONG
	1491-847723A4		1	SWIVEL BRACKET ASSEMBLY (GRAY) LONG
2	26-847729		2	OIL SEAL
3	23-847726		2	BEARING
4	22-74036		4	GREASE FITTING
5	23-847728		2	BEARING
6	23-822035-24		2	BEARING (1-1/2 IN.)
7	23-822035-40		2	BEARING (2-1/2 IN.) (SHORT MODELS)
8	26-85023		2	OIL SEAL
9	12-87161		2	WASHER
10	25-48171		2	O-RING
11	85030A2		1	TILT LOCK LEVER (PORT)
	85028A2		1	TILT LOCK LEVER (STARBOARD)
12	23-86600		1	BUSHLNG
13	24-85367		1	SPRING
14	41052		1	PLUNGER
15	16-88876		1	STUD
16	86603		1	KNOB
17	86475--1		1	COUPLING
18	17-69745		2	PIN
19	24-88049		1	SPRING
20	18-93861		1	COTTER PIN
21	13-78854		1	WAVE WASHER
22	86580F4		1	BOTTOM YOKE (BLACK)
	86580F5		1	BOTTOM YOKE (GRAY)
23	53-848125		2	RETAINING RING-SPIRAL LOCK
24	17-67706A59		1	SWIVEL PIN AND STEERING ARM (BLACK) SHORT
	17-67706A60		1	SWIVEL PIN AND STEERING ARM (GRAY) SHORT
	17-67706A64		1	SWIVEL PIN AND STEERING ARM (BLACK) LONG
	17-67706A65		1	SWIVEL PIN AND STEERING ARM (GRAY) LONG
25	92876A1		1	STEERING LINK ASSEMBLY
26	10-14000		1	SCREW (1-1/4 IN.)
27	11-34863		2	NUT
28	12-37828		2	WASHER
29	10-13212--1		2	SCREW
30	12-816056		2	WASHER

TRANSOM BRACKETS

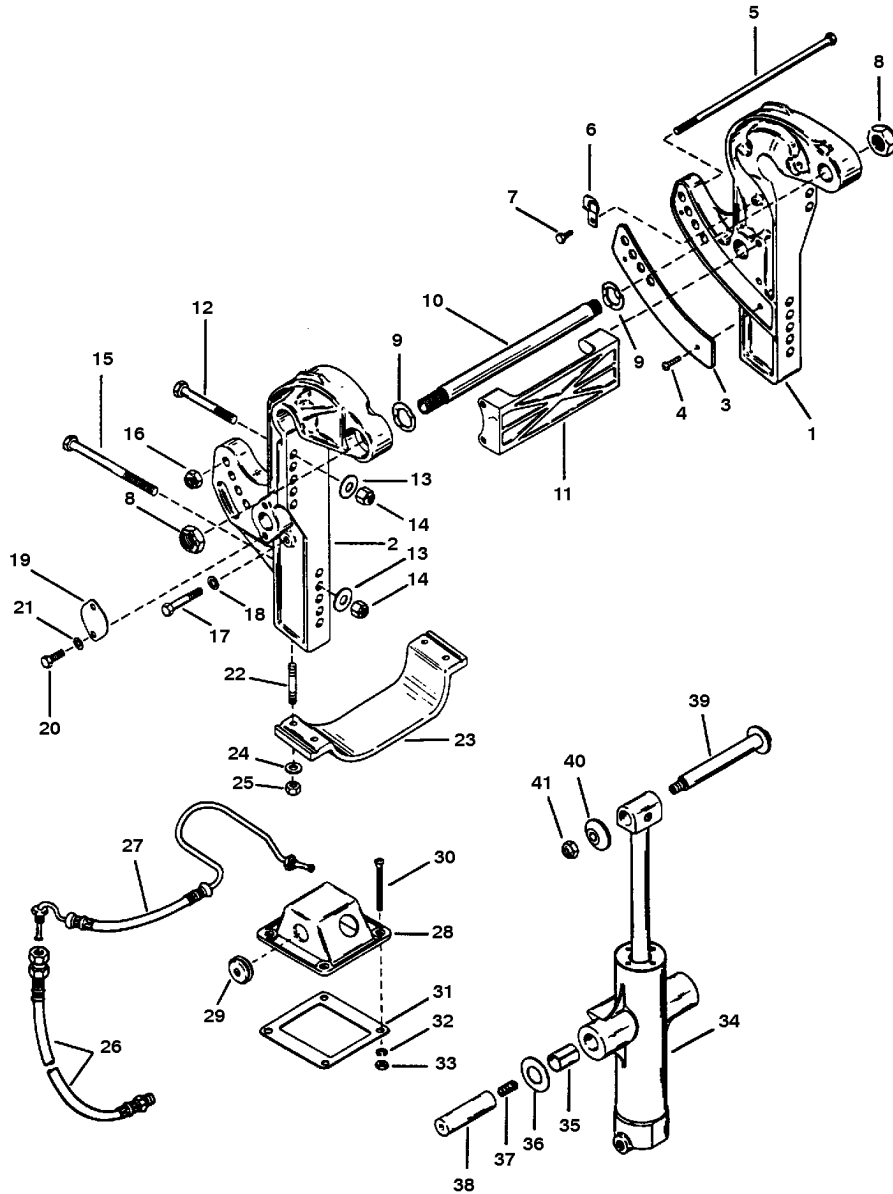


TRANSOM BRACKETS

REF. NO.	PART NO.	SYM.	QTY.	DESCRIPTION
1	1494-847800A1		1	TRANSOM BRACKET (PORT) BLACK
2	1495-847801A1		1	TRANSOM BRACKET (STARBOARD) BLACK
1	1494-847800A2		1	TRANSOM BRACKET (PORT) GRAY
2	1495-847801A2		1	TRANSOM BRACKET (STARBOARD) GRAY
3	847798A1		1	WEAR PAD KIT
4	10-86843		4	SCREW
5	10-87180		1	BOLT
6	54-88512		4	J-CLAMP
	54-75275		2	CLAMP
7	10-88829		6	SCREW
8	11-826164		1	NUT (7/8-14)
	11-826135		1	NUT (1 IN.-14)
9	13-88750		2	WAVE WASHER
10	99170A2		1	TILT TUBE
11	85035T		1	SPACER (BLACK)
	85035T6		1	SPACER (GRAY)
12	10-67755--1		2	SCREW (4-1/2 IN.)
13	12-28421		4	WASHER
14	11-91962		4	NUT
15	10-67755--2		2	SCREW (6-1/2 IN.)
16	11-20220		1	NUT
17	10-70732		4	SCREW
18	12-29245		4	WASHER
19	85026T		2	PLATE
20	10-28636		4	SCREW
21	12-29245		4	WASHER
22	16-54343		4	STUD
23	89949A1		1	PLATE ASSEMBLY
24	12-847539		4	WASHER
25	11-35814		4	NUT
26	32-89024		1	HOSE-HYDRAULIC (PORT)
	32-89023		1	HOSE-HYDRAULIC (STARBOARD)
27	32-96993		1	HOSE-HYDRAULIC (PORT)
	32-96994		1	HOSE-HYDRAULIC (STARBOARD)
28	87871		1	COVER
29	25-45507		1	GROMMET
30	10-32866		4	SCREW
31	27-87775		1	GASKET
32	12-20878		4	WASHER
33	11-29488		4	NUT
34	79610A21		1	TRIM CYLINDER (BLACK) SHORT
	79610A22		1	TRIM CYLINDER (GRAY) SHORT
	79610A17		1	TRIM CYLINDER (BLACK) LONG

CONTINUED ON NEXT PAGE ➡

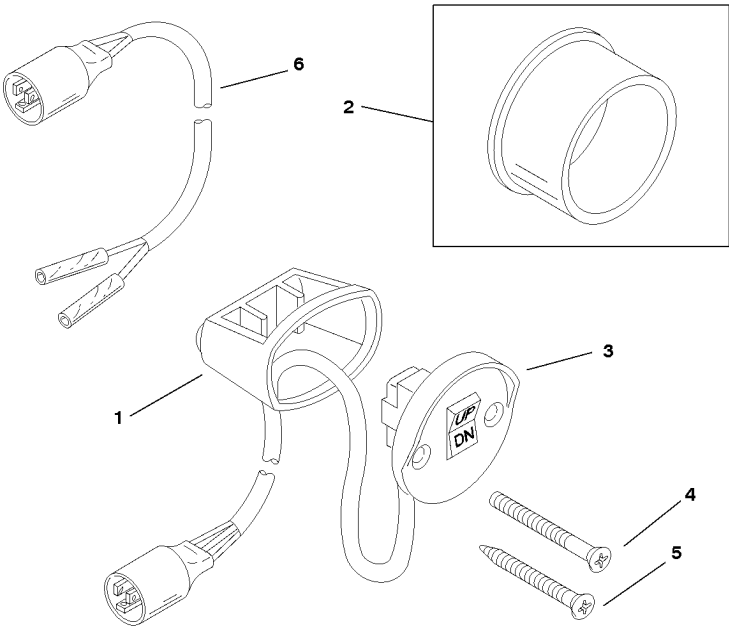
TRANSOM BRACKETS



TRANSOM BRACKETS

REF. NO.	PART NO.	SYM.	QTY.	DESCRIPTION
34	79610A18		1	TRIM CYLINDER (GRAY) LONG
35	23-847724		2	BUSHING
36	12-85022		2	WASHER
37	24-30316		2	SPRING
38	17-85020		2	PIVOT PIN
39	822075--2		1	TRIM PIN
40	822076		1	RETAINER-TRIM PIN
41	11-20220		1	NUT
-	79879A1		1	REPAIR KIT (FOR TRIM CYLINDERS)

TRIM SWITCH KIT



TRIM SWITCH KIT

REF. NO.	PART NO.	SYM.	QTY.	DESCRIPTION
-	87-18286A17		1	TRIM SWITCH KIT
1	18861		1	RETAINER
2	814820		1	ADAPTOR
3	87-18286A28		1	SWITCH
4	10-19209		2	SCREW (10-32)
5	10-813523		2	SCREW (10-16)
6	84-848017A2		1	HARNESS-TRIM

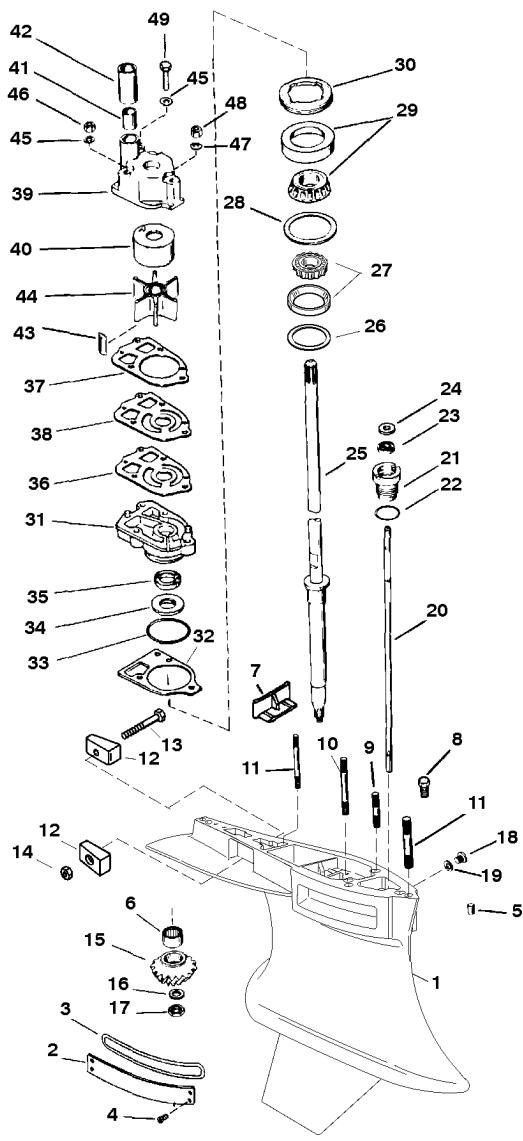
GEAR HOUSING CHART (SPORTMASTER)

REF. NO.	PART NO.	SYM.	QTY.	DESCRIPTION
-	1687-848450A15	●	1	GEAR HOUSING (SHORT) 1.87:1 GEAR RATIO WITH TORQUE TAB
-	1687-848450A16	●	1	GEAR HOUSING (LONG) 1.87:1 GEAR RATIO WITH TORQUE TAB
-	1687-848450A17	●	1	GEAR HOUSING (X-LONG) 1.87:1 GEAR RATIO WITH TORQUE TAB
-	1687-848450A18	●	1	GEAR HOUSING (SHORT) 2:1 GEAR RATIO WITH TORQUE TAB
-	1687-848450A19	●	1	GEAR HOUSING (LONG) 2:1 GEAR RATIO WITH TORQUE TAB
-	1687-848474A21	●	1	GEAR HOUSING (SHORT) 1.87:1 GEAR RATIO WITHOUT TORQUE TAB
-	1687-848474A22	●	1	GEAR HOUSING (LONG) 1.87:1 GEAR RATIO WITHOUT TORQUE TAB
-	1687-848474A23	●	1	GEAR HOUSING (X-LONG) 1.87:1 GEAR RATIO WITHOUT TORQUE TAB
-	1687-848474A27	●	1	GEAR HOUSING (SHORT) 2:1 GEAR RATIO WITHOUT TORQUE TAB
-	1687-848474A28	●	1	GEAR HOUSING (LONG) 2:1 GEAR RATIO WITHOUT TORQUE TAB
-	1687-848474A29	●	1	GEAR HOUSING (X-LONG) 2:1 GEAR RATIO WITHOUT TORQUE TAB
-	1687-848474A24	●	1	GEAR HOUSING (SHORT) 1.87:1 GEAR RATIO COUNTER ROTATION WITHOUT TORQUE TAB
-	1687-848474A25	●	1	GEAR HOUSING (LONG) 1.87:1 GEAR RATIO COUNTER ROTATION WITHOUT TORQUE TAB
-	1687-848474A26	●●	1	GEAR HOUSING (X-LONG) 1.87:1 GEAR RATIO COUNTER ROTATION WITHOUT TORQUE TAB
-	1687-848474A30	●	1	GEAR HOUSING (SHORT) 2:1 GEAR RATIO COUNTER ROTATION WITHOUT TORQUE TAB
-	1687-848474A31	●	1	GEAR HOUSING (LONG) 2:1 GEAR RATIO COUNTER ROTATION WITHOUT TORQUE TAB
-	1687-848474A32	●	1	GEAR HOUSING (X-LONG) 2:1 GEAR RATIO COUNTER ROTATION WITHOUT TORQUE TAB

● = PART IS NEW AND LISTED FOR THE FIRST TIME

THIS PAGE INTENTIONALLY LEFT BLANK

GEAR HOUSING (DRIVESHAFT)(STANDARD ROTATION) (SPORTMASTER)



GEAR HOUSING (DRIVESHAFT)(STANDARD ROTATION) (SPORTMASTER)

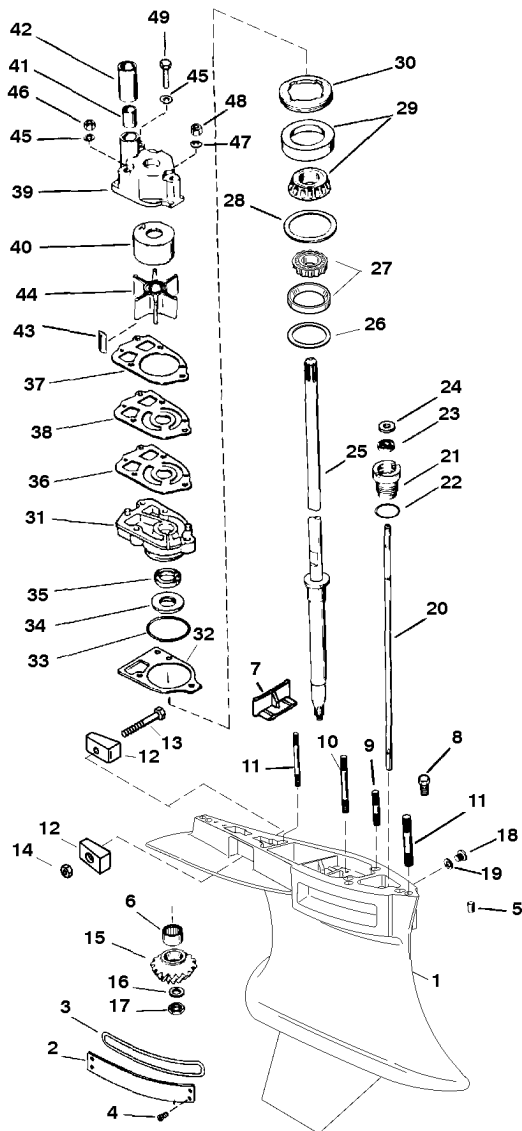
REF. NO.	PART NO.	SYM.	QTY.	DESCRIPTION
1	1687-848450A25	●	1	GEAR HOUSING (WITH TORQUE TAB) BASIC - SEE NOTE
	1687-848474A39	●	1	GEAR HOUSING (WITHOUT TORQUE TAB) BASIC - SEE NOTE
2	847950--3	●	2	COVER
3	25-34776	▲	2	O RING
4	10-815904		12	SCREW
5	17-43044		2	DOWEL PIN
6	31-42647A1		1	ROLLER BEARING
7	67891		1	FILLER BLOCK
8	22-847949		1	PIPE PLUG
9	16-56297		1	STUD (5/16 X 3-3/8 IN.)
10	16-69501		1	STUD (5/16 X 3-1/4 IN.)
11	16-59579		3	STUD (7/16 X 2-11/16 IN.)(SHORT/LONG)
	16-78638		1	STUD (7/16 X 3-1/8 IN.) LONG
	16-57920--1		2	STUD (7/16 X 2-1/16 IN.) LONG
	16-74730		2	STUD (7/16 X 7.06 IN.) X-LONG
	16-74732		3	STUD (7/16 X 7.69 IN.) X-LONG
	16-78639		1	STUD (7/16 X 8-1/8 IN.) X-LONG
12	826134		2	ANODE
13	10-40003-33		1	SCREW
14	11-826833--6		1	NUT
15	NSS		1	PINION GEAR (PART OF 43-13742A2 OR 43-44102A5 OR 43-848855A2 OR 43-849189A2)
16	12-92721		1	WASHER
17	11-35921		1	NUT
18	10-79953A2		1	SCREW PLUG
19	12-19183	▲	1	SEALING WASHER
20	78902--2		1	SHIFT SHAFT (LOWER)
21	23-77631A2		1	BUSHING ASSEMBLY
22	25-25439	▲	1	O RING
23	26-816464--1	▲	1	OIL SEAL
24	12-77674	▲	1	RUBBER WASHER
25	45-848449A4		1	DRIVE SHAFT (SHORT)
	45-848449A5		1	DRIVE SHAFT (LONG)
	45-848449A6		1	DRIVE SHAFT (X-LONG)
26	15-38657A1	●	1	SHIM SET
27	31-48939A2	●	1	ROLLER BEARING
28	15-42637A1		AR	SHIM SET

● = PART IS NEW AND LISTED FOR THE FIRST TIME

▲ = COMPONENT OF G/H SEAL KIT

CONTINUED ON NEXT PAGE ➡

GEAR HOUSING (DRIVESHAFT)(STANDARD ROTATION) (SPORTMASTER)

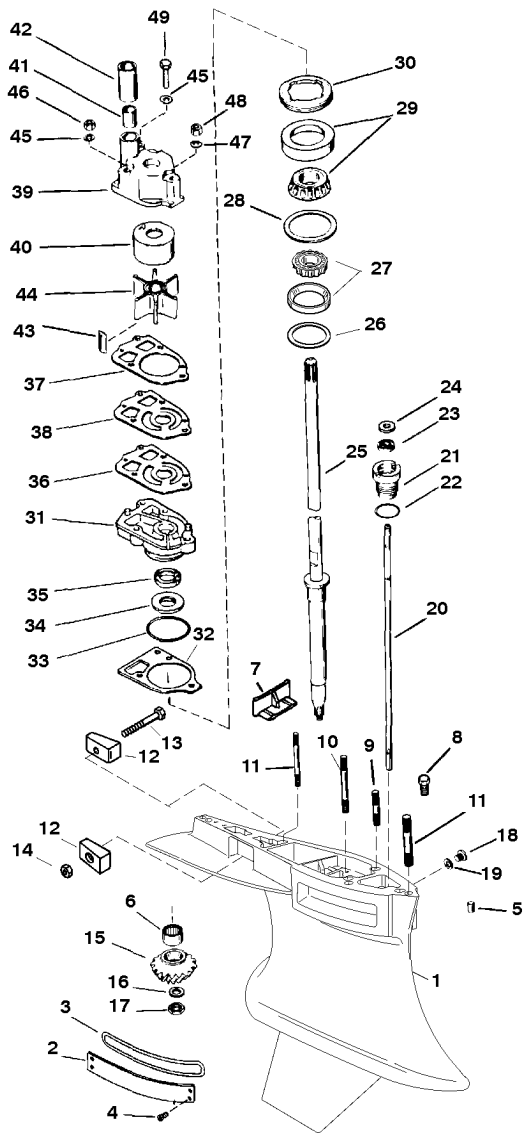


GEAR HOUSING (DRIVESHAFT)(STANDARD ROTATION) (SPORTMASTER)

REF. NO.	PART NO.	SYM.	QTY.	DESCRIPTION
29	31-36387A1		1	ROLLER BEARING
30	824519		1	RETAINER
-	26-89238A3		1	SEAL KIT
-	56-90415A24		1	STUD KIT (LONG)
-	56-90415A25		1	STUD KIT (X-LONG)

NOTE: THE BASIC GEAR HOUSINGS LISTED ARE GENERIC. THEY DO NOT INCLUDE STUDS. ORDER THE STUD KIT LISTED ABOVE TO FIT YOUR APPLICATION.

GEAR HOUSING (DRIVESHAFT)(STANDARD ROTATION) (SPORTMASTER)



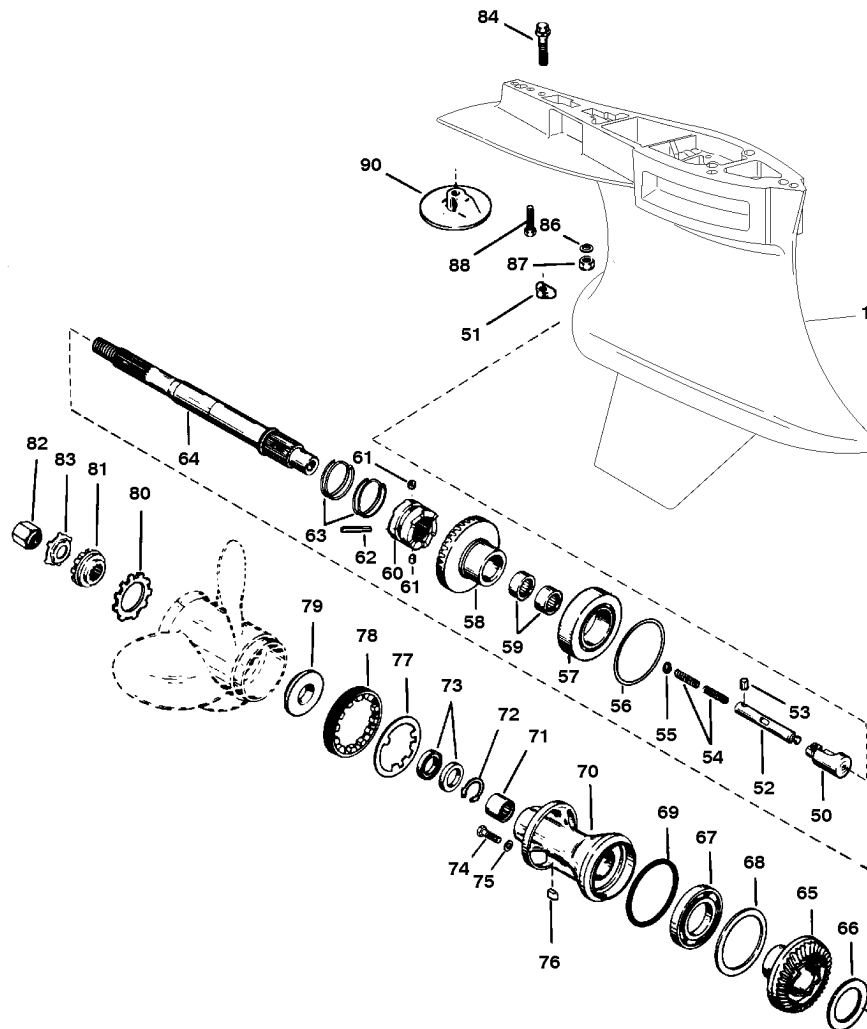
GEAR HOUSING (DRIVESHAFT)(STANDARD ROTATION) (SPORTMASTER)

REF. NO.	PART NO.	SYM.	QTY.	DESCRIPTION
1	1687-848450A25		1	GEAR HOUSING (WITH TORQUE TAB) BASIC - SEE NOTE
	1687-848474A39		1	GEAR HOUSING (WITHOUT TORQUE TAB) BASIC - SEE NOTE
31	46-44292A3		1	WATER PUMP BASE ASSEMBLY
32	27-42631--1	▲	1	GASKET
33	25-90011	▲	1	O RING
34	26-89238	▲	1	OIL SEAL
35	26-16977	▲	1	OIL SEAL
36	27-18051	▲	1	GASKET (LOWER)
37	27-85609--1	▲	1	GASKET (UPPER)
38	32435		1	FACE PLATE
39	46-847710A1		1	WATER PUMP BODY ASSEMBLY USE WITH 3/4 IN. DIA. WATER TUBE
40	48752		1	INSERT USE WITH 3/4 IN. DIA. WATER TUBE
41	26-88397	▲	1	SEAL USE WITH 3/4 IN. DIA. WATER TUBE
42	23-847685		1	SLEEVE USE WITH 3/4 IN. DIA. WATER TUBE
39	46-96148A1		1	WATER PUMP BODY ASSEMBLY USE WITH 1/2 IN. DIA. WATER TUBE
40	48752		1	INSERT USE WITH 1/2 IN. DIA. WATER TUBE
41	26-38970		1	SEAL USE WITH 1/2 IN. DIA. WATER TUBE
42	23-29804		1	SLEEVE USE WITH 1/2 IN. DIA. WATER TUBE
43	28-56654		1	KEY
44	47-89984--2		1	IMPELLER
45	12-29245		2	WASHER
46	11-13438		2	NUT
47	12-36001		1	WASHER
48	11-13436		1	NUT
49	10-96411		1	SCREW (2-1/4 IN.)
-	26-89238A3		1	SEAL KIT
-	56-90415A24		1	STUD KIT (LONG)
-	56-90415A25		1	STUD KIT (X-LONG)

NOTE: THE BASIC GEAR HOUSINGS LISTED ARE GENERIC. THEY DO NOT INCLUDE STUDS. ORDER THE STUD KIT LISTED ABOVE TO FIT YOUR APPLICATION.

▲ = COMPONENT OF G/H SEAL KIT

GEAR HOUSING (PROP SHAFT)(STANDARD ROTATION) (SPORTMASTER)



GEAR HOUSING (PROP SHAFT)(STANDARD ROTATION) (SPORTMASTER)

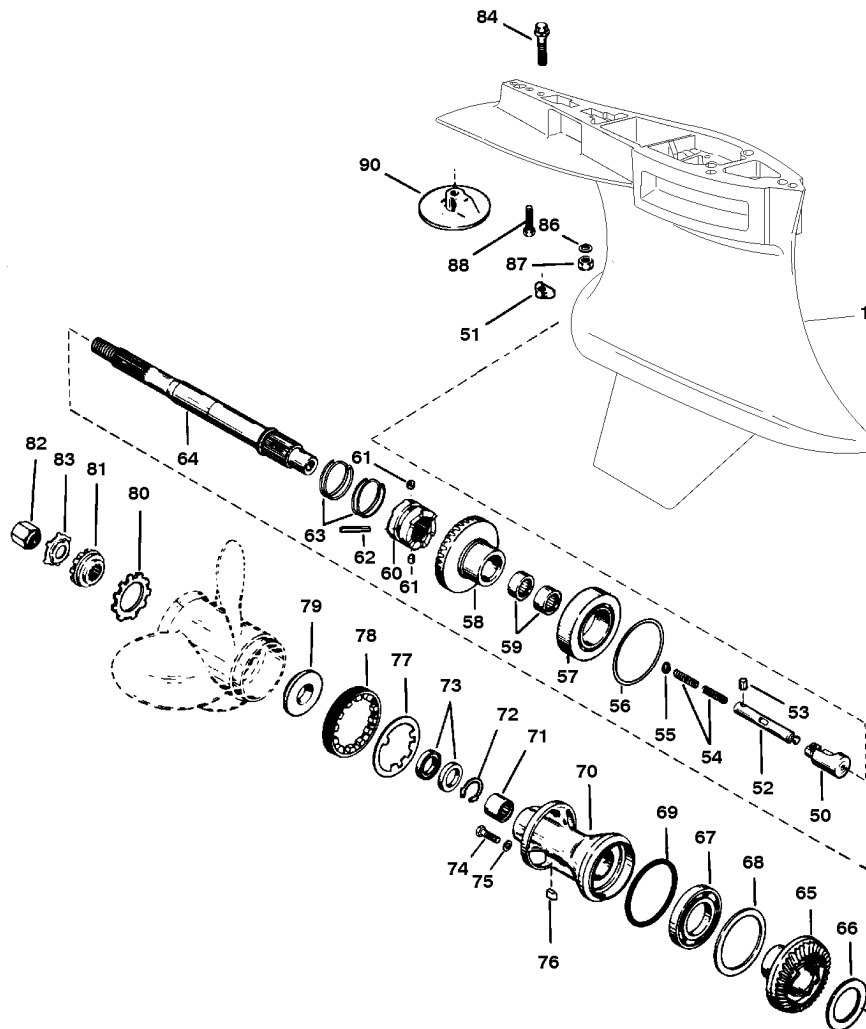
REF. NO.	PART NO.	SYM.	QTY.	DESCRIPTION
1	1687-848450A25		1	GEAR HOUSING (WITH TORQUE TAB) BASIC - SEE NOTE
	1687-848474A39		1	GEAR HOUSING (WITHOUT TORQUE TAB) BASIC - SEE NOTE
50	89594A1		1	CAM FOLLOWER
51	78956--2		1	SHIFT CAM
52	79911A1		1	ROD
53	17-78906		1	PIN
54	24-79910		2	SPRING
55	12-78910		2	WASHER
56	15-47397A1		AR	SHIM SET
57	31-78172A1		1	TAPERED ROLLER BEARING
58	43-44104A7		1	FORWARD GEAR SET (INCLUDES PINION) (1.87:1 GEAR RATIO)
	43-44102A5		1	FORWARD GEAR SET (INCLUDES PINION) (2:1 GEAR RATIO)
59	31-54928--1		1	ROLLER BEARING
60	52-42672		1	RATCHET
61	17-78909		2	DETENT PIN
62	17-42671		1	CROSS PIN
63	24-78962		2	SPRING
64	44-822820F1		1	PROPELLER SHAFT
65	43-822824A1		1	REVERSE GEAR (1.87:1 GEAR RATIO)
	43-847632A1		1	REVERSE GEAR (2:1 GEAR RATIO)
66	23-822823		1	THRUST RING
67	30-88957	■	1	BALL BEARING
68	68100--1		1	THRUST RING
69	25-31534	▲	1	O RING
70	847610A1		1	BEARING CARRIER
71	31-817072		1	ROLLER BEARING
72	53-817071		1	SNAP RING
73	26-815565	▲	2	OIL SEAL
74	22-67892A1		1	MAGNETIC DRAIN SCREW
75	12-19183		1	SEALING WASHER
76	28-30281		1	KEY
77	14-79447		1	TAB WASHER
78	15840--1		1	COVER
79	13171--1		1	THRUST HUB
80	13-42351--1		1	LOCKWASHER
81	12-31211A2		1	WASHER
82	11-52707A1		1	PROPELLER NUT
83	14-816629		1	TAB WASHER
84	10-41350		1	SCREW (SHORT)
85	10-66024		1	SCREW (LONG/X-LONG)
86	12-822836		2	WASHER

■ = SUPERSESSION INFORMATION FOUND ON PAGE 71

▲ = COMPONENT OF G/H SEAL KIT

CONTINUED ON NEXT PAGE ➡

GEAR HOUSING (PROP SHAFT)(STANDARD ROTATION) (SPORTMASTER)

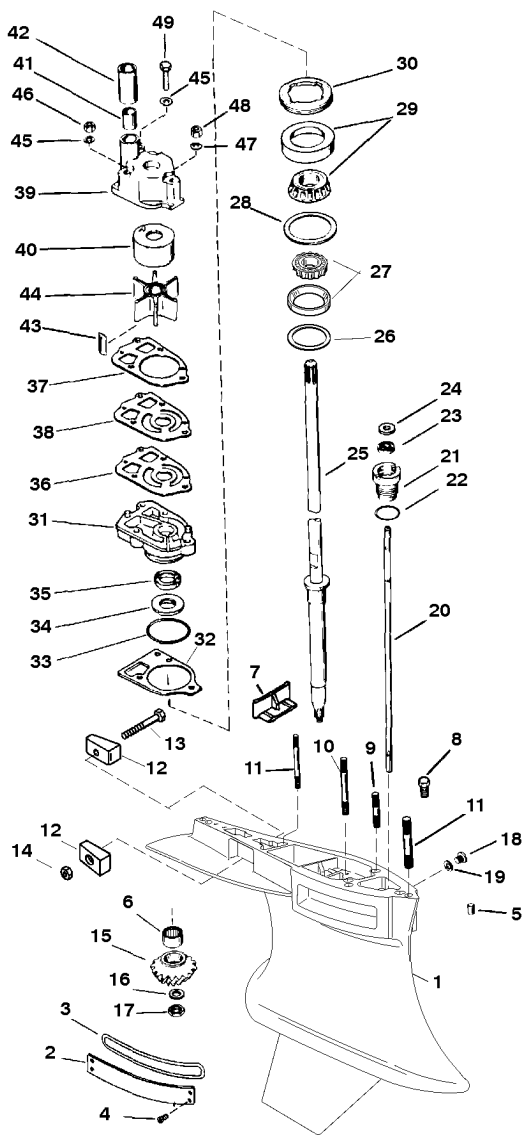


GEAR HOUSING (PROP SHAFT)(STANDARD ROTATION) (SPORTMASTER)

REF. NO.	PART NO.	SYM.	QTY.	DESCRIPTION
87	11-13439--1		2	NUT
88	10-30206		1	SCREW (SHORT/LONG)
89	10-15929		1	SCREW (X-LONG)
90	76214--3		1	ANODIC PLATE (SHORT)
	76214A5		1	ANODIC PLATE (LONG)
	76214--1		1	ANODIC PLATE (X-LONG)
-	26-89238A3		1	SEAL KIT
-	56-90415A24		1	STUD KIT (LONG)
-	56-90415A25		1	STUD KIT (X-LONG)

NOTE: THE BASIC GEAR HOUSINGS LISTED ARE GENERIC. THEY DO NOT INCLUDE STUDS. ORDER THE STUD KIT LISTED ABOVE TO FIT YOUR APPLICATION.

GEAR HOUSING (DRIVESHAFT)(COUNTER ROTATION) (SPORTMASTER)



GEAR HOUSING (DRIVESHAFT)(COUNTER ROTATION) (SPORTMASTER)

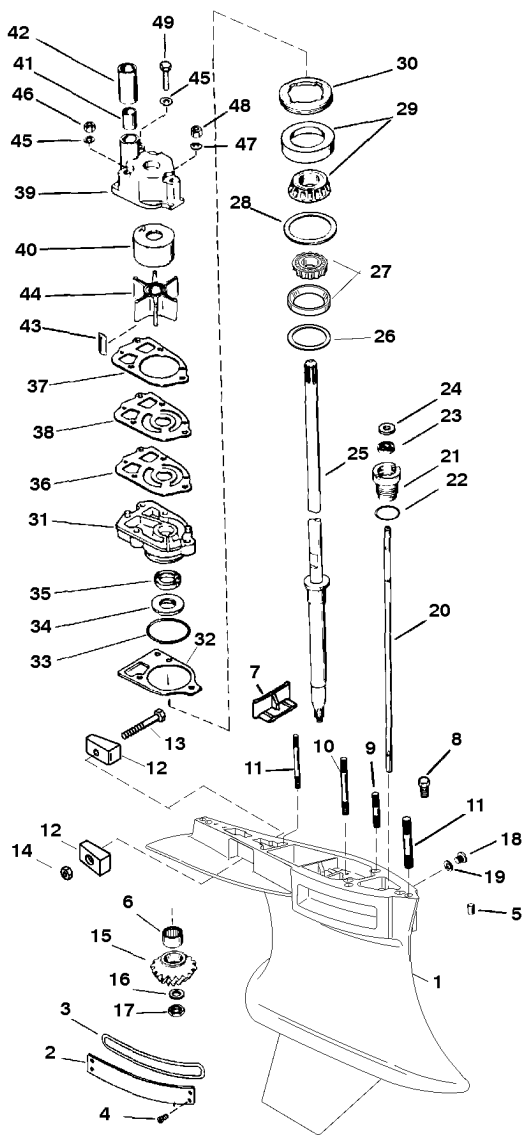
REF. NO.	PART NO.	SYM.	QTY.	DESCRIPTION
1	1687-848474A39	●	1	GEAR HOUSING (BASIC) (SEE NOTE)
2	847950--3	●	2	COVER
3	25-34776	▲	2	O RING
4	10-815904		12	SCREW
5	17-43044		2	DOWEL PIN
6	31-42647A1		1	ROLLER BEARING
7	67891		1	FILLER BLOCK
8	22-847949		1	PIPE PLUG
9	16-56297		1	STUD (5/16 X 3-3/8 IN.)
10	16-69501		1	STUD (5/16 X 3-1/4 IN.)
11	16-59579		3	STUD (7/16 X 2-11/16 IN.)(SHORT/LONG)
	16-78638		1	STUD (7/16 X 3-1/8 IN.) LONG
	16-57920--1		2	STUD (7/16 X 2-1/16 IN.) LONG
	16-74730		2	STUD (7/16 X 7.06 IN.) X-LONG
	16-74732		3	STUD (7/16 X 7.69 IN.) X-LONG
	16-78639		1	STUD (7/16 X 8-1/8 IN.) X-LONG
12	826134		2	ANODE
13	10-40003-33		1	SCREW
14	11-826833--6		1	NUT
15	NSS		1	PINION GEAR (PART OF 43-15845A2 OR 43-817515A2)
16	12-92721		1	WASHER
17	11-35921		1	NUT
18	10-79953A2		1	SCREW PLUG
19	12-19183	▲	1	SEALING WASHER
20	78902--2		1	SHIFT SHAFT (LOWER)
21	23-77631A2		1	BUSHING ASSEMBLY
22	25-25439	▲	1	O RING
23	26-816464--1	▲	1	OIL SEAL
24	12-77674	▲	1	RUBBER WASHER
25	45-848449A4		1	DRIVE SHAFT (SHORT)
	45-848449A5		1	DRIVE SHAFT (LONG)
	45-848449A6		1	DRIVE SHAFT (X-LONG)
26	15-38657A1	●	1	SHIM SET
27	31-48939A2	●	1	ROLLER BEARING
28	15-42637A1		AR	SHIM SET
29	31-36387A1		1	ROLLER BEARING
30	824519		1	RETAINER
-	26-89238A3		1	SEAL KIT
-	56-90415A24		1	STUD KIT (LONG)
-	56-90415A25		1	STUD KIT (X-LONG)

NOTE: THE BASIC GEAR HOUSING LISTED IS GENERIC. IT DOES NOT INCLUDE STUDS. ORDER THE STUD KIT LISTED ABOVE TO FIT YOUR APPLICATION.

● = PART IS NEW AND LISTED FOR THE FIRST TIME

▲ = COMPONENT OF G/H SEAL KIT

GEAR HOUSING (DRIVESHAFT)(COUNTER ROTATION) (SPORTMASTER)



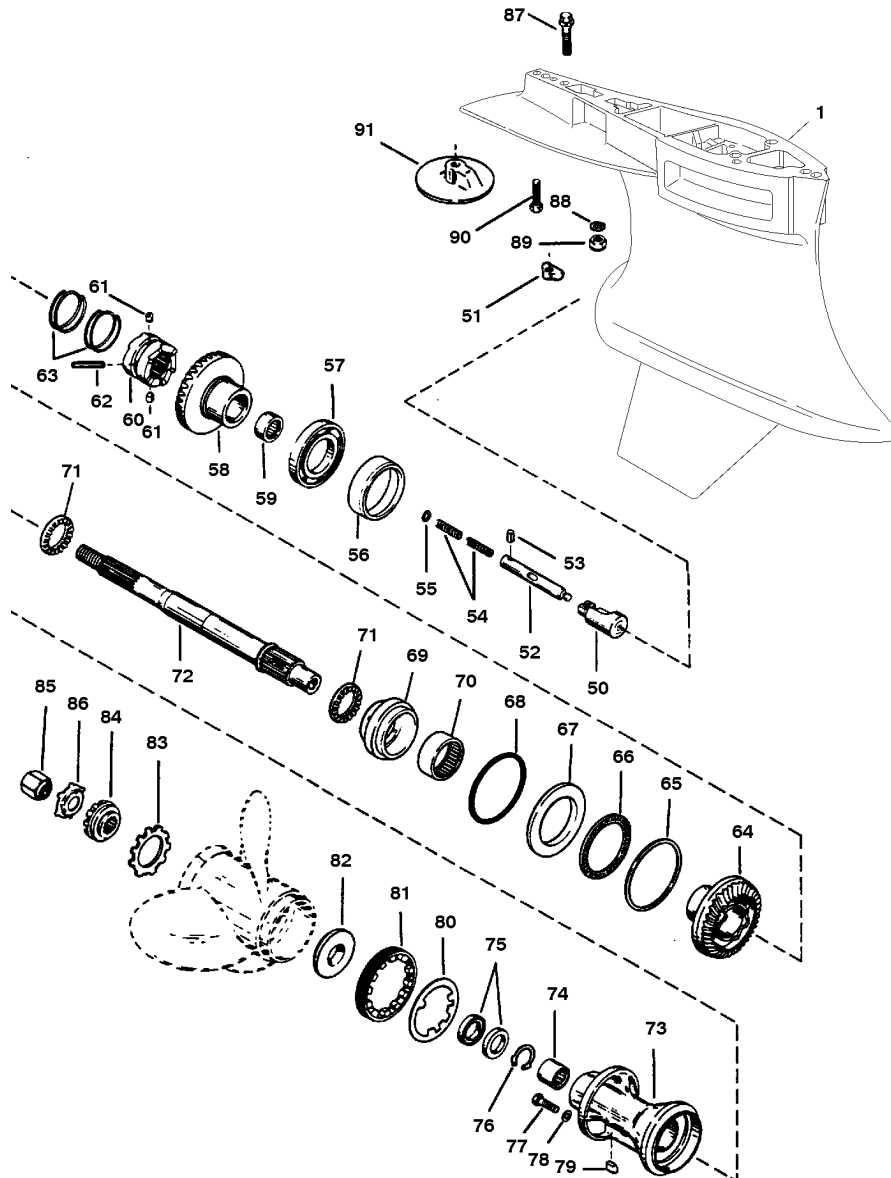
GEAR HOUSING (DRIVESHAFT)(COUNTER ROTATION) (SPORTMASTER)

REF. NO.	PART NO.	SYM.	QTY.	DESCRIPTION
1	1687-848474A39		1	GEAR HOUSING (BASIC) (SEE NOTE)
31	46-44292A3		1	WATER PUMP BASE ASSEMBLY
32	27-42631--1	▲	1	GASKET
33	25-90011	▲	1	O RING
34	26-89238	▲	1	OIL SEAL
35	26-16977	▲	1	OIL SEAL
36	27-18051	▲	1	GASKET (LOWER)
37	27-85609--1	▲	1	GASKET (UPPER)
38	32435		1	FACE PLATE
39	46-847710A1		1	WATER PUMP BODY ASSEMBLY USE WITH 3/4 IN. DIA. WATER TUBE
40	48752		1	INSERT USE WITH 3/4 IN. DIA. WATER TUBE
41	26-88397	▲	1	SEAL USE WITH 3/4 IN. DIA. WATER TUBE
42	23-847685		1	SLEEVE USE WITH 3/4 IN. DIA. WATER TUBE
39	46-96148A1		1	WATER PUMP BODY ASSEMBLY USE WITH 1/2 IN. DIA. WATER TUBE
40	48752		1	INSERT USE WITH 1/2 IN. DIA. WATER TUBE
41	26-38970	▲	1	SEAL USE WITH 1/2 IN. DIA. WATER TUBE
42	23-29804		1	SLEEVE USE WITH 1/2 IN. DIA. WATER TUBE
43	28-56654		1	KEY
44	47-89984--2		1	IMPELLER
45	12-29245		2	WASHER
46	11-13438		2	NUT
47	12-36001		1	WASHER
48	11-13436		1	NUT
49	10-96411		1	SCREW (2-1/4 IN.)
-	26-89238A3		1	SEAL KIT
-	56-90415A24		1	STUD KIT (LONG)
-	56-90415A25		1	STUD KIT (X-LONG)

NOTE: THE BASIC GEAR HOUSING LISTED IS GENERIC. IT DOES NOT INCLUDE STUDS. ORDER THE STUD KIT LISTED ABOVE TO FIT YOUR APPLICATION.

▲ = COMPONENT OF G/H SEAL KIT

GEAR HOUSING (PROP SHAFT)(COUNTER ROTATION) (SPORTMASTER)

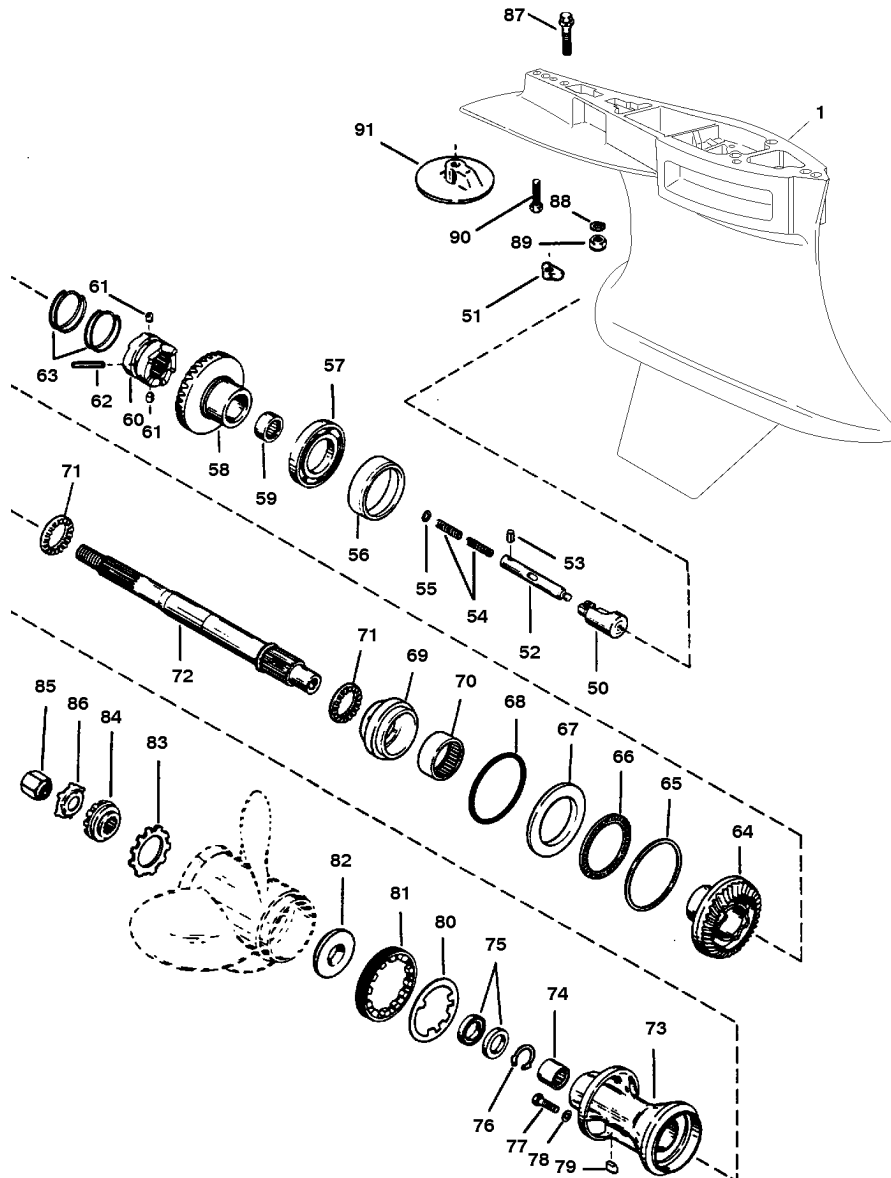


GEAR HOUSING (PROP SHAFT)(COUNTER ROTATION) (SPORTMASTER)

REF. NO.	PART NO.	SYM.	QTY.	DESCRIPTION
1	1687-848474A39		1	GEAR HOUSING (BASIC) (SEE NOTE)
50	89594A1		1	CAM FOLLOWER
51	78956--2		1	SHIFT CAM
52	79911A1		1	ROD
53	17-78906		1	PIN
54	24-79910		2	SPRING
55	12-78910		AR	WASHER
56	14469		1	BEARING CUP
57	30-88957		1	BALL BEARING
58	NSS		1	REVERSE GEAR (PART OF 43-15845A2) (1.87:1 GEAR RATIO)
	43-817516A1		1	REVERSE GEAR (2:1 GEAR RATIO)
59	31-15844		1	ROLLER BEARING
60	52-42672		1	RATCHET
61	17-78909		2	DETENT PIN
62	17-42671		1	CROSS PIN
63	24-78962		2	SPRING
64	43-15845A2		1	FORWARD GEAR SET (1.87:1 GEAR RATIO)
	43-817515A2		1	FORWARD GEAR SET (2:1 GEAR RATIO)
65	23-17615--1		AR	SPACER SHIM (.125 IN.)
	23-17615--2		AR	SPACER SHIM (.127 IN.)
	23-17615--3		AR	SPACER SHIM (.129 IN.)
	23-17615--4		AR	SPACER SHIM (.131 IN.)
	23-17615--5		AR	SPACER SHIM (.133 IN.)
	23-17615--6		AR	SPACER SHIM (.135 IN.)
	23-17615--7		AR	SPACER SHIM (.137 IN.)
	23-17615--8		AR	SPACER SHIM (.139 IN.)
	23-17615--9		AR	SPACER SHIM (.141 IN.)
	23-17615-10		AR	SPACER SHIM (.143 IN.)
	23-17615-11		AR	SPACER SHIM (.145 IN.)
	23-17615-12		AR	SPACER SHIM (.147 IN.)
	23-17615-13		AR	SPACER SHIM (.149 IN.)
-	56-90415A24		1	STUD KIT (LONG)
-	56-90415A25		1	STUD KIT (X-LONG)

NOTE: THE BASIC GEAR HOUSING LISTED IS GENERIC. IT DOES NOT INCLUDE STUDS. ORDER THE STUD KIT LISTED ABOVE TO FIT YOUR APPLICATION.

GEAR HOUSING (PROP SHAFT)(COUNTER ROTATION) (SPORTMASTER)



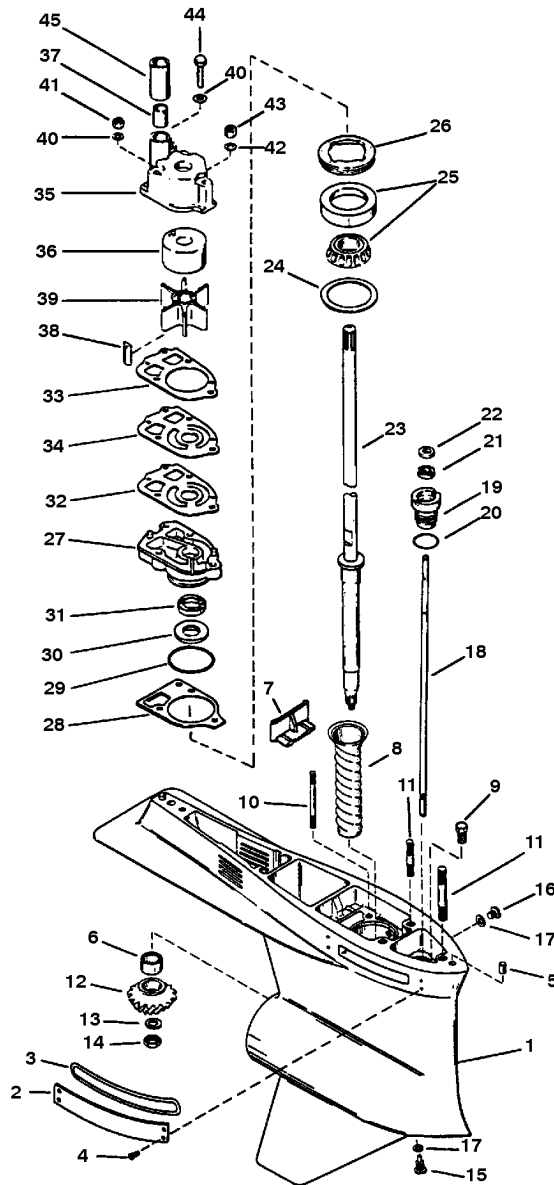
GEAR HOUSING (PROP SHAFT)(COUNTER ROTATION) (SPORTMASTER)

REF. NO.	PART NO.	SYM.	QTY.	DESCRIPTION
1	1687-848474A39		1	GEAR HOUSING (BASIC) (SEE NOTE)
66	31-15841		1	ROLLER BEARING
67	12-17616		1	THRUST RING
68	25-31534	▲	1	O RING
69	15838A2		1	BEARING ADAPTOR
70	31-15843		1	ROLLER BEARING
71	31-15834		2	THRUST BEARING
72	44-815495T		1	PROPELLER SHAFT
73	847616A1		1	BEARING CARRIER
74	31-817072		1	ROLLER BEARING
75	26-815565	▲	2	OIL SEAL
76	53-817071		1	SNAP RING
77	22-67892A1		1	MAGNETIC DRAIN SCREW
78	12-19183	▲	1	SEALING WASHER
79	28-30281		1	KEY
80	14-79447		1	TAB WASHER
81	15840--1		1	COVER
82	13171--1		1	THRUST HUB
83	13-42351--1		1	LOCKWASHER
84	12-31211A2		1	WASHER
85	11-52707A1		1	PROPELLER NUT
86	14-816629		1	TAB WASHER
87	10-41350		1	SCREW (SHORT)
	10-66024		1	SCREW (LONG/X-LONG)
88	12-822836		2	WASHER
89	11-13439--1		2	NUT
90	10-30206		1	SCREW (SHORT/LONG)
	10-15929		1	SCREW (X-LONG)
91	76214--3		1	ANODIC PLATE (SHORT)
	76214A5		1	ANODIC PLATE (LONG)
	76214--1		1	ANODIC PLATE (X-LONG)
-	26-89238A3		1	SEAL KIT
-	56-90415A24		1	STUD KIT (LONG)
-	56-90415A25		1	STUD KIT (X-LONG)

NOTE: THE BASIC GEAR HOUSING LISTED IS GENERIC. IT DOES NOT INCLUDE STUDS. ORDER THE STUD KIT LISTED ABOVE TO FIT YOUR APPLICATION.

▲ = COMPONENT OF G/H SEAL KIT

GEAR HOUSING (DRIVESHAFT)(STANDARD ROTATION)



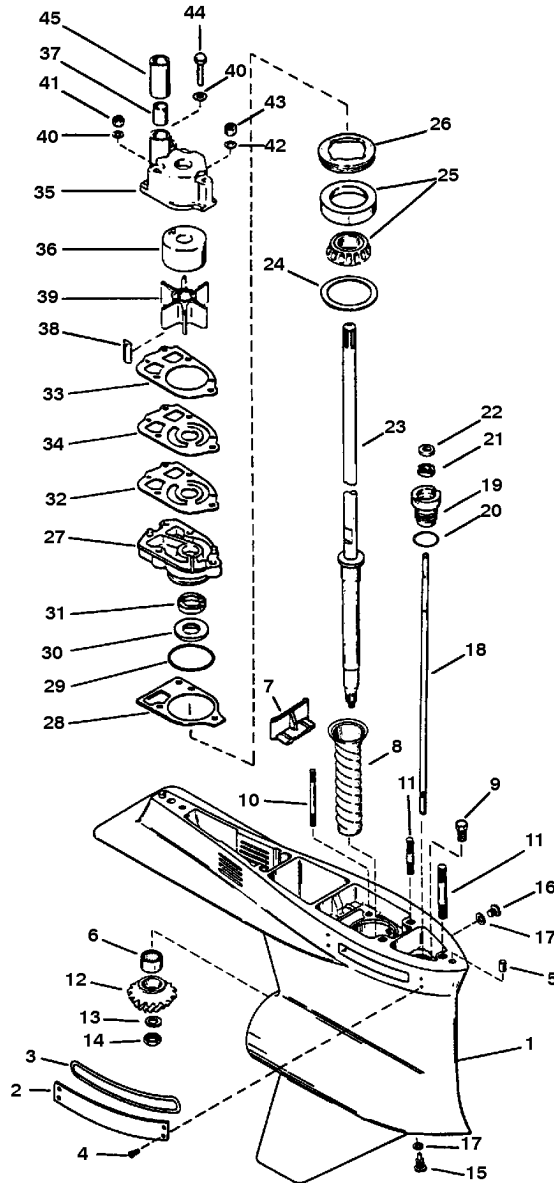
GEAR HOUSING (DRIVESHAFT)(STANDARD ROTATION)

REF. NO.	PART NO.	SYM.	QTY.	DESCRIPTION
-	1685-847902A3		1	GEAR HOUSING (SHORT) BLACK
-	1685-847902A5		1	GEAR HOUSING (LONG) BLACK
-	1685-847902A7		1	GEAR HOUSING (X-LONG) BLACK
-	1685-847902A9		1	GEAR HOUSING (SHORT) GRAY
-	1685-847902A11		1	GEAR HOUSING (LONG) GRAY
-	1685-847902A13		1	GEAR HOUSING (X-LONG) GRAY
1	1685-847902A15		1	GEAR HOUSING (BASIC - BLACK)
	1685-847902A16		1	GEAR HOUSING (BASIC - GRAY)
2	847950--1		2	COVER (BLACK)
	847950--2		2	COVER (GRAY)
3	25-34776	▲	2	O-RING
4	10-815904		12	SCREW
5	17-43044		2	DOWEL PIN
6	31-42647A1		1	ROLLER BEARING
7	67891		1	FILLER BLOCK
8	23-43998		1	SLEEVE
9	22-847949		1	PIPE PLUG
10	16-56297		1	STUD-WATER PUMP HSG. (5/16 X 3-3/8 IN.)
	16-69501		2	STUD-WATER PUMP HSG. (5/16 X 3-1/4 IN.)
11	16-59579		3	STUD (7/16 X 2-11/16 IN.)(SHORT)(OFFSHORE)
	16-78638		1	STUD (7/16 X 3-1/8 IN.) LONG
	16-57920--1		2	STUD (7/16 X 2-1/16 IN.) LONG
	16-78639		1	STUD (7/16 X 8-1/8 IN.) X-LONG
	16-74730		2	STUD (7/16 X 7.06) X-LONG
12	NSS		1	PIN. GEAR (PART OF 43-44104A7)
13	12-92721		1	WASHER
14	11-35921		1	NUT
15	22-67892A1		1	DRAIN SCREW (MAGNETIC)
16	10-79953A2		1	SCREW PLUG
17	12-19183	▲	2	SEALING WASHER
18	78902--2		1	SHIFT SHAFT (LOWER)
19	23-77631A2		1	BUSHING ASSEMBLY
20	25-25439	▲	1	O-RING
21	26-816464--1	▲	1	OIL SEAL
22	12-77674	▲	1	RUBBER WASHER
23	45-848449A4		1	DRIVE SHAFT (SHORT)
	45-848449A5		1	DRIVE SHAFT (LONG)
	45-848449A6		1	DRIVE SHAFT (X-LONG)
24	15-42637A1		AR	SHIM ASSEMBLY
25	31-36387A1		1	ROLLER BEARING
26	824519		1	RETAINER
27	46-44292A3		1	WATER PUMP BASE ASSEMBLY

▲ = COMPONENT OF G/H SEAL KIT

CONTINUED ON NEXT PAGE ➡

GEAR HOUSING (DRIVESHAFT)(STANDARD ROTATION)

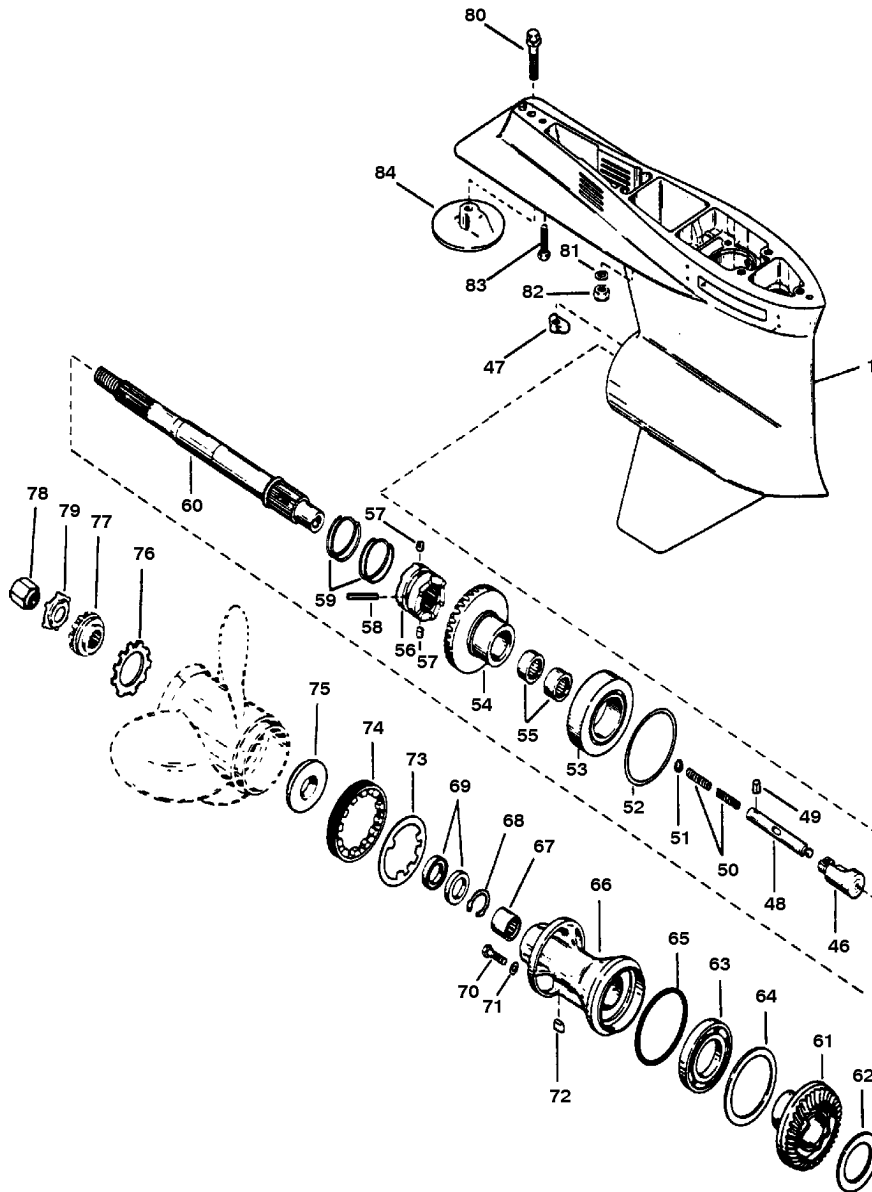


GEAR HOUSING (DRIVESHAFT)(STANDARD ROTATION)

REF. NO.	PART NO.	SYM.	QTY.	DESCRIPTION
28	27-42631--1	▲	1	GASKET
29	25-90011	▲	1	O-RING
30	26-89238	▲	1	OIL SEAL
31	26-16977	▲	1	OIL SEAL
32	27-18051	▲	1	GASKET (LOWER)
33	27-85609--1	▲	1	GASKET (UPPER)
34	32435		1	FACE PLATE
35	46-847710A1		1	WATER PUMP BODY ASSEMBLY
36	48752		1	INSERT
37	26-88397	▲	1	SEAL
38	28-56654		1	KEY
39	47-89984--2		1	IMPELLER
40	12-29245		2	WASHER
41	11-13438		2	NUT
42	12-36001		1	WASHER
43	11-13436		1	NUT
44	10-96411		1	SCREW (2-1/4 IN.)
45	23-847685		1	SLEEVE
-	26-89238A3		1	SEAL KIT

▲ = COMPONENT OF G/H SEAL KIT

GEAR HOUSING (PROP SHAFT)(STANDARD ROTATION)



GEAR HOUSING (PROP SHAFT)(STANDARD ROTATION)

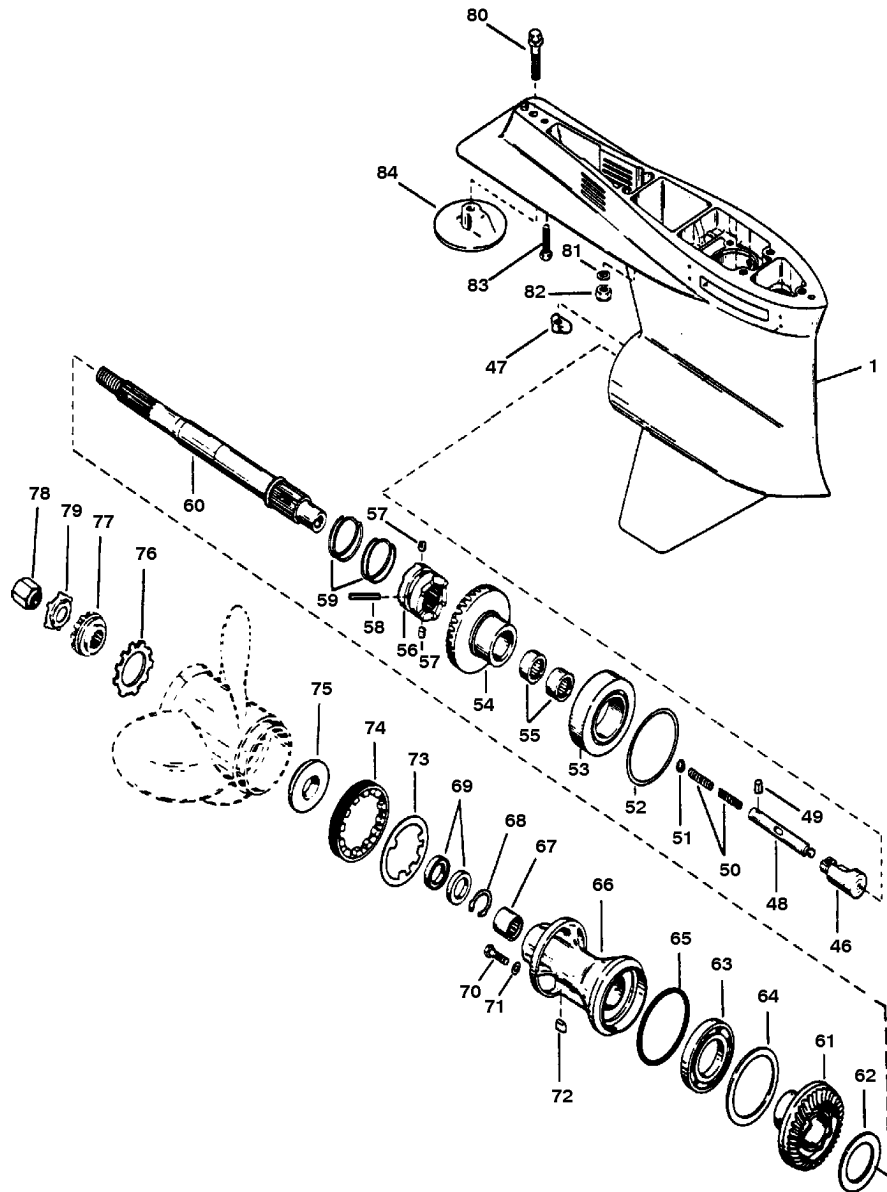
REF. NO.	PART NO.	SYM.	QTY.	DESCRIPTION
-	1685-847902A3		1	GEAR HOUSING (SHORT) BLACK
-	1685-847902A5		1	GEAR HOUSING (LONG) BLACK
-	1685-847902A7		1	GEAR HOUSING (X-LONG) BLACK
-	1685-847902A9		1	GEAR HOUSING (SHORT) GRAY
-	1685-847902A11		1	GEAR HOUSING (LONG) GRAY
-	1685-847902A13		1	GEAR HOUSING (X-LONG) GRAY
1	1685-847902A15		1	GEAR HOUSING (BASIC - BLACK)
	1685-847902A16		1	GEAR HOUSING (BASIC - GRAY)
46	89594A1		1	CAM FOLLOWER
47	78956		1	SHIFT CAM
48	79911--1		1	ROD
49	17-78906		1	PIN
50	24-79910		2	SPRING
51	12-78910		2	WASHER
52	15-47397A1		AR	SHIM
53	31-78172A1		1	TAPERED ROLLER BEARING
54	43-44104A7		1	FORWARD GEAR SET (INCLUDES ALL GEARS)
55	31-54928--1		1	ROLLER BEARING
56	52-42672		1	RATCHET
57	17-78909		2	DETENT PIN
58	17-42671		1	CROSS PIN
59	24-78962		2	SPRING
60	44-822820F1		1	PROPELLER SHAFT
61	43-822824A1		1	REVERSE GEAR (INCLUDED W/REF. #54)
62	23-822823		1	THRUST RING
63	30-88957	■	1	BALL BEARING
64	68100--1		1	THRUST RING
65	25-31534	▲	1	O-RING
66	847610A1		1	BEARING CARRIER
67	31-817072		1	ROLLER BEARING
68	53-817071		1	SNAP RING
69	26-815565	▲	2	OIL SEAL
70	22-67892		1	DRAIN SCREW (MAGNETIC)
71	12-19183		1	SEALING WASHER
72	28-30281		1	KEY
73	14-79447		1	TAB WASHER
74	15840--1		1	COVER
75	13171--1		1	THRUST HUB
76	13-42351--1		1	LOCKWASHER
77	12-31211A2		1	WASHER
78	11-52707A1		1	PROPELLER NUT
79	14-816629		1	TAB WASHER

■ = SUPERSESSON INFORMATION FOUND ON PAGE 71

▲ = COMPONENT OF G/H SEAL KIT

CONTINUED ON NEXT PAGE ➡

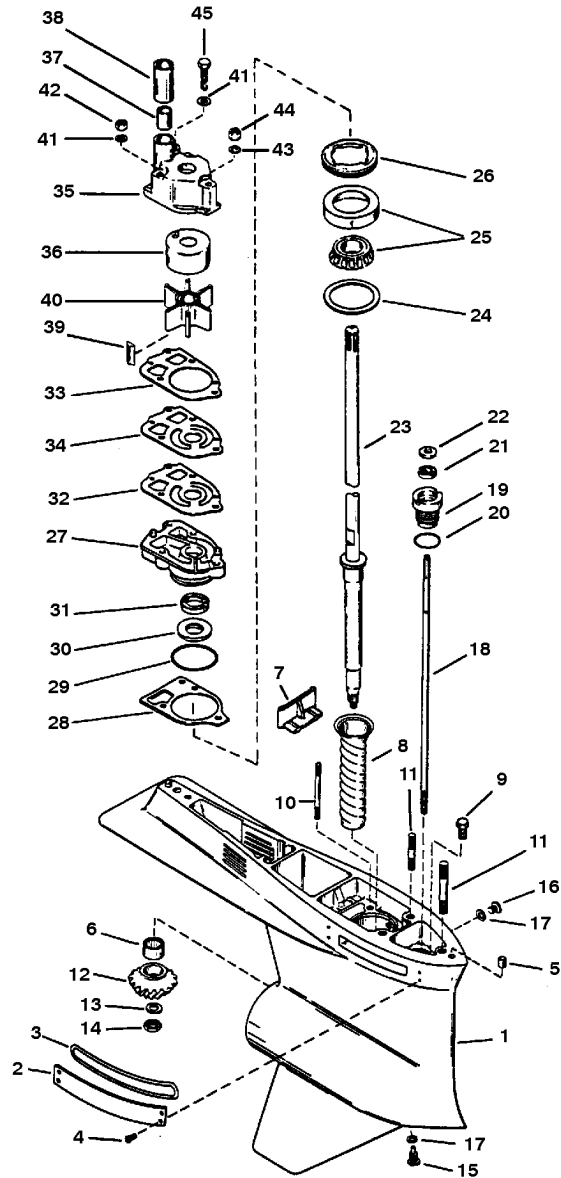
GEAR HOUSING (PROP SHAFT)(STANDARD ROTATION)



GEAR HOUSING (PROP SHAFT)(STANDARD ROTATION)

REF. NO.	PART NO.	SYM.	QTY.	DESCRIPTION
80	10-41350		1	SCREW (SHORT)
	10-66024		1	SCREW (LONG/X-LONG)
81	12-822836		2	WASHER
82	11-13439--1		2	NUT
83	10-30206		1	SCREW (SHORT/LONG)
	10-15929		1	SCREW (X-LONG)
84	76214--3		1	ANODIC PLATE (SHORT)
	76214A5		1	ANODIC PLATE (LONG)
	76214--1		1	ANODIC PLATE (X-LONG)
-	26-89238A3		1	SEAL KIT

GEAR HOUSING (DRIVESHAFT)(COUNTER ROTATION)



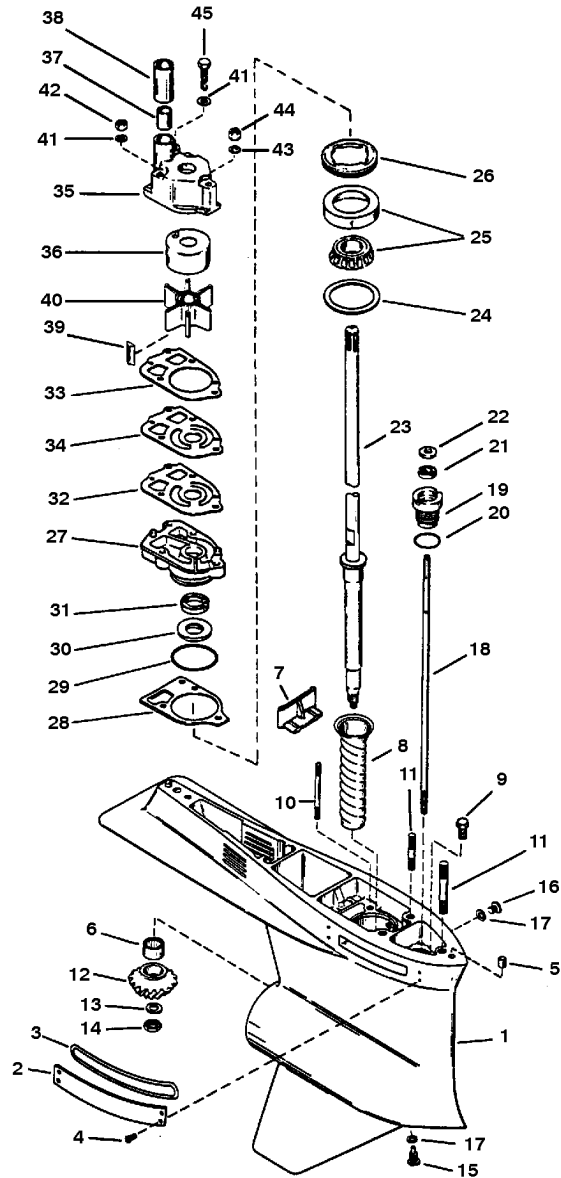
GEAR HOUSING (DRIVESHAFT)(COUNTER ROTATION)

REF. NO.	PART NO.	SYM.	QTY.	DESCRIPTION
-	1685-847903A15		1	GEAR HOUSING (SHORT) BLACK
-	1685-847903A17		1	GEAR HOUSING (LONG) BLACK
-	1685-847903A19		1	GEAR HOUSING (X-LONG) BLACK
-	1685-847903A21		1	GEAR HOUSING (SHORT) GRAY
-	1685-847903A23		1	GEAR HOUSING (LONG) GRAY
-	1685-847903A25		1	GEAR HOUSING (X-LONG) GRAY
1	1685-847903A27		1	GEAR HOUSING (BASIC - BLACK)
	1685-847903A28		1	GEAR HOUSING (BASIC - GRAY)
2	847950--1		2	COVER (BLACK)
	847950--2		2	COVER (GRAY)
3	25-34776	▲	2	O-RING
4	10-815904		12	SCREW
5	17-43044		2	DOWEL PIN
6	31-42647A1		1	ROLLER BEARING
7	67891		1	FILLER BLOCK
8	23-43998		1	SLEEVE
9	22-847949		1	PIPE PLUG
10	16-56297		1	STUD-WATER PUMP HSG. (5/16 X 3-3/8 IN.)
	16-69501		2	STUD-WATER PUMP HSG. (5/16 X 3-1/4 IN.)
11	16-59579		3	STUD (7/16 X 2-11/16 IN.)(SHORT)
	16-78638		1	STUD (7/16 X 3-1/8 IN.) LONG
	16-57920--1		2	STUD (7/16 X 2-1/16 IN.) LONG
	16-78639		1	STUD (7/16 X 8-1/8 IN.) X-LONG
	16-74730		2	STUD (7/16 X 7 IN.) X-LONG
12	NSS		1	PINION GEAR (PART OF 43-15845A2)
13	12-92721		1	WASHER
14	11-35921		1	NUT
15	22-67892A1		1	DRAIN SCREW (MAGNETIC)
16	10-79953A2		1	SCREW
17	12-19183	▲	2	SEALING WASHER
18	78902--2		1	SHIFT SHAFT (LOWER)
19	23-77631A2		1	BUSHING ASSEMBLY
20	25-25439	▲	1	O-RING
21	26-816464--1	▲	1	OIL SEAL
22	12-77674	▲	1	RUBBER WASHER
23	45-848449A4		1	DRIVE SHAFT (SHORT)
	45-848449A5		1	DRIVE SHAFT (LONG)
	45-848449A6		1	DRIVE SHAFT (X-LONG)
24	15-42637A1		AR	SHIM ASSEMBLY
25	31-36387A1		1	ROLLER BEARING
26	824519		1	RETAINER
27	46-44292A3		1	WATER PUMP BASE ASSEMBLY

▲ = COMPONENT OF G/H SEAL KIT

CONTINUED ON NEXT PAGE ➡

GEAR HOUSING (DRIVESHAFT)(COUNTER ROTATION)

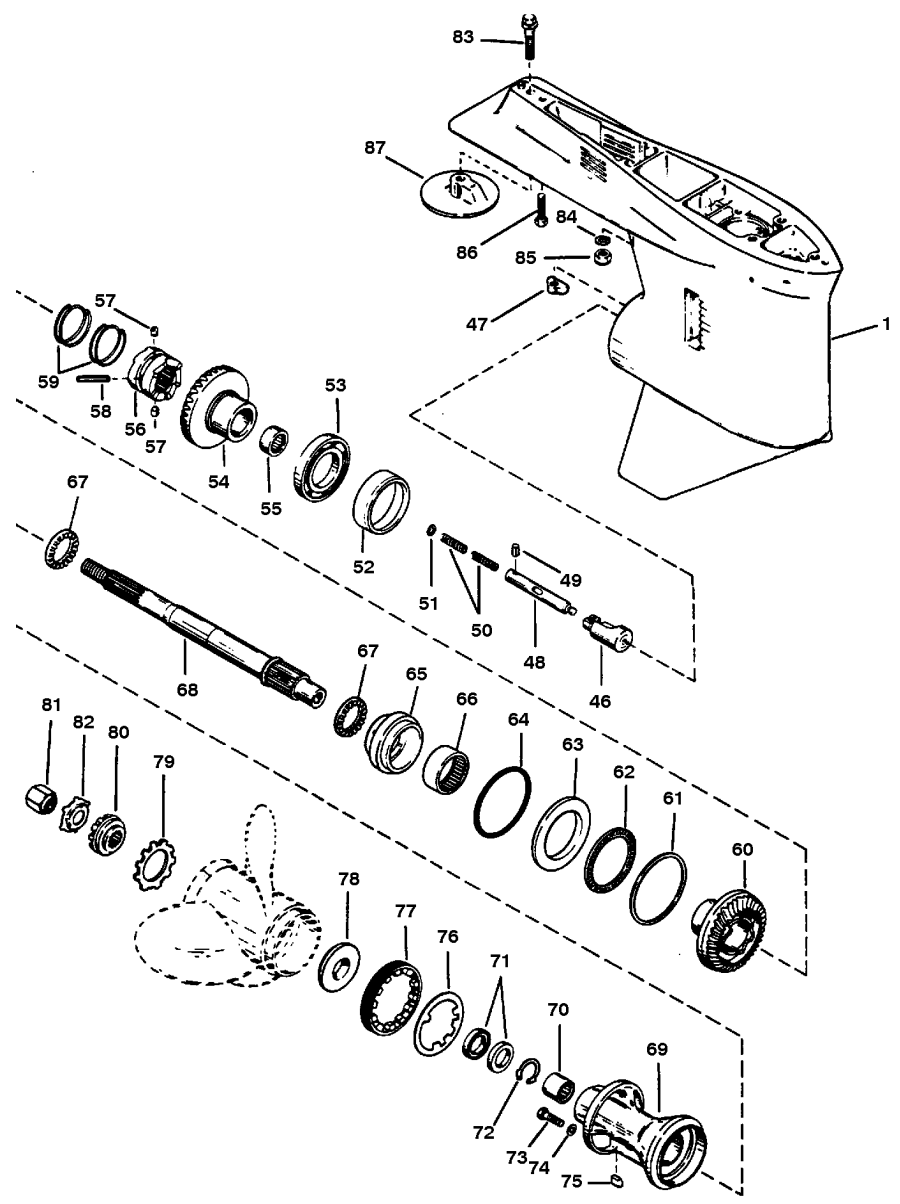


GEAR HOUSING (DRIVESHAFT)(COUNTER ROTATION)

REF. NO.	PART NO.	SYM.	QTY.	DESCRIPTION
28	27-42631--1	▲	1	GASKET
29	25-90011	▲	1	O-RING
30	26-89238	▲	1	OIL SEAL
31	26-16977	▲	1	OIL SEAL
32	27-18051	▲	1	GASKET (LOWER)
33	27-85609--1	▲	1	GASKET (UPPER)
34	32435		1	FACE PLATE
35	46-847710A1		1	WATER PUMP BODY ASSEMBLY
36	48752		1	INSERT
37	26-88397	▲	1	SEAL
38	23-847685		1	SLEEVE
39	28-56654		1	KEY
40	47-89984--2		1	IMPELLER
41	12-29245		2	WASHER
42	11-13438		2	NUT
43	12-36001		1	WASHER
44	11-13436		1	NUT
45	10-96411		1	SCREW (2-1/4 IN.)
-	26-89238A3		1	SEAL KIT

▲ = COMPONENT OF G/H SEAL KIT

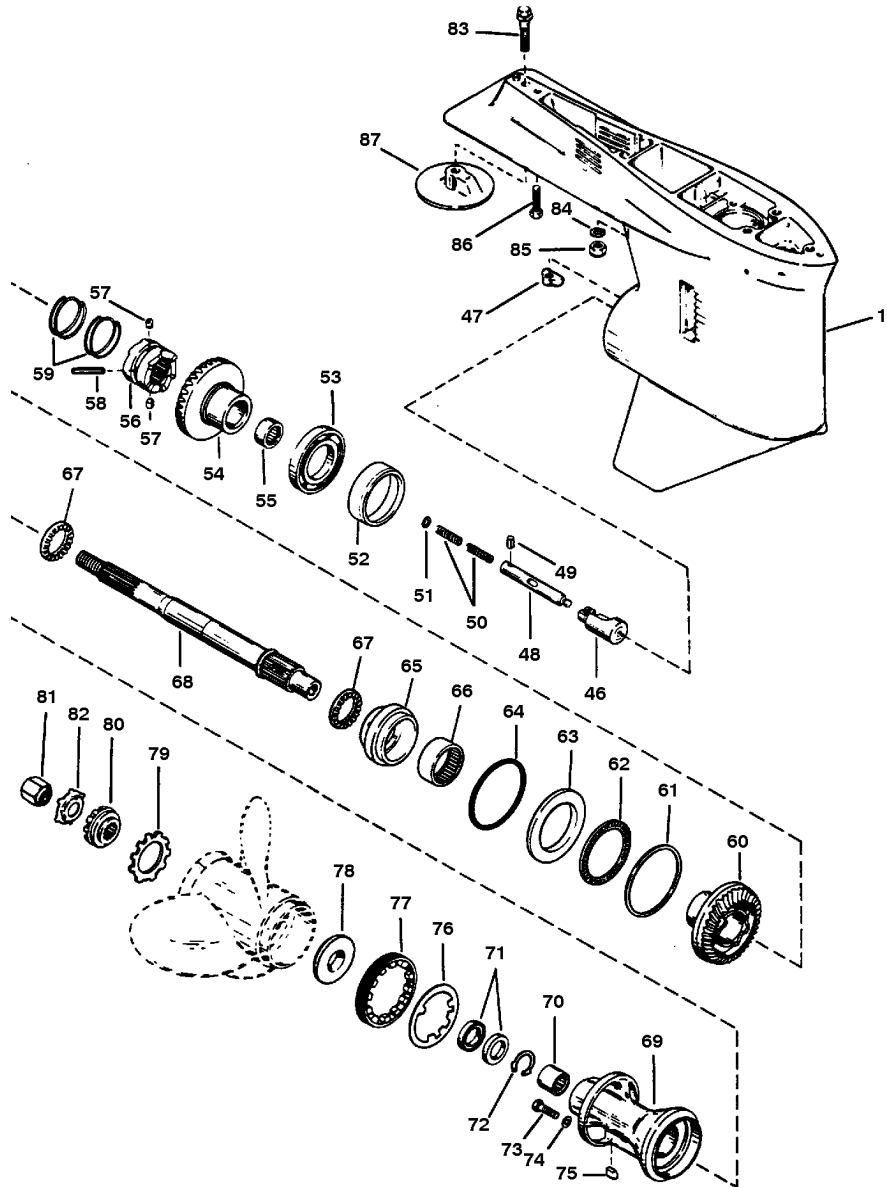
GEAR HOUSING (PROP SHAFT)(COUNTER ROTATION)



GEAR HOUSING (PROP SHAFT)(COUNTER ROTATION)

REF. NO.	PART NO.	SYM.	QTY.	DESCRIPTION
-	1685-847903A15		1	GEAR HOUSING (SHORT) BLACK
-	1685-847903A17		1	GEAR HOUSING (LONG) BLACK
-	1685-847903A19		1	GEAR HOUSING (X-LONG) BLACK
-	1685-847903A21		1	GEAR HOUSING (SHORT) GRAY
-	1685-847903A23		1	GEAR HOUSING (LONG) GRAY
-	1685-847903A25		1	GEAR HOUSING (X-LONG) GRAY
1	1685-847903A27		1	GEAR HOUSING (BASIC - BLACK)
	1685-847903A28		1	GEAR HOUSING (BASIC - GRAY)
46	89594A1		1	CAM FOLLOWER
47	78956		1	SHIFT CAM
48	79911--1		1	ROD
49	17-78906		1	PIN
50	24-79910		2	SPRING
51	12-78910		AR	WASHER
52	14469		1	BEARING CUP
53	30-88957A1		1	BALL BEARING
54	NSS		1	REVERSE GEAR (PART OF 43-15845A2)
55	31-15844		1	ROLLER BEARING
56	52-42672		1	RATCHET
57	17-78909		2	DETENT PIN
58	17-42671		1	CROSS PIN
59	24-78962		2	SPRING
60	43-15845A2		1	FORWARD GEAR
61	23-17615--1		AR	SPACER SHIM (.125 IN.)
	23-17615--2		AR	SPACER SHIM (.127 IN.)
	23-17615--3		AR	SPACER SHIM (.129 IN.)
	23-17615--4		AR	SPACER SHIM (.131 IN.)
	23-17615--5		AR	SPACER SHIM (.133 IN.)
	23-17615--6		AR	SPACER SHIM (.135 IN.)
	23-17615--7		AR	SPACER SHIM (.137 IN.)
	23-17615--8		AR	SPACER SHIM (.139 IN.)
	23-17615--9		AR	SPACER SHIM (.141 IN.)
	23-17615-10		AR	SPACER SHIM (.143 IN.)
	23-17615-11		AR	SPACER SHIM (.145 IN.)
	23-17615-12		AR	SPACER SHIM (.147 IN.)
	23-17615-13		AR	SPACER SHIM (.149 IN.)

GEAR HOUSING (PROP SHAFT)(COUNTER ROTATION)

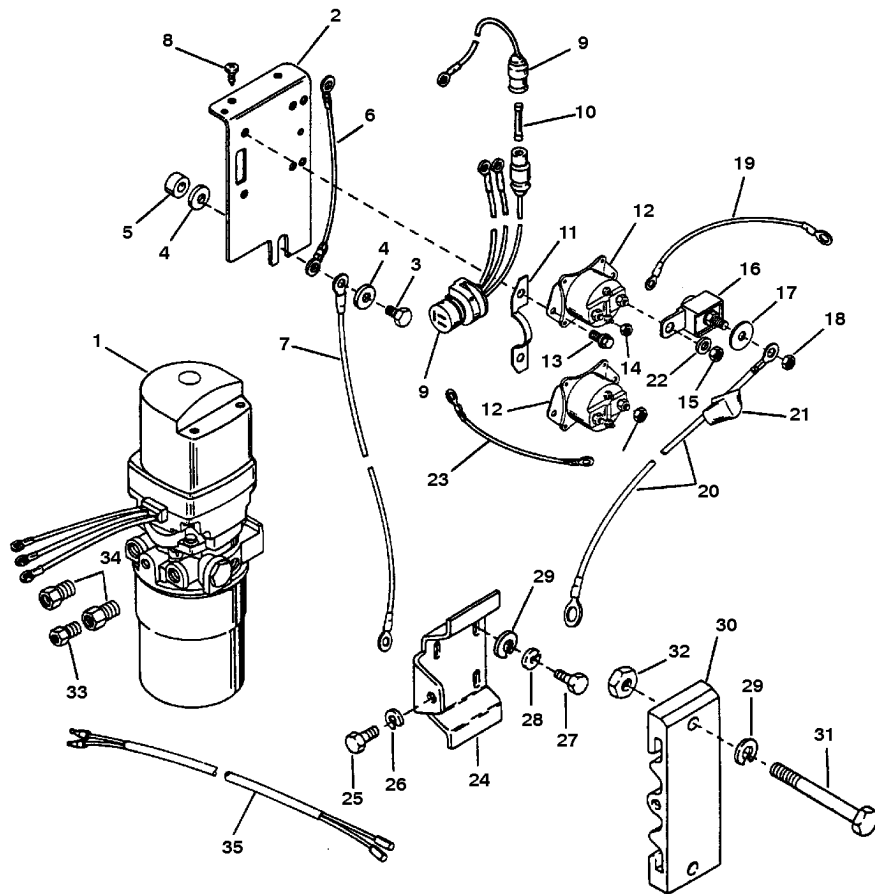


GEAR HOUSING (PROP SHAFT)(COUNTER ROTATION)

REF. NO.	PART NO.	SYM.	QTY.	DESCRIPTION
-	1685-847903A15		1	GEAR HOUSING (SHORT) BLACK
-	1685-847903A17		1	GEAR HOUSING (LONG) BLACK
-	1685-847903A19		1	GEAR HOUSING (X-LONG) BLACK
-	1685-847903A21		1	GEAR HOUSING (SHORT) GRAY
-	1685-847903A23		1	GEAR HOUSING (LONG) GRAY
-	1685-847903A25		1	GEAR HOUSING (X-LONG) GRAY
1	1685-847903A27		1	GEAR HOUSING (BASIC - BLACK)
	1685-847903A28		1	GEAR HOUSING (BASIC - GRAY)
62	31-15841		1	ROLLER BEARING
63	12-17616		1	THRUST RING
64	25-31534	▲	1	O-RING
65	15838A2		1	BEARING ADAPTOR
66	31-15843		1	ROLLER BEARING
67	31-15834		2	THRUST BEARING
68	44-815495T		1	PROPELLER SHAFT
69	847616A1		1	BEARING CARRIER
70	31-817072		1	ROLLER BEARING
71	26-815565	▲	2	OIL SEAL
72	53-817071		1	SNAP RING
73	22-67892A1		1	DRAIN SCREW (MAGNETIC)
74	12-19183		1	SEALING WASHER
75	28-30281		1	KEY
76	14-79447		1	TAB WASHER
77	15840--1		1	COVER
78	13171--1		1	THRUST HUB
79	13-42351--1		1	LOCKWASHER
80	12-31211A2		1	WASHER
81	11-52707A1		1	PROPELLER NUT
82	14-816629		1	TAB WASHER
83	10-41350		1	SCREW (SHORT)
	10-66024		1	SCREW (LONG/X-LONG)
84	12-822836		2	WASHER
85	11-13439--1		2	NUT
86	10-30206		1	SCREW (SHORT/LONG)
	10-15929		1	SCREW (X-LONG)
87	76214--3		1	ANODIC PLATE (SHORT)
	76214A5		1	ANODIC PLATE (LONG)
	76214--1		1	ANODIC PLATE (X-LONG)
-	26-89238A3		1	SEAL KIT

▲ = COMPONENT OF G/H SEAL KIT

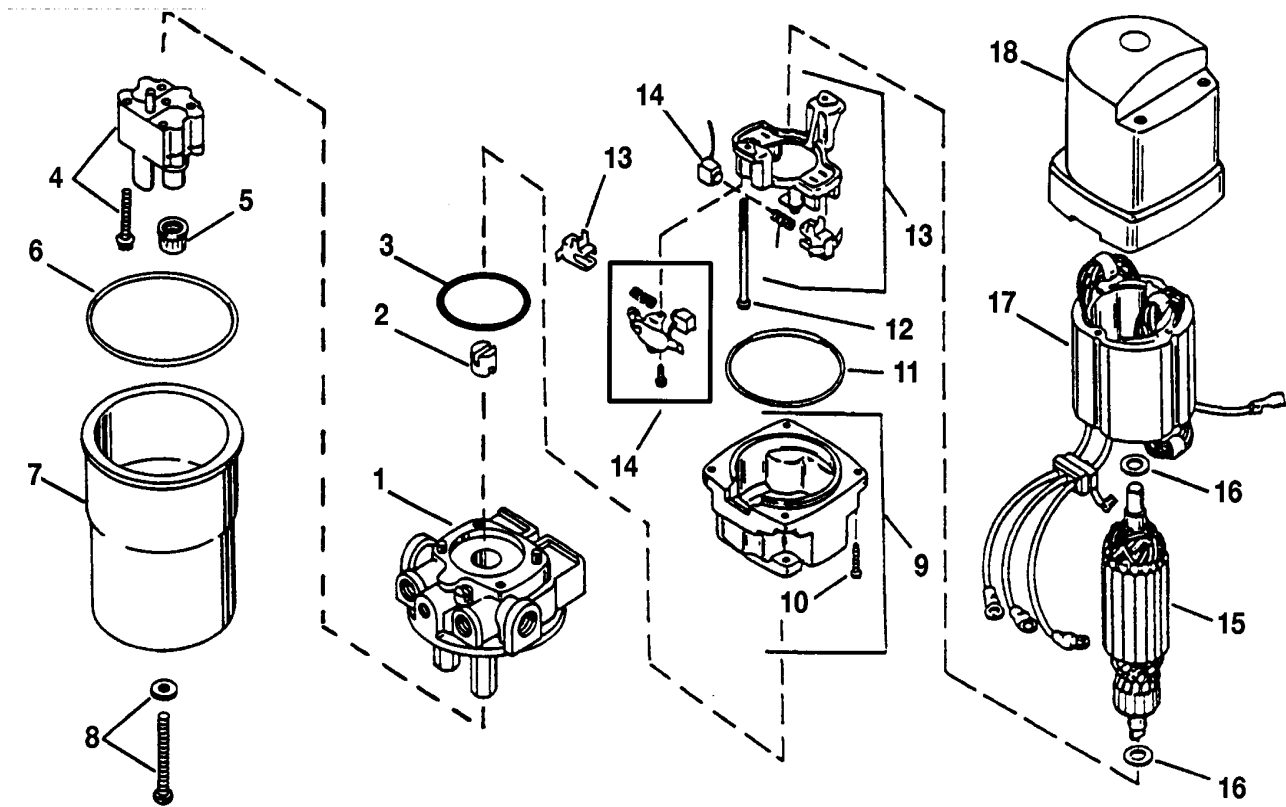
HYDRAULIC PUMP AND MOUNTING BRACKETS



HYDRAULIC PUMP AND MOUNTING BRACKETS

REF. NO.	PART NO.	SYM.	QTY.	DESCRIPTION
-	846859A4		1	HYDRAULIC PUMP (COMPLETE)
1	818161A4		1	HYDRAULIC PUMP ASSEMBLY
2	818567		1	BRACKET
3	10-38837		1	SCREW (1 IN.)
4	12-57792		2	WASHER
5	23-34948		1	SPACER
6	84-65999A12		1	CABLE
7	84-79138A9		1	BATTERY CABLE (NEGATIVE)
8	10-92051		2	SCREW
9	84-79147A5		1	HARNESS ASSEMBLY
10	88-79091		1	FUSE (20 AMP)
11	88075		1	RETAINER
12	89-68258A4		2	SOLENOID
13	10-41508		4	SCREW (3/8 IN.)
14	11-20110		4	NUT (#10-32)
15	11-26484		4	NUT (5/16-18)
16	88-79023A10		1	FUSE (110 AMP)
17	12-96457		1	WASHER
18	11-21825		1	NUT
19	84-65999A11		1	CABLE
20	84-79139A12		1	BATTERY CABLE (RED-POSITIVE)
21	46265		4	BOOT
22	12-22753		4	WASHER
23	84-79139A26		1	WIRE (RED)
24	87760		1	MOUNTING PLATE
25	10-39349		1	SCREW (3/4 IN.)
26	13-26993		1	LOCKWASHER
27	10-90271		2	SCREW (5/8 IN.)
28	13-58643		2	LOCKWASHER
29	12-45175		4	LOCKWASHER
30	87762		1	BRACKET
31	10-63826		2	BOLT (2-1/2 IN.)
32	11-68411		2	NUT
33	22-818200		1	FITTING
34	22-77366		2	CONNECTOR
35	84-65017A14		1	TILT HARNESS

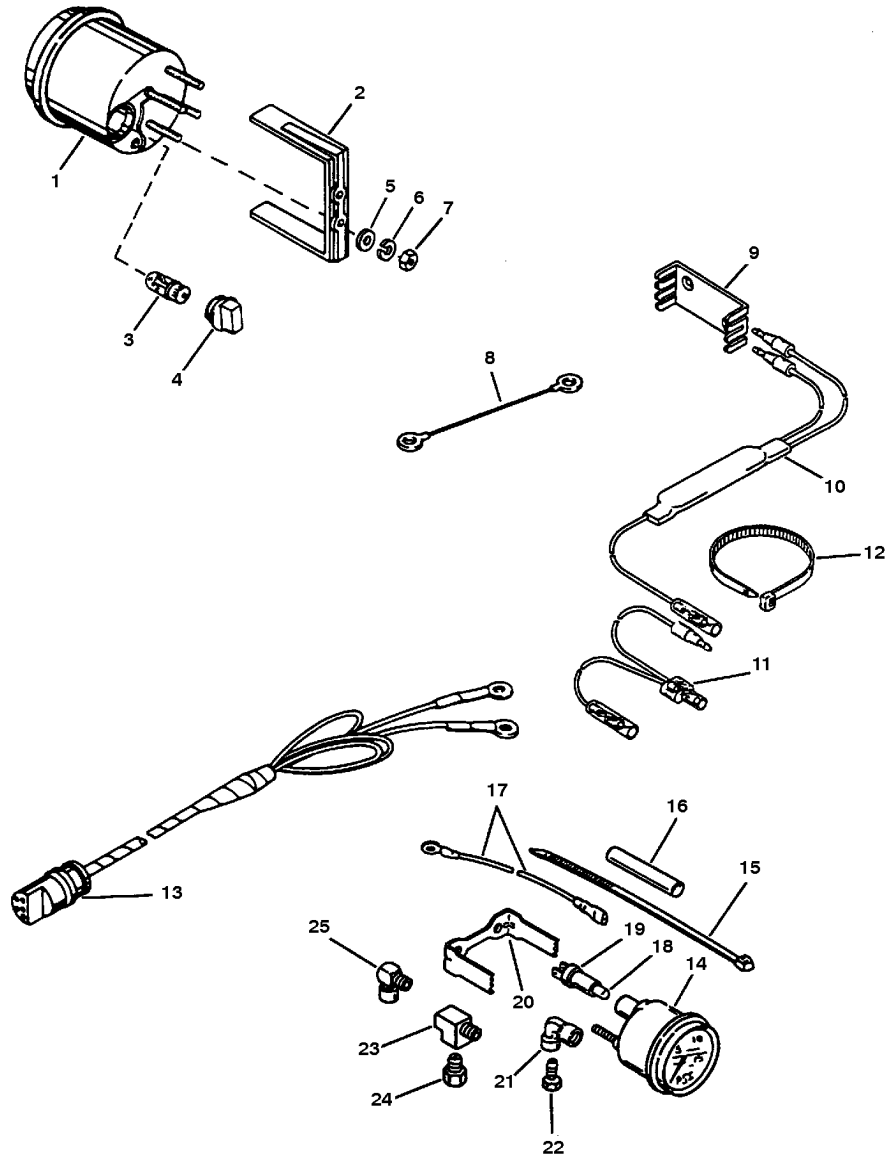
HYDRAULIC PUMP ASSEMBLY



HYDRAULIC PUMP ASSEMBLY

REF. NO.	PART NO.	SYM.	QTY.	DESCRIPTION
-	818161A4		1	HYDRAULIC PUMP ASSEMBLY
1	811491		1	ADAPTOR
2	89493		1	COUPLING
3	25-89498		1	O-RING-MOTOR END
4	811492		1	PUMP (INCLUDES SCREWS)
5	35-89496		2	FILTER
6	25-89497		1	O-RING-RESERVOIR END
7	41219		1	RESERVOIR
8	10-811493		1	SCREW KIT
-	17649		1	MOTOR
9	17632		1	END FRAME W/BEARING
10	10-17626		4	SCREW
11	25-17625		1	O-RING
12	10-17621		2	SCREW
13	17633		1	BRUSH HOLDER KIT
14	17631A1		1	BRUSH SET
15	17623		1	ARMATURE
16	12-17653		2	THRUST WASHER
17	17624		1	FIELD AND FRAME
18	17622		1	HOUSING W/BEARING
-	812498A1		1	REPAIR KIT-PRESSURE RELIEF VALVE

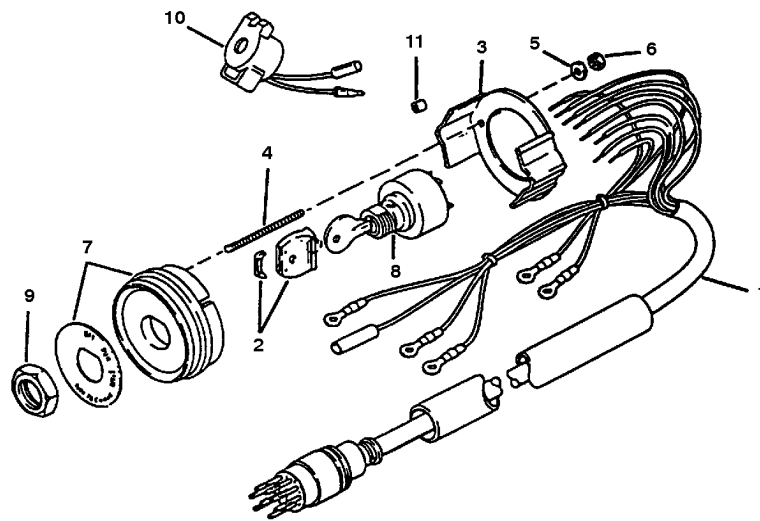
INSTRUMENTATION



INSTRUMENTATION

REF. NO.	PART NO.	SYM.	QTY.	DESCRIPTION
1	79-93953A1		1	TACHOMETER
2	79101T		1	BRACKET
3	88-72729		1	LIGHT BULB
4	88-79888		1	SOCKET
5	12-24676		AR	WASHER
6	13-26995		AR	LOCKWASHER
7	11-26419		5	NUT
8	84-86322A7		1	WIRE (BLACK - 1-1/2 IN.)
	84-86323A5		1	WIRE (PURPLE - 1-1/2 IN.)
9	79146		2	RETAINER
10	812497A2		1	DIODE KIT
11	84-11149A2		1	CABLE ASSEMBLY
12	54-816311		AR	STA-STRAP
13	84-86396A8		1	HARNESS
14	79-825331A1		1	30 PSI GAUGE KIT
15	54-816311		5	CABLE TIE
16	32-64088--6		1	TUBING
17	84-88532A1		1	CABLE (DARK BLUE)
	84-86322A16		1	CABLE (BLACK)
18	88-72729		1	BULB
19	88-825362		1	SOCKET
20	825363		1	BRACKET
21	22-63651		2	ELBOW (90 DEGREES)
22	22-63670		2	FITTING
23	22-64706		1	TEE FITTING
24	22-36492		1	BUSHING
25	22-77863		1	FITTING

KEY SWITCH



KEY SWITCH

REF. NO.	PART NO.	SYM.	QTY.	DESCRIPTION
1	84-816626A15		1	KEY SWITCH ASSEMBLY (15 FT.)
	84-816626A20		1	KEY SWITCH ASSEMBLY (20 FT.)
2	90468A1		2	COVER
3	76424		1	BRACKET
4	16-55422		2	STUD
5	12-24676		2	WASHER
6	11-68219		2	NUT
7	816479A3		2	PLATE
8	87-88107		1	IGNITION SWITCH (SEE CHART BELOW FOR KEY)
9	11-93543		1	NUT
10	816492A1		1	ALARM
11	23-812711--1		2	SPACER (3/8 IN.)
	23-812711		2	SPACER (1/4 IN.)
-	89491--1		1	KEY 1A
-	89491--2		1	KEY 1B
-	89491--3		1	KEY 1C
-	89491--4		1	KEY 1D
-	89491--5		1	KEY 1E
-	89491--6		1	KEY 1F
-	89491--7		1	KEY 2A
-	89491--8		1	KEY 2B
-	89491--9		1	KEY 2C
-	89491-10		1	KEY 2D
-	89491-11		1	KEY 2E
-	89491-12		1	KEY 2F

PARTS INDEX

Part Number	Description	Pg.	Ref. No.	Part Number	Description	Pg.	Ref. No.
11350A49	E.F.I CONTROL BOX	33	1	52100	WEAR PLATE	13	40
12234	RUBBER MOUNT	15	6	54196A6	CARRIER ASSEMBLY	29	5
12234--2	MOUNT	33	4	56703	COLLAR	7	26
13171--1	THRUST HUB	57	79	60572	BARREL	11	26
13171--1	THRUST HUB	67	82	61787	BRUSH HOLDER	19	8
13171--1	THRUST HUB	73	75	62459	BALL JOINT	11	2
13171--1	THRUST HUB	83	78	65800	SEAL	29	6
13221A1	TEMPERATURE SENSOR	25	41	67073A1	LINK ROD	13	46
13715--1	RETAINER	27	7	67077F1	COVER	37	9
13726--1	THROTTLE LEVER	31	18	67077T	COVER	37	9
13734	RETAINER	3	14	67891	FILLER BLOCK	51	7
13734--1	RETAINER	3	14	67891	FILLER BLOCK	61	7
14469	BEARING CUP	65	56	67891	FILLER BLOCK	69	7
14469	BEARING CUP	81	52	67891	FILLER BLOCK	77	7
14669--1	ANCHOR BRACKET	13	31	68042	RUBBER STOP	7	27
15386	END CAP	19	10	68100--1	THRUST RING	57	68
15838A2	BEARING ADAPTOR	67	69	68100--1	THRUST RING	73	64
15838A2	BEARING ADAPTOR	83	65	69205	C-WASHER	7	14
15840--1	COVER	57	78	71602	YOKE	3	5
15840--1	COVER	67	81	71602--1	YOKE	3	5
15840--1	COVER	73	74	74897	PIVOT	11	1
15840--1	COVER	83	77	75384	BRUSH SET	19	7
16813	CUP	13	35	75660	DRIVE END PLATE	19	3
16814	LATCH	13	36	75661	DRIVE	19	2
17206--3	FUEL RAIL	15	16	76035--1	LINK ROD	11	4
17622	HOUSING W/BEARING	87	18	76214--1	ANODIC PLATE (X-LONG)	59	90
17623	ARMATURE	87	15	76214--1	ANODIC PLATE (X-LONG)	67	91
17624	FIELD AND FRAME	87	17	76214--1	ANODIC PLATE (X-LONG)	75	84
17631A1	BRUSH SET	87	14	76214--1	ANODIC PLATE (X-LONG)	83	87
17632	END FRAME W/BEARING	87	9	76214--3	ANODIC PLATE (SHORT)	59	90
17633	BRUSH HOLDER KIT	87	13	76214--3	ANODIC PLATE (SHORT)	67	91
17649	MOTOR	87	-	76214--3	ANODIC PLATE (SHORT)	75	84
18789A3	CYLINDER HEAD	27	1	76214--3	ANODIC PLATE (SHORT)	83	87
18861	RETAINER	47	1	76214A5	ANODIC PLATE (LONG)	59	90
26852	CAP	11	23	76214A5	ANODIC PLATE (LONG)	67	91
26852	CAP	11	9	76214A5	ANODIC PLATE (LONG)	75	84
26852	CAP	23	33	76214A5	ANODIC PLATE (LONG)	83	87
32435	FACE PLATE	55	38	76424	BRACKET	91	3
32435	FACE PLATE	63	38	76867	COVER (LOWER)	23	9
32435	FACE PLATE	71	34	77837	THROTTLE CONTROL LEVER	11	13
32435	FACE PLATE	79	34				
37896	GUIDE BLOCK	13	44	78148A1	SPACER ASSEMBLY (BLACK)	39	-
38279	LATCH	13	41				
39483	LATCH	11	27	78902--2	SHIFT SHAFT (LOWER)	51	20
41038--1	SLEEVE	17	3	78902--2	SHIFT SHAFT (LOWER)	61	20
41052	PLUNGER	41	14	78902--2	SHIFT SHAFT (LOWER)	69	18
41094A3	SPARK ADVANCE LEVER	11	6	78902--2	SHIFT SHAFT (LOWER)	77	18
41219	RESERVOIR	87	7	78956	SHIFT CAM	73	47
42249	COVER (UPPER)	23	6	78956	SHIFT CAM	81	47
43429--2	IGNITION PLATE	9	5	78956--2	SHIFT CAM	57	51
45915	TERMINAL BLOCK	27	11	78956--2	SHIFT CAM	65	51
46265	BOOT	85	21	79022	TIMING MARKER	7	2
48039	CAP	11	12	79101T	BRACKET	89	2
48039	CAP	33	13	79146	RETAINER	17	10
48752	INSERT	55	40	79146	RETAINER	89	9
48752	INSERT	55	40	79216	ARMATURE	19	6
48752	INSERT	63	40	79610A17	TRIM CYLINDER	43	34
48752	INSERT	63	40	79610A18	TRIM CYLINDER	45	34
48752	INSERT	71	36	79610A21	TRIM CYLINDER	43	34
48752	INSERT	79	36	79610A22	TRIM CYLINDER	43	34

PARTS INDEX

Part Number	Description	Pg.	Ref. No.	Part Number	Description	Pg.	Ref. No.
79743	COVER	7	16	847602--1	SLIDER	31	27
79879A1	REPAIR KIT (FOR TRIM CYLINDERS)	45	-	847610A1	BEARING CARRIER	57	70
79911--1	ROD	73	48	847610A1	BEARING CARRIER	73	66
79911--1	ROD	81	48	847616A1	BEARING CARRIER	67	73
79911A1	ROD	57	52	847616A1	BEARING CARRIER	83	69
79911A1	ROD	65	52	847658	RETAINER	35	21
79918A1	FLYWHEEL COVER	7	1	847658	RETAINER	37	25
79932A11	SHIFT SHAFT (LONG)	13	51	847658	RETAINER	39	19
79932A12	SHIFT SHAFT (EXTRA-LONG)	13	51	847798A1	WEAR PAD KIT	43	3
79932A15	SHIFT SHAFT (SHORT)	13	51	847950--1	COVER	69	2
79932A16	SHIFT SHAFT (LONG)	13	51	847950--1	COVER	77	2
79932A17	SHIFT SHAFT (EXTRA-LONG)	13	51	847950--2	COVER	69	2
79932A18	SHIFT SHAFT (SHORT)	13	51	847950--2	COVER	77	2
811491	ADAPTOR	87	1	847950--3	COVER	51	2
811492	PUMP (INCLUDES SCREWS)	87	4	847950--3	COVER	61	2
812497A2	DIODE KIT	89	10	848015A1	COWL SUPPORT	5	37
812498A1	REPAIR KIT-PRESSURE RELIEF VALVE	87	-	848026	ACTUATOR	31	7
814820	ADAPTOR	47	2	848026A1	ACTUATOR	31	7
815490A3	THROTTLE SHAFT	31	12	848045A5	FUEL PUMP ASSEMBLY	17	1
815552A1	DIVIDER PLATE	21	1	848126A1	TORSION CLIP	5	38
816054	MOUNT	37	5	848165	BRACE	3	21
816058A6	AIR INLET	31	2	848284A1	EXHAUST EXT. PLATE	35	16
816250	THROTTLE LINK	31	22	848284A1	EXHAUST EXT. PLATE	37	20
816479A3	PLATE	91	7	848284A1	EXHAUST EXT. PLATE	39	14
816492A1	ALARM	91	10	848284A2	EXHAUST EXT. PLATE	35	16
816770	RECTIFIER	9	14	848284A2	EXHAUST EXT. PLATE	37	20
816885	ADAPTOR	25	43	848284A2	EXHAUST EXT. PLATE	39	14
816958--2	BRACKET	33	7	848308--1	DIFFUSER	35	19
817706A3	FRONT COVER	3	2	848308--1	DIFFUSER	37	23
817706A4	FRONT COVER	3	2	848308--1	DLFFUSER	39	15
817708	HOLD DOWN	3	8	848465	BRACKET-TIMING INDICATOR	23	25
817712--1	SEAL	3	16	85026T	PLATE	43	19
818161A4	HYDRAULIC PUMP ASSEMBLY	85	1	85028A2	TILT LOCK LEVER (STARBOARD)	41	11
818161A4	HYDRAULIC PUMP ASSEMBLY	87	-	85030A2	TILT LOCK LEVER (PORT)	41	11
818261	EXHAUST BLOCK-OFF PLATE	39	5	85035T	SPACER	43	11
818567	BRACKET	85	2	85035T6	SPACER	43	11
818909	EXHAUST BLOCK-OFF PLATE	35	8	86475--1	COUPLING	41	17
821877--1	BRACKET	3	27	86580F4	BOTTOM YOKE	41	22
821877A2	COWL SUPPORT KIT	3	-	86580F5	BOTTOM YOKE	41	22
821878	BRACKET	3	28	86603	KNOB	41	16
821879--1	PIN	5	36	87692--2	REED BLOCK	27	23
822075--2	TRIM PIN	45	39	87760	MOUNTING PLATE	85	24
822076	RETAINER-TRIM PIN	45	40	87762	BRACKET	85	30
822188--1	PLATE	3	19	87871	COVER	43	28
824519	RETAINER	53	30	88075	RETAINER	85	11
824519	RETAINER	61	30	88238A4	CABLE	5	39
824519	RETAINER	69	26	88825A7	VOLTAGE REGULATOR	21	14
824519	RETAINER	77	26	89491--1	KEY 1A	91	-
825363	BRACKET	89	20	89491--2	KEY 1B	91	-
826134	ANODE	51	12	89491--3	KEY 1C	91	-
826134	ANODE	61	12	89491--4	KEY 1D	91	-
				89491--5	KEY 1E	91	-
				89491--6	KEY 1F	91	-
				89491--7	KEY 2A	91	-
				89491--8	KEY 2B	91	-
				89491--9	KEY 2C	91	-
				89491-10	KEY 2D	91	-
				89491-11	KEY 2E	91	-

PARTS INDEX

Part Number	Description	Pg.	Ref. No.	Part Number	Description	Pg.	Ref. No.
89491-12	KEY 2F	91	-	10-38055	SCREW (5/8 IN.)	9	17
89493	COUPLING	87	2	10-38601	SCREW	3	17
89594A1	CAM FOLLOWER	57	50	10-38837	SCREW (1 IN.)	85	3
89594A1	CAM FOLLOWER	65	50	10-39349	SCREW	35	9
89594A1	CAM FOLLOWER	73	46	10-39349	SCREW (3/4 IN.)	85	25
89594A1	CAM FOLLOWER	81	46	10-40003-33	SCREW	51	13
89949A1	PLATE ASSEMBLY	43	23	10-40003-33	SCREW	61	13
90390A1	COVER	27	15	10-41089--1	SCREW	31	20
90391--1	REED CLAMP	27	25	10-41350	SCREW (SHORT)	57	84
90435	RUBBER MOUNT	15	6	10-41350	SCREW (SHORT)	67	87
90468A1	COVER	91	2	10-41350	SCREW (SHORT)	75	80
90645	DRIVE KIT	19	1	10-41350	SCREW (SHORT)	83	83
92876A1	STEERING LINK ASSEMBLY	41	25	10-41355	SET SCREW	31	19
94451--2	BRACKET	17	4	10-41508	SCREW (3/8 IN.)	85	13
94820	FUEL REGULATOR	15	13	10-48409	SCREW	21	16
96455A11	TRIGGER PLATE	7	11	10-48409	SCREW (5/8 IN.)	27	12
97465	TEMPERATURE SENDER	27	10	10-53155	SCREW (1/4-20 X 2-1/2 IN.)	33	17
98709--3	PLATE	27	21	10-55715	SCREW	27	31
98715--9	THROTTLE SHUTTER	31	32	10-60147	SCREW	27	27
98715-10	THROTTLE SHUTTER	31	32	10-60147	SCREW	27	29
98716	HOLD DOWN	15	20	10-60147	SCREW (1/4-20 X 1-1/4 IN.)	13	34
98717	SPACER	15	21	10-62568	SCREW	7	13
98818	FUEL INJECTOR	15	17	10-62568	SCREW	9	12
99170A2	TILT TUBE	43	10	10-62568	SCREW (3/8 IN.)	27	12
99193	COVER	21	7	10-62958	SCREW (1-1/8 IN.)	13	34
99294	BRACKET	23	29	10-63328	SCREW (5/16-18 X 3 IN.)	33	17
99944	SUPPORT	15	8	10-63474	SCREW	37	4
99945	BRACKET	15	3	10-63826	BOLT (2-1/2 IN.)	85	31
10-13212--1	SCREW	41	29	10-64022	ADJUSTING SCREW	25	34
10-13627	SCREW	33	11	10-64022	SCREW	11	7
10-13627	SCREW (1-1/4 IN.)	11	10	10-64022	SCREW (2-1/8 IN.)	11	19
10-14000	SCREW (1-1/4 IN.)	41	26	10-66024	SCREW	39	-
10-15929	SCREW (X-LONG)	59	89	10-66024	SCREW (LONG/X-LONG)	57	85
10-15929	SCREW (X-LONG)	67	90	10-66024	SCREW (LONG/X-LONG)	67	87
10-15929	SCREW (X-LONG)	75	83	10-66024	SCREW (LONG/X-LONG)	75	80
10-15929	SCREW (X-LONG)	83	86	10-66024	SCREW (LONG/X-LONG)	83	83
10-17621	SCREW	87	12	10-66717	SCREW (3/8-16 X 3-1/4 IN.)	23	31
10-17626	SCREW	87	10	10-67755--1	SCREW (4-1/2 IN.)	43	12
10-19209	SCREW (10-32)	47	4	10-67755--2	SCREW (6-1/2 IN.)	43	15
10-25158	SCREW	17	5	10-68513	SCREW	7	19
10-28635	SCREW	35	22	10-69020	SCREW	5	41
10-28635	SCREW	37	26	10-69026	SCREW (1/4-28 X 7/8 IN.)	11	28
10-28635	SCREW	39	20	10-69028	SCREW (1/4-28 X 3/4 IN.)	3	24
10-28635	SCREW	39	6	10-69034	SCREW (1 IN.)	23	28
10-28636	SCREW	15	1	10-69035	SCREW (1/4-20 X 5/8 IN.)	7	29
10-28636	SCREW	43	20	10-69570	SCREW	3	3
10-28636	SCREW (3/4 IN.)	25	39	10-70732	SCREW	43	17
10-28667	SCREW (1 IN.)	23	30	10-74968	THRU BOLT	19	4
10-28782	SCREW	21	8	10-79953A2	SCREW	77	16
10-30206	SCREW (SHORT/LONG)	59	88	10-79953A2	SCREW PLUG	51	18
10-30206	SCREW (SHORT/LONG)	67	90	10-79953A2	SCREW PLUG	61	18
10-30206	SCREW (SHORT/LONG)	75	83	10-79953A2	SCREW PLUG	69	16
10-30206	SCREW (SHORT/LONG)	83	86	10-811493	SCREW KIT	87	8
10-31716	SCREW (5/8 IN.)	9	30	10-813523	SCREW (10-16)	47	5
10-32417	SCREW (5/8 IN.)	31	8	10-815549	SCREW (2 IN.)	23	10
10-32866	SCREW	43	30	10-815904	SCREW	51	4
10-34696	SCREW (3/4 IN.)	25	44	10-815904	SCREW	61	4
10-37562	SCREW (1 IN.)	27	16	10-815904	SCREW	69	4
10-37572	SCREW	7	3	10-815904	SCREW	77	4
10-38055	SCREW (5/8 IN.)	9	15	10-818146	SCREW	5	32

PARTS INDEX

Part Number	Description	Pg.	Ref. No.	Part Number	Description	Pg.	Ref. No.
10-818165	SCREW (1-3/4 IN.)	11	14	11-20110	NUT	17	6
10-821035	SCREW (1-1/4 IN.)	33	8	11-20110	NUT (#10-32)	85	14
10-821036	SCREW	33	10	11-20220	NUT	43	16
10-821579	SCREW	5	40	11-20220	NUT	45	41
10-821933	SCREW	3	29	11-20361	NUT	31	24
10-823188	SCREW (3/8-16 X 3-1/2 IN.)	23	31	11-20361	NUT	33	16
10-823199--1	SCREW (3/8-16 X 1-1/4 IN.)	23	31	11-20890	NUT	7	31
10-823258	SCREW	39	16	11-21825	NUT	85	18
10-823258	SCREW (1-1/4 IN.)	35	18	11-26419	NUT	89	7
10-823258	SCREW (1-1/4 IN.)	37	21	11-26484	NUT (5/16-18)	85	15
10-823588	SCREW	27	26	11-28040	NUT	35	5
10-848022	SCREW (3/4 IN.)	31	8	11-28040	NUT	37	7
10-848081	SCREW (1 IN.)	39	23	11-28040	NUT	39	10
10-848081	SCREW (1/2 IN.)	35	11	11-29488	NUT	5	42
10-848081	SCREW (1/2 IN.)	37	29	11-29488	NUT	43	33
10-848475	SCREW	29	13	11-34863	NUT	41	27
10-848496	SCREW (1-1/2 IN.)	21	3	11-34863	NUT (THIN)	35	14
10-848497	SCREW (1 IN.)	21	3	11-34863	NUT (THIN)	37	18
10-86843	SCREW	43	4	11-34863	NUT (THIN)	39	12
10-87180	BOLT	43	5	11-34932	NUT (FULL)	35	14
10-87926	SCREW (1/2 IN.)	27	12	11-34932	NUT (FULL)	37	18
10-88417	SCREW (5/8 IN.)	37	10	11-34932	NUT (FULL)	39	12
10-88447	SCREW (1-5/8 IN.)	7	17	11-35045	NUT	3	20
10-88743	SCREW	27	8	11-35045	NUT	3	26
10-88829	SCREW	43	7	11-35045	NUT	11	30
10-90028	SCREW	7	8	11-35045	NUT	13	43
10-90086	SCREW (1-1/2 IN.)	9	19	11-35045	NUT	13	49
10-90086	SCREW (1-1/2 IN.)	23	7	11-35045	NUT	15	24
10-90271	SCREW (5/8 IN.)	85	27	11-35045	NUT	31	31
10-90766	SCREW	31	11	11-35521	NUT	37	11
10-90766	SCREW (10-32 X 1/2 IN.)	23	26	11-35814	NUT	9	22
10-90815	SCREW	9	7	11-35814	NUT	37	16
10-91903	SCREW (1-3/4 IN.)	35	11	11-35814	NUT	43	25
10-91903	SCREW (1-3/4 IN.)	37	29	11-35888	NUT	15	4
10-91903	SCREW (1-3/4 IN.)	39	23	11-35921	NUT	51	17
10-92051	SCREW	85	8	11-35921	NUT	61	17
10-96411	SCREW (2-1/4 IN.)	55	49	11-35921	NUT	69	14
10-96411	SCREW (2-1/4 IN.)	63	49	11-35921	NUT	77	14
10-96411	SCREW (2-1/4 IN.)	71	44	11-40026--3	NUT	17	14
10-96411	SCREW (2-1/4 IN.)	79	45	11-40063--2	NUT	17	14
10-98534	SCREW (2-1/3 IN.)	27	5	11-45076	NUT	7	20
11-13436	NUT	55	48	11-45076	NUT	9	10
11-13436	NUT	63	48	11-45076	NUT	9	16
11-13436	NUT	71	43	11-45076	NUT	9	34
11-13436	NUT	79	44	11-45076	NUT	21	15
11-13438	NUT	55	46	11-46438	NUT	11	5
11-13438	NUT	63	46	11-52707A1	PROPELLER NUT	57	82
11-13438	NUT	71	41	11-52707A1	PROPELLER NUT	67	85
11-13438	NUT	79	42	11-52707A1	PROPELLER NUT	73	78
11-13439--1	NUT	35	7	11-52707A1	PROPELLER NUT	83	81
11-13439--1	NUT	37	13	11-52901	NUT	7	5
11-13439--1	NUT	39	27	11-64015	JAM NUT	25	35
11-13439--1	NUT	39	4	11-64015	NUT	11	20
11-13439--1	NUT	59	87	11-64015	NUT	11	22
11-13439--1	NUT	67	89	11-64015	NUT	11	8
11-13439--1	NUT	75	82	11-64015	NUT	15	4
11-13439--1	NUT	83	85	11-64015	NUT	33	6
11-15018	NUT	15	14	11-67980	NUT	9	33
11-18102	NUT	13	39	11-68219	NUT	11	11
11-20013	JAM NUT	31	23	11-68219	NUT	11	3

PARTS INDEX

Part Number	Description	Pg.	Ref. No.	Part Number	Description	Pg.	Ref. No.
11-68219	NUT	33	12	12-39143	WASHER (5/8 X .253)	33	14
11-68219	NUT	91	6	12-45175	LOCKWASHER	85	29
11-68411	NUT	85	32	12-46765	WASHER	11	18
11-71852	NUT	5	34	12-47533--1	WASHER-SUBSTITUTE FOR THERMOSTAT	27	13
11-816874	NUT	23	20	12-49221	WASHER	23	18
11-826135	NUT (1 IN.-14)	43	8	12-57792	WASHER	9	23
11-826164	NUT (7/8-14)	43	8	12-57792	WASHER	85	4
11-826833--6	NUT	51	14	12-67264	WASHER (RUBBER)	9	26
11-826833--6	NUT	61	14	12-68229	WASHER	7	6
11-91962	NUT	43	14	12-69056	WASHER	13	42
11-93543	NUT	91	9	12-69056	WASHER	15	5
12-17616	THRUST RING	67	67	12-69056	WASHER	33	5
12-17616	THRUST RING	83	63	12-72761	WASHER	7	4
12-17653	THRUST WASHER	87	16	12-72761	WASHER	23	19
12-19183	SEALING WASHER	51	19	12-72761	WASHER	23	27
12-19183	SEALING WASHER	57	75	12-73288	WASHER	13	38
12-19183	SEALING WASHER	61	19	12-74758	WASHER	5	35
12-19183	SEALING WASHER	67	78	12-77674	RUBBER WASHER	51	24
12-19183	SEALING WASHER	69	17	12-77674	RUBBER WASHER	61	24
12-19183	SEALING WASHER	73	71	12-77674	RUBBER WASHER	69	22
12-19183	SEALING WASHER	77	17	12-77674	RUBBER WASHER	77	22
12-19183	SEALING WASHER	83	74	12-78910	WASHER	57	55
12-20670	WASHER	25	45	12-78910	WASHER	65	55
12-20878	WASHER	43	32	12-78910	WASHER	73	51
12-22753	WASHER	37	15	12-78910	WASHER	81	51
12-22753	WASHER	85	22	12-812876	WASHER	29	14
12-22887	WASHER	3	4	12-816056	WASHER	35	4
12-24676	WASHER	89	5	12-816056	WASHER	37	6
12-24676	WASHER	91	5	12-816056	WASHER	39	9
12-26168	WASHER	15	7	12-816056	WASHER	41	30
12-28421	WASHER	43	13	12-822714	WASHER	35	17
12-29245	WASHER	3	18	12-822714	WASHER	37	22
12-29245	WASHER	13	33	12-822714	WASHER	39	17
12-29245	WASHER	15	23	12-822836	WASHER	35	12
12-29245	WASHER	31	30	12-822836	WASHER	35	6
12-29245	WASHER	43	18	12-822836	WASHER	37	12
12-29245	WASHER	43	21	12-822836	WASHER	37	30
12-29245	WASHER	55	45	12-822836	WASHER	39	24
12-29245	WASHER	63	45	12-822836	WASHER	39	26
12-29245	WASHER	71	40	12-822836	WASHER	39	3
12-29245	WASHER	79	41	12-822836	WASHER	57	86
12-31211A2	WASHER	57	81	12-822836	WASHER	67	88
12-31211A2	WASHER	67	84	12-822836	WASHER	75	81
12-31211A2	WASHER	73	77	12-822836	WASHER	83	84
12-31211A2	WASHER	83	80	12-822836	WASHER	27	28
12-34437	WASHER (5/16 IN. I.D.)	33	18	12-822837	WASHER	27	32
12-35459	WASHER	31	26	12-822837	WASHER	23	32
12-35462	WASHER	3	25	12-822838	WASHER	27	6
12-35462	WASHER	13	48	12-822838	WASHER	35	13
12-35462	WASHER	15	5	12-822838	WASHER	37	17
12-35462	WASHER	31	25	12-822838	WASHER	39	11
12-36001	WASHER	55	47	12-847539	WASHER	3	30
12-36001	WASHER	63	47	12-847539	WASHER	35	10
12-36001	WASHER	71	42	12-847539	WASHER	43	24
12-36001	WASHER	79	43	12-847541	WASHER	5	33
12-36042	WASHER	9	25	12-847883	WASHER	3	10
12-37828	WASHER	41	28	12-847883	WASHER	3	7
12-38833	WASHER	17	15	12-848023	THRUST WASHER	31	10
12-39143	WASHER	27	30	12-85022	WASHER	45	36
12-39143	WASHER (1/4 IN. I.D.)	33	18				

PARTS INDEX

Part Number	Description	Pg.	Ref. No.	Part Number	Description	Pg.	Ref. No.
12-87161	WASHER	41	9	16-56297	STUD-WATER PUMP HSG. (5/16 X 3-3/8 IN.)	77	10
12-89302	WASHER	7	18	16-56766	STUD	33	15
12-89302	WASHER	17	15	16-57920--1	STUD (7/16 X 2-1/16 IN.)	51	11
12-92721	WASHER	51	16	16-57920--1	STUD (7/16 X 2-1/16 IN.)	61	11
12-92721	WASHER	61	16	16-57920--1	STUD (7/16 X 2-1/16 IN.)	69	11
12-92721	WASHER	69	13	16-57920--1	STUD (7/16 X 2-1/16 IN.)	77	11
12-92721	WASHER	77	13	16-59579	STUD	35	2
12-96457	WASHER	85	17	16-59579	STUD (2-5/8 IN. - LONG)	37	2
13-26992	LOCKWASHER	7	30	16-59579	STUD (7/16 X 2-11/16 IN.)(SHORT)	77	11
13-26992	LOCKWASHER	9	31	16-59579	STUD (7/16 X 2-11/16 IN.)(SHORT)(OFFSHORE)	69	11
13-26992	LOCKWASHER	15	2	16-59579	STUD (7/16 X 2-11/16 IN.)(SHORT/LONG)	51	11
13-26992	LOCKWASHER	25	40	16-59579	STUD (7/16 X 2-11/16 IN.)(SHORT/LONG)	61	11
13-26992	LOCKWASHER	35	23	16-59579	STUD (LONG)	39	2
13-26992	LOCKWASHER	37	27	16-69058	STUD	37	14
13-26992	LOCKWASHER	39	21	16-69501	STUD (5/16 X 3-1/4 IN.)	51	10
13-26992	LOCKWASHER	39	7	16-69501	STUD (5/16 X 3-1/4 IN.)	61	10
13-26993	LOCKWASHER	9	20	16-69501	STUD-WATER PUMP HSG. (5/16 X 3-1/4 IN.)	69	10
13-26993	LOCKWASHER	23	8	16-69501	STUD-WATER PUMP HSG. (5/16 X 3-1/4 IN.)	77	10
13-26993	LOCKWASHER	85	26	16-74730	STUD (7/16 X 7 IN.)	77	11
13-26995	LOCKWASHER	31	21	16-74730	STUD (7/16 X 7.06 IN.)	51	11
13-26995	LOCKWASHER	89	6	16-74730	STUD (7/16 X 7.06 IN.)	61	11
13-26996	LOCKWASHER	7	9	16-74730	STUD (7/16 X 7.06 IN.)	69	11
13-29720	WAVE WASHER	13	47	16-74732	STUD (7-5/8 IN. - X-LONG)	37	2
13-42351--1	LOCKWASHER	57	80	16-74732	STUD (7/16 X 7.69 IN.)	51	11
13-42351--1	LOCKWASHER	67	83	16-74732	STUD (7/16 X 7.69 IN.)	61	11
13-42351--1	LOCKWASHER	73	76	16-74732	STUD (X-LONG)	39	2
13-42351--1	LOCKWASHER	83	79	16-78638	STUD (7/16 X 3-1/8 IN.)	51	11
13-58643	LOCKWASHER	85	28	16-78638	STUD (7/16 X 3-1/8 IN.)	61	11
13-78854	WAVE WASHER	41	21	16-78638	STUD (7/16 X 3-1/8 IN.)	69	11
13-78968	LOCKWASHER	15	7	16-78638	STUD (7/16 X 3-1/8 IN.)	77	11
13-78968	LOCKWASHER	31	9	16-78639	STUD (7/16 X 8-1/8 IN.)	51	11
13-88750	WAVE WASHER	43	9	16-78639	STUD (7/16 X 8-1/8 IN.)	61	11
14-79447	TAB WASHER	57	77	16-78639	STUD (7/16 X 8-1/8 IN.)	69	11
14-79447	TAB WASHER	67	80	16-78639	STUD (7/16 X 8-1/8 IN.)	77	11
14-79447	TAB WASHER	73	73	16-78986	STUD	9	21
14-79447	TAB WASHER	83	76	16-818908	STUD	35	3
14-816629	TAB WASHER	57	83	16-818908	STUD	39	8
14-816629	TAB WASHER	67	86	16-822358	STUD (2-3/4 IN.)	23	2
14-816629	TAB WASHER	73	79	16-847529	STUD (2-1/2 IN.)	23	2
14-816629	TAB WASHER	83	82	16-847530	STUD (2 IN.)	23	2
15-38657A1	SHIM SET	51	26	16-847532	STUD (5-3/4 IN.)(SHORT/OFFSHORE)	23	2
15-38657A1	SHIM SET	61	26	16-847533	STUD (7 IN.)(LONG)	23	2
15-42637A1	SHIM ASSEMBLY	69	24	16-88876	STUD	41	15
15-42637A1	SHIM ASSEMBLY	77	24	16-96112	STUD	31	29
15-42637A1	SHIM SET	51	28	17-24800	ROLL PIN	31	14
15-42637A1	SHIM SET	61	28	17-42671	CROSS PIN	57	62
15-47397A1	SHIM	73	52	17-42671	CROSS PIN	65	62
15-47397A1	SHIM SET	57	56	17-42671	CROSS PIN	73	58
15-848046A1	SHIM SET	31	33	17-42671	CROSS PIN	81	58
16-15093	STUD (1 IN.)	23	21	17-43044	DOWEL PIN	23	3
16-15094	STUD (1-7/8 IN.)	23	16	17-43044	DOWEL PIN	51	5
16-18101	STUD	13	37	17-43044	DOWEL PIN	61	5
16-21184	STUD	15	22				
16-54343	STUD	43	22				
16-54674	STUD	39	25				
16-55422	STUD	91	4				
16-56297	STUD (5/16 X 3-3/8 IN.)	51	9				
16-56297	STUD (5/16 X 3-3/8 IN.)	61	9				
16-56297	STUD-WATER PUMP HSG. (5/16 X 3-3/8 IN.)	69	10				

PARTS INDEX

Part Number	Description	Pg.	Ref. No.	Part Number	Description	Pg.	Ref. No.
17-43044	DOWEL PIN	69	5	22-67892A1	DRAIN SCREW (MAGNETIC)	83	73
17-43044	DOWEL PIN	77	5	22-67892A1	MAGNETIC DRAIN SCREW	57	74
17-43044	DOWEL PIN-PLATE TO DRIVE SHAFT HSG.	35	24	22-67892A1	MAGNETIC DRAIN SCREW	67	77
17-43044	DOWEL PIN-PLATE TO DRIVESHAFT HOUSING	37	28	22-68727	ELBOW (STARBOARD)	27	17
17-43044	PIN	39	-	22-68727	FITTING	21	10
17-58712	CLEVIS PIN	3	9	22-68728	FITTING (PORT)	27	19
17-63779	DOWEL PIN	27	4	22-69406	FITTING	15	26
17-67296	DOWEL PIN (BEARING RACE)	23	4	22-74036	GREASE FITTING	41	4
17-67706A59	SWIVEL PIN AND STEERING ARM	41	24	22-77366	CONNECTOR	85	34
17-67706A60	SWIVEL PIN AND STEERING ARM	41	24	22-77863	FITTING	89	25
17-67706A64	SWIVEL PIN AND STEERING ARM	41	24	22-818200	FITTING	85	33
17-67706A65	SWIVEL PIN AND STEERING ARM	41	24	22-818699	FITTING	15	25
17-69745	PIN	41	18	22-821881	PIPE PLUG	5	31
17-78906	PIN	57	53	22-821881	PLUG (WATER JACKET)	23	15
17-78906	PIN	65	53	22-822715	ELBOW	31	3
17-78906	PIN	73	49	22-847949	PIPE PLUG	51	8
17-78906	PIN	81	49	22-847949	PIPE PLUG	61	8
17-78909	DETENT PIN	57	61	22-847949	PIPE PLUG	69	9
17-78909	DETENT PIN	65	61	22-847949	PIPE PLUG	77	9
17-78909	DETENT PIN	73	57	22-94090	ELBOW	27	35
17-78909	DETENT PIN	81	57	23-12245--1	BUSHING	31	28
17-816771	RIVET	3	6	23-17615--1	SPACER SHIM (.125 IN.)	65	65
17-823106	DOWEL PIN (.875)	39	22	23-17615--1	SPACER SHIM (.125 IN.)	81	61
17-823106	DOWEL PIN-PLATE TO POWERHEAD	35	24	23-17615--2	SPACER SHIM (.127 IN.)	65	65
17-823106	DOWEL PIN-PLATE TO POWERHEAD	37	28	23-17615--2	SPACER SHIM (.127 IN.)	81	61
17-848172	RIVET (POP OPEN)	3	15	23-17615--3	SPACER SHIM (.129 IN.)	65	65
17-85020	PIVOT PIN	45	38	23-17615--3	SPACER SHIM (.129 IN.)	81	61
18-21071	COTTER PIN	3	11	23-17615--3	SPACER SHIM (.129 IN.)	81	61
18-93861	COTTER PIN	41	20	23-17615--4	SPACER SHIM (.131 IN.)	65	65
19-64649	PLUG	37	3	23-17615--4	SPACER SHIM (.131 IN.)	81	61
19-815784	CAP PLUG	3	13	23-17615--5	SPACER SHIM (.133 IN.)	65	65
21-42623	CHECK VALVE (PRESS-IN - 11/16 IN. LONG)	27	34	23-17615--5	SPACER SHIM (.133 IN.)	81	61
21-42657A1	CHECK VALVE	23	12	23-17615--6	SPACER SHIM (.135 IN.)	65	65
21-818189A1	CHECK VALVE (45 DEGREES)	27	34	23-17615--6	SPACER SHIM (.135 IN.)	81	61
22-15133	FITTING	31	4	23-17615--7	SPACER SHIM (.137 IN.)	65	65
22-17207	FITTING	15	11	23-17615--7	SPACER SHIM (.137 IN.)	81	61
22-32802--1	PIPE PLUG	21	2	23-17615--8	SPACER SHIM (.139 IN.)	65	65
22-32802--1	PIPE PLUG	27	2	23-17615--8	SPACER SHIM (.139 IN.)	81	61
22-34982	CONNECTOR	17	9	23-17615--9	SPACER SHIM (.141 IN.)	65	65
22-36492	BUSHING	89	24	23-17615--9	SPACER SHIM (.141 IN.)	81	61
22-56759	FITTING (PRESS IN)	27	33	23-17615--10	SPACER SHIM (.143 IN.)	65	65
22-56800--2	PIPE PLUG	23	11	23-17615--10	SPACER SHIM (.143 IN.)	81	61
22-59169	TEE FITTING	31	6	23-17615--11	SPACER SHIM (.145 IN.)	65	65
22-63651	ELBOW (90 DEGREES)	89	21	23-17615--11	SPACER SHIM (.145 IN.)	81	61
22-63670	FITTING	89	22	23-17615--12	SPACER SHIM (.147 IN.)	65	65
22-64706	TEE FITTING	89	23	23-17615--12	SPACER SHIM (.147 IN.)	81	61
22-67892	DRAIN SCREW (MAGNETIC)	73	70	23-17615--13	SPACER SHIM (.149 IN.)	65	65
22-67892A1	DRAIN SCREW (MAGNETIC)	69	15	23-17615--13	SPACER SHIM (.149 IN.)	81	61
22-67892A1	DRAIN SCREW (MAGNETIC)	77	15	23-26600	BUSHING	13	52
				23-26856	BUSHING	13	52
				23-27132	BUSHING	13	50
				23-29804	SLEEVE	55	42
				23-29804	SLEEVE	63	42
				23-34948	SPACER	85	5
				23-43998	SLEEVE	69	8
				23-43998	SLEEVE	77	8
				23-55164	BUSHING	11	15
				23-55171	BUSHING	11	16
				23-67268	BUSHING	9	27
				23-67269	SPACER	23	17
				23-77631A2	BUSHING ASSEMBLY	51	21

PARTS INDEX

Part Number	Description	Pg.	Ref. No.	Part Number	Description	Pg.	Ref. No.
23-77631A2	BUSHING ASSEMBLY	61	21	25-90011	O-RING	71	29
23-77631A2	BUSHING ASSEMBLY	69	19	25-90011	O-RING	79	29
23-77631A2	BUSHING ASSEMBLY	77	19	25-99123	GROMMET	15	19
23-812711	SPACER (1/4 IN.)	91	11	26-16977	OIL SEAL	55	35
23-812711--1	SPACER (3/8 IN.)	91	11	26-16977	OIL SEAL	63	35
23-822035-24	BEARING (1-1/2 IN.)	41	6	26-16977	OIL SEAL	71	31
23-822035-40	BEARING (2-1/2 IN.)	41	7	26-16977	OIL SEAL	79	31
23-822823	THRUST RING	57	66	26-38970	SEAL	55	41
23-822823	THRUST RING	73	62	26-38970	SEAL	63	41
23-847685	SLEEVE	55	42	26-41953	OIL SEAL	23	24
23-847685	SLEEVE	63	42	26-41953	OIL SEAL	25	38
23-847685	SLEEVE	71	45	26-814754	SEAL	21	6
23-847685	SLEEVE	79	38	26-815565	OIL SEAL	57	73
23-847724	BUSHING	45	35	26-815565	OIL SEAL	67	75
23-847726	BEARING	41	3	26-815565	OIL SEAL	73	69
23-847728	BEARING	41	5	26-815565	OIL SEAL	83	71
23-848024	BUSHING (W/LIP)	31	15	26-816464--1	OIL SEAL	51	23
23-848025	BUSHING (W/O LIP)	31	16	26-816464--1	OIL SEAL	61	23
23-86600	BUSHLNG	41	12	26-816464--1	OIL SEAL	69	21
23-94304	BUSHING	9	8	26-816464--1	OIL SEAL	77	21
23-94453	BUSHING	9	9	26-847729	OIL SEAL	41	2
24-20099	SPRING	11	29	26-85023	OIL SEAL	41	8
24-20099	SPRING	13	45	26-88397	SEAL	35	20
24-30316	SPRING	45	37	26-88397	SEAL	37	24
24-68784	SPRING	11	17	26-88397	SEAL	39	18
24-78962	SPRING	57	63	26-88397	SEAL	55	41
24-78962	SPRING	65	63	26-88397	SEAL	63	41
24-78962	SPRING	73	59	26-88397	SEAL	71	37
24-78962	SPRING	81	59	26-88397	SEAL	79	37
24-79910	SPRING	57	54	26-89238	OIL SEAL	55	34
24-79910	SPRING	65	54	26-89238	OIL SEAL	63	34
24-79910	SPRING	73	50	26-89238	OIL SEAL	71	30
24-79910	SPRING	81	50	26-89238	OIL SEAL	79	30
24-848470	SPRING	11	25	26-89238A3	SEAL KIT	53	-
24-85367	SPRING	41	13	26-89238A3	SEAL KIT	55	-
24-88049	SPRING	41	19	26-89238A3	SEAL KIT	59	-
24-98894--1	SPRING	31	17	26-89238A3	SEAL KIT	61	-
25-17625	O-RING	87	11	26-89238A3	SEAL KIT	63	-
25-25439	O RING	51	22	26-89238A3	SEAL KIT	67	-
25-25439	O RING	61	22	26-89238A3	SEAL KIT	71	-
25-25439	O-RING	69	20	26-89238A3	SEAL KIT	75	-
25-25439	O-RING	77	20	26-89238A3	SEAL KIT	79	-
25-31534	O RING	57	69	26-89238A3	SEAL KIT	83	-
25-31534	O RING	67	68	26-94219	SEAL	15	18
25-31534	O-RING	73	65	27-11338	GASKET	23	5
25-31534	O-RING	83	64	27-12775--4	GASKET	27	22
25-34776	O RING	51	3	27-18051	GASKET (LOWER)	55	36
25-34776	O RING	61	3	27-18051	GASKET (LOWER)	63	36
25-34776	O-RING	69	3	27-18051	GASKET (LOWER)	71	32
25-34776	O-RING	77	3	27-18051	GASKET (LOWER)	79	32
25-45507	GROMMET	43	29	27-42631--1	GASKET	55	32
25-45711	O-RING	25	42	27-42631--1	GASKET	63	32
25-48171	O-RING	41	10	27-42631--1	GASKET	71	28
25-54030	O-RING	23	23	27-42631--1	GASKET	79	28
25-62700	O-RING (3-1/4 IN. I.D.)	25	37	27-62386	GASKET	27	14
25-817713--3	GROMMET	3	22	27-814658--1	GASKET	27	3
25-89497	O-RING-RESERVOIR END	87	6	27-814658A3	ENGINE GASKET SET	21	-
25-89498	O-RING-MOTOR END	87	3	27-814658A3	ENGINE GASKET SET	25	-
25-90011	O RING	55	33	27-814658A3	ENGINE GASKET SET	27	-
25-90011	O RING	63	33	27-814658A3	ENGINE GASKET SET	29	-

PARTS INDEX

Part Number	Description	Pg.	Ref. No.	Part Number	Description	Pg.	Ref. No.
27-814658A3	ENGINE GASKET SET	31	-	32-77457--2	HOSE (1-1/2 IN.)(4 IN.)(4 IN.)	15	9
27-814658A3	GASKET SET	15	-	32-817389-77	HOSE (84 IN.)	15	28
27-823142	GASKET	21	13	32-830756109	TUBING (2 OF 1-1/2 IN.)(2 OF 1-1/4 IN.)	23	13
27-847525--1	GASKET	21	5	32-847650--1	WATER TUBE (X-LONG)	37	19
27-85609--1	GASKET (UPPER)	55	37	32-847650--1	WATER TUBE (X-LONG)	39	13
27-85609--1	GASKET (UPPER)	63	37	32-847650--2	WATER TUBE (LONG)	37	19
27-85609--1	GASKET (UPPER)	71	33	32-847650--2	WATER TUBE (LONG)	39	13
27-85609--1	GASKET (UPPER)	79	33	32-847650--3	WATER TUBE	35	15
27-87775	GASKET	43	31	32-848761-77	HOSE (84 IN.)	15	28
27-88907--2	GASKET	21	9	32-89023	HOSE-HYDRAULIC (STARBOARD)	43	26
27-99316--3	GASKET	31	1	32-89024	HOSE-HYDRAULIC (PORT)	43	26
28-30281	KEY	57	76	32-96993	HOSE-HYDRAULIC (PORT)	43	27
28-30281	KEY	67	79	32-96994	HOSE-HYDRAULIC (STARBOARD)	43	27
28-30281	KEY	73	72	33-14103550	SPARK PLUG (NGK #BUZHW)	7	23
28-30281	KEY	83	75	34-815242A3	REED ASSEMBLY	27	24
28-56654	KEY	55	43	35-807172	FUEL FILTER	17	8
28-56654	KEY	63	43	35-807172A4	FUEL FILTER KIT	17	7
28-56654	KEY	71	38	35-818700	FILTER	15	27
28-56654	KEY	79	39	35-89496	FILTER	87	5
29-822553	NEEDLE BEARING	29	16	37-817660A95	DECAL SET	3	-
30-67923	BALL BEARING (LOWER)	29	2	37-817679	DECAL	33	-
30-848280	BALL BEARING (UPPER)	29	4	37-818267A1	DECAL SET-FRONT COVER	3	-
30-88957	BALL BEARING	57	67	37-818267A97	DECAL SET	3	-
30-88957	BALL BEARING	65	57	37-818351	DECAL	33	-
30-88957	BALL BEARING	73	63	37-818956A1	DECAL SET-FRONT COVER	3	-
30-88957A1	BALL BEARING	81	53	39-67377--2	RING	29	7
31-15834	THRUST BEARING	67	71	39-848200A12	PISTON RING ASSEMBLY	29	10
31-15834	THRUST BEARING	83	67	43-15845A2	FORWARD GEAR	81	60
31-15841	ROLLER BEARING	67	66	43-15845A2	FORWARD GEAR SET	65	64
31-15841	ROLLER BEARING	83	62	43-44102A5	FORWARD GEAR SET (INCLUDES PINION)	57	58
31-15843	ROLLER BEARING	67	70	43-44104A7	FORWARD GEAR SET (INCLUDES ALL GEARS)	73	54
31-15843	ROLLER BEARING	83	66	43-44104A7	FORWARD GEAR SET (INCLUDES PINION)	57	58
31-15844	ROLLER BEARING	65	59	43-817515A2	FORWARD GEAR SET	65	64
31-15844	ROLLER BEARING	81	55	43-817516A1	REVERSE GEAR	65	58
31-16756A8	ROLLER BEARING	29	8	43-822824A1	REVERSE GEAR	57	65
31-36387A1	ROLLER BEARING	53	29	43-822824A1	REVERSE GEAR (INCLUDED W/REF. #54)	73	61
31-36387A1	ROLLER BEARING	61	29	43-847632A1	REVERSE GEAR	57	65
31-36387A1	ROLLER BEARING	69	25	44-815495T	PROPELLER SHAFT	67	72
31-36387A1	ROLLER BEARING	77	25	44-815495T	PROPELLER SHAFT	83	68
31-42647A1	ROLLER BEARING	51	6	44-822820F1	PROPELLER SHAFT	57	64
31-42647A1	ROLLER BEARING	61	6	44-822820F1	PROPELLER SHAFT	73	60
31-42647A1	ROLLER BEARING	69	6	45-848449A4	DRIVE SHAFT (SHORT)	51	25
31-42647A1	ROLLER BEARING	77	6	45-848449A4	DRIVE SHAFT (SHORT)	61	25
31-48939A2	ROLLER BEARING	51	27	45-848449A4	DRIVE SHAFT (SHORT)	69	23
31-48939A2	ROLLER BEARING	61	27	45-848449A4	DRIVE SHAFT (SHORT)	77	23
31-54928--1	ROLLER BEARING	57	59	45-848449A5	DRIVE SHAFT (LONG)	51	25
31-54928--1	ROLLER BEARING	73	55	45-848449A5	DRIVE SHAFT (LONG)	61	25
31-78172A1	TAPERED ROLLER BEARING	57	57	45-848449A5	DRIVE SHAFT (LONG)	69	23
31-78172A1	TAPERED ROLLER BEARING	73	53	45-848449A5	DRIVE SHAFT (LONG)	77	23
31-817072	ROLLER BEARING	57	71	45-848449A6	DRIVE SHAFT (X-LONG)	51	25
31-817072	ROLLER BEARING	67	74	45-848449A6	DRIVE SHAFT (X-LONG)	61	25
31-817072	ROLLER BEARING	73	67	45-848449A6	DRIVE SHAFT (X-LONG)	61	25
31-817072	ROLLER BEARING	83	70	45-848449A6	DRIVE SHAFT (X-LONG)	69	23
31-821146A1	ROLLER BEARING	29	15				
32-64088--6	TUBING	89	16				
32-66285-70	HOSE	15	12				
32-66285-70	HOSE	31	5				
32-66285-70	HOSE (YELLOW)	27	36				
32-77457--2	HOSE	21	12				
32-77457--2	HOSE	27	18				

PARTS INDEX

Part Number	Description	Pg.	Ref. No.	Part Number	Description	Pg.	Ref. No.
45-848449A6	DRIVE SHAFT (X-LONG)	77	23	54-816311	STA-STRAP	27	20
46-44292A3	WATER PUMP BASE ASSEMBLY	55	31	54-816311	STA-STRAP	89	12
46-44292A3	WATER PUMP BASE ASSEMBLY	63	31	54-821603	CLIP	33	9
46-44292A3	WATER PUMP BASE ASSEMBLY	69	27	54-847737	CLAMP	37	8
46-44292A3	WATER PUMP BASE ASSEMBLY	77	27	54-848763	CLAMP (19.8 MM)	15	29
46-847710A1	WATER PUMP BODY ASSEMBLY	55	39	54-848764	CLAMP (21 MM)	15	29
46-847710A1	WATER PUMP BODY ASSEMBLY	63	39	54-88512	J-CLAMP	43	6
46-847710A1	WATER PUMP BODY ASSEMBLY	71	35	56-90415A24	STUD KIT (LONG)	53	-
46-847710A1	WATER PUMP BODY ASSEMBLY	79	35	56-90415A24	STUD KIT (LONG)	55	-
46-96148A1	WATER PUMP BODY ASSEMBLY	55	39	56-90415A24	STUD KIT (LONG)	59	-
46-96148A1	WATER PUMP BODY ASSEMBLY	63	39	56-90415A24	STUD KIT (LONG)	61	-
47-89984--2	IMPELLER	55	44	56-90415A24	STUD KIT (LONG)	63	-
47-89984--2	IMPELLER	63	44	56-90415A24	STUD KIT (LONG)	65	-
47-89984--2	IMPELLER	71	39	56-90415A24	STUD KIT (LONG)	67	-
47-89984--2	IMPELLER	79	40	56-90415A24	STUD KIT (LONG)	67	-
50-79472	STARTER MOTOR	7	25	56-90415A25	STUD KIT (X-LONG)	53	-
50-79472	STARTER MOTOR	19	-	56-90415A25	STUD KIT (X-LONG)	55	-
51-18594A9	CYLINDER LINER ASSY. (.020 O.S.)	23	-	56-90415A25	STUD KIT (X-LONG)	59	-
52-42672	RATCHET	57	60	56-90415A25	STUD KIT (X-LONG)	61	-
52-42672	RATCHET	65	60	56-90415A25	STUD KIT (X-LONG)	63	-
52-42672	RATCHET	73	56	56-90415A25	STUD KIT (X-LONG)	65	-
52-42672	RATCHET	81	56	56-90415A25	STUD KIT (X-LONG)	67	-
53-67446	RETAINING RING	29	3	61-848040A10	POWERHEAD	11	-
53-78201	CLIP	11	21	61-848040A10	POWERHEAD	15	-
53-817071	SNAP RING	57	72	61-848040A10	POWERHEAD	21	-
53-817071	SNAP RING	67	76	61-848040A10	POWERHEAD	25	-
53-817071	SNAP RING	73	68	61-848040A10	POWERHEAD	27	-
53-817071	SNAP RING	83	72	61-848040A10	POWERHEAD	29	-
53-821246	RETAINING RING	29	11	61-848040A10	POWERHEAD	31	-
53-847882	RING-RETAINING	31	13	79-825331A1	30 PSI GAUGE KIT	89	14
53-848125	RETAINING RING-SPIRAL LOCK	41	23	79-93953A1	TACHOMETER	89	1
54-12999	CLAMP	15	10	84-11149A2	CABLE ASSEMBLY	89	11
54-13791	CLAMP	15	29	84-13397A1	HARNESS ASSEMBLY	21	17
54-24836	J-CLAMP	7	12	84-60871A10	WIRE	9	13
54-54457	J-CLAMP	13	32	84-62310A2	CABLE	9	11
54-54457	J-CLIP	33	19	84-65017A14	TILT HARNESS	85	35
54-63153	J-CLAMP	23	14	84-65999A10	CABLE (BLACK)	33	3
54-64235--2	J-CLAMP (SMALL)	21	4	84-65999A11	CABLE	85	19
54-75275	CLAMP	11	24	84-65999A12	CABLE	85	6
54-75275	CLAMP	43	6	84-65999A2	CABLE (BLACK)	9	32
54-78945--1	J-CLAMP	27	9	84-65999A3	CABLE (BLACK)	9	18
54-814634	J CLAMP	9	4	84-69738A7	HARNESS ASSEMBLY (#2,4 & 6)	7	24
54-814634	J-CLAMP	9	24	84-69739A2	HARNESS ASSEMBLY (#1,3 & 5)	7	24
54-814634	J-CLAMP (LARGE)	21	4	84-79138A9	BATTERY CABLE (NEGATIVE)	85	7
54-815504104	CLAMP	15	15	84-79139A12	BATTERY CABLE (RED-POSITIVE)	85	20
54-816311	CABLE TIE	89	15	84-79139A26	WIRE (RED)	85	23
54-816311	STA-STRAP	9	3	84-79147A5	HARNESS ASSEMBLY	85	9
54-816311	STA-STRAP	21	11	84-815358A1	HIGH TENSION CABLE	7	22
				84-816626A15	KEY SWITCH ASSEMBLY (15 FT.)	91	1
				84-816626A20	KEY SWITCH ASSEMBLY (20 FT.)	91	1
				84-825201--1	CABLE	17	2
				84-848017A2	HARNESS-TRIM	47	6
				84-848489A1	HARNESS	17	11
				84-848490A1	HARNESS (RED)(12 FEET)	17	12

PARTS INDEX

Part Number	Description	Pg.	Ref. No.	Part Number	Description	Pg.	Ref. No.
84-86322A16	CABLE (BLACK)	89	17	1590-8837A5	DRIVE SHAFT HOUSING ASSEMBLY	37	1
84-86322A7	WIRE (BLACK - 1-1/2 IN.) . . .	89	8	1685-847902A11	GEAR HOUSING (LONG) . . .	69	-
84-86323A5	WIRE (PURPLE - 1-1/2 IN.) . .	89	8	1685-847902A11	GEAR HOUSING (LONG) . . .	73	-
84-86396A8	HARNESS	89	13	1685-847902A13	GEAR HOUSING (X-LONG) . .	69	-
84-88439A14	BATTERY CABLE	9	28	1685-847902A13	GEAR HOUSING (X-LONG) . .	73	-
84-88439A2	BATTERY CABLE	9	25	1685-847902A15	GEAR HOUSING	69	1
84-88532A1	CABLE (DARK BLUE)	89	17	1685-847902A15	GEAR HOUSING (BASIC - BLACK)	73	1
84-88807A6	GROUND STRAP (BLACK)	7	21	1685-847902A16	GEAR HOUSING	69	1
84-93388A1	WIRE (BLACK)	7	28	1685-847902A16	GEAR HOUSING (BASIC - GRAY)	73	1
84-93389A5	WIRE (YELLOW)	7	32	1685-847902A3	GEAR HOUSING (SHORT) . .	69	-
84-96220A4	ENGINE HARNESS	9	1	1685-847902A3	GEAR HOUSING (SHORT) . .	73	-
84-98866A26	E.F.I HARNESS	33	2	1685-847902A5	GEAR HOUSING (LONG) . . .	69	-
87-18286A17	TRIM SWITCH KIT	47	-	1685-847902A5	GEAR HOUSING (LONG) . . .	73	-
87-18286A28	SWITCH	47	3	1685-847902A7	GEAR HOUSING (X-LONG) . .	69	-
87-66581	SWITCH	17	13	1685-847902A7	GEAR HOUSING (X-LONG) . .	73	-
87-88107	IGNITION SWITCH (SEE CHART BELOW FOR KEY)	91	8	1685-847902A9	GEAR HOUSING (SHORT) . .	69	-
88-72729	BULB	89	18	1685-847902A9	GEAR HOUSING (SHORT) . .	73	-
88-72729	LIGHT BULB	89	3	1685-847903A15	GEAR HOUSING (SHORT) . .	77	-
88-79023A10	FUSE (110 AMP)	85	16	1685-847903A15	GEAR HOUSING (SHORT) . .	81	-
88-79091	FUSE	9	2	1685-847903A15	GEAR HOUSING (SHORT) . .	83	-
88-79091	FUSE (20 AMP)	85	10	1685-847903A17	GEAR HOUSING (LONG) . . .	77	-
88-79888	SOCKET	89	4	1685-847903A17	GEAR HOUSING (LONG) . . .	81	-
88-825362	SOCKET	89	19	1685-847903A17	GEAR HOUSING (LONG) . . .	83	-
89-68258A4	SOLENOID	85	12	1685-847903A19	GEAR HOUSING (X-LONG) . .	77	-
89-68258A4	STARTER SOLENOID	9	29	1685-847903A19	GEAR HOUSING (X-LONG) . .	81	-
89-76528A1	SOLENOID-START	9	35	1685-847903A19	GEAR HOUSING (X-LONG) . .	83	-
90-811505-96	PARTS MANUAL	1	0	1685-847903A21	GEAR HOUSING (SHORT) . .	81	-
90-848711	OWNERS GUIDE	1	0	1685-847903A21	GEAR HOUSING (SHORT) . .	83	-
90-848713	OWNERS GUIDE	1	0	1685-847903A21	GEAR HOUSING (SHORT) . .	77	-
249-6080A42	FLYWHEEL	7	7	1685-847903A21	GEAR HOUSING (SHORT) . .	81	-
332-7778A14	SWITCH BOX	9	6	1685-847903A21	GEAR HOUSING (SHORT) . .	83	-
339-7370A19	IGNITION COIL	7	15	1685-847903A23	GEAR HOUSING (LONG) . . .	77	-
398-5454A66	STATOR	7	10	1685-847903A23	GEAR HOUSING (LONG) . . .	81	-
455-848330A1	CRANKSHAFT ASSEMBLY	29	1	1685-847903A23	GEAR HOUSING (LONG) . . .	83	-
644-818141A5	CONNECTING ROD ASSEMBLY	29	12	1685-847903A25	GEAR HOUSING (X-LONG) . .	77	-
884-822230A36	CYLINDER BLOCK	23	1	1685-847903A25	GEAR HOUSING (X-LONG) . .	81	-
1156-7809A1	LOWER END CAP	25	36	1685-847903A25	GEAR HOUSING (X-LONG) . .	83	-
1159-848282A1	UPPER END CAP	23	22	1685-847903A27	GEAR HOUSING	77	1
1491-847723A3	SWIVEL BRACKET ASSEMBLY	41	1	1685-847903A27	GEAR HOUSING	81	1
1491-847723A4	SWIVEL BRACKET ASSEMBLY	41	1	1685-847903A27	GEAR HOUSING	83	1
1494-847800A1	TRANSOM BRACKET (PORT) . . .	43	1	1685-847903A28	GEAR HOUSING	77	1
1494-847800A2	TRANSOM BRACKET (PORT) . . .	43	1	1685-847903A28	GEAR HOUSING	81	1
1495-847801A1	TRANSOM BRACKET (STARBOARD)	43	2	1685-847903A28	GEAR HOUSING	83	1
1495-847801A2	TRANSOM BRACKET (STARBOARD)	43	2	1687-848450A15	GEAR HOUSING (SHORT) . .	48	-
1581-818900A8	DRIVE SHAFT HOUSING ASSEMBLY	35	1	1687-848450A16	GEAR HOUSING (LONG) . . .	48	-
1581-818900A9	DRIVE SHAFT HOUSING ASSEMBLY	35	1	1687-848450A17	GEAR HOUSING (X-LONG) . .	48	-
1581-8683A36	DRIVE SHAFT HOUSING ASSEMBLY	39	1	1687-848450A18	GEAR HOUSING (SHORT) . .	48	-
1581-8683A38	DRIVE SHAFT HOUSING ASSEMBLY	39	1	1687-848450A19	GEAR HOUSING (LONG) . . .	48	-
1590-8837A10	DRIVE SHAFT HOUSING ASSEMBLY	37	1	1687-848450A25	GEAR HOUSING (WITH TORQUE TAB)	51	1
				1687-848450A25	GEAR HOUSING (WITH TORQUE TAB)	55	1
				1687-848450A25	GEAR HOUSING (WITH TORQUE TAB)	57	1
				1687-848474A21	GEAR HOUSING (SHORT) . .	48	-
				1687-848474A22	GEAR HOUSING (LONG) . . .	48	-
				1687-848474A23	GEAR HOUSING (X-LONG) . .	48	-
				1687-848474A24	GEAR HOUSING (SHORT) . .	48	-
				1687-848474A25	GEAR HOUSING (LONG) . . .	48	-

PARTS INDEX

Part Number	Description	Pg.	Ref. No.	Part Number	Description	Pg.	Ref. No.
1687-848474A26	GEAR HOUSING (X-LONG) .	48	-				
1687-848474A27	GEAR HOUSING (SHORT) ..	48	-				
1687-848474A28	GEAR HOUSING (LONG) ...	48	-				
1687-848474A29	GEAR HOUSING (X-LONG) .	48	-				
1687-848474A30	GEAR HOUSING (SHORT) ..	48	-				
1687-848474A31	GEAR HOUSING (LONG) ...	48	-				
1687-848474A32	GEAR HOUSING (X-LONG) .	48	-				
1687-848474A39	GEAR HOUSING (BASIC) ..	61	1				
1687-848474A39	GEAR HOUSING (BASIC) ..	63	1				
1687-848474A39	GEAR HOUSING (BASIC) ..	65	1				
1687-848474A39	GEAR HOUSING (BASIC) ..	67	1				
1687-848474A39	GEAR HOUSING (WITHOUT TORQUE TAB)	51	1				
1687-848474A39	GEAR HOUSING (WITHOUT TORQUE TAB)	55	1				
1687-848474A39	GEAR HOUSING (WITHOUT TORQUE TAB)	57	1				
2717-827352A3	PISTON ASSEMBLY (STARBOARD)	29	9				
2717-827353A3	PISTON ASSEMBLY (PORT)	29	8				
3521-818810A7	SWIVEL BRACKET ASSEMBLY	41	1				
3521-818810A8	SWIVEL BRACKET ASSEMBLY	41	1				
4006-817704A24	TOP COWL	3	1				
4006-817704A25	TOP COWL	3	1				
4007-848164A5	BOTTOM PAN	3	12				
4007-848164A6	BOTTOM PAN	3	12				
4016-847893A2	SKIRT	3	23				
4016-847893A3	SKIRT	3	23				
4016-847893A4	SKIRT	3	23				
4016-847893A5	SKIRT	3	23				