



PARTS CATALOG

25 XS

SERIAL NUMBER

MERC 25XS B290347 AND UP

TABLE OF CONTENTS:

CARBURETOR	10
CLAMP BRACKET/SWIVEL BRACKET	18
COWLS	4
CRANKSHAFT, PISTONS AND FLYWHEEL	16
CYLINDER BLOCK AND COVERS	12
DRIVE SHAFT HOUSING ASSEMBLY	20
FUEL FILTER ASSEMBLY	2
GEAR HOUSING ASSEMBLY	22
IGNITION COMPONENTS	8
MISCELLANEOUS PARTS/ACCESSORIES	1
PARTS INDEX	26
STARTER ASSEMBLY (MANUAL)	6
THROTTLE LINKAGE	24

NOTE: *Indented description indicate that these parts are included in preceeding assembly.*

AR = As Required

NSS = Not Sold Separate

OPT = Optional

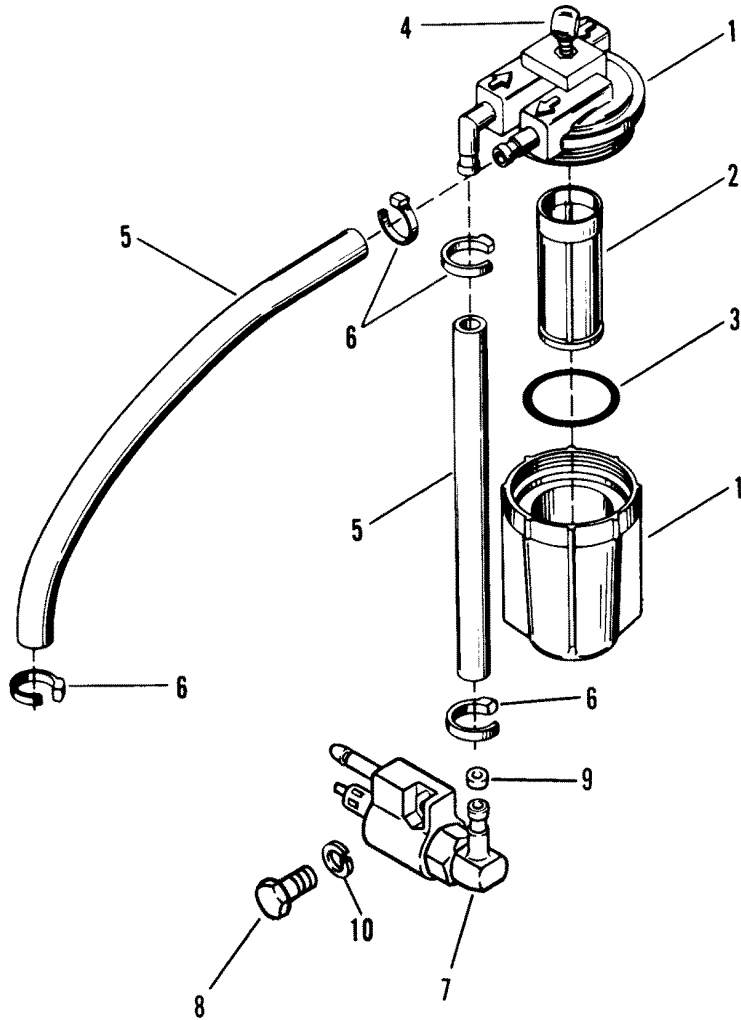
NS = Not Shown

THESE PARTS BOOKS/FICHE CARD ARE COPYRIGHTED AND MAY NOT BE DISTRIBUTED OR REPRODUCED IN ANY OTHER FORMAT BY ANYONE OTHER THAN MERCURY MARINE WITHOUT THE PRIOR WRITTEN CONSENT OF MERCURY MARINE.

MISCELLANEOUS PARTS/ACCESSORIES

REF. NO.	PART NO.	SYM.	QTY.	DESCRIPTION
-	90-813665		0	MERC 25 XS PARTS LIST
-	27-14539A86		0	GASKET SET
-	37-12622A1		0	DECAL SET
-	90-12745880		0	OWNER'S GUIDE

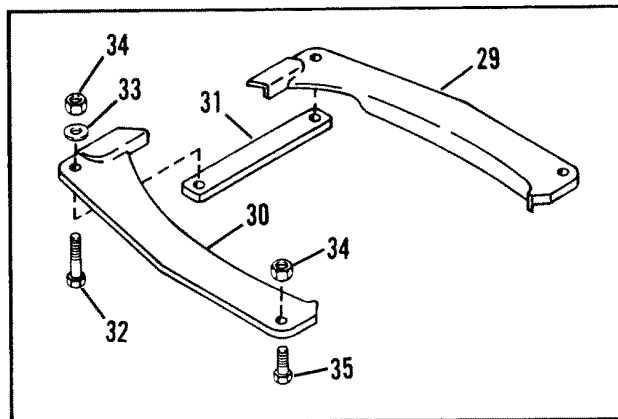
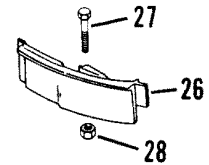
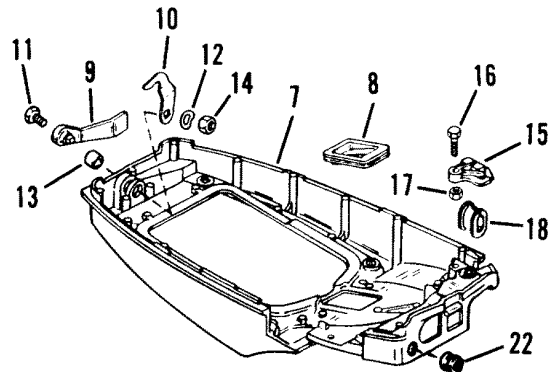
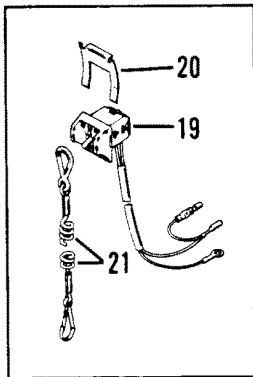
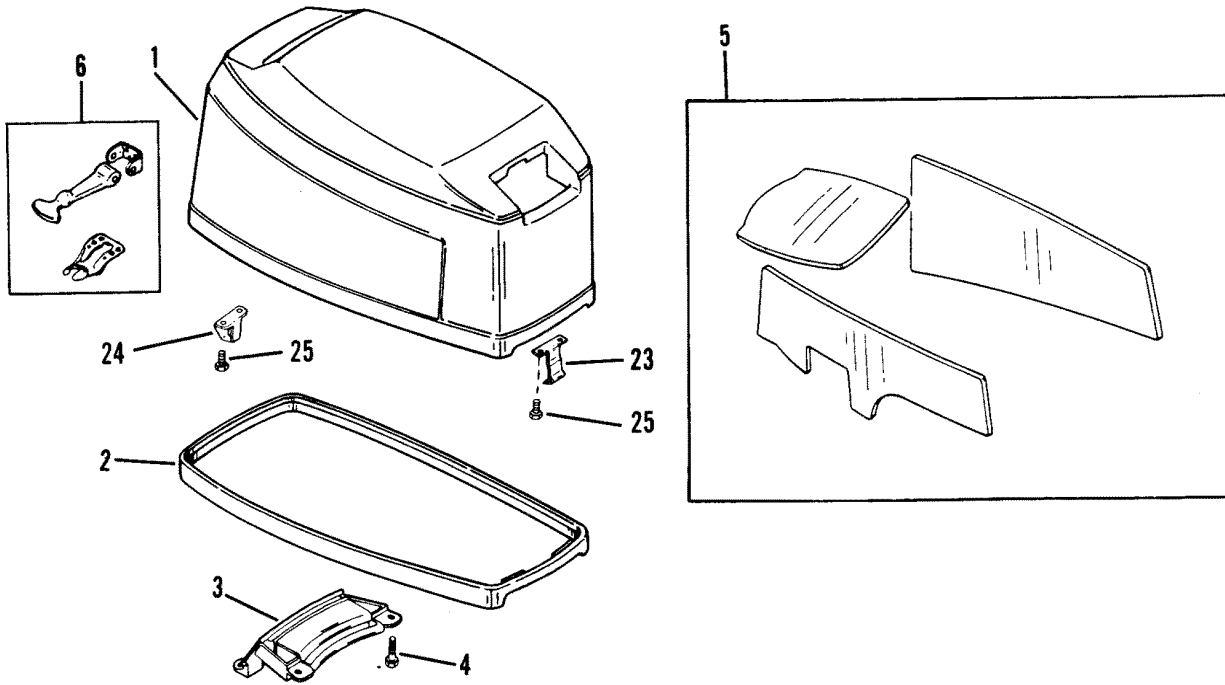
FUEL FILTER ASSEMBLY



FUEL FILTER ASSEMBLY

REF. NO.	PART NO.	SYM.	QTY.	DESCRIPTION
1	35-87946A13		1	FUEL FILTER ASSEMBLY
2	35-87946A3		1	FILTER ASSEMBLY
3	25-98277		1	SEAL, FUEL FILTER
4	91935		1	BALL, FUEL FILTER
5	32-99127109		2	FUEL LINE
6	73498		AR	STA-STRAP
7	22-15781A9		1	FUEL CONNECTOR ASSEMBLY
8	10-40003-31		1	SCREW, FUEL CONNECTOR
9	25-18202		1	GROMMET, FUEL CONNECTOR
10	13-26992		1	LOCKWASHER

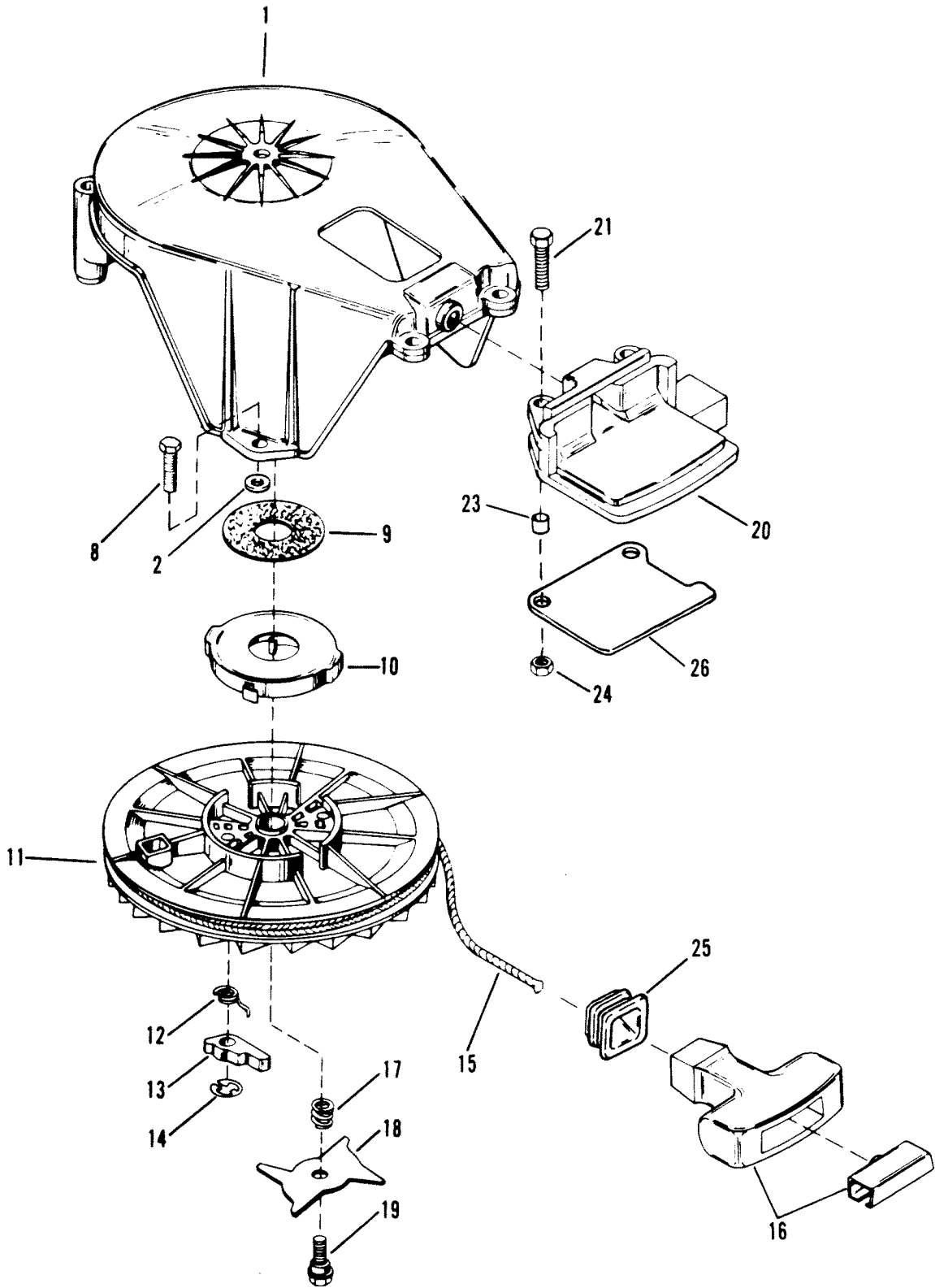
COWLS



COWLS

REF. NO.	PART NO.	SYM.	QTY.	DESCRIPTION
1	2177-8869A26		1	TOP COWL
2	17773A2		1	COWL SEAL
3	17539		1	COWL HANDLE
4	10-70332		4	SCREW, COWL HANDLE
5	17908A1		1	SOUND BLANKET KIT
6	15756A1		2	COWL LATCH KIT
7	2193-9682A3		1	BOTTOM COWL
8	25-17231		1	GROMMET
9	17220		1	LEVER, COWL LATCH
10	812412		1	LATCH HOOK
11	10-40019130		1	SCREW
12	13-37642		1	WAVE WASHER
13	23-71984		1	BUSHING, NYLON
14	11-17224		1	NUT
15	17223		1	WIRE COVER
16	10-40003-32		1	SCREW
17	11-40063--4		1	NUT
18	25-17226		1	GROMMET
19	87-11083A6		1	STOP SWITCH ASSEMBLY
20	12044		1	RETAINER, STOP SWITCH
21	15920A54		1	LANYARD ASSEMBLY
22	25-26547		1	GROMMET, BOTTOM COWL
23	17221		1	FRONT LATCH
24	812413A1		1	ROLLER BRACKET ASSEMBLY
25	10-40003--3		4	SCREW, LATCH AND HOOK
26	17234T		1	COVER
27	10-40003-29		1	SCREW, COVER
28	11-40063--4		1	NUT, COVER
29	17258--1		1	TRIM COVER (PORT)
30	17258--2		1	TRIM COVER (STARBOARD)
31	19704		1	BRACKET, SUPPORT
32	10-40003-30		2	SCREW, TRIM COVER (REAR)
33	12-35462		2	WASHER
34	11-40063--4		4	NUT
35	10-40011128		2	SCREW, TRIM COVER (FRONT)

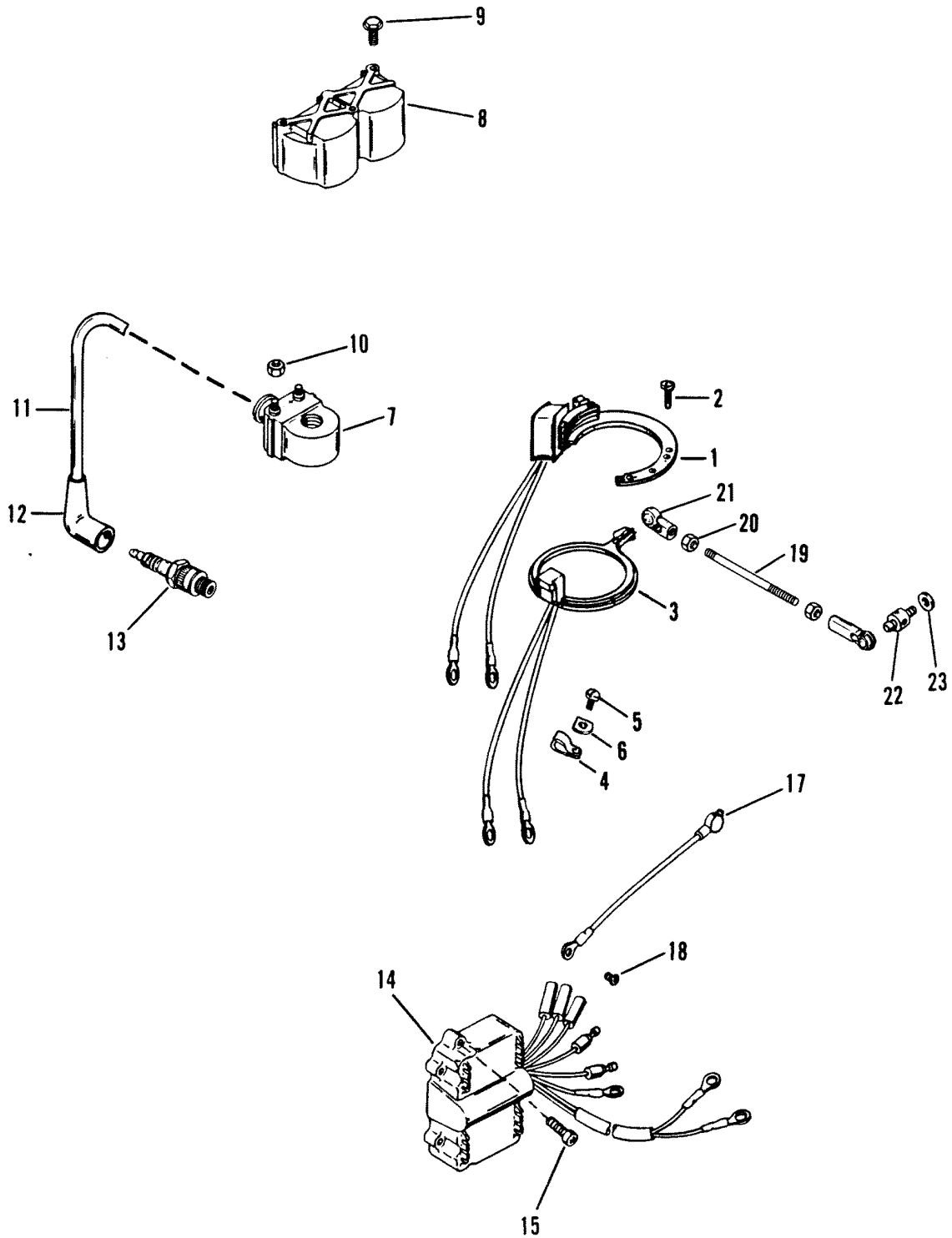
STARTER ASSEMBLY (MANUAL)



STARTER ASSEMBLY (MANUAL)

REF. NO.	PART NO.	SYM.	QTY.	DESCRIPTION
1	42712A1		1	HOUSING, STARTER
2	12-28927		1	WASHER, STARTER HOUSING SCREW
8	10-40011128		2	SCREW, STARTER HOUSING ATTACHING (20MM)
	10-40003-32		1	SCREW, STARTER HOUSING ATTACHING (35MM)
9	90478		1	PAD, FELT
10	24-86857		1	SPRING, STARTER
11	50-42566		1	SHEAVE, STARTER
12	24-86851		2	SPRING, CAM
13	86850		2	CAM
14	53-86849		2	RETAINING RING, CAM
15	50-12066A9		1	ROPE, STARTER
16	85174A1		1	HANDLE ASSEMBLY, STARTER ROPE
17	24-86852		1	SPRING, CAM
18	86853		1	CAM
19	10-97516		1	SCREW, CAM TO STARTER SHEAVE
20	42626--2		1	SUPPORT, STARTER HANDLE
21	10-40019111		2	SCREW, SUPPORT TO STARTER HOUSING (35MM)
23	23-30977--1		4	SPACER, SUPPORT SCREW
24	11-40063--3		2	NUT, SUPPORT SCREW
25	44180		1	BUSHING, ROPE
26	17212		1	SUPPORT

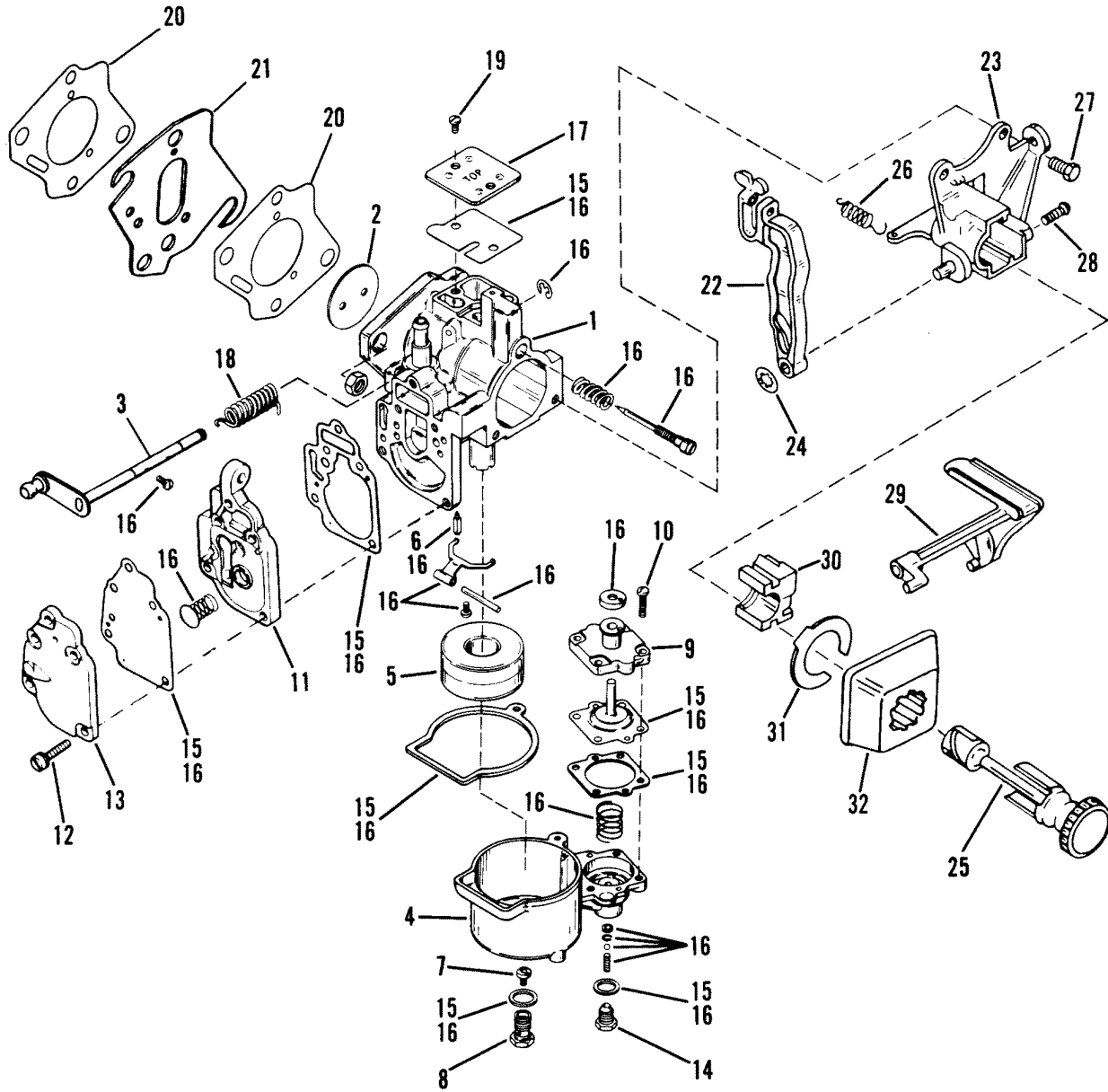
IGNITION COMPONENTS



IGNITION COMPONENTS

REF. NO.	PART NO.	SYM.	QTY.	DESCRIPTION
1	86617A13		1	STATOR ASSEMBLY
2	10-40001-20		2	SCREW, STATOR ATTACHING (25MM)
	10-40001--5		2	SCREW, STATOR ATTACHING (10MM)-MANUAL
3	98450A5		1	TRIGGER ASSEMBLY
4	54-24836		1	CLIP, TRIGGER LEADS
5	10-48408		1	SCREW, CLIP TO CRANKCASE
6	69205		1	"C" WASHER, CLIP SCREW
7	339-7370A13		2	IGNITION COIL ASSEMBLY
8	99762		1	COVER, IGNITION COIL
9	10-40007115		3	SCREW, IGINATION COIL COVER
10	11-45076		4	NUT, COIL TERMINAL
11	84-99215A25		2	LEAD ASSEMBLY, LHIGH TENSION
12	58-63709A1		2	BOOT ASSEMBLY, SPARK PLUG
13	33-97180		2	SPARK PLUG
14	339-7452A9		1	SWITCH BOX
15	10-40019108		3	SCREW, SWITCH BOX TO CYLINDER BLOCK (22MM)
17	84-88807A10		2	WIRE ASSEMBLY, GROUND
18	10-48408		1	SCRW, GROUND WIRE
19	16-55422		1	STUD
20	11-68219		2	NUT, JAM
21	19384		2	BALL SOCKET
22	10-12720		1	BALL SCREW
23	12-40023-14		1	WASHER

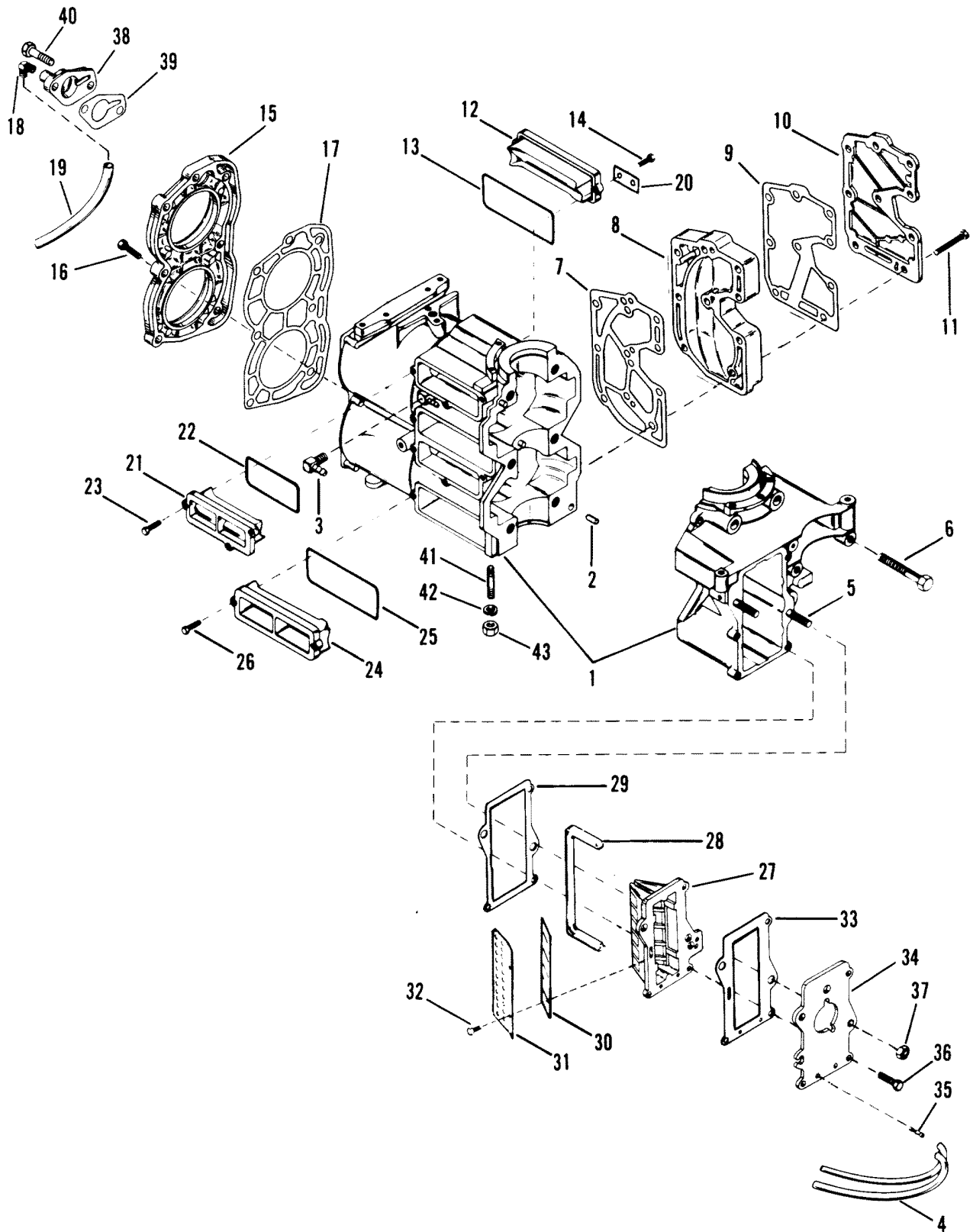
CARBURETOR



CARBURETOR

REF. NO.	PART NO.	SYM.	QTY.	DESCRIPTION
1	1390-8889A12		1	CARBURETOR
2	12905		1	THROTTLE VALVE
3	17502		1	THROTTLE SHAFT
4	1395-9164		1	FUEL BOWL
5	1395-9169		1	FLOAT
6	1395-9170		1	VALVE, INLET NEEDLE
7	1395-6201		1	JET, MAIN FUEL (.080)
8	1395-9171		1	PLUG, JET RETAINER
9	1395-9165		1	COVER, DIAPHRAGM
10	1395-9697		4	SCREW, DIAPHRAGM COVER
11	15827A1		1	BODY, FUEL PUMP
12	1395-9643		5	SCREW, FUEL PUMP COVER
13	1395-9637		1	COVER, FUEL PUMP
14	1395-9762		1	PLUG
15	9803-		1	GASKET/DIAPHRAGM KIT
16	1395-9802		1	REPAIR PARTS KIT
17	1395-9699		1	PLATE, COVER
18	24-F17504		1	THROTTLE SPRING
19	1395-9696		2	SCREW, COVER PLATE
20	27-41449--1		2	GASKET, CARBURETOR
21	19708		1	RESTRICTOR PLATE
22	1205-3		1	LEVER, FAST IDLE
23	12803		1	BRACKET, PRIMER
24	11-97877		1	PUSHNUT, FAST IDLE LEVER
25	12802		1	KNOB, PRIMER
26	24-11277		1	SPRING
27	10-40001--8		2	SCREW, PRIMER BRACKET
28	10-79965		1	SCREW, PRIMER BRACKET
29	11273--1		1	LEVER, PRIMER
30	11280		1	CAM BLOCK
31	53-11278		1	RETAINING CLIP
32	17229		1	CHOKE BEZEL

CYLINDER BLOCK AND COVERS

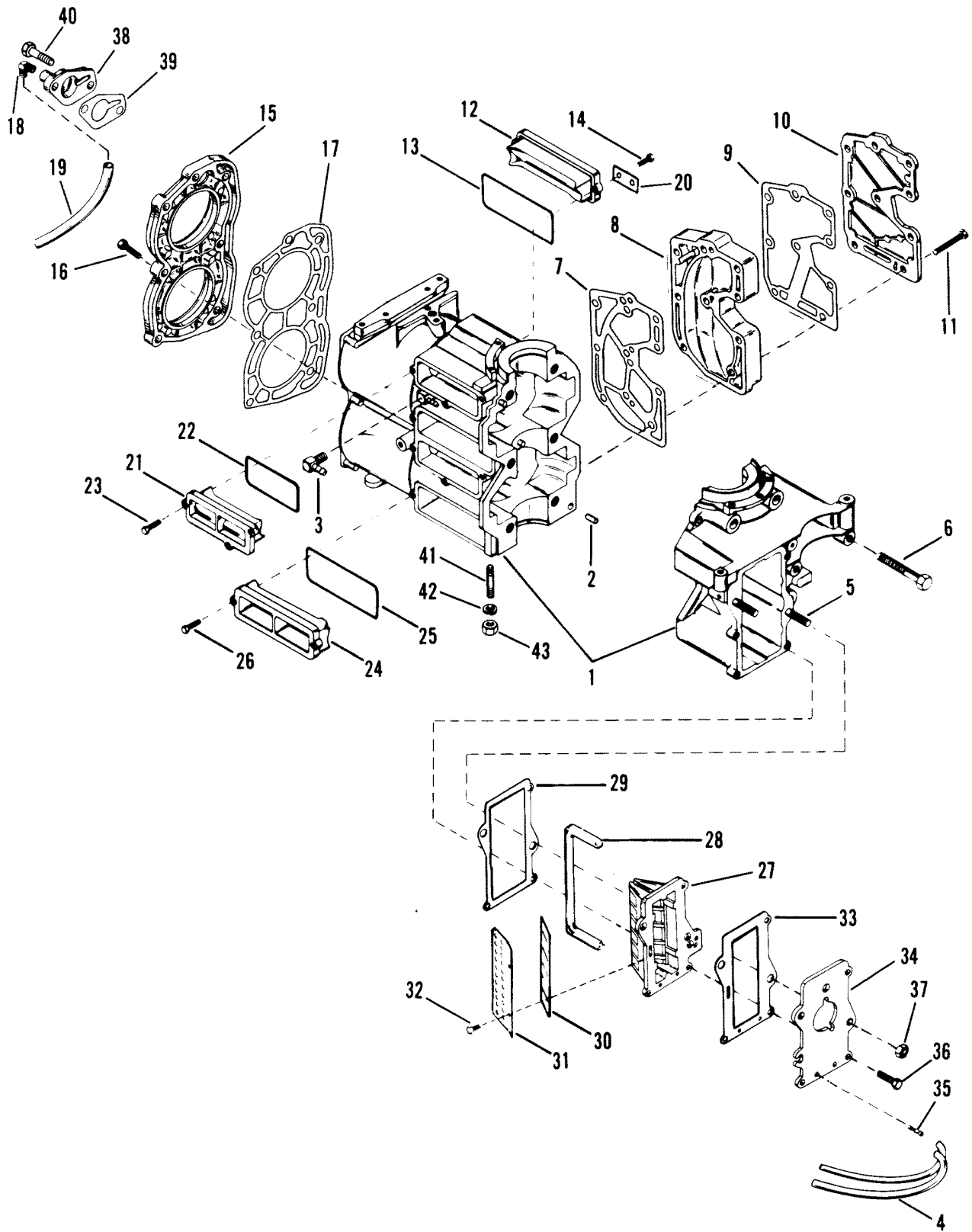


CYLINDER BLOCK AND COVERS

REF. NO.	PART NO.	SYM.	QTY.	DESCRIPTION
1	872-9533A3		1	CYLINDER BLOCK/ CRANK CASE ASSEMBLY
2	17-85171		3	DOWEL PIN, CYLINDER BLOCK
3	22-15133		2	ELBOW, BLEED HOSE (45)
4	32-99130122		2	HOSE, BLEED (12-1/4")
5	16-42917		2	STUD, CARBURETOR
6	10-40001209		6	SCREW, CRANKCASE TO CULINDER BLOCK (60MM)
7	27-41475--4		1	GASKET, EXHAUST MANIFOLD
8	92329--1		1	EXHAUST MANIFOLD
9	27-41499--4		1	GASKET, EXHAUST COVER
10	92330--1		1	COVER, EXHAUST
11	10-40003-33		10	SCREW, EXHAUST COVER TO CYLINDER BLOCK (40MM)
12	14407		2	COVER, TRANSFER PORT
13	25-30503		2	"O" RING, TRANSFER PORT COVER
14	10-40057107		4	SCREW, COVER TO CYLINDER BLOCK (16MM)
15	1028-8282--1		1	COVER ASSEMBLY, CYLINDER BLOCK
16	10-40003-31		5	SCREW, COVER ATTACHING (30MM)
17	27-86389--1		1	GASKET,CYLINDER BLOCK COVER
18	22-99664		1	ELBOW, TELL TALE HOSE
19	32-99127109		1	HOSE, TELL TAIL (8")
20	54-12627		1	STRAP
21	14406		2	COVER, TRANSFER PORT
22	25-86391		2	"O" RING, TRANSFER PORT COVER
23	10-40057107		6	SCREW, COVER TO CYLINDER BLOCK (16MM)
24	14408		2	COVER, TRANSFER PORT
25	25-33465		2	"O" RING, TRANSFER PORT COVER
26	10-40017107		4	SCREW, COVER TO CYLINDER BLOCK (16MM)
27	42471--2		1	REED BLOCK
28	85977--1		1	SEAL, REED BLOCK-RUBBER
29	27-41417--1		1	GASKET, REED BLOCK
30	34-99319		2	REED
31	34-89793--1		2	REED STOP
32	10-40057-85		4	SCREW, REED ATTACHING (10MM)
33	27-41418--1		1	GASKET, ADAPTER PLATE
34	41420A1		1	PLATE, ADAPTOR-CARBURETOR
35	22-56759		2	FITTING, ADAPTER PLATE-BLEED HOSE
36	10-40019108		3	SCREW, PLATE TO REED BLOCK
37	11-40021--3		2	NUT, CARBURETOR STUD
38	14317--1		1	COVER, THERMOSTAT

CONTINUED ON NEXT PAGE ➡

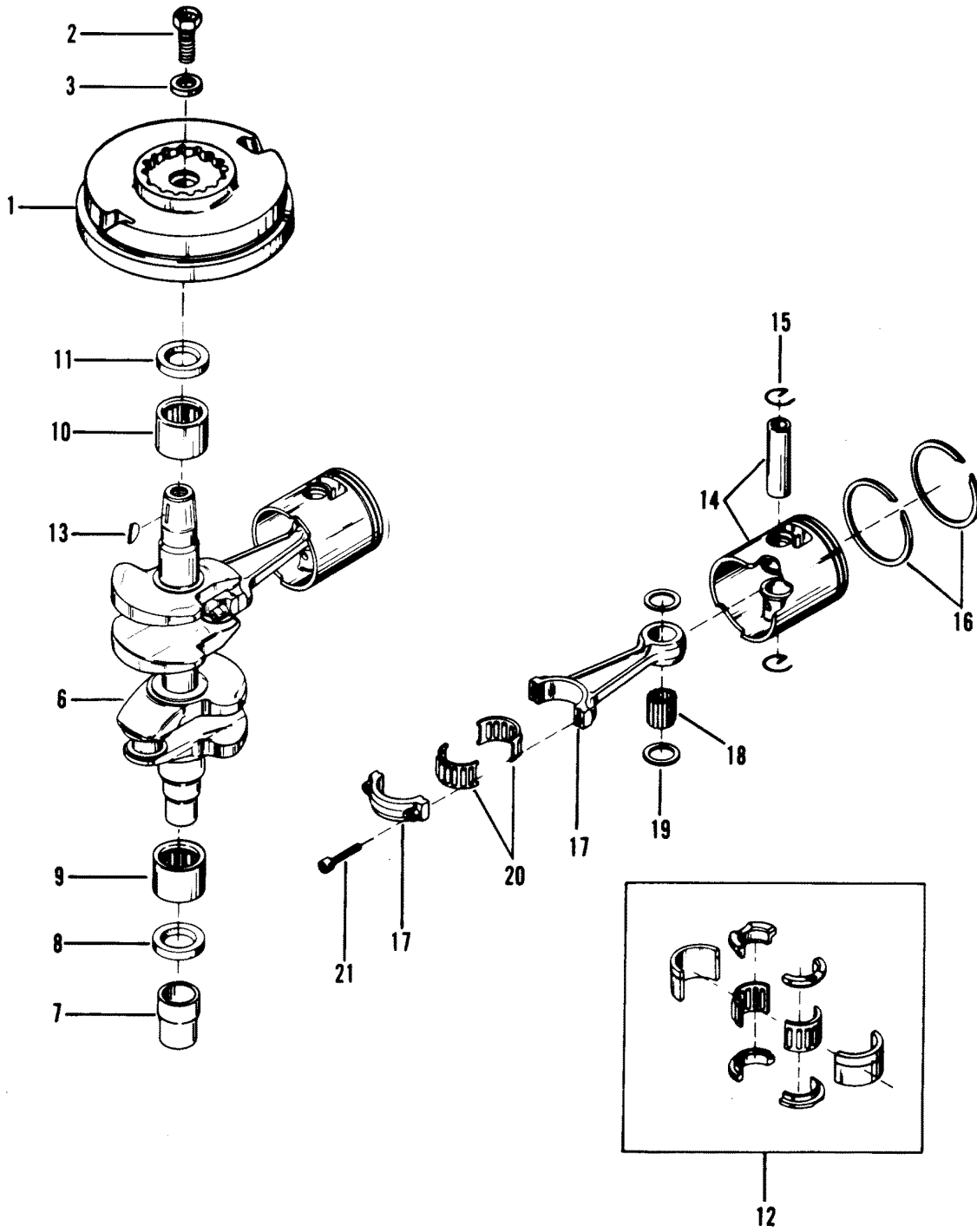
CYLINDER BLOCK AND COVERS



CYLINDER BLOCK AND COVERS

REF. NO.	PART NO.	SYM.	QTY.	DESCRIPTION
39	27-14318--2		1	GASKET, THERMOSTAT COVER
40	10-40003-33		2	SCREW
41	16-14803		6	STUD
42	12-70132		6	WASHER
43	11-40063--5		6	NUT

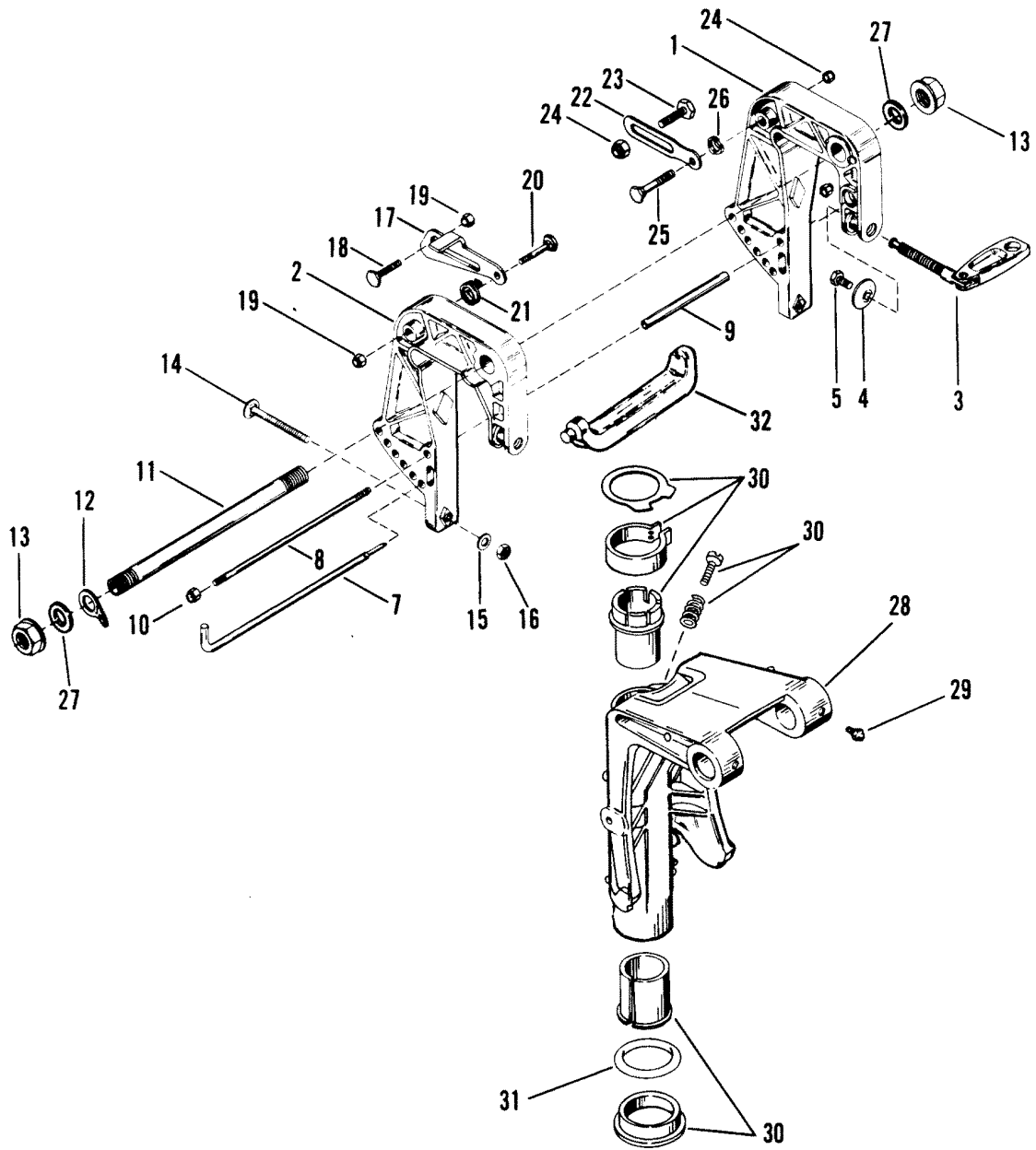
CRANKSHAFT, PISTONS AND FLYWHEEL



CRANKSHAFT, PISTONS AND FLYWHEEL

REF. NO.	PART NO.	SYM.	QTY.	DESCRIPTION
1	258-8274A6		1	FLYWHEEL ASSEMBLY
2	10-97359A1		1	SCREW, FLYWHEEL TO CRANKSHAFT
3	12-86496		1	WASHER, FLYWHEEL SCREW
6	464-8978A2		1	CRANKSHAFT ASSEMBLY
7	26-43507		1	SEAL, CRANKSHAFT
8	26-85107		1	OIL SEAL, CRANKSHAFT-LOWER
9	31-85113		1	ROLLER BEARING, CRANKSHAFT-LOWER
10	31-85114		1	ROLLER BEARING, CRANKSHAFT-UPPER
11	26-85974		1	OIL SEAL, CRANKSHAFT-UPPER
12	86992A2		1	BEARING ASSEMBLY
13	28-20094		1	KEY, FLYWHEEL DRIVE
14	767-9104A11		2	PISTON AND PIN ASSEMBLY
15	40-47276		4	LOCK RING, PISTON PIN
16	39-17286A12		1	PISTON RING ASSEMBLY
17	630-8835A2		2	CONNECTING ROD ASSEMBLY
18	29-98295		54	NEEDLE BEARING, PISTON END
19	42025		4	BEARING, LOCATING-NEEDLE BEARING
20	31-41620A1		2	ROLLER BEARING ASSEMBLY
21	10-40082-25		4	SCREW, CONNECTIN ROD (25MM)

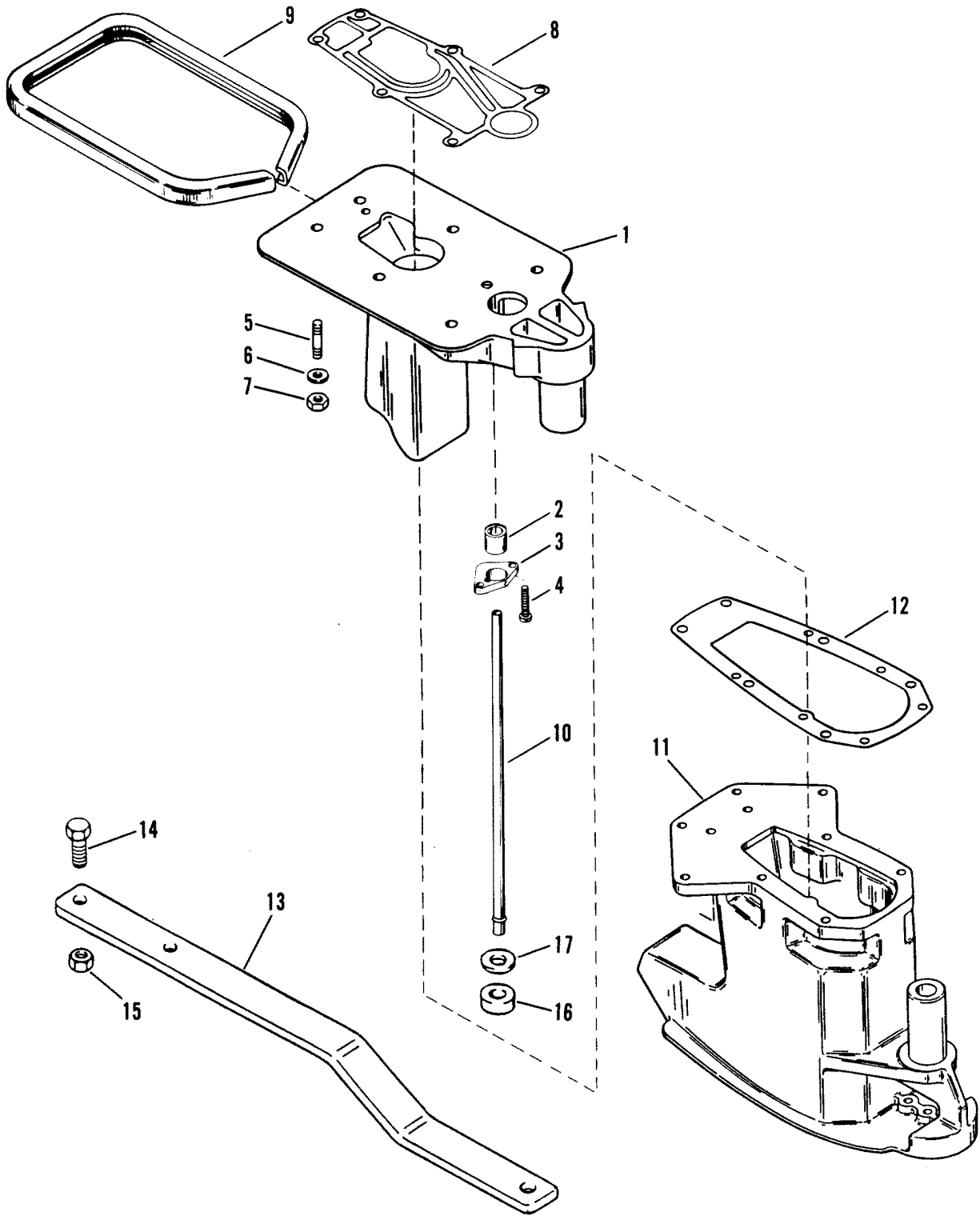
CLAMP BRACKET/SWIVEL BRACKET



CLAMP BRACKET/SWIVEL BRACKET

REF. NO.	PART NO.	SYM.	QTY.	DESCRIPTION
1	1497-8794A1		1	CLAMP BRACKET (PORT)
2	1497-8796A1		1	CLAMP BRACKET (STARBOARD)
3	10-92767A1		2	THUMB SCREW ASSEMBLY
4	12-73719		2	WASHER, THUMB SCREW
5	10-76804		2	SCREW, WASHER ATTACHING
7	17-99929A1		1	TILT PIN ASSEMBLY
8	16-99928		1	STUD, CLAMP BRACKET
9	23-41041		1	SPACER, CLAMP BRACKET STUD
10	11-40063--5		2	NUT, CLAMP BRACKET STUD
11	41171		1	TILT TUBE
12	54-30954		1	CLIP, SAFETY
13	11-93164		2	NUT, TILT TUBE
14	10-69064		2	BOLT, CLAMP BRACKET TO TRANSOM
15	12-67981		2	WASHER, CLAMP BRACKET BOLT
16	11-67980		2	NUT, CLAMP BRACKET BOLT
17	96965		1	LEVER, TILT STOP - STARBOARD SIDE
18	10-41523		1	SCREW, LEVER TO SWIVEL BRACKET
19	11-36069		2	NUT, TILT STOP LEVER SCREW
20	10-41524		1	SCREW, LEVER TO CLAMP BRACKET
21	24-44581		1	SPRING, TILT STOP LEVER SCREW
22	90901		1	STRAP, TILT STOP - PORT SIDE
23	10-41523		1	SCREW, STRAP TO SWIVEL BRACKET
24	11-36069		2	NUT, TILT STOP STRAP SCREW
25	10-41524		1	SCREW, STRAP TO CLAMP BRACKET
26	13-31030		2	WAVE WASHER, TILT STOP STRAP SCREW
27	12-71421		2	WASHER, TILT TUBE
28	1487-9543A2		1	SWIVEL BRACKET
29	22-74036		3	GREASE FITTING
30	54-11139A1		1	CLAMP ASSEMBLY
31	25-86993		1	"O" RING
32	41042		1	CARRYING HANDLE

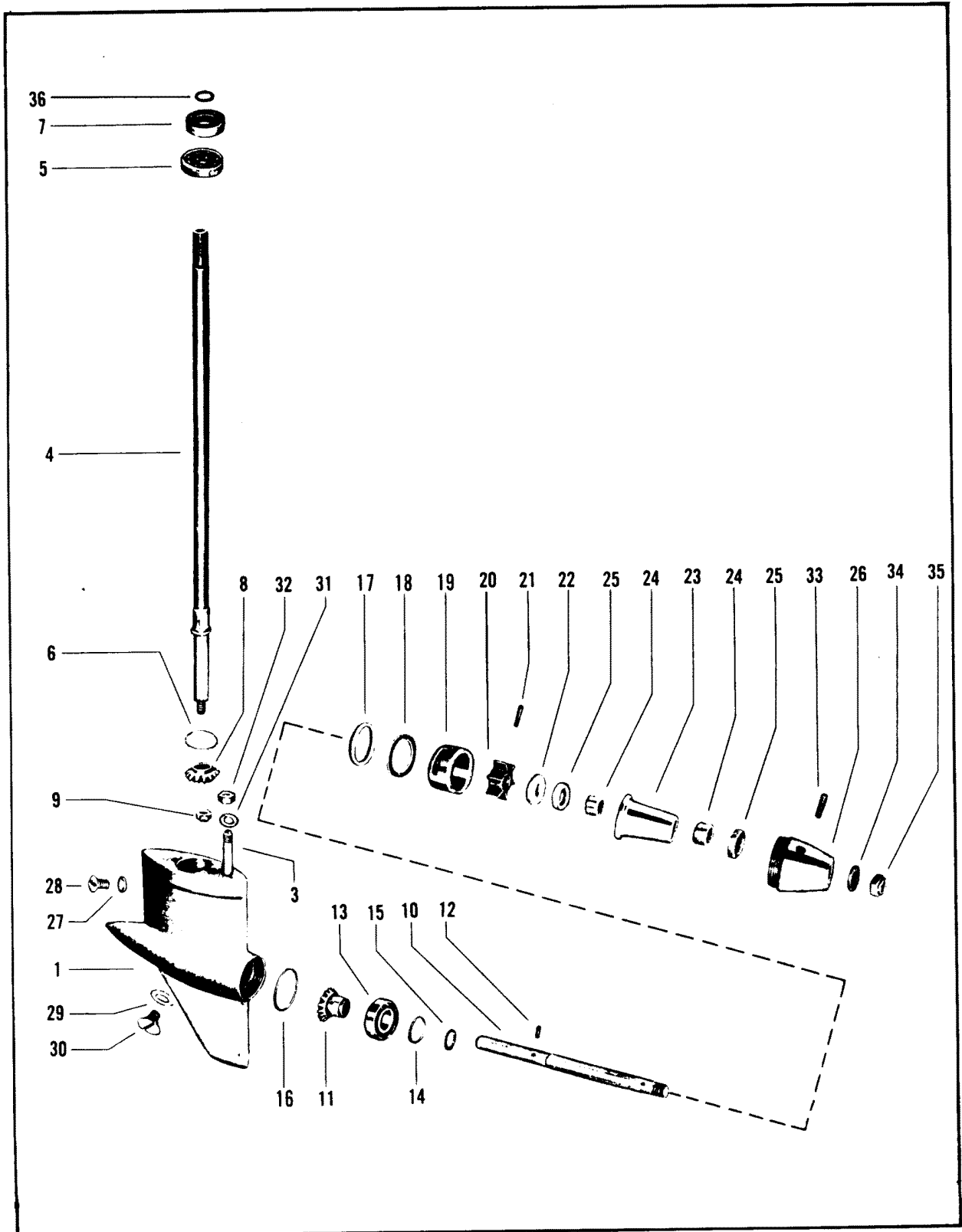
DRIVE SHAFT HOUSING ASSEMBLY



DRIVE SHAFT HOUSING ASSEMBLY

REF. NO.	PART NO.	SYM.	QTY.	DESCRIPTION
1	14546A2		1	ADAPTOR PLATE ASSEMBLY
2	26-85090		1	SEAL, WATER TUBE
3	44260		1	RETAINER
4	10-40010127		1	SCREW, RETAINER
5	16-42984		2	STUD
6	12-40023-15		2	WASHER
7	11-40063--4		2	NUT
8	27-41670--2		1	GASKET, ADAPTOR PLATE
9	15866		1	SEAL, ADAPTOR PLATE
10	32-85116--1		1	WATER TUBE
11	3501-9544A5		1	HOUSING ASSEMBLY
12	27-14539		1	GASKET, DRIVE SHAFT HOUSING
13	18862A1		1	STEERING BAR ASSEMBLY
14	10-13402		4	SCREW
15	11-40063--5		4	NUT
16	12-20684		1	SEAL, WATER TUBE
17	12-20683		1	WASHER, WATER TUBE SEAL

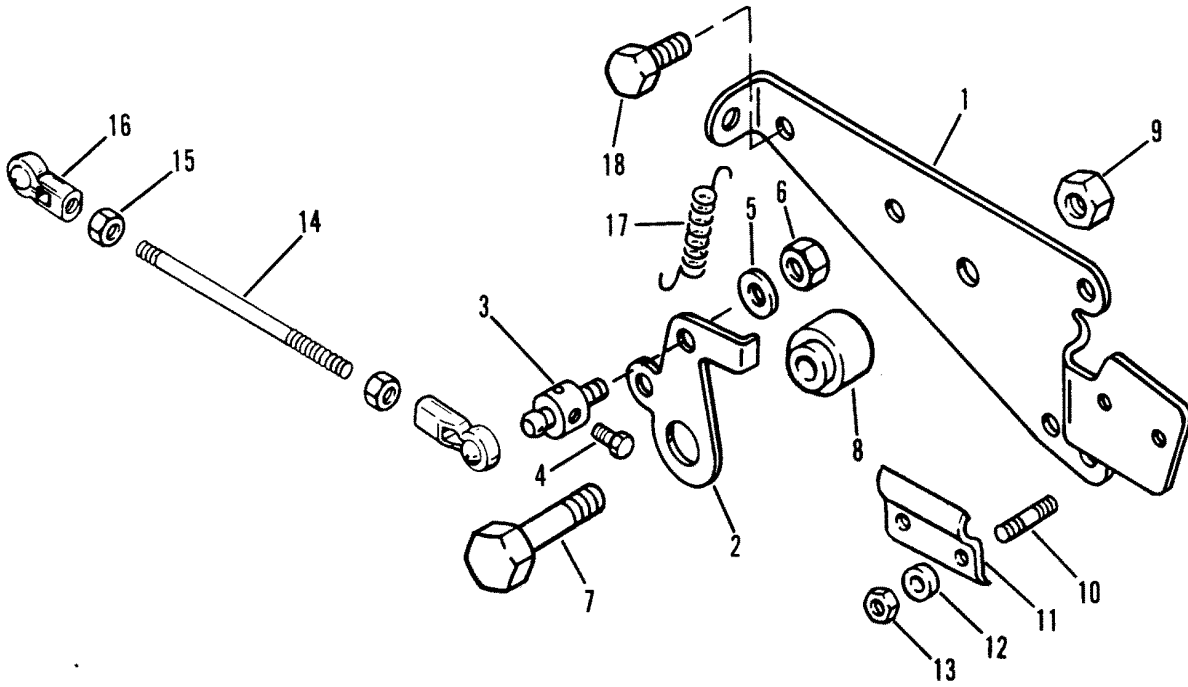
GEAR HOUSING ASSEMBLY



GEAR HOUSING ASSEMBLY

REF. NO.	PART NO.	SYM.	QTY.	DESCRIPTION
-	1604-1116A17		1	GEAR HOUSING, COMPLETE
1	1604-1116A2		1	GEAR HOUSING ASSEMBLY
-	31-20904		1	BEARING, ROLLER - PROPELLER SHAFT
-	31-20908		1	BEARING, ROLLER - DRIVE SHAFT
-	10-21048		1	PLUG, HEADLESS
3	16-20313		1	STUD, GEAR HOUSING
4	45-14544		1	DRIVE SHAFT
5	30-25728		1	BEARING, BALL - DRIVE SHAFT
6	15-20919A1		AR	SHIM, BALL BEARING TO GEAR HOUSING
7	47947A1		1	PILOT AND OIL SEAL ASSEMBLY
-	26-20070		1	OIL SEAL
8	43-29490A1		1	GEAR, PINION
9	11-65562		1	NUT, PINION GEAR LOCKING
10	44-20923		1	SHAFT, PROPELLER
11	N.S.S.		1	GEAR, PROPELLER SHAFT (PART OF 43-29490A1)
12	17-20937		1	PIN, PROPELLER GEAR TO SHAFT
13	30-20938		1	BEARING, BALL - PROPELLER SHAFT
14	15-20939A1		AR	SHIM, BALL BEARING TO SNAP RING
15	53-20940		1	RING, SNAP
16	15-20941A1		AR	SHIM, BALL BEARING TO GEAR HOUSING
17	12-20942		1	WASHER, SEALING - WATER PUMP CARTRIDGE
18	25-20812		1	SEAL, RUBBER - WATER PUMP CARTRIDGE
19	46-20943A1		1	WATER PUMP CARTRIDGE ASSEMBLY
-	26-20903		1	OIL SEAL
20	47-20945		1	IMPELLER, WATER PUMP
21	17-20946		1	PIN, IMPELLER DRIVE
22	20947		1	PLATE, WATER PUMP COVER
23	46-20905A1		1	WATER PUMP COVER ASSEMBLY
24	31-20904		2	BEARING, ROLLER
25	26-20903		2	OIL SEAL, WATER PUMP COVER
26	20902		1	COVER, GEAR HOUSING
27	19643		1	WASHER, GEAR HOUSING VENT SCREW
28	10-28653		1	SCREW, GEAR HOUSING VENT
29	12-19183		1	WASHER, GREASE FILLER HOLE SCREW
30	10-79953		1	SCREW, GREASE FILLER HOLE
31	12-34931		1	WASHER, GEAR HOUSING STUDS
32	11-34932		1	NUT, GEAR HOUSING STUD
33	17-25971		1	PIN, SHEAR
34	12-20959		1	WASHER, PROPELLER NUT
35	11-20958		1	NUT, PROPELLER
36	25-99691		1	"O" RING

THROTTLE LINKAGE



THROTTLE LINKAGE

REF. NO.	PART NO.	SYM.	QTY.	DESCRIPTION
1	16649		1	BRACKET, THROTTLE
2	16647		1	LEVER
3	10-16648		1	BALL SCREW
4	10-76611		1	SCREW
5	12-40023-15		1	WASHER
6	11-40063--4		1	NUT
8	23-16646		1	BUSHING
7	10-40107-35		1	SCREW
9	11-40063--5		1	NUT
10	16-60844		2	STUD
11	25788		1	CLAMPING PLATE
12	23-59370		2	SPACER
13	11-20190		2	NUT
14	16-17559		1	STUD
15	11-68219		2	NUT
16	19384		2	BALL SOCKET
17	24-70086		1	SPRING, THROTTLE
18	10-40001-71		3	SCREW

PARTS INDEX

Part Number	Description	Pg.	Ref. No.	Part Number	Description	Pg.	Ref. No.
11273--1	LEVER, PRIMER	11	29	85174A1	HANDLE ASSEMBLY, STARTER ROPE	7	16
11280	CAM BLOCK	11	30	85977--1	SEAL, REED BLOCK- RUBBER	13	28
12044	RETAINER, STOP SWITCH	5	20	86617A13	STATOR ASSEMBLY	9	1
12802	KNOB, PRIMER	11	25	86850	CAM	7	13
12803	BRACKET, PRIMER	11	23	86853	CAM	7	18
12905	THROTTLE VALVE	11	2	86992A2	BEARING ASSEMBLY	17	12
14317--1	COVER, THERMOSTAT	13	38	90478	PAD, FELT	7	9
14406	COVER, TRANSFER PORT	13	21	90901	STRAP, TILT STOP - PORT SIDE	19	22
14407	COVER, TRANSFER PORT	13	12	91935	BALL, FUEL FILTER	3	4
14408	COVER, TRANSFER PORT	13	24	92329--1	EXHAUST MANIFOLD	13	8
14546A2	ADAPTOR PLATE ASSEMBLY	21	1	92330--1	COVER, EXHAUST	13	10
15756A1	COWL LATCH KIT	5	6	96965	LEVER, TILT STOP - STARBOARD SIDE	19	17
15827A1	BODY, FUEL PUMP	11	11	98450A5	TRIGGER ASSEMBLY	9	3
15866	SEAL, ADAPTOR PLATE	21	9	99762	COVER, IGNITION COIL	9	8
15920A54	LANYARD ASSEMBLY	5	21	N.S.S.	GEAR, PROPELLER SHAFT (PART OF 43-29490A1)	23	11
16647	LEVER	25	2	10-12720	BALL SCREW	9	22
16649	BRACKET, THROTTLE	25	1	10-13402	SCREW	21	14
17212	SUPPORT	7	26	10-16648	BALL SCREW	25	3
17220	LEVER, COWL LATCH	5	9	10-21048	PLUG, HEADLESS	23	-
17221	FRONT LATCH	5	23	10-28653	SCREW, GEAR HOUSING VENT	23	28
17223	WIRE COVER	5	15	10-40001--5	SCREW, STATOR ATTACHING (10MM)- MANUAL	9	2
17229	CHOKE BEZEL	11	32	10-40001--8	SCREW, PRIMER BRACKET	11	27
17234T	COVER	5	26	10-40001-20	SCREW, STATOR ATTACHING (25MM)	9	2
17258--1	TRIM COVER (PORT)	5	29	10-40001-71	SCREW	25	18
17258--2	TRIM COVER (STARBOARD)	5	30	10-40001209	SCREW, CRANKCASE TO CULINDER BLOCK (60MM)	13	6
17502	THROTTLE SHAFT	11	3	10-40003--3	SCREW, LATCH AND HOOK	5	25
17539	COWL HANDLE	5	3	10-40003-29	SCREW, COVER	5	27
17773A2	COWL SEAL	5	2	10-40003-30	SCREW, TRIM COVER (REAR)	5	32
17908A1	SOUND BLANKET KIT	5	5	10-40003-31	SCREW, COVER ATTACHING (30MM)	13	16
18862A1	STEERING BAR ASSEMBLY	21	13	10-40003-31	SCREW, FUEL CONNECTOR	3	8
19384	BALL SOCKET	9	21	10-40003-32	SCREW	5	16
19384	BALL SOCKET	25	16	10-40003-32	SCREW, STARTER HOUSING ATTACHING (35MM)	7	8
19643	WASHER, GEAR HOUSING VENT SCREW	23	27	10-40003-33	SCREW	15	40
19704	BRACKET, SUPPORT	5	31	10-40003-33	SCREW, EXHAUST COVER TO CYLINDER BLOCK (40MM)	13	11
19708	RESTRICTOR PLATE	11	21	10-40007115	SCREW, IGNITION COIL COVER	9	9
20902	COVER, GEAR HOUSING	23	26	10-40010127	SCREW, RETAINER	21	4
20947	PLATE, WATER PUMP COVER	23	22	10-40011128	SCREW, STARTER HOUSING ATTACHING (20MM)	7	8
25788	CLAMPING PLATE	25	11	10-40011128	SCREW, TRIM COVER (FRONT)	5	35
41042	CARRYING HANDLE	19	32	10-40017107	SCREW, COVER TO CYLINDER BLOCK (16MM)	13	26
41171	TILT TUBE	19	11				
41420A1	PLATE, ADAPTOR- CARBURETOR	13	34				
42025	BEARING, LOCATING- NEEDLE BEARING	17	19				
42471--2	REED BLOCK	13	27				
42626--2	SUPPORT, STARTER HANDLE	7	20				
42712A1	HOUSING, STARTER	7	1				
44180	BUSHING, ROPE	7	25				
44260	RETAINER	21	3				
47947A1	PILOT AND OIL SEAL ASSEMBLY	23	7				
69205	"C" WASHER, CLIP SCREW	9	6				
73498	STA-STRAP	3	6				
812412	LATCH HOOK	5	10				
812413A1	ROLLER BRACKET ASSEMBLY	5	24				

PARTS INDEX

Part Number	Description	Pg.	Ref. No.	Part Number	Description	Pg.	Ref. No.
10-40019108	SCREW, PLATE TO REED BLOCK	13	36	11-40063--5	NUT, CLAMP BRACKET STUD	19	10
10-40019108	SCREW, SWITCH BOX TO CYLINDER BLOCK (22MM)	9	15	11-45076	NUT, COIL TERMINAL	9	10
10-40019111	SCREW, SUPPORT TO STARTER HOUSING (35MM)	7	21	11-65562	NUT, PINION GEAR LOCKING	23	9
10-40019130	SCREW	5	11	11-67980	NUT, CLAMP BRACKET BOLT	19	16
10-40057-85	SCREW, REED ATTACHING (10MM)	13	32	11-68219	NUT	25	15
10-40057107	SCREW, COVER TO CYLINDER BLOCK (16MM)	13	14	11-68219	NUT, JAM	9	20
10-40057107	SCREW, COVER TO CYLINDER BLOCK (16MM)	13	23	11-93164	NUT, TILT TUBE	19	13
10-40082-25	SCREW, CONNECTIN ROD (25MM)	17	21	11-97877	PUSHNUT, FAST IDLE LEVER	11	24
10-40107-35	SCREW	25	7	12-19183	WASHER, GREASE FILLER HOLE SCREW	23	29
10-41523	SCREW, LEVER TO SWIVEL BRACKET	19	18	12-20683	WASHER, WATER TUBE SEAL	21	17
10-41523	SCREW, STRAP TO SWIVEL BRACKET	19	23	12-20684	SEAL, WATER TUBE	21	16
10-41524	SCREW, LEVER TO CLAMP BRACKET	19	20	12-20942	WASHER, SEALING - WATER PUMP CARTRIDGE	23	17
10-41524	SCREW, STRAP TO CLAMP BRACKET	19	25	12-20959	WASHER, PROPELLER NUT	23	34
10-48408	SCREW, CLIP TO CRANKCASE	9	5	12-28927	WASHER, STARTER HOUSING SCREW	7	2
10-48408	SCRW, GROUND WIRE	9	18	12-34931	WASHER, GEAR HOUSING STUDS	23	31
10-69064	BOLT, CLAMP BRACKET TO TRANSOM	19	14	12-35462	WASHER	5	33
10-70332	SCREW, COWL HANDLE	5	4	12-40023-14	WASHER	9	23
10-76611	SCREW	25	4	12-40023-15	WASHER	21	6
10-76804	SCREW, WASHER ATTACHING	19	5	12-40023-15	WASHER	25	5
10-79953	SCREW, GREASE FILLER HOLE	23	30	12-67981	WASHER, CLAMP BRACKET BOLT	19	15
10-79965	SCREW, PRIMER BRACKET	11	28	12-70132	WASHER	15	42
10-92767A1	THUMB SCREW ASSEMBLY	19	3	12-71421	WASHER, TILT TUBE	19	27
10-97359A1	SCREW, FLYWHEEL TO CRANKSHAFT	17	2	12-73719	WASHER, THUMB SCREW	19	4
10-97516	SCREW, CAM TO STARTER SHEAVE	7	19	12-86496	WASHER, FLYWHEEL SCREW	17	3
11-17224	NUT	5	14	13-26992	LOCKWASHER	3	10
11-20190	NUT	25	13	13-31030	WAVE WASHER, TILT STOP STRAP SCREW	19	26
11-20958	NUT, PROPELLER	23	35	13-37642	WAVE WASHER	5	12
11-34932	NUT, GEAR HOUSING STUD	23	32	15-20919A1	SHIM, BALL BEARING TO GEAR HOUSING	23	6
11-36069	NUT, TILT STOP LEVER SCREW	19	19	15-20939A1	SHIM, BALL BEARING TO SNAP RING	23	14
11-36069	NUT, TILT STOP STRAP SCREW	19	24	15-20941A1	SHIM, BALL BEARING TO GEAR HOUSING	23	16
11-40021--3	NUT, CARBURETOR STUD	13	37	16-14803	STUD	15	41
11-40063--3	NUT, SUPPORT SCREW	7	24	16-17559	STUD	25	14
11-40063--4	NUT	5	17	16-20313	STUD, GEAR HOUSING	23	3
11-40063--4	NUT	5	34	16-42917	STUD, CARBURETOR	13	5
11-40063--4	NUT	21	7	16-42984	STUD	21	5
11-40063--4	NUT	25	6	16-55422	STUD	9	19
11-40063--4	NUT, COVER	5	28	16-60844	STUD	25	10
11-40063--5	NUT	15	43	16-99928	STUD, CLAMP BRACKET	19	8
11-40063--5	NUT	21	15	17-20937	PIN, PROPELLER GEAR TO SHAFT	23	12
11-40063--5	NUT	25	9	17-20946	PIN, IMPELLER DRIVE	23	21
				17-25971	PIN, SHEAR	23	33
				17-85171	DOWEL PIN, CYLINDER BLOCK	13	2

PARTS INDEX

Part Number	Description	Pg.	Ref. No.	Part Number	Description	Pg.	Ref. No.
17-99929A1	TILT PIN ASSEMBLY	19	7	27-86389--1	GASKET,CYLINDER BLOCK COVER	13	17
22-15133	ELBOW, BLEED HOSE (45) .	13	3	28-20094	KEY, FLYWHEEL DRIVE . . .	17	13
22-15781A9	FUEL CONNECTOR ASSEMBLY	3	7	29-98295	NEEDLE BEARING, PISTON END	17	18
22-56759	FITTING, ADAPTER PLATE-BLEED HOSE	13	35	30-20938	BEARING, BALL - PROPELLER SHAFT	23	13
22-74036	GREASE FITTING	19	29	30-25728	BEARING, BALL - DRIVE SHAFT	23	5
22-99664	ELBOW, TELL TALE HOSE .	13	18	31-20904	BEARING, ROLLER	23	24
23-16646	BUSHING	25	8	31-20904	BEARING, ROLLER - PROPELLER SHAFT	23	-
23-30977--1	SPACER, SUPPORT SCREW	7	23	31-20908	BEARING, ROLLER - DRIVE SHAFT	23	-
23-41041	SPACER, CLAMP BRACKET STUD	19	9	31-41620A1	ROLLER BEARING ASSEMBLY	17	20
23-59370	SPACER	25	12	31-85113	ROLLER BEARING,CRANKSHAFT-LOWER	17	9
23-71984	BUSHING, NYLON	5	13	31-85114	ROLLER BEARING, CRANKSHAFT-UPPER	17	10
24-11277	SPRING	11	26	32-85116--1	WATER TUBE	21	10
24-44581	SPRING, TILT STOP LEVER SCREW	19	21	32-99127109	FUEL LINE	3	5
24-70086	SPRING, THROTTLE	25	17	32-99127109	HOSE, TELL TAIL (8")	13	19
24-86851	SPRING, CAM	7	12	32-99130122	HOSE, BLEED (12-1/4")	13	4
24-86852	SPRING, CAM	7	17	33-97180	SPARK PLUG	9	13
24-86857	SPRING, STARTER	7	10	34-89793--1	REED STOP	13	31
24-F17504	THROTTLE SPRING	11	18	34-99319	REED	13	30
25-17226	GROMMET	5	18	35-87946A13	FUEL FILTER ASSEMBLY . . .	3	1
25-17231	GROMMET	5	8	35-87946A3	FILTER ASSEMBLY	3	2
25-18202	GROMMET, FUEL CONNECTOR	3	9	37-12622A1	DECAL SET	1	-
25-20812	SEAL, RUBBER - WATER PUMP CARTRIDGE	23	18	39-17286A12	PISTON RING ASSEMBLY . .	17	16
25-26547	GROMMET, BOTTOM COWL	5	22	40-47276	LOCK RING, PISTON PIN . .	17	15
25-30503	"O" RING, TRANSFER PORT COVER	13	13	43-29490A1	GEAR, PINION	23	8
25-33465	"O" RING, TRANSFER PORT COVER	13	25	44-20923	SHAFT, PROPELLER	23	10
25-86391	"O" RING, TRANSFER PORT COVER	13	22	45-14544	DRIVE SHAFT	23	4
25-86993	"O" RING	19	31	46-20905A1	WATER PUMP COVER ASSEMBLY	23	23
25-98277	SEAL, FUEL FILTER	3	3	46-20943A1	WATER PUMP CARTRIDGE ASSEMBLY	23	19
25-99691	"O" RING	23	36	47-20945	IMPELLER, WATER PUMP . .	23	20
26-20070	OIL SEAL	23	-	50-12066A9	ROPE, STARTER	7	15
26-20903	OIL SEAL	23	--	50-42566	SHEAVE, STARTER	7	11
26-20903	OIL SEAL, WATER PUMP COVER	23	25	53-11278	RETAINING CLIP	11	31
26-43507	SEAL,CRANKSHAFT	17	7	53-20940	RING, SNAP	23	15
26-85090	SEAL, WATER TUBE	21	2	53-86849	RETAINING RING, CAM	7	14
26-85107	OIL SEAL, CRANKSHAFT-LOWER	17	8	54-11139A1	CLAMP ASSEMBLY	19	30
26-85974	OIL SEAL, CRANKSHAFT-UPPER	17	11	54-12627	STRAP	13	20
27-14318--2	GASKET, THERMOSTAT COVER	15	39	54-24836	CLIP, TRIGGER LEADS	9	4
27-14539	GASKET, DRIVE SHAFT HOUSING	21	12	54-30954	CLIP, SAFETY	19	12
27-14539A86	GASKET SET	1	-	58-63709A1	BOOT ASSEMBLY, SPARK PLUG	9	12
27-41417--1	GASKET, REED BLOCK	13	29	84-88807A10	WIRE ASSEMBLY, GROUND	9	17
27-41418--1	GASKET, ADAPTER PLATE . .	13	33	84-99215A25	LEAD ASSEMBLY, LHIGH TENSION	9	11
27-41449--1	GASKET, CARBURETOR	11	20	87-11083A6	STOP SWITCH ASSEMBLY . .	5	19
27-41475--4	GASKET, EXHAUST MANIFOLD	13	7	90-12745880	OWNER'S GUIDE	1	-
27-41499--4	GASKET, EXHAUST COVER	13	9	90-813665	MERC 25 XS PARTS LIST . .	1	-
27-41670--2	GASKET, ADAPTOR PLATE	21	8	258-8274A6	FLYWHEEL ASSEMBLY	17	1
				339-7370A13	IGNITION COIL ASSEMBLY . .	9	7

PARTS INDEX

Part Number	Description	Pg.	Ref. No.	Part Number	Description	Pg.	Ref. No.
339-7452A9	SWITCH BOX	9	14				
464-8978A2	CRANKSHAFT ASSEMBLY .	17	6				
630-8835A2	CONNECTING ROD ASSEMBLY	17	17				
767-9104A11	PISTON AND PIN ASSEMBLY	17	14				
872-9533A3	CYLINDER BLOCK/ CRANK CASE ASSEMBLY	13	1				
1028-8282--1	COVER ASSEMBLY, CYLINDER BLOCK	13	15				
1205-3	LEVER, FAST IDLE	11	22				
1390-8889A12	CARBURETOR	11	1				
1395-6201	JET, MAIN FUEL (.080)	11	7				
1395-9164	FUEL BOWL	11	4				
1395-9165	COVER, DIAPHRAGM	11	9				
1395-9169	FLOAT	11	5				
1395-9170	VALVE, INLET NEEDLE	11	6				
1395-9171	PLUG,JET RETAINER	11	8				
1395-9637	COVER, FUEL PUMP	11	13				
1395-9643	SCREW, FUEL PUMP COVER	11	12				
1395-9696	SCREW, COVER PLATE ...	11	19				
1395-9697	SCREW, DIAPHRAGM COVER	11	10				
1395-9699	PLATE, COVER	11	17				
1395-9762	PLUG	11	14				
1395-9802	REPAIR PARTS KIT	11	16				
1487-9543A2	SWIVEL BRACKET	19	28				
1497-8794A1	CLAMP BRACKET (PORT) ..	19	1				
1497-8796A1	CLAMP BRACKET (STARBOARD)	19	2				
1604-1116A17	GEAR HOUSING, COMPLETE	23	-				
1604-1116A2	GEAR HOUSING ASSEMBLY	23	1				
2177-8869A26	TOP COWL	5	1				
2193-9682A3	BOTTOM COWL	5	7				
3501-9544A5	HOUSING ASSEMBLY	21	11				
9803-	GASKET/DIAPHRAGM KIT ..	11	15				