



# PARTS CATALOG

## 175 SKI (EFI) (V-6)

### SERIAL NUMBER

V-175 (SKI) .....USA 0C100861 THRU 0C239552

# TABLE OF CONTENTS:

BLEED SYSTEM .....	38
BOTTOM COWL .....	4
CRANKSHAFT, PISTONS AND CONNECTING RODS .....	40
CYLINDER BLOCK AND END CAPS .....	26
DETONATION CONTROLLER / TEMPERATURE SENSOR .....	36
DRIVE SHAFT HOUSING AND EXHAUST TUBE .....	44
E.C.U. ASSEMBLY .....	18
EXHAUST MANIFOLD AND EXHAUST PLATE .....	30
FLYWHEEL / STARTER MOTOR .....	6
FUEL MANAGEMENT SYSTEM .....	20
FUEL PUMP AND FUEL FILTER .....	24
GEAR HOUSING (DRIVE SHAFT) .....	48
GEAR HOUSING (PROPELLER SHAFT) .....	52
IGNITION COIL / VOLTAGE REGULATOR .....	10
INSTRUMENTATION .....	58
KEY SWITCH ASSEMBLY .....	62
MISCELLANEOUS INFORMATION .....	1
OIL INJECTION COMPONENTS .....	56
PARTS INDEX .....	64
POWER TRIM COMPONENTS .....	54
POWER TRIM PUMP .....	60
REED BLOCK AND CYLINDER HEAD .....	34
STARTER MOTOR ASSEMBLY .....	8
SWIVEL BRACKET AND STEERING ARM .....	46
THROTTLE LEVER AND SHIFT SHAFT .....	14
TOP COWL AND FRONT SHIELD .....	2
TRANSOM BRACKETS .....	42
WIRING HARNESS / STARTER SOLENOID .....	12

**NOTE:** Indented description indicate that these parts are included in preceeding assembly.

**AR** = As Required

**NSS** = Not Sold Separate

**OPT** = Optional

**NS** = Not Shown

**NOTE:** Following symbols are located in **SYM** column.

● = WITHOUT DECALS

■ = CONTENTS OF GASKET SET [27-14697A87]

▣ = CONTENTS OF DIAPHRAGM KIT [21-42990A6]

⊕ = ORDER [813096A 1] REAR LATCH KIT WHEN REPLACING NON-ROLLER COMPONENTS. A PRODUCT IMPROVEMENT.

† = CONTENTS OF WATER PUMP REBUILD KIT [46-42579A4]

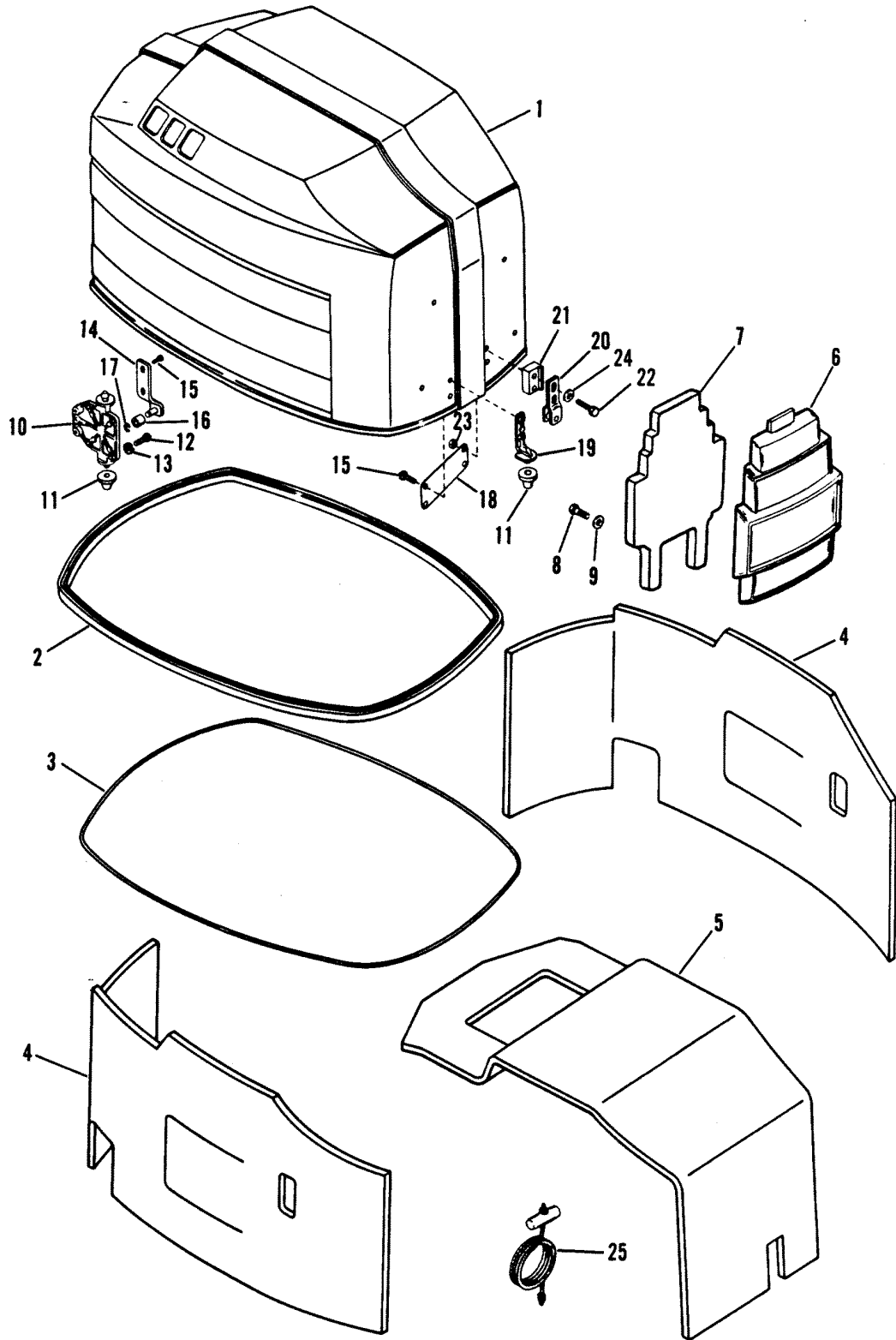
○ = CONTENTS OF SEAL KIT [26-89238A2]

**THESE PARTS BOOKS/FICHE CARD ARE COPYRIGHTED AND MAY NOT BE DISTRIBUTED OR REPRODUCED IN ANY OTHER FORMAT BY ANYONE OTHER THAN MERCURY MARINE WITHOUT THE PRIOR WRITTEN CONSENT OF MERCURY MARINE.**

## MISCELLANEOUS INFORMATION

REF. NO.	PART NO.	SYM.	QTY.	DESCRIPTION
-	90-814202		1	PARTS CATALOG - Service
-	90-814098--1		1	SERVICE MANUAL (S/N 0C100861 thru 0C221499)
-	90-816249--1		1	SERVICE MANUAL (S/N 0C221500 thru 0D081999)
-	27-14697A87		1	GASKET SET
-	37-813033A89		1	DECAL SET
-	90-19592890		1	OWNER'S GUIDE

# TOP COWL AND FRONT SHIELD



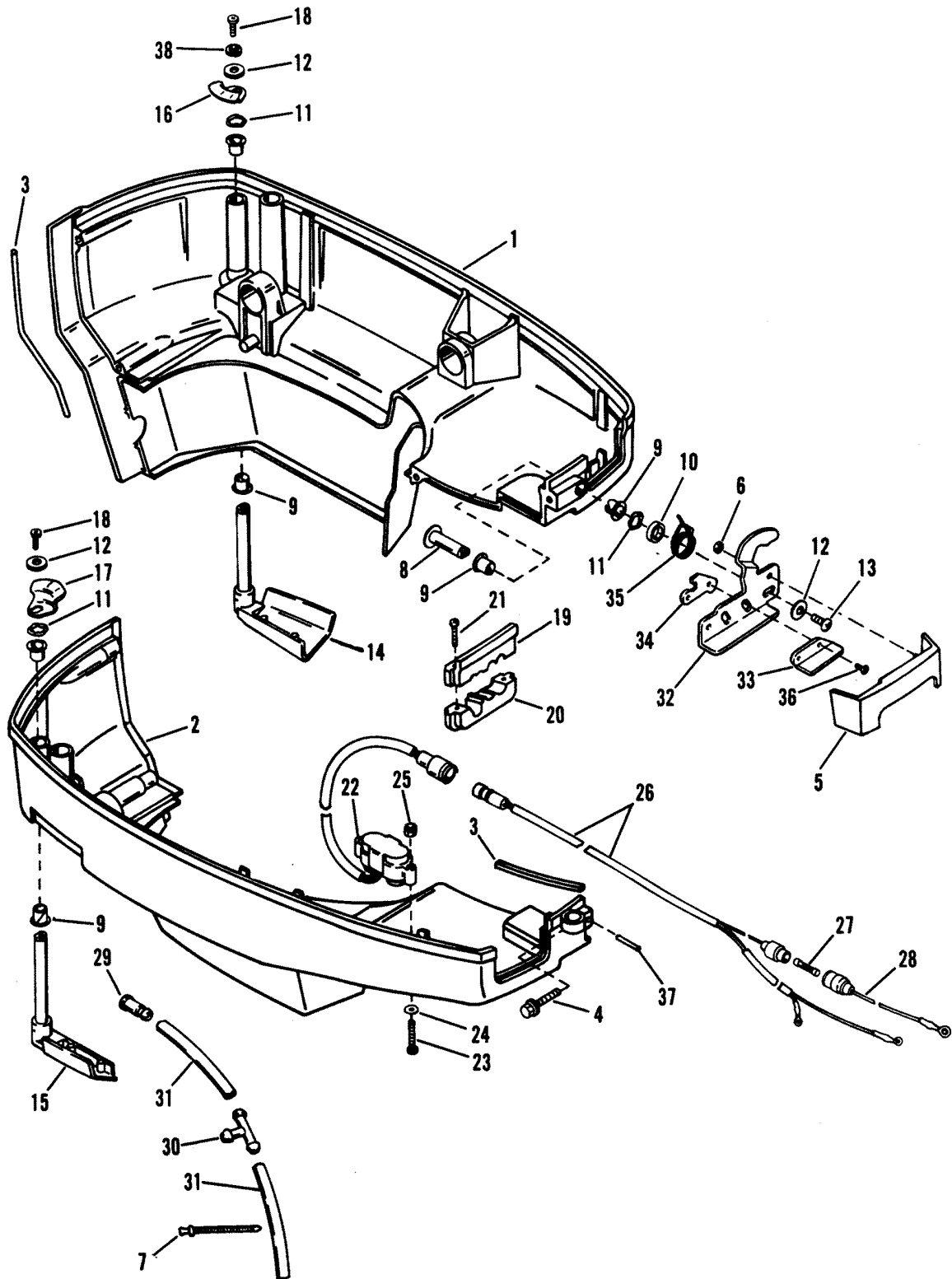
## TOP COWL AND FRONT SHIELD

REF. NO.	PART NO.	SYM.	QTY.	DESCRIPTION
1	2196-9742A17	●	1	TOP COWL ASSEMBLY
2	812784		1	SEAL
3	815478		1	SEAL
4	814823		2	SOUND BLANKET (SIDE)
5	814837		1	SOUND BLANKET (TOP)
6	18755A2	●	1	FRONT SHIELD ASSEMBLY
7	813562		1	SEAL
8	10-48409		4	SCREW
9	12-42118		4	WASHER
10	18474--1		2	BRACKET, REAR
11	25-18506		3	GROMMET
12	10-28636		8	SCREW, REAR BRACKET
13	13-26992		8	LOCKWASHER, REAR BRACKET SCREW
14	813096	+	2	HOOK
15	10-73286		8	SCREW
16	813074		2	ROLLER
17	53-13194		2	SNAP RING
18	813553		1	PLATE
19	18702--1		1	LOCATOR
20	18173		1	BRACKET
21	813552		1	SPACER
22	10-31984		2	SCREW
23	11-67980		2	NUT
24	12-70132		2	WASHER
25	47341A1		1	STARTER ROP (FOR MANUAL STARTING)

● = WITHOUT DECALS

+ = ORDER [813096A 1] REAR LATCH KIT WHEN REPLACING NON-ROLLER COMPONENTS. A PRODUCT IMPROV

# BOTTOM COWL



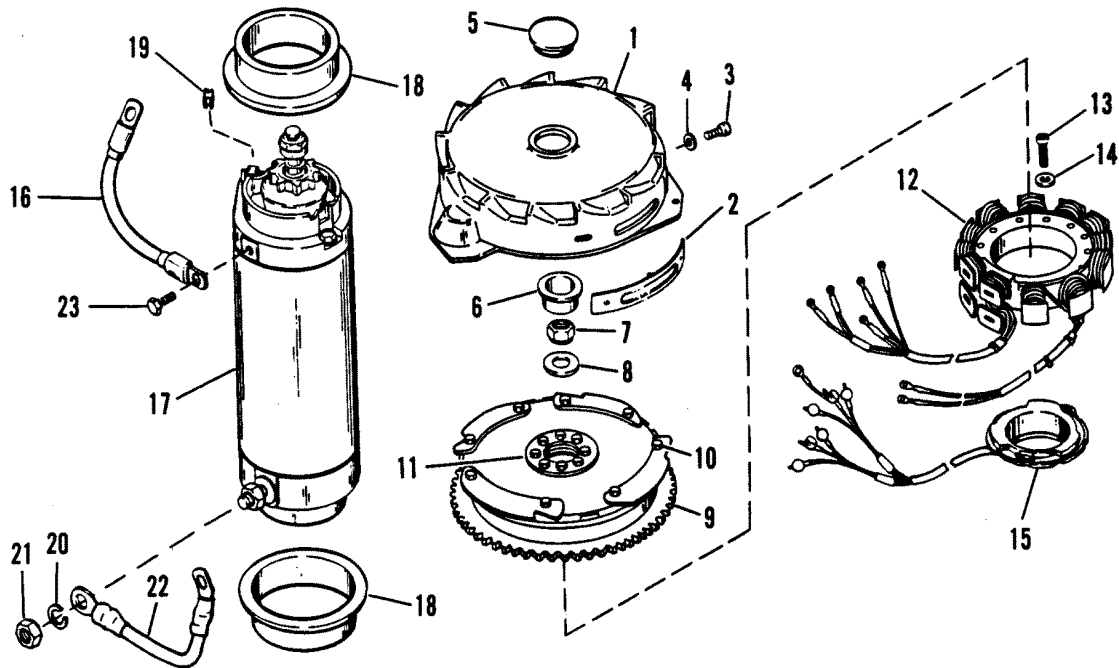
# BOTTOM COWL

REF. NO.	PART NO.	SYM.	QTY.	DESCRIPTION
1	2197-9744A3	●	1	BOTTOM COWL ASSEMBLY (PORT)
2	2197-9745A2	●	1	BOTTOM COWL ASSEMBLY (STARBOARD)
3	18701A1		1	SEAL KIT, BOTTOM COWLS
4	10-18699		4	SCREW, COWL (STARBOARD)
5	18872A2		1	COVER ASSEMBLY
6	11-813692		2	LOCKNUT
7	54-90077		AR	STA-STRAP
8	18727		1	ROD
9	23-65830		6	BUSHING, NYLINER
10	23-19666		1	BUSING
11	13-99611		3	WAVE WASHER
12	12-69057		3	WASHER
13	10-18192		1	SCREW
14	19648A4		1	HANDLE ASSEMBLY (PORT)
15	19647A4		1	HANDLE ASSEMBLY (STARBOARD)
16	19370	+	1	PAWL (PORT)
17	19369	+	1	PAWL (STARBOARD)
18	10-90047		2	SCREW
19	54-19749		1	CLAMP (UPPER)
20	54-19748--1		1	CLAMP (LOWER)
21	10-92799		2	SCREW
22	84-16636A1		1	HARNESS ASSEMBLY, TRIM
23	10-72202		2	SCREW
24	12-56681		2	WASHER
25	11-29488		2	NUT
26	34-16639A1		1	TRIM HARNESS ASSEMBLY
27	88-79091		1	FUSE
28	84-95084A2		1	WIRE, FUSE
29	22-813613		1	FITTING, TELLTALE
30	22-90824		1	TEE, TELLTALE
31	32-99127109		1	HOSE, TELLTALE
32	813076--2		1	FRONT HANDLE ASSEMBLY
33	813925		1	HANDLE LOCK
34	813926		1	HANDLE
35	24-813929--1		1	SPRING
36	10-69079		2	SCREW
37	17-813930		1	LOCK PIN
38	13-26992		2	LOCKWASHER

● = WITHOUT DECALS

⊕ = ORDER [813096A 1] REAR LATCH KIT WHEN REPLACING NON-ROLLER COMPONENTS. A PRODUCT IMPROV

# FLYWHEEL / STARTER MOTOR

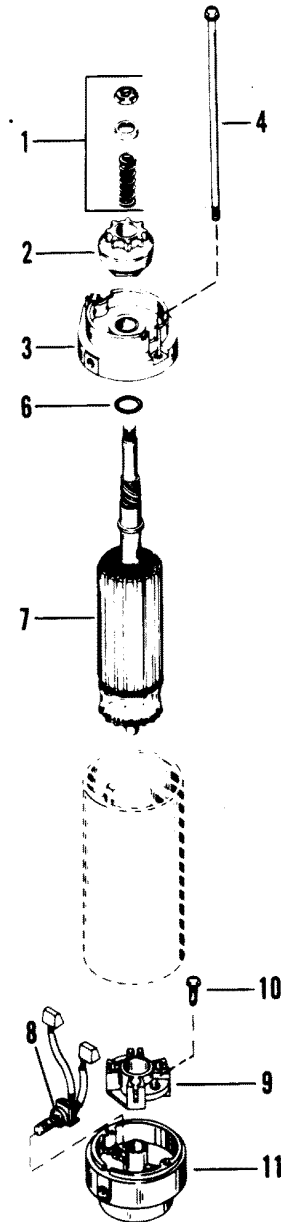




## FLYWHEEL / STARTER MOTOR

REF. NO.	PART NO.	SYM.	QTY.	DESCRIPTION
1	18896A1		1	COVER ASSEMBLY, FLYWHEEL
2	79022		1	MARKER, TIMING
3	10-37572		2	SCREW, TIMING MARKER
4	12-72761		2	WASHER, TIMING MARKER SCREW
5	19-89219		1	PLUG, FLYWHEEL COVER
6	19-45907		1	PLUG, FLYWHEEL
7	11-52901		1	NUT, FLYWHEEL
8	12-68229		1	WASHER, FLYWHEEL
9	266-9841A2		1	FLYWHEEL
10	10-32417		8	SCREW, FLYWHEEL PLATE
11	10-68997		8	SCREW, FLYWHEEL HUB
12	398-9610A5		1	STATOR
13	10-90045		4	SCREW, STATOR
14	12-26996		4	WASHER, STATOR SCREW
15	96455A9		1	TRIGGER PLATE ASSEMBLY
16	84-93388A1		1	WIRE ASSEMBLY, PLATE TO STARTER MOTOR <b>(BLACK)</b>
17	50-79472		1	STARTER MOTOR
18	56703		2	COLLAR, STARTER MOTOR
19	68042		2	STOP, RUBBER-STARTER MOTOR
20	13-26992		1	LOCKWASHER, STARTER MOTOR TERMINAL
21	11-20890		1	NUT, STARTER MOTOR TERMINAL
22	84-93388A2		1	WIRE ASSEMBLY, SOLENOID TO STARTER MOTOR <b>(BLACK)</b>
23	10-69035		1	SCREW, CABLE TO STARTER MOTOR

# STARTER MOTOR ASSEMBLY

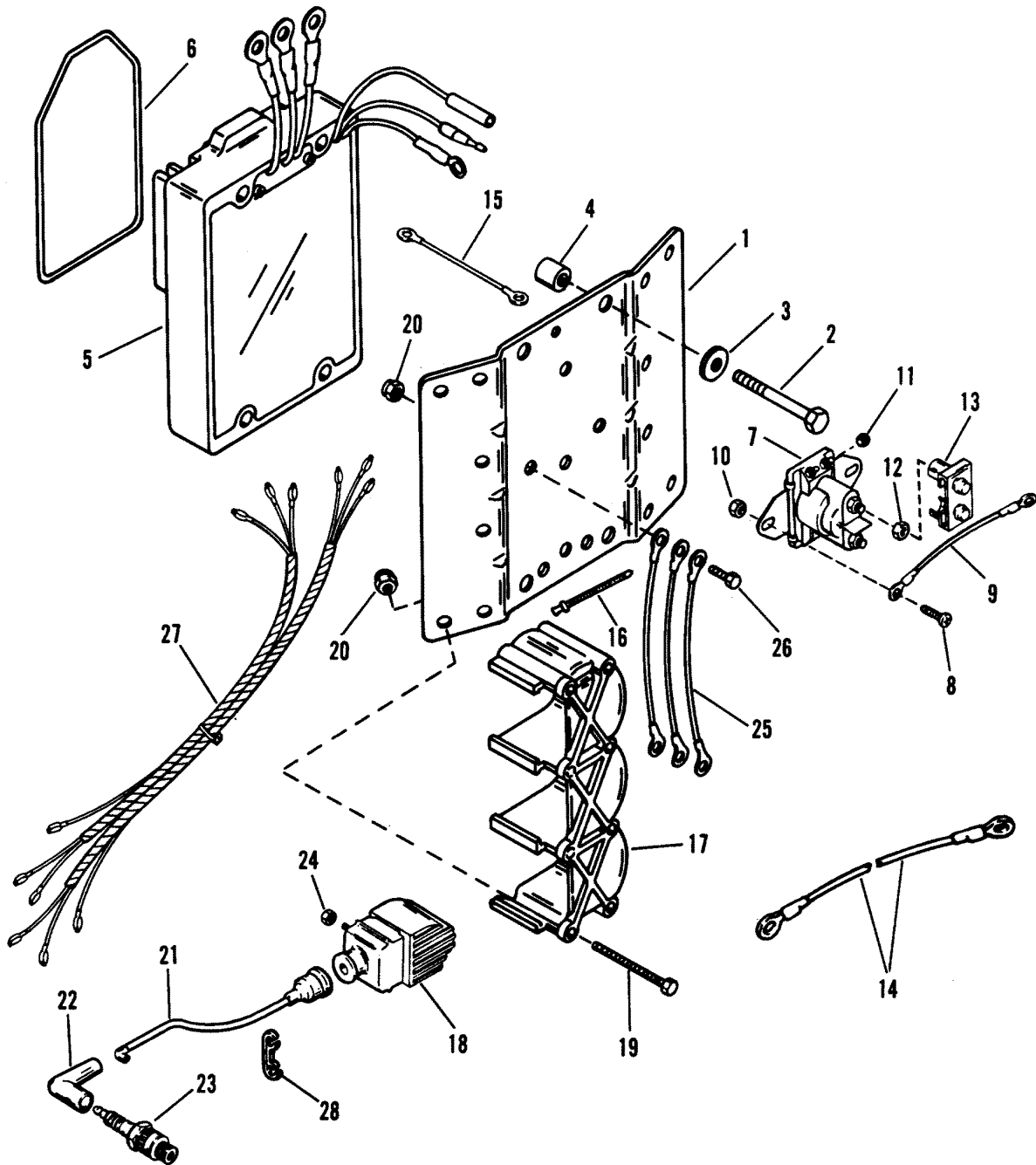


M0007-E104

# STARTER MOTOR ASSEMBLY

REF. NO.	PART NO.	SYM.	QTY.	DESCRIPTION
-	50-79472		1	STARTER MOTOR ASSEMBLY
1	90645		1	DRIVE KIT
2	75661		1	DRIVE
3	75660		1	PLATE, DRIVE END
4	10-74968		2	BOLT, THRU
6	N.S.S.		1	WASHER, THRU BOLT (AMERICAN BOSCH #WA3122)
7	79216		1	ARMATURE
8	75384		1	BRUSH SET
9	61787		2	HOLDER, BRUSH
10	10-68586		2	SCREW, BRUSH AND HOLDER
11	15386		1	END CAP, COMMUTATOR

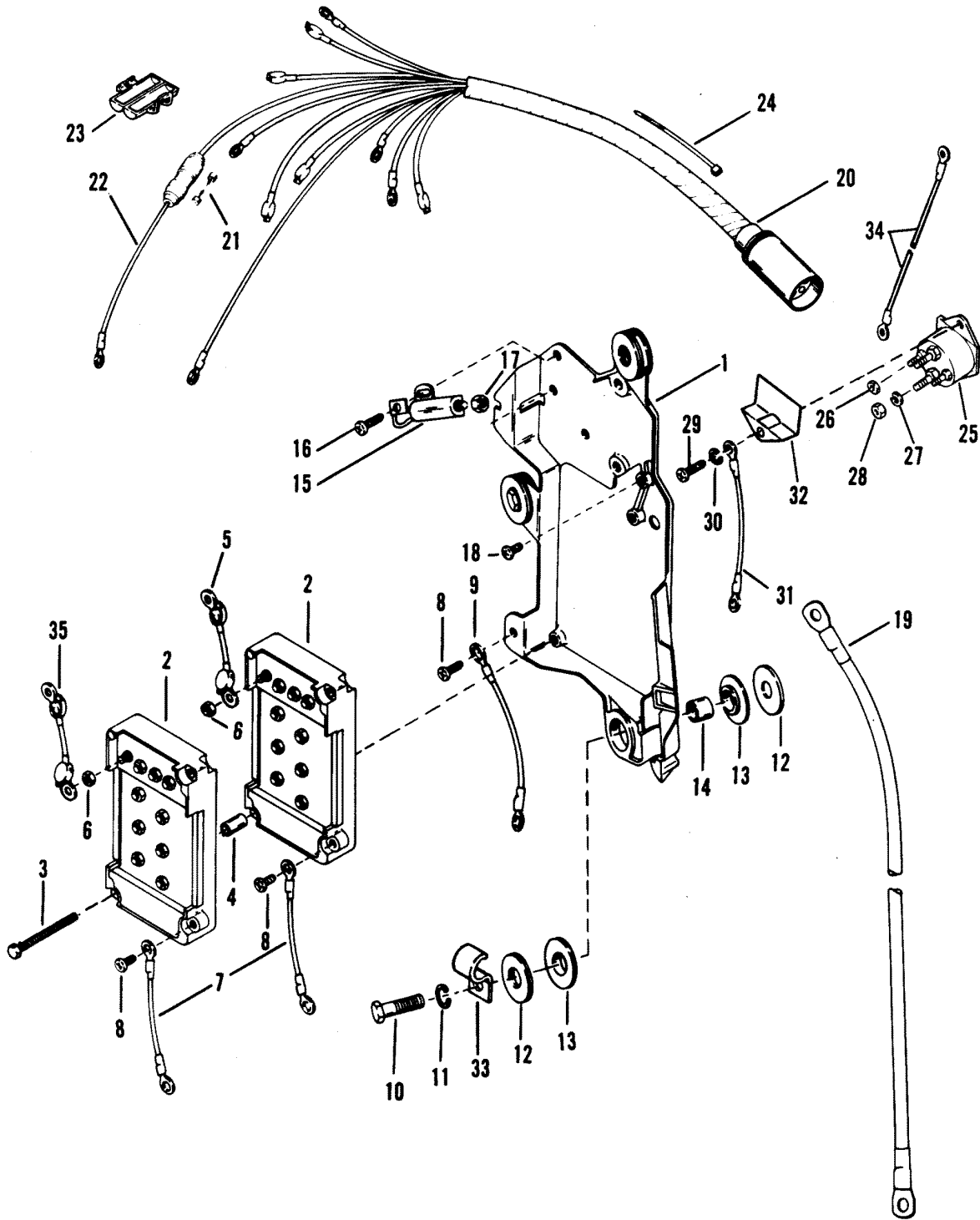
# IGNITION COIL / VOLTAGE REGULATOR



## IGNITION COIL / VOLTAGE REGULATOR

REF. NO.	PART NO.	SYM.	QTY.	DESCRIPTION
1	19587--1		1	PLATE, MOUNTING
2	10-30720		4	SCREW, VOLTAGE REGULATOR
3	13-26992		4	LOCKWASHER
4	23-19661		4	SPACER
5	18736A15		1	VOLTAGE REGULATOR
6	18717		1	SEAL
7	89-96158		2	STARTER SOLENOID
8	10-28635		3	SCREW, STARTER SOLENOID
9	84-88807A6		1	WIRE ASSEMBLY (3-1/2" - BLACK)
10	11-56374		3	NUT, SOLENOID SCREW
11	11-26419		4	NUT, SOLENOID TERMINAL (8-32)
12	11-94330		4	NUT, SOLENOID TERMINAL (1/4-20)
13	85-97861		2	INSULATOR, STARTER SOLENOID
14	84-87379A14		1	WIRE ASSEMBLY (2-3/4" - RED)
	84-88807A8		2	WIRE ASSEMBLY (3-1/2" - BLACK)
15	84-88807A29		1	CABLE (9" - BLACK)
16	54-90077		AR	STA-STRAP
17	43542		2	COVER, IGNITION COIL
18	339-7370A13		6	IGNITION COIL
19	10-90048		12	SCREW, IGNITION COIL COVER
20	11-90078		14	NUT, COVER SCREW/GROUND WIRE
21	84-813715A9		1	CABLE, HIGH TENSION
22	85-63709A1		6	PROTECTOR, HIGH TENSION CABLE
23	33-13686--2		6	SPARK PLUG
	33-14103568		6	SPARK PLUG (CANADA/BELGIUM)
24	11-45076		12	NUT, IGNITION COIL TERMINAL
25	84-88807A13		6	GROUND WIRE (5-1/2" - BLACK)
26	10-69022		2	SCREW, GROUNDING WIRE
27	84-69739A7		1	HARNESS ASSEMBLY, COIL TO SWITCH BOX (#2, 4 AND 6)
28	54676		2	RETAINER

# WIRING HARNESS / STARTER SOLENOID



## WIRING HARNESS / STARTER SOLENOID

REF. NO.	PART NO.	SYM.	QTY.	DESCRIPTION
1	43429		1	PLATE, IGNITION
2	332-7778A12		2	SWITCH BOX
3	10-13669		2	SCREW, SWITCH BOX TO IGINTION PLATE (2-1/2")
4	23-94453		2	BUSHING, SWITCH BOX SCREW
5	84-62310A2		1	CABLE ASSEMBLY, SWITCH BOX TO SWITCH BOX
6	11-45076		20	NUT, SWITCH BOX TERMINAL
7	84-60871A10		2	WIRE, SWITCH BOX
8	10-62568		3	SCREW, WIRE ATTACHING
9	84-65999A3		1	CABLE ASSEMBLY, BLACK
10	10-69092		3	SCREW/ IGNITION PLATE (1-1/4")
11	13-26993		3	LOCKWASHER, IGNITION PLATE SCREW
12	12-36042		6	WASHER, IGNITION PLATE SCREW
13	12-67264		6	WASHER, IGNITION PLATE SCREW (RUBBER)
14	23-67268		3	BUSHING, IGNITION PLATE SCREW
15	87-33386A3		1	MERCURY SWITHCH
16	10-38055		1	SCREW, MERCURY SWITCH TO IGNITION PLATE (5/8")
17	11-45076		1	NUT, MERCURY SWITCH TERMINAL
18	10-87926		1	SCREW, LEAD ATTACHING (1/2")
19	84-88439A3		1	BATTERY CABLE, POSITIVE
20	84-96220A12		1	HARNESS, ENGINE
21	88-79091		1	FUSE
22	84-95084A2		1	WIRE ASSEMBLY, FUSE
23	13473--1		1	FUSE HOLDER
24	54-90077		AR	STA-STRAP, HARNESS AND CABLES
25	89-68258A4		1	STARTER SOLENOID
26	11-45076		2	NUT, SOLENOID TERMINALS (10-32)
27	13-53166		2	LOCKWASHER, SOLENOID TERMINALS (5/16")
28	11-68292		2	NUT, SOLENOID TERMINALS (5/16-18)
29	10-31716		2	SCREW, SOLENOID TO IGNITION PLATE (5/8")
30	13-26992		2	LOCKWASHER <b>SOLENOID TO IGNITION PLATE SCREW</b>
31	84-65999A2		1	CABLE ASSEMBLY, UPPER MOUNT (BLACK)
32	85-78866		1	INSULATOR, SOLENOID
33	54-47483		2	"J" CLIP
34	84-88528A2		1	CABLE ASSEMBLY (6"- RED/WHITE)
	84-91865A1		1	CABLE ASSEMBLY (3" WHITE/BLACK)



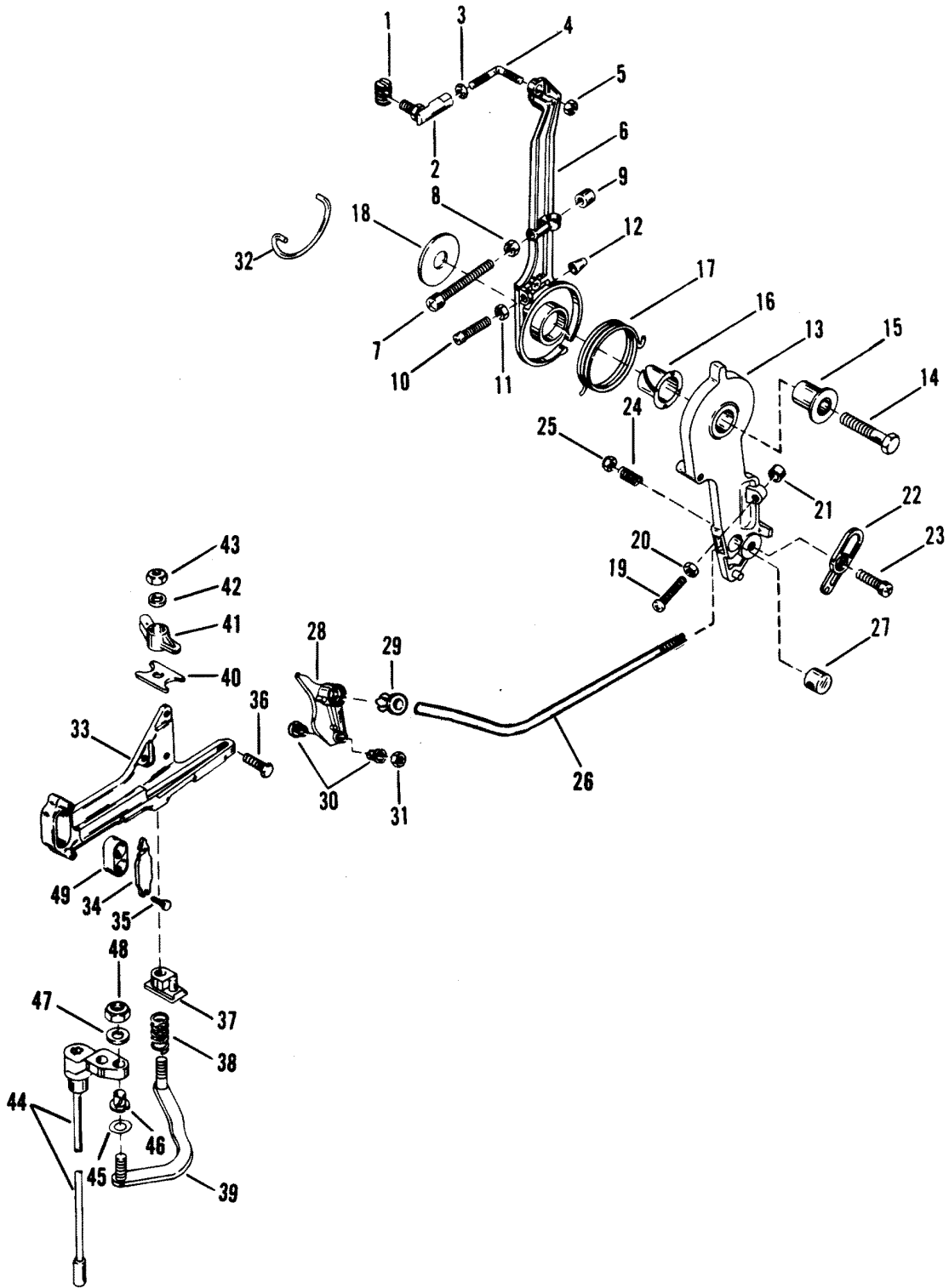


# THROTTLE LEVER AND SHIFT SHAFT

REF. NO.	PART NO.	SYM.	QTY.	DESCRIPTION
1	74897		1	PIVOT, TRIGGER PLATE
2	62459		1	BALL JOINT, TRIGGER PLATE
3	11-45076		1	NUT, LINK ROD
4	76035		1	LINK ROD, TRIGGER PLATE
5	11-46438		1	NUT, BALL JOINT
6	41094A3		1	LEVER, SPARK ADVANCE
7	10-64022		1	SCREW, SPARK ADVANCE LEVER - STOP
8	11-64015		1	NUT, SPARK ADVANCE STOP SCREW
9	26852		1	CAP, SPARK ADVANCE LEVER STOP SCREW
10	10-13627		1	SCREW, SPARK ADVANCE LEVER - STOP (1-1/4")
11	11-68219		1	NUT, SPARK ADVANCE LEVER STOP SCREW
12	48039		1	CAP, SPARK ADVANCE LEVER STOP SCREW
13	41095		1	LEVER, THROTTLE CONTROL
14	10-55337		1	SCREW <b>THROTTLE LEVER/ADVANCE LEVER (1-3/4")</b>
15	23-55164		1	BUSHING, THROTTLE LEVER
16	23-55171		1	BUSHING, SPARK ADVANCE LEVER
17	24-68784		1	SPRING, THROTTLE AND SPARK ADVANCE LEVER
18	12-68410		1	WASHER, SPARK ADVANCE LEVER
19	10-64022		1	SCREW, THROTTLE LEVER - STOP (2-1/8")
20	11-64015		1	NUT, THROTTLE LEVER STOP SCREW
21	26852		1	CAP, THROTTLE LEVER STOP SCREW
22	39483		1	LATCH, CABLE
23	10-22486		1	SCREW, CABLE LATCH TO THROTTLE LEVER
24	24-20099		1	SPRING, CABLE LATCH TO THROTTLE LEVER
25	11-35045		1	NUT, CABLE LATCH SCREW
26	14634		1	ROD, THROTTLE CONTROL
27	14638		1	BARRELL, THROTTLE CONTROL ROD
28	14635--1		1	THROTTLE CAM
29	23-93248--1		1	SWIVEL BUSHING
30	23-26856		2	BUSHING, THROTTLE CAM
31	11-36069		1	NUT, THROTTLE CAM STUD
32	24-41050		1	SPRING, THROTTLE RETURN
33	92032A2		1	BRACKET, ANCHOR-CONTROL CABLES
34	98889		1	LATCH, CONTROL CABLE
35	10-42975		2	SCREW, LATCH
36	10-53167		3	SCREW, ANCHOR BRACKET ATTACHING
37	37896		1	GUIDE BLOCK, LINK ROD
38	24-20099		1	SPRING, LINK ROD TO GUIDE BLOCK
39	67073A1		1	LINK ROD ASSEMBLY
40	52100		1	WEAR PLATE, LINK ROD
41	38279		1	LATCH, CONTROL CABLE FASTENING <b>ANCHOR BRACKET</b>
42	12-35462		1	WASHER, LATCH
43	11-36069		1	NUT, LINK ROD

CONTINUED ON NEXT PAGE ➡

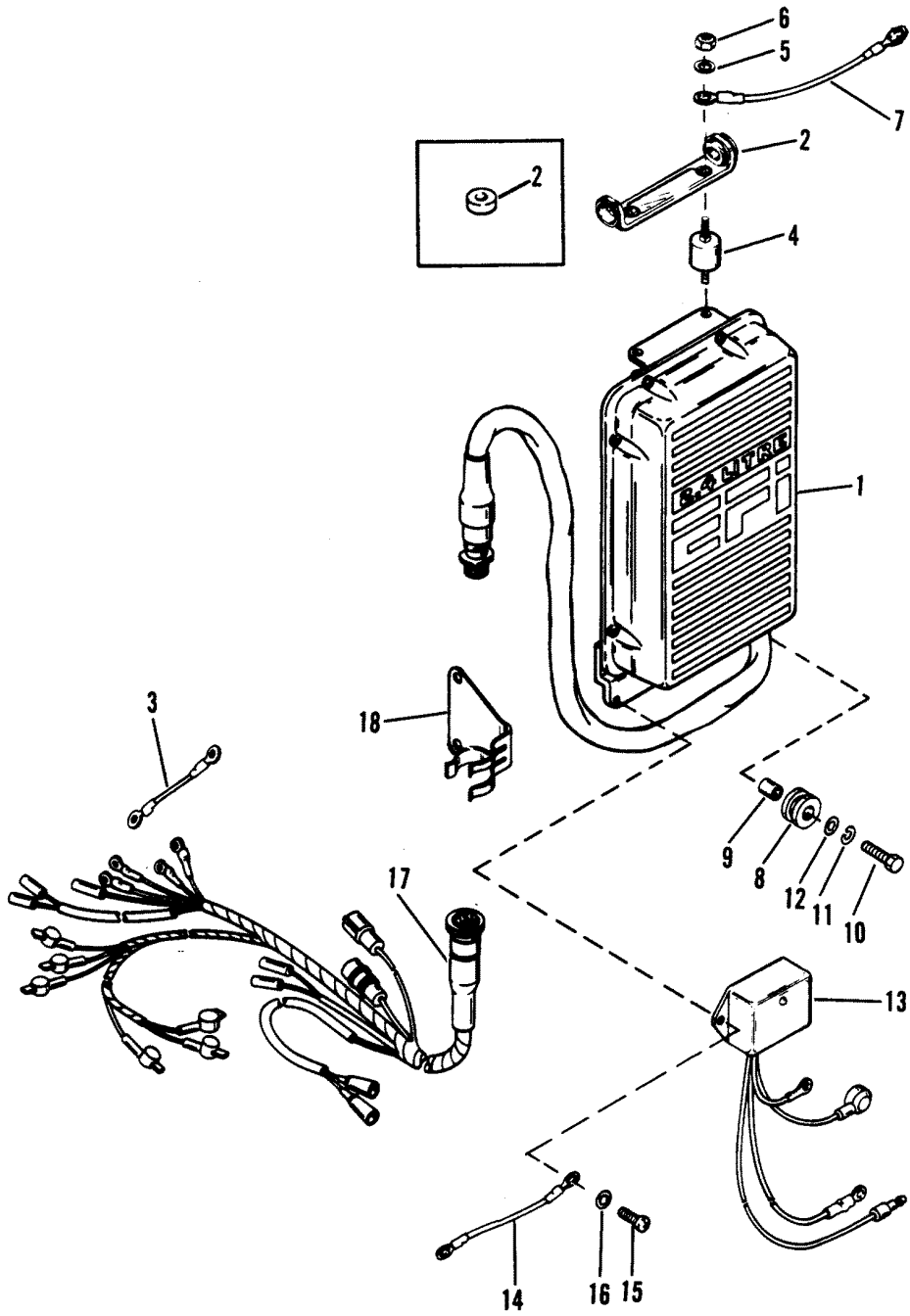
# THROTTLE LEVER AND SHIFT SHAFT



## THROTTLE LEVER AND SHIFT SHAFT

REF. NO.	PART NO.	SYM.	QTY.	DESCRIPTION
44	79932A11		1	SHIFT SHAFT ASSEMBLY
45	13-29720		1	WAVE WASHER, LINK ROD
46	23-26600		1	BUSHING, NYLON-LINK ROD
47	12-35462		1	WASHER, LINK ROD
48	11-36069		1	NUT, LINK ROD TO SHIFT SHAFT
49	39519		1	CAP, BARREL RETAINER - ANCHOR BAR

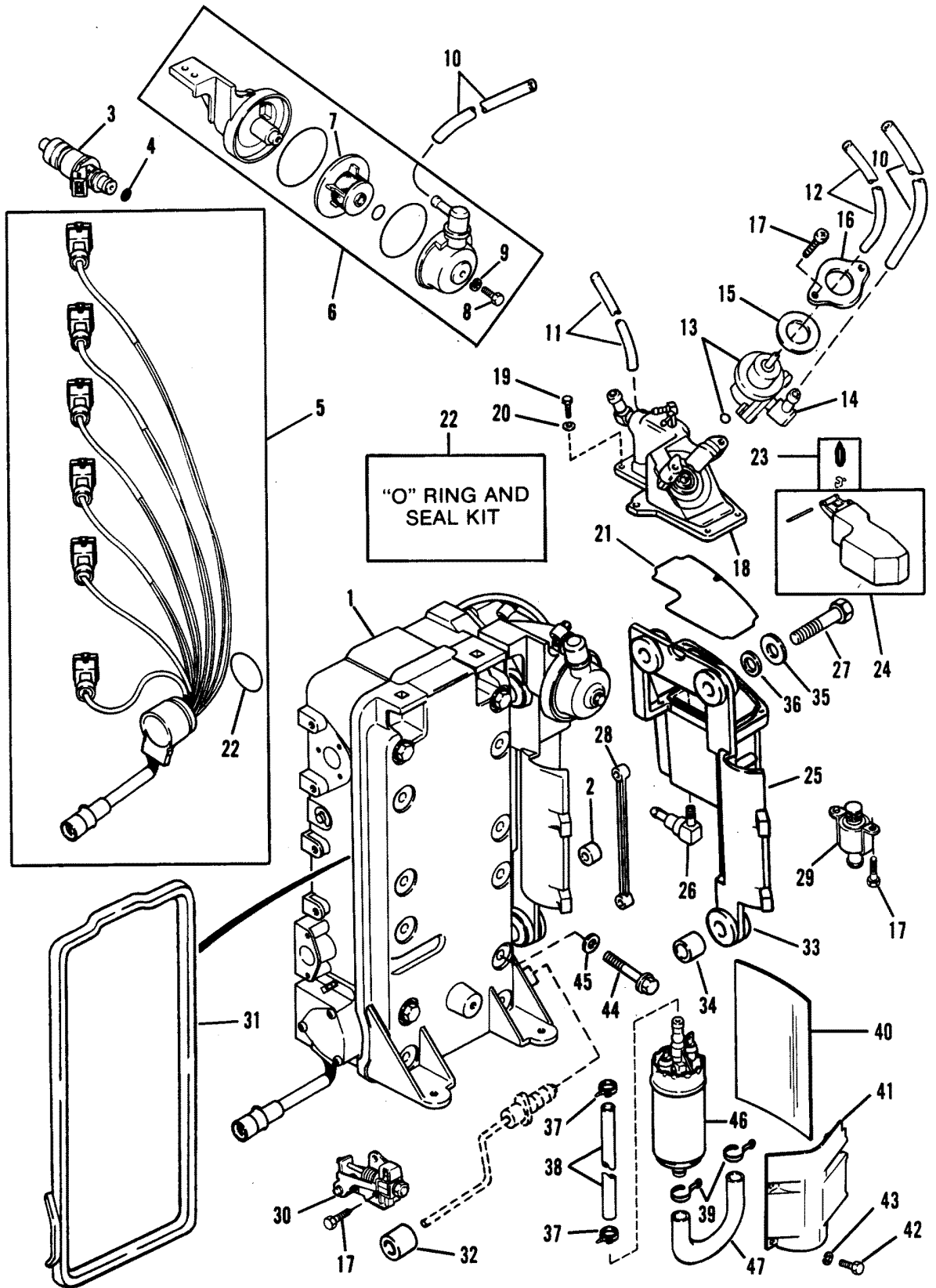
# E.C.U. ASSEMBLY



# E.C.U. ASSEMBLY

REF. NO.	PART NO.	SYM.	QTY.	DESCRIPTION
1	14632A12		1	E.C.U. ASSEMBLY
2	67245T		1	BRACKET (OLD DESIGN)
	23-34948		2	SPACER (NEW DESIGN)
3	84-87895A4		1	CABLE
4	90435		2	MOUNT
5	12-21249		4	WASHER
6	11-20361		4	NUT
7	84-88807A19		1	CABLE ASSEMBLY
8	14637		1	GROMMET
9	23-14636		1	BUSHING
10	10-28667		1	SCREW
11	13-26992		1	LOCKWASHER
12	12-65567		1	WASHER
13	13202A2		1	WATER SENSOR MODULE ASSEMBLY
14	84-88807A18		1	WIRE ASSEMBLY (BLACK)
15	10-37571		2	SCREW, WATER SENSOR MODULE
16	12-89302		2	WASHER, WATER SENSOR MODULE SCREW
17	84-98866A14		1	WIRING HARNESS, E.C.U. AND INJECTORS
18	54-14695--1		1	CLIP

# FUEL MANAGEMENT SYSTEM

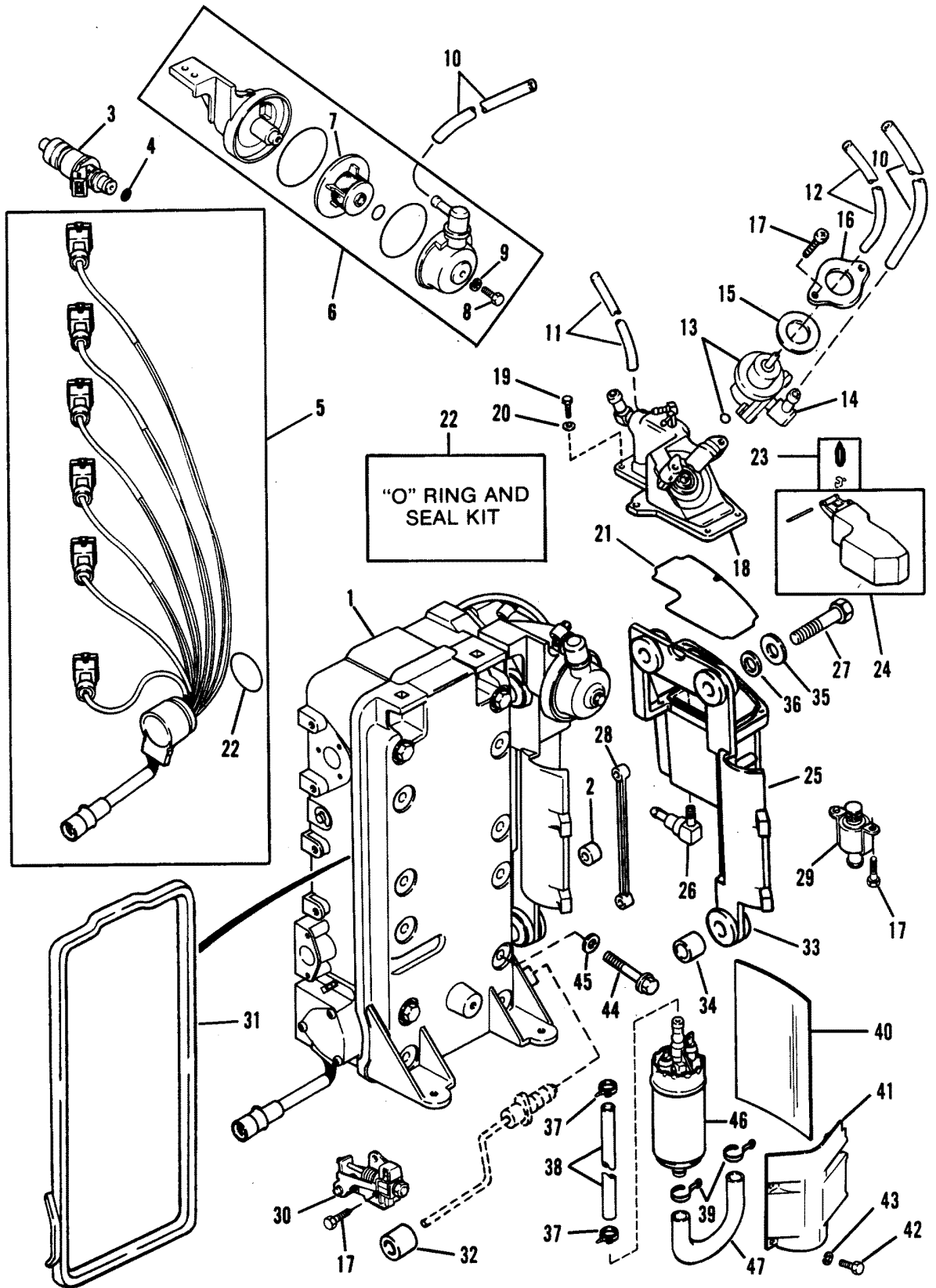


# FUEL MANAGEMENT SYSTEM

REF. NO.	PART NO.	SYM.	QTY.	DESCRIPTION
1	14817A11		1	FUEL MANAGEMENT ASSEMBLY
2	67748		1	ROLLER, CAM
3	18715		6	FUEL INJECTOR
4	35-17422		1	FILTER, INJECTOR
5	84-15443		1	HARNESS KIT
6	35-15442		1	FUEL FILTER KIT
7	35-15028--2		1	FUEL FILTER
8	10-40003--4		1	SCREW, FILTER COVER
9	13-40025--5		1	LOCKWASHER, COVER SCREW
10	32-13503-82		1	HOSE (1/2" O.D.)
11	32-99126-88		1	HOSE (1/8" I.D.)
12	32-99130122		1	HOSE (3/32" I.D.)
13	15027		1	REGULATOR, PRESSURE
14	814233		1	ELBOW KIT
15	27-18791		1	GASKET, PRESSURE REGULATOR
16	814012		1	PLATE, PRESSURE REGULATOR
17	10-814076		AR	SCREW
18	814010		1	COVER KIT
19	10-40019-87		6	SCREW, COVER TO SEPARATOR
20	13-26995		6	LOCKWASHER, COVER SCREW
21	26-18790		1	SEAL, VAPOR SEPARATOR
22	15029		1	"O" RING AND SEAL KIT
23	15446		1	FLOAT VALVE KIT
24	15445		1	FLOAT KIT
25	814011		1	BODY KIT
26	21-42481		1	CHECK VALVE
27	10-40003-32		3	SCREW, SEPARATOR TO FUEL MANAGEMENT
28	15444		1	LINK
29	21-18241		1	CHECK VALVE
30	814077		1	SHUT-OFF VALVE
31	26-18792		1	SEAL, INJECTOR MANIFOLD
32	23-19275		1	SPACER
33	25-88033		3	GROMMET
34	23-814913		3	SPACER
35	12-35280		3	WASHER (LARGE)
36	12-20346		3	WASHER (SMALL)
37	54-13791		1	CLAMP, HOSE
38	32-13503-82		1	TUBING (1-3/4")
39	54-90077		AR	STA-STRAP
40	14639		1	BLANKET, FUEL PUMP
41	14640T		1	COVER, FUEL PUMP
42	10-32228		4	SCREW

CONTINUED ON NEXT PAGE ➡

# FUEL MANAGEMENT SYSTEM

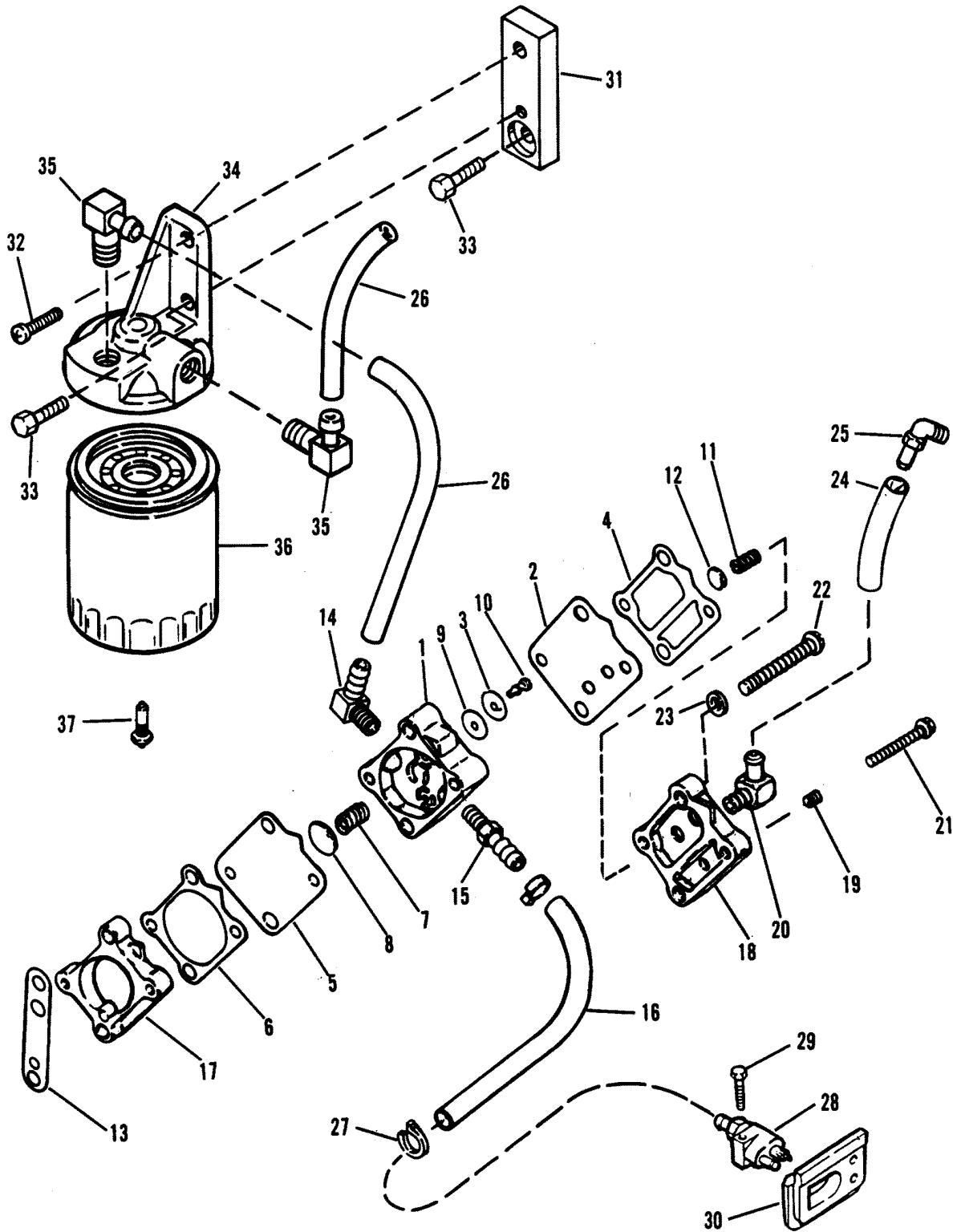




## FUEL MANAGEMENT SYSTEM

REF. NO.	PART NO.	SYM.	QTY.	DESCRIPTION
43	13-26996		4	LOCKWASHER
44	10-90088		12	SCREW
45	12-29245		12	WASHER
46	14307T		1	FUEL PUMP
47	32-14633		1	HOSE

# FUEL PUMP AND FUEL FILTER



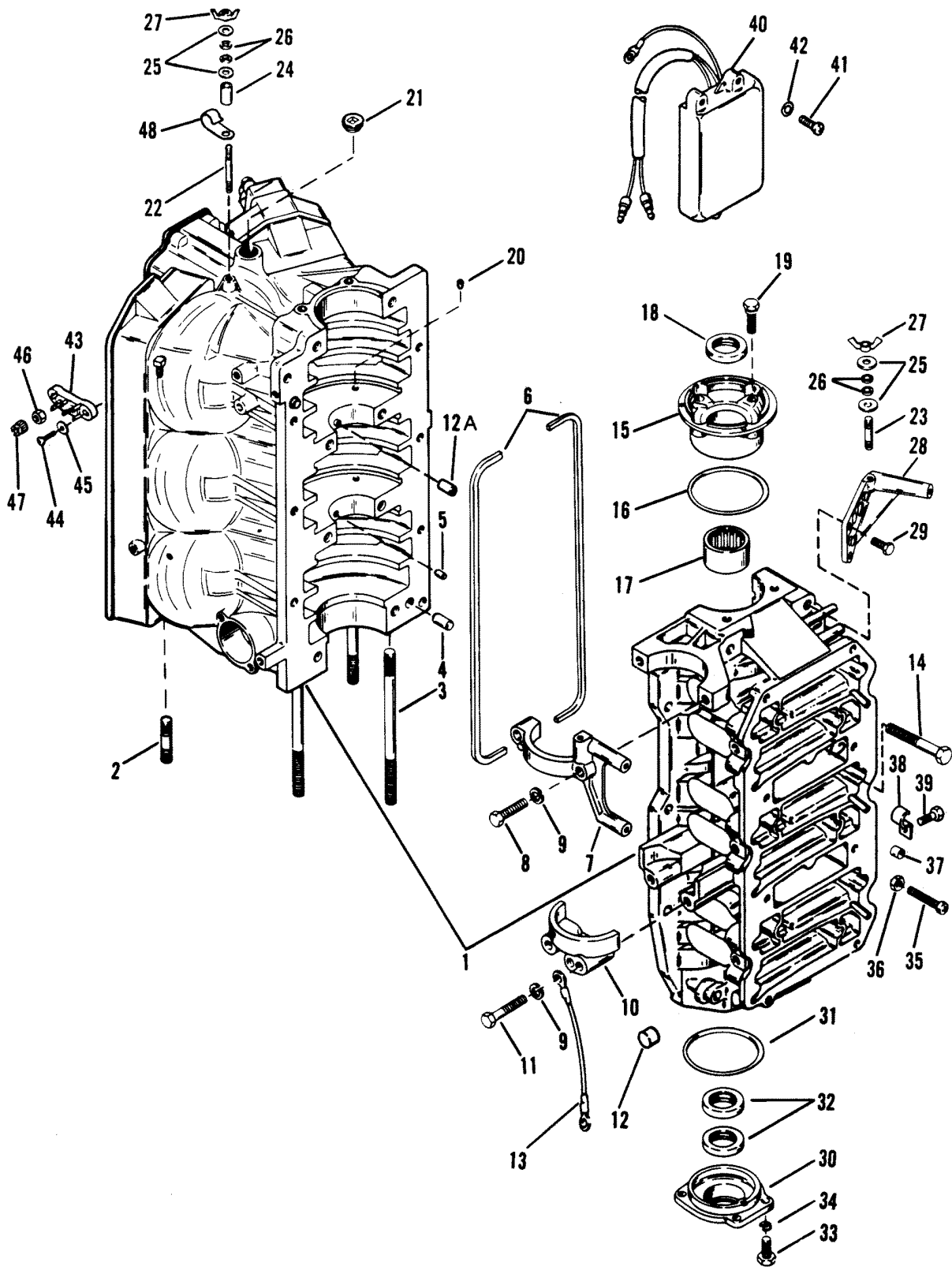
# FUEL PUMP AND FUEL FILTER

REF. NO.	PART NO.	SYM.	QTY.	DESCRIPTION
1	15930A15		1	FUEL PUMP ASSEMBLY
2	21-42990A10	■	1	DIAPHRAGM KIT <b>CONTENTS INDICATED BY FOOTNOTE 1</b>
3		■	2	CHECK VALVE, RUBBER
4		■	1	GASKET, BOOST
5		■	2	DIAPHRAGM
6		■	1	GASKET, PULSE
7		■	1	SPRING
8		■	1	CAP
9		■	2	CHECK VALVE
10		■	2	RETAINER
11		■	1	SPRING
12		■	1	CAP
13	27-98769--1	■	1	GASKET, BASE
14	22-14868		1	FITTING, FUEL PUMP (ELBOW)
15	22-16604		1	FITTING, FUEL PUMP (STRAIGHT)
16	32-99129-76		1	TUBING
17	14430--3		1	BASE, FUEL PUMP
18	98775A3		1	PLATE, FUEL PUMP
19	22-56800		1	PIPE PLUG
20	22-15979		1	FITTING
21	10-16452		2	SCREW, FUEL PUMP
22	10-40003-10		2	SCREW, FUEL PUMP TO CRANKCASE
23	12-40023-14		2	WASHER, FUEL PUMP SCREW
24	32-90729-25		1	HOSE, PULSE
25	22-99751		1	FITTING, PULSE HOSE (90 DEGREE)
26	32-13503-82		2	TUBING
27	54-90077		AR	STA STRAP, FUEL TUBING
28	22-15781A1		1	FUEL CONNECTOR
29	10-69067		1	SCREW
30	812782		1	SEAL
31	813657		1	BRACKET
32	10-69067		1	SCREW
33	10-28668		2	SCREW, FUEL FILTER BASE
34	13170A1		1	BASE, FUEL FILTER
35	22-13607		2	FITTING, BASE
36	35-18458A1		1	FUEL FILTER ASSEMBLY
37	14570		1	PROBE, WATER SENSING

■ = CONTENTS OF GASKET SET [27-14697A87]

■ = CONTENTS OF DIAPHRAGM KIT [21-42990A6]

# CYLINDER BLOCK AND END CAPS



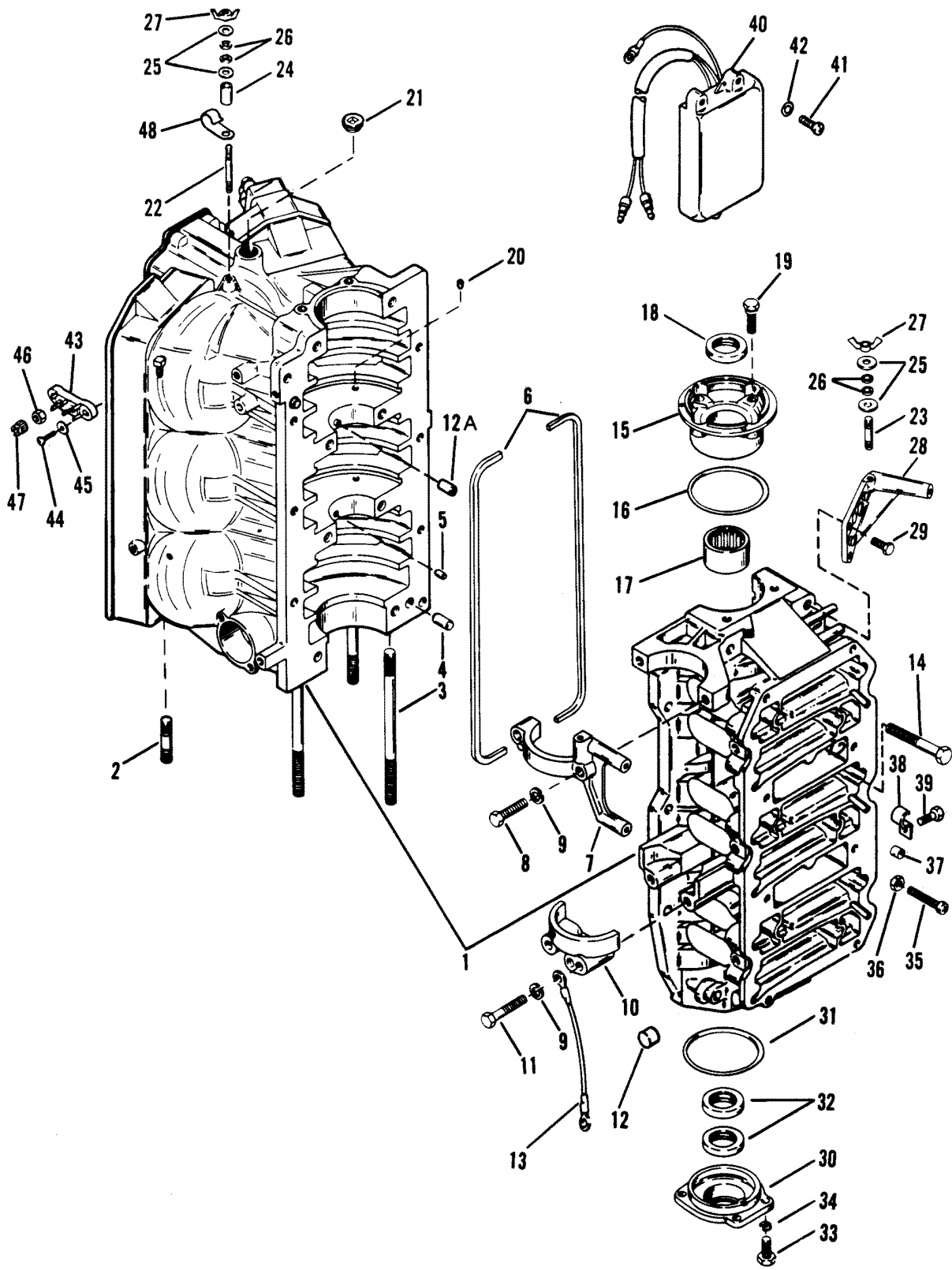
# CYLINDER BLOCK AND END CAPS

REF. NO.	PART NO.	SYM.	QTY.	DESCRIPTION
1	858-8712A46		1	CYLINDER BLOCK
2	16-76175		6	STUD, POWERHEAD (1-7/8")
3	16-67065		2	STUD, POWERHEAD (5-1/2")
	16-78438		2	STUD, POWERHEAD (6-3/4")
4	17-20033		2	DOWEL PIN, LOCATING
5	17-67296		2	DOWEL PIN, CYLINDER BLOCK (BEARING RACE)
6	27-11338	■	2	GASKET, SEALING
7	42249		1	COVER, STARTER MOTOR (UPPER)
8	10-73657		2	SCREW, COVER TO CRANKCASE (1-1/2")
9	13-26993		4	LOCKWASHER, STARTER MOTOR COVER SCREW
10	76867		1	COVER, STARTER MOTOR (LOWER)
11	10-77065		2	SCREW, COVER TO CRANKCASE (2")
12	19-88801		2	PLUG, CUPPED
12A	23-99448		1	BUSHING
13	84-88807A20		1	CABLE ASSEMBLY, COVER
14	10-66717		8	SCREW, CRANKCASE TO CYLINDER BLOCK (3-1/4")
	10-74824		6	SCREW, CRANKCASE TO CYLINDER BLOCK (1-1/4")
15	1159-9608A1		1	END CAP ASSEMBLY, UPPER
16	25-54029	■	1	"O" RING, END CAP
17	31-93496		1	ROLLER BEARING, END CAP
18	26-41953		1	OIL SEAL, END CAP
19	10-69034		4	SCREW, UPPER END CAP TO CYLINDER BLOCK (1")
20	10-24220		2	SCREW, SET - CYLINDER BLOCK (3/16")
21	22-38407		1	PLUG, CYLINDER BLOCK (WATER JACKET) (OLD DESIGN)
22	16-15094		1	STUD, FLYWHEEL COVER TO CYLINDER BLOCK (1-7/8")
23	16-15093		2	STUD, FLYWHEEL COVER TO BRACKET (1")
24	23-67269		1	SPACER, FLYWHEEL COVER STUD
25	12-49221--1		6	WASHER, FLYWHEEL COVER STUD
26	12-72761		3	WASHER, FLYWHEEL COVER STUD
27	11-73651		3	NUT, FLYWHEEL COVER STUD
28	42248		1	BRACKET, FLYWHEEL COVER
29	10-49668		2	SCREW, BRACKET TO CRANKCASE (3/4")
30	1156-7809A1		1	END CAP ASSEMBLY (LOWER)
31	25-62700	■	1	"O" RING, END CAP (3-1/4" I.D.)
32	26-41953		2	OIL SEAL, END CAP
33	10-28636		4	SCREW, LOWER END CAP TO CYLINDER BLOCK (3/4")
34	13-26992		4	LOCKWASHER, LOWER END CAP SCREW
35	10-64022		1	SCREW, ADJUSTING - CYLINDER BLOCK
36	11-64015		1	NUT, JAM - ADJUSTING SCREW
37	26852		1	CAP, NYLON - ADJUSTING SCREW
38	54-16793		1	CLAMP
39	10-73286		1	SCREW

■ = CONTENTS OF GASKET SET [27-14697A87]

CONTINUED ON NEXT PAGE ➡

# CYLINDER BLOCK AND END CAPS

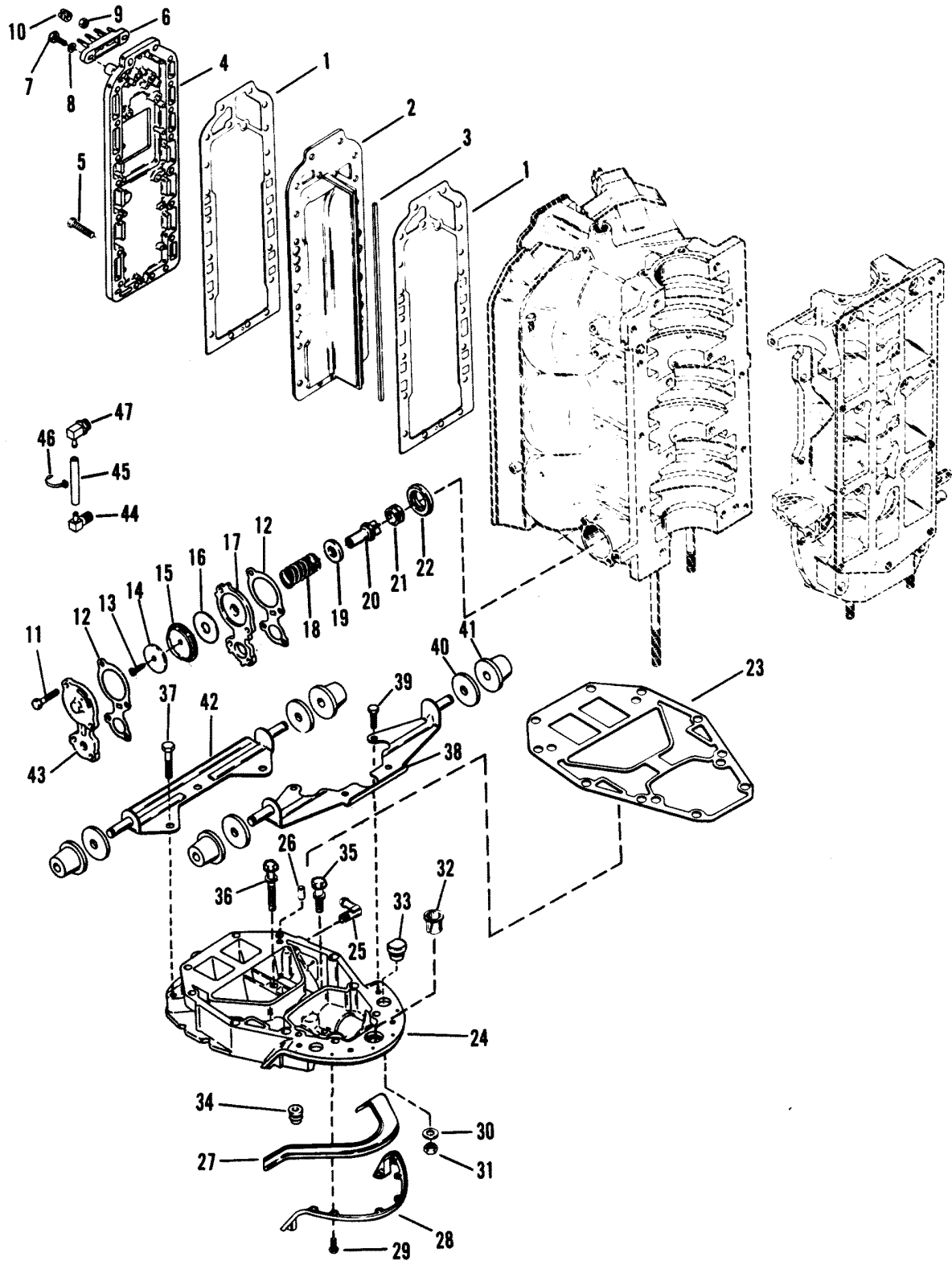


## CYLINDER BLOCK AND END CAPS

REF. NO.	PART NO.	SYM.	QTY.	DESCRIPTION
40	87076A6		1	IDLE SPEED CONTROL ASSEMBLY
41	10-69020		3	SCREW, IDLE SPEED CONTROL
42	12-38833		3	WASHER, IDLE SPEED ONTROL SCREW
43	86-19437--2		1	TERMINAL BLOCK
44	10-48409		2	SCREW
45	12-89302		2	LOCKWASHER
46	11-45076		2	NUT
47	11-813938		2	NUT
48	54-63153		1	'J' CLIP
49	812898A89		1	<b>POWERHEAD ASSEMBLY - COMPLETE INCLUDES CYLINDER BLOCK AND CRANKCASE, PISTONS, CONNECTING RODS AND BEARINGS, ETC.</b>

FOR REPLACEMENT OF POWERHEAD ASSEMBLY COMPLETE, WHICH INCLUDES CYLINDER BLOCK AND CRANKCASE, PISTONS, CONNECTING RODS AND BEARINGS, ETC. ORDER POWERHEAD ASSEMBLY [812898A89].

# EXHAUST MANIFOLD AND EXHAUST PLATE





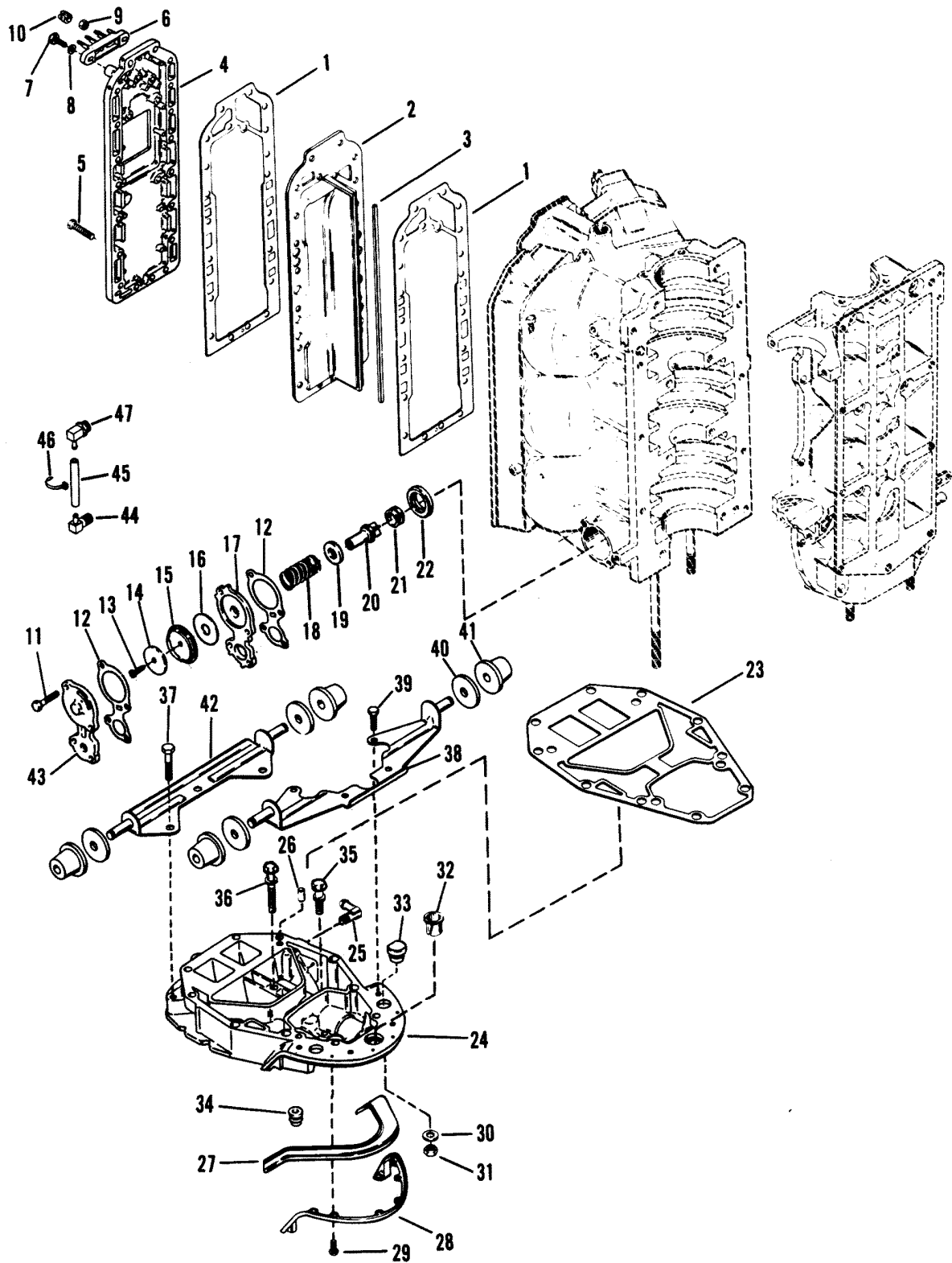
# EXHAUST MANIFOLD AND EXHAUST PLATE

REF. NO.	PART NO.	SYM.	QTY.	DESCRIPTION
1	27-90484--1	■	2	GASKET, DIVIDER PLATE
2	99169A1		1	PLATE, DIVIDER
3	69668	■	1	SEAL, DIVIDER PLATE
4	19307--1		1	COVER, EXHAUST MANIFOLD
5	10-74824		21	SCREW <b>COVER AND PLATE TO CYLINDER BLOCK (1-1/4")</b>
6	86-19437--3		1	TERMINAL BLOCK (3 TERMINALS)
7	10-31716		2	SCREW, TERMINAL BLOCK
8	12-29245		2	WASHER, TERMINAL BLOCK SCREW
9	11-45076		3	NUT, TERMINAL BLOCK
10	11-813938		3	NUT, TERMINAL BLOCK
11	10-74824		4	SCREW, COVER TO CYLINDER BLOCK <b>(1-1/4")</b>
12	27-1263	■	2	GASKET, RELIEF VALVE PLATE
13	69570		1	SCREW, DIAPHRAGM TO PLATE <b>(3/4")</b>
14	12-76451		1	WASHER, DIAPHRAGM SCREW
15	14479		1	DIAPHRAGM
16	16496		1	WATER DEFLECTOR
17	16497A1		1	PLATE, RELIEF VALVE
18	24-64878		1	SPRING, COMPRESSION POPPET VALVE
19	12-85303		1	WASHER, POPPET SPRING
20	14480		1	POPPET, VALVE
21	25-64872		1	GROMMET, POPPET VALVE
22	65848		1	CARRIER, POPPET VALVE
23	27-99176--3	■	1	GASKET, EXHAUST PLATE
24	41944A5		1	PLATE ASSEMBLY, EXHAUST
25	22-99664		1	ELBOW EXHAUST PLATE
26	17-20033		2	DOWEL PIN LOCATING - EXHAUST PLATE
27	814701--2		1	SEAL, EXHAUST PLATE
28	68010		1	BRACKET, SEAL RETAINING
29	10-48408		6	SCREW, BRACKET TO EXHAUST PLATE <b>(1/2")</b>
30	12-25970		6	WASHER, POWERHEAD STUD
31	11-69254		6	NUT, POWERHEAD STUD
32	23-27132		1	BUSHING, EXHAUST PLATE
33	25-19564		1	GROMMET
34	25-12602		1	GROMMET, EXHAUST PLATE
35	10-66727		1	SCREW, EXHAUST PLATE ATTACHING <b>(1-1/4")</b>
36	10-68783		1	SCREW, EXHAUST PLATE ATTACHING <b>(2-1/2")</b>
37	10-66725		3	SCREW, EXHAUST PLATE ATTACHING <b>(3-1/2")</b>
38	812905A2		1	BRACKET ASSEMBLY, FRONT
39	10-90285		4	SCREW, FRONT BRACKET
40	12-18703--1		4	WASHER
41	25-18778		4	GROMMET
42	18578A3		1	BRACKET ASSEMBLY, REAR

■ = CONTENTS OF GASKET SET [27-14697A87]

CONTINUED ON NEXT PAGE ➡

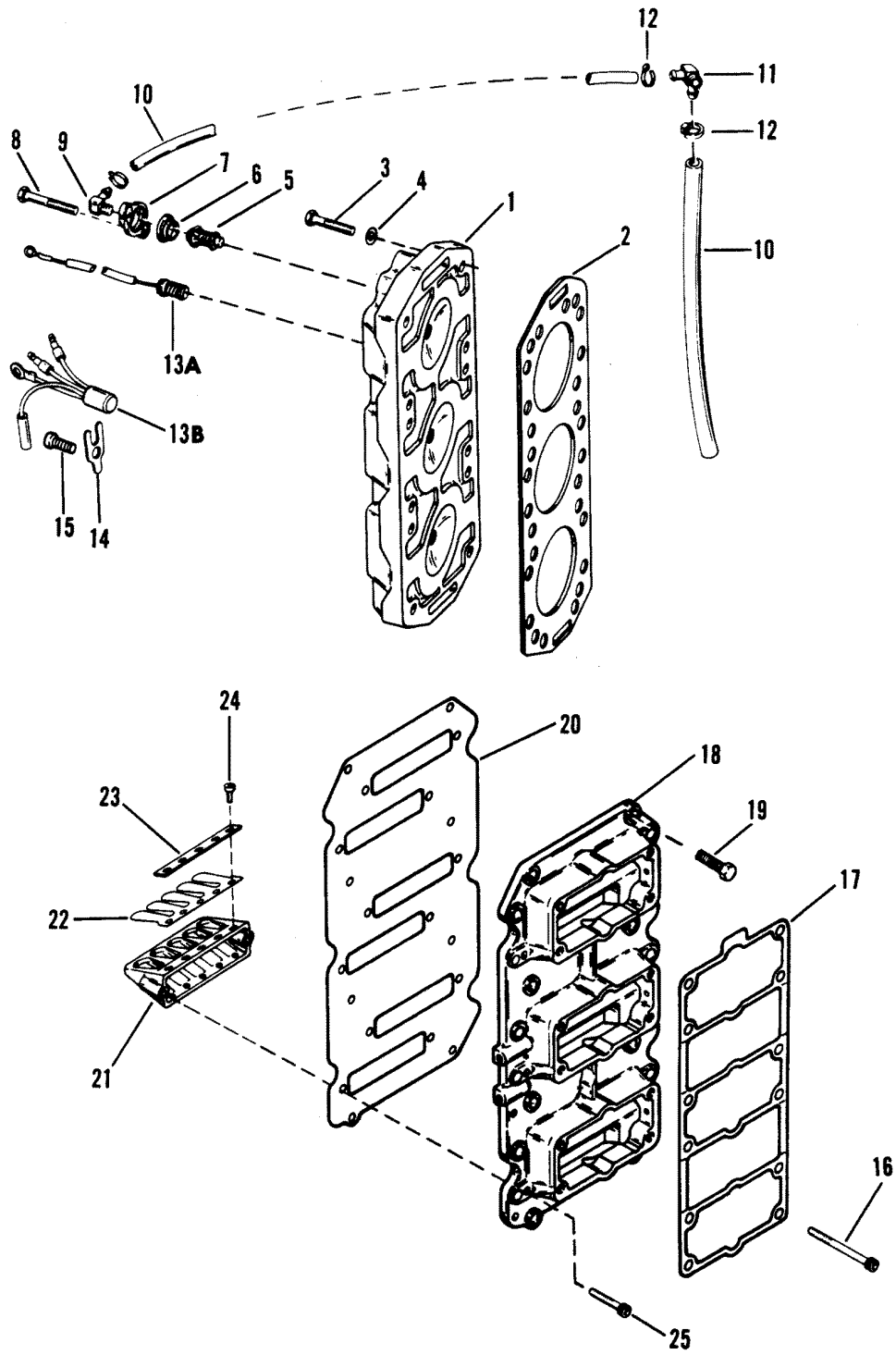
# EXHAUST MANIFOLD AND EXHAUST PLATE



## EXHAUST MANIFOLD AND EXHAUST PLATE

REF. NO.	PART NO.	SYM.	QTY.	DESCRIPTION
43	14462A1		1	COVER RELIEF VALVE (OLD DESIGN)
	68729		1	COVER, RELIEF VALVE (NEW DESIGN)
44	22-92007		1	FITTING (90 DEGREE) (NEW DESIGN)
45	32-99127109		1	HOSE (NEW DESIGN)
46	54-90077		2	STA-STRAP (NEW DESIGN)
47	22-814430		1	FITTING (NEW DESIGN)

# REED BLOCK AND CYLINDER HEAD

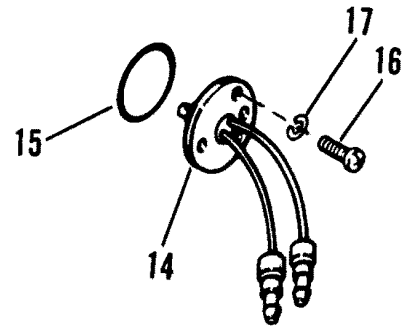
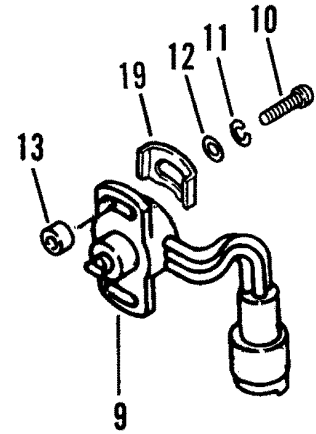
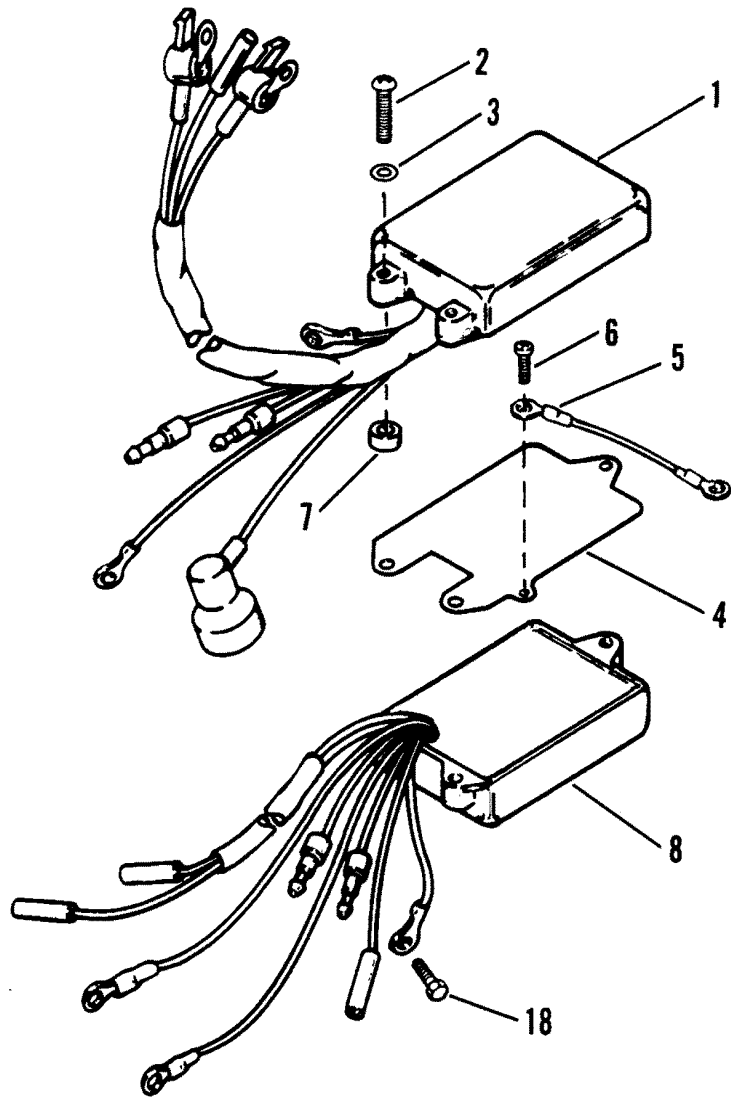


## REED BLOCK AND CYLINDER HEAD

REF. NO.	PART NO.	SYM.	QTY.	DESCRIPTION
1	15221A4		2	CYLINDER HEAD
2	27-41246--1	■	2	GASKET, CYLINDER HEAD
3	10-98534		24	SCREW, CYLINDER HEAD (2")
4	12-25909		24	WASHER, CYLINDER HEAD SCREW
5	75692		2	THERMOSTAT
6	27-62386	■	2	GASKET, THERMOSTAT
7	90390A1		2	COVER, THERMOSTAT
8	10-35386		4	SCREW, THERMOSTAT COVER (1")
9	22-68727		1	FITTING, ELBOW - WATER HOSES
10	32-77653-77		2	HOSE, WATER DISTRIBUTION
11	22-68728		1	FITTING, THERMOSTAT COVER TO WATER HOSES
12	54-90077		4	STA-STRAP, WATER HOSES
13A	97465		1	TEMPERATURE SENDER (STARBOARD)
13B	13536A6		1	TEMPERATURE SENSOR (PORT)
14	13715		2	RETAINER, SENSOR AND SENDER
15	10-98257		2	SCREW, RETAINER
16	10-90197		6	SCREW, REED BLOCK ATTACHING (2")
17	27-16737--1	■	1	GASKET, ADAPTOR PLATE
18	14593A4		1	ADAPTOR PLATE
19	10-28668		8	SCREW, ADAPTOR PLATE
20	27-14697--1	■	1	GASKET, ADAPTOR PLATE
21	75953		6	REED BLOCK
22	34-75362A1		6	REED ASSEMBLY
23	96183		12	REED CLAMP
24	10-14783		60	SCREW, REEDS TO REED BLOCK
25	10-92160		6	SCREW, REED BLOCK ATTACHING (3/4")

■ = CONTENTS OF GASKET SET [27-14697A87]

# DETONATION CONTROLLER / TEMPERATURE SENSOR

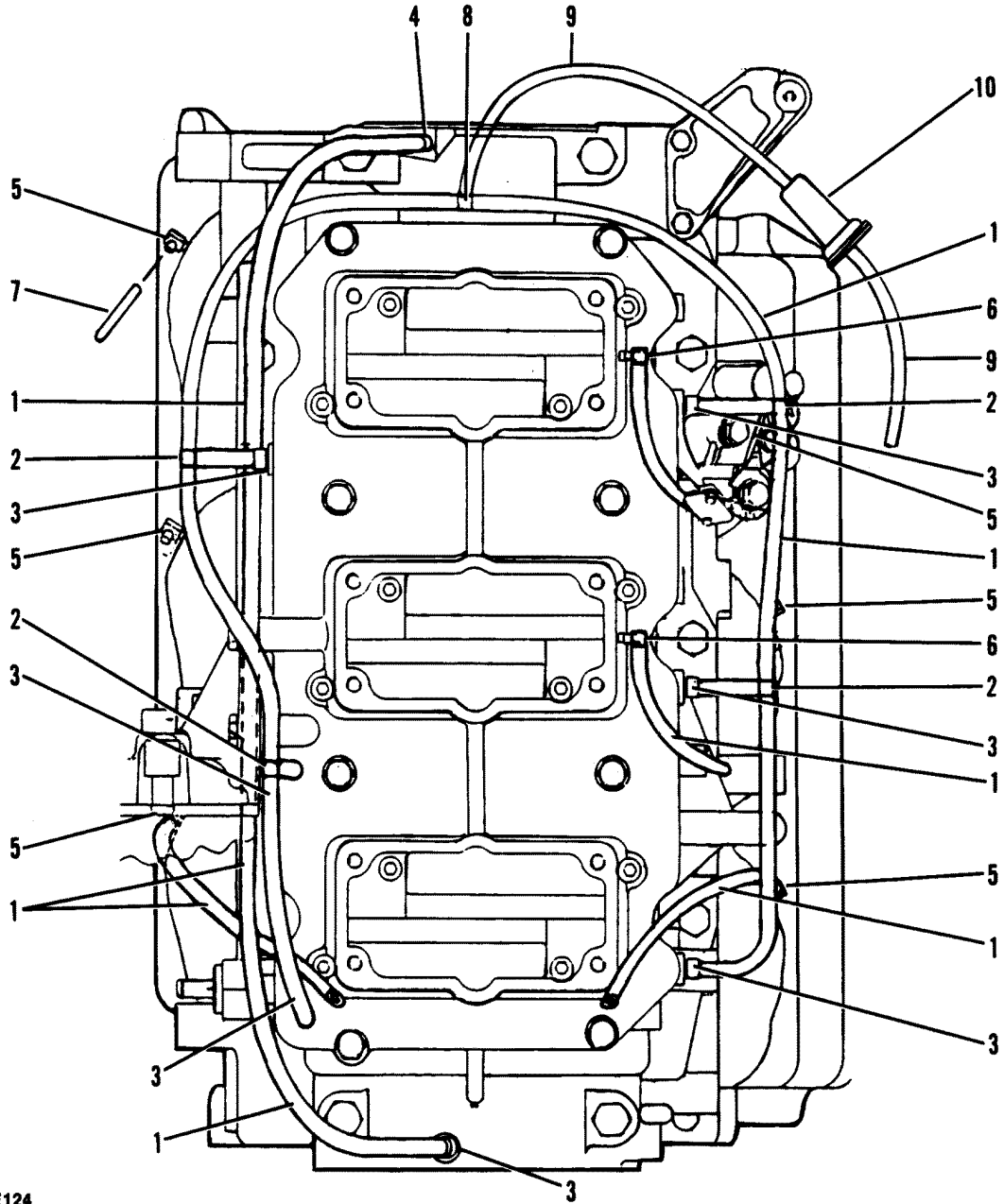


# DETONATION CONTROLLER / TEMPERATURE SENSOR

REF. NO.	PART NO.	SYM.	QTY.	DESCRIPTION
1	--14856A3		1	DETONATION CONTROLLER ASSEMBLY
2	10-88447		3	SCREW, DETONATION CONTROLLER
3	12-38833		3	WASHER, DETONATION CONTROLLER SCREW
4	13381		1	PLATE
5	84-60466A20		1	CABLE ASSEMBLY
6	10-62568		1	SCREW, CABLE TO PLATE
7	23-94304		3	BUSHING
8	41470A12		1	OIL INJECTION WARNING MODULE ASSEMBLY
9	14851		1	INDICATOR, THROTTLE POSITION
10	10-15150		2	SCREW, INDICATOR
11	13-26995		2	LOCKWASHER, INDICATOR SCREW
12	12-46101		2	WASHER, INDICATOR SCREW
13	23-15885		1	SLEEVE
14	13221A1		1	TEMPERATURE SENSOR ASSEMBLY
15	25-45711	■	1	"O" RING
16	10-57583		3	SCREW, TEMPERATURE SENSOR
17	13-26995		3	LOCKWASHER, TEMPERATURE SENSOR SCREW
18	10-42813		1	SCREW
19	813501		2	PLATE

■ = CONTENTS OF GASKET SET [27-14697A87]

# BLEED SYSTEM



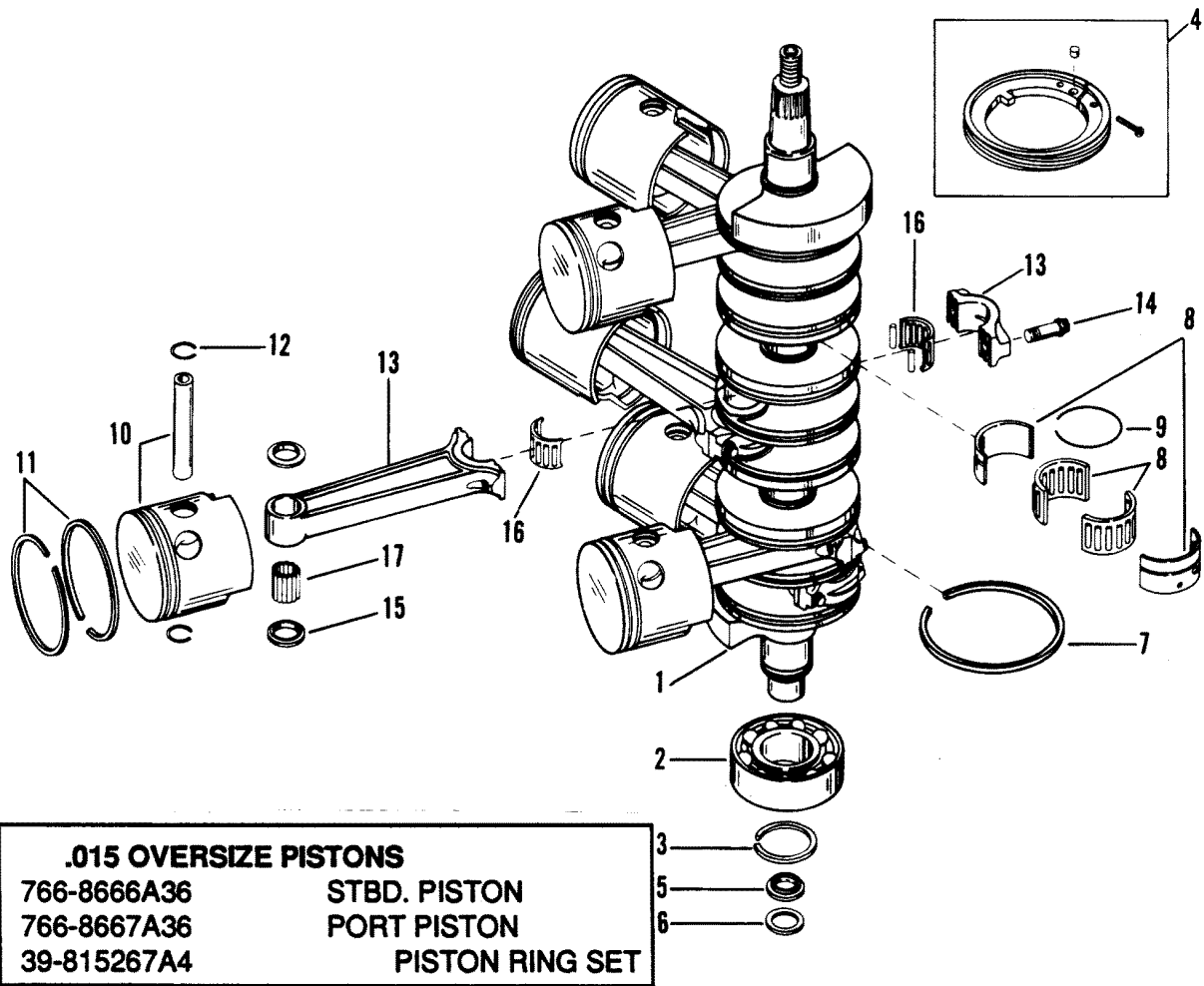
M0027-E124



# BLEED SYSTEM

REF. NO.	PART NO.	SYM.	QTY.	DESCRIPTION
1	32-99130122		1	TUBING, BLEED
2	22-59169		4	TEE
3	21-42698		7	CHECK VALVE (PRESS-N-13/16" LONG)
4	21-42623		1	CHECK VALVE (PRESS-IN-11/16" LONG)
5	22-15133		6	ELBOW (PRESS-IN)
6	22-56759		4	FITTING (PRESS-IN)
7	22-15026		4	CAP, ELBOW (YELLOW)
8	22-18205		1	TEE
9	32-99126-88		1	TUBING
10	35-18206		1	FUEL FILTER

# CRANKSHAFT, PISTONS AND CONNECTING RODS

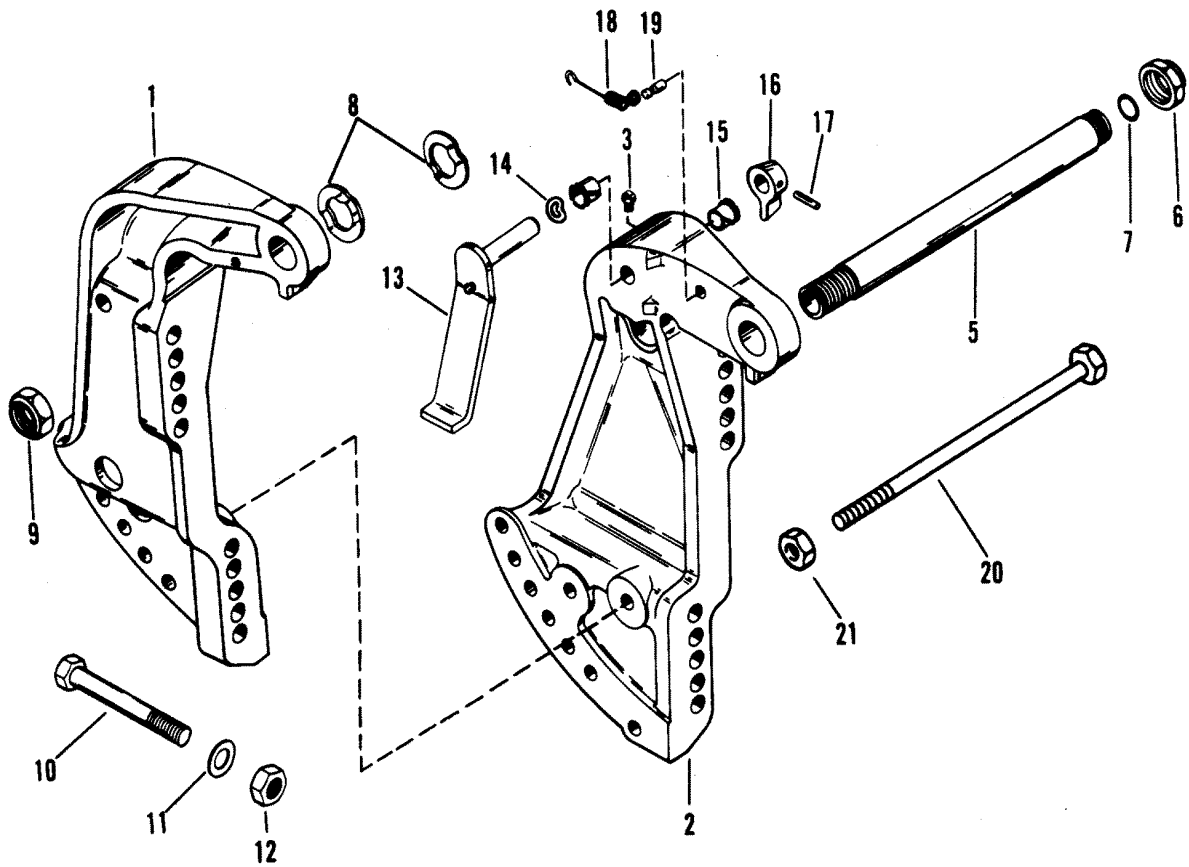


# CRANKSHAFT, PISTONS AND CONNECTING RODS

REF. NO.	PART NO.	SYM.	QTY.	DESCRIPTION
1	455-8745A5		1	CRANKSHAFT ASSEMBLY
2	30-67923		1	BALL BEARING, CRANKSHAFT (LOWER)
3	53-67446		1	RETAINING RING, BALL BEARING
4	43-99727A1		1	DRIVE CAR
5	54196A6		1	CARRIER ASSEMBLY, SEAL
6	65800	■	1	SEAL CARRIER
7	39-67377		AR	RING, SEALING - CRANKSHAFT (.124 THICK)
	39-78633		AR	RING, SEALING - CRANKSHAFT (.139 THICK)
8	31-93495		2	ROLLER BEARING, CRANKSHAFT
9	53-67444		2	RETAINING RING, ROLLER BEARING
10	766-8666A42		3	PISTON ASSEMBLY (STARBOARD)
	766-8667A42		3	PISTON ASSEMBLY (PORT)
11	39-18487A12		1	PISTON RING ASSEMBLY
12	40-52035		12	LOCK RING, PISTON
13	636-8119A5		6	CONNECTING ROD ASSEMBLY
14	10-93886		12	SCREW, CONNECTING ROD
15	12-47247		12	WASHER, NEEDLE LOCATING
16	31-17514A1		6	ROLLER BEARING ASSEMBLY, CRANKSHAFT END
17	29-67483		174	NEEDLE BEARING, PISTON END
-	<b>766-8666A36</b>		<b>1</b>	<b>PISTON .015 OVERSIZE PISTONS AND RINGS</b>
-	<b>766-8667A36</b>		<b>1</b>	<b>PORT PISTON .015 OVERSIZE PISTONS AND RINGS</b>
-	<b>39-815267A4</b>		<b>1</b>	<b>PISTON RING SET .015 OVERSIZE PISTONS AND RINGS</b>

■ = CONTENTS OF GASKET SET [27-14697A87]

# TRANSOM BRACKETS

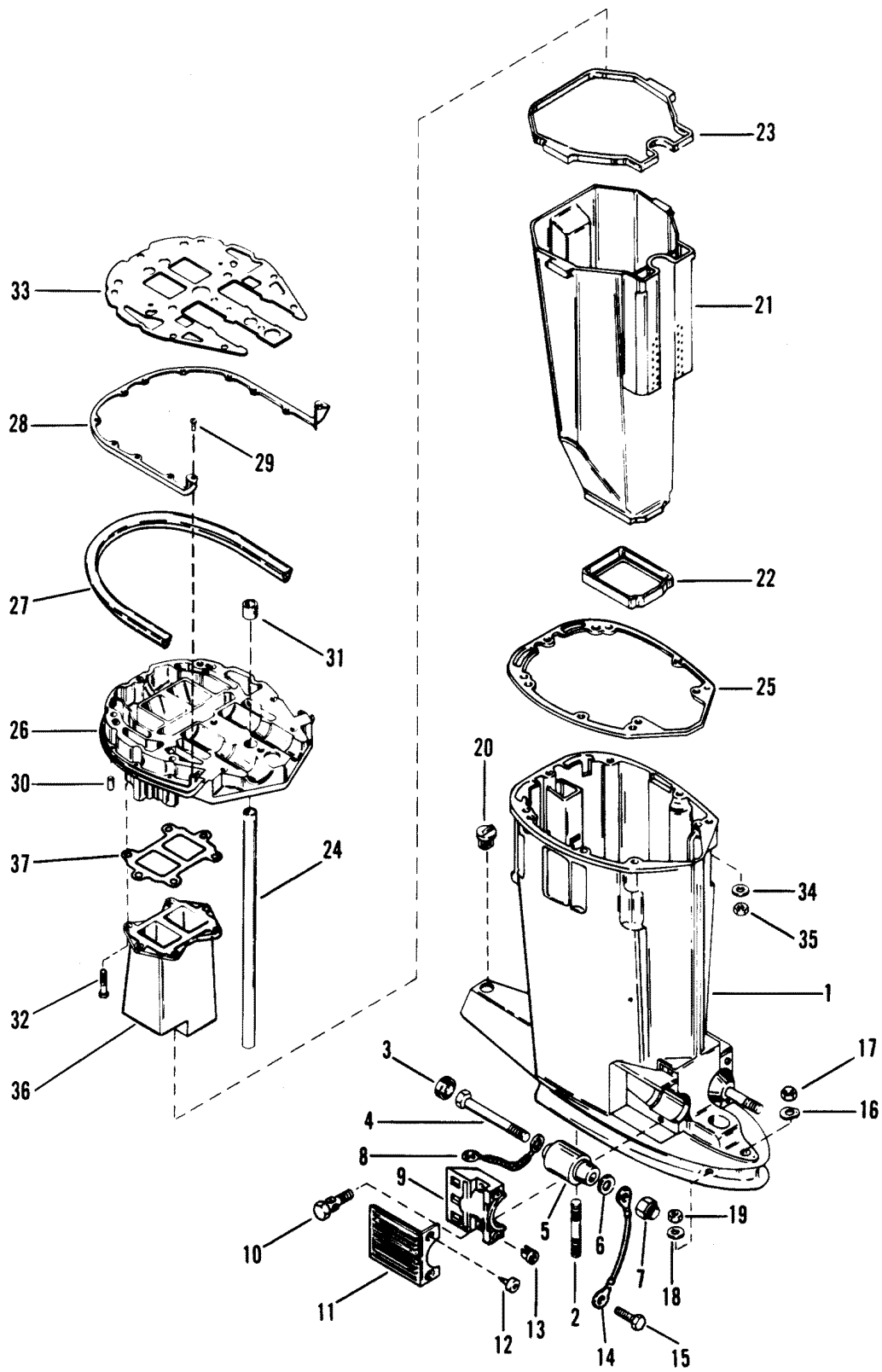


# TRANSOM BRACKETS

REF. NO.	PART NO.	SYM.	QTY.	DESCRIPTION
1	3401-8718A2		1	TRANSOM BRACKET (STARBOARD)
2	3400-8716A9		1	TRANSOM BRACKET (PORT)
3	22-98727		1	GREASE FITTING, PORT TRANSOM BRACKET
5	99170A1		1	TILT TUBE
6	11-90068T6		1	NUT, TILT TUBE (1"-14)
7	25-45711	■	1	"O" RING, TILT TUBE
8	13-88750		2	WAVE WASHER, TILT TUBE
9	11-56041		1	NUT, TILT TUBE (7/8-14)
10	10-67755--1		4	BOLT, TRANSOM BRACKET TO TRANSOM
11	12-28421		4	WASHER, TRANSOM BRACKET BOLT
12	11-91962		4	NUT, TRANSOM BRACKET BOLT
13	99629A2		1	LEVER ASSEMBLY, TILT LOCK
14	13-99611		1	WAVE WASHER, TILT LEVER
15	23-65830		2	BUSHING, TILT LEVER
16	99633T6		1	KNOB, TILT LOCK LEVER
17	17-99615		1	GROOVE PIN
18	24-99622		1	SPRING
19	17-99604		1	GROOVE PIN
20	10-96930A1		1	BOLT ASSEMBLY, TILT LOCK
21	11-23161		1	NUT, BOLT

■ = CONTENTS OF GASKET SET [27-14697A87]

# DRIVE SHAFT HOUSING AND EXHAUST TUBE

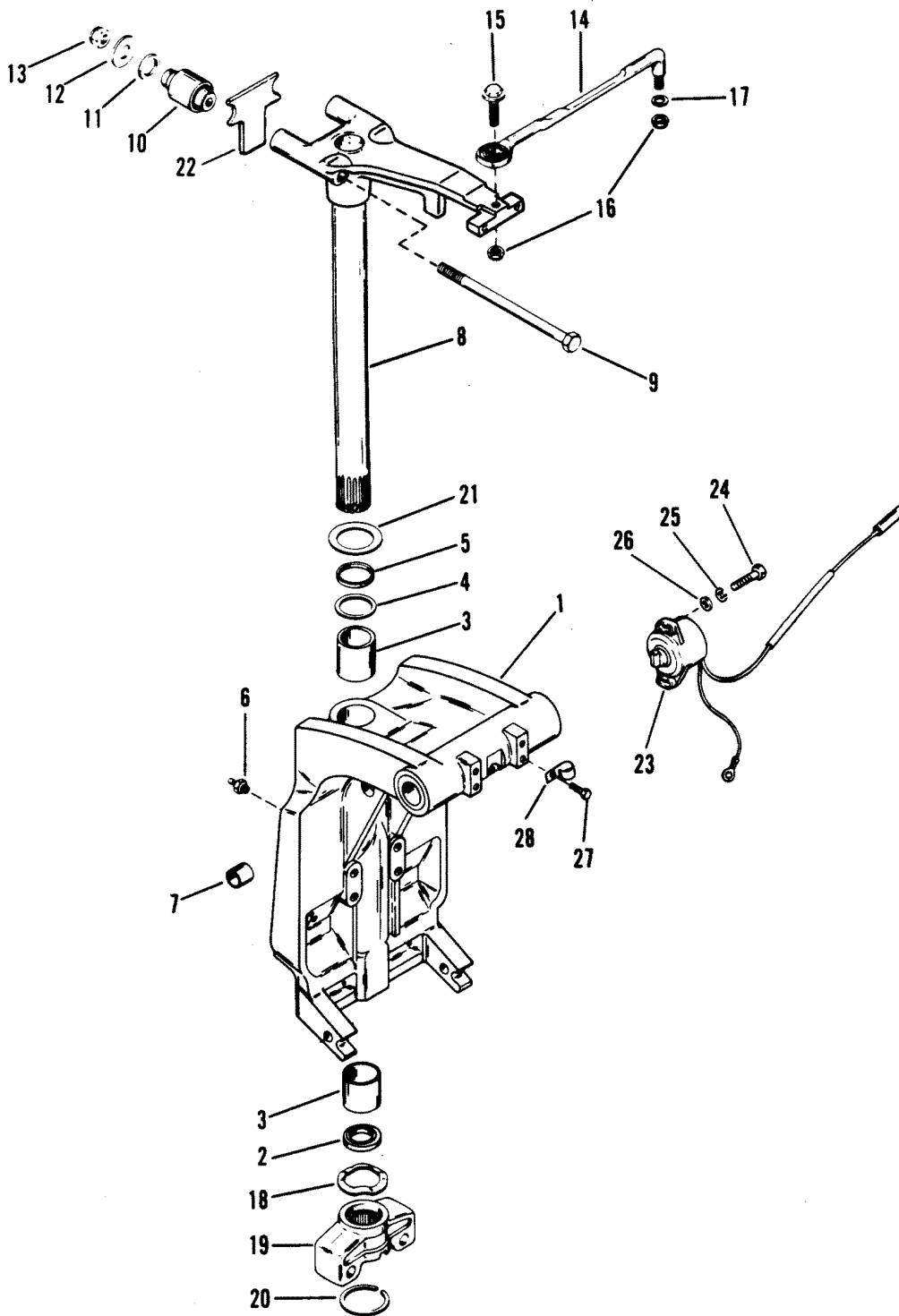


## DRIVE SHAFT HOUSING AND EXHAUST TUBE

REF. NO.	PART NO.	SYM.	QTY.	DESCRIPTION
1	1590-8343A8		1	DRIVE SHAFT HOUSING
2	16-56295		2	STUD, DRIVE SHAFT HSG./GEAR HSG.
3	25067		2	BUMPER, LOWER MOUNT SCREW
4	10-63474		2	SCREW, LOWER MOUNT
5	78249		2	MOUNT, LOWER (LONG)
6	12-49339		2	WASHER, LOWER MOUNT SCREW
7	11-25096		2	NUT, LOWER MOUNT SCREW
8	88238A1		1	GROUND WIRE ASSEMBLY
9	54-67076		2	CLAMP, LOWER MOUNT
10	10-66727		4	SCREW, LOWER MOUNT CLAMP ATTACHING (1-1/4")
11	67077T6		2	COVER, LOWER MOUNT CLAMP
12	10-88417		4	SCREW, COVER ATTACHING (5/8")
13	11-35521		4	NUT, NYLON-COVER TO CLAMP SCREW
14	88238A2		1	GROUND WIRE ASSEMBLY
15	10-41508		1	SCREW, GROUND WIRE
16	12-73862		1	WASHER, GEAR HOUSING STUD
17	11-29489		1	NUT, GEAR HOUSING STUD (CAP)
18	12-45176		2	WASHER, GEAR HOUSING STUD
19	11-34933		2	NUT, GEAR HOUSING STUD
20	19-64649		1	PLUG, DRIVE SHAFT HOUSING
21	89743		1	EXHAUST TUBE
22	66350		1	SEAL, EXHAUST TUBE (LOWER)
23	86027		1	SEAL, EXHAUST TUBE (UPPER)
24	32-67295		1	TUBE, WATER
25	27-99173--2	■	1	GASKET, DRIVE SHAFT HOUSING TO PLATE
26	41945A7		1	PLATE ASSEMBLY, DRIVE SHAFT HOUSING
27	814701--2		1	SEAL, BRACKET
28	68011		1	BRACKET, SEAL RETAINING
29	10-48408		12	SCREW, BRACKET TO PLATE (1/2")
30	17-20033		2	DOWEL PIN, LOCATING
31	26-38970	■	1	SEAL, WATER TUBE
32	10-90192		6	SCREW, EXTENSION TO PLATE
33	27-99177--2	■	1	GASKET <b>DRIVE SHAFT HOUSING PLATE TO EXHAUST PLATE</b>
34	12-25970		4	WASHER, POWER HEAD STUD
35	11-69254		4	NUT, POWER HEAD STUD
36	17303		1	EXTENSION, EXHAUST
37	27-78246	■	1	GASKET, EXHAUST EXTENSION

■ = CONTENTS OF GASKET SET [27-14697A87]

# SWIVEL BRACKET AND STEERING ARM





## SWIVEL BRACKET AND STEERING ARM

REF. NO.	PART NO.	SYM.	QTY.	DESCRIPTION
1	1499-8710A21		1	SWIVEL BRACKET ASSEMBLY
2	26-87735		1	OIL SEAL, SWIVEL BRACKET (LOWER)
3	23-67669		2	BUSHING, SWIVEL BRACKET (LOWER AND UPPER)
4	25-33466	■	1	O" RING, SWIVEL BRACKET (UPPER)
5	23-67668		1	SPACER, SWIVEL BRACKET (UPPER)
6	22-74036		2	FITTING, GREASE
7	23-99608		2	BUSHING, SWIVEL BRACKET
8	17-67706A56		1	SWIVEL PIN AND STEERING ARM
9	10-78689		2	SCREW, STEERING ARM TO UPPER MOUNT
10	78687		2	MOUNT, RUBBER (UPPER)
11	12-66921		2	WASHER, UPPER MOUNT BOLT
12	12-78688		2	WASHER, UPPER MOUNT BOLT
13	11-34933		2	NUT, UPPER MOUNT BOLT
14	92876A1		1	STEERING LINK ASSEMBLY
15	10-14000		1	SCREW, STEERING LINK TO STEERING ARM
16	11-34863		2	NUT, STEERING LINK SCREW
17	12-34931		2	WASHER, STEERING LINK TO STEERING ARM
18	13-78854		1	WAVE WASHER, BOTTOM YOKE
19	86580A2		1	BOTTOM YOKE
20	53-67684		1	RETAINING RING, BOTTOM YOKE
21	12-67670		1	WASHER, THRUST-SWIVEL BRACKET
22	88882		1	BUMPER, TOP YOKE
23	95164A9		1	TRIM SENDER ASSEMBLY
24	10-56682		2	SCREW, TRIM SENDER
25	13-26996		2	LOCKWASHER, TRIM SENDER SCREW
26	12-89302		2	WASHER, TRIM SENDER SCREW
27	10-64014		2	SCREW, SWIVEL BRACKET
28	54-54457		1	"J" CLAMP

■ = CONTENTS OF GASKET SET [27-14697A87]



# GEAR HOUSING (DRIVE SHAFT)

REF. NO.	PART NO.	SYM.	QTY.	DESCRIPTION
-	<b>1647-9148A20</b>		1	<b>GEAR HOUSING</b>
1	1647-9148A12		1	GEAR HOUSING ASSEMBLY
2	22-85822A1		1	CONNECTOR ASSEMBLY, SPEEDOMETER
3	17-20033		2	DOWEL PIN, GEAR HOUSING LOCATING
4	16-78638		1	STUD, GEAR HOUSING (3-1/8")
5	16-57920		2	STUD, GEAR HOUSING (2-1/16")
6	16-56297		1	STUD, WATER PUMP (3-3/8")
7	16-30667		2	STUD, WATER PUMP (3-1/8")
8	31-42647A1		1	ROLLER BEARING, DRIVE SHAFT
9	23-43998		1	SLEEVE, LUBRICATION
11	45-44000--1		1	DRIVE SHAFT
12	N.S.S.		1	PINION GEAR (PART OF 43-44102A2)
13	12-92721		1	WASHER, PINION GEAR
14	11-35921		1	NUT, PINION GEAR TO DRIVE SHAFT
15	15-42637A1		AR	SHIM ASSEMBLY <b>ROLLER BEARING TO GEAR HOUSING</b>
16	31-36387A1		1	ROLLER BEARING, DRIVE SHAFT
17	11-42633		1	NUT, DRIVE SHAFT BEARING
18	46-42579A3	+	1	WATER PUMP BASE ASSEMBLY
19	27-42631--1	■ † ○	1	GASKET, WATER PUMP TO GEAR HSG
20	25-90011	■ † ○	1	"O" RING, WATER PUMP (2.175 I.D.)
	25-38099	■ † ○	1	"O" RING, WATER PUMP (2.109 I.D.)
21	26-89238	† ○	1	OIL SEAL, WATER PUMP
22	26-16977	† ○	1	OIL SEAL, WATER PUMP
23	27-85608--1	■ † ○	1	GASKET, LOWER-WATER PUMP
24	27-85609--1	■ † ○	1	GASKET, UPPER-WATER PUMP
25	32435	+	1	PLATE, FACE - WATER PUMP
26	46-96148A1	+	1	WATER PUMP BODY ASSEMBLY
27	48752	+	1	INSERT, WATER PUMP BODY
28	26-38970	■ † ○	1	SEAL, RUBBER - WATER INLET TUBE
29	47-89984	+	1	IMPELLER, WATER PUMP
30	28-56654	+	1	KEY, IMPELLER DRIVE
31	10-96411		1	SCREW, WATER PUMP (2-1/4")
32	12-29245		2	WASHER, WATER PUMP SCREW AND STUD
33	11-13438		2	NUT, WATER PUMP STUD
34	12-36001		1	WASHER, WATER PUMP STUD
35	11-13436		1	NUT, WATER PUMP STUD
36	25-30271	■ † ○	1	RING, RUBBER (DRIVE SHAFT)
37	23-29804	+	1	SLEEVE, GUIDE - WATER INLET TUBE
38	78902		1	SHAFT, SHIFT - LOWER
39	53-29641		1	"E" RING, RETAINING - SHIFT SHAFT
40	53-78907		1	RETAINING RING

■ = CONTENTS OF GASKET SET [27-14697A87]

† = CONTENTS OF WATER PUMP REBUILD KIT [46-42579A4]

○ = CONTENTS OF SEAL KIT [26-89238A2]

CONTINUED ON NEXT PAGE ➡



## GEAR HOUSING (DRIVE SHAFT)

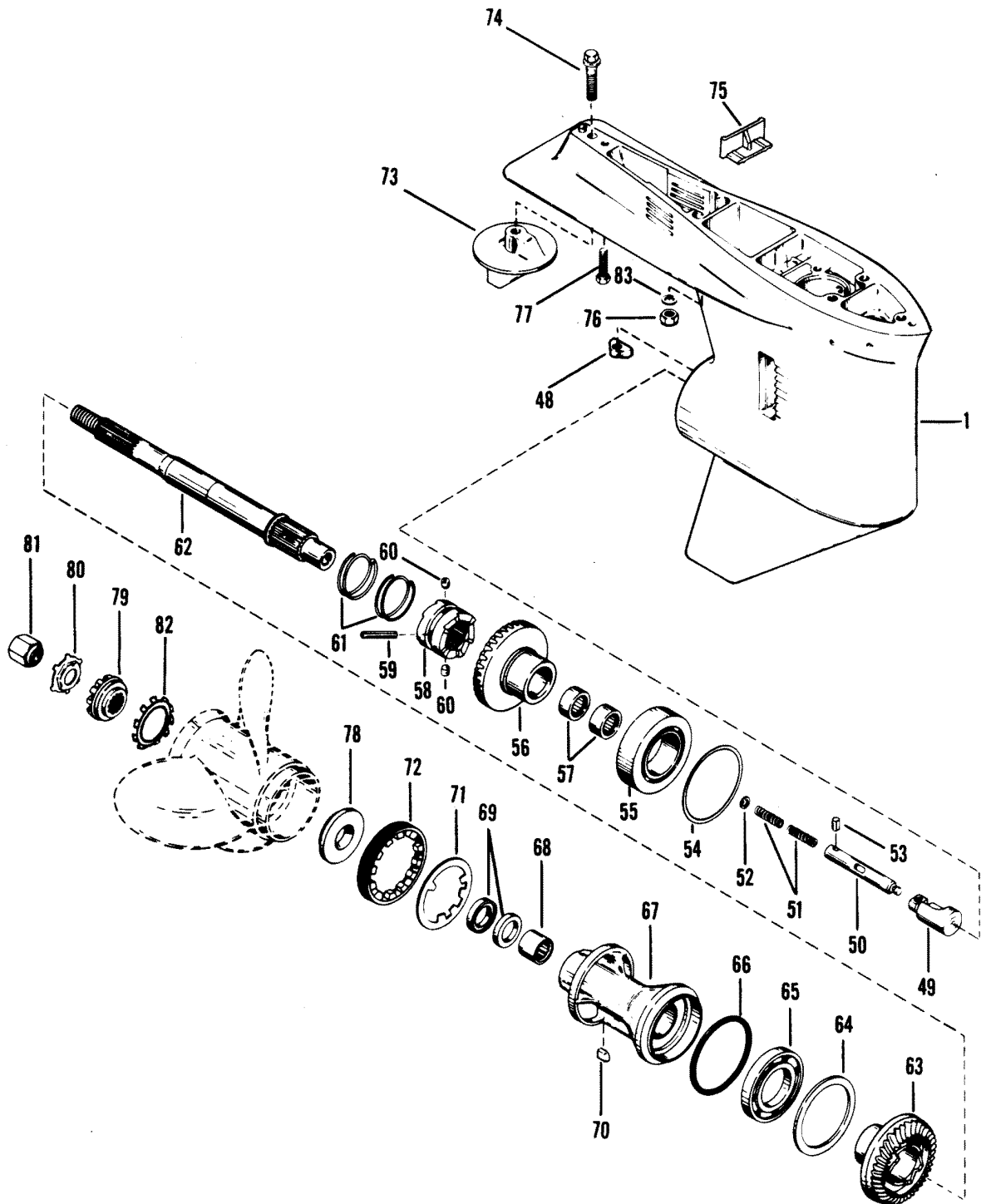
REF. NO.	PART NO.	SYM.	QTY.	DESCRIPTION
41	25-25439	■○	1	"O" RING, SHIFT SHAFT BUSHING
42	23-77631A2	○	1	BUSHING ASSEMBLY, SHIFT SHAFT
43	26-76384	○	1	OIL SEAL, SHIFT SHAFT BUSHING
44	12-77674	○	1	WASHER, RUBBER - SHIFT SHAFT BUSHING
45	10-79953		1	SCREW, GREASE FILLER
46	22-67892		1	SCREW, DRAIN (MAGNETIC)
47	12-19183	†○	2	WASHER, GREASE FILLER AND DRAIN SCREW
48	46-42579A4		1	WATER PUMP REBUILD KIT <b>CONTENTS INDICATED BY FOOTNOTE 7</b>
49	26-89238A2		1	SEAL KIT <b>CONTENTS INDICATED BY FOOTNOTE 8</b>

■ = CONTENTS OF GASKET SET [27-14697A87]

† = CONTENTS OF WATER PUMP REBUILD KIT [46-42579A4]

○ = CONTENTS OF SEAL KIT [26-89238A2]

# GEAR HOUSING (PROPELLER SHAFT)



## GEAR HOUSING (PROPELLER SHAFT)

REF. NO.	PART NO.	SYM.	QTY.	DESCRIPTION
-	<b>1647-9148A20</b>		1	<b>GEAR HOUSING</b>
1	1647-9148A12		1	GEAR HOUSING ASSEMBLY (BASIC)
48	78956		1	SHIFT CAM
49	89594A1		1	FOLLOWR, CAM
50	79911		1	ROD, CLUTCH ACTUATOR
51	24-79910		2	SPRING, COMPRESSION
52	12-78910		AR	WASHER, COMPRESSION SPRING
53	17-78906		1	PIN, SPRING LOCATOR
54	15-47397A1		AR	SHIM, BEARING OUTER RACE (.002-3-5-10)
55	31-78172A1		1	TAPERED ROLLER BEARING ASSEMBLY
56	43-44102A2		1	FORWARD GEAR ASSEMBLY
57	31-73363		2	ROLLER BEARING, FORWARD GEAR
58	52-78959		1	RATCHET, SLIDING CLUTCH
59	17-78905		1	CROSS PIN, RATCHET TO PROPELLER SHAFT
60	17-78909		2	DETENT PIN, RATCHET
61	24-78962		2	SPRING, RETAINING-CROSS PIN
62	44-94148		1	PROPELLER SHAFT
63	N.S.S.		1	REVERSE GEAR (PART OF 43-44102A2)
64	68100		1	RING, THRUST <b>BEARING CARRIER TO GEAR HOUSING</b>
65	30-88957A1		1	BEARING, BALL-REVERSE GEAR
66	25-31534	■ ○	1	"O" RING, BEARING CARRIER
67	43567A1		1	BEARING CARRIER ASSEMBLY
68	31-30956		1	ROLLER BEARING, BEARING CARRIER
69	26-76868	○	2	OIL SEAL, BEARING CARRIER
70	28-30281		1	KEY, LOCATING - BEARING CARRIER
71	14-79447		1	TAB WASHER, GEAR HOUSING COVER
72	79448		1	COVER, GEAR HOUSING
73	31640A1		1	TRIM TAB, GEAR HOUSING
74	10-66024		1	SCREW, TRIM TAB TO GEAR HOUSING (1-3/4")
75	67891		1	FILLER BLOCK
76	11-34933		2	NUT, DRIVE SHAFT HOUSING STUDS
77	10-65210		1	SCREW, GEAR HOUSING
78	13171		1	THRUST HUB
79	12-31211A2		1	WASHER, SPLINED - PROPELLER NUT
80	14-31210		1	TAB WASHER, PROPELLER NUT
81	11-52707A1		1	PROPELLER NUT
82	13-42351--1		1	LOCKWASHER, PROPELLER SHAFT
83	12-45176		2	WASHER, DRIVE SHAFT HOUSING STUDS

■ = CONTENTS OF GASKET SET [27-14697A87]

○ = CONTENTS OF SEAL KIT [26-89238A2]

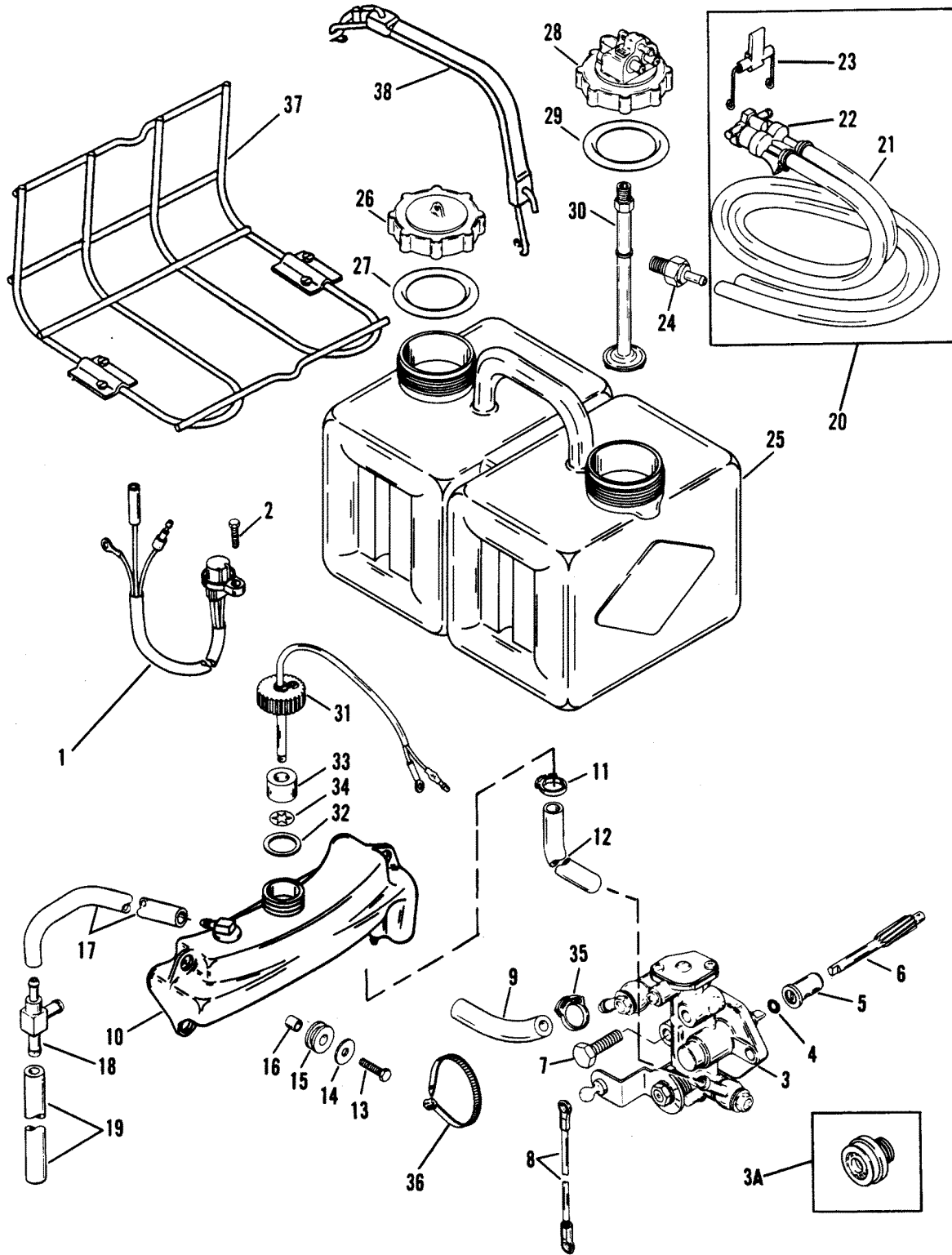




# POWER TRIM COMPONENTS

REF. NO.	PART NO.	SYM.	QTY.	DESCRIPTION
1	99659A22		1	MANIFOLD ASSEMBLY
2	22-99616		11	PIPE PLUG, MANIFOLD
3	41493A4		1	TRIM CYLINDER ASSEMBLY
4	41492A1		1	GUIDE ASSEMBLY
5	25-41478A1		1	REPAIR KIT
6	41482A2		1	CHECK VALVE KIT
7	99638A1		2	GUIDE ASSEMBLY, TRIM ROD
8	43397A6		1	PISTON AND ROD ASSEMBLY (PORT)
9	35-12184A1		1	TRIM FILTER ASSEMBLY
10	43398A3		1	PISTON AND ROD ASSEMBLY(STARBOARD)
11	17-13794		1	GROOVE PIN, TRIM CYLINDER (UPPER)
12	812843A1		1	VALVE ASSEMBLY
12A	53-812844		1	"E" RING
13	10-40003-27		4	SCREW,COVER
14	12-43450		4	WASHER, COVER SCREW
15	99642		1	COVER, MAINFOLD
16	25-48462A2		1	"O" RING KIT
17	19-99609A1		1	PLUG ASSEMBLY
18	99641A1		1	SHAFT ASSEMBLY
19	22-99616		2	PLUG PIPE, SHAFT
20	10-40088-20		2	SCREW, PUMP AND MOTOR
21	13-40025--6		2	LOCKWASHER
22	99186T		1	PUMP AND MOTOR
23	99625		1	SHAFT, UPPER
24	818298A1		1	ANODE ASSEMBLY
25	10-40003-32		2	SCREW, ANODE
26	12-29245		2	WASHER, ANODE SCREW
27	99630--1		2	STRIKER PLATE, TRIM SHAFT
28	13-58643		2	LOCKWASHER
29	11-46335		2	NUT
30	84-17201A5		1	CONTROL HARNESS, POWER TRIM
31	84-88808A22		1	CABLE (6-7/8" - RED)
32	54-22875		2	CLIP, PUMP WIRE
33	69205		2	"D" WASHER, CLIP SCREW
34	10-69079		2	SCREW, CLIP TO TRANSOM BRACKET
35	17-44431		1	GROVE PIN, TRIM CYLINDER (LOWER)
36	10-40003-77		6	SCREW, MANIFOLD
37	13-40025--8		6	LOCKWASHER, MANIFOLD SCREW

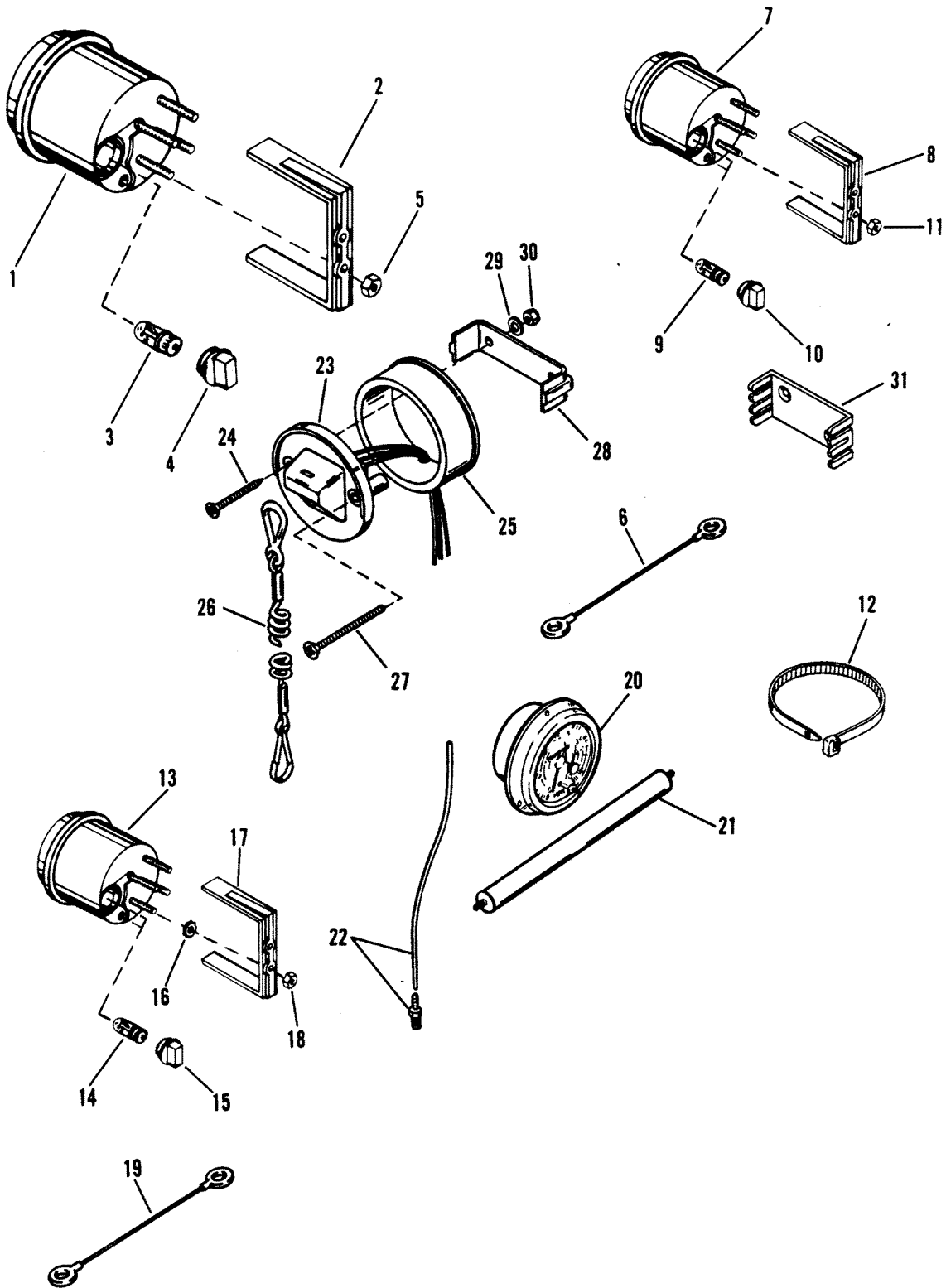
# OIL INJECTION COMPONENTS



# OIL INJECTION COMPONENTS

REF. NO.	PART NO.	SYM.	QTY.	DESCRIPTION
1	12430A4		1	SENSOR ASSEMBLY
2	10-48409		1	SCREW, SENSOR ATTACHING (5/8")
3	815698		1	OIL PUMP
3A	814103--2		1	BEARING
4	25-11379		1	"O" RING, OIL PUMP
5	23-41429A2		1	BEARING ASSEMBLY, DRIVE GEAR
6	43-14563		1	DRIVEN GEAR
7	10-32228		1	SCREW, OIL PUMP TO CRANKCASE (5/8")
	10-41507		1	SCREW, OIL PUMP TO CRANKCASE (1-1/8")
8	19385-12		1	LINK, THROTTLE LEVER TO OIL PUMP
9	32-43016-25		1	TUBING, OIL PUMP
10	99443T		1	OIL RESERVOIR
11	54-41582--3		2	CLAMP, OIL HOSE (LARGE)
12	32-43017-36		1	TUBING, OIL RESERVOIR TO OIL PUMP (5-1/4")
13	10-69020		3	SCREW, OIL RESERVOIR ATTACHING (7/8")
14	12-42118		6	WASHER, OIL RESERVOIR SCREW
15	25-42117		3	GROMMET, OIL RESERVOIR SCREW
16	23-42116		3	BUSHING, OIL RESERVOIR SCREW
17	32-99127109		1	TUBING, OIL
18	22-42425		1	FITTING, OIL TUBING
19	32-90729-25		1	HOSE, OIL (6-3/4")
20			1	QUICK DISCONNECT KIT (Kit - NLA)(Order parts separately)
21	32-99439		1	HOSE, OIL
22	12540A3		1	HOUSING
23	12242A1		1	LATCH
24	21-43278		1	FITTING, CHECK VALVE (CRANKCASE)
25	1257-8742--1		1	OIL TANK
26	36-43298A2		1	CAP ASSEMBLY, OIL TANK
27	25-11332		1	"O"RING, CAP
28	43295A5		1	ADAPTOR HOUSING ASSEMBLY
29	25-11332		1	"O"RING, ADAPTOR HOUSING
30	32-99802		1	TUBE, OIL PICK-UP
31	36-43300A9		1	CAP ASSEMBLY, OIL RESERVOIR
32	27-43307		1	GASKET, RESERVOIR CAP
33	99022A1		1	FLOAT ASSEMBLY
34	11-99265		1	PUSHNUT
35	54-41582--1		2	CLAMP, OIL HOSE (SMALL)
36	54-90077		AR	STA-STRAP
37	12335A1		1	HOLD DOWN KIT
38	12323A1		1	BUNGY CORD ASSEMBLY

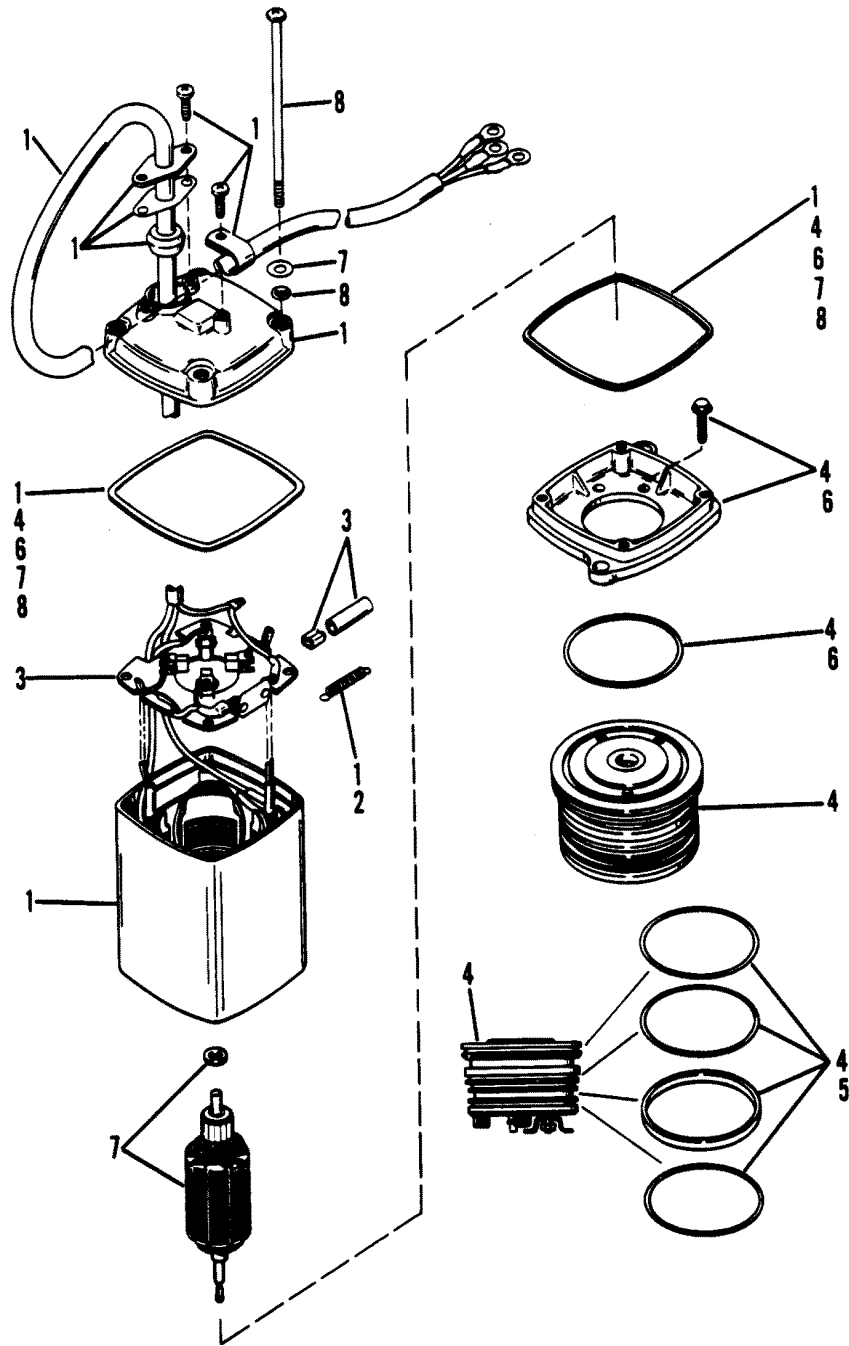
# INSTRUMENTATION



# INSTRUMENTATION

REF. NO.	PART NO.	SYM.	QTY.	DESCRIPTION
1	79-15110A1		1	TACHOMETER
2	79101T		1	BRACKET, MOUNTING
3	88-72729		1	LIGHT BULB
4	88-79888		1	SOCKET
5	11-26419		5	NUT (8-32)
6	84-86322A7		1	WIRE, TRIM GAUGE (BLACK - 1-1/2")
	84-86323A5		1	WIRE, TRIM GAUGE (PURPLE - 1-1/2")
7	79-15113A4		1	TRIM GAUGE
8	79480		1	BRACKET, MOUNTING - TRIM GAUGE
9	88-72729		1	LIGHT BULB, TRIM GAUGE
10	88-79888		1	SOCKET, TRIM GAUGE
11	11-26419		5	NUT, TRIM GAUGE TERMINAL (8-32)
12	54-90077		7	STA-STRAP
13	79-15166A1		1	TEMPERATURE GAUGE
14	88-72729		1	LIGHT BULB
15	88-79888		1	SOCKET
16	12-26427		2	WASHER
17	79480		1	BRACKET
18	11-26419		5	NUT
19	84-86323A2		1	WIRE (PURPLE)
	84-61600A16		1	WIRE (BLACK)
	84-88824A4		1	WIRE (TAN/BLUE) - 23'
20	79-813923		1	WATERSPEED GAUGE
21	79-813923--1		1	STABILIZER
22	22-85822A1		1	CONNECTOR ASSEMBLY
23	79-19674A1		1	LANYARD SWITCH/DIODE KIT
24	10-18303		2	SCREW
25	813679		1	ADAPTOR
26	15920A54		1	LANYARD
27	10-32866		2	SCREW
28	18321		1	CLAMP
29	12-24676		2	WASHER
30	11-68219		4	NUT
31	79146		1	RETAINER

# POWER TRIM PUMP

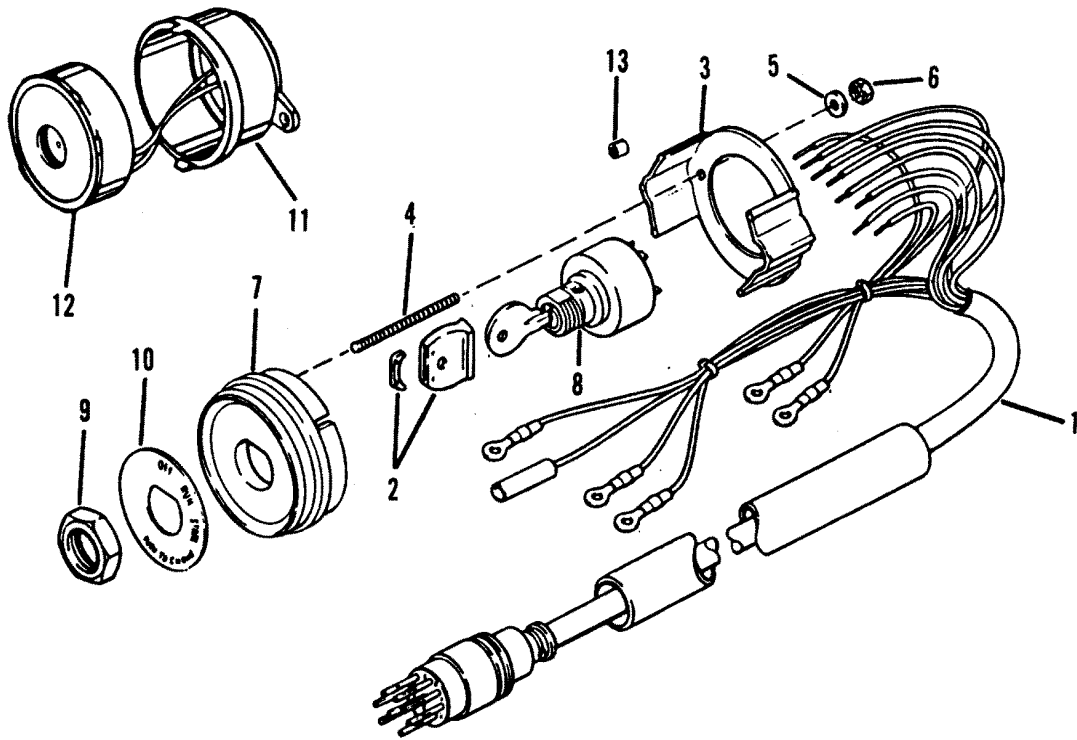


M0044-E141

# POWER TRIM PUMP

REF. NO.	PART NO.	SYM.	QTY.	DESCRIPTION
-	99186T		1	<b>POWER TRIM PUMP</b>
1	12659		1	FRAME AND FIELD KIT
2	12665		1	BRUSH SPRING KIT
3	13506		1	BRUSH CARD KIT
4	12662		1	PUMP AND END FRAME KIT
5	12663--1		1	PUMP SEAL KIT
6	12660		1	END FRAME KIT
7	12661		1	ARMATURE KIT
8	12664		1	THRU BOLT KIT

# KEY SWITCH ASSEMBLY





## KEY SWITCH ASSEMBLY

REF. NO.	PART NO.	SYM.	QTY.	DESCRIPTION
1	84-17925A15		1	KEY SWITCH ASSEMBLY
2	90468A1		2	COVER, IGNITION SWITCH KEYS
3	76424		1	BRACKET, IGNITION SWITCH
4	16-55422		2	STUD, SWITCH ATTACHING
5	12-24676		2	WASHER, SWITCH ATTACHING STUD
6	11-68219		2	NUT, SWITCH ATTACHING STUD
7	89976		1	PLATE, SWITCH MOUNT
8	87-88107		1	SWITCH, IGNITION (SEE BELOW FOR KEY)
9	11-93543		1	NUT, IGNITION SWITCH
10	38-90311		1	INSERT, SWITCH PLATE
11	68878A6		1	ALARM HORN ASSEMBLY
12	68879		1	COVER, ALARM HORN
13	23-812711--1		2	SPACER (3/8")
	23-812711		2	SPACER (1/4")
-	<b>89491-1</b>		<b>1</b>	<b>KEY 1A</b>
-	<b>89491-2</b>		<b>1</b>	<b>KEY 1B</b>
-	<b>89491-3</b>		<b>1</b>	<b>KEY 1C</b>
-	<b>89491-4</b>		<b>1</b>	<b>KEY 1D</b>
-	<b>89491-5</b>		<b>1</b>	<b>KEY 1E</b>
-	<b>89491-6</b>		<b>1</b>	<b>KEY 1F</b>
-	<b>89491-7</b>		<b>1</b>	<b>KEY 2A</b>
-	<b>89491-8</b>		<b>1</b>	<b>KEY 2B</b>
-	<b>89491-9</b>		<b>1</b>	<b>KEY 2C</b>
-	<b>89491-10</b>		<b>1</b>	<b>KEY 2D</b>
-	<b>89491-11</b>		<b>1</b>	<b>KEY 2E</b>
-	<b>89491-12</b>		<b>1</b>	<b>KEY 2F</b>

# PARTS INDEX

Part Number	Description	Pg.	Ref. No.	Part Number	Description	Pg.	Ref. No.
12242A1	LATCH	57	23	18578A3	BRACKET ASSEMBLY, REAR	31	42
12323A1	BUNGY CORD ASSEMBLY	57	38	18701A1	SEAL KIT, BOTTOM COWLS	5	3
12335A1	HOLD DOWN KIT	57	37	18702--1	LOCATOR	3	19
12430A4	SENSOR ASSEMBLY	57	1	18715	FUEL INJECTOR	21	3
12540A3	HOUSING	57	22	18717	SEAL	11	6
12659	FRAME AND FIELD KIT	61	1	18727	ROD	5	8
12660	END FRAME KIT	61	6	18736A15	VOLTAGE REGULATOR	11	5
12661	ARMATURE KIT	61	7	18755A2	FRONT SHIELD ASSEMBLY	3	6
12662	PUMP AND END FRAME KIT	61	4	18872A2	COVER ASSEMBLY	5	5
12663--1	PUMP SEAL KIT	61	5	18896A1	COVER ASSEMBLY, FLYWHEEL	7	1
12664	THRU BOLT KIT	61	8	19307--1	COVER, EXHAUST MANIFOLD	31	4
12665	BRUSH SPRING KIT	61	2	19369	PAWL (STARBOARD)	5	17
13170A1	BASE, FUEL FILTER	25	34	19370	PAWL (PORT)	5	16
13171	THRUST HUB	53	78	19385-12	LINK, THROTTLE LEVER TO OIL PUMP	57	8
13202A2	WATER SENSOR MODULE ASSEMBLY	19	13	19587--1	PLATE, MOUNTING	11	1
13221A1	TEMPERATURE SENSOR ASSEMBLY	37	14	19647A4	HANDLE ASSEMBLY (STARBOARD)	5	15
13381	PLATE	37	4	19648A4	HANDLE ASSEMBLY (PORT)	5	14
13473--1	FUSE HOLDER	13	23	25067	BUMPER, LOWER MOUNT SCREW	45	3
13506	BRUSH CARD KIT	61	3	26852	CAP, NYLON - ADJUSTING SCREW	27	37
13536A6	TEMPERATURE SENSOR (PORT)	35	13B	26852	CAP, SPARK ADVANCE LEVER STOP SCREW	15	9
13715	RETAINER, SENSOR AND SENDER	35	14	26852	CAP, THROTTLE LEVER STOP SCREW	15	21
14307T	FUEL PUMP	23	46	31640A1	TRIM TAB, GEAR HOUSING	53	73
14430--3	BASE, FUEL PUMP	25	17	32435	PLATE, FACE - WATER PUMP	49	25
14462A1	COVER RELIEF VALVE (OLD DESIGN)	33	43	37896	GUIDE BLOCK, LINK ROD	15	37
14479	DIAPHRAGM	31	15	38279	LATCH, CONTROL CABLE FASTENING	15	41
14480	POPPET, VALVE	31	20	39483	LATCH, CABLE	15	22
14570	PROBE, WATER SENSING	25	37	39519	CAP, BARREL RETAINER - ANCHOR BAR	17	49
14593A4	ADAPTOR PLATE	35	18	41094A3	LEVER, SPARK ADVANCE	15	6
14632A12	E.C.U. ASSEMBLY	19	1	41095	LEVER, THROTTLE CONTROL	15	13
14634	ROD, THROTTLE CONTROL	15	26	41470A12	OIL INJECTION WARNING MODULE ASSEMBLY	37	8
14635--1	THROTTLE CAM	15	28	41482A2	CHECK VALVE KIT	55	6
14637	GROMMET	19	8	41492A1	GUIDE ASSEMBLY	55	4
14638	BARRELL, THROTTLE CONTROL ROD	15	27	41493A4	TRIM CYLINDER ASSEMBLY	55	3
14639	BLANKET, FUEL PUMP	21	40	41944A5	PLATE ASSEMBLY, EXHAUST	31	24
14640T	COVER, FUEL PUMP	21	41	41945A7	PLATE ASSEMBLY, DRIVE SHAFT HOUSING	45	26
14817A11	FUEL MANAGEMENT ASSEMBLY	21	1	42248	BRACKET, FLYWHEEL COVER	27	28
14851	INDICATOR, THROTTLE POSITION	37	9	42249	COVER, STARTER MOTOR (UPPER)	27	7
15027	REGULATOR, PRESSURE	21	13	43295A5	ADAPTOR HOUSING ASSEMBLY	57	28
15029	"O" RING AND SEAL KIT	21	22	43397A6	PISTON AND ROD ASSEMBLY (PORT)	55	8
15221A4	CYLINDER HEAD	35	1	43398A3	PISTON AND ROD ASSEMBLY(STARBOARD)	55	10
15386	END CAP, COMMUTATOR	9	11				
15444	LINK	21	28				
15445	FLOAT KIT	21	24				
15446	FLOAT VALVE KIT	21	23				
15920A54	LANYARD	59	26				
15930A15	FUEL PUMP ASSEMBLY	25	1				
16496	WATER DEFLECTOR	31	16				
16497A1	PLATE, RELIEF VALVE	31	17				
17303	EXTENSION, EXHAUST	45	36				
18173	BRACKET	3	20				
18321	CLAMP	59	28				
18474--1	BRACKET, REAR	3	10				

# PARTS INDEX

Part Number	Description	Pg.	Ref. No.	Part Number	Description	Pg.	Ref. No.
43429	PLATE, IGNITION	13	1	79480	BRACKET	59	17
43542	COVER, IGNITION COIL	11	17	79480	BRACKET, MOUNTING -		
43567A1	BEARING CARRIER ASSEMBLY	53	67	79911	TRIM GAUGE	59	8
47341A1	STARTER ROP (FOR MANUAL STARTING)	3	25	79932A11	ROD, CLUTCH ACTUATOR	53	50
48039	CAP, SPARK ADVANCE LEVER STOP SCREW	15	12	812782	SHIFT SHAFT ASSEMBLY	17	44
48752	INSERT, WATER PUMP BODY	49	27	812784	SEAL	25	30
52100	WEAR PLATE, LINK ROD	15	40	812843A1	SEAL	3	2
54196A6	CARRIER ASSEMBLY, SEAL	41	5	812898A89	VALVE ASSEMBLY	55	12
54676	RETAINER	11	28	812905A2	POWERHEAD ASSEMBLY - COMPLETE	29	49
56703	COLLAR, STARTER MOTOR	7	18	813074	BRACKET ASSEMBLY, FRONT	31	38
61787	HOLDER, BRUSH	9	9	813076--2	ROLLER	3	16
62459	BALL JOINT, TRIGGER PLATE	15	2	813096	FRONT HANDLE ASSEMBLY	5	32
65800	SEAL CARRIER	41	6	813096	HOOK	3	14
65848	CARRIER, POPPET VALVE	31	22	813501	PLATE	37	19
66350	SEAL, EXHAUST TUBE (LOWER)	45	22	813552	SPACER	3	21
67073A1	LINK ROD ASSEMBLY	15	39	813553	PLATE	3	18
67077T6	COVER, LOWER MOUNT CLAMP	45	11	813562	SEAL	3	7
67245T	BRACKET (OLD DESIGN)	19	2	813657	BRACKET	25	31
67748	ROLLER, CAM	21	2	813679	ADAPTOR	59	25
67891	FILLER BLOCK	53	75	813925	HANDLE LOCK	5	33
68010	BRACKET, SEAL RETAINING	31	28	813926	HANDLE	5	34
68011	BRACKET, SEAL RETAINING	45	28	814010	COVER KIT	21	18
68042	STOP, RUBBER-STARTER MOTOR	7	19	814011	BODY KIT	21	25
68100	RING, THRUST	53	64	814012	PLATE, PRESSURE REGULATOR	21	16
68729	COVER, RELIEF VALVE (NEW DESIGN)	33	43	814077	SHUT-OFF VALVE	21	30
68878A6	ALARM HORN ASSEMBLY	63	11	814103--2	BEARING	57	3A
68879	COVER, ALARM HORN	63	12	814233	ELBOW KIT	21	14
69205	"D" WASHER, CLIP SCREW	55	33	814701--2	SEAL, BRACKET	45	27
69570	SCREW, DIAPHRAGM TO PLATE	31	13	814701--2	SEAL, EXHAUST PLATE	31	27
69668	SEAL, DIVIDER PLATE	31	3	814823	SOUND BLANKET (SIDE)	3	4
74897	PIVOT, TRIGGER PLATE	15	1	814837	SOUND BLANKET (TOP)	3	5
75384	BRUSH SET	9	8	815478	SEAL	3	3
75660	PLATE, DRIVE END	9	3	815698	OIL PUMP	57	3
75661	DRIVE	9	2	818298A1	ANODE ASSEMBLY	55	24
75692	THERMOSTAT	35	5	86027	SEAL, EXHAUST TUBE (UPPER)	45	23
75953	REED BLOCK	35	21	86580A2	BOTTOM YOKE	47	19
76035	LINK ROD, TRIGGER PLATE	15	4	87076A6	IDLE SPEED CONTROL ASSEMBLY	29	40
76424	BRACKET, IGNITION SWITCH	63	3	88238A1	GROUND WIRE ASSEMBLY	45	8
76867	COVER, STARTER MOTOR (LOWER)	27	10	88238A2	GROUND WIRE ASSEMBLY	45	14
78249	MOUNT, LOWER (LONG)	45	5	88882	BUMPER, TOP YOKE	47	22
78687	MOUNT, RUBBER (UPPER)	47	10	89491-1	KEY 1A	63	-
78902	SHAFT, SHIFT - LOWER	49	38	89491-10	KEY 2D	63	-
78956	SHIFT CAM	53	48	89491-11	KEY 2E	63	-
79022	MARKER, TIMING	7	2	89491-12	KEY 2F	63	-
79101T	BRACKET, MOUNTING	59	2	89491-2	KEY 1B	63	-
79146	RETAINER	59	31	89491-3	KEY 1C	63	-
79216	ARMATURE	9	7	89491-4	KEY 1D	63	-
79448	COVER, GEAR HOUSING	53	72	89491-5	KEY 1E	63	-
				89491-6	KEY 1F	63	-
				89491-7	KEY 2A	63	-
				89491-8	KEY 2B	63	-
				89491-9	KEY 2C	63	-
				89594A1	FOLLOWR, CAM	53	49
				89743	EXHAUST TUBE	45	21
				89976	PLATE, SWITCH MOUNT	63	7

# PARTS INDEX

Part Number	Description	Pg.	Ref. No.	Part Number	Description	Pg.	Ref. No.
90390A1	COVER, THERMOSTAT . . . .	35	7	10-28636	SCREW, REAR BRACKET . .	3	12
90435	MOUNT . . . . .	19	4	10-28667	SCREW . . . . .	19	10
90468A1	COVER, IGNITION SWITCH KEYS . . . . .	63	2	10-28668	SCREW, ADAPTOR PLATE .	35	19
90645	DRIVE KIT . . . . .	9	1	10-28668	SCREW, FUEL FILTER BASE	25	33
92032A2	BRACKET, ANCHOR- CONTROL CABLES . . . . .	15	33	10-30720	SCREW, VOLTAGE REGULATOR . . . . .	11	2
92876A1	STEERING LINK ASSEMBLY	47	14	10-31716	SCREW, SOLENOID TO IGNITION PLATE . . . . .	13	29
95164A9	TRIM SENDER ASSEMBLY .	47	23	10-31716	SCREW, TERMINAL BLOCK	31	7
96183	REED CLAMP . . . . .	35	23	10-31984	SCREW . . . . .	3	22
96455A9	TRIGGER PLATE ASSEMBLY	7	15	10-32228	SCREW . . . . .	21	42
97465	TEMPERATURE SENDER (STARBOARD) . . . . .	35	13A	10-32228	SCREW, OIL PUMP TO CRANKCASE (5/8") . . . . .	57	7
98775A3	PLATE, FUEL PUMP . . . . .	25	18	10-32417	SCREW, FLYWHEEL PLATE	7	10
98889	LATCH, CONTROL CABLE .	15	34	10-32866	SCREW . . . . .	59	27
99022A1	FLOAT ASSEMBLY . . . . .	57	33	10-35386	SCREW, THERMOSTAT COVER (1") . . . . .	35	8
99169A1	PLATE, DIVIDER . . . . .	31	2	10-37571	SCREW, WATER SENSOR MODULE . . . . .	19	15
99170A1	TILT TUBE . . . . .	43	5	10-37572	SCREW, TIMING MARKER .	7	3
99186T	POWER TRIM PUMP . . . . .	61	-	10-38055	SCREW, MERCURY SWITCH TO IGNITION PLATE . . . .	13	16
99186T	PUMP AND MOTOR . . . . .	55	22	10-40003--4	SCREW, FILTER COVER . . .	21	8
99443T	OIL RESERVOIR . . . . .	57	10	10-40003-10	SCREW, FUEL PUMP TO CRANKCASE . . . . .	25	22
99625	SHAFT, UPPER . . . . .	55	23	10-40003-27	SCREW, COVER . . . . .	55	13
99629A2	LEVER ASSEMBLY, TILT LOCK . . . . .	43	13	10-40003-32	SCREW, ANODE . . . . .	55	25
99630--1	STRIKER PLATE, TRIM SHAFT . . . . .	55	27	10-40003-32	SCREW, SEPARATOR TO FUEL MANAGEMENT . . . .	21	27
99633T6	KNOB, TILT LOCK LEVER . .	43	16	10-40003-32	SCREW, MANIFOLD . . . . .	55	36
99638A1	GUIDE ASSEMBLY, TRIM ROD . . . . .	55	7	10-40019-87	SCREW, COVER TO SEPARATOR . . . . .	21	19
99641A1	SHAFT ASSEMBLY . . . . .	55	18	10-40088-20	SCREW, PUMP AND MOTOR	55	20
99642	COVER, MAINFOLD . . . . .	55	15	10-41507	SCREW, OIL PUMP TO CRANKCASE (1-1/8") . . . .	57	7
99659A22	MANIFOLD ASSEMBLY . . . .	55	1	10-41508	SCREW, GROUND WIRE . . .	45	15
N.S.S.	PINION GEAR (PART OF 43- 44102A2) . . . . .	49	12	10-42813	SCREW . . . . .	37	18
N.S.S.	REVERSE GEAR (PART OF 43-44102A2) . . . . .	53	63	10-42975	SCREW, LATCH . . . . .	15	35
N.S.S.	WASHER, THRU BOLT . . . .	9	6	10-48408	SCREW, BRACKET TO EXHAUST PLATE . . . . .	31	29
--14856A3	DETONATION CONTROLLER ASSEMBLY . . . . .	37	1	10-48408	SCREW, BRACKET TO PLATE (1/2") . . . . .	45	29
10-13627	SCREW, SPARK ADVANCE LEVER - STOP (1-1/4") . . .	15	10	10-48409	SCREW . . . . .	3	8
10-13669	SCREW, SWITCH BOX TO IGNITION PLATE . . . . .	13	3	10-48409	SCREW . . . . .	29	44
10-14000	SCREW, STEERING LINK TO STEERING ARM . . . . .	47	15	10-48409	SCREW, SENSOR ATTACHING (5/8") . . . . .	57	2
10-14783	SCREW, REEDS TO REED BLOCK . . . . .	35	24	10-49668	SCREW, BRACKET TO CRANKCASE . . . . .	27	29
10-15150	SCREW, INDICATOR . . . . .	37	10	10-53167	SCREW, ANCHOR BRACKET ATTACHING . . . . .	15	36
10-16452	SCREW, FUEL PUMP . . . . .	25	21	10-55337	SCREW . . . . .	15	14
10-18192	SCREW . . . . .	5	13	10-56682	SCREW, TRIM SENDER . . .	47	24
10-18303	SCREW . . . . .	59	24	10-57583	SCREW, TEMPERATURE SENSOR . . . . .	37	16
10-18699	SCREW, COWL (STARBOARD) . . . . .	5	4	10-62568	SCREW, CABLE TO PLATE .	37	6
10-22486	SCREW, CABLE LATCH TO THROTTLE LEVER . . . . .	15	23	10-62568	SCREW, WIRE ATTACHING	13	8
10-24220	SCREW, SET - CYLINDER BLOCK . . . . .	27	20	10-63474	SCREW, LOWER MOUNT . .	45	4
10-28635	SCREW, STARTER SOLENOID . . . . .	11	8	10-64014	SCREW, SWIVEL BRACKET	47	27
				10-64022	SCREW, ADJUSTING - CYLINDER BLOCK . . . . .	27	35

# PARTS INDEX

Part Number	Description	Pg.	Ref. No.	Part Number	Description	Pg.	Ref. No.
10-64022	SCREW, SPARK ADVANCE LEVER - STOP	15	7	10-90045	SCREW, STATOR	7	13
10-64022	SCREW, THROTTLE LEVER - STOP (2-1/8")	15	19	10-90047	SCREW	5	18
10-65210	SCREW, GEAR HOUSING	53	77	10-90048	SCREW, IGNITION COIL COVER	11	19
10-66024	SCREW, TRIM TAB TO GEAR HOUSING (1-3/4")	53	74	10-90088	SCREW	23	44
10-66717	SCREW, CRANKCASE TO CYLINDER BLOCK	27	14	10-90192	SCREW, EXTENSION TO PLATE	45	32
10-66725	SCREW, EXHAUST PLATE ATTACHING	31	37	10-90197	SCREW, REED BLOCK ATTACHING (2")	35	16
10-66727	SCREW, EXHAUST PLATE ATTACHING	31	35	10-90285	SCREW, FRONT BRACKET	31	39
10-66727	SCREW, LOWER MOUNT CLAMP ATTACHING (1-1/4")	45	10	10-92160	SCREW, REED BLOCK ATTACHING (3/4")	35	25
10-67755--1	BOLT, TRANSOM BRACKET TO TRANSOM	43	10	10-92799	SCREW	5	21
10-68586	SCREW, BRUSH AND HOLDER	9	10	10-93886	SCREW, CONNECTING ROD	41	14
10-68783	SCREW, EXHAUST PLATE ATTACHING	31	36	10-96411	SCREW, WATER PUMP (2-1/4")	49	31
10-68997	SCREW, FLYWHEEL HUB	7	11	10-96930A1	BOLT ASSEMBLY, TILT LOCK	43	20
10-69020	SCREW, IDLE SPEED CONTROL	29	41	10-98257	SCREW, RETAINER	35	15
10-69020	SCREW, OIL RESERVOIR ATTACHING (7/8")	57	13	10-98534	SCREW, CYLINDER HEAD (2")	35	3
10-69022	SCREW, GROUNDING WIRE	11	26	11-13436	NUT, WATER PUMP STUD	49	35
10-69034	SCREW, UPPER END CAP TO CYLINGER BLOCK	27	19	11-13438	NUT, WATER PUMP STUD	49	33
10-69035	SCREW, CABLE TO STARTER MOTOR	7	23	11-20361	NUT	19	6
10-69067	SCREW	25	29	11-20890	NUT, STARTER MOTOR TERMINAL	7	21
10-69067	SCREW	25	32	11-23161	NUT, BOLT	43	21
10-69079	SCREW	5	36	11-25096	NUT, LOWER MOUNT SCREW	45	7
10-69079	SCREW, CLIP TO TRANSOM BRACKET	55	34	11-26419	NUT	59	18
10-69092	SCREW/ IGNITION PLATE	13	10	11-26419	NUT (8-32)	59	5
10-72202	SCREW	5	23	11-26419	NUT, SOLENOID TERMINAL (8-32)	11	11
10-73286	SCREW	3	15	11-26419	NUT, TRIM GAUGE TERMINAL (8-32)	59	11
10-73286	SCREW	27	39	11-29488	NUT	5	25
10-73657	SCREW, COVER TO CRANKCASE	27	8	11-29489	NUT, GEAR HOUSING STUD (CAP)	45	17
10-74824	SCREW	31	5	11-34863	NUT, STEERING LINK SCREW	47	16
10-74824	SCREW, COVER TO CYLINDER BLOCK	31	11	11-34933	NUT, DRIVE SHAFT HOUSING STUDS	53	76
10-74824	SCREW, CRANKCASE TO CYLINDER BLOCK	27	14	11-34933	NUT, GEAR HOUSING STUD	45	19
10-74968	BOLT, THRU	9	4	11-34933	NUT, UPPER MOUNT BOLT	47	13
10-77065	SCREW, COVER TO CRANKCASE	27	11	11-35045	NUT, CABLE LATCH SCREW	15	25
10-78689	SCREW, STEERING ARM TO UPPER MOUNT	47	9	11-35521	NUT, NYLON-COVER TO CLAMP SCREW	45	13
10-79953	SCREW, GREASE FILLER	51	45	11-35921	NUT, PINION GEAR TO DRIVE SHAFT	49	14
10-814076	SCREW	21	17	11-36069	NUT, LINK ROD	15	43
10-87926	SCREW, LEAD ATTACHING	13	18	11-36069	NUT, LINK ROD TO SHIFT SHAFT	17	48
10-88417	SCREW, COVER ATTACHING (5/8")	45	12	11-36069	NUT, THROTTLE CAM STUD	15	31
10-88447	SCREW, DETONATION CONTROLLER	37	2	11-42633	NUT, DRIVE SHAFT BEARING	49	17
				11-45076	NUT	29	46
				11-45076	NUT, IGNITION COIL TERMINAL	11	24
				11-45076	NUT, LINK ROD	15	3

# PARTS INDEX

Part Number	Description	Pg.	Ref. No.	Part Number	Description	Pg.	Ref. No.
11-45076	NUT, SOLENOID TERMINALS (10-32)	13	26	12-29245	WASHER, ANODE SCREW	55	26
11-45076	NUT, SWITCH BOX TERMINAL	13	6	12-29245	WASHER, TERMINAL BLOCK SCREW	31	8
11-45076	NUT, TERMINAL BLOCK	31	9	12-29245	WASHER, WATER PUMP SCREW AND STUD	49	32
11-46335	NUT	55	29	12-31211A2	WASHER, SPLINED - PROPELLER NUT	53	79
11-46438	NUT, BALL JOINT	15	5	12-34931	WASHER, STEERING LINK TO STEERING ARM	47	17
11-52707A1	PROPELLER NUT	53	81	12-35280	WASHER (LARGE)	21	35
11-52901	NUT, FLYWHEEL	7	7	12-35462	WASHER, LATCH	15	42
11-56041	NUT, TILT TUBE (7/8-14)	43	9	12-35462	WASHER, LINK ROD	17	47
11-56374	NUT, SOLENOID SCREW	11	10	12-36001	WASHER, WATER PUMP STUD	49	34
11-64015	NUT, JAM - ADJUSTING SCREW	27	36	12-36042	WASHER, IGNITION PLATE SCREW	13	12
11-64015	NUT, SPARK ADVANCE STOP SCREW	15	8	12-38833	WASHER, DETONATION CONTROLLER SCREW	37	3
11-64015	NUT, THROTTLE LEVER STOP SCREW	15	20	12-38833	WASHER, IDLE SPEED CONTROL SCREW	29	42
11-67980	NUT	3	23	12-40023-14	WASHER, FUEL PUMP SCREW	25	23
11-68219	NUT	59	30	12-42118	WASHER	3	9
11-68219	NUT, SPARK ADVANCE LEVER STOP SCREW	15	11	12-42118	WASHER, OIL RESERVOIR SCREW	57	14
11-68219	NUT, SWITCH ATTACHING STUD	63	6	12-43450	WASHER, COVER SCREW	55	14
11-68292	NUT, SOLENOID TERMINALS (5/16-18)	13	28	12-45176	WASHER, DRIVE SHAFT HOUSING STUDS	53	83
11-69254	NUT, POWER HEAD STUD	45	35	12-45176	WASHER, GEAR HOUSING STUD	45	18
11-69254	NUT, POWERHEAD STUD	31	31	12-46101	WASHER, INDICATOR SCREW	37	12
11-73651	NUT, FLYWHEEL COVER STUD	27	27	12-47247	WASHER, NEEDLE LOCATING	41	15
11-813692	LOCKNUT	5	6	12-49221--1	WASHER, FLYWHEEL COVER STUD	27	25
11-813938	NUT	29	47	12-49339	WASHER, LOWER MOUNT SCREW	45	6
11-813938	NUT, TERMINAL BLOCK	31	10	12-56681	WASHER	5	24
11-90068T6	NUT, TILT TUBE (1"-14)	43	6	12-65567	WASHER	19	12
11-90078	NUT, COVER SCREW/GROUND WIRE	11	20	12-66921	WASHER, UPPER MOUNT BOLT	47	11
11-91962	NUT, TRANSOM BRACKET BOLT	43	12	12-67264	WASHER, IGNITION PLATE SCREW (RUBBER)	13	13
11-93543	NUT, IGNITION SWITCH	63	9	12-67670	WASHER, THRUST-SWIVEL BRACKET	47	21
11-94330	NUT, SOLENOID TERMINAL (1/4-20)	11	12	12-68229	WASHER, FLYWHEEL	7	8
11-99265	PUSHNUT	57	34	12-68410	WASHER, SPARK ADVANCE LEVER	15	18
12-18703--1	WASHER	31	40	12-69057	WASHER	5	12
12-19183	WASHER, GREASE FILLER AND DRAIN SCREW	51	47	12-70132	WASHER	3	24
12-20346	WASHER (SMALL)	21	36	12-72761	WASHER, FLYWHEEL COVER STUD	27	26
12-21249	WASHER	19	5	12-72761	WASHER, TIMING MARKER SCREW	7	4
12-24676	WASHER	59	29	12-73862	WASHER, GEAR HOUSING STUD	45	16
12-24676	WASHER, SWITCH ATTACHING STUD	63	5	12-76451	WASHER, DIAPHRAGM SCREW	31	14
12-25909	WASHER, CYLINDER HEAD SCREW	35	4				
12-25970	WASHER, POWER HEAD STUD	45	34				
12-25970	WASHER, POWERHEAD STUD	31	30				
12-26427	WASHER	59	16				
12-26996	WASHER, STATOR SCREW	7	14				
12-28421	WASHER, TRANSOM BRACKET BOLT	43	11				
12-29245	WASHER	23	45				

# PARTS INDEX

Part Number	Description	Pg.	Ref. No.	Part Number	Description	Pg.	Ref. No.
12-78688	WASHER, UPPER MOUNT BOLT	47	12	16-15094	STUD, FLYWHEEL COVER TO CYLINDER BLOCK	27	22
12-78910	WASHER, COMPRESSION SPRING	53	52	16-30667	STUD, WATER PUMP (3-1/8")	49	7
12-85303	WASHER, POPPET SPRING	31	19	16-55422	STUD, SWITCH ATTACHING	63	4
12-89302	LOCKWASHER	29	45	16-56295	STUD, DRIVE SHAFT HSG./GEAR HSG.	45	2
12-89302	WASHER, TRIM SENDER SCREW	47	26	16-56297	STUD, WATER PUMP (3-3/8")	49	6
12-89302	WASHER, WATER SENSOR MODULE SCREW	19	16	16-57920	STUD, GEAR HOUSING (2-1/16")	49	5
12-92721	WASHER, PINION GEAR	49	13	16-67065	STUD, POWERHEAD	27	3
13-26992	LOCKWASHER	5	38	16-76175	STUD, POWERHEAD	27	2
13-26992	LOCKWASHER	11	3	16-78438	STUD, POWERHEAD	27	3
13-26992	LOCKWASHER	13	30	16-78638	STUD, GEAR HOUSING (3-1/8")	49	4
13-26992	LOCKWASHER	19	11	17-13794	GROOVE PIN, TRIM CYLINDER (UPPER)	55	11
13-26992	LOCKWASHER, LOWER END CAP SCREW	27	34	17-20033	DOWEL PIN LOCATING - EXHAUST PLATE	31	26
13-26992	LOCKWASHER, REAR BRACKET SCREW	3	13	17-20033	DOWEL PIN, GEAR HOUSING LOCATING	49	3
13-26992	LOCKWASHER, STARTER MOTOR TERMINAL	7	20	17-20033	DOWEL PIN, LOCATING	27	4
13-26993	LOCKWASHER, IGNITION PLATE SCREW	13	11	17-20033	DOWEL PIN, LOCATING	45	30
13-26993	LOCKWASHER, STARTER MOTOR COVER SCREW	27	9	17-44431	GROOVE PIN, TRIM CYLINDER (LOWER)	55	35
13-26995	LOCKWASHER, COVER SCREW	21	20	17-67296	DOWEL PIN, CYLINDER BLOCK (BEARING RACE)	27	5
13-26995	LOCKWASHER, INDICATOR SCREW	37	11	17-67706A56	SWIVEL PIN AND STEERING ARM	47	8
13-26995	LOCKWASHER, TEMPERATURE SENSOR SCREW	37	17	17-78905	CROSS PIN, RATCHET TO PROPELLER SHAFT	53	59
13-26996	LOCKWASHER	21	43	17-78906	PIN, SPRING LOCATOR	53	53
13-26996	LOCKWASHER, TRIM SENDER SCREW	47	25	17-78909	DETENT PIN, RATCHET	53	60
13-29720	WAVE WASHER, LINK ROD	17	45	17-813930	LOCK PIN	5	37
13-40025--5	LOCKWASHER, COVER SCREW	21	9	17-99604	GROOVE PIN	43	19
13-40025--6	LOCKWASHER	55	21	17-99615	GROOVE PIN	43	17
13-40025--8	LOCKWASHER, MANIFOLD SCREW	55	37	19-45907	PLUG, FLYWHEEL	7	6
13-42351--1	LOCKWASHER, PROPELLER SHAFT	53	82	19-64649	PLUG, DRIVE SHAFT HOUSING	45	20
13-53166	LOCKWASHER, SOLENOID TERMINALS (5/16")	13	27	19-88801	PLUG, CUPPED	27	12
13-58643	LOCKWASHER	55	28	19-89219	PLUG, FLYWHEEL COVER	7	5
13-78854	WAVE WASHER, BOTTOM YOKE	47	18	19-99609A1	PLUG ASSEMBLY	55	17
13-88750	WAVE WASHER, TILT TUBE	43	8	21-18241	CHECK VALVE	21	29
13-99611	WAVE WASHER	5	11	21-42481	CHECK VALVE	21	26
13-99611	WAVE WASHER, TILT LEVER	43	14	21-42623	CHECK VALVE (PRESS-IN-11/16" LONG)	39	4
14-31210	TAB WASHER, PROPELLER NUT	53	80	21-42698	CHECK VALVE (PRESS-N-13/16" LONG)	39	3
14-79447	TAB WASHER, GEAR HOUSING COVER	53	71	21-42990A10	DIAPHRAGM KIT	25	2
15-42637A1	SHIM ASSEMBLY	49	15	21-43278	FITTING, CHECK VALVE (CRANKCASE)	57	24
15-47397A1	SHIM, BEARING OUTER RACE (.002-3-5-10)	53	54	22-13607	FITTING, BASE	25	35
				22-14868	FITTING, FUEL PUMP (ELBOW)	25	14
				22-15026	CAP, ELBOW (YELLOW)	39	7
				22-15133	ELBOW (PRESS-IN)	39	5
				22-15781A1	FUEL CONNECTOR	25	28
				22-15979	FITTING	25	20
				22-16604	FITTING, FUEL PUMP (STRAIGHT)	25	15
				22-18205	TEE	39	8

# PARTS INDEX

Part Number	Description	Pg.	Ref. No.	Part Number	Description	Pg.	Ref. No.
22-38407	PLUG, CYLINDER BLOCK (WATER JACKET) . . . . .	27	21	23-812711	SPACER (1/4") . . . . .	63	13
22-42425	FITTING, OIL TUBING . . . . .	57	18	23-812711--1	SPACER (3/8") . . . . .	63	13
22-56759	FITTING (PRESS-IN) . . . . .	39	6	23-814913	SPACER . . . . .	21	34
22-56800	PIPE PLUG . . . . .	25	19	23-93248--1	SWIVEL BUSHING . . . . .	15	29
22-59169	TEE . . . . .	39	2	23-94304	BUSHING . . . . .	37	7
22-67892	SCREW, DRAIN (MAGNETIC)	51	46	23-94453	BUSHING, SWITCH BOX SCREW . . . . .	13	4
22-68727	FITTING, ELBOW - WATER HOSES . . . . .	35	9	23-99448	BUSHING . . . . .	27	12A
22-68728	FITTING, THERMOSTAT COVER TO WATER HOSES . . . . .	35	11	23-99608	BUSHING, SWIVEL BRACKET . . . . .	47	7
22-74036	FITTING, GREASE . . . . .	47	6	24-20099	SPRING, CABLE LATCH TO THROTTLE LEVER . . . . .	15	24
22-813613	FITTING, TELLTALE . . . . .	5	29	24-20099	SPRING, LINK ROD TO GUIDE BLOCK . . . . .	15	38
22-814430	FITTING (NEW DESIGN) . . . . .	33	47	24-41050	SPRING, THROTTLE RETURN . . . . .	15	32
22-85822A1	CONNECTOR ASSEMBLY . . . . .	59	22	24-64878	SPRING, COMPRESSION POPPET VALVE . . . . .	31	18
22-85822A1	CONNECTOR ASSEMBLY, SPEEDOMETER . . . . .	49	2	24-68784	SPRING, THROTTLE AND SPARK ADVANCE LEVER	15	17
22-90824	TEE, TELLTALE . . . . .	5	30	24-78962	SPRING, RETAINING-CROSS PIN . . . . .	53	61
22-92007	FITTING (90 DEGREE) (NEW DESIGN) . . . . .	33	44	24-79910	SPRING, COMPRESSION . . . . .	53	51
22-98727	GREASE FITTING, PORT TRANSOM BRACKET . . . . .	43	3	24-813929--1	SPRING . . . . .	5	35
22-99616	PIPE PLUG, MANIFOLD . . . . .	55	2	24-99622	SPRING . . . . .	43	18
22-99616	PLUG PIPE, SHAFT . . . . .	55	19	25-11332	"O"RING, ADAPTOR HOUSING . . . . .	57	29
22-99664	ELBOW EXHAUST PLATE . . . . .	31	25	25-11332	"O"RING, CAP . . . . .	57	27
22-99751	FITTING, PULSE HOSE (90 DEGREE) . . . . .	25	25	25-11379	"O" RING, OIL PUMP . . . . .	57	4
23-14636	BUSHING . . . . .	19	9	25-12602	GROMMET, EXHAUST PLATE . . . . .	31	34
23-15885	SLEEVE . . . . .	37	13	25-18506	GROMMET . . . . .	3	11
23-19275	SPACER . . . . .	21	32	25-18778	GROMMET . . . . .	31	41
23-19661	SPACER . . . . .	11	4	25-19564	GROMMET . . . . .	31	33
23-19666	BUSING . . . . .	5	10	25-25439	"O" RING, SHIFT SHAFT BUSHING . . . . .	51	41
23-26600	BUSHING, NYLON-LINK ROD	17	46	25-30271	RING, RUBBER (DRIVE SHAFT) . . . . .	49	36
23-26856	BUSHING, THROTTLE CAM	15	30	25-31534	"O" RING, BEARING CARRIER . . . . .	53	66
23-27132	BUSHING, EXHAUST PLATE	31	32	25-33466	O" RING, SWIVEL BRACKET (UPPER) . . . . .	47	4
23-29804	SLEEVE, GUIDE - WATER INLET TUBE . . . . .	49	37	25-38099	"O" RING, WATER PUMP (2.109 I.D.) . . . . .	49	20
23-34948	SPACER (NEW DESIGN) . . . . .	19	2	25-41478A1	REPAIR KIT . . . . .	55	5
23-41429A2	BEARING ASSEMBLY, DRIVE GEAR . . . . .	57	5	25-42117	GROMMET, OIL RESERVOIR SCREW . . . . .	57	15
23-42116	BUSHING, OIL RESERVOIR SCREW . . . . .	57	16	25-45711	"O" RING . . . . .	37	15
23-43998	SLEEVE, LUBRICATION . . . . .	49	9	25-45711	"O" RING, TILT TUBE . . . . .	43	7
23-55164	BUSHING, THROTTLE LEVER . . . . .	15	15	25-48462A2	"O" RING KIT . . . . .	55	16
23-55171	BUSHING, SPARK ADVANCE LEVER . . . . .	15	16	25-54029	"O" RING, END CAP . . . . .	27	16
23-65830	BUSHING, NYLINER . . . . .	5	9	25-62700	"O" RING, END CAP (3-1/4" I.D.) . . . . .	27	31
23-65830	BUSHING, TILT LEVER . . . . .	43	15	25-64872	GROMMET, POPPET VALVE	31	21
23-67268	BUSHING, IGNITION PLATE SCREW . . . . .	13	14	25-88033	GROMMET . . . . .	21	33
23-67269	SPACER, FLYWHEEL COVER STUD . . . . .	27	24	25-90011	"O" RING, WATER PUMP (2.175 I.D.) . . . . .	49	20
23-67668	SPACER, SWIVEL BRACKET (UPPER) . . . . .	47	5	26-16977	OIL SEAL, WATER PUMP . . . . .	49	22
23-67669	BUSHING, SWIVEL BRACKET (LOWER AND UPPER) . . . . .	47	3	26-18790	SEAL, VAPOR SEPARATOR	21	21
				26-18792	SEAL, INJECTOR MANIFOLD	21	31



# PARTS INDEX

Part Number	Description	Pg.	Ref. No.	Part Number	Description	Pg.	Ref. No.
26-38970	SEAL, RUBBER - WATER INLET TUBE	49	28	31-93495	ROLLER BEARING, CRANKSHAFT	41	8
26-38970	SEAL, WATER TUBE	45	31	31-93496	ROLLER BEARING, END CAP	27	17
26-41953	OIL SEAL, END CAP	27	18	32-13503-82	HOSE (1/2" O.D.)	21	10
26-41953	OIL SEAL, END CAP	27	32	32-13503-82	TUBING	25	26
26-76384	OIL SEAL, SHIFT SHAFT BUSHING	51	43	32-13503-82	TUBING (1-3/4")	21	38
26-76868	OIL SEAL, BEARING CARRIER	53	69	32-14633	HOSE	23	47
26-87735	OIL SEAL, SWIVEL BRACKET (LOWER)	47	2	32-43016-25	TUBING, OIL PUMP	57	9
26-89238	OIL SEAL, WATER PUMP	49	21	32-43017-36	TUBING, OIL RESERVOIR TO OIL PUMP (5-1/4")	57	12
26-89238A2	SEAL KIT	51	49	32-67295	TUBE, WATER	45	24
27-11338	GASKET, SEALING	27	6	32-77653-77	HOSE, WATER DISTRIBUTION	35	10
27-1263	GASKET, RELIEF VALVE PLATE	31	12	32-90729-25	HOSE, OIL (6-3/4")	57	19
27-14697--1	GASKET, ADAPTOR PLATE	35	20	32-90729-25	HOSE, PULSE	25	24
27-14697A87	GASKET SET	1	-	32-99126-88	HOSE (1/8" I.D.)	21	11
27-16737--1	GASKET, ADAPTOR PLATE	35	17	32-99126-88	TUBING	39	9
27-18791	GASKET, PRESSURE REGULATOR	21	15	32-99127109	HOSE (NEW DESIGN)	33	45
27-41246--1	GASKET, CYLINDER HEAD	35	2	32-99127109	HOSE, TELLTALE	5	31
27-42631--1	GASKET, WATER PUMP TO GEAR HSG	49	19	32-99127109	TUBING, OIL	57	17
27-43307	GASKET, RESERVOIR CAP	57	32	32-99129-76	TUBING	25	16
27-62386	GASKET, THERMOSTAT	35	6	32-99130122	HOSE (3/32" I.D.)	21	12
27-78246	GASKET, EXHAUST EXTENSION	45	37	32-99130122	TUBING, BLEED	39	1
27-85608--1	GASKET, LOWER-WATER PUMP	49	23	32-99439	HOSE, OIL	57	21
27-85609--1	GASKET, UPPER-WATER PUMP	49	24	32-99802	TUBE, OIL PICK-UP	57	30
27-90484--1	GASKET, DIVIDER PLATE	31	1	33-13686--2	SPARK PLUG	11	23
27-98769--1	GASKET, BASE	25	13	33-14103568	SPARK PLUG (CANADA/BELGIUM)	11	23
27-99173--2	GASKET, DRIVE SHAFT HOUSING TO PLATE	45	25	34-16639A1	TRIM HARNESS ASSEMBLY	5	26
27-99176--3	GASKET, EXHAUST PLATE	31	23	34-75362A1	REED ASSEMBLY	35	22
27-99177--2	GASKET	45	33	35-12184A1	TRIM FILTER ASSEMBLY	55	9
28-30281	KEY, LOCATING - BEARING CARRIER	53	70	35-15028--2	FUEL FILTER	21	7
28-56654	KEY, IMPELLER DRIVE	49	30	35-15442	FUEL FILTER KIT	21	6
29-67483	NEEDLE BEARING, PISTON END	41	17	35-17422	FILTER, INJECTOR	21	4
30-67923	BALL BEARING, CRANKSHAFT (LOWER)	41	2	35-18206	FUEL FILTER	39	10
30-88957A1	BEARING, BALL-REVERSE GEAR	53	65	35-18458A1	FUEL FILTER ASSEMBLY	25	36
31-17514A1	ROLLER BEARING ASSEMBLY, CRANKSHAFT END	41	16	36-43298A2	CAP ASSEMBLY, OIL TANK	57	26
31-30956	ROLLER BEARING, BEARING CARRIER	53	68	36-43300A9	CAP ASSEMBLY, OIL RESERVOIR	57	31
31-36387A1	ROLLER BEARING, DRIVE SHAFT	49	16	37-813033A89	DECAL SET	1	-
31-42647A1	ROLLER BEARING, DRIVE SHAFT	49	8	38-90311	INSERT, SWITCH PLATE	63	10
31-73363	ROLLER BEARING, FORWARD GEAR	53	57	39-18487A12	PISTON RING ASSEMBLY	41	11
31-78172A1	TAPERED ROLLER BEARING ASSEMBLY	53	55	39-67377	RING, SEALING - CRANKSHAFT (.124 THICK)	41	7
				39-78633	RING, SEALING - CRANKSHAFT (.139 THICK)	41	7
				39-815267A4	PISTON RING SET	41	-
				40-52035	LOCK RING, PISTON	41	12
				43-14563	DRIVEN GEAR	57	6
				43-44102A2	FORWARD GEAR ASSEMBLY	53	56
				43-99727A1	DRIVE CAR	41	4
				44-94148	PROPELLER SHAFT	53	62
				45-44000--1	DRIVE SHAFT	49	11
				46-42579A3	WATER PUMP BASE ASSEMBLY	49	18
				46-42579A4	WATER PUMP REBUILD KIT	51	48

# PARTS INDEX

Part Number	Description	Pg.	Ref. No.	Part Number	Description	Pg.	Ref. No.
46-96148A1	WATER PUMP BODY ASSEMBLY	49	26	84-69739A7	HARNESS ASSEMBLY, COIL TO SWITCH BOX	11	27
47-89984	IMPELLER, WATER PUMP	49	29	84-813715A9	CABLE, HIGH TENSION	11	21
50-79472	STARTER MOTOR	7	17	84-86322A7	WIRE, TRIM GAUGE (BLACK - 1-1/2")	59	6
50-79472	STARTER MOTOR ASSEMBLY	9	-	84-86323A2	WIRE (PURPLE)	59	19
52-78959	RATCHET, SLIDING CLUTCH	53	58	84-86323A5	WIRE, TRIM GAUGE (PURPLE - 1-1/2")	59	6
53-13194	SNAP RING	3	17	84-87379A14	WIRE ASSEMBLY (2-3/4" - RED)	11	14
53-29641	"E" RING, RETAINING - SHIFT SHAFT	49	39	84-87895A4	CABLE	19	3
53-67444	RETAINING RING, ROLLER BEARING	41	9	84-88439A3	BATTERY CABLE, POSITIVE	13	19
53-67446	RETAINING RING, BALL BEARING	41	3	84-88528A2	CABLE ASSEMBLY (6"- RED/WHITE)	13	34
53-67684	RETAINING RING, BOTTOM YOKE	47	20	84-88807A13	GROUND WIRE (5-1/2" - BLACK)	11	25
53-78907	RETAINING RING	49	40	84-88807A18	WIRE ASSEMBLY (BLACK)	19	14
53-812844	"E" RING	55	12A	84-88807A19	CABLE ASSEMBLY	19	7
54-13791	CLAMP, HOSE	21	37	84-88807A20	CABLE ASSEMBLY, COVER	27	13
54-14695--1	CLIP	19	18	84-88807A29	CABLE (9" - BLACK)	11	15
54-16793	CLAMP	27	38	84-88807A6	WIRE ASSEMBLY (3-1/2" - BLACK)	11	9
54-19748--1	CLAMP (LOWER)	5	20	84-88807A8	WIRE ASSEMBLY (3-1/2" - BLACK)	11	14
54-19749	CLAMP (UPPER)	5	19	84-88808A22	CABLE (6-7/8" - RED)	55	31
54-22875	CLIP, PUMP WIRE	55	32	84-88824A4	WIRE (TAN/BLUE) - 23'	59	19
54-41582--1	CLAMP, OIL HOSE (SMALL)	57	35	84-91865A1	CABLE ASSEMBLY (3" WHITE/BLACK)	13	34
54-41582--3	CLAMP, OIL HOSE (LARGE)	57	11	84-93388A1	WIRE ASSEMBLY, PLATE TO STARTER MOTOR	7	16
54-47483	"J" CLIP	13	33	84-93388A2	WIRE ASSEMBLY, SOLENOID TO STARTER MOTOR	7	22
54-54457	"J" CLAMP	47	28	84-95084A2	WIRE ASSEMBLY, FUSE	13	22
54-63153	'J' CLIP	29	48	84-95084A2	WIRE, FUSE	5	28
54-67076	CLAMP, LOWER MOUNT	45	9	84-96220A12	HARNESS, ENGINE	13	20
54-90077	STA STRAP, FUEL TUBING	25	27	84-98866A14	WIRING HARNESS, E.C.U. AND INJECTORS	19	17
54-90077	STA-STRAP	5	7	85-63709A1	PROTECTOR, HIGH TENSION CABLE	11	22
54-90077	STA-STRAP	11	16	85-78866	INSULATOR, SOLENOID	13	32
54-90077	STA-STRAP	21	39	85-97861	INSULATOR, STARTER SOLENOID	11	13
54-90077	STA-STRAP	57	36	86-19437--2	TERMINAL BLOCK	29	43
54-90077	STA-STRAP	59	12	86-19437--3	TERMINAL BLOCK (3 TERMINALS)	31	6
54-90077	STA-STRAP (NEW DESIGN)	33	46	87-33386A3	MERCURY SWITCH	13	15
54-90077	STA-STRAP, HARNESS AND CABLES	13	24	87-88107	SWITCH, IGNITION (SEE BELOW FOR KEY)	63	8
54-90077	STA-STRAP, WATER HOSES	35	12	88-72729	LIGHT BULB	59	14
79-15110A1	TACHOMETER	59	1	88-72729	LIGHT BULB	59	3
79-15113A4	TRIM GAUGE	59	7	88-72729	LIGHT BULB, TRIM GAUGE	59	9
79-15166A1	TEMPERATURE GAUGE	59	13	88-79091	FUSE	5	27
79-19674A1	LANYARD SWITCH/DIODE KIT	59	23	88-79091	FUSE	13	21
79-813923	WATERSPEED GAUGE	59	20	88-79888	SOCKET	59	15
79-813923--1	STABILIZER	59	21	88-79888	SOCKET	59	4
84-15443	HARNESS KIT	21	5	88-79888	SOCKET, TRIM GAUGE	59	10
84-16636A1	HARNESS ASSEMBLY, TRIM	5	22	89-68258A4	STARTER SOLENOID	13	25
84-17201A5	CONTROL HARNESS, POWER TRIM	55	30	89-96158	STARTER SOLENOID	11	7
84-17925A15	KEY SWITCH ASSEMBLY	63	1	90-19592890	OWNER'S GUIDE	1	-
84-60466A20	CABLE ASSEMBLY	37	5				
84-60871A10	WIRE, SWITCH BOX	13	7				
84-61600A16	WIRE (BLACK)	59	19				
84-62310A2	CABLE ASSEMBLY, SWITCH BOX TO SWITCH BOX	13	5				
84-65999A2	CABLE ASSEMBLY, UPPER MOUNT (BLACK)	13	31				
84-65999A3	CABLE ASSEMBLY, BLACK	13	9				

# PARTS INDEX

Part Number	Description	Pg.	Ref. No.	Part Number	Description	Pg.	Ref. No.
90-814098--1	SERVICE MANUAL . . . . .	1	-				
90-814202	PARTS CATALOG - Service .	1	-				
90-816249--1	SERVICE MANUAL . . . . .	1	-				
266-9841A2	FLYWHEEL . . . . .	7	9				
332-7778A12	SWITCH BOX . . . . .	13	2				
339-7370A13	IGNITION COIL . . . . .	11	18				
398-9610A5	STATOR . . . . .	7	12				
455-8745A5	CRANKSHAFT ASSEMBLY .	41	1				
636-8119A5	CONNECTING ROD ASSEMBLY . . . . .	41	13				
766-8666A36	PISTON . . . . .	41	-				
766-8666A42	PISTON ASSEMBLY (STARBOARD) . . . . .	41	10				
766-8667A36	PORT PISTON . . . . .	41	-				
766-8667A42	PISTON ASSEMBLY (PORT)	41	10				
858-8712A46	CYLINDER BLOCK . . . . .	27	1				
1156-7809A1	END CAP ASSEMBLY (LOWER) . . . . .	27	30				
1159-9608A1	END CAP ASSEMBLY, UPPER . . . . .	27	15				
1257-8742--1	OIL TANK . . . . .	57	25				
1499-8710A21	SWIVEL BRACKET ASSEMBLY . . . . .	47	1				
1590-8343A8	DRIVE SHAFT HOUSING . . .	45	1				
1647-9148A12	GEAR HOUSING ASSEMBLY	49	1				
1647-9148A12	GEAR HOUSING ASSEMBLY (BASIC) . . . . .	53	1				
1647-9148A20	GEAR HOUSING . . . . .	49	-				
1647-9148A20	GEAR HOUSING . . . . .	53	-				
2196-9742A17	TOP COWL ASSEMBLY . . . .	3	1				
2197-9744A3	BOTTOM COWL ASSEMBLY (PORT) . . . . .	5	1				
2197-9745A2	BOTTOM COWL ASSEMBLY (STARBOARD) . . . . .	5	2				
3400-8716A9	TRANSOM BRACKET (PORT)	43	2				
3401-8718A2	TRANSOM BRACKET (STARBOARD) . . . . .	43	1				