



PARTS CATALOG

XR-2

SERIAL NUMBER

MERC XR20B290314 THRU 0C276429

TABLE OF CONTENTS:

CHOKE PLATE AND THROTTLE LEVERS	12
COWLS	2
FLYWHEEL, STARTER MOTOR AND IGNITION COILS	4
FUEL PUMP AND CARBURETOR	14
MISCELLANEOUS PARTS/ACCESSORIES	1
THROTTLE LEVER AND SHIFT SHAFT	8
WIRING HARNESS, STARTER SOLENOID AND RECTIFIER	6

NOTE: *Indented description indicate that these parts are included in preceeding assembly.*

AR = As Required

NSS = Not Sold Seperate

OPT = Optional

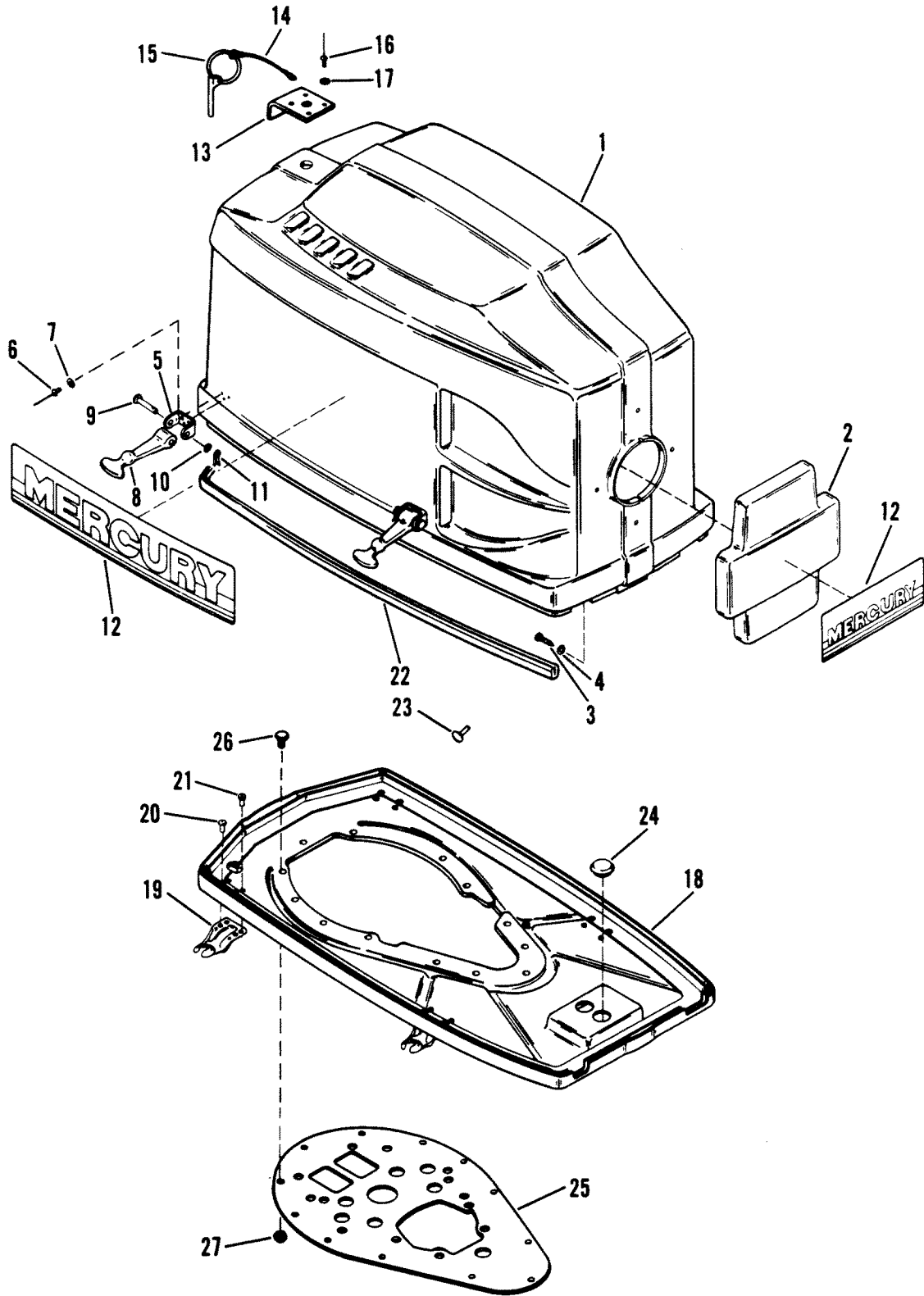
NS = Not Shown

THESE PARTS BOOKS/FICHE CARD ARE COPYRIGHTED AND MAY NOT BE DISTRIBUTED OR REPRODUCED IN ANY OTHER FORMAT BY ANYONE OTHER THAN MERCURY MARINE WITHOUT THE PRIOR WRITTEN CONSENT OF MERCURY MARINE.

MISCELLANEOUS PARTS/ACCESSORIES

REF. NO.	PART NO.	SYM.	QTY.	DESCRIPTION
-	90-814836			PARTS MANUEL
-	27-18051A88			GASKET SET
-	90-813091890			OWNER'S GUIDE

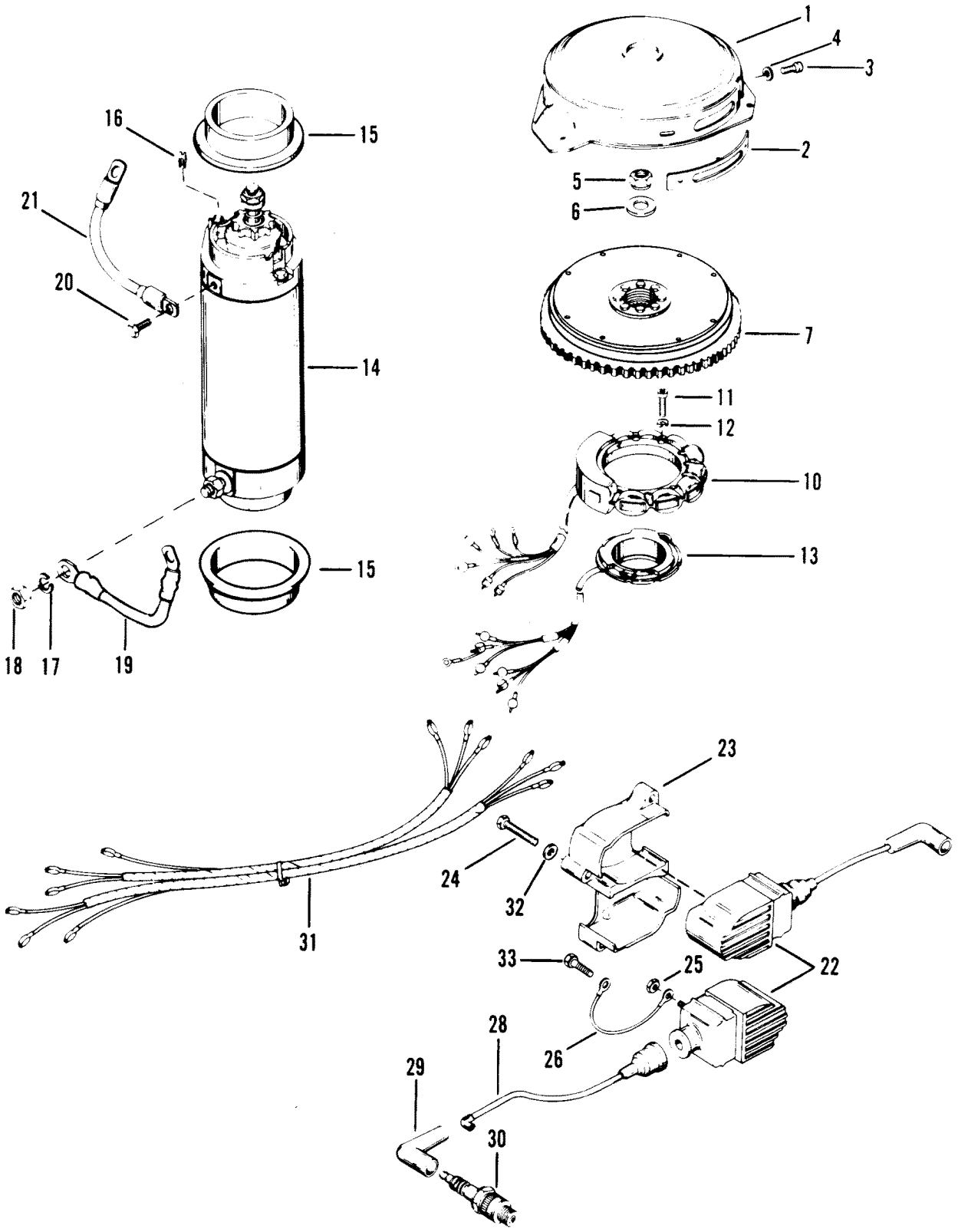
COWLS



COWLS

REF. NO.	PART NO.	SYM.	QTY.	DESCRIPTION
1	2167-9442A6		1	TOP COWL ASSEMBLY
2	14410A1		1	FRONT COVER
3	10-69570		4	SCREW, FRONT COVER
4	12-22887		4	WASHER, FRONT COVER SCREW
5	71602		4	YOKE, HOLD DOWN
6	17-12146		12	RIVET, YOKE TO COWL
7	12-20128		12	WASHER, YOKE RIVET
8	58707		4	HOLD DOWN (BUNGY CORD)
9	17-58712		4	CLEVIS PIN
10	12-20128		4	WASHER
11	18-21071		4	COTTER PIN
12	37-13813A7		1	DECAL SET
13	99690		1	PLATE, COWL HOLD DOWN
14	84-88807A6		1	CABLE ASSEMBLY (BLACK)
15	99779		1	CLIP
16	17-12148		4	POP RIVET
17	12-20128		4	WASHER
18	12955A3		1	BOTTOM COWL ASSEMBLY
19	13734		4	RETAINER, HOLD DOWN
20	17-12148		8	POP RIVET, RETAINER
21	17-14908		8	RIVET
22	58809--6		1	TRIM MOLDING
23	17-12147		10	POP RIVET, TRIM MOLDING
24	22-14685		2	PLUG, BOTTOM COWL
25	99264--1		1	PLATE, COWL BASE
26	10-38601		13	SCREW, PLATE TO BOTTOM COWL
27	11-36069		13	NUT, PLATE SCREW

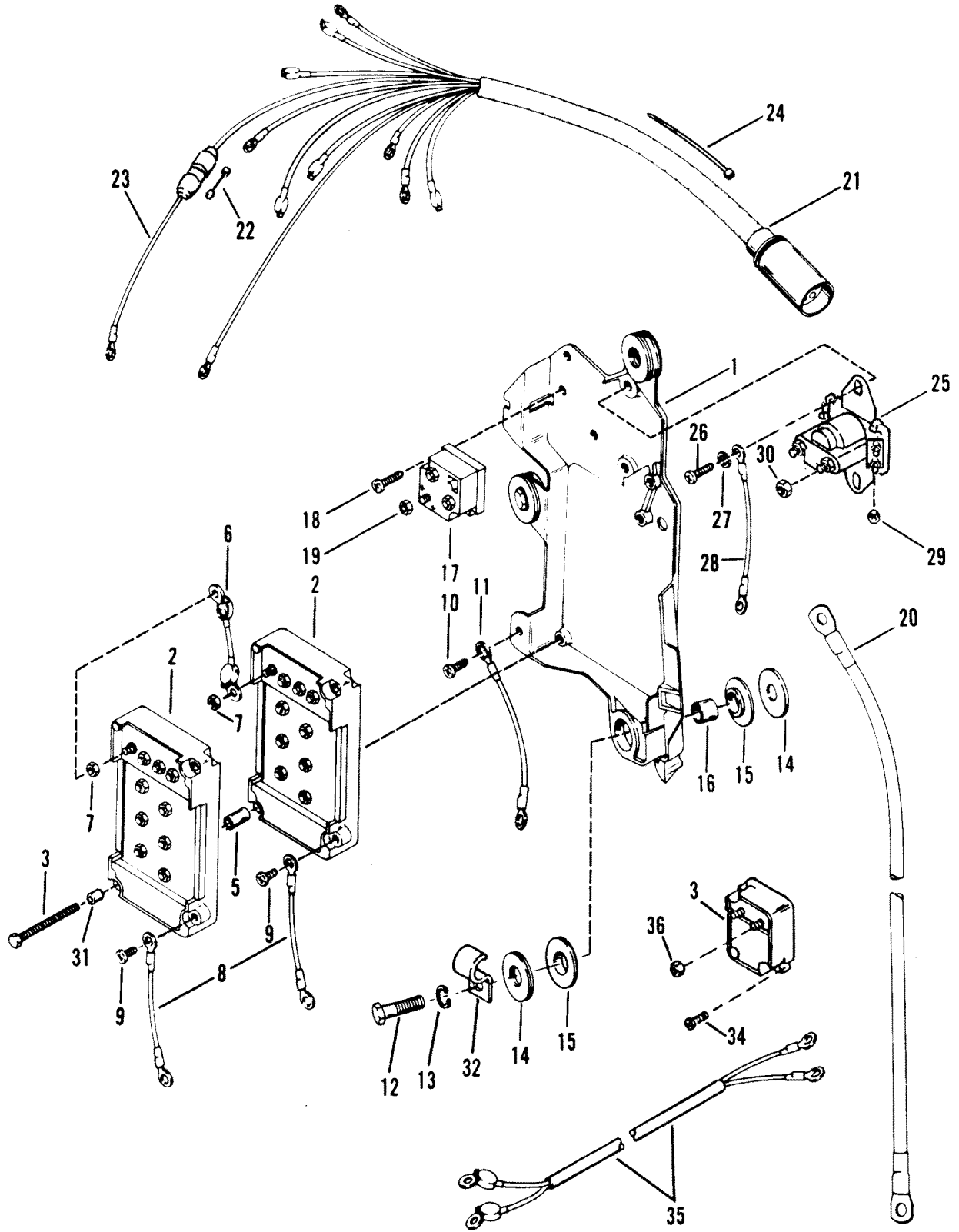
FLYWHEEL, STARTER MOTOR AND IGNITION COILS



FLYWHEEL, STARTER MOTOR AND IGNITION COILS

REF. NO.	PART NO.	SYM.	QTY.	DESCRIPTION
1	79918A1		1	COVER ASSEMBLY, FLYWHEEL
2	79022		1	MARKER, TIMING
3	10-37572		2	SCREW, TIMING MARKER
4	12-72761		2	WASHER, TIMING MARKER SCREW
5	11-52901		1	NUT, FLYWHEEL
6	12-68229		1	WASHER, FLYWHEEL
7	257-7555A17		1	FLYWHEEL ASSEMBLY
10	398-5454A35		1	STATOR ASSEMBLY
11	10-76566		4	SCREW, STATOR
12	13-26996		4	LOCKWASHER, STATOR SCREW
13	96455A10		1	TRIGGER PLATE ASSEMBLY
14	50-79472		1	STARTER MOTOR
15	56703		2	COLLAR, STARTER MOTOR
16	68042		2	STOP, RUBBER - STARTER MOTOR
17	13-26992		1	LOCKWASHER, STARTER MOTOR TERMINAL
18	11-20890		1	NUT, STARTER MOTOR TERMINAL
19	84-93389A5		1	WIRE, SOLENOID TO STARTER MOTOR (YELLOW)
20	10-69035		1	SCREW, CABLE TO STARTER MOTOR
21	84-93388A1		1	WIRE, PLATE TO STARTER MOTOR (BLACK)
22	339-7370A13		6	COIL ASSEMBLY, IGNITION
23	67614		3	COVER, IGNITION COIL
24	10-88447		12	SCREW, IGNITION COIL COVER (1-5/8")
25	11-45076		12	NUT, IGNITION COIL TERMINAL
26	84-88807A6		6	GROUND STRAP, IGNITION COIL (BLACK)
28	84-813715A1		6	CABLE, HIGH TENSION
29	17976		6	PROTECTOR, HIGH TENSION CABLE
30	33-97180		6	SPARK PLUG
31	84-69738A7		1	HARNESS ASSEMBLY, COIL TO SWITCH BOX (#2,4 AND 6)
	84-69739A2		1	HARNESS ASSEMBLY, COIL TO SWITCH BOX (#1,3 AND 5)
32	12-30164		12	WASHER, COVER SCREW
33	10-68513		6	SCREW, GROUND STRIP

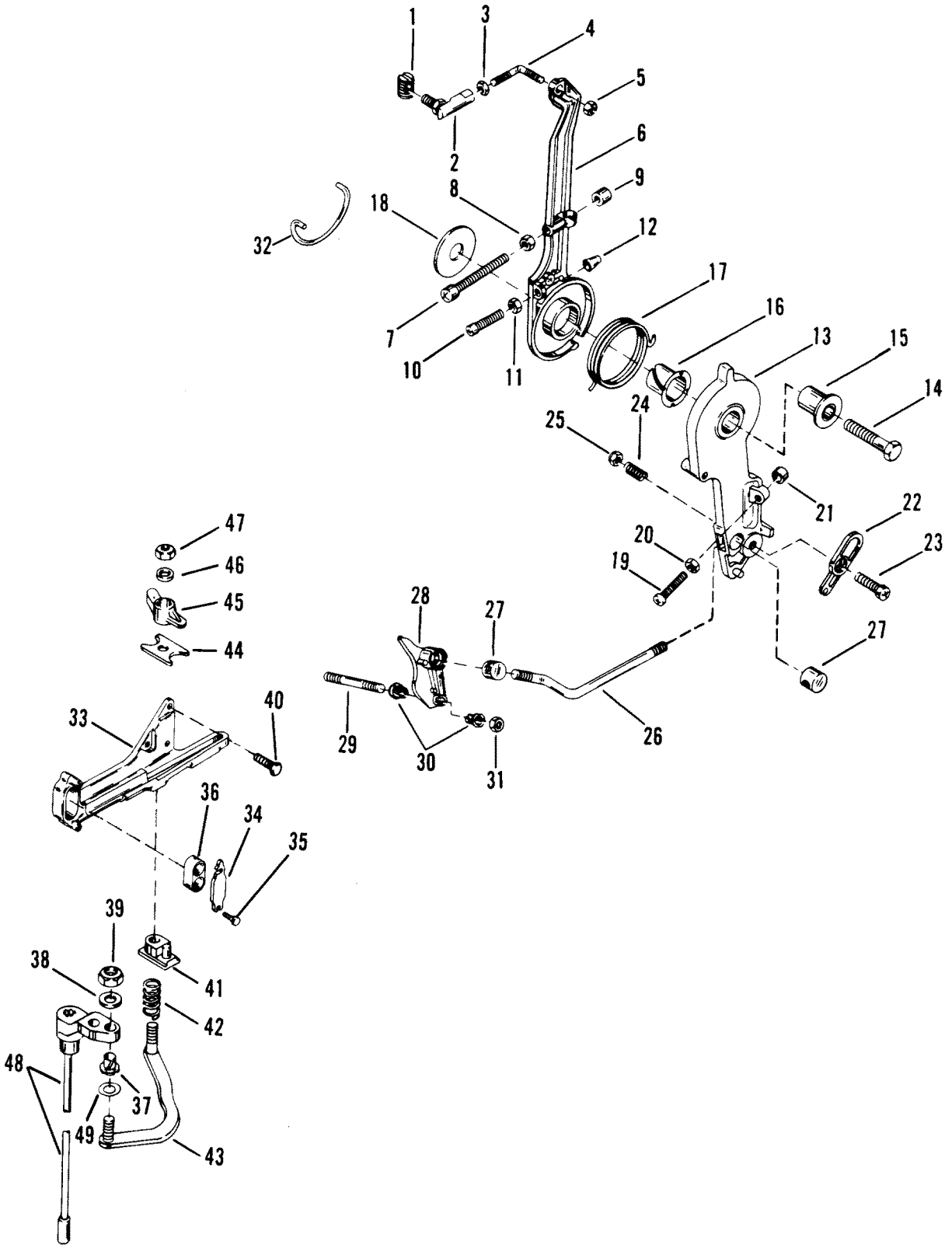
WIRING HARNESS, STARTER SOLENOID AND RECTIFIER



WIRING HARNESS, STARTER SOLENOID AND RECTIFIER

REF. NO.	PART NO.	SYM.	QTY.	DESCRIPTION
1	43429		1	PLATE, IGNITION
2	332-7778A4		2	SWITCH BOX
3	10-90815		2	SCREW, SWITCH BOX TO IGNITION PLATE
5	23-94453		2	BUSHING, SWITCH BOX SCREW
6	84-62310A2		1	CABLE ASSEMBLY, SWITCH BOX TO SWITCH BOX
7	11-45076		20	NUT, SWITCH BOX TERMINAL
8	84-60871A10		2	WIRE, SWITCH BOX
9	10-62568		2	SCREW, WIRE ATTACHING
10	10-38055		1	SCREW, CABLE TO IGNITION PLATE (5/8")
11	84-65999A3		1	CABLE ASSEMBLY, BLACK
12	10-69092		3	SCREW, IGNITION PLATE (1-1/4")
13	13-26993		3	LOCKWASHER, IGNITION PLATE SCREW
14	12-36042		6	WASHER, IGNITION PLATE SCREW
15	12-67264		6	WASHER, IGNITION PLATE SCREW (RUBBER)
16	23-67268		3	BUSHING, IGNITION PLATE SCREW
17	62351A1		1	RECTIFIER
18	10-38055		2	SCREW, RECTIFIER TO IGNITION PLATE (5/8")
19	11-45076		3	NUT, RECTIFIER TERMINALS
20	84-88439A14		1	BATTERY CABLE, POSITIVE
	84-88439A2		1	BATTERY CABLE, NEGATIVE
21	84-96220A4		1	HARNESS, ENGINE
22	88-79091		1	FUSE
23	84-95084A2		1	WIRE ASSEMBLY, FUSE
24	54-90077		AR	STA-STRAP, HARNESS AND CABLES
25	89-68258A4		1	STARTER SOLENOID
26	10-31716		2	SCREW, SOLENOID TO IGNITION PLATE (5/8")
27	13-26992		2	LOCKWASHER, SOLENOID TO IGNITION PLATE SCREW
28	84-65999A2		1	CABLE ASSEMBLY, UPPER MOUNT (BLACK)
29	11-45076		2	NUT, SOLENOID TERMINALS
30	11-67980		2	NUT, SOLENOID TERMINALS
31	23-94304		2	BUSHING, SWITCH BOX SCREW
32	54-47483		2	'J' CLIP
33	88825A7		1	VOLTAGE REGULATOR
34	10-48409		2	SCREW, VOLTAGE REGULATOR
35	84-13397A1		1	HARNESS ASSEMBLY
36	11-45076		2	NUT, VOLTAGE REGULATOR

THROTTLE LEVER AND SHIFT SHAFT

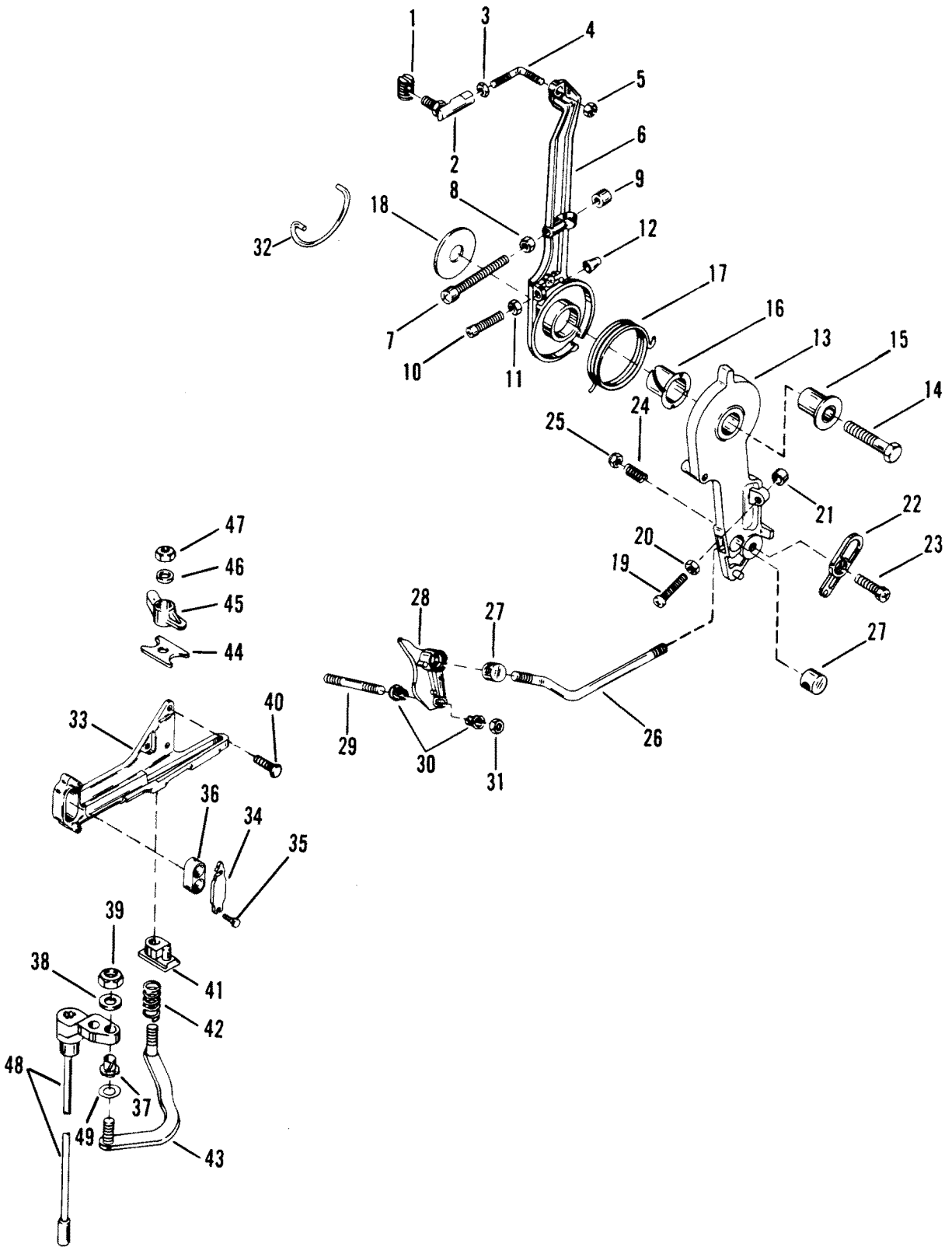


THROTTLE LEVER AND SHIFT SHAFT

REF. NO.	PART NO.	SYM.	QTY.	DESCRIPTION
1	74897		1	PIVOT, TRIGGER PLATE
2	62459		1	BALL JOINT, TRIGGER PLATE
3	11-68219		1	NUT, LINK ROD
4	76035		1	LINK ROD, TRIGGER PLATE
5	11-46438		1	NUT, BALL JOINT
6	41094A3		1	LEVER, SPARK ADVANCE
7	10-64022		1	SCREW, SPARK ADVANCE LEVER - STOP
8	11-64015		1	NUT, SPARK ADVANCE STOP SCREW
9	26852		1	CAP, SPARK ADVANCE LEVER STOP SCREW
10	10-69560		1	SCREW, SPARK ADVANCE LEVER - STOP (1-1/4")
11	11-68219		1	NUT, SPARK ADVANCE LEVER STOP SCREW
12	48039		1	CAP, SPARK ADVANCE LEVER STOP SCREW
13	41095T		1	LEVER, THROTTLE CONTROL
14	10-55337		1	SCREW, THROTTLE LEVER/ADVANCE LEVER (1-3/4")
15	23-55164		1	BUSHING, THROTTLE LEVER
16	23-55171		1	BUSHING, SPARK ADVANCE LEVER
17	24-68784		1	SPRING, THROTTLE AND SPARK ADVANCE LEVER
18	12-68410		1	WASHER, SPARK ADVANCE LEVER
19	10-64022		1	SCREW, THROTTLE LEVER - STOP (2-1/8")
20	11-64015		1	NUT, THROTTLE LEVER STOP SCREW
21	26852		1	CAP, THROTTLE LEVER STOP SCREW
22	39483		1	LATCH, CABLE
23	10-22486		1	SCREW, CABLE LATCH TO THROTTLE LEVER
24	24-20099		1	SPRING, CABLE LATCH TO THROTTLE LEVER
25	11-20586		1	NUT, CABLE LATCH SCREW
26	79949		1	ROD, THROTTLE CONTROL
27	60572		2	BARREL, THROTTLE CONTROL ROD
28	95791		1	THROTTLE CAM
29	16-20353		1	STUD, THROTTLE CAM ATTACHING
30	23-26856		2	BUSHING, THROTTLE CAM
31	11-36069		1	NUT, THROTTLE CAM STUD
32	24-41050		1	SPRING, THROTTLE RETURN
33	92032A2		1	BRACKET, ANCHOR - CONTROL CABLES
34	98889		1	LATCH, CONTROL CABLE
35	10-42975		2	SCREW, LATCH
36	39519		1	CAP, BARREL RETAINER - ANCHOR BAR
37	23-26600		1	BUSHING, NYLON - LINK ROD
38	12-35462		1	WASHER, LINK ROD
39	11-36069		1	NUT, LINK ROD TO SHIFT SHAFT
40	10-53167		3	SCREW, ANCHOR BRACKET ATTACHING
41	37896		1	GUIDE BLOCK, LINK ROD
42	24-20099		1	SPRING, LINK ROD TO GUIDE BLOCK
43	67073A1		1	LINK ROD ASSEMBLY

CONTINUED ON NEXT PAGE ➡

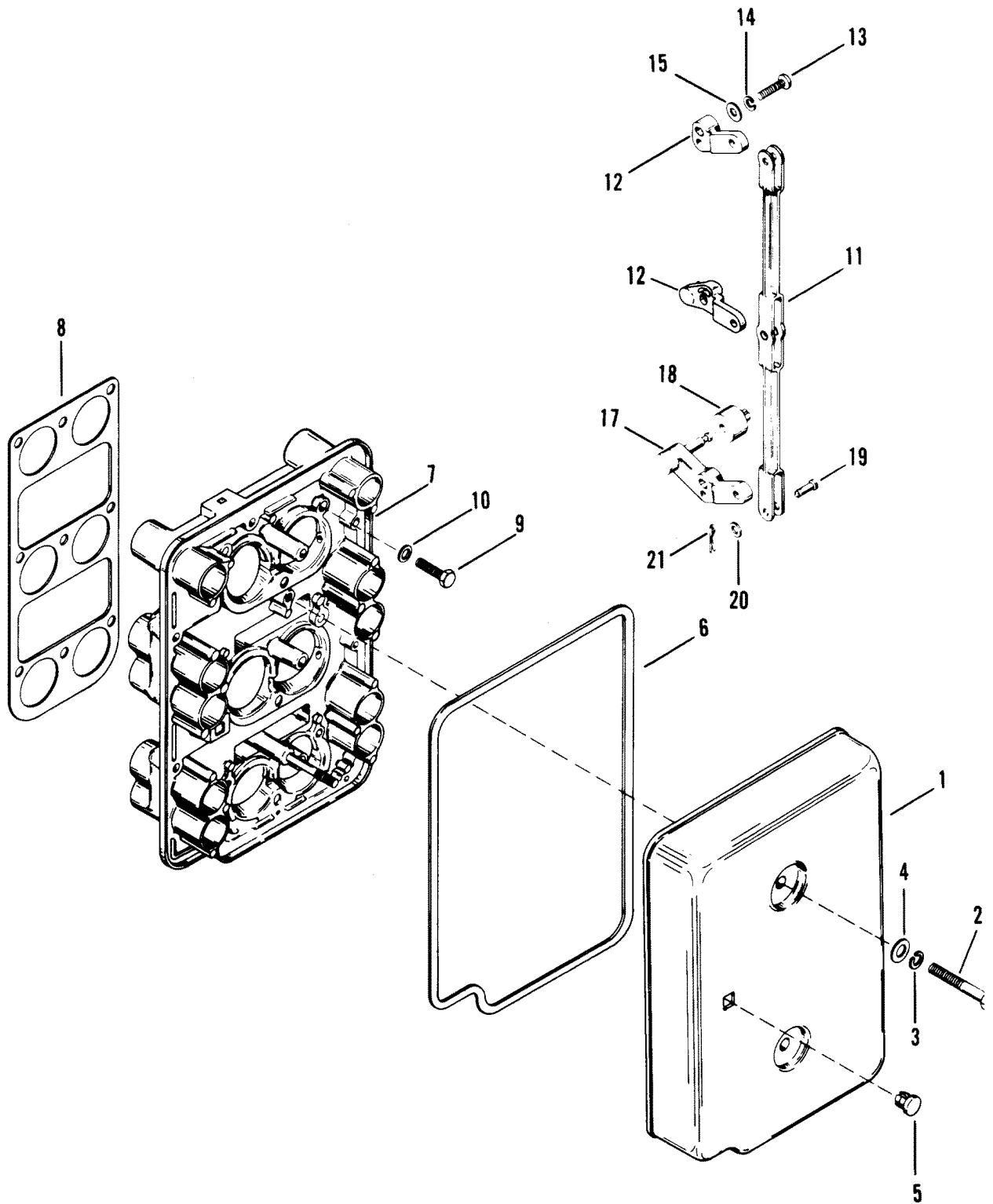
THROTTLE LEVER AND SHIFT SHAFT



THROTTLE LEVER AND SHIFT SHAFT

REF. NO.	PART NO.	SYM.	QTY.	DESCRIPTION
44	52100		1	WEAR PLATE, LINK ROD
45	38279		1	LATCH, CONTROL CABLE FASTENING - ANCHOR BRACKET
46	12-69056		1	WASHER, LATCH
47	11-36069		1	NUT, LINK ROD
48	79932A7		1	SHIFT SHAFT ASSEMBLY
49	13-29720		1	WAVE WASHER, LINK ROD

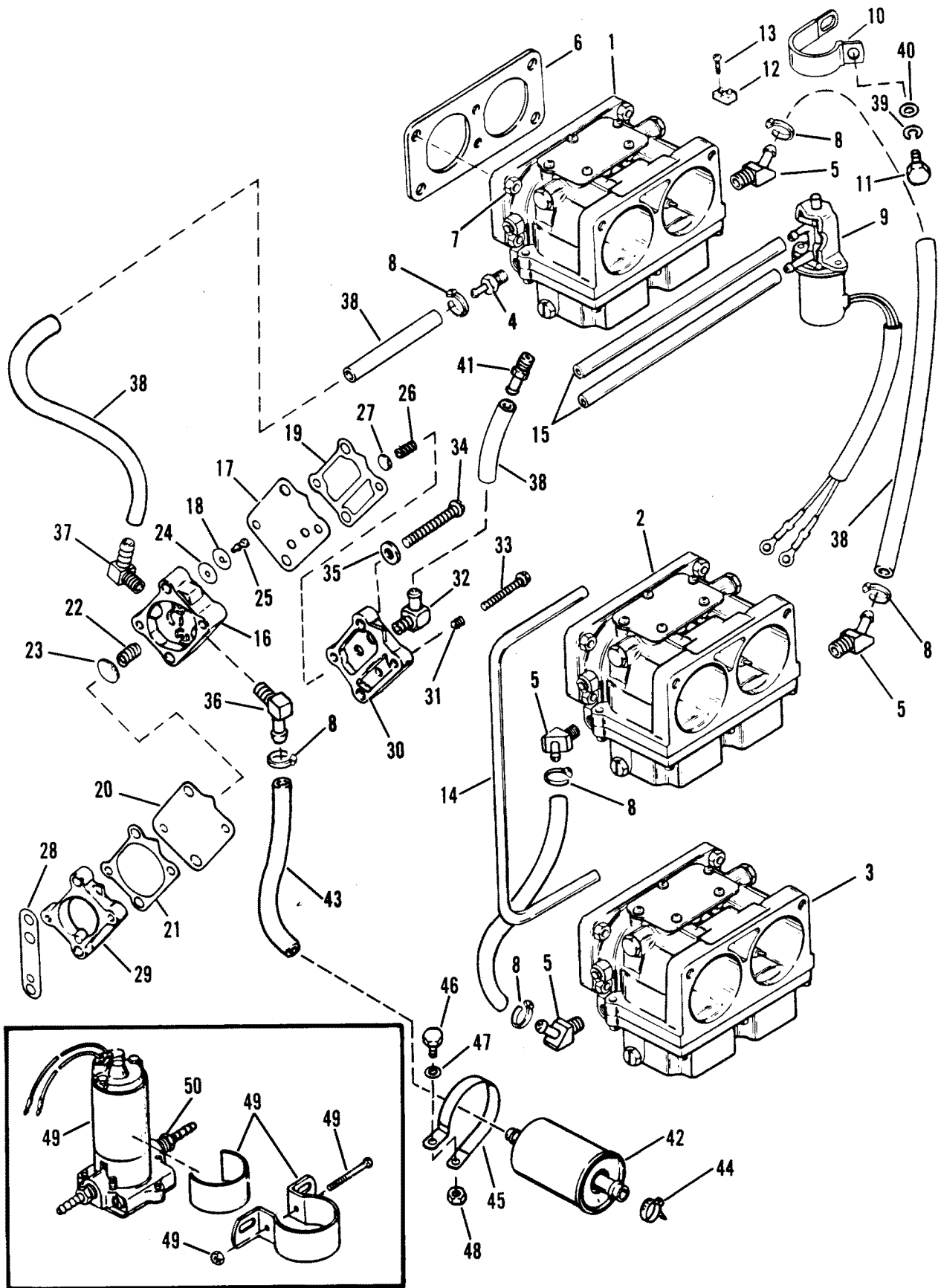
CHOKE PLATE AND THROTTLE LEVERS



CHOKE PLATE AND THROTTLE LEVERS

REF. NO.	PART NO.	SYM.	QTY.	DESCRIPTION
1	67246T		1	COVER, INDUCTION SILENCER
2	10-30720		2	SCREW, COVER TO CHOKE PLATE
3	13-26992		2	LOCKWASHER, COVER SCREW
4	12-29245		2	WASHER, COVER SCREW
5	19-90585		1	PLUG, INDUCTION SILENCER COVER
6	27-67275--1		1	GASKET, COVER
7	79983--1		1	PLATE ASSEMBLY, CHOKE
8	27-67274--1		1	GASKET, CHOKE PLATE TO CARBURETOR
9	10-68000		6	SCREW, CHOKE PLATE TO CARBURETOR (1")
10	12-20583		6	WASHER, CHOKE PLATE SCREW
11	67760		1	THROTTLE LINK
12	67759		2	THROTTLE LEVER, UPPER
13	10-15124		3	SCREW, THROTTLE LEVERS TO THROTTLE LINK (3/4")
14	13-26996		3	LOCKWASHER, THROTTLE LEVERS SCREW
15	12-56681		3	WASHER, THROTTLE LEVERS SCREW
17	67749		1	THROTTLE LEVER, LOWER
18	67748		1	ROLLER, LOWER THROTTLE LEVER
19	17-67297		3	CLEVIS PIN, THROTTLE LEVERS TO THROTTLE LINK
20	12-89302		3	WASHER, CLEVIS PIN
21	18-26953		3	COTTER PIN, CLEVIS PIN

FUEL PUMP AND CARBURETOR



DECEMBER 1988

FUEL PUMP AND CARBURETOR

1	1374-9242A45	1	CARBURETOR (TOP)
2	1374-9242A46	1	CARBURETOR (CENTER)
3	1374-9242A47	1	CARBURETOR (BOTTOM)
4	1395-6232	1	FITTING, FUEL INLET
5	22-70007	4	FITTING, FUEL INLET
6	27-90430--1	3	GASKET, CARBURETOR
7	11-20184	12	NUT, CARBURETOR MOUNTING
8	54-90077	AR	STA-STRAP, FUEL HOSE TO CARBURETOR
9	42859A2	1	VALVE, ENRICHNER
10	54-63300--1	1	CLAMP, ENRICHNER VALVE
11	10-48409	1	SCREW, VALVE CLAMP
12	45915	1	TERMINAL BLOCK, REED BLOCK HOUSING
13	10-35519	2	SCREW, TERMINAL BLOCK ATTACHING
14	32-99130122	1	FUEL LINE, TIP CARBURETOR TO VALVE (7-3/4")
15	32-99126-88	2	FUEL LINE, CARBURETOR TO CARBURETOR (4-1/4")
16	15930A15	1	FUEL PUMP ASSEMBLY
17	21-42990A6	1	DIAPHRAGM KIT
18		2	CHECK VALVE, RUBBER
19		1	GASKET, BOOST
20		2	DIAPHRAGM
21		1	GASKET, PULSE
22		1	SPRING
23		1	CAP
24		2	CHECK VALVE
25		2	RETAINER
26		1	SPRING
27		1	CAP
28	27-98769--1	1	GASKET, BASE
29	14430--3	1	BASE, FUEL PUMP
30	98775A2	1	PLATE, FUEL PUMP
31	22-56800	1	PIPE PLUG
32	22-19688	1	FITTING
33	10-16452	2	SCREW, FUEL PUMP
34	10-40003-10	2	SCREW, FUEL PUMP TO CRANKCASE
35	12-40023-14	2	WASHER, FUEL PUMP SCREW
36	22-89772	1	FITTING, FUEL PUMP
37	22-70007	1	FITTING, FUEL PUMP (ELBOW)
38	32-99127109	1	FUEL LINE
39	13-26996	1	LOCKWASHER, VALVE CLAMP SCREW