



PARTS CATALOG

2.4 L (CARB)

SERIAL NUMBER

MERC/MAR 2.4L (CARB) 0C175045 AND UP

TABLE OF CONTENTS:

CARBURETOR ASSEMBLY	18
COWLS	2
CRANKSHAFT, PISTONS AND CONNECTING RODS	26
CRANKSHAFT, PISTONS AND CONNECTING RODS	28
CYLINDER BLOCK AND END CAPS	20
DRIVE SHAFT HOUSING	30
EXHAUST MANIFOLD AND EXHAUST PLATE	40
FLYWHEEL, STARTER MOTOR AND IGNITION COILS	4
FUEL PUMP AND CARBURETOR	16
GEAR HOUSING (DRIVE SHAFT) LHR	50
GEAR HOUSING (PROPELLER SHAFT) LHR	54
GEAR HOUSING (PROPELLER SHAFT)RHR	48
GEAR HOUSING ASSEMBLY (DRIVE SHAFT) RHR	44
GEAR HOUSING CHART	42
HYDRAULIC PUMP AND MOUNTING BRACKETS	58
HYDRAULIC PUMP ASSEMBLY	60
INSTRUMENTATION	62
KEY SWITCH ASSEMBLY NEW DESIGN	66
MISCELLANEOUS PARTS/ACCESSORIES	1
PARTS INDEX	68
PRIMER SOLENOID	8
REED BLOCK AND CYLINDER HEAD	24
STARTER MOTOR ASSEMBLY	6
SWIVEL BRACKET AND STEERING ARM	34
THROTTLE LEVER AND SHIFT SHAFT	12
TRANSOM BRACKETS	36
TRIM HARNESS ASSEMBLY OLD DESIGN	64
WIRING HARNESS, STARTER SOLENOID AND RECTIFIER	10

NOTE: Indented description indicate that these parts are included in preceeding assembly.

AR = As Required

NSS = Not Sold Seperate

OPT = Optional

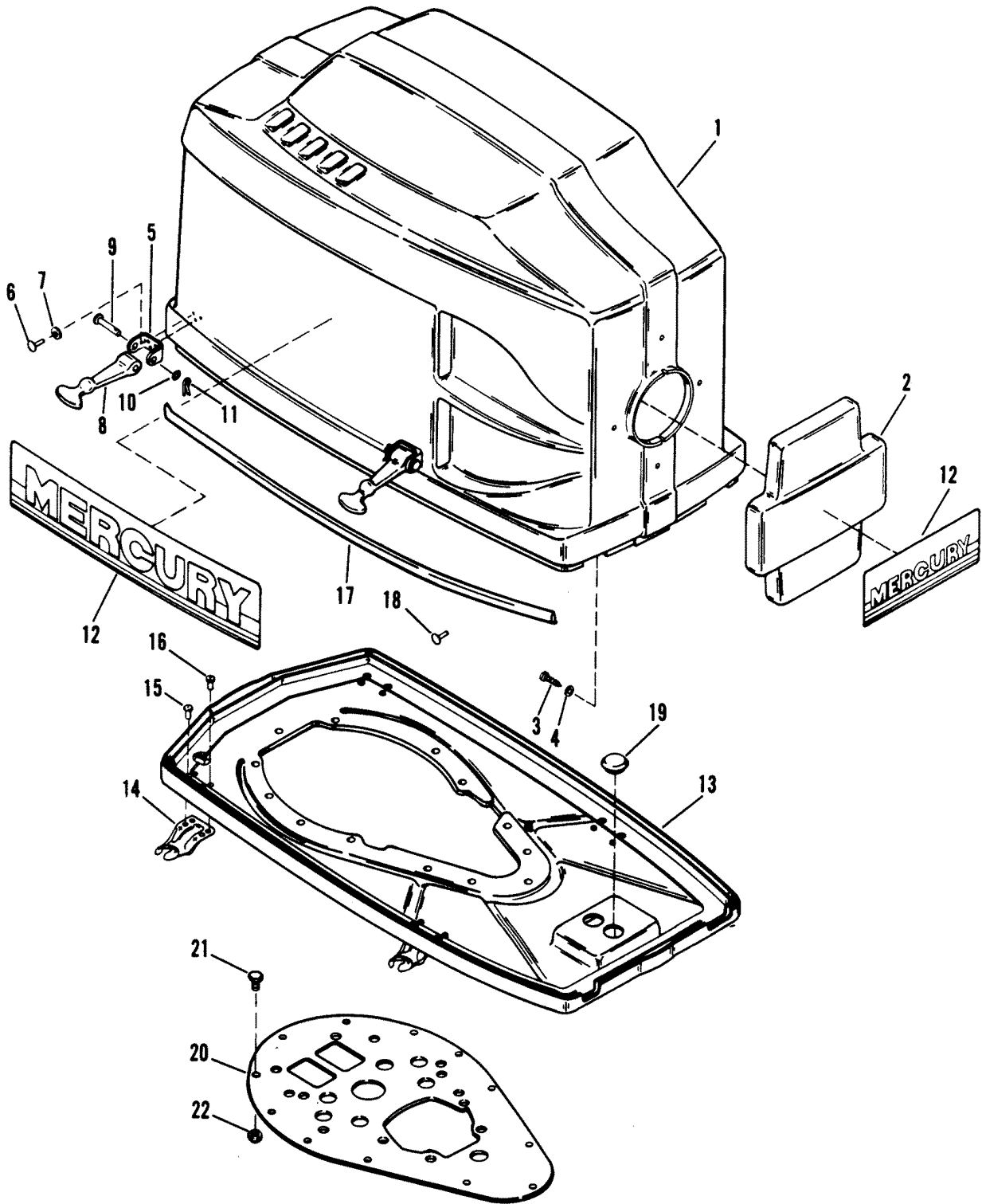
NS = Not Shown

THESE PARTS BOOKS/FICHE CARD ARE COPYRIGHTED AND MAY NOT BE DISTRIBUTED OR REPRODUCED IN ANY OTHER FORMAT BY ANYONE OTHER THAN MERCURY MARINE WITHOUT THE PRIOR WRITTEN CONSENT OF MERCURY MARINE.

MISCELLANEOUS PARTS/ACCESSORIES

REF. NO.	PART NO.	SYM.	QTY.	DESCRIPTION
-	90-815244			PARTS MANUAL
-	27-14830A88			GASKET SET
-	90-814681900			OWNER S GUIDE

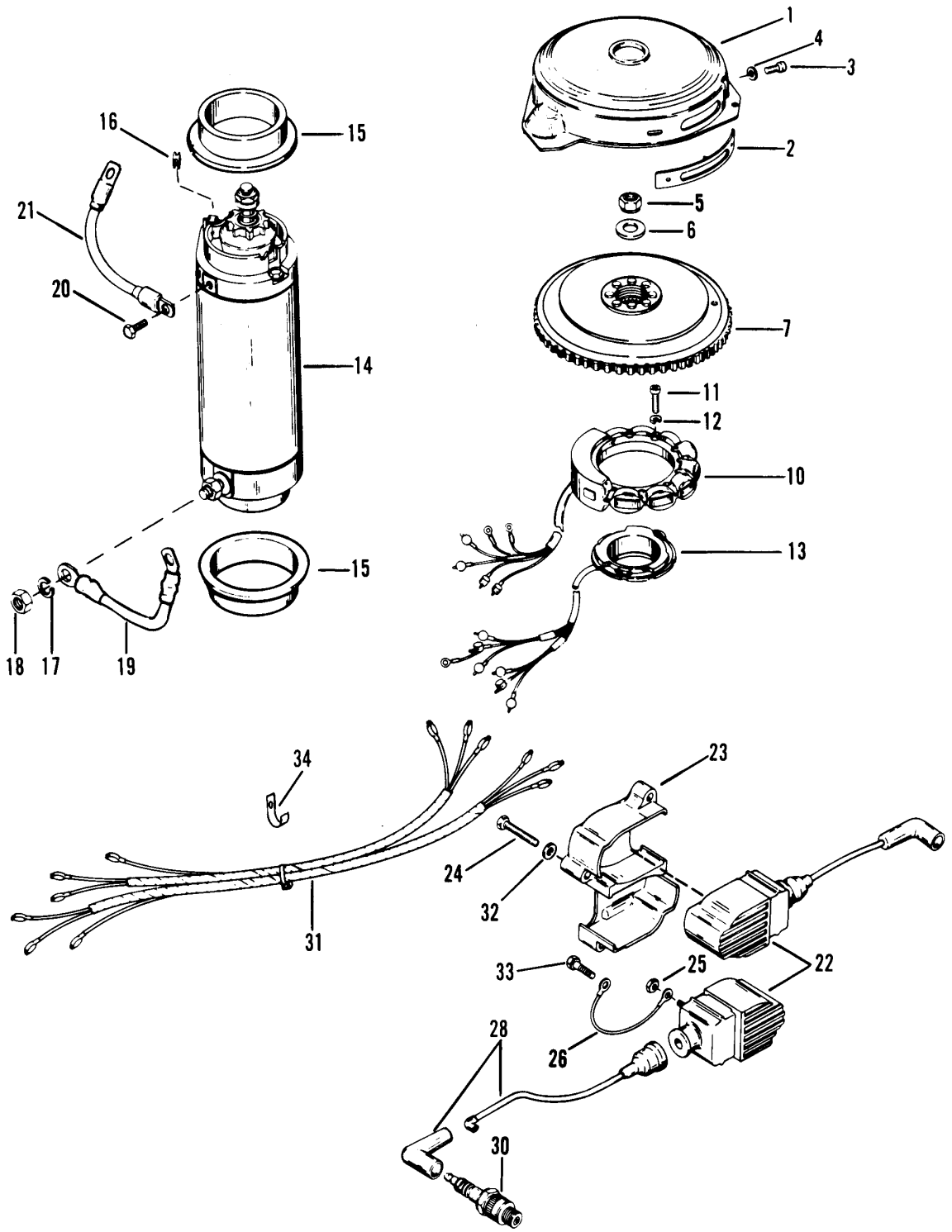
COWLS



COWLS

REF. NO.	PART NO.	SYM.	QTY.	DESCRIPTION
1	2167-9442A8		1	TOP COWL ASSEMBLY
2	14410A1		1	FRONT COVER
3	10-69570		4	SCREW, FRONT COVER
4	12-22887		4	WASHER, FRONT COVER SCREW
5	71602		4	YOKE, COWL HOLD DOWN
6	17-12146		12	RIVET, YOKE TO COWL
7	12-20128		12	WASHER, YOKE RIVET
8	58707		4	HOLD DOWN (BUNGY CORD)
9	17-58712		4	CLEVIS PIN
10	12-20128		4	WASHER
11	18-21071		4	COTTER PIN
12	37-13813A5		1	DECAL SET
13	12955A3		1	BOTTOM COWL ASSEMBLY
14	13734		4	RETAINER, HOLD DOWN
15	17-12148		8	RIVET, RETAINER
16	17-14908		8	RIVET, RETAINER
17	19368--2		1	TRIM MOLDING
18	17-12147		13	RIVET, TRIM MOLDING
19	22-14685		2	PLUG, BOTTOM COWL
20	99264--1		1	PLATE, COWL BASE
21	10-38601		13	SCREW, PLATE TO BOTTOM COWL
22	11-35045		13	NUT, PLATE SCREW

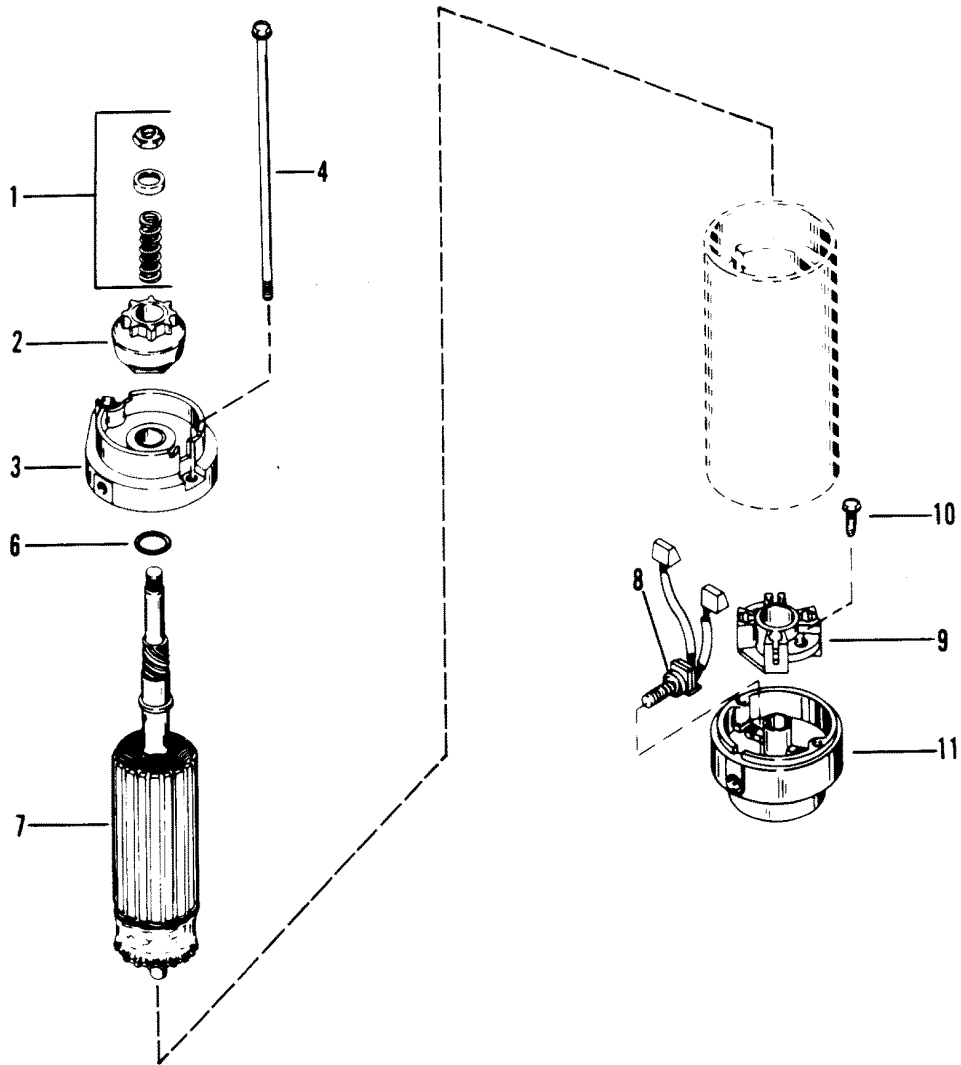
FLYWHEEL, STARTER MOTOR AND IGNITION COILS



FLYWHEEL, STARTER MOTOR AND IGNITION COILS

REF. NO.	PART NO.	SYM.	QTY.	DESCRIPTION
1	79918A1		1	COVER ASSEMBLY, FLYWHEEL
2	79022		1	MARKER, TIMING
3	10-37572		2	SCREW, TIMING MARKER
4	12-72761		2	WASHER, TIMING MARKER SCREW
5	11-52901		1	NUT, FLYWHEEL
6	12-68229		1	WASHER, FLYWHEEL
7	257-7555A17		1	FLYWHEEL ASSEMBLY
10	398-5454A35		1	STATOR ASSEMBLY
11	10-99452		4	SCREW, STATOR
12	13-26996		4	LOCKWASHER, STATOR SCREW
13	96455A11		1	TRIGGER PLATE ASSEMBLY
14	50-79472		1	STARTER MOTOR
15	56703		2	CPLLAR, START MOTOR
16	68042		2	STOP, RUBBER-STARTER MOTOR
17	13-26992		1	LOCKWASHER, STARTER MOTOR TERMINAL
18	11-20890		1	NUT, STARTER MOTOR TERMINAL
19	84-93389A5		1	WIRE, SOLENOID TO STARTER MOTOR (YELLOW)
20	10-69035		1	SCREW, CABLE TO STARTER MOTOR
21	84-93388A1		1	WIRE, PLATE TO STARTER MOTOR (BLACK)
22	339-7370A13		6	COIL ASSEMBLY, IGNITION
23	67614		3	COVER, IGNITION COIL
24	10-88447		12	SCREW, IGNITION COIL COVER (1-5/8")
25	11-45076		12	NUT, IGNITION COIL TERMINAL
26	84-88807A6		6	GROUND STRAP, IGNITION COIL (BLACK)
28	84-815358A1		1	CABLE, HIGH TENSION
30	33-97180		6	SPARKPLUG
31	84-69738A7		1	HARNESS ASSEMBLY, COIL TO SWITCH BOX (#2, 4 AND 6)
	84-69739A2		1	HARNESS ASSEMBLY, COIL TO SWITCH BOX (#1,3 AND 5)
32	12-30164		12	WASHER, COVER SCREW
33	10-68513		6	SCREW, GROUND STRAP
34	54-814634		2	'J CLAMP

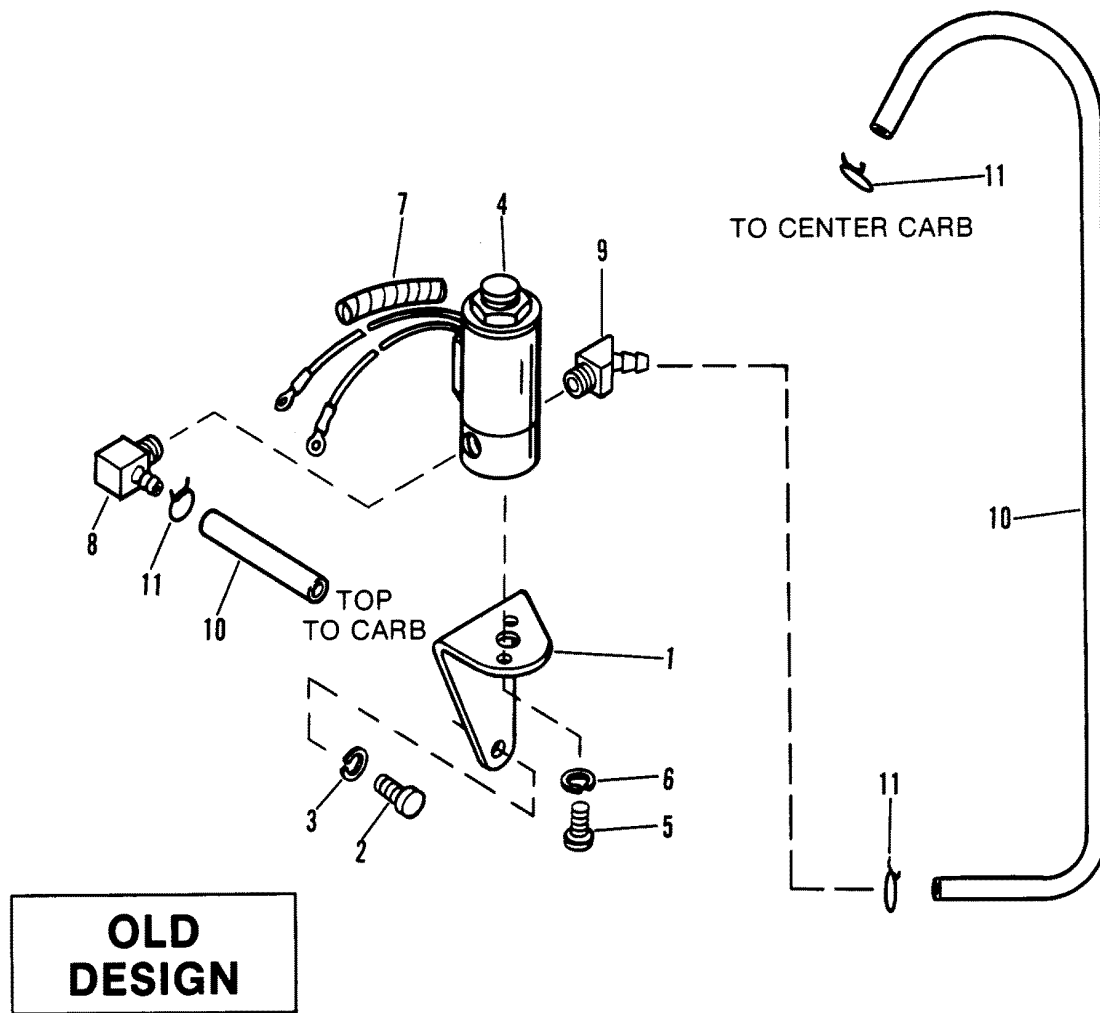
STARTER MOTOR ASSEMBLY



STARTER MOTOR ASSEMBLY

REF. NO.	PART NO.	SYM.	QTY.	DESCRIPTION
-	50-79472		1	STARTER MOTOR ASSEMBLY
1	90645		1	DRIVE KIT
2	75661		1	DRIVE
3	75660		1	PLATE, DRIVE END
4	10-74968		2	BOLT, THRU
6	N.S.S.		1	WASHER, THRU BOLT (AMERICAN BOSCH #WA3122)
7	79216		1	ARMATURE
8	75384		1	BRUSH SET
9	61787		2	HOLDER, BRUSH
10	10-68586		2	SCREW, BRUSH AND HOLDER
11	15386		1	END CAP, COMMUTATOR

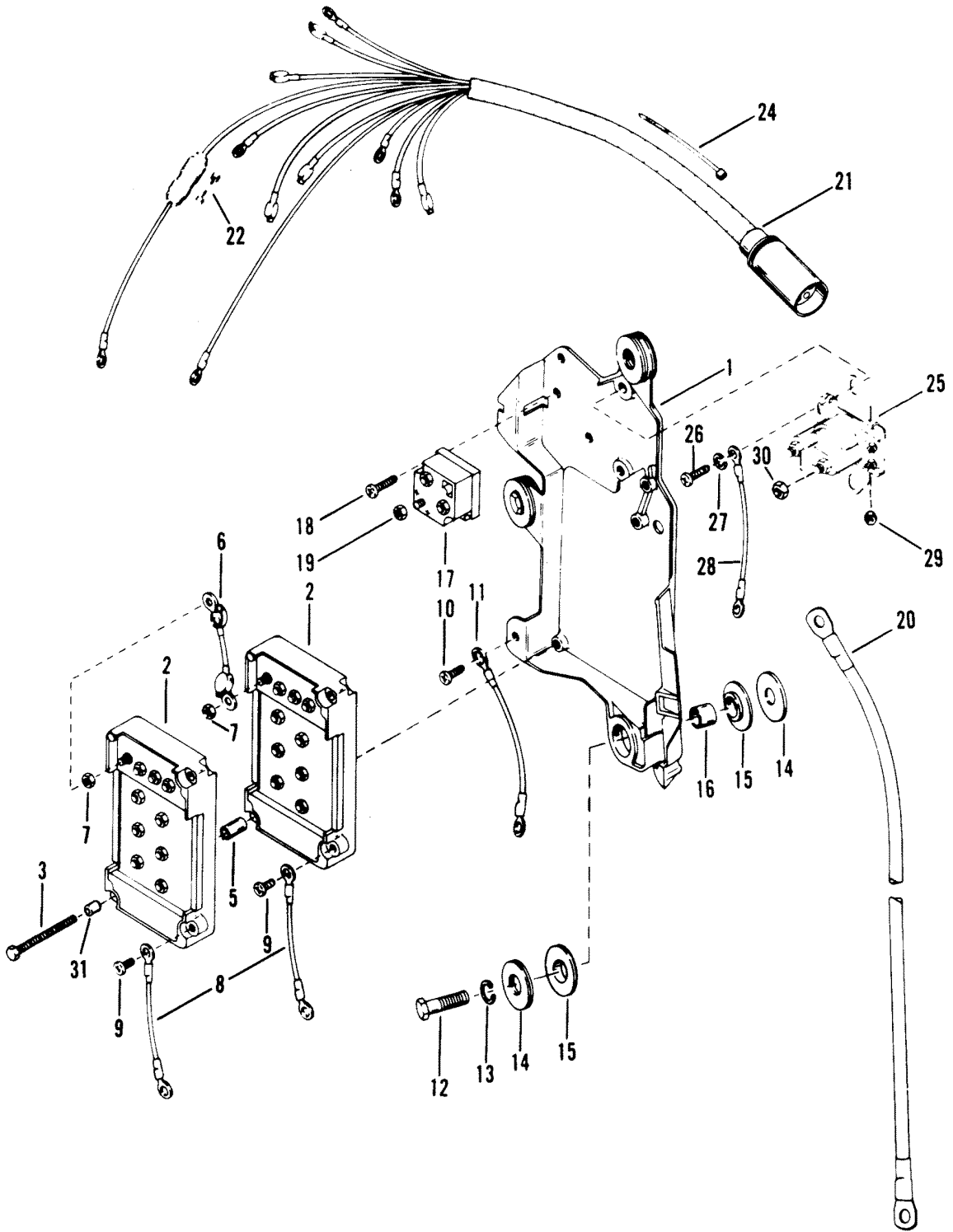
PRIMER SOLENOID



PRIMER SOLENOID

REF. NO.	PART NO.	SYM.	QTY.	DESCRIPTION
1	90345		1	BRACKET, PRIMER SOLENOID
2	10-98253		2	SCREW, SOLENOID BRACKET
3	13-26992		2	LOCKWASHER, BRACKET SCREW
4	89-76886A2		1	PRIMER SOLENOID ASSEMBLY
5	10-86509		2	SCREW, SOLENOID TO BRACKET
6	13-26995		2	LOCKWASHER, SOLENOID SCREW
7	32-77690		1	WRAPPING (1/4")
8	22-62006		1	ELBOW, SOLENOID (90 DEGREES)
9	22-77059		1	FITTING, SOLENOID (45 DEGREES)
10	32-66285--4		1	HOSE, SOLENOID
11	54-60564		3	CLAMP, HOSE

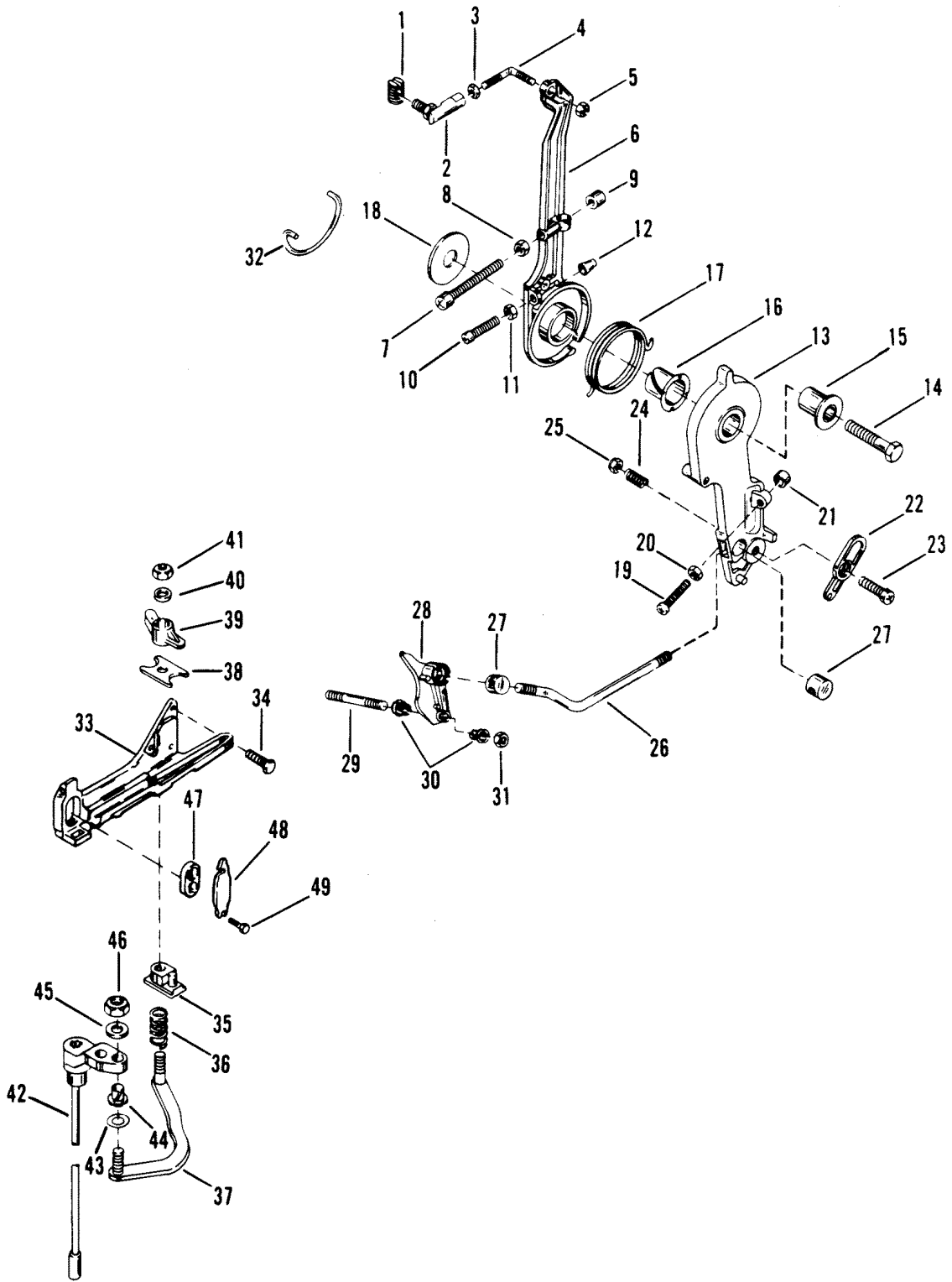
WIRING HARNESS, STARTER SOLENOID AND RECTIFIER



WIRING HARNESS, STARTER SOLENOID AND RECTIFIER

REF. NO.	PART NO.	SYM.	QTY.	DESCRIPTION
1	43429		1	PLATE, IGNITION
2	332-7778A4		2	SWITCH BOX
3	10-90815		2	SCREW, SWITCH BOX TO IGNITION PLATE
5	23-94453		2	BUSHING, SWITCH BOX SCREW
6	84-62310A2		1	CABLE ASSEMBLY, SWITCH BOX TO SWITCH BOX
7	11-45076		20	NUT, SWITCH BOX TERMINAL
8	84-60871A10		2	WIRE, SWITCH BOX
9	10-62568		2	SCREW, WIRE ATTACHING
10	10-38055		1	SCREW, CABLE TO IGNITION PLATE (5/8")
11	84-65999A3		1	CABLE ASSEMBLY, BLACK
12	10-69092		3	SCREW, IGNITION PLATE (1-1/4")
13	13-26993		3	LOCKWASHER, IGNITION PLATE SCREW
14	12-36042		6	WASHER, IGNITION PLATE SCREW
15	12-67264		6	WASHER, IGNITION PLATE SCREW (RUBBER)
16	23-67268		3	BUSHING, IGNITION PLATE SCREW
17	816770		1	RECTIFIER
18	10-38055		2	SCREW, RECTIFIER TO IGNITION PLATE (5/8")
19	11-45076		3	NUT, RECTIFIER TERMINALS
20	84-88439A14		1	BATTERY CABLE, POSITIVE
	84-88439A2		1	BATTERY CABLE, NEGATIVE
21	84-96220A4		1	HARNESS, ENGINE
22	88-79091		1	FUSE
24	54-816311		AR	STA-STRAP, HARNESS AND CABLES
25	89-68258A4		1	STARTER SOLENOID
26	10-31716		2	SCREW, SOLENOID TO IGNITION PLATE (5/8")
27	13-26992		2	LOCKWASHER, SOLENOID TO IGNITION PLATE SCREW
28	84-65999A2		1	CABLE ASSEMBLY, UPPER MOUNT (BLACK)
29	11-45076		2	SOLENOID TERMINALS
30	11-67980		2	NUT, SOLENOID TERMINALS
31	23-94304		2	BUSHING, SWITCH BOX SCREW

THROTTLE LEVER AND SHIFT SHAFT

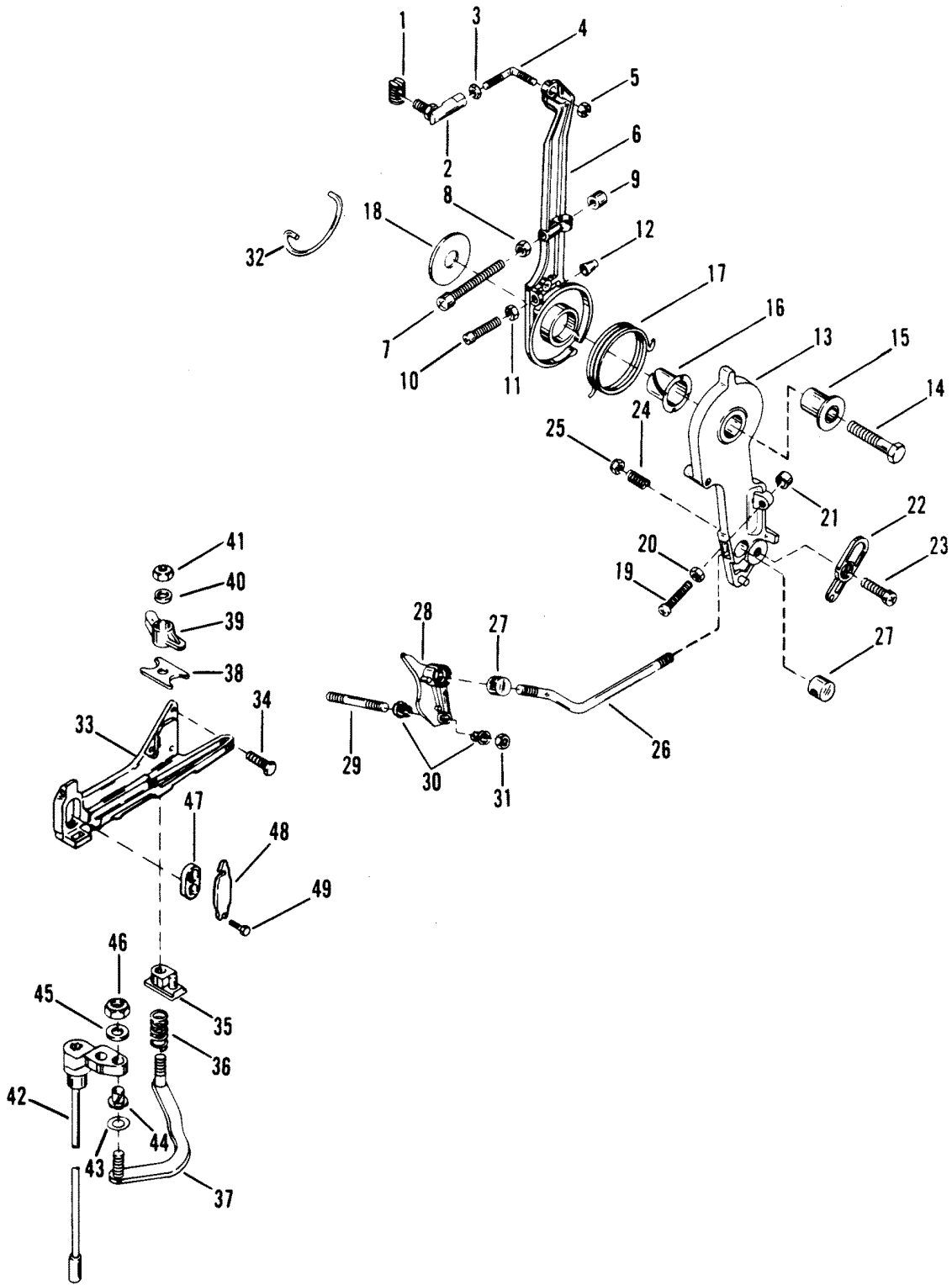


THROTTLE LEVER AND SHIFT SHAFT

REF. NO.	PART NO.	SYM.	QTY.	DESCRIPTION
1	74897		1	PIVOT,TRIGGER PLATE
2	62459		1	BALL JOINT,TRIGGER PLATE
3	11-68219		1	NUT,LINK ROD
4	76035		1	LINK ROD,TRIGGER PLATE
5	11-45812		1	NUT,BALL JOINT
6	41094A3		1	LEVER,SPARK ADVANCE
7	10-64022		1	SCREW,SPARK ADVANCE LEVER - STOP
8	11-64015		1	NUT,SPARK ADVANCE STOP SCREW
9	26852		1	CAP,SPARK ADVANCE LEVER STOP SCREW
10	10-69560		1	SCREW,SPARK ADVANCE LEVER - STOP(1-1/4")
11	11-68219		1	NUT,SPARK ADVANCE LEVER STOP SCREW
12	48039		1	CAP,SPARK ADVANCE STOP SCREW
13	41095T		1	LEVER,THROTTLE CONTROL
14	10-55337		1	SCREW,THROTTLE LEVER/ADVANCE LEVER (1-3/4")
15	23-55164		1	BUSHING,THROTTLE LEVER
16	23-55171		1	BUSHING,SPARK ADVANCE LEVER
17	24-55162		1	SPRING,THROTTLE AND SPARK ADVANCE LEVER
18	12-68410		1	WASHER,SPARK ADVANCE LEVER
19	10-64022		1	SCREW,THROTTLE LEVER - STOP (2-1/8")
20	11-64015		1	NUT,THROTTLE LEVER STOP SCREW
21	26852		1	CAP,THROTTLE LEVER STOP SCREW
22	39483		1	LATCH,CABLE
23	10-22486		1	SCREW,CABLE LATCH TO THROTTLE LEVER
24	24-20099		1	SPRING,CABLE LATCH TO THROTTLE LEVER
25	11-20586		1	NUT,CABLE LATCH SCREW
26	95829		1	ROD,THROTTLE CONTROL
27	60572		2	BARREL,THROTTLE CONTROL ROD
28	95791		1	THROTTLE CAM
29	16-20353		1	STUD,THROTTLE CAM ATTACHING
30	23-26856		2	BUSHING,THROTTLE CAM
31	11-35045		1	NUT,THROTTLE CAM STUD
32	24-41050		1	SPRING,THROTTLE RETURN
33	92032A2		1	BRACKET,ANCHOR - CONTROL CABLES
34	10-53167		3	SCREW,ANCHOR BRACKET ATTACHING
35	37896		1	GUIDE BLOCK,LINK ROD
36	24-20099		1	SPRING,LINK ROD TO GUIDE BLOCK
37	67073A1		1	LINK ROD ASSEMBLY
38	52100		1	WEAR PLATE,LINK ROD
39	38279		1	LATCH,CONTROL CABLE FASTENING
40	12-69056		1	WASHER,LATCH
41	11-35045		1	NUT,LINK ROD
42	79932A11		1	SHIFT SHAFT ASSEMBLY
43	13-29720		1	WAVE WASHER,LINK ROD

CONTINUED ON NEXT PAGE ➡

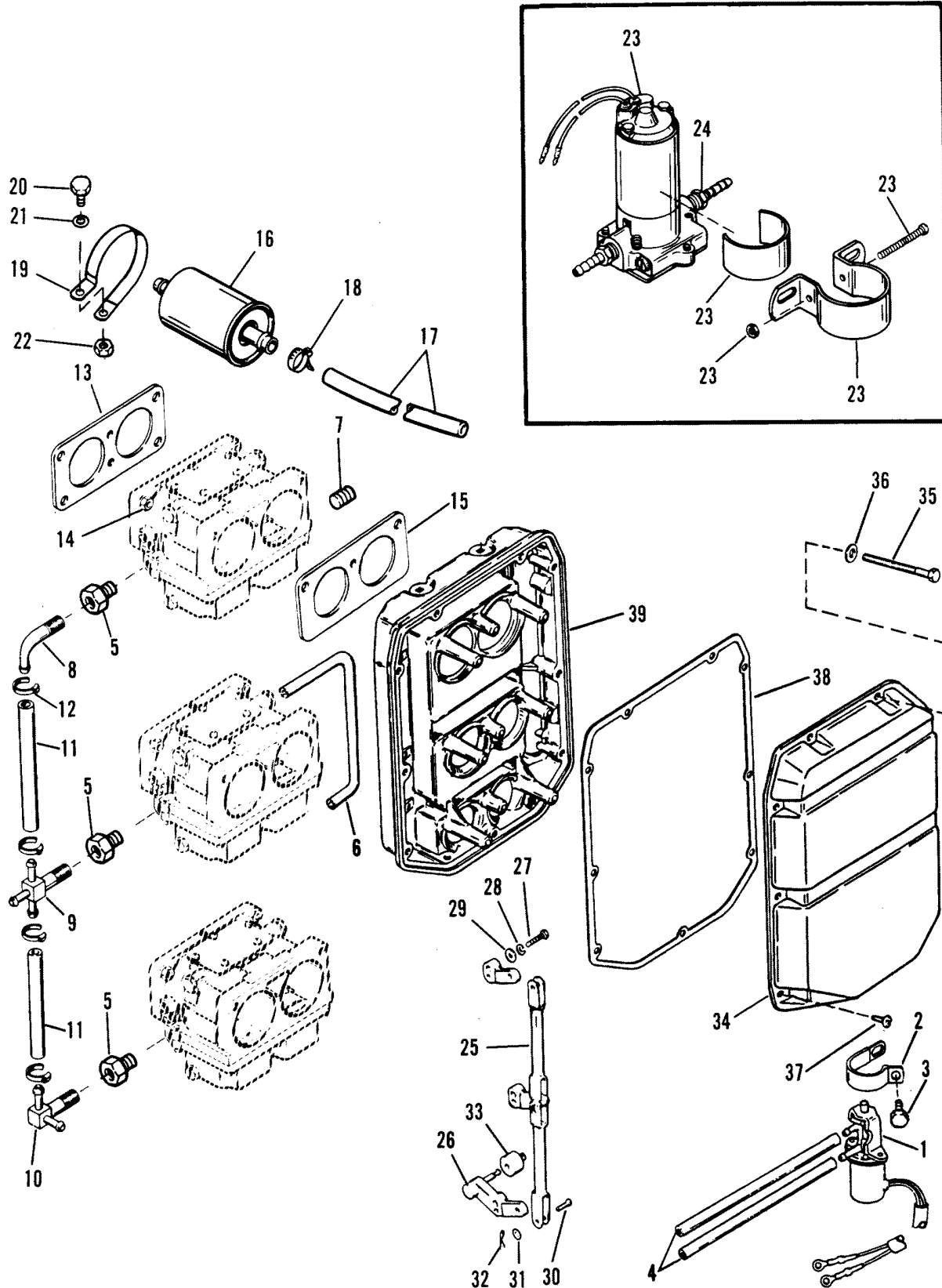
THROTTLE LEVER AND SHIFT SHAFT



THROTTLE LEVER AND SHIFT SHAFT

REF. NO.	PART NO.	SYM.	QTY.	DESCRIPTION
44	23-26600		1	BUSHING,NYLON - LINK ROD
45	12-35462		1	WASHER,LINK ROD
46	11-35045		1	NUT,LINK ROD TO SHIFT SHAFT
47	39519		1	CAP,BARREL RETAINER - ANCHOR BAR
48	98889		1	LATCH,CONTROL CABLE
49	10-42975		2	SCREW,LATCH

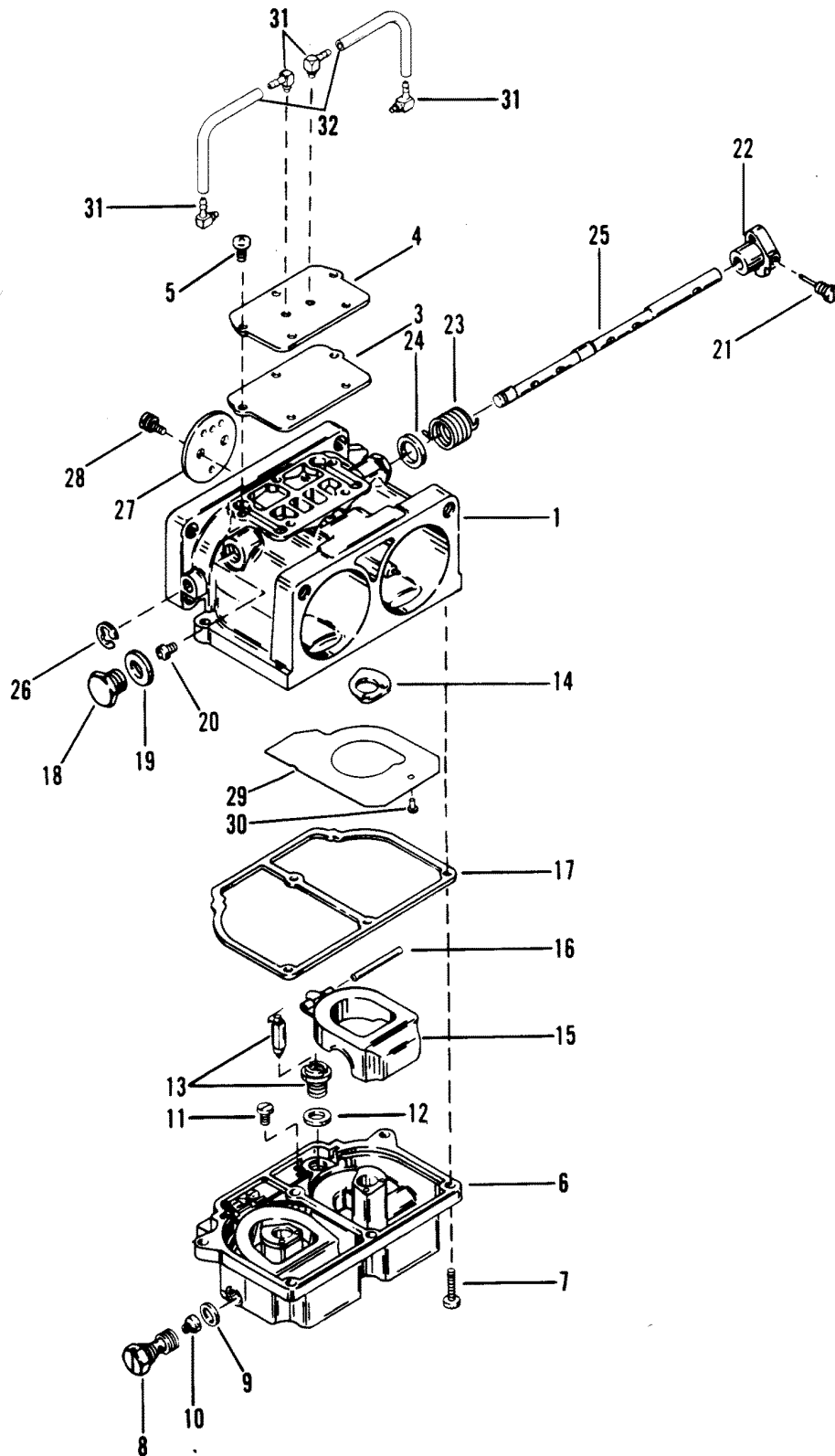
FUEL PUMP AND CARBURETOR



FUEL PUMP AND CARBURETOR

REF. NO.	PART NO.	SYM.	QTY.	DESCRIPTION
1	42859A2		1	VALVE,ENRICHENER-NEW DESIGN
2	54-63300--1		1	CLAMP,ENRICHENER VALVE -NEW DESIGN
3	10-73286		1	SCREW,VALVE CLAMP -NEW DESIGN
4	32-99126-88		2	HOSE
5	22-28586		3	FITTING,STRAIGHT
6	32-99130122		1	HOSE
7	22-47945		1	PIPE PLUG (TOP)
8	22-816875		1	FITTING,CARBURETOR (TOP)
9	22-816876		1	TEE,CARBURETOR (CENTER)
10	22-94282		1	ELBOW,CARBURETOR (BOTTOM)
11	32-77457--2		1	FUEL LINE,CARBURETOR TO CARBURETOR
12	54-816311		AR	CLAMP,FUEL LINE
13	27-90430--1		3	GASKET,CARBURETOR
14	11-20184		12	NUT,CARBURETOR STUD
15	27-89221--1		3	GASKET,CARBURETOR PLATE
16	35-93011		1	FUEL FILTER
17	32-77457--2		1	FUEL LINE
18	54-815504104		2	CLAMP,FUEL LINE
19	54-53020		1	CLIP,FUEL FILTER
20	10-69028		1	SCREW,CLIP TO BOTTOM COWL
21	12-29245		2	WASHER,CLIP SCREW
22	11-35888		1	NUT,CLIP SCREW
23	18018A1		1	FUEL PUMP KIT
24	22-70834		2	BAYONET
25	87604		1	THROTTLE LINK
26	93332A1		1	THROTTLE LEVER
27	10-15124		3	SCREW,THROTTLE LEVER TO THROTTLE LINK (3/4")
28	13-26996		3	LOCKWASHER,THROTTLE LEVER SCREW
29	12-56681		3	WASHER,THROTTLE LEVER SCREW
30	17-67297		3	CLEVIS PIN,THROTTLE LEVER TO THROTTLE LINK
31	12-89302		3	WASHER,CLVIS PIN
32	18-26953		3	COTTER PIN,CLVIS PIN
33	67748		1	ROLLER,LOWER THROTTLE LEVER
34	18734		1	COVER,SOUND ATTENUATOR
35	10-36137		6	SCREW,SOUND ATTENUATOR
36	12-38345		6	WASHER,SOUND ATTENUATOR SCREW
37	10-48408		9	SCREW,COVER TO SOUND ATTENUATOR
38	27-87736--1		1	GASKET,COVER
39	19426--1		1	PLATE,SOUND ATTENUATOR

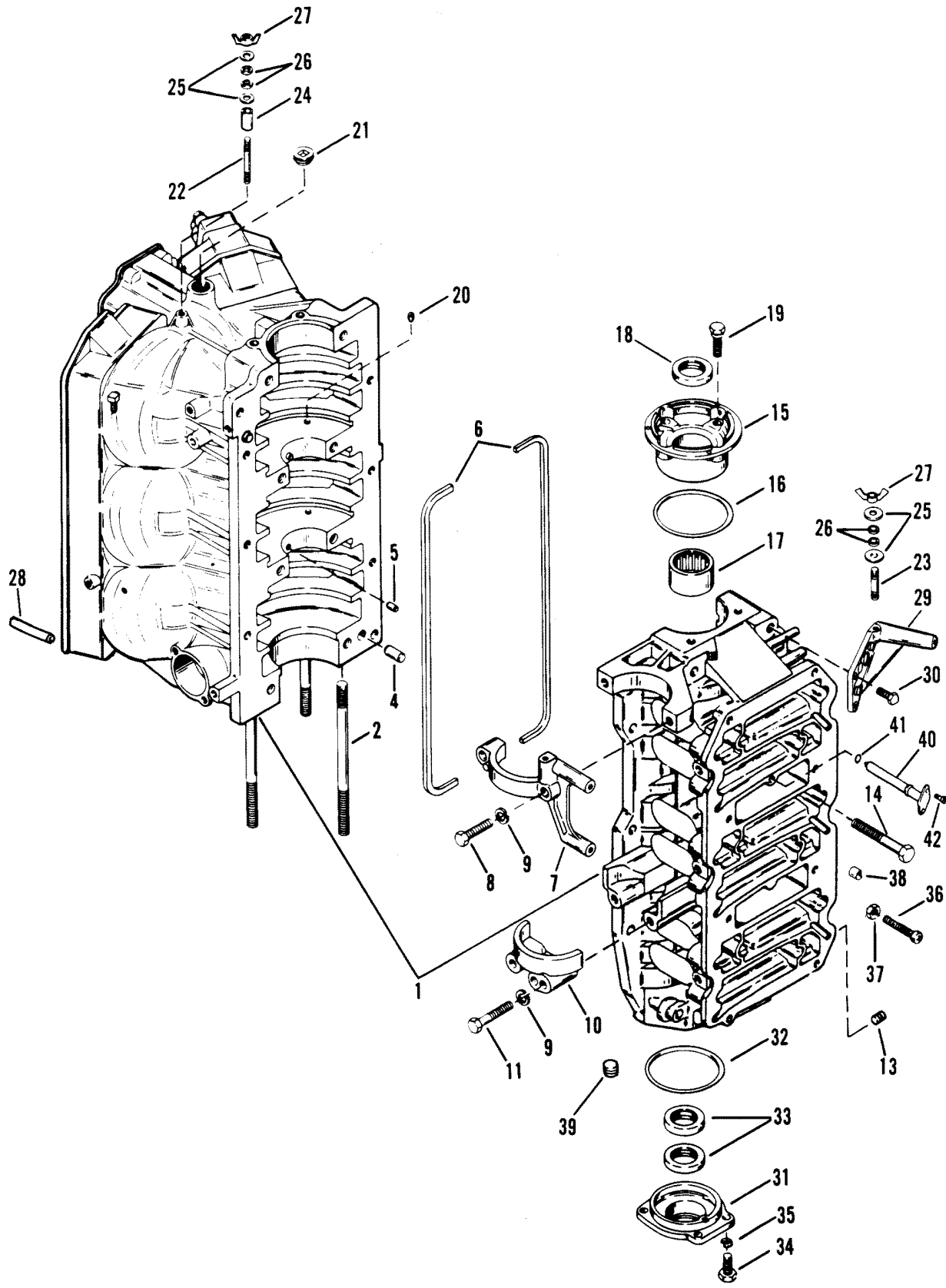
CARBURETOR ASSEMBLY



CARBURETOR ASSEMBLY

REF. NO.	PART NO.	SYM.	QTY.	DESCRIPTION
1	1374-9663A8		1	CARBURETOR ASSEMBLY (TOP)
	1374-9663A10		1	CARBURETOR ASSEMBLY (CENTER)
	1374-9663A12		1	CARBURETOR ASSEMBLY (BOTTOM)
3			3	GASKET, COVER PLATE
4	1395-6032--1		3	PLATE,COVER
5	1395-9597		15	SCREW, COVER PLATE
6	1395-7822		2	FUEL BOWL (CENTER/BOTTOM)
	1395-7823		1	FUEL BOWL (TOP)
7			18	SCREW, FUEL BOWL
8	1395-6025		6	PLUG, MAIN JET
9			6	GASKET, MAIN JET
10	1395-5815		6	JET, MAIN FUEL (.086)
11			6	SCREW, FLOAT PIN
12			6	GASKET, INLET NEEDLE AND SEAT
13	1395-7824		6	INLET NEEDLE AND SEAT ASSEMBLY
14			6	GASKET, NOZZLE BOSS
15	1395-9267		6	FLOAT
16			6	PIN, FLOAT LEVER
17			3	GASKET, FUEL BOWL
18	1395-4541		6	PLUG, IDLE AIR BLEED JET
19			6	GASKET, BLEED JET PLUG
20	1399-5317		6	JET, IDLE AIR BLEED (.046)
21	1395-6027		3	SCREW, THROTTLE LEVER
22	87607		3	LEVER, THROTTLE
23			3	SPRING, THROTTLE RETURN
24	1395-6031		3	SPACER, THROTTLE LEVER
25	1395-6022		3	SHAFT, THROTTLE
26			3	RING, RETAINER - THROTTLE SHAFT
27	1395-9416		6	THROTTLE VALVE
28			12	SCREW, THROTTLE VALVE
29	88369		6	BAFFLE
30	17-88457		6	RIVET, BAFFLE
31	22-94090		2	ELBOW (90)
32	32-66285--4		1	HOSE, OVERFLOW

CYLINDER BLOCK AND END CAPS

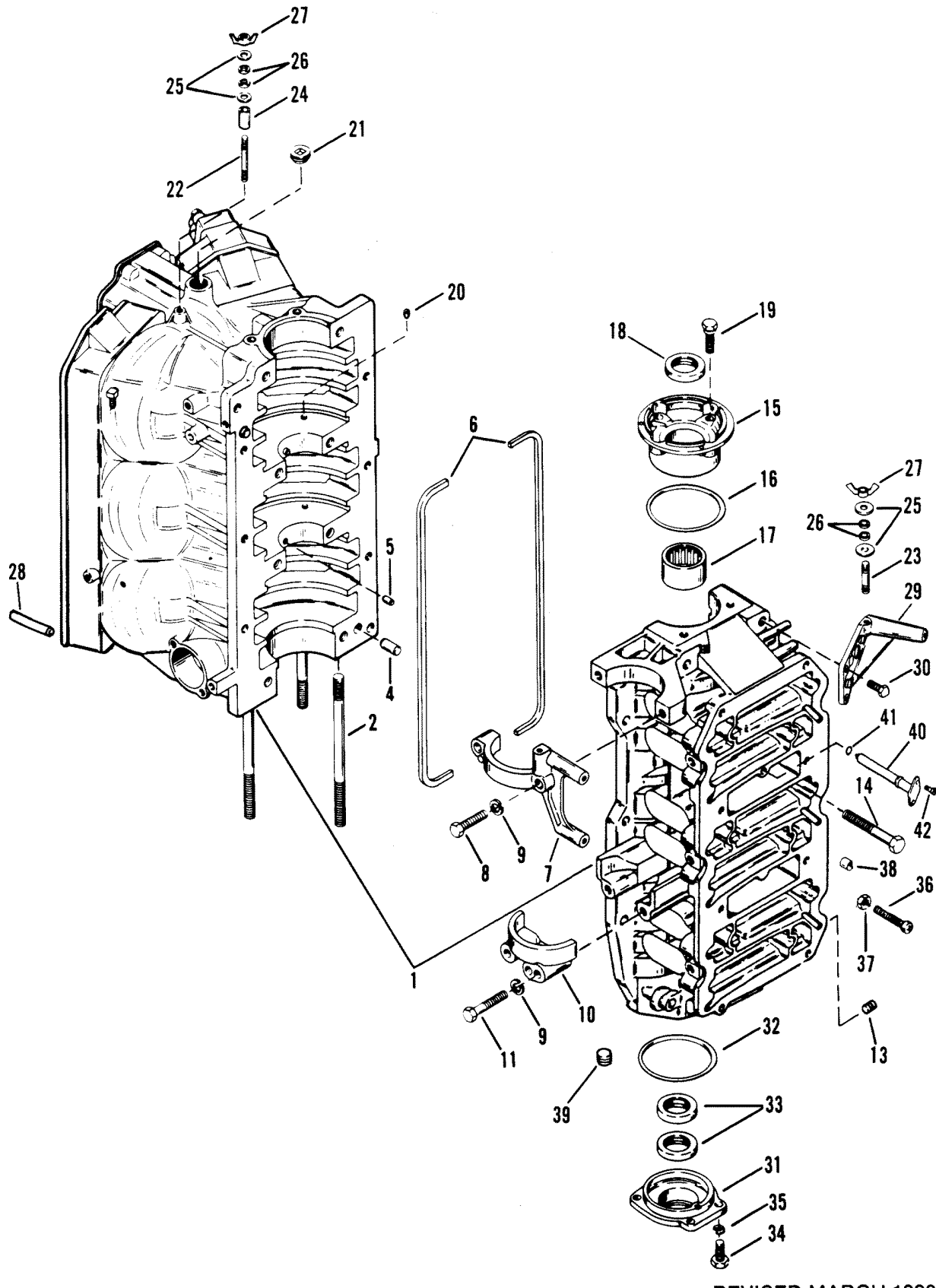


CYLINDER BLOCK AND END CAPS

REF. NO.	PART NO.	SYM.	QTY.	DESCRIPTION
1	858-812357A6		1	CYLIKNDER BLOCK
2	16-96908		4	STUD (2-3/16")
	16-96909		2	STUD (7")
	16-96910		2	STUD (5-3/4")
	16-97008		2	STUD (2")
4	17-20033		2	DOWEL PIN
5	17-67296		2	DOWEL PIN (BEARING RACE)
6	27-11338		2	GASKET
7	42249		1	COVER (UPPER)
8	10-73657		2	SCREW 91-1/2"
9	13-26993		4	LOCKWASHER
10	76867		1	COVER (LOWER)
11	10-77065		2	SCREW (2")
13	22-56800		1	PLUG
14	10-66717		8	SCREW (3-1/4")
	10-74824		6	SCREW (1-1/4")
15	1159-8454A2		1	UPPER END CAP SERIAL 0A000000-0C276651
16	85-54029		1	O-RING SERIAL 0A000000-0C276651
17	31-93496		1	ROLLER BEARING SERIAL 0A000000-0C276651
18	26-41953		1	OIL SEAL SERIAL 0A000000-0C276651
15	1159-816777A1		1	UPPER END CAP SERIAL # AND ABOVE SERIAL 0C276652-0Z999999
16	25-54029		1	O-RING SERIAL 0C276652-0Z999999
17	31-74248		1	BEARING SERIAL 0C276652-0Z999999
18	26-41953		1	OIL SEAL SERIAL 0C276652-0Z999999
19	10-69034		4	SCREW (1")
20	10-24220		2	SET SCREW (OLD DESIGN)
21	22-38407		1	PLUG (WATER JACKET)
22	16-15094		1	STUD (1-7/8")
23	16-15093		2	STUD (1")
24	23-67269		1	SPACER
25	12-49221--1		6	WASHER
26	12-72761		3	WASHER
27	11-73651		3	NUT
28	32-11635		2	WATER TUBE
29	42248		1	BRACKET
30	10-49668		2	SCREW (3/4")
31	1156-7809A1		1	LOWER END CAP
32	25-62700		1	O-RING (3-1/4" I.D.)
33	26-41953		2	OIL SEAL
34	10-28636		4	SCREW (3/4")
35	13-26992		4	LOCKWASHER
36	10-64022		1	ADJUSTING SCREW

CONTINUED ON NEXT PAGE ➡

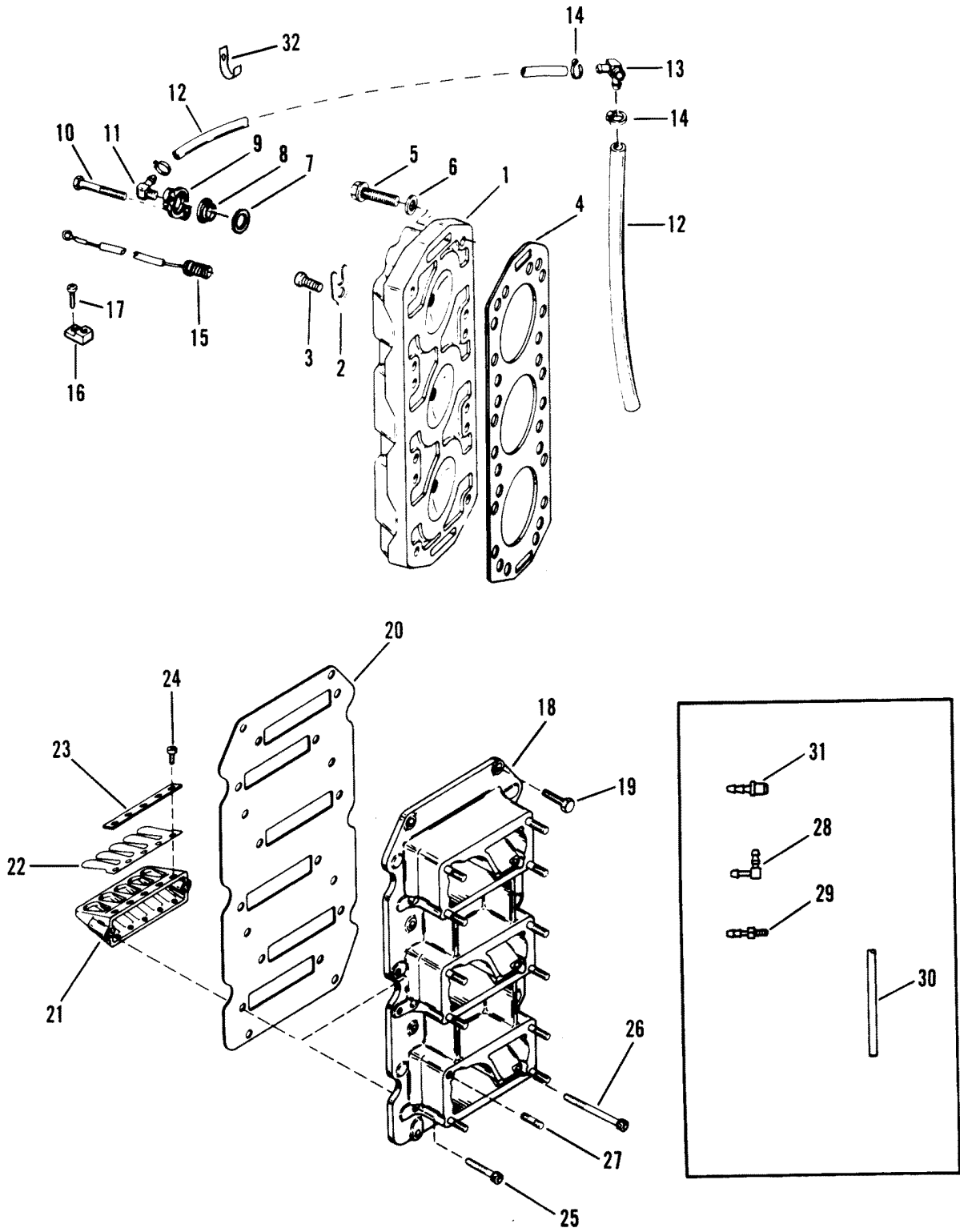
CYLINDER BLOCK AND END CAPS



CYLINDER BLOCK AND END CAPS

REF. NO.	PART NO.	SYM.	QTY.	DESCRIPTION
37	11-64015		1	JAM NUT
38	26852		1	CAP
39	22-32561		1	PIPE PLUG
40	43453		1	PLUG
41	25-32509		1	O-RING
42	10-41506		2	SCREW

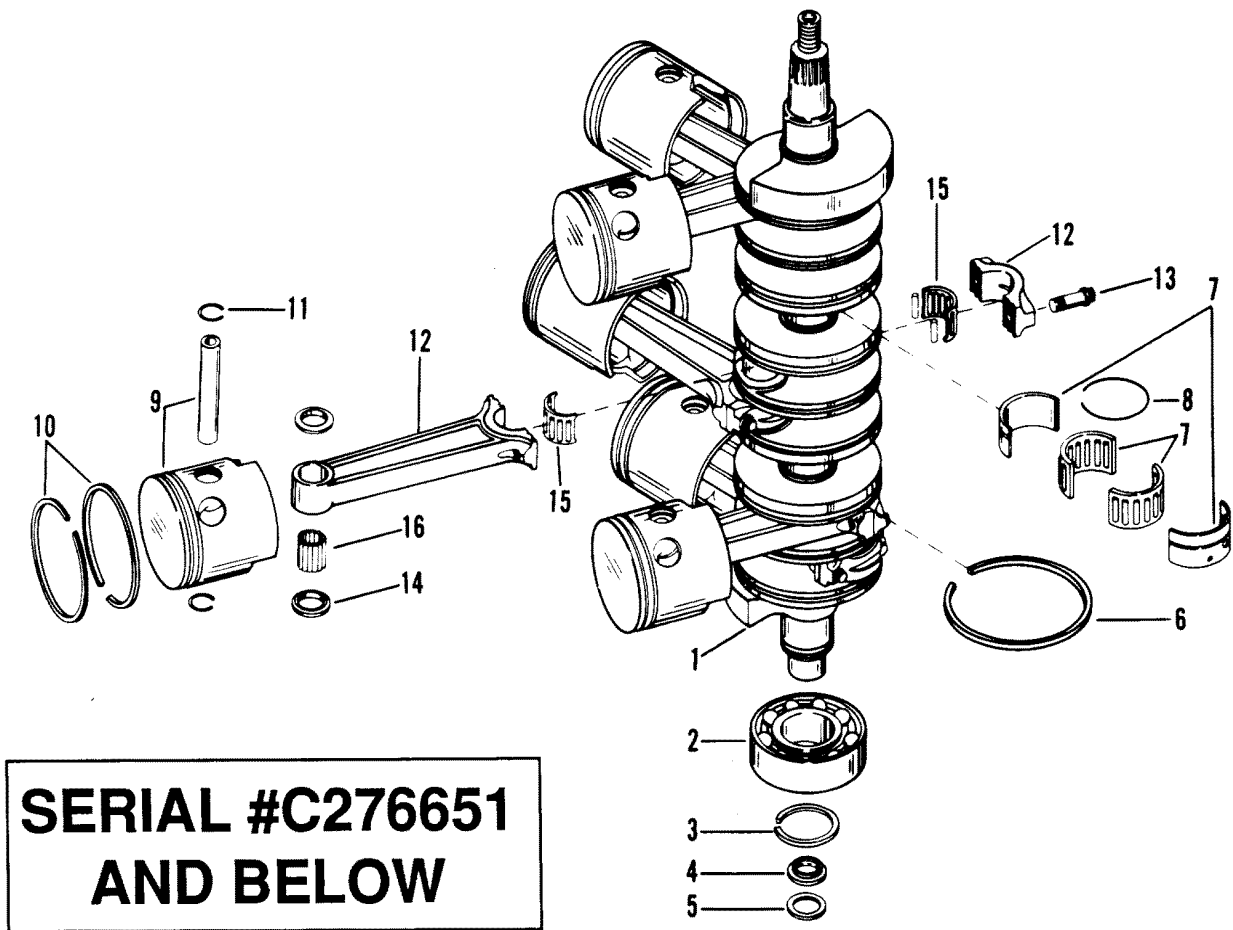
REED BLOCK AND CYLINDER HEAD



REED BLOCK AND CYLINDER HEAD

REF. NO.	PART NO.	SYM.	QTY.	DESCRIPTION
1	15221A2		2	CYLINDER HEAD
2	13715		1	RETAINER
3	10-98257		1	SCREW
4	27-18350		2	GASKET, CYLINDER HEAD
5	10-94929		24	SCREW, CYLINDER HEAD (2")
	10-98534		24	SCREW, CYLINDER HEAD (2-1/3")
6	12-25909		24	WASHER, CYLINDER HEAD SCREW
7	12-47533		2	WASHER, SUBSTITUTE FOR THERMOSTAT
8	27-62386		2	GASKET, THERMOSTAT
9	90390A1		2	COVER, THERMOSTAT
10	10-35386		2	SCREW, THERMOSTAT COVER (1")
	10-38837		2	SCREW, THERMOSTAT COVER (1-1/8")
11	22-68727		1	FITTING, ELBOW - WATER HOSES (STARBOARD)
12	32-77457--2		2	HOSE, WATER DISTRIBUTION
13	22-68728		1	FITTING, THERMOSTAT COVER TO WATER HOSES (PORT)
14	54-816311		AR	STA-STRAP, WATER HOSES
15	97465		1	TEMPERATURE SENDER
16	45915		2	TERMINAL BLOCK
17	10-69079		2	SCREW, TERMINAL BLOCK (7/16")
	10-62568		2	SCREW, TERMINAL BLOCK (3/8")
18	43657		1	HOUSING, REED BLOCK
19	10-28668		8	SCREW, REED BLOCK HOUSING (7/8")
20	27-96761--1		1	GASKET, REED BLOCK HOUSING
21	75953		6	REED BLOCK
22	34-14594A1		6	REED ASSEMBLY (2 STAGE)
23	96183		12	REED CLAMP
24	10-18308		60	SCREW, REEDS TO REED BLOCK
25	10-21558		6	SCREW, REED BLOCK ATTACHING (3/4")
26	10-96529		6	SCREW, REED BLOCK ATTACHING (2")
27	16-27037		12	STUD, CARBURETOR MOUNTING
28	22-15133		6	ELBOW, PRIMER HOSE (PRESS IN)
29	22-56759		2	FITTING, BLEED HOSE (PRESS IN)
30	32-66285--4		1	HOSE, PULSE
31	21-42623		1	CHECK VALVE, BLEED HOSE (PRESS-IN - 11/16" LONG)
	21-42698		7	CHECK VALVE, BLEED HOSE (PRESS IN - 13/16" LONG)
32	54-814634		1	J CLAMP

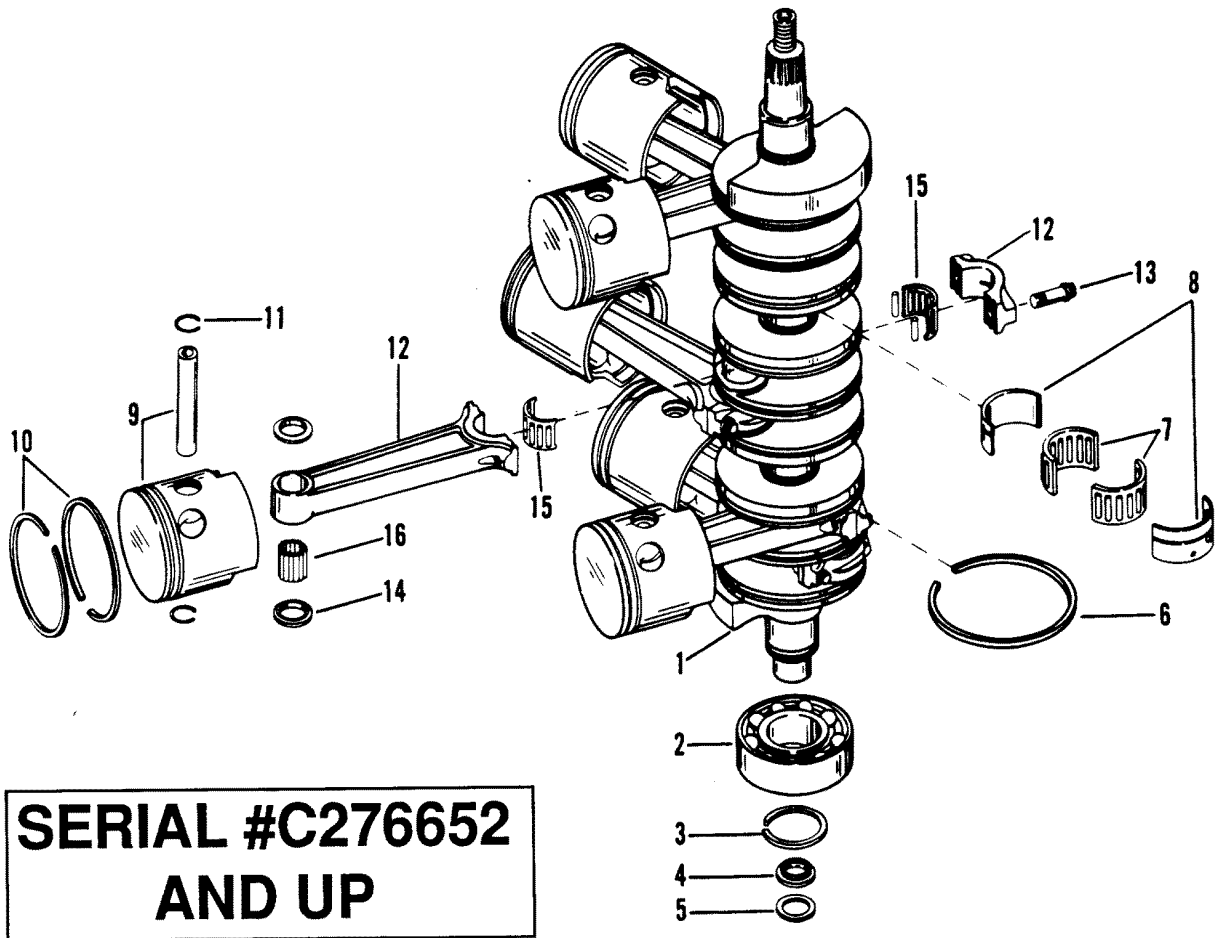
CRANKSHAFT, PISTONS AND CONNECTING RODS



CRANKSHAFT, PISTONS AND CONNECTING RODS

REF. NO.	PART NO.	SYM.	QTY.	DESCRIPTION
1	455-7666A4		1	CRANKSHAFT ASSEMBLY
2	30-41421		1	BALL BEARING, CRANKSHAFT (LOWER)
3	53-67446		1	RETAINING RING, BALL BEARING
4	54196A6		1	CARRIER ASSEMBLY, SEAL
5	65800		1	SEAL, CARRIER
6	39-67377		8	RING, SEALING - CRANKSHAFT (.124 THICK)
7	31-93495		2	ROLLER BEARING, CRANKSHAFT
8	53-67444		2	RETAINING RING, ROLLER BEARING
9	766-813066A6		3	PISTON ASSEMBLY (STARBOARD)
	766-813065A6		3	PISTON ASSEMBLY (PORT)
10	39-813011A12		1	PISTON RING ASSEMBLY
11	40-17977		12	LOCK RING, PISTON
12	636-8119A5		6	CONNECTING ROD ASSEMBLY
13	10-93886		12	SCREW, CONNECTING ROD
14	12-47247		12	WASHER, NEEDLE LOCATING
15	31-821146A1		6	ROLLER BEARING ASSEMBLY, CRANKSHAFT END
16	29-67483		174	NEEDLE BEARING, PISTON END

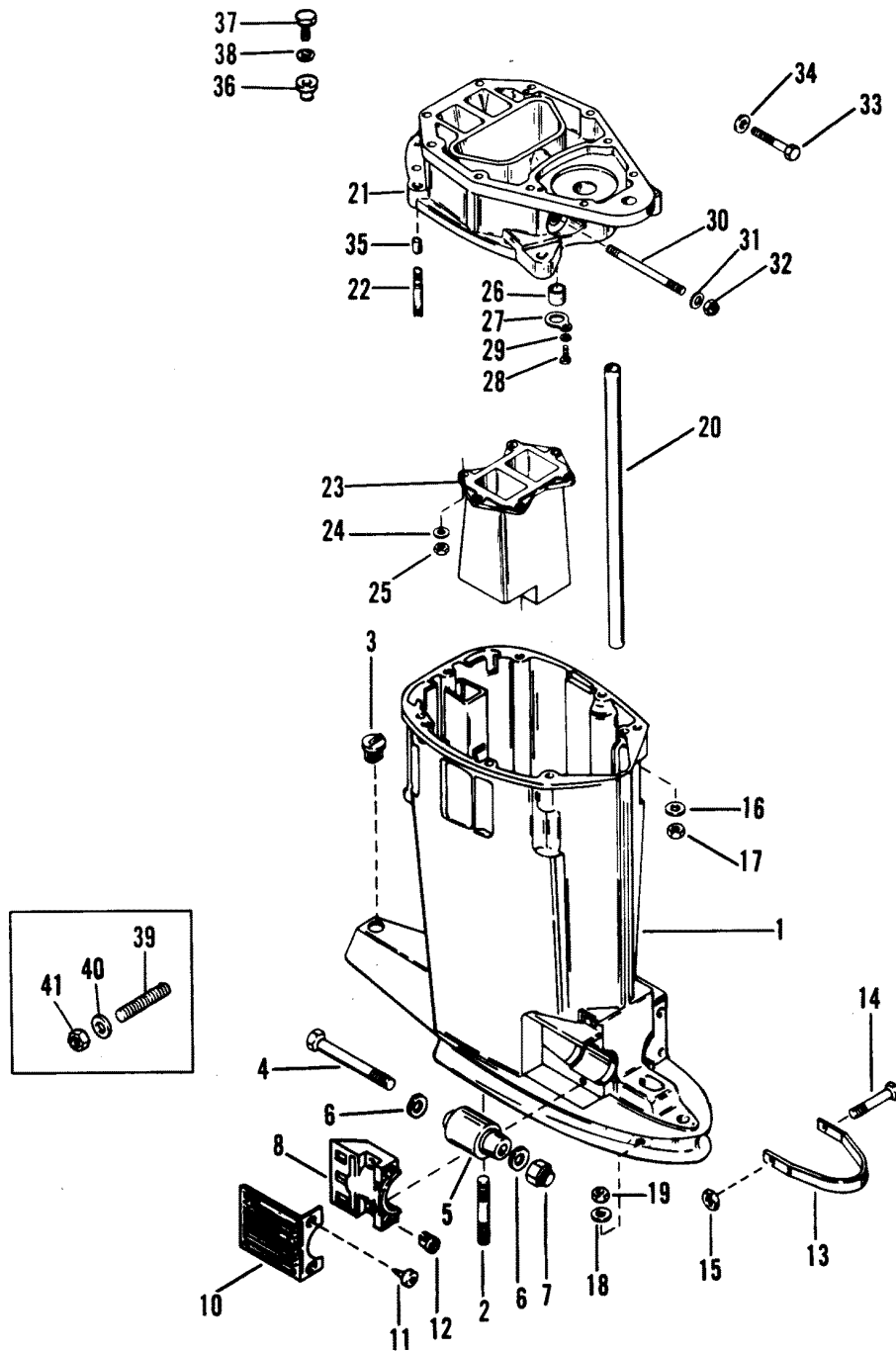
CRANKSHAFT, PISTONS AND CONNECTING RODS



CRANKSHAFT, PISTONS AND CONNECTING RODS

REF. NO.	PART NO.	SYM.	QTY.	DESCRIPTION
1	455-7251A7		1	CRANKSHAFT ASSEMBLY
2	30-41421		1	BALL BEARING (LOWER)
3	53-67446		1	RETAINING RING
4	54196A6		1	CARRIER ASSEMBLY
5	65800		1	SEAL
6	39-67377		9	RING (.124 THICK)
7	31-67445		2	ROLLER BEARING
8	31-88903		2	ROLLER BEARING
9	766-815404A3		3	PISTON ASSEMBLY (STARBOARD)
	766-815403A3		3	PISTON ASSEMBLY (PORT)
10	39-816802A12		1	PISTON RING ASSEMBLY
11	40-17977		12	LOCK RING
12	625-813865A2		6	CONNECTING ROD ASSEMBLY
13	10-91995		12	SCREW
14	12-47247		12	WASHER
15	31-821146A1		6	ROLLER BEARING
16	29-67483		174	NEEDLE BEARING

DRIVE SHAFT HOUSING

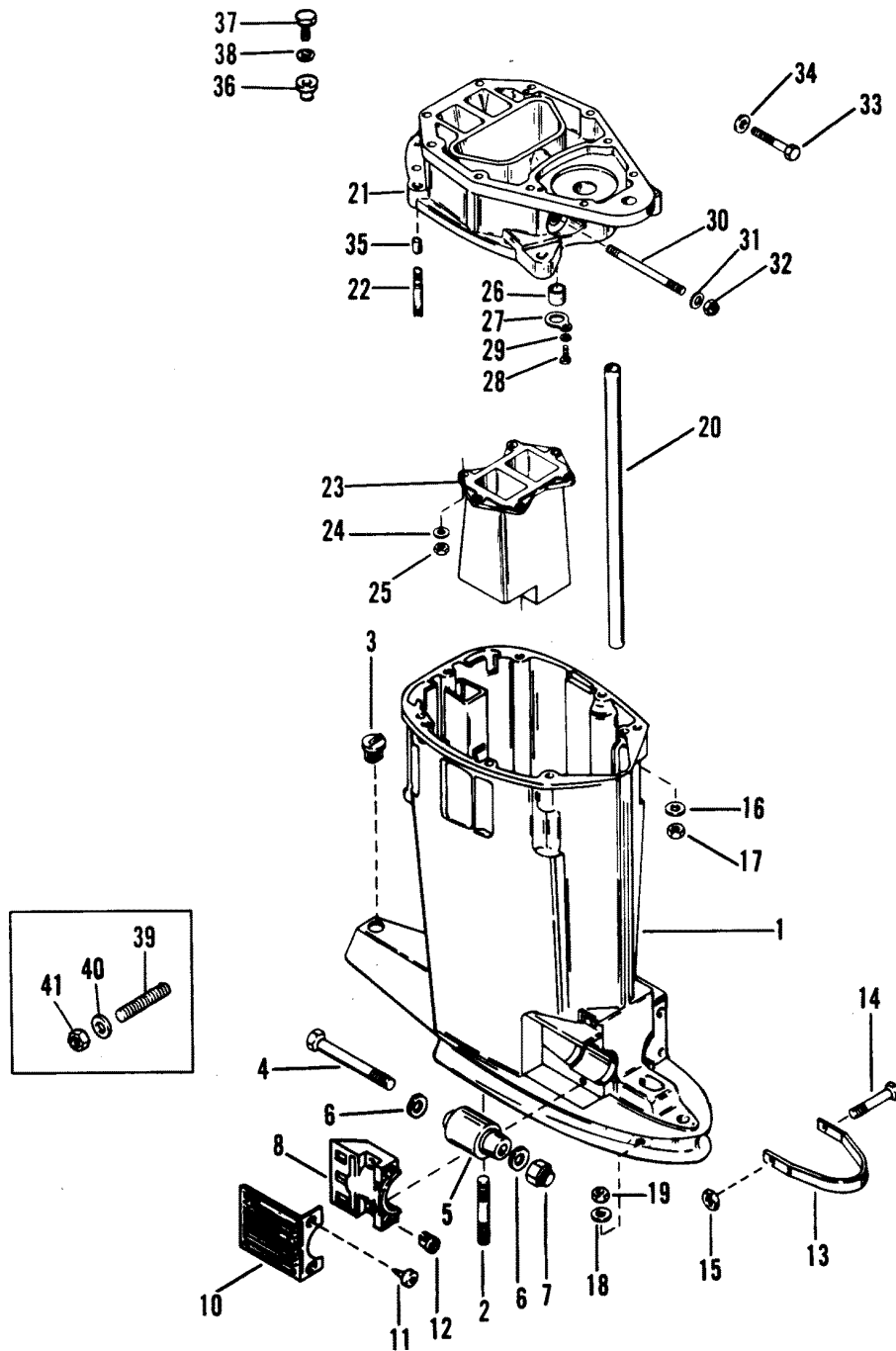


DRIVE SHAFT HOUSING

REF. NO.	PART NO.	SYM.	QTY.	DESCRIPTION
1	1590-8837A5		1	DRIVE SHAFT HOUSING ASSEMBLY
2	16-56295		2	STUD, DRIVE SHAFT HOUSING/GEAR HOUSING
3	19-64649		1	PLUG, DRIVE SHAFT HOUSING
4	10-63474		2	SCREW, LOWER MOUNT
5	77697		2	MOUNT, LOWER 3.36" MOUNT LENGTH
6	12-49339		2	WASHER, LOWER MOUNT SCREW 3.36" MOUNT LENGTH
5	816054		2	MOUNT, LOWER 3.16" MOUNT LENGTH
6	12-816056		4	WASHER, LOWER MOUNT SCREW 3.16" MOUNT LENGTH
7	11-25096		2	NUT, LOWER MOUNT SCREW
8	54-67076		2	CLAMP, LOWER MOUNT
10	67077T		2	COVER, LOWER MOUNT CLAMP
11	10-88417		4	SCREW, COVER ATTACHING (5/8")
12	11-35521		4	NUT, NYLON - COVER TO CLAMP SCREW
13	67703		1	STRAP, SWIVEL BRACKET RETAINING
14	10-67769		1	SCREW, STRAP TO DRIVE SHAFT HOUSING
15	11-25269		1	NUT, STRAP TO DRIVE SHAFT HOUSING SCREW
16	12-45175		10	WASHER, POWERHEAD STUD
17	11-34932		8	NUT, POWERHEAD STUD (FULL)
	11-34863		2	NUT, POWERHEAD STUD (THIN)
18	12-45176		3	WASHER, GEAR HOUSING STUD
19	11-34933		3	NUT, GEAR HOUSING STUD
20	32-67295		1	TUBE, WATER
21	42732A2		1	PLATE ASSEMBLY, DRIVE SHAFT HOUSING
22	16-66021		6	STUD, EXTENSION TO PLATE
23	41941		1	DIFFUSER, EXHAUST
24	12-20533		6	WASHER, EXTENSION STUD
25	11-30506		6	NUT, EXTENSION STUD
26	26-38970		1	SEAL, WATER TUBE
27	44260		1	RETAINER, WATER TUBE SEAL
28	10-28636		1	SCREW, RETAINER
29	13-26992		1	LOCKWASHER, RETAINER SCREW
30	16-17805		2	STUD, TOP MOUNT STUD ATTACHING
31	12-45176		6	WASHER, TOP MOUNT STUD STUD ATTACHING
32	11-34933		2	NUT, TOP MOUNT STUD STUD ATTACHING
33	10-13212--1		2	SCREW SCREW ATTACHING
34	12-816056		2	WASHER SCREW ATTACHING
35	17-20033		4	DOWEL PIN, LOCATING
36	23-27132		1	BUSHING, SHIFT SHAFT
37	10-91903		3	SCREW, ADAPTOR TO DRIVE SHAFT HOUSING (1-3/4")

CONTINUED ON NEXT PAGE ➡

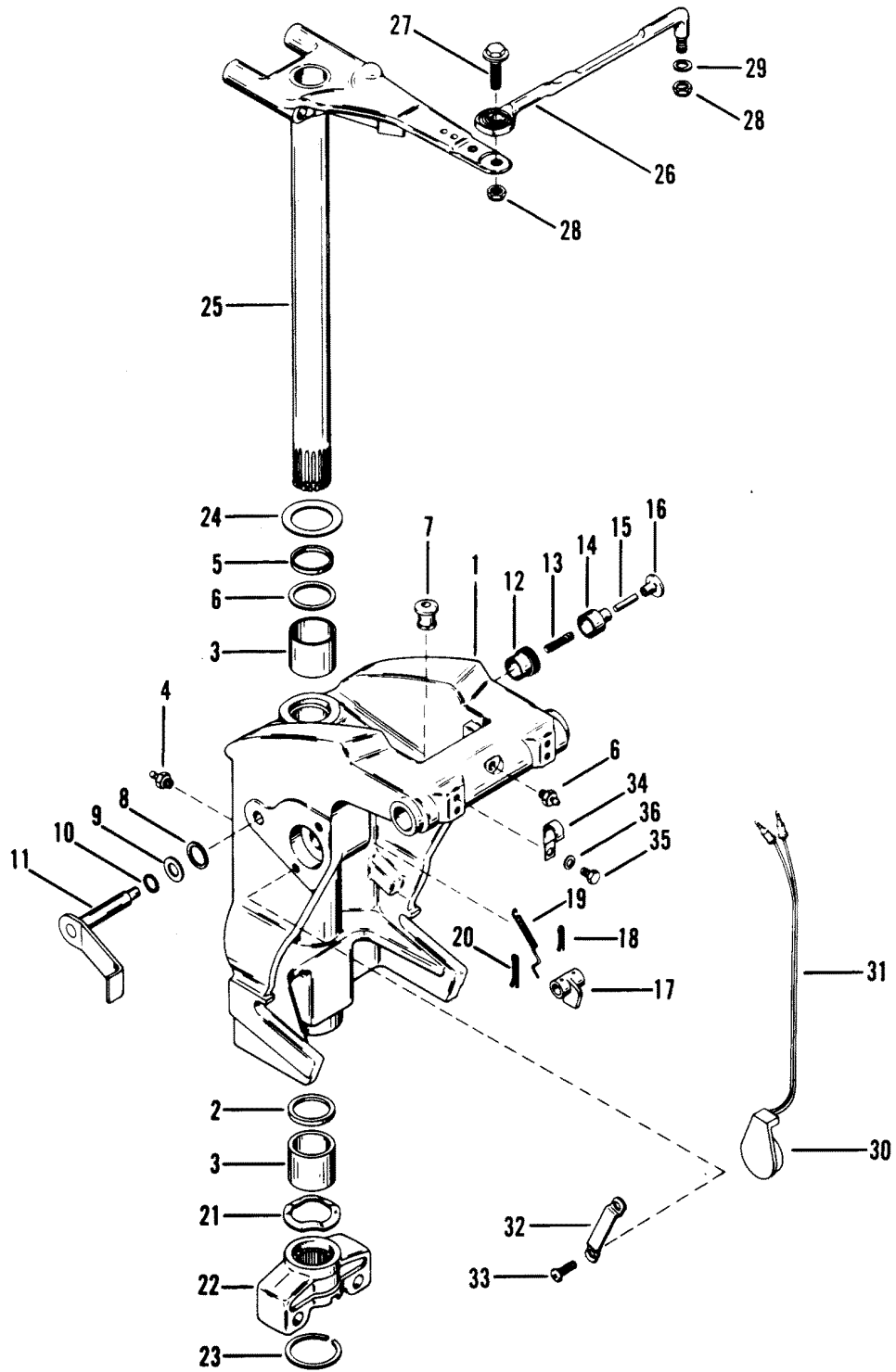
DRIVE SHAFT HOUSING



DRIVE SHAFT HOUSING

REF. NO.	PART NO.	SYM.	QTY.	DESCRIPTION
37	10-92913		2	SCREW, ADAPTOR (3/4")
38	12-45176		5	WASHER, ADAPTOR SCREW
39	16-69058		4	STUD, LOWER MOUNT CLAMP
40	12-22753		4	WASHER, CLAMP STUD
41	11-35814		4	NUT, CLAMP STUD

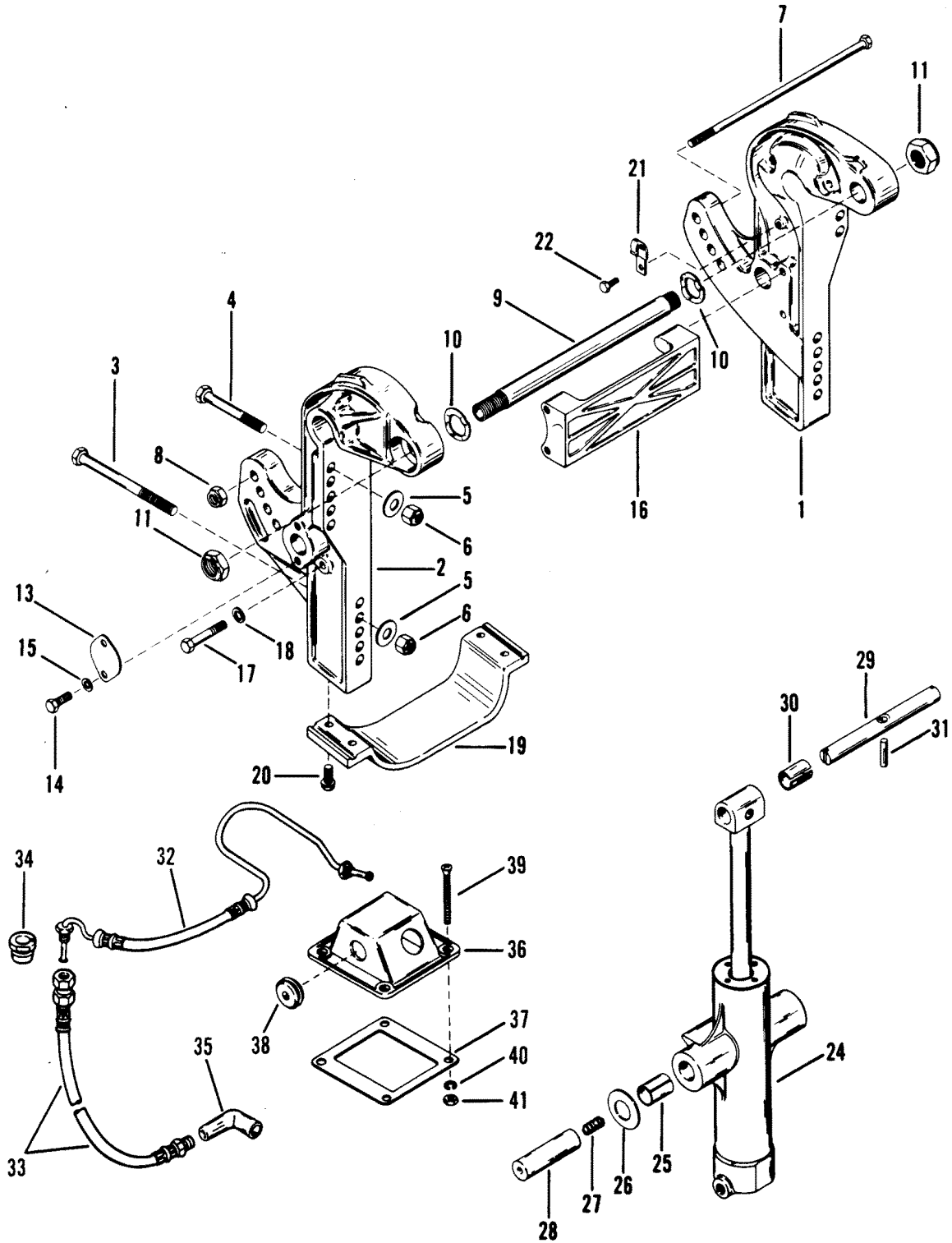
SWIVEL BRACKET AND STEERING ARM



SWIVEL BRACKET AND STEERING ARM

REF. NO.	PART NO.	SYM.	QTY.	DESCRIPTION
1	1491-9225A3		1	SWIVEL BRACKET ASSEMBLY
2	26-87735		1	OIL SEAL, SWIVEL BRACKET (LOWER)
3	23-67669		2	BUSHING, SWIVEL BRACKET - LOWER AND UPPER
4	22-74036		4	FITTING, GREASE
5	23-67668		1	SPACER, SWIVEL BRACKET - UPPER
6	25-33466		1	"O" RING, SWIVEL BRACKET - UPPER
7	25-88341		2	GROMMET, SWIVEL BRACKET
8	26-85023		2	OIL SEAL, SWIVEL BRACKET
9	12-87161		2	WASHER, TILT LOCK LEVER
10	25-48171		2	"O" RING, TILT LOCK LEVER
11	85030A2		1	LEVER ASSEMBLY, TILT LOCK (PORT)
12	23-86600		1	BUSHING, TILT LEVER RELEASE
13	24-85367		1	SPRING, TILT LEVER RELEASE
14	41052		1	PLUNGER, TILT LEVER RELEASE
15	16-88876		1	STUD, PLUNGER
16	86603		1	KNOB, PLUNGER
17	86475--1		1	COUPLING, TILT LOCK LEVER
18	17-69745		2	PIN, LEVER TO COUPLING
19	24-88049		1	SPRING, TENSION - COUPLING
20	18-93861		1	COTTER PIN, COUPLING SPRING
21	13-78854		1	WAVE WASHER, BOTTOM YOKE
22	86580A1		1	BOTTOM YOKE
23	53-67684		1	RETAINING RING, BOTTOM YOKE
24	12-67670		1	WASHER, THRUST - SWIVEL BRACKET
25	17-67706A46		1	SWIVEL PIN AND STEERING ARM ASSEMBLY
26	92876A1		1	STEERING LINK ASSEMBLY
27	10-14000		1	SCREW, STEERING LIN TO STEERING ARM (1-1/4")
28	11-34863		2	NUT, STEERING LINK SCREW
29	12-34931		2	WASHER, STEERING LINK TO STEERING ARM
30	86485A5		1	TRIM SENDER ASSEMBLY
31	84-65017A14		1	HARNESS, TRIM SENDER
32	88342		2	STRAP, SWITCH AND SENDER
33	10-87926		4	SCREW, STRAP TO SWIVEL BRACKET
34	54-54457		1	CLAMP, SWITCH AND SENDER LEADS
35	10-98256		1	SCREW, CLAMP TO SWIVEL BRACKET
36	12-29245		1	WASHER, CLAMP SCREW

TRANSOM BRACKETS

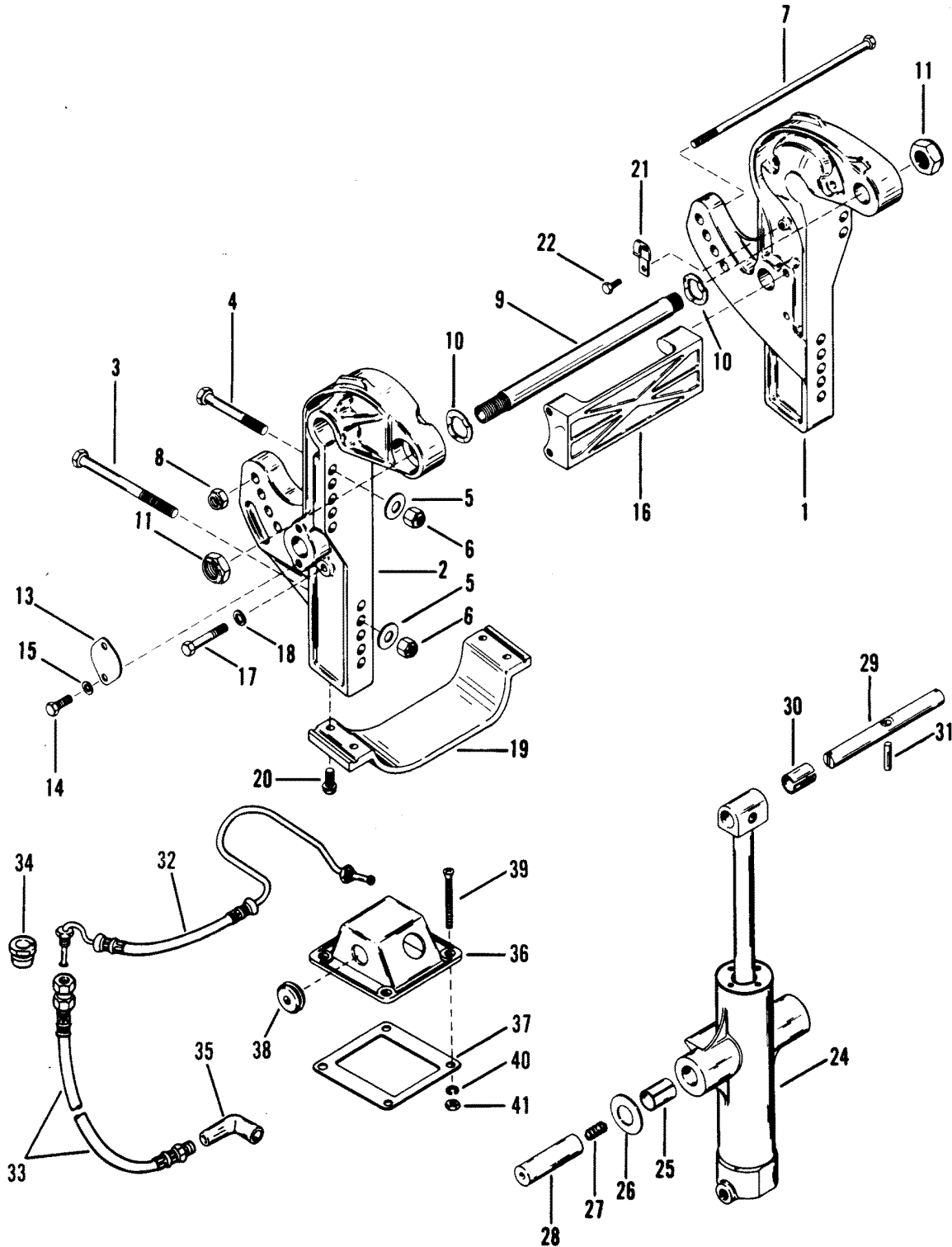


TRANSOM BRACKETS

REF. NO.	PART NO.	SYM.	QTY.	DESCRIPTION
1	1494-7476T1		1	BRACKET, TRANSOM (PORT)
2	1495-7478T1		1	BRACKET, TRANSOM (STARBOARD)
3	10-67755--2		2	SCREW, BRACKET TO TRANSOM (6-1/2")
4	10-67755--1		2	SCREW, BRACKET TO TRANSOM (4-1/2")
5	12-28421		4	WASHER, BRACKET SCREW
6	11-816670		4	NUT, BRACKET SCREW
7	10-87180		1	BOLT, TILT
8	11-20220		1	NUT, TILT BOLT
9	99170A1		1	TILT TUBE
10	13-88750		2	WAVE WASHER, TILT TUBE
11	11-56041		1	NUT, TILT TUBE (7/8-14)
	11-90068T		1	NUT, TILT TUBE (1"-14)
13	85026		2	PLATE, PIVOT PIN
14	10-28636		4	SCREW, PLATE TO TRANSOM BRACKET
15	12-29245		4	WASHER, PLATE SCREW
16	85035T		1	SPACER, TRANSOM BRACKET
17	10-70732		4	SCREW, SPACER TO TRANSOM BRACKET
18	12-29245		4	WASHER, SPACER SCREW
19	89949A1		1	PLATE ASSEMBLY, TRANSOM BRACKET
20	10-89996		4	SCREW, PLATE TO TRANSOM BRACKET
21	54-88512		4	CLAMP, HYDRAULIC HOSE
	54-75275		2	CLAMP, HYDRAULIC HOSE
22	10-88829		6	SCREW, CLAMP TO TRANSOM BRACKET
24	79610A6		1	TRIM CYLINDER ASSEMBLY (79879A1 REPAIR KIT)
25	23-86489		2	BUSHING, TRIM CYLINDER
26	12-85022		2	WASHER, TRANSOM BRACKET
27	24-30316		2	SPRING, TRIM CYLINDER
28	17-85020		2	PIVOT PIN, TRIM CYLINDER
29	85024		1	SHAFT, TRIM CYLINDER
30	23-86637		2	BEARING, TRIM SHAFT
31	17-91862		1	PIN, TRIM CYLINDER
32	32-96993		1	HOSE, HYDRAULIC (PORT)
	32-96994		1	HOSE, HYDRAULIC (STARBOARD)
33	32-89024		1	HOSE, HYDRAULIC (PORT)
	32-89023		1	HOSE, HYDRAULIC (STARBOARD)
34	25-12602		2	GROMMET, HYDRAULIC HOSES
35	22-87207		1	CONNECTOR, HYDRAULIC HOSE
36	87871		1	COVER, INLET - HYDRAULIC HOSE

CONTINUED ON NEXT PAGE ➡

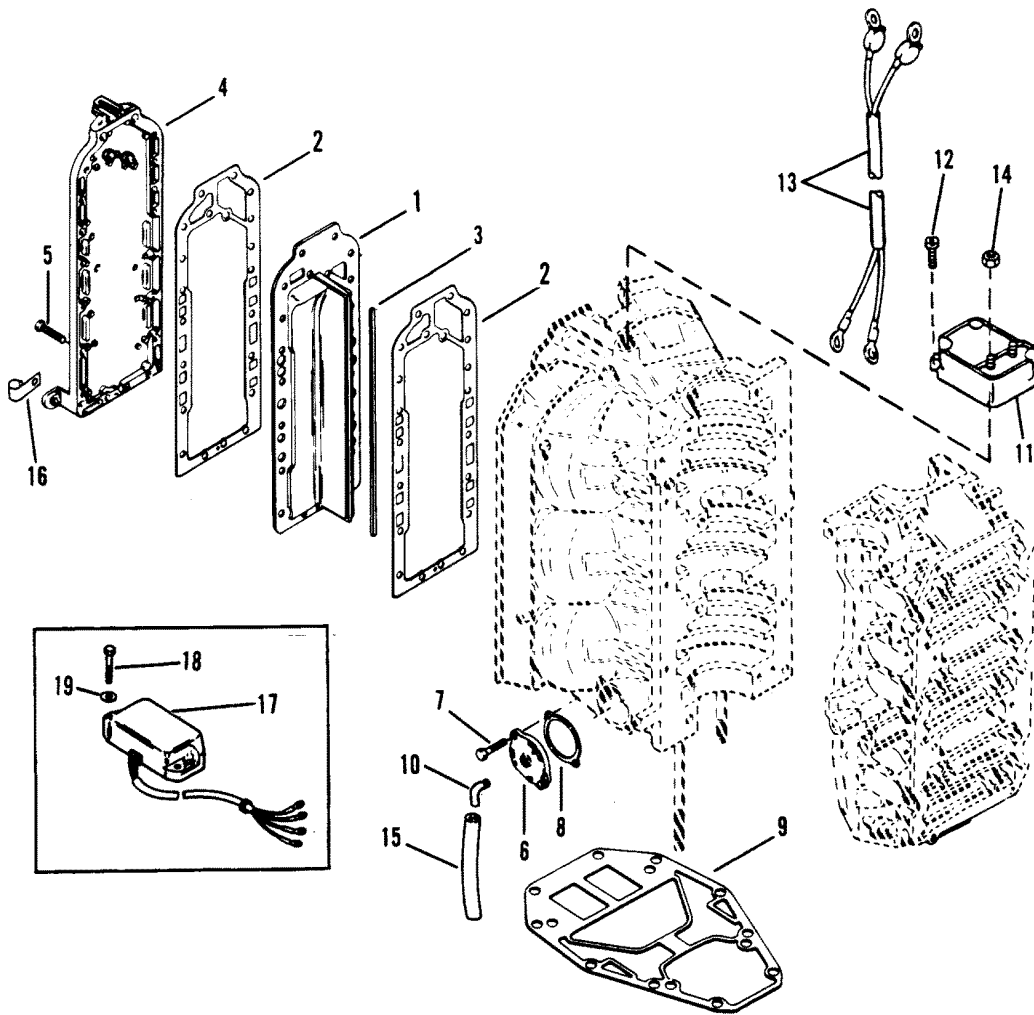
TRANSOM BRACKETS



TRANSOM BRACKETS

REF. NO.	PART NO.	SYM.	QTY.	DESCRIPTION
37	27-87775		1	GASKET, INLET COVER
38	25-45507		1	GROMMET, INLET COVER
39	10-36070		4	SCREW, INLET COVER
40	13-26996		4	LOCKWASHER, INLET COVER SCREW
41	11-68219		4	NUT, INLET COVER SCREW

EXHAUST MANIFOLD AND EXHAUST PLATE



EXHAUST MANIFOLD AND EXHAUST PLATE

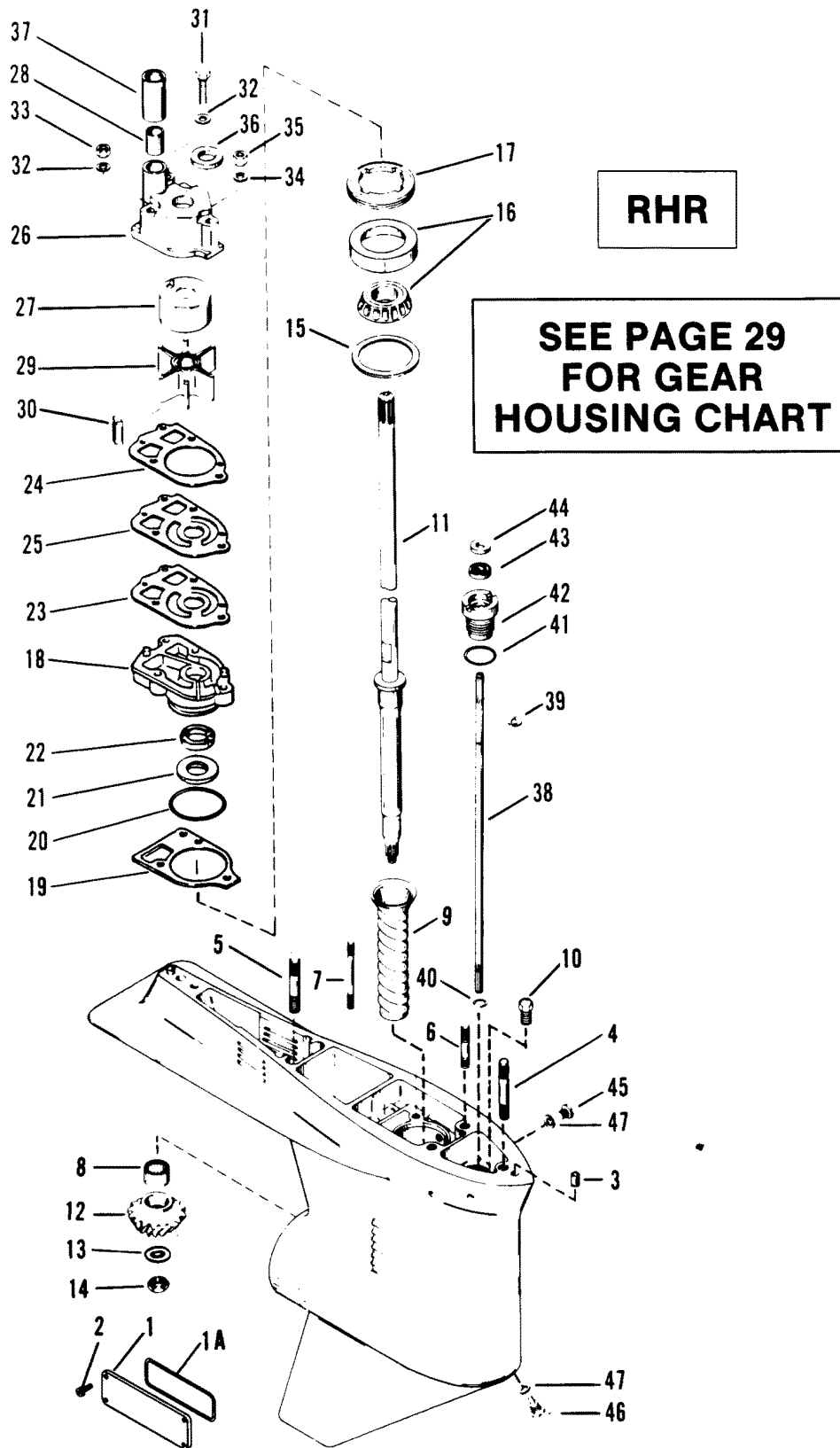
REF. NO.	PART NO.	SYM.	QTY.	DESCRIPTION
1	99169A2		1	PLATE, DIVIDER
2	27-90484--1		2	GASKET, DIVIDER PLATE
3	26-814754		1	SEAL, DIVIDER PLATE
4	950-67		1	COVER, EXHAUST MANIFOLD
5	10-74824		21	SCREW, COVER AND PLATE TO CYLINDER BLOCK (1-1/4")
6	99193		1	COVER, RELIEF VALVE
7	10-53167		2	SCREW, COVER TO CYLINDER BLOCK
8	27-88907		1	GASKET, RELIEF VALVE PLATE
9	27-78069		2	GASKET, EXHAUST PLATE
10	22-68727		1	FITTING
11	88825A7		1	VOLTAGE REGULATOR
12	10-48409		2	SCREW, VOLTAGE REGULATOR
13	84-13397A1		1	HARNES ASSEMBLY
14	11-45076		2	NUT, VOLTAGE REGULATOR
15	32-77457--2		1	HOSE
16	54-814634		1	J CLAMP
17	86926A4		1	SPEED LIMITER
18	10-32228		2	SCREW
19	12-72761		2	WASHER

GEAR HOUSING CHART

REF. NO.	PART NO.	SYM.	QTY.	DESCRIPTION
-	1647-9560A3		1	GEAR HOUSING ASSEMBLY (RHR)
-	1647-9561A12		1	GEAR HOUSING ASSEMBLY (RHR)
-	1647-9561A10		1	GEAR HOUSING ASSEMBLY (LHR)
-	1647-9560A8		1	GEAR HOUSING (BASIC-RHR)
-	1647-9561A9		1	GEAR HOUSING (BASIC-RHR)
-	1647-9561A69		1	GEAR HOUSING (BASIC-LHR)

THIS PAGE INTENTIONALLY LEFT BLANK

GEAR HOUSING ASSEMBLY (DRIVE SHAFT) RHR

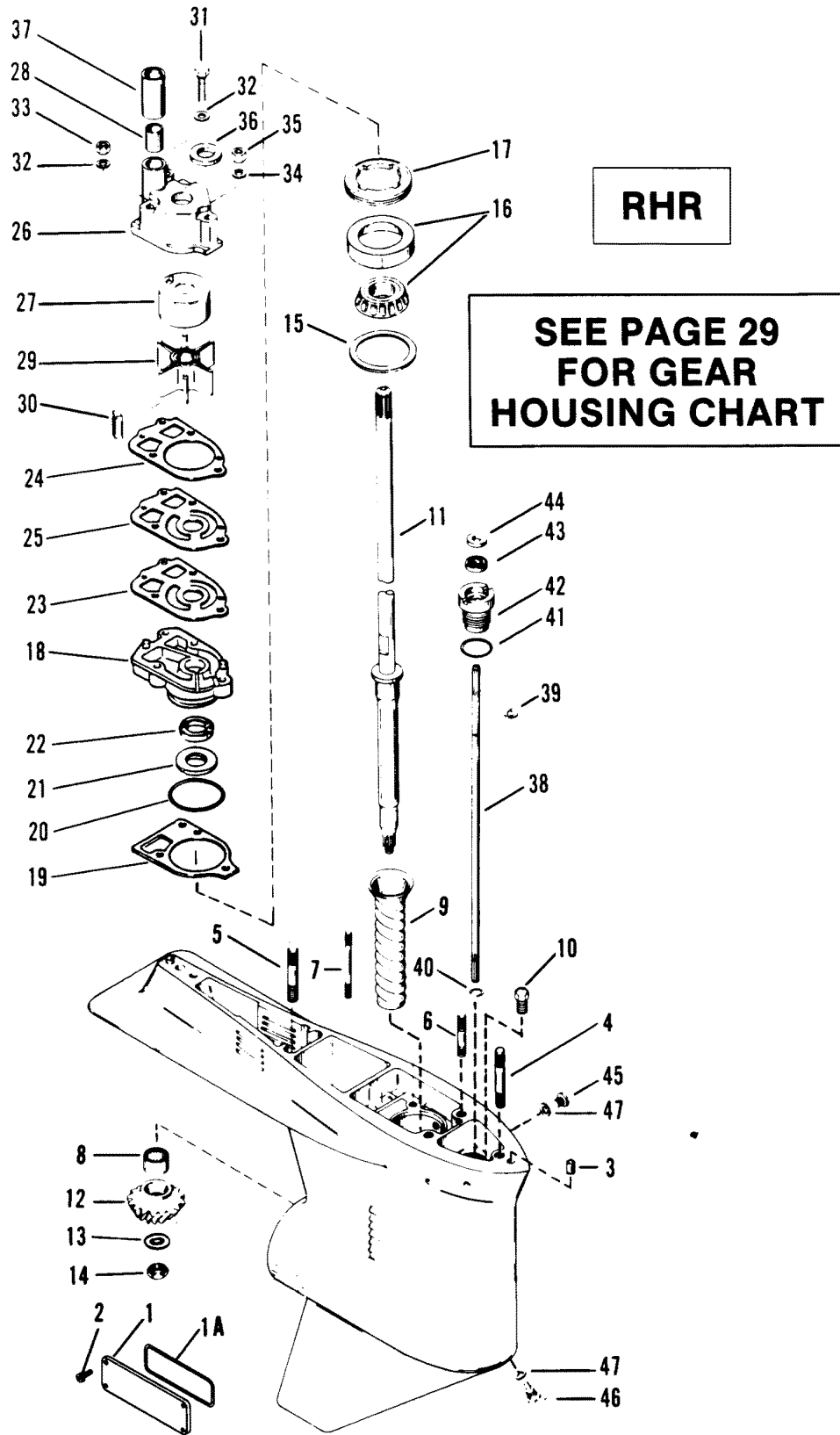


GEAR HOUSING ASSEMBLY (DRIVE SHAFT) RHR

REF. NO.	PART NO.	SYM.	QTY.	DESCRIPTION
1	12144		2	COVER, WATER PASSAGE
1A	25-39695		2	"O" RING, COVER
2	10-87926		8	SCREW, COVER
3	17-20033		2	DOWEL PIN, GEAR HOUSING LOCATING
4	16-78638		1	STUD, GEAR HOUSING (3-1/8")
5	16-57920		2	STUD, GEAR HOUSING (2-1/16")
6	16-56297		1	STUD,L WATER PUMP (3-3/8")
7	16-30667		2	STUDL, WATER PUMP (3-1/4")
8	31-42647A1		1	ROLLER BEARING, DRIVE SHAFT
9	23-43998		1	SLEEVE, LUBRICATION
10	22-13820		1	PIPE PLUG
11	45-44000		1	DRIVE SHAFT
12	N.S.S.		1	PINION GEAR (PART OF 43-44104A2)
13	12-92721		1	WASHER, PINION GEAR
14	11-35921		1	NUT, PINION GEAR TO DRIVE SHAFT
15	15-42637A1		AR	SHIM ASSEMBLY, ROLLER BEARING TO GEAR HOUSING
16	31-36387A1		1	ROLLER BEARING, DRIVE SHAFT
17	11-42633		1	NUT, DRIVE SHAFT BEARING
18	46-44292A3		1	WATER PUMP BASE ASSEMBLY
19	27-42631--1		1	GASKET, WATER PUMP TO GEAR HSG
20	25-90011		1	"O" RING, WATER PUMP
21	26-89238		1	OIL SEAL, WATER PUMP
22	26-16977		1	OIL SEAL, WATER PUMP
23	27-18051		1	GASKET, LOWER - WATER PUMP
24	27-85609--1		1	GASKET, UPPER - WATER PUMP
25	32435		1	PLATE, FACE - WATER PUMP
26	46-96148A1		1	WATER PUMP BODY ASSEMBLY
27	48752		1	INSERT, WATER PUMP BODY
28	26-38970		1	SEAL, RUBBER - WATER INLET TUBE
29	47-89984		1	IMPELLER, WATER PUMP
30	28-56654		1	KEY, IMPELLER DRIVE
31	10-96411		1	SCREW, WATER PUMP (2-1/4")
32	12-29245		2	WASHER, WATER PUMP SCREW AND STUD
33	11-13438		2	NUT, WATER PUMP STUD
34	12-36001		1	WASHER, WATER PUMP STUD
35	11-13436		1	NUT, WATER PUMP STUD
36	25-30271		1	RING, RUBBER (DRIVE SHAFT)
37	23-29804		1	SLEEVE, GUIDE - WATE RINLET TUBE
38	78902		1	SHAFT, SHIFT - LOWER
39	53-29641		1	"E" RING, RETAINING - SHIFT SHAFT
40	53-78907		1	RETAINING RING
41	25-25439		1	"O" RING, SHIFT SHAFT BUSHING
42	23-77631A2		1	BUSHING ASSEMBLY, SHIFT SHAFT

CONTINUED ON NEXT PAGE ➡

GEAR HOUSING ASSEMBLY (DRIVE SHAFT) RHR

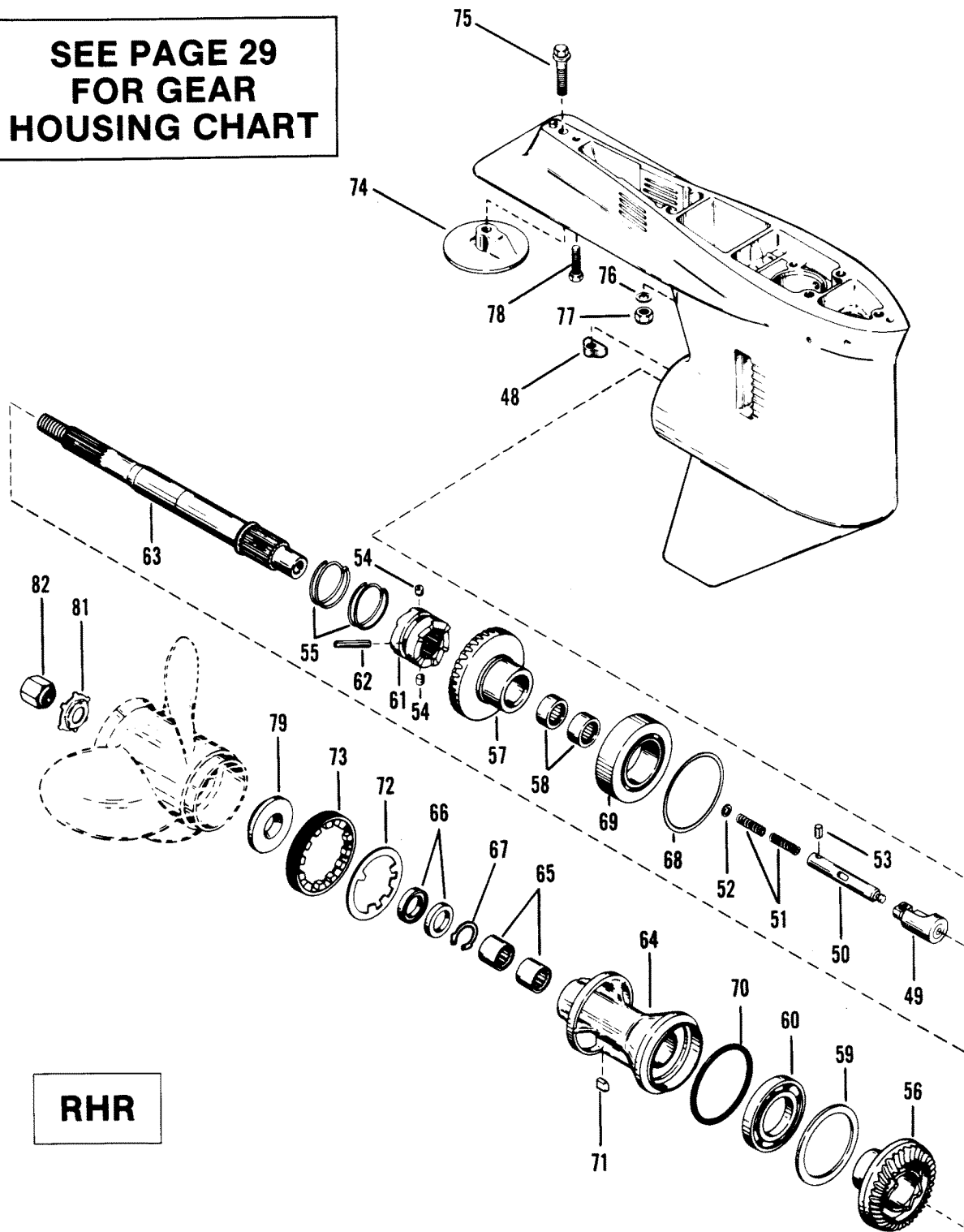


GEAR HOUSING ASSEMBLY (DRIVE SHAFT) RHR

REF. NO.	PART NO.	SYM.	QTY.	DESCRIPTION
43	26-76384		1	OIL SEAL, SHIFT SHAFT BUSHING
44	12-77674		1	WASHER, RUBBER - SHIFT SHAFT BUSHING
45	10-79953		1	SCREW, GREASE FILLER
46	10-14834		1	SCREW, DRAIN (MAGNETIC)
47	12-19183		2	WASHER, GREASE FILLER AND DRAIN SCREW

GEAR HOUSING (PROPELLER SHAFT)RHR

SEE PAGE 29
FOR GEAR
HOUSING CHART

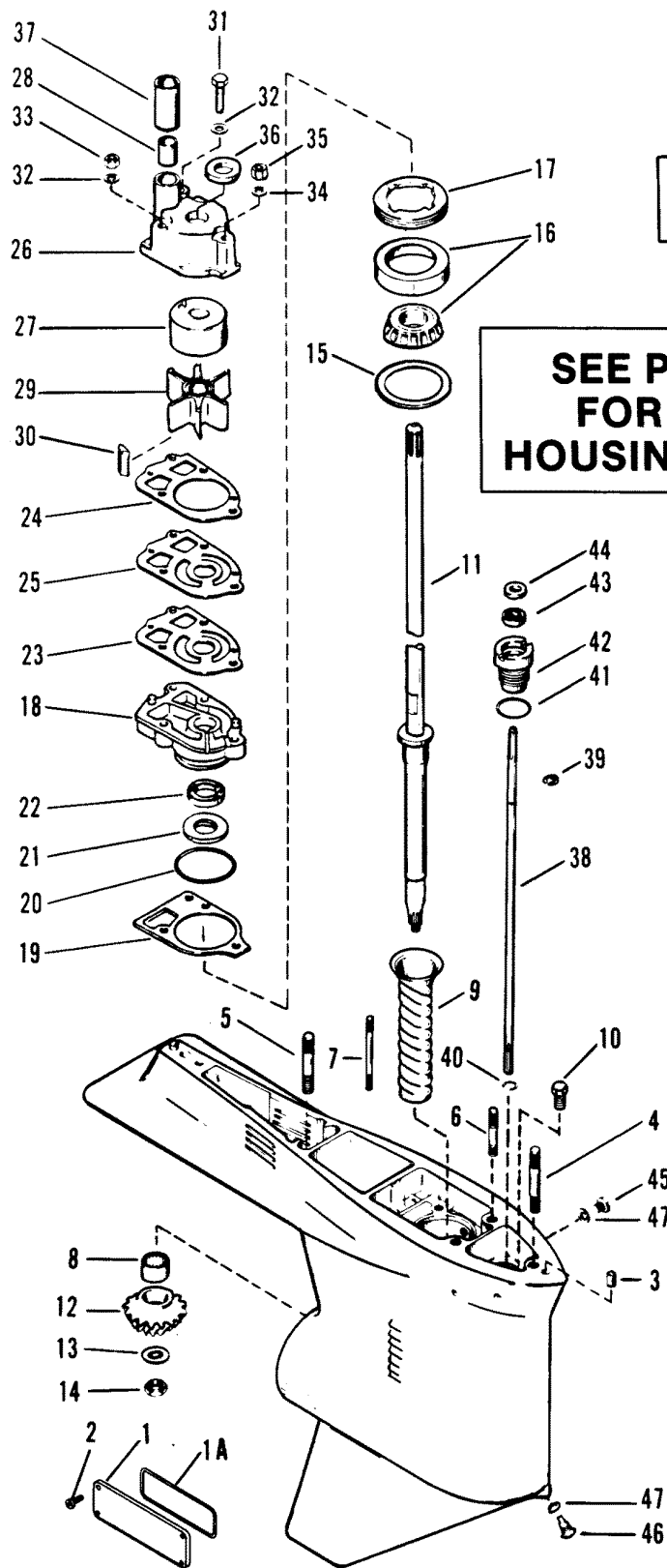


REVISED MARCH 1999

GEAR HOUSING (PROPELLER SHAFT)RHR

REF. NO.	PART NO.	SYM.	QTY.	DESCRIPTION
48	78956		1	SHIFT CAM
49	89594A1		1	CAM FOLLOWER
50	79911		1	ROD
51	24-79910		2	SPRING
52	12-78910		AR	WASHER
53	17-78906		1	PIN
54	17-78909		2	DETENT PIN
55	24-78962		2	SPRING
56	N.S.S.		1	REVERSE GEAR (PART OF 43-44104A2)
57	43-44104A2		1	FORWARD GEAR ASSEMBLY
58	31-43999		2	ROLLER BEARING (TORRINGTON #GBH-1610)
	31-73363		2	ROLLER BEARING (TORRINGTON #BH-1610)
59	68100--1		1	THRUST RING
60	30-88957A1		1	BALL BEARING
61	52-78959		1	CLUTCH
62	17-78905		1	CORSS PIN
61	52-42672		1	CLUTCH
62	17-42671		1	CROSS PIN
63	44-94148		1	PROPELLER SHAFT
64	17916A1		1	BEARING CARRIER
	17916A1		1	BEARING CARRIER
65	31-30956		1	ROLLER BEARING
66	26-76868		2	OIL SEAL
67	53-18917		1	SNAP RING
68	15-47397A1		AR	SHIM
69	31-78172A1		1	TAPERED ROLLER BEARING
70	25-31534		1	O-RING
71	28-30281		1	KEY
72	14-79447		1	TAB WASHER
73	79448		1	COVER
	15840--1		1	COVER
74	76214		1	ANODIC PALTE
75	10-66024		1	SCREW (1-3/4")
76	12-45176		2	WASHER
77	11-34933		2	NUT
78	10-30206		1	SCREW
79	13171		1	THRUST HUB
81	14-31210		1	TAB WASHER
82	11-52707A1		1	PROPELLER NUT

GEAR HOUSING (DRIVE SHAFT) LHR



LHR

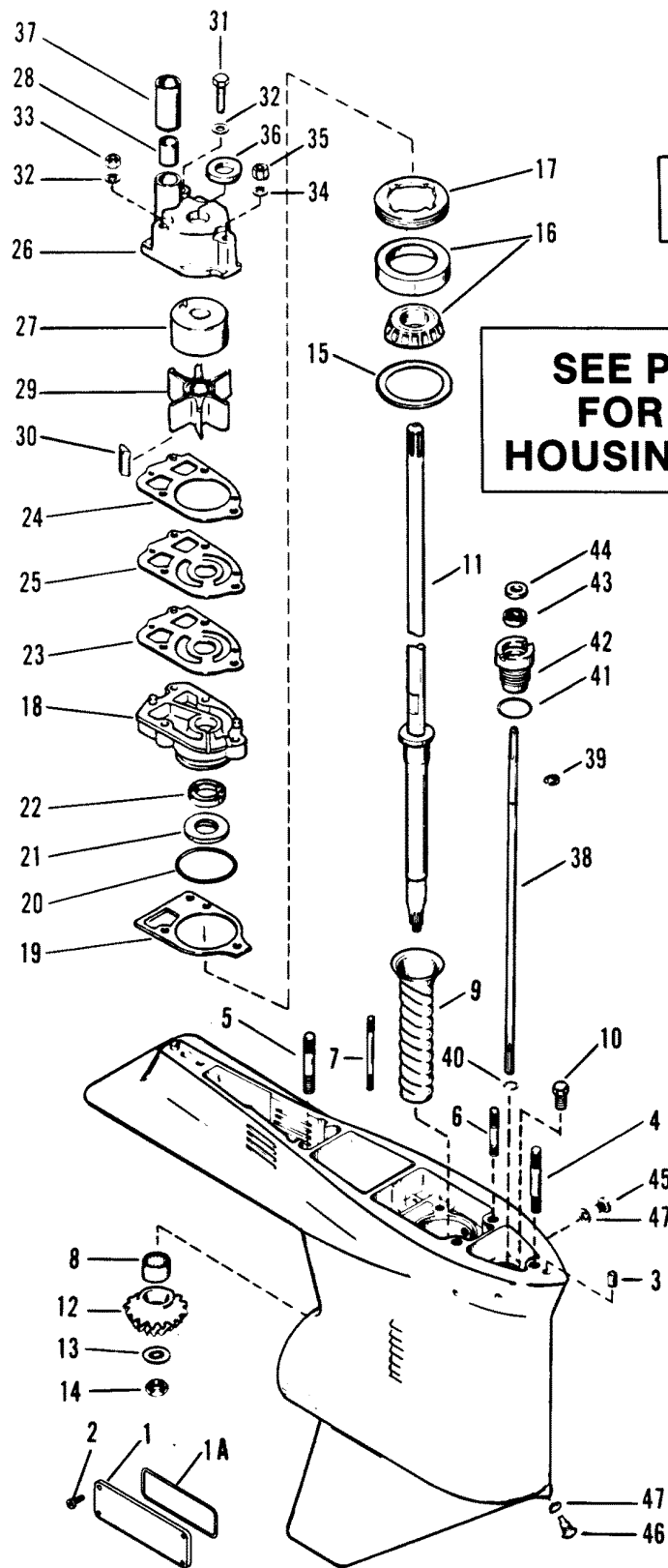
SEE PAGE 29
FOR GEAR
HOUSING CHART

GEAR HOUSING (DRIVE SHAFT) LHR

REF. NO.	PART NO.	SYM.	QTY.	DESCRIPTION
1	12144		2	COVER, WATER PASSAGGE
1A	25-39695		2	"O" RING, COVER
2	10-87926		8	SCREW, COVER
3	20033		2	DOWEL PIN, GEAR HOUSING LOCATING
4	16-78638		1	STUD, EAR HOUSING (3-1/8")
5	16-57920		2	STUD, GEAR HOUSING (2-1/16")
6	16-56297		1	STUD, WATER PMP (3-3/8")
7	16-30667		2	STUD, WATER PUMP (3-1/4")
8	31-42647A1		1	ROLLER BEARING, DRIVE SHAFT
9	23-43998		1	SLEEVE, LUBRICATION
10	22-13820		1	PIPE PLUG
11	45-44000		1	DRIVE SHAFT
12	N.S.S.		1	PINION GEAR (PART OF 43-15845A2)
13	12-92721		1	WASHER, PINION GEAR
14	11-35921		1	NUT, PINION GEAR TO DRIVE SHAFT
15	15-42637A1		AR	SHIM ASSEMBLY, ROLLER BEARING TO GEAR HOUSING
16	31-36387A1		1	ROLLER BEARING, DRIVE SHAFT
17	11-42633		1	NUT, DRIVE SHAFT BEARIN
18	46-44292A3		1	WATER PUMP BASE ASSEMBLY
19	27-42631--1		1	GASKET, WATER PUMP TO GEAR HSG
20	25-90011		1	"O" RING, WATER PUMP
21	26-89238		1	OIL SEAL, WATER PUMP
22	26-16977		1	OIL SEAL, WATER PUMP
23	27-18051		1	GASKET, LOWER-WATER PUMP
24	27-85609--1		1	GASKET, UPPER-WATER PUMP
25	32435		1	PLATE, FACE-WATER PUMP
26	466-96148A1		1	WATER PUMP BODY ASSEMBLY
27	48752		1	INSERT, WATER PUMP BODY
28	26-38970		1	SEAL, RUBBER-WATER INLET TUBE
29	47-89984		1	IMPELLER, WATER PUMP
30	28-56654		1	KEY, IMPELLER DRIVE
31	10-96411		1	SCREW, WATER PUMP (2-1/4")
32	12-29245		2	WASHER, WATER PUMP SCREW AND STUD
33	11-13438		2	NUT, WATER PUMP STUD
34	12-36001		1	WASHER, WATER PUMP STUD
35	11-13436		1	NUT, WATER PUMP STUD
36	25-30271		1	RING, RUBBER (DRIVE SHAFT)
37	23-29804		1	SLEEVE, GUIDE-WATER INLET TUBE
38	78902		1	SHAFT, SHIFT-LOWER
39	53-29641		1	"E" RING, RETAINING-SHIFT SHAFT
40	53-78907		1	RETAINING RING
41	25-25439		1	"O" RING, SHIFT SHAFT BUSHING
42	23-77631A2		1	BUSHING ASSEMBLY, SHIFT SHAFT

CONTINUED ON NEXT PAGE ➡

GEAR HOUSING (DRIVE SHAFT) LHR



LHR

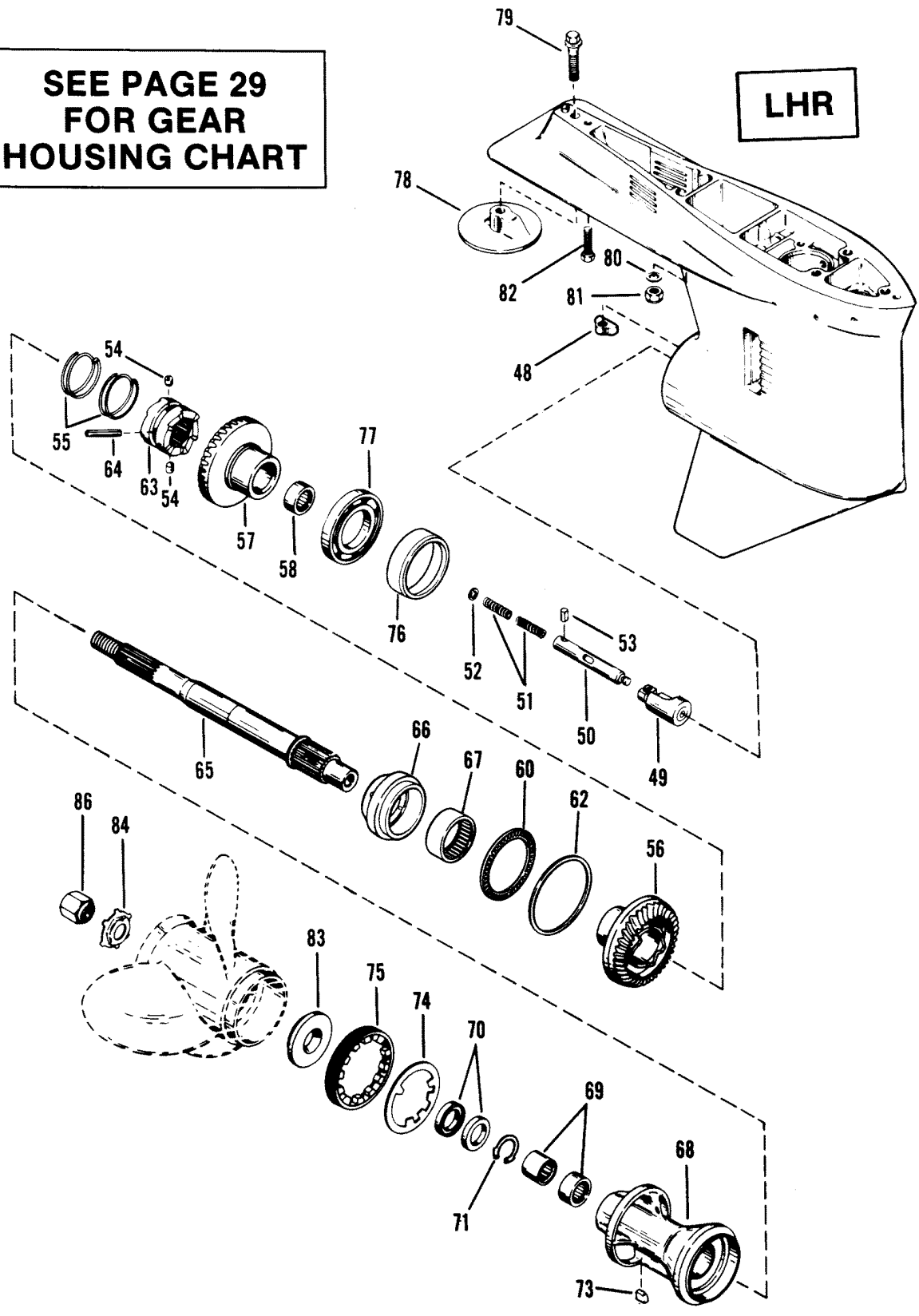
SEE PAGE 29
FOR GEAR
HOUSING CHART

GEAR HOUSING (DRIVE SHAFT) LHR

REF. NO.	PART NO.	SYM.	QTY.	DESCRIPTION
43	26-76384		1	OIL SEAL, SHIFT SHAFT BUSHING
44	12-77674		1	WASHER, RUBBER-SHIFT SHAFT BUSHING
45	10-79953		1	SCREW, GREASE FILLER
46	10-14834		1	SCREW, DRAIN (MAGNETIC)
47	12-19183		2	WASHER, GREASE FILLER AND DRAIN SCREW

GEAR HOUSING (PROPELLER SHAFT) LHR

SEE PAGE 29
FOR GEAR
HOUSING CHART



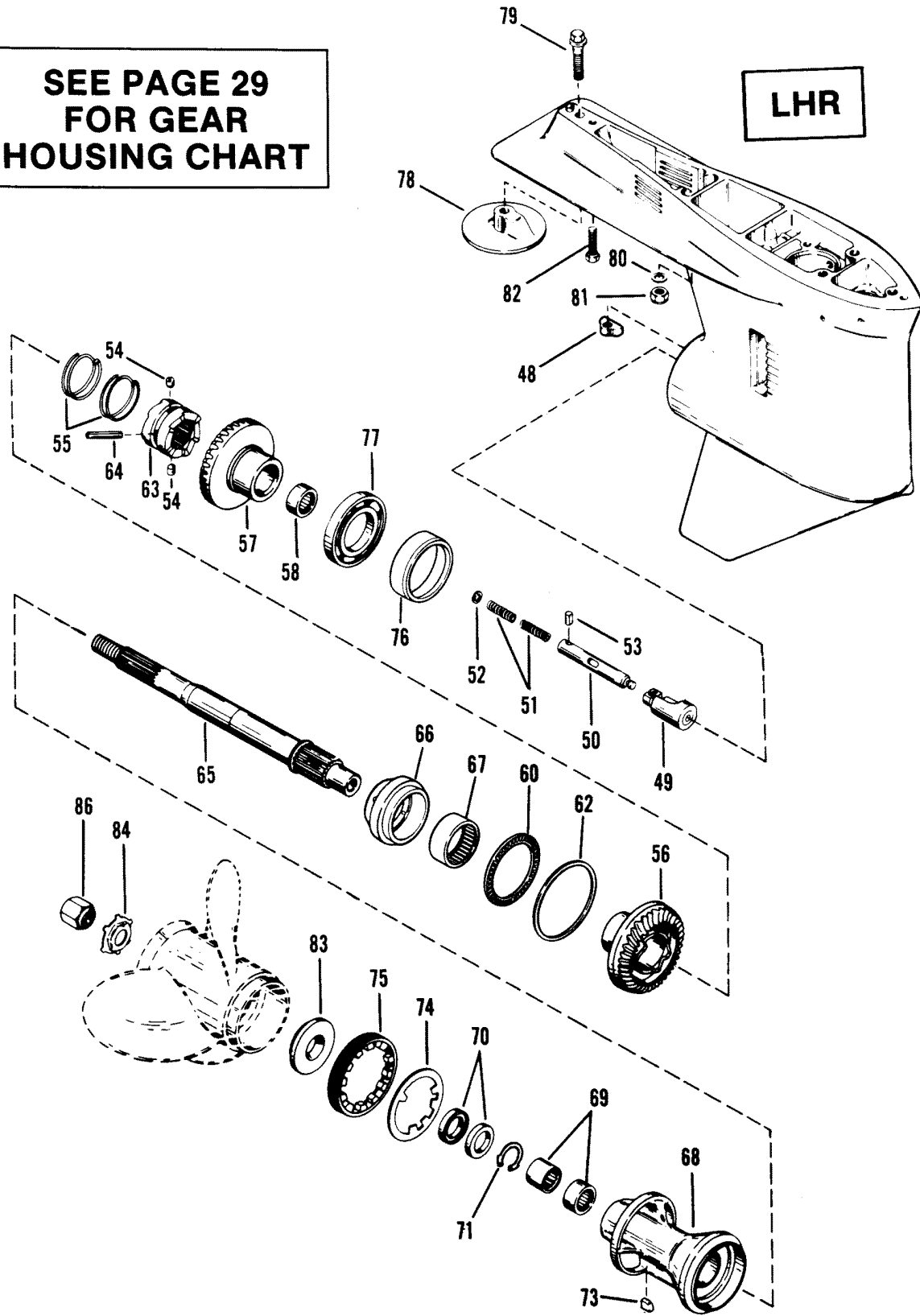
GEAR HOUSING (PROPELLER SHAFT) LHR

REF. NO.	PART NO.	SYM.	QTY.	DESCRIPTION
48	78956		1	SHIFT CAM
49	89594A1		1	FOLLOWER, CAM
50	79911		1	ROD, CLUTCH ACTUATOR
51	24-79910		2	SPRING, COMPRESSION
52	12-78910		AR	WASHER, SPRING
53	17-78906		1	PIN, SPRING LOCATOR
54	17-78909		2	DETENT PIN, RATCHET
55	24-78962		2	SPRING, RETAINING-CROSS PIN
56	N.S.S.		1	FORWARD GEAR (PART OF 43-15845A2)
57	43-15845A2		1	REVERSE GEAR ASSEMBLY
58	31-15844		1	ROLLER BEARING
60	31-15841		1	ROLLER BEARING
62	23-17615--1		AR	SPACER SHIM .125"
	23-17615--2		AR	SPACER SHIM .127"
	23-17615--3		AR	SPACER SHIM .129"
	23-17615--4		AR	SPACER SHIM .131"
	23-17615--5		AR	SPACER SHIM .133"
	23-17615--6		AR	SPACER SHIM .135"
	23-17615--7		AR	SPACER SHIM .137"
	23-17615--8		AR	SPACER SHIM .139"
	23-17615--9		AR	SPACER SHIM .141"
	23-17615-10		AR	SPACER SHIM .143"
	23-17615-11		AR	SPACER SHIM .145"
	23-17615-12		AR	SPACER SHIM .147"
	23-17615-13		AR	SPACER SHIM .149"
63	52-42672		1	RATCHET, SLIDING CLUTCH
64	17-42671		1	CROSS PIN, RATCHET
65	44-17629		1	PROPELLER SHAFT
66	15838A2		1	BEARING ADAPTOR
67	31-15843		1	ROLLER BEARING
68	14587A4		1	BEARING CARRIER
69	31-30956		2	ROLLER BEARING, BEARING CARRIER
70	26-76868		2	OIL SEAL, BEARING CARRIER
71	53-18917		1	SNAP RING
73	28-30281		1	KEY, LOCATING-BEARING CARRIER
74	14-18323--1		1	TAB WASHER, GEAR HOUSING COVER
75	15840--1		1	COVER, GEAR HOUSING
76	14469		1	BEARING CUP
77	30-88957A1		1	BALL BEARING
78	76214		1	ANODIC PLATE
79	10-66024		1	SCREW, TRIM TAB TO GEAR HOUSING ((1-3/4"))
80	12-45176		2	WASHER, DRIVE SHAFT HOUSING STUDS

CONTINUED ON NEXT PAGE ➡

GEAR HOUSING (PROPELLER SHAFT) LHR

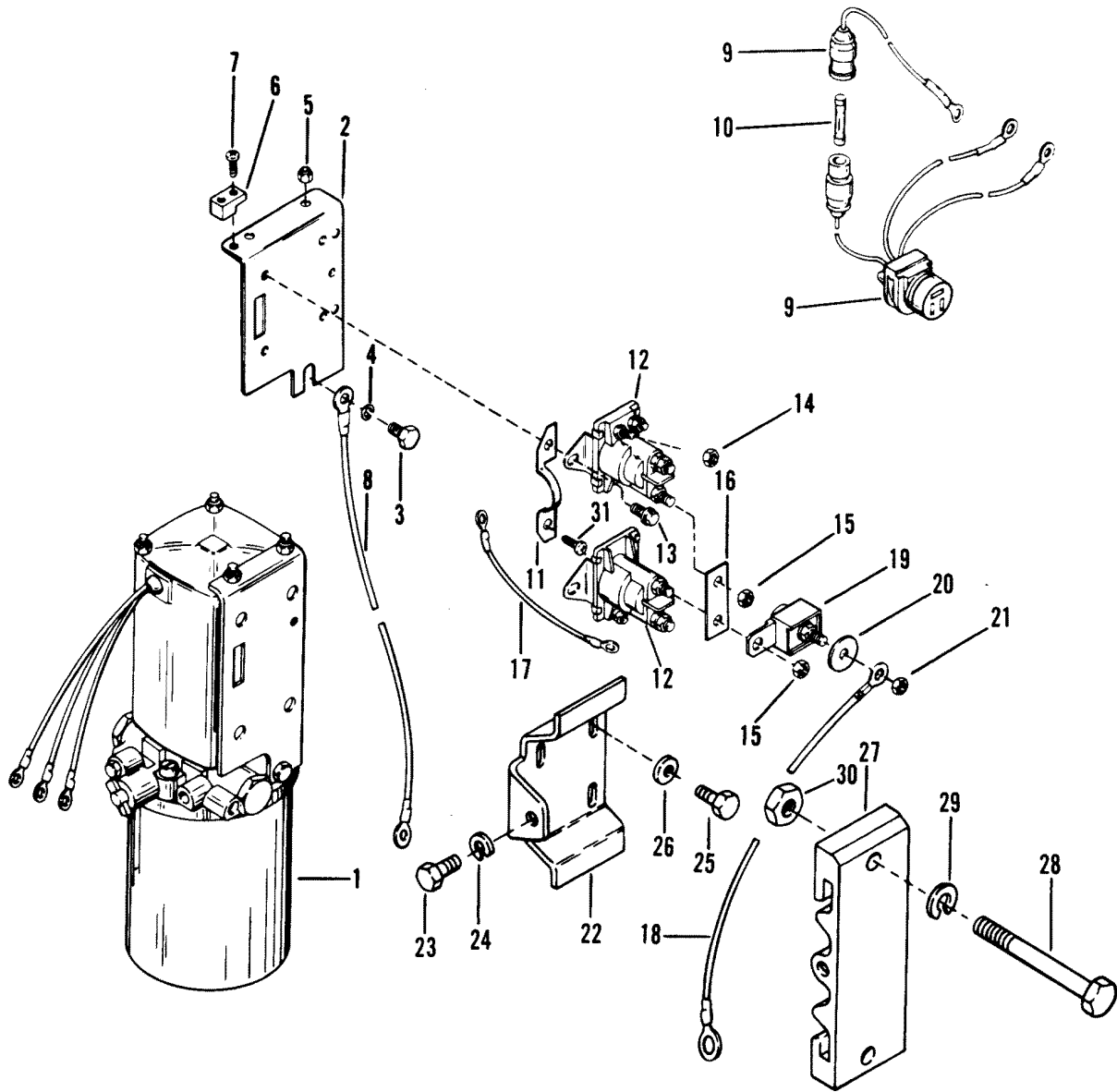
SEE PAGE 29
FOR GEAR
HOUSING CHART



GEAR HOUSING (PROPELLER SHAFT) LHR

REF. NO.	PART NO.	SYM.	QTY.	DESCRIPTION
81	11-34933		2	NUT, DRIVE SHAFT HOUSING STUDS
82	10-30206		1	SCREW, GEAR HOUSING
83	13171		1	THRUST HUB
84	14-31210		1	TAB WASHER, PROPELLER NUT
86	11-52707A1		1	PROPELLER NUT

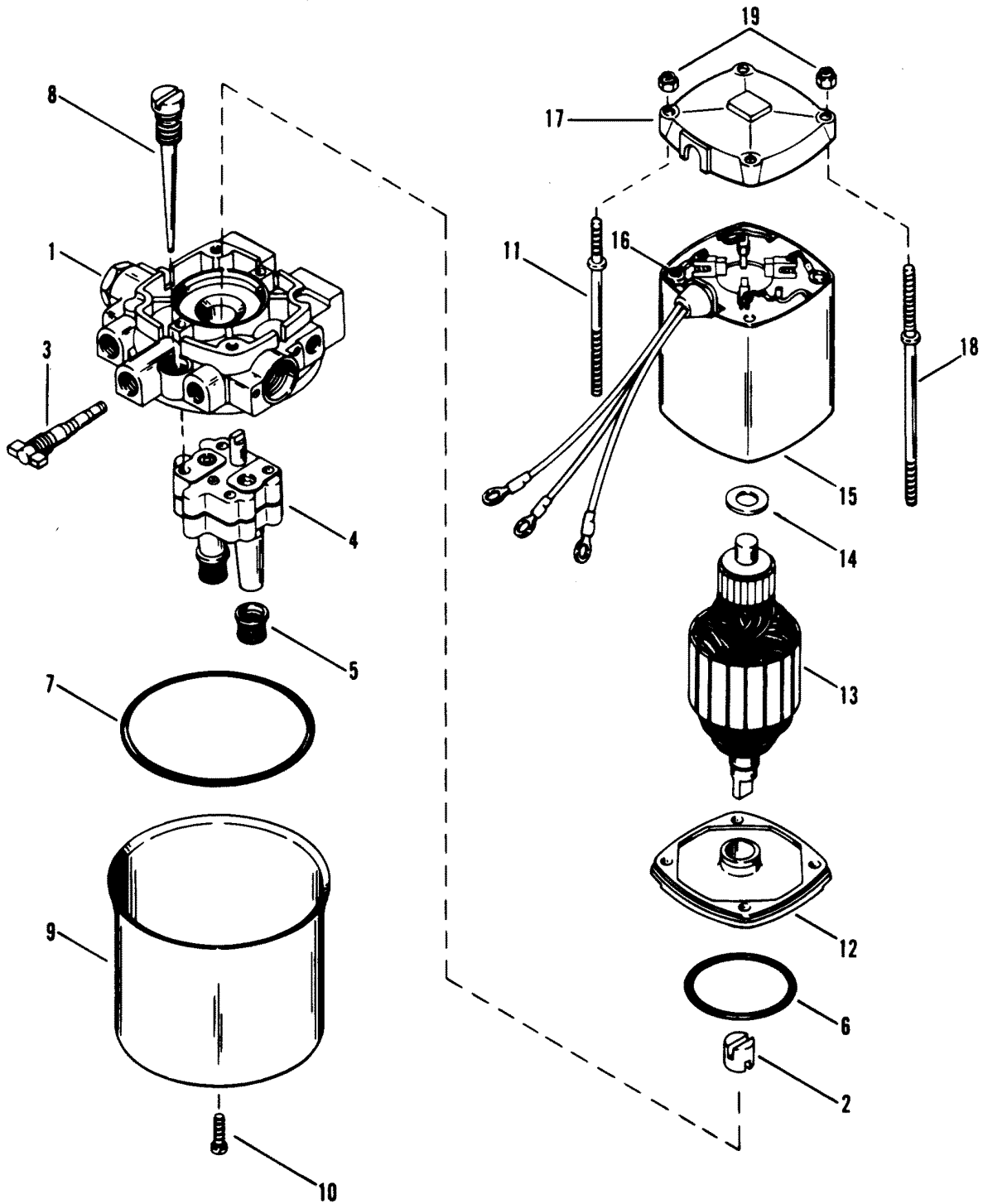
HYDRAULIC PUMP AND MOUNTING BRACKETS



HYDRAULIC PUMP AND MOUNTING BRACKETS

REF. NO.	PART NO.	SYM.	QTY.	DESCRIPTION
1	92459A4		1	HYDRAULIC PUMP ASSEMBLY
2	90318		1	BRACKET, MOUNTING-STARTER SOLENOID
3	10-90285		1	SCREW, MOUNTING BRACKET (5/8")
4	12-56720		1	WASHER, MOUNTING BRACKET SCREW
5	11-34059		2	NUT, MOUNTING BRACKET TO HYDRAULIC PUMP
6	45915		1	TERMINAL BLOCK
7	10-69079		2	SCREW, WIRE TO TERMINAL BLCK
8	84-79138A9		1	BATTERY CABLE, BLACK NEGATIVE)
9	84-79147A3		1	HARNESS ASSEMBLY, HYDRAULIC PUMP
10	88-79091		1	FUSE (20 AMP)
11	88075		1	RETAINER, HARNESS TO MOUNTING BRACKET
12	89-96158		2	SOLENOID
13	10-41508		4	SCREW, START SOLENOID TO BRACKET (3/8")
14	11-26419		4	NUT, STARTER SOLENOID TERMINAL (#8-32)
15	11-94330		4	NUT, STARTER SOLENOID TERMINAL (1/4-20)
16	94275		1	CONNECTOR, SOLENOID TO SOLENOID
17	84-86322A15		1	WIRE, SOLENOID TO SOLENOID (BLACK)
18	84-79139A12		1	BATTERY CABLE, RED (POSITIVE)
19	88-79023A10		1	FUSE (110 AMP)
20	12-96457		1	WASHER, FUSE TERMINAL
21	11-21825		1	NUT, FUSE TERMINAL
22	87760		1	PLATE, MOUNTING
23	10-39349		1	SCREW, MOUNTING PLATE TO BRACKET (3/4")
24	13-26993		1	LOCKWASHER, MOUNTING PLATE SCREW
25	10-90271		2	SCREW, HYDRAULIC PUMP (5/8")
26	13-58643		2	LOCKWASHER, HYDRAULIC PUMP SCREW
27	87762		1	BRACKET, HYDRAULIC PUMP
28	10-31830		2	BOLT, BRACKET TO TRANSOM (3-1/2")
29	13-58643		2	LOCKWASHER, BRACKET SCREW
30	11-24883		2	NUT, BRACKET SCREW
31	10-48409		1	SCREW, RETAINER

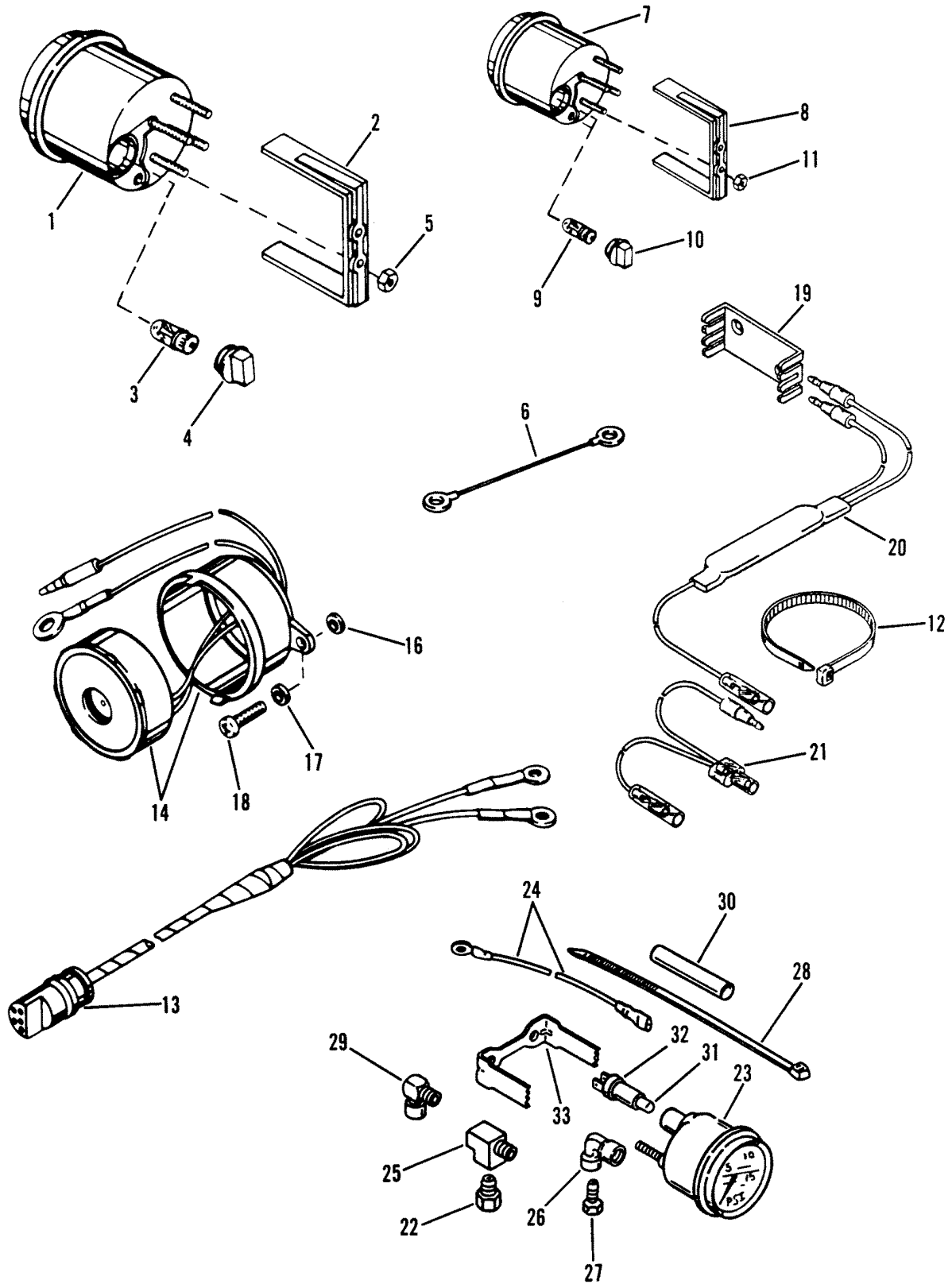
HYDRAULIC PUMP ASSEMBLY



HYDRAULIC PUMP ASSEMBLY

REF. NO.	PART NO.	SYM.	QTY.	DESCRIPTION
-	92459A4		1	HYDRAULIC PUMP ASSEMBLY
1	89492		1	ADAPTOR
2	89493		1	COUPLING
3	89494		AR	MANUAL RELEASE (INCLUDES 2 "O" RINGS)
	96598		AR	MANUAL RELEASE (INCLUDES 3 "O" RINGS)
4	89495		1	PUMP (INCLUDES SCREWS)
5	35-89496		2	FILTER
6	25-89498		1	"O" RING, MOTOR END
7	25-89497		1	"O" RING, RESERVOIR END
8	89499		1	DIPSTICK
9	90587		1	RESERVOIR
10	10-90588		1	SCREW, RESERVOIR (INCLUDES "O" RING)
11	16-90589		1	THRU STUD (SHORT)
	16-90590		1	THRU STUD (LONG)
-	87828		1	MOTOR, POWER TRIM
12	89484		1	END FRAME, DRIVE END
13	89485		1	ARMATURE
14	12-89482		1	WASHER, THRUST-ARMATURE
15	89486		1	FIELD AND FRAME
16	89487		1	BRUSH CARD
17	89488		1	END F RAME, COMMUTATOR END
18	10-89483		1	THRU BOLT, MOTOR (4-1/4")
	10-89489		1	THRU BOLT, MOTOR (4-9/16")
19	11-89481		6	NUT, THRU BOLT AND STUD

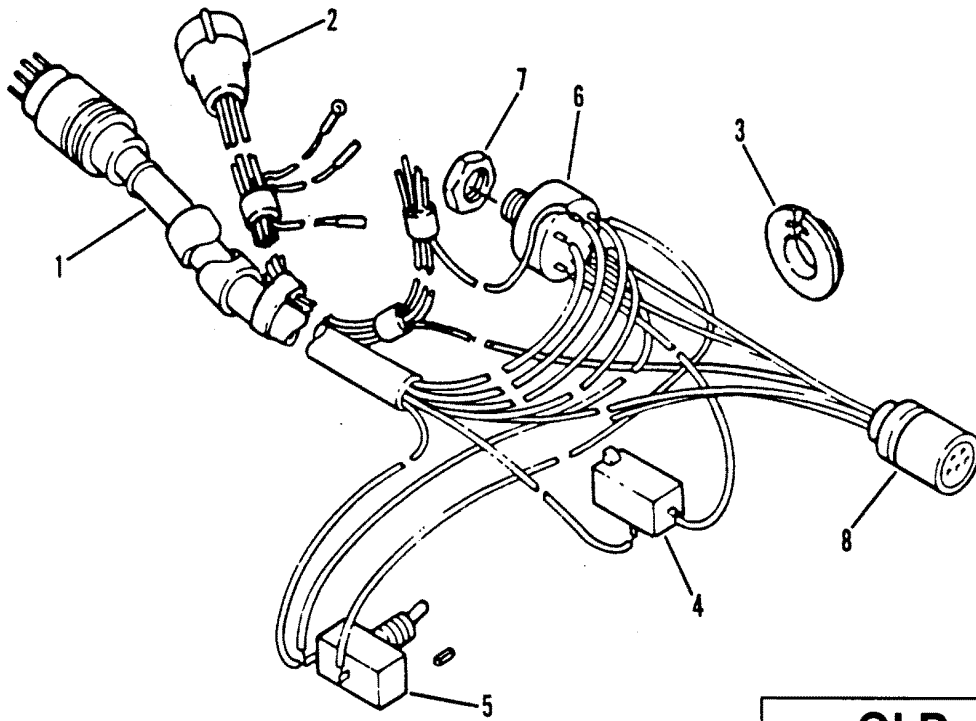
INSTRUMENTATION



INSTRUMENTATION

REF. NO.	PART NO.	SYM.	QTY.	DESCRIPTION
1	79-93953A1		1	TACHOMETER
2	79101T		1	BRACKET, MOUNTING
3	88-72729		1	LIGHT BULB
4	88-79888		1	SOCKET
5	11-26419		5	NUT (#8-32)
6	84-86322A7		1	WIRE, TRIM GAUGE (BLACK - 1-1/2")
	84-86323A5		1	WIRE, TRIM GAUGE (PURPLE - 1-1/2")
7	79-15113A4		1	TRIM GAUGE
8	79480		1	BRACKET, MOUNTING - TRIM GAUGE
9	88-72729		1	LIGHT BULB, TRIM GAUGE
10	88-79888		1	SOCKET, TRIM GAUGE
11	11-26419		5	NUT, TRIM GAUGE TERMINAL (8-32)
12	54-816311		AR	STA-STRAP
13	84-86396A8		1	HARNESS
14	68878A6		1	ALARM HORN AND WIRE ASSEMBLY
15	68879		1	COVER, ALARM HORN
16	23-79697		2	SPACER, ALARM HORN
17	12-24676		2	WASHER, ALARM HORN
18	10-35401		2	SCREW, ALARM HORN
19	79146		1	RETAINER
20	812497A2		1	DIODE KIT
21	84-11149A2		1	CABLE ASSEMBLY
22	22-36492		1	BRUSHING
23	79-15128A3		1	30 PSI GAUGE KIT
24	84-88532A1		1	CABLE ASSEMBLY (DARK BLUE)
	84-86322A16		1	CABLE ASSEMBLY (BLACK)
25	22-64706		1	TEE FITTING
26	22-63651		2	ELBOW (90 DEGREES)
27	22-63670		2	FITTING
28	54-816311		5	CABLE TEE
29	22-77863		1	FITTING
30	32-64088--6		1	TUBING
31	88-95691		1	BULB
32	13631		1	SOCKET
33	17654		1	BRACKET

TRIM HARNESS ASSEMBLY OLD DESIGN

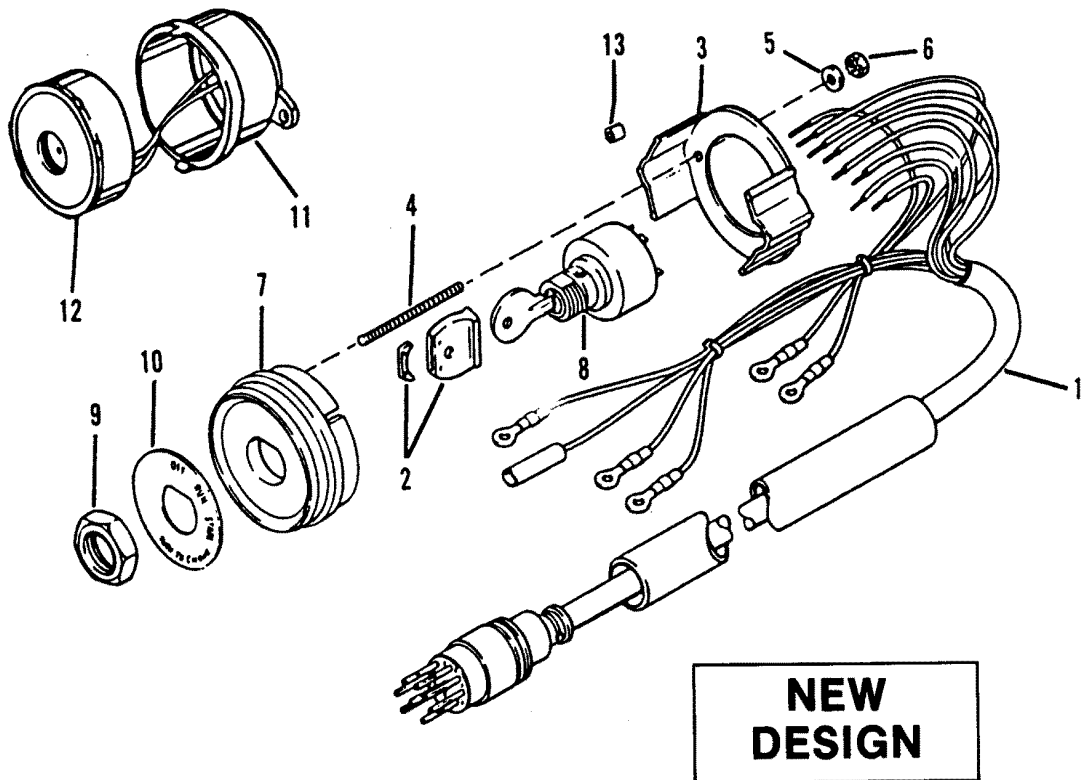


**OLD
DESIGN**

TRIM HARNESS ASSEMBLY OLD DESIGN

REF. NO.	PART NO.	SYM.	QTY.	DESCRIPTION
1	84-86353A1		1	WIRING HARNESS ASSEMBLY
2	84-86228415		1	HARNESS ASSEMBLY, TRIM
3	23-85872		1	BRUSHING, TRIM HARNESS
4	87-86320		1	MICRO SWITCH
5	87-91941		1	TOGGLE SWITCH
6	87-88107		1	IGNITION SWITCH
7	11-93543		1	NUT, IGNITION SWITCH
8	85-86319		1	INSULATOR, WIRING HARNESS
-	89491--1		AR	KEY 1A
-	89491--2		AR	KEY 1B
-	89491--3		AR	KEY 1C
-	89491--4		AR	KEY 1D
-	89491--5		AR	KEY 1E
-	89491--6		AR	KEY 1F
-	89491--7		AR	KEY 2A
-	89491--8		AR	KEY 2B
-	89491--9		AR	KEY 2C
-	89491-10		AR	KEY 2D
-	89491-11		AR	KEY 2E
-	89491-12		AR	KEY 2F

KEY SWITCH ASSEMBLY NEW DESIGN



KEY SWITCH ASSEMBLY NEW DESIGN

REF. NO.	PART NO.	SYM.	QTY.	DESCRIPTION
1	84-17925A15		1	KEY SWITCH ASSEMBLY (15)
2	90468A1		2	COVER, IGNITION SWITCH KEYS
3	76424		1	BRACKET, IGNITION SWITCH
4	16-55422		2	STUD, SWITCH ATTACHING
5	12-24676		2	WASHER, SWITCH ATTACHING STUD
6	11-68219		2	NUT, SWITCH ATTACHING STUD
7	89976		1	PLATE, SWITCH MOUNT
8	87-88107		1	SWITCH, IGNITION
9	11-93543		1	NUT, IGNITION SWITCH
10	38-90311		1	INSERT, SWITCH PLATE
11	68878A6		1	ALARM HORN ASSEMBLY
12	68879		1	COVER, ALARM HORN
13	23-812711--1		2	SPACER (3/8")
	23-812711		2	SPACER (1/4")
-	89491--1		AR	KEY 1A
-	89491--2		AR	KEY 1B
-	89491--3		AR	KEY 1C
-	89491--4		AR	KEY 1D
-	89491--5		AR	KEY 1E
-	89491--6		AR	KEY 1F
-	89491--7		AR	KEY 2A
-	89491--8		AR	KEY 2B
-	89491--9		AR	KEY 2C
-	89491-10		AR	KEY 2D
-	89491-11		AR	KEY 2E
-	89491-12		AR	KEY 2F

PARTS INDEX

Part Number	Description	Pg.	Ref. No.	Part Number	Description	Pg.	Ref. No.
12144	COVER, WATER PASSAGE	45	1	48039	CAP, SPARK ADVANCE		
12144	COVER, WATER PASSAGE	51	1		STOP SCREW	13	12
12955A3	BOTTOM COWL ASSEMBLY	3	13	48752	INSERT, WATER PUMP		
13171	THRUST HUB	49	79		BODY	45	27
13171	THRUST HUB	57	83	48752	INSERT, WATER PUMP		
13631	SOCKET	63	32		BODY	51	27
13715	RETAINER	25	2	52100	WEAR PLATE, LINK ROD	13	38
13734	RETAINER, HOLD DOWN	3	14	54196A6	CARRIER ASSEMBLY	29	4
14410A1	FRONT COVER	3	2	54196A6	CARRIER ASSEMBLY, SEAL	27	4
14469	BEARING CUP	55	76	56703	CPLLAR, START MOTOR	5	15
14587A4	BEARING CARRIER	55	68	58707	HOLD DOWN (BUNGY		
15221A2	CYLINDER HEAD	25	1		CORD)	3	8
15386	END CAP, COMMUTATOR	7	11	60572	BARREL, THROTTLE		
15838A2	BEARING ADAPTOR	55	66		CONTROL ROD	13	27
15840--1	COVER	49	73	61787	HOLDER, BRUSH	7	9
15840--1	COVER, GEAR HOUSING	55	75	62459	BALL JOINT, TRIGGER		
17654	BRACKET	63	33		PLATE	13	2
17916A1	BEARING CARRIER	49	64	65800	SEAL	29	5
17916A1	BEARING CARRIER	49	64	65800	SEAL, CARRIER	27	5
18018A1	FUEL PUMP KIT	17	23	67073A1	LINK ROD ASSEMBLY	13	37
18734	COVER, SOUND			67077T	COVER, LOWER MOUNT		
	ATTENUATOR	17	34		CLAMP	31	10
19368--2	TRIM MOLDING	3	17	67614	COVER, IGNITION COIL	5	23
19426--1	PLATE, SOUND			67703	STRAP, SWIVEL BRACKET		
	ATTENUATOR	17	39		RETAINING	31	13
20033	DOWEL PIN, GEAR			67748	ROLLER, LOWER THROTTLE		
	HOUSING LOCATING	51	3		LEVER	17	33
26852	CAP	23	38	68042	STOP, RUBBER-STARTER		
26852	CAP, SPARK ADVANCE				MOTOR	5	16
	LEVER STOP SCREW	13	9	68100--1	THRUST RING	49	59
26852	CAP, THROTTLE LEVER			68878A6	ALARM HORN AND WIRE		
	STOP SCREW	13	21		ASSEMBLY	63	14
32435	PLATE, FACE - WATER			68878A6	ALARM HORN ASSEMBLY	67	11
	PUMP	45	25	68879	COVER, ALARM HORN	63	15
32435	PLATE, FACE-WATER PUMP	51	25	68879	COVER, ALARM HORN	67	12
37896	GUIDE BLOCK, LINK ROD	13	35	71602	YOKE, COWL HOLD DOWN	3	5
38279	LATCH, CONTROL CABLE			74897	PIVOT, TRIGGER PLATE	13	1
	FASTENING	13	39	75384	BRUSH SET	7	8
39483	LATCH, CABLE	13	22	75660	PLATE, DRIVE END	7	3
39519	CAP, BARREL RETAINER -			75661	DRIVE	7	2
	ANCHOR BAR	15	47	75953	REED BLOCK	25	21
41052	PLUNGER, TILT LEVER			76035	LINK ROD, TRIGGER PLATE	13	4
	RELEASE	35	14	76214	ANODIC PALTE	49	74
41094A3	LEVER, SPARK ADVANCE	13	6	76214	ANODIC PLATE	55	78
41095T	LEVER, THROTTLE			76424	BRACKET, IGNITION		
	CONTROL	13	13		SWITCH	67	3
41941	DIFFUSER, EXHAUST	31	23	76867	COVER (LOWER)	21	10
42248	BRACKET	21	29	77697	MOUNT, LOWER 3.36"		
42249	COVER (UPPER)	21	7		MOUNT LENGTH	31	5
42732A2	PLATE ASSEMBLY, DRIVE			78902	SHAFT, SHIFT - LOWER	45	38
	SHAFT HOUSING	31	21	78902	SHAFT, SHIFT-LOWER	51	38
42859A2	VALVE, ENRICHENER-NEW			78956	SHIFT CAM	49	48
	DESIGN	17	1	78956	SHIFT CAM	55	48
43429	PLATE, IGNITION	11	1	79022	MARKER, TIMING	5	2
43453	PLUG	23	40	79101T	BRACKET, MOUNTING	63	2
43657	HOUSING, REED BLOCK	25	18	79146	RETAINER	63	19
44260	RETAINER, WATER TUBE			79216	ARMATURE	7	7
	SEAL	31	27	79448	COVER	49	73
45915	TERMINAL BLOCK	25	16	79480	BRACKET, MOUNTING -		
45915	TERMINAL BLOCK	59	6		TRIM GAUGE	63	8

PARTS INDEX

Part Number	Description	Pg.	Ref. No.	Part Number	Description	Pg.	Ref. No.
79610A6	TRIM CYLINDER ASSEMBLY (79879A1 REPAIR KIT) . . .	37	24	89491--9	KEY 2C	67	-
79911	ROD	49	50	89491-10	KEY 2D	65	-
79911	ROD, CLUTCH ACTUATOR . . .	55	50	89491-10	KEY 2D	67	-
79918A1	COVER ASSEMBLY, FLYWHEEL	5	1	89491-11	KEY 2E	65	-
79932A11	SHIFT SHAFT ASSEMBLY . . .	13	42	89491-11	KEY 2E	67	-
812497A2	DIODE KIT	63	20	89491-12	KEY 2F	65	-
816054	MOUNT, LOWER 3.16" MOUNT LENGTH	31	5	89491-12	KEY 2F	67	-
816770	TECTIFIER	11	17	89492	ADAPTOR	61	1
85024	SHAFT, TIRM CYLINDER . . .	37	29	89493	COUPLING	61	2
85026	PLATE, PIVOT PIN	37	13	89494	MANUAL RELEASE (INCLUDES 2 "O" RINGS)	61	3
85030A2	LEVER ASSEMBLY, TILT LOCK (PORT)	35	11	89495	PUMP (INCLUDES SCREWS)	61	4
85035T	SPACER, TRANSOM BRACKET	37	16	89499	DIPSTICK	61	8
86475--1	COUPLING, TILT LOCK LEVER	35	17	89594A1	CAM FOLLOWER	49	49
86485A5	TRIM SENDER ASSEMBLY . . .	35	30	89594A1	FOLLOWER, CAM	55	49
86580A1	BOTTOM YOKE	35	22	89949A1	PLATE ASSEMBLY, TRANSOM BRACKET	37	19
86603	KNOB, PLUNGER	35	16	89976	PLATE, SWITCH MOUNT . . .	67	7
86926A4	SPEED LIMITER	41	17	90318	BRACKET, MOUNTING- STARTER SOLENOID	59	2
87604	THROTTLE LINK	17	25	90345	BRACKET, PRIMER SOLENOID	9	1
87607	LEVER, THROTTLE	19	22	90390A1	COVER, THERMOSTAT	25	9
87760	PLATE, MOUNTING	59	22	90468A1	COVER, IGNITION SWITCH KEYS	67	2
87762	BRACKET, HYDRAULIC PUMP	59	27	90587	RESERVOIR	61	9
87828	MOTOR, POWER TRIM	61	--	90645	DRIVE KIT	7	1
87871	COVER, INLET - HYDRAULIC HOSE	37	36	92032A2	BRACKET,ANCHOR - CONTROL CABLES	13	33
88075	RETAINER, HARNESS TO MOUNTING BRACKET	59	11	92459A4	HYDRAULIC PUMP ASSEMBLY	59	1
88342	STRAP, SWITCH AND SENDER	35	32	92459A4	HYDRAULIC PUMP ASSEMBLY	61	-
88369	BAFFLE	19	29	92876A1	STEERING LINK ASSEMBLY	35	26
88825A7	VOLTAGE REGULATOR	41	11	93332A1	THROTTLE LEVER	17	26
89484	END FRAME, DRIVE END . . .	61	12	94275	CONNECTOR, SOLENOID TO SOLENOID	59	16
89485	ARMATURE	61	13	95791	THROTTLE CAM	13	28
89486	FIELD AND FRAME	61	15	95829	ROD,THROTTLE CONTROL	13	26
89487	BRUSH CARD	61	16	96183	REED CLAMP	25	23
89488	END F RAME, COMMUTATOR END	61	17	96455A11	TRIGGER PLATE ASSEMBLY	5	13
89491--1	KEY 1A	65	-	96598	MANUAL RELEASE (INCLUDES 3 "O" RINGS)	61	3
89491--1	KEY 1A	67	-	97465	TEMPERATURE SENDER . . .	25	15
89491--2	KEY 1B	65	-	98889	LATCH,CONTROL CABLE . . .	15	48
89491--2	KEY 1B	67	-	99169A2	PLATE, DIVIDER	41	1
89491--3	KEY 1C	65	-	99170A1	TILT TUBE	37	9
89491--3	KEY 1C	67	-	99193	COVER, RELIEF VALVE . . .	41	6
89491--4	KEY 1D	65	-	99264--1	PLATE, COWL BASE	3	20
89491--4	KEY 1D	67	-	N.S.S.	FORWARD GEAR (PART OF 43-15845A2)	55	56
89491--5	KEY 1E	65	-	N.S.S.	PINION GEAR (PART OF 43- 15845A2)	51	12
89491--5	KEY 1E	67	-	N.S.S.	PINION GEAR (PART OF 43- 44104A2)	45	12
89491--6	KEY 1F	65	-	N.S.S.	REVERSE GEAR (PART OF 43-44104A2)	49	56
89491--6	KEY 1F	67	-	N.S.S.	WASHER, THRU BOLT (AMERICAN BOSCH #WA3122)	7	6
89491--7	KEY 2A	65	-				
89491--7	KEY 2A	67	-				
89491--8	KEY 2B	65	-				
89491--8	KEY 2B	67	-				
89491--9	KEY 2C	65	-				

PARTS INDEX

Part Number	Description	Pg.	Ref. No.	Part Number	Description	Pg.	Ref. No.
10-13212--1	SCREW SCREW ATTACHING	31	33	10-62568	SCREW, TERMINAL BLOCK		
10-14000	SCREW, STEERING LIN TO STEERING ARM (1-1/4")	35	27	10-62568	(3/8")	25	17
10-14834	SCREW, DRAIN (MAGNETIC)	47	46	10-62568	SCREW, WIRE ATTACHING	11	9
10-14834	SCREW, DRAIN (MAGNETIC)	53	46	10-63474	SCREW, LOWER MOUNT	31	4
10-15124	SCREW, THROTTLE LEVER TO THROTTLE LINK (3/4")	17	27	10-64022	ADJUSTING SCREW	21	36
10-18308	SCREW, REEDS TO REED BLOCK	25	24	10-64022	SCREW, SPARK ADVANCE LEVER - STOP	13	7
10-21558	SCREW, REED BLOCK ATTACHING (3/4")	25	25	10-64022	SCREW, THROTTLE LEVER - STOP (2-1/8")	13	19
10-22486	SCREW, CABLE LATCH TO THROTTLE LEVER	13	23	10-66024	SCREW (1-3/4")	49	75
10-24220	SET SCREW (OLD DESIGN)	21	20	10-66024	SCREW, TRIM TAB TO GEAR HOUSING ((1-3/4")	55	79
10-28636	SCREW (3/4")	21	34	10-66717	SCREW (3-1/4")	21	14
10-28636	SCREW, PLATE TO TRANSOM BRACKET	37	14	10-67755--1	SCREW, BRACKET TO TRANSOM (4-1/2")	37	4
10-28636	SCREW, RETAINER	31	28	10-67755--2	SCREW, BRACKET TO TRANSOM (6-1/2")	37	3
10-28668	SCREW, REED BLOCK HOUSING (7/8")	25	19	10-67769	SCREW, STRAP TO DRIVE SHAFT HOUSING	31	14
10-30206	SCREW	49	78	10-68513	SCREW, GROUND STRAP	5	33
10-30206	SCREW, GEAR HOUSING	57	82	10-68586	SCREW, BRUSH AND HOLDER	7	10
10-31716	SCREW, SOLENOID TO IGNITION PLATE (5/8")	11	26	10-69028	SCREW, CLIP TO BOTTOM COWL	17	20
10-31830	BOLT, BRACKET TO TRANSOM (3-1/2")	59	28	10-69034	SCREW (1")	21	19
10-32228	SCREW	41	18	10-69035	SCREW, CABLE TO STARTER MOTOR	5	20
10-35386	SCREW, THERMOSTAT COVER (1")	25	10	10-69079	SCREW, TERMINAL BLOCK (7/16")	25	17
10-35401	SCREW, ALARM HORN	63	18	10-69079	SCREW, WIRE TO TERMINAL BLCK	59	7
10-36070	SCREW, INLET COVER	39	39	10-69092	SCREW, IGNITION PLATE (1- 1/4")	11	12
10-36137	SCREW, SOUND ATTENUATOR	17	35	10-69560	SCREW, SPARK ADVANCE LEVER - STOP (1-1/4")	13	10
10-37572	SCREW, TIMING MARKER	5	3	10-69570	SCREW, FRONT COVER	3	3
10-38055	SCREW, CABLE TO IGNITION PLATE (5/8")	11	10	10-70732	SCREW, SPACER TO TRANSOM BRACKET	37	17
10-38055	SCREW, RECTIFIER TO IGNITION PLATE (5/8")	11	18	10-73286	SCREW, VALVE CLAMP -NEW DESIGN	17	3
10-38601	SCREW, PLATE TO BOTTOM COWL	3	21	10-73657	SCREW 91-1/2"	21	8
10-38837	SCREW, THERMOSTAT COVER (1-1/8")	25	10	10-74824	SCREW (1-1/4")	21	14
10-39349	SCREW, MOUNTING PLATE TO BRACKET (3/4")	59	23	10-74824	SCREW, COVER AND PLATE TO CYLINDER BLOCK (1- 1/4")	41	5
10-41506	SCREW	23	42	10-74968	BOLT, THRU	7	4
10-41508	SCREW, START SOLENOID TO BRACKET (3/8")	59	13	10-77065	SCREW (2")	21	11
10-42975	SCREW, LATCH	15	49	10-79953	SCREW, GREASE FILLER	47	45
10-48408	SCREW, COVER TO SOUND ATTENUATOR	17	37	10-79953	SCREW, GREASE FILLER	53	45
10-48409	SCREW, RETAINER	59	31	10-86509	SCREW, SOLENOID TO BRACKET	9	5
10-48409	SCREW, VOLTAGE REGULATOR	41	12	10-87180	BOLT, TILT	37	7
10-49668	SCREW (3/4")	21	30	10-87926	SCREW, COVER	45	2
10-53167	SCREW, COVER TO CYLINDER BLOCK	41	7	10-87926	SCREW, COVER	51	2
10-53167	SCREW, ANCHOR BRACKET ATTACHING	13	34	10-88417	SCREW, STRAP TO SWIVEL BRACKET	35	33
				10-88447	SCREW, COVER ATTACHING (5/8")	31	11
					SCREW, IGNITION COIL COVER (1-5/8")	5	24

PARTS INDEX

Part Number	Description	Pg.	Ref. No.	Part Number	Description	Pg.	Ref. No.
10-88829	SCREW, CLAMP TO TRANSOM BRACKET	37	22	11-34863	NUT, POWERHEAD STUD (THIN)	31	17
10-89483	THRU BOLT, MOTOR (4-1/4")	61	18	11-34863	NUT, STEERING LINK SCREW	35	28
10-89489	THRU BOLT, MOTOR (4- 9/16")	61	18	11-34932	NUT, POWERHEAD STUD (FULL)	31	17
10-89996	SCREW, PLATE TO TRANSOM BRACKET	37	20	11-34933	NUT	49	77
10-90271	SCREW, HYDRAULIC PUMP (5/8")	59	25	11-34933	NUT, DRIVE SHAFT HOUSING STUDS	55	81
10-90285	SCREW, MOUNTING BRACKET (5/8")	59	3	11-34933	NUT, GEAR HOUSING STUD	31	19
10-90588	SCREW, RESERVOIR (INCLUDES "O" RING) . . .	61	10	11-34933	NUT, TOP MOUNT STUD STUD ATTACHING	31	32
10-90815	SCREW, SWITCH BOX TO IGNITION PLATE	11	3	11-35045	NUT, PLATE SCREW	3	22
10-91903	SCREW, ADAPTOR TO DRIVE SHAFT HOUSING (1-3/4")	31	37	11-35045	NUT, LINK ROD	13	41
10-91995	SCREW	29	13	11-35045	NUT, LINK ROD TO SHIFT SHAFT	15	46
10-92913	SCREW, ADAPTOR (3/4") . .	33	37	11-35045	NUT, THROTTLE CAM STUD	13	31
10-93886	SCREW, CONNECTING ROD	27	13	11-35521	NUT, NYLON - COVER TO CLAMP SCREW	31	12
10-94929	SCREW, CYLINDER HEAD (2")	25	5	11-35814	NUT, CLAMP STUD	33	41
10-96411	SCREW, WATER PUMP (2- 1/4")	45	31	11-35888	NUT, CLIP SCREW	17	22
10-96411	SCREW, WATER PUMP (2- 1/4")	51	31	11-35921	NUT, PINION GEAR TO DRIVE SHAFT	45	14
10-96529	SCREW, REED BLOCK ATTACHING (2")	25	26	11-35921	NUT, PINION GEAR TO DRIVE SHAFT	51	14
10-98253	SCREW, SOLENOID BRACKET	9	2	11-42633	NUT, DRIVE SHAFT BEARIN	51	17
10-98256	SCREW, CLAMP TO SWIVEL BRACKET	35	35	11-42633	NUT, DRIVE SHAFT BEARING	45	17
10-98257	SCREW	25	3	11-45076	NUT, IGNITION COIL TERMINAL	5	25
10-98534	SCREW, CYLINDER HEAD (2-1/3")	25	5	11-45076	NUT, RECTIFIER TERMINALS	11	19
10-99452	SCREW, STATOR	5	11	11-45076	NUT, SWITCH BOX TERMINAL	11	7
11-13436	NUT, WATER PUMP STUD .	45	35	11-45076	NUT, VOLTAGE REGULATOR	41	14
11-13436	NUT, WATER PUMP STUD .	51	35	11-45076	SOLENOID TERMINALS . . .	11	29
11-13438	NUT, WATER PUMP STUD .	45	33	11-45812	NUT, BALL JOINT	13	5
11-13438	NUT, WATER PUMP STUD .	51	33	11-52707A1	PROPELLER NUT	49	82
11-20184	NUT, CARBURETOR STUD .	17	14	11-52707A1	PROPELLER NUT	57	86
11-20220	NUT, TULT BOLT	37	8	11-52901	NUT, FLYWHEEL	5	5
11-20586	NUT, CABLE LATCH SCREW	13	25	11-56041	NUT, TILT TUBE (7/8-14) . .	37	11
11-20890	NUT, STARTER MOTOR TERMINAL	5	18	11-64015	JAM NUT	23	37
11-21825	NUT, FUSE TERMINAL	59	21	11-64015	NUT, SPARK ADVANCE STOP SCREW	13	8
11-24883	NUT, BRACKET SCREW . . .	59	30	11-64015	NUT, THROTTLE LEVER STOP SCREW	13	20
11-25096	NUT, LOWER MOUNT SCREW	31	7	11-67980	NUT, SOLENOID TERMINALS	11	30
11-25269	NUT, STRAP TO DRIVE SHAFT HOUSING SCREW	31	15	11-68219	NUT, INLET COVER SCREW	39	41
11-26419	NUT (#8-32)	63	5	11-68219	NUT, SWITCH ATTACHING STUD	67	6
11-26419	NUT, STARTER SOLENOID TERMINAL (#8-32)	59	14	11-68219	NUT, LINK ROD	13	3
11-26419	NUT, TRIM GAUGE TERMINAL (8-32)	63	11	11-68219	NUT, SPARK ADVANCE LEVER STOP SCREW . . .	13	11
11-30506	NUT, EXTENSION STUD . . .	31	25	11-73651	NUT	21	27
11-34059	NUT, MOUNTING BRACKET TO HYDRAULIC PUMP . . .	59	5	11-816670	NUT, BRACKET SCREW . . .	37	6
				11-89481	NUT, THRU BOLT AND STUD	61	19
				11-90068T	NUT, TILT TUBE (1"-14)	37	11
				11-93543	NUT, IGNITION SWITCH . . .	65	7
				11-93543	NUT, IGNITION SWITCH . . .	67	9

PARTS INDEX

Part Number	Description	Pg.	Ref. No.	Part Number	Description	Pg.	Ref. No.
11-94330	NUT, STARTER SOLENOID TERMINAL (1/4-20)	59	15	12-67264	WASHER, IGNITION PLATE SCREW (RUBBER)	11	15
12-19183	WASHER, GREASE FILLER AND DRAIN SCREW	47	47	12-67670	WASHER, THRUST - SWIVEL BRACKET	35	24
12-19183	WASHER, GREASE FILLER AND DRAIN SCREW	53	47	12-68229	WASHER, FLYWHEEL	5	6
12-20128	WASHER	3	10	12-68410	WASHER, SPARK ADVANCE LEVER	13	18
12-20128	WASHER, YOKE RIVET	3	7	12-69056	WASHER, LATCH	13	40
12-20533	WASHER, EXTENSION STUD	31	24	12-72761	WASHER	21	26
12-22753	WASHER, CLAMP STUD	33	40	12-72761	WASHER	41	19
12-22887	WASHER, FRONT COVER SCREW	3	4	12-72761	WASHER, TIMING MARKER SCREW	5	4
12-24676	WASHER, ALARM HORN	63	17	12-77674	WASHER, RUBBER - SHIFT SHAFT BUSHING	47	44
12-24676	WASHER, SWITCH ATTACHING STUD	67	5	12-77674	WASHER, RUBBER-SHIFT SHAFT BUSHING	53	44
12-25909	WASHER, CYLINDER HEAD SCREW	25	6	12-78910	WASHER	49	52
12-28421	WASHER, BRACKET SCREW	37	5	12-78910	WASHER, SPRING	55	52
12-29245	WASHER, SPACER SCREW	37	18	12-816056	WASHER SCREW ATTACHING	31	34
12-29245	WASHER, CLAMP SCREW	35	36	12-816056	WASHER, LOWER MOUNT SCREW 3.16" MOUNT LENGTH	31	6
12-29245	WASHER, PLATE SCREW	37	15	12-85022	WASHER, TRANSOM BRACKET	37	26
12-29245	WASHER, WATER PUMP SCREW AND STUD	45	32	12-87161	WASHER, TILT LOCK LEVER	35	9
12-29245	WASHER, WATER PUMP SCREW AND STUD	51	32	12-89302	WASHER, CLVIS PIN	17	31
12-29245	WASHER, CLIP SCREW	17	21	12-89482	WASHER, THRUST- ARMATURE	61	14
12-30164	WASHER, COVER SCREW	5	32	12-92721	WASHER, PINION GEAR	45	13
12-34931	WASHER, STEERING LINK TO STEERING ARM	35	29	12-92721	WASHER, PINION GEAR	51	13
12-35462	WASHER, LINK ROD	15	45	12-96457	WASHER, FUSE TERMINAL	59	20
12-36001	WASHER, WATER PUMP STUD	45	34	13-26992	LOCKWASHER	21	35
12-36001	WASHER, WATER PUMP STUD	51	34	13-26992	LOCKWASHER, BRACKET SCREW	9	3
12-36042	WASHER, IGNITION PLATE SCREW	11	14	13-26992	LOCKWASHER, RETAINER SCREW	31	29
12-38345	WASHER, SOUND ATTENUATOR SCREW	17	36	13-26992	LOCKWASHER, SOLENOID TO IGNITION PLATE SCREW	11	27
12-45175	WASHER, POWERHEAD STUD	31	16	13-26992	LOCKWASHER, STARTER MOTOR TERMINAL	5	17
12-45176	WASHER	49	76	13-26993	LOCKWASHER	21	9
12-45176	WASHER, ADAPTOR SCREW	33	38	13-26993	LOCKWASHER, MOUNTING PLATE SCREW	59	24
12-45176	WASHER, DRIVE SHAFT HOUSING STUDS	55	80	13-26993	LOCKWASHER, IGNITION PLATE SCREW	11	13
12-45176	WASHER, GEAR HOUSING STUD	31	18	13-26995	LOCKWASHER, SOLENOID SCREW	9	6
12-45176	WASHER, TOP MOUNT STUD STUD ATTACHING	31	31	13-26996	LOCKWASHER, INLET COVER SCREW	39	40
12-47247	WASHER	29	14	13-26996	LOCKWASHER, STATOR SCREW	5	12
12-47247	WASHER, NEEDLE LOCATING	27	14	13-26996	LOCKWASHER, THROTTLE LEVER SCREW	17	28
12-47533	WASHER, SUBSTITUTE FOR THERMOSTAT	25	7	13-29720	WAVE WASHER, LINK ROD	13	43
12-49221--1	WASHER	21	25	13-58643	LOCKWASHER, BRACKET SCREW	59	29
12-49339	WASHER, LOWER MOUNT SCREW 3.36" MOUNT LENGTH	31	6	13-58643	LOCKWASHER, HYDRAULIC PUMP SCREW	59	26
12-56681	WASHER, THROTTLE LEVER SCREW	17	29				

PARTS INDEX

Part Number	Description	Pg.	Ref. No.	Part Number	Description	Pg.	Ref. No.
13-78854	WAVE WASHER, BOTTOM YOE	35	21	17-42671	CROSS PIN	49	62
13-88750	WAVE WASHER, TILT TUBE	37	10	17-42671	CROSS PIN, RATCHET	55	64
14-18323--1	TAB WASHER, GEAR HOUSING COVER	55	74	17-58712	CLEVIS PIN	3	9
14-31210	TAB WASHER	49	81	17-67296	DOWEL PIN (BEARING RACE)	21	5
14-31210	TAB WASHER, PROPELLER NUT	57	84	17-67297	CLEVIS PIN, THROTTLE LEVER TO THROTTLE LINK	17	30
14-79447	TAB WASHER	49	72	17-67706A46	SWIVEL PIN AND STEERING ARM ASSEMBLY	35	25
15-42637A1	SHIM ASSEMBLY, ROLLER BEARING TO GEAR HOUSING	45	15	17-69745	PIN, LEVER TO COUPLING	35	18
15-42637A1	SHIM ASSEMBLY, ROLLER BEARING TO GEAR HOUSING	51	15	17-78905	CORSS PIN	49	62
15-47397A1	SHIM	49	68	17-78906	PIN	49	53
16-15093	STUD (1")	21	23	17-78906	PIN, SPRING LOCATOR	55	53
16-15094	STUD (1-7/8")	21	22	17-78909	DETENT PIN	49	54
16-17805	STUD, TOP MOUNT STUD ATTACHING	31	30	17-78909	DETENT PIN, RATCHET	55	54
16-20353	STUD, THROTTLE CAM ATTACHING	13	29	17-85020	PIVOT PIN, TRIM CYLINDER	37	28
16-27037	STUD, CARBURETOR MOUNTING	25	27	17-88457	RIVET, BAFFLE	19	30
16-30667	STUD, WATER PUMP (3-1/4")	51	7	17-91862	PIN, TRIM CYLINDER	37	31
16-30667	STUDL, WATER PUMP (3-1/4")	45	7	18-21071	COTTER PIN	3	11
16-55422	STUD, SWITCH ATTACHING	67	4	18-26953	COTTER PIN, CLVIS PIN	17	32
16-56295	STUD, DRIVE SHAFT HOUSING/GEAR HOUSING	31	2	18-93861	COTTER PIN, COUPLING SPRING	35	20
16-56297	STUD, WATER PMP (3-3/8")	51	6	19-64649	PLUG, DRIVE SHAFT HOUSING	31	3
16-56297	STUD, L WATER PUMP (3-3/8")	45	6	21-42623	CHECK VALVE, BLEED HOSE (PRESS-IN - 11/16" LONG)	25	31
16-57920	STUD, GEAR HOUSING (2-1/16")	45	5	21-42698	CHECK VALVE, BLEED HOSE (PRESS IN - 13/16" LONG)	25	31
16-57920	STUD, GEAR HOUSING (2-1/16")	51	5	22-13820	PIPE PLUG	45	10
16-66021	STUD, EXTENSION TO PLATE	31	22	22-13820	PIPE PLUG	51	10
16-69058	STUD, LOWER MOUNT CLAMP	33	39	22-14685	PLUG, BOTTOM COWL	3	19
16-78638	STUD, EAR HOUSING (3-1/8")	51	4	22-15133	ELBOW, PRIMER HOSE (PRESS IN)	25	28
16-78638	STUD, GEAR HOUSING (3-1/8")	45	4	22-28586	FITTING, STRAIGHT	17	5
16-88876	STUD, PLUNGER	35	15	22-32561	PIPE PLUG	23	39
16-90589	THRU STUD (SHORT)	61	11	22-36492	BRUSHING	63	22
16-90590	THRU STUD (LONG)	61	11	22-38407	PLUG (WATER JACKET)	21	21
16-96908	STUD (2-3/16")	21	2	22-47945	PIPE PLUG (TOP)	17	7
16-96909	STUD (7")	21	2	22-56759	FITTING, BLEED HOSE (PRESS IN)	25	29
16-96910	STUD (5-3/4")	21	2	22-56800	PLUG	21	13
16-97008	STUD (2")	21	2	22-62006	ELBOW, SOLENOID (90 DEGREES)	9	8
17-12146	RIVET, YOKE TO COWL	3	6	22-63651	ELBOW (90 DEGREES)	63	26
17-12147	RIVET, TRIM MOLDING	3	18	22-63670	FITTING	63	27
17-12148	RIVET, RETAINER	3	15	22-64706	TEE FITTING	63	25
17-14908	RIVET, RETAINER	3	16	22-68727	FITTING	41	10
17-20033	DOWEL PIN	21	4	22-68727	FITTING, ELBOW - WATER HOSES (STARBOARD)	25	11
17-20033	DOWEL PIN, GEAR HOUSING LOCATING	45	3	22-68728	FITTING, THERMOSTAT COVER TO WATER HOSES (PORT)	25	13
17-20033	DOWEL PIN, LOCATING	31	35	22-70834	BAYONET	17	24
				22-74036	FITTING, GREASE	35	4
				22-77059	FITTING, SOLENOID (45 DEGREES)	9	9
				22-77863	FITTING	63	29

PARTS INDEX

Part Number	Description	Pg.	Ref. No.	Part Number	Description	Pg.	Ref. No.
22-816875	FITTING,CARBURETOR (TOP)	17	8	24-20099	SPRING,LINK ROD TO GUIDE BLOCK	13	36
22-816876	TEE,CARBURETOR (CENTER)	17	9	24-30316	SPRING, TRIM CYLINDER	37	27
22-87207	CONNECTOR, HYDRAULIC HOSE	37	35	24-41050	SPRING,THROTTLE RETURN	13	32
22-94090	ELBOW (90)	19	31	24-55162	SPRING,THROTTLE AND SPARK ADVANCE LEVER	13	17
22-94282	ELBOW,CARBURETOR (BOTTOM)	17	10	24-78962	SPRING	49	55
23-17615--1	SPACER SHIM .125"	55	62	24-78962	SPRING, RETAINING-CROSS PIN	55	55
23-17615--2	SPACER SHIM .127"	55	62	24-79910	SPRING	49	51
23-17615--3	SPACER SHIM .129"	55	62	24-79910	SPRING, COMPRESSION	55	51
23-17615--4	SPACER SHIM .131"	55	62	24-85367	SPRING, TILT LEVER RELEASE	35	13
23-17615--5	SPACER SHIM .133"	55	62	24-88049	SPRING, TENSION - COUPLING	35	19
23-17615--6	SPACER SHIM .135"	55	62	25-12602	GROMMET, HYDRAULIC HOSES	37	34
23-17615--7	SPACER SHIM .137"	55	62	25-25439	"O" RING, SHIFT SHAFT BUSHING	45	41
23-17615--8	SPACER SHIM .139"	55	62	25-25439	"O" RING, SHIFT SHAFT BUSHING	51	41
23-17615--9	SPACER SHIM .141"	55	62	25-30271	RING, RUBBER (DRIVE SHAFT)	45	36
23-17615-10	SPACER SHIM .143"	55	62	25-30271	RING, RUBBER (DRIVE SHAFT)	51	36
23-17615-11	SPACER SHIM .145"	55	62	25-31534	O-RING	49	70
23-17615-12	SPACER SHIM .147"	55	62	25-32509	O-RING	23	41
23-17615-13	SPACER SHIM .149"	55	62	25-33466	"O" RING, SWIVEL BRACKET - UPPER	35	6
23-26600	BUSHING,NYLON - LINK ROD	15	44	25-39695	"O" RING, COVER	45	1A
23-26856	BUSHING,THROTTLE CAM	13	30	25-39695	"O" RING, COVER	51	1A
23-27132	BUSHING, SHIFT SHAFT	31	36	25-45507	GROMMET, INLET COVER	39	38
23-29804	SLEEVE, GUIDE - WATE RINLET TUBE	45	37	25-48171	"O" RING, TILT LOCK LEVER	35	10
23-29804	SLEEVE, GUIDE-WATER INLET TUBE	51	37	25-54029	O-RING	21	16
23-43998	SLEEVE, LUBRICATION	45	9	25-62700	O-RING (3-1/4" I.D.)	21	32
23-43998	SLEEVE, LUBRICATION	51	9	25-88341	GROMMET, SWIVEL BRACKET	35	7
23-55164	BUSHING,THROTTLE LEVER	13	15	25-89497	"O" RING, RESERVOIR END	61	7
23-55171	BUSHING,SPARK ADVANCE LEVER	13	16	25-89498	"O" RING, MOTOR END	61	6
23-67268	BUSHINGG, IGNITION PLATE SCREW	11	16	25-90011	"O" RING, WATER PUMP	45	20
23-67269	SPACER	21	24	25-90011	"O" RING, WATER PUMP	51	20
23-67668	SPACER, SWIVEL BRACKET - UPPER	35	5	26-16977	OIL SEAL, WATER PUMP	45	22
23-67669	BUSHING, SWIVEL BRACKET - LOWER AND UPPER	35	3	26-16977	OIL SEAL, WATER PUMP	51	22
23-77631A2	BUSHING ASSEMBLY, SHIFT SHAFT	45	42	26-38970	SEAL, RUBBER - WATER INLET TUBE	45	28
23-77631A2	BUSHING ASSEMBLY, SHIFT SHAFT	51	42	26-38970	SEAL, RUBBER-WATER INLET TUBE	51	28
23-79697	SPACER, ALARM HORN	63	16	26-38970	SEAL, WATER TUBE	31	26
23-812711	SPACER (1/4")	67	13	26-41953	OIL SEAL	21	18
23-812711--1	SPACER (3/8")	67	13	26-41953	OIL SEAL	21	18
23-85872	BRUSHING, TRIM HARNESS	65	3	26-41953	OIL SEAL	21	33
23-86489	BUSHING, TRIM CYLINDER	37	25	26-76384	OIL SEAL, SHIFT SHAFT BUSHING	47	43
23-86600	BUSHING, TILT LEVER RELEASE	35	12	26-76384	OIL SEAL, SHIFT SHAFT BUSHING	53	43
23-86637	BEARING, TRIM SHAFT	37	30	26-76868	OIL SEAL	49	66
23-94304	BUSHING, SWITCH BOX SCREW	11	31	26-76868	OIL SEAL, BEARING CARRIER	55	70
23-94453	BUSHING, SWITCH BOX SCREW	11	5	26-814754	SEAL, DIVIDER PLATE	41	3

PARTS INDEX

Part Number	Description	Pg.	Ref. No.	Part Number	Description	Pg.	Ref. No.
26-87735	OIL SEAL, SWIVEL BRACKET (LOWER)	35	2	31-67445	ROLLER BEARING	29	7
26-89238	OIL SEAL, WATER PUMP	45	21	31-73363	ROLLER BEARING (TORRINGTON #BH-1610)	49	58
26-89238	OIL SEAL, WATER PUMP	51	21	31-74248	BEARING	21	17
27-11338	GASKET	21	6	31-78172A1	TAPERED ROLLER BEARING	49	69
27-14830A88	GASKET SET	1	-	31-821146A1	ROLLER BEARING	29	15
27-18051	GASKET, LOWER - WATER PUMP	45	23	31-821146A1	ROLLER BEARING ASSEMBLY, CRANKSHAFT END	27	15
27-18051	GASKET, LOWER-WATER PUMP	51	23	31-88903	ROLLER BEARING	29	8
27-18350	GASKET, CYLINDER HEAD	25	4	31-93495	ROLLER BEARING, CRANKSHAFT	27	7
27-42631--1	GASKET, WATER PUMP TO GEAR HSG	45	19	31-93496	ROLLER BEARING	21	17
27-42631--1	GASKET, WATER PUMP TO GEAR HSG	51	19	32-11635	WATER TUBE	21	28
27-62386	GASKET, THERMOSTAT	25	8	32-64088--6	TUBING	63	30
27-78069	GASKET, EXHAUST PLATE	41	9	32-66285--4	HOSE, OVERFLOW	19	32
27-85609--1	GASKET, UPPER - WATER PUMP	45	24	32-66285--4	HOSE, PULSE	25	30
27-85609--1	GASKET, UPPER-WATER PUMP	51	24	32-66285--4	HOSE, SOLENOID	9	10
27-87736--1	GASKET, COVER	17	38	32-67295	TUBE, WATER	31	20
27-87775	GASKET, INLET COVER	39	37	32-77457--2	FUEL LINE	17	17
27-88907	GASKET, RELIEF VALVE PLATE	41	8	32-77457--2	FUEL LINE, CARBURETOR TO CARBURETOR	17	11
27-89221--1	GASKET, CARBURETOR PLATE	17	15	32-77457--2	HOSE	41	15
27-90430--1	GASKET, CARBURETOR	17	13	32-77457--2	HOSE, WATER DISTRIBUTION	25	12
27-90484--1	GASKET, DIVIDER PLATE	41	2	32-77690	WRAPPING (1/4")	9	7
27-96761--1	GASKET, REED BLOCK HOUSING	25	20	32-89023	HOSE, HYDRAULIC (STARBOARD)	37	33
28-30281	KEY	49	71	32-89024	HOSE, HYDRAULIC (PORT)	37	33
28-30281	KEY, LOCATING-BEARING CARRIER	55	73	32-96993	HOSE, HYDRAULIC (PORT)	37	32
28-56654	KEY, IMPELLER DRIVE	45	30	32-96994	HOSE, HYDRAULIC (STARBOARD)	37	32
28-56654	KEY, IMPELLER DRIVE	51	30	32-99126-88	HOSE	17	4
29-67483	NEEDLE BEARING	29	16	32-99130122	HOSE	17	6
29-67483	NEEDLE BEARING, PISTON END	27	16	33-97180	SPARKPLUG	5	30
30-41421	BALL BEARING (LOWER)	29	2	34-14594A1	REED ASSEMBLY (2 STAGE)	25	22
30-41421	BALL BEARING, CRANKSHAFT (LOWER)	27	2	35-89496	FILTER	61	5
30-88957A1	BALL BEARING	49	60	35-93011	FUEL FILTER	17	16
30-88957A1	BALL BEARING	55	77	37-13813A5	DECAL SET	3	12
31-15841	ROLLER BEARING	55	60	38-90311	INSERT, SWITCH PLATE	67	10
31-15843	ROLLER BEARING	55	67	39-67377	RING (.124 THICK)	29	6
31-15844	ROLLER BEARING	55	58	39-67377	RING, SEALING - CRANKSHAFT (.124 THICK)	27	6
31-30956	ROLLER BEARING	49	65	39-813011A12	PISTON RING ASSEMBLY	27	10
31-30956	ROLLER BEARING, BEARING CARRIER	55	69	39-816802A12	PISTON RING ASSEMBLY	29	10
31-36387A1	ROLLER BEARING, DRIVE SHAFT	45	16	40-17977	LOCK RING	29	11
31-36387A1	ROLLER BEARING, DRIVE SHAFT	51	16	40-17977	LOCK RING, PISTON	27	11
31-42647A1	ROLLER BEARING, DRIVE SHAFT	45	8	43-15845A2	REVERSE GEAR ASSEMBLY	55	57
31-42647A1	ROLLER BEARING, DRIVE SHAFT	51	8	43-44104A2	FORWARD GEAR ASSEMBLY	49	57
				44-17629	PROPELLER SHAFT	55	65
				44-94148	PROPELLER SHAFT	49	63
				45-44000	DRIVE SHAFT	45	11
				45-44000	DRIVE SHAFT	51	11
				46-44292A3	WATER PUMP BASE ASSEMBLY	45	18
				46-44292A3	WATER PUMP BASE ASSEMBLY	51	18

PARTS INDEX

Part Number	Description	Pg.	Ref. No.	Part Number	Description	Pg.	Ref. No.
47-89984	IMPELLER, WATER PUMP	45	29	84-79138A9	BATTERY CABLE, BLACK NEGATIVE)	59	8
47-89984	IMPELLER, WATER PUMP	51	29	84-79139A12	BATTERY CABLE, RED (POSITIVE)	59	18
50-79472	STARTER MOTOR	5	14	84-79147A3	HARNESS ASSEMBLY, HYDRAULIC PUMP	59	9
50-79472	STARTER MOTOR ASSEMBLY	7	-	84-815358A1	CABLE, HIGH TENSION	5	28
52-42672	CLUTCH	49	61	84-86228415	HARNESS ASSEMBLY, TRIM	65	2
52-42672	RATCHET, SLIDING CLUTCH	55	63	84-86322A15	WIRE, SOLENOID TO SOLENOID (BLACK)	59	17
52-78959	CLUTCH	49	61	84-86322A16	CABLE ASSEMBLY (BLACK)	63	24
53-18917	SNAP RING	49	67	84-86322A7	WIRE, TRIM GAUGE (BLACK - 1-1/2")	63	6
53-18917	SNAP RING	55	71	84-86323A5	WIRE, TRIM GAUGE (PURPLE - 1-1/2")	63	6
53-29641	"E" RING, RETAINING - SHIFT SHAFT	45	39	84-86353A1	WIRING HARNESS ASSEMBLY	65	1
53-29641	"E" RING, RETAINING-SHIFT SHAFT	51	39	84-86396A8	HARNESS	63	13
53-67444	RETAINING RING, ROLLER BEARING	27	8	84-88439A14	BATTERY CABLE, POSTIIVE	11	20
53-67446	RETAINING RING	29	3	84-88439A2	BATTERY CABLE, NEGATIVE	11	20
53-67446	RETAINING RING, BALL BEARING	27	3	84-88532A1	CABLE ASSEMBLY (DARK BLUE)	63	24
53-67684	RETAINING RING, BOTTOM YOKE	35	23	84-88807A6	GROUND STRAP, IGNITION COIL (BLACK)	5	26
53-78907	RETAINING RING	45	40	84-93388A1	WIRE, PLATE TO STARTER MOTOR (BLACK)	5	21
53-78907	RETAINING RING	51	40	84-93389A5	WIRE, SOLENOID TO STARTER MOTOR (YELLOW)	5	19
54-53020	CLIP,FUEL FILTER	17	19	84-96220A4	HARNESS, ENGINE	11	21
54-54457	CLAMP, SWITHC AND SENDER LEADS	35	34	85-54029	O-RING	21	16
54-60564	CLAMP, HOSE	9	11	85-86319	INSULATOR, WIRING HARNESS	65	8
54-63300--1	CLAMP,ENRICHENER VALVE -NEW DESIGN	17	2	87-86320	MICRO SWITCH	65	4
54-67076	CLAMP, LOWER MOUNT	31	8	87-88107	IGNITION SWITCH	65	6
54-75275	CLAMP, HYDRAULIC HOSE	37	21	87-88107	SWITCH, IGNITION	67	8
54-814634	J CLAMP	25	32	87-91941	TOGGLE SWITCH	65	5
54-814634	J CLAMP	41	16	88-72729	LIGHT BULB	63	3
54-814634	'J CLAMP	5	34	88-72729	LIGHT BULB, TRIM GAUGE	63	9
54-815504104	CLAMP,FUEL LINE	17	18	88-79023A10	FUSE (110 AMP)	59	19
54-816311	CABLE TEE	63	28	88-79091	FUSE	11	22
54-816311	CLAMP,FUEL LINE	17	12	88-79091	FUSE (20 AMP)	59	10
54-816311	STA-STRAP	63	12	88-79888	SOCKET	63	4
54-816311	STA-STRAP, HARNESS AND CABLES	11	24	88-79888	SOCKET, TRIM GAUGE	63	10
54-816311	STA-STRAP, WATER HOSES	25	14	88-95691	BULB	63	31
54-88512	CLAMP, HYDRAULIC HOSE	37	21	89-68258A4	STARTER SOLENOID	11	25
79-15113A4	TRIM GAUGE	63	7	89-76886A2	PRIMER SOLENOID ASSEMBLY	9	4
79-15128A3	30 PSI GAUGE KIT	63	23	89-96158	SOLENOID	59	12
79-93953A1	TACHOMETER	63	1	90-814681900	OWNER S GUIDE	1	-
84-11149A2	CABLE ASSEMBLY	63	21	90-815244	PARTS MANUAL	1	-
84-13397A1	HARNESS ASSEMBLY	41	13	257-7555A17	FLYWHEEL ASSEMBLY	5	7
84-17925A15	KEY SWITCH ASSEMBLY (15)	67	1	332-7778A4	SWITCH BOX	11	2
84-60871A10	WIRE, SWITCH BOX	11	8	339-7370A13	COIL ASSEMBLY, IGNITION	5	22
84-62310A2	CABLE ASSEMBLY, SWITCH BOX TO SWITCH BOX	11	6	398-5454A35	STATOR ASSEMBLY	5	10
84-65017A14	HARNESS, TRIM SENDER	35	31	455-7251A7	CRANKSHAFT ASSEMBLY	29	1
84-65999A2	CABLE ASSEMBLY, UPPER MOUNT (BLACKK)	11	28	455-7666A4	CRANKSHAFT ASSEMBLY	27	1
84-65999A3	CABLE ASSEMBLY, BLACK	11	11	466-96148A1	WATER PUMP BODY ASSEMBLY	51	26
84-69738A7	HARNESS ASSEMBLYY, COIL TO SWITCH BOX (#2, 4 AND 6)	5	31				

PARTS INDEX

Part Number	Description	Pg.	Ref. No.	Part Number	Description	Pg.	Ref. No.
636-8119A5	CONNECTING ROD ASSEMBLY	27	12				
766-813065A6	PISTON ASSEMBLY (PORT)	27	9				
766-813066A6	PISTON ASSEMBLY (STARBOARD)	27	9				
766-815403A3	PISTON ASSEMBLY (PORT)	29	9				
766-815404A3	PISTON ASSEMBLY (STARBOARD)	29	9				
858-812357A6	CYLIKNDER BLOCK	21	1				
950-67	COVER, EXHAUST MANIFOLD	41	4				
1156-7809A1	LOWER END CAP	21	31				
1159-816777A1	UPPER END CAP SERIAL # AND ABOVE	21	15				
1159-8454A2	UPPER END CAP	21	15				
1374-9663A10	CARBURETOR ASSEMBLY (CENTER)	19	1				
1374-9663A12	CARBURETOR ASSEMBLY (BOTTOM)	19	1				
1374-9663A8	CARBURETOR ASSEMBLY (TOP)	19	1				
1395-4541	PLUG, IDLE AIR BLEED JET	19	18				
1395-5815	JET, MAIN FUEL (.086)	19	10				
1395-6022	SHAFT, THROTTLE	19	25				
1395-6025	PLUG, MAIN JET	19	8				
1395-6027	SCREW, THROTTLE LEVER	19	21				
1395-6031	SPACER, THROTTLE LEVER	19	24				
1395-6032--1	PLATE,COVER	19	4				
1395-7822	FUEL BOWL (CENTER/BOTTOM)	19	6				
1395-7823	FUEL BOWL (TOP)	19	6				
1395-7824	INLET NEEDLE AND SEAT ASSEMBLY	19	13				
1395-9267	FLOAT	19	15				
1395-9416	THROTTLE VALVE	19	27				
1395-9597	SCREW, COVER PLATE	19	5				
1399-5317	JET, IDLE AIR BLEED (.046)	19	20				
1491-9225A3	SWIVEL BRACKET ASSEMBLY	35	1				
1494-7476T1	BRACKET, TRANSOM (PORT)	37	1				
1495-7478T1	BRACKET, TRANSOM (STARBOARD)	37	2				
1590-8837A5	DRIVE SHAFT HOUSING ASSEMBLY	31	1				
1647-9560A3	GEAR HOUSING ASSEMBLY (RHR)	42	-				
1647-9560A8	GEAR HOUSING (BASIC-RHR)	42	-				
1647-9561A10	GEAR HOUSING ASSEMBLY (LHR)	42	-				
1647-9561A12	GEAR HOUSING ASSEMBLY (RHR)	42	-				
1647-9561A69	GEAR HOUSING (BASIC-LHR)	42	-				
1647-9561A9	GEAR HOUSING (BASIC-RHR)	42	-				
2167-9442A8	TOP COWL ASSEMBLY	3	1				