



PARTS CATALOG

MARINER 40A HORSEPOWER

SERIAL NUMBER

40A (ABOVE PROP. EXHAUST)	676-A007736 ANU UP (M)
40A (ABOVE PROP. EXHAUST)	676-A100416 AND UP (ML)
40A (ABOVE PROP. EXHAUST)	676-A311371 AND UP (E)
40A (ABOVE PROP. EXHAUST)	676-A403471 AND UP (EL)

TABLE OF CONTENTS:

CARBURETOR	26
CLAMP AND SWIVEL BRACKET/REVERSE LOCK	36
COWLING	2
CRANKCASE AND CYLINDER HEAD	18
CRANKSHAFT AND PISTON	22
DRIVESHAFT HOUSING	44
ELECTRIC START	12
ELECTRIC START MOTOR	16
ELECTRIC START(CONT)	14
FLYWHEEL MAGNETO	8
FUEL LINES AND FILTER	30
FUEL PUMP	28
FUEL TANK (ORIGINAL EQUIPMENT) 24 LITRE (6.3 GALLONS)	52
FUEL TANK (REPLACEMENT OR ADDITIONAL) 22.7 LITRE (6.0 GALLON)	54
GEAR SHIFT LINKAGE	34
GEARHOUSING ASS'Y	46
INTAKE MANIFOLD	24
MOUNTING SYSTEM	42
OPTIONAL PARTS	58
PARTS INDEX	60
RECOIL STARTER	6
REMOTE CONTROL ATTACHING KIT	56
STEERING HANDLE	40
THROTTLE CONTROL	32

NOTE: Indented description indicate that these parts are included in preceeding assembly.

AR = As Required

NSS = Not Sold Separate

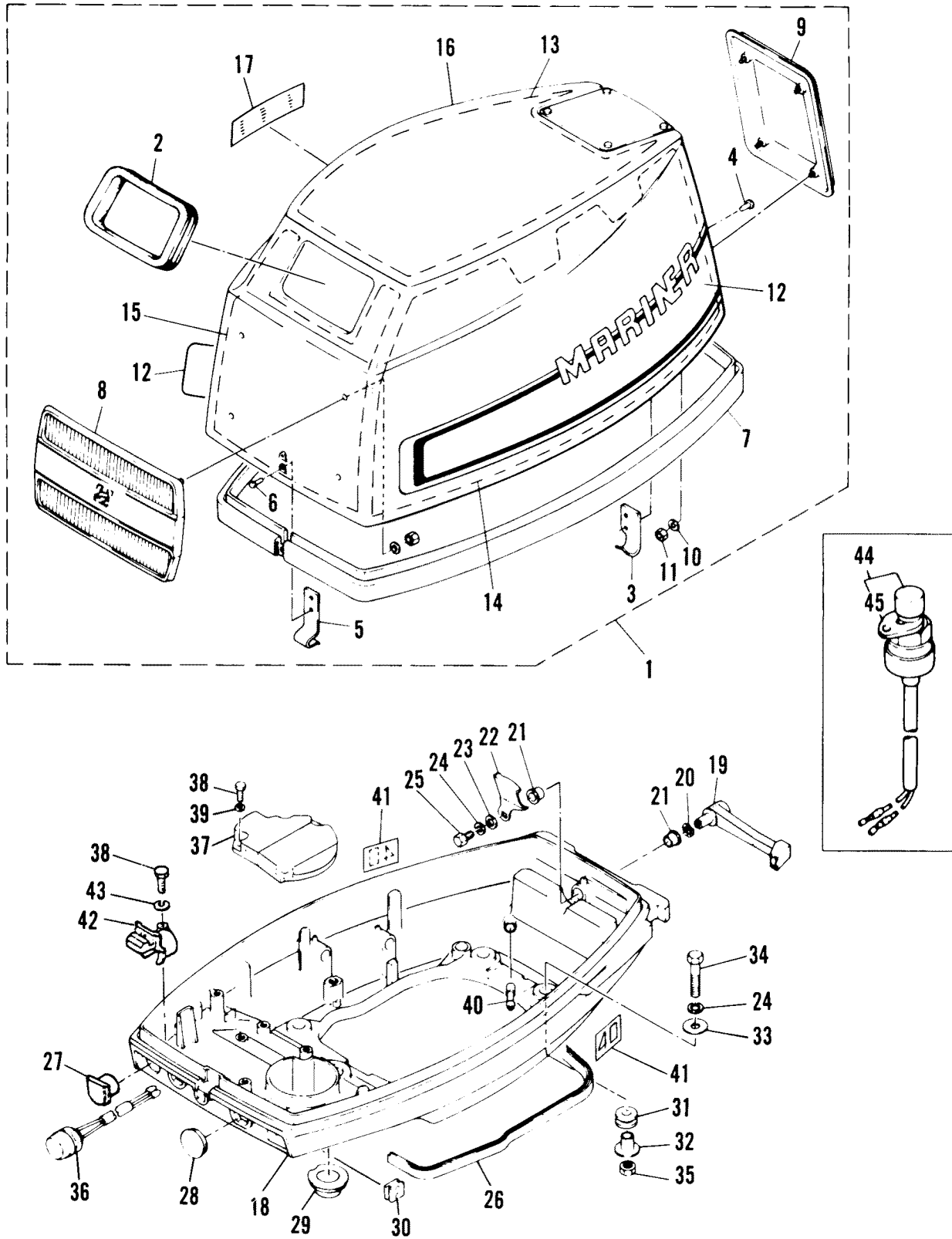
OPT = Optional

NS = Not Shown

THESE PARTS BOOKS/FICHE CARD ARE COPYRIGHTED AND MAY NOT BE DISTRIBUTED OR REPRODUCED IN ANY OTHER FORMAT BY ANYONE OTHER THAN MERCURY MARINE WITHOUT THE PRIOR WRITTEN CONSENT OF MERCURY MARINE.

THIS PAGE INTENTIONALLY LEFT BLANK

COWLING

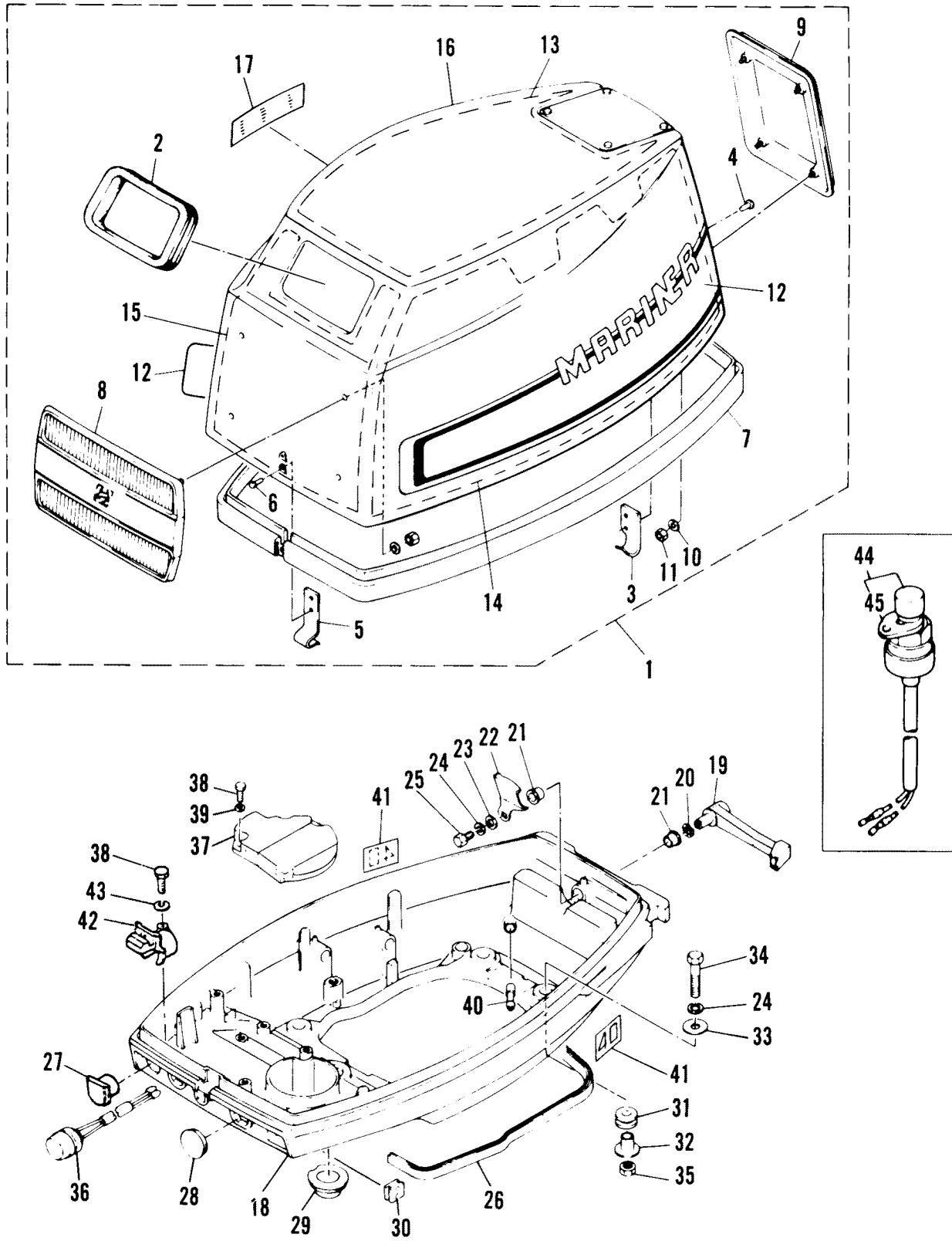


COWLING

REF. NO.	PART NO.	SYM.	QTY.	DESCRIPTION
1	2168-7103M		1	TOP COWLING ASS'Y
2	80601M		1	SEAL,RUBBER
3	83212M		1	BRACKET
4	17-83599M		2	RIVET
5	83137M		1	HOOK
6	17-83143M		2	RIVET
7	83600M		1	SEAL
8	83601M		1	EMBLEM, FRONT
1	83602M		1	EMBLEM, REAR
10	12-82211M		8	WASHER
11	11-82388M		8	NUT
12	37-82866M		1	DECAL, SIDE SEAT
13	83926M		1	SOUND BLANKET
14	83927M		2	SOUND BLANKET, SIDE
15	M-83928M		1	SOUND BLANKET
16	83929M		1	SOUND BLANKET
17	37-81202M		1	DECAL, SHIFT
18	2168-7984M		1	COWLING, BOTTOM
19	83605M		1	LEVER, CLAMP
20	13-81869M		1	WASHER, WAVE
21	23-81949M		2	BUSHING
22	81145M		1	LEVER, CLAMP
23	12-81794M		1	WASHER
24	13-82197M		5	WASHER, LOCK
25	10-84315M		1	BOLT
26	83606M		1	SEAL
27	25-93100M		1	GROMMET (MANIFOLD START)
28	25-83607M		1	GROMMET
29	25-83608M		1	GROMMET
30	25-83609M		1	GROMMET
31	25-93101M		4	GROMMET
32	23-83610M		4	BUSHING
33	12-81796M		4	WASHER
34	10-84237M		4	BOLT
35	11-83611M		4	NUT
36	M-91622M		1	STOP WATCH (MANUAL START)
37	93103M		1	COVER
38	10-82405M		0	BOLT
39	12-82198M		3	WASHER
40	M-83616M		1	FITTING

CONTINUED ON NEXT PAGE ➡

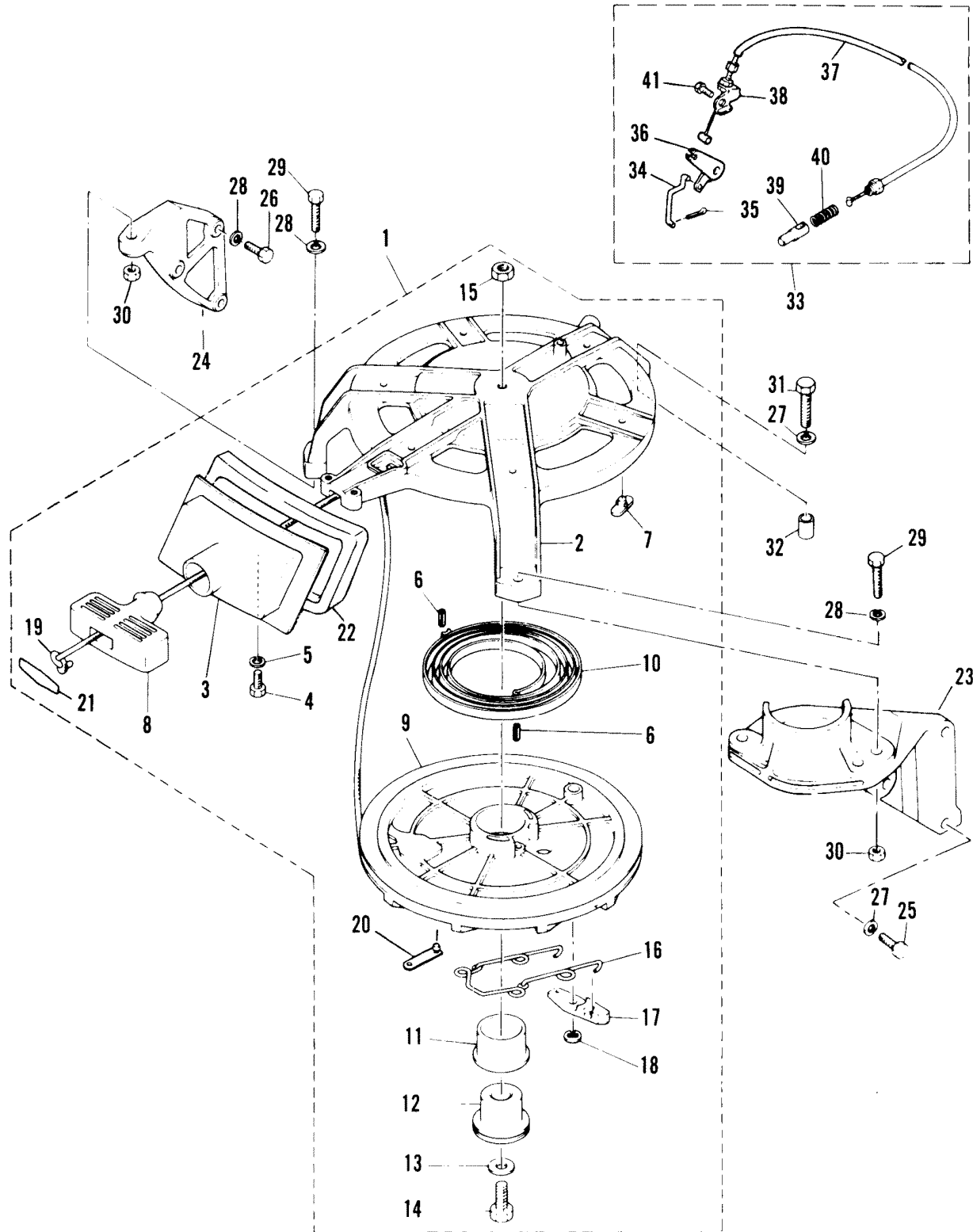
COWLING



COWLING

REF. NO.	PART NO.	SYM.	QTY.	DESCRIPTION
41	37-83761M		2	DECAL, HP
42	93104M		1	PLATE
43	13-82197M		1	WASHER
44	87-91623M		1	KILL SWITCH ASS'Y (OPT)
45	81531M		1	STOPPER (OPT)

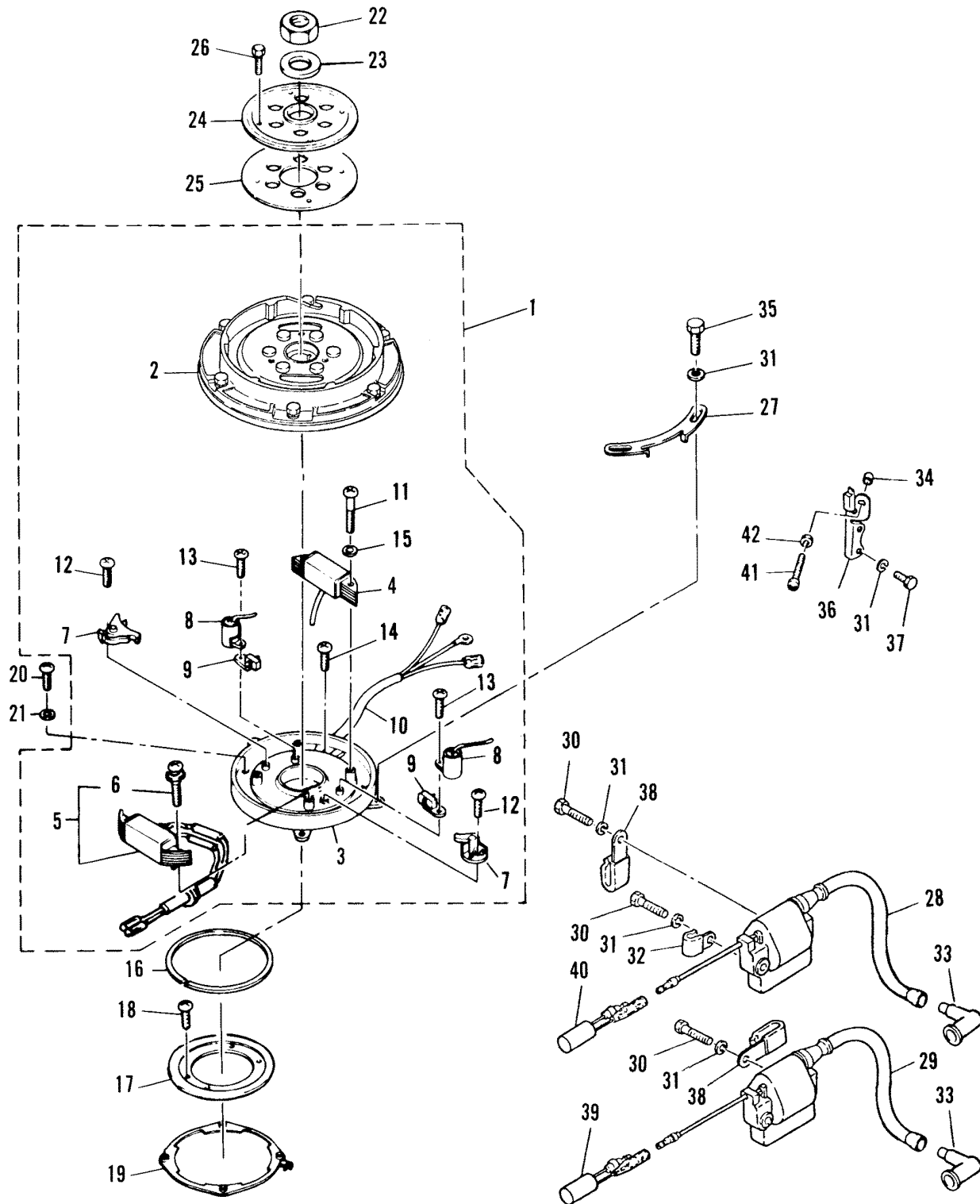
RECOIL STARTER



RECOIL STARTER

REF. NO.	PART NO.	SYM.	QTY.	DESCRIPTION
1	2169-7101M		1	STARTER ASS'Y
2	2169-7101M		1	HOUSING STARTER
3	83583M		1	GUIDE, STARTER ROPE
4	10-84247M		2	BOLT
5	13-82199M		2	WASHER, LOCK
6	17-82157M		2	PIN, ROLL
7	23-83585M		6	BUSHING
8	80063M		1	HANDLE, STARTER
9	50-83587M		1	STARTER, SHEAVE
10	24-83588M		1	SPRING, STARTER
11	23-83589M		1	BUSHING
12	23-83590M		1	SPACER
13	12-81801M		1	WASHER
14	10-84342M		1	BOLT
15	11-82382M		1	NUT
16	24-83591M		1	SPRING DRIVE PAWL
17	84894M		1	PAWL, DRIVE
18	53-84895M		1	SNAP RING
19	79629A1		1	STARTER ROPE
20	54-84893M		1	CLIP
21	84892M		1	COVER
22	93107M		1	SEAL
23	83629M		1	BRACKET
24	83593M		1	BRACKET
25	10-82441M		4	BOLT
26	10-82405M		3	BOLT
27	13-82200M		4	WASHER, LOCK
28	13-82197M		6	WASHER, LOCK
29	10-84237M		2	BOLT
30	11-82380M		2	NUT
31	10-84236M		1	BOLT
32	17-82162M		1	SPACER
33	83594M		1	STARTER LOCKOUT ASS'Y
34	83595M		1	ROD
35	18-82125M		1	PIN, COTTER
36	83596M		1	LEVER
37	83597M		1	CABLE, STARTER STOP
38	83598M		1	BRACKET
39	81106M		1	PLUNGER, STARTER STOP
40	24-82079M		1	SPRING
41	10-84303M		1	BOLT

FLYWHEEL MAGNETO

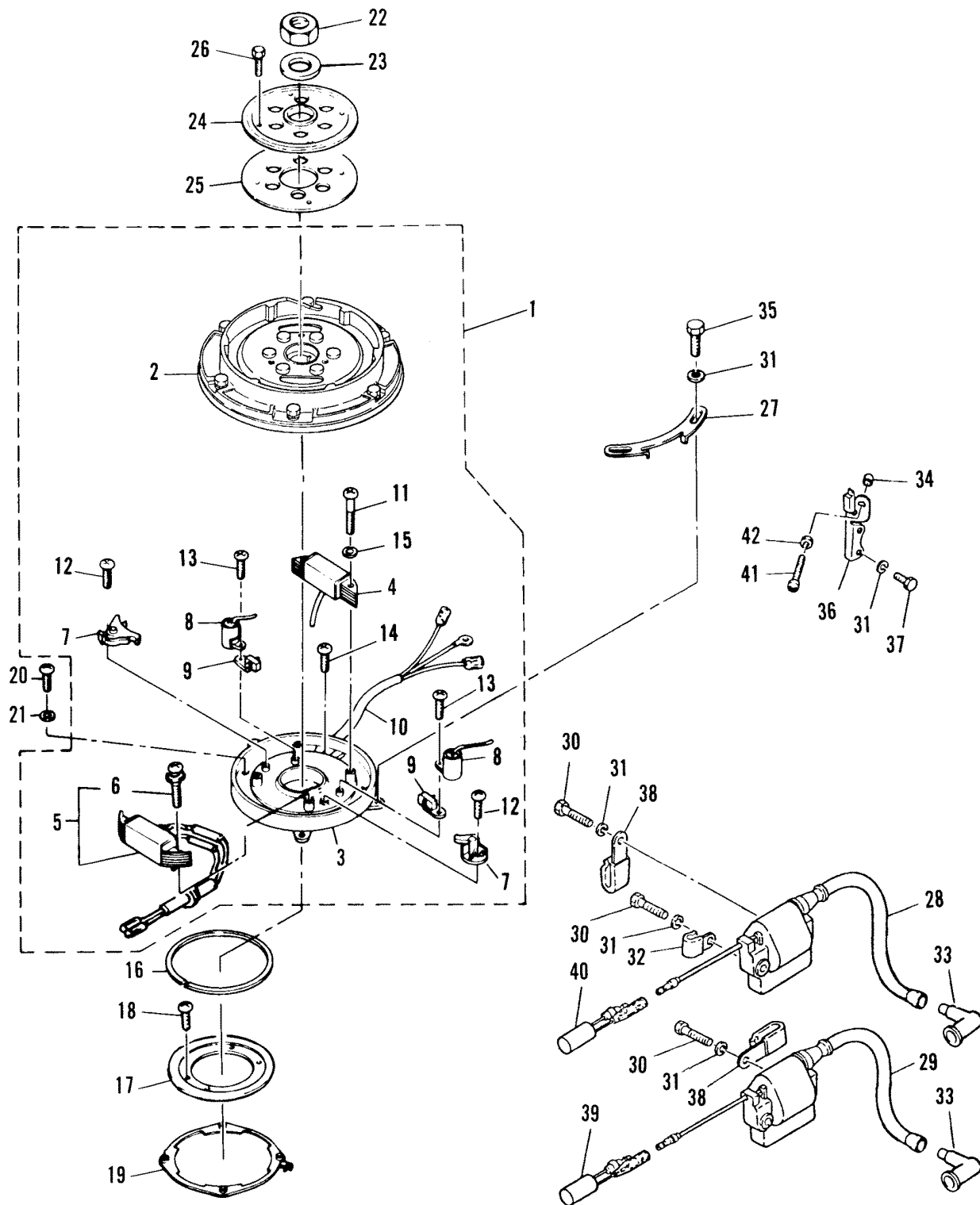


FLYWHEEL MAGNETO

REF. NO.	PART NO.	SYM.	QTY.	DESCRIPTION
1	253-8240M		1	FLYWHEEL MAGNETO ASS'Y (MANUAL START)
2	253-8241M		1	FLYWHEEL (W/O RING GEAR)
3	83559M		1	BASE, MAGNETO
4	91624M		1	COIL, IGNITION
5	91625M		1	COIL, LIGHTING (OPTIONAL-80 WATT)
6	10-80557M		2	SCREW WITH WASHER
7	91626M		2	BREAKER ASS'Y
8	83562M		2	CONDENSER
9	80003M		2	LUBRICATOR
10	84-91627M		1	LEAD WIRE
11	10-83564M		2	SCREW
12	10-80001M		2	SCREW
13	10-80002M		2	SCREW
14	10-83565M		1	SCREW
15	13-82186M		2	WASHER, LOCK
16	83566M		1	RETAINER, MAGNETO BASE
17	83567M		1	RETAINER, MAGNETO BASE
18	10-83568M		4	SCREW
19	83569M		1	PLATE, BASE FRICTION
20	10-83570M		4	SCREW
21	13-82193M		4	WASHER, LOCK
22	11-81773M		1	NUT
23	12-84436M		1	WASHER
24	93109M		1	COVER
25	27-91628M		1	GASKET
26	10-93110M		3	BOLT
27	93111M		2	STOP, MAGNETO BASE
28	83575M		1	IGNITION COIL (TOP CYLINDER)
29	83576M		1	IGNITION COIL (BOTTOM CYLINDER)
30	10-84237M		4	BOLT
31	13-82197M		8	WASHER
32	54-83577M		1	CLAMP
33	82788M		2	PLUG CAP
	80935M		2	PLUG CAP, NOISE SUPPRESSOR (OPT)
34	81415M		1	CAP
35	10-84315M		2	BOLT
36	83579M		1	STOP, MAGNETO BASE
37	10-84247M		2	BOLT

CONTINUED ON NEXT PAGE ➡

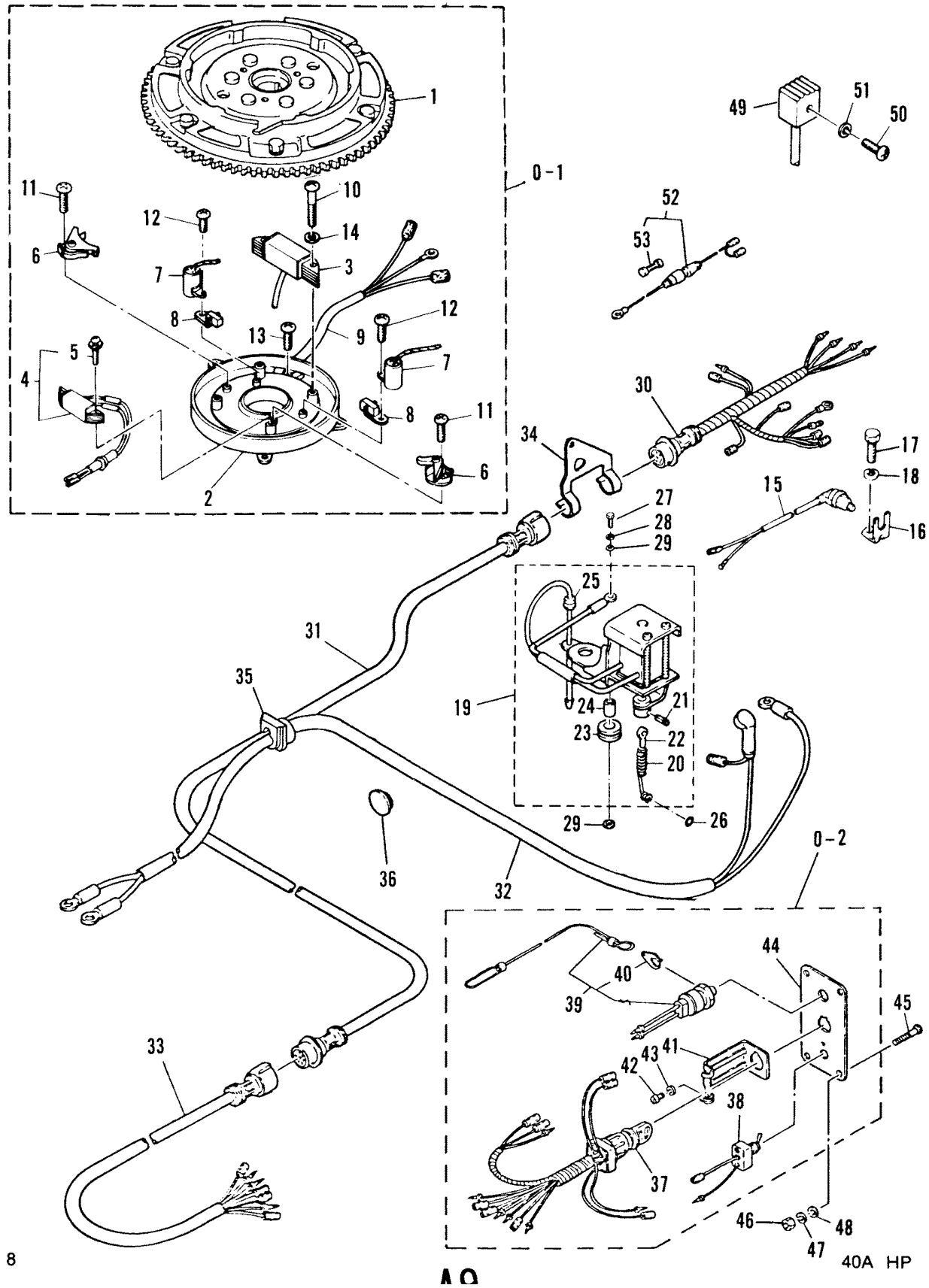
FLYWHEEL MAGNETO



FLYWHEEL MAGNETO

REF. NO.	PART NO.	SYM.	QTY.	DESCRIPTION
38	54-83580M		2	CLAMP
39	91629M		1	DIODE (BOTTOM IGNITION COIL)
40	91630M		1	DIODE (TOP IGNITION COIL)
41	10-83924M		1	SCREW
42	11-82381M		1	NUT

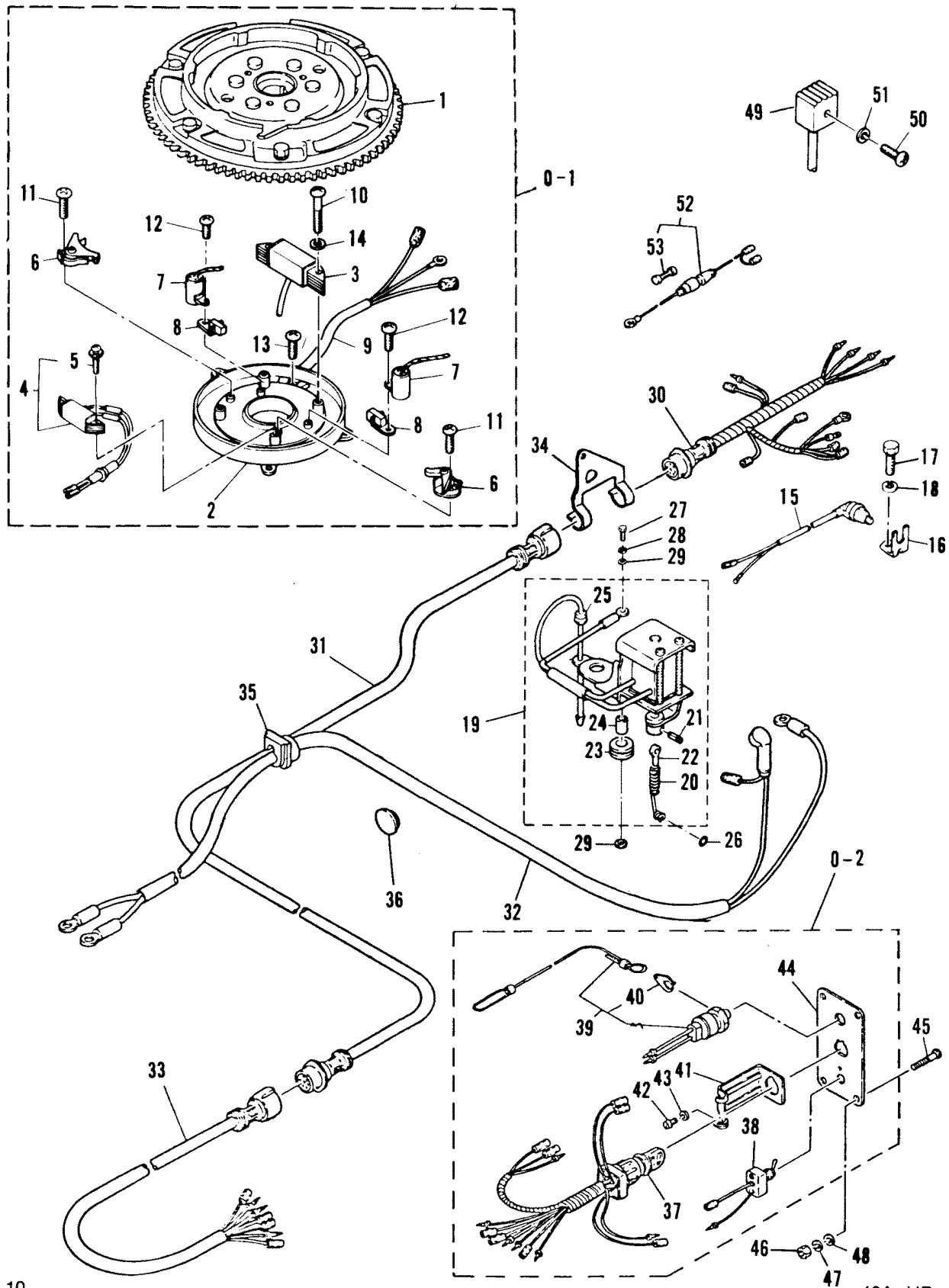
ELECTRIC START



ELECTRIC START

REF. NO.	PART NO.	SYM.	QTY.	DESCRIPTION
0-1	253-8242M		1	FLYWHEEL MAGNETO ASS'Y (ELECTRIC START)
1	253-8243M		1	FLYWHEEL ASS'Y
2	83559M		1	BASE, MAGNETO
3	91624M		1	COIL, IGNITION
4	91625M		1	COIL, LIGHTING
5	10-80557M		2	SCREW WITH WASHER
6	91626M		2	CONTACT BREAKER
7	83562M		2	CONDENSER
8	80003M		2	LUBRICATOR
9	84-91627M		0	LEAD WIRE
10	10-83564M		2	SCREW
11	10-80001M		2	SCREW
12	10-80002M		2	SCREW
13	10-83565M		1	SCREW
14	13-82186M		4	WASHER, LOCK
15	87-84938M		1	NEUTRAL START SWITCH
16	83634M		1	BRACKET
17	10-84247M		1	BOLT
18	13-82197M		1	WASHER, LOCK
19	93118M		1	SOLENOID COIL
20	84-83637M		1	WIRE, SPOOL
21	17-82145M		1	PIN, ROLL
22	84411M		1	HOOK, WIRE PULL
23	25-83638M		2	GROMMET
24	23-83639M		2	COLLAR
25	25-80726M		1	GROMMET
26	25-82258M		1	O-RING
27	10-82419M		2	BOLT
28	13-82193M		2	WASHER, LOCK
29	12-83640M		4	WASHER
30	84-91631M		1	WIRE HARNESS ASS'Y
31	84960M		1	WIRE HARNESS, EXTENSION
32	84-93120M		1	WIRE HARNESS
33	84-84711M		1	WIRE HARNESS, EXTENSION
34	94477M		1	CLAMP
35	25-94476M		1	GROMMET
36	82066M		1	GROMMET

ELECTRIC START(CONT)

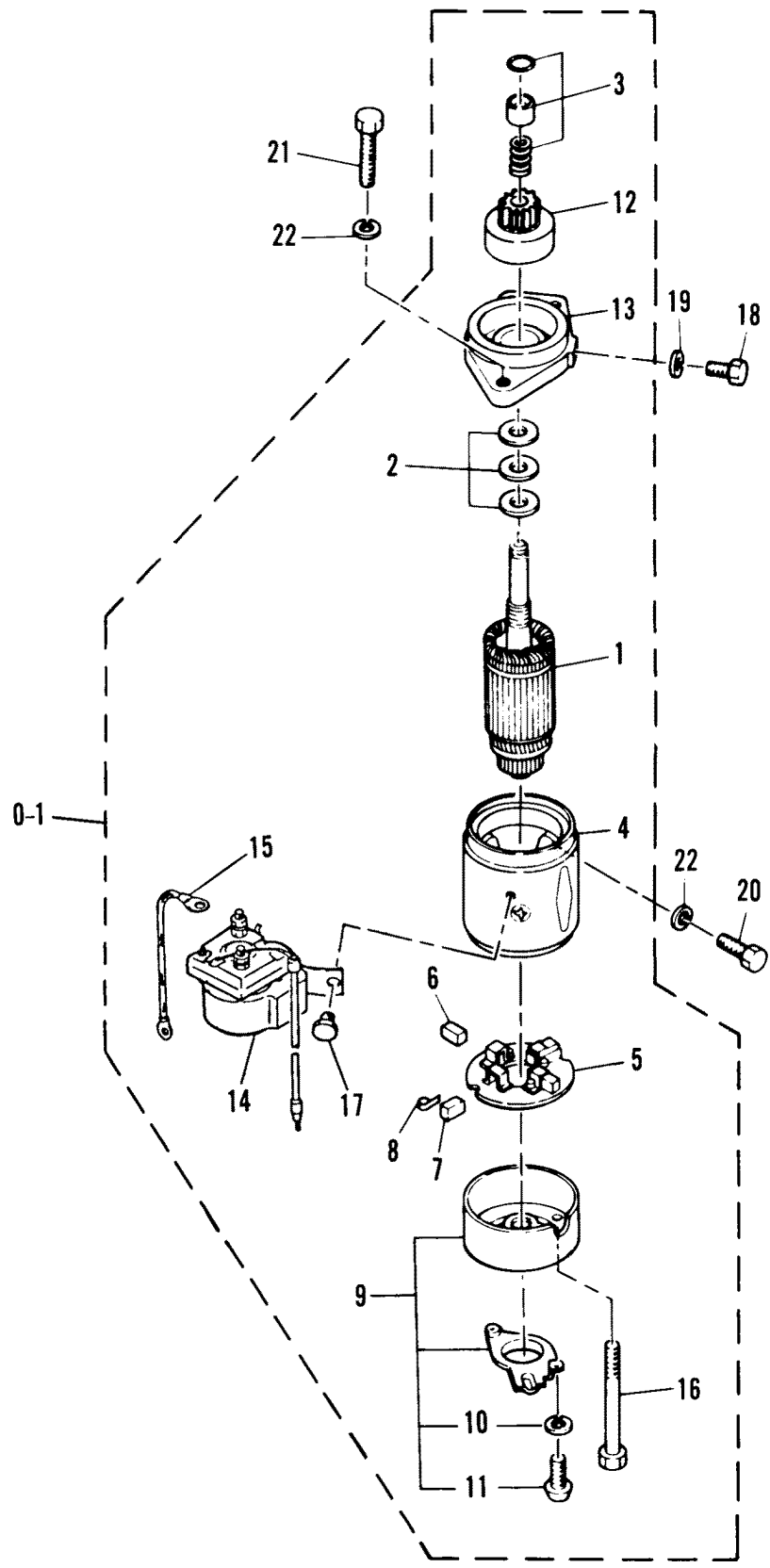


A 11

ELECTRIC START(CONT)

REF. NO.	PART NO.	SYM.	QTY.	DESCRIPTION
0-2	92604M		1	SWITCH PANEL ASS'Y
37	87-92605M		1	MAIN SWITCH
38	87-84944M		1	SWITCH, CHOKE
39	87-84945M		1	KILL SWITCH ASS'Y
40	81531M		1	STOPPER
41	81537M		1	STAY, CORD CLAMP
42	10-82487M		1	SCREW
43	13-82184M		1	WASHER, LOCK
44	92661M		1	SWITCH PANEL
45	10-84946M		4	SCREW
46	11-82378M		4	NUT
47	13-82193M		4	WASHER, LOCK
48	12-82196M		4	WASHER
49	81652M		1	RECTIFIER
50	10-83108M		1	SCREW
51	13-82193M		1	WASHER, LOCK
52	88-81655M		1	FUSE HOLDER ASS'Y
53	88-81522M		1	FUSE

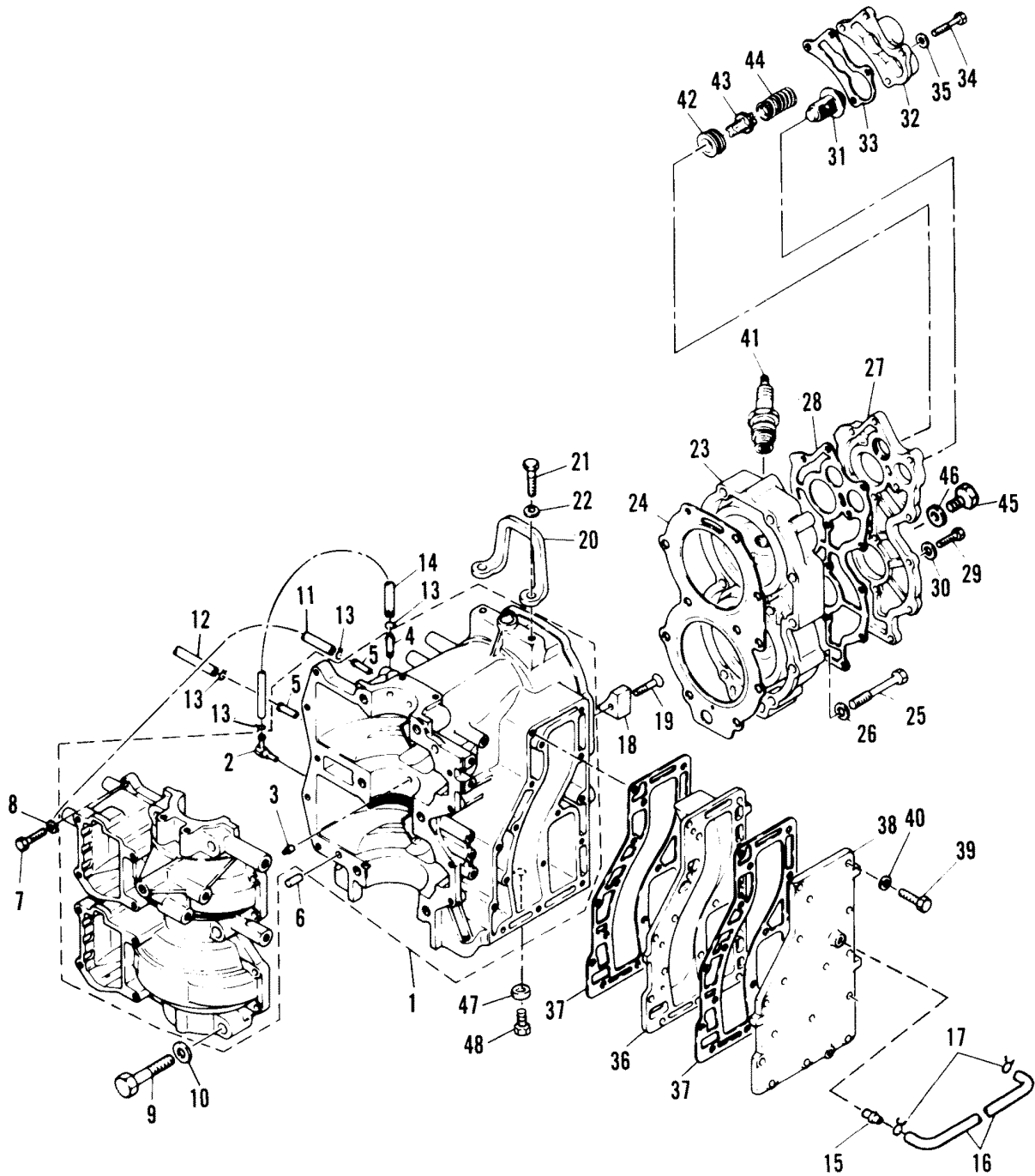
ELECTRIC START MOTOR



ELECTRIC START MOTOR

REF. NO.	PART NO.	SYM.	QTY.	DESCRIPTION
0-1	50-92669M		1	ELECTRIC MOTOR ASS'Y
1	83651M		1	ARMATURE
2	12-83652M		1	WASHER KIT
3	92671M		1	STOP RING KIT
4	81493M		1	STATOR
5	81507M		1	BRUSH HOLDER
6	94475M		2	BRUSH (+)
7	94478M		2	BRUSH (-)
8	24-81496M		4	SPRING, BRUSH
9	81499M		1	REAR COVER ASS'Y
10	13-82184M		2	WASHER
11	10-82515M		2	SCREW
12	81504M		1	GEAR
13	83654M		1	FRONT BRACKET
14	89-84933M		1	SOLENOID
15	92672M		1	WIRE, LEAD
16	10-81500M		1	BOLT
17	10-84315M		2	BOLT
18	10-82436M		1	BOLT
19	13-82215M		1	WASHER, LOCK
20	10-84342M		1	BOLT
21	10-82441M		2	BOLT
22	13-82200M		3	WASHER, LOCK

CRANKCASE AND CYLINDER HEAD

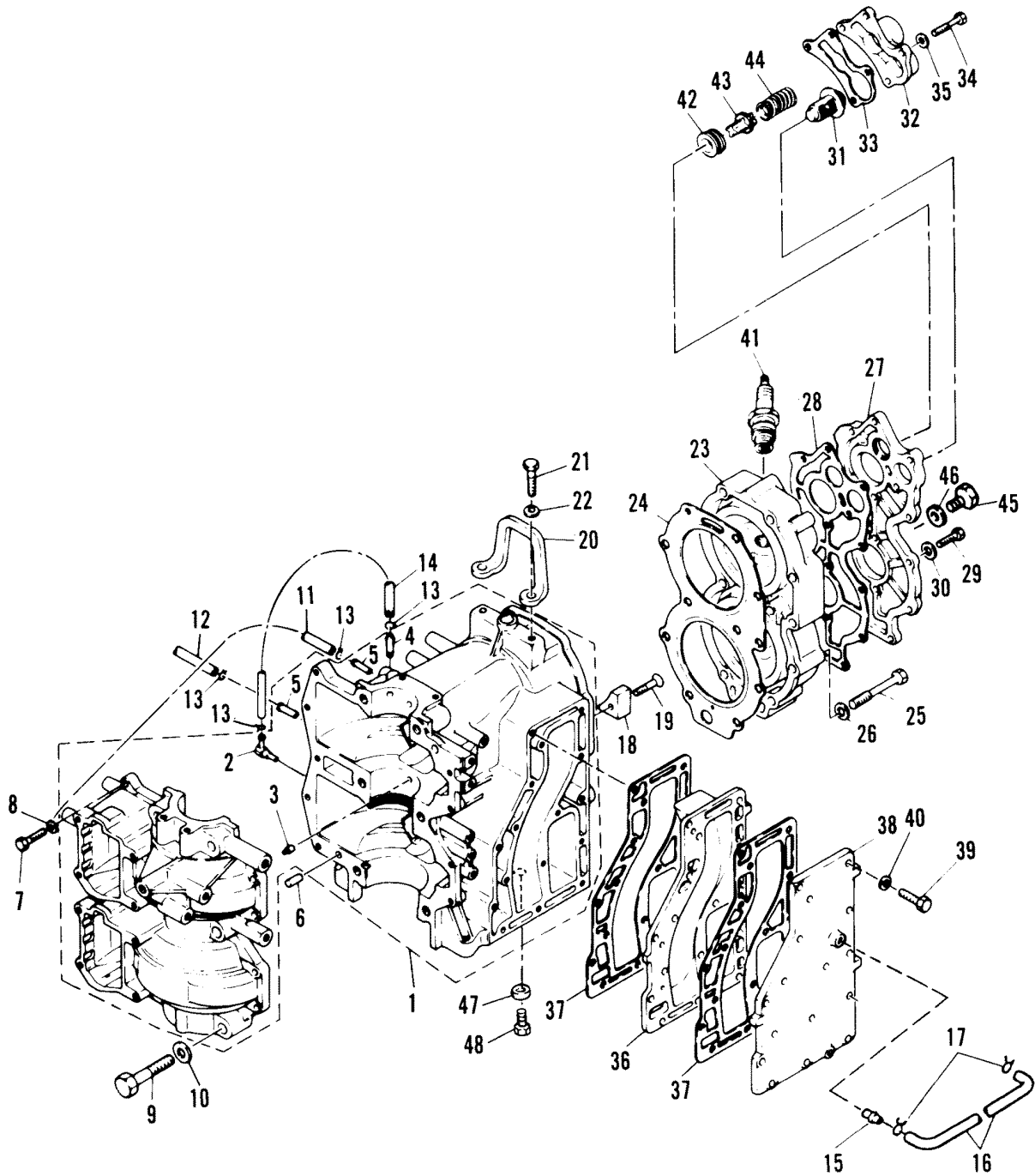


CRANKCASE AND CYLINDER HEAD

REF. NO.	PART NO.	SYM.	QTY.	DESCRIPTION
1	870-7989M		1	CRANKCASE ASS'Y
2	21-80727M		1	CHECK VALVE ASS'Y
3	17-81258M		2	PIN, DOWEL
4	22-80122M		1	FITTING, DRAIN
5	21-83329M		2	FITTING, DRAIN
6	17-82368M		2	PIN, DOWEL
7	10-82405M		9	BOLT
8	12-81792M		9	WASHER
9	10-83327M		6	BOLT
10	12-81807M		6	WASHER
11	32-82000M		1	HOSE
12	32-81999M		1	HOSE
13	54-82046M		6	CLAMP
14	32-83328M		1	HOSE
15	22-80756M		1	FITTING, WATER
16	32-94479M		1	HOSE
17	54-82047M		2	CLAMP
18	83330M		1	ANODE
19	10-82168M		1	SCREW
20	83331M		1	BRACKET, ENGINE
21	10-82439M		2	BOLT
22	13-82200M		2	WASHER, LOCK
23	968-6983M		1	HEAD, CYLINDER
24	27-83332M		1	M-27-83332M
25	10-82408M		11	BOLT
26	12-80564M		11	WASHER
27	94480M		1	COVER, CYLINDER HEAD
28	27-83334M		1	GASKET, HEAD COVER
29	10-83539M		11	BOLT
30	13-82199M		11	WASHER
31	81098M		1	THERMOSTAT
32	83335M		1	COVER, THERMOSTAT
33	27-83336M		1	GASKET, THERMOSTAT
34	10-84237M		4	BOLT
35	13-82199M		4	WASHER
36	83337M		1	INNER COVER, EXHAUST
37	27-83338M		2	GASKET, EXHAUST COVER
38	94481M		1	OUTER COVER, EXHAUST
39	10-84239M		16	BOLT
40	13-82199M		16	WASHER
41	33-82372M		2	SPARK PLUG (B-8HS) NGK
42	25-82067M		1	GROMMET
43	81267M		1	VALVE, PRESSURE CONTROL

CONTINUED ON NEXT PAGE ➡

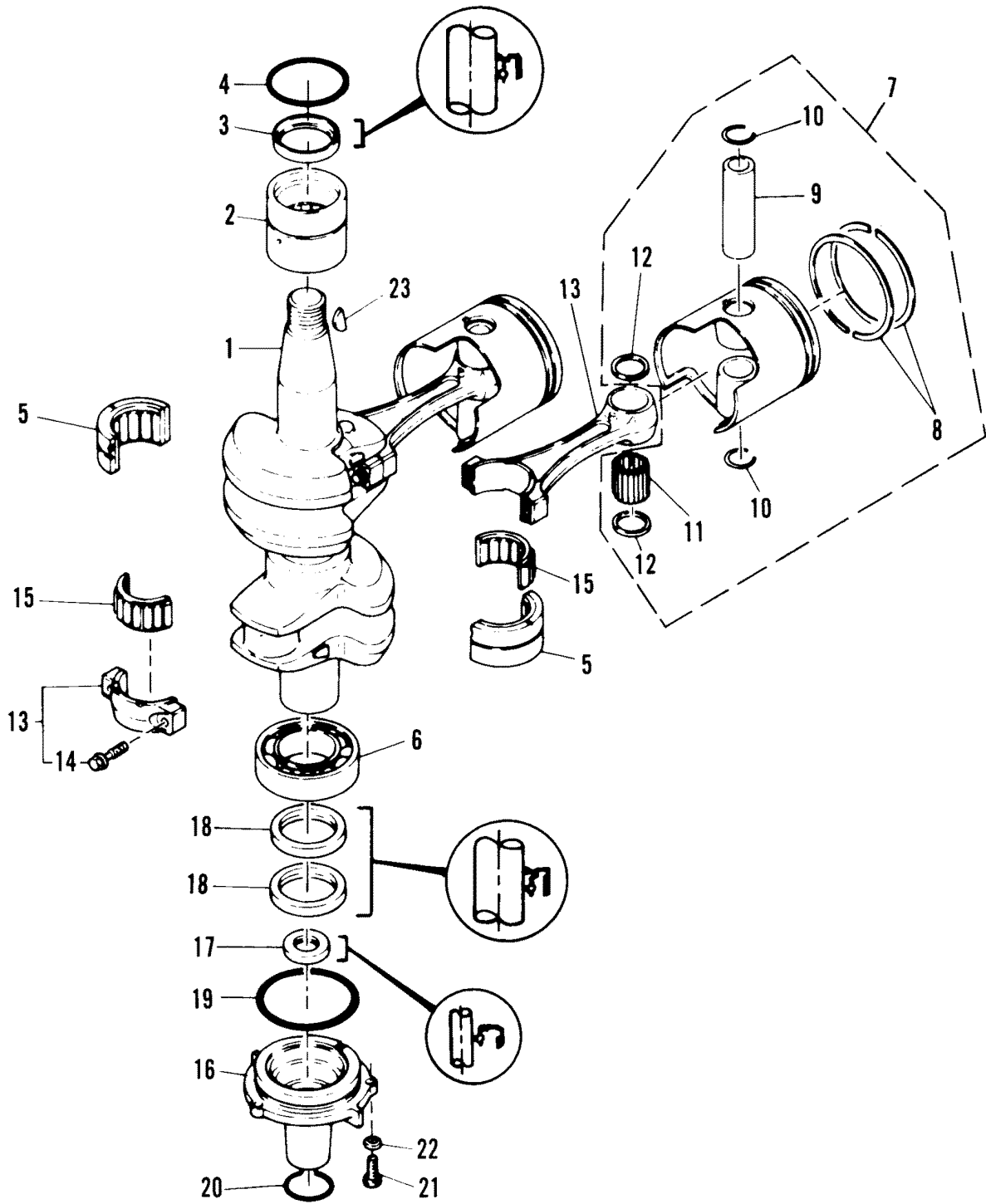
CRANKCASE AND CYLINDER HEAD



CRANKCASE AND CYLINDER HEAD

REF. NO.	PART NO.	SYM.	QTY.	DESCRIPTION
44	24-83340M		1	SPRING
45	22-81926M		1	PLUG
46	27-81990M		1	GASKET
47	83394M		1	ANODE
48	10-83395M		1	BOLT
	94482M		1	POWERHEAD ASS'Y, COMPLETE (SEE NOTE) REPLACEMENT PARTS
	27-94483M		1	GASKET SET, POWERHEAD REPLACEMENT PARTS FOR REPLACEMENT OF POWERHEAD ASSEMBLY, COMPLETE: WHICH INCLUDES CRANKCASE ASSEMBLY, CYLINDER HEAD, PISTONS, CRANKSHAFT, CONNECTING RODS, BEARINGS, ETC. - ORDER POWERHEAD ASSEMBLY (M-94482M).

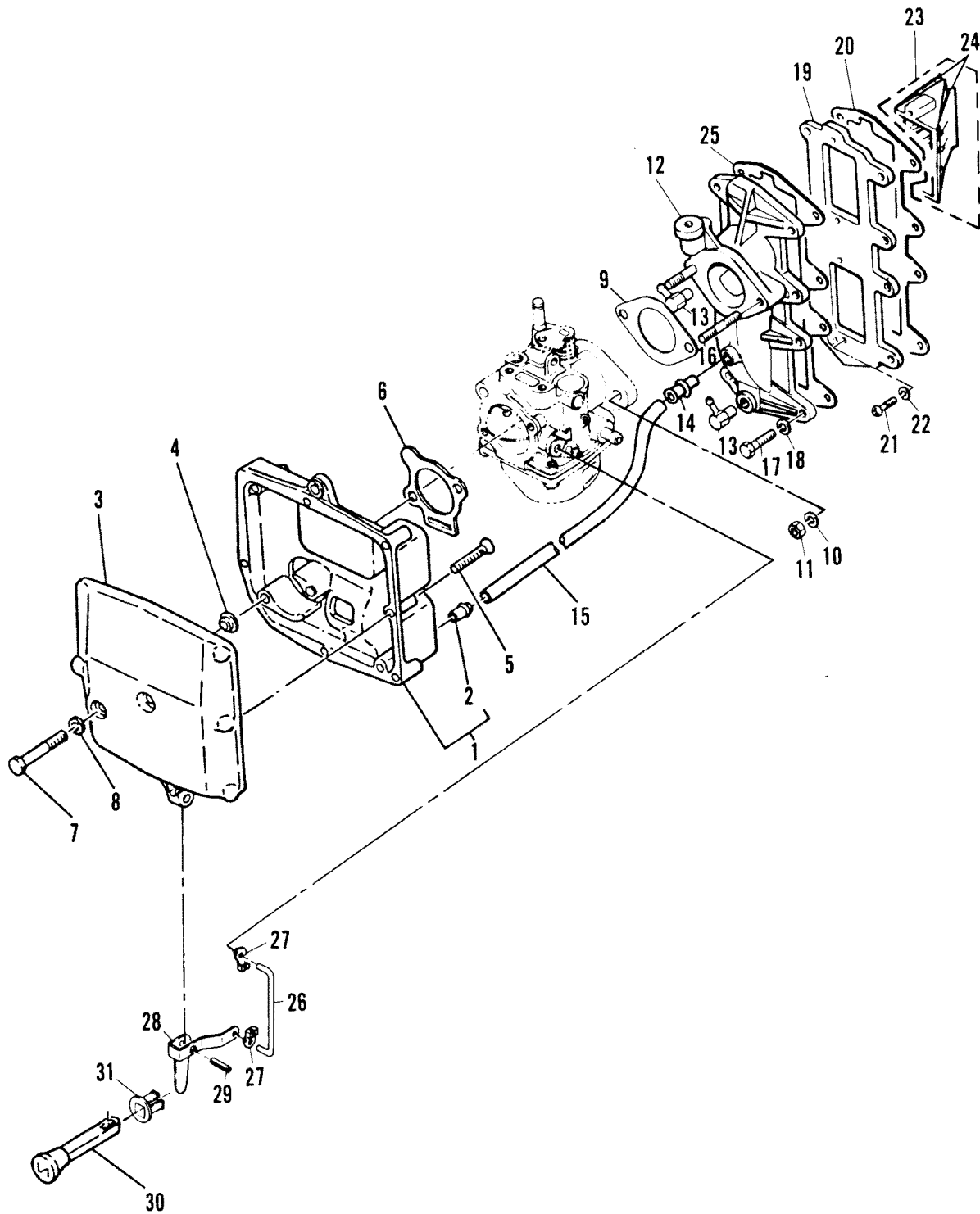
CRANKSHAFT AND PISTON



CRANKSHAFT AND PISTON

REF. NO.	PART NO.	SYM.	QTY.	DESCRIPTION
1	463-6984M		1	CRANKSHAFT
2	31-83341M		1	BEARING, NEEDLE
3	26-82249M		1	OIL SEAL
4	25-82276M		1	O-RING
5	31-82313M		1	BEARING, NEEDLE
6	30-82304M		1	BEARING
7	761-8015M		2	PISTON ASS'Y (STANDARD)
	761-8016M		AR	PISTON ASS'Y (1ST OVER SIZE 75.25 MM)
	761-8017M		AR	PISTON ASS'Y (2ND OVER SIZE 75.50 MM)
8	39-83896M		2	PISTON RING SET (STANDARD)
	39-83897M		AR	PISTON RING SET (1ST OVER SIZE 75.25 MM)
	39-83898M		AR	PISTON RING SET (2ND OVER SIZE 75.50 MM)
9	41-83345M		2	PIN, PISTON
10	53-81264M		4	CLIP, PISTON PIN
11	29-82353M		56	BEARING, NEEDLE
12	12-81831M		4	WASHER
13	629-7990M		2	CONNECTING ROD ASS'Y
14	10-81715M		4	BOLT
15	31-82311M		2	BEARING, NEEDLE
16	94484M		1	HOUSING, OIL SEAL
17	26-83347M		1	OIL SEAL
18	26-82248M		2	OIL SEAL
19	25-82286M		1	O-RING
20	25-83348M		1	O-RING
21	10-84247M		3	BOLT
22	12-82214M		3	WASHER
23	28-81915M		1	KEY, FLYWHEEL

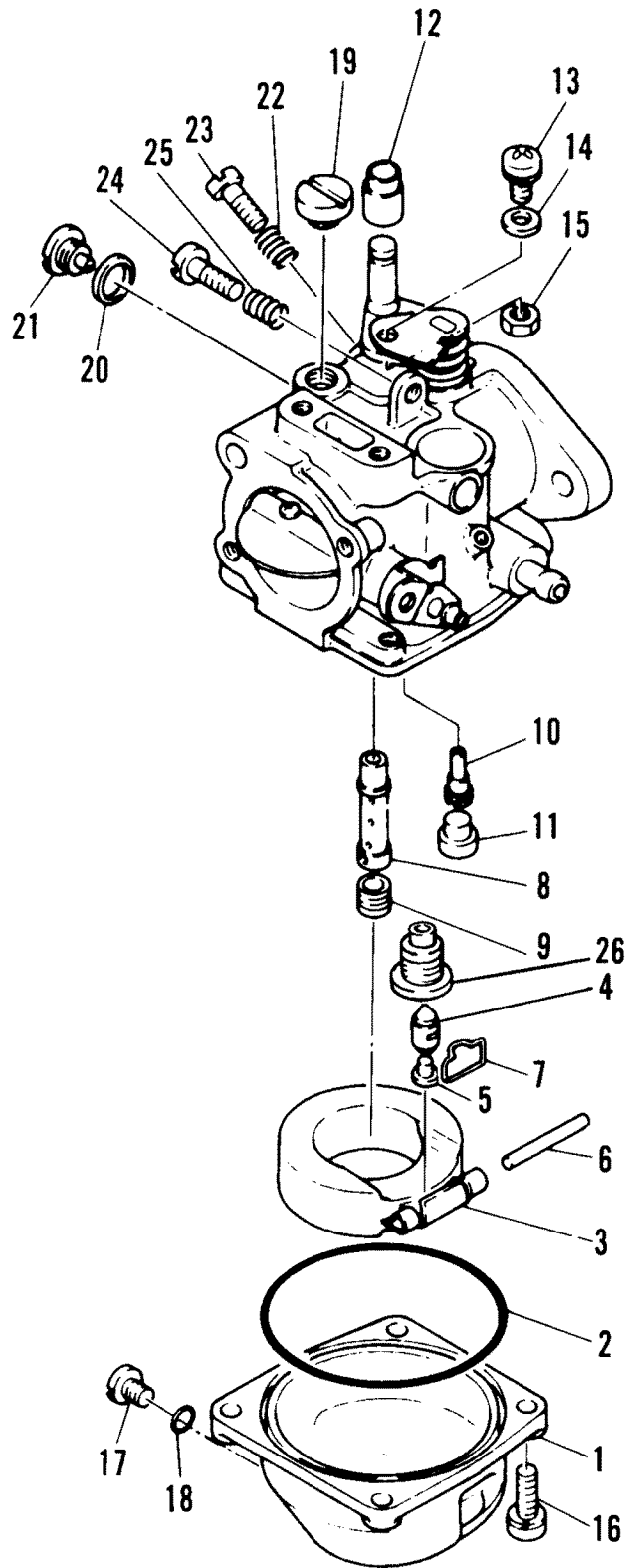
INTAKE MANIFOLD



INTAKE MANIFOLD

REF. NO.	PART NO.	SYM.	QTY.	DESCRIPTION
1	94485M		1	COVER, INNER
2	22-80756M		1	FITTING
3	94486M		1	COVER
4	23-94487M		2	COLLAR
5	10-94488M		7	SCREW
6	27-94489M		1	GASKET
7	10-94490M		2	BOLT
8	12-82213M		2	WASHER
9	27-83352M		1	GASKET
10	13-82197M		2	WASHER
11	11-82380M		2	NUT
12	94491M		1	MANIFOLD, INTAKE
13	21-80727M		2	VALVE, CHECK
14	22-94492M		1	FITTING
15	32-82006M		1	HOSE
16	16-81728M		2	STUD
17	10-82405M		8	BOLT
18	13-82197M		8	WASHER, LOCK
19	83354M		1	MANIFOLD, INTAKE
20	27-83355M		1	GASKET
21	10-83356M		4	SCREW
22	13-82193M		4	WASHER, LOCK
23	34-94493M		2	REED VALVE ASS'Y
24	34-84954M		1	REED SET (REED STOPS NOT INCLUDED)
25	27-83360M		1	GASKET
26	83358M		1	ROD, CHOKE
27	81191M		1	RETAINER, CHOKE LEVER
28	94494M		1	LEVER, CHOKE
29	17-82156M		1	PIN, ROLL
30	83960M		1	KNOB, CHOKE
31	25-84760M		1	GROMMET

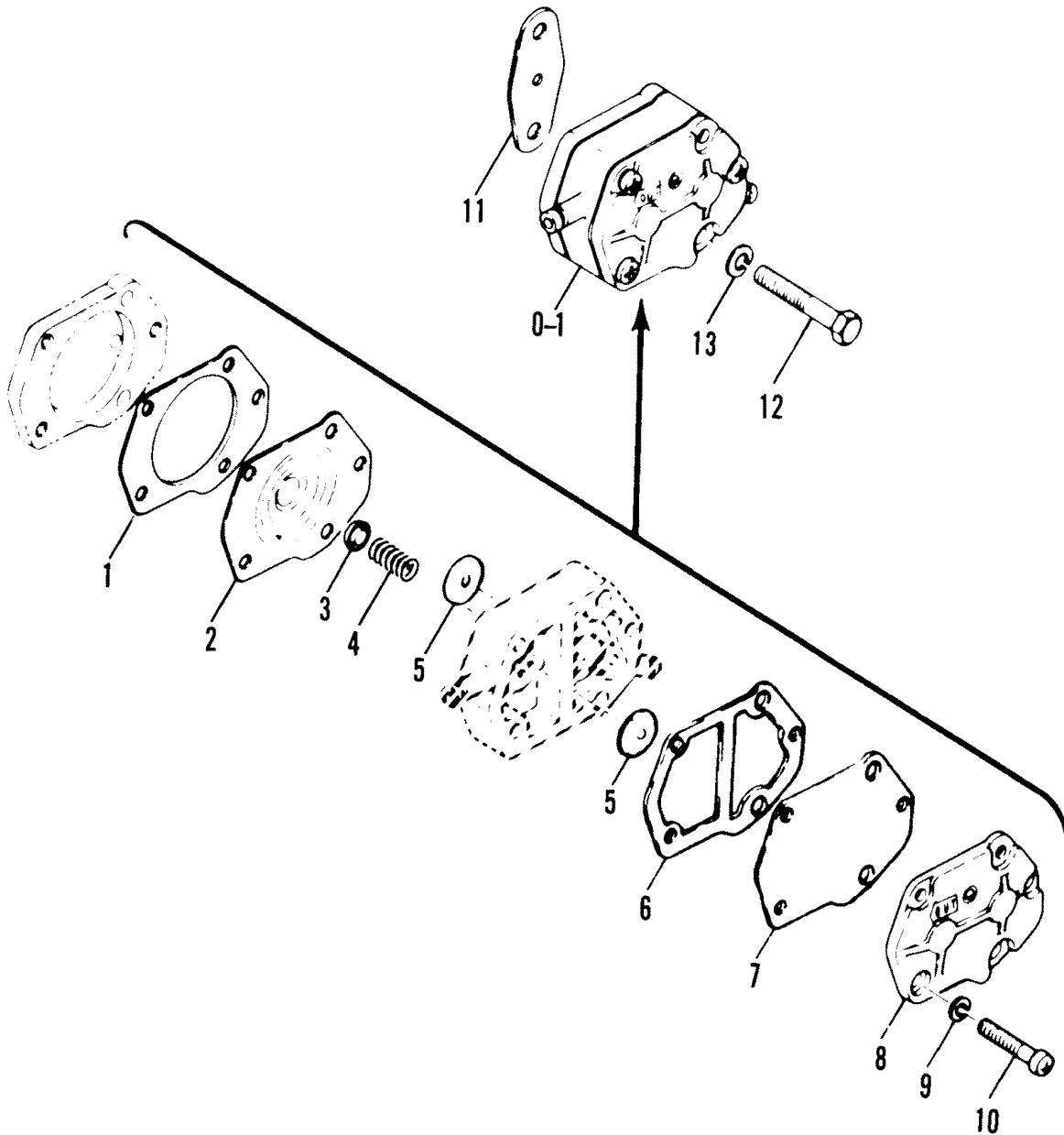
CARBURETOR



CARBURETOR

REF. NO.	PART NO.	SYM.	QTY.	DESCRIPTION
0-1	1383-7991M		1	CARBURETOR ASS'Y
1	94495M		1	FLOAT BOWL
2	25-83362M		1	O-RING
3	83363M		1	FLOAT
4	83364M		1	INLET NEEDLE & SEAT
5	17-92639M		1	PIN, INLET NEEDLE
6	17-81278M		1	PIN
7	54-82781M		1	CLIP
8	94496M		1	NOZZLE, MAIN
9	83367M		1	JET, MAIN (#150)
10	94497M		1	JET, SLOW (#80)
11	22-83369M		1	PLUG
12	83370M		1	COLLAR
13	10-83371M		1	SCREW WITH WASHER
14	12-83372M		1	WASHER
15	11-82378M		1	NUT
16	10-83373M		4	SCREW WITH WASHER
17	10-81293M		1	SCREW
18	25-94498M		1	O-RING
19	10-83375M		1	SCREW, PLUG
20	12-92636M		1	WASHER
21	10-81292M		1	SCREW, PLUG
22	24-94499M		1	SPRING
23	10-83889M		1	SCREW, IDLE MIXTURE
24	10-81277M		1	SCREW, IDLE SPEED
25	24-82080M		1	SPRING
26	94726M		1	VALVE SEAT
	94500M		1	REPAIR KIT, CARBURETOR REPLACEMENT PARTS

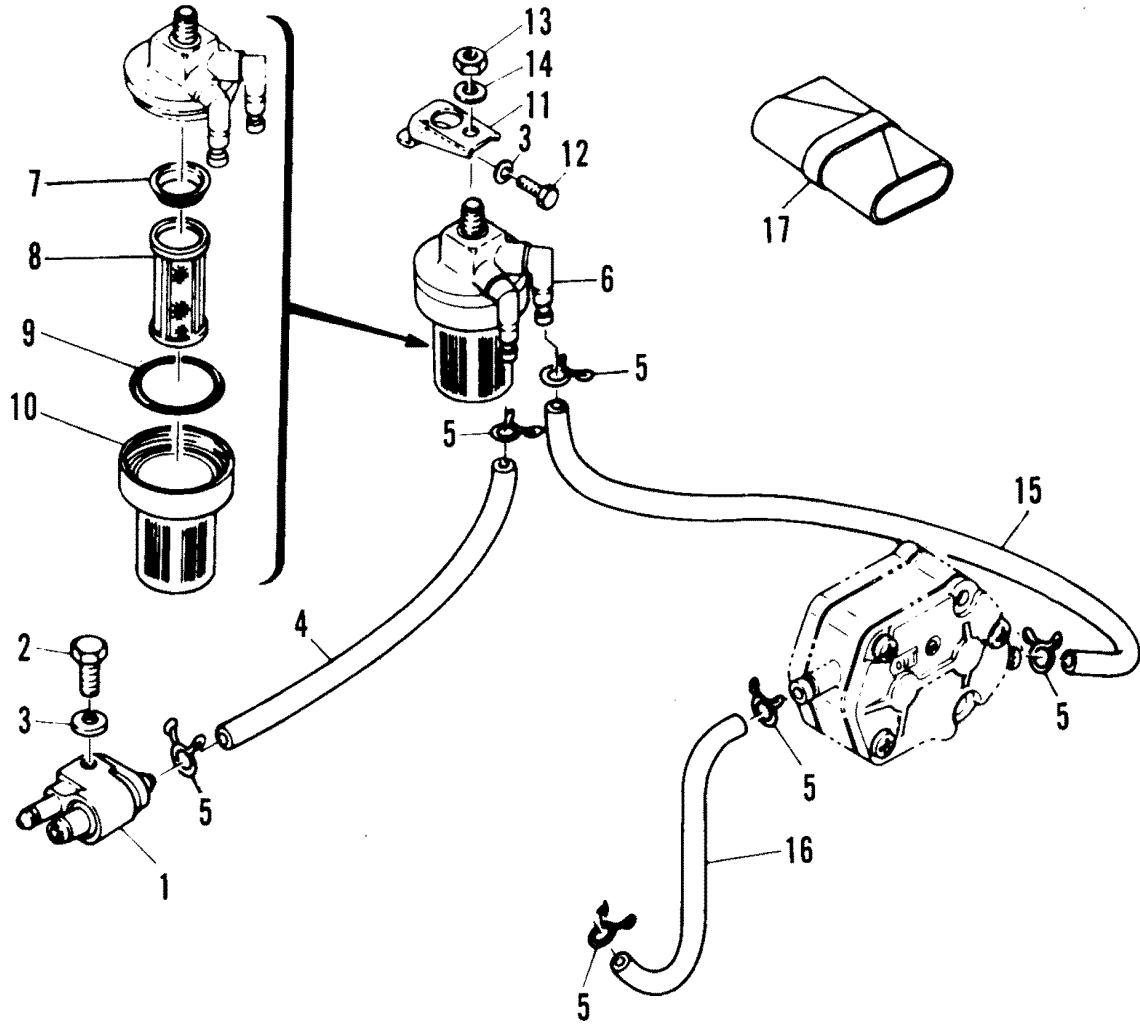
FUEL PUMP



FUEL PUMP

REF. NO.	PART NO.	SYM.	QTY.	DESCRIPTION
0-1	84651M		1	FUEL PUMP ASS'Y
1	27-80613M		1	GASKET
2	80606M		1	DIAPHRAGM
3	80611M		1	PLATE, SPRING GUIDE
4	24-80610M		1	SPRING
5	21-84650M		2	CHECK VALVE
6	27-80614M		1	GASKET
7	84141M		1	DIAPHRAGM
8	80607M		1	COVER
9	13-82208M		3	WASHER, LOCK
10	10-82522M		3	SCREW
11	27-80757M		1	GASKET
12	10-82428M		2	BOLT
13	13-82199M		2	WASHER, LOCK

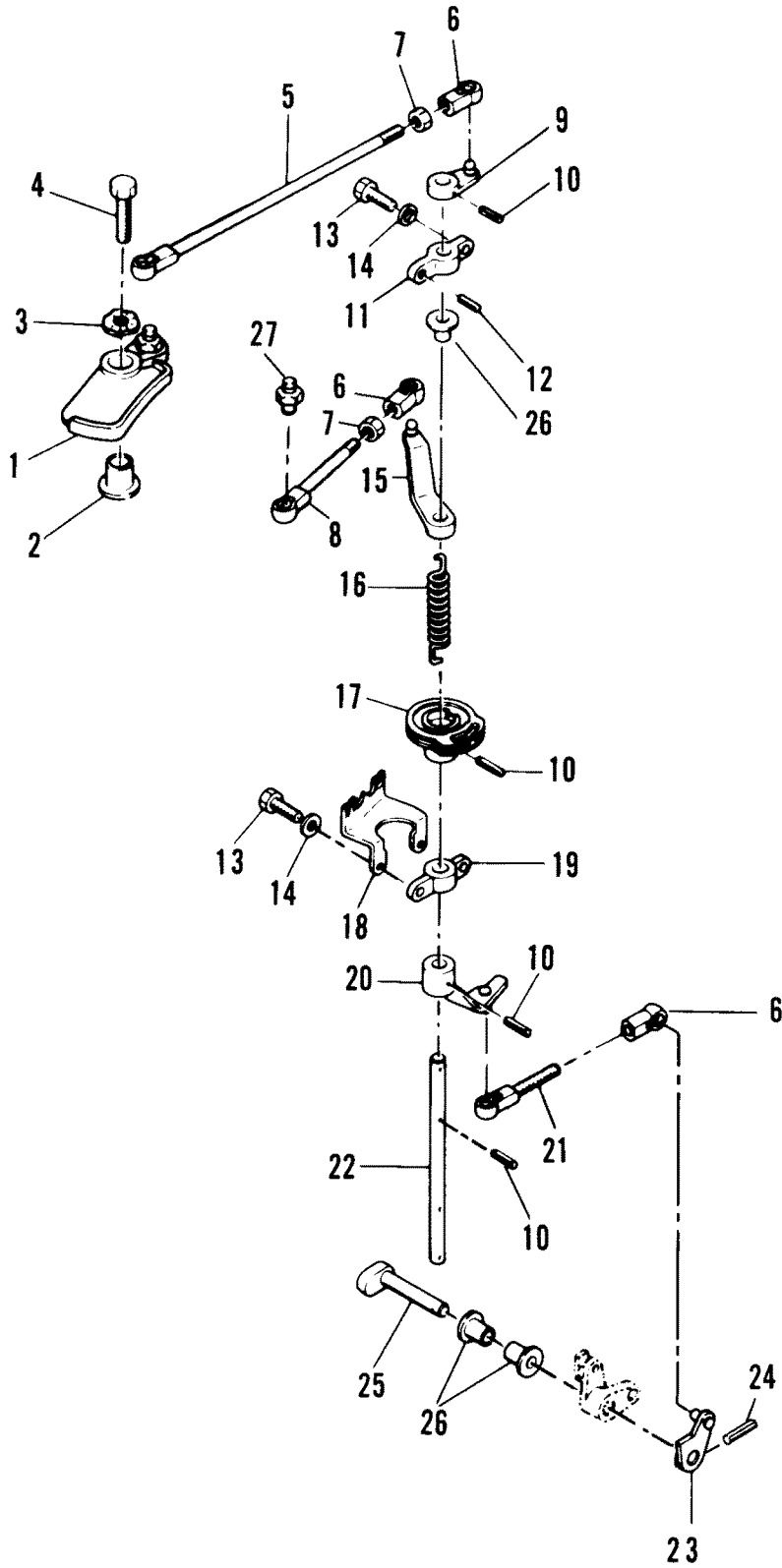
FUEL LINES AND FILTER



FUEL LINES AND FILTER

REF. NO.	PART NO.	SYM.	QTY.	DESCRIPTION
1	93099M		1	FUEL CONNECTOR
2	10-83539M		1	BOLT
3	13-82197M		2	WASHER, LOCK
4	32-84972M		1	HOSE
5	54-82047M		6	CLAMP
6	35-80617M		1	FILTER ASS'Y
7	27-82790M		1	GASKET
8	35-82783M		1	ELEMENT, FILTER
9	25-84957M		1	O-RING
10	82784M		1	CUP, FILTER
11	80620M		1	BRACKET, FILTER
12	10-84247M		1	BOLT
13	11-82382M		1	NUT
14	13-82200M		1	WASHER, LOCK
15	32-84973M		1	HOSE
16	32-94501M		1	HOSE
17	91-81669M		1	TOOL KIT ASS'Y

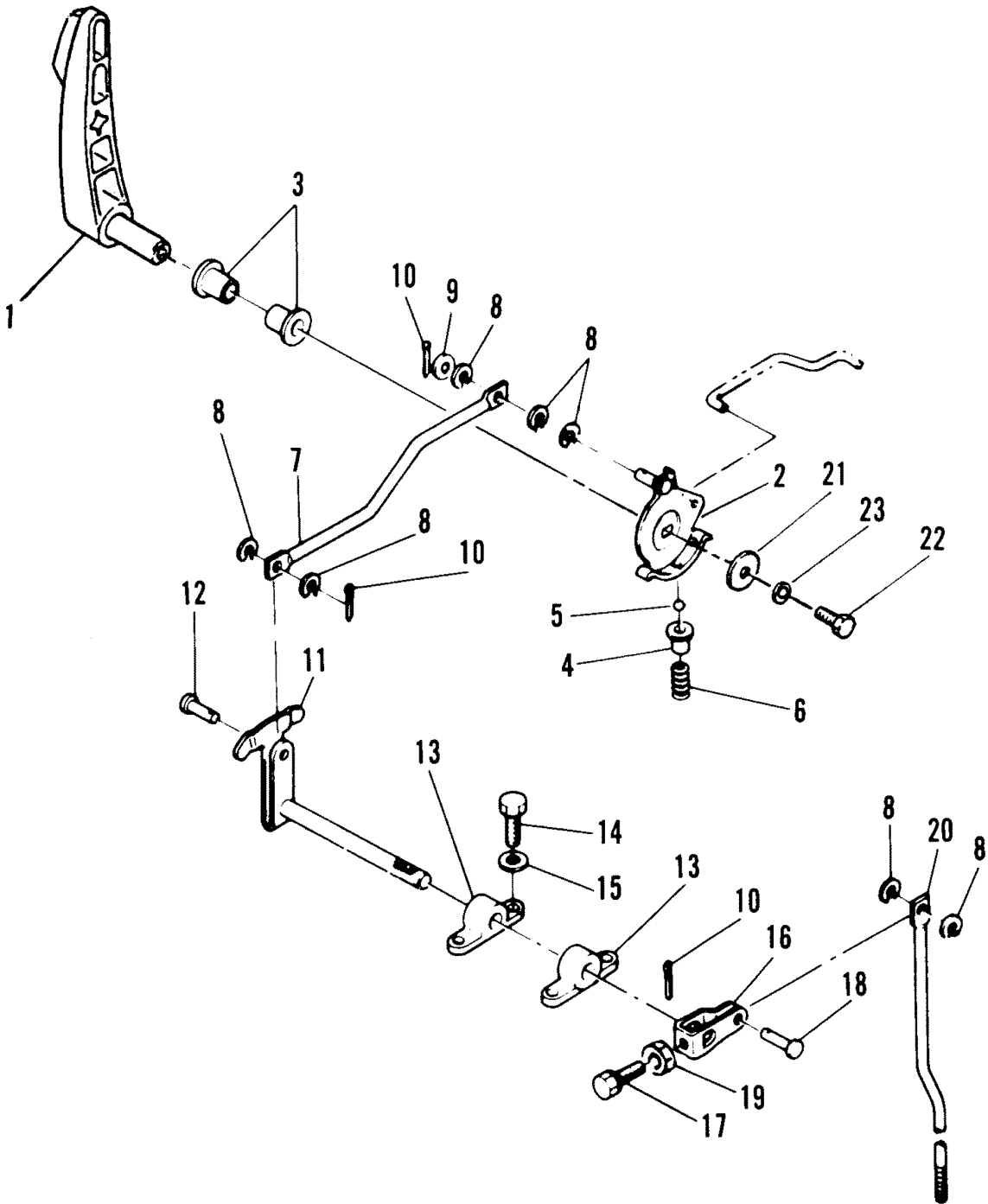
THROTTLE CONTROL



THROTTLE CONTROL

REF. NO.	PART NO.	SYM.	QTY.	DESCRIPTION
1	94502M		1	CAM
2	23-94503M		1	BUSHING
3	13-81868M		1	WASHER
4	10-84237M		1	BOLT
5	83544M		1	LINK, ROD
6	81225M		2	RETAINER, LINK ROD
7	11-82378M		2	NUT
8	83918M		1	LEVER, MAGNETO CONTROL
9	94504M		1	LEVER, MAGNETO CONTROL
10	17-82149M		4	PIN, ROLL
11	83547M		1	BRACKET
12	17-82154M		1	PIN, ROLL
13	10-83539M		3	BOLT
14	13-82199M		3	WASHER
15	83548M		1	LEVER, MAGNETO CONTROL
16	24-83549M		1	SPRING
17	83919M		1	PULLEY
18	83551M		1	BRACKET
19	83537M		1	BRACKET
20	83920M		1	LEVER, MAGNETO CONTROL
21	83921M		1	ROD
22	83555M		1	SHAFT, LINK CONNECTING
23	83526M		1	LEVER, THROTTLE CONTROL
24	17-82158M		1	PIN, ROLL
25	83527M		1	SHAFT, THROTTLE CONTROL
26	23-81946M		2	BUSHING
27	84305M		2	LINK JOINT

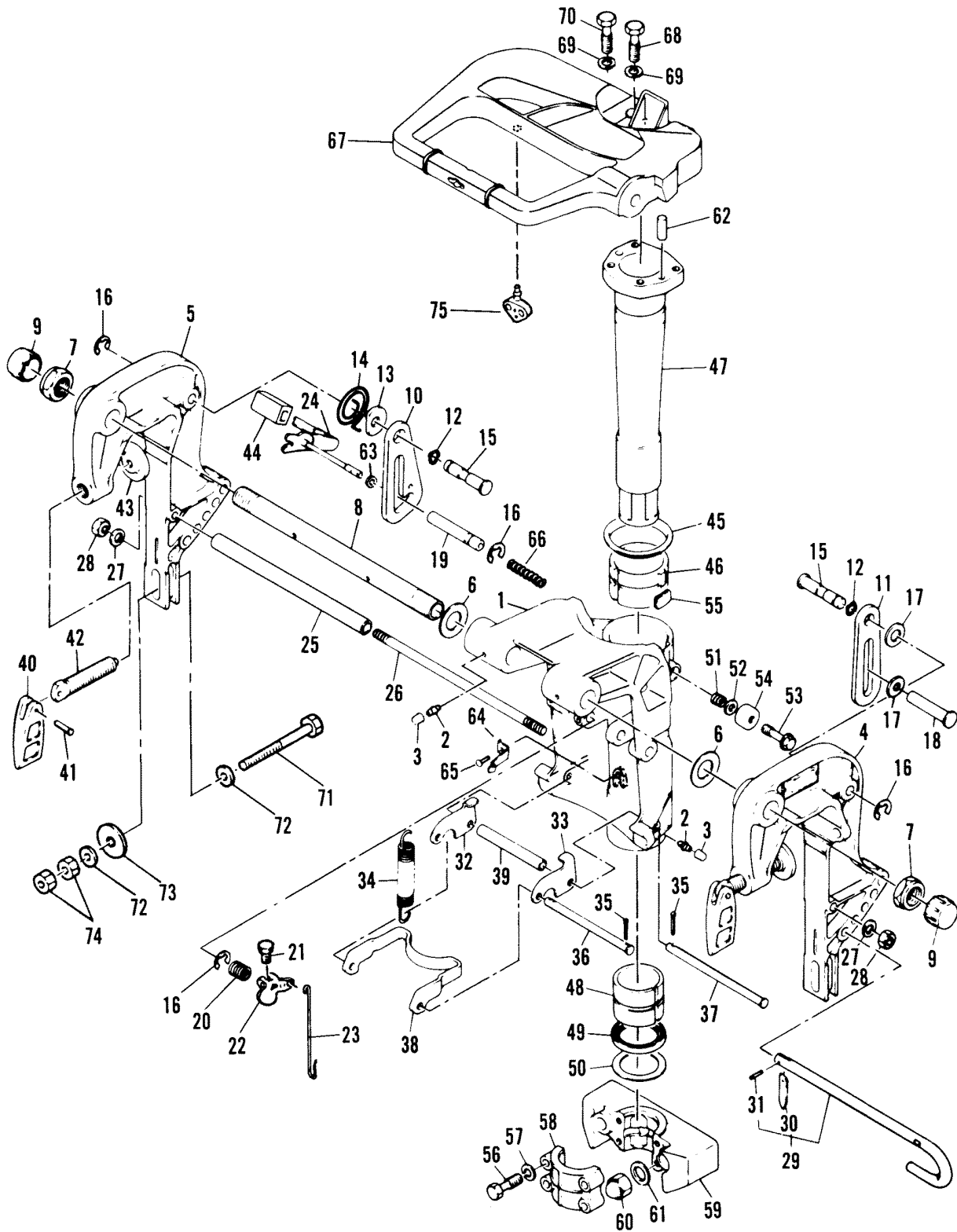
GEAR SHIFT LINKAGE



GEAR SHIFT LINKAGE

REF. NO.	PART NO.	SYM.	QTY.	DESCRIPTION
1	94506M		1	HANDLE, GEAR SHIFT
2	94507M		1	CAM, PLATE HANDLE
3	23-81952M		2	BUSHING
4	23-83531M		1	BUSHING
5	82348M		1	BALL, STEEL
6	24-82084M		1	SPRING, COMPRESSION
7	83532M		1	ROD
8	12-83533M		7	WASHER
9	12-82196M		1	WASHER
10	18-82125M		3	PIN, COTTER
11	83534M		1	SHAFT
12	17-83536M		1	PIN, CLEVIS
13	83537M		2	BRACKET
14	10-83539M		4	BOLT
15	13-82199M		4	WASHER
16	83538M		1	LEVER, SHIFT ROD
17	10-83539M		1	BOLT
18	17-83540M		1	PIN, CLEVIS
19	11-82380M		1	NUT
20	83542M		1	ROD, SHIFT
21	12-81794M		1	WASHER
22	10-94509M		1	BOLT
23	13-82212M		1	WASHER

CLAMP AND SWIVEL BRACKET/REVERSE LOCK

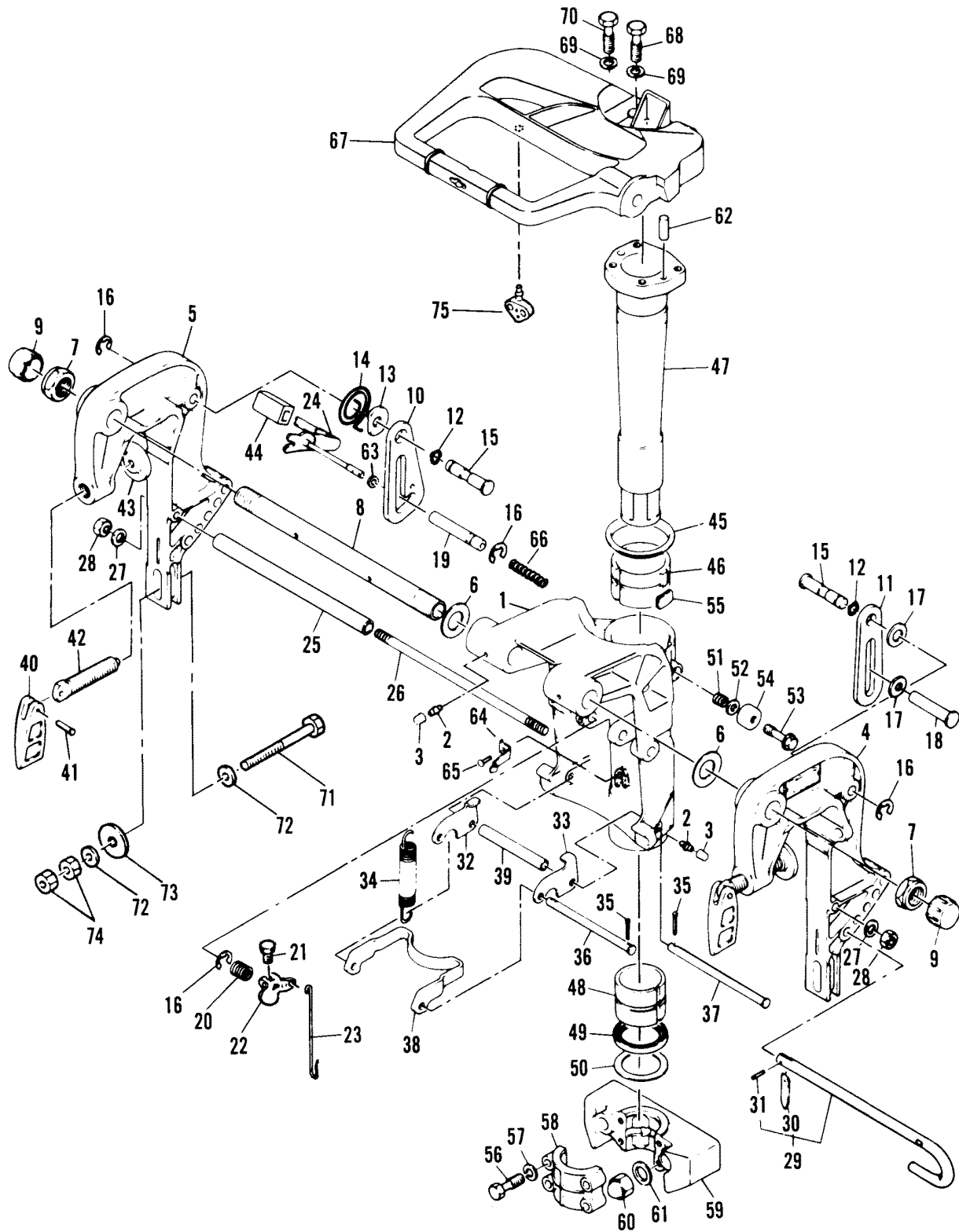


CLAMP AND SWIVEL BRACKET/REVERSE LOCK

REF. NO.	PART NO.	SYM.	QTY.	DESCRIPTION
1	1485-6996M		1	BRACKET, SWIVEL
2	22-82369M		4	NIPPLE, GREASE
3	81439M		4	CAP, GREASE NIPPLE
4	1484-8439M		1	BRACKET, CLAMP
5	1484-8440M		1	BRACKET, CLAMP
6	12-81836M		2	WASHER
7	11-81787M		2	NUT, NYLON
8	81387M		1	STUD, CLAMP BRACKET
9	81388M		2	CAP
10	84968M		1	STOP, TILT (STARBOARD) FOR 75 TILT
	94508M		1	STOP, TILT (STARBOARD) FOR 70 TILT (OPT)
11	84969M		1	STOP, TILT (PORT) FOR 75 TILT
	94510M		1	STOP, TILT (PORT) FOR 70 TILT (OPT)
12	13-83457M		2	WASHER, WAVE
13	12-83458M		1	WASHER
14	24-92616M		1	SPRING, LEVER RETURN
15	17-83460M		2	PIN
16	53-83461M		5	SNAP RING
17	12-83462M		2	WASHER
18	17-83463M		1	PIN
19	83464M		1	SHAFT
20	24-83465M		1	SPRING
21	10-82444M		1	BOLT
22	83467M		1	LEVER, TILT
23	83468M		1	ROD, LOCK
24	94511M		1	TILT LEVER ASS'Y
25	83471M		1	SPACER
26	16-83472M		1	STUD
27	13-82215M		2	WASHER, LOCK
28	11-82392M		2	NUT
29	17-83904M		1	TILT PIN ASS'Y
30	84044M		1	STOPPER, TILT LOCK
31	17-82145M		1	PIN, ROLL
32	83905M		1	BRACKET, TILT LOCK
33	83906M		1	BRACKET, TILT LOCK
34	24-83476M		2	SPRING
35	18-82752M		4	PIN, COTTER
36	17-83477M		1	PIN
37	17-83478M		1	PIN
38	83479M		1	TILT LOCK
39	23-83480M		1	SPACER
40	81382M		2	HANDLE, TRANSOM CLAMP
41	17-81889M		2	PIN

CONTINUED ON NEXT PAGE ➡

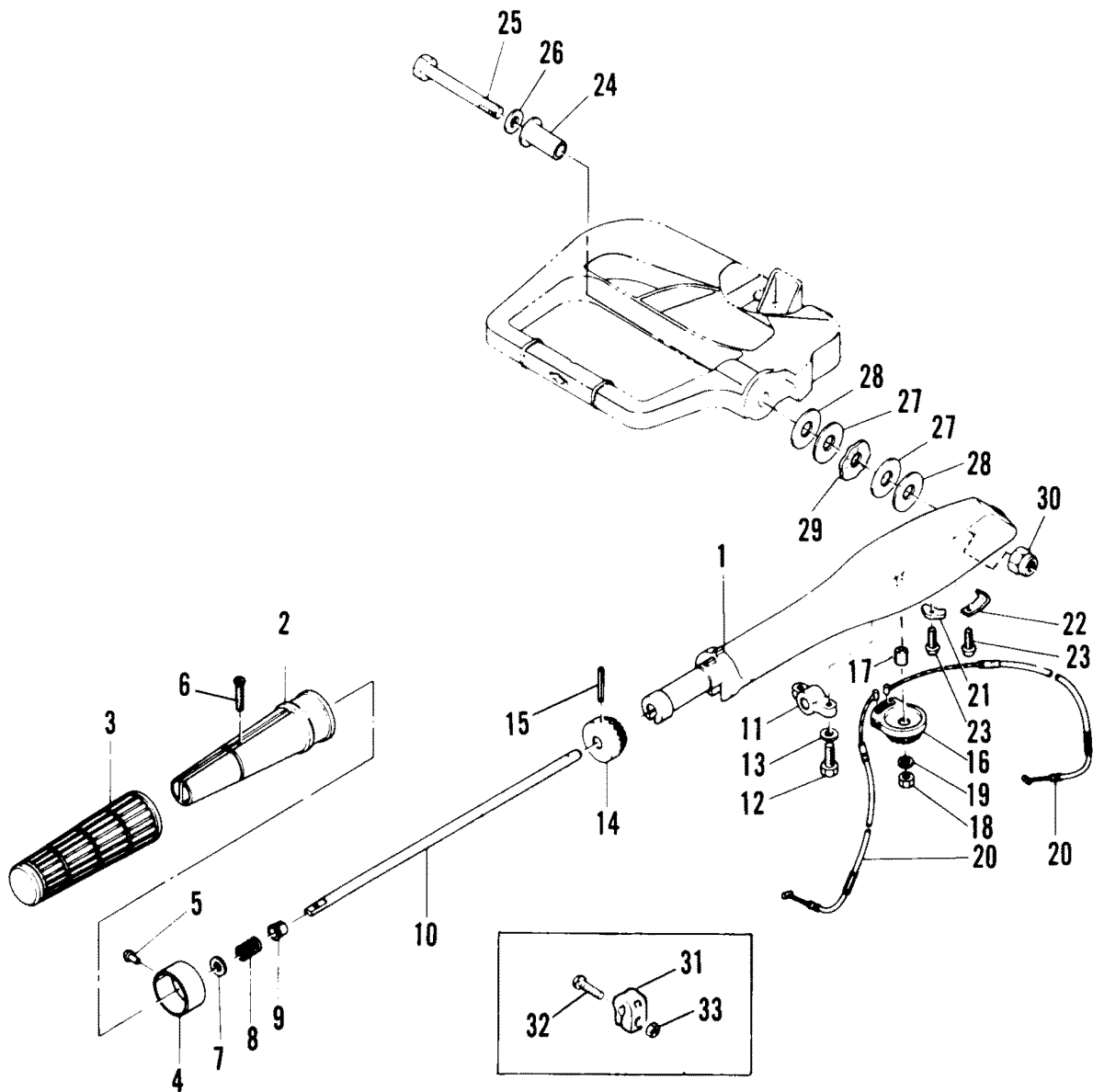
CLAMP AND SWIVEL BRACKET/REVERSE LOCK



CLAMP AND SWIVEL BRACKET/REVERSE LOCK

REF. NO.	PART NO.	SYM.	QTY.	DESCRIPTION
42	10-83481M		2	SCREW, TRANSOM CLAMP
43	12-80638M		2	WASHER, TRANSOM SCREW
44	81395M		1	COVER
45	12-83482M		1	WASHER
46	23-83483M		1	BUSHING
47	83907M		1	SHAFT
48	23-83485M		1	BUSHING
49	26-83486M		1	OIL SEAL
50	12-83487M		1	WASHER
51	24-83488M		1	SPRING
52	12-82217M		1	WASHER
53	10-82464M		1	BOLT
54	26-83490M		1	RUBBER, SEAL
55	80633M		1	PIECE, FRICTION
56	10-82468M		4	BOLT
57	13-82215M		4	WASHER
58	83491M		1	HOUSING, LOWER MOUNT RUBBER
59	83492M		1	HOUSING, LOWER MOUNT RUBBER
60	11-82397M		2	NUT, CROWN
61	12-84429M		2	WASHER
62	17-82368M		2	PIN, DOWEL
63	12-83493M		1	WASHER
64	24-83494M		1	SPRING
65	17-83495M		1	RIVET
66	24-83909M		1	SPRING
67	83513M		1	BRACKET, STEERING
68	10-82465M		2	BOLT
69	13-82215M		4	WASHER, LOCK
70	10-82466M		2	BOLT
71	10-84970M		4	BOLT
72	12-82220M		8	WASHER
73	12-81812M		4	WASHER
74	11-82395M		8	NUT
75	M-92619M		1	HOLDER, PIN

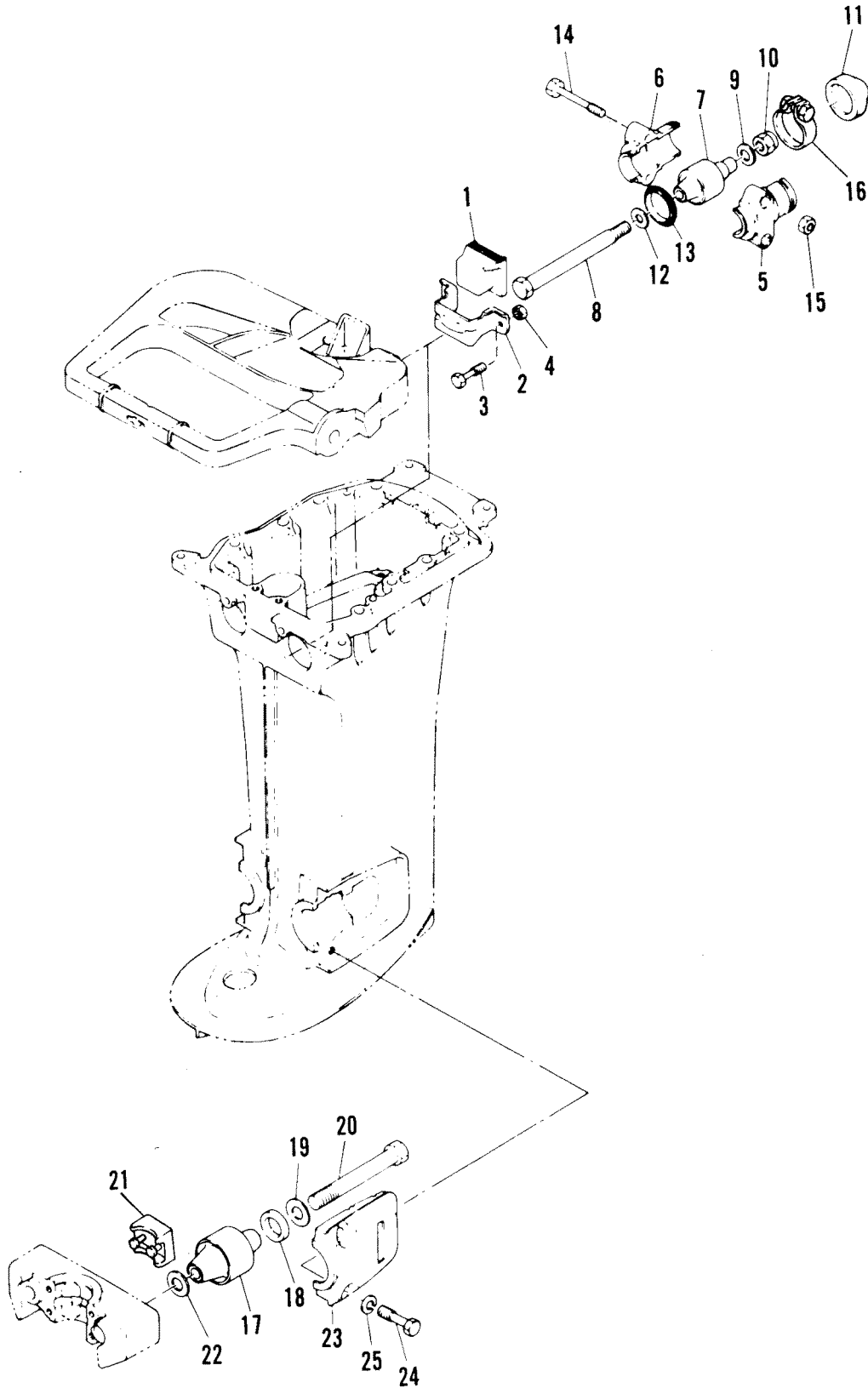
STEERING HANDLE



STEERING HANDLE

REF. NO.	PART NO.	SYM.	QTY.	DESCRIPTION
0-1	93050M		1	STEERING HANDLE ASS'Y
1	84971M		1	HANDLE, STEERING
2	81585M		1	GRIP, STEERING HANDLE
3	84854M		1	RUBBER, HANDLE
4	83515M		1	INDICATOR, THROTTLE
5	17-81907M		1	RIVET
6	10-82483M		1	SCREW
7	12-82204M		1	WASHER
8	24-82095M		1	SPRING
9	23-81945M		1	BUSHING
10	83516M		1	SHAFT, STEERING HANDLE
11	83517M		1	BRACKET
12	10-82452M		2	BOLT
13	12-82214M		2	WASHER
14	43-80778M		1	GEAR
15	17-82151M		1	PIN, ROLL
16	43-94512M		1	PINION
17	M-94513M		1	BUSHING
18	11-82389M		1	NUT
19	13-82212M		1	WASHER, LOCK
20	83520M		2	THROTTLE WIRE COMPLETE
21	83521M		1	HOLDER, WIRE
22	83522M		1	HOLDER, WIRE
23	10-83523M		2	SCREW
24	23-81950M		1	BUSHING
25	10-94514M		1	BOLT
26	12-83524M		1	WASHER
27	12-81853M		2	WASHER
28	12-81815M		2	WASHER
29	13-81870M		1	WASHER, WAVE
30	11-81786M		1	NUT, NYLON
31	82895M		1	PIECE, FRICTION OPTIONAL PARTS
32	10-84058M		1	BOLT OPTIONAL PARTS
33	11-83056M		1	NUT OPTIONAL PARTS

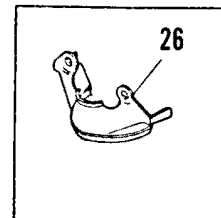
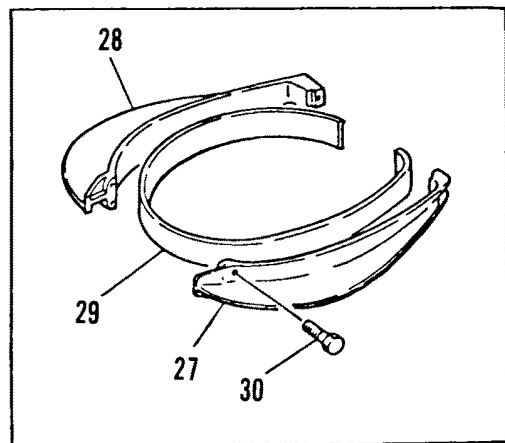
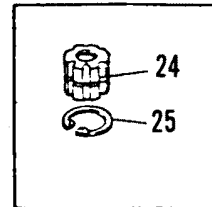
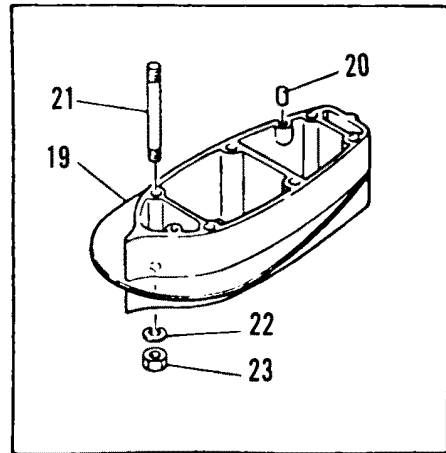
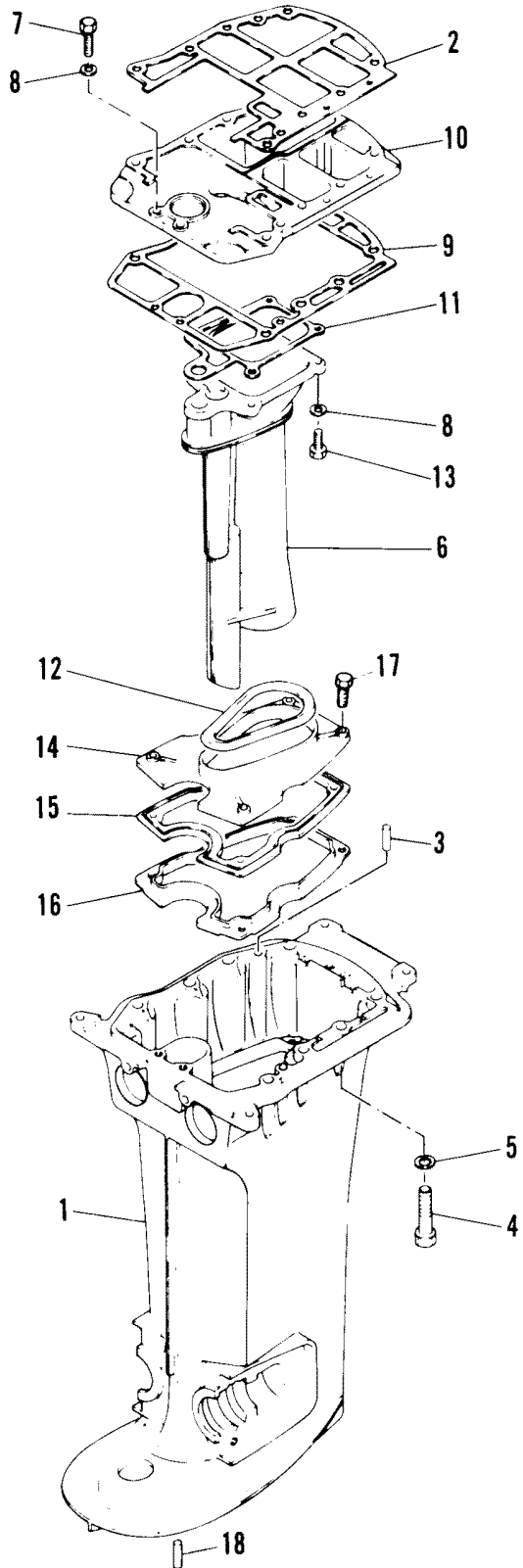
MOUNTING SYSTEM



MOUNTING SYSTEM

REF. NO.	PART NO.	SYM.	QTY.	DESCRIPTION
1	83496M		1	DAMPER, UPPER MOUNT RUBBER
2	83497M		1	BRACKET
3	10-82453M		2	BOLT
4	11-83611M		2	NUT
5	83498M		2	COVER, UPPER MOUNT RUBBER
6	83499M		2	COVER, UPPER MOUNT RUBBER
7	83910M		2	MOUNT RUBBER, UPPER SIDE
8	10-83501M		2	BOLT
9	12-83911M		2	WASHER
10	11-84295M		2	NUT, NYLON
11	83912M		2	CAP
12	12-83504M		2	WASHER
13	25-83505M		2	SEAL, RUBBER
14	10-83506M		4	BOLT
15	11-82400M		4	NUT
16	54-83507M		2	HOSE CLAMP ASS'Y
17	83914M		2	MOUNT RUBBER, LOWER SIDE
18	12-81860M		2	WASHER
19	12-83915M		2	WASHER
20	10-83510M		2	BOLT
21	83511M		1	DAMPER, LOWER MOUNT RUBBER
22	12-84429M		4	WASHER
23	83512M		2	COVER, LOWER MOUNT
24	10-82465M		4	BOLT
25	13-82215M		4	WASHER

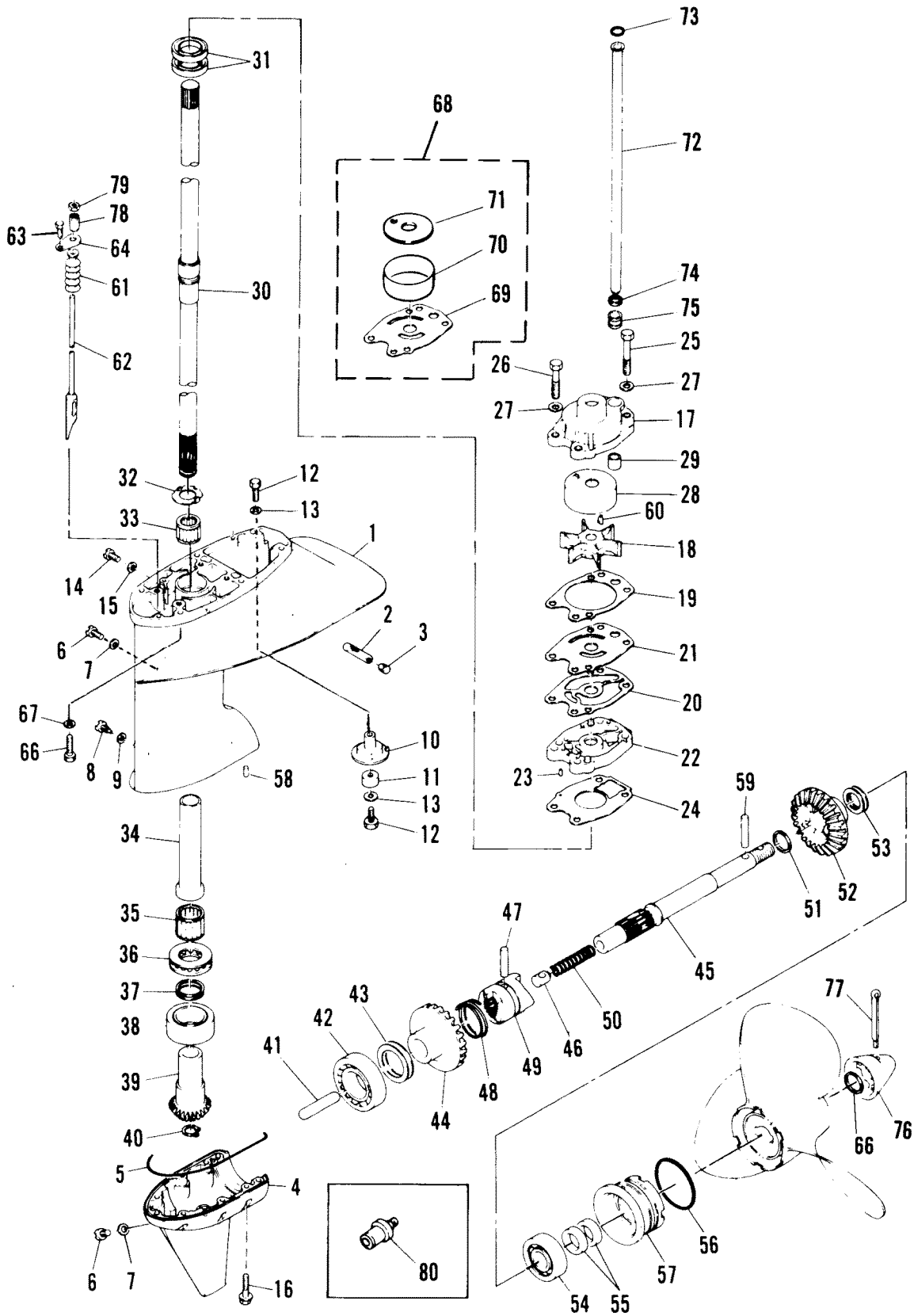
DRIVESHAFT HOUSING



DRIVESHAFT HOUSING

REF. NO.	PART NO.	SYM.	QTY.	DESCRIPTION
1	1587-8441M		1	DRIVESHAFT HOUSING (SHORT SHAFT)
	1587-8442M		1	DRIVESHAFT HOUSING (LONG SHAFT)
2	27-83378M		1	GASKET, DRIVESHAFT HOUSING
3	17-83379M		2	PIN, DOWEL
4	10-84056M		8	BOLT
5	13-82215M		8	WASHER
6	94515M		1	EXHAUST TUBE
7	10-82453M		3	BOLT
8	13-82212M		4	WASHER, LOCK
9	27-83381M		1	GASKET, UPPER HOUSING
10	94516M		1	PLATE
11	27-83383M		1	GASKET, EXHAUST MANIFOLD
12	83384M		1	SEAL
13	10-84058M		4	BOLT
14	83890M		1	SEAL SUPPORT BRACKET
15	83386M		1	SEAL
16	83387M		1	PLATE
17	10-82476M		4	BOLT
18	17-82364M		2	PIN, DOWEL
19	83891M		1	EXTENSION (SUPER ULTRA LONG SHAFT) OPTIONAL PARTS
20	17-82364M		2	PIN, DOWEL (SUL) OPTIONAL PARTS
21	16-94528M		6	STUD OPTIONAL PARTS
22	13-82215M		6	WASHER OPTIONAL PARTS
23	11-82392M		6	NUT OPTIONAL PARTS
24	23-83892M		1	BUSHING (SUL) OPTIONAL PARTS
25	53-83758M		1	SNAP RING OPTIONAL PARTS
26	92617M		1	COVER (SHORT SHAFT) OPTIONAL PARTS
	92618M		1	COVER (LONG AND SUPER ULTRA LONG SHAFTS) OPTIONAL PARTS
27	93046M		1	PLATE, SPLASH OPTIONAL PARTS
28	93047M		1	PLATE, SPLASH OPTIONAL PARTS
29	26-93048M		1	SEAL OPTIONAL PARTS
30	10-82476M		3	BOLT OPTIONAL PARTS

GEARHOUSING ASS'Y

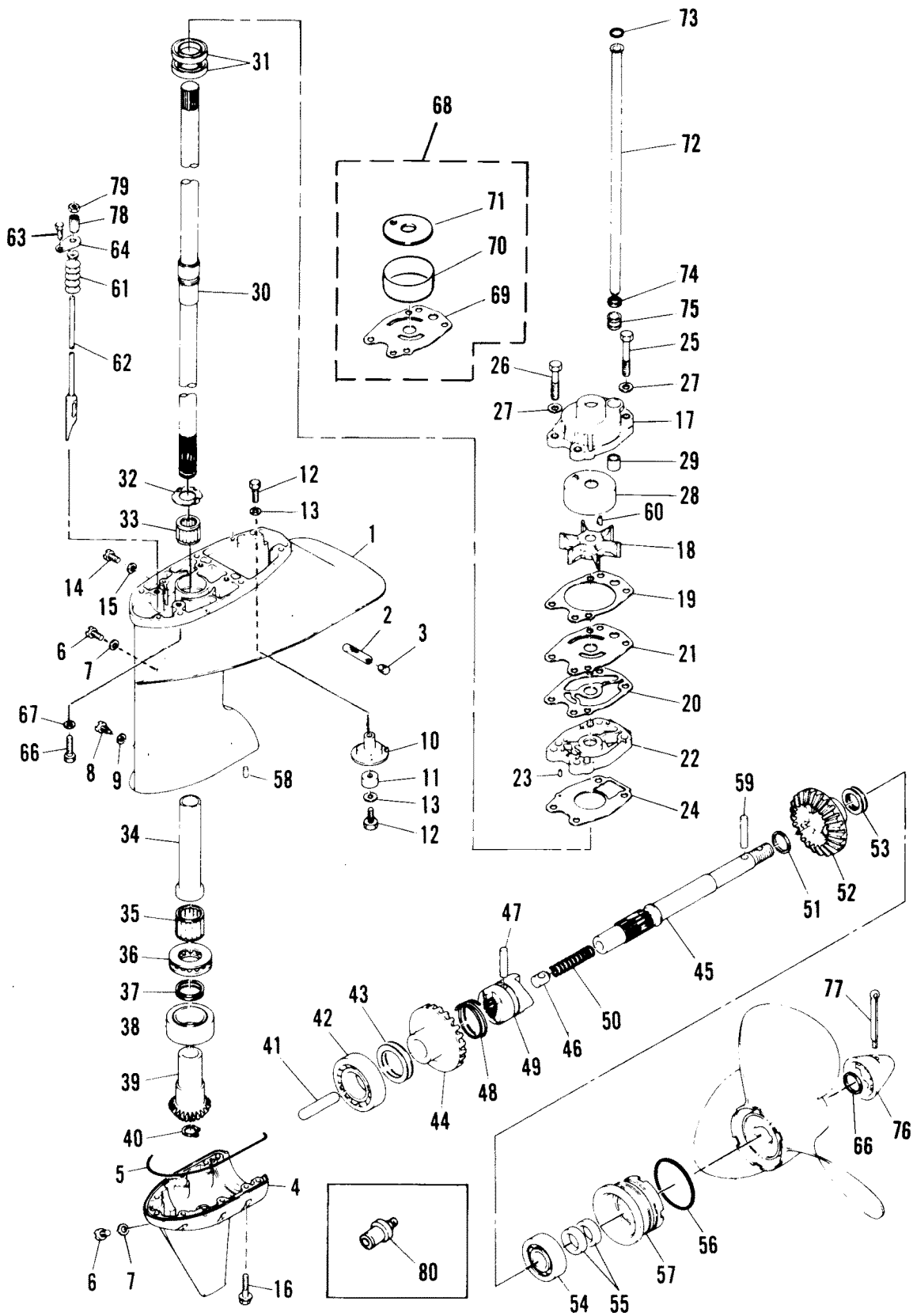


GEARHOUSING ASS'Y

REF. NO.	PART NO.	SYM.	QTY.	DESCRIPTION
0-1	1651-6993M		1	GEARHOUSING ASS'Y (SHORT SHAFT)
	1651-6994M		1	GEARHOUSING ASS'Y (LONG SHAFT)
1	M-6995M		1	GEARHOUSING, UPPER
2	35-83388M		1	SCREEN
3	22-83389M		1	PLUG
4	83390M		1	GEARHOUSING, LOWER
5	83391M		1	SEAL, LOWER HOUSING
6	22-81924M		3	SCREW, DRAIN
7	27-81987M		3	GASKET
8	10-83392M		1	SCREW
9	27-81986M		1	GASKET
10	83393M		1	COVER, WATER INLET
11	83394M		1	ANODE
12	10-83395M		2	BOLT
13	12-82214M		2	WASHER
14	22-81924M		1	PLUG
15	27-81987M		1	GASKET
16	10-82476M		9	BOLT
17	46-83396M		1	COVER, WATER PUMP
18	47-83397M		1	IMPELLER
19	M-83398M		1	GASKET, WATER PUMP
20	27-83399M		1	GASKET
21	83400M		1	FACE PLATE
22	46-83401M		1	BASE, WATER PUMP
23	17-82354M		3	PIN, DOWEL
24	27-83402M		1	GASKET, WATER PUMP
25	10-84057M		2	BOLT
26	10-82468M		2	BOLT
27	12-82217M		4	WASHER
28	83403M		1	INSERT
29	26-81426M		1	RUBBER, WATER SEAL
30	45-83404M		1	DRIVE SHAFT, (SHORT SHAFT)
	45-83405M		1	DRIVE SHAFT, (LONG SHAFT)
	45-92610M		1	DRIVE SHAFT, (SUPER ULTRA LONG SHAFT - OPTIONAL)
31	26-83406M		2	OIL SEAL
32	12-83407M		1	THRUST WASHER, DRIVE SHAFT
33	31-83408M		1	BEARING, NEEDLE
34	83409M		1	SLEEVE, DRIVE SHAFT
35	31-83410M		1	BEARING, NEEDLE
36	31-83411M		1	BEARING, THRUST
37	15-83412M		AR	SHIM, PINION GEAR ADJUST (0.70 MM)
	15-83413M		AR	SHIM, PINION GEAR ADJUST (0.75 MM)
	15-83414M		AR	SHIM, PINION GEAR ADJUST (0.80 MM)

CONTINUED ON NEXT PAGE ➡

GEARHOUSING ASS'Y

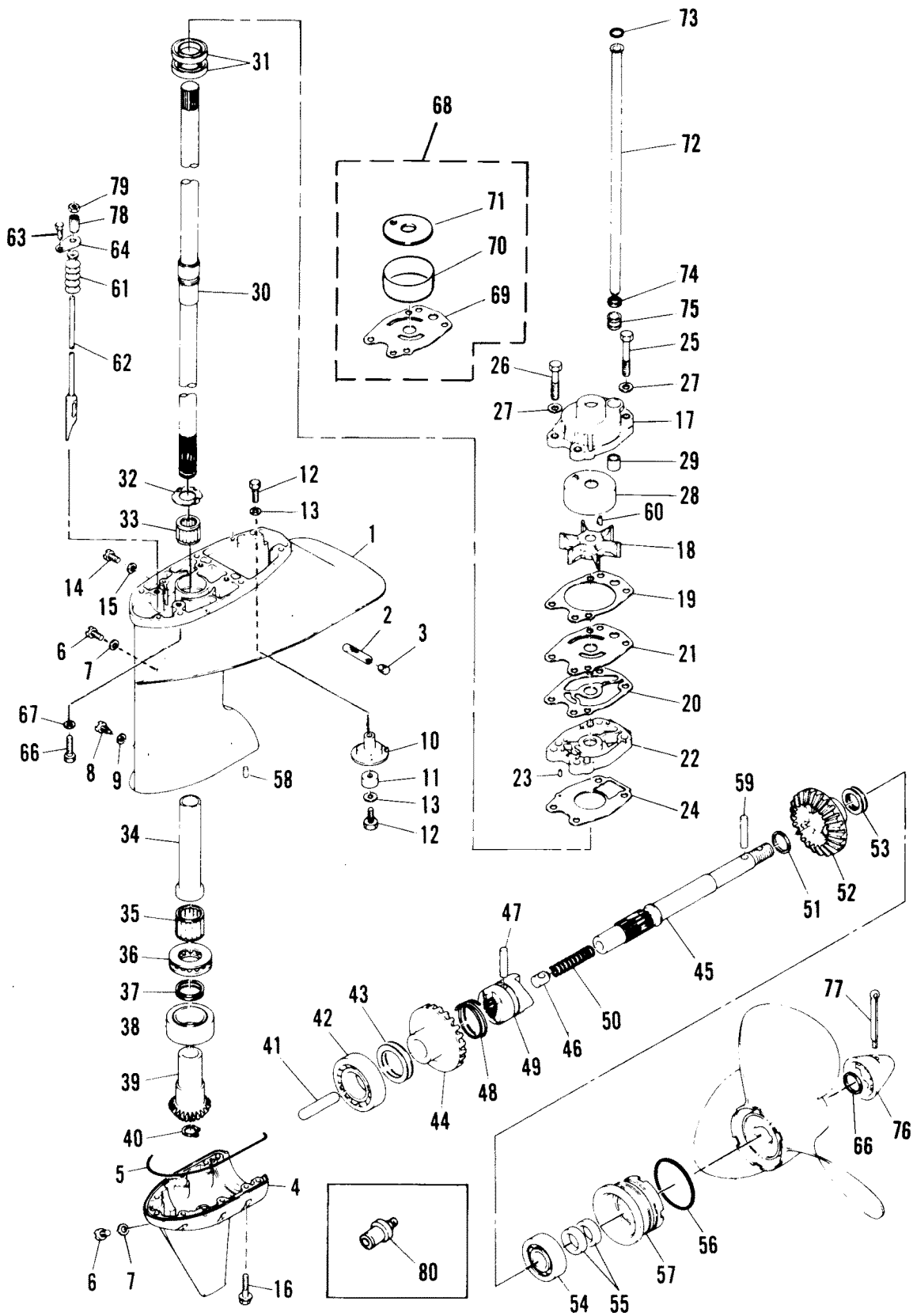


GEARHOUSING ASS'Y

REF. NO.	PART NO.	SYM.	QTY.	DESCRIPTION
37	15-83415M		AR	SHIM, PINION GEAR ADJUST (0.85 MM)
38	31-83416M		1	BEARING, ROLLER
39	43-83417M		1	PINION, GEAR
40	53-82324M		1	SNAP RING
41	83419M		1	CAM FOLLOWER
42	30-83420M		1	BEARING, TAPERED ROLLER
43	15-83421M		AR	SHIM, FORWARD GEAR ADJUST (0.7 MM)
	15-83422M		AR	SHIM, FORWARD GEAR ADJUST (0.8 MM)
	15-83423M		AR	SHIM, FORWARD GEAR ADJUST (0.9 MM)
	15-83424M		AR	SHIM, FORWARD GEAR ADJUST (1.0 MM)
	15-83425M		AR	SHIM, FORWARD GEAR ADJUST (1.1 MM)
	15-83426M		AR	SHIM, FORWARD GEAR ADJUST (1.2 MM)
44	43-83427M		1	GEAR, FORWARD
45	44-83428M		1	SHAFT, PROPELLER
46	81475M		1	SLIDE, SHIFT
47	17-81903M		1	PIN, CROSS
48	81474M		1	RING, CROSS PIN
49	52-81473M		1	CLUTCH, SLIDING
50	24-83429M		1	SPRING, COMPRESSION
51	12-83430M		1	WASHER
52	43-83431M		1	GEAR, REVERSE
53	15-83432M		AR	SHIM, REVERSE GEAR ADJUST (1.8 MM)
	15-83434M		AR	SHIM, REVERSE GEAR ADJUST (2.0 MM)
	15-83435M		AR	SHIM, REVERSE GEAR ADJUST (2.1 MM)
	15-83436M		AR	SHIM, REVERSE GEAR ADJUST (2.2 MM)
	15-83437M		AR	SHIM, REVERSE GEAR ADJUST (2.3 MM)
	15-83438M		AR	SHIM, REVERSE GEAR ADJUST (2.4 MM)
	15-83439M		AR	SHIM, REVERSE GEAR ADJUST (2.5 MM)
54	30-83440M		1	BEARING, BALL
55	26-82229M		2	OIL SEAL
56	25-83441M		1	O-RING
57	83442M		1	CAP, LOWER CASING
58	17-82356M		1	PIN, DOWEL
59	17-83443M		1	PIN, DRIVE
60	28-83444M		1	KEY, WOODRUFF
61	82881M		1	BOOT, SHIFT ROD
62	83445M		1	SHIFT CAM, SHORT SHAFT
	83446M		1	SHIFT CAM, LONG SHAFT
	92615M		1	SHIFT CAM, (SUPER ULTRA LONG SHAFT - OPT)
63	10-84088M		1	BOLT
64	82882M		1	RETAINER
65	12-83447M		1	WASHER, WAVE
66	10-82465M		6	BOLT

CONTINUED ON NEXT PAGE ➡

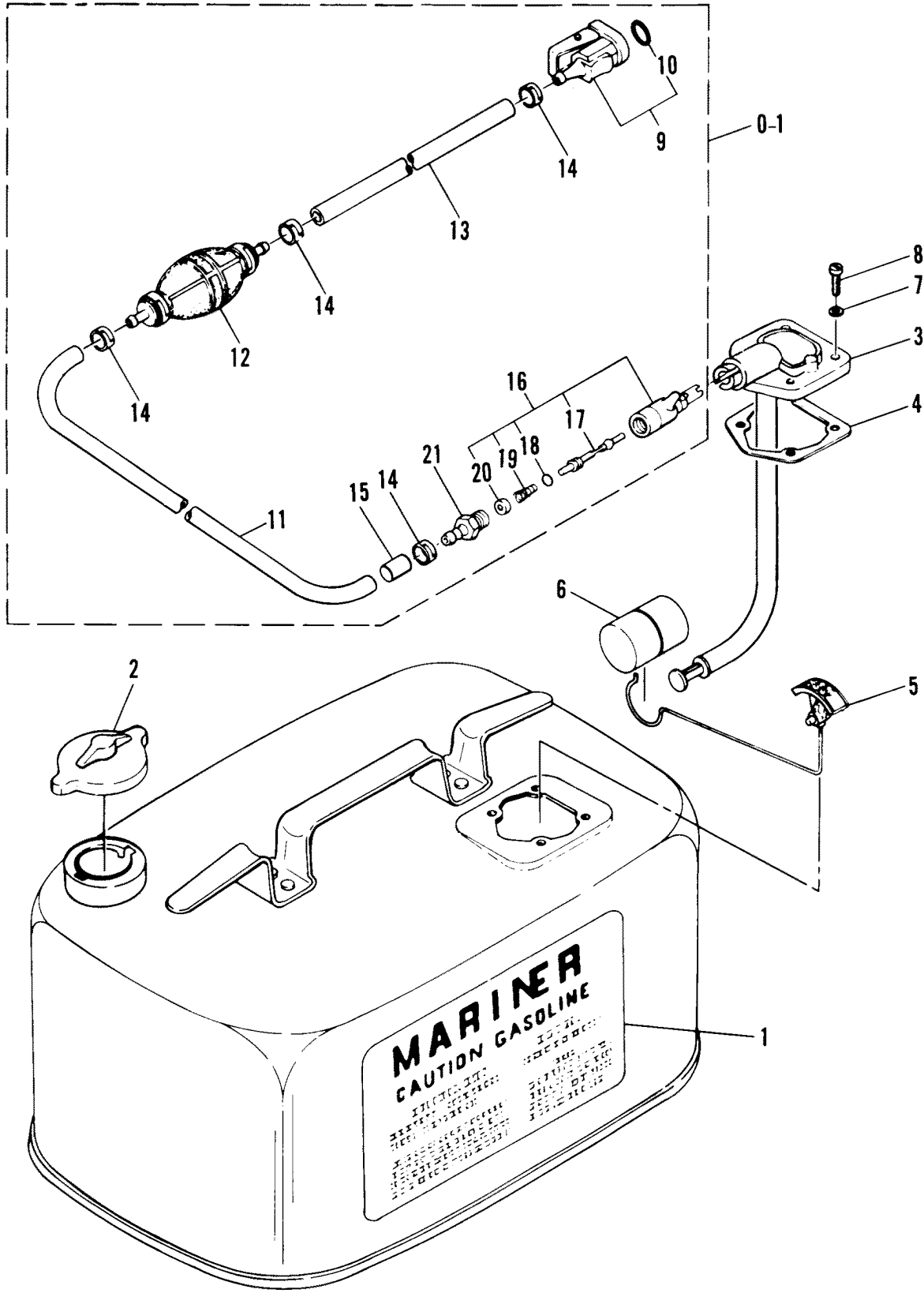
GEARHOUSING ASS'Y



GEARHOUSING ASS'Y

REF. NO.	PART NO.	SYM.	QTY.	DESCRIPTION
67	13-82215M		6	WASHER
68	46-83884M		1	CHROME PUMP ASS'Y (OPT)
69	83448M		1	FACE PLATE, CHROME (OPT)
70	83450M		1	INSERT, CARTRIDGE CHROME (OPT)
71	83449M		1	INNER PLATE, CHROME (OPT)
72	32-83451M		1	TUBE, WATER (SHORT)
	32-83452M		1	TUBE, WATER (LONG)
	32-83903M		1	TUBE, WATER (SUPER ULTRA LONG SHAFT - OPT)
73	12-81852M		1	WASHER
74	25-81989M		1	GASKET
75	26-81427M		1	RUBBER, WATER SEAL
76	11-83453M		1	NUT, PROPELLER
77	18-83454M		1	PIN, COTTER
78	80652M		1	CONNECTOR, SHIFT ROD
79	11-81767M		1	NUT
80	22-80218M		1	PLUG, FLUSH (OPT)
	84186M		1	REPAIR KIT, WATER PUMP REPLACEMENT PARTS
	27-84178M		1	GASKET SET, LOWER UNIT REPLACEMENT PARTS

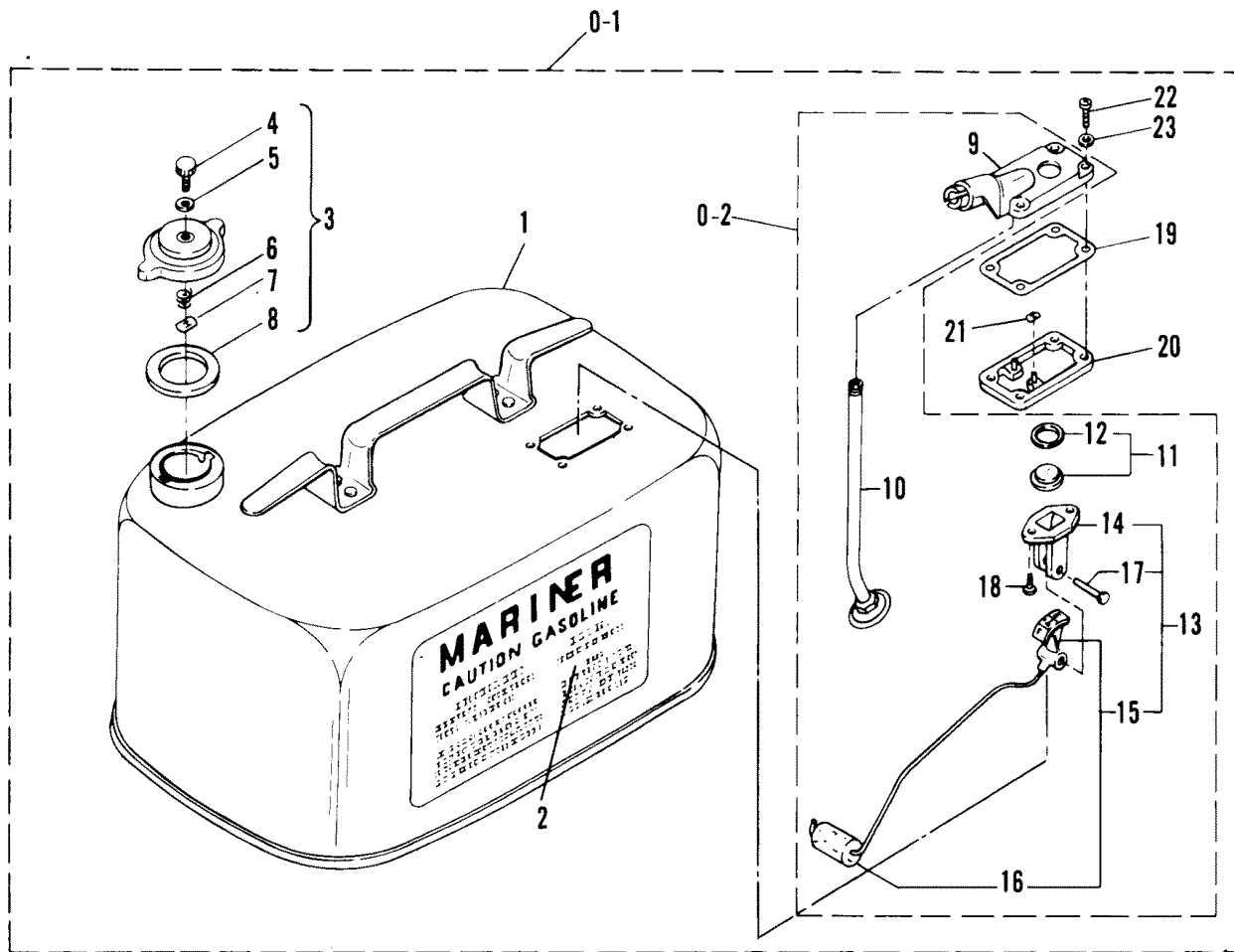
FUEL TANK (ORIGINAL EQUIPMENT) 24 LITRE (6.3 GALLONS)



FUEL TANK (ORIGINAL EQUIPMENT) 24 LITRE (6.3 GALLONS)

REF. NO.	PART NO.	SYM.	QTY.	DESCRIPTION
1	37-82984M		2	DECAL, SIDE
2	36-83617M		1	FUEL TANK CAP
3	83618M		1	FUEL METER COMPLETE
4	27-81320M		1	GASKET, HOUSING TO TANK
5	81318M		1	INDICATOR, FUEL LEVEL
6	81319M		1	FLOAT, INDICATOR
7	12-80271M		4	WASHER, HOUSING SCREW
8	10-82496M		4	SCREW, HOUSING ATTACHING
0-1	32-83628M		1	FUEL LINE ASS'Y
9	22-81042M		1	FUEL CONNECTOR, ENGINE END
10	25-82789M		1	O-RING
11	32-84955M		1	HOSE, CONNECTOR HOUSING TO BULB
12	81325M		1	BULB, PRIMER
13	32-82023M		1	HOSE, BULB TO CONNECTOR
14	54-80752M		4	CLAMP, HOSE
15	23-81327M		1	COLLAR
16	30185A1		1	BAYONET BODY ASS'Y
17	30187		1	STEM, BAYONET BODY
18	25-20415		1	O-RING, BAYONET BODY STEM
19	24-30189		1	SPRING, BAYONET BODY STEM
20	30188		1	WASHER, CAP
21	22-63187		1	FITTING, FUEL LINE

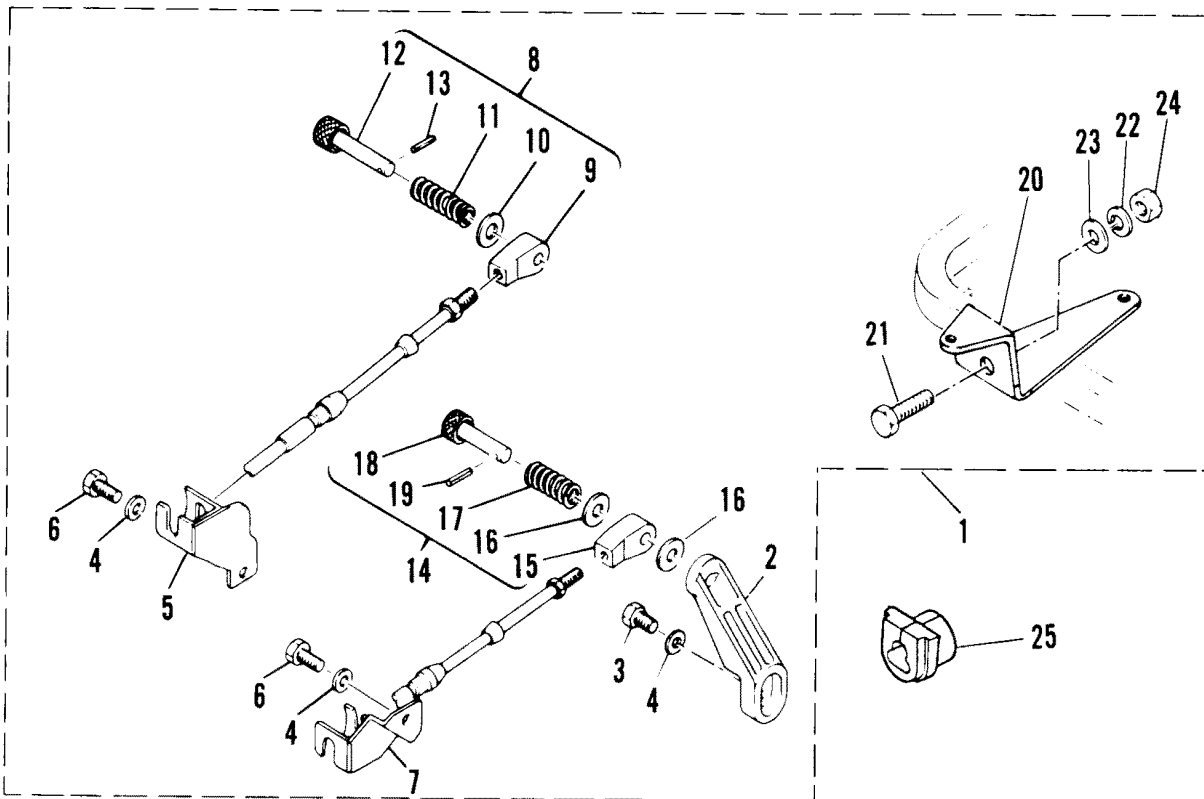
FUEL TANK (REPLACEMENT OR ADDITIONAL) 22.7 LITRE (6.0 GALLON)



FUEL TANK (REPLACEMENT OR ADDITIONAL) 22.7 LITRE (6.0 GALLON)

REF. NO.	PART NO.	SYM.	QTY.	DESCRIPTION
0-1	1225-1529A21		1	FUEL TANK, COMPLETE
1	1225-1529		1	FUEL TANK
2	37-75881		1	DECAL, FUEL TANK
3	36-25392A2		1	FILLER CAP ASSEMBLY
4	10-25575		1	SCREW, VENT-FILLER CAP
5	12-49221		1	WASHER, VENT SCREW
6	24-22227		1	SPRING, TENSION-VENT SCREW
7	11-28587		1	NUT, SPEED-SPRING RETAINER
8	27-25568		1	GASKET, FILLER CAP TO FUEL TANK
0-2	64841A1		1	CONNECTOR/GAUGE ASS'Y, COMPLETE
9	64841A3		1	COVER, FUEL TANK
10	32-33909A3		1	TUBE
11	54920A1		1	LENS ASSEMBLY, FUEL GAUGE
12	27-54921		1	GASKET, FUEL GAUGE LENS
13	28897A2		1	FUEL GAUGE ASSEMBLY, COMPLETE
14	20430		1	RETAINER, FUEL GAUGE
15	28897A1		1	INDICATOR AND FLOAT ASSEMBLY
16	20427		1	FLOAT, FUEL GAUGE
17	17-20426		1	RIVET, INDICATOR TO RETAINER
18	10-62568		2	SCREW, RETAINER TO FUEL TANK COVER
19	27-28862		1	GASKET, COVER ASSEMBLY TO FRAME
20	28860		1	FRAME, RETAINING-FUEL TANK COVER
21	11-28903		2	FASTENER, RETAINING FRAME TO FUEL TANK
22	10-20411		4	SCREW, FUEL TANK COVER TO FUEL TANK
23	12-74711		4	WASHER, FUEL TANK COVER FASTENING SCREW

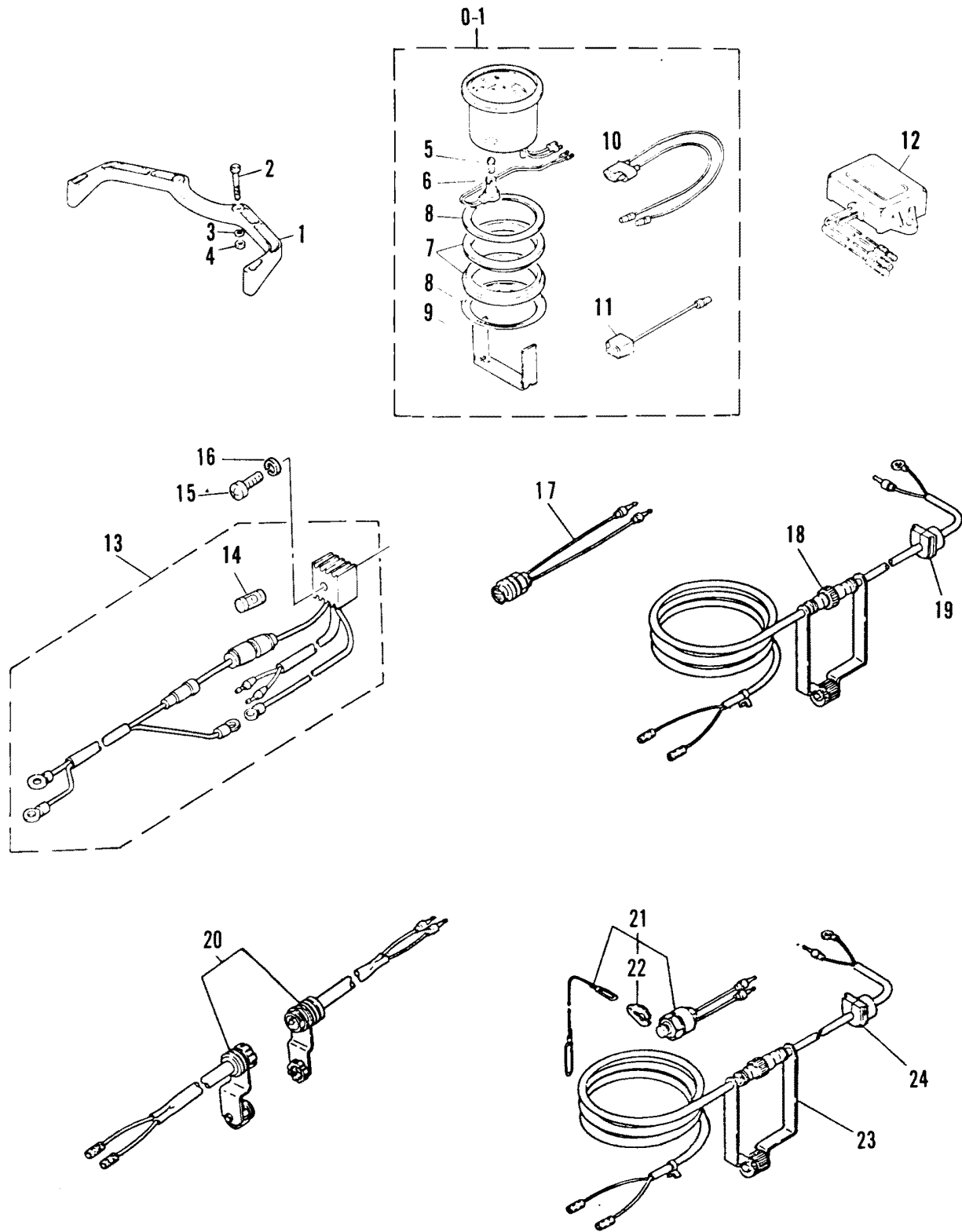
REMOTE CONTROL ATTACHING KIT



REMOTE CONTROL ATTACHING KIT

REF. NO.	PART NO.	SYM.	QTY.	DESCRIPTION
1	83635M		1	REMOTE CONTROL ATTACHMENT KIT
2	83716M		1	THROTTLE LEVER
3	10-82448M		1	BOLT
4	13-82212M		3	WASHER, LOCK
5	83718M		1	BRACKET, SHIFT CABLE
6	10-83395M		2	BOLT
7	83932M		1	BRACKET, THROTTLE CABLE
8	83719M		1	SHIFT CABLE END ASS'Y
9	83720M		1	CABLE END
10	12-82216M		1	WASHER
11	24-83721M		1	SPRING
12	17-83722M		1	HOOK, CABLE
13	17-82146M		1	PIN, ROLL
14	83933M		1	THROTTLE CABLE END ASS'Y
15	83934M		1	CABLE END
16	12-82216M		2	WASHER
17	24-83725M		1	SPRING
18	17-83726M		1	HOOK, CABLE
19	17-82146M		1	PIN, ROLL
20	83698M		1	BRACKET, MECHANICAL STEERING
21	10-82474M		1	BOLT
22	13-82218M		1	WASHER, LOCK
23	12-82220M		1	WASHER
24	11-82395M		1	NUT
25	25-94476M		1	GROMMET

OPTIONAL PARTS



OPTIONAL PARTS

REF. NO.	PART NO.	SYM.	QTY.	DESCRIPTION
1	93057M		1	CARRING HANDLE
2	10-83327M		1	BOLT
3	12-82204M		1	WASHER
4	11-82384M		1	NUT
0-1	79-84311M		1	TACHOMETER KIT
5	88-80007M		1	BULB
6	84348M		1	SOCKET, BULB
7	84349M		2	DAMPER
8	12-84350M		2	WASHER
9	84351M		1	PLATE
10	84-84352M		1	WIRE LEAD
11	84-84353M		2	CONNECTOR
12	84125M		1	VOLTAGE REGULATOR
13	84329M		1	RECTIFIER ASS'Y
14	88-81522M		1	FUSE
15	10-82492M		1	SCREW
16	13-82193M		1	WASHER
17	M-92614M		1	STOP SWITCH, REMOTE (5M)
18	92613M		1	EXTENSION, STOP SWITCH
19	25-94536M		1	GROMMET
20	84-84124M		1	WIRE LEAD EXTENSION
21	87-92612M		1	KILL SWITCH ASS'Y
22	81531M		1	STOPPER
23	92613M		1	EXTENSION, KILL SWITCH
24	25-94536M		1	GROMMET

PARTS INDEX

Part Number	Description	Pg.	Ref. No.	Part Number	Description	Pg.	Ref. No.
20427	FLOAT, FUEL GAUGE	55	16	82788M	PLUG CAP	9	33
20430	RETAINER, FUEL GAUGE	55	14	82881M	BOOT, SHIFT ROD	49	61
28860	FRAME, RETAINING-FUEL TANK COVER	55	20	82882M	RETAINER	49	64
28897A1	INDICATOR AND FLOAT ASSEMBLY	55	15	82895M	PIECE, FRICTION	41	31
28897A2	FUEL GAUGE ASSEMBLY, COMPLETE	55	13	83137M	HOOK	3	5
30185A1	BAYONET BODY ASS'Y	53	16	83212M	BRACKET	3	3
30187	STEM, BAYONET BODY	53	17	83330M	ANODE	19	18
30188	WASHER, CAP	53	20	83331M	BRACKET, ENGINE	19	20
54920A1	LENS ASSEMBLY, FUEL GAUGE	55	11	83335M	COVER, THERMOSTAT	19	32
64841A1	CONNECTOR/GAUGE ASS'Y, COMPLETE	55	0-2	83337M	INNER COVER, EXHAUST	19	36
64841A3	COVER, FUEL TANK	55	9	83354M	MANIFOLD, INTAKE	25	19
79629A1	STARTER ROPE	7	19	83358M	ROD, CHOKE	25	26
80003M	LUBRICATOR	9	9	83363M	FLOAT	27	3
80003M	LUBRICATOR	13	8	83364M	INLET NEEDLE & SEAT	27	4
80063M	HANDLE, STARTER	7	8	83367M	JET, MAIN (#150)	27	9
80601M	SEAL, RUBBER	3	2	83370M	COLLAR	27	12
80606M	DIAPHRAGM	29	2	83384M	SEAL	45	12
80607M	COVER	29	8	83386M	SEAL	45	15
80611M	PLATE, SPRING GUIDE	29	3	83387M	PLATE	45	16
80620M	BRACKET, FILTER	31	11	83390M	GEARHOUSING, LOWER	47	4
80633M	PIECE, FRICTION	39	55	83391M	SEAL, LOWER HOUSING	47	5
80652M	CONNECTOR, SHIFT ROD	51	78	83393M	COVER, WATER INLET	47	10
80935M	PLUG CAP, NOISE SUPPRESSOR (OPT)	9	33	83394M	ANODE	21	47
81098M	THERMOSTAT	19	31	83394M	ANODE	47	11
81106M	PLUNGER, STARTER STOP	7	39	83400M	FACE PLATE	47	21
81145M	LEVER, CLAMP	3	22	83403M	INSERT	47	28
81191M	RETAINER, CHOKE LEVER	25	27	83409M	SLEEVE, DRIVE SHAFT	47	34
81225M	RETAINER, LINK ROD	33	6	83419M	CAM FOLLOWER	49	41
81267M	VALVE, PRESSURE CONTROL	19	43	83442M	CAP, LOWER CASING	49	57
81318M	INDICATOR, FUEL LEVEL	53	5	83445M	SHIFT CAM, SHORT SHAFT	49	62
81319M	FLOAT, INDICATOR	53	6	83446M	SHIFT CAM, LONG SHAFT	49	62
81325M	BULB, PRIMER	53	12	83448M	FACE PLATE, CHROME (OPT)	51	69
81382M	HANDLE, TRANSOM CLAMP	37	40	83449M	INNER PLATE, CHROME (OPT)	51	71
81387M	STUD, CLAMP BRACKET	37	8	83450M	INSERT, CARTRIDGE CHROME (OPT)	51	70
81388M	CAP	37	9	83464M	SHAFT	37	19
81395M	COVER	39	44	83467M	LEVER, TILT	37	22
81415M	CAP	9	34	83468M	ROD, LOCK	37	23
81439M	CAP, GREASE NIPPLE	37	3	83471M	SPACER	37	25
81474M	RING, CROSS PIN	49	48	83479M	TILT LOCK	37	38
81475M	SLIDE, SHIFT	49	46	83491M	HOUSING, LOWER MOUNT RUBBER	39	58
81493M	STATOR	17	4	83492M	HOUSING, LOWER MOUNT RUBBER	39	59
81499M	REAR COVER ASS'Y	17	9	83496M	DAMPER, UPPER MOUNT RUBBER	43	1
81504M	GEAR	17	12	83497M	BRACKET	43	2
81507M	BRUSH HOLDER	17	5	83498M	COVER, UPPER MOUNT RUBBER	43	5
81531M	STOPPER	15	40	83499M	COVER, UPPER MOUNT RUBBER	43	6
81531M	STOPPER	59	22	83511M	DAMPER, LOWER MOUNT RUBBER	43	21
81531M	STOPPER (OPT)	5	45	83512M	COVER, LOWER MOUNT	43	23
81537M	STAY, CORD CLAMP	15	41	83513M	BRACKET, STEERING	39	67
81585M	GRIP, STEERING HANDLE	41	2	83515M	INDICATOR, THROTTLE	41	4
81652M	RECTIFIER	15	49	83516M	SHAFT, STEERING HANDLE	41	10
82066M	GROMMET	13	36	83517M	BRACKET	41	11
82348M	BALL, STEEL	35	5				
82784M	CUP, FILTER	31	10				

PARTS INDEX

Part Number	Description	Pg.	Ref. No.	Part Number	Description	Pg.	Ref. No.
83520M	THROTTLE WIRE COMPLETE	41	20	83905M	BRACKET, TILT LOCK	37	32
83521M	HOLDER, WIRE	41	21	83906M	BRACKET, TILT LOCK	37	33
83522M	HOLDER, WIRE	41	22	83907M	SHAFT	39	47
83526M	LEVER, THROTTLE CONTROL	33	23	83910M	MOUNT RUBBER, UPPER SIDE	43	7
83527M	SHAFT, THROTTLE CONTROL	33	25	83912M	CAP	43	11
83532M	ROD	35	7	83914M	MOUNT RUBBER, LOWER SIDE	43	17
83534M	SHAFT	35	11	83918M	LEVER, MAGNETO CONTROL	33	8
83537M	BRACKET	33	19	83919M	PULLEY	33	17
83537M	BRACKET	35	13	83920M	LEVER, MAGNETO CONTROL	33	20
83538M	LEVER, SHIFT ROD	35	16	83921M	ROD	33	21
83542M	ROD, SHIFT	35	20	83926M	SOUND BLANKET	3	13
83544M	LINK, ROD	33	5	83927M	SOUND BLANKET, SIDE	3	14
83547M	BRACKET	33	11	83929M	SOUND BLANKET	3	16
83548M	LEVER, MAGNETO CONTROL	33	15	83932M	BRACKET, THROTTLE CABLE	57	7
83551M	BRACKET	33	18	83933M	THROTTLE CABLE END ASS'Y	57	14
83555M	SHAFT, LINK CONNECTING	33	22	83934M	CABLE END	57	15
83559M	BASE, MAGNETO	9	3	83960M	KNOB, CHOKE	25	30
83559M	BASE, MAGNETO	13	2	84044M	STOPPER, TILT LOCK	37	30
83562M	CONDENSER	9	8	84125M	VOLTAGE REGULATOR	59	12
83562M	CONDENSER	13	7	84141M	DIAPHRAGM	29	7
83566M	RETAINER, MAGNETO BASE	9	16	84186M	REPAIR KIT, WATER PUMP	51	80
83567M	RETAINER, MAGNETO BASE	9	17	84305M	LINK JOINT	33	27
83569M	PLATE, BASE FRICTION	9	19	84329M	RECTIFIER ASS'Y	59	13
83575M	IGNITION COIL (TOP CYLINDER)	9	28	84348M	SOCKET, BULB	59	6
83576M	IGNITION COIL (BOTTOM CYLINDER)	9	29	84349M	DAMPER	59	7
83579M	STOP, MAGNETO BASE	9	36	84351M	PLATE	59	9
83583M	GUIDE, STARTER ROPE	7	3	84411M	HOOK, WIRE PULL	13	22
83593M	BRACKET	7	24	84651M	FUEL PUMP ASS'Y	29	0-1
83594M	STARTER LOCKOUT ASS'Y	7	33	84854M	RUBBER, HANDLE	41	3
83595M	ROD	7	34	84892M	COVER	7	21
83596M	LEVER	7	36	84894M	PAWL, DRIVE	7	17
83597M	CABLE, STARTER STOP	7	37	84960M	WIRE HARNESS, EXTENSION	13	31
83598M	BRACKET	7	38	84968M	STOP, TILT (STARBOARD) FOR 75 TILT	37	10
83600M	SEAL	3	7	84969M	STOP, TILT (PORT) FOR 75 TILT	37	11
83601M	EMBLEM, FRONT	3	8	84971M	HANDLE, STEERING	41	1
83602M	EMBLEM, REAR	3	1	91624M	COIL, IGNITION	9	4
83605M	LEVER, CLAMP	3	19	91624M	COIL, IGNITION	13	3
83606M	SEAL	3	26	91625M	COIL, LIGHTING	13	4
83618M	FUEL METER COMPLETE	53	3	91625M	COIL, LIGHTING (OPTIONAL- 80 WATT)	9	5
83629M	BRACKET	7	23	91626M	BREAKER ASS'Y	9	7
83634M	BRACKET	13	16	91626M	CONTACT BREAKER	13	6
83635M	REMOTE CONTROL ATTACHMENT KIT	57	1	91629M	DIODE (BOTTOM IGNITION COIL)	11	39
83651M	ARMATURE	17	1	91630M	DIODE (TOP IGNITION COIL)	11	40
83654M	FRONT BRACKET	17	13	92604M	SWITCH PANEL ASS'Y	15	0-2
83698M	BRACKET, MECHANICAL STEERING	57	20	92613M	EXTENSION, KILL SWITCH	59	23
83716M	THROTTLE LEVER	57	2	92613M	EXTENSION, STOP SWITCH	59	18
83718M	BRACKET, SHIFT CABLE	57	5	92615M	SHIFT CAM, (SUPER ULTRA LONG SHAFT - OPT)	49	62
83719M	SHIFT CABLE END ASS'Y	57	8	92617M	COVER (SHORT SHAFT)	45	26
83720M	CABLE END	57	9				
83890M	SEAL SUPPORT BRACKET	45	14				
83891M	EXTENSION (SUPER ULTRA LONG SHAFT)	45	19				

PARTS INDEX

Part Number	Description	Pg.	Ref. No.	Part Number	Description	Pg.	Ref. No.
92618M	COVER (LONG AND SUPER ULTRA LONG SHAFTS) . . .	45	26	10-80001M	SCREW	9	12
92661M	SWITCH PANEL	15	44	10-80001M	SCREW	13	11
92671M	STOP RING KIT	17	3	10-80002M	SCREW	9	13
92672M	WIRE, LEAD	17	15	10-80002M	SCREW	13	12
93046M	PLATE, SPLASH	45	27	10-80557M	SCREW WITH WASHER . . .	9	6
93047M	PLATE, SPLASH	45	28	10-80557M	SCREW WITH WASHER . . .	13	5
93050M	STEERING HANDLE ASS'Y . .	41	0-1	10-81277M	SCREW, IDLE SPEED	27	24
93057M	CARRING HANDLE	59	1	10-81292M	SCREW, PLUG	27	21
93099M	FUEL CONNECTOR	31	1	10-81293M	SCREW	27	17
93103M	COVER	3	37	10-81500M	BOLT	17	16
93104M	PLATE	5	42	10-81715M	BOLT	23	14
93107M	SEAL	7	22	10-82168M	SCREW	19	19
93109M	COVER	9	24	10-82405M	BOLT	3	38
93111M	STOP, MAGNETO BASE	9	27	10-82405M	BOLT	7	26
93118M	SOLENOID COIL	13	19	10-82405M	BOLT	19	7
94475M	BRUSH (+)	17	6	10-82405M	BOLT	25	17
94477M	CLAMP	13	34	10-82408M	BOLT	19	25
94478M	BRUSH (-)	17	7	10-82419M	BOLT	13	27
94480M	COVER, CYLINDER HEAD . . .	19	27	10-82428M	BOLT	29	12
94481M	OUTER COVER, EXHAUST . . .	19	38	10-82436M	BOLT	17	18
94482M	POWERHEAD ASS'Y, COMPLETE (SEE NOTE) . . .	21	48	10-82439M	BOLT	19	21
94484M	HOUSING, OIL SEAL	23	16	10-82441M	BOLT	7	25
94485M	COVER, INNER	25	1	10-82441M	BOLT	17	21
94486M	COVER	25	3	10-82444M	BOLT	37	21
94491M	MANIFOLD, INTAKE	25	12	10-82448M	BOLT	57	3
94494M	LEVER, CHOKE	25	28	10-82452M	BOLT	41	12
94495M	FLOAT BOWL	27	1	10-82453M	BOLT	43	3
94496M	NOZZLE, MAIN	27	8	10-82453M	BOLT	45	7
94497M	JET, SLOW (#80)	27	10	10-82453M	BOLT	45	7
94500M	REPAIR KIT, CARBURETOR . .	27	26	10-82464M	BOLT	39	53
94502M	CAM	33	1	10-82465M	BOLT	39	68
94504M	LEVER, MAGNETO CONTROL	33	9	10-82465M	BOLT	43	24
94506M	HANDLE, GEAR SHIFT	35	1	10-82465M	BOLT	49	66
94507M	CAM, PLATE HANDLE	35	2	10-82466M	BOLT	39	70
94508M	STOP, TILT (STARBOARD) FOR 70 TILT (OPT)	37	10	10-82468M	BOLT	39	56
94510M	STOP, TILT (PORT) FOR 70 TILT (OPT)	37	11	10-82468M	BOLT	47	26
94511M	TILT LEVER ASS'Y	37	24	10-82474M	BOLT	57	21
94515M	EXHAUST TUBE	45	6	10-82476M	BOLT	45	17
94516M	PLATE	45	10	10-82476M	BOLT	45	30
94726M	VALVE SEAT	27	26	10-82476M	BOLT	47	16
M-6995M	GEARHOUSING, UPPER	47	1	10-82483M	SCREW	41	6
M-83398M	GASKET, WATER PUMP	47	19	10-82487M	SCREW	15	42
M-83616M	FITTING	3	40	10-82492M	SCREW	59	15
M-83928M	SOUND BLANKET	3	15	10-82496M	SCREW, HOUSING ATTACHING	53	8
M-91622M	STOP WATCH (MANUAL START)	3	36	10-82515M	SCREW	17	11
M-92614M	STOP SWITCH, REMOTE (5M)	59	17	10-82522M	SCREW	29	10
M-92619M	HOLDER, PIN	39	75	10-83108M	SCREW	15	50
M-94513M	BUSHING	41	17	10-83327M	BOLT	19	9
10-20411	SCREW, FUEL TANK COVER TO FUEL TANK	55	22	10-83327M	BOLT	59	2
10-25575	SCREW, VENT-FILLER CAP . . .	55	4	10-83356M	SCREW	25	21
10-62568	SCREW, RETAINER TO FUEL TANK COVER	55	18	10-83371M	SCREW WITH WASHER . . .	27	13
				10-83373M	SCREW WITH WASHER . . .	27	16
				10-83375M	SCREW, PLUG	27	19
				10-83392M	SCREW	47	8
				10-83395M	BOLT	21	48
				10-83395M	BOLT	47	12
				10-83395M	BOLT	57	6
				10-83481M	SCREW, TRANSOM CLAMP . .	39	42
				10-83501M	BOLT	43	8
				10-83506M	BOLT	43	14

PARTS INDEX

Part Number	Description	Pg.	Ref. No.	Part Number	Description	Pg.	Ref. No.
10-83510M	BOLT	43	20	11-82382M	NUT	7	15
10-83523M	SCREW	41	23	11-82382M	NUT	31	13
10-83539M	BOLT	19	29	11-82384M	NUT	59	4
10-83539M	BOLT	31	2	11-82388M	NUT	3	11
10-83539M	BOLT	33	13	11-82389M	NUT	41	18
10-83539M	BOLT	35	14	11-82392M	NUT	37	28
10-83539M	BOLT	35	17	11-82392M	NUT	45	23
10-83564M	SCREW	9	11	11-82395M	NUT	39	74
10-83564M	SCREW	13	10	11-82395M	NUT	57	24
10-83565M	SCREW	9	14	11-82397M	NUT, CROWN	39	60
10-83565M	SCREW	13	13	11-82400M	NUT	43	15
10-83568M	SCREW	9	18	11-83056M	NUT	41	33
10-83570M	SCREW	9	20	11-83453M	NUT, PROPELLER	51	76
10-83889M	SCREW, IDLE MIXTURE	27	23	11-83611M	NUT	3	35
10-83924M	SCREW	11	41	11-83611M	NUT	43	4
10-84056M	BOLT	45	4	11-84295M	NUT, NYLON	43	10
10-84057M	BOLT	47	25	12-49221	WASHER, VENT SCREW	55	5
10-84058M	BOLT	41	32	12-74711	WASHER, FUEL TANK COVER FASTENING		
10-84058M	BOLT	45	13		SCREW	55	23
10-84088M	BOLT	49	63	12-80271M	WASHER, HOUSING SCREW	53	7
10-84236M	BOLT	7	31	12-80564M	WASHER	19	26
10-84237M	BOLT	3	34	12-80638M	WASHER, TRANSOM SCREW	39	43
10-84237M	BOLT	7	29				
10-84237M	BOLT	9	30	12-81792M	WASHER	19	8
10-84237M	BOLT	19	34	12-81794M	WASHER	3	23
10-84237M	BOLT	33	4	12-81794M	WASHER	35	21
10-84239M	BOLT	19	39	12-81796M	WASHER	3	33
10-84247M	BOLT	7	4	12-81801M	WASHER	7	13
10-84247M	BOLT	9	37	12-81807M	WASHER	19	10
10-84247M	BOLT	13	17	12-81812M	WASHER	39	73
10-84247M	BOLT	23	21	12-81815M	WASHER	41	28
10-84247M	BOLT	31	12	12-81831M	WASHER	23	12
10-84303M	BOLT	7	41	12-81836M	WASHER	37	6
10-84315M	BOLT	3	25	12-81852M	WASHER	51	73
10-84315M	BOLT	9	35	12-81853M	WASHER	41	27
10-84315M	BOLT	17	17	12-81860M	WASHER	43	18
10-84342M	BOLT	7	14	12-82196M	WASHER	15	48
10-84342M	BOLT	17	20	12-82196M	WASHER	35	9
10-84946M	SCREW	15	45	12-82198M	WASHER	3	39
10-84970M	BOLT	39	71	12-82204M	WASHER	41	7
10-93110M	BOLT	9	26	12-82204M	WASHER	59	3
10-94488M	SCREW	25	5	12-82211M	WASHER	3	10
10-94490M	BOLT	25	7	12-82213M	WASHER	25	8
10-94509M	BOLT	35	22	12-82214M	WASHER	23	22
10-94514M	BOLT	41	25	12-82214M	WASHER	41	13
11-28587	NUT, SPEED-SPRING RETAINER	55	7	12-82214M	WASHER	47	13
11-28903	FASTENER, RETAINING FRAME TO FUEL TANK	55	21	12-82216M	WASHER	57	10
11-81767M	NUT	51	79	12-82216M	WASHER	57	16
11-81773M	NUT	9	22	12-82217M	WASHER	39	52
11-81786M	NUT, NYLON	41	30	12-82217M	WASHER	47	27
11-81787M	NUT, NYLON	37	7	12-82220M	WASHER	39	72
11-82378M	NUT	15	46	12-82220M	WASHER	57	23
11-82378M	NUT	27	15	12-83372M	WASHER	27	14
11-82378M	NUT	33	7	12-83407M	THRUST WASHER, DRIVE SHAFT	47	32
11-82380M	NUT	7	30	12-83430M	WASHER	49	51
11-82380M	NUT	25	11	12-83447M	WASHER, WAVE	49	65
11-82380M	NUT	35	19	12-83458M	WASHER	37	13
11-82381M	NUT	11	42	12-83462M	WASHER	37	17

PARTS INDEX

Part Number	Description	Pg.	Ref. No.	Part Number	Description	Pg.	Ref. No.
12-83482M	WASHER	39	45	13-82218M	WASHER, LOCK	57	22
12-83487M	WASHER	39	50	13-83457M	WASHER, WAVE	37	12
12-83493M	WASHER	39	63	15-83412M	SHIM, PINION GEAR ADJUST (0.70 MM)	47	37
12-83504M	WASHER	43	12	15-83413M	SHIM, PINION GEAR ADJUST (0.75 MM)	47	37
12-83524M	WASHER	41	26	15-83414M	SHIM, PINION GEAR ADJUST (0.80 MM)	47	37
12-83533M	WASHER	35	8	15-83415M	SHIM, PINION GEAR ADJUST (0.85 MM)	49	37
12-83640M	WASHER	13	29	15-83421M	SHIM, FORWARD GEAR ADJUST (0.7 MM)	49	43
12-83652M	WASHER KIT	17	2	15-83422M	SHIM, FORWARD GEAR ADJUST (0.8 MM)	49	43
12-83911M	WASHER	43	9	15-83423M	SHIM, FORWARD GEAR ADJUST (0.9 MM)	49	43
12-83915M	WASHER	43	19	15-83424M	SHIM, FORWARD GEAR ADJUST (1.0 MM)	49	43
12-84350M	WASHER	59	8	15-83425M	SHIM, FORWARD GEAR ADJUST (1.1 MM)	49	43
12-84429M	WASHER	39	61	15-83426M	SHIM, FORWARD GEAR ADJUST (1.2 MM)	49	43
12-84429M	WASHER	43	22	15-83432M	SHIM, REVERSE GEAR ADJUST (1.8 MM)	49	53
12-84436M	WASHER	9	23	15-83434M	SHIM, REVERSE GEAR ADJUST (2.0 MM)	49	53
12-92636M	WASHER	27	20	15-83435M	SHIM, REVERSE GEAR ADJUST (2.1 MM)	49	53
13-81868M	WASHER	33	3	15-83436M	SHIM, REVERSE GEAR ADJUST (2.2 MM)	49	53
13-81869M	WASHER, WAVE	3	20	15-83437M	SHIM, REVERSE GEAR ADJUST (2.3 MM)	49	53
13-81870M	WASHER, WAVE	41	29	15-83438M	SHIM, REVERSE GEAR ADJUST (2.4 MM)	49	53
13-82184M	WASHER	17	10	15-83439M	SHIM, REVERSE GEAR ADJUST (2.5 MM)	49	53
13-82184M	WASHER, LOCK	15	43	16-81728M	STUD	25	16
13-82186M	WASHER, LOCK	9	15	16-83472M	STUD	37	26
13-82186M	WASHER, LOCK	13	14	16-94528M	STUD	45	21
13-82193M	WASHER	59	16	17-20426	RIVET, INDICATOR TO RETAINER	55	17
13-82193M	WASHER, LOCK	9	21	17-81258M	PIN, DOWEL	19	3
13-82193M	WASHER, LOCK	13	28	17-81278M	PIN	27	6
13-82193M	WASHER, LOCK	15	47	17-81889M	PIN	37	41
13-82193M	WASHER, LOCK	15	51	17-81903M	PIN, CROSS	49	47
13-82193M	WASHER, LOCK	25	22	17-81907M	RIVET	41	5
13-82197M	WASHER	5	43	17-82145M	PIN, ROLL	13	21
13-82197M	WASHER	9	31	17-82145M	PIN, ROLL	37	31
13-82197M	WASHER	25	10	17-82146M	PIN, ROLL	57	13
13-82197M	WASHER, LOCK	3	24	17-82146M	PIN, ROLL	57	19
13-82197M	WASHER, LOCK	7	28	17-82149M	PIN, ROLL	33	10
13-82197M	WASHER, LOCK	13	18	17-82151M	PIN, ROLL	41	15
13-82197M	WASHER, LOCK	25	18	17-82154M	PIN, ROLL	33	12
13-82197M	WASHER, LOCK	31	3	17-82156M	PIN, ROLL	25	29
13-82199M	WASHER	19	30	17-82157M	PIN, ROLL	7	6
13-82199M	WASHER	19	35	17-82158M	PIN, ROLL	33	24
13-82199M	WASHER	19	40	17-82162M	SPACER	7	32
13-82199M	WASHER	33	14	17-82354M	PIN, DOWEL	47	23
13-82199M	WASHER	35	15	17-82356M	PIN, DOWEL	49	58
13-82199M	WASHER, LOCK	7	5	17-82364M	PIN, DOWEL	45	18
13-82199M	WASHER, LOCK	29	13				
13-82200M	WASHER, LOCK	7	27				
13-82200M	WASHER, LOCK	17	22				
13-82200M	WASHER, LOCK	19	22				
13-82200M	WASHER, LOCK	31	14				
13-82208M	WASHER, LOCK	29	9				
13-82212M	WASHER	35	23				
13-82212M	WASHER, LOCK	41	19				
13-82212M	WASHER, LOCK	45	8				
13-82212M	WASHER, LOCK	57	4				
13-82215M	WASHER	39	57				
13-82215M	WASHER	43	25				
13-82215M	WASHER	45	22				
13-82215M	WASHER	45	5				
13-82215M	WASHER	51	67				
13-82215M	WASHER, LOCK	17	19				
13-82215M	WASHER, LOCK	37	27				
13-82215M	WASHER, LOCK	39	69				

PARTS INDEX

Part Number	Description	Pg.	Ref. No.	Part Number	Description	Pg.	Ref. No.
17-82364M	PIN, DOWEL (SUL)	45	20	24-30189	SPRING, BAYONET BODY		
17-82368M	PIN, DOWEL	19	6		STEM	53	19
17-82368M	PIN, DOWEL	39	62	24-80610M	SPRING	29	4
17-83143M	RIVET	3	6	24-81496M	SPRING, BRUSH	17	8
17-83379M	PIN, DOWEL	45	3	24-82079M	SPRING	7	40
17-83443M	PIN, DRIVE	49	59	24-82080M	SPRING	27	25
17-83460M	PIN	37	15	24-82084M	SPRING, COMPRESSION	35	6
17-83463M	PIN	37	18	24-82095M	SPRING	41	8
17-83477M	PIN	37	36	24-83340M	SPRING	21	44
17-83478M	PIN	37	37	24-83429M	SPRING, COMPRESSION	49	50
17-83495M	RIVET	39	65	24-83465M	SPRING	37	20
17-83536M	PIN, CLEVIS	35	12	24-83476M	SPRING	37	34
17-83540M	PIN, CLEVIS	35	18	24-83488M	SPRING	39	51
17-83599M	RIVET	3	4	24-83494M	SPRING	39	64
17-83722M	HOOK, CABLE	57	12	24-83549M	SPRING	33	16
17-83726M	HOOK, CABLE	57	18	24-83588M	SPRING, STARTER	7	10
17-83904M	TILT PIN ASS'Y	37	29	24-83591M	SPRING DRIVE PAWL	7	16
17-92639M	PIN, INLET NEEDLE	27	5	24-83721M	SPRING	57	11
18-82125M	PIN, COTTER	7	35	24-83725M	SPRING	57	17
18-82125M	PIN, COTTER	35	10	24-83909M	SPRING	39	66
18-82752M	PIN, COTTER	37	35	24-92616M	SPRING, LEVER RETURN	37	14
18-83454M	PIN, COTTER	51	77	24-94499M	SPRING	27	22
21-80727M	CHECK VALVE ASS'Y	19	2	25-20415	O-RING, BAYONET BODY		
21-80727M	VALVE, CHECK	25	13		STEM	53	18
21-83329M	FITTING, DRAIN	19	5	25-80726M	GROMMET	13	25
21-84650M	CHECK VALVE	29	5	25-81989M	GASKET	51	74
22-63187	FITTING, FUEL LINE	53	21	25-82067M	GROMMET	19	42
22-80122M	FITTING, DRAIN	19	4	25-82258M	O-RING	13	26
22-80218M	PLUG, FLUSH (OPT)	51	80	25-82276M	O-RING	23	4
22-80756M	FITTING	25	2	25-82286M	O-RING	23	19
22-80756M	FITTING, WATER	19	15	25-82789M	O-RING	53	10
22-81042M	FUEL CONNECTOR, ENGINE			25-83348M	O-RING	23	20
	END	53	9	25-83362M	O-RING	27	2
22-81924M	PLUG	47	14	25-83441M	O-RING	49	56
22-81924M	SCREW, DRAIN	47	6	25-83505M	SEAL, RUBBER	43	13
22-81926M	PLUG	21	45	25-83607M	GROMMET	3	28
22-82369M	NIPPLE, GREASE	37	2	25-83608M	GROMMET	3	29
22-83369M	PLUG	27	11	25-83609M	GROMMET	3	30
22-83389M	PLUG	47	3	25-83638M	GROMMET	13	23
22-94492M	FITTING	25	14	25-84760M	GROMMET	25	31
23-81327M	COLLAR	53	15	25-84957M	O-RING	31	9
23-81945M	BUSHING	41	9	25-93100M	GROMMET (MANIFOLD		
23-81946M	BUSHING	33	26		START)	3	27
23-81949M	BUSHING	3	21	25-93101M	GROMMET	3	31
23-81950M	BUSHING	41	24	25-94476M	GROMMET	13	35
23-81952M	BUSHING	35	3	25-94476M	GROMMET	57	25
23-83480M	SPACER	37	39	25-94498M	O-RING	27	18
23-83483M	BUSHING	39	46	25-94536M	GROMMET	59	19
23-83485M	BUSHING	39	48	25-94536M	GROMMET	59	24
23-83531M	BUSHING	35	4	26-81426M	RUBBER, WATER SEAL	47	29
23-83585M	BUSHING	7	7	26-81427M	RUBBER, WATER SEAL	51	75
23-83589M	BUSHING	7	11	26-82229M	OIL SEAL	49	55
23-83590M	SPACER	7	12	26-82248M	OIL SEAL	23	18
23-83610M	BUSHING	3	32	26-82249M	OIL SEAL	23	3
23-83639M	COLLAR	13	24	26-83347M	OIL SEAL	23	17
23-83892M	BUSHING (SUL)	45	24	26-83406M	OIL SEAL	47	31
23-94487M	COLLAR	25	4	26-83486M	OIL SEAL	39	49
23-94503M	BUSHING	33	2	26-83490M	RUBBER, SEAL	39	54
24-22227	SPRING, TENSION-VENT			26-93048M	SEAL	45	29
	SCREW	55	6				

PARTS INDEX

Part Number	Description	Pg.	Ref. No.	Part Number	Description	Pg.	Ref. No.
27-28862	GASKET, COVER ASSEMBLY TO FRAME ..	55	19	32-84972M	HOSE	31	4
27-54921	GASKET, FUEL GAUGE LENS	55	12	32-84973M	HOSE	31	15
27-80613M	GASKET	29	1	32-94479M	HOSE	19	16
27-80614M	GASKET	29	6	32-94501M	HOSE	31	16
27-80757M	GASKET	29	11	33-82372M	SPARK PLUG (B-8HS) NGK ..	19	41
27-81320M	GASKET, HOUSING TO TANK	53	4	34-84954M	REED SET (REED STOPS NOT INCLUDED)	25	24
27-81986M	GASKET	47	9	34-94493M	REED VALVE ASS'Y	25	23
27-81987M	GASKET	47	15	35-80617M	FILTER ASS'Y	31	6
27-81987M	GASKET	47	7	35-82783M	ELEMENT, FILTER	31	8
27-81990M	GASKET	21	46	35-83388M	SCREEN	47	2
27-82790M	GASKET	31	7	36-25392A2	FILLER CAP ASSEMBLY ...	55	3
27-83332M	M-27-83332M	19	24	36-83617M	FUEL TANK CAP	53	2
27-83334M	GASKET, HEAD COVER ...	19	28	37-75881	DECAL, FUEL TANK	55	2
27-83336M	GASKET, THERMOSTAT ...	19	33	37-81202M	DECAL, SHIFT	3	17
27-83338M	GASKET, EXHAUST COVER	19	37	37-82866M	DECAL, SIDE SEAT	3	12
27-83352M	GASKET	25	9	37-82984M	DECAL, SIDE	53	1
27-83355M	GASKET	25	20	37-83761M	DECAL, HP	5	41
27-83360M	GASKET	25	25	39-83896M	PISTON RING SET (STANDARD)	23	8
27-83378M	GASKET, DRIVESHAFT HOUSING	45	2	39-83897M	PISTON RING SET (1ST OVER SIZE 75.25 MM) ...	23	8
27-83381M	GASKET, UPPER HOUSING	45	9	39-83898M	PISTON RING SET (2ND OVER SIZE 75.50 MM) ...	23	8
27-83383M	GASKET, EXHAUST MANIFOLD	45	11	41-83345M	PIN, PISTON	23	9
27-83399M	GASKET	47	20	43-80778M	GEAR	41	14
27-83402M	GASKET, WATER PUMP ...	47	24	43-83417M	PINION, GEAR	49	39
27-84178M	GASKET SET, LOWER UNIT	51	80	43-83427M	GEAR, FORWARD	49	44
27-91628M	GASKET	9	25	43-83431M	GEAR, REVERSE	49	52
27-94483M	GASKET SET, POWERHEAD	21	48	43-94512M	PINION	41	16
27-94489M	GASKET	25	6	44-83428M	SHAFT, PROPELLER	49	45
28-81915M	KEY, FLYWHEEL	23	23	45-83404M	DRIVE SHAFT, (SHORT SHAFT)	47	30
28-83444M	KEY, WOODRUFF	49	60	45-83405M	DRIVE SHAFT, (LONG SHAFT)	47	30
29-82353M	BEARING, NEEDLE	23	11	45-92610M	DRIVE SHAFT, (SUPER ULTRA LONG SHAFT - OPTIONAL)	47	30
30-82304M	BEARING	23	6	46-83396M	COVER, WATER PUMP ...	47	17
30-83420M	BEARING, TAPERED ROLLER	49	42	46-83401M	BASE, WATER PUMP ...	47	22
30-83440M	BEARING, BALL	49	54	46-83884M	CHROME PUMP ASS'Y (OPT)	51	68
31-82311M	BEARING, NEEDLE	23	15	47-83397M	IMPELLER	47	18
31-82313M	BEARING, NEEDLE	23	5	50-83587M	STARTER, SHEAVE	7	9
31-83341M	BEARING, NEEDLE	23	2	50-92669M	ELECTRIC MOTOR ASS'Y ..	17	0-1
31-83408M	BEARING, NEEDLE	47	33	52-81473M	CLUTCH, SLIDING	49	49
31-83410M	BEARING, NEEDLE	47	35	53-81264M	CLIP, PISTON PIN	23	10
31-83411M	BEARING, THRUST	47	36	53-82324M	SNAP RING	49	40
31-83416M	BEARING, ROLLER	49	38	53-83461M	SNAP RING	37	16
32-33909A3	TUBE	55	10	53-83758M	SNAP RING	45	25
32-81999M	HOSE	19	12	53-84895M	SNAP RING	7	18
32-82000M	HOSE	19	11	54-80752M	CLAMP, HOSE	53	14
32-82006M	HOSE	25	15	54-82046M	CLAMP	19	13
32-82023M	HOSE, BULB TO CONNECTOR	53	13	54-82047M	CLAMP	19	17
32-83328M	HOSE	19	14	54-82047M	CLAMP	31	5
32-83451M	TUBE, WATER (SHORT) ...	51	72	54-82781M	CLIP	27	7
32-83452M	TUBE, WATER (LONG)	51	72	54-83507M	HOSE CLAMP ASS'Y	43	16
32-83628M	FUEL LINE ASS'Y	53	0-1	54-83577M	CLAMP	9	32
32-83903M	TUBE, WATER (SUPER ULTRA LONG SHAFT - OPT)	51	72	54-83580M	CLAMP	11	38
				54-84893M	CLIP	7	20

PARTS INDEX

Part Number	Description	Pg.	Ref. No.	Part Number	Description	Pg.	Ref. No.
79-84311M	TACHOMETER KIT	59	0-1				
84-83637M	WIRE, SPOOL	13	20				
84-84124M	WIRE LEAD EXTENSION	59	20				
84-84352M	WIRE LEAD	59	10				
84-84353M	CONNECTOR	59	11				
84-84711M	WIRE HARNESS, EXTENSION	13	33				
84-91627M	LEAD WIRE	9	10				
84-91627M	LEAD WIRE	13	9				
84-91631M	WIRE HARNESS ASS'Y	13	30				
84-93120M	WIRE HARNESS	13	32				
87-84938M	NEUTRAL START SWITCH	13	15				
87-84944M	SWITCH, CHOKE	15	38				
87-84945M	KILL SWITCH ASS'Y	15	39				
87-91623M	KILL SWITCH ASS'Y (OPT)	5	44				
87-92605M	MAIN SWITCH	15	37				
87-92612M	KILL SWITCH ASS'Y	59	21				
88-80007M	BULB	59	5				
88-81522M	FUSE	15	53				
88-81522M	FUSE	59	14				
88-81655M	FUSE HOLDER ASS'Y	15	52				
89-84933M	SOLENOID	17	14				
91-81669M	TOOL KIT ASS'Y	31	17				
253-8240M	FLYWHEEL MAGNETO ASS'Y (MANUAL START)	9	1				
253-8241M	FLYWHEEL (W/O RING GEAR)	9	2				
253-8242M	FLYWHEEL MAGNETO ASS'Y (ELECTRIC START)	13	0-1				
253-8243M	FLYWHEEL ASS'Y	13	1				
463-6984M	CRANKSHAFT	23	1				
629-7990M	CONNECTING ROD ASS'Y	23	13				
761-8015M	PISTON ASS'Y (STANDARD)	23	7				
761-8016M	PISTON ASS'Y (1ST OVER SIZE 75.25 MM)	23	7				
761-8017M	PISTON ASS'Y (2ND OVER SIZE 75.50 MM)	23	7				
870-7989M	CRANKCASE ASS'Y	19	1				
968-6983M	HEAD, CYLINDER	19	23				
1225-1529	FUEL TANK	55	1				
1225-1529A21	FUEL TANK, COMPLETE	55	0-1				
1383-7991M	CARBURETOR ASS'Y	27	0-1				
1484-8439M	BRACKET, CLAMP	37	4				
1484-8440M	BRACKET, CLAMP	37	5				
1485-6996M	BRACKET, SWIVEL	37	1				
1587-8441M	DRIVESHAFT HOUSING (SHORT SHAFT)	45	1				
1587-8442M	DRIVESHAFT HOUSING (LONG SHAFT)	45	1				
1651-6993M	GEARHOUSING ASS'Y (SHORT SHAFT)	47	0-1				
1651-6994M	GEARHOUSING ASS'Y (LONG SHAFT)	47	0-1				
2168-7103M	TOP COWLING ASS'Y	3	1				
2168-7984M	COWLING, BOTTOM	3	18				
2169-7101M	HOUSING STARTER	7	2				
2169-7101M	STARTER ASS'Y	7	1				