



PARTS CATALOG

55 H.P. W/MARATHON

SERIAL NUMBER

W-55 ML 663-578278 AND UP

TABLE OF CONTENTS:

BOTTOM COWLING	6
CARBURETOR	24
CLAMP AND SWIVEL BRACKET	38
CRANKCASE AND CYLINDER HEAD	18
CRANKSHAFT AND PISTON	20
DRIVESHAFT HOUSING	46
FUEL LINE AND FILTER	30
FUEL PUMP SERIAL #M-271658 ML-583880 AND BELOW	26
FUEL PUMP SERIAL #M-271659 ML-583881 AND ABOVE	28
FUEL TANK (NOT ORIGINAL EQUIPMENT TANK)	56
FUEL TANK AND FUEL LINE ASSEMBLY (NOT ORIGINAL EQUIPMENT)	60
FUEL TANK AND FUEL LINE ASSEMBLY (ORIGINAL EQUIPMENT)	54
GEAR HOUSING ASSEMBLY	48
GEAR SHIFT LINKAGE	32
IGNITION SYSTEM	12
INTAKE MANIFOLD	22
MOUNTING SYSTEM	44
OPTIONAL PARTS	58
PARTS INDEX	62
PROP CHART	2
RECOIL STARTER	8
REVERSE LOCK	36
SAFTEY STARTER COMPONENTS	34
STEERING HANDLE	40
THROTTLE CONTROL	16
TOP COWLING	4

NOTE: Indented description indicate that these parts are included in preceeding assembly.

AR = As Required

NSS = Not Sold Separate

OPT = Optional

NS = Not Shown

NOTE: Following symbols are located in **SYM** column.

● = CONTENTS OF CARBURETOR REPAIR
KIT [41842M] OR [19141M].

■ = CONTENTS OF LOWER UNIT GASKET
SET [27-92648M].

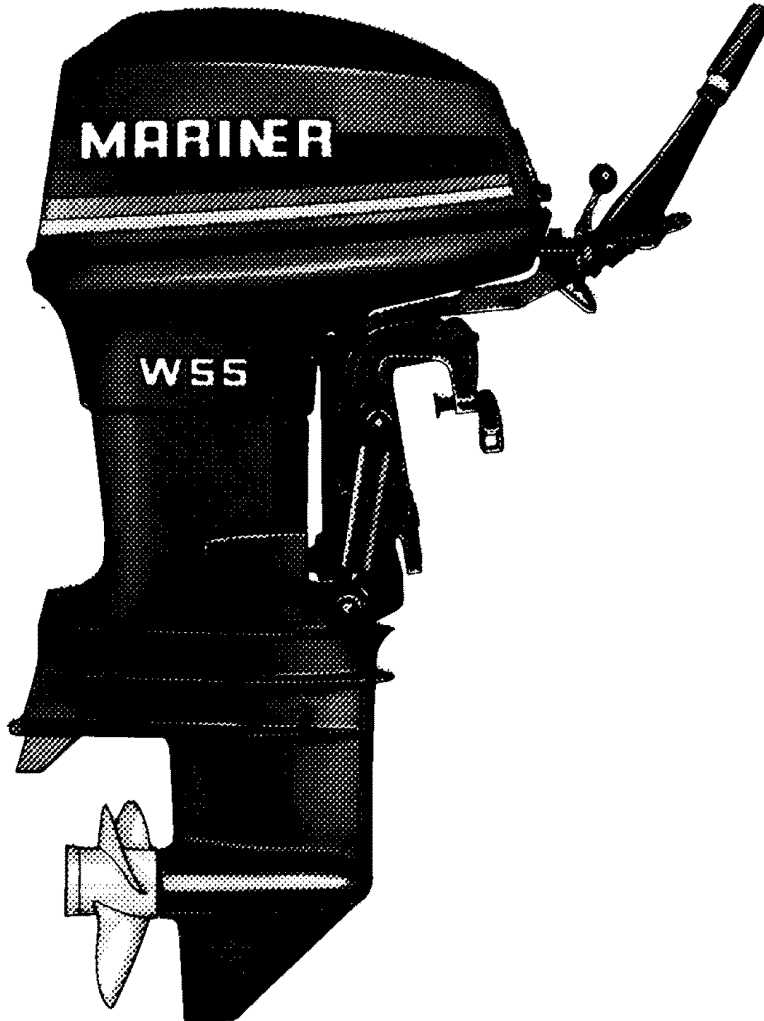
■ = CONTENTS OF POWERHEAD GASKET
SET [27-84168M].

+ = CONTENTS OF WATER PUMP REPAIR
KIT [84187M].

THESE PARTS BOOKS/FICHE CARD ARE COPYRIGHTED AND MAY NOT BE DISTRIBUTED OR REPRODUCED IN ANY OTHER FORMAT BY ANYONE OTHER THAN MERCURY MARINE WITHOUT THE PRIOR WRITTEN CONSENT OF MERCURY MARINE.

THIS PAGE INTENTIONALLY LEFT BLANK

PROP CHART



MARINER 55 H.P. W/Marathon

Full Throttle RPM:
4500-5500

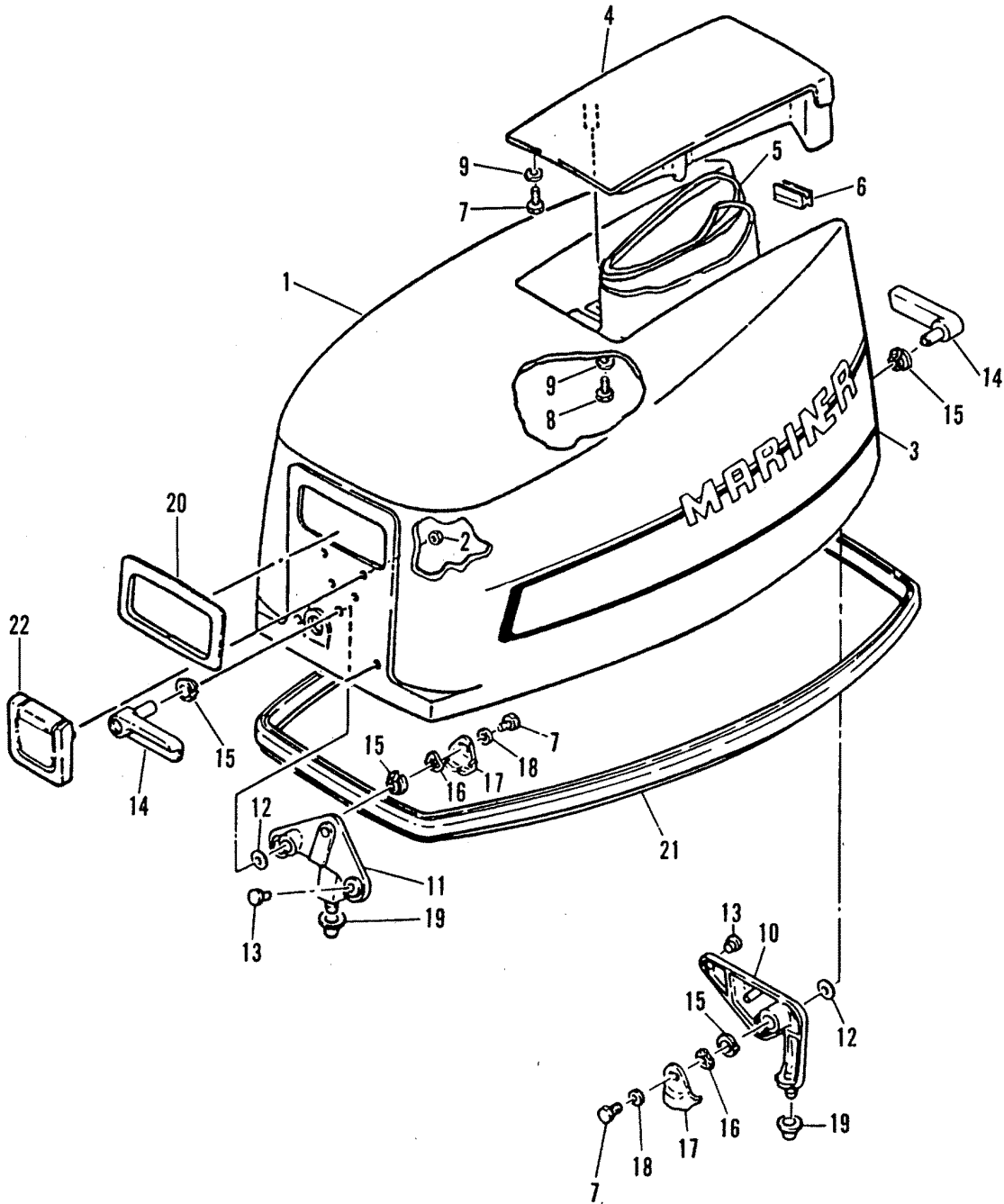
Gear Ratio: 1.84:1

PROP CHART

REF. NO.	PART NO.	SYM.	QTY.	DESCRIPTION
-	48-73146A40		1	PROPELLER (PITCH 19") (ALUMINUM) (3 BLADES)
-	48-73144A40		1	PROPELLER (PITCH 17") (ALUMINUM) (3 BLADES)
-	48-73142A40		1	PROPELLER (PITCH 16") (ALUMINUM) (3 BLADES)
-	48-91818A5		1	PROPELLER (PITCH 16") (S. STEEL) (3 BLADES)
-	48-73140A40		1	PROPELLER (PITCH 15") (ALUMINUM) (3 BLADES)
-	48-76232A5		1	PROPELLER (PITCH 15") (STEEL) (3 BLADES)
-	48-73138A40		1	PROPELLER (PITCH 14") (ALUMINUM) (3 BLADES)
-	48-76230A5		1	PROPELLER (PITCH 14") (STEEL) (3 BLADES)
-	48-73136A40		1	PROPELLER (PITCH 13") (ALUMINUM) (3 BLADES)
-	48-76228A5		1	PROPELLER (PITCH 13") (STEEL) (3 BLADES)
-	48-73134A40		1	PROPELLER (PITCH 12") (ALUMINUM) (3 BLADES)
-	48-79792A5		1	PROPELLER (PITCH 12") (STEEL) (3 BLADES)
-	48-85632A40		1	PROPELLER (PITCH 11") (ALUMINUM) (3 BLADES)
-	48-73132A40		1	PROPELLER (PITCH 10") (ALUMINUM) (3 BLADES)
-	48-87818A10		1	PROPELLER (PITCH 9") (ALUMINUM) (3 BLADES)
-	48-97868A5		1	PROPELLER (PITCH 9") (STEEL) (3 BLADES)

SUFFIX A40 INDICATED CUPPED PROPELLER.
 RECOMMENDED TRANSOM HEIGHT: LONG SHAFT 20".

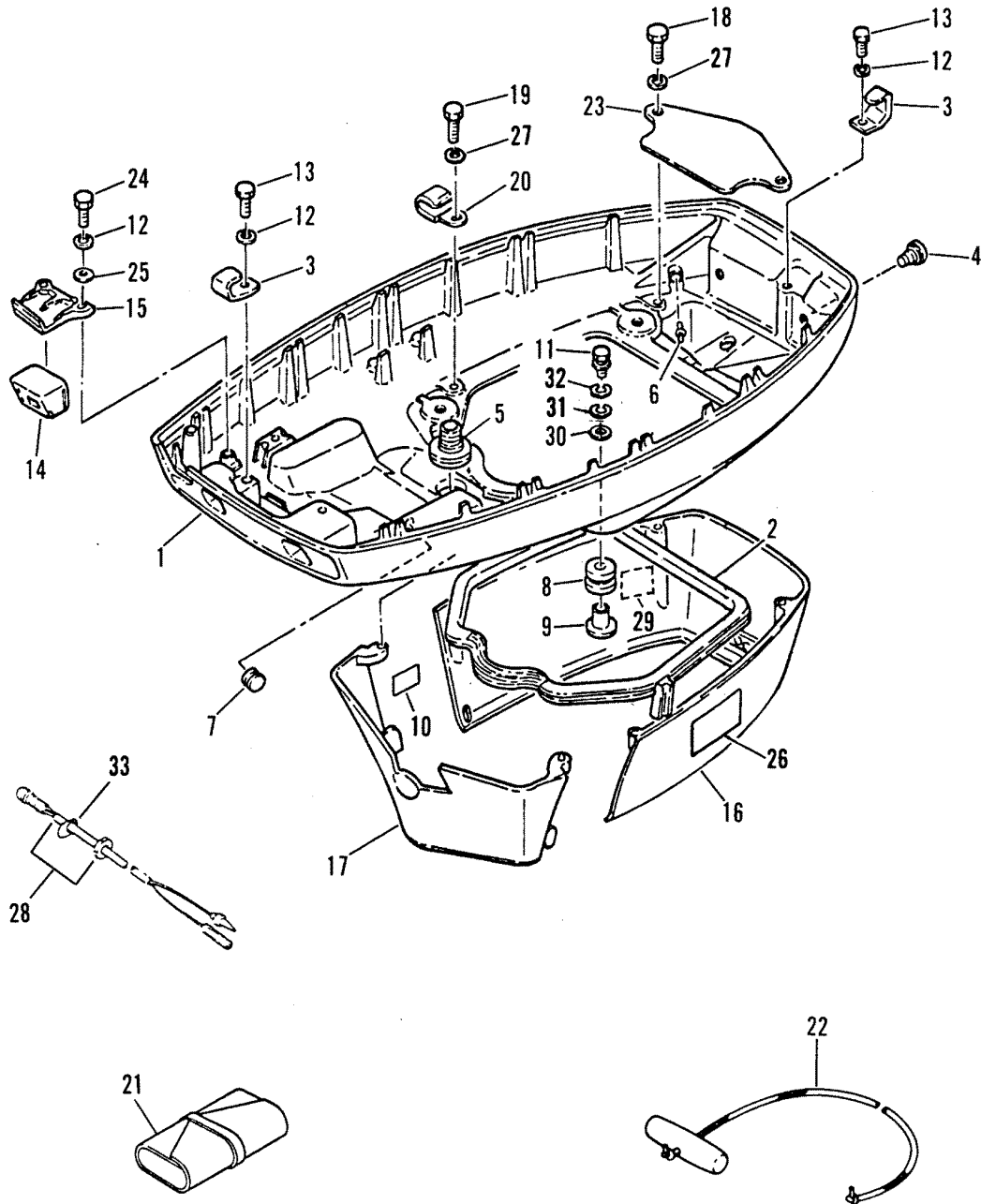
TOP COWLING



TOP COWLING

REF. NO.	PART NO.	SYM.	QTY.	DESCRIPTION
1	2168-9391M		1	TOP COWLING ASSEMBLY
2	11-41300M		4	NUT
3	37-11964M		1	DECAL (SIDE SET)
4	83024M		1	COVER
5	83025M		1	SEAL
6	83039M		1	RUBBER SEAL
7	10-84303M		3	BOLT
8	10-84247M		4	BOLT
9	12-82214M		5	WASHER
10	83040M		1	HOLDER
11	83041M		1	HOLDER
12	12-97098M		2	WASHER
13	17-82982M		6	RIVET
14	83026M		2	LEVER
15	23-41823M		4	BUSHING
16	13-81871M		2	WAVE WASHER
17	83027M		2	LEVER
18	12-81794M		2	WASHER
19	83042M		2	DAMPER
20	81311M		1	SEAL
21	83043M		1	SEAL
22	79-41299M		1	TACHOMETER

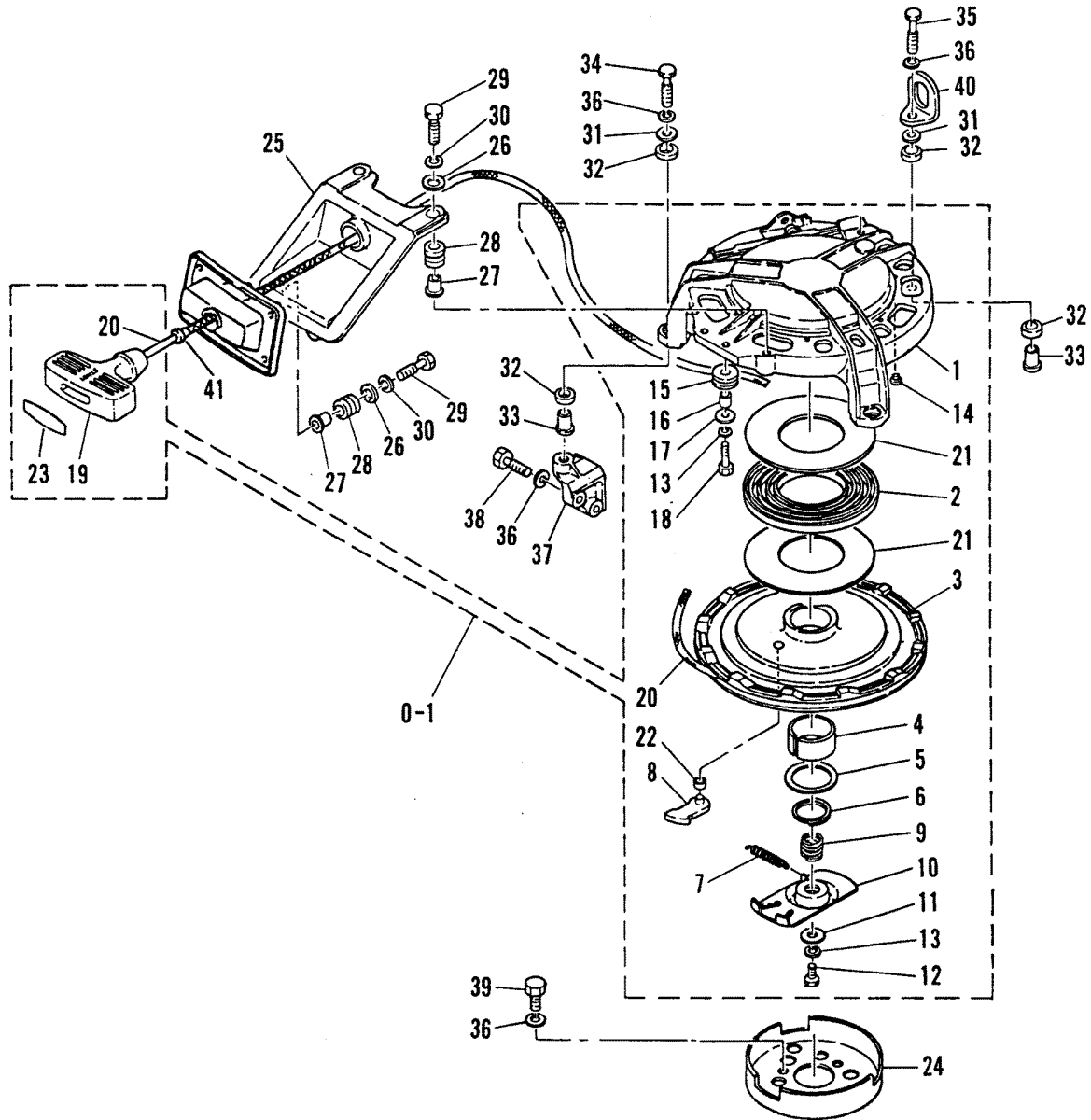
BOTTOM COWLING



BOTTOM COWLING

REF. NO.	PART NO.	SYM.	QTY.	DESCRIPTION
1	2168-9392M		1	BOTTOM COWL
2	27-83044M		1	SEAL, BOTTOM COWL TO APRON
3	83045M		2	BRACKET
4	25-83142M		2	GROMMET SERIAL (M-271658 ML-583880) AND BELOW
5	25-81369M		1	GROMMET
6	22-81326M		1	FITTING
7	25-82061M		1	GROMMET
8	25-93101M		4	GROMMET
9	23-83610M		4	COLLAR
10	41309M		1	DECAL
11	10-83285M		4	BOLT SERIAL (M-271272 ML-581824) AND ABOVE
	10-95620M		4	BOLT/WASHER SERIAL (M-271271 ML-581823) AND BELOW
12	13-82212M		4	LOCKWASHER
13	10-84211M		2	BOLT
14	81371M		1	BUMPER
15	83153M		1	RETAINER
16	95664M		1	APRON (REAR)
17	95665M		1	APRON (FRONT)
18	10-84058M		2	BOLT
19	10-82405M		2	BOLT
20	54-83577M		1	CLAMP
21	91-81669M		1	TOOL KIT (OPT)
22	47341A1		1	EMERGENCY STARTER ROPE
23	83047M		1	COVER
24	10-84247M		2	BOLT
25	12-82214M		2	WASHER
26	37-14282M		2	DECAL SERIAL (M-271272 ML-581824) AND ABOVE
	37-95623M		2	DECAL SERIAL (M-271271 ML-581823) AND BELOW
27	13-82212M		4	LOCKWASHER
28	41308M		1	INDICATOR, OVERHEAT WARNING
29	37-14283M		1	DECAL SERIAL (M-271272 ML-581824) AND ABOVE
30	12-81796M		4	WASHER SERIAL (M-271272 ML-581824) AND ABOVE
31	13-82212M		4	LOCKWASHER SERIAL (M-272295 ML-589630) AND BELOW
32	13-82212M		4	LOCKWASHER
33	11689M		1	HOLDER SERIAL (M-271949 ML-586106 AND ABOVE)

RECOIL STARTER

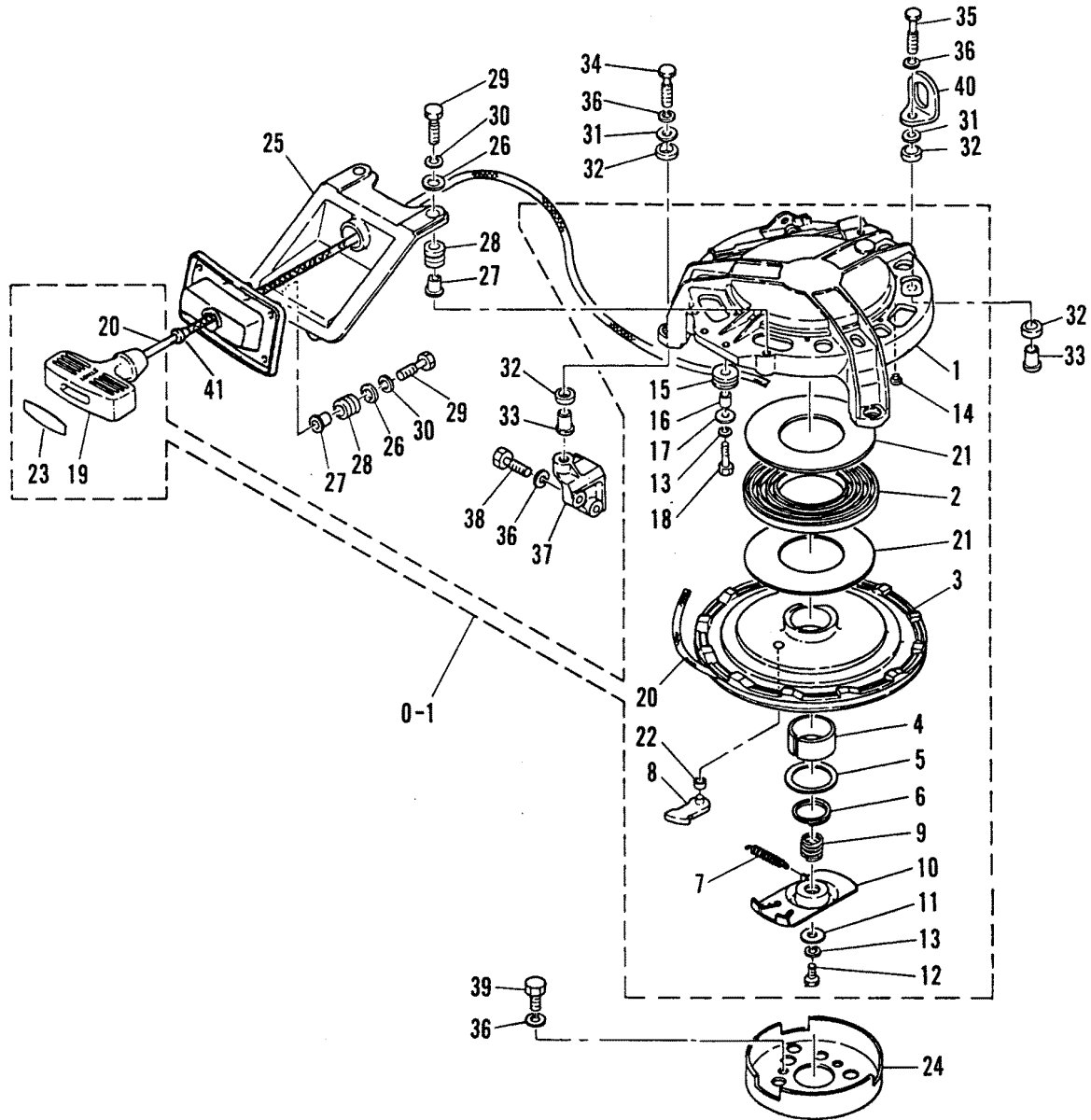


RECOIL STARTER

REF. NO.	PART NO.	SYM.	QTY.	DESCRIPTION
0-1	17150M		1	STARTER ASSY. SERIAL (M-271659 ML-583881) AND ABOVE
	41291M		1	STARTER ASSY. SERIAL (M-271658 ML-583880) AND BELOW
1	84449M		1	STARTER HOUSING
2	24-81295M		1	SPRING
3	50-81296M		1	STARTER PULLEY
4	23-81309M		1	COLLAR
5	12-81301M		1	WASHER
6	53-81305M		1	SNAP RING
7	24-41294M		1	SPRING
8	19136M		1	PAWL
9	24-81297M		1	SPRING
10	41295M		1	CAM
11	12-81299M		1	WASHER
12	10-84247M		1	BOLT
13	13-82212M		2	LOCKWASHER
14	19-41293M		6	PLUG
15	81307M		1	ROLLER
16	23-81308M		1	BUSHING
17	12-83149M		1	WASHER
18	10-83141M		1	BOLT
19	814491M		1	STARTER HANDLE SERIAL (M-272296 ML-589631) AND ABOVE
	80063M		1	STARTER HANDLE SERIAL (M-272295 ML-589630) AND BELOW
20	50-12066A9		1	STARTER ROPE
21	12-83151M		2	WASHER
22	23-83150M		1	BUSHING
23	814492M		1	COVER SERIAL (M-272296 ML-589631) AND ABOVE
	41882M		1	COVER SERIAL (M-272295 ML-589630) AND BELOW
24	17151M		1	DRIVE CUP SERIAL (M-271659 ML-583881) AND ABOVE
	17151M		1	DRIVE CUP SERIAL (M-271658 ML-583880) AND BELOW
25	81310M		1	GUIDE
26	12-82213M		4	WASHER
27	23-82851M		4	BUSHING
28	25-93114M		4	MOUNT SERIAL (M-271949 ML-586106) AND ABOVE
	81523M		4	MOUNT SERIAL (M-271948 ML-586105) AND BELOW
29	10-83285M		4	BOLT
30	13-82212M		4	LOCKWASHER
31	13-81799M		3	LOCKWASHER
32	23-11710M		6	GROMMET
33	23-84489M		3	COLLAR
34	10-82442M		2	BOLT
35	10-84236M		1	BOLT
36	13-82215M		8	LOCKWASHER

CONTINUED ON NEXT PAGE ➡

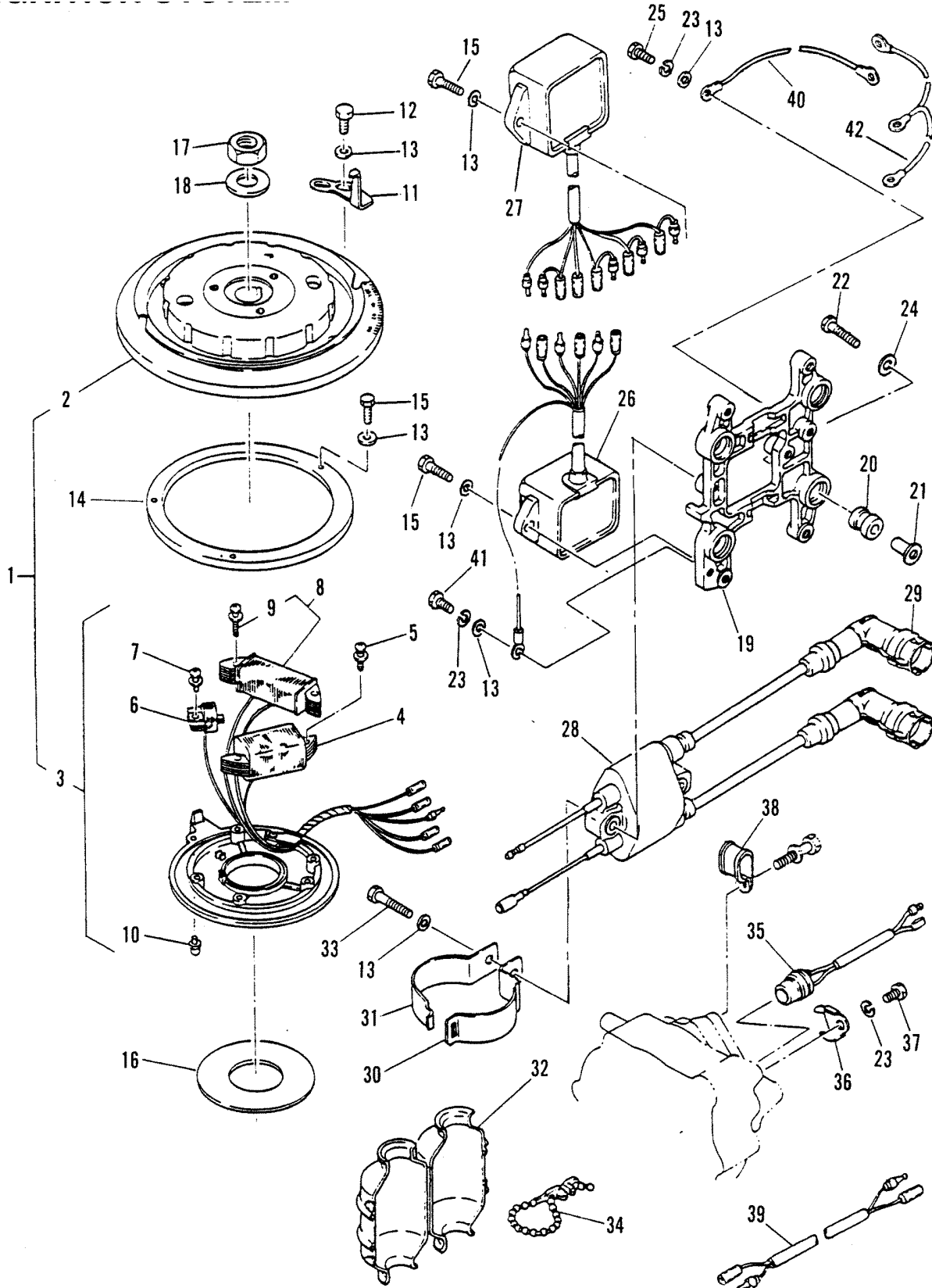
RECOIL STARTER



RECOIL STARTER

REF. NO.	PART NO.	SYM.	QTY.	DESCRIPTION
37	81313M		1	BRACKET
38	10-82441M		2	BOLT
39	10-41826M		3	BOLT
40	41827M		1	ENGINE HANGER
41	25-95635M		1	GROMMET

IGNITION SYSTEM

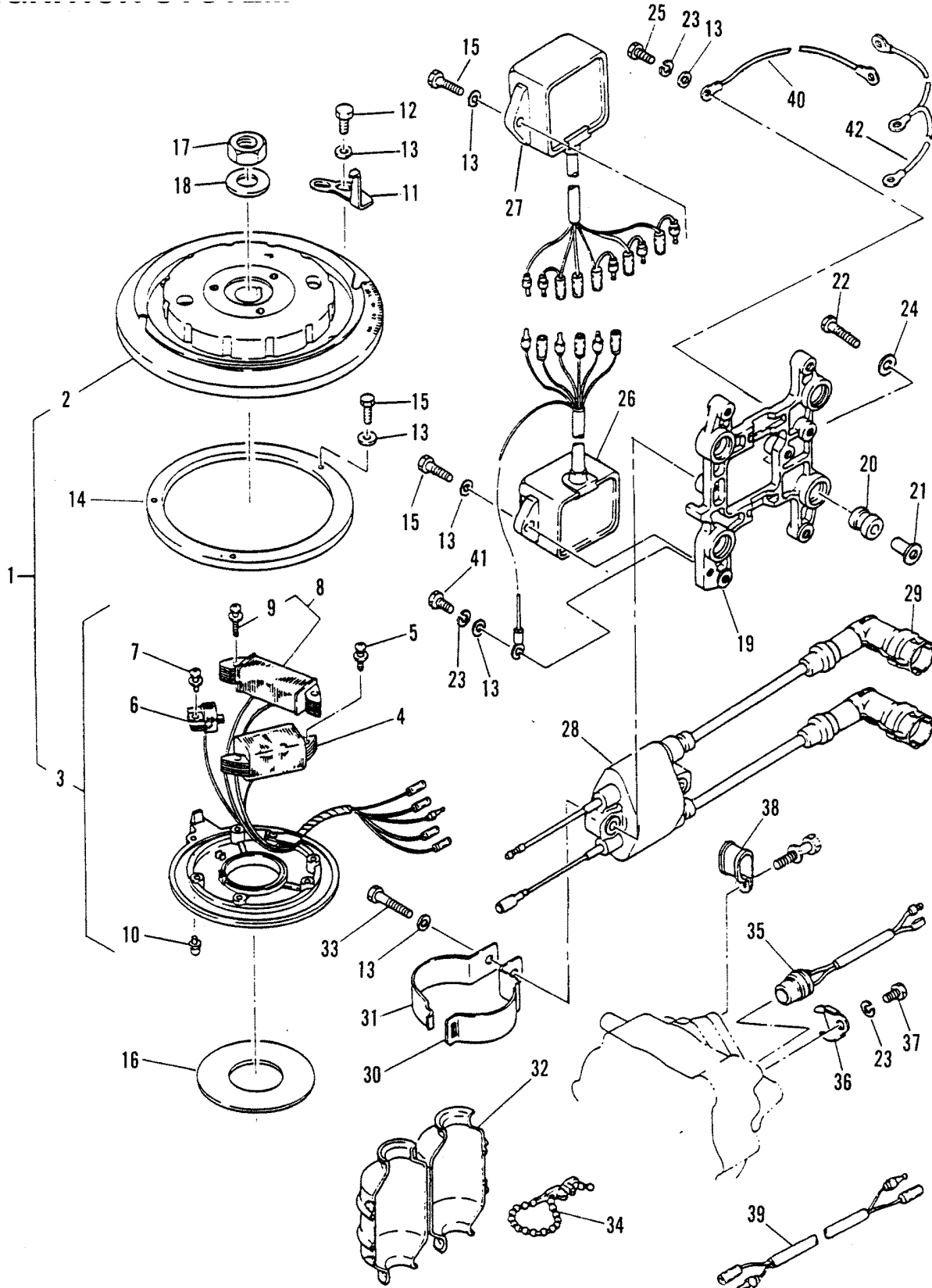


IGNITION SYSTEM

REF. NO.	PART NO.	SYM.	QTY.	DESCRIPTION
1	253-8816M		1	C.D.I. MAGNETO ASSEMBLY
2	41303M		1	FLYWHEEL ASSEMBLY
3	41304M		1	BASE ASSEMBLY
4	41829M		1	COIL (CHARGE)
5	10-96346M		2	SCREW
6	41830M		1	COIL, TRIGGER
7	10-91691M		1	SCREW
8	41831M		1	COIL, LIGHTING
9	10-97803M		2	SCREW
10	84305M		1	BALL JOINT
11	97074M		1	TIMING PLATE
12	10-84247M		1	BOLT
13	12-82214M		12	WASHER
14	82678M		1	RETAINER
15	10-83539M		7	BOLT
16	12-81343M		1	WASHER
17	11-81773M		1	NUT
18	12-84436M		1	WASHER
19	41302M		1	BRACKET
20	25-93114M		4	GROMMET SERIAL (M-271949 ML-586106) AND ABOVE
	81523M		4	GROMMET SERIAL (M-271948 ML-586105) AND BELOW
21	23-82851M		4	BUSHING
22	10-95629M		4	BOLT (W/WASHER) SERIAL (M-271272 ML-581824) AND ABOVE
	10-82405M		4	BOLT SERIAL (M-271271 ML-581823) AND BELOW
23	13-82212M		3	LOCKWASHER
24	12-83769M		4	WASHER SERIAL (M-271271 ML-581823) AND BELOW
25	10-84303M		1	BOLT
26	41305M		1	C.D.I.ASSEMBLY
27	41306M		1	CONTROL ASSEMBLY
28	95188M		1	IGNITION COIL ASSEMBLY
29	80935M		OPT	CAP (NOISE SUPPRESSOR)
	82788M		2	CAP
30	41833M		1	CLAMP
31	41834M		1	CLAMP
32	41835M		1	COVER
33	10-83285M		2	BOLT
34	54-95636M		1	CLAMP
35	87-97834M		1	THERMO-SWITCH ASSEMBLY
36	97835M		1	PLATE
37	10-84315M		1	BOLT

CONTINUED ON NEXT PAGE ➡

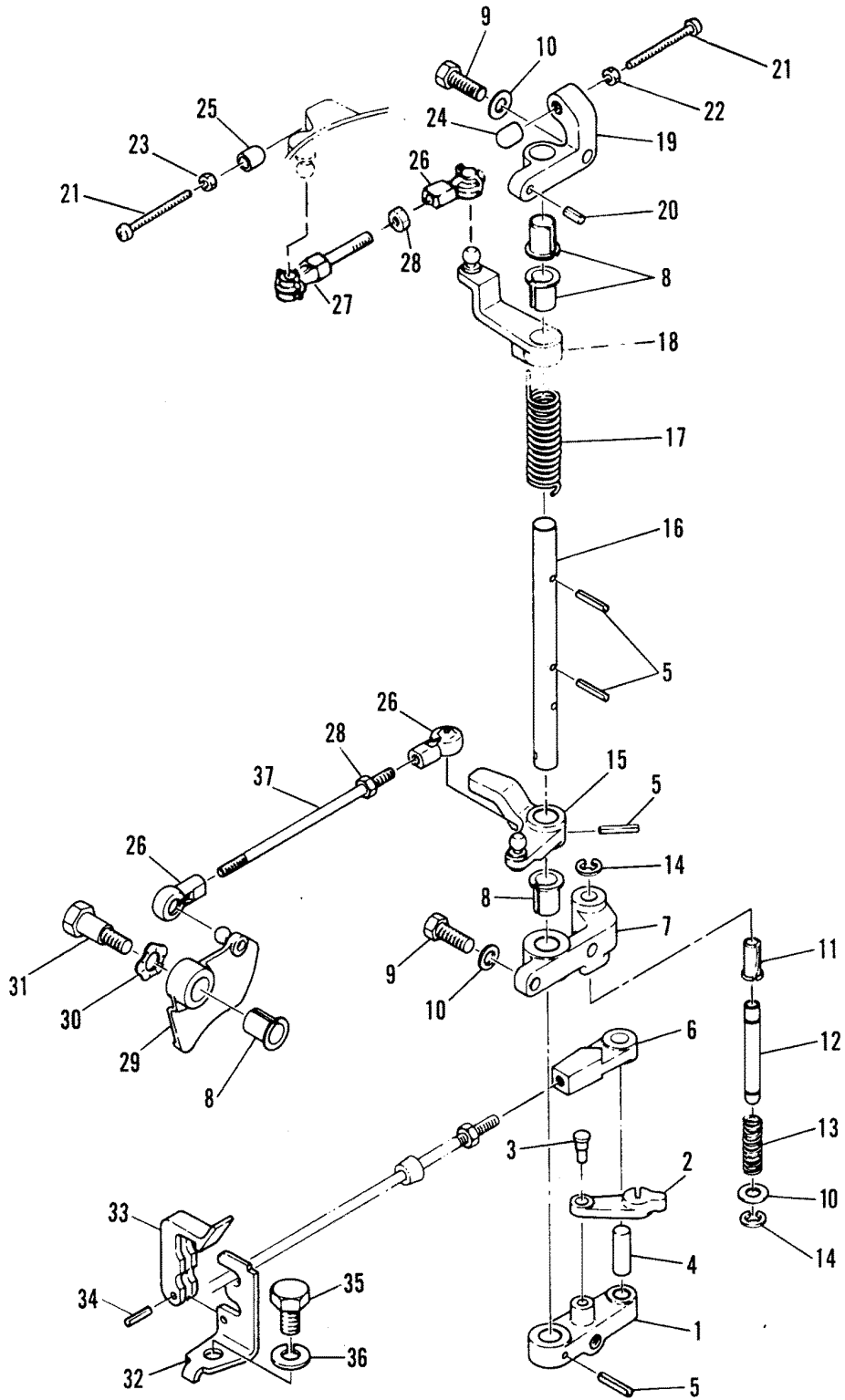
IGNITION SYSTEM



IGNITION SYSTEM

REF. NO.	PART NO.	SYM.	QTY.	DESCRIPTION
38	54-83577M		1	CLAMP
39	84-41310M		1	GROUND WIRE
40	84-81250M		1	GROUND WIRE
41	10-84303M		1	BOLT
42	84-97078M		1	GROUND WIRE

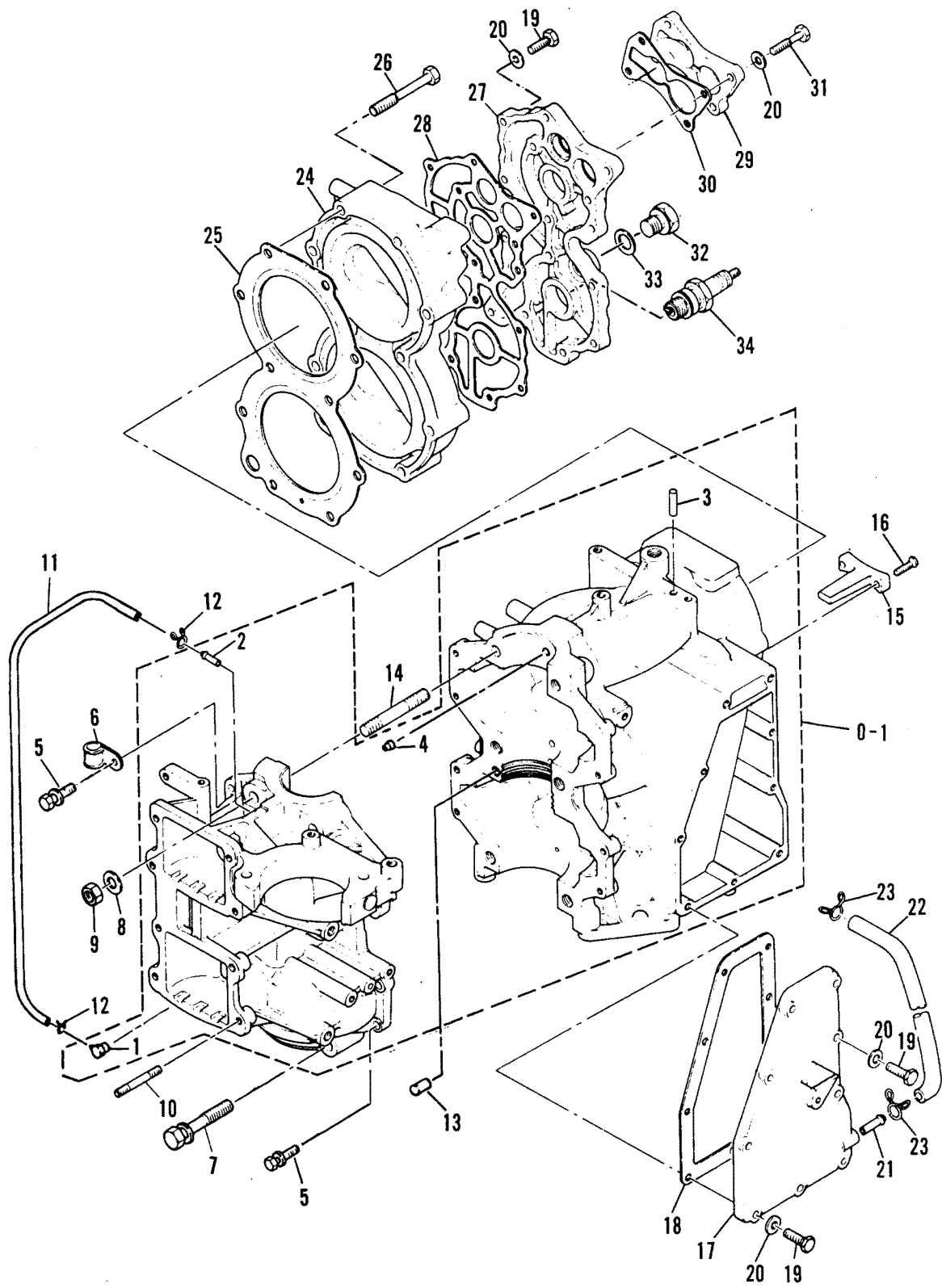
THROTTLE CONTROL



THROTTLE CONTROL

REF. NO.	PART NO.	SYM.	QTY.	DESCRIPTION
1	81345M		1	C.D.I. CONTROL LEVER
2	81341M		1	STOPPER
3	17-82976M		1	PIN
4	17-82367M		1	DOWEL PIN
5	17-82149M		4	ROLL PIN
6	81480M		1	CLEVIS
7	81350M		1	BRACKET
8	23-81946M		4	BUSHING
9	10-82423M		3	BOLT
10	12-82214M		4	WASHER
11	23-41311M		1	BUSHING
12	81403M		1	STOP
13	24-82074M		1	SPRING
14	53-82330M		2	SNAP RING
15	81346M		1	C.D.I. CONTROL LEVER
16	81347M		1	SHAFT
17	24-82113M		1	SPRING
18	81344M		1	C.D.I. CONTROL LEVER
19	81349M		1	BRACKET (UPPER)
20	17-82154M		1	ROLL PIN
21	10-83050M		2	SCREW
22	11-82388M		1	NUT
23	11-81764M		1	NUT
24	81415M		1	CAP
25	97087M		1	CAP
26	16715M		3	CLEVIS
27	98943M		1	CONTROL ROD
28	11-82378M		2	NUT
29	81334M		1	CAM
30	13-81868M		1	WAVE WASHER
31	10-81713M		1	BOLT
32	81483M		1	BRACKET
33	81484M		1	CLAMP
34	17-82146M		1	ROLL PIN
35	10-82437M		1	BOLT
36	13-82215M		1	LOCKWASHER
37	81333M		1	LINK ROD

CRANKCASE AND CYLINDER HEAD



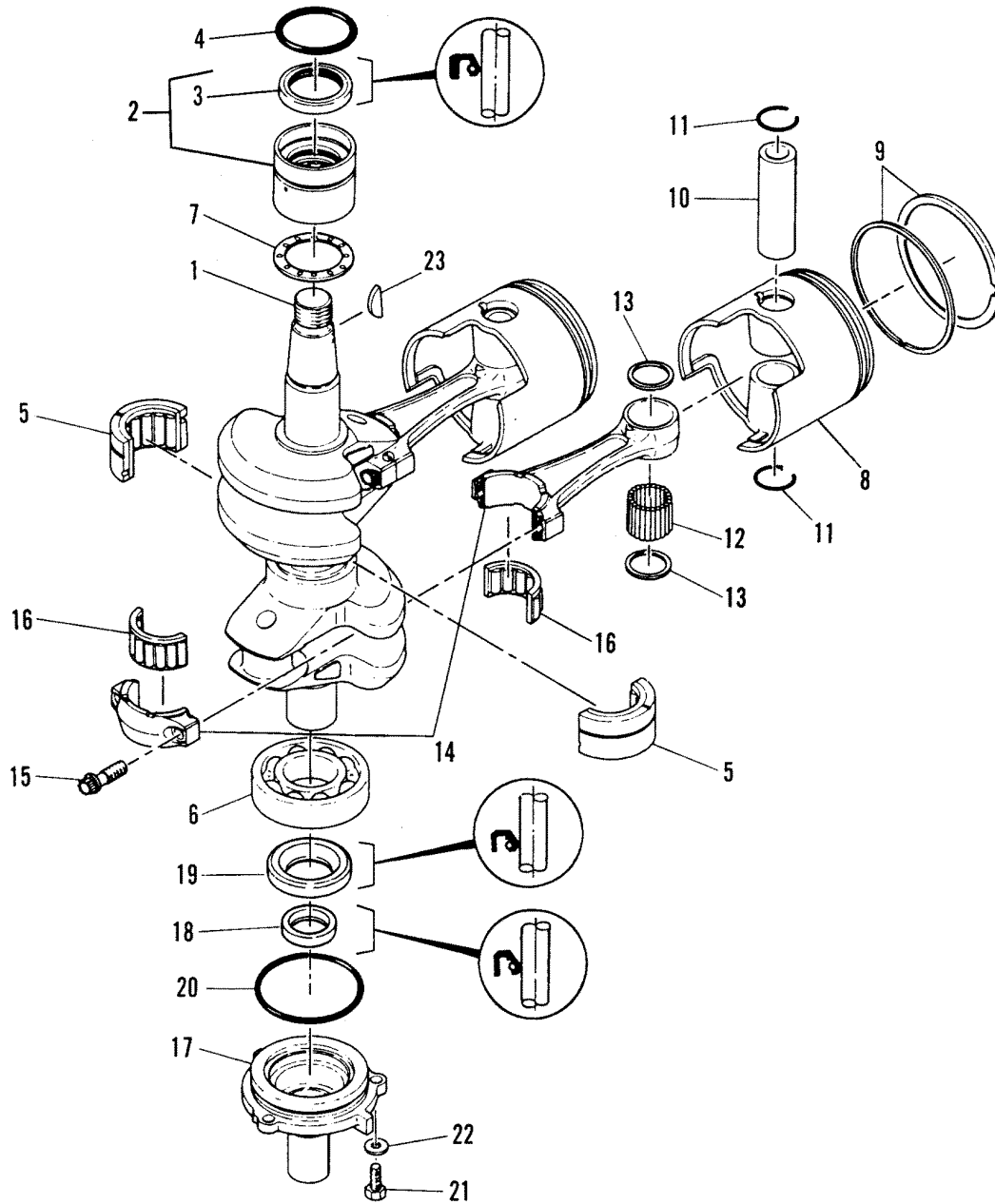
CRANKCASE AND CYLINDER HEAD

REF. NO.	PART NO.	SYM.	QTY.	DESCRIPTION
0-1	870-9275M		1	CRANKCASE ASSEMBLY
1	21-80727M		2	CHECK VALVE
2	22-80122M		1	FITTING
3	17-82354M		1	DOWEL PIN
4	17-81258M		2	LOCK, BEARING
5	10-41837M		8	BOLT
6	54-82033M		1	CLAMP
7	10-41838M		4	BOLT
8	12-81807M		2	WASHER
9	11-82387M		2	NUT
10	16-81735M		8	STUD
11	32-81995M		2	HOSE
12	54-82046M		4	CLAMP
13	17-82368M		1	DOWEL PIN
14	16-81743M		2	STUD
15	81255M		1	ANODE
16	10-82532M		2	SCREW
17	81330M		1	EXHAUST COVER (OUTER)
18	27-81331M	■	1	GASKET .
19	10-83539M		21	BOLT
20	12-82214M		25	WASHER
21	22-80756M		1	FITTING
22	32-81324M		1	HOSE
23	54-82047M		2	CLAMP
24	968-7974M		1	CYLINDERHEAD
25	27-19140M	■	1	GASKET .
26	10-41839M		10	BOLT
27	81253M		1	COVER
28	27-81254M	■	1	GASKET .
29	81265M		1	COVER
30	27-81266M	■	1	GASKET .
31	10-83285M		4	BOLT
32	22-81926M		1	PLUG
33	27-81990M		1	GASKET
34	33-53098		2	SPARK PLUG
-	95625M		1	POWERHEAD ASSEMBLY - COMPLETE INCLUDES CRANKCASE ASSEMBLY, CYLINDER PISTONS, CONNECTING RODS, CRANKSHAFT, BEARINGS, ETC.
-	27-84168M		1	POWERHEAD GASKET SET .

NOTE: FOR REPLACEMENT OF POWERHEAD ASSEMBLY COMPLETE, WHICH INCLUDES CRANKCASE ASSEMBLY, CYLINDER PISTONS, CONNECTING RODS, CRANKSHAFT, BEARINGS, ETC. ORDER: POWERHEAD [95625M]

■ = CONTENTS OF POWERHEAD GASKET SET [27-84168M].

CRANKSHAFT AND PISTON

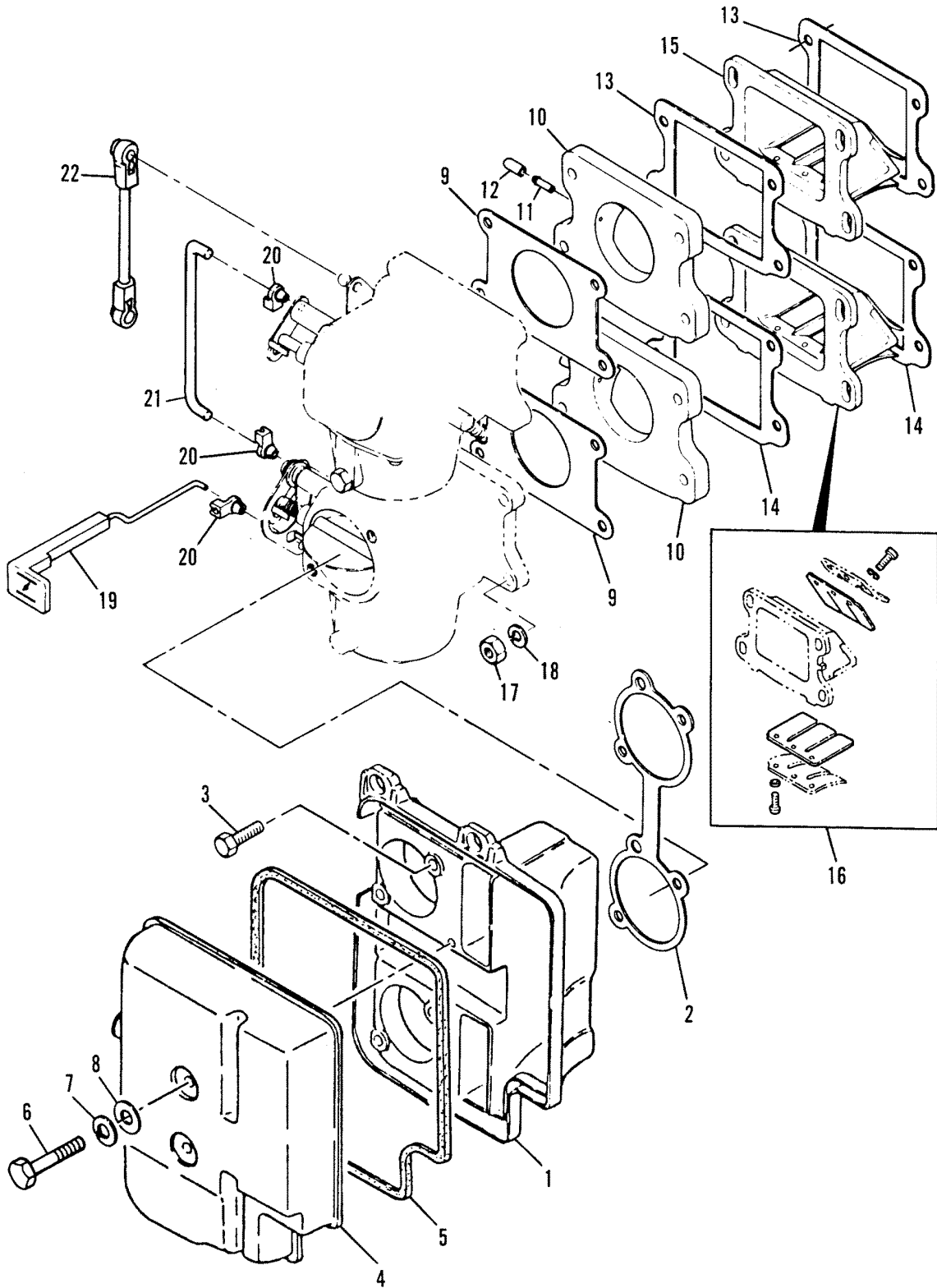


CRANKSHAFT AND PISTON

REF. NO.	PART NO.	SYM.	QTY.	DESCRIPTION
1	463-6825M		1	CRANKSHAFT ASSEMBLY
2	31-8231M		1	NEEDLE BEARING
3	26-82249M	■	1	OIL SEAL (UPPER)
4	25-82276M	■	1	"O" RING (UPPER)
5	31-97837M		1	CENTER MAIN BEARING
6	30-41296M		1	BEARING (LOWER)
7	15-81259M		1	SHIM
8	761-8462M		2	PISTON (STANDARD - 81.95MM)
	761-8463M		AR	PISTON (1ST. O.S. - 82.25MM)
	761-8464M		AR	PISTON (2ND O.S. - 82.50MM)
9	39-92625M		2	PISTONRING SET (STANDARD)
	39-92626M		AR	PISTON RING SET (1ST O.S. - 82.25MM)
	39-92627M		AR	PISTON RING SET (2ND O.S. - 82.50MM)
10	41-83345M		2	PISTON PIN
11	53-41297M		4	SNAP RING
12	29-82353M		56	BEARING, CONNECTING ROD (PISTON END)
13	12-81831M		4	RETAINER
14	629-8813M		2	CONNECTING ROD ASSEMBLY
15	10-81715M		2	BOLT
16	31-41298M		2	BEARING, CONNECTING ROD (CRANKSHAFT END)
17	41828M		1	HOUSING, OIL SEAL
18	26-82255M	■	1	OIL SEAL (LOWER)
19	26-82248M	■	1	OIL SEAL (LOWER)
20	25-82286M	■	1	"O" RING
21	10-91725M		3	BOLT
22	12-82214M		3	WASHER
23	28-81915M		1	KEY
-	27-84168M		1	POWERHEAD GASKET SET .

■ = CONTENTS OF POWERHEAD GASKET SET [27-84168M].

INTAKE MANIFOLD

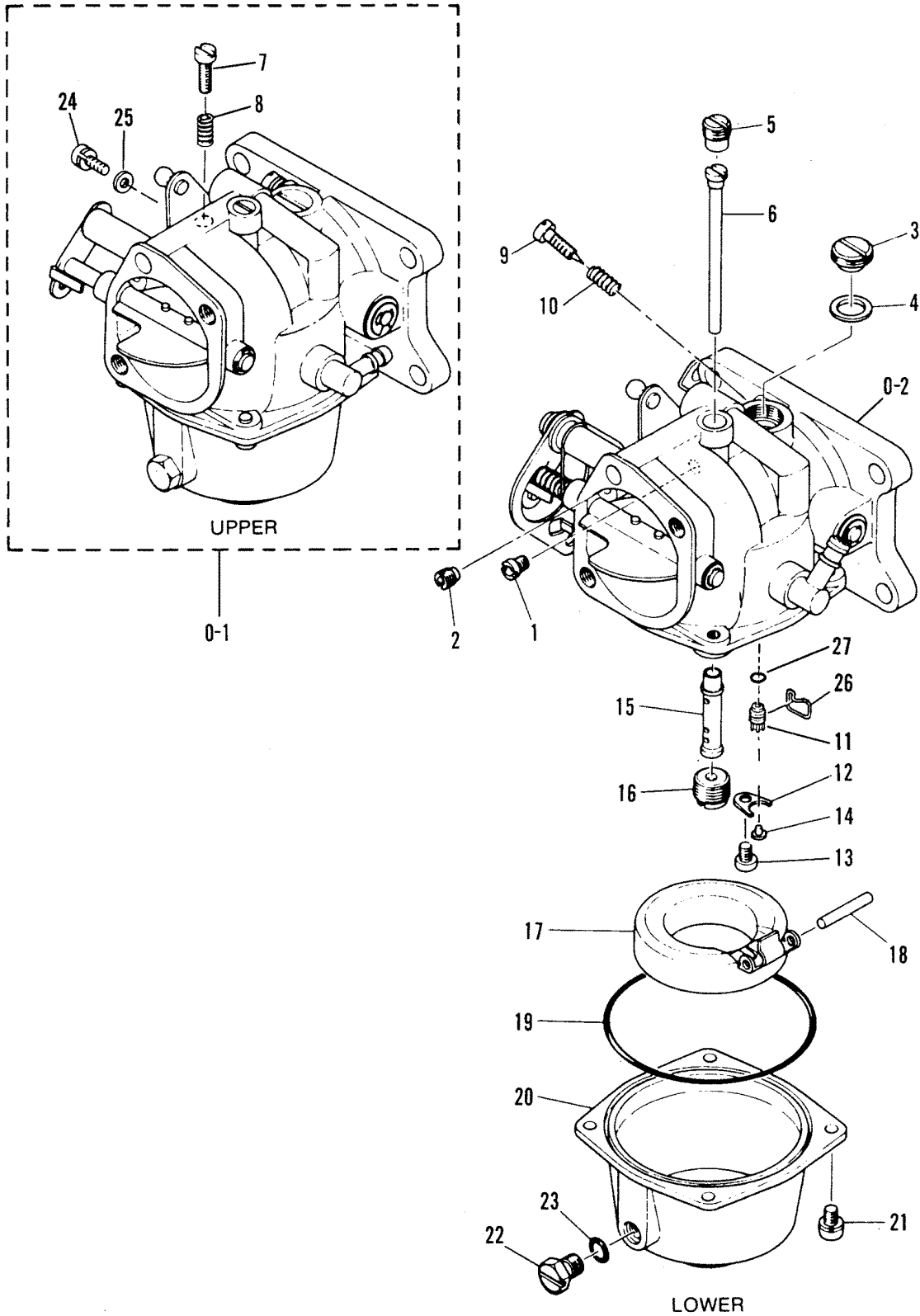


INTAKE MANIFOLD

REF. NO.	PART NO.	SYM.	QTY.	DESCRIPTION
1	92629M		1	AIR INTAKE BASE
2	27-81276M	●■	1	GASKET
3	10-82405M		4	BOLT
4	92630M		1	AIR INTAKE COVER
5	27-92631M		1	GASKET
6	10-84657M		2	BOLT
7	13-82212M		2	LOCKWASHER
8	12-82214M		2	WASHER
9	27-81272M	●■	2	GASKET
10	92677M		2	INTAKE MANIFOLD
11	22-80122M		2	PIPE
12	80454M		2	CAP
13	27-81269M	■	2	GASKET (UPPER)
14	27-81270M	■	2	GASKET (LOWER)
15	34-92633M		2	REED VALVE ASSEMBLY
16	34-92676M		1	REED SET (REED STOPS NOT INCLUDED)
17	11-82389M		8	NUT
18	13-82212M		8	LOCKWASHER
19	81338M		1	CHOKE ROD
20	81191M		3	CONNECTOR
21	810938M		1	ROD, CHOKE LINK M-272351 ML-593221 AND UP
22	810939M		1	ROD, THROTTLE LEVER M-272351 ML-593221 AND UP
21	82988M		1	ROD, CHOKE LINK M-272350 ML593220 AND BELOW
22	97844M		1	ROD, THROTTLE LEVER M-272350 ML593220 AND BELOW
-	27-84168M		1	POWERHEAD GASKET SET .
-	41842M		1	CARBURETOR REPAIR KIT .
-	19141M		1	CARBURETOR REPAIR KIT .

● = CONTENTS OF CARBURETOR REPAIR KIT [41842M] OR [19141M].
 ■ = CONTENTS OF POWERHEAD GASKET SET [27-84168M].

CARBURETOR



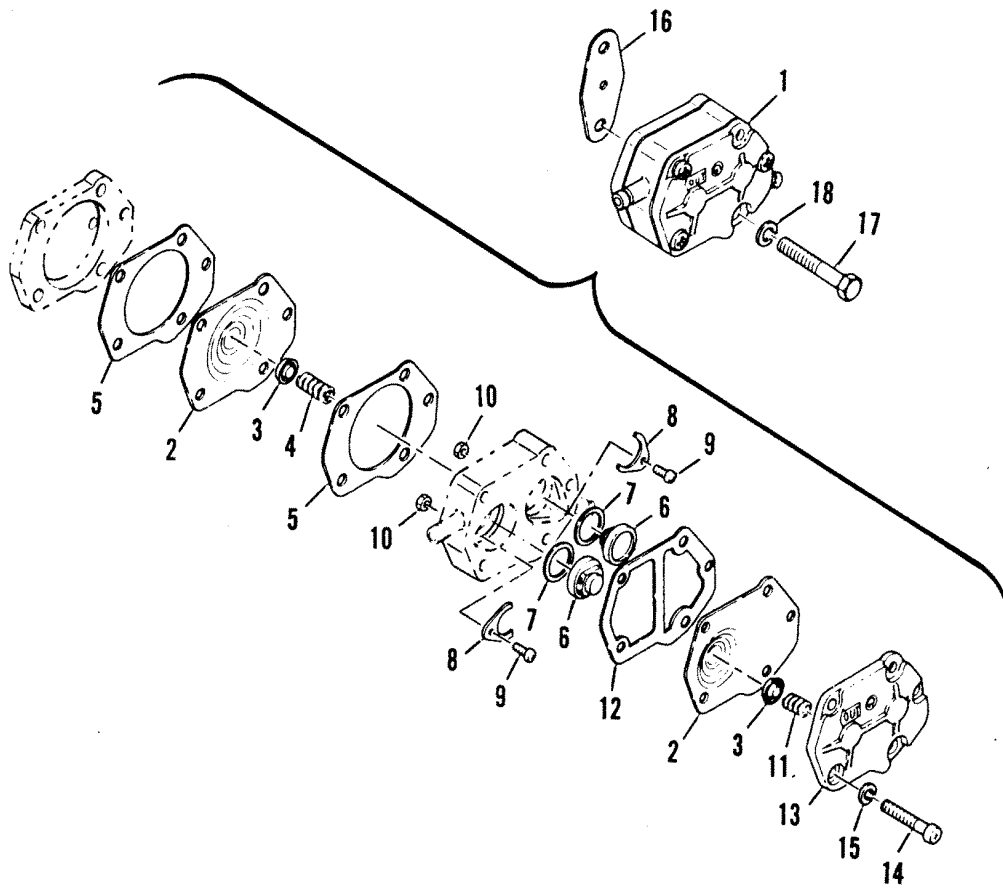
CARBURETOR

REF. NO.	PART NO.	SYM.	QTY.	DESCRIPTION
0-1	1383-9281M		1	CARBURETOR (UPPER)
	1383-9282M		1	CARBURETOR (LOWER)
1	95627M		2	PILOT AIR JET (#98)
2	97094M		2	MAIN JET (#180) SERIAL (M-271272 ML-581824) AND ABOVE
	95628M		2	MAIN JET (#180) SERIAL (M-271271 ML-581823) AND BELOW
3	10-81292M		1	PLUG SCREW
4	12-92636M	●	2	WASHER
5	10-81279M		2	PLUG SCREW
6	84441M		2	PILOT JET (#80)
7	10-81277M		1	SCREW (LOWER)
8	24-82080M		1	SPRING (LOWER)
9	10-81281M	●	2	IDLE SPEED SCREW
10	24-82073M		2	SPRING
11	41841M	●	2	VALVE SEAT ASSEMBLY
12	80026M		2	RETAINER
13	10-82512M		2	SCREW
14	17-92639M	●	2	VALVE PIN
15	97846M		2	MAIN NOZZLE
16	81283M		2	MAIN JET (#180)
17	97848M	●	2	FLOAT SERIAL (M-271949 ML-586106) AND ABOVE
	81291M	●	2	FLOAT SERIAL (M-271948 ML-586105) AND BELOW
18	17-81278M	●	2	FLOAT PIN
19	25-82288M	●■	2	O-RING
20	81290M	●	2	FLOAT BOWL
21	10-81758M		8	SCREW
22	10-81293M		2	DRAIN SCREW
23	25-94498M	●	2	O-RING
24	10-97082M		1	SCREW (UPPER)
25	12-83372M	●	1	WASHER (UPPER)
26	54-82781M		2	CLIP SERIAL (M-271949 ML-586106) AND ABOVE
27	25-82261M		2	O-RING SERIAL (M-271949 ML-586106) AND ABOVE
-	19141M		1	CARB REPAIR KIT SERIAL (M-271949 ML-586106) AND ABOVE.
-	41842M		1	CARB REPAIR KIT SERIAL (M-271948 ML-586105) AND BELOW.
-	27-84168M		1	POWERHEAD GASKET SET .

● = CONTENTS OF CARBURETOR REPAIR KIT [41842M] OR [19141M].

■ = CONTENTS OF POWERHEAD GASKET SET [27-84168M].

FUEL PUMP SERIAL #M-271658 ML-583880 AND BELOW

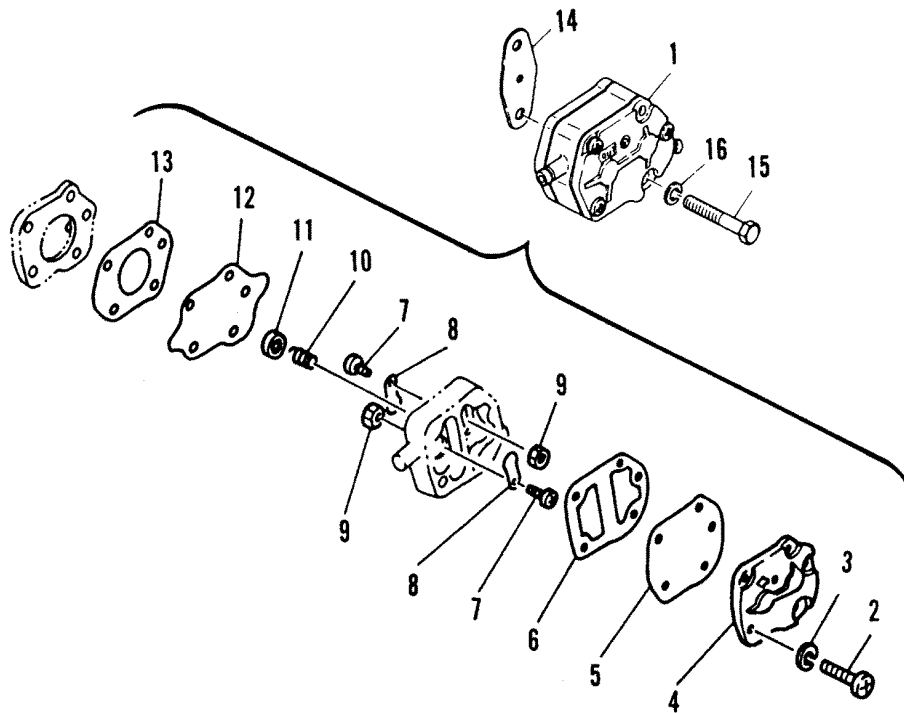


FUEL PUMP SERIAL #M-271658 ML-583880 AND BELOW

REF. NO.	PART NO.	SYM.	QTY.	DESCRIPTION
1	43113M		1	FUEL PUMP ASSEMBLY
2	80606M		2	DIAPHRAGM
3	80611M		2	PLATE, SPRING GUIDE
4	24-80610M		1	SPRING
5	27-80613M		2	GASKET
6	21-80608M		2	CHECK VALVE
7	27-80612M		2	GASKET
8	80609M		2	RETAINER
9	10-82511M		2	SCREW
10	11-84515M		2	NUT
11	24-80615M		1	SPRING
12	27-80614M		1	GASKET
13	80607M		1	COVER
14	10-82522M		3	SCREW
15	13-82208M		3	LOCKWASHER
16	27-80757M	■	1	GASKET
17	10-82428M		2	BOLT
18	12-82213M		2	WASHER
-	27-84168M		1	POWERHEAD GASKET SET .

■ = CONTENTS OF POWERHEAD GASKET SET [27-84168M].

FUEL PUMP SERIAL #M-271659 ML-583881 AND ABOVE

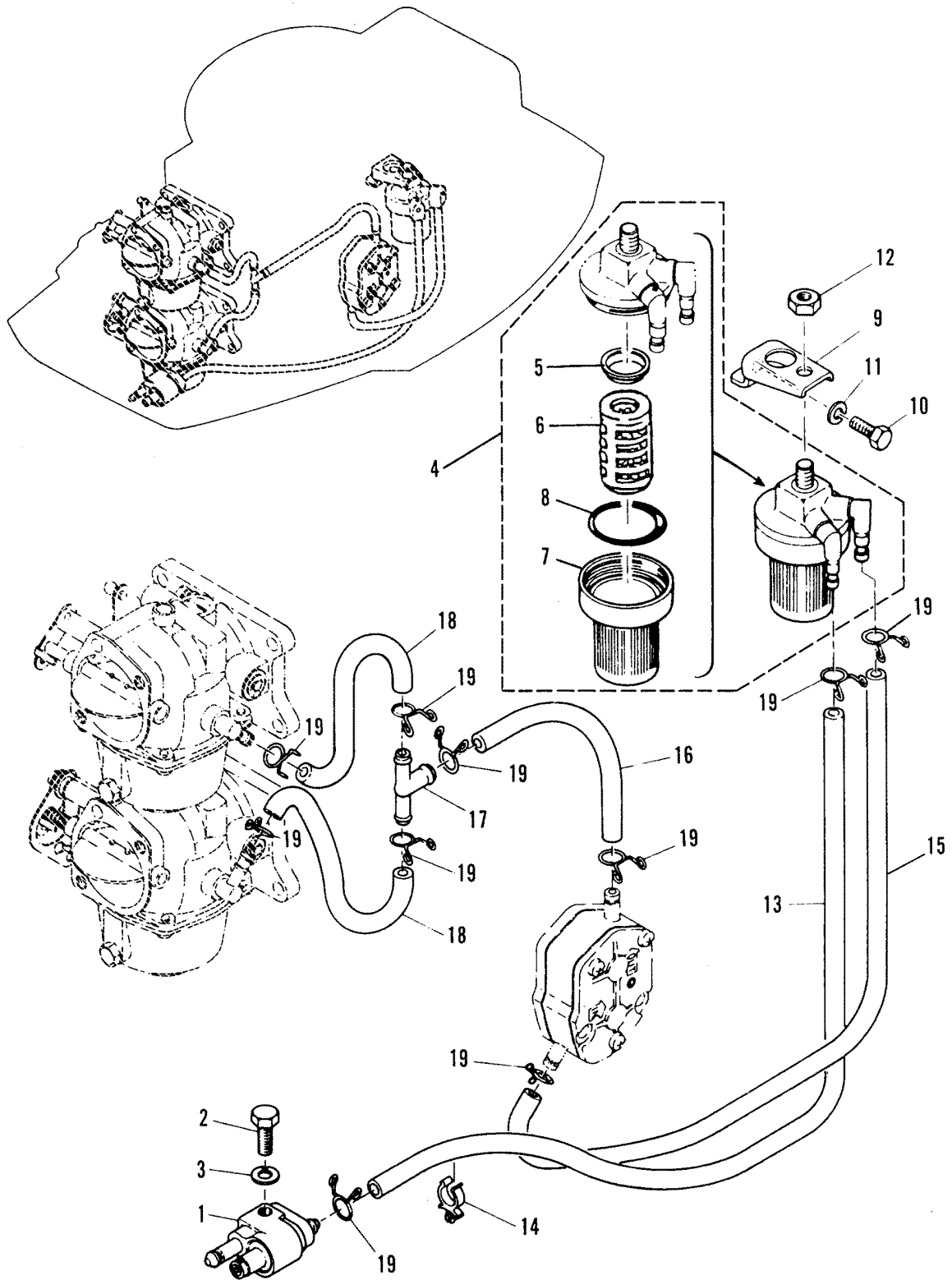


FUEL PUMP SERIAL #M-271659 ML-583881 AND ABOVE

REF. NO.	PART NO.	SYM.	QTY.	DESCRIPTION
1	43113M		1	FUEL PUMP ASSEMBLY
2	10-82522M		3	SCREW
3	13-82208M		3	LOCKWASHER
4	43096M		1	COVER
5	84141M		1	DIAPHRAGM
6	27-80614M		1	GASKET
7	10-41889M		2	SCREW
8	21-41888M		2	CHECK VALVE
9	11-82537M		2	NUT
10	24-80610M		1	SPRING
11	80611M		1	PLATE
12	80606M		1	DIAPHRAGM
13	27-80613M		1	GASKET
14	27-80757M	■	1	GASKET
15	10-82428M		2	BOLT
16	12-82213M		2	WASHER
-	27-84168M		1	POWERHEAD GASKET SET .

■ = CONTENTS OF POWERHEAD GASKET SET [27-84168M].

FUEL LINE AND FILTER



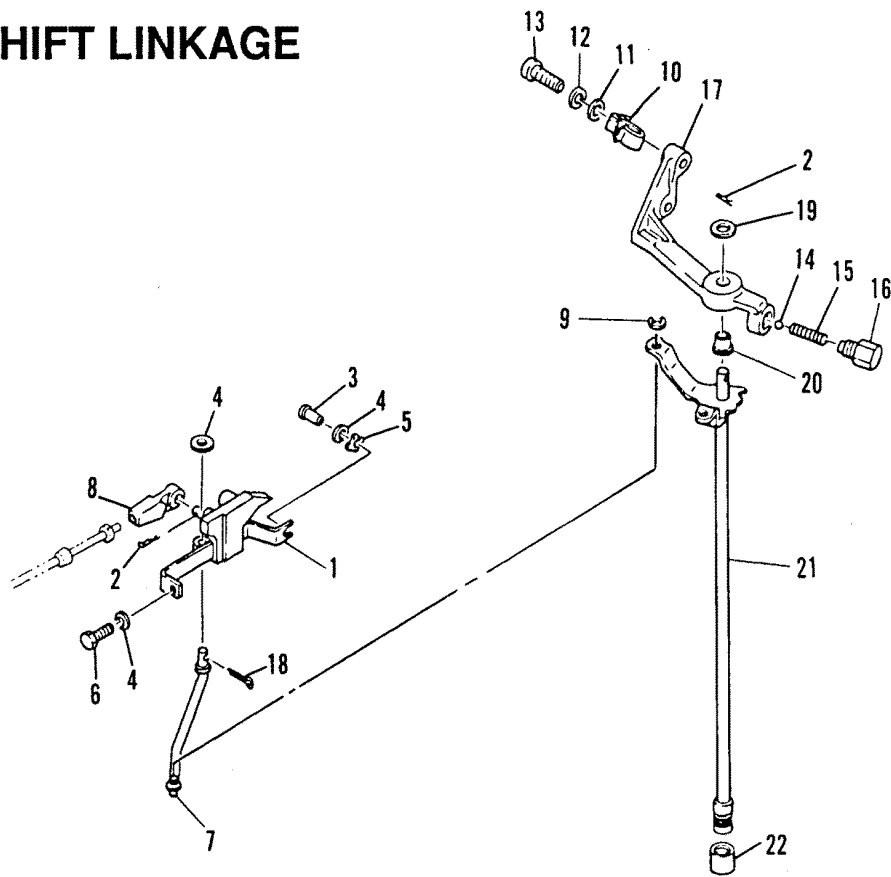
FUEL LINE AND FILTER

REF. NO.	PART NO.	SYM.	QTY.	DESCRIPTION
1	14187M		1	CONNECTOR, FUEL LINE
2	10-83539M		1	BOLT
3	13-82212M		1	LOCKWASHER
4	35-11931M		1	FILTER ASSEMBLY
5	27-82790M	■	1	GASKET SERIAL (M-271088 ML-579284) AND BELOW
6	35-11934M		1	ELEMENT
7	11935M		1	FUEL BOWL
8	25-84957M	■	1	O-RING
9	80620M		1	BRACKET, FUEL FILTER
10	10-84211M		1	BOLT
11	13-82212M		1	LOCKWASHER
12	11-82382M		1	NUT
13	32-82012M		1	FUEL LINE, CONNECTOR TO PUMP
14	54-82037M		1	CLAMP
15	32-82010M		1	FUEL LINE, FILTER TO PUMP
16	32-94727M		1	FUEL LINE, PUMP TO TEE
17	22-97083M		1	TEE FITTING
18	32-82012M		2	FUEL LINE, TEE TO CARBURETOR
19	54-82047M		10	CLAMP
-	27-84168M		1	POWERHEAD GASKET SET .

■ = CONTENTS OF POWERHEAD GASKET SET [27-84168M].

GEAR SHIFT LINKAGE

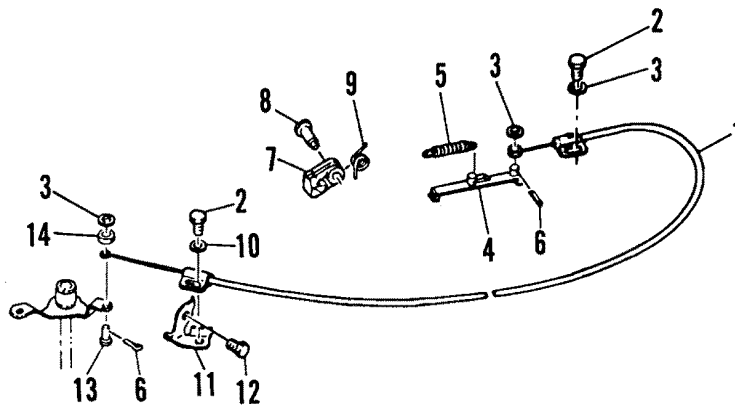
GEAR SHIFT LINKAGE



GEAR SHIFT LINKAGE

REF. NO.	PART NO.	SYM.	QTY.	DESCRIPTION
1	98919M		1	SHIFT BARCKET
2	18-82053M		2	COTTER PIN
3	17-82137M		1	CLEVIS PIN
4	12-82214M		3	WASHER
5	13-81866M		1	WAVE WASHER
6	10-8243M		1	BOLT
7	84209M		1	SHIFT ROD LIVER
8	81480M		1	CLEVIS
9	53-82330M		1	SNAP RING
10	54-92664M		1	CLAMP
11	12-82217M		2	WASHER
12	13-82215M		2	LOCKWASHER
13	10-82441M		2	BOLT
14	92659M		1	DETENT BALL
15	24-82081M		1	DETENT SPRING
16	23-80635M		1	RETAINER
17	98920M		1	SHIFT ROD BRACKET
18	18-82126M		1	COTTER PIN
19	12-82216M		1	WASHER
20	23-98923M		1	BUSHING
21	19169M		1	SHIFT ROD (M)
	19170M		1	SHIFT ROD (ML)
22	98924M		1	BOOT

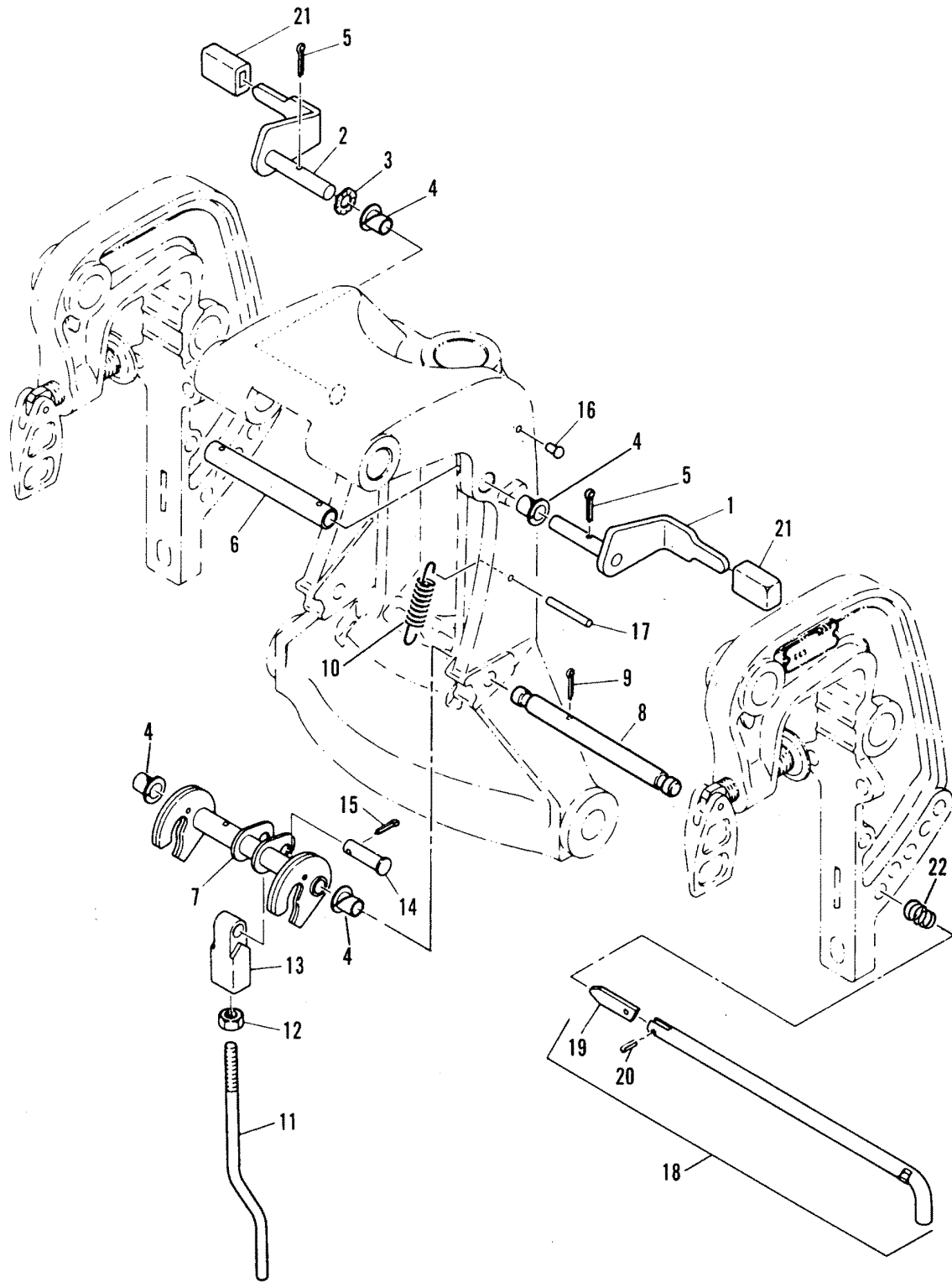
SAFTEY STARTER COMPONENTS



SAFTEY STARTER COMPONENTS

REF. NO.	PART NO.	SYM.	QTY.	DESCRIPTION
1	92689M		1	LOCKOUT CABLE
2	10-84303M		2	BOLT SERIAL (M-271949 ML-586106) AND ABOVE
	10-84315M		2	BOLT SERIAL (M-271948 ML-586105) AND BELOW
3	12-82213M		2	WASHER
4	81303M		1	CAM
5	24-18970M		1	SPRING SERIAL (M-271949 ML-586106) AND ABOVE
	24-82102M		1	SPRING SERIAL (M-271948 ML-586105) AND BELOW
6	18-82126M		2	COTTER PIN
7	81317M		1	LEVER
8	10-81751M		1	PIVOT
9	24-82106M		1	SPRING
10	12-82214M		2	WASHER
11	81314M		1	BRACKET
12	10-82436M		1	BOLT
13	17-82136M		1	CLEVIS PIN
14	83152M		1	RETAINING RING

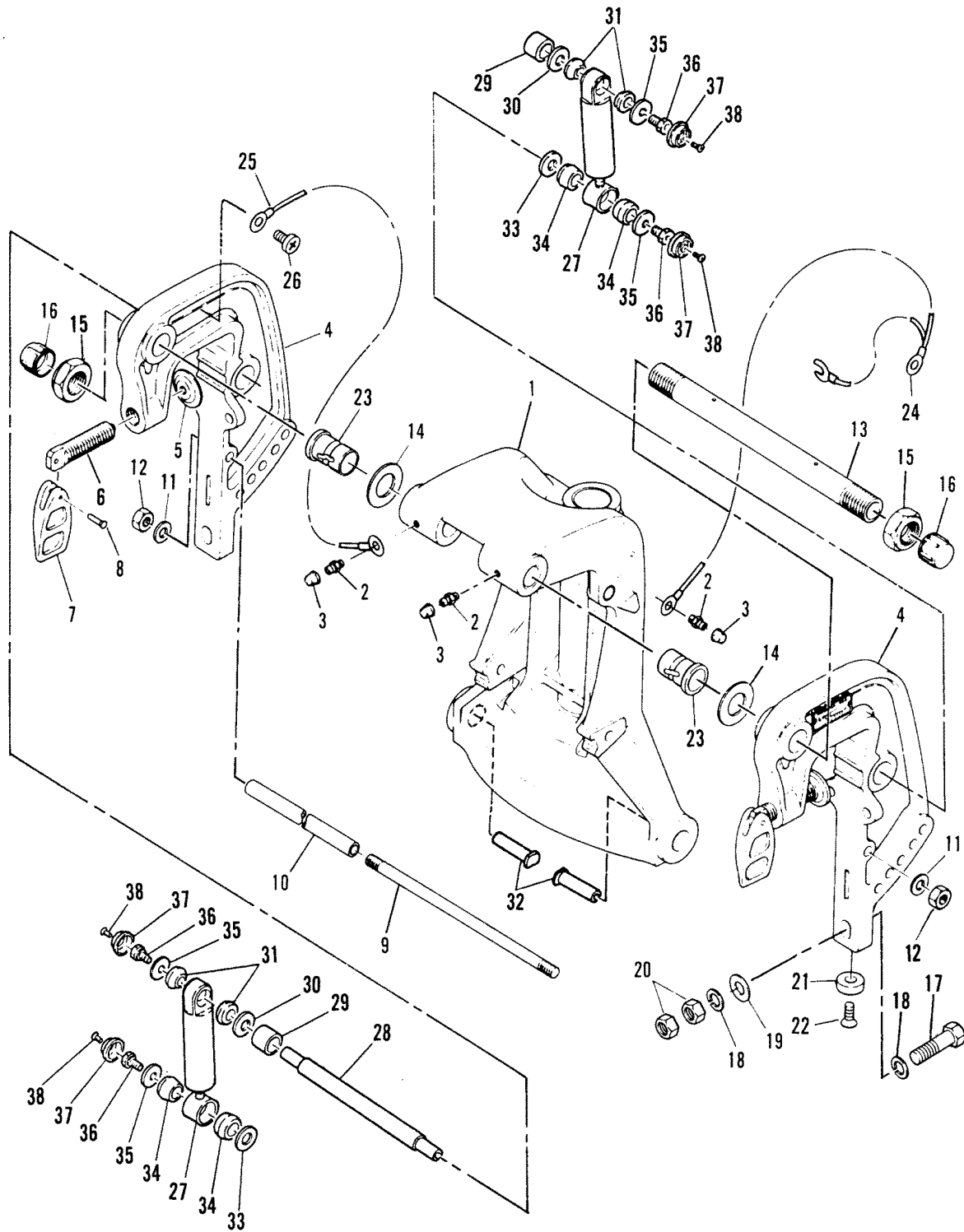
REVERSE LOCK



REVERSE LOCK

REF. NO.	PART NO.	SYM.	QTY.	DESCRIPTION
1	81393M		1	TILT STOP LEVER (PORT)
2	81394M		1	TILT STOP LEVER (STARBOARD)
3	13-92652M		1	WAVE WASHER
4	23-81947M		2	BUSHING
5	18-82132M		2	COTTER PIN
6	23-81980M		1	COLLAR
7	41315M		1	REVERSE LOCK
8	17-41314M		1	ROD REVERSE LOCK
9	18-82130M		1	COTTER PIN
10	24-82103M		1	SPRING
11	83132M		1	ROD, REVERSE LOCK (M)
	83065M		1	ROD, REVERSE LOCK (ML)
12	11-82382M		1	NUT
13	81400M		1	NUT, ADJUSTING
14	17-82138M		1	CLEVIS PIN
15	18-82128M		1	COTTER PIN
16	17-81909M		1	RIVET
17	17-82159M		1	ROLL PIN
18	17-814972M		1	TILT LOCK PIN
19	84044M		2	STOPPER PLATE
20	17-82146M		1	ROLL PIN
21	81395M		2	COVER
22	24-814973M		1	SPRING SERIAL (M-272296 ML-589631) AND ABOVE

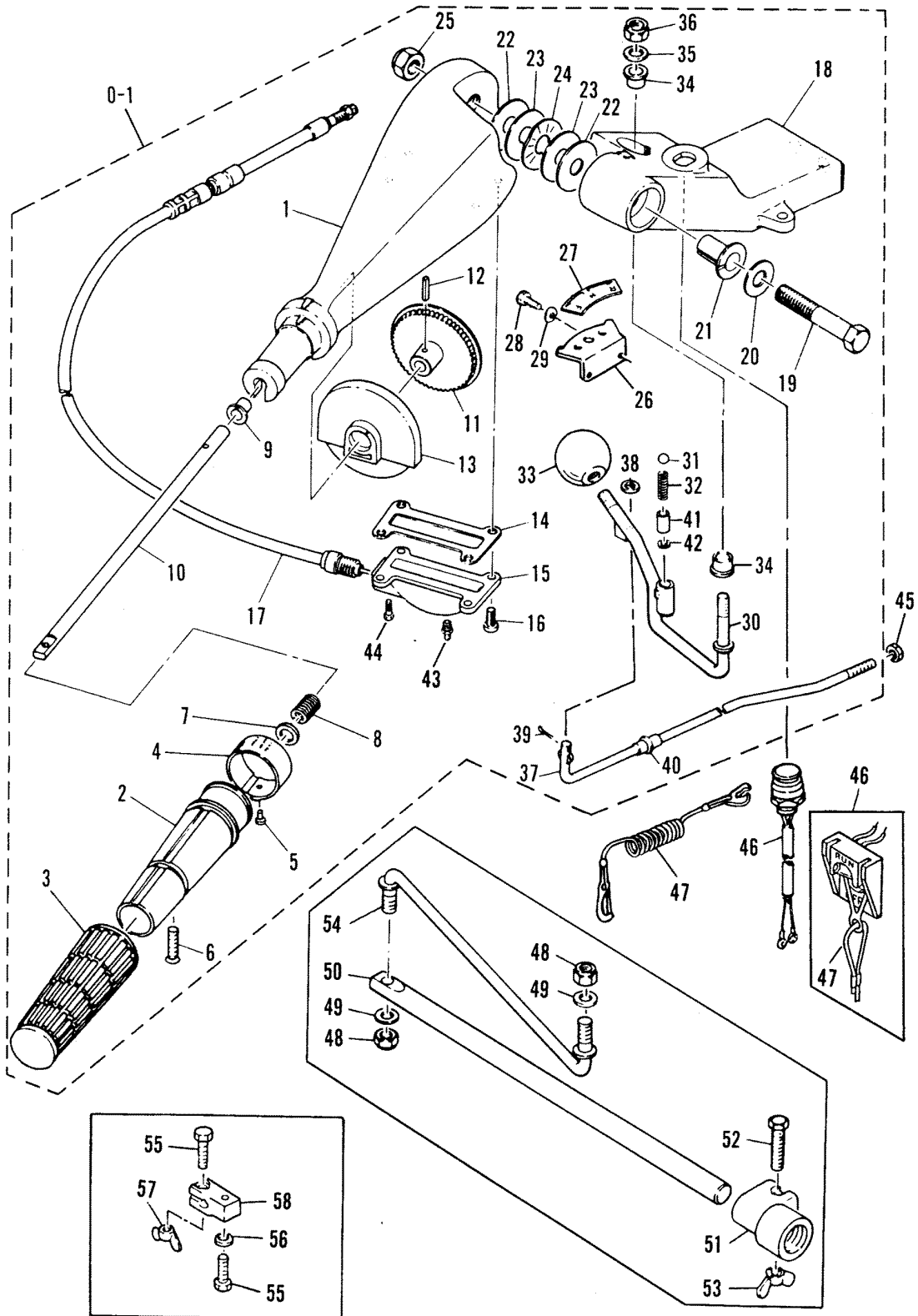
CLAMP AND SWIVEL BRACKET



CLAMP AND SWIVEL BRACKET

REF. NO.	PART NO.	SYM.	QTY.	DESCRIPTION
1	1485-8818M		1	SWIVEL BRACKET (M)
	1485-8819M		1	SWIVEL BRACKET (ML)
2	22-82369M		3	GREASE FITTING
3	81439M		3	CAP
4	1484-8933M		2	CLAMP BRACKET
5	12-80638M		2	PAD
6	10-81381M		2	SCREW
7	11868M		2	HANDLE
8	17-81889M		2	PIN
9	16-81383M		1	STUD
10	23-81981M		1	SPACER
11	12-82220M		2	WASHER
12	11-82395M		2	NUT
13	10-41312M		1	BOLT
14	12-81836M		2	WASHER
15	11-81787M		2	NUT
16	81388M		2	CAP
17	10-84970M		4	BOLT
18	12-814576M		8	WASHER
19	12-81812M		4	WASHER
20	11-82395M		8	NUT
21	84422M		1	ANODE SERIAL (M-272296 ML-589631) AND ABOVE
	41843M		1	ANODE SERIAL (M-272295 ML-589630) AND BELOW
22	10-92679M		1	SCREW
23	23-41313M		2	BUSHING
24	41844M		1	WIRE (M)
	41845M		1	WIRE (ML)
25	84-16716M		1	WIRE SERIAL (M-271659 ML-583881) AND ABOVE
	84-16716M		1	WIRE SERIAL (M-271658 ML-583880) AND BELOW
26	10-11832M		1	SCREW
27	55-92650M		2	SHOCK ABSORBER
28	17-81386M		1	PIN
29	23-82120M		2	SPACER
30	12-81830M		2	WASHER
31	23-81939M		4	BUSHING
32	17-81384M		2	PIN
33	12-81859M		2	WASHER
34	23-81938M		4	BUSHING
35	12-81812M		4	WASHER
36	10-81718M		4	BOLT
37	92651M		4	COVER
38	10-95467M		4	SCREW

STEERING HANDLE

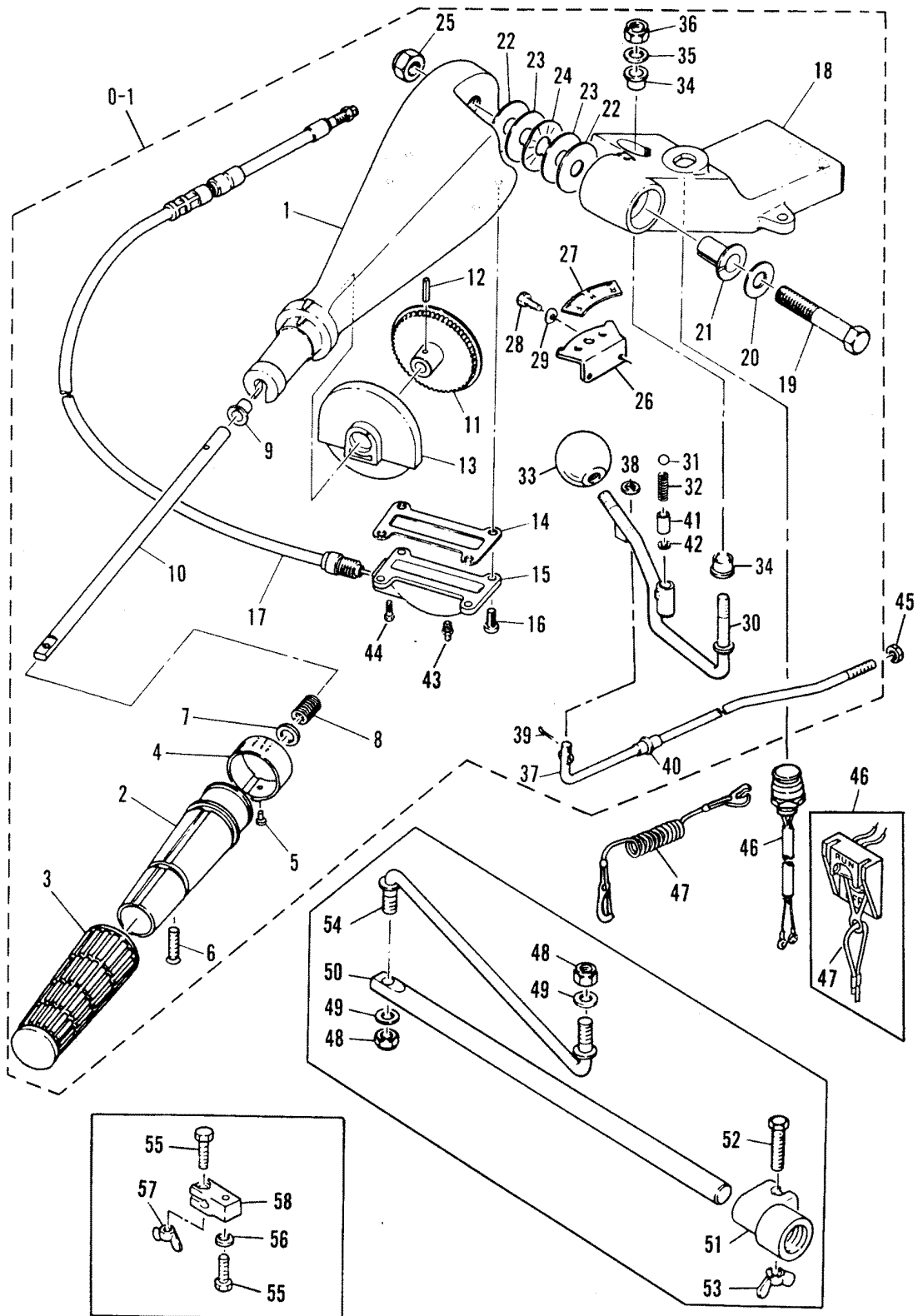


STEERING HANDLE

REF. NO.	PART NO.	SYM.	QTY.	DESCRIPTION
0-1	92680M		1	STEERING HANDLE ASSEMBLY
1	83553M		1	ARM
2	81585M		1	THROTTLE HANDLE
3	95497M		1	GRIP
4	98947M		1	INDICATOR
5	17-81907M		1	RIVET
6	10-84300M		1	SCREW
7	12-82220M		1	WASHER
8	24-82095M		1	SPRING
9	23-81945M		1	BUSHING
10	81351M		1	THROTTLE SHAFT
11	81357M		1	THROTTLE CAM
12	17-82152M		1	ROLL PIN
13	81355M		1	HOUSING
14	27-81353M		1	GASKET
15	19171M		1	COVER SERIAL (M-271949 ML-586106) AND ABOVE
	81354M		1	COVER SERIAL (M-271948 ML-586105) AND BELOW
16	10-14232M		4	SCREW
17	81329M		1	THROTTLE CABLE
18	92681M		1	STEERING BRACKET
19	10-81710M		1	BOLT
20	12-83524M		1	WASHER
21	23-81950M		1	BUSHING
22	12-81853M		2	WASHER
23	12-81815M		2	WASHER
24	13-81870M		1	WAVE WASHER
25	11-81786M		1	NUT
26	92682M		1	BRACKET
27	81414M		1	INDICATOR (F-N-R)
28	10-84247M		2	BOLT
29	13-82212M		2	LOCKWASHER
0-1	92680M		1	STEERING HANDLE ASSEMBLY
30	92683M		1	GEAR SHIFT HANDLE
31	92684M		1	BALL
32	24-92685M		1	SPRING
33	81413M		1	SHIFT CONTROL LEVER
34	23-81946M		2	BUSHING
35	12-81804M		1	WASHER
36	11-81785M		1	NUT
37	81358M		1	MANUAL SHIFT ROD
38	12-82214M		1	WASHER
39	18-82129M		1	COTTER PIN
40	23-81943M		1	BUSHING

CONTINUED ON NEXT PAGE ➡

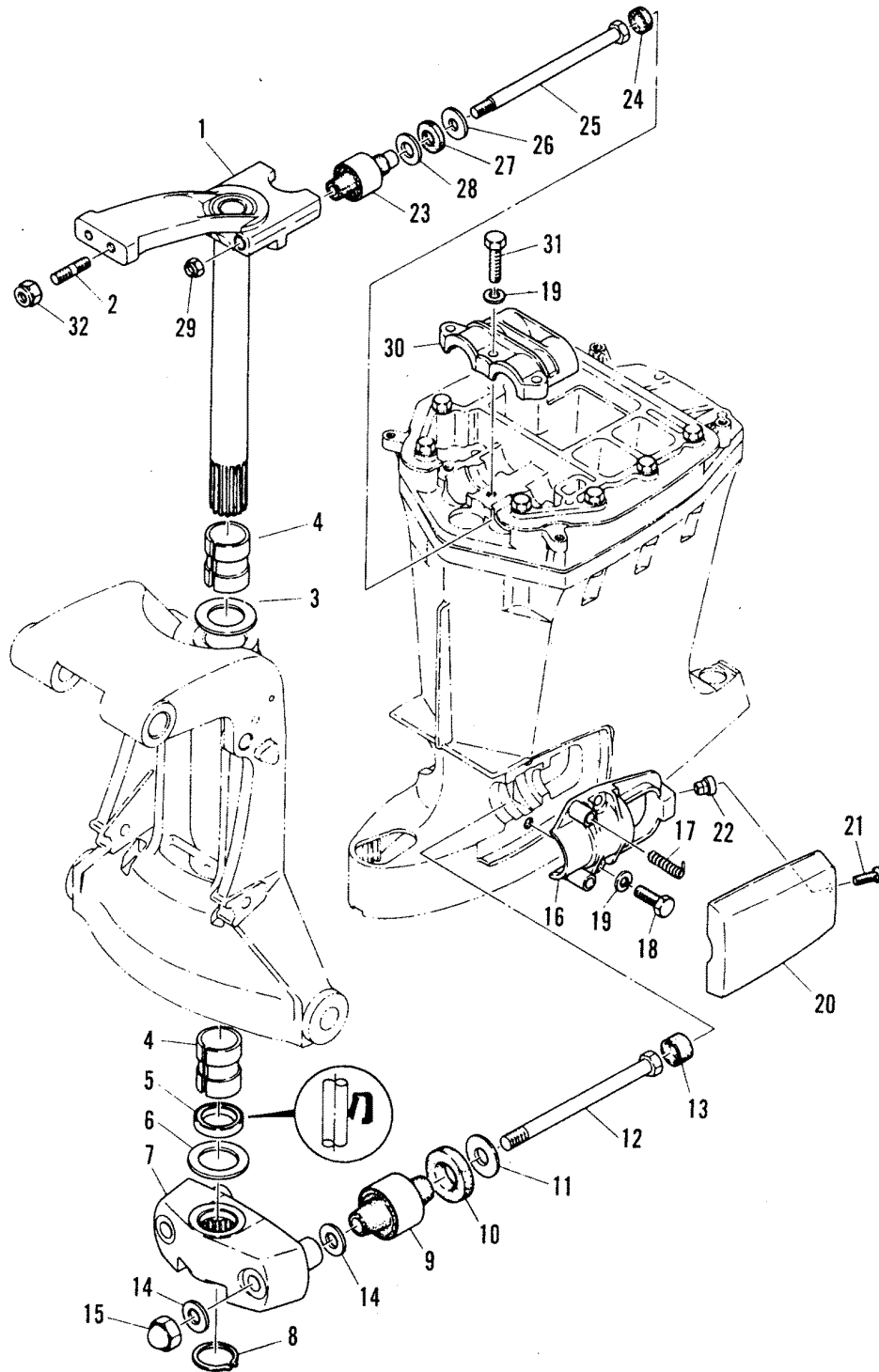
STEERING HANDLE



STEERING HANDLE

REF. NO.	PART NO.	SYM.	QTY.	DESCRIPTION
41	23-97107M		1	COLLAR
42	12-98948M		1	WASHER
43	22-82369M		1	GREASE FITTING SERIAL (M-271949 ML-586106) AND ABOVE
44	10-19172M		1	SCREW SERIAL (M-271949 ML-581824) AND ABOVE
45	11-82920M		1	NUT
46	87-14222M		1	LANYARD SWITCH SERIAL (M-271272 ML-581824) AND ABOVE
	87-41307M		1	STOP SWITCH SERIAL (M-271271 ML-581823) AND BELOW
47	97756M		1	STOPPER SERIAL (M-271659 ML-583881) AND ABOVE
48	11-84295M		2	NUT
49	12-82217M		2	WASHER
50	83705M		1	FRICTION SHAFT
51	83706M		1	FRICTION PIECE
52	10-96293M		1	BOLT
53	11-82703M		1	WING NUT
54	41848M		1	STEERING LINK ROD
55	10-82405M		2	BOLT
56	12-82214M		1	WASHER
57	11-82703M		1	WING NUT
58	19173M		1	FRICTION PIECE (THROTTLE)

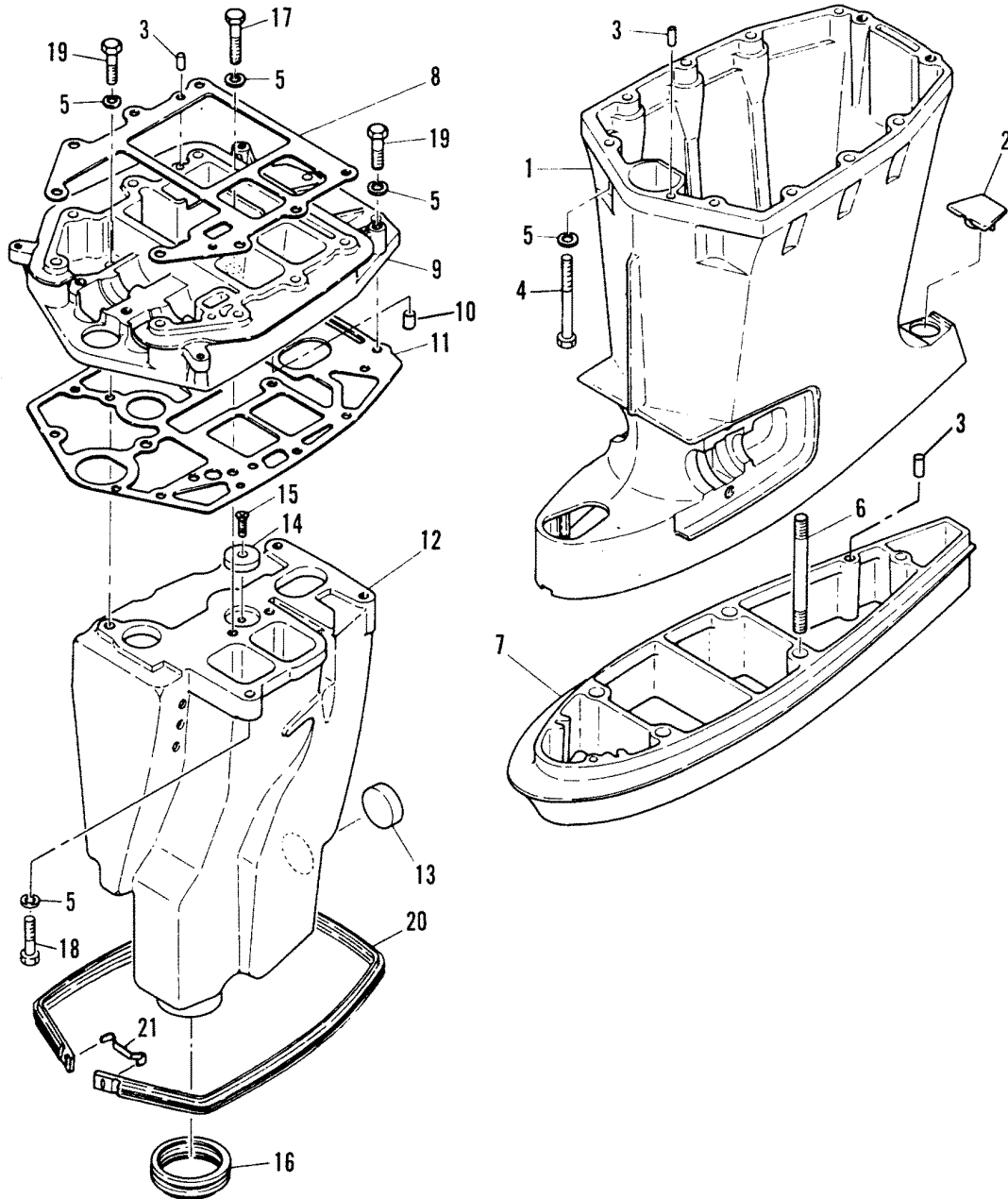
MOUNTING SYSTEM



MOUNTING SYSTEM

REF. NO.	PART NO.	SYM.	QTY.	DESCRIPTION
1	19144M		1	ARM & SHAFT (M)
	19145M		1	ARM & SHAFT (ML)
2	16-81742M		2	STUD
3	12-19146M		1	WASHER
4	23-81955M		2	BUSHING
5	26-98950M		1	OIL SEAL
6	12-81839M		1	WASHER
7	81432M		1	HOUSING
8	53-42446M		1	SNAP RING
9	81435M		2	HOUSING MOUNT (LOWER)
10	12-81860M		2	WASHER
11	12-83915M		2	WASHER
12	10-81717M		2	BOLT
13	83130M		2	BUMPER
14	12-84429M		4	WASHER
15	11-82397M		2	NUT
16	81433M		2	RETAINER
17	24-82087M		4	SPRING
18	10-43106M		4	BOLT
19	13-82215M		7	LOCKWASHER
20	81434M		2	COVER
21	10-82172M		2	SCREW
22	11-81779M		2	NUT
23	81676M		2	HOUSING MOUNT (UPPER)
24	81431M		2	BUMPER
25	10-81714M		2	BOLT
26	12-81825M		2	WASHER
27	12-83702M		2	WASHER
28	12-81803M		2	WASHER
29	11-81783M		2	NUT
30	81429M		1	RETAINER
31	10-82466M		3	BOLT
32	11-81785M		2	NUT

DRIVESHAFT HOUSING



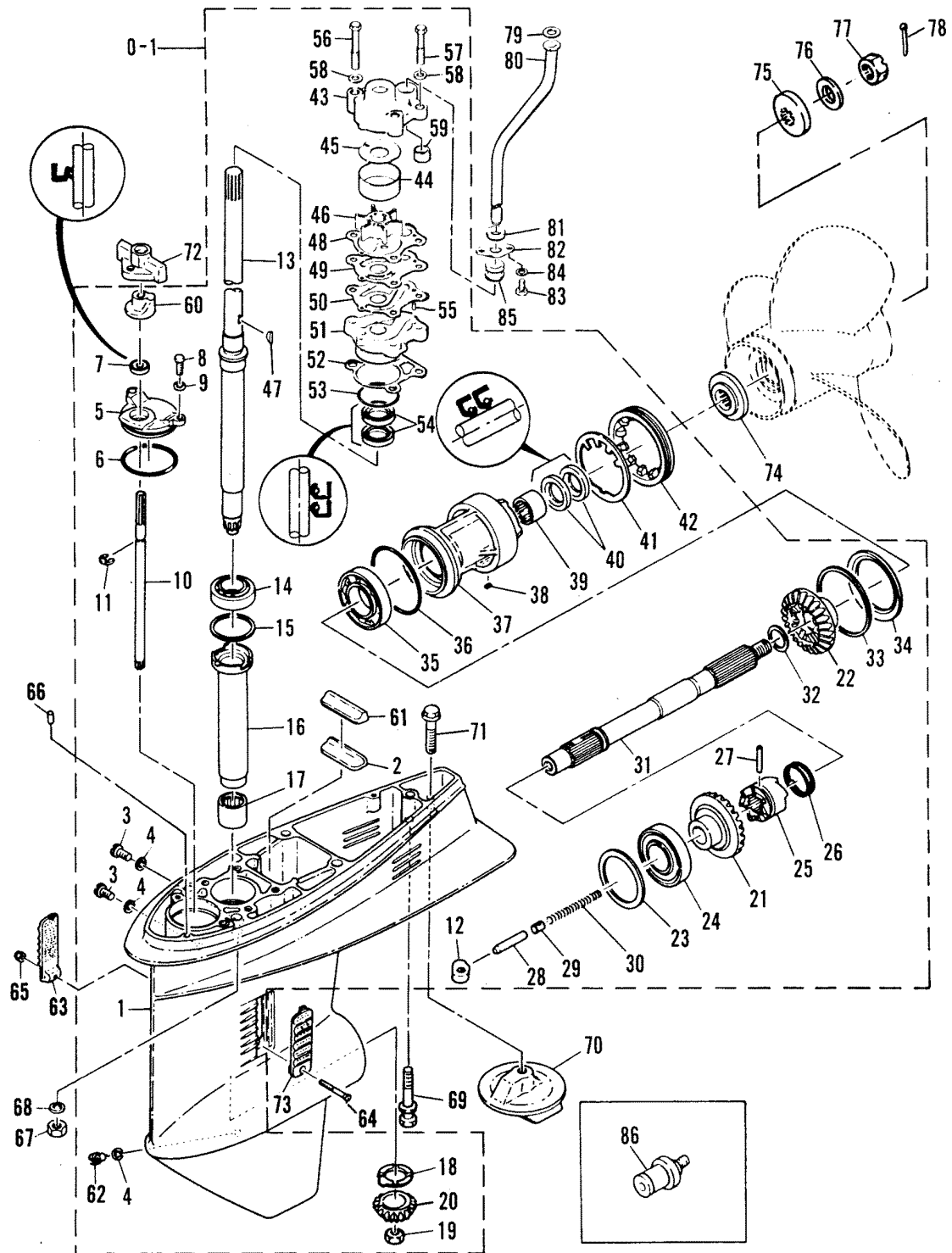
DRIVESHAFT HOUSING

REF. NO.	PART NO.	SYM.	QTY.	DESCRIPTION
1	1587-8615M		1	DRIVESHAFT HOUSING (M)
	1587-8616M		1	DRIVE HOUSING (ML)
2	81442M		1	CAP
3	17-82364M		6	DOWEL PIN
4	10-84427M		8	BOLT
5	13-82215M		16	LOCKWASHER
6	16-81744M		4	STUD
7	98951M		1	EXTENSION
8	27-16717M	■	1	GASKET (UPPER)
9	41849M		1	GUIDE
10	23-84426M		1	BUSHING
11	27-98952M	■	1	GASKET
12	1587-8911M		1	DRIVESHAFT HOUSING (INNER) (M)
	1587-8912M		1	DRIVESHAFT HOUSING (INNER) (ML)
13	19-81922M		1	PLUG
14	84422M		1	ANODE
15	10-92679M		1	SCREW
16	27-81440M	■	1	SEAL
17	10-97749M		1	BOLT
18	10-82466M		1	BOLT
19	10-95416M		6	BOLT
20	27-83033M		1	SEAL
21	83034M		1	HOOK
-	27-84168M		1	POWERHEAD GASKET SET .
-	27-92648M		1	LOWER UNIT GASKET SET .

■ = CONTENTS OF POWERHEAD GASKET SET [27-84168M].

■ = CONTENTS OF LOWER UNIT GASKET SET [27-92648M].

GEAR HOUSING ASSEMBLY



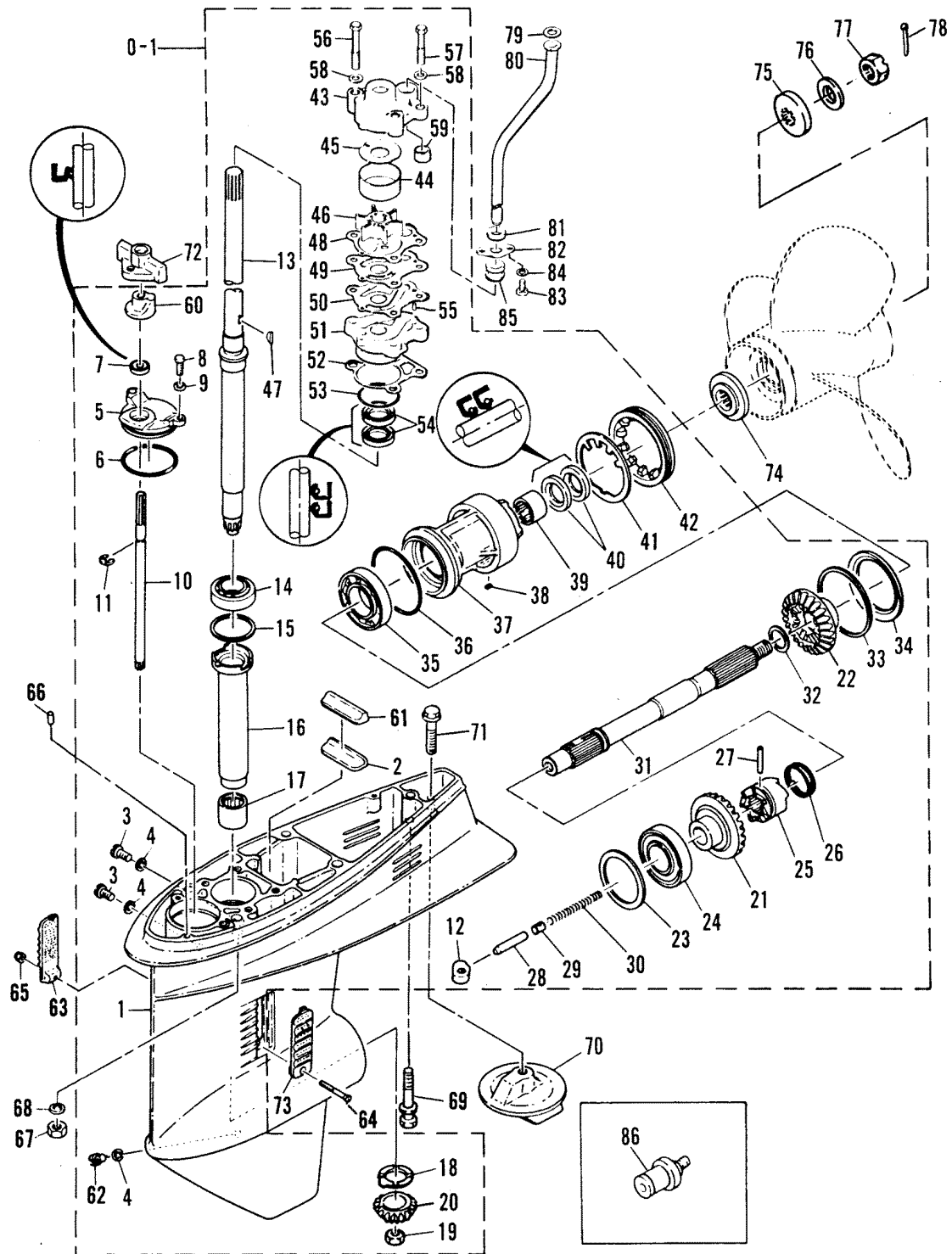
GEAR HOUSING ASSEMBLY

REF. NO.	PART NO.	SYM.	QTY.	DESCRIPTION
0-1	1651-7978M		1	GEAR HOUSING ASSEMBLY (M)
	1651-7979M		1	GEAR HOUSING ASSEMBLY (ML)
1	1651-7971M		1	GEAR HOUSING (BASIC)
2	81449M		1	GUIDE
3	22-81924M		2	PLUG
4	27-81987M	■	3	GASKET
5	81445M		1	COVER
6	25-82281M	■	1	"O" RING
7	26-82257M		1	OIL SEAL
8	10-91725M		2	BOLT
9	12-82214M		2	WASHER
10	81408M		1	SHIFT ROD (LOWER)
11	53-82334M		1	SNAP RING
12	81409M		1	SHIFT CAM
13	45-81678M		1	DRIVESHAFT (M)
	45-81679M		1	DRIVESHAFT (ML)
14	31-98933M		1	ROLLER BEARING
15	15-81467M		AR	SHIM (0.05MM)
	15-81468M		AR	SHIM (0.08MM)
	15-19148M		AR	SHIM (0.10MM)
	15-81469M		AR	SHIM (0.12MM)
	15-19149M		AR	SHIM (0.15MM)
	15-19150M		AR	SHIM (0.18MM)
	15-19151M		AR	SHIM (0.30MM)
	15-19152M		AR	SHIM (0.40MM)
15-19153M		AR	SHIM (0.50MM)	
16	23-81453M		1	SLEEVE
17	31-82316M		1	NEEDLE BEARING
18	12-81455M		1	THRUST WASHER
19	11-81772M		1	NUT
20	43-84442M		1	PINION GEAR
21	43-84443M		1	FORWARD GEAR
22	43-84444M		1	REVERSE GEAR
0-1	1651-7978M		1	GEAR HOUSING ASSEMBLY (M)
	1651-7979M		1	GEAR HOUSING ASSEMBLY (ML)
23	15-81456M		AR	SHIM (0.05MM)
	15-81457M		AR	SHIM (0.08MM)
	15-19154M		AR	SHIM (0.10MM)
	15-19155M		AR	SHIM (0.12MM)
	15-19156M		AR	SHIM (0.15MM)
	15-19157M		AR	SHIM (0.18MM)
15-19158M		AR	SHIM (0.30MM)	

■ = CONTENTS OF LOWER UNIT GASKET SET [27-92648M].

CONTINUED ON NEXT PAGE ➡

GEAR HOUSING ASSEMBLY



GEAR HOUSING ASSEMBLY

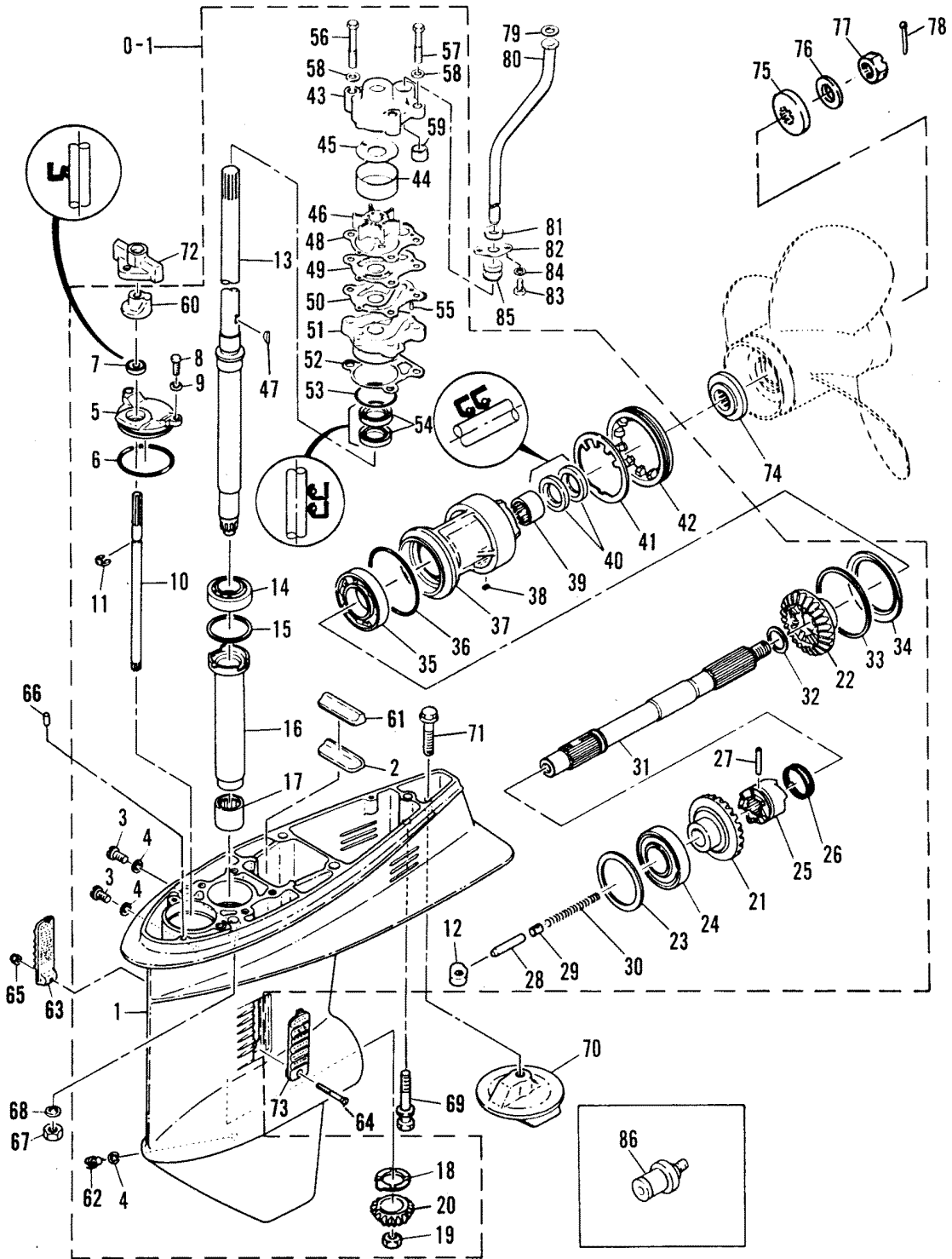
REF. NO.	PART NO.	SYM.	QTY.	DESCRIPTION
23	15-19159M		AR	SHIM (0.40MM)
	15-81460M		AR	SHIM (0.50MM)
24	31-82320M		1	BEARING
25	52-81473M		1	CLUTCH
26	81474M		1	RING
27	17-81903M		1	CROSS PIN
28	92643M		1	PLUNGER
29	81475M		1	SLIDE
30	24-82091M		1	SPRING
31	44-92644M		1	PROPELLER SHAFT
32	12-81837M		1	THRUST WASHER
33	15-81462M		AR	SHIM (0.05MM)
	15-81463M		AR	SHIM (0.08MM)
	15-19160M		AR	SHIM (0.10MM)
	15-81464M		AR	SHIM (0.12MM)
	15-19161M		AR	SHIM (0.15MM)
	15-19162M		AR	SHIM (0.18MM)
	15-19163M		AR	SHIM (0.30MM)
	15-19164M		AR	SHIM (0.40MM)
15-19165M		AR	SHIM (0.50MM)	
0-1	1651-7978M		1	GEAR HOUSING ASSEMBLY (M)
	1651-7979M		1	GEAR HOUSING ASSEMBLY (ML)
34	12-81461M		1	THRUST WASHER
35	30-82296M		1	BEARING
36	25-82289M	■	1	"O"RING
37	81446M		1	BEARING CARRIER
38	28-81916M		1	KEY
39	31-82317M		1	NEEDLE BEARING (PROP SHAFT)
40	26-82233M	■	2	OIL SEAL
41	14-81877M		1	CLAW WASHER
42	11-81450M		1	NUT
43	46-81416M		1	WATER PUMP BODY
44	81672M	+	1	INSERT
45	83131M	+	1	INNER PLATE
46	47-97108M	+	1	IMPELLER
47	28-97089M	+	1	KEY
48	27-81417M	+■	1	GASKET
49	81673M	+	1	OUTER PLATE
50	27-81421M	+■	1	GASKET
51	46-81422M		1	WATER PUMP BASE
52	27-81418M	■	1	GASKET
53	25-82275M	■	1	"O"RING

■ = CONTENTS OF LOWER UNIT GASKET SET [27-92648M].

⊕ = CONTENTS OF WATER PUMP REPAIR KIT [84187M].

CONTINUED ON NEXT PAGE ➡

GEAR HOUSING ASSEMBLY



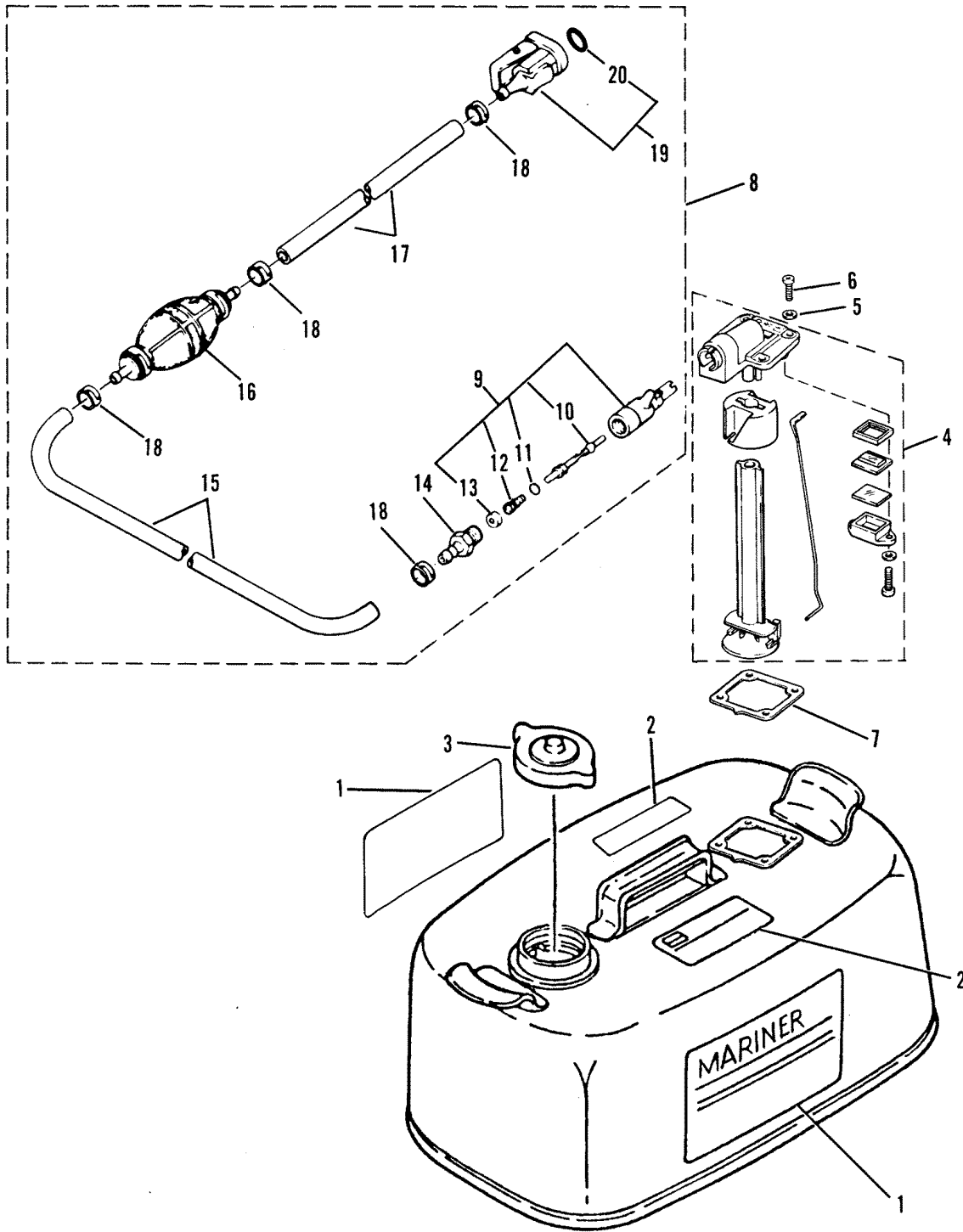
GEAR HOUSING ASSEMBLY

REF. NO.	PART NO.	SYM.	QTY.	DESCRIPTION
54	26-82234M	■	2	OIL SEAL
55	17-82354M		2	DOWEL PIN
56	10-84057M	+	2	BOLT
57	10-82468M	+	2	BOLT
58	12-82217M		4	WASHER
59	26-81426M	+	1	SEAL (UPPER)
60	81410M		1	CAM
61	81448M		1	SEAL (RUBBER)
62	22-95632M		1	DRAIN PLUG
63	19167M		1	COVER (STARBOARD)
64	10-82484M		1	SCREW
65	11-81781M		1	NUT
66	17-82364M		2	DOWEL PIN
67	11-82395M		4	NUT
68	13-82218M		4	LOCKWASHER
69	10-98953M		1	BOLT
70	83859M		1	TRIM TAB
0-1	1651-7978M		1	GEAR HOUSING ASSEMBLY (M)
	1651-7979M		1	GEAR HOUSING ASSEMBLY (ML)
71	10-82801M		1	BOLT
72	98937M		1	GUIDE, REVERSE ROD
73	19166M		1	COVER (PORT) SERIAL (M-271949 ML-586106) AND ABOVE
	97091M		1	COVER (PORT) SERIAL (M-271948 ML-586105) AND BELOW
74	73345A1		1	THRUST WASHER (MARINER REPLACEMENT PROP.)
	12-81477M		1	THRUST WASHER (ORIGINAL PROP.)
75	23-84445M		1	THRUST WASHER (ORIGINAL PROP.)
76	12-83700M		1	WASHER
77	11-81775M		1	PROPELLER NUT
78	18-95295		1	COTTER PIN
79	12-81852M		1	WASHER
80	32-81674M		1	WATER TUBE (M)
	32-81675M		1	WATER TUBE (ML)
81	25-81989M		1	GASKET
82	81428M		1	SET PLATE
83	10-91772M		2	BOLT
84	13-82212M		2	LOCKWASHER
85	26-81427M		1	SEAL (LOWER)
86	22-95633M		1	FLUSH PLUG (OPT.)
-	27-92648M		1	LOWER UNIT GASKET SET .
-	84187M		1	WATER PUMP REPAIR KIT .

■ = CONTENTS OF LOWER UNIT GASKET SET [27-92648M].

⊕ = CONTENTS OF WATER PUMP REPAIR KIT [84187M].

FUEL TANK AND FUEL LINE ASSEMBLY (ORIGINAL EQUIPMENT)



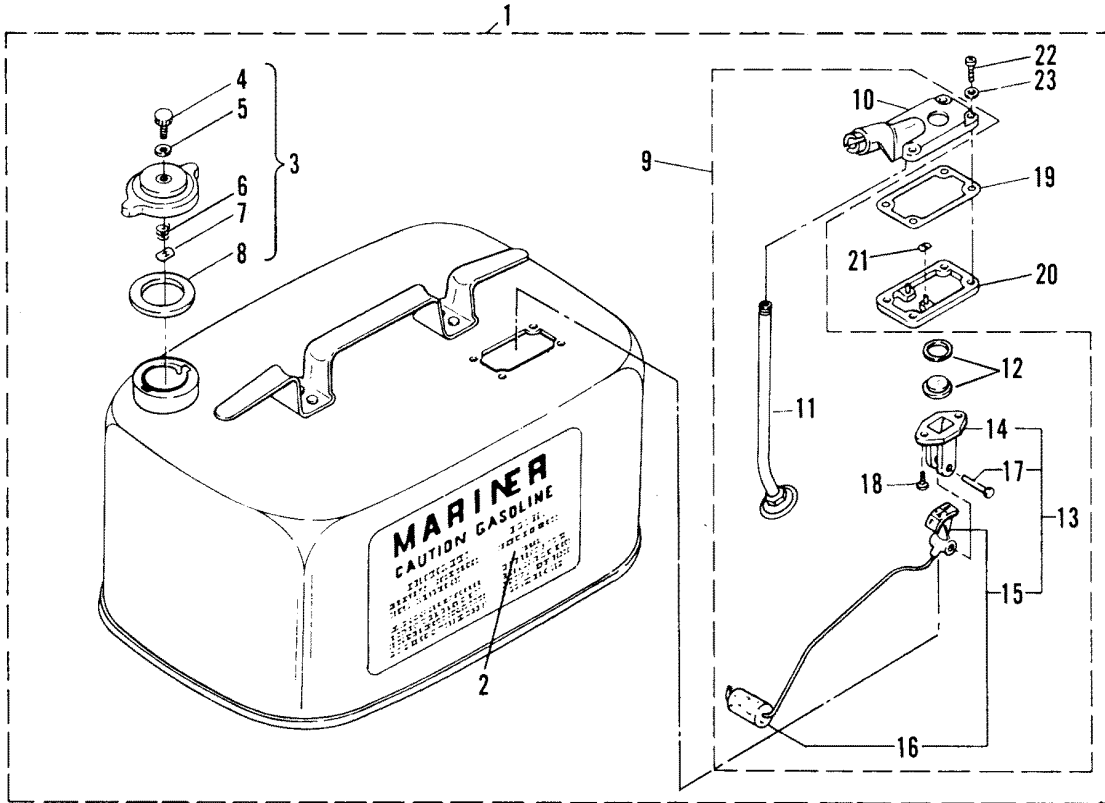
FUEL TANK AND FUEL LINE ASSEMBLY (ORIGINAL EQUIPMENT)

REF. NO.	PART NO.	SYM.	QTY.	DESCRIPTION
1	37-14617M		1	DECAL, SIDE (ENGLISH)
	37-95504M		1	DECAL, SIDE (FRENCH)
2	37-95489M		1	DECAL, TOP (ENGLISH)
	37-95503M		1	DECAL, TOP (FRENCH)
3	36-18962M		1	FUEL TANK CAP
4	95499M		1	FUEL METER ASSEMBLY
5	12-95501M		4	SEAL
6	10-95502M		4	SCREW
7	27-95500M		1	GASKET
8	32-17146A8		1	FUEL LINE ASSY. (5/16" - 8MM - I.D. HOSE)
	32-17146A8		1	FUEL LINE ASSY. (1/4" - 6MM - I.D. HOSE)
9	30185A3		1	BAYONET BODY ASSEMBLY
10	30187		1	STEM
11	25-20415		1	"O"RING
12	24-30189		1	SPRING
13	30188		1	CAP WASHER
14	22-89771--1		1	FITTING (5/16" - 8MM - I.D. HOSE)
	22-63187		1	FITTING (1/4" - 6MM - I.D. HOSE)
15	32-16571M		1	HOSE (5/16" - 8MM - I.D. HOSE)
	32-94727M		1	HOSE (1/4" - 6MM - I.D. HOSE)
16	17149M		1	PRIMER BULB (5/16" - 8MM - I.D. HOSE)
	16572M		1	PRIMER BULB (1/4" - 6MM - I.D. HOSE)
17	32-16571M		1	HOSE (5/16" - 8 MM - I.D. HOSE)
	32-94727M		1	HOSE (1/4" - 6MM - I.D. HOSE)
18	54-16574M		4	CLAMP (5/16" - 8MM - I.D. HOSE)
	54-80752M		4	CLAMP (1/4" - 6MM - I.D. HOSE)
19	22-13563A3		1	FUEL CONNECTOR (5/16" - 8MM - I.D. HOSE)
	22-14213M		1	FUEL CONNECTOR (1/4" - 6MM - I.D. HOSE)
20	25-82789M		1	"O" RING (1/4" - 6MM - I.D.HOSE)

24 LITRE (6.3 GALLONS)

TO ORDER REPLACEMENT OR ADDITIONAL FUEL TANK ASSEMBLY, ORDER FUEL TANK ASSEMBLY [1259-812410A1]. SEE "FUEL TANK (NOT ORIGINAL EQUIPMENT TANK)" OR "FUEL TANK AND FUEL LINE ASSEMBLY (NOT ORIGINAL EQUIPMENT TANK)" FOR PARTS BREAKDOWN.

FUEL TANK (NOT ORIGINAL EQUIPMENT TANK)

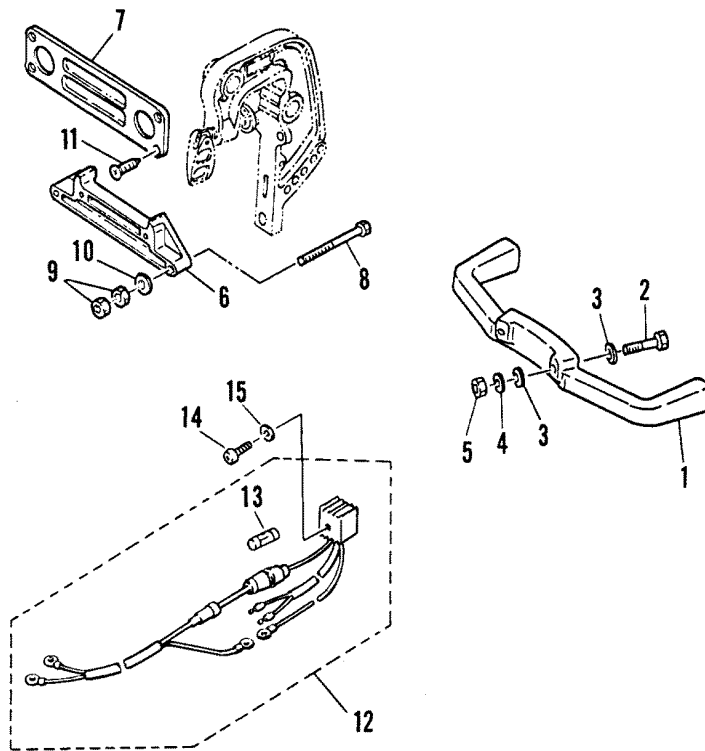


FUEL TANK (NOT ORIGINAL EQUIPMENT TANK)

REF. NO.	PART NO.	SYM.	QTY.	DESCRIPTION
1	1225-1529A26		1	FUEL TANK ASSY., COMPLETE (6 GALLON)
2	37-13921		1	DECAL
3	36-18962M		1	FILLER CAP ASSEMBLY
4	10-25575		1	SCREW
5	12-49221--1		1	WASHER
6	24-22227		1	SPRING
7	11-28587		1	SPEED NUT
8	27-41065		1	GASKET
9	64841A1		1	COVER ASSEMBLY, COMPLETE
10	64841A3		1	COVER ASSEMBLY
11	32-75239		1	TUBE
12	98542A1		1	LENS ASSEMBLY
13	28897A2		1	FUEL GUAGE ASSEMBLY, COMPLETE
14	20430		1	RETAINER
15	28897A1		1	INDICATOR & FLOAT ASSEMBLY
16	99274		1	FLOAT
17	17-20426		1	RIVET
18	10-62568		2	SCREW
19	27-28862		1	GASKET
20	28860		1	FRAME (FUEL TANK COVER)
21	11-28903		2	FASTENER
22	10-20411		4	SCREW
23	12-29070		4	WASHER

TO ORDER REPLACEMENT PARTS FOR THE ORIGINAL FUEL TANK OR FULE LINE ASSEMBLY, SEE "FUEL TANK AND FUEL LINE ASSEMBLY (ORIGINAL EQUIPMENT)".

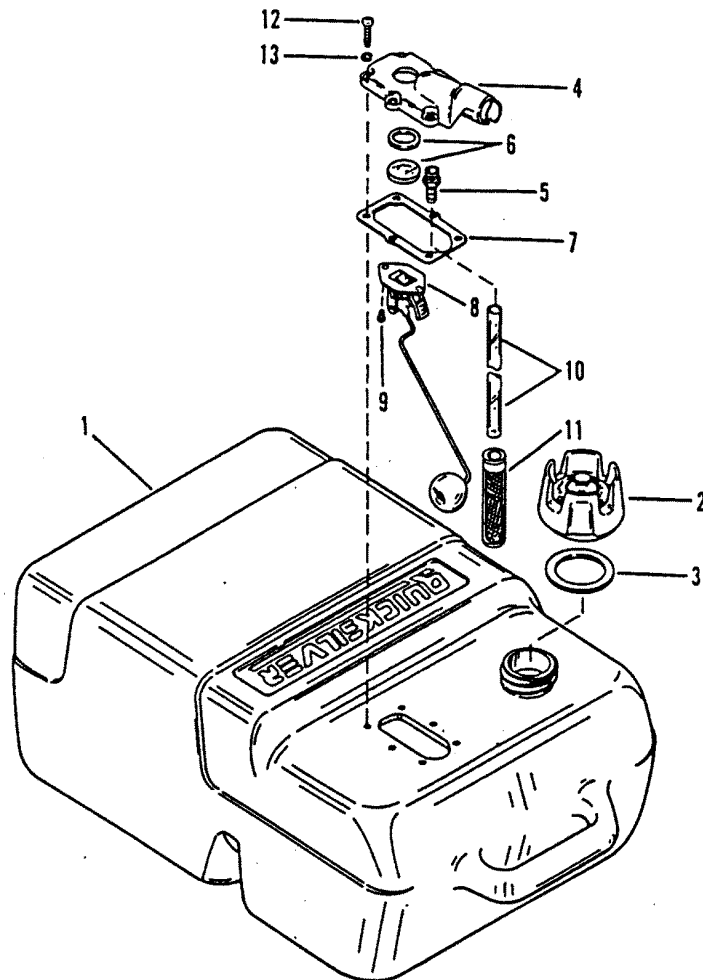
OPTIONAL PARTS



OPTIONAL PARTS

REF. NO.	PART NO.	SYM.	QTY.	DESCRIPTION
1	84478M		1	CARRYING HANDLE
2	10-82406M		2	BOLT
3	13-81799M		4	LOCKWASHER
4	13-82215M		2	LOCKWASHER
5	11-82382M		2	NUT
6	84479M		1	TRANSOM PLATE
7	84480M		1	PLATE
8	10-84481M		4	BOLT
9	11-82382M		8	NUT
10	12-82217M		4	WASHER
11	10-84482M		4	SCREW
12	84329M		1	RECTIFIER ASEMBLY
13	88-81522M		1	FUSE
14	10-82522M		1	SCREW
15	13-82208M		1	LOCKWASHER

FUEL TANK AND FUEL LINE ASSEMBLY (NOT ORIGINAL EQUIPMENT)



FUEL TANK AND FUEL LINE ASSEMBLY (NOT ORIGINAL EQUIPMENT)

REF. NO.	PART NO.	SYM.	QTY.	DESCRIPTION
1	1259-812410A1		1	FUEL TANK ASSEMBLY (PLASTIC - 6.6 GALLONS)
2	36-18031A1		1	FILLER CAP
3	27-18032		1	GASKET
4	17792A1		1	PICK-UP BODY ASSEMBLY
5	18030		1	ADAPTOR
6	98542A1		1	WINDOW ASSEMBLY
7	27-18026		1	GASKET
8	17971A2		1	FUEL GUAGE ASSEMBLY
9	10-62568		2	SCREW
10	32-18028		1	HOSE
11	35-18029		1	FILTER
12	10-18027		6	SCREW
13	12-29070		6	WASHER

TO ORDER REPLACEMENT PARTS FOR THE ORIGINAL FUEL TANK OR FULE LINE ASSEMBLY, SEE "FUEL TANK AND FUEL LINE ASSEMBLY (ORIGINAL EQUIPMENT)".

PARTS INDEX

Part Number	Description	Pg.	Ref. No.	Part Number	Description	Pg.	Ref. No.
11689M	HOLDER	7	33	41844M	WIRE (M)	39	24
11868M	HANDLE	39	7	41845M	WIRE (ML)	39	24
11935M	FUEL BOWL	31	7	41848M	STEERING LINK ROD	43	54
14187M	CONNECTOR, FUEL LINE ..	31	1	41849M	GUIDE	47	9
16572M	PRIMER BULB (1/4" - 6MM - I.D. HOSE)	55	16	41882M	COVER	9	23
16715M	CLEVIS	17	26	43096M	COVER	29	4
17149M	PRIMER BULB (5/16" - 8MM - I.D. HOSE)	55	16	43113M	FUEL PUMP ASSEMBLY ...	27	1
17150M	STARTER ASSY.	9	0-1	43113M	FUEL PUMP ASSEMBLY ...	29	1
17151M	DRIVE CUP	9	24	47341A1	EMERGENCY STARTER ROPE	7	22
17151M	DRIVE CUP	9	24	64841A1	COVER ASSEMBLY, COMPLETE	57	9
17792A1	PICK-UP BODY ASSEMBLY .	61	4	64841A3	COVER ASSEMBLY	57	10
17971A2	FUEL GUAGE ASSEMBLY ..	61	8	73345A1	THRUST WASHER (MARINER REPLACEMENT PROP.)	53	74
18030	ADAPTOR	61	5	80026M	RETAINER	25	12
19136M	PAWL	9	8	80063M	STARTER HANDLE	9	19
19141M	CARB REPAIR KIT	25	--	80454M	CAP	23	12
19141M	CARBURETOR REPAIR KIT .	23	--	80606M	DIAPHRAGM	27	2
19144M	ARM & SHAFT (M)	45	1	80606M	DIAPHRAGM	29	12
19145M	ARM & SHAFT (ML)	45	1	80607M	COVER	27	13
19166M	COVER (PORT)	53	73	80609M	RETAINER	27	8
19167M	COVER (STARBOARD)	53	63	80611M	PLATE	29	11
19169M	SHIFT ROD (M)	33	21	80611M	PLATE, SPRING GUIDE ...	27	3
19170M	SHIFT ROD (ML)	33	21	80620M	BRACKET, FUEL FILTER ...	31	9
19171M	COVER	41	15	80935M	CAP (NOISE SUPPRESSOR)	13	29
19173M	FRICITION PIECE (THROTTLE)	43	58	810938M	ROD, CHOKE LINK	23	21
20430	RETAINER	57	14	810939M	ROD, THROTTLE LEVER ...	23	22
28860	FRAME (FUEL TANK COVER)	57	20	81191M	CONNECTOR	23	20
28897A1	INDICATOR & FLOAT ASSEMBLY	57	15	81253M	COVER	19	27
28897A2	FUEL GUAGE ASSEMBLY, COMPLETE	57	13	81255M	ANODE	19	15
30185A3	BAYONET BODY ASSEMBLY	55	9	81265M	COVER	19	29
30187	STEM	55	10	81283M	MAIN JET (#180)	25	16
30188	CAP WASHER	55	13	81290M	FLOAT BOWL	25	20
41291M	STARTER ASSY.	9	0-1	81291M	FLOAT	25	17
41295M	CAM	9	10	81303M	CAM	35	4
41302M	BRACKET	13	19	81307M	ROLLER	9	15
41303M	FLYWHEEL ASSEMBLY	13	2	81310M	GUIDE	9	25
41304M	BASE ASSEMBLY	13	3	81311M	SEAL	5	20
41305M	C.D.I.ASSEMBLY	13	26	81313M	BRACKET	11	37
41306M	CONTROL ASSEMBLY	13	27	81314M	BRACKET	35	11
41308M	INDICATOR, OVERHEAT WARNING	7	28	81317M	LEVER	35	7
41309M	DECAL	7	10	81329M	THROTTLE CABLE	41	17
41315M	REVERSE LOCK	37	7	81330M	EXHAUST COVER (OUTER)	19	17
41827M	ENGINE HANGER	11	40	81333M	LINK ROD	17	37
41828M	HOUSING, OIL SEAL	21	17	81334M	CAM	17	29
41829M	COIL (CHARGE)	13	4	81338M	CHOKE ROD	23	19
41830M	COIL, TRIGGER	13	6	81341M	STOPPER	17	2
41831M	COIL, LIGHTING	13	8	81344M	C.D.I. CONTROL LEVER ...	17	18
41833M	CLAMP	13	30	81345M	C.D.I. CONTROL LEVER ...	17	1
41834M	CLAMP	13	31	81346M	C.D.I. CONTROL LEVER ...	17	15
41835M	COVER	13	32	81347M	SHAFT	17	16
41841M	VALVE SEAT ASSEMBLY ..	25	11	81349M	BRACKET (UPPER)	17	19
41842M	CARB REPAIR KIT	25	--	81350M	BRACKET	17	7
41842M	CARBURETOR REPAIR KIT .	23	--	81351M	THROTTLE SHAFT	41	10
41843M	ANODE	39	21	81354M	COVER	41	15
				81355M	HOUSING	41	13
				81357M	THROTTLE CAM	41	11
				81358M	MANUAL SHIFT ROD	41	37

PARTS INDEX

Part Number	Description	Pg.	Ref. No.	Part Number	Description	Pg.	Ref. No.
81371M	BUMPER	7	14	83152M	RETAINING RING	35	14
81388M	CAP	39	16	83153M	RETAINER	7	15
81393M	TILT STOP LEVER (PORT)	37	1	83553M	ARM	41	1
81394M	TILT STOP LEVER (STARBOARD)	37	2	83705M	FRICTION SHAFT	43	50
81395M	COVER	37	21	83706M	FRICTION PIECE	43	51
81400M	NUT, ADJUSTING	37	13	83859M	TRIM TAB	53	70
81403M	STOP	17	12	84044M	STOPPER PLATE	37	19
81408M	SHIFT ROD (LOWER)	49	10	84141M	DIAPHRAGM	29	5
81409M	SHIFT CAM	49	12	84187M	WATER PUMP REPAIR KIT	53	--
81410M	CAM	53	60	84209M	SHIFT ROD LIVER	33	7
81413M	SHIFT CONTROL LEVER	41	33	84305M	BALL JOINT	13	10
81414M	INDICATOR (F-N-R)	41	27	84329M	RECTIFIER ASEMBLY	59	12
81415M	CAP	17	24	84422M	ANODE	39	21
81428M	SET PLATE	53	82	84422M	ANODE	47	14
81429M	RETAINER	45	30	84441M	PILOT JET (#80)	25	6
81431M	BUMPER	45	24	84449M	STARTER HOUSING	9	1
81432M	HOUSING	45	7	84478M	CARRYING HANDLE	59	1
81433M	RETAINER	45	16	84479M	TRANSOM PLATE	59	6
81434M	COVER	45	20	84480M	PLATE	59	7
81435M	HOUSING MOUNT (LOWER)	45	9	92629M	AIR INTAKE BASE	23	1
81439M	CAP	39	3	92630M	AIR INTAKE COVER	23	4
81442M	CAP	47	2	92643M	PLUNGER	51	28
81445M	COVER	49	5	92651M	COVER	39	37
81446M	BEARING CARRIER	51	37	92659M	DETENT BALL	33	14
81448M	SEAL (RUBBER)	53	61	92677M	INTAKE MANIFOLD	23	10
814491M	STARTER HANDLE	9	19	92680M	STEERING HANDLE ASSEMBLY	41	0-1
814492M	COVER	9	23	92680M	STEERING HANDLE ASSEMBLY	41	0-1
81449M	GUIDE	49	2	92681M	STEERING BRACKET	41	18
81474M	RING	51	26	92682M	BRACKET	41	26
81475M	SLIDE	51	29	92683M	GEAR SHIFT HANDLE	41	30
81480M	CLEVIS	17	6	92684M	BALL	41	31
81480M	CLEVIS	33	8	92689M	LOCKOUT CABLE	35	1
81483M	BRACKET	17	32	95188M	IGNITION COIL ASSEMBLY	13	28
81484M	CLAMP	17	33	95497M	GRIP	41	3
81523M	GROMMET	13	20	95499M	FUEL METER ASSEMBLY	55	4
81523M	MOUNT	9	28	95625M	POWERHEAD ASSEMBLY - COMPLETE	19	--
81585M	THROTTLE HANDLE	41	2	95627M	PILOT AIR JET (#98)	25	1
81672M	INSERT	51	44	95628M	MAIN JET (#180)	25	2
81673M	OUTER PLATE	51	49	95664M	APRON (REAR)	7	16
81676M	HOUSING MOUNT (UPPER)	45	23	95665M	APRON (FRONT)	7	17
82678M	RETAINER	13	14	97074M	TIMING PLATE	13	11
82788M	CAP	13	29	97087M	CAP	17	25
82988M	ROD, CHOKE LINK	23	21	97091M	COVER (PORT)	53	73
83024M	COVER	5	4	97094M	MAIN JET (#180)	25	2
83025M	SEAL	5	5	97756M	STOPPER	43	47
83026M	LEVER	5	14	97835M	PLATE	13	36
83027M	LEVER	5	17	97844M	ROD, THROTTLE LEVER	23	22
83034M	HOOK	47	21	97846M	MAIN NOZZLE	25	15
83039M	RUBBER SEAL	5	6	97848M	FLOAT	25	17
83040M	HOLDER	5	10	98542A1	LENS ASSEMBLY	57	12
83041M	HOLDER	5	11	98542A1	WINDOW ASSEMBLY	61	6
83042M	DAMPER	5	19	98919M	SHIFT BARCKET	33	1
83043M	SEAL	5	21	98920M	SHIFT ROD BRACKET	33	17
83045M	BRACKET	7	3	98924M	BOOT	33	22
83047M	COVER	7	23	98937M	GUIDE, REVERSE ROD	53	72
83065M	ROD, REVERSE LOCK (ML)	37	11	98943M	CONTROL ROD	17	27
83130M	BUMPER	45	13	98947M	INDICATOR	41	4
83131M	INNER PLATE	51	45				
83132M	ROD, REVERSE LOCK (M)	37	11				

PARTS INDEX

Part Number	Description	Pg.	Ref. No.	Part Number	Description	Pg.	Ref. No.
98951M	EXTENSION	47	7	10-83285M	BOLT	9	29
99274	FLOAT	57	16	10-83285M	BOLT	13	33
10-11832M	SCREW	39	26	10-83285M	BOLT	19	31
10-14232M	SCREW	41	16	10-83539M	BOLT	13	15
10-18027	SCREW	61	12	10-83539M	BOLT	19	19
10-19172M	SCREW	43	44	10-83539M	BOLT	31	2
10-20411	SCREW	57	22	10-84057M	BOLT	53	56
10-25575	SCREW	57	4	10-84058M	BOLT	7	18
10-41312M	BOLT	39	13	10-84211M	BOLT	7	13
10-41826M	BOLT	11	39	10-84211M	BOLT	31	10
10-41837M	BOLT	19	5	10-84236M	BOLT	9	35
10-41838M	BOLT	19	7	10-84247M	BOLT	5	8
10-41839M	BOLT	19	26	10-84247M	BOLT	7	24
10-41889M	SCREW	29	7	10-84247M	BOLT	9	12
10-43106M	BOLT	45	18	10-84247M	BOLT	13	12
10-62568	SCREW	57	18	10-84247M	BOLT	41	28
10-62568	SCREW	61	9	10-84300M	SCREW	41	6
10-81277M	SCREW (LOWER)	25	7	10-84303M	BOLT	5	7
10-81279M	PLUG SCREW	25	5	10-84303M	BOLT	13	25
10-81281M	IDLE SPEED SCREW	25	9	10-84303M	BOLT	15	41
10-81292M	PLUG SCREW	25	3	10-84303M	BOLT	35	2
10-81293M	DRAIN SCREW	25	22	10-84315M	BOLT	13	37
10-81381M	SCREW	39	6	10-84315M	BOLT	35	2
10-81710M	BOLT	41	19	10-84427M	BOLT	47	4
10-81713M	BOLT	17	31	10-84481M	BOLT	59	8
10-81714M	BOLT	45	25	10-84482M	SCREW	59	11
10-81715M	BOLT	21	15	10-84657M	BOLT	23	6
10-81717M	BOLT	45	12	10-84970M	BOLT	39	17
10-81718M	BOLT	39	36	10-91691M	SCREW	13	7
10-81751M	PIVOT	35	8	10-91725M	BOLT	21	21
10-81758M	SCREW	25	21	10-91725M	BOLT	49	8
10-82172M	SCREW	45	21	10-91772M	BOLT	53	83
10-82405M	BOLT	7	19	10-92679M	SCREW	39	22
10-82405M	BOLT	13	22	10-92679M	SCREW	47	15
10-82405M	BOLT	23	3	10-95416M	BOLT	47	19
10-82405M	BOLT	43	55	10-95467M	SCREW	39	38
10-82406M	BOLT	59	2	10-95502M	SCREW	55	6
10-82423M	BOLT	17	9	10-95620M	BOLT/WASHER	7	11
10-82428M	BOLT	27	17	10-95629M	BOLT (W/WASHER)	13	22
10-82428M	BOLT	29	15	10-96293M	BOLT	43	52
10-82436M	BOLT	35	12	10-96346M	SCREW	13	5
10-82437M	BOLT	17	35	10-97082M	SCREW (UPPER)	25	24
10-8243M	BOLT	33	6	10-97749M	BOLT	47	17
10-82441M	BOLT	11	38	10-97803M	SCREW	13	9
10-82441M	BOLT	33	13	10-98953M	BOLT	53	69
10-82442M	BOLT	9	34	11-28587	SPEED NUT	57	7
10-82466M	BOLT	45	31	11-28903	FASTENER	57	21
10-82466M	BOLT	47	18	11-41300M	NUT	5	2
10-82468M	BOLT	53	57	11-81450M	NUT	51	42
10-82484M	SCREW	53	64	11-81764M	NUT	17	23
10-82511M	SCREW	27	9	11-81772M	NUT	49	19
10-82512M	SCREW	25	13	11-81773M	NUT	13	17
10-82522M	SCREW	27	14	11-81775M	PROPELLER NUT	53	77
10-82522M	SCREW	29	2	11-81779M	NUT	45	22
10-82522M	SCREW	59	14	11-81781M	NUT	53	65
10-82532M	SCREW	19	16	11-81783M	NUT	45	29
10-82801M	BOLT	53	71	11-81785M	NUT	41	36
10-83050M	SCREW	17	21	11-81785M	NUT	45	32
10-83141M	BOLT	9	18	11-81786M	NUT	41	25
10-83285M	BOLT	7	11	11-81787M	NUT	39	15

PARTS INDEX

Part Number	Description	Pg.	Ref. No.	Part Number	Description	Pg.	Ref. No.
11-82378M	NUT	17	28	12-82214M	WASHER	33	4
11-82382M	NUT	31	12	12-82214M	WASHER	35	10
11-82382M	NUT	37	12	12-82214M	WASHER	41	38
11-82382M	NUT	59	5	12-82214M	WASHER	43	56
11-82382M	NUT	59	9	12-82214M	WASHER	49	9
11-82387M	NUT	19	9	12-82216M	WASHER	33	19
11-82388M	NUT	17	22	12-82217M	WASHER	33	11
11-82389M	NUT	23	17	12-82217M	WASHER	43	49
11-82395M	NUT	39	12	12-82217M	WASHER	53	58
11-82395M	NUT	39	20	12-82217M	WASHER	59	10
11-82395M	NUT	53	67	12-82220M	WASHER	39	11
11-82397M	NUT	45	15	12-82220M	WASHER	41	7
11-82537M	NUT	29	9	12-83149M	WASHER	9	17
11-82703M	WING NUT	43	53	12-83151M	WASHER	9	21
11-82703M	WING NUT	43	57	12-83372M	WASHER (UPPER)	25	25
11-82920M	NUT	43	45	12-83524M	WASHER	41	20
11-84295M	NUT	43	48	12-83700M	WASHER	53	76
11-84515M	NUT	27	10	12-83702M	WASHER	45	27
12-19146M	WASHER	45	3	12-83769M	WASHER	13	24
12-29070	WASHER	57	23	12-83915M	WASHER	45	11
12-29070	WASHER	61	13	12-84429M	WASHER	45	14
12-49221--1	WASHER	57	5	12-84436M	WASHER	13	18
12-80638M	PAD	39	5	12-92636M	WASHER	25	4
12-81299M	WASHER	9	11	12-95501M	SEAL	55	5
12-81301M	WASHER	9	5	12-97098M	WASHER	5	12
12-81343M	WASHER	13	16	12-98948M	WASHER	43	42
12-81455M	THRUST WASHER	49	18	13-81799M	LOCKWASHER	9	31
12-814576M	WASHER	39	18	13-81799M	LOCKWASHER	59	3
12-81461M	THRUST WASHER	51	34	13-81866M	WAVE WASHER	33	5
12-81477M	THRUST WASHER (ORIGINAL PROP.)	53	74	13-81868M	WAVE WASHER	17	30
12-81794M	WASHER	5	18	13-81870M	WAVE WASHER	41	24
12-81796M	WASHER	7	30	13-81871M	WAVE WASHER	5	16
12-81803M	WASHER	45	28	13-82208M	LOCKWASHER	27	15
12-81804M	WASHER	41	35	13-82208M	LOCKWASHER	29	3
12-81807M	WASHER	19	8	13-82208M	LOCKWASHER	59	15
12-81812M	WASHER	39	19	13-82212M	LOCKWASHER	7	12
12-81812M	WASHER	39	35	13-82212M	LOCKWASHER	7	27
12-81815M	WASHER	41	23	13-82212M	LOCKWASHER	7	31
12-81825M	WASHER	45	26	13-82212M	LOCKWASHER	7	32
12-81830M	WASHER	39	30	13-82212M	LOCKWASHER	9	13
12-81831M	RETAINER	21	13	13-82212M	LOCKWASHER	9	30
12-81836M	WASHER	39	14	13-82212M	LOCKWASHER	13	23
12-81837M	THRUST WASHER	51	32	13-82212M	LOCKWASHER	23	18
12-81839M	WASHER	45	6	13-82212M	LOCKWASHER	23	7
12-81852M	WASHER	53	79	13-82212M	LOCKWASHER	31	11
12-81853M	WASHER	41	22	13-82212M	LOCKWASHER	31	3
12-81859M	WASHER	39	33	13-82212M	LOCKWASHER	31	3
12-81860M	WASHER	45	10	13-82212M	LOCKWASHER	41	29
12-82213M	WASHER	9	26	13-82212M	LOCKWASHER	53	84
12-82213M	WASHER	27	18	13-82215M	LOCKWASHER	9	36
12-82213M	WASHER	29	16	13-82215M	LOCKWASHER	17	36
12-82213M	WASHER	35	3	13-82215M	LOCKWASHER	33	12
12-82214M	WASHER	5	9	13-82215M	LOCKWASHER	45	19
12-82214M	WASHER	7	25	13-82215M	LOCKWASHER	47	5
12-82214M	WASHER	13	13	13-82215M	LOCKWASHER	59	4
12-82214M	WASHER	17	10	13-82218M	LOCKWASHER	53	68
12-82214M	WASHER	19	20	13-92652M	WAVE WASHER	37	3
12-82214M	WASHER	21	22	14-81877M	CLAW WASHER	51	41
12-82214M	WASHER	23	8	15-19148M	SHIM (0.10MM)	49	15
				15-19149M	SHIM (0.15MM)	49	15
				15-19150M	SHIM (0.18MM)	49	15

PARTS INDEX

Part Number	Description	Pg.	Ref. No.	Part Number	Description	Pg.	Ref. No.
15-19151M	SHIM (0.30MM)	49	15	18-82126M	COTTER PIN	33	18
15-19152M	SHIM (0.40MM)	49	15	18-82126M	COTTER PIN	35	6
15-19153M	SHIM (0.50MM)	49	15	18-82128M	COTTER PIN	37	15
15-19154M	SHIM (0.10MM)	49	23	18-82129M	COTTER PIN	41	39
15-19155M	SHIM (0.12MM)	49	23	18-82130M	COTTER PIN	37	9
15-19156M	SHIM (0.15MM)	49	23	18-82132M	COTTER PIN	37	5
15-19157M	SHIM (0.18MM)	49	23	18-95295	COTTER PIN	53	78
15-19158M	SHIM (0.30MM)	49	23	19-41293M	PLUG	9	14
15-19159M	SHIM (0.40MM)	51	23	19-81922M	PLUG	47	13
15-19160M	SHIM (0.10MM)	51	33	21-41888M	CHECK VALVE	29	8
15-19161M	SHIM (0.15MM)	51	33	21-80608M	CHECK VALVE	27	6
15-19162M	SHIM (0.18MM)	51	33	21-80727M	CHECK VALVE	19	1
15-19163M	SHIM (0.30MM)	51	33	22-13563A3	FUEL CONNECTOR (5/16" - 8MM - I.D. HOSE)	55	19
15-19164M	SHIM (0.40MM)	51	33	22-14213M	FUEL CONNECTOR (1/4" - 6MM - I.D. HOSE)	55	19
15-19165M	SHIM (0.50MM)	51	33	22-63187	FITTING (1/4" - 6MM - I.D. HOSE)	55	14
15-81259M	SHIM	21	7	22-80122M	FITTING	19	2
15-81456M	SHIM (0.05MM)	49	23	22-80122M	PIPE	23	11
15-81457M	SHIM (0.08MM)	49	23	22-80756M	FITTING	19	21
15-81460M	SHIM (0.50MM)	51	23	22-81326M	FITTING	7	6
15-81462M	SHIM (0.05MM)	51	33	22-81924M	PLUG	49	3
15-81463M	SHIM (0.08MM)	51	33	22-81926M	PLUG	19	32
15-81464M	SHIM (0.12MM)	51	33	22-82369M	GREASE FITTING	39	2
15-81467M	SHIM (0.05MM)	49	15	22-82369M	GREASE FITTING	43	43
15-81468M	SHIM (0.08MM)	49	15	22-89771--1	FITTING (5/16" - 8MM - I.D. HOSE)	55	14
15-81469M	SHIM (0.12MM)	49	15	22-95632M	DRAIN PLUG	53	62
16-81383M	STUD	39	9	22-95633M	FLUSH PLUG (OPT.)	53	86
16-81735M	STUD	19	10	22-97083M	TEE FITTING	31	17
16-81742M	STUD	45	2	23-11710M	GROMMET	9	32
16-81743M	STUD	19	14	23-41311M	BUSHING	17	11
16-81744M	STUD	47	6	23-41313M	BUSHING	39	23
17-20426	RIVET	57	17	23-41823M	BUSHING	5	15
17-41314M	ROD REVERSE LOCK	37	8	23-80635M	RETAINER	33	16
17-81258M	LOCK, BEARING	19	4	23-81308M	BUSHING	9	16
17-81278M	FLOAT PIN	25	18	23-81309M	COLLAR	9	4
17-81384M	PIN	39	32	23-81453M	SLEEVE	49	16
17-81386M	PIN	39	28	23-81938M	BUSHING	39	34
17-814972M	TILT LOCK PIN	37	18	23-81939M	BUSHING	39	31
17-81889M	PIN	39	8	23-81943M	BUSHING	41	40
17-81903M	CROSS PIN	51	27	23-81945M	BUSHING	41	9
17-81907M	RIVET	41	5	23-81946M	BUSHING	17	8
17-81909M	RIVET	37	16	23-81946M	BUSHING	41	34
17-82136M	CLEVIS PIN	35	13	23-81947M	BUSHING	37	4
17-82137M	CLEVIS PIN	33	3	23-81950M	BUSHING	41	21
17-82138M	CLEVIS PIN	37	14	23-81955M	BUSHING	45	4
17-82146M	ROLL PIN	17	34	23-81980M	COLLAR	37	6
17-82146M	ROLL PIN	37	20	23-81981M	SPACER	39	10
17-82149M	ROLL PIN	17	5	23-82120M	SPACER	39	29
17-82152M	ROLL PIN	41	12	23-82851M	BUSHING	9	27
17-82154M	ROLL PIN	17	20	23-82851M	BUSHING	13	21
17-82159M	ROLL PIN	37	17	23-83150M	BUSHING	9	22
17-82354M	DOWEL PIN	19	3	23-83610M	COLLAR	7	9
17-82354M	DOWEL PIN	53	55	23-84426M	BUSHING	47	10
17-82364M	DOWEL PIN	47	3	23-84445M	THRUST WASHER (ORIGINAL PROP.)	53	75
17-82364M	DOWEL PIN	53	66	23-84489M	COLLAR	9	33
17-82367M	DOWEL PIN	17	4	23-97107M	COLLAR	43	41
17-82368M	DOWEL PIN	19	13				
17-82976M	PIN	17	3				
17-82982M	RIVET	5	13				
17-92639M	VALVE PIN	25	14				
18-82053M	COTTER PIN	33	2				

PARTS INDEX

Part Number	Description	Pg.	Ref. No.	Part Number	Description	Pg.	Ref. No.
23-98923M	BUSHING	33	20	27-80613M	GASKET	29	13
24-18970M	SPRING	35	5	27-80614M	GASKET	27	12
24-22227	SPRING	57	6	27-80614M	GASKET	29	6
24-30189	SPRING	55	12	27-80757M	GASKET	27	16
24-41294M	SPRING	9	7	27-80757M	GASKET	29	14
24-80610M	SPRING	27	4	27-81254M	GASKET	19	28
24-80610M	SPRING	29	10	27-81266M	GASKET	19	30
24-80615M	SPRING	27	11	27-81269M	GASKET (UPPER)	23	13
24-81295M	SPRING	9	2	27-81270M	GASKET (LOWER)	23	14
24-81297M	SPRING	9	9	27-81272M	GASKET	23	9
24-814973M	SPRING	37	22	27-81276M	GASKET	23	2
24-82073M	SPRING	25	10	27-81331M	GASKET	19	18
24-82074M	SPRING	17	13	27-81353M	GASKET	41	14
24-82080M	SPRING (LOWER)	25	8	27-81417M	GASKET	51	48
24-82081M	DETENT SPRING	33	15	27-81418M	GASKET	51	52
24-82087M	SPRING	45	17	27-81421M	GASKET	51	50
24-82091M	SPRING	51	30	27-81440M	SEAL	47	16
24-82095M	SPRING	41	8	27-81987M	GASKET	49	4
24-82102M	SPRING	35	5	27-81990M	GASKET	19	33
24-82103M	SPRING	37	10	27-82790M	GASKET	31	5
24-82106M	SPRING	35	9	27-83033M	SEAL	47	20
24-82113M	SPRING	17	17	27-83044M	SEAL, BOTTOM COWL TO APRON	7	2
24-92685M	SPRING	41	32	27-84168M	POWERHEAD GASKET SET	19	--
25-20415	"O"RING	55	11	27-84168M	POWERHEAD GASKET SET	21	--
25-81369M	GROMMET	7	5	27-84168M	POWERHEAD GASKET SET	23	--
25-81989M	GASKET	53	81	27-84168M	POWERHEAD GASKET SET	25	--
25-82061M	GROMMET	7	7	27-84168M	POWERHEAD GASKET SET	27	--
25-82261M	O-RING	25	27	27-84168M	POWERHEAD GASKET SET	29	--
25-82275M	"O"RING	51	53	27-84168M	POWERHEAD GASKET SET	31	--
25-82276M	"O" RING (UPPER)	21	4	27-84168M	POWERHEAD GASKET SET	47	--
25-82281M	"O" RING	49	6	27-92631M	GASKET	23	5
25-82286M	"O" RING	21	20	27-92648M	LOWER UNIT GASKET SET	47	--
25-82288M	O-RING	25	19	27-92648M	LOWER UNIT GASKET SET	53	--
25-82289M	"O"RING	51	36	27-95500M	GASKET	55	7
25-82789M	"O" RING (1/4" - 6MM - I.D.HOSE)	55	20	27-98952M	GASKET	47	11
25-83142M	GROMMET	7	4	28-81915M	KEY	21	23
25-84957M	O-RING	31	8	28-81916M	KEY	51	38
25-93101M	GROMMET	7	8	28-97089M	KEY	51	47
25-93114M	GROMMET	13	20	29-82353M	BEARING, CONNECTING ROD (PISTON END)	21	12
25-93114M	MOUNT	9	28	30-41296M	BEARING (LOWER)	21	6
25-94498M	O-RING	25	23	30-82296M	BEARING	51	35
25-95635M	GROMMET	11	41	31-41298M	BEARING, CONNECTING ROD (CRANKSHAFT END)	21	16
26-81426M	SEAL (UPPER)	53	59	31-82316M	NEEDLE BEARING	49	17
26-81427M	SEAL (LOWER)	53	85	31-82317M	NEEDLE BEARING (PROP SHAFT)	51	39
26-82233M	OIL SEAL	51	40	31-8231M	NEEDLE BEARING	21	2
26-82234M	OIL SEAL	53	54	31-82320M	BEARING	51	24
26-82248M	OIL SEAL (LOWER)	21	19	31-97837M	CENTER MAIN BEARING	21	5
26-82249M	OIL SEAL (UPPER)	21	3	31-98933M	ROLLER BEARING	49	14
26-82255M	OIL SEAL (LOWER)	21	18	32-16571M	HOSE (5/16" - 8 MM - I.D. HOSE)	55	17
26-82257M	OIL SEAL	49	7	32-16571M	HOSE (5/16" - 8MM - I.D. HOSE)	55	15
26-98950M	OIL SEAL	45	5	32-17146A8	FUEL LINE ASSY. (1/4" - 6MM - I.D. HOSE)	55	8
27-16717M	GASKET (UPPER)	47	8	32-17146A8	FUEL LINE ASSY. (5/16" - 8MM - I.D. HOSE)	55	8
27-18026	GASKET	61	7				
27-18032	GASKET	61	3				
27-19140M	GASKET	19	25				
27-28862	GASKET	57	19				
27-41065	GASKET	57	8				
27-80612M	GASKET	27	7				
27-80613M	GASKET	27	5				

PARTS INDEX

Part Number	Description	Pg.	Ref. No.	Part Number	Description	Pg.	Ref. No.
32-18028	HOSE	61	10	48-73140A40	PROPELLER (PITCH 15") (ALUMINUM)	3	--
32-75239	TUBE	57	11	48-73142A40	PROPELLER (PITCH 16") (ALUMINUM)	3	--
32-81324M	HOSE	19	22	48-73144A40	PROPELLER (PITCH 17") (ALUMINUM)	3	--
32-81674M	WATER TUBE (M)	53	80	48-73146A40	PROPELLER (PITCH 19") (ALUMINUM)	3	--
32-81675M	WATER TUBE (ML)	53	80	48-76228A5	PROPELLER (PITCH 13") (STEEL)	3	--
32-81995M	HOSE	19	11	48-76230A5	PROPELLER (PITCH 14") (STEEL)	3	--
32-82010M	FUEL LINE, FILTER TO PUMP	31	15	48-76232A5	PROPELLER (PITCH 15") (STEEL)	3	--
32-82012M	FUEL LINE, CONNECTOR TO PUMP	31	13	48-79792A5	PROPELLER (PITCH 12") (STEEL)	3	--
32-82012M	FUEL LINE, TEE TO CARBURETOR	31	18	48-85632A40	PROPELLER (PITCH 11") (ALUMINUM)	3	--
32-94727M	FUEL LINE, PUMP TO TEE	31	16	48-87818A10	PROPELLER (PITCH 9") (ALUMINUM)	3	--
32-94727M	HOSE (1/4" - 6MM - I.D. HOSE)	55	15	48-91818A5	PROPELLER (PITCH 16") (S. STEEL)	3	--
32-94727M	HOSE (1/4" - 6MM - I.D. HOSE)	55	17	48-97868A5	PROPELLER (PITCH 9") (STEEL)	3	--
33-53098	SPARK PLUG	19	34	50-12066A9	STARTER ROPE	9	20
34-92633M	REED VALVE ASSEMBLY	23	15	50-81296M	STARTER PULLEY	9	3
34-92676M	REED SET (REED STOPS NOT INCLUDED)	23	16	52-81473M	CLUTCH	51	25
35-11931M	FILTER ASSEMBLY	31	4	53-41297M	SNAP RING	21	11
35-11934M	ELEMENT	31	6	53-42446M	SNAP RING	45	8
35-18029	FILTER	61	11	53-81305M	SNAP RING	9	6
36-18031A1	FILLER CAP	61	2	53-82330M	SNAP RING	17	14
36-18962M	FILLER CAP ASSEMBLY	57	3	53-82330M	SNAP RING	33	9
36-18962M	FUEL TANK CAP	55	3	53-82334M	SNAP RING	49	11
37-11964M	DECAL (SIDE SET)	5	3	54-16574M	CLAMP (5/16" - 8MM - I.D. HOSE)	55	18
37-13921	DECAL	57	2	54-80752M	CLAMP (1/4' - 6MM - I.D. HOSE)	55	18
37-14282M	DECAL	7	26	54-82033M	CLAMP	19	6
37-14283M	DECAL	7	29	54-82037M	CLAMP	31	14
37-14617M	DECAL, SIDE (ENGLISH)	55	1	54-82046M	CLAMP	19	12
37-95489M	DECAL, TOP (ENGLISH)	55	2	54-82047M	CLAMP	19	23
37-95503M	DECAL, TOP (FRENCH)	55	2	54-82047M	CLAMP	31	19
37-95504M	DECAL, SIDE (FRENCH)	55	1	54-82781M	CLIP	25	26
37-95623M	DECAL	7	26	54-83577M	CLAMP	7	20
39-92625M	PISTONRING SET (STANDARD)	21	9	54-83577M	CLAMP	15	38
39-92626M	PISTON RING SET (1ST O.S. - 82.25MM)	21	9	54-92664M	CLAMP	33	10
39-92627M	PISTON RING SET (2ND O.S. - 82.50MM)	21	9	54-95636M	CLAMP	13	34
41-83345M	PISTON PIN	21	10	55-92650M	SHOCK ABSORBER	39	27
43-84442M	PINION GEAR	49	20	79-41299M	TACHOMETER	5	22
43-84443M	FORWARD GEAR	49	21	84-16716M	WIRE	39	25
43-84444M	REVERSE GEAR	49	22	84-16716M	WIRE	39	25
44-92644M	PROPELLER SHAFT	51	31	84-41310M	GROUND WIRE	15	39
45-81678M	DRIVESHAFT (M)	49	13	84-81250M	GROUND WIRE	15	40
45-81679M	DRIVESHAFT (ML)	49	13	84-9078M	GROUND WIRE	15	42
46-81416M	WATER PUMP BODY	51	43	87-14222M	LANYARD SWITCH	43	46
46-81422M	WATER PUMP BASE	51	51	87-41307M	STOP SWITCH	43	46
47-97108M	IMPELLER	51	46	87-97834M	THERMO-SWITCH ASSEMBLY	13	35
48-73132A40	PROPELLER (PITCH 10") (ALUMINUM)	3	--	88-81522M	FUSE	59	13
48-73134A40	PROPELLER (PITCH 12") (ALUMINUM)	3	--	91-81669M	TOOL KIT (OPT)	7	21
48-73136A40	PROPELLER (PITCH 13") (ALUMINUM)	3	--				
48-73138A40	PROPELLER (PITCH 14") (ALUMINUM)	3	--				

PARTS INDEX

Part Number	Description	Pg.	Ref. No.	Part Number	Description	Pg.	Ref. No.
253-8816M	C.D.I. MAGNETO ASSEMBLY	13	1				
463-6825M	CRANKSHAFT ASSEMBLY	21	1				
629-8813M	CONNECTING ROD ASSEMBLY	21	14				
761-8462M	PISTON (STANDARD - 81.95MM)	21	8				
761-8463M	PISTON (1ST. O.S. - 82.25MM)	21	8				
761-8464M	PISTON (2ND O.S. - 82.50MM)	21	8				
870-9275M	CRANKCASE ASSEMBLY	19	0-1				
968-7974M	CYLINDERHEAD	19	24				
1225-1529A26	FUEL TANK ASSY., COMPLETE (6 GALLON)	57	1				
1259-812410A1	FUEL TANK ASSEMBLY (PLASTIC - 6.6 GALLONS)	61	1				
1383-9281M	CARBURETOR (UPPER)	25	0-1				
1383-9282M	CARBURETOR (LOWER)	25	0-1				
1484-8933M	CLAMP BRACKET	39	4				
1485-8818M	SWIVEL BRACKET (M)	39	1				
1485-8819M	SWIVEL BRACKET (ML)	39	1				
1587-8615M	DRIVESHAFT HOUSING (M)	47	1				
1587-8616M	DRIVE HOUSING (ML)	47	1				
1587-8911M	DRIVESHAFT HOUSING (INNER) (M)	47	12				
1587-8912M	DRIVESHAFT HOUSING (INNER) (ML)	47	12				
1651-7971M	GEAR HOUSING (BASIC)	49	1				
1651-7978M	GEAR HOUSING ASSEMBLY (M)	49	0-1				
1651-7978M	GEAR HOUSING ASSEMBLY (M)	49	0-1				
1651-7978M	GEAR HOUSING ASSEMBLY (M)	51	0-1				
1651-7978M	GEAR HOUSING ASSEMBLY (M)	53	0-1				
1651-7979M	GEAR HOUSING ASSEMBLY (ML)	49	0-1				
1651-7979M	GEAR HOUSING ASSEMBLY (ML)	49	0-1				
1651-7979M	GEAR HOUSING ASSEMBLY (ML)	51	0-1				
1651-7979M	GEAR HOUSING ASSEMBLY (ML)	53	0-1				
2168-9391M	TOP COWLING ASSEMBLY	5	1				
2168-9392M	BOTTOM COWL	7	1				