



PARTS CATALOG

MARINER 20

SERIAL NUMBER

20C (THRU PROP. EXHAUST)	6A9-000101 THRU 010111
20C (THRU PROP. EXHAUST)	6A9-250101 THRU 250819
20C (THRU PROP. EXHAUST)	6A9-300101 THRU 306542
20C (THRU PROP. EXHAUST)	6A9-550101 THRU 550693

TABLE OF CONTENTS:

C.D.I. MAGNETO	8
CARBURETOR	24
CLAMP AND SWIVEL BRACKET/REVERSE LOCK	36
COWLING	2
CRANKCASE AND CYLINDER HEAD	18
CRANKSHAFT AND PISTON	20
DRIVESHAFT HOUSING	42
ELECTRIC START COMPONENTS	12
ELECTRIC START MOTOR	16
FUEL LINES AND FILTER	28
FUEL PUMP	26
FUEL TANK (NOT ORIGINAL EQUIPMENT TANK SEE NOTE)	56
FUEL TANK AND FUEL LINE ASSEMBLY	52
FUEL TANK AND FUEL LINE ASSEMBLY	54
GEAR SHIFT LINKAGE	32
GEARHOUSING ASSEMBLY	44
INTAKE MANIFOLD	22
MOUNTING SYSTEM	40
OPTIONAL PARTS	58
PARTS INDEX	62
RECOIL STARTER	4
REMOTE CONTROL ATTACHING KIT	60
SERVICE/SUPPORT MATERIAL	1
STEERING HANDLE	34
THROTTLE CONTROL	30

NOTE: Indented description indicate that these parts are included in preceeding assembly.

AR = As Required

NSS = Not Sold Separate

OPT = Optional

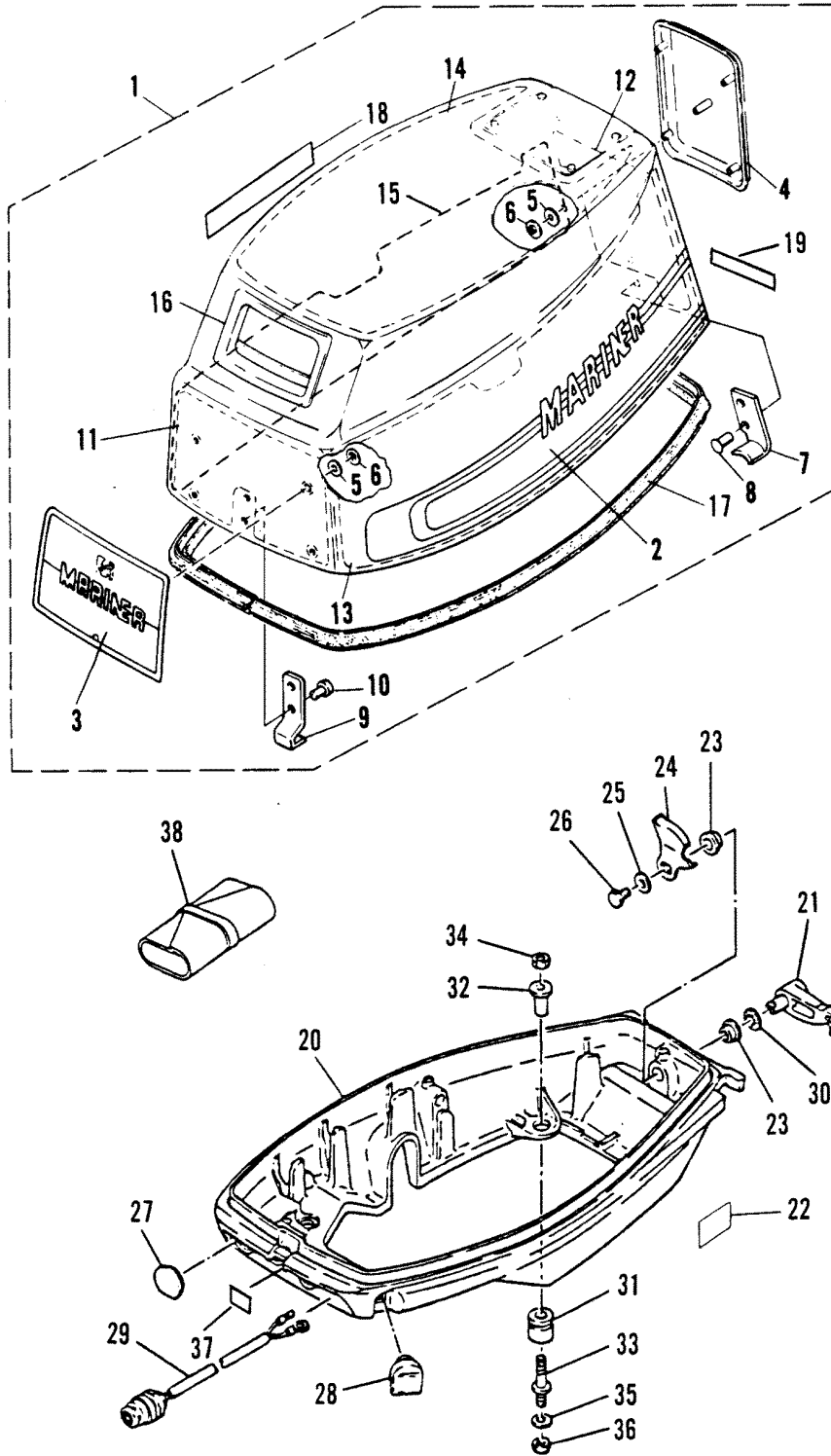
NS = Not Shown

THESE PARTS BOOKS/FICHE CARD ARE COPYRIGHTED AND MAY NOT BE DISTRIBUTED OR REPRODUCED IN ANY OTHER FORMAT BY ANYONE OTHER THAN MERCURY MARINE WITHOUT THE PRIOR WRITTEN CONSENT OF MERCURY MARINE.

SERVICE/SUPPORT MATERIAL

REF. NO.	PART NO.	SYM.	QTY.	DESCRIPTION
-	90-96333		1	PARTS CATALOG - Service
-	90-84681--1		1	SERVICE MANUAL

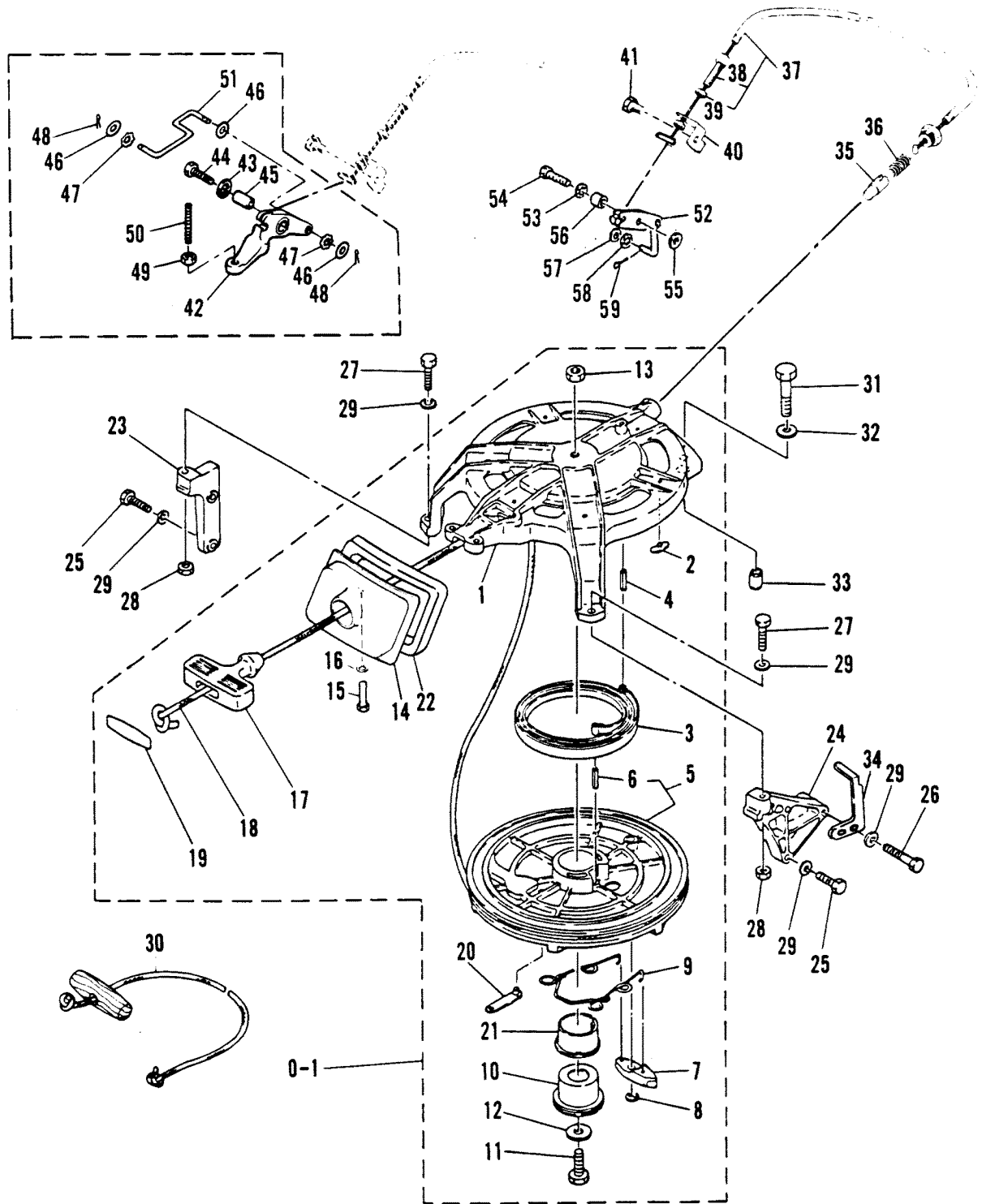
COWLING



COWLING

REF. NO.	PART NO.	SYM.	QTY.	DESCRIPTION
1	2168-8595M		1	TOP COWL ASS'Y SERIAL 00002351-09999999
	2168-6878M		1	TOP COWL ASS'Y SERIAL 00000000-00002350
2	37-97785M		1	DECAL, SIDE AND REAR SET SERIAL 00002351-09999999
	37-81114M		1	DECAL, SIDE SET SERIAL 00000000-00002350
3	97767M		1	EMBLEM, FRONT SERIAL 00002351-09999999
	82898M		1	APPLIQUE, FRONT SERIAL 00000000-00002350
4	82902M		1	APPLIQUE, REAR SERIAL 00000000-00008215
5	12-80884M		10	WASHER, APPLIQUE NUT SERIAL 00000000-00002350
6	11-82927M		10	MUT, APPLIQUE ATTACHING SERIAL 00000000-00002350
7	83212M		1	HOLDER, CLAMP BAND
8	17-84903M		2	RIVET
9	83137M		1	HOOK
10	17-83140M		2	RIVET
11	83319M		1	SOUND BLANKET
12	83320M		1	SOUND BLANKET
13	83321M		1	SOUND BLANKET
14	83322M		1	SOUND BLANKET
15	95506M		1	SOUND BLANKET SERIAL 00008216-09999999
16	80601M		1	SEAL, RUBBER-STARTER
17	84901M		1	SEAL, TOP COWL
18	37-81202M		1	INDICATOR, SHIFT
19	37-95547M		1	DECAL, ELECTRIC MODEL SERIAL 00250541-09999999
20	2168-7854M		1	BOTTOM COWL
21	84913M		1	LEVER, COWL CLAMP
22	37-83054M		2	GRAPHIC, SIDE (HP)
23	23-81949M		2	BUSHING,COWL CLAMP LEVER
24	54-84914M		1	CLAMP, COWL
25	12-81794M		1	WASHER
26	10-84315M		1	BOLT
27	25-83988M		1	GROMMET, BOTTOM COWL (MANUAL)
28	25-84915M		1	GROMMET, BOTTOM COWL
29	87-84916M		1	STOP SWITHCH(MANUAL)
30	13-81869M		1	WASHER, WAVE
31	25-84910M		4	GROMMET
32	23-84911M		4	COLLAR
33	16-84912M		4	BOLT, SPECIAL
34	11-82383M		4	NUT
35	12-82217M		4	WASHER
36	11-82393M		4	NUT
37	37-95570M		1	DECAL SERIAL 00008216-09999999
38	91-81669M		1	TOOL KIT

RECOIL STARTER

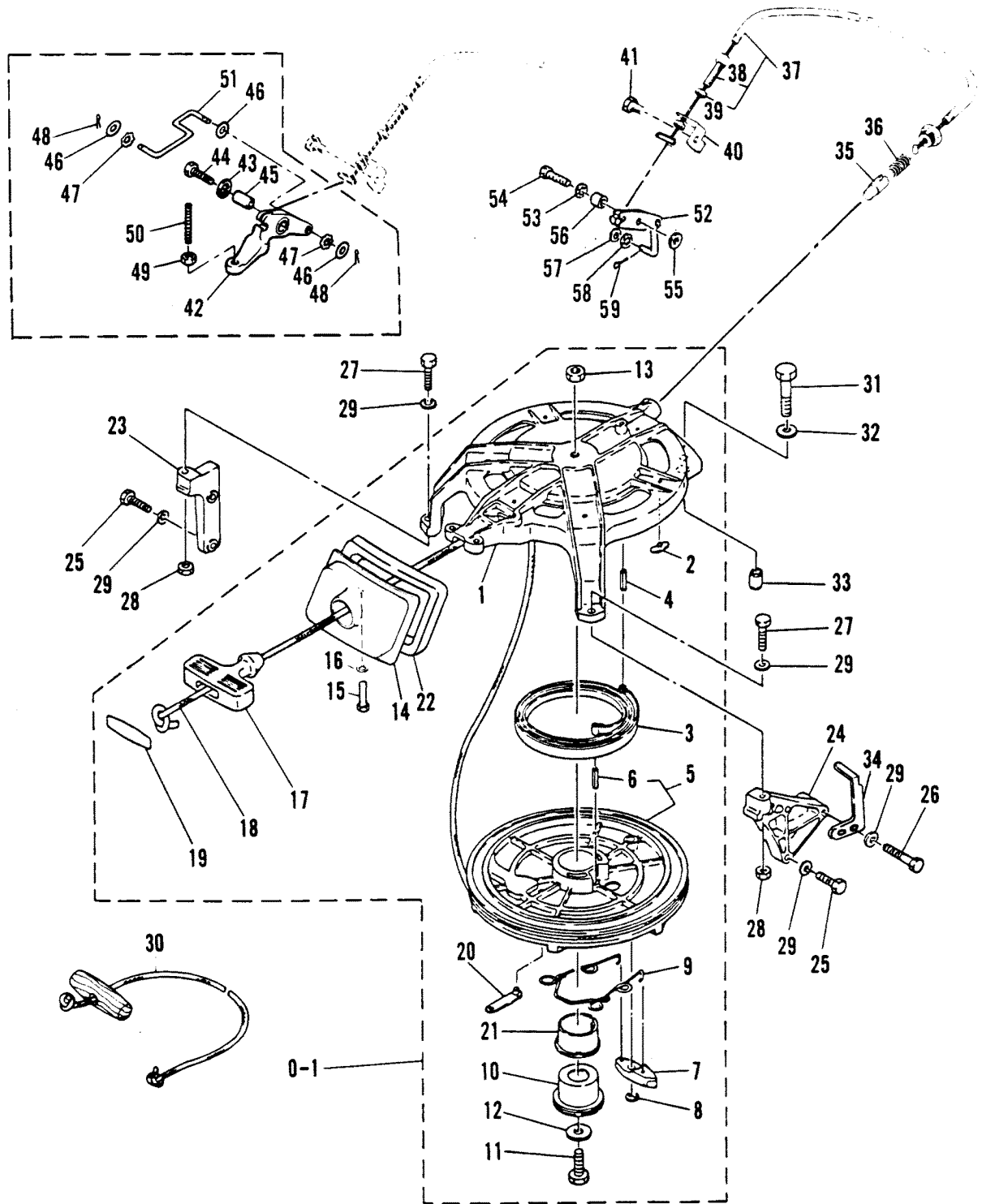


RECOIL STARTER

REF. NO.	PART NO.	SYM.	QTY.	DESCRIPTION
0-1	50-92597M		1	STARTER ASS'Y
1	2169-7102M		1	HOUSING, STARTER
2	23-83585M		6	PLUG, STARTER HOUSING
3	25-83588M		1	SPRING, STARTER
4	17-82157M		1	PIN
5	50-83587M		1	STARTER SHEAVE
6	17-82157M		1	PIN, ROLL
7	84894M		1	PAWL, STARATER
8	83-84895M		1	SNAP RING
9	24-83591M		1	SPRING, PAWL
10	23-83590M		1	SHAFT, SHEAVE
11	10-84342M		1	BOLT
12	12-81801M		1	WASHER
13	11-82382M		1	NUT
14	80600M		1	GUIDE, STARTER ROPE
15	10-84247M		2	BOLT
16	13-82199M		2	WASHER, LOCK
17	80063M		1	HANDLE, STARTER
18	79629A1		1	STARTER ROPE
	79629A1		1	STARTER ROPE
19	41882M		1	COVER SERIAL 00002351-09999999
	84892M		1	COVER SERIAL 00000000-00002350
20	54-84893M		1	CLIP
21	23-83589M		1	BUSHING
22	93107M		1	SEAL
23	84468M		1	BRACKET, STARTER HSG (STARBOARD)
24	84466M		1	BRACKET, STARTER HSG (PORT)
25	10-82405M		4	BOLT
26	10-82428M		1	BOLT
27	10-84237M		2	BOLT
28	11-82380M		2	NUT
29	13-82199M		7	WASHER, LOCK
30	47341A1		1	EMERGENCY STARTER ROPE
31	10-84236M		1	BOLT SERIAL 00008216-09999999
	10-82442M		1	BOLT SERIAL 00000000-00008215
32	12-82202M		1	WASHER
33	17-82162M		1	PIN, DOWEL
34	96341M		1	PLATE, TIMING
35	81106M		1	PLUNGER, STARTER STOP
36	24-82079M		1	SPRING
37	81108M		1	WIRE, STARTER STOP
38	10-81746M		1	BOLT
39	11-82380M		2	NUT

CONTINUED ON NEXT PAGE ➡

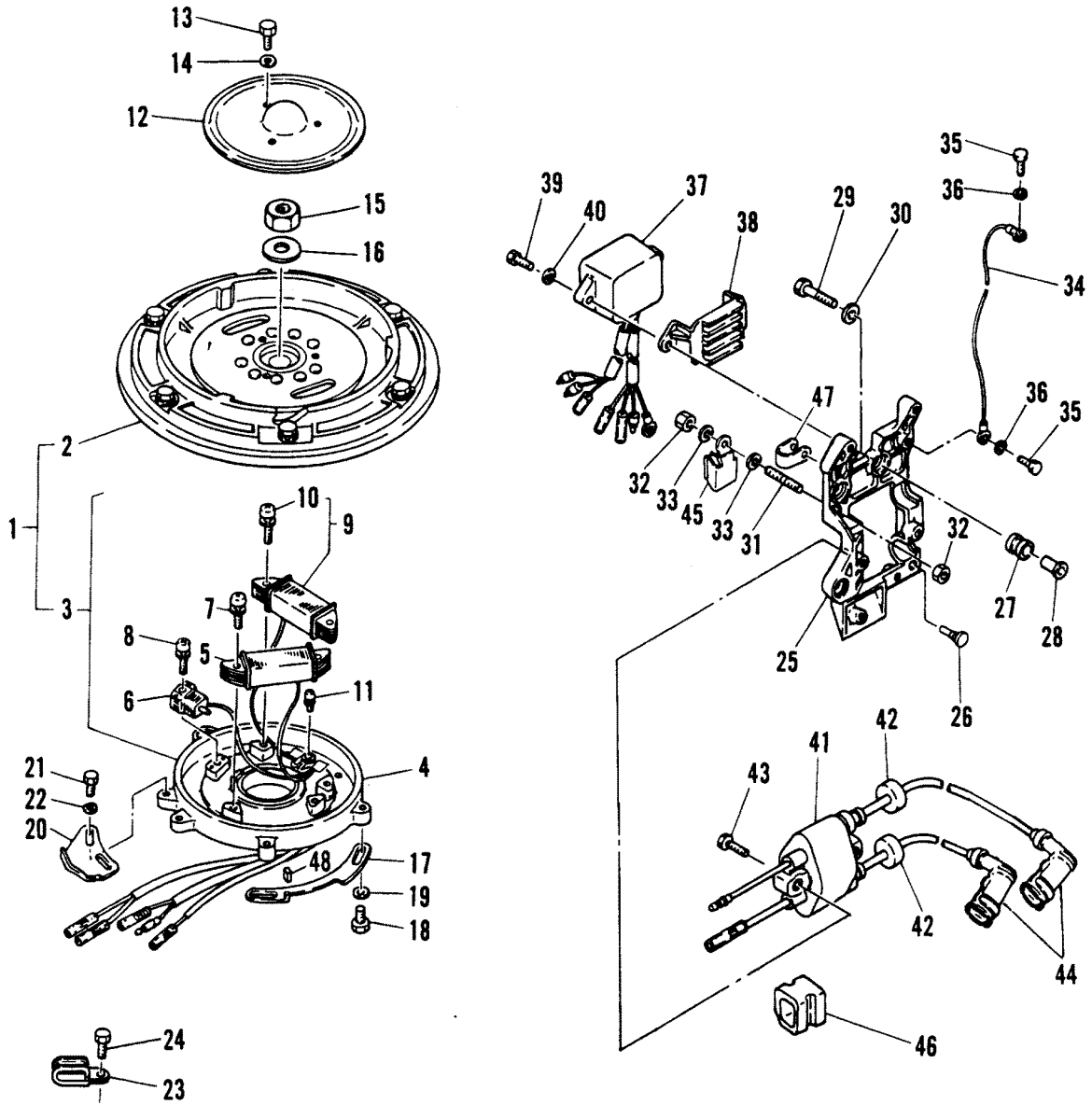
RECOIL STARTER



RECOIL STARTER

REF. NO.	PART NO.	SYM.	QTY.	DESCRIPTION
40	92599M		1	BRACKET
41	10-84315M		1	BOLT
42	91648M		1	LINK, STARTER STOP SERIAL 00000000-00008215
43	12-81969M		1	WASHER SERIAL 00000000-00008215
44	10-83539M		1	BOLT SERIAL 00000000-00008215
45	23-83310M		1	COLLAR SERIAL 00000000-00008215
46	12-82196M		3	WASHER SERIAL 00000000-00008215
47	13-81865M		2	WASHER, WAVE SERIAL 00000000-00008215
48	18-82125M		2	PIN, COTTER SERIAL 00000000-00008215
49	11-82378M		2	NUT SERIAL 00000000-00008215
50	16-41883M		1	STUD SERIAL 00005811-00008215
	16-91649M		1	STUD SERIAL 00000000-00002350
51	91650M		1	LINK SERIAL 00000000-00008215
52	81107M		1	LINK, STARTER STOP SERIAL 00008216-09999999
53	13-81867M		1	WASHER, WAVE SERIAL 00008216-09999999
54	10-83539M		1	BOLT SERIAL 00008216-09999999
55	13-82199M		1	WASHER SERIAL 00008216-09999999
56	23-82929M		1	COLLAR SERIAL 00008216-09999999
57	12-82196M		1	WASHER SERIAL 00008216-09999999
58	13-81866M		1	WASHER, WAVE SERIAL 00008216-09999999
59	18-82125M		1	PIN, COTTER SERIAL 00008216-09999999

C.D.I. MAGNETO

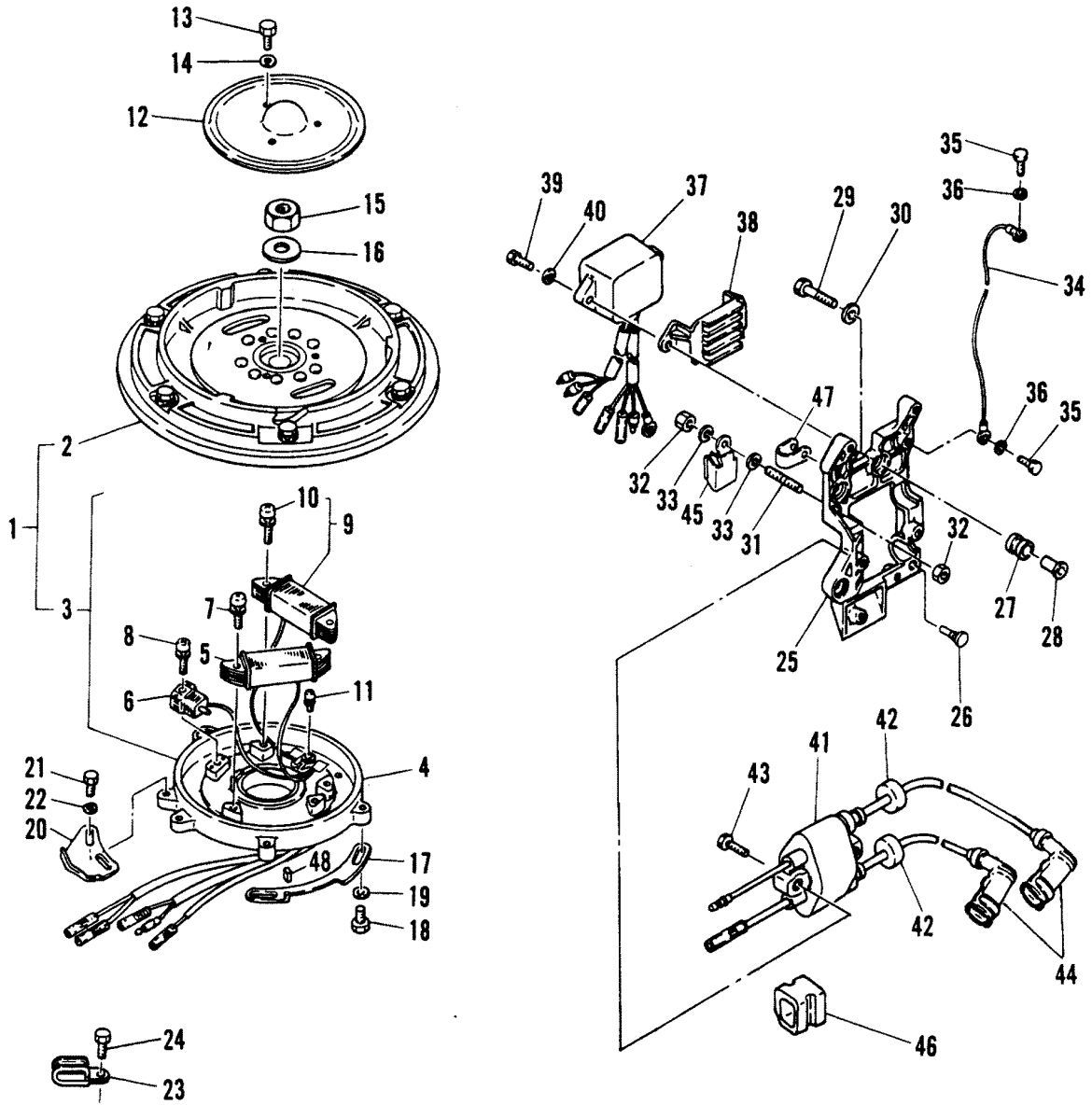


C.D.I. MAGNETO

REF. NO.	PART NO.	SYM.	QTY.	DESCRIPTION
1	253-8371M		1	I. MAGNETO ASS'Y, MANUAL START MODEL
	253-8370M		1	I. MAGNETO ASS'Y, ELECTRIC START MODEL
2	253-8372M		1	FLYWHEEL ASS'Y, MANUAL START MODEL
	253-8369M		1	FLYWHEEL ASS'Y, ELECTRIC START MODEL
3	96342M		1	BASE ASS'Y
4	96343M		1	BASE, MAGNETO
5	96344M		1	CHARGE COIL ASS'Y
6	96345M		1	PULSER COIL ASS'Y
7	10-96346M		2	SCREW WITH WASHER
8	10-91691M		1	SCREW WITH WASHER
9	94804M		1	LIGHTING COIL ASS'Y, 80W (SEE NOTE)
10	10-97803M		2	SCREW, WITH WASHER
11	10-91699M		1	SCREW, WITH WASHER
12	80689M		1	COVER
13	10-84303M		3	BOLT
14	12-82198M		3	WASHER
15	11-81770M		1	NUT
16	12-81814M		1	WASHER
17	99950M		1	STOPPER, MAGNETO BASE SERIAL 00002351-09999999
	96347M		1	STOPPER, MAGNETO BASE SERIAL 00000000-00002350
18	10-84303M		2	BOLT
19	12-82198M		2	WASHER
20	95555M		1	CAM SERIAL 00008216-09999999
	92591M		1	CAM SERIAL 00000000-00008215
21	10-84313M		2	BOLT
22	12-82196M		2	WASHER
23	54-96348M		1	CLAMP
24	10-84315M		1	BOLT
25	96349M		1	BRACKET
26	84869M		1	DAMPER
27	81523M		3	DAMPER
28	23-82851M		3	COLLAR
29	10-82405M		3	BOLT
30	12-82979M		3	WAHSER
31	16-84870M		1	STUD
32	11-82380M		2	NUT
33	13-82199M		2	WASHER SERIAL 00008216-09999999
	13-82197M		2	WASHER SERIAL 00000000-00008215
34	84-84871M		1	WIRE
35	10-84303M		2	BOLT
36	13-82197M		2	WASHER
37	43077M		1	I. UNIT ASS'Y 1
38	84873M		1	HOLDER

CONTINUED ON NEXT PAGE ➡

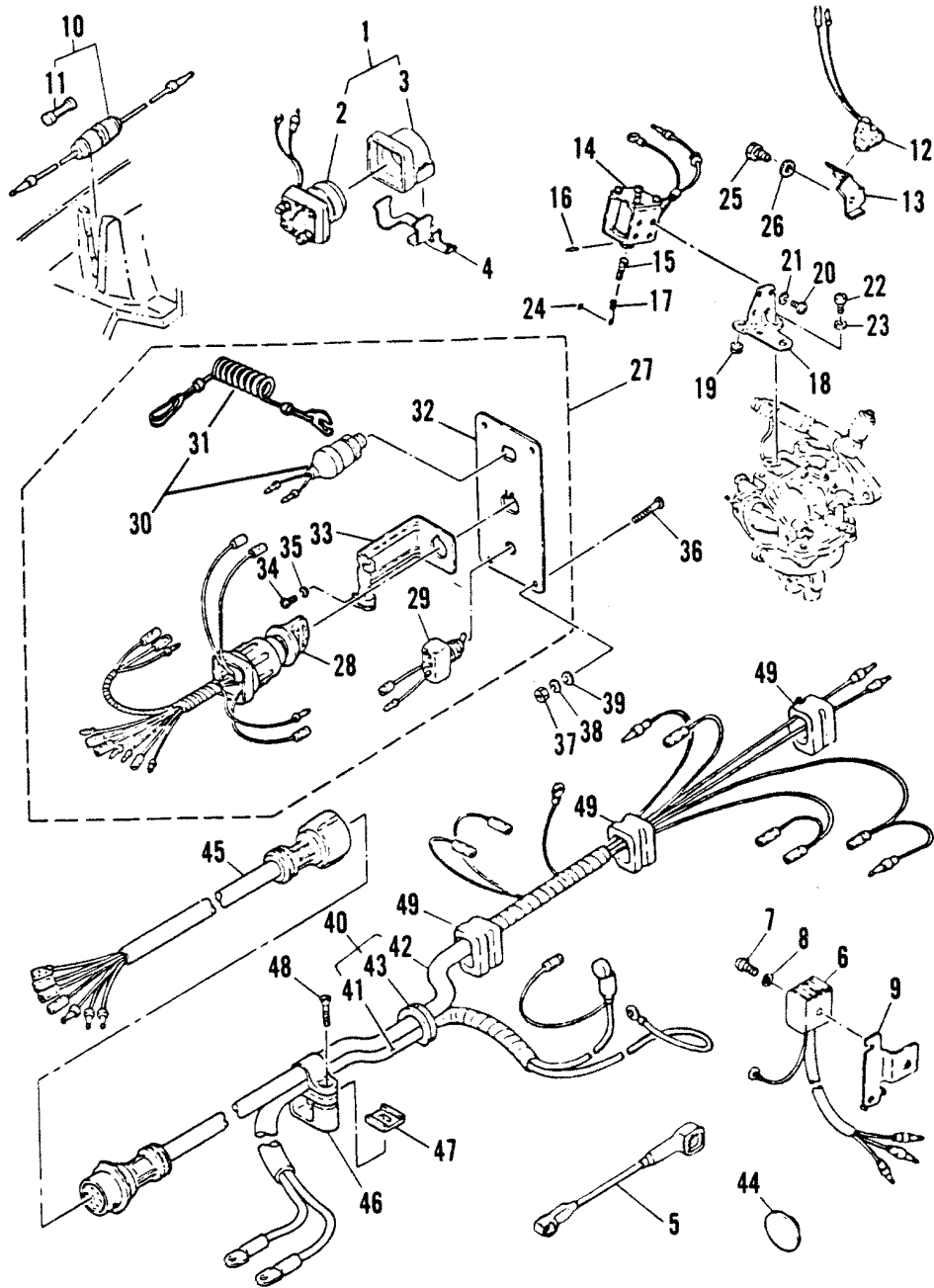
C.D.I. MAGNETO



C.D.I. MAGNETO

REF. NO.	PART NO.	SYM.	QTY.	DESCRIPTION
39	10-82405M		2	BOLT
40	13-82199M		2	WASHSER
41	96351M		1	IGNITION COIL ASS'Y
42	25-82069M		2	GROMMET
43	10-82405M		2	BOLT SERIAL 00008216-09999999
	10-83539M		2	BOLT SERIAL 00000000-00008215
44	80935M		2	PLUG CAP ASS'Y (NOISE SUPPRESSOR)
	82788M		2	PLUG CAP ASS'Y (OPT)
45	54-96352M		1	CLAMP
46	25-84876M		1	GROMMET
47	54-96353M		1	CLAMP
48	99952M		1	CAP SERIAL 00002351-09999999

ELECTRIC START COMPONENTS

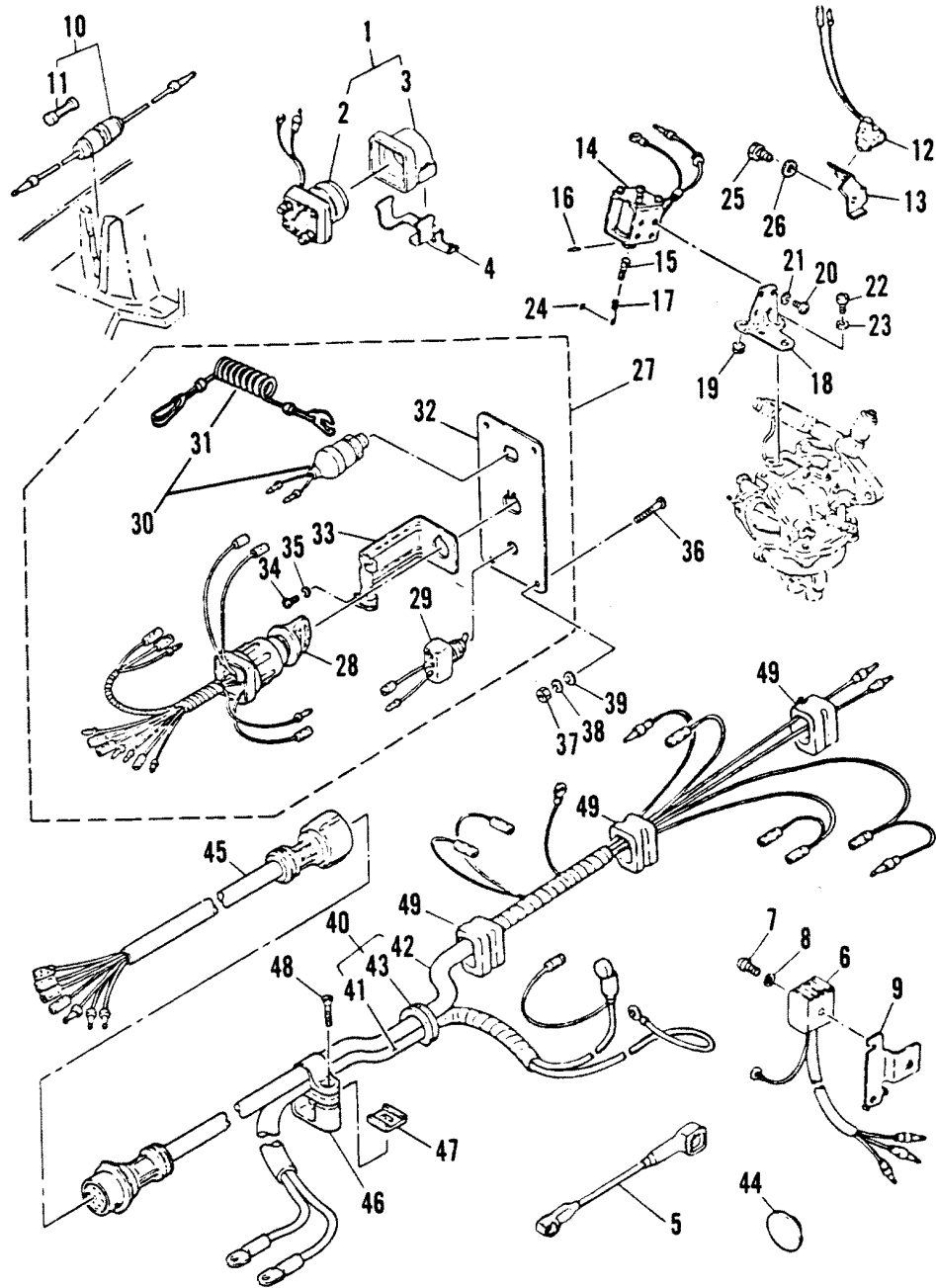


ELECTRIC START COMPONENTS

REF. NO.	PART NO.	SYM.	QTY.	DESCRIPTION
1	89-96356M		1	STARTER SOLENOID ASS'Y
2	89-96356M		1	SOLENOID
3	84934M		1	MOUNTING BRACKET
4	92601M		1	PLATE, SOLENOID MOUNTING
5	84-96358M		1	WIRE, SOLENOID SERIAL 00002351-09999999
	84-92602M		1	WIRE, SOLENOID SERIAL 00000000-00002350
6	81652M		1	RECTIFIER
7	10-82492M		1	SCREW
8	12-82196M		1	WASHER
9	92603M		1	PLATE, RECTIFIER MOUNTING SERIAL 00000000-00008215
10	84973M		1	FUSE ASS'Y
11	88-81522M		1	FUSE
12	87-97684M		1	NEUTRAL START SWITCH
13	81110M		1	PLATE, SWITCH AND LOCKOUT MOUNTING
14	84940M		1	CHOKE SOLENOID
15	84411M		1	HOOK,WIRE
16	17-82145M		1	PIN, ROLL
17	24-81667M		1	WIRE,PULL
18	84941M		1	PLATE, SOLENOID MOUNTING
19	25-82060M		1	GROMMET
20	10-82512M		4	SCREW
21	12-82799M		4	WASHER
22	10-84655M		2	SCREW
23	12-82196M		2	WASHER
24	25-82258M		1	O-RING
25	10-84303M		1	BOLT
	13-82197M		1	WASHER SERIAL 00008216-09999999
26	12-82199M		1	WASHER, LOCK SERIAL 00000000-00008215
	97681M		1	SWITCH PANEL ASS'Y SERIAL 00002351-09999999
27	97769M		1	SWITCH PANEL ASS'Y SERIAL 00000000-00002350
	87-84943M		1	KEY SWITCH SERIAL 00002351-09999999
28	87-92605M		1	KEY SWITCH SERIAL 00000000-00002350
	87-84944M		1	CHOKE SWITCH
29	87-97682M		1	KILL SWITCH ASS'Y
30	97756M		1	STOPPER SERIAL 00002351-09999999
	81531M		1	STOPPER SERIAL 00000000-00022350
31	42435M		1	PANEL SERIAL 00008216-09999999
	92661M		1	PANEL SERIAL 00000000-00008215
32	81537M		1	BRACKET
33	10-82487M		1	SCREW
34	13-82184M		1	WASHER, LOCK
35	10-80164M		4	SCREW SERIAL 00008216-09999999
	10-84946M		4	SCREW SERIAL 00000000-00008215

CONTINUED ON NEXT PAGE ➡

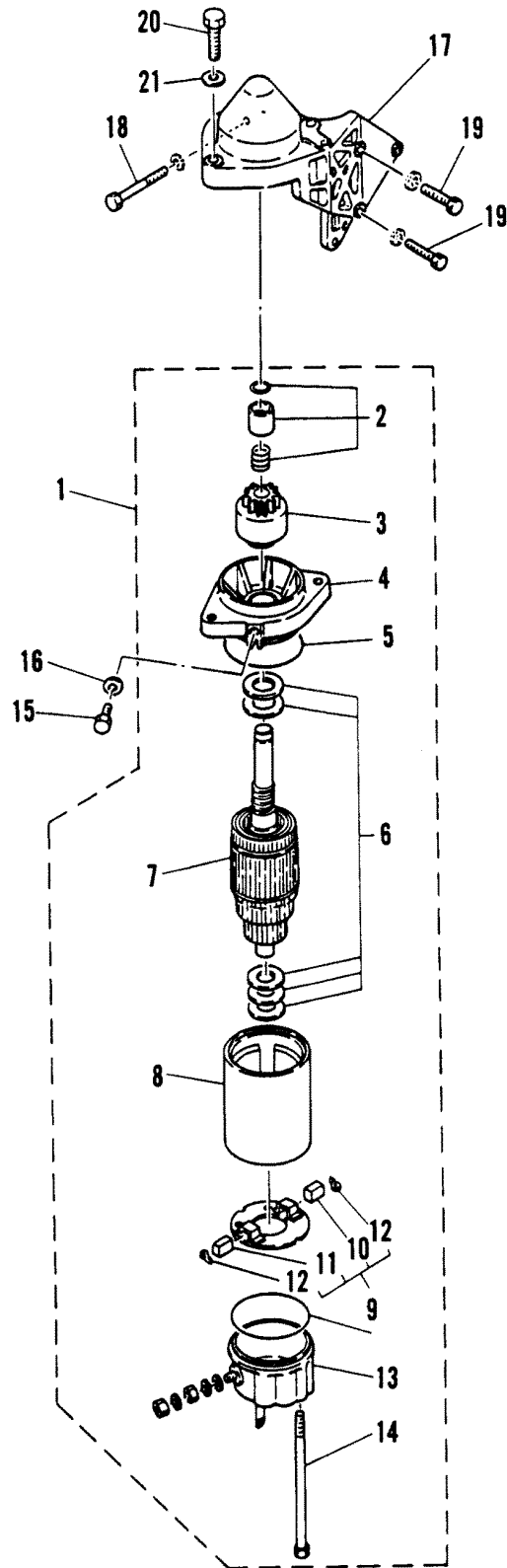
ELECTRIC START COMPONENTS



ELECTRIC START COMPONENTS

REF. NO.	PART NO.	SYM.	QTY.	DESCRIPTION
37	11-82377M		4	NUT SERIAL 00008216-09999999
	11-82378M		4	NUT SERIAL 00000000-00008215
38	13-82208M		4	WASHER, LOCK SERIAL 00000000-00008215
39	12-82799M		4	WASHER SERIAL 00008216-09999999
	12-82196M		4	WASHER SERIAL 00000000-00008215
40	84-97770M		1	ENGINE WIRING HARNESS SERIAL 00002351-09999999
	84-96354M		1	ENGINE WIRING HARNESS SERIAL 00000000-00002350
41	84-97781M		1	WIRE ASS'Y, BATTERY SERIAL 00008216-09999999
	84-97771M		1	WIRE ASS'Y BATTERY SERIAL 00005811-00008215
	84-96355M		1	WIRE ASS'Y, BATTERY SERIAL 00000000-00002350
42	84-84949M		1	WIRE ASS'Y, IGNITION SERIAL 00002351-09999999
	84-92607M		1	WIRE ASS'Y, IGNITION SERIAL 00000000-00002350
43	25-84950M		1	GROMMET
44	82066M		1	GROMMET
45	84-84711M		1	EXTENSION, WIRE HARNESS (5 M)
46	54-97772M		1	CLAMP SERIAL 00002351-09999999
	54-97772M		1	CLAMP SERIAL 00000000-00002350
47	84708M		1	PLATE
48	10-84709M		1	SCREW
49	25-84876M		3	GROMMET

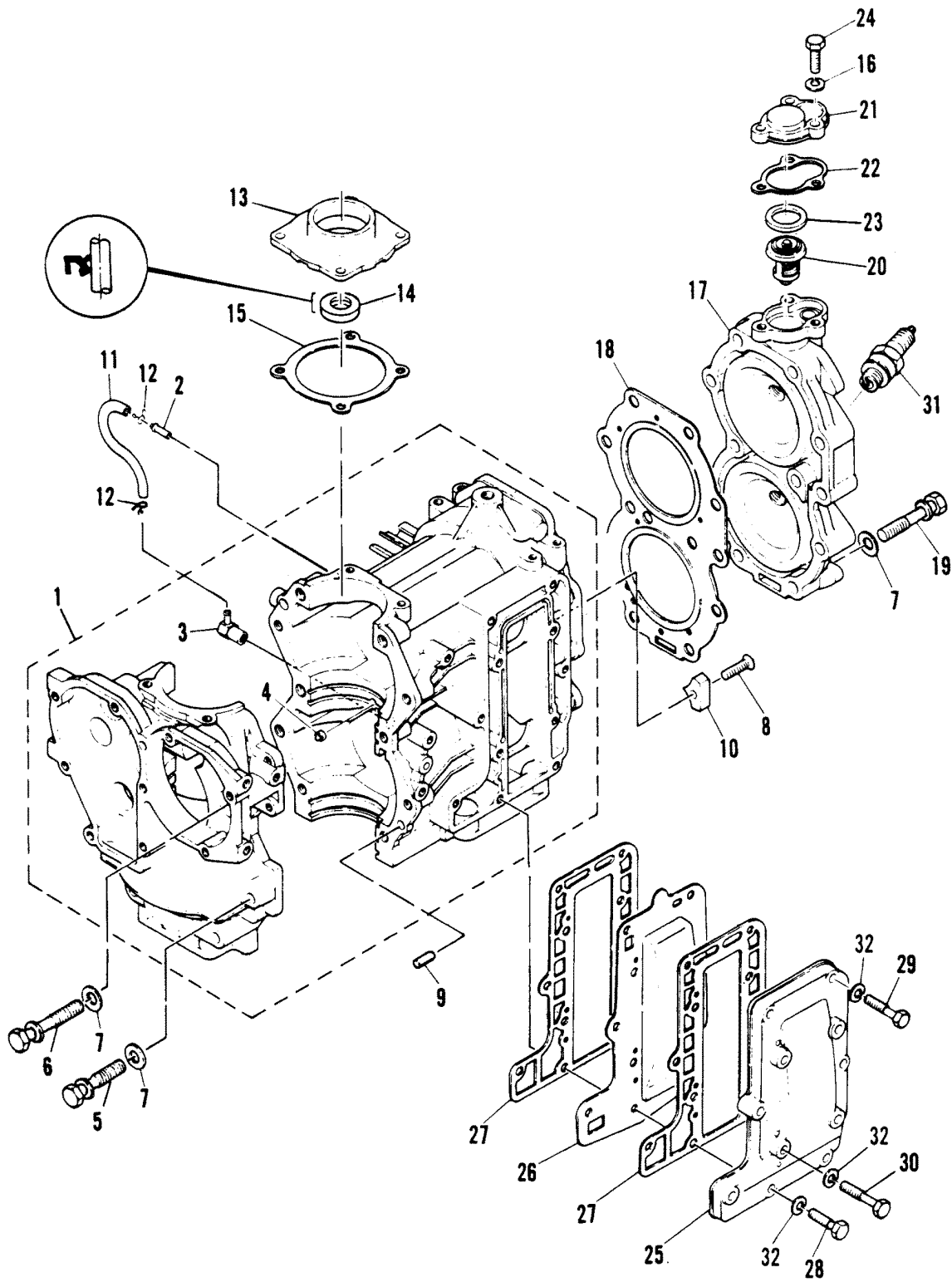
ELECTRIC START MOTOR



ELECTRIC START MOTOR

REF. NO.	PART NO.	SYM.	QTY.	DESCRIPTION
1	50-97693M		1	ELECTRIC MOTOR ASS'Y SERIAL 00002351-09999999
	50-96359M		1	ELECTRIC MOTOR ASS'Y SERIAL 00000000-00002350
2	96360M		1	PINION STOPPER SET
3	97694M		1	PINION ASS'Y
4	96362M		1	FRONT COVER ASS'Y
5	25-96363M		2	O-RING
6	12-96364M		1	WASHER KIT
7	96365M		1	ARMATURE ASS'Y
8	96366M		1	STATOR ASS'Y
9	96367M		1	BRUSH HOLDER ASS'Y
10	96368M		1	BRUSH(+)
11	96369M		1	BRUSH(-)
12	24-84927M		2	SPRING, BRUSH
13	96370M		1	REAR COVER ASS'Y
14	10-84929M		2	BOLT
15	10-96371M		1	BOLT
16	12-82202M		1	WASHER
17	92609M		1	BRACKET
18	10-84853M		1	BOLT
19	10-92523M		2	BOLT
20	10-82465M		2	BOLT
21	12-82202M		2	WASHER

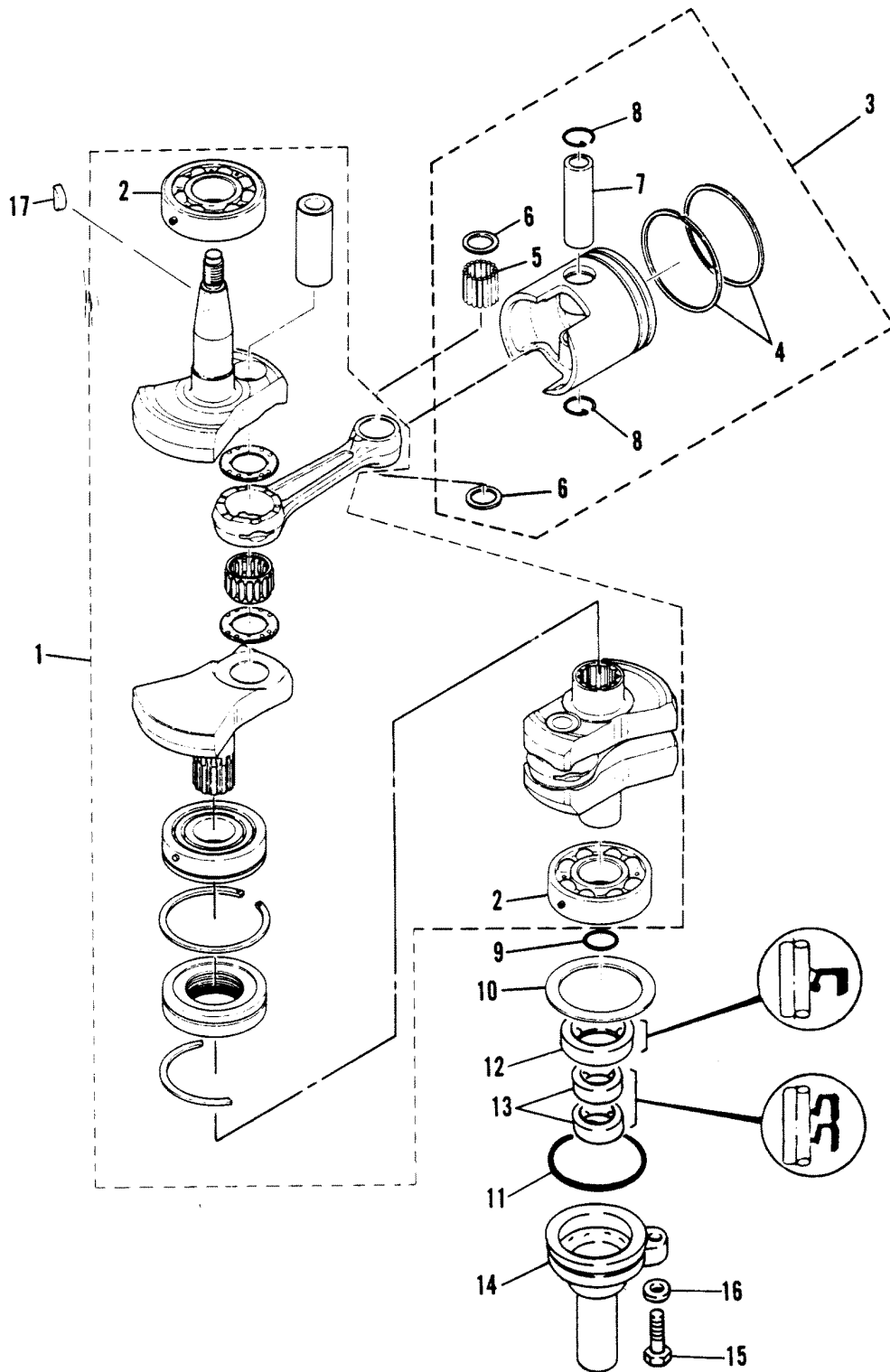
CRANKCASE AND CYLINDER HEAD



CRANKCASE AND CYLINDER HEAD

REF. NO.	PART NO.	SYM.	QTY.	DESCRIPTION
1	870-8373M		1	CRANKCASE ASS'Y
2	22-80122M		1	FITTING, CRANKCASE DRAIN
3	21-80727M		1	CHECK VALVE ASS'Y
4	21-80107M		1	
5	10-41884M		8	BOLT W/WASHER SERIAL 00005811-09999999
	10-82408M		8	BOLT SERIAL 00000000-00005810
6	10-41885M		2	BOLT W/WASHER SERIAL 00005811-09999999
	10-82406M		2	BOLT SERIAL 00000000-00005810
7	12-80564M		21	WASHER SERIAL 00000000-00005810
8	10-95209M		1	SCREW SERIAL 00008216-09999999
	10-82167M		1	SCREW SERIAL 00000000-00008215
9	17-82364M		2	PIN, DOWEL
10	84732M		1	ANODE
11	32-82000M		1	HOSE
12	54-82046M		2	CLAMP, HOSE
13	81564M		1	HOUSING, OIL SEAL (UPPER)
14	26-82245M		1	OIL SEAL, CRANKSHAFT (UPPER)
15	27-81565M		1	GASKET, OIL SEAL HOUSING
16	13-82197M		3	WASHER, LOCK
17	968-8374M		1	HEAD, CYLINDER
18	81555M		1	GASKET, CYLINDER HEAD
19	10-41885M		11	BOLT W/WASHER SERIAL 00005811-09999999
	10-82407M		11	BOLT SERIAL 00000000-00005810
20	81098M		1	THERMOSTATE
21	81030M		1	COVER, THERMOSTAT
22	27-81031M		1	GASKET, THERMOSAT COVER
23	12-81835M		1	WASHER
24	10-83539M		3	BOLT
25	81569M		1	COVER,EXHAUST-OUTER
26	81568M		1	COVER, EXHAUST-INNER
27	27-81570M		2	GASKET, EXHAUST COVER
28	10-82453M		1	BOLT
29	10-96293M		4	BOLT SERIAL 00002351-09999999
	10-84488M		4	BOLT SERIAL 00000000-00002350
30	10-92523M		6	BOLT SERIAL 00008216-09999999
	10-96293M		6	BOLT SERIAL 00005811-00008215
	10-92523M		6	BOLT SERIAL 00000000-00002350
31	33-82371M		2	SPARK PLUG, B-7HS(NGK)
32	12-82199M		11	WASHER, LOCK
	96375M		1	POWERHEAD ASS'Y, COMPLETE (SEE NOTE) REPLACEMENT PARTS
	27-92575M		1	GASKET SET. POWERHEAD REPLACEMENT PARTS

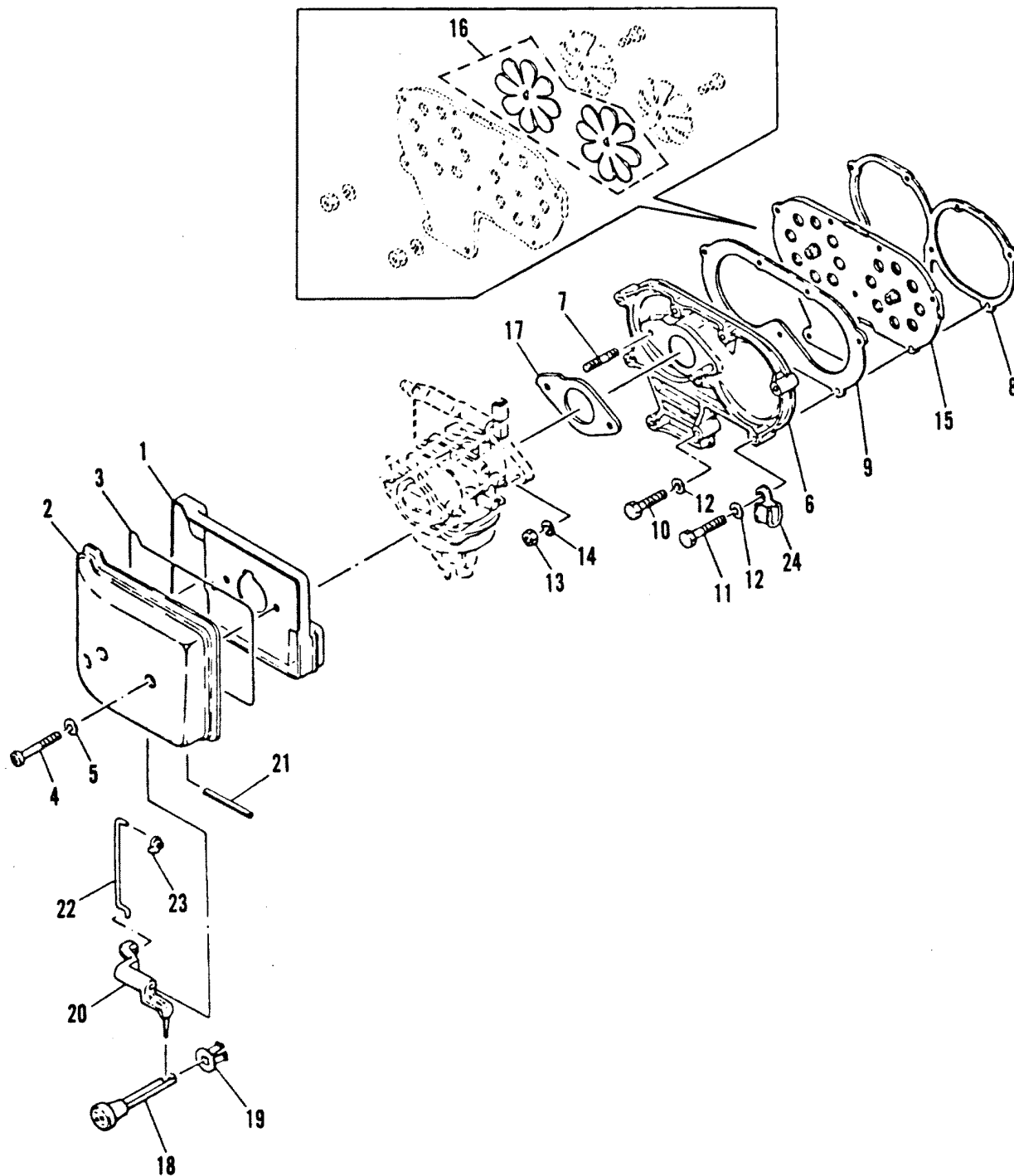
CRANKSHAFT AND PISTON



CRANKSHAFT AND PISTON

REF. NO.	PART NO.	SYM.	QTY.	DESCRIPTION
1	463-9245M		1	CRANKSHAFT AS'Y SERIAL 00008216-09999999
	463-6849M		1	CRANKSHAFT ASS'Y SERIAL 00000000-00008215
2	30-82307M		2	BEARING, CRANKSHAFT
3	761-8375M		2	PISTON ASS'Y (STD)
	761-8376M		AR	PISTON ASS'Y (1ST O.S. 67.25MM)
	761-8377M		AR	PISTON ASS'Y (2ND O.S.67.50 MM)
4	39-81095M		2	PISTON RING SET (STD)
	39-81096M		AR	PISTON RING SET (1ST O.S. 67.25 MM(
	39-81097M		AR	PISTON RING SET (2ND O.S. 67.50 MM)
5	29-84452M		62	BEARING, NEEDLE
6	12-81829M		4	WASHER, CONNECTING ROD BEARING
7	41-80565M		2	PIN, PISTON
8	53-82345M		4	SNAP RING
9	25-82268M		1	O_RING, CRANKSHAFT TO DRIVESHAFT
10	23-81842M		1	SPACER, INNER BEARING
11	25-84751M		1	O-RING, OIL SEAL HOUSING
12	26-43111M		1	OIL SEAL, LARGE (M-008216 ML-305244 E-250541 EL-550541) AND
	26-84752M		1	OIL SEAL, LARGE (M-008215 ML-303731 E-250361 EL-550386) AND
13	26-83347M		2	OIL SEAL, SMALL
14	84753M		1	HOUSING, OIL SEAL (LOWER)
15	10-94526M		1	BOLT
16	12-82214M		1	WASHER, LOCK
17	28-81914M		1	KEY, CRANKSHAFT TO FLYWHEEL

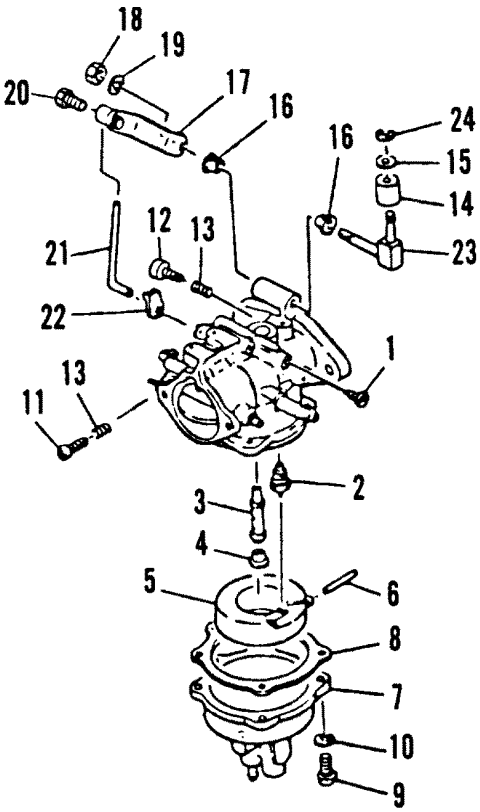
INTAKE MANIFOLD



INTAKE MANIFOLD

REF. NO.	PART NO.	SYM.	QTY.	DESCRIPTION
1	92576M		1	COVER, AIR INTAKE (INNER)
2	92577M		1	COVER, AIR INTAKE (OUTER)
3	27-92578M		1	GASKET, COVER
4	10-84245M		2	SCREW
5	12-82196M		2	WASHER
6	80570M		1	MANIFOLD, INTAKE
7	16-91735M		2	STUD, CARBURETOR ATTACHING
8	27-80569M		1	GASKET, INTAKE MANIFOLD
9	27-80571M		1	GASKET, REED VALVE
10	10-82405M		2	BOLT
11	10-83285M		7	BOLT
12	13-82199M		9	WASHER, LOCK
13	11-82380M		2	NUT
14	13-82199M		2	WASHER
15	84758M		1	REED VALVE ASS'Y
16	34-84759M		1	REED SET (REED STOPS NOT INCLUDED)
17	27-80572		1	GASKET, CARBURETOR MANIFOLD
18	83960M		1	KNOB, CHOKE
19	25-84760M		1	GROMMET, CHOKE KNOB
20	84761M		1	LEVER, CHOKE
21	17-84762M		1	PIN, ROLL
22	92579M		1	ROD, CHOKE
23	81191M		1	JOINT
24	54-82034M		1	CLAMP, HOSE

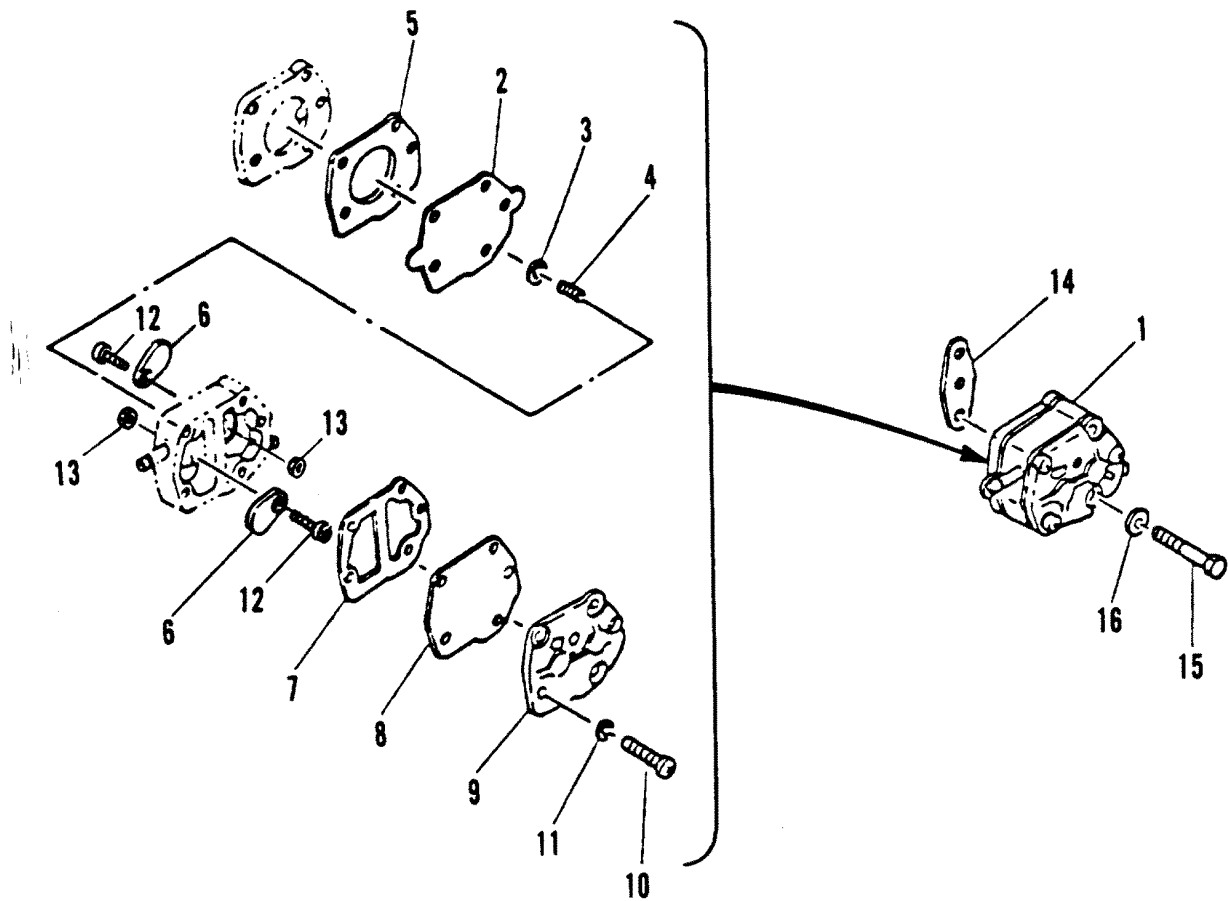
CARBURETOR



CARBURETOR

REF. NO.	PART NO.	SYM.	QTY.	DESCRIPTION
0-1	1383-8378M		1	CARBURETOR ASS'Y
1	41886M		1	JET, LOW SPEED(#62) SERIAL 00002351-09999999
	80578M		1	JET, LOW SPEED (#60) SERIAL 00000000-00002350
2	80593M		1	INLET VALVE AND SEAT
3	96377M		1	NOZZLE, MAIN
4	41887M		1	JET, MAIN (#133) SERIAL 00002351-09999999
	84689M		1	JET, MIAN (#130) SERIAL 00000000-00002350
5	80591M		1	FLOAT
6	17-84765M		1	PIN, FLOAT
7	83200M		1	FLOAT BOWL SERIAL 00002351-09999999
	84764M		1	FLOAT BOWL SERIAL 00000000-00002350
#8	27-80590M		1	GASKET, FLOAT BOWL
9	10-82515M		4	SCREW
10	13-82206M		4	WASHER, LOCK
11	10-82623M		1	SCREW, IDLE SPEED
12	10-80573M		1	SCREW, IDLE MIXTURE
13	24-80329M		2	SPRING
14	23-84454M		1	BUSHING, THROTTLE SHAFT
15	82209M		1	WASHER
16	23-81941M		2	BUSHING, THROTTLE SHAFT
17	80622M		1	LEVER, THROTTLE
18	11-82379M		1	NUT
19	13-82208M		1	WASHER, LOCK
20	10-83112M		1	SET SCREW, THROTTLE LEVER SERIAL 00002351-09999999
	10-81558M		1	SET SCREW, THROTTLE LEVER SERIAL 00000000-00002350
21	83160M		1	LINK ROD T HROTTLE LEVER
22	81191M		1	JOINT
23	84772M		1	SHAFT, THROTTLE
24	53-823287		1	SNAP RING
	84773M		1	REPAIR KIT, CARBURETOR REPLACEMENT PARTS

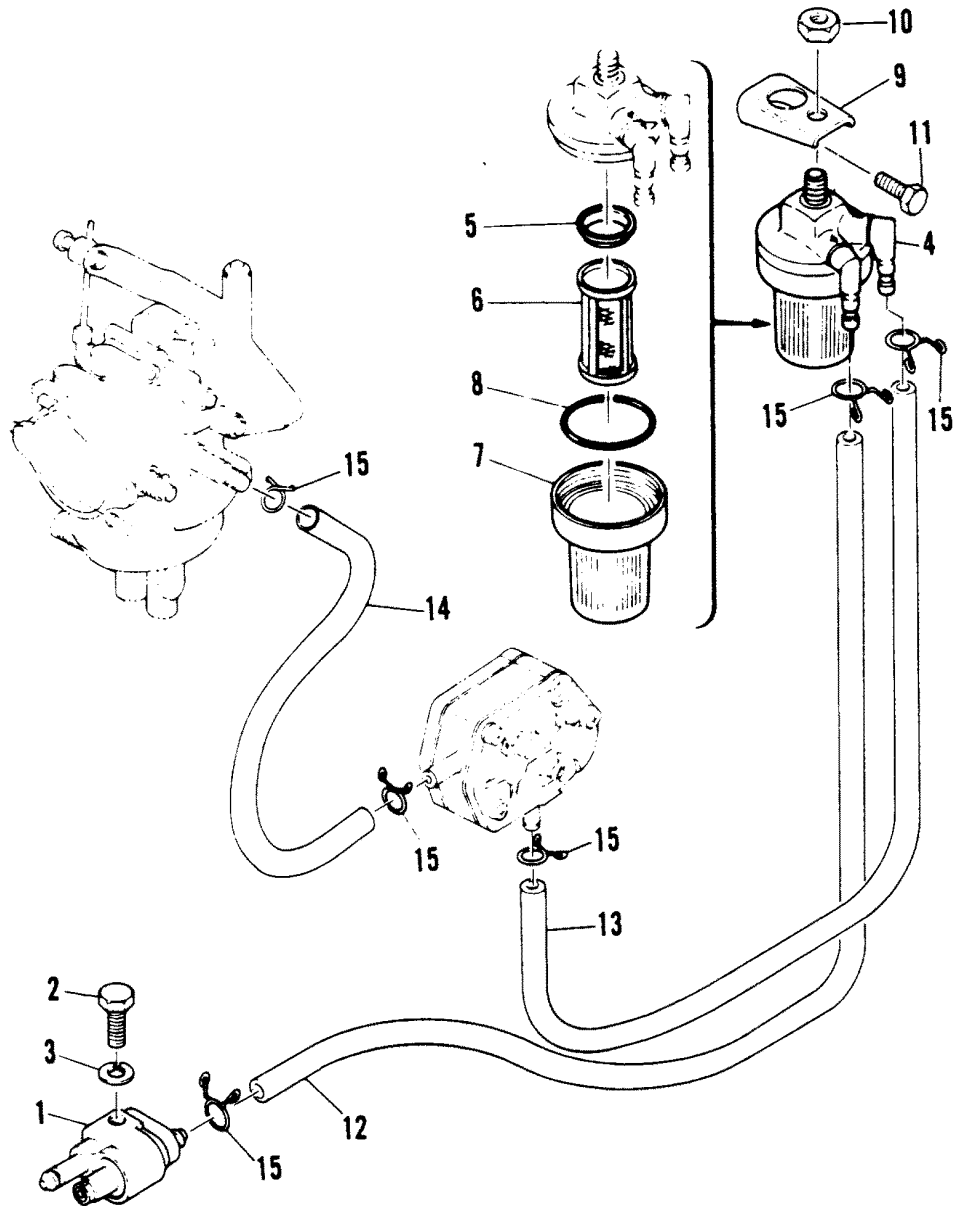
FUEL PUMP



FUEL PUMP

REF. NO.	PART NO.	SYM.	QTY.	DESCRIPTION
1	94799M		1	FUEL PUMP ASS'Y
2	80606M		1	DIAPHRAGM
3	80611M		1	PLATE, SPRING GUIDE
4	24-80610M		1	SPRING
5	27-80613M		1	GASKET, BODY TO BASE
6	21-41888M		2	CHECK VALVE SERIAL 00002351-09999999
	21-94800M		2	CHECK VALVE SERIAL 00000000-00002350
7	27-80614M		1	GASKET, BODY TO COVER
8	84141M		1	DIAPHRAGM
9	80607M		1	COVER
10	10-82522M		3	SCREW
11	13-82208M		3	WASHER, LOCK
12	10-41889M		2	SCREW SERIAL 00002351-09999999
	10-94801M		2	SCREW SERIAL 00000000-00002350
13	11-82537M		2	NUT
14	27-80757M		1	GASKET, FUEL PUMP TO CRANKCASE
15	10-82428M		2	BOLT
16	13-82199M		2	WASHER, LOCK

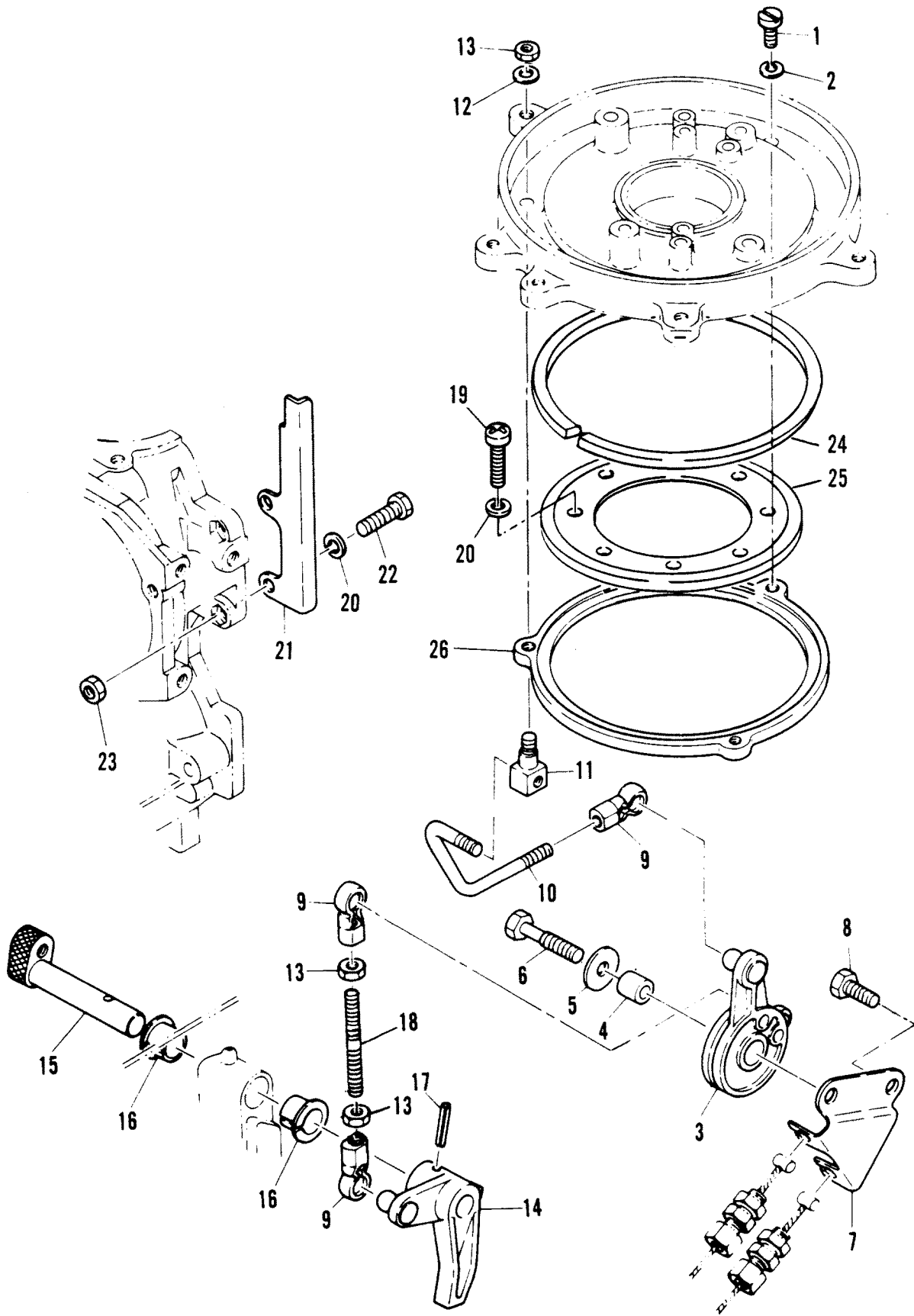
FUEL LINES AND FILTER



FUEL LINES AND FILTER

REF. NO.	PART NO.	SYM.	QTY.	DESCRIPTION
1	95483M		1	FUEL LINE CONNECTOR ASS'Y SERIAL 00008216-09999999
	93099M		1	FUEL LINE CONNECTOR ASS'Y SERIAL 00000000-00008215
2	10-83539M		1	BOLT
3	13-82199M		1	WASHER, LOCK
4	35-80617M		1	FILTER AS'Y
5	27-82790M		1	PACKING
6	35-82783M		1	ELEMENT, FILTER
7	82784M		1	CUP, FILTER
8	25-84957M		1	O-RING
9	80620M		1	BRACKET, FUEL FILTER
10	11-82382M		1	NUT
11	10-84303M		1	BOLT
12	32-84956M		1	FUEL LINE, CONNECTOR TO FILTER
13	81566M		1	FUEL LINE, FUEL FILTER TO FUEL PUMP
14	32-80605M		1	FUEL LINE, FUEL PUMP TO CARBURETOR
15	54-82047M		6	CLAMP, HOSE

THROTTLE CONTROL

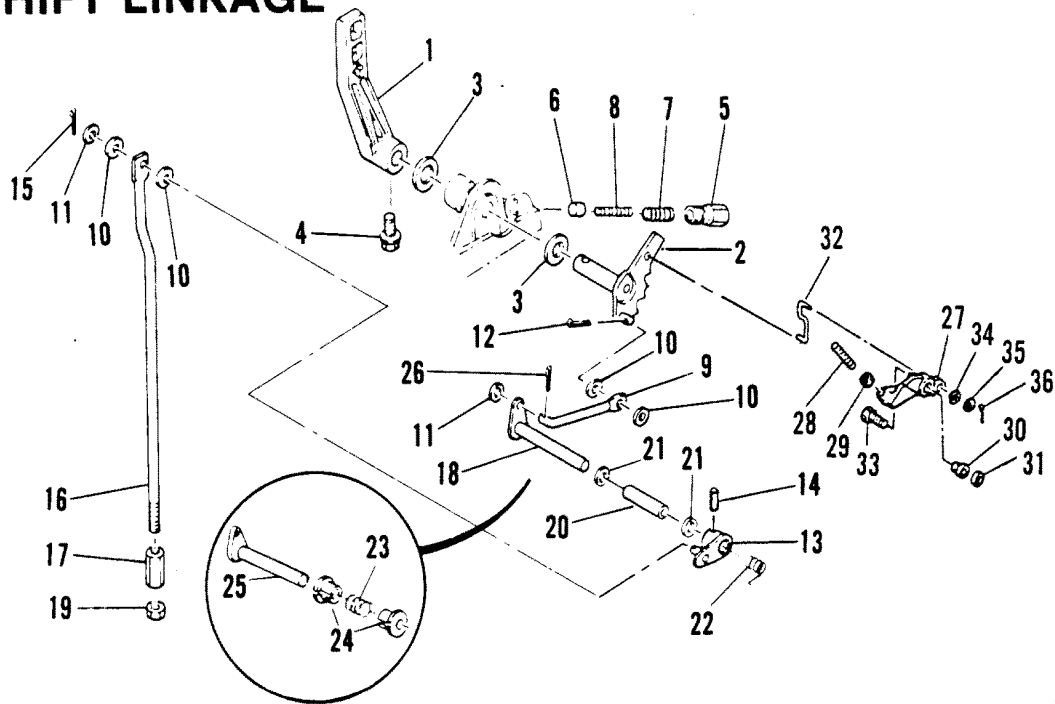


THROTTLE CONTROL

REF. NO.	PART NO.	SYM.	QTY.	DESCRIPTION
1	10-82490M		3	SCREW, BASE ATTACHING
2	12-82196M		3	WASHER, LOCK
3	81581M		1	CAM, MAGENTO CONTROL
4	23-83310M		1	COLLAR
5	12-81969M		1	WASHER
6	10-82405M		1	BOLT
7	81563M		1	BRACKET, THROTTLE CABLE
8	10-84303M		1	BOLT
9	81225M		3	JOINT
10	81582M		1	LINK ROD, MAGNETO CONTROL
11	80629M		1	SWIVEL, LINK ROD
12	12-81789M		1	WASHER
13	11-82378M		3	NUT
14	41890M		1	LEVER, THROTTLE SHAFT SERIAL 00002351-09999999
	91651M		1	LEVER, THROTTLE SHAFT SERIAL 00000000-00002350
15	81134M		1	SHAFT, THROTTLE
16	23-81946M		2	BUSHING
17	17-82156M		1	PIN, ROLL
18	16-81722M		1	LINK ROD
19	10-83539M		4	BOLT SERIAL 00002351-09999999
	10-82177M		4	SCREW SERIAL 00000000-00002350
20	13-82199M		6	WASHER, LOCK
21	96378M		1	STOP, MAGNETO BASE
22	10-83539M		2	BOLT
23	11-82380M		2	NUT
24	92572M		1	PLATE, FRICTION
25	92573M		1	RETAINER, MAGNETO BASE (UPPER)
26	96379M		1	RETAINER, MAGNETO BASE

GEAR SHIFT LINKAGE

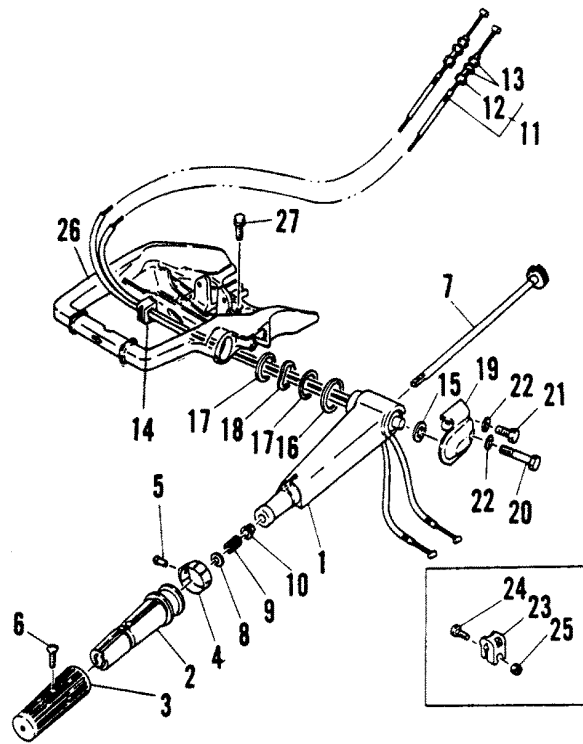
GEAR SHIFT LINKAGE



GEAR SHIFT LINKAGE

REF. NO.	PART NO.	SYM.	QTY.	DESCRIPTION
1	84865M		1	HANDLE, GEAR SHIFT
2	84653M		1	CAM, SHAFT
3	12-81851M		2	WASHER
4	10-84830M		1	BOLT
5	84459M		1	RETAINER, SHIFT DETENT
6	84460M		1	PLUNGER, SHIFT CAM
7	24-84461M		1	SPRING, COMPRESSION
8	24-84462M		1	SPRING, COMPRESSION
9	81595M		1	LINK ROD, SHIFT
10	12-81843M		4	WASHER
11	12-82211M		2	WASHER
12	18-82125M		1	PIN, SHIFT CAM
13	84867M		1	SWIVEL, SHIFT ROD
14	17-82155M		1	PIN, ROLL
15	18-82127M		1	PIN, COTTER
16	81596M		1	SHAFT, SHIFT-UPPER
17	80652M		1	CONNECTOR, SHIFT
18	97139M		1	LEVER, SHIFT ROD SERIAL 00001611-09999999
19	11-81767M		1	NUT
20	23-97142M		1	COLLAR SERIAL 00001611-09999999
21	12-81846M		2	WASHER SERIAL 00001611-09999999
22	7140M		1	SPRING SERIAL 00001611-09999999
23	24-82108M		1	SPRING SERIAL 00000000-00001610
24	23-81946M		2	BUSHING SERIAL 00000000-00001610
25	84866M		1	LEVER, SHIFT ROD SERIAL 00000000-00001610
26	18-82124M		1	PIN, COTTER
27	91648M		1	ARM SERIAL 00008216-09999999
28	16-41883M		1	BOLT SERIAL 00008216-09999999
29	11-82378M		1	NUT SERIAL 00008216-09999999
30	23-83310M		1	COLLAR SERIAL 00008216-09999999
31	12-81969M		1	COLLAR SERIAL 00008216-09999999
32	91650M		1	LINK SERIAL 00008216-09999999
33	10-83539M		1	BOLT SERIAL 00008216-09999999
34	13-81865M		2	WASHER, WAVE SERIAL 00008216-09999999
35	12-82211M		2	WASHER SERIAL 00008216-09999999
36	18-82125M		2	PIN, COTTER SERIAL 00008216-09999999

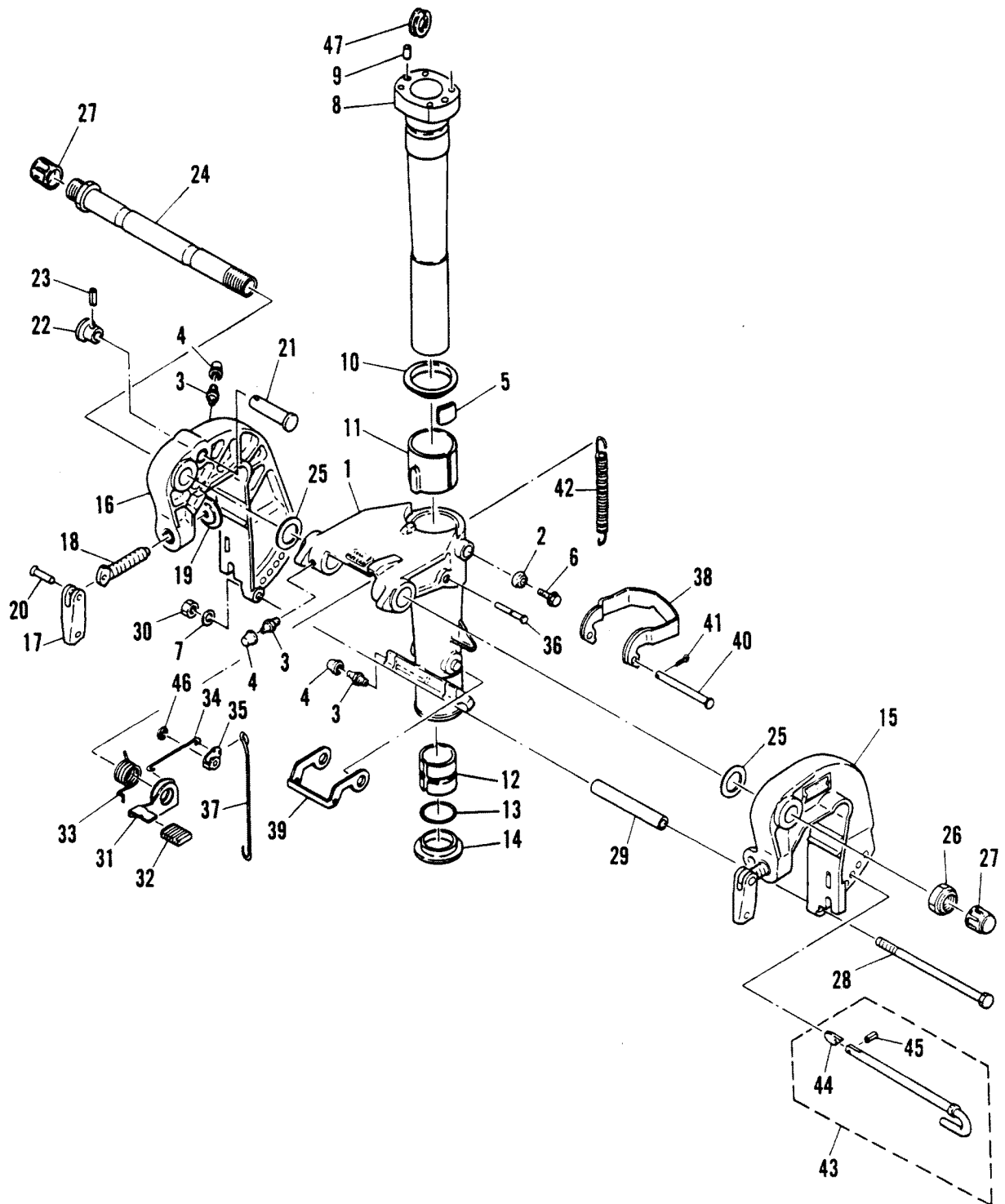
STEERING HANDLE



STEERING HANDLE

REF. NO.	PART NO.	SYM.	QTY.	DESCRIPTION
0-1	92570M		1	HANDLE ASS'Y
1	84849M		1	HANDLE, STEERING
2	81585M		1	GRIP, STEERING HANDLE
3	95497M		1	RUBBER, HANDLE SERIAL 00008216-09999999
	84854M		1	RUBBER, HANDLE SERIAL 00000000-00008215
4	41891M		1	INDICATOR, THROTTLE SERIAL 00002351-09999999
	97787M		1	INDICATOR, THROTTLE SERIAL 00000000-00002350
5	17-81907M		1	RIVET
6	10-82483M		1	SCREW
7	84856M		1	LEVER, THROTTLE
8	12-82204M		1	WASHER
9	24-82095M		1	SPRING
10	23-81945M		1	BUSHING
11	41892M		2	THROTTLE WIRE SERIAL 00002351-09999999
	84857M		2	THROTTLE WIRE SERIAL 00000000-00002350
12	10-81747M		2	BOLT, ADJUSTING
13	11-81765M		4	NUT
14	25-82064M		1	GROMMET
15	23-82119M		1	SPACER
16	23-81861M		1	WASHER
17	12-84850M		2	WASHER
18	13-84851M		1	WASHER, WAVE SERIAL 00008216-09999999
	13-84851M		1	WASHER, WAVE SERIAL 00000000-00008215
19	84852M		1	RETAINER
20	10-84853M		1	BOLT
21	10-84058M		1	BOLT
22	12-82214M		2	WASHER
23	82895M		1	PIECE, FRICTION
24	10-84058M		1	BOLT
25	11-83056M		1	NUT, SELF-LOCKING
26	81138M		1	BRACKET, STEERING
27	10-84830M		4	BOLT

CLAMP AND SWIVEL BRACKET/REVERSE LOCK

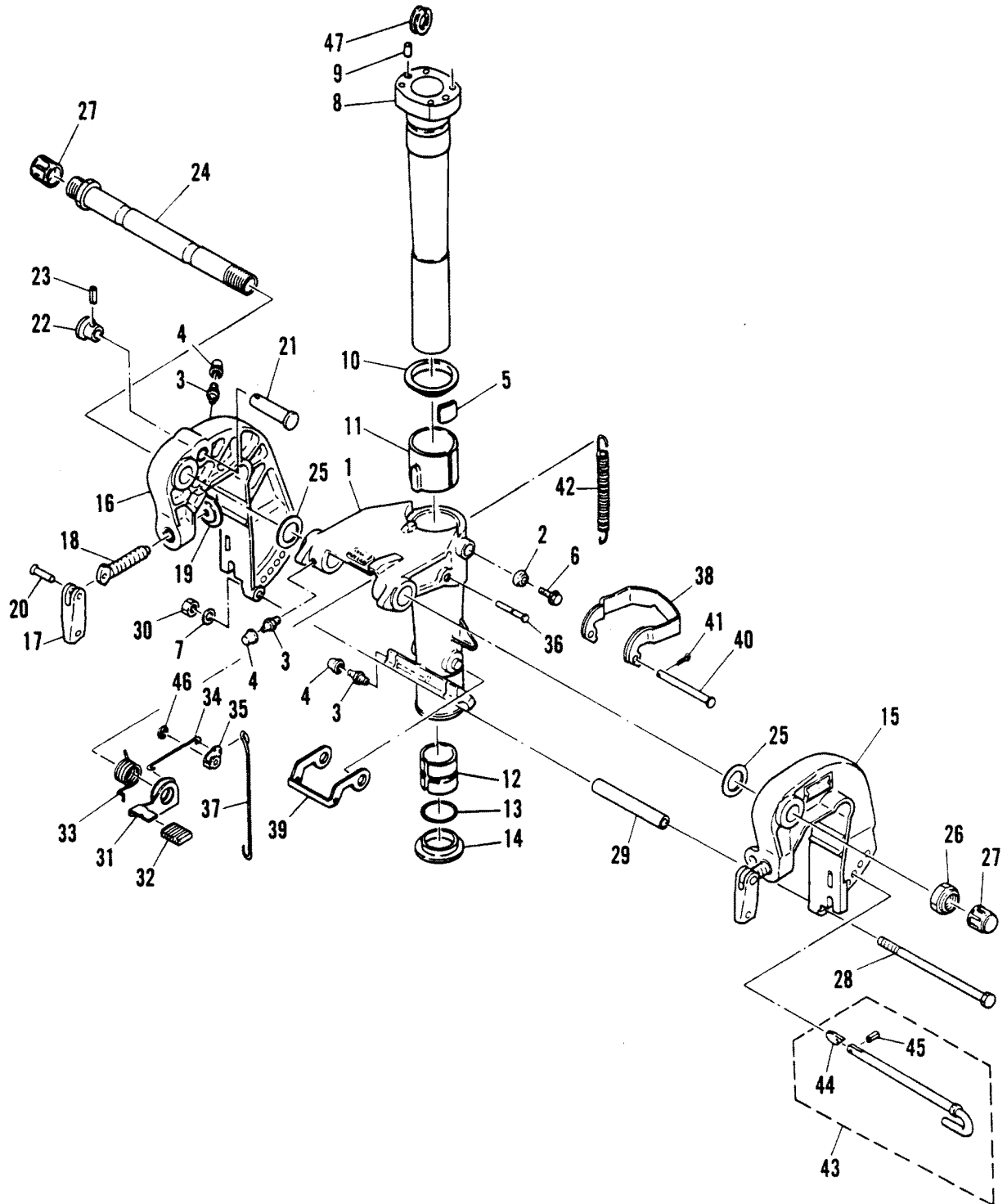


CLAMP AND SWIVEL BRACKET/REVERSE LOCK

REF. NO.	PART NO.	SYM.	QTY.	DESCRIPTION
1	1485-9246M		1	SWIVEL BRACKET SERIAL 00008216-09999999
	1485-8244M		1	SWIVEL BRACKET SERIAL 00000000-00008215
2	26-91637M		1	SEAL
3	22-82369M		4	FITTING, GREASE
4	81439M		4	CAP, GREASE FITTING
5	80633M		1	PLATE, FRICTION
6	10-96382M		1	SCREW
7	12-82217M		1	WASHER, LOCK
8	84833M		1	SHAFT,STEERING PIVOT
9	17-82368M		2	PIN, DOWEL
10	12-81873M		1	BUSHING
11	23-81964M		1	BUSHING, PIVOT SHAFT-UPPER
12	23-81961M		1	BUSHING, PIVOT SHAFT-LOWER
13	25-82274M		1	O-RING, PIVOT SHAFT BUSHING
14	23-81959M		1	BUSHING
15	1484-8245M		1	CLAMP BRACKET, PORT
16	1484-8246M		1	CLAMP BRACKET, STARBOARD
17	80048M		2	HANDLE, TRANSOM CLAMP SCREW
18	10-81756M		2	SCREW, TRANSOM CLAMP
19	12-80638M		2	PAD, TRANSOM CLAMP SCREW
20	17-81888M		2	PIN, ROLL
21	84835M		1	SHAFT, TILT STOP
22	84836M		1	KNOB, TILT STOP SHAFT
23	17-82148M		1	PIN, ROLL
24	10-91639M		1	TUBE, STEERING
25	12-81836M		2	WASHER
26	11-81787M		1	NUT
27	81388M		2	CAP
28	10-82924M		1	BOLT
29	23-81979M		1	SPACER, CLAMP BRACKET
30	11-82392M		1	NUT
31	91640M		1	LEVER, LOCK/RELEASE
32	91641M		1	COVER, LEVER
33	24-91642M		1	SPRING, TENSION
34	91643M		1	LINK, RELEASE LOCK LEVER
35	80648M		1	CAM, TILT
36	17-91644M		1	PIN
37	80645M		1	ROD, REVERSE LOCK LEVER
38	84837M		1	HOOK, REVERSE LOCK-REAR
39	80643M		1	HOOK, REVERSE LOCK-FRONT
40	17-81882M		1	PIN
41	18-82125M		1	PIN, COTTER
42	24-82105M		1	SPRING, REVERSE LOCK

CONTINUED ON NEXT PAGE ➡

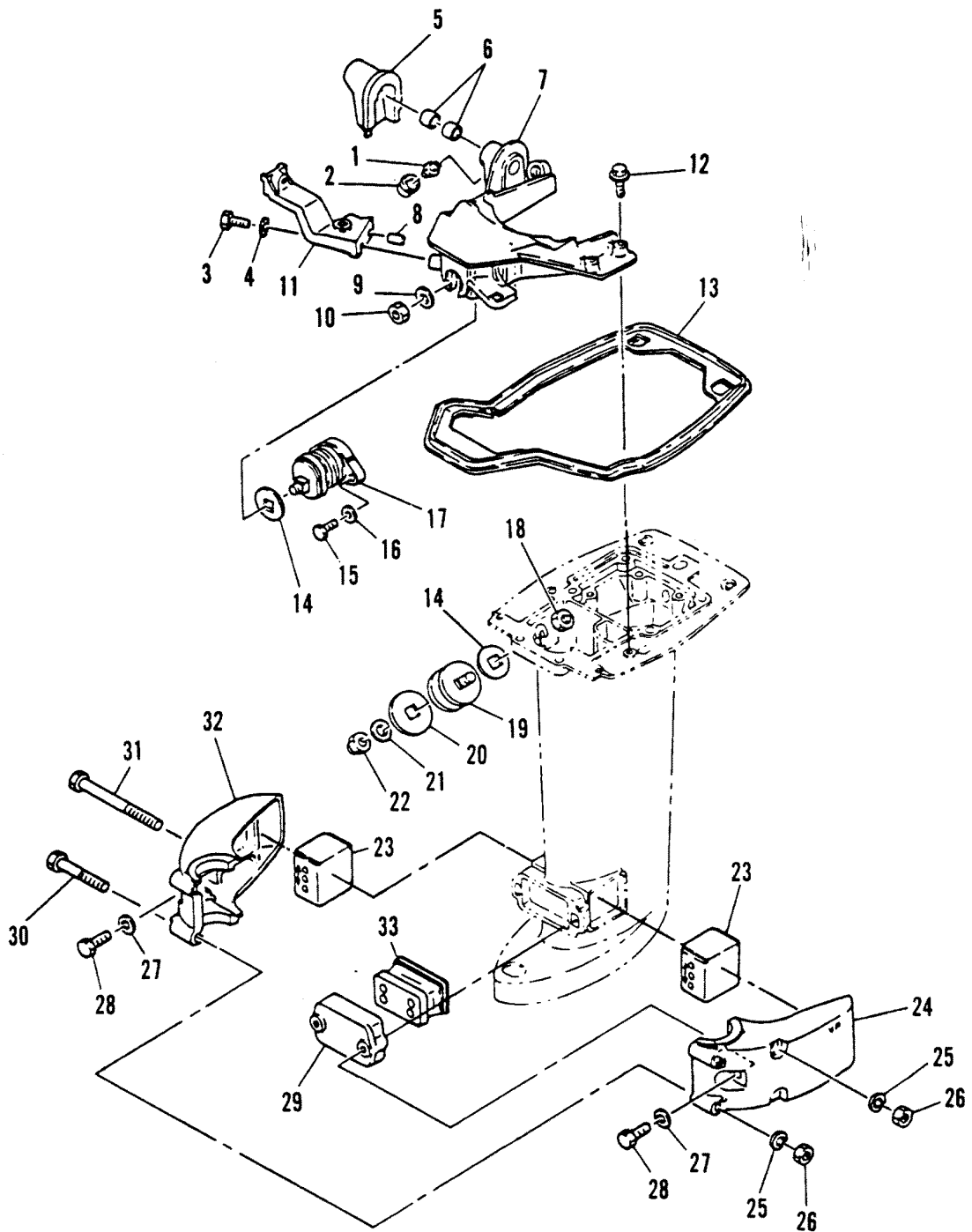
CLAMP AND SWIVEL BRACKET/REVERSE LOCK



CLAMP AND SWIVEL BRACKET/REVERSE LOCK

REF. NO.	PART NO.	SYM.	QTY.	DESCRIPTION
43	17-94569M		1	TILT LOCK PIN ASS'Y
44	82857M		1	STOPPER, PLATE
45	17-82144M		1	PIN, ROLL
46	53-82330M		1	SNAP RING
47	25-82070M		1	GROMMET

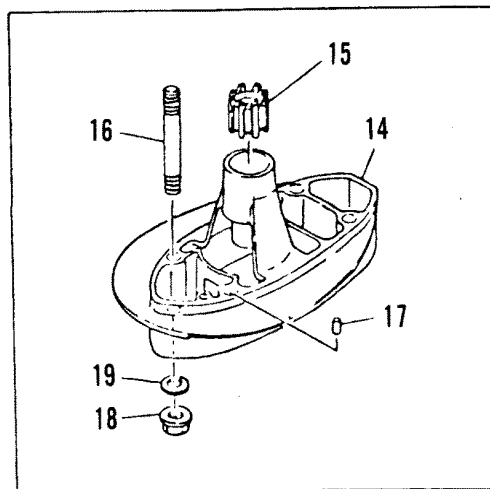
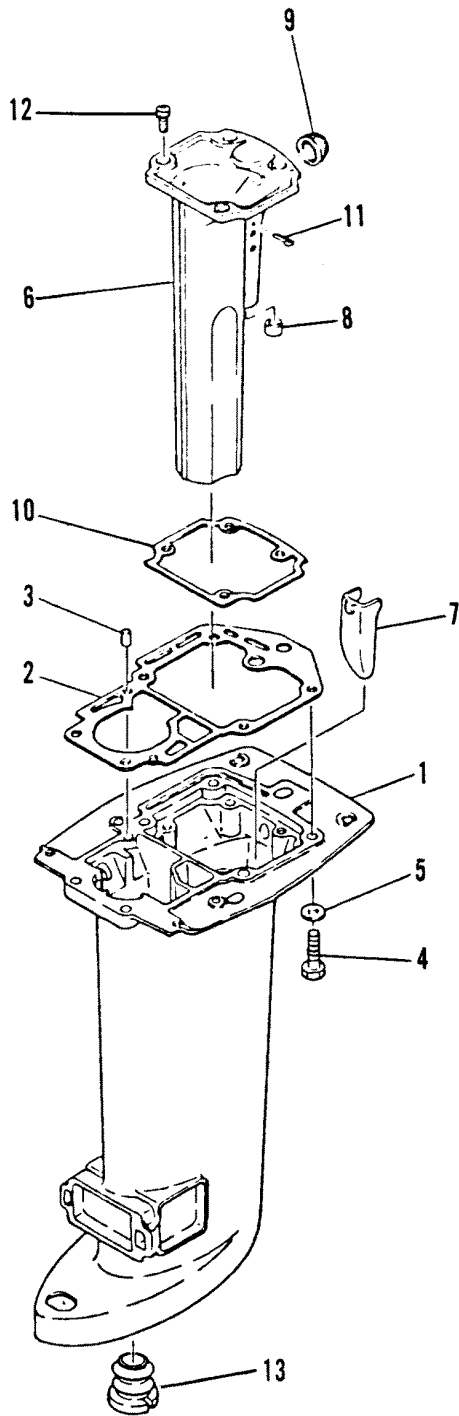
MOUNTING SYSTEM



MOUNTING SYSTEM

REF. NO.	PART NO.	SYM.	QTY.	DESCRIPTION
1	22-82369M		1	FITTING, GREASE
2	81439M		1	CAP, FITTING
3	10-82451M		1	BOLT
4	12-82214M		1	WASHER
5	26-84840M		1	SEAL, RUBBER
6	23-81930M		2	BUSHING
7	80654M		1	BRACKET
8	17-82364M		1	PIN, DOWEL
9	12-82219M		1	WASHER
10	11-95207M		1	NUT SERIAL 00008216-09999999
	11-82394M		1	NUT SERIAL 00000000-00008215
11	80657M		1	BRACKET
12	10-84839M		4	BOLT
13	26-84838M		1	SEAL, RUBBER
14	27-80662M		3	GASKET, MOUNT
15	10-84058M		2	BOLT
16	12-82214M		2	WASHER
17	84841M		1	MOUNT, UPPER FRONT
18	11-95207M		1	NUT SERIAL 00008216-09999999
	11-82394M		2	NUT SERIAL 00000000-00008215
19	82557M		2	MOUNT, UPPER SIDE
20	27-81612M		2	GASKET, MOUNT
21	12-82219M		2	WASHER
22	11-82183M		2	NUT, CROWN
23	84848M		2	MOUNT, LOWER SIDE
24	84842M		1	HOUSING, LOWER
25	12-82217M		4	WASHER SERIAL 00008216-09999999
	12-82217M		4	WASHER SERIAL 00000000-00002350
26	11-82392M		4	NUT
27	12-82217M		2	WASHER
28	10-8246M		2	BOLT
29	84847M		1	COVER, LOWER MOUNT
30	10-84844M		2	BOLT
31	10-41893M		2	BOLT W/WASHER SERIAL 00002350-09999999
	10-84845M		2	BOLT SERIAL 00000000-00002350
32	84843M		1	HOUSING, LOWER
33	84846M		1	MOUNT, LOWER FRONT

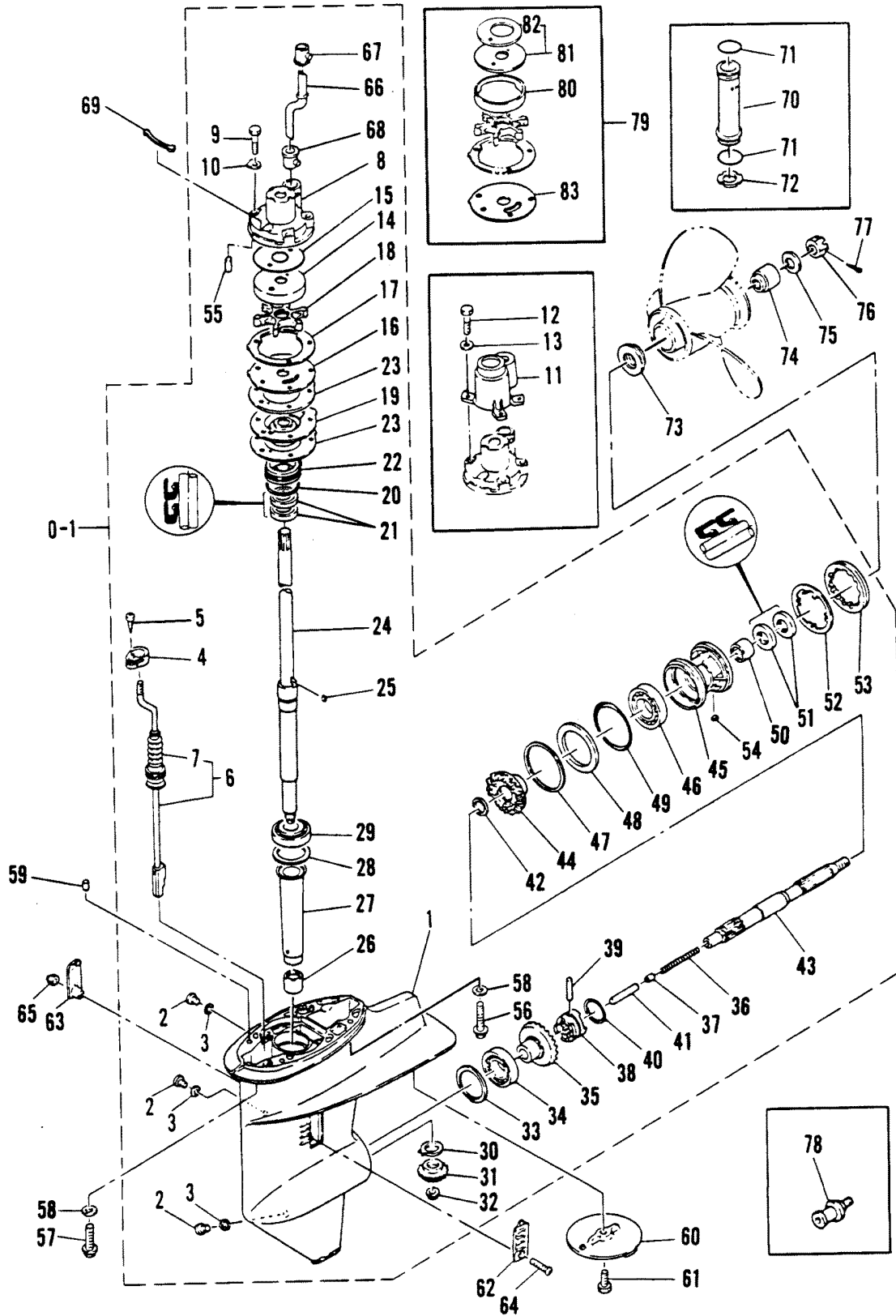
DRIVESHAFT HOUSING



DRIVESHAFT HOUSING

REF. NO.	PART NO.	SYM.	QTY.	DESCRIPTION
1	1587-9244M		1	DRIVESHAFT HOUSING(SHORT SHAFT) SERIAL 0008216-09999999
	1587-7842M		1	DRIVESHAFT HOUSING(SHORT SHAFT) SERIAL 00000000-00008215
	1587-7843M		1	DRIVESHAFT HOUSING (LONG AND ULTRA LOND SHAFT)
2	27-84775M		1	GASKET
3	17-82364M		2	PIN, DOWEL
4	10-82465M		6	BOLT
5	12-82217M		6	WASHER
6	83306M		1	MANIFOLD, EXHAUST
7	84776M		1	EXHAUST GUIDE (SHORT SHAFT)
	84777M		1	EXHAUST GUIDE (LONG AND ULTRA LONG SHAFT)
8	26-81574M		1	GASKET, EXHAUST MANIFOLD
9	26-81572M		1	GASKET, EXHAUST MANIFOLD
10	27-81573M		1	GASKET, EXHAUST MANIFOLD
11	18-82131M		1	PIN, COTTER
12	10-83870M		4	SCREW
13	26-43114M		1	SEAL SERIAL 00008216-09999999
14	84783M		1	EXTENSION (ULTRA LONG SHAFT) (SEE NOTE) OPTIONAL PARTS
15	23-84784M		1	BUSHING OPTIONAL PARTS
16	16-84785M		4	STUD OPTIONAL PARTS
17	17-82364M		2	PIN,DOWEL OPTIONAL PARTS
18	11-84786M		4	NUT OPTIONAL PARTS
19	12-82220M		4	WASHER OPTIONAL PARTS

GEARHOUSING ASSEMBLY

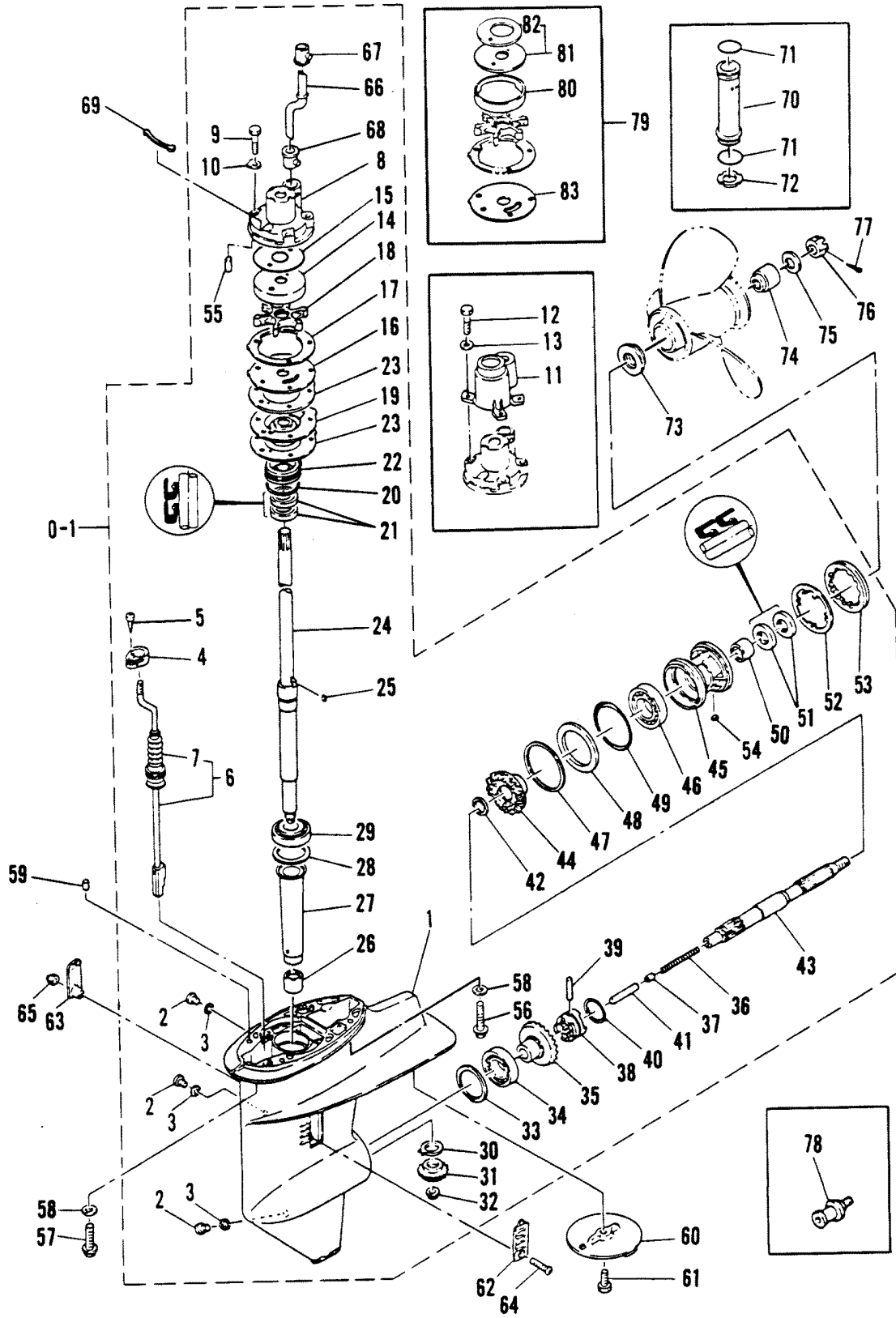


GEARHOUSING ASSEMBLY

REF. NO.	PART NO.	SYM.	QTY.	DESCRIPTION
0-1	1651-8924M		1	GEAR HOUSING ASS'Y (SHORT SHAFT) SERIAL 00005811-09999999
	1651-7844M		1	GEAR HOUSING ASS'Y(SHORT SHAFT)(SERIAL 00000000-00005810
	1651-8925M		1	GEAR HOUSING ASS'Y(LONG AND ULTRA LONG SHAFT) SERIAL 00005811-09999999
	1651-7845M		1	GEAR HOUSING ASS'Y(LONG AND ULTRA LONG SHAFT) SERIAL 00000000-00005810
1	1651-8807M		1	GEAR HOUSING SERIAL 00005811-09999999
	1651-7846M		1	GEAR HOUSING SERIAL 00000000-00005810
2	22-81924M		3	PLUG
3	27-81987M		3	GASKET, PLUG
4	84787M		1	RETAINER, SHIFT SHAFT
5	10-84788M		1	SCREW
6	83069M		1	SHIFT SHAFT ASS'Y (SHORT SHAFT)
	83052M		1	SHIFT SHAFT ASS'Y (LONG SHAFT)
	83805M		1	SHIFT SHAFT ASS'Y (ULTRA LONG SHAFT)
7	82914M		1	BOOT
8	46-41276M		1	HOUSING, WATER PUMP SERIAL 00005811-09999999
	49-97788M		1	HOUSING, WATER PUMP SERIAL 00000000-00005810
9	10-84790M		3	BOLT (SHORT SHAFT)
10	12-84791M		3	WASHER, LOCK (SHORT SHAFT)
11	84792M		1	COVER, WATER PUMP (LONG SHAFT)
12	10-96293M		3	BOLT(LONG SHAFT)
13	12-82214M		3	WASHER, LOCK (LONG SHAFT)
14	97789M		1	INSERT, WATER PUMP
15	27-94807M		1	SEAL
16	41894M		1	BASE PLATE SERIAL 00005811-09999999
	84795M		1	BASE PLATE SERIAL 00000000-00005810
17	27-41273M		1	GASKET, HOUSING SERIAL 00005811-09999999
	27-84796M		1	GASKET, HOUSING SERIAL 00000000-00005810
18	47-84797M		1	IMPELLER
19	41895M		1	PROTECTOR, OIL SEAL SERIAL 00005811-09999999
	84798M		1	PROTECTOR, OIL SEAL SERIAL 00000000-00005810
20	25-84054M		1	O-RING
21	26-82233M		2	OIL SEAL
22	41271M		1	COVER, OIL SEAL SERIAL 00005811-09999999
23	27-41272M		2	GASKET, PROTECTOR SERIAL 00005811-09999999
	27-84799M		2	GASKET, PROTECTOR SERIAL 00000000-00005810
24	45-84800M		1	DRIVE SHAFT (SHORT SHAFT)
	45-84801M		1	DRIVE SHAFT (LONG SHAFT)
	45-84802M		1	DRIVE SHAFT (ULTRA LONG SHAFT)
25	28-81603M		1	KEY, IMPELLER DRIVE
26	29-84803M		1	BEARING, ROLLER (LOWER)

CONTINUED ON NEXT PAGE ➡

GEARHOUSING ASSEMBLY

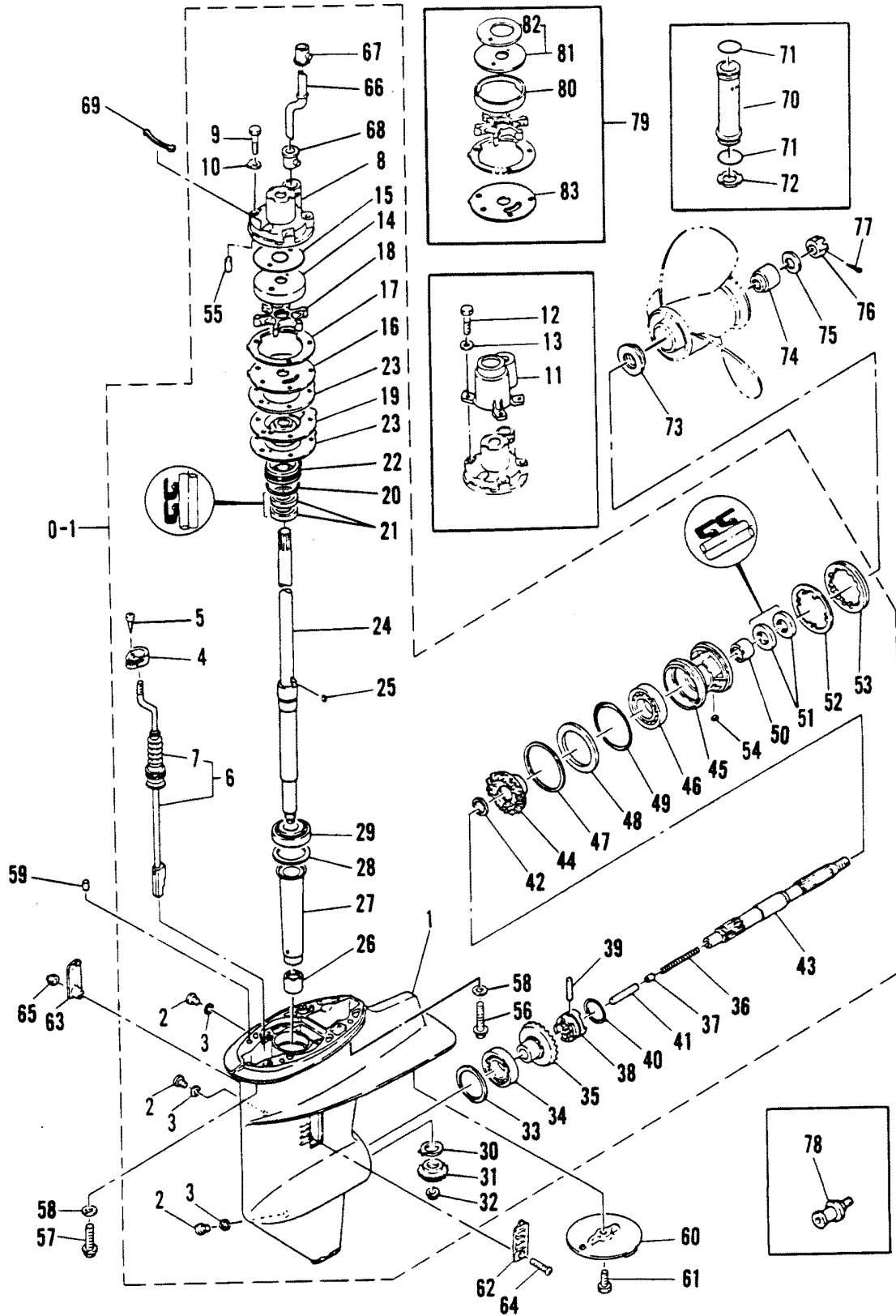


GEARHOUSING ASSEMBLY

REF. NO.	PART NO.	SYM.	QTY.	DESCRIPTION
27	23-84804M		1	SLEEVE, DRIVE SHAFT
28	15-81638M		AR	SHIM, DRIVE SHAFT (.05 MM)
	15-81639M		AR	SHIM, DRIVE SHAFT (.08 MM)
	15-81640M		AR	SHIM, DRIVE SHAFT (.12 MM)
	15-81641M		AR	SHIM, DRIVE SHAFT (.30 MM)
	15-81642M		AR	SHIM, DRIVE SHAFT (.50MM)
29	31-84805M		1	BEARING, TAPERED ROLLER(UPPER)
30	12-81624M		1	THRUST WASHER
31	43-84806M		1	PINION GEAR
32	11-84807M		1	NUT
33	15-81626M		AR	SHIM, FORWARD GEAR (.05 MM)
	15-81627M		AR	SHIM, FORWARD GEAR (.08 MM)
	15-81628M		AR	SHIM, FORWARD GEAR (.12 MM)
	15-81629M		AR	SHIM, FORWARD GEAR (.30 MM)
	15-81630M		AR	SHIM, FORWARD GEAR (.50 MM)
34	31-82321M		1	BEARING, TAPERED ROLLER (FORWARD)
35	43-84808M		1	GEAR, FORWARD
36	24-82078M		1	SPRING, COMPRESSION
37	80679M		1	SLIDE, SPRING
38	52-81644M		1	CLUTCH
39	17-81899M		1	CROSS PIN
40	53-80678M		1	RING, CROSS PIN
41	80680M		1	PLUNGER, SHIFT
42	12-81831M		1	WASHER, THRUST
43	44-84809M		1	PROPELLER SHAFT
44	43-84810M		1	GEAR, REVERSE
45	84811M		1	BEARING CARRIER
46	30-82295M		1	BEARING, ROLLER
47	15-81633M		AR	SHIM, REVERSE GEAR (.05 MM)
	15-81634M		AR	SHIM, REVERSE GEAR (.08 MM)
	15-81635M		AR	SHIM, REVERSE GEAR (.12 MM)
	15-81636M		AR	SHIM, REVERSE GEAR (.30 MM)
	15-81637M		AR	SHIM, REVERSE GEAR (.50MM)
48	12-81632M		1	WASHER, THRUST
49	25-84812M		1	O-RING
50	31-82315M		1	BEARING, ROLLER
51	26-84813M		2	OIL SEAL
52	14-84814M		1	WASHER, TAB
53	11-81619M		1	COVER NUT
54	28-81916M		1	KEY
55	17-41275M		2	PIN, DOWEL
56	10-94720M		2	BOLT SERIAL 00005811-00008215
	10-81711M		2	BOLT SERIAL 00000000-00005810

CONTINUED ON NEXT PAGE ➡

GEARHOUSING ASSEMBLY

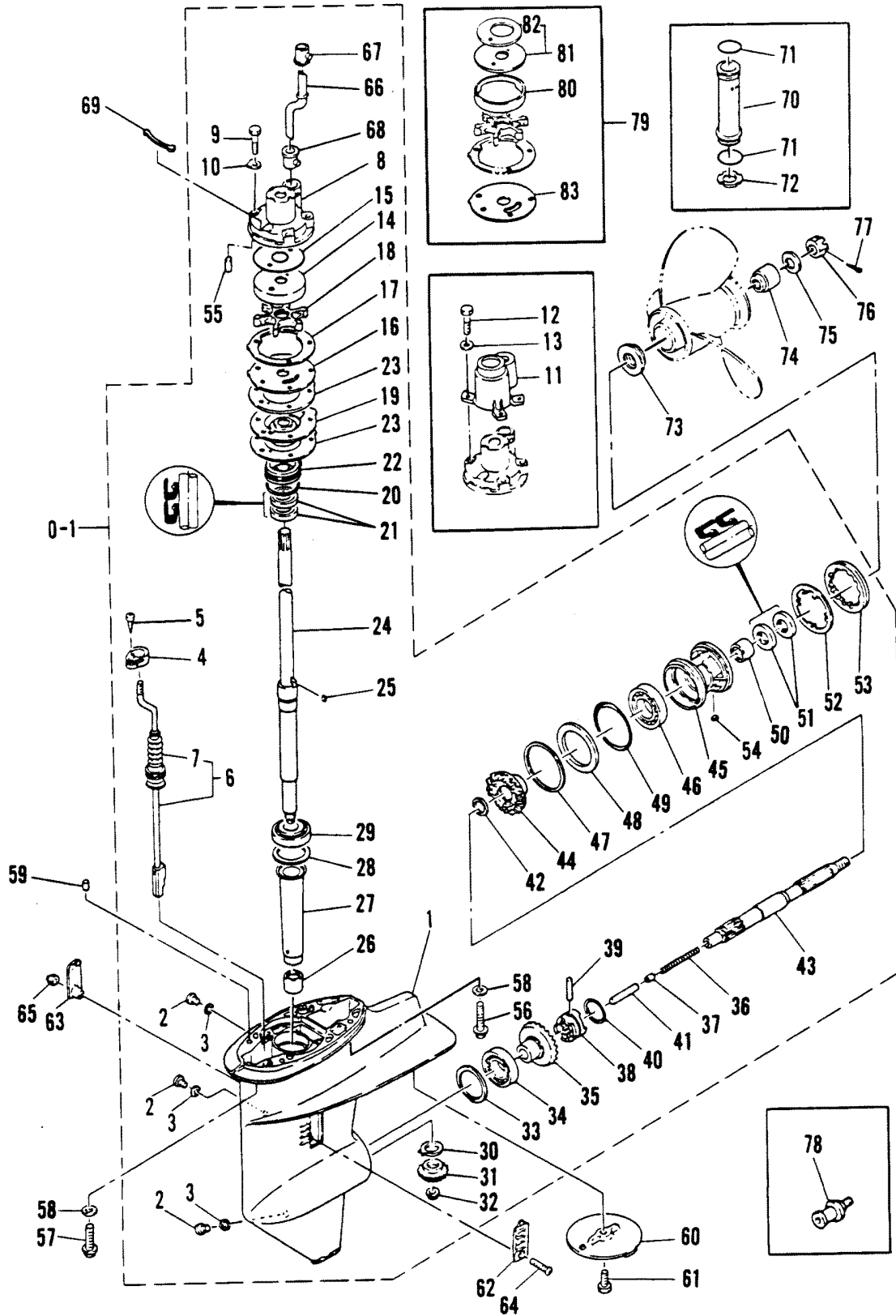


GEARHOUSING ASSEMBLY

REF. NO.	PART NO.	SYM.	QTY.	DESCRIPTION
57	10-81711M		2	BOLT SERIAL 00005811-09999999
	10-81711M		2	BOLT SERIAL 00000000-00005810
58	12-82220M		4	WASHER, LOCK
59	17-82364M		2	PIN, DOWEL
60	82795M		1	TRIM TAB
61	10-84815M		1	BOLT
62	41896M		1	COVER, WATER INLET SERIAL 00005811-09999999
	81615M		1	COVER, WATER INLET (PORT) SERIAL 00000000-00005810
63	41897M		1	COVER, WATER INLET (STAR BOARD) SERIAL 00005811-09999999
	81616M		1	COVER, WATER INLET (STAR BOARD) SERIAL 00000000-00005810
64	10-82483M		1	SCREW
65	11-81781M		1	NUT
66	32-81605M		1	WATER TUBE (SHORT SHAFT)
	32-84816M		1	WATER TUBE (LONG SHAFT)
	32-84817M		1	WATER TUBE (ULTRA LONG SHAFT)
67	26-84818M		1	SEAL, UPPER
68	26-80239M		1	SEAL, LOWER
69	23-84819M		1	SEAL
70	84820M		1	WATER TUBE EXTENSION (LONG AND ULTRA LONG SHAFT) (SEE NOTE)
71	25-84821M		2	O-RING(LONG AND ULTRA LONG SHAFT)
72	41277M		1	PLATE(LONG AND ULTRA LONG SHAFT) SERIAL 00005811-09999999
	97783M		1	PLATE(LONG ANF ULTRA LONG SHAFT) SERIAL 00000000-00005810
73	12-81650M		1	THRUST HUB, FORWARD
74	84823M		1	THRUST HUB, REVERSE
75	12-82222M		1	WASHER
76	11-81774M		1	NUT, PROPELLER
77	18-82800M		1	PIN, COTTER
78	22-80218M		1	FLUSH PLUG OPTIONAL PARTS
79	46-41898M		1	CHROME WATER PUMP KIT OPTIONAL PARTS SERIAL 00005811-09999999
	46-97790M		1	CHROME WATER PUMP KIT OPTIONAL PARTS SERIAL 00000000-00005810
80	97791M		1	INSERT, CARTIDGE OPTIONAL PARTS
81	84826M		1	INSERT OPTIONAL PARTS SERIAL 00000000-00002480
82	27-94807M		1	SEAL OPTIONAL PARTS
83	41274M		1	OUTER PLATE OPTIONAL PARTS SERIAL 00005811-09999999
	97792M		1	OUTER PLATE REPLACEMENT PARTS SERIAL 00000000-00005810
	27-41899M		1	GASKET SET, LOWER UNIT REPLACEMENT PARTS SERIAL 00005811-09999999

CONTINUED ON NEXT PAGE ➡

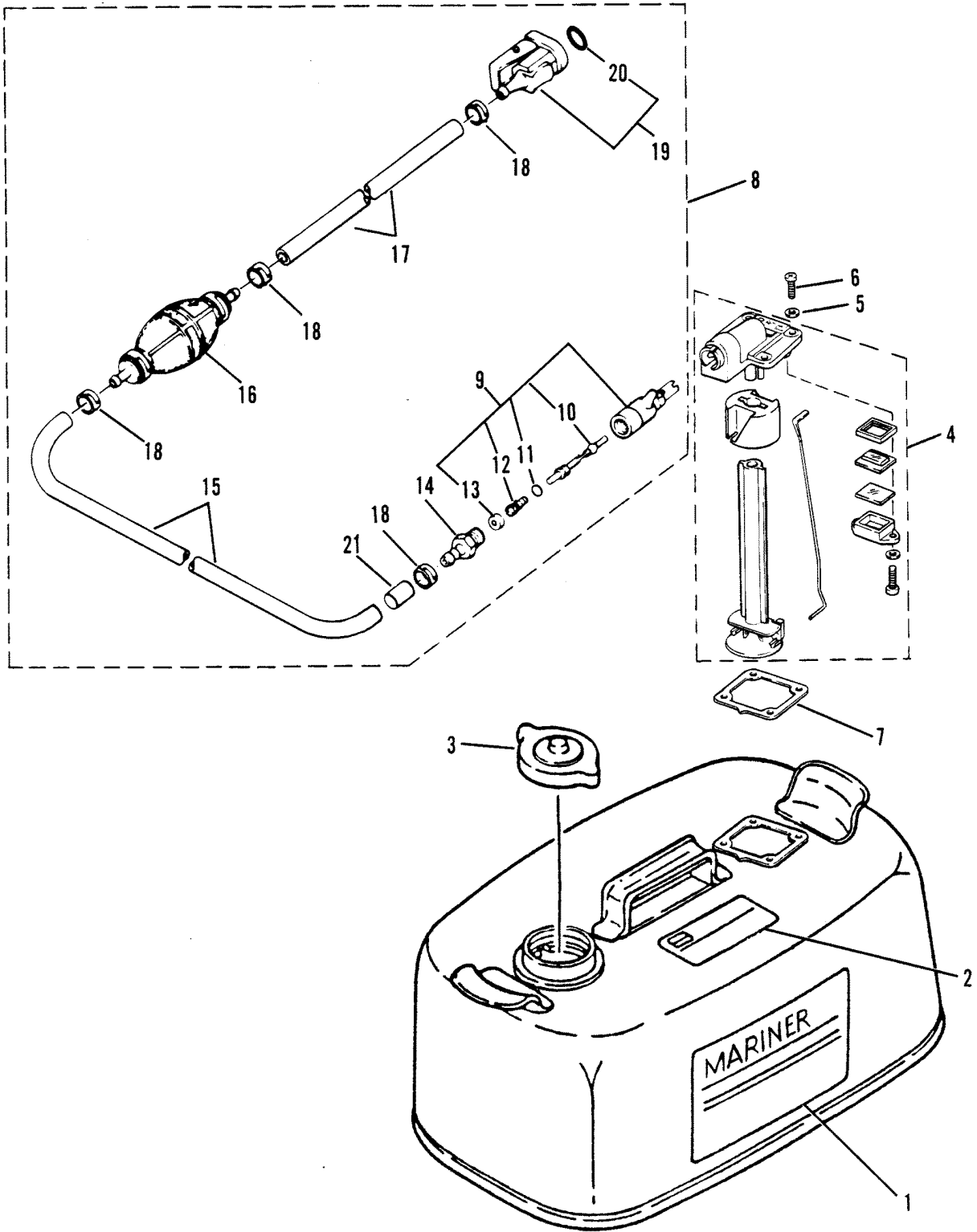
GEARHOUSING ASSEMBLY



GEARHOUSING ASSEMBLY

REF. NO.	PART NO.	SYM.	QTY.	DESCRIPTION
83	27-41899M		1	GASKET SET, LOWER UNIT REPLACEMENT PARTS SERIAL 00000000-00005810
	42431M		1	REPAIR KIT, WATER PUMP REPLACEMENT PARTS SERIAL 00005811-09999999
	97793M		1	REPAIR KIT, WATER PUMP REPLACEMENT PARTS SERIAL 00000000-00005810

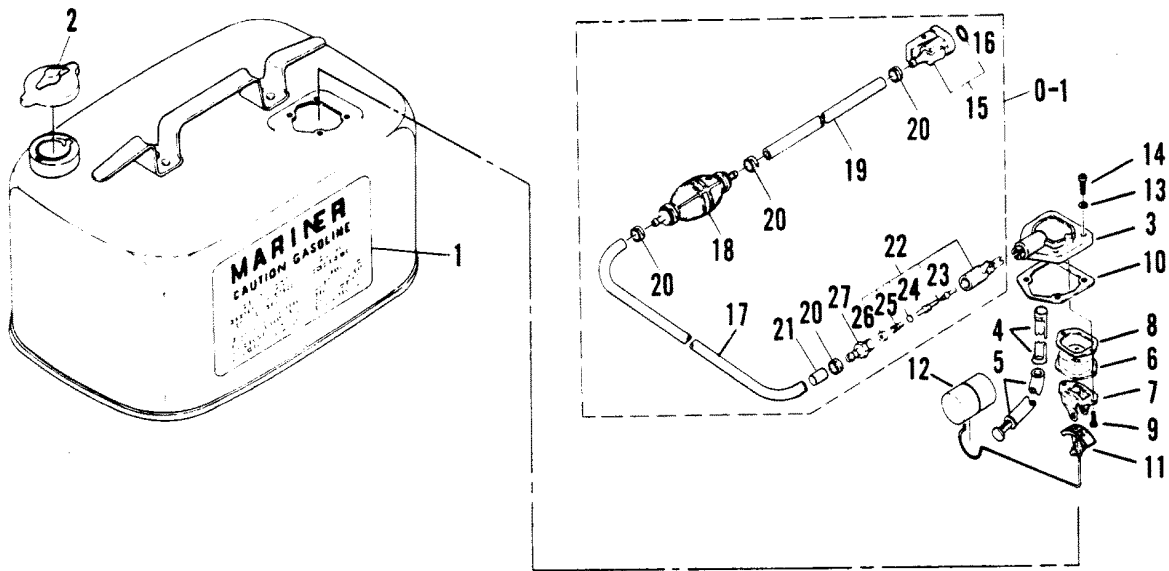
FUEL TANK AND FUEL LINE ASSEMBLY



FUEL TANK AND FUEL LINE ASSEMBLY

REF. NO.	PART NO.	SYM.	QTY.	DESCRIPTION
1	37-95498M		1	DECAL, SIDE (ENGLISH)
	37-95504M		1	DECAL, SIDE(FRENCH)
2	37-95489M		1	DECAL, TOP (ENGLISH)
	37-95503M		1	DECAL, TOP (FRENCH)
3	36-95490M		1	FUEL TANK CAP
4	95499M		1	FUEL METER ASS'Y
5	12-95501M		4	SEAL
6	10-95502M		4	SCREW
7	27-95500M		1	GASKET, FUEL METER ASS'Y
8	32-95216M		1	FUEL LINE ASS'Y
9	30185A1		1	BAYONET BODY ASS'Y
10	30187		1	STEM, BAYONET BODY
11	25-20415		1	O-RING, BAYONET BODY STEM
12	24-30189		1	SPRING, BAYONET BODY ASS'Y
13	30188		1	WASHER, CAP
14	22-63187		1	FITTING, FUEL LINE
15	32-84955M		1	HOSE, CONNECTOR HOUSING TO BULB
16	81325M		1	BULB, PRIMER
17	32-82023M		1	HOSE, BULB TO ENGINE CONNECTOR
18	54-80752M		4	CLAMP, HOSE
19	22-81042M		1	FUEL CONNECTOR, ENGINE END
20	25-82789M		1	O-RING
21	23-81327M		1	COLLAR

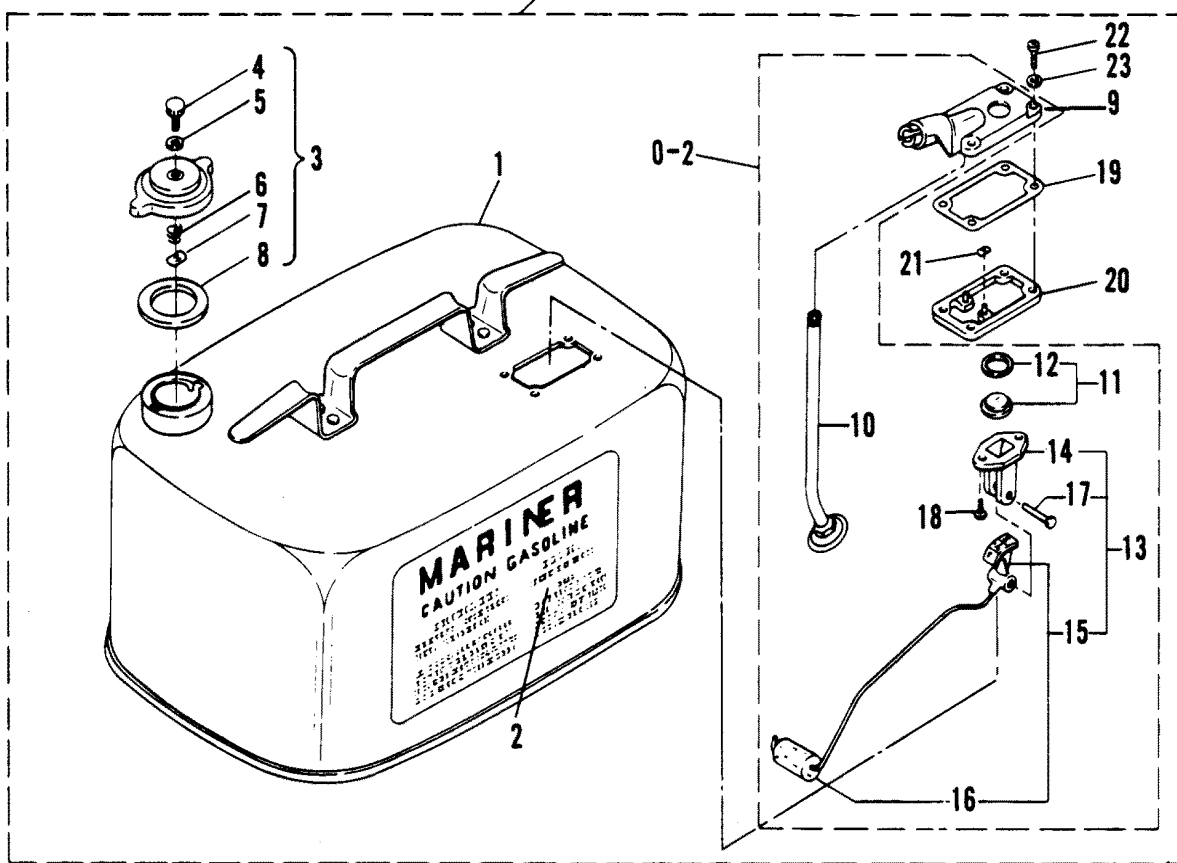
FUEL TANK AND FUEL LINE ASSEMBLY



FUEL TANK AND FUEL LINE ASSEMBLY

REF. NO.	PART NO.	SYM.	QTY.	DESCRIPTION
1	37-82984M		2	DECAL, SIDE
2	36-83617M		1	FUEL TANK CAP
3	83618M		1	FUEL METER ASSY
4	54-83764M		1	CLAMP, PICKUP HOSE
5	32-83626M		1	HOSE, PICKUP
6	80269M		1	LENS, INDICATOR
7	80268M		1	BRACKET, INDICATOR
8	27-80270M		1	GASKET, HOUSING TO LENS INDICATOR
9	10-82518M		2	SCREW
10	27-81320M		1	GASKET, HOUSING TO TANK
11	81318M		1	INDICATOR, FUEL LEVEL
12	81319M		1	FLOAT, INDICATOR
13	12-80271M		4	WASHER, HOUSING SCREW
14	10-82496M		4	SCREW, HOUSING ATTACHING
0-1	32-83628M		1	FUEL LINE ASS'Y
15	22-81042M		1	FUEL CONNECTOR, ENGINE END
16	25-82789M		1	O-RING
17	32-84955M		1	HOSE, CONNECTOR HOUSING TO BULB
18	81325M		1	BULB, PRIMER
19	32-82023M		1	HOSE, BULB TO CONNECTOR
20	54-80752M		4	CLAMP, HOSE
21	23-81327M		1	COLLAR
22	30185A1		1	BAYONET BODY ASS'Y
23	30187		1	STEM, BAYONET BODY
24	25-20415		1	O-RING, BAYONET BODY STEM
25	24-30189		1	SPRING, BAYONET BODY STEM
26	30188		1	WASHER, CAP
27	22-63187		1	FITTING, FUEL LINE

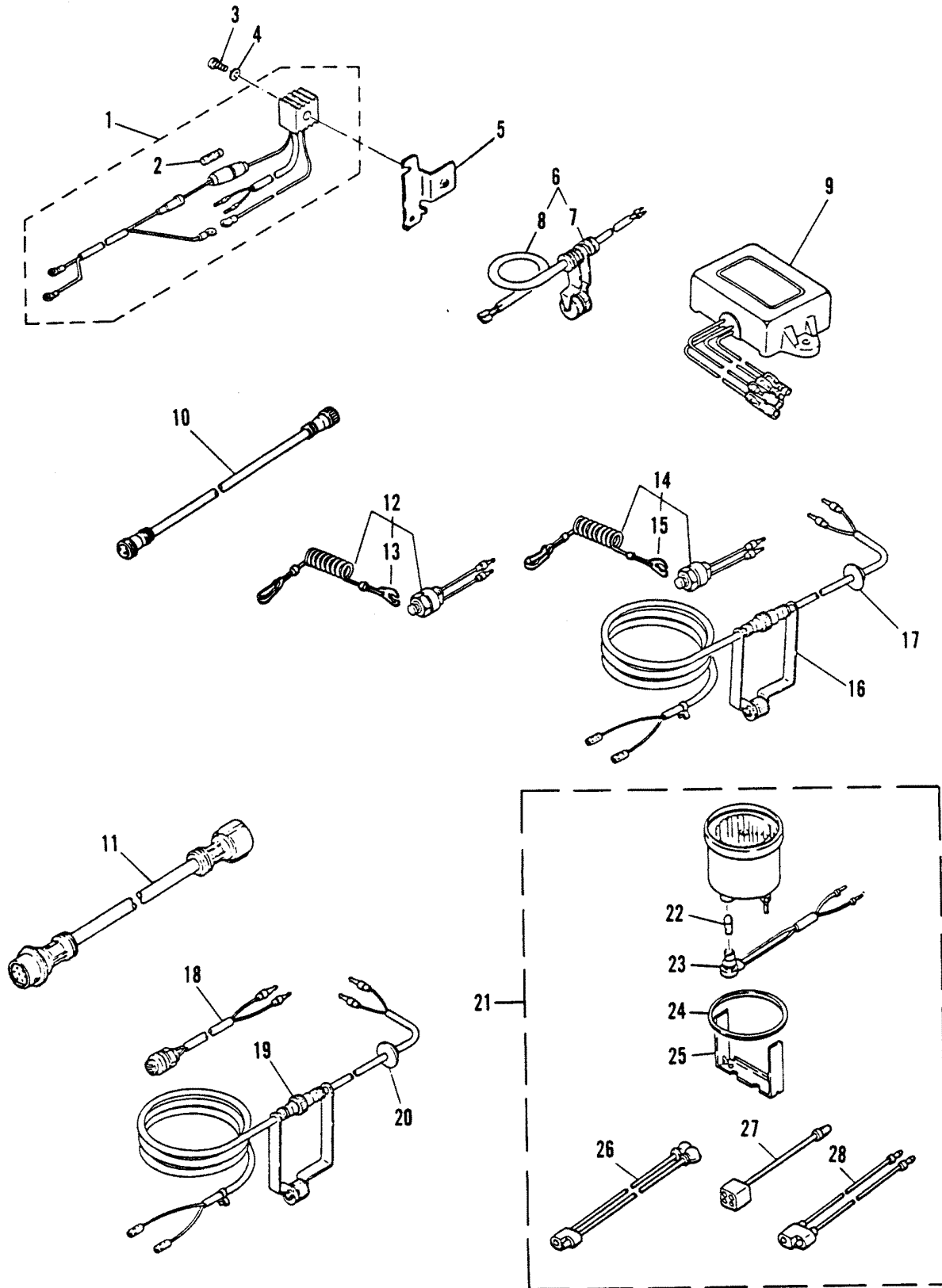
FUEL TANK (NOT ORIGINAL EQUIPMENT TANK SEE NOTE)



FUEL TANK (NOT ORIGINAL EQUIPMENT TANK SEE NOTE)

REF. NO.	PART NO.	SYM.	QTY.	DESCRIPTION
0-1	1225-1529A21		1	FUEL TANK, COMPLETE
1	1225-1529		1	FUEL TANK
2	37-75881		1	DECAL, FUEL TANK
3	36-25392A2		1	FILLER CAP ASSEMBLY
4	10-25575		1	SCREW, VENT-FILLER CAP
5	12-49221		1	WASHER, VENT SCREW
6	24-2227		1	SPRING, TENSION-VENT SCREW
7	11-28587		1	NUT, SPEED-SPRING RETAINER
8	27-25568		1	GASKET, FILLER CAP TO FUEL TANK
0-2	64841A1		1	CONNECTOR/GAUGE ASS'Y, COMPLETE
9	64841A3		1	COVER, FUEL TANK
10	32-33909A3		1	TUBE
11	54920A1		1	LENS ASSEMBLY, FUEL GAUGE
12	27-54921		1	GASKET, FUEL GAUGE LENS
13	28897A2		1	FUEL GAUGE ASSEMBLY, COMPLETE
14	20430		1	RETAINER, FUEL GAUGE
15	28897A1		1	INDICATOR AND FLOAT ASSEMBLY
16	20427		1	FLOAT, FUEL GAUGE
17	17-20426		1	RIVET, INDICATOR TO RETAINER
18	10-62568		2	SCREW, RETAINER TO FUEL TANK COVER
19	27-28862		1	GASKET, COVER ASSEMBLY TO FRAME
20	28860		1	FRAME, RETAINING-FUEL TANK COVER
21	11-28903		2	,FASTENER, RETAINING FRAME TO FUEL TANK
22	10-20411		4	SCREW, FUEL TANK COVER TO FUEL TANK
23	12-74711		4	WASHER, FUEL TANK COVER FASTENING SCREW

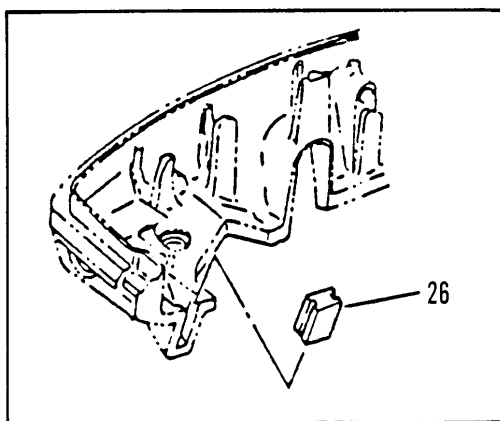
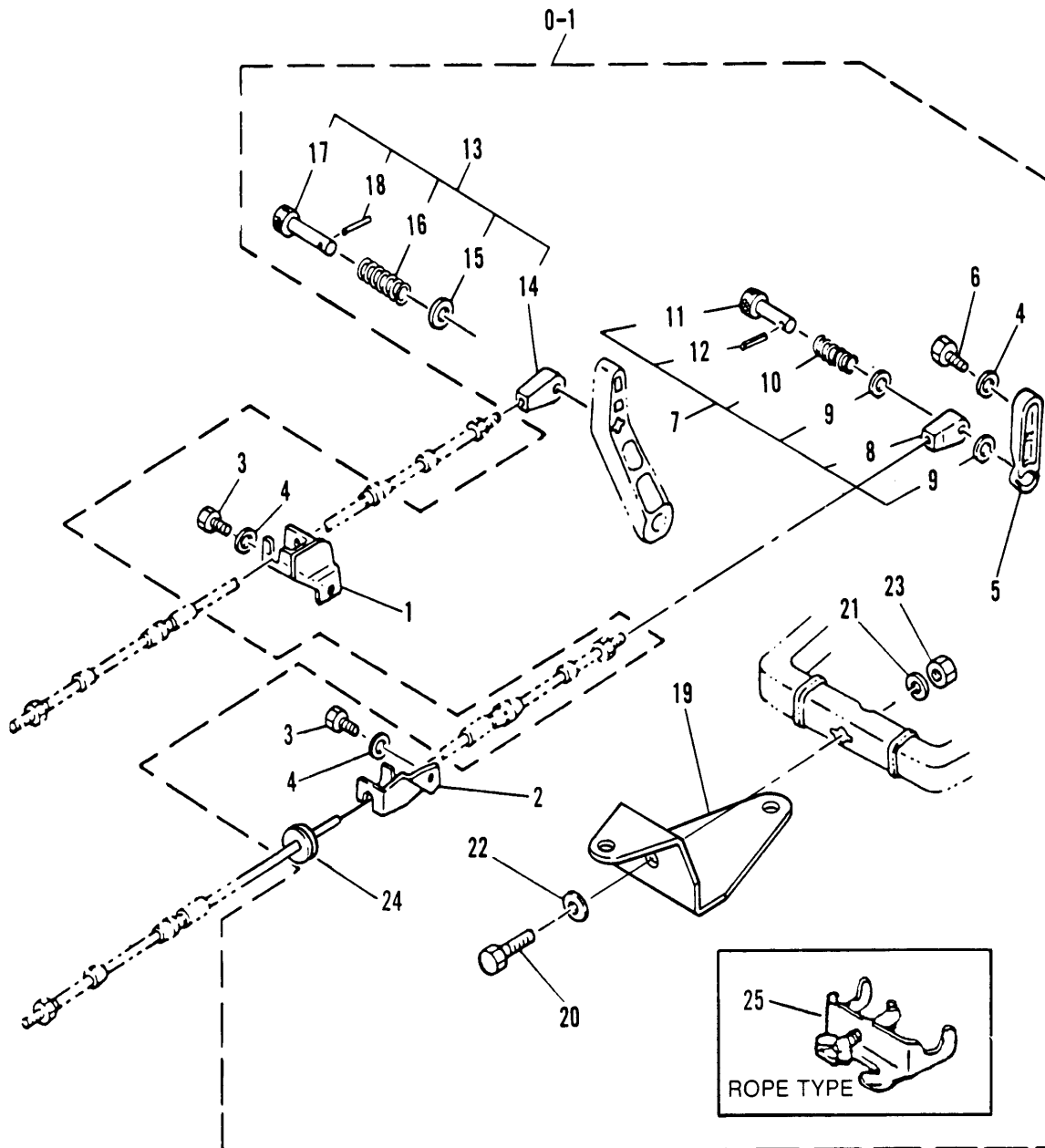
OPTIONAL PARTS



OPTIONAL PARTS

REF. NO.	PART NO.	SYM.	QTY.	DESCRIPTION
1	84329M		1	RECTIFIER ASS'Y
2	88-81522M		1	FUSE
3	10-82492M		1	SCREW
4	12-82196M		1	WASHER
5	92603M		1	PLATE, RECTIFIER MOUNTING SERIAL 00000000-00008215
6	84-84124M		1	CONNECTOR ASS'Y, 2 WIRE
7	84-99051M		1	EXTENSION
8	84-99052M		1	EXTENSION
9	84125M		1	VOLTAGE REGULATOR ASS'Y
10	84959M		1	EXTENSION (2M) FOR STOP SWITCH
11	84960M		1	EXTENSION (2M) FOR SWITCH PANEL
12	87-84916M		1	KILL SWITCH, MOTOR MOUNT SERIAL 00008216-09999999
	87-9774M		1	KILL SWITCH, MOTOR MOUNT SERIAL 00002351-00008215
	87-84916M		1	KILL SWITCH, MOTOR MOUNT SERIAL 00000000-00002350
13	97756M		1	STOPPER SERIAL 00002351-00008215
	81531M		1	STOPPER SERIAL 00000000-00002350
14	87-97755M		1	KILL SWITCH, REMOTE (5M)
15	97756M		1	STOPPER SERIAL 00002351-09999999
	81531M		1	STOPPER SERIAL 00000000-00002350
16	84964M		1	EXTENSION(5M)
17	25-84967M		1	GROMMET
18	87-97754M		1	STOP SWITCH, REMOTE (5M) SERIAL 00005811-09999999
	87-84966M		1	STOP SWITCH, REMOTE (5M) SERIAL 00000000-00005810
19	84964M		1	EXTENSION (5M)
21	79-43984A1		1	TACKOMETER KIT
22	88-99055M		1	BULB
23	99056M		1	SOCKET, BULB
24	99057M		2	DAMPER
25	99058M		1	PLATE
26	84-99059M		1	WIRE
27	84-84353M		1	CONNECTOR
28	84-84352M		1	EXTENSION. LEAD

REMOTE CONTROL ATTACHING KIT



REMOTE CONTROL ATTACHING KIT

REF. NO.	PART NO.	SYM.	QTY.	DESCRIPTION
0-1	43991A1		1	ATTACHING KIT, BALL POST TYPE
1	84221M		1	BRACKET, GEAR SHIFT
2	83717M		1	BRACKET, THROTTLE
3	10-83395M		2	BOLT
4	12-82214M		3	WASHER
5	84222M		1	THROTTLE LEVER
6	10-91772M		1	BOLT
7	83933M		1	CANLE END ASS'Y, THROTTLE
8	83934M		1	CABLE END
9	12-82216M		2	WASHER
10	24-83725M		1	SPRING
11	17-83726M		1	HOOK
12	17-82146M		1	PIN, ROLL
13	83719M		1	CABLE END ASS'Y, SHIFT
14	83720M		1	CABLE END
15	12-82216M		1	WASHER
16	24-83721M		1	SPRING
17	17-83726M		1	HOOK
18	17-82146M		1	PIN, ROLL
19	91635M		1	BRACKET, STEERING (BALL POST TYPE)
20	10-82474M		1	BOLT SERIAL 00008216-09999999
	10-91636M		1	BOL SERIAL 00000000-00008215
21	13-82218M		1	WASHER, LOCK
22	12-82220M		1	WASHER
23	11-81785M		1	LOCKNUT SERIAL 00002351-09999999
	11-82395M		1	NUT SERIAL 00000000-00002350
24	25-97031M		1	GROMMET SERIAL 00008216-09999999
25	83727M		1	STEERING HOOK ASS'Y, (ROPE TYPE) SERIAL 00008216-09999999
26	25-83728M		1	GROMMET, (OPTIONAL) SERIAL 00008216-09999999

PARTS INDEX

Part Number	Description	Pg.	Ref. No.	Part Number	Description	Pg.	Ref. No.
20427	FLOAT, FUEL GAUGE	57	16	80629M	SWIVEL, LINK ROD	31	11
20430	RETAINER, FUEL GAUGE	57	14	80633M	PLATE, FRICTION	37	5
28860	FRAME, RETAINING-FUEL TANK COVER	57	20	80643M	HOOK, REVERSE LOCK- FRONT	37	39
28897A1	INDICATOR AND FLOAT ASSEMBLY	57	15	80645M	ROD, REVERSE LOCK LEVER	37	37
28897A2	FUEL GAUGE ASSEMBLY, COMPLETE	57	13	80648M	CAM, TILT	37	35
30185A1	BAYONET BODY ASS'Y	53	9	80652M	CONNECTOR, SHIFT	33	17
30185A1	BAYONET BODY ASS'Y	55	22	80654M	BRACKET	41	7
30187	STEM, BAYONET BODY	53	10	80657M	BRACKET	41	11
30187	STEM, BAYONT BODY	55	23	80679M	SLIDE, SPRING	47	37
30188	WASHER, CAP	53	13	80680M	PLUNGER, SHIFT	47	41
30188	WASHER, CAP	55	26	80689M	COVER	9	12
41271M	COVER, OIL SEAL	45	22	80935M	PLUG CAP ASS'Y (NOISE SUPPRESSOR)	11	44
41274M	OUTER PLATE	49	83	81030M	COVER, THERMOSTAT	19	21
41277M	PLATE(LONG AND ULTRA LONG SHAFT)	49	72	81098M	THERMOSTATE	19	20
41882M	COVER	5	19	81106M	PLUNGER, STARTER STOP	5	35
41886M	JET, LOW SPEED(#62)	25	1	81107M	LINK, STARTER STOP	7	52
41887M	JET, MAIN (#133)	25	4	81108M	WIRE, STARTER STOP	5	37
41890M	LEVER, THROTTLE SHAFT	31	14	81110M	PLATE, SWITCH AND LOCKOUT MOUNTING	13	13
41891M	INDICATOR, THROTTLE	35	4	81134M	SHAFT, THROTTLE	31	15
41892M	THROTTLE WIRE	35	11	81138M	BRACKET, STEERING	35	26
41894M	BASE PLATE	45	16	81191M	JOINT	23	23
41895M	PROTECTOR, OIL SEAL	45	19	81191M	JOINT	25	22
41896M	COVER, WATER INLET	49	62	81225M	JOINT	31	9
41897M	COVER, WATER INLET (STAR BOARD)	49	63	81318M	INDICATOR, FUEL LEVEL	55	11
42431M	REPAIR KIT, WATER PUMP	51	83	81319M	FLOAT, INDICATOR	55	12
42435M	PANEL	13	32	81325M	BULB, PRIMER	53	16
43077M	I. UNIT ASS'Y 1	9	37	81325M	BULB, PRIMER	55	18
43991A1	ATTACHING KIT, BALL POST TYPE	61	0-1	81388M	CAP	37	27
47341A1	EMERGENCY STARTER ROPE	5	30	81439M	CAP, FITTING	41	2
54920A1	LENS ASSEMBLY, FUEL GAUGE	57	11	81439M	CAP, GREASE FITTING	37	4
64841A1	CONNECTOR/GAUGE ASS'Y, COMPLETE	57	0-2	81523M	DAMPER	9	27
64841A3	COVER, FUEL TANK	57	9	81531M	STOPPER	13	31
7140M	SPRING	33	22	81531M	STOPPER	59	13
79629A1	STARTER ROPE	5	18	81531M	STOPPER	59	15
79629A1	STARTER ROPE	5	18	81537M	BRACKET	13	33
80048M	HANDLE, TRANSOM CLAMP SCREW	37	17	81555M	GASKET, CYLINDER HEAD	19	18
80063M	HANDLE, STARTER	5	17	81563M	BRACKET, THROTTLE CABLE	31	7
80268M	BRACKET, INDICATOR	55	7	81564M	HOUSING, OIL SEAL (UPPER)	19	13
80269M	LENS, INDICATOR	55	6	81566M	FUEL LINE, FUEL FILTER TO FUEL PUMP	29	13
80570M	MANIFOLD, INTAKE	23	6	81568M	COVER, EXHAUST-INNER	19	26
80578M	JET, LOW SPEED (#60)	25	1	81569M	COVER,EXHAUST-OUTER	19	25
80591M	FLOAT	25	5	81581M	CAM, MAGENTO CONTROL	31	3
80593M	INLET VALVE AND SEAT	25	2	81582M	LINK ROD, MAGNETO CONTROL	31	10
80600M	GUIDE, STARTER ROPE	5	14	81585M	GRIP, STEERING HANDLE	35	2
80601M	SEAL, RUBBER-STARTER	3	16	81595M	LINK ROD, SHIFT	33	9
80606M	DIAPHRAGM	27	2	81596M	SHAFT, SHIFT-UPPER	33	16
80607M	COVER	27	9	81615M	COVER, WATER INLET (PORT)	49	62
80611M	PLATE, SPRING GUIDE	27	3	81616M	COVER, WATER INLET (STAR BOARD)	49	63
80620M	BRACKET, FUEL FILTER	29	9	81652M	RECTIFIER	13	6
80622M	LEVER, THROTTLE	25	17	82066M	GROMMET	15	44

PARTS INDEX

Part Number	Description	Pg.	Ref. No.	Part Number	Description	Pg.	Ref. No.
82209M	WASHER	25	15	84776M	EXHAUST GUIDE (SHORT SHAFT)	43	7
82557M	MOUNT, UPPER SIDE	41	19	84777M	EXHAUST GUIDE (LONG AND ULTRA LONG SHAFT)	43	7
82784M	CUP, FILTER	29	7	84783M	EXTENSION (ULTRA LONG SHAFT) (SEE NOTE)	43	14
82788M	PLUG CAP ASS'Y (OPT)	11	44	84787M	RETAINER, SHIFT SHAFT	45	4
82795M	TRIM TAB	49	60	84792M	COVER, WATER PUMP (LONG SHAFT)	45	11
82857M	STOPPER, PLATE	39	44	84795M	BASE PLATE	45	16
82895M	PIECE, FRICTION	35	23	84798M	PROTECTOR, OIL SEAL	45	19
82898M	APPLIQUE, FRONT	3	3	84811M	BEARING CARRIER	47	45
82902M	APPLIQUE, REAR	3	4	84820M	WATER TUBE EXTENSION (LONG AND ULTRA LONG SHAFT) (SEE NOTE)	49	70
82914M	BOOT	45	7	84823M	THRUST HUB, REVERSE	49	74
83052M	SHIFT SHAFT ASS'Y (LONG SHAFT)	45	6	84826M	INSERT	49	81
83069M	SHIFT SHAFT ASS'Y (SHORT SHAFT)	45	6	84833M	SHAFT, STEERING PIVOT	37	8
83137M	HOOK	3	9	84835M	SHAFT, TILT STOP	37	21
83160M	LINK ROD THROTTLE LEVER	25	21	84836M	KNOB, TILT STOP SHAFT	37	22
83200M	FLOAT BOWL	25	7	84837M	HOOK, REVERSE LOCK-REAR	37	38
83212M	HOLDER, CLAMP BAND	3	7	84841M	MOUNT, UPPER FRONT	41	17
83306M	MANIFOLD, EXHAUST	43	6	84842M	HOUSING, LOWER	41	24
83319M	SOUND BLANKET	3	11	84843M	HOUSING, LOWER	41	32
83320M	SOUND BLANKET	3	12	84846M	MOUNT, LOWER FRONT	41	33
83321M	SOUND BLANKET	3	13	84847M	COVER, LOWER MOUNT	41	29
83322M	SOUND BLANKET	3	14	84848M	MOUNT, LOWER SIDE	41	23
83618M	FUEL METER ASSY	55	3	84849M	HANDLE, STEERING	35	1
83717M	BRACKET, THROTTLE	61	2	84852M	RETAINER	35	19
83719M	CABLE END ASS'Y, SHIFT	61	13	84854M	RUBBER, HANDLE	35	3
83720M	CABLE END	61	14	84856M	LEVER, THROTTLE	35	7
83727M	STEERING HOOK ASS'Y, (ROPE TYPE)	61	25	84857M	THROTTLE WIRE	35	11
83805M	SHIFT SHAFT ASS'Y (ULTRA LONG SHAFT)	45	6	84865M	HANDLE, GEAR SHIFT	33	1
83933M	CABLE END ASS'Y, THROTTLE	61	7	84866M	LEVER, SHIFT ROD	33	25
83934M	CABLE END	61	8	84867M	SWIVEL, SHIFT ROD	33	13
83960M	KNOB, CHOKE	23	18	84869M	DAMPER	9	26
84125M	VOLTAGE REGULATOR ASS'Y	59	9	84873M	HOLDER	9	38
84141M	DIAPHRAGM	27	8	84892M	COVER	5	19
84221M	BRACKET, GEAR SHIFT	61	1	84894M	PAWL, STARATER	5	7
84222M	THROTTLE LEVER	61	5	84901M	SEAL, TOP COWL	3	17
84329M	RECITIFER ASS'Y	59	1	84913M	LEVER, COWL CLAMP	3	21
84411M	HOOK, WIRE	13	15	84934M	MOUNTING BRACKET	13	3
84459M	RETAINER, SHIFT DETENT	33	5	84940M	CHOKE SOLENOID	13	14
84460M	PLUNGER, SHIFT CAM	33	6	84941M	PLATE, SOLENOID MOUNTING	13	18
84466M	BRACKET, STARTER HSG (PORT)	5	24	84959M	EXTENSION (2M) FOR STOP SWITCH	59	10
84468M	BRACKET, STARTER HSG (STARBOARD)	5	23	84960M	EXTENSION (2M) FOR SWITCH PANEL	59	11
84653M	CAM, SHAFT	33	2	84964M	EXTENSION (5M)	59	19
84689M	JET, MIAN (#130)	25	4	84964M	EXTENSION (5M)	59	16
84708M	PLATE	15	47	84973M	FUSE ASS'Y	13	10
84732M	ANODE	19	10	91635M	BRACKET, STEERING (BALL POST TYPE)	61	19
84753M	HOUSING, OIL SEAL (LOWER)	21	14	91640M	LEVER, LOCK/RELEASE	37	31
84758M	REED VALVE ASS'Y	23	15	91641M	COVER, LEVER	37	32
84761M	LEVER, CHOKE	23	20	91643M	LINK, RELEASE LOCK LEVER	37	34
84764M	FLOAT BOWL	25	7				
84772M	SHAFT, THROTTLE	25	23				
84773M	REPAIR KIT, CARBURETOR	25	24				

PARTS INDEX

Part Number	Description	Pg.	Ref. No.	Part Number	Description	Pg.	Ref. No.
91648M	ARM	33	27	97756M	STOPPER	59	13
91648M	LINK, STARTER STOP	7	42	97756M	STOPPER	59	15
91650M	LINK	7	51	97767M	EMBLEM, FRONT	3	3
91650M	LINK	33	32	97769M	SWITCH PANEL ASS'Y	13	27
91651M	LEVER, THROTTLE SHAFT	31	14	97783M	PLATE(LONG ANF ULTRA LONG SHAFT)	49	72
92570M	HANDLE ASS'Y	35	0-1	97787M	INDICATOR, THROTTLE	35	4
92572M	PLATE, FRICTION	31	24	97789M	INSERT, WATER PUMP	45	14
92573M	RETAINER, MAGNETO BASE (UPPER)	31	25	97791M	INSERT, CARTIDGE	49	80
92576M	COVER, AIR INTAKE (INNER)	23	1	97792M	OUTER PLATE	49	83
92577M	COVER, AIR INTAKE (OUTER)	23	2	97793M	REPAIR KIT, WATER PUMP	51	83
92579M	ROD, CHOKE	23	22	99056M	SOCKET, BULB	59	23
92591M	CAM	9	20	99057M	DAMPER	59	24
92599M	BRACKET	7	40	99058M	PLATE	59	25
92601M	PLATE, SOLENOID MOUNTING	13	4	99950M	STOPPER, MAGNETO BASE	9	17
92603M	PLATE, RECTIFIER MOUNTING	13	9	99952M	CAP	11	48
92603M	PLATE, RECTIFIER MOUNTING	59	5	10-20411	SCREW, FUEL TANK COVER TO FUEL TANK	57	22
92609M	BRACKET	17	17	10-25575	SCREW, VENT-FILLER CAP	57	4
92661M	PANEL	13	32	10-41884M	BOLT W/WASHER	19	5
93099M	FUEL LINE CONNECTOR ASS'Y	29	1	10-41885M	BOLT W/WASHER	19	19
93107M	SEAL	5	22	10-41885M	BOLT W/WASHER	19	6
94799M	FUEL PUMP ASS'Y	27	1	10-41889M	SCREW	27	12
94804M	LIGHTING COIL ASS'Y, 80W (SEE NOTE)	9	9	10-41893M	BOLT WWASHER	41	31
95483M	FUEL LINE CONNECTOR ASS'Y	29	1	10-62568	SCREW, RETAINER TO FUEL TANK COVER	57	18
95497M	RUBBER, HANDLE	35	3	10-80164M	SCREW	13	36
95499M	FUEL METER ASS'Y	53	4	10-80573M	SCREW, IDLE MIXTURE	25	12
95506M	SOUND BLANKET	3	15	10-81558M	SET SCREW, THROTTLE LEVER	25	20
95555M	CAM	9	20	10-81711M	BOLT	47	56
96341M	PLATE, TIMING	5	34	10-81711M	BOLT	49	57
96342M	BASE ASS'Y	9	3	10-81711M	BOLT	49	57
96343M	BASE, MAGNETO	9	4	10-81746M	BOLT	5	38
96344M	CHARGE COIL ASS'Y	9	5	10-81747M	BOLT, ADJUSTING	35	12
96345M	PULSER COIL ASS'Y	9	6	10-81756M	SCREW, TRANSOM CLAMP	37	18
96347M	STOPPER, MAGNETO BASE	9	17	10-82167M	SCREW	19	8
96349M	BRACKET	9	25	10-82177M	SCREW	31	19
96351M	IGNITION COIL ASS'Y	11	41	10-82405M	BOLT	5	25
96360M	PINION STOPPER SET	17	2	10-82405M	BOLT	9	29
96362M	FRONT COVER ASS'Y	17	4	10-82405M	BOLT	11	39
96365M	ARMATURE ASS'Y	17	7	10-82405M	BOLT	11	43
96366M	STATOR ASS'Y	17	8	10-82405M	BOLT	23	10
96367M	BRUSH HOLDER ASS'Y	17	9	10-82405M	BOLT	31	6
96368M	BRUSH(+)	17	10	10-82406M	BOLT	19	6
96369M	BRUSH(-)	17	11	10-82407M	BOLT	19	19
96370M	REAR COVER ASS'Y	17	13	10-82408M	BOLT	19	5
96375M	POWERHEAD ASS'Y, COMPLETE (SEE NOTE)	19	32	10-82428M	BOLT	5	26
96377M	NOZZLE, MAIN	25	3	10-82428M	BOLT	27	15
96378M	STOP, MAGNETO BASE	31	21	10-82442M	BOLT	5	31
96379M	RETAINER, MAGNETO BASE	31	26	10-82451M	BOLT	41	3
97139M	LEVER, SHIFT ROD	33	18	10-82453M	BOLT	19	28
97681M	SWITCH PANEL ASS'Y	13	27	10-82465M	BOLT	17	20
97694M	PINION ASS'Y	17	3	10-82465M	BOLT	43	4
97756M	STOPPER	13	31	10-8246M	BOLT	41	28
				10-82474M	BOLT	61	20
				10-82483M	SCREW	35	6
				10-82483M	SCREW	49	64
				10-82487M	SCEW	13	34
				10-82490M	SCREW, BASE ATTACHING	31	1

PARTS INDEX

Part Number	Description	Pg.	Ref. No.	Part Number	Description	Pg.	Ref. No.
10-82492M	SCREW	13	7	10-91772M	BOLT	61	6
10-82492M	SCREW	59	3	10-92523M	BOLT	17	19
10-82496M	SCREW, HOUSING ATTACHING	55	14	10-92523M	BOLT	19	30
10-82512M	SCREW	13	20	10-92523M	BOLT	19	30
10-82515M	SCREW	25	9	10-94526M	BOLT	21	15
10-82518M	SCREW	55	9	10-94720M	BOLT	47	56
10-82522M	SCREW	27	10	10-94801M	SCREW	27	12
10-82623M	SCREW, IDLE SPEED	25	11	10-95209M	SCREW	19	8
10-82924M	BOLT	37	28	10-95502M	SCREW	53	6
10-83112M	SET SCREW, THROTTLE LEVER	25	20	10-96293M	BOLT	19	29
10-83285M	BOLT	23	11	10-96293M	BOLT	19	30
10-83395M	BOLT	61	3	10-96293M	BOLT(LONG SHAFT)	45	12
10-83539M	BOLT	7	44	10-96346M	SCREW WITH WASHER	9	7
10-83539M	BOLT	7	54	10-96371M	BOLT	17	15
10-83539M	BOLT	11	43	10-96382M	SCREW	37	6
10-83539M	BOLT	19	24	10-97803M	SCREW, WITH WASHER	9	10
10-83539M	BOLT	29	2	11-28587	NUT, SPEED-SPRING RETAINER	57	7
10-83539M	BOLT	31	19	11-28903	,FASTENER, RETAINING FRAME TO FUEL TANK	57	21
10-83539M	BOLT	31	22	11-81619M	COVER NUT	47	53
10-83539M	BOLT	33	33	11-81765M	NUT	35	13
10-83870M	SCREW	43	12	11-81767M	NUT	33	19
10-84058M	BOLT	35	21	11-81770M	NUT	9	15
10-84058M	BOLT	35	24	11-81774M	NUT, PROPELLER	49	76
10-84058M	BOLT	41	15	11-81781M	NUT	49	65
10-84236M	BOLT	5	31	11-81785M	LOCKNUT	61	23
10-84237M	BOLT	5	27	11-81787M	NUT	37	26
10-84245M	SCREW	23	4	11-82183M	NUT, CROWN	41	22
10-84247M	BOLT	5	15	11-82377M	NUT	15	37
10-84303M	BOLT	9	13	11-82378M	NUT	7	49
10-84303M	BOLT	9	18	11-82378M	NUT	15	37
10-84303M	BOLT	9	35	11-82378M	NUT	31	13
10-84303M	BOLT	13	25	11-82378M	NUT	33	29
10-84303M	BOLT	29	11	11-82379M	NUT	25	18
10-84303M	BOLT	31	8	11-82380M	NUT	5	28
10-84313M	BOLT	9	21	11-82380M	NUT	5	39
10-84315M	BOLT	3	26	11-82380M	NUT	9	32
10-84315M	BOLT	7	41	11-82380M	NUT	23	13
10-84315M	BOLT	9	24	11-82380M	NUT	31	23
10-84342M	BOLT	5	11	11-82382M	NUT	5	13
10-84488M	BOLT	19	29	11-82382M	NUT	29	10
10-84655M	SCREW	13	22	11-82383M	NUT	3	34
10-84709M	SCREW	15	48	11-82392M	NUT	37	30
10-84788M	SCREW	45	5	11-82392M	NUT	41	26
10-84790M	BOLT (SHORT SHAFT)	45	9	11-82393M	NUT	3	36
10-84815M	BOLT	49	61	11-82394M	NUT	41	10
10-84830M	BOLT	33	4	11-82394M	NUT	41	18
10-84830M	BOLT	35	27	11-82395M	NUT	61	23
10-84839M	BOLT	41	12	11-82537M	NUT	27	13
10-84844M	BOLT	41	30	11-82927M	MUT, APPLIQUE ATTACHING	3	6
10-84845M	BOLT	41	31	11-83056M	NUT, SELF-LOCKING	35	25
10-84853M	BOLT	17	18	11-84786M	NUT	43	18
10-84853M	BOLT	35	20	11-84807M	NUT	47	32
10-84929M	BOLT	17	14	11-95207M	NUT	41	10
10-84946M	SCREW	13	36	11-95207M	NUT	41	18
10-91636M	BOL	61	20	12-49221	WASHER, VENT SCREW	57	5
10-91639M	TUBE, STEERING	37	24	12-74711	WASHER, FUEL TANK COVER FASTENING	57	23
10-91691M	SCREW WITH WASHER	9	8				
10-91699M	SCREW, WITH WASHER	9	11				

PARTS INDEX

Part Number	Description	Pg.	Ref. No.	Part Number	Description	Pg.	Ref. No.
12-80271M	WASHER, HOUSING SCREW	55	13	12-82220M	WASHER	43	19
12-80564M	WASHER	19	7	12-82220M	WASHER	61	22
12-80638M	PAD, TRANSOM CLAMP SCREW	37	19	12-82220M	WASHER, LOCK	49	58
12-80884M	WASHER, APPLIQUE NUT	3	5	12-82222M	WASHER	49	75
12-81624M	THRUST WASHER	47	30	12-82799M	WASHER	13	21
12-81632M	WASHER, THRUST	47	48	12-82799M	WASHER	15	39
12-81650M	THRUST HUB, FORWARD	49	73	12-82979M	WASHER	9	30
12-81789M	WASHER	31	12	12-84791M	WASHER, LOCK (SHORT SHAFT)	45	10
12-81794M	WASHER	3	25	12-84850M	WASHER	35	17
12-81801M	WASHER	5	12	12-95501M	SEAL	53	5
12-81814M	WASHER	9	16	12-96364M	WASHER KIT	17	6
12-81829M	WASHER, CONNECTING ROD BEARING	21	6	13-81865M	WASHER, WAVE	7	47
12-81831M	WASHER, THRUST	47	42	13-81865M	WASHER, WAVE	33	34
12-81835M	WASHER	19	23	13-81866M	WASHER, WAVE	7	58
12-81836M	WASHER	37	25	13-81867M	WASHER, WAVE	7	53
12-81843M	WASHER	33	10	13-81869M	WASHER, WAVE	3	30
12-81846M	WASHER	33	21	13-82184M	WASHER, LOCK	13	35
12-81851M	WASHER	33	3	13-82197M	WASHER	9	33
12-81873M	BUSHING	37	10	13-82197M	WASHER	9	36
12-81969M	COLLAR	33	31	13-82197M	WASHER	13	26
12-81969M	WASHER	7	43	13-82197M	WASHER, LOCK	19	16
12-81969M	WASHER	31	5	13-82199M	WASHER	7	55
12-82196M	WASHER	7	46	13-82199M	WASHER	9	33
12-82196M	WASHER	7	57	13-82199M	WASHER	23	14
12-82196M	WASHER	9	22	13-82199M	WASHER, LOCK	5	16
12-82196M	WASHER	13	23	13-82199M	WASHER, LOCK	5	29
12-82196M	WASHER	13	8	13-82199M	WASHER, LOCK	23	12
12-82196M	WASHER	15	39	13-82199M	WASHER, LOCK	27	16
12-82196M	WASHER	23	5	13-82199M	WASHER, LOCK	29	3
12-82196M	WASHER	59	4	13-82199M	WASHER, LOCK	31	20
12-82196M	WASHER, LOCK	31	2	13-82199M	WASHSER	11	40
12-82198M	WASHER	9	14	13-82206M	WASHER, LOCK	25	10
12-82198M	WASHER	9	19	13-82208M	WASHER, LOCK	15	38
12-82199M	WASHER, LOCK	13	26	13-82208M	WASHER, LOCK	25	19
12-82199M	WASHER, LOCK	19	32	13-82208M	WASHER, LOCK	27	11
12-82202M	WASHER	5	32	13-82218M	WASHER, LOCK	61	21
12-82202M	WASHER	17	16	13-84851M	WASHER, WAVE	35	18
12-82202M	WASHER	17	21	13-84851M	WASHER, WAVE	35	18
12-82204M	WASHER	35	8	14-84814M	WASHER, TAB	47	52
12-82211M	WASHER	33	11	15-81626M	SHIM, FORWARD GEAR (.05 MM)	47	33
12-82211M	WASHER	33	35	15-81627M	SHIM, FORWARD GEAR (.08 MM)	47	33
12-82214M	WASHER	35	22	15-81628M	SHIM, FORWARD GEAR (.12 MM)	47	33
12-82214M	WASHER	41	16	15-81629M	SHIM, FORWARD GEAR (.30 MM)	47	33
12-82214M	WASHER	41	4	15-81630M	SHIM, FORWARD GEAR (.50 MM)	47	33
12-82214M	WASHER	61	4	15-81633M	SHIM, REVERSE GEAR (.05 MM)	47	47
12-82214M	WASHER, LOCK	21	16	15-81634M	SHIM, REVERSE GEAR (.08 MM)	47	47
12-82214M	WASHER, LOCK (LONG SHAFT)	45	13	15-81635M	SHIM, REVERSE GEAR (.12 MM)	47	47
12-82216M	WASHER	61	15	15-81636M	SHIM, REVERSE GEAR (.30 MM)	47	47
12-82216M	WASHER	61	9	15-81637M	SHIM, REVERSE GEAR (.50MM)	47	47
12-82217M	WASHER	3	35				
12-82217M	WASHER	41	25				
12-82217M	WASHER	41	25				
12-82217M	WASHER	41	27				
12-82217M	WASHER	43	5				
12-82217M	WASHER, LOCK	37	7				
12-82219M	WASHER	41	21				
12-82219M	WASHER	41	9				

PARTS INDEX

Part Number	Description	Pg.	Ref. No.	Part Number	Description	Pg.	Ref. No.
15-81638M	SHIM, DRIVE SHAFT (.05 MM)	47	28	21-80727M	CHECK VALVE ASS'Y	19	3
15-81639M	SHIM, DRIVE SHAFT (.08 MM)	47	28	21-94800M	CHECK VALVE	27	6
15-81640M	SHIM, DRIVE SHAFT (.12 MM)	47	28	22-63187	FITTING, FUEL LINE	53	14
15-81641M	SHIM, DRIVE SHAFT (.30 MM)	47	28	22-63187	FITTING, FUEL LINE	55	27
15-81642M	SHIM, DRIVE SHAFT (.50MM)	47	28	22-80122M	FITTING, CRANKCASE DRAIN	19	2
16-41883M	BOLT	33	28	22-80218M	FLUSH PLUG	49	78
16-41883M	STUD	7	50	22-81042M	FUEL CONNECTOR, ENGINE END	53	19
16-81722M	LINK ROD	31	18	22-81042M	FUEL CONNECTOR, ENGINE END	55	15
16-84785M	STUD	43	16	22-81924M	PLUG	45	2
16-84870M	STUD	9	31	22-82369M	FITTING, GREASE	37	3
16-84912M	BOLT, SPECIAL	3	33	22-82369M	FITTING, GREASE	41	1
16-91649M	STUD	7	50	23-81327M	COLLAR	53	21
16-91735M	STUD, CARBURETOR ATTACHING	23	7	23-81327M	COLLAR	55	21
17-20426	RIVET, INDICATOR TO RETAINER	57	17	23-81842M	SPACER, INNER BEARING	21	10
17-41275M	PIN, DOWEL	47	55	23-81861M	WASHER	35	16
17-81882M	PIN	37	40	23-81930M	BUSHING	41	6
17-81888M	PIN, ROLL	37	20	23-81941M	BUSHING, THROTTLE SHAFT	25	16
17-81899M	CROSS PIN	47	39	23-81945M	BUSHING	35	10
17-81907M	RIVET	35	5	23-81946M	BUSHING	31	16
17-82144M	PIN, ROLL	39	45	23-81946M	BUSHING	33	24
17-82145M	PIN, ROLL	13	16	23-81949M	BUSHING, COWL CLAMP LEVER	3	23
17-82146M	PIN, ROLL	61	12	23-81959M	BUSHING	37	14
17-82146M	PIN, ROLL	61	18	23-81961M	BUSHING, PIVOT SHAFT- LOWER	37	12
17-82148M	PIN, ROLL	37	23	23-81964M	BUSHING, PIVOT SHAFT- UPPER	37	11
17-82155M	PIN, ROLL	33	14	23-81979M	SPACER, CLAMP BRACKET	37	29
17-82156M	PIN, ROLL	31	17	23-82119M	SPACER	35	15
17-82157M	PIN	5	4	23-82851M	COLLAR	9	28
17-82157M	PIN, ROLL	5	6	23-82929M	COLLAR	7	56
17-82162M	PIN, DOWEL	5	33	23-83310M	COLLAR	7	45
17-82364M	PIN, DOWEL	19	9	23-83310M	COLLAR	31	4
17-82364M	PIN, DOWEL	41	8	23-83310M	COLLAR	33	30
17-82364M	PIN, DOWEL	43	3	23-83585M	PLUG, STARTER HOUSING	5	2
17-82364M	PIN, DOWEL	49	59	23-83589M	BUSHING	5	21
17-82364M	PIN, DOWEL	43	17	23-83590M	SHAFT, SHEAVE	5	10
17-82368M	PIN, DOWEL	37	9	23-84454M	BUSHING, THROTTLE SHAFT	25	14
17-83140M	RIVET	3	10	23-84784M	BUSHING	43	15
17-83726M	HOOK	61	11	23-84804M	SLEEVE, DRIVE SHAFT	47	27
17-83726M	HOOK	61	17	23-84819M	SEAL	49	69
17-84762M	PIN, ROLL	23	21	23-84911M	COLLAR	3	32
17-84765M	PIN, FLOAT	25	6	23-97142M	COLLAR	33	20
17-84903M	RIVET	3	8	24-2227	SPRING, TENSION-VENT SCREW	57	6
17-91644M	PIN	37	36	24-30189	SPRING, BAUNET BODY STEM	55	25
17-94569M	TILT LOCK PIN ASS'Y	39	43	24-30189	SPRING, BAYONET BODY ASS'Y	53	12
18-82124M	PIN, COTTER	33	26	24-80329M	SPRING	25	13
18-82125M	PIN, COTTER	7	48	24-80610M	SPRING	27	4
18-82125M	PIN, COTTER	7	59	24-81667M	WIRE, PULL	13	17
18-82125M	PIN, COTTER	33	36	24-82078M	SPRING, COMPRESSION	47	36
18-82125M	PIN, COTTER	37	41	24-82079M	SPRING	5	36
18-82125M	PIN, SHIFT CAM	33	12	24-82095M	SPRING	35	9
18-82127M	PIN, COTTER	33	15				
18-82131M	PIN, COTTER	43	11				
18-82800M	PIN, COTTER	49	77				
21-41888M	CHECK VALVE	27	6				
21-80107M		19	4				

PARTS INDEX

Part Number	Description	Pg.	Ref. No.	Part Number	Description	Pg.	Ref. No.
24-82105M	SPRING, REVERSE LOCK ..	37	42	26-84818M	SEAL, UPPER	49	67
24-82108M	SPRING	33	23	26-84838M	SEAL, RUBBER	41	13
24-83591M	SPRING, PAWL	5	9	26-84840M	SEAL, RUBBER	41	5
24-83721M	SPRING	61	16	26-91637M	SEAL	37	2
24-83725M	SPRING	61	10	27-25568	GASKET, FILLER CAP TO FUEL TANK	57	8
24-84461M	SPRING, COMPRESSION ..	33	7	27-28862	GASKET, COVER ASSEMBLY TO FRAME ..	57	19
24-84462M	SPRING, COMPRESSION ..	33	8	27-41272M	GASKET, PROTECTOR	45	23
24-84927M	SPRING, BRUSH	17	12	27-41273M	GASKET, HOUSING	45	17
24-91642M	SPRING, TENSION	37	33	27-41899M	GASKET SET, LOWER UNIT	49	83
25-20415	O-RING, BAYONET BODY STEM	53	11	27-41899M	GASKET SET, LOWER UNIT	51	83
25-20415	O-RING, BAYONET BODY STEM	55	24	27-54921	GASKET, FUEL GAUGE LENS	57	12
25-82060M	GROMMEET	13	19	27-80270M	GASKET, HOUSING TO LENS INDICATOR	55	8
25-82064M	GROMMET	35	14	27-80569M	GASKET, INTAKE MANIFOLD	23	8
25-82069M	GROMMET	11	42	27-80571M	GASKET, REED VALVE	23	9
25-82070M	GROMMET	39	47	27-80572	GASKET, CARBURETOR MANIFOLD	23	17
25-82258M	O-RING	13	24	27-80590M	GASKET, FLOAT BOWL	25	#8
25-82268M	O_RING, CRANKSHAFT TO DRIVESHAFT	21	9	27-80613M	GASKET, BODY TO BASE ..	27	5
25-82274M	O-RING, PIVOT SHAFT BUSHING	37	13	27-80614M	GASKET, BODY TO COVER	27	7
25-82789M	O-RING	53	20	27-80662M	GASKET, MOUNT	41	14
25-82789M	O-RING	55	16	27-80757M	GASKET, FUEL PUMP TO CRANKCASE	27	14
25-83588M	SPRING, STARTER	5	3	27-81031M	GASKET, THERMOSAT COVER	19	22
25-83728M	GROMMET, (OPTIONAL) ...	61	26	27-81320M	GASKET, HOUSING TO TANK	55	10
25-83988M	GROMMET, BOTTOM COWL (MANUAL)	3	27	27-81565M	GASKET, OIL SEAL HOUSING	19	15
25-84054M	O-RING	45	20	27-81570M	GASKET, EXHAUST COVER	19	27
25-84751M	O-RING, OIL SEAL HOUSING	21	11	27-81573M	GASKET, EXHAUST MANIFOLD	43	10
25-84760M	GROMMET, CHOKE KNOB .	23	19	27-81612M	GASKET, MOUNT	41	20
25-84812M	O-RING	47	49	27-81987M	GASKET, PLUG	45	3
25-84821M	O-RING(LONG AND ULTRA LONG SHAFT)	49	71	27-82790M	PACKING	29	5
25-84876M	GROMMET	11	46	27-84775M	GASKET	43	2
25-84876M	GROMMET	15	49	27-84796M	GASKET, HOUSING	45	17
25-84910M	GROMMET	3	31	27-84799M	GASKET, PROTECTOR	45	23
25-84915M	GROMMET, BOTTOM COWL	3	28	27-92575M	GASKET SET. POWERHEAD	19	32
25-84950M	GROMMET	15	43	27-92578M	GASKET, COVER	23	3
25-84957M	O-RING	29	8	27-94807M	SEAL	45	15
25-84967M	GROMMET	59	17	27-94807M	SEAL	49	82
25-96363M	O-RING	17	5	27-95500M	GASKET, FUEL METER ASS'Y	53	7
25-97031M	GROMMET	61	24	28-81603M	KEY, IMPELLER DRIVE	45	25
26-43111M	OIL SEAL, LARGE (M-008216 ML-305244 E-250541 EL- 550541) AND	21	12	28-81914M	KEY, CRANKSHAFT TO FLYWHEEL	21	17
26-43114M	SEAL	43	13	28-81916M	KEY	47	54
26-80239M	SEAL, LOWER	49	68	29-84452M	BEARING, NEEDLE	21	5
26-81572M	GASKET, EXHAUST MANIFOLD	43	9	29-84803M	BEARING, ROLLER (LOWER)	45	26
26-81574M	GASKET, EXHAUST MANIFOLD	43	8	30-82295M	BEARING, ROLLER	47	46
26-82233M	OIL SEAL	45	21	30-82307M	BEARING, CRANKSHAFT ..	21	2
26-82245M	OIL SEAL, CRANKSHAFT (UPPER)	19	14	31-82315M	BEARING, ROLLER	47	50
26-83347M	OIL SEAL, SMALL	21	13	31-82321M	BEARING, TAPERED ROLLER (FORWARD) ...	47	34
26-84752M	OIL SEAL, LARGE (M-008215 ML-303731 E-250361 EL- 550386) AND	21	12	31-84805M	BEARING, TAPERED ROLLER(UPPER)	47	29
26-84813M	OIL SEAL	47	51				

PARTS INDEX

Part Number	Description	Pg.	Ref. No.	Part Number	Description	Pg.	Ref. No.
32-33909A3	TUBE	57	10	46-41276M	HOUSING, WATER PUMP	45	8
32-80605M	FUEL LINE, FUEL PUMP TO CARBURETOR	29	14	46-41898M	CHROME WATER PUMP KIT	49	79
32-81605M	WATER TUBE (SHORT SHAFT)	49	66	46-97790M	CHROME WATER PUMP KIT	49	79
32-82000M	HOSE	19	11	47-84797M	IMPELLER	45	18
32-82023M	HOSE, BULB TO CONNECTOR	55	19	49-97788M	HOUSING, WATER PUMP	45	8
32-82023M	HOSE, BULB TO ENGINE CONNECTOR	53	17	50-83587M	STARTER SHEAVE	5	5
32-83626M	HOSE, PICKUP	55	5	50-92597M	STARTER ASS'Y	5	0-1
32-83628M	FUEL LINE ASS'Y	55	0-1	50-96359M	ELECTRIC MOTOR ASS'Y	17	1
32-84816M	WATER TUBE (LONG SHAFT)	49	66	50-97693M	ELECTRIC MOTOR ASS'Y	17	1
32-84817M	WATER TUBE (ULTRA LONG SHAFT)	49	66	52-81644M	CLUTCH	47	38
32-84955M	HOSE, CONNECTOR HOUSING TO BULB	53	15	53-80678M	RING, CROSS PIN	47	40
32-84955M	HOSE, CONNECTOR HOUSING TO BULB	55	17	53-823287	SNAP RING	25	24
32-84956M	FUEL LINE, CONNECTOR TO FILTER	29	12	53-82330M	SNAP RING	39	46
32-95216M	FUEL LINE ASS'Y	53	8	53-82345M	SNAP RING	21	8
33-82371M	SPARK PLUG, B-7HS(NGK)	19	31	54-80752M	CLAMP, HOSE	53	18
34-84759M	REED SET (REED STOPS NOT INCLUDED)	23	16	54-80752M	CLAMP, HOSE	55	20
35-80617M	FILTER AS'Y	29	4	54-82034M	CLAMP, HOSE	23	24
35-82783M	ELEMENT, FILTER	29	6	54-82046M	CLAMP, HOSE	19	12
36-25392A2	FILLER CAP ASSEMBLY	57	3	54-82047M	CLAMP, HOSE	29	15
36-83617M	FUEL TANK CAP	55	2	54-83764M	CLAMP, PICKUP HOSE	55	4
36-95490M	FUEL TANK CAP	53	3	54-84893M	CLIP	5	20
37-75881	DECAL, FUEL TANK	57	2	54-84914M	CLAMP, COWL	3	24
37-81114M	DECAL, SIDE SET	3	2	54-96348M	CLAMP	9	23
37-81202M	INDICATOR, SHIFT	3	18	54-96352M	CLAMP	11	45
37-82984M	DECAL, SIDE	55	1	54-96353M	CLAMP	11	47
37-83054M	GRAPHIC, SIDE (HP)	3	22	54-97772M	CLAMP	15	46
37-95489M	DECAL, TOP (ENGLISH)	53	2	54-97772M	CLAMP	15	46
37-95498M	DECAL, SIDE (ENGLISH)	53	1	79-43984A1	TACKOMETER KIT	59	21
37-95503M	DECAL, TOP (FRENCH)	53	2	83-84895M	SNAP RING	5	8
37-95504M	DECAL, SIDE(FRENCH)	53	1	84-84124M	CONNECTOR ASS'Y, 2 WIRE	59	6
37-95547M	DECAL, ELECTRIC MODEL	3	19	84-84352M	EXTENSION, LEAD	59	28
37-95570M	DECAL	3	37	84-84353M	CONNECTOR	59	27
37-97785M	DECAL, SIDE AND REAR SET	3	2	84-84711M	EXTENSION, WIRE HARNESS (5 M)	15	45
39-81095M	PISTON RING SET (STD)	21	4	84-84871M	WIRE	9	34
39-81096M	PISTON RING SET (1ST O.S. 67.25 MM)	21	4	84-84949M	WIRE ASS'Y, IGNITION	15	42
39-81097M	PISTON RING SET (2ND O.S. 67.50 MM)	21	4	84-92602M	WIRE, SOLENOID	13	5
41-80565M	PIN, PISTON	21	7	84-92607M	WIRE ASS'Y, IGNITION	15	42
43-84806M	PINION GEAR	47	31	84-96354M	ENGINE WIRING HARNESS	15	40
43-84808M	GEAR, FORWARD	47	35	84-96355M	WIRE ASS'Y, BATTERY	15	41
43-84810M	GEAR, REVERSE	47	44	84-96358M	WIRE, SOLENOID	13	5
44-84809M	PROPELLER SHAFT	47	43	84-97770M	ENGINE WIRING HARNESS	15	40
45-84800M	DRIVE SHAFT (SHORT SHAFT)	45	24	84-97771M	WIRE ASS'Y BATTERY	15	41
45-84801M	DRIVE SHAFT (LONG SHAFT)	45	24	84-97781M	WIRE ASS'Y, BATTERY	15	41
45-84802M	DRIVE SHAFT (ULTRA LONG SHAFT)	45	24	84-99051M	EXTENSION	59	7
				84-99052M	EXTENSION	59	8
				84-99059M	WIRE	59	26
				87-84916M	KILL SWITCH, MOTOR MOUNT	59	12
				87-84916M	KILL SWITCH, MOTOR MOUNT	59	12
				87-84916M	STOP SWITCH(MANUAL)	3	29
				87-84943M	KEY SWITCH	13	28
				87-84944M	CHOKE SWITCH	13	29
				87-84966M	STOP SWITCH, REMOTE (5M)	59	18
				87-92605M	KEY SWITCH	13	28
				87-97682M	KILL SWITCH ASS'Y	13	30
				87-97684M	NEUTRAL START SWITCH	13	12

PARTS INDEX

Part Number	Description	Pg.	Ref. No.	Part Number	Description	Pg.	Ref. No.
87-97754M	STOP SWITCH, REMOTE (5M)	59	18				
87-97755M	KILL SWITCH, REMOTE (5M)	59	14				
88-81522M	FUSE	13	11				
88-81522M	FUSE	59	2				
88-99055M	BULB	59	22				
89-96356M	SOLENOID	13	2				
89-96356M	STARTER SOLENOID ASS'Y	13	1				
90-84681--1	SERVICE MANUAL	1	-				
90-96333	PARTS CATALOG - Service .	1	-				
91-81669M	TOOL KIT	3	38				
253-8369M	FLYWHEEL ASS'Y, ELECTRIC START MODEL	9	2				
253-8370M	I. MAGNETO ASS'Y, ELECTRIC START MODEL	9	1				
253-8371M	I. MAGNETO ASS'Y, MANUAL START MODEL .	9	1				
253-8372M	FLYWHEEL ASS'Y, MANUAL START MODEL	9	2				
463-6849M	CRANKSHAFT ASS'Y	21	1				
463-9245M	CRANKSHAFT AS'Y	21	1				
761-8375M	PISTON ASS'Y (STD)	21	3				
761-8376M	PISTON ASS'Y (1ST O.S. 67.25MM)	21	3				
761-8377M	PISTON ASS'Y (2ND O.S.67.50 MM)	21	3				
870-8373M	CRANKCASE ASS'Y	19	1				
968-8374M	HEAD, CYLINDER	19	17				
1225-1529	FUEL TANK	57	1				
1225-1529A21	FUEL TANK, COMPLETE . . .	57	0-1				
1383-8378M	CARBURETOR ASS'Y	25	0-1				
1484-8245M	CLAMP BRACKET, PORT ..	37	15				
1484-8246M	CLAMP BRACKET, STARBOARD	37	16				
1485-8244M	SWIVEL BRACKET	37	1				
1485-9246M	SWIVEL BRACKET	37	1				
1587-7842M	DRIVESHAFT HOUSING(SHORT SHAFT)	43	1				
1587-7843M	DRIVESHAFT HOUSING (LONG AND ULTRA LOND SHAFT)	43	1				
1587-9244M	DRIVESHAFT HOUSING(SHORT SHAFT)	43	1				
1651-7844M	GEAR HOUSING ASS'Y(SHORT SHAFT)(.....	45	0-1				
1651-7845M	GEAR HOUSING ASS'Y(LONG AND ULTRA LONG SHAFT)	45	0-1				
1651-7846M	GEAR HOUSING	45	1				
1651-8807M	GEAR HOUSING	45	1				
1651-8924M	GEAR HOUSING ASS'Y (SHORT SHAFT)	45	0-1				
1651-8925M	GEAR HOUSING ASS'Y(LONG AND ULTRA LONG SHAFT)	45	0-1				
2168-6878M	TOP COWL ASS'Y	3	1				
2168-7854M	BOTTOM COWL	3	20				
2168-8595M	TOP COWL ASS'Y	3	1				
2169-7102M	HOUSING, STARTER	5	1				