



PARTS CATALOG

30 H.P. W/MARATHON

SERIAL NUMBER

W30 (W/MARATHON)689-B000101 AND UP
W30 (W/MARATHON)689-B300101 AND UP

TABLE OF CONTENTS:

C.D.I. MAGNETO IGNITION	10
CARBURETOR	24
CLAMP AND SWIVEL BRACKET/REVERSE LOCK	40
COWLING	2
CRANKCASE AND CYLINDER HEAD	18
CRANKSHAFT AND PISTON	20
DRIVESHAFT HOUSING	36
FLYWHEEL MAGNETO IGNITION	14
FUEL LINES AND FILTER	28
FUEL PUMP	26
FUEL TANK AND FUEL LINE ASSEMBLY (ORIGINAL EQUIPMENT)	52
FUEL TANK AND FUEL LINE ASSEMBLY (ORIGINAL EQUIPMENT)	54
FUEL TANK ASSEMBLY (NOT ORIGINAL EQUIPMENT TANK)	56
GEAR SHIFT LINKAGE	34
GEARHOUSING ASSEMBLY	44
INTAKE MANIFOLD	22
MOUNTING SYSTEM	38
OPTIONAL PARTS	60
PARTS INDEX	62
RECOIL STARTER	6
REMOTE CONTROL ATTACHING KIT	58
STEERING AND THROTTLE CONTROL	30

NOTE: *Indented description indicate that these parts are included in preceding assembly.*

AR = As Required

NSS = Not Sold Separate

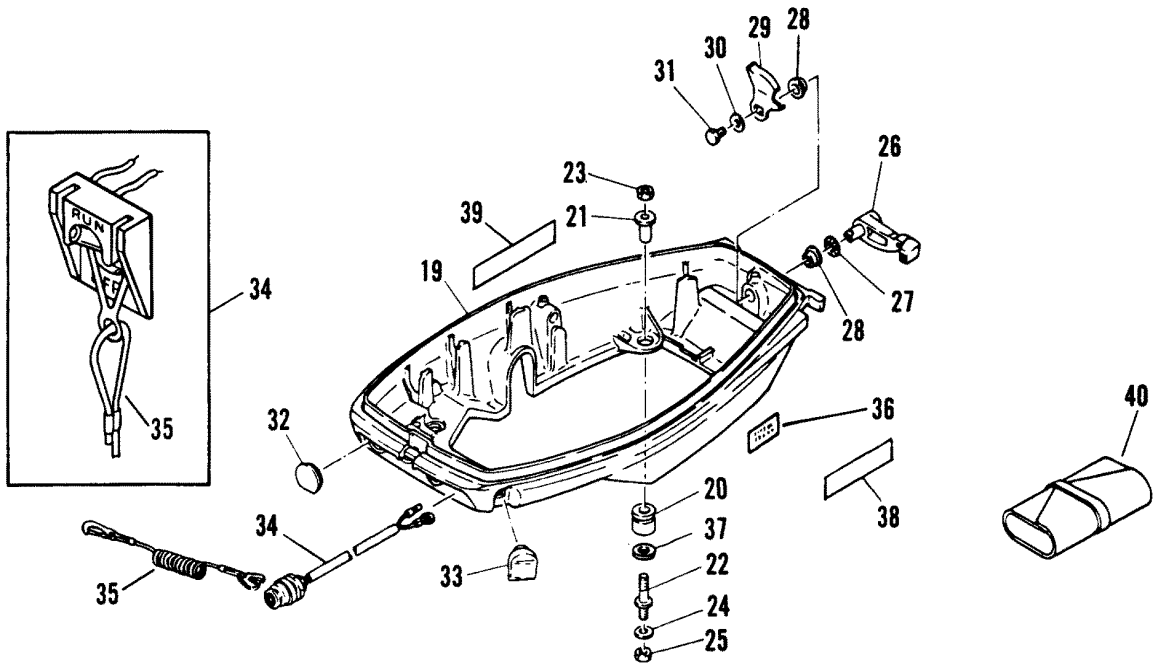
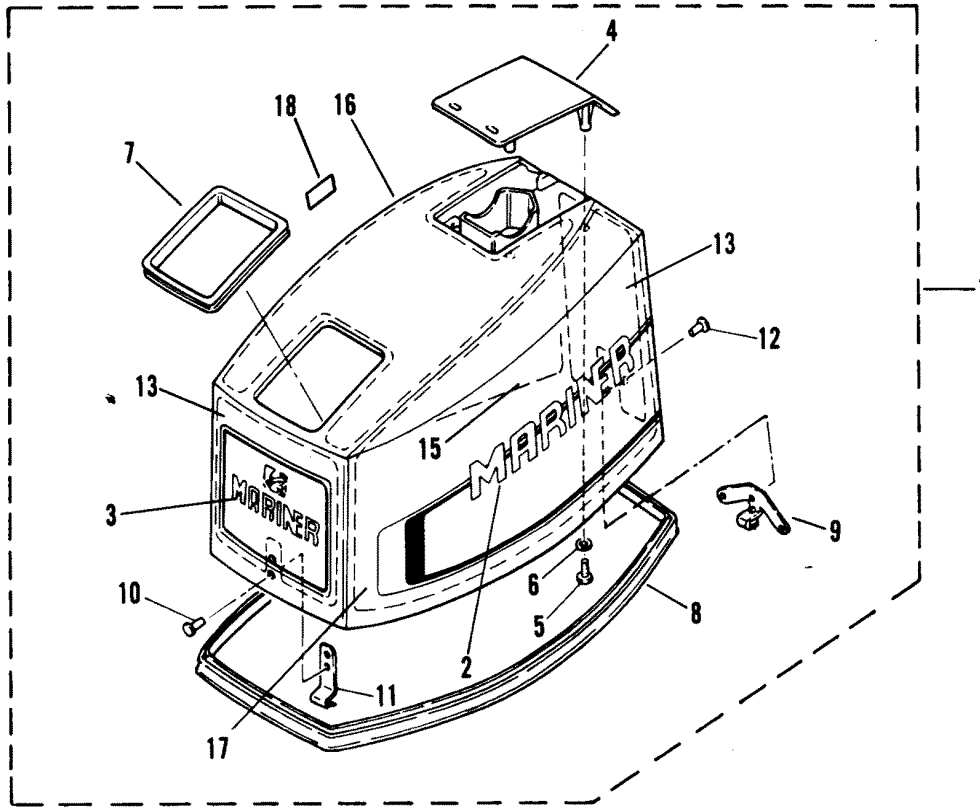
OPT = Optional

NS = Not Shown

THESE PARTS BOOKS/FICHE CARD ARE COPYRIGHTED AND MAY NOT BE DISTRIBUTED OR REPRODUCED IN ANY OTHER FORMAT BY ANYONE OTHER THAN MERCURY MARINE WITHOUT THE PRIOR WRITTEN CONSENT OF MERCURY MARINE.

THIS PAGE INTENTIONALLY LEFT BLANK

COWLING

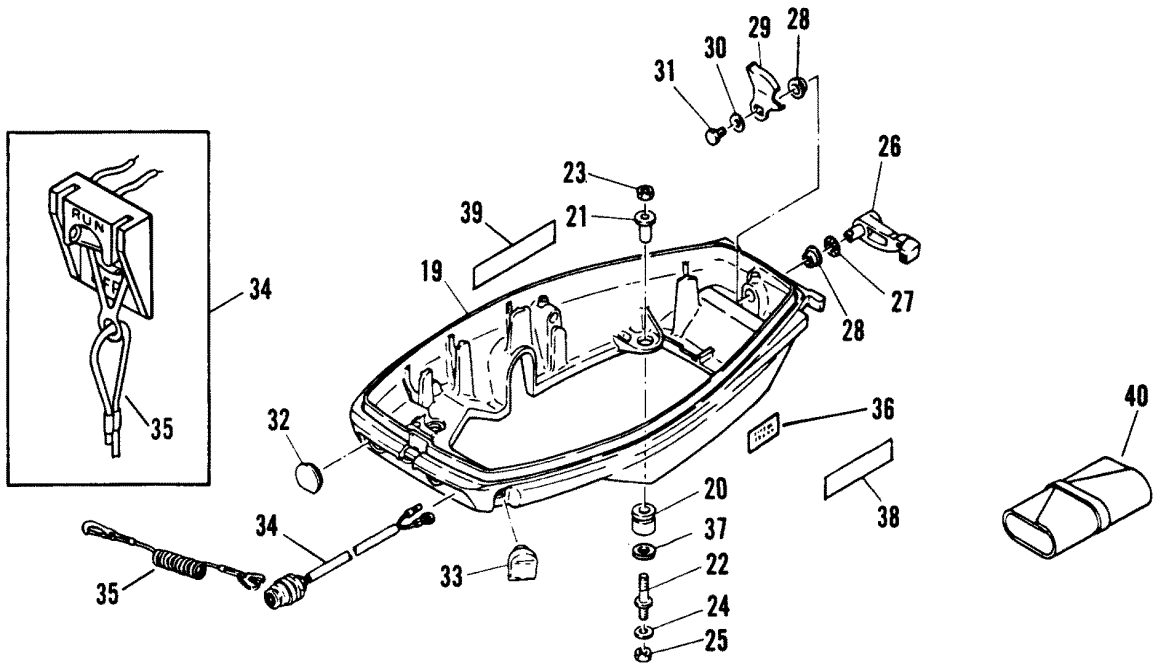
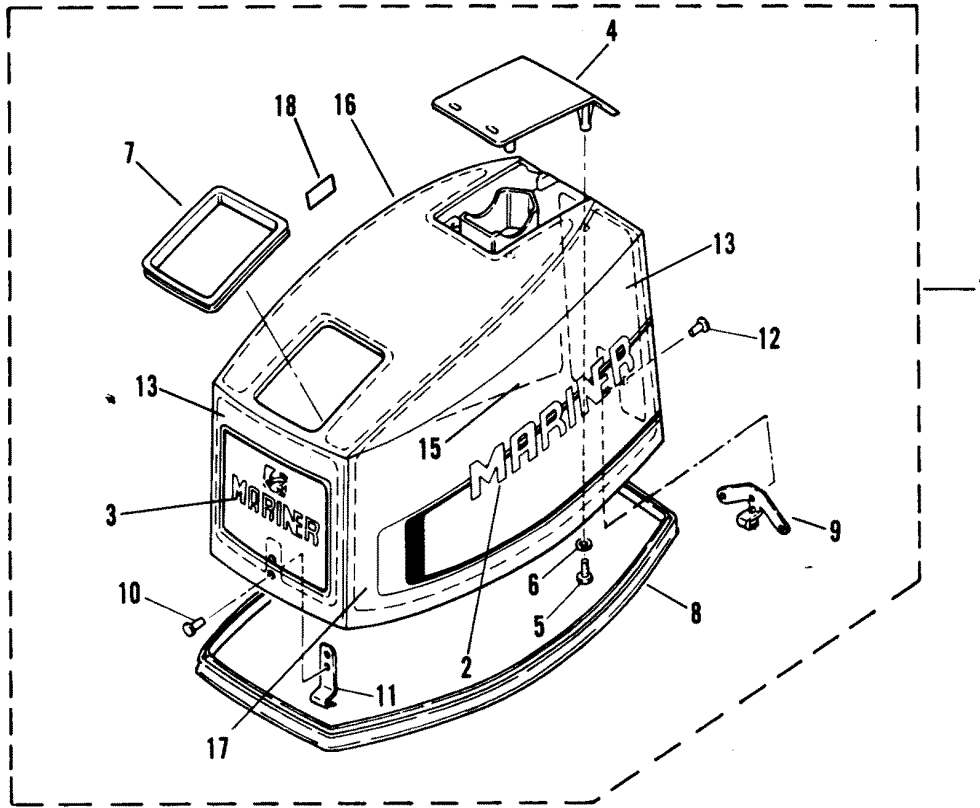


COWLING

REF. NO.	PART NO.	SYM.	QTY.	DESCRIPTION
1	2168-9685M		1	TOP COWLING ASS'Y SERIAL 00004519-09999999
	2168-9370M		1	TOP COWLING ASS'Y SERIAL 00000000-00004518
2	37-95674M		1	DECAL, SIDE AND REAR
3	37-95675M		1	DECAL, FRONT
4	95676M		1	MOLDING, AIR DUCT
5	10-84303M		4	BOLT
6	12-82214M		4	WASHER
7	84900M		1	SEAL, RUBBER
8	84901M		1	SEAL
9	42433M		1	HOLDER, CLAMP BAND SERIAL 00003181-09999999
	84902M		1	HOLDER, CLAMP BAND SERIAL 00000000-00003180
10	17-84903M		3	RIVET
11	84904M		1	HOOK SERIAL 00004906-09999999
	17147M		1	HOOK SERIAL 00004519-00004905
	84904M		1	HOOK SERIAL 00000000-00004518
12	17-83140M		2	RIVET
13	84323M		2	SOUND BLANKET, FRONT AND REAR SERIAL 00000000-00004518
15	84907M		1	SOUND BLANKET, STARBOARD SERIAL 00000000-00004518
16	84908M		1	SOUND BLANKET, TOP SERIAL 00000000-00004518
17	84909M		1	SOUND BLANKET, PORT SERIAL 00000000-00004518
18	37-81202M		1	INDICATOR, SHIFT
19	2168-9349M		1	COWLING, BOTTOM
20	25-84910M		4	GROMMET
21	23-84911M		4	COLLAR
22	16-84912M		4	BOLT () AND ABOVE SERIAL 00004232-09999999
	16-95505M		4	BOLT () AND BELOW SERIAL 00000000-00004231
23	11-82383M		4	NUT
24	12-82217M		4	WASHER
25	11-82393M		4	NUT
26	84913M		1	LEVER, CLAMP
27	13-81869M		1	LOCKWASHER
28	23-95170M		2	BUSHING SERIAL 00003181-09999999
	23-81949M		2	BUSHING SERIAL 00000000-00003180
29	54-95171M		1	LEVER, CLAMP SERIAL 00003181-09999999
	54-84914M		1	LEVER, CLAMP SERIAL 00000000-00003180
30	12-81794M		1	WASHER
31	10-84315M		1	BOLT
32	25-83988M		1	GROMMET
33	25-84915M		1	GROMMET
34	87-14227M		1	LANYARD IGNITION SWITCH ASS'Y SERIAL 00004232-09999999
	87-84916M		1	STOP SWITCH ASS'Y SERIAL 00000000-00004231

CONTINUED ON NEXT PAGE ➡

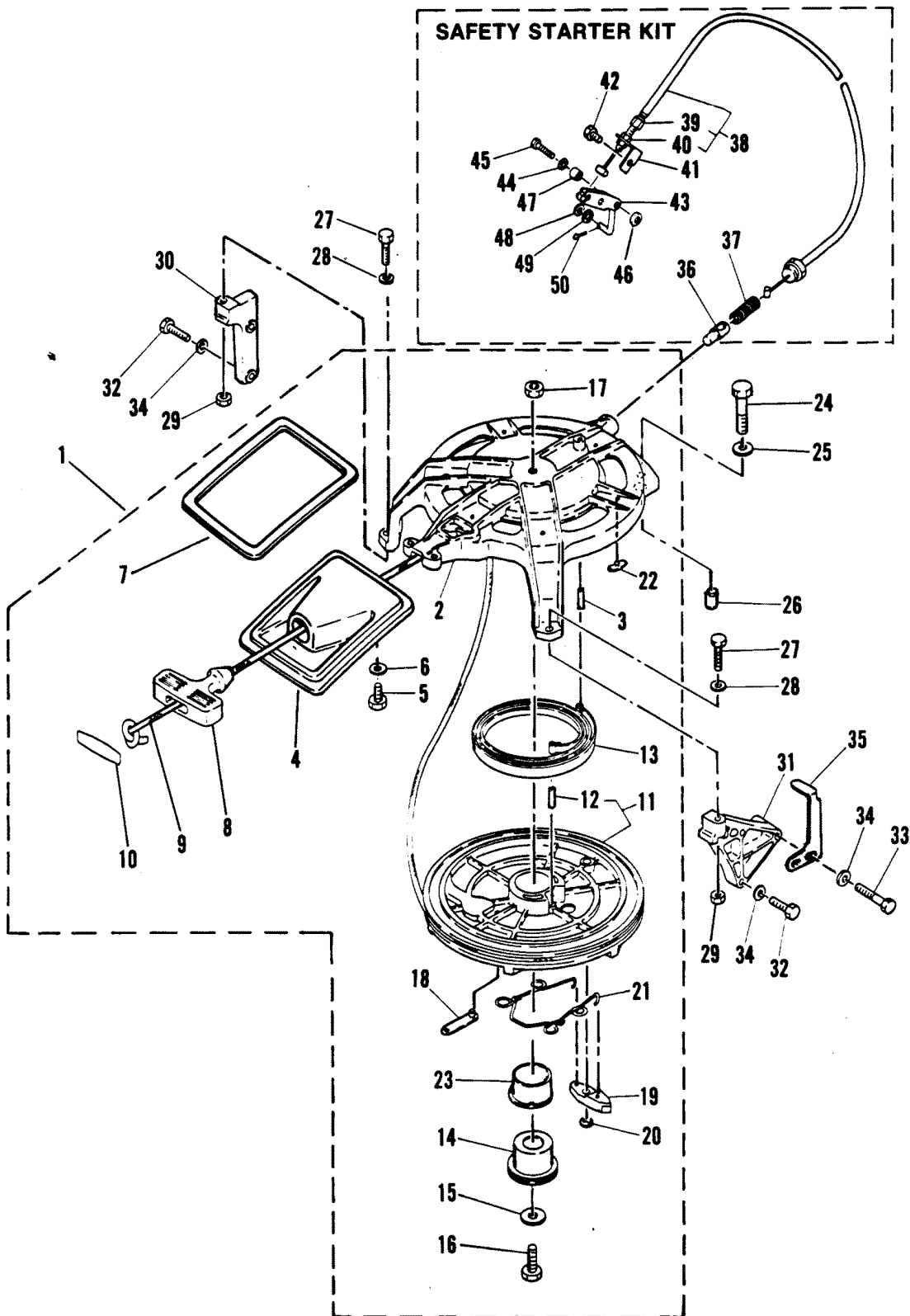
COWLING



COWLING

REF. NO.	PART NO.	SYM.	QTY.	DESCRIPTION
35	97756M		1	STOPPER SERIAL 00004906-09999999
36	37-96644M		2	DECAL (HP) SERIAL 00000000-00004518
37	12-95507M		4	WASHER SERIAL 00004232-09999999
38	37-14298M		1	DECAL, SIDE (MARATHON) SERIAL 00004232-09999999
39	37-14299M		1	DECAL, SIDE (MARATHON) SERIAL 00004232-09999999
40	91-80277M		1	TOOL JUT ASS'Y SERIAL 00003181-09999999
	91-81669M		1	TOOL KIT ASS'Y SERIAL 00000000-00003180

RECOIL STARTER

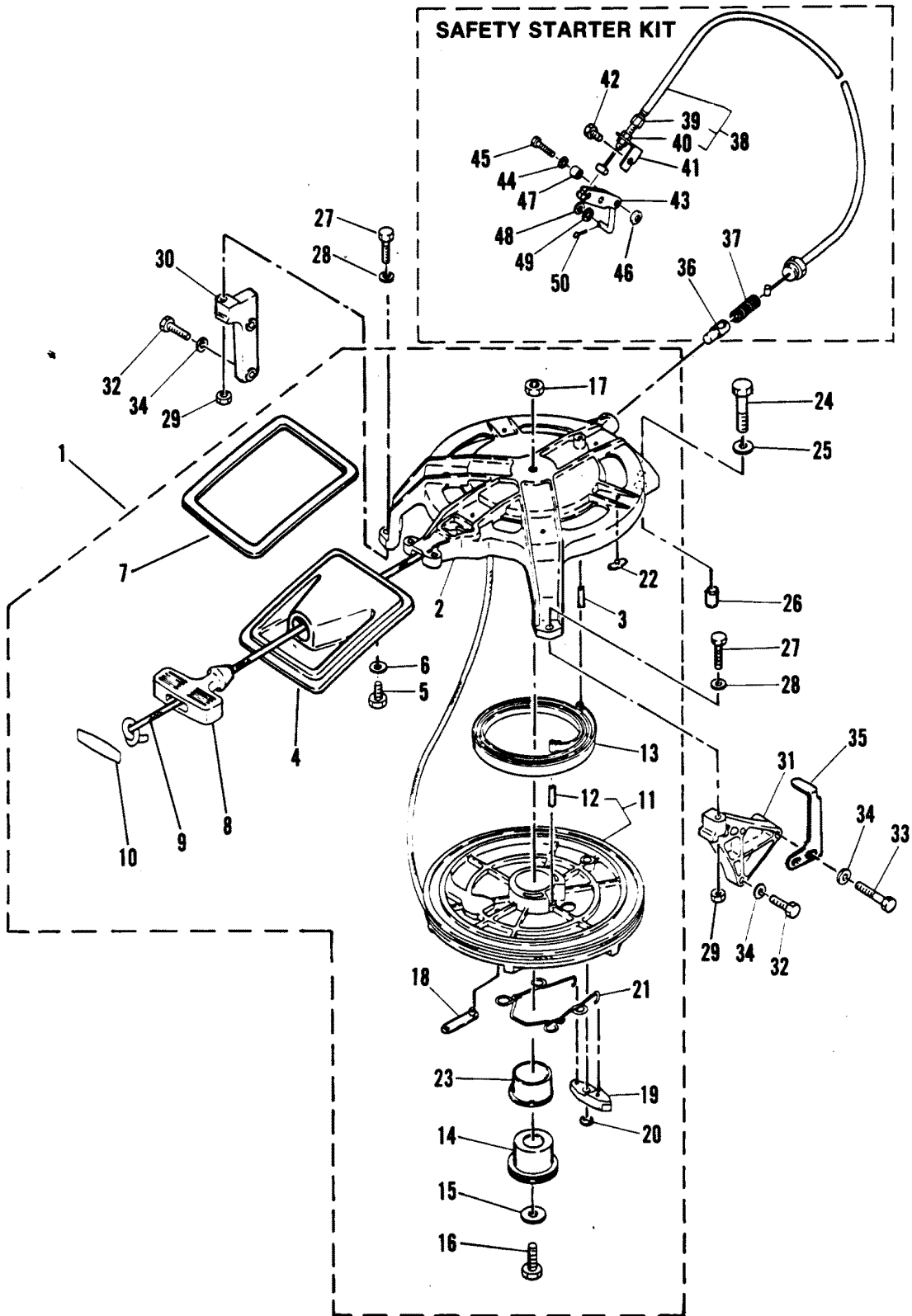


RECOIL STARTER

REF. NO.	PART NO.	SYM.	QTY.	DESCRIPTION
1	50-19137M		1	STARTER ASS'Y SERIAL 00004906-09999999
	50-84889M		1	STARTER ASS'Y SERIAL 00000000-00004905
2	2169-7102M		1	HOUSING, STARTER
3	17-82157M		1	PIN, SPRING
4	17168M		1	GUIDE, WIRE SERIAL 00004906-09999999
	84890M		1	GUIDE, WIRE SERIAL 00000000-00004905
5	10-84247M		2	BOLT
6	12-82214M		2	WASHER
7	95433M		1	SEAL SERIAL 00004906-09999999
	84891M		1	SEAL SERIAL 00000000-00004905
8	18928M		1	HANDLE, STARTER SERIAL 00004906-09999999
	80063M		1	HANDLE, STARTER SERIAL 00000000-00004905
9	79629A1		1	ROPE, STARTER
10	18929M		1	COVER SERIAL 00004906-09999999
	41882M		1	COVER SERIAL 00000000-00004905
11	50-83587M		1	DRUM, SHEAVE
12	17-82157M		1	PIN
13	24-83588M		1	SPRING
14	23-83590M		1	SHAFT
15	12-81801M		1	WASHER
16	10-84342M		1	BOLT
17	11-82382M		1	NUT
18	54-84893M		1	CLIP
19	84894M		1	PAWL, DRIVE
20	53-84895M		1	SNAP RING
21	24-83591M		1	SPRING
22	23-83585M		6	BUSHING
23	23-83589M		1	BUSHING
24	10-82442M		1	BOLT
25	12-82217M		1	WASHER
26	17-14229M		1	PIN, DOWEL
27	10-83285M		2	BOLT
28	12-82214M		2	WASHER
29	11-82380M		2	NUT
30	95172M		1	BRACKET SERIAL 00004232-09999999
	84465M		1	BRACKET SERIAL 00003750-00004231
	95172M		1	BRACKET SERIAL 00003181-00003749
	84465M		1	BRACKET SERIAL 00000000-00003180
31	84466M		1	BRACKET
32	10-82405M		4	BOLT
33	10-84657M		1	BOLT
34	12-82214M		5	WASHER
35	96341M		1	PLATE, TIMING SERIAL 00003750-00004518

CONTINUED ON NEXT PAGE ➡

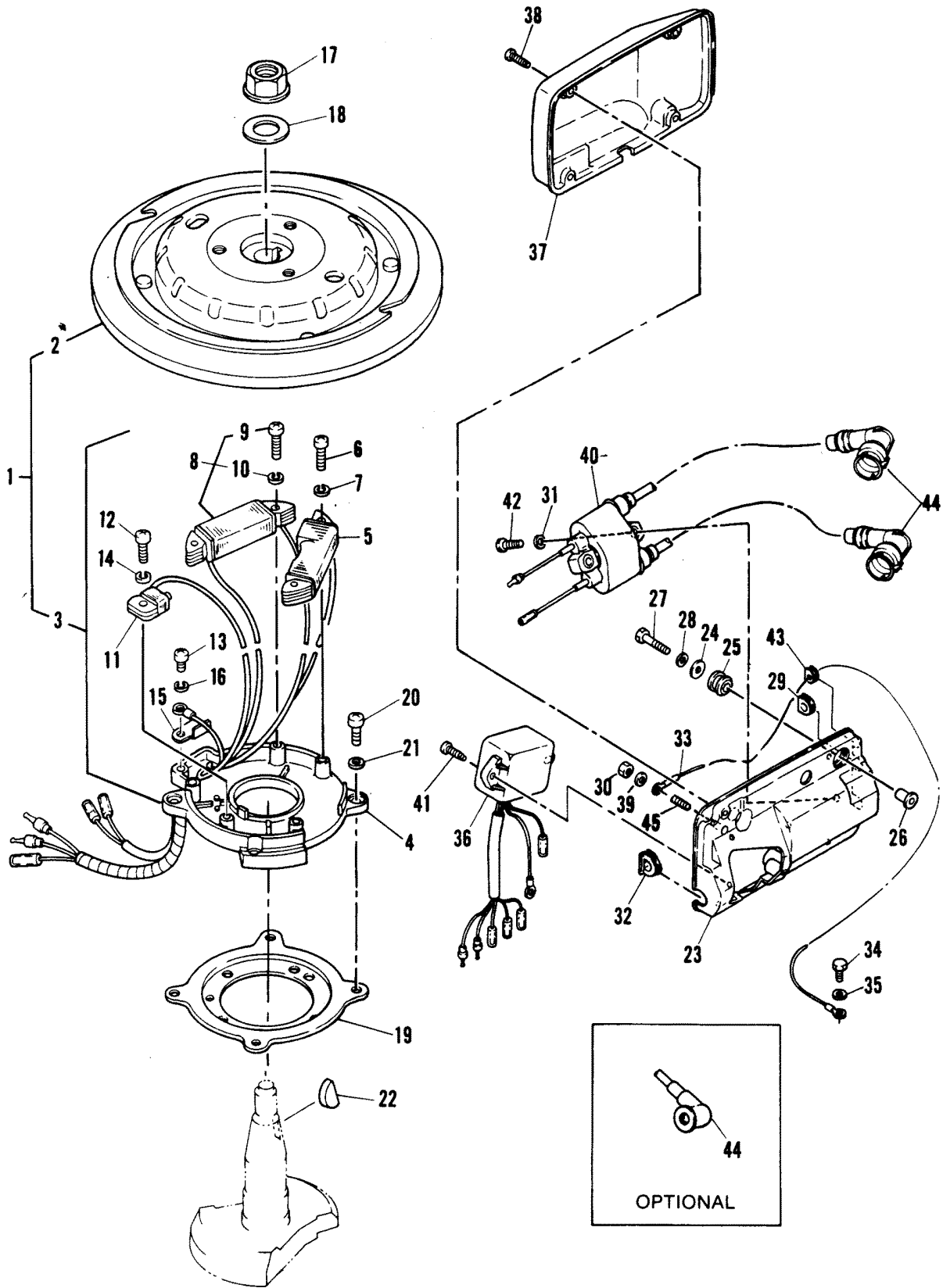
RECOIL STARTER



RECOIL STARTER

REF. NO.	PART NO.	SYM.	QTY.	DESCRIPTION
36	81106M		1	PLUNGER SERIAL 00000000-00003749
37	24-82079M		1	SPRING SERIAL 00000000-00003749
38	81108M		1	CABLE ASS'Y, STARTER STOP SERIAL 00000000-00003749
39	10-81746M		1	BOLT SERIAL 00000000-00003749
40	11-82380M		2	NUT SERIAL 00000000-00003749
41	92599M		1	BRACKET SERIAL 00000000-00003749
42	10-84315M		1	BOLT SERIAL 00000000-00003749
43	81107M		1	LEVER ASS'Y SERIAL 00000000-00003749
44	13-81867M		1	LOCKWASHER SERIAL 00000000-00003749
45	10-83539M		1	BOLT SERIAL 00000000-00003749
46	12-82214M		1	WASHER SERIAL 00000000-00003749
47	23-82929M		1	COLLAR SERIAL 00000000-00003749
48	12-82211M		1	WASHER SERIAL 00000000-00003749
49	13-81865M		1	LOCKWASHER SERIAL 00000000-00003749
50	18-82125M		1	PIN, COTTER SERIAL 00000000-00003749

C.D.I. MAGNETO IGNITION

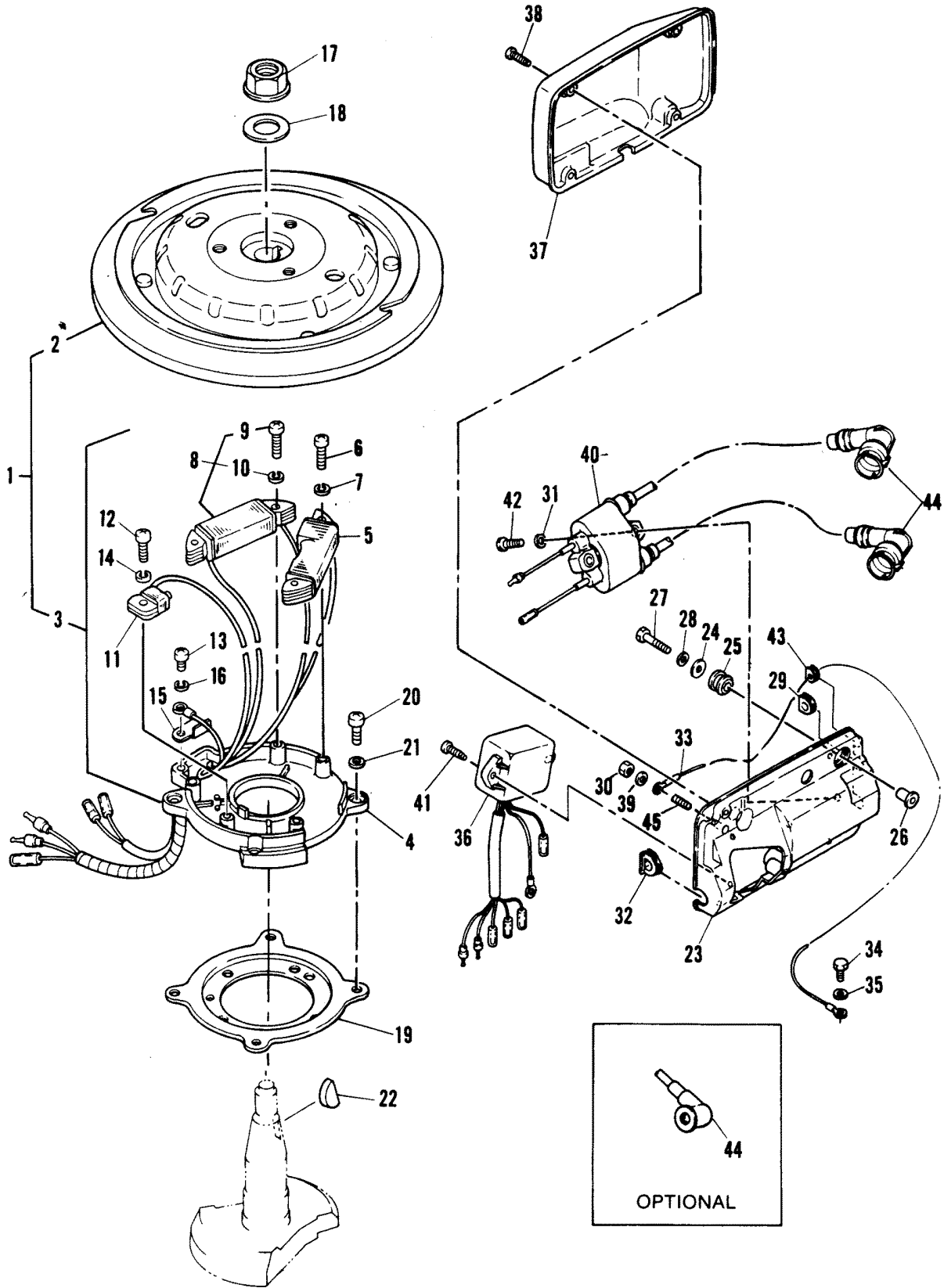


C.D.I. MAGNETO IGNITION

REF. NO.	PART NO.	SYM.	QTY.	DESCRIPTION
1	253-9066M		1	I. MAGNETO ASS'Y (W/80W LIGHTING COIL)
2	253-9067M		1	FLYWHEEL ASS'Y
3	95208M		1	BASE ASS'Y (W/LIGHTING COIL)
4	95189M		1	BASE, MAGNETO
5	95173M		1	COIL
6	10-95174M		2	SCREW
7	13-82208M		2	LOCKWASHER
8	41866M		1	LIGHTING COIL ASS'Y
9	10-82521M		2	SCREW
10	13-82208M		2	LOCKWASHER
11	95177M		1	PULSER
12	10-95178M		2	SCREW
13	10-82513M		1	SCREW
14	13-82186M		1	LOCKWASHER
15	54-41867M		1	RETAINER
16	13-82206M		1	LOCKWASHER
17	11-96650M		1	NUT
18	12-96651M		1	WASHER
19	95181M		1	RETAINER
20	10-14232M		4	SCREW
21	12-82211M		4	WASHER
22	28-81915M		1	KEY
23	95182M		1	BRACKET
24	12-82979M		3	WASHER
25	25-93114M		3	GROMMET
26	23-82851M		3	COLLAR
27	10-84237M		2	BOLT SERIAL 00003750-09999999
	10-84931M		2	BOLT SERIAL 00003181-00003749
28	12-82214M		2	WASHER
29	25-95183M		2	GROMMET
30	11-82380M		1	NUT
31	12-82214M		2	WASHER
32	25-95184M		1	GROMMET
33	84-95185M		1	WIRE, GROUND
34	10-84303M		1	BOLT
35	12-82214M		1	WASHER
36	95434M		1	I. UNIT ASS'Y
37	95186M		1	COVER, TERMINAL
38	10-95187M		2	BOLT
39	12-82214M		1	WASHER
40	95188M		1	IGNITION COIL ASS'Y
41	10-95187M		4	SCREW

CONTINUED ON NEXT PAGE ➡

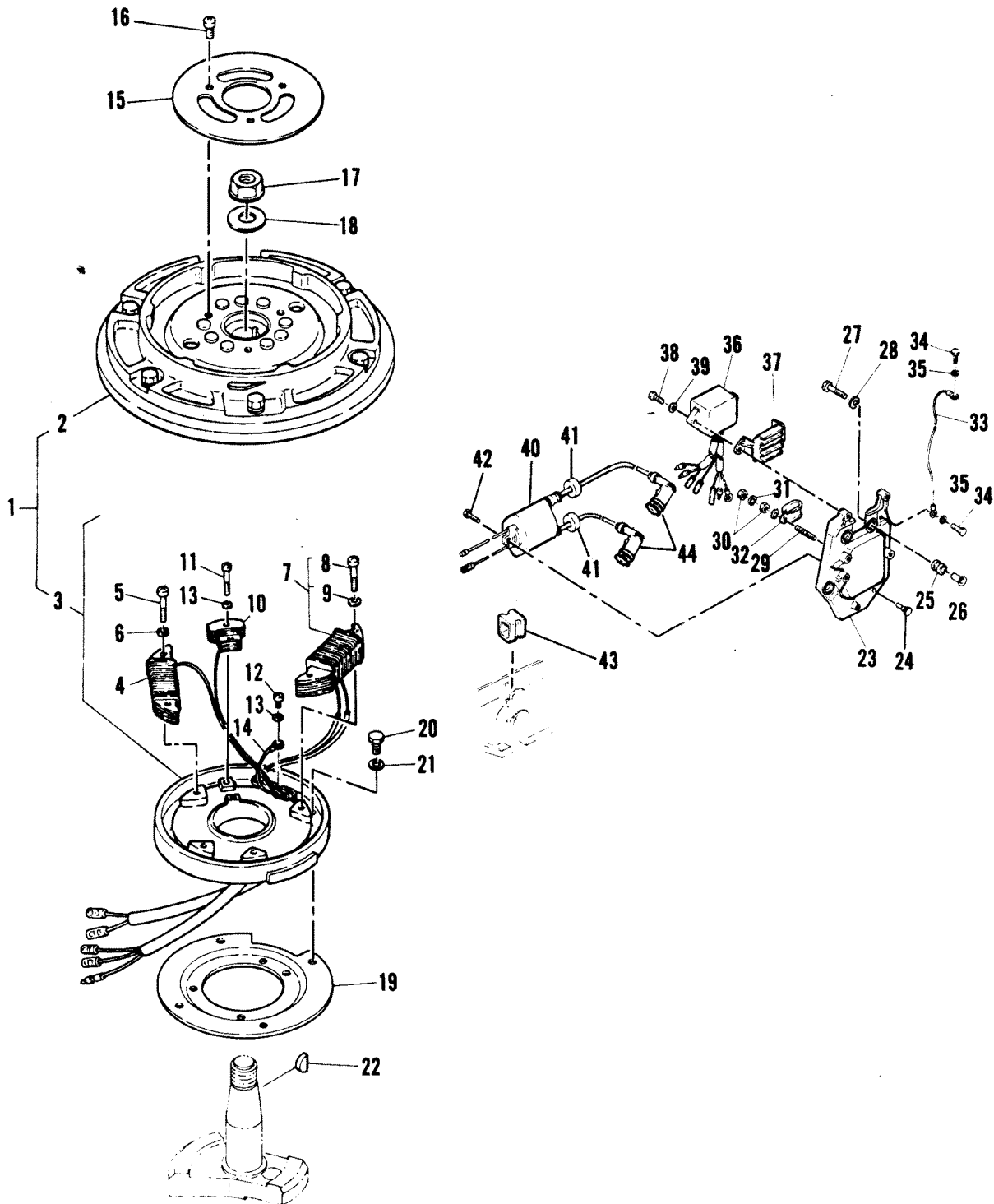
C.D.I. MAGNETO IGNITION



C.D.I. MAGNETO IGNITION

REF. NO.	PART NO.	SYM.	QTY.	DESCRIPTION
42	10-82405M		2	BOLT
43	25-81517M		1	GROMMET
44	80935M		2	PLUG CAP ASS'Y, NOISE SUPPRESSOR
	82788M		2	PLUG CAP ASS'Y (OPT)
45	16-95435M		1	STUD

FLYWHEEL MAGNETO IGNITION

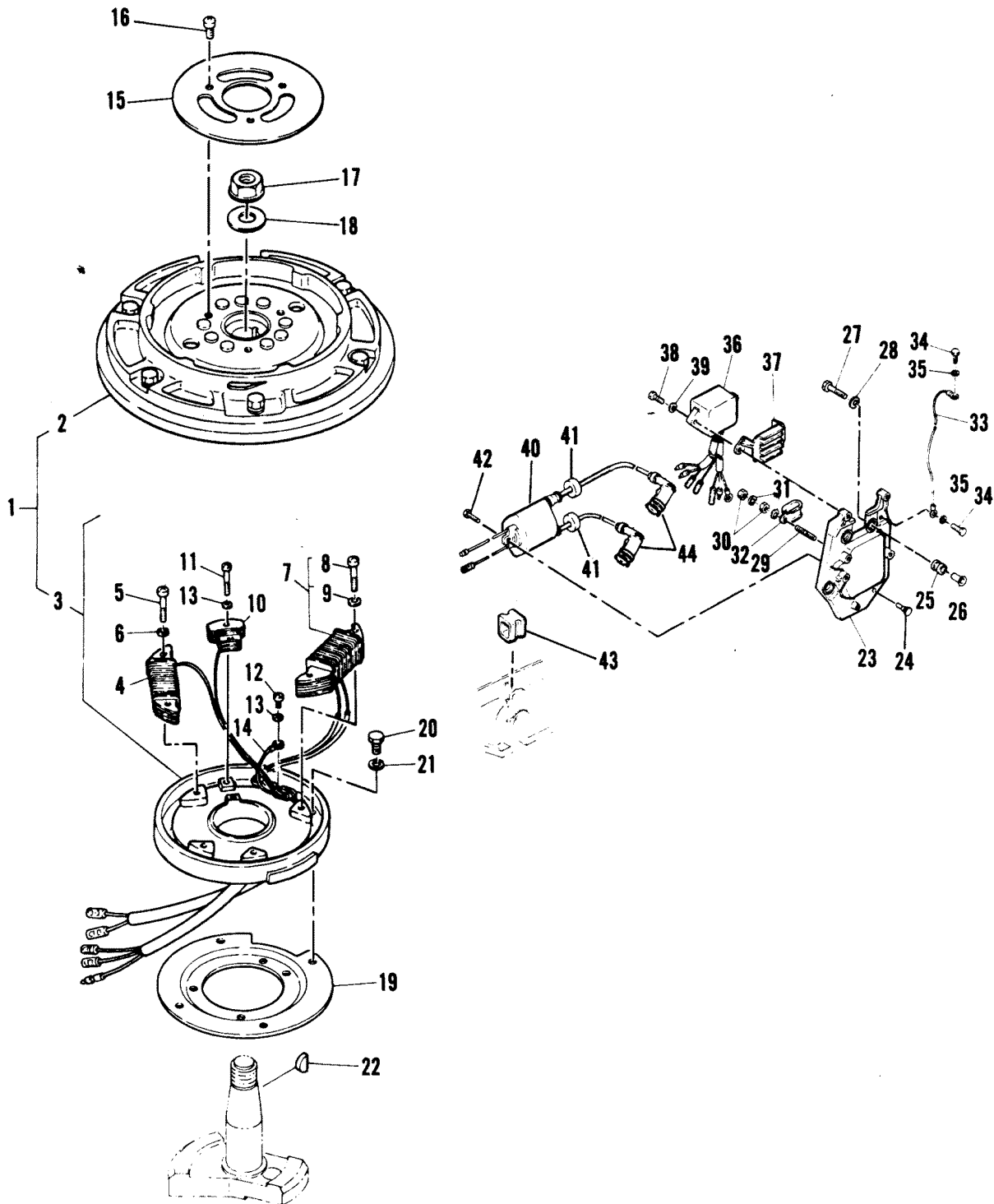


FLYWHEEL MAGNETO IGNITION

REF. NO.	PART NO.	SYM.	QTY.	DESCRIPTION
1	253-8414M		1	I. MAGNETO ASS'Y (W/80W LIGHTING COIL)
2	253-8415M		1	FLYWHEEL ASS'Y
3	96646M		1	BASE ASS'Y (W/LIGHTING COIL)
4	96647M		1	COIL
5	10-84880M		2	SCREW
6	13-82186M		2	LOCKWASHER
7	84881M		1	LIGHTING COIL ASS'Y
8	10-84880M		2	SCREW
9	13-82186M		2	LOCKWASHER
10	11729M		1	PULSER
11	10-84882M		2	SCREW
12	10-82499M		1	SCREW
13	13-82184M		3	LOCKWASHER
14	84-84883M		1	WIRE
15	96649M		1	COVER
16	10-82436M		3	SCREW
17	11-96650M		1	NUT
18	12-96651M		1	WASHER
19	96652M		1	RETAINER
20	10-14232M		4	SCREW
21	12-82211M		4	WASHER
22	28-81915M		1	KEY
23	84868M		1	BRACKET
24	84869M		1	GROMMET
25	81523M		3	GROMMET
26	23-82851M		3	COLLAR
27	10-82405M		3	BOLT
28	12-82979M		3	WASHER
29	16-84870M		1	STUD
30	11-82380M		2	NUT
31	13-82212M		2	LOCKWASHER
32	54-96653M		1	CLAMP
33	84-84871M		1	WIRE
34	10-84303M		2	BOLT
35	13-82212M		2	LOCKWASHER
36	96654M		1	I. UNIT ASS'Y
37	84873M		1	HOLDER
38	10-82405M		2	BOLT
39	12-82214M		2	WASHER
40	84874M		1	IGNITION COIL ASS'Y

CONTINUED ON NEXT PAGE ➡

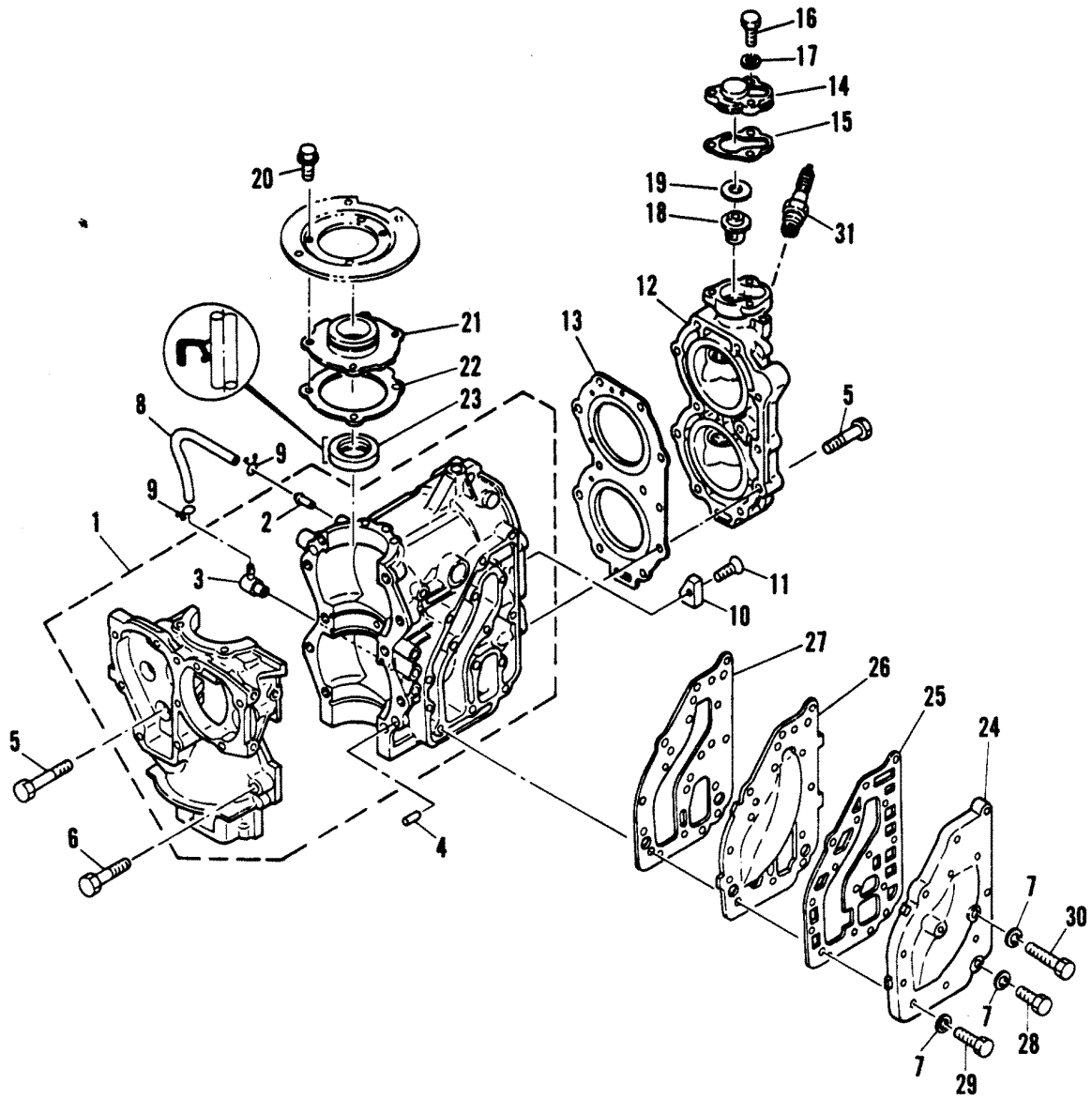
FLYWHEEL MAGNETO IGNITION



FLYWHEEL MAGNETO IGNITION

REF. NO.	PART NO.	SYM.	QTY.	DESCRIPTION
41	25-82069M		2	GROMMET
42	10-83539M		2	BOLT
43	25-84876M		1	GROMMET
44	80935M		2	PLUG CAP ASS'Y, NOISE SUPPRESSOR
	82788M		2	PLUG CAP ASS'Y (OPT)

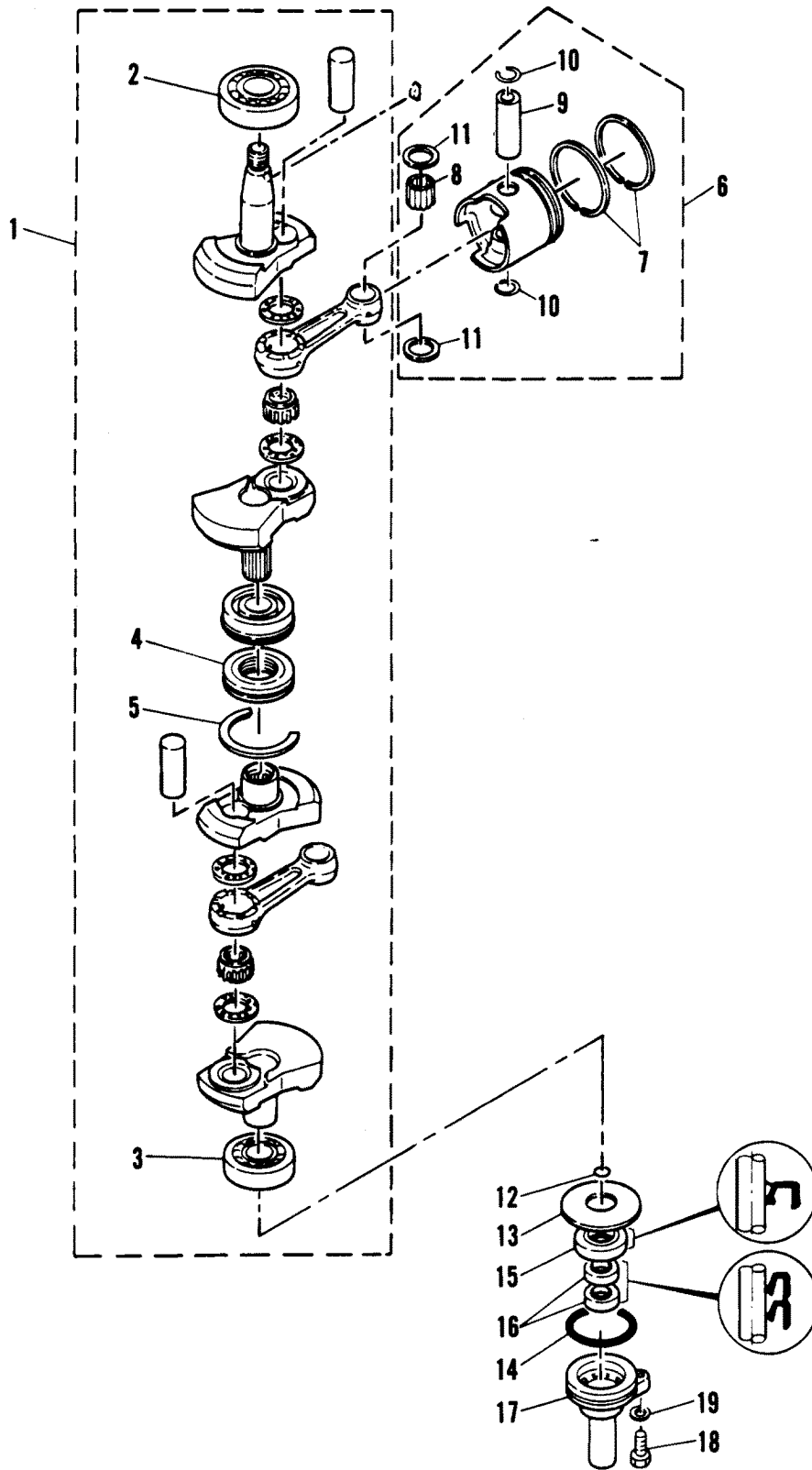
CRANKCASE AND CYLINDER HEAD



CRANKCASE AND CYLINDER HEAD

REF. NO.	PART NO.	SYM.	QTY.	DESCRIPTION
1	870-9371M		1	CRANKCASE ASS'Y
2	22-80122M		1	FITTING, DRAIN
3	21-80727M		1	CHECK VALVE ASS'Y
4	17-82364M		2	PIN
5	10-41885M		13	BOLT, W/WASHER
6	10-41884M		8	BOLT, W/WASHER
7	12-82214M		15	WASHER
8	32-84731M		1	HOSE
9	54-82046M		2	CLIP
10	84732M		1	ANODE
11	10-95209M		1	SCREW
12	968-7194M		1	HEAD, CYLINDER
13	27-19138M		1	GASKET, CYLINDER HEAD SERIAL 00004906-09999999
	27-84733M		1	GASKET, CYLINDER HEAD SERIAL 00000000-00004905
14	81030M		1	COVER, THERMOSTAT
15	27-81031M		1	GASKET
16	10-83539M		3	BOLT
17	12-82214M		3	WASHER
18	11752M		1	THERMOSTAT SERIAL 00003750-09999999
	81098M		1	THERMOSTAT SERIAL 00000000-00003749
19	12-81835M		1	WASHER
20	10-84735M		4	BOLT, W/WASHER
21	84736M		1	HOUSING
22	27-84737M		1	GASKET
23	26-96655M		1	OIL SEAL
24	95680M		1	OUTER COVER
25	27-96656M		1	GASKET
26	95681M		1	INNER COVER
27	27-84741M		1	GASKET
28	10-82405M		1	BOLT
29	10-84237M		12	BOLT
30	10-84931M		2	BOLT
31	33-53098		2	SPARK PLUG
	95439M		1	POWERHEAD ASS'Y, COMPLETE (SEE NOTE)
	27-95217M		1	GASKET SET, POWERHEAD SERIAL 00003181-09999999
	27-96658M		1	GASKET SET, POWERHEAD SERIAL 00000000-00003180

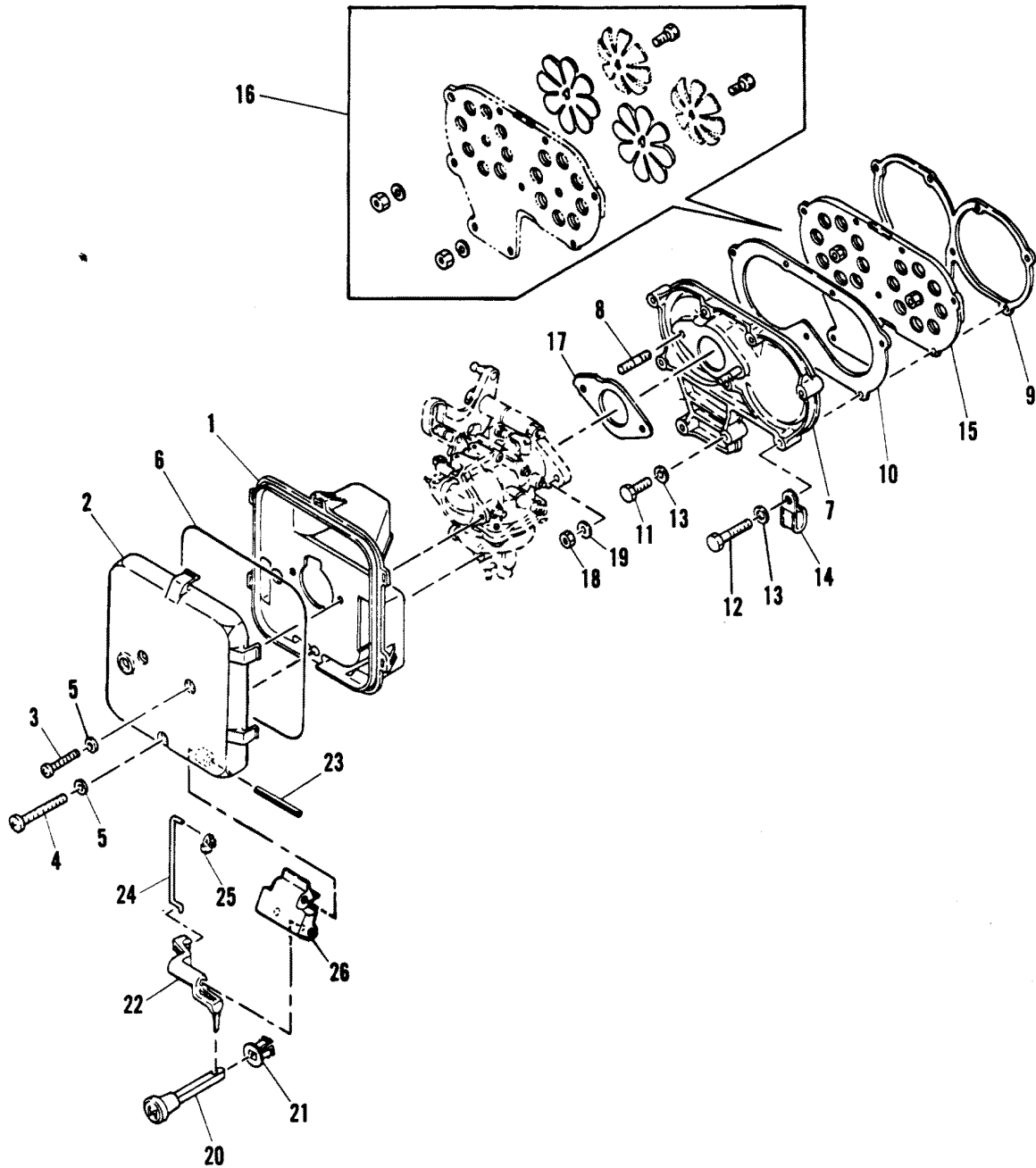
CRANKSHAFT AND PISTON



CRANKSHAFT AND PISTON

REF. NO.	PART NO.	SYM.	QTY.	DESCRIPTION
1	463-9068M		1	CRANKSHAFT ASS'Y SERIAL 00003181-09999999
	463-7195M		1	CRANKSHAFT ASS'Y SERIAL 00000000-00003180
2	30-96659M		1	BEARING
3	30-82307M		1	BEARING
4	93066M		1	SEAL
5	53-82937M		1	SNAP RING
6	761-8031M		2	PISTON ASS'Y (STD)
	761-8032M		AR	PISTON ASS'Y (1ST O.S. 72.25MM)
	761-8033M		AR	PISTON ASS;Y (2ND O.S. 72.50MM)
7	39-94636M		2	PISTON RING SET (STD)
	39-94637M		AR	PISTON RING SET (1ST O.S. 72.25MM)
	39-94638M		AR	PISTON RING SET (2ND O.S. 72.50MM)
8	29-84452M		68	BEARING
9	41-84749M		2	PIN, PISTON
10	53-81264M		4	CLIP, PISTON PIN SERIAL 00003181-09999999
11	12-84750M		4	WASHER
12	25-82268M		1	O-RING
13	23-81842M		1	WASHER
14	25-84089M		1	O-RING
15	26-19133M		1	OIL SEAL SERIAL 00004906-09999999
	26-16714M		1	OIL SEAL SERIAL 00004519-00004905
	26-43111M		1	OIL SEAL SERIAL 00004232-00004518
	26-84752M		1	OIL SEAL SERIAL 00000000-00004231
16	26-18972M		1	OIL SEAL SERIAL 00004906-09999999
	26-83347M		2	OIL SEAL SERIAL 00000000-00004905
17	18973M		1	HOUSING, OIL SEAL SERIAL 00004906-09999999
	84753M		1	HOUSING, OIL SEAL SERIAL 00000000-00004905
18	10-94526M		1	BOLT SERIAL 00003181-09999999
	10-82453M		1	BOLT SERIAL 00000000-00003180
19	12-82214M		1	WASHER

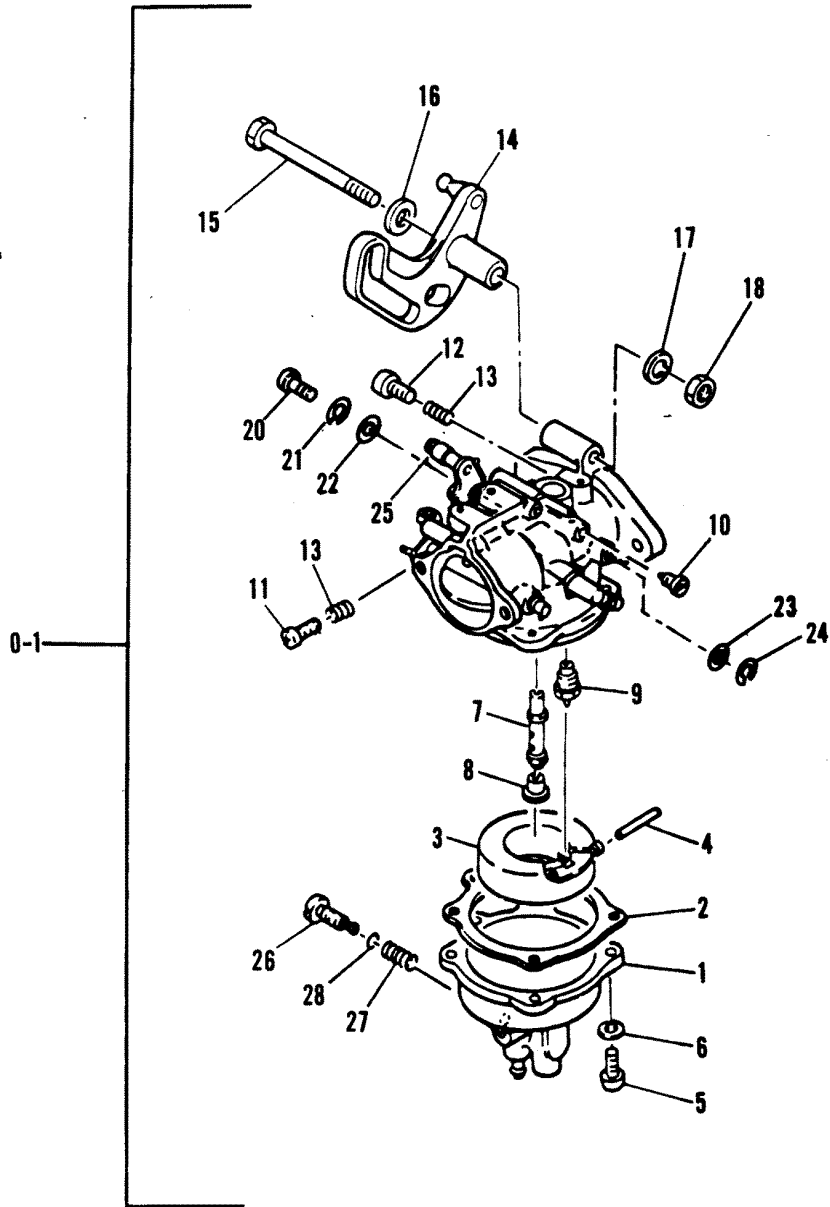
INTAKE MANIFOLD



INTAKE MANIFOLD

REF. NO.	PART NO.	SYM.	QTY.	DESCRIPTION
1	84754M		1	COVER, INNER
2	95682M		1	COVER, OUTER
3	10-82522M		2	SCREW
4	10-17148M		1	SCREW SERIAL 00004519-09999999
	10-84756M		1	SCREW SERIAL 00000000-00004518
5	12-82211M		3	WASHER
6	25-84757M		1	O-RING
7	80570M		1	MANIFOLD, INTAKE
8	16-91735M		2	STUD
9	27-80569M		1	GASKET
10	27-80571M		1	GASKET, INTAKE MANIFOLD
11	10-82405M		2	BOLT
12	10-83285M		7	BOLT
13	12-82214M		9	WASHER
14	54-97561M		1	CLAMP
15	84758M		1	REED VALVE ASS'Y
16	34-84759M		1	REED SET
17	27-80572M		1	GASKET
18	11-82380M		2	NUT
19	12-82214M		2	WASHER
20	83960M		1	KNOB, CHOKE
21	25-84760M		1	GROMMET
22	84761M		1	LEVER, CHOKE
23	17-84762M		2	PIN
24	84763M		1	ROD, CHOKE LINK
25	81191M		1	JOINT, CHOKE LEVER
26	95190M		1	GUIDE SERIAL 00000000-00003749

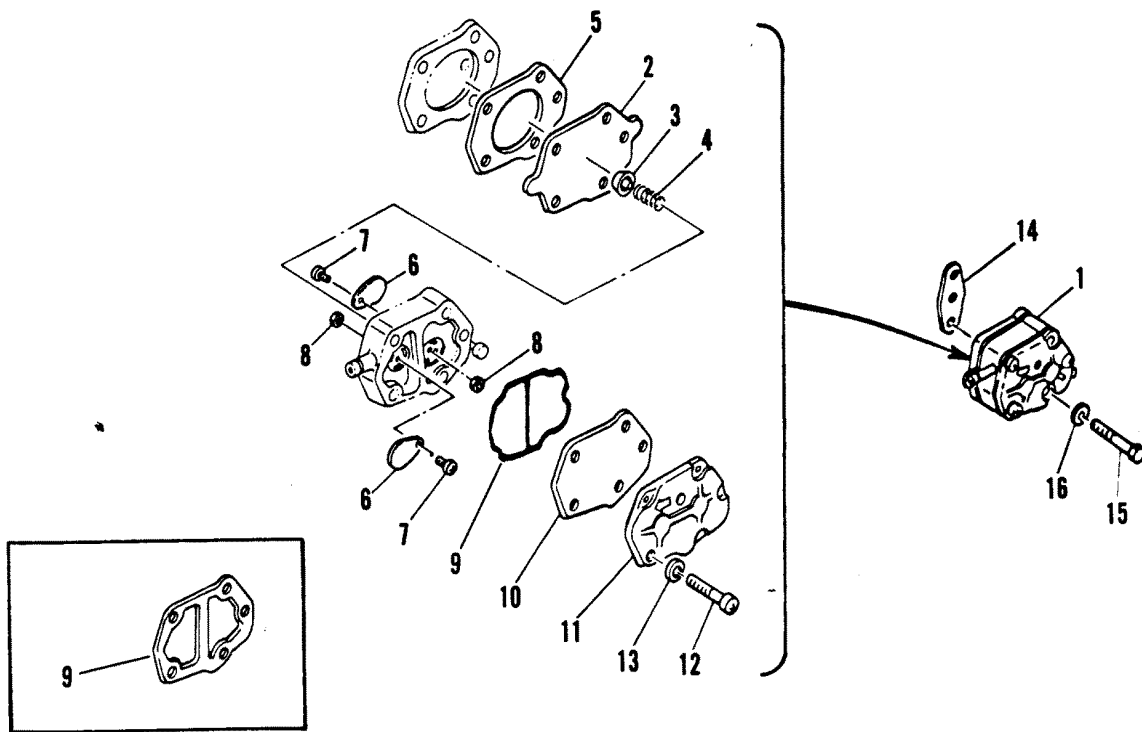
CARBURETOR



CARBURETOR

REF. NO.	PART NO.	SYM.	QTY.	DESCRIPTION
0-1	1383-9527M		1	CARBURETOR ASS'Y SERIAL 00004232-09999999
	1383-9069M		1	CARBURETOR ASS'Y SERIAL 00003181-00004231
	1383-8416M		1	CARBURETOR ASS'Y SERIAL 00000000-00003180
1	14234M		1	BODY () AND ABOVE SERIAL 00004906-09999999
	81561M		1	BODY SERIAL 00004232-00004905
	83200M		1	BODY SERIAL ML303153-00303837
	84764M		1	BODY SERIAL 00000000-00003749
2	27-80590M		1	GASKET
3	80591M		1	FLOAT
4	17-11794M		1	PIN
5	10-82515M		4	SCREW
6	13-82206M		4	LOCKWASHER
7	84766M		1	NOZZLE, MAIN
8	84767M		1	JET, MAIN (#135)
9	80593M		1	VALVE SEAT ASS'Y
10	80578M		1	JET, PILOT (#60)
11	10-82623M		1	SCREW
12	10-80573M		1	SCREW
13	24-80329M		2	SPRING
14	96660M		1	LEVER SERIAL 00000000-00003749
15	10-96661M		1	SCREW SERIAL 00000000-00003749
16	12-82217M		1	WASHER SERIAL 00000000-00003749
17	13-82212M		1	LOCKWASHER SERIAL 00000000-00003749
18	11-92517M		1	NUT SERIAL 00000000-00003749
20	10-82513M		1	SCREW
21	13-82184M		1	LOCKWASHER
22	12-82847M		1	WASHER
23	12-83204M		1	WASHER
24	53-94722M		1	SNAP RING
25	23-95192M		1	COLLAR SERIAL ML303153-0Z999999
26	10-80349M		1	VALVE, DRAIN SERIAL ML303838-0Z999999
27	24-80331M		1	SPRING, DRAIN VALVE SERIAL ML303838-0Z999999
28	25-80350M		1	O-RING SERIAL ML303838-0Z999999
	95193M		1	REPAIR KIT, CARBURETOR SERIAL 00003181-09999999
	84773M		1	REPAIR KIT, CARBURETOR SERIAL 00000000-00003180

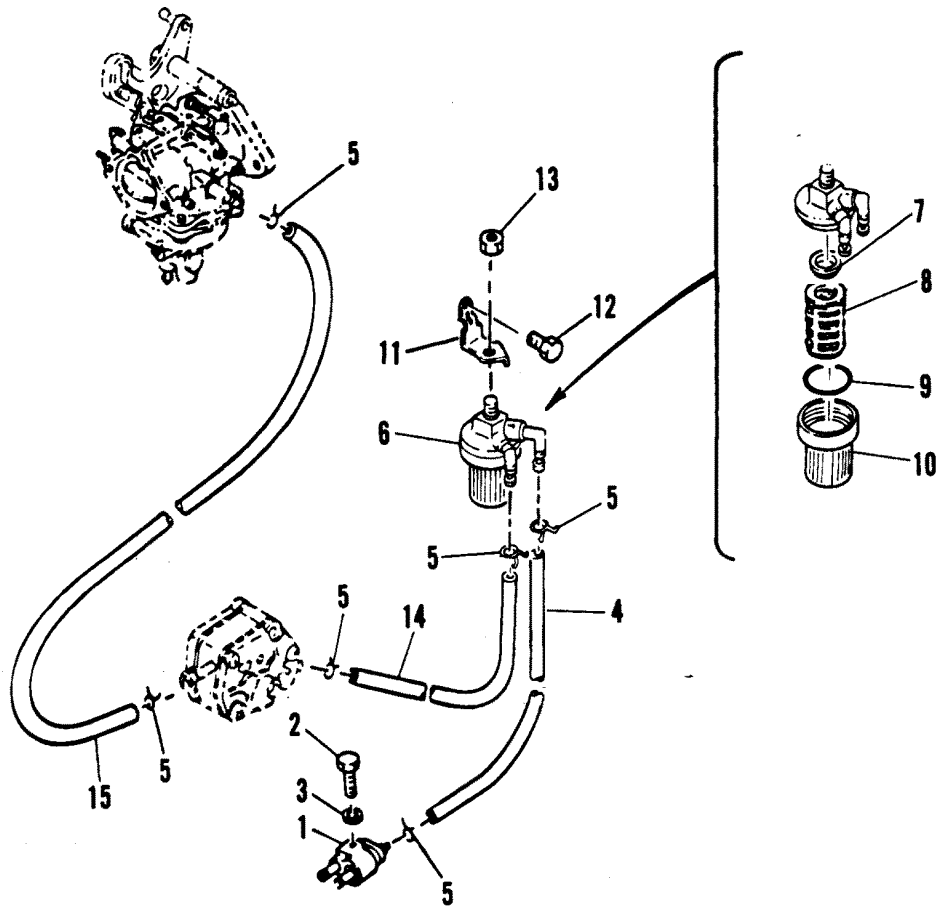
FUEL PUMP



FUEL PUMP

REF. NO.	PART NO.	SYM.	QTY.	DESCRIPTION
1	43113M		1	FUEL PUMP ASS'Y
2	80606M		1	DIAPHRAGM
3	80611M		1	PLATE
4	24-80610M		1	SPRING
5	27-80613M		1	GASKET
6	21-41888M		2	VALVE, CHECK
7	10-41889M		2	SCREW SERIAL 00302071-09999999
	10-94801M		2	SCREW SERIAL 00000000-00003180
8	11-82537M		2	NUT
9	27-80614M		1	GASKET SERIAL 00004519-09999999
	27-43095M		1	GASKET (THRU THRU SERIAL 00003181-00004518
	27-80614M		1	GASKET) AND BELOW SERIAL 00000000-00003180
10	84141M		1	DIAPHRAGM
11	43096M		1	COVER SERIAL 00003181-09999999
	80607M		1	COVER SERIAL 00000000-00003180
12	10-82522M		3	SCREW
13	13-82208M		3	LOCKWASHER
14	27-80757M		1	GASKET, FUEL PUMP
15	10-82428M		2	BOLT
16	12-82214M		2	WASHER

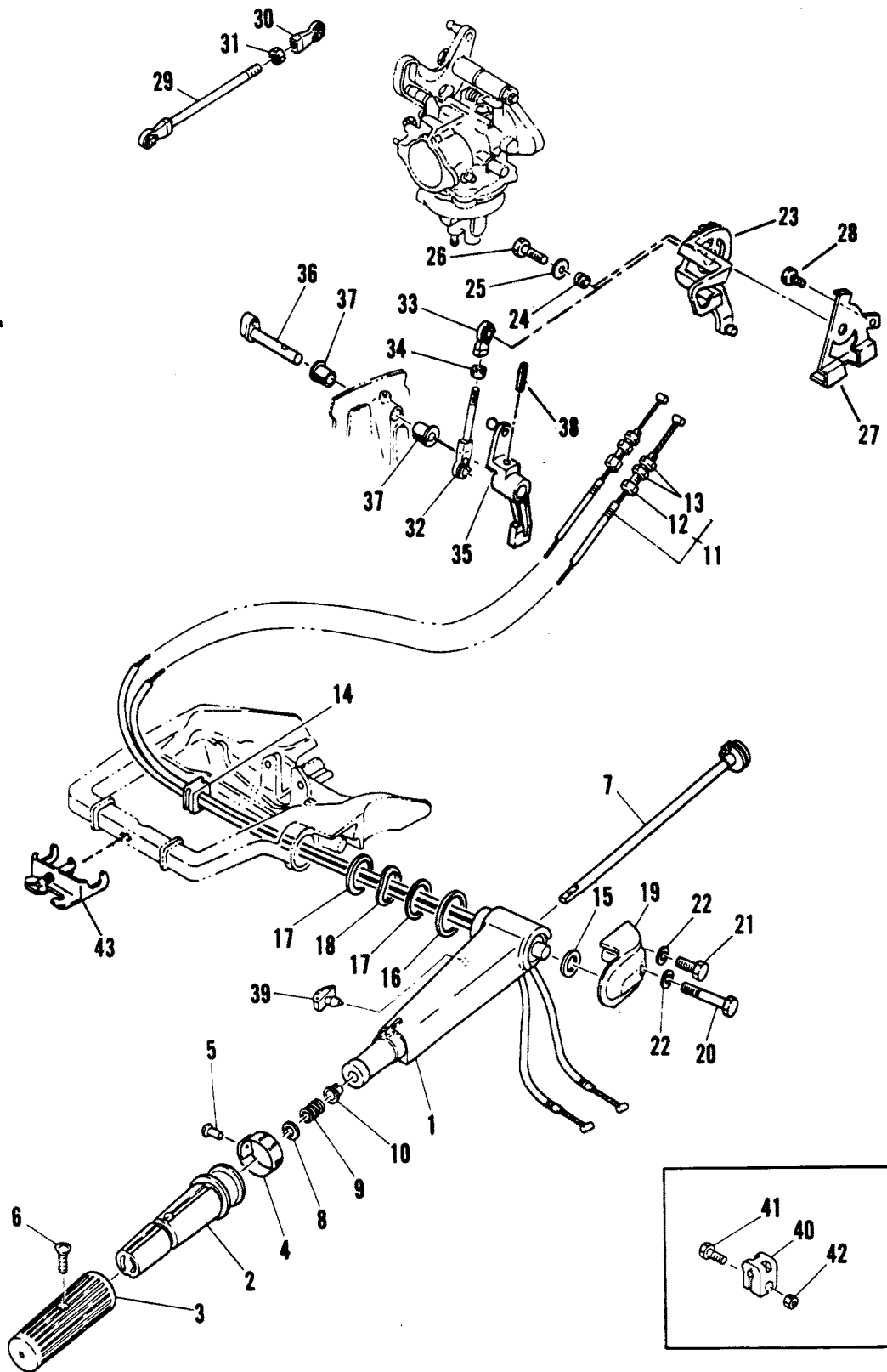
FUEL LINES AND FILTER



FUEL LINES AND FILTER

REF. NO.	PART NO.	SYM.	QTY.	DESCRIPTION
1	14187M		1	FUEL CONNECTOR
2	10-83539M		1	BOLT
3	12-82214M		1	WASHER
4	32-94806M		1	HOSE SERIAL 00003181-09999999
	32-84956M		1	HOSE SERIAL 00000000-00003180
5	54-82047M		6	CLIP
6	35-11931M		1	FILTER ASS'Y
7	27-82790M		1	GASKET SERIAL 00000000-00003749
8	35-11934M		1	ELEMENT, FILTER
9	25-84957M		1	O-RING
10	11935M		1	CUP, FILTER
11	95194M		1	BRACKET SERIAL 00003181-09999999
	80620M		1	BRACKET SERIAL 00000000-00003180
12	10-84303M		1	BOLT
13	11-82382M		1	NUT
14	32-95195M		1	HOSE SERIAL 00003181-09999999
	32-84958M		1	HOSE SERIAL 00000000-00003180
15	32-80605M		1	HOSE

STEERING AND THROTTLE CONTROL

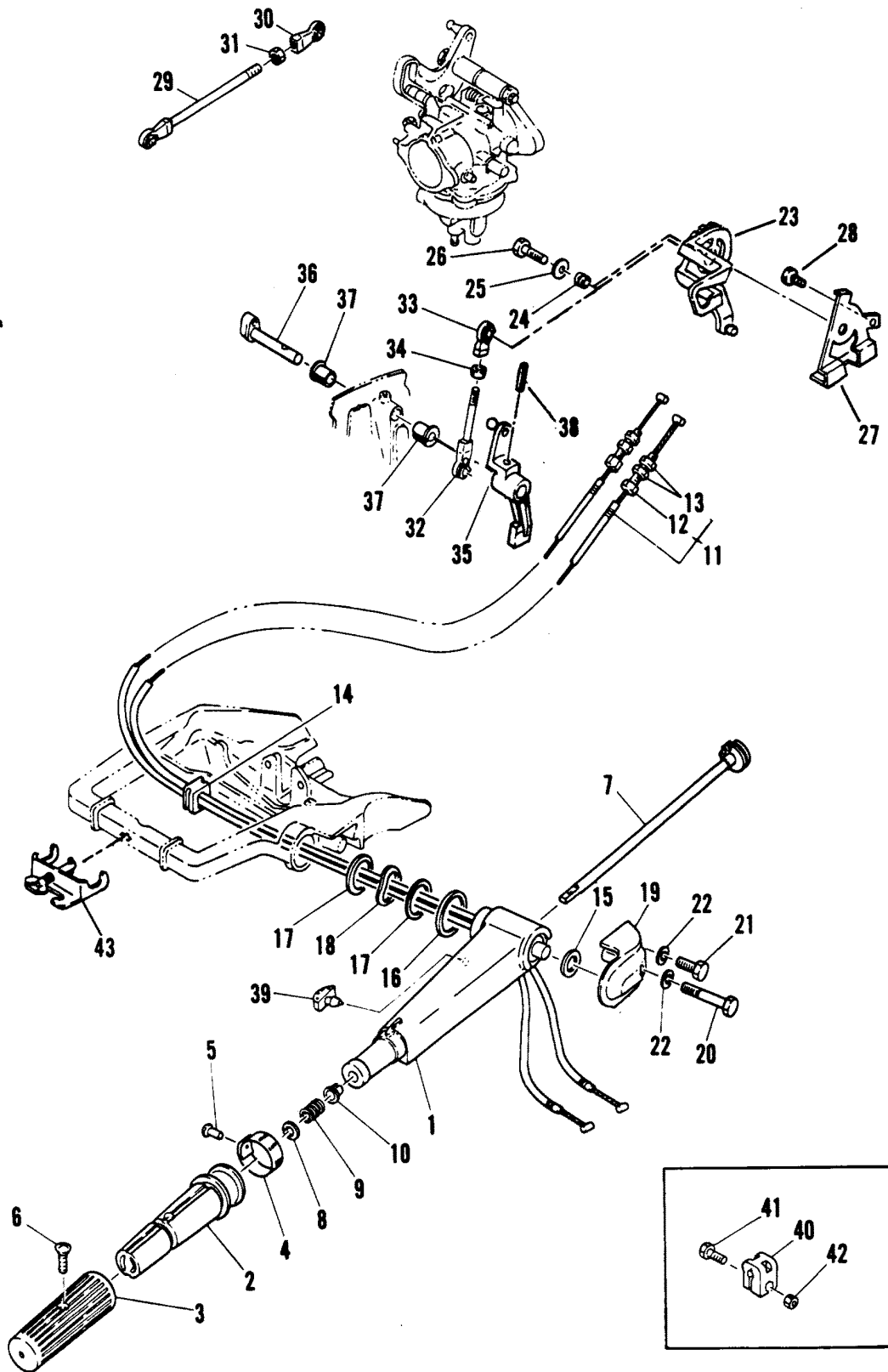


STEERING AND THROTTLE CONTROL

REF. NO.	PART NO.	SYM.	QTY.	DESCRIPTION
0-1	95196M		1	STEERING HANDLE ASS'Y SERIAL 00003181-09999999
	96663M		1	STEERING HANDLE ASS'Y SERIAL 00000000-00003180
1	96664M		1	HANDLE, STEERING
2	81585M		1	GRIP, STEERING HANDLE
3	95497M		1	RUBBER, HANDLE
4	97784M		1	INDICATOR, THROTTLE SERIAL 00001396-09999999
	97782M		1	INDICATOR, THROTTLE SERIAL 00000000-00001395
5	17-81907M		1	RIVET
6	10-18847M		1	SCREW
7	84856M		1	LEVER, THROTTLE
8	12-82220M		1	WASHER
9	24-82095M		1	SPRING
10	23-81945M		1	BUSHING
11	95437M		2	THROTTLE WIRE ASS'Y SERIAL 00003181-09999999
	41892M		2	THROTTLE WIRE ASS'Y SERIAL 00000000-00003180
12	10-81747M		2	BOLT
13	11-81765M		4	NUT
14	25-82064M		1	GROMMET
15	23-82119M		1	SPACER
16	23-81861M		1	WASHER
17	12-84850M		2	WASHER
18	13-84851M		1	WASHER, WAVE
19	84852M		1	HANDLE, STEERING
20	10-84853M		1	BOLT
21	10-84058M		1	BOLT
22	12-82214M		2	WASHER
23	17167M		1	LEVER, MAGNETO CONTROL SERIAL 00004519-09999999
	95440M		1	LEVER, MAGNETO CONTROL SERIAL 00003750-00004518
	95198M		1	LEVER, MAGNETO CONTROL SERIAL 00003181-00003749
	84858M		1	LEVER, MAGNETO CONTROL SERIAL 00000000-00003180
24	23-95199M		1	COLLAR SERIAL 00003181-09999999
	23-83310M		1	COLLAR SERIAL 00000000-00003180
25	12-95200M		1	COLLAR SERIAL 00003181-09999999
	12-81969M		1	COLLAR SERIAL 00000000-00003180
26	10-83539M		1	BOLT SERIAL 00003181-09999999
	10-82405M		1	BOLT SERIAL 00000000-00003180
27	95201M		1	BRACKET SERIAL 00003181-09999999
	96665M		1	BRACKET SERIAL 00000000-00003180
28	10-84303M		1	BOLT
29	96666M		1	ROD, MAGNETO CONTROL SERIAL 00000000-00003180
30	81225M		1	JOINT, LINK SERIAL 00000000-00003180
31	11-82378M		1	NUT SERIAL 00000000-00003180
32	95202M		1	JOINT SERIAL 00003181-09999999

CONTINUED ON NEXT PAGE ➡

STEERING AND THROTTLE CONTROL

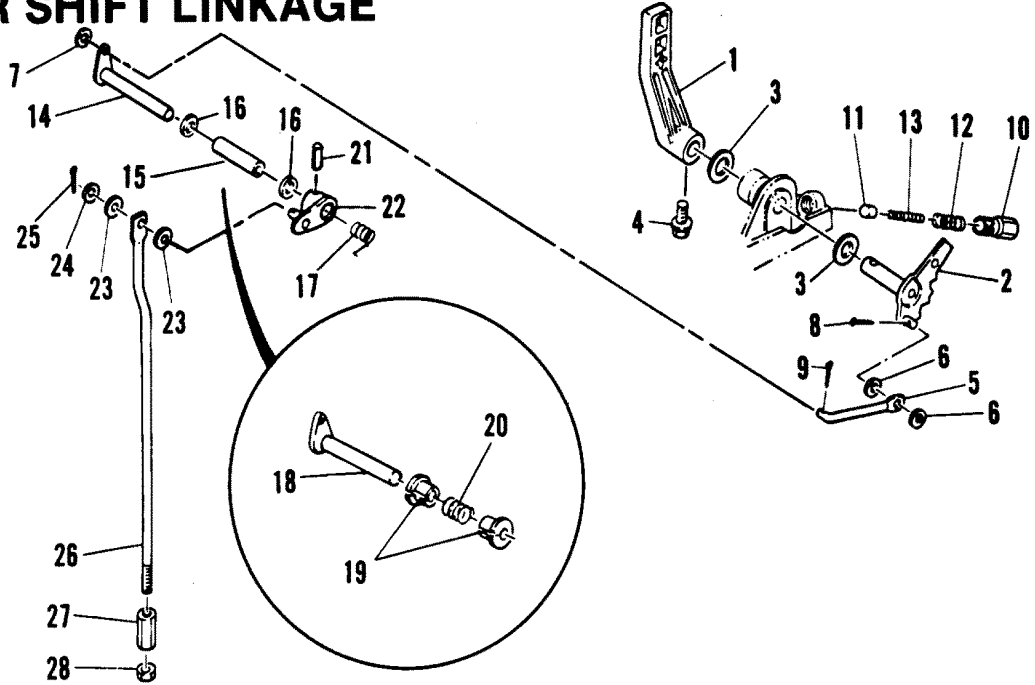


STEERING AND THROTTLE CONTROL

REF. NO.	PART NO.	SYM.	QTY.	DESCRIPTION
22	84862M		1	JOINT SERIAL 00000000-00003180
33	95203M		1	JOINT, LINK SERIAL 00003181-09999999
	81225M		1	JOINT, LINK SERIAL 00000000-00003180
34	11-82378M		1	NUT
35	95204M		1	LEVER, THROTTLE CONTROL SERIAL 00003181-09999999
	94646M		1	LEVER, THROTTLE CONTROL SERIAL 00000000-00003180
36	81134M		1	SHAFT, THROTTLE CONTROL
37	23-81946M		2	BUSHING
38	17-82156M		1	PIN
39	80033M		1	HOLDER, PIN
40	82895M		1	PIECE, FRICTION
41	10-84058M		1	BOLT
42	11-83056M		1	NUT
43	83727M		1	STEERING HOOK ASS'Y, ROPE TYPE

GEAR SHIFT LINKAGE

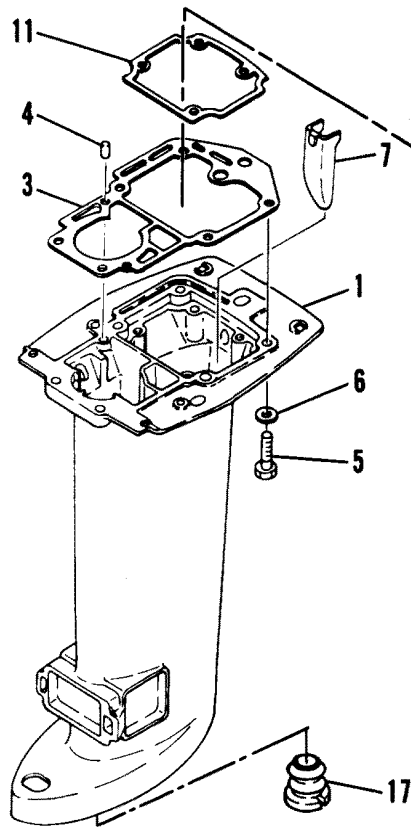
GEAR SHIFT LINKAGE



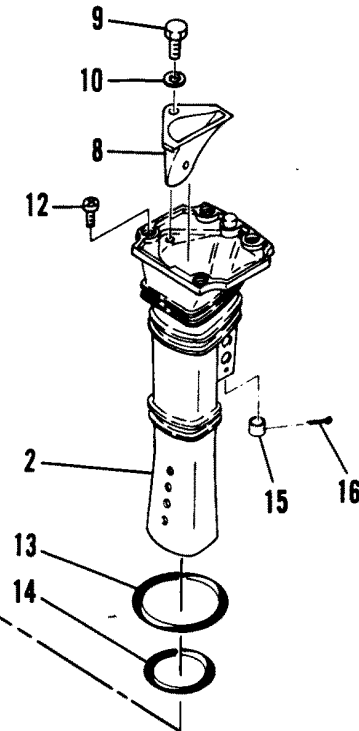
GEAR SHIFT LINKAGE

REF. NO.	PART NO.	SYM.	QTY.	DESCRIPTION
1	84865M		1	HANDLE
2	84653M		1	CAM PLATE
3	12-81851M		2	WASHER
4	10-84830M		1	BOLT
5	81595M		1	JOINT
6	12-81843M		2	WASHER
7	12-82211M		1	WASHER
8	18-82125M		1	PIN, COTTER
9	18-82124M		1	PIN, COTTER
10	84459M		1	BUSHING
11	84460M		1	PLUNGER
12	24-84461M		1	SPRING
13	24-84462M		1	SPRING
14	97139M		1	LEVER, SHIFT ROD SERIAL 00003750-09999999
	84866M		1	LEVER, SHIFT ROD SERIAL 00000956-00003749
15	23-97142M		1	COLLAR SERIAL 00000956-09999999
16	12-81846M		2	WASHER SERIAL 00000956-09999999
17	24-97140M		1	SPRING SERIAL 00000956-09999999
18	97139M		1	LEVER, SHIFT ROD SERIAL 00000000-00000955
19	23-81946M		2	BUSHING SERIAL 00000000-00000955
20	24-82108M		1	SPRING SERIAL 00000000-00000955
21	17-82155M		1	PIN
22	84867M		1	LEVER, SHIFT ROD
23	12-81843M		2	WASHER
24	12-82211M		1	WASHER
25	18-82127M		1	PIN, COTTER
26	80651M		1	ROD, SHIFT SERIAL 00004906-09999999
	81596M		1	ROD, SHIFT SERIAL 00000000-00004905
27	80652M		1	CONNECTOR
28	11-81767M		1	NUT

DRIVESHAFT HOUSING



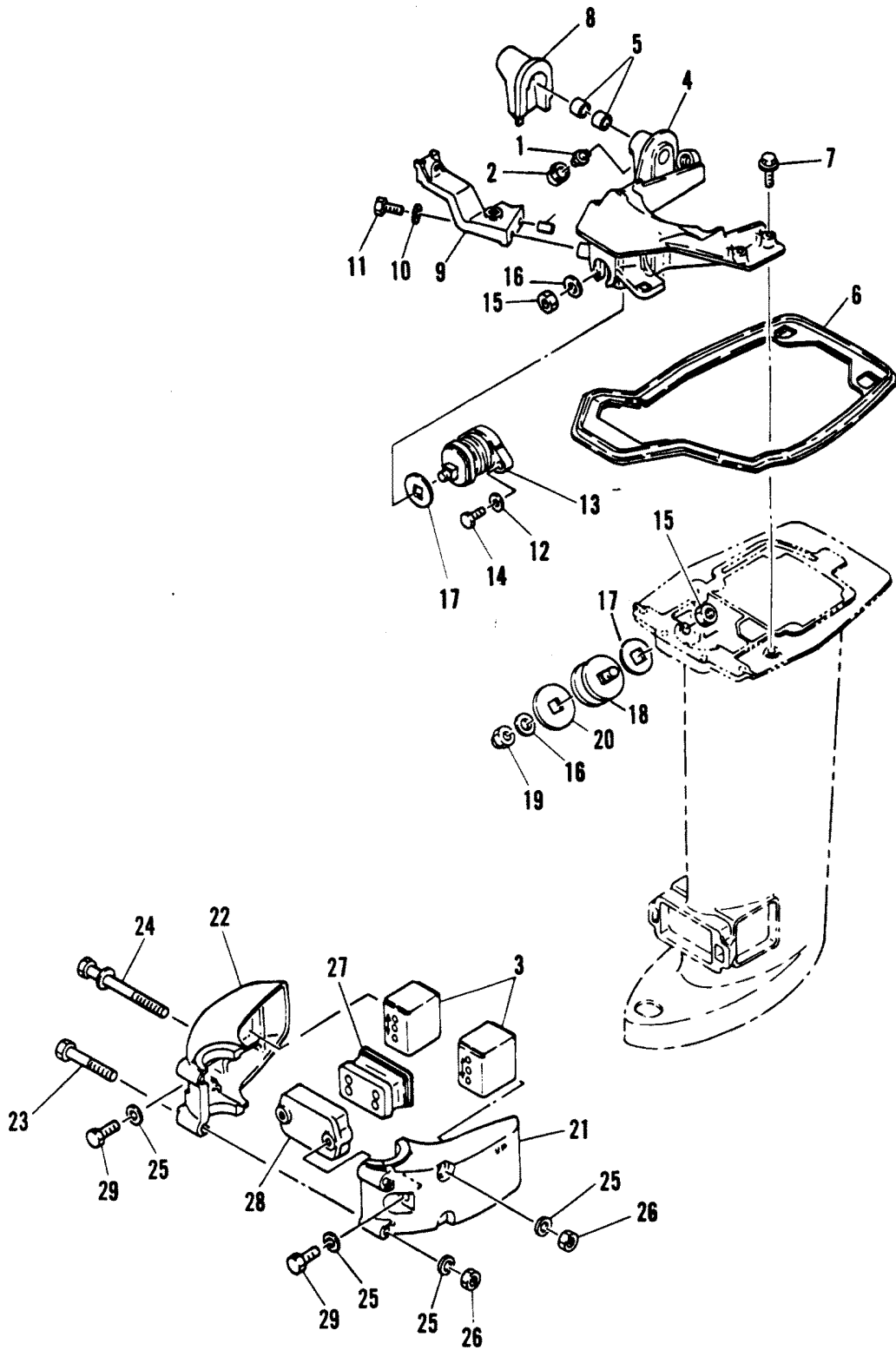
DRIVESHAFT HOUSING



DRIVESHAFT HOUSING

REF. NO.	PART NO.	SYM.	QTY.	DESCRIPTION
1	1587-9244M		1	DRIVESHAFT HOUSING (SHORT SHAFT) SERIAL 00003750-09999999
	1587-7842M		1	DRIVESHAFT HOUSING (SHORT SHAFT) SERIAL 00000000-00003749
	1587-7843M		1	DRIVESHAFT HOUSING (LONG SHAFT)
2	95205M		1	MANIFOLD (SHORT SHAFT) SERIAL 00003181-09999999
	84774M		1	MANIFOLD (SHORT SHAFT) SERIAL 00000000-00003180
3	27-84775M		1	GASKET
4	17-82364M		2	PIN
5	10-95416M		6	BOLT
6	12-82217M		6	WASHER
7	84776M		1	MANIFOLD (SHORT SHAFT)
	84777M		1	MANIFOLD (LONG SHAFT)
8	84778M		1	GUIDE
9	10-95206M		1	BOLT
10	12-82217M		1	WASHER
11	27-81573M		1	GASKET
12	10-83870M		4	SCREW
13	26-84780M		1	SEAL
14	26-84781M		1	SEAL
15	26-97635M		1	GASKET, EXHAUST MANIFOLD (SHORT)
	26-84782M		1	GASKET, EXHAUST MANIFOLD (LONG)
16	18-82131M		1	PIN, COTTER
17	26-43114M		1	SEAL SERIAL 00004519-09999999

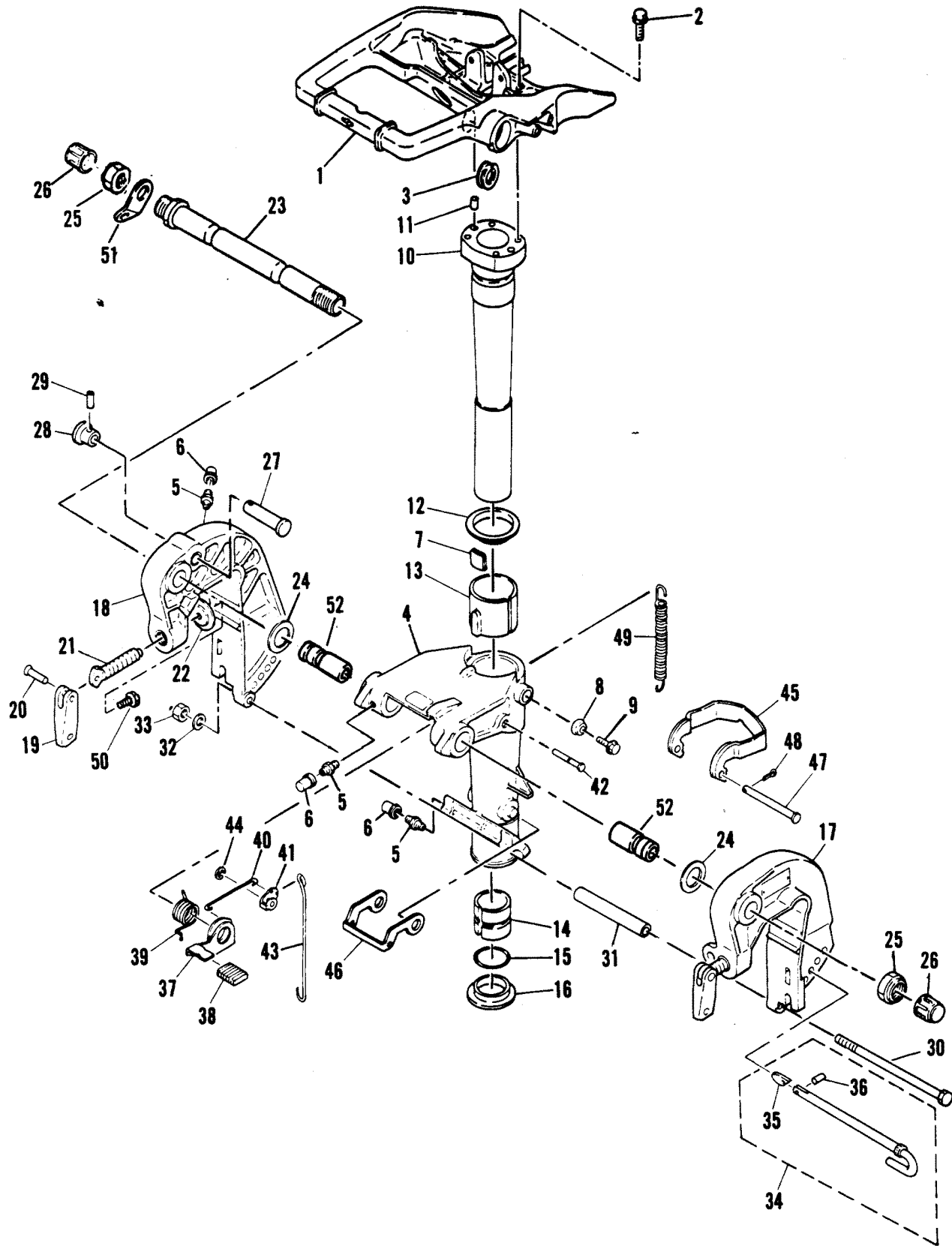
MOUNTING SYSTEM



MOUNTING SYSTEM

REF. NO.	PART NO.	SYM.	QTY.	DESCRIPTION
1	22-82369M		2	FITTING, GREASE
2	81439M		2	CAP
3	84848M		2	MOUNT RUBBER
4	95548M		1	BRACKET, MOUNTING SERIAL 00003750-09999999
	80654M		1	BRACKET, MOUNTING SERIAL 00000000-00003749
5	23-81930M		2	BUSHING
6	26-84838M		1	SEAL
7	10-84839M		4	BOLT
8	26-84840M		1	SEAL
9	80657M		1	BRACKET
10	17-82364M		1	PIN
11	10-82451M		1	BOLT
12	12-82214M		3	WASHER
13	84841M		1	MOUNT RUBBER
14	10-84058M		2	BOLT
15	11-82395M		3	NUT
16	12-82219M		3	WASHER
17	27-80662M		3	GASKET
18	82557M		2	MOUNT RUBBER
19	11-82396M		2	NUT
20	27-81612M		2	GASKET
21	84842M		1	HOUSING
22	84843M		1	HOUSING
23	10-84844M		2	BOLT
24	10-41893M		2	BOLT
25	12-82217M		4	WASHER
26	11-82392M		4	NUT
27	84846M		1	MOUNT RUBBER
28	84847M		1	COVER
29	10-43106M		2	BOLT

CLAMP AND SWIVEL BRACKET/REVERSE LOCK

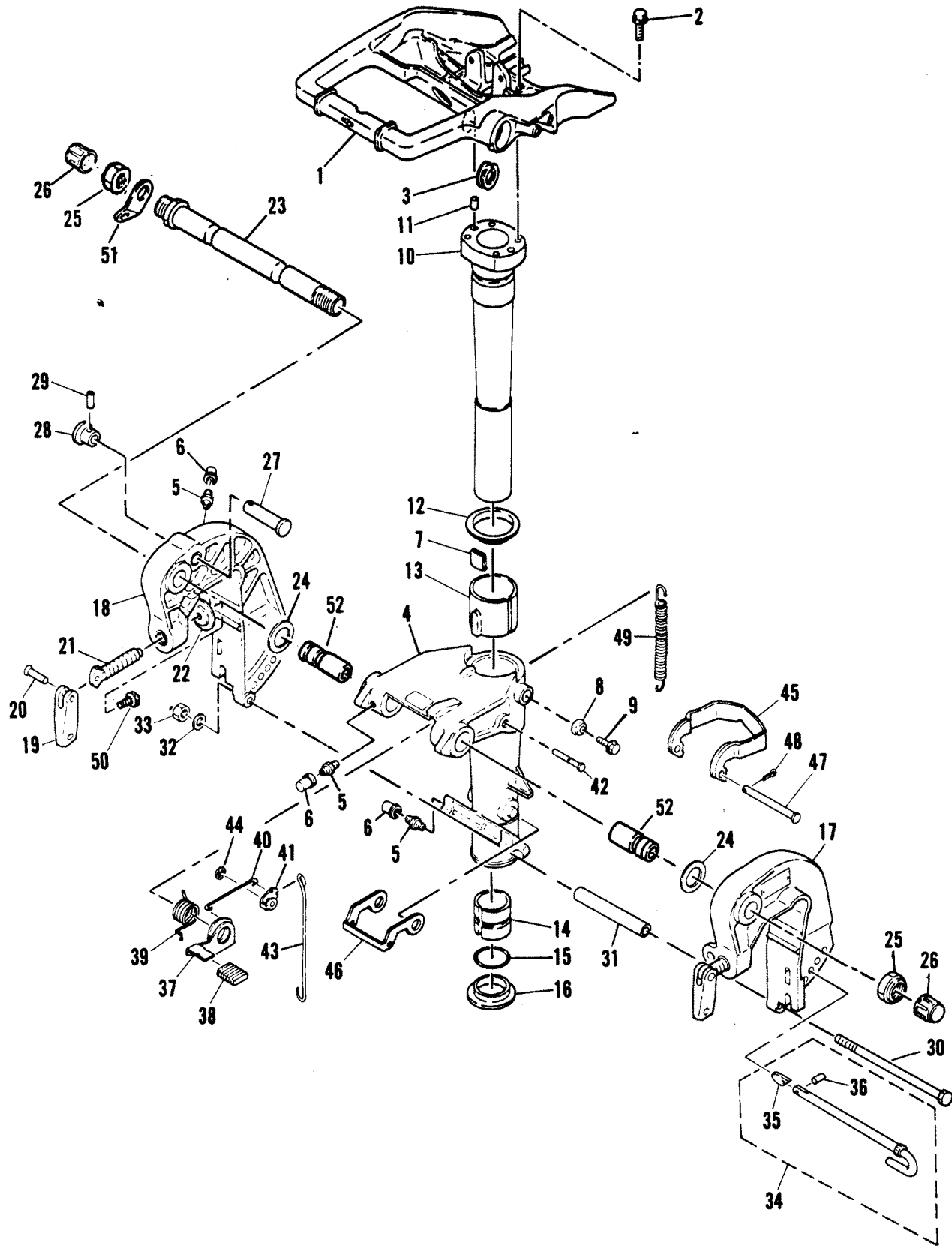


CLAMP AND SWIVEL BRACKET/REVERSE LOCK

REF. NO.	PART NO.	SYM.	QTY.	DESCRIPTION
1	19113M		1	BRACKET, STEERING SERIAL 00004906-09999999
	81138M		1	BRACKET, STEERING SERIAL 00000000-00004905
2	10-84830M		4	BOLT
3	25-82070M		1	GROMMET
4	1485-9792M		1	BRACKET, SWIVEL SERIAL 00004906-09999999
	1485-9246M		1	BRACKET, SWIVEL SERIAL 00000000-00004905
5	22-82369M		3	FITTING, GREASE
6	81439M		3	CAP
7	80633M		1	PLATE, FRICTION
8	26-91637M		1	SEAL
9	10-96382M		1	BOLT
10	84833M		1	SHAFT
11	17-82368M		2	PIN
12	12-81873M		1	WASHER
13	23-81964M		1	BUSHING
14	23-81959M		1	BUSHING
15	25-82274M		1	O-RING
16	23-81961M		1	BUSHING
17	1484-9797M		1	CLAMP BRACKET, PORT SERIAL 00004906-09999999
	1484-8245M		1	CLAMP BRACKET, PORT SERIAL 00000000-00004905
18	1484-9798M		1	CLAMP BRACKET, STARBOARD SERIAL 00004906-09999999
	1484-8246M		1	CLAMP BRACKET, STARBOARD SERIAL 00000000-00004905
19	80048M		2	HANDLE
20	17-81888M		2	PIN
21	10-43098M		2	SCREW SERIAL 00003181-09999999
	10-81756M		2	SCREW SERIAL 00000000-00003180
22	12-43099M		2	PAD SERIAL 00003181-09999999
	12-80638M		2	PAD SERIAL 00000000-00003180
23	10-18974M		1	BOLT SERIAL 00004906-09999999
	10-91639M		1	BOLT SERIAL 00000000-00004905
24	12-81836M		2	WASHER
25	11-81787M		2	NUT
26	81388M		2	CAP
27	84835M		1	SHAFT
28	95650M		1	KNOB
29	17-82148M		1	PIN
30	10-82924M		1	BOLT
31	23-81979M		1	SPACER SERIAL 00004906-09999999
	23-19108M		1	SPACER SERIAL 00000000-00004905
32	12-82217M		1	WASHER
33	11-82392M		1	NUT
34	17-94569M		1	TILT ROD ASS'Y
35	82857M		1	STOPPER PLATE

CONTINUED ON NEXT PAGE ➡

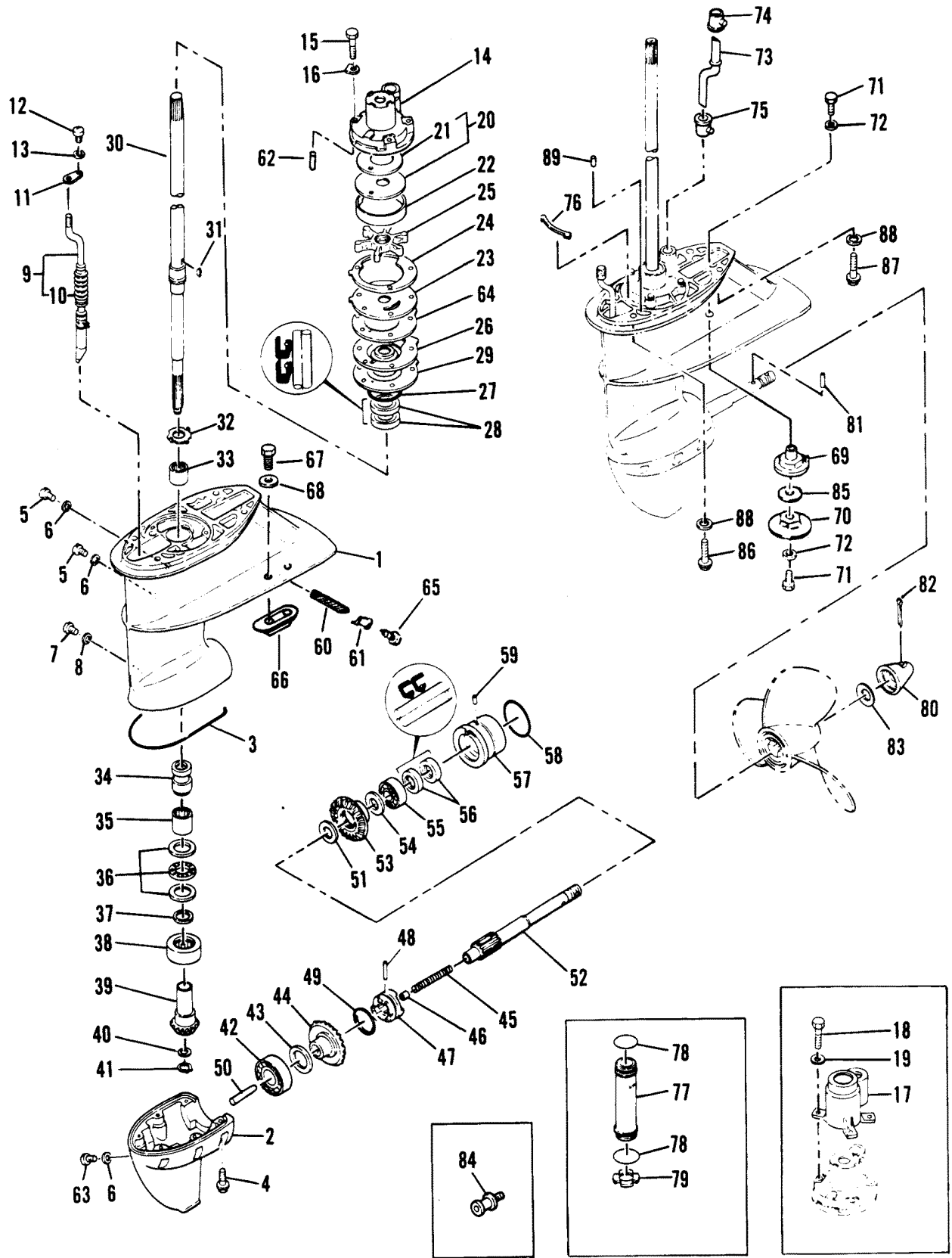
CLAMP AND SWIVEL BRACKET/REVERSE LOCK



CLAMP AND SWIVEL BRACKET/REVERSE LOCK

REF. NO.	PART NO.	SYM.	QTY.	DESCRIPTION
36	17-82144M		1	PIN
37	91640M		1	LEVER
38	91641M		1	COVER
39	24-91642M		1	SPRING
40	91643M		1	ROD
41	80648M		1	LEVER
42	17-91644M		1	PIN SERIAL 00004906-09999999
	17-19109M		1	PIN SERIAL 00000000-00004905
43	80645M		1	ROD
44	53-82330M		1	SNAP RING
45	84837M		1	PLATE
46	80643M		1	PLATE
47	17-81882M		1	PIN
48	18-82125M		1	PIN, COTTER
49	24-82105M		1	SPRING SERIAL 00004906-09999999
	24-19110M		1	SPRING SERIAL 00000000-00004905
50	10-43097M		2	BOLT () AND ABOVE SERIAL 00003750-09999999
51	19111M		1	PLATE, CLAMP BRACKET SERIAL 00004906-09999999
52	23-19112M		2	BUSHING SERIAL 00004906-09999999

GEARHOUSING ASSEMBLY

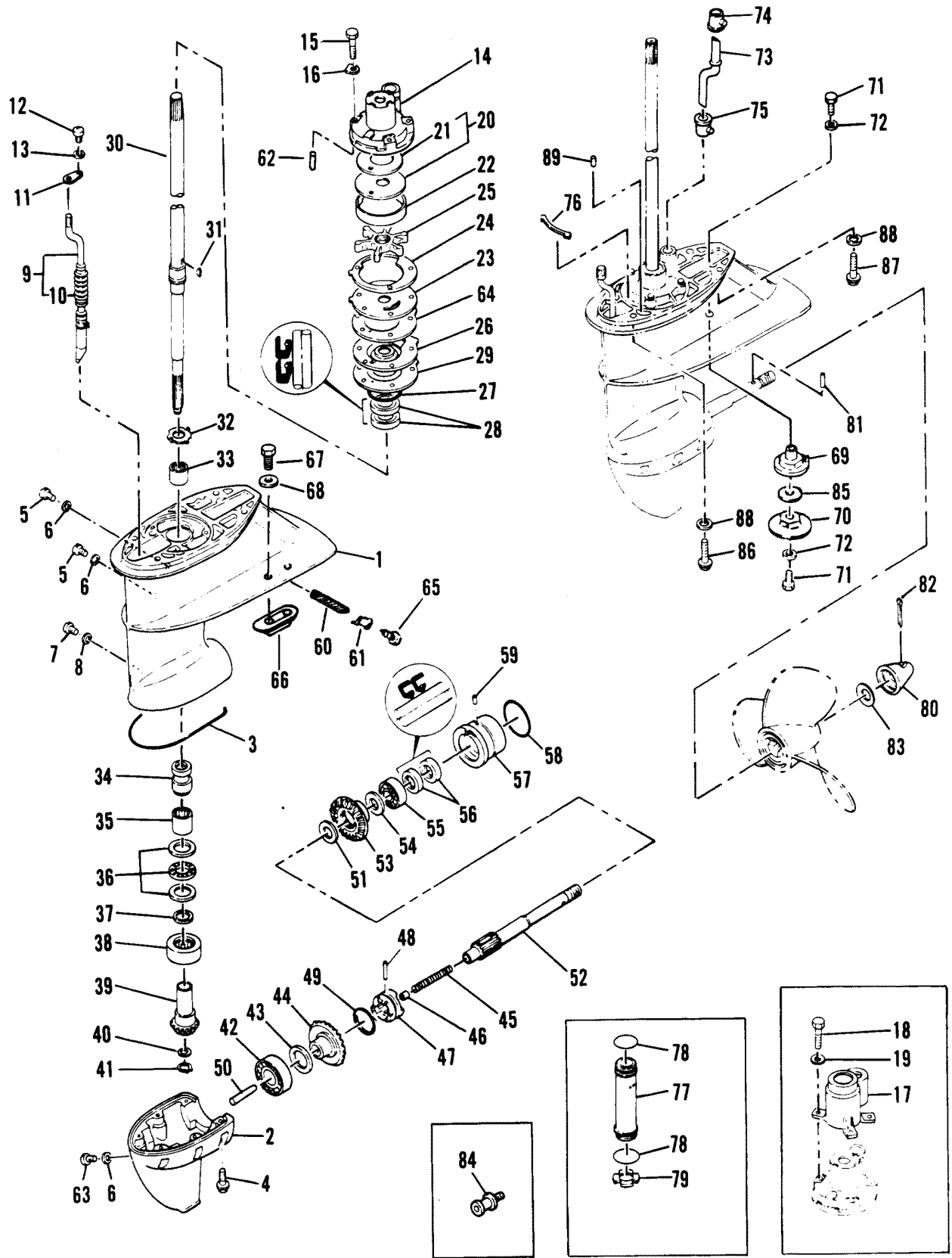


GEARHOUSING ASSEMBLY

REF. NO.	PART NO.	SYM.	QTY.	DESCRIPTION
0-1	1651-9816M		1	GEARHOUSING ASS'Y (SHORT SHAFT) SERIAL 00004906-09999999
	1651-9092M		1	GEARHOUSING ASS'Y (SHORT SHAFT) SERIAL 00000000-00004905
	1651-9817M		1	GEARHOUSING ASS'Y (LONG SHAFT) SERIAL 00004906-09999999
	1651-9093M		1	GEARHOUSING ASS'Y (LONG SHAFT) SERIAL 00000000-00004905
1	1651-9818M		1	GEARHOUSING, UPPER SERIAL 00004906-09999999
	1651-9094M		1	GEARHOUSING, UPPER SERIAL 00003181-00004905
	1651-8419M		1	GEARHOUSING, UPPER SERIAL 00000000-00003180
2	96668M		1	HOUSING, LOWER
3	83391M		1	SEAL
4	10-82476M		6	BOLT
5	22-81924M		2	PLUG
6	27-81987M		3	GASKET
7	10-81752M		1	SCREW
8	27-95610M		1	GASKET
9	96669M		1	SHIFT CAM ASS'Y (SHORT SHAFT)
	96670M		1	SHIFT CAM ASS'Y (LONG SHAFT)
10	82881M		1	BOOT
11	82882M		1	PLATE
12	10-96671M		1	SCREW
13	12-82214M		1	WASHER
14	46-95651M		1	HOUSING
15	10-84790M		3	BOLT
16	12-84791M		3	WASHER
17	84792M		1	COVER (LONG SHAFT)
18	10-96293M		3	BOLT (LONG SHAFT)
19	12-82214M		3	WASHER (LONG SHAFT)
20	95658M		1	INSERT CARTRIDGE ASS'Y (CHROME) SERIAL 00003750-09999999
	97791M		1	INSERT CARTRIDGE ASS'Y (CHROME) SERIAL 00000000-00003749
21	27-95653M		1	RUBBER
22	84825M		1	INSERT (CHROME) SERIAL 00000000-00003749
23	95659M		1	OUTER PLATE (CHROME) SERIAL 00003750-09999999
	41274M		1	OUTER PLATE (CHROME) SERIAL 00000000-00003749
24	27-41273M		1	GASKET
25	47-84797M		1	IMPELLER
26	95655M		1	PROTECTOR SERIAL 00003181-09999999
	96672M		1	PROTECTOR SERIAL 00000000-00003180
27	25-84054M		1	O-RING
28	26-95210M		2	OIL SEAL SERIAL 00003181-09999999
	26-82233M		2	OIL SEAL SERIAL 00000000-00003180

CONTINUED ON NEXT PAGE ➡

GEARHOUSING ASSEMBLY

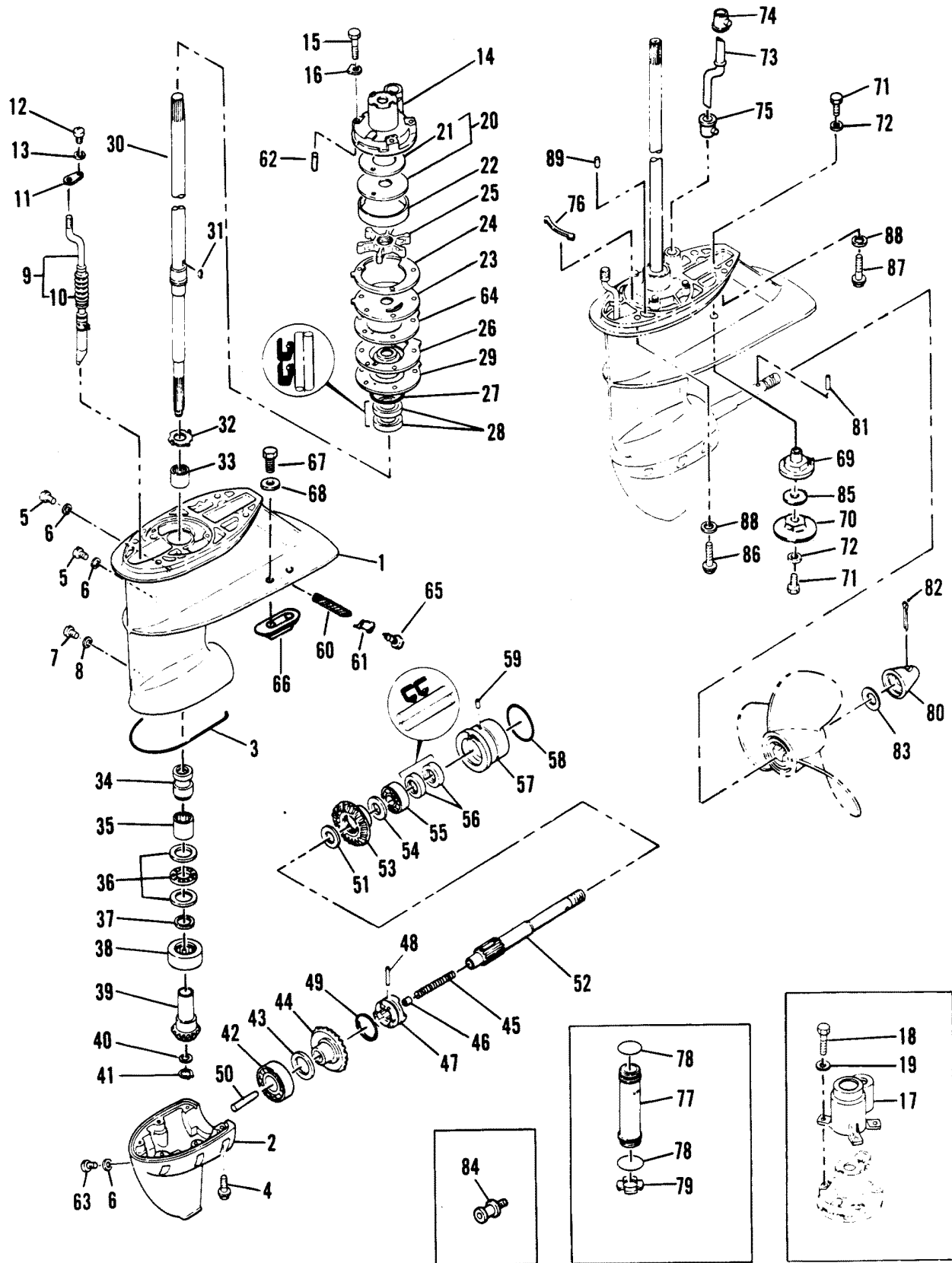


GEARHOUSING ASSEMBLY

REF. NO.	PART NO.	SYM.	QTY.	DESCRIPTION
0-1	1651-9092M		1	GEARHOUSING ASS'Y (SHORT SHAFT) SERIAL 00004906-09999999
	1651-9092M		1	GEARHOUSING ASS'Y (SHORT SHAFT) SERIAL 00000000-00004905
	1651-9093M		1	GEARHOUSING ASS'Y (LONG SHAFT) SERIAL 00004906-09999999
	1651-9093M		1	GEARHOUSING ASS'Y (LONG SHAFT) SERIAL 00000000-00004905
29	27-41272M		1	GASKET
30	45-96674M		1	DRIVE SHAFT (SHORT SHAFT)
	45-96675M		1	DRIVE SHAFT (LONG SHAFT)
31	28-81603M		1	KEY
32	12-83407M		1	THRUST WASHER
33	31-83408M		1	BEARING
34	23-96676M		1	SLEEVE
35	31-96677M		1	BEARING
36	31-96678M		1	BEARING
37	15-96679M		AR	SHIM (0.70MM)
	15-96680M		AR	SHIM (0.75MM)
	15-96681M		AR	SHIM (0.80MM)
	15-96682M		AR	SHIM (0.85MM)
38	31-96683M		1	BEARING
39	43-96684M		1	PINION
40	12-96685M		1	WASHER
41	53-96686M		1	SNAP RING
42	31-82321M		1	BEARING
43	15-96687M		AR	SHIM (0.7MM)
	15-96688M		AR	SHIM (0.8MM)
	15-96689M		AR	SHIM (0.9MM)
	15-96690M		AR	SHIM (1.0MM)
	15-96691M		AR	SHIM (1.1MM)
	15-96692M		AR	SHIM (1.2MM)
44	43-96693M		1	GEAR
45	24-82078M		1	SPRING
46	80679M		1	SLIDE
47	52-81644M		1	CLUTCH
48	17-81899M		1	PIN
49	53-80678M		1	RING, CROSS PIN
50	80680M		1	PLUNGER
51	12-81831M		1	WASHER
52	44-96694M		1	SHAFT, PROPELLER
53	43-96695M		1	GEAR
54	15-96696M		AR	SHIM (1.2MM)
	15-96697M		AR	SHIM (1.3MM)

CONTINUED ON NEXT PAGE ➡

GEARHOUSING ASSEMBLY

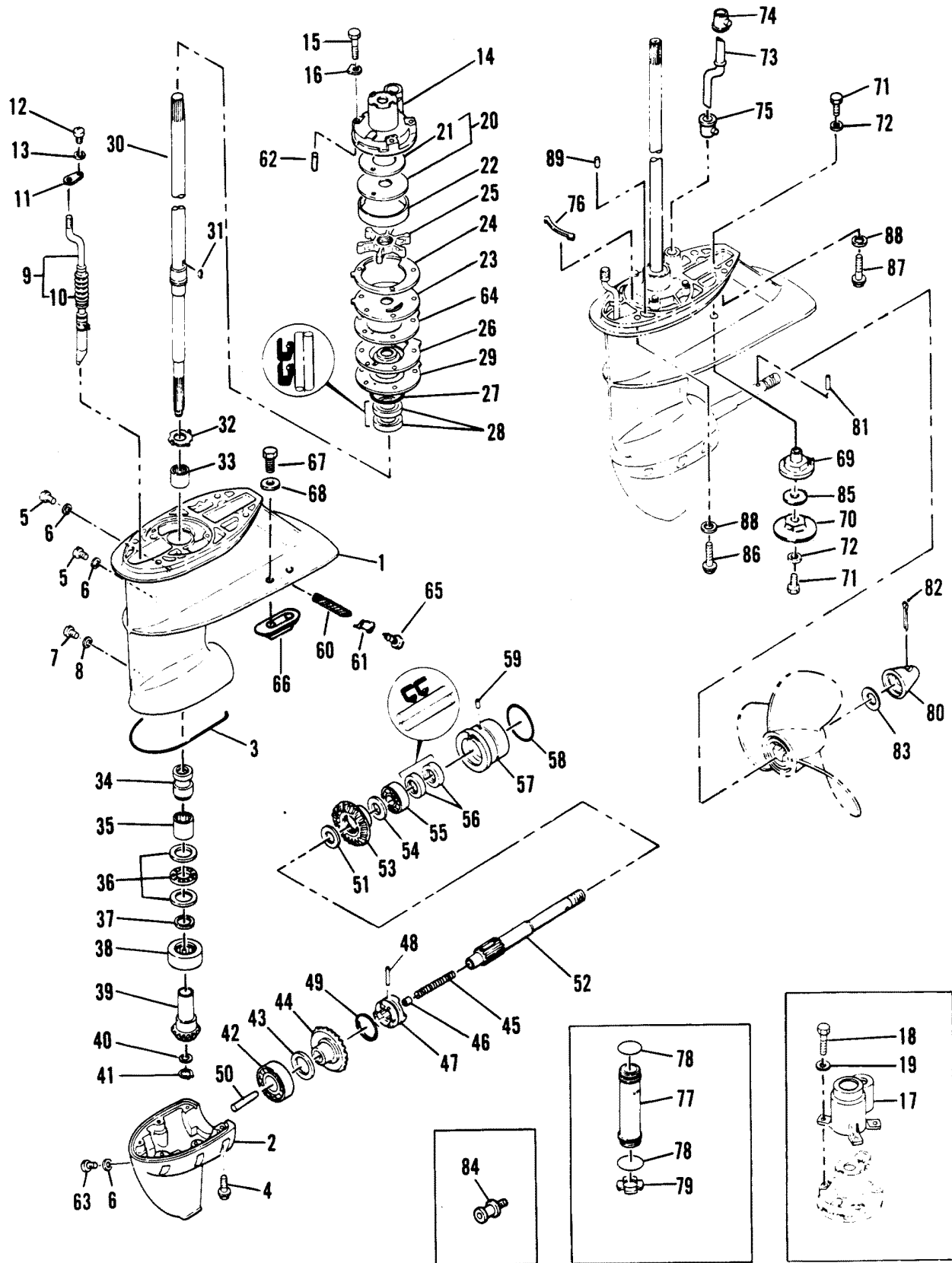


GEARHOUSING ASSEMBLY

REF. NO.	PART NO.	SYM.	QTY.	DESCRIPTION
54	15-96698M		AR	SHIM (1.4MM)
	15-96699M		AR	SHIM (1.5MM)
	15-97023M		AR	SHIM (1.6MM)
	15-97024M		AR	SHIM (1.7MM)
	15-97025M		AR	SHIM (1.8MM)
55	30-82291M		1	BEARING
56	26-82229M		2	OIL SEAL
57	97026M		1	CAP
58	25-82278M		1	O-RING
59	17-82356M		1	PIN
0-1	1651-9816M		1	GEARHOUSING ASS'Y (SHORT SHAFT) SERIAL 00004906-09999999
	1651-9092M		1	GEARHOUSING ASS'Y (SHORT SHAFT) SERIAL 00000000-00004905
	1651-9817M		1	GEARHOUSING ASS'Y (LONG SHAFT) SERIAL 00004906-09999999
	1651-9093M		1	GEARHOUSING ASS'Y (LONG SHAFT) SERIAL 00000000-00004905
60	35-95531M		1	COVER SERIAL 00003750-09999999
	11876M		1	COVER SERIAL 00003181-00003749
	35-80246M		1	COVER SERIAL 00000000-00003180
61	22-95211M		1	PLUG SERIAL 00003181-09999999
	22-81920M		1	PLUG SERIAL 00000000-00003180
62	17-41275M		2	PIN SERIAL 00003750-09999999
63	22-95632M		1	PLUG SERIAL 00003750-09999999
64	27-95656M		1	GASKET SERIAL 00003750-09999999
65	10-95566M		1	SCREW SERIAL 00003750-09999999
66	18852M		1	ANODE SERIAL 00004906-09999999
67	10-91725M		2	BOLT SERIAL 00004906-09999999
68	12-82214M		2	WASHER SERIAL 00004906-09999999
69	95212M		1	COVER
70	14277M		1	ANODE SERIAL 00004906-09999999
	95213M		1	ANODE SERIAL 00003181-00004905
	83394M		1	ANODE SERIAL 00000000-00003180
71	10-91725M		2	BOLT
72	12-82214M		2	WASHER
73	32-81605M		1	TUBE (SHORT SHAFT)
	32-84816M		1	TUBE (LONG SHAFT)
74	26-84818M		1	RUBBER
75	26-80239M		1	RUBBER
0-1	1651-9816M		1	GEARHOUSING ASS'Y (SHORT SHAFT) SERIAL 00004906-09999999
	1651-9816M		1	GEARHOUSING ASS'Y (SHORT SHAFT) SERIAL 00000000-00004905

CONTINUED ON NEXT PAGE ➡

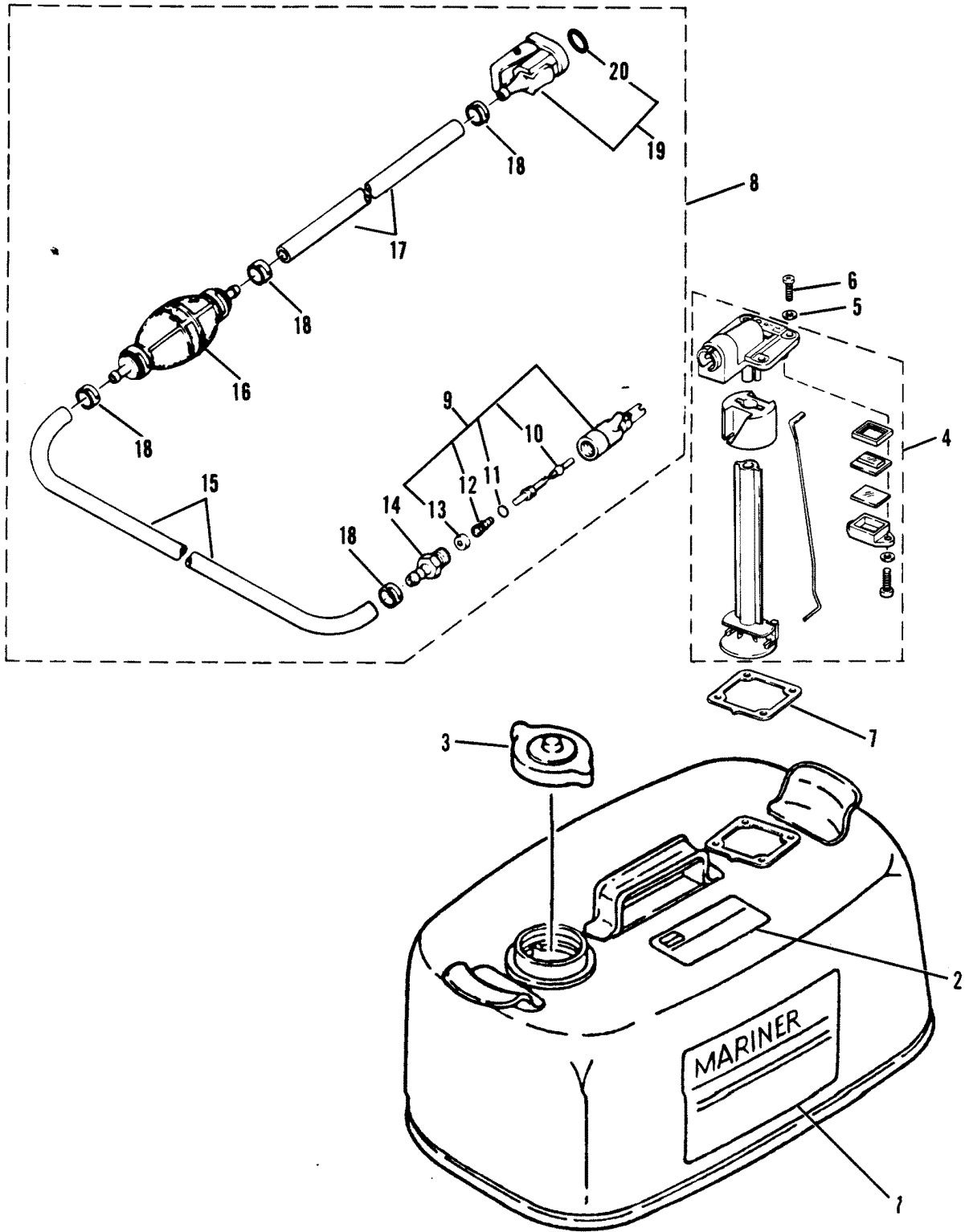
GEARHOUSING ASSEMBLY



GEARHOUSING ASSEMBLY

REF. NO.	PART NO.	SYM.	QTY.	DESCRIPTION
0-1	1651-9817M		1	GEARHOUSING ASS'Y (LONG SHAFT) SERIAL 00004906-09999999
	1651-9817M		1	GEARHOUSING ASS'Y (LONG SHAFT) SERIAL 00000000-00004905
76	23-84819M		1	SPACER
77	84820M		1	TUBE (LONG SHAFT)
78	25-84821M		2	O-RING (LONG SHAFT)
79	41277M		1	PLATE (LONG SHAFT)
80	11-97027M		1	NUT
81	18-97028M		1	PIN
82	18-95295		1	PIN
83	12-83447M		1	WASHER
84	22-95633M		1	PLUG, FLUSH (OPT)
85	43118M		1	SEAT SERIAL 00000000-00004905
86	10-81711M		2	BOLT
87	10-94720M		2	BOLT
88	12-82220M		4	WASHER
89	17-82364M		2	PIN
	27-95441M		1	LOWER UNIT GASKET SET SERIAL 00003750-09999999
	27-95214M		1	LOWER UNIT GASKET SET SERIAL 00003181-00003749
	27-97029M		1	LOWER UNIT GASKET SET SERIAL 00000000-00003180
	95442M		1	WATER PUMP REPAIR KIT SERIAL 00003750-09999999
	95215M		1	WATER PUMP REPAIR KIT SERIAL 00003181-00003749
	97030M		1	WATER PUMP REPAIR KIT SERIAL 00000000-00003180

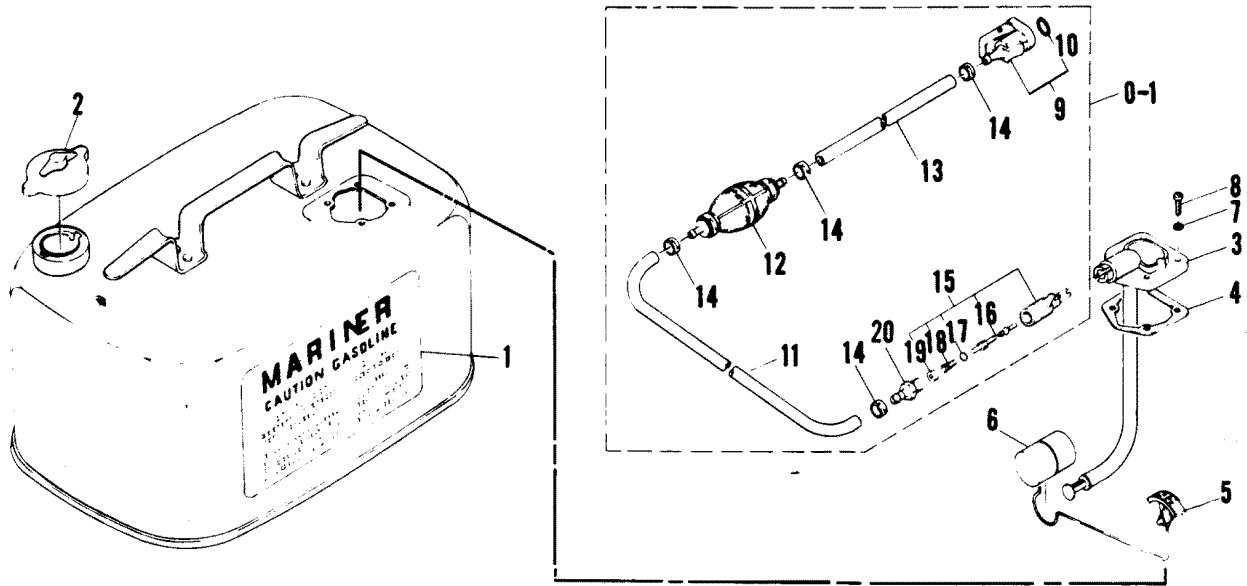
FUEL TANK AND FUEL LINE ASSEMBLY (ORIGINAL EQUIPMENT)



FUEL TANK AND FUEL LINE ASSEMBLY (ORIGINAL EQUIPMENT)

REF. NO.	PART NO.	SYM.	QTY.	DESCRIPTION
1	37-14617M		1	DECAL, SIDE (ENGLISH)
	37-95504M		1	DECAL, SIDE (FRENCH)
2	37-95489M		1	DECAL, TOP (ENGLISH)
	37-95503M		1	DECAL, TOP (FRENCH)
3	36-18962M		1	FUEL TANK CAP SERIAL 00004906-09999999
	36-14618M		1	FUEL TANK CAP SERIAL 00000000-00004905
4	95499M		1	FUEL METER ASS'Y
5	12-95501M		4	SEAL
6	10-95502M		4	SCREW
7	27-95500M		1	GASKET, FUEL METER ASS'Y
8	32-16570M		1	FUEL LINE ASS'Y SERIAL 00004519-09999999
	32-95216M		1	FUEL LINE ASS'Y SERIAL 00000000-00004518
9	30185A3		1	BAYONET BODY ASS'Y
10	30187		1	STEM, BAYONET BODY
11	25-20415		1	O-RING, BAYONET BODY STEM
12	24-30189		1	SPRING, BAYONET BODY ASS'Y
13	30188		1	WASHER, CAP
14	22-63187		1	FITTING, FUEL LINE
15	32-16571M		1	HOSE, CONNECTOR HOUSING TO BULB SERIAL 00004519-09999999
	32-14210M		1	HOSE, CONNECTOR HOUSING TO BULB SERIAL 00004232-00004518
	32-84955M		1	HOSE, CONNECTOR HOUSING TO BULB SERIAL 00000000-00004231
16	16572M		1	BULB, PRIMER SERIAL 00004906-09999999
	16723M		1	BULB, PRIMER SERIAL 00004519-00004905
	14211M		1	BULB, PRIMER SERIAL 00000000-00004518
17	32-16573M		1	HOSE, BULB TO ENGINE CONNECTOR SERIAL 00004519-09999999
	32-14212M		1	HOSE, BULB TO ENGINE CONNECTOR SERIAL 00004518-00004518
	32-82023M		1	HOSE, BULB TO ENGINE CONNECTOR SERIAL 00000000-00004231
18	54-16574M		4	CLAMP, HOSE SERIAL 00004519-09999999
	54-80752M		4	CLAMP, HOSE SERIAL 00000000-00004518
19	22-16609M		1	FUEL CONNECTOR, ENGINE END SERIAL 00004519-09999999
	22-14213M		1	FUEL CONNECTOR, ENGINE END SERIAL 00000000-00004518
20	25-82789M		1	O-RING

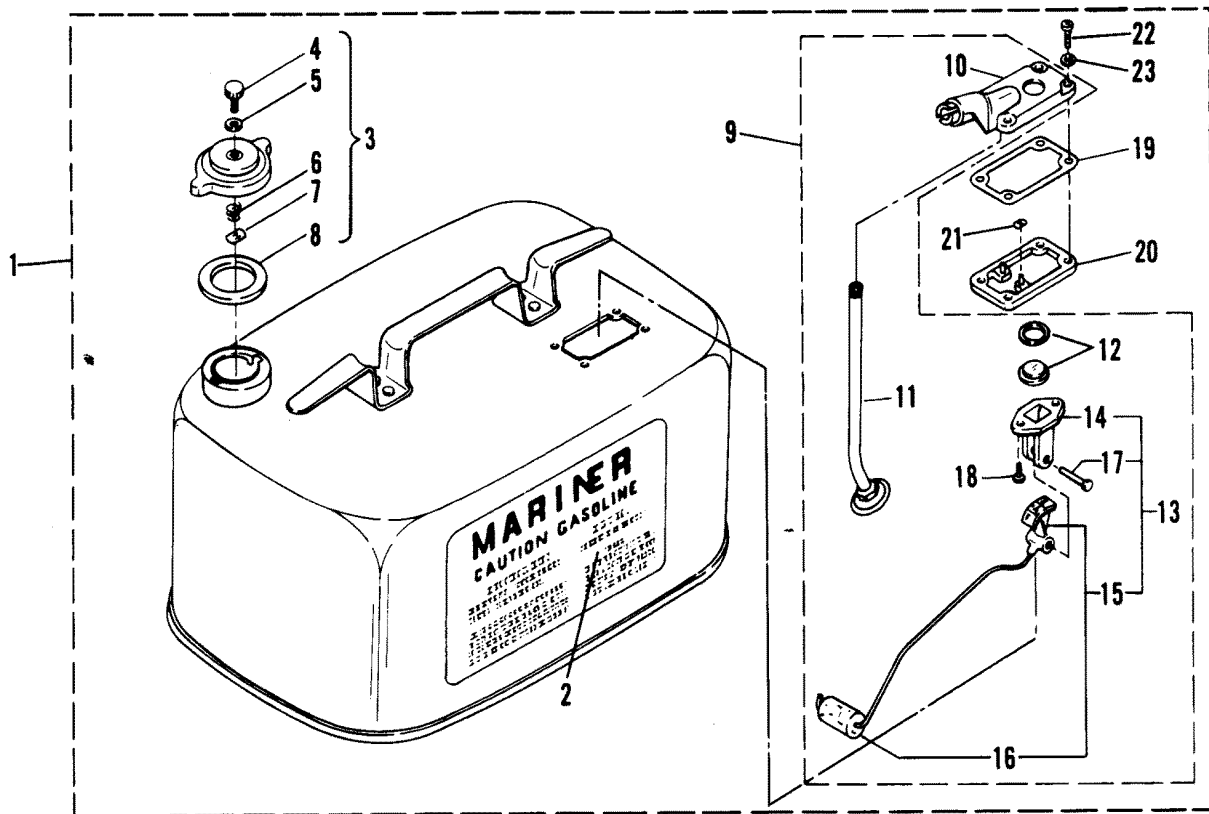
FUEL TANK AND FUEL LINE ASSEMBLY (ORIGINAL EQUIPMENT)



FUEL TANK AND FUEL LINE ASSEMBLY (ORIGINAL EQUIPMENT)

REF. NO.	PART NO.	SYM.	QTY.	DESCRIPTION
1	37-82984M		2	DECAL, SIDE
2	36-14223M		1	FUEL TANK CAP
3	83618M		1	FUEL METER
4	27-81320M		1	GASKET, FUEL METER
5	81318M		1	INDICATOR, FUEL LEVEL
6	81319M		1	FLOAT
7	12-80271M		4	SEAL, WASHER
8	10-82496M		4	SCREW
0-1	32-95216M		1	FUEL LINE ASSEMBLY
9	22-14213M		1	CONNECTOR, FUEL (ENGINE END)
10	25-82789M		1	O-RING
11	32-84955M		1	HOSE, TANK TO PRIMER BULB
12	14211M		1	PRIMER BULB
13	32-82023M		1	HOSE, PRIMER BULB TO ENGINE
14	54-80752M		4	CLAMP, HOSE
15	30185A3		1	BAYONET CONNECTOR ASSEMBLY
16	30187		1	STEM
17	25-20415		1	O-RING
18	24-30189		1	SPRING
19	30188		1	WASHER, CAP
20	22-63187		1	FITTING, FUEL LINE

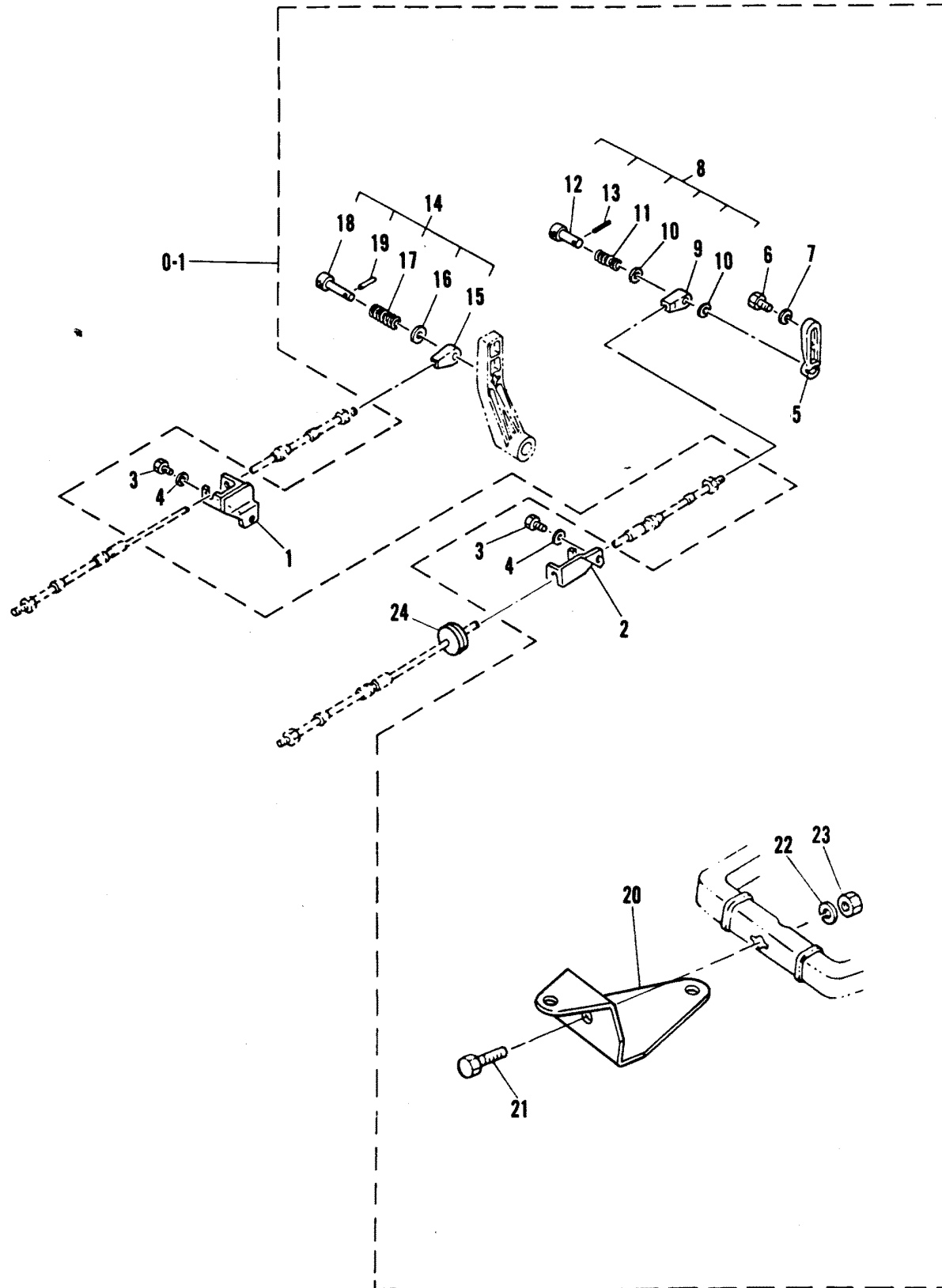
FUEL TANK ASSEMBLY (NOT ORIGINAL EQUIPMENT TANK)



FUEL TANK ASSEMBLY (NOT ORIGINAL EQUIPMENT TANK)

REF. NO.	PART NO.	SYM.	QTY.	DESCRIPTION
1	1225-1529A26		1	FUEL TANK ASSEMBLY, COMPLETE
2	37-13921		1	DECAL, FUEL TANK
3	36-41098A1		1	FILLER CAP ASSEMBLY
4	10-25575		1	SCREW, VENT (FILLER CAP)
5	12-49221--1		1	WASHER, VENT SCREW
6	24-22227		1	SPRING, TENSION (VENT SCREW)
7	11-28587		1	NUT, SPEED (SPRING RETAINER)
8	27-41065		1	GASKET, FILLER CAP TO FUEL TANK
9	64841A1		1	COVER ASSEMBLY, COMPLETE
10	64841A3		1	COVER ASSEMBLY, FUEL TANK
11	32-75239		1	TUBE ASSEMBLY
12	98542A1		1	LENS ASSEMBLY, FUEL GAUGE
13	28897A2		1	FUEL GAUGE ASSEMBLY, COMPLETE
14	20430		1	RETAINER, FUEL GAUGE
15	28897A1		1	INDICATOR AND FLOAT ASSEMBLY
16	99274		1	FLOAT, FUEL GAUGE
17	17-20426		1	RIVET, INDICATOR TO RETAINER
18	10-62568		2	SCREW, RETAINER TO FUEL TANK COVER
19	27-28862		1	GASKET, COVER ASSEMBLY TO FRAME
20	28860		1	FRAME, RETAINING (FUEL TANK COVER)
21	11-28903		2	FASTENER, RETAINING FRAME TO FUEL TANK
22	10-20411		4	SCREW, FUEL TANK COVER TO FUEL TANK
23	12-29070		4	WASHER, FUEL TANK COVER FASTENING SCREW

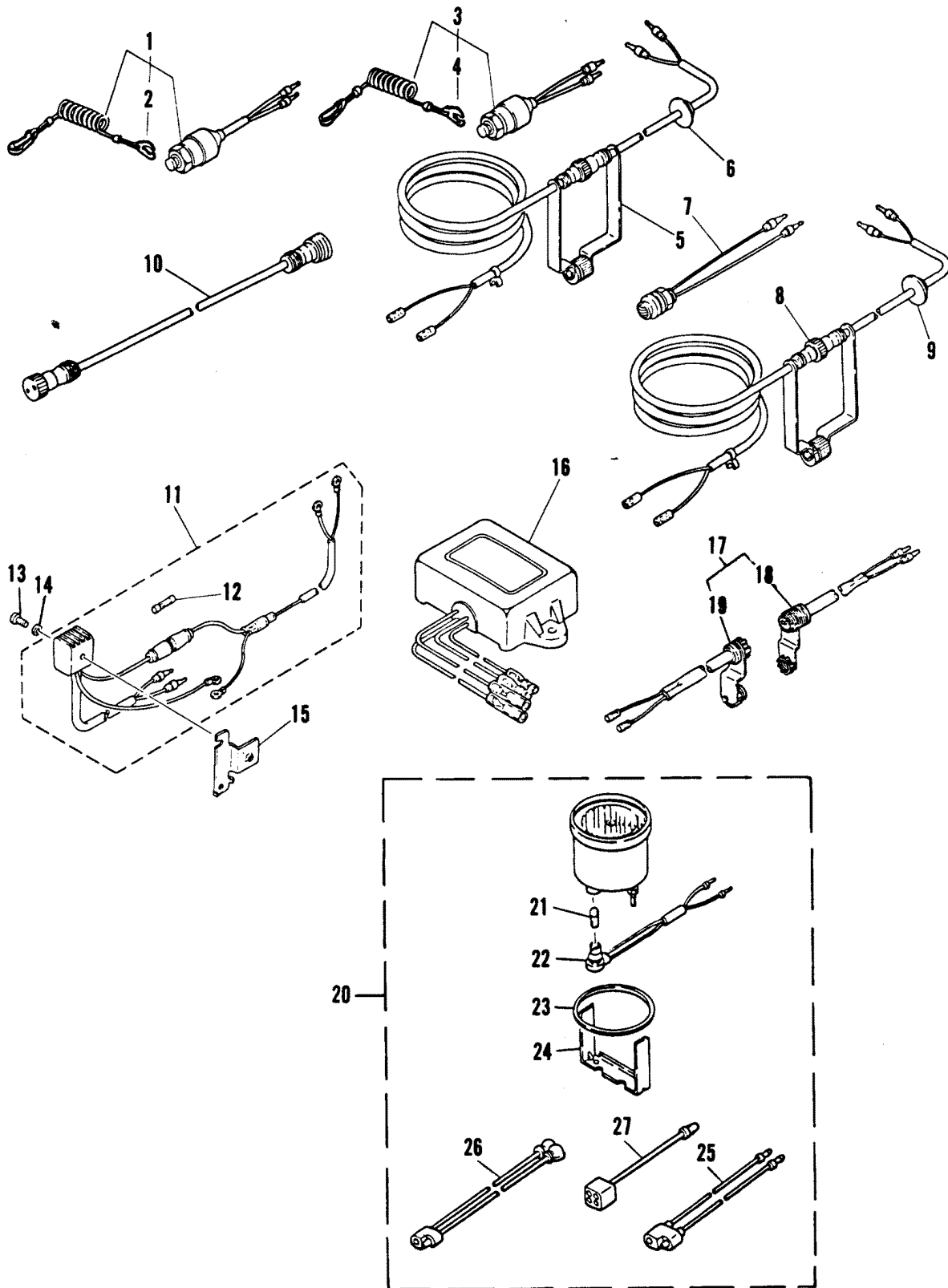
REMOTE CONTROL ATTACHING KIT



REMOTE CONTROL ATTACHING KIT

REF. NO.	PART NO.	SYM.	QTY.	DESCRIPTION
0-1	43991A1		1	REMOTE CONTROL ATTACHING KIT
1	84221M		1	BRACKET
2	83717M		1	BRACKET
3	10-91725M		2	BOLT
4	12-82214M		2	WASHER
5	84222M		1	THROTTLE LEVER
6	10-91772M		1	BOLT
7	12-82214M		1	WASHER
8	83723M		1	CABLE END ASS'Y (THROTTLE)
9	83724M		1	CABLE END
10	12-82216M		2	WASHER
11	24-83725M		1	SPRING
12	17-83726M		1	HOOK
13	17-82146M		1	PING
14	83719M		1	CABLE END ASS'Y (SHIFT)
15	83720M		1	CABLE END
16	12-82216M		1	WASHER
17	24-83721M		1	SPRING
18	17-83722M		1	HOOK
19	17-82146M		1	PIN
20	91635M		1	HOOK, STEERING (BALL POST TYPE)
21	10-91636M		1	BOLT
22	12-82220M		1	WASHER
23	11-81785M		1	LOCKNUT
24	25-97031M		1	GROMMET

OPTIONAL PARTS



OPTIONAL PARTS

REF. NO.	PART NO.	SYM.	QTY.	DESCRIPTION
1	87-97757M		1	KILL SWITCH ASS'Y SERIAL 00003181-09999999
	87-97774M		1	KILL SWITCH ASS'Y SERIAL 00001369-00003180
	87-97776M		1	KILL SWITCH ASS'Y SERIAL 00000000-00001395
2	97756M		1	STOPPER
3	87-97755M		1	KILL SWITCH ASS'Y (5M) SERIAL 00001396-09999999
	87-97777M		1	KILL SWITCH ASS'Y (5M) SERIAL 00000000-00001395
4	97756M		1	STOPPER
5	84964M		1	EXTENSION (5M) SERIAL 00003181-09999999
	92613M		1	EXTENSION (5M) SERIAL 00000000-00003180
6	25-84967M		1	FROMMET SERIAL 00003181-09999999
	25-84915M		1	GROMMET SERIAL 00000000-00003180
7	87-97754M		1	STOP SWITCH ASS'Y (5M) SERIAL 00003181-09999999
	87-92614M		1	STOP SWITCH ASS'Y (5M) SERIAL 00000000-00003180
8	84964M		1	EXTENSION (5M) SERIAL 00003181-09999999
	92613M		1	EXTENSION (5M) SERIAL 00000000-00003180
9	25-84967M		1	GROMMET SERIAL 00003181-09999999
	25-84915M		1	GROMMET SERIAL 00000000-00003180
10	84959M		1	EXTENSION (2M) (FOR STOP SWITCH)
11	84329M		1	RECTIFIER ASS'Y SERIAL 00000000-00003749
12	88-81522M		1	FUSE (20A) SERIAL 00000000-00003749
13	10-82521M		1	SCREW SERIAL 00000000-00003749
14	12-82211M		1	WASHER SERIAL 00000000-00003749
15	92603M		1	PLATE SERIAL 00000000-00003749
16	84125M		1	VOLTAGE REGULATOR ASS'Y
17	84-84124M		1	CONNECTOR ASS'Y SERIAL 00003750-09999999
18	84-99051M		1	CONNECTOR SERIAL 00003750-09999999
19	84-99052M		1	CONNECTOR SERIAL 00003750-09999999
20	79-43984A1		1	TACHOMETER KIT SERIAL 00003750-09999999
21	88-99055M		1	BULT (1.2V - 1.7W) SERIAL 00003750-09999999
22	99056M		1	SOCKET SERIAL 00003750-09999999
23	99057M		1	DAMPER SERIAL 00003750-09999999
24	99058M		1	PLATE SERIAL 00003750-09999999
25	84-84352M		1	WIRE, LEAD SERIAL 00003750-09999999
26	84-84353M		2	CONNECTOR SERIAL 00003750-09999999
27	84-99059M		1	WIRE, LEAD SERIAL 00003750-09999999

PARTS INDEX

Part Number	Description	Pg.	Ref. No.	Part Number	Description	Pg.	Ref. No.
11729M	PULSER	15	10	80611M	PLATE	27	3
11752M	THERMOSTAT	19	18	80620M	BRACKET	29	11
11876M	COVER	49	60	80633M	PLATE, FRICTION	41	7
11935M	CUP, FILTER	29	10	80643M	PLATE	43	46
14187M	FUEL CONNECTOR	29	1	80645M	ROD	43	43
14211M	BULB, PRIMER	53	16	80648M	LEVER	43	41
14211M	PRIMER BULB	55	12	80651M	ROD, SHIFT	35	26
14234M	BODY () AND ABOVE	25	1	80652M	CONNECTOR	35	27
14277M	ANODE	49	70	80654M	BRACKET, MOUNTING	39	4
16572M	BULB, PRIMER	53	16	80657M	BRACKET	39	9
16723M	BULB, PRIMER	53	16	80679M	SLIDE	47	46
17147M	HOOK	3	11	80680M	PLUNGER	47	50
17167M	LEVER, MAGNETO CONTROL	31	23	80935M	PLUG CAP ASS'Y, NOISE SUPPRESSOR	13	44
17168M	GUIDE, WIRE	7	4	80935M	PLUG CAP ASS'Y, NOISE SUPPRESSOR	17	44
18852M	ANODE	49	66	81030M	COVER, THERMOSTAT	19	14
18928M	HANDLE, STARTER	7	8	81098M	THERMOSTAT	19	18
18929M	COVER	7	10	81106M	PLUNGER	9	36
18973M	HOUSING, OIL SEAL	21	17	81107M	LEVER ASS'Y	9	43
19111M	PLATE, CLAMP BRACKET	43	51	81108M	CABLE ASS'Y, STARTER STOP	9	38
19113M	BRACKET, STEERING	41	1	81134M	SHAFT, THROTTLE CONTROL	33	36
20430	RETAINER, FUEL GAUGE	57	14	81138M	BRACKET, STEERING	41	1
28860	FRAME, RETAINING (FUEL TANK COVER)	57	20	81191M	JOINT, CHOKE LEVER	23	25
28897A1	INDICATOR AND FLOAT ASSEMBLY	57	15	81225M	JOINT, LINK	31	30
28897A2	FUEL GAUGE ASSEMBLY, COMPLETE	57	13	81225M	JOINT, LINK	33	33
30185A3	BAYONET BODY ASS'Y	53	9	81318M	INDICATOR, FUEL LEVEL	55	5
30185A3	BAYONET CONNECTOR ASSEMBLY	55	15	81319M	FLOAT	55	6
30187	STEM	55	16	81388M	CAP	41	26
30187	STEM, BAYONET BODY	53	10	81439M	CAP	39	2
30188	WASHER, CAP	53	13	81439M	CAP	41	6
30188	WASHER, CAP	55	19	81523M	GROMMET	15	25
41274M	OUTER PLATE (CHROME)	45	23	81561M	BODY	25	1
41277M	PLATE (LONG SHAFT)	51	79	81585M	GRIP, STEERING HANDLE	31	2
41866M	LIGHTING COIL ASS'Y	11	8	81595M	JOINT	35	5
41882M	COVER	7	10	81596M	ROD, SHIFT	35	26
41892M	THROTTLE WIRE ASS'Y	31	11	82557M	MOUNT RUBBER	39	18
42433M	HOLDER, CLAMP BAND	3	9	82788M	PLUG CAP ASS'Y (OPT)	13	44
43096M	COVER	27	11	82788M	PLUG CAP ASS'Y (OPT)	17	44
43113M	FUEL PUMP ASS'Y	27	1	82857M	STOPPER PLATE	41	35
43118M	SEAT	51	85	82881M	BOOT	45	10
43991A1	REMOTE CONTROL ATTACHING KIT	59	0-1	82882M	PLATE	45	11
64841A1	COVER ASSEMBLY, COMPLETE	57	9	82895M	PIECE, FRICTION	33	40
64841A3	COVER ASSEMBLY, FUEL TANK	57	10	83200M	BODY	25	1
79629A1	ROPE, STARTER	7	9	83391M	SEAL	45	3
80033M	HOLDER, PIN	33	39	83394M	ANODE	49	70
80048M	HANDLE	41	19	83618M	FUEL METER	55	3
80063M	HANDLE, STARTER	7	8	83717M	BRACKET	59	2
80570M	MANIFOLD, INTAKE	23	7	83719M	CABLE END ASS'Y (SHIFT)	59	14
80578M	JET, PILOT (#60)	25	10	83720M	CABLE END	59	15
80591M	FLOAT	25	3	83723M	CABLE END ASS'Y (THROTTLE)	59	8
80593M	VALVE SEAT ASS'Y	25	9	83724M	CABLE END	59	9
80606M	DIAPHRAGM	27	2	83727M	STEERING HOOK ASS'Y, ROPE TYPE	33	43
80607M	COVER	27	11	83960M	KNOB, CHOKE	23	20
				84125M	VOLTAGE REGULATOR ASS'Y	61	16

PARTS INDEX

Part Number	Description	Pg.	Ref. No.	Part Number	Description	Pg.	Ref. No.
84141M	DIAPHRAGM	27	10	84907M	SOUND BLANKET,		
84221M	BRACKET	59	1		STARBOARD	3	15
84222M	THROTTLE LEVER	59	5	84908M	SOUND BLANKET, TOP	3	16
84323M	SOUND BLANKET, FRONT			84909M	SOUND BLANKET, PORT ..	3	17
	AND REAR	3	13	84913M	LEVER, CLAMP	3	26
84329M	RECTIFIER ASS'Y	61	11	84959M	EXTENSION (2M) (FOR		
84459M	BUSHING	35	10		STOP SWITCH)	61	10
84460M	PLUNGER	35	11	84964M	EXTENSION (5M)	61	5
84465M	BRACKET	7	30	84964M	EXTENSION (5M)	61	8
84465M	BRACKET	7	30	91635M	HOOK, STEERING (BALL		
84466M	BRACKET	7	31		POST TYPE)	59	20
84653M	CAM PLATE	35	2	91640M	LEVER	43	37
84732M	ANODE	19	10	91641M	COVER	43	38
84736M	HOUSING	19	21	91643M	ROD	43	40
84753M	HOUSING, OIL SEAL	21	17	92599M	BRACKET	9	41
84754M	COVER, INNER	23	1	92603M	PLATE	61	15
84758M	REED VALVE ASS'Y	23	15	92613M	EXTENSION (5M)	61	5
84761M	LEVER, CHOKE	23	22	92613M	EXTENSION (5M)	61	8
84763M	ROD, CHOKE LINK	23	24	93066M	SEAL	21	4
84764M	BODY	25	1	94646M	LEVER, THROTTLE		
84766M	NOZZLE, MAIN	25	7		CONTROL	33	35
84767M	JET, MAIN (#135)	25	8	95172M	BRACKET	7	30
84773M	REPAIR KIT, CARBURETOR			95172M	BRACKET	7	30
84774M	MANIFOLD (SHORT SHAFT)			95173M	COIL	11	5
84776M	MANIFOLD (SHORT SHAFT)			95177M	PULSER	11	11
84777M	MANIFOLD (LONG SHAFT) .			95181M	RETAINER	11	19
84778M	GUIDE	37	8	95182M	BRACKET	11	23
84792M	COVER (LONG SHAFT)	45	17	95186M	COVER, TERMINAL	11	37
84820M	TUBE (LONG SHAFT)	51	77	95188M	IGNITION COIL ASS'Y	11	40
84825M	INSERT (CHROME)	45	22	95189M	BASE, MAGNETO	11	4
84833M	SHAFT	41	10	95190M	GUIDE	23	26
84835M	SHAFT	41	27	95193M	REPAIR KIT, CARBURETOR		
84837M	PLATE	43	45	95194M	BRACKET	29	11
84841M	MOUNT RUBBER	39	13	95196M	STEERING HANDLE ASS'Y .	31	0-1
84842M	HOUSING	39	21	95198M	LEVER, MAGNETO		
84843M	HOUSING	39	22		CONTROL	31	23
84846M	MOUNT RUBBER	39	27	95201M	BRACKET	31	27
84847M	COVER	39	28	95202M	JOINT	31	32
84848M	MOUNT RUBBER	39	3	95203M	JOINT, LINK	33	33
84852M	HANDLE, STEERING	31	19	95204M	LEVER, THROTTLE		
84856M	LEVER, THROTTLE	31	7		CONTROL	33	35
84858M	LEVER, MAGNETO			95205M	MANIFOLD (SHORT SHAFT)		
	CONTROL	31	23	95208M	BASE ASS'Y (W/LIGHTING		
84862M	JOINT	33	22		COIL)	11	3
84865M	HANDLE	35	1	95212M	COVER	49	69
84866M	LEVER, SHIFT ROD	35	14	95213M	ANODE	49	70
84867M	LEVER, SHIFT ROD	35	22	95215M	WATER PUMP REPAIR KIT .	51	89
84868M	BRACKET	15	23	95433M	SEAL	7	7
84869M	GROMMET	15	24	95434M	I. UNIT ASS'Y	11	36
84873M	HOLDER	15	37	95437M	THROTTLE WIRE ASS'Y ...	31	11
84874M	IGNITION COIL ASS'Y	15	40	95439M	POWERHEAD ASS'Y,		
84881M	LIGHTING COIL ASS'Y	15	7		COMPLETE (SEE NOTE) .	19	31
84890M	GUIDE, WIRE	7	4	95440M	LEVER, MAGNETO		
84891M	SEAL	7	7		CONTROL	31	23
84894M	PAWL, DRIVE	7	19	95442M	WATER PUMP REPAIR KIT .	51	89
84900M	SEAL, RUBBER	3	7	95497M	RUBBER, HANDLE	31	3
84901M	SEAL	3	8	95499M	FUEL METER ASS'Y	53	4
84902M	HOLDER, CLAMP BAND ...	3	9	95548M	BRACKET, MOUNTING	39	4
84904M	HOOK	3	11	95650M	KNOB	41	28
84904M	HOOK	3	11	95655M	PROTECTOR	45	26

PARTS INDEX

Part Number	Description	Pg.	Ref. No.	Part Number	Description	Pg.	Ref. No.
95658M	INSERT CARTRIDGE ASS'Y (CHROME)	45	20	10-80573M	SCREW	25	12
95659M	OUTER PLATE (CHROME)	45	23	10-81711M	BOLT	51	86
95676M	MOLDING, AIR DUCT	3	4	10-81746M	BOLT	9	39
95680M	OUTER COVER	19	24	10-81747M	BOLT	31	12
95681M	INNER COVER	19	26	10-81752M	SCREW	45	7
95682M	COVER, OUTER	23	2	10-81756M	SCREW	41	21
96341M	PLATE, TIMING	7	35	10-82405M	BOLT	7	32
96646M	BASE ASS'Y (W/LIGHTING COIL)	15	3	10-82405M	BOLT	11	42
96647M	COIL	15	4	10-82405M	BOLT	15	27
96649M	COVER	15	15	10-82405M	BOLT	15	38
96652M	RETAINER	15	19	10-82405M	BOLT	19	28
96654M	I. UNIT ASS'Y	15	36	10-82405M	BOLT	23	11
96660M	LEVER	25	14	10-82405M	BOLT	31	26
96663M	STEERING HANDLE ASS'Y	31	0-1	10-82428M	BOLT	27	15
96664M	HANDLE, STEERING	31	1	10-82436M	SCREW	15	16
96665M	BRACKET	31	27	10-82442M	BOLT	7	24
96666M	ROD, MAGNETO CONTROL	31	29	10-82451M	BOLT	39	11
96668M	HOUSING, LOWER	45	2	10-82453M	BOLT	21	18
96669M	SHIFT CAM ASS'Y (SHORT SHAFT)	45	9	10-82476M	BOLT	45	4
96670M	SHIFT CAM ASS'Y (LONG SHAFT)	45	9	10-82496M	SCREW	55	8
96672M	PROTECTOR	45	26	10-82499M	SCREW	15	12
97026M	CAP	49	57	10-82513M	SCREW	11	13
97030M	WATER PUMP REPAIR KIT	51	89	10-82513M	SCREW	25	20
97139M	LEVER, SHIFT ROD	35	14	10-82515M	SCREW	25	5
97139M	LEVER, SHIFT ROD	35	18	10-82521M	SCREW	11	9
97756M	STOPPER	5	35	10-82521M	SCREW	61	13
97756M	STOPPER	61	2	10-82522M	SCREW	23	3
97756M	STOPPER	61	4	10-82522M	SCREW	27	12
97782M	INDICATOR, THROTTLE	31	4	10-82623M	SCREW	25	11
97784M	INDICATOR, THROTTLE	31	4	10-82924M	BOLT	41	30
97791M	INSERT CARTRIDGE ASS'Y (CHROME)	45	20	10-83285M	BOLT	7	27
98542A1	LENS ASSEMBLY, FUEL GAUGE	57	12	10-83285M	BOLT	23	12
99056M	SOCKET	61	22	10-83539M	BOLT	9	45
99057M	DAMPER	61	23	10-83539M	BOLT	17	42
99058M	PLATE	61	24	10-83539M	BOLT	19	16
99274	FLOAT, FUEL GAUGE	57	16	10-83539M	BOLT	19	16
10-14232M	SCREW	11	20	10-83539M	BOLT	29	2
10-14232M	SCREW	15	20	10-83539M	BOLT	31	26
10-17148M	SCREW	23	4	10-83870M	SCREW	37	12
10-18847M	SCREW	31	6	10-84058M	BOLT	31	21
10-18974M	BOLT	41	23	10-84058M	BOLT	33	41
10-20411	SCREW, FUEL TANK COVER TO FUEL TANK	57	22	10-84058M	BOLT	39	14
10-25575	SCREW, VENT (FILLER CAP)	57	4	10-84237M	BOLT	11	27
10-41884M	BOLT, W/WASHER	19	6	10-84237M	BOLT	19	29
10-41885M	BOLT, W/WASHER	19	5	10-84247M	BOLT	7	5
10-41889M	SCREW	27	7	10-84303M	BOLT	3	5
10-41893M	BOLT	39	24	10-84303M	BOLT	11	34
10-43097M	BOLT () AND ABOVE	43	50	10-84303M	BOLT	15	34
10-43098M	SCREW	41	21	10-84303M	BOLT	29	12
10-43106M	BOLT	39	29	10-84303M	BOLT	31	28
10-62568	SCREW, RETAINER TO FUEL TANK COVER	57	18	10-84315M	BOLT	3	31
10-80349M	VALVE, DRAIN	25	26	10-84315M	BOLT	9	42
				10-84342M	BOLT	7	16
				10-84657M	BOLT	7	33
				10-84735M	BOLT, W/WASHER	19	20
				10-84756M	SCREW	23	4
				10-84790M	BOLT	45	15
				10-84830M	BOLT	35	4
				10-84830M	BOLT	41	2
				10-84839M	BOLT	39	7
				10-84844M	BOLT	39	23

PARTS INDEX

Part Number	Description	Pg.	Ref. No.	Part Number	Description	Pg.	Ref. No.
10-84853M	BOLT	31	20	12-43099M	PAD	41	22
10-84880M	SCREW	15	5	12-49221--1	WASHER, VENT SCREW	57	5
10-84880M	SCREW	15	8	12-80271M	SEAL, WASHER	55	7
10-84882M	SCREW	15	11	12-80638M	PAD	41	22
10-84931M	BOLT	11	27	12-81794M	WASHER	3	30
10-84931M	BOLT	19	30	12-81801M	WASHER	7	15
10-91636M	BOLT	59	21	12-81831M	WASHER	47	51
10-91639M	BOLT	41	23	12-81835M	WASHER	19	19
10-91725M	BOLT	49	67	12-81836M	WASHER	41	24
10-91725M	BOLT	49	71	12-81843M	WASHER	35	23
10-91725M	BOLT	59	3	12-81843M	WASHER	35	6
10-91772M	BOLT	59	6	12-81846M	WASHER	35	16
10-94526M	BOLT	21	18	12-81851M	WASHER	35	3
10-94720M	BOLT	51	87	12-81873M	WASHER	41	12
10-94801M	SCREW	27	7	12-81969M	COLLAR	31	25
10-95174M	SCREW	11	6	12-82211M	WASHER	9	48
10-95178M	SCREW	11	12	12-82211M	WASHER	11	21
10-95187M	BOLT	11	38	12-82211M	WASHER	15	21
10-95187M	SCREW	11	41	12-82211M	WASHER	23	5
10-95206M	BOLT	37	9	12-82211M	WASHER	35	24
10-95209M	SCREW	19	11	12-82211M	WASHER	35	7
10-95416M	BOLT	37	5	12-82211M	WASHER	61	14
10-95502M	SCREW	53	6	12-82214M	WASHER	3	6
10-95566M	SCREW	49	65	12-82214M	WASHER	7	28
10-96293M	BOLT (LONG SHAFT)	45	18	12-82214M	WASHER	7	34
10-96382M	BOLT	41	9	12-82214M	WASHER	7	6
10-96661M	SCREW	25	15	12-82214M	WASHER	9	46
10-96671M	SCREW	45	12	12-82214M	WASHER	11	28
11-28587	NUT, SPEED (SPRING RETAINER)	57	7	12-82214M	WASHER	11	31
11-28903	FASTENER, RETAINING FRAME TO FUEL TANK	57	21	12-82214M	WASHER	11	35
11-81765M	NUT	31	13	12-82214M	WASHER	11	39
11-81767M	NUT	35	28	12-82214M	WASHER	15	39
11-81785M	LOCKNUT	59	23	12-82214M	WASHER	19	17
11-81787M	NUT	41	25	12-82214M	WASHER	19	7
11-82378M	NUT	31	31	12-82214M	WASHER	21	19
11-82378M	NUT	33	34	12-82214M	WASHER	23	13
11-82380M	NUT	7	29	12-82214M	WASHER	23	19
11-82380M	NUT	9	40	12-82214M	WASHER	27	16
11-82380M	NUT	11	30	12-82214M	WASHER	29	3
11-82380M	NUT	15	30	12-82214M	WASHER	31	22
11-82380M	NUT	23	18	12-82214M	WASHER	39	12
11-82382M	NUT	7	17	12-82214M	WASHER	45	13
11-82382M	NUT	29	13	12-82214M	WASHER	49	68
11-82383M	NUT	3	23	12-82214M	WASHER	49	72
11-82392M	NUT	39	26	12-82214M	WASHER	59	4
11-82392M	NUT	41	33	12-82214M	WASHER	59	7
11-82393M	NUT	3	25	12-82214M	WASHER (LONG SHAFT)	45	19
11-82395M	NUT	39	15	12-82216M	WASHER	59	10
11-82396M	NUT	39	19	12-82216M	WASHER	59	16
11-82537M	NUT	27	8	12-82217M	WASHER	3	24
11-83056M	NUT	33	42	12-82217M	WASHER	7	25
11-92517M	NUT	25	18	12-82217M	WASHER	25	16
11-96650M	NUT	11	17	12-82217M	WASHER	37	10
11-96650M	NUT	15	17	12-82217M	WASHER	37	6
11-97027M	NUT	51	80	12-82217M	WASHER	39	25
12-29070	WASHER, FUEL TANK COVER FASTENING SCREW	57	23	12-82219M	WASHER	41	32
				12-82220M	WASHER	39	16
				12-82220M	WASHER	31	8
				12-82220M	WASHER	51	88
				12-82220M	WASHER	59	22

PARTS INDEX

Part Number	Description	Pg.	Ref. No.	Part Number	Description	Pg.	Ref. No.
12-82847M	WASHER	25	22	17-81882M	PIN	43	47
12-82979M	WASHER	11	24	17-81888M	PIN	41	20
12-82979M	WASHER	15	28	17-81899M	PIN	47	48
12-83204M	WASHER	25	23	17-81907M	RIVET	31	5
12-83407M	THRUST WASHER	47	32	17-82144M	PIN	43	36
12-83447M	WASHER	51	83	17-82146M	PIN	59	19
12-84750M	WASHER	21	11	17-82146M	PING	59	13
12-84791M	WASHER	45	16	17-82148M	PIN	41	29
12-84850M	WASHER	31	17	17-82155M	PIN	35	21
12-95200M	COLLAR	31	25	17-82156M	PIN	33	38
12-95501M	SEAL	53	5	17-82157M	PIN	7	12
12-95507M	WASHER	5	37	17-82157M	PIN, SPRING	7	3
12-96651M	WASHER	11	18	17-82356M	PIN	49	59
12-96651M	WASHER	15	18	17-82364M	PIN	19	4
12-96685M	WASHER	47	40	17-82364M	PIN	37	4
13-81865M	LOCKWASHER	9	49	17-82364M	PIN	39	10
13-81867M	LOCKWASHER	9	44	17-82364M	PIN	51	89
13-81869M	LOCKWASHER	3	27	17-82368M	PIN	41	11
13-82184M	LOCKWASHER	15	13	17-83140M	RIVET	3	12
13-82184M	LOCKWASHER	25	21	17-83722M	HOOK	59	18
13-82186M	LOCKWASHER	11	14	17-83726M	HOOK	59	12
13-82186M	LOCKWASHER	15	6	17-84762M	PIN	23	23
13-82186M	LOCKWASHER	15	9	17-84903M	RIVET	3	10
13-82206M	LOCKWASHER	11	16	17-91644M	PIN	43	42
13-82206M	LOCKWASHER	25	6	17-94569M	TILT ROD ASS'Y	41	34
13-82208M	LOCKWASHER	11	10	18-82124M	PIN, COTTER	35	9
13-82208M	LOCKWASHER	11	7	18-82125M	PIN, COTTER	9	50
13-82208M	LOCKWASHER	27	13	18-82125M	PIN, COTTER	35	8
13-82212M	LOCKWASHER	15	31	18-82125M	PIN, COTTER	43	48
13-82212M	LOCKWASHER	15	35	18-82127M	PIN, COTTER	35	25
13-82212M	LOCKWASHER	25	17	18-82131M	PIN, COTTER	37	16
13-84851M	WASHER, WAVE	31	18	18-95295	PIN	51	82
15-96679M	SHIM (0.70MM)	47	37	18-97028M	PIN	51	81
15-96680M	SHIM (0.75MM)	47	37	21-41888M	VALVE, CHECK	27	6
15-96681M	SHIM (0.80MM)	47	37	21-80727M	CHECK VALVE ASS'Y	19	3
15-96682M	SHIM (0.85MM)	47	37	22-14213M	CONNECTOR, FUEL		
15-96687M	SHIM (0.7MM)	47	43		(ENGINE END)	55	9
15-96688M	SHIM (0.8MM)	47	43	22-14213M	FUEL CONNECTOR, ENGINE		
15-96689M	SHIM (0.9MM)	47	43		END	53	19
15-96690M	SHIM (1.0MM)	47	43	22-16609M	FUEL CONNECTOR, ENGINE		
15-96691M	SHIM (1.1MM)	47	43		END	53	19
15-96692M	SHIM (1.2MM)	47	43	22-63187	FITTING, FUEL LINE	53	14
15-96696M	SHIM (1.2MM)	47	54	22-63187	FITTING, FUEL LINE	55	20
15-96697M	SHIM (1.3MM)	47	54	22-80122M	FITTING, DRAIN	19	2
15-96698M	SHIM (1.4MM)	49	54	22-81920M	PLUG	49	61
15-96699M	SHIM (1.5MM)	49	54	22-81924M	PLUG	45	5
15-97023M	SHIM (1.6MM)	49	54	22-82369M	FITTING, GREASE	39	1
15-97024M	SHIM (1.7MM)	49	54	22-82369M	FITTING, GREASE	41	5
15-97025M	SHIM (1.8MM)	49	54	22-95211M	PLUG	49	61
16-84870M	STUD	15	29	22-95632M	PLUG	49	63
16-84912M	BOLT () AND ABOVE	3	22	22-95633M	PLUG, FLUSH (OPT)	51	84
16-91735M	STUD	23	8	23-19108M	SPACER	41	31
16-95435M	STUD	13	45	23-19112M	BUSHING	43	52
16-95505M	BOLT () AND BELOW	3	22	23-81842M	WASHER	21	13
17-11794M	PIN	25	4	23-81861M	WASHER	31	16
17-14229M	PIN, DOWEL	7	26	23-81930M	BUSHING	39	5
17-19109M	PIN	43	42	23-81945M	BUSHING	31	10
17-20426	RIVET, INDICATOR TO			23-81946M	BUSHING	33	37
	RETAINER	57	17	23-81946M	BUSHING	35	19
17-41275M	PIN	49	62	23-81949M	BUSHING	3	28

PARTS INDEX

Part Number	Description	Pg.	Ref. No.	Part Number	Description	Pg.	Ref. No.
23-81959M	BUSHING	41	14	25-84876M	GROMMET	17	43
23-81961M	BUSHING	41	16	25-84910M	GROMMET	3	20
23-81964M	BUSHING	41	13	25-84915M	GROMMET	3	33
23-81979M	SPACER	41	31	25-84915M	GROMMET	61	6
23-82119M	SPACER	31	15	25-84915M	GROMMET	61	9
23-82851M	COLLAR	11	26	25-84957M	O-RING	29	9
23-82851M	COLLAR	15	26	25-84967M	FROMMET	61	6
23-82929M	COLLAR	9	47	25-84967M	GROMMET	61	9
23-83310M	COLLAR	31	24	25-93114M	GROMMET	11	25
23-83585M	BUSHING	7	22	25-95183M	GROMMET	11	29
23-83589M	BUSHING	7	23	25-95184M	GROMMET	11	32
23-83590M	SHAFT	7	14	25-97031M	GROMMET	59	24
23-84819M	SPACER	51	76	26-16714M	OIL SEAL	21	15
23-84911M	COLLAR	3	21	26-18972M	OIL SEAL	21	16
23-95170M	BUSHING	3	28	26-19133M	OIL SEAL	21	15
23-95192M	COLLAR	25	25	26-43111M	OIL SEAL	21	15
23-95199M	COLLAR	31	24	26-43114M	SEAL	37	17
23-96676M	SLEEVE	47	34	26-80239M	RUBBER	49	75
23-97142M	COLLAR	35	15	26-82229M	OIL SEAL	49	56
24-19110M	SPRING	43	49	26-82233M	OIL SEAL	45	28
24-22227	SPRING, TENSION (VENT SCREW)	57	6	26-83347M	OIL SEAL	21	16
24-30189	SPRING	55	18	26-84752M	OIL SEAL	21	15
24-30189	SPRING, BAYONET BODY ASS'Y	53	12	26-84780M	SEAL	37	13
24-80329M	SPRING	25	13	26-84781M	SEAL	37	14
24-80331M	SPRING, DRAIN VALVE	25	27	26-84782M	GASKET, EXHAUST MANIFOLD (LONG)	37	15
24-80610M	SPRING	27	4	26-84818M	RUBBER	49	74
24-82078M	SPRING	47	45	26-84838M	SEAL	39	6
24-82079M	SPRING	9	37	26-84840M	SEAL	39	8
24-82095M	SPRING	31	9	26-91637M	SEAL	41	8
24-82105M	SPRING	43	49	26-95210M	OIL SEAL	45	28
24-82108M	SPRING	35	20	26-96655M	OIL SEAL	19	23
24-83588M	SPRING	7	13	26-97635M	GASKET, EXHAUST MANIFOLD (SHORT)	37	15
24-83591M	SPRING	7	21	27-19138M	GASKET, CYLINDER HEAD	19	13
24-83721M	SPRING	59	17	27-28862	GASKET, COVER ASSEMBLY TO FRAME	57	19
24-83725M	SPRING	59	11	27-41065	GASKET, FILLER CAP TO FUEL TANK	57	8
24-84461M	SPRING	35	12	27-41272M	GASKET	47	29
24-84462M	SPRING	35	13	27-41273M	GASKET	45	24
24-91642M	SPRING	43	39	27-43095M	GASKET (THRU THRU	27	9
24-97140M	SPRING	35	17	27-80569M	GASKET	23	9
25-20415	O-RING	55	17	27-80571M	GASKET, INTAKE MANIFOLD	23	10
25-20415	O-RING, BAYONET BODY STEM	53	11	27-80572M	GASKET	23	17
25-80350M	O-RING	25	28	27-80590M	GASKET	25	2
25-81517M	GROMMET	13	43	27-80613M	GASKET	27	5
25-82064M	GROMMET	31	14	27-80614M	GASKET	27	9
25-82069M	GROMMET	17	41	27-80614M	GASKET) AND BELOW	27	9
25-82070M	GROMMET	41	3	27-80662M	GASKET	39	17
25-82268M	O-RING	21	12	27-80757M	GASKET, FUEL PUMP	27	14
25-82274M	O-RING	41	15	27-81031M	GASKET	19	15
25-82278M	O-RING	49	58	27-81320M	GASKET, FUEL METER	55	4
25-82789M	O-RING	53	20	27-81573M	GASKET	37	11
25-82789M	O-RING	55	10	27-81612M	GASKET	39	20
25-83988M	GROMMET	3	32	27-81987M	GASKET	45	6
25-84054M	O-RING	45	27	27-82790M	GASKET	29	7
25-84089M	O-RING	21	14	27-84733M	GASKET, CYLINDER HEAD	19	13
25-84757M	O-RING	23	6	27-84737M	GASKET	19	22
25-84760M	GROMMET	23	21	27-84741M	GASKET	19	27
25-84821M	O-RING (LONG SHAFT)	51	78				

PARTS INDEX

Part Number	Description	Pg.	Ref. No.	Part Number	Description	Pg.	Ref. No.
27-84775M	GASKET	37	3	36-18962M	FUEL TANK CAP	53	3
27-95214M	LOWER UNIT GASKET SET	51	89	36-41098A1	FILLER CAP ASSEMBLY	57	3
27-95217M	GASKET SET, POWERHEAD	19	31	37-13921	DECAL, FUEL TANK	57	2
27-95441M	LOWER UNIT GASKET SET	51	89	37-14298M	DECAL, SIDE (MARATHON)	5	38
27-95500M	GASKET, FUEL METER ASS'Y	53	7	37-14299M	DECAL, SIDE (MARATHON)	5	39
27-95610M	GASKET	45	8	37-14617M	DECAL, SIDE (ENGLISH)	53	1
27-95653M	RUBBER	45	21	37-81202M	INDICATOR, SHIFT	3	18
27-95656M	GASKET	49	64	37-82984M	DECAL, SIDE	55	1
27-96656M	GASKET	19	25	37-95489M	DECAL, TOP (ENGLISH)	53	2
27-96658M	GASKET SET, POWERHEAD	19	31	37-95503M	DECAL, TOP (FRENCH)	53	2
27-97029M	LOWER UNIT GASKET SET	51	89	37-95504M	DECAL, SIDE (FRENCH)	53	1
28-81603M	KEY	47	31	37-95674M	DECAL, SIDE AND REAR	3	2
28-81915M	KEY	11	22	37-95675M	DECAL, FRONT	3	3
28-81915M	KEY	15	22	37-96644M	DECAL (HP)	5	36
29-84452M	BEARING	21	8	39-94636M	PISTON RING SET (STD)	21	7
30-82291M	BEARING	49	55	39-94637M	PISTON RING SET (1ST O.S. 72.25MM)	21	7
30-82307M	BEARING	21	3	39-94638M	PISTON RING SET (2ND O.S. 72.50MM)	21	7
30-96659M	BEARING	21	2	41-84749M	PIN, PISTON	21	9
31-82321M	BEARING	47	42	43-96684M	PINION	47	39
31-83408M	BEARING	47	33	43-96693M	GEAR	47	44
31-96677M	BEARING	47	35	43-96695M	GEAR	47	53
31-96678M	BEARING	47	36	44-96694M	SHAFT, PROPELLER	47	52
31-96683M	BEARING	47	38	45-96674M	DRIVE SHAFT (SHORT SHAFT)	47	30
32-14210M	HOSE, CONNECTOR HOUSING TO BULB	53	15	45-96675M	DRIVE SHAFT (LONG SHAFT)	47	30
32-14212M	HOSE, BULB TO ENGINE CONNECTOR	53	17	46-95651M	HOUSING	45	14
32-16570M	FUEL LINE ASS'Y	53	8	47-84797M	IMPELLER	45	25
32-16571M	HOSE, CONNECTOR HOUSING TO BULB	53	15	50-19137M	STARTER ASS'Y	7	1
32-16573M	HOSE, BULB TO ENGINE CONNECTOR	53	17	50-83587M	DRUM, SHEAVE	7	11
32-75239	TUBE ASSEMBLY	57	11	50-84889M	STARTER ASS'Y	7	1
32-80605M	HOSE	29	15	52-81644M	CLUTCH	47	47
32-81605M	TUBE (SHORT SHAFT)	49	73	53-80678M	RING, CROSS PIN	47	49
32-82023M	HOSE, BULB TO ENGINE CONNECTOR	53	17	53-81264M	CLIP, PISTON PIN	21	10
32-82023M	HOSE, PRIMER BULB TO ENGINE	55	13	53-82330M	SNAP RING	43	44
32-84731M	HOSE	19	8	53-82937M	SNAP RING	21	5
32-84816M	TUBE (LONG SHAFT)	49	73	53-84895M	SNAP RING	7	20
32-84955M	HOSE, CONNECTOR HOUSING TO BULB	53	15	53-94722M	SNAP RING	25	24
32-84955M	HOSE, TANK TO PRIMER BULB	55	11	53-96686M	SNAP RING	47	41
32-84956M	HOSE	29	4	54-16574M	CLAMP, HOSE	53	18
32-84958M	HOSE	29	14	54-41867M	RETAINER	11	15
32-94806M	HOSE	29	4	54-80752M	CLAMP, HOSE	53	18
32-95195M	HOSE	29	14	54-80752M	CLAMP, HOSE	55	14
32-95216M	FUEL LINE ASS'Y	53	8	54-82046M	CLIP	19	9
32-95216M	FUEL LINE ASSEMBLY	55	0-1	54-82047M	CLIP	29	5
33-53098	SPARK PLUG	19	31	54-84893M	CLIP	7	18
34-84759M	REED SET	23	16	54-84914M	LEVER, CLAMP	3	29
35-11931M	FILTER ASS'Y	29	6	54-95171M	LEVER, CLAMP	3	29
35-11934M	ELEMENT, FILTER	29	8	54-96653M	CLAMP	15	32
35-80246M	COVER	49	60	54-97561M	CLAMP	23	14
35-95531M	COVER	49	60	79-43984A1	TACHOMETER KIT	61	20
36-14223M	FUEL TANK CAP	55	2	84-84124M	CONNECTOR ASS'Y	61	17
36-14618M	FUEL TANK CAP	53	3	84-84352M	WIRE, LEAD	61	25
				84-84353M	CONNECTOR	61	26
				84-84871M	WIRE	15	33
				84-84883M	WIRE	15	14
				84-95185M	WIRE, GROUND	11	33
				84-99051M	CONNECTOR	61	18

PARTS INDEX

Part Number	Description	Pg.	Ref. No.	Part Number	Description	Pg.	Ref. No.
84-99052M	CONNECTOR	61	19	1651-9093M	GEARHOUSING ASS'Y (LONG SHAFT)	47	0-1
84-99059M	WIRE, LEAD	61	27	1651-9093M	GEARHOUSING ASS'Y (LONG SHAFT)	47	0-1
87-14227M	LANYARD IGNITION SWITCH ASS'Y	3	34	1651-9093M	GEARHOUSING ASS'Y (LONG SHAFT)	49	0-1
87-84916M	STOP SWITCH ASS'Y	3	34	1651-9094M	GEARHOUSING, UPPER	45	1
87-92614M	STOP SWITCH ASS'Y (5M)	61	7	1651-9816M	GEARHOUSING ASS'Y (SHORT SHAFT)	45	0-1
87-97754M	STOP SWITCH ASS'Y (5M)	61	7	1651-9816M	GEARHOUSING ASS'Y (SHORT SHAFT)	49	0-1
87-97755M	KILL SWITCH ASS'Y (5M)	61	3	1651-9816M	GEARHOUSING ASS'Y (SHORT SHAFT)	49	0-1
87-97757M	KILL SWITCH ASS'Y	61	1	1651-9816M	GEARHOUSING ASS'Y (SHORT SHAFT)	49	0-1
87-97774M	KILL SWITCH ASS'Y	61	1	1651-9816M	GEARHOUSING ASS'Y (SHORT SHAFT)	49	0-1
87-97776M	KILL SWITCH ASS'Y	61	1	1651-9816M	GEARHOUSING ASS'Y (SHORT SHAFT)	49	0-1
87-97777M	KILL SWITCH ASS'Y (5M)	61	3	1651-9816M	GEARHOUSING ASS'Y (SHORT SHAFT)	49	0-1
88-81522M	FUSE (20A)	61	12	1651-9816M	GEARHOUSING ASS'Y (SHORT SHAFT)	49	0-1
88-99055M	BULT (1.2V - 1.7W)	61	21	1651-9817M	GEARHOUSING ASS'Y (LONG SHAFT)	45	0-1
91-80277M	TOOL JUT ASS'Y	5	40	1651-9817M	GEARHOUSING ASS'Y (LONG SHAFT)	49	0-1
91-81669M	TOOL KIT ASS'Y	5	40	1651-9817M	GEARHOUSING ASS'Y (LONG SHAFT)	51	0-1
253-8414M	I. MAGNETO ASS'Y (W/80W LIGHTING COIL)	15	1	1651-9817M	GEARHOUSING ASS'Y (LONG SHAFT)	51	0-1
253-8415M	FLYWHEEL ASS'Y	15	2	1651-9817M	GEARHOUSING ASS'Y (LONG SHAFT)	51	0-1
253-9066M	I. MAGNETO ASS'Y (W/80W LIGHTING COIL)	11	1	1651-9817M	GEARHOUSING, UPPER	45	1
253-9067M	FLYWHEEL ASS'Y	11	2	1651-9818M	COWLING, BOTTOM	3	19
463-7195M	CRANKSHAFT ASS'Y	21	1	2168-9349M	TOP COWLING ASS'Y	3	1
463-9068M	CRANKSHAFT ASS'Y	21	1	2168-9370M	TOP COWLING ASS'Y	3	1
761-8031M	PISTON ASS'Y (STD)	21	6	2168-9685M	HOUSING, STARTER	7	2
761-8032M	PISTON ASS'Y (1ST O.S. 72.25MM)	21	6				
761-8033M	PISTON ASS'Y (2ND O.S. 72.50MM)	21	6				
870-9371M	CRANKCASE ASS'Y	19	1				
968-7194M	HEAD, CYLINDER	19	12				
1225-1529A26	FUEL TANK ASSEMBLY, COMPLETE	57	1				
1383-8416M	CARBURETOR ASS'Y	25	0-1				
1383-9069M	CARBURETOR ASS'Y	25	0-1				
1383-9527M	CARBURETOR ASS'Y	25	0-1				
1484-8245M	CLAMP BRACKET, PORT	41	17				
1484-8246M	CLAMP BRACKET, STARBOARD	41	18				
1484-9797M	CLAMP BRACKET, PORT	41	17				
1484-9798M	CLAMP BRACKET, STARBOARD	41	18				
1485-9246M	BRACKET, SWIVEL	41	4				
1485-9792M	BRACKET, SWIVEL	41	4				
1587-7842M	DRIVESHAFT HOUSING (SHORT SHAFT)	37	1				
1587-7843M	DRIVESHAFT HOUSING (LONG SHAFT)	37	1				
1587-9244M	DRIVESHAFT HOUSING (SHORT SHAFT)	37	1				
1651-8419M	GEARHOUSING, UPPER	45	1				
1651-9092M	GEARHOUSING ASS'Y (SHORT SHAFT)	45	0-1				
1651-9092M	GEARHOUSING ASS'Y (SHORT SHAFT)	47	0-1				
1651-9092M	GEARHOUSING ASS'Y (SHORT SHAFT)	47	0-1				
1651-9092M	GEARHOUSING ASS'Y (SHORT SHAFT)	49	0-1				