



PARTS CATALOG

MERC 140

SERIAL NUMBER

140	USA 5625108 AND UP
140	CAN 7150413 AND UP
140	AUS 8066065 AND UP

TABLE OF CONTENTS:

BOTTOM COWL AND SHIFT LINKAGE	28
CARBURETOR ASSEMBLY	16
CARBURETOR LINKAGE AND CHOKE SOLENOID	14
COWLING AND FRONT COVER	4
CRANKSHAFT, PISTONS AND CONNECTING RODS	26
CYLINDER BLOCK AND CRANKCASE ASSEMBLY	22
DRIVE SHAFT HOUSING ASSEMBLY	38
END CAP, MANIFOLD AND EXHAUST COVERS	24
EXHAUST EXTENSION PLATE	30
FLYWHEEL, STARTER MOTOR AND STATOR	6
FUEL PUMP AND FUEL LINE ASSEMBLY	20
GEAR HOUSING ASSEMBLY, COMPLETE (PAGE 1)	40
GEAR HOUSING ASSEMBLY, COMPLETE (PAGE 2)	44
HYDRAULIC PUMP AND CONTROL VALVE	48
HYDRAULIC PUMP ASSEMBLY	46
MISCELLANEOUS PARTS/ACCESSORIES	1
PARTS INDEX	59
POWER TRIM CYLINDER REPAIR KITS	56
PROPELLERS (RIGHT HAND ROTATION)	58
SWIVEL BRACKET ASSEMBLY	32
THROTTLE LEVER AND LINK RODS	8
TOP COWL AND SUPPORT BRACKETS	2
TRANSOM BRACKET	34
TRIM CYLINDERS AND HYDRAULIC HOSES	52
WIRING HARNESS, SWITCH BOX AND IGNITION COIL	10

NOTE: Indented description indicate that these parts are included in preceding assembly.

AR = As Required

NSS = Not Sold Separate

OPT = Optional

NS = Not Shown

NOTE: Following symbols are located in **SYM** column.

● = CONTENTS OF C-[27-85653A79] GASKET SET

■ = CONTENTS OF REPAIR PARTS KIT.

■ = NOT SOLD SEPARATELY.

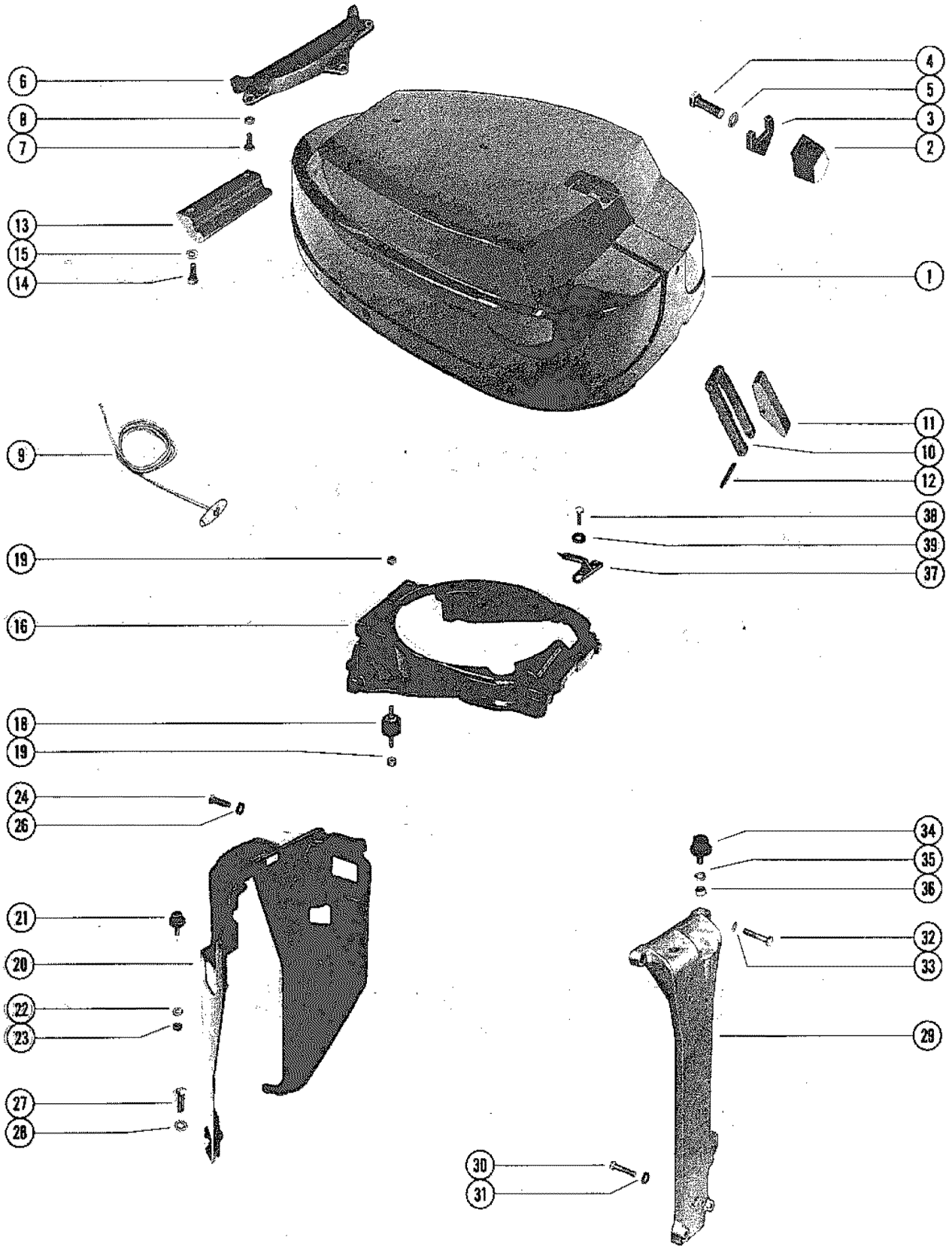
▲ = CONTENTS OF GASKET AND PACKING SET.

THESE PARTS BOOKS/FICHE CARD ARE COPYRIGHTED AND MAY NOT BE DISTRIBUTED OR REPRODUCED IN ANY OTHER FORMAT BY ANYONE OTHER THAN MERCURY MARINE WITHOUT THE PRIOR WRITTEN CONSENT OF MERCURY MARINE.

MISCELLANEOUS PARTS/ACCESSORIES

REF. NO.	PART NO.	SYM.	QTY.	DESCRIPTION
-	90-92215		0	MERC 140 PARTS LIST
-	27-85653A79		0	GASKET SET
-	37-89337A80		0	DECAL SET

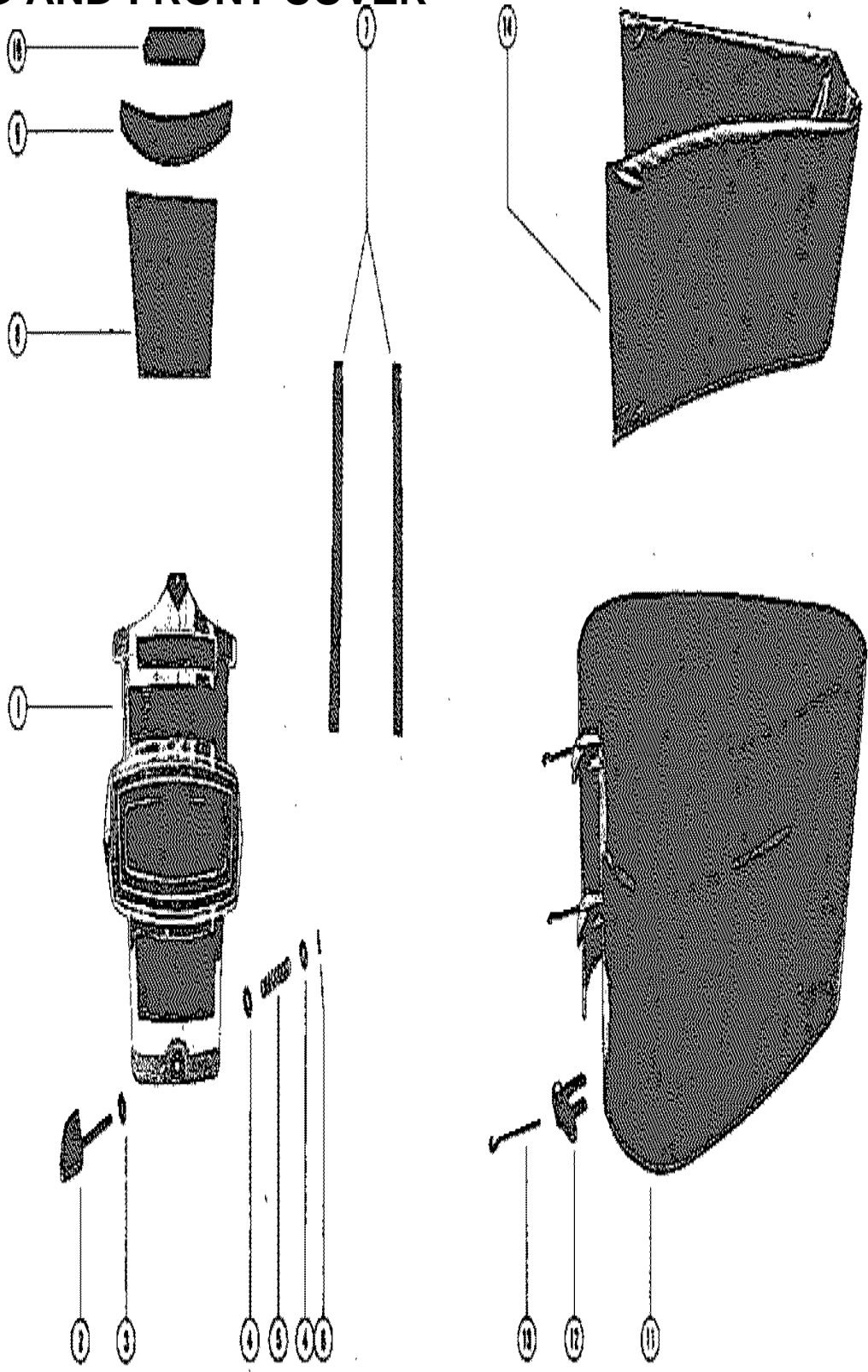
TOP COWL AND SUPPORT BRACKETS



TOP COWL AND SUPPORT BRACKETS

REF. NO.	PART NO.	SYM.	QTY.	DESCRIPTION
1	2114-5999		1	COWL TOP (WITHOUT DECALS)
2	52733A16		1	RETAINER ASSEMBLY, TOP COWL
3	35496		1	PAD, BUMPER - TOP COWL RETAINER
4	10-74824		1	SCREW, RETAINER TO TOP COWL (1 1/4)
5	13-39107		1	LOCKWASHER, RETAINER TO TOP COWL SCREW
6	76370		1	SHIELD, TOP COWL - REAR
7	10-37370		3	SCREW, SHIELD TO TOP COWL (5/8")
8	13-37371		3	LOCKWASHER, SHIELD SCREW
9	47341A1		1	ROPE, STARTER (FOR MANUAL STARTING ONLY)
10	52739		1	HINGE, COWL LATCH - TOP COWL
11	52737		1	LEVER, COWL LATCH HINGE
12	17-58998		1	PIN, ROLL - COWL LATCH LEVER TO HINGE
13	55455		1	HOOK, TOP COWL LATCH - REAR
14	10-22956		2	SCREW, REAR HOOK TO TOP COWL (7/8")
15	13-26992		2	LOCKWASHER, REAR HOOK MOUNTING SCREW
16	79897		1	FRAME, TOP COWL SUPPORT
18	63007		3	MOUNT, RUBBER - TOP COWL FRAME
	46096		OPT	MOUNT, RUBBER TOP COWL FRAME (HEAVY DUTY)
19	11-35888		6	NUT, RUBBER MOUNT TO TOP COWL FRAME
20	86472		1	BRACKET, TOP COWL SUPPORT - REAR
21	31014		2	MOUNT, RUBBER - REAR SUPPORT BRACKET
22	13-26992		2	LOCKWASHER RUBBER MOUNT TO REAR SUPPORT BRACKET
23	11-29598		2	NUT RUBBER MOUNT TO REAR SUPPORT BRACKET
24	10-37562		4	SCREW, REAR BRACKET TO FRAME (1")
26	13-26993		4	LOCKWASHER, REAR BRACKET SCREW
27	10-37562		4	SCREW REAR BRACKET TO BOTTOM COWL (1")
28	13-26993		4	LOCKWASHER REAR SUPPORT BRACKET SCREW
29	89232A1		1	BRACKET ASSEMBLY, TOP COWL - FRONT
30	10-69092		2	SCREW FRONT BRACKET TO BOTTOM COWL (1 1/4")
31	13-26993		2	LOCKWASHER FRONT SUPPORT BRACKET SCREW
32	10-69092		2	SCREW FRONT BRACKET TO TOP COWL FRAME (1 1/2")
33	13-26993		2	LOCKWASHER FRONT SUPPORT BRACKET SCREW
34	37640		1	MOUNT, RUBBER FRONT SUPPORT BRACKET
35	13-26993		1	LOCKWASHER RUBBER MOUNT TO FRONT SUPPORT BRACKET
36	11-28770		1	NUT RUBBER MOUNT TO FRONT SUPPORT BRACKET
37	87991		1	POINTER, TIMING
38	10-28636		1	SCREW, TIMING POINTER ATTACHING (3/4")
39	12-35462		1	WASHER, TIMING POINTER SCREW

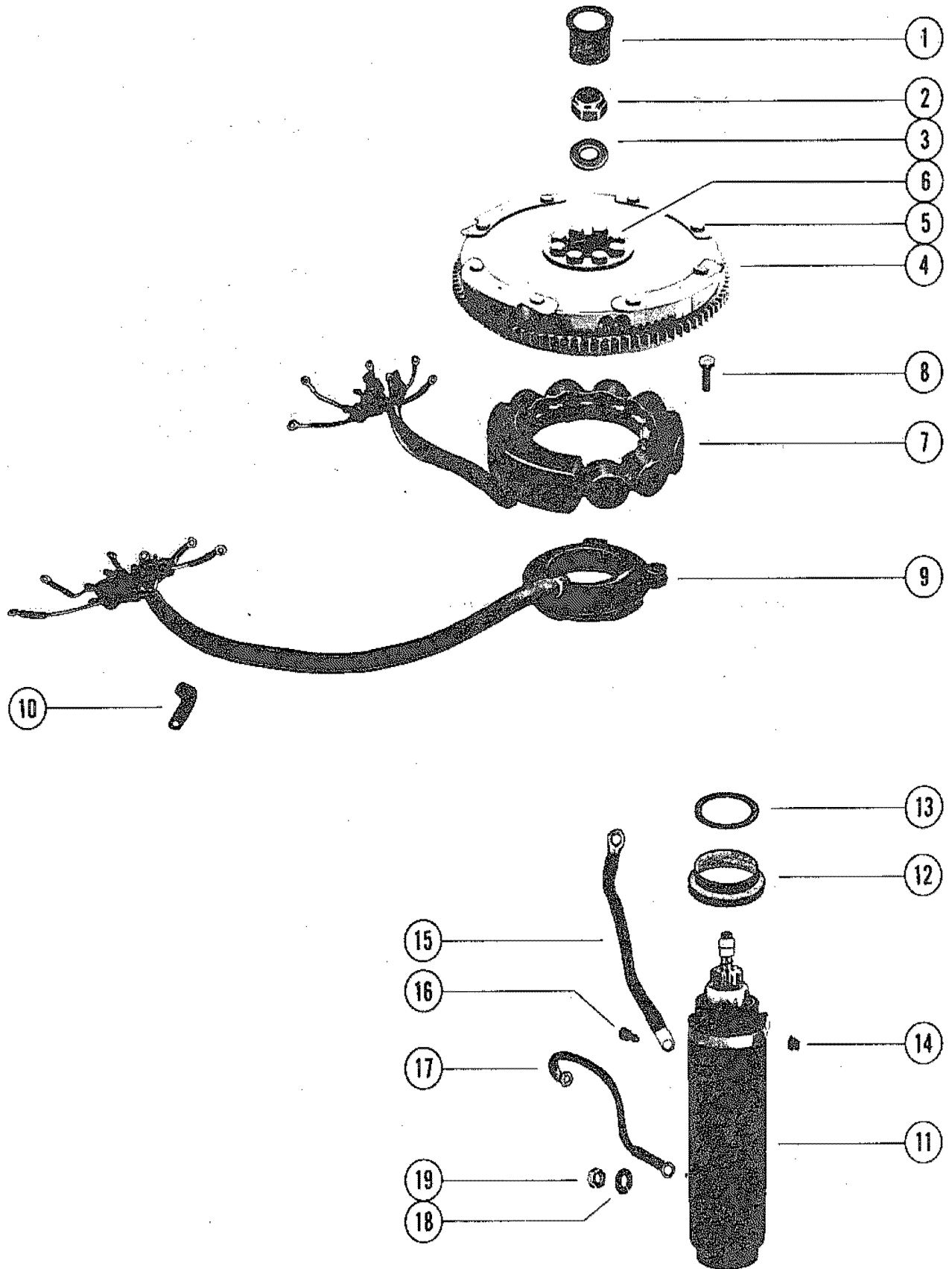
COWLING AND FRONT COVER



COWLING AND FRONT COVER

REF. NO.	PART NO.	SYM.	QTY.	DESCRIPTION
1	2113-5631A4		1	COWL FRONT COVER ASSEMBLY (WITHOUT DECALS)
2	56849		1	KNOB, COWL FRONT COVER FASTENING
3	12-30771		2	WASHER, COVER FASTENING KNOB (RUBBER)
4	12-59572		2	WASHER, COVER FASTENING KNOB (PLASTIC)
5	24-30772		1	SPRING, TENSION - FASTENING KNOB
6	17-29077		1	ROLL PIN, TENSION SPRING TO KNOB
7	31089		2	STRIP, SOUND ABSORBING
8	38674		1	BAG, STARTER ROPE
9	35769		1	SEAL, SOUND ABSORBING - UPPER
10	53334		1	SEAL, SOUND ABSORBING - TOP
11	2136-4660A4		1	WRAP AROUND COWL ASSEMBLY (WITHOUT DECALS)
12	46785A1		3	COWL LATCH ASSEMBLY
13	30413		3	HOOK, COWL LATCH FASTENING
14	30021		1	BLANKET, SOUND ABSORBING

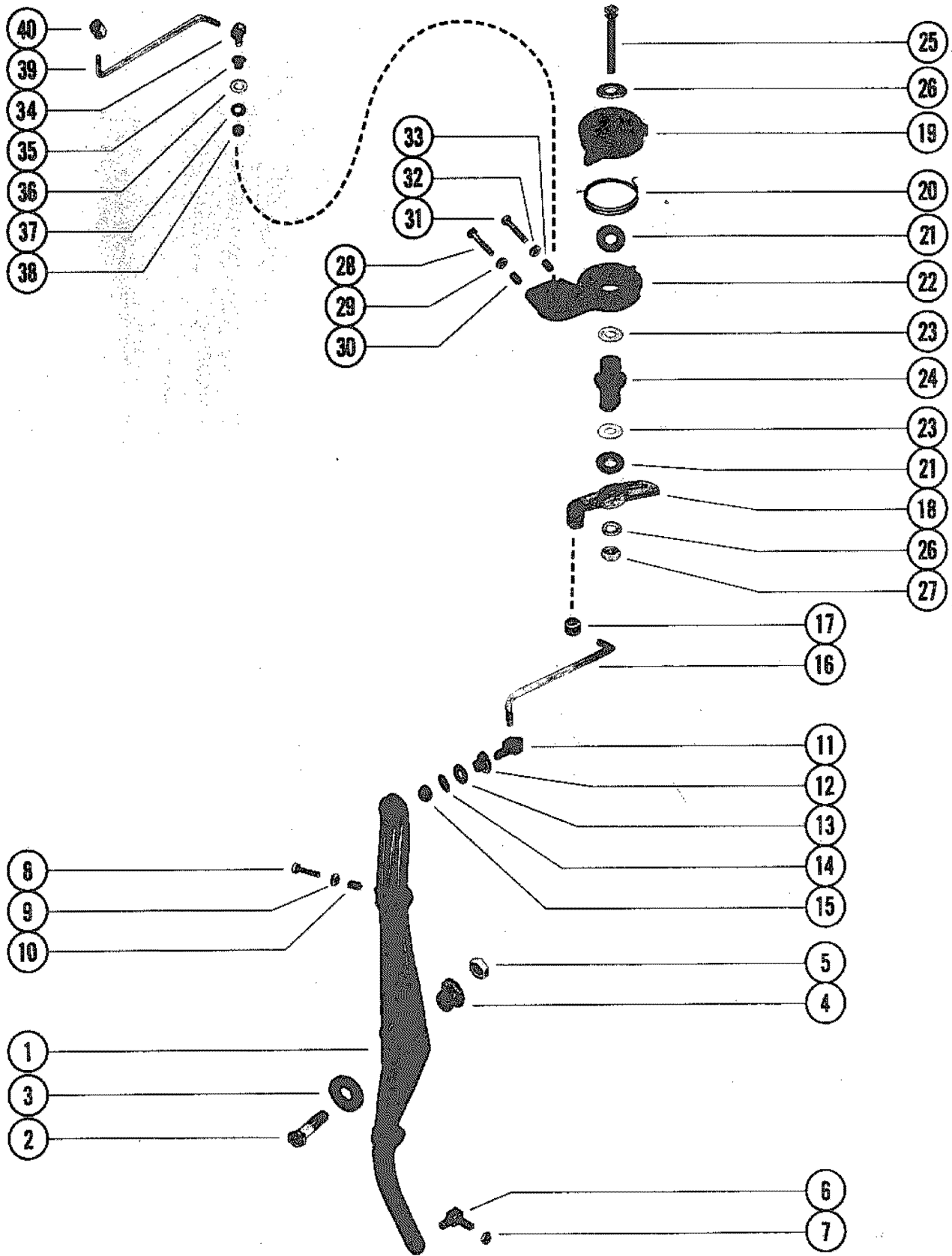
FLYWHEEL, STARTER MOTOR AND STATOR



FLYWHEEL, STARTER MOTOR AND STATOR

REF. NO.	PART NO.	SYM.	QTY.	DESCRIPTION
1	19-45907		1	PLUG, FLYWHEEL
2	11-52901		1	NUT, FLYWHEEL ATTACHING
3	12-68229		1	WASHER, FLYWHEEL ATTACHING
4	248-5977A28		1	FLYWHEEL ASSEMBLY, COMP.
5	10-32417		8	SCREW, FLYWHEEL PLATE
6	10-68997		8	SCREW, FLYWHEEL HUB
7	398-5454A8		1	STATOR ASSEMBLY
8	10-75840		4	SCREW, STATOR ATTACHING (7/8")
9	68162A8		1	TRIGGER PLATE ASSEMBLY
10	54-61001		3	CLAMP, TRIGGER HARNESS
11	50-72467		1	STARTER MOTOR
12	56703		2	COLLAR, STARTER MOTOR
13	23-56774		AR	SPACER, STARTER MOTOR
14	57247		2	STOP, RUBBER - STARTER MOTOR
15	84-66008A1		1	WIRE ASSEMBLY PLATE TO STARTER MOTOR (BLACK)
16	10-69035		1	SCREW, CABLE TO STARTER MOTOR
17	84-73453		1	WIRE ASSEMBLY SOLENOID TO STARTER MOTOR (YELLOW)
18	13-26992		1	LOCKWASHER, STARTER MOTOR TERMINAL
19	11-64015		1	NUT, STARTER MOTOR TERMINAL

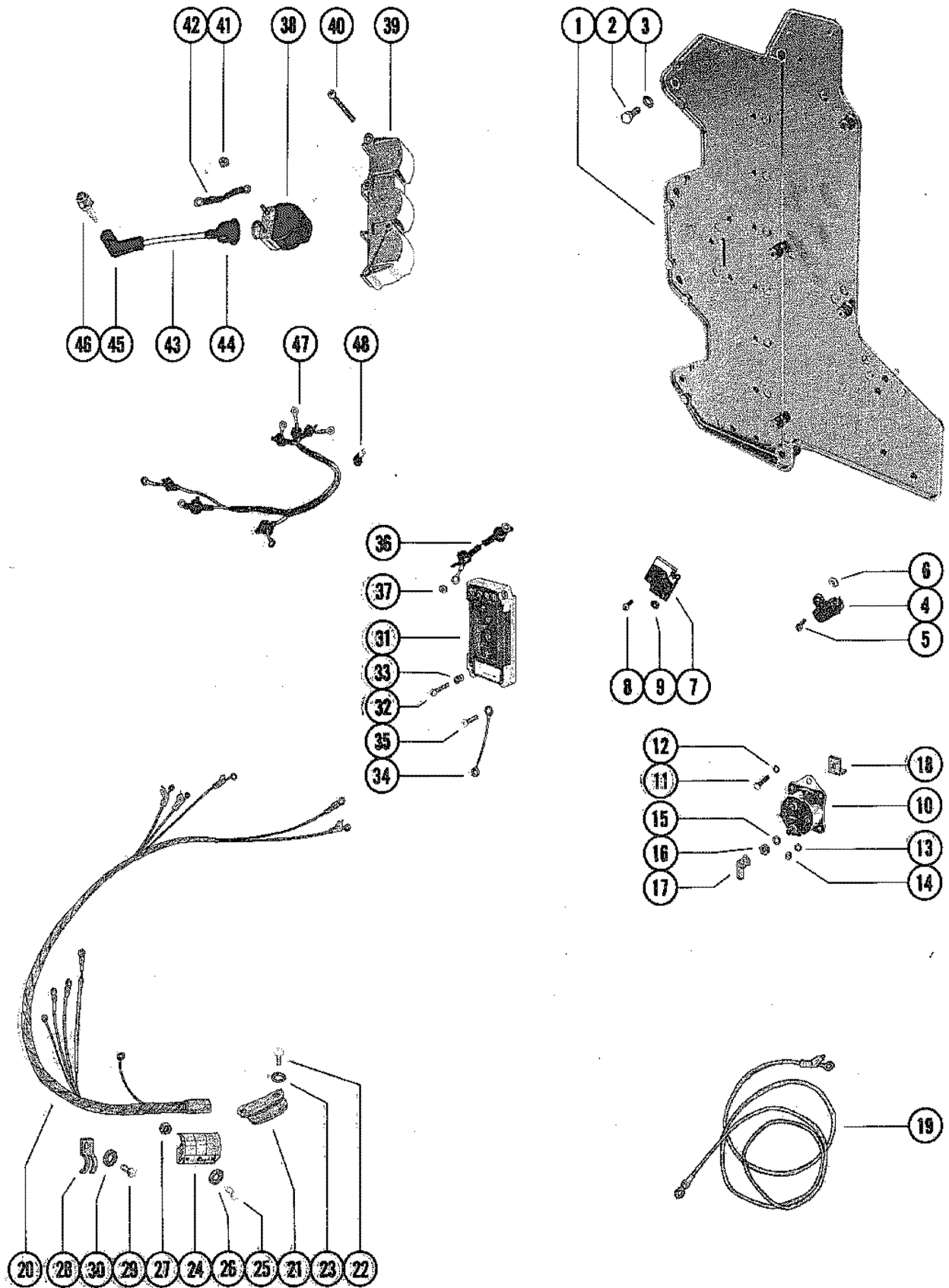
THROTTLE LEVER AND LINK RODS



THROTTLE LEVER AND LINK RODS

REF. NO.	PART NO.	SYM.	QTY.	DESCRIPTION
1	79900		1	LEVER, THROTTLE
2	10-37559		1	SCREW, THROTTLE LEVER TO EXHAUST COVER
3	12-29395		1	WASHER, THROTTLE LEVER SCREW
4	23-45818		1	BUSHING, THROTTLE LEVER SCREW
5	11-20509		1	NUT, THROTTLE LEVER SCREW
6	37587		1	SWIVEL, THROTTLE LEVER TO THROTTLE CABLE
7	11-20509		1	NUT, THROTTLE CABLE TO SWIVEL
8	10-75168		2	SCREW, ADJUSTING - THROTTLE LEVER
9	11-29598		2	NUT, ADJUSTING SCREW
10	52023		2	CAP, NYLON - ADJUSTING SCREW
11	77013A1		1	SWIVEL ASSEMBLY, THROTTLE LEVER
12	23-26856		1	BUSHING, SWIVEL
13	12-33786		1	WASHER, SWIVEL
14	13-29402		1	WAVE WASHER, SWIVEL
15	11-45774		1	NUT, SWIVEL TO THROTTLE LEVER
16	85300		1	LINK ROD, THROTTLE
17	23-74213		1	SWIVEL, LINK ROD TO THROTTLE CAM
18	88754		1	THROTTLE CAM
19	85082		1	HOUSING, THROTTLE - UPPER
20	24-85442		1	SPRING, TORSION - SHAFT
21	12-85303		2	WASHER, PLASTIC - THROTTLE CAM
22	79903		1	HOUSING, THROTTLE - LOWER
23	13-86498		2	WAVE WASHER, SHAFT
24	87937		1	SHAFT, THROTTLE AND SPARK ADVANCE
25	10-28239		1	SCREW, THROTTLE HOUSING
26	12-35462		2	WASHER, THROTTLE HOUSING SCREW
27	11-72008		1	NUT, THROTTLE HOUSING SCREW
28	10-75168		1	SCREW, ADJUSTING - LOWER HOUSING (2 1/4")
29	11-29598		1	NUT, ADJUSTING SCREW
30	52023		1	CAP, NYLON - ADJUSTING SCREW
31	10-60464		1	SCREW, ADJUSTING - LOWER HOUSING (2 1/8")
32	11-68219		1	NUT, ADJUSTING SCREW
33	48039		1	CAP, NYLON - ADJUSTING SCREW
34	77013A1		1	SWIVEL ASSEMBLY, SPARK LINK
35	23-26856		1	BUSHING, SWIVEL
36	12-33786		1	WASHER, SWIVEL
37	13-29402		1	WAVE WASHER, SWIVEL
38	11-45774		1	NUT, SWIVEL
39	85301		1	SPARK LINK
40	74897		1	BARREL, SPARK LINK TO TRIGGER

WIRING HARNESS, SWITCH BOX AND IGNITION COIL

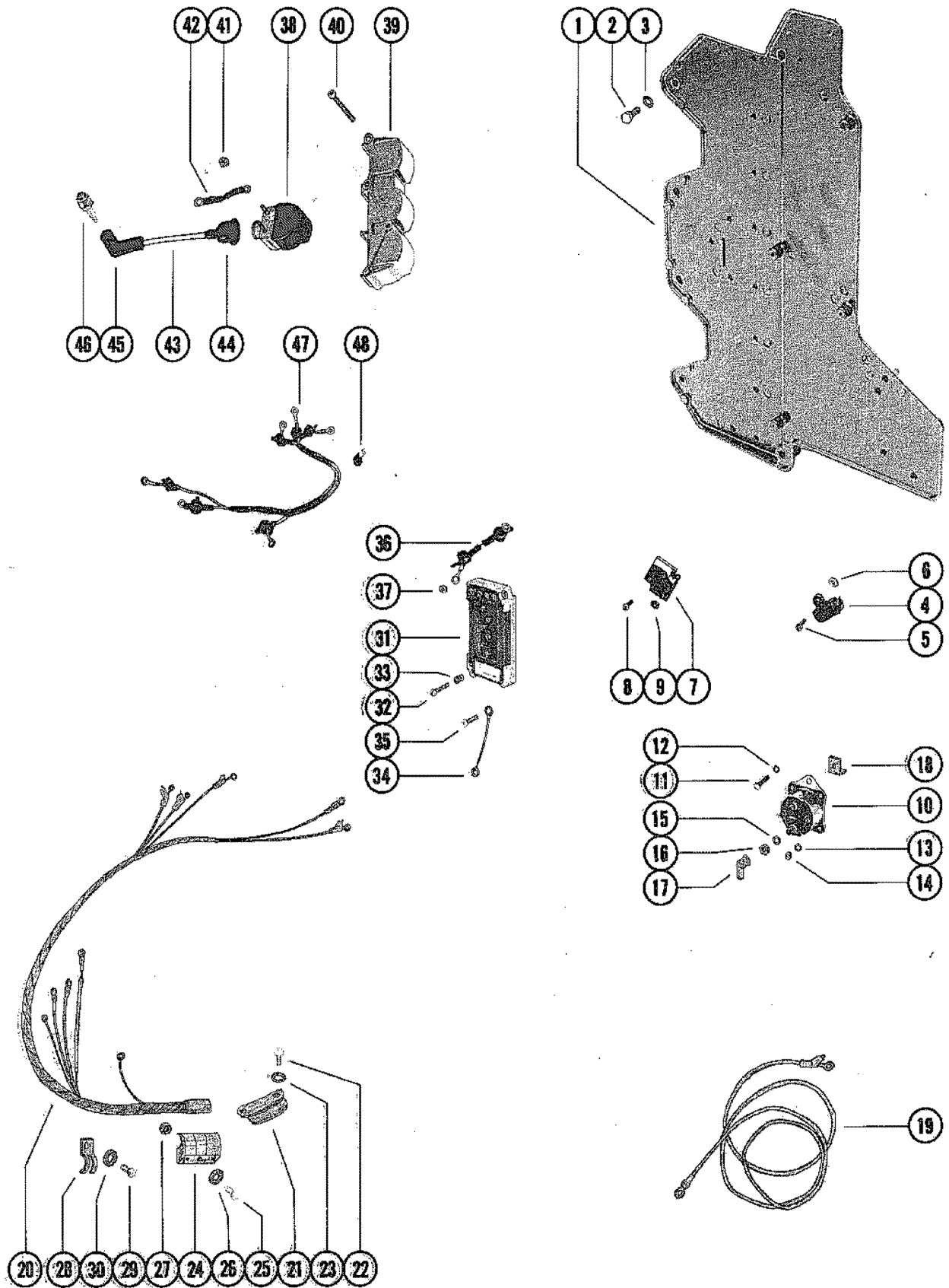


WIRING HARNESS, SWITCH BOX AND IGNITION COIL

REF. NO.	PART NO.	SYM.	QTY.	DESCRIPTION
1	89748		1	PLATE, ELECTRICAL MOUNTING
2	10-86885		4	SCREW, PLATE TO CYLINDER BLOCK (1 1/2")
	10-28636		3	SCREW, PLATE TO CYLINDER BLOCK (3/4")
	10-45561		2	SCREW, PLATE TO CYLINDER BLOCK (1 1/8")
3	12-29245		7	WASHER, PLATE SCREW
4	87-33386A3		1	SWITCH ASSEMBLY, MERCURY
5	10-25764		1	SCREW, MERCURY SWITCH TO PLATE (5/8")
6	11-45076		1	NUT, WIRE TO MERCURY SWITCH
7	62351A1		1	RECTIFIER ASSEMBLY
8	10-25764		2	SCREW, RECTIFIER TO IGNITION PLATE (5/8")
9	11-45076		3	NUT, RECTIFIER TERMINALS
10	89-76545		1	SOLENOID, STARTER
11	10-38601		2	SCREW, STARTER SOLENOID TO PLATE (1/2")
12	13-26992		2	LOCKWASHER, STARTER SOLENOID SCREW
13	13-26996		2	LOCKWASHER, SOLENOID TERMINALS (#10)
14	11-68219		2	NUT, SOLENOID TERMINALS (10-32)
15	13-26993		2	LOCKWASHER, SOLENOID TERMINALS (5/16")
16	11-68292		2	NUT, SOLENOID TERMINALS (5/16-18)
17	46265		1	BOOT, TERMINAL - STARTER SOLENOID
18	90547		1	LOCATOR, STARTER SOLENOID
19	84-88439A3		1	BATTERY CABLE ASSEMBLY (POSITIVE)
	84-88439A4		1	BATTERY CABLE ASSEMBLY (NEGATIVE)
20	84-89564A1		1	WIRING HARNESS (INTERNAL)
21	54-88608		1	CLAMP, WIRING HARNESS
22	10-28636		2	SCREW, WIRING HARNESS CLAMP
23	13-26996		2	LOCKWASHER, WIRING HARNESS CLAMP SCREW
24	89047		1	BRACKET, WIRING HARNESS
25	10-65384		2	SCREW, WIRING HARNESS BRACKET
26	12-38833		2	WASHER, BRACKET SCREW
27	11-45812		2	NUT, BRACKET SCREW
28	88751		1	CLAMP, WIRING HARNESS
29	10-28636		1	SCREW, WIRING HARNESS CLAMP
30	12-20533		1	WASHER, CLAMP SCREW
31	332-7778A3		2	SWITCH BOX ASSEMBLY
32	10-20619		4	SCREW, SWITCH BOX ATTACHING (1 3/8")
33	23-90224		4	SPACER, SWITCH BOX SCREW
34	84-60871A10		2	WIRE ASSEMBLY, SWITCH BOX
35	10-62568		2	SCREW, WIRE ATTACHING
36	84-62310A3		1	CABLE ASS'Y SWITCH BOX TO SWITCH BOX (WHITE AND BLACK)
37	11-45076		20	NUT, SWITCH BOX TERMINAL
38	339-7370A2		6	COIL ASSEMBLY, IGNITION
39	73218		2	COVER, IGNITION COIL

CONTINUED ON NEXT PAGE ➡

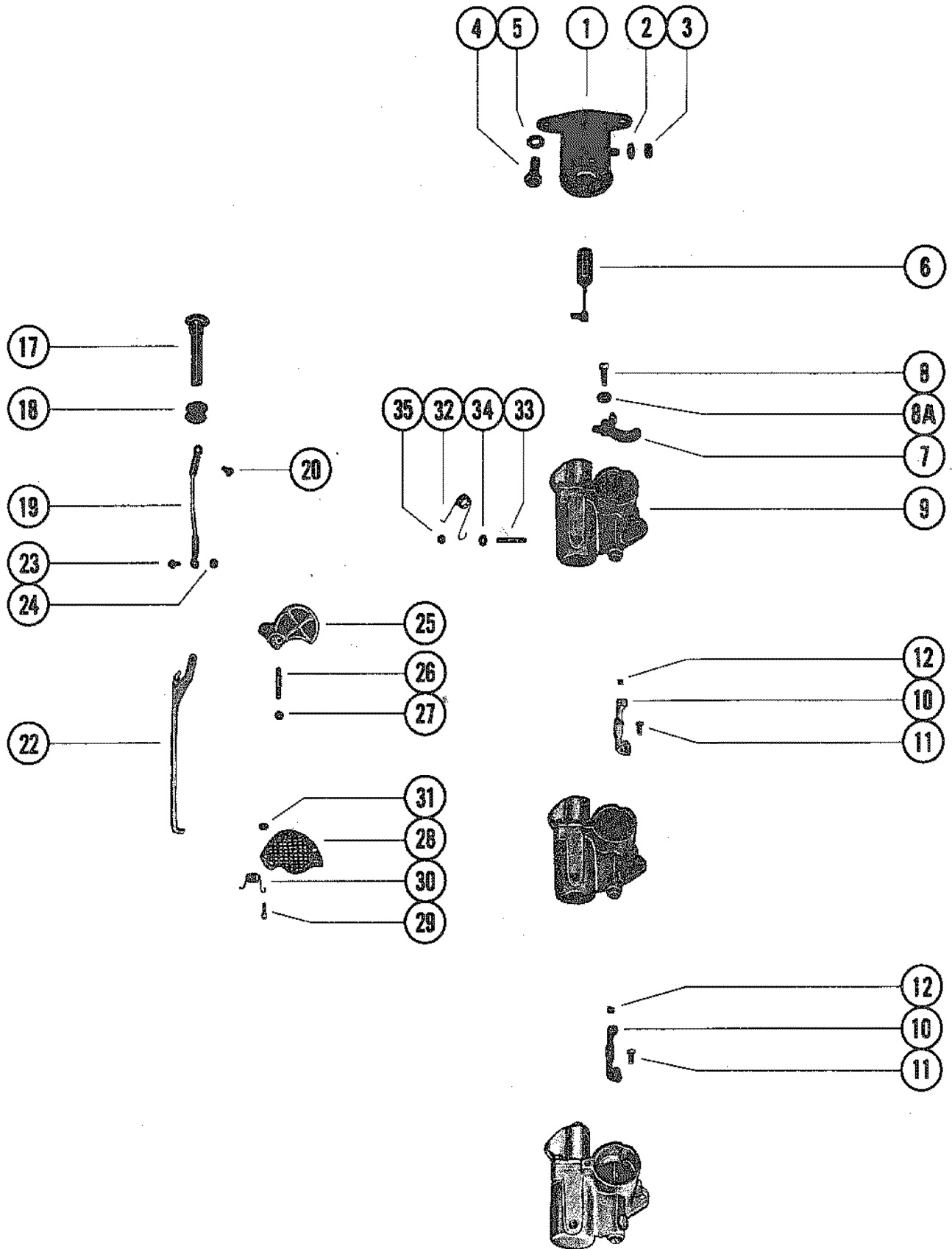
WIRING HARNESS, SWITCH BOX AND IGNITION COIL



WIRING HARNESS, SWITCH BOX AND IGNITION COIL

REF. NO.	PART NO.	SYM.	QTY.	DESCRIPTION
40	10-88856		12	SCREW, IGNITION COIL COVER (2")
41	11-45076		12	NUT, IGNITION COIL TERMINAL
42	84-60466A1		6	CABLE ASSEMBLY, IGNITION COIL (BLACK)
43	84-73451A8		6	CABLE, HIGH TENSION
44	332-2854		6	BOOT, HIGH TENSION CABLE
45	85-71006A1		6	PROTECTOR, HIGH TENSION CABLE
46	33-68057		6	SPARK PLUG (CHAMPION#L76-V)
47	84-85537A2		1	HARNESS ASSEMBLY COIL TO SWITCH BOX (#2, 4 AND 6)
	84-85537A1		1	HARNESS ASSEMBLY COIL TO SWITCH BOX (#1, 3 AND 5)
48	54-63153		2	CLIP, HARNESS TO COIL COVER

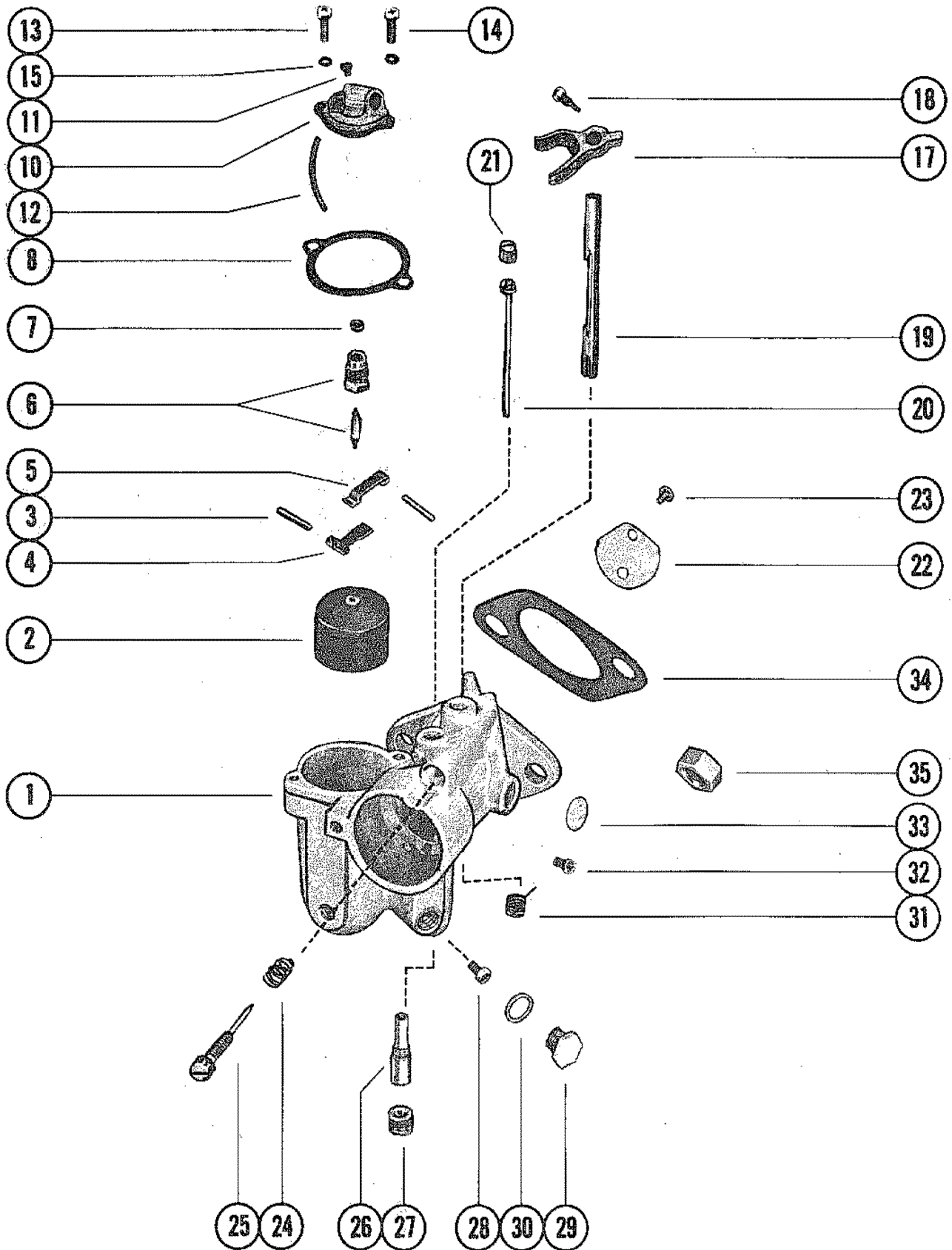
CARBURETOR LINKAGE AND CHOKE SOLENOID



CARBURETOR LINKAGE AND CHOKE SOLENOID

REF. NO.	PART NO.	SYM.	QTY.	DESCRIPTION
1	54293A4		1	CHOKE SOLENOID
2	13-26996		1	LOCKWASHER, SOLENOID TERMINAL
3	11-68219		1	NUT, SOLENOID TERMINAL
4	10-25299		2	SCREW, CHOKE SOLENOID (3/4")
5	13-26993		2	LOCKWASHER, CHOKE SOLENOID SCREW
6	90548A1		1	PLUNGER AND LINK ASSEMBLY, CHOKE SOLENOID
7	85943A1		1	LEVER, THROTTLE (UPPER CARBURETOR)
8	10-60293		1	SCREW, THROTTLE LEVER
8A	12-74726		1	WASHER, THROTTLE LEVER SCREW
9	1368-7466A1		1	CARBURETOR ASSEMBLY (TOP)
	1368-7466A3		2	CARBURETOR ASSEMBLY (CENTER/BOTTOM)
10	53720A2		2	THROTTLE PICK-UP BRACKET ASSEMBLY
11	10-66104		2	SCREW, THROTTLE BRACKET MOUNTING
12	28-89694		2	KEY, THROTTLE COUPLING
17	90242A1		1	KNOB, CHOKE ROD
18	25-20116		1	GROMMET, CHOKE ROD
19	49589		1	STRAP, CHOKE KNOB TO CHOKE ROD
20	10-76196		1	SCREW, STRAP TO CHOKE KNOB (5/8")
22	48203		1	ROD, CHOKE
23	10-48591		1	SCREW, STRAP TO CHOKE ROD (1/2")
24	11-46438		1	NUT, STRAP TO CHOKE ROD SCREW
25	48152		2	SHUTTER, CHOKE - CARBURETOR
26	16-69037		2	STUD, CARBURETOR - CHOKE SHUTTER PIVOT
27	11-20110		2	NUT, CHOKE SHUTTER TO CARBURETOR STUD
28	35-57819		3	SCREEN ASSEMBLY, FILTER - CARBURETOR
29	10-22523		1	SCREW LOWER CARBURETOR FILTER SCREEN TO CARB. (5/8")
	10-23015		2	SCREW UPPER CARBURETOR FILTER SCREEN TO CARB. (1")
30	24-57818		2	SPRING, UPPER FILTER SCREEN SCREW
31	11-20110		3	NUT CARBURETOR FILTER SCREEN FASTENING SCREW
32	24-48230		1	SPRING, CHOKE ROD TENSION
33	16-39937		1	STUD, CHOKE ROD SPRING TO CARBURETOR
34	23-32427		1	SPACER, CHOKE ROD SPRING STUD
35	11-46887		1	NUT, CHOKE ROD SPRING TO CARBURETOR STUD

CARBURETOR ASSEMBLY



CARBURETOR ASSEMBLY

REF. NO.	PART NO.	SYM.	QTY.	DESCRIPTION
1	1368-7466A1		1	CARBURETOR ASSEMBLY (TOP)
	1368-7466A3		2	CARBURETOR ASSEMBLY (CENTER/BOTTOM)
2	1395-5353		3	FLOAT ASSEMBLY
3		■	6	PIN, FLOAT LEVER PINION
4		■	3	LEVER, FLOAT (LOWER)
5		■	3	LEVER, FLOAT (UPPER)
6	1395-7297		3	INLET NEEDLE, SEAT AND GASKET
7		■▲	3	GASKET, INLET SEAT
8		■▲	3	GASKET, FLOAT BOWL COVER
10	1395-5680		3	COVER, FLOAT BOWL
11	1395-6247		3	JET, BOWL VENT (.090)
12	1395-5734		3	HOSE, ECONOMIZER
13	10-52195		3	SCREW, FLOAT BOWL COVER
14	1395-4804		3	SCREW, FLOAT BOWL COVER
15	13-26995		6	LOCKWASHER, FLOAT BOWL COVER SCREW
17	1399-97		3	LEVER, THROTTLE (SEE NOTE BELOW)
18	10-20847	■	3	SCREW, THROTTLE STOP LEVER
19	1395-7614		1	SHAFT, THROTTLE (TOP)
	1399-3527		2	SHAFT, THROTTLE (CENTER/BOTTOM)
20		■	3	TUBE, IDLE
21	1395-4540		3	SCREW, BODY (IDLE TUBE)
22	1395-7639		3	SHUTTER, THROTTLE
23		■	6	SCREW AND LOCKWASHER, THROTTLE SHUTTER
24		■	3	SPRING, IDLE ADJUSTMENT SCREW
25		■	3	SCREW, IDLE ADJUSTMENT
26		■	3	NOZZLE, MAIN
27	1395-4542		3	SCREW, PLUG - MAIN NOZZLE
28	1399-3794	■	3	JET, MAIN FUEL (.074) - STANDARD
	1395-6207		OPT	JET MAIN FUEL (.072)
	1395-6030		OPT	JET, MAIN FUEL (.070)
	1395-6029		OPT	JET, MAIN FUEL (.068)
29	1395-4541		3	SCREW, PLUG - MAIN FUEL JET CHANNEL
30		■▲	3	GASKET, JET CHANNEL PLUG SCREW
31		■	3	SPRING, THROTTLE SHAFT RETURN
32	1395-4543		3	SCREW, BODY CHANNEL
33		■	3	WELCH PLUG, BODY CHANNEL

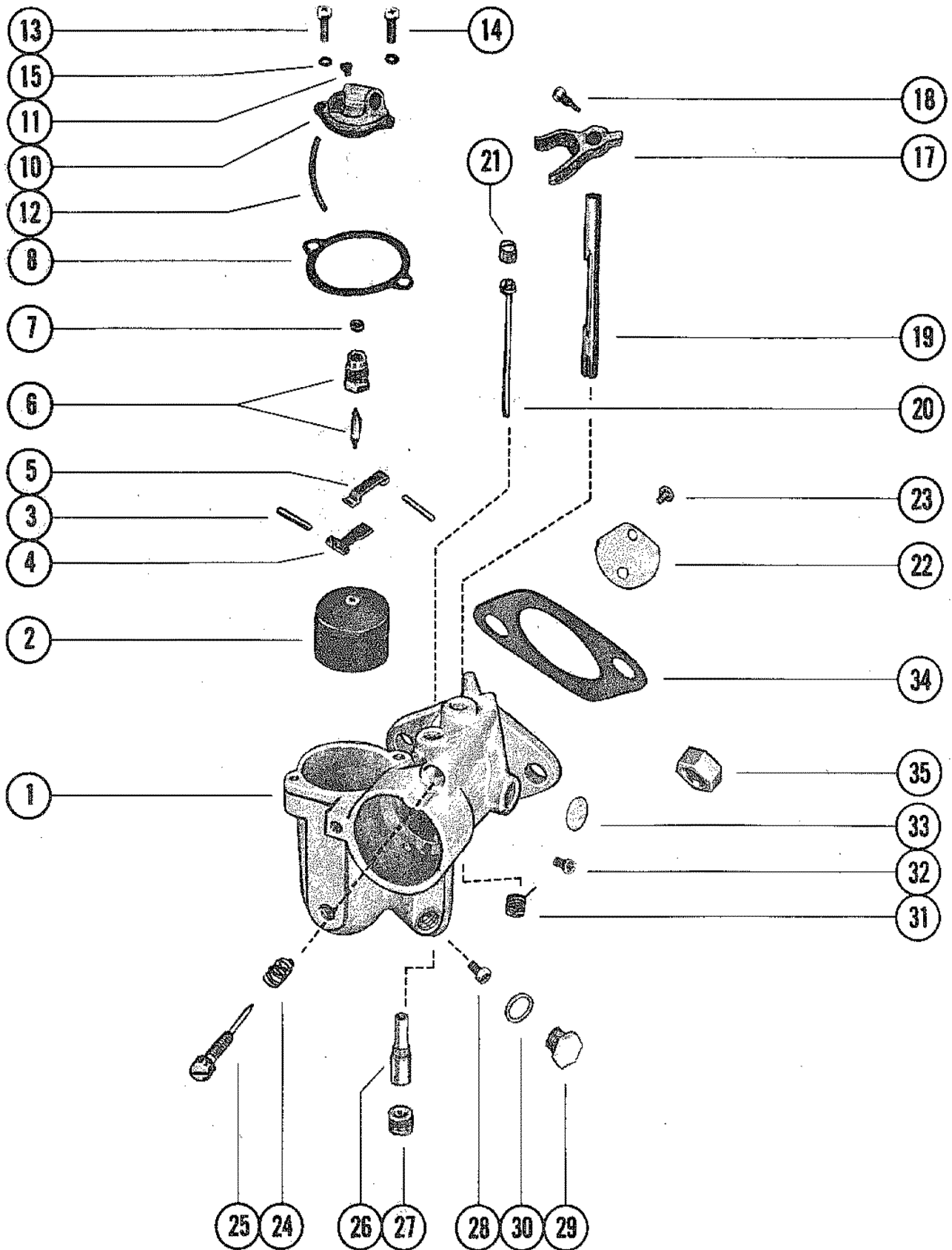
● = CONTENTS OF C-[27-85653A79] GASKET SET

■ = CONTENTS OF REPAIR PARTS KIT.

▲ = CONTENTS OF GASKET AND PACKING SET.

CONTINUED ON NEXT PAGE ➡

CARBURETOR ASSEMBLY



CARBURETOR ASSEMBLY

REF. NO.	PART NO.	SYM.	QTY.	DESCRIPTION
-	1395-4808	I	3	GASKET AND PACKING SET (1 PER CARBURETOR)
-	1395-7662		3	REPAIR PARTS KIT (1 PER CARBURETOR)
34	27-48164	I ▲ ●	3	GASKET, CARBURETOR FLANGE
35	11-64809		6	NUT, CARBURETOR MOUNTING STUD
-	27-85653A79		0	GASKET SET

USED ON CENTER AND LOWER CARBURETOR ONLY--REPLACED WITH A-[85943A1] LEVER ON UPPER CARBURETOR FOR PLASTIC VENTURI ORDER A-[52106A1]

● = CONTENTS OF C-[27-85653A79] GASKET SET

I = CONTENTS OF REPAIR PARTS KIT.

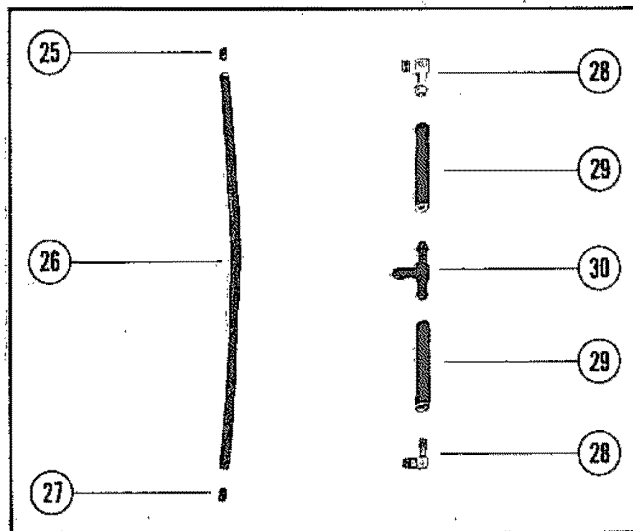
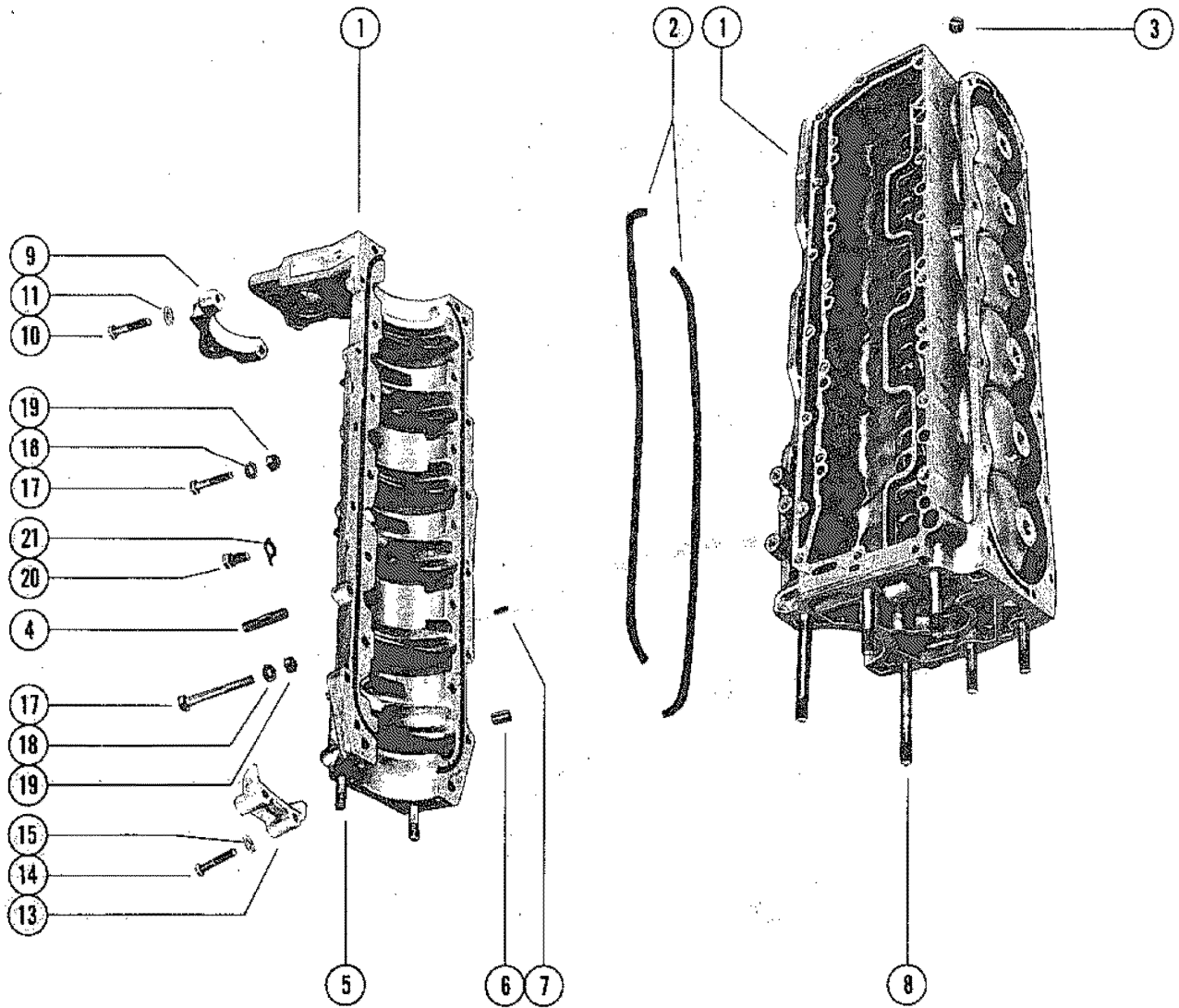
▲ = CONTENTS OF GASKET AND PACKING SET.

FUEL PUMP AND FUEL LINE ASSEMBLY

REF. NO.	PART NO.	SYM.	QTY.	DESCRIPTION
1	66530A6		1	FUEL PUMP ASSEMBLY
2	21-30430A10		1	CHECK VALVE ASSEMBLY
3	89031A3	●	1	DIAPHRAGM ASSEMBLY
4		●	1	GASKET, FUEL PUMP
5		●	1	GASKET, PULSE CHAMBER
6		●	2	GASKET, FUEL PUMP
7		●	2	GASKET, CHECK VALVE TO HOUSING
8	35-59072	●	1	SCREEN, FUEL INLET
9		●	1	"O" RING, FUEL INLET COVER
10		●	1	GASKET, COVER ATTACHING SCREW
11	23004		1	RETAINER, CHECK VALVE
12	10-20037		2	SCREW, RETAINER ATTACHING
13	86295		1	BASE, FUEL PUMP
14	87990		1	CHAMBER, PULSE - FUEL PUMP
15	59071		1	COVER, FUEL INLET
16	10-37370		1	SCREW, FUEL FILTER COVER ATTACHING (5/8")
17	10-73013		5	SCREW, FUEL PUMP ATTACHING (1 1/2")
18	13-26996		5	LOCKWASHER, FUEL PUMP ATTACHING SCREW
19	22-64704		1	FITTING, FUEL OUTLET
20	32-70432		4	FUEL LINE, FUEL PUMP TO CARBURETOR
21	54-68424		10	CLAMP, FUEL LINE ATTACHING
22	22-64704		1	FITTING, ELBOW - UPPER CARBURETOR
23	22-73318		1	TEE, FUEL LINE
24	22-64706		1	FITTING, TEE - CENTER CARBURETOR
25	22-64704		1	FITTING, ELBOW - LOWER CARBURETOR
26	32-70432		1	FUEL LINE, ADAPTOR TO FUEL PUMP (11")
27	22-63981		1	ELBOW, FUEL LINE TO ADAPTOR
28	22833		1	ADAPTOR, CHECK UNIT (FUEL LINE)
29	23069		1	STEM, CHECK UNIT ADAPTOR
30	24-23067		1	SPRING, ADAPTOR STEM
31	25-20415	●	1	"O" RING, ADAPTOR STEM
32	30188		1	CUP WASHER, ADAPTOR
33	10-36154		2	SCREW, ADAPTOR TO BOTTOM COWL (1 3/8")
34	11-36069		2	NUT, ADAPTOR SCREW
-	27-85653A79		0	GASKET SET

● = CONTENTS OF C-[27-85653A79] GASKET SET

CYLINDER BLOCK AND CRANKCASE ASSEMBLY

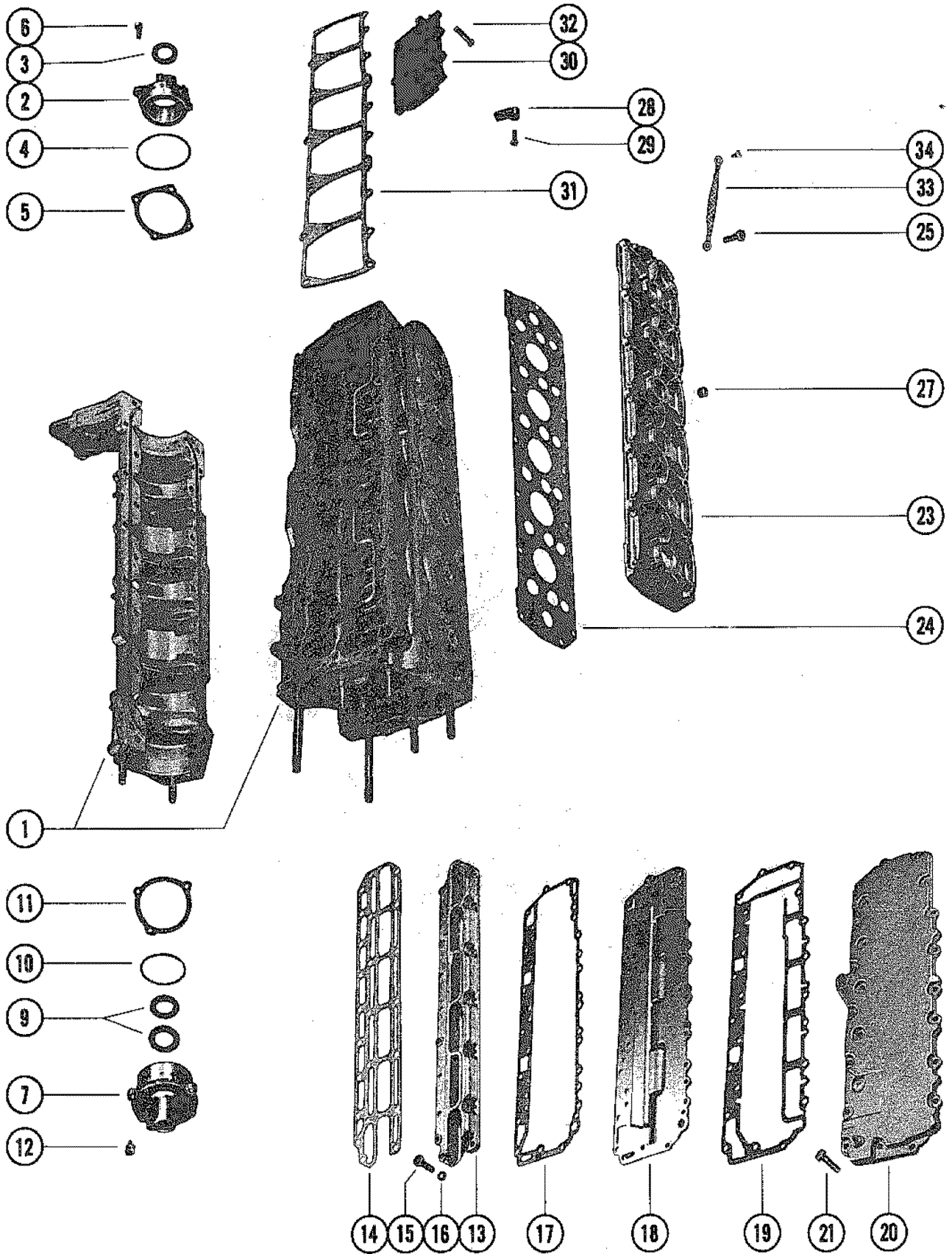


CYLINDER BLOCK AND CRANKCASE ASSEMBLY

REF. NO.	PART NO.	SYM.	QTY.	DESCRIPTION
1	852-7739A3		1	CYLINDER BLOCK AND CRANKCASE ASSEMBLY
2	27-53862	●	2	GASKET, CRANKCASE TO CYLINDER BLOCK
3	66517		5	RESTRICTION, CRANKCASE BLEED
4	16-64280		6	STUD, CARBURETOR MOUNTING (1 3/16")
5	16-64281		2	STUD CRANKCASE TO EXHAUST EXTENSION PLATE (1 7/8")
6	17-20033		2	PIN, DOWEL - CRANKCASE TO CYLINDER BLOCK
7	17-63779		3	PIN, DOWEL - CYLINDER BLOCK TO MAIN BEARING
8	16-64282		6	STUD CYLINDER BLOCK TO DRIVE SHAFT HOUSING PLATE (4")
9	86473		1	COVER, STARTER MOTOR BRACKET - TOP
10	10-69268		2	SCREW, TOP COVER ATTACHING (1 7/8")
11	13-26993		1	LOCKWASHER, TOP COVER SCREWS
13	76867		1	COVER, STARTER MOTOR BRACKET - BOTTOM
14	10-69268		2	SCREW, BOTTOM COVER ATTACHING (1 7/8")
15	13-26993		2	LOCKWASHER, BOTTOM COVER SCREW
17	10-57841		3	SCREW, CRANKCASE TO CYLINDER BLOCK (2 3/4")
	10-32293		3	SCREW, CRANKCASE TO CYLINDER BLOCK (1 3/4")
	10-73657		20	SCREW, CRANKCASE TO CYLINDER BLOCK (1 1/2")
	10-53016		2	SCREW, CRANKCASE TO CYLINDER BLOCK (1 1/4")
18	12-22753		25	WASHER CRANKCASE TO CYLINDER BLOCK SCREWS
19	11-29250		2	NUT CRANKCASE TO CYLINDER BLOCK SCREWS (LOWER)
20	10-20359		2	SCREW, CENTER MAIN BEARING LOCKING
21	14-20091		2	TAB WASHER, BEARING LOCKING SCREW
25	21-77560		1	CHECK VALVE, BLEED HOSE - UPPER
26	32-54935-76		1	HOSE, BLEED (22")
27	21-77561		1	CHECK VALVE, BLEED HOSE - LOWER
28	22-25885		2	ELBOW, BALANCE HOSE
29	32-34395A1		2	HOSE, BALANCE - MAIN BEARING (6 1/4")
30	22-85578		1	TEE, BALANCE HOSE
-	27-85653A79		0	GASKET SET

FOR REPLACEMENT OF POWERHEAD ASSEMBLY, COMPLETE, WHICH INCLUDES CYLINDER BLOCK AND CRANKCASE, PISTONS, CONNECTING RODS, AND BEARINGS, ETC. ORDER: A-[64875A79] POWERHEAD ASSEMBLY
 ● = CONTENTS OF C-[27-85653A79] GASKET SET

END CAP, MANIFOLD AND EXHAUST COVERS

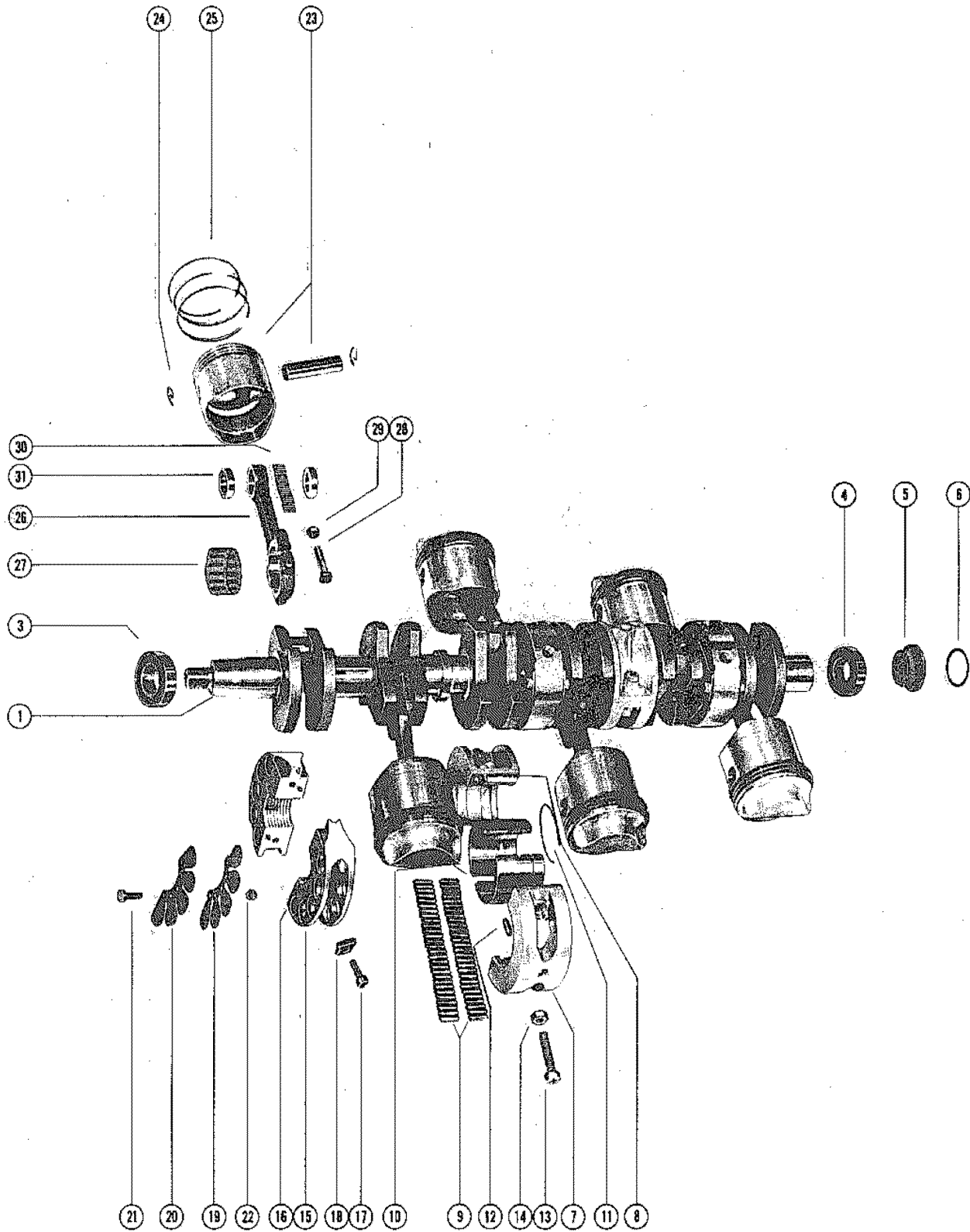


END CAP, MANIFOLD AND EXHAUST COVERS

REF. NO.	PART NO.	SYM.	QTY.	DESCRIPTION
1	852-7739A3		1	CYLINDER BLOCK AND CRANKCASE ASSEMBLY
2	1161-7616A2		1	END CAP ASSEMBLY
3	26-29476		1	OIL SEAL, END CAP
4	25-47254	●	1	"O" RING
5	15-73644A1		AR	SHIM, END CAP TO CRANKCASE (.006-10)
6	10-73169		4	SCREW, END CAP MOUNTING (1")
7	1148-5410A1		1	END CAP ASSEMBLY, LOWER
9	26-29476		2	OIL SEAL, END CAP
10	25-32546	●	1	"O" RING, END CAP
11	15-20085A1		AR	SHIM, END CAP TO CRANKCASE (.005-10)
12	10-69034		3	SCREW, END CAP MOUNTING (1")
13	71808		1	COVER, WATER JACKET - CYLINDER BLOCK
14	27-72142	●	1	GASKET, WATER JACKET COVER
15	10-53167		23	SCREW WATER JACKET COVER TO CYLINDER BLOCK (7/8")
16	12-70132		23	WASHER WATER JACKET COVER FASTENING SCREW
17	27-60476	●	1	GASKET, CYLINDER BLOCK TO BAFFLE PLATE
18	75778		1	PLATE, BAFFLE - EXHAUST MANIFOLD
19	27-60477	●	1	GASKET BAFFLE PLATE TO EXHAUST MANIFOLD COVER
20	86316		1	COVER, EXHAUST MANIFOLD
21	10-53576		24	SCREW, MANIFOLD COVER MOUNTING
23	1023-5070		1	COVER, CYLINDER BLOCK
24	27-64940	●	1	GASKET, CYLINDER BLOCK COVER
25	10-69100		16	SCREW, COVER MOUNTING (1")
27	22-68307		1	PLUG, PIPE - CYLINDER BLOCK COVER
28	37440		1	BRACKET, MOUNT SUPPORT - CYLINDER BLOCK
29	10-24234		1	SCREW, BRACKET TO CYLINDER BLOCK (1")
30	87872		3	COVER, TRANSFER PORT
31	27-85653	●	1	GASKET, TRANSFER PORT COVER
32	10-28636		24	SCREW TRANSFER PORT COVER MOUNTING (3/4")
33	46933A3		2	GROUND STRAP ASSEMBLY CYLINDER BLOCK COVER
34	10-62568		2	SCREW, GROUND STRAP ATTACHING (3/8")
-	27-85653A79		0	GASKET SET

● = CONTENTS OF C-[27-85653A79] GASKET SET

CRANKSHAFT, PISTONS AND CONNECTING RODS

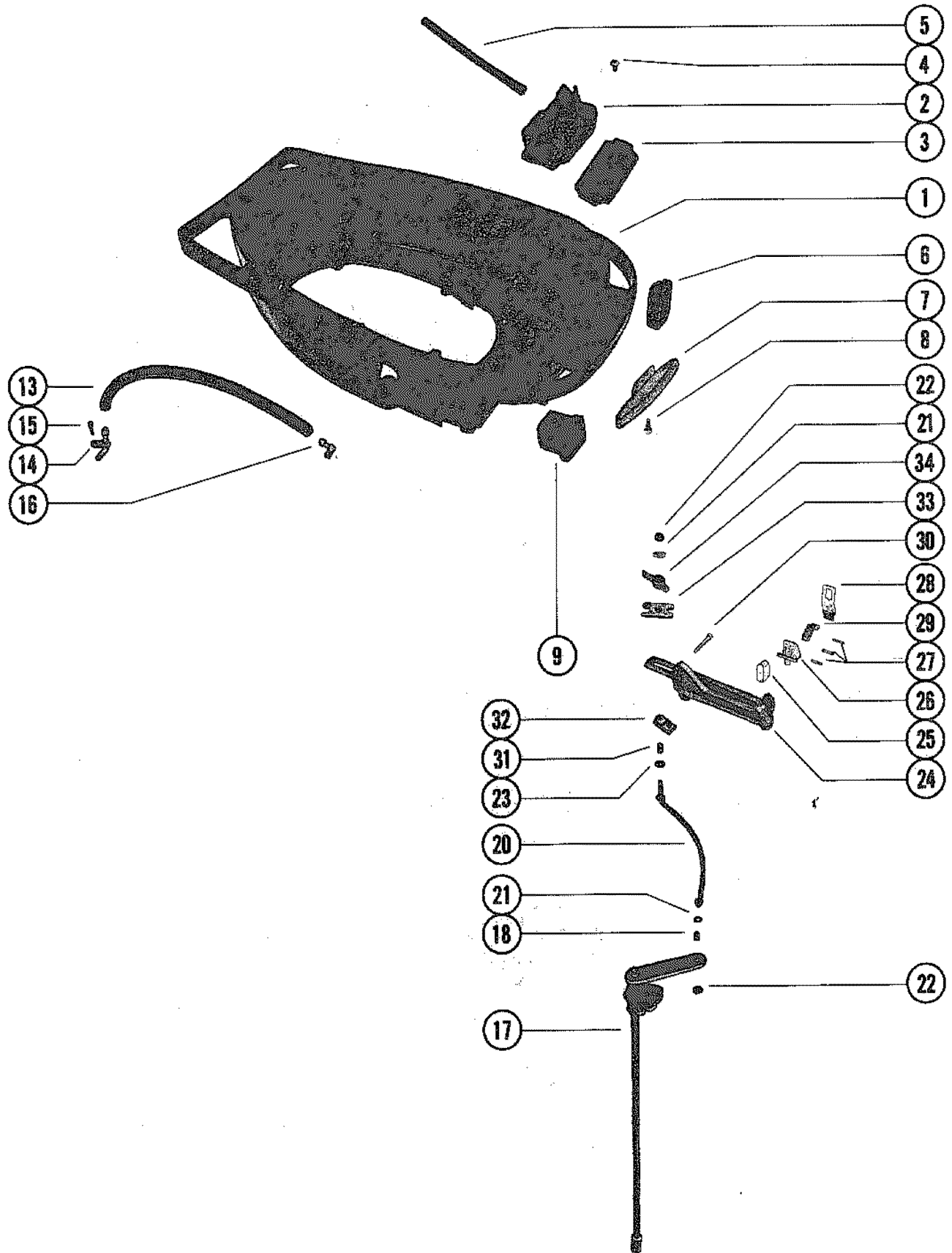


CRANKSHAFT, PISTONS AND CONNECTING RODS

REF. NO.	PART NO.	SYM.	QTY.	DESCRIPTION
1	436-6646A2		1	CRANKSHAFT ASSEMBLY
3	30-62567		1	BEARING, BALL - UPPER
4	30-63742		1	BEARING, BALL - LOWER
5	54196A6		1	CARRIER ASSEMBLY, "O" RING
6	65800	●	1	"O" RING, CARRIER
7	535-5397A4		2	CENTER MAIN BEARING ASSEMBLY
8	17-20032		4	DOWEL PIN, CENTER MAIN BEARING
9	29-52168		112	BEARING, NEEDLE - OUTER RACE
10	26113		2	RACE, OUTER (PAIR)
11	53-26933		2	RING, SNAP - OUTER RACE
12	17-47246		2	DOWEL PIN, STEPPED
13	10-22968		4	SCREW, CENTER MAIN BEARING CLAMPING
14	11-46887		4	NUT, BEARING CLAMPING SCREW
15	540-5266A4		3	MAIN BEARING ASSEMBLY, VALVE TYPE
16	17-20032		6	DOWEL PIN, MAIN BEARING
17	10-45775		6	SCREW, MAIN BEARING CLAMPING
18	11-45774		6	NUT, MAIN BEARING CLAMPING SCREW
19	34-65312A1		4	REED SET, MATCHED - MAIN BEARING
20	34-65319		12	REED STOP, MAIN BEARING REED VALVES
21	10-62204		30	SCREW, REED STOP MOUNTING
22	11-53153		30	NUT, REED STOP SCREW
23	745-6637A3		6	PISTON AND PISTON PIN ASSEMBLY
24	40-52035		12	LOCK RING, PISTON PIN
25	39-78816A12		2	RING, PISTON
26	622-4850A3		6	CONNECTING ROD AND CAP ASSEMBLY
27	31-62596A1		6	BEARING ASSEMBLY, CRANKPIN
28	10-54803		12	SCREW, CONNECTING ROD
29	11-49091		12	NUT, CONNECTING ROD SCREW
30	29-47270		174	BEARING, NEEDLE - PISTON PIN
31	12-47247		12	WASHER, NEEDLE LOCATING
-	745-6694A2		6	PISTON AND PISTON PIN ASSEMBLY (.015 OVERSIZE)
-	39-78811A12		2	RING, PISTON (.015 OVERSIZE)
-	27-85653A79		0	GASKET SET

● = CONTENTS OF C-[27-85653A79] GASKET SET

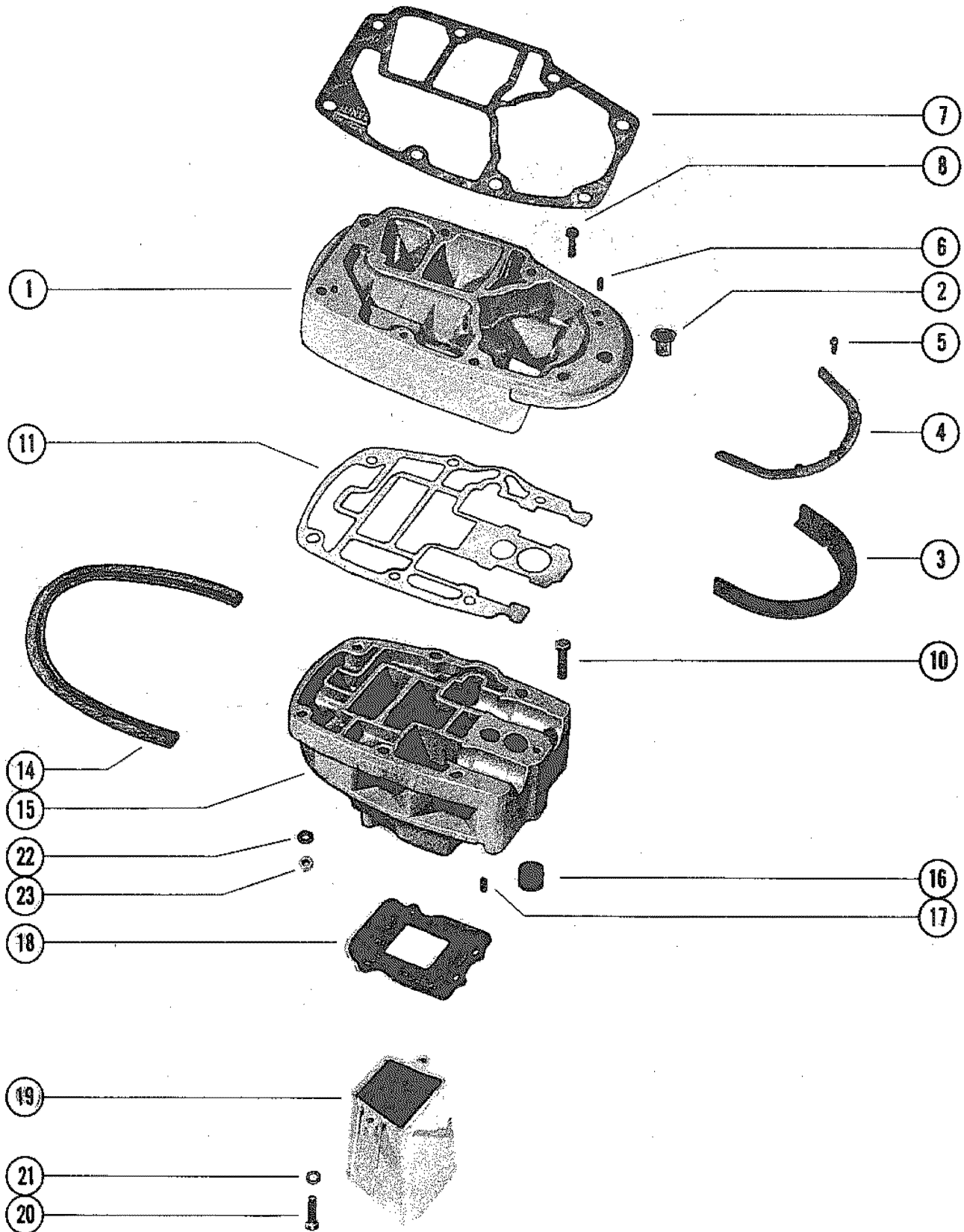
BOTTOM COWL AND SHIFT LINKAGE



BOTTOM COWL AND SHIFT LINKAGE

REF. NO.	PART NO.	SYM.	QTY.	DESCRIPTION
1	2115-7719A1		1	COWL, BOTTOM
2	52862A2		1	DRIP TRAY ASSEMBLY, BOTTOM COWL
3	37940		1	PAD, SOUND - DRIP TRAY
4	10-48408		4	SCREW, DRIP TRAY TO BOTTOM COWL (1/2")
5	32-34395A1		1	HOSE, DRIP TRAY TO BOTTOM COWL (8")
6	39616		1	BOOT, CONTROL CABLES - BOTTOM COWL
7	76369		1	SPACER, BOTTOM COWL (COWL FRONT COVER)
8	10-48591		2	SCREW, SPACER TO BOTTOM COWL (1/2")
9	37637		1	BOOT, FUEL CONNECTOR - BOTTOM COWL
13	32-34395A1		1	HOSE, TELL TALE EXHAUST COVER TO BOTTOM COWL (21 1/2")
14	52889		1	NOZZLE, TELL TALE HOSE TO BOTTOM COWL
15	10-48408		1	SCREW TELL TALE NOZZLE TO BOTTOM COWL (1/2")
16	22-78279		1	ELBOW, TELL TALE HOSE TO CYLINDER BLOCK
17	60304A54		1	SHIFT SHAFT ASSEMBLY, UPPER
18	23-26600		1	BUSHING, SHIFT SHAFT
20	48047A1		1	LINK ROD ASSEMBLY
21	12-35462		2	WASHER, LINK ROD
22	11-20664		2	NUT, LINK ROD
23	13-29720		1	WASHER, WAVE - LINK ROD
24	52732		1	BRACKET, ANCHOR - CONTROL CABLES
25	39519		1	CAP, BARREL RETAINER - ANCHOR BRACKET
26	39618		1	LEVER, NYLON - SHIFT CABLE LOCKING
27	17-47175		3	PIN, LOCKING LEVER AND COVER FASTENING
28	39667		1	COVER, NYLON - SHIFT CABLE
29	65799		1	LINK, LOCKING LEVER TO COVER
30	10-24234		3	SCREW ANCHOR BRACKET TO CYLINDER BLOCK (1")
31	24-20099		1	SPRING, LINK ROD TO GUIDE BLOCK
32	37896		1	GUIDE BLOCK, LINK ROD
33	52100		1	WEAR PLATE, LINK ROD
34	38279		1	LATCH CONTROL CABLE FASTENING - ANCHOR BRACKET

EXHAUST EXTENSION PLATE

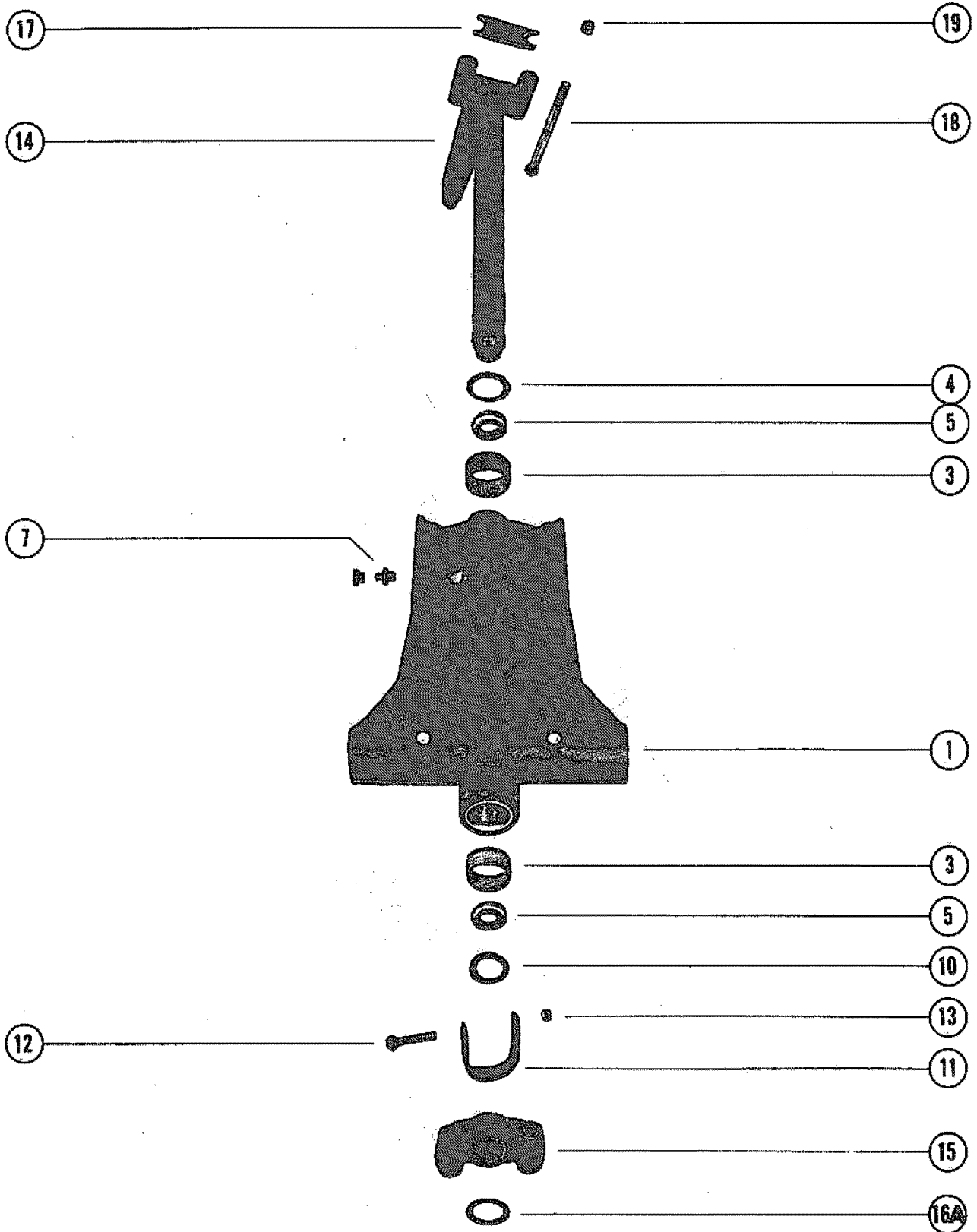


EXHAUST EXTENSION PLATE

REF. NO.	PART NO.	SYM.	QTY.	DESCRIPTION
1	66096A1		1	PLATE ASSEMBLY, EXHAUST EXTENSION
2	23-27132		1	BUSHING, NYLON - EXHAUST EXTENSION PLATE
3	37918		1	SEAL, EXHAUST EXTENSION PLATE
4	38032		1	STRIP RETAINING - EXHAUST EXTENSION PLATE SEAL
5	10-37571		5	SCREW SEAL AND RETAINING STRIP TO EXT. PLATE (1/2")
6	17-23784		2	DOWEL PIN, EXHAUST EXTENSION PLATE
7	27-69238	●	1	GASKET, POWERHEAD TO EXTENSION PLATE
8	10-66023		2	SCREW, ADAPTOR PLATE TO HOUSING PLATE (2")
10	10-66023		7	SCREW, HOUSING PLATE TO DRIVE SHAFT HSG. (2")
11	27-66102	●	1	GASKET, PLATE TO DRIVE SHAFT HSG. PLATE
14	26-60898		1	SEAL, DRIVE SHAFT HOUSING PLATE
15	74257A3		1	PLATE ASSEMBLY, DRIVE SHAFT HOUSING
16	26-38970	●	1	SEAL, RUBBER - WATER INLET TUBE
17	17-23784		2	DOWEL PIN, DRIVE SHAFT HOUSING PLATE
18	27-62362	●	1	GASKET MEGAPHONE TO DRIVE SHAFT HOUSING PLATE
19	60437		1	MEGAPHONE, EXHAUST
20	10-60480		3	SCREW MEGAPHONE TO DRIVE SHAFT HOUSING PLATE (1 1/8")
21	12-29245		3	WASHER, MEGAPHONE SCREW
22	12-25970		6	WASHER, POWERHEAD STUD
23	11-34932		6	NUT, POWERHEAD STUD
-	27-85653A79		0	GASKET SET

● = CONTENTS OF C-[27-85653A79] GASKET SET

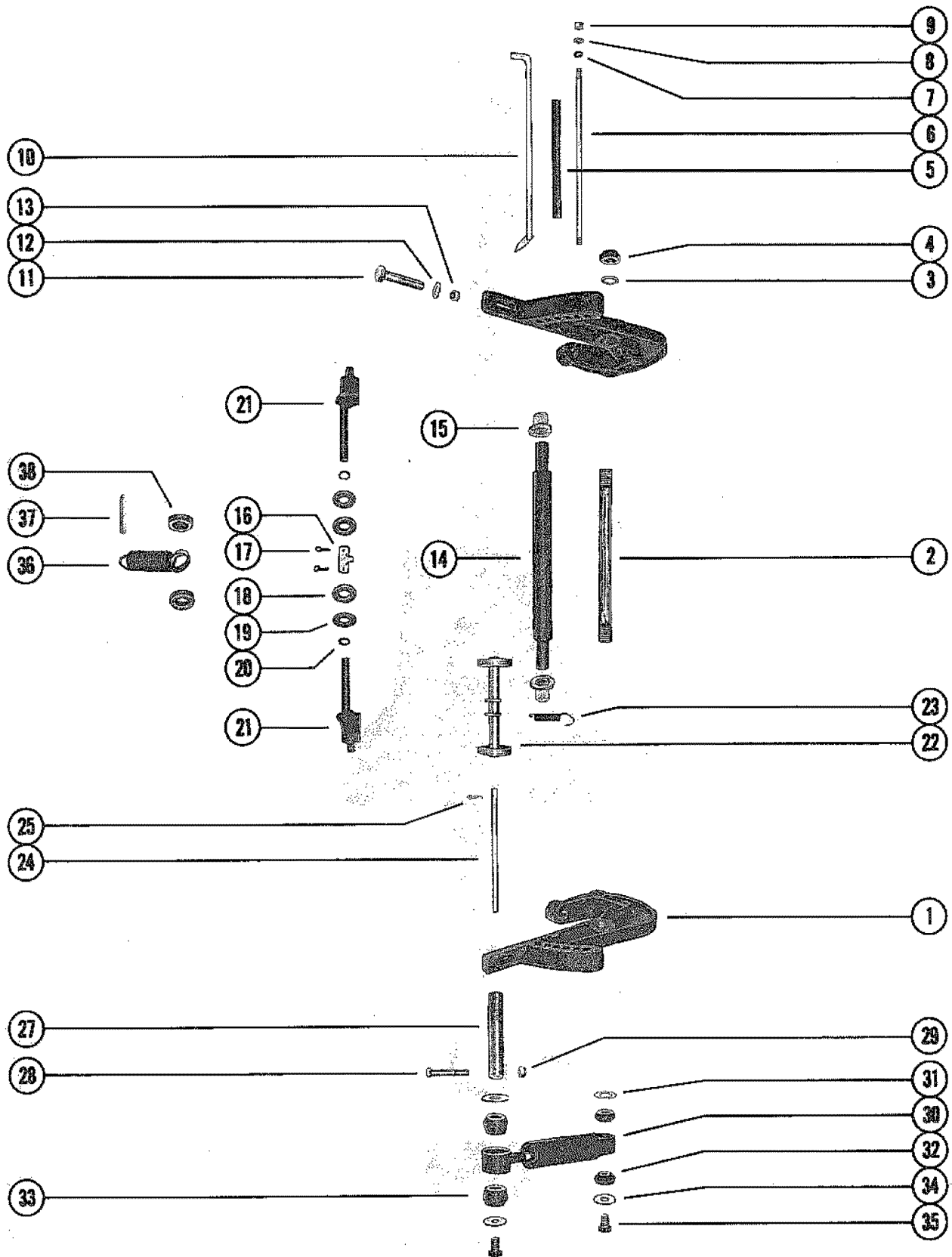
SWIVEL BRACKET ASSEMBLY



SWIVEL BRACKET ASSEMBLY

REF. NO.	PART NO.	SYM.	QTY.	DESCRIPTION
1	1482-7670A5		1	SWIVEL BRACKET ASSEMBLY
3	23-69341		2	BUSHING, SWIVEL BRACKET
4	12-69342		1	WASHER, SWIVEL PIN - UPPER
5	26-37448		2	OIL SEAL, SWIVEL BRACKET
7	22-74036		4	FITTING GREASE - SWIVEL BRACKET
10	13-88507		1	WAVE WASHER, SWIVEL PIN - LOWER
11	28205		1	STRAP STOP DRIVE SHAFT HOUSING TO SWIVEL BRACKET
12	10-28200		1	SCREW STRAP STOP TO DRIVE SHAFT HOUSING (2 7/8")
13	11-25269		1	NUT, STRAP STOP FASTENING SCREW
14	17-73593A2		1	SWIVEL PIN AND ARM ASSEMBLY
15	73984		1	YOKE, BOTTOM
16A	53-73591		1	RETAINING RING, BOTTOM YOKE ATTACHING
17	28203		1	BUMPER, STEERING ARM
18	10-49554		2	BOLT, STEERING ARM TO UPPER MOUNT (5 7/8")
19	11-34933		2	NUT, STEERING ARM BOLT FASTENING

TRANSOM BRACKET



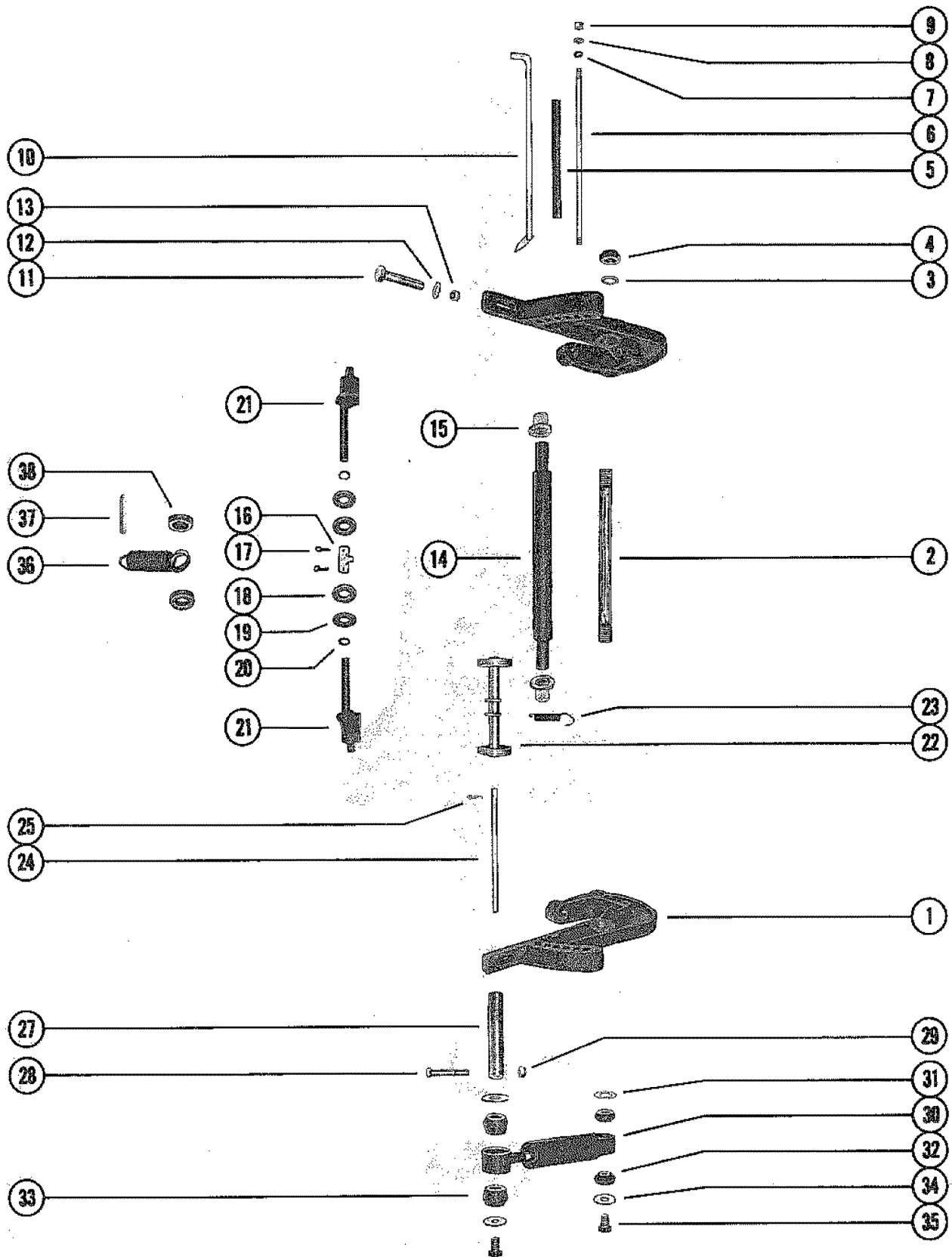
TRANSOM BRACKET

REF. NO.	PART NO.	SYM.	QTY.	DESCRIPTION
1	1496-7522		2	TRANSOM BRACKET
2	89099		1	TUBE, TILT
3	13-89297		2	WASHER, WAVE - TILT TUBE
4	11-56041		2	NUT, TILT TUBE
5	23-87642		1	SPACER, TRANSOM BRACKET STUD
6	16-87643		1	STUD TRANSOM BRACKET--NOT USED WITH POWER TRIM
7	12-36001		1	WASHER, TRANSOM BRACKET STUD
8	13-26993		2	LOCKWASHER, TRANSOM BRACKET STUD
9	11-28770		2	NUT, TRANSOM BRACKET STUD
10	17-49930A1		1	TILT LOCK PIN ASSEMBLY -NOT USED WITH POWER TRIM
11	10-89673		2	BOLT, TRANSOM BRACKET TO TRANSOM (5")
12	12-68410		2	WASHER, TRANSOM BRACKET BOLT
13	11-68411		2	NUT, TRANSOM BRACKET BOLT
11	10-67755		2	BOLT, TRANSOM BRACKET TO TRANSOM (6")
12	12-28421		2	WASHER, TRANSOM BRACKET BOLT
13	11-35000		2	NUT, TRANSOM BRACKET BOLT
14	89116		1	PIN, UPPER SHOCK MOUNTING
15	23-89117		2	BUSHING, UPPER SHOCK MOUNTING PIN
16	79659		1	COUPLING, TILT LOCK
17	18-47959		2	COTTER PIN, TILT LOCK
18	26-22734		2	OIL SEAL, SWIVEL BRACKET (TILT LOCK)
19	12-76388		2	WASHER, TILT LOCK
20	25-62702	●	2	"O" RING, TILT LOCK
21	89105		2	TILT LOCK
22	87431		2	REVERSE LOCK ASSEMBLY - NOT USED WITH POWER TRIM
23	24-78203A1		1	SPRING ASSEMBLY, REVERSE LOCK - NOT USED WITH POWER TRIM
24	56349		1	SHAFT, REVERSE LOCK PIVOT - NOT USED WITH POWER TRIM
25	18-45882		1	COTTER PIN, REVERSE LOCK TO SHAFT - NOT USED WITH POWER TRIM
27	55-28414		2	PIN, LOWER SHOCK MOUNTING
28	10-21937		2	SCREW, LOWER SHOCK PIN (2")
29	11-46887		2	NUT, LOWER SHOCK PIN SCREW
30	55-58780A2		2	SHOCK ABSORBER - NOT USED WITH POWER TRIM
31	12-28196		2	WASHER, UPPER BUSHING RETAINER (INNER) - NOT USED WITH POWER TRIM
32	23-32171		4	BUSHING, RUBBER - SHOCK ABSORBER (UPPER) - NOT USED WITH POWER TRIM
33	23-28198		4	BUSHING, UPPER - SHOCK ABSORBER (LOWER) - NOT USED WITH POWER TRIM

● = CONTENTS OF C-[27-85653A79] GASKET SET

CONTINUED ON NEXT PAGE ➡

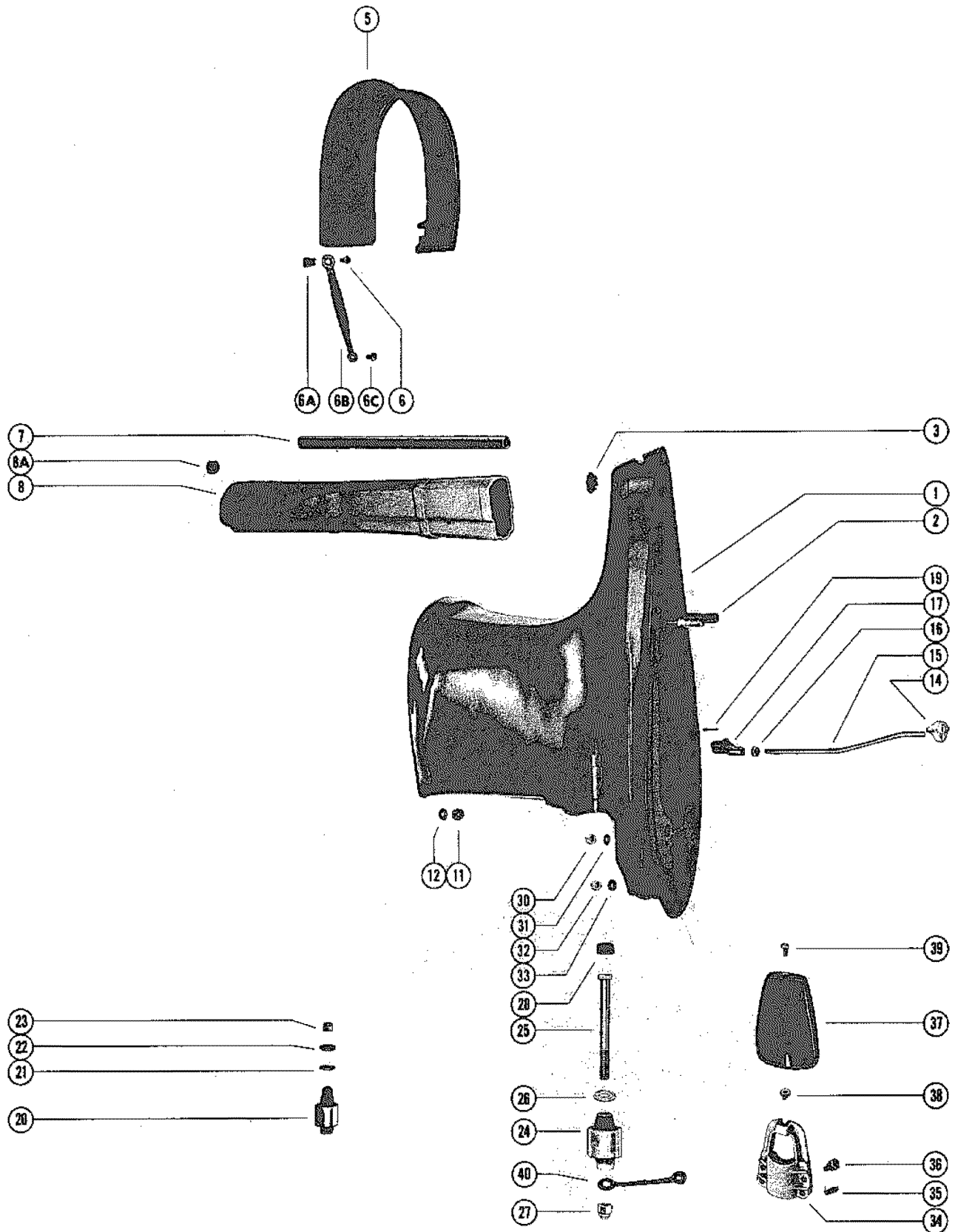
TRANSOM BRACKET



TRANSOM BRACKET

REF. NO.	PART NO.	SYM.	QTY.	DESCRIPTION
34	12-69374		4	WASHER, UPPER/LOWER SHOCK PIN (LOWER) - NOT USED WITH POWER TRIM
35	10-69375		4	SCREW, UPPER AND LOWER SHOCK PIN - NOT USED WITH POWER TRIM
36	24-28659		1	SPRING, COIL - SWIVEL BRACKET - NOT USED WITH POWER TRIM
37	17-38311		1	PIN, COIL SPRING MOUNTING - NOT USED WITH POWER TRIM
38	23-28688		2	SPACER, RUBBER - COIL SPRING POSITIONING - NOT USED WITH POWER TRIM

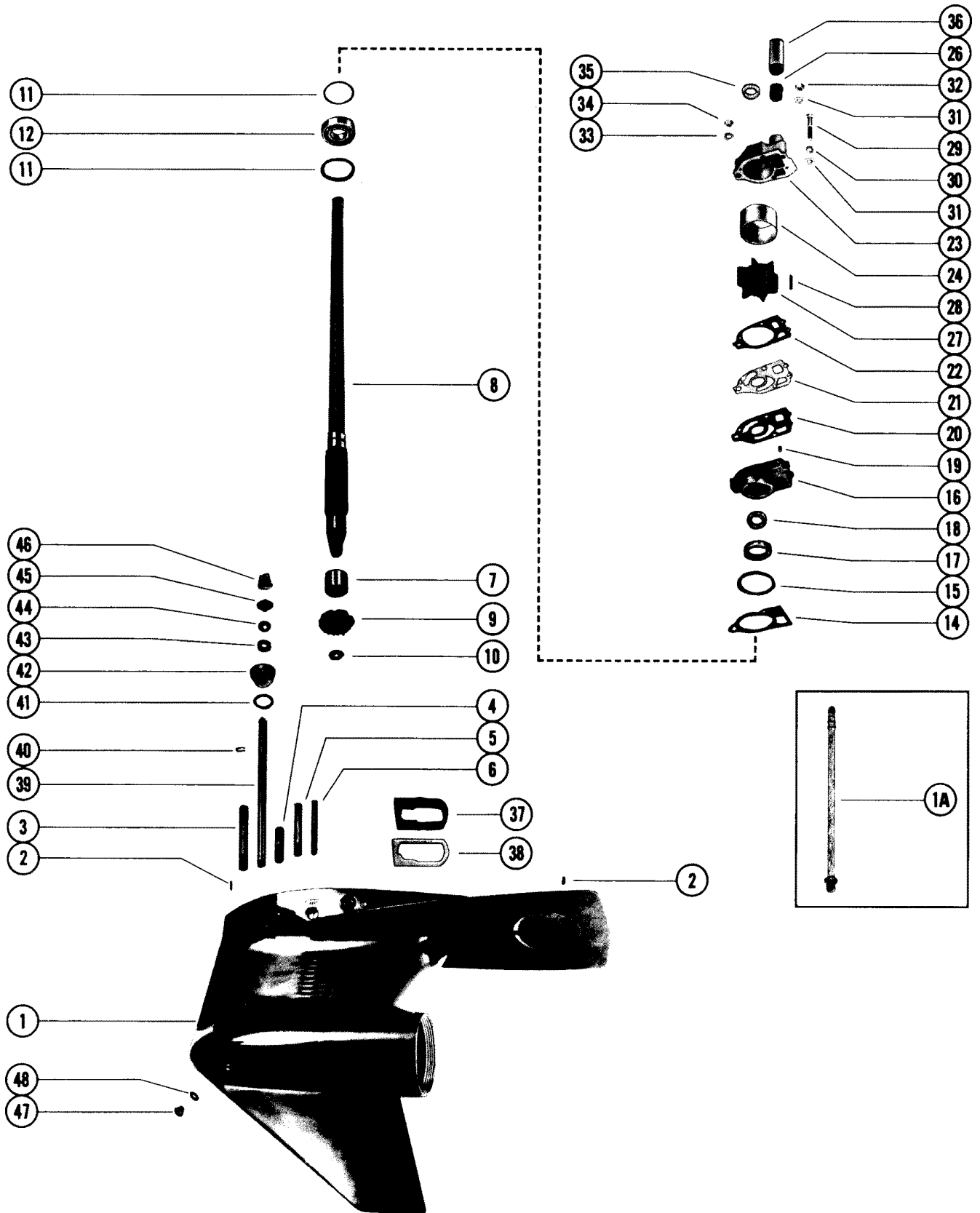
DRIVE SHAFT HOUSING ASSEMBLY



DRIVE SHAFT HOUSING ASSEMBLY

REF. NO.	PART NO.	SYM.	QTY.	DESCRIPTION
1	1573-5239A4		1	DRIVE SHAFT HOUSING ASSEMBLY
2	16-56295		2	STUD DRIVE SHAFT HOUSING TO GEAR HOUSING (2 11/16")
3	19-64649		1	PLUG, PLASTIC - TRIM TAB SCREW HOLE
5	37417		1	COVER, TRIM - DRIVE SHAFT HOUSING
6	10-57807		4	SCREW, TRIM COVER TO BOTTOM COWL
6A	25-57806		4	GROMMET, PLASTIC - TRIM COVER SCREW
6B	46933A2		2	GROUND STRAP ASSEMBLY, TRIM COVER SCREW
6C	10-62568		2	SCREW, GROUND STRAP ATTACHING
7	32-60897		1	TUBE, WATER INLET
8	78184		1	TUBE, EXHAUST
8A	65638		2	BOOT, TUBE MOUNT
11	11-69254		2	NUT, POWERHEAD STUDS (3/8-24)
12	12-25970		2	WASHER, POWERHEAD STUDS
14	52887		1	GUIDE, PUSH ROD - REVERSE LOCKING NOT USED WITH FULL POWER TRIM
15	47558		1	ROD, PUSH - REVERSE LOCK NOT USED WITH FULL POWER TRIM
16	11-47661		1	NUT, JAM - PUSH ROD NOT USED WITH FULL POWER TRIM
17	47559		1	YOKE, PUSH ROD NOT USED WITH FULL POWER TRIM
19	18-25191		1	COTTER PIN, PUSH ROD PIN NOT USED WITH FULL POWER TRIM
20	75296		2	MOUNT, RUBBER - UPPER
21	12-47840		2	WASHER, RUBBER - UPPER MOUNT BOLT
22	12-31263		2	WASHER, UPPER MOUNT BOLT
23	11-34933		2	NUT, UPPER MOUNT BOLT
24	75299		2	MOUNT, RUBBER - LOWER
25	10-49318		2	SCREW, LOWER MOUNT (5 1/2")
26	12-49339		2	WASHER, LOWER MOUNT SCREW
27	11-25096		2	NUT, LOWER MOUNT SCREW
28	25067		2	BUMPER, RUBBER - LOWER MOUNTING SCREW
30	11-34933		2	NUT GEAR HOUSING AND DRIVE SHAFT HOUSING STUDS
31	12-45176		2	WASHER GEAR HOUSING TO DRIVE SHAFT HOUSING STUDS
32	11-29489		1	NUT GEAR HOUSING AND DRIVE SHAFT HOUSING STUDS
33	12-45176		1	WASHER GEAR HOUSING TO DRIVE SHAFT HOUSING STUDS
34	35608		2	CLAMP LOWER MOUNT TO DRIVE SHAFT HOUSING
35	24-35522		4	SPRING, TENSION - LOWER MOUNT CLAMP
36	10-29256		4	SCREW LOWER MOUNT CLAMP TO DRIVE SHAFT HOUSING
37	35474		2	COVER, LOWER MOUNT CLAMP
38	11-35521		2	NUT, LOWER MOUNT CLAMP COVER
39	10-87884		2	SCREW, COVER TO LOWER CLAMP MOUNT
40	88238A2		1	WIRE ASSEMBLY, GROUND

GEAR HOUSING ASSEMBLY, COMPLETE (PAGE 1)



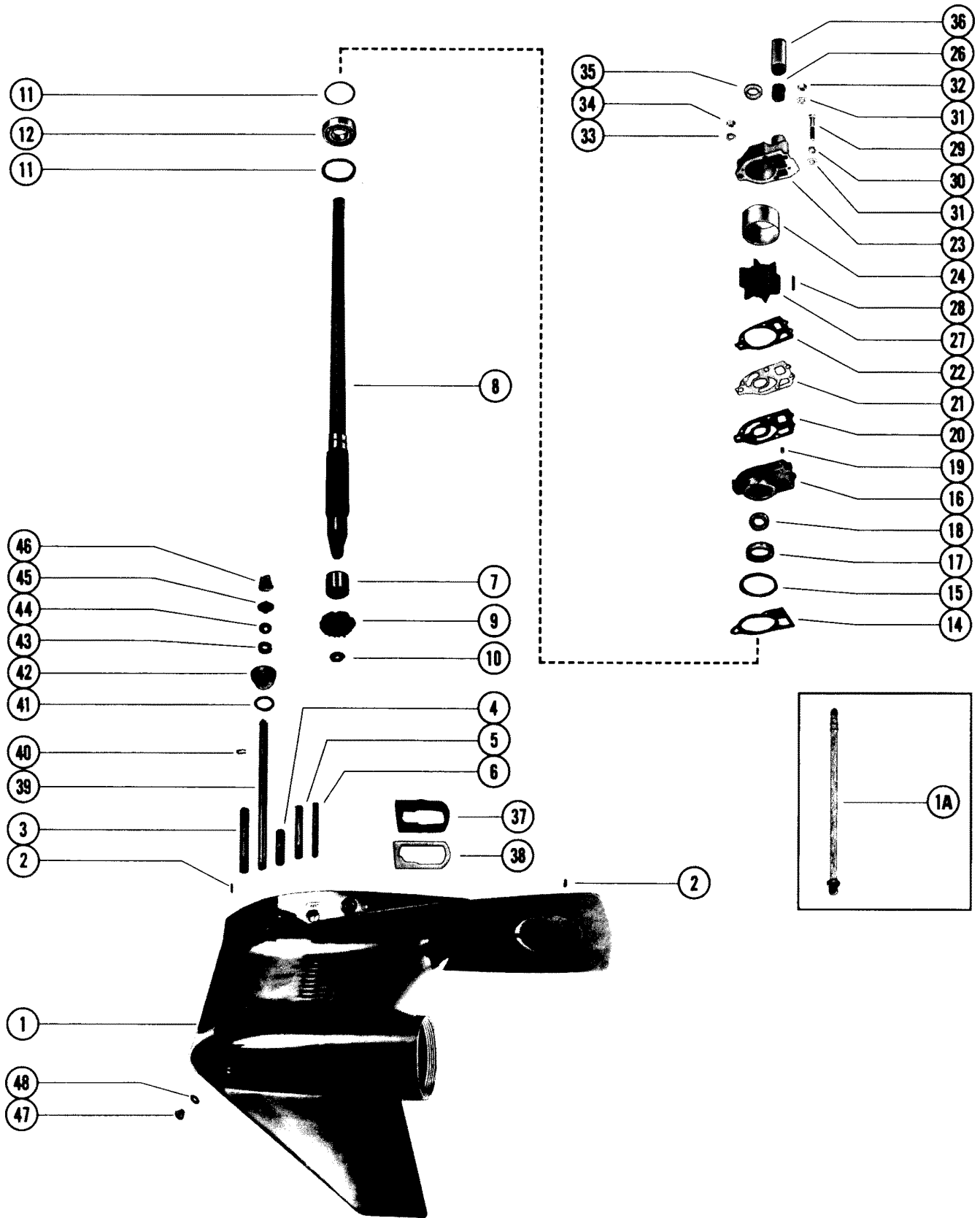
GEAR HOUSING ASSEMBLY, COMPLETE (PAGE 1)

REF. NO.	PART NO.	SYM.	QTY.	DESCRIPTION
-	1655-7333A45		1	GEAR HOUSING ASS'Y COMP. (SEE NOTE BELOW)
1	1655-7333A23		1	GEAR HOUSING ASS'Y
1A	22-85822A1		1	CONNECTOR ASSEMBLY, SPEEDOMETER
2	17-46912		2	DOWEL PIN, GEAR HOUSING LOCATING
3	16-57921		1	STUD GEAR HOUSING TO DRIVE SHAFT HOUSING (4")
4	16-57920		2	STUD GEAR HOUSING TO DRIVE SHAFT HOUSING (2 1/16")
5	16-56297		1	STUD WATER PUMP BASE AND BODY TO GEAR HOUSING (3 3/8")
6	16-30667		2	STUD WATER PUMP BASE AND BODY TO GEAR HOUSING (3 1/8")
7	31-32898		1	BEARING, ROLLER - DRIVE SHAFT
8	45-69251		1	DRIVE SHAFT
9	43-68548		1	GEAR, PINION - DRIVE SHAFT
10	11-35921		1	NUT, PINION GEAR TO DRIVE SHAFT
11	23-70412		1	SPACER, BALL BEARING TO BASE
	15-57007A1		AR	SHIM, BALL BEARING TO BASE
12	31-69220		1	ROLLER BEARING, DRIVE SHAFT
14	27-33146	●	1	GASKET, WATER PUMP BASE
15	25-33145	●	1	"O" RING, WATER PUMP BASE
16	46-73804A1		1	WATER PUMP BASE ASSEMBLY
17	26-31489		1	OIL SEAL, WATER PUMP BASE
18	26-31507		1	OIL SEAL, WATER PUMP BASE
19	17-35973		2	DOWEL PIN WATER PUMP BASE TO WATER PUMP BODY
20	27-32433	●	1	GASKET, LOWER WATER PUMP BASE TO FACE PLATE
21	32435		1	PLATE, FACE WATER PUMP BASE TO WATER PUMP BODY
22	27-32434	●	1	GASKET, UPPER FACE PLATE TO WATER PUMP BODY
23	46-64141A1		1	WATER PUMP BODY ASSEMBLY
24	48752		1	INSERT, WATER PUMP BODY
26	26-38970		1	SEAL, RUBBER - WATER INLET TUBE
27	47-65960		1	IMPELLER, WATER PUMP
28	28-56654		1	KEY, IMPELLER DRIVE
29	10-30720		1	SCREW WATER PUMP BODY TO GEAR HOUSING (2 1/4")
30	13-26992		1	LOCKWASHER, WATER PUMP BODY SCREW
31	12-29245		3	WASHER WATER PUMP BODY FASTENING SCREW AND STUD
32	11-35888		2	NUT, WATER PUMP FASTENING SCREW
33	12-36001		1	WASHER, WATER PUMP BODY FASTENING STUD
34	11-35814		1	NUT, WATER PUMP BODY FASTENING STUD
35	25-30271	●	1	RING, RUBBER CENTRIFUGAL SLINGER (DRIVE SHAFT)
36	23-29804		1	SLEEVE, GUIDE - WATER INLET TUBE
37	37641		1	SEAL, EXHAUST ELBOW

● = CONTENTS OF C-[27-85653A79] GASKET SET

CONTINUED ON NEXT PAGE ➡

GEAR HOUSING ASSEMBLY, COMPLETE (PAGE 1)



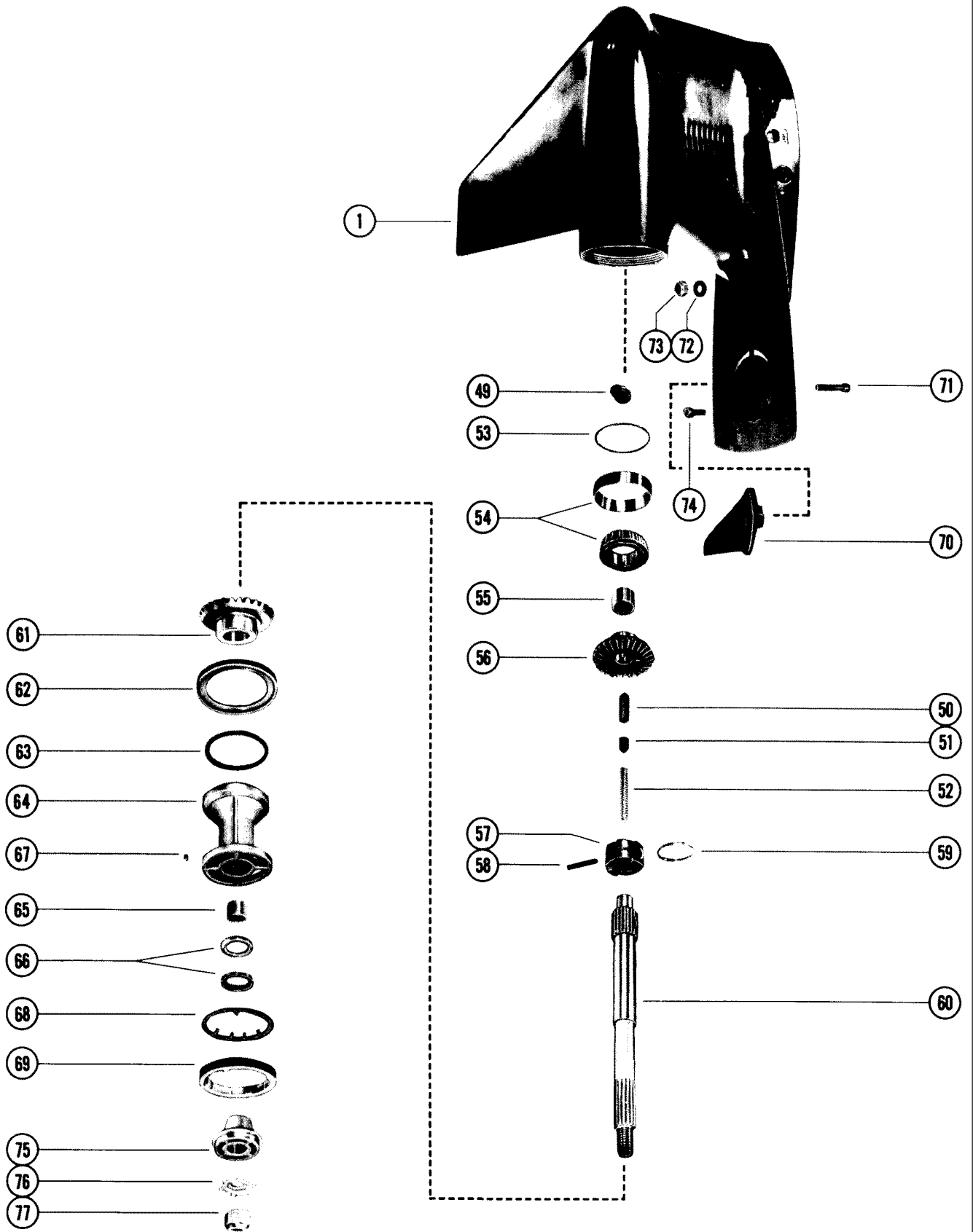
GEAR HOUSING ASSEMBLY, COMPLETE (PAGE 1)

REF. NO.	PART NO.	SYM.	QTY.	DESCRIPTION
38	38051		1	PLATE, SUPPORT - EXHAUST TUBE SEAL
39	76062A1		1	SHAFT ASSEMBLY, SHIFT - LOWER
40	53-29641		1	"E" RING, RETAINING - SHIFT SHAFT
41	25-25439	●	1	"O" RING, SHIFT SHAFT BUSHING
42	23-77631A2		1	BUSHING ASSEMBLY, SHIFT SHAFT
43	26-76384		1	OIL SEAL, SHIFT SHAFT BUSHING .
44	12-77674		1	WASHER, RUBBER - SHIFT SHAFT BUSHING .
45	39019		1	SPACER, LOWER REVERSE LOCKING NOT USED WITH FULL POWER TRIM NOT USED WITH FULL POWER TRIM
46	39021		1	CAM, REVERSE LOCKING NOT USED WITH FULL POWER TRIM
47	10-79953		1	SCREW, GREASE FILLER AND VENT HOLE
	22-67892		1	PLUG, DRAIN (MAGNETIC)
48	12-20260		2	WASHER, GREASE FILLER AND VENT HOLE SCREW
-	27-85653A79		0	GASKET SET
-	46-73804A3		0	WATER PUMP REPAIR KIT
-	26-55682A1		0	SEAL REPAIR KIT

THE ENCLOSED GEAR HOUSING INCLUDE ALL PARTS FROM REF. #1-#71 AS LISTED UNDER "GEAR HOUSING ASSEMBLY, COMPLETE"

● = CONTENTS OF C-[27-85653A79] GASKET SET

GEAR HOUSING ASSEMBLY, COMPLETE (PAGE 2)



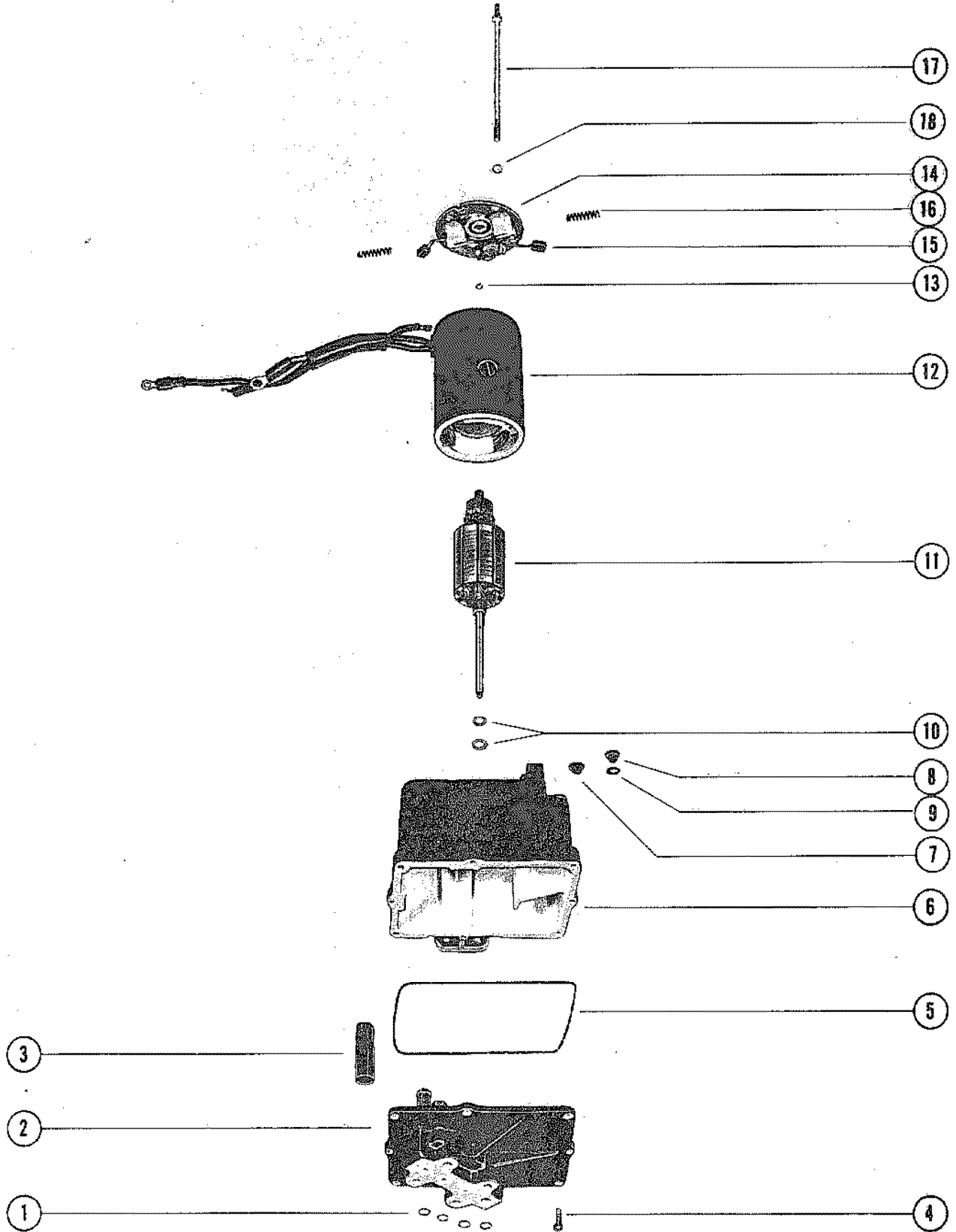
GEAR HOUSING ASSEMBLY, COMPLETE (PAGE 2)

REF. NO.	PART NO.	SYM.	QTY.	DESCRIPTION
-	1655-7333A45		1	GEAR HOUSING ASS'Y, COMP. (SEE NOTE BELOW)
1	1655-7333A23		1	GEAR HOUSING ASS'Y
49	76039		1	CAM, SHIFT
50	30625		1	FOLLOWER, CAM
51	30624		1	SLIDE, CROSS PIN
52	24-30622		1	SPRING, COMPRESSION - CAM FOLLOWER
53	15-30923A1		AR	SHIM BEARING OUTER RACE TO HOUSING (.002-3-5-10)
54	31-30894A1		1	TAPERED ROLLER BEARING ASSEMBLY
55	31-30895		1	BEARING, ROLLER - FORWARD GEAR
56	43-68447A1		1	FORWARD GEAR
57	52-34239		1	RATCHET, SLIDING GEAR
58	17-30632		1	PIN, CROSS - RATCHET TO PROPELLER SHAFT
59	24-30893		1	SPRING, RETAINING - CROSS PIN
60	44-52542		1	SHAFT, PROPELLER
61	43-76250		1	REVERSE GEAR
62	12-76805		1	WASHER, THRUST BEARING CARRIER TO GEAR HOUSING
63	25-29976	●	1	"O" RING, BEARING CARRIER
64	77520A1		1	BEARING CARRIER ASSEMBLY
65	31-30956		1	BEARING, ROLLER - BEARING CARRIER
66	26-76868		2	OIL SEAL, BEARING CARRIER
67	28-30281		1	KEY, LOCATING - BEARING CARRIER
68	14-52700		1	TAB WASHER, GEAR HOUSING COVER
69	52699		1	COVER, GEAR HOUSING
70	31640A1		1	TRIM TAB, GEAR HOUSING
71	10-66024		1	SCREW, TRIM TAB TO GEAR HOUSING (1 3/4")
72	12-45176		2	WASHER GEAR HOUSING TO DRIVE SHAFT HOUSING STUDS
73	11-34933		2	NUT GEAR HOUSING TO DRIVE SHAFT HOUSING STUDS
74	10-65210		1	SCREW GEAR HOUSING TO DRIVE SHAFT HOUSING (1")
75	75282		1	THRUST HUB
76	14-31210		1	TAB WASHER, PROPELLER NUT
77	11-52707		1	NUT, PROPELLER
-	27-85653A79		0	GASKET SET

THE ENCLOSED GEAR HOUSING INCLUDE ALL PARTS FROM REF. #1-#71 AS LISTED UNDER "GEAR HOUSING ASSEMBLY, COMPLETE"

● = CONTENTS OF C-[27-85653A79] GASKET SET

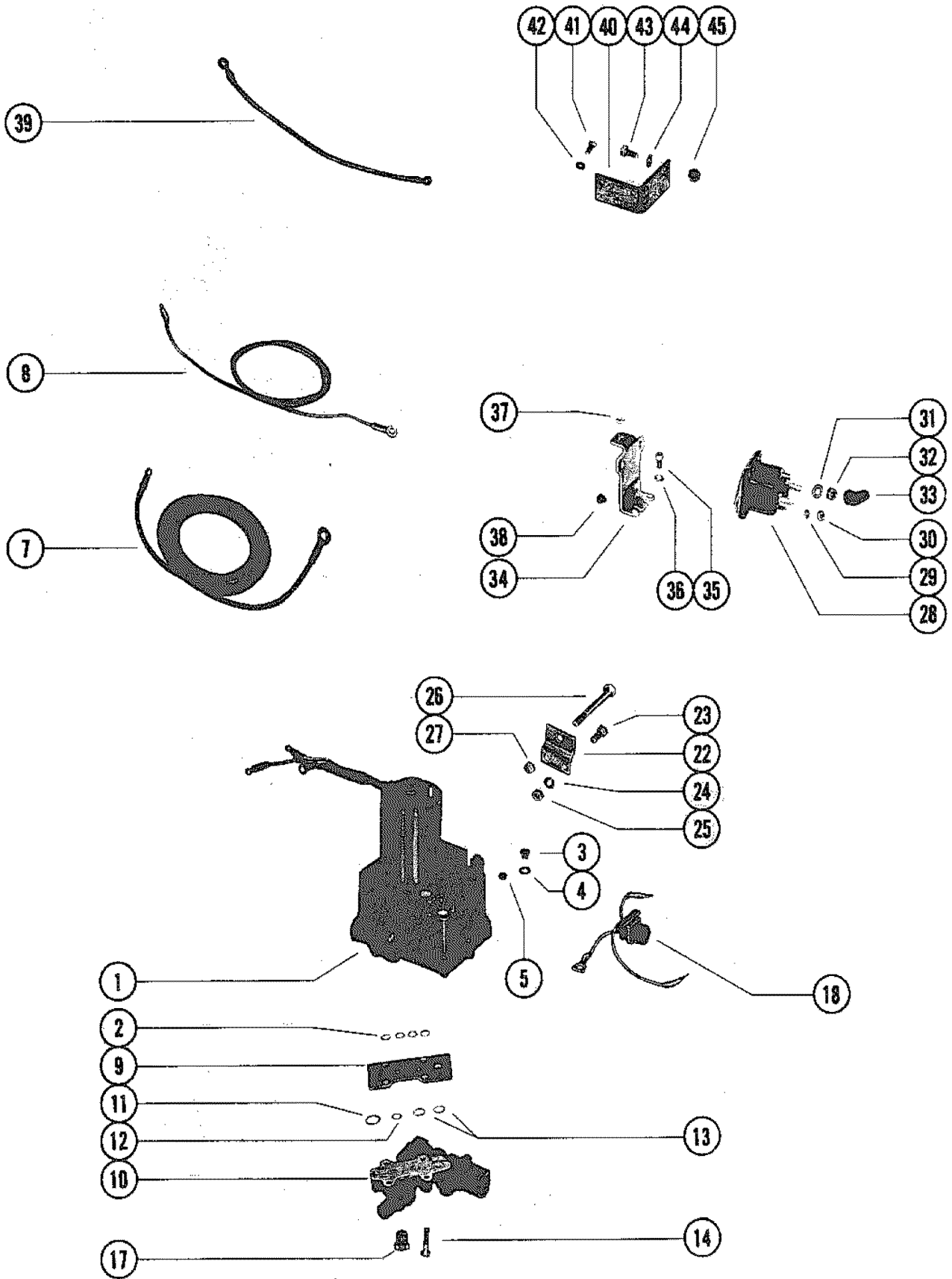
HYDRAULIC PUMP ASSEMBLY



HYDRAULIC PUMP ASSEMBLY

REF. NO.	PART NO.	SYM.	QTY.	DESCRIPTION
-	76395A5		1	HYDRAULIC PUMP ASSEMBLY, COMPLETE
1	25-21720		4	"O" RING, HYDRAULIC PUMP
2	392-2936		1	VALVE BODY AND GEAR ASSEMBLY
3	392-2618		2	CAN, VALVE BODY
4	10-20411		8	SCREW, VALVE BODY TO RESERVOIR
5	392-2937		1	SEAL, RESERVOIR TO VALVE BODY AND GEAR
6	392-2939		1	RESERVOIR ASSEMBLY
7	10-38257		1	SCREW, VENT - HYDRAULIC PUMP
8	10-28634		1	SCREW, FILLER - HYDRAULIC PUMP
9	12-20260		1	WASHER, SEALING - FILLER SCREW
10	392-2623		AR	WASHER, THRUST - ARMATURE
11	392-2943		1	ARMATURE, FIELD AND FRAME
12	392-2942		1	FIELD AND FRAME ASSEMBLY
13	392-2944		1	BALL, COMMUTATOR END PLATE
14	392-2940		1	PLATE ASSEMBLY, COMMUTATOR END
15	392-2941		1	BRUSH SET, COMMUTATOR END PLATE
16	392-2529		1	SPRING SET, BRUSH TENSION
17	392-2938		1	BOLT SET THRU - PLATE AND FRAME TO RESERVOIR
18	13-26996		2	LOCKWASHER, THRU BOLT

HYDRAULIC PUMP AND CONTROL VALVE

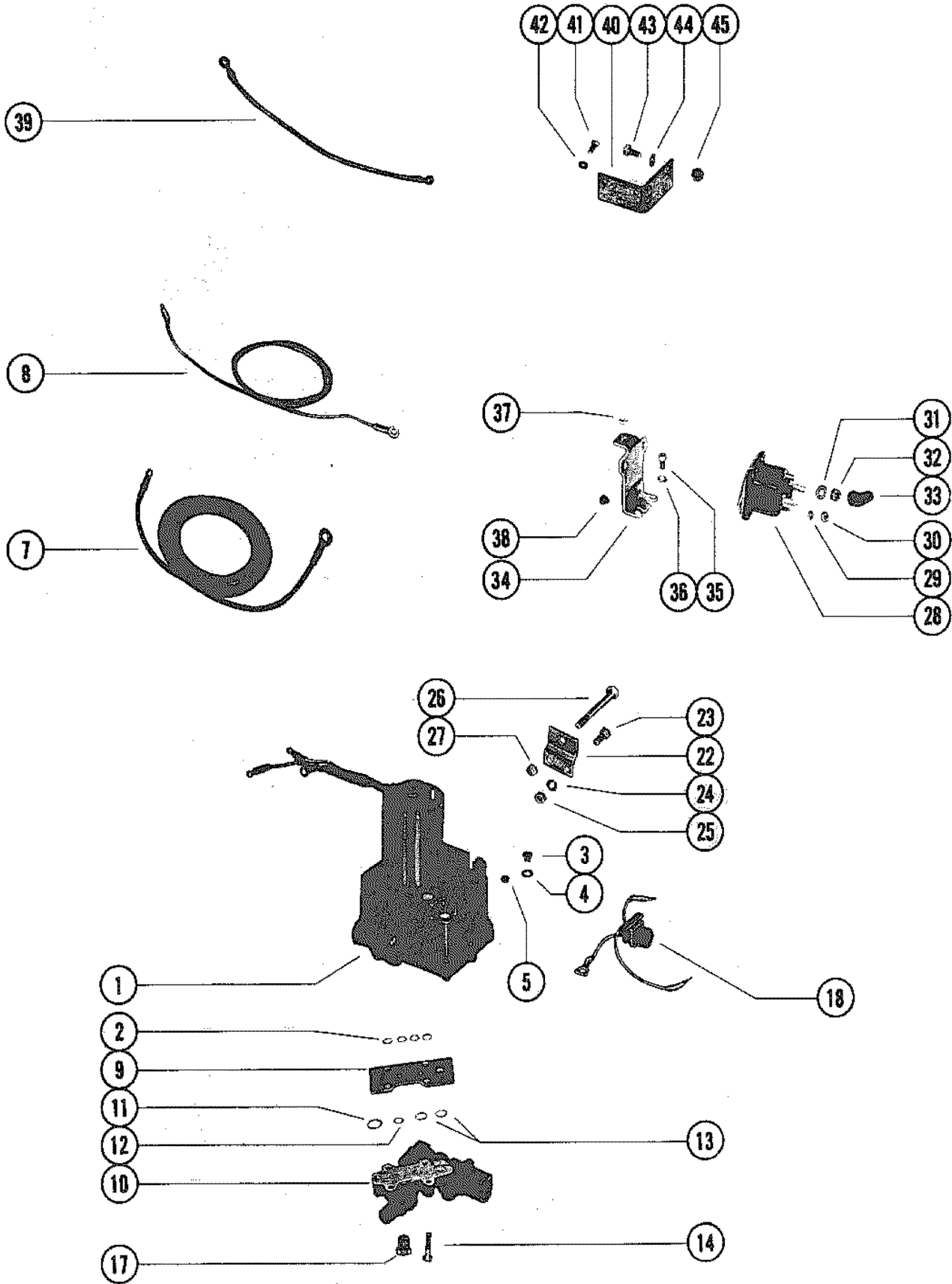


HYDRAULIC PUMP AND CONTROL VALVE

REF. NO.	PART NO.	SYM.	QTY.	DESCRIPTION
1	76395A5		1	HYDRAULIC PUMP ASSEMBLY (SEE NOTE BELOW)
2	25-48171		4	"O" RING, HYDRAULIC PUMP TO MANIFOLD PLATE
3	10-79953		1	SCREW, FILLER - HYDRAULIC PUMP
4	12-20260		1	WASHER SEALING - HYDRAULIC PUMP FILLER SCREW
5	10-38257		1	SCREW, VENT - HYDRAULIC PUMP
7	32979		1	BATTERY LEAD (POSITIVE)
8	32988		1	BATTERY LEAD (NEGATIVE)
9	45336		1	PLATE, MANIFOLD
10	45197A2		1	CONTROL VALVE ASSEMBLY
-	25-48171		4	"O" RING, PUMP TO MANIFOLD PLATE (SEE REF. #2)
11	25-45254		1	"O" RING CONTROL VALVE TO MANIFOLD PLATE (3/4" O.D.)
12	25-48171		1	"O" RING CONTROL VALVE TO MANIFOLD PLATE (1/2" O.D.)
13	25-45253		2	"O" RING CONTROL VALVE TO MANIFOLD PLATE (5/8" O.D.)
14	10-56500		4	SCREW VALVE AND MANIFOLD PLATE TO PUMP (1 1/4")
17	22-46008		2	PLUG, CONTROL VALVE (1/2-20")
18	84-74023A1		1	CONNECTOR AND HARNESS
22	45377		2	BRACKET, MOUNTING HYDRAULIC PUMP TO BOAT
23	10-24234		4	SCREW MOUNTING BRACKET TO HYDRAULIC PUMP (1")
24	13-39107		4	LOCKWASHER, MOUNTING BRACKET SCREW
25	11-21908		4	NUT, MOUNTING BRACKET SCREW
26	10-68298		2	BOLT, HYDRAULIC PUMP TO BOAT (3 1/4")
27	11-68411		2	NUT, HYDRAULIC PUMP BOLT
28	89-68258		2	STARTER SOLENOID
29	13-26996		4	LOCKWASHER STARTER SOLENOID TERMINAL (#10)
30	11-68219		4	NUT, STARTER SOLENOID TERMINAL (#10)
31	13-26993		4	LOCKWASHER STARTER SOLENOID TERMINAL (5/16")
32	11-68292		4	NUT, STARTER SOLENOID TERMINAL (5/16")
33	46265		4	BOOT, RUBBER - STARTER SOLENOID TERMINAL
34	74407		1	BRACKET, MOUNTING - STARTER SOLENOID
35	10-21140		2	SCREW MOUNTING BRACKET TO HYDRAULIC PUMP (1/2")
36	13-26992		2	LOCKWASHER, MOUNTING BRACKET SCREW
37	11-24656		1	NUT MOUNTING BRACKET TO HYDRAULIC PUMP THRU BOLT
38	26901		1	BUMPER, RUBBER - SOLENOID BRACKET
39	55991		1	BATTERY LEAD (POSITIVE)
	55992		1	BATTERY LEAD (NEGATIVE)
40	74406		1	BRACKET, MOUNTING - STARTER SOLENOID

CONTINUED ON NEXT PAGE ➡

HYDRAULIC PUMP AND CONTROL VALVE

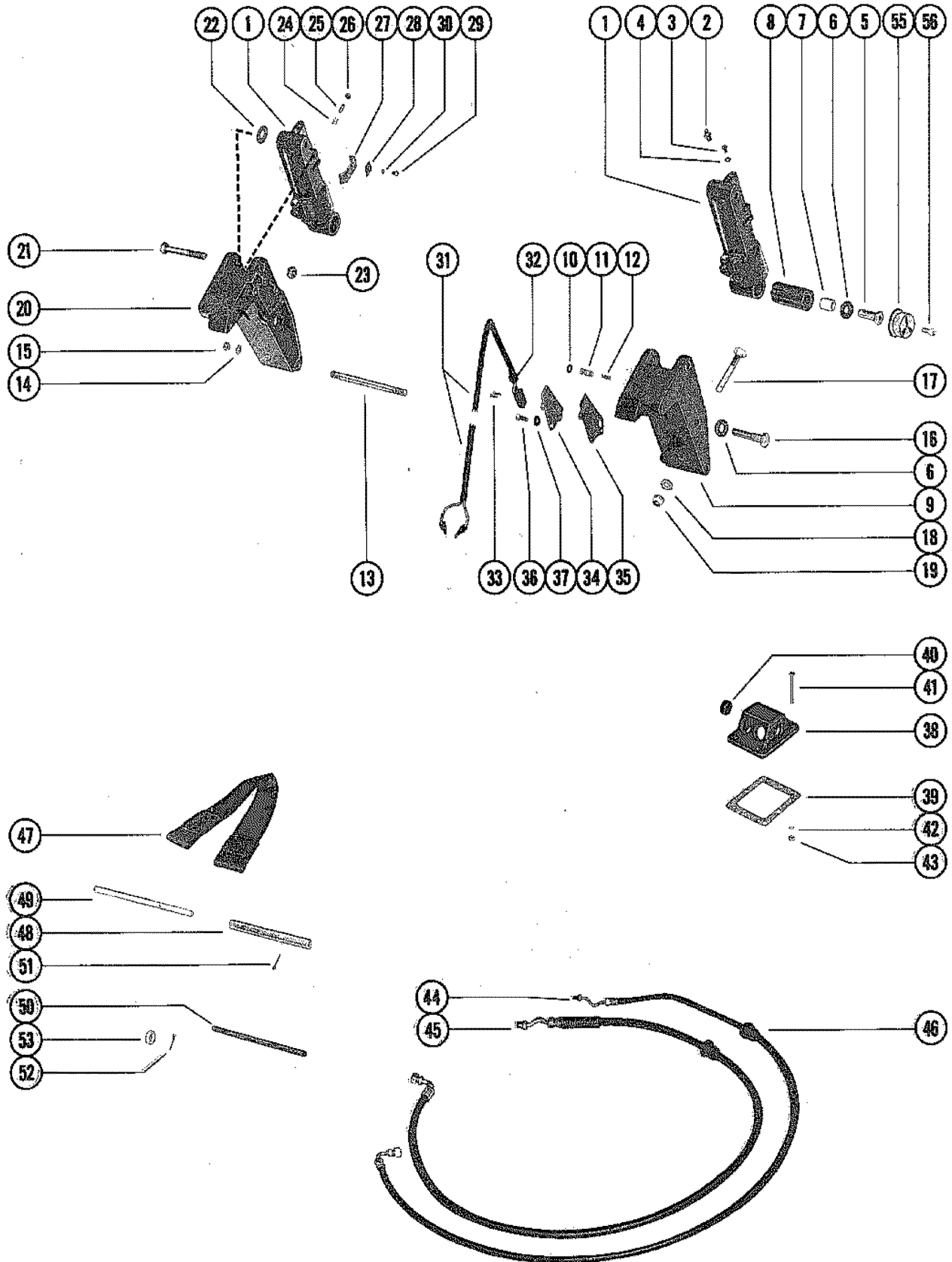


HYDRAULIC PUMP AND CONTROL VALVE

REF. NO.	PART NO.	SYM.	QTY.	DESCRIPTION
41	10-69028		2	SCREW MOUNTING BRACKET TO HYDRAULIC PUMP (3/4")
42	13-26992		2	LOCKWASHER, MOUNTING BRACKET SCREW
43	10-34290		2	SCREW STARTER SOLENOID TO MOUNTING BRACKET (5/8")
44	13-26992		2	LOCKWASHER, STARTER SOLENOID SCREW
45	11-21825		4	NUT, STARTER SOLENOID SCREW

SEE "HYDRAULIC PUMP ASSEMBLY" FOR BREAKDOWN

TRIM CYLINDERS AND HYDRAULIC HOSES

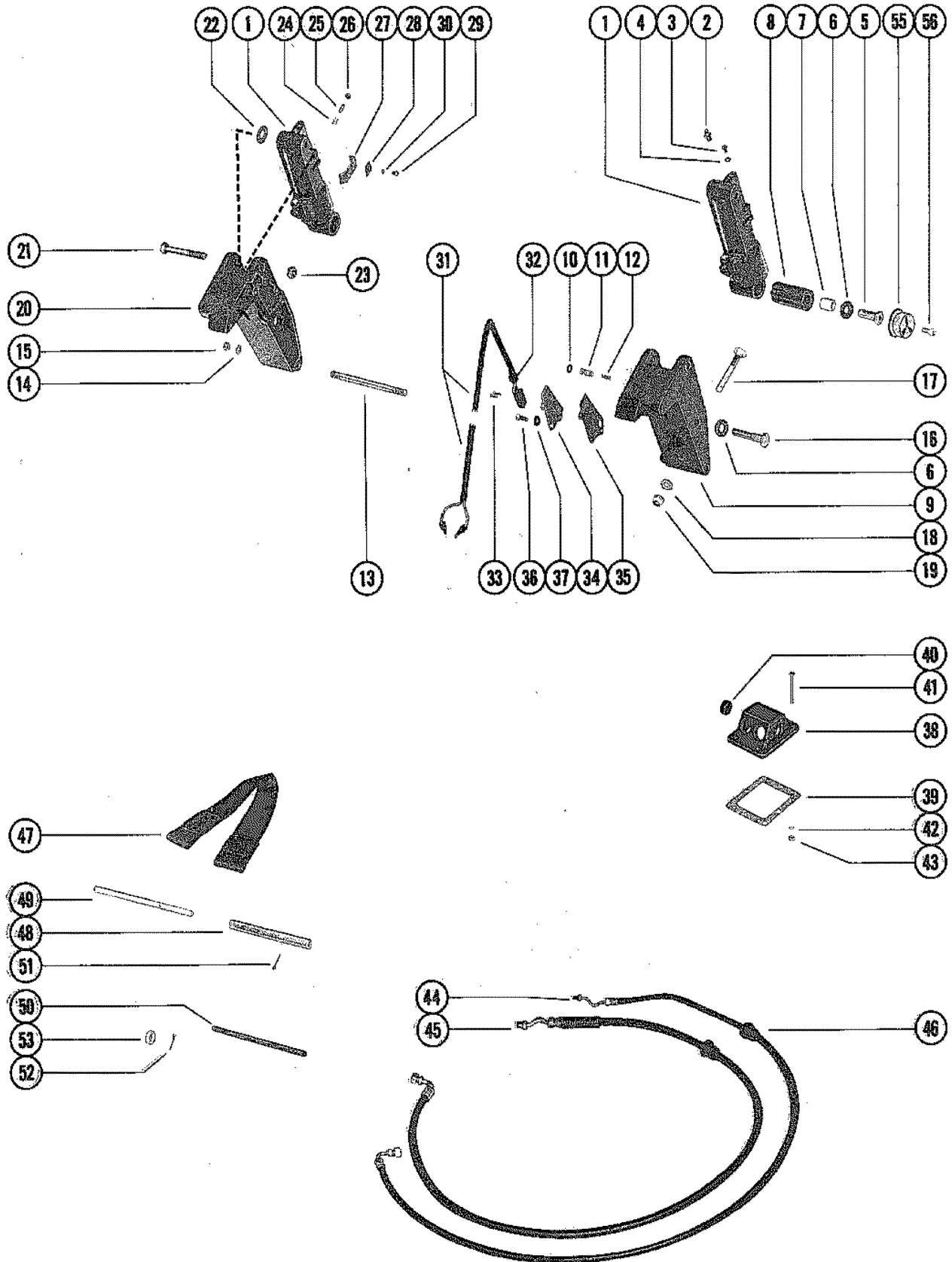


TRIM CYLINDERS AND HYDRAULIC HOSES

REF. NO.	PART NO.	SYM.	QTY.	DESCRIPTION
1	76509A3		2	TRIM CYLINDER ASSEMBLY
2	22-74036		2	GREASE FITTING, TRIM CYLINDER
3	10-45265		4	SCREW, BLEED - TRIM CYLINDER
4	25-45016		4	"O" RING, TRIM CYLINDER BLEED SCREW
5	10-45264		2	SCREW TRIM CYLINDER TO LOWER SHOCK PIN (1 9/16")
6	12-28421		4	WASHER, TRIM CYLINDER BOLT
7	23-45280		2	SPACER, TRIM CYLINDER - LOWER
8	23-45281		2	BUSHING, RUBBER - TRIM CYLINDER
9	89108A3		1	BRACKET, MOUNTING - TRIM CYLINDER (PORT)
10	26-70608		1	OIL SEAL, PORT MOUNTING BRACKET
11	89290		1	PLUNGER, LIMIT SWITCH ACTUATING
12	24-45272		1	SPRING, TENSION - LIMIT SWITCH PLUNGER
13	16-45282		1	STUD MOUNTING BRACKET AND TRANSOM BRACKET
14	13-26993		2	LOCKWASHER MOUNTING BRACKET TO TRANSOM BRACKET STUD
15	11-28770		2	NUT MOUNTING BRACKET TO TRANSOM BRACKET STUD
16	10-45263		2	SCREW MOUNTING BRACKET TO UPPER SHOCK PIN (2 1/4")
17	10-68298		6	BOLT MOUNTING BRACKET TO BOAT TRANSOM (3 1/4")
	10-89673		2	BOLT MOUNTING BRACKET TO BOAT TRANSOM (5")
18	12-68410		6	WASHER, MOUNTING BRACKET BOLT
19	11-68411		8	NUT, MOUNTING BRACKET BOLT
20	89111		1	BRACKET MOUNTING - TRIM CYLINDER (STARBOARD)
21	10-45328		2	SCREW TRIM CYLINDER TO MOUNTING BRACKET (3 9/16")
22	12-37807		1	WASHER TRIM CYLINDER SCREW (STARBOARD ONLY)
23	11-20696		2	NUT, TRIM CYLINDER SCREW
24	24-24390		1	SPRING, TENSION - ADJUSTING STUD
25	16-21085		1	STUD, ADJUSTING - CUT-OUT LIMIT SWITCH
26	11-45812		1	NUT, JAM - LIMIT SWITCH ADJUSTING STUD
27	45508		1	CAM, LIMIT SWITCH ADJUSTING STUD
28	86967		1	PLATE, RETAINING - LIMIT SWITCH CAM
29	10-68513		1	SCREW RETAINING PLATE AND CAM TO TRIM CYLINDER
30	13-26996		1	LOCKWASHER RETAINING PLATE AND CAM SCREW
31	45326A2		1	SWITCH ASSEMBLY, CUT-OUT LIMIT
32	23-45354		1	BUSHING, RUBBER - CUT-OUT LIMIT SWITCH
33	10-47255		2	SCREW CUT-OUT LIMIT SWITCH TO MOUNTING BRACKET (9/16")
34	89272		1	COVER, LIMIT SWITCH
35	27-89273		1	GASKET, LIMIT SWITCH COVER
36	10-34994		4	SCREW LIMIT SWITCH COVER TO MOUNTING BRACKET (7/16")
37	12-38833		4	WASHER, LIMIT SWITCH COVER SCREW
38	87774A1		1	COVER, INLET - TRANSOM
39	27-87775		1	GASKET, INLET COVER
40	25-45507		1	GROMMET, RUBBER - INLET COVER

CONTINUED ON NEXT PAGE ➡

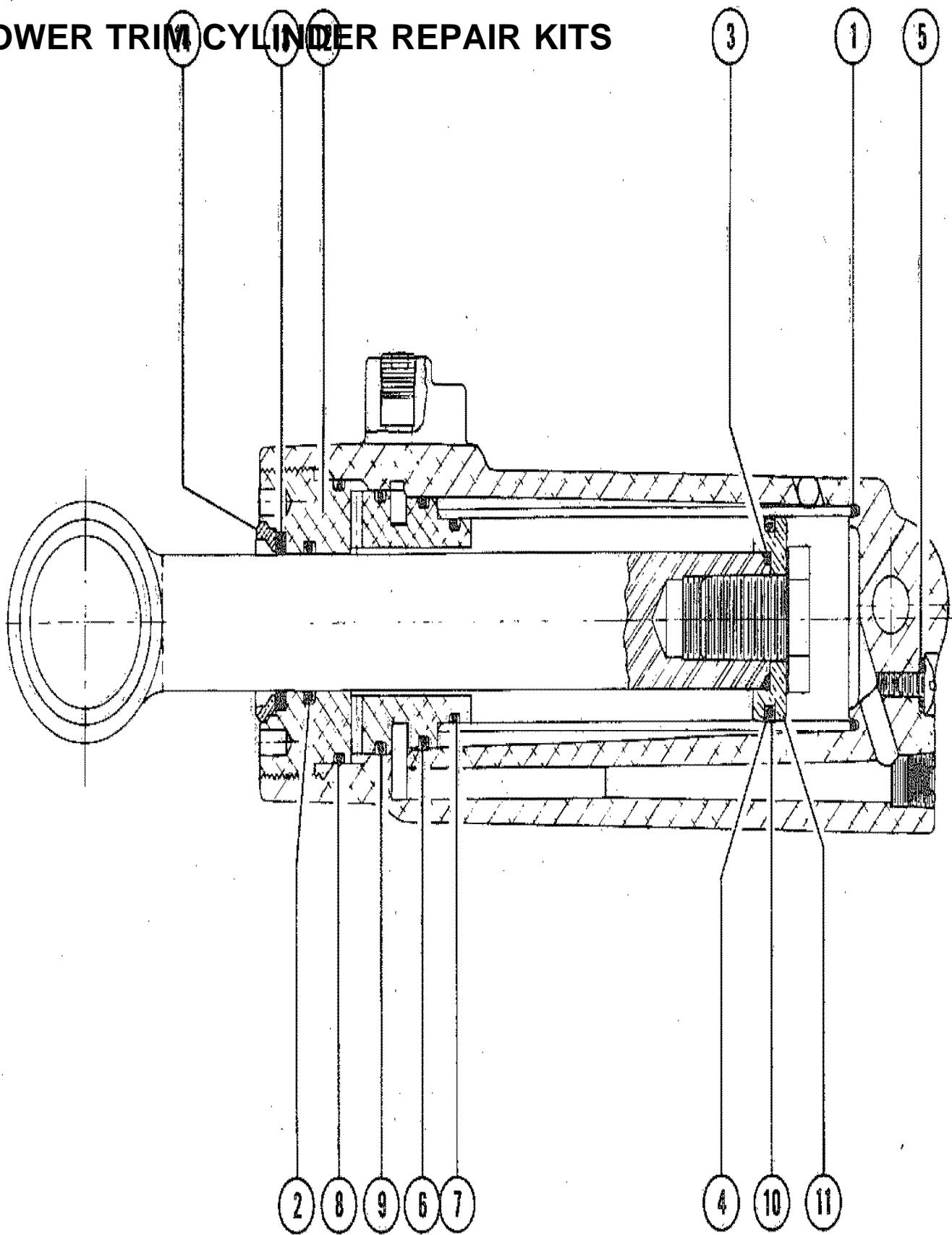
TRIM CYLINDERS AND HYDRAULIC HOSES



TRIM CYLINDERS AND HYDRAULIC HOSES

REF. NO.	PART NO.	SYM.	QTY.	DESCRIPTION
41	10-32866		4	SCREW, INLET COVER TO BOAT (2")
42	12-20878		4	WASHER, INLET COVER SCREW
43	11-29488		4	NUT, INLET COVER SCREW
44	32-88005		2	HOSE TRIM - CYLINDER TO CONTROL VALVE (5') - 12/32" O.D.
45	32-88006		2	HOSE LIFT - CYLINDER TO CONTROL VALVE (5') - 17/32" O.D.
46	23-35977		4	GROMMET, RUBBER - LIFT HOSE AND TRIM HOSE
47	73519A1		1	TILT STOP
48	69259		1	TUBE, MOUNTING - TILT STOP
49	77669		1	PIN, MOUNTING TUBE
50	63473		1	TUBE, CUSHION
51	18-36391		1	COTTER PIN, MOUNTING TUBE PIN
52	18-45882		1	COTTER PIN, TILT PIN RETAINING
53	12-39304		1	WASHER, TILT PIN
55	70679		2	COVER, TRIM CYLINDER
56	10-37655		2	SCREW, TRIM CYLINDER COVER

POWER TRIM CYLINDER REPAIR KITS



POWER TRIM CYLINDER REPAIR KITS

REF. NO.	PART NO.	SYM.	QTY.	DESCRIPTION
-	64507A1		1	REPAIR KIT
1	N.S.S.	■	1	"O" RING (1 1/2" X 1 5/8" X 1/16")
2	N.S.S.	■	1	"O" RING (3/4" X 15/16" X 1/8")
3	N.S.S.	■	1	"O" RING (5/8" X 3/4" X 1/16")
4	N.S.S.	■	1	"O" RING (1 1/4" X 11 7/16" X 1/16")
5	N.S.S.	■	2	"O" RING (7/32" X 11/32" X 1/16")
6	N.S.S.	■	1	"O" RING (1 5/8" X 1 13/16" X 1/8")
7	N.S.S.	■	1	"O" RING (1 5/16" X 1 1/2" X 1/8")
8	N.S.S.	■	1	"O" RING (11 7/8" X 2" X 1/8")
9	N.S.S.	■	1	"O" RING (1 3/4" X 1 15/16" X 1/8")
10	N.S.S.	■	1	SEAL, SLIPPER - PISTON
11	N.S.S.	■	1	PISTON, ROD - HEAVY DUTY
12	64505A1		1	RETAINER ASSEMBLY, PISTON
13	N.S.S.	■	1	ROD, SCRAPER
14	N.S.S.	■	1	RETAINER, SCRAPER

DO NOT SUBSTITUTE "O" RINGS AS THESE ARE OF SPECIAL MANUFACTURED MATERIAL.

■ = NOT SOLD SEPARATELY.

PROPELLERS (RIGHT HAND ROTATION)

REF. NO.	PART NO.	SYM.	QTY.	DESCRIPTION
-	48-77338A4		0	PROPELLER ASSEMBLY (ALUMINUM)(PITCH 11') 3 BLADES
-	48-77340A4		0	PROPELLER ASSEMBLY (ALUMINUM)(PITCH 13") 3 BLADES
-	48-77342A4		0	PROPELLER ASSEMBLY (ALUMINUM)(PITCH 15") 3 BLADES
-	48-77344A4		0	PROPELLER ASSEMBLY (ALUMINUM)(PITCH 17") 3 BLADES
-	48-77346A4		0	PROPELLER ASSEMBLY (ALUMINUM)(PITCH 19") 3 BLADES
-	48-77348A4		0	PROPELLER ASSEMBLY (ALUMINUM)(PITCH 21") 3 BLADES
-	48-77350A4		0	PROPELLER ASSEMBLY (ALUMINUM)(PITCH 23") 3 BLADES

PARTS INDEX

Part Number	Description	Pg.	Ref. No.	Part Number	Description	Pg.	Ref. No.
22833	ADAPTOR, CHECK UNIT (FUEL LINE)	21	28	39618	LEVER, NYLON - SHIFT CABLE LOCKING	29	26
23004	RETAINER, CHECK VALVE .	21	11	39667	COVER, NYLON - SHIFT CABLE	29	28
23069	STEM, CHECK UNIT ADAPTOR	21	29	45197A2	CONTROL VALVE ASSEMBLY	49	10
25067	BUMPER, RUBBER - LOWER MOUNTING SCREW	39	28	45326A2	SWITCH ASSEMBLY, CUT- OUT LIMIT	53	31
26113	RACE, OUTER (PAIR)	27	10	45336	PLATE, MANIFOLD	49	9
26901	BUMPER, RUBBER - SOLENOID BRACKET	49	38	45377	BRACKET, MOUNTING	49	22
28203	BUMPER, STEERING ARM .	33	17	45508	CAM, LIMIT SWITCH ADJUSTING STUD	53	27
28205	STRAP STOP	33	11	46096	MOUNT, RUBBER	3	18
30021	BLANKET, SOUND ABSORBING	5	14	46265	BOOT, RUBBER - STARTER SOLENOID TERMINAL	49	33
30188	CUP WASHER, ADAPTOR . .	21	32	46265	BOOT, TERMINAL - STARTER SOLENOID	11	17
30413	HOOK, COWL LATCH FASTENING	5	13	46785A1	COWL LATCH ASSEMBLY . .	5	12
30624	SLIDE, CROSS PIN	45	51	46933A2	GROUND STRAP ASSEMBLY, TRIM COVER	39	6B
30625	FOLLOWER, CAM	45	50		SCREW	25	33
31014	MOUNT, RUBBER - REAR SUPPORT BRACKET	3	21	46933A3	GROUND STRAP ASSEMBLY		
31089	STRIP, SOUND ABSORBING	5	7	47341A1	ROPE, STARTER (FOR MANUAL STARTING	3	9
31640A1	TRIM TAB, GEAR HOUSING	45	70		ONLY)		
32435	PLATE, FACE	41	21	47558	ROD, PUSH - REVERSE LOCK	39	15
32979	BATTERY LEAD (POSITIVE)	49	7		YOKE, PUSH ROD	39	17
32988	BATTERY LEAD (NEGATIVE)	49	8	47559	CAP, NYLON - ADJUSTING SCREW	9	33
35474	COVER, LOWER MOUNT CLAMP	39	37	48039	LINK ROD ASSEMBLY	29	20
35496	PAD, BUMPER - TOP COWL RETAINER	3	3	48152	SHUTTER, CHOKE - CARBURETOR	15	25
35608	CLAMP	39	34	48203	ROD, CHOKE	15	22
35769	SEAL, SOUND ABSORBING - UPPER	5	9	48752	INSERT, WATER PUMP BODY	41	24
37417	COVER, TRIM - DRIVE SHAFT HOUSING	39	5	49589	STRAP, CHOKE KNOB TO CHOKE ROD	15	19
37440	BRACKET, MOUNT SUPPORT - CYLINDER BLOCK	25	28	52023	CAP, NYLON - ADJUSTING SCREW	9	10
37587	SWIVEL, THROTTLE LEVER TO THROTTLE CABLE	9	6	52023	CAP, NYLON - ADJUSTING SCREW	9	30
37637	BOOT, FUEL CONNECTOR - BOTTOM COWL	29	9	52100	WEAR PLATE, LINK ROD . .	29	33
37640	MOUNT, RUBBER FRONT SUPPORT BRACKET	3	34	52699	COVER, GEAR HOUSING . .	45	69
37641	SEAL, EXHAUST ELBOW . .	41	37	52732	BRACKET, ANCHOR - CONTROL CABLES	29	24
37896	GUIDE BLOCK, LINK ROD . .	29	32	52733A16	RETAINER ASSEMBLY, TOP COWL	3	2
37918	SEAL, EXHAUST EXTENSION PLATE	31	3	52737	LEVER, COWL LATCH HINGE	3	11
37940	PAD, SOUND - DRIP TRAY .	29	3	52739	HINGE, COWL LATCH - TOP COWL	3	10
38032	STRIP	31	4	52862A2	DRIP TRAY ASSEMBLY, BOTTOM COWL	29	2
38051	PLATE, SUPPORT - EXHAUST TUBE SEAL	43	38	52887	GUIDE, PUSH ROD - REVERSE LOCKING	39	14
38279	LATCH	29	34	52889	NOZZLE, TELL TALE HOSE TO BOTTOM COWL	29	14
38674	BAG, STARTER ROPE	5	8	53334	SEAL, SOUND ABSORBING - TOP	5	10
39019	SPACER, LOWER	43	45				
39021	CAM, REVERSE LOCKING .	43	46				
39519	CAP, BARREL RETAINER - ANCHOR BRACKET	29	25				
39616	BOOT, CONTROL CABLES - BOTTOM COWL	29	6				

PARTS INDEX

Part Number	Description	Pg.	Ref. No.	Part Number	Description	Pg.	Ref. No.
53720A2	THROTTLE PICK-UP BRACKET ASSEMBLY . . .	15	10	76369	SPACER, BOTTOM COWL (COWL FRONT COVER) .	29	7
54196A6	CARRIER ASSEMBLY, "O" RING	27	5	76370	SHIELD, TOP COWL - REAR	3	6
54293A4	CHOKE SOLENOID	15	1	76395A5	HYDRAULIC PUMP ASSEMBLY (SEE NOTE BELOW)	49	1
55455	HOOK, TOP COWL LATCH - REAR	3	13	76395A5	HYDRAULIC PUMP ASSEMBLY, COMPLETE .	47	-
55991	BATTERY LEAD (POSITIVE)	49	39	76509A3	TRIM CYLINDER ASSEMBLY	53	1
55992	BATTERY LEAD (NEGATIVE)	49	39	76867	COVER, STARTER MOTOR BRACKET - BOTTOM	23	13
56349	SHAFT, REVERSE LOCK PIVOT	35	24	77013A1	SWIVEL ASSEMBLY, SPARK LINK	9	34
56703	COLLAR, STARTER MOTOR	7	12	77013A1	SWIVEL ASSEMBLY, THROTTLE LEVER	9	11
56849	KNOB, COWL FRONT COVER FASTENING	5	2	77520A1	BEARING CARRIER ASSEMBLY	45	64
57247	STOP, RUBBER - STARTER MOTOR	7	14	77669	PIN, MOUNTING TUBE	55	49
59071	COVER, FUEL INLET	21	15	78184	TUBE, EXHAUST	39	8
60304A54	SHIFT SHAFT ASSEMBLY, UPPER	29	17	79659	COUPLING, TILT LOCK	35	16
60437	MEGAPHONE, EXHAUST . .	31	19	79897	FRAME, TOP COWL SUPPORT	3	16
62351A1	RECTIFIER ASSEMBLY	11	7	79900	LEVER, THROTTLE	9	1
63007	MOUNT, RUBBER - TOP COWL FRAME	3	18	79903	HOUSING, THROTTLE - LOWER	9	22
63473	TUBE, CUSHION	55	50	85082	HOUSING, THROTTLE - UPPER	9	19
64505A1	RETAINER ASSEMBLY, PISTON	57	12	85300	LINK ROD, THROTTLE	9	16
64507A1	REPAIR KIT	57	-	85301	SPARK LINK	9	39
65638	BOOT, TUBE MOUNT	39	8A	85943A1	LEVER, THROTTLE (UPPER CARBURETOR)	15	7
65799	LINK, LOCKING LEVER TO COVER	29	29	86295	BASE, FUEL PUMP	21	13
65800	"O" RING, CARRIER	27	6	86316	COVER, EXHAUST MANIFOLD	25	20
66096A1	PLATE ASSEMBLY, EXHAUST EXTENSION . .	31	1	86472	BRACKET, TOP COWL SUPPORT - REAR	3	20
66517	RESTRICTION, CRANKCASE BLEED	23	3	86473	COVER, STARTER MOTOR BRACKET - TOP	23	9
66530A6	FUEL PUMP ASSEMBLY . . .	21	1	86967	PLATE, RETAINING - LIMIT SWITCH CAM	53	28
68162A8	TRIGGER PLATE ASSEMBLY	7	9	87431	REVERSE LOCK ASSEMBLY	35	22
69259	TUBE, MOUNTING - TILT STOP	55	48	87774A1	COVER, INLET - TRANSOM	53	38
70679	COVER, TRIM CYLINDER . .	55	55	87872	COVER, TRANSFER PORT .	25	30
71808	COVER, WATER JACKET - CYLINDER BLOCK	25	13	87937	SHAFT, THROTTLE AND SPARK ADVANCE	9	24
73218	COVER, IGNITION COIL . . .	11	39	87990	CHAMBER, PULSE - FUEL PUMP	21	14
73519A1	TILT STOP	55	47	87991	POINTER, TIMING	3	37
73984	YOKE, BOTTOM	33	15	88238A2	WIRE ASSEMBLY, GROUND	39	40
74257A3	PLATE ASSEMBLY, DRIVE SHAFT HOUSING	31	15	88751	CLAMP, WIRING HARNESS .	11	28
74406	BRACKET, MOUNTING - STARTER SOLENOID . . .	49	40	88754	THROTTLE CAM	9	18
74407	BRACKET, MOUNTING - STARTER SOLENOID . . .	49	34	89031A3	DIAPHRAGM ASSEMBLY . .	21	3
74897	BARREL, SPARK LINK TO TRIGGER	9	40	89047	BRACKET, WIRING HARNESS	11	24
75282	THRUST HUB	45	75	89099	TUBE, TILT	35	2
75296	MOUNT, RUBBER - UPPER .	39	20	89105	TILT LOCK	35	21
75299	MOUNT, RUBBER - LOWER	39	24	89108A3	BRACKET, MOUNTING - TRIM CYLINDER (PORT) .	53	9
75778	PLATE, BAFFLE - EXHAUST MANIFOLD	25	18	89111	BRACKET	53	20
76039	CAM, SHIFT	45	49				

PARTS INDEX

Part Number	Description	Pg.	Ref. No.	Part Number	Description	Pg.	Ref. No.
89232A1	BRACKET ASSEMBLY, TOP			10-25764	SCREW, RECTIFIER TO		
	COWL - FRONT	3	29		IGNITION PLATE (5/8") . .	11	8
89272	COVER, LIMIT SWITCH	53	34	10-28200	SCREW	33	12
89290	PLUNGER, LIMIT SWITCH			10-28239	SCREW, THROTTLE		
	ACTUATING	53	11		HOUSING	9	25
89748	PLATE, ELECTRICAL			10-28634	SCREW, FILLER -		
	MOUNTING	11	1		HYDRAULIC PUMP	47	8
90242A1	KNOB, CHOKE ROD	15	17	10-28636	SCREW	25	32
90547	LOCATOR, STARTER			10-28636	SCREW, PLATE TO		
	SOLENOID	11	18		CYLINDER BLOCK (3/4") . .	11	2
90548A1	PLUNGER AND LINK			10-28636	SCREW, TIMING POINTER		
	ASSEMBLY, CHOKE				ATTACHING (3/4")	3	38
	SOLENOID	15	6	10-28636	SCREW, WIRING HARNESS		
N.S.S.	"O" RING (1 1/2" X 1 5/8" X				CLAMP	11	22
	1/16")	57	1	10-28636	SCREW, WIRING HARNESS		
N.S.S.	"O" RING (1 1/4" X 11 7/16" X				CLAMP	11	29
	1/16")	57	4	10-29256	SCREW	39	36
N.S.S.	"O" RING (1 3/4" X 1 15/16" X			10-30720	SCREW	41	29
	1/8")	57	9	10-32293	SCREW, CRANKCASE TO		
N.S.S.	"O" RING (1 5/16" X 1 1/2" X				CYLINDER BLOCK (1 3/4")	23	17
	1/8")	57	7	10-32417	SCREW, FLYWHEEL PLATE	7	5
N.S.S.	"O" RING (1 5/8" X 1 13/16" X			10-32866	SCREW, INLET COVER TO		
	1/8")	57	6		BOAT (2")	55	41
N.S.S.	"O" RING (11 7/8" X 2" X 1/8")	57	8	10-34290	SCREW	51	43
N.S.S.	"O" RING (3/4" X 15/16" X			10-34994	SCREW	53	36
	1/8")	57	2	10-36154	SCREW, ADAPTOR TO		
N.S.S.	"O" RING (5/8" X 3/4" X 1/16")	57	3		BOTTOM COWL (1 3/8") . .	21	33
N.S.S.	"O" RING (7/32" X 11/32" X			10-37370	SCREW, FUEL FILTER		
	1/16")	57	5		COVER ATTACHING (5/8")	21	16
N.S.S.	PISTON, ROD - HEAVY			10-37370	SCREW, SHIELD TO TOP		
	DUTY	57	11		COWL (5/8")	3	7
N.S.S.	RETAINER, SCRAPER	57	14	10-37559	SCREW, THROTTLE LEVER		
N.S.S.	ROD, SCRAPER	57	13		TO EXHAUST COVER . . .	9	2
N.S.S.	SEAL, SLIPPER - PISTON . .	57	10	10-37562	SCREW	3	27
10-20037	SCREW, RETAINER			10-37562	SCREW, REAR BRACKET TO		
	ATTACHING	21	12		FRAME (1")	3	24
10-20359	SCREW, CENTER MAIN			10-37571	SCREW	31	5
	BEARING LOCKING	23	20	10-37655	SCREW, TRIM CYLINDER		
10-20411	SCREW, VALVE BODY TO				COVER	55	56
	RESERVOIR	47	4	10-38257	SCREW, VENT - HYDRAULIC		
10-20619	SCREW, SWITCH BOX				PUMP	47	7
	ATTACHING (1 3/8")	11	32	10-38257	SCREW, VENT - HYDRAULIC		
10-20847	SCREW, THROTTLE STOP				PUMP	49	5
	LEVER	17	18	10-38601	SCREW, STARTER		
10-21140	SCREW	49	35		SOLENOID TO PLATE		
10-21937	SCREW, LOWER SHOCK PIN				(1/2")	11	11
	(2")	35	28	10-45263	SCREW	53	16
10-22523	SCREW	15	29	10-45264	SCREW	53	5
10-22956	SCREW, REAR HOOK TO			10-45265	SCREW, BLEED - TRIM		
	TOP COWL (7/8")	3	14		CYLINDER	53	3
10-22968	SCREW, CENTER MAIN			10-45328	SCREW	53	21
	BEARING CLAMPING	27	13	10-45561	SCREW, PLATE TO		
10-23015	SCREW	15	29		CYLINDER BLOCK (1 1/8")	11	2
10-24234	SCREW	29	30	10-45775	SCREW, MAIN BEARING		
10-24234	SCREW	49	23		CLAMPING	27	17
10-24234	SCREW, BRACKET TO			10-47255	SCREW	53	33
	CYLINDER BLOCK (1") . . .	25	29	10-48408	SCREW	29	15
10-25299	SCREW, CHOKE SOLENOID			10-48408	SCREW, DRIP TRAY TO		
	(3/4")	15	4		BOTTOM COWL (1/2") . . .	29	4

PARTS INDEX

Part Number	Description	Pg.	Ref. No.	Part Number	Description	Pg.	Ref. No.
10-48591	SCREW, STRAP TO CHOKE ROD (1/2")	15	23	10-69268	SCREW, TOP COVER ATTACHING (1 7/8")	23	10
10-49318	SCREW, LOWER MOUNT (5 1/2")	39	25	10-69375	SCREW, UPPER AND LOWER SHOCK PIN	37	35
10-49554	BOLT, STEERING ARM TO UPPER MOUNT (5 7/8")	33	18	10-73013	SCREW, FUEL PUMP ATTACHING (1 1/2")	21	17
10-52195	SCREW, FLOAT BOWL COVER	17	13	10-73169	SCREW, END CAP MOUNTING (1")	25	6
10-53016	SCREW, CRANKCASE TO CYLINDER BLOCK (1 1/4")	23	17	10-73657	SCREW, CRANKCASE TO CYLINDER BLOCK (1 1/2")	23	17
10-53167	SCREW	25	15	10-74824	SCREW, RETAINER TO TOP COWL (1 1/4)	3	4
10-53576	SCREW, MANIFOLD COVER MOUNTING	25	21	10-75168	SCREW, ADJUSTING - LOWER HOUSING (2 1/4")	9	28
10-54803	SCREW, CONNECTING ROD	27	28	10-75168	SCREW, ADJUSTING - THROTTLE LEVER	9	8
10-56500	SCREW	49	14	10-75840	SCREW, STATOR ATTACHING (7/8")	7	8
10-57807	SCREW, TRIM COVER TO BOTTOM COWL	39	6	10-76196	SCREW, STRAP TO CHOKE KNOB (5/8")	15	20
10-57841	SCREW, CRANKCASE TO CYLINDER BLOCK (2 3/4")	23	17	10-79953	SCREW, FILLER - HYDRAULIC PUMP	49	3
10-60293	SCREW, THROTTLE LEVER	15	8	10-79953	SCREW, GREASE FILLER AND VENT HOLE	43	47
10-60464	SCREW, ADJUSTING - LOWER HOUSING (2 1/8")	9	31	10-86885	SCREW, PLATE TO CYLINDER BLOCK (1 1/2")	11	2
10-60480	SCREW	31	20	10-87884	SCREW, COVER TO LOWER CLAMP MOUNT	39	39
10-62204	SCREW, REED STOP MOUNTING	27	21	10-88856	SCREW, IGNITION COIL COVER (2")	13	40
10-62568	SCREW, GROUND STRAP ATTACHING	39	6C	10-89673	BOLT	53	17
10-62568	SCREW, GROUND STRAP ATTACHING (3/8")	25	34	10-89673	BOLT, TRANSOM BRACKET TO TRANSOM (5")	35	11
10-62568	SCREW, WIRE ATTACHING	11	35	11-20110	NUT	15	31
10-65210	SCREW	45	74	11-20110	NUT, CHOKE SHUTTER TO CARBURETOR STUD	15	27
10-65384	SCREW, WIRING HARNESS BRACKET	11	25	11-20509	NUT, THROTTLE CABLE TO SWIVEL	9	7
10-66023	SCREW, ADAPTOR PLATE TO HOUSING PLATE (2")	31	8	11-20509	NUT, THROTTLE LEVER SCREW	9	5
10-66023	SCREW, HOUSING PLATE TO DRIVE SHAFT HSG. (2")	31	10	11-20664	NUT, LINK ROD	29	22
10-66024	SCREW, TRIM TAB TO GEAR HOUSING (1 3/4")	45	71	11-20696	NUT, TRIM CYLINDER SCREW	53	23
10-66104	SCREW, THROTTLE BRACKET MOUNTING	15	11	11-21825	NUT, STARTER SOLENOID SCREW	51	45
10-67755	BOLT, TRANSOM BRACKET TO TRANSOM (6")	35	11	11-21908	NUT, MOUNTING BRACKET SCREW	49	25
10-68298	BOLT	53	17	11-24656	NUT	49	37
10-68298	BOLT, HYDRAULIC PUMP TO BOAT (3 1/4")	49	26	11-25096	NUT, LOWER MOUNT SCREW	39	27
10-68513	SCREW	53	29	11-25269	NUT, STRAP STOP FASTENING SCREW	33	13
10-68997	SCREW, FLYWHEEL HUB	7	6	11-28770	NUT	3	36
10-69028	SCREW	51	41	11-28770	NUT	53	15
10-69034	SCREW, END CAP MOUNTING (1")	25	12	11-29250	NUT, TRANSOM BRACKET STUD	35	9
10-69035	SCREW, CABLE TO STARTER MOTOR	7	16	11-29488	NUT	23	19
10-69092	SCREW	3	30	11-29488	NUT, INLET COVER SCREW	55	43
10-69092	SCREW	3	32	11-29489	NUT	39	32
10-69100	SCREW, COVER MOUNTING (1")	25	25	11-29598	NUT	3	23
10-69268	SCREW, BOTTOM COVER ATTACHING (1 7/8")	23	14				

PARTS INDEX

Part Number	Description	Pg.	Ref. No.	Part Number	Description	Pg.	Ref. No.
11-29598	NUT, ADJUSTING SCREW	9	29	11-68219	NUT, STARTER SOLENOID		
11-29598	NUT, ADJUSTING SCREW	9	9		TERMINAL (#10)	49	30
11-34932	NUT, POWERHEAD STUD	31	23	11-68292	NUT, SOLENOID TERMINALS		
11-34933	NUT	39	30		(5/16-18)	11	16
11-34933	NUT	45	73	11-68292	NUT, STARTER SOLENOID		
11-34933	NUT, STEERING ARM BOLT				TERMINAL (5/16")	49	32
	FASTENING	33	19	11-68411	NUT, HYDRAULIC PUMP		
11-34933	NUT, UPPER MOUNT BOLT	39	23		BOLT	49	27
11-35000	NUT, TRANSOM BRACKET			11-68411	NUT, MOUNTING BRACKET		
	BOLT	35	13		BOLT	53	19
11-35521	NUT, LOWER MOUNT			11-68411	NUT, TRANSOM BRACKET		
	CLAMP COVER	39	38		BOLT	35	13
11-35814	NUT, WATER PUMP BODY			11-69254	NUT, POWERHEAD STUDS		
	FASTENING STUD	41	34		(3/8-24)	39	11
11-35888	NUT, RUBBER MOUNT TO			11-72008	NUT, THROTTLE HOUSING		
	TOP COWL FRAME	3	19		SCREW	9	27
11-35888	NUT, WATER PUMP			12-20260	WASHER	49	4
	FASTENING SCREW	41	32	12-20260	WASHER, GREASE FILLER		
11-35921	NUT, PINION GEAR TO				AND VENT HOLE SCREW	43	48
	DRIVE SHAFT	41	10	12-20260	WASHER, SEALING - FILLER		
11-36069	NUT, ADAPTOR SCREW	21	34		SCREW	47	9
11-45076	NUT, IGNITION COIL			12-20533	WASHER, CLAMP SCREW	11	30
	TERMINAL	13	41	12-20878	WASHER, INLET COVER		
11-45076	NUT, RECTIFIER				SCREW	55	42
	TERMINALS	11	9	12-22753	WASHER	23	18
11-45076	NUT, SWITCH BOX			12-25970	WASHER, POWERHEAD		
	TERMINAL	11	37		STUD	31	22
11-45076	NUT, WIRE TO MERCURY			12-25970	WASHER, POWERHEAD		
	SWITCH	11	6		STUDS	39	12
11-45774	NUT, MAIN BEARING			12-28196	WASHER, UPPER BUSHING		
	CLAMPING SCREW	27	18		RETAINER (INNER)	35	31
11-45774	NUT, SWIVEL	9	38	12-28421	WASHER, TRANSOM		
11-45774	NUT, SWIVEL TO THROTTLE				BRACKET BOLT	35	12
	LEVER	9	15	12-28421	WASHER, TRIM CYLINDER		
11-45812	NUT, BRACKET SCREW	11	27		BOLT	53	6
11-45812	NUT, JAM - LIMIT SWITCH			12-29245	WASHER	41	31
	ADJUSTING STUD	53	26	12-29245	WASHER, MEGAPHONE		
11-46438	NUT, STRAP TO CHOKE				SCREW	31	21
	ROD SCREW	15	24	12-29245	WASHER, PLATE SCREW	11	3
11-46887	NUT, BEARING CLAMPING			12-29395	WASHER, THROTTLE LEVER		
	SCREW	27	14		SCREW	9	3
11-46887	NUT, CHOKE ROD SPRING			12-30771	WASHER, COVER		
	TO CARBURETOR STUD	15	35		FASTENING KNOB		
11-46887	NUT, LOWER SHOCK PIN				(RUBBER)	5	3
	SCREW	35	29	12-31263	WASHER, UPPER MOUNT		
11-47661	NUT, JAM - PUSH ROD	39	16		BOLT	39	22
11-49091	NUT, CONNECTING ROD			12-33786	WASHER, SWIVEL	9	13
	SCREW	27	29	12-33786	WASHER, SWIVEL	9	36
11-52707	NUT, PROPELLER	45	77	12-35462	WASHER, LINK ROD	29	21
11-52901	NUT, FLYWHEEL			12-35462	WASHER, THROTTLE		
	ATTACHING	7	2		HOUSING SCREW	9	26
11-53153	NUT, REED STOP SCREW	27	22	12-35462	WASHER, TIMING POINTER		
11-56041	NUT, TILT TUBE	35	4		SCREW	3	39
11-64015	NUT, STARTER MOTOR			12-36001	WASHER, TRANSOM		
	TERMINAL	7	19		BRACKET STUD	35	7
11-64809	NUT, CARBURETOR			12-36001	WASHER, WATER PUMP		
	MOUNTING STUD	19	35		BODY FASTENING STUD	41	33
11-68219	NUT, ADJUSTING SCREW	9	32	12-37807	WASHER	53	22
11-68219	NUT, SOLENOID TERMINAL	15	3	12-38833	WASHER, BRACKET SCREW	11	26

PARTS INDEX

Part Number	Description	Pg.	Ref. No.	Part Number	Description	Pg.	Ref. No.
12-39304	WASHER, TILT PIN	55	53	13-26993	LOCKWASHER, TOP COVER		
12-45176	WASHER	39	31		SCREWS	23	11
12-45176	WASHER	39	33	13-26993	LOCKWASHER, TRANSOM		
12-45176	WASHER	45	72		BRACKET STUD	35	8
12-47247	WASHER, NEEDLE			13-26995	LOCKWASHER, FLOAT		
	LOCATING	27	31		BOWL COVER SCREW	17	15
12-47840	WASHER, RUBBER - UPPER			13-26996	LOCKWASHER	49	29
	MOUNT BOLT	39	21	13-26996	LOCKWASHER	53	30
12-49339	WASHER, LOWER MOUNT			13-26996	LOCKWASHER, FUEL PUMP		
	SCREW	39	26		ATTACHING SCREW	21	18
12-59572	WASHER, COVER			13-26996	LOCKWASHER, SOLENOID		
	FASTENING KNOB				TERMINAL	15	2
	(PLASTIC)	5	4	13-26996	LOCKWASHER, SOLENOID		
12-68229	WASHER, FLYWHEEL				TERMINALS (#10)	11	13
	ATTACHING	7	3	13-26996	LOCKWASHER, THRU BOLT	47	18
12-68410	WASHER, MOUNTING			13-26996	LOCKWASHER, WIRING		
	BRACKET BOLT	53	18		HARNES CLAMP SCREW	11	23
12-68410	WASHER, TRANSOM			13-29402	WAVE WASHER, SWIVEL	9	14
	BRACKET BOLT	35	12	13-29402	WAVE WASHER, SWIVEL	9	37
12-69342	WASHER, SWIVEL PIN -			13-29720	WASHER, WAVE - LINK ROD	29	23
	UPPER	33	4	13-37371	LOCKWASHER, SHIELD		
12-69374	WASHER, UPPER/LOWER				SCREW	3	8
	SHOCK PIN (LOWER)	37	34	13-39107	LOCKWASHER, MOUNTING		
12-70132	WASHER	25	16		BRACKET SCREW	49	24
12-74726	WASHER, THROTTLE LEVER			13-39107	LOCKWASHER, RETAINER		
	SCREW	15	8A		TO TOP COWL SCREW	3	5
12-76388	WASHER, TILT LOCK	35	19	13-86498	WAVE WASHER, SHAFT	9	23
12-76805	WASHER, THRUST	45	62	13-88507	WAVE WASHER, SWIVEL		
12-77674	WASHER, RUBBER - SHIFT				PIN - LOWER	33	10
	SHAFT BUSHING	43	44	13-89297	WASHER, WAVE - TILT		
12-85303	WASHER, PLASTIC -				TUBE	35	3
	THROTTLE CAM	9	21	14-20091	TAB WASHER, BEARING		
13-26992	LOCKWASHER	3	22		LOCKING SCREW	23	21
13-26992	LOCKWASHER, MOUNTING			14-31210	TAB WASHER, PROPELLER		
	BRACKET SCREW	49	36		NUT	45	76
13-26992	LOCKWASHER, MOUNTING			14-52700	TAB WASHER, GEAR		
	BRACKET SCREW	51	42		HOUSING COVER	45	68
13-26992	LOCKWASHER, REAR HOOK			15-20085A1	SHIM, END CAP TO		
	MOUNTING SCREW	3	15		CRANKCASE (.005-10)	25	11
13-26992	LOCKWASHER, STARTER			15-30923A1	SHIM	45	53
	MOTOR TERMINAL	7	18	15-57007A1	SHIM, BALL BEARING TO		
13-26992	LOCKWASHER, STARTER				BASE	41	11
	SOLENOID SCREW	11	12	15-73644A1	SHIM, END CAP TO		
13-26992	LOCKWASHER, STARTER				CRANKCASE (.006-10)	25	5
	SOLENOID SCREW	51	44	16-21085	STUD, ADJUSTING - CUT-		
13-26992	LOCKWASHER, WATER				OUT LIMIT SWITCH	53	25
	PUMP BODY SCREW	41	30	16-30667	STUD	41	6
13-26993	LOCKWASHER	3	28	16-39937	STUD, CHOKE ROD SPRING		
13-26993	LOCKWASHER	3	31		TO CARBURETOR	15	33
13-26993	LOCKWASHER	3	33	16-45282	STUD	53	13
13-26993	LOCKWASHER	3	35	16-56295	STUD	39	2
13-26993	LOCKWASHER	49	31	16-56297	STUD	41	5
13-26993	LOCKWASHER	53	14	16-57920	STUD	41	4
13-26993	LOCKWASHER, BOTTOM			16-57921	STUD	41	3
	COVER SCREW	23	15	16-64280	STUD, CARBURETOR		
13-26993	LOCKWASHER, CHOKE				MOUNTING (1 3/16")	23	4
	SOLENOID SCREW	15	5	16-64281	STUD	23	5
13-26993	LOCKWASHER, REAR			16-64282	STUD	23	8
	BRACKET SCREW	3	26	16-69037	STUD, CARBURETOR -		
					CHOKE SHUTTER PIVOT	15	26

PARTS INDEX

Part Number	Description	Pg.	Ref. No.	Part Number	Description	Pg.	Ref. No.
16-87643	STUD	35	6	22-73318	TEE, FUEL LINE	21	23
17-20032	DOWEL PIN, CENTER MAIN BEARING	27	8	22-74036	FITTING GREASE - SWIVEL BRACKET	33	7
17-20032	DOWEL PIN, MAIN BEARING	27	16	22-74036	GREASE FITTING, TRIM CYLINDER	53	2
17-20033	PIN, DOWEL - CRANKCASE TO CYLINDER BLOCK	23	6	22-78279	ELBOW, TELL TALE HOSE TO CYLINDER BLOCK	29	16
17-23784	DOWEL PIN, DRIVE SHAFT HOUSING PLATE	31	17	22-85578	TEE, BALANCE HOSE	23	30
17-23784	DOWEL PIN, EXHAUST EXTENSION PLATE	31	6	22-85822A1	CONNECTOR ASSEMBLY, SPEEDOMETER	41	1A
17-29077	ROLL PIN, TENSION SPRING TO KNOB	5	6	23-26600	BUSHING, SHIFT SHAFT	29	18
17-30632	PIN, CROSS - RATCHET TO PROPELLER SHAFT	45	58	23-26856	BUSHING, SWIVEL	9	12
17-35973	DOWEL PIN	41	19	23-26856	BUSHING, SWIVEL	9	35
17-38311	PIN, COIL SPRING MOUNTING	37	37	23-27132	BUSHING, NYLON - EXHAUST EXTENSION PLATE	31	2
17-46912	DOWEL PIN, GEAR HOUSING LOCATING	41	2	23-28198	BUSHING, UPPER - SHOCK ABSORBER (LOWER)	35	33
17-47175	PIN, LOCKING LEVER AND COVER FASTENING	29	27	23-28688	SPACER, RUBBER - COIL SPRING POSITIONING	37	38
17-47246	DOWEL PIN, STEPPED	27	12	23-29804	SLEEVE, GUIDE - WATER INLET TUBE	41	36
17-49930A1	TILT LOCK PIN ASSEMBLY	35	10	23-32171	BUSHING, RUBBER - SHOCK ABSORBER (UPPER)	35	32
17-58998	PIN, ROLL - COWL LATCH LEVER TO HINGE	3	12	23-32427	SPACER, CHOKE ROD SPRING STUD	15	34
17-63779	PIN, DOWEL - CYLINDER BLOCK TO MAIN BEARING	23	7	23-35977	GROMMET, RUBBER - LIFT HOSE AND TRIM HOSE	55	46
17-73593A2	SWIVEL PIN AND ARM ASSEMBLY	33	14	23-45280	SPACER, TRIM CYLINDER - LOWER	53	7
18-25191	COTTER PIN, PUSH ROD PIN	39	19	23-45281	BUSHING, RUBBER - TRIM CYLINDER	53	8
18-36391	COTTER PIN, MOUNTING TUBE PIN	55	51	23-45354	BUSHING, RUBBER - CUT-OUT LIMIT SWITCH	53	32
18-45882	COTTER PIN, REVERSE LOCK TO SHAFT	35	25	23-45818	BUSHING, THROTTLE LEVER SCREW	9	4
18-45882	COTTER PIN, TILT PIN RETAINING	55	52	23-56774	SPACER, STARTER MOTOR	7	13
18-47959	COTTER PIN, TILT LOCK	35	17	23-69341	BUSHING, SWIVEL BRACKET	33	3
19-45907	PLUG, FLYWHEEL	7	1	23-70412	SPACER, BALL BEARING TO BASE	41	11
19-64649	PLUG, PLASTIC - TRIM TAB SCREW HOLE	39	3	23-74213	SWIVEL, LINK ROD TO THROTTLE CAM	9	17
21-30430A10	CHECK VALVE ASSEMBLY	21	2	23-77631A2	BUSHING ASSEMBLY, SHIFT SHAFT	43	42
21-77560	CHECK VALVE, BLEED HOSE - UPPER	23	25	23-87642	SPACER, TRANSOM BRACKET STUD	35	5
21-77561	CHECK VALVE, BLEED HOSE - LOWER	23	27	23-89117	BUSHING, UPPER SHOCK MOUNTING PIN	35	15
22-25885	ELBOW, BALANCE HOSE	23	28	23-90224	SPACER, SWITCH BOX SCREW	11	33
22-46008	PLUG, CONTROL VALVE (1/2-20")	49	17	24-20099	SPRING, LINK ROD TO GUIDE BLOCK	29	31
22-63981	ELBOW, FUEL LINE TO ADAPTOR	21	27	24-23067	SPRING, ADAPTOR STEM	21	30
22-64704	FITTING, ELBOW - LOWER CARBURETOR	21	25	24-24390	SPRING, TENSION - ADJUSTING STUD	53	24
22-64704	FITTING, ELBOW - UPPER CARBURETOR	21	22	24-28659	SPRING, COIL - SWIVEL BRACKET	37	36
22-64704	FITTING, FUEL OUTLET	21	19	24-30622	SPRING, COMPRESSION - CAM FOLLOWER	45	52
22-64706	FITTING, TEE - CENTER CARBURETOR	21	24				
22-67892	PLUG, DRAIN (MAGNETIC)	43	47				

PARTS INDEX

Part Number	Description	Pg.	Ref. No.	Part Number	Description	Pg.	Ref. No.
24-30772	SPRING, TENSION - FASTENING KNOB	5	5	26-70608	OIL SEAL, PORT MOUNTING BRACKET	53	10
24-30893	SPRING, RETAINING - CROSS PIN	45	59	26-76384	OIL SEAL, SHIFT SHAFT BUSHING	43	43
24-35522	SPRING, TENSION - LOWER MOUNT CLAMP	39	35	26-76868	OIL SEAL, BEARING CARRIER	45	66
24-45272	SPRING, TENSION - LIMIT SWITCH PLUNGER	53	12	27-32433	GASKET, LOWER	41	20
24-48230	SPRING, CHOKE ROD TENSION	15	32	27-32434	GASKET, UPPER	41	22
24-57818	SPRING, UPPER FILTER SCREEN SCREW	15	30	27-33146	GASKET, WATER PUMP BASE	41	14
24-78203A1	SPRING ASSEMBLY, REVERSE LOCK	35	23	27-48164	GASKET, CARBURETOR FLANGE	19	34
24-85442	SPRING, TORSION - SHAFT	9	20	27-53862	GASKET, CRANKCASE TO CYLINDER BLOCK	23	2
25-20116	GROMMET, CHOKE ROD	15	18	27-60476	GASKET, CYLINDER BLOCK TO BAFFLE PLATE	25	17
25-20415	"O" RING, ADAPTOR STEM	21	31	27-60477	GASKET	25	19
25-21720	"O" RING, HYDRAULIC PUMP	47	1	27-62362	GASKET	31	18
25-25439	"O" RING, SHIFT SHAFT BUSHING	43	41	27-64940	GASKET, CYLINDER BLOCK COVER	25	24
25-29976	"O" RING, BEARING CARRIER	45	63	27-66102	GASKET, PLATE TO DRIVE SHAFT HSG. PLATE	31	11
25-30271	RING, RUBBER	41	35	27-69238	GASKET, POWERHEAD TO EXTENSION PLATE	31	7
25-32546	"O" RING, END CAP	25	10	27-72142	GASKET, WATER JACKET COVER	25	14
25-33145	"O" RING, WATER PUMP BASE	41	15	27-85653	GASKET, TRANSFER PORT COVER	25	31
25-45016	"O" RING, TRIM CYLINDER BLEED SCREW	53	4	27-85653A79	GASKET SET	1	-
25-45253	"O" RING	49	13	27-85653A79	GASKET SET	19	-
25-45254	"O" RING	49	11	27-85653A79	GASKET SET	21	-
25-45507	GROMMET, RUBBER - INLET COVER	53	40	27-85653A79	GASKET SET	23	-
25-47254	"O" RING	25	4	27-85653A79	GASKET SET	25	-
25-48171	"O" RING	49	12	27-85653A79	GASKET SET	27	--
25-48171	"O" RING, HYDRAULIC PUMP TO MANIFOLD PLATE	49	2	27-85653A79	GASKET SET	31	-
25-48171	"O" RING, PUMP TO MANIFOLD PLATE (SEE REF. #2)	49	--	27-85653A79	GASKET SET	43	-
25-57806	GROMMET, PLASTIC - TRIM COVER SCREW	39	6A	27-87775	GASKET SET	45	-
25-62702	"O" RING, TILT LOCK	35	20	27-89273	GASKET, INLET COVER	53	39
26-22734	OIL SEAL, SWIVEL BRACKET (TILT LOCK)	35	18	28-30281	GASKET, LIMIT SWITCH COVER	53	35
26-29476	OIL SEAL, END CAP	25	3	28-56654	KEY, LOCATING - BEARING CARRIER	45	67
26-29476	OIL SEAL, END CAP	25	9	28-89694	KEY, IMPELLER DRIVE	41	28
26-31489	OIL SEAL, WATER PUMP BASE	41	17	29-47270	KEY, THROTTLE COUPLING BEARING, NEEDLE - PISTON PIN	15	12
26-31507	OIL SEAL, WATER PUMP BASE	41	18	29-52168	BEARING, NEEDLE - PISTON PIN	27	30
26-37448	OIL SEAL, SWIVEL BRACKET	33	5	30-62567	BEARING, NEEDLE - OUTER RACE	27	9
26-38970	SEAL, RUBBER - WATER INLET TUBE	31	16	30-63742	BEARING, BALL - UPPER	27	3
26-38970	SEAL, RUBBER - WATER INLET TUBE	41	26	31-30894A1	BEARING, BALL - LOWER	27	4
26-55682A1	SEAL REPAIR KIT	43	-	31-30895	TAPERED ROLLER BEARING ASSEMBLY	45	54
				31-30895	BEARING, ROLLER - FORWARD GEAR	45	55
				31-30956	BEARING, ROLLER - BEARING CARRIER	45	65
				31-32898	BEARING, ROLLER - DRIVE SHAFT	41	7
				31-62596A1	BEARING ASSEMBLY, CRANKPIN	27	27

PARTS INDEX

Part Number	Description	Pg.	Ref. No.	Part Number	Description	Pg.	Ref. No.
31-69220	ROLLER BEARING, DRIVE SHAFT	41	12	53-73591	RETAINING RING, BOTTOM YOKE ATTACHING	33	16A
32-34395A1	HOSE, BALANCE - MAIN BEARING (6 1/4")	23	29	54-61001	CLAMP, TRIGGER HARNESS	7	10
32-34395A1	HOSE, DRIP TRAY TO BOTTOM COWL (8")	29	5	54-63153	CLIP, HARNESS TO COIL COVER	13	48
32-34395A1	HOSE, TELL TALE	29	13	54-68424	CLAMP, FUEL LINE ATTACHING	21	21
32-54935-76	HOSE, BLEED (22")	23	26	54-88608	CLAMP, WIRING HARNESS	11	21
32-60897	TUBE, WATER INLET	39	7	55-28414	PIN, LOWER SHOCK MOUNTING	35	27
32-70432	FUEL LINE, ADAPTOR TO FUEL PUMP (11")	21	26	55-58780A2	SHOCK ABSORBER	35	30
32-70432	FUEL LINE, FUEL PUMP TO CARBURETOR	21	20	84-60466A1	CABLE ASSEMBLY, IGNITION COIL (BLACK)	13	42
32-88005	HOSE	55	44	84-60871A10	WIRE ASSEMBLY, SWITCH BOX	11	34
32-88006	HOSE	55	45	84-62310A3	CABLE ASS'Y	11	36
33-68057	SPARK PLUG (CHAMPION#L76-V)	13	46	84-66008A1	WIRE ASSEMBLY	7	15
34-65312A1	REED SET, MATCHED - MAIN BEARING	27	19	84-73451A8	CABLE, HIGH TENSION	13	43
34-65319	REED STOP, MAIN BEARING REED VALVES	27	20	84-73453	WIRE ASSEMBLY	7	17
35-57819	SCREEN ASSEMBLY, FILTER - CARBURETOR	15	28	84-74023A1	CONNECTOR AND HARNESS	49	18
35-59072	SCREEN, FUEL INLET	21	8	84-85537A1	HARNESS ASSEMBLY	13	47
37-89337A80	DECAL SET	1	-	84-85537A2	HARNESS ASSEMBLY	13	47
39-78811A12	RING, PISTON (.015 OVERSIZE)	27	--	84-88439A3	BATTERY CABLE ASSEMBLY (POSITIVE)	11	19
39-78816A12	RING, PISTON	27	25	84-88439A4	BATTERY CABLE ASSEMBLY (NEGATIVE)	11	19
40-52035	LOCK RING, PISTON PIN	27	24	84-89564A1	WIRING HARNESS (INTERNAL)	11	20
43-68447A1	FORWARD GEAR	45	56	85-71006A1	PROTECTOR, HIGH TENSION CABLE	13	45
43-68548	GEAR, PINION - DRIVE SHAFT	41	9	87-33386A3	SWITCH ASSEMBLY, MERCURY	11	4
43-76250	REVERSE GEAR	45	61	89-68258	STARTER SOLENOID	49	28
44-52542	SHAFT, PROPELLER	45	60	89-76545	SOLENOID, STARTER	11	10
45-69251	DRIVE SHAFT	41	8	90-92215	MERC 140 PARTS LIST	1	-
46-64141A1	WATER PUMP BODY ASSEMBLY	41	23	248-5977A28	FLYWHEEL ASSEMBLY, COMP.	7	4
46-73804A1	WATER PUMP BASE ASSEMBLY	41	16	332-2854	BOOT, HIGH TENSION CABLE	13	44
46-73804A3	WATER PUMP REPAIR KIT	43	-	332-7778A3	SWITCH BOX ASSEMBLY	11	31
47-65960	IMPELLER, WATER PUMP	41	27	339-7370A2	COIL ASSEMBLY, IGNITION	11	38
48-77338A4	PROPELLER ASSEMBLY (ALUMINUM)(PITCH 11')	58	-	392-2529	SPRING SET, BRUSH TENSION	47	16
48-77340A4	PROPELLER ASSEMBLY (ALUMINUM)(PITCH 13")	58	-	392-2618	CAN, VALVE BODY	47	3
48-77342A4	PROPELLER ASSEMBLY (ALUMINUM)(PITCH 15")	58	-	392-2623	WASHER, THRUST - ARMATURE	47	10
48-77344A4	PROPELLER ASSEMBLY (ALUMINUM)(PITCH 17")	58	-	392-2936	VALVE BODY AND GEAR ASSEMBLY	47	2
48-77346A4	PROPELLER ASSEMBLY (ALUMINUM)(PITCH 19")	58	-	392-2937	SEAL, RESERVOIR TO VALVE BODY AND GEAR	47	5
48-77348A4	PROPELLER ASSEMBLY (ALUMINUM)(PITCH 21")	58	-	392-2938	BOLT SET	47	17
48-77350A4	PROPELLER ASSEMBLY (ALUMINUM)(PITCH 23")	58	-	392-2939	RESERVOIR ASSEMBLY	47	6
50-72467	STARTER MOTOR	7	11	392-2940	PLATE ASSEMBLY, COMMUTATOR END	47	14
52-34239	RATCHET, SLIDING GEAR	45	57	392-2941	BRUSH SET, COMMUTATOR END PLATE	47	15
53-26933	RING, SNAP - OUTER RACE	27	11	392-2942	FIELD AND FRAME ASSEMBLY	47	12
53-29641	"E" RING, RETAINING - SHIFT SHAFT	43	40				

PARTS INDEX

Part Number	Description	Pg.	Ref. No.	Part Number	Description	Pg.	Ref. No.
392-2944	BALL, COMMUTATOR END PLATE	47	13	1482-7670A5	SWIVEL BRACKET ASSEMBLY	33	1
398-5454A8	STATOR ASSEMBLY	7	7	1496-75225	TRANSOM BRACKETD LOWER SHOCK PIN	35	1
436-6646A2	CRANKSHAFT ASSEMBLY	27	1	1573-5239A4	DRIVE SHAFT HOUSING ASSEMBLY	39	1
535-5397A4	CENTER MAIN BEARING ASSEMBLY	27	7	1655-7333A23	GEAR HOUSING ASS'Y	41	1
540-5266A4	MAIN BEARING ASSEMBLY, VALVE TYPE	27	15	1655-7333A23	GEAR HOUSING ASS'Y	45	1
622-4850A3	CONNECTING ROD AND CAP ASSEMBLY	27	26	1655-7333A45	GEAR HOUSING ASS'Y COMP. (SEE NOTE BELOW)	41	-
745-6637A3	PISTON AND PISTON PIN ASSEMBLY	27	23	1655-7333A45	GEAR HOUSING ASS'Y, COMP. (SEE NOTE BELOW)	45	-
745-6694A2	PISTON AND PISTON PIN ASSEMBLY (.015 OVERSIZE)	27	--	2113-5631A4	COWL FRONT COVER ASSEMBLY	5	1
852-7739A3	CYLINDER BLOCK AND CRANKCASE ASSEMBLY	23	1	2114-5999	COWL TOP (WITHOUT DECALS)	3	1
852-7739A3	CYLINDER BLOCK AND CRANKCASE ASSEMBLY	25	1	2115-7719A1	COWL, BOTTOM	29	1
1023-5070	COVER, CYLINDER BLOCK	25	23	2136-4660A4	WRAP AROUND COWL ASSEMBLY	5	11
1148-5410A1	END CAP ASSEMBLY, LOWER	25	7				
1161-7616A2	END CAP ASSEMBLY	25	2				
1368-7466A1	CARBURETOR ASSEMBLY (TOP)	15	9				
1368-7466A1	CARBURETOR ASSEMBLY (TOP)	17	1				
1368-7466A3	CARBURETOR ASSEMBLY (CENTER/BOTTOM)	15	9				
1368-7466A3	CARBURETOR ASSEMBLY (CENTER/BOTTOM)	17	1				
1395-4540	SCREW, BODY (IDLE TUBE)	17	21				
1395-4541	SCREW, PLUG - MAIN FUEL JET CHANNEL	17	29				
1395-4542	SCREW, PLUG - MAIN NOZZLE	17	27				
1395-4543	SCREW, BODY CHANNEL	17	32				
1395-4804	SCREW, FLOAT BOWL COVER	17	14				
1395-4808	GASKET AND PACKING SET (1 PER CARBURETOR)	19	--				
1395-5353	FLOAT ASSEMBLY	17	2				
1395-5680	COVER, FLOAT BOWL	17	10				
1395-5734	HOSE, ECONOMIZER	17	12				
1395-6029	JET, MAIN FUEL (.068)	17	28				
1395-6030	JET, MAIN FUEL (.070)	17	28				
1395-6207	JET MAIN FUEL (.072)	17	28				
1395-6247	JET, BOWL VENT (.090)	17	11				
1395-7297	INLET NEEDLE, SEAT AND GASKET	17	6				
1395-7614	SHAFT, THROTTLE (TOP)	17	19				
1395-7639	SHUTTER, THROTTLE	17	22				
1395-7662	REPAIR PARTS KIT (1 PER CARBURETOR)	19	--				
1399-3527	SHAFT, THROTTLE (CENTER/BOTTOM)	17	19				
1399-3794	JET, MAIN FUEL (.074) - STANDARD	17	28				
1399-97	LEVER, THROTTLE (SEE NOTE BELOW)	17	17				